

# PARTS MANUAL



## MODEL QP205SH

**HIGH PRESSURE**

**CENTRIFUGAL PUMP**

**(HONDA GX160K1TX2/GX160U1TX2/GX160UT2TX2  
GASOLINE ENGINE)**

Revision #5 (05/20/20)



THIS MANUAL MUST ACCOMPANY THE EQUIPMENT AT ALL TIMES.

# PARTS FINDER

**Search Website  
by Part Number**



**Search Manual  
Library For Parts  
Manual & Lookup Part  
Numbers – Purchase  
or Request Quote**

**Search Manuals**

Enter your information to help us find the right parts manual for your machine.

\* Brand:

\* Model:

\* Serial:

\* Part Number:

SEARCH

**Can't Find Part or  
Manual? Request Help  
by Manufacturer,  
Model & Description**

**Parts Order Form**

Please fill in the following information to help us find the right part for your machine.

Manufacturer:	<input type="text"/>
Model:	<input type="text"/>
Description:	<input type="text"/>
Part Number:	<input type="text"/>
Quantity:	<input type="text"/>
Notes:	<input type="text"/>

Submit

Discount-Equipment.com is your online resource for quality parts & equipment.

Florida: **561-964-4949** Outside Florida TOLL FREE: **877-690-3101**

**Need parts?**

Click on this link: <http://www.discount-equipment.com/category/5443-parts/> and choose one of the options to help get the right parts and equipment you are looking for. Please have the machine model and serial number available in order to help us get you the correct parts. If you don't find the part on the website or on one of the online manuals, please fill out the request form and one of our experienced staff members will get back to you with a quote for the right part that your machine needs.

We sell worldwide for the brands: Genie, Terex, JLG, MultiQuip, Mikasa, Essick, Whiteman, Mayco, Toro Stone, Diamond Products, Generac Magnum, Airman, Haulotte, Barreto, Power Blanket, Nifty Lift, Atlas Copco, Chicago Pneumatic, Allmand, Miller Curber, Skyjack, Lull, Skytrak, Tsurumi, Husquvarna Target, Stow, Wacker, Sakai, Mi-T-M, Sullair, Basic, Dynapac, MBW, Weber, Bartell, Bennar Newman, Haulotte, Ditch Runner, Menegotti, Morrison, Contec, Buddy, Crown, Edco, Wyco, Bomag, Laymor, EZ Trench, Bil-Jax, F.S. Curtis, Gehl Pavers, Heli, Honda, ICS/PowerGrit, IHI, Partner, Imer, Clipper, MMD, Koshin, Rice, CH&E, General Equipment, Amida, Coleman, NAC, Gradall, Square Shooter, Kent, Stanley, Tamco, Toku, Hatz, Kohler, Robin, Wisconsin, Northrock, Oztec, Toker TK, Rol-Air, APT, Wylie, Ingersoll Rand / Doosan, Innovatech, Con X, Ammann, Mecalac, Makinex, Smith Surface Prep, Small Line, Wanco, Yanmar

**QP205SH Centrifugal Pump**

Explanation of Code in Remarks Column..... 4

Suggested Spare Parts ..... 5

**Component Drawings**

Pump Assembly..... 6-7

Engine Service Parts..... 8-9

**NOTICE**

Specifications and part numbers are subject to change without notice.

Go to [Discount-Equipment.com](http://Discount-Equipment.com) to order your parts

# EXPLANATION OF CODE IN REMARKS COLUMN

The following section explains the different symbols and remarks used in the Parts section of this manual. Use the help numbers found on the back page of the manual if there are any questions.

## NOTICE

The contents and part numbers listed in the parts section are subject to change **without notice**. Multiquip does not guarantee the availability of the parts listed.

## SAMPLE PARTS LIST

NO.	PART NO.	PART NAME	QTY.	REMARKS
1	12345	BOLT .....	1	INCLUDES ITEMS W/%
2%		WASHER, 1/4 IN. ....		NOT SOLD SEPARATELY
2%	12347	WASHER, 3/8 IN. ...	1	MQ-45T ONLY
3	12348	HOSE .....	A/R	MAKE LOCALLY
4	12349	BEARING .....	1	S/N 2345B AND ABOVE

## NO. Column

**Unique Symbols** — All items with same unique symbol (@, #, +, %, or >) in the number column belong to the same assembly or kit, which is indicated by a note in the “Remarks” column.

**Duplicate Item Numbers** — Duplicate numbers indicate multiple part numbers, which are in effect for the same general item, such as different size saw blade guards in use or a part that has been updated on newer versions of the same machine.

## NOTICE

When ordering a part that has more than one item number listed, check the remarks column for help in determining the proper part to order.

## PART NO. Column

**Numbers Used** — Part numbers can be indicated by a number, a blank entry, or TBD.

TBD (To Be Determined) is generally used to show a part that has not been assigned a formal part number at the time of publication.

A blank entry generally indicates that the item is not sold separately or is not sold by Multiquip. Other entries will be clarified in the “Remarks” Column.

## QTY. Column

**Numbers Used** — Item quantity can be indicated by a number, a blank entry, or A/R.

A/R (As Required) is generally used for hoses or other parts that are sold in bulk and cut to length.

A blank entry generally indicates that the item is not sold separately. Other entries will be clarified in the “Remarks” Column.

## REMARKS Column

Some of the most common notes found in the “Remarks” Column are listed below. Other additional notes needed to describe the item can also be shown.

**Assembly/Kit** — All items on the parts list with the same unique symbol will be included when this item is purchased.

Indicated by:

“INCLUDES ITEMS W/(unique symbol)”

**Serial Number Break** — Used to list an effective serial number range where a particular part is used.

Indicated by:

“S/N XXXXX AND BELOW”

“S/N XXXX AND ABOVE”

“S/N XXXX TO S/N XXX”

**Specific Model Number Use** — Indicates that the part is used only with the specific model number or model number variant listed. It can also be used to show a part is NOT used on a specific model or model number variant.

Indicated by:

“XXXXX ONLY”

“NOT USED ON XXXX”

**“Make/Obtain Locally”** — Indicates that the part can be purchased at any hardware shop or made out of available items. Examples include battery cables, shims, and certain washers and nuts.

**“Not Sold Separately”** — Indicates that an item cannot be purchased as a separate item and is either part of an assembly/kit that can be purchased, or is not available for sale through Multiquip.

## SUGGESTED SPARE PARTS

### QP205SH CENTRIFUGAL PUMP WITH HONDA GX160K1TX2/GX160U1TX2/GX160UT2TX2 ENGINES

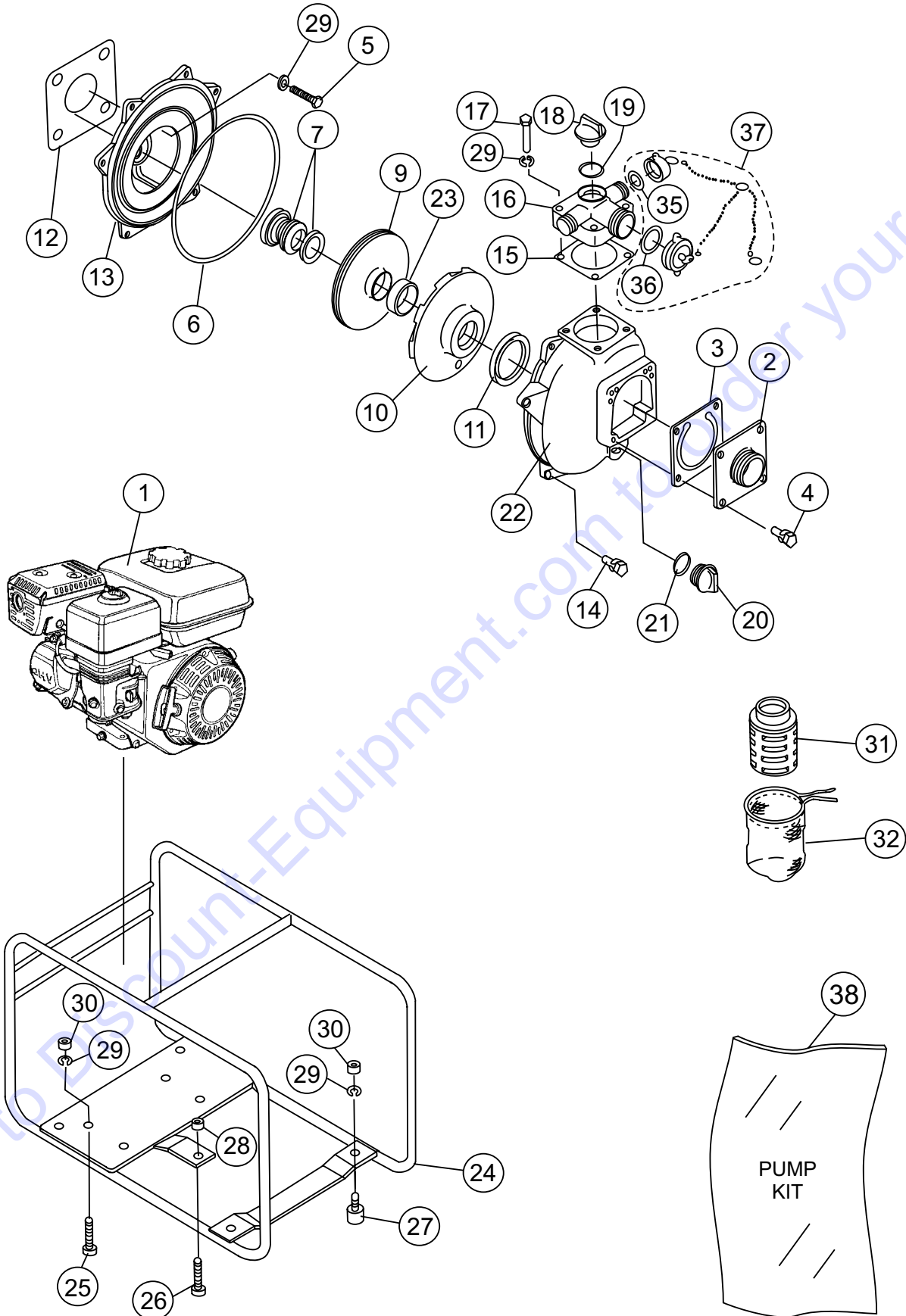
1 to 3 units

Qty.	P/N	Description
2	KIT202TH	KIT, PUMP, MECHANICAL SEAL, O-RINGS
2	.0631211100	DRAIN CAP, FLOODING
2	.0480350300	O-RING DRAIN CAP
1	.0811582543	MECHANICAL SEAL SLEEVE
1	.0480240160	O-RING, MECHANICAL SEAL SLEEVE
1	.1841040030	IMPELLER
2	.17210ZE1822	ELEMENT, AIR CLEANER
2	.9807955846	SPARK PLUG (GX160K1TX2/GX160U1TX2)
2	.9807955876	SPARK PLUG (GX160UT2TX2)
3	.28462ZH8003	ROPE, RECOIL STARTER
1	.17620ZOT305	CAP, WITH GASKET, FUEL FILLER (GX160K1TX2/GX160U1TX2)
1	.17620Z4H020	CAP, WITH GASKET, FUEL FILLER (GX160K1TX2/GX160U1TX2)

#### NOTICE

Part numbers on this Suggested Spare Parts list may supersede/replace the part numbers shown in the following parts lists.

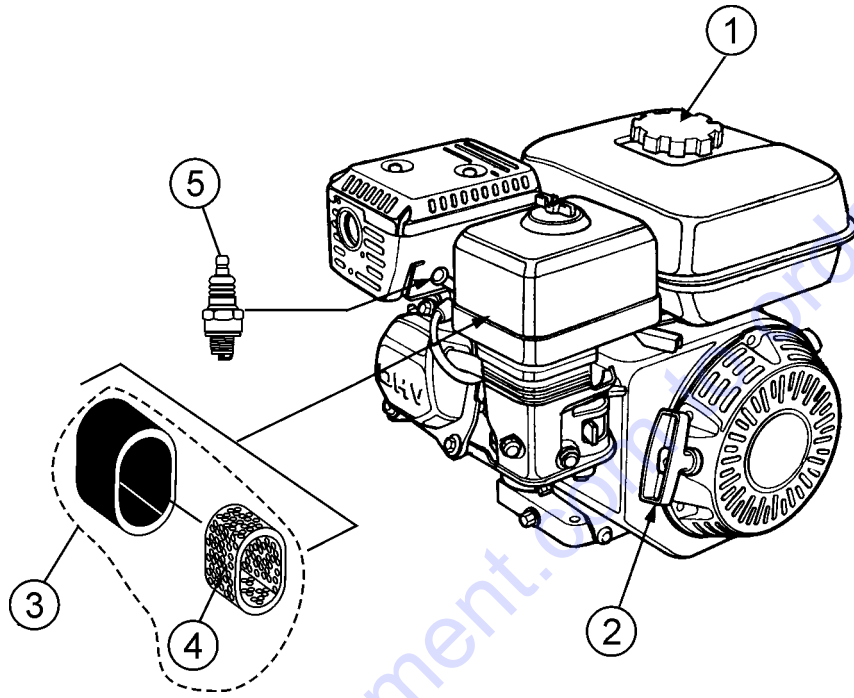
# PUMP ASSEMBLY



## PUMP ASSEMBLY

NO.	PART NO.	PART NAME	QTY.	REMARKS
1	GX160UT2TX2	ENGINE, HONDA .....	1.....	REPLACES GX160K1/U1TX2
2	1814100160	SUCTION COVER, NPT 2"	1	
3	1378350350	CHECK VALVE	1	
4	0181050825	BOLT SET WITH SPRING WASHER (SUCTION COVER), M8 X 25	4	
5	0191150525	BOLT (CASING COVER), 5/16" X 24UNFx25	4	
6*	0489352550	O'RING (CASING), 3.5 X 255	1	
7*	0803112320	MECHANICAL SEAL, HJ MNL-12	1 SET	
9	1814060031	IMPELLER, 5/8-18" UNF .....	1.....	REPLACES 1814060030
10	1803100130	VOLUTE CASING	1	
11*	1378330620	VOLUTE CASING PACKING	1	
12	1211390610	CASING COVER PACKING, 84 X 84 .....	1.....	REPLACES 1201390610
13	9358100020	CASING COVER	1	
14	0181050825	BOLT SET WITH SPRING WASHER (CASING), M8 X 25	6	
15	1803330360	DELIVERY COVER PACKING	1	
16	1814100090	DELIVERY COVER (3 WAY OUTLET).....	1.....	S/N 3643 AND BELOW
16	1814100091	DELIVERY COVER (3 WAY OUTLET).....	1.....	S/N 3644 AND ABOVE
17	0105050845	BOLT (DELIVERY CAP), M8 X 45 .....	4 .....	S/N 3643 AND BELOW
17	0105050840	BOLT (DELIVERY CAP), M8 X 40 .....	4.....	S/N 3644 AND ABOVE
18	0631211100	FLOODING CAP, PF 1"	1	
19	0480350300	O'RING (FLOODING CAP), P30	1	
20	0631211100	DRAIN CAP, PF 1"	1	
21	0480350300	O'RING (DRAIN CAP), P30	1	
22	1814100010	CASING	1	
23*	1803521220	LINER RING .....	1.....	S/N 3720 AND BELOW
23*	1803521221	LINER RING .....	1.....	S/N 3721 AND ABOVE
24	1381214010P002	BASE	1	
25	0105050840	BOLT (ENGINE), M8 X 40	4	
26	0181050820	BOLT SET WITH SPRING WASHER (PUMP), M8x20	1	
27	0723323040	CUSHION RUBBER, 40H30M8	4	
28	0205450080	NUT (PUMP)	1	
29	0451250080	SPRING WASHER, M8	8	
30	0209150080	NUT, FLANGE	8	
30-1	0205430080	NUT, PUMP	1	
31	0742303050	STRAINER, NPT 2"	1	
32	0920312013	NYLON NET	1	
35#		CHAIN CAP PACKING (LARGE 1-1/2")	1	
36#		CHAIN CAP PACKING (SMALL 1")	1	
37	1814209660ASSY	BALL CHAIN WITH CAP ASSY .....	1.....	INCLUDES ITEMS W/ #
38	KIT205	KIT, PUMP .....	1.....	INCLUDES ITEMS W/ *

# ENGINE SERVICE PARTS





## ENGINE SERVICE PARTS

<u>NO.</u>	<u>PART NO.</u>	<u>PART NAME</u>	<u>QTY.</u>	<u>REMARKS</u>
1	17620ZOT305	CAP, WITH GASKET, FUEL FILLER.....	1.....	GX160K1TX2/GX160U1TX2
1	17620Z4H020	CAP, WITH GASKET, FUEL FILLER.....	1.....	GX160K1TX2/GX160U1TX2
2	28462ZH8003	ROPE, RECOIL STARTER	1	
3	17210ZE1822	ELEMENT, AIR CLEANER .....	1.....	INCLUDES ITEM W/ #
4#	17218ZE1507	FILTER, OUTER	1	
5	9807955846	SPARK PLUG .....	1.....	GX160K1TX2/GX160U1TX2
5	9807955876	SPARK PLUG .....	1.....	GX160UT2TX2

Go to Discount-Equipment.com to order your parts

# PARTS FINDER

**Search Website  
by Part Number**



**Search Manual  
Library For Parts  
Manual & Lookup Part  
Numbers – Purchase  
or Request Quote**

**Search Manuals**

Enter your information to help us find the right parts manual for your machine.

\* Brand:

\* Model:

\* Serial:

\* Part Number:

SEARCH

**Can't Find Part or  
Manual? Request Help  
by Manufacturer,  
Model & Description**

**Parts Order Form**

Please fill in the following information to help us find the right part for your machine.

Manufacturer:	<input type="text"/>
Model:	<input type="text"/>
Description:	<input type="text"/>
Part Number:	<input type="text"/>
Quantity:	<input type="text"/>
Notes:	<input type="text"/>

Submit

Discount-Equipment.com is your online resource for quality parts & equipment.

Florida: **561-964-4949** Outside Florida TOLL FREE: **877-690-3101**

**Need parts?**

Click on this link: <http://www.discount-equipment.com/category/5443-parts/> and choose one of the options to help get the right parts and equipment you are looking for. Please have the machine model and serial number available in order to help us get you the correct parts. If you don't find the part on the website or on one of the online manuals, please fill out the request form and one of our experienced staff members will get back to you with a quote for the right part that your machine needs.

We sell worldwide for the brands: Genie, Terex, JLG, MultiQuip, Mikasa, Essick, Whiteman, Mayco, Toro Stone, Diamond Products, Generac Magnum, Airman, Haulotte, Barreto, Power Blanket, Nifty Lift, Atlas Copco, Chicago Pneumatic, Allmand, Miller Curber, Skyjack, Lull, Skytrak, Tsurumi, Husquvarna Target, Stow, Wacker, Sakai, Mi-T-M, Sullair, Basic, Dynapac, MBW, Weber, Bartell, Bennar Newman, Haulotte, Ditch Runner, Menegotti, Morrison, Contec, Buddy, Crown, Edco, Wyco, Bomag, Laymor, EZ Trench, Bil-Jax, F.S. Curtis, Gehl Pavers, Heli, Honda, ICS/PowerGrit, IHI, Partner, Imer, Clipper, MMD, Koshin, Rice, CH&E, General Equipment, Amida, Coleman, NAC, Gradall, Square Shooter, Kent, Stanley, Tamco, Toku, Hatz, Kohler, Robin, Wisconsin, Northrock, Oztec, Toker TK, Rol-Air, APT, Wylie, Ingersoll Rand / Doosan, Innovatech, Con X, Ammann, Mecalac, Makinex, Smith Surface Prep, Small Line, Wanco, Yanmar