

OPERATION AND PARTS MANUAL



MODEL ST41230/ST41460 **MODEL ST61230/ST61460** **SUBMERSIBLE PUMPS**

Revision #3 (05/25/21)



THIS MANUAL MUST ACCOMPANY THE EQUIPMENT AT ALL TIMES.

PARTS FINDER

**Search Website
by Part Number**



**Search Manual
Library For Parts
Manual & Lookup Part
Numbers – Purchase
or Request Quote**

Search Manuals

Enter your information to help us find the right parts manual for your machine.

* Brand:

* Model:

* Serial:

* Part Number:

SEARCH

**Can't Find Part or
Manual? Request Help
by Manufacturer,
Model & Description**

Parts Order Form

Please fill in the following information to help us find the right part for your machine.

Manufacturer:	<input type="text"/>
Model:	<input type="text"/>
Description:	<input type="text"/>
Part Number:	<input type="text"/>
Quantity:	<input type="text"/>
Notes:	<input type="text"/>

Submit

Discount-Equipment.com is your online resource for quality parts & equipment.

Florida: **561-964-4949** Outside Florida TOLL FREE: **877-690-3101**

Need parts?

Click on this link: <http://www.discount-equipment.com/category/5443-parts/> and choose one of the options to help get the right parts and equipment you are looking for. Please have the machine model and serial number available in order to help us get you the correct parts. If you don't find the part on the website or on one of the online manuals, please fill out the request form and one of our experienced staff members will get back to you with a quote for the right part that your machine needs.

We sell worldwide for the brands: Genie, Terex, JLG, MultiQuip, Mikasa, Essick, Whiteman, Mayco, Toro Stone, Diamond Products, Generac Magnum, Airman, Haulotte, Barreto, Power Blanket, Nifty Lift, Atlas Copco, Chicago Pneumatic, Allmand, Miller Curber, Skyjack, Lull, Skytrak, Tsurumi, Husquvarna Target, Stow, Wacker, Sakai, Mi-T-M, Sullair, Basic, Dynapac, MBW, Weber, Bartell, Bennar Newman, Haulotte, Ditch Runner, Menegotti, Morrison, Contec, Buddy, Crown, Edco, Wyco, Bomag, Laymor, EZ Trench, Bil-Jax, F.S. Curtis, Gehl Pavers, Heli, Honda, ICS/PowerGrit, IHI, Partner, Imer, Clipper, MMD, Koshin, Rice, CH&E, General Equipment, Amida, Coleman, NAC, Gradall, Square Shooter, Kent, Stanley, Tamco, Toku, Hatz, Kohler, Robin, Wisconsin, Northrock, Oztec, Toker TK, Rol-Air, APT, Wylie, Ingersoll Rand / Doosan, Innovatech, Con X, Ammann, Mecalac, Makinex, Smith Surface Prep, Small Line, Wanco, Yanmar

PROPOSITION 65 WARNING



Go to Discount-Equipment.com to order your parts

**ST41230/ST41460
ST61230/ST61460
Submersible Pumps**

Proposition 65 Warning 2
Safety Information 4-7
Specifications 8
Dimensions 9
General Information 10
Components 11
Float Switches 12-14
Overload Relay 15
Control Box Installation 16-17
Control Box Power Connections 18
Control Box Wiring Layout (CB126974)..... 20
Control Box Wiring Layout (CB145663)..... 21
Operation 22-23
Maintenance 24-26
Troubleshooting 27
Control Box Wiring Diagram (CB126974)28
Control Box Wiring Diagram (CB145663)29
Explanation Of Codes In Remarks Column 30
Suggested Spare Parts 31

Component Drawings

ST41230/ST41460 Assembly 32-35
ST61230/ST61460 Assembly 36-39

NOTICE

Specifications and part numbers are subject to change without notice.

SAFETY INFORMATION

Do not operate or service the equipment before reading the entire manual. Safety precautions should be followed at all times when operating this equipment. Failure to read and understand the safety messages and operating instructions could result in injury to yourself and others.



SAFETY MESSAGES

The four safety messages shown below will inform you about potential hazards that could injure you or others. The safety messages specifically address the level of exposure to the operator and are preceded by one of four words: **DANGER**, **WARNING**, **CAUTION** or **NOTICE**.

SAFETY SYMBOLS

! **DANGER**

Indicates a hazardous situation which, if not avoided, **WILL** result in **DEATH** or **SERIOUS INJURY**.

! **WARNING**

Indicates a hazardous situation which, if not avoided, **COULD** result in **DEATH** or **SERIOUS INJURY**.





! **CAUTION**

Indicates a hazardous situation which, if not avoided, **COULD** result in **MINOR** or **MODERATE INJURY**.

NOTICE

Addresses practices not related to personal injury.

Potential hazards associated with the operation of this equipment will be referenced with hazard symbols which may appear throughout this manual in conjunction with safety messages.

Symbol	Safety Hazard
	Burn hazards
	Electric shock hazards
	Rotating parts hazards
	Pressurized fluid hazards

SAFETY INFORMATION

GENERAL SAFETY

CAUTION

- **NEVER** operate this equipment without proper protective clothing, shatterproof glasses, respiratory protection, hearing protection, steel-toed boots and other protective devices required by the job or city and state regulations.



- Avoid wearing jewelry or loose fitting clothes that may snag on the controls or moving parts as this can cause serious injury.

- **NEVER** operate this equipment when not feeling well due to fatigue, illness or when under medication.



- **NEVER** operate this equipment under the influence of drugs or alcohol.



- **ALWAYS** clear the work area of any debris, tools, etc. that would constitute a hazard while the equipment is in operation.

- No one other than the operator is to be in the working area when the equipment is in operation.

- **DO NOT** use the equipment for any purpose other than its intended purposes or applications.

NOTICE

- This equipment should only be operated by trained and qualified personnel 18 years of age and older.

- Whenever necessary, replace nameplate, operation and safety decals when they become difficult read.

- Manufacturer does not assume responsibility for any accident due to equipment modifications. Unauthorized equipment modification will void all warranties.

- **NEVER** use accessories or attachments that are not recommended by Multiquip for this equipment. Damage to the equipment and/or injury to user may result.

- **ALWAYS** know the location of the nearest fire extinguisher.



- **ALWAYS** know the location of the nearest first aid kit.



- **ALWAYS** know the location of the nearest phone or **keep a phone on the job site**. Also, know the phone numbers of the nearest **ambulance, doctor and fire department**. This information will be invaluable in the case of an emergency.



SAFETY INFORMATION

PUMP SAFETY

DANGER

- **NEVER** operate the equipment in an explosive atmosphere or near combustible materials. An explosion or fire could result causing severe **bodily harm or even death.**



WARNING

- Accidental starting can cause severe injury or death. **ALWAYS** place the ON/OFF switch in the OFF position.
- **DO NOT** place hands or fingers inside pump when pump is running.
- **NEVER** disconnect any **emergency or safety devices.** These devices are intended for operator safety. Disconnection of these devices can cause severe injury, bodily harm or even death. Disconnection of any of these devices will void all warranties.
- **Risk of Electric Shock** - This pump has not been investigated for use in swimming pool or marine areas.



CAUTION

- **DO NOT** restrict the flow of the discharge hose as it may cause the pump to overheat.
- Be careful of discharge hose whipping under pressure.
- **ALWAYS** check pump oil level only when pump is cool. Expansion due to heat may cause hot oil to spray from the oil plug when the oil plug is removed. The possibility of severe scalding may exist.

NOTICE

- **ALWAYS** place the pump in an upright position on a platform before using. The platform will prevent the pump from burrowing itself on soft sand or mud.
- **NEVER** operate pump on its side.
- **DO NOT** allow the pump to freeze in water.
- **NEVER** leave an open pump chamber unattended.
- **ALWAYS** keep the machine in proper running condition.

- **DO NOT** attempt to thaw out a frozen pump by using a torch or other source of flame. Application of heat in this manner may heat the oil in the seal cavity above the critical point, causing pump damage.

- **DO NOT** pump water with a temperature greater than 140°F (60°C).

- **DO NOT** pump liquids containing acid or alkali.

- **ALWAYS** check strainer before pumping. Make sure strainer is not clogged. Remove any large objects, dirt or debris from the strainer to prevent clogging.

- **ALWAYS** flush pump (clean) after use when pumping water concentrated with heavy debris. It is very important to always flush the pump before turning it off to prevent clogging.

- Fix damage to machine and replace any broken parts immediately.

- **ALWAYS** store equipment properly when it is not being used. Equipment should be stored in a clean, dry location out of the reach of children and unauthorized personnel.

- **NEVER** lubricate components or attempt service on a running machine.

- **NEVER** run pump *dry*.

- **ALWAYS** allow the machine a proper amount of time to cool before servicing.

- Keep machine in proper running condition.

ELECTRICAL SAFETY

DANGER

- The electrical voltage required to operate pump can cause severe injury or even death through physical contact with live circuits. **ALWAYS** disconnect electrical power from pump before performing maintenance on pump.



SAFETY INFORMATION

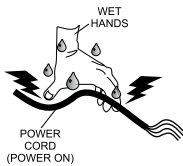
NOTICE

- **ALWAYS** make certain that the voltage supplied to the pump is correct. Always read the pump's nameplate to determine what the power requirements are.

Power Cord/Cable Safety

⚠ DANGER

- **NEVER** stand in water while AC power cord is connected to a live power source.
- **NEVER** use **damaged** or **worn** cables or cords. Inspect for cuts in the insulation.
- **NEVER** grab or touch a live power cord or cable with wet hands. The possibility exists of **electrical shock, electrocution or death.**



- Make sure power cables are securely connected to the motor's output receptacles. Incorrect connections may cause electrical shock and damage to the motor.

⚠ WARNING

- **NEVER** attempt to use the power cord as a lifting or lowering device for the pump.

NOTICE

- **ALWAYS** make certain that proper power or extension cord has been selected for the job. See Cable Selection Chart in this manual.

Grounding Safety

⚠ DANGER

- **ALWAYS** make sure pump is grounded.
- **NEVER** use gas piping as an electrical ground.
- **ALWAYS** make sure that electrical circuits are properly grounded to a suitable earth ground (ground rod) per the National Electrical Code (NEC) and local codes before operating generator. **Severe injury or death by electrocution** can result from operating an ungrounded motor.

Control Box Safety

⚠ DANGER

- **ALWAYS** have a qualified electrician perform the control box installation. The possibility exists of electrical shock or electrocution.

NOTICE

- **ALWAYS** mount control box in a vertical position protected from harsh environmental elements.

LIFTING SAFETY

⚠ CAUTION

- When raising or lowering of the pump is required, always attach an adequate rope or lifting device to the correct lifting point (handle) on the pump.

NOTICE

- **DO NOT** lift machine to unnecessary heights.
- **NEVER** lift the equipment while the electric motor is running.

TRANSPORTING SAFETY

NOTICE

- **ALWAYS** shut down pump before transporting.
- **ALWAYS** tie down equipment during transport by securing the equipment with rope.

ENVIRONMENTAL SAFETY/DECOMMISSIONING

- **DO NOT** pour waste or oil directly onto the ground, down a drain or into any water source.
- Contact your country's Department of Public Works or recycling agency in your area and arrange for proper disposal of any electrical components, waste or oil associated with this equipment.
- When the life cycle of this equipment is over it is recommended that the pump casing and all other metal parts be sent to a recycling center



Metal recycling involves the collection of metal from discarded products and its transformation into raw materials to use in manufacturing a new product.

Recyclers and manufacturers alike promote the process of recycling metal. Using a metal recycling center promotes energy cost savings.

SPECIFICATIONS

Table 1. Specifications

Model	ST41230	ST41460	ST61230	ST61460
Type	Centrifugal	Centrifugal	Centrifugal	Centrifugal
Impeller	Chrome Steel	Chrome Steel	Chrome Steel	Chrome Steel
Discharge Size in. (mm)	4.00 (101)	4.00 (101)	6.00 (152)	6.00 (152)
Max Solids in. (mm)	0.60 in (15.2)			
Maximum Pumping Capacity gallons/min (liters/min.)	423 (1,600)	423 (1,600)	674 (2,450)	674 (2,450)
Max Head ft. (m)	138 ft. (42.1)	138 ft. (42.1)	105 ft. (32.5)	105 ft. (32.5)
Power HP (kW)	10 (7.5)	10 (7.5)	15 (11)	15 (11)
Frequency Hz.	60			
Voltage (Phase)	230 (3Ø)	460 (3Ø)	230 (3Ø)	460 (3Ø)
Starting Amps (Volts)	172.2 (230)	85.8 (460)	258 (230)	129 (460)
Running Amps (Volts)	28.6 (230)	14.3 (460)	43 (230)	21.5 (460)
Maximum Temperature °F (°C)	140°F (60°C)			
Oil Chamber Capacity oz. (cc)	40 (1,200)		47 (1,400)	
Lubrication Oil	ISO VG32 or Equivalent			
Mechanical Seal	See Note 2	See Note 2	See Note 2	See Note 2
Motor Speed RPM	3,600			
Enclosure Protection	IP68			
Insulation Class	F			
Power Cable Length ft. (m)	33 (10)			
Weight lbs. (kg)	205 (93)	205 (93)	301 (137)	301 (137)
Control Box	See Note 3	See Note 3	See Note 3	See Note 3

Note 1:

Motor Rotation – Let pump hang freely from a lifting device. Start and stop pump while observing movement (kick) of pump. If connected correctly the impeller will rotate clockwise (CW) as viewed from above. If pump rotates counterclockwise interchange any two phases from the power source.

Note 2:

Mechanical Seal Oil – Use ISO VG32 lubrication oil, Mobile DTE 24 turbine oil 90 or equivalent. Fill oil chamber 75% to 85% full (allow air space for expansion).

Note 3:

Control Box - For unattended operation, CB1269, CB1274, CB1456, or CB1463 Control Boxes (Table 4) are required. All control boxes provide thermal overload protection.

DIMENSIONS

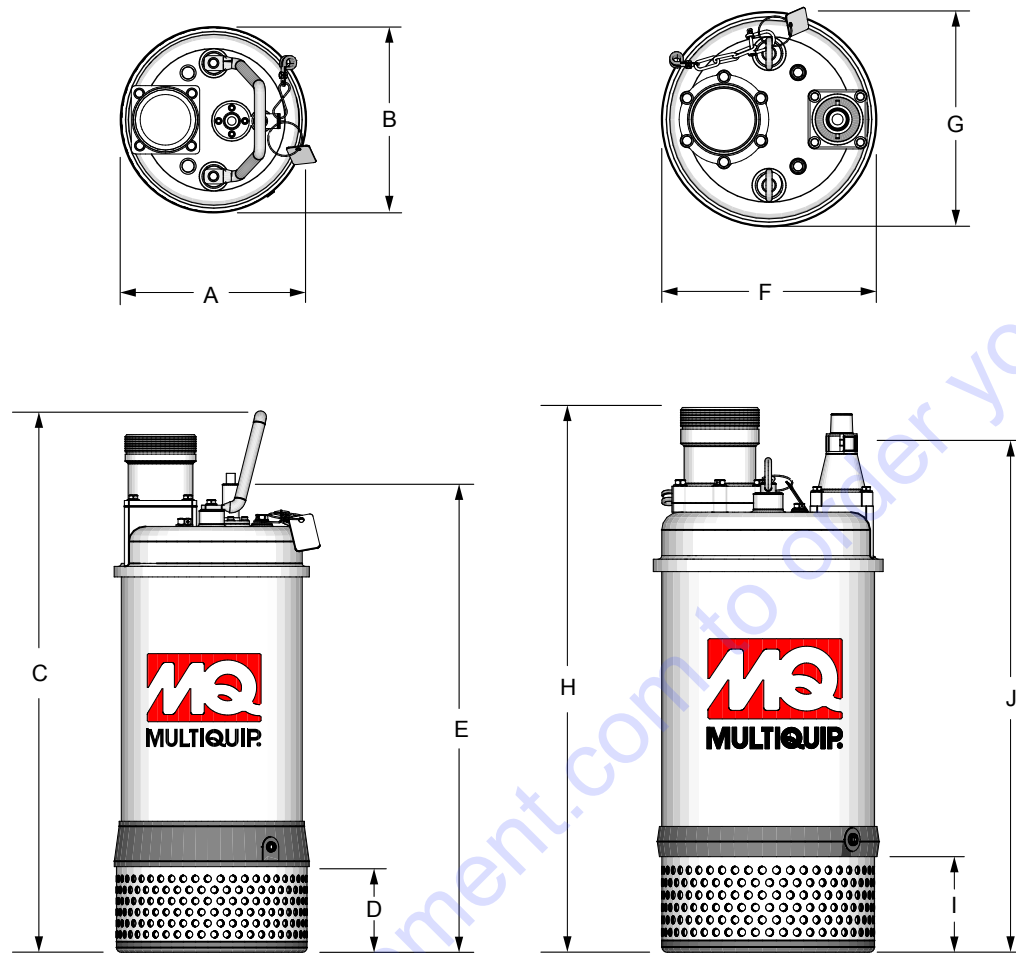


Figure 1. Pump Dimensions

Table 2. Dimensions in. (mm)			
REF. DES.	ST41230/ST4160	REF. DES.	ST61230/ST6160
A	11 (279)	F	14 (356)
B	11 (279)	G	14 (356)
C	32.5 (826)	H	34.75 (883)
D	5.5 (140)	I	5.5 (140)
E	28.25 (718)	J	31.0 (787)

GENERAL INFORMATION

The Multiquip Model ST41230/ST41460 and ST61230/ST61460 submersible pumps are designed to pump water. These pumps work best when faced with high head applications where you need an appreciable flow.

The pumping of flammable, toxic, corrosive, abrasive liquids is strictly forbidden. These pumps are best suited for clear water applications where maximum size of solids (debris) does not exceed 0.6-inches (15.2 mm).

These pumps have a chrome steel body that is very durable and able to withstand rough handling. The ST41230/ST41460 comes with a 4-inch NPT threads for standard hose connections, while the ST61230/ST61460 comes with a 6-inch NPT threads for standard hose connections.

The pumps are designed with an industrial mechanical seal. This seal assembly prevents the water that is being pumped from entering the bearing housing of the pump or simply the area between the motor face and the volute where the shaft passes through. This seal assembly is oil bathed for maximum lubrication and operational longevity.

For unattended pumping operations and water level control, a specially engineered Control Box is available. The Control Box provides safeguards that protect the pump motor from over/under voltage; as well as provide external mechanical Float Switch operations. Multiquip highly recommends the use of selected Control Boxes to provide protection to the motor.

Reference the Serial Plate of the pump before applying power. Ensure that the voltage, phase, and cycles corresponds to the power that will be applied for operations. Allowing incorrect electrical power will severely damage the motor of the pump.

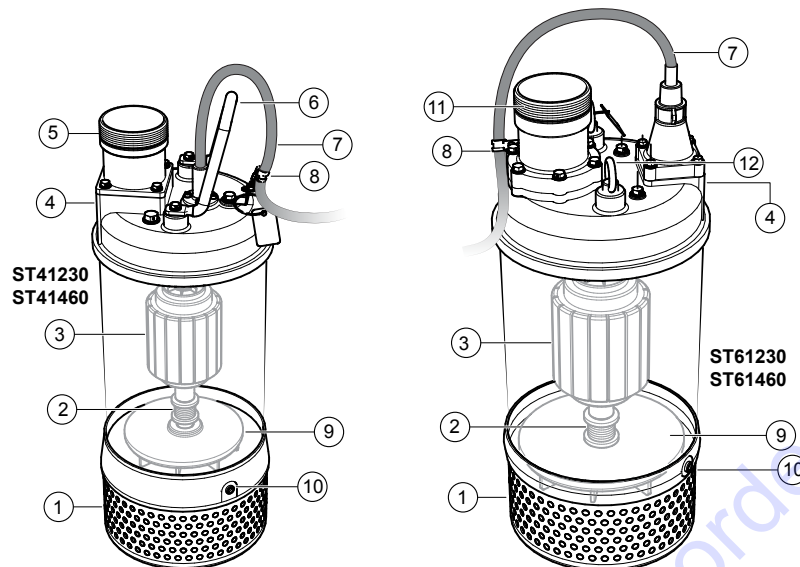


Figure 2. Submersible Pump Components

Figure 2 shows the location of the basic components, for the submersible pumps. Listed below is a brief explanation of each component.

1. **Strainer Base** – This strainer base is made of stainless steel which is resistant to hardware corrosion. For dewatering purposes, always place the strainer base on a platform.
2. **Mechanical Seal** – **NEVER** run the pump dry! The mechanical seal prevents the water that is being pumped from entering the bearing housing of the pump or simply the area between the motor face and the volute where the shaft passes through. This seal assembly is oil bathed.
3. **Electric Motor** – These pumps use either a 230 VAC or 460 VAC, 3Ø, 60 Hz electric motor. Reference Table 1. for the electric motor for your model pump. Consult with a licensed electrician before connecting motor to a power source. Observe all city and local safety codes.
4. **Nameplate** – Provides vital electrical pump information. Always read this tag before applying power to the pump.
5. **Discharge Port** – Connect a 4-inch hose to this port (NPT 4" threads). Remember to adequately support the discharge hose to avoid stress on the pump.
6. **Lifting Handle** – Attach a suitable lifting device to this handle capable of lifting about 200 lbs. (91 kg) **NEVER** lift the pump by its power cord.
7. **AC Power Cable** – These pumps are supplied with a 33 ft. (10 meters) AC power cable. Always check for signs of wear. **NEVER** use a defective power cable or any additional extension cable that does not support the power design of the pump. If extension cords are required, contact an electrician to advise the type that best supports your pump.
8. **AC Power Cable Clamp** – This fasteners helps safeguard random pulling forces or strain against the power cable. **NEVER** raise/lower the pump by power cable.
9. **Impeller** – Impellers are constructed of chrome steel to minimize wear and prolong service life.
10. **Mechanical Seal Oil Plug** – Remove this plug to check and add ISO VG32 lubrication oil, Mobile DTE 24, turbine oil 90 or equivalent to the oil chamber. This oil protects the mechanical seal. Oil chamber should be full enough to cover seal spring.
11. **Discharge Port** – Connect a 6-inch hose to this port (NPT 6" threads). Remember to adequately support the discharge hose to avoid stress on the pump.
12. **Eye Bolts** – Attach a suitable lifting device to this handle capable of lifting about 300 lbs. (136 kg). **NEVER** lift the pump by its power cord! Lifting the pump by the power cord will cause undue stress on the cord and ultimately the cord will become dislodged from the pump.

FLOAT SWITCHES

Mechanical Float Switch

Mechanically activated float switches offer a reliable low current control for dewatering applications.

How It Works

The mechanical float switch control will turn **ON** (close) when the float tips 45° above -horizontal, indicating a high level, and turns **OFF** (opens) when the float switch drops 45° below horizontal. Reference Figure 4 and Figure 5. Maximum pumping range is 120 degrees. See Figure 3 below.

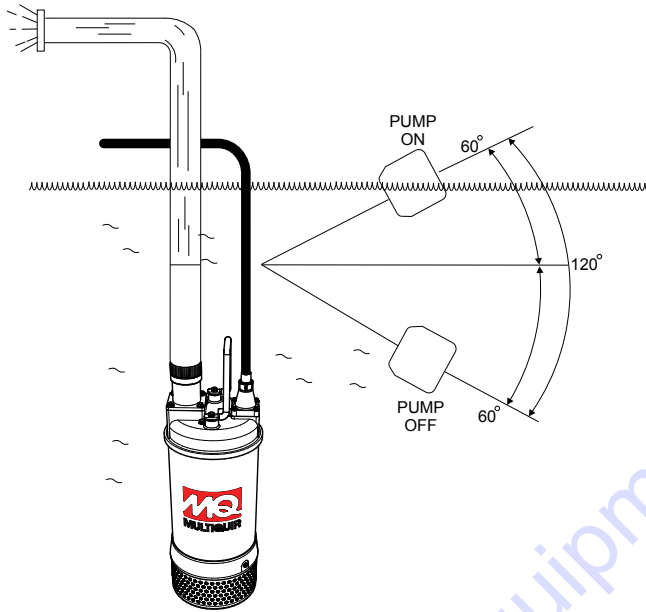


Figure 3. Pumping Range (Float Switch)

Pumping Range

The pumping range of the pump is determined by the float switch tether cord. Use Table 3 as guide line to determine your required pumping range. Pumping ranges are based on non-turbulent conditions. Range may vary due to water temperature and cord shape. Please note as the tether length increases, so does the variance of the pumping range.

Table 3. Pumping Range

Tether Length	2 in. 5.08 cm.	4 in. 10.16 cm.	6 in. 15.24 cm.	8 in. 20.32 cm.	10 in. 25.4 cm.	12 in. 30.48 cm.	14 in. 35.56 cm.	16 in. 40.46 cm.
Pumping Range	6 in. 15.24 cm.	10 in. 25.4 cm.	14 in. 35.56 cm.	18 in. 45.72 cm.	22 in. 55.88 cm.	27 in. 68.58 cm.	31 in. 78.74 cm.	35 in. 88.9 cm.

Design Features

Float switch housings are constructed of high-impact, corrosion resistant polypropylene with mechanically activated, snap action contacts.

- Suitable for most liquid environments.
- Hermetically sealed.
- Thick-walled non-corrosive PVC plastic enclosure.
- Pressure tested to 30 ft. (9 meters).
- Standard SJO, 16-gauge, 2 conductor cord (20 ft./6.09 m).

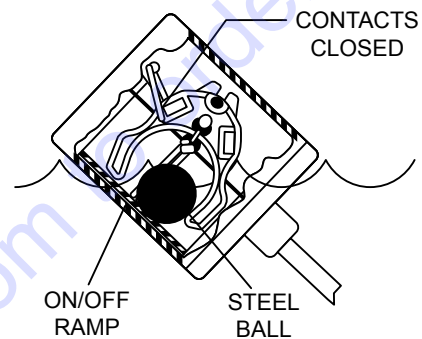


Figure 4. Float Switch (Closed)

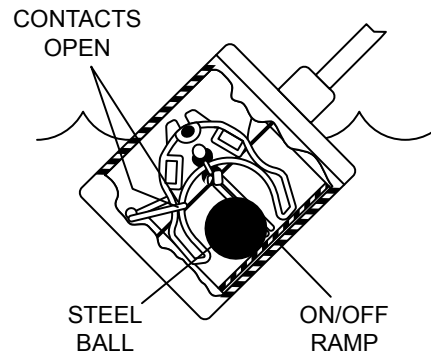


Figure 5. Float Switch (Open)

Float Switches

For unattended operation of the submersible pump two single float switches (Model SW1WOPA) will be required. These float switches can be connected directly to a control box (bare wires) and will allow the pump to turn on and off depending on the length of the tether.

Mounting The Float Switches

1. Determine the required **cord tether length** as shown in Figure 3 and Table 3.
2. Place the cord into the clamp as shown in Figure 6.
3. Secure the clamp to the discharge hose as shown in Figure 6. **DO NOT** install cord under hose clamp.
4. Using a screwdriver, tighten the hose clamp. **DO NOT** over-tighten. Make sure the float cord is not allowed to touch the excess hose clamp band during operation.

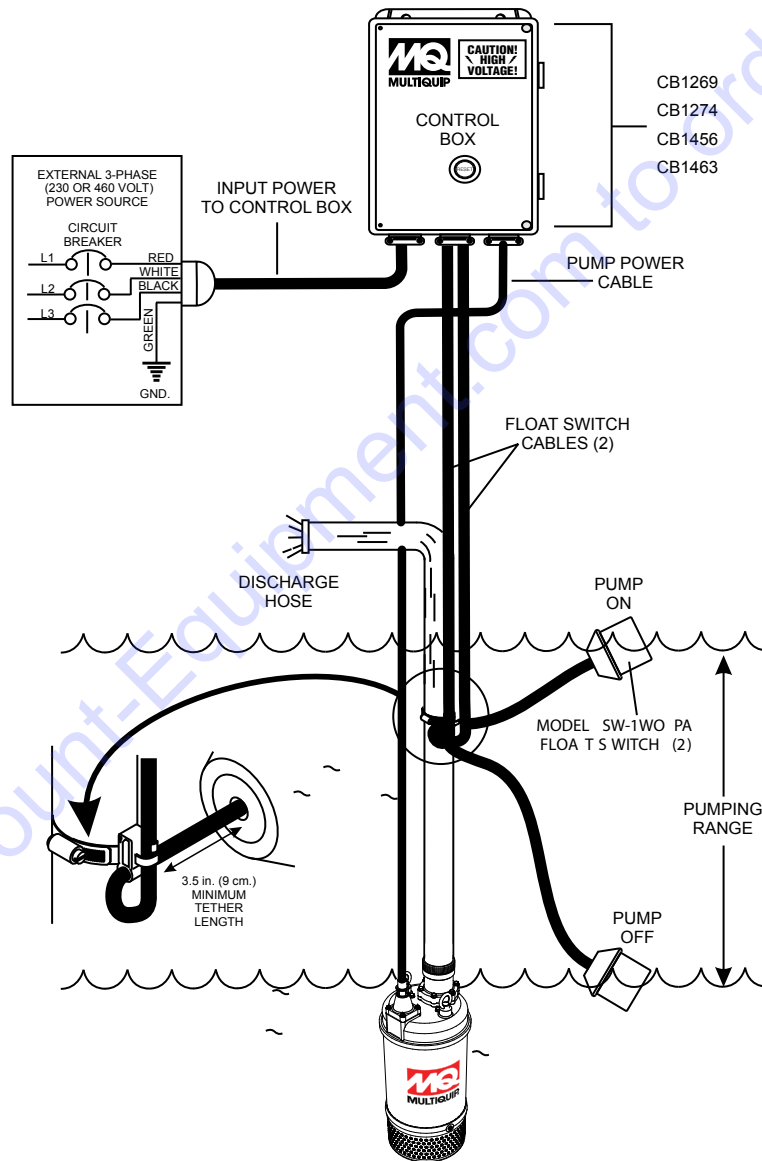


Figure 6. Float Switch Application

FLOAT SWITCHES

Control Boxes

For pumping applications that require unattended pumping level operations, the proper Control Box and Float Switches will be required (Figure 7).

For each submersible pump model there is an associated control box that is recommended for standard and Float Switch controlled operations. Reference Table 4 for the required control box.

These water resistant control boxes provide ON/OFF/AUTO pump functioning, pump electronic overload protection and internal connection points for Float Switch operations.

Each pump requires its individually specified Control Box. For Float Switch operations, two MQ model: SW1WOPA float switches (Contact MQ Sales) are recommended. Reference Figure 22 and Figure 23 for a schematic representation of each control box.

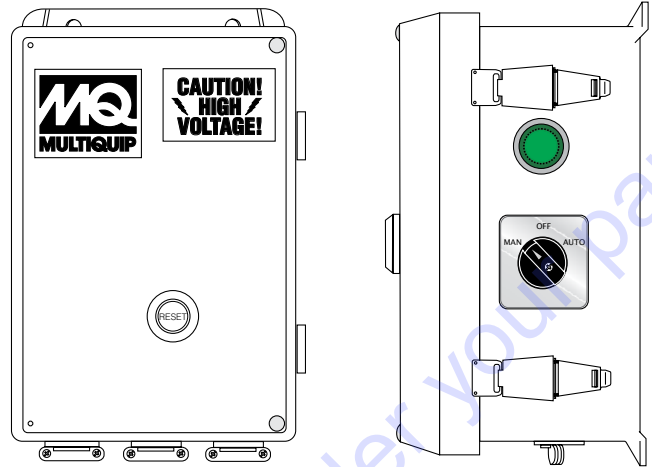


Figure 7. Electrical Control Box (Typical)

NOTICE

Contact Discount-equipment to order control boxes as listed in Table 4.

Table 4. Control Box Specifications

Control Box Model No.	Used With Pump Model	Voltage, 3Ø	Running Amps	UL/CSA Listed	Thermal Overload Protection	Float Switch Capability
CB126974	ST41230	230	28.6	YES	YES	YES
	ST61230	230	43.0	YES	YES	YES
CB145663	ST41460	460	14.3	YES	YES	YES
	ST61460	460	21.5	YES	YES	YES

OVERLOAD RELAY

Overload Relay

NOTICE

If the EPS200 overload relay is not set correctly, it will trip too soon. The EPS200 overload relay **must** be adjusted to match the 4 or 6 inch pump motor voltage.

When the CB126974/CB145663 Control Boxes are employed, the Siemens EPS200 overload relay must be configured for correct operating protection. Reference Figure 8 for the correct setting for the **full load amps (FLA)** dial and the **trip class dip switches**.

NOTICE

Trip class is defined as the length of time for the relay to **OPEN** in an overload condition.

CB126974 3Ø 230 VAC FLA SETTING

1. Open the the control box door by unlocking the two release latches located on the side of the control box
2. When using a 4-inch pump @ 230 VAC, turn the full load amps (FLA) adjustment dial to the **28.6** amp position as show in Figure 8A.
3. When using a 6-inch pump @ 460 VAC, turn the full load amps (FLA) adjustment dial to the **43.0** amp position as show in Figure 8B.
4. Set the six trip class dip switches to the correct operating protection position as shown in Figure 8C.
5. Close control box door and secure door with latches.

CB145663 3Ø 460 VAC FLA SETTING

1. Open the the control box door by unlocking the two release latches located on the side of the control box
2. When using a 4-inch pump @ 460 VAC, turn the full load amps (FLA) adjustment dial to the **14.3** amp position as show in Figure 8D.
3. When using a 6-inch pump @ 460 VAC, turn the full load amps (FLA) adjustment dial to the **21.5** amp position as show in Figure 8E.
4. Set the six trip class dip switches to the correct operating protection position as shown in Figure 8C.
5. Close control box door and secure door with latches.

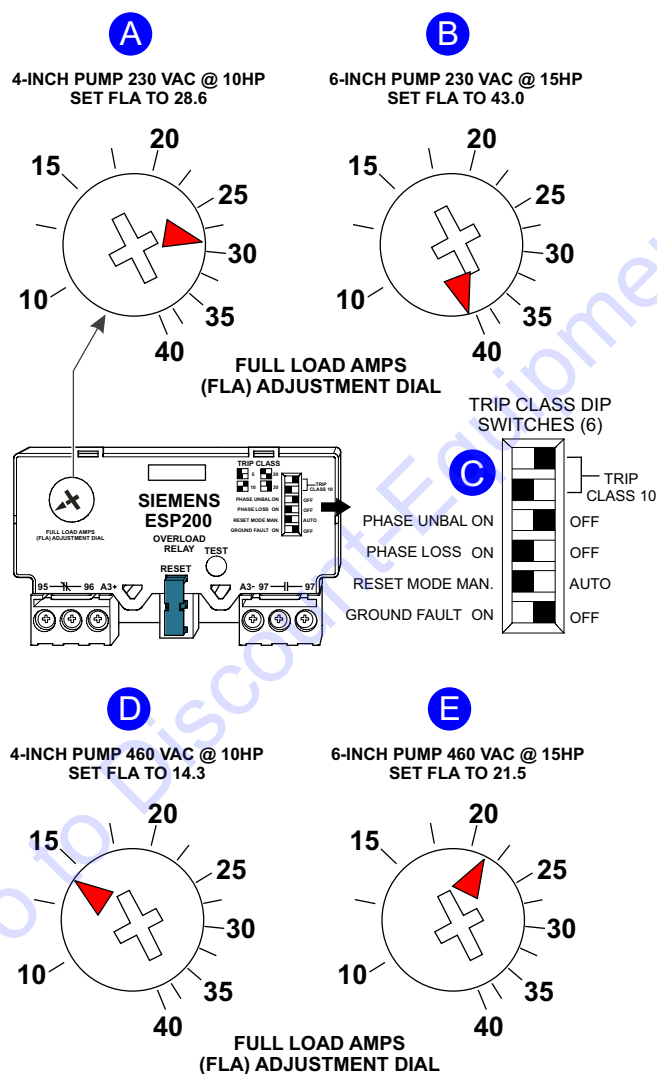


Figure 8. ESP200 Overload Relay

CONTROL BOX INSTALLATION

Control Box Installation

The following procedure outlines the steps for connecting the pump to a control box.

DANGER



Each submersible pump is designed to work with a control box. This control box contains the necessary electronics (float switch connections) to operate the pump. Remember this control box contains hazardous voltages. Disconnect all sources of power before installing or servicing. There exists the possibility of electrocution, electric shock or burn, which can cause severe bodily harm or even **death!**

DANGER



When installing the control box, the possibility exists of electrical shock, electrocution and possibly death! **NEVER** have untrained personnel perform the installation. **ALWAYS** have qualified service personnel (licensed electrician) perform the installation.

WARNING



Explosion or Fire Hazard exists if this pump is used with flammable liquids. **DO NOT** use this pump with **flammable liquids**. **DO NOT** install this pump in hazardous locations as defined by the National Electrical Code, ANSI/NFPA 70.

CONTROL BOX MOUNTING

Mount the control box in an upright vertical position. Make sure the control box is securely fastened to a flat surface, that is free of dust, dirt, moisture or any elements that may contaminate or erode the electronic components of the control box.

3-Phase Power Installation (Input)

Each pump is either configured for 230 or 460 VAC voltage input. Reference Table 1 for the correct input voltage for your pump.

If you cannot determine what your pump's power requirements are, look at the vendor supplied identification name tag attached to the pump or please contact Discount-equipment.

CAUTION

Applying incorrect power (voltage phasing) to the submersible pump can cause severe damage to the pump. Please make sure that the correct voltage and phase are applied to the pump at all times.

Power Cord Requirements

When routing the 230/460 VAC, 60 Hz., 3-phase power via a power cord to the control box, **ALWAYS** use the correct wire size. Please refer to Table 5 to determine the correct wire size. Incorrect wire size can adversely affect the performance of the pump and may ultimately burn out the pump motor.

Table 5. Power Cord Length and Wire Size

AMPS	10 FT. (3.0 m)	20 FT. (6.0 m)	30 FT. (9.1 m)	50 FT. (15.2 m)
15	12 AWG	10 AWG	8 AWG	6 AWG
20	10 AWG	8 AWG	6 AWG	4 AWG
25	10 AWG	6 AWG	6 AWG	4 AWG
30	10 AWG	6 AWG	4 AWG	2 AWG
40	8 AWG	6 AWG	4 AWG	2 AWG

CONTROL BOX INSTALLATION

Connecting SW1WOPA Float Switches to Control Box

1. Remove the float switch input connector housing, then route the float switch wires through the cable gland on the control box. Attach the wires of the float switch to the terminal block as indicated by Table 6 and Figure 9.

Table 6. Dual Float switch Connections

Float Switch	Terminal Block No.	Wire Color
Start	TB1-A1	Black
	TB1-A2	White
Stop	TB1-A3	Black
	TB1-A4	White

2. Tighten the connector housing to ensure a tight fit between the cord and the connector body. This will prevent the cable from pulling out of the terminal block and also prevent moisture from entering the control box.
3. Determine the tether length of the float switch wires then secure float switch wires to pump discharge hose. See Figure 3 and Table 3 to determine the pumping range.

CONTROL BOX POWER CONNECTIONS

3-Phase Power Installation (Input to Control Box)

1. The 3-phase input power cord should have four wires. Each wire is color coded. The colors are **RED, WHITE, BLACK** and **GREEN**.
2. Remove the 3-phase AC input connector housing from the control box, then route the three phase input power cable through the cable gland on the control box. Attach the wires to the AC terminal block inside the control box as indicated by Table 7 and Figure 9.

Wire Color	Input Power Terminal Block
RED	L1
WHITE	L2
BLACK	L3
GREEN	GROUND

3. Tighten the connector housing to ensure a tight fit between the power cord and the connector body. This will prevent the cable from pulling out of the terminal block and also prevent moisture from entering the control box.
4. Connect the other end of the 3-phase input power cord to the voltage source. Remember to provide a means of disconnecting the power from the control box (circuit breaker or quick disconnect switch). Also make sure to provide a good earth ground to the control box.

NOTICE

It is recommended that the power being supplied to the control box **ALWAYS** be connected to a circuit breaker or a quick disconnect switch. This safety feature allows for quick removal of power from the control box in the event of an emergency.

3-Phase Power Installation (Output To Pump)

1. The 3-phase output power cord should have four wires. Each wire is color coded. The colors are **RED, WHITE, BLACK** and **GREEN**.
2. Remove the 3-phase AC output power connector housing on the control box, then route the output power cable through the cable gland on the control box. Attach the wires to the AC terminals on the overload relay module (heaters load side) as indicated by Table 8 and Figure 9.

Wire Color	Output Power Overload Relay
RED	T1
WHITE	T2
BLACK	T3
GREEN	GROUND

CONTROL BOX CB126974 WIRING LAYOUT (3Ø-230 VAC)

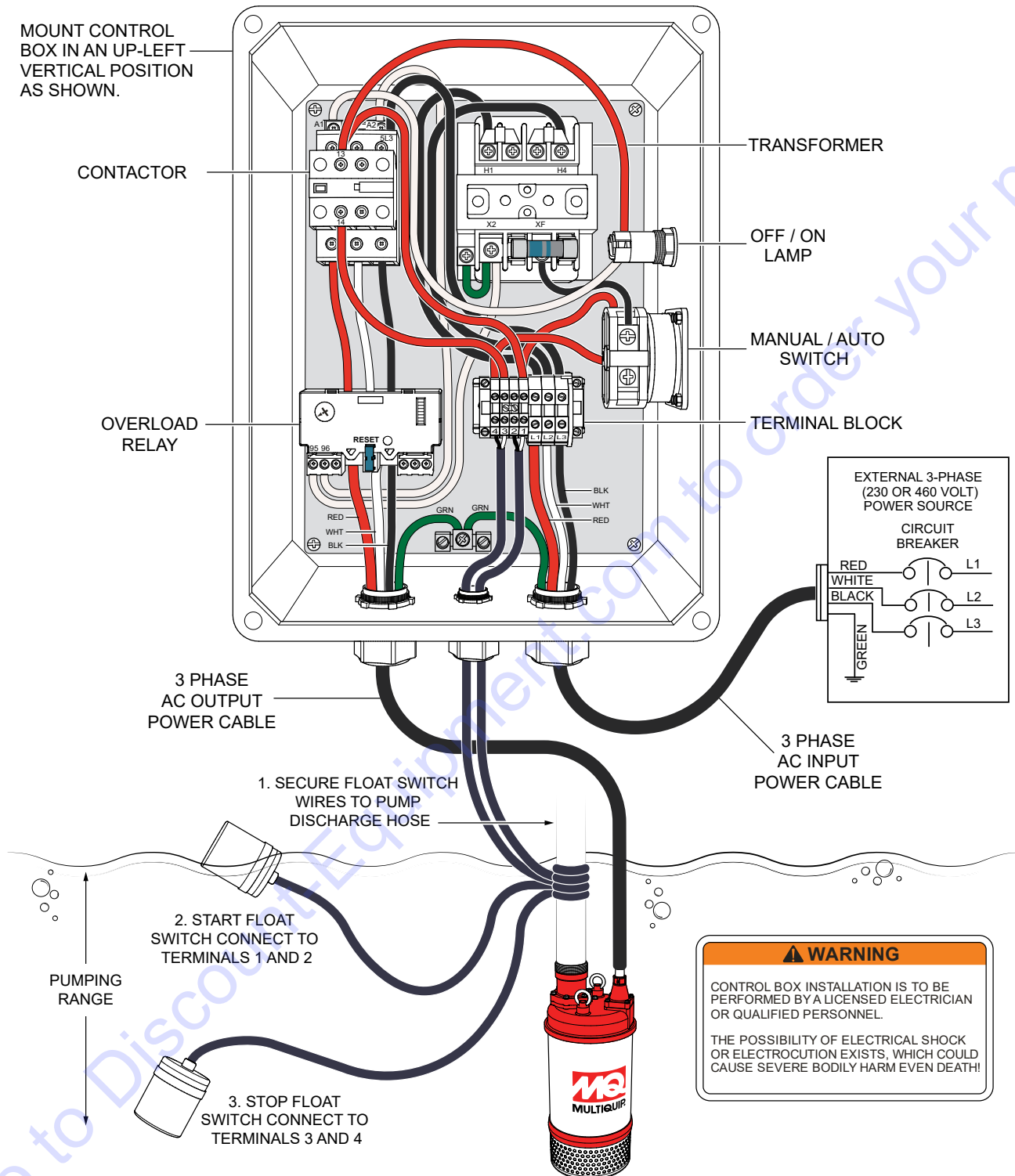


Figure 9. Three Phase Control Box CB126974/Pump System Diagram

Pump Placement

1. Attach a suitable lifting chain to the eye bolts or lift handle (Figure 11) on the pump. Use a crane, or similar lifting device and lower the pump into place. For applications where there is an excessive amount of mud, grit or silt, the use of a support platform is desirable.

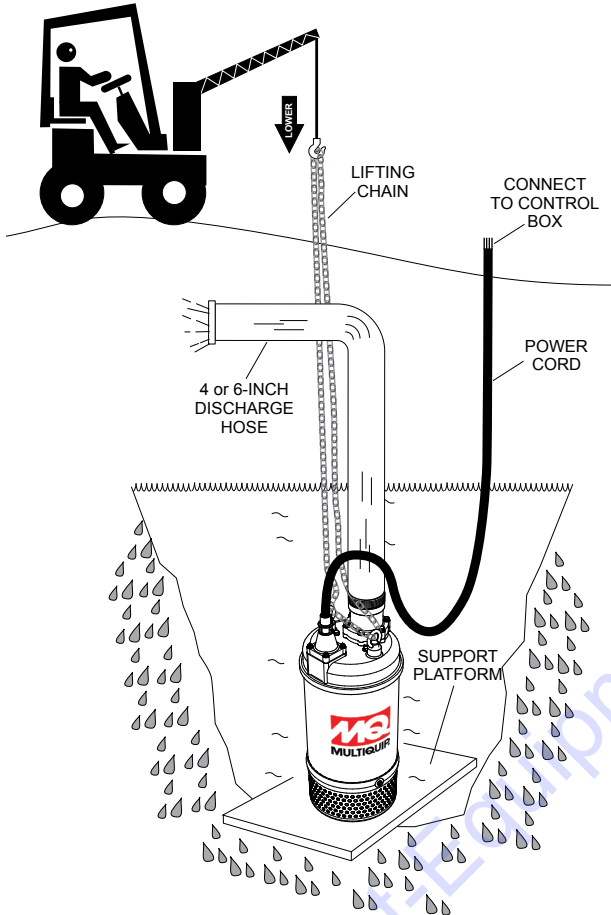


Figure 11. Placing the Submersible Pump (Correct Upright Position)

2. Make sure the pump is always placed in an upright position, not tilted (Figure 12). Never position the pump directly on a soft, loose bottom. To attain maximum pumping capacity and prevent excessive wear, position the pump so it will not burrow itself into sand or clay.

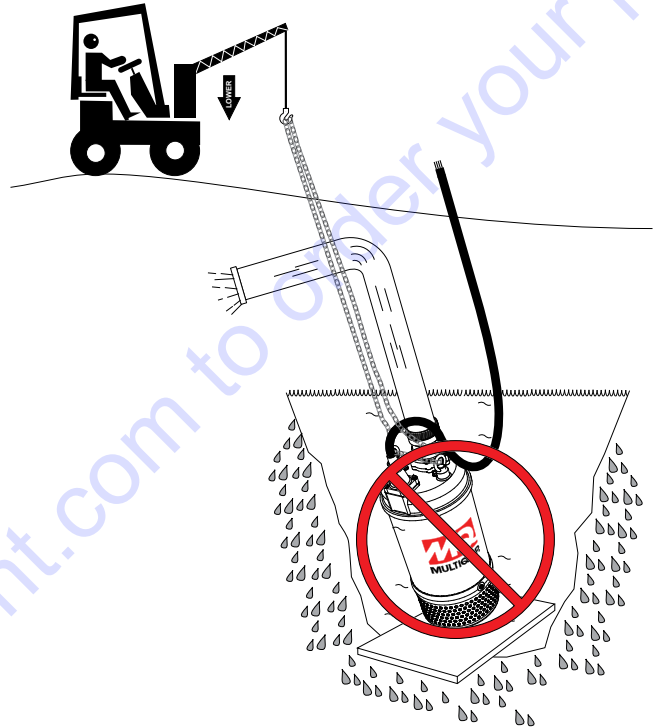
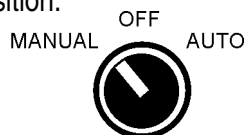


Figure 12. Tilted Position (Incorrect)

Control Box Operation (Manual Mode)

1. From the voltage source, set the circuit breaker or quick disconnect switch to the **ON** position.
2. For manual operation of the pump, place the 3-position operation switch (Figure 13) on the control box in the **MANUAL** position.



**Figure 13. Manual-Off-Auto SW.
(Manual Position)**

3. Verify that the **ON** indicator (Figure 14) on the control box is **LIT**. This means that power is being supplied to the control box.

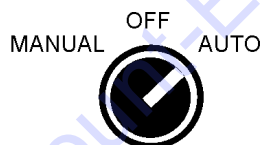


Figure 14. Control Box Power ON Indicator

4. In the manual mode the pump will run continuously. Pay close attention when running the pump in this mode. **DAMAGE** to the pump may occur if pump is not fully immersed in water.

Control Box Operation (Auto Mode)

1. To operate the pump automatically (float switches), place the 3-position operation switch in the **AUTO** position (Figure 15).



**Figure 15. Manual-Off-Auto SW.
(Auto Position)**

2. In the **AUTO** mode the pump will run as long as there is a sufficient amount of water. This amount of water is determined by the setting of the float switches. The **stop float** switch contacts will open when the water level is low and power will be removed from the pump's electric motor.

Once the water level has risen back to the appropriate level the **start float** switch contacts will close and power will be restored to the pump's motor.

Reset Button

1. When the electronic overload module detects an overload condition, the pump will shut down. Check the pump and correct the cause of the overload.
2. Let the pump cool down, then press the **RESET** button (see Figure 16) on the front of the control box to restore power.



Figure 16. RESET Button

Shut-Down

1. Place the 3-position operation switch on the control box to the **OFF** position (Figure 17).



**Figure 17. Manual-Off-Auto SW.
(OFF Position)**

2. Verify that the control box power **ON** light is **OFF**.
3. Turn the circuit breaker or quick disconnect switch to the **OFF** position.
4. Using a suitable lifting device, lift the pump up from its current position and place on a secure flat surface.
5. Remove the discharge hose from the discharge port on the pump.
6. Remove all power cables and float switches from the control box. Place cables and float switches in a suitable container where they will not get damaged.
7. If the pump was used to pump mud, grit or silt, flush vigorously with clean water.
8. Wipe off any mud or debris that might have attached itself to the pump.
9. Store pump in a clean dry place away from dirt and debris.


Lubrication

To check the lubrication oil level of the mechanical seal perform the following:

Checking Lubrication Oil Level

1. Lay the pump (Figure 18) on its side with the oil plug facing upwards.
2. Remove oil fill plug.
3. Visually inspect oil plug hole to verify that oil chamber is full enough to cover seal spring.
4. When reinstalling oil fill plug, apply teflon tape to prevent leaking.

WARNING



When removing oil fill plug, please note that pressure may have built up in the oil chamber. **DO NOT** fully remove plug until pressure has been relieved. Turn oil fill plug slowly to relieve pressure.

Changing Lubrication Oil

1. If lubrication oil level is low, block the oil fill opening with a finger and roll pump to one side to drain oil into a small container.
2. Use a funnel (Figure 18) and fill oil chamber with ISO VG32 lubrication oil or equivalent. Oil chamber capacity is 40 oz. (1,200 cc) for ST41230/ST41460 and 47 oz (1,400 cc) ST61230/ST61460. Fill to 75-80% capacity to allow for expansion. Replace lubrication oil once a year or 3,000 hours.

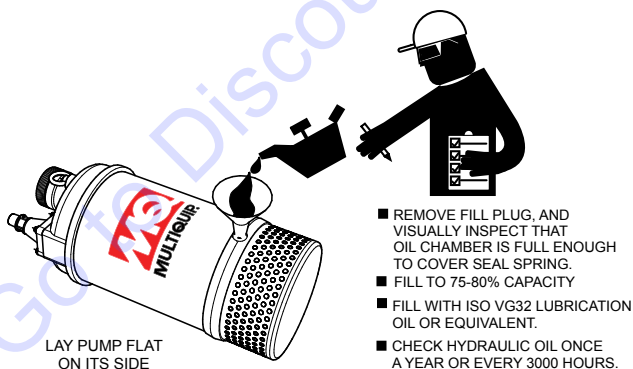


Figure 18. Adding Lubrication Oil

Inspecting Lubrication Oil (Mechanical Seal)

1. Block the oil fill opening with a finger and roll pump to one side to drain (Figure 19) oil into a small transparent container.
2. If oil is cloudy (milky) or has water in it, indicates that mechanical seal is defective or worn. Replace **mechanical seal**.

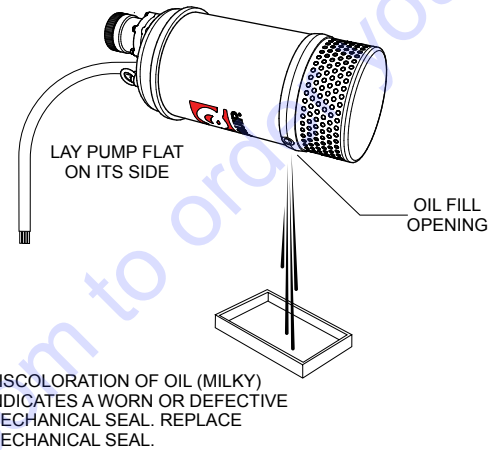


Figure 19. Lubrication Oil Inspection

NOTICE

When replacing the oil in the oil chamber, shaft seal **MUST** be changed at the same time.

Impeller Removal

Refer to the the following procedure and Figure 20 for the removal of the impeller.

1. Remove oil screw and gasket from the oil fill chamber port. Drain oil from oil chamber as referenced in Figure 20.
2. Remove the four hex nuts and lock washers that secure the base plate to the inlet plate.
3. Remove base plate, inlet plate, o-ring and strainer.
4. Next, remove the four bolts and lock washers that secure pump casing to the seal bracket.
5. Remove pump casing and seal bracket.
6. Remove impeller cap nut and washer from motor shaft.
7. Using a rubber mallet, tap impeller off motor shaft remove impeller and associated hardware from motor shaft. If necessary use a puller to remove impeller.
8. Reassemble in reverse order.

Mechanical Seal Replacement

1. Clean entire area surrounding mechanical seal.
2. Lubricate mechanical seal with 30 wt. motor oil before installing back on motor shaft. This lubrication will help ease the seal back onto the motor shaft.
3. In addition replace o-rings, gaskets and any associated rubber components that show signs of wear.
4. Inspect and replace if necessary the pump casing (volute) and seal bracket.

NOTICE

Clearance between impeller and wear plate (pump casing) should be between .011~.019 in. (0.3~0.5 mm). If impeller is defective or badly worn, replace immediately.

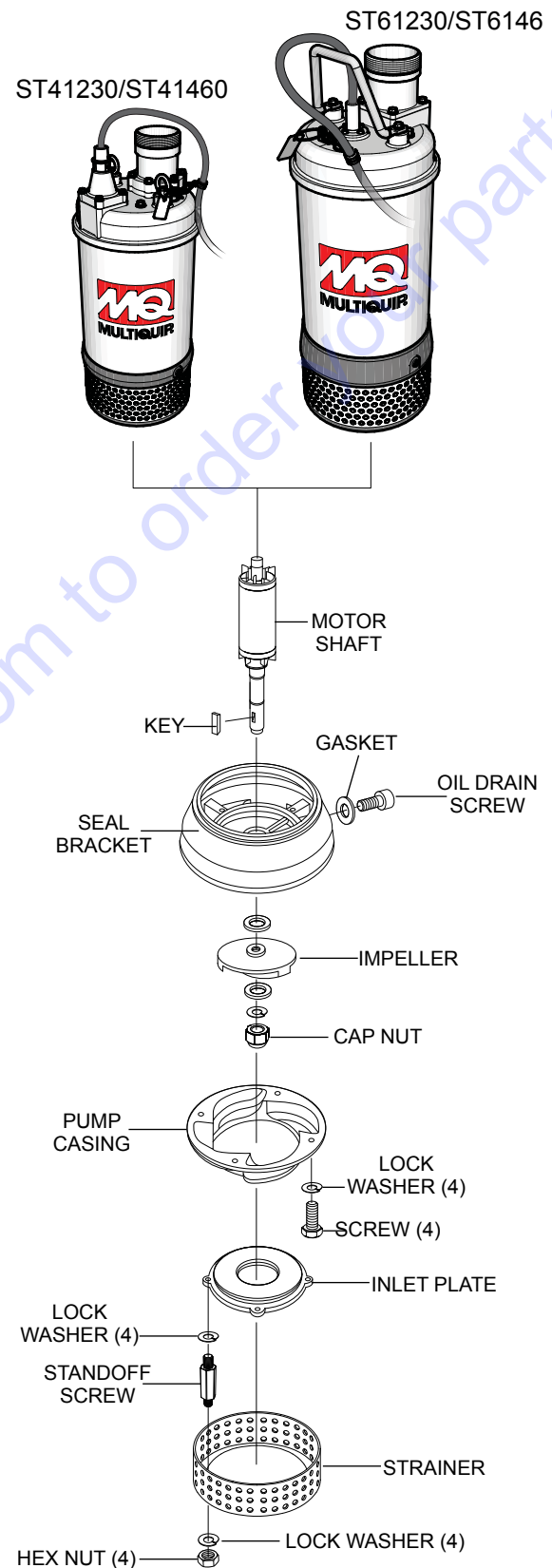


Figure 20. Impeller Removal

Water Pump Storage

If an installed pump (immersed in water) has not been in operation for a long period of time, check the insulation resistance and run the pump for 30 minutes every month.

If the pump cannot be run due to lack of water in the tank inspect the pump and turn the impeller by hand each month and prior to putting the pump back into service. If insulation drops below 10 megohms, contact Discount-equipment.

Electrical Insulation Testing

Why perform electrical insulation testing?

Electrical insulation starts to age as soon as it is made. Harsh environments, especially those with extreme temperature changes and/or chemical contamination, cause further deterioration of the insulation (power cord).

As a result, personnel safety (electrocution/shock) and power reliability can suffer resulting in higher operating cost and maintenance.

What is Insulation Resistance Testing

Insulation resistance testing applies a regulated stabilized high voltage (Figure 21), typically 500 VDC or greater across a dielectric (power cord). Measuring the amount of **leakage current** flowing through the dielectric will yield a resistive measurement in megohms.

Insulating Material Testing

To verify the integrity of the pump's insulating material (power cable) it will be necessary to perform an electrical insulation test. Any electrical insulation must have the opposite characteristic as the conductor: it should resist the flow of current, keeping it within the conductor.

To measure the IR (current x resistance), the use of an IR tester must be employed. This IR tester is a portable device that is a resistance meter (ohmmeter) with a built in DC generator that develops a high DC voltage.

The high DC voltage from the IR tester is usually 500 VDC or more. This voltage, when applied causes a small current to flow through and over the insulation's surfaces. The tester provides a direct reading of IR in megohms.

A high resistance reading would indicate a "**good**" insulation, meaning very little current is escaping through the insulation. While a relatively low resistance reading would indicate a **poor** insulation, meaning a significant amount of current may be leaking through and along the insulation.

NOTICE

Insulation resistance is moisture and temperature sensitive. When temperature increases, insulation resistance decreases, and vice versa.

When performing this test measurement, perform the test using the same test parameters as used in the initial testing. Contact Discount-equipment if the measured cable insulation is **10 megohms or less**.

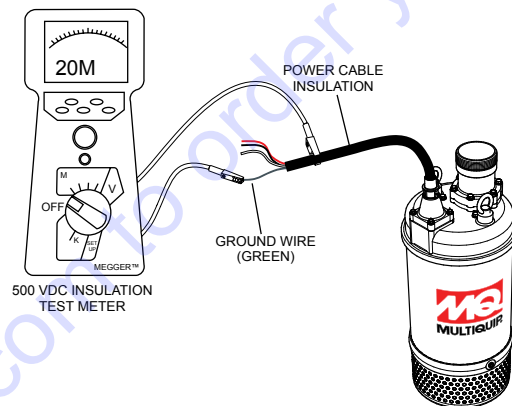


Figure 21. Insulation Tester Application

DANGER



Read and follow the manufacturer's user's manual prior to operating insulation tester (megaohm meter). This meter generates a test voltage of 500 volts or greater. Only qualified and trained personnel should use this equipment. The possibility exists of severe **electrical shock, electrocution even death**, when using insulation tester.

Long Term Storage

1. Area must be free from excessive humidity, corrosive gases, vapors or vibrations which might damage the pump.
2. Store pump in a vertical position on a pallet or stand.
3. Coil up the cable, and seal the open end (control box wires) with waterproof tape or a cable cap. This will prevent moisture from penetrating into the motor which could cause severe damage to the windings.
4. Give all unpainted surfaces a light coat of oil or grease to prevent corrosion.
5. If new pumps are stored for more than two months, turn the impeller by hand every two months to prevent the mechanical seal faces from seizing up. Failure to do this may result in seal damage when the pump is started.

Table 9. Pump Troubleshooting

SYMPTOM	POSSIBLE PROBLEM	SOLUTION
Pump Fails To Start	Incorrect voltage/amps?	Check that the proper voltage, 230 or 460 VAC, 60 Hz, 3-phase is being supplied to the pump. Also check that there is an adequate amount of current (amps) to run the pump. Check power source circuit breaker.
	Check electrical connections?	If using float switches check wiring, inspect power cord.
	Blown power fuse or tripped circuit breaker?	Replace fuse check circuit breaker, check cause of blown fuse or tripped breaker.
	Impeller locked?	Disconnect power cord and check for clogging. Unclog pump. Check overload protection device.
	Wet motor windings?	Use multimeter to check motor insulation. Insulation resistance must be approximately 15 megaohms. If resistance is low, disassemble pump motor and bake windings to dry them.
	Defective motor and pump bearings?	Check for excessive bearing wear, if worn replace bearings. Replace motor if defective.
Pump Fails to Deliver Full Output	Twisted or restricted discharge hose?	Lay hose flat un-kinked. Remove clog from hose line.
	Clogged pump strainer?	Clean strainer.
	Low voltage?	Use a voltmeter to check voltage while pump is energized. Voltage must be within $\pm 10\%$. Check power source (no load and load). If an extension cord is used, make sure it has adequate current-carrying capacity for the required length. See Table 5.
	Impeller worn?	Replace impeller.
Water in Mechanical Seal Oil	Defective mechanical seal?	Replace mechanical seal.
	Loose Oil Fill Plug?	Tighten securely. Apply teflon tape.

CONTROL BOX WIRING DIAGRAM (CB126974)

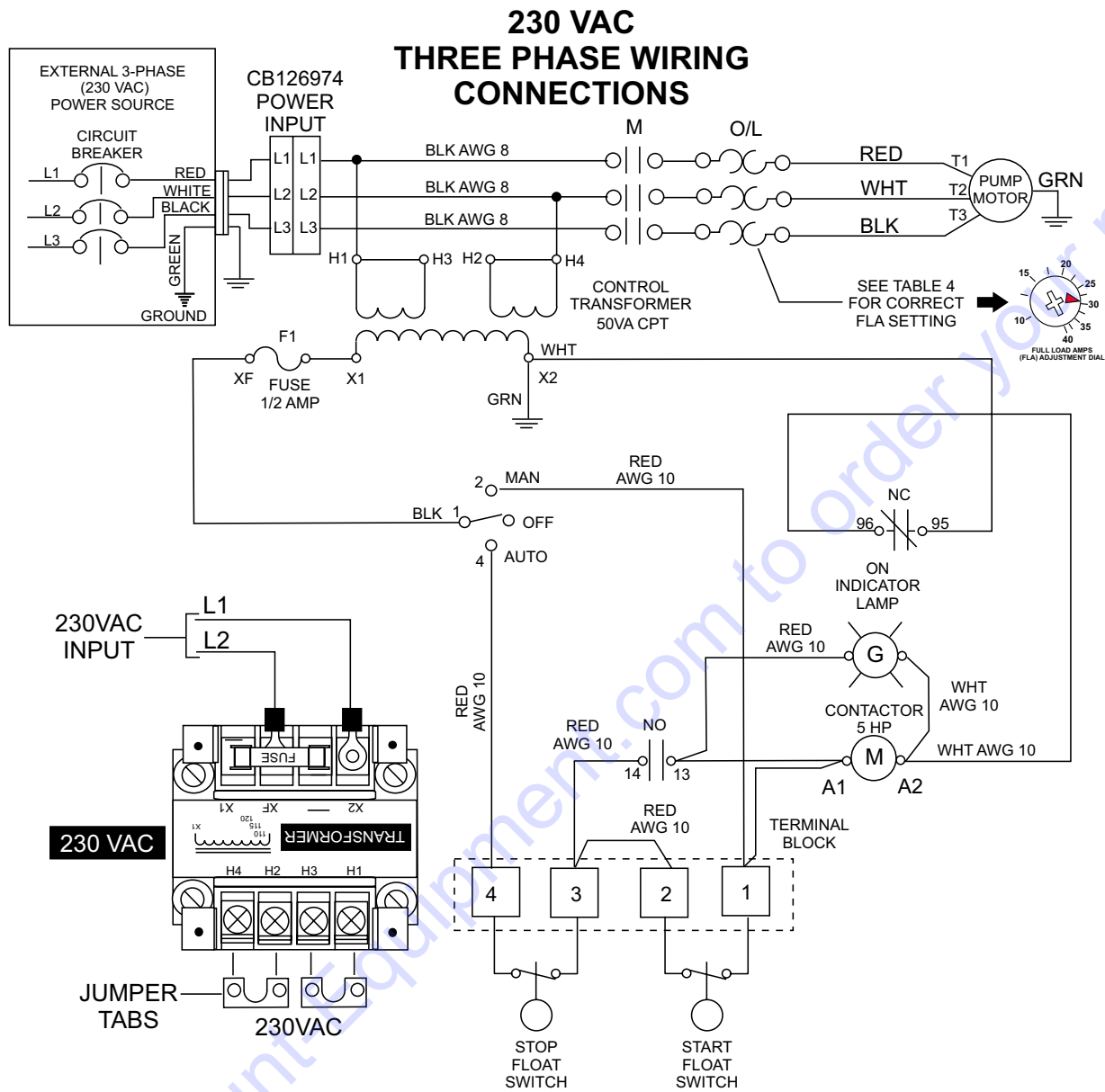


Figure 22. CB126974 Control Box Wiring Diagram

CONTROL BOX WIRING DIAGRAM (CB145663)

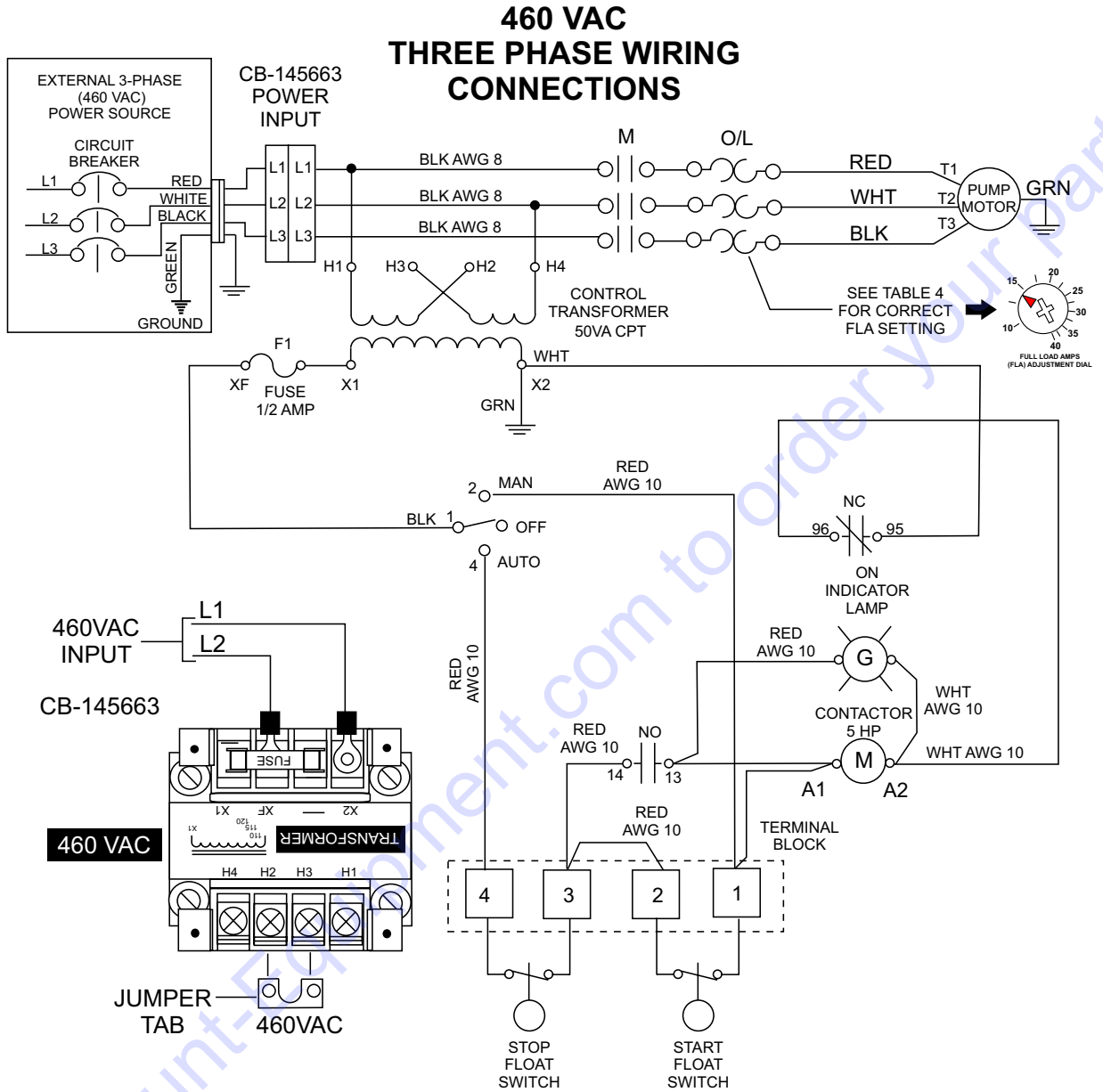


Figure 23. CB145663 Control Box Wiring Diagram

EXPLANATION OF CODES IN REMARKS COLUMN

The following section explains the different symbols and remarks used in the Parts section of this manual. Use the help numbers found on the back page of the manual if there are any questions.

NOTICE

The contents and part numbers listed in the parts section are subject to change **without notice**. Multiquip does not guarantee the availability of the parts listed.

SAMPLE PARTS LIST

NO.	PART NO.	PART NAME	QTY.	REMARKS
1	12345	BOLT	1	INCLUDES ITEMS W/%
2%		WASHER, 1/4 IN.		NOT SOLD SEPARATELY
2%	12347	WASHER, 3/8 IN. ..1		MQ-45T ONLY
3	12348	HOSE	A/R	MAKE LOCALLY
4	12349	BEARING	1	S/N 2345B AND ABOVE

NO. Column

Unique Symbols — All items with same unique symbol (@, #, +, %, or >) in the number column belong to the same assembly or kit, which is indicated by a note in the “Remarks” column.

Duplicate Item Numbers — Duplicate numbers indicate multiple part numbers, which are in effect for the same general item, such as different size saw blade guards in use or a part that has been updated on newer versions of the same machine.

NOTICE

When ordering a part that has more than one item number listed, check the remarks column for help in determining the proper part to order.

PART NO. Column

Numbers Used — Part numbers can be indicated by a number, a blank entry, or TBD.

TBD (To Be Determined) is generally used to show a part that has not been assigned a formal part number at the time of publication.

A blank entry generally indicates that the item is not sold separately or is not sold by Multiquip. Other entries will be clarified in the “Remarks” Column.

QTY. Column

Numbers Used — Item quantity can be indicated by a number, a blank entry, or A/R.

A/R (As Required) is generally used for hoses or other parts that are sold in bulk and cut to length.

A blank entry generally indicates that the item is not sold separately. Other entries will be clarified in the “Remarks” Column.

REMARKS Column

Some of the most common notes found in the “Remarks” Column are listed below. Other additional notes needed to describe the item can also be shown.

Assembly/Kit — All items on the parts list with the same unique symbol will be included when this item is purchased.

Indicated by:

“INCLUDES ITEMS W/(unique symbol)”

Serial Number Break — Used to list an effective serial number range where a particular part is used.

Indicated by:

“S/N XXXXX AND BELOW”

“S/N XXXX AND ABOVE”

“S/N XXXX TO S/N XXX”

Specific Model Number Use — Indicates that the part is used only with the specific model number or model number variant listed. It can also be used to show a part is NOT used on a specific model or model number variant.

Indicated by:

“XXXXX ONLY”

“NOT USED ON XXXX”

“Make/Obtain Locally” — Indicates that the part can be purchased at any hardware shop or made out of available items. Examples include battery cables, shims, and certain washers and nuts.

“Not Sold Separately” — Indicates that an item cannot be purchased as a separate item and is either part of an assembly/kit that can be purchased, or is not available for sale through Multiquip.

SUGGESTED SPARE PARTS

ST41230/ST41460 AND ST61230/ST61460 SUBMERSIBLE PUMPS

1 to 3 units

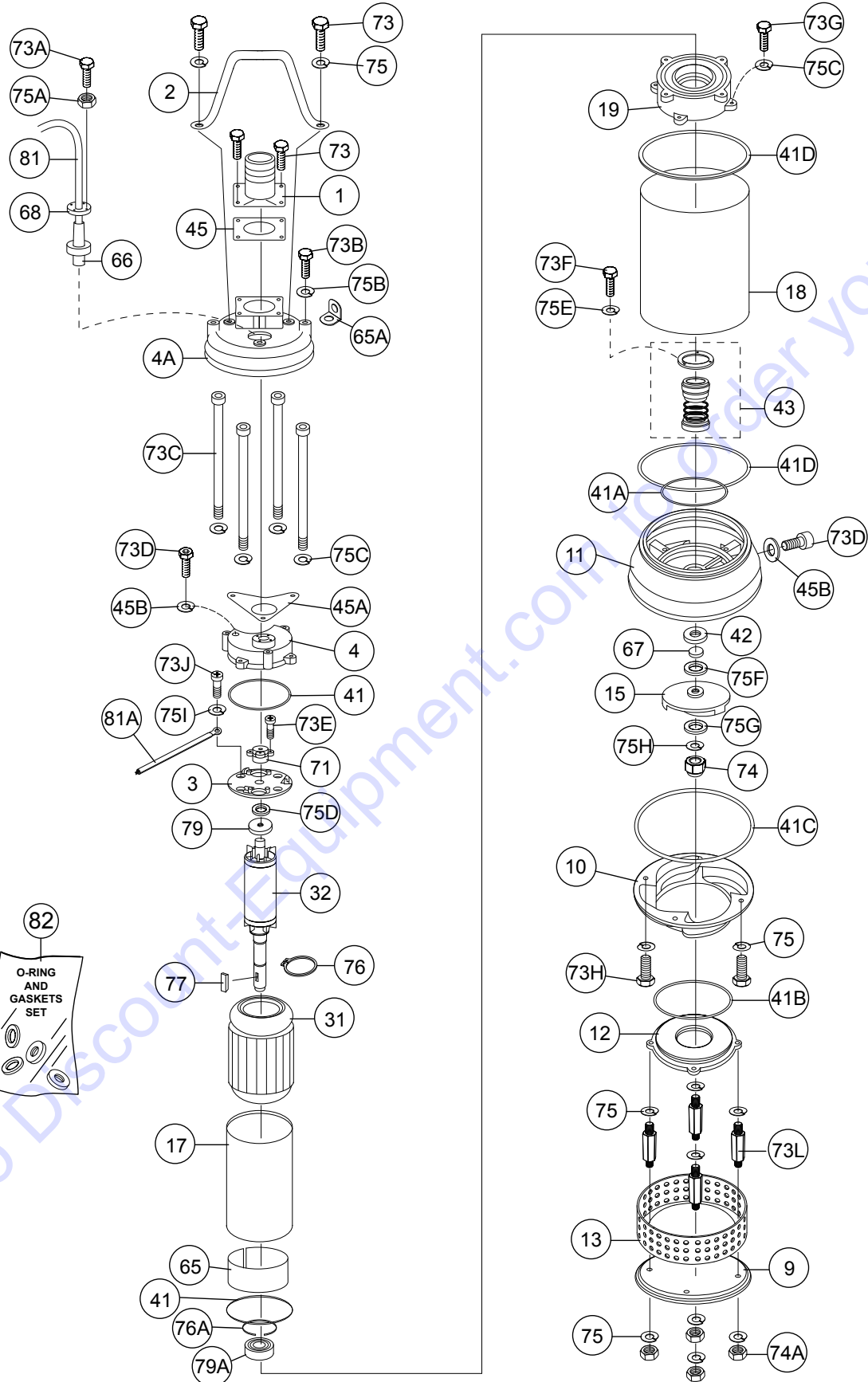
Qty.	P/N	Description
1.....	432230-01	MECHANICAL SEAL
1.....	4214335-01	OIL SEAL
1.....	86414475N.....	O-RING GASKET SET (ST41230/ST41460)
1.....	86414110.....	O-RING GASKET SET (ST61230/ST61460)

NOTICE

Part numbers on this Suggested Spare Parts list may supersede/replace the part numbers shown in the following parts lists.

Go to Discount-Equipment.com to order your parts

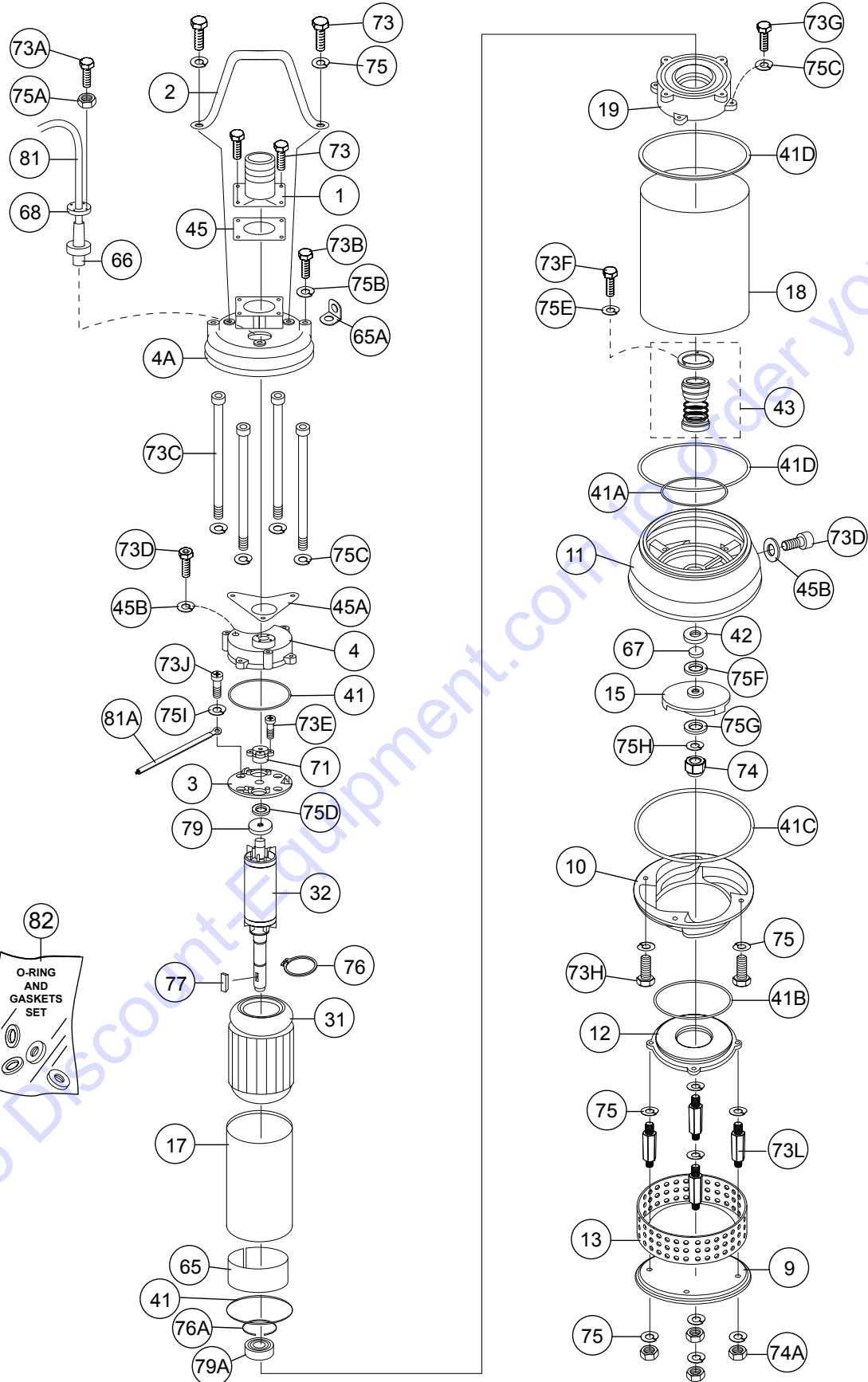
ST41230/ST41460 ASSY.



ST41230/ST41460 ASSY.

<u>NO.</u>	<u>PART NO.</u>	<u>PART NAME</u>	<u>QTY.</u>	<u>REMARKS</u>
1	01360844	DISCHARGE HEAD, NPT 4"	1	
2	02303-1	HANDLE	1	
3	0336FS-0550	SWITCH PLATE	1	
4	0436FS0750N	MOTOR COVER	1	
4A	0436FS0750NF	UPPER COVER	1	
9	0935FS0750N	BASE PLATE	1	
10	1036FS0750N	PUMP CASING	1	
11	1136FS0750N	SEAL BRACKET	1	
12	1236FS0750N	INLET PLATE, 4"	1	
13	13431512012	STRAINER, 15MM	1	
15	1541FS4750174	IMPELLER	1	
17	1743160320	MOTOR FRAME	1	
18	1843FS0750N	OUTER CASE	1	
19	1936FS0750N	BEARING BRACKET	1	
31	313220518F6	STATOR	1	ST41230
31	313440518F6	STATOR	1	ST41460
32	323FS0750N	SHAFT/ROTOR W/O BEARING	1	
41\$	411026-10	O-RING	2	
41A\$	411031-08	O-RING	1	
41B\$	411031-02	O-RING	1	
41C\$	411031-00	O-RING	1	
41D\$	411040-01	O-RING	2	
42	4214335-01	OIL SEAL	1	
43	432230-01	MECHANICAL SEAL	1	
45\$	455FS-055010	GASKET	1	
45A\$	451FS0750N10	GASKET	1	
45B\$	459010	GASKET	2	
65	6531150	SHIM, 50MM	1	
65A	65433	SHIM	1	
66	66715145	CABLE GLAND	1	
67	674335-01	SHAFT SLEEVE	1	
68	684321	GLAND HOLDER	1	
71	7128-06	THERMAL PROTECTOR.....	1	ST41230
71	7128-07	THERMAL PROTECTOR.....	1	ST41460
73	73431100301	SCREW, HEX. M10	6	
73A	73432060161	SCREW, SOCKET HEX. M6	4	
73B	73431120401	SCREW, HEX. M12	3	
73C	73436084001	SCREW, HEX. M8	4	
73D	73432100161	SCREW, SOCKET HEX. M10	2	
73E	73433040121	SCREW, ROUND CROSS M4	2	
73F	73431050121	SCREW, FLAT HEX. M5	3	
73G	73431080301	SCREW, FLAT HEX. M8	4	
73H	73431100351	SCREW, FLAT HEX. M10	4	
73L	73437101022	SCREW, STAND-OFF M10	4	
73J	73303040081	SCREW, ROUND CROSS M4	1	
74	7434316	NUT, M16	1	
74A	7414310	NUT, M10	4	

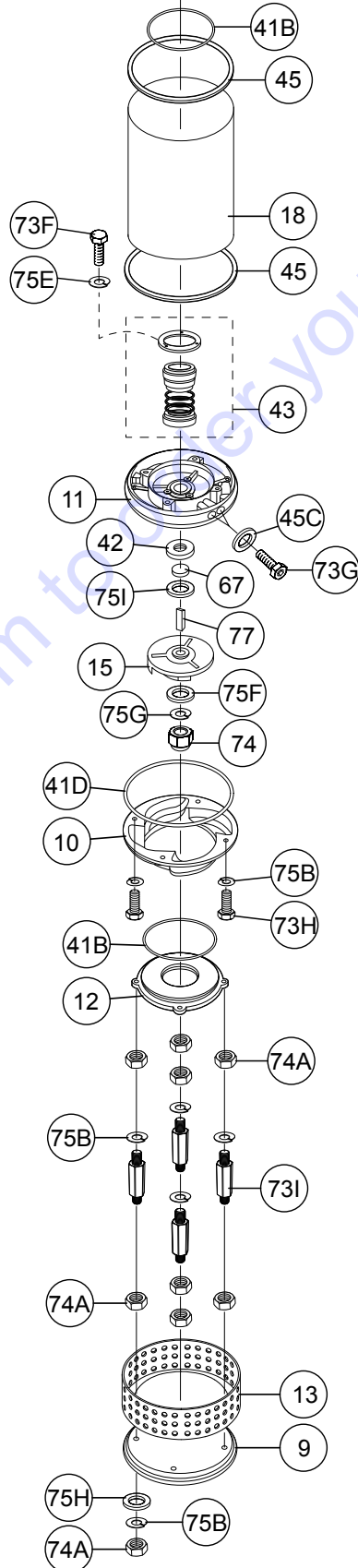
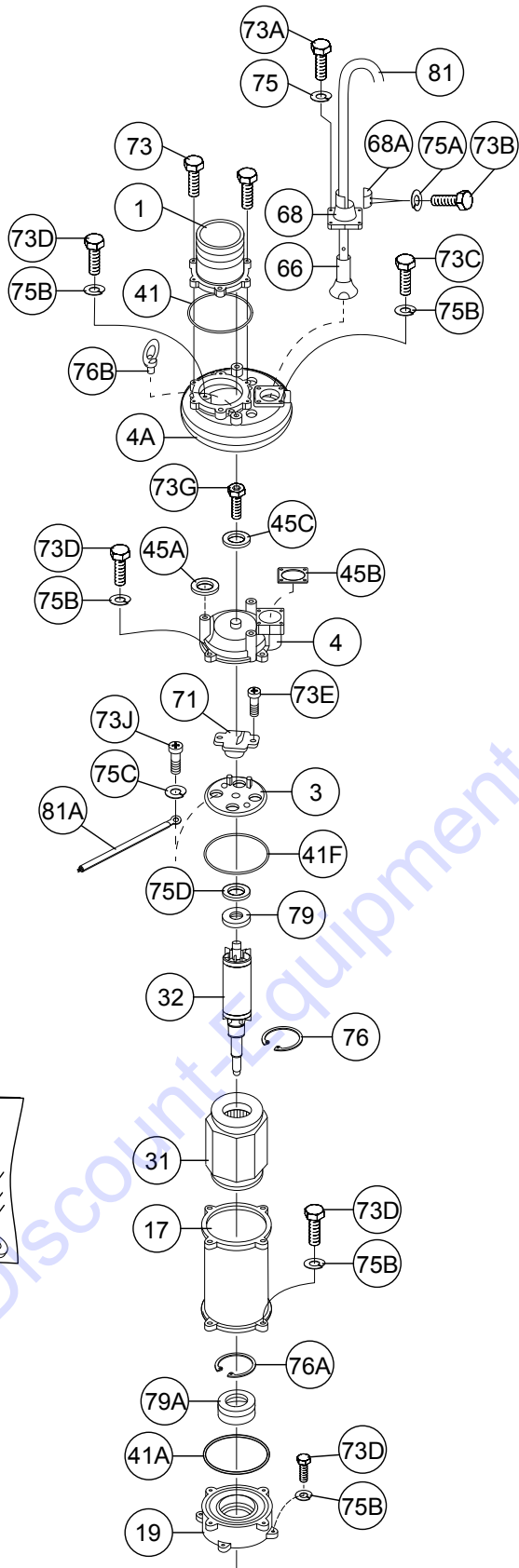
ST41230/ST41460 ASSY.



ST41230/ST41460 ASSY.

<u>NO.</u>	<u>PART NO.</u>	<u>PART NAME</u>	<u>QTY.</u>	<u>REMARKS</u>
75	753430010-01	WASHER, LOCK M10	14	
75A	753430006-01	WASHER, LOCK, M6	4	
75B	753430012-01	WASHER, LOCK, M12	2	
75C	753430008-01	WASHER, LOCK, M8	8	
75D	751306304	WAVE WASHER, 6304	1	
75E	753430005-01	WASHER, LOCK, M5	3	
75F	752430025-01	WASHER, M25	1	
75G	752430016-03	WASHER, M16	1	
75H	753430016-01	WASHER, LOCK, M16	1	
75I	757300004	WASHER, LOCK, M4	1	
76	7630STW40	SNAP RING	1	ST41230
76A	7630RTW90	SNAP RING	1	ST41460
76A	7630RTW40	SNAP RING	1	
77	771433-01	KEY, 7X7X18	1	
79	79363041	BEARING, 6304	1	
79A	79363081	BEARING, 6308	2	
81	8102554150131	CABLE, 50 FT.	1	
81A	81G1001	EARTH LEAD	1	ST41230
81A	811202	EARTH LEAD	1	ST41460
82	86414475N	O-RING AND GASKET SET.....	1	INCLUDES ITEMS W/\$

ST61230/ST61460 ASSY.



ST61230/ST61460 ASSY.

<u>NO.</u>	<u>PART NO.</u>	<u>PART NAME</u>	<u>QTY.</u>	<u>REMARKS</u>
1	01360954	DISCHARGE HEAD, NPT 6"	1	
3	0336FS-1125	SWITCH PLATE	1	
4	0436FS-1125	MOTOR COVER	1	
4A	0436FS-1125F	UPPER COVER	1	
9	0935FS-1125	BASE PLATE	1	
10	1036FS-1125	PUMP CASING	1	
11	1136FS-1125	SEAL BRACKET	1	
12	1236FS-1125B	INLET PLATE, 6"	1	
13	13431512511	STRAINER, 15MM	1	
15	1541FS6110158	IMPELLER	1	
17	1736190320	MOTOR FRAME	1	
18	1843FS-1125	OUTER CASE	1	
19	1936FS1125	BEARING BRACKET	1	
31	313220616F6	STATOR	1	ST61230
31	313440616F6	STATOR	1	ST61460
32	323FS-1125	SHAFT/ROTOR W/O BEARING	1	
41\$	411057-01	O-RING	1	
41A\$	411031-02	O-RING	1	
41B\$	411031-14	O-RING	2	
41D\$	411031-00	O-RING	1	
41F\$	411035-03	O-RING	1	
42	4214335-01	OIL SEAL	1	
43	432230-01	MECHANICAL SEAL	1	
45\$	456FS-112510	GASKET	2	
45A\$	451FS-112510-2	GASKET	3	
45B\$	451FS-112510-1	GASKET	1	
45C\$	459010	GASKET	3	
66	66715145-1	CABLE GLAND	1	
67	674335-01	SHAFT SLEEVE	1	
68	68363	GLAND HOLDER	1	
68A	68363A	GLAND HOLDER	1	
71	7128-08	THERMAL PROTECTOR.....	1	ST61230
71	BYH-15-DR	THERMAL PROTECTOR.....	1	ST61460
73	73431120351	SCREW, HEX. M12	6	
73A	73431080601	SCREW, HEX. M8	4	
73A	73431080551	SCREW, HEX. M8	4	
73B	73431060201	SCREW, HEX. M6	2	
73C	73431100401	SCREW, HEX. M10	2	
73D	73431100351	SCREW, HEX. M10	13	
73E	73433040121	SCREW, ROUND CROSS M4	2	
73F	73431050121	SCREW, HEX. M5	3	
73G	73432100161	SCREW, SOCKET HEX.M10	3	
73H	73431100401	SCREW, FLAT HEX.M10	4	
73I	73437101021	SCREW, STAND-OFF M10	4	
73J	73303040081	SCREW, ROUND CROSS M4	1	
74	7434316	NUT, M16	1	
74A	7414310	NUT, M10	12	

ST61230/ST61460 ASSY.

<u>NO.</u>	<u>PART NO.</u>	<u>PART NAME</u>	<u>QTY.</u>	<u>REMARKS</u>
75	753430008-01	WASHER, LOCK M8	4	
75A	753430006-01	WASHER, LOCK, M6	2	
75B	753430010-01	WASHER, LOCK, M10	27	
75C	757300004	WASHER, LOCK, M4	1	
75D	751306306	WAVE WASHER	1	
75E	753430005-01	WASHER, LOCK M5	3	
75F	752430016-03	WASHER	1	
75G	753430016-01	WASHER, LOCK, M16	1	
75H	752430010-01	WASHER	4	
75I	752430025-01	WASHER	3	
76	7630STW40	SNAP RING	1	ST61230
76A	7630RTW90	SNAP RING	1	ST61460
76B	7607-01	RING FASTENER, M12	2	
77	771433-01	KEY, 7X7X18	1	
79	79363061	BEARING, 6306	1	
79A	79363081	BEARING, 6308	2	
81	8102804150171	CABLE, 50 FT.	1	ST61230
81	8102554150171	CABLE, 50 FT.	1	ST61460
81A	81G0801	EARTH LEAD	1	
81A	811202	EARTH LEAD	1	
82	86414110	O-RING AND GASKET SET	1	INCLUDES ITEMS W/\$

PARTS FINDER

**Search Website
by Part Number**



**Search Manual
Library For Parts
Manual & Lookup Part
Numbers – Purchase
or Request Quote**

Search Manuals

Enter your information to help us find the right parts manual for your machine.

* Brand:

* Model:

* Serial:

* Part Number:

SEARCH

**Can't Find Part or
Manual? Request Help
by Manufacturer,
Model & Description**

Parts Order Form

Please fill in the following information to help us find the right part for your machine.

Manufacturer:	<input type="text"/>
Model:	<input type="text"/>
Description:	<input type="text"/>
Part Number:	<input type="text"/>
Quantity:	<input type="text"/>
Notes:	<input type="text"/>

Discount-Equipment.com is your online resource for quality parts & equipment.

Florida: **561-964-4949** Outside Florida TOLL FREE: **877-690-3101**

Need parts?

Click on this link: <http://www.discount-equipment.com/category/5443-parts/> and choose one of the options to help get the right parts and equipment you are looking for. Please have the machine model and serial number available in order to help us get you the correct parts. If you don't find the part on the website or on one of the online manuals, please fill out the request form and one of our experienced staff members will get back to you with a quote for the right part that your machine needs.

We sell worldwide for the brands: Genie, Terex, JLG, MultiQuip, Mikasa, Essick, Whiteman, Mayco, Toro Stone, Diamond Products, Generac Magnum, Airman, Haulotte, Barreto, Power Blanket, Nifty Lift, Atlas Copco, Chicago Pneumatic, Allmand, Miller Curber, Skyjack, Lull, Skytrak, Tsurumi, Husquvarna Target, Stow, Wacker, Sakai, Mi-T-M, Sullair, Basic, Dynapac, MBW, Weber, Bartell, Bennar Newman, Haulotte, Ditch Runner, Menegotti, Morrison, Contec, Buddy, Crown, Edco, Wyco, Bomag, Laymor, EZ Trench, Bil-Jax, F.S. Curtis, Gehl Pavers, Heli, Honda, ICS/PowerGrit, IHI, Partner, Imer, Clipper, MMD, Koshin, Rice, CH&E, General Equipment, Amida, Coleman, NAC, Gradall, Square Shooter, Kent, Stanley, Tamco, Toku, Hatz, Kohler, Robin, Wisconsin, Northrock, Oztec, Toker TK, Rol-Air, APT, Wylie, Ingersoll Rand / Doosan, Innovatech, Con X, Ammann, Mecalac, Makinex, Smith Surface Prep, Small Line, Wanco, Yanmar