



Count on it.

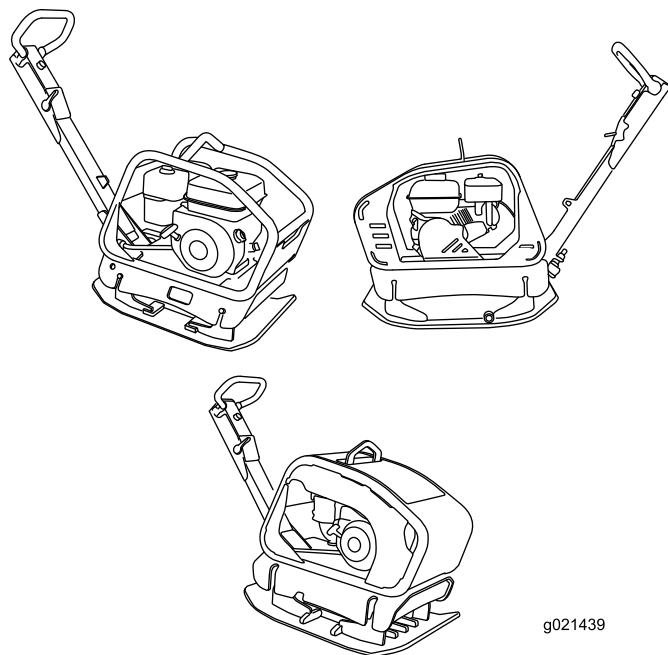
Operator's Manual

RP-500/700/1200 Reversible Plate Compactor

Model No. 68071—Serial No. 31300001 and Up

Model No. 68072—Serial No. 31300001 and Up

Model No. 68073—Serial No. 31300001 and Up



g021439



Introduction

▲ WARNING

CALIFORNIA Proposition 65 Warning

This product contains a chemical or chemicals known to the State of California to cause cancer, birth defects, or reproductive harm.

The engine exhaust from this product contains chemicals known to the State of California to cause cancer, birth defects, or other reproductive harm.

Use of this product may cause exposure to chemicals known to the State of California to cause cancer, birth defects, or other reproductive harm.

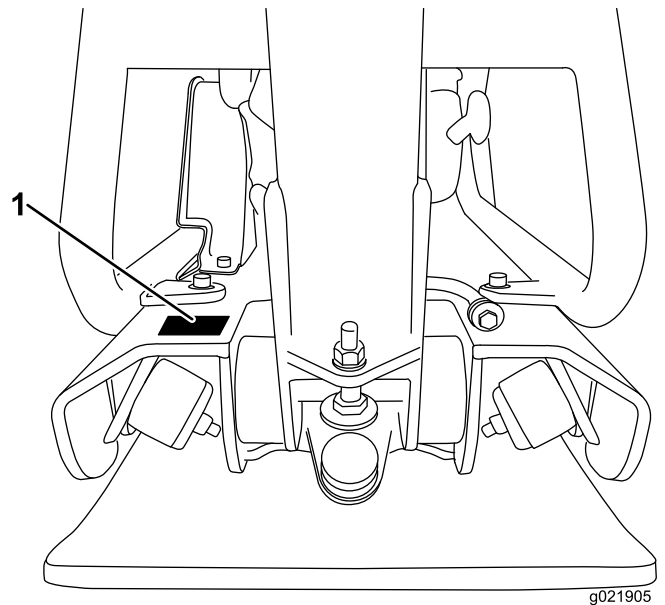


Figure 1

Model No. _____
Serial No. _____

Read this information carefully to learn how to operate and maintain your product properly and to avoid injury and product damage. You are responsible for operating the product properly and safely.

You may contact Toro directly at www.Toro.com for product and accessory information, help finding a dealer, or to register your product.

Whenever you need service, genuine Toro parts, or additional information, contact an Authorized Service Dealer or Toro Customer Service and have the model and serial numbers of your product ready. Figure 1 illustrates the location of the model and serial numbers on the product. Write the numbers in the space provided.

This manual identifies potential hazards and has safety messages identified by the safety alert symbol (Figure 2), which signals a hazard that may cause serious injury or death if you do not follow the recommended precautions.



Figure 2

1. Safety alert symbol

This manual uses 2 other words to highlight information. **Important** calls attention to special mechanical information and **Note** emphasizes general information worthy of special attention.

Contents

Introduction	2
Safety	3
Safe Operating Practices	3
Safety and Instructional Decals	5
Setup	7
Checking the Engine Oil Level	7
Checking the Eccentric Oil Level	7
Product Overview	7
Specifications	8
Operation	9
Checking the Engine Oil Level	9
Cleaning Debris from the Machine	9
Adding Fuel	9
Starting and Stopping the Engine	11
Operating the Compactor	12
Transporting the Machine	12
Maintenance	13
Recommended Maintenance Schedule(s)	13
Disconnecting the Spark Plug Wire	13
Servicing the Air Cleaner	13
Servicing the Engine Oil	14
Servicing the Eccentric Oil	15
Cleaning the Sediment Cup	16
Servicing the Belt	16
Servicing the Spark Plug	16
Storage	17
Troubleshooting	18

Safety

Improper use or maintenance by the operator or owner can result in injury. To reduce the potential for injury, comply with these safety instructions and always pay attention to the safety alert symbol, which means *Caution, Warning, or Danger*—personal safety instruction. Failure to comply with the instruction may result in personal injury or death.

Safe Operating Practices

This product is capable of crushing or amputating hands and feet. Always follow all safety instructions to avoid serious injury or death.

▲ WARNING

Engine exhaust contains carbon monoxide, and odorless, deadly poison that can kill you

Do not run the engine indoors or in an enclosed area.

Training

- Read the *Operator's Manual* and other training material. If the operator(s) or mechanic(s) cannot read English, it is the owner's responsibility to explain this material to them.
- Become familiar with the safe operation of the equipment, operator controls, and safety signs.
- All operators and mechanics should be trained. The owner is responsible for training the users.
- Never let children or untrained people operate or service the equipment. Local regulations may restrict the age of the operator.
- The owner/user can prevent and is responsible for accidents or injuries occurring to himself or herself, other people or property.

Preparation

- Evaluate the terrain to determine the proper and safe actions to perform the job. Only use accessories and attachments approved by the manufacturer.
- Wear appropriate clothing including hard hat, safety glasses, long pants, safety shoes, and hearing protection. Long hair, loose clothing or jewelry may get tangled in moving parts.
- Inspect the area where the equipment is to be used and remove all objects such as tools, building materials, and personal items which can be damaged by the machine.
- Use extra care when handling fuels. They are flammable and vapors are explosive.
 - Use only an approved container
 - Never remove the fuel cap or add fuel with the engine running. Allow the engine to cool before refueling. Do not smoke.

- Never refuel or drain the machine indoors.
- Check that the operator's presence controls, safety switches, and shields are attached and functioning properly. Do not operate unless they are functioning properly.

Operation

- Never run an engine in an enclosed area.
- Only operate in good light, keeping away from holes and hidden hazards.
- Do not operate in standing water.
- Slow down and use caution when making turns.
- Ensure that the area is clear of other people before operating the machine. Stop the machine if anyone enters the area.
- Keep pets and bystanders away.
- Keep feet clear of the plate compactor.
- Ear protection is required when operating this equipment.
- Do not operate the machine under the influence of alcohol or drugs.
- For foot protection, wear steel toe shoes or toe pads.
- Never operate with the guards not securely in place.
- Do not change the engine governor setting or overspeed the engine.
- Use care when loading or unloading the machine into a trailer or truck.
- Never leave the machine running unattended. Always set the throttle to slow, stop the engine, and wait for all moving parts to stop before leaving.
- Do not touch parts which may be hot from operation. Allow them to cool before attempting to maintain, adjust, or service.
- Before compacting soil, have the area marked for underground utilities.
- Lightning can cause severe injury or death. If lightning is seen or thunder is heard in the area, do not operate the machine; seek shelter.

Maintenance and Storage

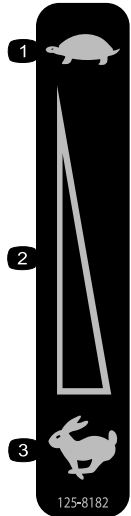
- Park the machine on a level surface, set the throttle to slow, and stop the engine. Wait for all movement to stop before adjusting, cleaning, or repairing.
- Clean debris from the drives, mufflers, and engine to help prevent fires. Clean up fuel and oil spillage.
- Let the engine cool before storing and do not store near flame.
- Do not store fuel near flames or drain indoors.
- Park the machine on level ground. Never allow untrained personnel to service the machine.
- Disconnect the spark plug before making any repairs.

- Keep hands and feet away from moving parts. If possible, do not make adjustments with the engine running.
- Keep all parts in good working condition and all hardware tightened. Replace all worn or damaged decals.
- Keep nuts and bolts tight. Keep equipment in good condition.
- Keep the machine free from the build-up of mud, rocks, or other debris. Clean up oil or fuel spillage. Allow the machine to cool before storing.
- Use extra care when handling fuels. They are flammable and vapors are explosive.
 - Use only an approved container.
 - Never remove the fuel cap or add fuel when the engine is running. Allow the engine to cool before refueling. Do not smoke.
 - Never refuel the machine indoors.
 - Never store the machine or fuel container inside where there is an open flame, such as near a water heater or furnace.
 - Never fill a fuel container while it is inside a vehicle, trunk, pick-up bed, or any surface other than the ground.
 - Keep container nozzle in contact with the tank during filling.
- Stop and inspect the equipment if you strike an object. Make any necessary repairs before restarting.
- Use only genuine Toro replacement parts to ensure that original standards are maintained.

Safety and Instructional Decals

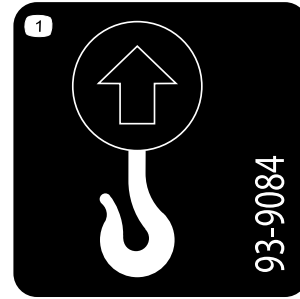


Safety decals and instructions are easily visible to the operator and are located near any area of potential danger. Replace any decal that is damaged or lost.



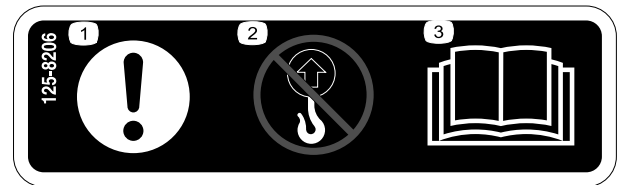
125-8182

1. Slow
2. Variable speed control
3. Fast



93-9084

1. Lift point



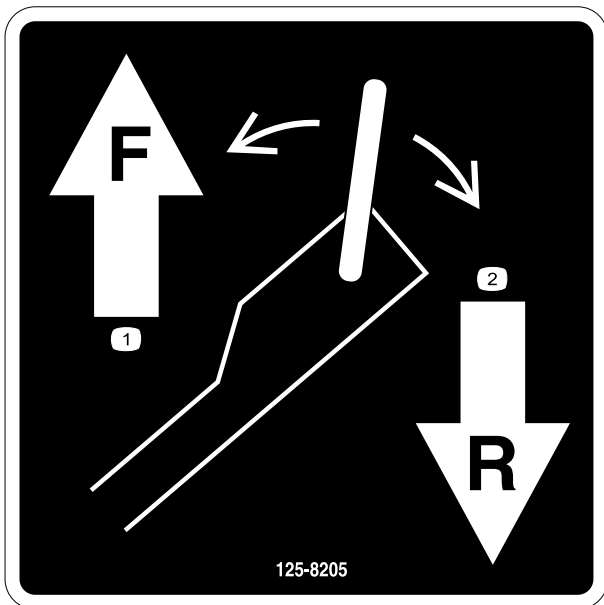
125-8206

1. Caution
2. Do not lift the compactor by the handle.
3. Read the *Operator's Manual* for information on lifting the machine.



125-8207

1. Engine oil



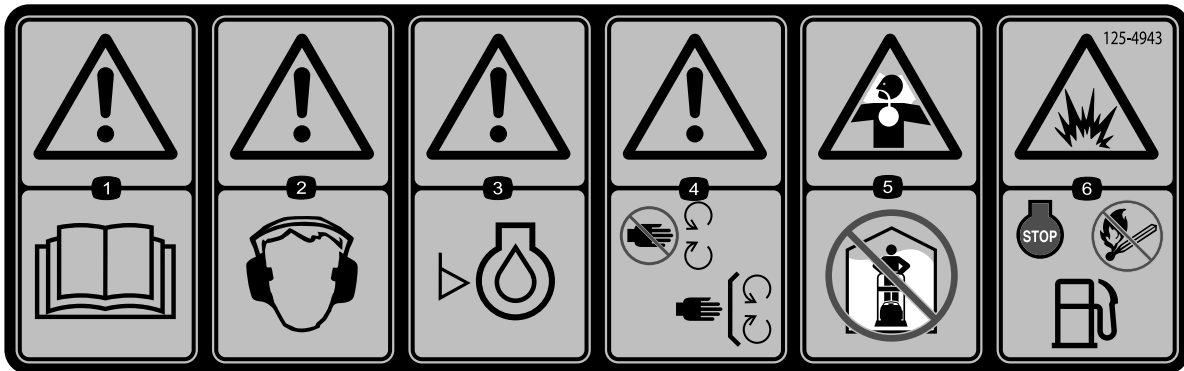
125-8205

1. Push the handle forward to move the compactor forward.
2. Pull the handle backward to move the compactor backward.

CALIFORNIA SPARK ARRESTER WARNING

Operation of this equipment may create sparks that can start fires around dry vegetation. A spark arrester may be required. The operator should contact local fire agencies for laws or regulations relating to fire prevention requirements. 117-2718

117-2718



125-4943

1. Warning—read the *Operator's Manual*.
2. Warning—wear hearing protection.
3. Warning—check engine oil level before operating the machine.
4. Warning—keep away from moving parts; keep all guards and shields in place.
5. Choking hazard—do not operate the machine indoors.
6. Explosion hazard—stop the engine and extinguish all flames before refueling the machine.

Setup

Checking the Engine Oil Level

The machine comes from the factory with oil in the engine crankcase; however, it may be necessary to add oil. Refer to Servicing the Engine Oil (page 14). Add only enough oil to raise the level to the Full mark on the dipstick.

Checking the Eccentric Oil Level

The machine comes from the factory with eccentric oil in the eccentric housing; however, it may be necessary to add oil. Refer to Servicing the Eccentric Oil (page 15). Add only enough oil so that the oil level is flush with the oil plug on the side of the eccentric housing.

Product Overview

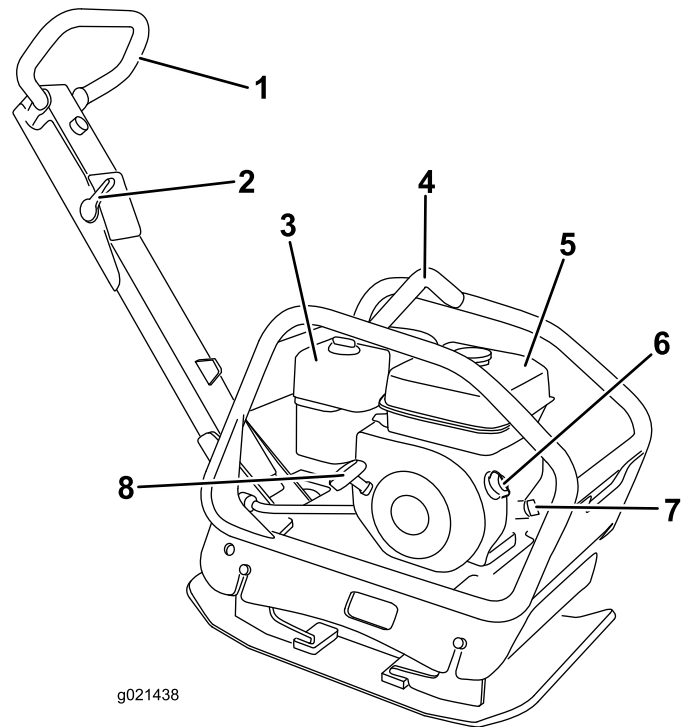


Figure 3
RP-500

- | | |
|----------------------------|------------------------|
| 1. Direction control lever | 5. Fuel tank |
| 2. Throttle control | 6. Fuel On/Off switch |
| 3. Air cleaner | 7. Oil dipstick |
| 4. Lift point | 8. Recoil start handle |

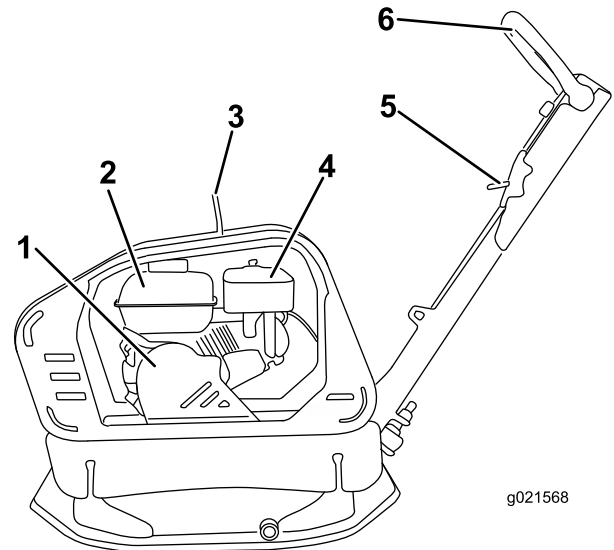
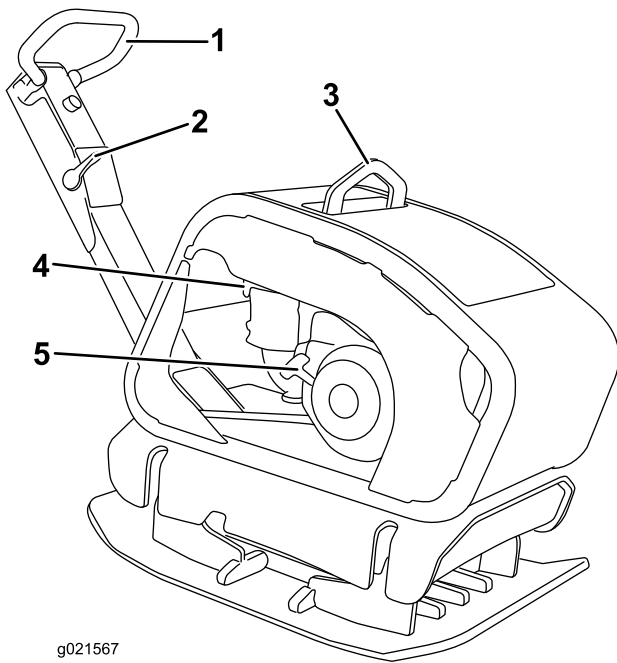


Figure 4
RP-700

- | | |
|---------------|----------------------------|
| 1. Belt cover | 4. Air cleaner |
| 2. Fuel tank | 5. Throttle control |
| 3. Lift point | 6. Direction control lever |

Specifications

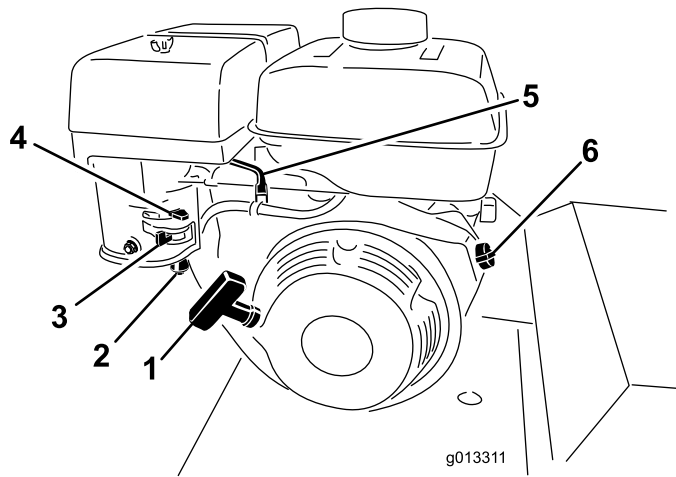
Model Number	RP-500	RP-700	RP-1200
Width	40 cm (15.7 inches)	50 cm (19.7 inches)	60 cm (23.6 inches)
Length	118 cm (46.5 inches)	128 cm (50.8 inches)	142 cm (55.9 inches)
Height (handle raised)	109 cm (42.9 inches)	113 cm (44.5 inches)	115 cm (45.3 inches)
Height (handle lowered)	99 cm (39 inches)	104 cm (40.9 inches)	105.5 cm (41.5 inches)
Weight	120 kg (264.6 lbs)	210 kg (463 lbs)	330 kg (727.5 lbs)



g021567

Figure 5
RP-1200

- 1. Direction control lever
- 2. Throttle control
- 3. Lift point
- 4. Air cleaner
- 5. Recoil start handle



g013311

Figure 6

- 1. Recoil starter
- 2. Sediment cup
- 3. Fuel shut-off valve
- 4. Choke lever
- 5. Throttle lever
- 6. Engine On/Off switch

Operation

Note: Determine the left and right sides of the machine from the normal operating position.

Checking the Engine Oil Level

Service Interval: Before each use or daily

1. Stop the machine on a level surface.
2. Set the throttle to slow, turn off the engine switch, and wait for all moving parts to stop.
3. Clean around the dipstick (Figure 7) so that dirt cannot fall into the filler hole and damage the engine.

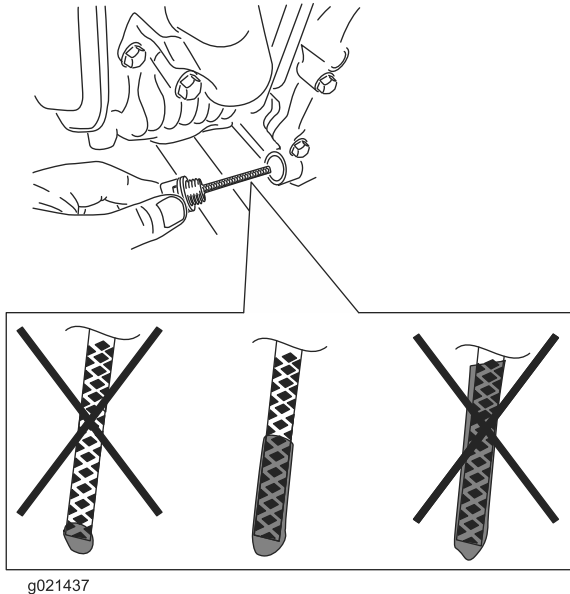


Figure 7

1. Dipstick

4. Unscrew the dipstick and wipe the end clean (Figure 7).
5. Screw the dipstick fully onto the filler tube (Figure 7).
6. Unscrew the dipstick again and look at the end. If the engine oil level is low, slowly pour only enough oil into the filler tube to raise the level to the Full mark on the dipstick.

Important: Do not overfill the crankcase with engine oil and run the engine; engine damage may result.

Cleaning Debris from the Machine

Service Interval: Before each use or daily

1. Set the throttle to slow, stop the engine, and wait for all moving parts to stop.

⚠ WARNING

Contact with hot parts on the machine can cause severe burns.

Wait for all parts to cool before touching the machine.

2. Brush dirt and debris away from the air cleaner and engine openings.

Adding Fuel

- For best results, use only clean, fresh, unleaded gasoline with an octane rating of 87 or higher ((R+M)/2 rating method).
- Oxygenated fuel with up to 10% ethanol or 15% MTBE by volume is acceptable.
- **Do not** use ethanol blends of gasoline (such as E15 or E85) with more than 10% ethanol by volume. Performance problems and/or engine damage may result which may not be covered under warranty.
- **Do not** use gasoline containing methanol.
- **Do not** store fuel either in the fuel tank or fuel containers over the winter unless a fuel stabilizer is used.
- **Do not** add oil to gasoline.

⚠ DANGER

In certain conditions, gasoline is extremely flammable and highly explosive. A fire or explosion from gasoline can burn you and others and can damage property.

- Fill the fuel tank outdoors, in an open area, when the engine is cold. Wipe up any gasoline that spills.
- Never fill the fuel tank inside an enclosed trailer.
- **Do not fill the fuel tank completely full. Add gasoline to the fuel tank until the level is 1/4 to 1/2 inch (6 to 13 mm) below the bottom of the filler neck. This empty space in the tank allows gasoline to expand.**
- Never smoke when handling gasoline, and stay away from an open flame or where gasoline fumes may be ignited by a spark.
- Store gasoline in an approved container and keep it out of the reach of children. Never buy more than a 30-day supply of gasoline.
- **Do not operate without entire exhaust system in place and in proper working condition.**

▲ DANGER

In certain conditions during fueling, static electricity can be released causing a spark which can ignite the gasoline vapors. A fire or explosion from gasoline can burn you and others and can damage property.

- Always place gasoline containers on the ground away from your vehicle before filling.
- Do not fill gasoline containers inside a vehicle or on a truck or trailer bed because interior carpets or plastic truck bed liners may insulate the container and slow the loss of any static charge.
- When practical, remove gas-powered equipment from the truck or trailer and refuel the equipment on a flat surface.
- If this is not possible, then refuel such equipment on a truck or trailer from a portable container, rather than from a gasoline dispenser nozzle.
- If a gasoline dispenser nozzle must be used, keep the nozzle in contact with the rim of the fuel tank or container opening at all times until fueling is complete.

Using Stabilizer/Conditioner

Use a fuel stabilizer/conditioner in the traction unit to provide the following benefits:

- Keeps gasoline fresh during storage of 90 days or less. For longer storage it is recommended that the fuel tank be drained.
- Cleans the engine while it runs
- Eliminates gum-like varnish buildup in the fuel system, which causes hard starting

Important: Do not use fuel additives containing methanol or ethanol.

Add the correct amount of gas stabilizer/conditioner to the gas.

Note: A fuel stabilizer/conditioner is most effective when mixed with fresh gasoline. To minimize the chance of varnish deposits in the fuel system, use fuel stabilizer at all times.

Filling the Fuel Tank

1. Set the throttle to slow, turn off the engine switch, and wait for all moving parts to stop.
2. Allow the engine to cool.
3. **Models 68072 and 68073 only:** raise the cover (Figure 8).

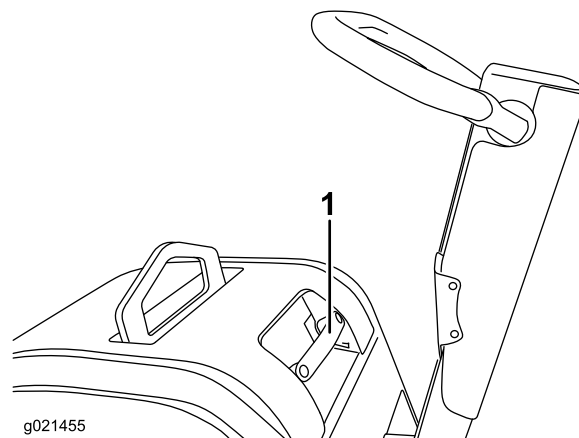


Figure 8

1. Cover handle

4. Clean around the fuel tank cap and remove it (Figure 9).

Note: The cap is tethered to the fuel tank.

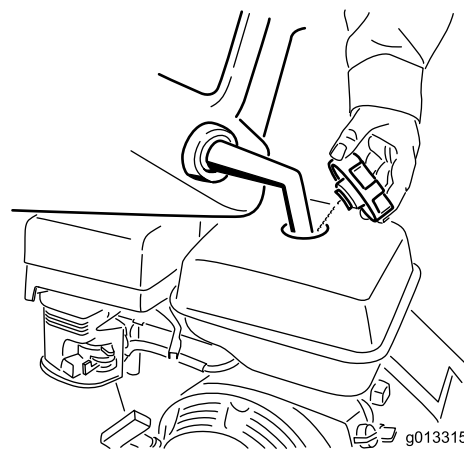


Figure 9

5. Add unleaded gasoline to the fuel tank.

Important: Do not fill the fuel tank completely full. The space in the tank allows gasoline to expand.

6. Install the fuel tank cap securely.
7. Wipe up any gasoline that may have spilled.

Starting and Stopping the Engine

Starting the Engine

1. Move the fuel valve to the On position (Figure 10).

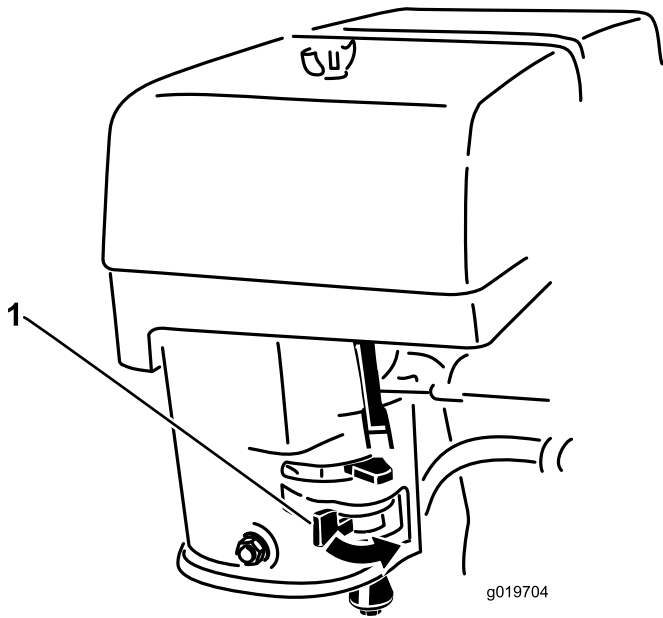


Figure 10

1. Fuel valve
-

2. Move the engine switch to the On position (Figure 11).

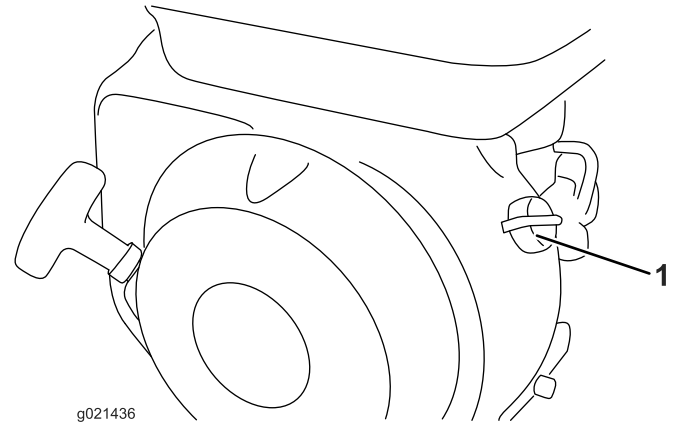


Figure 11

1. Engine switch
-

3. Move the choke lever to the left if you are starting a cold engine (Figure 12).

Note: A warm or hot engine may not require choking.

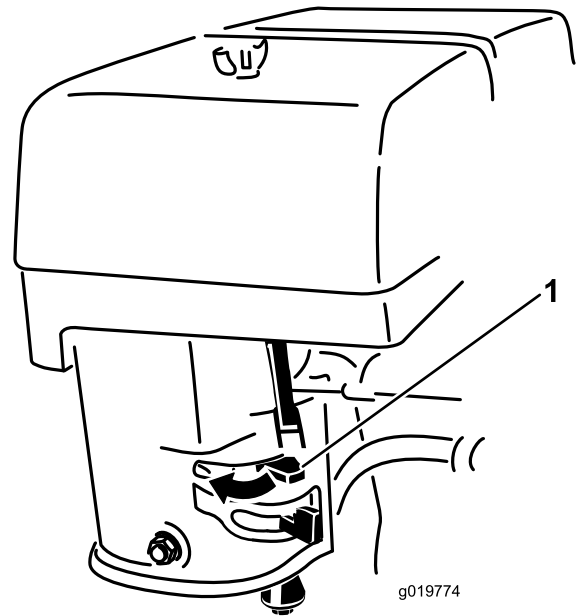


Figure 12

1. Choke
-

4. Slowly pull the recoil handle until you encounter resistance, then pull sharply to start the engine.
5. After the engine starts, gradually move the choke to the right. If the engine stalls or hesitates, move the choke left again until the engine warms up.

6. Move the throttle lever to maximum throttle.

Note: The compactor will begin vibrating when the throttle lever is set to maximum throttle.

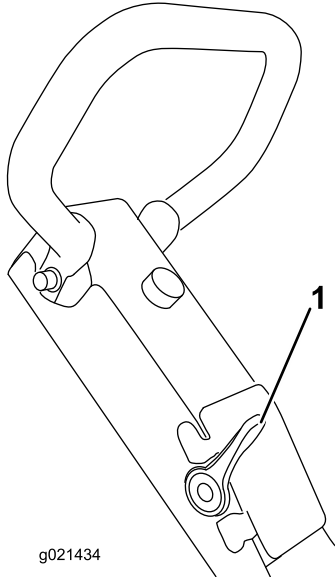


Figure 13

1. Throttle lever

Operating the Compactor

Controlling the Direction of Travel

- The travel control lever automatically moves forward and the machine will begin travelling forward (Figure 17).

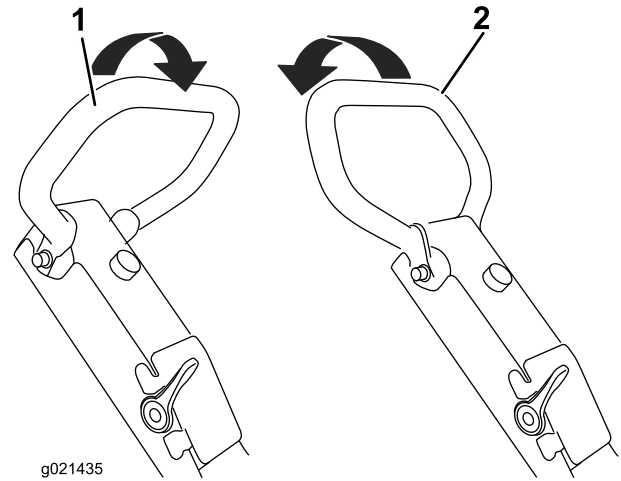


Figure 15

1. Travel control lever in forward position
2. Travel control lever in backward position

Stopping the Engine

1. Move the throttle control lever to the slow position (Figure 14).

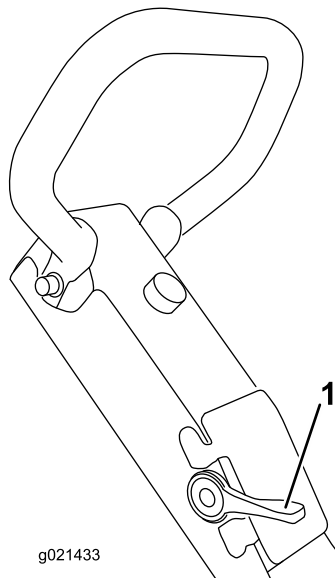


Figure 14

1. Throttle lever

Transporting the Machine

The rollcage lift point can be used to lift and transport the machine with straps or a crane (Figure 16).

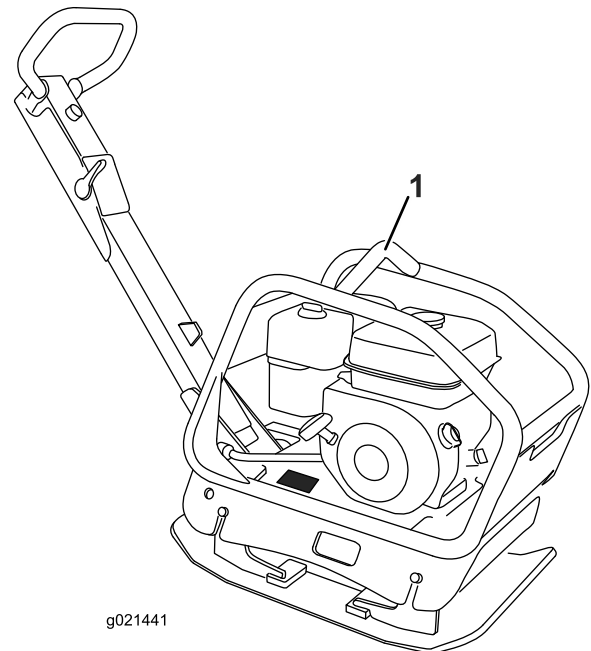


Figure 16
RP-500 shown

1. Rollcage lift point

Maintenance

Recommended Maintenance Schedule(s)

Maintenance Service Interval	Maintenance Procedure
After the first 25 hours	<ul style="list-style-type: none">• Change the engine oil.
Before each use or daily	<ul style="list-style-type: none">• Check the engine oil level.• Clean debris from the air cleaner.• Inspect the air cleaner elements.
Every 50 hours	<ul style="list-style-type: none">• Clean the air filter elements. Clean them more frequently in dusty operating conditions.
Every 100 hours	<ul style="list-style-type: none">• Change the engine oil.• Adjust the belt.• Inspect, clean, and adjust the spark plug; replace it if necessary.
Every 200 hours	<ul style="list-style-type: none">• Replace the spark plug.
Every 300 hours	<ul style="list-style-type: none">• Replace the paper air cleaner element. Replace it more frequently in dusty operating conditions.• Change the eccentric oil.
Monthly	<ul style="list-style-type: none">• Check the eccentric oil level.
Yearly	<ul style="list-style-type: none">• Change the eccentric oil.

Disconnecting the Spark Plug Wire

Before performing any maintenance on the engine, disconnect the spark plug wire from the spark plug (Figure 16).

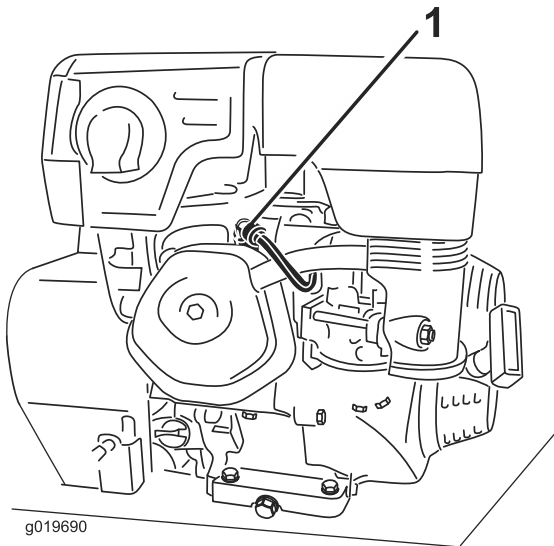


Figure 17

1. Spark plug wire

Servicing the Air Cleaner

Service Interval: Before each use or daily—Inspect the air cleaner elements.

Every 50 hours—Clean the air filter elements. Clean them more frequently in dusty operating conditions.

Every 300 hours/Yearly (whichever comes first)—Replace the paper air cleaner element. Replace it more frequently in dusty operating conditions.

Important: Do not operate the engine without the air filter assembly; extreme engine damage will occur.

1. Set the throttle to slow, stop the engine, and wait for all moving parts to stop.
2. **Models 68072 and 68073 only:** raise the cover (Figure 8).
3. Disconnect the wire from the spark plug.
4. Remove the nut that secures the cover (Figure 18).

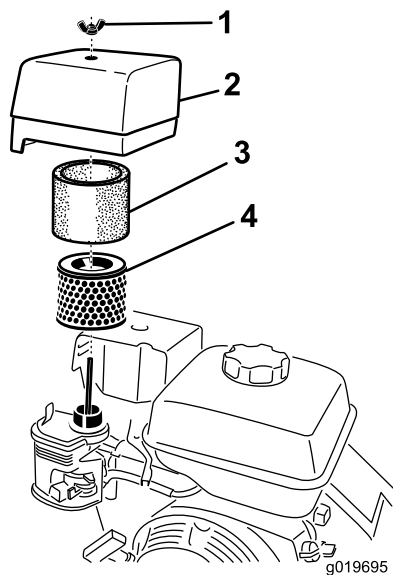


Figure 18

- | | |
|----------|------------------|
| 1. Nut | 3. Paper element |
| 2. Cover | 4. Foam element |

5. Remove the cover.

Note: Be careful to prevent dirt and debris from falling into the base.

6. Remove the foam and paper elements from the base (Figure 18).

7. Remove the foam element from the paper element (Figure 18).

8. Inspect the foam and paper elements, and replace them if they are damaged or excessively dirty.

9. If the paper element is excessively dirty, replace it.

Note: Never try to brush dirt off the paper element; brushing forces the dirt into the fibers.

10. Clean the foam element in warm, soapy water or in a **nonflammable** solvent.

Note: Do not use gasoline to clean the foam element because it could create a risk of fire or explosion.

11. Rinse and dry the foam element thoroughly.

12. Dip the foam element in clean engine oil, then squeeze out the excess oil.

Note: Excess oil in the foam element restricts the air flow through the element and may reach the paper filter and clog it.

13. Wipe dirt from the base and the cover with a moist rag.

Note: Be careful to prevent dirt and debris from entering the air duct leading to the carburetor.

14. Install the air cleaner elements and ensure that they are properly positioned.

15. Securely install the cover with the nut.

Servicing the Engine Oil

Oil Type: Detergent oil (API service SJ or higher)

Crankcase Capacity: RP-500 and RP-700 – 20.3 oz (0.6 l)

Crankcase Capacity: RP-1200 – 37 oz (1.1 l)

Viscosity: See table below

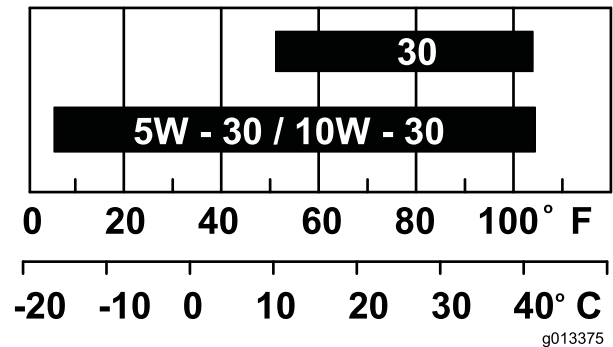


Figure 19

Changing the Engine Oil

Service Interval: After the first 25 hours

Every 100 hours

⚠ WARNING

Oil may be hot after the engine has been run, and contact with hot oil can cause severe personal injury.

Avoid contacting the hot engine oil when you drain it.

1. Stop the engine and wait for all moving parts to stop.
2. Disconnect the wire from the spark plug.
3. Remove the drain plug (Figure 20).

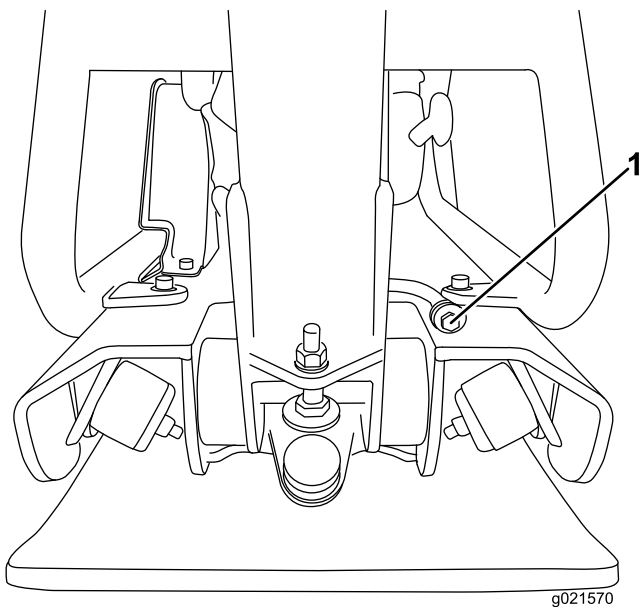


Figure 20

1. Drain plug

Note: You may have to tip the compactor backwards to drain the oil.

4. When the oil has drained completely, replace the plug.

Note: Dispose of the used oil at a certified recycling center.

5. Remove the dipstick (Figure 7) and slowly pour oil into the filler hole until the oil pours out of the filler hole.
6. Replace and secure the dipstick.
7. Wipe up any spilled oil.

Servicing the Eccentric Oil

Oil Type: Detergent oil (API service SJ or higher)

Crankcase Capacity: RP-500 and RP-700 – 13.5 oz (0.4 l)

Crankcase Capacity: RP-1200 – 16.9 oz (0.5 l)

Viscosity: 15W-40

Checking the Eccentric Oil Level

Service Interval: Monthly

1. Set the throttle to slow, stop the engine, and wait for all moving parts to stop.
2. Place a drain pan under the oil plug and remove the oil plug screw on the side of the eccentric housing (Figure 21).

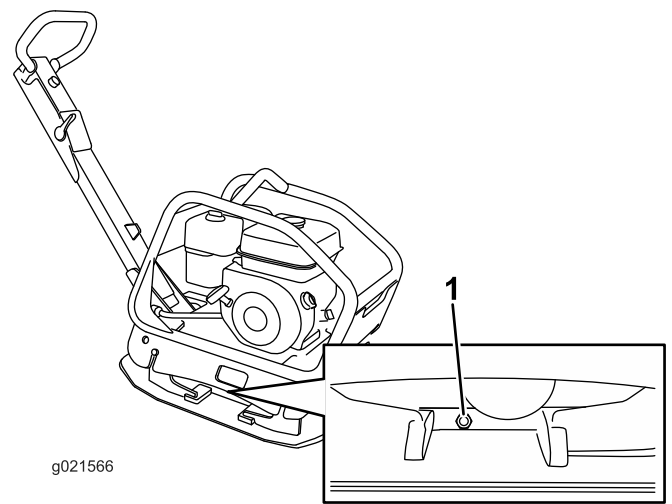


Figure 21
RP-500 shown

1. Oil plug

3. Verify that the eccentric oil is level with the bolt hole. If adding oil is required, refer to Changing the Eccentric Oil (page 15).
4. Wipe up any spilled oil.
5. Replace the oil plug screw.

Changing the Eccentric Oil

Service Interval: Yearly

Every 300 hours

1. Set the throttle to slow, stop the engine, and wait for all moving parts to stop.
2. Place an oil drain pan under the oil plug and remove the oil plug screw (Figure 21). Place an oil drain pan under the oil plug.
3. Tip the plate compactor slightly to the right, and use a suction gun to remove the oil through the oil plug hole (Figure 21).
4. Tip the plate compactor slightly to the left, and slowly pour oil into the oil plug hole (Figure 21).

Note: Use a funnel to pour oil into the oil plug hole if necessary.

5. The oil level is correct when there is a slight flow of oil out of the oil plug hole when the compactor is level.
6. Wipe up any spilled oil.
7. Replace the oil plug screw.

Cleaning the Sediment Cup

⚠ DANGER

In certain conditions, gasoline is extremely flammable and highly explosive. A fire or explosion from gasoline can burn you and others and can damage property.

- Set the throttle to slow, stop the engine and keep heat, sparks, and flame away.
- Handle fuel only outdoors.
- Wipe up spills immediately.
- Do not smoke while handling fuel.

1. Stop the engine and wait for all moving parts to stop.
2. Disconnect the wire from the spark plug.
3. Move the fuel shut-off valve to the Off position.
4. Remove the sediment cup and O-ring (Figure 22).

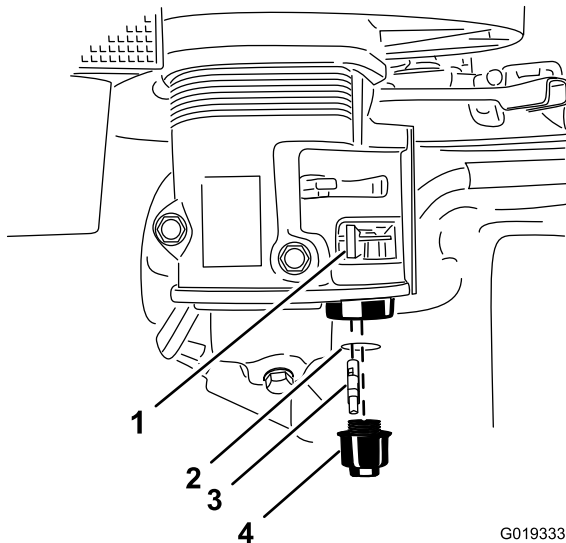


Figure 22

- | | |
|---------------------|-----------------|
| 1. Fuel valve (off) | 3. Fuel filter |
| 2. O-ring | 4. Sediment cup |

5. Wash the sediment cup in a nonflammable solvent and dry it thoroughly.
6. Place the O-ring in the fuel valve and install the sediment cup, tightening it securely (Figure 22).
7. Move the fuel shut-off lever to the On position.

If any fuel leaks, repeat this procedure and replace the O-ring.

Servicing the Belt

Checking the Belt Tension

1. Remove the bolts holding the belt cover in place (Figure 23).

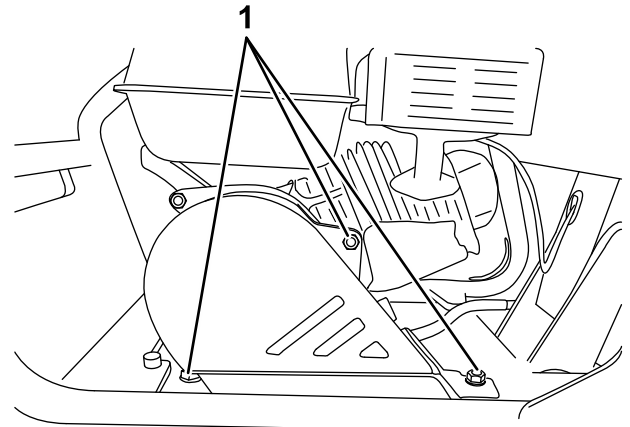


Figure 23

1. Bolts

2. Apply 1 kg (2.2 lbs) of pressure to the middle of the belt. If tensioned correctly it should sag 0.5 cm (0.2 inches).
3. If the belt is not tensioned properly, refer to Adjusting the Belt Tension (page 16).
4. Replace the belt cover.

Adjusting the Belt Tension

Service Interval: Every 100 hours

1. Remove the bolts holding the belt cover in place (Figure 23).
2. Loosen the engine mounting bolts.
3. Adjust the position of the engine until the proper belt tension is obtained.
4. Tighten the engine mounting bolts and replace the belt cover.

Servicing the Spark Plug

Service Interval: Every 100 hours—Inspect, clean, and adjust the spark plug; replace it if necessary.

Every 200 hours—Replace the spark plug.

Use an **NGK BPR6ES** spark plug or equivalent.

1. Stop the engine and wait for all moving parts to stop.
2. Disconnect the wire from the spark plug.
3. Clean around the spark plug.
4. Remove the spark plug from the cylinder head.

Important: Replace a cracked, fouled, or dirty spark plug. Do not clean the electrodes because grit entering the cylinder can damage the engine.

5. Set the gap on the plug to 0.030 inch (0.76 mm) (Figure 24).

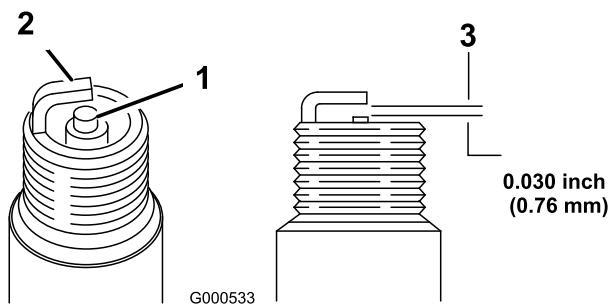


Figure 24

1. Center electrode insulator
2. Side electrode
3. Air gap (not to scale)

-
6. Carefully install the spark plug by hand (to avoid cross threading) until it is hand tight.
 7. Tighten the spark plug an additional 1/2 turn if it is new; otherwise, tighten it an additional 1/8 to 1/4 turn.

Important: A loose spark plug can become very hot and can damage the engine; overtightening a spark plug may damage the threads in the cylinder head.

8. Connect the wire to the spark plug.

Storage

1. Stop the engine, and disconnect the spark plug wire.
2. Remove dirt and grime from the machine.

Important: You can wash the machine with mild detergent and water. Do not pressure wash the machine. Avoid excessive use of water, especially near the engine.

3. Service the air cleaner; refer to (page).
 4. Change the engine oil; refer to Checking the Engine Oil Level (page 9).
 5. For storage over 30 days, prepare the unit as follows:
 - A. Add a petroleum based stabilizer/conditioner to fuel in the tank. Follow mixing instructions from stabilizer manufacturer (1 oz. per gallon). **Do not use an alcohol based stabilizer (ethanol or methanol).**
- Note:** A fuel stabilizer/conditioner is most effective when mixed with fresh gasoline and used at all times.
- B. Run the engine until it stops from running out of fuel.
 - C. Choke the engine.
 - D. Start and run the engine until it will not start again.
 - E. Dispose of fuel properly. Recycle as per local codes.

Important: Do not store stabilizer/conditioned gasoline over 90 days.

6. Check and tighten all bolts, nuts, and screws. Repair or replace any part that is damaged.
7. Paint all scratched or bare metal surfaces. Paint is available from your Authorized Service Dealer.
8. Store the machine in a clean, dry garage or storage area.
9. Cover the machine to protect it and keep it clean.

Troubleshooting

Problem	Possible Cause	Corrective Action
The engine will not start, starts hard, or fails to keep running.	<ol style="list-style-type: none"> 1. The fuel tank is empty. 2. The spark plug is pitted, fouled, or the gap is incorrect. 3. The air cleaner is dirty. 	<ol style="list-style-type: none"> 1. Fill the fuel tank with gasoline. 2. Install a new, correctly gapped spark plug. 3. Clean or replace the air cleaner elements.
The plate does not vibrate at full speed.	<ol style="list-style-type: none"> 1. The oil level in the eccentric housing is too high. 2. The belt is loose. 	<ol style="list-style-type: none"> 1. Check the oil level and drain as necessary. 2. Adjust the belt tension.
The clutch is extremely hot.	<ol style="list-style-type: none"> 1. A foreign object is lodged against the eccentric sheave. 2. The oil level in the eccentric housing is too high. 3. The clutch has slipped. 4. Engine RPM is not reaching full RPM. 	<ol style="list-style-type: none"> 1. Remove the obstruction. 2. Check the oil level and drain as necessary. 3. Adjust the carburetor. 4. Adjust the throttle so the engine runs at 3,600 to 3,800 RPM.
The plate does not vibrate when the engine is running.	<ol style="list-style-type: none"> 1. The belt is broken. 2. The clutch is broken or worn out. 3. The eccentric has seized. 	<ol style="list-style-type: none"> 1. Replace the belt. 2. Replace the clutch. 3. Ensure the eccentric is free turning.

Notes:



The Toro Warranty

A limited warranty (see warranty periods below)

Conditions and Products Covered

The Toro Company and its affiliate, Toro Warranty Company, pursuant to an agreement between them, jointly warrant your Toro Concrete, Masonry, and Compaction Equipment Products listed below to be free from defects in materials or workmanship.

This warranty covers the cost of parts and labor, but you must pay transportation costs.

The following time periods apply from the date of purchase:

Products	Warranty Period
Concrete Mixers	1 year
• Spindle Bearings	Lifetime* (original owner only)
Mortar Mixers	1 year
• Drum Bearings and Seals	Lifetime* (original owner only)
Forward Plate Compactors	2 years
Reversible Plates	1 year
Rammer Compactors	2 years
Mud Buggy	1 year
Vibrating Trench Roller	2 years
Concrete Saws	1 year
Masonry Saws	1 year
Power Trowels	1 year
Screeds	1 year
Concrete Vibrators	1 year

Where a warrantable condition exists, we will repair the Product at no cost to you including diagnosis, labor, and parts.

*Lifetime Warranty - If the bearing(s) or seal(s) on your mixer fail, it will be replaced under warranty, at no cost for parts or labor.

Instructions for Obtaining Warranty Service

If you think that your Toro Product contains a defect in materials or workmanship, follow this procedure¹:

1. Contact any Authorized Servicing Outlet to arrange service at their dealership. To locate one convenient to you, access our website at www.Toro.com. Select "Where to Buy" and select "Contractor" under product type. You may also call our toll free number below.
2. Bring the product and your proof of purchase (sales receipt) to them.
3. If for any reason you are dissatisfied with the Service Outlet's analysis or with the assistance provided, contact us at:

SWS Customer Care Department
Toro Warranty Company
8111 Lyndale Avenue South
Bloomington, MN 55420-1196
Toll Free: 800-888-9926

¹Toro Authorized Rental Customers who have purchased products directly from Toro and have signed the Toro Rental Customer Agreement have the ability to perform their own warranty work. Please visit Toro's Rental Portal for electronic warranty claim filing procedures or call the toll free number above.

Owner Responsibilities

You must maintain your Toro Product by following the maintenance procedures described in the *Operator's Manual*. Such routine

maintenance, whether performed by a dealer or by you, is at your expense. Parts scheduled for replacement as required maintenance ("Maintenance Parts"), are warranted for the period of time up to the scheduled replacement time for that part. Failure to perform required maintenance and adjustments can be grounds for disallowing a warranty claim.

Items and Conditions Not Covered

Not all product failures or malfunctions that occur during the warranty period are defects in materials or workmanship. This express warranty does not cover the following:

- Product failures which result from the use of non-Toro replacement parts, or from installation and use of add-on, modified, or unapproved accessories
- Product failures which result from failure to perform required maintenance and/or adjustments
- Product failures which result from operating the Product in an abusive, negligent or reckless manner
- Parts subject to consumption through use unless found to be defective. Examples of parts which are consumed, or used up, during normal product operation include, but are not limited to, belts, wipers, spark plugs, tires, filters, gaskets, wear plates, seals, O-rings, drive chains, clutches.
- Failures caused by outside influence. Items considered to be outside influence include, but are not limited to, weather, storage practices, contamination, use of unapproved coolants, lubricants, additives, or chemicals, etc.
- Normal "wear and tear" items. Normal "wear and tear" includes, but is not limited to, worn painted surfaces, scratched decals, etc.
- Any component covered by a separate manufacturer's warranty
- Pickup and delivery charges

General Conditions

Repair by an Authorized Servicing Outlet or Self-Service as an Authorized Rental Customer is your sole remedy under the warranty.

Neither The Toro Company nor Toro Warranty Company is liable for indirect, incidental or consequential damages in connection with the use of the Toro Products covered by this warranty, including any cost or expense of providing substitute equipment or service during reasonable periods of malfunction or non-use pending completion of repairs under this warranty. All implied warranties of merchantability and fitness for use are limited to the duration of this express warranty. Some states do not allow exclusions of incidental or consequential damages, or limitations on how long an implied warranty lasts, so the above exclusions and limitations may not apply to you.

This warranty gives you specific legal rights, and you may also have other rights which vary from state to state.

Except for the engine warranty coverage and the Emissions warranty referenced below, if applicable, there is no other express warranty. The Emissions Control System on your Product may be covered by a separate warranty meeting requirements established by the U.S. Environmental Protection Agency (EPA) or the California Air Resources Board (CARB). Refer to the California Emission Control Warranty Statement supplied with your Product or contained in the engine manufacturer's documentation for details.

Countries Other than the United States or Canada

Customers who have purchased Toro products outside the United States or Canada should contact their Toro Distributor (Dealer) to obtain guarantee policies for your country, province, or state. If for any reason you are dissatisfied with your Distributor's service or have difficulty obtaining guarantee information, contact the Toro importer. If all other remedies fail, you may contact us at Toro Warranty Company.

Australian Consumer Law: Australian customers will find details relating to the Australian Consumer Law either inside the box or at your local Toro Dealer.