

PARTS MANUAL



MODEL DIS185SSI4F Air Compressor (ISUZU 4LE2T DIESEL ENGINE)

PARTS LIST NO. E2871203504C

Revision #6 (01/23/23)



THIS MANUAL MUST ACCOMPANY THE EQUIPMENT AT ALL TIMES.

PARTS FINDER

**Search Website
by Part Number**



**Search Manual
Library For Parts
Manual & Lookup Part
Numbers – Purchase
or Request Quote**

Search Manuals

Enter your information to help us find the right parts manual for your machine.

* Brand:

* Model:

* Serial:

* Part Number:

SEARCH

**Can't Find Part or
Manual? Request Help
by Manufacturer,
Model & Description**

Parts Order Form

Please fill in the following information to help us find the right part for your machine.

Manufacturer:	<input type="text"/>
Model:	<input type="text"/>
Description:	<input type="text"/>
Part Number:	<input type="text"/>
Quantity:	<input type="text"/>
Notes:	<input type="text"/>

Submit

Discount-Equipment.com is your online resource for quality parts & equipment.

Florida: **561-964-4949** Outside Florida TOLL FREE: **877-690-3101**

Need parts?

Click on this link: <http://www.discount-equipment.com/category/5443-parts/> and choose one of the options to help get the right parts and equipment you are looking for. Please have the machine model and serial number available in order to help us get you the correct parts. If you don't find the part on the website or on one of the online manuals, please fill out the request form and one of our experienced staff members will get back to you with a quote for the right part that your machine needs.

We sell worldwide for the brands: Genie, Terex, JLG, MultiQuip, Mikasa, Essick, Whiteman, Mayco, Toro Stone, Diamond Products, Generac Magnum, Airman, Haulotte, Barreto, Power Blanket, Nifty Lift, Atlas Copco, Chicago Pneumatic, Allmand, Miller Curber, Skyjack, Lull, Skytrak, Tsurumi, Husquvarna Target, Stow, Wacker, Sakai, Mi-T-M, Sullair, Basic, Dynapac, MBW, Weber, Bartell, Bennar Newman, Haulotte, Ditch Runner, Menegotti, Morrison, Contec, Buddy, Crown, Edco, Wyco, Bomag, Laymor, EZ Trench, Bil-Jax, F.S. Curtis, Gehl Pavers, Heli, Honda, ICS/PowerGrit, IHI, Partner, Imer, Clipper, MMD, Koshin, Rice, CH&E, General Equipment, Amida, Coleman, NAC, Gradall, Square Shooter, Kent, Stanley, Tamco, Toku, Hatz, Kohler, Robin, Wisconsin, Northrock, Oztec, Toker TK, Rol-Air, APT, Wylie, Ingersoll Rand / Doosan, Innovatech, Con X, Ammann, Mecalac, Makinex, Smith Surface Prep, Small Line, Wanco, Yanmar

TABLE OF CONTENTS

DIS185SSI4F AIR COMPRESSOR

Explanation Of Code In Remarks Column.....	4
Suggested Spare Parts	5

Component Drawings

Air End 1 Assembly	6-7
Air End 2 Assembly	8-9
Oil Chamber Assembly.....	10-11
Minimum Pressure Valve Assembly.....	12-13
Piping 1 Assembly	14-15
Bypass Thermo Valve Assembly	16-17
Piping 2 Assembly	18-19
Engine And Radiator 1 Assembly.....	20-23
Engine And Radiator 2 Assembly.....	24-25
Control Box Assembly	26-29
Battery Assembly.....	30-31
Muffler Assembly	32-33
Fuel Tank Assembly.....	34-35
Enclosure 1 Assembly	36-37
Enclosure 2 Assembly	38-41
Rubber Seals Assembly	42-43
Trailer Assembly	44-45
Nameplate And Decals Assembly	46-47

NOTICE

Specifications and part numbers are subject to change without notice.

EXPLANATION OF CODE IN REMARKS COLUMN

The following section explains the different symbols and remarks used in the Parts section of this manual. Use the help numbers found on the back page of the manual if there are any questions.

NOTICE

The contents and part numbers listed in the parts section are subject to change **without notice**. Multiquip does not guarantee the availability of the parts listed.

SAMPLE PARTS LIST

NO.	PART NO.	PART NAME	QTY.	REMARKS
1	12345	BOLT	1	INCLUDES ITEMS W/%
2%		WASHER, 1/4 IN.		NOT SOLD SEPARATELY
2%	12347	WASHER, 3/8 IN. ...	1	MQ-45T ONLY
3	12348	HOSE	A/R	MAKE LOCALLY
4	12349	BEARING	1	S/N 2345B AND ABOVE

NO. Column

Unique Symbols — All items with same unique symbol (@, #, +, %, or >) in the number column belong to the same assembly or kit, which is indicated by a note in the “Remarks” column.

Duplicate Item Numbers — Duplicate numbers indicate multiple part numbers, which are in effect for the same general item, such as different size saw blade guards in use or a part that has been updated on newer versions of the same machine.

NOTICE

When ordering a part that has more than one item number listed, check the remarks column for help in determining the proper part to order.

PART NO. Column

Numbers Used — Part numbers can be indicated by a number, a blank entry, or TBD.

TBD (To Be Determined) is generally used to show a part that has not been assigned a formal part number at the time of publication.

A blank entry generally indicates that the item is not sold separately or is not sold by Multiquip. Other entries will be clarified in the “Remarks” Column.

QTY. Column

Numbers Used — Item quantity can be indicated by a number, a blank entry, or A/R.

A/R (As Required) is generally used for hoses or other parts that are sold in bulk and cut to length.

A blank entry generally indicates that the item is not sold separately. Other entries will be clarified in the “Remarks” Column.

REMARKS Column

Some of the most common notes found in the “Remarks” Column are listed below. Other additional notes needed to describe the item can also be shown.

Assembly/Kit — All items on the parts list with the same unique symbol will be included when this item is purchased.

Indicated by:

“INCLUDES ITEMS W/(unique symbol)”

Serial Number Break — Used to list an effective serial number range where a particular part is used.

Indicated by:

“S/N XXXXX AND BELOW”

“S/N XXXX AND ABOVE”

“S/N XXXX TO S/N XXX”

Specific Model Number Use — Indicates that the part is used only with the specific model number or model number variant listed. It can also be used to show a part is NOT used on a specific model or model number variant.

Indicated by:

“XXXXX ONLY”

“NOT USED ON XXXX”

“Make/Obtain Locally” — Indicates that the part can be purchased at any hardware shop or made out of available items. Examples include battery cables, shims, and certain washers and nuts.

“Not Sold Separately” — Indicates that an item cannot be purchased as a separate item and is either part of an assembly/kit that can be purchased, or is not available for sale through Multiquip.

SUGGESTED SPARE PARTS

DIS185SSI4F AIR COMPRESSOR WITH ISUZU 4LE2T DIESEL ENGINE

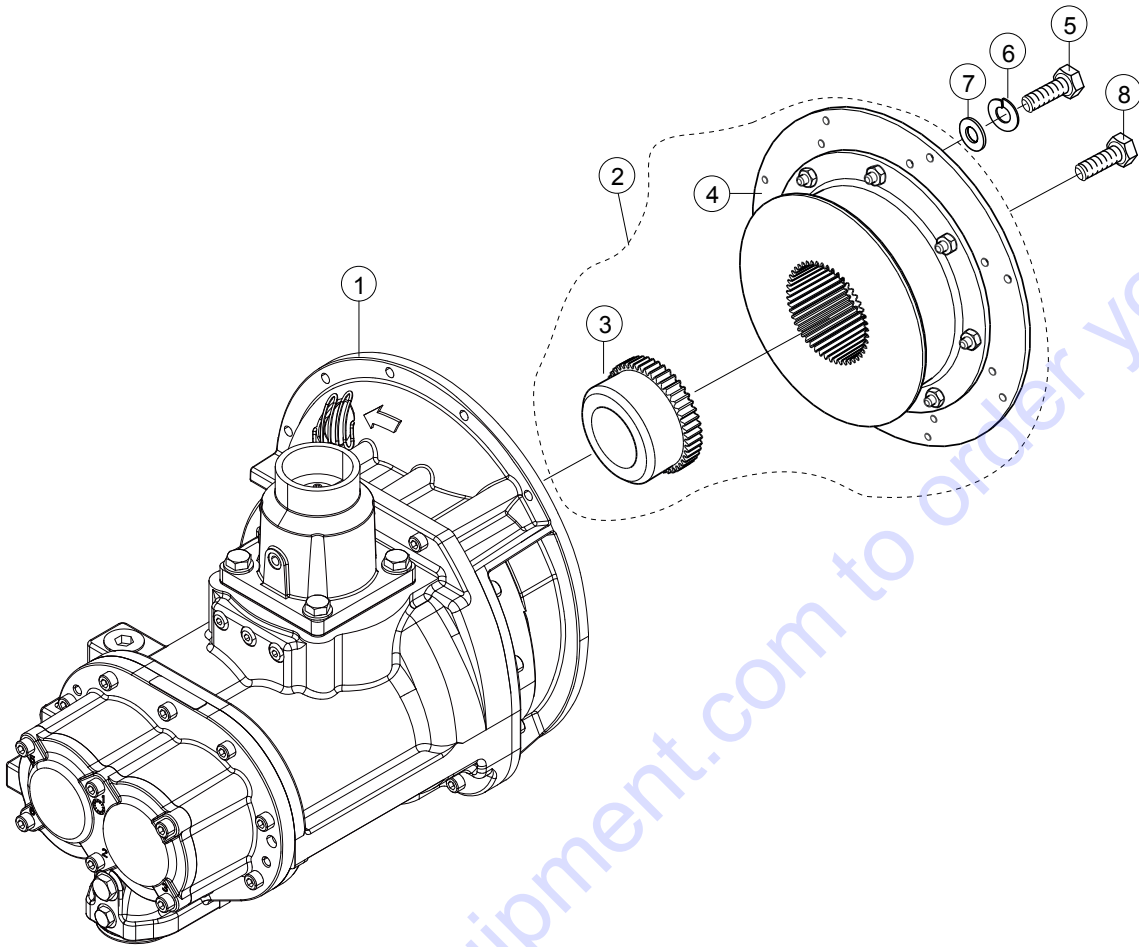
1 TO 3 UNITS

Qty.	P/N	Description
3	Y0602046615	ELEMENT AIR FILTER, SAFETY (ENGINE)
3	.0602046366	ELEMENT, AIR FILTER, PRIMARY (ENGINE)
3	.0602046365	ELEMENT AIR FILTER, SAFETY (COMPRESSOR)
3	Y0602046634	ELEMENT, AIR FILTER, PRIMARY (COMPRESSOR)
3	.8980756761	CARTRIDGE, OIL FILTER (ENGINE)
3	E2924000214	CARTRIDGE, OIL SEPARATOR FILTER, (COMPRESSOR)
3	E2924000354	CARTRIDGE, OIL FILTER, (COMPRESSOR)
3	Y0603310087	FILTER, ORIFICE (OIL CHAMBER)
3	Y0155600123	O-RING (MINIMUM PRESSURE VALVE)
3	Y0155600132	O-RING (MINIMUM PRESSURE VALVE)
3	Y0603043251	SEAL KIT (INLET VALVE)
5	.8982402800	ELEMENT FUEL FILTER (PRE)
5	.8982402790	ELEMENT FUEL FILTER (MAIN)
3	.8981731650	KIT, FUEL FEED PUMP
5	.0605505070	CAP, FUEL TANK
3	.8980490340	V-BELT
1	E2311601203	RADIATOR HOSE, UPPER
1	E2311601303	RADIATOR HOSE, LOWER
4	.0601810830	BULB, LAMPS
1	.0601806642	FUSE, 5 AMP
3	.0601806643	FUSE, 15 AMP
3	.0601806644	FUSE, 30 AMP
1	.0601806640	FUSE, 65 AMP
3	.0601824527	RELAY
3	.5825500290	RELAY, BLOWER
2	EE59644	IGNITION KEY SET

NOTICE

Part number on this Suggested Spare Parts list may supersede/replace the P/N shown in the text pages of this book.

AIR END 1 ASSY.



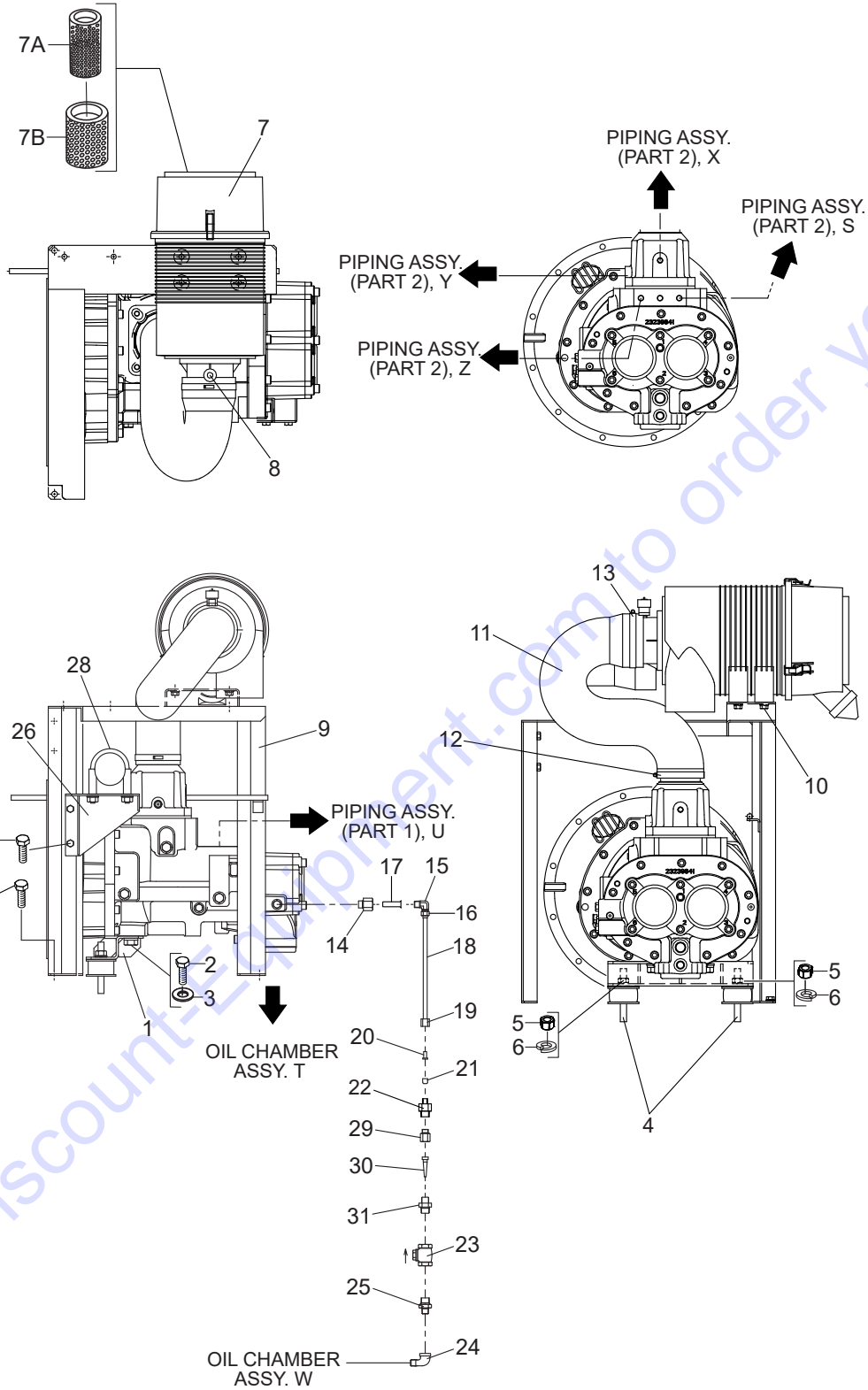
Go to Discount-Equipment.com to order your parts

AIR END 1 ASSY.

<u>NO.</u>	<u>PART NO.</u>	<u>PART NAME</u>	<u>QTY.</u>	<u>REMARKS</u>
1	E2924000304	AIR END ASSY.	1.....	S/N 9500212 AND BELOW
1	E2924000424	AIR END ASSY.	1.....	S/N 9500213 AND ABOVE
2	E2924100394	COUPLING	1.....	INCLUDES ITEMS W/#
3#	E2924100414	GEAR HUB	1	
4#	E2924100404	FLANGE	1	
5	Y0013608015	HEX. HEAD BOLT	8	
6	0401450080	WASHER, FLAT	8.....	REPLACES P/N 0041208000
7	0040008000	WASHER, LOCK	8	
8	E2924100474	HEX. SOCKET SCREW	1	

Go to Discount-Equipment.com to order your parts

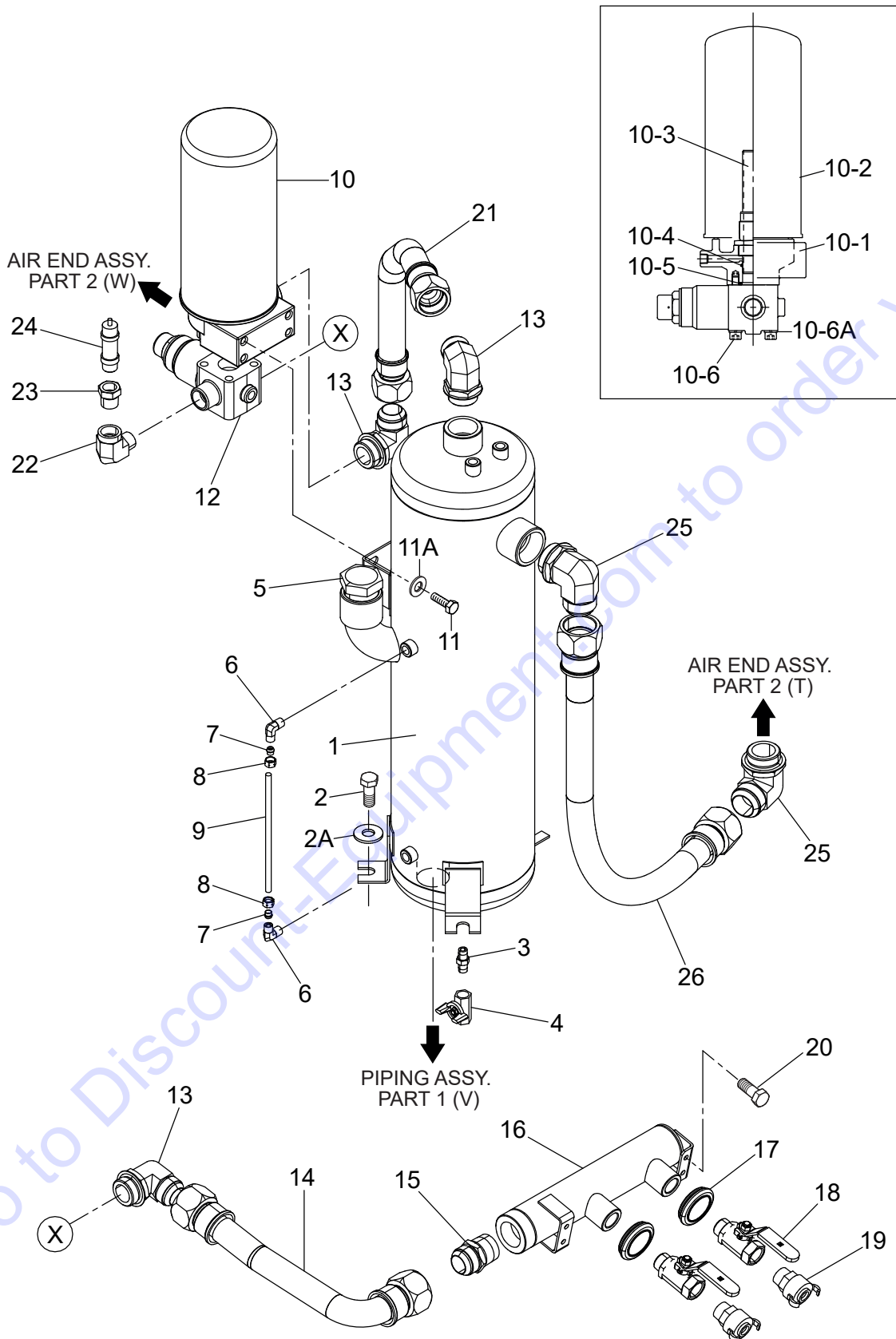
AIR END 2 ASSY.



AIR END 2 ASSY.

<u>NO.</u>	<u>PART NO.</u>	<u>PART NAME</u>	<u>QTY.</u>	<u>REMARKS</u>
1	E2151100604	AIR END FOOT	1	
2	Y0013616030	HEX. HEAD BOLT	2	
3	0041216000	WASHER, FLAT	2	
4	0605000068	RUBBER SUSPENSION	2	
5	0030012000	HEX. HEAD NUT	2	
6	0040012000	WASHER, LOCK	2	
7	E2924000274	AIR CLEANER.....	1.....	INCLUDES ITEMS W/#
7A#	0602046365	PRIMARY ELEMENT	1	
7B#	Y0602046634	SAFETY ELEMENT	1	
8	0602040650	INDICATOR	1	
9	E2141100902	AIR CLEANER BRACKET	1	
10	011008020	HEX. HEAD BOLT.....	7.....	REPLACES P/N 0016908020
11	E2141502003	COMPRESSOR INTAKE HOSE	1	
12	0605515146	HOSE BAND	1	
13	0605515225	HOSE BAND	1	
14	E1614800804	ADAPTOR	1	
15	0603301032	ELBOW UNION	1	
16	0603303021	NUT	1	
17	0603302001	SLEEVE.....	1.....	REPLACES P/N 0603302021
18	0190400720	NYLON TUBE	1	
19	0603303010	NUT.....	1.....	REPLACES P/N 0603303001
20	0603304000	INSERT	1	
21	0603302001	SLEEVE	1	
22	Y0603310087	FILTER.....	1.....	S/N 9500226 AND BELOW
23	0126004005	CHECK VALVE.....	1.....	REPLACES P/N 0120304005
24	0130202000	STREET ELBOW 1/4"	1	
25	Y0131604020	REDUCING NIPPLE 3/8"X1/4"	1	
26	E2614804204	MINIMUM PRESSURE VALVE BRACKET	1	
27	011008020	HEX. HEAD BOLT.....	2.....	REPLACES P/N 0016908020
27A	Y0207008000	SELF LOCKING NUT	2	
28	0602326090	U-BOLT CLAMP	1	
29	W6013217004	NIPPLE WITH ORIFICE.....	1.....	S/N 9500227 AND ABOVE
30	W6143216004	FILTER SCREEN.....	1.....	S/N 9500227 AND ABOVE
31	W6013215004	NIPPLE.....	1.....	S/N 9500227 AND ABOVE

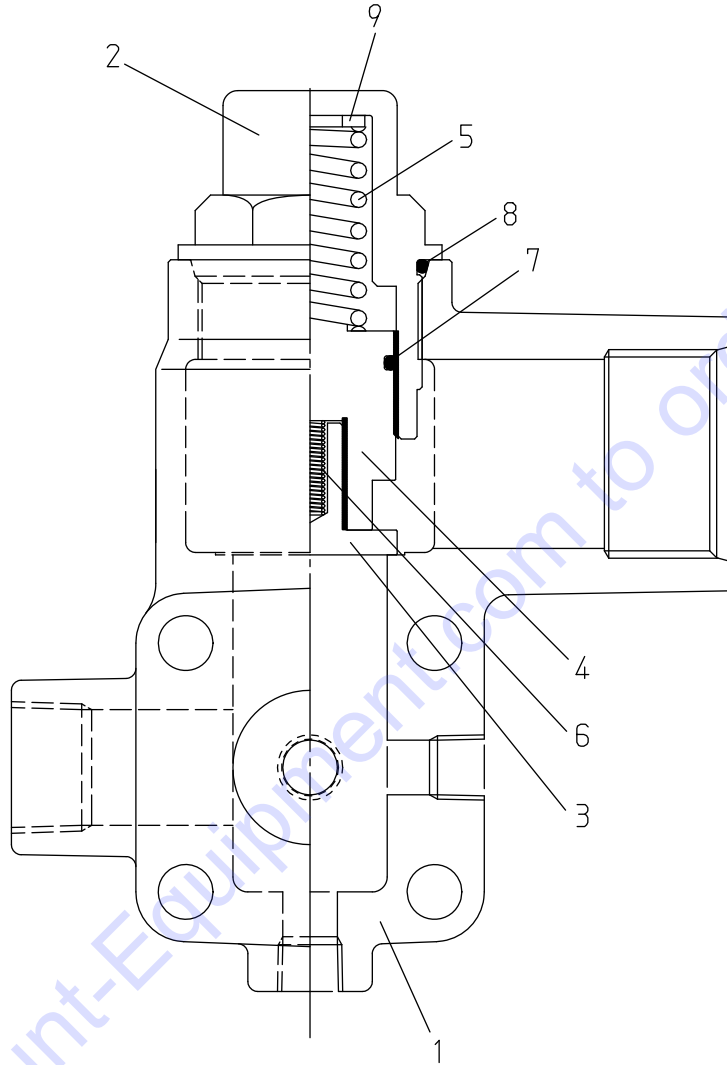
OIL CHAMBER ASSY.



OIL CHAMBER ASSY.

<u>NO.</u>	<u>PART NO.</u>	<u>PART NAME</u>	<u>QTY.</u>	<u>REMARKS</u>
1	E2624001602	AIR RECEIVER	1	S/N 9500326 AND BELOW
1	Y0603200380	AIR RECEIVER	1	S/N 9500327 AND ABOVE
2	012212030	HEX. HEAD BOLT	3	REPLACES P/N 0017112030
2A	0042812000	WASHER, FLAT	3	
3	Y0603306384	PIPE NIPPLE	1	
4	Y0603325037	MINI BALL VALVE	1	
5	Y0603306761	O-RING PLUG	1	
6	Y0603301039	ELBOW UNION	2	
7	0603302021	SLEEVE	2	
8	0603303021	NUT	2	
9	0190400350	NYLON TUBE	1	
10	E2621001403	AIR SEPARATOR ASSY.	1	
10-1	E2624200202	ELEMENT BASE	1	
10-2	E2924000214	AIR OIL SEPARATOR BOX	1	
10-3	E2924000224	NIPPLE VST	1	
10-4	Y0155500123	O-RING	1	
10-5	Y0155500218	O-RING	1	
10-6	Y0018210080	HEX. SOCKET HEAD CAP SCREW	4	
10-6A	0040010000	WASHER, LOCK	4	
11	0016910025	HEX. HEAD BOLT	4	
11A	0042810000	LARGE WASHER, FLAT	4	
12	E2631001403	MINIMUM PRESSURE VALVE	1	
13	Y0603306462	STRAIGHT THREAD ELBOW	3	
14	E2604203304	AIR HOSE	1	
15	Y0603306392	MALE CONNECTOR	1	
16	E2607104403	AIR MANIFOLD	1	
17	Y0601851774	GROMMET	2	
18	Y0603325034	BALL VALVE	2	
19	Y0603314110	UNIVERSAL FITTING	2	
20	0019208020	HEX. HEAD BOLT	4	
21	E2604203204	AIR HOSE	1	
22	Y0603306236	STREET ELBOW 3/4"	1	
23	Y0603306888	PIPE THREAD REDUCER 3/4"X1/2"	1	
24	E2924000234	SAFETY AND RELIEF VALVE	1	
25	Y0603006463	STRAIGHT THREAD ELBOW	2	
26	E2604203104	DISCHARGE HOSE	1	

MINIMUM PRESSURE VALVE ASSY.

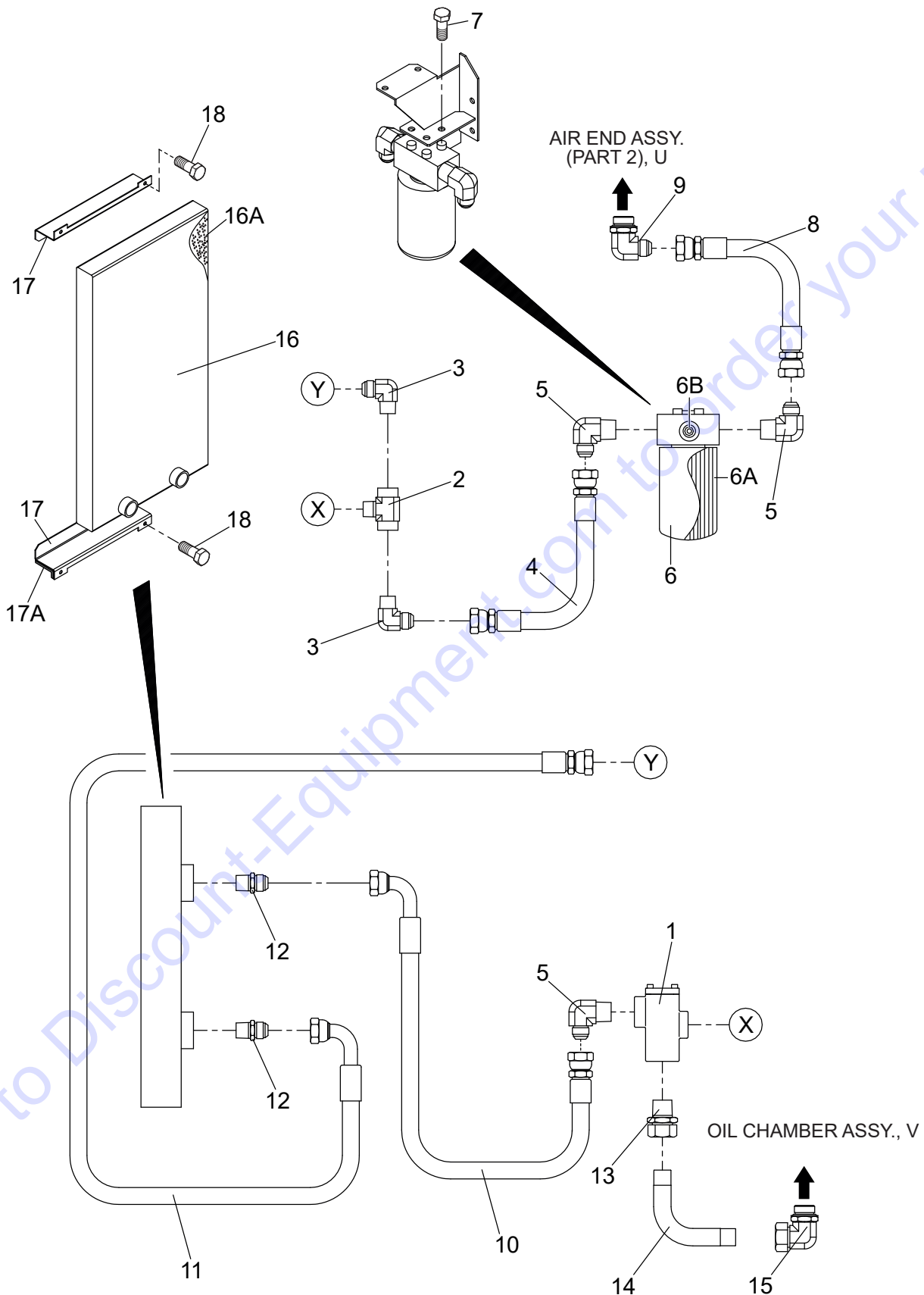


MINIMUM PRESSURE VALVE ASSY.

<u>NO.</u>	<u>PART NO.</u>	<u>PART NAME</u>	<u>QTY.</u>	<u>REMARKS</u>
1	E2624200302	MINIMUM PRESSURE VALVE BODY	1	
2	E2631001304	COVER	1	
3	E2631001204	VALVE	1	
4	E2631001104	PISTON	1	
5	E9201300004	SPRING	1	
6	E9201300104	SPRING	1	
7	Y0155600123	O-RING	1	
8	Y0155500132	O-RING	1	
9	0040012000	WASHER, FLAT	1	

Go to Discount-Equipment.com to order your parts

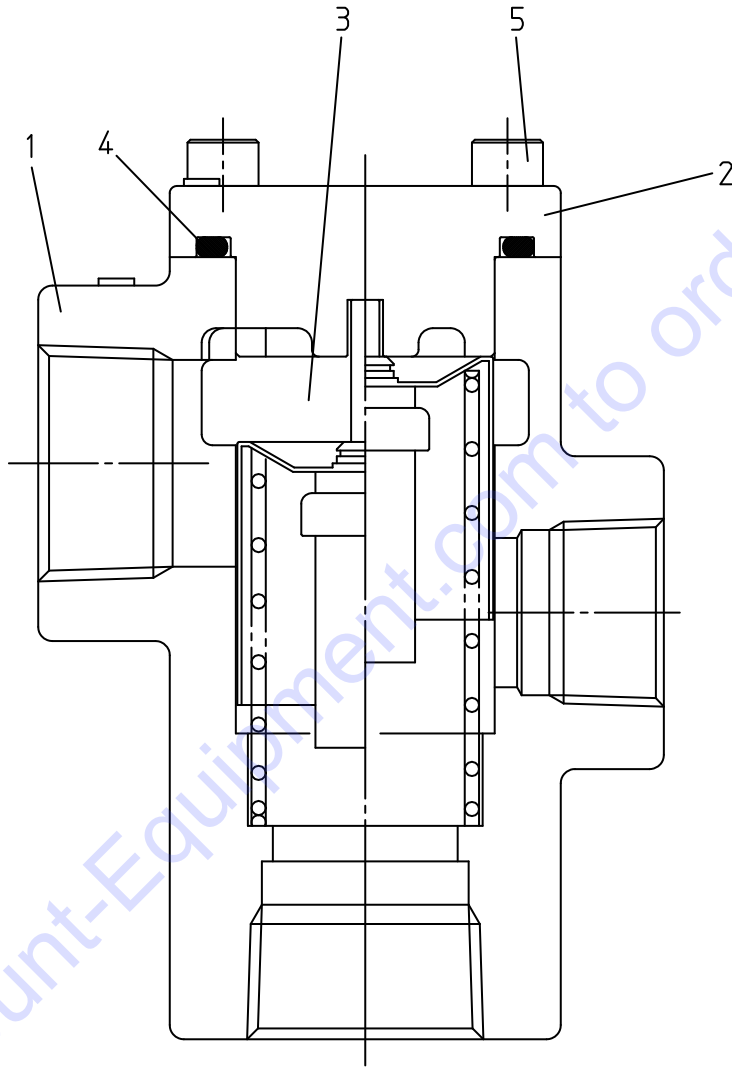
PIPING 1 ASSY.



PIPING 1 ASSY.

<u>NO.</u>	<u>PART NO.</u>	<u>PART NAME</u>	<u>QTY.</u>	<u>REMARKS</u>
1	E2624800603	BYPASS THERMO VALVE ASSY.	1	
2	Y0603306689	MALE BRANCH TEE	1	
3	Y0603306464	MALE ELBOW	2	
4	E2604203604	OIL HOSE	1	
5	Y0603306465	MALE ELBOW	3	
6	E2924000344	OIL FILTER	1	INCLUDES ITEMS W/#
6A#	E2924000354	OIL FILTER ELEMENT	1	
6B#	Y0603310240	INDICATOR	1	
7	0016910020	HEX. HEAD BOLT	3	
8	E2604203704	OIL HOSE	1	
9	Y0603306469	STRAIGHT THREAD ELBOW	1	
10	E2604203404	OIL HOSE	1	
11	E2604203504	OIL HOSE	1	
12	Y0603306382	MALE CONNECTOR	2	
13	Y0603320048	MALE CONNECTOR	1	
14	E2604203804	OIL PIPE	1	
15	Y0603320059	ADJUSTABLE LOCKNUT ELBOW	1	
16	E2924200374	OIL COOLER.....	1	S/N 9500264 AND BELOW
16	E2924200414	OIL COOLER.....	1	S/N 9500265 AND ABOVE
16A	E2494205604	ACOUSTIC SHEET	1	
17	E2314101404	OIL COOLER BRACKET	2	
17A	Y0228900300	SEAL, RUBBER	2	
18	011008020	HEX. HEAD BOLT.....	4	REPLACES P/N 0016908020

BYPASS THERMO VALVE ASSY.

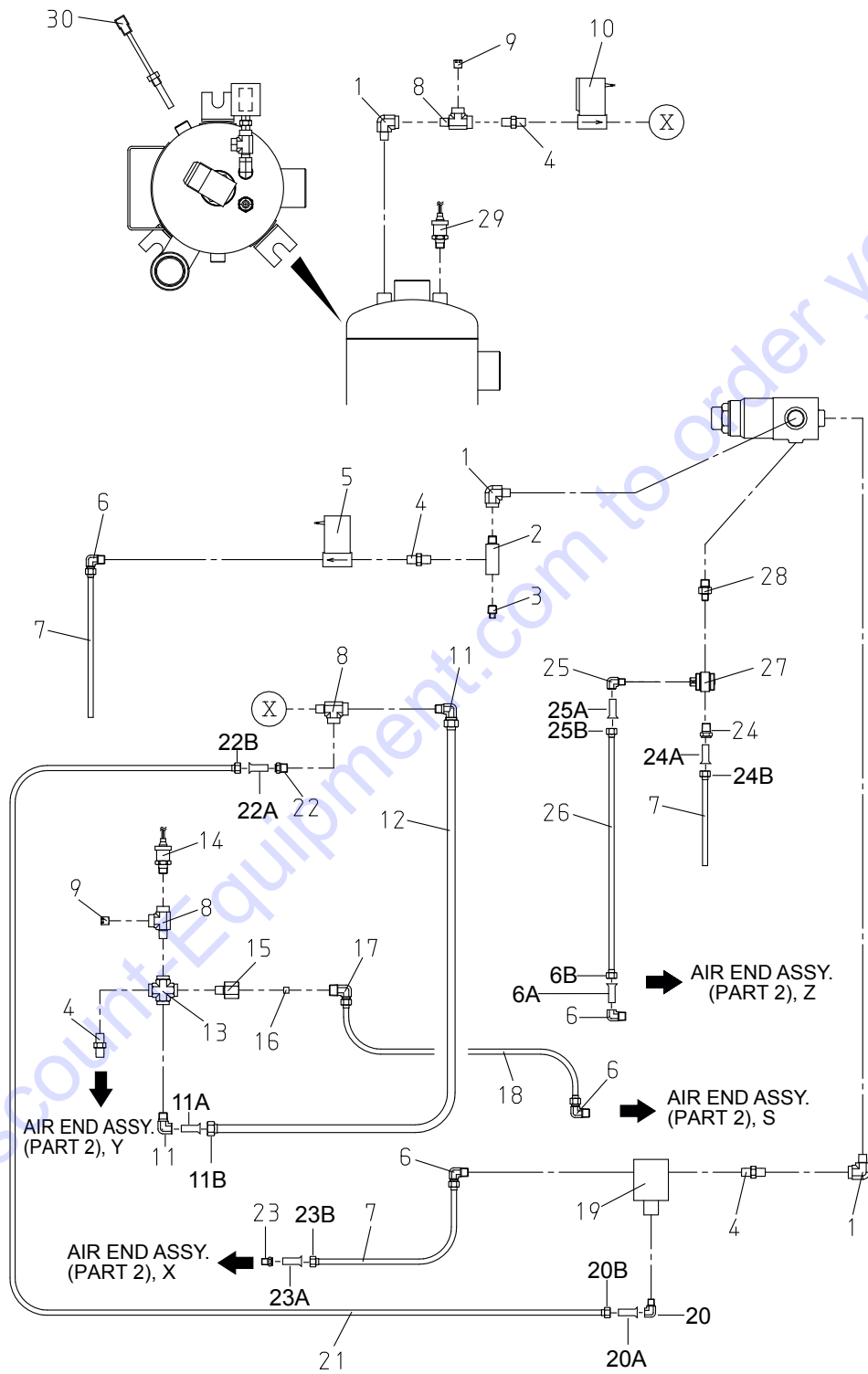


BYPASS THERMO VALVE ASSY.

<u>NO.</u>	<u>PART NO.</u>	<u>PART NAME</u>	<u>QTY.</u>	<u>REMARKS</u>
1	E2624800403	BYPASS THERMO VALVE BODY	1	
2	E2624800504	COVER	1	
3	E2924100384	COMPRESSOR OIL THERMOSTAT ASSY.	1	
4	Y0155500223	O-RING	1	
5	Y0018206020	HEX. SOCKET HEAD CAP SCREW	4	

Go to Discount-Equipment.com to order your parts

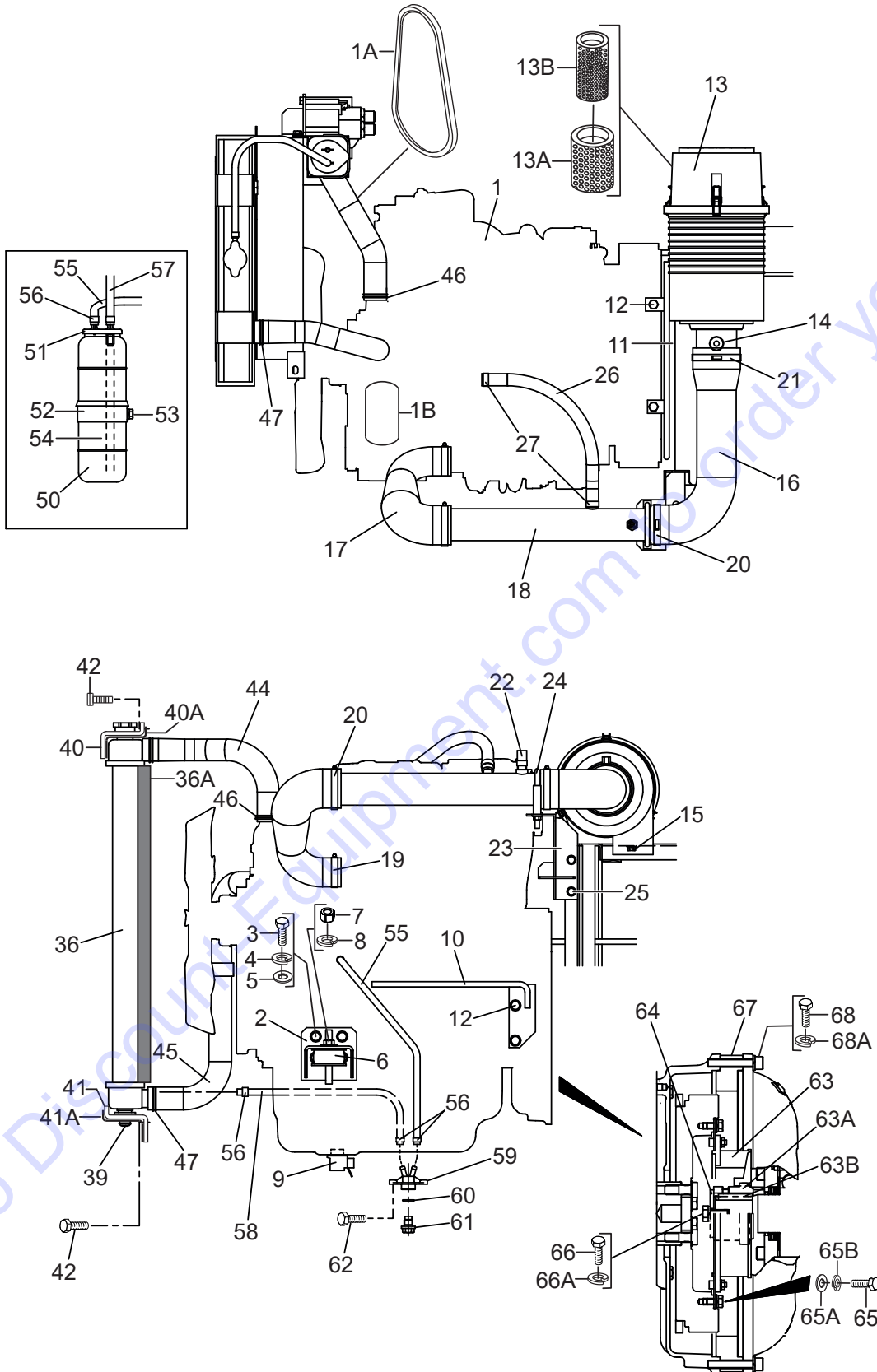
PIPING 2 ASSY.



PIPING 2 ASSY.

<u>NO.</u>	<u>PART NO.</u>	<u>PART NAME</u>	<u>QTY.</u>	<u>REMARKS</u>
1	Y0603306237	STREET ELBOW	3	
2	E2614803404	ADAPTER	1	
3	0138102000	PLUG	1	
4	Y0603306383	NIPPLE	4	
5	E2221800204	SOLENOID VALVE ASSY.	1	
6	Y0603301039	ELBOW UNION	4	
6A	0603302021	SLEEVE	4	
6B	0603303021	NUT	4	
7	Y0190700580	NYLON TUBE	3	
8	Y0603306687	MALE RUN TEE	3	
9	Y0603306709	HOLLOW HEX. PIPE PLUG	2	
10	E2924100374	PROPORTIONAL SOLENOID VALVE	1	
11	Y0603301044	ELBOW UNION	2	
11A	Y0603302022	SLEEVE	2	
11B	Y0603303022	NUT	2	
12	Y0190800550	NYLON TUBE	1	
13	Y0603307211	FEMALE PIPE CROSS	1	
14	E2221800104	PRESSURE SENSOR ASSY. (P2)	1	
15	Y0603306553	EXPANDER ADAPTOR	1	
16	E2614803604	ORIFICE PLUG	1	
17	E2614803504	MOD. ELBOW CONNECTOR	1	
18	Y0190700400	NYLON TUBE	1	
19	E2924100004	BYPASS VALVE	1	
20	Y0603301038	ELBOW UNION	1	
20A	0603302021	SLEEVE	1	
20B	0603303021	NUT	1	
21	Y0190700650	NYLON TUBE	1	
22	Y0603300049	HALF UNION	1	
22A	0603302021	SLEEVE	1	
22B	0603303021	NUT	1	
23	Y0603300048	HALF UNION	1	
23A	0603302021	SLEEVE	1	
23B	0603303021	NUT	1	
24	Y0603300041	HALF UNION	1	
24A	0603302021	SLEEVE	1	
24B	0603303021	NUT	1	
25	Y0603301031	ELBOW UNION	1	
25A	0603302021	SLEEVE	1	
25B	0603303021	NUT	1	
26	Y0190700560	NYLON TUBE	1	
27	Y0603324283	PILOT VALVE	1	
28	Y0131602000	REDUCING NIPPLE	1	
29	E2221800004	PRESSURE SENSOR ASSY. (P1)	1	
30	Y0603210230	TEMPERATURE SENSOR	1	

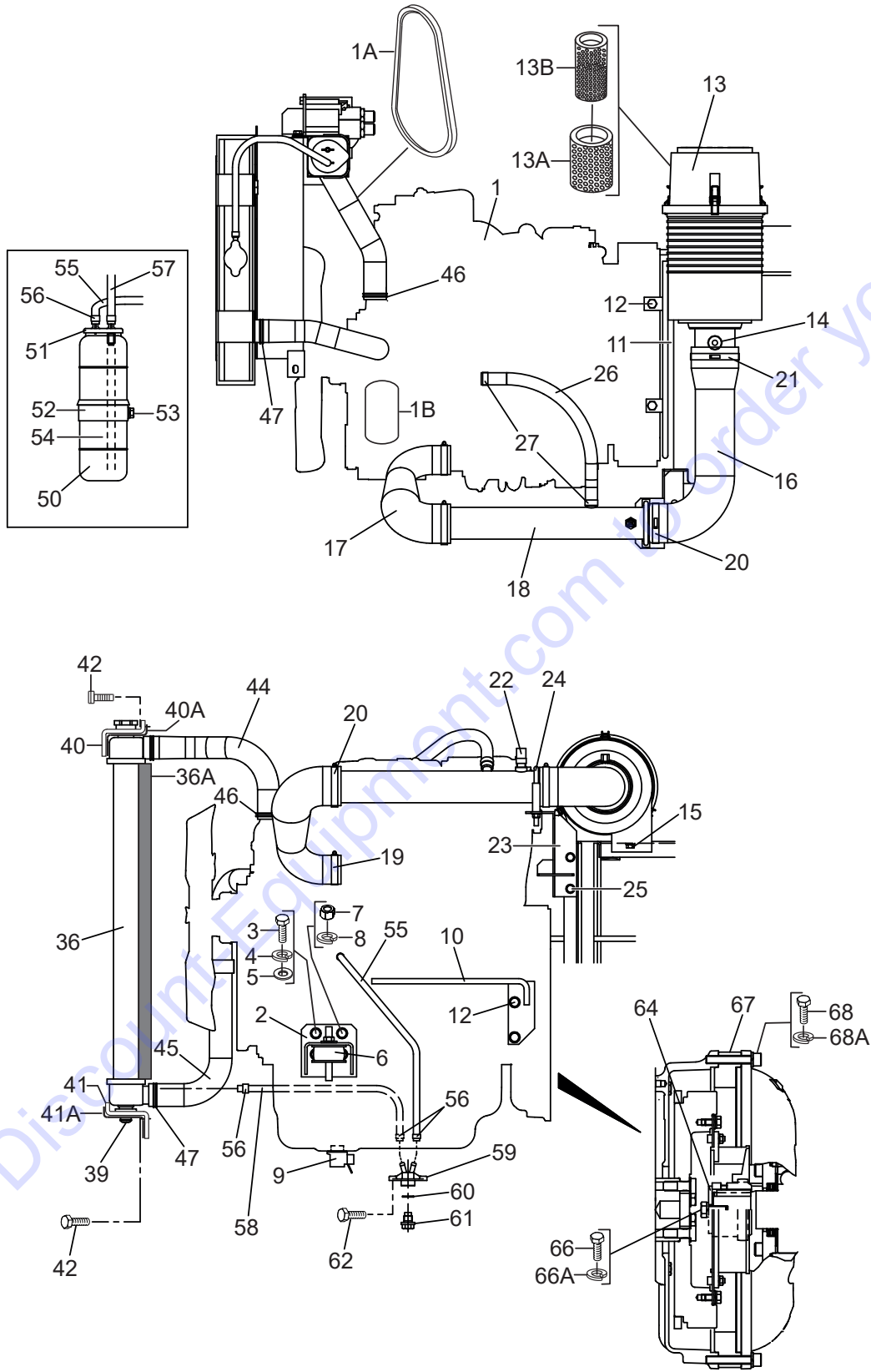
ENGINE AND RADIATOR 1 ASSY.



ENGINE AND RADIATOR 1 ASSY.

<u>NO.</u>	<u>PART NO.</u>	<u>PART NAME</u>	<u>QTY.</u>	<u>REMARKS</u>
1	E2924200384	ENGINE, ISUZU 4LE2T	1	
1A	8980490340	FAN BELT	1	
1B	8980756761	CARTRIDGE, OIL FILTER	1	
2	E2304202204	ENGINE FOOT	2	
3	0105091025	HEX. HEAD BOLT	8	REPLACES P/N 0010310025
4	0040010000	WASHER, LOCK	8	
5	031110160	WASHER, FLAT	8	REPLACES P/N 0041210000
6	0605000008	RUBBER SUSPENSION	2	
7	0030012000	HEX. NUT	2	
8	0040012000	WASHER, LOCK	2	
9	Y0605511361	OIL CHANGER	1	
10	E2355300404	CLAMPER ROD	1	
11	E2355300504	CLAMPER ROD	1	
12	012010030	HEX. HEAD BOLT	4	REPLACES P/N 0017110030
13	E2924200364	AIR CLEANER	1	INCLUDES ITEMS W/#
13A#	0602046366	PRIMARY ELEMENT	1	
13B#	Y0602046615	SAFETY ELEMENT	1	
14	0602040679	INDICATOR	1	
15	011008020	HEX. HEAD BOLT	2	REPLACES P/N 0016908020
16	E2374102503	AIR CLEANER HOSE	1	
17	E2374102403	AIR CLEANER HOSE	1	
18	E2374000603	AIR CLEANER PIPE	1	
19	0605515147	HOSE BAND	1	
20	Y0605515178	HOSE BAND	2	
21	Y0605515146	HOSE BAND	1	
22	8121468300	INLET AIR TEMPERATURE SENSOR	1	REPLACES P/N 0603210240
23	E2374300003	PIPE BRACKET	1	
24	0602326063	U-BOLT	1	
25	011008020	HEX. HEAD BOLT	2	REPLACES P/N 0016908020
26	0269200400	PUSH-LOCK-HOSE	1	
27	0605515198	HOSE BAND	2	
36	E2924100324	RADIATOR	1	
36A	E2494205604	ACOUSTIC SHEET	1	
39	M9312200104	MOUNT RUBBER	2	
40	E2311200504	RADIATOR BRACKET	1	
40A	0222100320	SEAL RUBBER	1	
41	E2311200604	RADIATOR BRACKET	1	
41A	Y0222100390	SEAL RUBBER	1	
42	011008020	HEX. HEAD BOLT	5	REPLACES P/N 0016908020
44	E2311601203	RADIATOR HOSE, UPPER	1	
45	E2311601303	RADIATOR HOSE, LOWER	1	
46	0605515149	HOSE BAND	2	
47	0605515149	HOSE BAND	2	
50	0802081403D	RESERVE TANK.....	1	REPLACES P/N M9300000003

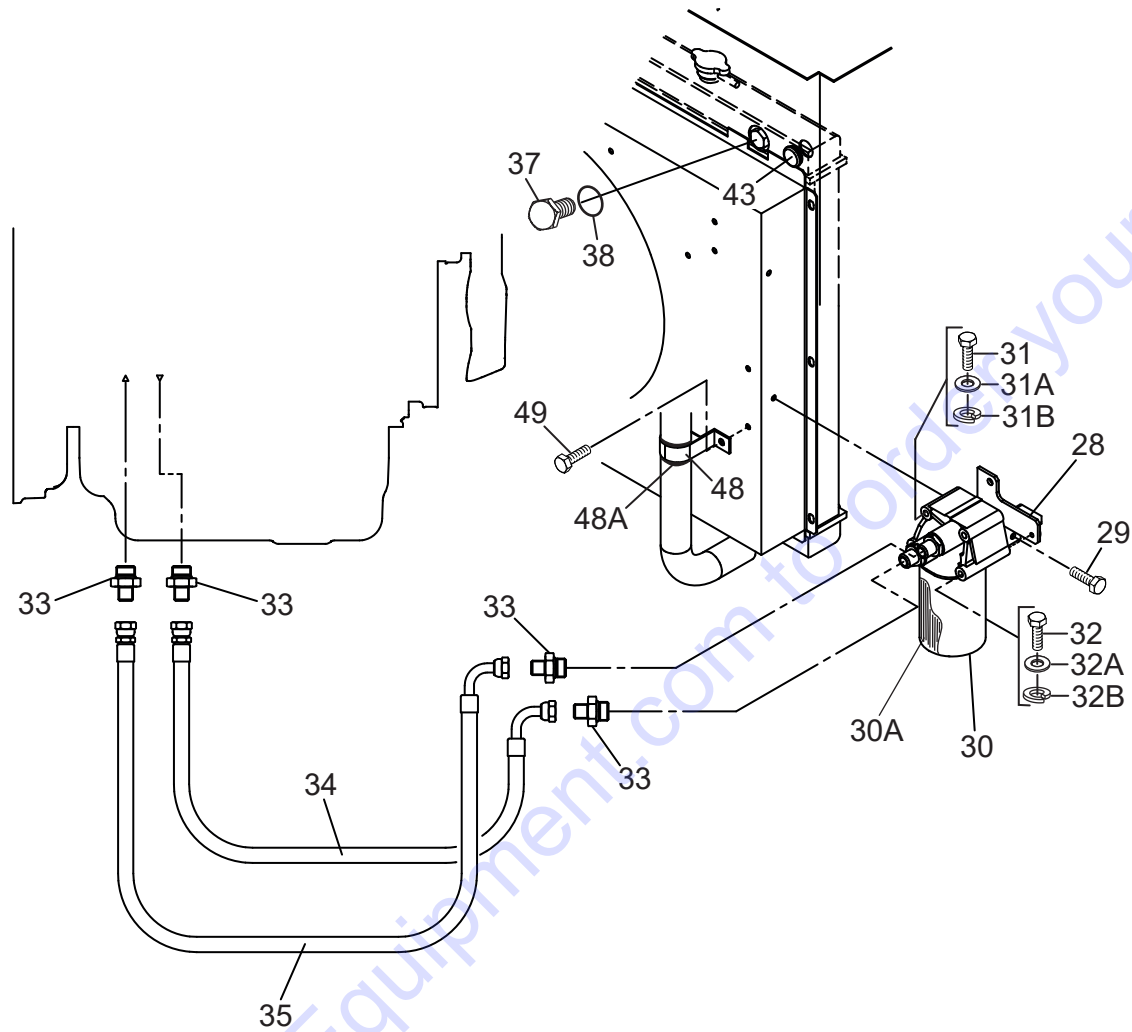
ENGINE AND RADIATOR 1 ASSY. (CONT'D.)



ENGINE AND RADIATOR 1 ASSY. (CONT'D.)

<u>NO.</u>	<u>PART NO.</u>	<u>PART NAME</u>	<u>QTY.</u>	<u>REMARKS</u>
51	0802081104	CAP, RESERVE TANK	1.....	REPLACES P/N M9300100003
52	M1317100004	BRACKET, RESERVE TANK	1	
53	011008020	HEX. HEAD BOLT	1.....	REPLACES P/N 0016908020
54	0199100215	HOSE	1	
55	0199900500	OVER FLOW HOSE	2	
56	0605515189	HOSE BAND	6	
57	0193601000	OVER FLOW HOSE	1	
58	Y0199901300	DRAIN HOSE	1	
59	1622014103	DRAIN JOINT	1.....	REPLACES P/N M9602000003
60	0150000018	O-RING	1	
61	0802011104	DRAIN BOLT	1.....	REPLACES P/N M9200200004
62	011206020	HEX. HEAD BOLT	2.....	REPLACES P/N 0019206020
63	E2924100394A	COUPLER ASSY.....	1.....	REPLACES P/N E2924100404
63A	E2164100503	COUPLING DRIVEN.....	1.....	S/N 9500212 AND BELOW
63A	E2924100414	COUPLING DRIVEN.....	1.....	S/N 9500213 AND ABOVE
63B	Y0023008006	HEX. SOCKET SCREW.....	1.....	S/N 9500212 AND BELOW
64	6141656004	PLATE	1	
65	Y0013608015	HEX. HEAD BOLT	8	
65A	0401450080	WASHER, FLAT	8.....	REPLACES P/N 0041208000
65B	0040008000	WASHER, LOCK	8	
66	Y0013612025	HEX. HEAD BOLT	1	
66A	0040012000	WASHER, LOCK	1	
67	E2164600303	COUPLING ADAPTOR	1	
68	Y0015310060	HEX. SOCKET HEAD CAP SCREW	10	
68A	0040010000	WASHER, LOCK	10	

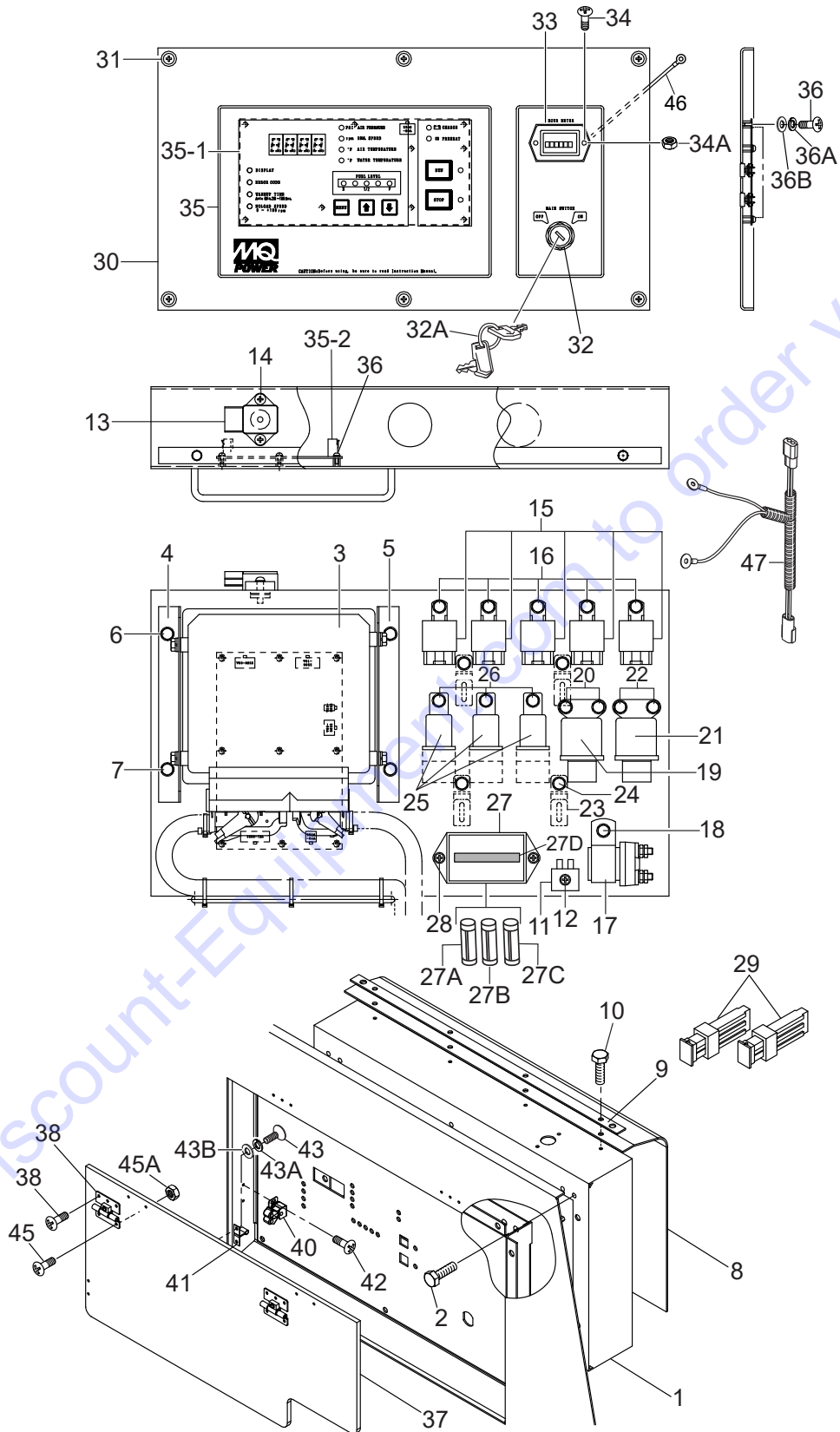
ENGINE AND RADIATOR 2 ASSY.



ENGINE AND RADIATOR 2 ASSY.

<u>NO.</u>	<u>PART NO.</u>	<u>PART NAME</u>	<u>QTY.</u>	<u>REMARKS</u>
28	E2324400804	OIL FILTER BRACKET	1	
29	011008020	HEX. HEAD BOLT.....	2.....	REPLACES P/N 0016908020
30	8980756710	OIL FILTER ASSY.	1	INCLUDES ITEMS W/#
30A#	8980756761	OIL FILTER CARTRIDGE.....	1.....	REPLACES P/N Y0602041226
31	Y0010108090	HEX. HEAD BOLT	1	
31A	0401450080	WASHER, FLAT.....	1.....	REPLACES P/N 0041208000
31B	0040008000	WASHER, LOCK	1	
32	Y0010108110	HEX. HEAD BOLT	2	
32A	0401450080	WASHER, FLAT.....	2.....	REPLACES P/N 0041208000
32B	0040008000	WASHER, LOCK	2	
33	Y0602022534	STRAIGHT ADAPTER	4	
34	E2324300004	OIL HOSE	1	
35	E2324300104	OIL HOSE	1	
37	M9200100904	PLUG	1	
38	0150000016	O-RING	1	
43	Y0601850264	GROMMET	1	
48	E2311700204	HOSE CLAMPER	1	
48A	Y0229200150	SEAL RUBBER	1	
49	011008020	HEX. HEAD BOLT.....	1.....	REPLACES P/N 0016908020

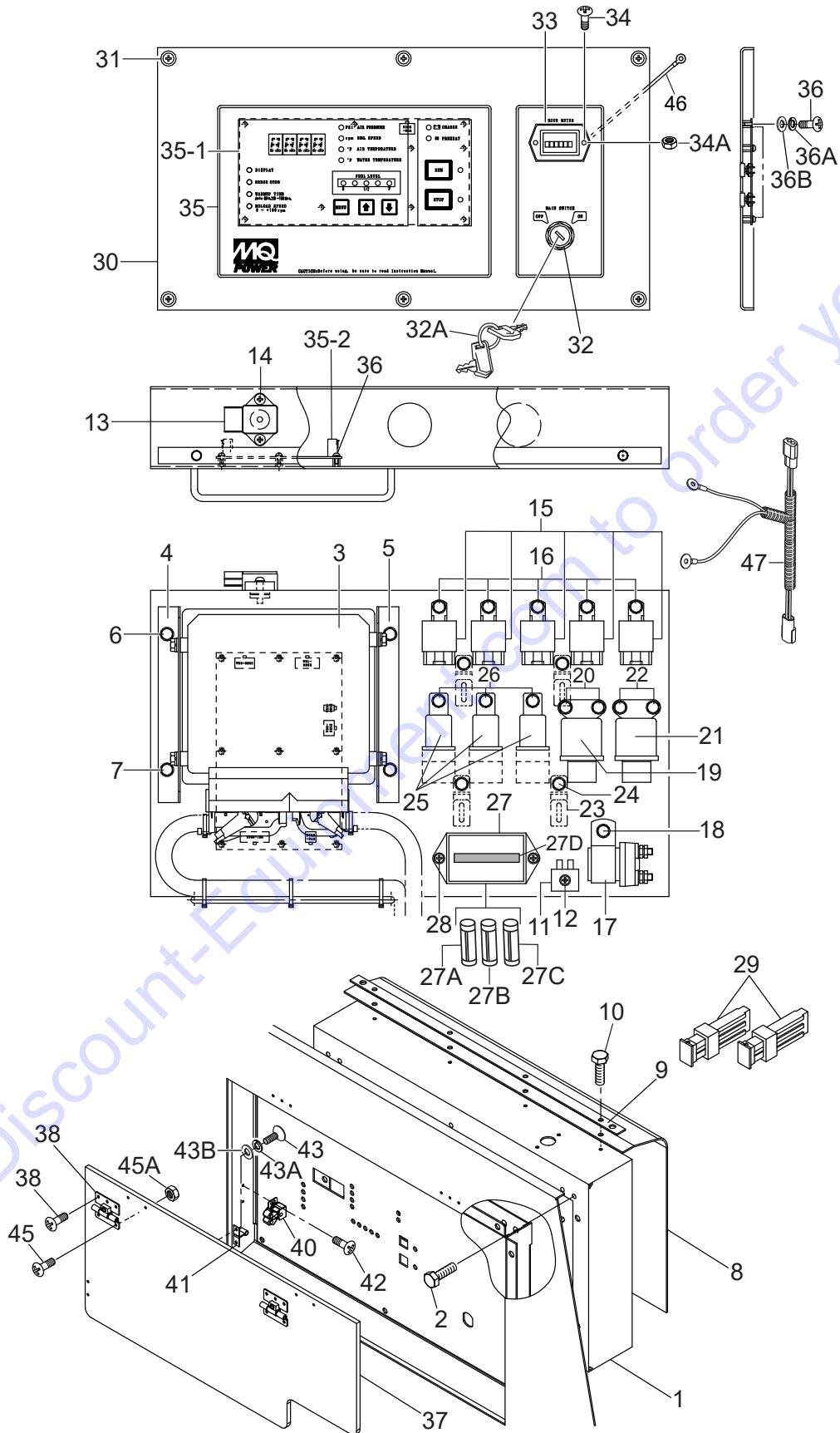
CONTROL BOX ASSY.



CONTROL BOX ASSY.

<u>NO.</u>	<u>PART NO.</u>	<u>PART NAME</u>	<u>QTY.</u>	<u>REMARKS</u>
1	E2352602303	CONTROL BOX	1	
2	0016906015	HEX. HEAD BOLT	4	
3	8982772271	ENGINE CONTROL UNIT	1	REPLACES P/N Y0602202694
4	E2352900904	CONTROLLER BRACKET	1	
5	E2352901004	CONTROLLER BRACKET	1	
6	0016906015	HEX. HEAD BOLT	4	
7	Y0016906010	HEX. HEAD BOLT	4	
8	E2352701404	INSULATING SHEET	1	
9	E2352901104	INSULATING SHEET BRACKET	1	
10	0017105015	HEX. HEAD BOLT	4	
11	0601821370	RECTIFIER.....	1	REPLACES P/N 0601823240
12	0027105020	MACHINE SCREW	1	
13	8972177780	BAROMETRIC PRESSURE SENSOR.....	1	REPLACES P/N 0602130220
14	0027105015	MACHINE SCREW	2	
15	0601824527	RELAY	5	
16	0016906015	HEX. HEAD BOLT	5	
17	Y0601830171	MAGNET SWITCH	1	
18	0016906015	HEX. HEAD BOLT	1	
19	8944001061	RELAY, GLOW	1	REPLACES P/N 0602202502
20	0016906015	HEX. HEAD BOLT	2	
21	8970119490	GLOW PLUG RELAY.....	1	REPLACES P/N 602202685
22	0016906015	HEX. HEAD BOLT	2	
23	Y0602220910	COATING CLAMPER	4	
24	0016906015	HEX. HEAD BOLT	4	
25	5825500290	RELAY	3	REPLACES P/N 0602201400
26	0016906015	HEX. HEAD BOLT	3	
27	E4352900904	FUSE BOX	1	INCLUDES ITEMS W/#
27A#	0601806642	FUSE, 5A	3	
27B#	0601806643	FUSE, 15A	3	
27C#	0601806644	FUSE, 30A	2	
27D#	E9524000004	DECAL; FUSE BOX	1	
28	0027105020	MACHINE SCREW	2	
29	0601806640	FUSE, 65A	2	
30	E2352101203	CONTROL PANEL	1	
31	0021506030	MACHINE SCREW.....	6	REPLACES P/N 0021806030
32	Y0602100320	KEY SWITCH SET	1	
32A	EE59644	IGNITION KEY	1	
33	0601800682	HOUR METER.....	1	S/N 9500493 AND BELOW
33	0601800674	HOUR METER.....	1	S/N 9500494 AND ABOVE
34	0027103015	MACHINE SCREW	2	
34A	0207003000	SELF-LOCKING NUT	2	
35	E2924100434	CONTROLLER ASSY.	1	INCLUDES ITEMS W/%
35-1%	E2924100444	DISPLAY BOARD	1	
35-2%	E2924100454	CONTROL BOARD	1	
36	Y002103008	MACHINE SCREW	18	
36A	0040003000	WASHER, LOCK	18	
36B	Y0042103000	WASHER, FLAT	18	
37	E2352400504	OPERATING PANEL COVER	1	

CONTROL BOX ASSY. (CONT'D.)

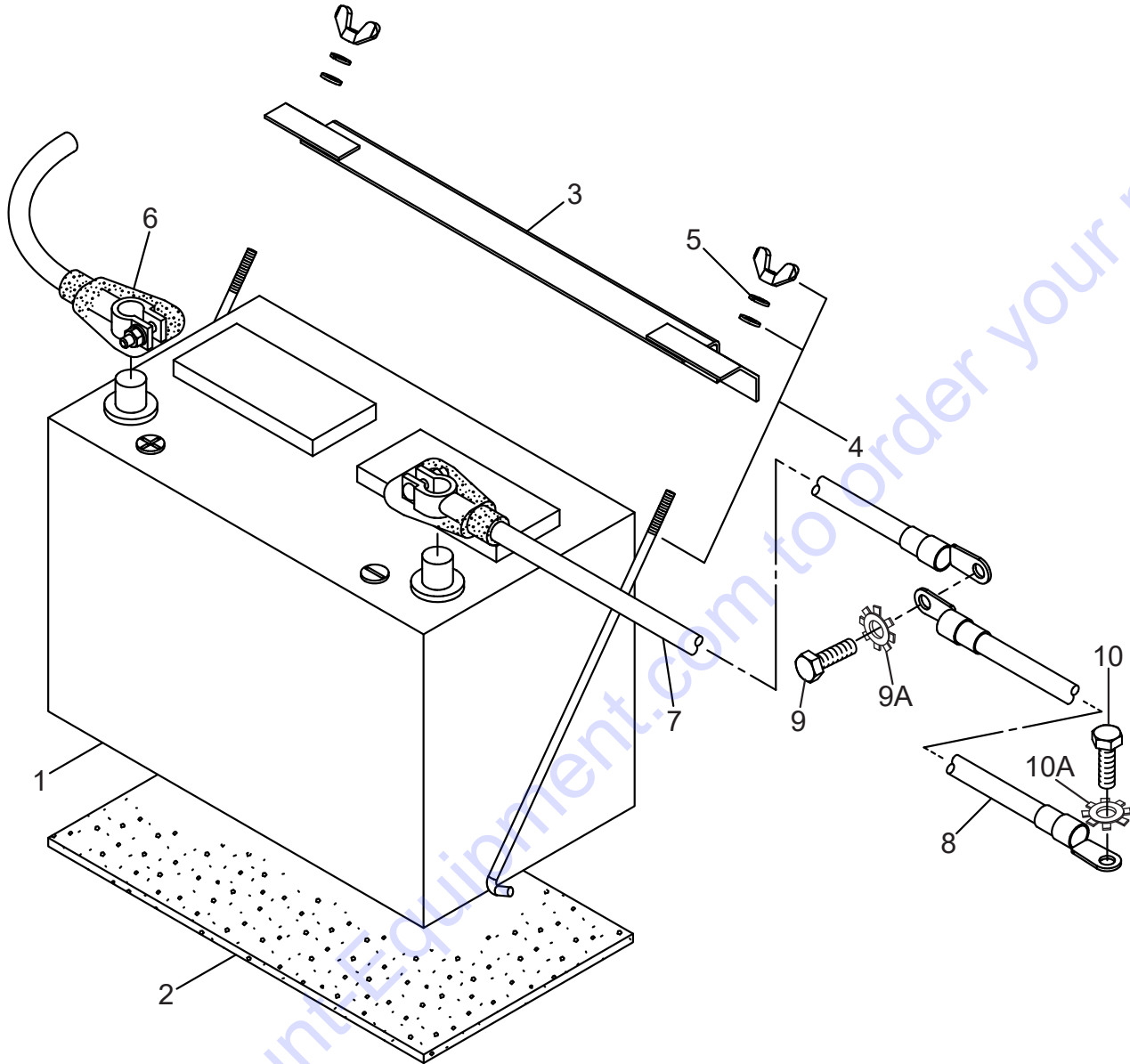


CONTROL BOX ASSY. (CONT'D.)

<u>NO.</u>	<u>PART NO.</u>	<u>PART NAME</u>	<u>QTY.</u>	<u>REMARKS</u>
38	Y0605012034	FLAT TORQUE HINGE	2	
39	0027103010	MACHINE SCREW	6	
40	Y0605012100	ROLLER CATCHER	1	
41	Y0605012101	KEEPER	1	
42	Y0025303010	MACHINE SCREW	2	
43	Y0021003008	MACHINE SCREW	2	
43A	0040003000	WASHER, LOCK	2	
43B	Y0042103000	WASHER, FLAT	2	
45	0027103015	MACHINE SCREW	4	
45A	0207003000	HEX. NUT	4	
46	E2352400804	WIRE.....	1	S/N 9500194 AND ABOVE
47	E2355203504	ENGINE WIRE HARNESS	1	

Go to Discount-Equipment.com to order your parts

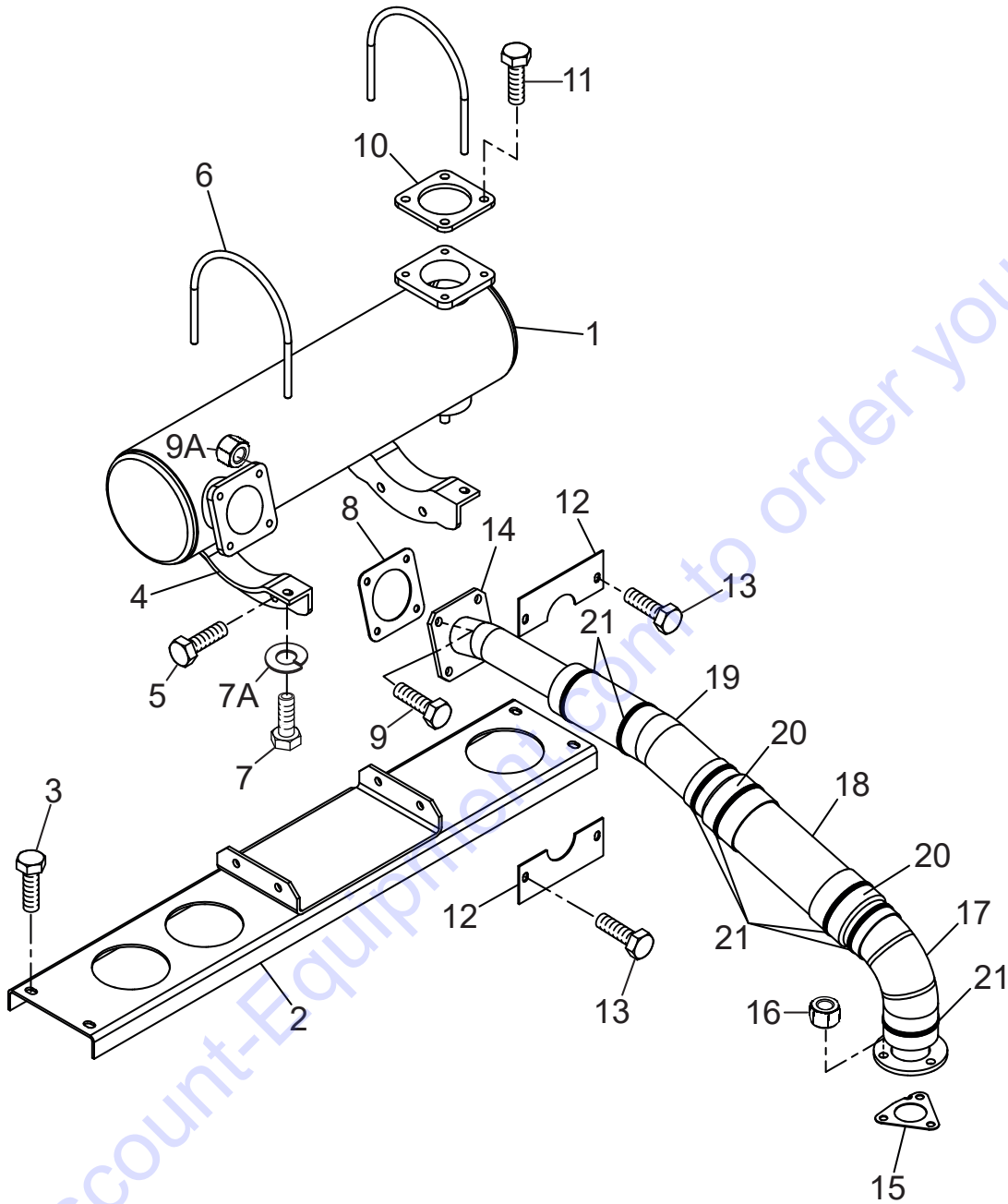
BATTERY ASSY.



BATTERY ASSY.

<u>NO.</u>	<u>PART NO.</u>	<u>PART NAME</u>	<u>QTY.</u>	<u>REMARKS</u>
1	0602220199	BATTERY	1.....	S/N 9500493 AND BELOW
1	0602221291	BATTERY	1.....	S/N 9500494 - 9500505
1	0602220199	BATTERY	1.....	S/N 9500506 AND ABOVE
2	M9310500014	BATTERY SHEET	1	
3	M9103000304	BATTERY BAND	1	
4	0602220920	BATTERY BOLT SET	2	
5	0040006000	WASHER, LOCK	2	
6	E2347400504	BATTERY CABLE	1	
7	E2347400604	BATTERY CABLE	1	
8	E2347200504	EARTH CABLE	1	
9	0017110025	HEX. HEAD BOLT	1	
9A	0040510000	TOOTHED WASHER	1	
10	011208025	HEX. HEAD BOLT	1.....	REPLACES P/N 0016908025
10A	0040508000	TOOTHED WASHER	1	

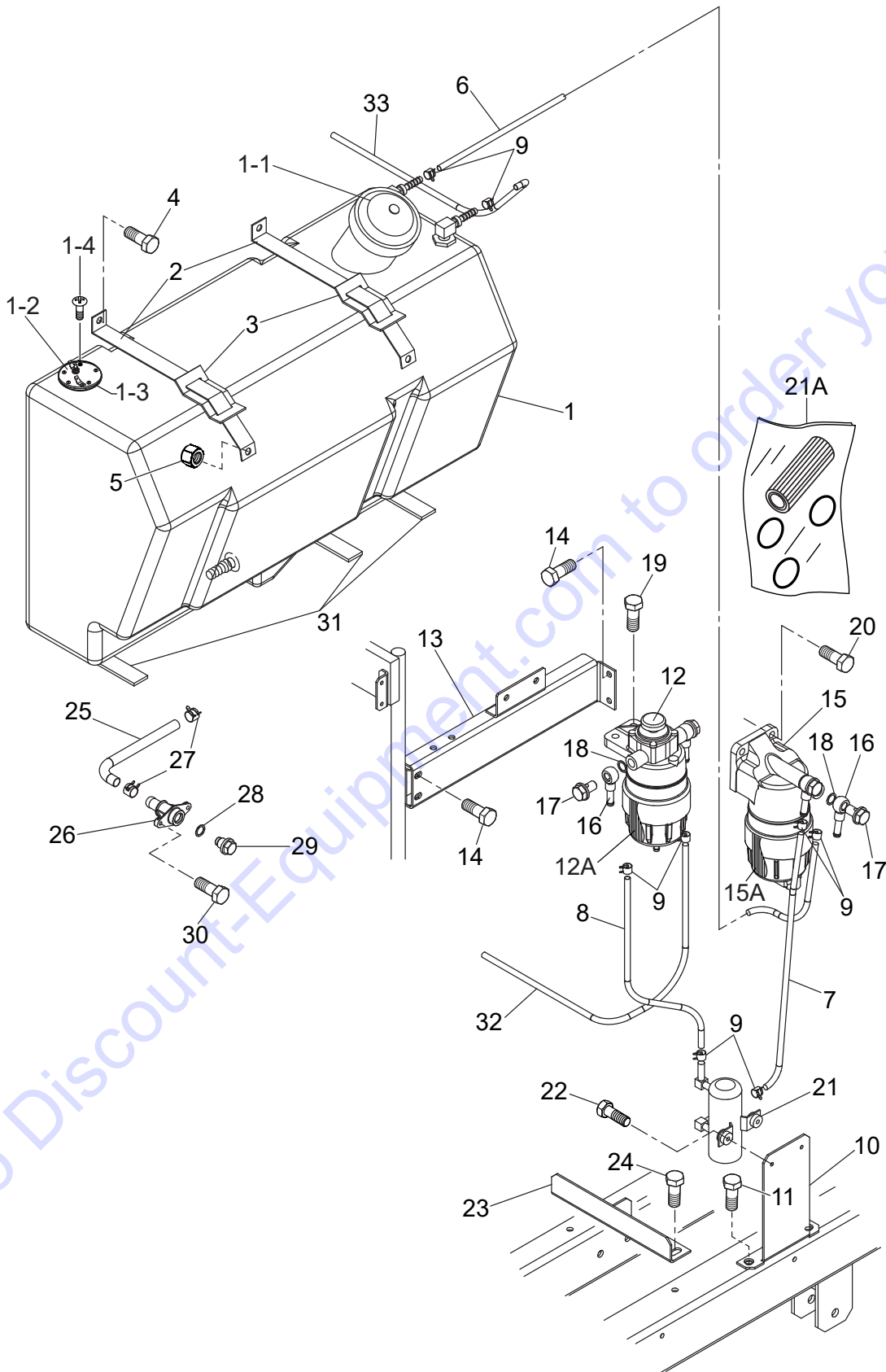
MUFFLER ASSY.



MUFFLER ASSY.

<u>NO.</u>	<u>PART NO.</u>	<u>PART NAME</u>	<u>QTY.</u>	<u>REMARKS</u>
1	8982353890	DOC.....	1.....	REPLACES P/N Y0602330111
2	E2334801703	DOC BRACKET	1	
3	011008020	HEX. HEAD BOLT.....	4.....	REPLACES P/N 0016908020
4	8982284330	DOC SUPPORT.....	2.....	REPLACES P/N Y0602330210
5	012010030	HEX. HEAD BOLT.....	4.....	REPLACES P/N 0017110030
6	8982103230	U-BOLT.....	2.....	REPLACES P/N Y0602322091
7	020108060	HEX. HEAD NUT.....	4.....	REPLACES P/N 0030008000
7A	0040008000	WASHER, LOCK	4	
8	8973731080	GASKET.....	1.....	REPLACES P/N Y0602320212
9	8980435280	HEX. HEAD BOLT.....	4.....	REPLACES P/N Y0602322090
9A	8971616070	HEX. NUT.....	4.....	REPLACES P/N Y0602323007
10	M1334300504	FLANGE	1	
11	011008020	HEX. HEAD BOLT.....	4.....	REPLACES P/N 0016908020
12	M1331400204	COVER, EXHAUST PIPE	2	
13	0016906015	HEX. HEAD BOLT	4	
14	E2334001403	EXHAUST PIPE	1	
15	8973679180	GASKET.....	1.....	REPLACES P/N Y0602320211
16	0207108000	SELF-LOCKING NUT	3	
17	E2334801404	EXHAUST HEAT SHIELD (A)	1	
18	E2334801504	EXHAUST HEAT SHIELD (B)	1	
19	E2334801604	EXHAUST HEAT SHIELD (C)	1	
20	Y0272100270	HEAT SHIELD TAPE	2	
21	Y0602325051	METAL CABLE TIE	7	

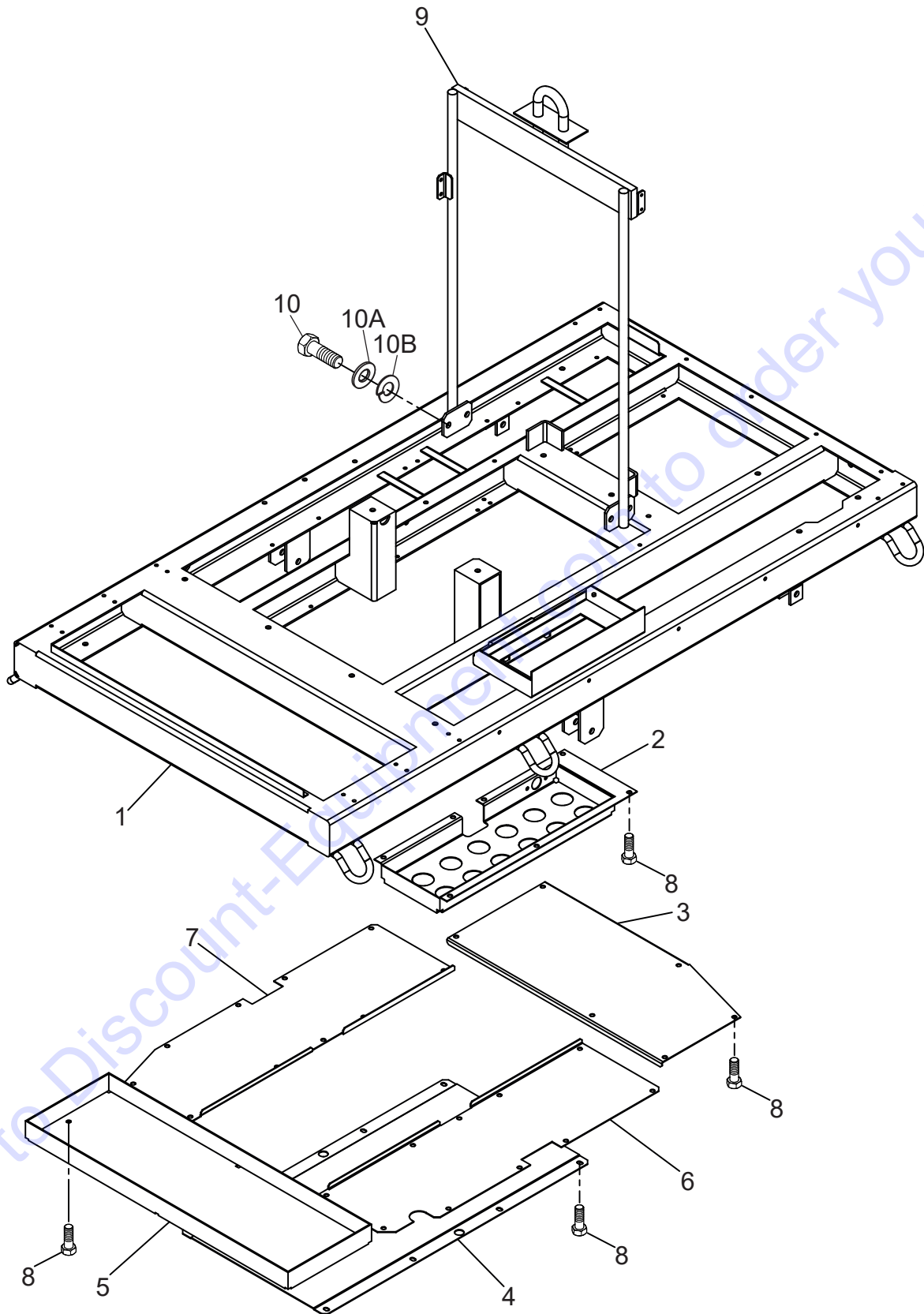
FUEL TANK ASSY.



FUEL TANK ASSY.

<u>NO.</u>	<u>PART NO.</u>	<u>PART NAME</u>	<u>QTY.</u>	<u>REMARKS</u>
1	E2364001202	FUEL TANK	1.....	INCLUDES ITEMS W/#
1-1#	0605505070	CAP, FUEL TANK	1	
1-2#	Y0605501064	FUEL SENDER UNIT	1.....	REPLACES P/N 0605501076
1-3#	0605516090	GASKET	1	
1-4#	0027104015	MACHINE SCREW	5	
2	E2364300504	FUEL TANK BRACKET	2	
3	M9310500104	SUPPORTER SHEET	2	
4	011008020	HEX. HEAD BOLT	2.....	REPLACES P/N 0016908020
5	020108060	SELF-LOCKING NUT	2.....	REPLACES P/N 0207008000
6	0191300550	FUEL HOSE	1	
7	0191300600	FUEL HOSE	2	
8	0191300450	FUEL HOSE	1	
9	Y0605515340	HOSE BAND	10	
10	E2367700504	FUEL PUMP BRACKET	1	
11	0016910025	HEX. HEAD BOLT	2	
12	8982369900	FUEL FILTER (MAIN)	1.....	REPLACES P/N 0602042428
12A	8982402790	ELEMENT, FUEL FILTER (MAIN)	1	
13	E2367700403	FILTER BRACKET	1	
14	011008020	HEX. HEAD BOLT	4.....	REPLACES P/N 0016908020
15	8982369910	FUEL FILTER (PRE.)	1.....	REPLACES P/N 0602042429
15A	8982402800	ELEMENT, FUEL FILTER (PRE)	1	
16	8981263320	JOINT PIPE	4.....	REPLACES P/N Y0602042623
17	1096751930	EYE BOLT	4.....	REPLACES P/N Y0602042624
18	1096300850	PACKING	8.....	REPLACES P/N Y0602021700
19	012210035	HEX. HEAD BOLT	2.....	REPLACES P/N 0017110035
20	0017110025	HEX. HEAD BOLT	2	
21	8980682750	FUEL FEED PUMP	1.....	REPLACES P/N 0602023240
21A	8981731650	KIT, FUEL PUMP	1	
22	Y0017106025	HEX. HEAD BOLT	2	
23	E2364300404	FUEL TANK BRACKET	1	
24	0016910020	HEX. HEAD BOLT	2	
25	Y0191500360	FUEL DRAIN HOSE	1	
26	1502025103C	OIL DRAIN JOINT	1.....	REPLACES P/N M9200000003
27	0605515198	HOSE BAND	2	
28	0150000018	O-RING	1	
29	0802011104	DRAIN BOLT	1.....	REPLACES P/N M9200200004
30	011206020	HEX. HEAD BOLT	2.....	REPLACES P/N 0019206020
31	0222100180	RUBBER SEAL	3	
32	0191300650	FUEL HOSE	1	
33	0191300550	RETURN HOSE	1	

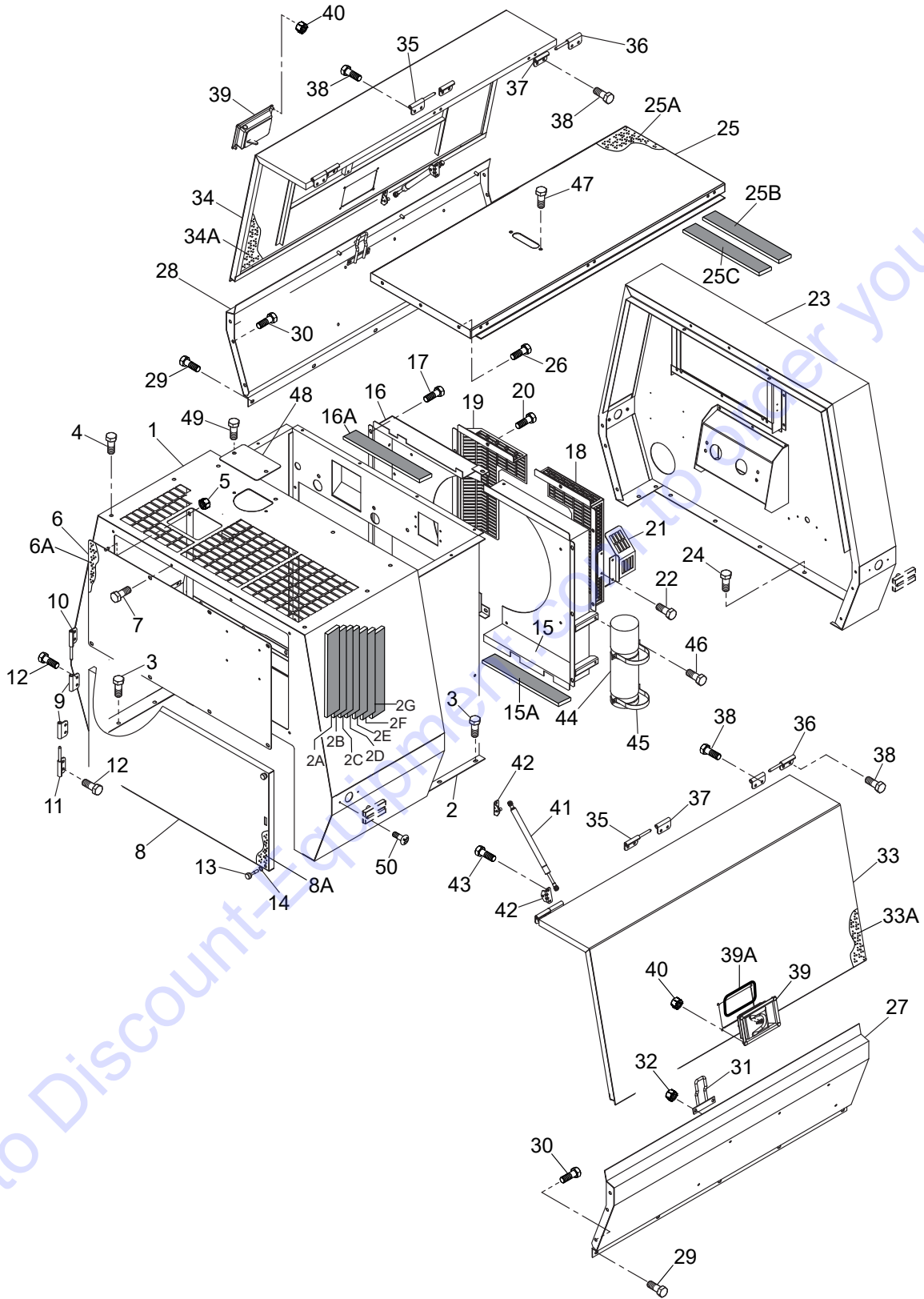
ENCLOSURE 1 ASSY.



ENCLOSURE 1 ASSY.

<u>NO.</u>	<u>PART NO.</u>	<u>PART NAME</u>	<u>QTY.</u>	<u>REMARKS</u>
1	E2414002512	BASE	1	
2	E2414100613	BASE COVER	1	
3	E2414102714	BASE COVER	1	
4	E2414102803	BASE COVER	1	
5	E2414102903	BASE COVER	1	
6	E2414103014	BASE COVER	1	
7	E2414103114	BASE COVER	1	
8	011008020	HEX. HEAD BOLT	33	REPLACES P/N 0016908020
9	E2434300203	CENTER FRAME	1	
10	0012312030	HEX. HEAD BOLT	4	REPLACES P/N 0013612030
10A	031112230	WASHER, FLAT	4	REPLACES P/N 0041212000
10B	0040012000	WASHER, LOCK	4	

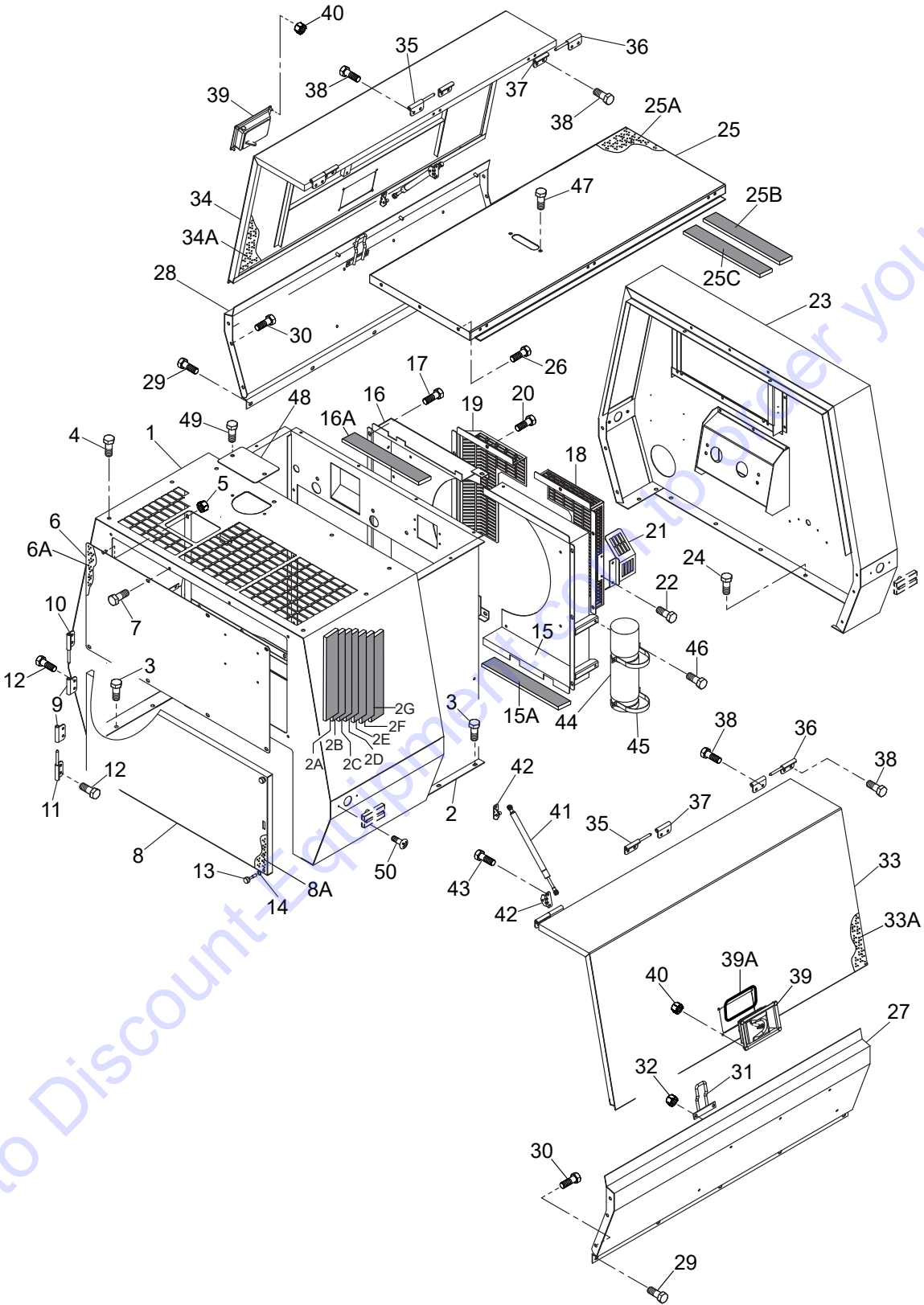
ENCLOSURE 2 ASSY.



ENCLOSURE 2 ASSY.

<u>NO.</u>	<u>PART NO.</u>	<u>PART NAME</u>	<u>QTY.</u>	<u>REMARKS</u>
1	E2424002202	FRONT FRAME	1	
2	E2424002302	FRONT FRAME PANEL	1	
2A	E2494201004	ACOUSTIC SHEET	1	
2B	Y0314900445	SEAL RUBBER	1	
2C	Y0314900225	SEAL RUBBER	1	
2D	Y0314900085	SEAL RUBBER	2	
2E	Y0314900115	SEAL RUBBER	1	
2F	Y0314900420	SEAL RUBBER	1	
2G	Y0314900055	SEAL RUBBER	1	
3	011008020	HEX. HEAD BOLT.....	17	REPLACES P/N 0016908020
4	0019208020	HEX. HEAD BOLT	8	
5	020108060	SELF-LOCKING NUT.....	13	REPLACES P/N 0207008000
6	E2424201904	FRONT COVER	1	
6A	E2494205104	ACOUSTIC SHEET	1	
7	0019208020	HEX. HEAD BOLT	8	
8	E2424200403	FRONT COVER	1	
8A	E2494204904	ACOUSTIC SHEET	1	
9	M9112100604	HINGE	2	
10	M9112100504	HINGE	1	
11	M9112100404	HINGE	1	
12	0019208020	HEX. HEAD BOLT	8	
13	M9220100004	SET SCREW	2	
14	0080200007	E-RING	2	
15	E2311302603	FAN SHROUD	1	
15A	Y0314900420	SEAL RUBBER	2	
16	E2311302703	FAN SHROUD	1	
16A	Y0314900405	SEAL RUBBER	2	
17	011008020	HEX. HEAD BOLT.....	8	REPLACES P/N 0016908020
18	E2311400903	FAN GUARD	1	
19	E2311401003	FAN GUARD	1	
20	011008020	HEX. HEAD BOLT.....	6	REPLACES P/N 0016908020
21	E2314800304	ALTERNATOR COVER	1	
22	0016906015	HEX. HEAD BOLT	2	
23	E2444002602	REAR FRAME	1	
24	0019208020	HEX. HEAD BOLT	9	
25	E2464002203	ROOF PANEL	1	
25A	E2494602804	ACOUSTIC SHEET	1	
25B	E2491600304	SEAL RUBBER	1	
25C	E2491600404	SEAL RUBBER	1	
26	011008020	HEX. HEAD BOLT.....	6	REPLACES P/N 0016908020
27	E2454201213	SPLASHER PANEL	1	
28	E2454201313	SPLASHER PANEL	1	
29	0019208020	HEX. HEAD BOLT	10	
30	011008020	HEX. HEAD BOLT.....	12	REPLACES P/N 0016908020

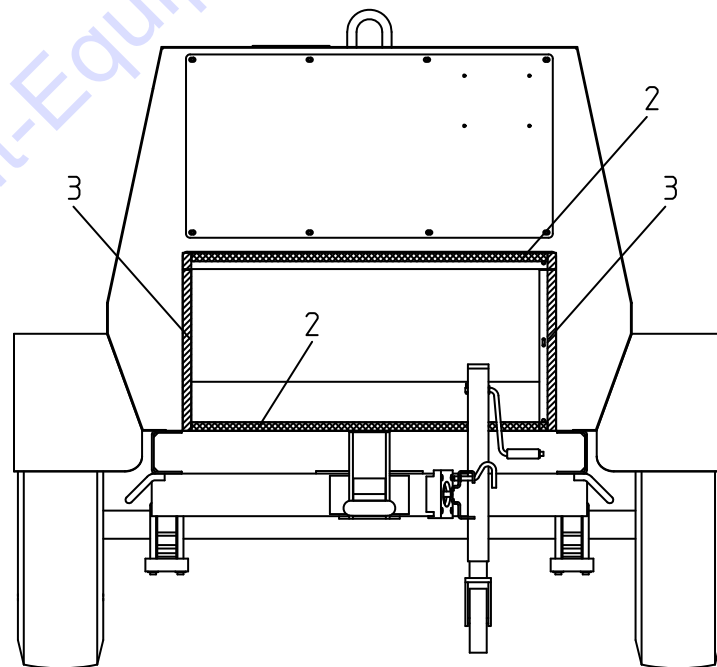
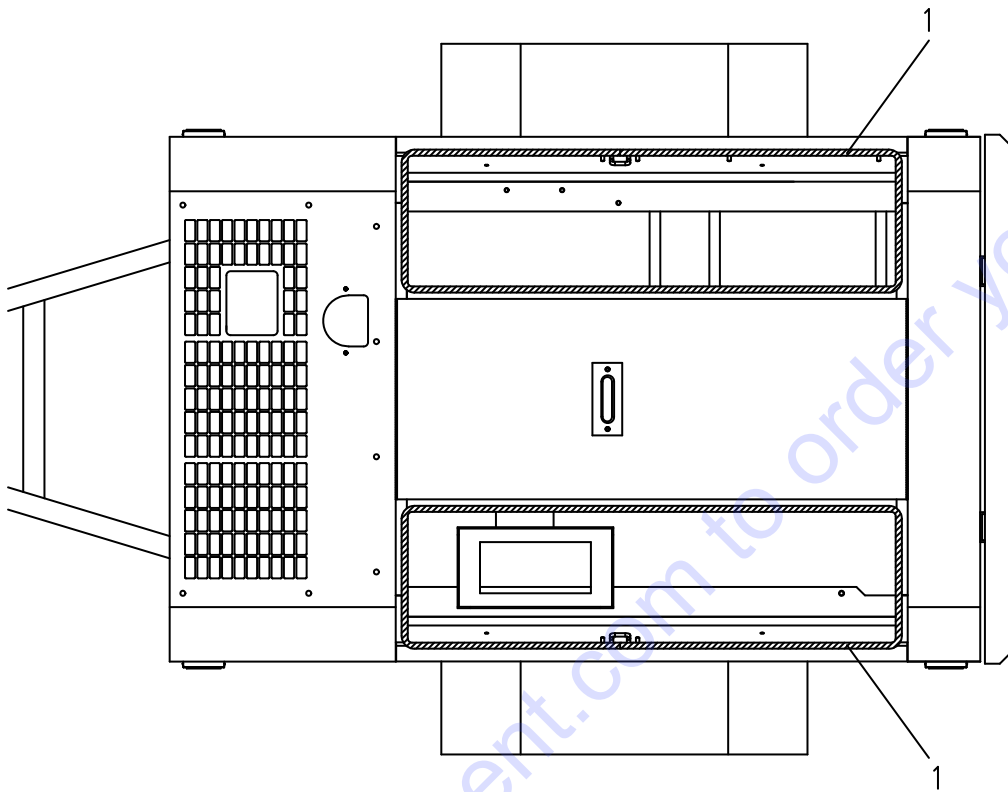
ENCLOSURE 2 ASSY. (CONT'D.)



ENCLOSURE 2 ASSY. (CONT'D.)

<u>NO.</u>	<u>PART NO.</u>	<u>PART NAME</u>	<u>QTY.</u>	<u>REMARKS</u>
31	E2457800604	SPLASHER PANEL HOOK	2	
32	020108060	SELF-LOCKING NUT	4	REPLACES P/N 0207008000
33	E2454003803	SIDE DOOR	1	
33A	E2494511304	ACOUSTIC SHEET	1	
34	E2454003903	SIDE DOOR	1	
34A	E2494511404	ACOUSTIC SHEET	1	
35	M9112100504	HINGE	4	
36	M9112100404	HINGE	2	
37	M9112100604	HINGE	6	
38	0019208020	HEX. HEAD BOLT	24	
39	Y0605012309	DOOR HANDLE ASSY.	2	
39A	C9312500004	SEAL RUBBER	2	
40	0176060030	SELF-LOCKING NUT	8	REPLACES P/N 0207006000
41	Y0605001030	GAS SPRING	2	
42	Y0605001031	BRACKET	4	
43	0016906015	HEX. HEAD BOLT	8	
44	0600800321	MANUAL HOLDER	1	
45	M1483600804	CLAMPER, MANUAL-HOLDER	2	
46	0016906015	HEX. HEAD BOLT	4	
47	0019208020	HEX. HEAD BOLT	2	
48	E2424202004	RADIATOR CAP COVER	1	
49	0019208020	HEX. HEAD BOLT	2	
50	Y0021104025	MACHINE SCREW	8	

RUBBER SEALS ASSY.

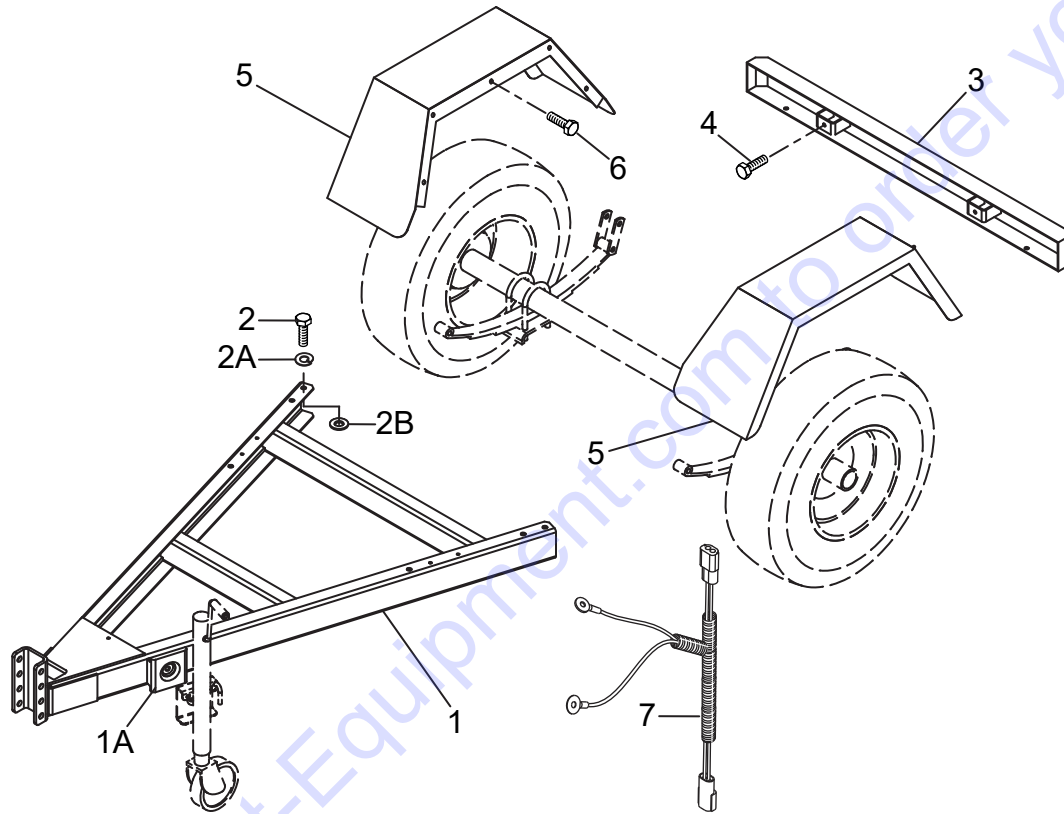


RUBBER SEALS ASSY.

<u>NO.</u>	<u>PART NO.</u>	<u>PART NAME</u>	<u>QTY.</u>	<u>REMARKS</u>
1	Y0419003740	SEAL, RUBBER	2	
2	Y0222700875	SEAL, RUBBER	2	
3	Y0222700375	SEAL, RUBBER	2	

Go to Discount-Equipment.com to order your parts

TRAILER ASSY.

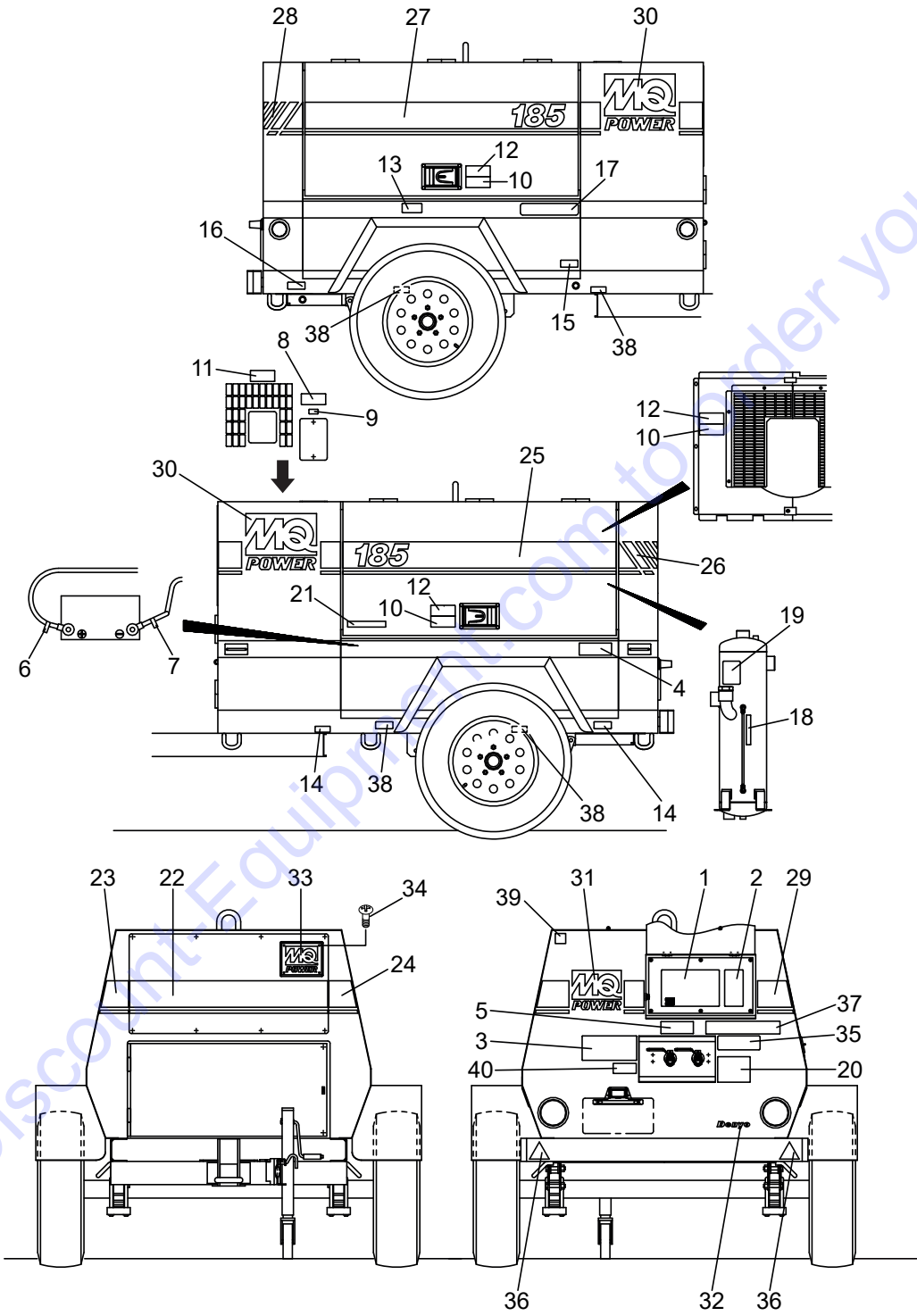


TRAILER ASSY.

<u>NO.</u>	<u>PART NO.</u>	<u>PART NAME</u>	<u>QTY.</u>	<u>REMARKS</u>
1	E2417804102	TRACTION ROD	1.....	INCLUDES ITEMS W/#
1A#	Y0605805690	BRACKET, JACK MOUNT	1	
2	0012312030	HEX. HEAD BOLT	6.....	REPLACES P/N 0013612030
2A	0040012000	WASHER, LOCK	6	
2B	031112230	WASHER, FLAT	6.....	REPLACES P/N 0041212000
3	E2417804003	REAR BUMPER	1	
4	0016910025	HEX. HEAD BOLT	2	
5	E2454400403	TIRE COVER	2	
6	0019208020	HEX. HEAD BOLT	10	
7	E2355203603	TRAILER WIRE HARNESS	1	

Go to Discount-Equipment.com to order your parts

NAMEPLATE AND DECALS ASSY.



NAMEPLATE AND DECALS ASSY.

<u>NO.</u>	<u>PART NO.</u>	<u>PART NAME</u>	<u>QTY.</u>	<u>REMARKS</u>
1	E2511207103	DECAL; CONTROL PANEL	1.....	E21120710
2	E2511207203	DECAL; ENGINE OPERATING.....	1.....	E21120720
3	E2551002803	DECAL; WARNING SAFETY INSTRUCTION....	1.....	E25100280
4	E2551003004	DECAL; WARNING HIGH PRESSURE	1.....	E25100300
5	E2551003104	DECAL; WARNING RESIDUAL PRESSURE	1.....	E25100310
6	M9500300104	DECAL; +	1.....	M90030010
7	M9500300004	DECAL; -	1.....	M90030000
8	M9503100004	DECAL; WARNING RADIATOR CAP.....	1.....	M90310000
9	M9500100004	DECAL; WATER.....	1.....	M90010000
10	M9510100004	DECAL; CAUTION HIGH TEMP.....	3.....	M91010000
11	M9503200004	DECAL; WARNING EXHAUST GAS.....	1.....	M90320000
12	M9503000004	DECAL; WARNING ROTATING PART	3.....	M90300000
13	M9501500004	DECAL; DIESEL FUEL	1.....	M90150000
14	M9500000004	DECAL; OIL DRAIN	2.....	M90000000
15	M9500100104	DECAL; WATER DRAIN.....	1.....	M90010010
16	M9500500104	DECAL; FUEL DRAIN.....	1.....	M90050010
17	M9503000103	DECAL; DAILY CHECK WATER AND OIL	1.....	M90300010
18	E2531200004	DECAL; COMP. OIL LEVEL GAUGE	1.....	E23120000
19	E9541102104	DECAL; DISCHARGE AIR OIL MIXED.....	1.....	E94110210
20	E2531100103	DECAL; NOISE EMISSION	1.....	E23110010
21	M9510000104	DECAL; DOCUMENT BOX LOCATED	1.....	M91000010
22	E2561100104	STRIPE	1	
23	E2561100204	STRIPE	1	
24	E2561100304	STRIPE	1	
25	E2561100403	STRIPE	1	
26	E2561100604	STRIPE	1	
27	E2561100503	STRIPE	1	
28	E2561100704	STRIPE	1	
29	E2561100804	STRIPE	1	
30	E2561002503	STICKER, MQ	2	
31	E2561002603	STICKER, MQ	1	
32	E9511202104	STICKER, DENYO	1	
33	0600500092	EMBLEM	1	
34	0021106015	MACHINE SCREW	4	
35	M9511200103	TIER 4F.....	1.....	M91120010
36	W6140635004	REFLECTION SHEET	2	
37	E2551002903	DECAL; HANDLING PROCEDURES	1.....	E25100290
38	E9511102704	DECAL; FORK POSITION.....	4.....	E91110270
39	Y0600500094	DECAL; E-COAT MARK STICKER	1	
40	M9504200104	DECAL; WARNING PROPOSITION 65	1.....	M90420010

PARTS FINDER

**Search Website
by Part Number**



**Search Manual
Library For Parts
Manual & Lookup Part
Numbers – Purchase
or Request Quote**

Search Manuals

Enter your information to help us find the right parts manual for your machine.

* Brand:

* Model:

* Serial:

* Part Number:

SEARCH

**Can't Find Part or
Manual? Request Help
by Manufacturer,
Model & Description**

Parts Order Form

Please fill in the following information to help us find the right part for your machine.

MANUFACTURER:

MODEL:

DESCRIPTION:

DATE:

TIME:

PHONE:

EMAIL:

ADDRESS:

CITY:

STATE:

ZIP:

COUNTRY:

SEARCH

Discount-Equipment.com is your online resource for quality parts & equipment.

Florida: **561-964-4949** Outside Florida TOLL FREE: **877-690-3101**

Need parts?

Click on this link: <http://www.discount-equipment.com/category/5443-parts/> and choose one of the options to help get the right parts and equipment you are looking for. Please have the machine model and serial number available in order to help us get you the correct parts. If you don't find the part on the website or on one of the online manuals, please fill out the request form and one of our experienced staff members will get back to you with a quote for the right part that your machine needs.

We sell worldwide for the brands: Genie, Terex, JLG, MultiQuip, Mikasa, Essick, Whiteman, Mayco, Toro Stone, Diamond Products, Generac Magnum, Airman, Haulotte, Barreto, Power Blanket, Nifty Lift, Atlas Copco, Chicago Pneumatic, Allmand, Miller Curber, Skyjack, Lull, Skytrak, Tsurumi, Husquvarna Target, Stow, Wacker, Sakai, Mi-T-M, Sullair, Basic, Dynapac, MBW, Weber, Bartell, Bennar Newman, Haulotte, Ditch Runner, Menegotti, Morrison, Contec, Buddy, Crown, Edco, Wyco, Bomag, Laymor, EZ Trench, Bil-Jax, F.S. Curtis, Gehl Pavers, Heli, Honda, ICS/PowerGrit, IHI, Partner, Imer, Clipper, MMD, Koshin, Rice, CH&E, General Equipment, Amida, Coleman, NAC, Gradall, Square Shooter, Kent, Stanley, Tamco, Toku, Hatz, Kohler, Robin, Wisconsin, Northrock, Oztec, Toker TK, Rol-Air, APT, Wylie, Ingersoll Rand / Doosan, Innovatech, Con X, Ammann, Mecalac, Makinex, Smith Surface Prep, Small Line, Wanco, Yanmar