



VIBRATORY TRUSS SCREED



Steel Truss Screeds



TO PURCHASE THIS PRODUCT PLEASE CONTACT US



**Equipment Financing and
Extended Warranties Available**



**Discount-Equipment.com is your online resource for
commercial and industrial quality parts and equipment sales.**

561-964-4949

visit us on line @ www.discount-equipment.com

Select an option below to find your Equipment

Search by Manufacturer

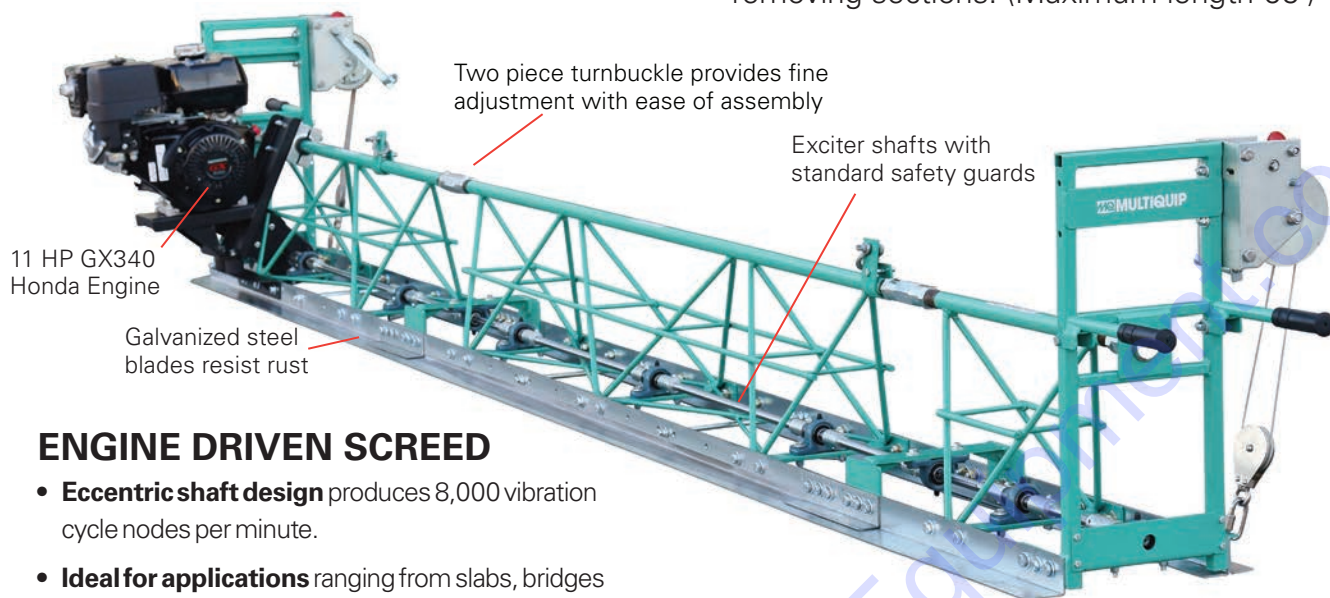
Search by Product Type

Request a Quote

We sell worldwide for the brands: Genie, Terex, JLG, MultiQuip, Mikasa, Essick, Whiteman, Mayco, Toro Stone, Diamond Products, Generac Magnum, Airman, Haulotte, Barreto, Power Blanket, Nifty Lift, Atlas Copco, Chicago Pneumatic, Allmand, Miller Curber, Skyjack, Lull, Skytrak, Tsurumi, Husquvarna Target, Stow, Wacker, Sakai, Mi-T-M, Sullair, Basic, Dynapac, MBW, Weber, Bartell, Bennar Newman, Haulotte, Ditch Runner, Menegotti, Morrison, Contec, Buddy, Crown, Edco, Wyco, Bomag, Laymor, EZ Trench, Bil-Jax, F.S. Curtis, Gehl Pavers, Heli, Honda, ICS/PowerGrit, IHI, Partner, Imer, Clipper, MMD, Koshin, Rice, CH&E, General Equipment, Amida, Coleman, NAC, Gradall, Square Shooter, Kent, Stanley, Tamco, Toku, Hatz, Kohler, Robin, Wisconsin, Northrock, Oztec, Toker TK, Rol-Air, APT, Wylie, Ingersoll Rand / Doosan, Innovatech, Con X, Ammann, Mecalac, Makinex, Smith Surface Prep, Small Line, Wanco, Yanmar

Multiquip vibratory truss screed exceeds contractor's expectations for leveling pavement and industrial floors. Its proven design has made it a favorite of concrete contractors for years.

Available in engine-driven configurations, this truss screed will provide dependable performance. Its modular design gives contractors the ability to adapt the screed to meet their length requirements by adding or removing sections. (Maximum length 65')



11 HP GX340 Honda Engine

Galvanized steel blades resist rust

Two piece turnbuckle provides fine adjustment with ease of assembly

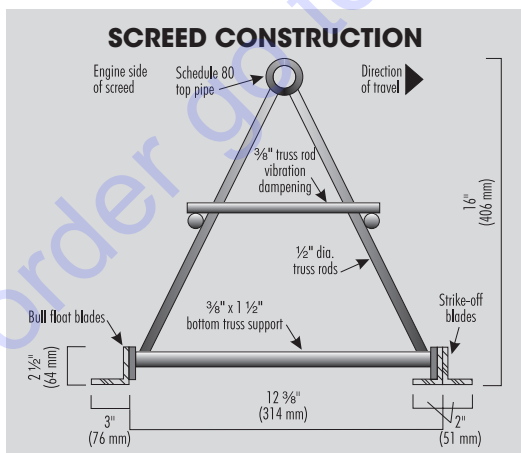
Exciter shafts with standard safety guards

ENGINE DRIVEN SCREED

- **Eccentric shaft design** produces 8,000 vibration cycle nodes per minute.
- **Ideal for applications** ranging from slabs, bridges and highways.
- **Powered by 11 HP Honda engines.** Engine kits are available factory installed on 5-foot truss sections for reduced set up time at the job site.
- **Winch options** include manual or self-propelled models. Self-propelled models are each mounted on a 2.5-foot section of screed.
- **Crowns/Inverts** optional kits are available.
- **Capable of striking off slabs up to 11 inches thick.** Performance may vary according to mix design and job requirements.

STEEL TRUSS DESIGN

- **Steel construction** keeps the screed from riding up on stiff concrete mix designs and helps obtain level floors.
- **Top pipe manufactured from schedule 80 steel** — features 16 TPI thread to provide fine grade control should crowns or inverts be required.
- **Screed blades are constructed of 10-gauge galvanized steel** for rust resistance and maximum durability.
- **End handle kits** available for models.



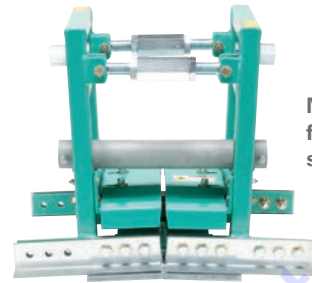
Model WSHESPW(R), WSHESPW(L)
Self-propelled winches minimize labor and offer adjustable travel speeds of 0-12 ft. per minute.

Screed Accessories

A full range of accessories is available to ensure your engine-driven truss screed meets changing job requirements.

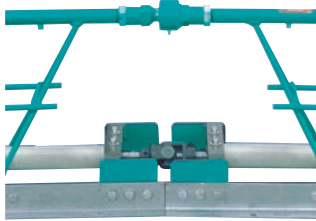


New two piece coupler system makes crowning adjustments fast and easy saving time on the job site. Also available for replacing older "one piece couplers"(46273-SK coupler kit)



Model WSHEIC
for engine-driven
screed

Invert/Crown Kit – Models are available for engine-driven screeds. This kit provides the greatest range of motion for crowns or inverts in excess of ¼-inch per foot. Crowns/inverts up to ¼-inch per foot are attainable without an optional kit.



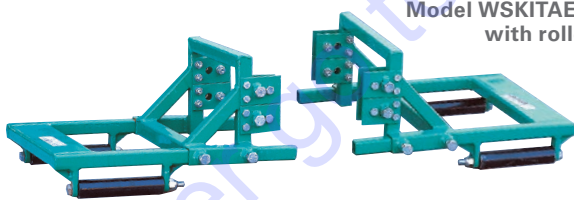
Model WSHEKITUJ
4 engine driven
screed only

Universal Joint Kit – Designed exclusively for engine-driven screeds, this kit contains a ball-joint coupler for the screed top pipe and a universal joint for the eccentric shaft. Installed between two screed sections it allows for crowns or inverts up to ¼-inch per foot without extending the overall length of the screed.



Model 36243

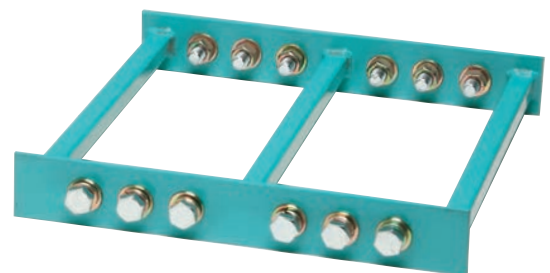
Screed Dolly accessory improves job site mobility and simplifies screed handling.



Model WSKITAEBR
with rollers

*Requires WSHEH for engine-driven screed

Adjustable End Brackets – Enable horizontal and vertical adjustment of the screed for applications when concrete is being poured below grade. Roller brackets allow the screed to ride across forms, walls or existing slabs. Model WSKITAEBR adapts to engine driven screed.



Model WSHRBE for engine-driven screed

Reinforcement Brackets – Improve structural rigidity of frame section. Recommended when extending past 32 feet.

Specifications

Screed Sections

Model	Description	Weight lb. (kg)
MSHE25	2.5-foot (.76m) truss with eccentric shaft vibration	57 (26)
MSHE50	5-foot (1.5 m) truss with eccentric shaft vibration	95 (43)
MSHE75	7.5-foot (2.3 m) truss with eccentric shaft vibration	136 (62)
Max. Screed Length* ft (m)	65 (19.8)	

Screed Accessories

Model	Description	Weight lb. (kg)
MSHEH	End handles (two each)	54 (27)
WSHW	Manual Winches, set of two	42 (19)
WSHESPW(L)	Self-propelled winch (left side), includes 2.5-foot truss	105 (48)
WSHESPW(R)	Self-propelled winch (right side), includes 2.5-foot truss	105 (48)
WSHRBE	Reinforcement bracket, engine screed	6 (2.7)
WSKITAEB	Adjustable end brackets, set of two, skid type	24 (11)
WSKITAEBR	Adjustable end brackets, set of two, roller type	26 (12)
WSHEKITUJ	Invert/crown kit, for adjustments up to ¼-inch per foot	22 (10)
WSHEIC	Invert/crown kit, for adjustments in excess of ¼-inch per foot	98 (41)
MSHEKIT11H	11 HP* Engine Kit	112 (51)
MSHE50KIT11H	11 HP* Engine Kit installed on 5-foot section	207 (94)
36243	Truss screed dolly	50 (23)
46273-SK	Coupler System Kit	N/A

Recommended Accessories based on Screed Length

Screed Length ft (m)	11 HP* Engine	Self-propelled Winches	WSEHIC	WSHEKITUJ	WSHRRBE
0-39 (0-12)	✓	✓	✓	✓	
40-49 (12-15)	✓	✓	✓	✓	✓
50-65 (15-20)	✓	✓			✓

* Engine power ratings are calculated by the individual engine manufacturer and the rating method may vary among engine manufacturers. Multiquip Inc. and its subsidiary companies makes no claim, representation or warranty as to the power rating of the engine on this equipment and disclaims any responsibility or liability of any kind whatsoever with respect to the accuracy of the engine power rating. Users are advised to consult the engine manufacturer's owners manual and its website for specific information regarding the engine power rating.



TO PURCHASE THIS PRODUCT PLEASE CONTACT US



**Equipment Financing and
Extended Warranties Available**



**Discount-Equipment.com is your online resource for
commercial and industrial quality parts and equipment sales.**

561-964-4949

visit us on line @ www.discount-equipment.com

Select an option below to find your Equipment

Search by Manufacturer

Search by Product Type

Request a Quote

We sell worldwide for the brands: Genie, Terex, JLG, MultiQuip, Mikasa, Essick, Whiteman, Mayco, Toro Stone, Diamond Products, Generac Magnum, Airman, Haulotte, Barreto, Power Blanket, Nifty Lift, Atlas Copco, Chicago Pneumatic, Allmand, Miller Curber, Skyjack, Lull, Skytrak, Tsurumi, Husquvarna Target, Stow, Wacker, Sakai, Mi-T-M, Sullair, Basic, Dynapac, MBW, Weber, Bartell, Bennar Newman, Haulotte, Ditch Runner, Menegotti, Morrison, Contec, Buddy, Crown, Edco, Wyco, Bomag, Laymor, EZ Trench, Bil-Jax, F.S. Curtis, Gehl Pavers, Heli, Honda, ICS/PowerGrit, IHI, Partner, Imer, Clipper, MMD, Koshin, Rice, CH&E, General Equipment, Amida, Coleman, NAC, Gradall, Square Shooter, Kent, Stanley, Tamco, Toku, Hatz, Kohler, Robin, Wisconsin, Northrock, Oztec, Toker TK, Rol-Air, APT, Wylie, Ingersoll Rand / Doosan, Innovatech, Con X, Ammann, Mecalac, Makinex, Smith Surface Prep, Small Line, Wanco, Yanmar