

# PARTS MANUAL



**MULTIQUIP®**

**RAMMAX**

**MODELS**

**RX1575**

**RX157533**

**TRENCH ROLLER**

**S/N 5572980 AND ABOVE**

**(YANMAR 3TNV80F DIESEL ENGINE)**

Revision #2 (04/12/21)



THIS MANUAL MUST ACCOMPANY THE EQUIPMENT AT ALL TIMES.

# PARTS FINDER

**Search Website  
by Part Number**



**Search Manual  
Library For Parts  
Manual & Lookup Part  
Numbers – Purchase  
or Request Quote**

**Search Manuals**

Enter your information to help us find the right parts manual for your machine.

\* Brand:

\* Model:

\* Serial:

\* Part Number:

SEARCH

**Can't Find Part or  
Manual? Request Help  
by Manufacturer,  
Model & Description**

**Parts Order Form**

Please fill in the following information to help us find the right part for your machine.

Manufacturer:	<input type="text"/>
Model:	<input type="text"/>
Description:	<input type="text"/>
Part Number:	<input type="text"/>
Quantity:	<input type="text"/>
Notes:	<input type="text"/>

Submit

Discount-Equipment.com is your online resource for quality parts & equipment.

Florida: **561-964-4949** Outside Florida TOLL FREE: **877-690-3101**

**Need parts?**

Click on this link: <http://www.discount-equipment.com/category/5443-parts/> and choose one of the options to help get the right parts and equipment you are looking for. Please have the machine model and serial number available in order to help us get you the correct parts. If you don't find the part on the website or on one of the online manuals, please fill out the request form and one of our experienced staff members will get back to you with a quote for the right part that your machine needs.

We sell worldwide for the brands: Genie, Terex, JLG, MultiQuip, Mikasa, Essick, Whiteman, Mayco, Toro Stone, Diamond Products, Generac Magnum, Airman, Haulotte, Barreto, Power Blanket, Nifty Lift, Atlas Copco, Chicago Pneumatic, Allmand, Miller Curber, Skyjack, Lull, Skytrak, Tsurumi, Husquvarna Target, Stow, Wacker, Sakai, Mi-T-M, Sullair, Basic, Dynapac, MBW, Weber, Bartell, Bennar Newman, Haulotte, Ditch Runner, Menegotti, Morrison, Contec, Buddy, Crown, Edco, Wyco, Bomag, Laymor, EZ Trench, Bil-Jax, F.S. Curtis, Gehl Pavers, Heli, Honda, ICS/PowerGrit, IHI, Partner, Imer, Clipper, MMD, Koshin, Rice, CH&E, General Equipment, Amida, Coleman, NAC, Gradall, Square Shooter, Kent, Stanley, Tamco, Toku, Hatz, Kohler, Robin, Wisconsin, Northrock, Oztec, Toker TK, Rol-Air, APT, Wylie, Ingersoll Rand / Doosan, Innovatech, Con X, Ammann, Mecalac, Makinex, Smith Surface Prep, Small Line, Wanco, Yanmar

# TABLE OF CONTENTS

## **RX1575/RX157533 S/N 5572980 and Above Trench Roller**

Explanation Of Code In Remarks Column.....	4
Suggested Spare Parts .....	5

### **Component Drawings**

Nameplate And Decals.....	6-11
Drum 24" Assembly .....	12-13
Drum 24" With Extension Assembly .....	14-15
Drum 33" Assembly .....	16-17
Drum Drive Assembly.....	18-19
Vibration Assembly.....	20-21
Center Beam Assembly.....	22-23
Center Beam Hose Guide Assembly.....	24-25
Chassis Front Assembly .....	26-27
Chassis Rear Assembly .....	28-29
Engine Hood Assembly .....	30-31
Cover Hood Top Assembly .....	32-33
Cover Hood Bottom Assembly.....	34-35
Compaction Meter Assembly.....	36-37
Sensor Assembly.....	38-39
Fuel Tank Assembly.....	40-41
Pendulum Support Assembly .....	42-43
Pendulum Joint Assembly .....	44-45
Steering Cylinder Assembly .....	46-47
Transport Securing Device Assembly.....	48-49
Diesel Engine Assembly.....	50-51
Engine Coupler Assembly .....	52-53
Pull Magnet And Mounting Assembly.....	54-55
Fuel Water Separator/Fuel Filter Assembly .....	56-57
Flow Divider And Mounting Assembly .....	58-59
Relays/Fuses And Mounting Assembly .....	60-61
Engine Cooler Assembly .....	62-63
Engine Air Filter Assembly .....	64-65
Engine Muffler Assembly.....	66-67
Variable Displacement Pump Assembly.....	68-69
Hydraulic Oil Tank Assembly .....	70-71
Oil Cooler Assembly.....	72-73

Valve Block Assembly.....	74-75
Hydraulic Block Assembly .....	76-77
Front Drum Hose Assembly.....	78-79
Rear Drum Hose Assembly .....	80-81
Hose 1 Assembly.....	82-83
Hose 2 Assembly.....	84-85
Hose 3 Assembly.....	86-87
Cockpit Assembly .....	88-89
Holding Device With Battery Assembly .....	90-91
Signal Horn Assembly .....	92-93
Shutdown Bar Assembly (Option) .....	94-95
Without Breaking The Yoke Assembly (Option).....	96-97
Filter Set Assembly.....	98-99
Cable Harness Assembly .....	100-101

#### **NOTICE**

Part numbers are subject to change without notice.

# EXPLANATION OF CODE IN REMARKS COLUMN

The following section explains the different symbols and remarks used in the Parts section of this manual. Use the help numbers found on the back page of the manual if there are any questions.

## NOTICE

The contents and part numbers listed in the parts section are subject to change **without notice**. Multiquip does not guarantee the availability of the parts listed.

## SAMPLE PARTS LIST

NO.	PART NO.	PART NAME	QTY.	REMARKS
1	12345	BOLT .....	1	INCLUDES ITEMS W/%
2%		WASHER, 1/4 IN. ....		NOT SOLD SEPARATELY
2%	12347	WASHER, 3/8 IN. ...	1	MQ-45T ONLY
3	12348	HOSE .....	A/R	MAKE LOCALLY
4	12349	BEARING .....	1	S/N 2345B AND ABOVE

## NO. Column

**Unique Symbols** — All items with same unique symbol (@, #, +, %, or >) in the number column belong to the same assembly or kit, which is indicated by a note in the “Remarks” column.

**Duplicate Item Numbers** — Duplicate numbers indicate multiple part numbers, which are in effect for the same general item, such as different size saw blade guards in use or a part that has been updated on newer versions of the same machine.

## NOTICE

When ordering a part that has more than one item number listed, check the remarks column for help in determining the proper part to order.

## PART NO. Column

**Numbers Used** — Part numbers can be indicated by a number, a blank entry, or TBD.

TBD (To Be Determined) is generally used to show a part that has not been assigned a formal part number at the time of publication.

A blank entry generally indicates that the item is not sold separately or is not sold by Multiquip. Other entries will be clarified in the “Remarks” Column.

## QTY. Column

**Numbers Used** — Item quantity can be indicated by a number, a blank entry, or A/R.

A/R (As Required) is generally used for hoses or other parts that are sold in bulk and cut to length.

A blank entry generally indicates that the item is not sold separately. Other entries will be clarified in the “Remarks” Column.

## REMARKS Column

Some of the most common notes found in the “Remarks” Column are listed below. Other additional notes needed to describe the item can also be shown.

**Assembly/Kit** — All items on the parts list with the same unique symbol will be included when this item is purchased.

Indicated by:

“INCLUDES ITEMS W/(unique symbol)”

**Serial Number Break** — Used to list an effective serial number range where a particular part is used.

Indicated by:

“S/N XXXXX AND BELOW”

“S/N XXXX AND ABOVE”

“S/N XXXX TO S/N XXX”

**Specific Model Number Use** — Indicates that the part is used only with the specific model number or model number variant listed. It can also be used to show a part is NOT used on a specific model or model number variant.

Indicated by:

“XXXXX ONLY”

“NOT USED ON XXXX”

**“Make/Obtain Locally”** — Indicates that the part can be purchased at any hardware shop or made out of available items. Examples include battery cables, shims, and certain washers and nuts.

**“Not Sold Separately”** — Indicates that an item cannot be purchased as a separate item and is either part of an assembly/kit that can be purchased, or is not available for sale through Multiquip.

## SUGGESTED SPARE PARTS

### RAMMAX 1575 TRENCH ROLLER WITH YANMAR 3TNV80F DIESEL ENGINE

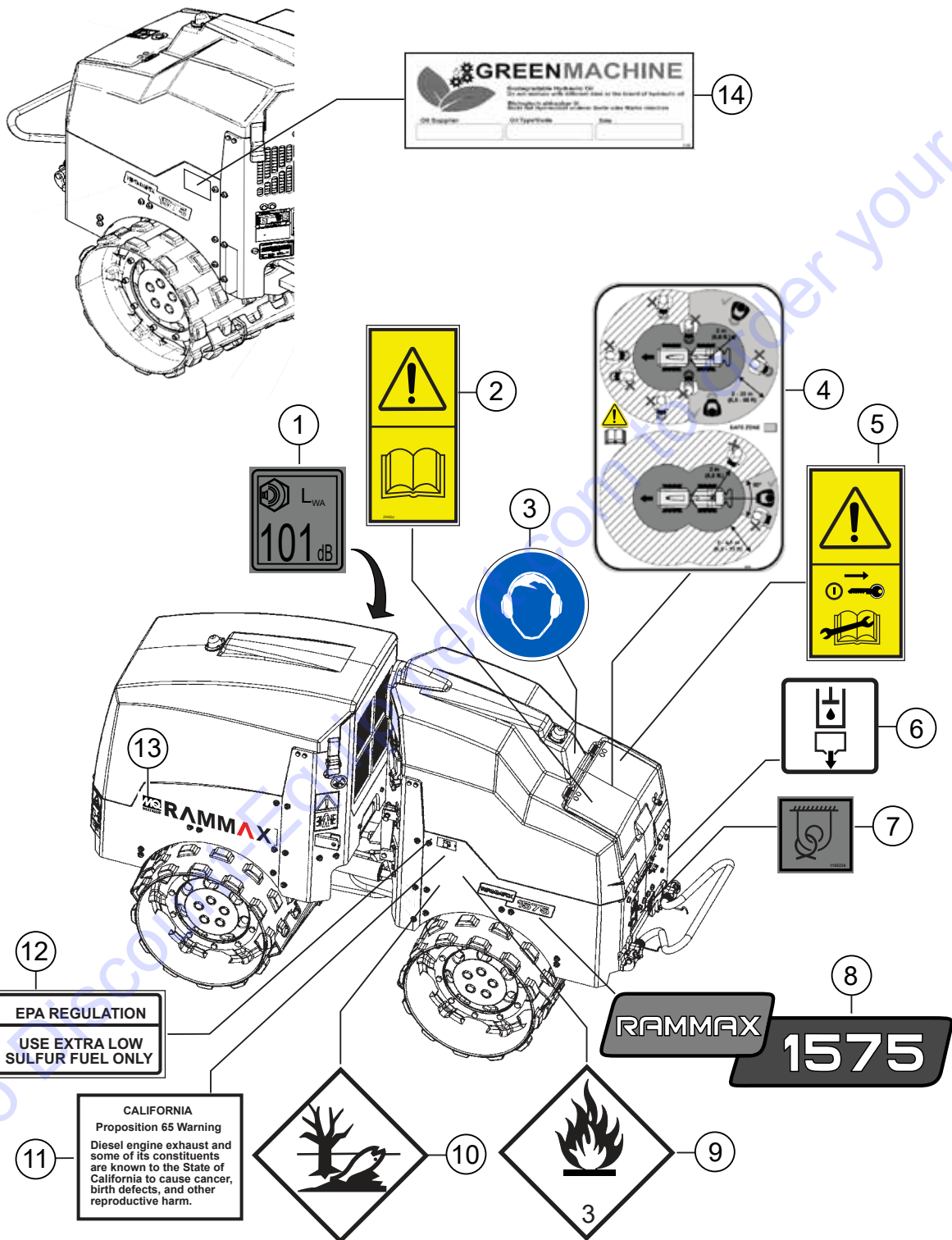
#### 1 to 3 units

Qty.	P/N	Description
3	1-954075	OIL FILTER
3	1-954197	FUEL FILTER ELEMENT
3	1-954195	WATER SEPARATOR ELEMENT
3	1300308	AIR FILTER ELEMENT (OUT)
3	1300309	AIR FILTER ELEMENT (IN)
2	1242184	BREATHER FILTER, HYDRAULIC
1	1183743	V-BELT
1	1-30005179	IGNITION SWITCH
3	4-9500001014	IGNITION KEYS
1	1-952347	OIL PRESSURE SWITCH
1	1-952346	WATER TEMP., SWITCH
3	1-921583	FUSE, 10 AMP
2	1-921585	FUSE, 25 AMP
3	1-944544	FUSE, 40 AMP
3	4-5422060016	FUSE, 10 AMP

#### NOTICE

Part numbers on this Suggested Spare Parts list may supersede/replace the part numbers shown in the following parts lists.

# NAMEPLATE AND DECALS

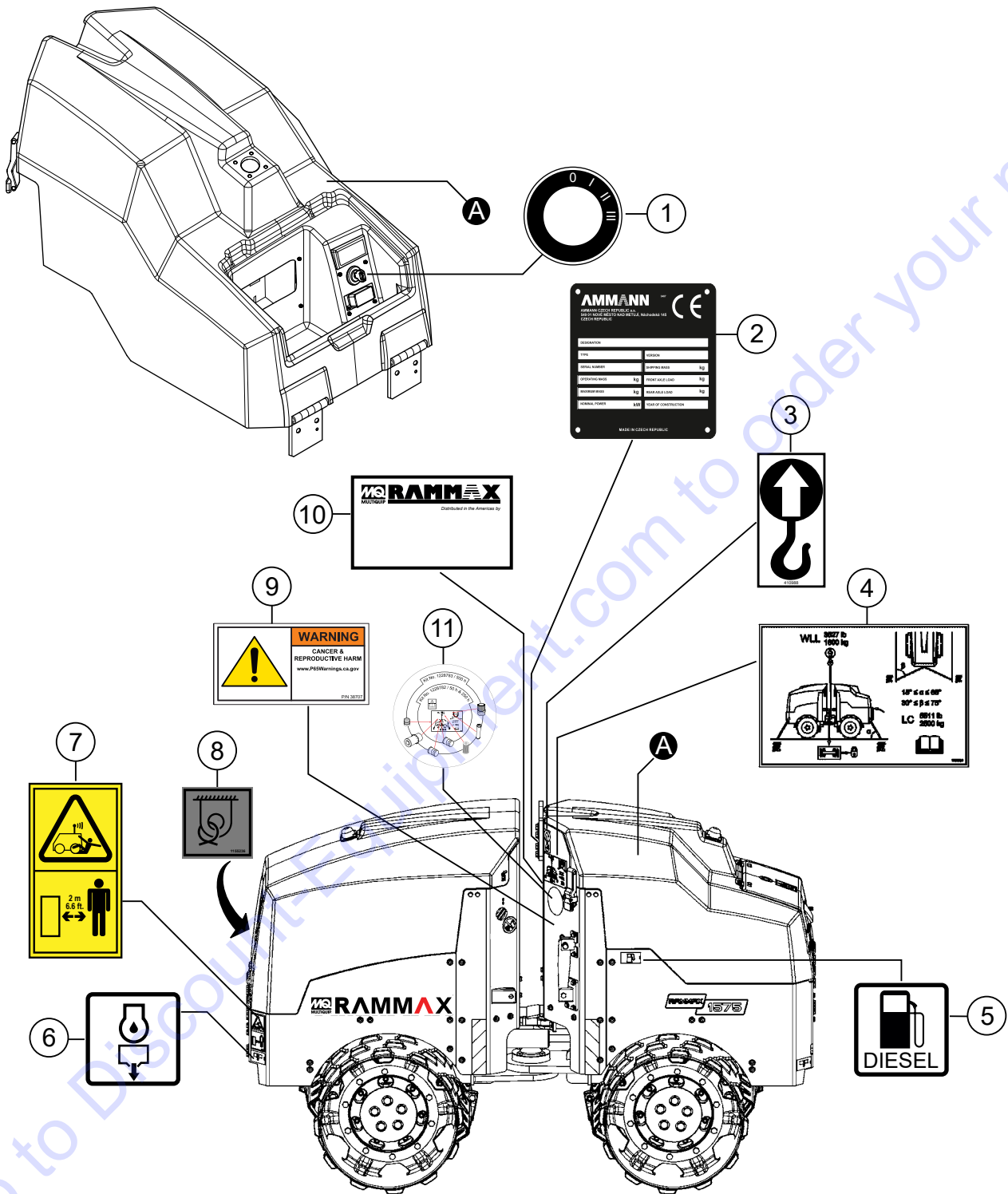


## NAMEPLATE AND DECALS

<u>NO.</u>	<u>PART NO.</u>	<u>PART NAME</u>	<u>QTY.</u>	<u>REMARKS</u>
1	4-6531013038	DECAL, NOISE LEVEL	1	
2	4-6531012946	DECAL, READ MANUALS	1	
3	4-6531012408	DECAL, WEAR NOISE PROTECTION	1	
4	4-6531014110	DECAL, PROTECTED SAFE ZONE	2	
5	4-6531012584	DECAL, SYMBOL	1	
6	4-6531013960	DECAL, HYDRAULIC OIL DRAIN	1	
7	4-6531013048	DECAL, TIE DOWN HOOK	1	
8	1231056	DECAL, RAMMAX 1575	1	
9	4-6531013795	DECAL, FLAMMABLE .....	1	S/N 5572980 - 5572983
9	4-11291129	DECAL, FLAMMABLE .....	1	S/N 5572984 AND ABOVE
10	4-6531013794	DECAL, ENVIRONMENTALLY DAMAGING .....	1	S/N 5572980 - 5572983
10	4-11290719	DECAL, ENVIRONMENTALLY DAMAGING .....	1	S/N 5572984 AND ABOVE
11	3-39617	DECAL, CALIFORNIA WARNINGS	1	
12	4-6531013796	DECAL, EPA REGULATION	1	
13	3-39115	DECAL, MQ RAMMAX	2	
14	4-6531014126	DECAL, GREEN MACHINE	1	

Go to Discount-Equipment.com to order your parts

# NAMEPLATE AND DECALS (CONT'D.)



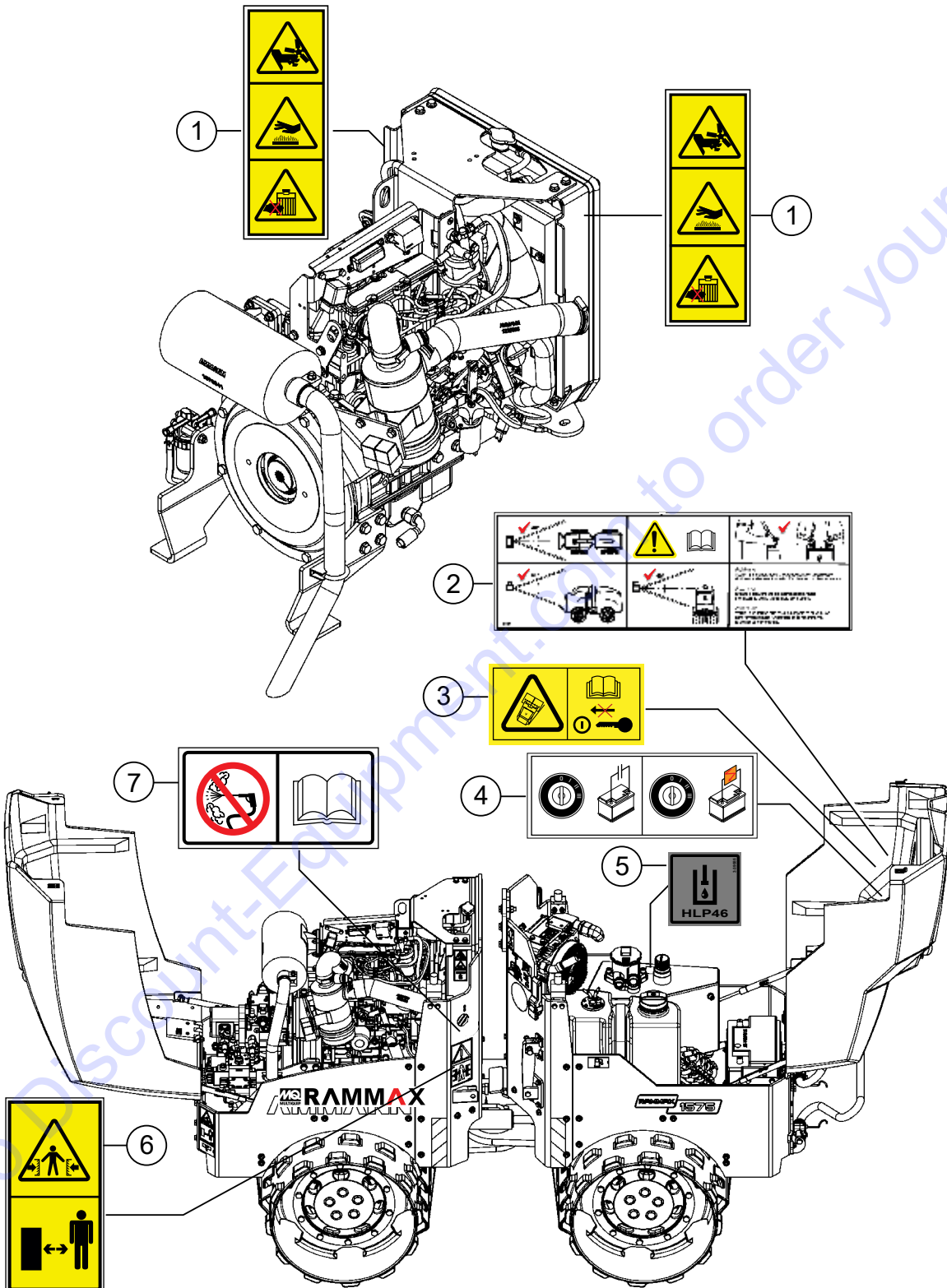


## NAMEPLATE AND DECALS (CONT'D.)

<u>NO.</u>	<u>PART NO.</u>	<u>PART NAME</u>	<u>QTY.</u>	<u>REMARKS</u>
1	1232992	DECAL, STARTING POSITION RING	1	
2		NAMEPLATE.....	1	CONTACT DISCOUNT-EQUIPMENT.
3	4-6531012153	DECAL, LIFTING HOOK	2	
4	1233029	DECAL, ARTICULATION INFORMATION	1	
5	4-6531012151	DECAL, DIESEL FUEL	1	
6	4-6531013212	DECAL, OIL DRAIN	1	
7	4-6531013842	DECAL, WARNING	4	
8	4-6531013048	DECAL, TIE DOWN HOOK	1	
9	38707	DECAL, ISO PROP. 65	1	
10	1167716	ID PLATE	1	
11	4-6531013815	DECAL, FILTER KITS	1	

Go to Discount-Equipment.com to order your parts

# NAMEPLATE AND DECALS (CONT'D.)

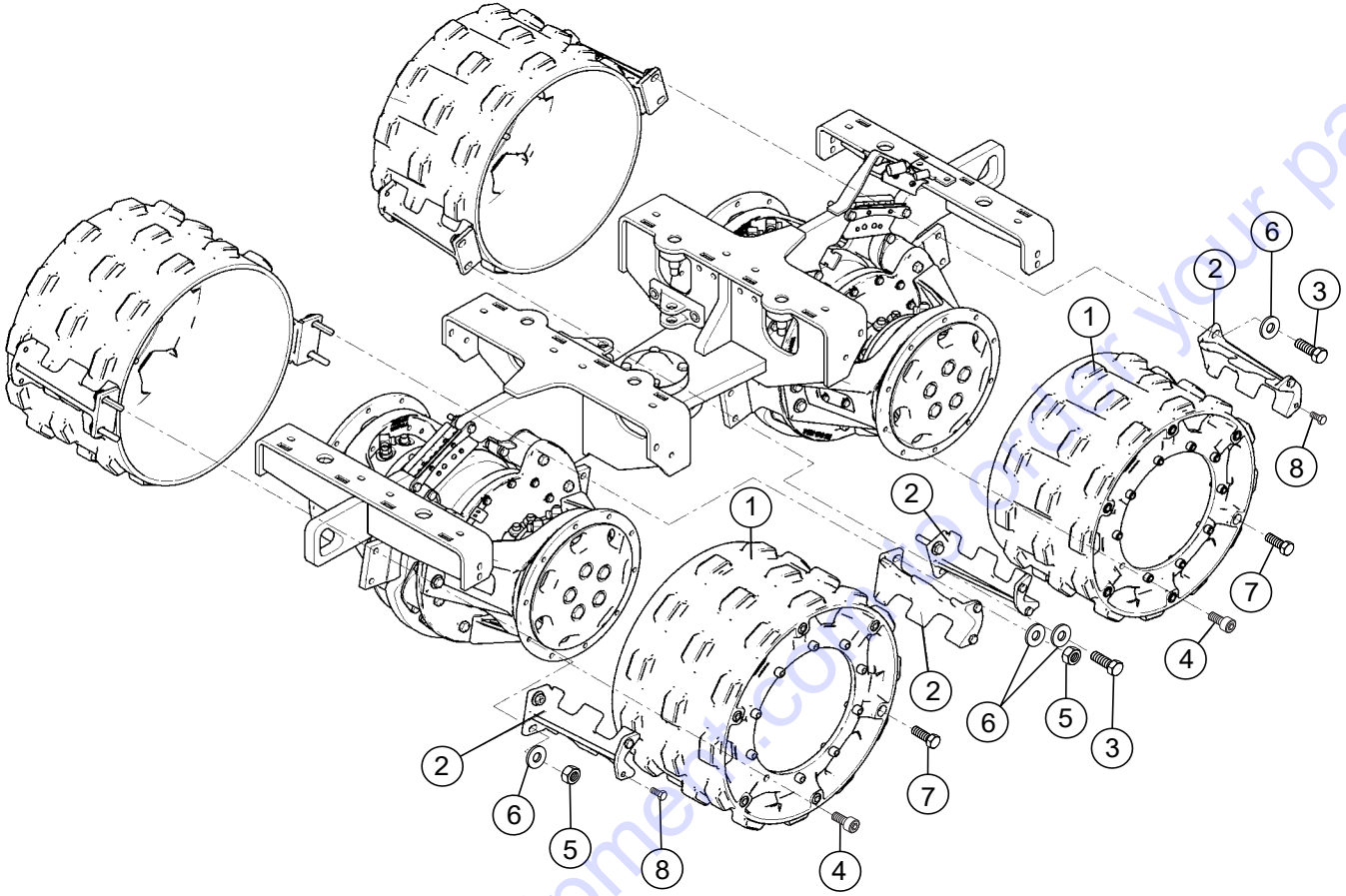


## NAMEPLATE AND DECALS (CONT'D.)

<u>NO.</u>	<u>PART NO.</u>	<u>PART NAME</u>	<u>QTY.</u>	<u>REMARKS</u>
1	4-6531013866	DECAL, ROTATING BLADE HAZARD	2	
2	4-6531013839		1	
3	4-6531013873	DECAL, WARNING, INFORMATION	1	
4	1233394	DECAL, BATTERY/STARTING INFORMATION	1	
5	4-6531013874	DECAL, HYDRAULIC OIL	1	
6	4-6531013865	DECAL, WARNING CRUSH	2	
7	4-6531013733	DECAL, NO WATER SPRAY	2	

Go to Discount-Equipment.com to order your parts

**DRUM 24" ASSY.**



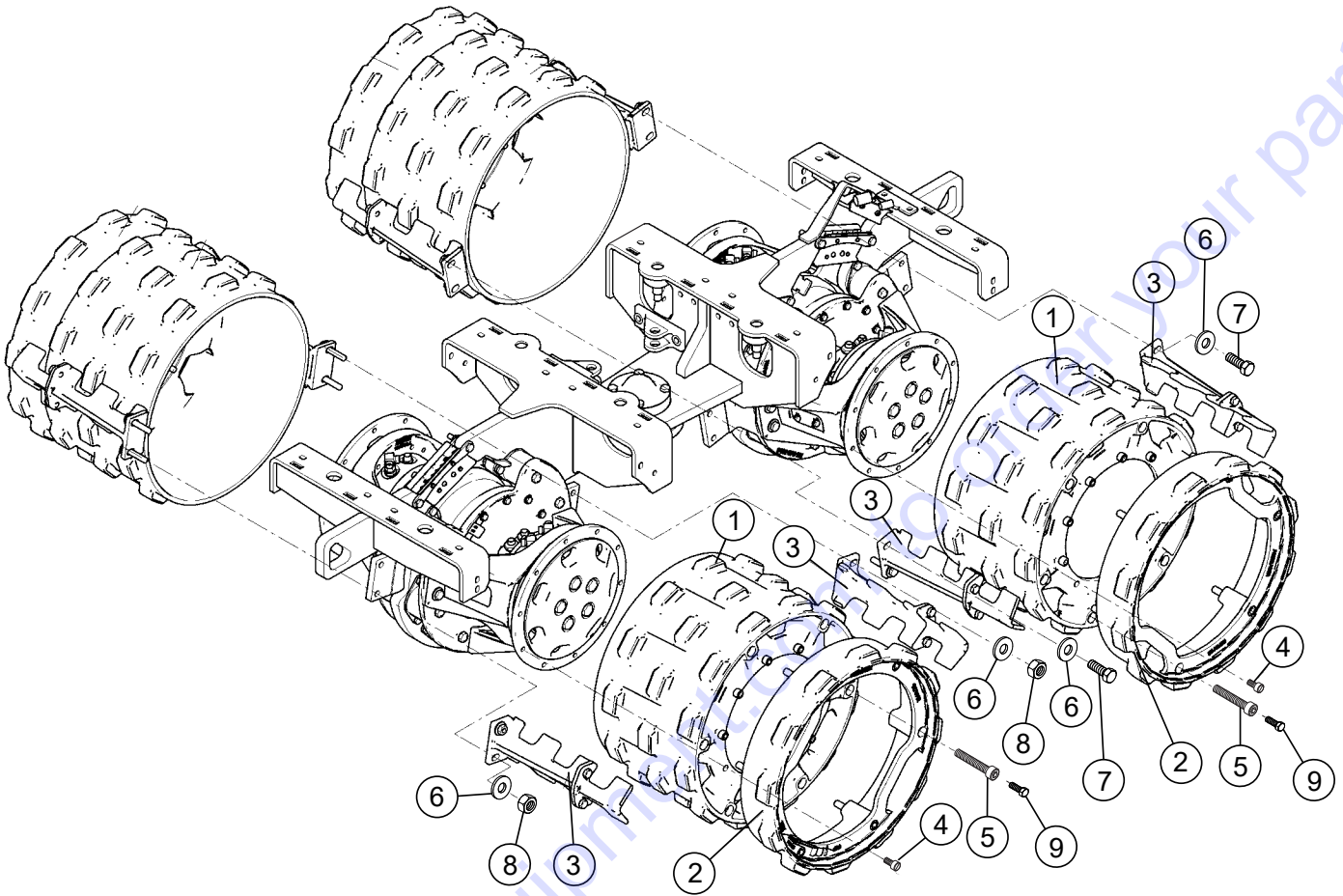
## DRUM 24" ASSY.

---

<u>NO.</u>	<u>PART NO.</u>	<u>PART NAME</u>	<u>QTY.</u>	<u>REMARKS</u>
1	1297958	DRUM JACKET	4	
2	1298641	SCRAPER	8	
3	J901787	HEX. HEAD SCREW	8	
4	1-902651	CHEESE HEAD SCREW	40	
5	J902126	HEX. NUT	8	
6	J902287	WASHER	16	
7	1270366	BOLT, M14 X 20 DIN 912	24	
8	4-3002510012	HEX. HEAD SCREW	16	

Go to Discount-Equipment.com to order your parts

# DRUM 24" WITH EXTENSION ASSY.



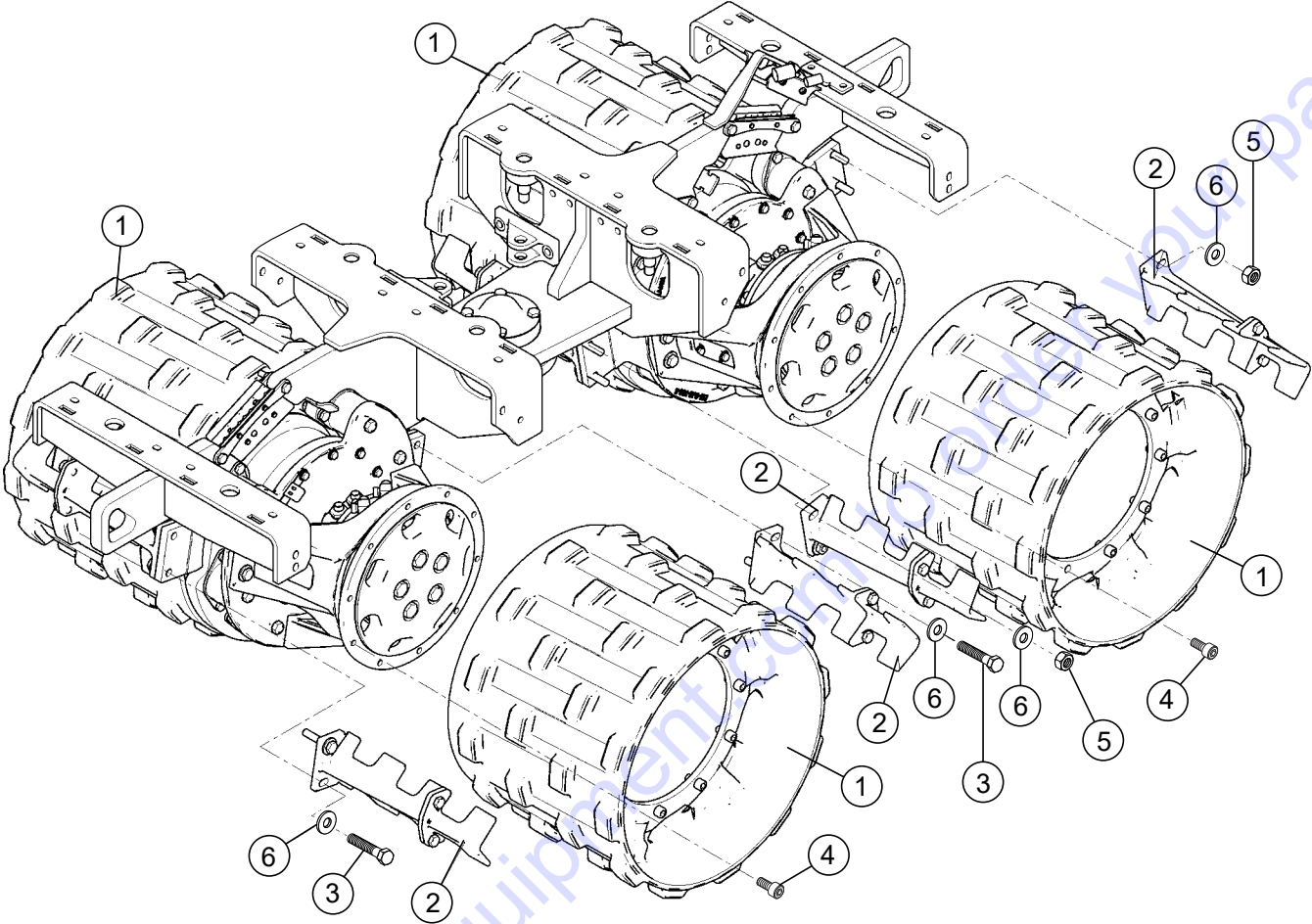
## DRUM 24" WITH EXTENSION ASSY.

---

<u>NO.</u>	<u>PART NO.</u>	<u>PART NAME</u>	<u>QTY.</u>	<u>REMARKS</u>
1	1297958	DRUM JACKET	4	
2	1270135	DRUM WIDTH EXTENSION	4	
3	1253446	SCRAPER	8	
4	1-902651	CHEESE HEAD SCREW	40	
5	1270369	SOCKET HEAD CAP SCREW	24	
6	J902287	WASHER	16	
7	J901787	HEX. HEAD SCREW	8	
8	J902126	HEX. NUT	8	
9	1270366	BOLT, M14X20 DIN 912	24	

Go to Discount-Equipment.com to order your parts

**DRUM 33" ASSY.**





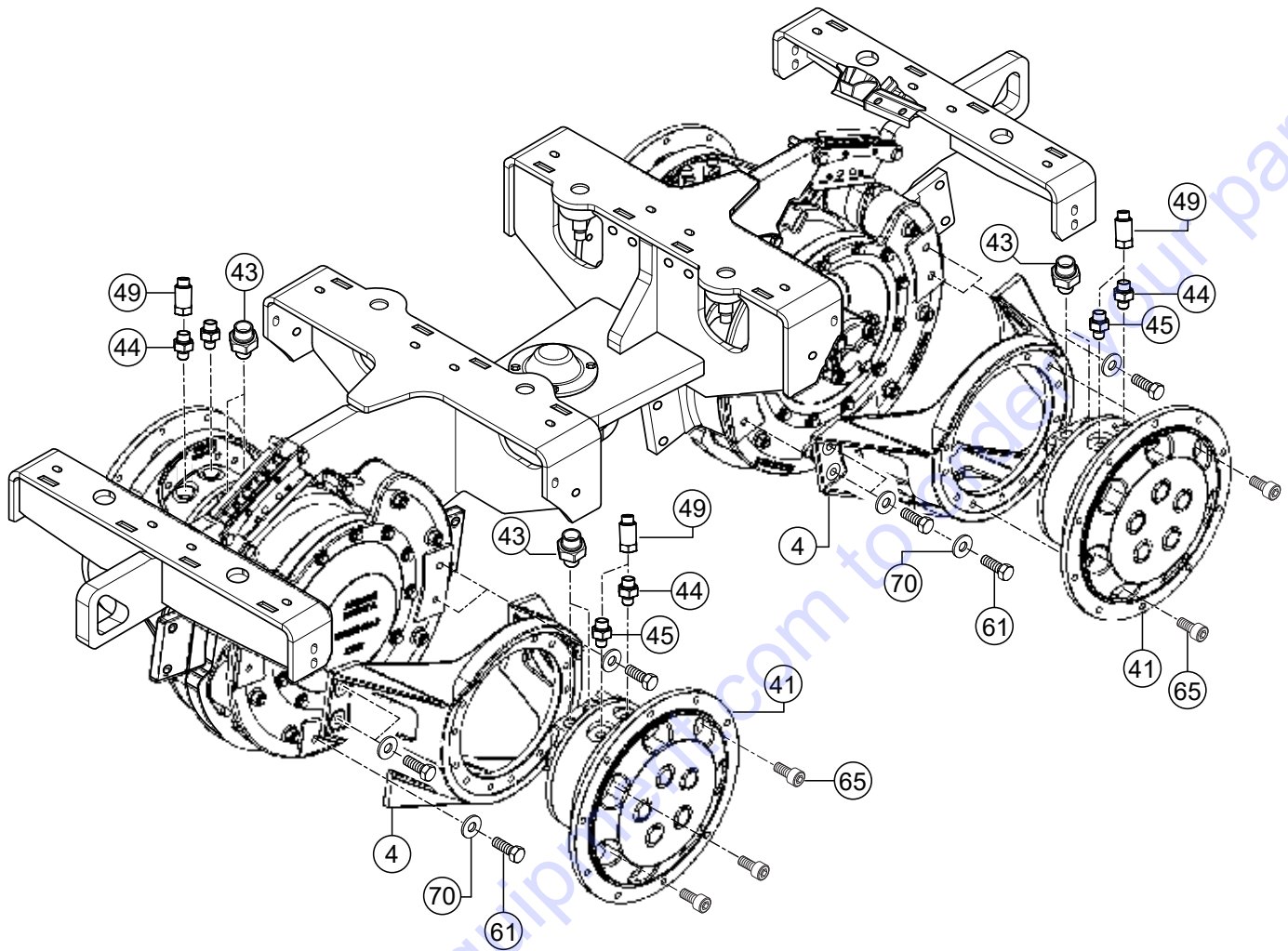
## DRUM 33" ASSY.

---

<u>NO.</u>	<u>PART NO.</u>	<u>PART NAME</u>	<u>QTY.</u>	<u>REMARKS</u>
1	1297959	DRUM JACKET	4	
2	1253446	SCRAPER	8	
3	J901787	HEX. HEAD SCREW	8	
4	1-902651	CHEESE HEAD SCREW	40	
5	J902126	HEX. NUT	8	
6	J902287	WASHER	16	

Go to Discount-Equipment.com to order your parts

# DRUM DRIVE ASSY.



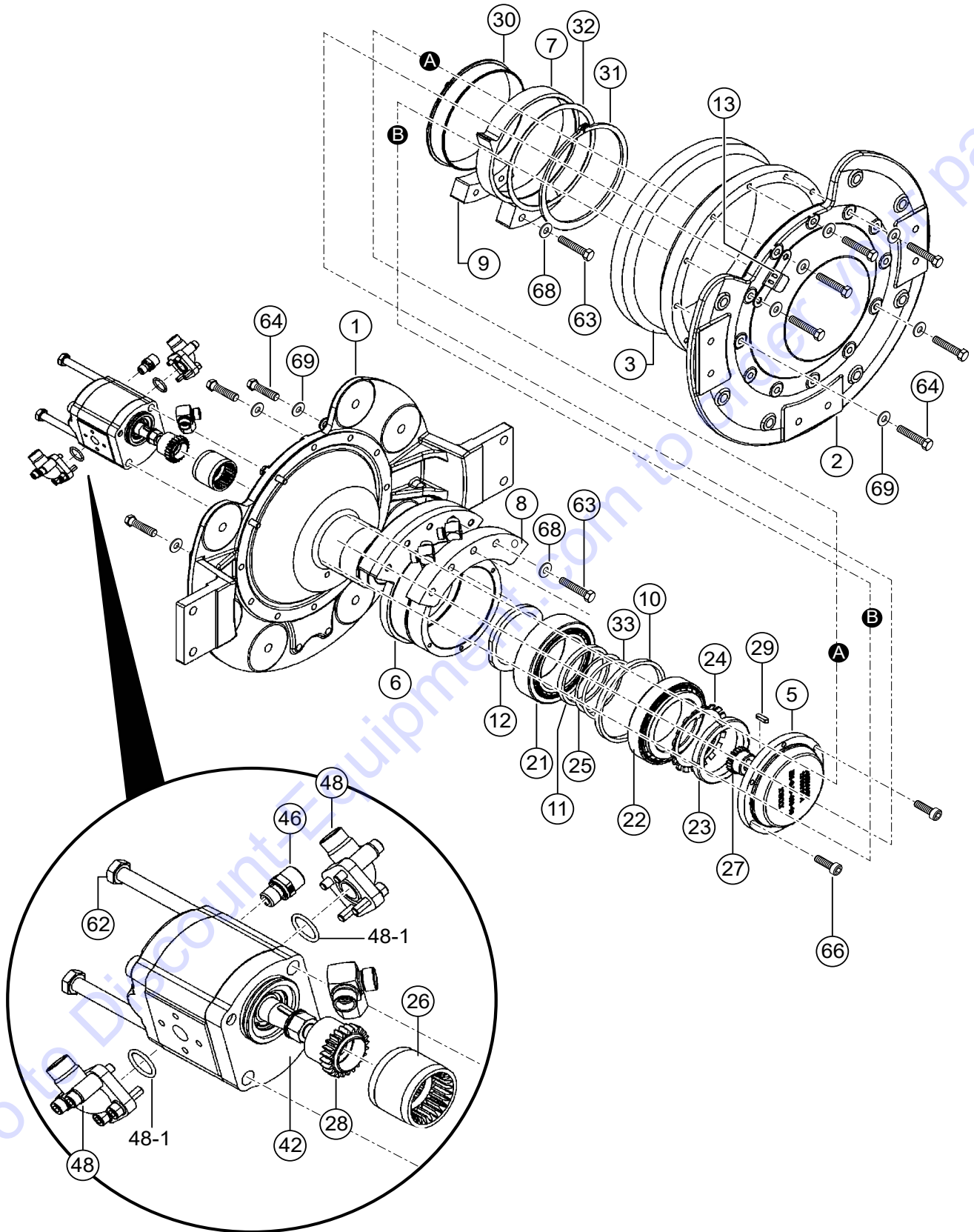
## DRUM DRIVE ASSY.

---

<u>NO.</u>	<u>PART NO.</u>	<u>PART NAME</u>	<u>QTY.</u>	<u>REMARKS</u>
4	1216766	MOTOR SUPPORT	4	
41	1316837	HYDRAULIC MOTOR	4	
43	1204949	MALE STUD COUPLING BODY	8	
44	1193331	MALE STUD COUPLING BODY	4	
45	1183844	MALE STUD COUPLING BODY	4	
49	1250593	SCREWED CONNECTION	6	
61	4-3002512030	HEX. HEAD SCREW	24	
65	1-902651	CHEESE HEAD SCREW	28	
70	1-902387	TENSION WASHER	24	

Go to Discount-Equipment.com to order your parts

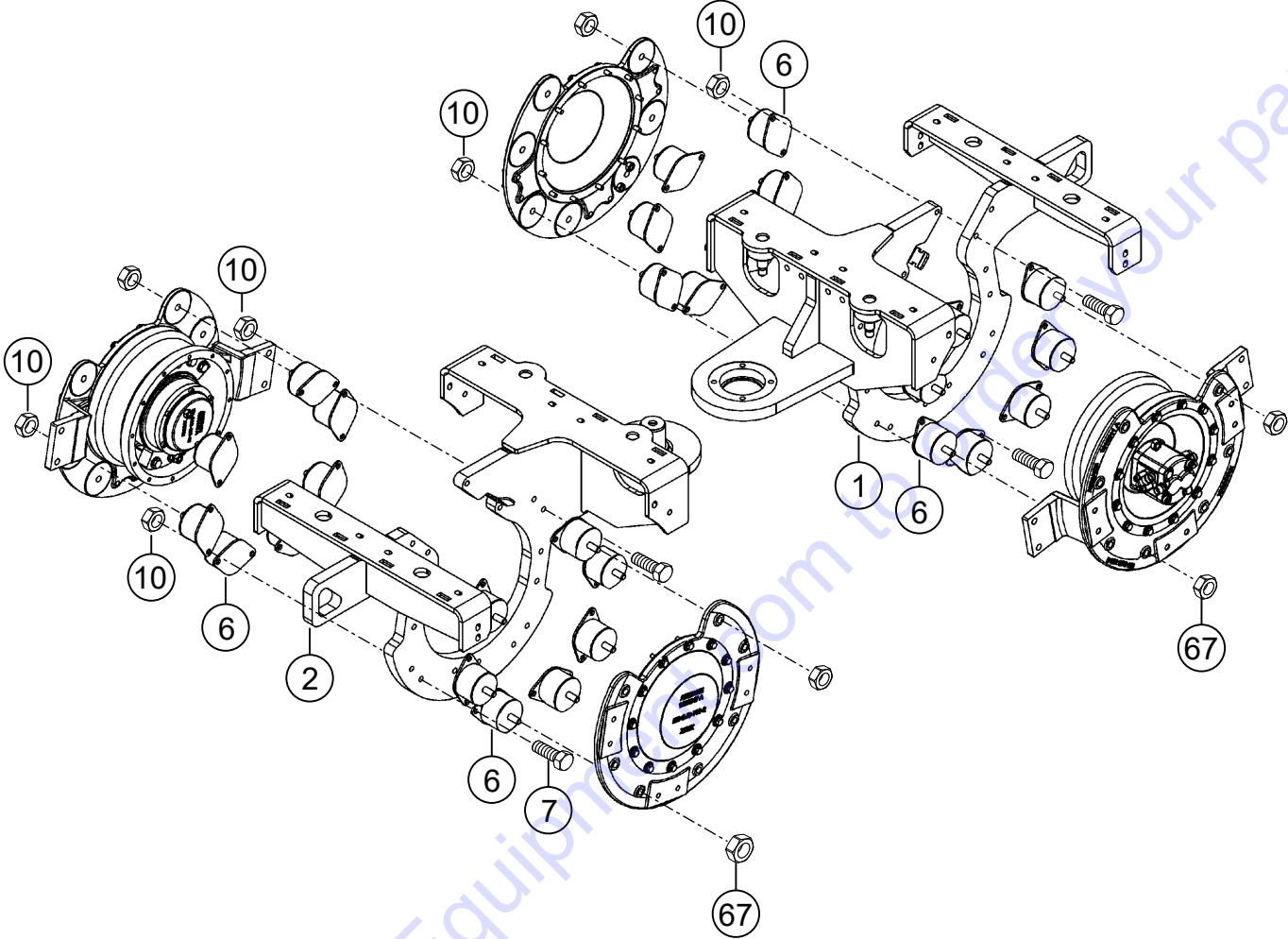
# VIBRATION ASSY.



## VIBRATION ASSY.

<u>NO.</u>	<u>PART NO.</u>	<u>PART NAME</u>	<u>QTY.</u>	<u>REMARKS</u>
1	1216577	SUPPORT	2	
2	1216661	COVER	2	
3	1217651	SPACER PIPE	2	
5	1216419	BEARING COVER	1	
6	1216436	UNBALANCED MASS	1	
7	1217372	TRANSFER WEIGHT	1	
8	1217528	UNBALANCED MASS	1	
9	1217555	UNBALANCED MASS	1	
10	1217187	SPACER RING	1	
11	1217200	SPACER RING	1	
12	1217186	SPACER RING	1	
13	1251017	HOLDING PLATE	1	
21	1216944	TAPERED ROLLER BEARING	1	
22	1216948	TAPERED ROLLER BEARING	1	
23	J920193	GROOVE NUT	1	
24	1217014	SECURING PLATE	1	
25	1218344	SPACER RING	5	
26	1273896	COUPLING SLEEVE	1	
27	1217091	HUB	1	
28	1217049	HUB	1	
29	1-903813	FEATHER KEY	1	
30	1217043	PLAIN BEARING BUSHING	1	
31	1-903549	CIRCLIP	1	
32	1239140	SPACER	1	
33	1260479	SPACER RING	1	
42	1216418	GEAR MOTOR	1	
46	1-942821	MALE STUD COUPLING BODY	1	
48	3-57644	ANGLE FLANGE	2	
48-1	62039	O-RING.....	2.....	REPLACES P/N 3-62039
62	1236079	HEX. HEAD SCREW	2	
63	H0105624	HEX. HEAD SCREW	7	
64	H77284445	HEX. HEAD SCREW	24	
66	J902634	SOCKET HEAD CAP SCREW	6	
68	1902386	STRAIN WASHER	7	
69	1908693	STRAIN WASHER	24	

**CENTER BEAM ASSY.**



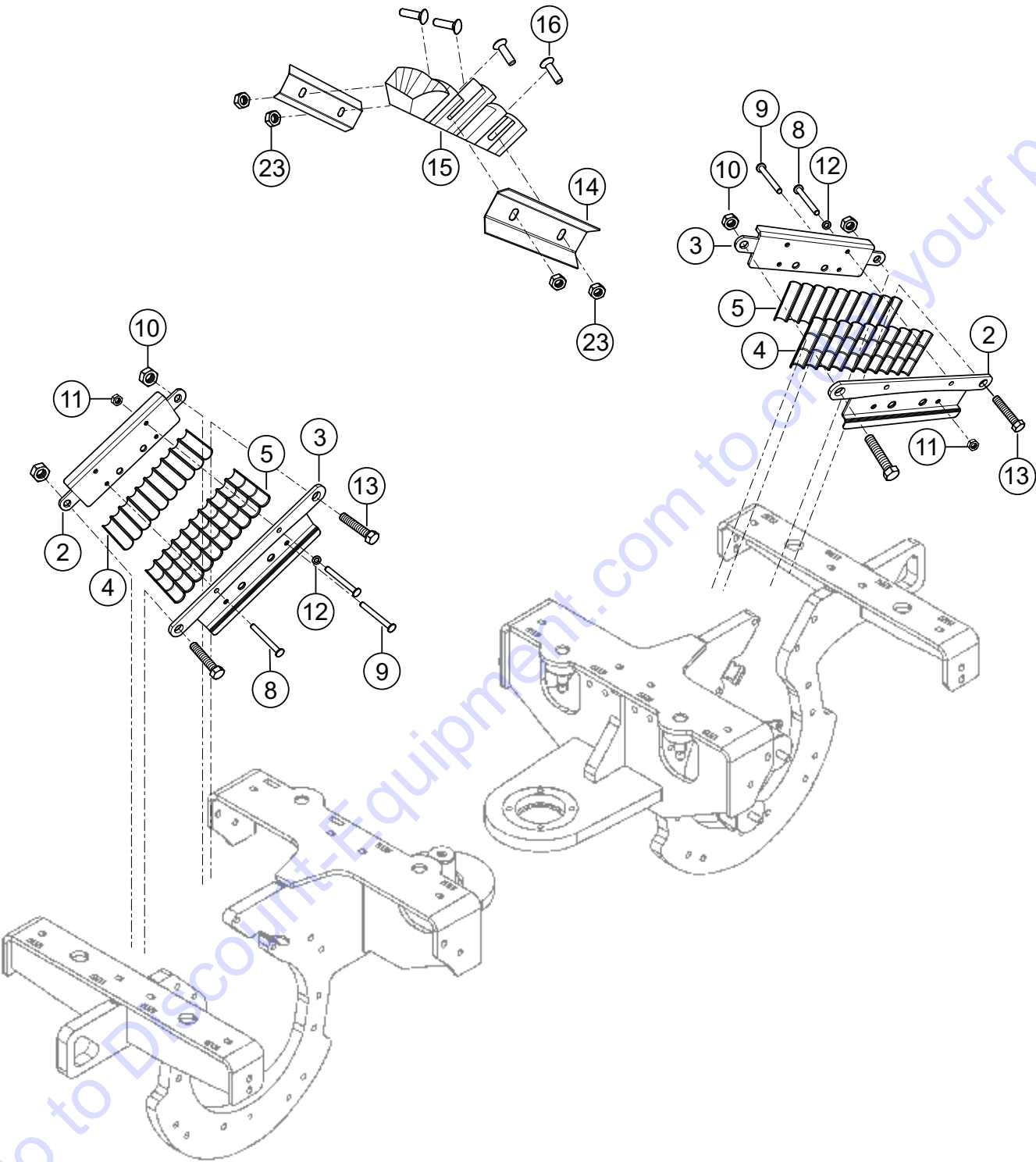
## CENTER BEAM ASSY.

---

<u>NO.</u>	<u>PART NO.</u>	<u>PART NAME</u>	<u>QTY.</u>	<u>REMARKS</u>
1	4-1077036	CENTER BEAM, FRONT	1	
2	4-10769999	CENTER BEAM, REAR	1	
6	1217092	RUBBER CUSHION	28	
7	H0105624	HEX. HEAD SCREW	28	
10	4-3048500100	HEX. NUT	32	
67	J902126	HEX. NUT	28	

Go to Discount-Equipment.com to order your parts

**CENTER BEAM HOSE GUIDE ASSY.**



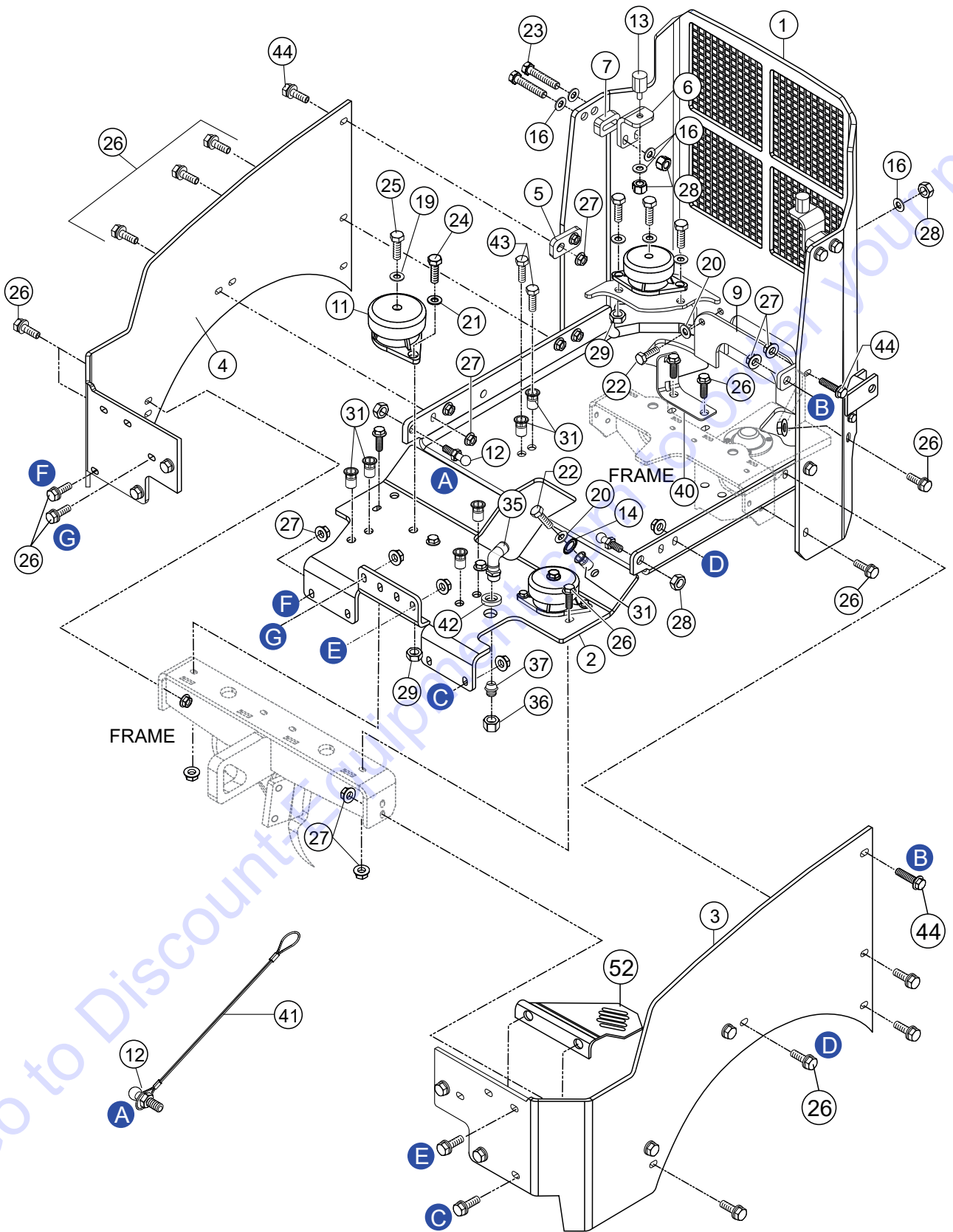


## CENTER BEAM HOSE GUIDE ASSY.

<u>NO.</u>	<u>PART NO.</u>	<u>PART NAME</u>	<u>QTY.</u>	<u>REMARKS</u>
2	4-10770265	HOSE GUIDE	2	
3	4-10770273	HOSE GUIDE	2	
4	1235441	HOSE GUIDE	2	
5	1235442	HOSE GUIDE	2	
8	1-921816	HEX. HEAD SCREW	4	
9	1225694	HEX. HEAD SCREW	4	
10	4-348500100	HEX. NUT	4	
11	1-954123	HEX. PRESS NUT	8	
12	J902260	WASHER	8	
13	H0040591	HEX HEAD SCREW	4	
14	1225564	CLAMPLING PLATE	2	
15	1235443	HOSE GUIDE	1	
16	J902525	TRUSS HEAD SCREW	4	
23	1116413	HEX. NUT	4	

Go to Discount-Equipment.com to order your parts

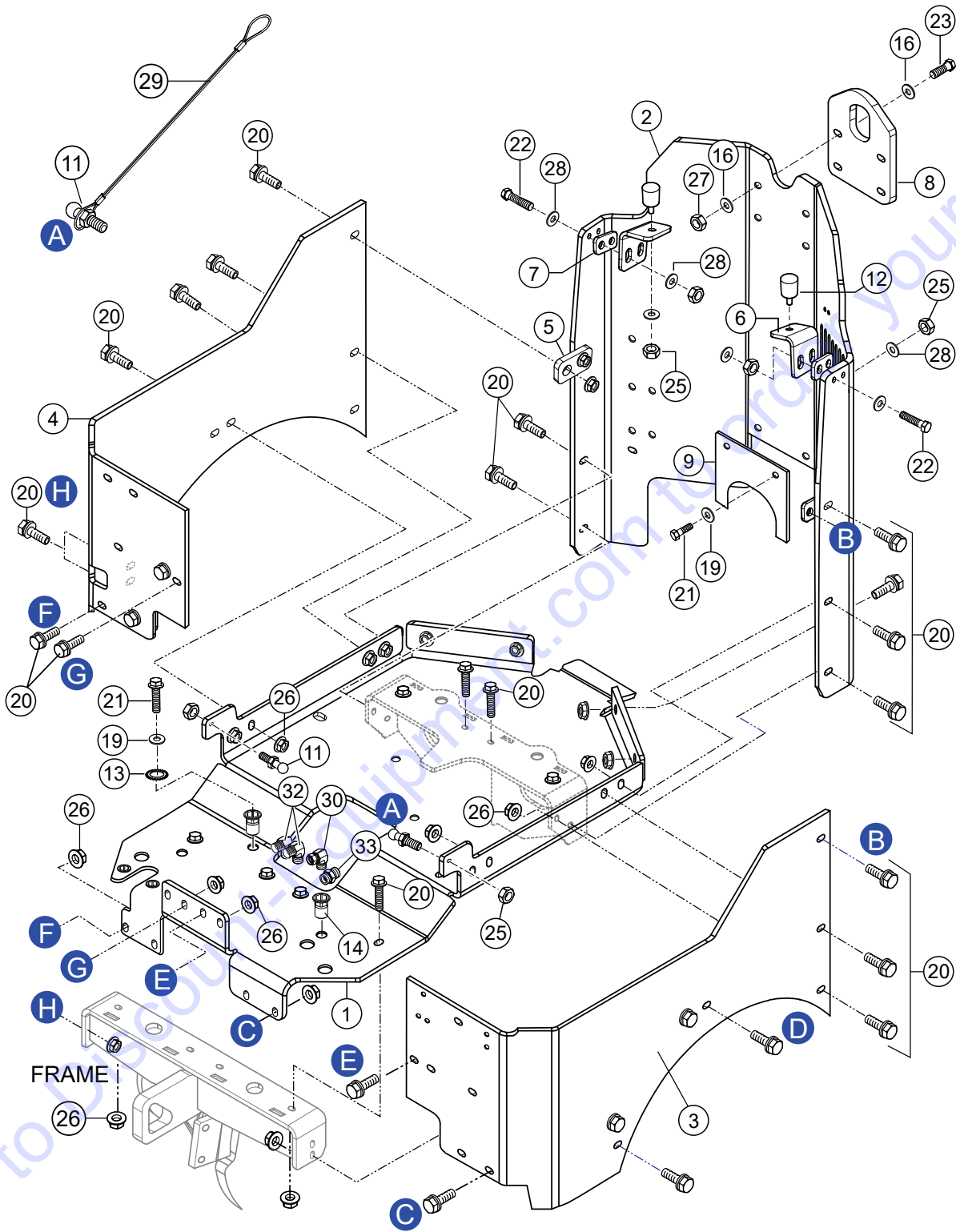
# CHASSIS FRONT ASSY.



## CHASSIS FRONT ASSY.

<u>NO.</u>	<u>PART NO.</u>	<u>PART NAME</u>	<u>QTY.</u>	<u>REMARKS</u>
1	1226370	ROLLOVER BRACKET	1	
2	4-10770054	PLATE	1	
3	1225771	SIDE PLATE	1	
4	1225770	SIDE PLATE	1	
5	1225768	HOLDING PLATE	2	
6	1225739	SUPPORT PLATE	2	
7	1225764	SPACER PLATE	2	
9	1225756	COVER	1	
11	1-491741	RUBBER MOUNT	4	
12	1-952972	BALL PIVOT	2	
13	1068503	BUMPER	2	
14	1-944415	SERRATED LOCK WASHER	1	
16	4-3170200084	WASHER	12	
19	J902265	WASHER	4	
20	4-3172600084	WASHER	3	
21	J902264	WASHER	8	
22	4-3002508025	HEX. HEAD SCREW	3	
23	H0062345	HEX. HEAD SCREW	4	
24	4-3002510030	HEX. HEAD SCREW	8	
25	J901782	HEX. HEAD SCREW	4	
26	1283851	SCREW	36	
27	1283693	HEX. NUT	40	
28	4-3048500080	HEX. NUT	10	
29	1-948171	HEX. PRESS NUT	8	
31	1-923579	BLIND RIVET NUT	7	
35	4-5160680170	BULKHEAD ELBOW NIPPLE	1	
36	4-5160610014	UNION NUT	1	
37	1-901276	SEALING PLUG	1	
40	1233172	HOLDER	1	
41	1242717	STAY ROPE	1	
42	J902303	WASHER	1	
43	J901768	HEX. HEAD SCREW	2	
44	1308433	HEX. SCREW	4	
52	4-10805571	PLATE	1	

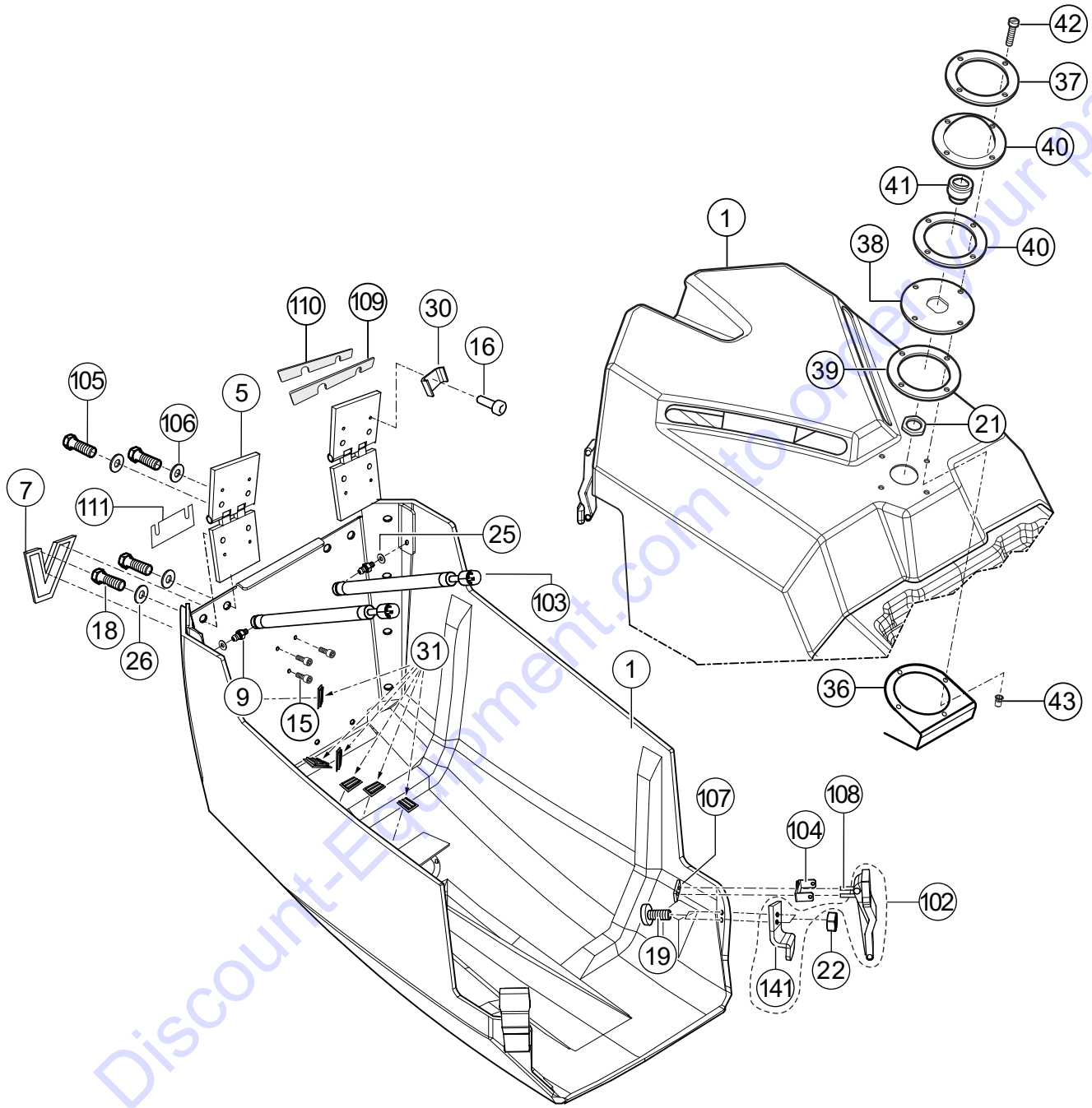
# CHASSIS REAR ASSY.



## CHASSIS REAR ASSY.

<u>NO.</u>	<u>PART NO.</u>	<u>PART NAME</u>	<u>QTY.</u>	<u>REMARKS</u>
1	4-10770052	PLATE	1	
2	1225800	ROLLOVER BRACKET	1	
3	1225802	SIDE PLATE	1	
4	1225803	SIDE PLATE	1	
5	1225768	HOLDING PLATE	2	
6	1225739	SUPPORT PLATE	2	
7	1225764	SPACER PLATE	2	
8	4-10805543	1-POINT SUSPENSION	1	
9	1225741	COVER	1	
11	1-952972	BALL PIVOT	2	
12	1068503	BUMPER	2	
13	1-944415	SERRATED LOCK WASHER	1	
14	1-923579	BLIND RIVET NUT	3	
16	1-902387	STRAIN WASHER	8	
19	4-3172600084	WASHER	3	
20	1283851	SCREW	36	
21	4-3002508025	HEX. HEAD SCREW	3	
22	H0062345	HEX. HEAD SCREW	4	
23	4-3001712050	HEX. HEAD SCREW	4	
25	4-3048500080	HEX. NUT	10	
26	1283693	HEX. NUT	36	
27	1185070	HEX. NUT	4	
28	4-3170200084	WASHER	12	
29	1242717	STAY ROPE	1	
30	4-5160670029	ELBOW SOCKET	1	
32	4-5160660020	ELBOW JOINT	2	
33	1-901010	TUBE FITTING	1	

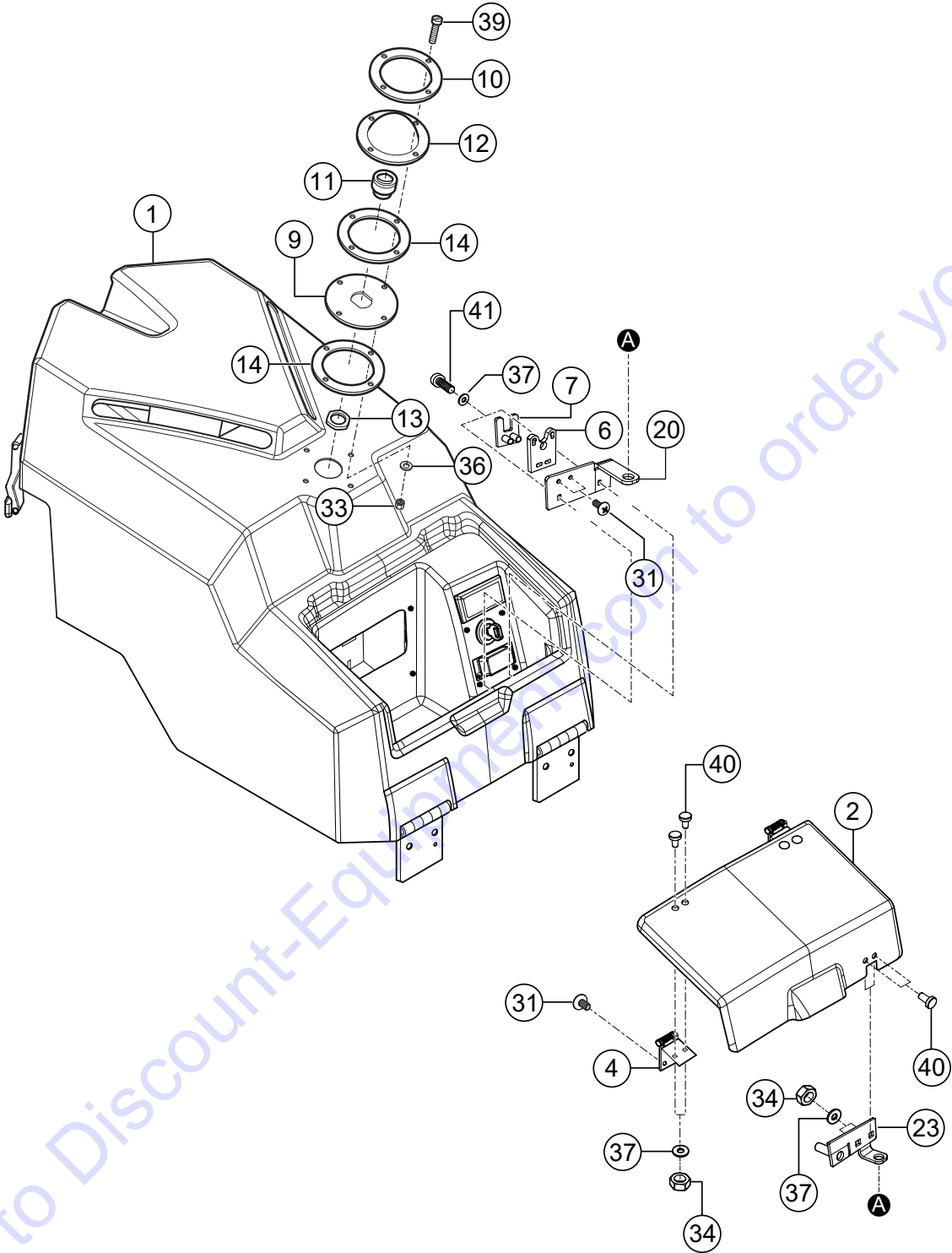
# ENGINE HOOD ASSY.



## ENGINE HOOD ASSY.

<u>NO.</u>	<u>PART NO.</u>	<u>PART NAME</u>	<u>QTY.</u>	<u>REMARK</u>
1	4-11018344	ENGINE HOOD .....	1.....	S/N 5572980 - 5579999
5	1225563	HINGE	2	
7	1178978	COMPANY LOGO	1	
9	1-952972	BALL PIVOT	2	
15	1226372	OVAL HEAD SCREW	3	
16	1226478	SOCKET HEAD CAP SCREW	2	
18	J901773	HEX. HEAD SCREW	4	
19	1220542	OVAL HEAD SCREW	4	
21	J917108	COUNTERNUT	1	
22	4-3048500050	HEX. NUT	8	
25	4-3170200084	WASHER	2	
26	J902286	WASHER	4	
30	1201138	CABLE TIE ANCHOR	2	
31	J910527	ADHESIVE CLIP	6	
36	4-10912715	PLATE	1	
37	4-10804540	PLATE	1	
38	4-10804520	PLATE	1	
39	4-10804582	GASKET	2	
40	2-80335090	PROTECTIVE CAP	1	
41	1449284	SENSOR	1	
42	1413725	COUNTERSUNK SCREW	4	
43	1-923272	BLIND RIVET NUT	4	
102	1-494880	BENT-LEVER CLOSURE .....	2.....	INCLUDES ITEMS W/#
103	1205428	GAS PRESSURE SPRING	2	
104	1180778	STRIKING PLATE	2	
105	4-3002510025	HEX. HEAD SCREW	4	
106	J902264	WASHER	4	
107	1274064	PLATE RECTANGULAR	2	
108	1-902630	SOCKET HEAD CAP SCREW	4	
109	1274090	SUPPORT PLATE	1	
110	1274069	SUPPORT PLATE	1	
111	4-10860511	INTERMEDIATE PIECE	1	
141#		LOCK PLATE BRACKET .....	2.....	NOT SOLD SEPARATELY

**COVER HOOD TOP ASSY.**

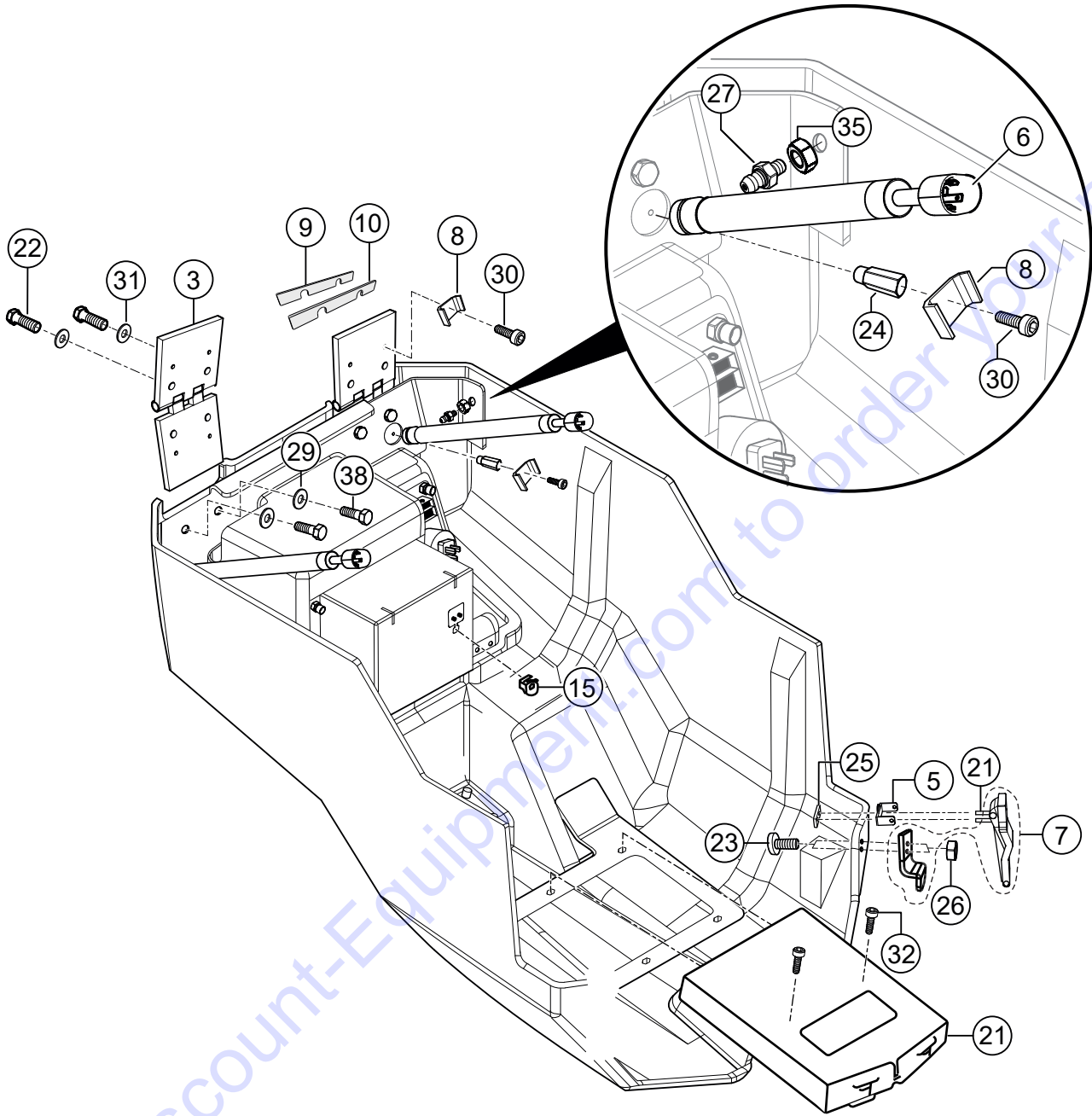




## COVER HOOD TOP ASSY.

<u>NO.</u>	<u>PART NO.</u>	<u>PART NAME</u>	<u>QTY.</u>	<u>REMARKS</u>
1	4-26443	COVERING HOOD .....	1.....	S/N 5572980 - 5579999
2	4-36428	COCKPIT COVER .....	1.....	S/N 5572980 - 5579999
4	1225235	HINGE	2	
6	3-10884	DETENT	1	
7	3-10921	CLAMPING PLATE	1	
9	4-10804520	PLATE	1	
10	4-10804540	PLATE	1	
11	1449284	SENSOR	1	
12	2-80335090	PROTECTIVE CAP	1	
13	J917108	COUNTERNUT	1	
14	4-10804582	GASKET	2	
20	1225656	STRIKING PLATE	1	
23	1225566	LOCKING CAP	1	
31	1251877	OVAL HEAD SCREW	4	
33	4-3149200050	NUT	4	
34	4-3048500060	HEX. NUT	4	
37	1310521	WASHER	8	
39	1413725	COUNTERSUNK SCREW	4	
40	1-922658	SCREW	6	
41	4-3114306030	SOCKET HEAD CAP SCREW	2	

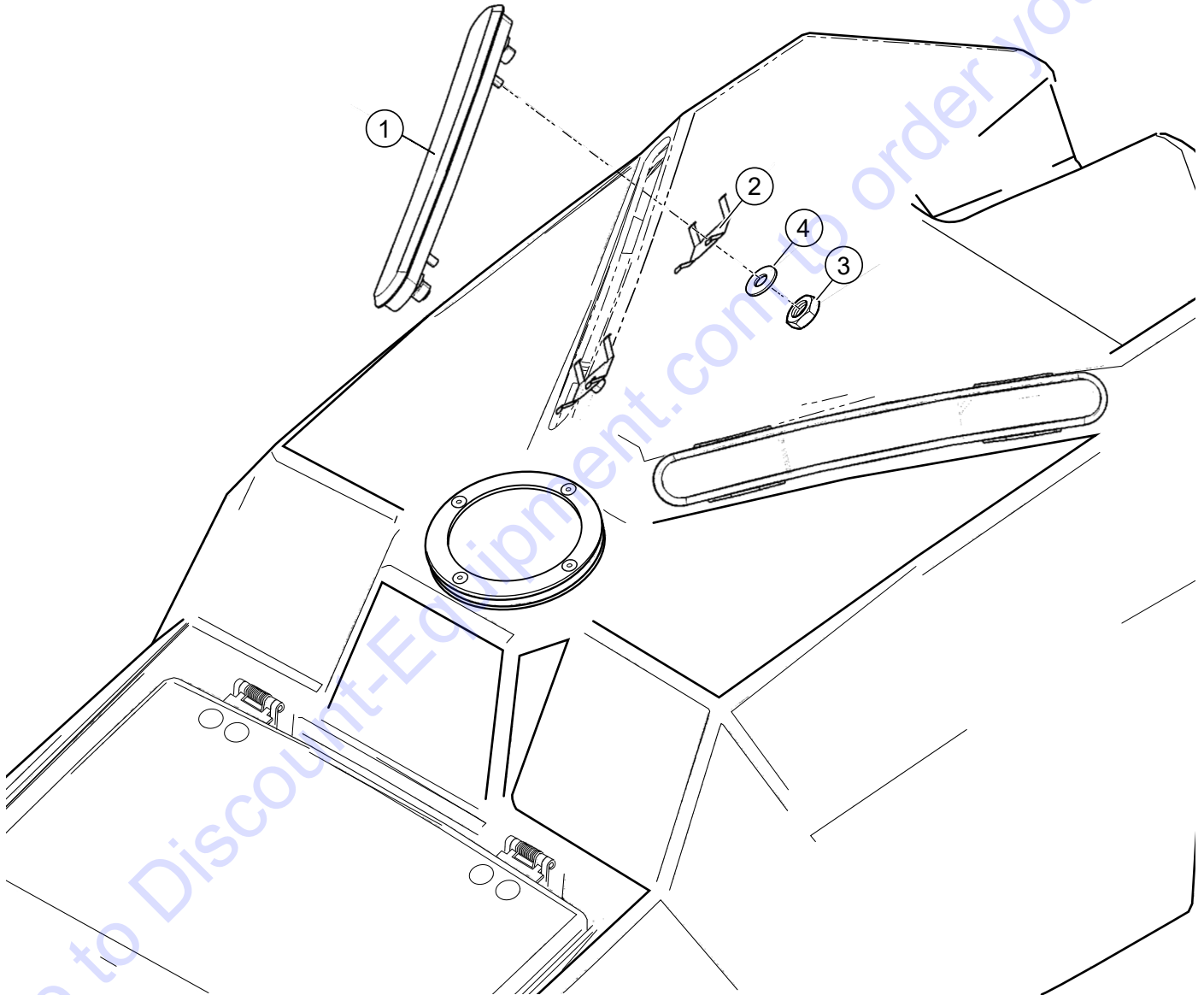
# COVER HOOD BOTTOM ASSY.



## COVER HOOD BOTTOM ASSY.

<u>NO.</u>	<u>PART NO.</u>	<u>PART NAME</u>	<u>QTY.</u>	<u>REMARKS</u>
3	1225563	HINGE	2	
5	1180778	STRIKING PLATE	2	
6	1205428	GAS PRESSURE SPRING	2	
7	1-494880	TENSION STRIP LOCK	2	
8	1201138	CABLE TIE ANCHOR	2	
9	1274069	SUPPORT PLATE	1	
10	1274090	SUPPORT PLATE	1	
21	1180399	DOCUMENT BOX	1	
22	4-3002510025	HEX. HEAD SCREW	4	
23	4-3738005016	OVAL HEAD SCREW	4	
25	1274064	PLATE RECTANGULAR	2	
26	4-3048500050	HEX. NUT	4	
27	1-952972	BALL STUD	2	
29	1394753	LOCK WASHER	4	
30	1226478	SOCKET HEAD CAP SCREW	2	
31	4-3170200105	WASHER	4	
32	1268558	OVAL HEAD SCREW	4	
35	4-3048500080	HEX. NUT	2	
38	4-3002510016	HEX. HEAD SCREW	4	

# COMPACTION METER ASSY.



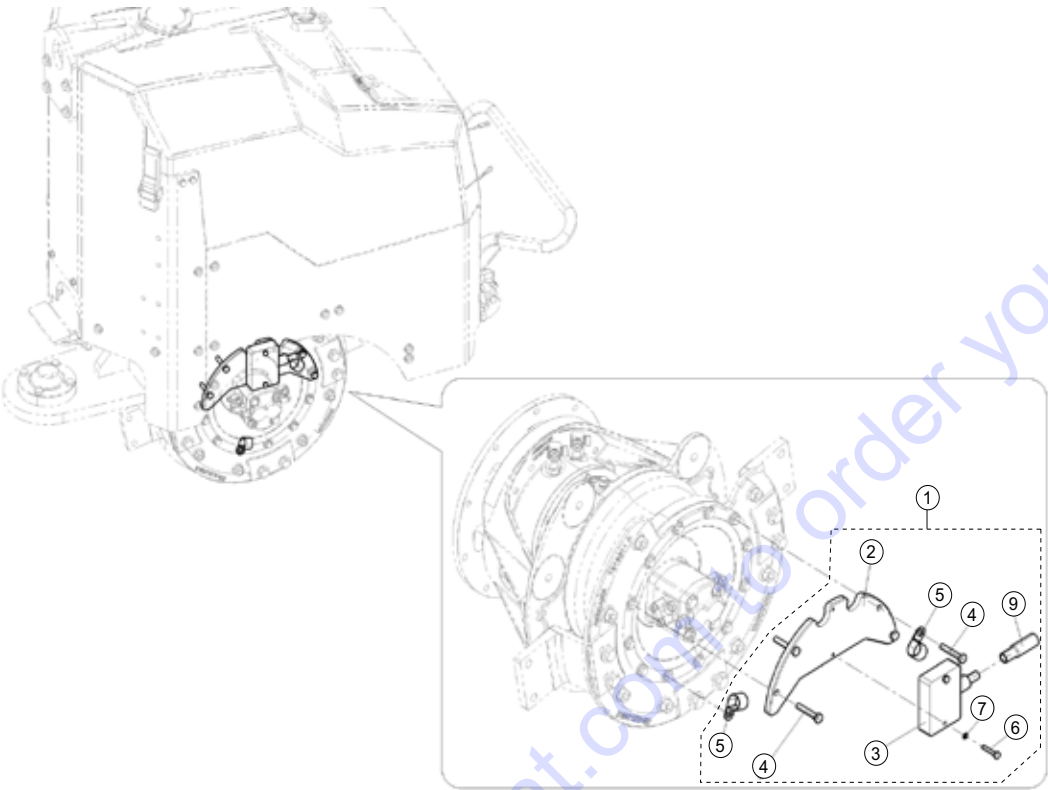
## COMPACTION METER ASSY.

---

<u>NO.</u>	<u>PART NO.</u>	<u>PART NAME</u>	<u>QTY.</u>	<u>REMARKS</u>
1	4-26438	COMPACTION MEASURING DEVICE	1	
2	4-34724	TENSION SPRING	2	
3	4-3048500060	HEX. NUT	2	
4	1310521	WASHER	2	

Go to Discount-Equipment.com to order your parts

**SENSOR ASSY.**



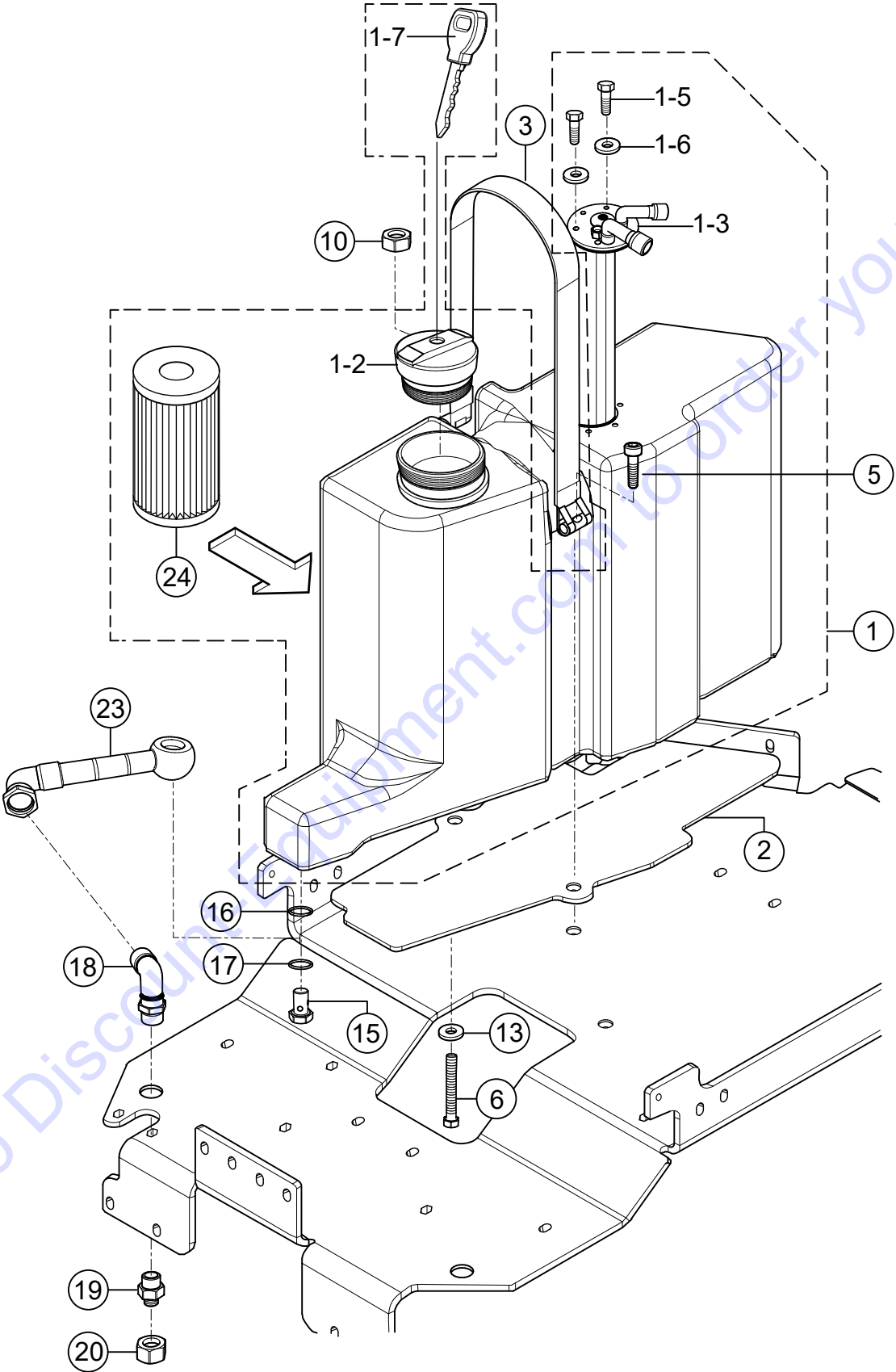
Go to Discount-Equipment.com to order your parts

## SENSOR ASSY.

<u>NO.</u>	<u>PART NO.</u>	<u>PART NAME</u>	<u>QTY.</u>	<u>REMARKS</u>
1	4-10926652	ASSEMBLY EQUIPMENT.....	1.....	INCLUDES ITEMS W/#
2#	4-10700955	HOLDER	1	
3#	4-1499661	SENSOR	1	
4#	2-81623062	HEX. HEAD SCREW	4	
5#	4-5160572079	HOSE CLIP	2	
6#	4-3001506030	HEX. HEAD SCREW	2	
7#	2-80166016	LOCK WASHER	2	
8#	4-5160574244	HYDRAULIC HOSE	1	
9#	4-5421270012	SHRINKAGE TUBE 7.9 IN (0.2 M)	1	

Go to Discount-Equipment.com to order your parts

**FUEL TANK ASSY.**

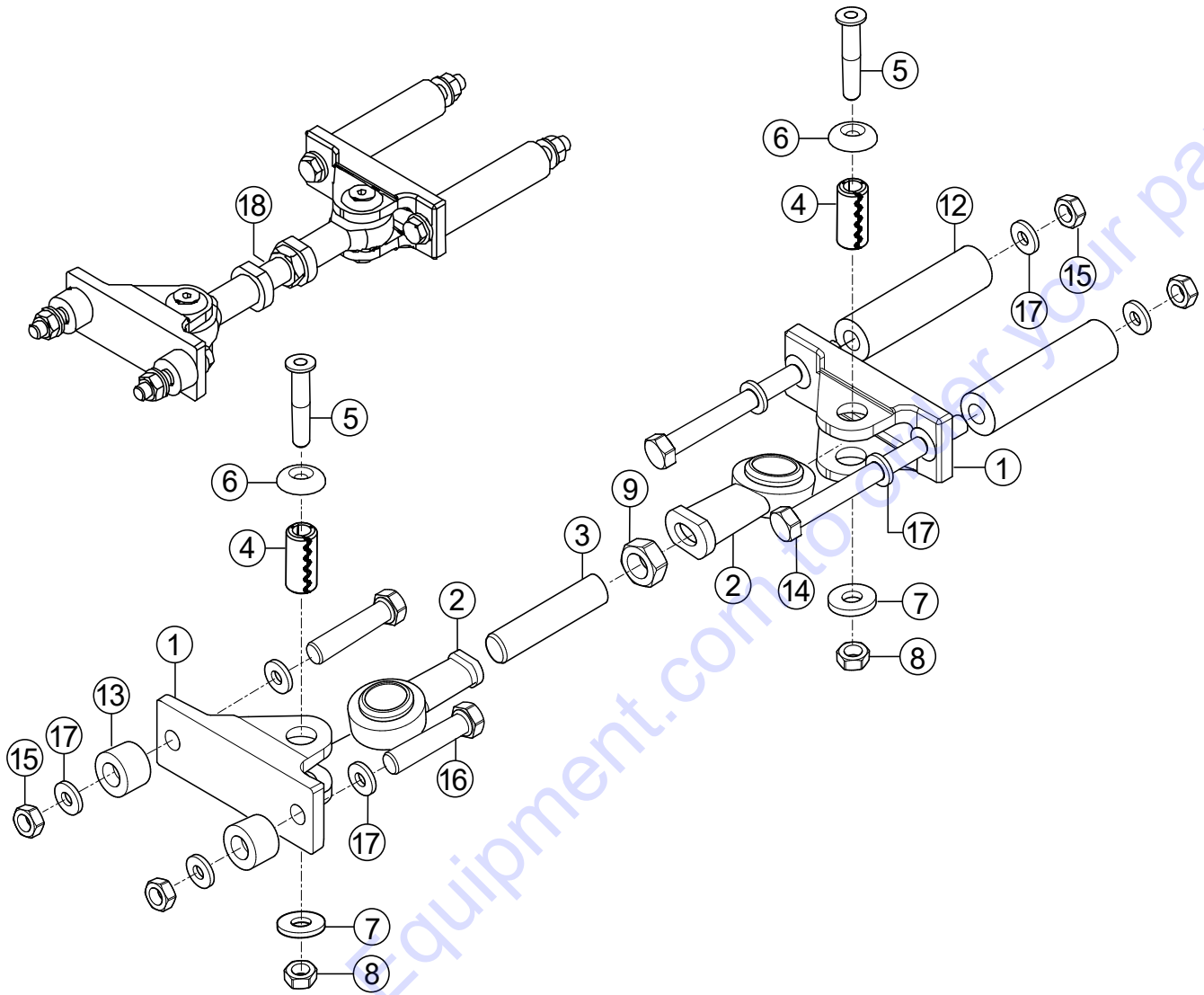




## FUEL TANK ASSY.

<u>NO.</u>	<u>PART NO.</u>	<u>PART NAME</u>	<u>QTY.</u>	<u>REMARKS</u>
1	1226760	FUEL TANK.....	1.....	INCLUDES ITEMS W/#
1-2#	1178986	FUEL FILLER CAP	1	
1-3#	1242221	TANK SENSOR	1	
1-5#	1-922643	HEX. HEAD SCREW	6	
1-6#	J902260	WASHER	6	
1-7#	4-9500001014	KEY	1	
2	1226863	RUBBER MAT	1	
3	1226763	TENSIONING STRAP	1	
5	J902649	SOCKET HEAD CAP SCREW	1	
6	H0063266	HEX. HEAD SCREW	1	
10	4-3048500100	HEX. NUT	1	
11	1-948171	HEX. NUT	1	
13	J902264	WASHER	1	
15	1-954000	HOLLOW SCREW	1	
16	1-906645	O-RING	1	
17	1242196	SCREW SEAL	1	
18	4-5160680170	BULKHEAD ELBOW NIPPLE	1	
19	1-901276	SEALING PLUG	1	
20	4-5160610014	UNION NUT	1	
23	1233052	HYDRAULIC HOSE	1	
24#	1515438	FILTER, FUEL TANK	1	

# PENDULUM SUPPORT ASSY.

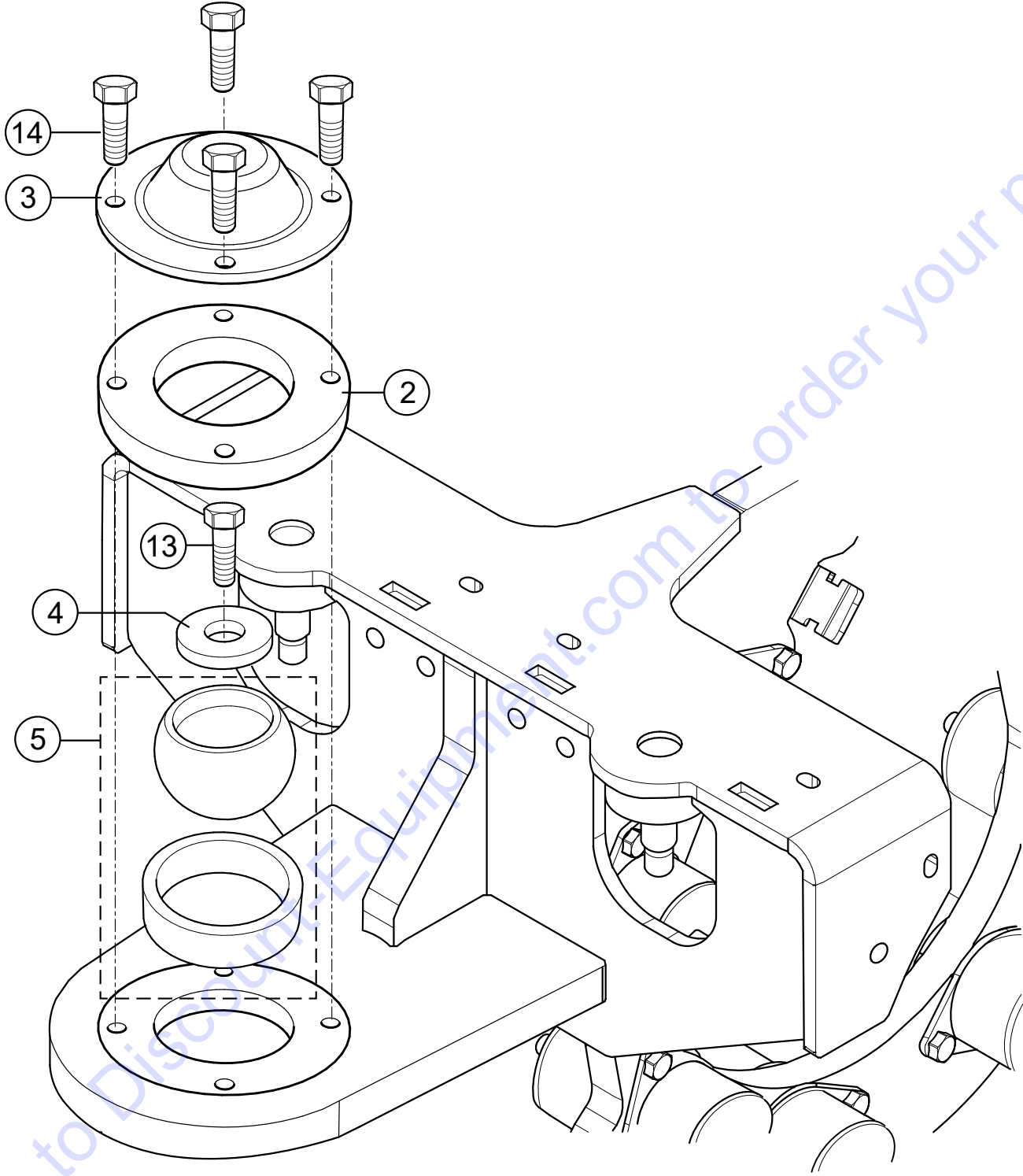


## PENDULUM SUPPORT ASSY.

<u>NO.</u>	<u>PART NO.</u>	<u>PART NAME</u>	<u>QTY.</u>	<u>REMARKS</u>
1#	1059945	SUPPORT	2	
2#	H0095229	JOINT HEAD	2	
3#	1225783	THREADED ROD	1	
4#	1059956	SPRING PIN	2	
5#	J902988	COUNTERSUNK SCREW	2	
6#	1036734	WASHER	2	
7#	J902286	WASHER	2	
8#	4-3048500100	HEX. NUT	2	
9#	J902183	HEX. NUT	1	
12#	1225786	ROD W/DRILLED HOLE	2	
13#	1225784	ROD W/DRILLED HOLE	2	
14#	1-901896	HEX HEAD SCREW	2	
15#	J902126	HEX. NUT	4	
16#	1-952361	HEX. HEAD SCREW	2	
17#	J902265	WASHER	8	
18	1225790	PENDULUM SUPPORT .....	1	INCLUDES ITEMS W/#

Go to Discount-Equipment.com to order your parts

**PENDULUM JOINT ASSY.**



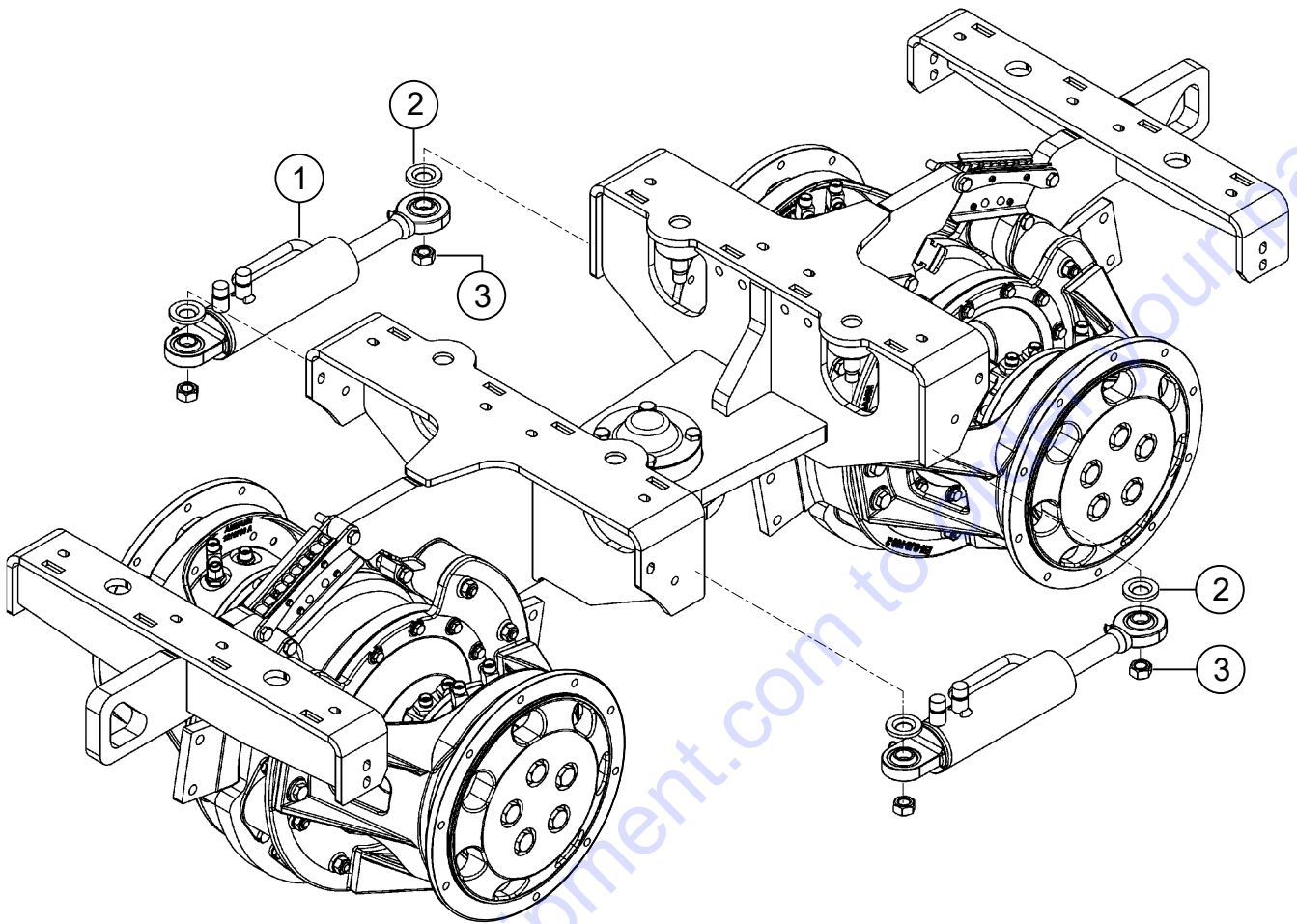
## PENDULUM JOINT ASSY.

---

<u>NO.</u>	<u>PART NO.</u>	<u>PART NAME</u>	<u>QTY.</u>	<u>REMARKS</u>
2	1225667	CLAMP RING	1	
3	1175651	COVER	1	
4	1175656	ROD W/DRILLED HOLE	1	
5	1175657	PIVOT BEARING .....	1.....	2 PIECE SET
13	4-3002516030	HEX. HEAD SCREW	1	
14	J901785	HEX. HEAD SCREW	4	

Go to Discount-Equipment.com to order your parts

# STEERING CYLINDER ASSY.



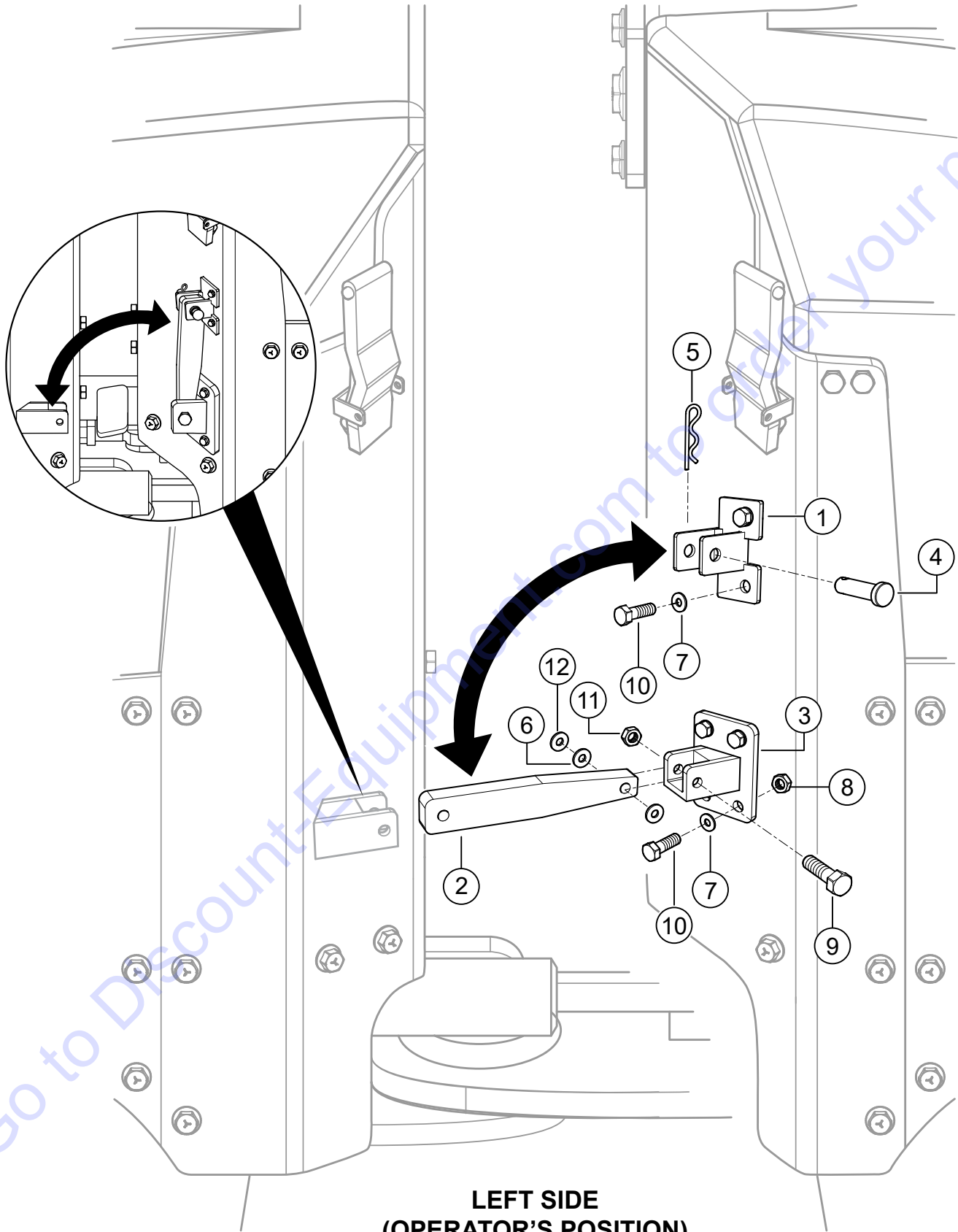
## STEERING CYLINDER ASSY.

---

<u>NO.</u>	<u>PART NO.</u>	<u>PART NAME</u>	<u>QTY.</u>	<u>REMARKS</u>
1	1216415	STEERING CYLINDER	2	
2	1218875	SPACER	4	
3	4-3048500160	HEX. NUT	4	

Go to Discount-Equipment.com to order your parts

# TRANSPORT SECURING DEVICE ASSY.





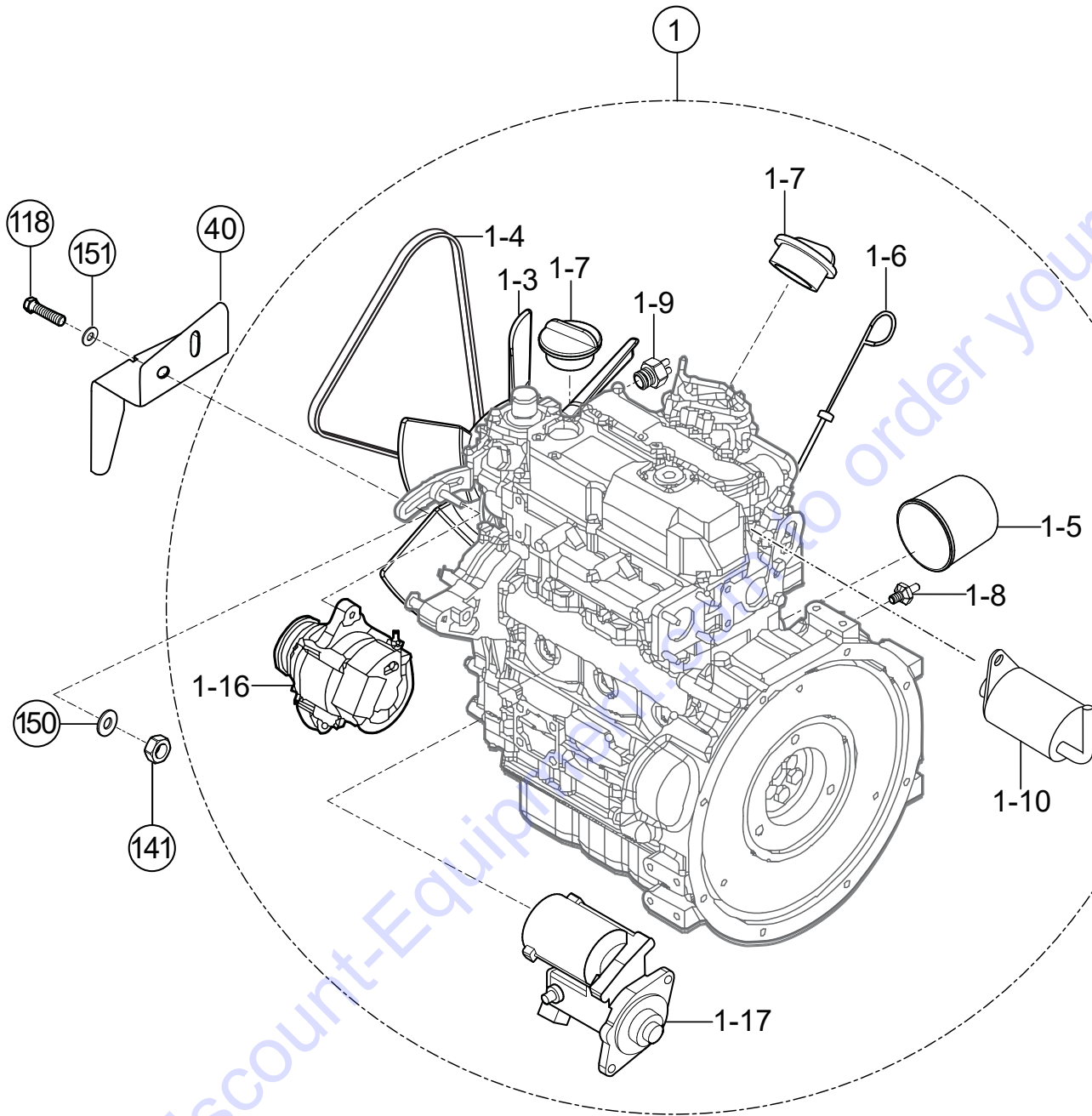
## TRANSPORT SECURING DEVICE ASSY.

---

<u>NO.</u>	<u>PART NO.</u>	<u>PART NAME</u>	<u>QTY.</u>	<u>REMARKS</u>
1	1223200	FIXTURE	1	
2	1223249	LEVER	1	
3	1226569	ATTACHMENT	1	
4	1175452	BOLT	1	
5	1-952823	COTTER SPRING	1	
6	1240345	WASHER	2	
7	1-908693	STRAIN WASHER	12	
8	J902124	HEX. NUT	6	
9	J901872	HEX. HEAD SCREW	1	
10	J901766	HEX. HEAD SCREW	6	
11	J902125	HEX. NUT	1	
12	J902264	WASHER	1	

Go to Discount-Equipment.com to order your parts

# DIESEL ENGINE ASSY.



# PARTS FINDER

**Search Website  
by Part Number**



**Search Manual  
Library For Parts  
Manual & Lookup Part  
Numbers – Purchase  
or Request Quote**

**Search Manuals**

Enter your information to help us find the right parts manual for your machine.

\* Brand:

\* Model:

\* Serial:

\* Part Number:

SEARCH

**Can't Find Part or  
Manual? Request Help  
by Manufacturer,  
Model & Description**

**Parts Order Form**

Please fill in the following information to help us find the right part for your machine.

Manufacturer:	<input type="text"/>
Model:	<input type="text"/>
Description:	<input type="text"/>
Part Number:	<input type="text"/>
Quantity:	<input type="text"/>
Notes:	<input type="text"/>

Submit

Discount-Equipment.com is your online resource for quality parts & equipment.

Florida: **561-964-4949** Outside Florida TOLL FREE: **877-690-3101**

**Need parts?**

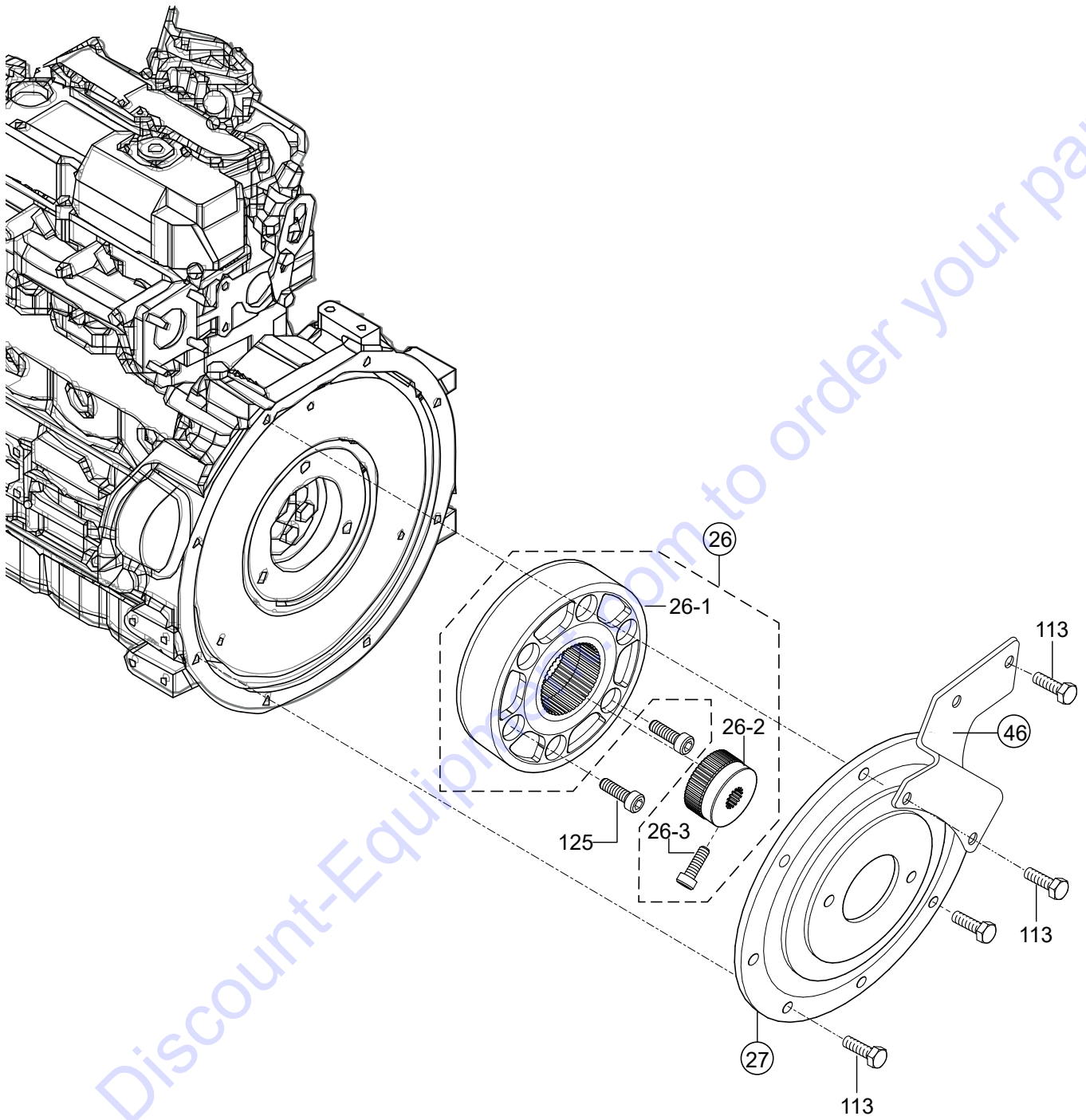
Click on this link: <http://www.discount-equipment.com/category/5443-parts/> and choose one of the options to help get the right parts and equipment you are looking for. Please have the machine model and serial number available in order to help us get you the correct parts. If you don't find the part on the website or on one of the online manuals, please fill out the request form and one of our experienced staff members will get back to you with a quote for the right part that your machine needs.

We sell worldwide for the brands: Genie, Terex, JLG, MultiQuip, Mikasa, Essick, Whiteman, Mayco, Toro Stone, Diamond Products, Generac Magnum, Airman, Haulotte, Barreto, Power Blanket, Nifty Lift, Atlas Copco, Chicago Pneumatic, Allmand, Miller Curber, Skyjack, Lull, Skytrak, Tsurumi, Husquvarna Target, Stow, Wacker, Sakai, Mi-T-M, Sullair, Basic, Dynapac, MBW, Weber, Bartell, Bennar Newman, Haulotte, Ditch Runner, Menegotti, Morrison, Contec, Buddy, Crown, Edco, Wyco, Bomag, Laymor, EZ Trench, Bil-Jax, F.S. Curtis, Gehl Pavers, Heli, Honda, ICS/PowerGrit, IHI, Partner, Imer, Clipper, MMD, Koshin, Rice, CH&E, General Equipment, Amida, Coleman, NAC, Gradall, Square Shooter, Kent, Stanley, Tamco, Toku, Hatz, Kohler, Robin, Wisconsin, Northrock, Oztec, Toker TK, Rol-Air, APT, Wylie, Ingersoll Rand / Doosan, Innovatech, Con X, Ammann, Mecalac, Makinex, Smith Surface Prep, Small Line, Wanco, Yanmar

## DIESEL ENGINE ASSY.

<u>NO.</u>	<u>PART NO.</u>	<u>PART NAME</u>	<u>QTY.</u>	<u>REMARKS</u>
1	1260875	ENGINE MODEL 3TNV80F-SPAMM.....	1.....	INCLUDES ITEMS W/#
1-3#	1-952338	FAN	1	
1-4#	1183743	V-BELT	1	
1-5#	1-954075	ENGINE OIL FILTER	1	
1-6#	1-954076	OIL DIPSTICK	1	
1-7#	1-952341	COVER	2	
1-8#	11425039450	OIL PRESSURE SWITCH.....	1.....	REPLACES P/N 1-952347
1-9#	1-952346	TEMPERATURE SWITCH	1	
1-10#	1-954073	SWITCH-OFF VALVE	1	
1-16#	12942377200	ALTERNATOR.....	1.....	REPLACES P/N 1-954078
1-17#	11971777010	STARTER.....	1.....	REPLACES P/N 1-954079
40	1077310	BELT GUARD	1	
118	4-3002508020	HEX. SCREW	1	
141	4-3048500080	HEX. NUT	1	
150	4-3172600084	WASHER	1	
151	4-3170200084	WASHER	1	

# ENGINE COUPLER ASSY.

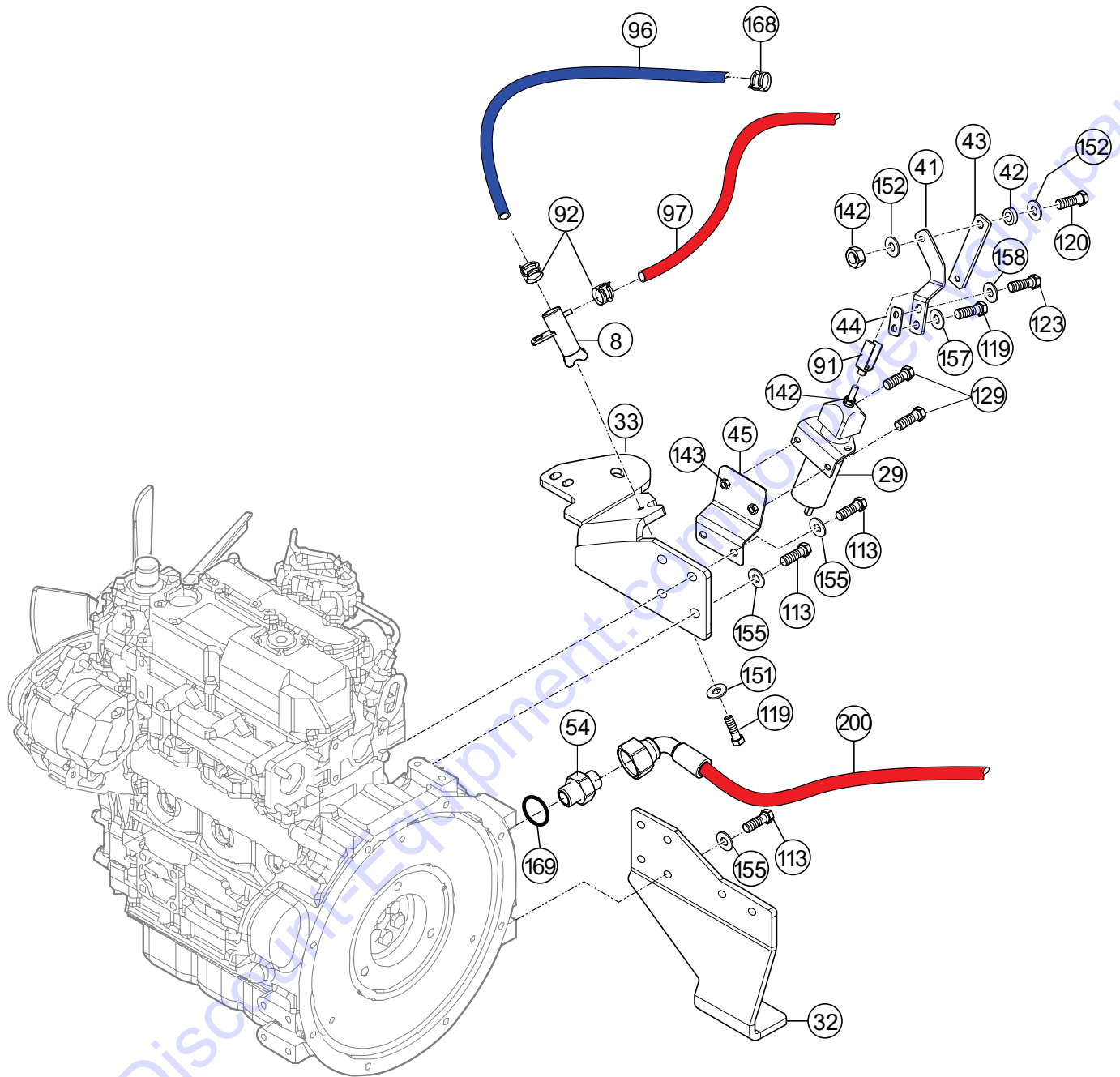


## ENGINE COUPLER ASSY.

<u>NO.</u>	<u>PART NO.</u>	<u>PART NAME</u>	<u>QTY.</u>	<u>REMARKS</u>
26	1-390538	COUPLING ASSEMBLY .....	1.....	INCLUDES ITEMS W/#
26-1#	1-954007	FLANGE	1	
26-2#	1-954008	HUB	1	
26-3#	1-902647	SOCKET HEAD CAP SCREW	1	
27	1-390416	FLANGE	1	
46	1299659	HOLDER	1	
113	4-3002510025	HEX. HEAD SCREW	8	
125	1-946180	SOCKET HEAD CAP SCREW	3	

Go to Discount-Equipment.com to order your parts

# PULL MAGNET AND MOUNTING ASSY.

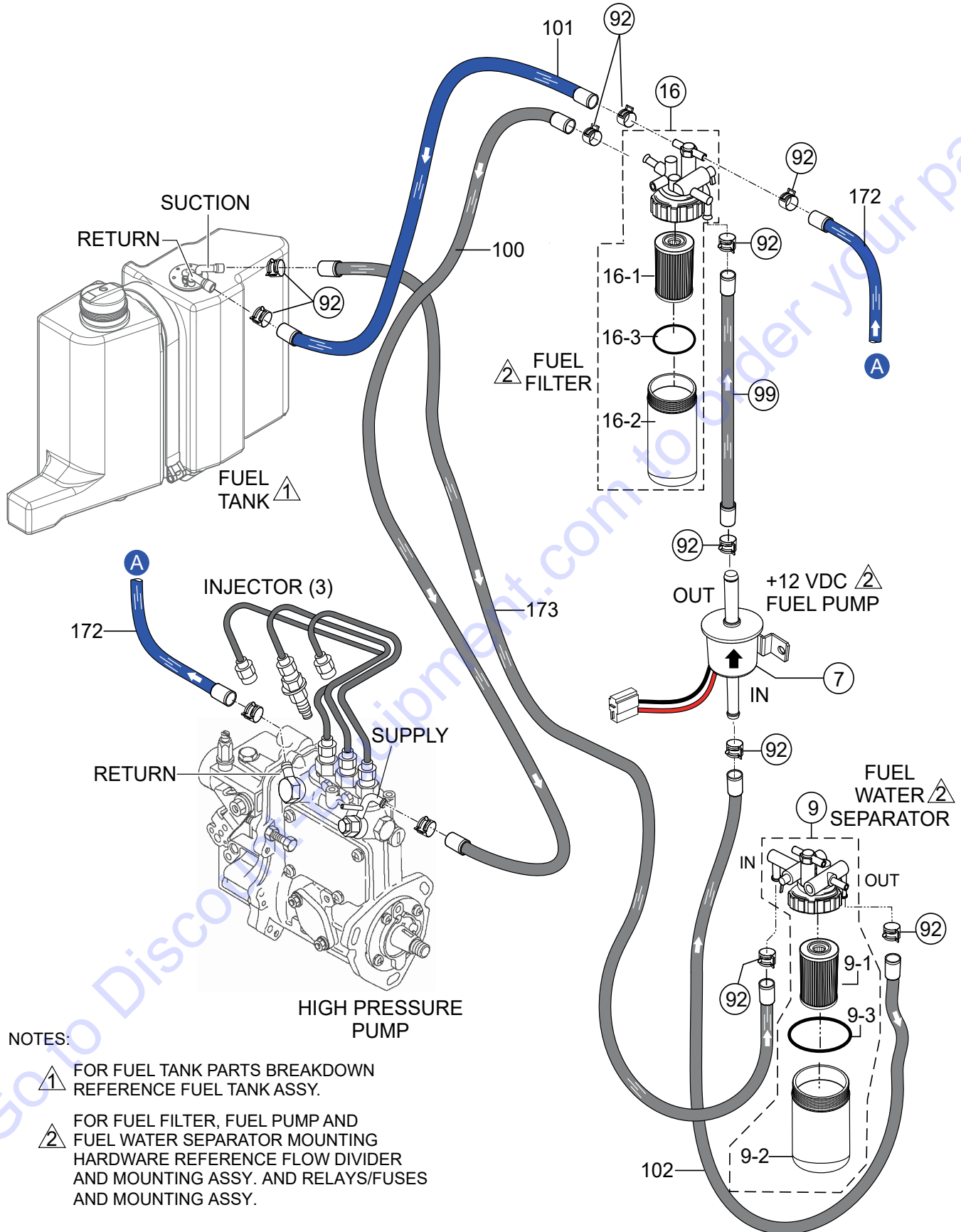


## PULL MAGNET AND MOUNTING ASSY.

<u>NO.</u>	<u>PART NO.</u>	<u>PART NAME</u>	<u>QTY.</u>	<u>REMARKS</u>
8	1-952402	THREE WAY COCK	1	
29	1226545	PULL MAGNET	1	
32	1226534	HOLDER	1	
33	1226508	HOLDER	1	
41	1226526	LEVER	1	
42	1226669	ROD WITH DRILLED HOLE	1	
43	1226551	INTERMEDIATE PIECE	1	
44	1241767	THREADED PLATE	1	
45	1226528	HOLDING PLATE	1	
54	4-5160650098	SCREWED SOCKET	1	
91	4-9500600014	FORK	1	
92	1181042	HOSE CLIP	2	
96	1-922332	FUEL HOSE, 8.3 IN (.21 M).....	1.....	1 PC = 1 M
97	1-922332	FUEL HOSE, 24.8 IN (.63 M).....	1.....	1 PC = 1 M'
113	4-3002510025	HEX. HEAD SCREW	8	
119	J901762	HEX. HEAD SCREW	2	
120	4-3002506020	HEX. HEAD SCREW	1	
123	J901755	HEX. HEAD SCREW	1	
129	J902633	SOCKET HEAD CAP SCREW	2	
142	4-3048500060	HEX. NUT	2	
143	1-952812	HEX. PRESS NUT	2	
151	4-3170200084	WASHER	1	
152	J902284	WASHER	2	
155	1-952157	LOCK WASHER	8	
157	1394752	LOCK WASHER	1	
158	1394751	LOCK WASHER	1	
168	1-903807	HOSE CLIP	1	
169	1283850	SEALING RING	1	
200	1232768	HYDRAULIC HOSE	1	



# FUEL WATER SEPARATOR/FUEL FILTER ASSY.



**NOTES:**

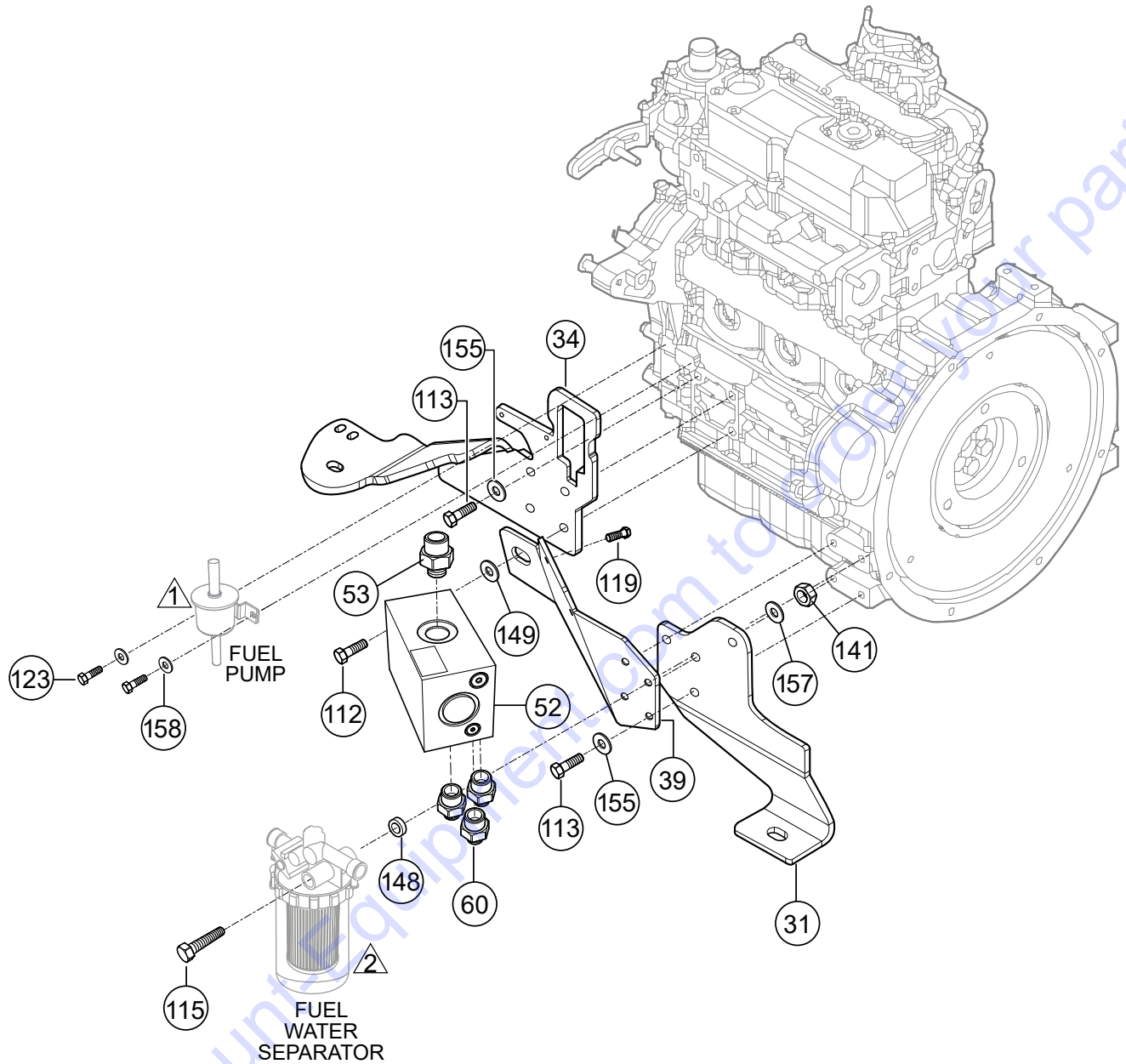
- 1 FOR FUEL TANK PARTS BREAKDOWN REFERENCE FUEL TANK ASSY.
- 2 FOR FUEL FILTER, FUEL PUMP AND FUEL WATER SEPARATOR MOUNTING HARDWARE REFERENCE FLOW DIVIDER AND MOUNTING ASSY. AND RELAYS/FUSES AND MOUNTING ASSY.

## FUEL WATER SEPARATOR/FUEL FILTER ASSY.

<u>NO.</u>	<u>PART NO.</u>	<u>PART NAME</u>	<u>QTY.</u>	<u>REMARKS</u>
7	1-952357	FUEL PUMP	1	
9	1-953043	WATER SEPARATOR .....	1	INCLUDES ITEMS W/#
9-1#	1-954195	FILTER ELEMENT	1	
9-2#	1-954194	INSPECTION GLASS	1	
9-3#	76-10210355520	O-RING	1	
16	1-954077	FUEL FILTER.....	1	INCLUDES ITEMS W/\$
16-1\$	1-954197	FUEL FILTER ELEMENT	1	
16-2\$	1-954196	INSPECTION GLASS	1	
16-3\$	76-10210355520	O-RING	1	
92	1181042	HOSE CLIP	3	
99	1-922332	FUEL HOSE, 32.7 IN (.83 M) .....	1	1 PC = 1 M
100	1-922332	FUEL HOSE, 16 IN (.41 M).....	1	1 PC = 1 M
101	1-922332	FUEL HOSE, 11 IN (.28 M).....	1	1 PC = 1 M
102	1-922332	FUEL HOSE, 25.6 IN (.65 M).....	1	1 PC = 1 M
172	1-922332	FUEL HOSE, 71 IN (1.8 M).....	1	1 PC = 1 M
173	1-922332	FUEL HOSE, 79 IN (2.0 M).....	1	1 PC = 1 M

Go to Discount-Equipment.com to order your parts

# FLOW DIVIDER AND MOUNTING ASSY.



## NOTES:

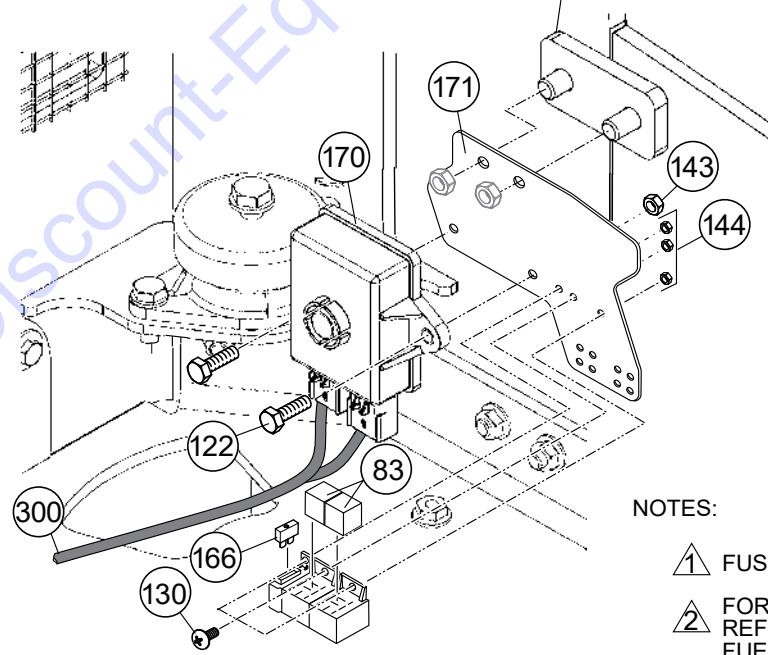
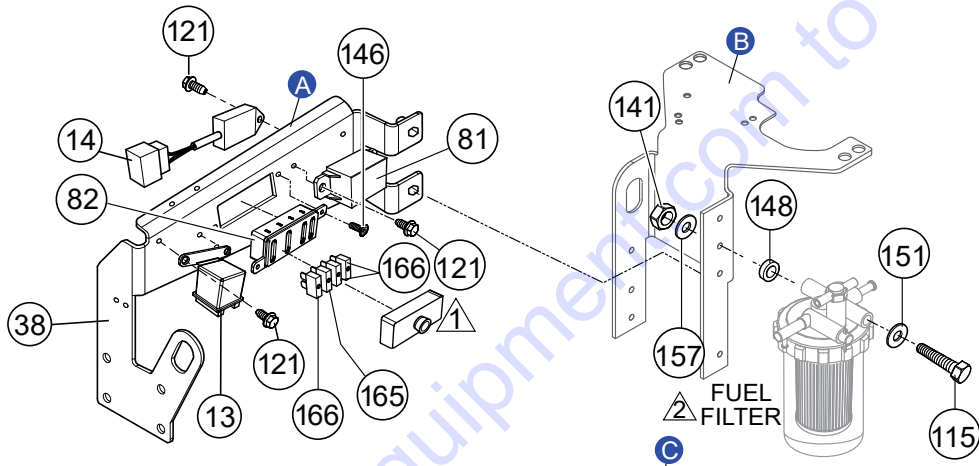
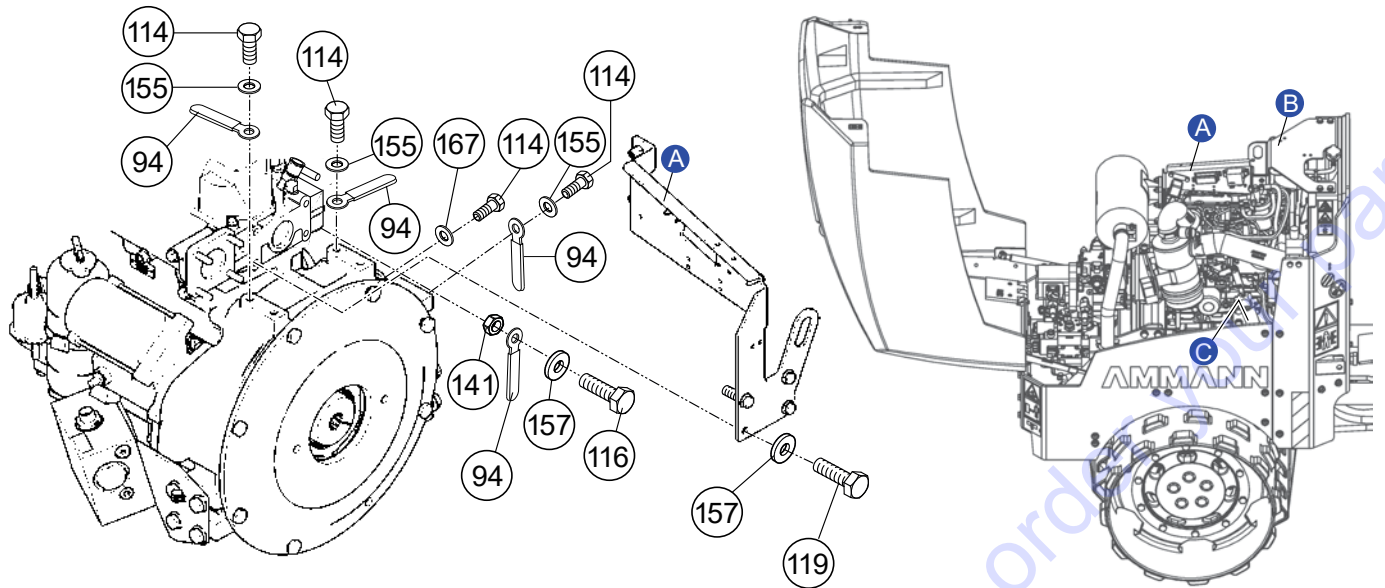
- ① REFERENCE FUEL WATER SEPARATOR/FUEL FILTER ASSY. FOR FUEL PUMP PART NUMBER.
- ② REFERENCE FUEL WATER SEPARATOR/FUEL FILTER ASSY. FOR FUEL WATER SEPARATOR PART NUMBER.

## FLOW DIVIDER AND MOUNTING ASSY.

<u>NO.</u>	<u>PART NO.</u>	<u>PART NAME</u>	<u>QTY.</u>	<u>REMARKS</u>
31	1226545	PULL MAGNET	1	
34	1226514	HOLDER	1	
39	1140453	VOLUME DIVIDER HOLDER	1	
52	1216414	FLOW DIVIDER	1	
53	1-942784	SCREWED SOCKET	1	
60	1203988	SCREWED SOCKET	3	
112	4-3002510030	HEX. HEAD SCREW	1	
113	4-3002510025	HEX. HEAD SCREW	8	
115	J901866	HEX. HEAD SCREW	1	
119	J901762	HEX. HEAD SCREW	11	
123	J901755	HEX. HEAD SCREW	2	
141	4-3048500080	HEX. NUT	1	
148	1-923622	WASHER	1	
155	1-952157	LOCK WASHER	8	
157	1394752	LOCK WASHER	1	
158	1394751	LOCK WASHER	2	

Go to Discount-Equipment.com to order your parts

# RELAYS/FUSES AND MOUNTING ASSY.



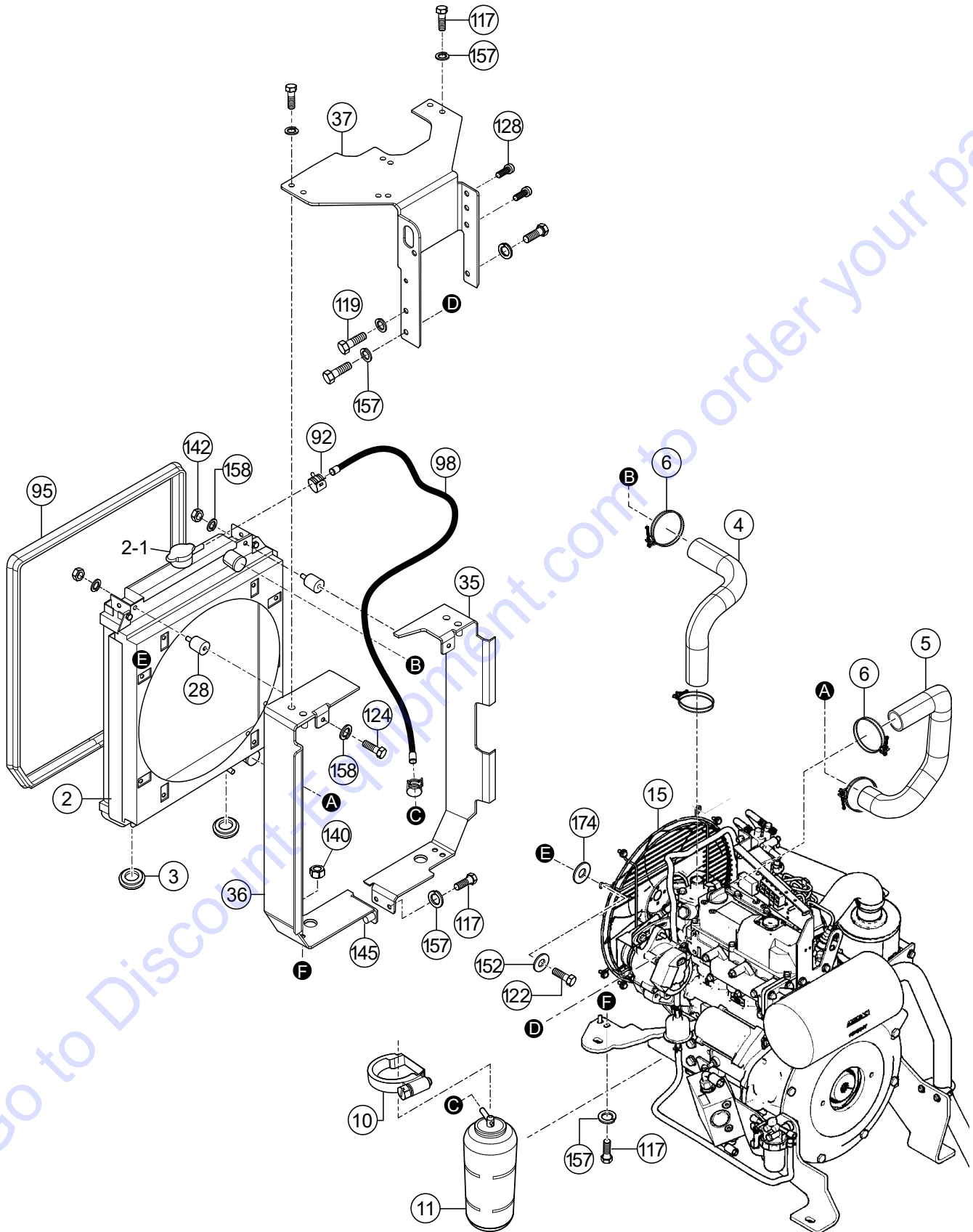
NOTES:

- ▲ FUSE COVER INCLUDED WITH ITEM 82.
- ▲ FOR FUEL FILTER PARTS BREAKDOWN REFERENCE FUEL WATER SEPARATOR/ FUEL FILTER ASSY.

## RELAYS/FUSES AND MOUNTING ASSY.

<u>NO.</u>	<u>PART NO.</u>	<u>PART NAME</u>	<u>QTY.</u>	<u>REMARKS</u>
13	11965077910	STOP RELAY .....	1.....	REPLACES P/N 1-952514
14	12921177920	TIME RELAY .....	1.....	REPLACES P/N 1-952515
38	1242126	MOUNTING PLATE	1	
81	1-493837	STARTING RELAY	1	
82	1-831072	FUSE MODULE	1	
83	1227066	RELAY	2	
94	1-803707	CABLE FIXING DEVICE	4	
114	J901772	HEX. HEAD SCREW	4	
115	J901866	HEX. HEAD SCREW	1	
116	J901766	HEX. HEAD SCREW	1	
119	J901762	HEX. HEAD SCREW	4	
121	1-954180	HEX. SCREW	5	
122	J901756	HEX. HEAD SCREW	2	
130	1306501	OVAL HEAD SCREW	3	
141	4-3048500080	HEX. NUT	2	
143	1-952812	HEX. PRESS NUT	2	
144	J908446	HEX. PRESS NUT	3	
146	1-903683	BLIND RIVET	2	
148	1-923622	WASHER	1	
151	4-3170200084	WASHER	1	
155	1-952157	LOCK WASHER	3	
157	1394752	LOCK WASHER	3	
165	4-5422060016	FUSE	1	
166	1-944544	FUSE	4	
167	J902264	WASHER	1	
170	1260881	SENSOR	1	
171	1307345	HOLDING PLATE	1	
300	1238635	CABLE HARNESS	1	

# ENGINE COOLER ASSY.

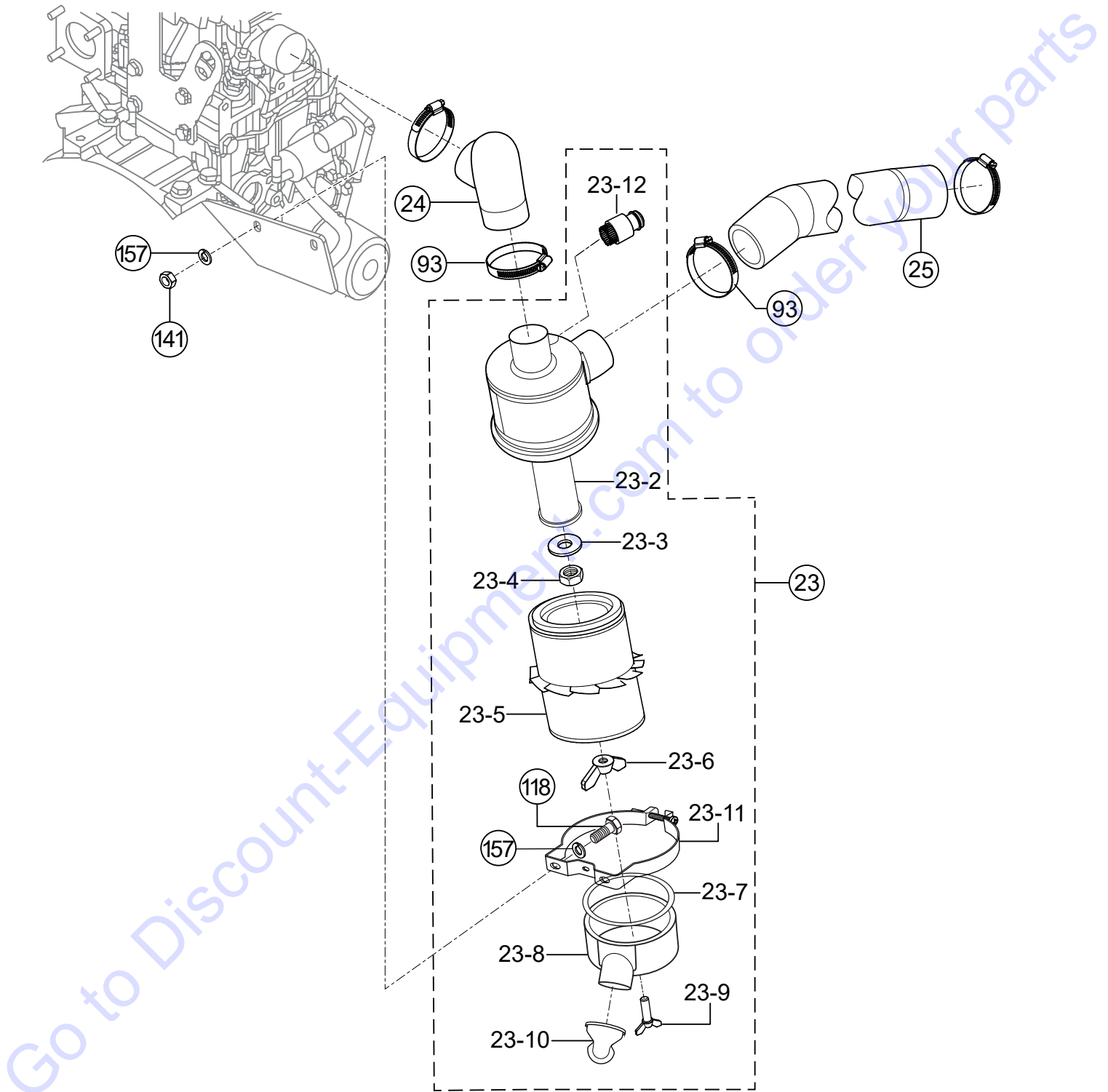


## ENGINE COOLER ASSY.

<u>NO.</u>	<u>PART NO.</u>	<u>PART NAME</u>	<u>QTY.</u>	<u>REMARKS</u>
2	1-952351	WATER COOLER	1	
2-1	1-952983	RADIATOR CAP	1	
3	1-952352	RUBBER CUSHION	2	
4	1-953041	COOLER, HOSE	1	
5	1100756	COOLER, HOSE	1	
6	1-952355	HOSE CLIP	4	
10	1-952512	CLIP	1	
11	76-11981344510	EXPANSION VESSEL	1	
15	1-30005841	PROTECTIVE GRID	1	
28	1-952403	RUBBER MOUNT	2	
35	1226505	CASING PLATE	1	
36	1226502	CASING PLATE	1	
37	1242127	HOLDING PLATE	1	
92	1181042	HOSE CLIP	2	
95	1-952852	SEALING CLAMP PROFILE, 1.75M	1	
98	1-922332	HYDRAULIC HOSE, 0.7M L. ....	1	1 PC = 1 M
117	4-3002508025	HEX. HEAD SCREW	10	
119	J901762	HEX. HEAD SCREW	3	
122	J901756	HEX. HEAD SCREW	10	
124	1-901754	HEX. HEAD SCREW	2	
128	1197136	SOCKET HEAD CAP SCREW	2	
140	1-948189	HEX. PRESS NUT	4	
142	4-3048500060	HEX. NUT	5	
145	4-5535010970	NUT	8	
152	J902284	WASHER	10	
157	1-952116	LOCK WASHER	25	
158	1-952199	LOCK WASHER	7	
174	1182013	WASHER	8	



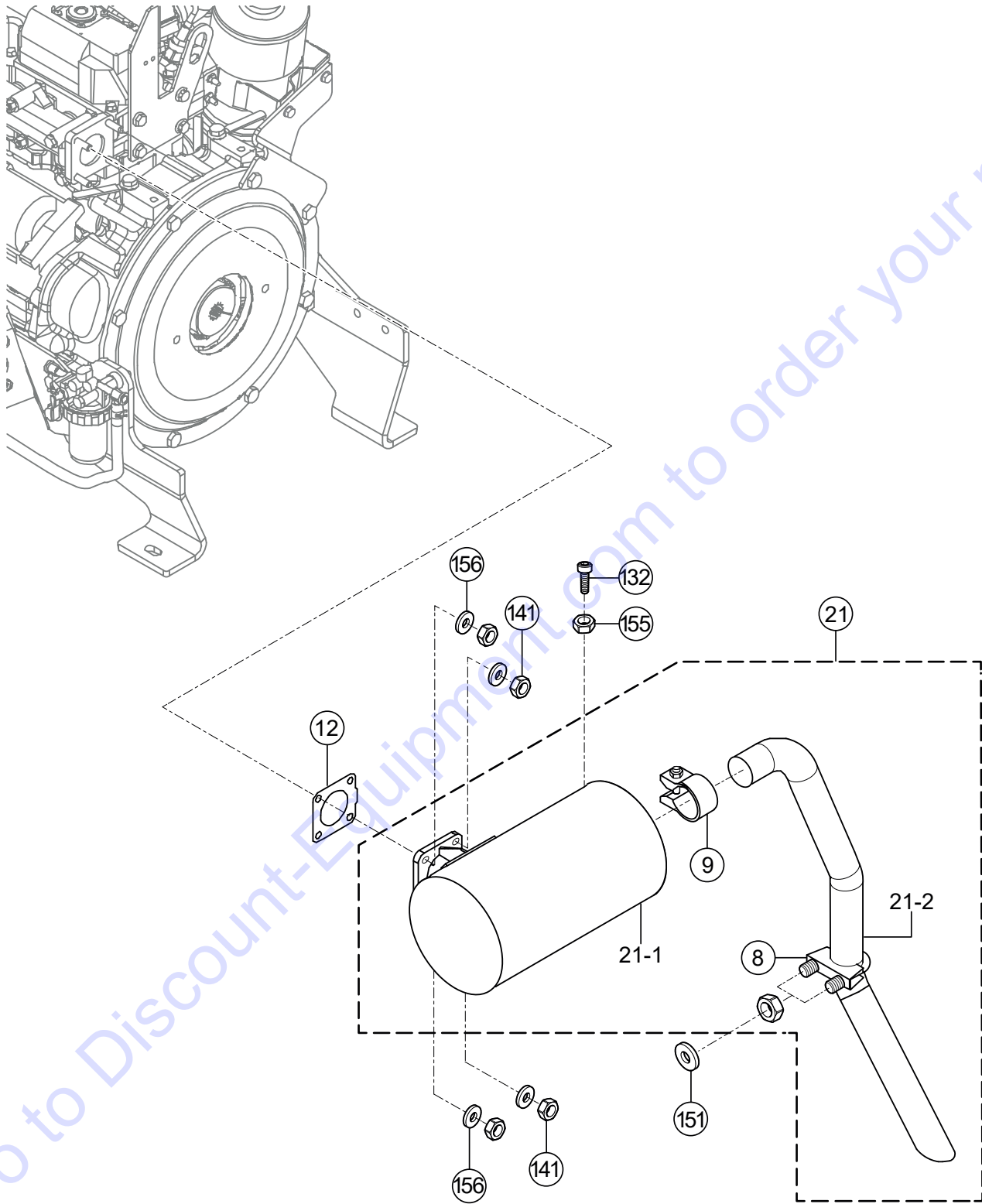
# ENGINE AIR FILTER ASSY.



## ENGINE AIR FILTER ASSY.

<u>NO.</u>	<u>PART NO.</u>	<u>PART NAME</u>	<u>QTY.</u>	<u>REMARKS</u>
23	1300278	AIR FILTER.....	1.....	INCLUDES ITEMS W/#
23-2#	1300309	FILTER ELEMENT	1	
23-3#	1303127	SEAL	1	
23-4#	1303126	HEX. NUT	1	
23-5#	1300308	ELEMENT, AIR FILTER (OUTER)	1	
23-6#	1300307	WING NUT	1	
23-7#	1300306	GASKET	1	
23-8#	1300305	COVER	1	
23-9#	1224441	SCREW	1	
23-10#	1227914	DUST EMPTYING VALVE	1	
23-11#	1303128	BRACKET, AIR FILTER	1	
23-12#	1-952299	MAINTENANCE INDICATOR	1	
24	1431320	MOULDED HOSE	1	
25	1226983	MOULDED HOSE	1	
93	J903778	HOSE CLIP	4	
118	4-3002508020	HEX. HEAD SCREW	3	
141	4-3048500080	HEX. SCREW	10	
157	1394752	LOCK WASHER	25	

# ENGINE MUFFLER ASSY.

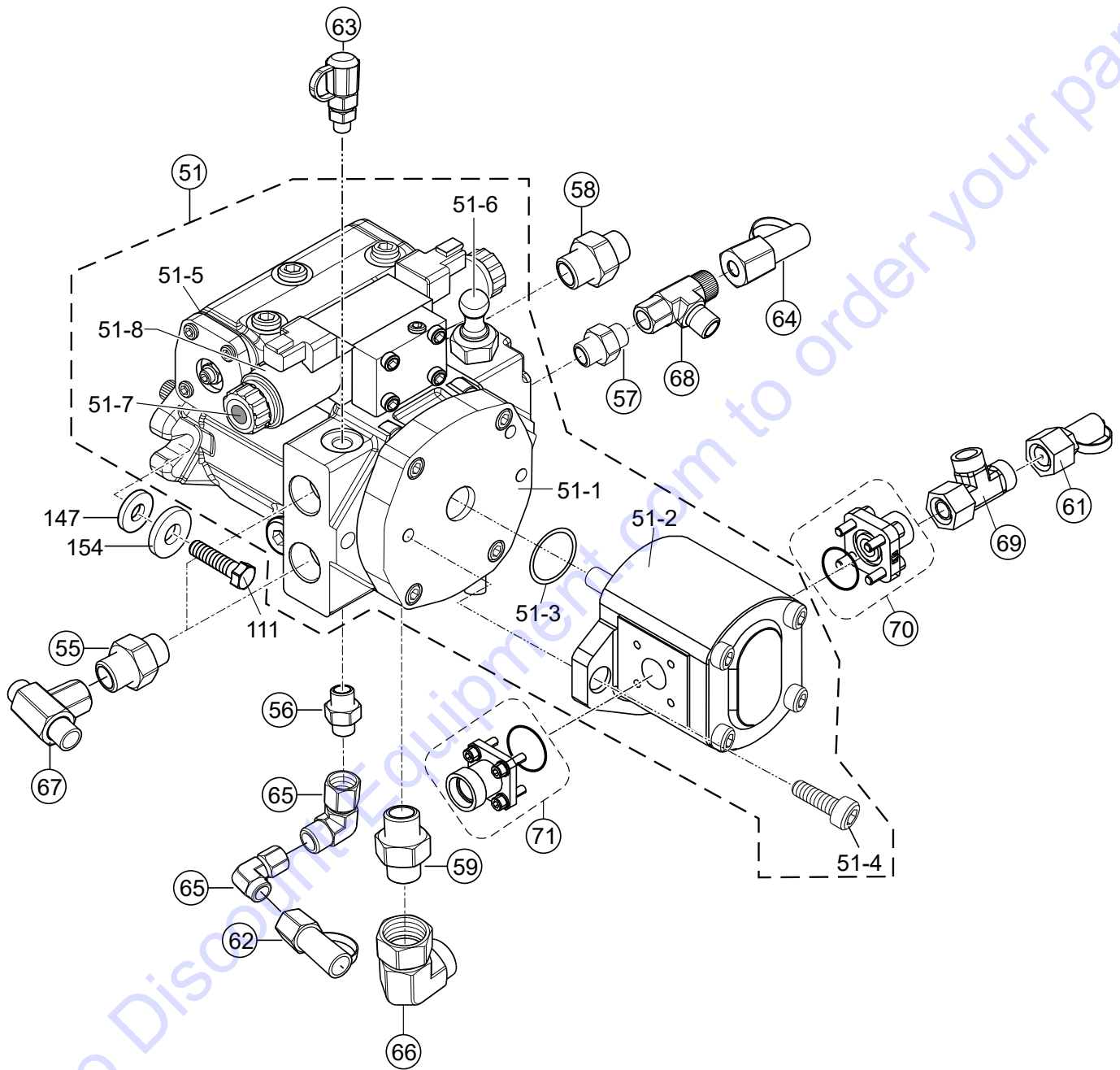


## ENGINE MUFFLER ASSY.

<u>NO.</u>	<u>PART NO.</u>	<u>PART NAME</u>	<u>QTY.</u>	<u>REMARKS</u>
8#	1-923200	PIPE CLAMP	1	
9#	1076629	PIPE CLIP.....	1.....	NOT SOLD SEPARATELY
12	76-12145013201	EXHAUST GASKET.....	1.....	REPLACES P/N 1-953040
21	1226617	SOUND ABSORBER.....	1.....	INCLUDES ITEMS W/#
21-1#	1258692	SILENCER	1	
21-2#	1258733	EXHAUST PIPE	1	
132	J902644	SOCKET HEAD CAP SCREW	1	
141	4-3048500080	HEX. NUT	10	
151	4-3170200084	WASHER	5	
155	1-952157	LOCK WASHER	18	
156	1-908693	STRAIN WASHER	4	

Go to Discount-Equipment.com to order your parts

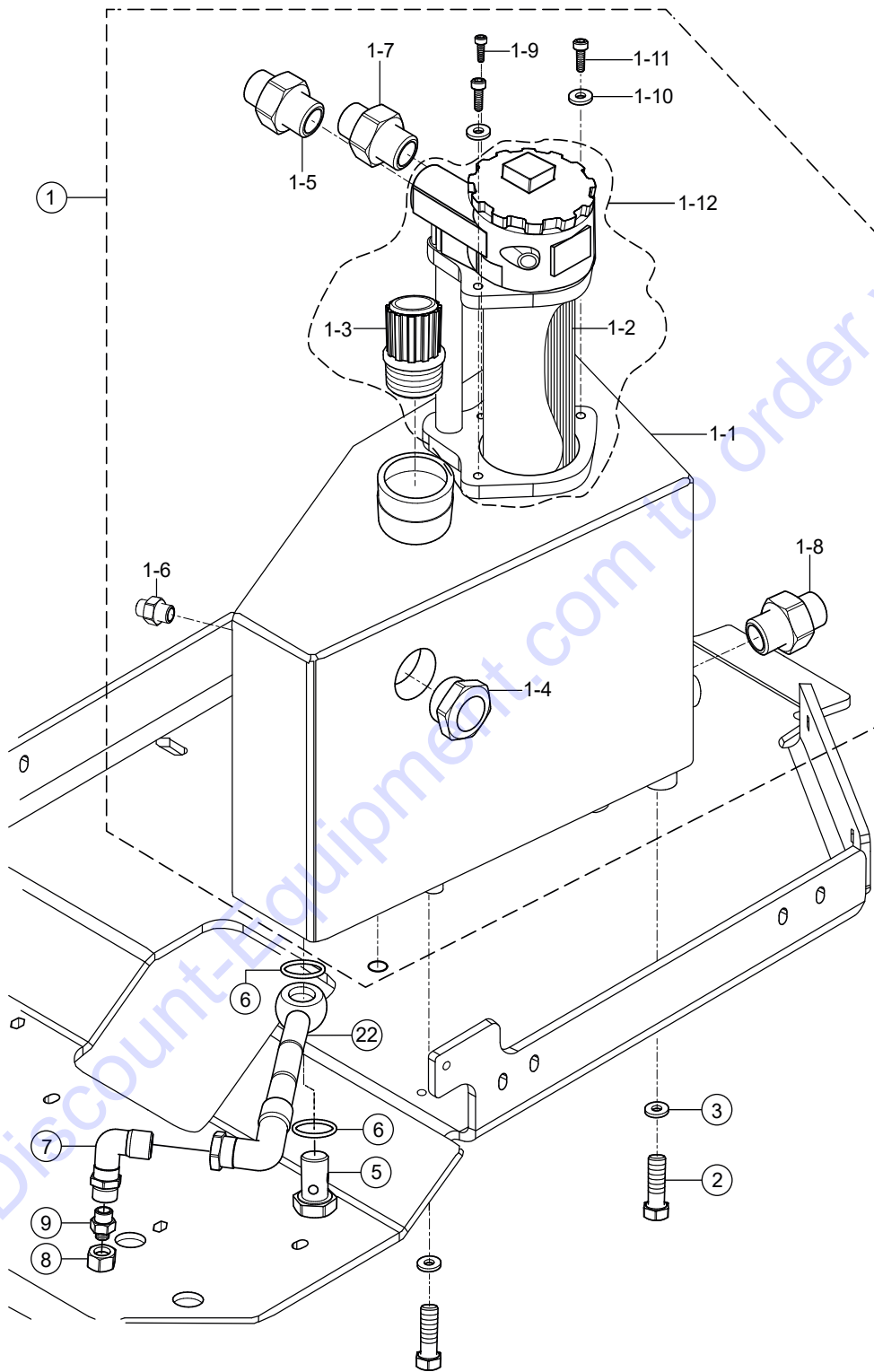
# VARIABLE DISPLACEMENT PUMP ASSY.



## VARIABLE DISPLACEMENT PUMP ASSY.

<u>NO.</u>	<u>PART NO.</u>	<u>PART NAME</u>	<u>QTY.</u>	<u>REMARKS</u>
51	1242320	HYDRAULIC PUMP ASSEMBLY .....	1.....	INCLUDES ITEMS W/#
51-1#	1194416	HYDRAULIC PUMP	1	
51-2#	1216440	GEAR PUMP	1	
51-3#	1194392	O-RING	1	
51-4#	J902645	SOCKET HEAD CAP SCREW	2	
51-5#	1194359	SEALING KIT	1	
51-6#	1244274	PRESSURE RELIEF VALVE	1	
51-7#	1244275	PRESSURE RELIEF VALVE	1	
51-8#	1194414	MAGNETIC COIL	2	
55	1242432	MALE STUD COUPLING BODY	2	
56	1-942821	MALE STUD COUPLING BODY	1	
57	1-942825	MALE STUD COUPLING BODY	1	
58	1180953	MALE STUD COUPLING BODY	1	
59	1-942504	MALE STUD COUPLING BODY	1	
61	1-921033	SCREW COUPLING	1	
62	1-921283	SCREW COUPLING	1	
63	1-921031	SCREW COUPLING	1	
64	4-5160660025	COUPLING	1	
65	4-5160670076	ELBOW SOCKET	2	
66	4-5160660027	ELBOW SOCKET	1	
67	4-5160670066	T-SOCKET	1	
68	4-5160670065	ADJUSTABLE MALE STUD RUN	1	
69	4-5160670056	ADJUSTABLE MALE STUD RUN	1	
70	4-5160670057	FLANGE	1	
71	4-5160670058	FLANGE	1	
111	J901784	HEX. HEAD SCREW	2	
147	J907885	WASHER	2	
154	1-902387	STRAIN WASHER	2	

# HYDRAULIC OIL TANK ASSY.



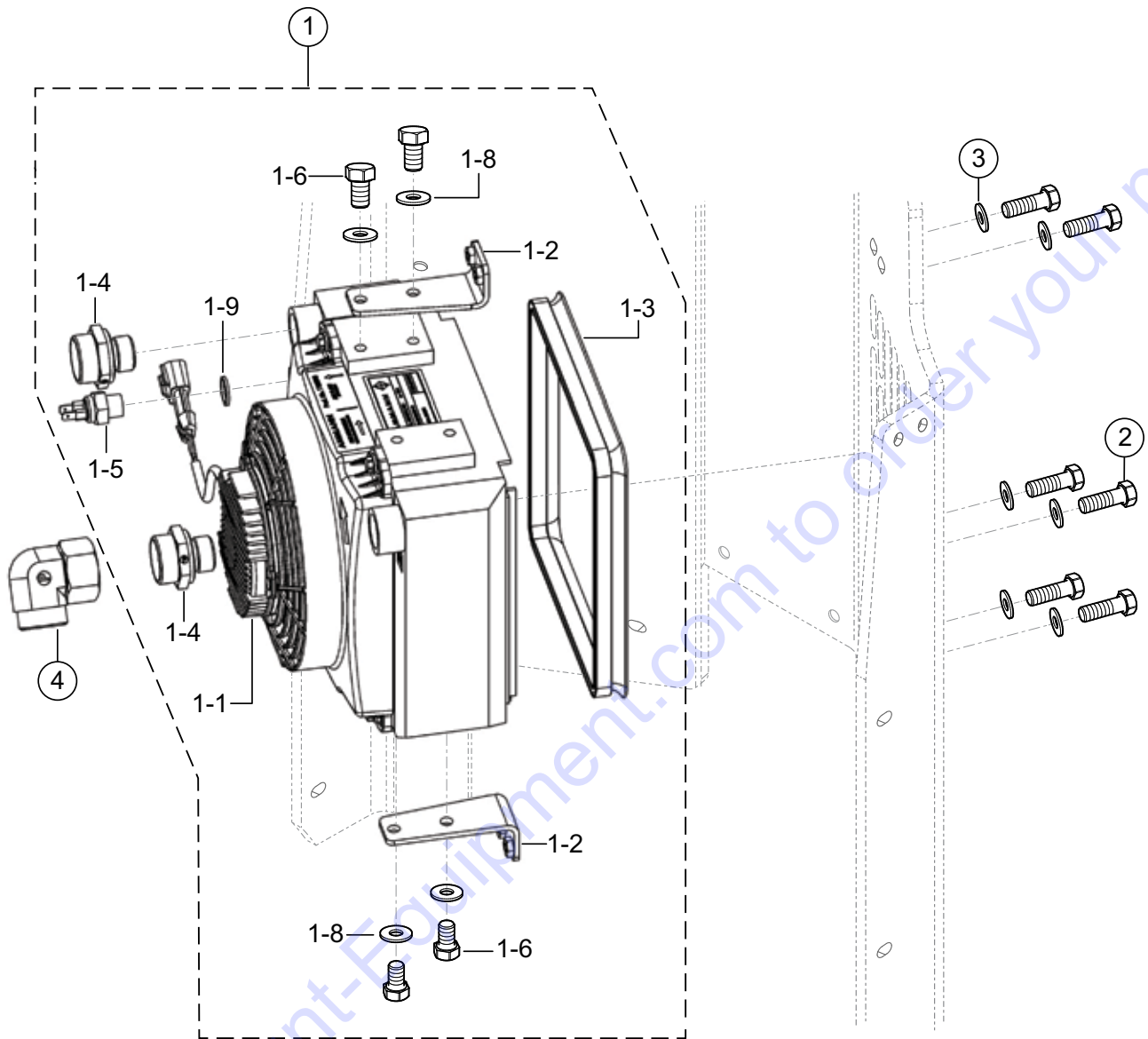
## HYDRAULIC OIL TANK ASSY.

<u>NO.</u>	<u>PART NO.</u>	<u>PART NAME</u>	<u>QTY.</u>	<u>REMARKS</u>
1	1217678	HYDRAULIC OIL TANK ASSEMBLY.....	1.....	INCLUDES ITEMS W/\$
1-1\$	1217677	OIL TANK	1	
1-2\$#	1179047	RETURN-SUCTION FILTER	1	
1-3\$	1242184	BREATHER FILTER	1	
1-4\$	1179076	INSPECTION GLASS	1	
1-5\$	1-942781	MALE STUD COUPLING BODY	1	
1-6\$	1183844	MALE STUD COUPLING BODY	1	
1-7\$	1-942818	MALE STUD COUPLING BODY	1	
1-8\$	4-5160572080	MALE STUD COUPLING BODY	1	
1-9\$	J902634	SOCKET HEAD CAP SCREW	1	
1-10\$	J902264	WASHER	2	
1-11\$	4-3114310025	SOCKET HEAD CAP SCREW	2	
1-12\$	1182946	FILTER, SUCTION.....	1.....	INCLUDES ITEMS W/#
2	4-3002508020	HEX. HEAD SCREW	3	
3	4-3170200084	WASHER	3	
5	1-954000	HOLLOW SCREW	1	
6	1-906940	SEALING RING	2	
7	4-5160680170	BULKHEAD COUPLING	1	
8	4-5160610014	UNION NUT	1	
9	1-901276	SEALING PLUG	1	
22	1232770	HYDRAULIC HOSE	1	

Go to Discount-Equipment.com to order your parts



# OIL COOLER ASSY.

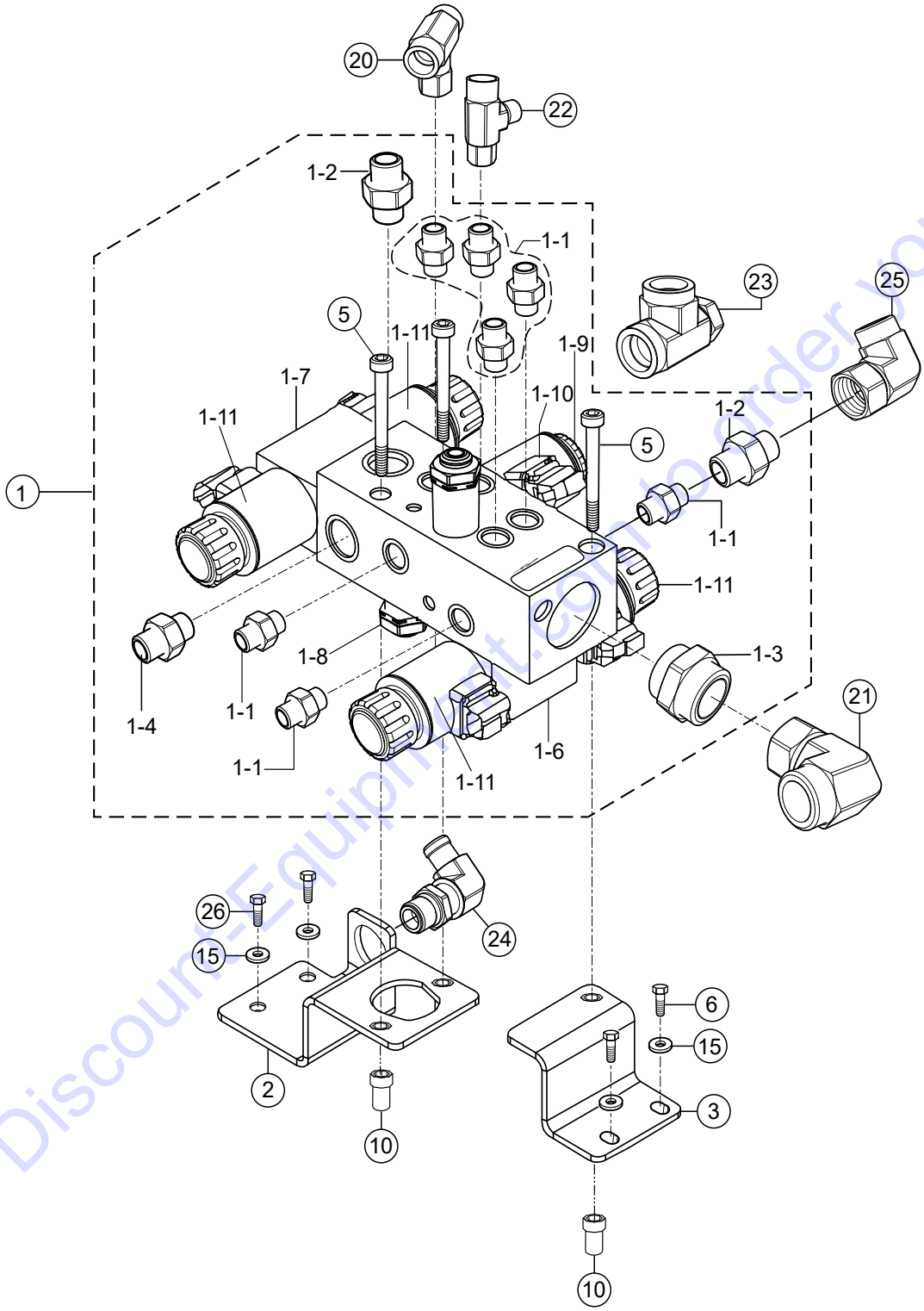


## OIL COOLER ASSY.

<u>NO.</u>	<u>PART NO.</u>	<u>PART NAME</u>	<u>QTY.</u>	<u>REMARKS</u>
1	1221652	OIL COOLER ASSEMBLY .....	1.....	INCLUDES ITEMS W/#
1-1#	1185010	OIL COOLER FAN	1	
1-2#	1251656	HOLDING PLATE	3	
1-3#	1178294	CLAMPING PROFILE	1	
1-4#	1221314	MALE STUD COUPLING BODY	2	
1-5#	1225724	TEMPERATURE SWITCH	1	
1-6#	J901762	HEX. HEAD SCREW	6	
1-8#	4-3170200084	WASHER	6	
1-9#	1225736	SEALING RING	1	
2	4-3002508025	HEX. HEAD SCREW	6	
3	4-3172600084	WASHER	6	
4	4-5160660075	ELBOW SOCKET	1	

Go to Discount-Equipment.com to order your parts

**VALVE BLOCK ASSY.**

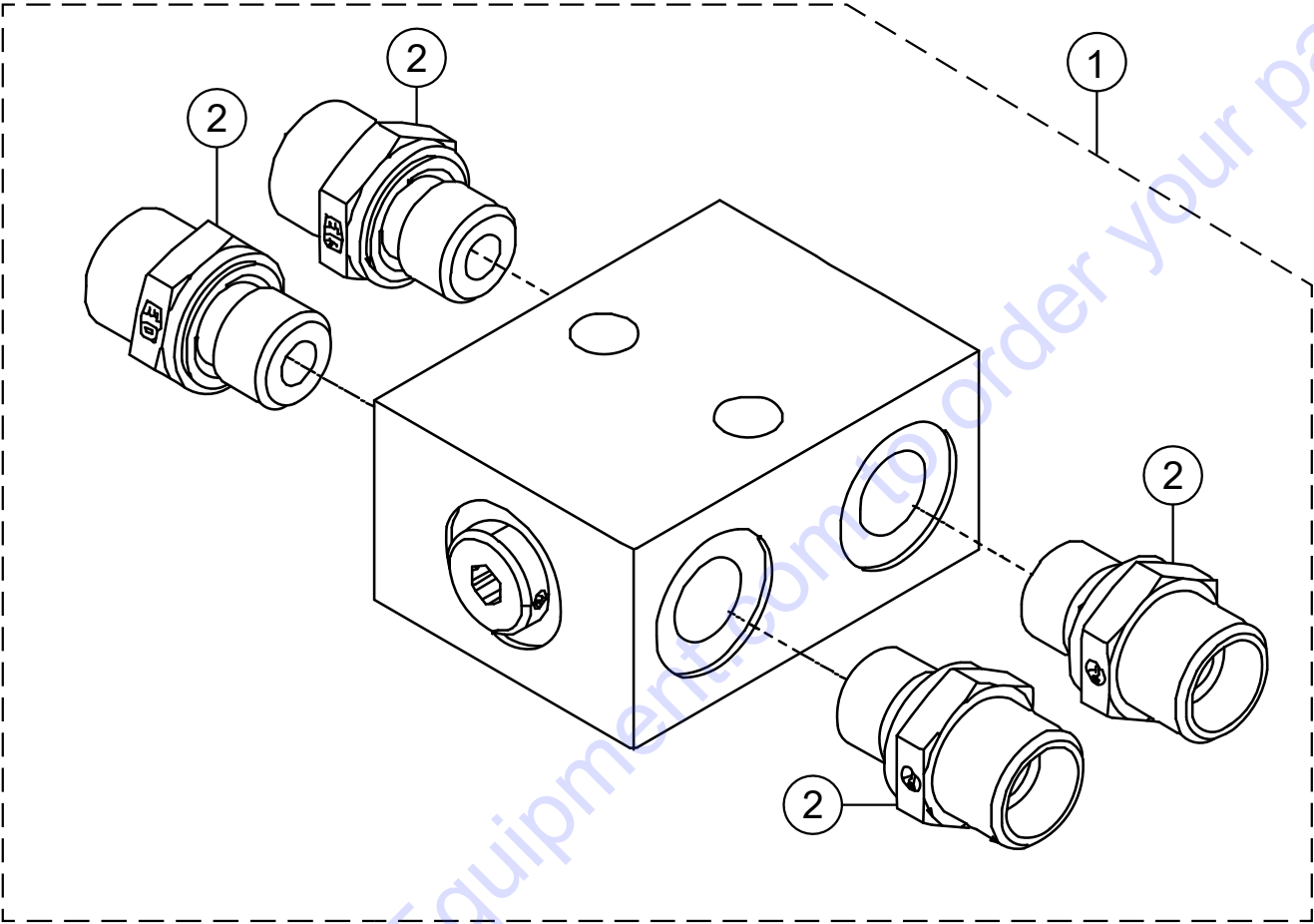


**VALVE BLOCK ASSY.**

<u>NO.</u>	<u>PART NO.</u>	<u>PART NAME</u>	<u>QTY.</u>	<u>REMARKS</u>
1	1219129	VALVE BLOCK.....	1.....	INCLUDES ITEMS W/#
1-1#	H0030510	MALE STUD COUPLING BODY	7	
1-2#	1-942785	MALE STUD COUPLING BODY	2	
1-3#	1-942781	MALE STUD COUPLING BODY	1	
1-4#	1-942784	MALE STUD COUPLING BODY	1	
1-6#	1221373	VALVE	1	
1-7#	1221374	VALVE	1	
1-8#	1221375	VALVE	1	
1-9#	1221378	VALVE	1	
1-10#	1221397	MAGNETIC COIL	1	
1-11#	1221398	MAGNETIC COIL	4	
2	1242085	MOUNTING PLATE	1	
3	1242086	MOUNTING PLATE	1	
5%	1-902686	SOCKET HEAD CAP SCREW	3	
6	4-3002508025	HEX. HEAD SCREW	2	
10	4-5535010972	NUT	3	
15	4-3170200084	WASHER	4	
20	4-5160670055	T-SOCKET	1	
21	4-5160660075	ELBOW SOCKET	1	
22	4-5160670075	L CONNECTION	1	
23	1-922516	BANJO COUPLING	1	
24	4-5160680170	BULKHEAD ELBOW NIPPLE	1	
25	4-5160670029	ELBOW SOCKET	1	
26	4-3002508030	HEX. HEAD SCREW	2	

Go to Discount-Equipment.com to order your parts

**HYDRAULIC BLOCK ASSY.**



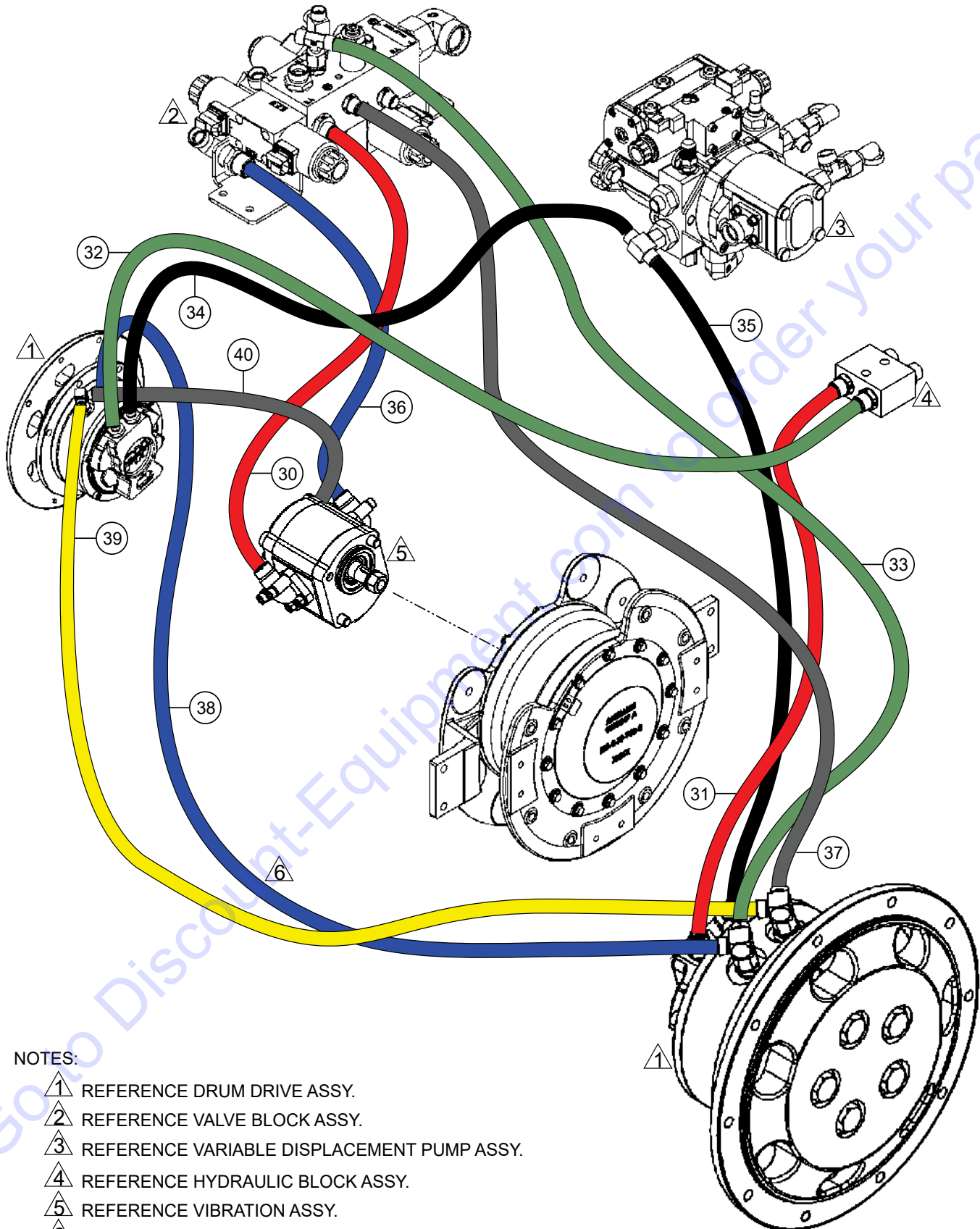
# HYDRAULIC BLOCK ASSY.

---

<u>NO.</u>	<u>PART NO.</u>	<u>PART NAME</u>	<u>QTY.</u>	<u>REMARKS</u>
1	1242646	HYDRAULIC BLOCK.....	1.....	INCLUDES ITEMS W/#
2#	H0030510	MALE STUD COUPLING BODY	4	

Go to Discount-Equipment.com to order your parts

# FRONT DRUM HOSE ASSY.



**NOTES:**

- ① REFERENCE DRUM DRIVE ASSY.
- ② REFERENCE VALVE BLOCK ASSY.
- ③ REFERENCE VARIABLE DISPLACEMENT PUMP ASSY.
- ④ REFERENCE HYDRAULIC BLOCK ASSY.
- ⑤ REFERENCE VIBRATION ASSY.
- ⑥ HOSE COLORS ARE FOR REFERENCE ONLY

## FRONT DRUM HOSE ASSY.

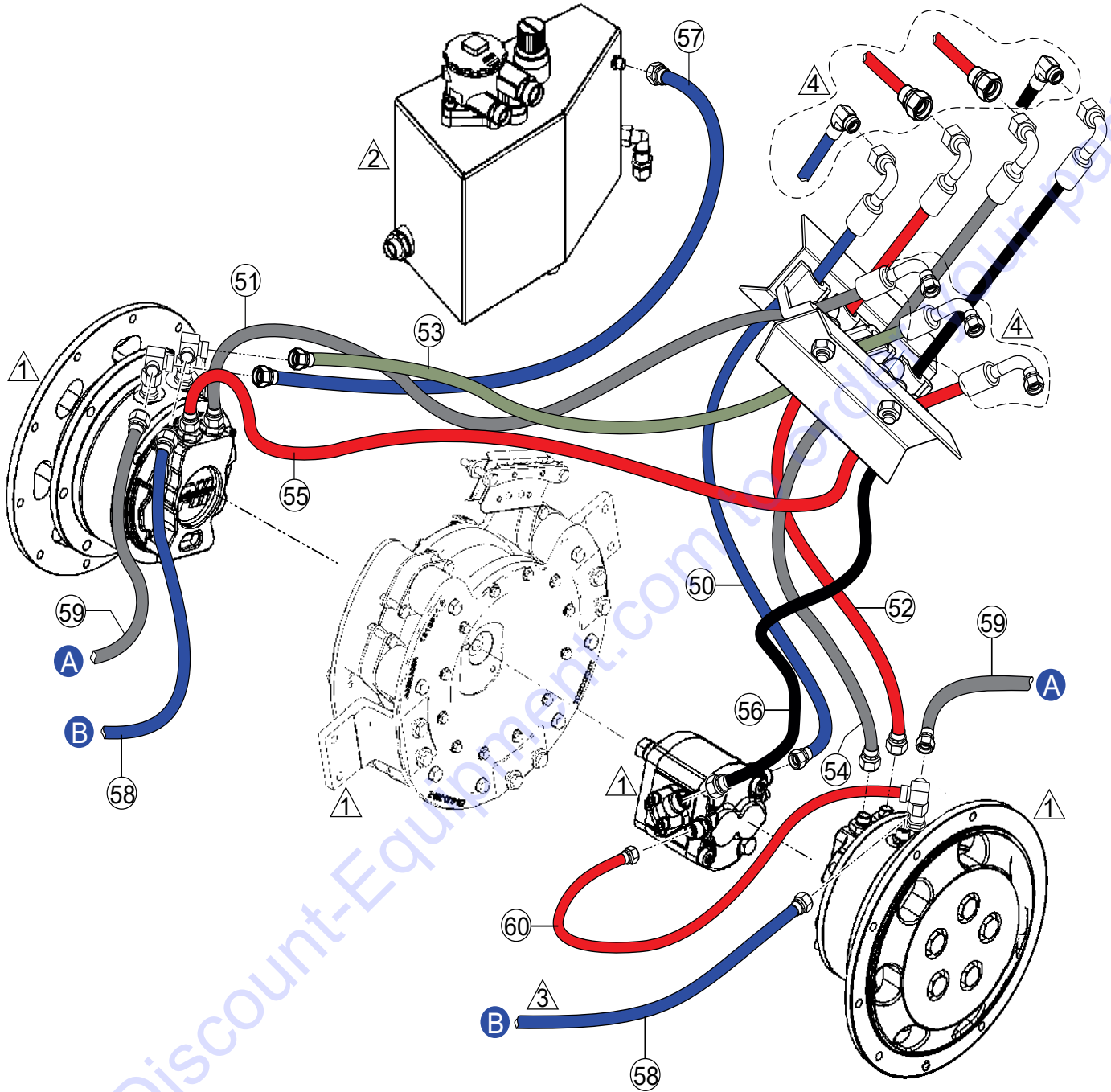
---

<u>NO.</u>	<u>PART NO.</u>	<u>PART NAME</u>	<u>QTY.</u>	<u>REMARKS</u>
30	1232785	HYDRAULIC HOSE	1	
31	1243099	HYDRAULIC HOSE	1	
32	1243098	HYDRAULIC HOSE	1	
33	1232765	HYDRAULIC HOSE	1	
34	1243097	HYDRAULIC HOSE	1	
35	1243096	HYDRAULIC HOSE	1	
36	1232722	HYDRAULIC HOSE	1	
37	1251204	HYDRAULIC HOSE	1	
38	1251202	HYDRAULIC HOSE	1	
39	1251203	HYDRAULIC HOSE	1	
40	1232773	HYDRAULIC HOSE	1	

Go to Discount-Equipment.com to order your parts



# REAR DRUM HOSE ASSY.



**NOTES:**

- ① REFERENCE DRUM DRIVE ASSY.
- ② REFERENCE HYDRAULIC OIL TANK ASSY.
- ③ HOSE COLORS ARE FOR REFERENCE ONLY
- ④ FOR HOSE CONNECTION REFERENCE HOSE 1 ASSY.

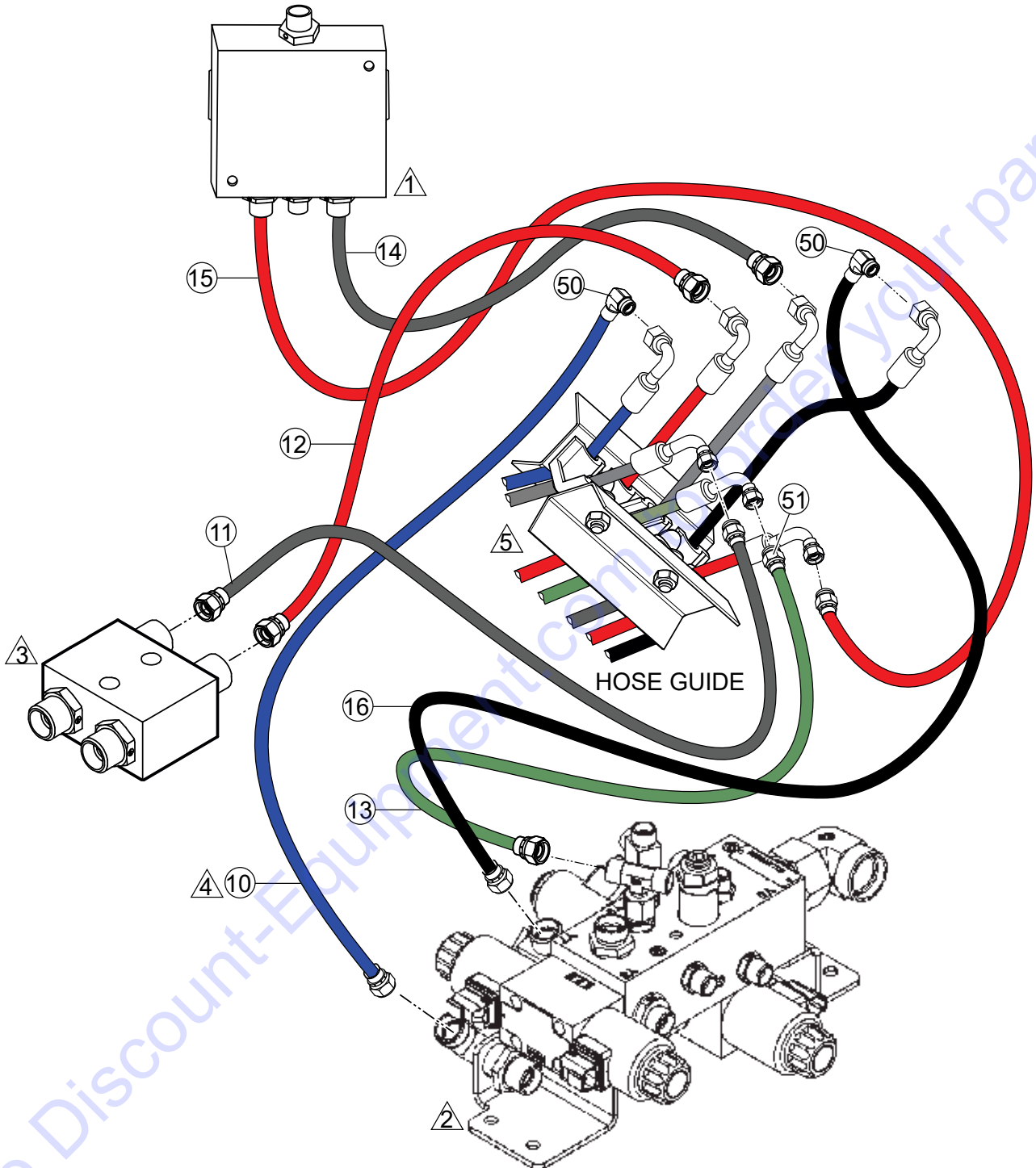
## REAR DRUM HOSE ASSY.

---

<u>NO.</u>	<u>PART NO.</u>	<u>PART NAME</u>	<u>QTY.</u>	<u>REMARKS</u>
50	1251253	HYDRAULIC HOSE	1	
51	1232724	HYDRAULIC HOSE	1	
52	1232726	HYDRAULIC HOSE	1	
53	1243109	HYDRAULIC HOSE	1	
54	1243107	HYDRAULIC HOSE	1	
55	1232787	HYDRAULIC HOSE	1	
56	1232747	HYDRAULIC HOSE	1	
57	1251200	HYDRAULIC HOSE	1	
58	1251202	HYDRAULIC HOSE	1	
59	1251203	HYDRAULIC HOSE	1	
60	1232773	HYDRAULIC HOSE	1	

Go to Discount-Equipment.com to order your parts

# HOSE 1 ASSY.



## NOTES:

- ① REFERENCE FLOW DIVIDER AND MOUNTING ASSY.
- ② REFERENCE VALVE BLOCK ASSY.
- ③ REFERENCE HYDRAULIC BLOCK ASSY.
- ④ HOSE COLORS ARE FOR REFERENCE ONLY
- ⑤ FOR HOSE CONNECTIONS REFERENCE REAR DRUM HOSE ASSY.

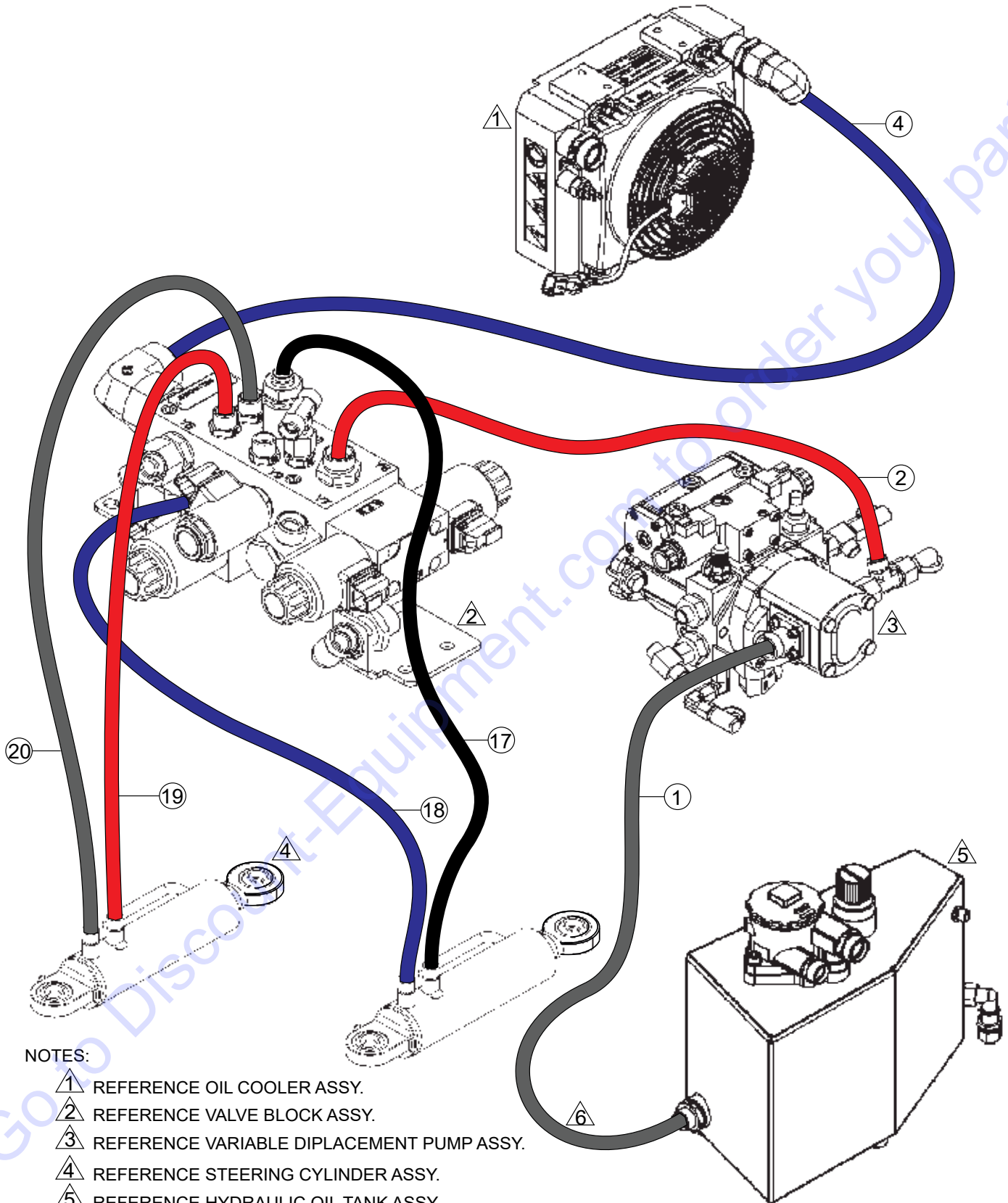
## HOSE 1 ASSY.

---

<u>NO.</u>	<u>PART NO.</u>	<u>PART NAME</u>	<u>QTY.</u>	<u>REMARKS</u>
10	1232688	HYDRAULIC HOSE	1	
11	1243101	HYDRAULIC HOSE	1	
12	1243100	HYDRAULIC HOSE	1	
13	1232752	HYDRAULIC HOSE	1	
14	1243104	HYDRAULIC HOSE	1	
15	1243103	HYDRAULIC HOSE	1	
16	1232697	HYDRAULIC HOSE	1	
50	4-5160660020	ELBOW JOINT	2	
51	1-901010	STRAIGHT FITTING	1	

Go to Discount-Equipment.com to order your parts

# HOSE 2 ASSY.



## NOTES:

- ① REFERENCE OIL COOLER ASSY.
- ② REFERENCE VALVE BLOCK ASSY.
- ③ REFERENCE VARIABLE DIPLACEMENT PUMP ASSY.
- ④ REFERENCE STEERING CYLINDER ASSY.
- ⑤ REFERENCE HYDRAULIC OIL TANK ASSY.
- ⑥ HOSE COLORS ARE FOR REFERENCE ONLY

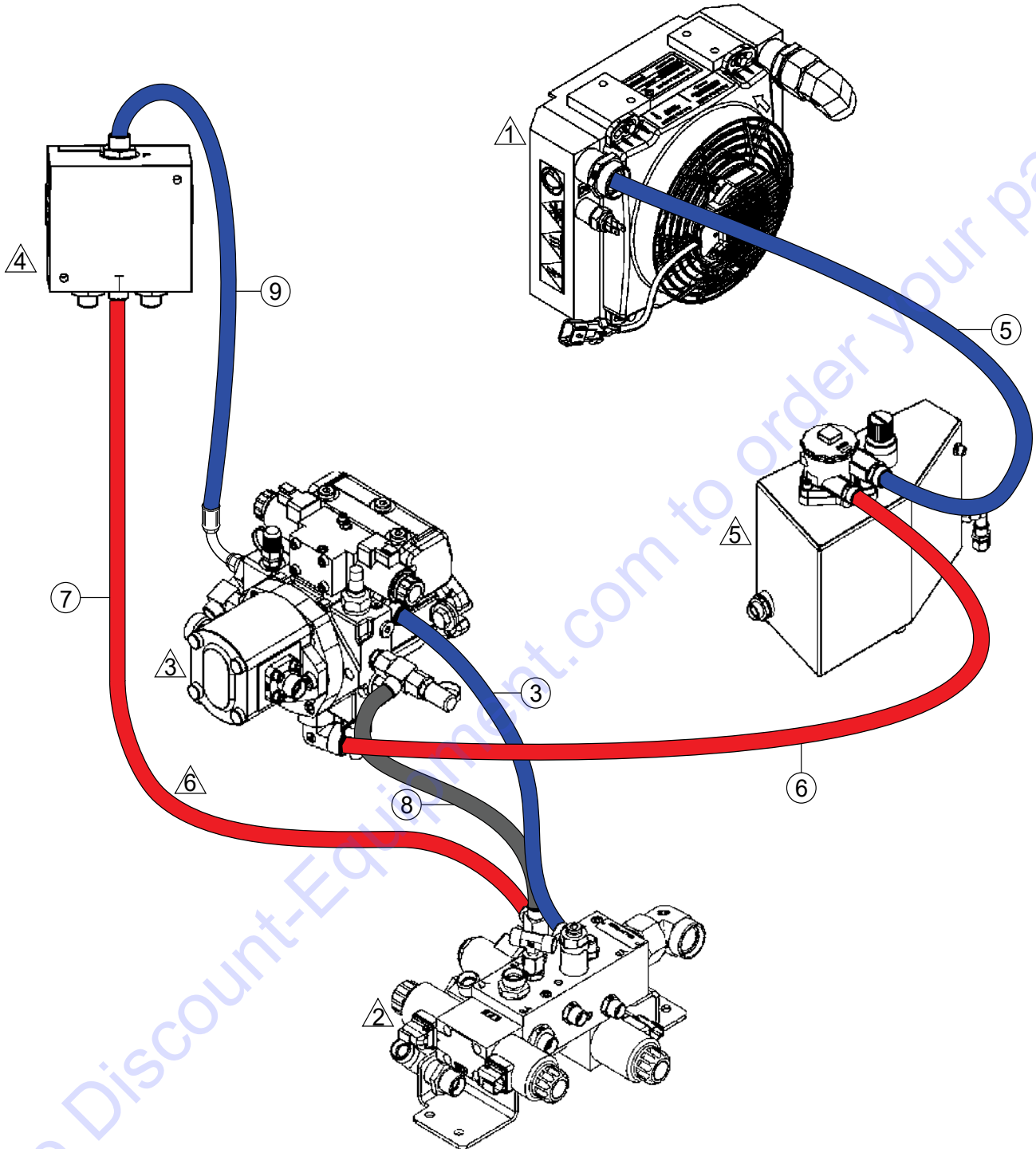
## HOSE 2 ASSY.

---

<u>NO.</u>	<u>PART NO.</u>	<u>PART NAME</u>	<u>QTY.</u>	<u>REMARKS</u>
1	1243110	HYDRAULIC HOSE	1	
2	1232681	HYDRAULIC HOSE	1	
4	1232789	HYDRAULIC HOSE	1	
17	1232754	HYDRAULIC HOSE	1	
18	1232756	HYDRAULIC HOSE	1	
19	1232758	HYDRAULIC HOSE	1	
20	1232759	HYDRAULIC HOSE	1	

Go to Discount-Equipment.com to order your parts

## HOSE 3 ASSY.



### NOTES:

- ① REFERENCE OIL COOLER ASSY.
- ② REFERENCE VALVE BLOCK ASSY.
- ③ REFERENCE VARIABLE DISPLACEMENT PUMPH ASSY.
- ④ REFERENCE FLOW DIVIDER AND MOUNTING ASSY.
- ⑤ REFERENCE HYDRAULIC OIL TANK ASSY.
- ⑥ HOSE COLORS ARE FOR REFERENCE ONLY

## HOSE 3 ASSY.

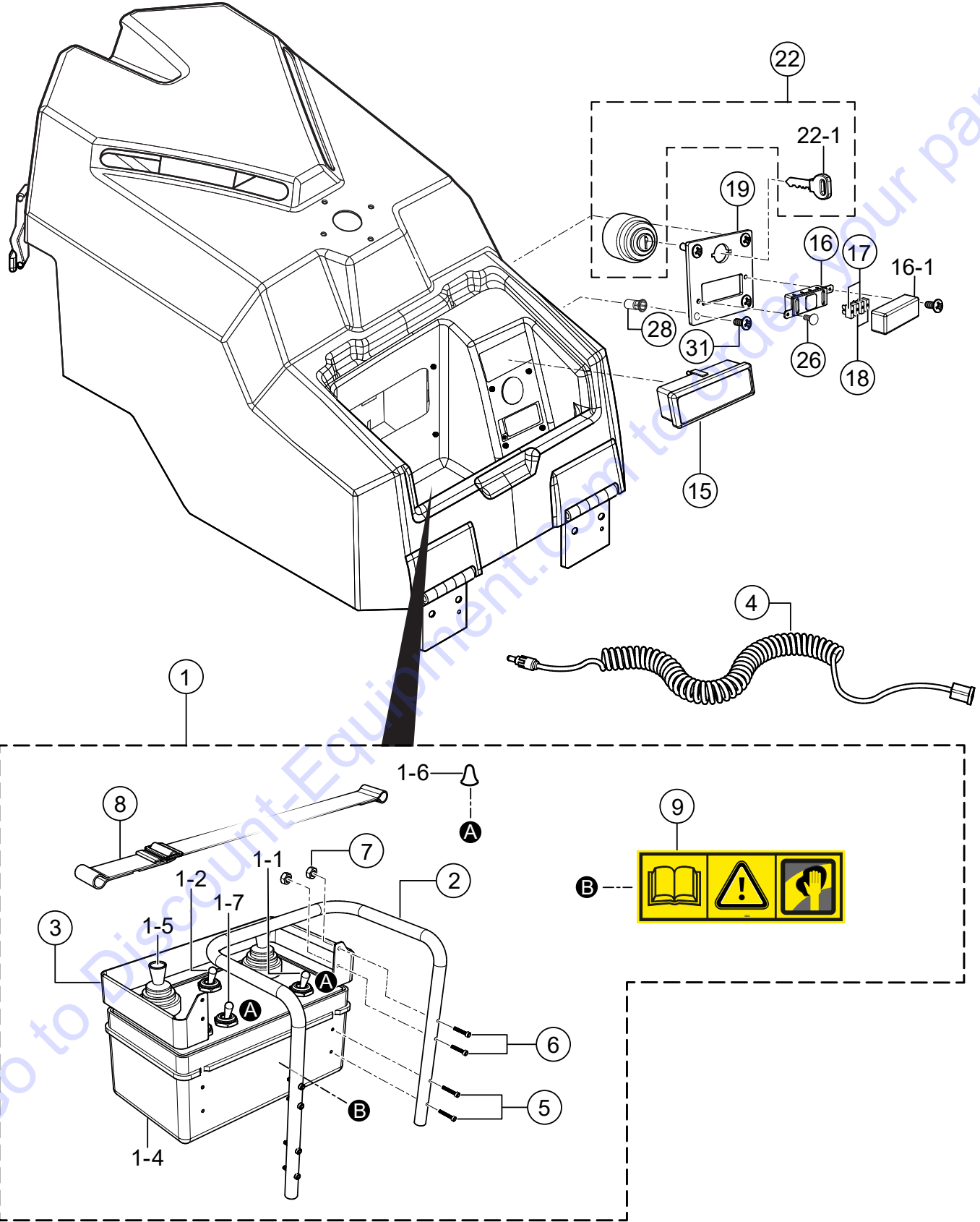
---

<u>NO.</u>	<u>PART NO.</u>	<u>PART NAME</u>	<u>QTY.</u>	<u>REMARKS</u>
3	1247785	HYDRAULIC HOSE	1	
5	1232800	HYDRAULIC HOSE	1	
6	1232801	HYDRAULIC HOSE	1	
7	1243091	HYDRAULIC HOSE	2	
8	1243090	HYDRAULIC HOSE	1	
9	1232682	HYDRAULIC HOSE	1	

Go to Discount-Equipment.com to order your parts



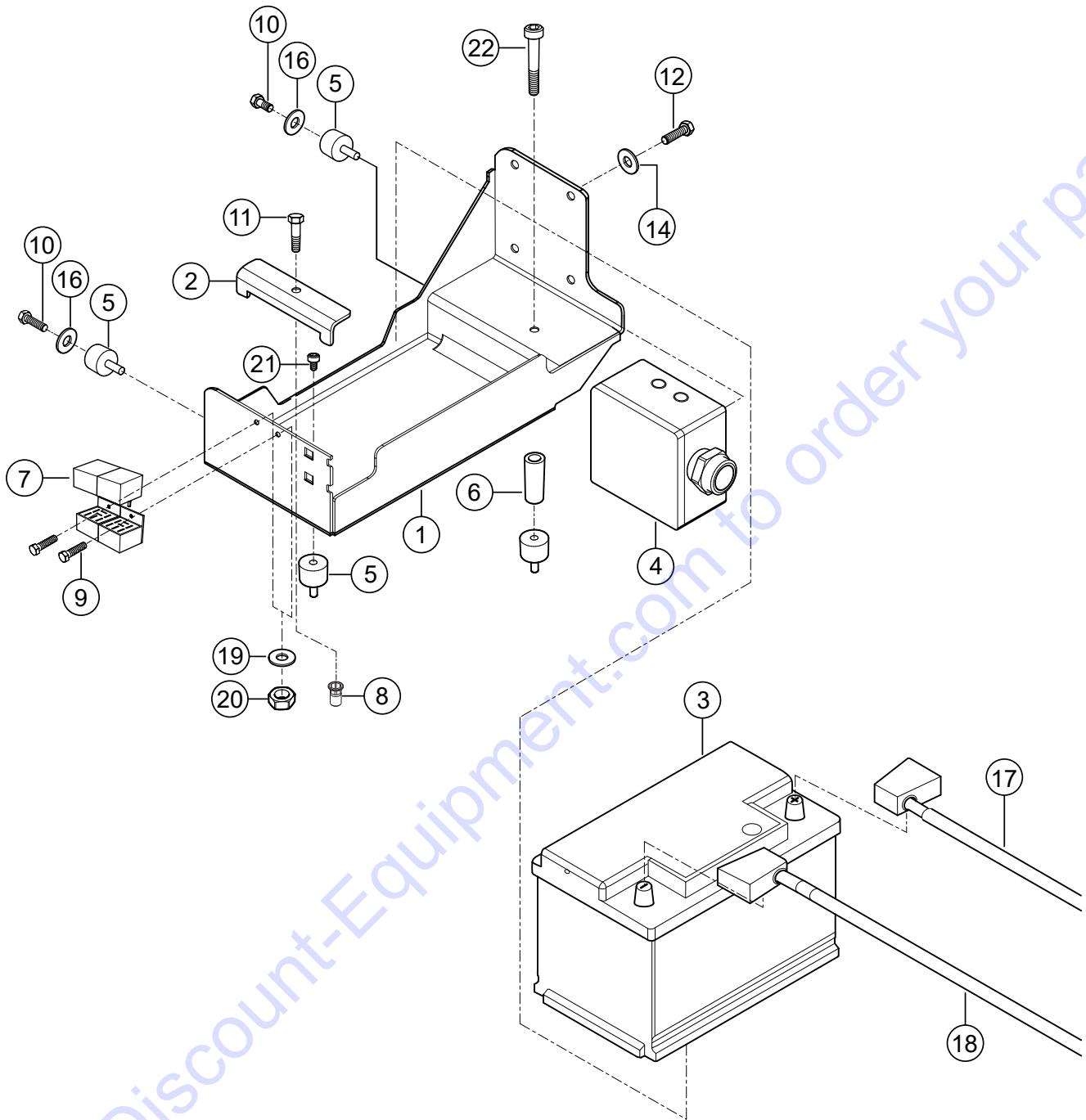
# COCKPIT ASSY.



# COCKPIT ASSY.

<u>NO.</u>	<u>PART NO.</u>	<u>PART NAME</u>	<u>QTY.</u>	<u>REMARKS</u>
1	1413722	INFRARED TRANSMITTER .....	1.....	INCLUDES ITEMS W/# S/N 5572419 TO S/N 5572979
1	1583178	INFRARED TRANSMITTER .....	1.....	INCLUDES ITEMS W/# S/N 5572980 AND ABOVE
1-1#	1316006	TOGGLE SWITCH	1	
1-2#	3-52010	SWITCH	1	
1-3#	3-52011	SWITCH	1	
1-4#	1543722	STORAGE BATTERY	1	
1-5#	3-68579	JOYSTICK	1	
1-6#	1423705	REMOVABLE CAP	2	
1-7#	1449852	SWITCH	1	
2#	4-29447	DRAWBAR	1	
3#	4-29355	COVER	1	
4	1242589	CABLE	1	
5#	1398344	OVAL HEAD SCREW	1	
6#	1398343	OVAL HEAD SCREW	4	
7#	4-3140100040	HEX NUT	4	
8#	4-29541	BELT	4	
9#	4-6531013832	DECAL .....	1.....	S/N 5572419 TO S/N 5572979
9#	4-6531014098	DECAL .....	1.....	S/N 5572980 AND ABOVE
15	1226581	DISPLAY UNIT	1	
16	1-831072	FUSE MODULE	1	
16-1		COVER, FUSE MODULE .....	1.....	NOT SOLD SEPARATELY INCLUDED IN ITEM 16
17	1-921583	FUSE, 10 AMP	2	
18	1-921585	FUSE, 25 AMP	2	
19	1226602	HOLDING PLATE	1	
22	1-30005179	IGNITION SWITCH.....	1.....	INCLUDES ITEMS W/\$
22-1\$	4-9500001014	IGNITION KEY	1	
26	4-5535010950	RIVET	2	
28	4-5535010969	NUT	8	

# HOLDING DEVICE WITH BATTERY ASSY.

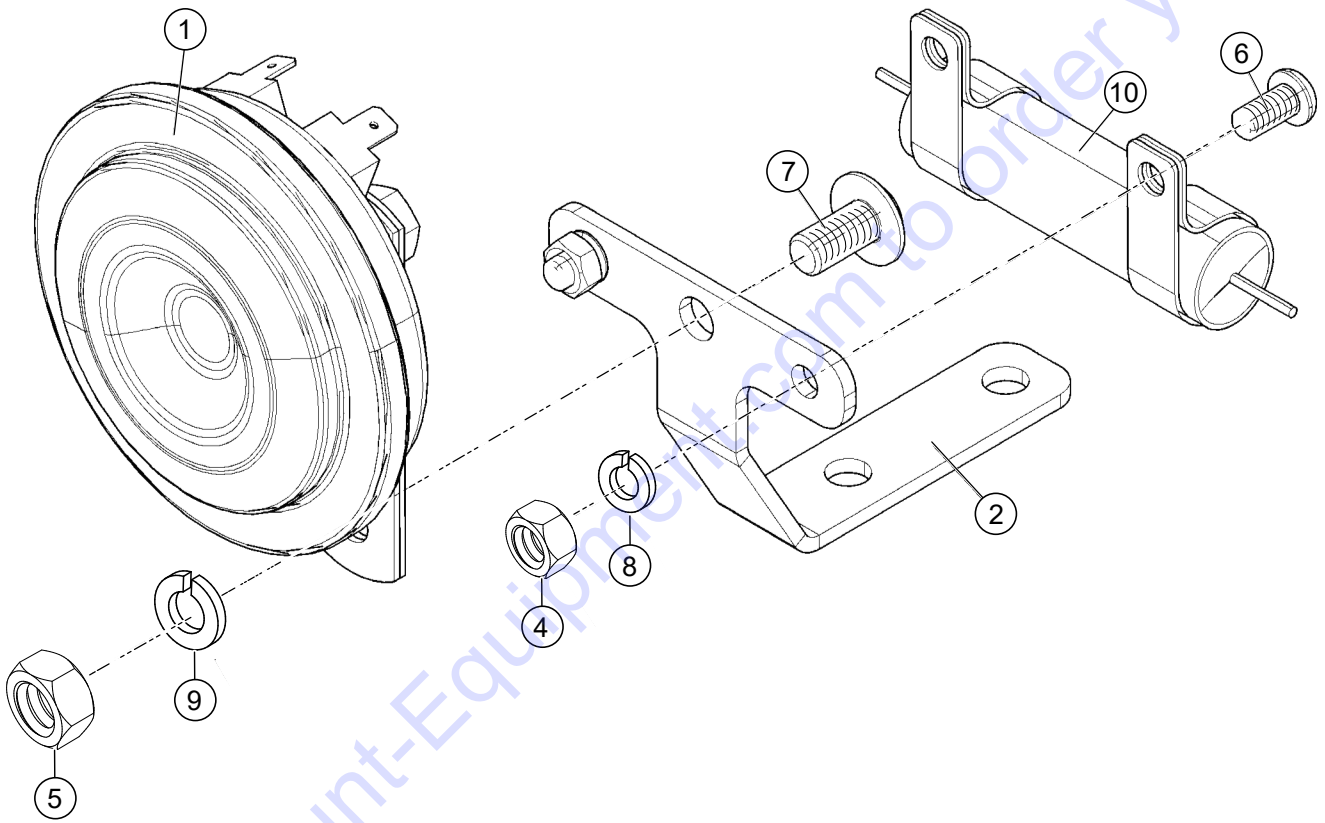


Go to Discount-Equipment.com to order your parts

## HOLDING DEVICE WITH BATTERY ASSY.

<u>NO.</u>	<u>PART NO.</u>	<u>PART NAME</u>	<u>QTY.</u>	<u>REMARKS</u>
1	1226998	BATTERY PLATE	1	
2	1226975	CLAMPING ANGLE	1	
3	1127111	STARTER BATTERY	1	
4	1449282	CONTROL UNIT	1	
5	1-923280	RUBBER MOUNT	4	
6	1250943	ROD W/DRILLED HOLE	1	
7	1227066	RELAY	2	
8	4-5535010970	NUT	3	
9	1-901747	HEX. HEAD SCREW	2	
10	J901762	HEX. HEAD SCREW	2	
11	J901766	HEX. HEAD SCREW	1	
12	4-3002508020	HEX. HEAD SCREW	4	
14	1-908693	STRAIN WASHER	4	
16	4-3170200084	WASHER	2	
17	1236038	BATTERY CABLE, POSITIVE	1	
18	1236036	BATTERY CABLE, NEGATIVE	1	
19	J902260	WASHER	2	
20	J902121	HEX. NUT	2	
21	J902637	SOCKET HEAD CAP SCREW	1	
22	1-902693	SOCKET HEAD CAP SCREW	1	

# SIGNAL HORN ASSY.



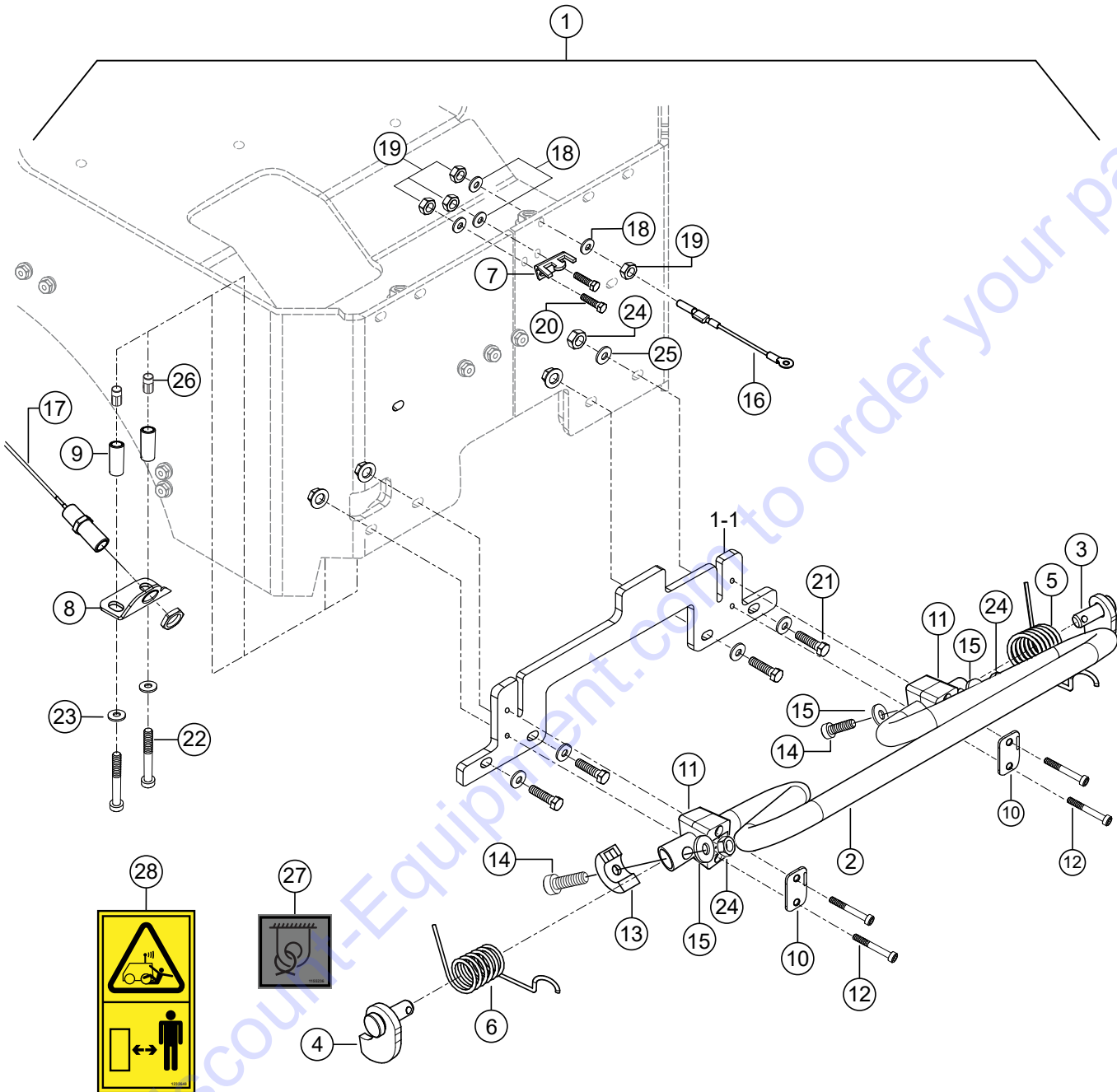
## SIGNAL HORN ASSY.

---

<u>NO.</u>	<u>PART NO.</u>	<u>PART NAME</u>	<u>QTY.</u>	<u>REMARKS</u>
1	1-30005213	SIGNAL HORN	1	
2	4-10805559	HOLDER	1	
4	4-3048500060	HEX. NUT	2	
5	4-3048500080	HEX. NUT	1	
6	3-56240	OVAL HEAD SCREW	2	
7	1315582	OVAL HEAD SCREW	1	
8	2-80166016	LOCK WASHER	2	
9	2-80166024	LOCK WASHER	1	
10	4-35539	INTERFERENCE FILTER	1	

Go to Discount-Equipment.com to order your parts

# SHUTDOWN BAR ASSY. (OPTION)

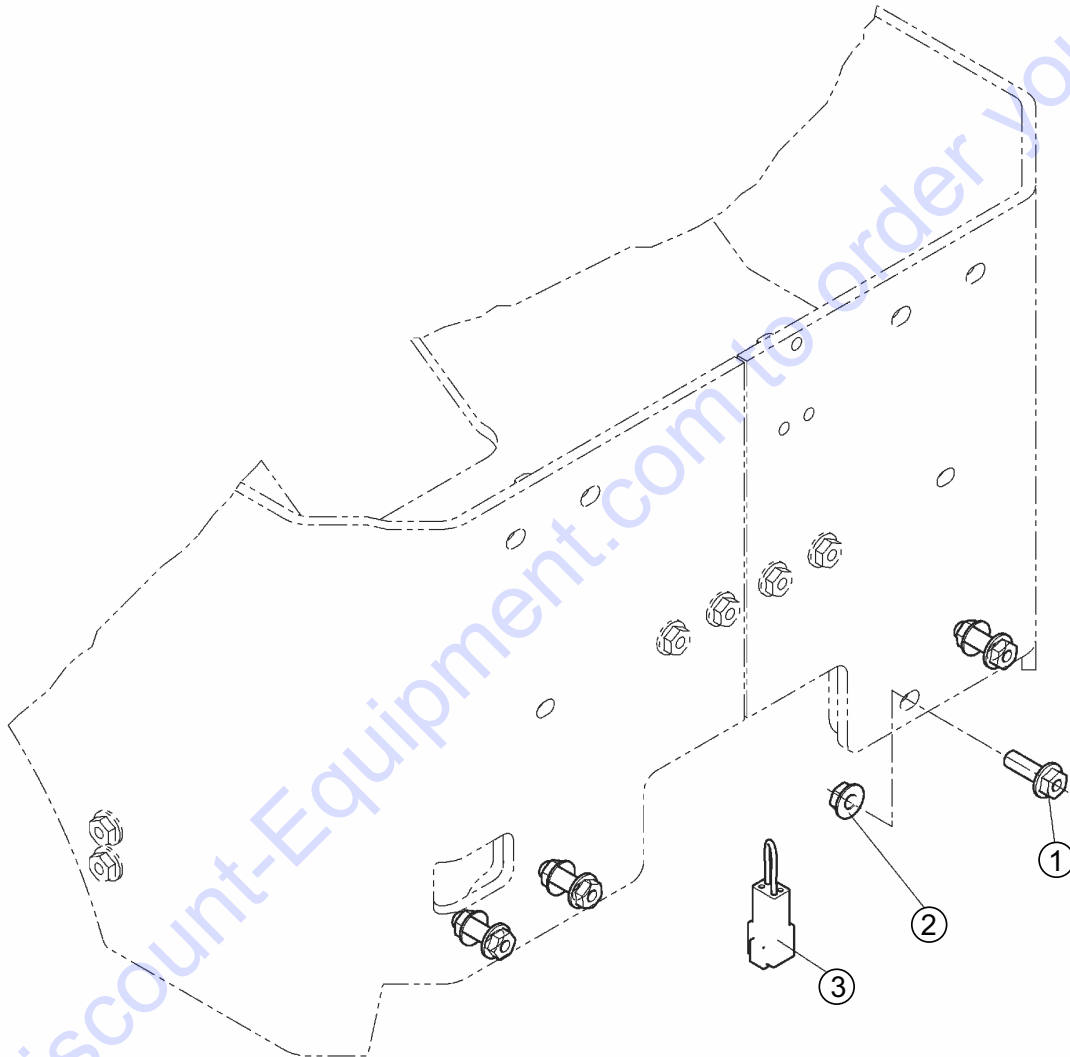


## SHUTDOWN BAR ASSY. (OPTION)

<u>NO.</u>	<u>PART NO.</u>	<u>PART NAME</u>	<u>QTY.</u>	<u>REMARKS</u>
1	1241609	SHUTDOWN BAR ASSEMBLY.....	1.....	INCLUDES ITEMS W/#
1-1#	1241600	HOLDING PLATE	1	
2#	1218322	PIPE	1	
3#	1241607	SHUTDOWN BAR STOP, RIGHT	1	
4#	1241605	SHUTDOWN BAR STOP, LEFT	1	
5#	1218324	COMPRESSION SPRING	1	
6#	1218323	COMPRESSION SPRING	1	
7#	1225894	MOUNTING BRACKET	1	
8#	1218340	ANGLE BRACKET	1	
9#	1225895	BUSHING	2	
10#	1189692	COVER PLATE	2	
11#	1255137	CLAMP BODY	2	
12#	1-902684	SOCKET HEAD CAP SCREW	4	
13#	3-52075	SWITCHING CAM	1	
14#	4-3114310045	SOCKET HEAD CAP SCREW	2	
15#	J941593	WASHER	3	
16#	3-18873	STAY ROPE	1	
17#	3-52074	SWITCH WITH CONNECTOR	1	
18#	J902262	WASHER	4	
19#	4-3048500060	HEX. NUT	4	
20#	4-3002506020	HEX. HEAD SCREW	2	
21#	H0105624	HEX. HEAD SCREW	4	
22#	1183223	HEX. HEAD SCREW	2	
23#	1-908693	STRAIN WASHER	2	
24#	4-3048500100	HEX. NUT	6	
25#	J902264	WASHER	8	
26#	1-923579	BLIND RIVET NUT	2	
27#	4-6531013048	DECAL, TIE DOWN HOOK	1	
28#	4-6531013842	DECAL, WARNING	1	



# WITHOUT BREAKING THE YOKE ASSY. (OPTION)



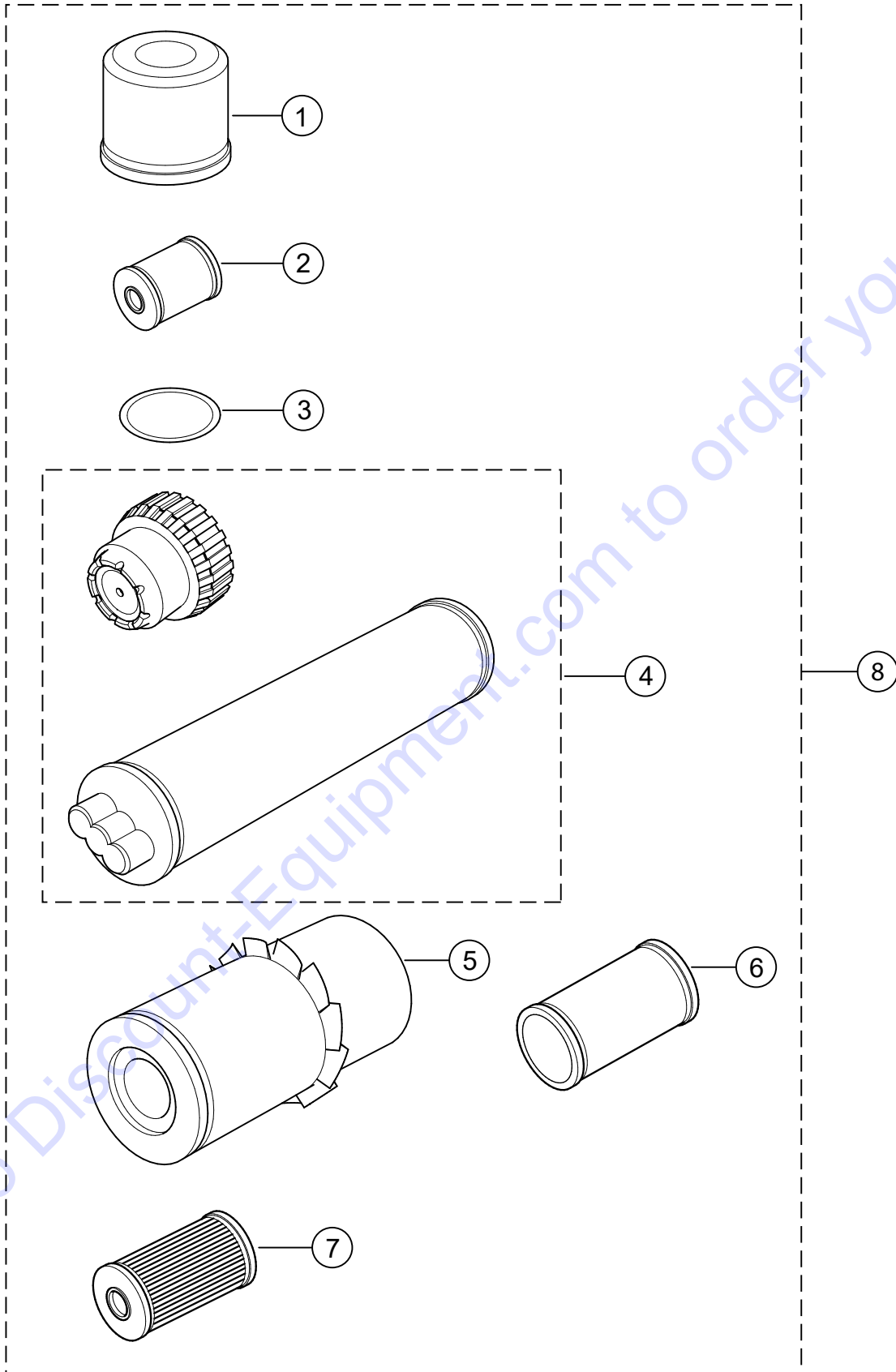
## WITHOUT BREAKING THE YOKE ASSY. (OPTION)

---

<u>NO.</u>	<u>PART NO.</u>	<u>PART NAME</u>	<u>QTY.</u>	<u>REMARKS</u>
1	1283851	HEX. SCREW	4	
2	1283693	HEX. NUT	4	
3	1218385	BRIDGE	1	

Go to Discount-Equipment.com to order your parts

# FILTER SET ASSY.

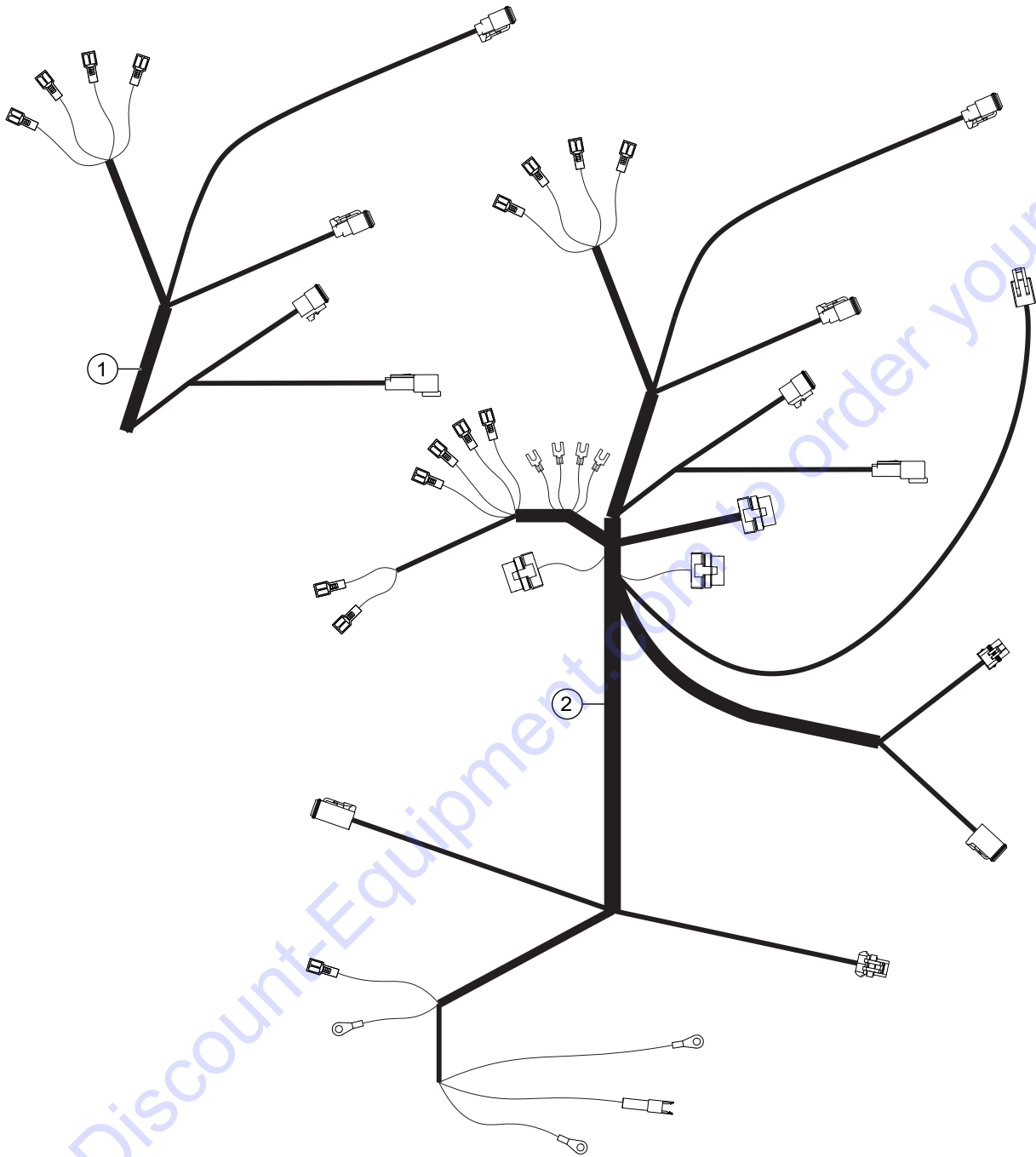


## FILTER SET ASSY.

<u>NO.</u>	<u>PART NO.</u>	<u>PART NAME</u>	<u>QTY.</u>	<u>REMARKS</u>
1#	1-954075	ENGINE OIL FILTER	1	
2#	1-954195	WATER SEPARATOR ELEMENT	1	
3#	76-10210355520	O-RING	1	
4#	1182946	SUCTION FILTER	1	
5#	1300308	AIR FILTER ELEMENT (OUT)	1	
6#	1300309	AIR FILTER ELEMENT (IN)	1	
7#	1-954197	FUEL FILTER ELEMENT	1	
8	4-760099	FILTER SET .....	1.....	INCLUDES ITEMS W/#

Go to Discount-Equipment.com to order your parts

# CABLE HARNESS ASSY.



## **CABLE HARNESS ASSY.**

---

<u>NO.</u>	<u>PART NO.</u>	<u>PART NAME</u>	<u>QTY.</u>	<u>REMARKS</u>
1	1238635	CABLE HARNESS	1	
2	4-10919871	CABLE HARNESS	1	

Go to [Discount-Equipment.com](http://Discount-Equipment.com) to order your parts

# PARTS FINDER

**Search Website  
by Part Number**



**Search Manual  
Library For Parts  
Manual & Lookup Part  
Numbers – Purchase  
or Request Quote**

**Search Manuals**

Enter your information to help us find the right parts manual for your machine.

\* Brand:

\* Model:

\* Serial:

\* Part Number:

SEARCH

**Can't Find Part or  
Manual? Request Help  
by Manufacturer,  
Model & Description**

**Parts Order Form**

Please fill in the following information to help us find the right part for your machine.

Manufacturer:	<input type="text"/>
Model:	<input type="text"/>
Description:	<input type="text"/>
Part Number:	<input type="text"/>
Quantity:	<input type="text"/>
Notes:	<input type="text"/>

Submit

Discount-Equipment.com is your online resource for quality parts & equipment.

Florida: **561-964-4949** Outside Florida TOLL FREE: **877-690-3101**

**Need parts?**

Click on this link: <http://www.discount-equipment.com/category/5443-parts/> and choose one of the options to help get the right parts and equipment you are looking for. Please have the machine model and serial number available in order to help us get you the correct parts. If you don't find the part on the website or on one of the online manuals, please fill out the request form and one of our experienced staff members will get back to you with a quote for the right part that your machine needs.

We sell worldwide for the brands: Genie, Terex, JLG, MultiQuip, Mikasa, Essick, Whiteman, Mayco, Toro Stone, Diamond Products, Generac Magnum, Airman, Haulotte, Barreto, Power Blanket, Nifty Lift, Atlas Copco, Chicago Pneumatic, Allmand, Miller Curber, Skyjack, Lull, Skytrak, Tsurumi, Husquvarna Target, Stow, Wacker, Sakai, Mi-T-M, Sullair, Basic, Dynapac, MBW, Weber, Bartell, Bennar Newman, Haulotte, Ditch Runner, Menegotti, Morrison, Contec, Buddy, Crown, Edco, Wyco, Bomag, Laymor, EZ Trench, Bil-Jax, F.S. Curtis, Gehl Pavers, Heli, Honda, ICS/PowerGrit, IHI, Partner, Imer, Clipper, MMD, Koshin, Rice, CH&E, General Equipment, Amida, Coleman, NAC, Gradall, Square Shooter, Kent, Stanley, Tamco, Toku, Hatz, Kohler, Robin, Wisconsin, Northrock, Oztec, Toker TK, Rol-Air, APT, Wylie, Ingersoll Rand / Doosan, Innovatech, Con X, Ammann, Mecalac, Makinex, Smith Surface Prep, Small Line, Wanco, Yanmar