



**Service Bulletin No.** LT20060329  
**Subject:** Torque Limiter  
**Model:** LT-12D  
**Product Group:** Light Tower/Generator  
**Date:** January 06, 2006

**SERVICE BULLETIN**

**Group:** LT

**Mandatory**       **Information**       **Recommended Change**

**Series/Parts Affected:**

**Machines Affected:**  
**LT-12D S/N 902141-902913**

**SERVICE INFORMATION**

**MANDATORY UPDATE: FAILURE TO FOLLOW INSTRUCTIONS MAY LEAD TO SEVERE UNIT DAMAGE!**

**Problem:**

- Engine mounts are moving causing **severe damage!** to the engine/generator.

**Solution:**

- Install a Torque Limiter Kit to stabilize the engine/generator

**PARTS INFORMATION**

Item #	Qty.	Part #	Description	Remarks
9	1	29884	Torque Limiter Kit	See Figure 1



## INSTALLATION INSTRUCTIONS

### **WORK SAFELY!**

This installation should be performed only by a qualified technician following safe and approved procedures.

Begin by locating the light tower in an open work area free of any obstructions and overhead power lines. Make certain the light tower is on level ground and lower each of the stabilization jacks to prevent tipping.

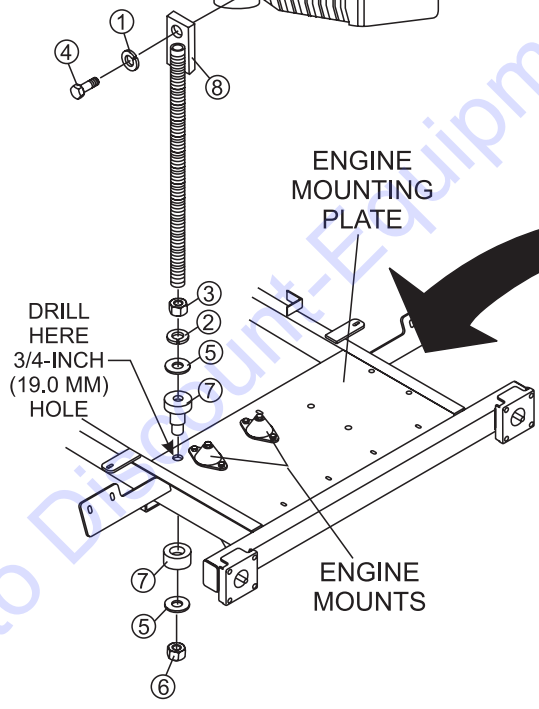
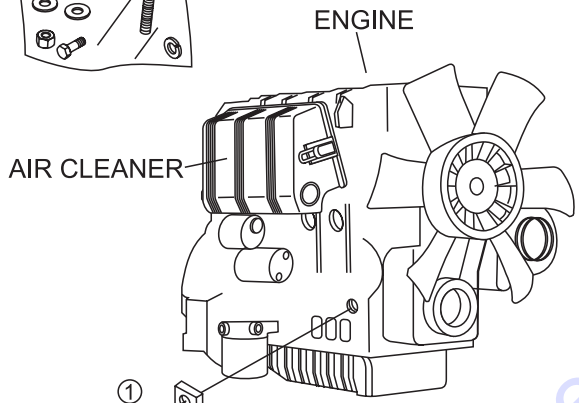
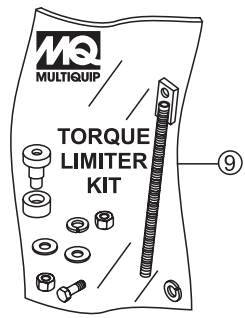
1. Open the Torque Limiter Kit (item 9, P/N 29884) and verify that all parts are accounted for. See Table 1 below.

Item #	Qty.	Part #	Description
1	1	0161 C	Washer, Lock 5/16" MED.
2	1	0166 A	Washer, Lock 3/8" MED
3	1	1456	Nut, Hex Finish 3/8"-16
4	1	2299	Screw, HHC M8-125 x 16 mm
5	2	4001	Washer, Flat USS 3/8" PLD
6	1	10133	Nut, Nylock 3/8"-16
7	1	29649	Mount, Vibration Korfund RB1-200
8	1	29883	Torque Rod

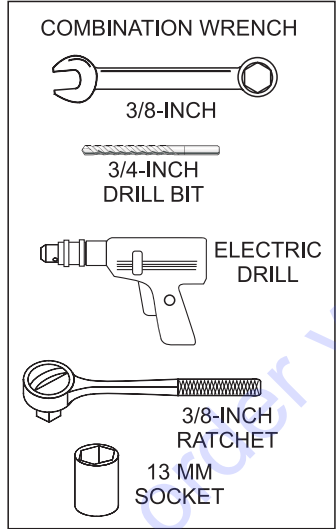
2. Open the cabinet door on the air cleaner side of the unit.
3. Using the dimensions as specified on the **template**, mark the engine mounting plate for a 3/4-inch diameter hole (Figure 1).
4. Using an electric drill and 3/4-inch drill bit, drill a 3/4-inch hole into the engine mounting plate as shown in Figure 1.
5. Once the hole has been drilled, insert the torque limiter rod (item 8,), 3/8"-16 Hex Nut and associated hardware (items 2, 3, 5 and 7) as shown in Figure 1.
6. Tighten item 3 (3/8" Hex Nut) and item 6 (3/8" Nyloc Nut) securely.
7. Insert item 4 (HHC Screw M8-125 x 16 mm) and item 1 (5/16" Lock Washer) through the eyelet on the torque limiter rod.
8. Secure items 1 and 4 to the engine (use pre-existing threaded hole) as shown in Figure 1.
9. Clean-up any drill shavings that might have accumulated during drilling.
10. Close cabinet doors.



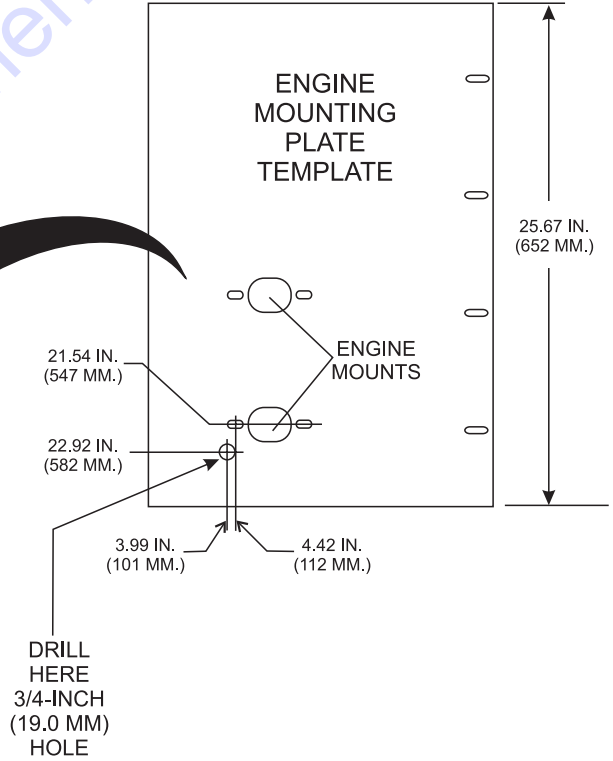
THE ENGINE MOUNTING PLATE IS ALREADY INSTALLED. USE THE ENGINE MOUNTING TEMPLATE AS A GUIDE WHEN DRILLING THE 3/4-INCH HOLE.



### REQUIRED TOOLS



### HOLE PATTERN LAYOUT



**Figure 1. Torque Limiter Installation Diagram**

# PARTS FINDER

**Search Website  
by Part Number**



**Search Manual  
Library For Parts  
Manual & Lookup Part  
Numbers – Purchase  
or Request Quote**

**Search Manuals**

Enter your information to help us find the right parts manual for your machine.

\* Brand:

\* Model:

\* Serial:

\* Part Number:

SEARCH

**Can't Find Part or  
Manual? Request Help  
by Manufacturer,  
Model & Description**

**Parts Order Form**

Please fill in the following information to help us find the right part for your machine.

Manufacturer:	<input type="text"/>
Model:	<input type="text"/>
Description:	<input type="text"/>
Part Number:	<input type="text"/>
Quantity:	<input type="text"/>
Notes:	<input type="text"/>

Discount-Equipment.com is your online resource for quality parts & equipment.

Florida: **561-964-4949** Outside Florida TOLL FREE: **877-690-3101**

**Need parts?**

Click on this link: <http://www.discount-equipment.com/category/5443-parts/> and choose one of the options to help get the right parts and equipment you are looking for. Please have the machine model and serial number available in order to help us get you the correct parts. If you don't find the part on the website or on one of the online manuals, please fill out the request form and one of our experienced staff members will get back to you with a quote for the right part that your machine needs.

We sell worldwide for the brands: Genie, Terex, JLG, MultiQuip, Mikasa, Essick, Whiteman, Mayco, Toro Stone, Diamond Products, Generac Magnum, Airman, Haulotte, Barreto, Power Blanket, Nifty Lift, Atlas Copco, Chicago Pneumatic, Allmand, Miller Curber, Skyjack, Lull, Skytrak, Tsurumi, Husquvarna Target, Stow, Wacker, Sakai, Mi-T-M, Sullair, Basic, Dynapac, MBW, Weber, Bartell, Bennar Newman, Haulotte, Ditch Runner, Menegotti, Morrison, Contec, Buddy, Crown, Edco, Wyco, Bomag, Laymor, EZ Trench, Bil-Jax, F.S. Curtis, Gehl Pavers, Heli, Honda, ICS/PowerGrit, IHI, Partner, Imer, Clipper, MMD, Koshin, Rice, CH&E, General Equipment, Amida, Coleman, NAC, Gradall, Square Shooter, Kent, Stanley, Tamco, Toku, Hatz, Kohler, Robin, Wisconsin, Northrock, Oztec, Toker TK, Rol-Air, APT, Wylie, Ingersoll Rand / Doosan, Innovatech, Con X, Ammann, Mecalac, Makinex, Smith Surface Prep, Small Line, Wanco, Yanmar