



**Service Bulletin No. LT20061127A**  
**Subject: Starter Kit**  
**Model: LT-12D, LT12D50SA, LT12D50GB**  
**Product Group: Light Tower/Generator**  
**Date: November 27, 2006**

**SERVICE BULLETIN**

**Group: LT**

**Mandatory**

**Information**

**Recommended Change**

**Series/Parts Affected:**

**Machines Affected:**

**Model ..... Serial Number Range**

LT-12D.....S/N ALL  
 LT-12D50SA.....S/N ALL  
 LT-12D50GB .....S/N ALL

**SERVICE INFORMATION**

**INFORMATION UPDATE:** The above referenced serial number light towers may experience the following:

The Deutz F3M1008 diesel engine may become difficult to start in temperatures below 5 degrees Fahrenheit (-15 degrees Centigrade). Deutz recommends the use of a heavy duty, high amperage, cold climate 1.6KW starter.

If the light tower will be used in extreme cold weather conditions that are below 5 degrees Fahrenheit, it is recommended to replace the factory shipped 1.1KW starter (standard) with a 1.6KW heavy duty starter.

In addition it is recommended to provide a battery with more cold cranking amps (CCA) and a lower viscosity engine oil when using the light tower in extreme cold weather conditions.

**PARTS INFORMATION**

Item No.	Quantity	Part #	Description	Remarks
1	1	LTHDSTARTERKIT	Kit, 16KW Starter	Includes items 2 thru 4
2	1	12851721	1.6KW Starter-Heavy Duty	
3	1	12850526	Flange, Starter	
4	2	12850528	Screw, Starter Mounting	



## INSTALLATION INSTRUCTIONS

### **WORK SAFELY!**

Only a qualified service technician with proper training should perform this installation.

### **Required Tools/Materials**

- Ratchet with extension (6-inches)
- Socket Set Standard
- Combination Wrenches

### **Safety Procedures**

Perform the following before attempting installation of the Starter Kit:

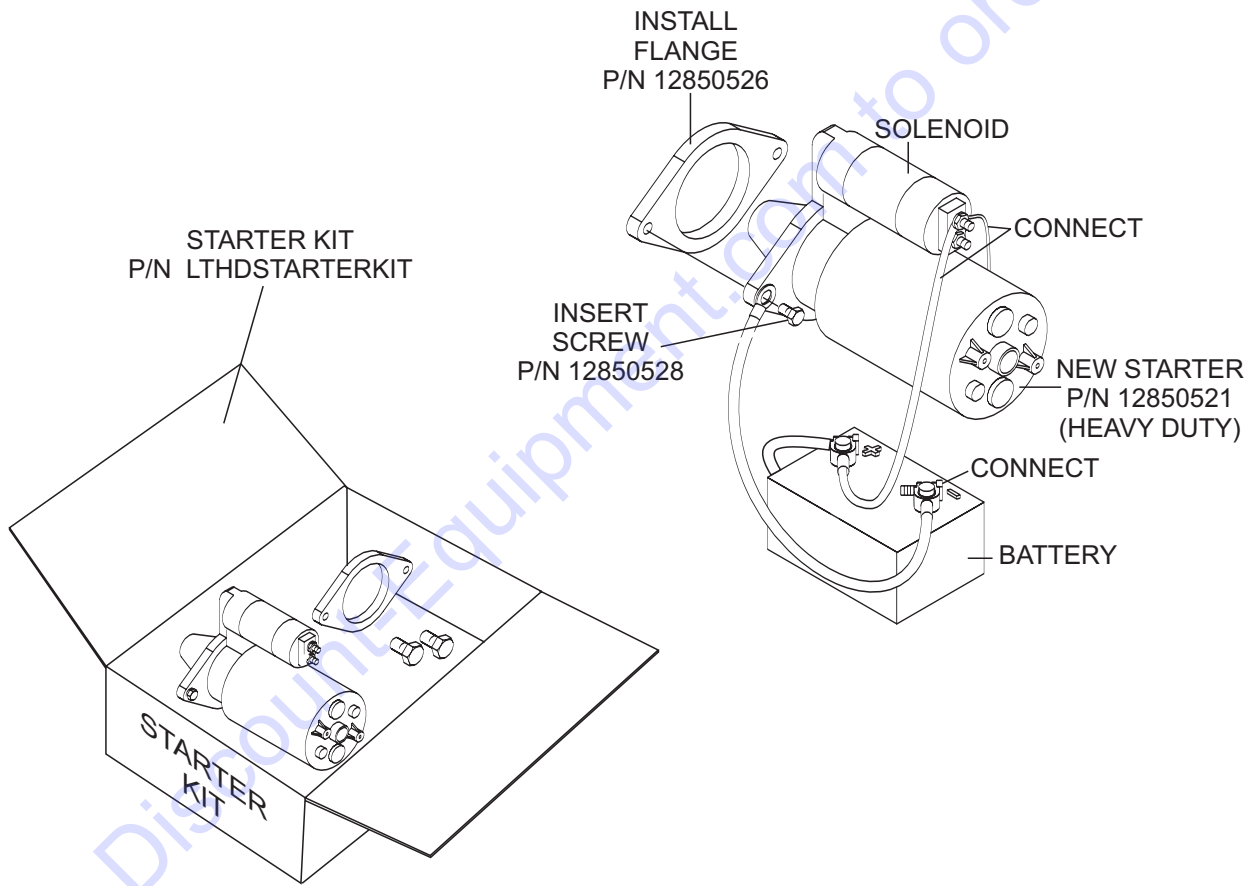
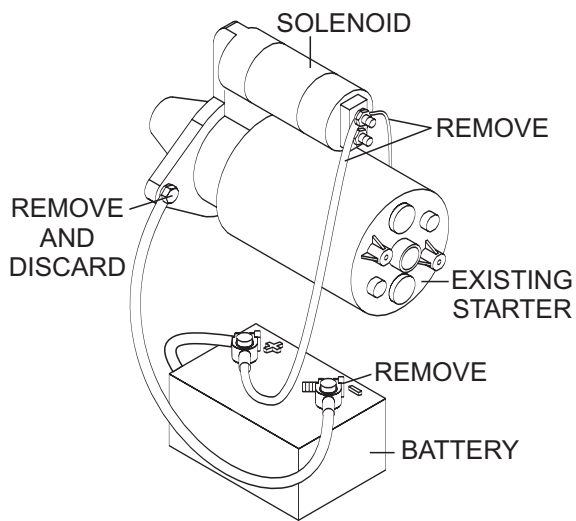
1. Place the machine on level secure ground that is free of dirt and debris.
2. Wear safety glasses; steel toed boots and any other safety protection that might be required for the modification.
3. Disconnect the negative battery cable from the battery.
4. Remove the ignition key from the ignition switch.

### **Starter Removal (1.1KW)**

1. To prevent electrical shock and damage to the unit, make sure that the negative cable (BLACK) has been disconnected from the negative battery post.
2. Disconnect **ALL** wires connected to the starter. Mark orientation of all wiring. These wires will be connected to the new starter.
3. Using a ratchet/socket or combination wrench, remove the starter. Discard the starter mounting screws(2), they are not required for the mounting of the new starter.

### **Starter Installation (1.6KW)**

1. Holding the starter, place the flange (P/N 12850526) between the starter and the engine housing as shown in Figure 1.
2. Insert the new starter (P/N 12851721) into the starter opening on the engine housing while aligning the flange and pinion gear.
3. Insert the mounting screws (P/N 12850528) into the starter and flange, and tighten securely.
4. Reconnect wiring to starter.
5. Reconnect negative battery cable.
6. Start engine.



**Figure 1. Starter Kit Installation**

# PARTS FINDER

**Search Website  
by Part Number**



**Search Manual  
Library For Parts  
Manual & Lookup Part  
Numbers – Purchase  
or Request Quote**

**Search Manuals**

Enter your information to search for a manual or to purchase a manual or parts.

\* Brand:

\* Model:

\* Serial:

\* Part Number:

SEARCH

**Can't Find Part or  
Manual? Request Help  
by Manufacturer,  
Model & Description**

**Parts Order Form**

Please fill in the following information to request help finding a part or manual.

Manufacturer:

Model:

Description:

Quantity:

Part Number:

Part Name:

Part Description:

Part Category:

Part Location:

Part Status:

Part Condition:

Part Material:

Part Color:

Part Weight:

Part Dimensions:

Part Price:

Part Availability:

Part Lead Time:

Part Notes:

Submit

Discount-Equipment.com is your online resource for quality parts & equipment.

Florida: **561-964-4949** Outside Florida TOLL FREE: **877-690-3101**

**Need parts?**

Click on this link: <http://www.discount-equipment.com/category/5443-parts/> and choose one of the options to help get the right parts and equipment you are looking for. Please have the machine model and serial number available in order to help us get you the correct parts. If you don't find the part on the website or on one of the online manuals, please fill out the request form and one of our experienced staff members will get back to you with a quote for the right part that your machine needs.

We sell worldwide for the brands: Genie, Terex, JLG, MultiQuip, Mikasa, Essick, Whiteman, Mayco, Toro Stone, Diamond Products, Generac Magnum, Airman, Haulotte, Barreto, Power Blanket, Nifty Lift, Atlas Copco, Chicago Pneumatic, Allmand, Miller Curber, Skyjack, Lull, Skytrak, Tsurumi, Husquvarna Target, Stow, Wacker, Sakai, Mi-T-M, Sullair, Basic, Dynapac, MBW, Weber, Bartell, Bennar Newman, Haulotte, Ditch Runner, Menegotti, Morrison, Contec, Buddy, Crown, Edco, Wyco, Bomag, Laymor, EZ Trench, Bil-Jax, F.S. Curtis, Gehl Pavers, Heli, Honda, ICS/PowerGrit, IHI, Partner, Imer, Clipper, MMD, Koshin, Rice, CH&E, General Equipment, Amida, Coleman, NAC, Gradall, Square Shooter, Kent, Stanley, Tamco, Toku, Hatz, Kohler, Robin, Wisconsin, Northrock, Oztec, Toker TK, Rol-Air, APT, Wylie, Ingersoll Rand / Doosan, Innovatech, Con X, Ammann, Mecalac, Makinex, Smith Surface Prep, Small Line, Wanco, Yanmar