

PARTS MANUAL



**MODEL P33/24:
HHM (MANUAL)
HHMR (WIRELESS/TETHERED)
VARIABLE ECCENTRIC WEIGHT (OPTION)**

**STARTING SERIAL NO. 1536704
VIBRATORY TRENCH ROLLER**

Revision #2 (06/13/08)



THIS MANUAL MUST ACCOMPANY THE EQUIPMENT AT ALL TIMES.

PARTS FINDER

**Search Website
by Part Number**



**Search Manual
Library For Parts
Manual & Lookup Part
Numbers – Purchase
or Request Quote**

Search Manuals

Enter your information to help us find the right parts manual for your machine.

* Brand:

* Model:

* Serial:

* Part Number:

SEARCH

**Can't Find Part or
Manual? Request Help
by Manufacturer,
Model & Description**

Parts Order Form

Please fill in the following information to help us find the right part for your machine.

Manufacturer:	<input type="text"/>
Model:	<input type="text"/>
Description:	<input type="text"/>
Part Number:	<input type="text"/>
Quantity:	<input type="text"/>
Notes:	<input type="text"/>

Submit

Discount-Equipment.com is your online resource for quality parts & equipment.

Florida: **561-964-4949** Outside Florida TOLL FREE: **877-690-3101**

Need parts?

Click on this link: <http://www.discount-equipment.com/category/5443-parts/> and choose one of the options to help get the right parts and equipment you are looking for. Please have the machine model and serial number available in order to help us get you the correct parts. If you don't find the part on the website or on one of the online manuals, please fill out the request form and one of our experienced staff members will get back to you with a quote for the right part that your machine needs.

We sell worldwide for the brands: Genie, Terex, JLG, MultiQuip, Mikasa, Essick, Whiteman, Mayco, Toro Stone, Diamond Products, Generac Magnum, Airman, Haulotte, Barreto, Power Blanket, Nifty Lift, Atlas Copco, Chicago Pneumatic, Allmand, Miller Curber, Skyjack, Lull, Skytrak, Tsurumi, Husquvarna Target, Stow, Wacker, Sakai, Mi-T-M, Sullair, Basic, Dynapac, MBW, Weber, Bartell, Bennar Newman, Haulotte, Ditch Runner, Menegotti, Morrison, Contec, Buddy, Crown, Edco, Wyco, Bomag, Laymor, EZ Trench, Bil-Jax, F.S. Curtis, Gehl Pavers, Heli, Honda, ICS/PowerGrit, IHI, Partner, Imer, Clipper, MMD, Koshin, Rice, CH&E, General Equipment, Amida, Coleman, NAC, Gradall, Square Shooter, Kent, Stanley, Tamco, Toku, Hatz, Kohler, Robin, Wisconsin, Northrock, Oztec, Toker TK, Rol-Air, APT, Wylie, Ingersoll Rand / Doosan, Innovatech, Con X, Ammann, Mecalac, Makinex, Smith Surface Prep, Small Line, Wanco, Yanmar

 **WARNING** 

CALIFORNIA — Proposition 65 Warning

Engine exhaust and some of its constituents, and some dust created by power sanding, sawing, grinding, drilling and other construction activities contains chemicals known to the State of California to cause cancer, birth defects and other reproductive harm. Some examples of these chemicals are:

- Lead from lead-based paints.
- Crystalline silica from bricks.
- Cement and other masonry products.
- Arsenic and chromium from chemically treated lumber.

Your risk from these exposures varies, depending on how often you do this type of work. To reduce your exposure to these chemicals: **ALWAYS** work in a well ventilated area, and work with approved safety equipment, such as dust masks that are specially designed to filter out microscopic particles.

P33/24 HHM-HHMR — TABLE OF CONTENTS

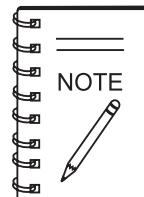
MQ RAMMAX P33/24 Vibratory Trench Roller

Proposition 65 Warning	2
Table Of Contents	4
Parts Ordering Procedures	5
Explanation Of Code In Remarks Column	6
Suggested Spare Parts	7

Component Drawings

Standard Drum Assembly	8-9
Universal Drum Assembly	10-11
Smooth Drum 24" Assembly	12-13
Smooth Drum 33" Assembly	14-15
Hydraulic Motor 1 Assembly	16-17
Hydraulic Motor 2 Assembly	18-19
Vibrator Assembly	20-21
Vibrator Motor Assembly	22-23
Mounting Frame Assembly	24-25
Engine Cover Plate Assembly	26-27
Insulating Board Assembly	28-29
Diesel Engine Assembly	30-31
Engine Mounting Assembly	32-33
Exhaust Silencer Assembly	34-35
Air Cleaner Assembly	36-37
Pump Assembly	38-39
Air Intake/Oil Drain Hose Assembly	40-41
Fuel Lines Assembly	42-43
Console Cockpit Assembly	44-45
Emergency Stop Bumper Assembly	46-47
Valve Mounting Assembly	48-49

Manual Operation Valves Assembly	50-51
Remote Control Operation Valves Assembly	52-53
Throttle Cable Assembly	54-55
Receiver/Console Assembly (HHMR)	56-57
Console Components 1 Assembly	58-59
Console Components 2 Assembly	60-61
Transmitter Control Box Assembly (HHMR)	62-63
Battery Assembly	64-65
Wiring Harness Assembly (HHM)	66-67
Wiring Harness Assembly (HHMR Wireless)	68-71
Wiring Harness Assembly (HHMR Tethered)	72-75
Hydraulic Schematic	76-77
Hydraulic Hose Layout	78-79
Hydraulic Hose Locator Chart	80
Component Locator	81
Electrical Component Locator (HHM)	82
Wiring Schematic (HHM)	83
Electrical Component Locator (HHMR)	84
Wiring Schematic (HHMR)	85
Terms and Conditions of Sale — Parts	86



Specification and part number are subject to change without notice.

P33/24 HHM-HHMR — EXPLANATION OF PARTS SECTION REMARKS

The following section explains the different symbols and remarks used in the Parts section of this manual. Use the help numbers found on the back page of the manual if there are any questions.

The contents and part numbers listed in the parts section are subject to change **without notice**. Multiquip does not guarantee the availability of the parts listed.

Sample Parts List:

NO.	PART NO.	PART NAME	QTY.	REMARKS
1	12345	BOLT	1	INCLUDES ITEMS W/*
2*		WASHER, 1/4 IN.		NOT SOLD SEPARATELY
2*	12347	WASHER, 3/8 IN. ...	1	MQ-45T ONLY
3	12348	HOSE	A/R	MAKE LOCALLY
4	12349	BEARING	1	S/N 2345B AND ABOVE

NO. Column

Unique Symbols - All items with same unique symbol (*, #, +, %, or >) in the number column belong to the same assembly or kit, which is indicated by a note in the "Remarks" column.

Duplicate Item Numbers - Duplicate numbers indicate multiple part numbers are in effect for the same general item, such as different size saw blade guards in use or a part that has been updated on newer versions of the same machine.



When ordering a part that has more than one item number listed, check the remarks column for help in determining the proper part to order.

PART NO. Column

Numbers Used - Part numbers can be indicated by a number, a blank entry, or TBD.

TBD (To Be Determined) is generally used to show a part that has not been assigned a formal part number at time of publication.

A blank entry generally indicates that the item is not sold separately or is not sold by Multiquip. Other entries will be clarified in the "Remarks" Column.

QTY. Column

Numbers Used - Item quantity can be indicated by a number, a blank entry, or A/R.

A/R (As Required) is generally used for hoses or other parts that are sold in bulk and cut to length.

A blank entry generally indicates that the item is not sold separately. Other entries will be clarified in the "Remarks" Column.

REMARKS Column

Some of the most common notes found in the "Remarks" Column are listed below. Other additional notes needed to describe the item can also be shown.

Assembly/Kit - All items on the parts list with the same unique symbol will be included when this item is purchased.

Indicated by:

"INCLUDES ITEMS W/(unique symbol)"

Serial Number Break - Used to list an effective serial number range where a particular part is used.

Indicated by:

"S/N XXXXX AND BELOW"

"S/N XXXX AND ABOVE"

"S/N XXXX TO S/N XXX"

Specific Model Number Use - Indicates that the part is used only with the specific model number or model number variant listed. It can also be used to show a part is NOT used on a specific model or model number variant.

Indicated by:

"XXXXX ONLY"

"NOT USED ON XXXX"

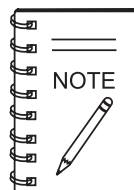
"Make/Obtain Locally" - Indicates that the part can be purchased at any hardware shop or made out of available items. Examples include battery cables, shims, and certain washers and nuts.

"Not Sold Separately" - Indicates that an item cannot be purchased as a separate item and is either part of an assembly/kit that can be purchased, or is not available for sale through Multiquip.

P33/24 HHM-HHMR — SUGGESTED SPARE PARTS

MQ RAMMAX P33/24 HHM-HHMR VIBRATORY TRENCH ROLLER 1 TO 3 UNITS W/HATZ 2 G40

Qty...	P/N	Description
3	69225	AIR FILTER
3	69224	INNER FILTER PRESREENER
3	50379100	FUEL FILTER
3	50302800	OIL FILTER
3	51619	HIGH-PRESSURE FILTER
1	90292	VOLTAGE REGULATOR
1	3-10728	SAFETY BUMPER
1	64548	THROTTLE ASSY. (W/LEVER & CABLE)
1	52012	STARTER SWITCH
6	52007	STARTER KEYS
1	68333	RECEIVER EYE
1	68562	COCKPIT, HHMR
1	68568	COCKPIT, HHM
3	68744	FUSES

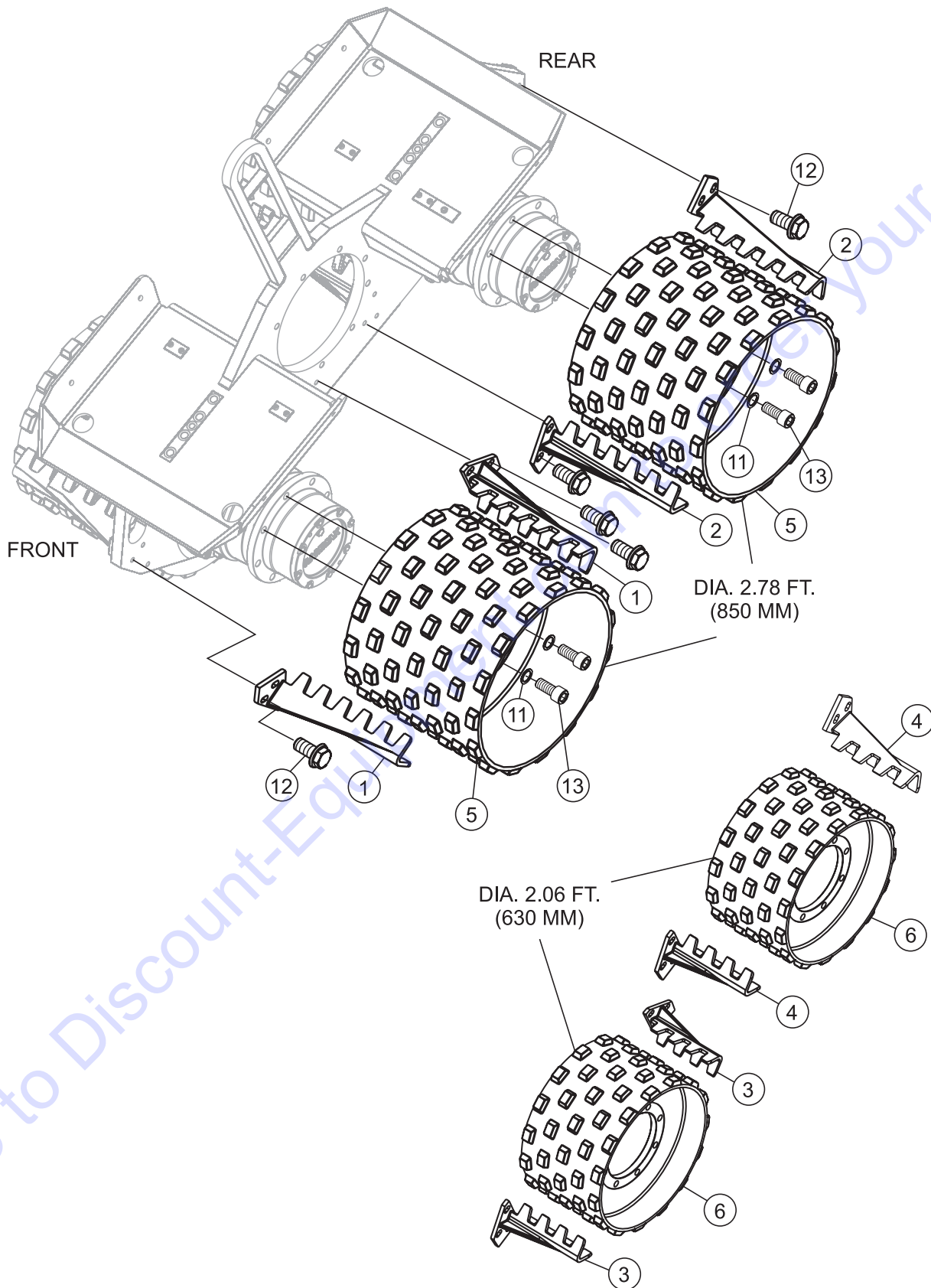


Part numbers on this Suggested Spare Parts List may supercede/replace the P/N's shown in the test pages of this manual.

Go to Discount-Equipment.com to order your parts

P33/24 HHM-HHMR — STANDARD DRUM ASSY.

STANDARD DRUM ASSY.



P33/24 HHM-HHMR — STANDARD DRUM ASSY.

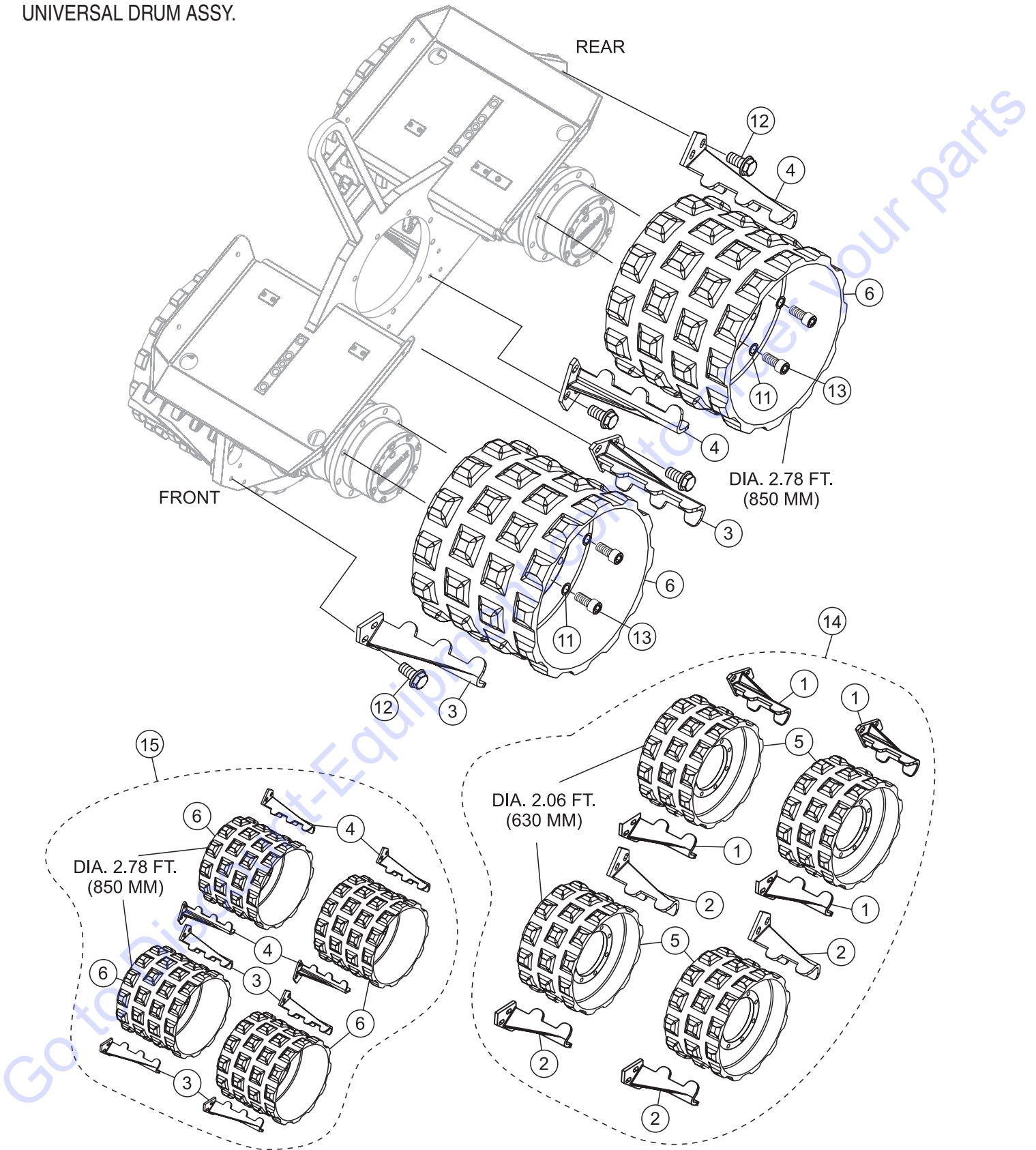
STANDARD DRUM ASSY.

<u>NO.</u>	<u>PART NO.</u>	<u>PART NAME</u>	<u>QTY.</u>	<u>REMARKS</u>
1	00288	SCRAPER, 33" F/R-F/L	4	USE WITH FRONT DRUM 00422
2	00289	SCRAPER, 33" R/R-R/L	4	USE WITH REAR DRUM 00422
3	00290	SCRAPER, 24" F/R-F/L	4	USE WITH FRONT DRUM 00423
4	00291	SCRAPER, 24" R/R-R/L	4	USE WITH REAR DRUM 00423
5	00422	DRUM, 33" SMALL PADS	4	DIA. 2.78 FT. (850 MM)
6	00423	DRUM, 24" SMALL PADS	4	DIA. 2.06 FT. (630 MM)
11	58333	RETAINING WASHER, S-18	32	
12	55946	HEX BOLT, M12 X 25	24	
13	54153	ALLEN HEAD CAP SCREW, M18 X 40	32	

Go to Discount-Equipment.com to order your parts

P33/24 HHM-HHMR — UNIVERSAL DRUM ASSY.

UNIVERSAL DRUM ASSY.



P33/24 HHM-HHMR — UNIVERSAL DRUM ASSY.

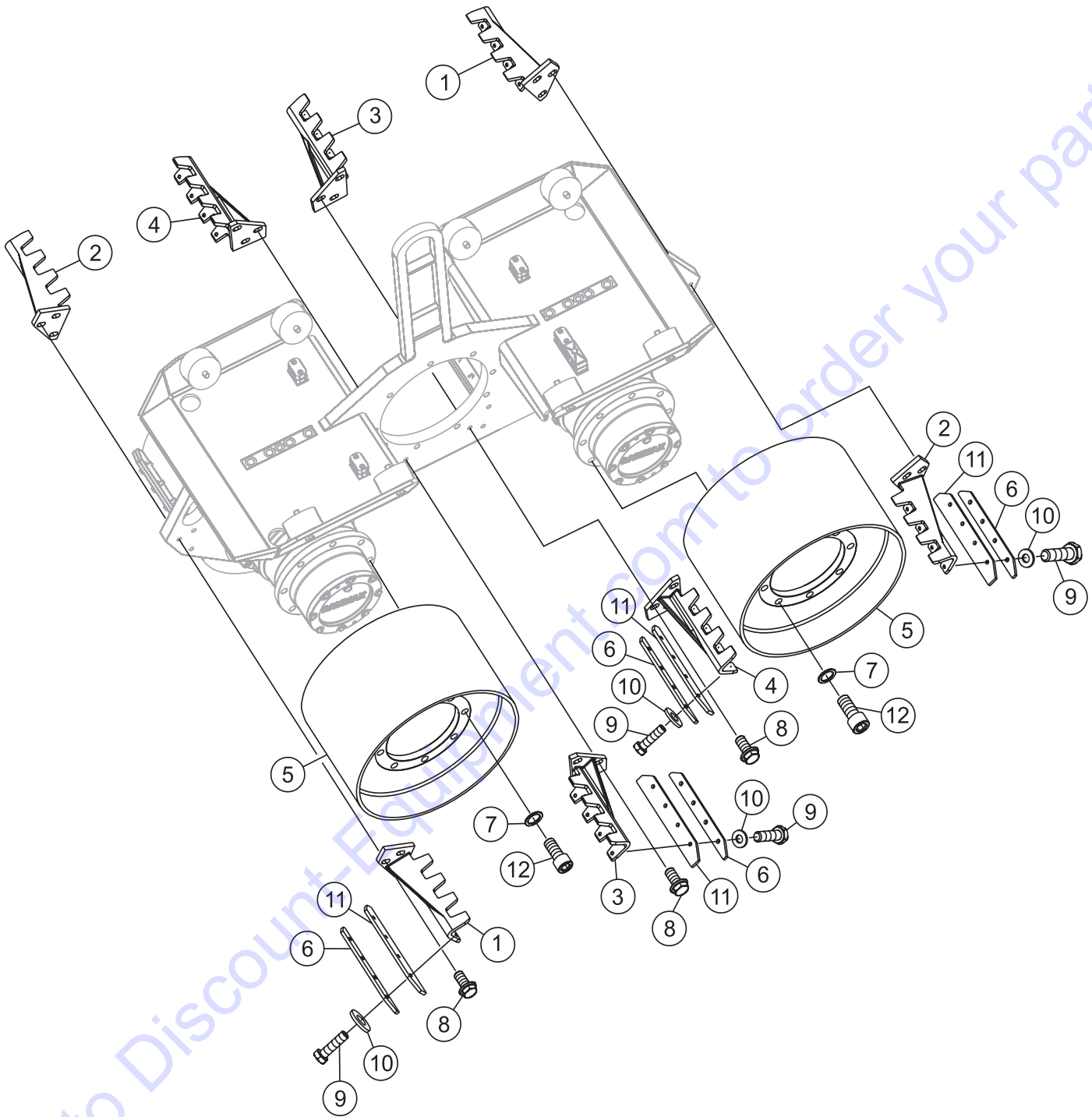
UNIVERSAL DRUM ASSY.

NO.	PART NO.	PART NAME	QTY.	REMARKS
1*	00342	SCRAPER, 24" F/L-R/R	4	USE WITH REAR DRUM 00300
2*	00343	SCRAPER, 24" F/R-L/R	4	USE WITH FRONT DRUM 00300
3#	00344	SCRAPER, 33" F/L-R/R	4	USE WITH FRONT DRUM 00400
4#	00345	SCRAPER, 33" F/R-L/R	4	USE WITH REAR DRUM 00400
5*	00300	DRUM, 24" LARGE PADS	4	DIA. 2.06 FT. (630 MM)
6#	00400	DRUM, 33" LARGE PADS	4	DIA. 2.78 FT (850 MM)
11	58333	RETAINING WASHER, S-18	32	
12	55946	HEX BOLT, M12 X 25	24	
13	54153	ALLEN HEAD CAP SCREW, M18X40	32	
14	KIT24A	DRUM AND SCRAPER KIT	1	CONTACT DISCOUNT-EQUIPMENT INCLUDES ITEMS W/*
15	KIT33A	DRUM AND SCRAPER KIT	1	CONTACT DISCOUNT-EQUIPMENT INCLUDES ITEMS W/#

Go to Discount-Equipment.com to order your parts

P33/24 HHM-HHMR — SMOOTH DRUM 24" ASSY.

SMOOTH DRUM 24" ASSY.



P33/24 HHM-HHMR — SMOOTH DRUM 24" ASSY.

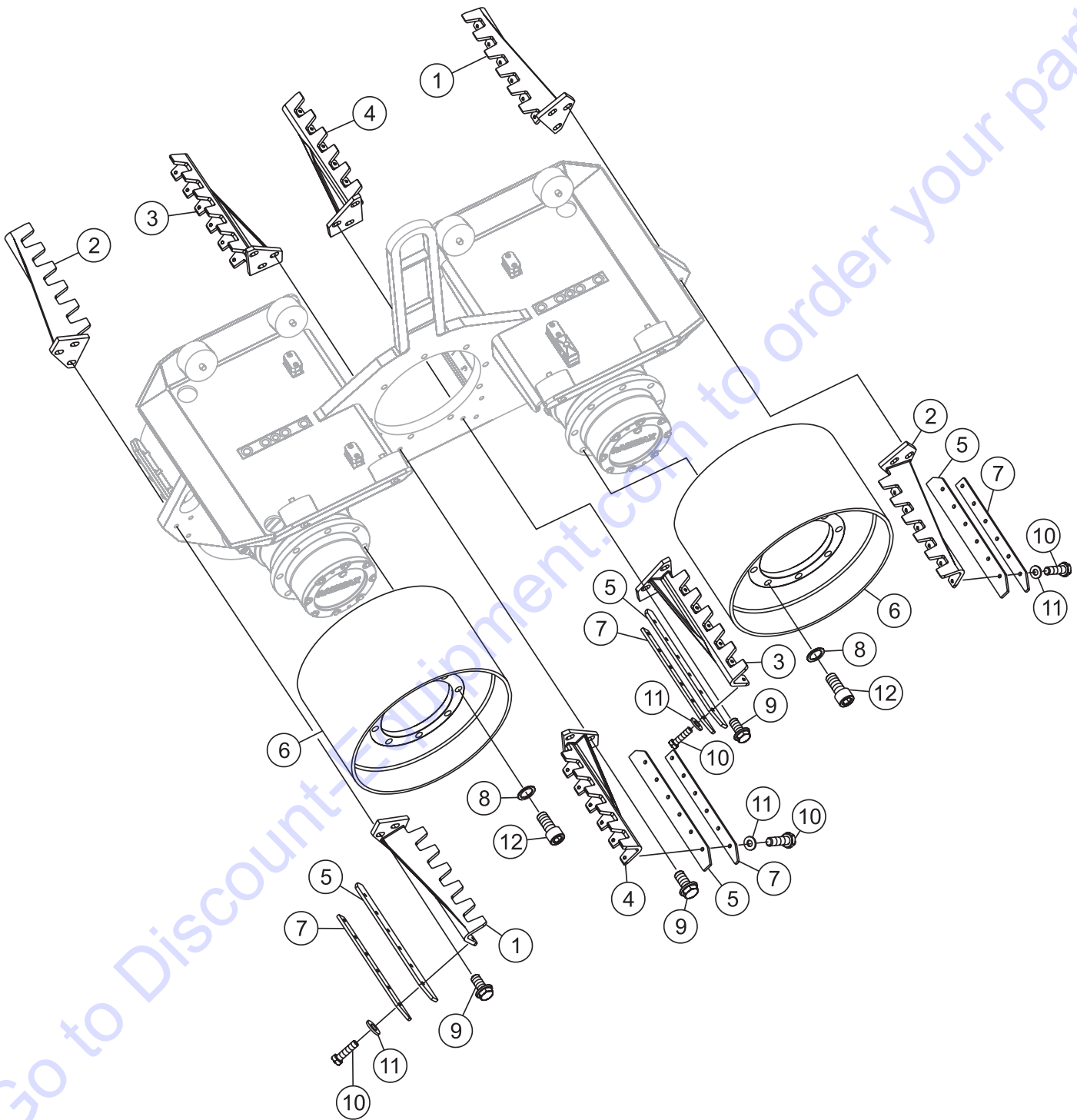
SMOOTH DRUM 24" ASSY.

<u>NO.</u>	<u>PART NO.</u>	<u>PART NAME</u>	<u>QTY.</u>	<u>REMARKS</u>
1	05456	SCRAPER	2	
2	05457	SCRAPER	2	
3	3-10615	SCRAPER	2	
4	3-10616	SCRAPER	2	
5	3-10614	DRUM, DIA. 24"	4	
6	05454	CLAMPING LATH	8	
7	58332	RETAINING WASHER, S-18	32	
8	55946	HEX BOLT, M12X25	24	
9	55902	HEX BOLT, M8X30	32	
10	58222	LOCK WASHER, 8.4X18X2	32	
11	05455	SCRAPER LATH, 3-74102 VULKOLLAN 90°SHORE T=8MM	8	
12	54153	ALLEN HEAD CAP SCREW, M18X40	32	

Go to Discount-Equipment.com to order your parts

P33/24 HHM-HHMR — SMOOTH DRUM 33" ASSY.

SMOOTH DRUM 33" ASSY.



P33/24 HHM-HHMR — SMOOTH DRUM 33" ASSY.

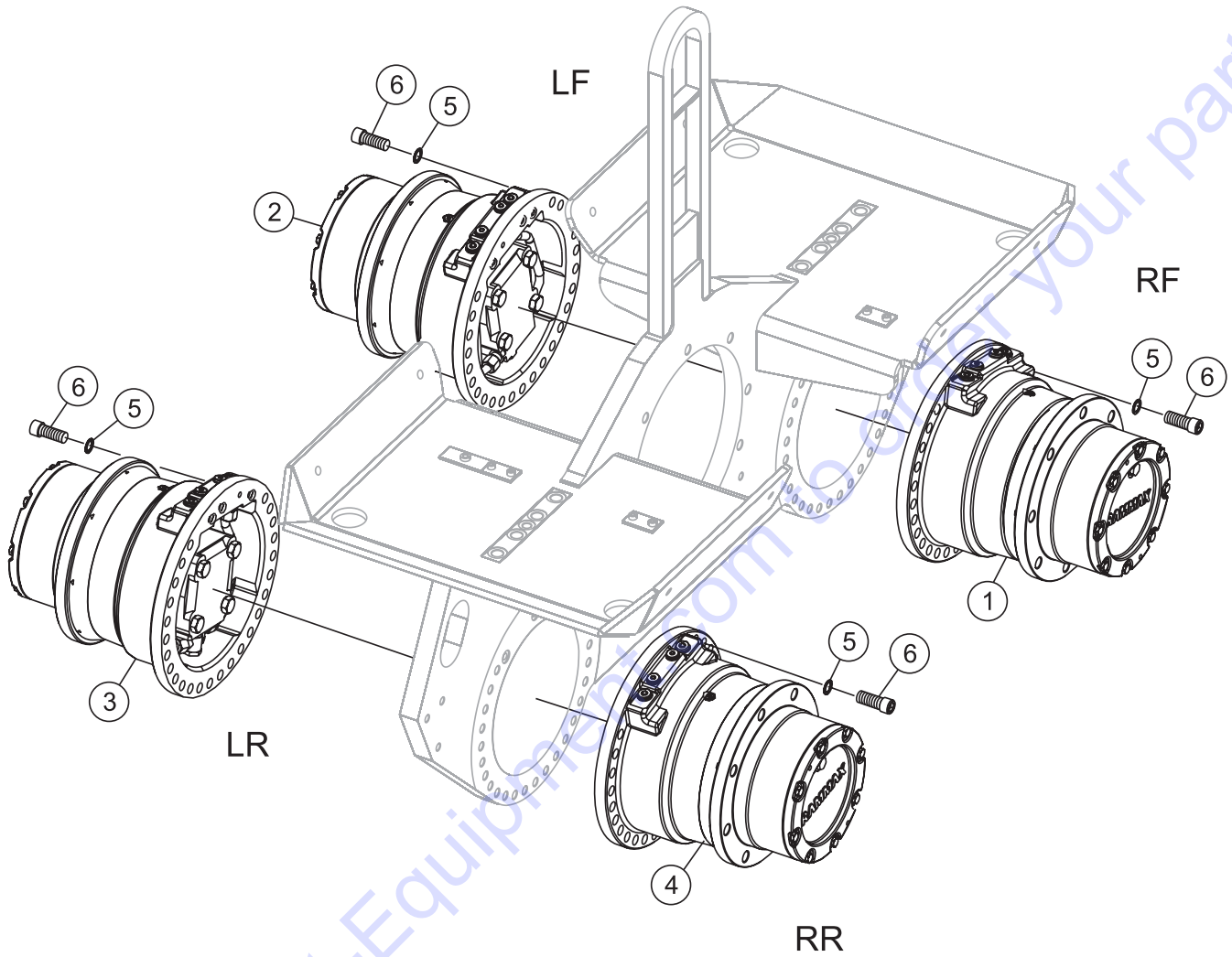
SMOOTH DRUM 33" ASSY.

<u>NO.</u>	<u>PART NO.</u>	<u>PART NAME</u>	<u>QTY.</u>	<u>REMARKS</u>
1	05428	SCRAPER	2	
2	05429	SCRAPER	2	
3	3-10612	SCRAPER	2	
4	3-10613	SCRAPER	2	
5	05426	SCRAPER LATH	8	
6	3-10611	DRUM, DIA. 33"	4	
7	05427	CLAMPING LATH, B6.4	8	
8	58332	RETAINING WASHER, S-18	32	
9	55946	HEX BOLT, M12X25	24	
10	55902	HEX BOLT, M8X30	48	
11	58222	LOCK WASHER, 8.4X18X2	48	
12	54153	ALLEN HEAD CAP SCREW	32	

Go to Discount-Equipment.com to order your parts

P33/24 HHM-HHMR — HYDRAULIC MOTOR 1 ASSY.

HYDRAULIC MOTOR 1 ASSY.



P33/24 HHM-HHMR — HYDRAULIC MOTOR 1 ASSY.

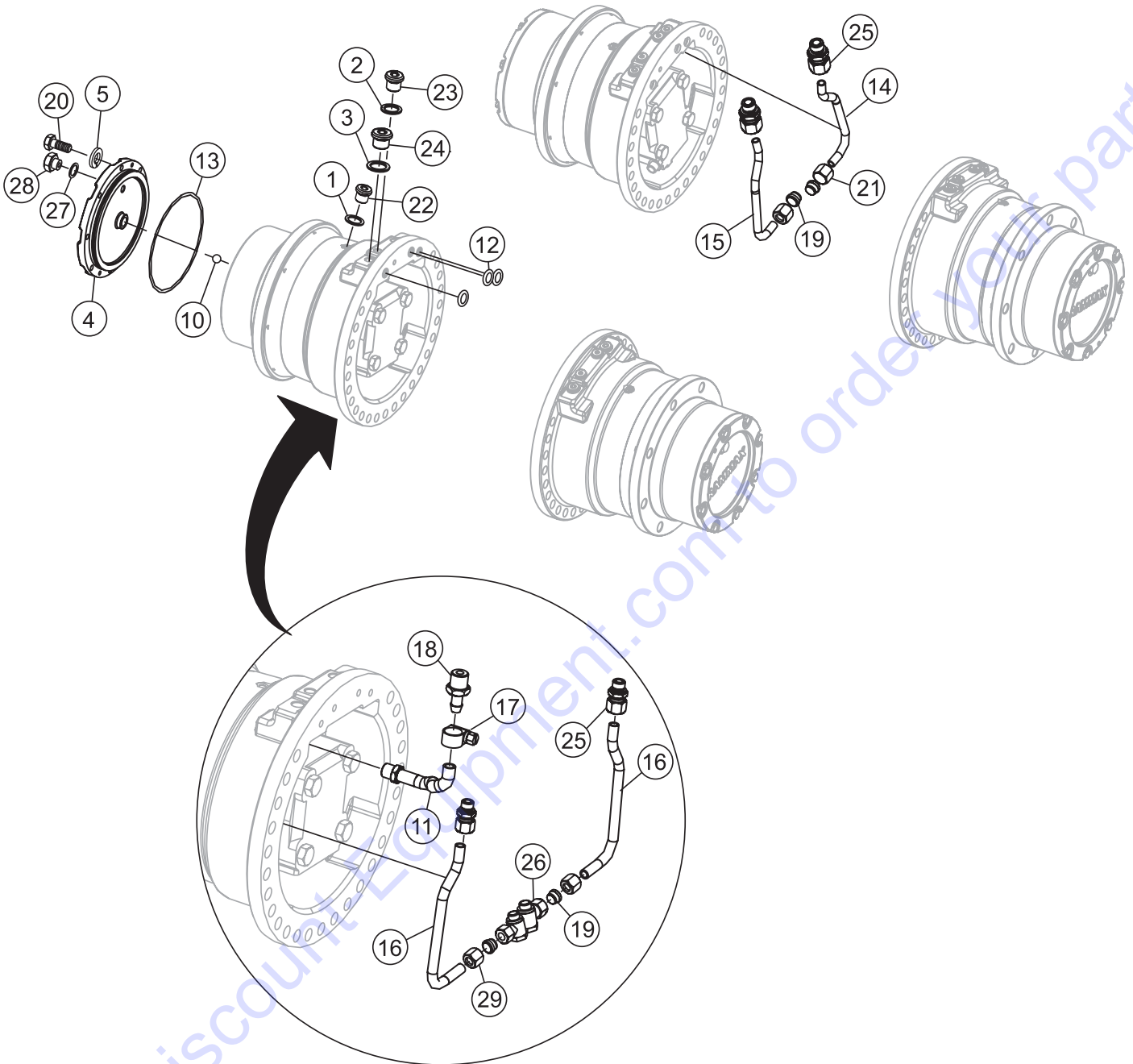
HYDRAULIC MOTOR 1 ASSY.

<u>NO.</u>	<u>PART NO.</u>	<u>PART NAME</u>	<u>QTY.</u>	<u>REMARKS</u>
1	88022	HYDRAULIC MOTOR, R/F WITHOUT BRAKE	1	
2	88021	HYDRAULIC MOTOR, L/F WITH BRAKE	1	
3	88022	HYDRAULIC MOTOR, L/R WITHOUT BRAKE	1	
4	88021	HYDRAULIC MOTOR, R/R WITH BRAKE	1	
5	58329	RETAINING WASHER, S-14	48	
6	54660	ALLEN HEAD CAP SCREW, M14 X 40	48	

Go to Discount-Equipment.com to order your parts

P33/24 HHM-HHMR — HYDRAULIC MOTOR 2 ASSY.

HYDRAULIC MOTOR 2 ASSY.



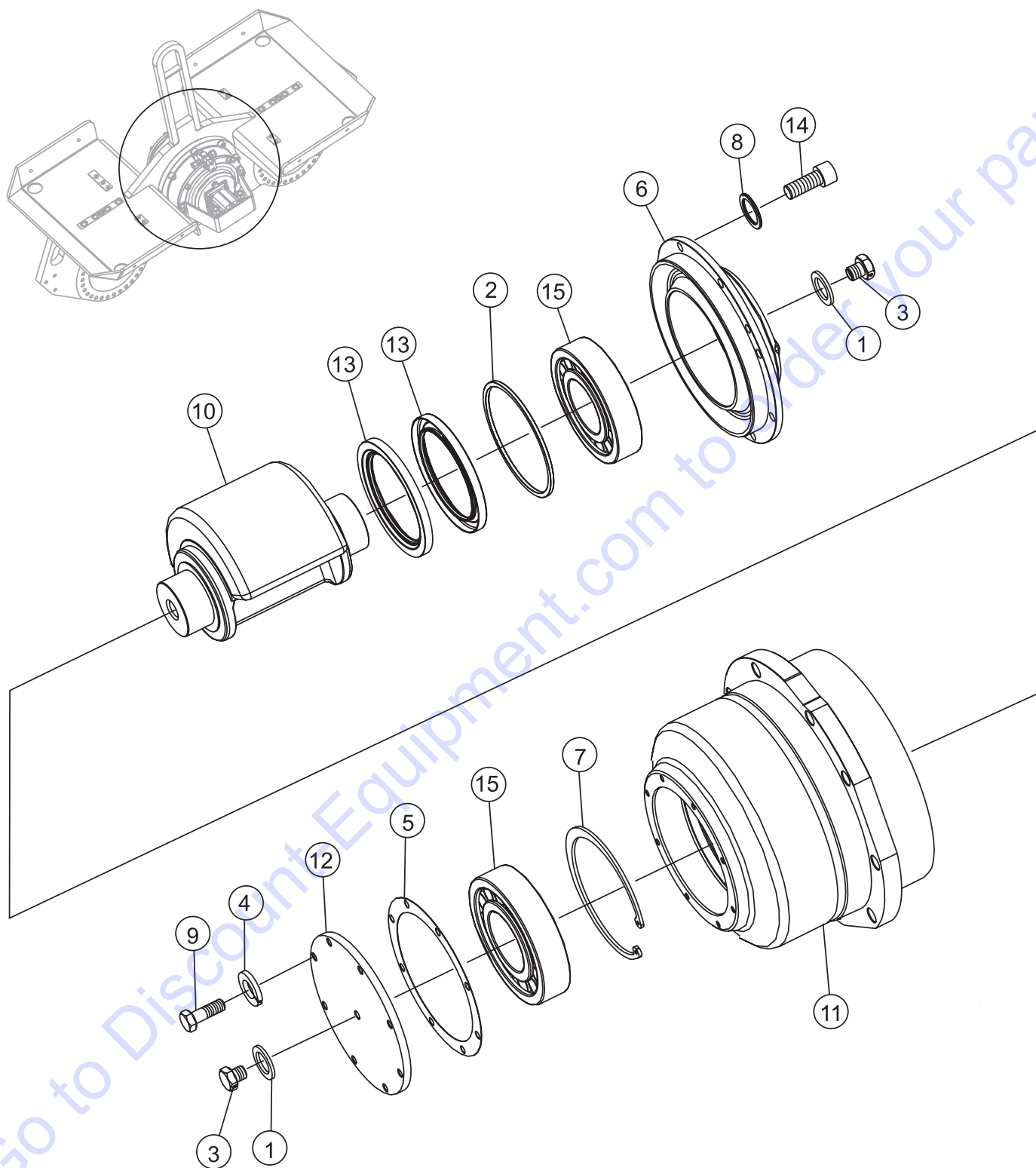
P33/24 HHM-HHMR — HYDRAULIC MOTOR 2 ASSY.

HYDRAULIC MOTOR 2 ASSY.

<u>NO.</u>	<u>PART NO.</u>	<u>PART NAME</u>	<u>QTY.</u>	<u>REMARKS</u>
1	58618	COPPER RING, 10 X 14 X 1	4	
2	58605	COPPER RING	8	
3	58606	COPPER RING, 16 X 22 X 1.5	8	
4	46203	BONNET, COVER	4	
5	58325	SPRING WASHER	32	
10	51215	BALL, RB-16 KI.5	4	
11	67000	OIL OVER FLOW HOSE	4	
12	62031	O-RING, 14 X 3 AU 90° SHORE	12	
13	62166	O-RING	4	
14	46222	PIPE	2	
15	46223	PIPE	2	
16	46224	PIPE	4	
17	63250	BRACKET, ABA 8- 12 X 9	4	
18	57775	HOSE STEM, M14 X 1.5	4	
19	57682	CUTTING RING, 12-L/S	8	
20	55901	HEX BOLT, M8 X 20	32	
21	57689	HEX NUT, 12-S	4	
22	58800	DRAIN PLUG, M10 X 1	4	
23	58802	DRAIN PLUG, M14 X 1.5	8	
24	58803	DRAIN PLUG, M16 X 1.5	8	
25	57475	HYDRAULIC FITTING, G3 12 LM	8	
26	57529	HYDRAULIC FITTING, SWVE 12 LM	4	
27	58603	COPPER RING	4	
28	58860	DRAIN PLUG	4	
29	57686	HEX NUT	4	

P33/24 HHM-HHMR — VIBRATOR ASSY.

VIBRATOR ASSY.



P33/24 HHM-HHMR — VIBRATOR ASSY.

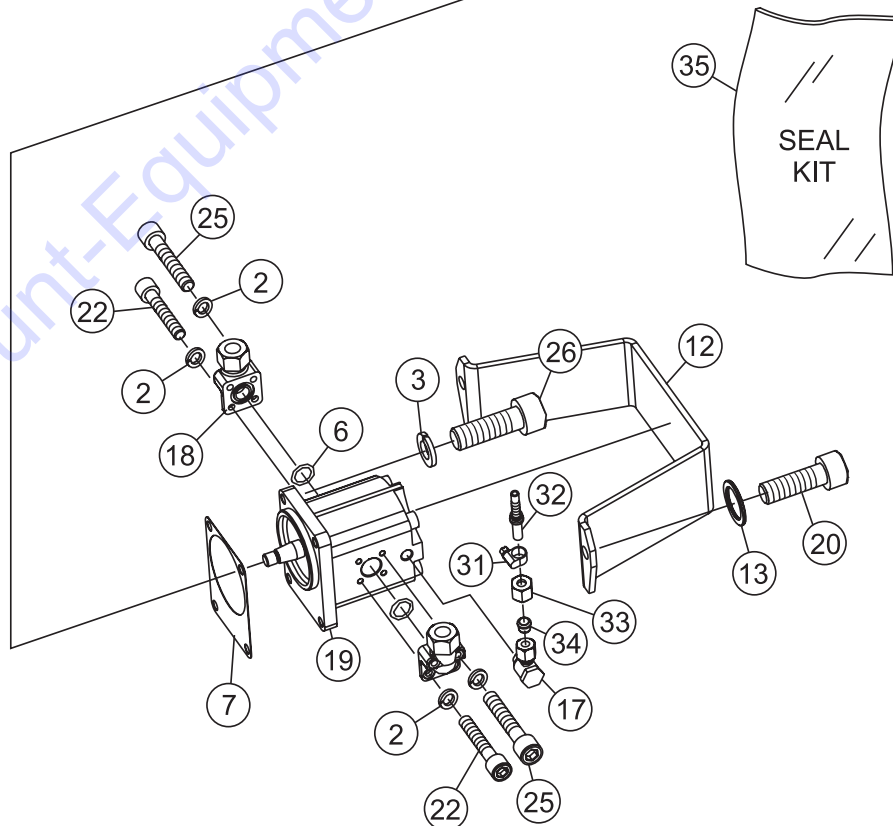
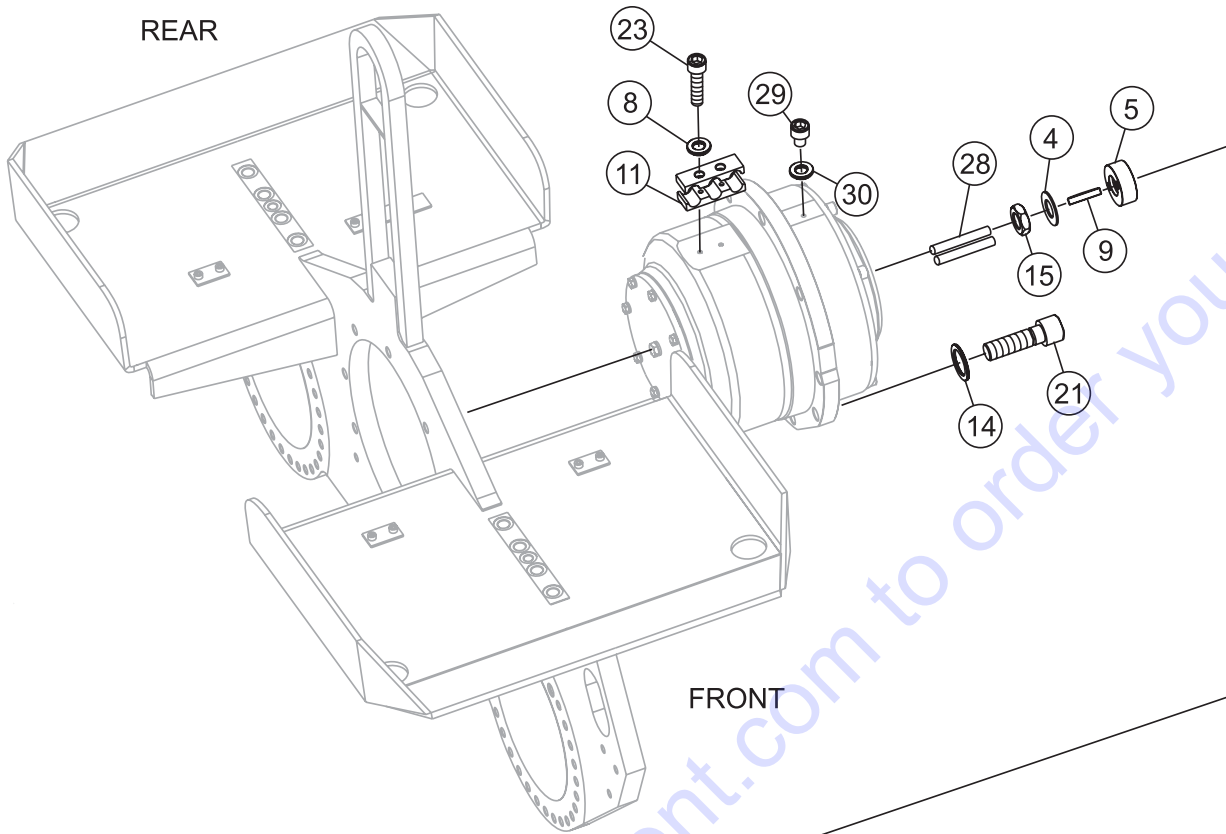
VIBRATOR ASSY.

<u>NO.</u>	<u>PART NO.</u>	<u>PART NAME</u>	<u>QTY.</u>	<u>REMARKS</u>
1	58603	COPPER RING, 12 X 18 X 1.5	2	
2	00405	SPACER RING	1	
3	00374	VENT SCREW	2	
4	58325	RETAINING WASHER	8	
5	3-10146	PAPER SEAL	1	
6	3-10144	BEARING HOUSING	1	
7	58974	RING, I 170	1	
8	58335	RETAINING WASHER, S-12 VERZ.	6	
9	55903	HEX BOLT, M8 X 25	8	
10	3-10142	EXCENTRIC WEIGHT	1	STANDARD
10	3-10486	EXCENTRIC WEIGHT	1	VARIABLE
11	3-10143	EXCENTRIC HOUSING	1	
12	3-10145	COVER	1	
13	62503	SHAFT SEAL, 135 X 170 X 12 B1	2	
14	54648	ALLEN HEAD CAP SCREW, M12 X 30	6	
15	51102	ROLLER BEARING, NJ 316	2	

Go to Discount-Equipment.com to order your parts

P33/24 HHM-HHMR — VIBRATOR MOTOR ASSY.

VIBRATOR MOTOR ASSY.



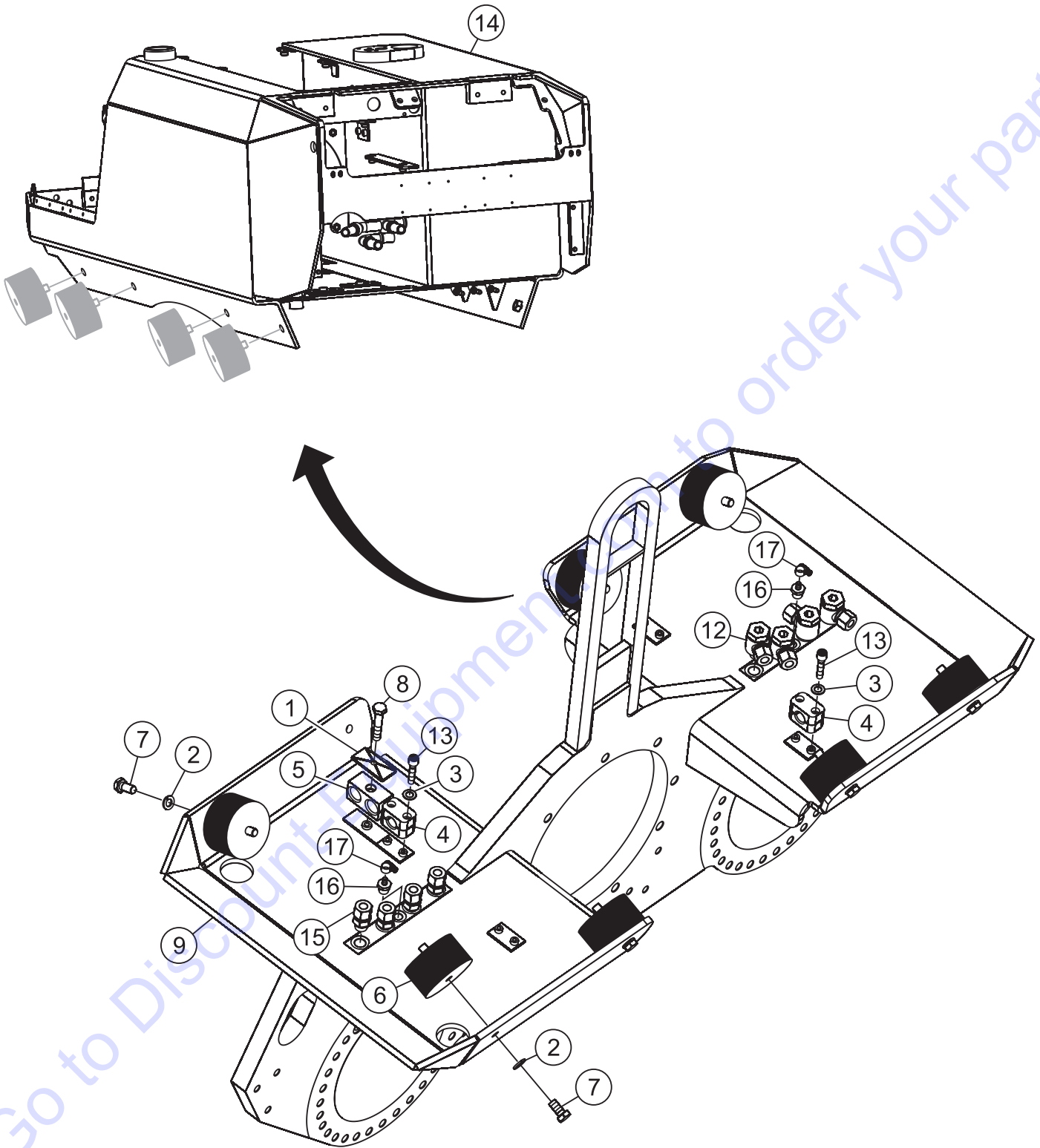
P33/24 HHM-HHMR — VIBRATOR MOTOR ASSY.

VIBRATOR MOTOR ASSY.

<u>NO.</u>	<u>PART NO.</u>	<u>PART NAME</u>	<u>QTY.</u>	<u>REMARKS</u>
1	05421	MANIFOLD	1	
2	58428	SPRING WASHER	8	
3	58325	SPRING WASHER	4	
4	58277	SPRING WASHER, B 12	1	
5	00397	COUPLING	1	
6	62039	O-RING, DURCHM. 18 X 25	2	
7	64100	PAPER SEAL, KM 1/11	1	
8	58025	WASHER, B 6.4	4	
9	59027	WOODRUFF KEY, 3 X 6.5	1	
10	63152	STRAP, GR.3 DURCHM. 18	1	
11	63175	STRAP, GR.3 18 X 18 X 18	2	
12	3-10184	SHEET METAL GUARD	1	
13	58335	RETAINING WASHER, S-12 VERZ.	2	
14	58331	RETAINING WASHER, S-16 VERZ.	9	
15	57171	HEX NUT, BM 12 X 1.5	1	
16	57503	HYDRAULIC FITTING, GE 10 SM	2	
17	57526	HYDRAULIC FITTING, SWVE 8 LM	2	
18	57635	HYDRAULIC FITTING, WF-35LK-L15-250	2	
19	50104	GEAR MOTOR, KM 1/11	1 Kracht Motor# KM 1/11 G30A K0B 4NL 1/407
20	54649	ALLEN HEAD CAP SCREW, M12 X 35	2	
21	54516	ALLEN HEAD CAP SCREW, M16 X 55	9	
22	54604	ALLEN HEAD CAP SCREW, M6 X 20	4	
23	54605	ALLEN HEAD CAP SCREW, M6 X 25	2	
24	54606	ALLEN HEAD CAP SCREW, M6 X 30	2	
25	54607	ALLEN HEAD CAP SCREW, M6 X 35	4	
26	54619	ALLEN HEAD CAP SCREW, M8 X 25	4	
27	54621	ALLEN HEAD CAP SCREW, M8 X 35	2	
28	59524	PARALLEL PIN, 10M6 X 40	2	
29	57054	ALLEN HEAD CAP SCREW	1	
30	58601	COPPER RING 8 X 13 X 1.5	1	
31	63250	BRACKET	1	
32	66796	CONNECTION	1	
33	57851	SCREW NUT	1	
34	57858	CUTTING RING	1	
35	50292	SEAL KIT, GEAR MOTOR.....	1 Kracht Motor# KM 1/11 G30A K0B 4NL 1/407

P33/24 HHM-HHMR — MOUNTING FRAME ASSY.

MOUNTING FRAME ASSY.



P33/24 HHM-HHMR — MOUNTING FRAME ASSY.

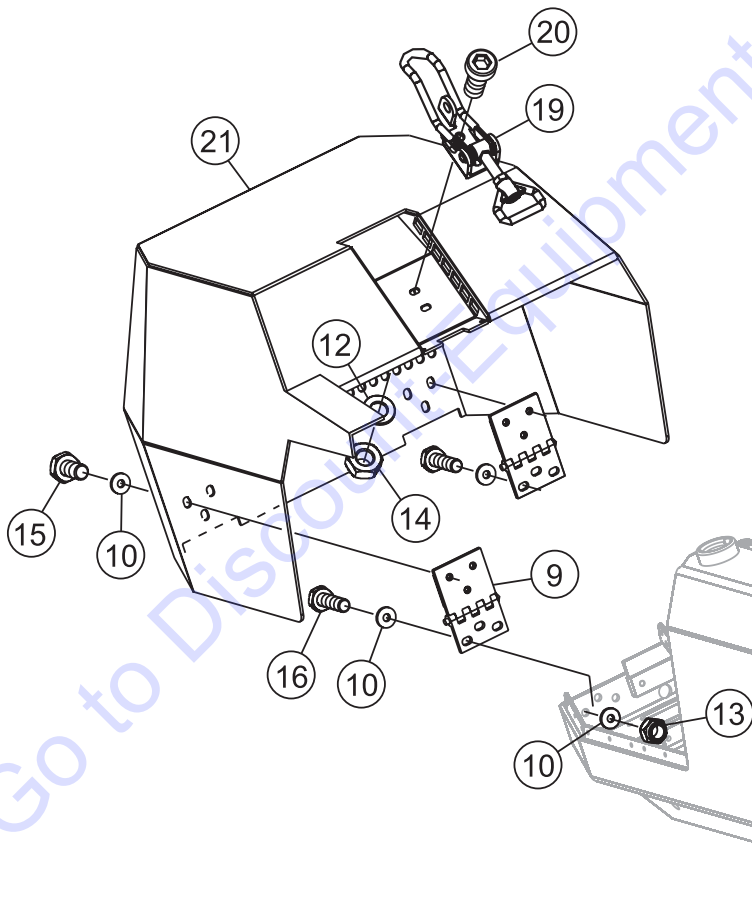
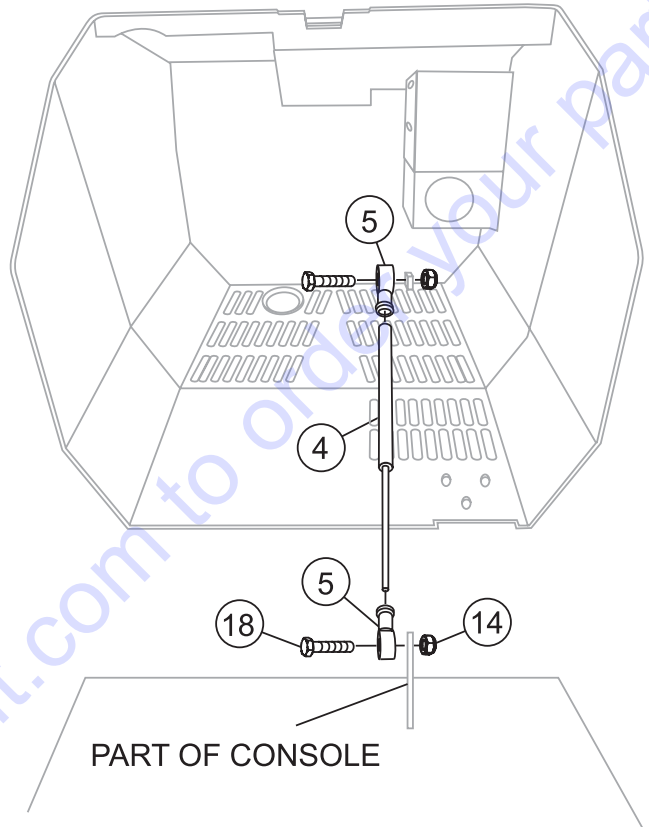
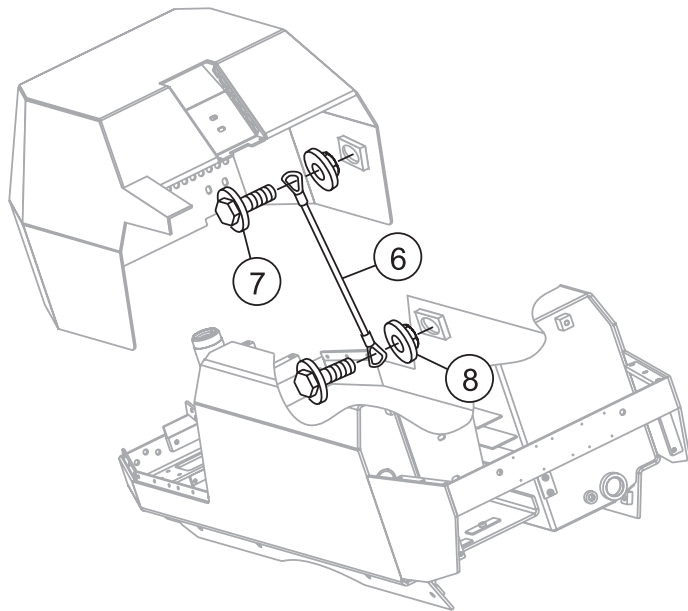
MOUNTING FRAME ASSY.

<u>NO.</u>	<u>PART NO.</u>	<u>PART NAME</u>	<u>QTY.</u>	<u>REMARKS</u>
1	63093	COVER PLATE, GR.3 GD	1	
2	58335	RETAINING WASHER	8	
3	58025	WASHER, B 6.4	8	
4	63152	BRACKET	4	
5	63171	BRACKET	1	
6	63533	SHOCK MOUNT, 90 X 50 - 45°SHORE	8	
7	55920	HEX BOLT	8	
8	55904	HEX BOLT	1	
9	3-10949	MOUNTING FRAME COMPL.	1	
10	57484	HYDRAULIC FITTING, TH 10 PLM	1	
11	57577	HYDRAULIC FITTING, WHO 10 LM	1	
12	57578	HYDRAULIC FITTING, WHO 12 SM	4	
13	54606	ALLEN HEAD CAP SCREW, M6 X 30	8	
14	3-10650	CONSOLE COMPL.	1	
15	57504	HYDRAULIC FITTING	4	
16	3-10782	HOSE STEM	2	
17	63250	BRACKET	2	

Go to Discount-Equipment.com to order your parts

P33/24 HHM-HHMR — ENGINE COVER PLATE ASSY.

ENGINE COVER PLATE ASSY.



P33/24 HHM-HHMR — ENGINE COVER PLATE ASSY.

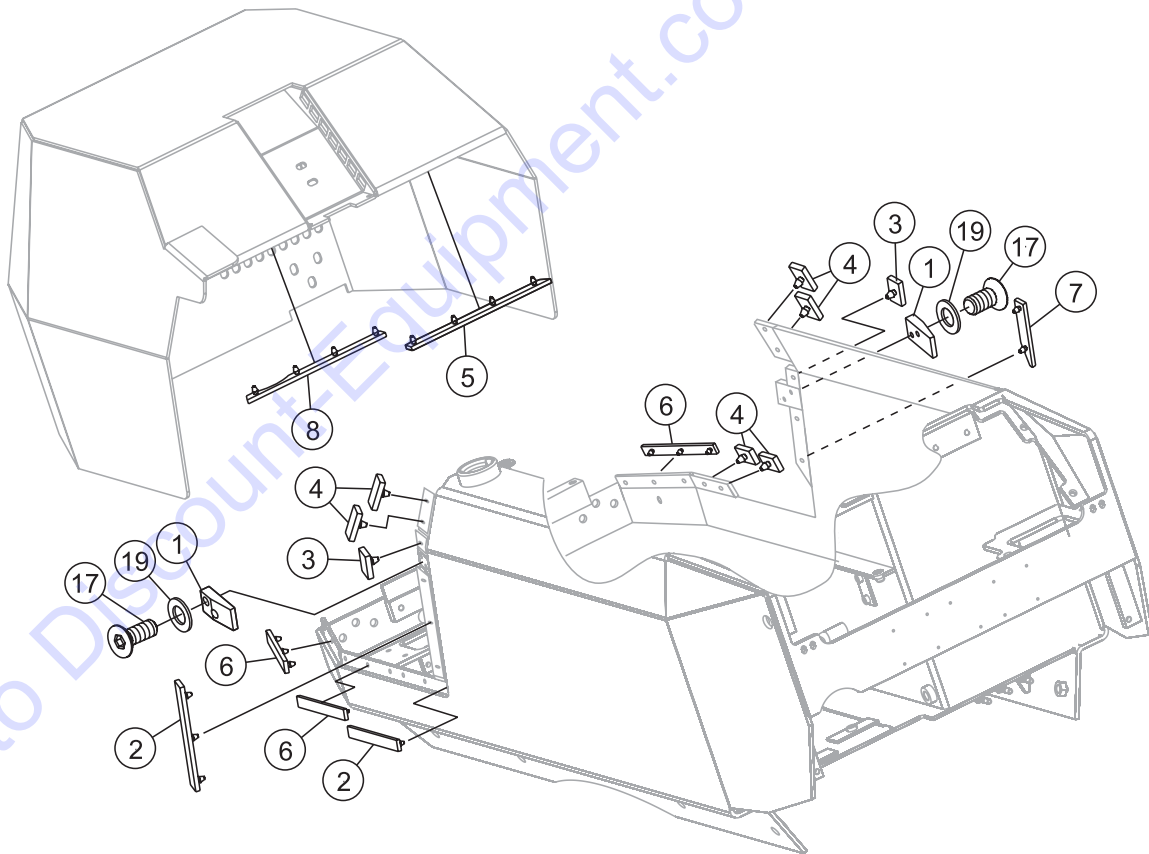
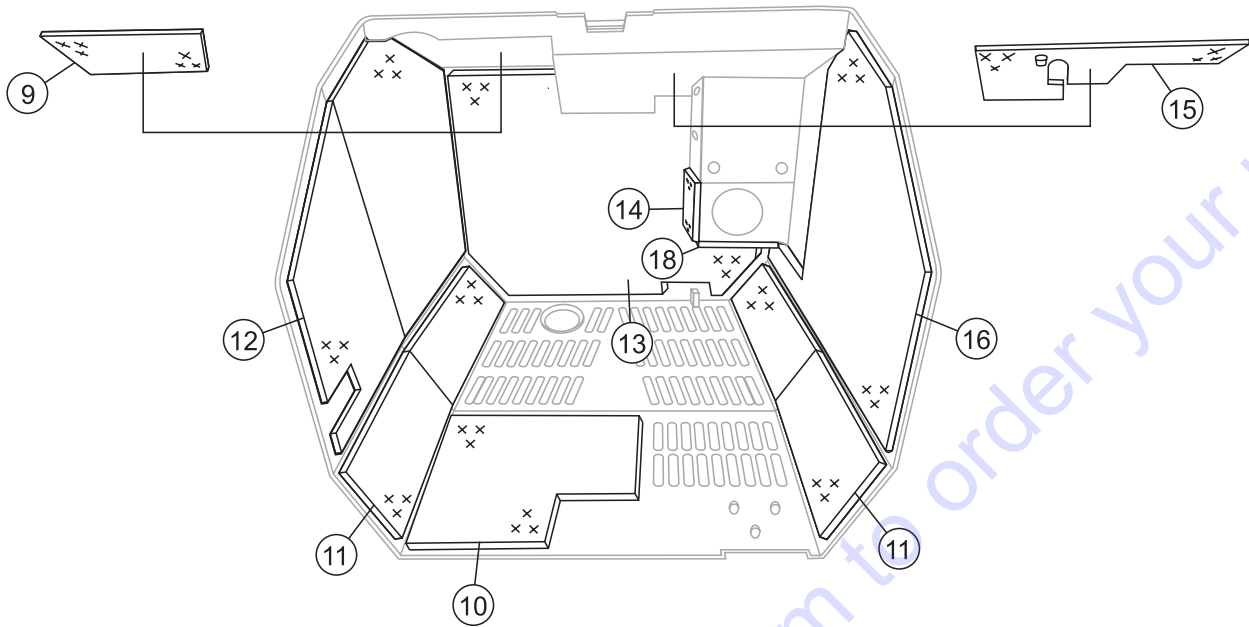
ENGINE COVER PLATE ASSY.

<u>NO.</u>	<u>PART NO.</u>	<u>PART NAME</u>	<u>QTY.</u>	<u>REMARKS</u>
4	59143	GAS PRESSURE SPRING	1	
5	63930	ARTICULATED EYE, AG 36	2	
6	05239	WIRE CABLE	1	
7	07254	PRESS-SCREW	2	
8	07253	PRESS-NUT	2	
9	3-10028	HINGE	2	
10	58125	WASHER, A 10.5 ST	18	
12	58026	WASHER, B 8.4	2	
13	57103	HEX NUT, M10	6	
14	57079	HEX NUT, M 8	4	
15	55911	HEX BOLT, M10 X 20	6	
16	55914	HEX BOLT, M10 X 35	6	
18	55908	HEX BOLT, M8 X 35	2	
19	05725	TOGGLE - TYPE FASTENER	1	
20	54803	ALLEN HEAD CAP SCREW, M8 X 20	2	
21	3-10881	COVER PLATE, ENGINE	1	

Go to Discount-Equipment.com to order your parts

P33/24 HHM-HHMR — INSULATING BOARD ASSY.

INSULATING BOARD ASSY.



P33/24 HHM-HHMR — INSULATING BOARD ASSY.

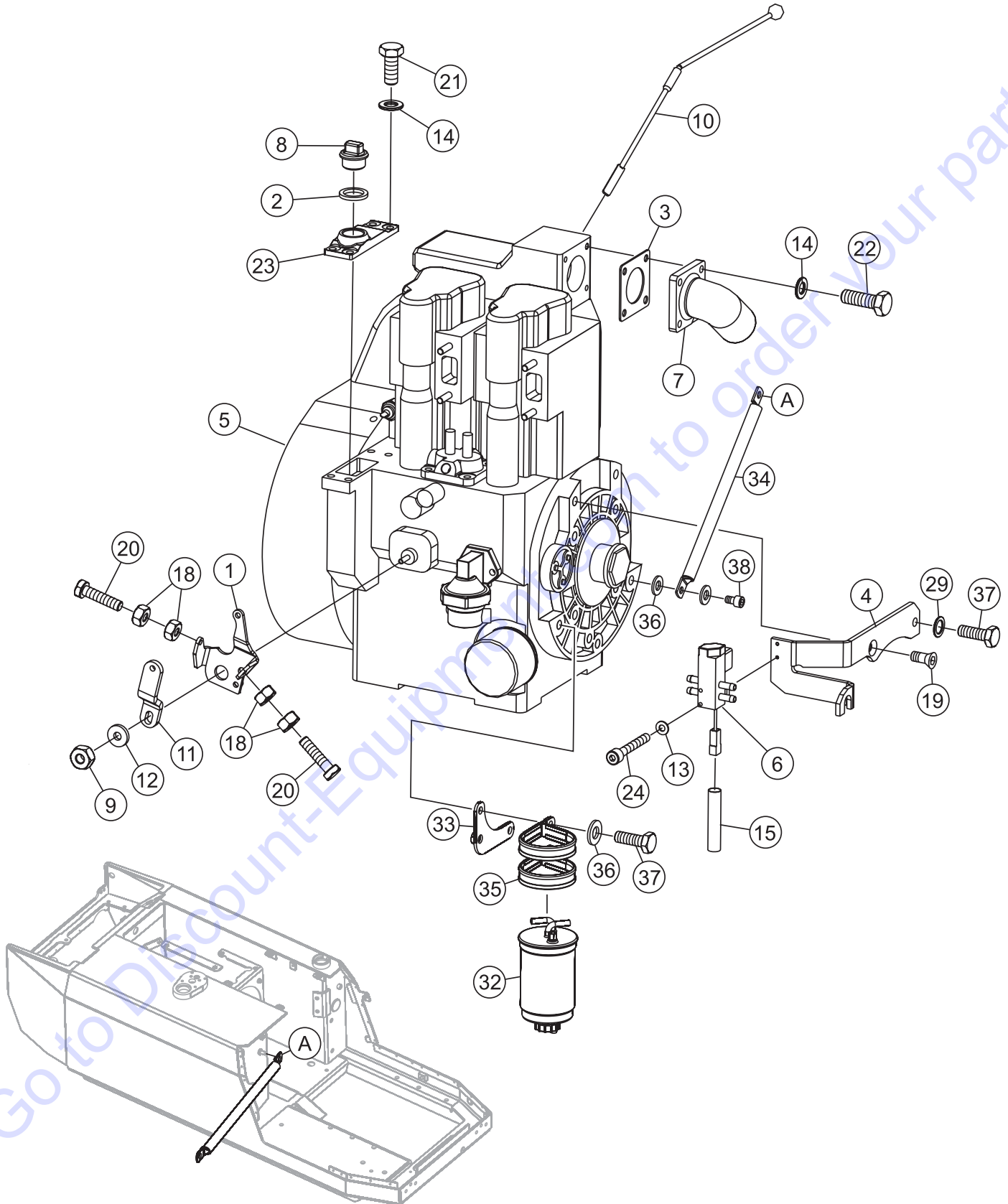
INSULATING BOARD ASSY.

<u>NO.</u>	<u>PART NO.</u>	<u>PART NAME</u>	<u>QTY.</u>	<u>REMARKS</u>
1	3-10685	STOP PLATE	2	
2	05223	SEAL LATH	2	
3	05254	SEAL LATH	2	
4	05255	SEAL LATH	6	
5	05522	SEAL LATH	1	
6	05594	SEAL LATH	3	
7	3-10021	SEAL LATH	1	
8	05523	SEAL LATH	1	
9	3-10109	SOUND DAMPENING PLATE	1	
10	3-10112	SOUND DAMPENING PLATE	1	
11	3-10120	SOUND DAMPENING PLATE	1	
12	3-10116	SOUND DAMPENING PLATE	1	
13	3-10117	SOUND DAMPENING PLATE	1	
14	3-10337	SOUND DAMPENING PLATE	1	
15	3-10338	SOUND DAMPENING PLATE	1	
16	3-10339	SOUND DAMPENING PLATE	1	
17	54800	SCREW, M6 X 12	4	
18	3-10117	SOUND DAMPENING PLATE	1	
19	58324	RETAINING WASHER	4	

Go to Discount-Equipment.com to order your parts

P33/24 HHM-HHMR — DIESEL ENGINE ASSY.

DIESEL ENGINE ASSY.



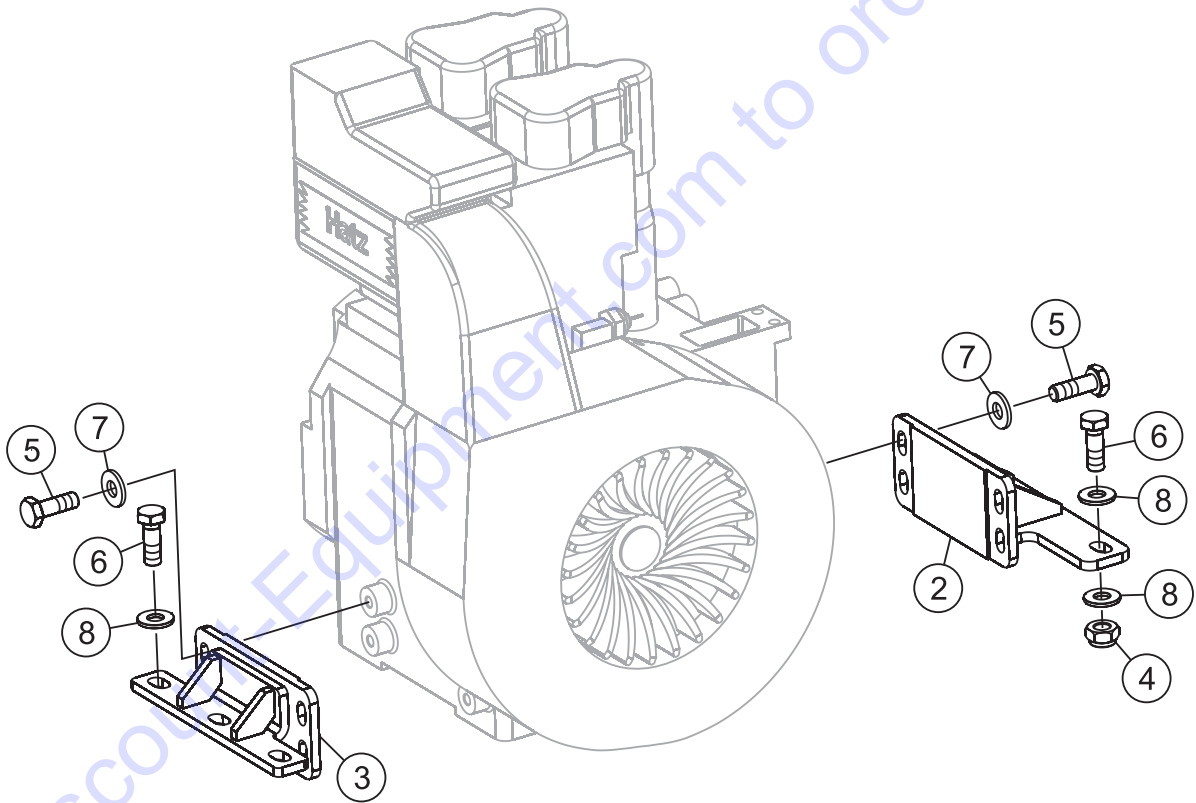
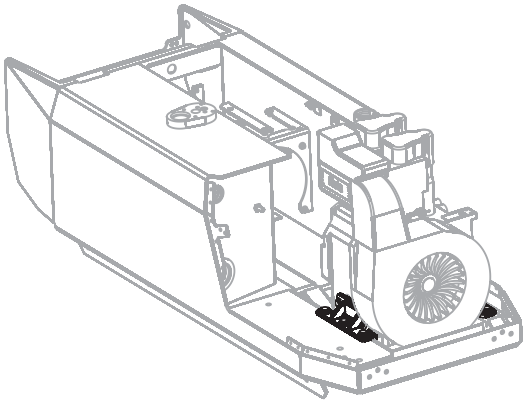
P33/24 HHM-HHMR — DIESEL ENGINE ASSY.

DIESEL ENGINE ASSY.

<u>NO.</u>	<u>PART NO.</u>	<u>PART NAME</u>	<u>QTY.</u>	<u>REMARKS</u>
1	3-10214	MANIFOLD	1	
2	05341	GASKET	1	
3	01285600	GASKET	1	
4	05408	VALVE PLATE	1	
5	49543	ENGINE 2 G40	1	
6	01947500	FUEL STOP VALVE W/ TRIANGLE CONNECTOR	1	
7	05975	AIR SUCTION MANIFOLD	1	
8	01613100	ENGINE OIL CAP	1	
9	50328300	SCREW NUT	1	
10	5150469200	GAUGE OIL	1	
11	05658	LEVER COMPL.	1	
12	50114300	WASHER	1	
13	58038	WASHER, B 4.3	2	
14	58026	WASHER, B 8.4	8	
15	3-10160	SHRINKABLE SLEEVE	1	
18	57028	HEX NUT, M 6	4	
19	55913	HEX BOLT, M10 X 30	2	
20	55895	HEX BOLT, M6 X 25	2	
21	55901	HEX BOLT, M8 X 20	4	
22	55903	HEX BOLT, M8 X 25	4	
23	05959	COVER	1	
24	54192	ALLEN HEAD CAP SCREW, M4 X 30	2	
29	58027	WASHER, B 13	1	
32	50379100	DIESEL FILTER	1	
33	3-10965	HOLDING DEVICE	1	
34	3-10168	GROUND CABLE	1	
35	63084	BRACKET	2	
36	58334	RETAINING WASHER	5	
37	55912	HEX BOLT	5	
38	54637	ALLEN HEAD CAP SCREW	1	

P33/24 HHM-HHMR — ENGINE MOUNTING ASSY.

ENGINE MOUNTING ASSY.



P33/24 HHM-HHMR — ENGINE MOUNTING ASSY.

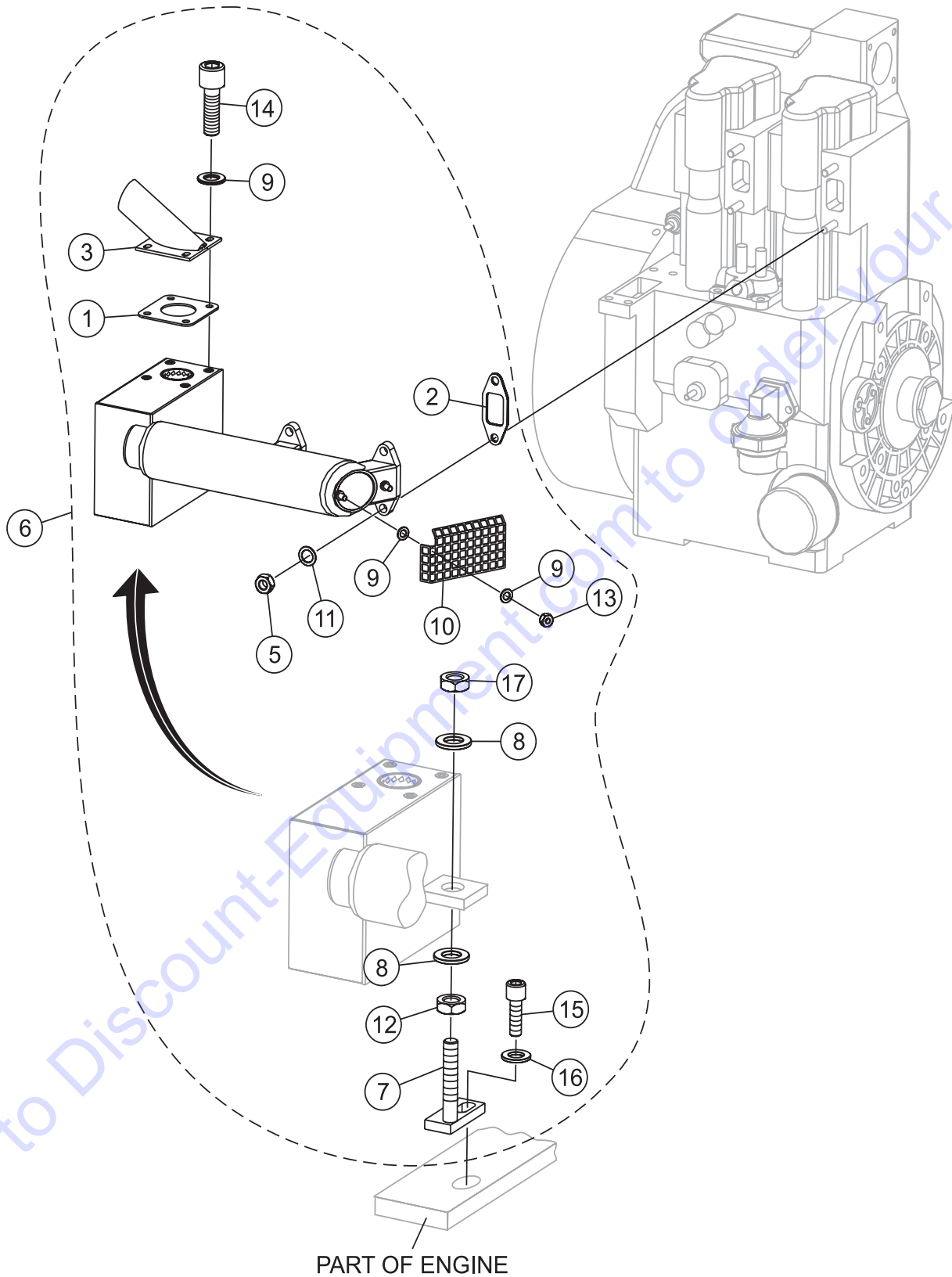
ENGINE MOUNTING ASSY.

<u>NO.</u>	<u>PART NO.</u>	<u>PART NAME</u>	<u>QTY.</u>	<u>REMARKS</u>
2	3-10889	ENGINE MOUNT, LEFT	1	
3	3-10890	ENGINE MOUNT, RIGHT	1	
4	57081	HEX NUT	3	
5	55960	HEX BOLT	8	
6	55961	HEX BOLT	6	
7	58221	LOCK WASHER	8	
8	58224	LOCK WASHER	9	

Go to Discount-Equipment.com to order your parts

P33/24 HHM-HHMR — EXHAUST SILENCER ASSY.

EXHAUST SILENCER ASSY.



P33/24 HHM-HHMR — EXHAUST SILENCER ASSY.

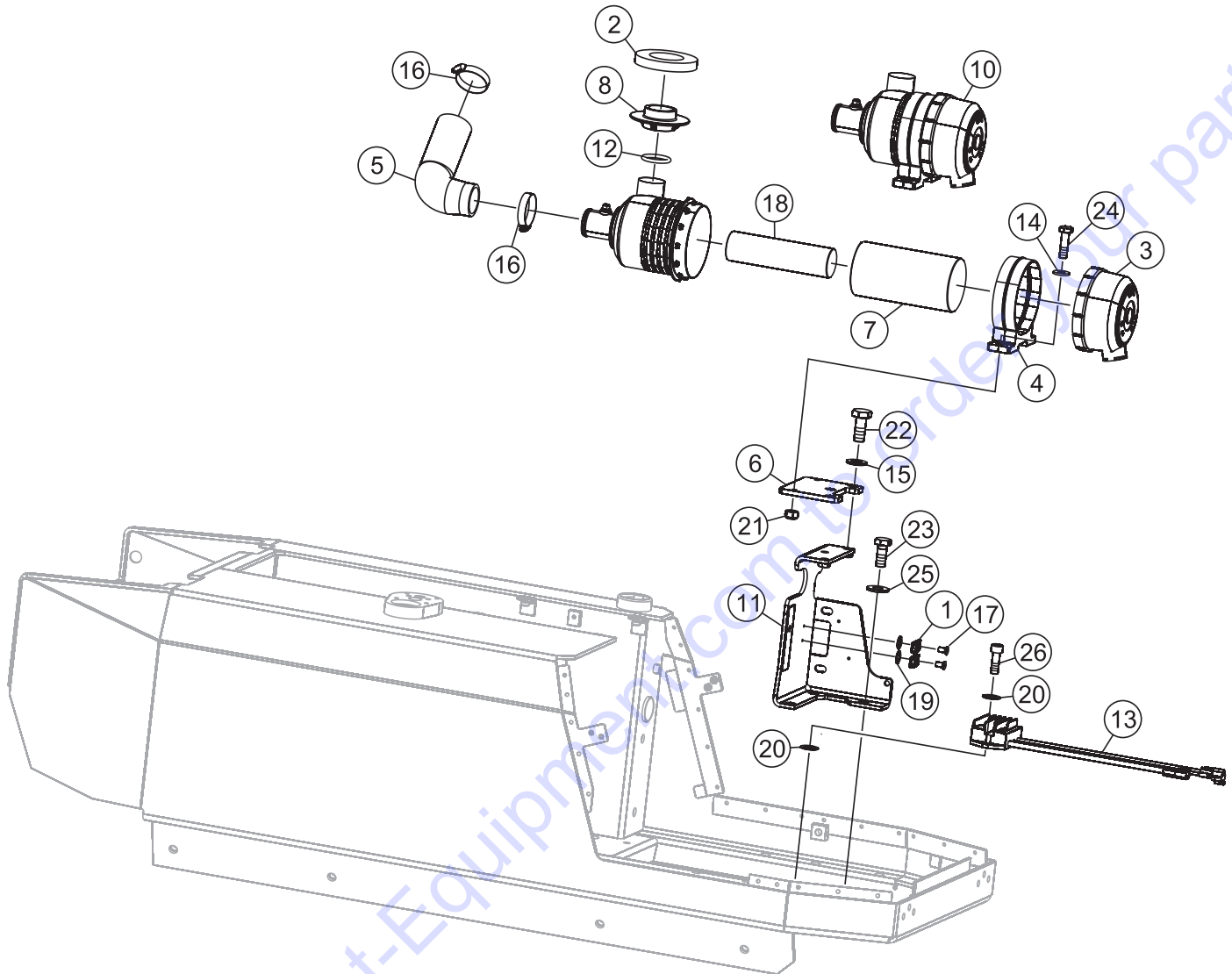
EXHAUST SILENCER ASSY.

<u>NO.</u>	<u>PART NO.</u>	<u>PART NAME</u>	<u>QTY.</u>	<u>REMARKS</u>
1	05613	GASKET	1	
2	01285500	GASKET	2	
3	05610	OUTPUT TUBE	1	
5	40028400	COPPER HEX NUT	4	
6	90215	EXHAUST SILENCER W/HARDWARE	1	
7	05290	EXHAUST SILENCER SUPPORT	1	
8	58028	WASHER	2	
9	58025	WASHER	8	
10	3-10027	PROTECTIVE GRATING	1	
11	58325	RETAINING WASHER	4	
12	57131	HEX NUT	2	
13	57028	HEX NUT	2	
14	54604	ALLEN HEAD CAP SCREW, M6 X 20	4	
15	54632	ALLEN HEAD CAP SCREW	1	
16	58027	WASHER	1	
17	57296	HEX NUT	1	

Go to Discount-Equipment.com to order your parts

P33/24 HHM-HHMR — AIR CLEANER ASSY.

AIR CLEANER ASSY.



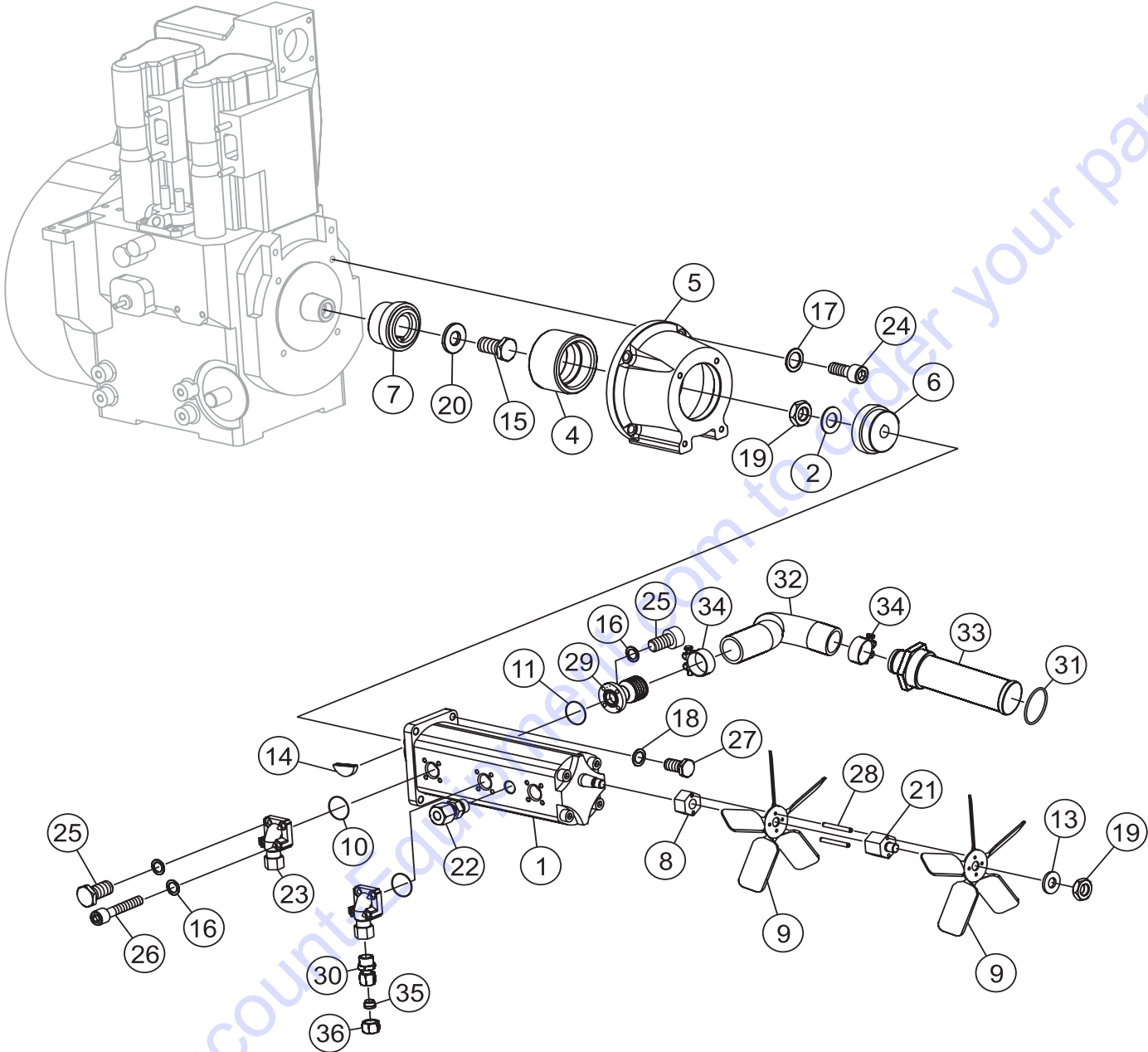
P33/24 HHM-HHMR — AIR CLEANER ASSY.

AIR CLEANER ASSY.

<u>NO.</u>	<u>PART NO.</u>	<u>PART NAME</u>	<u>QTY.</u>	<u>REMARKS</u>
1	68751	FASTENING PLATE	2	
2	3-10908	INSULATING BOARD	1	
3	69223	AIR CLEANER COVER	1	
4	69222	BRACKET	1	
5	3-10961	PIPE INLET	1	
6	3-10898	MOUNTING PLATE, AIR CLEANER	1	
7	69225	AIR FILTER	1	
8	3-10907	CLAMP PIECE	1	
10	69221	AIR CLEANER COMPLETE	1	
11	3-10895	HOLDING DEVICE, AIR CLEANER	1	
12	62091	O-RING	1	
13	90292	VOLTAGE REGULATOR	1	
14	58077	WASHER	2	
15	58027	WASHER	3	
16	63268	BRACKET	2	
17	56012	SCREW	2	
18	69224	PRESCREENER	1	
19	58322	RETAINING WASHER	2	
20	58325	RETAINING WASHER	4	
21	57079	HEX NUT	2	
22	55912	HEX BOLT	3	
23	55926	HEX BOLT	3	
24	55902	HEX BOLT	2	
25	58224	LOCK WASHER	3	
26	54619	ALLEN HEAD CAP SCREW	2	

P33/24 HHM-HHMR — PUMP ASSY.

PUMP ASSY.



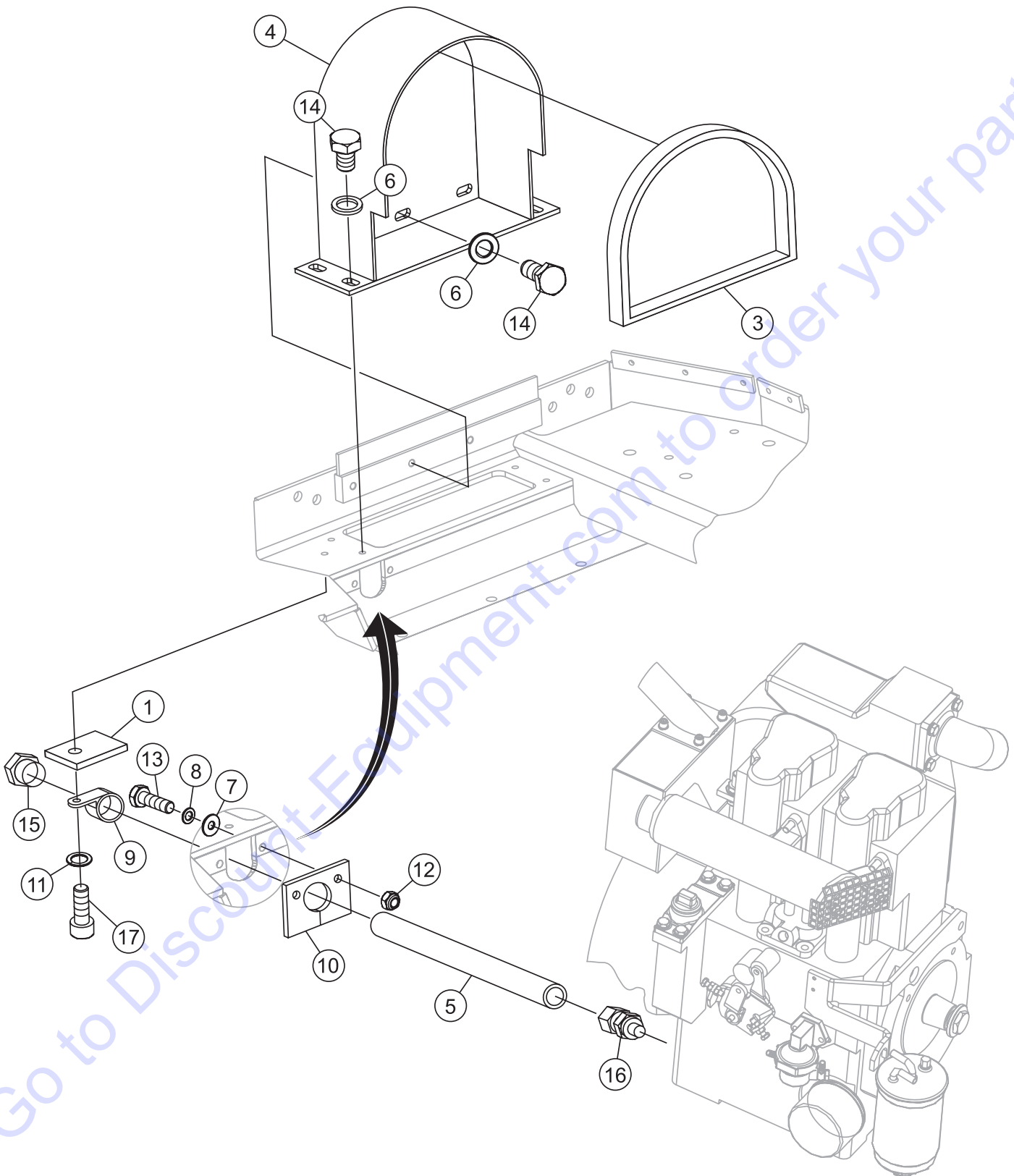
P33/24 HHM-HHMR — PUMP ASSY.

PUMP ASSY.

<u>NO.</u>	<u>PART NO.</u>	<u>PART NAME</u>	<u>QTY.</u>	<u>REMARKS</u>
1	50340	HYDRAULIC PUMP, KP 1/8 - 6 +3+3	1	STANDARD
1	50319	HYDRAULIC PUMP, KP1/11 +3+3	1	VARIABLE
2	58277	SPRING WASHER, B 12	1	
4	51038	COUPLING BOX, BOWEX M38	1	
5	05952	HOUSING	1	
6	51036	COUPLING HUB, L.0012280004	1	
7	51037	COUPLING HUB, L.0012280005	1	
8	3-10492	COUPLING HALF	1	
9	05462	VENTILATOR, ART.-NR.: 4402	2	
10	62039	O-RING, DURCHM. 18 X 2.5	3	
11	62050	O-RING, DURCHM. 24 X 2.5	1	
13	58076	WASHER, 13	1	
14	59027	WOODRUFF KEY, 3X6.5	1	
15	05955	SCREW	1	
16	58324	RETAINING WASHER, S-6 VERZINKT	16	
17	58334	RETAINING WASHER, S-10	4	
18	58325	RETAINING WASHER, S-8	4	
19	57171	HEX NUT, BM 12X1.5	2	
20	58220	LOCK WASHER, 19X42X4.5	1	
21	3-10230	COUPLING	1	
22	57456	HYDRAULIC FITTING	1	
23	57644	HYDRAULIC FITTING, WF-35LK-12L-315, W/O NUT AND FERRULE	3	
24	54632	ALLEN HEAD CAP SCREW	4	
25	54604	ALLEN HEAD CAP SCREW	10	
26	54607	ALLEN HEAD CAP SCREW	8	
27	54620	ALLEN HEAD CAP SCREW	4	
28	59501	PARALLEL PIN	2	
29	3-10870	INTAKE FLANGE	1	
30	57734	FITTING	1	
31	62105	O-RING	1	
32	3-10926	PIPE INLET	1	
33	51631	SUCTION FILTER	1	
34	63293	BRACKET	2	
35	57682	CUTTING RING	1	
36	57686	HEX NUT	1	

P33/24 HHM-HHMR — AIR INTAKE/OIL DRAIN HOSE ASSY.

AIR INTAKE/OIL DRAIN HOSE ASSY.



P33/24 HHM-HHMR — AIR INTAKE/OIL DRAIN HOSE ASSY.

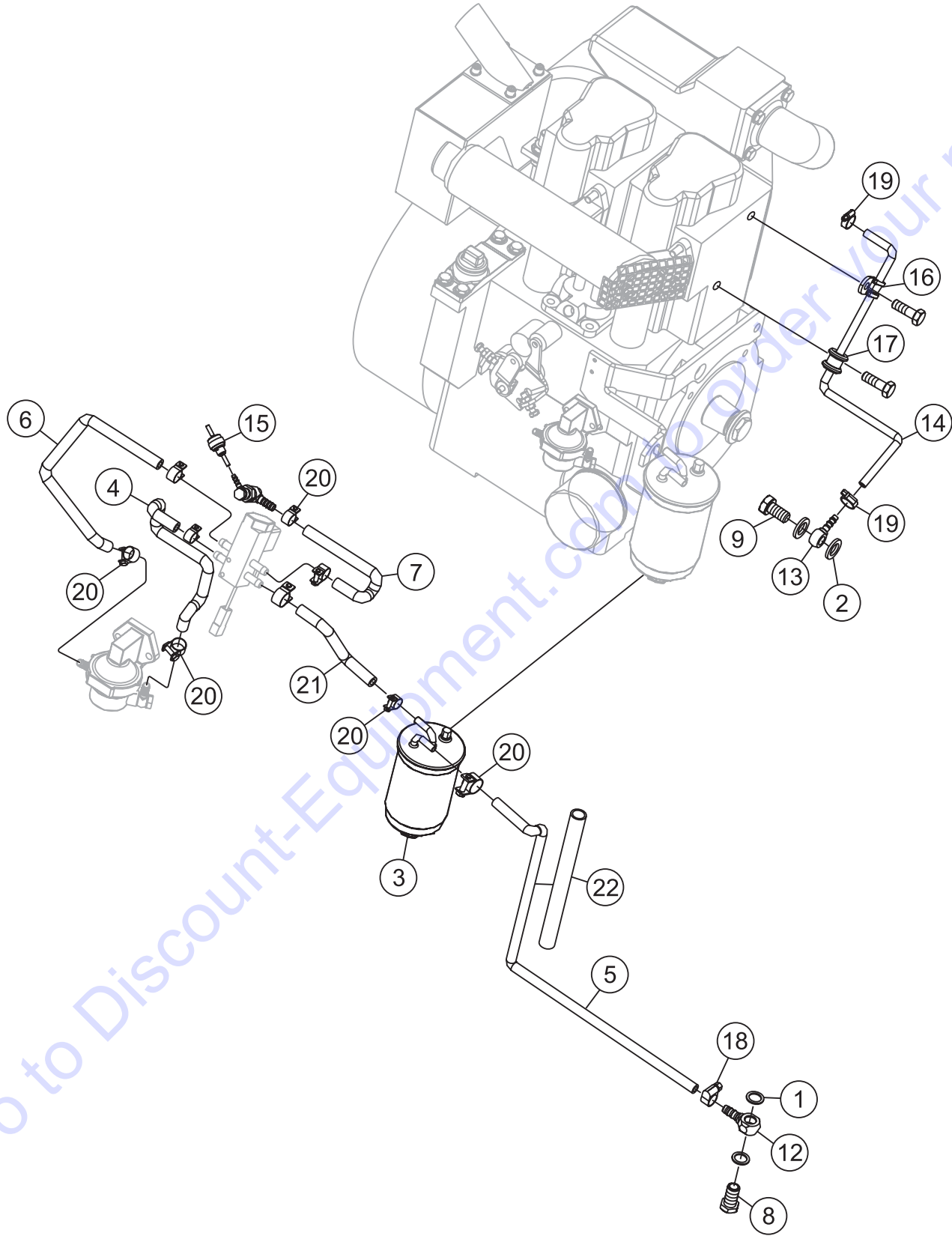
AIR INTAKE/OIL DRAIN HOSE ASSY.

<u>NO.</u>	<u>PART NO.</u>	<u>PART NAME</u>	<u>QTY.</u>	<u>REMARKS</u>
1	05424	DISTANCE	1	
3	3-10157	EDGE PROTECTION	1	
4	05240	FAN COVER	1	
5	05720	OIL DRAIN HOSE, 2 TEM DN 12X165	1	
6	58077	WASHER, 8.4	7	
7	58176	WASHER, A 6.4	2	
8	58025	WASHER, B 6.4	2	
9	63079	BRACKET, RSGU 1. 25/20	1	
10	3-10221	APRON	1	
11	58325	RETAINING WASHER, S-8	1	
12	57078	HEX NUT, M 6	2	
13	55894	HEX BOLT, M6X20	2	
14	55906	HEX BOLT, M8X12	7	
15	57438	DRAIN PLUG	1	
16	57476	HYDRAULIC FITTING, GE 12-PLM (14X1.5)	1	
17	54040	ALLEN HEAD CAP SCREW, M8X22	1	

Go to Discount-Equipment.com to order your parts

P33/24 HHM-HHMR — FUEL LINES ASSY.

FUEL LINES ASSY.



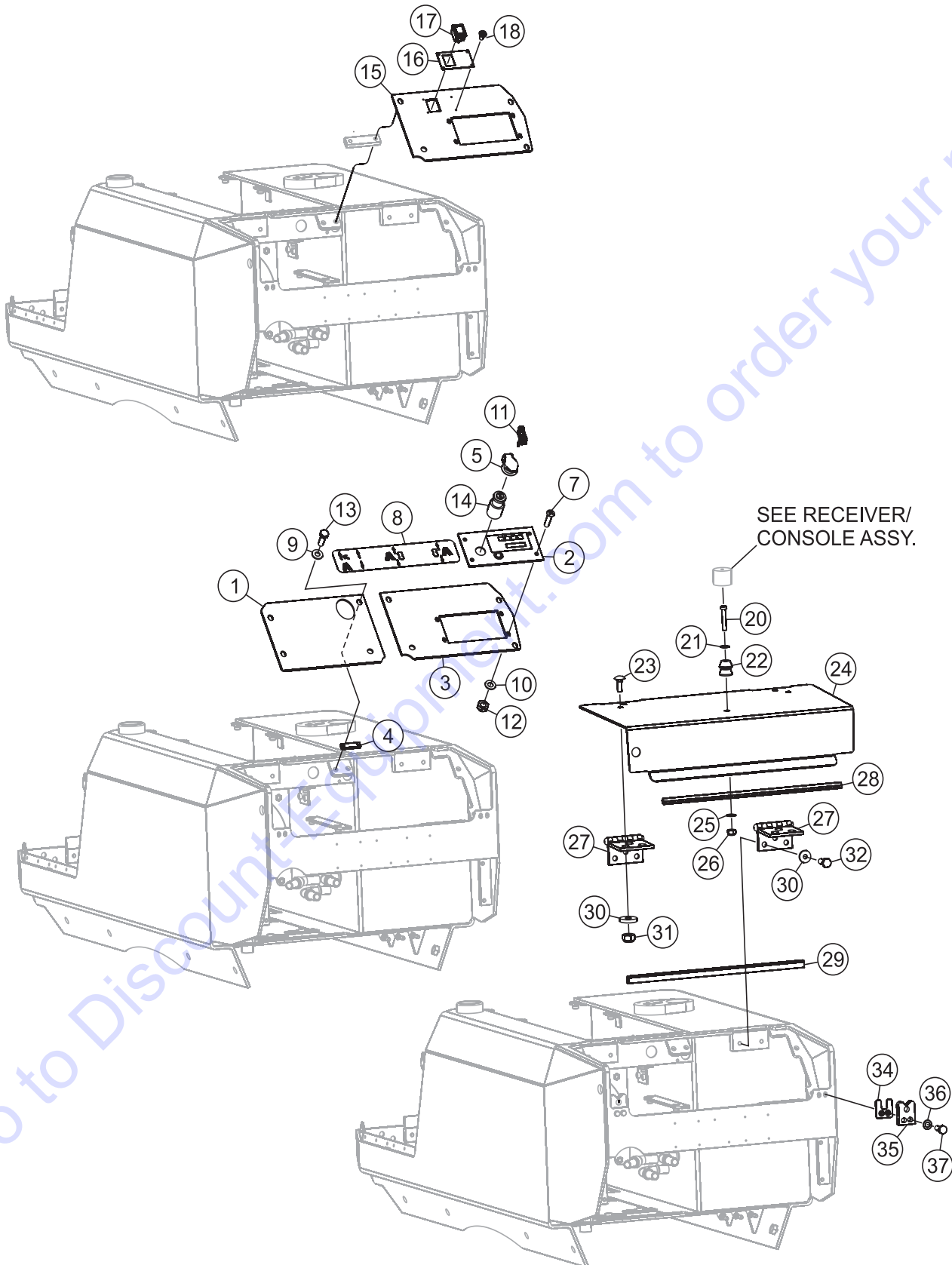
P33/24 HHM-HHMR — FUEL LINES ASSY.

FUEL LINES ASSY.

<u>NO.</u>	<u>PART NO.</u>	<u>PART NAME</u>	<u>QTY.</u>	<u>REMARKS</u>
1	58605	COPPER RING, 14X20X1.5	2	
2	58601	COPPER RING, 8X13X1.5	2	
3	50379100	DIESEL FILTER	1	
4	05718	DIESEL HOSE	1	
5	3-10158	DIESEL HOSE	1	
6	3-10161	DIESEL HOSE	1	
7	05589	HOSE	1	
8	57728	BANJO BOLT, M14X1.5	1	
9	57848	BANJO BOLT	1	
12	57729	BANJO UNION, M14X1.5 NW8	1	
13	57849	BANJO UNION	1	
14	3-10163	VALVE PLATE	1	
15	50354600	VALVE	1	
16	63050	BRACKET, RSGU 1. 10/15	1	
17	63068	BRACKET, RSGU 1. 10/20	1	
18	63250	BRACKET, ABA 8-12X9	1	
19	63255	BRACKET, D7-11	2	
20	63275	BRACKET, ABA 11-13 STANDARD W1		
		MINABA ART.-NR. 8864013009	9	
21	05589	HOSE	1	
22	3-10159	INSULATING TUBE	1	

P33/24 HHM-HHMR — CONSOLE COCKPIT ASSY.

CONSOLE COCKPIT ASSY.



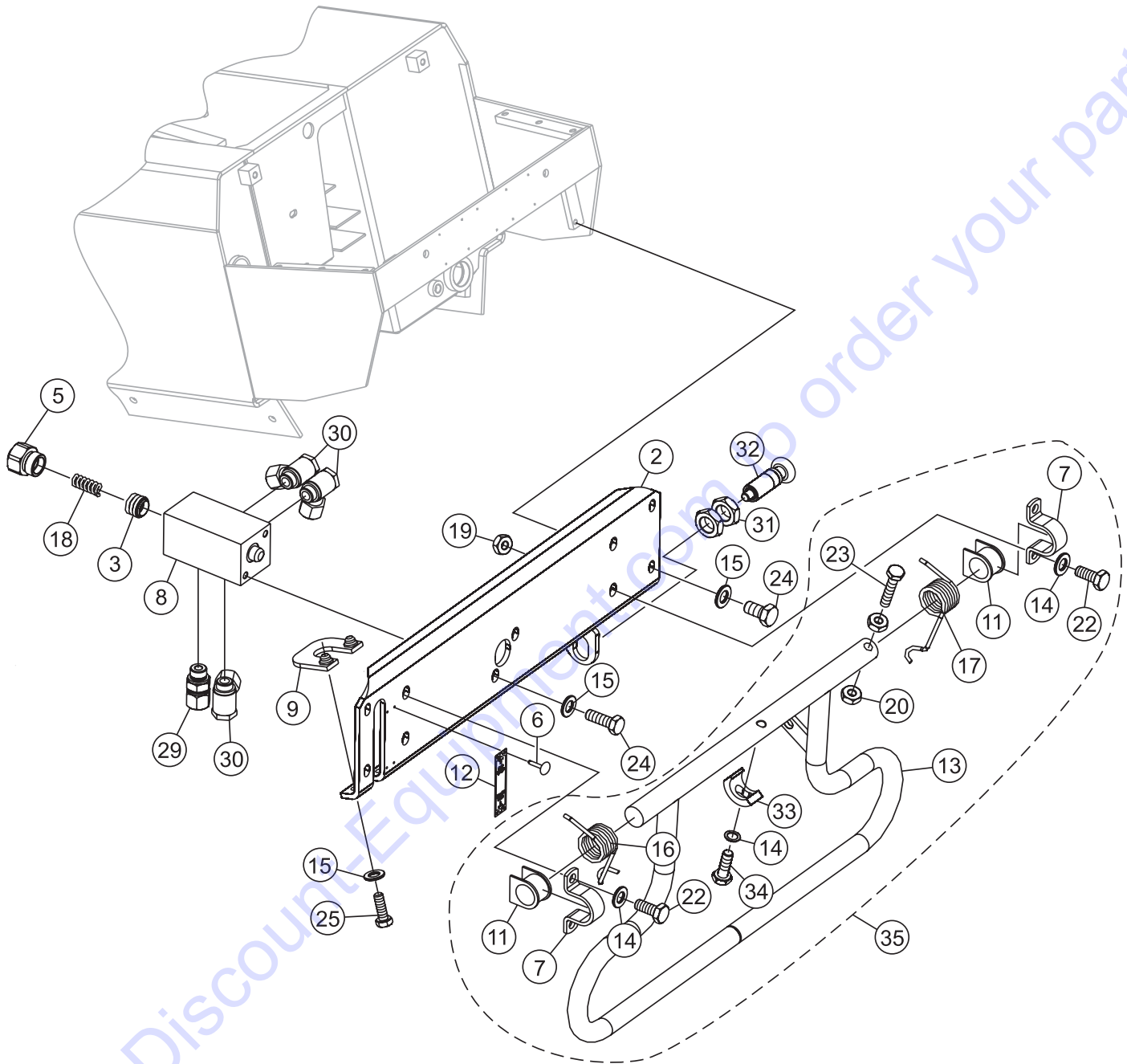
P33/24 HHM-HHMR — CONSOLE COCKPIT ASSY.

CONSOLE COCKPIT ASSY.

<u>NO.</u>	<u>PART NO.</u>	<u>PART NAME</u>	<u>QTY.</u>	<u>REMARKS</u>
1	3-10641	COVER SHEET	1	
2	68562	COCKPIT, HHMR	1	
2	68568	COCKPIT, HHM	1	
3	3-10639	MOUNTING PLATE, COCKPIT	1	
4	05230	THREAD LATH	1	
5	52026	HINGED COVER	1	
7	56222	SCREW	4	
8	39791	PVC-STICKER	1	
9	58077	WASHER	8	
10	58039	WASHER	4	
11	52007	KEY	1	
12	57077	HEX NUT	4	
13	55903	HEX BOLT	8	
14	52012	STARTER SWITCH	1	
15	3-11009	MOUNTING PLATE, COCKPIT	1	FOR VARIABLE ECCENTRIC WEIGHT
16	39840	ADHESIVE PLATE	1	
17	58358	SWITCH	1	
18	56251	PARKER SCREW	4	
20	54807	ALLEN HEAD CAP SCREW	1	
21	58324	RETAINING WASHER	1	
22	69721	LOCK BUMPER	1	
23	56355	HEX BOLT	4	
24	3-10635	COCKPIT COVER	1	
25	58176	WASHER	1	
26	57078	HEX NUT	1	
27	03587	HINGE	2	
28	3-10893	EDGE PROTECTION	1	
29	3-10894	EDGE PROTECTION	1	
30	58126	WASHER	8	
31	57079	HEX NUT	4	
32	55903	HEX BOLT	4	
34	3-10921	CLAMPING PLATE	2	
35	3-10884	DETENT	2	
36	58025	WASHER	4	
37	55889	HEX BOLT	4	

P33/24 HHM-HHMR — EMERGENCY STOP BUMPER ASSY.

EMERGENCY STOP BUMPER ASSY.



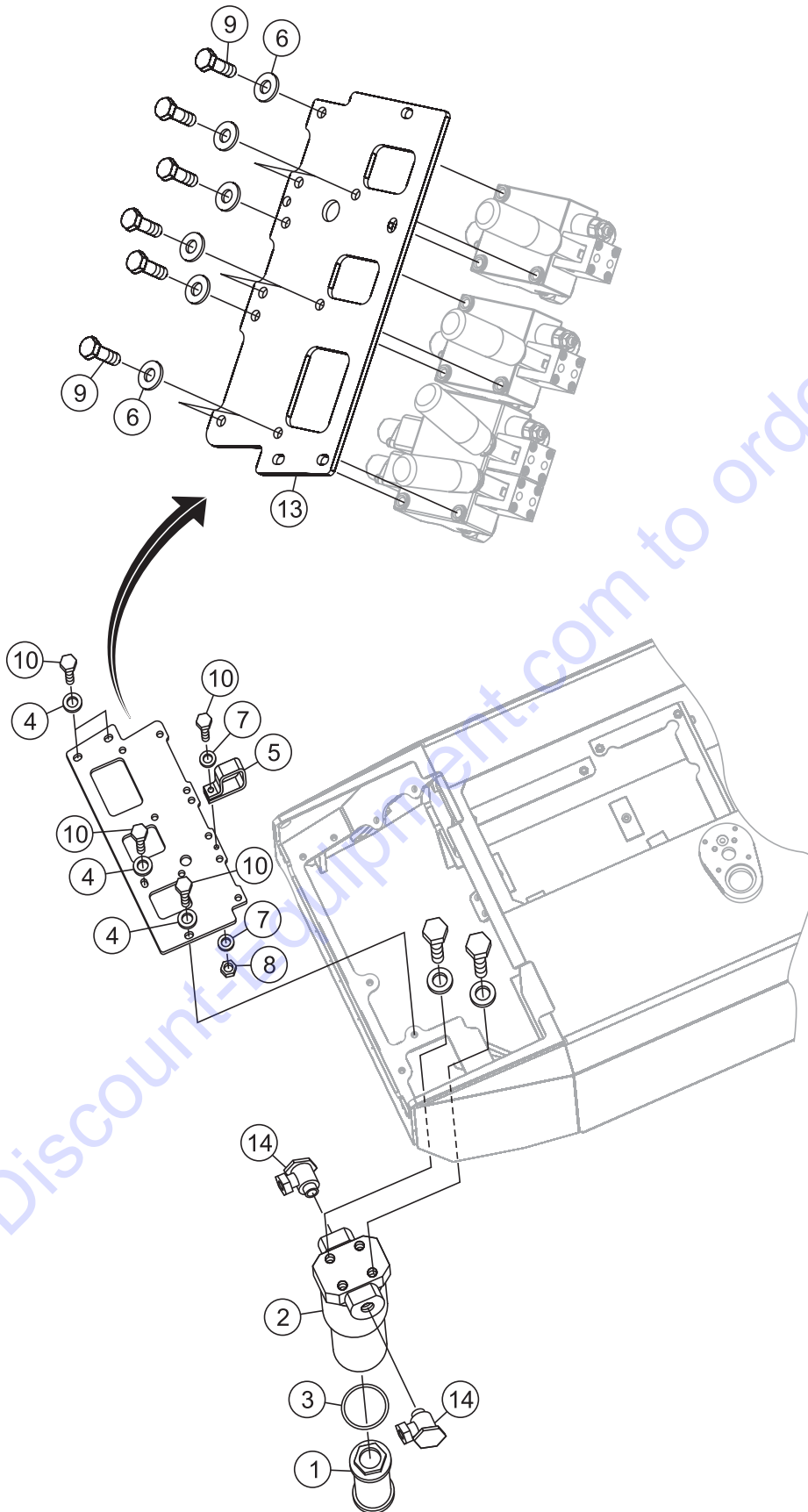
P33/24 HHM-HHMR — EMERGENCY STOP BUMPER ASSY.

EMERGENCY STOP BUMPER ASSY.

<u>NO.</u>	<u>PART NO.</u>	<u>PART NAME</u>	<u>QTY.</u>	<u>REMARKS</u>
2	3-10829	COVER PLATE	1	
3	50749	GASKET SET	1	
5	50993	SPRING BARREL, NR. 01/101/4E	1	
6	59303	PIN	4	
7	3-10295	MOUNTING BOW	2	
8	50748	HYDRAULIC VALVE	1	
9	3-10187	CLAMPING PLATE COMPL.	1	
11	05628	BEARING BUSH	2	
12	39653	OPERATING PLATE	1	
13	3-10728	SWITCHING BAR	1	
14	58027	WASHER, B10.5	5	
15	58077	WASHER	8	
16	05625	LEG SPRING	1	
17	05626	LEG SPRING	1	
18	50992	SPRING PRESSURE, NR. 3/11.8/36/77.7	1	
19	57080	HEX NUT, M10	4	
20	57030	HEX NUT, M10	2	
22	55912	HEX BOLT, M10X25	4	
23	55329	HEX BOLT	1	
24	55900	HEX BOLT, M8X16	6	
25	55903	HEX BOLT, M8X25	2	
29	57504	HYDRAULIC FITTING, GE 12 SM	1	
30	57540	HYDRAULIC FITTING, SWVE 12 SM	3	
31	57161	HEX NUT	2	
32	69713	SPRING BOLT WITH TOP	1	
33	3-10800	TRIP CAM	1	
34	54812	HEX BOLT	1	
35	3-90002	SAFETY BUMPER ASSY	1	

P33/24 HHM-HHMR — VALVE MOUNTING ASSY.

VALVE MOUNTING ASSY.



P33/24 HHM-HHMR — VALVE MOUNTING ASSY.

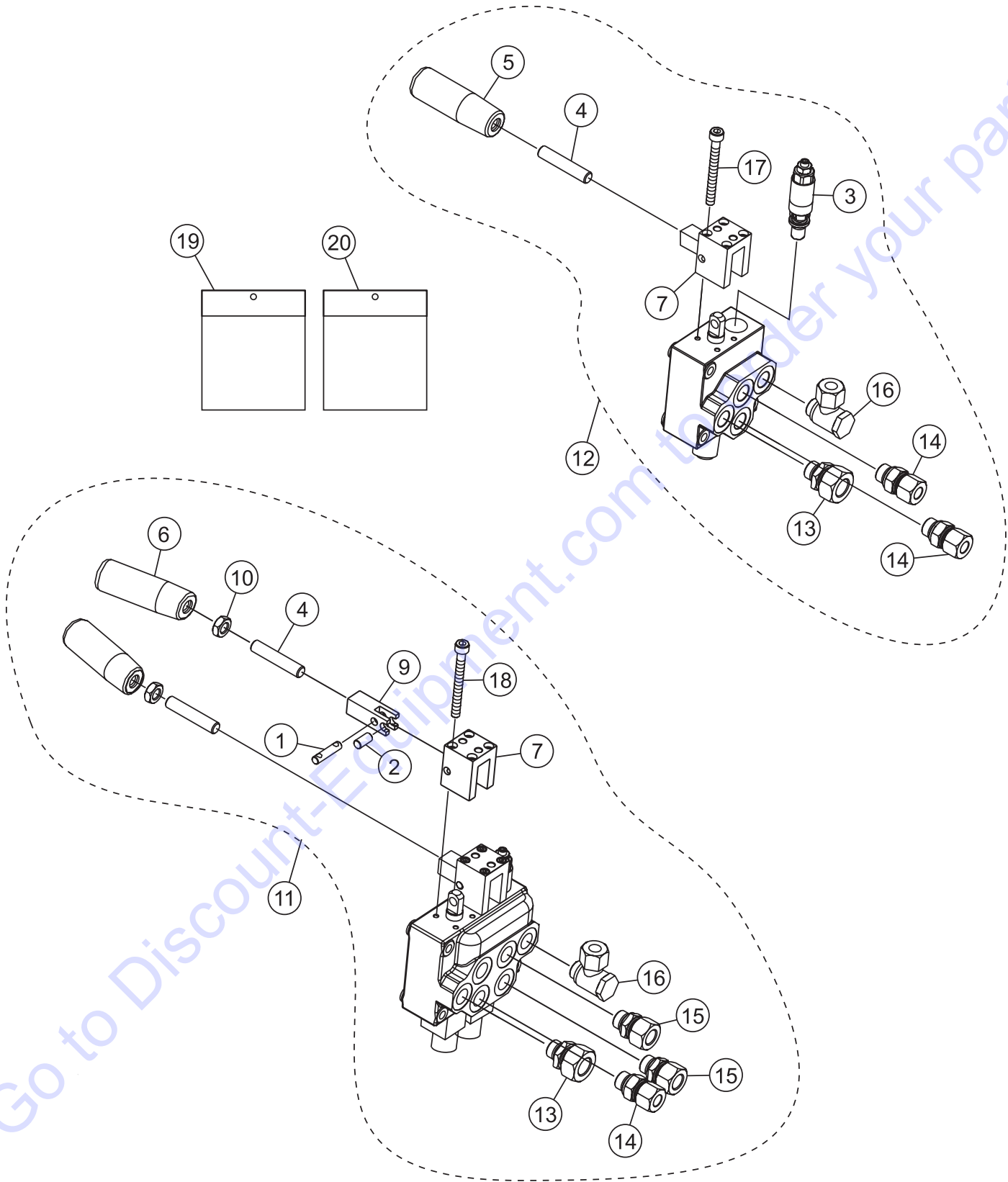
VALVE MOUNTING ASSY.

<u>NO.</u>	<u>PART NO.</u>	<u>PART NAME</u>	<u>QTY.</u>	<u>REMARKS</u>
1	51619	FILTER INSERT	1	
2	51617	HIGH-PRESSURE FILTER	1	
3	51620	O-RING	1	
4	58077	WASHER	8	
5	05316	BRACKET	1	FOR VARIABLE ECCENTRIC WEIGHT
6	58334	RETAINING WASHER	9	
7	58325	RETAINING WASHER	2	FOR VARIABLE ECCENTRIC WEIGHT
8	57079	HEX NUT	1	FOR VARIABLE ECCENTRIC WEIGHT
9	55912	HEX BOLT	9	
10	55903	HEX BOLT	7	
13	3-10642	VALVE PLATE	1	
14	57540	HYDRAULIC FITTING	2	

Go to Discount-Equipment.com to order your parts

P33/24 HHM — MANUAL OPERATION VALVES ASSY.

MANUAL OPERATION VALVES ASSY.



PARTS FINDER

**Search Website
by Part Number**



**Search Manual
Library For Parts
Manual & Lookup Part
Numbers – Purchase
or Request Quote**

Search Manuals

Enter your information to help us find the right parts manual for your machine.

* Brand:

* Model:

* Serial:

* Part Number:

SEARCH

**Can't Find Part or
Manual? Request Help
by Manufacturer,
Model & Description**

Parts Order Form

Please fill in the following information to help us find the right part for your machine.

Manufacturer:	<input type="text"/>
Model:	<input type="text"/>
Description:	<input type="text"/>
Part Number:	<input type="text"/>
Quantity:	<input type="text"/>
Notes:	<input type="text"/>

Discount-Equipment.com is your online resource for quality parts & equipment.

Florida: **561-964-4949** Outside Florida TOLL FREE: **877-690-3101**

Need parts?

Click on this link: <http://www.discount-equipment.com/category/5443-parts/> and choose one of the options to help get the right parts and equipment you are looking for. Please have the machine model and serial number available in order to help us get you the correct parts. If you don't find the part on the website or on one of the online manuals, please fill out the request form and one of our experienced staff members will get back to you with a quote for the right part that your machine needs.

We sell worldwide for the brands: Genie, Terex, JLG, MultiQuip, Mikasa, Essick, Whiteman, Mayco, Toro Stone, Diamond Products, Generac Magnum, Airman, Haulotte, Barreto, Power Blanket, Nifty Lift, Atlas Copco, Chicago Pneumatic, Allmand, Miller Curber, Skyjack, Lull, Skytrak, Tsurumi, Husquvarna Target, Stow, Wacker, Sakai, Mi-T-M, Sullair, Basic, Dynapac, MBW, Weber, Bartell, Bennar Newman, Haulotte, Ditch Runner, Menegotti, Morrison, Contec, Buddy, Crown, Edco, Wyco, Bomag, Laymor, EZ Trench, Bil-Jax, F.S. Curtis, Gehl Pavers, Heli, Honda, ICS/PowerGrit, IHI, Partner, Imer, Clipper, MMD, Koshin, Rice, CH&E, General Equipment, Amida, Coleman, NAC, Gradall, Square Shooter, Kent, Stanley, Tamco, Toku, Hatz, Kohler, Robin, Wisconsin, Northrock, Oztec, Toker TK, Rol-Air, APT, Wylie, Ingersoll Rand / Doosan, Innovatech, Con X, Ammann, Mecalac, Makinex, Smith Surface Prep, Small Line, Wanco, Yanmar

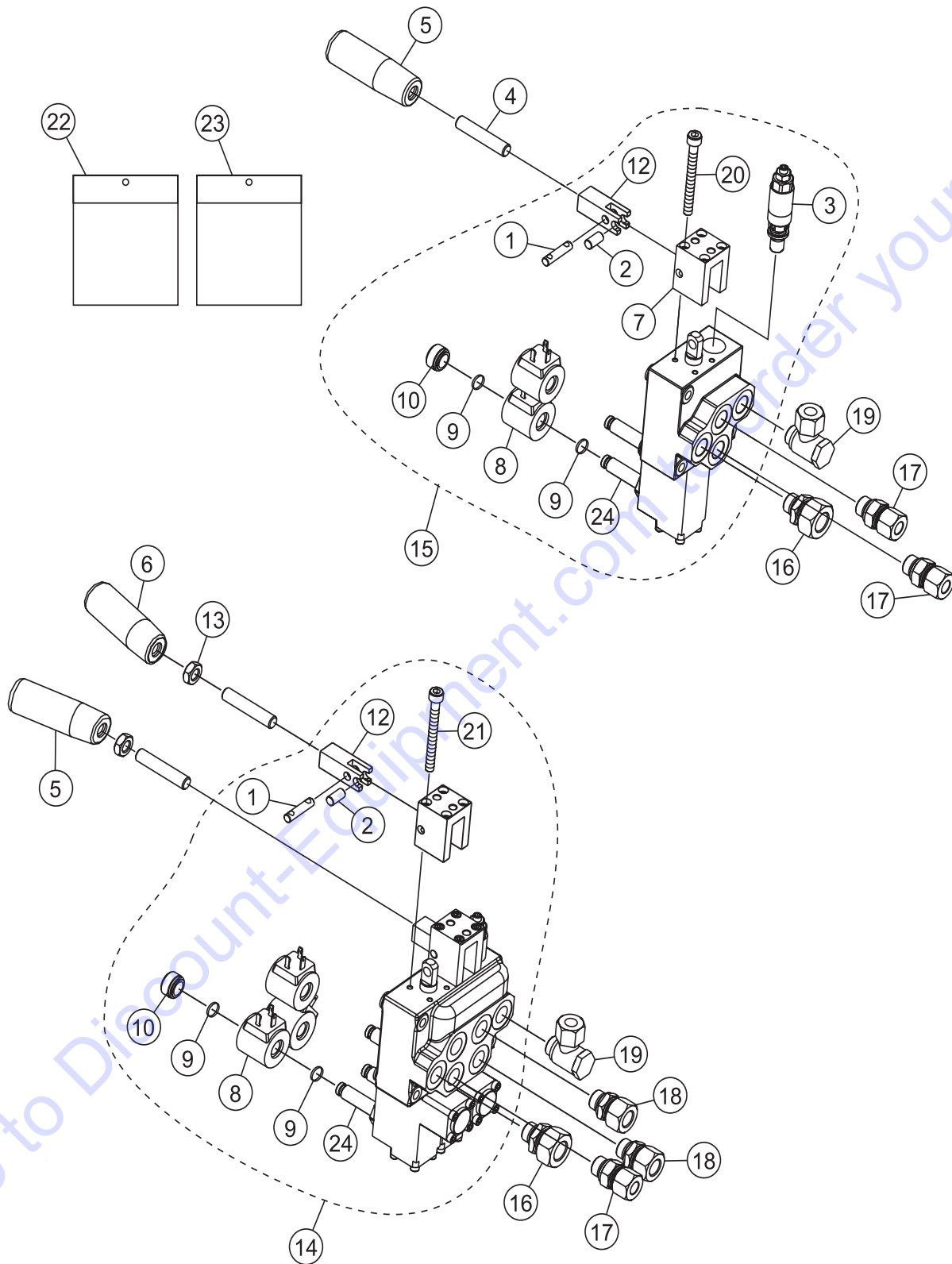
P33/24 HHM — MANUAL OPERATION VALVES ASSY.

MANUAL OPERATION VALVES ASSY.

<u>NO.</u>	<u>PART NO.</u>	<u>PART NAME</u>	<u>QTY.</u>	<u>REMARKS</u>
1	50956	PIN	4	
2	50957	PIN	4	
3	50935	PRESSURE VALVE COMPLETE	3	
4	59660	HEADLESS PIN M12 X 60 DIN 913	4	
5	3-10594	GRIP STRAIGHT	2	
6	3-10595	GRIP BEVELED	2	
7	05579	HOLDING DEVICE	4	
9	50955	LEVER	4	
10	57131	HEX NUT	2	
11	50932	VALVE, HIGH SPEED/VIBRATION	1	
12	50933	VALVE, STEERING	2	
13	57477	HYDRAULIC FITTING GE 18 LM	3	
14	57504	HYDRAULIC FITTING GE 12 LM	5	
15	57515	HYDRAULIC FITTING GE 15 LM	2	
16	57540	HYDRAULIC FITTING SWVE 12 SM	3	
17	54558	ALLEN HEAD CAP SCREW	8	
18	54557	ALLEN HEAD CAP SCREW	8	
19	50946	GASKET SET FOR VALVE: DRIVING	2	
20	50947	GASKET SET FOR VALVE: VIBRATION/HIGH SPEED	1	

P33/24 HHMR — REMOTE CONTROL OPERATION VALVES ASSY.

REMOTE CONTROL OPERATION VALVES ASSY.



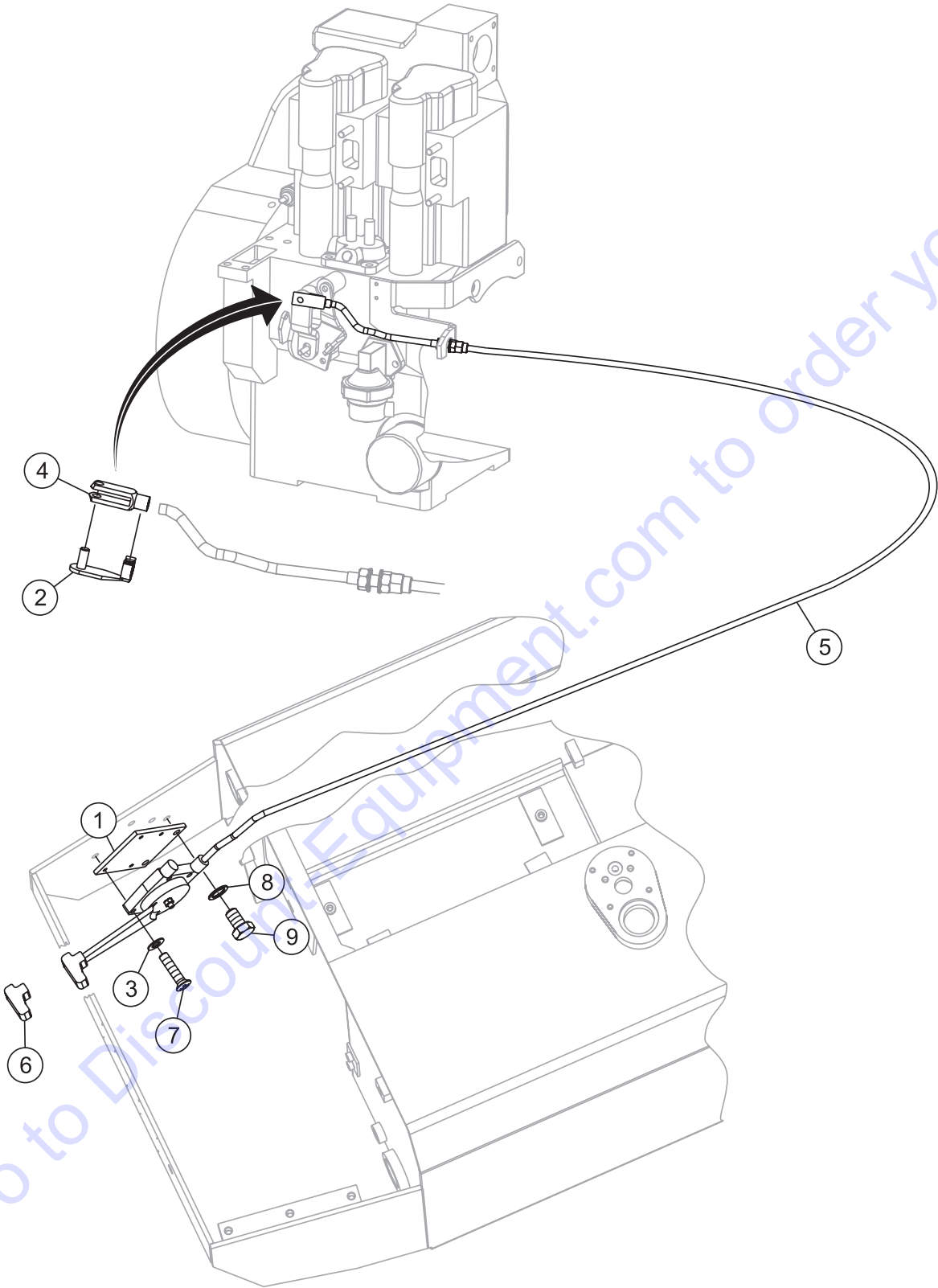
P33/24 HHMR — REMOTE CONTROL OPERATION VALVES ASSY.

REMOTE CONTROL OPERATION VALVES ASSY.

<u>NO.</u>	<u>PART NO.</u>	<u>PART NAME</u>	<u>QTY.</u>	<u>REMARKS</u>
1*#	50956	PIN	4	
2*#	50957	PIN	4	
3*#	50953	VALVE	3	
4	59660	HEADLESS PIN, M12X60	4	
5	3-10594	GRIP, HANDLE	2	
6	3-10595	GRIP, HANDLE	2	
7*#	05579	HOLDING DEVICE	4	
8*#	50978	MAGNET COIL, DPSA 1 B20-12C-18H	7	
9*#	50977	O-RING, 12.48X1.78	14	
10*#	50979	NUT	7	
12*#	50955	LEVER	4	
13	57131	HEX NUT, M12	2	
14	48012	CONTROL VALVE, HIGH SPEED/VIBRATION ...	1	REMOTE CONTROL OPERATION INCLUDES ITEMS W/*
15	50981	CONTROL VALVE, STEERING	2	REMOTE CONTROL OPERATION INCLUDES ITEMS W/#
16	57477	HYDRAULIC FITTING, GE 18 LM	3	
17	57504	HYDRAULIC FITTING, GE 12 SM	5	
18	57515	HYDRAULIC FITTING, GE 15 LM	2	
19	57540	HYDRAULIC FITTING, SWVE 12 SM	3	
20#	54557	ALLEN HEAD CAP SCREW	8	
21*	54558	ALLEN HEAD CAP SCREW	8	
22	50984	GASKET SET FOR VALVE: DRIVING	2	
23	50986	GASKET SET HIGH SPD/VIB VALVE	1	
24*#	3-48141	PRESSURE PIPE	7	

P33/24 HHM-HHMR — THROTTLE CABLE ASSY.

THROTTLE CABLE ASSY.



P33/24 HHM-HHMR — THROTTLE CABLE ASSY.

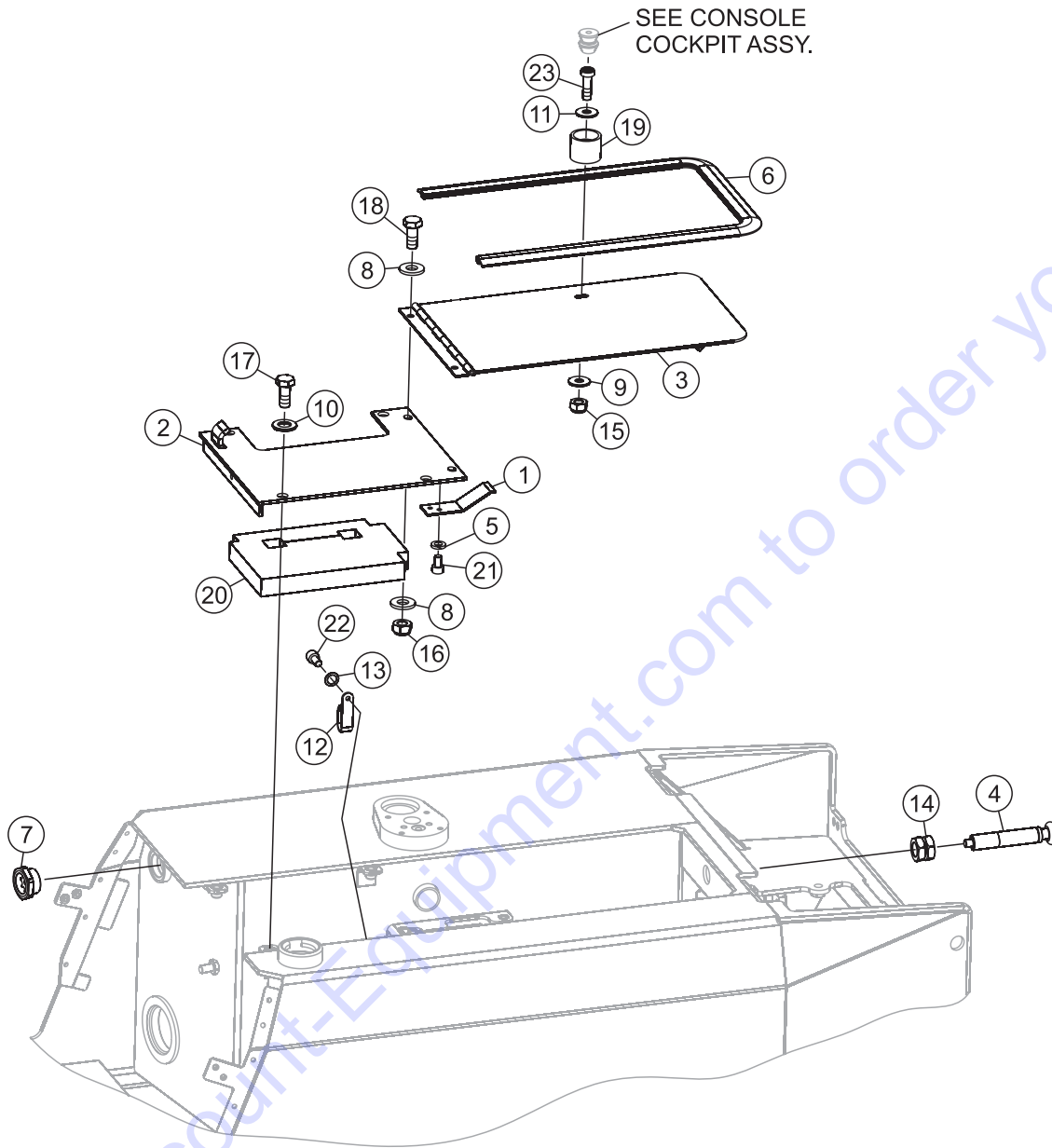
THROTTLE CABLE ASSY.

<u>NO.</u>	<u>PART NO.</u>	<u>PART NAME</u>	<u>QTY.</u>	<u>REMARKS</u>
1	05224	FASTENING PLATE	1	
2	63819	LOCKING BOLT, 6X24 SXN 01	1	
3	58238	TOOTHED LOCK WASHER	4	
4	64026	ROD HEAD BOLT, G6X24	1	
5	64548	THROTTLE CABLE	1	
6	64551	GRIP, HANDLE	1	
7	56222	SCREW, M5X20	4	
8	58325	RETAINING WASHER, S-8	2	
9	55909	HEX BOLT, M8X14	2	

Go to Discount-Equipment.com to order your parts

P33/24 HHMR — RECEIVER/CONSOLE ASSY.

RECEIVER/CONSOLE ASSY.



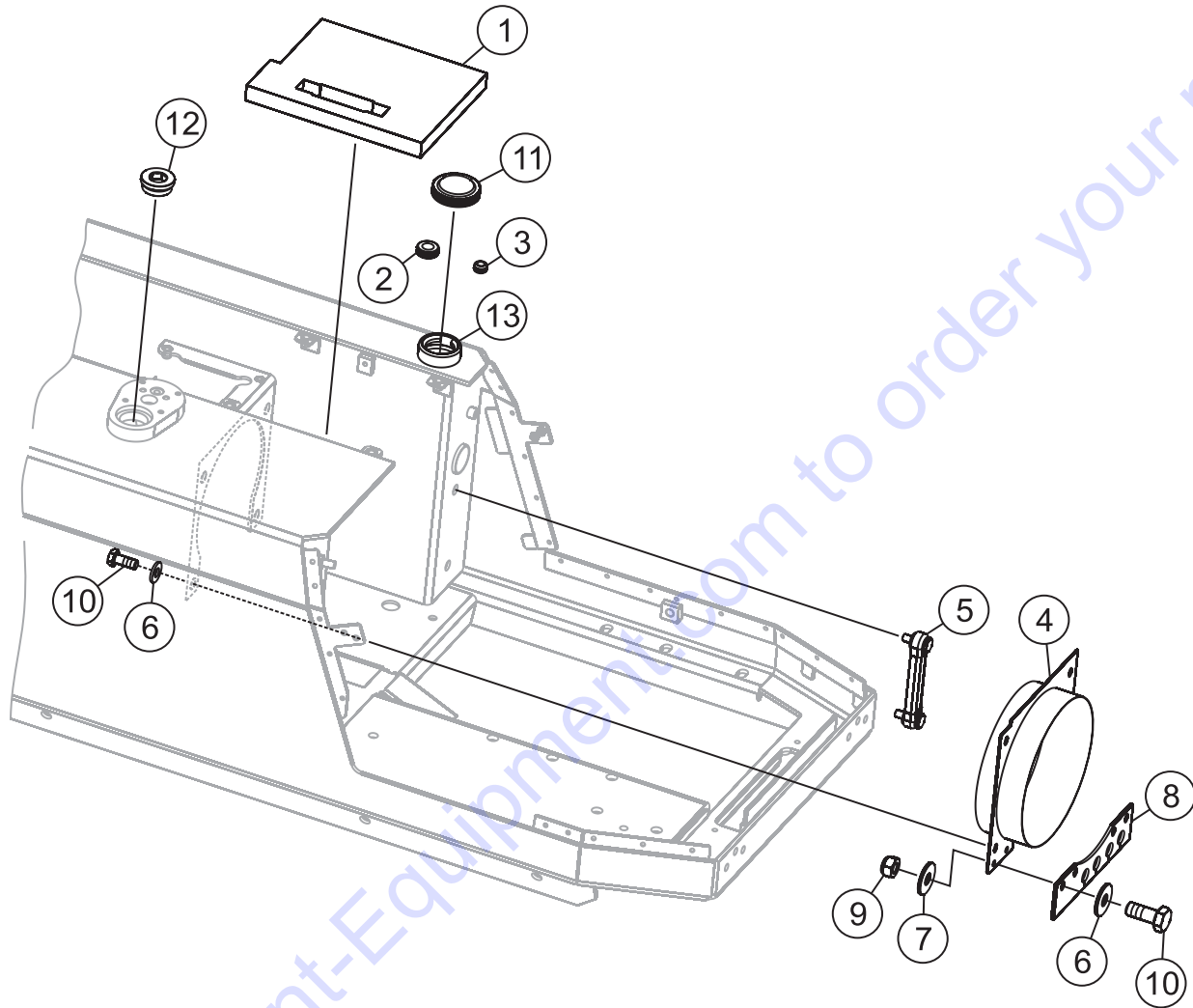
P33/24 HHMR — RECEIVER/CONSOLE ASSY.

RECEIVER/CONSOLE ASSY.

<u>NO.</u>	<u>PART NO.</u>	<u>PART NAME</u>	<u>QTY.</u>	<u>REMARKS</u>
1	3-10309	COACH SPRING	1	
2	3-10280	BONNET, COVER	1	
3	3-10875	COVER, COMPLETE	1	
4	69715	SPRING BOLT WITH TOP	1	
5	58427	SPRING WASHER	2	
6	3-10172	EDGE PROTECTION	1	
7	51750	OIL LEVEL GAUGE	1	
8	58077	WASHER	4	
9	58179	WASHER	1	
10	58027	WASHER	4	
11	58025	WASHER	1	
12	63092	BRACKET	1	
13	58324	RETAINING WASHER	1	
14	57161	HEX NUT	2	
15	57078	HEX NUT	1	
16	57079	HEX NUT	2	
17	55912	HEX BOLT	4	
18	55901	HEX BOLT	2	
19	69721	STOPPER	1	
20	3-10303	CELLULAR RUBBER PLATE	1	
21	54560	ALLEN HEAD CAP SCREW	2	
22	54600	ALLEN HEAD CAP SCREW	1	
23	54800	ALLEN HEAD CAP SCREW	1	

P33/24 HHM-HHMR — CONSOLE COMPONENTS 1 ASSY.

CONSOLE COMPONENTS 1 ASSY.



P33/24 HHM-HHMR — CONSOLE COMPONENTS 1 ASSY.

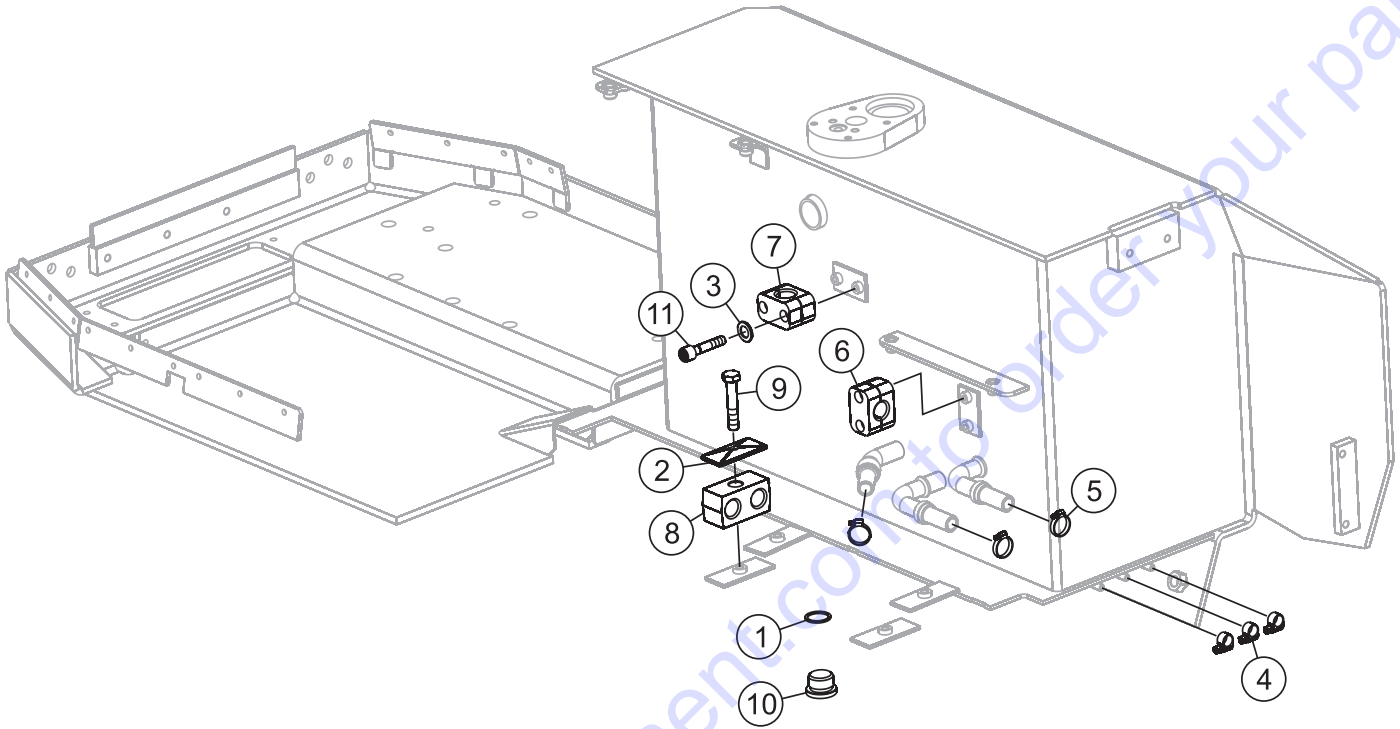
CONSOLE COMPONENTS 1 ASSY.

<u>NO.</u>	<u>PART NO.</u>	<u>PART NAME</u>	<u>QTY.</u>	<u>REMARKS</u>
1	3-10225	FOAM RUBBER	1	
2	69411	CABLE BUSHING	1	
3	69412	CABLE BUSHING	1	
4	3-10222	AIRDUCT	1	
5	51918	FUEL LEVEL GAUGE	1	
6	58077	WASHER	8	
7	58177	WASHER	4	
8	3-10223	APRON	1	
9	57079	HEX NUT	4	
10	55901	HEX BOLT	8	
11	68910	TANK CAP	1	
12	8480062	DRAIN PLUG	1	
13	68909	EXT. TUBE	1	

Go to Discount-Equipment.com to order your parts

P33/24 HHM-HHMR — CONSOLE COMPONENTS 2 ASSY.

CONSOLE COMPONENTS 2 ASSY.



P33/24 HHM-HHMR — CONSOLE COMPONENTS 2 ASSY.

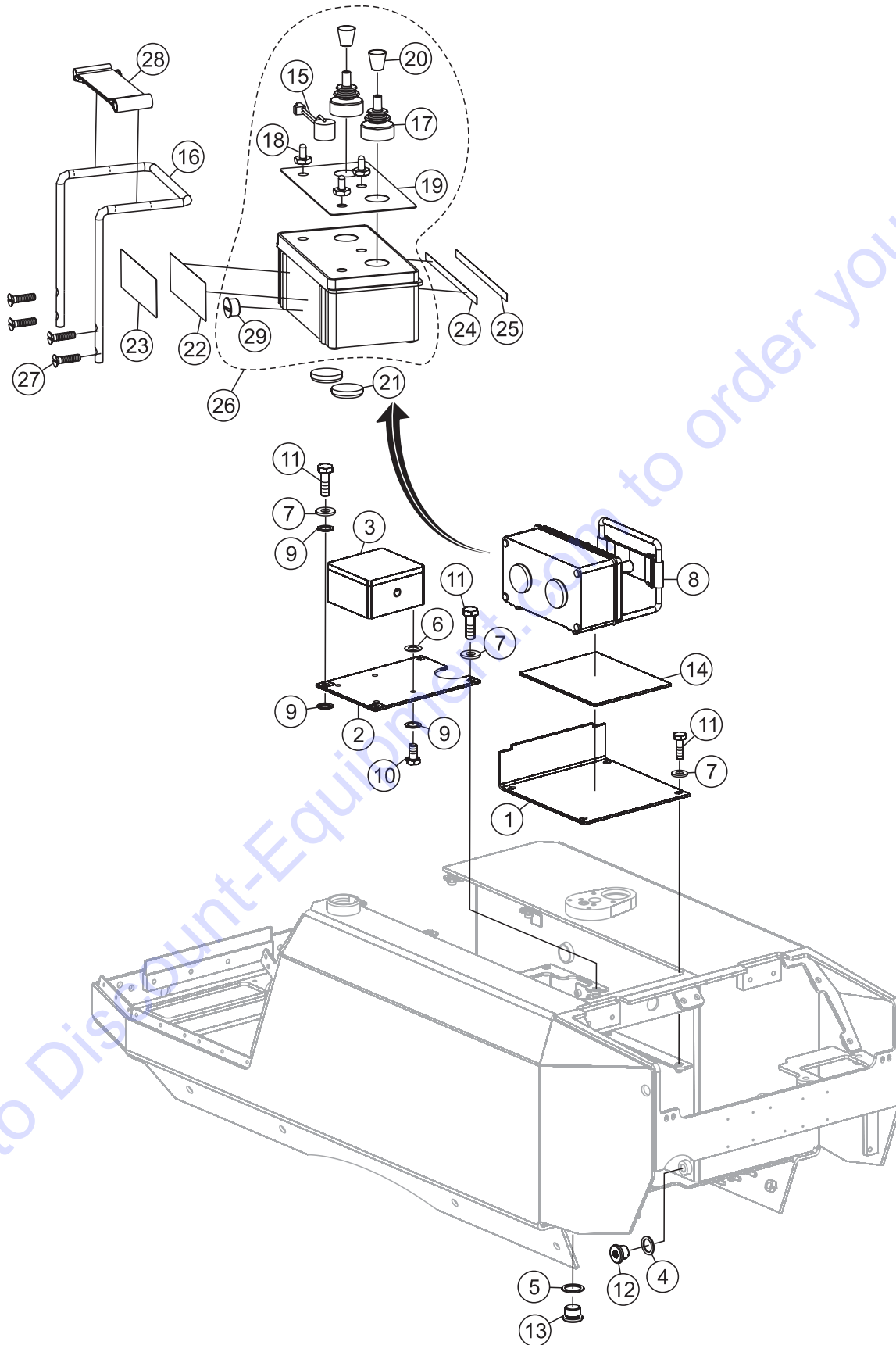
CONSOLE COMPONENTS 2 ASSY.

<u>NO.</u>	<u>PART NO.</u>	<u>PART NAME</u>	<u>QTY.</u>	<u>REMARKS</u>
1	58613	COPPER RING	1	
2	63093	COVER PLATE	4	
3	58025	WASHER	4	
4	63250	BRACKET	3	
5	63259	BRACKET	3	
6	63152	BRACKET	1	
7	63153	CLIP	1	
8	63165	BRACKET	4	
10	58812	DRAIN PLUG	1	
11	54606	ALLEN HEAD CAP SCREW	4	

Go to Discount-Equipment.com to order your parts

P33/24 HHMR — TRANSMITTER CONTROL BOX ASSY.

TRANSMITTER CONTROL BOX ASSY.



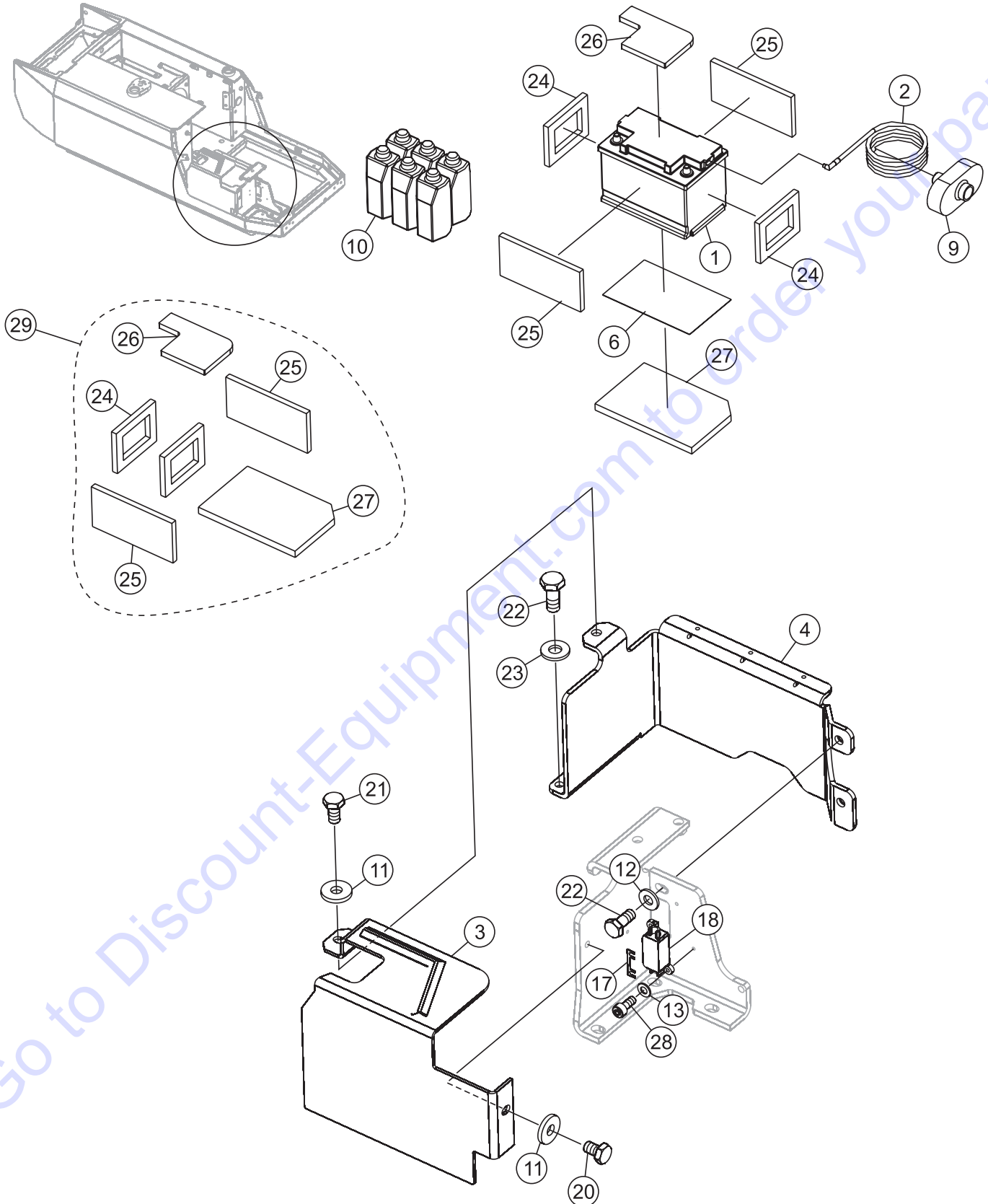
P33/24 HHMR — TRANSMITTER CONTROL BOX ASSY.

TRANSMITTER CONTROL BOX ASSY.

<u>NO.</u>	<u>PART NO.</u>	<u>PART NAME</u>	<u>QTY.</u>	<u>REMARKS</u>
1	3-10864	TRANSMITTER HOLDING SHEET	1	
2	3-10863	HOLDING LATH	1	
3	68561	RECEIVER	1	
4	58605	COPPER RING	1	
5	58608	COPPER RING	1	
6	58204	WASHER	4	
7	58077	WASHER	8	
8	3-10932	TRANSMITTER COMPLETE	1	INCLUDES ITEMS W/*
9	58325	RETAINING WASHER	6	
10	55900	HEX BOLT	4	
11	55903	HEX BOLT	8	
12	58802	DRAIN PLUG	1	
13	58804	DRAIN PLUG	1	
14	3-10924	CELLULAR RUBBER PLATE	1	
15*#	68334	ACCUMULATOR	1	
16*	3-10056	BOW	1	
17*#	68511	RUBBER COLLAR	2	
18*#	68305	RUBBER PROTECTING CAP	3	
19*#	39837	STICKER	1	
20*#	68542	KNOB	2	
21*	68277	MAGNET	2	
22*	39631	PVC-STICKER	1	
23*	39651	PVC-STICKER	1	
24*	39690	PVC-STICKER	1	
25*	39691	PVC-STICKER	1	
26*	3-10980	TRANSMITTER	1	INCLUDES ITMES W/#
27*	56004	SCREW	4	
28*	3-10456	STRAP	1	
29*#	68675	DRAIN PLUG	1	

P33/24 HHM-HHMR — BATTERY ASSY.

BATTERY ASSY.



P33/24 HHM-HHMR — BATTERY ASSY.

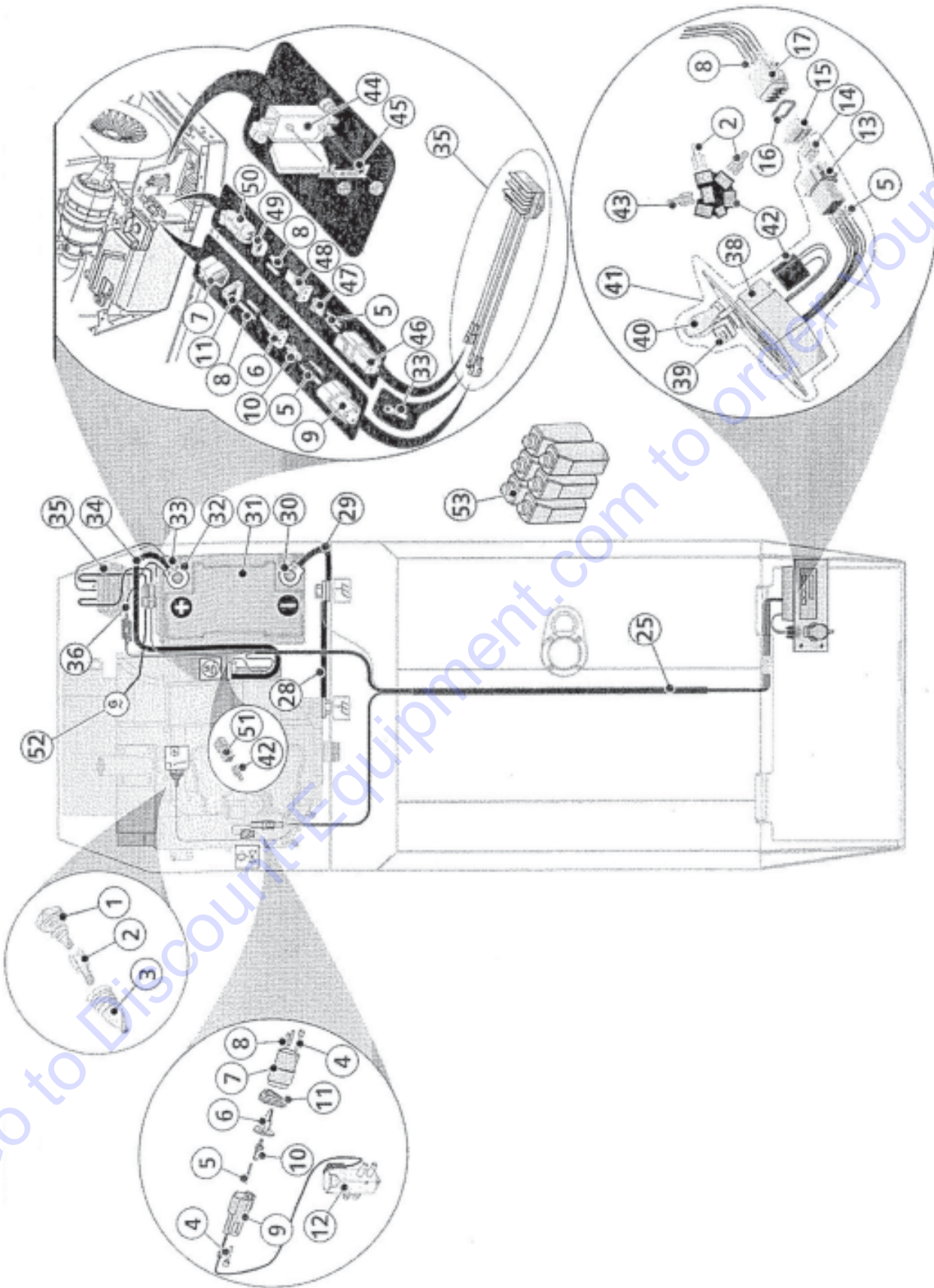
BATTERY ASSY.

<u>NO.</u>	<u>PART NO.</u>	<u>PART NAME</u>	<u>QTY.</u>	<u>REMARKS</u>
1	50657VP	BATTERY, DRY	1	
2	3-10447	BATTERY VENT TUBE	1	
3	3-10300	BATTERY HOLDING SHEET	1	
4	3-10897	BATTERY HOLDER	1	
6	3-10327	STEEL PLATE	1	
9	3-10366	FUSE BACKFIRE, 305 002 0502	1	
10		ACID PACKAGE BIG, FOR DRY BATTERY ..	1 SOURCE LOCALLY
11	58125	WASHER, A 10.5 ST	2	
12	58053	WASHER, B 10.5	2	
13	58039	WASHER, B 5.3	2	
17	68744	FUSE, 30A	1	
18	68745	FUSE HOLDER	1	
20	55910	HEX BOLT, M10X16	1	
21	55911	HEX BOLT, M10X20	1	
22	55912	HEX BOLT, M10X25	4	
23	58221	LOCK WASHER, 10.5X23X2.5	2	
24*	3-10304	CELLULAR RUBBER PLATE	2	
25*	3-10305	CELLULAR RUBBER PLATE	2	
26*	3-10306	CELLULAR RUBBER PLATE	1	
27*	3-10307	CELLULAR RUBBER PLATE	1	
28	54550	ALLEN HEAD CAP SCREW, M5X12	2	
29	3-90009	BATTERY FOAM KIT	1 INCLUDES ITEMS W/*

Go to Discount-Equipment.com to order your parts

P33/24 HHM — WIRING HARNESS ASSY.

WIRING HARNESS ASSY.



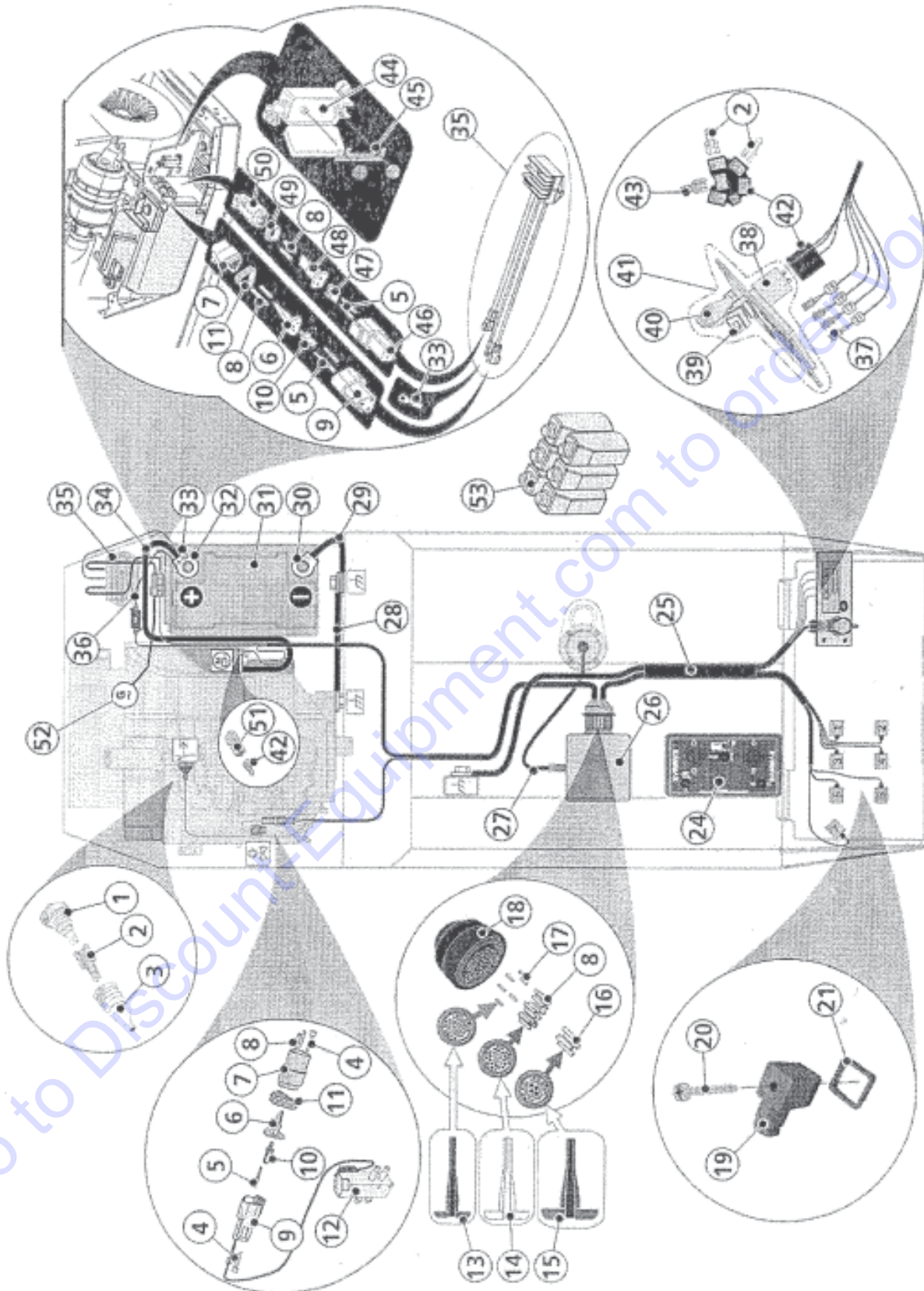
P33/24 HHM — WIRING HARNESS ASSY.

WIRING HARNESS ASSY.

<u>NO.</u>	<u>PART NO.</u>	<u>PART NAME</u>	<u>QTY.</u>	<u>REMARKS</u>
1	50293810	OIL PRESSURE SWITCH	1	
2	68764	CABLE BRACKET	3	
3	52038	PROTECTING CAP	1	
4	68771	WELSH PLUG	3	
5	68772	CONTACT PIN	4	
6	68762	PIN FUSE	2	
7	68754	CONNECTOR	2	
8	68733	CONTACT LINER	27	
9	68753	BEARING BUSH	2	
10	68763	PIN FUSE	2	
11	68407	GASKET	2	
12	01947500	FUEL STOP VALVE	1	
13	68721	BEARING BUSH	1	
14	68768	PIN FUSE	1	
15	68767	PIN FUSE	1	
16	68410	GASKET	1	
17	68720	CONNECTOR	1	
25	3-10945	CABLE HARNESS	1	
28	3-10168	GROUND CABLE	1	
29	3-10169	BATTERY CABLE	1	
30	51702	BRIDGE CONNECTOR	1	
31	50657VP	BATTERY	1	
32	51732	BRIDGE CONNECTOR	1	
33	68382	RING CONNECTOR	1	
34	3-11131	BATTERY CABLE	1	
35	90292	VOLTAGE REGULATOR	1	
36	3-11132	FUSE CABLE	1	
38	52012	STARTER SWITCH	1	
39	52007	KEY	1	
40	52026	PROTECTING CAP	1	
41	68568	COCKPIT	1	
42	52013	CENTRAL CONNECTOR	1	
43	68764	CABLE BRACKET	2	
44	68745	FUSE HOLDER	1	
45	68744	FUSE	1	
46	68717	BEARING BUSH	1	
47	68761	PIN FUSE	1	
48	68760	PIN FUSE	1	
49	68406	GASKET	1	
50	68716	CONNECTOR	1	
51	68806	CONNECTOR	1	
52	01647600	ALTERNATOR	1	
53		ACID PACKAGE	1 SOURCE LOCALLY

P33/24 HHMR — WIRING HARNESS ASSY. (WIRELESS OPERATION)

WIRING HARNESS ASSY. (WIRELESS OPERATION)



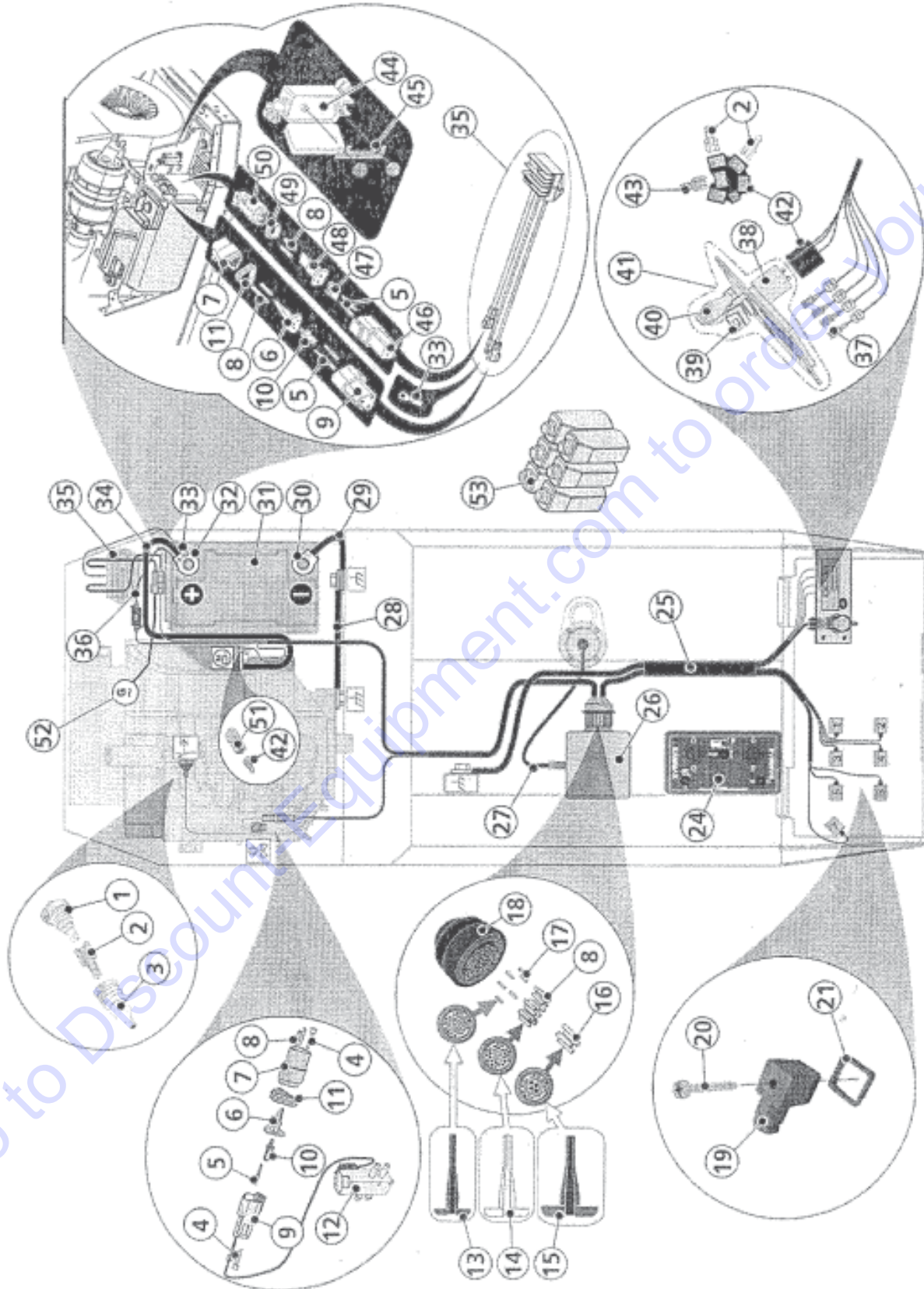
P33/24 HHMR — WIRING HARNESS ASSY. (WIRELESS OPERATION)

WIRING HARNESS ASSY. (WIRELESS OPERATION)

<u>NO.</u>	<u>PART NO.</u>	<u>PART NAME</u>	<u>QTY.</u>	<u>REMARKS</u>
1	50293810	OIL PRESSURE SWITCH	1	
2	68764	CABLE BRACKET	3	
3	52038	PROTECTING CAP	1	
4	68771	WELSH PLUG	3	
5	68772	CONTACT PIN	4	
6	68762	PIN FUSE	2	
7	68754	CONNECTOR	2	
8	68733	CONTACT LINER	27	
9	68753	BEARING BUSH	2	
10	68763	PIN FUSE	2	
11	68407	GASKET	2	
12	01947500	FUEL STOP VALVE	1	
13	68727	CONTACT LOOSENING TOOL	1	
14	68726	CONTACT LOOSENING TOOL	1	
15	68736	CONTACT LOOSENING TOOL	1	
16	68773	CONTACT LINER	4	
17	68775	CONTACT LINER	6	
18	68814	CONNECTOR	1	
19	50769	PLUG RECEPTACLE	7	
20	52056	SCREW	7	
21	52050	CONNECTOR SEAL	7	
24	3-10980	TRANSMITTER	1	
25	3-10904	CABLE HARNESS	1	
26	68561	CONTROL BOX	1	
27	68333	RECEIVER EYE	1	
28	3-10168	GROUND CABLE	1	
29	3-10169	BATTERY CABLE	1	
30	51702	BRIDGE CONNECTOR	1	
31	50657VP	BATTERY	1	
32	51732	BRIDGE CONNECTOR	1	
33	68382	RING CONNECTOR	1	
34	3-11131	BATTERY CABLE	1	
35	90292	VOLTAGE REGULATOR	1	

P33/24 HHMR — WIRING HARNESS ASSY. (WIRELESS OPERATION)

WIRING HARNESS ASSY. (WIRELESS OPERATION)



P33/24 HHMR — WIRING HARNESS ASSY. (WIRELESS OPERATION)

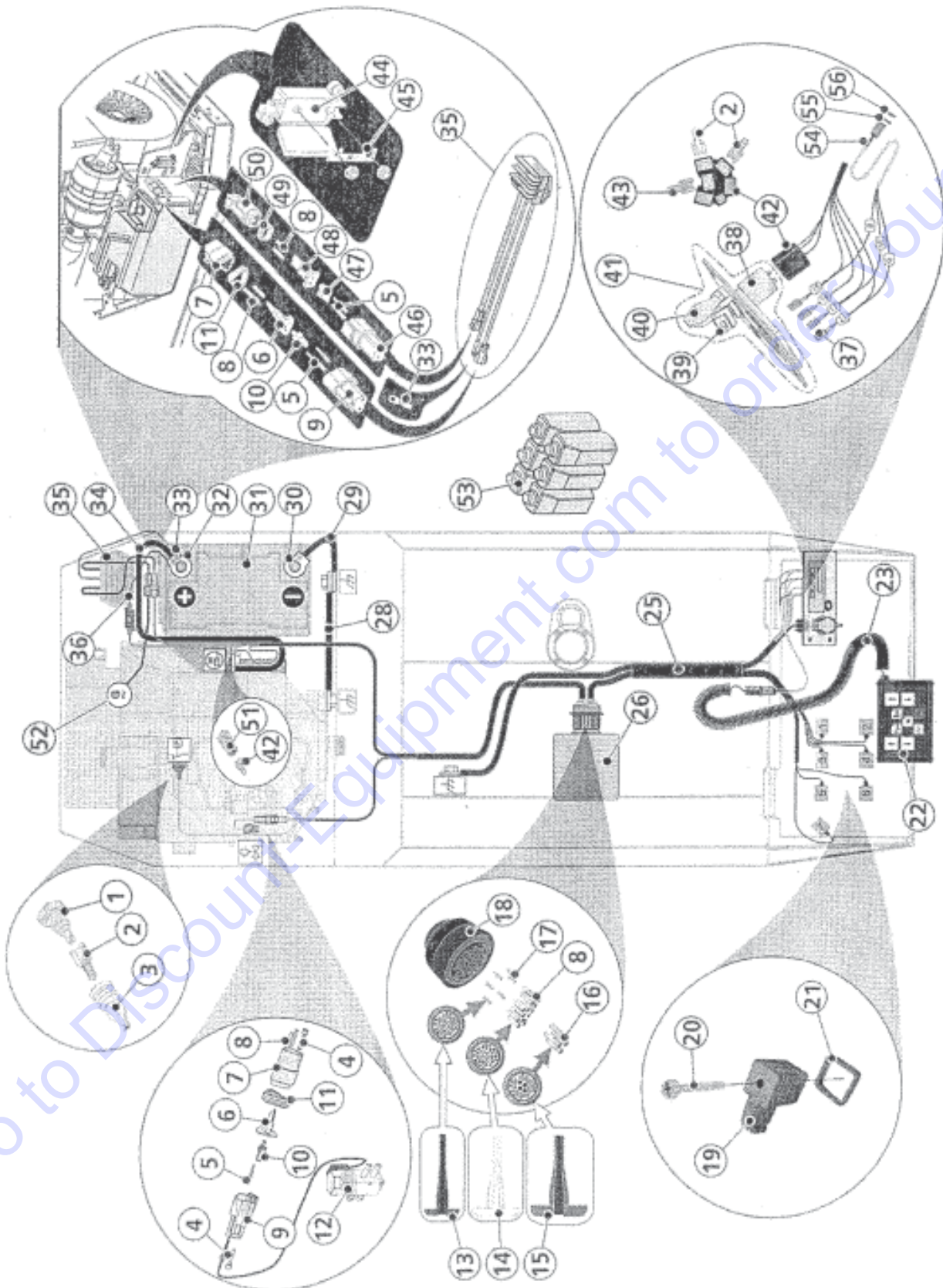
WIRING HARNESS ASSY. (WIRELESS OPERATION)

<u>NO.</u>	<u>PART NO.</u>	<u>PART NAME</u>	<u>QTY.</u>	<u>REMARKS</u>
36	3-11132	FUSE CABLE	1	
37	68630	CABLE BRACKET	4	
38	52012	STARTER SWITCH	1	
39	52007	KEY	1	
40	52026	PROTECTING CAP	1	
41	68562	COCKPIT	1	
42	52013	CENTRAL CONNECTOR	1	
43	68764	CABLE BRACKET	2	
44	68745	FUSE HOLDER	1	
45	68744	FUSE	1	
46	68717	BEARING BUSH	1	
47	68761	PIN FUSE	1	
48	68760	PIN FUSE	1	
50	38716	CONNECTOR	1	
51	68806	CONNECTOR	1	
52	01647600	ALTERNATOR	1	
53		ACID PACKAGE	1	SOURCE LOCALLY

Go to Discount-Equipment.com to order your parts

P33/24 HHMR — WIRING HARNESS ASSY. (TETHERED OPERATION)

WIRING HARNESS ASSY. (TETHERED OPERATION)



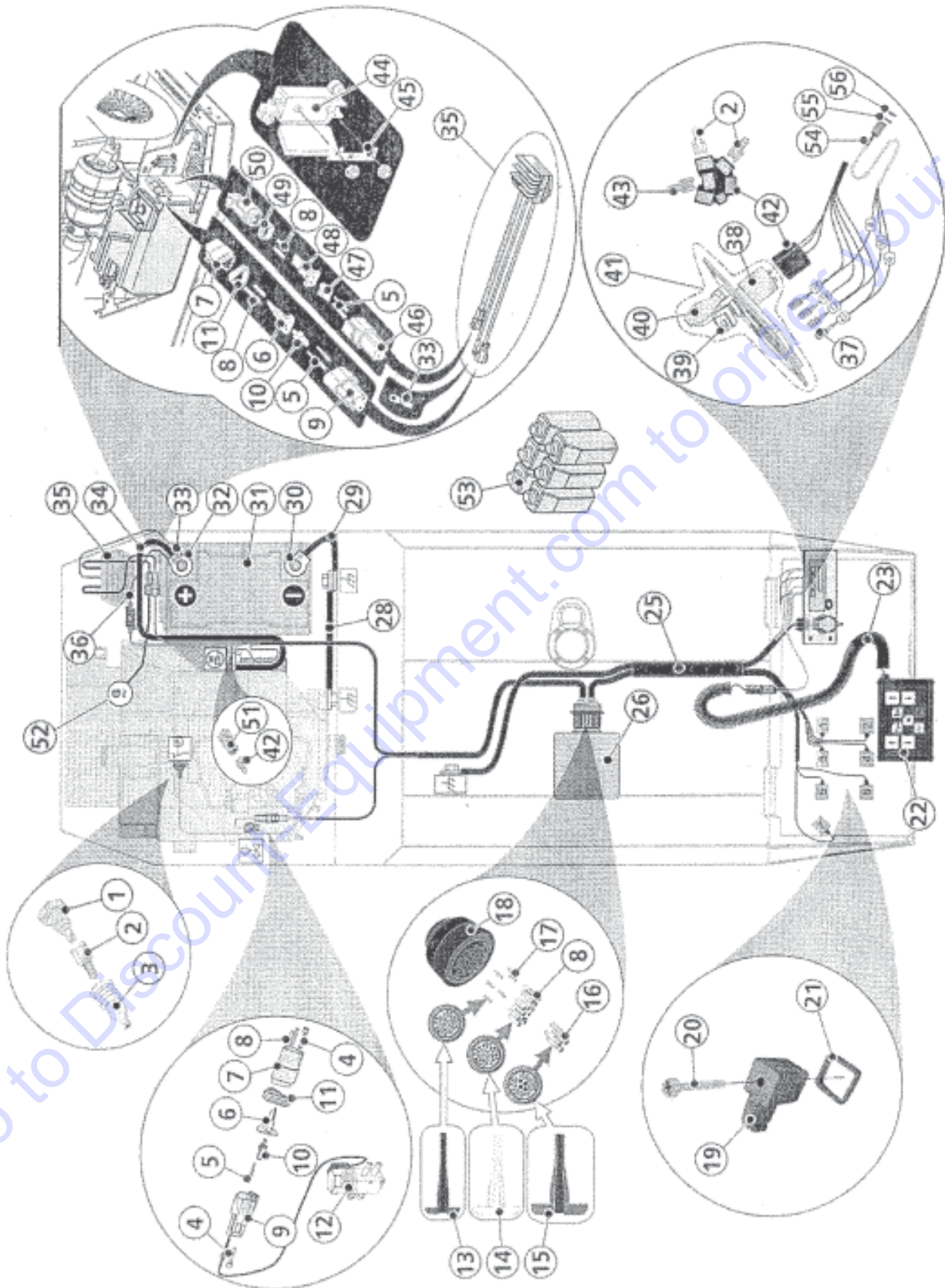
P33/24 HHMR — WIRING HARNESS ASSY. (TETHERED OPERATION)

WIRING HARNESS ASSY. (TETHERED OPERATION)

<u>NO.</u>	<u>PART NO.</u>	<u>PART NAME</u>	<u>QTY.</u>	<u>REMARKS</u>
1	50293810	OIL PRESSURE SWITCH	1	
2	68764	CABLE BRACKET	3	
3	52038	PROTECTING CAP	1	
4	68771	WELSH PLUG	3	
5	68772	CONTACT PIN	4	
6	68762	PIN FUSE	2	
7	68754	CONNECTOR	2	
8	68733	CONTACT LINER	27	
9	68753	BEARING BUSH	2	
10	68763	PIN FUSE	2	
11	68407	GASKET	2	
12	01947500	FUEL STOP VALVE	1	
13	68727	CONTACT LOOSENING TOOL	1	
14	68726	CONTACT LOOSENING TOOL	1	
15	68736	CONTACT LOOSENING TOOL	1	
16	68773	CONTACT LINER	4	
17	68775	CONTACT LINER	6	
18	68814	CONNECTOR	1	
19	50769	PLUG RECEPTACLE	7	
20	52056	SCREW	7	
21	52050	CONNECTOR SEAL	7	
22	68563	MANUAL CONTROL BOX	1	
23	68566	HELIX CABLE	1	
25	3-10904	CABLE HARNESS	1	
26	68561	CONTROL BOX	1	
28	3-10168	GROUND CABLE	1	
29	3-10169	BATTERY CABLE	1	
30	51702	BRIDGE CONNECTOR	1	
31	50666	BATTERY	1	
32	51732	BRIDGE CONNECTOR	1	
33	68382	RING CONNECTOR	1	
34	3-11131	BATTERY CABLE	1	
35	90292	VOLTAGE REGULATOR	1	

P33/24 HHMR — WIRING HARNESS ASSY. (TETHERED OPERATION)

WIRING HARNESS ASSY. (TETHERED OPERATION)



P33/24 HHMR — WIRING HARNESS ASSY. (TETHERED OPERATION)

WIRING HARNESS ASSY. (TETHERED OPERATION)

<u>NO.</u>	<u>PART NO.</u>	<u>PART NAME</u>	<u>QTY.</u>	<u>REMARKS</u>
36	3-11132	FUSE CABLE	1	
37	68630	CABLE BRACKET	4	
38	52012	STARTER SWITCH	1	
39	52007	KEY	1	
40	52026	PROTECTING CAP	1	
41	68562	COCKPIT	1	
42	52013	CENTRAL CONNECTOR	1	
43	68764	CABLE BRACKET	2	
44	68745	FUSE HOLDER	1	
45	68744	FUSE	1	
46	68717	BEARING BUSH	1	
47	68761	PIN FUSE	1	
48	68760	PIN FUSE	1	
50	68716	CONNECTOR	1	
51	68806	CONNECTOR	1	
52	01647600	ALTERNATOR	1	
53		ACID PACKAGE	1	SOURCE LOCALLY
54	3-10990	CABLE	1	
55	68897	SCREW NUT	1	
56	68829	SCREW NUT	1	

P33/24 HHM-HHMR — HYDRAULIC SCHEMATIC

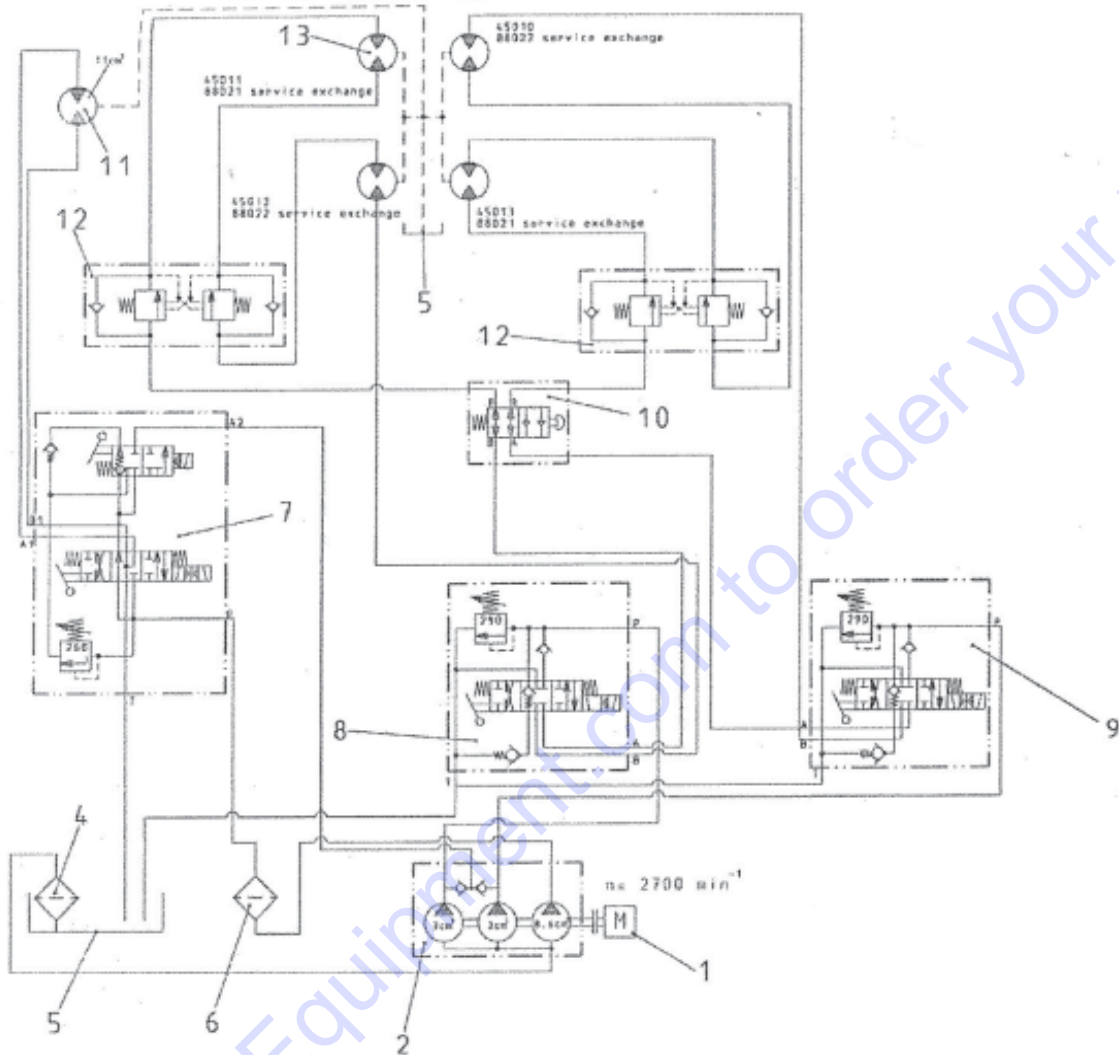
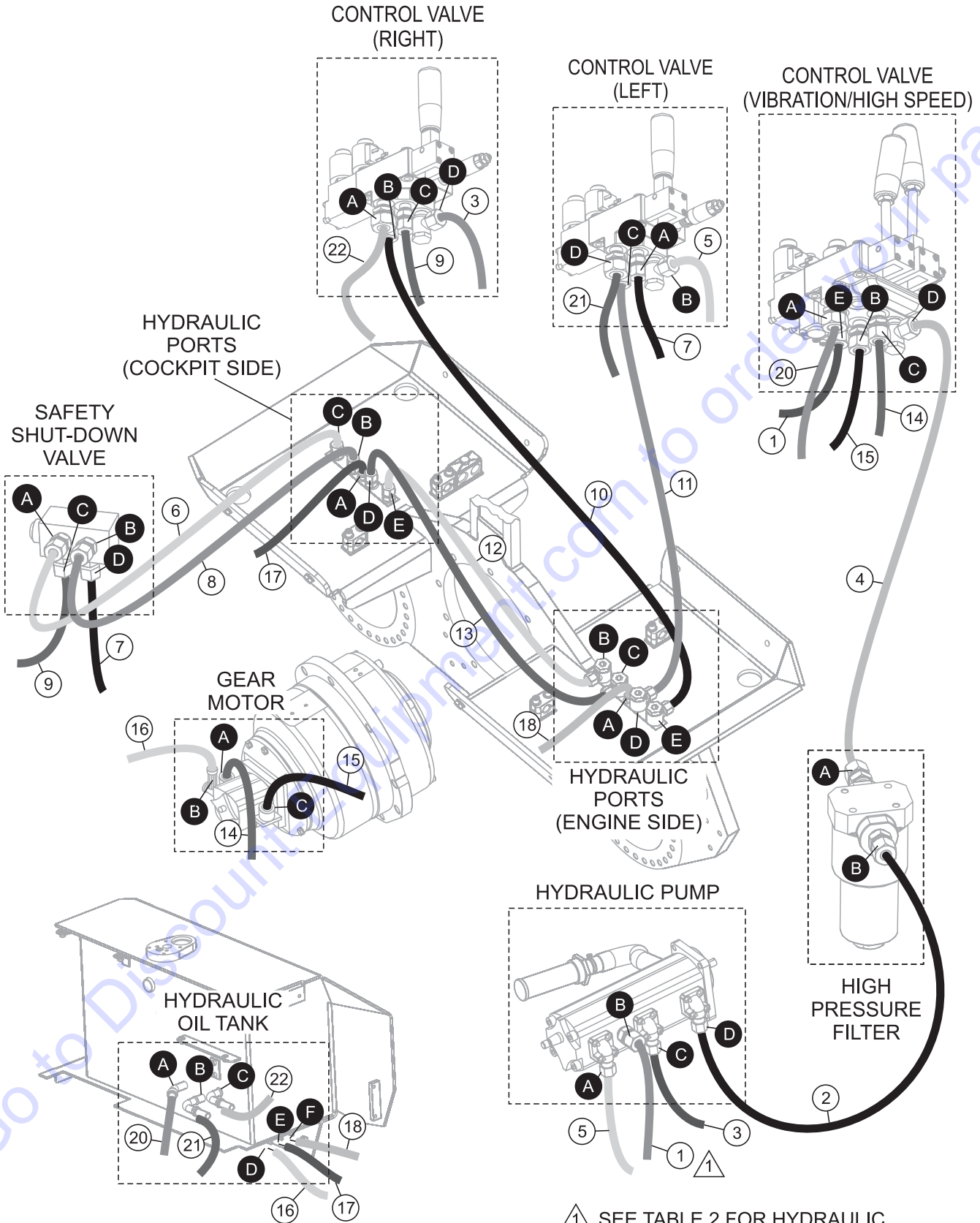


Table 1. Component Description

ITEM NO.	DESCRIPTION	ITEM NO.	DESCRIPTION
1	Deisel Engine	8	Valve (Drive Left)
2	Hydraulic Pump	9	Valve (Drive Right)
4	Suction Filter	10	Safety Shut-Down Valve
5	Oil Tank	11	Gear Motor
6	High-Pressure Filter	12	Countertorque Brake
7	Valve (Vibration/High Speed)	13	Hydraulic Motor

P33/24 HHM-HHMR — HYDRAULIC HOSE LAYOUT

HYDRAULIC HOSE LAYOUT



⚠ SEE TABLE 2 FOR HYDRAULIC HOSE LOCATOR CHART

P33/24 HHM-HHMR — HYDRAULIC HOSE LAYOUT

HYDRAULIC HOSE LAYOUT

<u>NO.</u>	<u>PART NO.</u>	<u>PART NAME</u>	<u>QTY.</u>	<u>REMARKS</u>
1	66996	HD-HOSE	1	2 SN DN 10X850 RSL/RSL 90°
2	66790	HD-HOSE	1	2 SN DN 10X1010 RSL 45° SL 65/RSL 90° V-225°
3	66791	HD-HOSE	1	2 SN DN 10X825 RSL 90° /RSL 90° V-245°
4	66620	HD-HOSE	1	2 SN DN 10X250 RSL 90° /RSL 45°
5	66995	HD-HOSE	1	2 SN DN 10X770 RSL 45° /RSL 90° SL 65 V-240°
6	66691	HD-HOSE	1	2 SN DN 10X360 RSL 90° /RSL 90° SL 65 V-225°
7	66519	HD-HOSE	1	2 SN DN 10X360 RSL/RSL 90°
8	66519	HD-HOSE	1	2 SN DN 10X360 RSL/RSL 90°
9	66519	HD-HOSE	1	2 SN DN 10X360 RSL/RSL 90°
10	66681	HD-HOSE	1	2 SN DN 10X1440 RSL/RSL
11	65344	HD-HOSE	1	2 SN DN 10X1410 RSL/RSL
12	66697	HD-HOSE	1	2 SN DN 10X680 RSL/RSL
13	66698	HD-HOSE	1	2 SN DN 10X810 RSL/RSL
14	66692	HD-HOSE	1	2 SN DN 12X1000 RSL/RSL 45° Ø15
15	66693	HD-HOSE	1	2 SN DN 12X840 RSL/RSL 45° Ø15
16	TBD	HD-HOSE	1	
17	TBD	HD-HOSE	1	
18	TBD	HD-HOSE	1	
20	66694	HD-HOSE	1	1 SN DN 16X465 RSL 45° /RSL 90° V-270°
21	66695	HD-HOSE	1	1 SN DN 16X335 RSL 90° /RSL 90° V-270°
22	66696	HD-HOSE	1	1 SN DN 16X250 RSL /RSL 90°

Go to Discount-Equipment.com to order your parts

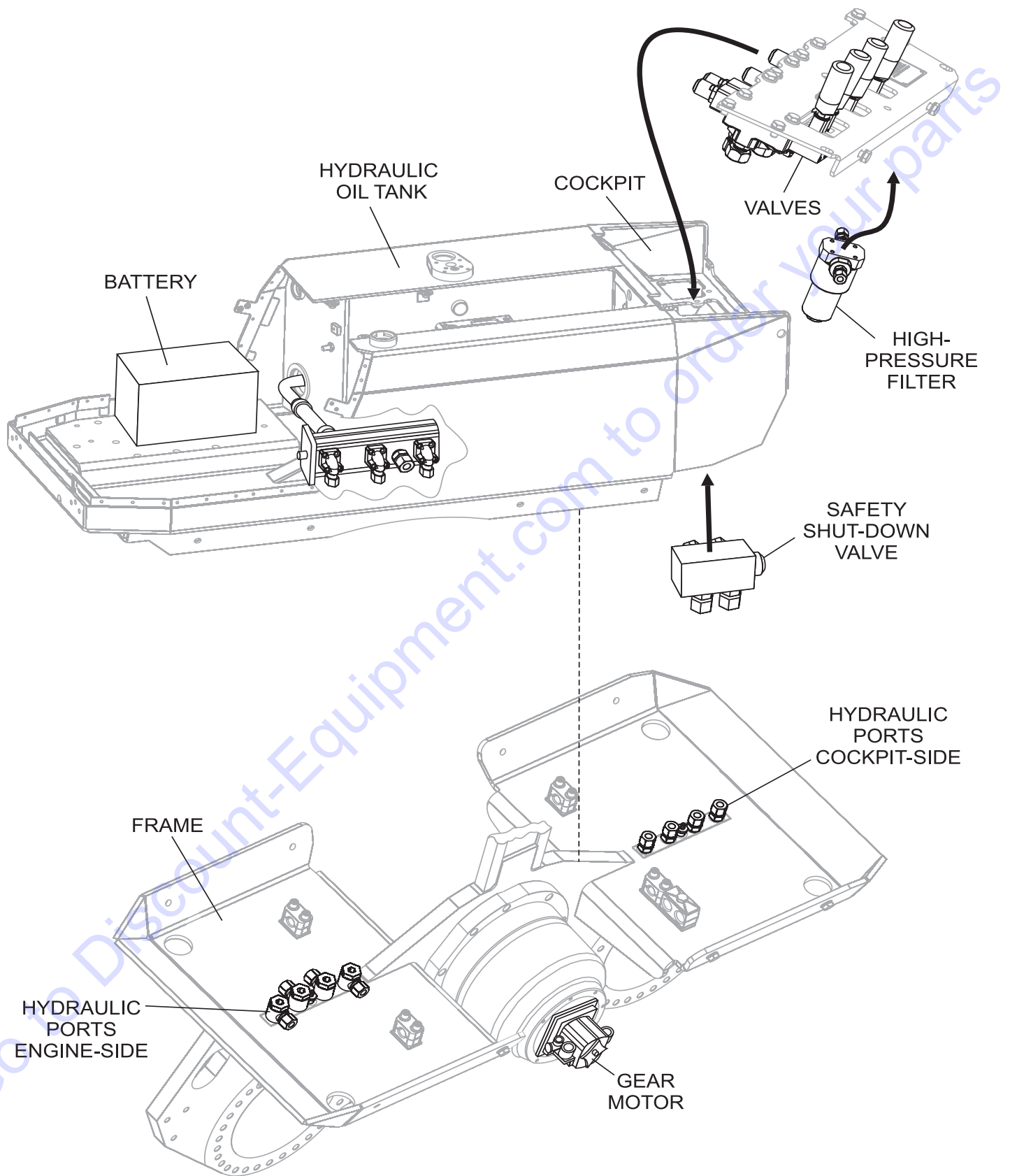
P33/24 HHM-HHMR — HYDRAULIC HOSE LOCATOR CHART

HYDRAULIC HOSE LOCATOR CHART

Table 2. Hydraulic Hose Layout		
ITEM NO.	DESTINATION	
	FROM	TO
1	HYDRAULIC PUMP PORT B	CONTROL VALVE (VIB.) PORT E
2	HYDRAULIC PUMP PORT D	HIGH-PRESSURE FILTER PORT B
3	HYDRAULIC PUMP PORT C	CONTROL VALVE (RIGHT) PORT D
4	HIGH-PRESSURE FILTER PORT A	CONTROL VALVE (VIB.) PORT D
5	HYDRAULIC PUMP PORT A	CONTROL VALVE (LEFT) PORT B
6	SAFETY SHUT-DOWN VALVE PORT A	HYDRAULIC PORT (COCKPIT SIDE) C
7	SAFETY SHUT-DOWN VALVE PORT D	CONTROL VALVE (LEFT) PORT A
8	SAFETY SHUT-DOWN VALVE PORT B	HYDRAULIC PORT (COCKPIT SIDE) B
9	SAFETY SHUT-DOWN VALVE PORT C	CONTROL VALVE (RIGHT) PORT C
10	HYDRAULIC PORT (ENGINE SIDE) E	CONTROL VALVE (RIGHT) PORT B
11	HYDRAULIC PORT (ENGINE SIDE) D	CONTROL VALVE (LEFT) PORT C
12	HYDRAULIC PORT (ENGINE SIDE) B	HYDRAULIC PORT (COCKPIT SIDE) E
13	HYDRAULIC PORT (ENGINE SIDE) C	HYDRAULIC PORT (COCKPIT SIDE) D
14	GEAR MOTOR PORT A	CONTROL VALVE (VIB.) PORT C
15	GEAR MOTOR PORT C	CONTROL VALVE (VIB.) PORT B
16	GEAR MOTOR PORT B	HYDRAULIC OIL TANK PORT D
17	HYDRAULIC OIL TANK PORT E	HYDRAULIC PORT (COCKPIT SIDE) A
18	HYDRAULIC OIL TANK PORT F	HYDRAULIC PORT (ENGINE SIDE) A
20	CONTROL VALVE (VIB.) PORT A	HYDRAULIC OIL TANK PORT A
21	CONTROL VALVE (LEFT) PORT D	HYDRAULIC OIL TANK PORT B
22	CONTROL VALVE (RIGHT) PORT A	HYDRAULIC OIL TANK PORT C

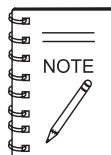
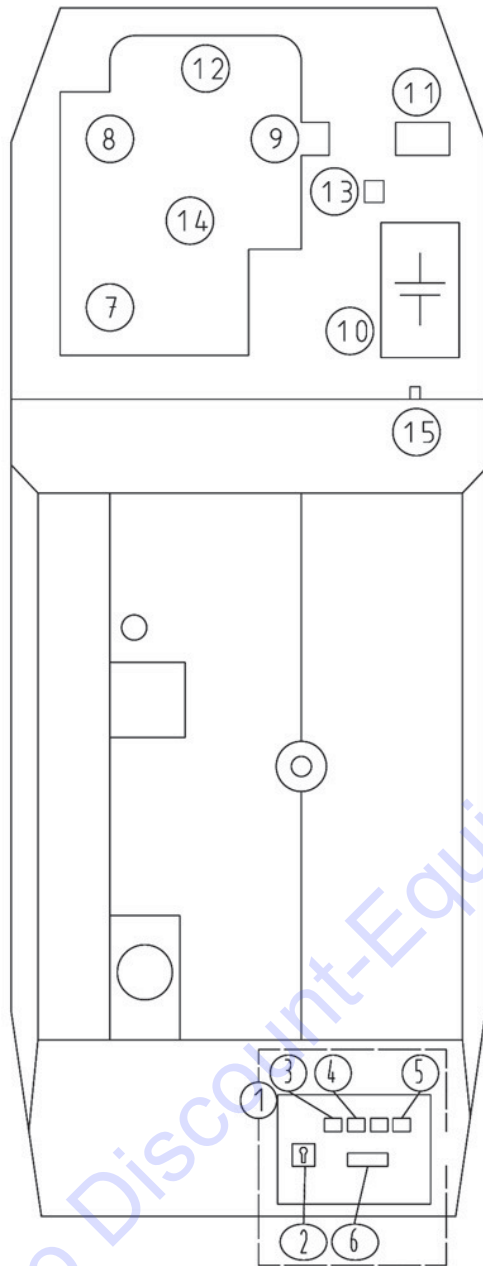
P33/24 HHM-HHMR — COMPONENT LOCATOR

COMPONENT LOCATOR



P33/24 HHM — ELECTRICAL COMPONENT LOCATOR

ELECTRICAL COMPONENT LOCATOR (P33/24 HHM)

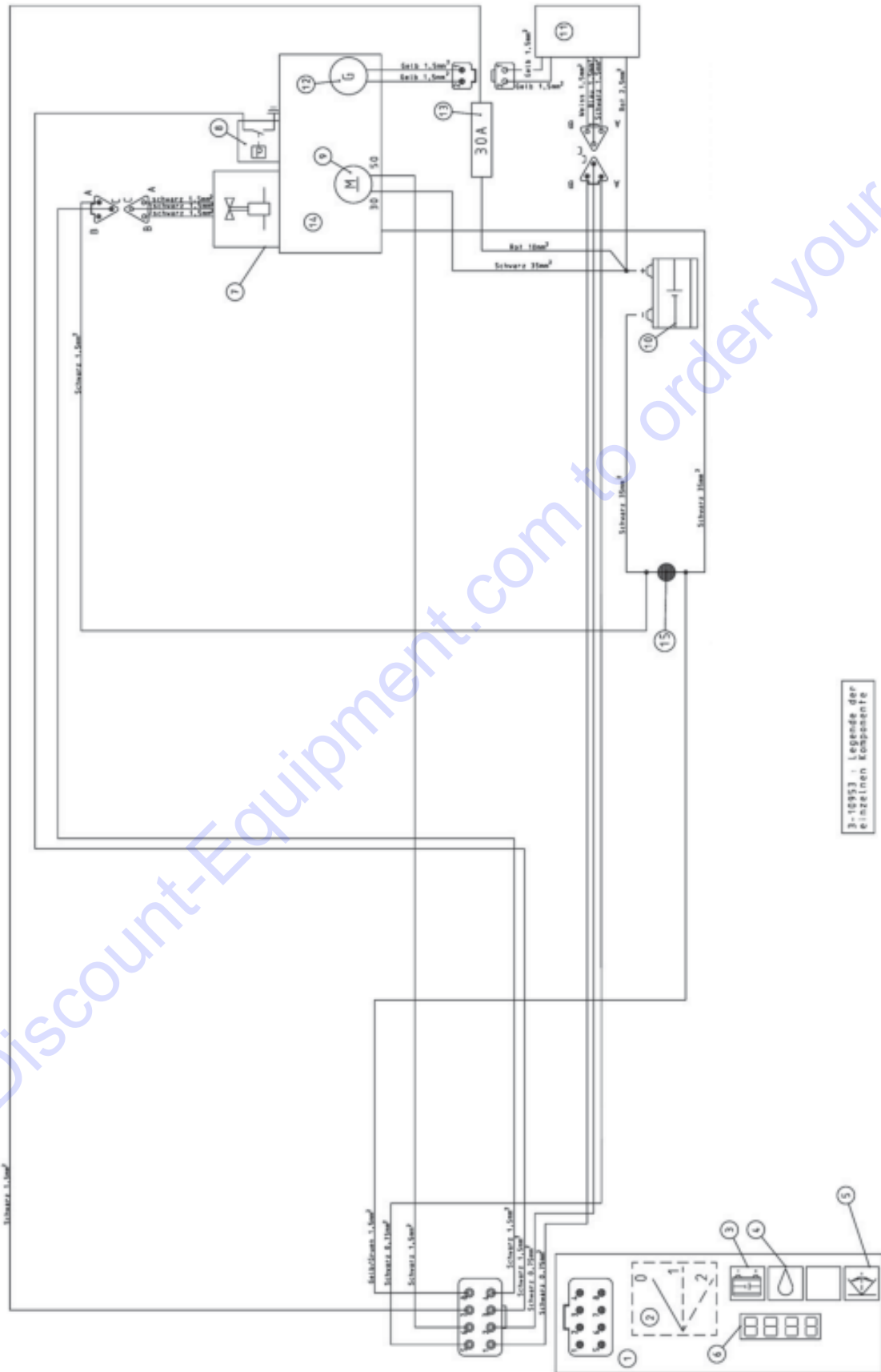


See next page for corresponding wiring schematic.

- Position 1. Cockpit
- Position 2. Starter Switch
- Position 3. Generator Control
- Position 4. Oil Control
- Position 5. Inclinator Indicator
- Position 6. Hour Meter
- Position 7. Shut-Off Solenoid
- Position 8. Oil Pressure Switch
- Position 9. Starter
- Position 10. Battery
- Position 11. Regulator
- Position 12. Alternator
- Position 13. Central Fuse
- Position 14. Engine
- Position 15. Oil Tank Ground

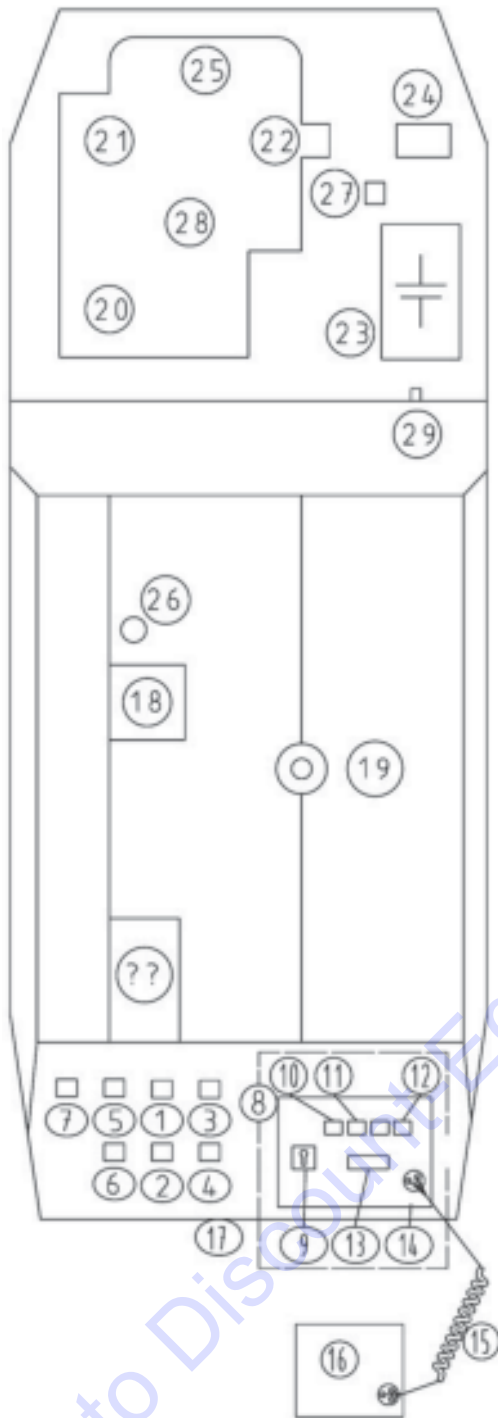
P33/24 HHM — WIRING SCHEMATIC

WIRING SCHEMATIC (P33/24 HHM)



P33/24 HHMR — ELECTRICAL COMPONENT LOCATOR

ELECTRICAL COMPONENT LOCATOR (P33/24 HHMR)



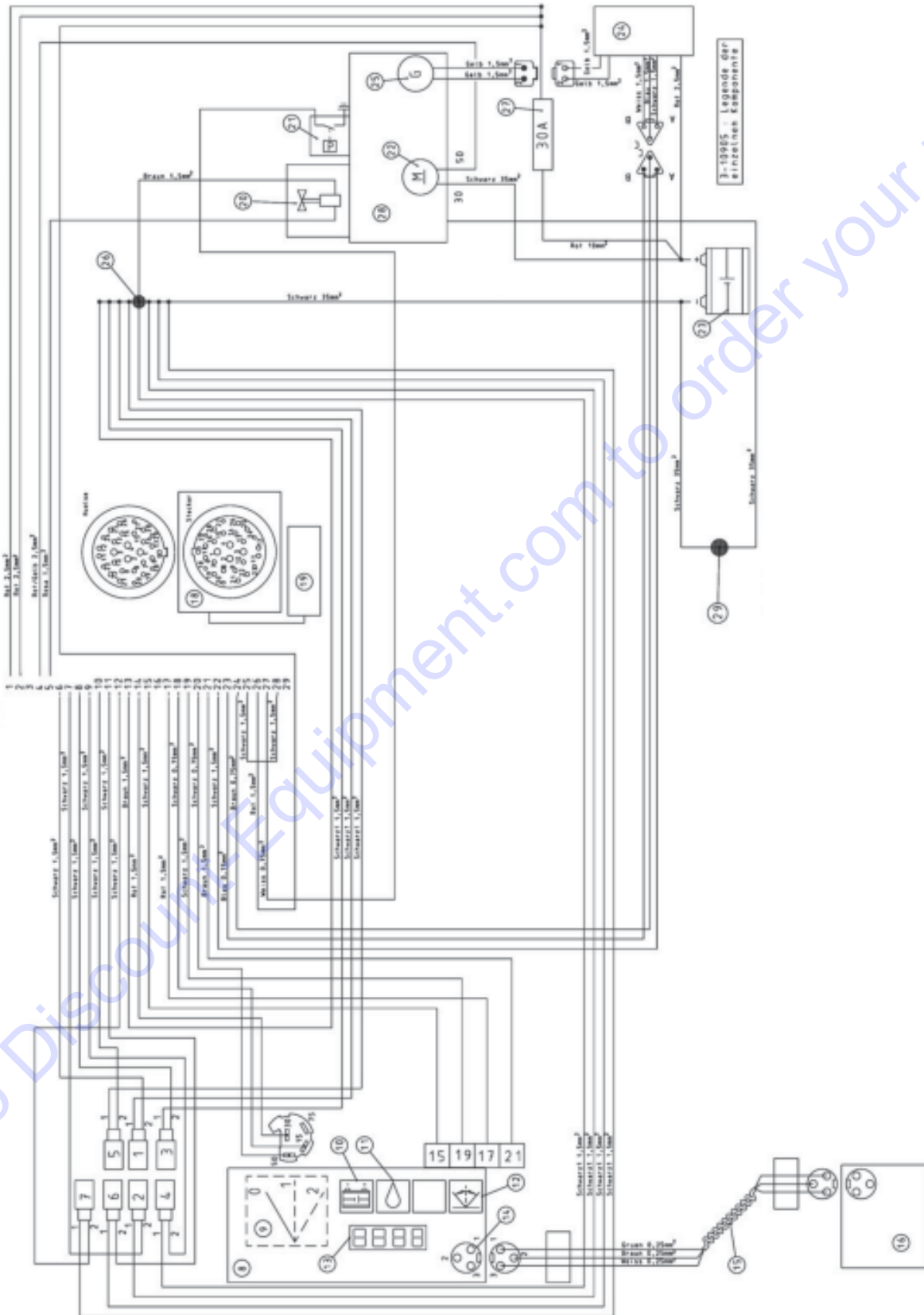
- | | |
|--------------------------|-------------------------------|
| Position 1: | Drive Left Forward |
| Position 2: | Drive Left Backward |
| Position 3: | Drive Right Forward |
| Position 4: | Drive Right Backward |
| Position 5: | Vibration Forward |
| Position 6: | Vibration Backward |
| Position 7: | High Speed |
| Position 8: | Cockpit |
| Position 9: | Starter Switch |
| Position 10: | Generator Control |
| Position 11: | Oil Control |
| Position 12: | Inclinometer Indicator |
| Position 13: | Hour Meter |
| Position 14: | Socket Plug Helix Cable |
| Position 15: | Helix Cable |
| Position 16: | Manual Control Unit |
| Position 17: | Fuse Switch |
| Position 18: | Valve, Motor Controlling mode |
| Position 19: | Pre-amplifier |
| Position 20: | Shut-Off Solenoid |
| Position 21: | Oil Pressure Switch |
| Position 22: | Starter |
| Position 23: | Battery |
| Position 24: | Regulator |
| Position 25: | Alternator |
| Position 26: | Central Ground |
| Position 27: | Central Fuse |
| Position 28: | Engine |
| Position 29: | Oil Tank Ground |
| Position 30: | Starter Switch |
| Position 31: | Protective Cap |
| Position 32: | Starter Switch Key |
| Position 33: | Coupler |
| Position 34-39: | Cable Bracket |
| Position 40-41: | Strain-Relief |
| Position 42: | Minus Clamp |
| Position 43: | Plus Clamp |
| Position 44: | Deutsch Connector |
| Position 45-47: | Contact |
| Position 48: | Fuse Holder |
| Position 49: | Valve Connector |
| Position 50: | Screw |
| Position 51: | Gasket |
| Position 52-58: | Connector |
| Position 55-60: | Bearing Bush |
| Position 53, 56, 59, 61: | Pin Protection |
| Position 54, 57, 62: | Pin |
| Position 63: | Wiring Harness |
| Position 64-65: | Ground Cable |



See next page for corresponding wiring schematic.

P33/24 HHMR — WIRING SCHEMATIC

WIRING SCHEMATIC (P33/24 HHMR)



PARTS FINDER

**Search Website
by Part Number**



**Search Manual
Library For Parts
Manual & Lookup Part
Numbers – Purchase
or Request Quote**

Search Manuals

Enter your information to help us find the right parts manual for your machine.

* Brand:

* Model:

* Serial:

* Part Number:

SEARCH

**Can't Find Part or
Manual? Request Help
by Manufacturer,
Model & Description**

Parts Order Form

Please fill in the following information to help us find the right part for your machine.

Manufacturer:	<input type="text"/>
Model:	<input type="text"/>
Description:	<input type="text"/>
Part Number:	<input type="text"/>
Quantity:	<input type="text"/>
Notes:	<input type="text"/>

Discount-Equipment.com is your online resource for quality parts & equipment.

Florida: **561-964-4949** Outside Florida TOLL FREE: **877-690-3101**

Need parts?

Click on this link: <http://www.discount-equipment.com/category/5443-parts/> and choose one of the options to help get the right parts and equipment you are looking for. Please have the machine model and serial number available in order to help us get you the correct parts. If you don't find the part on the website or on one of the online manuals, please fill out the request form and one of our experienced staff members will get back to you with a quote for the right part that your machine needs.

We sell worldwide for the brands: Genie, Terex, JLG, MultiQuip, Mikasa, Essick, Whiteman, Mayco, Toro Stone, Diamond Products, Generac Magnum, Airman, Haulotte, Barreto, Power Blanket, Nifty Lift, Atlas Copco, Chicago Pneumatic, Allmand, Miller Curber, Skyjack, Lull, Skytrak, Tsurumi, Husquvarna Target, Stow, Wacker, Sakai, Mi-T-M, Sullair, Basic, Dynapac, MBW, Weber, Bartell, Bennar Newman, Haulotte, Ditch Runner, Menegotti, Morrison, Contec, Buddy, Crown, Edco, Wyco, Bomag, Laymor, EZ Trench, Bil-Jax, F.S. Curtis, Gehl Pavers, Heli, Honda, ICS/PowerGrit, IHI, Partner, Imer, Clipper, MMD, Koshin, Rice, CH&E, General Equipment, Amida, Coleman, NAC, Gradall, Square Shooter, Kent, Stanley, Tamco, Toku, Hatz, Kohler, Robin, Wisconsin, Northrock, Oztec, Toker TK, Rol-Air, APT, Wylie, Ingersoll Rand / Doosan, Innovatech, Con X, Ammann, Mecalac, Makinex, Smith Surface Prep, Small Line, Wanco, Yanmar