

OPERATION AND PARTS MANUAL



MODEL MP3 MASONRY SAW (3HP SINGLE-PHASE ELECTRIC MOTOR)

Revision #2 (10/08/19)



THIS MANUAL MUST ACCOMPANY THE EQUIPMENT AT ALL TIMES.

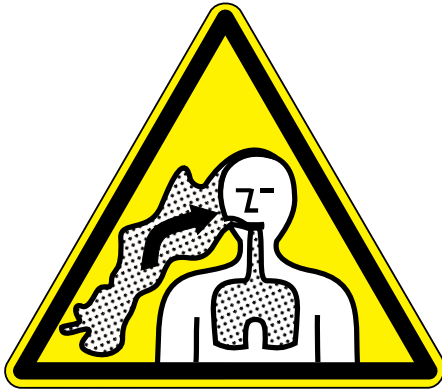
PROPOSITION 65 WARNING



Go to Discount-Equipment.com to order your parts

SILICOSIS/RESPIRATORY WARNINGS

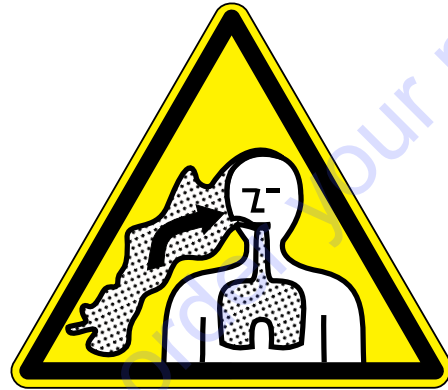
⚠️ WARNING



SILICOSIS WARNING

Grinding/cutting/drilling of masonry, concrete, metal and other materials with silica in their composition may give off dust or mists containing crystalline silica. Silica is a basic component of sand, quartz, brick clay, granite and numerous other minerals and rocks. Repeated and/or substantial inhalation of airborne crystalline silica can cause serious or fatal respiratory diseases, including silicosis. In addition, California and some other authorities have listed respirable crystalline silica as a substance known to cause cancer. When cutting such materials, always follow the respiratory precautions mentioned above.

⚠️ WARNING



RESPIRATORY HAZARDS

Grinding/cutting/drilling of masonry, concrete, metal and other materials can generate dust, mists and fumes containing chemicals known to cause serious or fatal injury or illness, such as respiratory disease, cancer, birth defects or other reproductive harm. If you are unfamiliar with the risks associated with the particular process and/or material being cut or the composition of the tool being used, review the material safety data sheet and/or consult your employer, the material manufacturer/supplier, governmental agencies such as OSHA and NIOSH and other sources on hazardous materials. California and some other authorities, for instance, have published lists of substances known to cause cancer, reproductive toxicity, or other harmful effects.

Control dust, mist and fumes at the source where possible. In this regard use good work practices and follow the recommendations of the manufacturers or suppliers, OSHA/NIOSH, and occupational and trade associations. Water should be used for dust suppression when wet cutting is feasible. When the hazards from inhalation of dust, mists and fumes cannot be eliminated, the operator and any bystanders should always wear a respirator approved by NIOSH/MSHA for the materials being used.

TABLE OF CONTENTS

MP3 Masonry Saw

Proposition 65 Warning	2
Silicosis/Respiratory Warnings	3
Table Of Contents	4
Safety Information	6–9
Specifications	10
Dimensions	11
General Information	12
Saw Components	14–15
Electric Motor Components	16
Blade Components	17
Setup	18–22
Operation	23–26
Maintenance	27–29
Troubleshooting (Blade)	30
Troubleshooting (Saw)	31
Wiring Diagram	32
Explanation Of Code In Remarks Column	34
Suggested Spare Parts	35

Component Drawings

Main Saw Assembly	36–37
Blade Guard Assembly	38–39
Electric Motor Assembly	40–41
Cutting Table Assembly	42–43
Right-Side Saw Assembly	44–45
Left-Side Saw Assembly	46–47
Tools And Accessories	48–49

NOTICE

Specifications and part numbers are subject to change without notice.

SAFETY INFORMATION


Do not operate or service the equipment before reading the entire manual. Safety precautions should be followed at all times when operating this equipment. Failure to read and understand the safety messages and operating instructions could result in injury to yourself and others.




SAFETY MESSAGES

The four safety messages shown below will inform you about potential hazards that could injure you or others. The safety messages specifically address the level of exposure to the operator and are preceded by one of four words: **DANGER**, **WARNING**, **CAUTION** or **NOTICE**.


SAFETY SYMBOLS

 **DANGER**

Indicates a hazardous situation which, if not avoided, **WILL** result in **DEATH** or **SERIOUS INJURY**.

 **WARNING**

Indicates a hazardous situation which, if not avoided, **COULD** result in **DEATH** or **SERIOUS INJURY**.




 **CAUTION**

Indicates a hazardous situation which, if not avoided, **COULD** result in **MINOR** or **MODERATE INJURY**.

NOTICE

Addresses practices not related to personal injury.

Potential hazards associated with the operation of this equipment will be referenced with hazard symbols which may appear throughout this manual in conjunction with safety messages.

Symbol	Safety Hazard
	Rotating parts hazards
	Cutting and crushing hazards
	Electric shock hazards

SAFETY INFORMATION

GENERAL SAFETY

⚠ WARNING

- Adherence to the OSHA 2017 Ruling governing Occupational Exposure to Respirable Crystalline Silica, requires that all sawing operations **MUST BE** conducted with an integrated water delivery system that feeds water to the blade.

⚠ CAUTION

- **NEVER** operate this equipment without proper protective clothing, shatterproof glasses, respiratory protection, hearing protection, steel-toed boots and other protective devices required by the job or city and state regulations.



- Avoid wearing jewelry or loose fitting clothes that may snag on the controls or moving parts as this can cause serious injury.
- **NEVER** operate this equipment when not feeling well due to fatigue, illness or when under medication.
- **NEVER** operate this equipment under the influence of drugs or alcohol.



- **ALWAYS** clear the work area of any debris, tools, etc. that would constitute a hazard while the equipment is in operation.
- No one other than the operator is to be in the working area when the equipment is in operation.
- **ALWAYS** check the equipment for loosened threads or bolts before starting.
- **DO NOT** use the equipment for any purpose other than its intended purposes or applications.

NOTICE

- This equipment should only be operated by trained and qualified personnel 18 years of age and older.
- Whenever necessary, replace nameplate, operation and safety decals when they become difficult read.
- Manufacturer does not assume responsibility for any accident due to equipment modifications. Unauthorized equipment modification will void all warranties.
- **NEVER** use accessories or attachments that are not recommended by Multiquip for this equipment. Damage to the equipment and/or injury to user may result.
- **ALWAYS** know the location of the nearest fire extinguisher.
- **ALWAYS** know the location of the nearest first aid kit.
- **ALWAYS** know the location of the nearest phone or **keep a phone on the job site**. Also, know the phone numbers of the nearest **ambulance, doctor and fire department**. This information will be invaluable in the case of an emergency.





SAFETY INFORMATION

SAW SAFETY

DANGER

- **NEVER** operate the equipment in an explosive atmosphere or near combustible materials. An explosion or fire could result causing severe **bodily harm or even death**.

WARNING

- Accidental starting can cause severe injury or death. **ALWAYS** place the ON/OFF switch in the OFF position. 
- Keep hands away from moving parts at all times. 
- **NEVER** disconnect any **emergency or safety devices**. These devices are intended for operator safety. Disconnection of these devices can cause severe injury, bodily harm or even death. Disconnection of any of these devices will void all warranties.

CAUTION


- **ALWAYS** ensure saw is **securely** placed on appropriate blocks or jackstands when maintenance requires elevation of the saw.
- If the machine malfunctions, stop the saw immediately and secure it. Fix the problem as soon as possible.

NOTICE

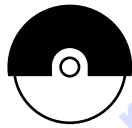

- **ALWAYS** keep the machine in proper running condition.
- Fix damage to machine and replace any broken parts immediately.
- Make sure there is no buildup of grease, oil or debris on the machine.
- **ALWAYS** store equipment properly when it is not being used. Equipment should be stored in a clean, dry location out of the reach of children and unauthorized personnel.

BLADE SAFETY

WARNING

- Rotating blade can cut and crush. **ALWAYS** keep hands and feet clear while operating the saw. 

CAUTION

- **NEVER** operate the saw without blade guards and covers in place. Exposure of the diamond blade must not exceed 180 degrees. 
- Verify the motor start switch is set to the OFF position before installing a blade.
- **ALWAYS** inspect blade before each use. The blade should exhibit no cracks, dings, or flaws in the steel centered core and/or rim. Center (arbor) hole must be undamaged and true. 

NOTICE

- Use proper blades and follow blade manufacturer's recommendations. Match the blade RPM (blade shaft RPM) to the recommended blade surface feet per minute (SFPM).
- Ensure the blade-mounting bolt is tightened adequately
- **ALWAYS** examine blade flanges for damage and excessive wear.
- Ensure the blade is marked with an operating speed greater than the spindle speed of the saw.
- Only cut the material that is specified for the diamond blade. Read the specification of the diamond blade to ensure the proper tool has been matched to the material being cut.
- Ensure that water is used during sawing operations and that a sufficient flow of water is applied to both sides of the blade.
- **DO NOT** drop the diamond blade on ground or surface.
- Ensure that the blade is mounted for proper operating direction.
- Adhere to the blade manufacturer's recommendations on handling, storage and safe usage of blades.

SAFETY INFORMATION

ELECTRIC MOTOR SAFETY

NOTICE

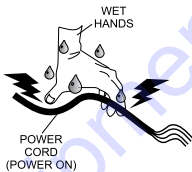
- Operate electric motor only at the specified voltage indicated on the nameplate.
- **DO NOT** spray water onto electric motor.
- **ALWAYS** disconnect AC power plug from power source before moving saw, changing blade, or performing maintenance.
- **ALWAYS** make sure the ON/OFF switch on the electric motor is in the OFF position when not in use and before inserting the saw's power plug into an AC receptacle.



Power Cord/Cable Safety

DANGER

- **NEVER** let power cords or cables lay in water.
- **NEVER** use **damaged** or **worn** cables or cords when connecting equipment to generator. Inspect for cuts in the insulation.
- **NEVER** grab or touch a live power cord or cable with wet hands. The possibility exists of **electrical shock, electrocution or death.**
- Make sure power cables are securely connected. Incorrect connections may cause electrical shock and damage to the saw.



CAUTION

- Ensure that cables and cords will not be tripped over or trapped underneath the saw.
- Never use the cable to pull out the plug from the power source.

NOTICE

- **ALWAYS** make certain that proper power or extension cord has been selected for the job.
- Protect the cable from heat, oil, and sharp edges.

LIFTING SAFETY

CAUTION

- **NEVER** allow any person or animal to stand underneath the equipment while lifting.
- Some saws are very heavy and awkward to move around. Use proper heavy lifting procedures.
- **DO NOT** lift machine to unnecessary heights.
- **NEVER** lift the equipment while the motor is running.

TRANSPORTING SAFETY

NOTICE

- **ALWAYS** shutdown motor before transporting.
- **ALWAYS** tie down equipment during transport by securing the equipment with rope.
- Ensure that the diamond blade does not come into contact with the ground or surface during transportation.
- **NEVER** transport the saw to or from the job site with the blade mounted.

ENVIRONMENTAL SAFETY

NOTICE

- Dispose of hazardous waste properly. Examples of potentially hazardous waste are used motor oil, fuel and fuel filters.
- **DO NOT** use food or plastic containers to dispose of hazardous waste.
- **DO NOT** pour waste, oil or fuel directly onto the ground, down a drain or into any water source.



SPECIFICATIONS

Table 1. MP3 Masonry Saw Specifications

Model	MP3
Blade Capacity	14 in. (356 mm)
Blade Shaft Speed	3,600 rpm
Blade Shaft Size	1 in. (25 mm)
Blade Guard	Steel
Cutting Head	Rigid Die-Cast Aluminum, Adjustable 3-Position
Cutting Table	Die-Cast Aluminum with Steel Ball Bearing Wheels and Transportation Lock
Cutting Table Size	15.5 in. x 10 in. (394 mm x 254 mm)
Max. Cut Depth	5 in. (127 mm)
Straight Cut Length	17 in. (432 mm)
Max. Material Size (L x W x H)	15 in. x 8 in. x 5 in. (406 mm x 203 mm x 203 mm)
Weight (without Blade)	70 lb. (32 kg)
Weight (with Water Kit)	85 lb. (38.6 kg)
Drive System	Electric Motor

Table 2. Electric Motor Specifications

Motor Type	Universal
Max. Horsepower	3 hp (2.237 kW)
Voltage	115 V
Current	15 A
Motor Speed	3,600 rpm
Cycle	50/60 Hz
Phase	Single

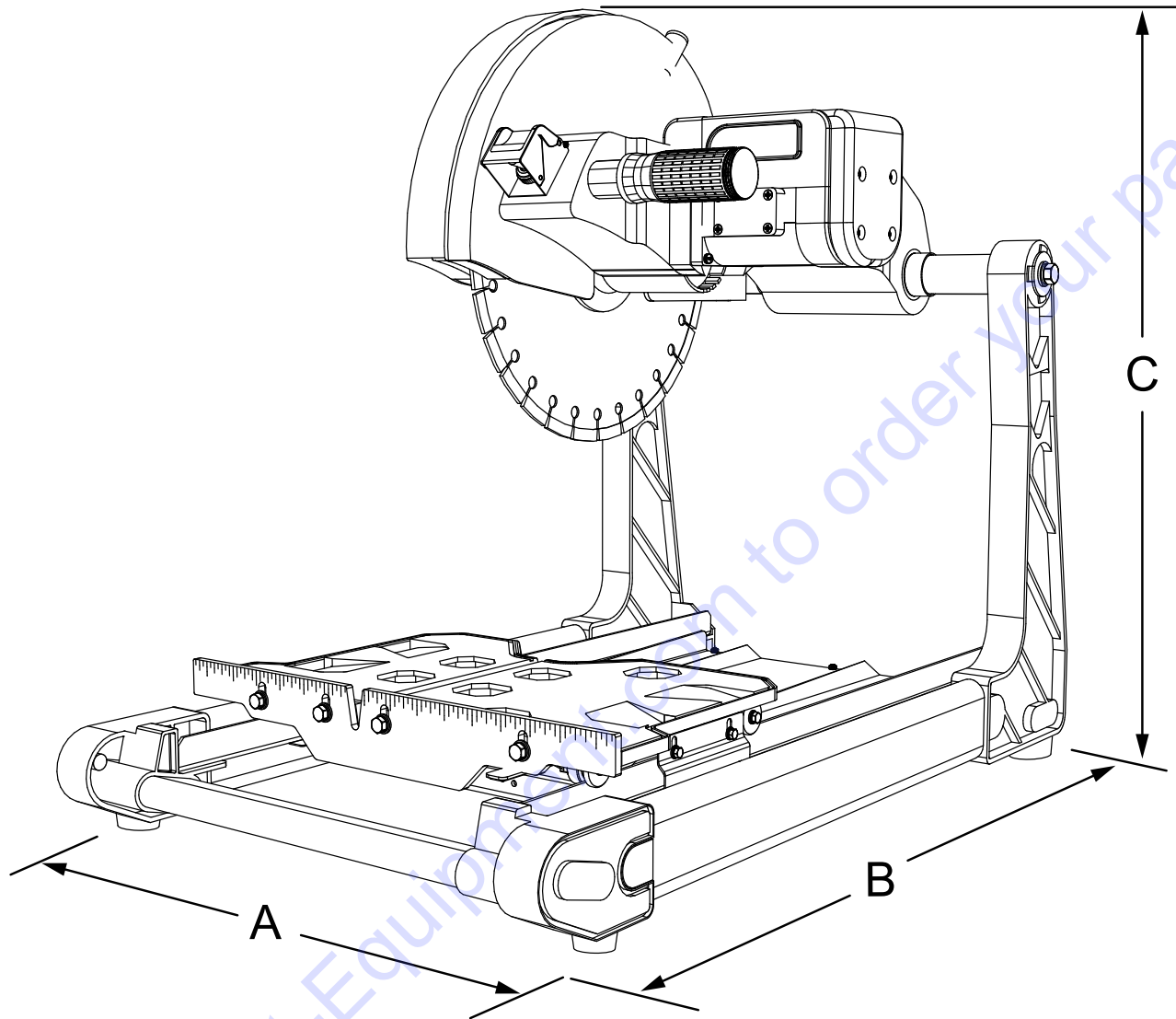


Figure 1. MP3 Masonry Saw Dimensions

Table 3. Dimensions	
Reference Letter	Dimensions — in. (mm)
A	19 (483)
B	33 (813)
C	30 (762)

GENERAL INFORMATION

The powerful, compact Multiquip MP3 masonry saw is ergonomically designed to accurately cut a wide variety of masonry materials, including brick, stone, and roofing tile.

SAW FEATURES

- **Frame Assembly** — Solid steel and die-cast rigid aluminum frame provides rigidity and strength to minimize vibration and maximize longevity of the saw. Open-back design accommodates longer material sizes. Includes handles for easy transport.
- **Carbon Brush Motor** — 3-hp, 115-volt, 15-amp, 60-Hz, carbon brush motor with a clear-view air filter.
- **Clear-View Air Filter** — Washable, reusable, foam air filter designed to protect the motor from damage due to high-speed dust intake.
- **Water Kit (Optional)** — Utilization of the water kit fulfills the OSHA requirement to limit exposure to silica dust. Includes a high-flow submersible pump, thermal plastic water trays, and blade guard plumbing.
- **Cutting Table** — Heavy, die-cast aluminum cutting table with maintenance-free roller bearings to ensure smooth movement and outstanding durability.
- **Blade Guard** — Steel blade guard with blade brushes for even distribution of water onto the blade. Easily repositioned for blade replacement.
- **Diamond Blades** — The MP3 utilizes diamond blades for cutting. Optimum performance is achieved using a 14-inch (356 mm) diamond blade suitable for the material being cut. Contact Discount-equipment for information regarding your specific cutting application.
- **Support Stand (Optional)** — Compact, folding support stand.

WARNING

NEVER operate the saw without the blade guard.

WARNING

ALWAYS use a **14-inch** blade for this saw. A smaller size of diamond blade may grab the material being cut, causing **damage to the equipment and injury to the operator**.

OSHA WET CUTTING REQUIREMENT

The Occupational Safety and Health Administration (OSHA) has issued a final ruling (OSHA Ruling 29 CFR 1926.1153) to help curb lung cancer, silicosis, chronic obstructive pulmonary disease (COPD), and kidney disease in America's workers by limiting their exposure to respirable crystalline silica (silica dust). This OSHA law reduces the permissible exposure limit (PEL) for respirable crystalline silica to 50 micrograms per cubic meter of air, averaged over an 8-hour shift. **This ruling took effect September 23, 2017.**

In order to fulfill the requirements of OSHA Ruling 29 CFR 1926.1153, **an accessory water kit (P/N MS3WK) must be used when operating the MP3 masonry saw. NEVER operate the MP3 without a water kit installed.**

WARNING

To minimize dust emissions, **ALWAYS** operate and maintain this equipment in accordance with the manufacturer's instructions.

SAW COMPONENTS

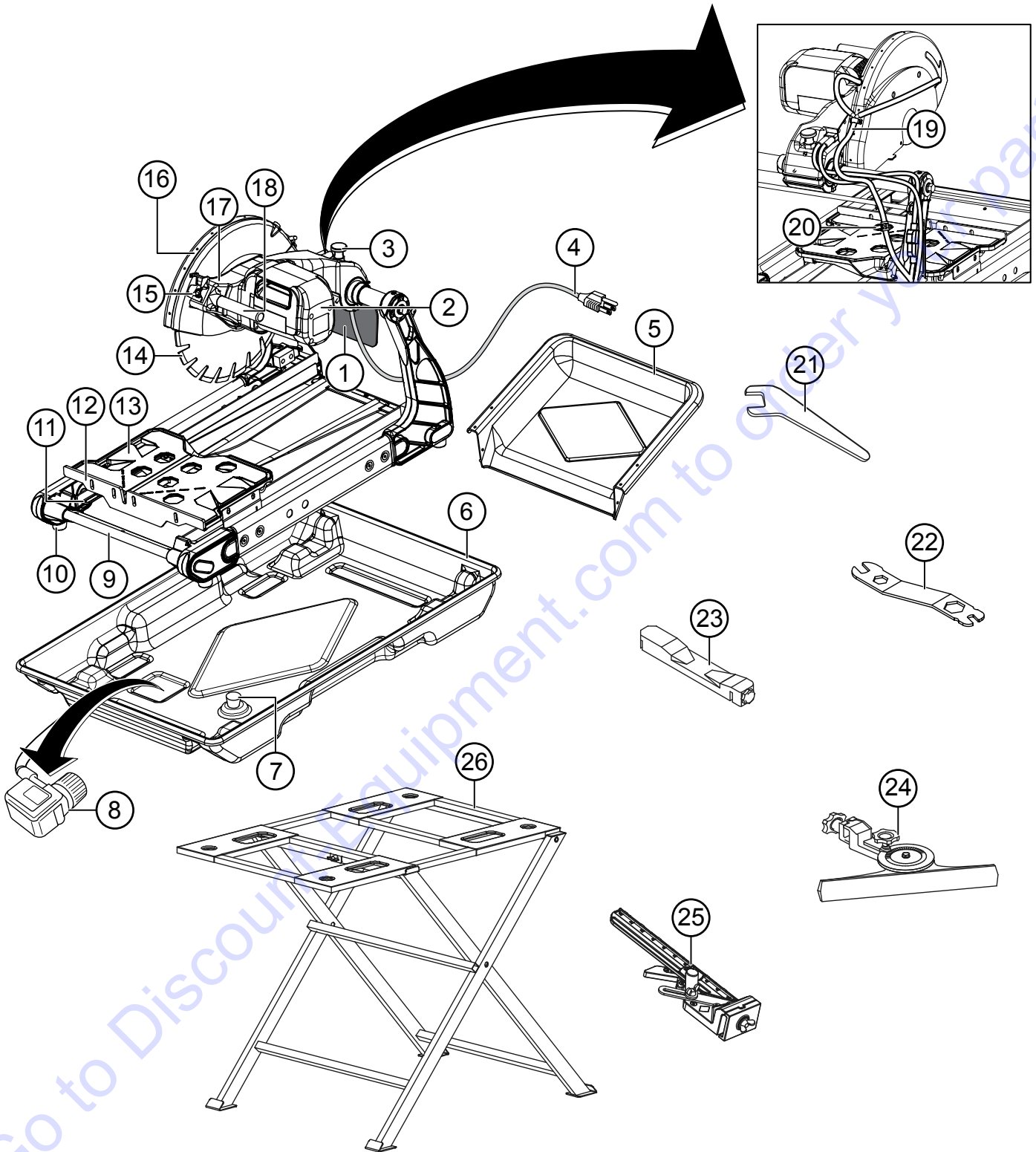


Figure 2. Saw Components

SAW COMPONENTS

Figure 2 shows the location of the basic components of the MP3 masonry saw. Listed below is a brief description of each component.

1. **Rubber Splash Guard** — Minimizes splashing of water and debris.
2. **Electric Motor** — Universal, 3-hp, 115-volt, carbon brush motor with a clear-view air filter.
3. **Angle Lock Pin** — To adjust the fixed cutting position of the saw, pull up on the angle lock pin, move the cutting head to the desired position, release the angle lock pin, and rotate the cutting head up or down until it locks into one of three fixed positions.
4. **AC Power Cable** — Plug this cable into a standard, 125-volt, AC receptacle to provide power to the saw.
5. **Drip Tray** — Guides water and debris into the water tray.
6. **Water Tray** — Fill with clean, fresh water for wet cutting.
7. **Drain Plug** — Remove to drain water from the water tray.
8. **Water Pump** — Used for wet-cutting applications only. Make sure the water pump is totally immersed in water before cutting. **NEVER** run the pump **dry**.
9. **Saw Frame Handles (2)** — Located at each end of the saw. Grasp both handles to lift and move the saw as needed.
10. **Support Feet (4)** — Rubber feet provide firm, stable support for the saw. When using the optional folding support stand, make sure the support feet are seated securely in the corresponding holes in the stand.
11. **Cutting Table Lock** — Secures the cutting table in one of two positions. Lock the cutting table in the forward position when transporting the saw. Lock the cutting table in the mid-rail position for chop cutting.
12. **Ruler Guide** — Place the material to be cut against the backstop and use the ruler guide to determine where to cut.
13. **Cutting Table** — Heavy-duty cutting table provides durability to handle large materials. Equipped with steel ball bearing wheels to facilitate smooth, precise movement.
14. **Saw Blade** — A 14-inch (356 mm), premium, wet-cutting diamond blade is shipped with the unit. **ALWAYS** use Multiquip-recommended blades. Refer to the **Set-Up** section for blade installation instructions.
15. **Power ON/OFF Switch** — To start up the saw, raise the switch safety cover and place the ON/OFF switch in the **ON** (up) position. To shut down the saw, place the ON/OFF switch in the **OFF** (down) position.
16. **Blade Guard** — Sturdy, cast aluminum blade guard protects users from coming into contact with the blade. Easily repositioned for blade replacement. Water kit tubing connects to the blade guard to evenly distribute water onto the blade.

WARNING

NEVER operate the saw with the blade guard removed.

17. **Cutting Head** — A rotating, spring-assisted, 3-position cutting head with a 1-inch arbor (blade shaft).
18. **Cutting Head Handle** — Controls the movement of the cutting head.
19. **Water Tubes (3)** — Clear, vinyl water tubes. Replace tubes as they become brittle, worn, or clogged. Water kit components are available from your Multiquip dealer.
20. **Water Valve** — Controls the flow of water during wet-cutting operations.
21. **19-Millimeter Wrench** — Provided for saw assembly and maintenance.
22. **Multiple Use Wrench** — Provided for saw assembly and maintenance.
23. **45°/90° Rip Guide** — Use the rip guide to perform 90° rip cuts and 45° angle cuts.
24. **180° Angle Guide (Optional)** — Use the angle guide to perform angle cuts from 0°–180°.
25. **Master Guide (Optional)** — A versatile, multi-angle guide provides a myriad of cutting configurations.
26. **Support Stand (Optional)** — Folding stand assembly provides a flat, stable surface for the saw.

NOTICE

Items: 5, 6, 7, 8, 19 and 20 constitute the optional Water Kit (MS3WK) accessory.

ELECTRIC MOTOR COMPONENTS

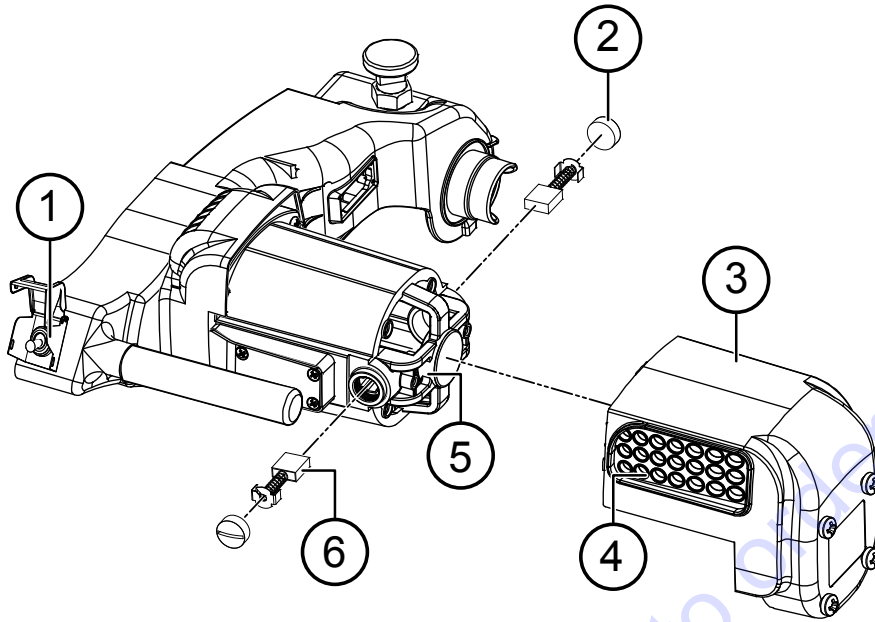


Figure 3. Electric Motor Components

Figure 3 shows the location of the basic components of the electric motor. Listed below is a brief explanation of each component.

1. **Power ON/OFF Switch** — To start up the saw, raise the switch safety cover and place the ON/OFF switch in the **ON** (up) position. To shut down the saw, place the ON/OFF switch in the **OFF** (down) position.
2. **Brush Caps (2)** — Protect the carbon brushes.
3. **Motor Air Intake Cover** — Remove to access the carbon brushes.
4. **Air Filter** — Reusable, washable, foam air filter designed to protect the motor from damage due to high-speed dust intake.
5. **Electric Motor** — Universal, 3 hp, 115-volt, electric motor.
6. **Carbon Brushes (2)** — Prevent carbon buildup inside the motor. Replace carbon brushes immediately when they become worn or damaged.

BLADE COMPONENTS

The MP3 saw utilizes a 14-inch diamond blade. Contact Discount-equipment for information on selecting the appropriate diamond blade for your sawing application.

Figure 4 shows the location of the basic components of the blade. **ALWAYS** inspect the blade for damage before installing it. **NEVER** operate the saw with a damaged blade. **Replace the blade immediately if any of the following conditions are observed.**

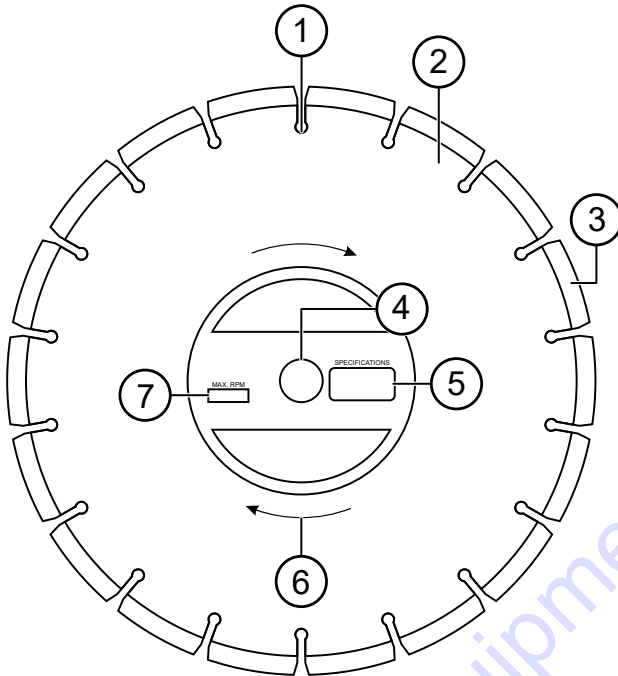


Figure 4. Diamond Blade Component Inspection

1. **Gullets** — The rounded spaces between the blade teeth are called *gullets*. Inspect the blade for cracks that may have formed at the gullets. Cracks indicate extreme fatigue, and if sawing continues, **catastrophic failure will occur**.
2. **Steel Core** — Inspect the outer edge of the steel core for blue discoloration (oxidation), which indicates overheating caused by insufficient cooling water. Overheating of the blade can lead to loss of core tension and increase the possibility of blade failure. Cutting highly abrasive materials and/or performing cuts with insufficient core protection can cause excessive wear on the steel core, creating an “under-cutting” condition. The thickness of the steel core must be uniform around the circumference of the blade.

3. **Diamond Teeth** — Inspect the rim of the blade for cracked, dented, or missing teeth. **NEVER use a blade that is missing a tooth or any portion of a tooth.** Operating the saw with damaged or missing teeth can result in damage to the saw and **serious personal injury**.
4. **Arbor Hole** — Inspect the blade's arbor hole (center bore). The arbor hole must be round and undistorted. An out-of-round arbor hole will cause **damage to the blade and the saw**. The diameter of the arbor hole must match the diameter of the arbor (blade shaft).
5. **Specifications** — The size, diameter, and specifications of the blade must correspond to the sawing application. Water must be used as a coolant with wet-cutting blades. **ALWAYS** use a blade that is appropriate for the material being cut. Using a diamond blade that is not properly matched to the sawing application can result in poor saw performance and **damage to the blade**.
6. **Directional Arrows (2)** — When installing a blade, the directional arrows must correspond to the rotational direction of the shaft. **MAKE SURE** the blade is oriented correctly on the blade shaft.
7. **Maximum RPM** — The maximum safe operating speed for the blade **must** correspond to the maximum shaft speed of the saw. Refer to Table 1 for blade shaft speed. **NEVER** exceed the maximum RPM.

NOTICE

Inspect blades **daily** for damage and excessive or uneven wear.

NOTICE

NEVER use the edge or side of the blade to cut or grind.

ASSEMBLY AND INSTALLATION

Some assembly is required before the MP3 masonry saw can be operated. Verify the following components before discarding the shipping container:

- MP3 masonry saw
- Water kit
- Cutting table
- Replacement air filter
- 45°/90° rip guide
- Multipurpose wrench
- 19 mm wrench
- Allen wrench
- Operation and parts manual

Cutting Table Installation

1. Carefully lift the saw frame by the handles and place it on a secure, level surface.

CAUTION

DO NOT attempt to lift the saw by yourself. **ALWAYS** have a second person help lift the unit. **ALWAYS** use proper lifting techniques to avoid injury.

2. Place the cutting table onto the cutting table guide rails (Figure 5).

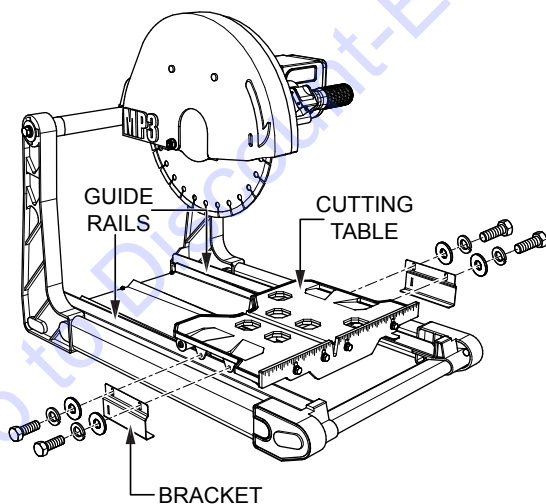


Figure 5. Cutting Table Installation

3. Secure the cutting table to the cutting table guide rails with the provided brackets and hardware (Figure 5).

Water Kit Installation

WARNING

Adherence to the OSHA 2017 Ruling governing Occupational Exposure to Respirable Crystalline Silica, requires that all sawing operations **MUST BE** conducted with an integrated water delivery system that feeds water to the blade.

1. Place the water tray on a secure, level surface (Figure 6). Carefully lift the saw assembly and place it on top of the water tray as shown. **MAKE SURE** the four rubber support feet are fully seated in the corresponding holes in the water tray.

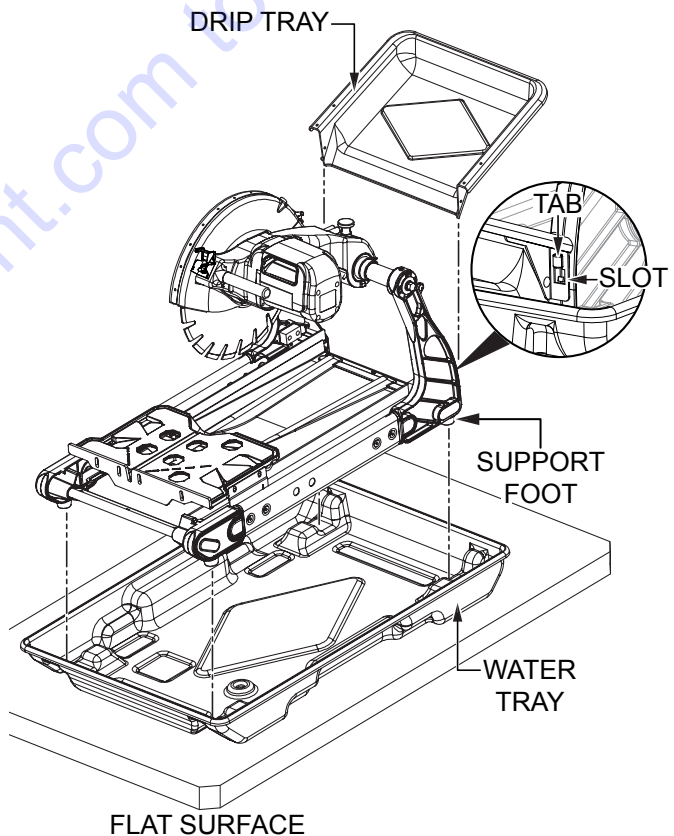


Figure 6. Water Tray and Drip Tray Installation

2. Attach the drip tray to the rear of the saw by sliding the two drip tray slots onto the two corresponding tabs at the rear of the saw (Figure 6).

- Place the water pump into the rectangular depression in the water tray and route the pump power cable toward the rear of the saw along the left edge of the water tray (Figure 7). **MAKE SURE** the cable is routed **beneath the saw**, so that it will not interfere with the motion of the cutting table.

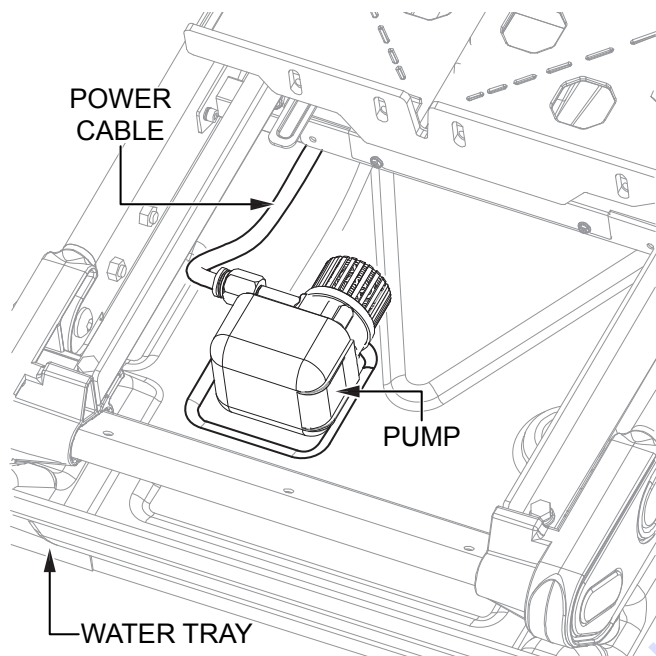


Figure 7. Water Pump Installation

- The water tube assembly consists of three water tubes connected to a Y-adaptor. Orient the Y-adaptor at the rear of the blade guard as shown in Figure 8.

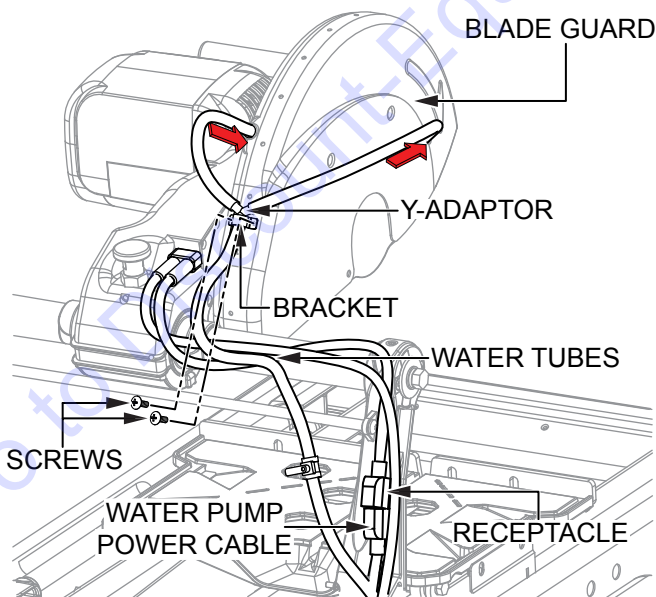


Figure 8. Water Tube Assembly Installation

- The longest of the three water tubes (the one with the control valve at its midpoint) should point downward (toward the floor). Insert the shortest of the three water tubes into the hole at the rear of the blade guard (Figure 8).
- Secure the Y-adaptor to the rear of the blade guard with the provided bracket and screws (Figure 8).
- Insert the remaining tube extending from the top of the Y-adaptor into the hole on the side of the blade guard (Figure 8). Some force may be required to squeeze the mouth of the tube into the hole.
- Locate the power receptacle secured with cable ties to the left support post (Figure 8). Plug the water pump power cable into the receptacle.
- Route the longest water tube back toward the water pump along the path of the water pump power cable.
- Connect the straight fitting to the threaded fitting on the water pump (Figure 9) and hand-tighten to secure.

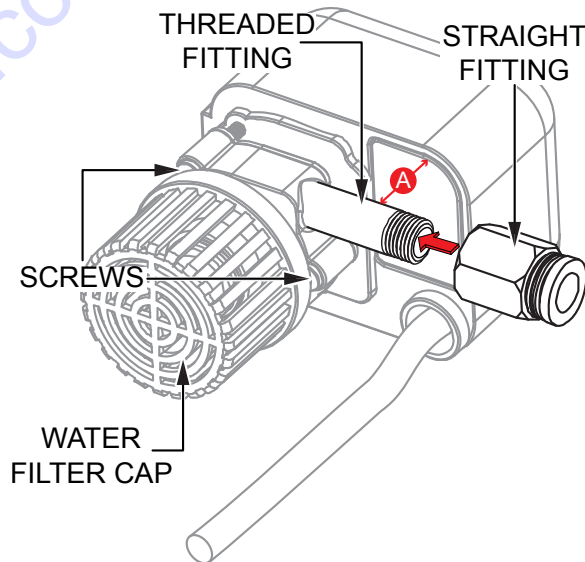


Figure 9. Water Pump Tubing Connection

- If there is not enough space between the fittings and the water pump (Figure 9A) to tighten the straight fitting, remove the water filter cap and loosen the exposed screws to create space. After the straight fitting has been installed, tighten the mounting screws and reattach the water filter cap.
- Insert the final water tube into the straight fitting on the water pump.

Blade Installation

WARNING



ALWAYS inspect the blade, flanges, and shaft for damage before installing the blade. Failure to thoroughly inspect the blade can result in damage to the saw and **serious personal injury**.

1. Grab the cutting head handle, pull the angle lock pin, raise the cutting head to its highest position, and release the angle lock pin to secure the cutting head in place (Figure 10).

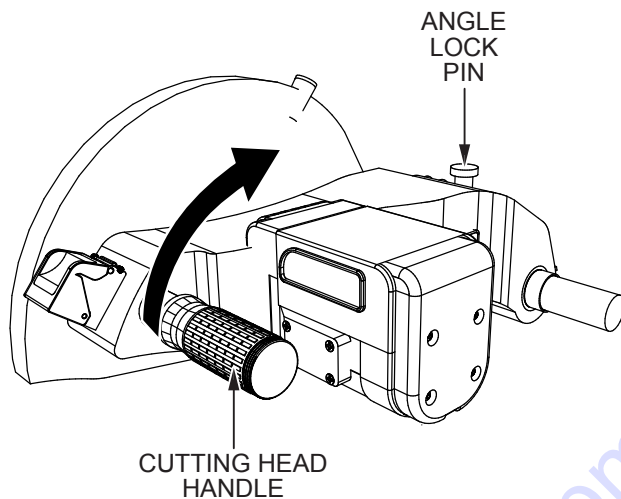


Figure 10. Raise and Lock the Cutting Head

2. Push down on the arbor cover lever to open the arbor cover (Figure 11).

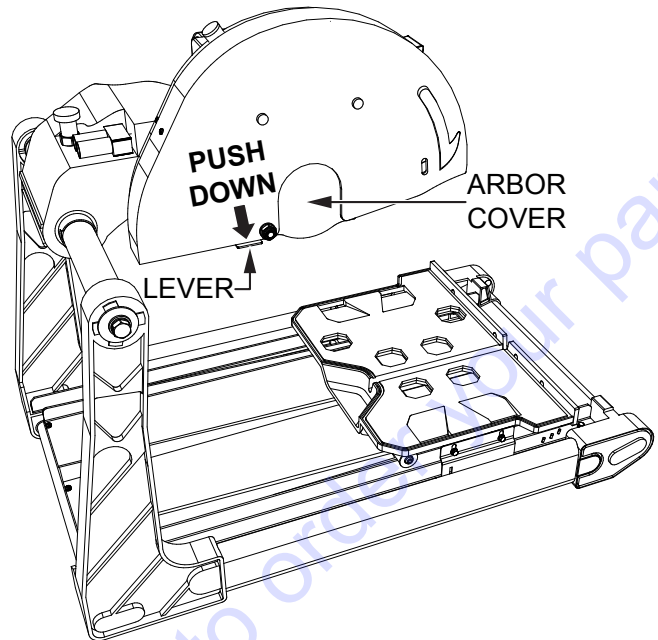


Figure 11. Open Arbor Cover

3. Hold the blade with one hand while loosening the blade lock bolt. Remove the blade lock bolt, blade lock washer, and outer flange (Figure 12). If a blade is already installed, remove it also.

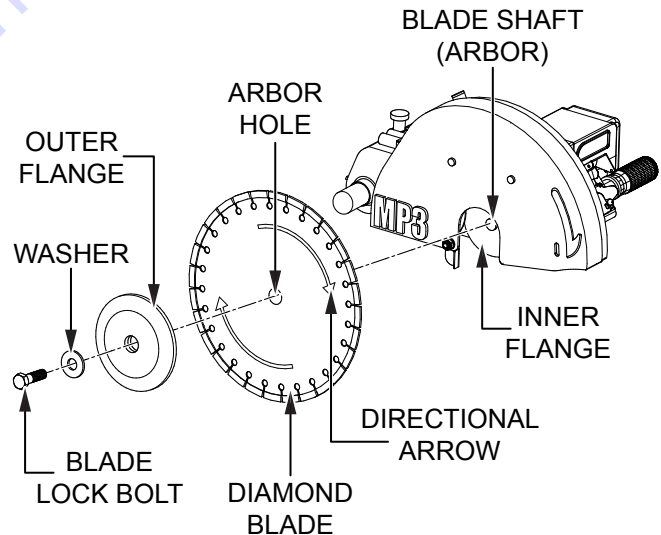


Figure 12. Blade Installation

NOTICE

ALWAYS inspect the blade shaft for uneven wear before installing the blade.

- Place the new blade onto the blade shaft (Figure 12). Make sure the directional arrows on the blade correspond to the rotational direction of the shaft. The diameter of the cutting blade must match the capacity of the blade guard.

NOTICE

ALWAYS match the arbor hole size to the blade shaft size. **It is very important** that the blade fits snugly onto the blade shaft to prevent **serious blade damage**. Poor blade seating will result in lopsided wear and burnt or oblong arbor holes. If the arbor shoulder of the inner blade flange becomes worn from blade slippage, replace the flange.

- Place the outer flange and blade lock washer onto the blade shaft and secure them with the blade lock bolt (Figure 12). Hold the blade with one hand and tighten the bolt with the universal wrench. Make sure the inner and outer flanges are pressed flush against the blade. Tighten the bolt securely, but **DO NOT** overtighten.
- Close the arbor cover.

NOTICE

The MP3 blade flanges (inner/outer) must be used during sawing operations.

Cutting Depth Adjustment

To adjust the cutting depth, pull the angle lock pin, grab the cutting head handle, and lower the cutting head until the blade extends to the recommended cutting depth of $\frac{1}{4}$ inch (6 mm) below the cutting table surface. Release the angle lock pin to secure the cutting head in place.

WARNING

ALWAYS use a 14-inch blade with this saw, and **MAKE SURE** the cutting depth is adjusted properly. Operating the saw with an incorrect cutting depth can cause damage to the cutting table and/or **serious injury to the operator**.

Support Stand Assembly (Optional)

- Hold the support stand upright, unfold the legs, and place the tabletop on top of the legs (Figure 13).

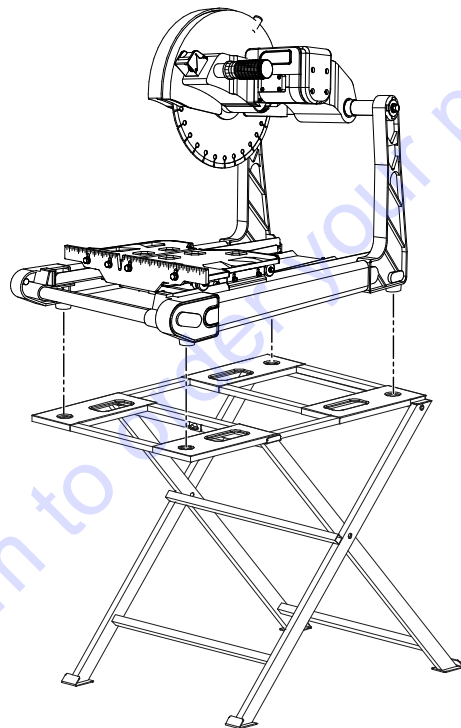


Figure 13. Support Stand Assembly

- Place the saw on the support stand (Figure 13). Make sure the saw's rubber support feet are seated securely in the corresponding holes in the stand.

POWER CONNECTION

1. Verify that the power ON/OFF switch is placed in the **OFF** (down) position. See Figure 14.

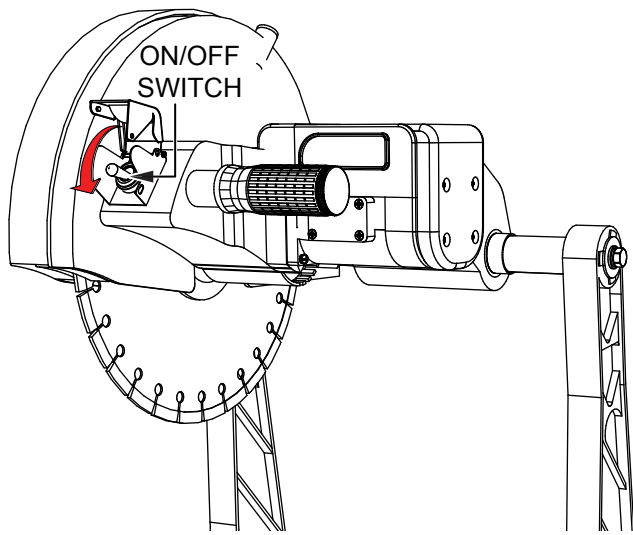


Figure 14. ON/OFF Switch (OFF)

2. Connect an extension cord with adequate current-carrying capacity to the power cable. **ALWAYS** use a correctly sized extension cord. The use of undersized wiring creates excessive heat that will damage the wiring and the motor. Refer to Table 4 to determine the correct extension cord size.

Table 4. Extension Cord Sizes

Cord Length	Wire Gauge
25 ft. (7.6 m)	#10
50 ft. (15.2 m)	#8
75 ft. (22.9 m)	#6

3. Plug the free end of the extension cord into a standard, 120-volt AC power receptacle.

! DANGER

NEVER use a damaged or worn extension cord when connecting to a power source. A defective cord can cause damage to the electric motor and **electrical shock to the operator.**

! DANGER

ALWAYS use a grounded (3-prong) extension cord and **MAKE SURE** the motor is connected to a properly grounded electrical circuit. Whenever possible, use a GFCI receptacle to reduce the risk of electrical shock.

NOTICE



Read and fully understand this manual before attempting to start the motor or operate the saw.

DO NOT attempt to operate this equipment until the **Safety, General Information** and **Set-Up** sections of this manual have been read and thoroughly understood.

NOTICE

NEVER cut any material not recommended by the blade manufacturer.



WARNING

Adherence to the OSHA 2017 Ruling governing Occupational Exposure to Respirable Crystalline Silica, requires that all sawing operations **MUST BE** conducted with an integrated water delivery system that feeds water to the blade.



WARNING



ALWAYS wear appropriate eye and hearing protection while operating the saw.



WARNING



NEVER place hands or fingers near the cutting blade. **Severe bodily harm may occur** if hands or fingers come into contact with the rotating saw blade.



WARNING



NEVER raise the blade guard while the blade is rotating. **Severe bodily harm may occur** if hands or fingers come into contact with the rotating saw blade. **ALWAYS** wait for the blade to stop rotating before raising the blade guard. **NEVER** operate the saw with the blade guard removed.



WARNING



ALWAYS verify that the cutting blade has been installed correctly.



WARNING

NEVER exceed the maximum RPM. Poor saw performance, damage to the blade, and **serious injury or death may occur** as a result.



DANGER

ALWAYS be aware of the rotating blade in relation to the position of your body — **especially your hands**. **Severe bodily harm or even death can occur** if your body comes into contact with the rotating saw blade.

CUTTING HEAD ADJUSTMENT



WARNING

ALWAYS disconnect the electrical power supply before adjusting the cutting height.

Prior to operation, the position of the cutting head must be set correctly for the current sawing application.

To adjust the cutting head position, pull up on the angle lock pin, place the cutting head in the desired position, release the angle lock pin, and rotate the cutting head up/down until the angle lock pin locks into position. See Table 5 for the correct cutting head position for your application.

Table 5. Cutting Head Position

Position	Application
Fixed Upper	Blade Replacement
Fixed Middle	Block Cutting
Fixed Lowest	Brick Cutting
Rotating	Chop Cutting

SAW OPERATION

1. Fill the water tray with enough clean, fresh water to fully immerse the water pump.

NOTICE

Use of the water kit is **required** by OSHA Ruling 29 CFR 1926.1153. **DO NOT** operate the saw without the water kit installed.

2. Place the material to be cut flush against the ruler guide on the cutting table (Figure 15).

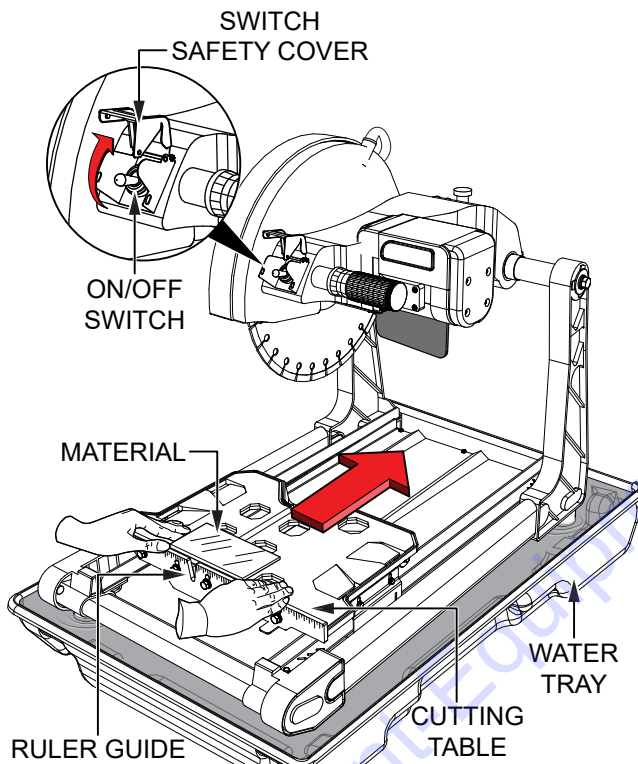


Figure 15. Saw Operation

3. While keeping the material away from the blade, raise the switch safety cover and place the power ON/OFF switch in the **ON** position (Figure 15). The blade will begin to rotate, and water will flow from inside the blade guard onto the blade.
4. If necessary, adjust the flow of water using the water valve at the rear of the saw (Figure 16).

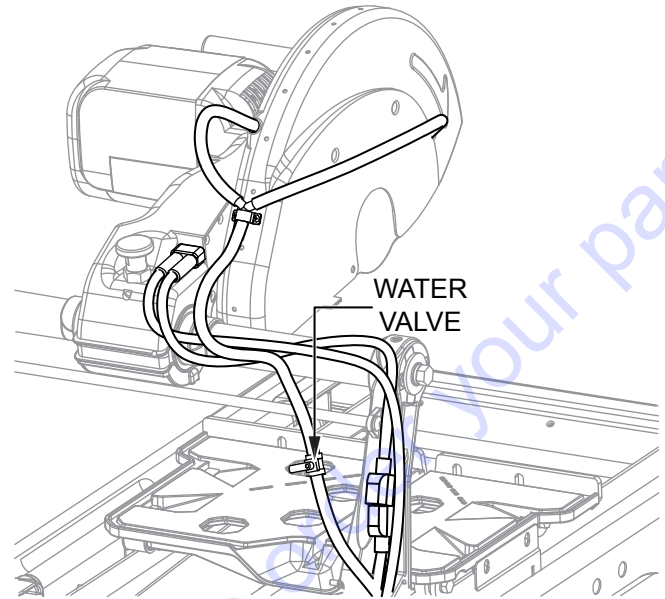


Figure 16. Water Valve Adjustment

5. Slowly and evenly push both the cutting table and the material forward until the cut is complete. **DO NOT** force the blade into the material. Allow the blade to cut at its own speed, and keep the material flush against the backstop as you cut.
6. When the cut is finished, remove the cut pieces and slide the cutting table back to its original position (Figure 15).

NOTICE

NEVER use the edge or side of the blade to cut or grind.
NEVER attempt to cut a radius or a curve.

USING THE RIP GUIDE

The 15.5-inch x 10-inch (394 mm x 254 mm) cutting table is equipped with a ruler guide to facilitate convenient measurements and precision cuts. Use the rip guide in conjunction with the ruler guide to perform 45-degree and 90-degree cuts.

1. Place the rip guide at the desired location on the ruler guide and tighten the threaded knob firmly to avoid slippage.
2. Place the material being cut flush against the rip guide and ruler guide.
3. You are now ready to make your cut.

Performing Diagonal Cuts

1. Remove the threaded knob from the end of the rip guide with the horizontal groove, and insert it into the other end with the diagonal groove.
2. Place the rip guide onto the ruler guide, so that the inner edge of the rip guide is aligned with the diagonal groove to the left of the vertical channel in the cutting table. Tighten the threaded knob securely.
3. Place one corner of the material in the vertical slot of the ruler guide and rest the adjoining edge flush against the rip guide.
4. You are now ready to make your cut.

CHOP CUTTING

The MP3 can be operated as a chop saw. Prepare the MP3 for chop cutting as follows.

1. Use the cutting table lock to secure the cutting table in the mid-rail position (Figure 17).

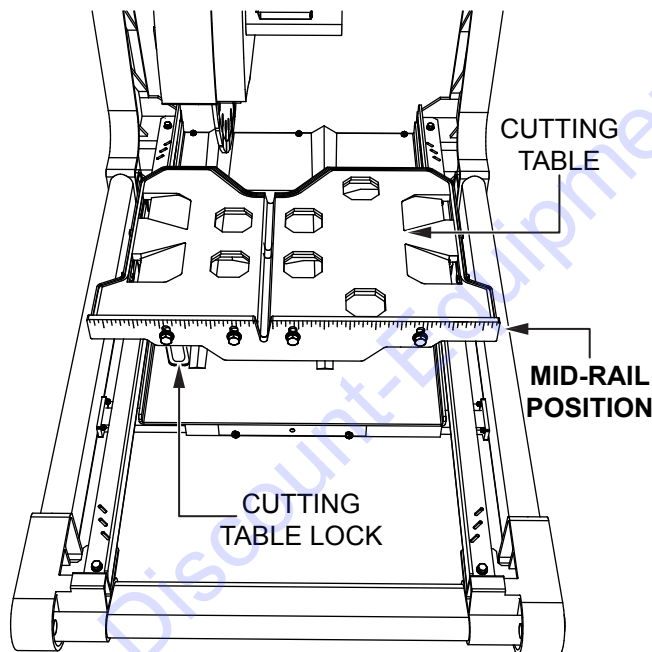


Figure 17. Cutting Table Lock (Mid-Rail Position)

2. Pull the angle lock pin (Figure 18), rotate it 90 degrees, and release it. The cutting head can now be rotated freely up and down by the cutting head handle.

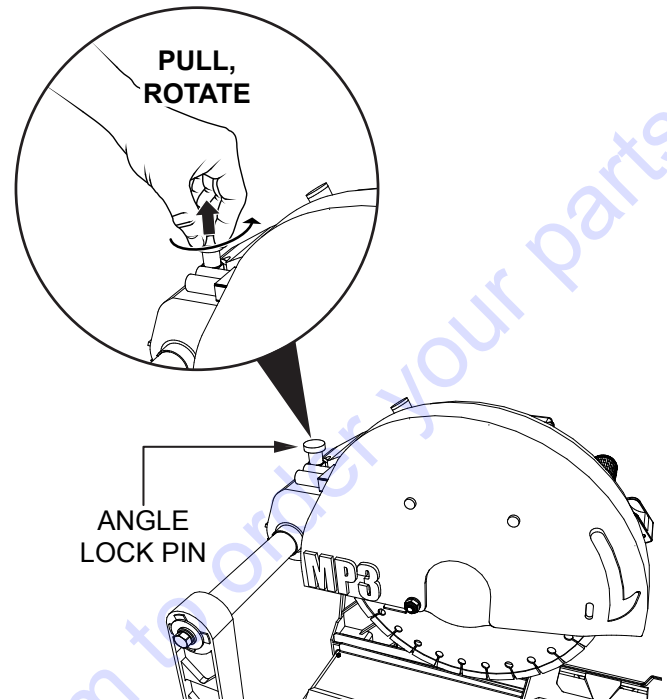


Figure 18. Angle Lock Pin

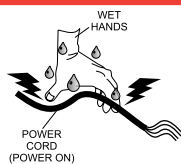
NOTICE

ALWAYS lock the cutting head in one of the three fixed positions when the saw is not in use.

SHUTDOWN

1. Place the power ON/OFF switch in the **OFF** (down) position.
2. Wait for the cutting blade to stop rotating.
3. Disconnect the AC power cord from the electrical power source.

⚠ DANGER



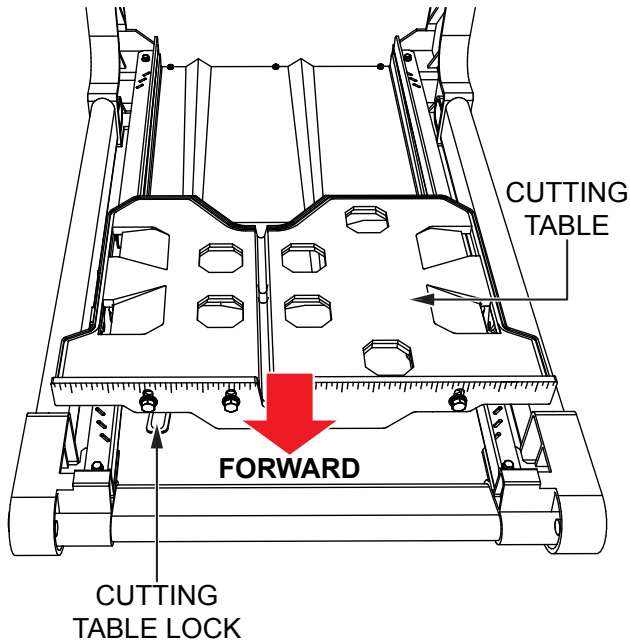
NEVER touch a live power cord with wet hands. **Electrical shock, electrocution, and even DEATH can occur!**

⚠ WARNING

To prevent accidental starting, **NEVER** leave the saw unattended while it is connected to a power source.

TRANSPORTING THE SAW

1. Make sure the water tray is empty and dry.
2. Unplug the AC power cable and store it in the water tray.
3. Use the cutting table lock to secure the cutting table in the forward position (Figure 19).



**Figure 19. Cutting Table Lock
(Forward Position)**

4. Lift and move the saw using the frame handles at the front and rear of the saw (Figure 20).

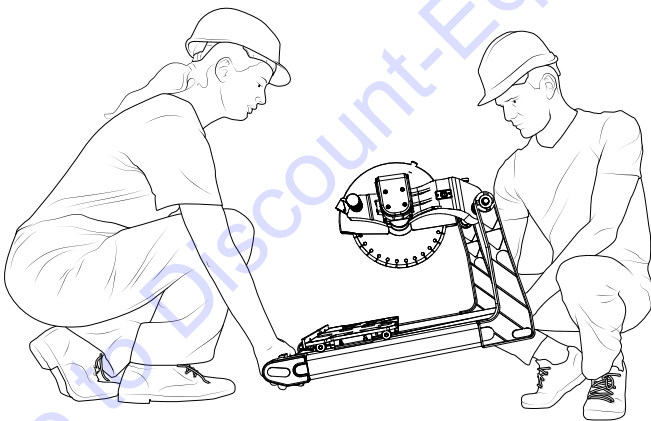


Figure 20. Moving the Saw

CAUTION

DO NOT attempt to lift the saw by yourself. **ALWAYS** have a second person help lift the unit. **ALWAYS** use proper lifting techniques to avoid injury.

MAINTENANCE

General maintenance practices are crucial to the performance and longevity of the saw and diamond blades. This equipment requires routine inspection, cleaning, and service.

WARNING

NEVER attempt to service the unit while the motor is running. **Severe bodily injury or DEATH** can occur. Whenever cleaning, adjusting, or lubricating the saw or any of its components, **ALWAYS** place the power ON/OFF switch in the **OFF** (down) position and **disconnect the plug** from the power source.

PERIODIC MAINTENANCE

NOTICE

The ball bearings are permanently lubricated. **DO NOT** lubricate or rinse the bearings of the drive elements.

Daily Inspection (Before Each Use)

1. Tighten any loose fasteners and replace any worn or damaged parts. Inspect the blade lock bolt and retighten it if necessary.
2. Inspect the cutting head for proper alignment. A misaligned cutting head will adversely affect blade life.
3. Inspect the cutting table and replace any worn or damaged parts.
4. Connect the saw to an electrical power outlet connected to a GFCI circuit breaker. If the circuit breaker trips, a short has been detected. **DO NOT** attempt to operate the saw. Have the saw checked by an authorized service dealer first.

Daily Cleaning (After Each Use)

1. Clean the saw. **DO NOT** use aggressive cleaners (i.e. cleaners containing solvents). **DO NOT** use high-pressure water jets, aggressive detergents or solutions, or liquids with a temperature exceeding 86°F (30°C).
2. Use only a lint-free cloth which may be lightly moistened to remove dust and dirt. Remove any hard-packed dirt with a soft brush.

3. Use a soft, low-pressure water jet to rinse away dirt and crust. **Be particularly careful near the saw's electrical components** (e.g. switch, motor). Wipe these components clean with a moist cloth only.

NOTICE

DO NOT let any water, cleaning liquid, or vapor penetrate into the electric motor, plugs, switches, etc. Cover or seal all apertures, holes in the housing, plugs, etc. with adhesive tape while cleaning the saw.

4. Remove any covers or adhesive tape after cleaning. Retighten any fasteners which may have loosened during cleaning.
5. Clean the water tray. Drain all water from the tray, and remove any dirt or sludge remaining inside. Sludge is abrasive and will shorten the life of the blade. It may be necessary to clean the tray twice a day when using the saw extensively.

Ambient Temperatures At Or Below 32°F / 0°C (Winter Operation)

To prevent water in the water kit from freezing in cold weather, **ALWAYS** drain all water from the system after each use. Make sure there is no water remaining in the pump or tubes.

Air Filter Maintenance

1. Make sure the motor is turned off and the saw is unplugged from its AC power source. Wait for the motor to cool, if necessary.
2. Remove the existing air filter by pulling it through the opening in the motor air intake cover (Figure 21).

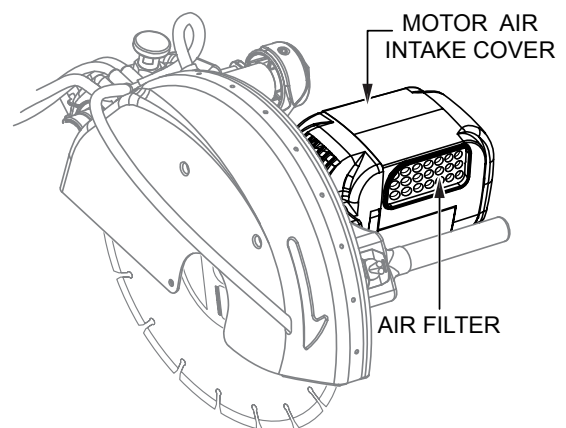


Figure 21. Air Filter Maintenance

MAINTENANCE

3. Remove accumulated dust from the air filter by shaking it or tapping it several times on a hard surface, washing it with warm water, or blowing it with compressed air. If the air filter is damaged, replace it with a new one.
4. Make sure the air filter is completely dry before reinstalling it. If installing a new air filter, inspect the new filter for damage first. Insert the air filter through the opening in the motor air intake cover (Figure 21). The air filter should completely fill the filter cavity.

Carbon Brush Replacement

The carbon brushes must be replaced when the brush length becomes less than 7/16 inch (11 mm) and the motor begins to lose power. See Figure 22.

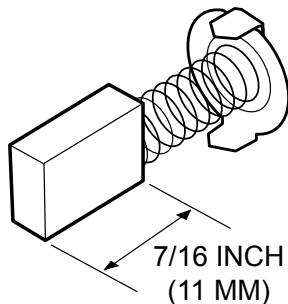


Figure 22. Carbon Brush Length

1. Make sure the motor is turned off and the saw is unplugged from its AC power source. Wait for the motor to cool, if necessary.
2. Remove the four screws securing the motor air intake cover to the cutting head (Figure 23).

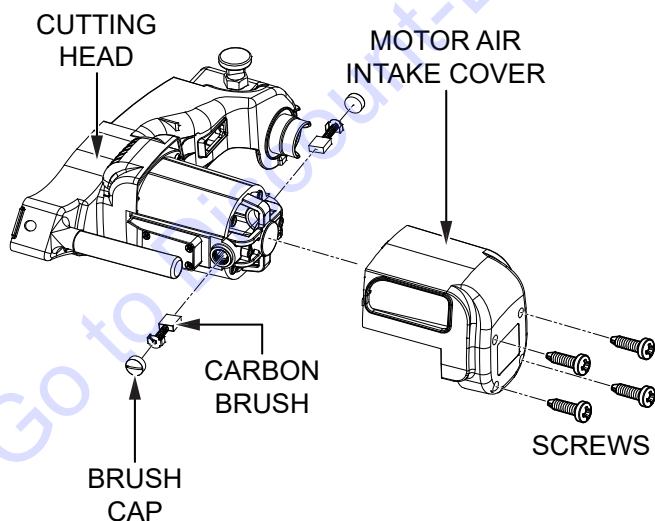


Figure 23. Carbon Brush Replacement

3. Use a flat-blade screwdriver to remove the carbon brush caps (Figure 23). Be careful to prevent damage to the caps. If a brush cap becomes damaged, replace it with a new one.
4. Remove the existing carbon brushes (Figure 23) from the motor.
5. Inspect the motor and carbon brush holders for excessive wear or carbon buildup. If necessary, use compressed air to remove any accumulated carbon.
6. Insert the new carbon brushes into the carbon brush holders.
7. Use a flat-blade screwdriver to reinstall the carbon brush caps. Be careful not to damage the caps by overtightening.
8. Reinstall the motor air intake cover with the four screws that were removed earlier. **DO NOT** overtighten.

BEFORE LONG-TERM STORAGE

1. Make sure the cutting head is locked in the low, fixed position.
2. Clean and lubricate all moving parts, but **DO NOT** grease the guide rails.
3. Flush out the water kit system with fresh water and allow all water tubes and trays to dry completely.
4. Unplug the water pump power cable and stow the pump in the water tray.
5. Unplug the saw from the power source and secure the AC power cable to the saw frame with cable ties.
6. Use the cutting table lock to secure the cutting table in the forward position.

AFTER LONG-TERM STORAGE

1. Inspect the rubber support feet for excessive wear, cracks, or other damage. Make sure they are properly attached to the saw.
2. Inspect all fastening nuts and bolts for tightness.
3. Inspect the cutting table. Make sure it is properly seated on the guide rails and slides easily along the entire length of the rails.
4. Check motor operation. Remove the saw blade and connect the AC power cable, then turn the motor **ON** and **OFF** quickly. If the motor does not respond, have it inspected by a qualified electrician.

Water Pump

When the water pump is not operated for a long period of time, hard-packed dirt can build up inside the pump and block the pump wheel. After long-term storage, **ALWAYS** clean the pump before operating the saw.

NOTICE

Operation of the saw with a blocked water pump will damage the motor within a few minutes.

1. Remove the water pump from the water tray.
2. Clean the water pump exterior.
3. Loosen the screws securing the pump cover to the water pump and remove the cover. Be careful not to lose or damage the gasket located underneath the pump cover.
4. Clean the water pump cover.
5. Remove all dirt and crust from the pump wheel.
6. Inspect the pump wheel. Make sure it can be turned easily.
7. Reinstall the water pump cover with the screws that were removed earlier.

TROUBLESHOOTING (BLADE)

Table 6. Blade Troubleshooting

Symptom	Possible Problem	Solution
Irregular run of saw blade	Poor tension in blade material	Return saw blade to manufacturer
Saw blade wobbles during operation	Saw blade is damaged or bent	Have saw blade aligned/flattened
		Clean receiving (inner) flange
		Replace saw blade
	Saw blade flange is damaged	Replace flange
	Motor shaft is bent	Replace electric motor
Diamond segment becomes loose	Saw blade overheating due to insufficient cooling water	Replace saw blade and ensure optimum flow of cooling water
Excessive wear	Wrong type of saw blade	Use harder saw blade
	Motor shaft causes wobbling	Replace motor bearings or motor
	Overheating	Ensure optimum flow of cooling water
Cracks in or near diamond segment	Saw blade is too hard	Use a softer blade
	Fixed flange is worn out	Have fixed flange replaced
	Motor shaft bearing	Replace motor shaft bearing
Saw blade is blunt	Saw blade type is inappropriate for material being cut	Use appropriate saw blade type
	Saw blade type is inappropriate for saw specifications	
	Saw blade is too hard	
	Diamond segments are blunt	Replace saw blade
Appearance of cut is suboptimal	Poor tension in blade material	Return saw blade to manufacturer
	Too much load placed on saw blade	Use appropriate saw blade type
	Diamond segments are blunt	Replace saw blade
Saw blade arbor hole has widened due to wear	Saw blade has slipped on motor shaft when running	Replace saw blade; make sure arbor hole diameter and blade shaft diameter match
		Check receiving (inner) flange and replace if necessary
Saw blade shows blooming colors	Overheating due to insufficient cooling water	Ensure optimum flow of cooling water
	Lateral friction when cutting	Material feed is too high; proceed more slowly
Grinding marks on saw blade	Material not being fed parallel to saw blade	Make sure feed direction is absolutely parallel to saw blade
		Adjust cutting table/guide rails
	Poor tension in blade material	Return saw blade to manufacturer
	Too much load on saw blade	Material feed is too high; proceed more slowly

TROUBLESHOOTING (SAW)

Table 7. Saw Troubleshooting

Symptom	Possible Problem	Solution
Saw does not run when switched on	Power cord not properly fixed/plugged in	Make sure machine is properly connected to power supply
	Defective power cable	Have power cable checked by a qualified electrician; replace if necessary
	Defective main power switch	Have main power switch checked by a qualified electrician; replace if necessary
	Loose connection within electrical circuit	Have entire electrical circuit checked by a qualified electrician
	Defective motor	Have motor checked by a qualified electrician; replace if necessary
Motor stops (power cuts out)	Too much pressure exerted while cutting	Exert less pressure while cutting
	Incorrect saw blade specifications	Use appropriate saw blade type
	Defective electrical system	Have the electrical system checked by a qualified technician
Low power/poor machine performance	Power/extension cable is too long or cable is still wound up inside cable drum	Use a correctly rated power cord/extension cable; use a cable drum with cable fully extended
	Power source is insufficient	Verify saw electrical ratings and connect only to a power network that satisfies these requirements
	Electric motor no longer runs at rated speed (RPM)	Have motor checked by a qualified electrician; replace if necessary
Insufficient or nonexistent flow of cooling water	Water pump draws air	Fill water tray with water
	Water pump filter clogged	Clean water pump filter
	Water pump wheel is blocked by dirt	Disassemble and clean water pump

WIRING DIAGRAM

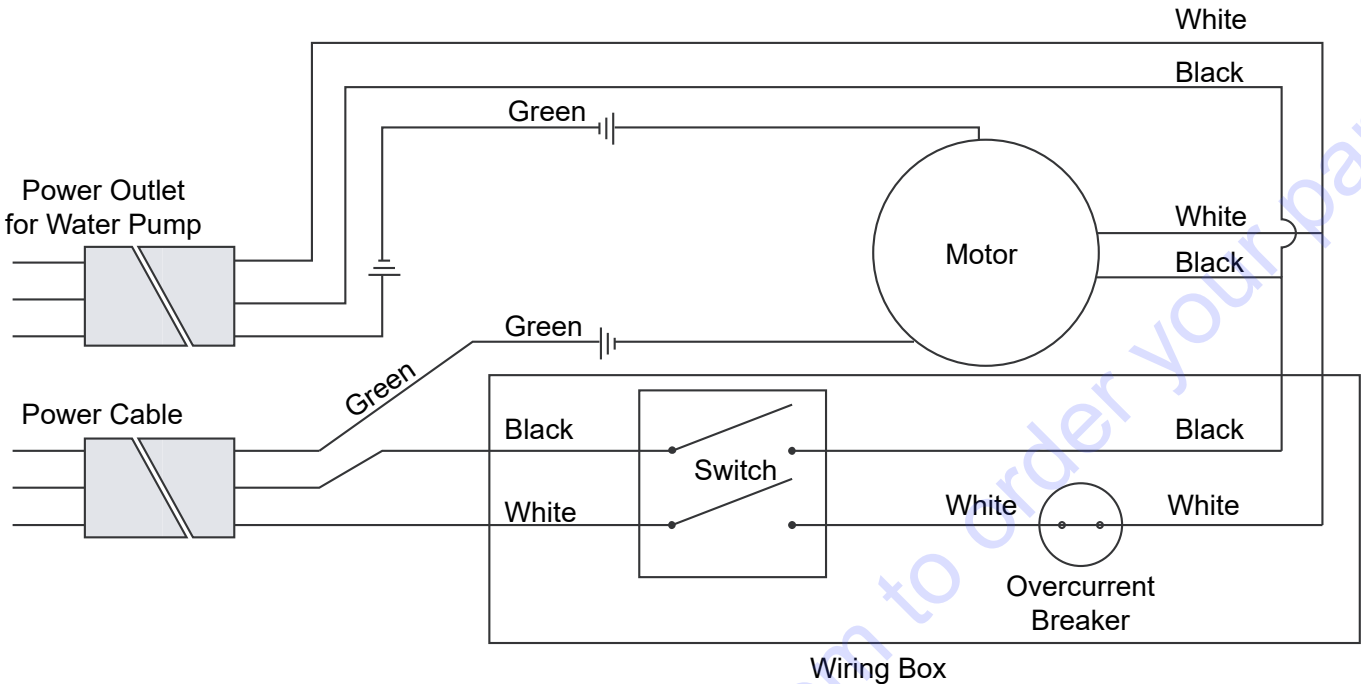


Figure 24. Electric Motor Wiring Diagram

EXPLANATION OF CODE IN REMARKS COLUMN

The following section explains the different symbols and remarks used in the Parts section of this manual. Use the help numbers found on the back page of the manual if there are any questions.

NOTICE

The contents and part numbers listed in the parts section are subject to change **without notice**. Multiquip does not guarantee the availability of the parts listed.

SAMPLE PARTS LIST

NO.	PART NO.	PART NAME	QTY.	REMARKS
1	12345	BOLT	1	INCLUDES ITEMS W/%
2%		WASHER, 1/4 IN.		NOT SOLD SEPARATELY
2%	12347	WASHER, 3/8 IN. ...	1	MQ-45T ONLY
3	12348	HOSE	A/R	MAKE LOCALLY
4	12349	BEARING	1	S/N 2345B AND ABOVE

NO. Column

Unique Symbols — All items with same unique symbol (@, #, +, %, or >) in the number column belong to the same assembly or kit, which is indicated by a note in the “Remarks” column.

Duplicate Item Numbers — Duplicate numbers indicate multiple part numbers, which are in effect for the same general item, such as different size saw blade guards in use or a part that has been updated on newer versions of the same machine.

NOTICE

When ordering a part that has more than one item number listed, check the remarks column for help in determining the proper part to order.

PART NO. Column

Numbers Used — Part numbers can be indicated by a number, a blank entry, or TBD.

TBD (To Be Determined) is generally used to show a part that has not been assigned a formal part number at the time of publication.

A blank entry generally indicates that the item is not sold separately or is not sold by Multiquip. Other entries will be clarified in the “Remarks” Column.

QTY. Column

Numbers Used — Item quantity can be indicated by a number, a blank entry, or A/R.

A/R (As Required) is generally used for hoses or other parts that are sold in bulk and cut to length.

A blank entry generally indicates that the item is not sold separately. Other entries will be clarified in the “Remarks” Column.

REMARKS Column

Some of the most common notes found in the “Remarks” Column are listed below. Other additional notes needed to describe the item can also be shown.

Assembly/Kit — All items on the parts list with the same unique symbol will be included when this item is purchased.

Indicated by:

“INCLUDES ITEMS W/(unique symbol)”

Serial Number Break — Used to list an effective serial number range where a particular part is used.

Indicated by:

“S/N XXXXX AND BELOW”

“S/N XXXX AND ABOVE”

“S/N XXXX TO S/N XXX”

Specific Model Number Use — Indicates that the part is used only with the specific model number or model number variant listed. It can also be used to show a part is NOT used on a specific model or model number variant.

Indicated by:

“XXXXX ONLY”

“NOT USED ON XXXX”

“Make/Obtain Locally” — Indicates that the part can be purchased at any hardware shop or made out of available items. Examples include battery cables, shims, and certain washers and nuts.

“Not Sold Separately” — Indicates that an item cannot be purchased as a separate item and is either part of an assembly/kit that can be purchased, or is not available for sale through Multiquip.

SUGGESTED SPARE PARTS

MP3 MASONRY SAW WITH ELECTRIC MOTOR

1 to 3 units

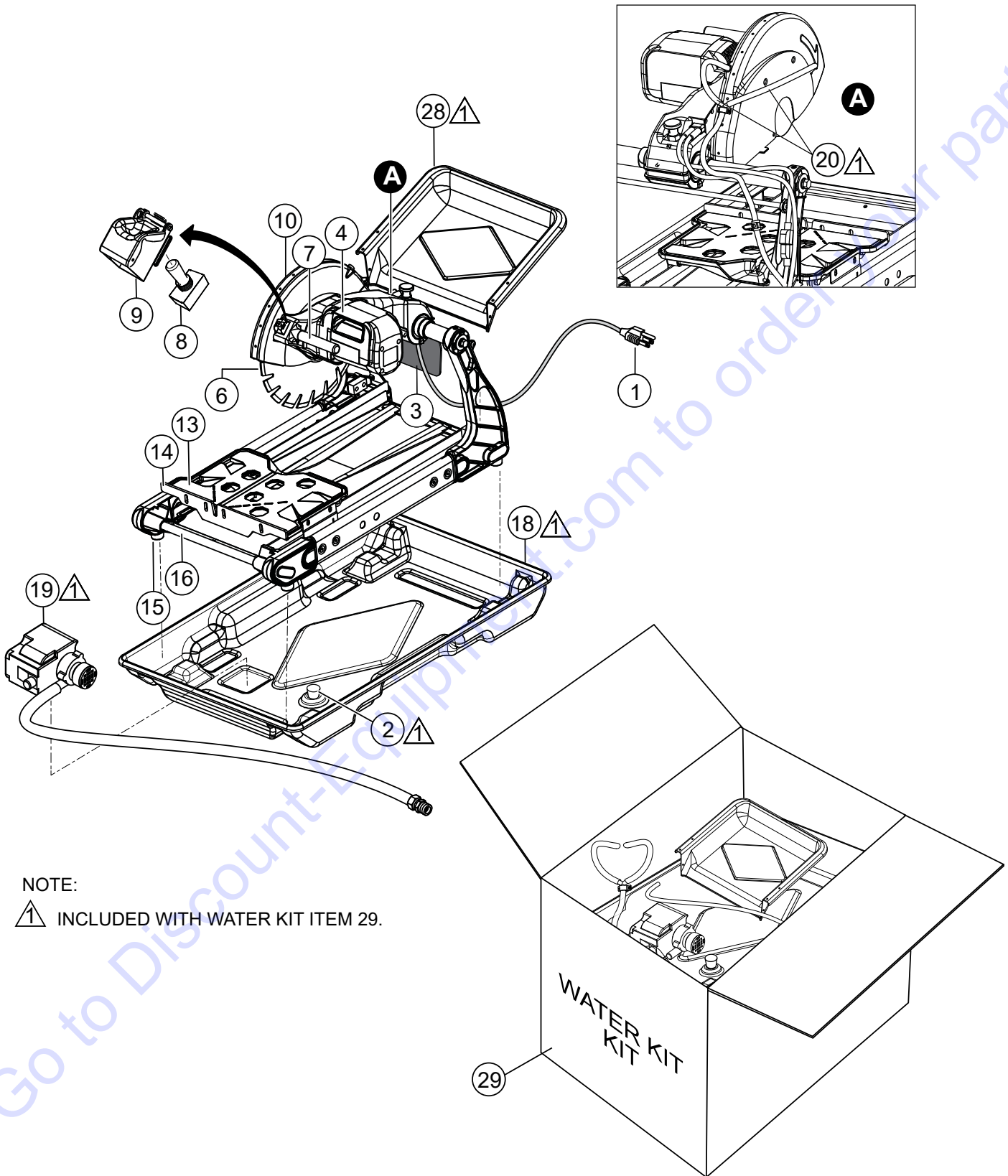
Qty.	P/N	Description
1.....	TS100003.....	POWER TOGGLE SWITCH
3.....	MS25099.....	CARBON BRUSH
1.....	TS100027.....	WATER PUMP
1.....	MS141137.....	ALUMINUM MOTOR COMP.
1.....	MS25077.....	AIR FILTER

NOTICE

Part numbers on this Suggested Spare Parts list may supersede/replace the part numbers shown in the following parts lists.

Go to Discount-Equipment.com to order your parts

MAIN SAW ASSY.



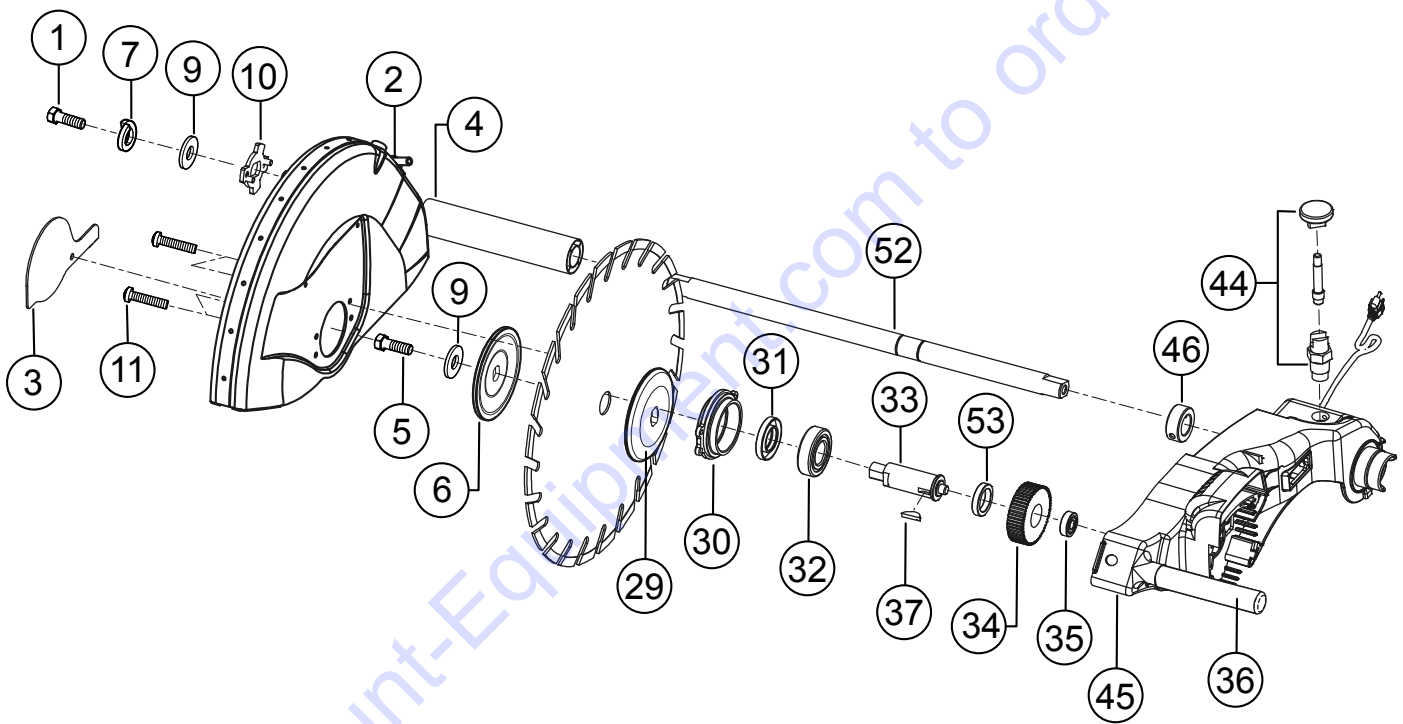
NOTE:

 INCLUDED WITH WATER KIT ITEM 29.

MAIN SAW ASSY.

<u>NO.</u>	<u>PART NO.</u>	<u>PART NAME</u>	<u>QTY.</u>	<u>REMARKS</u>
1	MS141001	POWER CABLE, MOTOR	1	
2#	S1000-48	DRAIN PLUG	1	
3	TS141028	SPLASH GUARD, RUBBER	1	
4	MS141049	MOTOR INTAKE COVER, PLASTIC	1	
6		BLADE, DIAMOND	1	CONTACT DISCOUNT-EQUIPMENT.
7	MS25062PR	BAR HANDLE	1	
8	TS100003	POWER TOGGLE SWITCH, ON/OFF	1	
9	MS100003	TOGGLE SWITCH SAFETY BRACKET	1	
10	MS141002M	BLADE GUARD	1	
13	141023	CUTTING TABLE ASSY.	1	
14	MS141022	GUIDE, RULER	1	
15	TS141029	RUBBER SUPPORT FOOT	4	
16	MS141019	FRAME CROSS TUBE	1	
18#	MS141024	WATER TRAY	1	
19#	TS100027	WATER PUMP (115V/60HZ)	1	
20#	TS141063	VINYL HOSE KIT	1	
28#	TS141061	REAR SPLASH PAN	1	
29	MS3WK	WATER KIT (OPTION).....	1	INCLUDES ITEMS W/# CONTACT DISCOUNT-EQUIPMENT

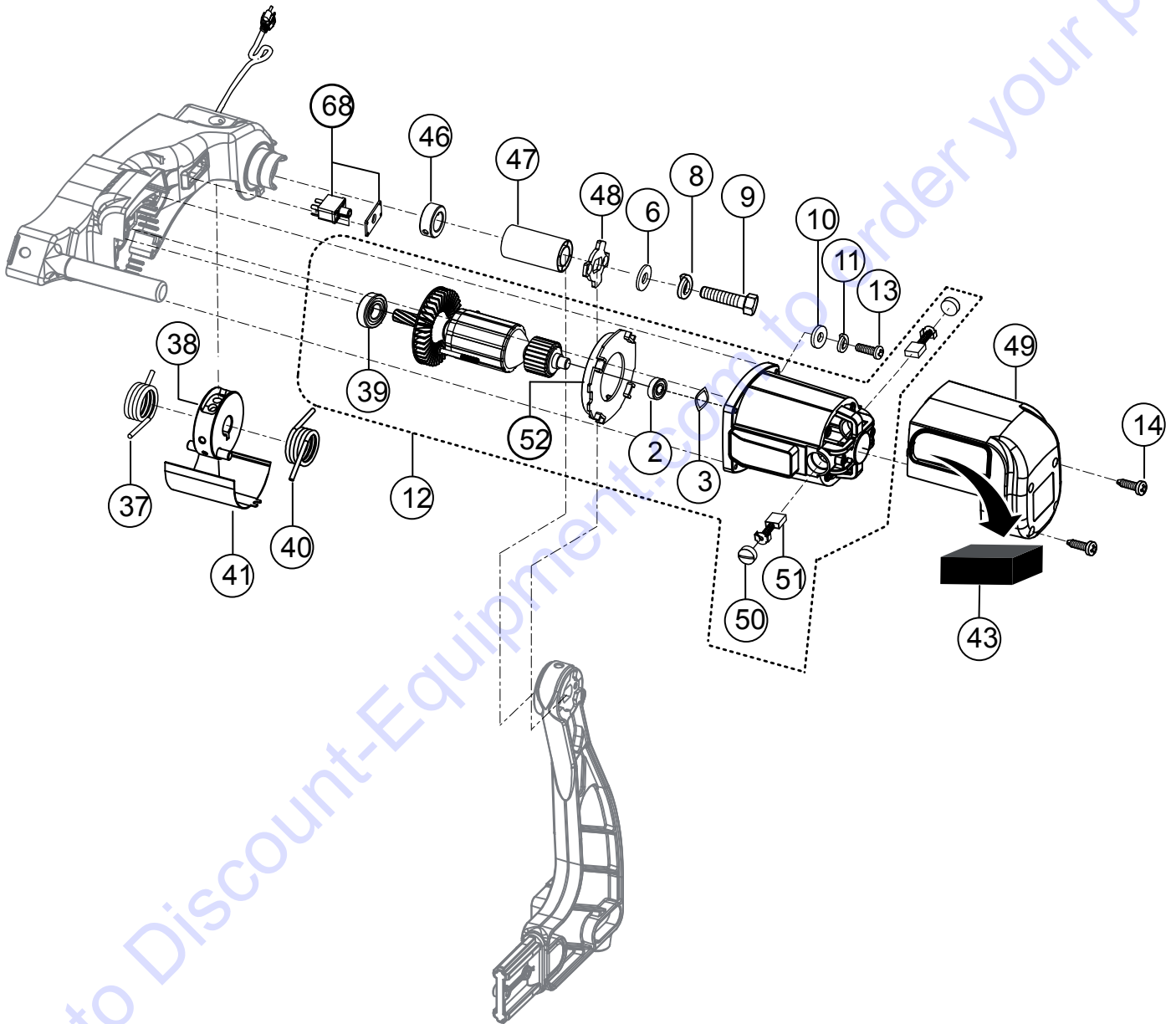
BLADE GUARD ASSY.



BLADE GUARD ASSY.

<u>NO.</u>	<u>PART NO.</u>	<u>PART NAME</u>	<u>QTY.</u>	<u>REMARKS</u>
1	MS0302	SCREW	1	
2	MS141002M	BLADE GUARD	1	
3	MS25031PR	ARBOR COVER GUARD	1	
4	MS141004	CROSS BAR TUBE	1	
5	MS25032	BLADE LOCKING BOLT	1	
6	MS25034PR	FLANGE, OUTER	1	
7	0307	WASHER, LOCK, M10	1	
9	0306	WASHER, FLAT M10	2	
10	MS141048	CROSSBAR POSITION BRACKET	1	
11	MS25058	SCREW, BLADE GUARD SECURITY	4	
29	MS25035PR	FLANGE, INNER	1	
30	MS25039	BLADE SHAFT RETAINING PLATE	1	
31	MS25161	OUTER SHAFT SPACER	1	
32	MS25160	OUTER SHAFT BEARING	1	
33	MS25157	BLADE SHAFT	1	
34	MS25158	BLADE SHAFT GEAR	1	
35	MS25153	OUTER MOTOR BEARING	1	
36	MS25062PR	BAR HANDLE	1	
37	MS25156	WOODRUFF KEY	1	
44	MS2504395	CUTTING HEAD LOCKING PIN	1	
45	MS141045M	CUTTING HEAD	1	
46	MS25025PR	COLLAR, CUTTING HEAD	1	
52	MS141052	CUTTING HEAD PIVOT BAR	1	
53	MS25159	INNER DRIVE SHAFT SPACER	1	

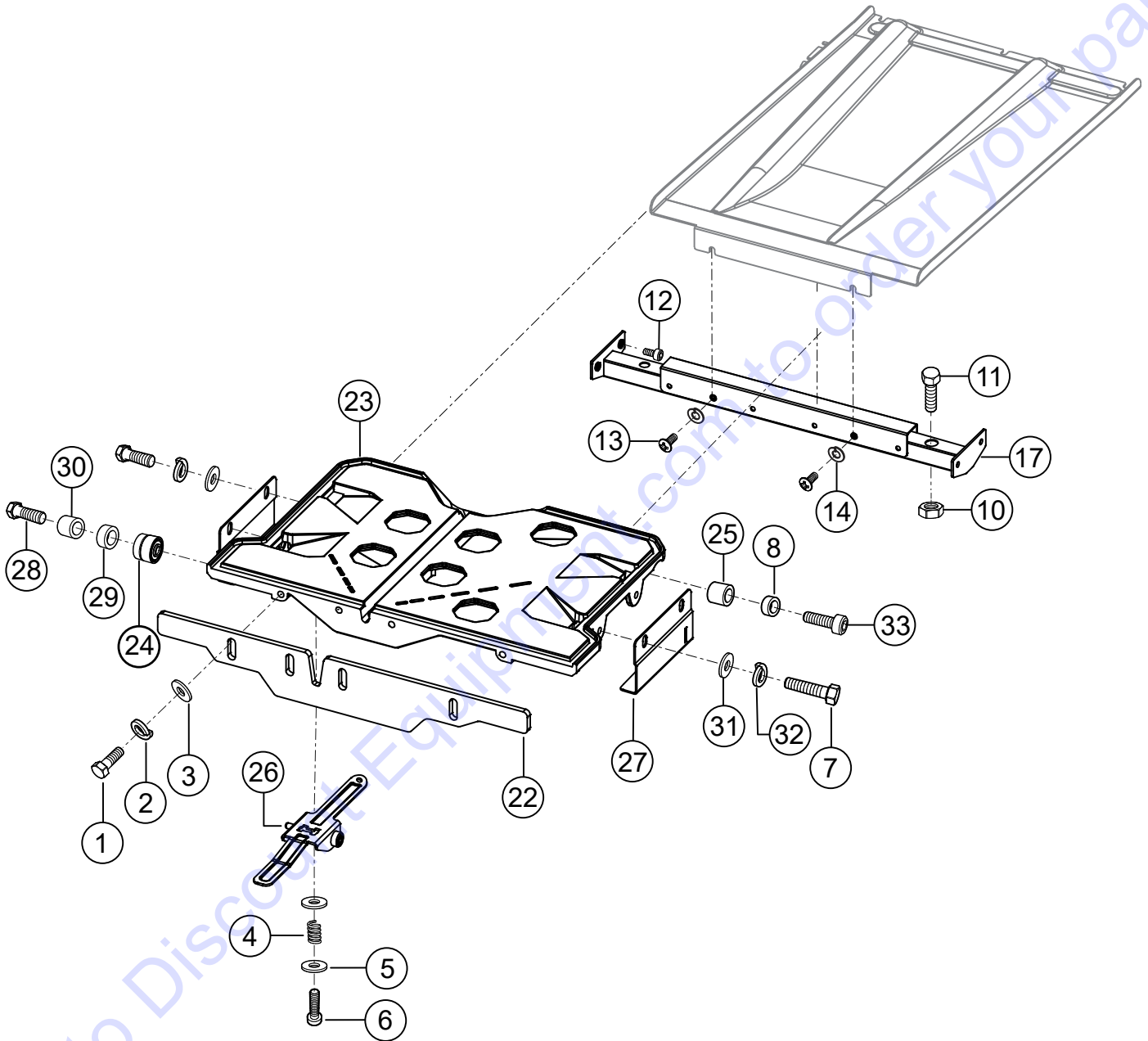
ELECTRIC MOTOR ASSY.



ELECTRIC MOTOR ASSY.

<u>NO.</u>	<u>PART NO.</u>	<u>PART NAME</u>	<u>QTY.</u>	<u>REMARKS</u>
2#	MS25153	BEARING, MOTOR OUTER	1	
3#	141084	WAVE WASHER	1	
6	0306	WASHER, FLAT M10	1	
8	0307	WASHER, LOCK M10	1	
9	MS0305	SCREW, CROSSBAR	1	
10	25054	WASHER, FLAT M5	1	
11	11725	WASHER, LOCK M5.....	1.....	REPLACES P/N 25053
12	MS141137	ALUMINUM MOTOR, COMPLETE.....	1.....	INCLUDES ITEMS W/#
13	MS25155	MOTOR HOUSING SCREW	4	
14	MS25105	SCREW, PHILLIPS PAN	4	
37	MS250221PR	TENSION SPRING, OUTSIDE	1	
38	MS25020PR	CUTTING HEAD ANGLE BRACKET	1	
39#	MS25150	MOTOR BEARING, INNER	1	
40	MS25022PR	TENSION SPRING, INSIDE	1	
41	MS141041M	SPRING COVER	1	
43	MS25077	AIR FILTER	1	
46	MS25025PR	LOCKING COLLAR, PIVOT TUBE	1	
47	MS141047	CROSSBAR PIVOT TUBE, (SHORT)	1	
48	MS141048	CROSSBAR PIVOT BRACKET	1	
49	MS141049	MOTOR END COVER	1	
50#	MS25098	CARBON BRUSH CAP	2	
51#	MS25099	CARBON BRUSH (2-PIECE SET)	2	
52#	MS25152	MOTOR RETAINING PLATE	1	
68	MS141038	CIRCUIT BREAKER	1	

CUTTING TABLE ASSY.

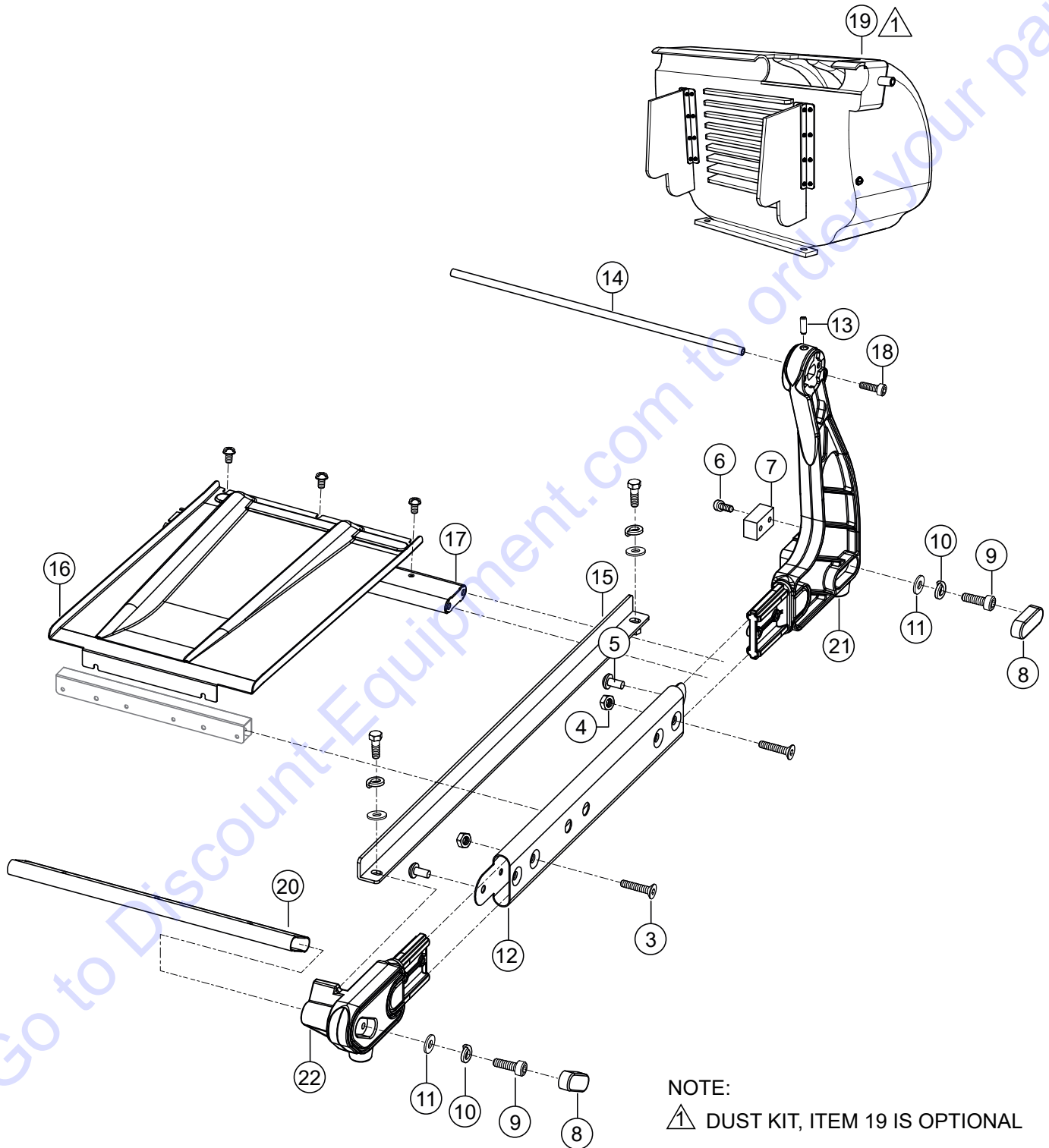


CUTTING TABLE ASSY.

<u>NO.</u>	<u>PART NO.</u>	<u>PART NAME</u>	<u>QTY.</u>	<u>REMARKS</u>
1#	TP0322	HEX BOLT	4	
2#	TS0121	WASHER, LOCK M8	4	
3#	0120	WASHER, NARROW M8	4	
4#	25096	SPRING	1	
5#	0384	WASHER	2	
6#	25095	BOLT	1	
7#	TS11124	LOCK BOLT, M8	1	
8	420246	SPACER	2	
10	0610001	NUT, M6	2	
11	150016	HEX BOLT, M6	2	
12	150331	SCREW, M6	4	
13	25100	CROSS SCREW M5	2	
14	11725	SPRING LOCK WASHER M5.....	2.....	REPLACES P/N 25053
17	MS141017M	METAL PAN BRACKET	1	
22#	MS141022	RULER GUIDE, CUTTING TABLE	1	
23	MS141023	CUTTING TABLE COMPLETE	1.....	INCLUDES ITEMS W/#
24#	MS1000J24	WHEELS, ROLLER U-SHAPED (2-PC. SET)	1	
25#	MS141025	WHEELS, ROLLER, SOLID (2-PC. SET)	1	
26#	MS2509495	TABLE LOCK BRACKET	1	
27#	141013	"L" BRACKET, TABLE	1	
28	01161	HEX BOLT, M8	2	
29	150070	SPACER	2	
30	150070.1	SPACER	2	
31	0120	WASHER, NARROW M8	2	
32	0121	WASHER, SPRING LOCK M8	2	
33	1061	BOLT, M8	2	

RIGHT-SIDE SAW ASSY.

RIGHT-SIDE MAIN SAW ASSEMBLY.
VIEW FROM OPERATOR'S POSITION.



NOTE:

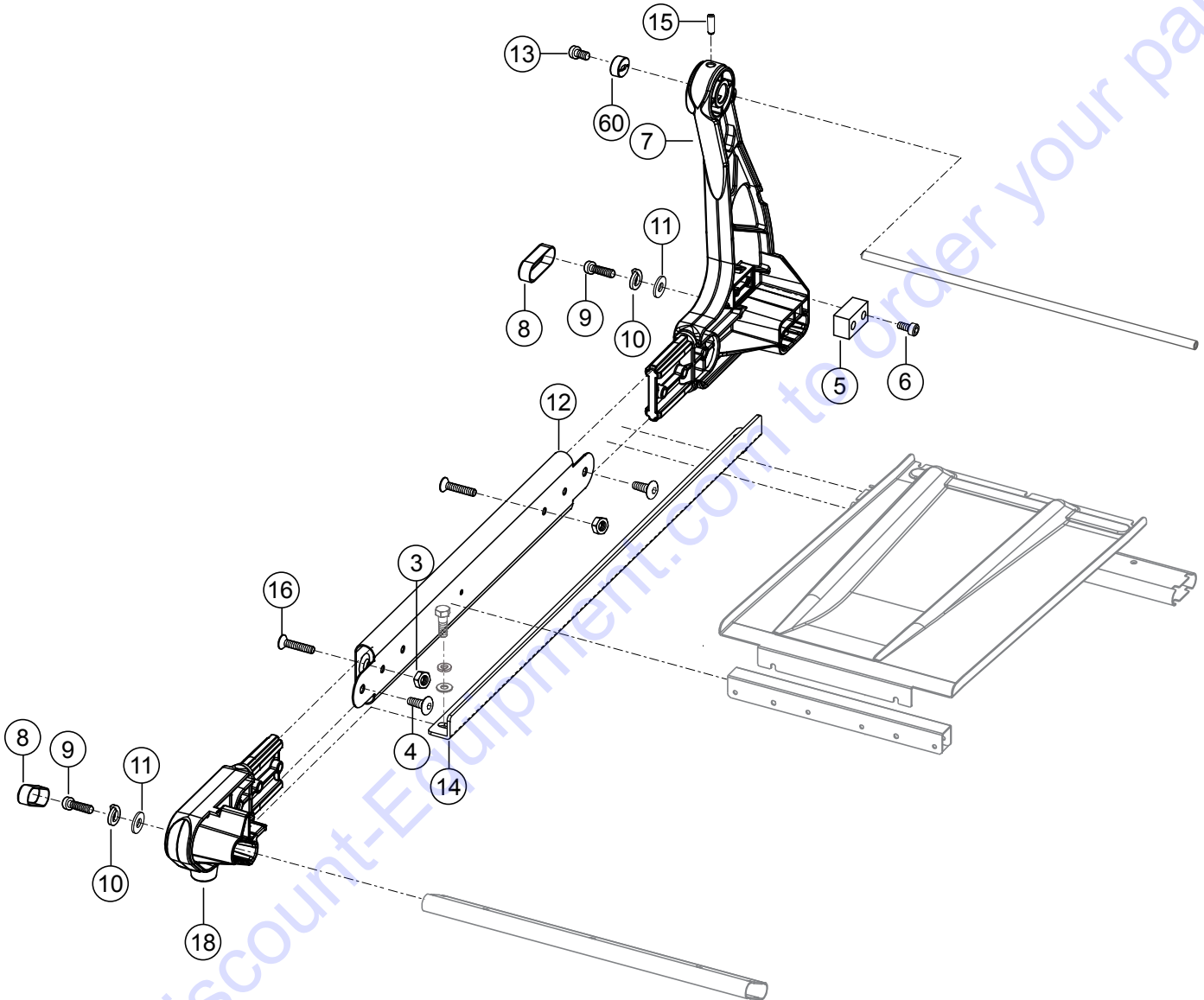
▲ DUST KIT, ITEM 19 IS OPTIONAL

RIGHT-SIDE SAW ASSY.

<u>NO.</u>	<u>PART NO.</u>	<u>PART NAME</u>	<u>QTY.</u>	<u>REMARKS</u>
3	150214	SCREW, SHC M8	4	
4	0155	NUT, M8	4	
5	150338	SCREW, SHH M10	3	
6	150333	SCREW, SHH M6	2	
7	MS12142	RUBBER STOP	1	
8	MS141008	RUBBER CAP COVER	2	
9	1061	SCREW, SHH M8	2	
10	0121	WASHER, LOCK M8	2	
11	0120	WASHER, NARROW M8	2	
12	MS141010M	SIDE FRAME	1	
13	25102	SET SCREW, M10 FLAT POINT	1	
14	MS141012	PIVOT BAR	1	
15	MS25015PR	CUTTING TABLE RAILS (2-PC. SET)	1	
16	MS141014	METAL SAW PAN	1	
17	MS141015	REAR PAN CROSS TUBE	1	
18	MS0305	SCREW, M10	1	
19	MP3DK	DUST KIT.....	1	OPTIONAL-CONTACT DISCOUNT-EQUIPMENT.
20	MS141019	FRONT PAN CROSS TUBE	1	
21	MS141020M	REAR FRAME SUPPORT, RIGHT SIDE	1	
22	MS141021M	FRONT FRAME JOINT, RIGHT SIDE	1	

LEFT-SIDE SAW ASSY.

LEFT-SIDE MAIN SAW ASSEMBLY.
VIEW FROM OPERATOR'S POSITION.

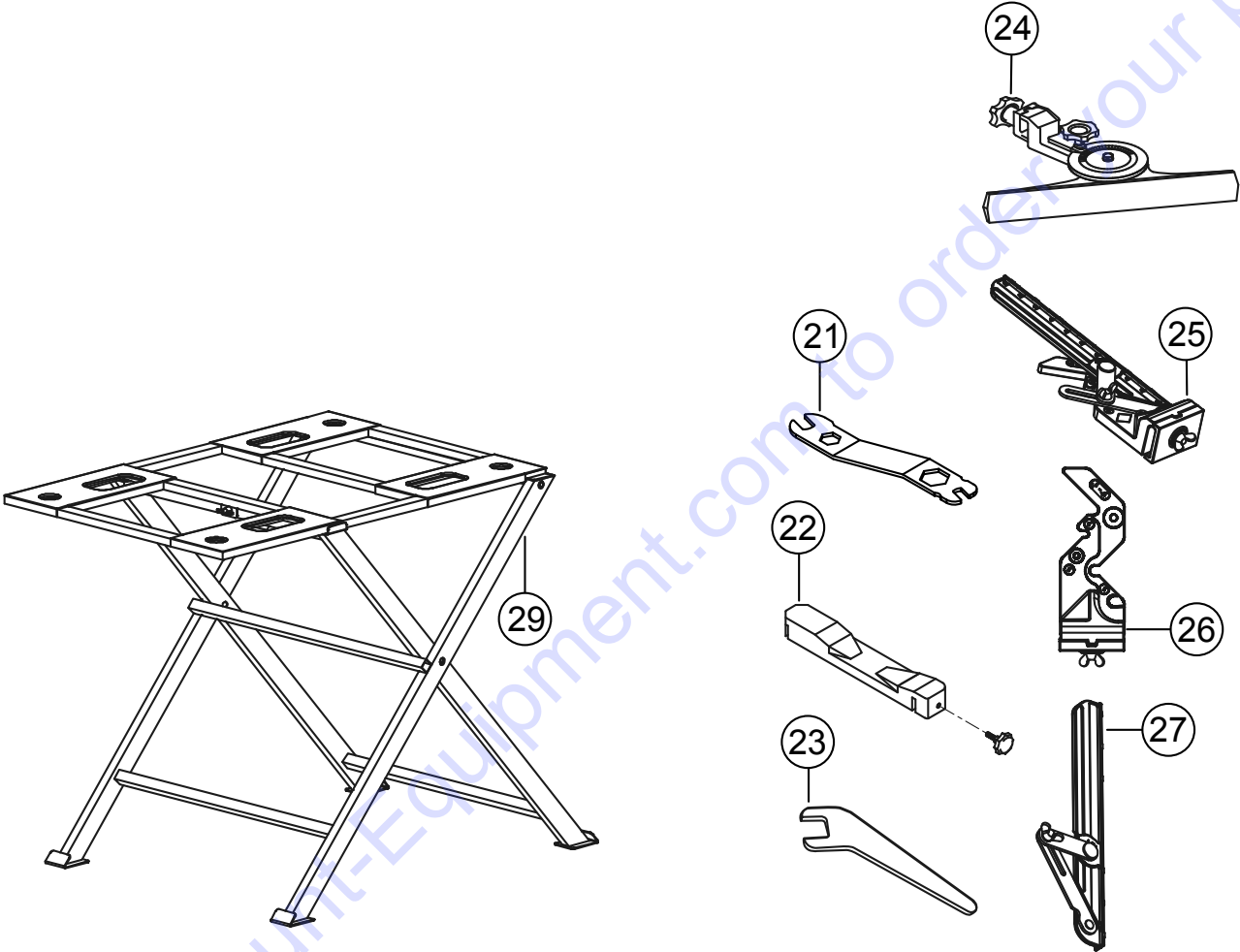


LEFT-SIDE SAW ASSY.

<u>NO.</u>	<u>PART NO.</u>	<u>PART NAME</u>	<u>QTY.</u>	<u>REMARKS</u>
3	0155	NUT, M8	4	
4	150338	SCREW, SHH M10	3	
5	MS12142	RUBBER STOP	1	
6	150333	SCREW, SHH M6	2	
7	MS141007M	REAR FRAME SUPPORT, LEFT SIDE	1	
8	MS141008	RUBBER CAP COVER	2	
9	1061	SCREW, SHH M8	2	
10	0121	WASHER, LOCK M8	2	
11	0120	WASHER, NARROW M8	2	
12	MS141010M	SIDE FRAME	1	
13	MS0305	SCREW, M10	1	
14	MS25015PR	CUTTING TABLE RAILS (2-PC. SET)	1	
15	25102	SET SCREW, FLAT POINT M10	1	
16	150214	SCREW, SHC M8	4	
18	MS141018M	LEFT FRONT JOINT	1	
60	141060	STOPPER, POSITION CROSS BAR	1	

Go to Discount-Equipment.com to order your parts

TOOLS AND ACCESSORIES



TOOLS AND ACCESSORIES

<u>NO.</u>	<u>PART NO.</u>	<u>PART NAME</u>	<u>QTY.</u>	<u>REMARKS</u>
21	MS100041	WRENCH, MULTIPLE USE	1.....	INCLUDED ACCESSORY
22	TS100035	RIP GUIDE, 45°/90°	1.....	INCLUDED ACCESSORY
23	MS141037	WRENCH, 19MM.....	1.....	INCLUDED ACCESSORY
24	MS100044	ANGLE GUIDE, 180°	1.....	OPTIONAL ACCESSORY
25	MS1000MG	MASTER GUIDE.....	1.....	OPTIONAL ACCESSORY
26	MS1000MG1	MASTER ANGLE GUIDE	1.....	OPTIONAL ACCESSORY
27	MS1000MG2	MASTER RULER GUIDE.....	1.....	OPTIONAL ACCESSORY
29	MS3SS	SUPPORT STAND KIT	1.....	OPTIONAL ACCESSORY

Go to Discount-Equipment.com to order your parts

PARTS FINDER

**Search Website
by Part Number**



**Search Manual
Library For Parts
Manual & Lookup Part
Numbers – Purchase
or Request Quote**

Search Manuals

Enter your information to help us find the right parts manual for your machine.

* Brand:

* Model:

* Serial:

* Part Number:

SEARCH

**Can't Find Part or
Manual? Request Help
by Manufacturer,
Model & Description**

Parts Order Form

Please fill in the following information to help us find the right part for your machine.

MANUFACTURER:

MODEL:

DESCRIPTION:

DATE:

TIME:

PHONE:

EMAIL:

ADDRESS:

CITY:

STATE:

ZIP:

COUNTRY:

SEARCH

Discount-Equipment.com is your online resource for quality parts & equipment.

Florida: **561-964-4949** Outside Florida TOLL FREE: **877-690-3101**

Need parts?

Click on this link: <http://www.discount-equipment.com/category/5443-parts/> and choose one of the options to help get the right parts and equipment you are looking for. Please have the machine model and serial number available in order to help us get you the correct parts. If you don't find the part on the website or on one of the online manuals, please fill out the request form and one of our experienced staff members will get back to you with a quote for the right part that your machine needs.

We sell worldwide for the brands: Genie, Terex, JLG, MultiQuip, Mikasa, Essick, Whiteman, Mayco, Toro Stone, Diamond Products, Generac Magnum, Airman, Haulotte, Barreto, Power Blanket, Nifty Lift, Atlas Copco, Chicago Pneumatic, Allmand, Miller Curber, Skyjack, Lull, Skytrak, Tsurumi, Husquvarna Target, Stow, Wacker, Sakai, Mi-T-M, Sullair, Basic, Dynapac, MBW, Weber, Bartell, Bennar Newman, Haulotte, Ditch Runner, Menegotti, Morrison, Contec, Buddy, Crown, Edco, Wyco, Bomag, Laymor, EZ Trench, Bil-Jax, F.S. Curtis, Gehl Pavers, Heli, Honda, ICS/PowerGrit, IHI, Partner, Imer, Clipper, MMD, Koshin, Rice, CH&E, General Equipment, Amida, Coleman, NAC, Gradall, Square Shooter, Kent, Stanley, Tamco, Toku, Hatz, Kohler, Robin, Wisconsin, Northrock, Oztec, Toker TK, Rol-Air, APT, Wylie, Ingersoll Rand / Doosan, Innovatech, Con X, Ammann, Mecalac, Makinex, Smith Surface Prep, Small Line, Wanco, Yanmar