



Always Innovative. Always Reliable.

Experience, Trust, Service

6.5 Cu. Ft. S-Series Blast Pot Part Numbers & Schematics Guide





Experience, Trust, Service

6.5 Cu. Ft. S-Series Blast Pot – Part Numbers & Schematics Guide

Configurations													
	Part Number	Metering Valve	Remote Control System			Standard Features		Upgrade Options					
		Bantam	KwikFire Remote Control Switch	KwikFire Remote Control System	Pneumatic vs. Electric	Muffler	Union End Ball Valve	Fork Pocket Base	Loading Skid	Moisture Separator			
										1-1/4" x 1-1/4" Extractor	1-1/2" x 1-1/2" Extractor	1-1/4" x 1-1/4" Jr. Extractor	1" x 1-1/4" Jr. Extractor
	1065001	1"	158	123	PN	X							
	1065002	1-1/4"	158	123	PN	X							
	1065003	1-1/2"	158	123	PN	X							
	1065004	1"	156	123	12V	X							
	1065005	1-1/4"	156	123	12V	X							
	1065006	1-1/2"	156	123	12V	X							
	1065007	1"	156	123	120V	X							
	1065008	1-1/4"	156	123	120V	X							
	1065009	1-1/2"	156	123	120V	X							
	10102188	1-1/2"	158	123	PN	X	X						
	10102189	1-1/2"	156	123	12V	X	X						
	1065001PKA	1"	158	123	PN	X							X
	1065002PKA	1-1/4"	158	123	PN	X			X				
	1065003PKA	1-1/2"	158	123	PN	X			X				
	1065004PKA	1"	156	123	12V	X							X
	1065005PKA	1-1/4"	156	123	12V	X			X				
	1065006PKA	1-1/2"	156	123	12V	X			X				
	1065007PKA	1"	156	123	120V	X							X
	1065008PKA	1-1/4"	156	123	120V	X			X				
	1065009PKA	1-1/2"	156	123	120V	X			X				
	10102188PKA	1-1/2"	158	123	PN	X	X		X				
	10102189PKA	1-1/2"	156	123	12V	X	X		X				

Part Numbers

		Configurations															
		Metering Valve		Remote Control System			Standard Features		Upgrade Options								
		Bantam	KwikFire Remote Control Switch	KwikFire Remote Control System	Pneumatic vs. Electric	Muffler	Union End Ball Valve	Fork Pocket Base	Loading Skid	Moisture Separator							
										1-1/4" x 1-1/4" Extractor	1-1/2" x 1-1/2" Extractor	1-1/4" x 1-1/4" Jr. Extractor	1" x 1-1/4" Jr. Extractor				
Part Numbers	1065001LS	1"	158	123	PN	X		X									
	1065002LS	1-1/4"	158	123	PN	X		X									
	1065003LS	1-1/2"	158	123	PN	X		X									
	1065004LS	1"	156	123	12V	X		X									
	1065005LS	1-1/4"	156	123	12V	X		X									
	1065006LS	1-1/2"	156	123	12V	X		X									
	1065007LS	1"	156	123	120V	X		X									
	1065008LS	1-1/4"	156	123	120V	X		X									
	1065009LS	1-1/2"	156	123	120V	X		X									
	1065001PKALS	1"	158	123	PN	X		X									X
	1065002PKALS	1-1/4"	158	123	PN	X		X	X								
	1065003PKALS	1-1/2"	158	123	PN	X		X	X								
	1065004PKALS	1"	156	123	12V	X		X									X
	1065005PKALS	1-1/4"	156	123	12V	X		X	X								
	1065006PKALS	1-1/2"	156	123	12V	X		X	X								
	1065007PKALS	1"	156	123	120V	X		X									X
	1065008PKALS	1-1/4"	156	123	120V	X		X	X								
	1065009PKALS	1-1/2"	156	123	120V	X		X	X								



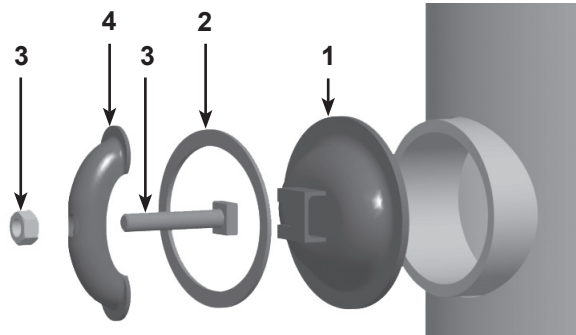
Experience, Trust, Service

6.5 Cu. Ft. S-Series Blast Pot – Part Numbers & Schematics Guide

		Configurations															
		Metering Valve	Remote Control System			Standard Features		Upgrade Options									
		Bantam	KwikFire Remote Control Switch	KwikFire Remote Control System	Pneumatic vs. Electric	Muffler	Union End Ball Valve	Fork Pocket Base	Loading Skid	Moisture Separator							
1-1/4" x 1-1/4" Extractor	1-1/2" x 1-1/2" Extractor									1-1/4" x 1-1/4" Jr. Extractor	1" x 1-1/4" Jr. Extractor						
Part Numbers	1065010	1"	158	123	PN	X		X									
	1065011	1-1/4"	158	123	PN	X		X									
	1065012	1-1/2"	158	123	PN	X		X									
	1065013	1"	156	123	12V	X		X									
	1065014	1-1/4"	156	123	12V	X		X									
	1065015	1-1/2"	156	123	12V	X		X									
	1065016	1"	156	123	120V	X		X									
	1065017	1-1/4"	156	123	120V	X		X									
	1065018	1-1/2"	156	123	120V	X		X									
	1065010PKA	1"	158	123	PN	X		X									X
	1065011PKA	1-1/4"	158	123	PN	X		X		X							
	1065012PKA	1-1/2"	158	123	PN	X		X		X							
	1065013PKA	1"	156	123	12V	X		X									X
	1065014PKA	1-1/4"	156	123	12V	X		X		X							
	1065015PKA	1-1/2"	156	123	12V	X		X		X							
	1065016PKA	1"	156	123	120V	X		X									X
	1065017PKA	1-1/4"	156	123	120V	X		X		X							
	1065018PKA	1-1/2"	156	123	120V	X		X		X							

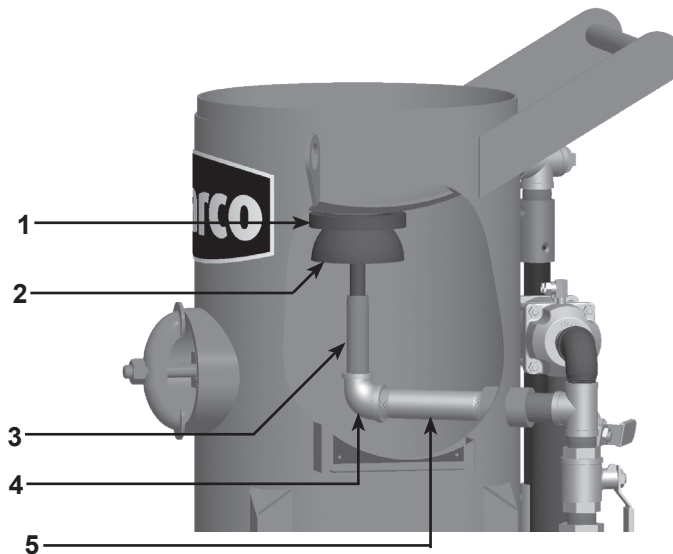
Blast Pot Schematic

Figure 1



Item #	Part #	Description
Fig. 1		
-	1006200	6" x 8" Inspection Door Assembly (includes: 1, 2, 3, and 4)
1	1006212	6" x 8" Inspection Door Hatch
2	1006201	6" x 8" Inspection Door Gasket
3	1006215	Inspection Door Bolt and Nut Assembly
4	1006214	Handhole Crab

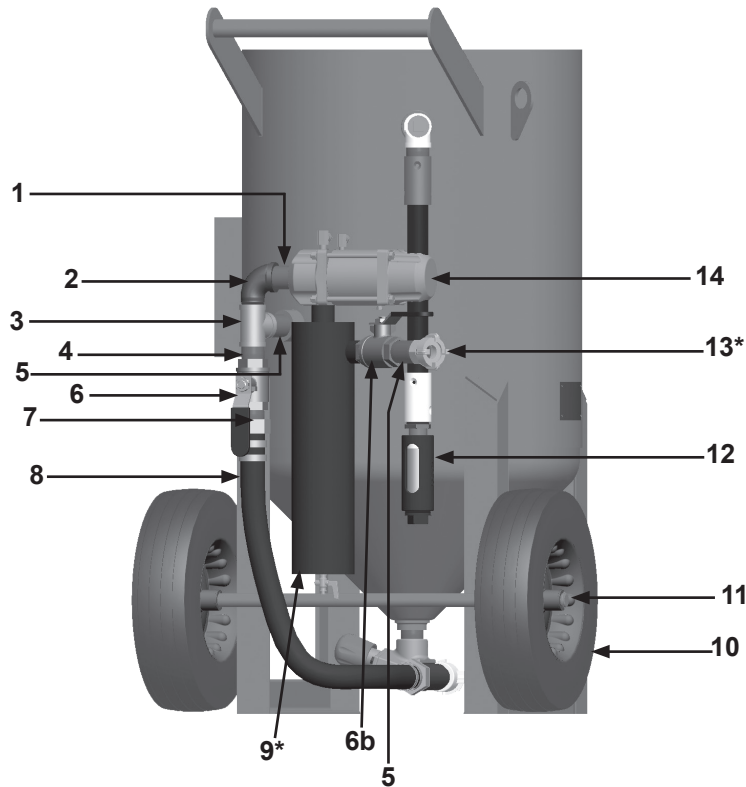
Figure 2



Item #	Part #	Description
Fig. 2		
1	1006040	Pop Up Valve Seat for 3.5 & 6.5 Cu. Ft. S-Series Blast Pots
2	1006030	Pop Up Valve for 3.5 & 6.5 Cu. Ft. S-Series Blast Pots
3	1011815	1" x 5" NPT Pipe Nipple
4	1006210	1-1/4" x 1" Reducing Pipe Elbow
5	1011214	1-1/4" x 10" NPT Pipe Nipple

Blast Pot Schematic

Figure 3

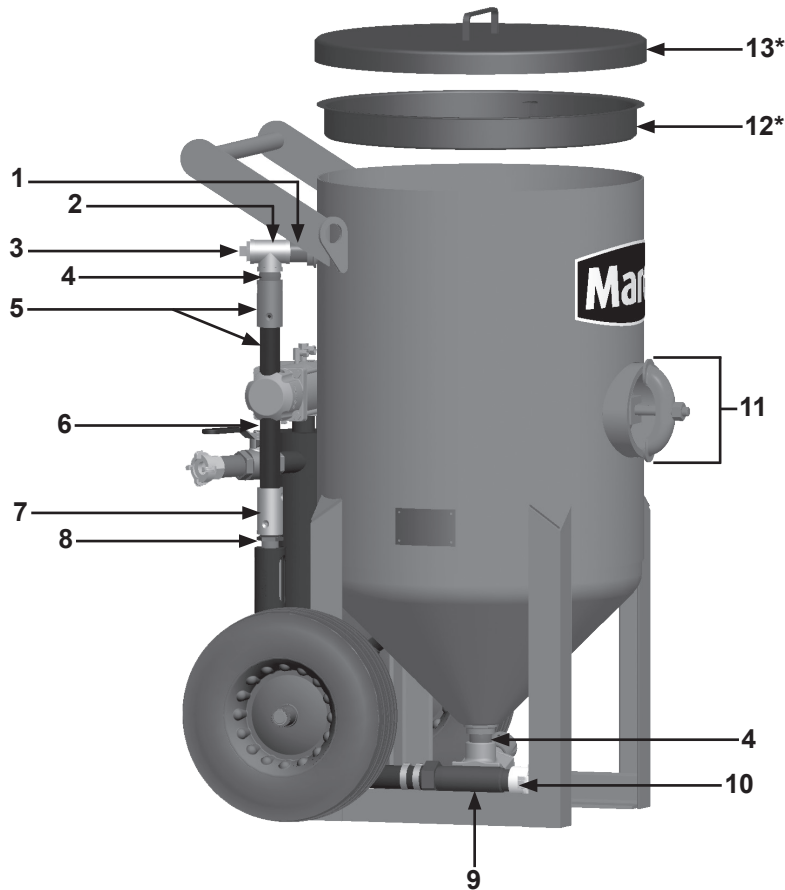


Item #	Part #	Description
Fig. 3		
1	1011216	1-1/4" x 3-1/2" NPT Pipe Nipple
2	1011802	1-1/4" NPT Street Elbow
3a	1011840	1" x 1-1/4" x 1-1/4" NPT Pipe Tee (for use with 1014100)
3b	1011803	1-1/4" x 1-1/4" x 1-1/4" NPT Pipe Tee (for use with 1014101)
3c	1011834	1-1/2" x 1-1/4" x 1-1/4" NPT Pipe Tee (for use with 1014102)
4a	1012151	1" NPT Close Nipple (for use with 1014100)
4b	1011201	1-1/4" NPT Close Nipple (for use with 1014101)
4c	1014015	1-1/2" NPT Close Nipple (for use with 1014102)
5	1011204	1-1/4" x 3" NPT Pipe Nipple
6a	1011601	1" NPT Full Port Brass Ball Valve (for use with 1014100)
6b	1011602	1-1/4" NPT Full Port Brass Ball Valve (for use with 1014101)
6c	1011603	1-1/2" NPT Full Port Brass Ball Valve (for use with 1014102)
7a	1012151	1" NPT Close Nipple (for use with 1014100)
7b	1011201	1-1/4" NPT Close Nipple (for use with 1014101)
7c	1014015	1-1/2" NPT Close Nipple (for use with 1014102)
8a	1006310	1" I.D. Pusher Line Service Kit (for use with 1014100)
8b	1006311	1-1/4" I.D. Pusher Line Service Kit (for use on 1014101)
8c	1006312	1-1/2" I.D. Pusher Line Service Kit (for use on 1014102)
9*	1011740	The Extractor Moisture Separator (includes items 6b, 13) (optional)
10	1006064	16" Wheel (2 required for portable models)
11	1006205	Wheel Clip for 16" Wheels (2 required for portable models)
12	1011100	Blast Pot Muffler Assembly (includes 1" NPT Close Nipple)
13*	10ME3	1-1/4" NPT (F) Air Hose Fitting (optional)
14	1012300	Tandem Valve - Complete

*optional

Blast Pot Schematic

Figure 4

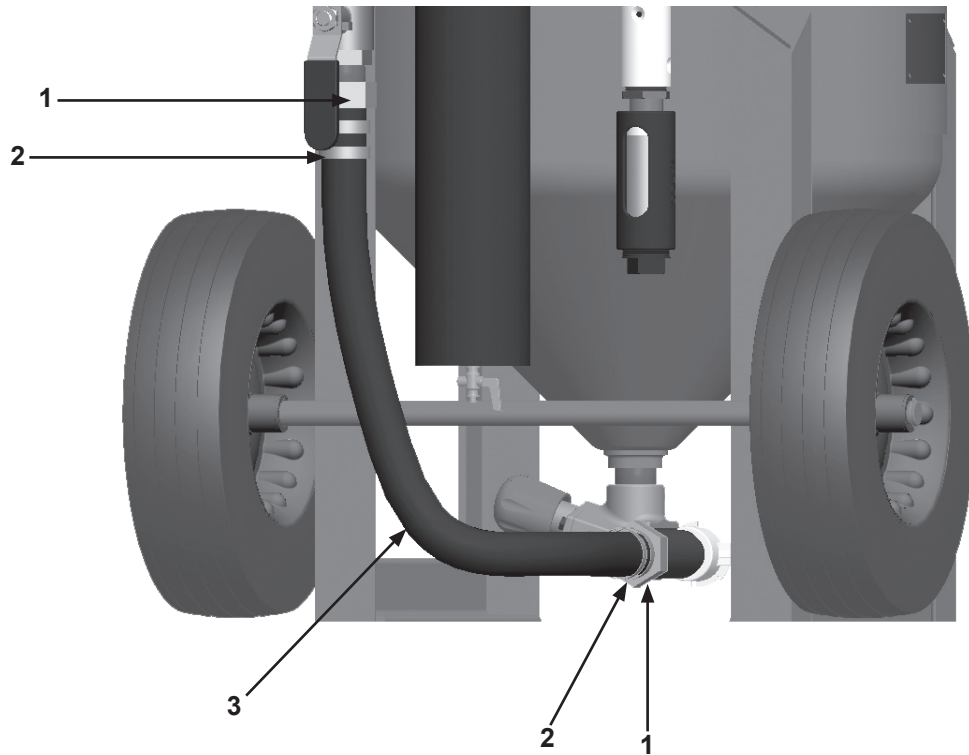


Item #	Part #	Description
Fig. 4		
1	1011204	1-1/4" x 3" NPT Pipe Nipple
2	1011803	1-1/4" NPT Pipe Tee
3	1011902	1-1/4" NPT Square Head Pipe Plug
4	1011201	1-1/4" NPT Close Nipple
5	1012350	Blowdown Hose Assembly (includes 3 feet of item (6) and (1) of item 7)
6	10BH0342BR	3/4" I.D. x 1-1/2" O.D. Blast Hose (3 feet required) (for use with 1012350)
7	10NHA1	Aluminum Nozzle Holder for 3/4" I.D. Blast Hose
8	1012157	1-1/4" (M) x 1" (F) NPT Pipe Bushing
9a	1014100	1" Bantam Metering Valve
9b	1014101	1-1/4" Bantam Metering Valve
9c	1014102	1-1/2" Bantam Metering Valve
10	10SB2S	1-1/2" NPT Brass Tank Coupling
11	1006200	6" x 8" Inspection Door Assembly
12*	1006102	24" Screen for 6.0 and 6.5 Cu. Ft. Blast Pots (optional)
13*	1006101	24" Lid for 6.0 and 6.5 Cu. Ft. Blast Pots (optional)
-	1090054	6.5 Cu. Ft. S-Series Blast Pot Operator's Manual

*optional

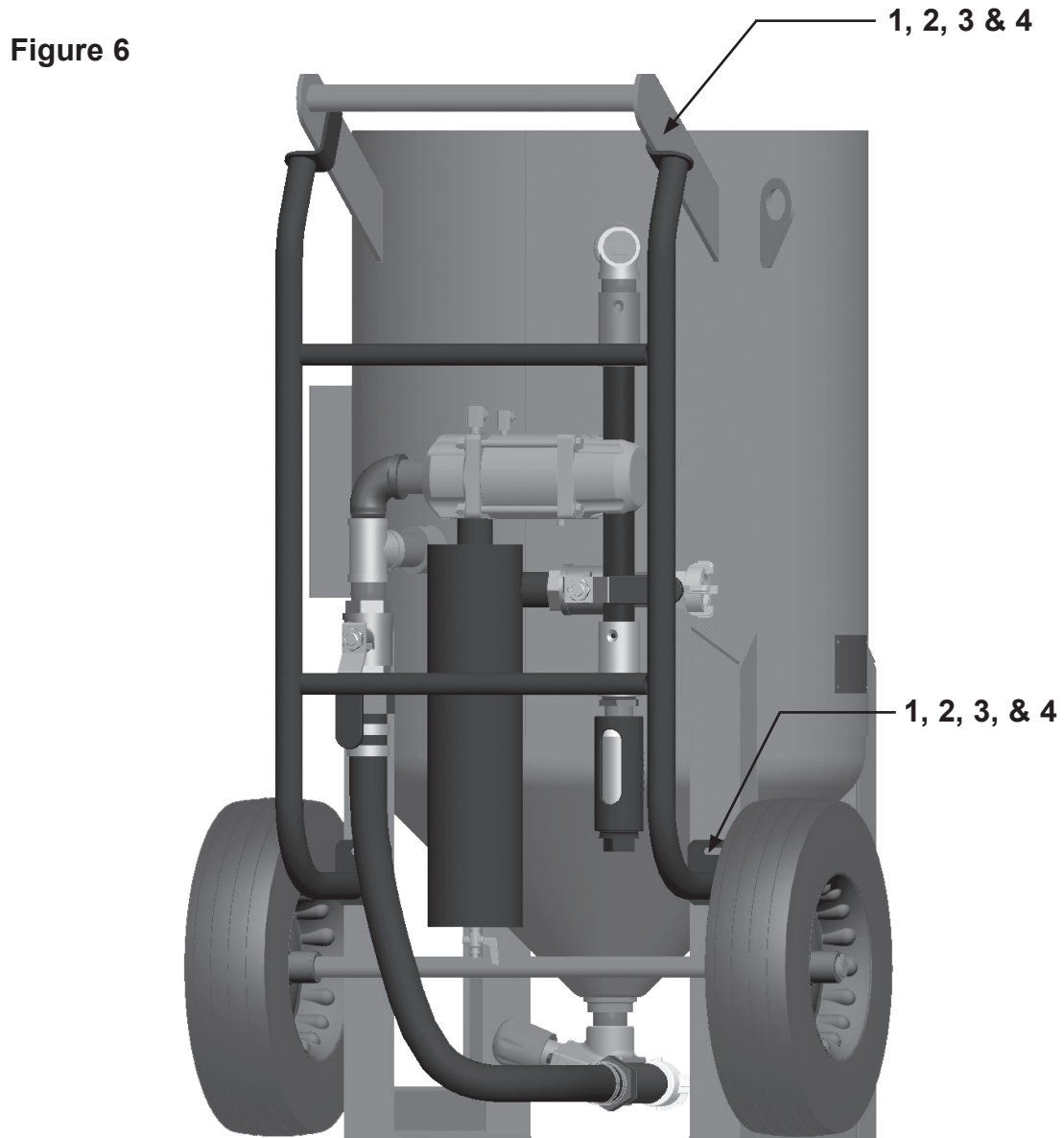
Blast Pot Schematic

Figure 5



Item #	Part #	Description
Fig. 5		
-	1006310	1" I.D. Pusher Line Service Kit <i>(includes items: 1a) quantity of 2, 2) quantity of 4 and 3a) quantity of 3 feet)</i>
-	1006311	1-1/4" I.D. Pusher Line Service Kit <i>(includes items: 1b) quantity of 2, 2) quantity of 4 and 3b) quantity of 3 feet)</i>
-	1006312	1-1/2" I.D. Pusher Line Service Kit <i>(includes items: 1c) quantity of 2, 2) quantity of 4 and 3c) quantity of 3 feet)</i>
1a	10SFE2	Swivel Air Hose End - 1" NPT <i>(for use with 1006310) (2 required)</i>
1b	10SFE3	Swivel Air Hose End - 1-1/4" NPT <i>(for use with 1006311) (2 required)</i>
1c	10SFE4	Swivel Air Hose End - 1-1/2" NPT <i>(for use with 1006312) (2 required)</i>
2	1015503	Screw Type Hose Clamp <i>(4 required)</i>
3a	10AH100B	Air Hose - 1" I.D. <i>(sold per foot)</i>
3b	10AH114B	Air Hose - 1-1/4" I.D. <i>(sold per foot)</i>
3c	10AH112B	Air Hose - 1-1/2" I.D. <i>(sold per foot)</i>
-	10SFE2G	Gasket for 10SFE2 Swivel Air Hose End
-	10SFE3G	Gasket for 10SFE3 Swivel Air Hose End
-	10SFE4G	Gasket for 10SFE4 Swivel Air Hose End

Blast Pot Schematic - Optional Loading Skid



Item #	Part #	Description
Fig. 6		
-	1065040	Loading Skid Assembly for 6.5 Cu. Ft. S-Series Blast Pot <i>(optional)</i> <i>(items included: 1) quantity of 8, 2) quantity of 4, 3) quantity of 4 and 4) quantity of 4)</i>
1	10L805003	5/16" Flat Washer <i>(8 required)</i>
2	10L805014	5/16" Lock Washer <i>(4 required)</i>
3	1035046	5/16" - 18 Nut <i>(4 required)</i>
4	1035045	5/16" - 18 x 1" Grade 5 Bolt <i>(4 required)</i>

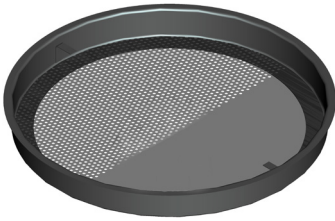
Accessories

Figure 7



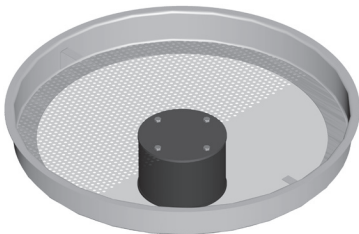
Item #	Part #	Description
Fig. 7		
-	1006101	24" Lid

Figure 8



Item #	Part #	Description
Fig. 8		
-	1006102	24" Screen

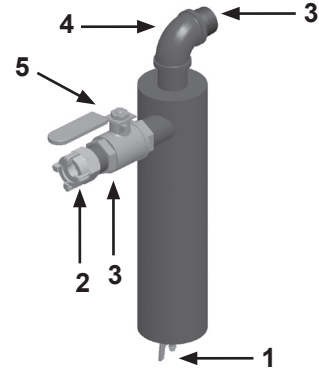
Figure 9



Item #	Part #	Description
Fig. 9		
-	10100733	Abrasive Umbrella

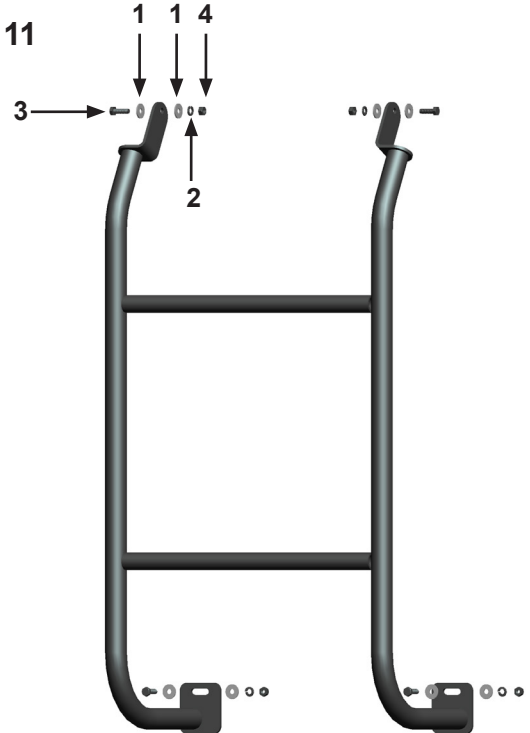
*Shown with optional Screen

Figure 10



Item #	Part #	Description
Fig. 10		
-	1011740	1-1/4" Extractor Moisture Separator
1	1012101	1/4" NPT Brass Petcock
2	10ME3	1-1/4" NPT (F) Air Hose Fitting
3	1011201	1-1/4" NPT Close Nipple
4	1006204	1-1/4" 90 Degree Elbow
5	1011602	1-1/4" NPT Full Port Brass Ball Valve

Figure 11



Item #	Part #	Description
Fig. 11		
-	1065040	6.5 Cu. Ft. Load Skid
1	10L805003	5/16" Flat Washer - Zinc
2	10L805014	5/16" Lock Washer
3	1035045	5/16" - 18" x 1" Bolt
4	1035046	5/16" - 18" Nut

