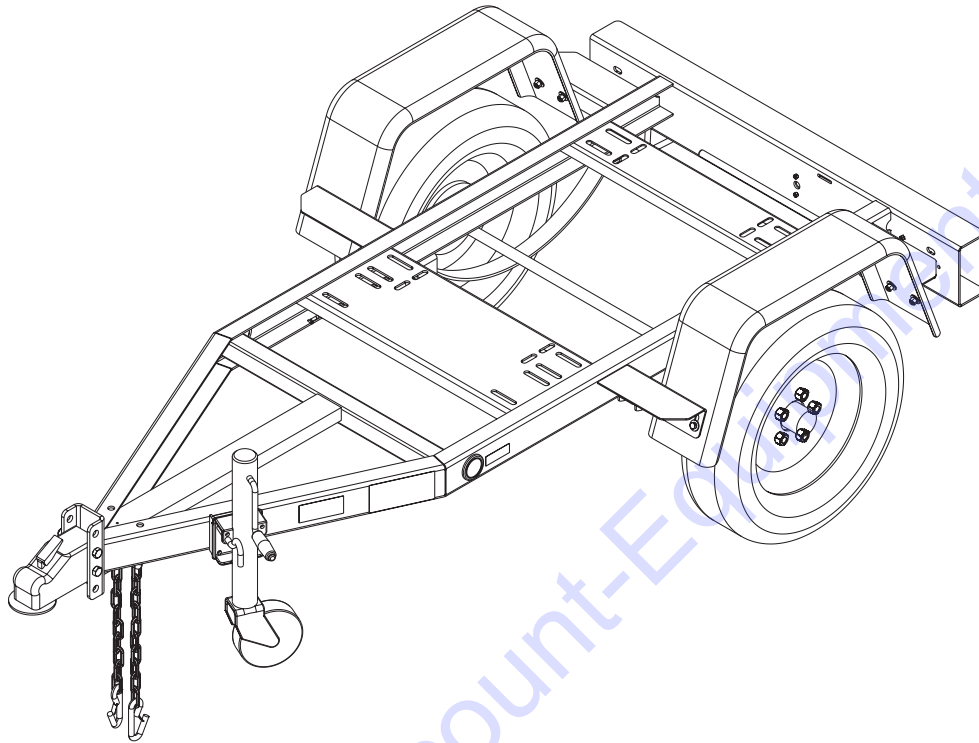




## TRLR10W MQ Single Axle Trailer



### TRLR10W Technical Data

Gross Vehicle Weight Rating (GVWR) — 1,900 lbs (862 kg)	Tire Size — ST175/80D13 LR-C
Gross Axle Weight Rating (GAWR) — 2,000 lbs (907 kg) (ea.)	Wheel Bolt Pattern — 5 Lug on 4.5 in
Coupler Rating — See coupler options on back page.	Tire Load Rating — 1,360 lbs/617 kg (ea.)

### STANDARD TRAILER EQUIPMENT

- Fits MQ Generator Model DA7000; MQ Welder Models SDW225, DLW300, DLW330; and MQ Pump Model QP4TZ
- Single-axle Design with Leaf Spring Suspension
- H.D. Welded Steel Frame Construction
- Formed Channel for Generator Mounting and Support
- 4-hole Channel Allows 3-position, Adjustable Coupler Height; 4-inches O/A
- Tongue Mounted Swivel Jack with Caster (rated 1,200 pound lift)
- Replaceable, Bolt-on Steel Fenders
- Powder Coat Paint Process including: Frame, Channel, and Fenders
- D.O.T. Approved Tail Lamps, Stop Lamps, Turn Signal Lamps, Side Marker Lamps




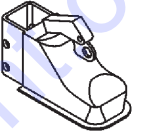
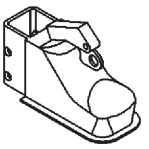
# TRLR10W

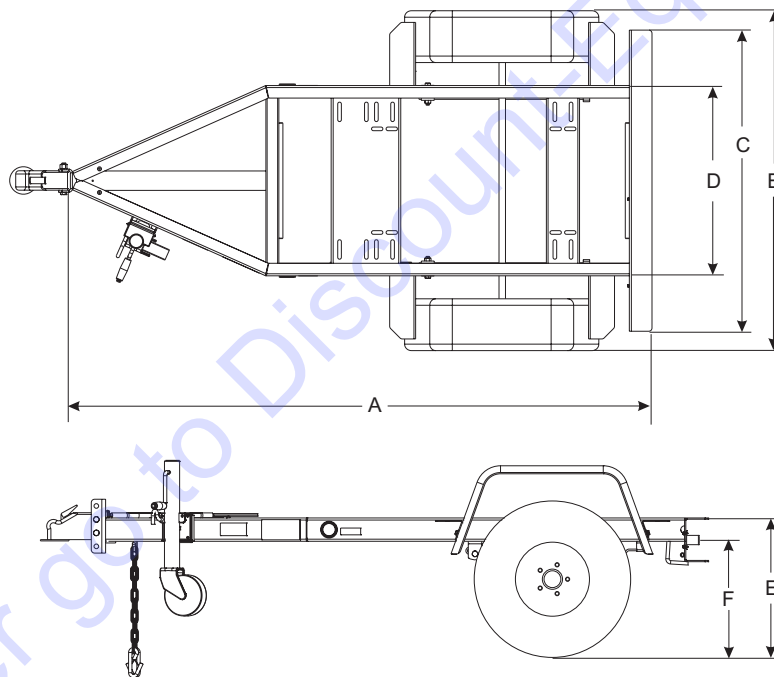
## MQ Single Axle Trailer

### OPTIONAL TRAILER EQUIPMENT

- Adjustable 2-inch Ball Coupler
- Adjustable 2 5/16-inch Ball Coupler
- Adjustable 3-inch Pintle Eye Coupler
- Anti-Theft Wheel Lock

### Coupler Options

<p>3" Pintle Eye 20,000 lbs. (9,072 kg)</p> <p>#EE36264</p>	
<p>2" Ball Coupler 8,000 lbs. (3,628 kg)</p> <p>#29228</p> <p>10,000 lbs. (4,536 kg)</p> <p>#EE43254</p>	
<p>2-5/16" Ball Coupler 14,000 lbs. (6,350 kg)</p> <p>#EE43253</p>	



Trailer Weight
322 lbs. (146 kg)

Trailer Dimensions					
A	B	C	D	E	F
91.50 in. (232.41 cm)	52.00 in. (132.08 cm)	46.50 in. (118.11 cm)	29.25 in. (74.30 cm)	18.75 in. (47.63 cm)	12.25 in. (31.12 cm)



**TO PURCHASE THIS PRODUCT PLEASE CONTACT US**



**Equipment Financing and  
Extended Warranties Available**



**Discount-Equipment.com is your online resource for  
commercial and industrial quality parts and equipment sales.**

**561-964-4949**

**visit us on line @ [www.discount-equipment.com](http://www.discount-equipment.com)**

Select an option below to find your Equipment

**Search by Manufacturer**

**Search by Product Type**

**Request a Quote**

We sell worldwide for the brands: Genie, Terex, JLG, MultiQuip, Mikasa, Essick, Whiteman, Mayco, Toro Stone, Diamond Products, Generac Magnum, Airman, Haulotte, Barreto, Power Blanket, Nifty Lift, Atlas Copco, Chicago Pneumatic, Allmand, Miller Curber, Skyjack, Lull, Skytrak, Tsurumi, Husquvarna Target, Stow, Wacker, Sakai, Mi-T-M, Sullair, Basic, Dynapac, MBW, Weber, Bartell, Bennar Newman, Haulotte, Ditch Runner, Menegotti, Morrison, Contec, Buddy, Crown, Edco, Wyco, Bomag, Laymor, EZ Trench, Bil-Jax, F.S. Curtis, Gehl Pavers, Heli, Honda, ICS/PowerGrit, IHI, Partner, Imer, Clipper, MMD, Koshin, Rice, CH&E, General Equipment, Amida, Coleman, NAC, Gradall, Square Shooter, Kent, Stanley, Tamco, Toku, Hatz, Kohler, Robin, Wisconsin, Northrock, Oztec, Toker TK, Rol-Air, APT, Wylie, Ingersoll Rand / Doosan, Innovatech, Con X, Ammann, Mecalac, Makinex, Smith Surface Prep, Small Line, Wanco, Yanmar