

PARTS MANUAL



MODEL QP4TK TRASH PUMP (KUBOTA OC95-E4 DIESEL ENGINE)

Revision # 4 (11/09/20)



THIS MANUAL MUST ACCOMPANY THE EQUIPMENT AT ALL TIMES.

PARTS FINDER

**Search Website
by Part Number**



**Search Manual
Library For Parts
Manual & Lookup Part
Numbers – Purchase
or Request Quote**

Search Manuals

Enter your information to help us find the right parts manual for your machine.

* Brand:

* Model:

* Serial:

* Part Number:

SEARCH

**Can't Find Part or
Manual? Request Help
by Manufacturer,
Model & Description**

Parts Order Form

Please fill in the following information to help us find the right part for your machine.

Manufacturer:	<input type="text"/>
Model:	<input type="text"/>
Description:	<input type="text"/>
Part Number:	<input type="text"/>
Quantity:	<input type="text"/>
Notes:	<input type="text"/>

Discount-Equipment.com is your online resource for quality parts & equipment.

Florida: **561-964-4949** Outside Florida TOLL FREE: **877-690-3101**

Need parts?

Click on this link: <http://www.discount-equipment.com/category/5443-parts/> and choose one of the options to help get the right parts and equipment you are looking for. Please have the machine model and serial number available in order to help us get you the correct parts. If you don't find the part on the website or on one of the online manuals, please fill out the request form and one of our experienced staff members will get back to you with a quote for the right part that your machine needs.

We sell worldwide for the brands: Genie, Terex, JLG, MultiQuip, Mikasa, Essick, Whiteman, Mayco, Toro Stone, Diamond Products, Generac Magnum, Airman, Haulotte, Barreto, Power Blanket, Nifty Lift, Atlas Copco, Chicago Pneumatic, Allmand, Miller Curber, Skyjack, Lull, Skytrak, Tsurumi, Husquvarna Target, Stow, Wacker, Sakai, Mi-T-M, Sullair, Basic, Dynapac, MBW, Weber, Bartell, Bennar Newman, Haulotte, Ditch Runner, Menegotti, Morrison, Contec, Buddy, Crown, Edco, Wyco, Bomag, Laymor, EZ Trench, Bil-Jax, F.S. Curtis, Gehl Pavers, Heli, Honda, ICS/PowerGrit, IHI, Partner, Imer, Clipper, MMD, Koshin, Rice, CH&E, General Equipment, Amida, Coleman, NAC, Gradall, Square Shooter, Kent, Stanley, Tamco, Toku, Hatz, Kohler, Robin, Wisconsin, Northrock, Oztec, Toker TK, Rol-Air, APT, Wylie, Ingersoll Rand / Doosan, Innovatech, Con X, Ammann, Mecalac, Makinex, Smith Surface Prep, Small Line, Wanco, Yanmar

QP4TK Trash Pump

Explanation Of Code In Remarks Column..... 4
Suggested Spare Parts 5

Component Drawings

Pump Assembly..... 6-9
Engine/Battery Mounting Assembly..... 10-11
Engine Service Parts..... 12-13

NOTICE

Specifications and part numbers are subject to change without notice.

Go to Discount-Equipment.com to order your parts

EXPLANATION OF CODE IN REMARKS COLUMN

The following section explains the different symbols and remarks used in the Parts section of this manual. Use the help numbers found on the back page of the manual if there are any questions.

NOTICE

The contents and part numbers listed in the parts section are subject to change **without notice**. Multiquip does not guarantee the availability of the parts listed.

SAMPLE PARTS LIST

NO.	PART NO.	PART NAME	QTY.	REMARKS
1	12345	BOLT	1	INCLUDES ITEMS W/%
2%		WASHER, 1/4 IN.		NOT SOLD SEPARATELY
2%	12347	WASHER, 3/8 IN. ...	1	MQ-45T ONLY
3	12348	HOSE	A/R	MAKE LOCALLY
4	12349	BEARING	1	S/N 2345B AND ABOVE

NO. Column

Unique Symbols — All items with same unique symbol (@, #, +, %, or >) in the number column belong to the same assembly or kit, which is indicated by a note in the “Remarks” column.

Duplicate Item Numbers — Duplicate numbers indicate multiple part numbers, which are in effect for the same general item, such as different size saw blade guards in use or a part that has been updated on newer versions of the same machine.

NOTICE

When ordering a part that has more than one item number listed, check the remarks column for help in determining the proper part to order.

PART NO. Column

Numbers Used — Part numbers can be indicated by a number, a blank entry, or TBD.

TBD (To Be Determined) is generally used to show a part that has not been assigned a formal part number at the time of publication.

A blank entry generally indicates that the item is not sold separately or is not sold by Multiquip. Other entries will be clarified in the “Remarks” Column.

QTY. Column

Numbers Used — Item quantity can be indicated by a number, a blank entry, or A/R.

A/R (As Required) is generally used for hoses or other parts that are sold in bulk and cut to length.

A blank entry generally indicates that the item is not sold separately. Other entries will be clarified in the “Remarks” Column.

REMARKS Column

Some of the most common notes found in the “Remarks” Column are listed below. Other additional notes needed to describe the item can also be shown.

Assembly/Kit — All items on the parts list with the same unique symbol will be included when this item is purchased.

Indicated by:

“INCLUDES ITEMS W/(unique symbol)”

Serial Number Break — Used to list an effective serial number range where a particular part is used.

Indicated by:

“S/N XXXXX AND BELOW”

“S/N XXXX AND ABOVE”

“S/N XXXX TO S/N XXX”

Specific Model Number Use — Indicates that the part is used only with the specific model number or model number variant listed. It can also be used to show a part is NOT used on a specific model or model number variant.

Indicated by:

“XXXXX ONLY”

“NOT USED ON XXXX”

“Make/Obtain Locally” — Indicates that the part can be purchased at any hardware shop or made out of available items. Examples include battery cables, shims, and certain washers and nuts.

“Not Sold Separately” — Indicates that an item cannot be purchased as a separate item and is either part of an assembly/kit that can be purchased, or is not available for sale through Multiquip.

SUGGESTED SPARE PARTS

QP4TK TRASH PUMP

1 to 3 units

Qty.	P/N	Description
2	0803442930	MECHANICAL SEAL
2	0811885443	MECH. SEAL SLEEVE
2	0482200240	O-RING, SEAL SLEEVE
1	1471040031	ASSY IMPELLER
2	0631211159	FLOODING CAP
1	KIT4TK	KIT, MECHANICAL SEAL

NOTICE

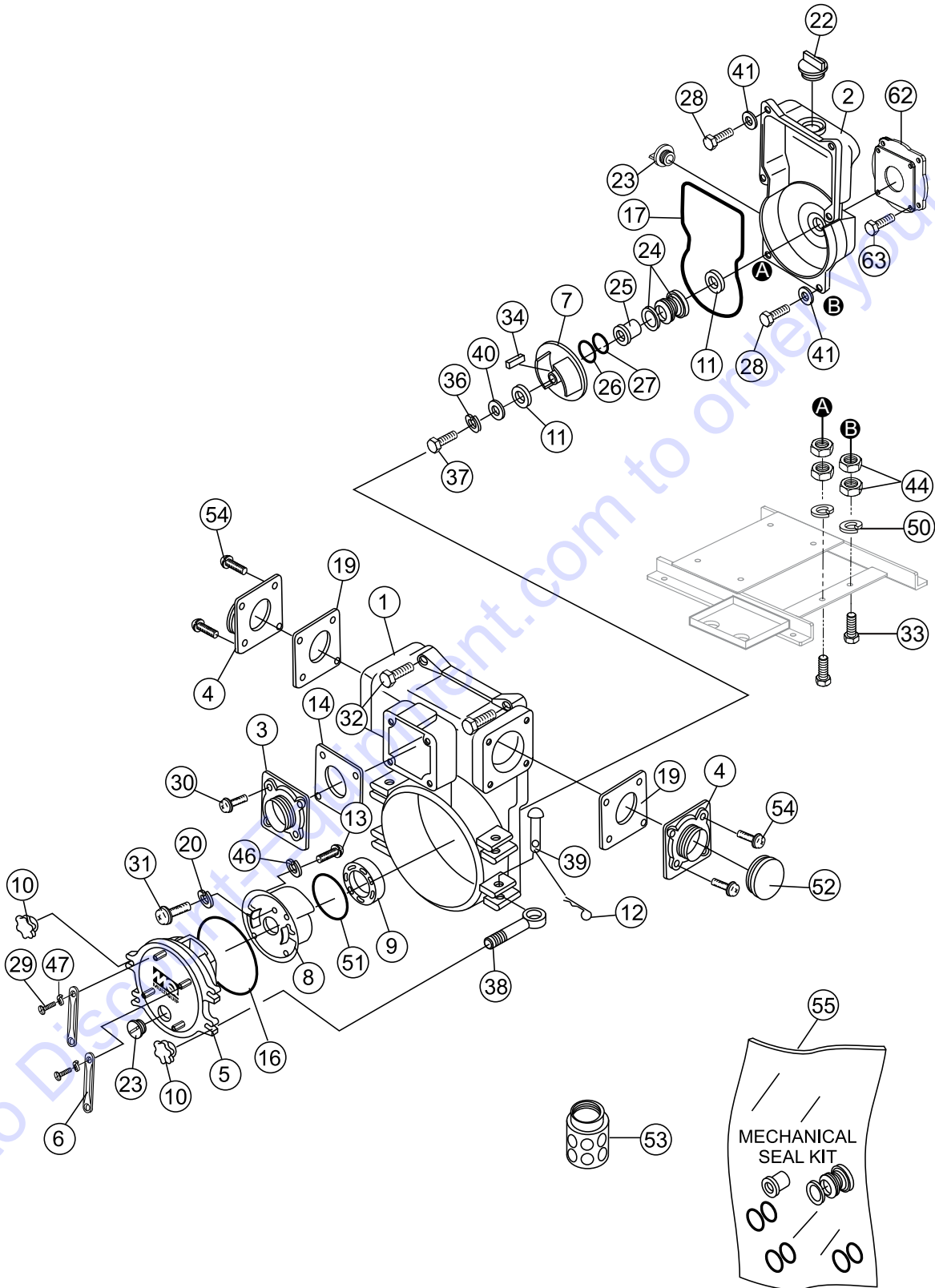
Part numbers on this Suggested Spare Parts list may supersede/replace the part numbers shown in the following parts lists.

OC95 KUBOTA DIESEL ENGINE

1 to 3 units

Qty.	P/N	Description
1	1142041030	CAP, FUEL TANK
1	1146043012	FUEL FILTER
1	1390141350	FUEL STRAINER
5	1491132110	OIL FILTER
3	1146011180	AIR FILTER

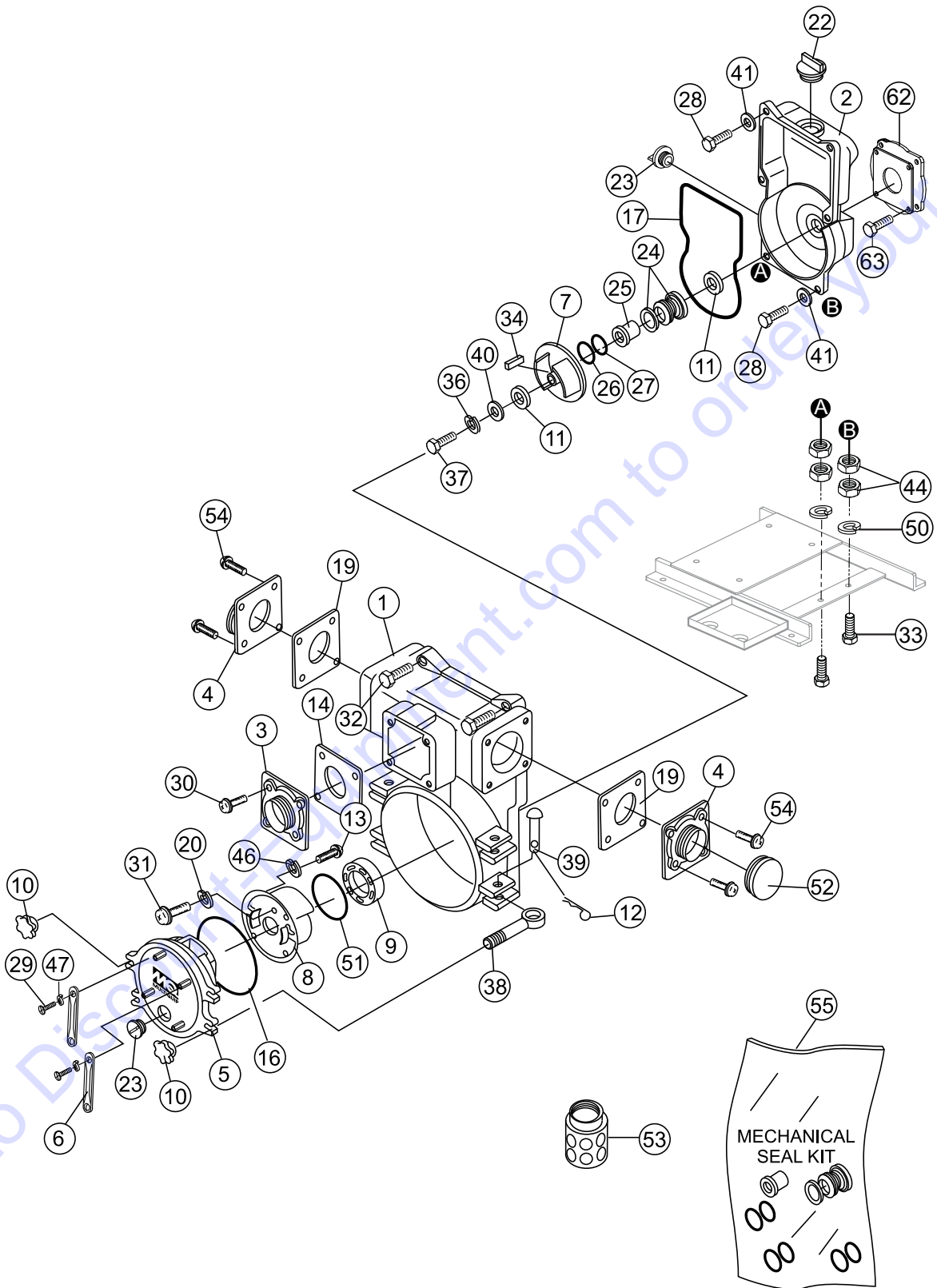
PUMP ASSEMBLY



PUMP ASSEMBLY

<u>NO.</u>	<u>PART NO.</u>	<u>PART NAME</u>	<u>QTY.</u>	<u>REMARKS</u>
1	14660600100002	CASING	1	
2	14660600210002	CASING COVER	1	
3	14660000900002	SUCTION COVER, NPT 4"	1	
4	14660000900002	DELIVERY COVER, NPT 4"	2	
5	14660601700002	DRAIN COVER	1	
6	12471002500002	DRAIN COVER SET HANDLE	2	
7	1471040031ASSY	IMPELLER ASSEMBLY	1	REPLACES P/N 1471040031
8	1466000130	VOLUTE CASING	1	
9	1466040700	WEAR PLATE	1	
10	14660002200002	DRAIN SET HANDLE	4	
11#	0482200240	O-RING (MECHANICAL SEAL SLEEVE)	2	
12	0641400430	SPLIT PIN	4	
13	0131190820	CAP SCREW, M8 X 20 (VOLUTE CASING)	3	
14	1401350350	CHECK VALVE	1	
16	0483602750	O-RING (DRAIN COVER)	1	
17	1466330460	O-RING (CASING)	1	
19	1401330360	DELIVERY COVER PACKING	2	
20	0451290080	WASHER, LOCK M8 (WEAR PLATE)	3	
22	0631211159	FLOODING CAP, PF1 1/2"	1	
23	0631211159	DRAIN CAP, PF1 1/2"	2	
24#	0803442930	MECHANICAL SEAL	1	
25#	0811885433	MECHANICAL SEAL SLEEVE	1	
26#	0852834525	ADJUST LINER, F45 X F25.4 T0.3	1	
27#	0852854525	ADJUST LINER, F45 X F25.4 T0.5	1	
28	0131290676	CAP SCREW, 3/8"-16UNC X 76 (CASING COVER SET BOLT)	4	
29	0141050825	SCREW, M8 X 25 (DRAIN COVER SET HANDLE)	4	
30	0131151225	CAP SCREW, M12 X 25 (SUCTION COVER)	4	
31	0131190820	CAP SCREW, M8 X 20 (WEAR PLATE)	3	
32	0131151230	CAP SCREW, M12 X 30 (CASING)	6	
33	0105051040	BOLT, M10 X 40 (PUMP)	2	
34	0520040440	KEY	1	
36	0458220100	WASHER, SEAL (IMPELLER)	1	
37	0191190750	BOLT, (IMPELLER)	1	
38	1466200270	HINGE BOLT, M10 X 65	4	
39	1466220280	HINGE PIN	4	

PUMP ASSEMBLY

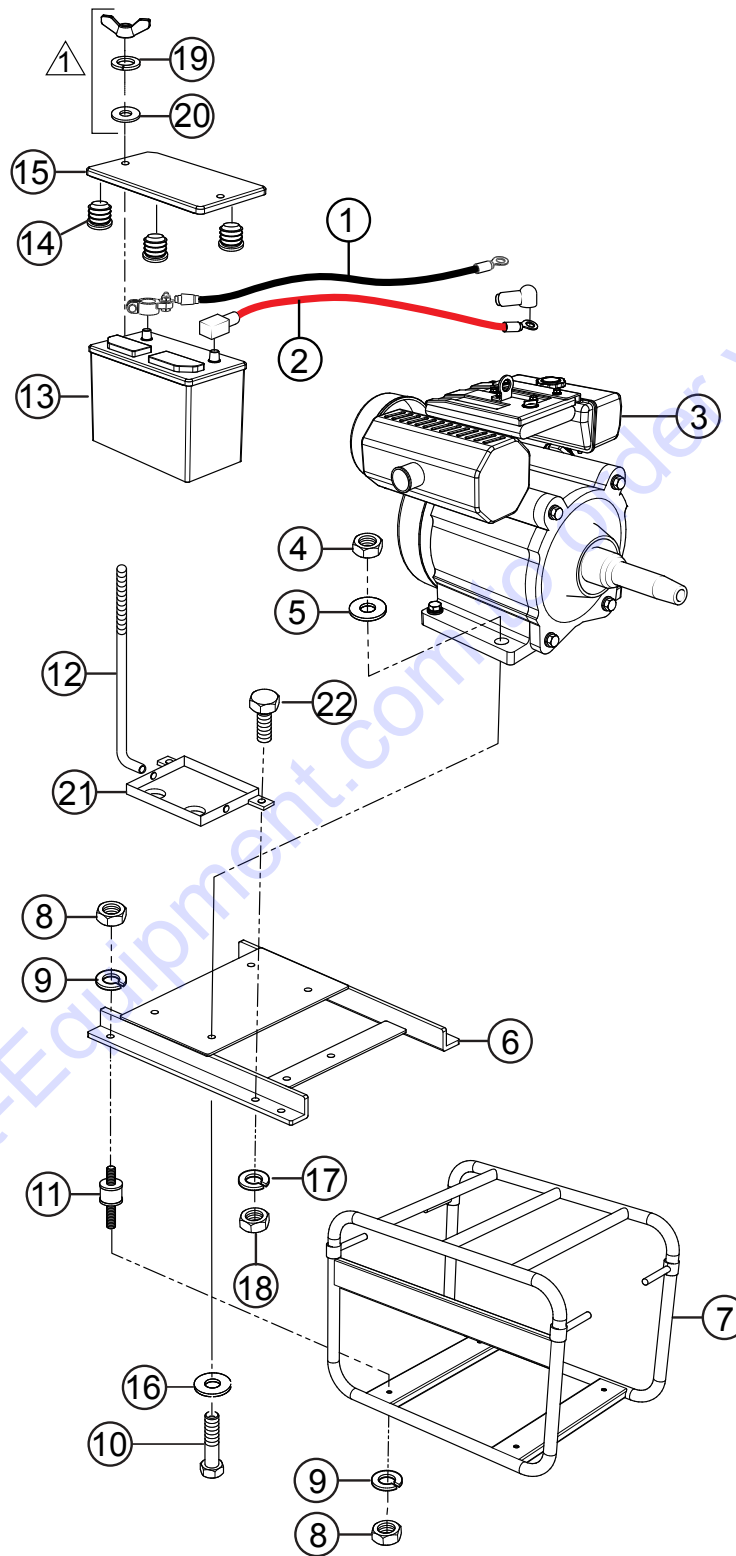


PUMP ASSEMBLY

<u>NO.</u>	<u>PART NO.</u>	<u>PART NAME</u>	<u>QTY.</u>	<u>REMARKS</u>
40	1466251241	IMPELLER WASHER, 42 X 9.8 X T6.0.....	1.....	REPLACES P/N 43342012400011
41	0458220071	SEAL WASHER, 3/8" (CASING COVER)	4	
43	0205450100	NUT, M10 (CUSHION RUBBER)	8	
44	0205450100	NUT, M10 (PUMP)	4	
46	0451290080	WASHER, SPRING M8 (VOLUTE CASING)	3	
47	0451250080	WASHER, SPRING M8 (DRAIN COVER SET HANDLE)	4	
50	0451250100	WASHER, SPRING M10 (PUMP)	2	
51	0481572500	O-RING (VOLUTE CASING)	1	
52	1466108050	CAP	1	
53	0742214100	STRAINER	1	
54	0131151220	CAP SCREW, M12 X 20 (DELIVERY COVER)	8	
55	KIT4TK	KIT, MECHANICAL SEAL, SLEEVE, O-RINGS.....	1.....	INCLUDES ITEMS W/#
62	24820006000014	CASING COVER SET PLATE	1	
63	0141090820	SCREW, (CASING COVER SET PLATE)	4	

Go to Discount-Equipment.com to order your parts

ENGINE/BATTERY MOUNTING ASSEMBLY



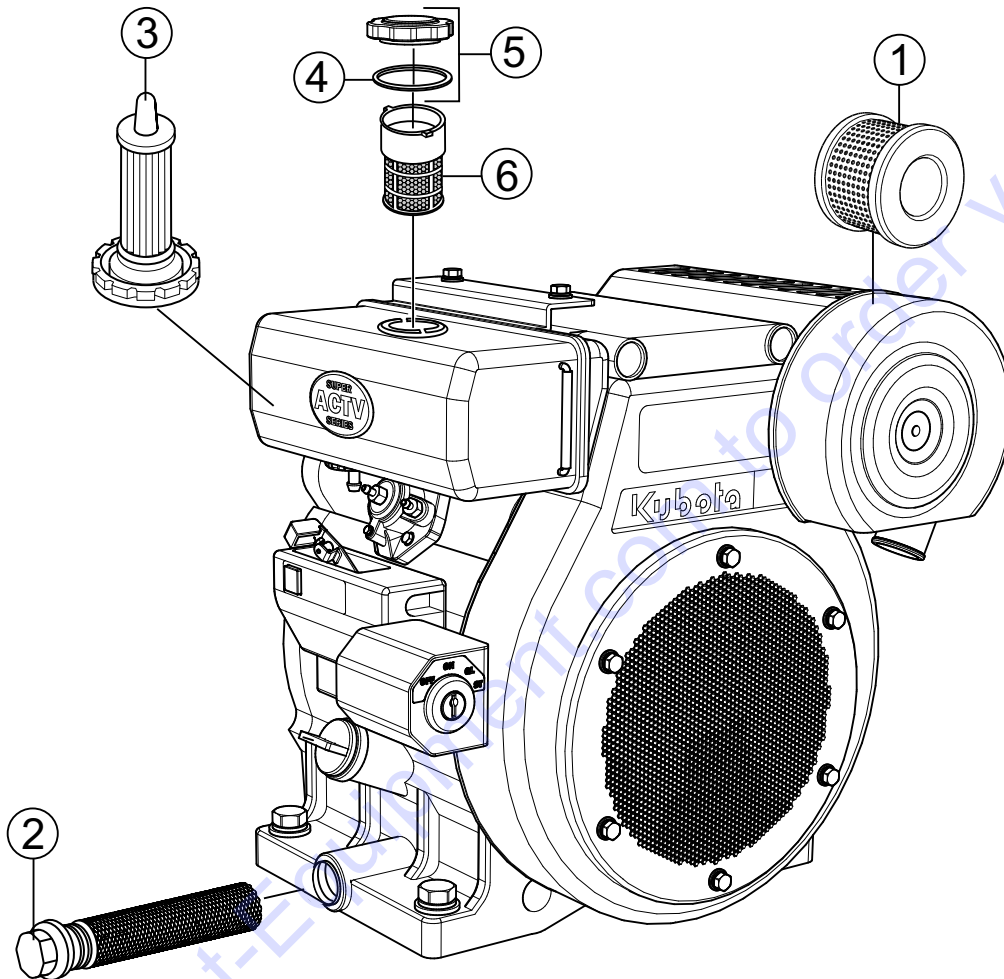
NOTE:

⚠ INCLUDED WITH ITEM 12.

ENGINE/BATTERY MOUNTING ASSEMBLY

<u>NO.</u>	<u>PART NO.</u>	<u>PART NAME</u>	<u>QTY.</u>	<u>REMARKS</u>
1	0975209300	NEGATIVE CABLE W/TERMINALS	1	
2	0976209450	POSITIVE CABLE W/TERMINALS	1	
3	TBD	ENGINE, KUBOTA OC95-E4	1	
4	020310080	NUT, ENGINE	4.....	REPLACES P/N 0205450100
5	0451250100	LOCK WASHER (ENGINE)	4.....	REPLACES P/N 0451290100
6	24822140200014	BASE, ENGINE	1	
7	2482214010P002	BASE, PUMP	1	
8	020310080	NUT, CUSHION RUBBER.....	8.....	REPLACES P/N 0205450100
9	0451250100	LOCK WASHER (CUSHION RUBBER)	8	
10	0105051045	BOLT, ENGINE	4	
11	0723302546	CUSHION, RUBBER	4	
12	0950241265A0002	BATTERY BOLT W/NUT	2.....	INCLUDES ITEMS W/#
13	0162212024	BATTERY, 12V (12N24-3A)	1	
14	1412317030	CAP	7	
15	09592250000014	BATTERY COVER	1	
16	031110160	WASHER, ENGINE.....	4.....	REPLACES P/N 0401450100
17	0451250120	LOCK WASHER (BATTERY TRAY)	2	
18	0205450120	NUT (BATTERY TRAY)	2	
19#	0451250080	LOCK WASHER	2	
20#	0401450080	WASHER (BATTERY)	2	
21	09592280000014	BATTERY TRAY	1	
22	0105051225	BOLT (BATTERY TRAY)	2	

ENGINE SERVICE PARTS



ENGINE SERVICE PARTS

<u>NO.</u>	<u>PART NO.</u>	<u>PART NAME</u>	<u>QTY.</u>	<u>REMARKS</u>
1	1146011180	AIR FILTER WITH DUST SEAL	1	
2	1491132110	OIL FILTER	1	
3	1142043012	FUEL FILTER	1	
4#	1390141340	GASKET	1	
5	1142041030	CAP, FUEL TANK	1.....	INCLUDES ITEM W#
6	1390141350	FUEL STRAINER	1	

Go to Discount-Equipment.com to order your parts

PARTS FINDER

**Search Website
by Part Number**



**Search Manual
Library For Parts
Manual & Lookup Part
Numbers – Purchase
or Request Quote**

Search Manuals

Enter your information to help us find the right parts manual for your machine.

* Brand:

* Model:

* Serial:

* Part Number:

SEARCH

**Can't Find Part or
Manual? Request Help
by Manufacturer,
Model & Description**

Parts Order Form

Please fill in the following information to help us find the right part for your machine.

Manufacturer:	<input type="text"/>
Model:	<input type="text"/>
Description:	<input type="text"/>
Part Number:	<input type="text"/>
Quantity:	<input type="text"/>
Notes:	<input type="text"/>

Discount-Equipment.com is your online resource for quality parts & equipment.

Florida: **561-964-4949** Outside Florida TOLL FREE: **877-690-3101**

Need parts?

Click on this link: <http://www.discount-equipment.com/category/5443-parts/> and choose one of the options to help get the right parts and equipment you are looking for. Please have the machine model and serial number available in order to help us get you the correct parts. If you don't find the part on the website or on one of the online manuals, please fill out the request form and one of our experienced staff members will get back to you with a quote for the right part that your machine needs.

We sell worldwide for the brands: Genie, Terex, JLG, MultiQuip, Mikasa, Essick, Whiteman, Mayco, Toro Stone, Diamond Products, Generac Magnum, Airman, Haulotte, Barreto, Power Blanket, Nifty Lift, Atlas Copco, Chicago Pneumatic, Allmand, Miller Curber, Skyjack, Lull, Skytrak, Tsurumi, Husquvarna Target, Stow, Wacker, Sakai, Mi-T-M, Sullair, Basic, Dynapac, MBW, Weber, Bartell, Bennar Newman, Haulotte, Ditch Runner, Menegotti, Morrison, Contec, Buddy, Crown, Edco, Wyco, Bomag, Laymor, EZ Trench, Bil-Jax, F.S. Curtis, Gehl Pavers, Heli, Honda, ICS/PowerGrit, IHI, Partner, Imer, Clipper, MMD, Koshin, Rice, CH&E, General Equipment, Amida, Coleman, NAC, Gradall, Square Shooter, Kent, Stanley, Tamco, Toku, Hatz, Kohler, Robin, Wisconsin, Northrock, Oztec, Toker TK, Rol-Air, APT, Wylie, Ingersoll Rand / Doosan, Innovatech, Con X, Ammann, Mecalac, Makinex, Smith Surface Prep, Small Line, Wanco, Yanmar