



The Benchmark of Service

**Mandatory Bulletin No. CO20070807**  
**Subject: Unbalanced Impeller**  
**Model: QP4TZ**  
**Product Group: Trash Pumps**  
**Date: 08/07/2007**

## SERVICE BULLETIN

Group: CO

**THIS SERVICE BULLETIN IS MANDATORY!**

**Series/Parts Affected:**

**Machines Affected:**  
**QP-4TZ S/N 4TZ-0003~4TZ-0052**

### SERVICE INFORMATION

**Problem:**

- Unbalanced impeller due to wrong components being installed on pump.

**Remedy:**

- Replace incorrect impeller components with impeller P/N KIT4TZIMP (Impeller Kit).

### PARTS INFORMATION

Item	Quantity	Part #	Description	Remarks
1	1	KIT4TZIMP	KIT, IMPELLER	INCLUDES ITEMS 2 THRU 6
2	1		IMPELLER	
3	1		KEY, SHAFT	IMPELLER
4	1		WASHER, LOCK	IMPELLER
5	1		BOLT	IMPELLER
6	1		WASHER, FLAT	IMPELLER

## INSTALLATION INSTRUCTIONS

### **WORK SAFELY!**

Only a qualified service technician with proper training should perform this installation.

### **Required Tools/Materials**

- 3/8 Ratchet with 14 mm drive socket
- Rubber Mallet
- Chemsearch™ (Rust Lubricant)

Please make sure all parts are accounted for.

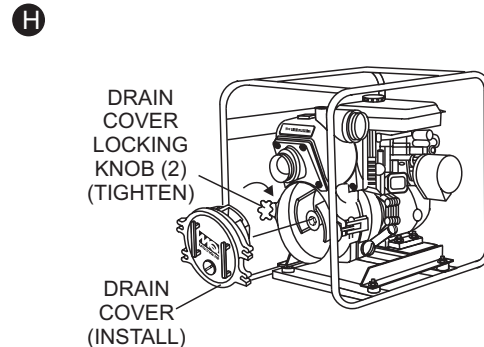
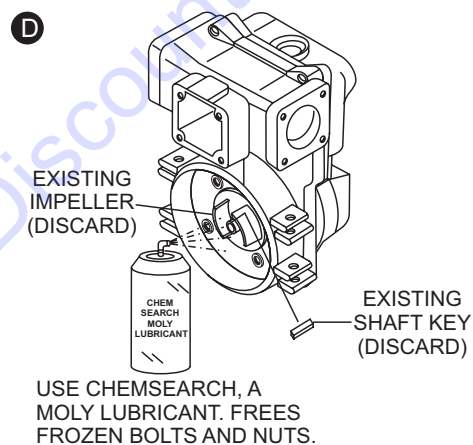
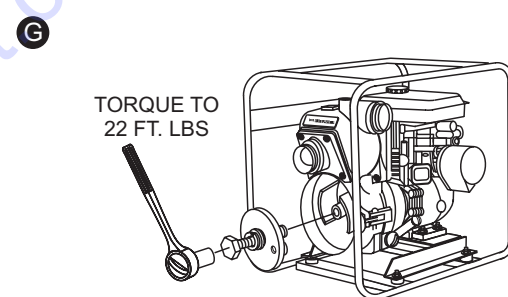
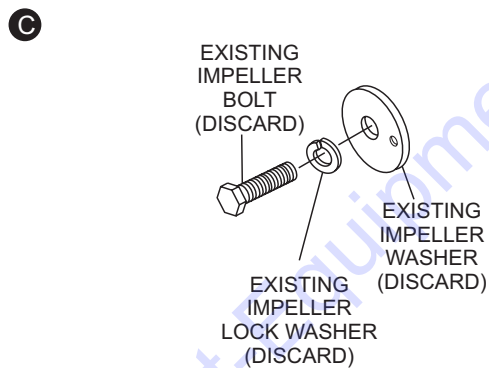
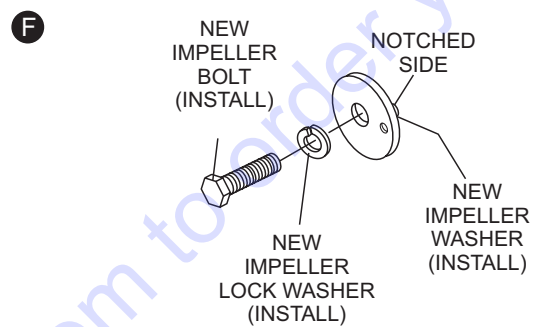
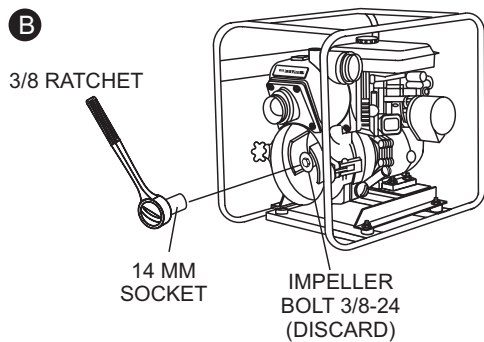
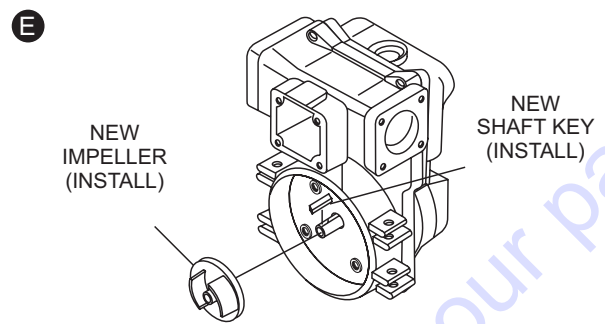
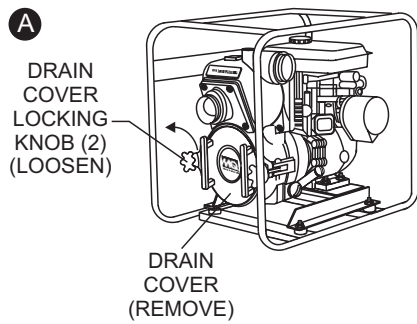
### **Safety Procedures**

Perform the following before attempting installation:

1. Place the pump on level secure ground that is free of dirt and debris.
2. Wear safety glasses, steel toed boots and any other safety protection that might be required for the modification.

### **Impeller Replacement (Reference Figure 1)**

1. Remove drain cover from pump casing by turning the locking knobs (Figure **A**) counterclockwise to loosen. Once the locking knobs have been loosened and folded back, pull the drain cover forward until it clears the pump casing. Set drain cover aside in a safe place.
2. Using a 3/8 ratchet with a 14 mm socket (Figure **B**), remove the impeller bolt from the engine shaft. **Discard the impeller bolt** it will not be used again.
3. Attached to the impeller bolt (Figure **C**) are the incorrect impeller washers. **Discard all washers;** they will not be used again.
4. Using a can of Chemsearch™ (Figure **D**) or equivalent, a moly-lubricant, spray the area around the shaft key. Tap the impeller with a rubber mallet to dislodge it from the engine shaft. Remove the impeller and shaft key. **Discard the impeller and shaft key.** They will not be used again.
5. Install the new impeller and shaft key onto the engine shaft as shown in Figure **E**.
6. Using the new impeller bolt, place the new impeller lock washer onto the bolt as shown in Figure **F**. Next, place the impeller washer with the key side (raised notch) facing outward onto the impeller bolt.
7. Insert impeller bolt along with associated hardware (Step **G**) into engine shaft. Be sure to align the notch on the impeller washer with the key-way on the engine shaft. This will lock the impeller washer in place. Tighten impeller bolt to 22 FT-LBS.
8. Reinstall drain cover (Figure **H**) back onto pump casing. Turn locking knobs clockwise to secure drain cover.



**Figure 1. Impeller Replacement**

# PARTS FINDER

**Search Website  
by Part Number**



**Search Manual  
Library For Parts  
Manual & Lookup Part  
Numbers – Purchase  
or Request Quote**

**Search Manuals**

Enter your information to help us find the right parts manual for your machine.

\* Brand:

\* Model:

\* Serial:

\* Part Number:

SEARCH

**Can't Find Part or  
Manual? Request Help  
by Manufacturer,  
Model & Description**

**Parts Order Form**

Please fill in the following information to help us find the right part for your machine.

Manufacturer:	<input type="text"/>
Model:	<input type="text"/>
Description:	<input type="text"/>
Part Number:	<input type="text"/>
Quantity:	<input type="text"/>
Notes:	<input type="text"/>

Submit

Discount-Equipment.com is your online resource for quality parts & equipment.

Florida: **561-964-4949** Outside Florida TOLL FREE: **877-690-3101**

**Need parts?**

Click on this link: <http://www.discount-equipment.com/category/5443-parts/> and choose one of the options to help get the right parts and equipment you are looking for. Please have the machine model and serial number available in order to help us get you the correct parts. If you don't find the part on the website or on one of the online manuals, please fill out the request form and one of our experienced staff members will get back to you with a quote for the right part that your machine needs.

We sell worldwide for the brands: Genie, Terex, JLG, MultiQuip, Mikasa, Essick, Whiteman, Mayco, Toro Stone, Diamond Products, Generac Magnum, Airman, Haulotte, Barreto, Power Blanket, Nifty Lift, Atlas Copco, Chicago Pneumatic, Allmand, Miller Curber, Skyjack, Lull, Skytrak, Tsurumi, Husquvarna Target, Stow, Wacker, Sakai, Mi-T-M, Sullair, Basic, Dynapac, MBW, Weber, Bartell, Bennar Newman, Haulotte, Ditch Runner, Menegotti, Morrison, Contec, Buddy, Crown, Edco, Wyco, Bomag, Laymor, EZ Trench, Bil-Jax, F.S. Curtis, Gehl Pavers, Heli, Honda, ICS/PowerGrit, IHI, Partner, Imer, Clipper, MMD, Koshin, Rice, CH&E, General Equipment, Amida, Coleman, NAC, Gradall, Square Shooter, Kent, Stanley, Tamco, Toku, Hatz, Kohler, Robin, Wisconsin, Northrock, Oztec, Toker TK, Rol-Air, APT, Wylie, Ingersoll Rand / Doosan, Innovatech, Con X, Ammann, Mecalac, Makinex, Smith Surface Prep, Small Line, Wanco, Yanmar