

PARTS MANUAL



MODEL DLW-300ES
MODEL DLW-300ESA
MODEL DLW-300ESA1
WELDER/GENERATOR
(KUBOTA D722/E2B/E3B DIESEL ENGINE)

Revision #3 (11/04/16)



THIS MANUAL MUST ACCOMPANY THE EQUIPMENT AT ALL TIMES.

PARTS FINDER

**Search Website
by Part Number**



**Search Manual
Library For Parts
Manual & Lookup Part
Numbers – Purchase
or Request Quote**

Search Manuals

Enter your information to help us find the right parts manual for your machine.

* Brand:

* Model:

* Serial:

* Part Number:

SEARCH

**Can't Find Part or
Manual? Request Help
by Manufacturer,
Model & Description**

Parts Order Form

Please fill in the following information to help us find the right part for your machine.

Manufacturer:	<input type="text"/>
Model:	<input type="text"/>
Description:	<input type="text"/>
Part Number:	<input type="text"/>
Quantity:	<input type="text"/>
Notes:	<input type="text"/>

Submit

Discount-Equipment.com is your online resource for quality parts & equipment.

Florida: **561-964-4949** Outside Florida TOLL FREE: **877-690-3101**

Need parts?

Click on this link: <http://www.discount-equipment.com/category/5443-parts/> and choose one of the options to help get the right parts and equipment you are looking for. Please have the machine model and serial number available in order to help us get you the correct parts. If you don't find the part on the website or on one of the online manuals, please fill out the request form and one of our experienced staff members will get back to you with a quote for the right part that your machine needs.

We sell worldwide for the brands: Genie, Terex, JLG, MultiQuip, Mikasa, Essick, Whiteman, Mayco, Toro Stone, Diamond Products, Generac Magnum, Airman, Haulotte, Barreto, Power Blanket, Nifty Lift, Atlas Copco, Chicago Pneumatic, Allmand, Miller Curber, Skyjack, Lull, Skytrak, Tsurumi, Husquvarna Target, Stow, Wacker, Sakai, Mi-T-M, Sullair, Basic, Dynapac, MBW, Weber, Bartell, Bennar Newman, Haulotte, Ditch Runner, Menegotti, Morrison, Contec, Buddy, Crown, Edco, Wyco, Bomag, Laymor, EZ Trench, Bil-Jax, F.S. Curtis, Gehl Pavers, Heli, Honda, ICS/PowerGrit, IHI, Partner, Imer, Clipper, MMD, Koshin, Rice, CH&E, General Equipment, Amida, Coleman, NAC, Gradall, Square Shooter, Kent, Stanley, Tamco, Toku, Hatz, Kohler, Robin, Wisconsin, Northrock, Oztec, Toker TK, Rol-Air, APT, Wylie, Ingersoll Rand / Doosan, Innovatech, Con X, Ammann, Mecalac, Makinex, Smith Surface Prep, Small Line, Wanco, Yanmar

TABLE OF CONTENTS

DLW300ES/ESA/ESA1 Generator Welder

Table Of Contents.....	2
Parts Ordering Procedures.....	3
Explanation Of Code In Remarks Column.....	4
Suggested Spare Parts	5

Component Drawings

Generator Assembly.....	6-7
Control Panel Assy. (DLW-300ES).....	8-9
Control Panel Assy. (DLW-300ESA/ESA1)	10-13
Electric Parts 1 Assy. (DLW-300ES)	14-15
Electric Parts 2 Assy. (DLW-300ES)	16-17
Electric Parts 3 Assy. (DLW-300ES)	18-19
Electric Parts 1 Assy. (DLW-300ESA/ESA1)	20-21
Electric Parts 2 Assy. (DLW-300ESA/ESA1)	22-23
Engine And Radiator Assembly.....	24-27
Battery Assembly	28-29
Muffler Assembly.....	30-31
Fuel Tank Assembly.....	32-33
Enclosure Assembly	34-37
Rubber Seals Assembly.....	38-39
Nameplate And Decals Assembly.....	40-43

NOTICE

Specifications and part numbers are subject to change without notice.

Kubota D722E2B/E3B Diesel Engine

Crankcase Assembly.....	44-45
Oil Pan Assembly.....	46-47
Cylinder Head Assembly	48-49
Gear Case Assembly	50-51
Head Cover Assembly.....	52-53
Oil Filter Assembly	54-55
Dipstick And Guide Assembly.....	56-57
Oil Pump Assembly	58-59
Main Bearing Case Assembly	60-63
Camshaft And Idle Gear Assembly	64-65
Piston And Crankshaft Assembly	66-67
Flywheel Assembly	68-69
Fuel Camshaft And Gov. Shaft Assembly	70-71
Idle Apparatus Assembly	72-73
Stop Solenoid Assembly	74-75
Injection Pump Assembly	76-77
Speed Control Plate Assembly.....	78-79
Nozzle Holder And Glow Plug Assembly.....	80-81
Nozzle Holder Assembly.....	82-85
Fork Lever Governor Assembly	86-87
Fuel Filter Assembly	88-89
Fuel Pump (Mechanical) Assembly	90-91
Dynamo And Pulley Assembly	92-93
Dynamo Assembly.....	94-95
Starter (Complete) Assembly	96-97
Starter (Parts) Assembly	98-99
Oil Switch Assembly	100-101
Water Flange And Thermostat Assembly	102-103
Water Pump Assembly	104-105
Water Pipe Assembly	106-107
Fan Assembly	108-109
Valve And Rocker Arm Assembly	110-111
Inlet Manifold Assembly.....	112-113
Exhaust Manifold Assembly.....	114-115
Air Cleaner Assembly	116-117
Glow Lamp And Timer Assembly	118-119
Starter Switch Assembly	120-121
Piston Kit Assembly.....	122-123

Terms And Conditions Of Sale — Parts	124
--	-----

EXPLANATION OF CODE IN REMARKS COLUMN

The following section explains the different symbols and remarks used in the Parts section of this manual. Use the help numbers found on the back page of the manual if there are any questions.

NOTICE

The contents and part numbers listed in the parts section are subject to change **without notice**. Multiquip does not guarantee the availability of the parts listed.

SAMPLE PARTS LIST

NO.	PART NO.	PART NAME	QTY.	REMARKS
1	12345	BOLT	1	INCLUDES ITEMS W/%
2%		WASHER, 1/4 IN.		NOT SOLD SEPARATELY
2%	12347	WASHER, 3/8 IN. ...	1	MQ-45T ONLY
3	12348	HOSE	A/R	MAKE LOCALLY
4	12349	BEARING	1	S/N 2345B AND ABOVE

NO. Column

Unique Symbols — All items with same unique symbol (@, #, +, %, or >) in the number column belong to the same assembly or kit, which is indicated by a note in the “Remarks” column.

Duplicate Item Numbers — Duplicate numbers indicate multiple part numbers, which are in effect for the same general item, such as different size saw blade guards in use or a part that has been updated on newer versions of the same machine.

NOTICE

When ordering a part that has more than one item number listed, check the remarks column for help in determining the proper part to order.

PART NO. Column

Numbers Used — Part numbers can be indicated by a number, a blank entry, or TBD.

TBD (To Be Determined) is generally used to show a part that has not been assigned a formal part number at the time of publication.

A blank entry generally indicates that the item is not sold separately or is not sold by Multiquip. Other entries will be clarified in the “Remarks” Column.

QTY. Column

Numbers Used — Item quantity can be indicated by a number, a blank entry, or A/R.

A/R (As Required) is generally used for hoses or other parts that are sold in bulk and cut to length.

A blank entry generally indicates that the item is not sold separately. Other entries will be clarified in the “Remarks” Column.

REMARKS Column

Some of the most common notes found in the “Remarks” Column are listed below. Other additional notes needed to describe the item can also be shown.

Assembly/Kit — All items on the parts list with the same unique symbol will be included when this item is purchased.

Indicated by:

“INCLUDES ITEMS W/(unique symbol)”

Serial Number Break — Used to list an effective serial number range where a particular part is used.

Indicated by:

“S/N XXXXX AND BELOW”

“S/N XXXX AND ABOVE”

“S/N XXXX TO S/N XXX”

Specific Model Number Use — Indicates that the part is used only with the specific model number or model number variant listed. It can also be used to show a part is NOT used on a specific model or model number variant.

Indicated by:

“XXXXX ONLY”

“NOT USED ON XXXX”

“Make/Obtain Locally” — Indicates that the part can be purchased at any hardware shop or made out of available items. Examples include battery cables, shims, and certain washers and nuts.

“Not Sold Separately” — Indicates that an item cannot be purchased as a separate item and is either part of an assembly/kit that can be purchased, or is not available for sale through Multiquip.

SUGGESTED SPARE PARTS

DLW-300ES/ESA/ESA1 W/KUBOTA D722-E2B-WDDE-2/D722-E3B-WDDE-2 DIESEL ENGINES

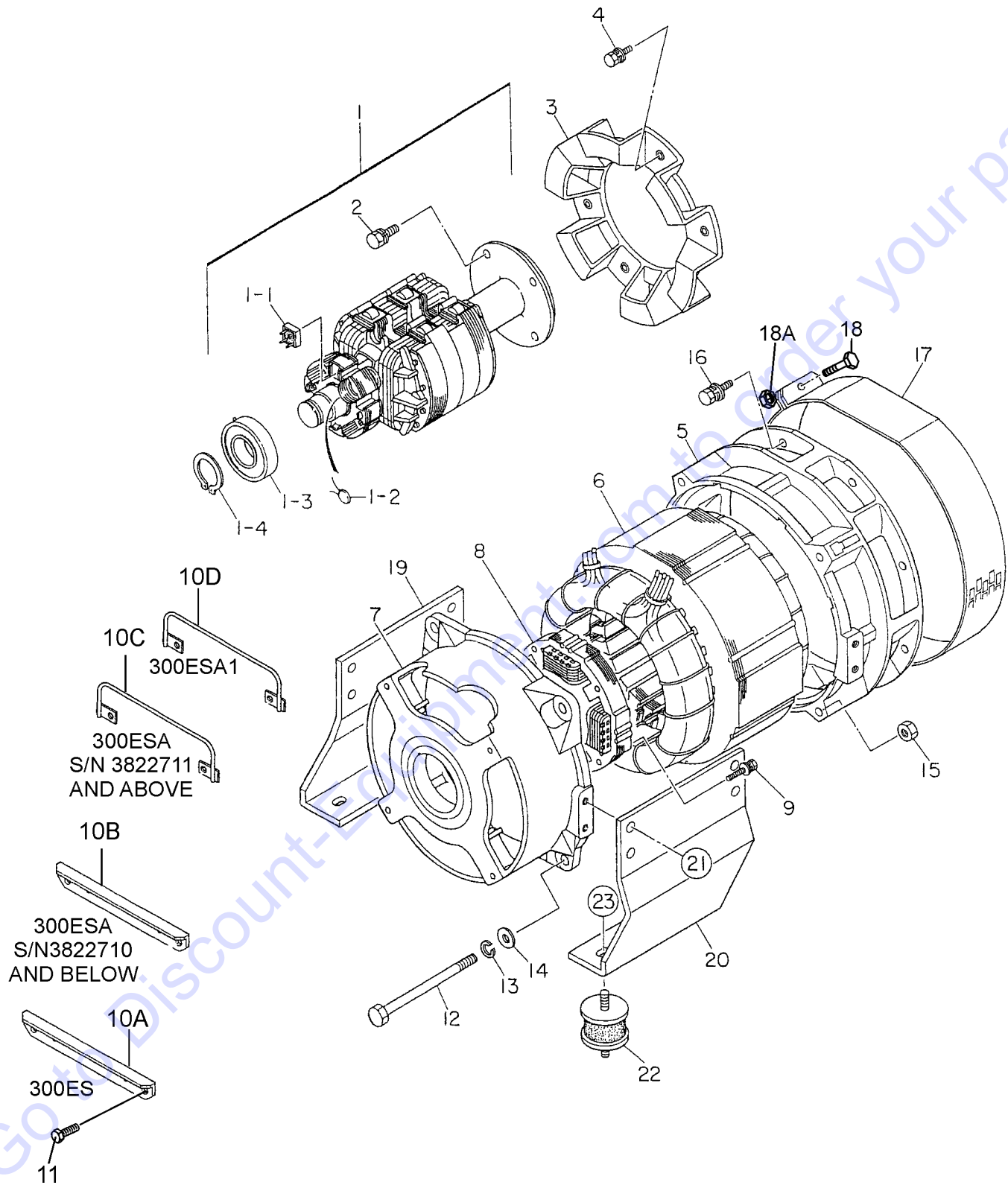
1 to 3 units

Qty.	P/N	Description
50602041270CARTRIDGE, OIL FILTER
1D4311500003HOSE, RADIATOR, UPPER
1D4311500103HOSE, RADIATOR, LOWER
10602011064CAP, RADIATOR (DLW300ES)
10602011079CAP, RADIATOR (DLW300ESA)
10810100813CAP, FUEL TANK
11522139013SWITCH, OIL
61553143010FILTER, FUEL
61523143560FILTER, FUEL ELEMENT
30602046611FILTER, AIR ELEMENT
10602011470FAN BELT
10601808254CIRCUIT BREAKER, 2P, @ 42A (DLW300ES)
10601806472CIRCUIT BREAKER, 2P, @ 40A (DLW300ESA)
10601806420CIRCUIT BREAKER, 1P, @ 20A (DLW300ES)
10601806423CIRCUIT BREAKER, 1P, @ 20A(DLW300ESA)
10601806421CIRCUIT BREAKER, 1P, @ 30A (DLW300ES)
10601806424CIRCUIT BREAKER, 1P, @ 30A (DL300ESA)
10601806422CIRCUIT BREAKER, 2P, @ 30A (DLW300ES)
10601806425CIRCUIT BREAKER, 2P, @ 30A (DLW300ESA)
10601820664AUTOMATIC VOLTAGE REGULATOR
10601840028RHEOSTAT (CURRENT/VOLTAGE REGULATOR 500W)
10601840103KNOB, RHEOSTAT (CURRENT/VOLTAGE REGULATOR)
10601840095RHEOSTAT (ARC FORCE TRIMMER)
10601840170KNOB, RHEOSTAT (RHEOSTAT (ARC FORCE TRIMMER)
50601806642FUSE, 5A
50601806643FUSE, 15A
50601806644FUSE, 30A
50601806640FUSE, 65A

NOTICE

Part numbers on this Suggested Spare Parts list may supersede/replace the part numbers shown in the following parts lists.

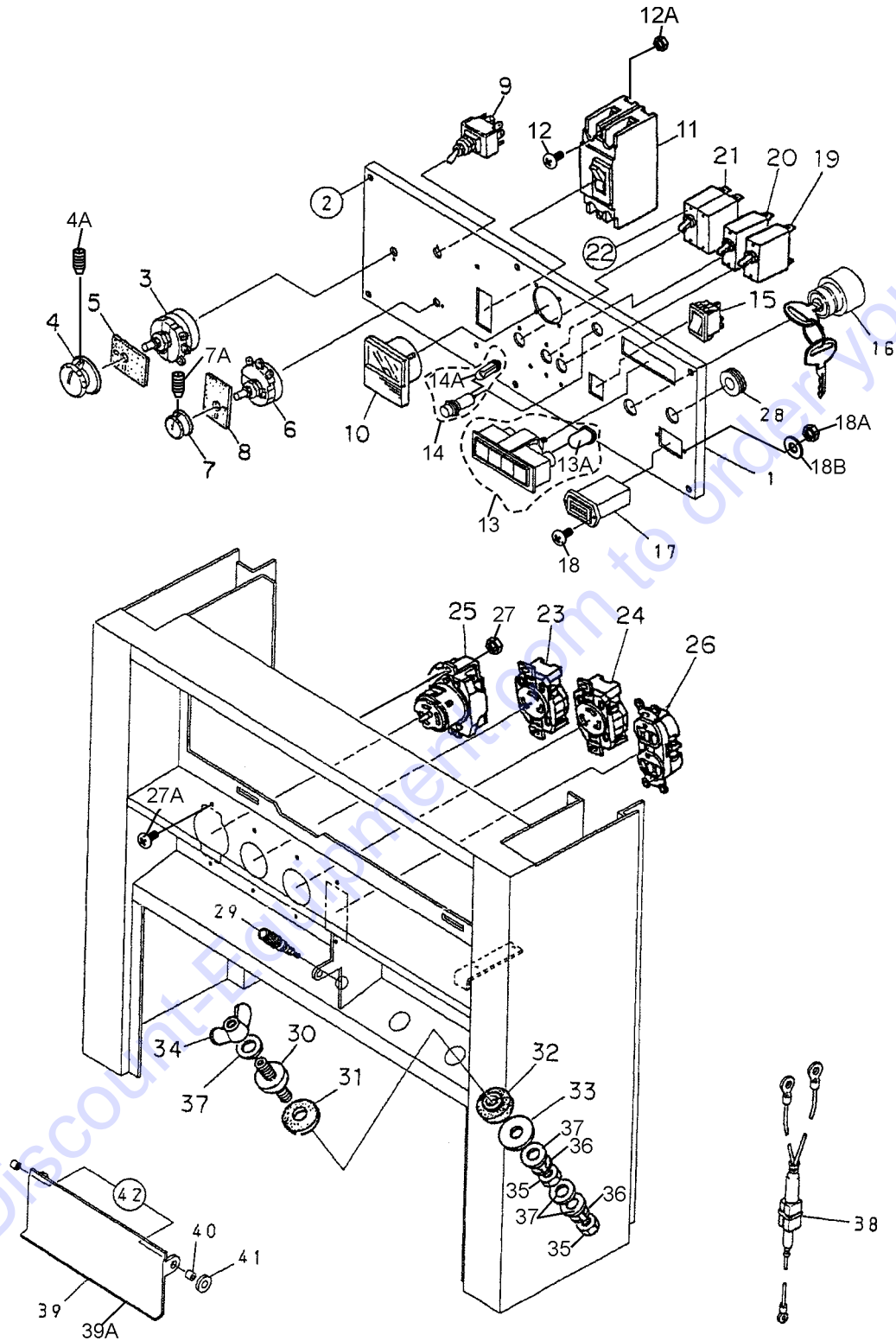
DLW-300ES/ESA/ESA1 — GENERATOR ASSY.



DLW-300ES/ESA/ESA1 — GENERATOR ASSY.

<u>NO.</u>	<u>PART NO.</u>	<u>PART NAME</u>	<u>QTY.</u>	<u>REMARKS</u>
1	D4110000203	ROTOR ASSY.	1	INCLUDES ITEM W/%
1-1%	0601820037	RECTIFIER	1	
1-2%	0601822638	SURGE ABSORBER	1	
1-3%	0071206307	BEARING	1	
1-4%	0080000035	SNAP RING	1	
2%	0012410030	HEX. HEAD BOLT	4	
3	D4111100103	FAN	1	
4	0017108025	HEX. HEAD BOLT	6	
5	D4153100102	END BRACKET	1	
6	D4135000503	ARMATURE ASSY., (DLW-300ES)	1	
6	D4135001203	ARMATURE ASSY., (DLW-300ESA/ESA1)	1	
7	D4153000202	END BRACKET	1	
8	D4139000003	FIELD ASSY., EXCITER	1	
9	0017105035	HEX. HEAD BOLT	4	
10A	D4155300104	BRACKET, (DLW-300ES)	1	
10B	D4155300104	BRACKET, (DLW-300ESA)	1	SN 3822710 AND BELOW
10C	D4185300004	BRACKET, (DLW-300ESA)	1	SN 3822711 AND ABOVE
10D	D4185300004	BRACKET, (DLW-300ESA1)	1	
11	0016908020	HEX. HEAD BOLT	2	
12	D4131200004	SET BOLT	4	
13	0040012000	WASHER, LOCK	4	
14	0041212000	WASHER, FLAT	4	
15	0030012000	HEX. NUT	4	
16	0012410025	HEX. HEAD BOLT	8	
17	D4155400204	COVER, FAN	1	
18	0017106040	HEX. HEAD BOLT	1	
18A	0037906000	HEX. NUT	1	
19	D4132100103	GENERATOR FOOT	1	
20	D4132100003	GENERATOR FOOT	1	
21	012210025	HEX. HEAD BOLT, (DLW-300ES)	8	REPLACES P/N 0012310025
21	0011210025	HEX. HEAD BOLT, (DSW-300ESA/ESA1)	8	
22	7605419004	RUBBER SUSPENSION	2	
23	0207010000	HEX. NUT	2	

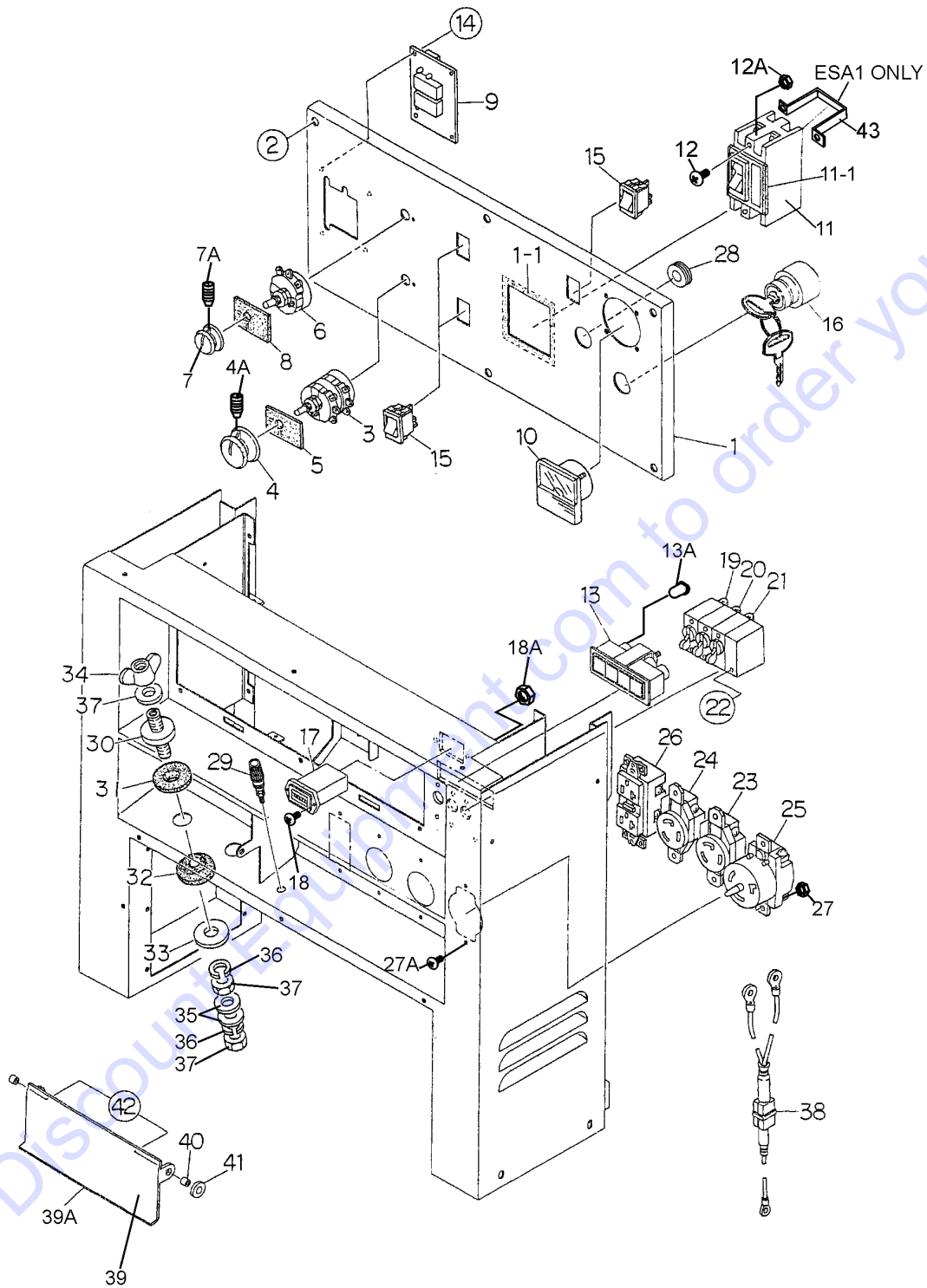
DLW-300ES — CONTROL PANEL ASSY.



DLW-300ES — CONTROL PANEL ASSY.

<u>NO.</u>	<u>PART NO.</u>	<u>PART NAME</u>	<u>QTY.</u>	<u>REMARKS</u>
1	D4224000503	CONTROL PANEL	1.....	REPLACES P/N D4511300902
2	0021806030	MACHINE SCREW	6	
3	0601840028	RHEOSTAT (CURRENT REGULATOR)	1	
4	0601840103	KNOB	1	
4A	0023304008	SET SCREW	2	
5	0801883003	INSULATOR	1	
6	0601840095	RHEOSTAT (ARC FORCE REGULATOR)	1	
7	0601840100	KNOB	1	
7A	0023303508	SET SCREW	2	
8	0801883003	INSULATOR	1	
9	0601831309	SWITCH, E-MODE	1	
10	0601800281	AC VOLTMETER, 5A 0~150/300V	1	
11	0601808254	CIRCUIT BREAKER, 2P, 42A	1	
12	0027104070	MACHINE SCREW	2	
12A	0038704000	HEX. NUT	2	
13	0601810523	INDICATOR ASSY.....	1.....	INCLUDES ITEM W/%
13A%	0601810207	BULB	4	
14	0602103098	WARNING LAMP	1.....	INCLUDES ITEM W/#
14A#	0601810248	BULB	1	
15	0601831620	SWITCH, IDLE CONTROL	1	
16	1628663602	STARTER SWITCH	1.....	REPLACES P/N 3741059113
17	0601800682	HOUR METER, DC10-32V	1	
18	0027103512	MACHINE SCREW	2	
18A	0030003500	HEX. NUT	2	
18B	0040403500	WASHER	2	
19	0601806420	CIRCUIT BREAKER, CB4, 1P, 20A	1	
20	0601806421	CIRCUIT BREAKER, CB3, 1P, 30A	1	
21	0601806422	CIRCUIT BREAKER, CB2, 2P, 30A	1	
22	0027103006	MACHINE SCREW	6	
23	0601811033	RECEPTACLE, L6-30R	1	
24	0601811035	RECEPTACLE, L5-30R	1	
25	0601812565	RECEPTACLE, CS6369	1	
26	0601812598	RECEPTACLE, 5-20R	1	
27	0038704000	HEX. NUT	8	
27A	0027104016	MACHINE SCREW	8	
28	0601850290	GROMMET	1	
29	0601815109	GROUND TERMINMAL	1	
30	0801888204	OUTPUT TERMINAL, WELDING	2	
31	0801840104	INSULATOR WASHER	2	
32	0801840004	INSULATOR WASHER	2	
33	0801841204	SET WASHER, OUTPUT TERMINAL	2	
34	0801884004	WING NUT	2	
35	0039512000	HEX. NUT	4	
36	0042212000	WASHER, LOCK	4	
37	0041412000	WASHER, FLAT	6	
38	D4268304704	NOISE FILTER	1	
39	D4237100203	COVER, OUTPUT TERMINAL	1	
39A	D4237400204	RUBBER SHEET	1	
40	0821800014	COLLAR	1	
41	D9311200004	STAY RUBBER	1	
42	0016906020	HEX. HEAD BOLT	2	

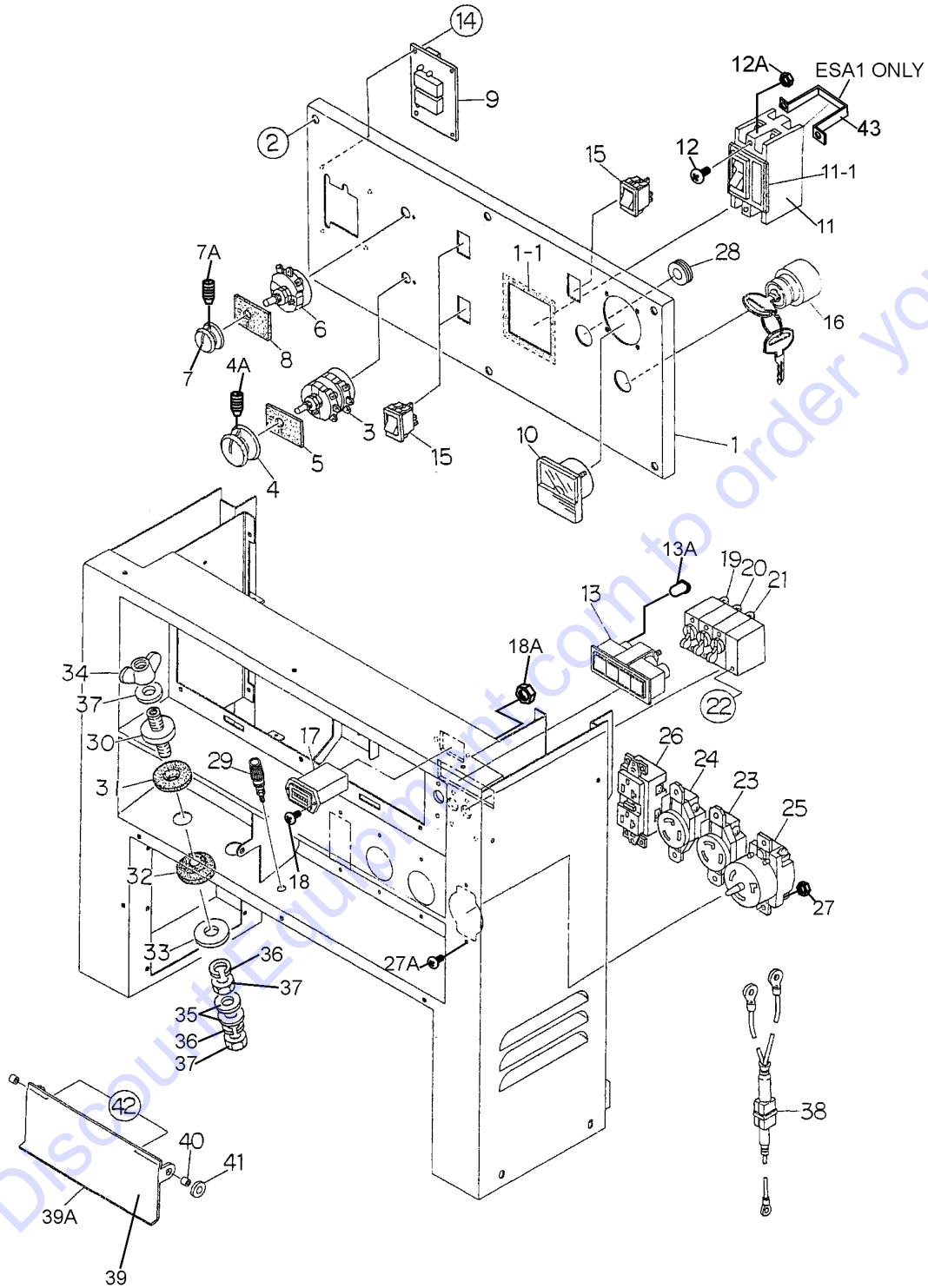
DLW-300ESA/ESA1 — CONTROL PANEL ASSY.



DLW-300ESA/ESA1 — CONTROL PANEL ASSY.

NO.	PART NO.	PART NAME	QTY.	REMARKS
1	D4224000903	CONTROL PANEL (DLW300ESA).....	1.....	REPLACES P/N D4511302102
1	D4224000903	CONTROL PANEL (DLW300ESA1).....	1.....	S/N 5647004 AND BELOW REPLACES P/N D4511302102
1	D4224000913	CONTROL PANEL (DLW300ESA1).....	1.....	S/N 5647005 AND ABOVE REPLACES P/N D4511302112
1-1	D4491400004	RUBBER SEAL (DLW300ESA)	1	
1-1	D4491400004	RUBBER SEAL (DLW300ESA1).....	1.....	S/N 5647004 AND BELOW
2	0021806030	MACHINE SCREW	6	
3	0601840028	RHEOSTAT CURRENT REGULATOR	1	
4	0601840103	KNOB	1	
4A	0023304008	SET SCREW	2	
5	0801883003	INSULATOR	1	
6	0601840095	RHEOSTAT(ARC FORCE REGULATOR)	1	
7	0601840170	KNOB	1	
7A	0023303508	SET SCREW	2	
8	0801883003	INSULATOR	1	
9	D9924800194	DIGITAL MONITOR, DM-51	1	
10	0601800281	AC VOLTMETER, 5A 0~150/300V	1	
11	0601806472	CIRCUIT BREAKER, 2P, 40A (DLW300ESA)	1	
11	0601806472	CIRCUIT BREAKER, 2P, 40A (DLW300ESA1)..	1.....	S/N 5647004 AND BELOW
11	0601870451	CIRCUIT BREAKER, 2P, 40A (DLW300ESA1)..	1.....	S/N 5647005 AND ABOVE
11-1	0317900080	RUBBER SEAL (DLW300ESA)	2	
11-1	0317900080	RUBBER SEAL (DLW300ESA1).....	2.....	S/N 5647004 AND BELOW
12	0027204050	MACHINE SCREW (DLW300ESA)	2	
12	0027204050	MACHINE SCREW (DLW300ESA1).....	2.....	S/N 5647004 AND BELOW
12A	0027104015	MACHINE SCREW (DLW300ESA1).....	2.....	S/N 5647005 AND ABOVE
13	0601810523	INDICATOR ASSY.	1	
13A	0601810207	BULB	4	
14	0027103006	MACHINE SCREW	4	
15	0601831600	ROCKER SWITCH	3	
16	1628663602	STARTER SWITCH	1.....	REPLACES P/N 0602100077
17	0601800682	HOUR METER	2	
18	0027403000	MACHINE SCREW	2	
18A	0207003000	HEX. NUT	2	
19	0601806423	CIRCUIT BREAKER, CB4, 1P, 20A	1	
20	0601806424	CIRCUIT BREAKER, CB3, 1P, 30A	1	
21	0601806425	CIRCUIT BREAKER, CB2, 2P, 30A	1	
22	0027303008	MACHINE SCREW	6	
23	0601811033	RECEPTACLE, L6-30R	1	
24	0601811035	RECEPTACLE, L5-30R	1	
25	0601812565	RECEPTACLE, CS6369 (DLW300ESA)	1	
25	0601812565	RECEPTACLE, CS6369 (DLW300ESA1).....	1.....	S/N 5655215 AND BELOW
25	0601814014	RECEPTACLE, CS6369LM2 (DLW300ESA1) ...	1.....	S/N 5655216 AND ABOVE
26	0601812598	RECEPT., 5-20R GF53OEM (DLW300ESA)	1.....	S/N 5610287 AND BELOW
26	0601814013	RECEPT., 5-20R GF20LA (DLW300ESA1)	1.....	S/N 5610288 AND ABOVE
27	OEMAA8	HEX. NUT	8.....	REPLACES P/N 0207004000
27A	7538070	MACHINE SCREW	8.....	REPLACES P/N 0027104016

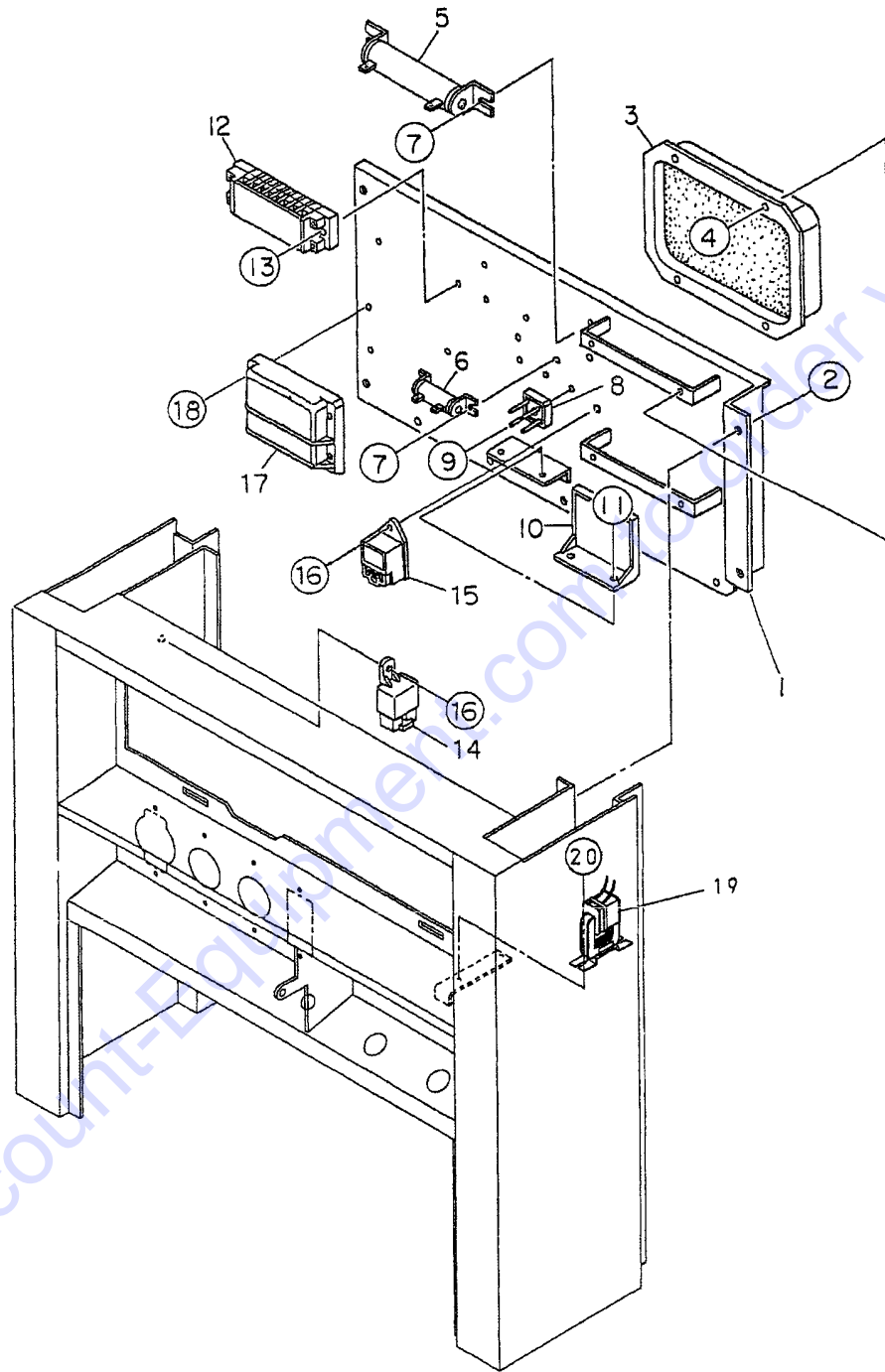
DLW-300ESA/ESA1 — CONTROL PANEL ASSY. (CONT.)



DLW-300ESA/ESA1 — CONTROL PANEL ASSY. (CONT.)

<u>NO.</u>	<u>PART NO.</u>	<u>PART NAME</u>	<u>QTY.</u>	<u>REMARKS</u>
28	0601850290	GROMMET	1	
29	0601815109	GROUND TERMINAL	1	
30	0801888204	OUTPUT TERMINAL, WELDING	2	
31	0801840104	INSULATOR WASHER	2	
32	0801840004	INSULATOR WASHER	2	
33	0801841204	SET WASHER, OUTPUT TERMINAL	2	
34	0801884004	WING NUT	2	
35	0039512000	HEX. NUT	4	
36	0042212000	WASHER, LOCK	4	
37	0041412000	WASHER, FLAT	6	
38	D4268304704	NOISE FILTER	1	
39	D4237100203	COVER, OUTPUT TERMINAL	1	
39A	D4237400204	RUBBER SHEET	1	
40	0821800014	COLLAR	1	
41	D9311200004	STAY RUBBER	1	
42	0016906020	HEX. HEAD BOLT	2	
43	D9121000604	BRACKET, CIRCUIT BREAKER (DLW300ESA1).1.....	1	S/N 5647005~5655215
43	D9121000304	BRACKET, CIRCUIT BREAKER (DLW300ESA1).1.....	1	S/N 5655216 AND ABOVE

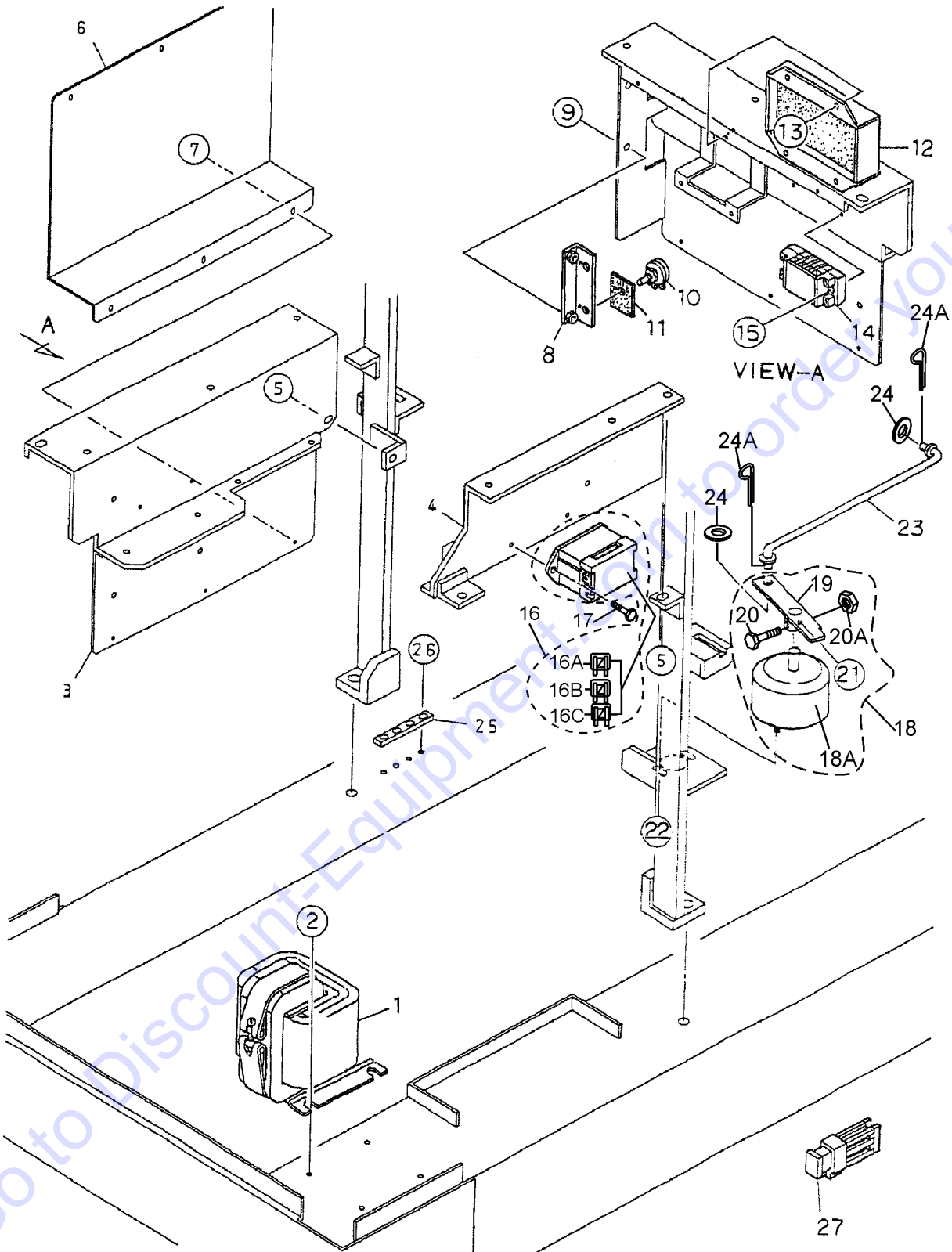
DLW-300ES — ELECTRIC PARTS 1 ASSY.



DLW-300ES — ELECTRIC PARTS 1 ASSY.

<u>NO.</u>	<u>PART NO.</u>	<u>PART NAME</u>	<u>QTY.</u>	<u>REMARKS</u>
1	D4224200003	SET PANEL, ELECTRIC PARTS	1	
2	0016906016	HEX. HEAD BOLT	4	
3	0601820664	AUTOMATIC VOLTAGE REGULATOR	1	
4	0016905016	HEX. HEAD BOLT	4	
5	0601842437	RESISTOR, 100W 150Ω	2	
6	0601842349	RESISTOR, 20W 35Ω	1	
7	0027104016	MACHINE SCREW	6	
8	0601823204	RECTIFIER, S5VB60	3	
9	0027203016	MACHINE SCREW	3	
10	D9925800064	IDLE CONTROL UNIT	1	
11	0027105016	MACHINE SCREW	2	
12	0601815992	TERMINAL BOARD	1	
13	0027104025	MACHINE SCREW	2	
14	0601824527	RELAY, DC12V	1	
15	1569465990	LAMP TIMER	1	REPLACES P/N 1569465992
16	0027105016	MACHINE SCREW	2	
17	1747260605	EMERGENCY UNIT	1	REPLACES P/N 0602200475
18	0027105020	MACHINE SCREW	4	
19	0601804211	CURRENT TRANSFORMER	1	
20	0027104010	MACHINE SCREW»	2	

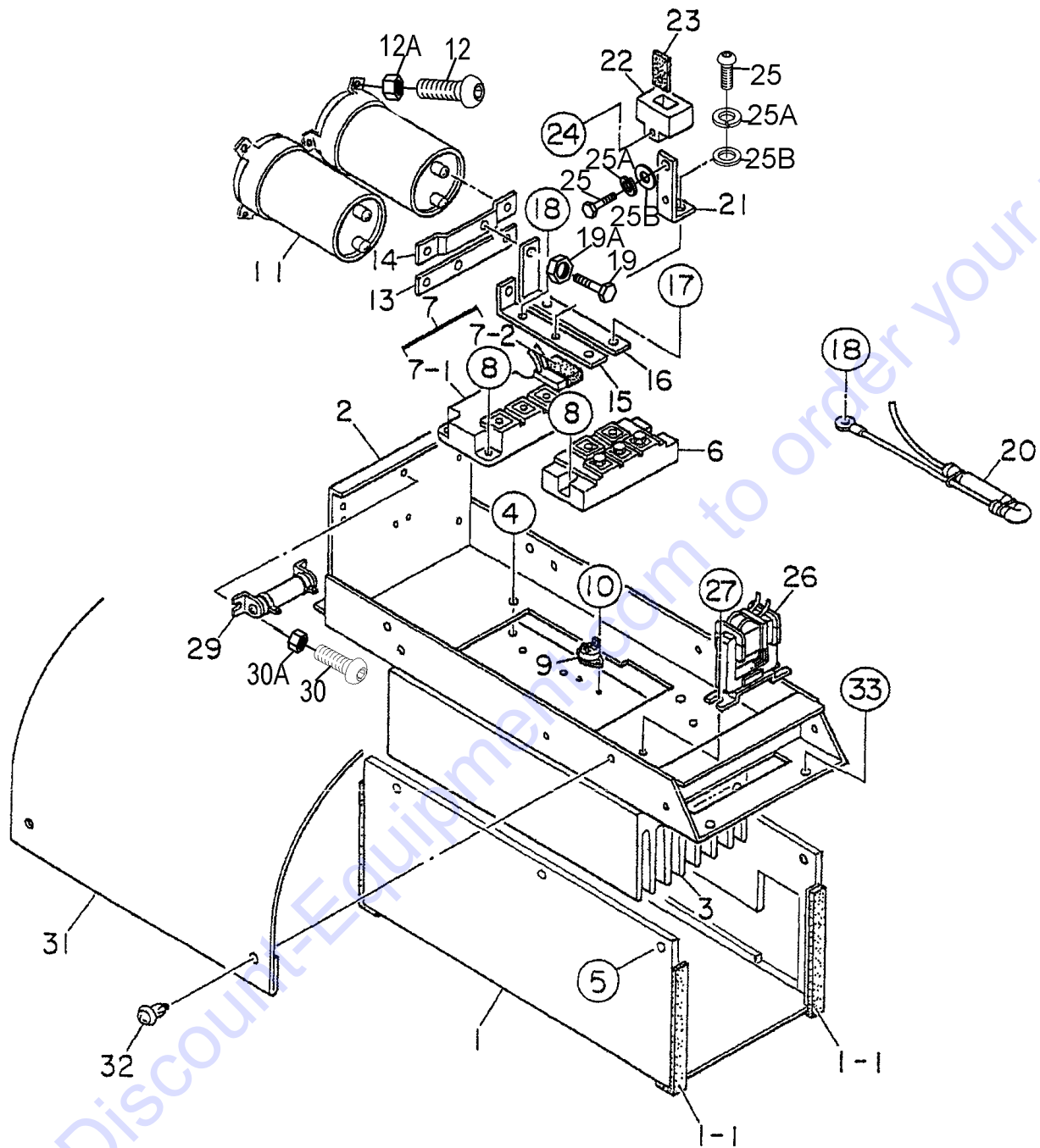
DLW-300ES — ELECTRIC PARTS 2 ASSY.



DLW-300ES — ELECTRIC PARTS 2 ASSY.

<u>NO.</u>	<u>PART NO.</u>	<u>PART NAME</u>	<u>QTY.</u>	<u>REMARKS</u>
1	D4264500503	DC REACTOR	1	
2	0016906016	HEX.HEAD BOLT	4	
3	D4434000503	SUPPORT, FUEL TANK	1	
4	D4434000304	SUPPORT, FUEL TANK	1	
5	0016908020	HEX. HEAD BOLT	5	
6	D4261700204	BRACKET	1	
7	0016904016	HEX. HEAD BOLT	2	
8	D4262602004	VR SET PLATE	1	
9	0016906016	HEX. HEAD BOLT	2	
10	0601840211	RHEOSTAT, 10KΩ	1	
11	0601883003	INSULATOR	1	
12	D9924800024	IGBT CONTROL UNIT	1	
13	0016905016	HEX. HEAD BOLT	4	
14	0601815731	TERMINAL BOARD	1	
15	0027104020	MACHINE SCREW	2	
16	8701899004	FUSE BOX.....	1	INCLUDES ITEMS W/#
16A#	0601806642	FUSE, 5A	4	
16B#	0601806643	FUSE, 15A	2	
16C#	0601806644	FUSE, 30A	2	
17	0016905016	HEX. HEAD BOLT	2	
18	8702636004	ROTARY SOLENOID ASSY.....	1	INCLUDES ITEMS W/+
18A+	1620150404	ROTARY SOLENOID	1	
19+	8702631004	ARM, SOLENOID	1	
20+	0010106020	HEX. HEAD BOLT	1	
20A+	0030006000	HEX. NUT	1	
21+	0050403020	SPRING PIN	1	
22	0207006000	HEX. NUT	2	
23	D4355300004	GOVERNOR ROD	1	
24	0041208000	WASHER, FLAT	2	
24A	0041208000	SNAP PIN	2	
25	B1262800004	PLATE	1	
26	0019206020	HEX. HEAD BOLT	4	
27	0601806640	FUSE, 65A	1	

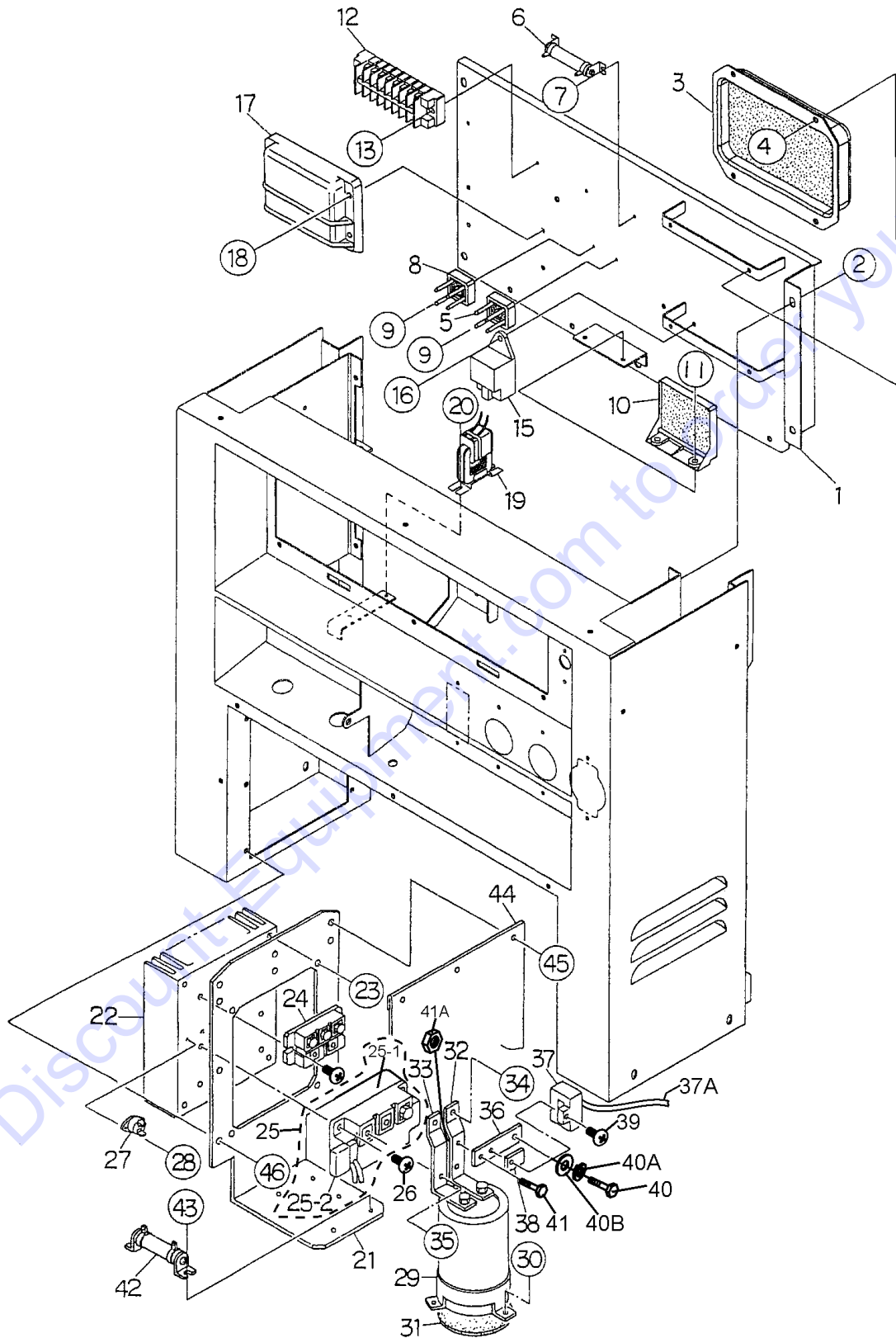
DLW-300ES — ELECTRIC PARTS 3 ASSY.



DLW-300ES — ELECTRIC PARTS 3 ASSY.

<u>NO.</u>	<u>PART NO.</u>	<u>PART NAME</u>	<u>QTY.</u>	<u>REMARKS</u>
1	D4214100003	COVER, COOLING FIN	1	
1-1	0315500140	RUBBER SEAL	4	
2	D4214000103	BRACKET, COOLING FIN	1	
3	D4268304403	COOLING FIN	1	
4	0016906016	HEX.HEAD BOLT	1	
5	0016906016	HEX.HEAD BOLT	4	
6	0601823256	RECTIFIER	1	
7	D42468000403	IGBT MODULE ASSY.....	1	INCLUDES ITEMS W/#
7-1#	0601821258	IGBT MODULE	1	
7-2#	D9925800044	PROTECTIVE UNIT	1	
8	0027105016	MACHINE SCREW	6	
9	0601831053	THERMAL SWITCH	1	
10	0021003010	MACHINE SCREW	2	
11	0601826188	CAPACITOR	2	
12	0027104010	MACHINE SCREW	6	
12A	0207204000	HEX. NUT	6	
13	D4267301304	PLATE	1	
14	D4267301204	PLATE	1	
15	D4268304104	PLATE	1	
16	D4267301404	PLATE	1	
17	0027105016	MACHINE SCREW	2	
18	0017806014	HEX.HEAD BOLT	2	
19	0017106020	HEX.HEAD BOLT	2	
19A	0207206000	HEX. NUT	2	
20	D4268600204	RESISTOR ASSY., 510K Ω	1	
21	D4268304604	PLATE	1	
22	0601804244	DC CURRENT TRANSFORMER	1	
23	D4235400004	INSULATOR	1	
24	0027104020	MACHINE SCREW	1	
25	0019008016	HEX.HEAD BOLT	2	
25A	0040008000	WASHER, LOCK	2	
25B	0042708000	WASHER, FLAT	2	
26	0601804211	CURRENT TRANSFORMER	1	
27	0027104010	MACHINE SCREW	2	
29	0601842262	RESISTOR, 20W 1K Ω	1	
30	0027104010	MACHINE SCREW	2	
30A	0207204000	HEX. NUT	2	
31	D4215600204	COVER, ELECTRIC PARTS	1	
32	0605011411	SET SCREW	4	
33	0016906016	HEX. HEAD BOLT	4	

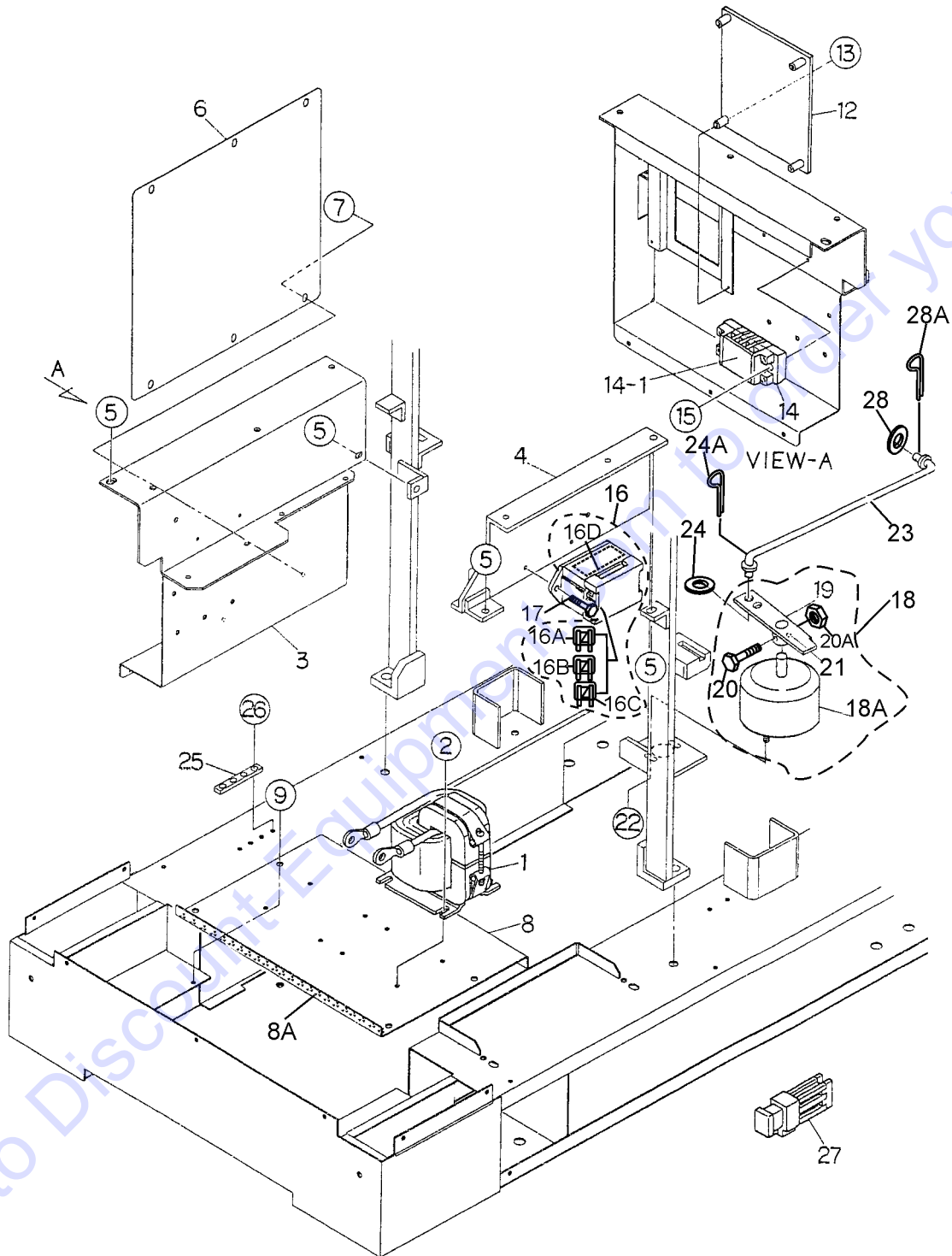
DLW-300ESA/ESA1 — ELECTRIC PARTS 1 ASSY.



DLW-300ESA/ESA1 — ELECTRIC PARTS 1 ASSY.

NO.	PART NO.	PART NAME	QTY.	REMARKS
1	D4261500603	SET PANEL, ELECTRIC PARTS	1	
2	0016906015	HEX. HEAD BOLT	4	
3	0601820664	AUTOMATIC VOLTAGE REGULATOR 5W	1	
4	0016905015	HEX. HEAD BOLT	4	
5	0601820037	RECTIFIER	1	
6	0601842349	RESISTOR, 20W 35Ω	2	
7	0027104016	MACHINE SCREW	6	
8	0601823204	RECTIFIER	3	
9	0027203016	MACHINE SCREW	3	
10	0601823857	IDLE CONTROL UNIT	1	
11	0027105016	MACHINE SCREW	2	
12	0601815422	TERMINAL BOARD	1	
13	0027104020	MACHINE SCREW	2	
15	1569465992	LAMP TIMER.....	1	REPLACES P/N 0602201273
16	0027105016	MACHINE SCREW	2	
17	1747260605	EMERGENCY UNIT	1	REPLACES P/N 0602200475
18	0027105020	MACHINE SCREW	4	
19	0601804211	CURRENT TRANSFORMER	1	
20	0027104010	MACHINE SCREW	2	
21	D4261600704	BRACKET, COOLING FIN	1	
22	D4268303103	COOLING FIN	1	
23	0016906015	HEX.HEAD BOLT	8	
24	0601823228	RECTIFIER	2	
25	D4268000303	IGBT MODULE ASSY.....	2	INCLUDES ITEMS W/#
25-1#	0601821259	IGBT MODULE	2	
25-2#	D9925800044	PROTECTIVE UNIT	2	
26	0027105016	MACHINE SCREW	12	
27	0601831053	THERMAL SWITCH	1	
28	0021003010	MACHINE SCREW	2	
29	0601826188	CAPACITOR	2	
30	0027104010	MACHINE SCREW	6	
31	D4262800704	INSULATOR RUBBER	6	
32	D4268304004	PLATE	1	
33	D4268303904	PLATE	1	
34	0017805012	HEX. HEAD BOLT	10	
35	0017806012	HEX. HEAD BOLT	4	
36	D4268301704	PLATE	2	
37	0601804202	DC CURRENT TRANSFORMER	2	
37A	D4247704204	CORD	2	
38	D4235400004	INSULATOR	2	
39	0027104020	MACHINE SCREW	2	
40	Y0019006010	HEX.HEAD BOLT	2	
40A	0040006000	WASHER, LOCK	2	
40B	0042706000	WASHER, FLAT	2	
41	011206020	HEX. HEAD BOLT.....	2	REPLACES P/N 0016906020
41A	0176060030	HEX. HEAD NUT	2	REPLACES P/N 0207006000
42	0601842467	RESISTOR, 20W 2kΩ	2	
43	0027104010	MACHINE SCREW	4	
44	D4262700304	COVER, ELECTRIC PARTS	2	
45	0605011412	SET SCREW (DLW-300ESA)	8	
45	0605011411	SET SCREW (DLW-300ESA1)	8	
46	0016906015	HEX.HEAD BOLT	14	

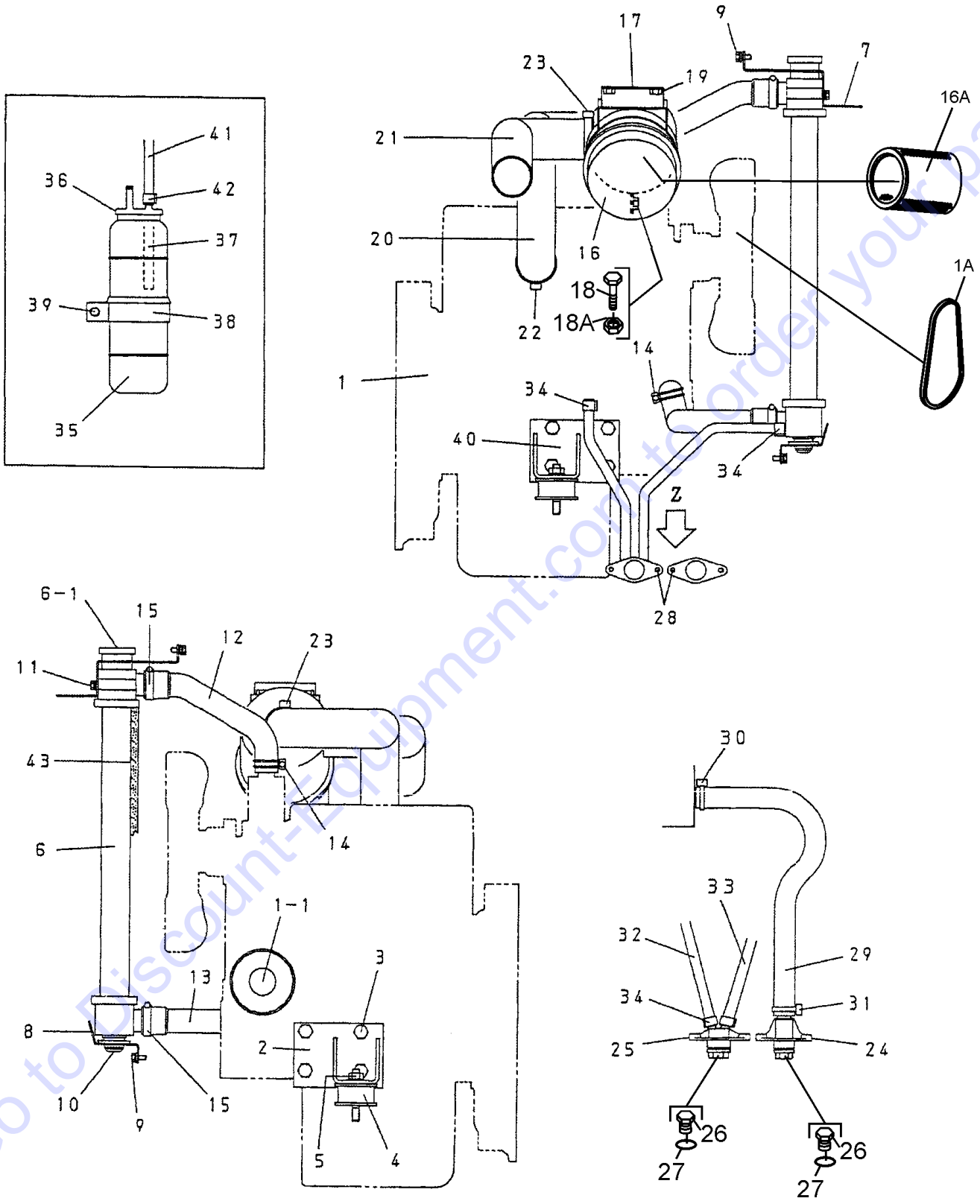
DLW-300ESA/ESA1 — ELECTRIC PARTS 2 ASSY.



DLW-300ESA/ESA1 — ELECTRIC PARTS 2 ASSY.

<u>NO.</u>	<u>PART NO.</u>	<u>PART NAME</u>	<u>QTY.</u>	<u>REMARKS</u>
1	D5264500103	DC REACTOR	2	
2	0016906015	HEX.HEAD BOLT	8	
3	D4434000903	SUPPORT, FUEL TANK (DLW-300ESA)	1	
3	D4434000903	SUPPORT, FUEL TANK (DLW-300ESA1)	1.....	S/N 5655215 AND BELOW
3	D4434000913	SUPPORT, FUEL TANK (DLW-300ESA1)	1.....	S/N 5655216 AND ABOVE
4	D4434000804	SUPPORT, FUEL TANK	1	
5	011008020	HEX. HEAD BOLT	4.....	REPLACES P/N 0016908020
6	D4261700404	COVER (DLW-300ESA)	1	
6	D4261700404	COVER (DLW-300ESA1).....	1.....	S/N 5655215 AND BELOW
6	D4261700414	COVER (DLW-300ESA1).....	1.....	S/N 5655216 AND ABOVE
7	0016906015	HEX. HEAD BOLT	6	
8	D4261600804	BRACKET, REACTOR	1	
8A	D4497600004	LINING	1	
9	0016906015	HEX. HEAD BOLT	4	
12	D9924800204	IGBT CONTROL UNIT, IC CV-12	1	
13	Y0207103025	MACHINE SCREW	4	
14	0601815731	TERMINAL BOARD, KT30 4P	1	
14-1	A9522000104	DECAL: TERMINAL BOARD	1	
15	0027104020	MACHINE SCREW	2	
16	B0352500104	FUSE BOX.....	1.....	INCLUDES ITEMS W/#
16A#	0601806642	FUSE, 5A	4	
16B#	0601806643	FUSE, 15A	2	
16C#	0601806644	FUSE, 30A	2	
16D#	8700625504	DECAL.....	1.....	S-4936
17	Y0016905015	HEX. HEAD BOLT	2	
18	8702636004	ROTARY SOLENOID ASSY.....	1.....	INCLUDES ITEMS W/+
18A+	1620150404	ROTARY SOLENOID	1	
19+	8702631004	ARM, SOLENOID	1	
20+	0010106020	HEX. HEAD BOLT	1	
20A+	020106050	HEX. NUT	1.....	REPLACES P/N 0030006000
21+	0050403020	SPRING PIN	1	
22	0176060030	HEX. NUT	2.....	REPLACES P/N 0207006000
23	D4355300004	GOVERNOR ROD	1	
24	0041208000	WASHER, FLAT	1	
24A	0605010503	SNAP PIN	1	
25	B1262800004	PLATE	1	
26	011206020	HEX. HEAD BOLT	4.....	REPLACES P/N 0019206020
27	0601806640	FUSE, 65A	1	
28	0041206000	WASHER, FLAT	1	
28A	0605010502	SNAP PIN	1	

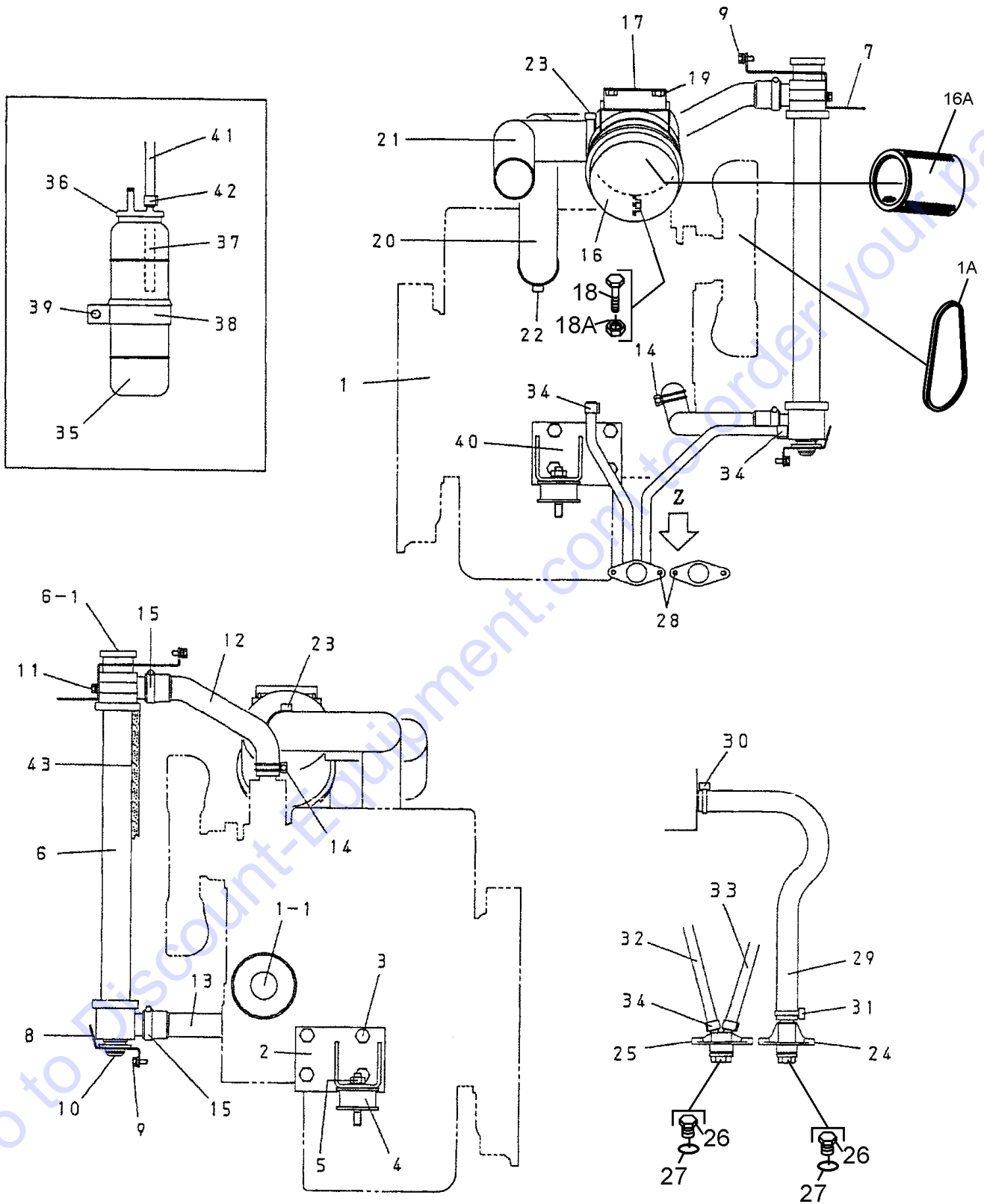
DLW-300ES/ESA/ESA1 — ENGINE AND RADIATOR ASSY.



DLW-300ES/ESA/ESA1 — ENGINE AND RADIATOR ASSY.

<u>NO.</u>	<u>PART NO.</u>	<u>PART NAME</u>	<u>QTY.</u>	<u>REMARKS</u>
1	D4924200014	ENGINE, KUBOTA D722-E2B, (DLW-300ES)	1	
1	D4924200064	ENGINE, KUBOTA D722-E3B (DLW-300ESA/ESA1)	1	
1A	1747297011	FAN BELT	1	REPLACES P/N 0602011470
1-1	7000015241	CARTRIDGE, OIL FILTER	1	REPLACES P/N 0602041270
2	D4304200304	ENGINE FOOT	1	
3	012210020	HEX. HEAD BOLT	8	REPLACES P/N 0010710020
4	0605000066	RUBBER SUSPENSION	2	
5	021112140	HEX. NUT	2	REPLACES P/N 0207010000
6	0602012779	RADIATOR.....	1	REPLACES P/N 2951296000
6-1	0602011064	CAP, RADIATOR (DLW-300ES)	1	REPLACES P/N 0225101990
6-1	0602011079	CAP, RADIATOR (DLW-300ESA/ESA1).....	1	REPLACES P/N 67130920901
7	D4311100104	BRACKET, RADIATOR	1	
8	D4312100813	BRACKET, RADIATOR	1	
9	0016906016	HEX. HEAD BOLT (DLW-300ES)	5	
9	0016906015	HEX. HEAD BOLT (DLW-300ESA/ESA1)	5	
10	B1312600004	RUBBER MOUNT	2	
11	011206020	HEX. HEAD BOLT (DLW-300ES).....	2	REPLACES P/N 0016906020
11	0016906015	HEX. HEAD BOLT (DLW-300ESA/ESA1)	2	
12	D4311500003	RADIATOR HOSE	1	
13	D4311500103	RADIATOR HOSE	1	
14	0605515110	HOSE BAND	2	
15	0605515134	HOSE BAND	2	
16	0602046266	AIR CLEANER	1	
16A	0602046391	ELEMENT, AIR CLEANER	1	
17	D4374200203	BRACKET, AIR CLEANER, (DLW-300ES)	1	
17	8712031503	BRACKET, AIR CLEANER (DLW-300ESA/ESA1)	1	
18	0016908025	HEX.HEAD BOLT	1	
18A	0207008000	HEX. NUT, (DLW-300ES)	1	
19	0016906016	HEX. HEAD BOLT (DLW-300ES)	2	
19	0016908020	HEX. HEAD BOLT (DLW-300ESA/ESA1)	2	
20	7812036404	HOSE, AIR CLEANER, (DLW-300ES)	1	
20	8702037003	HOSE, AIR CLEANER, (DLW-300ESA/ESA1)	1	
21	8702037003	HOSE, AIR CLEANER, (DLW-300ES)	1	
21	7812036404	HOSE, AIR CLEANER, (DLW-300ESA/ESA1)	1	
22	0605515006	HOSE BAND	1	
23	0605515021	HOSE BAND	2	
24	1502025103	DRAIN JOINT, OIL	1	
25	1622014103	DRAIN JOINT, WATER	1	
26	0802011104	PLUG	2	
27	0150000018	O-RING	2	
28	0016906020	HEX.HEAD BOLT, (DLW-300ES)	4	
28	0016906015	HEX.HEAD BOLT, (DLW-300ESA/ESA1)	4	
29	D4321100003	DRAIN HOSE	1	
30	0605515073	HOSE BAND (DLW-300ES/ESA)	1	
30	0605515064	HOSE BAND (DLW-300ESA1)	1	
31	0605515158	HOSE BAND (DLW-300ES/ESA)	1	
32	0199900390	DRAIN HOSE	1	

DLW-300ES/ESA/ESA1 — ENG. AND RADIATOR ASSY. (CONT.)

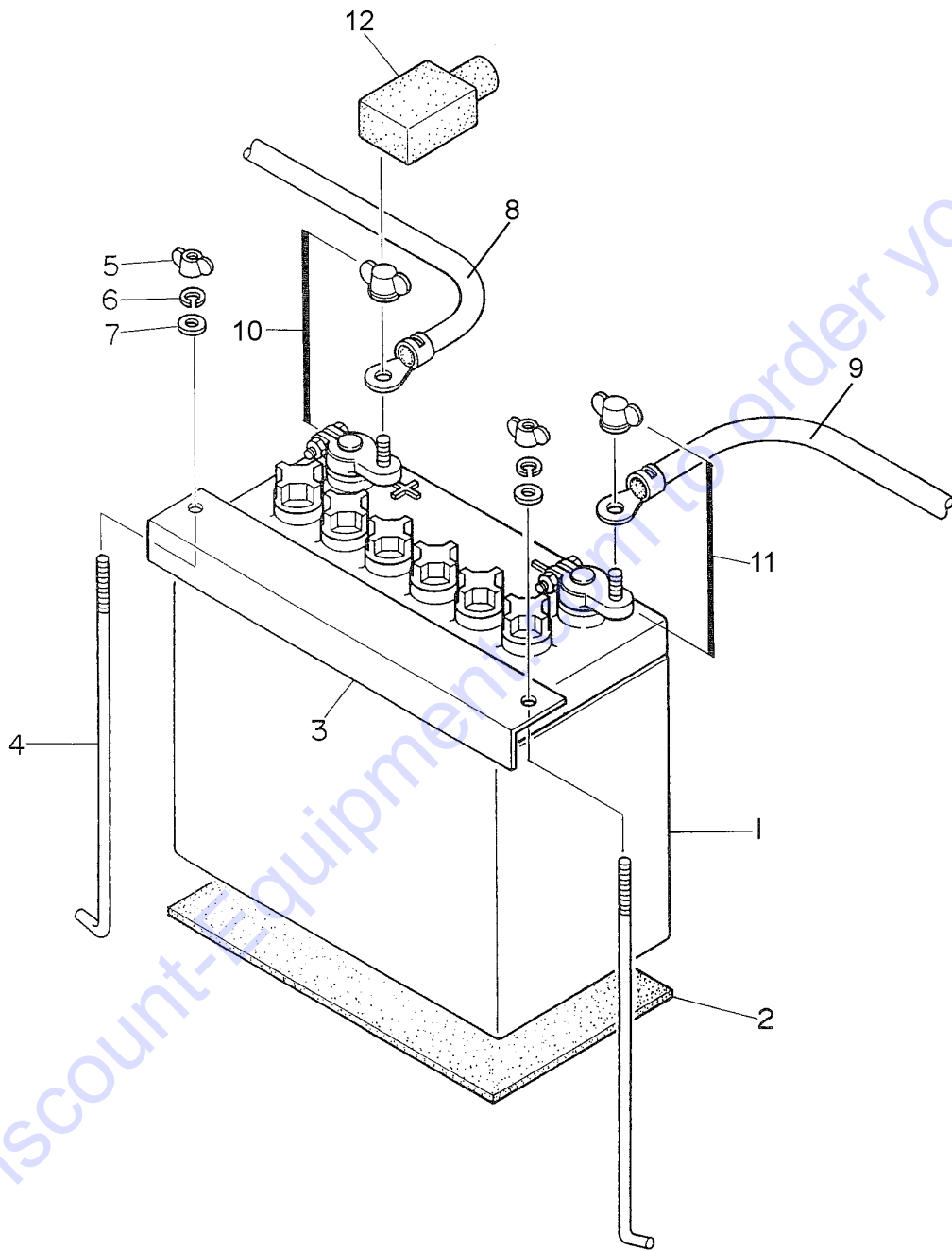


DLW-300ES/ESA/ESA1 — ENG. AND RADIATOR ASSY. (CONT.)

<u>NO.</u>	<u>PART NO.</u>	<u>PART NAME</u>	<u>QTY.</u>	<u>REMARKS</u>
33	0199900660	DRAIN HOSE	1	
34	0605515094	HOSE BAND	4	
35	0802081403	RESERVE TANK	1	
36	0802081104	CAP, RESERVE TANK	1	
37	0199100215	HOSE	1	
38	6262082304	BRACKET, RESERVE TANK	1	
39	0016906025	HEX. HEAD BOLT, (DLW300ES)	1	
39	0016906015	HEX. HEAD BOLT, (DLW300ESA/ESA1)	1	
40	D4304200204	ENGINE FOOT	1	
41	0199900500	HOSE	1	
42	0605515094	HOSE BAND	2	
43	0220300375	RUBBER SEAL	2	

Go to Discount-Equipment.com to order your parts

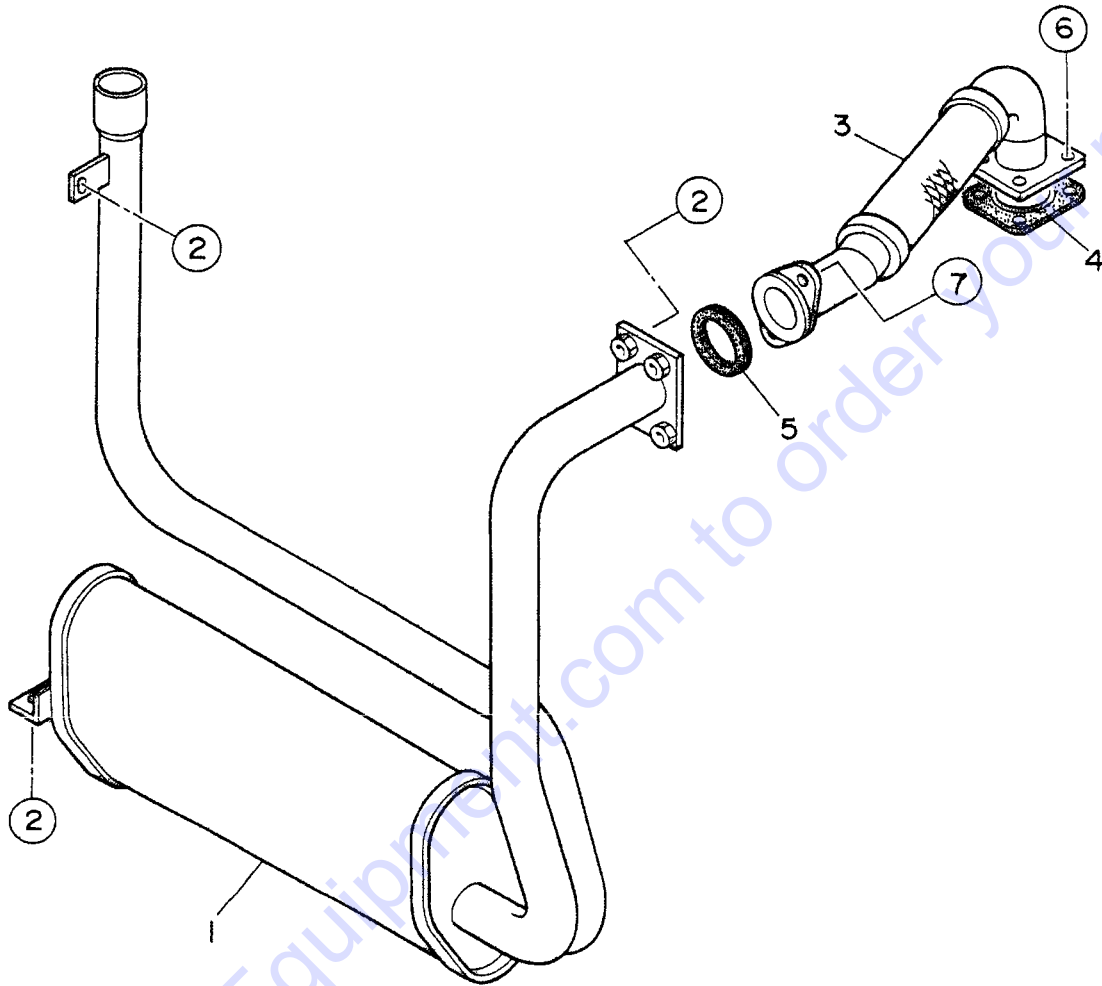
DLW-300ES/ESA/ESA1 — BATTERY ASSY.



DLW-300ES/ESA/ESA1 — BATTERY ASSY.

<u>NO.</u>	<u>PART NO.</u>	<u>PART NAME</u>	<u>QTY.</u>	<u>REMARKS</u>
1	0169105524	BATTERY, 55B24L (DLW-300ES)	1	
1	0166105524	BATTERY, 55B24L (DLW-300ESA/ESA1)	1	
2	8722251004	BATTERY SHEET	1	
3	7552253004	BATTERY BAND	1	
4	7872251004	BATTERY BOLT	2	
5	0037806000	WING NUT	2	
6	0040006000	WASHER, LOCK	2	
7	0041606000	WASHER, FLAT	2	
8		BATTERY CABLE	1.....	PURCHASE LOCALLY
9		BATTERY CABLE	1.....	PURCHASE LOCALLY
10	0602220312	TERMINAL ASSY.....	1.....	NO. 15L (+)
11	0602220313	TERMINAL ASSY.....	1.....	NO. 15L (-)
12	0602220600	TERMINAL CAP	1	

DLW-300ES/ESA/ESA1 — MUFFLER ASSY.

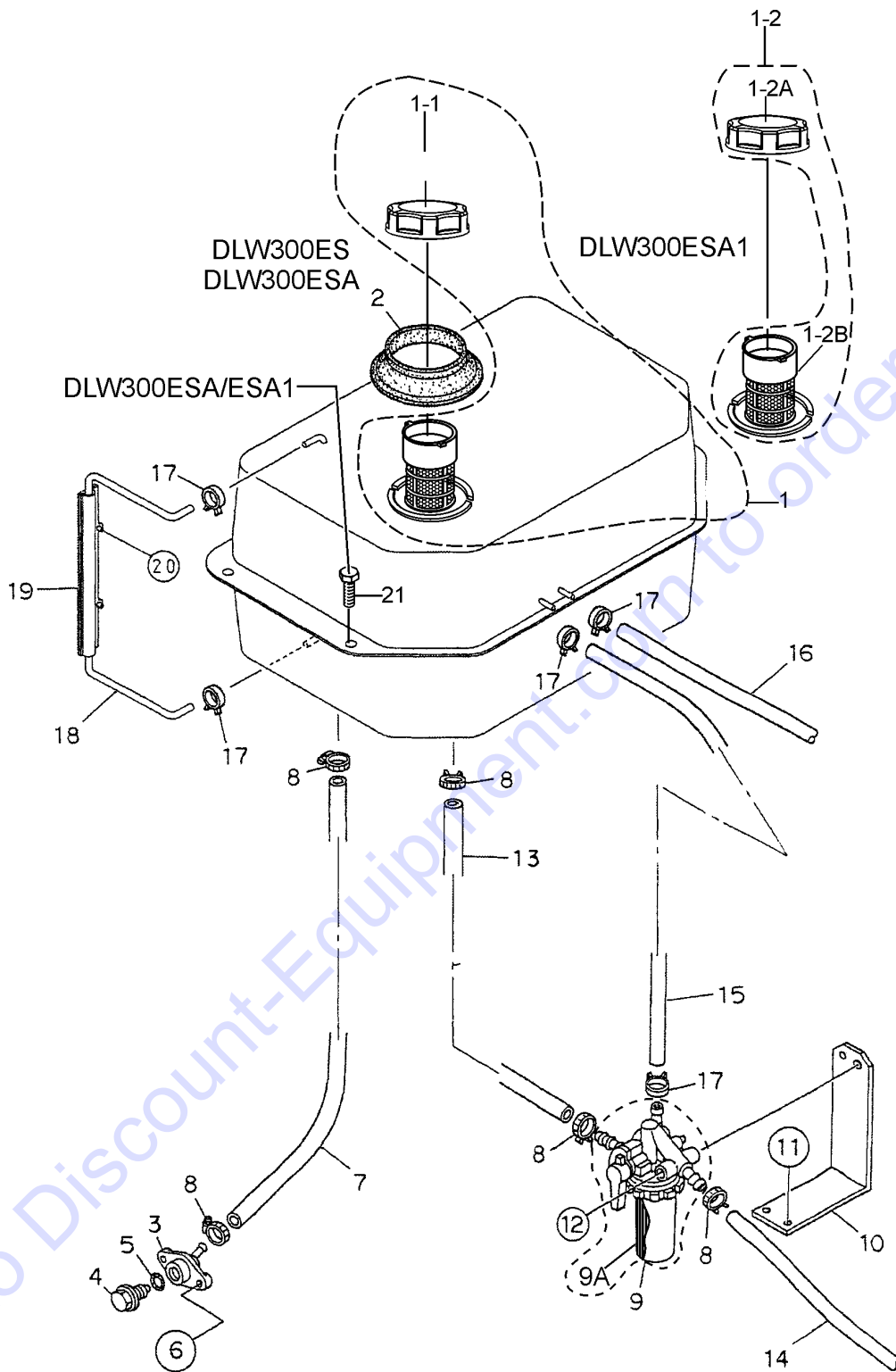


DLW-300ES/ESA/ESA1 — MUFFLER ASSY.

<u>NO.</u>	<u>PART NO.</u>	<u>PART NAME</u>	<u>QTY.</u>	<u>REMARKS</u>
1	D4331000003	MUFFLER	1	
2	0016908020	HEX.HEAD BOLT	5	
3	D4334000003	EXHAUST PIPE	1	
4	1526312371	GASKET	1.....	REPLACES P/N 0602320153
5	D9304000004	GASKET	1	
6	0207008000	HEX. NUT	4	
7	0016908030	HEX.HEAD BOLT	2	

Go to Discount-Equipment.com to order your parts

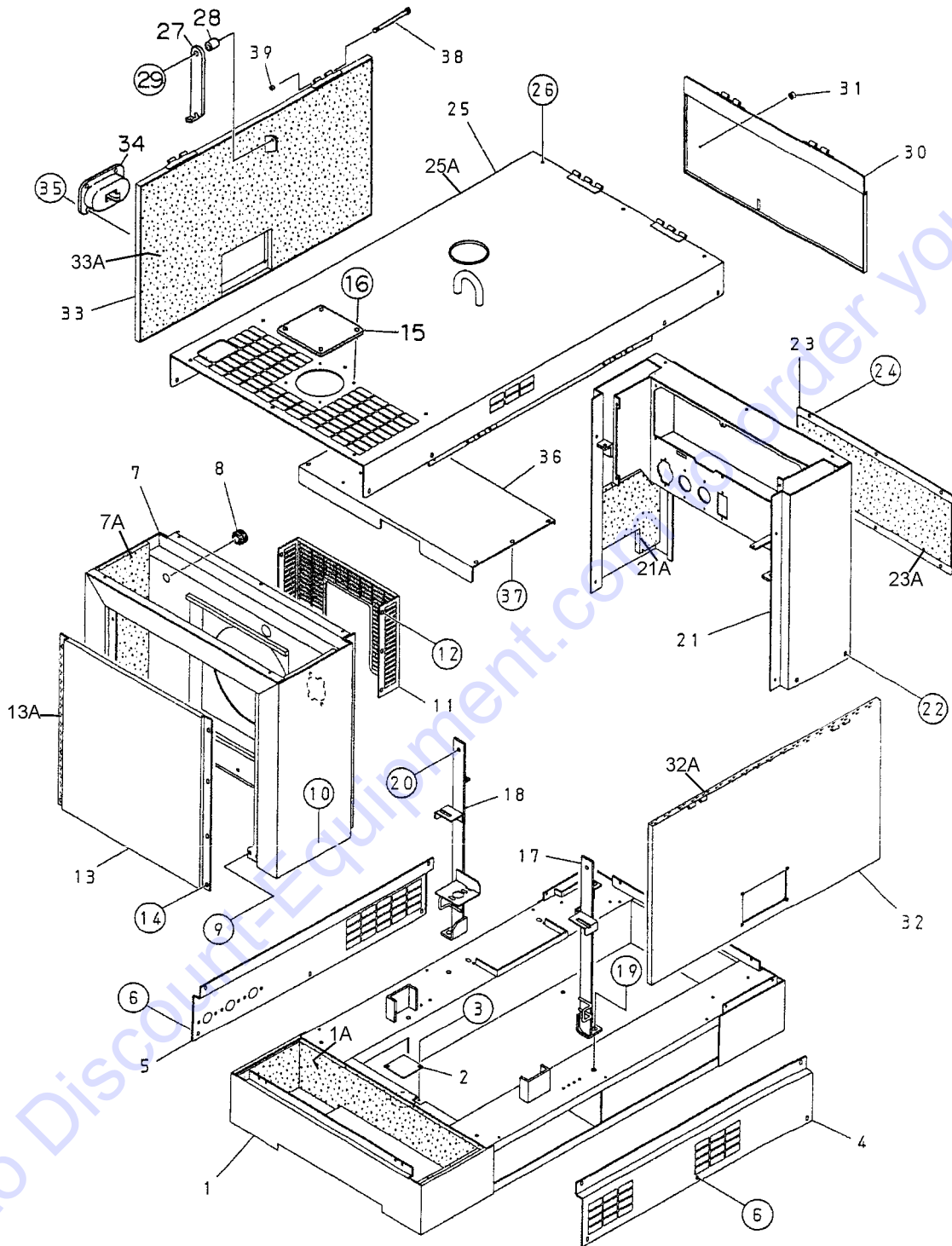
DLW-300ES/ESA/ESA1 — FUEL TANK ASSY.



DLW-300ES/ESA/ESA1 — FUEL TANK ASSY.

<u>NO.</u>	<u>PART NO.</u>	<u>PART NAME</u>	<u>QTY.</u>	<u>REMARKS</u>
1	D4364000003	FUEL TANK, (DLW-300ES).....	1.....	INCLUDES ITEMS W/\$
1	D4364000203	FUEL TANK, (DLW-300ESA/ESA1)	1.....	INCLUDES ITEMS W/\$
1-1\$	0810100813	CAP AND FILTER, FUEL TANK (DLW-300ES/ESA)	1	
1-2	A9924800024	FUEL TANK CAP ASSY., (DLW-300ESA1).....	1.....	INCLUDES ITEMS W/%
1-2A%	W0810105800	CAP, FUEL TANK, (DLW-300ESA1)	1	
1-2B%	W0810105900	FILTER, FUEL TANK, (DLW-300ESA1)	1	
2	B9312400004	RUBBER SEAL	1	
3	7812014003	DRAIN JOINT	1	
4	0802011104	PLUG	1	
5	0150000018	O-RING	1	
6	0016906020	HEX. HEAD BOLT (DLW-300ES)	2	
6	0016906015	HEX. HEAD BOLT (DLW-300ESA/ESA1)	2	
7	0199901100	DRAIN HOSE	1	
8	0605515094	HOSE BAND	6	
9	1553143012	FUEL FILTER.....	1.....	INCLUDES ITEMS W/# REPLACES P/N 0602042460
9A#	1523143563	ELEMENT, FUEL FILTER	1.....	REPLACES P/N 0602042171
10	D3368700204	BRACKET, FUEL FILTER	1	
11	0016906016	HEX.HEAD BOLT, (DLW-300ES)	1	
11	0016906015	HEX.HEAD BOLT, (DLW-300ESA/ESA1)	1	
12	0016908065	HEX.HEAD BOLT, (DLW-300ES)	2	
12	0016908070	HEX.HEAD BOLT, (DLW-300ESA/ESA1)	2	
13	0199900300	SUCTION HOSE	1	
14	0199900400	SUCTION HOSE	1	
15	0199700400	RETURN HOSE	1	
16	0199700260	RETURN HOSE	1	
17	0605515093	HOSE BAND	6	
18	0264201070	HOSE, FUEL GAUGE	1	
19	7815511203	BRACKET, FUEL GAUGE	1	
20	0028104012	MACHINE SCREW (DLW-300ES)	2	
20	0029104012	MACHINE SCREW (DLW-300ESA/ESA1)	2	
21	0016908020	HEX. HEAD BOLT, (DLW-300ESA/ESA1)	4	

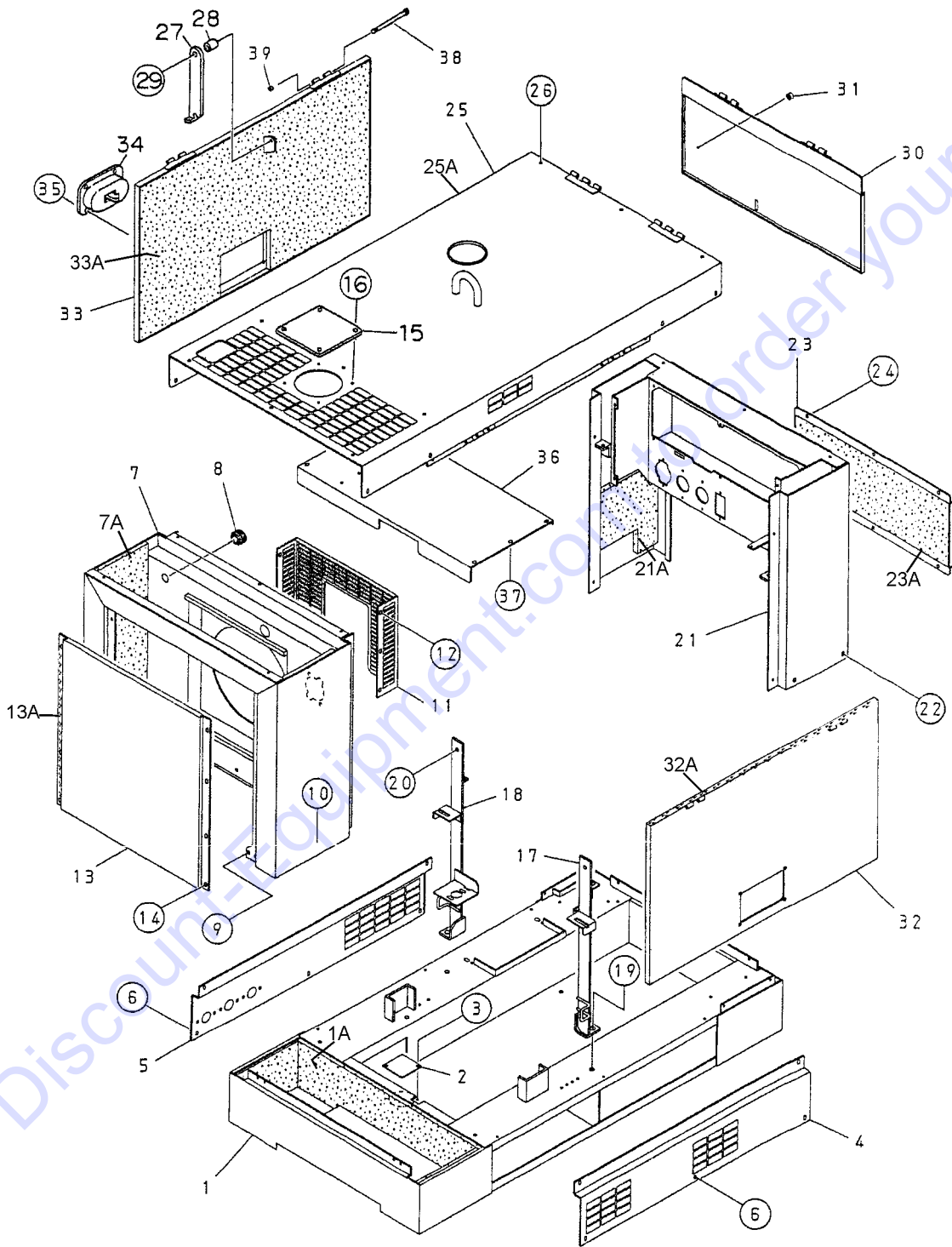
DLW-300ES/ESA/ESA1 — ENCLOSURE ASSY.



DLW-300ES/ESA/ESA1 — ENCLOSURE ASSY.

<u>NO.</u>	<u>PART NO.</u>	<u>PART NAME</u>	<u>QTY.</u>	<u>REMARKS</u>
1	D4414000302	BASE (DLW-300ES)	1	
1	D4414000702	BASE (DLW-300ESA/ESA1)	1	
1A	D4494000403	LINING (DLW-300ES)	1	
1A	D4494000903	LINING (DLW-300ESA/ESA1)	1	
2	D3414800104	FLOOR PANEL	1	
3	0016906016	HEX. HEAD BOLT (DLW-300ES)	2	
3	0016906015	HEX. HEAD BOLT (DLW-300ESA/ESA1)	2	
4	D4414300603	SPLASHER PANEL (DLW-300ES)	1	
4	D4414301003	SPLASHER PANEL (DLW-300ESA/ESA1)	1	
5	D4414300303	SPLASHER PANEL (DLW-300ES)	1	
5	D4414300903	SPLASHER PANEL (DLW-300ESA/ESA1)	1	
6	0016906016	HEX. HEAD BOLT (DLW-300ES)	16	
6	0016906015	HEX. HEAD BOLT (DLW-300ESA/ESA1)	16	
7	D4424000602	FRONT FRAME	1	
7A	D4494100303	LINING	2	
8	0601850239	GROMMET	1	
9	0016906016	HEX. HEAD BOLT (DLW-300ES)	2	
9	0016906015	HEX. HEAD BOLT (DLW-300ESA/ESA1)	2	
10	0016908020	HEX. HEAD BOLT	2	
11	D4311200103	FAN GUARD	1	
12	0016906016	HEX. HEAD BOLT (DLW-300ES)	6	
12	0016906015	HEX. HEAD BOLT (DLW-300ESA/ESA1)	6	
13	D4424200303	COVER, FRONT FRAME	1	
13A	D4494100303	LINING	1	
14	0016906016	HEX. HEAD BOLT (DLW-300ES)	8	
14	0016906015	HEX. HEAD BOLT (DLW-300ESA/ESA1)	8	
15	D4425200804	COVER, RADIATOR CAP	1	
16	0016906016	HEX. HEAD BOLT (DLW-300ES)	4	
16	0016906015	HEX. HEAD BOLT (DLW-300ESA/ESA1)	4	
17	D4434300403	HANGER (DLW-300ES)	1	
17	D4434300803	HANGER (DLW-300ESA/ESA1)	1	
18	D4434300503	HANGER	1	
19	0012312030	HEX. HEAD BOLT	2	
20	0012312030	HEX. HEAD BOLT	2	

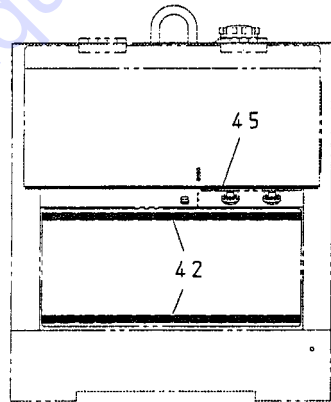
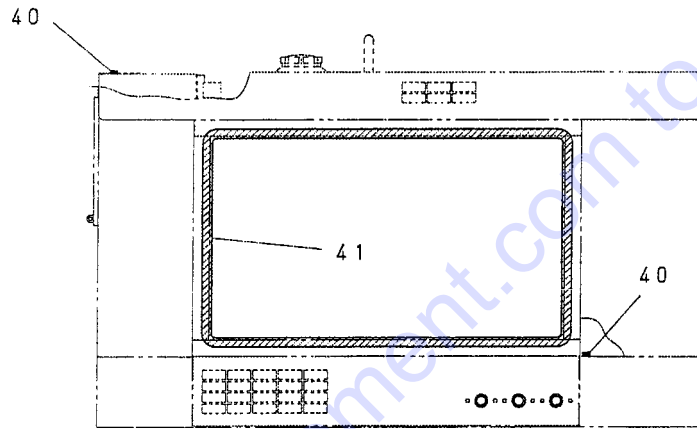
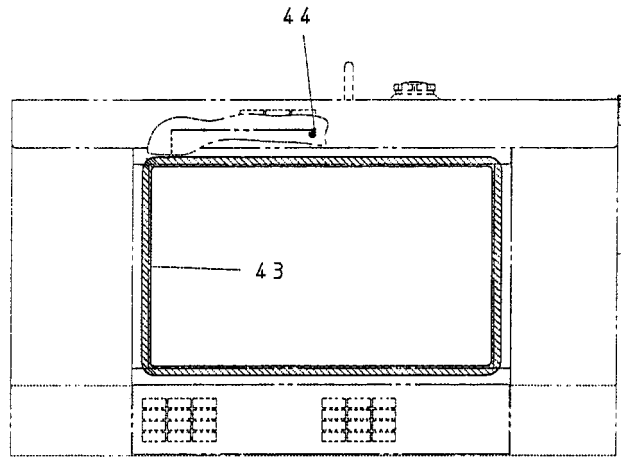
DLW-300ES/ESA/ESA1 — ENCLOSURE ASSY. (CONT.)



DLW-300ES/ESA/ESA1 — ENCLOSURE ASSY. (CONT.)

NO.	PART NO.	PART NAME	QTY.	REMARKS
21	D4477000802	REAR FRAME (DLW-300ES)	1	
21	D4444001002	REAR FRAME (DLW-300ESA)	1	
21	D4444001002	REAR FRAME (DLW-300ESA1)	1	S/N 5655215 AND BELOW
21	D4444001012	REAR FRAME (DLW-300ESA1)	1	S/N 5655216 AND ABOVE
21A	D4494300604	LINING (DLW-300ES)	1	
21A	D4494301304	LINING (DLW-300ESA/ESA1)	1	
22	0016906016	HEX. HEAD BOLT (DLW-300ES)	4	
22	0016906015	HEX. HEAD BOLT (DLW-300ESA/ESA1)	4	
23	D4444300404	COVER, REAR FRAME	1	
23	D4444300604	COVER, REAR FRAME	1	
23A	D4494300504	LINING (DLW-300ES)	1	
23A	D4494301404	LINING (DLW-300ESA/ESA1)	1	
24	0016906016	HEX. HEAD BOLT (DLW-300ES)	6	
24	0016906015	HEX. HEAD BOLT (DLW-300ESA/ESA1)	8	
25	D4464000302	ROOF PANEL (DLW-300ES)	1	
25	D4464000502	ROOF PANEL (DLW-300ESA/ESA1)	1	
25A	D4494500204	LINING (DLW-300ES)	1	
25A	D4494500704	LINING (DLW-300ESA/ESA1)	1	
26	0016906016	HEX. HEAD BOLT (DLW-300ES)	17	
26	0016906015	HEX. HEAD BOLT (DLW-300ESA/ESA1)	21	
27	7835186014	DOOR STAY	2	
28	7835088004	COLLAR	2	
29	0017108030	HEX. HEAD BOLT (DLW-300ES)	1	
29	0017108030	HEX. HEAD BOLT (DLW-300ESA/ESA1)	2	
30	D4444200203	REAR DOOR (DLW-300ES)	1	
30	D4444200303	REAR DOOR (DLW-300ESA/ESA1)	1	
31	0601851613	RUBBER STOPPER	2	
32	D4454000603	SIDE DOOR	1	
32A	D4494400604	LINING (DLW-300ES)	1	
32A	D4494401604	LINING (DLW-300ESA/ESA1)	1	
33	D4454000503	SIDE DOOR (DLW-300ES)	1	
33	D4454000903	SIDE DOOR (DLW-300ESA/ESA1)	1	
33A	D4494400604	LINING (DLW-300ES)	1	
33A	D4494401604	LINING (DLW-300ESA/ESA1)	1	
34	B9114000002	DOOR HANDLE	2	
35	0021806020	MACHINE SCREW	8	
36	D44644000003	DUCT (DLW-300ES)	1	
37	0016906016	HEX.HEAD BOLT (DLW-300ES)	6	
38	0810014704	PIN	6	
39	0080200004	SNAP RING	6	

DLW-300ES/ESA/ESA1 — RUBBER SEALS ASSY.

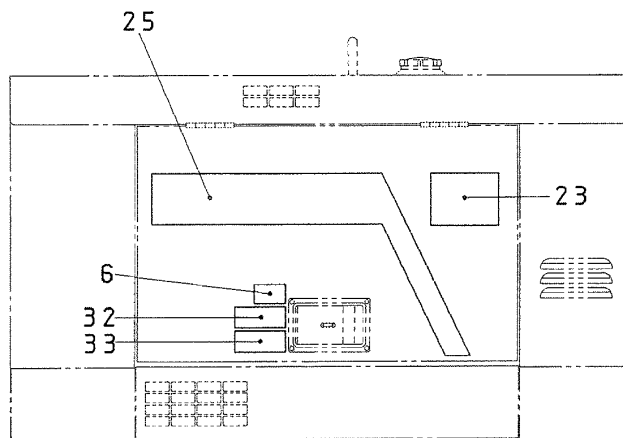
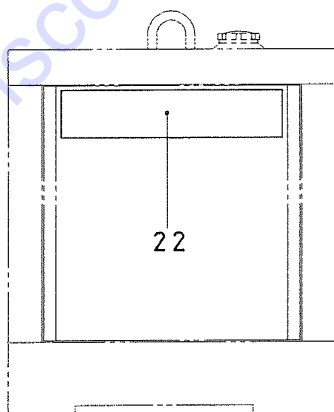
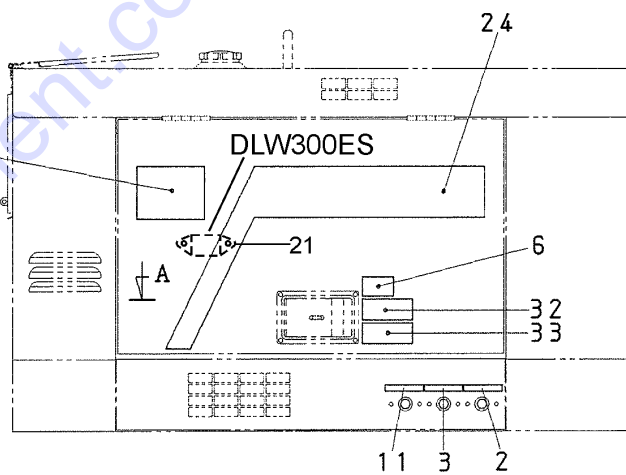
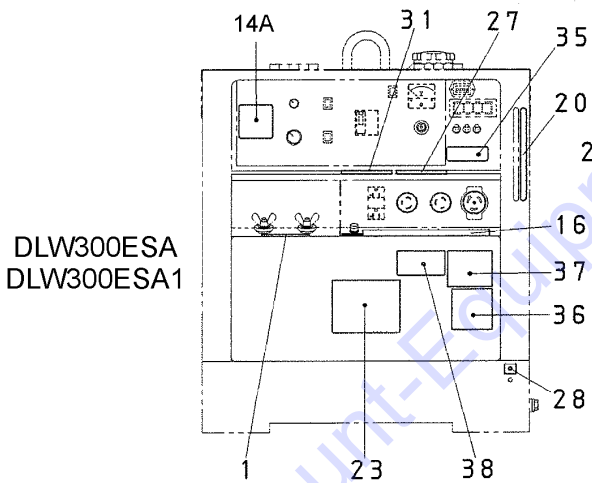
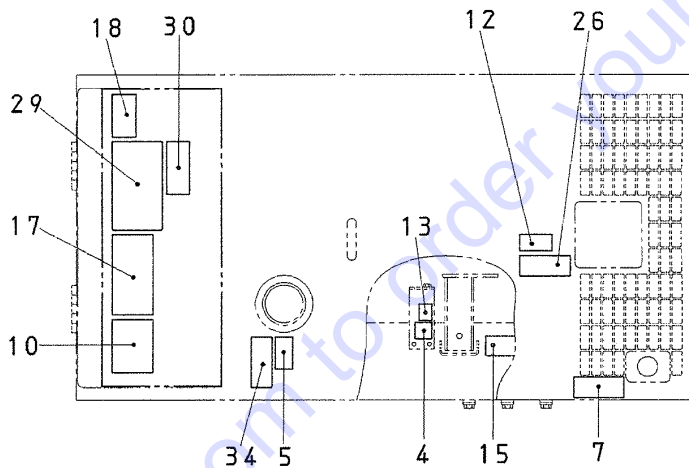
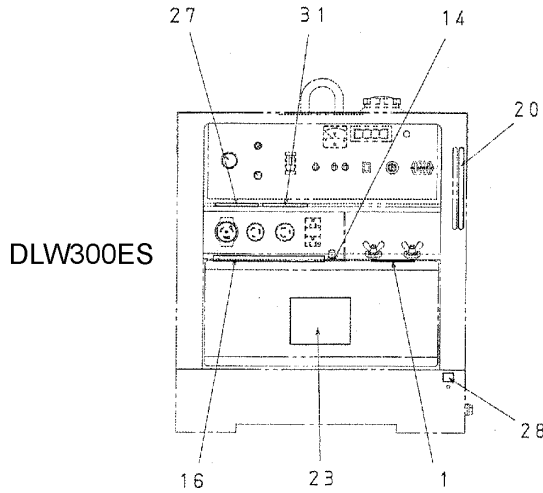
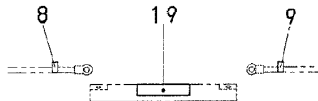


DLW-300ES/ESA/ESA1 — RUBBER SEALS ASSY.

<u>NO.</u>	<u>PART NO.</u>	<u>PART NAME</u>	<u>QTY.</u>	<u>REMARKS</u>
40	0314900680	RUBBER SEAL	2	
41	0314602390	RUBBER SEAL (DLW-300ES)	1	
41	0314602370	RUBBER SEAL (DLW-300ESA/ESA1)	1	
42	0314900550	RUBBER SEAL (DLW-300ES)	2	
42	0228300560	RUBBER SEAL (DLW-300ESA/ESA1)	2	
43	0314602345	RUBBER SEAL	1	
44	0314900620	RUBBER SEAL (DLW-300ES)	1	
44	0228300215	RUBBER SEAL (DLW-300ESA/ESA1)	2	
45	0226900620	RUBBER SEAL	1	

Go to Discount-Equipment.com to order your parts

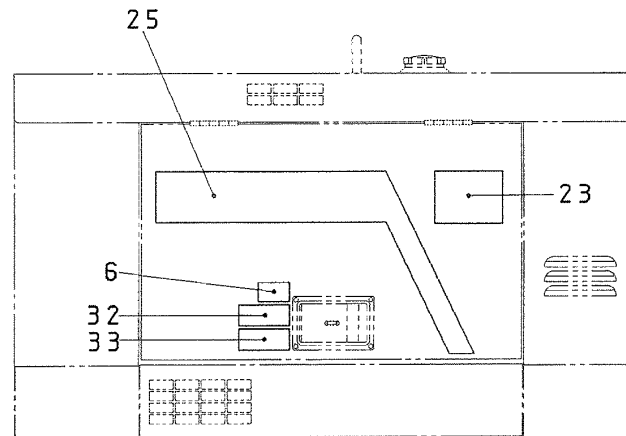
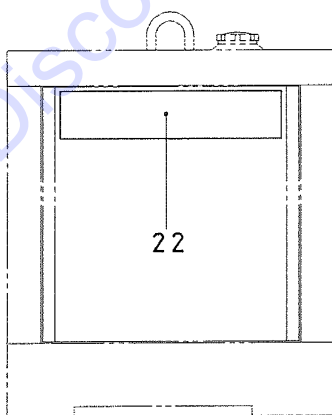
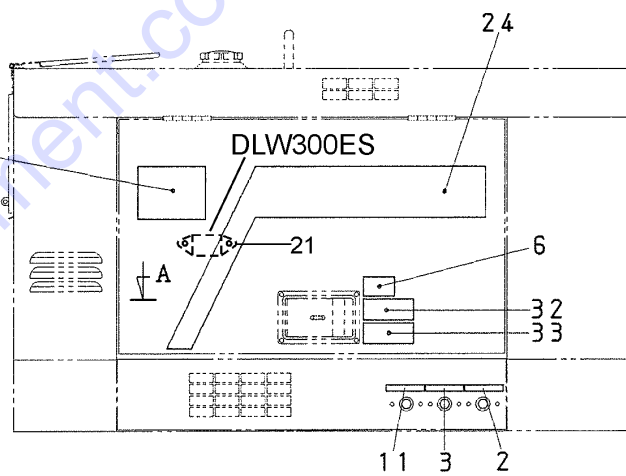
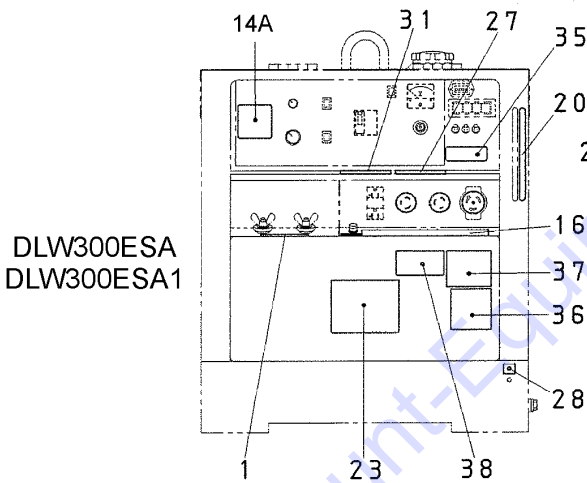
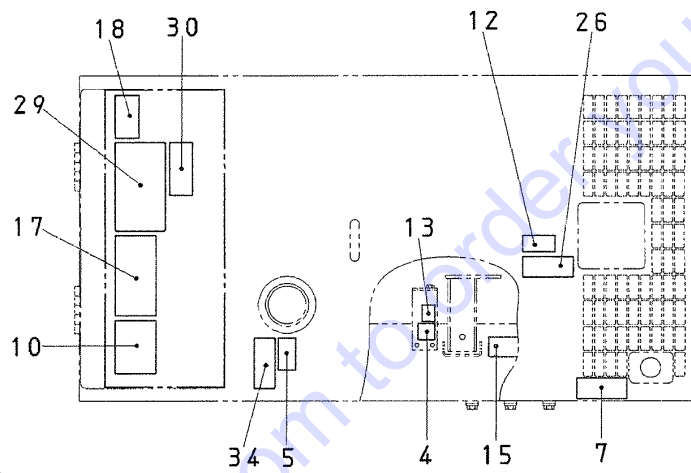
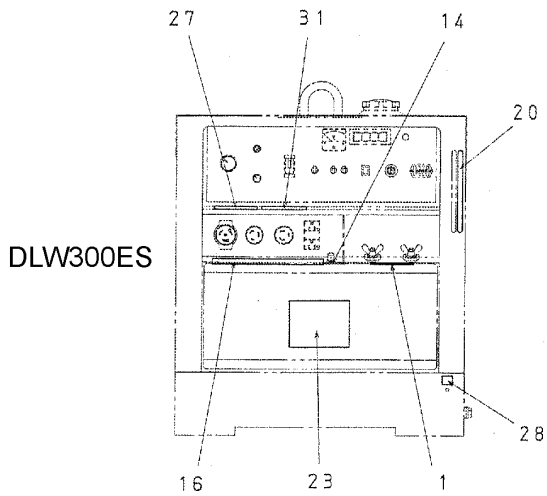
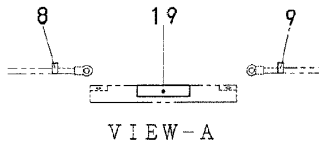
DLW-300ES/ESA/ESA1 — NAMEPLATE AND DECALS ASSY.



DLW-300ES/ESA/ESA1 — NAMEPLATE AND DECALS ASSY.

<u>NO.</u>	<u>PART NO.</u>	<u>PART NAME</u>	<u>QTY.</u>	<u>REMARKS</u>
1	0800690804	DECAL: WELDING OUTPUT TERMINAL.....	1.....	S-1238A
2	1630645004	DECAL: OIL DRAIN	1.....	S-1403
3	1630647004	DECAL: COOLANT DRAIN.....	1.....	S-1404
4	1630610404	DECAL: CAUTION, FUEL FILTER.....	1.....	S-1406
5	1630680004	DECAL: USE #2 DIESEL FUEL ONLY	1.....	S-1408 (DLW-300ES)
5	B9504501204	DECAL: USE #2 DIESEL FUEL ONLY	1.....	S-1408 (DLW-300ESA)
5	B9504501204	DECAL: USE #2 DIESEL FUEL ONLY	1.....	B90450120, (DLW-300ESA1) S/N 5647004 AND BELOW
5	B9504501214	DECAL: USE #2 DIESEL FUEL ONLY	1.....	B90450121, (DLW-300ESA1) S/N 5647005 AND ABOVE
6	1630610504	DECAL: CAUTION, DOOR	2.....	S-1409
7	8700611804	DECAL: WARNING, EXHAUST GAS.....	1.....	S-4984
8	0800689404	DECAL: BATTERY CABLE (+).....	1.....	S-2090
9	0800689504	DECAL: BATTERY CABLE (-).....	1.....	S-2091
10	6390671104	DECAL: IMPORTANT "CHECK DAILY"	1.....	S-2377
11	7810680104	DECAL: FUEL DRAIN	1.....	S-3060
12	7810680204	DECAL: COOLING WATER	1.....	S-3061
13	1630680104	DECAL: FUEL COCK.....	1.....	S-1407
14	7670624004	DECAL: GROUND FOR G. F. C. I.....	1.....	S-3821, (DLW-300ES)
14A	D4551002403	DECAL: CONTROL PANEL	1.....	(DLW-300ESA/ESA1)
15	8700611524	DECAL: CAUTION, OIL REFUELING.....	1.....	S-4926B
16	8700620113	DECAL: AC POWER OUTPUT	1.....	S-4935A (DLW-300ES)
16	D5551001703	DECAL: AC POWER OUTPUT	1.....	D55100170 (DLW-300ESA)
16	D5551001703	DECAL: AC POWER OUTPUT	1.....	D55100170 (DLW-300ESA1)
16	D4551002603	DECAL: AC POWER OUTPUT	1.....	S/N 5611920 AND BELOW D45100260 (DLW-300ESA1)
16	D4551002603	DECAL: AC POWER OUTPUT	1.....	S/N 5611921 AND ABOVE
17	8700611613	DECAL: OPERATING PROCEDURE	1.....	S-4937A
18	0820610404	DECAL: WARNING, GENERATOR.....	1.....	S-3627
19	0820650604	DECAL: CAUTION, BATTERY (YUASA).....	1.....	ST-CL7B
20	8700615204	DECAL: FUEL GAUGE	1.....	S-4638A

DLW-300ES/ESA/ESA1 — NAMEPLATE AND DECALS ASSY.



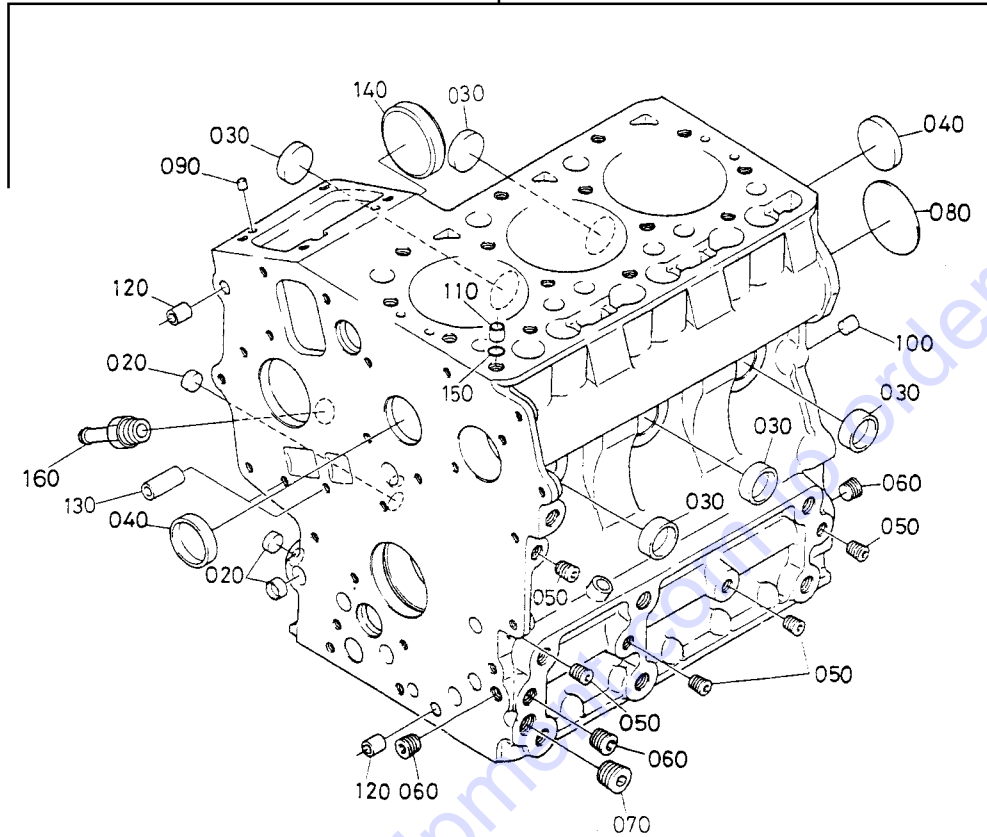
DLW-300ES/ESA/ESA1 — NAMEPLATE AND DECALS ASSY.

NO.	PART NO.	PART NAME	QTY.	REMARKS
21	8700625504	DECAL: FUSE BOX	1.....	S-4936, (DLW-300ES)
22	D4562000502	DECAL: STICKER.....	1.....	D46200050 (DLW-300ES)
22	D4561000302	DECAL: STICKER.....	1.....	D46100030 (DLW-300ESA/ESA1)
23	D3561000104	STRIPE: MQ POWER	3	
24	D4561100303	STRIPE: A.....	1.....	(DLW-300ES)
24	D4561100403	STRIPE: A.....	1.....	(DLW-300ESA/ESA1)
25	D4561100403	STRIPE: B.....	1.....	(DLW-300ES)
25	D4561100303	STRIPE: A.....	1.....	(DLW-300ESA/ESA1)
26	B9514100104	DECAL: RADIATOR CAP.....	1.....	B91410010 (DLW-300ES)
26	B9504100104	DECAL: RADIATOR CAP.....	1.....	B90410010 (DLW-300ESA/ESA1)
27	8700611904	DECAL: WARNING ELECT SHOCK HAZARD..	1.....	S-4985
28	0800628504	DECAL: GROUND	1.....	S-1123
29	D9512100203	DECAL: WARNING (ARC).....	1.....	B91210020
30	D9522100204	DECAL: WARNING (PROPOSITION 65).....	1.....	D92210020
31	B9511100304	DECAL: WARNING	1.....	B91110030
32	B9504000304	DECAL: CAUTION, HOT PARTS	1.....	B90400030
33	B9504000404	DECAL: CAUTION, MOVING PARTS	1.....	B90400040
34	B9504500004	DECAL: WARNING, DIESEL FUEL	1.....	B90450000
35	D4551001204	DECAL: OUTPUT LIMIT	1.....	D45100120,(DLW-300ES)
35	D4551002304	DECAL: OUTPUT LIMIT	1.....	D45100230,(DLW-300ESA/ESA1)
36	D9531100004	DECAL: DANGER ELECTROCUTION	1.....	D93110000,(DLW-300ESA/ESA1)
37	A9504000014	DECAL: WARNING, EXHAUST GAS.....	1.....	A90400001,(DLW-300ESA/ESA1)
38	M9504200004	DECAL: WARNING START FIRES	1.....	M90420000,(DLW-300ESA1) S/N 5619868 AND ABOVE

KUBOTA D722E2B/E3B — CRANKCASE ASSY.

010

DOES NOT INCLUDE ITEMS 150 AND 160

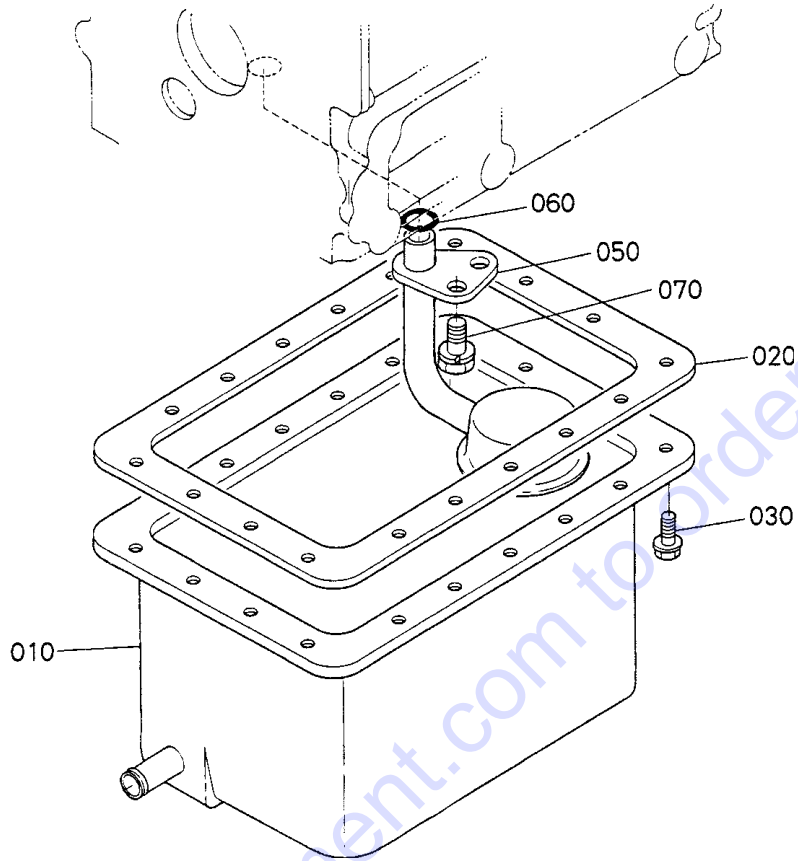


KUBOTA D722E2B/E3B — CRANKCASE ASSY.

<u>NO.</u>	<u>PART NO.</u>	<u>PART NAME</u>	<u>QTY.</u>	<u>REMARKS</u>
010	1687301018	CRANKCASE COMPLETE	1.....	INCLUDES ITEMS W/# D722-E2B ONLY
010	1687301020	CRANKCASE COMPLETE.....	1.....	INCLUDES ITEMS W/# D722-E3B ONLY
020#	1685196260	CAP, SEALING	3	
030#	1685196270	CAP, SEALING	5	
040#	1545196270	CAP, SEALING	2	
050#	1526196010	PLUG	5	
060#	1552196020	PLUG	3	
070#	1552196030	PLUG	1	
080#	1526196160	PLUG, EXPANSION	1	
090#	0501200508	PIN, STRAIGHT	2	
100#	0501200814	PIN, STRAIGHT	2	
110#	1522133650	PIN, PIPE	1	
120#	1523133960	PIN, PIPE	2	
130#	1733159190	PIN, PIPE	2	
140#	1685116212	COVER, FUEL CAMSHAFT	1	
150	1522133700	O-RING	1.....	D722-E2B ONLY
160	1584773130	JOINT, DRAIN PIPE	1	

Go to Discount-Equipment.com to order your parts

KUBOTA D722E2B/E3B — OIL PAN ASSY.

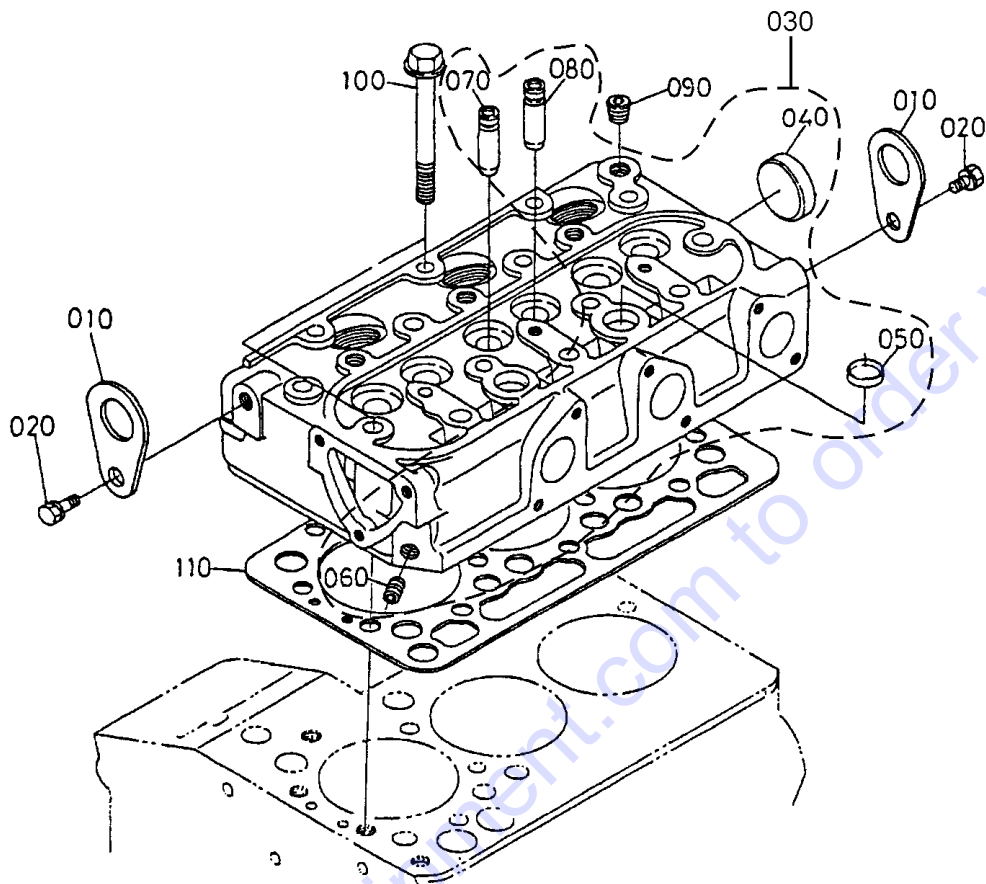


KUBOTA D722E2B/E3B — OIL PAN ASSY.

<u>NO.</u>	<u>PART NO.</u>	<u>PART NAME</u>	<u>QTY.</u>	<u>REMARKS</u>
010	1G31801500	OIL PAN COMPLETE	1	
020	1748501620	GASKET, OIL PAN	1.....	D722-E2B ONLY
030	0102350612	BOLT	18.....	D722-E2B ONLY
030	0102350614	BOLT	18.....	D722-E3B ONLY
050	1685132110	FILTER, OIL	1	
060	0481400160	O-RING	1	
070	0112360814	BOLT	1	

Go to Discount-Equipment.com to order your parts

KUBOTA D722E2B/E3B — CYLINDER HEAD ASSY.

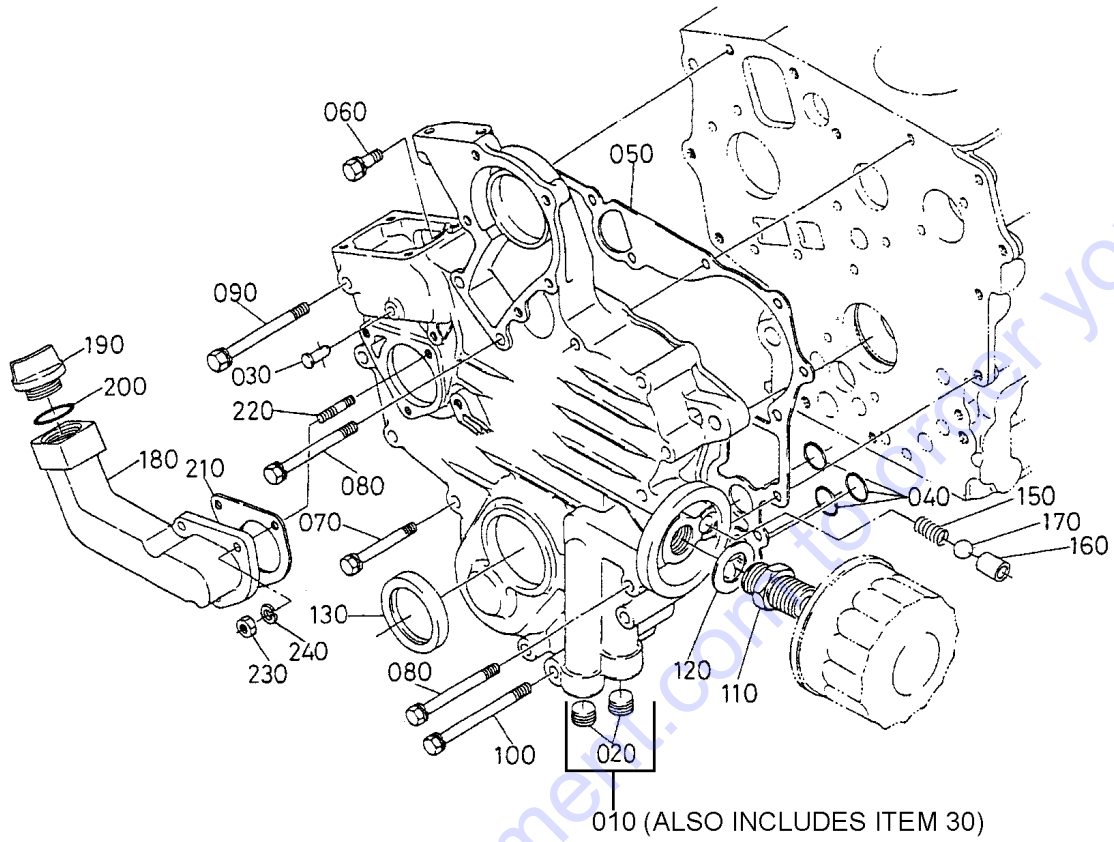


KUBOTA D722E2B/E3B — CYLINDER HEAD ASSY.

<u>NO.</u>	<u>PART NO.</u>	<u>PART NAME</u>	<u>QTY.</u>	<u>REMARKS</u>
010	1522101750	HOOK, ENGINE	2	
020	0112360816	BOLT	2	
030	1G95803040	COMPLETE CYLINDER HEAD	1.....	INCLUDES ITEMS W/#
040#	1532196260	CAP, SEALING	1	
050#	1526103370	CAP, SEALING	2	
060#	1526196010	PLUG	1	
070#	1584113540	GUIDE, INLET VALVE	3	
080#	1584113560	GUIDE, EXHAUST VALVE	3	
090	1584196020	PLUG	1	
100	1460103450	BOLT, CYLINDER HEAD	14	
110	1687103310	GASKET, CYLINDER HEAD	1	

Go to Discount-Equipment.com to order your parts

KUBOTA D722E2B/E3B — GEAR CASE ASSY.



PARTS FINDER

**Search Website
by Part Number**



**Search Manual
Library For Parts
Manual & Lookup Part
Numbers – Purchase
or Request Quote**

Search Manuals

Enter your information to help us find the right parts manual for your machine.

* Brand:

* Model:

* Serial:

* Part Number:

SEARCH

**Can't Find Part or
Manual? Request Help
by Manufacturer,
Model & Description**

Parts Order Form

Please fill in the following information to help us find the right part for your machine.

Manufacturer:	<input type="text"/>
Model:	<input type="text"/>
Description:	<input type="text"/>
Part Number:	<input type="text"/>
Quantity:	<input type="text"/>
Notes:	<input type="text"/>

Submit

Discount-Equipment.com is your online resource for quality parts & equipment.

Florida: **561-964-4949** Outside Florida TOLL FREE: **877-690-3101**

Need parts?

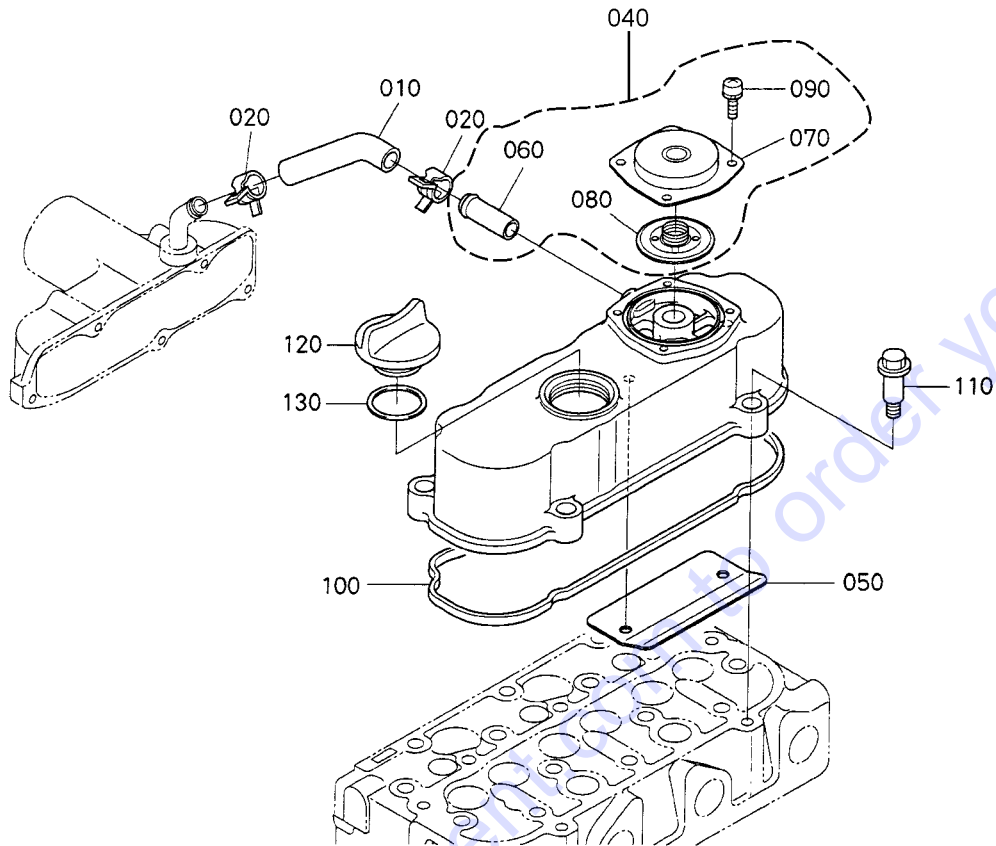
Click on this link: <http://www.discount-equipment.com/category/5443-parts/> and choose one of the options to help get the right parts and equipment you are looking for. Please have the machine model and serial number available in order to help us get you the correct parts. If you don't find the part on the website or on one of the online manuals, please fill out the request form and one of our experienced staff members will get back to you with a quote for the right part that your machine needs.

We sell worldwide for the brands: Genie, Terex, JLG, MultiQuip, Mikasa, Essick, Whiteman, Mayco, Toro Stone, Diamond Products, Generac Magnum, Airman, Haulotte, Barreto, Power Blanket, Nifty Lift, Atlas Copco, Chicago Pneumatic, Allmand, Miller Curber, Skyjack, Lull, Skytrak, Tsurumi, Husquvarna Target, Stow, Wacker, Sakai, Mi-T-M, Sullair, Basic, Dynapac, MBW, Weber, Bartell, Bennar Newman, Haulotte, Ditch Runner, Menegotti, Morrison, Contec, Buddy, Crown, Edco, Wyco, Bomag, Laymor, EZ Trench, Bil-Jax, F.S. Curtis, Gehl Pavers, Heli, Honda, ICS/PowerGrit, IHI, Partner, Imer, Clipper, MMD, Koshin, Rice, CH&E, General Equipment, Amida, Coleman, NAC, Gradall, Square Shooter, Kent, Stanley, Tamco, Toku, Hatz, Kohler, Robin, Wisconsin, Northrock, Oztec, Toker TK, Rol-Air, APT, Wylie, Ingersoll Rand / Doosan, Innovatech, Con X, Ammann, Mecalac, Makinex, Smith Surface Prep, Small Line, Wanco, Yanmar

KUBOTA D722E2B/E3B — GEAR CASE ASSY.

<u>NO.</u>	<u>PART NO.</u>	<u>PART NAME</u>	<u>QTY.</u>	<u>REMARKS</u>
010	1687504024	GEAR CASE COMPLETE	1.....	INCLUDES ITEMS W/# D722-E2B ONLY
010	1E05104024	GEAR CASE COMPLETE	1.....	INCLUDES ITEMS W/# D722-E3B ONLY
020#	1552196030	PLUG	2	
030#	1584156280	PIN, START SPRING	2	
040	0481406130	O-RING	3.....	D722-E2B ONLY
050	1586204132	GASKET, GEAR CASE.....	1.....	D722-E2B ONLY
050	1687104130	GASKET, GEAR CASE.....	1.....	D722-E3B ONLY
060	0102350618	BOLT	1	
070	0102360650	BOLT	8	
080	1584191010	BOLT	5	
090	0102360670	BOLT	1	
100	0102350675	BOLT	1	
110	1524132290	JOINT, PIPE	1	
120	1584194010	WASHER, FLAT	1	
130	1587704140	SEAL, OIL	1	
150	1685136950	SPRING	1	
160	1584136930	SEAT, VALVE	1	
170	0771503211	BALL	1	
180	1584633110	FLANGE, OIL FILLER	1	
190	1381133140	PLUG, OIL FILLER	1	
200	0481706230	O-RING	1	
210	1946188132	GASKET, H/M GEAR CASE	1	
220	1522188210	STUD	3	
230	0205650060	NUT	3	
240	0451260060	WASHER, LOCK	3	

KUBOTA D722E2B/E3B — HEAD COVER ASSY.

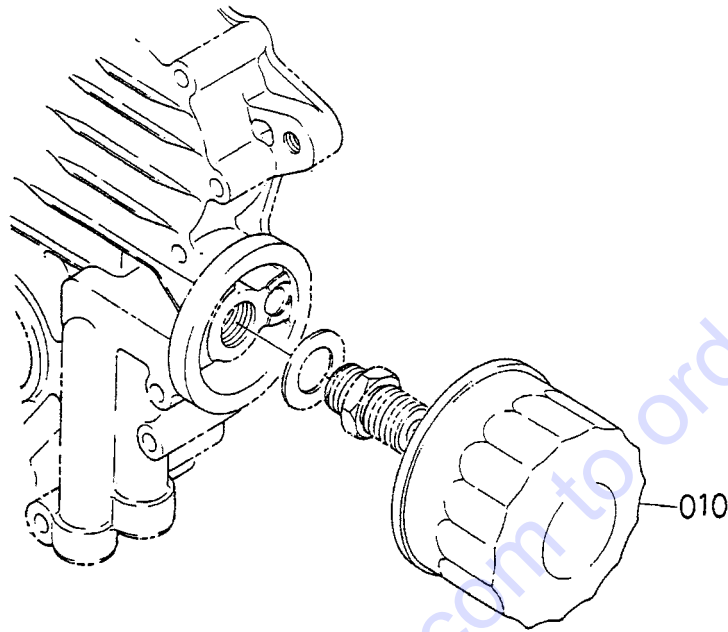


KUBOTA D722E2B/E3B — HEAD COVER ASSY.

<u>NO.</u>	<u>PART NO.</u>	<u>PART NAME</u>	<u>QTY.</u>	<u>REMARKS</u>
010	1G95805512	TUBE, BREATHER	1	
020	0931888125	CLAMP, HOSE	2	
040	1G95814503	1.....	INCLUDES ITEMS W/#
			INCLUDES ITEMS W/#
			D722-E2B ONLY
040	1G95814504	COVER CYLINDER HEAD ASSY.....	1.....	D722-E3B ONLY
050#	1G95805370	SHIELD, BREATHER.....	1.....	D722-E2B ONLY
050#	1G95814512	COVER, CYLINDER HEAD.....	1.....	D722-E3B ONLY
060#	1624173370	PIPE, WATER RETURN	1	
070#	1G80105120	COVER, BREATHER	1	
080#	1G91105203	COMPLETE VALVE BREATHER	1	
090#	0302450510	SCREW, W/WASHER	4	
100	1G95814520	GASKET, HEAD COVER	1	
110	1G91191022	BOLT	4	
120	E915133140	PLUG, OIL FILLER	1	
130	0481450300	O-RING	1	

Go to Discount-Equipment.com to order your parts

KUBOTA D722E2B/E3B — OIL FILTER ASSY.



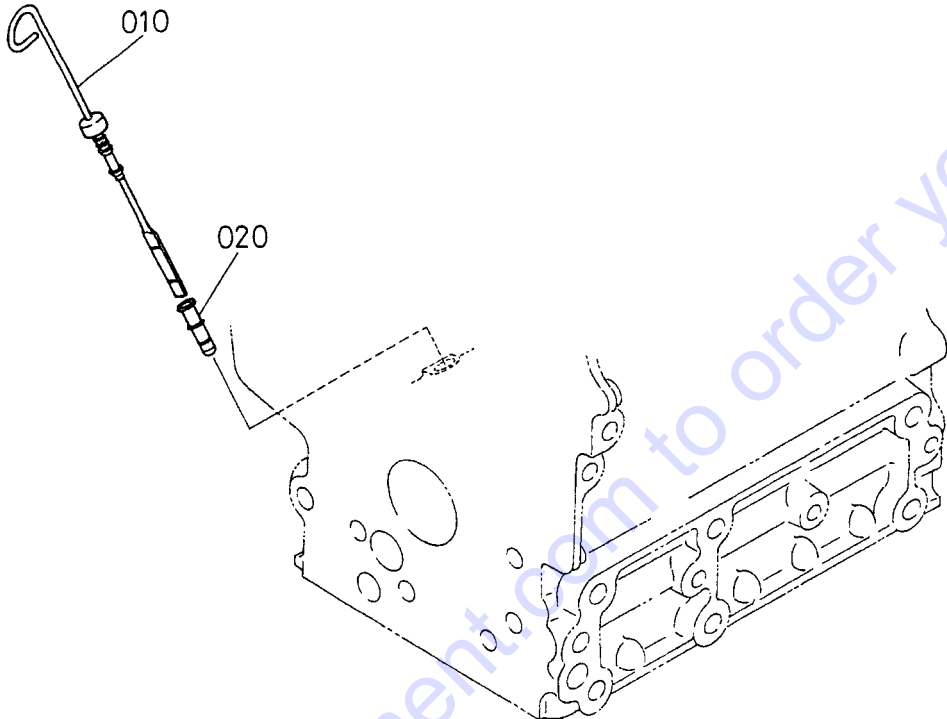
Go to Discount-Equipment.com to order your parts

KUBOTA D722E2B/E3B — OIL FILTER ASSY.

<u>NO.</u>	<u>PART NO.</u>	<u>PART NAME</u>	<u>QTY.</u>	<u>REMARKS</u>
010	1524132090	ASSY. CARTRIDGE, OIL	1	D722-E2B ONLY
010	1524132094	ASSY. CARTRIDGE, OIL	1	D722-E3B ONLY

Go to Discount-Equipment.com to order your parts

KUBOTA D722E2B/E3B — DIPSTICK AND GUIDE ASSY.



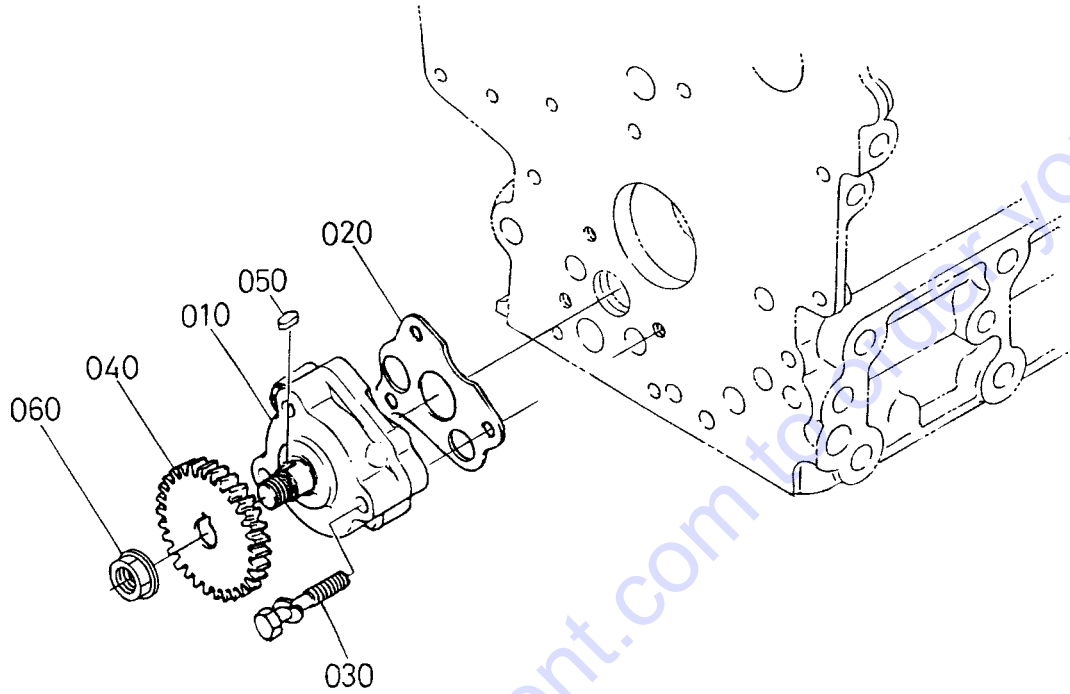
Go to Discount-Equipment.com to order your parts

KUBOTA D722E2B/E3B — DIPSTICK AND GUIDE ASSY.

<u>NO.</u>	<u>PART NO.</u>	<u>PART NAME</u>	<u>QTY.</u>	<u>REMARKS</u>
010	1K17936410	GAUGE, OIL	1	
020	1745636420	GUIDE, OIL GAUGE	1	

Go to Discount-Equipment.com to order your parts

KUBOTA D722E2B/E3B — OIL PUMP ASSY.

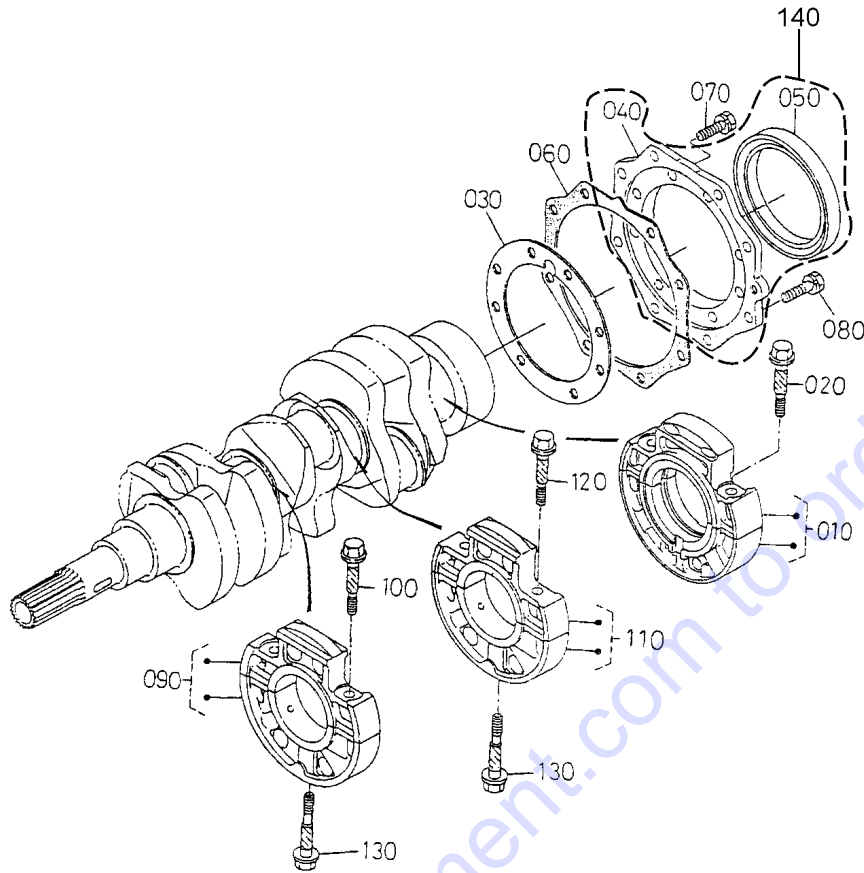


KUBOTA D722E2B/E3B — OIL PUMP ASSY.

<u>NO.</u>	<u>PART NO.</u>	<u>PART NAME</u>	<u>QTY.</u>	<u>REMARKS</u>
010	1685135012	PUMP, OIL ASSY.	1	
020	1685135152	GASKET, OIL PUMP NA	1	
030	1584191050	BOLT	3	
040	1584135660	GEAR, OIL PUMP DRIVE	1	
050	0571200408	KEY, FEATHER	1	
060	0278350100	NUT, FLANGE	1	

Go to Discount-Equipment.com to order your parts

KUBOTA D722E2B — MAIN BEARING CASE ASSY.

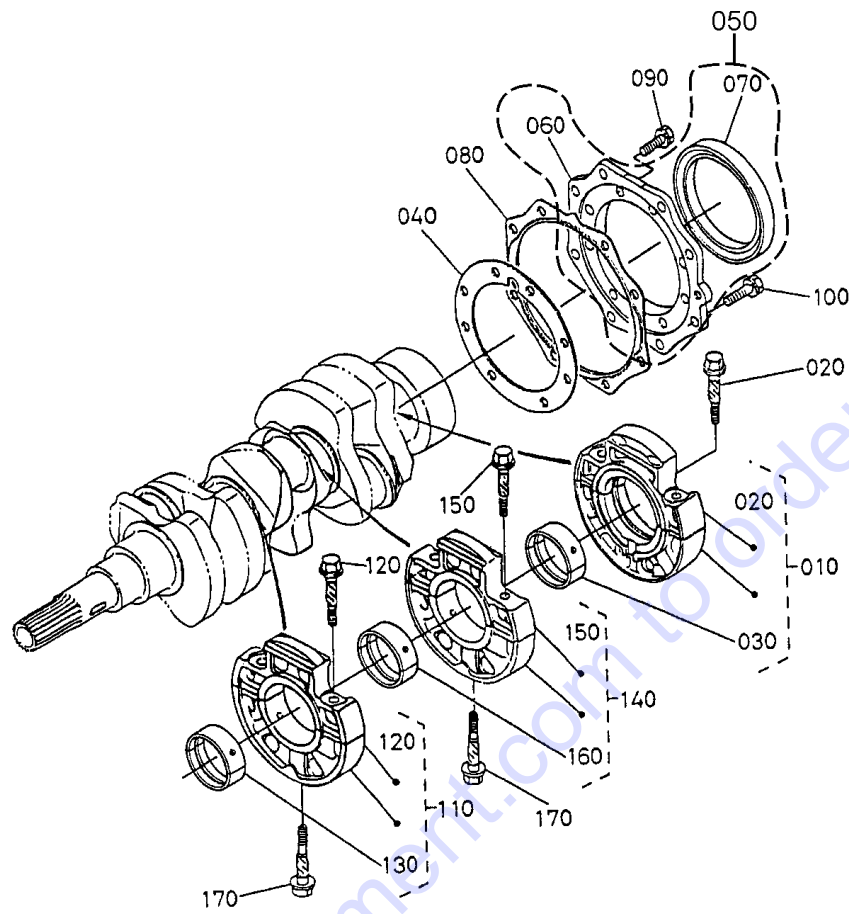


KUBOTA D722E2B — MAIN BEARING CASE ASSY.

<u>NO.</u>	<u>PART NO.</u>	<u>PART NAME</u>	<u>QTY.</u>	<u>REMARKS</u>
010	1685104092	CASE MAIN BEARING CASE, ASSY.	1	
020	1584104540	BOLT, BEARING CASE	2	
030	1585204360	GASKET, BEARING CASE	1	
040#	1584104803	COVER, BEARING CASE ASSY.	1	
050#	1921599160	SEAL, OIL	1	
060	1584104822	GASKET	1	
070	0102350620	BOLT	8	
080	0102350622	BOLT	8	
090	1685104040	CASE, MAIN BEARING ASSY.	1	
100	1584104540	BOLT, BEARING CASE	2	
110	1686104050	CASE, MAIN BEARING ASSY.	1	
120	1584104540	BOLT, BEARING CASE	2	
130	1584104562	BOLT, BEARING CASE	2	
140	1584104803	COVER, BEARING CASE ASSY.....	1.....	INCLUDES ITEMS W/#

Go to Discount-Equipment.com to order your parts

KUBOTA D722E3B — MAIN BEARING CASE ASSY.

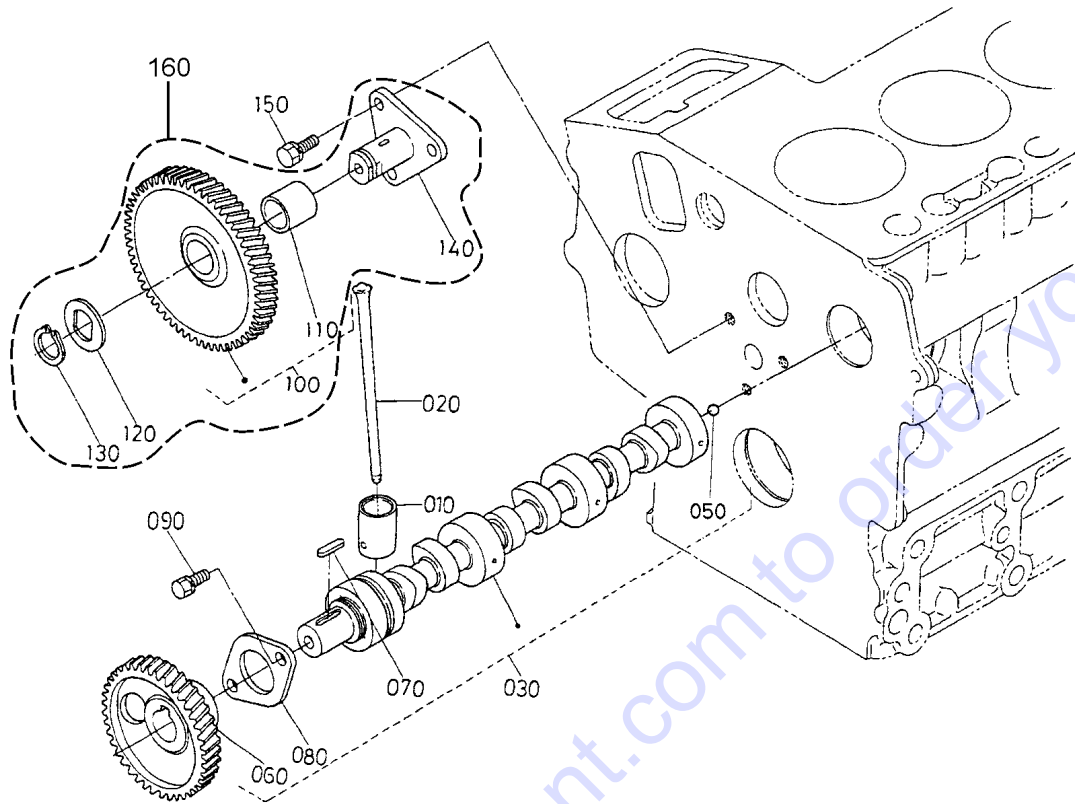


KUBOTA D722E3B — MAIN BEARING CASE ASSY.

<u>NO.</u>	<u>PART NO.</u>	<u>PART NAME</u>	<u>QTY.</u>	<u>REMARKS</u>
010	1685107090	CASE MAIN BEARING, ASSY.....	1.....	INCLUDES ITEMS W/\$
020\$	1584104540	BOLT, BEARING CASE	2	
030\$	1686123480	METAL, CRANKSHAFT M STD.SET	1	
040	1585204360	GASKET, BEARING CASE	1	
050	1584104803	COVER, BEARING CASE ASSY.	1.....	INCLUDES ITEMS W/@
060@	1584104815	COVER, BEARING CASE ASSY.	1	
070@	1921599160	SEAL, OIL	1	
080	1584104823	GASKET, CASE COVER	1	
090	0102350620	BOLT	8	
100	0102350622	BOLT	8	
110	1685107040	CASE MAIN BEARING ASSY.....	1.....	INCLUDES ITEMS W/%
120%	1584104540	BOLT, BEARING CASE	2	
130%	1686123490	METAL, CRANKSHAFT M STD.SET	1	
140	1685107050	CASE, MAIN BEARING ASSY.....	1.....	INCLUDES ITEMS W/#
150#	1584104540	BOLT, BEARING CASE	2	
160#	1686123490	METAL, CRANKSHAFT M STD.SET	1	
170	1584104562	BOLT, BEARING CASE	2	

Go to Discount-Equipment.com to order your parts

KUBOTA D722E2B/E3B — CAMSHAFT AND IDLE GEAR ASSY.

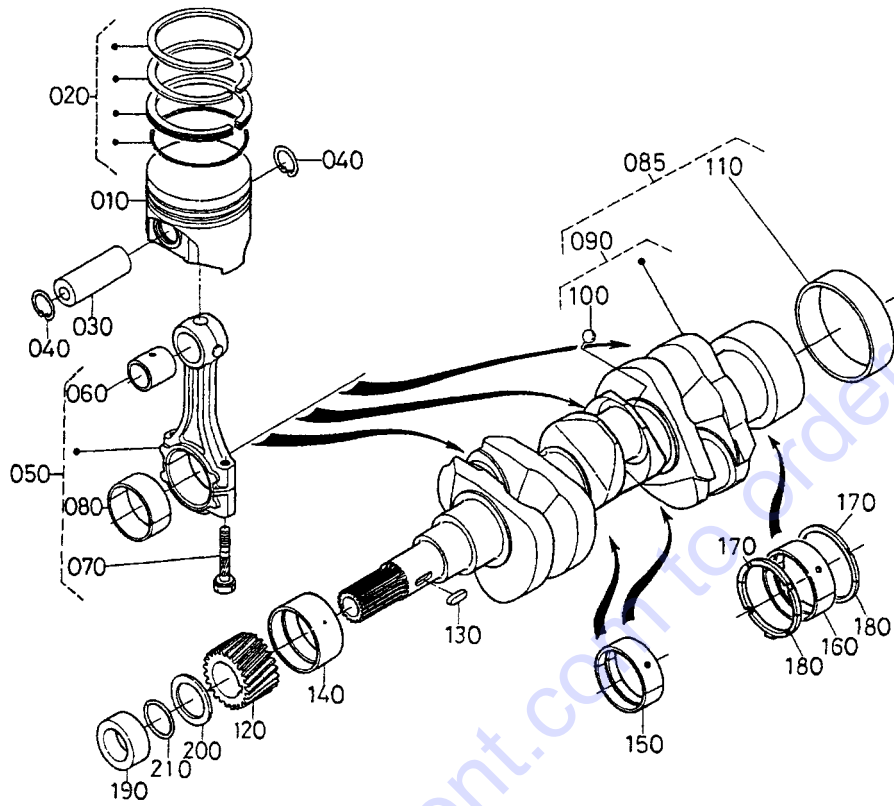


KUBOTA D722E2B/E3B — CAMSHAFT AND IDLE GEAR ASSY.

NO.	PART NO.	PART NAME	QTY.	REMARKS
010	1685115552	TAPPET	6	
020	1685115110	PUSH ROD	6	
030	1686416015	CAMSHAFT ASSY.....	1.....	INCLUDES ITEMS W/%
050%	0771500401	BALL	1	
060%	1686416510	GEAR, CAMSHAFT	1	
070%	0571200518	KEY, FEATHER	1	
080%	1584116270	STOPPER, CAMSHAFT	1	
090	0102350612	BOLT	2	
100#	1587524013	GEAR, IDLE COMP.....	1.....	INCLUDES ITEMS W/\$
110#\$	1587524282	BUSH	1	
120#	1587524370	COLLAR, IDLE GEAR	1	
130#	1587524320	RING, SNAP	1	
140#	1587524250	SHAFT, IDLE GEAR	1	
150	0102350614	BOLT	3	
160	15687599340	IDLE GEAR, ASSY. SER/V	1.....	INCLUDES ITEMS W/#

Go to Discount-Equipment.com to order your parts

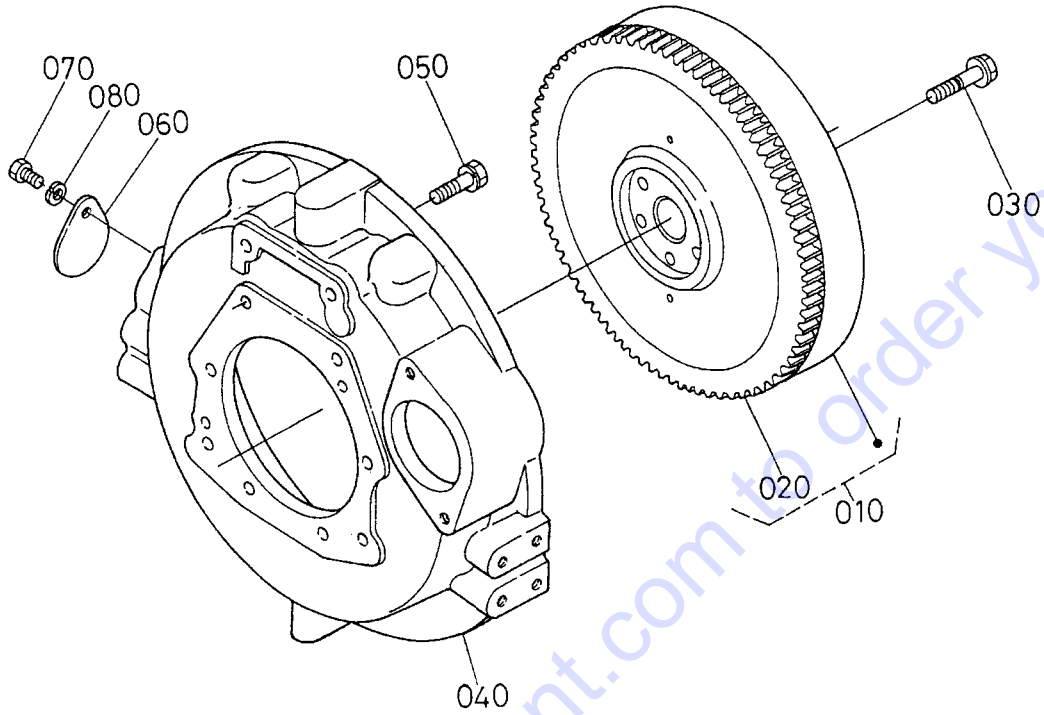
KUBOTA D722E2B/E3B — PISTON AND CRANKSHAFT ASSY.



KUBOTA D722E2B/E3B — PISTON AND CRANKSHAFT ASSY.

NO.	PART NO.	PART NAME	QTY.	REMARKS
010	1685121112	PISTON, (STD.)	3.....	D722-E2B ONLY
010	1685121114	PISTON, (STD.)	3.....	D722-E3B ONLY
010	1685121900	PISTON, (+0.25mm)	3.....	D722-E2B ONLY
010	1685121903	PISTON, (+0.25mm)	3.....	D722-E3B ONLY
020	1685321050	PISTON RING, ASSY. (STD.)	3	
020	1685321090	PISTON RING, ASSY. (+0.25mm)	3	
030	1687121310	PIN, PISTON	3	
040	1526121330	CIR. CLIP, PISTON PIN	6	
050	1685122015	ROD, CONNECTING ASSY.....	3.....	INCLUDES ITEMS W/#
060#	1685121982	BUSH, PISTON PIN	3	
070#	1685122140	BOLT, CONNECTING ROD	6	
080#	1685122320	METAL, CRANKPIN M (STD.)	3	
080#	1586122970	METAL, CRANKPIN (-0.20mm) SET	3	
080#	1586122980	METAL, CRANKPIN (-0.40mm) SET	3	
085	1686323030	CRANKSHAFT, ASSY.....	1.....	INCLUDES ITEMS W/% D722-E2B ONLY
085	1686323032	CRANKSHAFT, ASSY.....	1.....	INCLUDES ITEMS W/\$ D722-E3B ONLY
090%	1686123010	CRANKSHAFT COMPLETE.....	1.....	D722-E2B ONLY@
090\$	1686123012	CRANKSHAFT COMPLETE.....	1.....	D722-E3B ONLY@
100@	0771503207	BALL	3	
110%	1921523280	SLEEVE, CRANKSHAFT	1	
120	1584124110	GEAR, CRANK	1	
130	0571200515	KEY, FEATHER	1	
140	1586123470	METAL, CRANKSHAFT (STD.)	1	
140	1586123910	METAL, CRANKSHAFT (-0.20mm)	1	
140	1586123920	METAL, CRANKSHAFT (-0.40mm)	1	
150	1686123490	METAL, CRANKSHAFT M (STD.)	2	
150	1586123860	METAL, CRANKSHAFT (-0.20mm) SET	2	
150	1586123870	METAL, CRANKSHAFT (-0.40mm) SET	2	
160	1686123480	METAL, CRANKSHAFT M (STD.)	1	
160	1569423930	METAL, CRANKSHAFT (-0.20mm)	1	
160	1569423940	METAL, CRANKSHAFT (-040mm)	1	
170	1526123530	METAL, SIDE (STD.)	2	
170	1526123950	METAL, SIDE (+0.25.mm)	2	
170	1526123960	METAL, SIDE (+0.40.mm)	2	
180	1526123540	METAL, SIDE (STD.)	2	
180	1526123543	METAL, SIDE (STD.).....	2.....	D722-E3B ONLY
180	1526123970	METAL, SIDE (+0.20.mm)	2.....	D722-E2B ONLY
180	1526123973	METAL, SIDE (+0.20.mm)	2.....	D722-E3B ONLY
180	1526123980	METAL, SIDE (+0.40.mm)	2.....	D722-E2B ONLY
180	1526123983	METAL, SIDE (+0.40.mm)	2.....	D722-E3B ONLY
190	1584123250	COLLAR, CRANKSHAFT	1	
200	1588123310	SLINGER, OIL	1	
210	0481416220	O-RING		

KUBOTA D722E2B/E3B — FLYWHEEL ASSY.

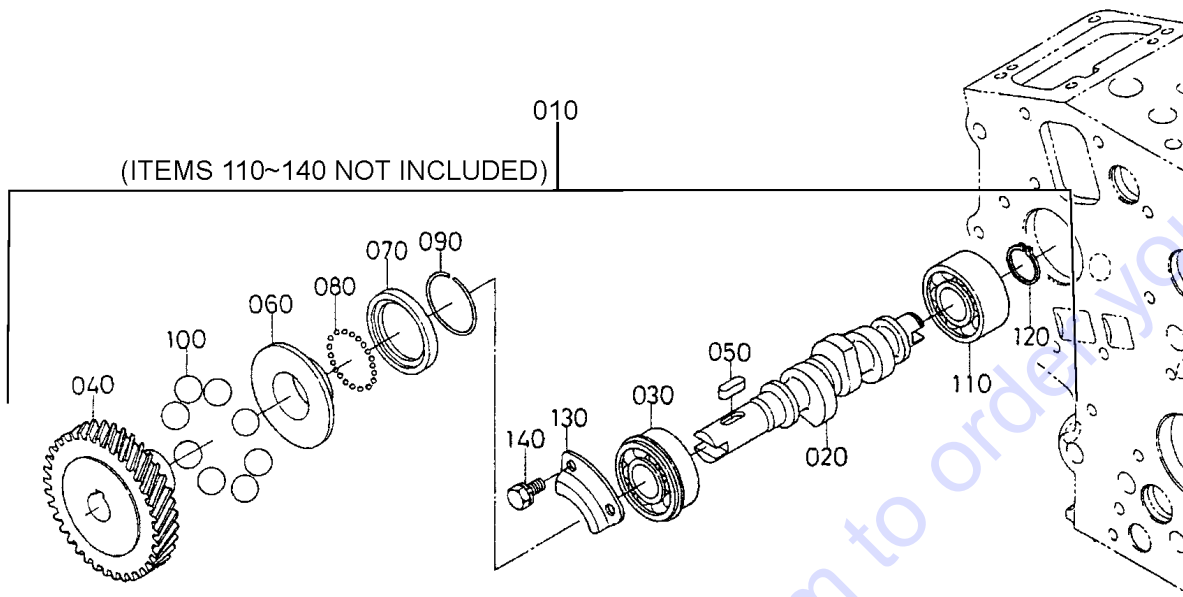


KUBOTA D722E2B/E3B — FLYWHEEL ASSY.

<u>NO.</u>	<u>PART NO.</u>	<u>PART NAME</u>	<u>QTY.</u>	<u>REMARKS</u>
010	1587825010	FLYWHEEL COMPLETE	1.....	INCLUDES ITEMS W/#
020#	1681363820	GEAR, RING	1	
030	1553325162	BOLT, FLYWHEEL	5	
050	0112350822	BOLT	10	
060	3122014170	COVER	1	
070	0115350812	BOLT	1	
080	0451260080	WASHER, LOCK	1	

Go to Discount-Equipment.com to order your parts

KUBOTA D722E2B/E3B — FUEL CAMSHAFT & GOV. SHAFT ASSY.

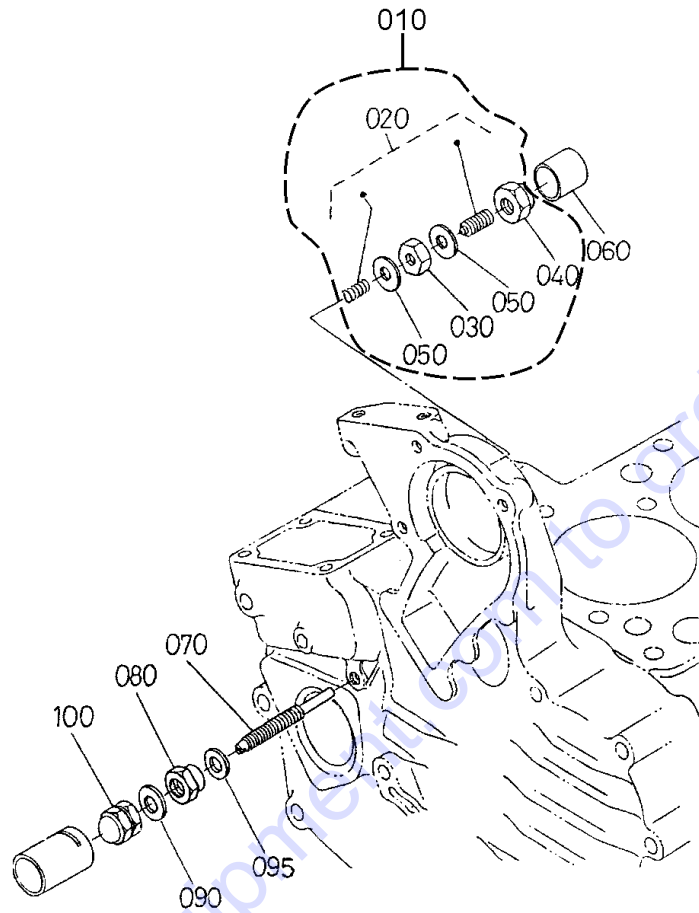


KUBOTA D722E2B/E3B — FUEL CAMSHAFT & GOV. SHAFT ASSY.

010	1686116023	CAMSHAFT, FUEL ASSY.	1.....	INCLUDES ITEMS W/# D722-E2B ONLY
010	1686116024	CAMSHAFT, FUEL ASSY.	1.....	INCLUDES ITEMS W/# D722-E3B ONLY
020#	1587516173	CAMSHAFT, FUEL	1	
030#	0815306203	BEARING, BALL	1	
040#	1685151150	GEAR, INJECTION PUMP	1	
050#	0571200515	KEY, FEATHER	1	
060#	1584155450	SLEEVE, GOVERNOR	1.....	D722-E2B ONLY
060#	1584155452	SLEEVE, GOVERNOR	1.....	D722-E3B ONLY
070#	1584155690	CASE, GOVERNOR BALL	1	
080#	077150080	BALL	32	
090#	1526155470	CIR-CLIP, GOV. SLEEVE	1	
100#	0771503217	BALL	8	
110	1687197300	BEARING, BALL	1	
120	0461200170	CIR-CLIP, EXTERNAL	1	
130	1584116320	STOPPER, FUEL. CAMSHAFT	1	
140	0102350612	BOLT	2	

Go to Discount-Equipment.com to order your parts

KUBOTA D722E2B/E3B — IDLE APPARATUS ASSY.

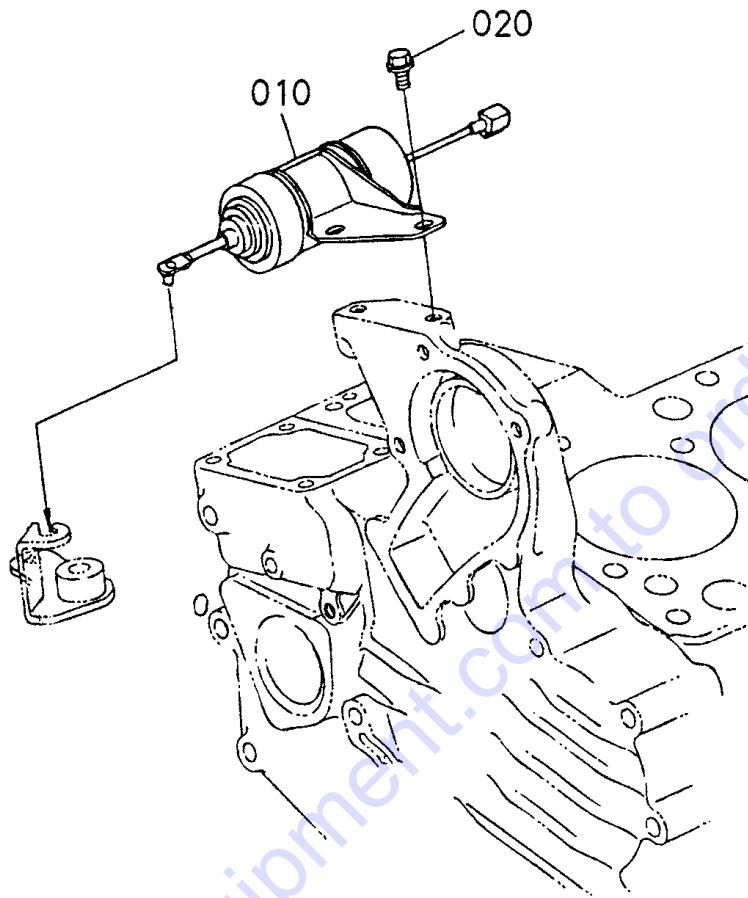


KUBOTA D722E2B/E3B — IDLE APPARATUS ASSY.

<u>NO.</u>	<u>PART NO.</u>	<u>PART NAME</u>	<u>QTY.</u>	<u>REMARKS</u>
010	1584154092	APPARATUS, IDLE ASSY.....	1.....	INCLUDES ITEMS W/#
020#	1584154100	BOLT, ADJUSTMENT	1	
030#	152619202	NUT	1	
040#	1584154220	NUT	1	
050#	1502133660	GASKET	2	
060#	1584154270	CAP	1	
070	1584154123	BOLT, ADJUSTING	1	
080	1G03154210	NUT, LOCK	1	
090	1560196650	GASKET	1	
095	1G02196650	GASKET	1	
100	1584192330	NUT	1	

Go to Discount-Equipment.com to order your parts

KUBOTA D722E2B/E3B — STOP SOLENOID ASSY.



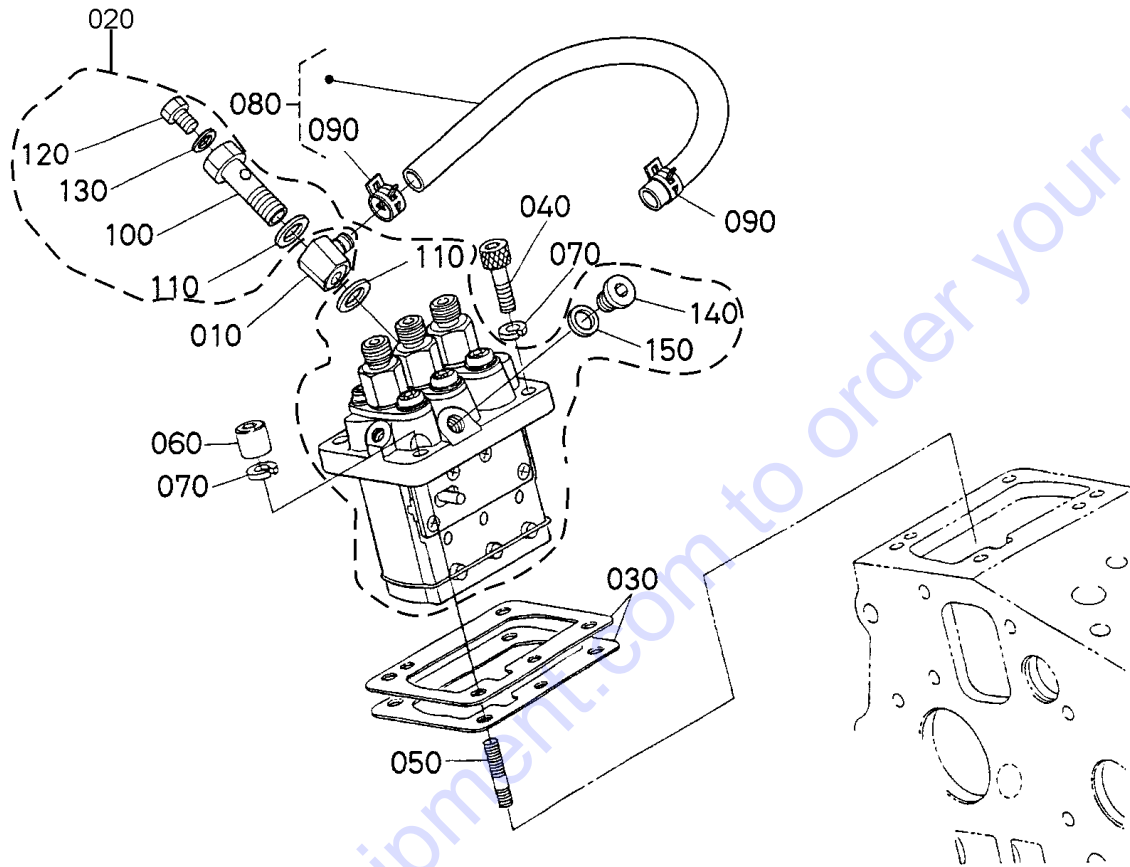
Go to Discount-Equipment.com to order your parts

KUBOTA D722E2B/E3B — STOP SOLENOID ASSY.

<u>NO.</u>	<u>PART NO.</u>	<u>PART NAME</u>	<u>QTY.</u>	<u>REMARKS</u>
010	1685160013	SOLENOID, STOP	1.....	D722-E2B ONLY
010	1685160014	SOLENOID, STOP	1.....	D722-E3B ONLY
020	0175450612	BOLT, FLANGE	2	

Go to Discount-Equipment.com to order your parts

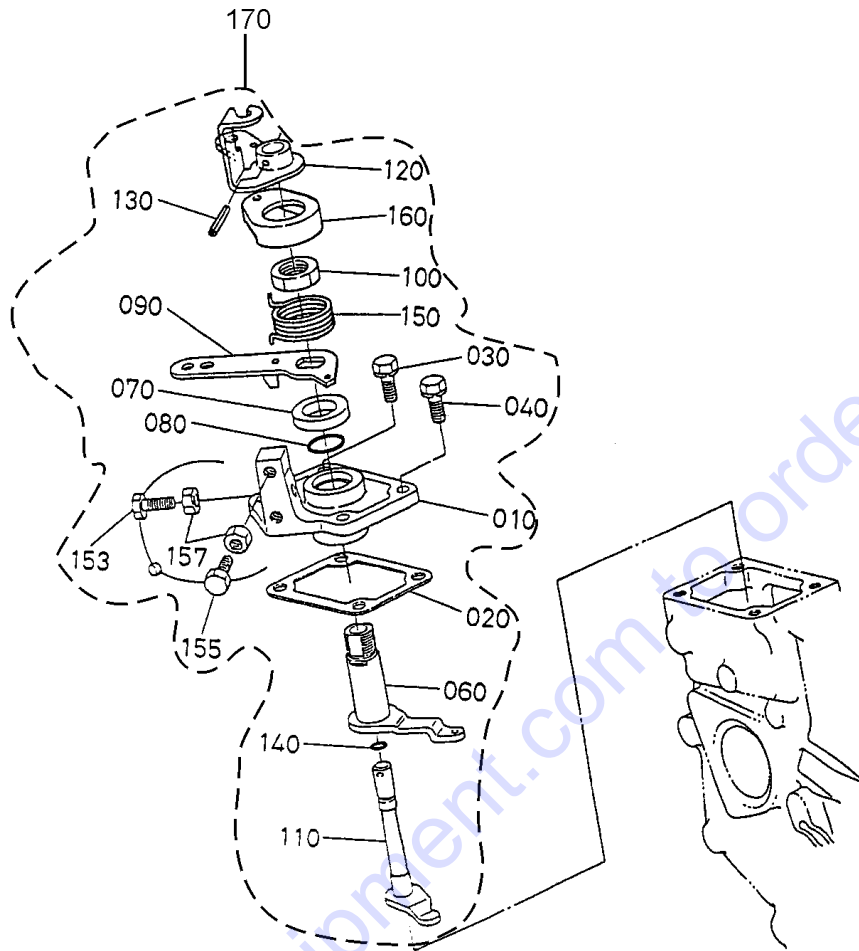
KUBOTA D722E2B/E3B — INJECTION PUMP ASSY.



KUBOTA D722E2B/E3B — INJECTION PUMP ASSY.

<u>NO.</u>	<u>PART NO.</u>	<u>PART NAME</u>	<u>QTY.</u>	<u>REMARKS</u>
010	1584195680	JOINT, EYE.....	1.....	INCLUDES ITEMS W/#
020	1600651010	PUMP, INJECTION ASSY.	1	
025	1G70052160	SHIM, INJECTION PUMP (0.35mm)	1.....	D722-E2B ONLY
027	1G70052200	SHIM, INJECTION PUMP (0.175mm)	1.....	D722-E3B ONLY
030	1600652092	SHIM, INJECTION PUMP (0.20mm)	1.....	D722-E3B ONLY
030	1600652092	SHIM, INJECTION PUMP (0.20mm)	1.....	D722-E2B ONLY
030	1600652112	SHIM, INJECTION PUMP (0.25mm)	1.....	D722-E2B ONLY
030	1600652122	SHIM, INJECTION PUMP (0.30mm)	1.....	D722-E2B ONLY
035	1600652112	SHIM, INJECTION PUMP (0.25mm)	1.....	D722-E3B ONLY
037	1600652122	SHIM, INJECTION PUMP (0.30mm)	1.....	D722-E3B ONLY
040	0131110620	BOLT, HEX-SOC-HD.....	2.....	D722-E2B ONLY
040	1687191060	BOLT, HEX-SOC-HD.....	2.....	D722-E3B ONLY
050	1584191500	STUD	2	
060	1584192320	NUT	2	
070	0451260060	WASHER, LOCK	4	
080	1526142010	PIPE, FUEL ASSY. Ø8 X Ø13 X 175L	1.....	INCLUDES ITEMS W/%
090%	14911142750	CLIP, PIPE	2	
100#	1584151320	SCREW, HOLLOW	1	
110#	1584196650	GASKET	2	
120#	1584151350	SCREW	1	
130#	1584196660	GASKET	1	
140#	1603096010	PLUG	1	
150#	1586196650	GASKET	1	

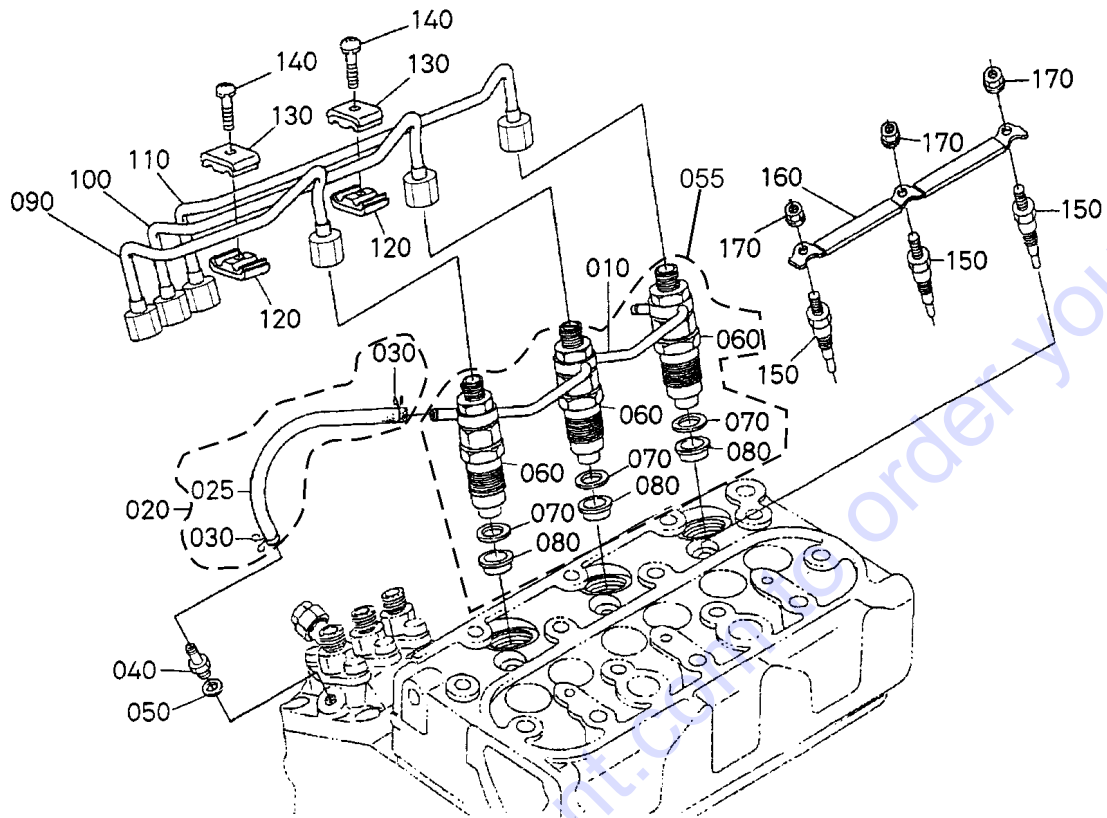
KUBOTA D722E2B/E3B — SPEED CONTROL PLATE ASSY.



KUBOTA D722E2B/E3B — SPEED CONTROL PLATE ASSY.

NO.	PART NO.	PART NAME	QTY.	REMARKS
010	1584157112	PLATE, SPEED CONTROL	1	
020#	1584157212	GASKET, CONTROL PLATE	1	
030#	0102350618	BOLT	2	
040#	0105350618	BOLT	2	D722-E2B ONLY
040#	1687191050	BOLT	2	D722-E3B ONLY
050#	1560196650	GASKET	2	D722-E2B ONLY
060#	1584156112	LEVER, GOVERNOR	1	
070#	1928057240	COLLAR	1	
080#	0481410160	O-RING	1	
090#	1G63957150	LEVER, SPEED CONTROL	1	
100#	1686692010	NUT, SPEED CONTROL	1	
110#	1687857742	SHAFT, LEVER	1	
120#	1685157724	LEVER, ENGINE STOP	1	
130#	0541100314	PIN, SPRING	1	
140#	0481410070	O-RING	1	
150#	1687857920	SPRING, RETURN	1	
153#	1920291010	BOLT	1	D722-E3B ONLY
155#	1920291010	BOLT	2	D722-E3B ONLY
157#	0205650060	NUT	3	D722-E3B ONLY
160#	1686657302	CAP	1	
170	1756157013	PLATE, SPEED CONTROL COMPLETE	1	INCLUDES ITEMS W/#

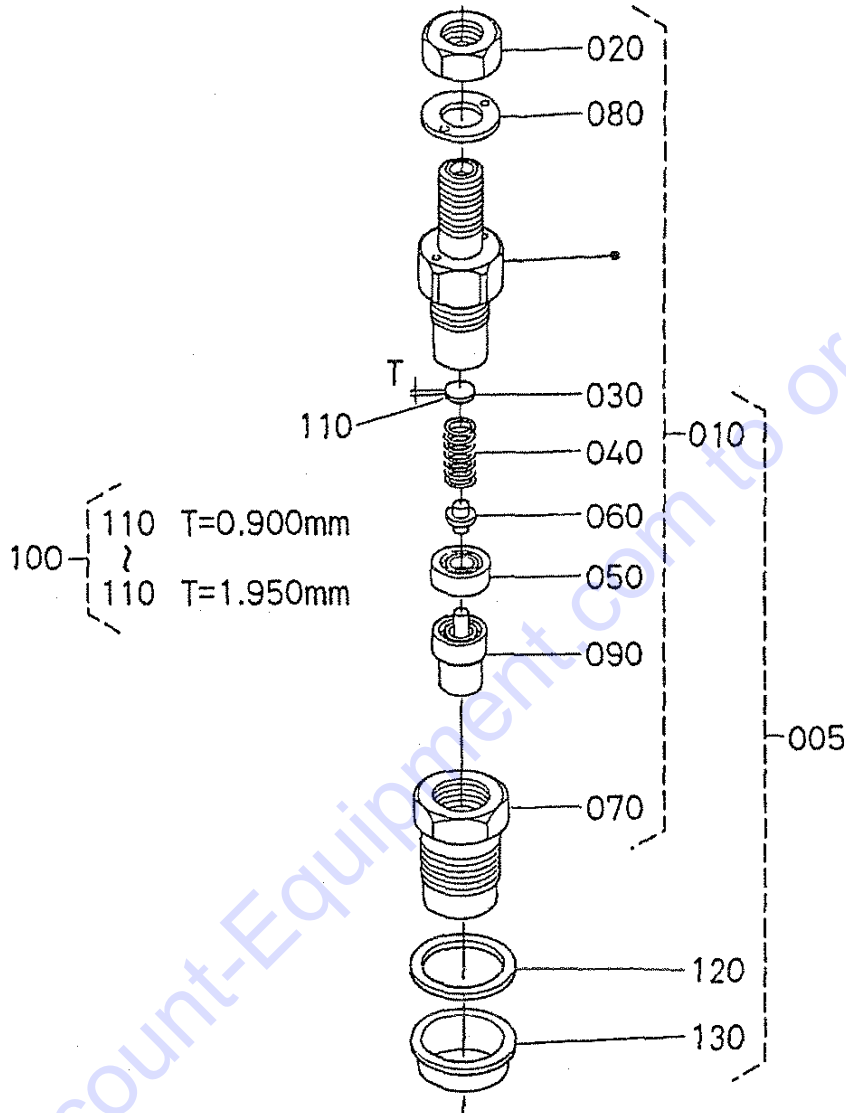
KUBOTA D722E2B/E3B — NOZZLE HOLDER & GLOW PLUG ASSY.



KUBOTA D722E2B/E3B — NOZZLE HOLDER & GLOW PLUG ASSY.

<u>NO.</u>	<u>PART NO.</u>	<u>PART NAME</u>	<u>QTY.</u>	<u>REMARKS</u>
010	1586242502	PIPE, OVER FLOW ASSY.	1	
020	1584142500	PIPE, OVER FLOW ASSY.....	1	INCLUDES ITEMS W/%
025%	1584142520	PIPE, FUEL OVER FLOW 4X8X13	1	
030%	149742750	CLIP, PIPE	2	
040	1584151360	SCREW, AIR BLEEDER	1	
050	1560196650	GASKET	1	
055	1600153900	KIT HOLDER, NOZZLE	3	INCLUDES ITEMS W/#
060#	1600153000	HOLDER, NOZZLE ASSY.	3	
070#	1584153622	GASKET	3	
080#	1907753650	SEAL, HEAT	3	
090	1685153713	PIPE, INJECTION.....	1	D722-E2B ONLY
090	1G68653710	PIPE, INJECTION.....	1	D722-E3B ONLY
100	1685153723	PIPE, INJECTION.....	1	D722-E2B ONLY
100	1G68653720	PIPE, INJECTION.....	1	D722-E3B ONLY
110	1687153733	PIPE, INJECTION.....	1	DD722-E2B ONLY
110	1G68653730	PIPE, INJECTION.....	1	D722-E3B ONLY
120	1584153850	CLAMP, PIPE	2	
130	1584153860	CLAMP, PIPE	2	
140	0302450520	SCREW, WWASHER	2	
150	1685165512	GLOW PLUG	3	
160	1686165560	CORD, GLOW PLUG	1	
170	0276150040	NUT, FLANGE	3	

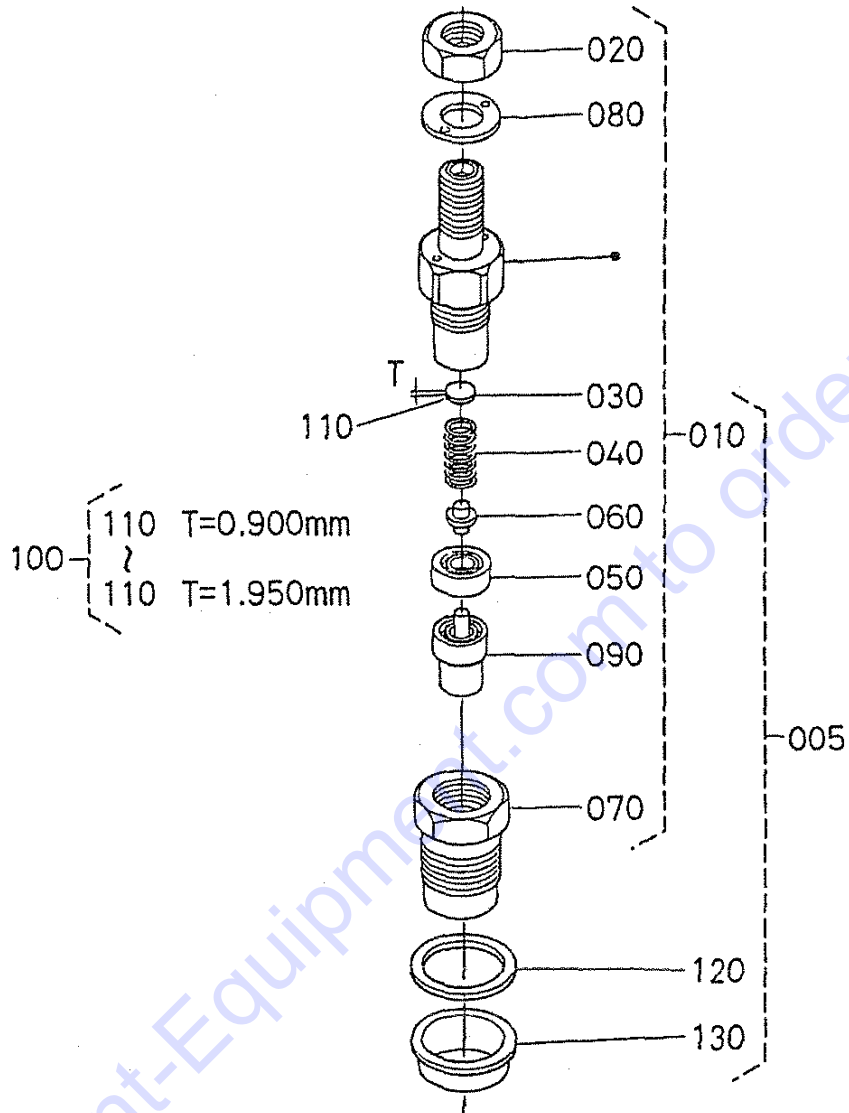
KUBOTA D722E2B/E3B — NOZZLE HOLDER ASSY.



KUBOTA D722E2B/E3B — NOZZLE HOLDER ASSY.

NO.	PART NO.	PART NAME	QTY.	REMARKS
005	1600153900	KIT HOLDER, NOZZLE	3.....	INCLUDES ITEMS W/\$ D722-E3B ONLY
010\$	1600153000	HOLDER, NOZZLE ASSY.....	3.....	INCLUDES ITEMS W/#
020#	1584192030	NUT	3	
030#	1584153230	WASHER, ADJUSTING	3	
040#	1584153170	SPRING, NOZZLE	3	
050#	1584153350	PIECE, DISTANCE	3	
060#	1584153160	PUSH, ROD	3	
070#	1647553280	NUT, NOZZLE	3	
080#	1584194040	WASHER	3	
090#	1685153610	PIECE, NOZZLE	3	
100	1584198100	WASHER, ADJUST ASSY.....	3.....	INCLUDES ITEMS W/%
110%	1584153230	WASHER, ADJUSTING (0.900 mm)	3	
110%	1584198510	WASHER, ADJUSTING (0.925 mm)	3	
110%	1584198520	WASHER, ADJUSTING (0.950 mm)	3	
110%	1584198530	WASHER, ADJUSTING (0.975 mm)	3	
110%	1584198540	WASHER, ADJUSTING (1.000 mm)	3	
110%	1584198550	WASHER, ADJUSTING (1.025 mm)	3	
110%	1584198560	WASHER, ADJUSTING (1.050 mm)	3	
110%	1584198570	WASHER, ADJUSTING (1.075 mm)	3	
110%	1584198580	WASHER, ADJUSTING (1.100 mm)	3	
110%	1584198590	WASHER, ADJUSTING (1.125 mm)	3	
110%	1584198600	WASHER, ADJUSTING (1.150 mm)	3	
110%	1584198610	WASHER, ADJUSTING (1.175 mm)	3	
110%	1584198620	WASHER, ADJUSTING (1.200 mm)	3	
110%	1584198630	WASHER, ADJUSTING (1.225 mm)	3	
110%	1584198640	WASHER, ADJUSTING (1.250 mm)	3	
110%	1584198650	WASHER, ADJUSTING (1.275 mm)	3	
110%	1584198660	WASHER, ADJUSTING (1.300 mm)	3	
110%	1584198670	WASHER, ADJUSTING (1.325 mm)	3	
110%	1584198680	WASHER, ADJUSTING (1.350 mm)	3	
110%	1584198690	WASHER, ADJUSTING (1.375 mm)	3	
110%	1584198700	WASHER, ADJUSTING (1.400 mm)	3	
110%	1584198710	WASHER, ADJUSTING (1.425 mm)	3	
110%	1584198720	WASHER, ADJUSTING (1.450 mm)	3	
110%	1584198730	WASHER, ADJUSTING (1.475 mm)	3	
110%	1584198740	WASHER, ADJUSTING (1.500 mm)	3	
110%	1584198750	WASHER, ADJUSTING (1.525 mm)	3	
110%	1584198760	WASHER, ADJUSTING (1.550 mm)	3	
110%	1584198770	WASHER, ADJUSTING (1.575 mm)	3	
110%	1584198780	WASHER, ADJUSTING (1.600 mm)	3	
110%	1584198790	WASHER, ADJUSTING (1.625 mm)	3	
110%	1584198800	WASHER, ADJUSTING (1.650 mm)	3	
110%	1584198810	WASHER, ADJUSTING (1.675 mm)	3	

KUBOTA D722E2B/E3B — NOZZLE HOLDER ASSY. (CONT.)

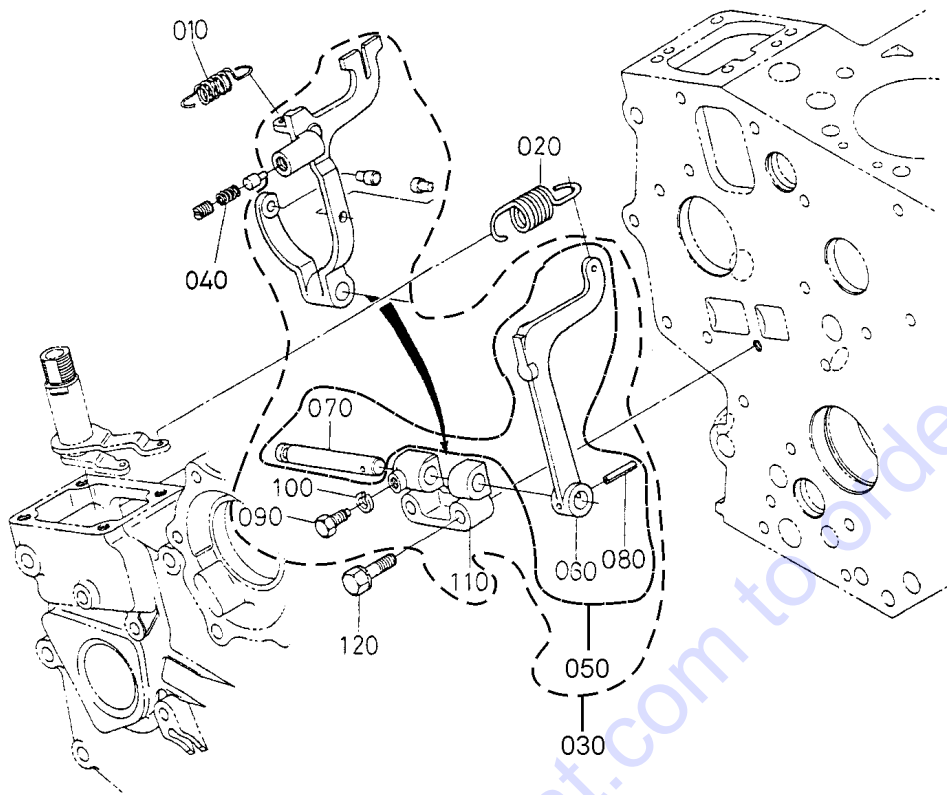


KUBOTA D722E2B/E3B — NOZZLE HOLDER ASSY. (CONT.)

NO.	PART NO.	PART NAME	QTY.	REMARKS
110%	1584198820	WASHER, ADJUSTING (1.700 mm)	3	
110%	1584198830	WASHER, ADJUSTING (1.725 mm)	3	
110%	1584198840	WASHER, ADJUSTING (1.750 mm)	3	
110%	1584198850	WASHER, ADJUSTING (1.775 mm)	3	
110%	1584198860	WASHER, ADJUSTING (1.800 mm)	3	
110%	1584198870	WASHER, ADJUSTING (1.825 mm)	3	
110%	1584198880	WASHER, ADJUSTING (1.850 mm)	3	
110%	1584198890	WASHER, ADJUSTING (1.875 mm)	3	
110%	1584198900	WASHER, ADJUSTING (1.900 mm)	3	
110%	1584198910	WASHER, ADJUSTING (1.925 mm)	3	
110%	1584198820	WASHER, ADJUSTING (1.950 mm)	3	
120\$	1584153622	GASKET	3.....	D722-E3B ONLY
130\$	1907753650	SEAL, HEAT.....	3.....	D722-E3B ONLY

Go to Discount-Equipment.com to order your parts

KUBOTA D722E2B/E3B — FORK LEVER (GOV.) ASSY.

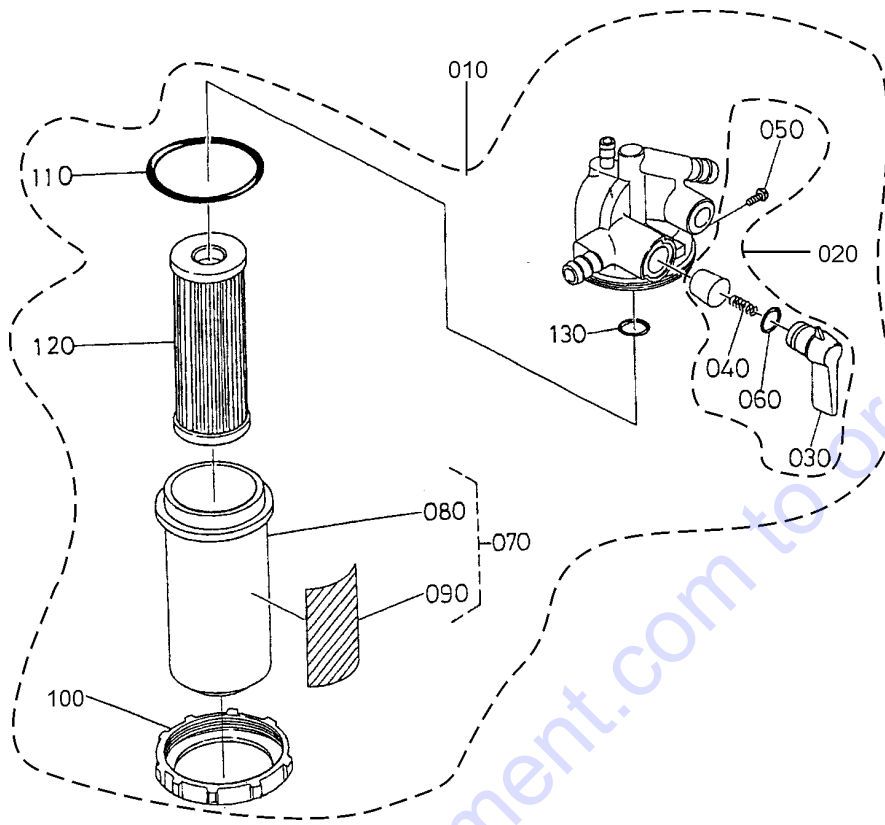


KUBOTA D722E2B/E3B — FORK LEVER (GOV.) ASSY.

<u>NO.</u>	<u>PART NO.</u>	<u>PART NAME</u>	<u>QTY.</u>	<u>REMARKS</u>
010	1584156480	SPRING, START	1	
020	1946156410	SPRING, GOVERNOR	1	
030	1747256054	LEVER, FORK ASSY.....	1	INCLUDES ITEMS W/#
040	1600054230	SPRING	1	
050#	1584156060	LEVER, FORK ASSY.....	1	INCLUDES ITEMS W/%
060#%	1584156130	LEVER, FORK	1	
070#%	1584156150	SHAFT, FORK LEVER	1	
080#%	0541100318	PIN, SPRING	1	
090#	1526166410	BOLT	1	
100#	0451260050	WASHER, LOCK	1	
110#	1584156230	HOLDER, FORK LEVER	1	
120	0102350635	BOLT	2	

Go to Discount-Equipment.com to order your parts

KUBOTA D722E2B/E3B — FUEL FILTER ASSY.

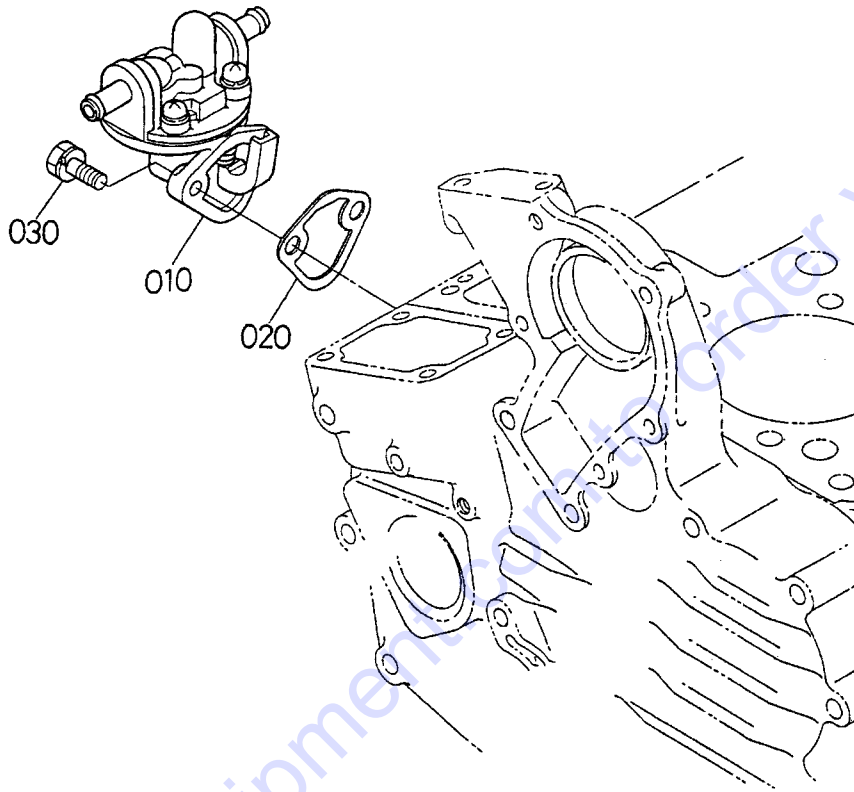


Go to Discount-Equipment.com to order your parts

KUBOTA D722E2B/E3B — FUEL FILTER ASSY.

NO.	PART NO.	PART NAME	QTY.	REMARKS
010	1553143010	FILTER, FUEL ASSY.....	1.....	INCLUDES ITEMS W/#
020#	1553143110	COMPLETE BODY, COCK	1.....	INCLUDES ITEMS W/%
030%	1430143522	LEVER, COCK	1	
040%	1430143820	SPRING, VALVE	1	
050%	1430143830	SCREW, SET	1	
060%	1430143840	O-RING, LEVER	1	
070#	1539343100	CUP, FILTER ASSY.....	1.....	INCLUDES ITEMS W/\$ D722-E2B ONLY
070#	1T25143100	CUP, FILTER ASSY.....	1.....	INCLUDES ITEMS W/@ D722-E3B ONLY
080#\$	1539343580	CUP, FILTER.....	1.....	D722-E2B ONLY
080#@	1T02143580	CUP, FILTER.....	1.....	D722-E3B ONLY
090#\$@	1687388430	LABEL, FUEL	1	
100#	1430143590	RING, RETAINING.....	1.....	D722-E2B ONLY
100#	1T02143590	RING, RETAINING.....	1.....	D722-E3B ONLY
110#	1430143650	O-RING, FILTER CUP	1.....	D722-E2B ONLY
110#	0481600390	O-RING, FILTER CUP	1.....	D722-E3B ONLY
120#	1523143560	ELEMENT, ASSY.	1.....	D722-E2B ONLY
120#	1T02143560	ELEMENT, ASSY.	1.....	D722-E3B ONLY
130#	1430143570	O-RING, FILTER	1	

KUBOTA D722E2B/E3B — FUEL PUMP (MECHANICAL) ASSY.

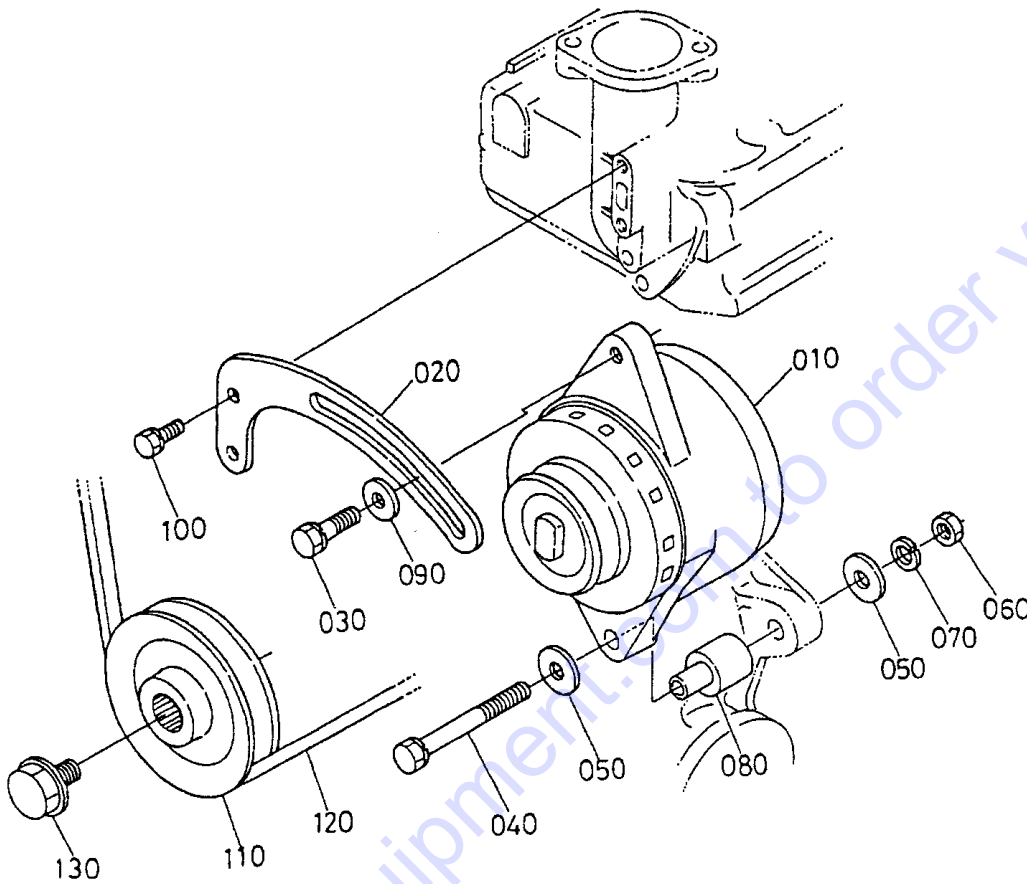


KUBOTA D722E2B/E3B — FUEL PUMP (MECHANICAL) ASSY.

<u>NO.</u>	<u>PART NO.</u>	<u>PART NAME</u>	<u>QTY.</u>	<u>REMARKS</u>
010	1582152030	PUMP, FUEL ASSY.	1	
020	1626452140	GASKET, FUEL PUMP	1	
030	0102350616	BOLT	2	

Go to Discount-Equipment.com to order your parts

KUBOTA D722E2B/E3B — DYNAMO AND PULLEY ASSY.

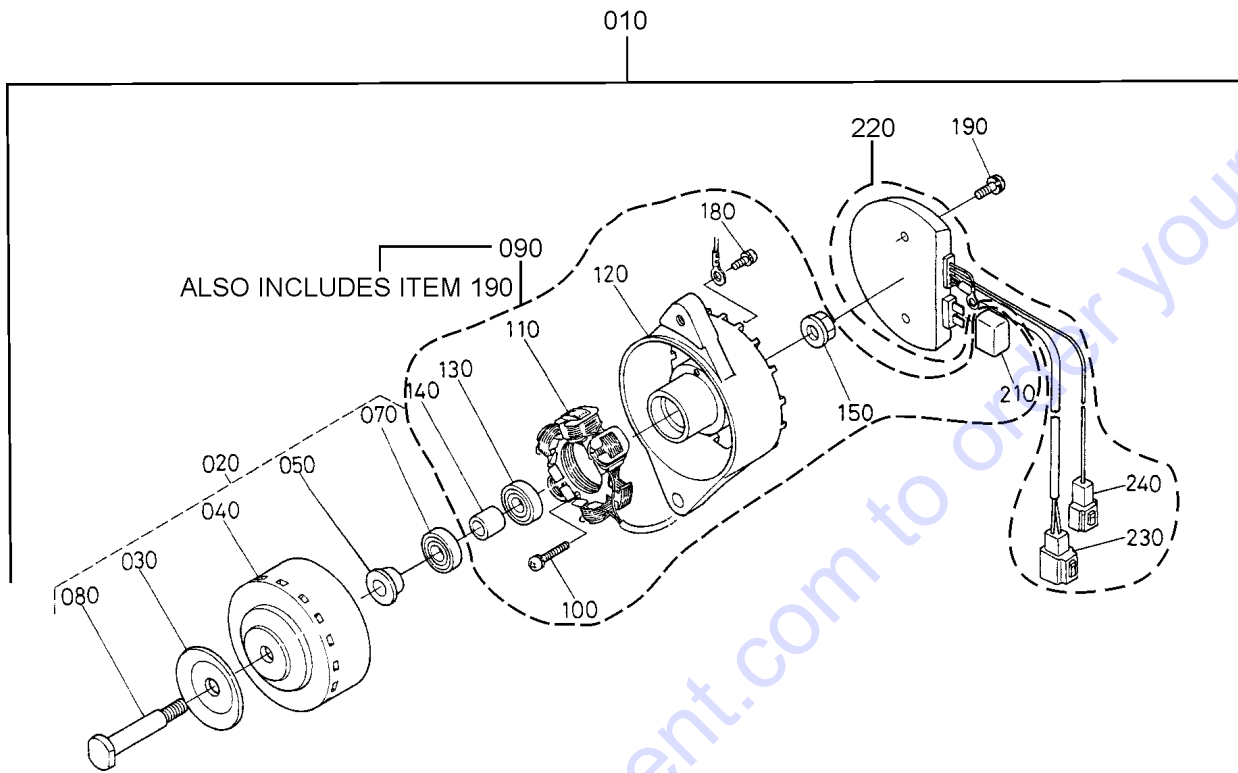


KUBOTA D722E2B/E3B — DYNAMO AND PULLEY ASSY.

<u>NO.</u>	<u>PART NO.</u>	<u>PART NAME</u>	<u>QTY.</u>	<u>REMARKS</u>
010	1747264012	DYNAMO COMPLETE	1	
020	1747264420	STAY, DYNAMO	1	
030	0112350830	BOLT	1	D722-E2B ONLY
030	1687191030	BOLT	1	D722-E3B ONLY
040	0115350865	BOLT	1	
050	0401360080	WASHER, FLAT	2	
060	0215650080	NUT	1	
070	0451260080	WASHER, LOCK	1	
080	1747264370	COLLAR	1	
090	0401560080	WASHER, FLAT	1	D722-E2B ONLY
100	0102350616	BOLT	2	
110	1687574280	PULLEY, FAN DRIVE	1	
120	1747297010	V-BELT	1	
130	1588191030	BOLT	1	

Go to Discount-Equipment.com to order your parts

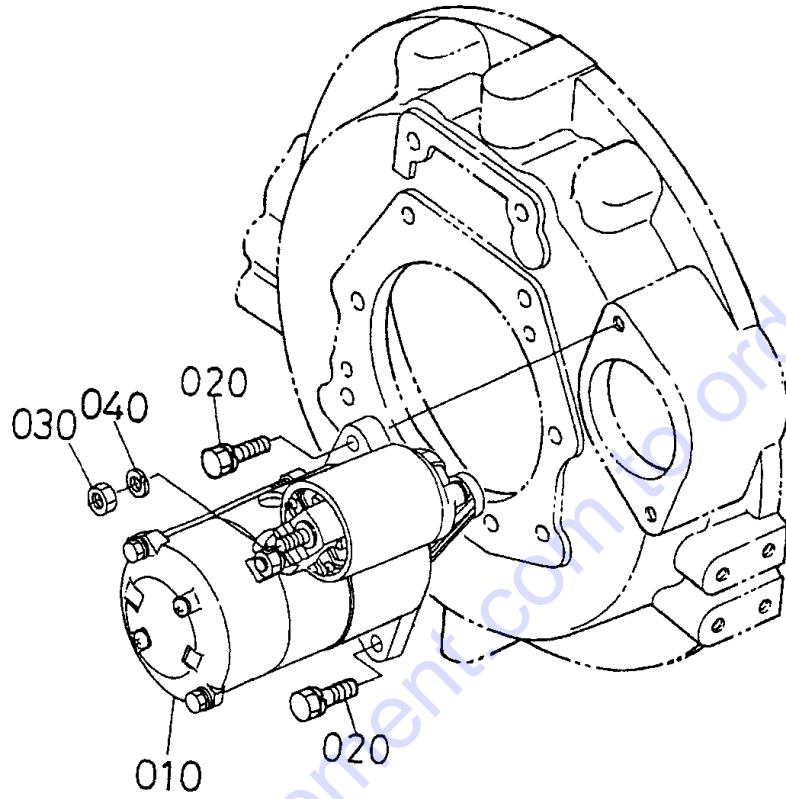
KUBOTA D722E2B/E3B — DYNAMO ASSY.



KUBOTA D722E2B/E3B — DYNAMO ASSY.

<u>NO.</u>	<u>PART NO.</u>	<u>PART NAME</u>	<u>QTY.</u>	<u>REMARKS</u>
010	1747264012	DYNAMO ASSY.....	1.....	INCLUDES ITEMS W/#
020#	1747264122	ROTOR COMPLETE.....	1.....	INCLUDES ITEMS W/%
030#%	1553164110	PULLEY	1	
040#%	1747264042	ROTOR	1	
050#%	1747264150	COLLAR	1	
070#%	1567974180	BEARING, BALL	1	
080#%	1747264552	SHAFT	1.....	D722-E2B ONLY
080#%	1538174140	SHAFT, FAN.....	1.....	D722-E3B ONLY
090#	1747264362	STATOR COMPLETE.....	1.....	INCLUDES ITEMS W/@
100#@	1526193010	SCREW, ROUND HEAD	2	
110#@	1747264292	STATOR	1	
120#@	1747264722	PLATE	1	
130#@	1567974180	BEARING, BALL	1	
140#@	1526164150	COLLAR	1	
150#@	0277160100	NUT, FLANGE.....	1.....	D722-E2B ONLY
150#@	1526192030	NUT.....	1.....	D722-E3B ONLY
160#@	1526194070	WASHER SPRING.....	1.....	D722-E3B ONLY
170#@	1526194020	WASHER, FLAT	1.....	D722-E3B ONLY
180#@	1747293020	SCREW, TAPPING	1	
190#@	1747293012	SCREW, TAPPING	2	
210#@	1747264950	COVER, TERMINAL	1	
220#	1747264602	REGULATOR ASSY.....	1.....	INCLUDES ITEMS W/&
230#&	1747265900	COUPLER	1	
240#&	1747265920	COUPLER	1	

KUBOTA D722E2B/E3B — STARTER (COMPLETE) ASSY.

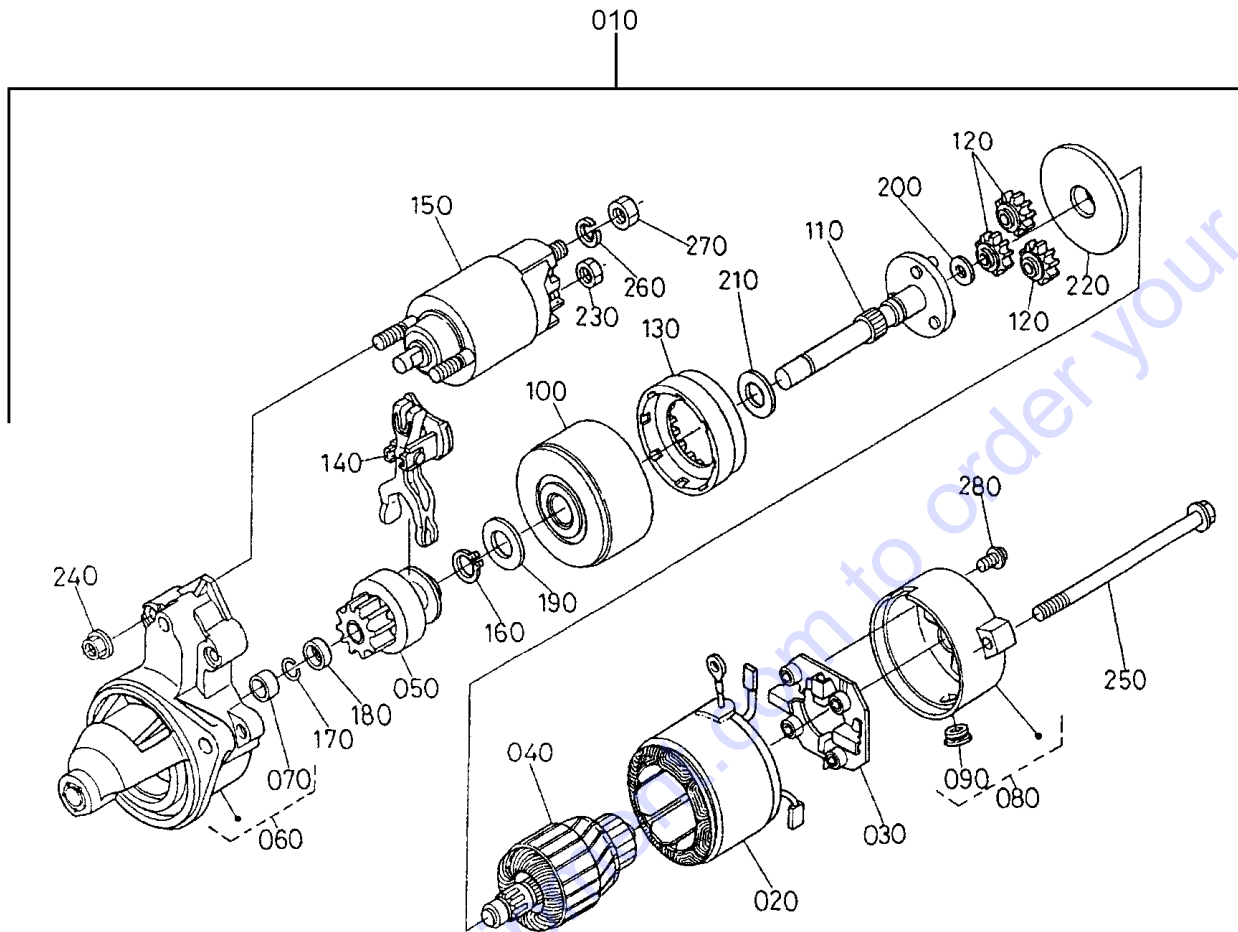


KUBOTA D722E2B/E3B — STARTER (COMPLETE) ASSY.

<u>NO.</u>	<u>PART NO.</u>	<u>PART NAME</u>	<u>QTY.</u>	<u>REMARKS</u>
010	6798031150	STARTER, ASSY.	1	
020	0112350825	BOLT	2	
030	0215650080	NUT	1	
040	0451260080	WASHER, LOCK	1	

Go to Discount-Equipment.com to order your parts

KUBOTA D722E2B/E3B — STARTER (PARTS) ASSY.



KUBOTA D722E2B/E3B — STARTER (PARTS) ASSY.

<u>NO.</u>	<u>PART NO.</u>	<u>PART NAME</u>	<u>QTY.</u>	<u>REMARKS</u>
010	6798031150	STARTER ASSY.....	1.....	INCLUDES ITEMS W/#
020#	6A10031160	YOKE, STARTER ASSY.	1	
030#	1495863380	HOLDER ASSY.	1	
040#	6A10031170	ARMATURE ASSY.	1	
050#	K351181430	CLUTCH, STARTER ASSY.	1	
060#	6798031180	HOUSING, STARTER ASSY.....	1.....	INCLUDES ITEMS W/%
070#%	6A10031190	BEARING	1	
080#	K351181450	FRAME ASSY.	1.....	INCLUDES ITEMS W/\$
090#	1218263290	COVER	1	
100#	1495863530	BEARING ASSY.	1	
110#	K351181460	SHAFT, STARTER ASSY.	1	
120#	1495863260	GEAR	3	
130#	1495863270	GEAR	1	
140#	1495863050	LEVER	1	
150#	1218163080	SWITCH, MAGNET ASSY.	1	
160#	1495863170	RING, SNAP	1	
170#	1218163220	RING, SNAP	1	
180#	1381663460	COLLAR	1	
190#	1495894010	WASHER, FLAT	1	
200#	1495894020	WASHER, FLAT	1	
210#	1495894030	WASHER, FLAT	1	
220#	1495894040	PLATE	1	
230#	1661192020	NUT, HEXAGON	1	
240#	1427892010	NUT	2	
250#	1146063320	BOLT, THROUGH	2	
260#	1380194100	WASHER, LOCK	1	
270#	1961692010	NUT, HEXAGON	1	
280#	K351181480	SCREW	2	

PARTS FINDER

**Search Website
by Part Number**



**Search Manual
Library For Parts
Manual & Lookup Part
Numbers – Purchase
or Request Quote**

Search Manuals

Enter your information to help us find the right parts manual for your machine.

* Brand:

* Model:

* Serial:

* Part Number:

SEARCH

**Can't Find Part or
Manual? Request Help
by Manufacturer,
Model & Description**

Parts Order Form

Please fill in the following information to help us find the right part for your machine.

Manufacturer:	<input type="text"/>
Model:	<input type="text"/>
Description:	<input type="text"/>
Part Number:	<input type="text"/>
Quantity:	<input type="text"/>
Notes:	<input type="text"/>

Submit

Discount-Equipment.com is your online resource for quality parts & equipment.

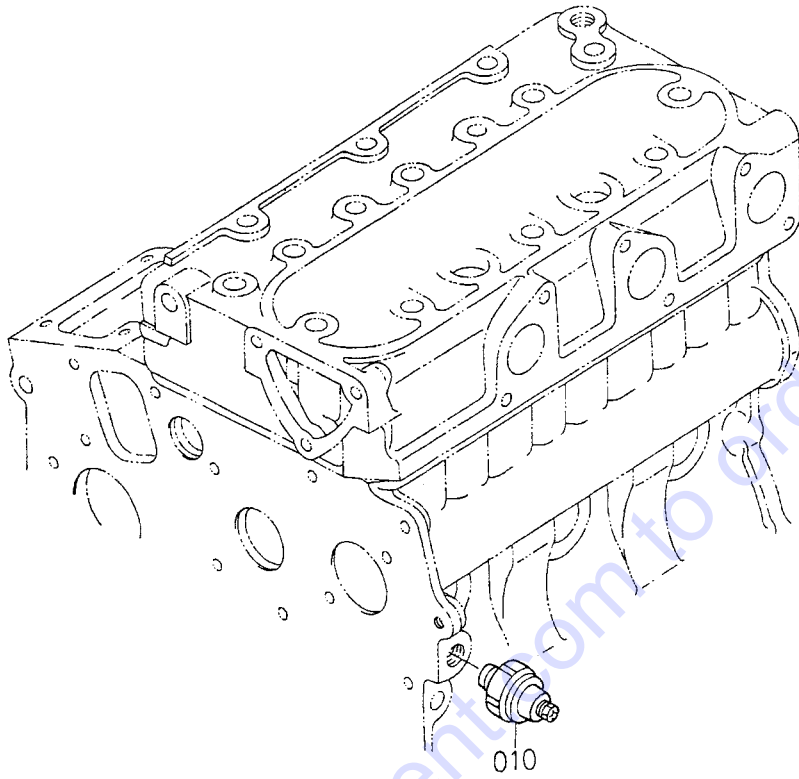
Florida: **561-964-4949** Outside Florida TOLL FREE: **877-690-3101**

Need parts?

Click on this link: <http://www.discount-equipment.com/category/5443-parts/> and choose one of the options to help get the right parts and equipment you are looking for. Please have the machine model and serial number available in order to help us get you the correct parts. If you don't find the part on the website or on one of the online manuals, please fill out the request form and one of our experienced staff members will get back to you with a quote for the right part that your machine needs.

We sell worldwide for the brands: Genie, Terex, JLG, MultiQuip, Mikasa, Essick, Whiteman, Mayco, Toro Stone, Diamond Products, Generac Magnum, Airman, Haulotte, Barreto, Power Blanket, Nifty Lift, Atlas Copco, Chicago Pneumatic, Allmand, Miller Curber, Skyjack, Lull, Skytrak, Tsurumi, Husquvarna Target, Stow, Wacker, Sakai, Mi-T-M, Sullair, Basic, Dynapac, MBW, Weber, Bartell, Bennar Newman, Haulotte, Ditch Runner, Menegotti, Morrison, Contec, Buddy, Crown, Edco, Wyco, Bomag, Laymor, EZ Trench, Bil-Jax, F.S. Curtis, Gehl Pavers, Heli, Honda, ICS/PowerGrit, IHI, Partner, Imer, Clipper, MMD, Koshin, Rice, CH&E, General Equipment, Amida, Coleman, NAC, Gradall, Square Shooter, Kent, Stanley, Tamco, Toku, Hatz, Kohler, Robin, Wisconsin, Northrock, Oztec, Toker TK, Rol-Air, APT, Wylie, Ingersoll Rand / Doosan, Innovatech, Con X, Ammann, Mecalac, Makinex, Smith Surface Prep, Small Line, Wanco, Yanmar

KUBOTA D722E2B/E3B — OIL SWITCH ASSY.



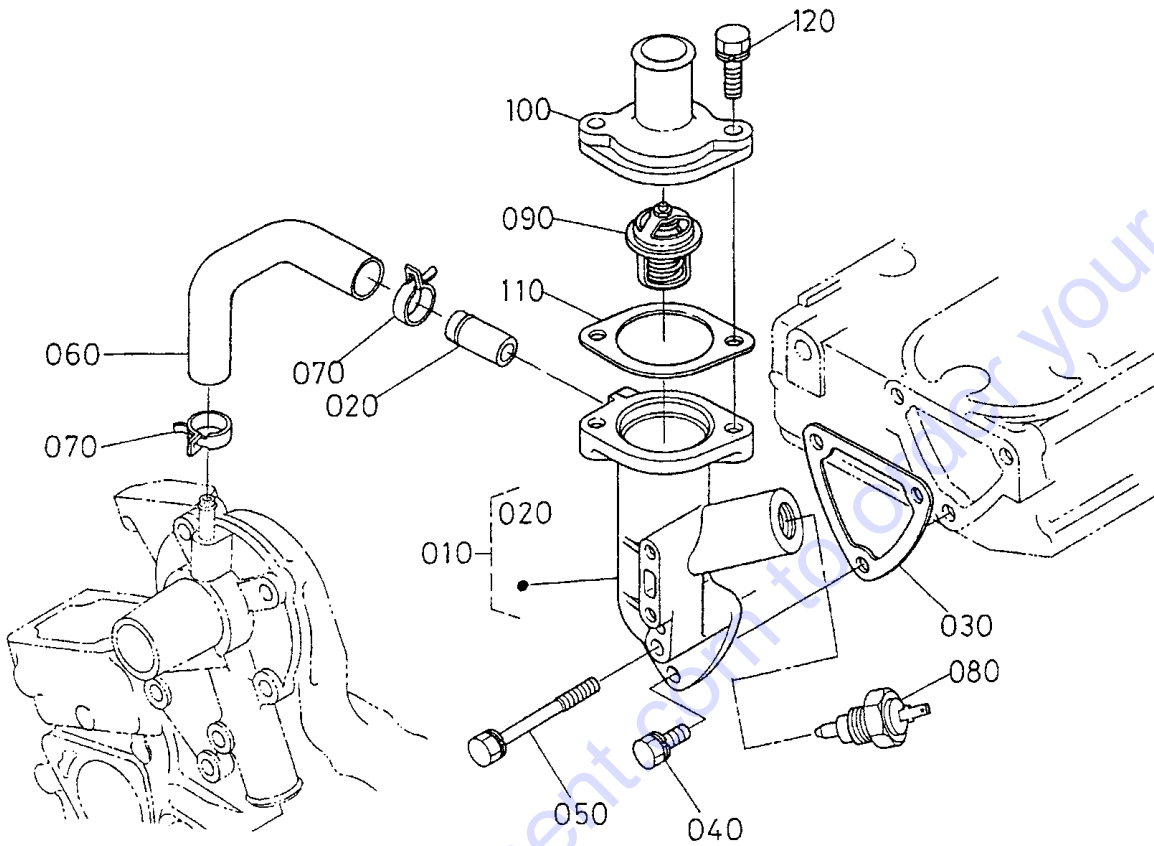
Go to Discount-Equipment.com to order your parts

KUBOTA D722E2B/E3B — OIL SWITCH ASSY.

<u>NO.</u>	<u>PART NO.</u>	<u>PART NAME</u>	<u>QTY.</u>	<u>REMARKS</u>
010	1522139013	SWITCH, OIL	1	

Go to Discount-Equipment.com to order your parts

KUBOTA D722E2B/E3B — WATER FLANGE & THERMOSTAT ASSY.

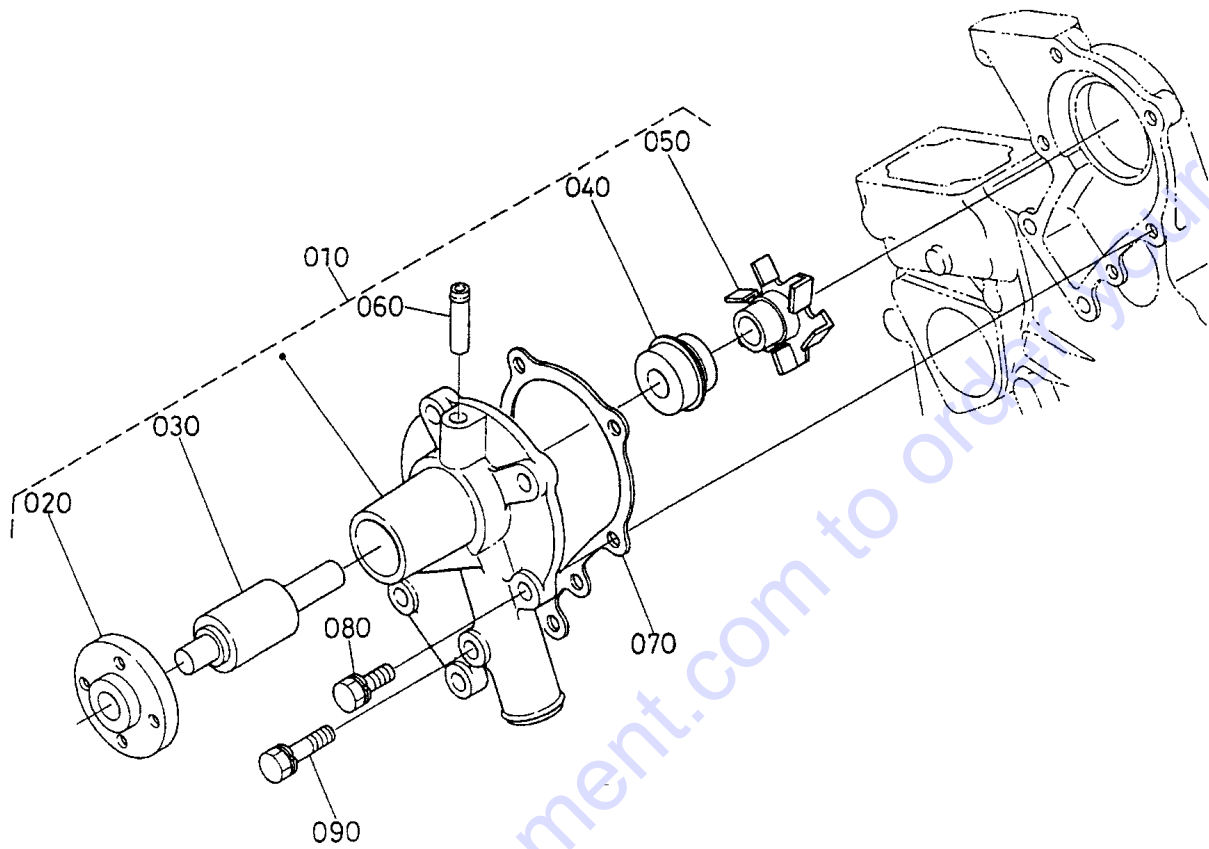


KUBOTA D722E2B/E3B — WATER FLANGE & THERMOSTAT ASSY.

<u>NO.</u>	<u>PART NO.</u>	<u>PART NAME</u>	<u>QTY.</u>	<u>REMARKS</u>
010	1687572704	FLANGE, COMPLETE	1	
020	1624173370	PIPE, WATER RETURN	1	
030	1584172923	GASKET, WATER FLANGE	1	
040	0102350616	BOLT	2	
050	0102360650	BOLT	1	
060	1685173350	PIPE, WATER RETURN	1	
070	1624173360	BAND, PIPE	2	
080	1753883040	SWITCH, THERMOMETER	1	
090	1920373010	THERMOSTAT ASSY.	1	
100	1584173260	COVER, THERMOSTAT	1	
110	1685173270	GASKET, THERMOSTAT	1	
120	0102350622	BOLT	2	

Go to Discount-Equipment.com to order your parts

KUBOTA D722E2B/E3B — WATER PUMP ASSY.

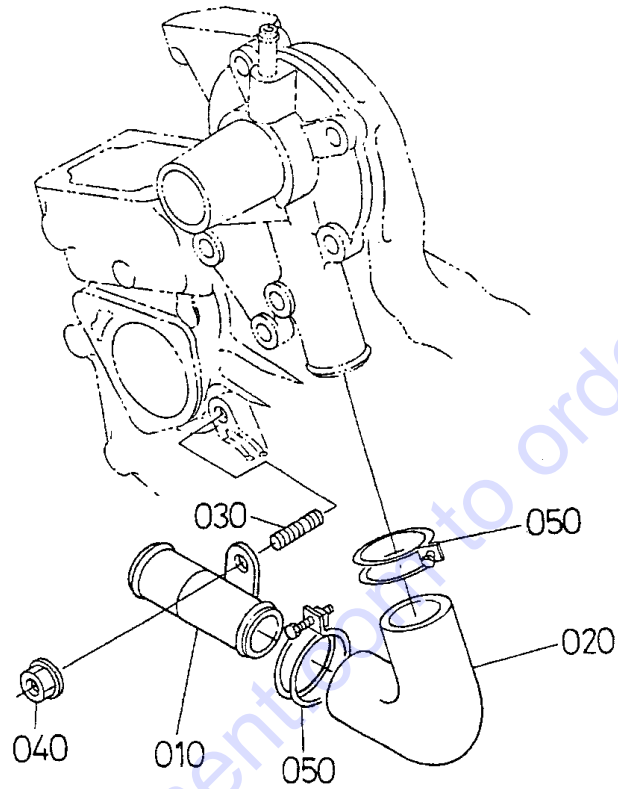


KUBOTA D722E2B/E3B — WATER PUMP ASSY.

<u>NO.</u>	<u>PART NO.</u>	<u>PART NAME</u>	<u>QTY.</u>	<u>REMARKS</u>
010	1988373030	PUMP ASSY., WATER	1.....	INCLUDES ITEMS W/#
020#	1585273520	FLANGE, WATER PUMP	1	
030#	1585273550	BEARING	1	
040#	1548173050	SEAL ASSY., MECHANICAL	1	
050#	1988373510	IMPELLER, WATER PUMP.....	1.....	D722-E2B ONLY
060#	1585273340	PIPE, WATER RETURN	1	
070	1588173432	GASKET, WATER PUMP	1	
080	0102350622	BOLT	4	
090	0102350638	BOLT	1	

Go to Discount-Equipment.com to order your parts

KUBOTA D722E2B/E3B — WATER PIPE ASSY.

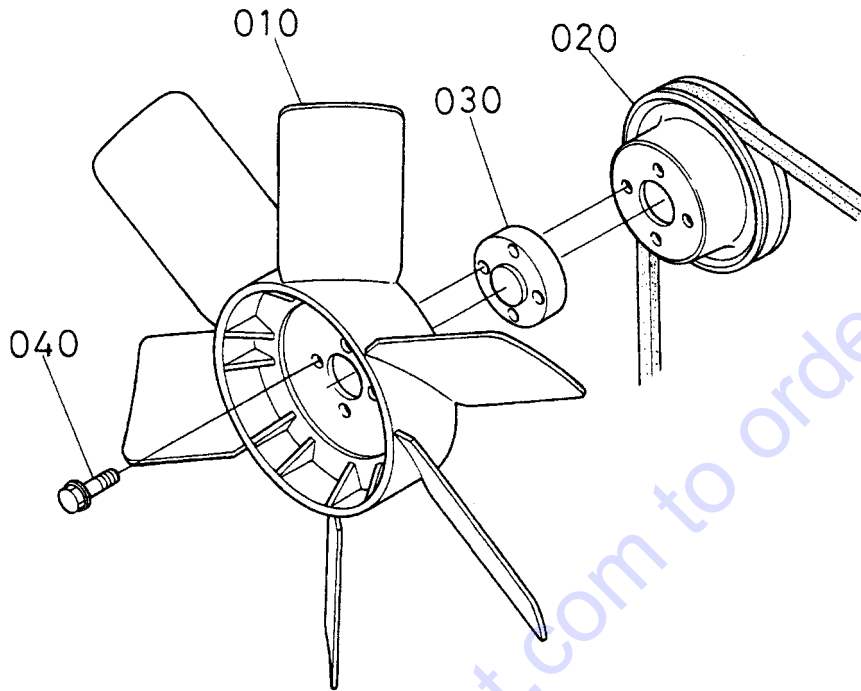


KUBOTA D722E2B/E3B — WATER PIPE ASSY.

<u>NO.</u>	<u>PART NO.</u>	<u>PART NAME</u>	<u>QTY.</u>	<u>REMARKS</u>
010	1680572860	PIPE, WATER	1	
020	1680572870	HOSE, WATER	1	
030	1584191510	STUD	1	
040	0275150060	NUT, FLANGE	2	

Go to Discount-Equipment.com to order your parts

KUBOTA D722E2B/E3B — FAN ASSY.



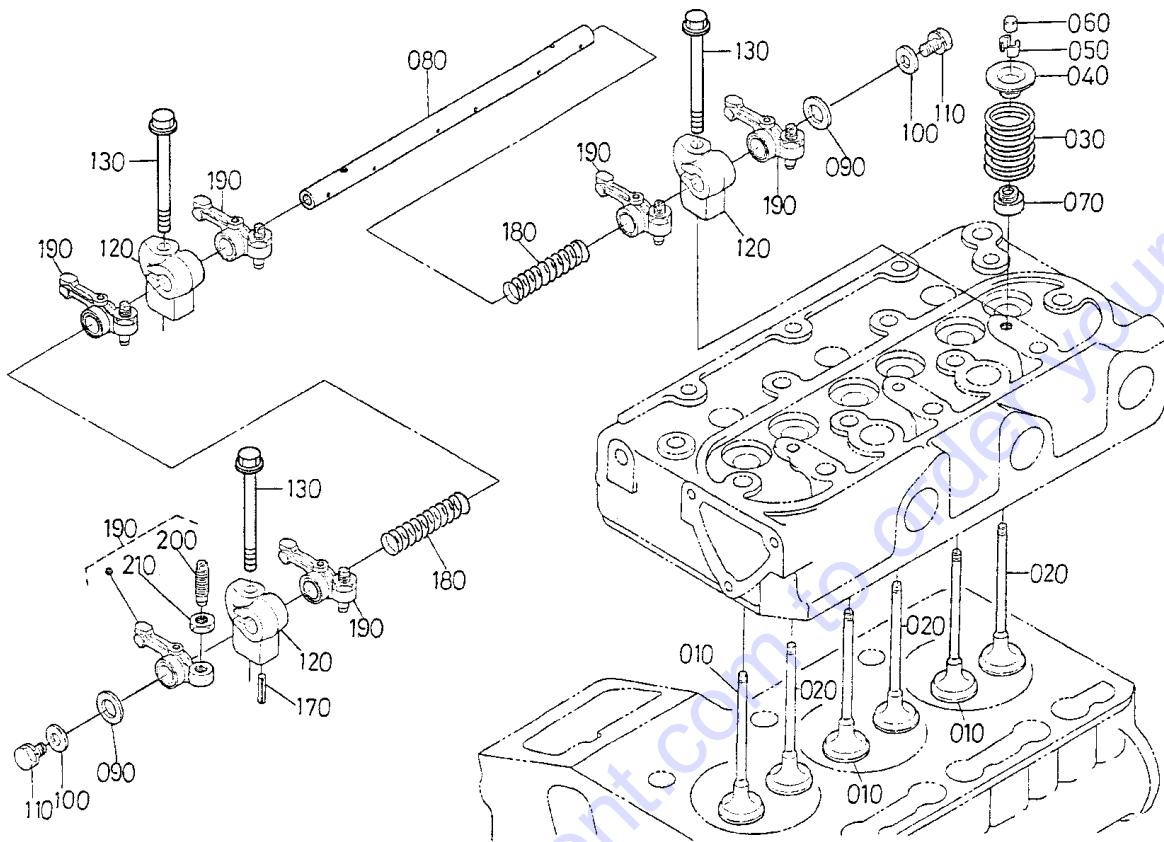
Go to Discount-Equipment.com to order your parts

KUBOTA D722E2B/E3B — FAN ASSY.

<u>NO.</u>	<u>PART NO.</u>	<u>PART NAME</u>	<u>QTY.</u>	<u>REMARKS</u>
010	1K16274110	FAN	1	
020	1584174250	PULLEY, FAN	1	
030	1567974150	COLLAR, FAN	1	
040	0175450640	BOLT, FLANGE	4	

Go to Discount-Equipment.com to order your parts

KUBOTA D722E2B/E3B — VALVE AND ROCKER ARM ASSY.

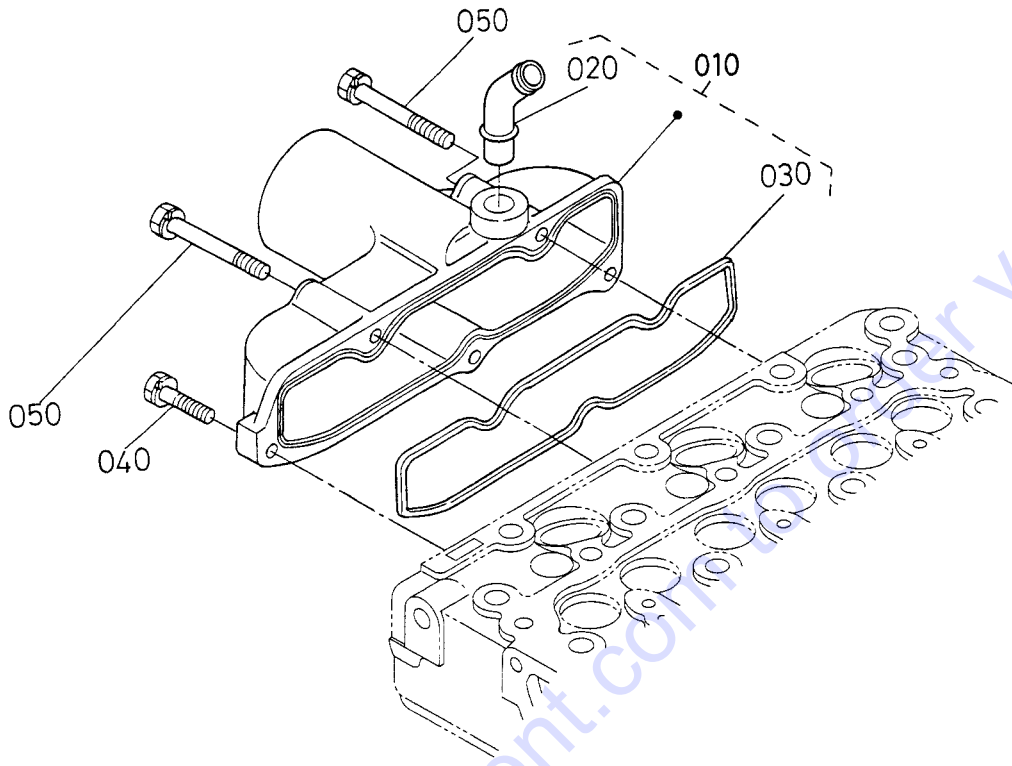


KUBOTA D722E2B/E3B — VALVE AND ROCKER ARM ASSY.

NO.	PART NO.	PART NAME	QTY.	REMARKS
010	1460113110	VALVE, INLET	3	
020	1460113120	VALVE, EXHAUST	3	
030	1460113240	SRING, VALVE	6	
040	1460113330	RETAINER, SPRING	6	
050	1460113360	COLLET, VALVE SPRING	6	
060	1685113280	CAP, VALVE	6	
070	1142013150	SEAL, VALVE STEM	6	
080	1586114263	SHAFT, ROCKER ARM	1	D722E2B ONLY
080	1586114264	SHAFT, ROCKER ARM	1	D722E3B ONLY
090	1687114430	WASHER	2	
100	1584194022	WASHER, FLAT	2	
110	0102350610	BOLT	2	
120	1G95814350	BRACKET, ROCKER ARM	3	
130	0175450640	BOLT, FLANGE	3	
170	0541100420	PIN, SPRING	1	
180	1460114310	SPRING, ROCKER ARM.....	2	D722E2B ONLY
180	1460114312	SPRING, ROCKER ARM.....	2	D722E3B ONLY
190	1584114030	ROCKER ARM, ASSY.	6	
200	1584114230	SCREW, ADJUSTING	6	
210	1460114240	NUT	6	

Go to Discount-Equipment.com to order your parts

KUBOTA D722E2B/E3B — INLET MANIFOLD ASSY.

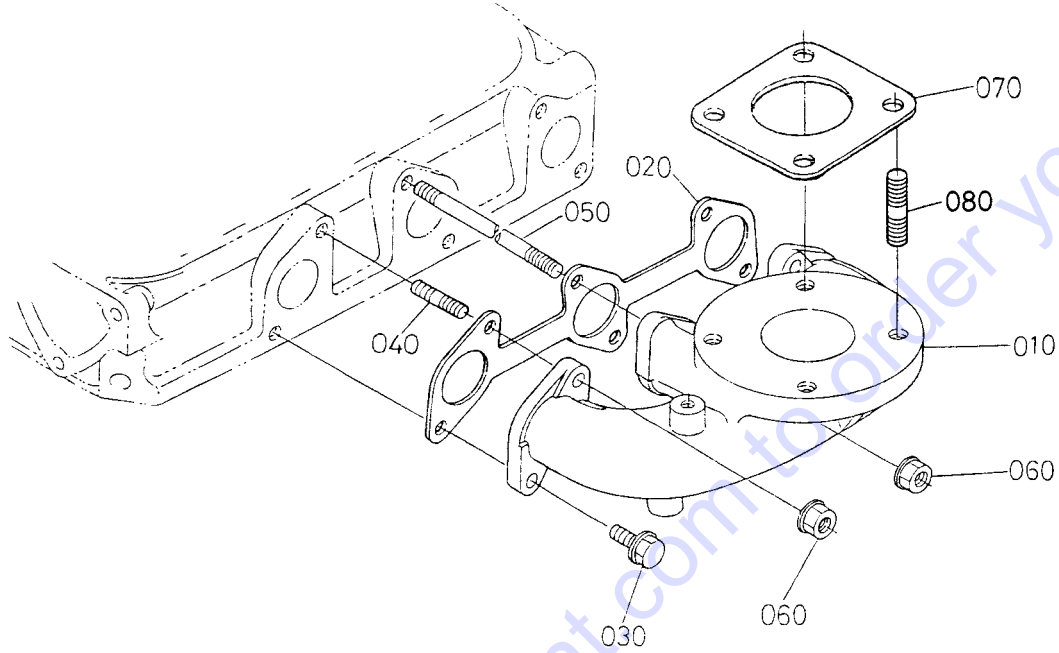


KUBOTA D722E2B/E3B — INLET MANIFOLD ASSY.

<u>NO.</u>	<u>PART NO.</u>	<u>PART NAME</u>	<u>QTY.</u>	<u>REMARKS</u>
010	1G95811770	MANIFOLD, INLET ASSY.....	1.....	INCLUDES ITEMS W/#
020#	1G96005550	PIPE, BREATHER	1	
030#	M586111820	GASKET, IN-MANIFOLD	1	
040	0102350618	BOLT	2	
050	0102350645	BOLT	3	

Go to Discount-Equipment.com to order your parts

KUBOTA D722E2B/E3B — EXHAUST MANIFOLD ASSY.

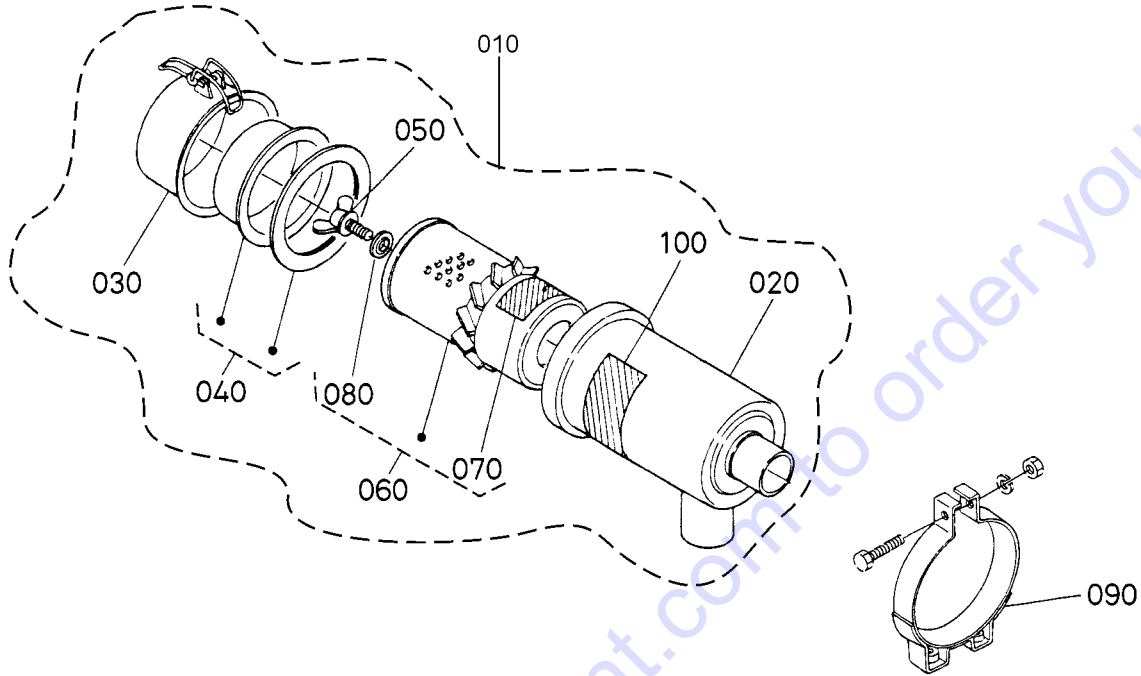


KUBOTA D722E2B/E3B — EXHAUST MANIFOLD ASSY.

<u>NO.</u>	<u>PART NO.</u>	<u>PART NAME</u>	<u>QTY.</u>	<u>REMARKS</u>
010	1902412317	MANIFOLD, EXHAUST	1	
020	1586212350	GASKET, EXMANIFOLD	1	
030	0175950616	BOLT, UBS	3	
040	0151350618	STUD	1	
050	1569491490	STUD	2	
060	0275650060	NUT, UBS	3	
070	1526312370	GASKET, MUFFLER NA	1	
080	0151350822	STUD	4	

Go to Discount-Equipment.com to order your parts

KUBOTA D722E2B/E3B — AIR CLEANER ASSY.

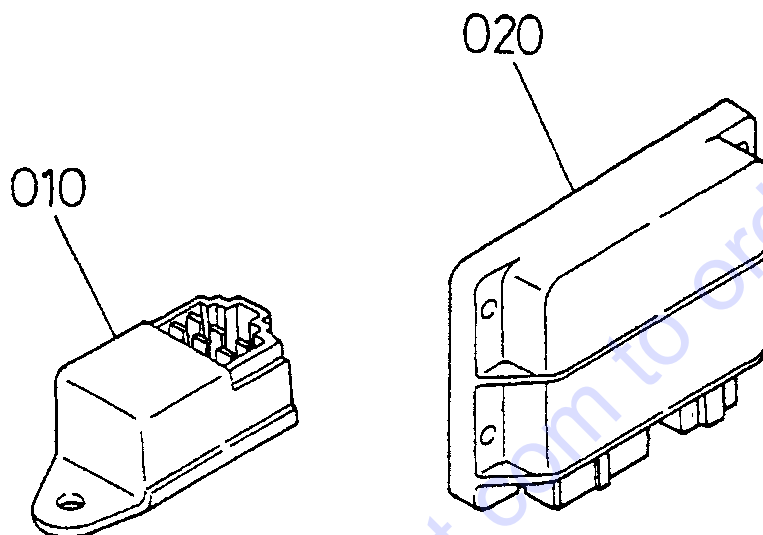


KUBOTA D722E2B/E3B — AIR CLEANER ASSY.

<u>NO.</u>	<u>PART NO.</u>	<u>PART NAME</u>	<u>QTY.</u>	<u>REMARKS</u>
010	1556211010	CLEANER, AIR ASSY.....	1.....	INCLUDES ITEMS W/#
020#	1554511150	BODY, AIR CLEANER	1	
030#	1558911160	COVER, AIR CLEANER	1	
040#	1522111410	COVER, BAFFLE	1	
050#	1522192620	BOLT, WING	1	
060#	1556211080	ELEMENT, CLEANER ASSY.	1.....	INCLUDES ITEMS W/%
070#%	1522787480	LABEL, ELEMENT A/C	1	
080#%	1522194430	WASHER, WITH RUBBER	1	
090	1538111250	BAND, AIR CLEANER	1	
100#	1522187450	LABEL, AIR CLEANER		

Go to Discount-Equipment.com to order your parts

KUBOTA D722E2B/E3B — GLOW LAMP AND TIMER ASSY.

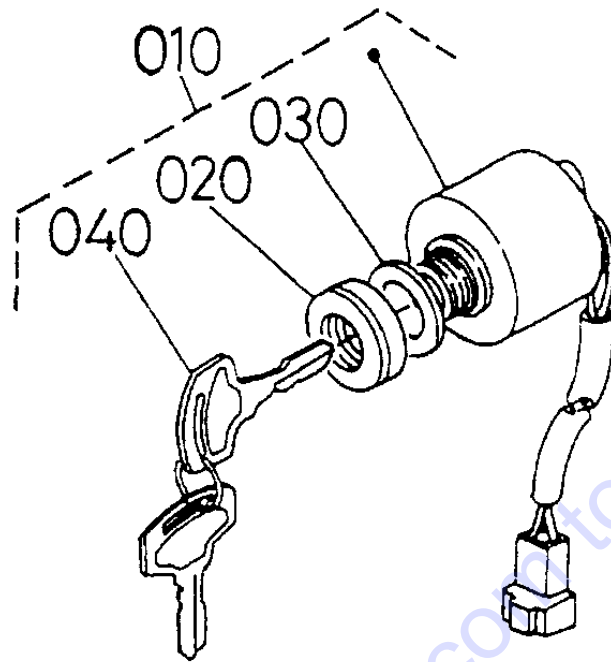


KUBOTA D722E2B/E3B — GLOW LAMP AND TIMER ASSY.

<u>NO.</u>	<u>PART NO.</u>	<u>PART NAME</u>	<u>QTY.</u>	<u>REMARKS</u>
010	1747260604	EMERGENCY UNIT	1	
020	1569465990	TIMER, GLOW LAMP	1	

Go to Discount-Equipment.com to order your parts

KUBOTA D722E2B/E3B — STARTER SWITCH ASSY.



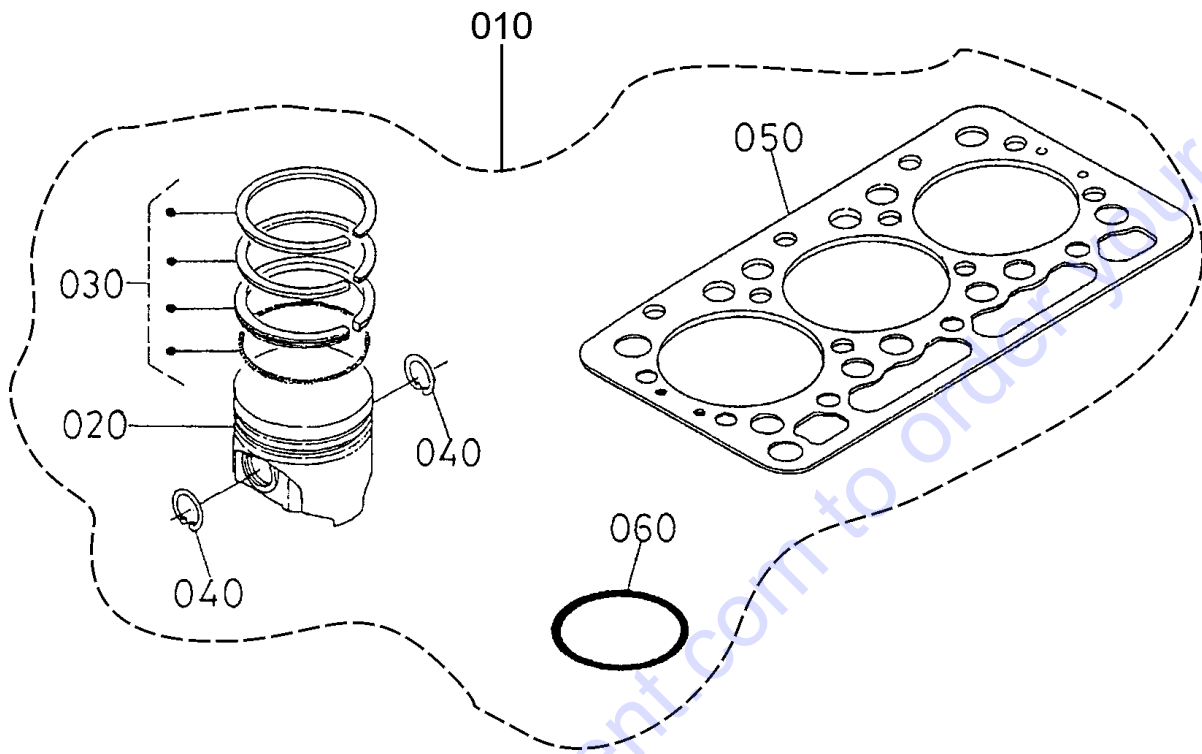
Go to Discount-Equipment.com to order your parts

KUBOTA D722E2B/E3B — STARTER SWITCH ASSY.

<u>NO.</u>	<u>PART NO.</u>	<u>PART NAME</u>	<u>QTY.</u>	<u>REMARKS</u>
010	3741059110	SWITCH, STARTER ASSY.....	1.....	INCLUDES ITEMS W/#
020#	3741055 180	CAP, STARTER SWITCH	1	
030#	6641655170	WASHER	1	
040#	3741055150	KEY, STARTER	1	

Go to Discount-Equipment.com to order your parts

KUBOTA D722E2B/E3B — PISTON KIT ASSY.



KUBOTA D72E2B/E3B — PISTON KIT ASSY.

<u>NO.</u>	<u>PART NO.</u>	<u>PART NAME</u>	<u>QTY.</u>	<u>REMARKS</u>
010	1687321000	KIT, PISTON.....	1.....	NCLUDES ITEMS W/#
020#	1685121112	PISTON	3	
030#	1685321050	PISTON RING, ASSY	3	
040#	M526121330	CIR CLIP, PISTON PIN	6	
050#	1687103310	GASKET, CYLINDER HEAD	1	
060#	1522133700	O-RING	1	

Go to Discount-Equipment.com to order your parts

PARTS FINDER

**Search Website
by Part Number**



**Search Manual
Library For Parts
Manual & Lookup Part
Numbers – Purchase
or Request Quote**

Search Manuals

Enter your information to help us find the right parts manual for your machine.

* Brand:

* Model:

* Serial:

* Part Number:

SEARCH

**Can't Find Part or
Manual? Request Help
by Manufacturer,
Model & Description**

Parts Order Form

Please fill in the following information to help us find the right part for your machine.

Manufacturer:	<input type="text"/>
Model:	<input type="text"/>
Description:	<input type="text"/>
Part Number:	<input type="text"/>
Quantity:	<input type="text"/>
Notes:	<input type="text"/>

Discount-Equipment.com is your online resource for quality parts & equipment.

Florida: **561-964-4949** Outside Florida TOLL FREE: **877-690-3101**

Need parts?

Click on this link: <http://www.discount-equipment.com/category/5443-parts/> and choose one of the options to help get the right parts and equipment you are looking for. Please have the machine model and serial number available in order to help us get you the correct parts. If you don't find the part on the website or on one of the online manuals, please fill out the request form and one of our experienced staff members will get back to you with a quote for the right part that your machine needs.

We sell worldwide for the brands: Genie, Terex, JLG, MultiQuip, Mikasa, Essick, Whiteman, Mayco, Toro Stone, Diamond Products, Generac Magnum, Airman, Haulotte, Barreto, Power Blanket, Nifty Lift, Atlas Copco, Chicago Pneumatic, Allmand, Miller Curber, Skyjack, Lull, Skytrak, Tsurumi, Husquvarna Target, Stow, Wacker, Sakai, Mi-T-M, Sullair, Basic, Dynapac, MBW, Weber, Bartell, Bennar Newman, Haulotte, Ditch Runner, Menegotti, Morrison, Contec, Buddy, Crown, Edco, Wyco, Bomag, Laymor, EZ Trench, Bil-Jax, F.S. Curtis, Gehl Pavers, Heli, Honda, ICS/PowerGrit, IHI, Partner, Imer, Clipper, MMD, Koshin, Rice, CH&E, General Equipment, Amida, Coleman, NAC, Gradall, Square Shooter, Kent, Stanley, Tamco, Toku, Hatz, Kohler, Robin, Wisconsin, Northrock, Oztec, Toker TK, Rol-Air, APT, Wylie, Ingersoll Rand / Doosan, Innovatech, Con X, Ammann, Mecalac, Makinex, Smith Surface Prep, Small Line, Wanco, Yanmar