

PARTS MANUAL



MODEL MC94SK/MC94PK CONCRETE MIXER (KOHLER CH395 9.5 HP GASOLINE ENGINE)

Revision #0 (09/26/22)



THIS MANUAL MUST ACCOMPANY THE EQUIPMENT AT ALL TIMES.

PARTS FINDER

**Search Website
by Part Number**



**Search Manual
Library For Parts
Manual & Lookup Part
Numbers – Purchase
or Request Quote**

Search Manuals

Enter your information to help us find the right parts manual for your machine.

* Brand:

* Model:

* Serial:

* Part Number:

SEARCH

**Can't Find Part or
Manual? Request Help
by Manufacturer,
Model & Description**

Parts Order Form

Please fill in the following information to help us find the right part for your machine.

Manufacturer:	<input type="text"/>
Model:	<input type="text"/>
Description:	<input type="text"/>
Part Number:	<input type="text"/>
Quantity:	<input type="text"/>
Notes:	<input type="text"/>

Submit

Discount-Equipment.com is your online resource for quality parts & equipment.

Florida: **561-964-4949** Outside Florida TOLL FREE: **877-690-3101**

Need parts?

Click on this link: <http://www.discount-equipment.com/category/5443-parts/> and choose one of the options to help get the right parts and equipment you are looking for. Please have the machine model and serial number available in order to help us get you the correct parts. If you don't find the part on the website or on one of the online manuals, please fill out the request form and one of our experienced staff members will get back to you with a quote for the right part that your machine needs.

We sell worldwide for the brands: Genie, Terex, JLG, MultiQuip, Mikasa, Essick, Whiteman, Mayco, Toro Stone, Diamond Products, Generac Magnum, Airman, Haulotte, Barreto, Power Blanket, Nifty Lift, Atlas Copco, Chicago Pneumatic, Allmand, Miller Curber, Skyjack, Lull, Skytrak, Tsurumi, Husquvarna Target, Stow, Wacker, Sakai, Mi-T-M, Sullair, Basic, Dynapac, MBW, Weber, Bartell, Bennar Newman, Haulotte, Ditch Runner, Menegotti, Morrison, Contec, Buddy, Crown, Edco, Wyco, Bomag, Laymor, EZ Trench, Bil-Jax, F.S. Curtis, Gehl Pavers, Heli, Honda, ICS/PowerGrit, IHI, Partner, Imer, Clipper, MMD, Koshin, Rice, CH&E, General Equipment, Amida, Coleman, NAC, Gradall, Square Shooter, Kent, Stanley, Tamco, Toku, Hatz, Kohler, Robin, Wisconsin, Northrock, Oztec, Toker TK, Rol-Air, APT, Wylie, Ingersoll Rand / Doosan, Innovatech, Con X, Ammann, Mecalac, Makinex, Smith Surface Prep, Small Line, Wanco, Yanmar

TABLE OF CONTENTS

MC94SK/PK Series Concrete Mixers

Explanation Of Code In Remarks Column.....	4
Suggested Spare Parts	5

Component Drawings

Nameplate And Decals Assembly	6-7
Plastic Barrel Assembly	8-9
Steel Barrel Assembly	10-11
Main Frame Assembly	12-13
Axle Assembly	14-15
Cabinet Assembly.....	16-17
Engine Mounting Plate Assembly.....	18-19
Engine Service Parts.....	20-21

NOTICE

Specifications and part numbers are subject to change without notice.

Go to Discount-Equipment.com to order your parts

EXPLANATION OF CODE IN REMARKS COLUMN

The following section explains the different symbols and remarks used in the Parts section of this manual. Use the help numbers found on the back page of the manual if there are any questions.

NOTICE

The contents and part numbers listed in the parts section are subject to change **without notice**. Multiquip does not guarantee the availability of the parts listed.

SAMPLE PARTS LIST

NO.	PART NO.	PART NAME	QTY.	REMARKS
1	12345	BOLT.....	1	INCLUDES ITEMS W/%
2%		WASHER, 1/4 IN.....		NOT SOLD SEPARATELY
2%	12347	WASHER, 3/8 IN....	1	MQ-45T ONLY
3	12348	HOSE	A/R	MAKE LOCALLY
4	12349	BEARING	1	S/N 2345B AND ABOVE

NO. Column

Unique Symbols — All items with same unique symbol

(@, #, +, %, or >) in the number column belong to the same assembly or kit, which is indicated by a note in the “Remarks” column.

Duplicate Item Numbers — Duplicate numbers indicate multiple part numbers, which are in effect for the same general item, such as different size saw blade guards in use or a part that has been updated on newer versions of the same machine.

NOTICE

When ordering a part that has more than one item number listed, check the remarks column for help in determining the proper part to order.

PART NO. Column

Numbers Used — Part numbers can be indicated by a number, a blank entry, or TBD.

TBD (To Be Determined) is generally used to show a part that has not been assigned a formal part number at the time of publication.

A blank entry generally indicates that the item is not sold separately or is not sold by Multiquip. Other entries will be clarified in the “Remarks” Column.

QTY. Column

Numbers Used — Item quantity can be indicated by a number, a blank entry, or A/R.

A/R (As Required) is generally used for hoses or other parts that are sold in bulk and cut to length.

A blank entry generally indicates that the item is not sold separately. Other entries will be clarified in the “Remarks” Column.

REMARKS Column

Some of the most common notes found in the “Remarks” Column are listed below. Other additional notes needed to describe the item can also be shown.

Assembly/Kit — All items on the parts list with the same unique symbol will be included when this item is purchased.

Indicated by:

“INCLUDES ITEMS W/(unique symbol)”

Serial Number Break — Used to list an effective serial number range where a particular part is used.

Indicated by:

“S/N XXXXX AND BELOW”

“S/N XXXX AND ABOVE”

“S/N XXXX TO S/N XXX”

Specific Model Number Use — Indicates that the part is used only with the specific model number or model number variant listed. It can also be used to show a part is NOT used on a specific model or model number variant.

Indicated by:

“XXXXX ONLY”

“NOT USED ON XXXX”

“Make/Obtain Locally” — Indicates that the part can be purchased at any hardware shop or made out of available items. Examples include battery cables, shims, and certain washers and nuts.

“Not Sold Separately” — Indicates that an item cannot be purchased as a separate item and is either part of an assembly/kit that can be purchased, or is not available for sale through Multiquip.

SUGGESTED SPARE PARTS

MC94SK/MC94PK CONCRETE MIXER WITH KOHLER CH395 GASOLINE ENGINE

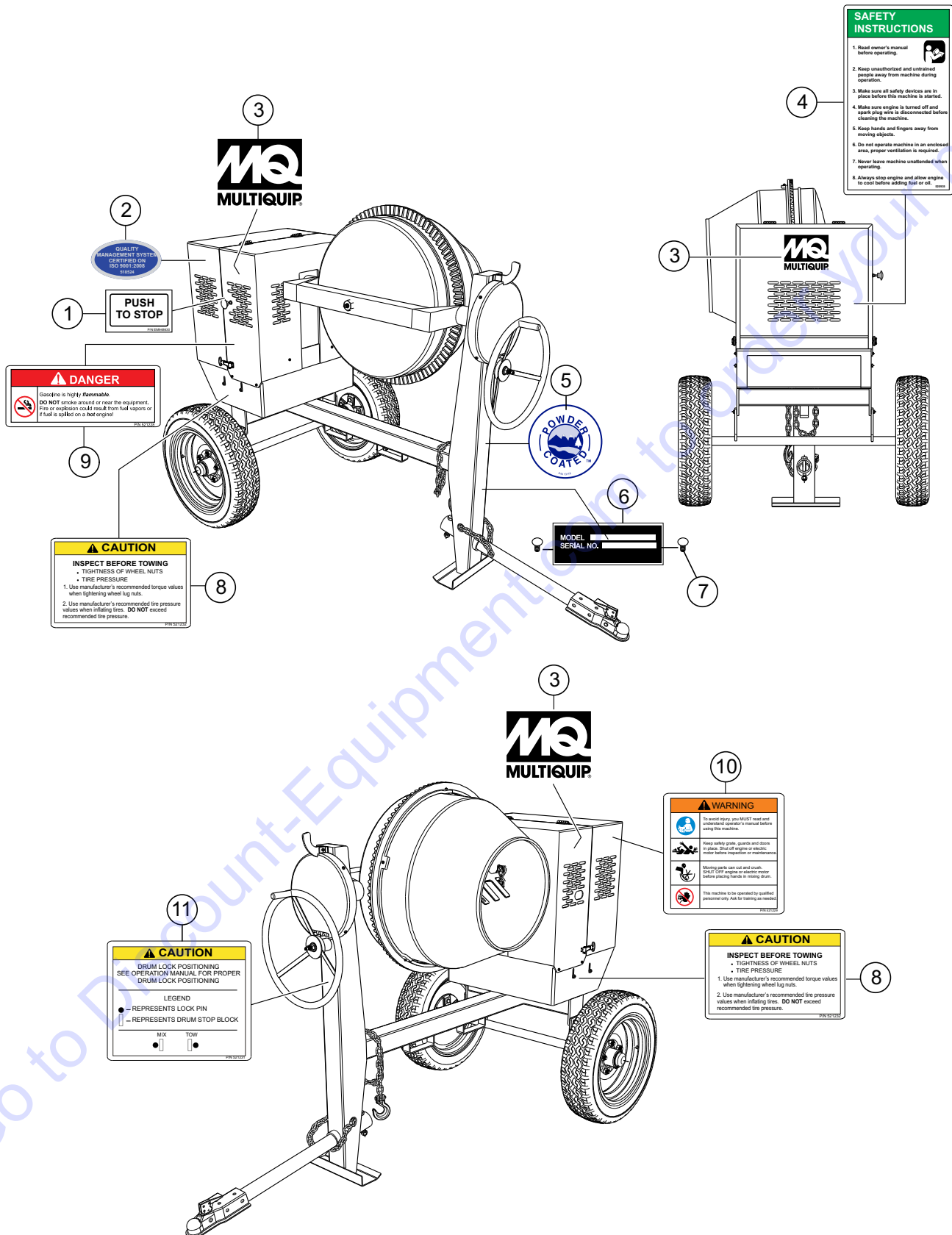
1 to 4 units

Qty.	P/N	Description
2	493399	V-BELT, B-55 8.0 HP
1	29173-001	STOP BUTTON W/GAS ENGINE
2	491010	LATCH SET
1	505390	EXPANSION PLUG
2	510956	SPINDLE BEARING CUP
2	510955	SPINDLE BEARING CONES
1	EM505472	SPACER, DRUM (STEEL ONLY)
2	EM914288	SEAL, AXLE
2	EM903012	BEARING CUP
2	EM903113	BEARING CONE
2	3469	DUST CAP, AXLE
3	1708315-S	ELEMENT, PRE-CLEANER
3	1708332-S	ELEMENT, AIR CLEANER
3	2513219-S	SPARK PLUG
1	1717349-S	CAP, FUEL TANK
1	1716002-S	KIT, ROPE
1	1705020-S	FILTER, FUEL TANK

NOTICE

Part numbers on this Suggested Spare Parts list may supersede/replace the part numbers shown in the following parts lists.

NAMEPLATE AND DECALS ASSY.



SAFETY INSTRUCTIONS

1. Read owner's manual before operating.
2. Keep unauthorized and untrained people away from machine during operation.
3. Make sure all safety devices are in place before this machine is started.
4. Make sure engine is turned off and spark plug wire is disconnected before cleaning the machine.
5. Keep hands and fingers away from moving objects.
6. Do not operate machine in an enclosed area, proper ventilation is required.
7. Never leave machine unattended when operating.
8. Always stop engine and allow engine to cool before adding fuel or oil.

2
QUALITY MANAGEMENT SYSTEM CERTIFIED ON ISO 9001:2015

1
PUSH TO STOP

DANGER

Gasoline is highly flammable. DO NOT smoke around or near the equipment. Fire or explosion could result from fuel vapors or if fuel is spilled on a hot engine!

CAUTION

INSPECT BEFORE TOWING

- TIGHTNESS OF WHEEL NUTS
- TIRE PRESSURE

1. Use manufacturer's recommended torque values when tightening wheel lug nuts.
2. Use manufacturer's recommended tire pressure values when inflating tires. DO NOT exceed recommended tire pressure.

5
POWDER COATED

6
MODEL SERIAL NO.

3
MQ MULTIQUIP

10
WARNING

To avoid injury, you MUST read and understand operator's manual before using this machine.

Wear safety glasses, gloves and shoes in place. Shut off engine or electric motor before plugging hands in mixing drum.

Moving parts can cut and crush. SHUT OFF engine or electric motor before plugging hands in mixing drum.

This machine is to be operated by qualified personnel only. Ask for training as needed.

11
CAUTION

DRUM LOCK POSITIONING

SEE OPERATION MANUAL FOR PROPER DRUM LOCK POSITIONING

LEGEND

- REPRESENTS LOCK PIN
- REPRESENTS DRUM STOP BLOCK

MIX TOW

8
CAUTION

INSPECT BEFORE TOWING

- TIGHTNESS OF WHEEL NUTS
- TIRE PRESSURE

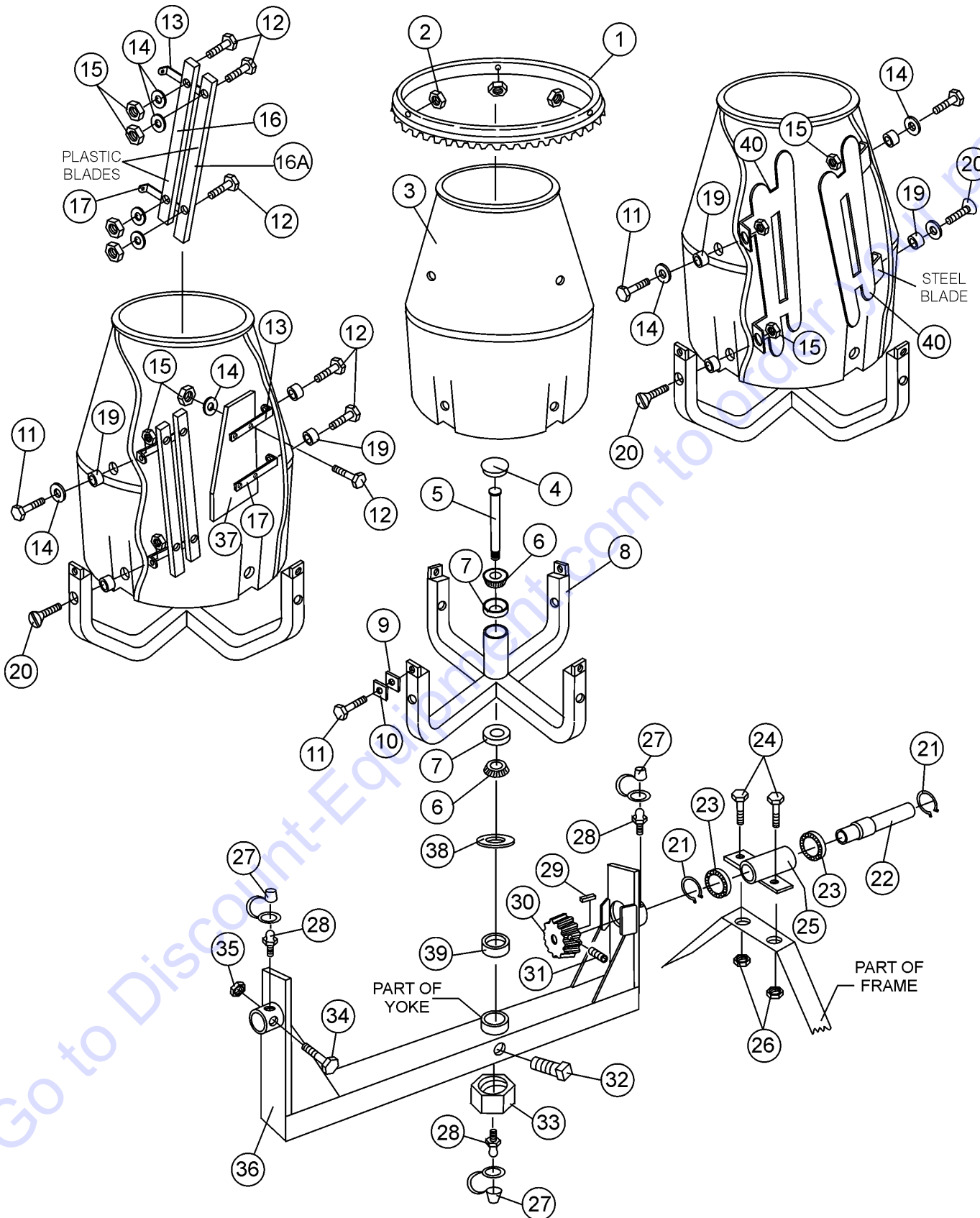
1. Use manufacturer's recommended torque values when tightening wheel lug nuts.
2. Use manufacturer's recommended tire pressure values when inflating tires. DO NOT exceed recommended tire pressure.

NAMEPLATE AND DECALS ASSY.

<u>NO.</u>	<u>PART NO.</u>	<u>PART NAME</u>	<u>QTY.</u>	<u>REMARKS</u>
1	948630	DECAL, PUSH TO STOP	1	
2	518524	DECAL, ISO 9001:2000, EXPORT	1	
3	512910	MQ MULTQUIP LOGO	3	
4	520935	DECAL, SAFETY INSTRUCTIONS	1	
5	13118	DECAL, POWDER COATED	1	
6		NAMEPLATE	1	CONTACT DISCOUNT-EQUIPMENT.
7	491757	POP RIVET	2	
8	521232	DECAL, TOWING INSTRUCTIONS	2	
9	521228	DECAL, DANGER NO SMOKING	2	
10	521229	DECAL, WARNING READ MANUAL	2	
11	521231	DECAL, DRUM LOCK POSITION	1	

Go to Discount-Equipment.com to order your parts

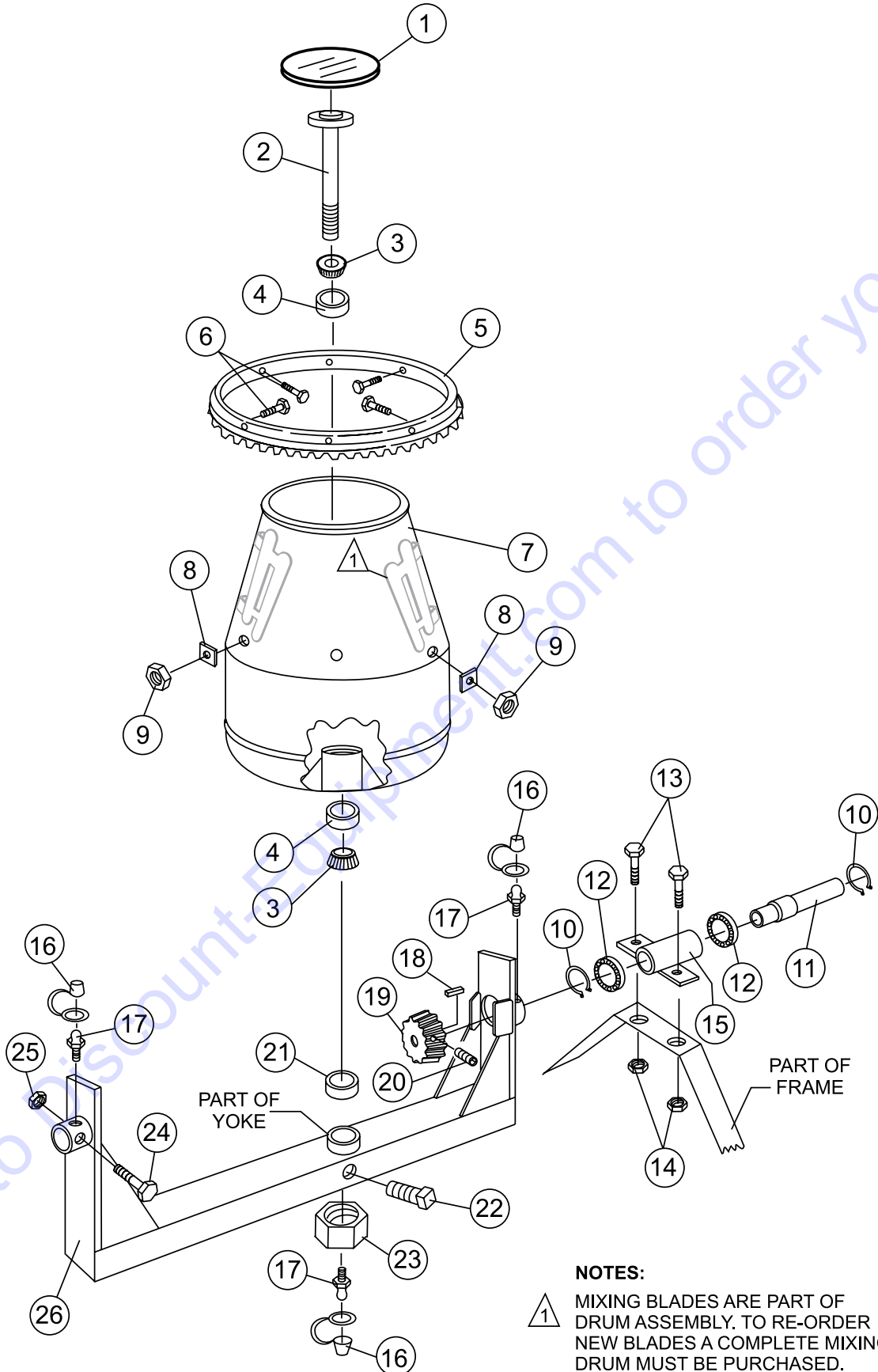
PLASTIC BARREL ASSY.



PLASTIC BARREL ASSY.

<u>NO.</u>	<u>PART NO.</u>	<u>PART NAME</u>	<u>QTY.</u>	<u>REMARK</u>
1	514061	RING GEAR	1	
2	EM969013	NUT, LOCK 3/8" NC	4	
3	508492	BARREL, PLASTIC 9 CU. FT.	1	
4	505390	PLUG, EXPANSION	1	
5	508491	KING PIN	1	
6	510955	SPINDLE BEARING CONE	2	
7	510956	SPINDLE BEARING CUP	2	
8	514930	SUPPORT SPIDER	1	
9	511758	SHIM PLASTIC #14	AR	
10	511759	SHIM PLASTIC #16	AR	
11	EM963057	BOLT 3/8" NC 1-1/2" G5	4	
12	492378	BOLT 3/8" NC 1-3/4" G5	16	
13	507542	SUPPORT BRACKET, UPPER	4	
14	492598	WASHER, FLAT	16	
15	492583	NUT, HEX 3/8" NC	16	
16	508497	PLASTIC BLADE, VERT. LONG	2	
16A	508498	PLASTIC BLADE, VERT. SHORT	2	
17	507541	SUPPORT BRACKET, LOWER	4	
19	507538C	SPACER MC8079	4	
20	508345	BOLT, FLAT HEAD 3/8" NC X 3-1/2" G	4	
21	EM926036	RING, RETENTION	2	
22	514515	DRIVE PINION SHAFT	1	
23	492179	BEARING, PINION SHAFT	2	
24	EM963692	BOLT 1/2" NC X 1-1/2" G5	2	
25	502036	HOUSING, JACKSHAFT	1	
26	492584	LOCKNUT, HEX 1/2" NC	2	
27	491008	CAP, GREASE FITTING	3	
28	EM916001	GREASE FITTING 1/8" NPT	3	
29	500246	SQUARE KEY 1/4 X 35 MM	1	
30	503915	DRIVE PINION	1	
31	492468	ALLEN SCREW 5/16 NC 1/2"	1	
32	492491	SET SCREW 1/2" X 1" NC	1	
33	07037-024	NUT, HEX LOWER 1-1/2" NF	1	REPLACES EM968306
34	505079	BOLT 5/8" NC X 1-1/4" NC	1	
35	492586	LOCKNUT, HEX 5/8" NC	1	
36	510647	YOKE	1	
37	508496	BLADE, PLASTIC (SHOVEL)	2	
38	500980	WASHER, FLAT 1-9/16"	1	
39	505472	SPACER, BARREL	1	
40	515450	STEEL BLADES	4	EFFECTIVE 02/2005

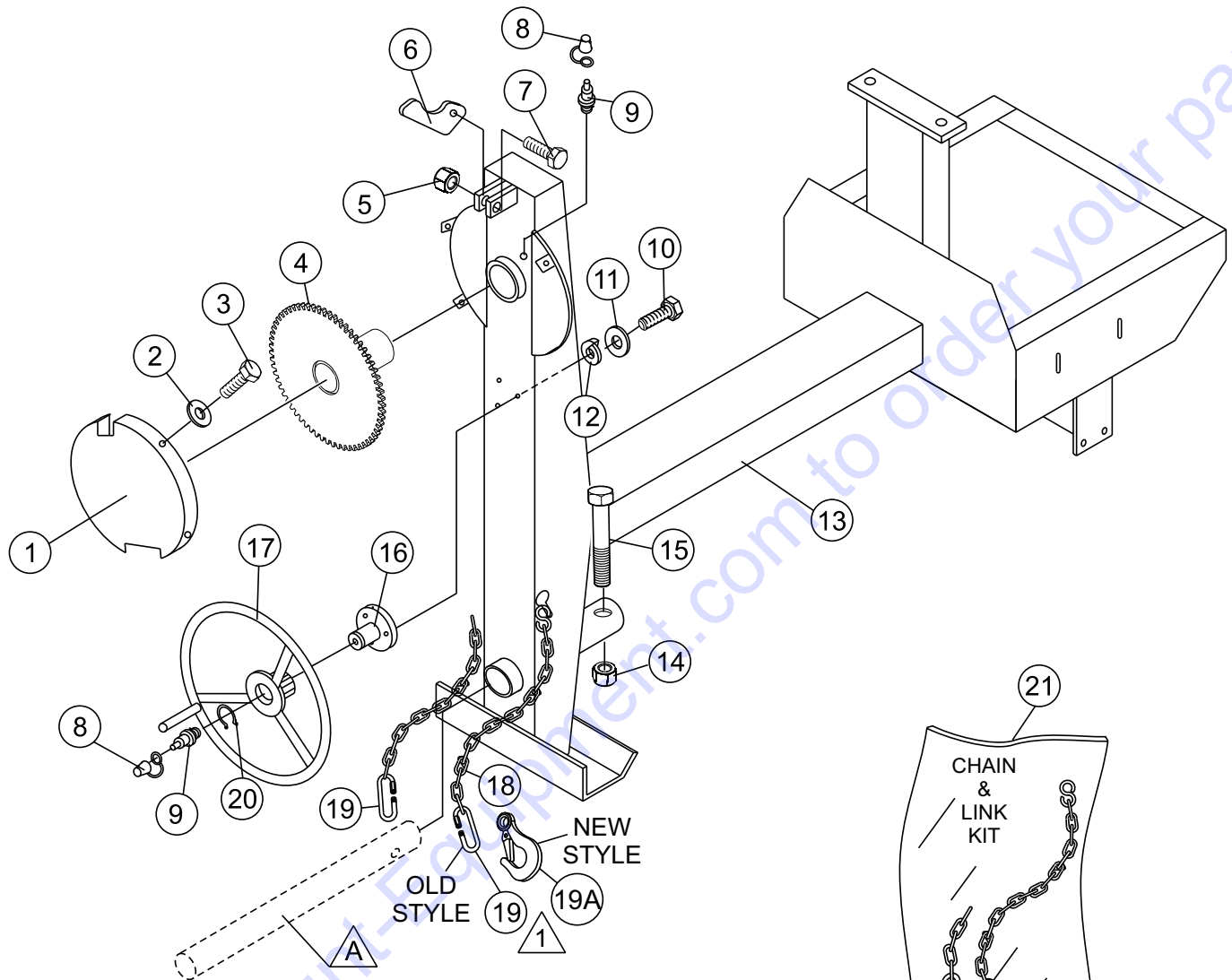
STEEL BARREL ASSY.



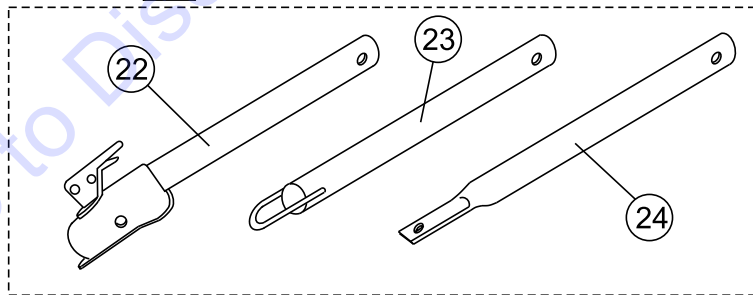
STEEL BARREL ASSY.

<u>NO.</u>	<u>PART NO.</u>	<u>PART NAME</u>	<u>QTY.</u>	<u>REMARK</u>
1	505390	PLUG, EXPANSION	1	
2	505469	KING PIN	1	
3	510955	SPINDLE BEARING CONE	2	
4	510956	SPINDLE BEARING CUP	2	
5	514061	RING GEAR	1	
6	EM9633057	BOLT 3/8" NC 1-1/2" G5	6	
7	505473	BARREL, STEEL 9 CU. FT.	1	
8	511732	SHIM 0.25 THICK	AR	
8	511729	SHIM .100 THICK	AR	
8	511730	SHIM .140 THICK	AR	
8	511731	SHIM .187 THICK	AR	
9	EM969013	NUT, LOCK 3/8" NC	6	
10	490962	SNAP RING	2	
11	514515	DRIVE PINION SHAFT	1	
12	492179	BEARING, PINION SHAFT	2	
13	EM963692	BOLT 1/2" NC X 1-1/2" G5	2	
14	492584	LOCKNUT, HEX 1/2" NC	2	
15	502036	HOUSING, JACKSHAFT	1	
16	491008	CAP, GREASE FITTING	3	
17	EM916001	GREASE FITTING 1/8" NPT	3	
18	500214	SQUARE KEY 1/4" X 30 MM	1	
19	503915	DRIVE PINION	1	
20	492467	ALLEN SCREW 5/16 NC 3/8"	1	
21	EM505472	SPACER, BARREL	1	
22	492491	SET SCREW 1/2" X 1" NC	1	
23	07037-024	NUT, HEX LOWER 1-1/2" NF	1	REPLACES EM968306
24	492406	BOLT 5/8" NC X 1-1/2" NC	1	
25	492586	LOCKNUT, HEX 5/8" NC	1	
26	510593	YOKE	1	

MAIN FRAME ASSY.



A OPTIONAL TOW BARS



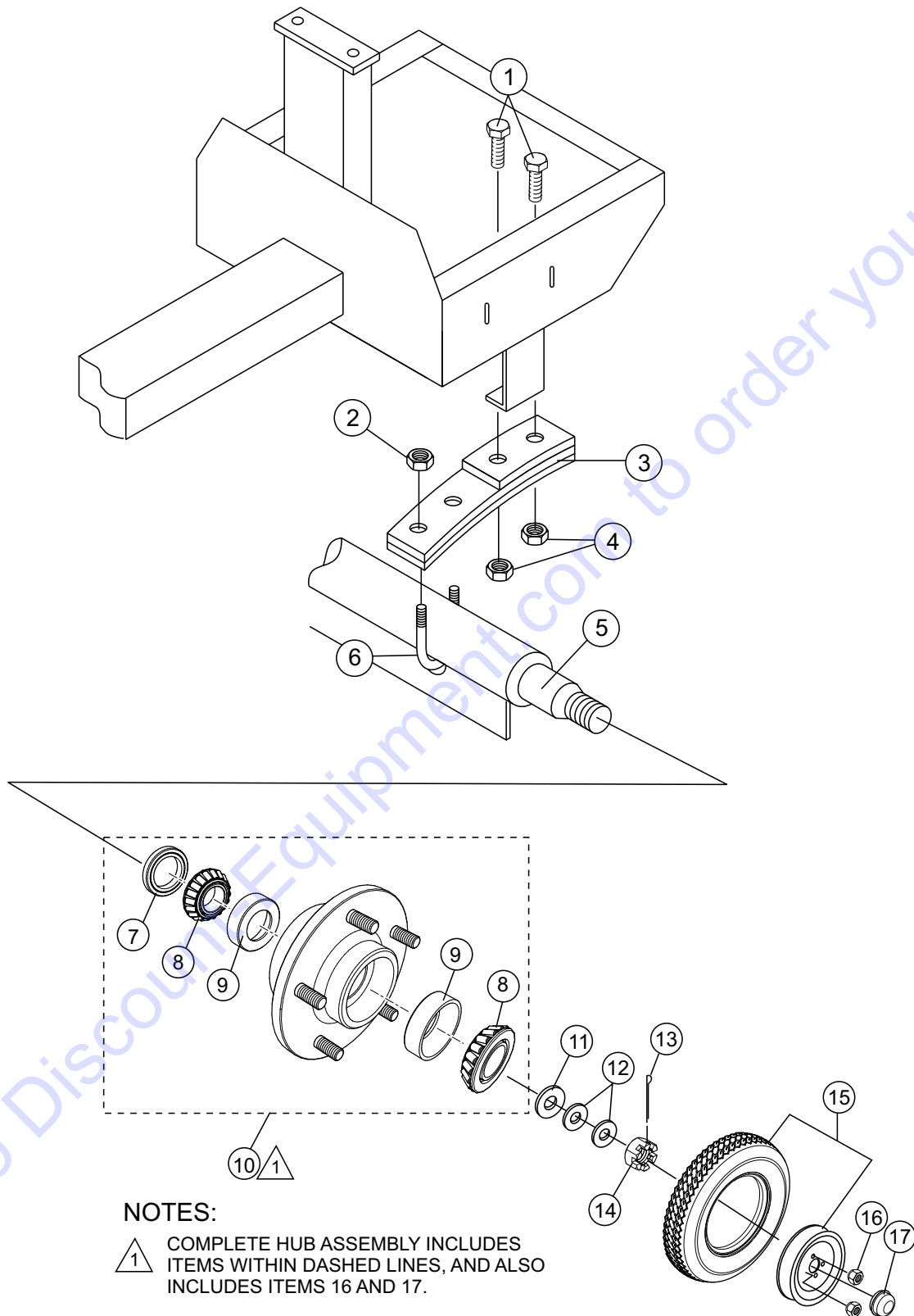
Quantity of item 19, Connector Link, changed from 2 to 1 in January 2006. Item 19A, Clevis Safety Hook, replaces discontinued Connector Link.



MAIN FRAME ASSY.

<u>NO.</u>	<u>PART NO.</u>	<u>PART NAME</u>	<u>QTY.</u>	<u>REMARK</u>
1	514245	GUARD, GEAR WHEEL	1	
2	492621	WASHER, LOCK 1/4"	4	
3	492278	ROUND HEAD BOLT 1/4" NC 3/8 G2"	4	
4	514692	DUMP GEAR	1	
5	492584	NUT, LOCK 1/2" NC	1	
6	490895	DUMP LATCH	1	
7	492395	BOLT 1/2" NC X 1-3/4" G5	1	
8	EM916001	GREASE FITTING 1/8" NPT	2	
9	491008	GREASE CAP	2	
10	EM963055	BOLT 3/8" NC X 3/4" G5	3	
11	3109092	WASHER, FLAT 3/8"	3	
12	0166 A	WASHER, LOCK 3/8"	3	
13	514521	FRAME	1	
14	10176	LOCK NUT 1/2 NC	1	
15	EM124	BOLT 1/2"-13 X 4 G5	1	
16	514723	HANDWHEEL SHAFT	1	
17	501808	HANDWHEEL	1	REPLACES P/N 514002
18*		SAFETY CHAIN	1	
19*	01004	CONNECTOR LINK	2	BEFORE JANUARY 2006
19*	01004	CONNECTOR LINK	1	AFTER JANUARY 2006
19A*	516580	CLEVIS SAFETY HOOK, 1/4"	1	AFTER JANUARY 2006
20	490961	SNAP RING	1	
21	13363KIT	CHAIN AND LINK KIT	1	INCLUDES ITEMS W/*
22	HBC-1	BALL HITCH 2-INCH	1	
23	HLC-1	LOOP HITCH	1	
24	HPC-1	PIN HITCH 1-INCH	1	

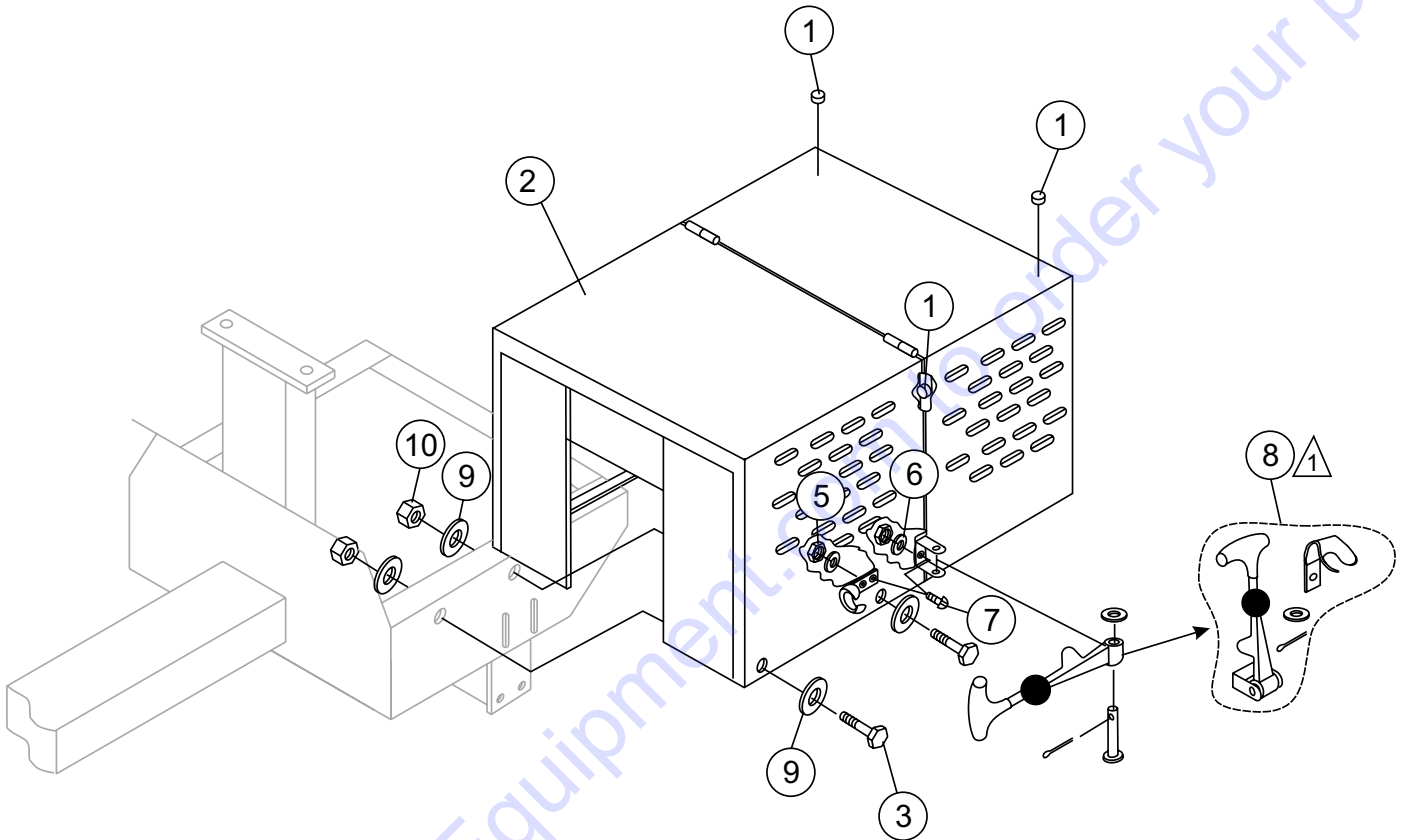
AXLE ASSY.



AXLE ASSY.

<u>NO.</u>	<u>PART NO.</u>	<u>PART NAME</u>	<u>QTY.</u>	<u>REMARK</u>
1	492397	BOLT 1/2" NC 2-1/2" G5	4	
2	492589	NUT 1/2" NF	4	
3	491928	SPRING LEAF	2	
4	492584	NUT, HEX 1/2"	4	
5	514545	AXLE	1	
6	500617	U-CLAMP	2	
7#	EM914288	OIL SEAL	2	
8#	EM903113	BEARING CONE,	4	
9#	EM903012	BEARING CUP	4	
10	EM941306	HUB ASSY., 4-BOLT (1-1/16" SPINDLE).....	2.....	INCLUDES ITEMS W/#
11	EM511159	WASHER, FLAT, .087" THICKNESS	2	
12	EM501299	WASHER, FLAT, .135" THICKNESS	AR	
13	491688	COTTER PIN 1/8" X 1-1/2'	2	
14	8164	NUT, SLOTTED HEX JAM 1"-20	2	
15	3005	TIRE AND RIM	2	
16#	8115	LUG NUTS	8	
17#	3469	DUST CAP	2	

CABINET ASSY.



NOTES:

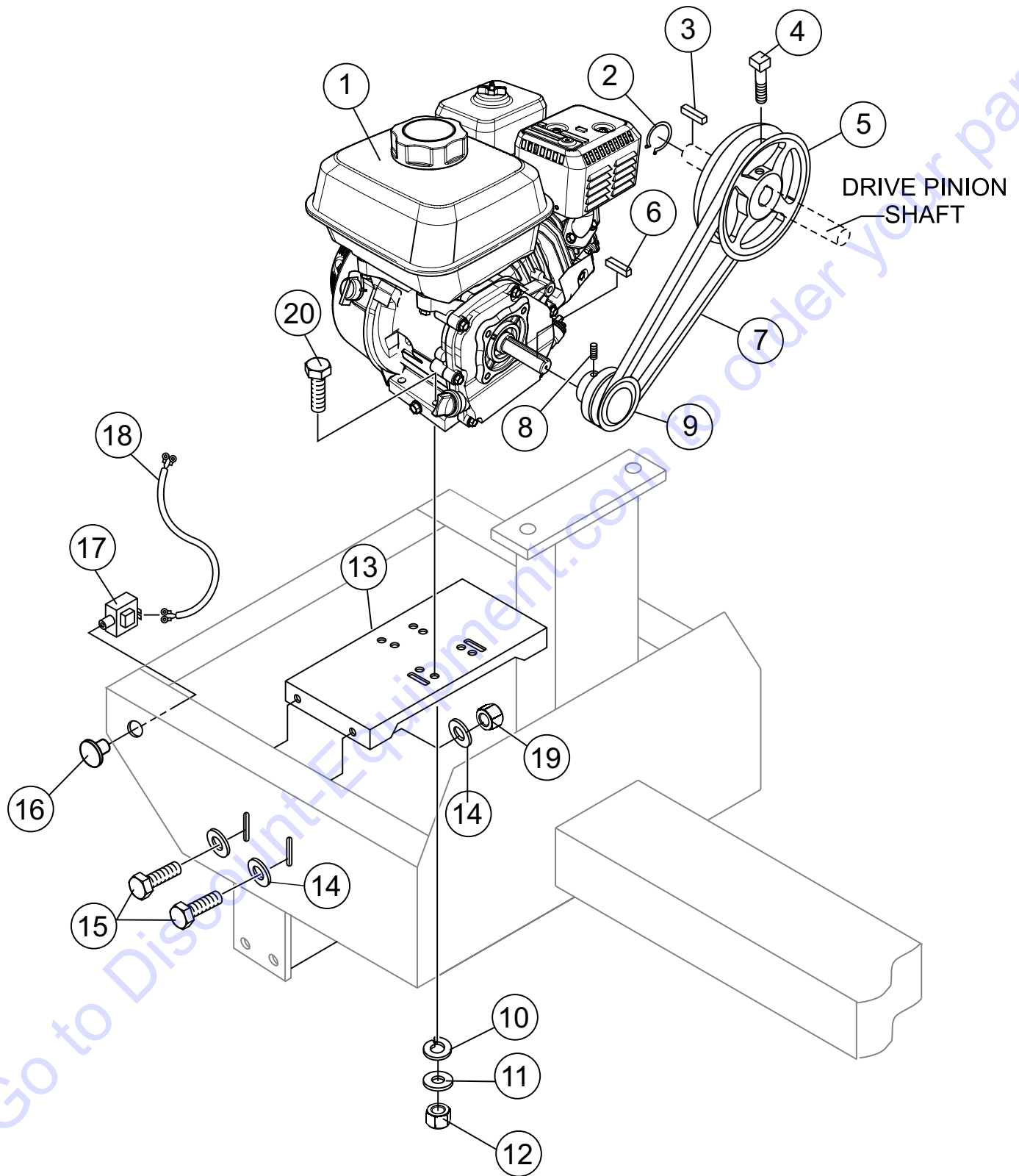


COMPLETE LATCH ASSEMBLY
INCLUDES ITEMS WITHIN DASHED
LINES. ITEMS CANNOT BE PURCHASED
SEPARATELY.

CABINET ASSY.

<u>NO.</u>	<u>PART NO.</u>	<u>PART NAME</u>	<u>QTY.</u>	<u>REMARKS</u>
1	490202	RUBBER PROTECTOR	4	
2	514694	ENGINE HOUSING CABINET W/DECALS	1.....	INCLUDES ITEM W/#
3	492375	BOLT 3/8" NC X 1" G5	6	
4	EM923023	WASHER, FLAT 5/16"	8	
5	13287	LOCK NUT 8-32.....	6.....	REPLACEMENT PART ONLY
6	2203	WASHER, FLAT #10.....	6.....	REPLACEMENT PART ONLY
7	1307	RHMS 8-32 X 1/2"	6.....	REPLACEMENT PART ONLY
8#	491010	LATCH ASSY., COMPLETE	2	
9	492598	WASHER, FLAT 3/8"	12	
10	2105164	NUT 3/8" NC G5	6	

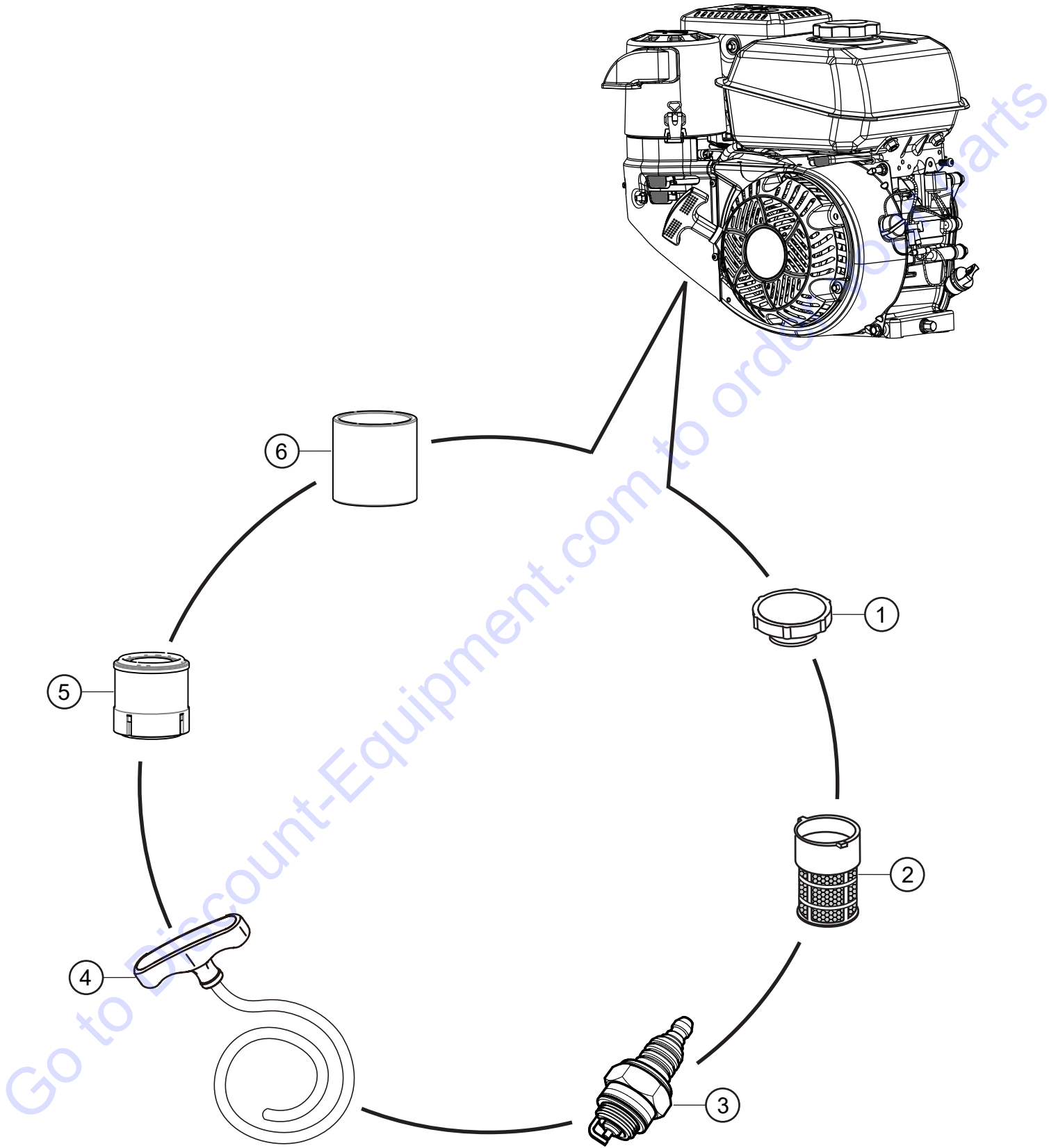
ENGINE MOUNTING PLATE ASSY.



ENGINE MOUNTING PLATE ASSY.

<u>NO.</u>	<u>PART NO.</u>	<u>PART NAME</u>	<u>QTY.</u>	<u>REMARKS</u>
1	522335	ENGINE, KOHLER 9.5 HP	1	
2	490956	SNAP RING	1	
3	500275	SQUARE KEY 1/4 X 40 MM	1	
4	492468	SET SCREW 5/16" NC X 3/4"	1	
5	514060	UPPER PULLEY	1	
6	90745ZE2600	SQUARE KEY 6.3 X 6.3 X 43 MM 8.0 HP	1	
7	493399	V-BELT, B-55 8.0 HP	1	
8	492468	ALLEN SCREW 5/16" NC X 3/8"	1	
9	504075	DRIVE PULLEY 8.0 HP	1	
10	EM923343	WASHER, LOCK 5/16"	4	
11	EM923023	WASHER, FLAT 5/16"	4	
12	2105164	NUT, HEX 5/16 X18 NC G5	4	
13	514810	BASE PLATE, ENGINE	1	
14	492600	WASHER, FLAT 1/2"	8	
15	EM963692	BOLT, HEX 1/2" NC 1-1/2" G5	4	
16	29174-001	BUTTON, STOP	1	
17	29173-001	SWITCH, STOP	1	
18	510573C	ENGINE CABLE HARNESS	1	
19	492584	LOCKNUT 1/2"	4	

ENGINE SERVICE PARTS



ENGINE SERVICE PARTS

<u>NO.</u>	<u>PART NO.</u>	<u>PART NAME</u>	<u>QTY.</u>	<u>REMARKS</u>
1	1717349-S	CAP, FUEL TANK	1	
2	1705020-S	FILTER, FUEL TANK	1	
3	2513219-S	SPARK PLUG	1	
4	1716002-S	KIT, ROPE	1	
5	1708332-S	ELEMENT, AIR CLEANER	1	
6	1708315-1	ELEMENT, PRE-CLEANER	1	

Go to Discount-Equipment.com to order your parts

PARTS FINDER

**Search Website
by Part Number**



**Search Manual
Library For Parts
Manual & Lookup Part
Numbers – Purchase
or Request Quote**

Search Manuals

Enter your information to help us find the right parts manual for your machine.

* Brand:

* Model:

* Serial:

* Part Number:

SEARCH

**Can't Find Part or
Manual? Request Help
by Manufacturer,
Model & Description**

Parts Order Form

Please fill in the following information to help us find the right part for your machine.

Manufacturer:	<input type="text"/>
Model:	<input type="text"/>
Description:	<input type="text"/>
Part Number:	<input type="text"/>
Quantity:	<input type="text"/>
Notes:	<input type="text"/>

Submit

Discount-Equipment.com is your online resource for quality parts & equipment.

Florida: **561-964-4949** Outside Florida TOLL FREE: **877-690-3101**

Need parts?

Click on this link: <http://www.discount-equipment.com/category/5443-parts/> and choose one of the options to help get the right parts and equipment you are looking for. Please have the machine model and serial number available in order to help us get you the correct parts. If you don't find the part on the website or on one of the online manuals, please fill out the request form and one of our experienced staff members will get back to you with a quote for the right part that your machine needs.

We sell worldwide for the brands: Genie, Terex, JLG, MultiQuip, Mikasa, Essick, Whiteman, Mayco, Toro Stone, Diamond Products, Generac Magnum, Airman, Haulotte, Barreto, Power Blanket, Nifty Lift, Atlas Copco, Chicago Pneumatic, Allmand, Miller Curber, Skyjack, Lull, Skytrak, Tsurumi, Husquvarna Target, Stow, Wacker, Sakai, Mi-T-M, Sullair, Basic, Dynapac, MBW, Weber, Bartell, Bennar Newman, Haulotte, Ditch Runner, Menegotti, Morrison, Contec, Buddy, Crown, Edco, Wyco, Bomag, Laymor, EZ Trench, Bil-Jax, F.S. Curtis, Gehl Pavers, Heli, Honda, ICS/PowerGrit, IHI, Partner, Imer, Clipper, MMD, Koshin, Rice, CH&E, General Equipment, Amida, Coleman, NAC, Gradall, Square Shooter, Kent, Stanley, Tamco, Toku, Hatz, Kohler, Robin, Wisconsin, Northrock, Oztec, Toker TK, Rol-Air, APT, Wylie, Ingersoll Rand / Doosan, Innovatech, Con X, Ammann, Mecalac, Makinex, Smith Surface Prep, Small Line, Wanco, Yanmar