

PARTS MANUAL



MODELS

MQD2H

MQD3H

DIAPHRAGM PUMP

(HONDA GX120K1QX2 GASOLINE ENGINE)

Revision #9 (08/16/21)



THIS MANUAL MUST ACCOMPANY THE EQUIPMENT AT ALL TIMES.

PARTS FINDER

**Search Website
by Part Number**



**Search Manual
Library For Parts
Manual & Lookup Part
Numbers – Purchase
or Request Quote**

Search Manuals

Enter your information to help us find the right parts manual for your machine.

* Brand:

* Model:

* Serial:

* Part Number:

SEARCH

**Can't Find Part or
Manual? Request Help
by Manufacturer,
Model & Description**

Parts Order Form

Please fill in the following information to help us find the right part for your machine.

Manufacturer:	<input type="text"/>
Model:	<input type="text"/>
Description:	<input type="text"/>
Part Number:	<input type="text"/>
Quantity:	<input type="text"/>
Notes:	<input type="text"/>

Submit

Discount-Equipment.com is your online resource for quality parts & equipment.

Florida: **561-964-4949** Outside Florida TOLL FREE: **877-690-3101**

Need parts?

Click on this link: <http://www.discount-equipment.com/category/5443-parts/> and choose one of the options to help get the right parts and equipment you are looking for. Please have the machine model and serial number available in order to help us get you the correct parts. If you don't find the part on the website or on one of the online manuals, please fill out the request form and one of our experienced staff members will get back to you with a quote for the right part that your machine needs.

We sell worldwide for the brands: Genie, Terex, JLG, MultiQuip, Mikasa, Essick, Whiteman, Mayco, Toro Stone, Diamond Products, Generac Magnum, Airman, Haulotte, Barreto, Power Blanket, Nifty Lift, Atlas Copco, Chicago Pneumatic, Allmand, Miller Curber, Skyjack, Lull, Skytrak, Tsurumi, Husquvarna Target, Stow, Wacker, Sakai, Mi-T-M, Sullair, Basic, Dynapac, MBW, Weber, Bartell, Bennar Newman, Haulotte, Ditch Runner, Menegotti, Morrison, Contec, Buddy, Crown, Edco, Wyco, Bomag, Laymor, EZ Trench, Bil-Jax, F.S. Curtis, Gehl Pavers, Heli, Honda, ICS/PowerGrit, IHI, Partner, Imer, Clipper, MMD, Koshin, Rice, CH&E, General Equipment, Amida, Coleman, NAC, Gradall, Square Shooter, Kent, Stanley, Tamco, Toku, Hatz, Kohler, Robin, Wisconsin, Northrock, Oztec, Toker TK, Rol-Air, APT, Wylie, Ingersoll Rand / Doosan, Innovatech, Con X, Ammann, Mecalac, Makinex, Smith Surface Prep, Small Line, Wanco, Yanmar

TABLE OF CONTENTS

MQD2H/MQD3H Diaphragm Pumps

Table Of Contents.....	2
Explanation Of Code In Remarks Column.....	4
Suggested Spare Parts	5

Component Drawings

Nameplate And Decals Assembly	6-7
Waterbox And Flap Valve Assembly	8-9
Pump Assembly.....	10-13
Handle, Engine And Wheel Assembly	14-15

NOTICE

Part numbers are subject to change without notice.

Go to Discount-Equipment.com to order your parts

EXPLANATION OF CODE IN REMARKS COLUMN

The following section explains the different symbols and remarks used in the Parts section of this manual. Use the help numbers found on the back page of the manual if there are any questions.

NOTICE

The contents and part numbers listed in the parts section are subject to change **without notice**. Multiquip does not guarantee the availability of the parts listed.

SAMPLE PARTS LIST

NO.	PART NO.	PART NAME	QTY.	REMARKS
1	12345	BOLT	1	INCLUDES ITEMS W/%
2%		WASHER, 1/4 IN.		NOT SOLD SEPARATELY
2%	12347	WASHER, 3/8 IN. ...	1	MQ-45T ONLY
3	12348	HOSE	A/R	MAKE LOCALLY
4	12349	BEARING	1	S/N 2345B AND ABOVE

NO. Column

Unique Symbols — All items with same unique symbol (@, #, +, %, or >) in the number column belong to the same assembly or kit, which is indicated by a note in the “Remarks” column.

Duplicate Item Numbers — Duplicate numbers indicate multiple part numbers, which are in effect for the same general item, such as different size saw blade guards in use or a part that has been updated on newer versions of the same machine.

NOTICE

When ordering a part that has more than one item number listed, check the remarks column for help in determining the proper part to order.

PART NO. Column

Numbers Used — Part numbers can be indicated by a number, a blank entry, or TBD.

TBD (To Be Determined) is generally used to show a part that has not been assigned a formal part number at the time of publication.

A blank entry generally indicates that the item is not sold separately or is not sold by Multiquip. Other entries will be clarified in the “Remarks” Column.

QTY. Column

Numbers Used — Item quantity can be indicated by a number, a blank entry, or A/R.

A/R (As Required) is generally used for hoses or other parts that are sold in bulk and cut to length.

A blank entry generally indicates that the item is not sold separately. Other entries will be clarified in the “Remarks” Column.

REMARKS Column

Some of the most common notes found in the “Remarks” Column are listed below. Other additional notes needed to describe the item can also be shown.

Assembly/Kit — All items on the parts list with the same unique symbol will be included when this item is purchased.

Indicated by:

“INCLUDES ITEMS W/(unique symbol)”

Serial Number Break — Used to list an effective serial number range where a particular part is used.

Indicated by:

“S/N XXXXX AND BELOW”

“S/N XXXX AND ABOVE”

“S/N XXXX TO S/N XXX”

Specific Model Number Use — Indicates that the part is used only with the specific model number or model number variant listed. It can also be used to show a part is NOT used on a specific model or model number variant.

Indicated by:

“XXXXX ONLY”

“NOT USED ON XXXX”

“Make/Obtain Locally” — Indicates that the part can be purchased at any hardware shop or made out of available items. Examples include battery cables, shims, and certain washers and nuts.

“Not Sold Separately” — Indicates that an item cannot be purchased as a separate item and is either part of an assembly/kit that can be purchased, or is not available for sale through Multiquip.

SUGGESTED SPARE PARTS

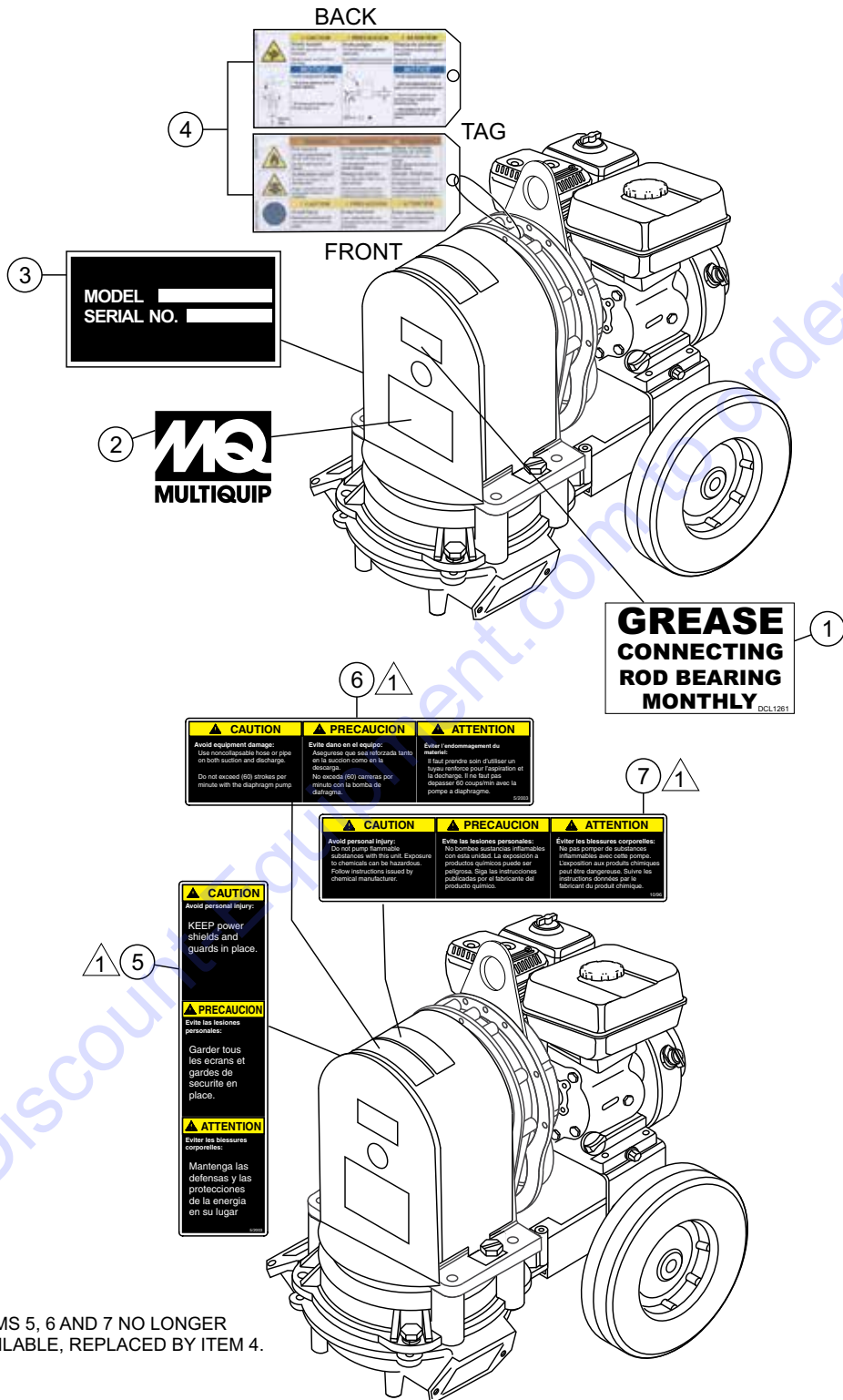
MQD2H/3H DIAPHRAGM PUMP WITH HONDA GX120K1QX2 ENGINE

1 to 5 units

Qty.	P/N	Description
3.....	17210ZE0505.....	ELEMENT AIR CLEANER DUAL
3.....	9807955846.....	SPARK PLUG
1.....	17620ZH7023.....	CAP, FUEL WITH GASKET
1.....	28462ZH8003.....	ROPE STARTER
1.....	336030000.....	DIAPHRAGM 2-INCH
1.....	213200000.....	DIAPHRAGM 3-INCH
2.....	336007090.....	FLAP VALVE 2-INCH
2.....	335407090.....	FLAP VALVE 3-INCH
1.....	212400000.....	PLUG, 2 & 3-INCH FILL
1.....	212500000.....	PRIMING PLUG GASKET, 2 & 3-INCH
1.....	C23017000.....	STRAINER 2-INCH
1.....	168000000.....	STRAINER 3-INCH

Go to Discount-Equipment.com to order your parts

NAMEPLATE AND DECALS ASSY.

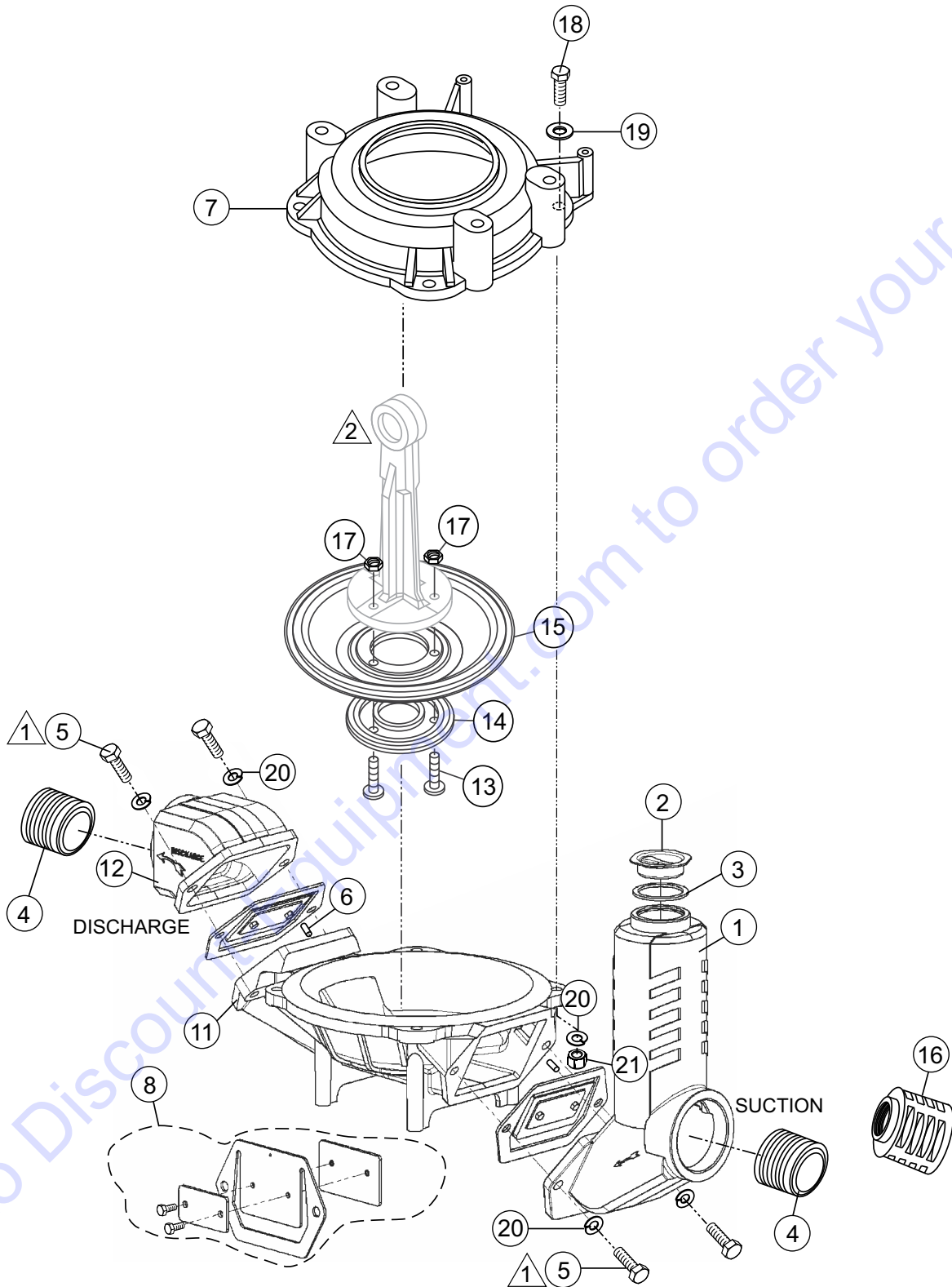


NAMEPLATE AND DECALS ASSY.

<u>NO.</u>	<u>PART NO.</u>	<u>PART NAME</u>	<u>QTY.</u>	<u>REMARKS</u>
1	DCL1261	DECAL, GREASE MONTHLY	1	
2	512910	DECAL, MQ LOGO	1	
3		DECAL, NAMEPLATE	1	
4	335925190	DECAL, CAUTION, KIT	1	
5	205901900	DECAL, CAUTION, KEEP GUARDS IN PLACE	1	NO LONGER AVAILABLE
6	205901900	DECAL, CAUTION, KEEP AVOID EQUIPMENT DAMAGE	1	NO LONGER AVAILABLE
7	205901900	DECAL, CAUTION, KEEP AVOID PERSONAL INJURY	1	NO LONGER AVAILABLE

Go to Discount-Equipment.com to order your parts

WATERBOX AND FLAP VALVE ASSY.



NOTES:

① TORQUE TO 16-20 FT. LBS.

② REFERENCE PUMP ASSY.

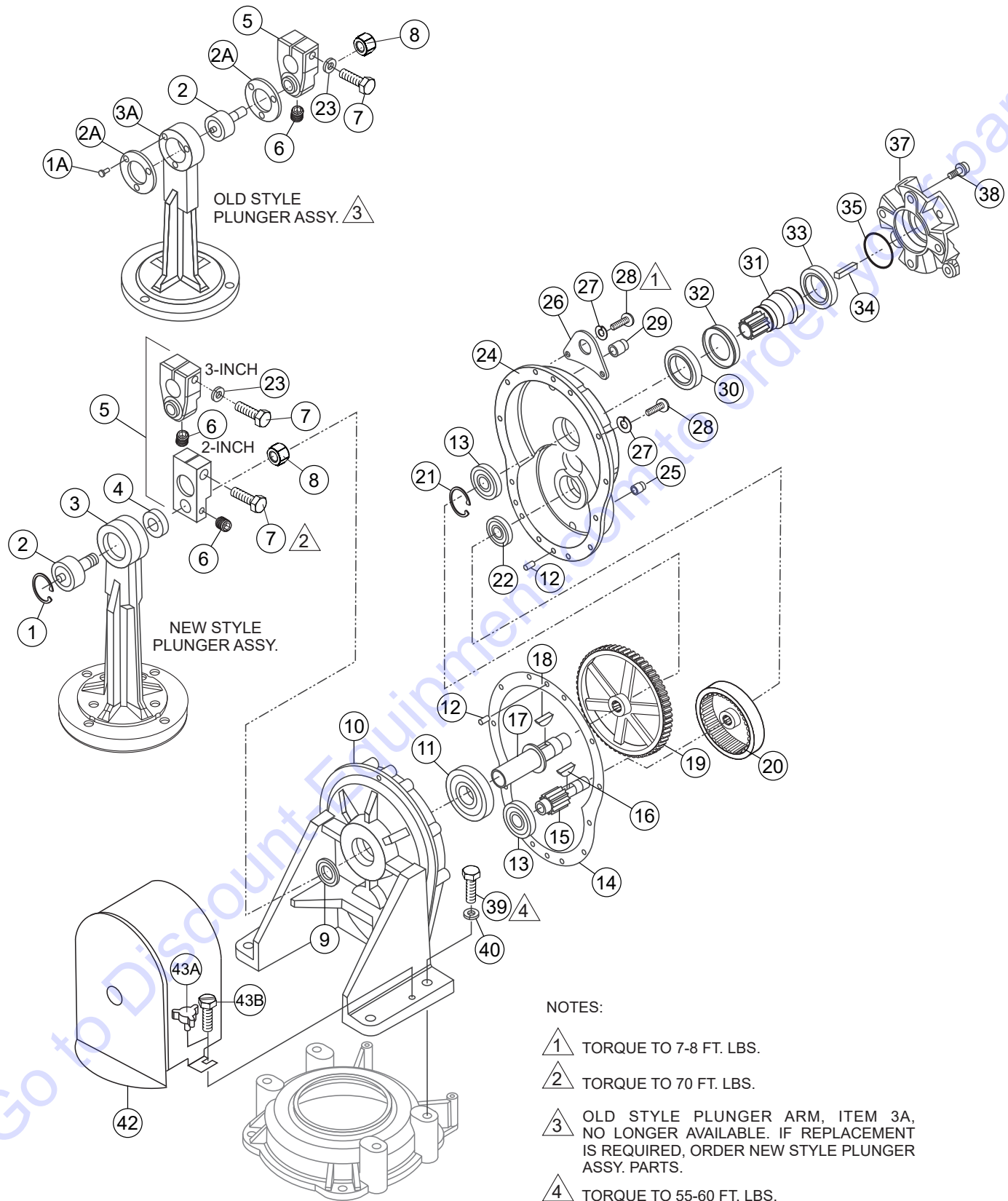
WATERBOX AND FLAP VALVE ASSY.

<u>NO.</u>	<u>PART NO.</u>	<u>PART NAME</u>	<u>QTY.</u>	<u>REMARKS</u>
1	336005001	SUCTION PRIMING CHAMBER.....	1	2-INCH PUMP ONLY
1	212300001	SUCTION PRIMING CHAMBER.....	1	3-INCH PUMP ONLY
2	212400000	FILL CAP	1	
3	212500000	PRIMING PLUG GASKET	1	
4	316017000	NPT PIPE NIPPLES (PACK OF TWO).....	1	2-INCH PUMP ONLY
4	327017000	NPT PIPE NIPPLES (PACK OF TWO).....	1	3-INCH PUMP ONLY
5	175900100	HEX FLANGE SCREW, 3/8"-16 X 1-1/2" GRD. 5.....	2	2-INCH PUMP ONLY
5	176601300	HEX FLANGE SCREW, 1/2"-13 X 1-1/2" GRD. 5.....	2	2-INCH PUMP ONLY
5	176601300	HEX FLANGE SCREW, 1/2"-13 X 1-1/2" GRD. 5.....	2	3-INCH PUMP ONLY
6	212100000	RETAINER PIN 1/8" X 3/8"	2	
7	336002001	PUMP BASE.....	1	2-INCH PUMP ONLY
7	335400101	PUMP BASE.....	1	3-INCH PUMP ONLY
8	336007090	FLAPPER VALVE ASSY.....	2	2-INCH PUMP ONLY
8	335407090	FLAPPER VALVE ASSY.....	2	3-INCH PUMP ONLY
11	336000101	PUMP WELL	1	2-INCH PUMP ONLY
11	212000001	PUMP WELL	1	3-INCH PUMP ONLY
12	336005201	DISCHARGE PLATE	1	2-INCH PUMP ONLY
12	213100001	DISCHARGE PLATE	1	3-INCH PUMP ONLY
13	176001100	CARRIAGE BOLT 3/8"-16 X 2-1/4"	3	2-INCH PUMP ONLY
13	176601500	CARRIAGE BOLT 1/2"-13 x 2"	3	3-INCH PUMP ONLY
14	336009200	DIAPHRAGM RETAINER PLATE	1	2-INCH PUMP ONLY
14	213300000	DIAPHRAGM RETAINER PLATE	1	3-INCH PUMP ONLY
15	336030000	DIAPHRAGM.....	1	2-INCH PUMP ONLY
15	213200000	DIAPHRAGM.....	1	3-INCH PUMP ONLY
16	C23017000	NPT STRAINER 3/8" HOLES.....	1	2-INCH PUMP ONLY
16	168000000	NPT STRAINER 3/8" HOLES.....	1	3-INCH PUMP ONLY
17	178000000	NUT, HEX 3/8"-16.....	4	2-INCH PUMP ONLY
17	178200100	NUT, HEX 1/2"-13.....	4	3-INCH PUMP ONLY
18	176601600	BOLT 1/2"-13 X 2-1/4"	4	2-INCH PUMP ONLY
18	176601600	BOLT 1/2"-13 X 2-1/4"	2	3-INCH PUMP ONLY
19	179800200	FLAT WASHER 1/2"	4	2-INCH PUMP ONLY
19	179800200	FLAT WASHER 1/2"	2	3-INCH PUMP ONLY
20	179800100	SPLIT LOCKWASHER 1/2"	8	2-INCH PUMP ONLY
20	179800100	SPLIT LOCKWASHER 1/2"	6	3-INCH PUMP ONLY
20	179300100	SPLIT LOCKWASHER 3/8"	8	
21	178200100	NUT, HEX 1/2"-13.....	4	2-INCH PUMP ONLY
21	178200100	NUT, HEX 1/2"-13	7	3-INCH PUMP ONLY

PUMP ASSY.

<u>NO.</u>	<u>PART NO.</u>	<u>PART NAME</u>	<u>QTY.</u>	<u>REMARKS</u>
1	336019100	INTERNAL RETAINING RING 1-1/2"	1	2-INCH ONLY
1	335019000	INTERNAL RETAINING RING	1	3-INCH ONLY
1A	170400200	FLAT HD MACH SCREW #10-32 X 1/2"	6	3-INCH ONLY
				OLD STYLE PLUNGER
2	336019000	PLUNGER BEARING.....	1	2-INCH ONLY
2	213800090	PLUNGER BEARING.....	1	3-INCH ONLY
				REPLACES P/N 213800000
2A	213600000	BEARING RETAINER	2	3-INCH ONLY
3A		PLUNGER ARM.....	1	3-INCH ONLY
				OLD STYLE PLUNGER
				NO LONGER AVAILABLE
3	336009001	PLUNGER ARM.....	1	2-INCH ONLY
3	213400001	PLUNGER ARM.....	1	3-INCH ONLY
				NEW STYLE PLUNGER
4	180103000	SPACER 5/8" X 1-1/16"	1	2-INCH ONLY
5	336009401	CRANK.....	1	2-INCH ONLY
5	214000001	CRANK.....	1	3-INCH ONLY
6	173800100	SOCKET SET SCREW 5/16"-18 X 1/2"	1	
7	176601800	BOLT, 1/2"-13 X 2-3/4"	1	
8	178401000	LOCKNUT 3/4" -16	1	
9	214800000	OIL SEAL 1-1/4" X 1-3/4" X 1/4"	1	
10	335409001	GEAR BOX OUTPUT HALF	1	
11	335419000	OUTPUT BALL BEARING #6307	1	
12	171700200	DOWEL PIN, 1/4" X 3/4"	2	
13	335419100	INTERMED. BALL BEARING #6304	2	
14	335430000	GASKET	1	
15	335412100	IDLER PINION SHAFT	1	
16	215700000	WOODRUFF KEY #406 1/8" X 3/4"	1	
17	335414001	OUTPUT SHAFT	1	2-INCH ONLY
17	335414000	OUTPUT SHAFT	1	3-INCH ONLY
18	214100000	WOODRUFF KEY #1008 5/16" X 1"	1	
19	335412000	OUTPUT GEAR	1	
20	214900000	INTERNAL SPUR GEAR	1	
21	180606400	EXTERNAL RETAINING RING 1-1/8"	1	
22	335419200	IDLER BALL BEARING #6302	1	
23	179800100	SPLIT LOCKWASHER 1/2"	1	3-INCH ONLY
24	335409101	GEAR BOX INPUT HALF	1	
25	176700200	NPT PIPE PLUG 1/4"	2	
26	335410600	LIFT BRACKET	1	
27	178800100	WASHER, LOCK 1/4"	12	
28	171800400	BOLT 1/4"-20 X 7/8"	12	
29	176700100	NPT PIPE PLUG 1/2"	1	
30	335419400	INPUT PINION BALL BEARING OPEN #6007	1	
31	335412200	INPUT PINION	1	
32	214800100	OIL SEAL	1	
33	335419300	INPUT PINION BALL BEARING SEALED	1	
34	151700100	KEY 3/16" X 3/16" X 1-1/2"	1	
35	218100500	OIL SEAL	1	

PUMP ASSY. (CONT'D.)

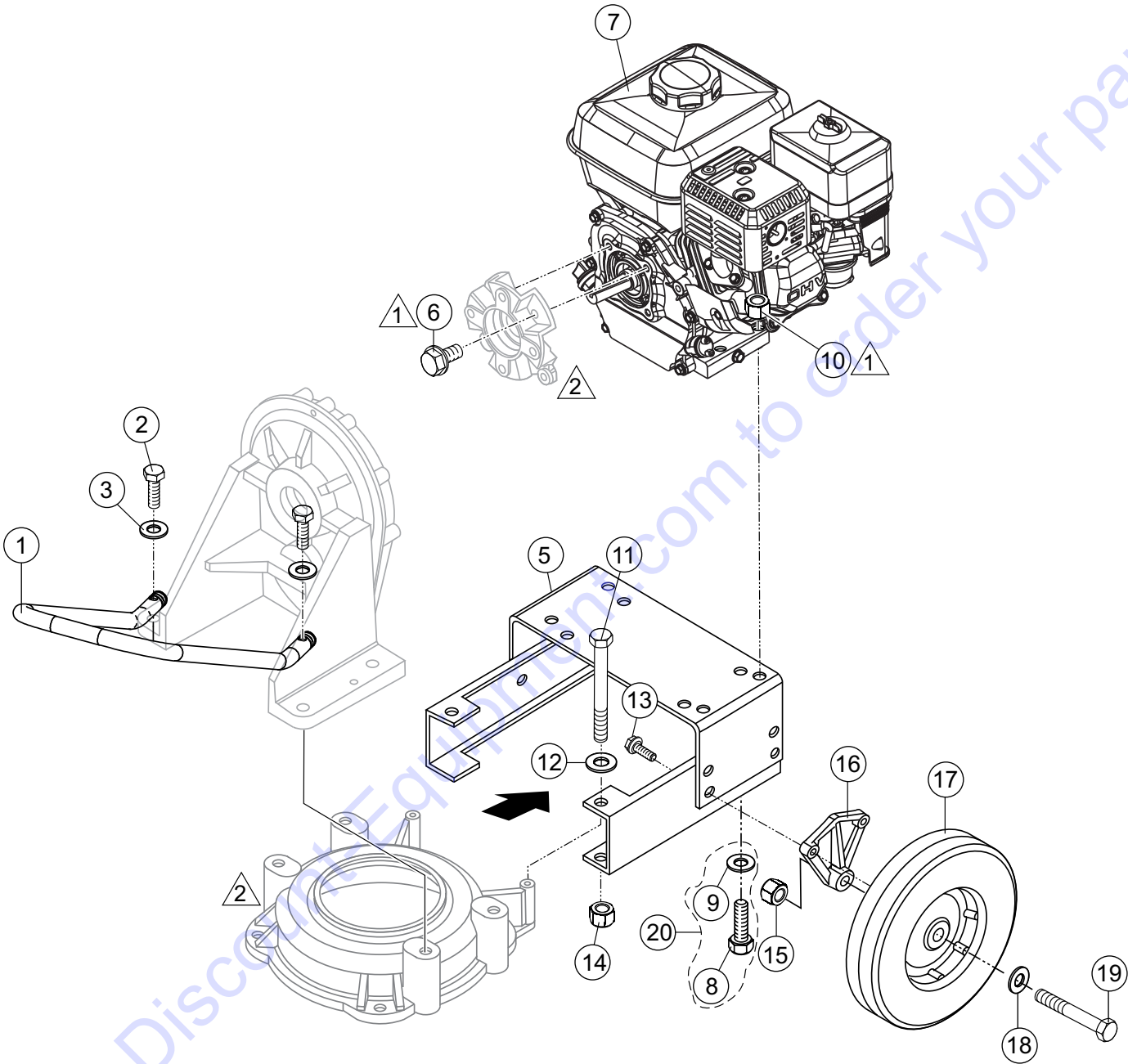


PUMP ASSY. (CONT'D.)

<u>NO.</u>	<u>PART NO.</u>	<u>PART NAME</u>	<u>QTY.</u>	<u>REMARKS</u>
37	335409301	ADAPTER, GASOLINE ENGINE	1	
38	174500200	FLANGE SCREW, 5/16"-18 X 3/4"	4	
39	176601300	BOLT 1/2"-13 X 1-1/2"	4	
40	179800100	SPLIT LOCKWASHER 1/2"	5	
42	335410300	PLUNGER GUARD	1	
43A	171601000	KNOB 1/4"-20 X 1/2"	2	NO LONGER AVAILABLE
43B	171201000	SLOTTED SCREW 1/4"-20 X 5/16"	2	

Go to Discount-Equipment.com to order your parts

HANDLE, ENGINE AND WHEEL ASSY.



NOTES:

- 1 INCLUDED WITH ITEM 20, ENGINE HARDWARE KIT
- 2 REFERENCE WATERBOX AND FLAP VALVE ASSY., ITEM 7.

HANDLE, ENGINE AND WHEEL ASSY.

<u>NO.</u>	<u>PART NO.</u>	<u>PART NAME</u>	<u>QTY.</u>	<u>REMARKS</u>
1	335411690	HANDLE	1	REPLACES P/N 215200000
2	13178	BOLT 1/2"-13 X 2-1/4"	2	REPLACES P/N 176601600
3	0447	FLAT WASHER 1/2"	2	REPLACES P/N 179800200
5	335410800	ENGINE MOUNT	1	
6#		BOLT	4	
7	163000700	HONDA GX120K1QX2 GASOLINE ENGINE	1	
8#		BOLT	4	
9#		WASHER	4	
10#		NUT	4	
11	173401300	BOLT 1/4"-20 X 3"	2	
12	178900000	SAE WASHER 1/4"	2	
13	174500200	FLANGE BOLT 5/16-18 X 3/4"	4	
14	176600000	FLANGE NUT 1/4"-20	2	
15	178202000	NUT 5/8"-18	2	
16	335410900	WHEEL BRACKET	2	
17	166300000	WHEEL	2	
18	179900000	WASHER 5/8"	2	
19	176900000	BOLT 5/8"-18 X 4"	2	
20	335A42090	KIT, HARDWARE, GASOLINE ENGINE ADAPTER (PACK OF 4)	1	INCLUDES ITEMS W/#

PARTS FINDER

**Search Website
by Part Number**



**Search Manual
Library For Parts
Manual & Lookup Part
Numbers – Purchase
or Request Quote**

Search Manuals

Enter your information to help us find the right parts manual for your machine.

* Brand:

* Model:

* Serial:

* Part Number:

SEARCH

**Can't Find Part or
Manual? Request Help
by Manufacturer,
Model & Description**

Parts Order Form

Please fill in the following information to help us find the right part for your machine.

Manufacturer:	<input type="text"/>
Model:	<input type="text"/>
Description:	<input type="text"/>
Part Number:	<input type="text"/>
Quantity:	<input type="text"/>
Notes:	<input type="text"/>

Submit

Discount-Equipment.com is your online resource for quality parts & equipment.

Florida: **561-964-4949** Outside Florida TOLL FREE: **877-690-3101**

Need parts?

Click on this link: <http://www.discount-equipment.com/category/5443-parts/> and choose one of the options to help get the right parts and equipment you are looking for. Please have the machine model and serial number available in order to help us get you the correct parts. If you don't find the part on the website or on one of the online manuals, please fill out the request form and one of our experienced staff members will get back to you with a quote for the right part that your machine needs.

We sell worldwide for the brands: Genie, Terex, JLG, MultiQuip, Mikasa, Essick, Whiteman, Mayco, Toro Stone, Diamond Products, Generac Magnum, Airman, Haulotte, Barreto, Power Blanket, Nifty Lift, Atlas Copco, Chicago Pneumatic, Allmand, Miller Curber, Skyjack, Lull, Skytrak, Tsurumi, Husquvarna Target, Stow, Wacker, Sakai, Mi-T-M, Sullair, Basic, Dynapac, MBW, Weber, Bartell, Bennar Newman, Haulotte, Ditch Runner, Menegotti, Morrison, Contec, Buddy, Crown, Edco, Wyco, Bomag, Laymor, EZ Trench, Bil-Jax, F.S. Curtis, Gehl Pavers, Heli, Honda, ICS/PowerGrit, IHI, Partner, Imer, Clipper, MMD, Koshin, Rice, CH&E, General Equipment, Amida, Coleman, NAC, Gradall, Square Shooter, Kent, Stanley, Tamco, Toku, Hatz, Kohler, Robin, Wisconsin, Northrock, Oztec, Toker TK, Rol-Air, APT, Wylie, Ingersoll Rand / Doosan, Innovatech, Con X, Ammann, Mecalac, Makinex, Smith Surface Prep, Small Line, Wanco, Yanmar