



A TEREX BRAND

Parts Manual

Serial Number Range

GS-2032
GS-2632
GS-3232

from SN GS32D-10101

Part No. 1306158GT
Rev: B9
Sep 2023



www.discount-equipment.com

PARTS FINDER

**Search Website
by Part Number**



**Search Manual
Library For Parts
Manual & Lookup Part
Numbers – Purchase
or Request Quote**

Search Manuals

Enter your information to help us find the right parts manual for your machine.

* Brand:

* Model:

* Serial:

* Part Number:

SEARCH

**Can't Find Part or
Manual? Request Help
by Manufacturer,
Model & Description**

Parts Order Form

Please fill in the following information to help us find the right part for your machine.

Manufacturer:	<input type="text"/>
Model:	<input type="text"/>
Description:	<input type="text"/>
Part Number:	<input type="text"/>
Quantity:	<input type="text"/>
Notes:	<input type="text"/>

Submit

Discount-Equipment.com is your online resource for quality parts & equipment.

Florida: **561-964-4949** Outside Florida TOLL FREE: **877-690-3101**

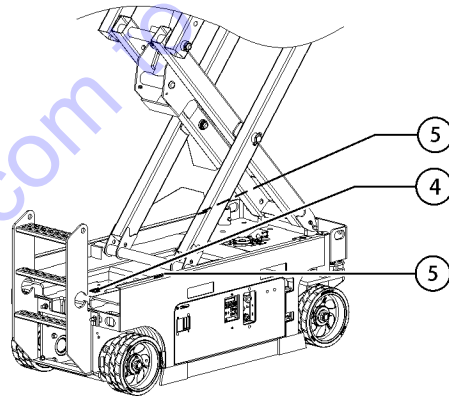
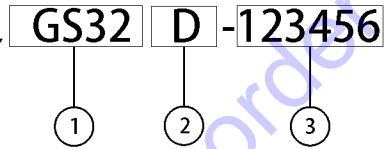
Need parts?

Click on this link: <http://www.discount-equipment.com/category/5443-parts/> and choose one of the options to help get the right parts and equipment you are looking for. Please have the machine model and serial number available in order to help us get you the correct parts. If you don't find the part on the website or on one of the online manuals, please fill out the request form and one of our experienced staff members will get back to you with a quote for the right part that your machine needs.

We sell worldwide for the brands: Genie, Terex, JLG, MultiQuip, Mikasa, Essick, Whiteman, Mayco, Toro Stone, Diamond Products, Generac Magnum, Airman, Haulotte, Barreto, Power Blanket, Nifty Lift, Atlas Copco, Chicago Pneumatic, Allmand, Miller Curber, Skyjack, Lull, Skytrak, Tsurumi, Husquvarna Target, Stow, Wacker, Sakai, Mi-T-M, Sullair, Basic, Dynapac, MBW, Weber, Bartell, Bennar Newman, Haulotte, Ditch Runner, Menegotti, Morrison, Contec, Buddy, Crown, Edco, Wyco, Bomag, Laymor, EZ Trench, Bil-Jax, F.S. Curtis, Gehl Pavers, Heli, Honda, ICS/PowerGrit, IHI, Partner, Imer, Clipper, MMD, Koshin, Rice, CH&E, General Equipment, Amida, Coleman, NAC, Gradall, Square Shooter, Kent, Stanley, Tamco, Toku, Hatz, Kohler, Robin, Wisconsin, Northrock, Oztec, Toker TK, Rol-Air, APT, Wylie, Ingersoll Rand / Doosan, Innovatech, Con X, Ammann, Mecalac, Makinex, Smith Surface Prep, Small Line, Wanco, Yanmar



Model:
Serial number: GS32D-123456
Year of manufacture: 2020
Electrical schematic number:
Machine unladen weight:
Rated work load (including occupants):
Maximum number of platform occupants:
Maximum allowable inclination of the chassis:
Outrigger retracted:
Outrigger deployed:



- 1 Model
- 2 Facility code
- 3 Sequence number

- 4 Serial label (located on chassis)
- 5 Serial number (stamped on chassis)

Go to Discount-Equipment.com to order your parts

Description	Page
001 Parts Stocking List	10
001.1 Parts Stocking List	10
100 Decals	12
101.1 Word Decals, GS-2032, Battery Side, ANSI & Australia	12
102.1 Word Decals, GS-2032, Ground Control Side, ANSI and Australia	14
103.1 Word Decals, GS-2632, Battery Side, ANSI & Australia	18
104.1 Word Decals, GS-2632, Ground Control Side, ANSI and Australia	20
105.1 Word Decals, GS-3232, Battery Side, ANSI & Australia	24
106.1 Word Decals, GS-3232, Ground Control Side, ANSI and Australia	26
107.1 Word Decals, Platform, ANSI and Australia, All models	30
108.1 Symbol Decals, GS-2032, Battery Side, ANSI & CE	34
109.1 Symbol Decals, GS-2032, Ground Control Side, ANSI and CE	36
110.1 Symbol Decals, GS-2632, Battery Side, ANSI & CE	40
111.1 Symbol Decals, GS-2632, Ground Control Side, ANSI and CE	42
112.1 Symbol Decals, GS-3232, Battery Side, ANSI & CE	46
113.1 Symbol Decals, GS-3232, Ground Control Side, ANSI and CE	48
114.1 Symbol Decals, Platform, ANSI and CE, All models	52
200 Drive Chassis Components.....	54
201.1 Steer Linkage and Wheels (E-drive)	54
201.2 Steer Linkage and Wheels (H-drive)	58
201.3 Drivetrain Motor Service Kits	62
201.4 Drivetrain Gearbox Service Kits	64
202.1 Non-steer Axle Installation (E-drive)	66
202.2 Non-steer Axle Installation and Counweight (H-drive)	70
203.1 Level Sensor Installation	74
204.1 Pothole Protection Assembly	76
205.1 Battery Pack Module (E-drive)	80
205.2 Battery Pack Module (H-drive)	82
205.3 Battery Pack Module (Li Option)	84
206.1 Battery Charger	86
207.1 Power Unit Module (E-drive)	88
207.2 Power Unit Module (H-drive)	90
208.1 Ground Controls (E-drive)	94
208.2 Ground Controls (H-drive)	98
209.1 Electrical Wiring - GS-2032/2632 (E-drive)	102
209.2 Electrical Wiring - GS-2032/2632 (H-drive)	106
209.3 Electrical Wiring - GS-2032/2632 (Li Option)	110
210.1 Electrical Wiring - GS-3232	112
211.1 Power Cables (E-drive)	116

Table of Contents

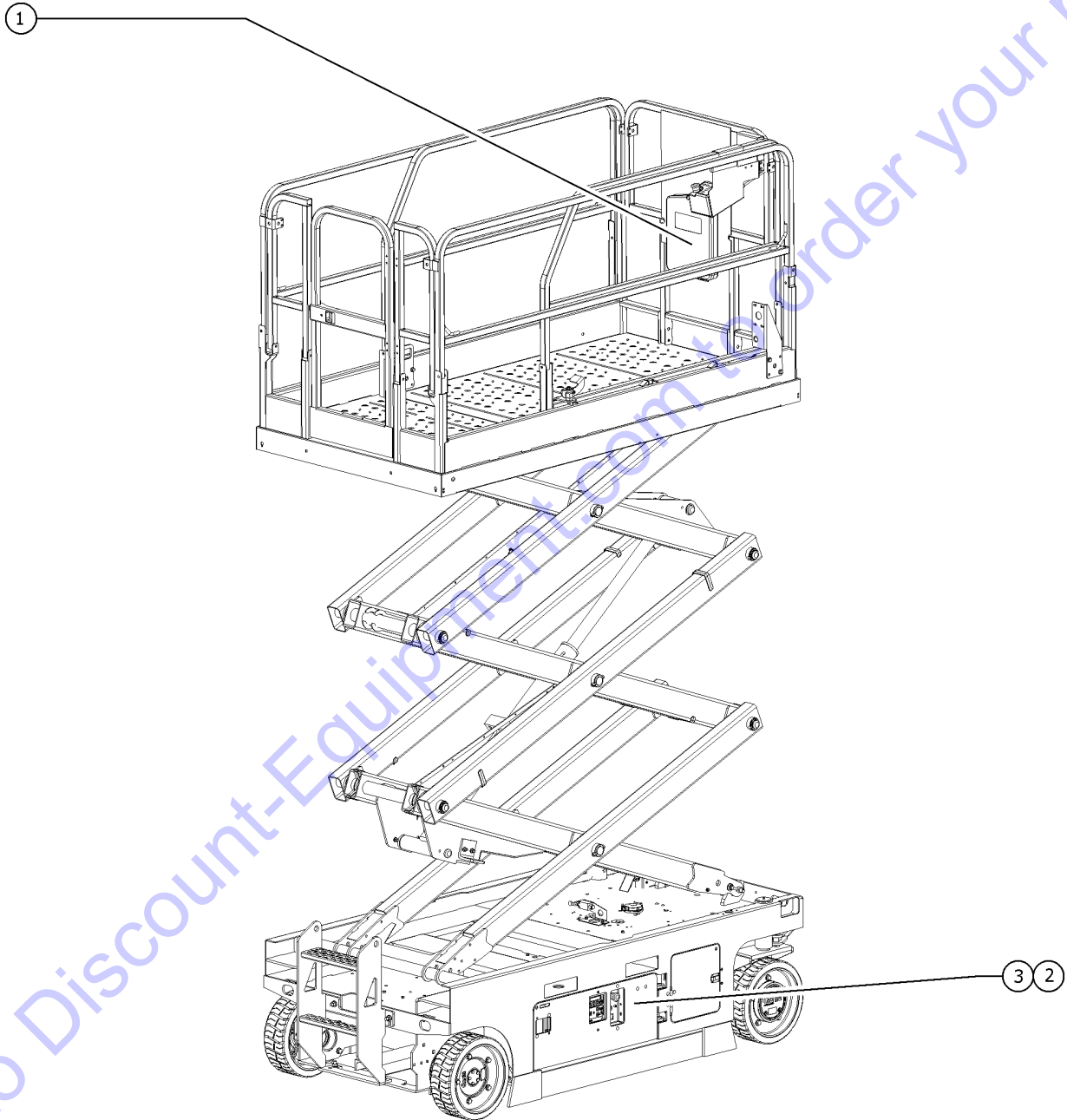
Description	Page
211.2 Power Cables (H-drive)	118
211.3 Power Cables (Li Option)	120
212.1 Outrigger Components, GS-3232	122
300 Scissor Components	126
301.1 Scissor Assembly Installation	126
302.1 Scissor Assembly, GS-2032	128
303.1 Scissor Assembly, GS-2632	132
304.1 Scissor Assembly, GS-3232	136
400 Platform Components	142
401.1 Platform Components	142
402.1 Power to Platform	148
403.1 Platform Controls (GS-2032, GS-2632)	152
404.1 Platform Controls (GS-3232)	154
405.1 Joystick Controller Metal Base	156
405.2 Joystick Controller Plastic Base	158
500 Hydraulic Components	160
501.1 Hydraulic Components	160
502.1 Power Unit	162
503.1 Lift Cylinder Assembly, All Models	166
504.1 Hydraulic Hoses and Fittings	168
505.1 Hydraulic Hoses and Fittings, Outriggers, GS-3232	170
506.1 Outrigger Cylinders, Front and Rear, GS-3232	172
507.1 Outrigger Function Manifold, GS-3232	174
508.1 Hydraulic Components (H-drive)	176
509.1 Function Manifold (H-drive)	178
510.1 Brake Release Hand Pump Manifold (H-drive)	182
511.1 Hydraulic Power Unit (H-drive)	184
512.1 Hydraulic Hoses and Fittings (H-drive)	186
600 Accessories	190
601.1 RCBO	190
602.1 Charger Isolation	192
603.1 PCON Guard	194
604.1 Bumper Assembly Tray	196
605.1 Lift Guard Contact Alarm, View-1	198
606.1 Lift Guard Contact Alarm, View-2	200
607.1 Tool Tray Option	202
608.1 China Telematics Option, TZ200, SLAB	204
608.2 Telematics Option	206

Description	Page
609.1 Access Manager Option	208
700 Platform Overload	210
701.1 Platform Overload	210
Part Number Index	212

Go to Discount-Equipment.com to order your parts



001.1 Parts Stocking List



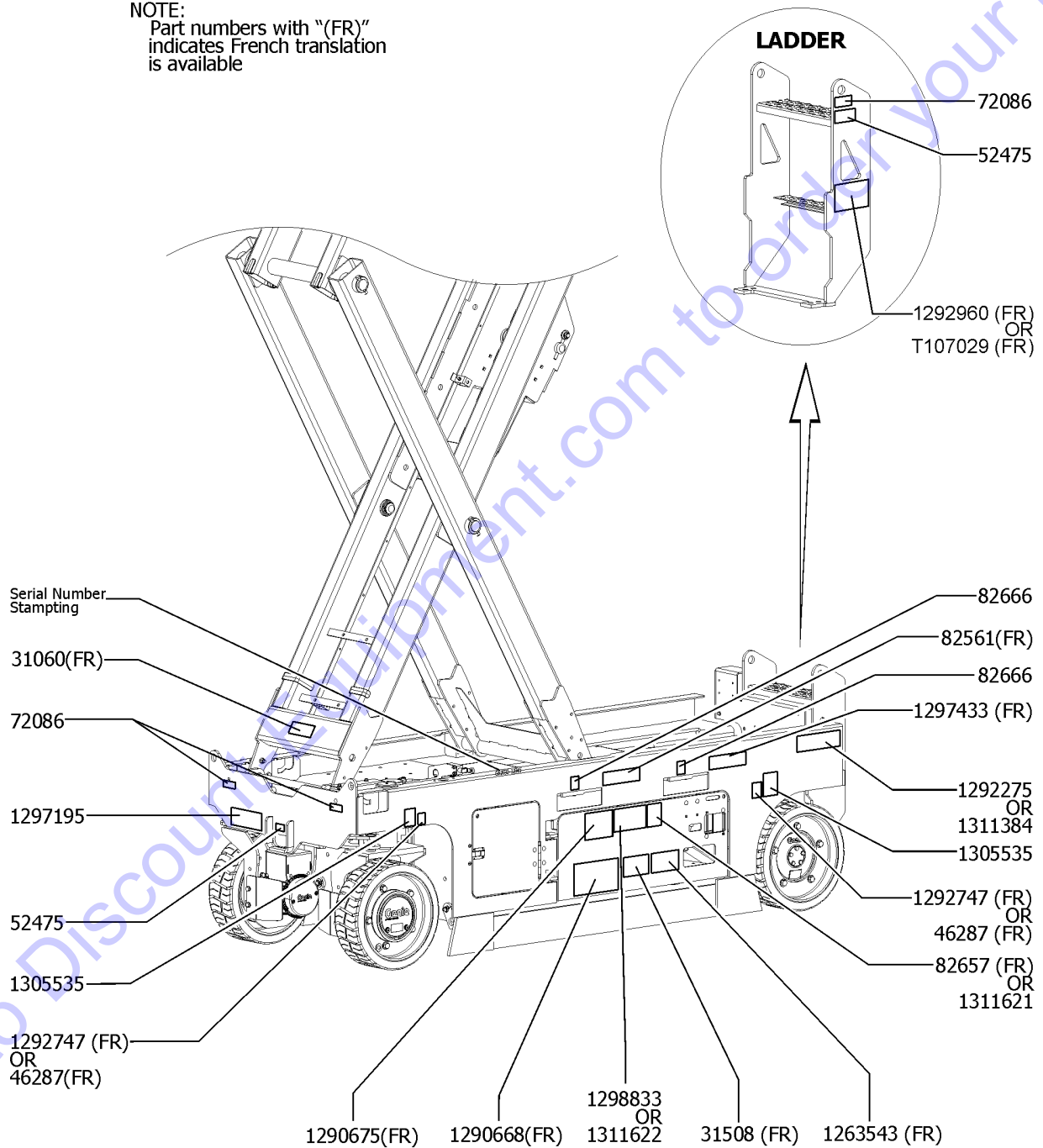
Item	Part No.	Description	Qty.
--	66399GT	GREASE, DIELECTRIC 4 OZ**	
--		Ref. CHEVRON ULTRA-DUTY GREASE (LITHIUM), OR EQUIVALENT, EP NLGI 1	
		(source locally)	
--	1258567GT	PAINT, AEROSOL, TRAFFIC BLACK	
		12-ounce spray paint	
--	1268GT	PAINT, AEROSOL, GENIE GRAY***	
		12-ounce spray paint	
--	1484GT	PAINT, AEROSOL, BRIGHT BLUE***	
		12-ounce spray paint	
--	1257733GT	PAINT, WET, TRAFFIC BLACK(1 GL)**	
		1-gallon	
--	32150GT	PAINT, WET, GENIE BLUE (1 GL)**	
		1-gallon	
--	32151GT	PAINT, WET, GENIE GRAY (1GL)**	
		1-gallon	
--	49613GT	PLUG AND CAP KIT-SERVICE,ORFS*	
1	27581GT	MANUAL, SAFTY MANNAL	
1B	1298933GT	MANUAL, SAIA MANUAL OF RESPONSIBILITIES, MEWP	
2	1300318GT	FILTER, ELEMENT, SPIN ON	
3	78546GT	BREATHER CAP, HYD. TANK, 1/4 NPT	

Go to Discount-Equipment.com to order your parts



Battery Side

NOTE:
Part numbers with "(FR)"
indicates French translation
is available



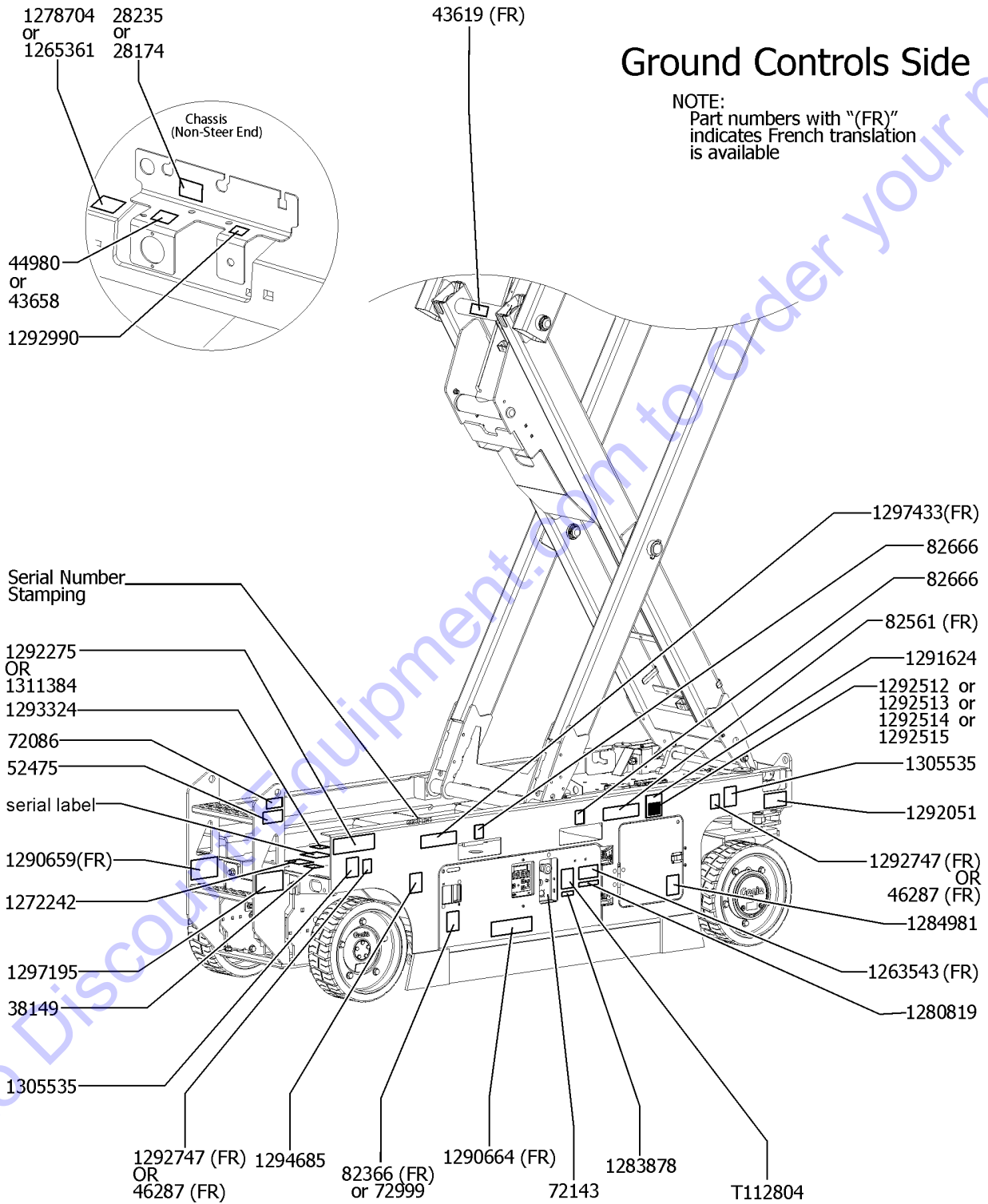
101.1 Word Decals, GS-2032, Battery Side, ANSI & Australia

Item	Part No.	Description	Qty.
1	31060GT	DECAL,DANGER DO NOT ALTER SWTC	1
2	31508GT	DECAL,DANGER,ELECT HAZARD,PLUG	1
3	46287GT	DECAL,LABEL-TIRE SPECS	2
		(H-drive only)	
4	52475GT	DECAL LABEL TRANSPORT TIE DOWN*	2
5	72086GT	DECAL,LABEL,LIFTING EYE	3
6	82561GT	DECAL,DANGER-USE SAFETY ARM	1
7	82657GT	DECAL,INSTRUCT,BATTERY CONNECT	1
8	82666GT	DECAL,LABEL,FORKLIFT POCKET	2
9	1263543GT	DECAL,COMPARTMENT ACCESS	1
10	1290668GT	DECAL,INSTRUCTIONS-CHARGER OP, GS-1330m	1
11	1290675GT	DECAL,DANGER,BATTERY SAFETY***,GS-1330m	1
12	1292275GT	DECAL, ELECTRIC DRIVE, E-DRIVE	1
		(E-drive only)	
13	1292747GT	DECAL,LABEL-TIRE SPECS	2
		(E-drive only)	
14	1292960GT	DECAL DANGER BRAKE REL SAFETY, GS-1330m	1
		(E-drive only)	
15	1297195GT	DECAL, LABEL-TRANSPORT DIAGRAM	1
16	1297433GT	DECAL, DANGER, ELECTRICAL HAZARD, SLAB	1
17	1298833GT	DECAL, DANGER, TIP-OVER, BATTERY	1
18	1305535GT	DECAL, LABEL, WHEEL LOAD, E-DRIVE, GS-2032	2
19	T107029GT	DECAL DANGER BRAKE REL SAFETY	1
		(H-drive only)	
20	1311384GT	DECAL,COSMETIC,LITHIUM-ION	1
		(Li Option)	
21	1311621GT	DECAL,INSTRUCT,BATTERY CONNECT,LITHIUM	1
		(Li Option)	
22	1311622GT	DECAL,DANGER,TIP-OVER,LI BATTERY	1
		(Li Option)	

Go to DiscoverEquipment.com to order your parts



102.1 Word Decals, GS-2032, Ground Control Side, ANSI and Australia



Go to Discover Equipment.com to order your parts

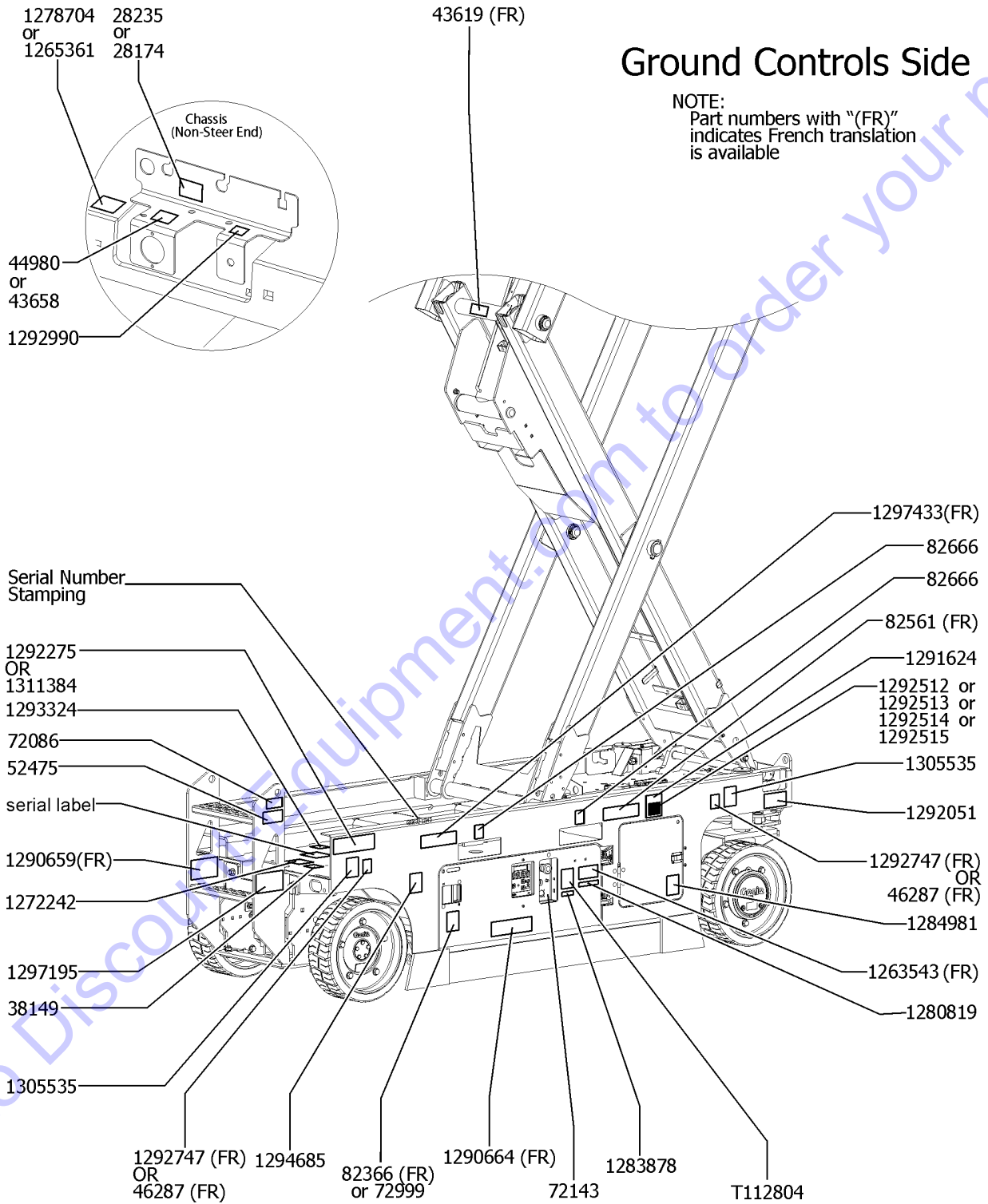


102.1 Word Decals, GS-2032, Ground Control Side, ANSI and Australia

Item	Part No.	Description	Qty.
1	28174GT	DECAL, POWER TO PLATFORM 230V** (power to platform option, 230V)	1
2	28235GT	DECAL, POWER TO PLATFORM 115V** (power to platform option, 115V)	1
3	38149GT	DECAL LABEL PATENTS	1
4	43619GT	DECAL LABEL SAFETY ARM	1
5	43658GT	DECAL, LABEL, PWR TO CHARGER 230 EU (power to charger option, 230V)	1
6	44980GT	DECAL, LABEL, PWR TO CHARGER 115 UK (power to charger option, 115V)	1
7	46287GT	DECAL,LABEL-TIRE SPECS (H-drive only)	2
8	52475GT	DECAL LABEL TRANSPORT TIE DOWN*	1
9	72143GT	DECAL, EMERGENCY STOP, GR	1
10	72086GT	DECAL,LABEL,LIFTING EYE	1
11	72999GT	DECAL,LABEL,PETRO CANADA*** (Hydraulic oil option, Canada)	1
12	82366GT	DECAL,CHEVRON RANDO HD (Hydraulic oil option)	1
13	82561GT	DECAL,DANGER-USE SAFETY ARM	1
14	82666GT	DECAL,LABEL,FORKLIFT POCKET	2
15	1263543GT	DECAL,COMPARTMENT ACCESS	1
16	1265361GT	DECAL, BATTERY CHARGER INDICAT (AUS)	1
17	1272242GT	DECAL,MACHINE REGISTRATION/OWNER TRANSFER	1
18	1278704GT	DECAL,CHARGE STATUS IND (ANSI/CSA)	1
19	1280819GT	DECAL,WARNING,CANCER AND REPRODUCTIVE HARM, PROP 65	1
20	1283878GT	DECAL, TECHPRO LINK	1
21	1284981GT	DECAL,ACCUMULATOR EXPLOSION HAZARD,WORD	1
22	1290659GT	DECAL,DANGER,ELECT HAZARD,PLUG, GS-1330m	1
23	1290664GT	DECAL COSM,GENIE LIFT CONNECT,LEXAN COVER	1
24	1291624GT	DECAL COSM,GENIE LIFT CONNECT,LEXAN COVER	1
25	1292051GT	DECAL,EMERGENCY LOWERING, GS-1330m	1
26	1292275GT	DECAL, ELECTRIC DRIVE, E-DRIVE (E-drive only)	1
27	1292512GT	DECAL COSM,GENIE LIFT CONNECT,ESN,SKU4-1	1
28	1292513GT	DECAL COSM,GENIE LIFT CONNECT,ESN,SKU4-2	1



102.1 Word Decals, GS-2032, Ground Control Side, ANSI and Australia



Go to DiscoverEquipment.com to order your parts



102.1 Word Decals, GS-2032, Ground Control Side, ANSI and Australia

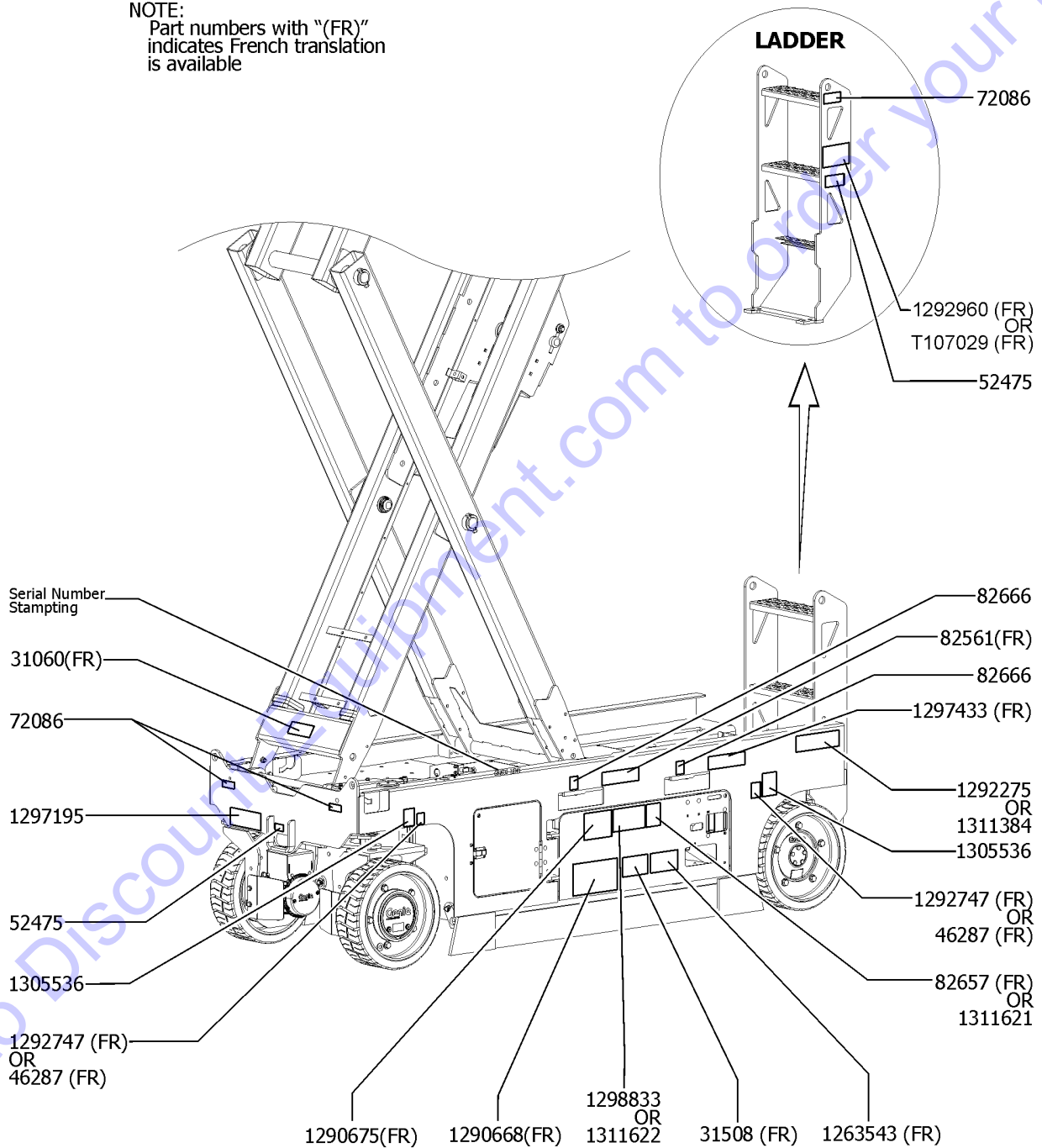
Item	Part No.	Description	Qty.
29	1292514GT	DECAL COSM,GENIE LIFT CONNECT,ESN,SKU4-3	1
30	1292515GT	DECAL COSM,GENIE LIFT CONNECT,ESN,SKU4-4	1
31	1292747GT	DECAL,LABEL-TIRE SPECS	2
		(E-drive only)	
32	1292990GT	DECAL,RELEASE BRAKE	1
		(E-drive only)	
33	1293324GT	DECAL, ICES-2/CAN-2 COMPLIANCE	1
34	1294685GT	DECAL,ANNUAL INSP***, MINI	1
35	1297195GT	DECAL, LABEL-TRANSPORT DIAGRAM	1
36	1297433GT	DECAL, DANGER, ELECTRICAL HAZARD, SLAB	1
37	1305535GT	DECAL, LABEL, WHEEL LOAD, E-DRIVE, GS-2032	2
38	T112804GT	DECAL,GCON PANEL,GS	1
39	1311384GT	DECAL,COSMETIC,LITHIUM-ION	1
		(Li Option)	

Go to Discount-Equipment.com to order your parts



Battery Side

NOTE:
Part numbers with "(FR)"
indicates French translation
is available



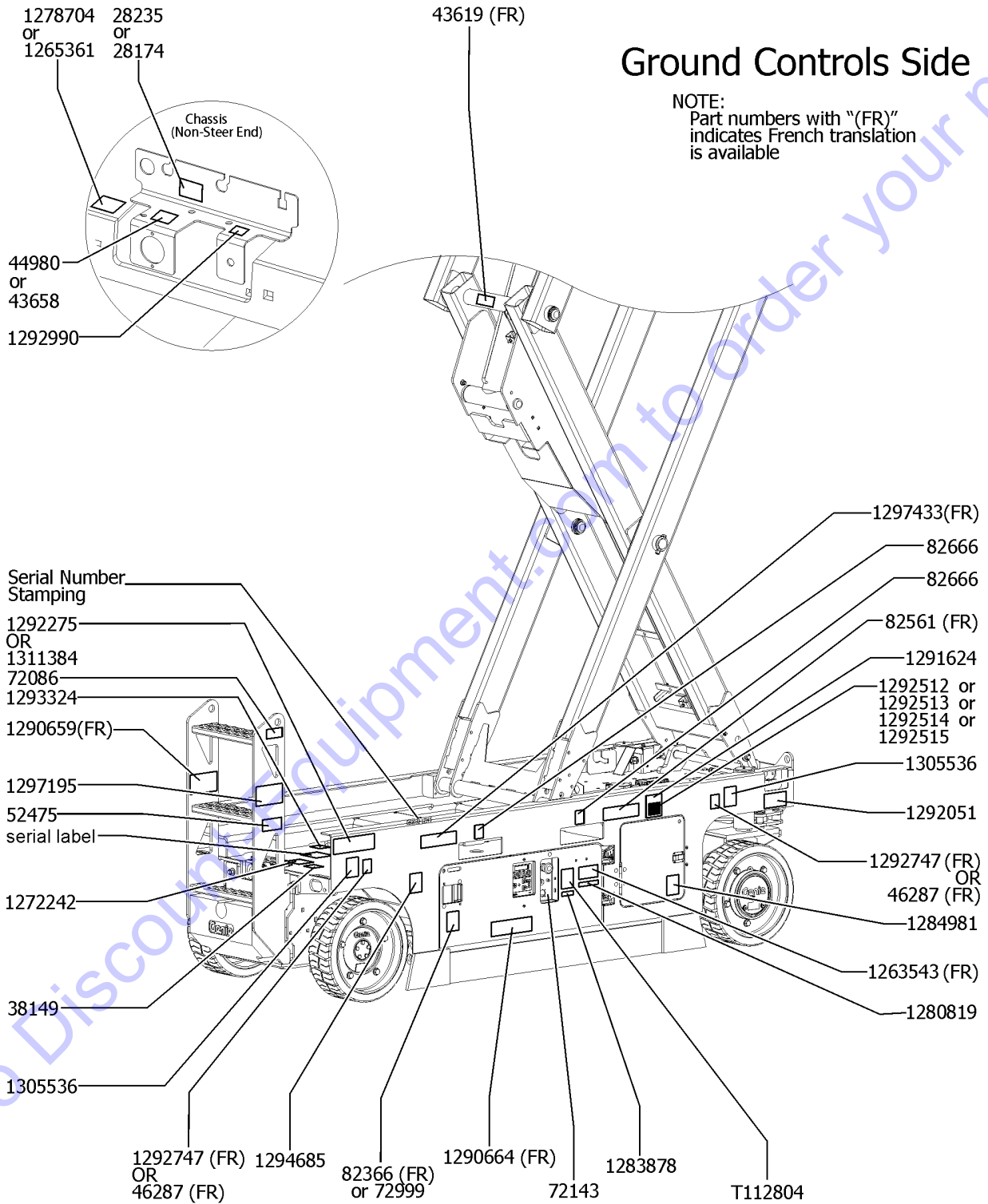
103.1 Word Decals, GS-2632, Battery Side, ANSI & Australia

Item	Part No.	Description	Qty.
1	31060GT	DECAL,DANGER DO NOT ALTER SWTC	1
2	31508GT	DECAL,DANGER,ELECT HAZARD,PLUG	1
3	46287GT	DECAL,LABEL-TIRE SPECS	2
		(H-drive only)	
4	52475GT	DECAL LABEL TRANSPORT TIE DOWN*	2
5	72086GT	DECAL,LABEL,LIFTING EYE	3
6	82561GT	DECAL,DANGER-USE SAFETY ARM	1
7	82657GT	DECAL,INSTRUCT,BATTERY CONNECT	1
8	82666GT	DECAL,LABEL,FORKLIFT POCKET	2
9	1263543GT	DECAL,COMPARTMENT ACCESS	1
10	1290668GT	DECAL,INSTRUCTIONS-CHARGER OP, GS-1330m	1
11	1290675GT	DECAL,DANGER,BATTERY SAFETY***,GS-1330m	1
12	1292275GT	DECAL, ELECTRIC DRIVE, E-DRIVE	1
		(E-drive only)	
13	1292747GT	DECAL,LABEL-TIRE SPECS	2
		(E-drive only)	
14	1292960GT	DECAL DANGER BRAKE REL SAFETY, GS-1330m	1
		(E-drive only)	
15	1297195GT	DECAL, LABEL-TRANSPORT DIAGRAM	1
16	1297433GT	DECAL, DANGER, ELECTRICAL HAZARD, SLAB	1
17	1298833GT	DECAL, DANGER, TIP-OVER, BATTERY	1
18	1305536GT	DECAL, LABEL, WHEEL LOAD, E-DRIVE, GS-2632	2
19	T107029GT	DECAL DANGER BRAKE REL SAFETY	1
		(H-drive only)	
20	1311384GT	DECAL,COSMETIC,LITHIUM-ION	1
		(Li Option)	
21	1311621GT	DECAL,INSTRUCT,BATTERY CONNECT,LITHIUM	1
		(Li Option)	
22	1311622GT	DECAL,DANGER,TIP-OVER,LI BATTERY	1
		(Li Option)	

Go to DiscoverEquipment.com to order your parts



104.1 Word Decals, GS-2632, Ground Control Side, ANSI and Australia



Go to DiscoverEquipment.com to order your parts

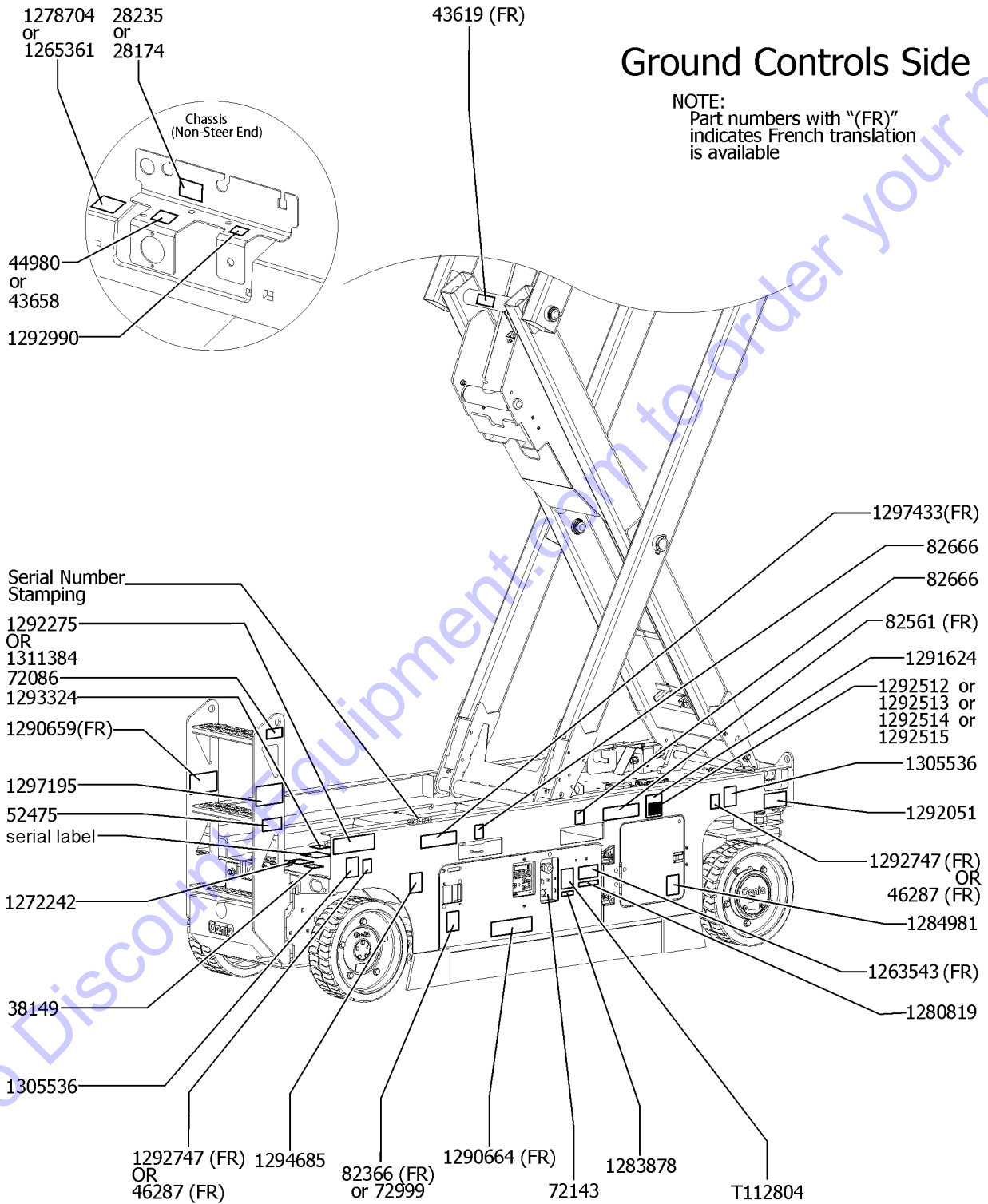


104.1 Word Decals, GS-2632, Ground Control Side, ANSI and Australia

Item	Part No.	Description	Qty.
1	28174GT	DECAL, POWER TO PLATFORM 230V** (power to platform option, 230V)	1
2	28235GT	DECAL, POWER TO PLATFORM 115V** (power to platform option, 115V)	1
3	38149GT	DECAL LABEL PATENTS	1
4	43619GT	DECAL LABEL SAFETY ARM	1
5	43658GT	DECAL, LABEL, PWR TO CHARGER 230 EU (power to charger option, 230V)	1
6	44980GT	DECAL, LABEL, PWR TO CHARGER 115 UK (power to charger option, 115V)	1
7	46287GT	DECAL,LABEL-TIRE SPECS (H-drive only)	2
8	52475GT	DECAL LABEL TRANSPORT TIE DOWN*	1
9	72143GT	DECAL, EMERGENCY STOP, GR	1
10	72086GT	DECAL,LABEL,LIFTING EYE	1
11	72999GT	DECAL,LABEL,PETRO CANADA*** (Hydraulic oil option, Canada)	1
12	82366GT	DECAL,CHEVRON RANDO HD (Hydraulic oil option)	1
13	82561GT	DECAL,DANGER-USE SAFETY ARM	1
14	82666GT	DECAL,LABEL,FORKLIFT POCKET	2
15	1263543GT	DECAL,COMPARTMENT ACCESS	1
16	1265361GT	DECAL, BATTERY CHARGER INDICAT	1
17	1272242GT	DECAL,MACHINE REGISTRATION/OWNER TRANSFER	1
18	1278704GT	DECAL,CHARGE STATUS IND	1
19	1280819GT	DECAL,WARNING,CANCER AND REPRODUCTIVE HARM, PROP 65	1
20	1283878GT	DECAL, TECHPRO LINK	1
21	1284981GT	DECAL,ACCUMULATOR EXPLOSION HAZARD,WORD	1
22	1290659GT	DECAL,DANGER,ELECT HAZARD,PLUG, GS-1330m	1
23	1290664GT	DECAL COSM,GENIE LIFT CONNECT,LEXAN COVER	1
24	1291624GT	DECAL COSM,GENIE LIFT CONNECT,LEXAN COVER	1
25	1292051GT	DECAL,EMERGENCY LOWERING, GS-1330m	1
26	1292275GT	DECAL, ELECTRIC DRIVE, E-DRIVE (E-drive only)	1
27	1292512GT	DECAL COSM,GENIE LIFT CONNECT,ESN,SKU4-1	1
28	1292513GT	DECAL COSM,GENIE LIFT CONNECT,ESN,SKU4-2	1



104.1 Word Decals, GS-2632, Ground Control Side, ANSI and Australia



104.1 Word Decals, GS-2632, Ground Control Side, ANSI and Australia

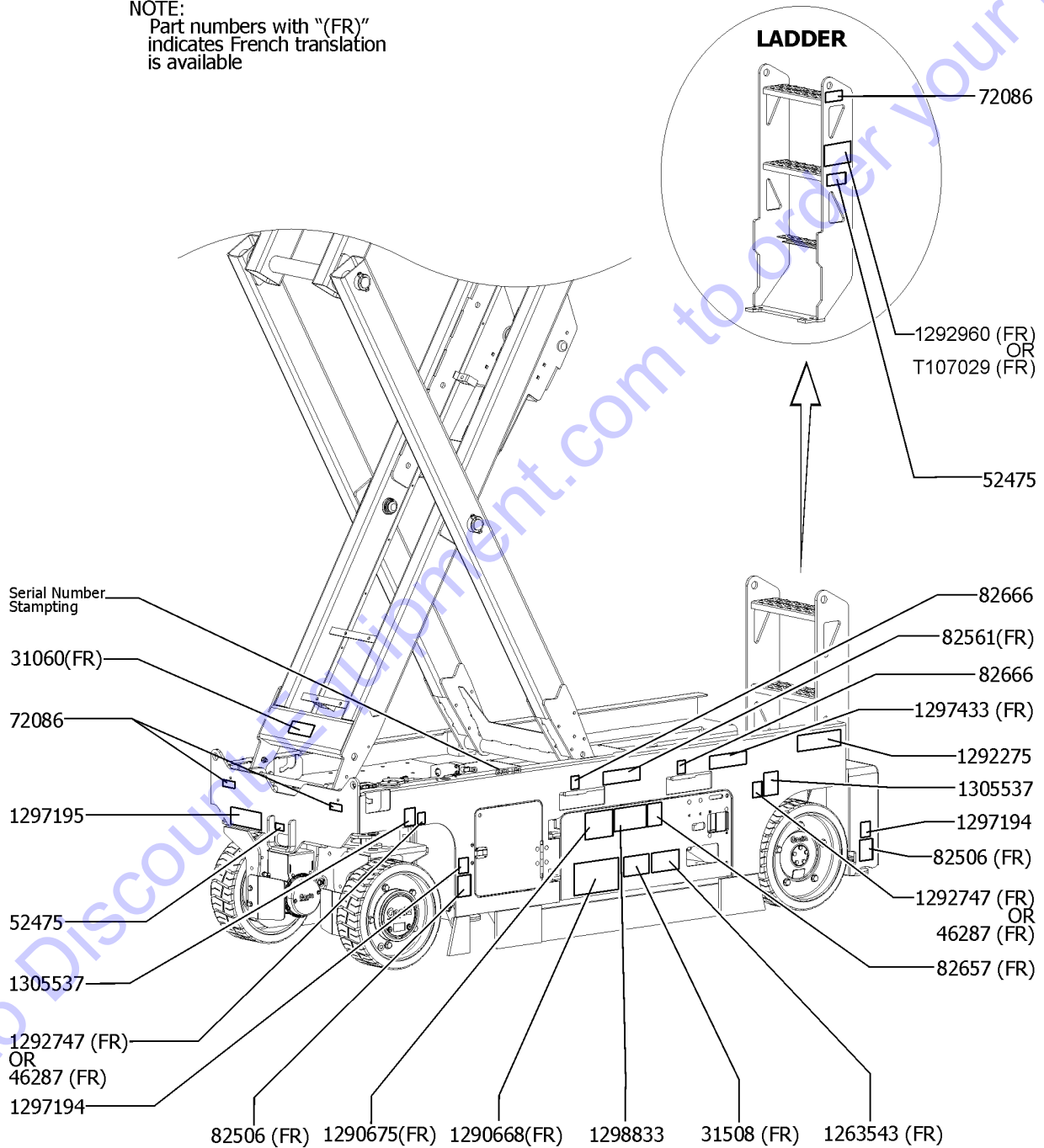
Item	Part No.	Description	Qty.
29	1292514GT	DECAL COSM,GENIE LIFT CONNECT,ESN,SKU4-3	1
30	1292515GT	DECAL COSM,GENIE LIFT CONNECT,ESN,SKU4-4	1
31	1292747GT	DECAL,LABEL-TIRE SPECS	2
		(E-drive only)	
32	1292990GT	DECAL,RELEASE BRAKE	1
		(E-drive only)	
33	1293324GT	DECAL, ICES-2/CAN-2 COMPLIANCE	1
34	1294685GT	DECAL,ANNUAL INSP***, MINI	1
35	1297195GT	DECAL, LABEL-TRANSPORT DIAGRAM	1
36	1297433GT	DECAL, DANGER, ELECTRICAL HAZARD, SLAB	1
37	1305536GT	DECAL, LABEL, WHEEL LOAD, E-DRIVE, GS-2632	2
38	T112804GT	DECAL,GCON PANEL,GS	1
39	1311384GT	DECAL,COSMETIC,LITHIUM-ION	1
		(Li Option)	

Go to Discount-Equipment.com to order your parts



Battery Side

NOTE:
Part numbers with "(FR)"
indicates French translation
is available



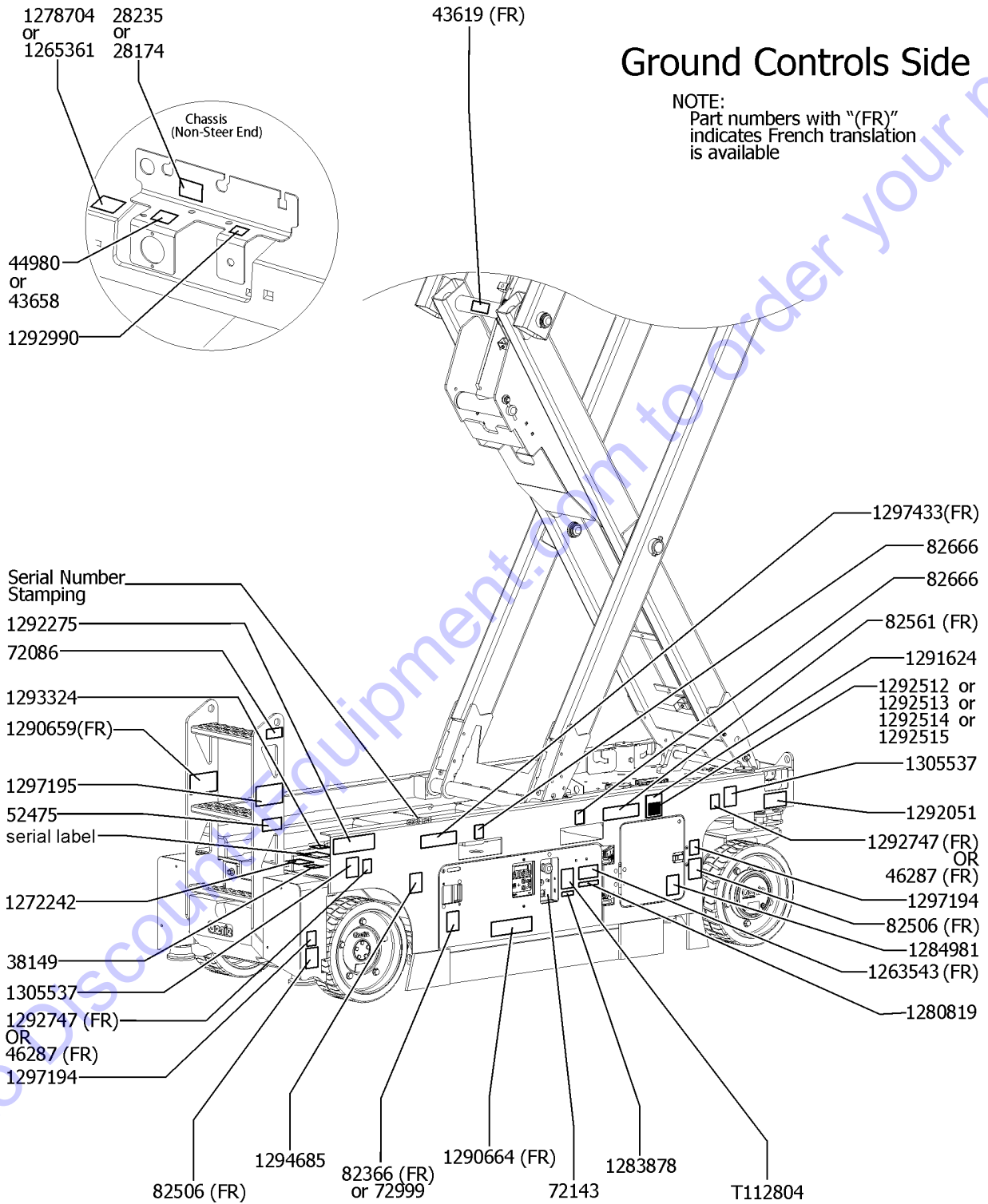
105.1 Word Decals, GS-3232, Battery Side, ANSI & Australia

Item	Part No.	Description	Qty.
1	31060GT	DECAL,DANGER DO NOT ALTER SWTC	1
2	31508GT	DECAL,DANGER,ELECT HAZARD,PLUG	1
3	46287GT	DECAL,LABEL-TIRE SPECS	2
		(H-drive only)	
4	52475GT	DECAL LABEL TRANSPORT TIE DOWN*	2
5	72086GT	DECAL,LABEL,LIFTING EYE	3
6	82506GT	DECAL,WARNING-FOOT CRUSHING	2
7	82561GT	DECAL,DANGER-USE SAFETY ARM	1
8	82657GT	DECAL,INSTRUCT,BATTERY CONNECT	1
9	82666GT	DECAL,LABEL,FORKLIFT POCKET	2
10	1263543GT	DECAL,COMPARTMENT ACCESS	1
11	1290668GT	DECAL,INSTRUCTIONS-CHARGER OP, GS-1330m	1
12	1290675GT	DECAL,DANGER,BATTERY SAFETY***,GS-1330m	1
13	1292275GT	DECAL, ELECTRIC DRIVE, E-DRIVE	1
		(E-drive only)	
14	1292747GT	DECAL,LABEL-TIRE SPECS	2
		(E-drive only)	
15	1292960GT	DECAL DANGER BRAKE REL SAFETY, GS-1330m	1
		(E-drive only)	
16	1297194GT	DECAL, LABEL, OUTRIGGER LOAD, GS-3232	2
17	1297195GT	DECAL, LABEL-TRANSPORT DIAGRAM	1
18	1297433GT	DECAL, DANGER, ELECTRICAL HAZARD, SLAB	1
19	1298833GT	DECAL, DANGER, TIP-OVER, BATTERY	1
20	1305537GT	DECAL, LABEL, WHEEL LOAD, E-DRIVE, GS-3232	2
21	T107029GT	DECAL DANGER BRAKE REL SAFETY	1
		(H-drive only)	

Go to DiscountEquipment.com to order your parts



106.1 Word Decals, GS-3232, Ground Control Side, ANSI and Australia

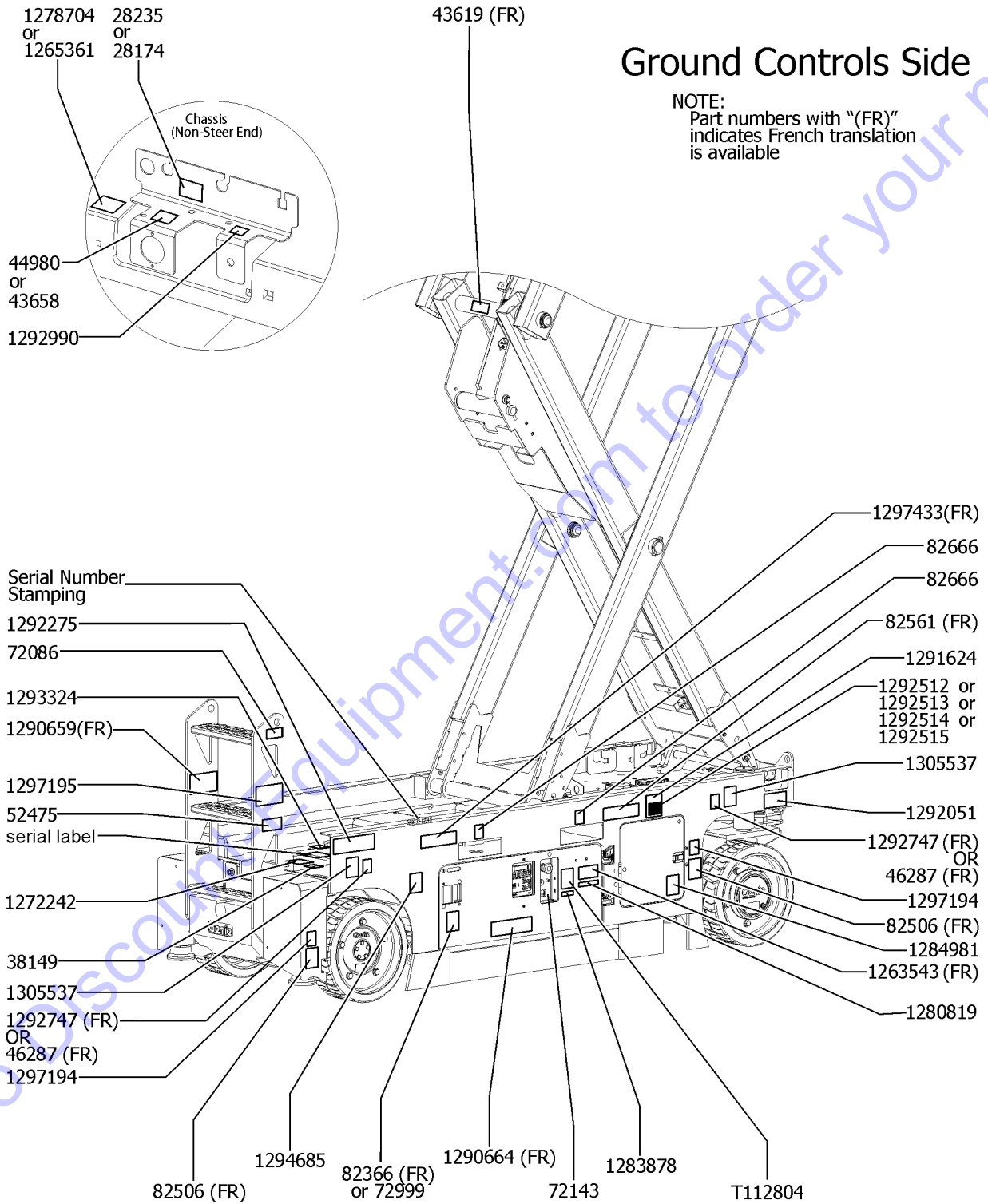


106.1 Word Decals, GS-3232, Ground Control Side, ANSI and Australia

Item	Part No.	Description	Qty.
1	28174GT	DECAL, POWER TO PLATFORM 230V** (power to platform option, 230V)	1
2	28235GT	DECAL, POWER TO PLATFORM 115V** (power to platform option, 115V)	1
3	38149GT	DECAL LABEL PATENTS	1
4	43619GT	DECAL LABEL SAFETY ARM	1
5	43658GT	DECAL, LABEL, PWR TO CHARGER 230 EU (power to charger option, 230V)	1
6	44980GT	DECAL, LABEL, PWR TO CHARGER 115 UK (power to charger option, 115V)	1
7	46287GT	DECAL,LABEL-TIRE SPECS (H-drive only)	2
8	52475GT	DECAL LABEL TRANSPORT TIE DOWN*	1
9	72143GT	DECAL, EMERGENCY STOP, GR	1
10	72086GT	DECAL,LABEL,LIFTING EYE	1
11	72999GT	DECAL,LABEL,PETRO CANADA*** (Hydraulic oil option, Canada)	1
12	82366GT	DECAL,CHEVRON RANDO HD (Hydraulic oil option)	1
13	82506GT	DECAL,WARNING-FOOT CRUSHING	2
14	82561GT	DECAL,DANGER-USE SAFETY ARM	1
15	82666GT	DECAL,LABEL,FORKLIFT POCKET	2
16	1263543GT	DECAL,COMPARTMENT ACCESS	1
17	1265361GT	DECAL, BATTERY CHARGER INDICAT	1
18	1272242GT	DECAL,MACHINE REGISTRATION/OWNER TRANSFER	1
19	1278704GT	DECAL,CHARGE STATUS IND	1
20	1280819GT	DECAL,WARNING,CANCER AND REPRODUCTIVE HARM, PROP 65	1
21	1283878GT	DECAL, TECHPRO LINK	1
22	1284981GT	DECAL,ACCUMULATOR EXPLOSION HAZARD,WORD	1
23	1290659GT	DECAL,DANGER,ELECT HAZARD,PLUG, GS-1330m	1
24	1290664GT	DECAL COSM,GENIE LIFT CONNECT,LEXAN COVER	1
25	1291624GT	DECAL COSM,GENIE LIFT CONNECT,LEXAN COVER	1
26	1292051GT	DECAL,EMERGENCY LOWERING, GS-1330m	1
27	1292275GT	DECAL, ELECTRIC DRIVE, E-DRIVE (E-drive only)	1
28	1292512GT	DECAL COSM,GENIE LIFT CONNECT,ESN,SKU4-1	1



106.1 Word Decals, GS-3232, Ground Control Side, ANSI and Australia



Go to www.genieequipment.com to order your parts



106.1 Word Decals, GS-3232, Ground Control Side, ANSI and Australia

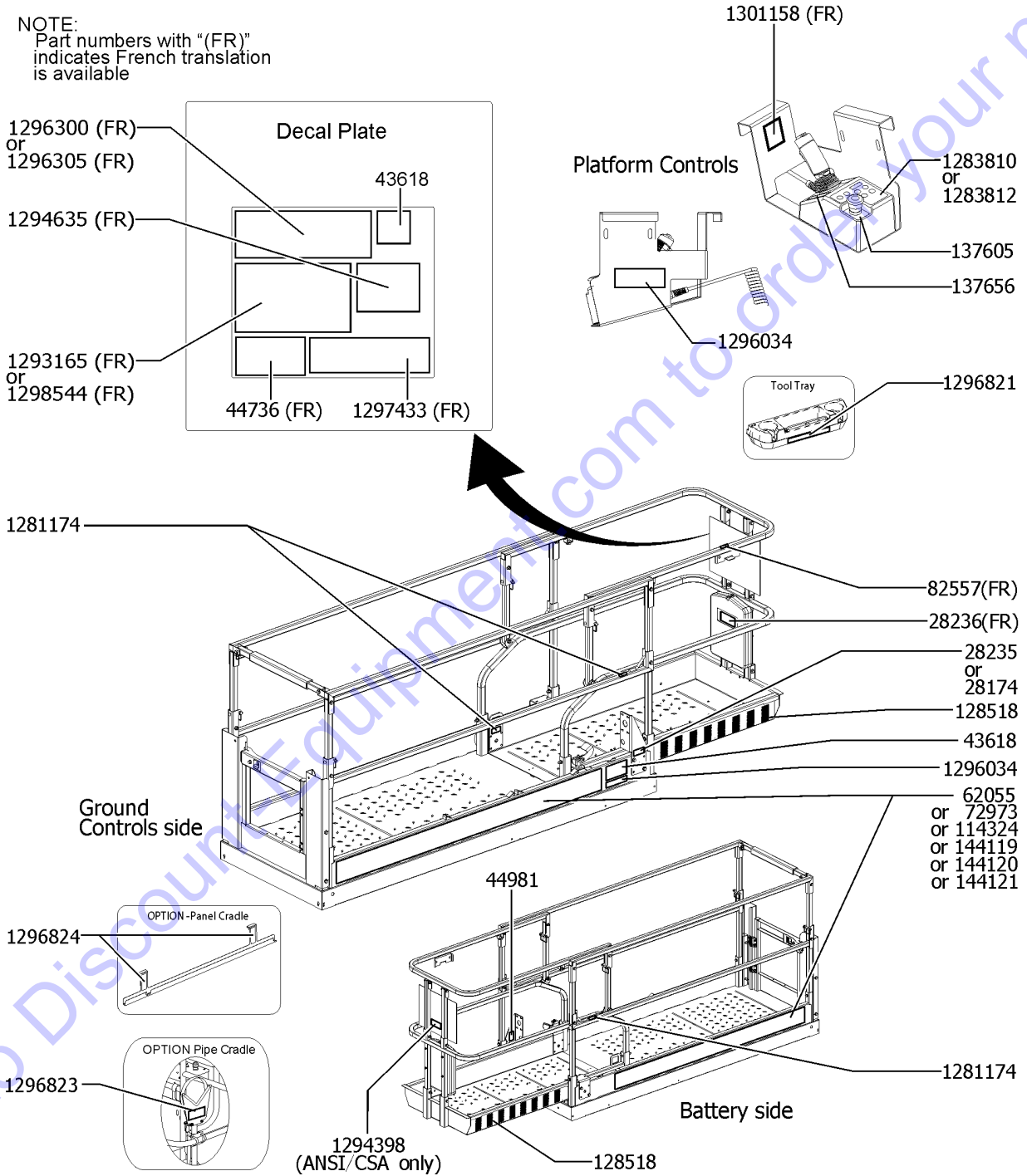
Item	Part No.	Description	Qty.
29	1292513GT	DECAL COSM,GENIE LIFT CONNECT,ESN,SKU4-2	1
30	1292514GT	DECAL COSM,GENIE LIFT CONNECT,ESN,SKU4-3	1
31	1292515GT	DECAL COSM,GENIE LIFT CONNECT,ESN,SKU4-4	1
32	1292747GT	DECAL,LABEL-TIRE SPECS	2
		(E-drive only)	
33	1292990GT	DECAL,RELEASE BRAKE	1
		(E-drive only)	
34	1293324GT	DECAL, ICES-2/CAN-2 COMPLIANCE	1
35	1294685GT	DECAL,ANNUAL INSP***, MINI	1
36	1297194GT	DECAL, LABEL, OUTRIGGER LOAD, GS-3232	2
37	1297195GT	DECAL, LABEL-TRANSPORT DIAGRAM	1
38	1297433GT	DECAL, DANGER, ELECTRICAL HAZARD, SLAB	1
39	1305537GT	DECAL, LABEL, WHEEL LOAD, E-DRIVE, GS-3232	2
40	T112804GT	DECAL,GCON PANEL,GS	1

Go to Discount-Equipment.com to order your parts



Platform, ANSI and Australia models

NOTE:
Part numbers with "(FR)" indicates French translation is available



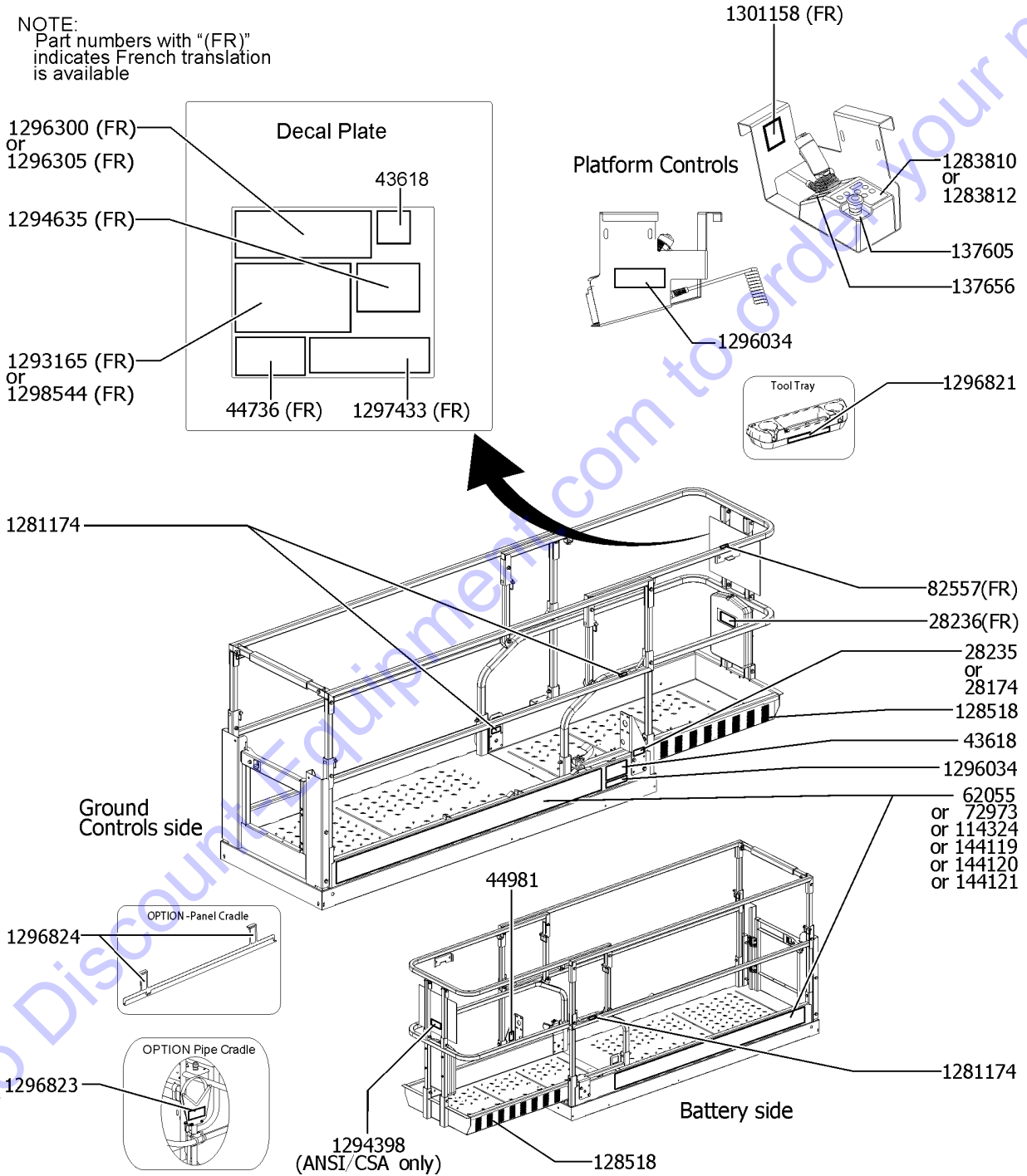
107.1 Word Decals, Platform, ANSI and Australia, All models

Item	Part No.	Description	Qty.
1	28174GT	DECAL, POWER TO PLATFORM 230V** (power to platform option, 230V)	1
2	28235GT	DECAL, POWER TO PLATFORM 115V** (power to platform option, 115V)	1
3	28236GT	DECAL,WARN,IMPROPER OPERATION	1
4	43618GT	DECAL, LABEL - DIRECTION ARROWS	2
5	44736GT	DECAL,DANGER,TIP-OVER,TILT	1
6	44981GT	DECAL LABEL AIRLINE 110PSI (Airline to platform Option)	1
7	62055GT	DECAL,COSMETIC,GENIE GS-2032 (GS-2032)	1
8	72973GT	DECAL,COSMETIC,GENIE GS-2632 (GS-2632)	1
9	82557GT	DECAL,LABEL,PLAT CONT LOCATION	1
10	114324GT	DECAL,COSMETIC-GENIE GS-3232 (GS-3232)	1
11	128518GT	TAPE,WARNING,BLK/YEL,108****	1
12	137605GT	DECAL,E-STOP, GR/GRC/GS PCON	1
13	137656GT	DECAL, PROPEL, GR/GRC/GS, PCON	1
14	144119GT	DECAL,COSMETIC,GENIE,GS2032,BLK (GS-2032)	1
15	144120GT	DECAL,COSMETIC,GENIE,GS2632,BLK (GS-2632)	1
16	144121GT	DECAL,COSMETIC,GENIE GS3232BLK (GS-3232)	1
17	1281174GT	DECAL,LANYARD,FALL ARREST/FALL RESTRAINED	3
18	1283810GT	DECAL,STD,DUAL ZONE,GR/GS,UI (GS-2032/2632)	1
19	1283812GT	DECAL,O/R,DUAL ZONE,GS,UI (GS-3232)	1
20	1293165GT	DECAL,DANGER/WARNING COMBO, GS-1330m (GS-2032/2632)	1
21	1294398GT	DECAL, ANSI/CSA COMPLIANT (ANSI/CSA Only)	1
22	1294635GT	DECAL, PLATFORM OVERLOAD LED INDICATOR LIGHT	1
23	1296034GT	DECAL, SMARTLINK, DUAL ZONE	2
24	1296300GT	DECAL, DANGER, MAX CAPACITY 500LBS, SIDE FORCE 45/90LBS (GS-2632/3232)	1
25	1296305GT	DECAL, DANGER, MAX CAPACITY 800LBS, SIDE FORCE 45/90LBS (GS-2032)	1
26	1296821GT	DECAL, WARNING, TOOL TRAY	1
27	1296823GT	DECAL, WARNING, PIPE CRADLE Pipe Cradle Option	1
28	1296824GT	DECAL, WARNING, PANEL CARRIER Panel Cradle Option	2



Platform, ANSI and Australia models

NOTE:
Part numbers with "(FR)" indicates French translation is available



107.1 Word Decals, Platform, ANSI and Australia, All models

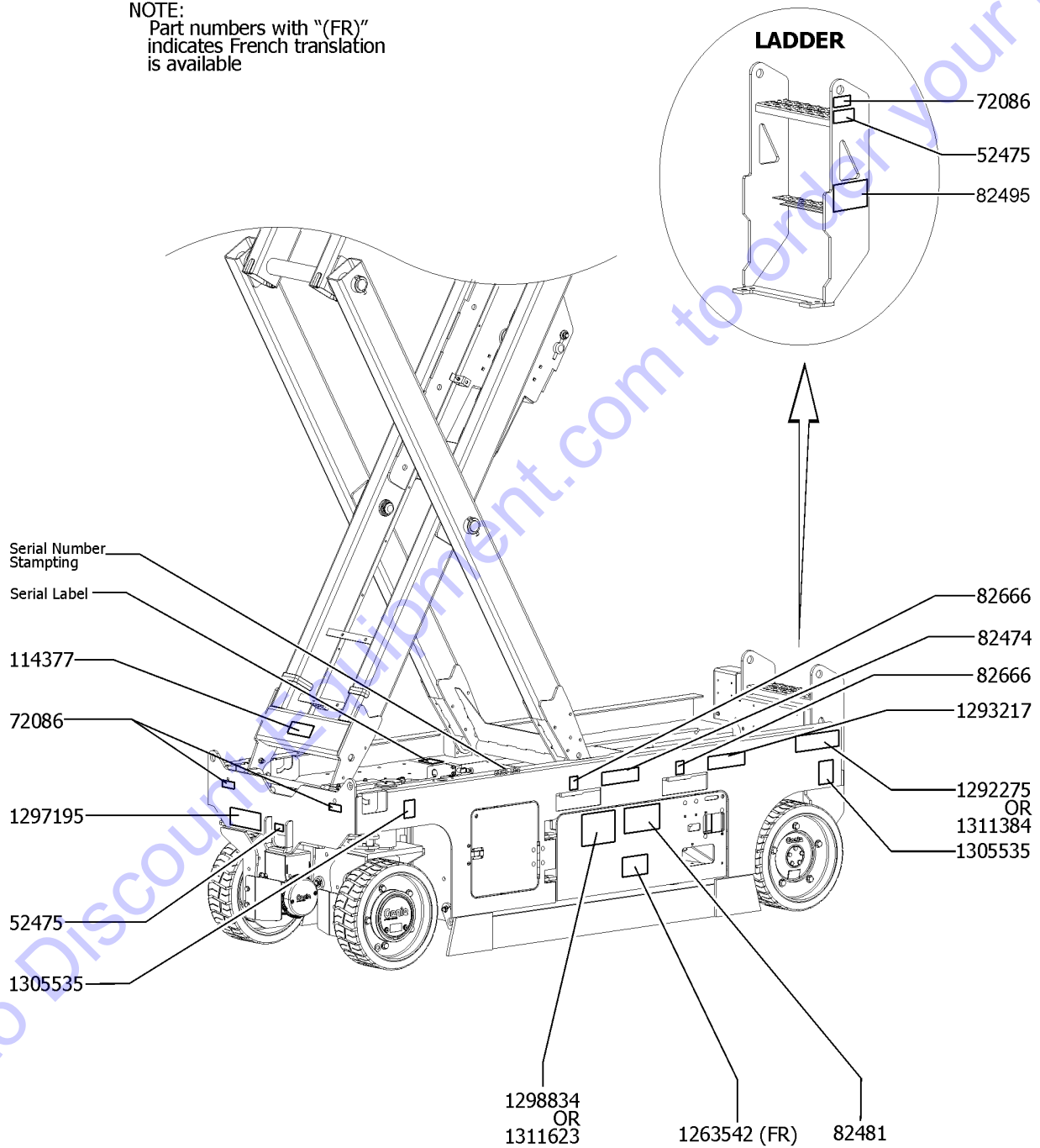
<i>Item</i>	<i>Part No.</i>	<i>Description</i>	<i>Qty.</i>
29	1297433GT	DECAL, DANGER, ELECTRICAL HAZARD, SLAB	1
30	1298544GT	DECAL, DANGER, TIP-OVER, CRUSH, OUTRIGGER	1
		(GS-3232)	
31	1301158GT	DECAL, LABEL, FAULT CODES	1

Go to Discount-Equipment.com to order your parts



Battery Side

NOTE:
Part numbers with "(FR)"
indicates French translation
is available



Go to DiscountForklift.com to order your parts

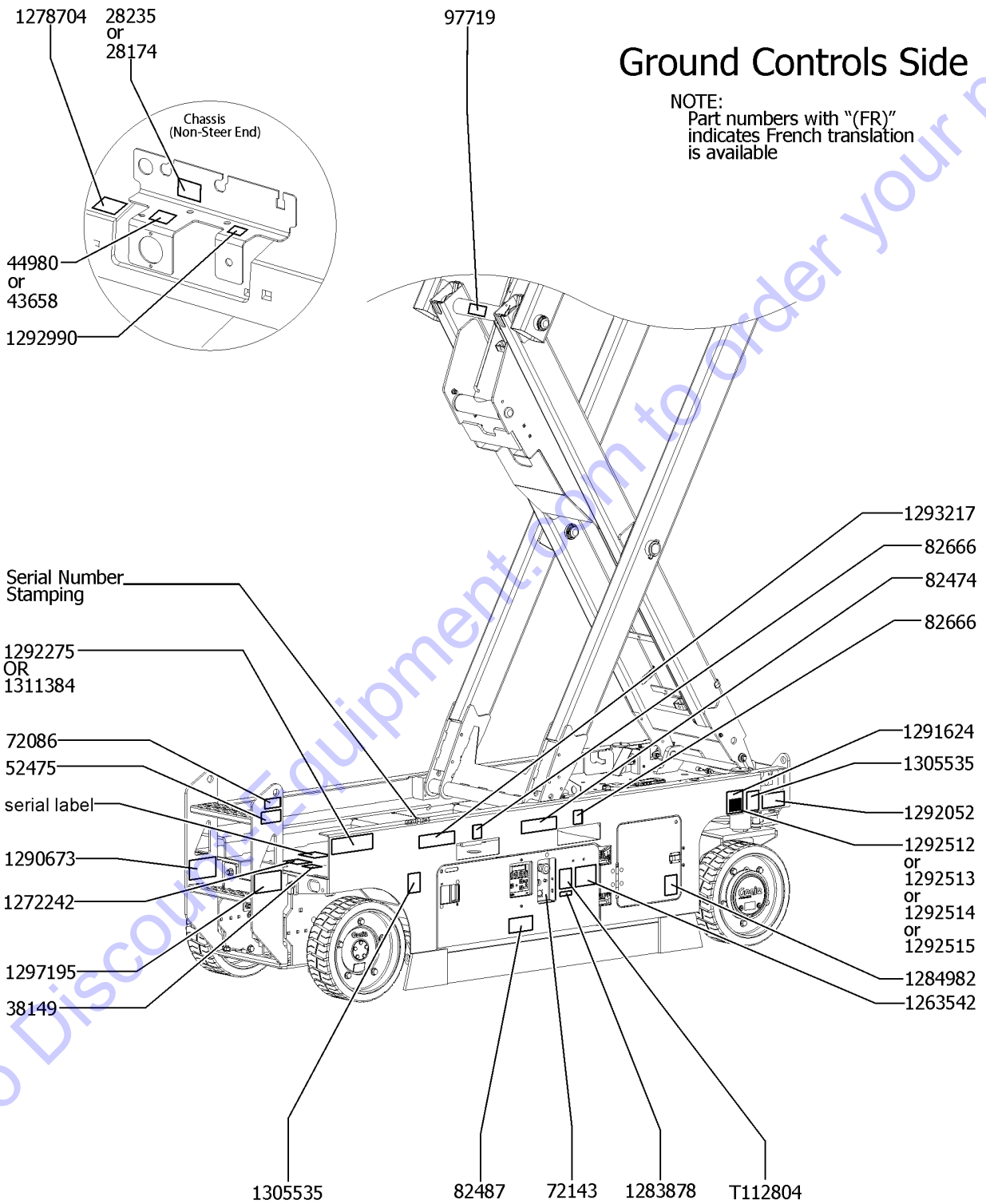
108.1 Symbol Decals, GS-2032, Battery Side, ANSI & CE

Item	Part No.	Description	Qty.
1	52475GT	DECAL LABEL TRANSPORT TIE DOWN*	2
2	72086GT	DECAL,LABEL,LIFTING EYE	3
3	82474GT	DECAL SYMBOL USE SAFETY ARM	1
4	82481GT	DECAL SYMBOL BATTERY SAFETY	1
5	82495GT	DECAL,LABEL,FORKLIFT POCKET	1
6	82666GT	DECAL,LABEL,FORKLIFT POCKET	2
7	114377GT	EA-ELECT. CDC BOX 4LT	1
8	1263542GT	DECAL, COMPARTMENT ACCESS	1
9	1292275GT	DECAL, ELECTRIC DRIVE, E-DRIVE	1
		(E-drive only)	
10	1293217GT	DECAL SYMBOL ELECTRIC HAZARD GS-1330m	1
11	1297195GT	DECAL, LABEL-TRANSPORT DIAGRAM	1
12	1298834GT	DECAL, DANGER, TIP-OVER, BATTERY	1
13	1305535GT	DECAL, LABEL, WHEEL LOAD, E-DRIVE, GS-2032	2
14	1311384GT	DECAL,COSMETIC,LITHIUM-ION	1
		(Li Option)	
15	1311623GT	DECAL,DANGER,TIP-OVER,LI BATTERY,SYM	1
		(Li Option)	

Go to Discount-Equipment.com to order your parts



109.1 Symbol Decals, GS-2032, Ground Control Side, ANSI and CE



Go to DiscoverEquipment.com to order your parts

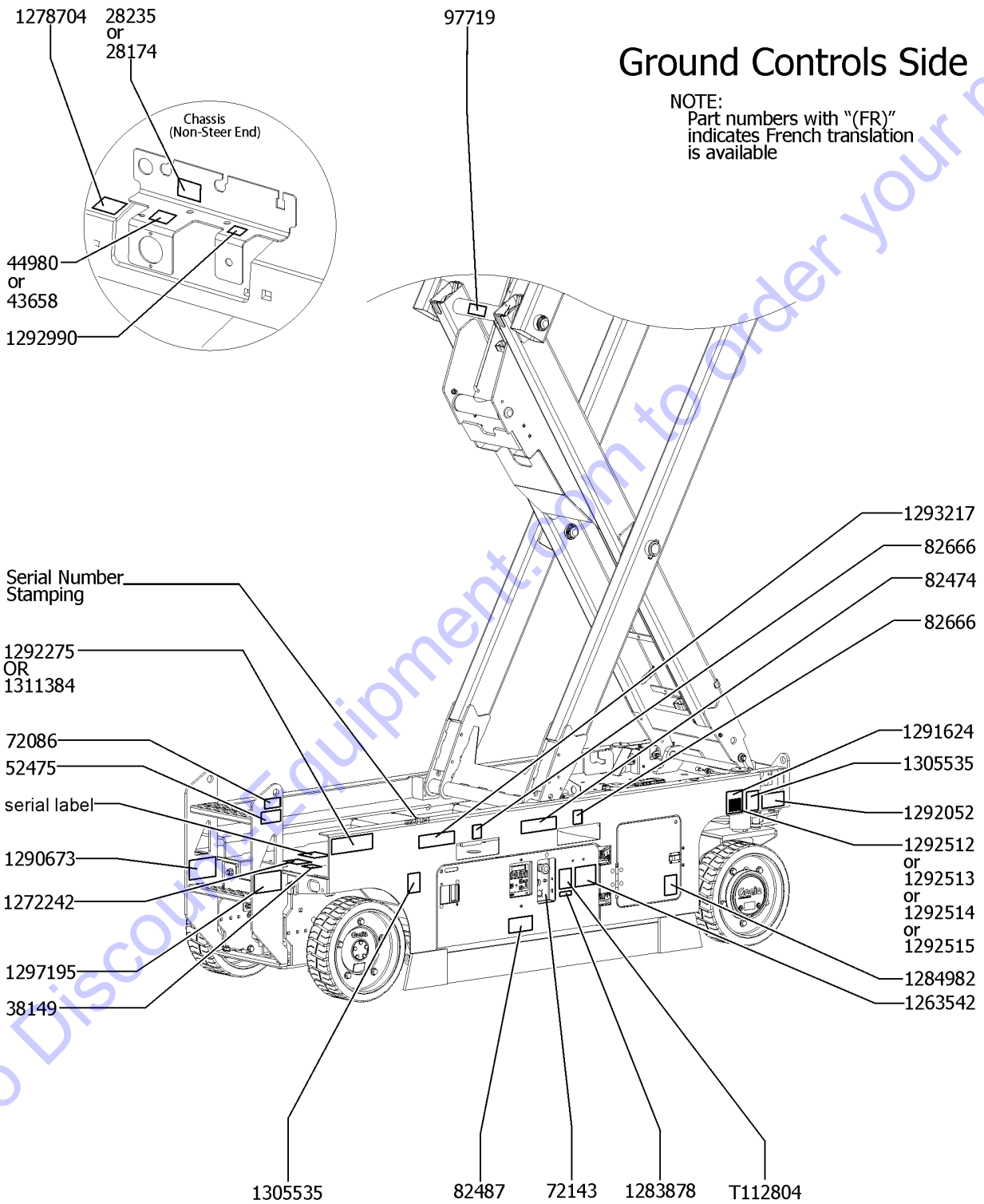


109.1 Symbol Decals, GS-2032, Ground Control Side, ANSI and CE

Item	Part No.	Description	Qty.
1	28174GT	DECAL, POWER TO PLATFORM 230V** (power to platform option, 230V)	1
2	28235GT	DECAL, POWER TO PLATFORM 115V** (power to platform option, 115V)	1
3	38149GT	DECAL LABEL PATENTS	1
4	43658GT	DECAL, LABEL, PWR TO CHARGER 230 EU (power to charger option, 230V)	1
5	44980GT	DECAL, LABEL, PWR TO CHARGER 115 UK (power to charger option, 115V)	1
6	52475GT	DECAL LABEL TRANSPORT TIE DOWN*	1
7	72086GT	DECAL,LABEL,LIFTING EYE	1
8	72143GT	DECAL, EMERGENCY STOP, GR	1
9	82474GT	DECAL SYMBOL USE SAFETY ARM	1
10	82487GT	DECAL,SYMBOL-READ THE MANUAL	1
11	82666GT	DECAL,LABEL,FORKLIFT POCKET	2
12	97719GT	DECAL, LABEL, SAFETY ARM SYMBOL	1
13	1263542GT	DECAL, COMPARTMENT ACCESS	1
14	1272242GT	DECAL,MACHINE REGISTRATION/OWNER TRANSFER	1
15	1278704GT	DECAL,CHARGE STATUS IND	1
16	1283878GT	DECAL, TECHPRO LINK	1
17	1284982GT	DECAL,ACCUMULATOR EXPLOSION HAZARD,SYMBOL	1
18	1290673GT	DECAL SYMBOL ELECTRIC HAZARD PLUG, GS-1330m	1
19	1291624GT	DECAL COSM,GENIE LIFT CONNECT,LEXAN COVER	1
20	1292052GT	DECAL LABEL AUX LOWERING	1
21	1292275GT	DECAL, ELECTRIC DRIVE, E-DRIVE (E-drive only)	1
22	1292512GT	DECAL COSM,GENIE LIFT CONNECT,ESN,SKU4-1	1
23	1292513GT	DECAL COSM,GENIE LIFT CONNECT,ESN,SKU4-2	1
24	1292514GT	DECAL COSM,GENIE LIFT CONNECT,ESN,SKU4-3	1
25	1292515GT	DECAL COSM,GENIE LIFT CONNECT,ESN,SKU4-4	1
26	1292990GT	DECAL,RELEASE BRAKE (E-drive only)	1
27	1293217GT	DECAL SYMBOL ELECTRIC HAZARD GS-1330m	1
28	1297195GT	DECAL, LABEL-TRANSPORT DIAGRAM	1



109.1 Symbol Decals, GS-2032, Ground Control Side, ANSI and CE



Go to DiscoverGenie.com to order your parts



109.1 Symbol Decals, GS-2032, Ground Control Side, ANSI and CE

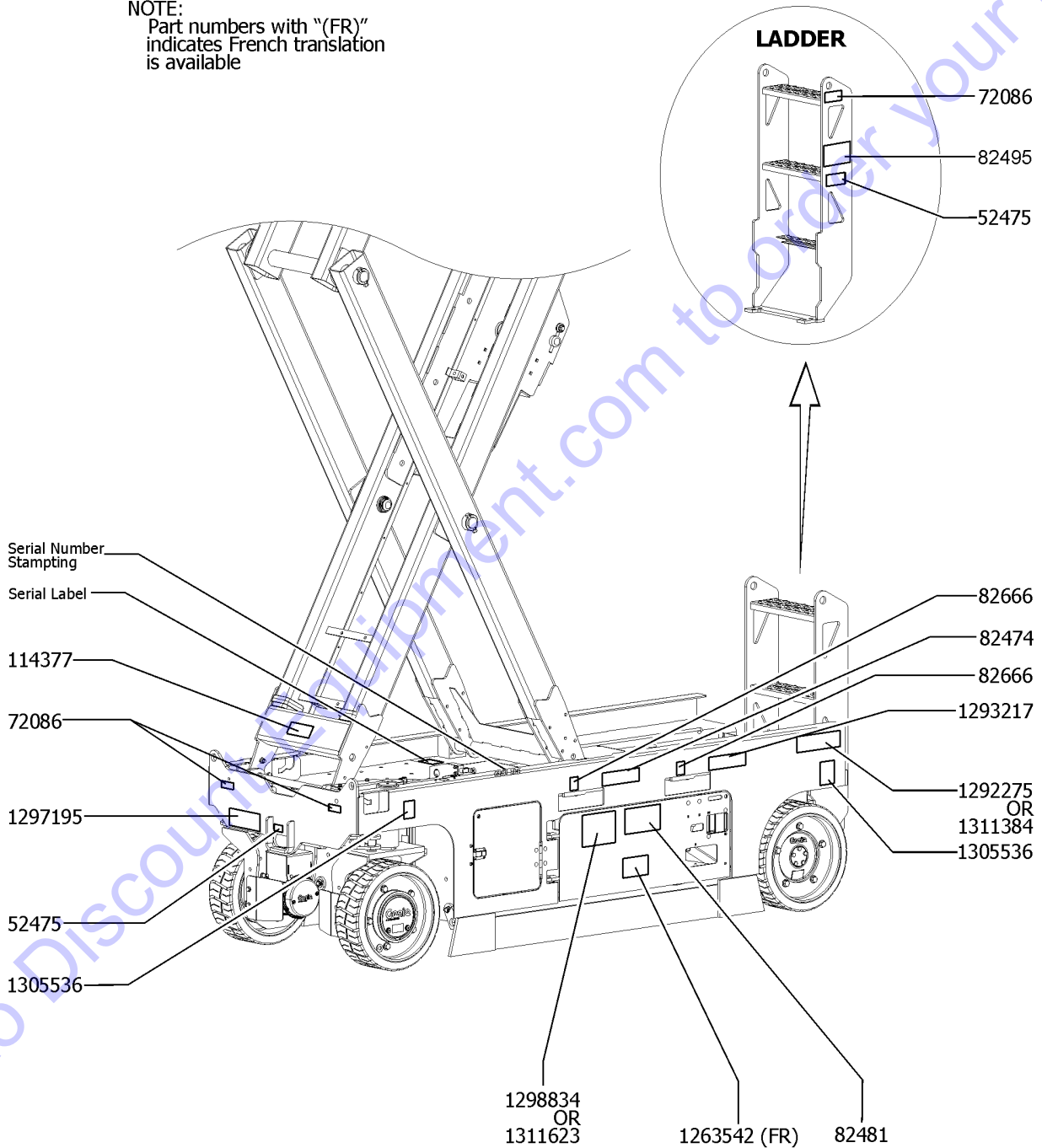
Item	Part No.	Description	Qty.
29	1305535GT	DECAL, LABEL, WHEEL LOAD, E-DRIVE, GS-2032	2
30	T112804GT	DECAL,GCON PANEL,GS	1
31	1311384GT	DECAL,COSMETIC,LITHIUM-ION	1
		(Li Option)	

Go to Discount-Equipment.com to order your parts



Battery Side

NOTE:
Part numbers with "(FR)"
indicates French translation
is available



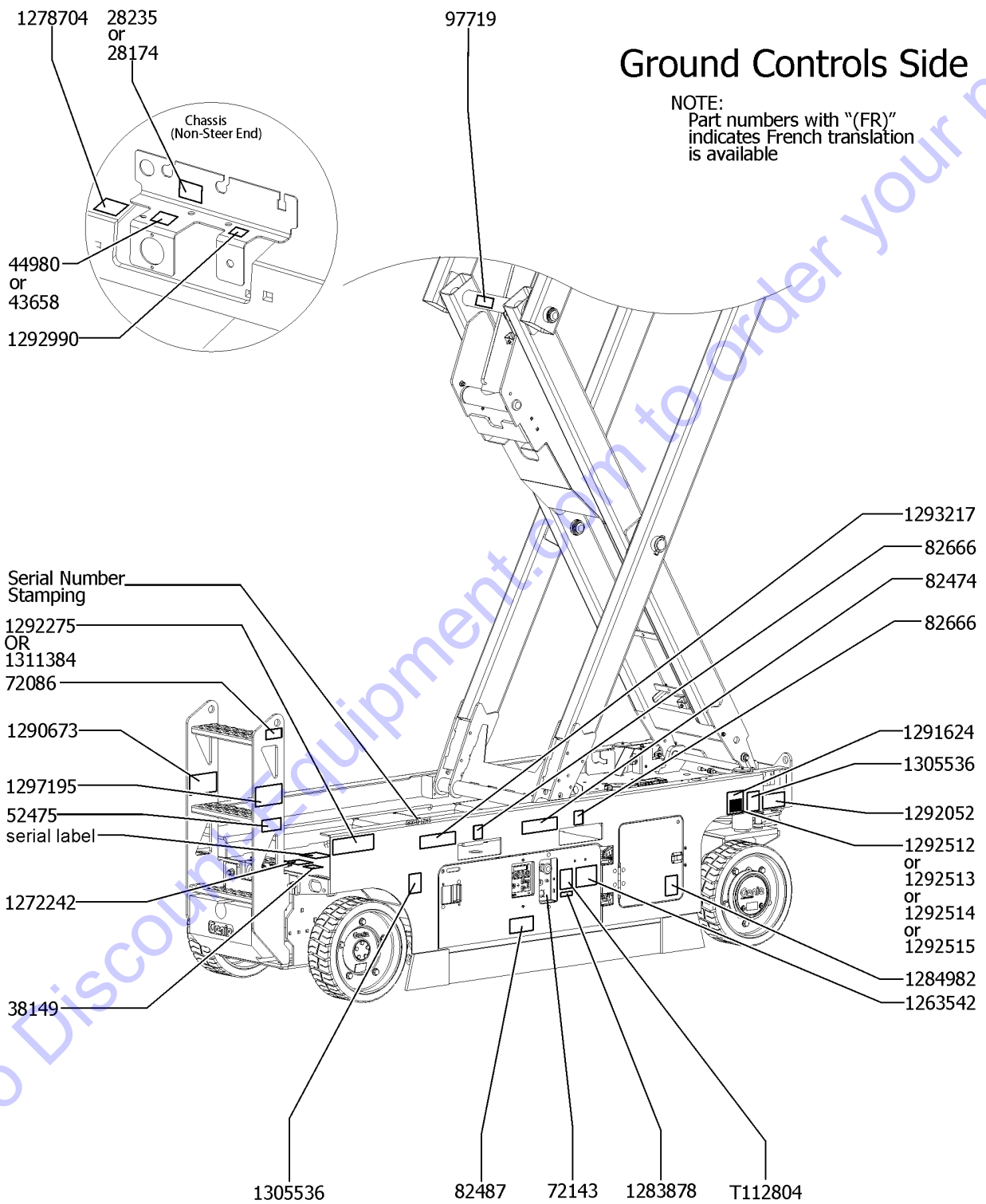
110.1 Symbol Decals, GS-2632, Battery Side, ANSI & CE

Item	Part No.	Description	Qty.
1	52475GT	DECAL LABEL TRANSPORT TIE DOWN*	2
2	72086GT	DECAL,LABEL,LIFTING EYE	3
3	82474GT	DECAL SYMBOL USE SAFETY ARM	1
4	82481GT	DECAL SYMBOL BATTERY SAFETY	1
5	82495GT	DECAL,LABEL,FORKLIFT POCKET	1
6	82666GT	DECAL,LABEL,FORKLIFT POCKET	2
7	114377GT	EA-ELECT. CDC BOX 4LT	1
8	1263542GT	DECAL, COMPARTMENT ACCESS	1
9	1292275GT	DECAL, ELECTRIC DRIVE, E-DRIVE	1
		(E-drive only)	
10	1293217GT	DECAL SYMBOL ELECTRIC HAZARD GS-1330m	1
11	1297195GT	DECAL, LABEL-TRANSPORT DIAGRAM	1
12	1298834GT	DECAL, DANGER, TIP-OVER, BATTERY	1
13	1305536GT	DECAL, LABEL, WHEEL LOAD, E-DRIVE, GS-2632	2
14	1311384GT	DECAL,COSMETIC,LITHIUM-ION	1
		(Li Option)	
15	1311623GT	DECAL,DANGER,TIP-OVER,LI BATTERY,SYM	1
		(Li Option)	

Go to Discount-Equipment.com to order your parts



111.1 Symbol Decals, GS-2632, Ground Control Side, ANSI and CE



Go to DiscoverGenie.com to order your parts

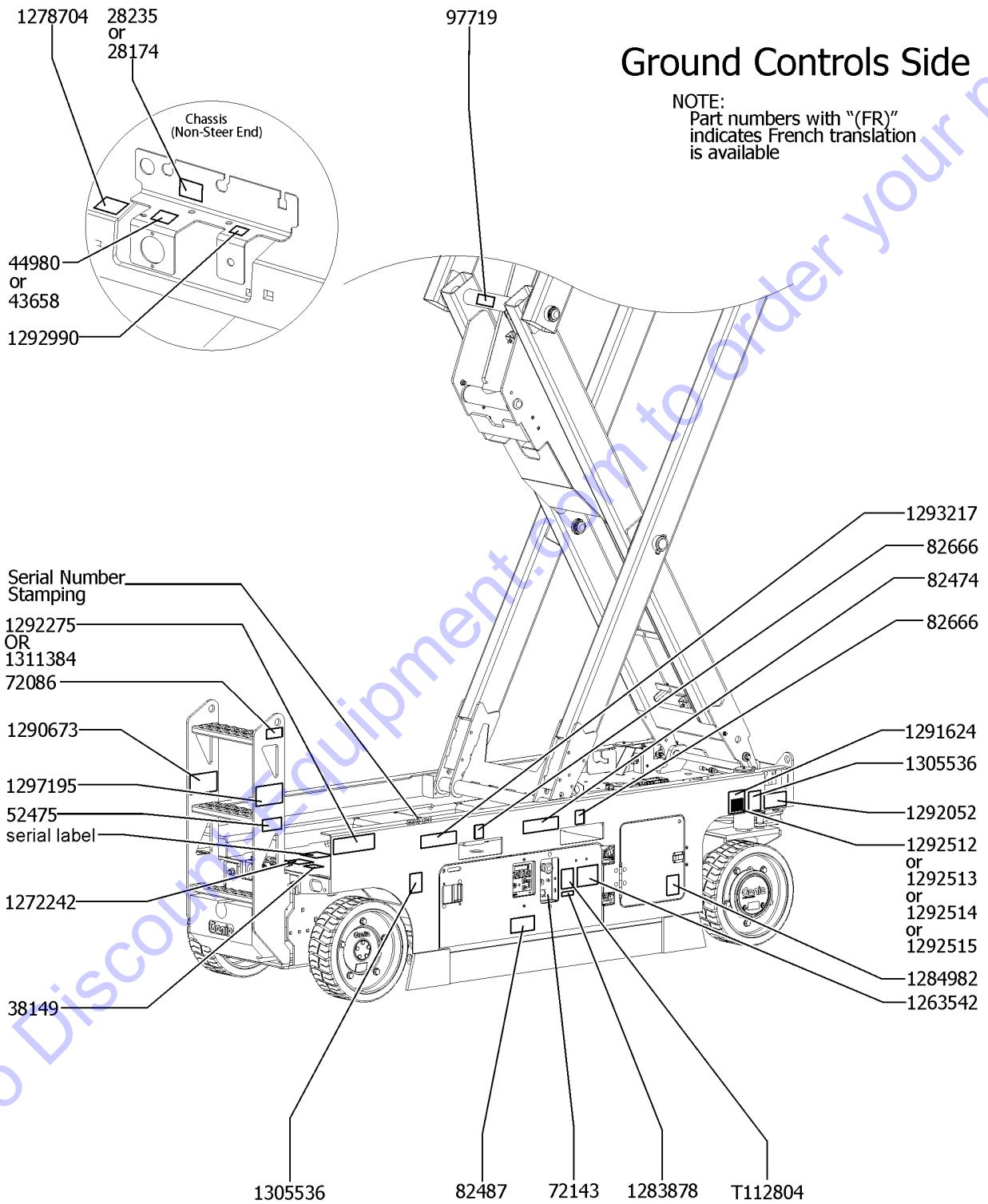


111.1 Symbol Decals, GS-2632, Ground Control Side, ANSI and CE

Item	Part No.	Description	Qty.
1	28174GT	DECAL, POWER TO PLATFORM 230V** (power to platform option, 230V)	1
2	28235GT	DECAL, POWER TO PLATFORM 115V** (power to platform option, 115V)	1
3	38149GT	DECAL LABEL PATENTS	1
4	43658GT	DECAL, LABEL, PWR TO CHARGER 230 EU (power to charger option, 230V)	1
5	44980GT	DECAL, LABEL, PWR TO CHARGER 115 UK (power to charger option, 115V)	1
6	52475GT	DECAL LABEL TRANSPORT TIE DOWN*	1
7	72086GT	DECAL,LABEL,LIFTING EYE	1
8	72143GT	DECAL, EMERGENCY STOP, GR	1
9	82474GT	DECAL SYMBOL USE SAFETY ARM	1
10	82487GT	DECAL,SYMBOL-READ THE MANUAL	1
11	82666GT	DECAL,LABEL,FORKLIFT POCKET	2
12	97719GT	DECAL, LABEL, SAFETY ARM SYMBOL	1
13	1263542GT	DECAL, COMPARTMENT ACCESS	1
14	1272242GT	DECAL,MACHINE REGISTRATION/OWNER TRANSFER	1
15	1278704GT	DECAL,CHARGE STATUS IND	1
16	1283878GT	DECAL, TECHPRO LINK	1
17	1284982GT	DECAL,ACCUMULATOR EXPLOSION HAZARD,SYMBOL	1
18	1290673GT	DECAL SYMBOL ELECTRIC HAZARD PLUG, GS-1330m	1
19	1291624GT	DECAL COSM,GENIE LIFT CONNECT,LEXAN COVER	1
20	1292052GT	DECAL LABEL AUX LOWERING	1
21	1292275GT	DECAL, ELECTRIC DRIVE, E-DRIVE (E-drive only)	1
22	1292512GT	DECAL COSM,GENIE LIFT CONNECT,ESN,SKU4-1	1
23	1292513GT	DECAL COSM,GENIE LIFT CONNECT,ESN,SKU4-2	1
24	1292514GT	DECAL COSM,GENIE LIFT CONNECT,ESN,SKU4-3	1
25	1292515GT	DECAL COSM,GENIE LIFT CONNECT,ESN,SKU4-4	1
26	1292990GT	DECAL,RELEASE BRAKE (E-drive only)	1
27	1293217GT	DECAL SYMBOL ELECTRIC HAZARD GS-1330m	1
28	1297195GT	DECAL, LABEL-TRANSPORT DIAGRAM	1



111.1 Symbol Decals, GS-2632, Ground Control Side, ANSI and CE



Go to DiscoverEquipment.com to order your parts



111.1 Symbol Decals, GS-2632, Ground Control Side, ANSI and CE

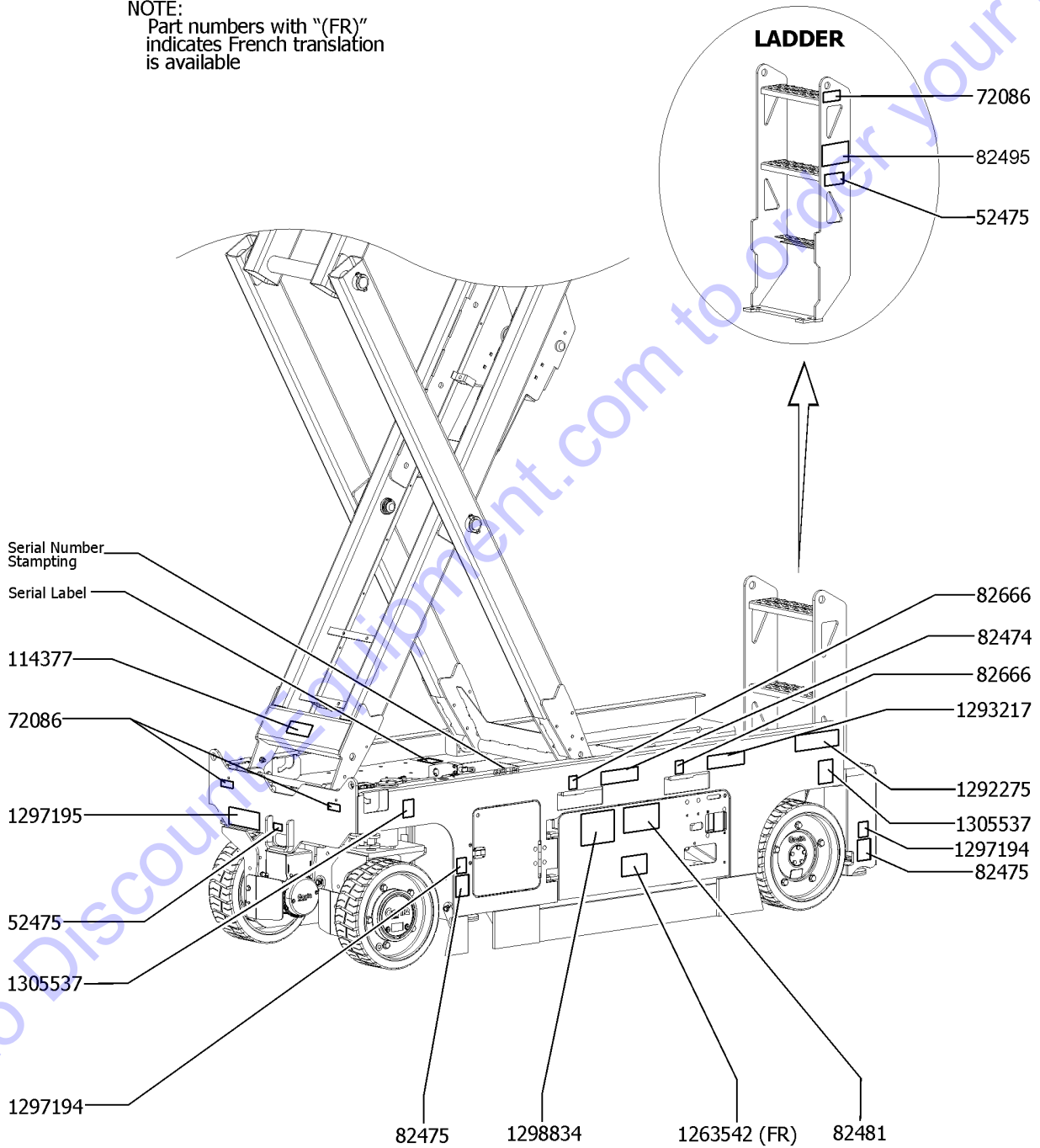
<i>Item</i>	<i>Part No.</i>	<i>Description</i>	<i>Qty.</i>
29	1305536GT	DECAL, LABEL, WHEEL LOAD, E-DRIVE, GS-2632	2
30	T112804GT	DECAL,GCON PANEL,GS	1
31	1311384GT	DECAL,COSMETIC,LITHIUM-ION	1
		(Li Option)	

Go to Discount-Equipment.com to order your parts



Battery Side

NOTE:
Part numbers with "(FR)"
indicates French translation
is available



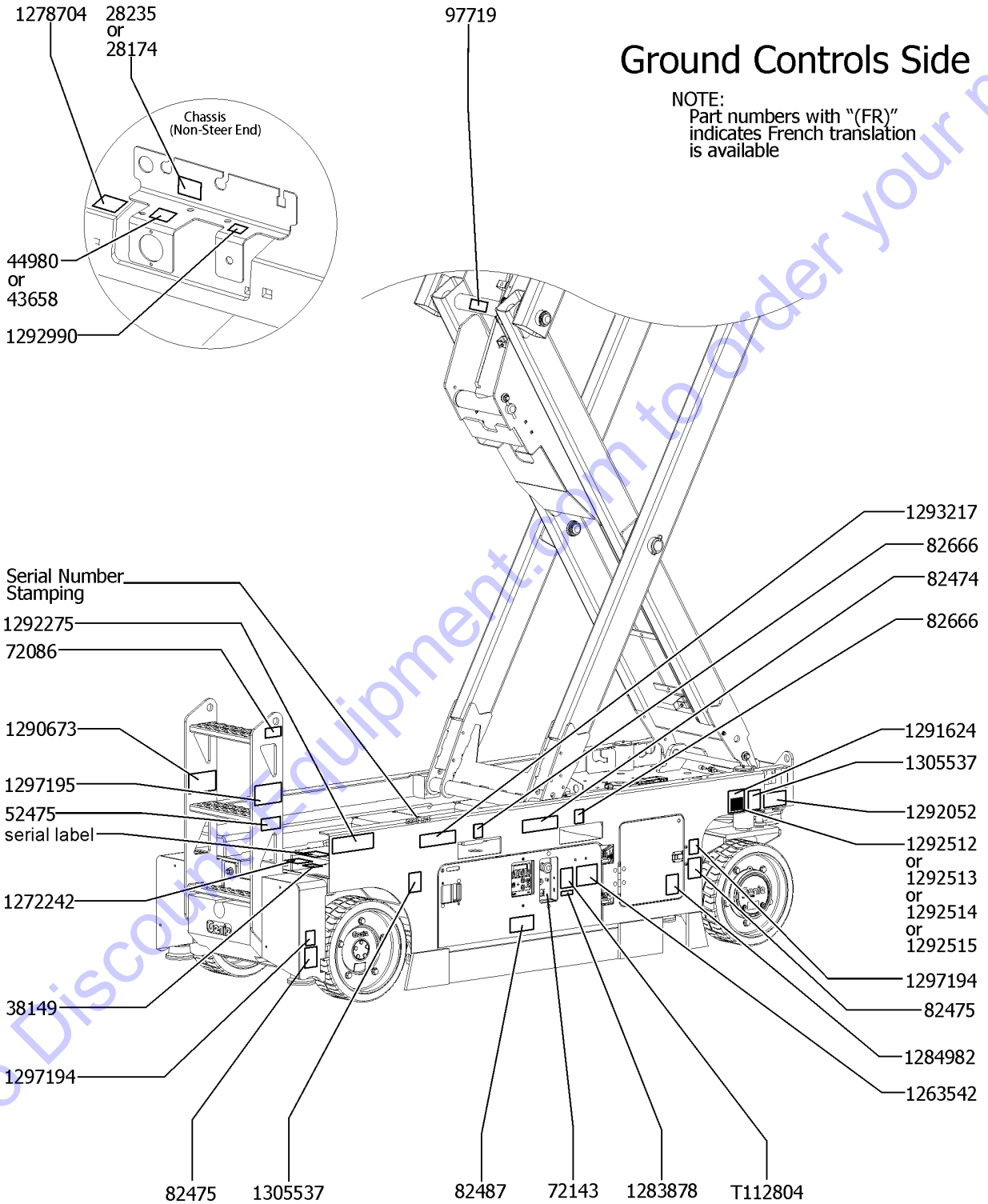
112.1 Symbol Decals, GS-3232, Battery Side, ANSI & CE

Item	Part No.	Description	Qty.
1	52475GT	DECAL LABEL TRANSPORT TIE DOWN*	2
2	72086GT	DECAL,LABEL,LIFTING EYE	3
3	82474GT	DECAL SYMBOL USE SAFETY ARM	1
4	82481GT	DECAL SYMBOL BATTERY SAFETY	1
5	82475GT	DECAL,WARNING,CRUSHING HAZARD	2
6	82495GT	DECAL,LABEL,FORKLIFT POCKET	1
7	82666GT	DECAL,LABEL,FORKLIFT POCKET	2
8	114377GT	EA-ELECT. CDC BOX 4LT	1
9	1263542GT	DECAL, COMPARTMENT ACCESS	1
10	1292275GT	DECAL, ELECTRIC DRIVE, E-DRIVE (E-drive only)	1
11	1293217GT	DECAL SYMBOL ELECTRIC HAZARD GS-1330m	1
12	1297194GT	DECAL, LABEL, OUTRIGGER LOAD, GS-3232	2
13	1297195GT	DECAL, LABEL-TRANSPORT DIAGRAM	1
14	1298834GT	DECAL, DANGER, TIP-OVER, BATTERY	1
15	1305537GT	DECAL, LABEL, WHEEL LOAD, E-DRIVE, GS-3232	2

Go to Discount-Equipment.com to order your parts



113.1 Symbol Decals, GS-3232, Ground Control Side, ANSI and CE

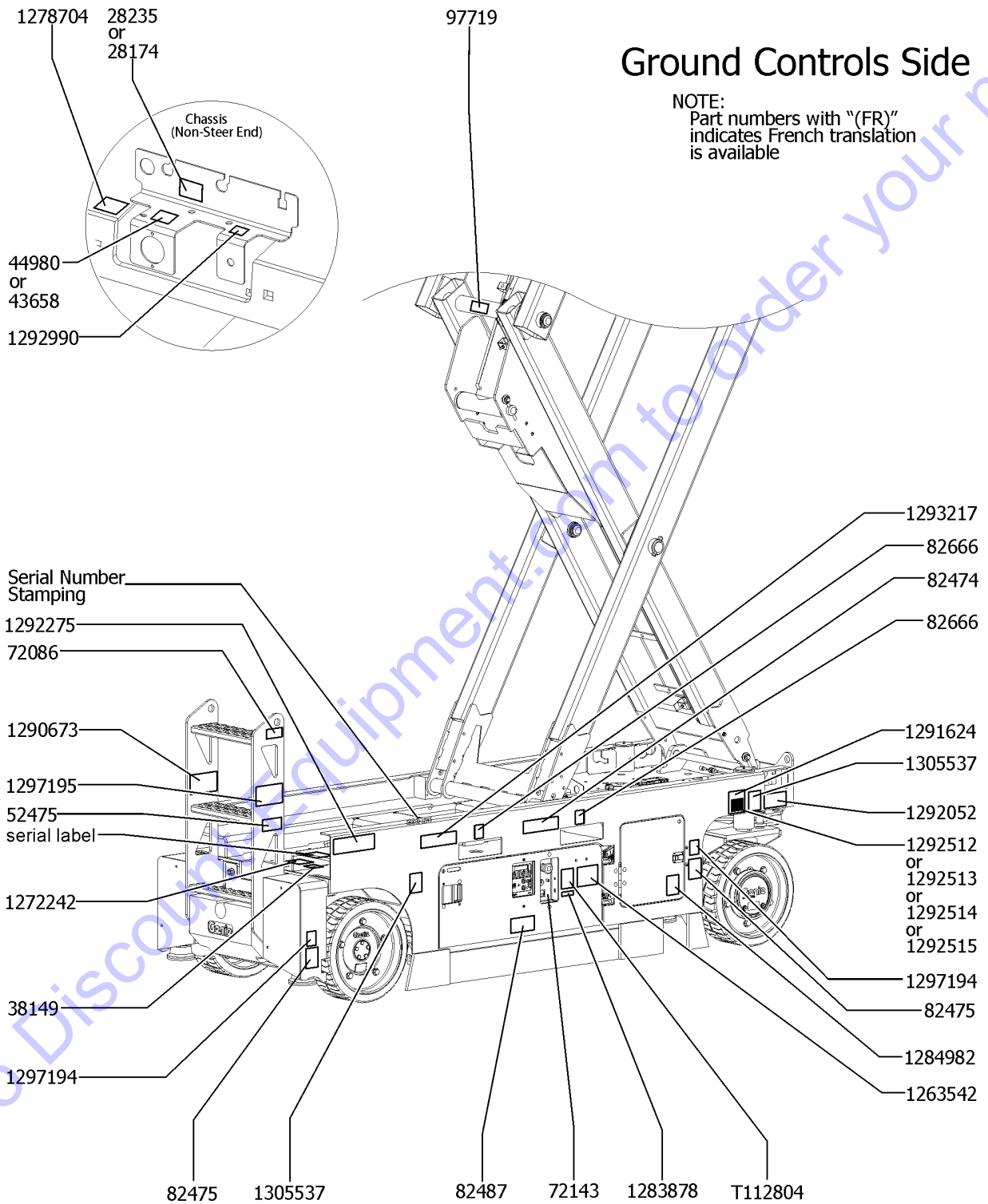


113.1 Symbol Decals, GS-3232, Ground Control Side, ANSI and CE

Item	Part No.	Description	Qty.
1	28174GT	DECAL, POWER TO PLATFORM 230V** (power to platform option, 230V)	1
2	28235GT	DECAL, POWER TO PLATFORM 115V** (power to platform option, 115V)	1
3	38149GT	DECAL LABEL PATENTS	1
4	43658GT	DECAL, LABEL, PWR TO CHARGER 230 EU (power to charger option, 230V)	1
5	44980GT	DECAL, LABEL, PWR TO CHARGER 115 UK (power to charger option, 115V)	1
6	52475GT	DECAL LABEL TRANSPORT TIE DOWN*	1
7	72086GT	DECAL,LABEL,LIFTING EYE	1
8	72143GT	DECAL, EMERGENCY STOP, GR	1
9	82474GT	DECAL SYMBOL USE SAFETY ARM	1
10	82475GT	DECAL,WARNING,CRUSHING HAZARD	2
11	82487GT	DECAL,SYMBOL-READ THE MANUAL	1
12	82666GT	DECAL,LABEL,FORKLIFT POCKET	2
13	97719GT	DECAL, LABEL, SAFETY ARM SYMBOL	1
14	1263542GT	DECAL, COMPARTMENT ACCESS	1
15	1272242GT	DECAL,MACHINE REGISTRATION/OWNER TRANSFER	1
16	1278704GT	DECAL,CHARGE STATUS IND	1
17	1283878GT	DECAL, TECHPRO LINK	1
18	1284982GT	DECAL,ACCUMULATOR EXPLOSION HAZARD,SYMBOL	1
19	1290673GT	DECAL SYMBOL ELECTRIC HAZARD PLUG, GS-1330m	1
20	1291624GT	DECAL COSM,GENIE LIFT CONNECT,LEXAN COVER	1
21	1292052GT	DECAL LABEL AUX LOWERING	1
22	1292275GT	DECAL, ELECTRIC DRIVE, E-DRIVE (E-drive only)	1
23	1292512GT	DECAL COSM,GENIE LIFT CONNECT,ESN,SKU4-1	1
24	1292513GT	DECAL COSM,GENIE LIFT CONNECT,ESN,SKU4-2	1
25	1292514GT	DECAL COSM,GENIE LIFT CONNECT,ESN,SKU4-3	1
26	1292515GT	DECAL COSM,GENIE LIFT CONNECT,ESN,SKU4-4	1
27	1292990GT	DECAL,RELEASE BRAKE (E-drive only)	1
28	1293217GT	DECAL SYMBOL ELECTRIC HAZARD GS-1330m	1



113.1 Symbol Decals, GS-3232, Ground Control Side, ANSI and CE



Go to DiscoverEquipment.com to order your parts



113.1 Symbol Decals, GS-3232, Ground Control Side, ANSI and CE

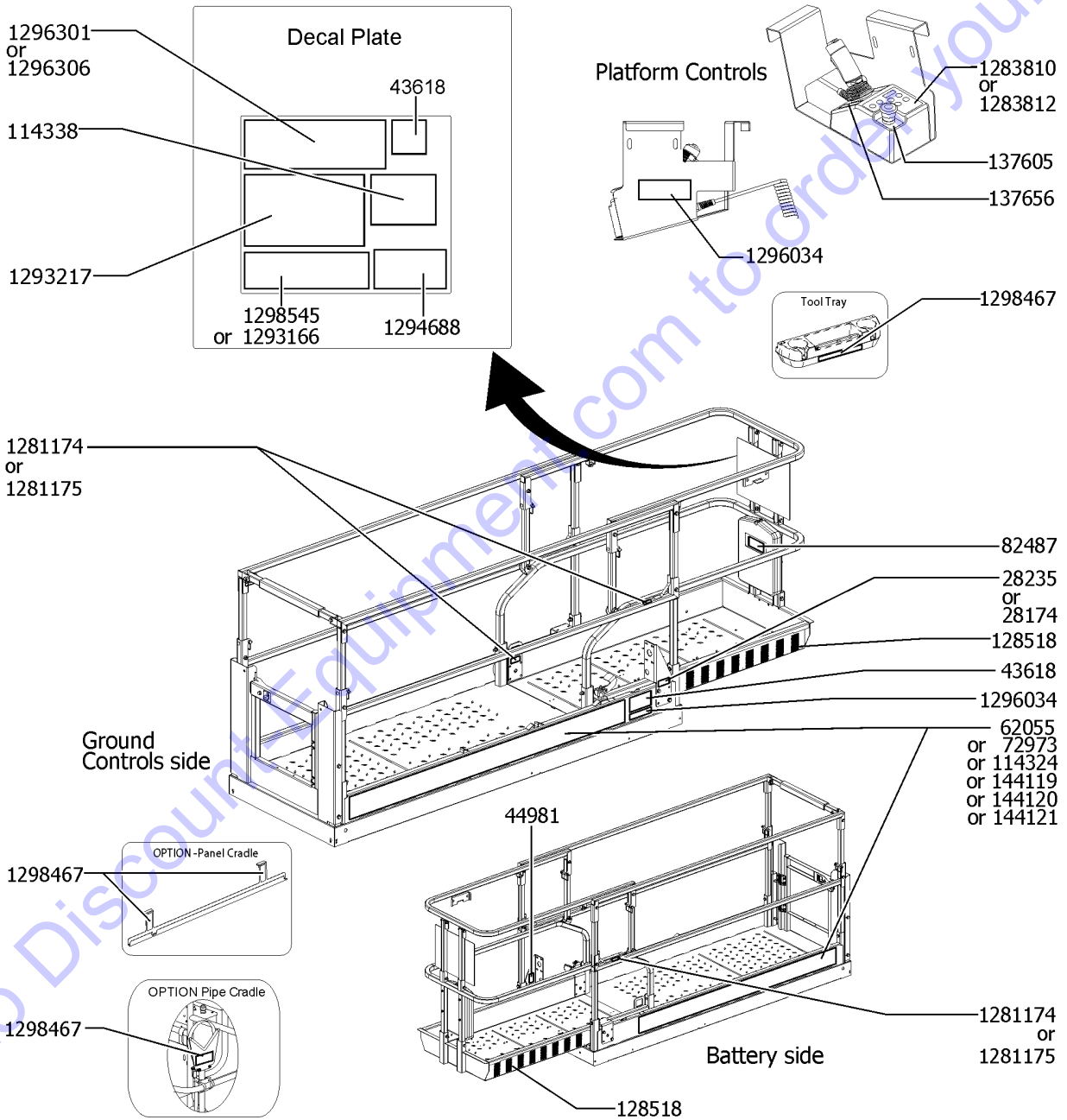
Item	Part No.	Description	Qty.
29	1297194GT	DECAL, LABEL, OUTRIGGER LOAD, GS-3232	2
30	1297195GT	DECAL, LABEL-TRANSPORT DIAGRAM	1
31	1305537GT	DECAL, LABEL, WHEEL LOAD, E-DRIVE, GS-3232	2
32	T112804GT	DECAL,GCON PANEL,GS	1

Go to Discount-Equipment.com to order your parts



Platform, ANSI and Australia models

NOTE:
Part numbers with "(FR)" indicates French translation is available

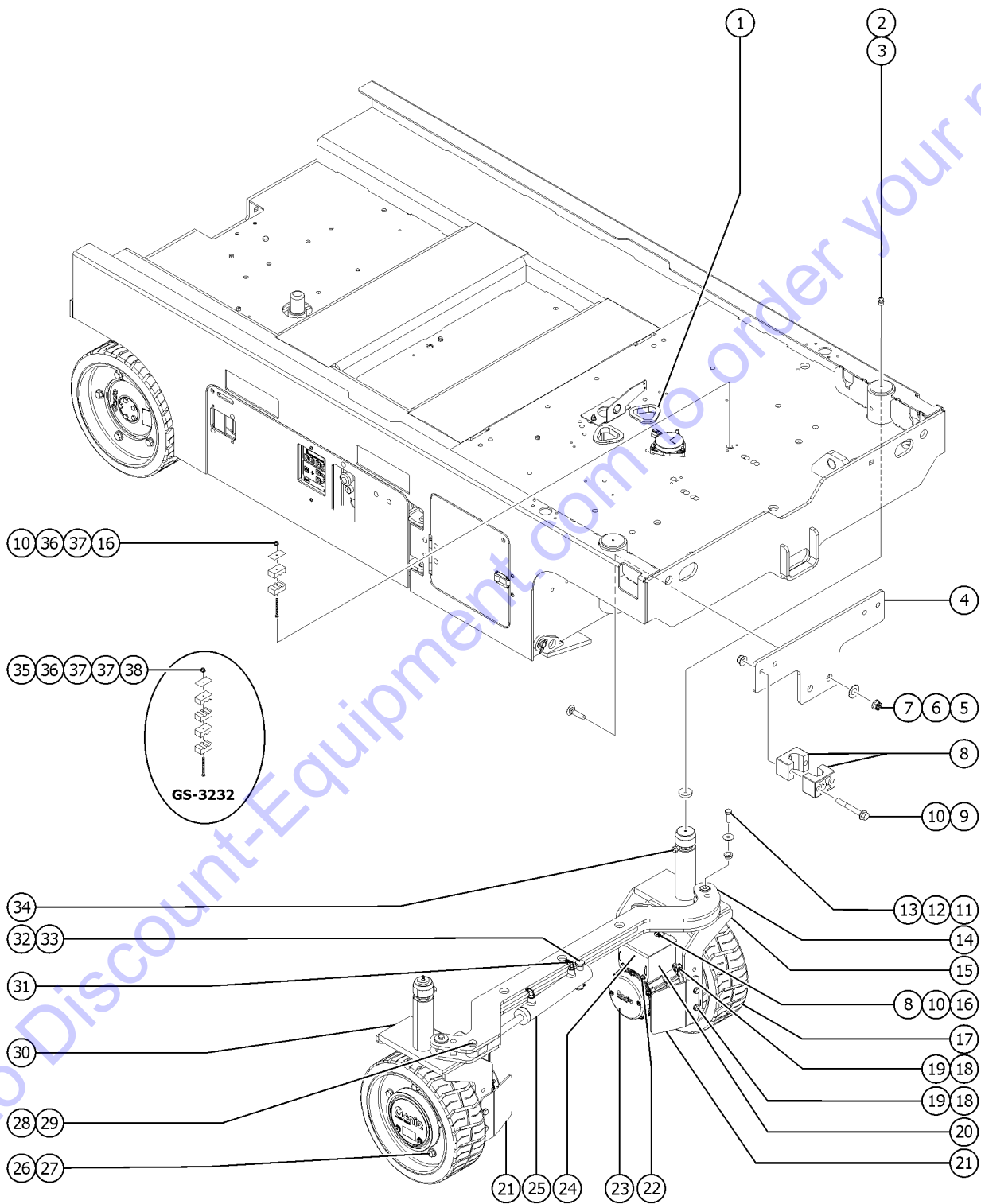


114.1 Symbol Decals, Platform, ANSI and CE, All models

Item	Part No.	Description	Qty.
1	28174GT	DECAL, POWER TO PLATFORM 230V** (power to platform option, 230V)	1
2	28235GT	DECAL, POWER TO PLATFORM 115V** (power to platform option, 115V)	1
3	43618GT	DECAL, LABEL - DIRECTION ARROWS	1
4	44981GT	DECAL LABEL AIRLINE 110PSI (Airline to platform Option)	1
5	62055GT	DECAL, COSMETIC, GENIE GS-2032 (GS-2032)	1
6	72973GT	DECAL, COSMETIC, GENIE GS-2632 (GS-2632)	1
7	82487GT	DECAL, SYMBOL-READ THE MANUAL	1
8	114324GT	DECAL, COSMETIC-GENIE GS-3232 (GS-3232)	1
9	114338GT	DECAL, SYM-TIP-OVR, TILT ALARM	1
10	128518GT	TAPE, WARNING, BLK/YEL, 108****	1
11	137605GT	DECAL, E-STOP, GR/GRC/GS PCON	1
12	137656GT	DECAL, PROPEL, GR/GRC/GS, PCON	1
13	144119GT	DECAL, COSMETIC, GENIE, GS2032, BLK (GS-2032)	1
14	144120GT	DECAL, COSMETIC, GENIE, GS2632, BLK (GS-2632)	1
15	144121GT	DECAL, COSMETIC, GENIE GS3232BLK (GS-3232)	1
16	1281174GT	DECAL, LANYARD, FALL ARREST/FALL RESTRAINED ANSI MARKET ONLY	3
17	1281175GT	DECAL, LANYARD, FALL RESTRAINED CE MARKET ONLY	3
18	1283810GT	DECAL, STD, DUAL ZONE, GR/GS, UI (GS-2632/3232)	1
19	1283812GT	DECAL, O/R, DUAL ZONE, GS, UI (GS-3232)	1
20	1293166GT	DECAL, TIP-OVER, CRUSH, GS-1330m (GS-2032/2632)	1
21	1293217GT	DECAL SYMBOL ELECTRIC HAZARD GS-1330m	1
22	1294688GT	DECAL, PLATFORM OVERLOAD, MINI	1
23	1296034GT	DECAL, SMARTLINK, DUAL ZONE	2
24	1296301GT	DECAL, DANGER, MAX CAPACITY 227KG, SIDE FORCE 200/400N (GS-2632/3232)	1
25	1296306GT	DECAL, DANGER, MAX CAPACITY 363KG, SIDE FORCE 200/400N (GS-2032)	1
26	1298467GT	DECAL, SYMBOL, READ THE MANUAL, 2.38x1.25 Option	4
27	1298545GT	DECAL, DANGER, TIP-OVER, CRUSH, OUTRIGGER (GS-3232)	1



201.1 Steer Linkage and Wheels (E-drive)

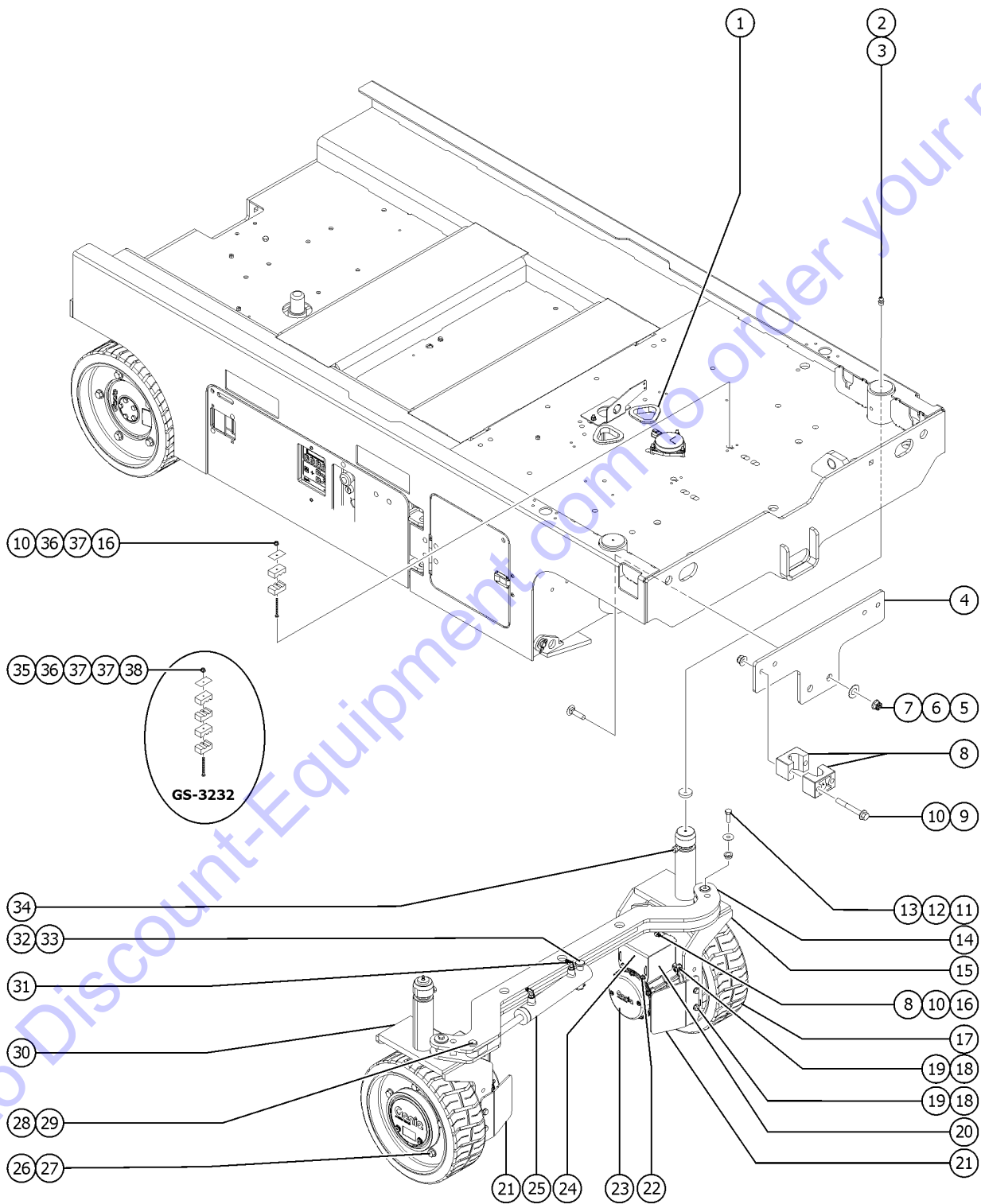


201.1 Steer Linkage and Wheels (E-drive)

Item	Part No.	Description	Qty.
1	105440GT	GROMMET, RUBBER 2.5 X 3.0	2
2	66770GT	FITTING, STRAIGHT DRIVE-IN ZERK	2
3	105565GT	WASHER, THRUST, GS	2
4	1305297GT	PLATE, CABLE CLAMP, GSXX32	1
5	1274322GT	NUT, NYLOCK FLG, 3/8-16, F, ZAG	8
6	1255757GT	BOLT, CARRIAGE, 3/8-16X1.25, 5, ZAG	2
7	87684GT	PUSHRETAINER FOR 3/8" THRD SCREW	2
8	1306358GT	CLAMP, ONE HOLE, 0.65-0.70	4
9	824081GT	SCREW, HHF, 1/4-20 X 1.5, 8, ZA	4
10	1277924GT	NUT, NYLOCK FLG, 1/4-20, F, ZAG	8
11	1256109GT	SCREW, HHC, 3/8-16X.75, 8, ZAG	
12	824120GT	WASHER, FLAT, .375 X 1.50 X .125, ZAG	2
13	47946GT	BEARING, 1.00IDX1.25ODX0.49L	4
14	132354GT	WLDMT, TIE ROD, GS32	1
14-	47946GT	BEARING, 1.00IDX1.25ODX0.49L	
15	1303530GT	WELDMENT, STEER YOKE, GS46, E-DRIVE, L (battery pack side)	1
16	1255797GT	BOLT, CARRIAGE, 1/4-20X2, 5, ZAG	4
17	1288762GT	WHEEL, GS4655	2
18	824068GT	SCREW, HHC, 3/8-16X1, 8, ZAG	
19	1304156GT	WASHER, FLAT, 3/8, SAE, HRD, ZAG	
20	1304173GT	FORMING, TERMINAL COVER, CABLE MOUNT	2
21	1304171GT	PLATE MOTOR GUARD, GS	2
22	237238GT	SCREW, HHF, M6-1.0X12, DIN6921, 10.9, ZAB	
23	1299259GT	DRIVETRAIN, MOTOR, GEARBOX, HS Service kits refer to 201.3 & 201.4	2
24	1304172GT	FORMING, TERMINAL COVER	2
24-	1255450GT	GROMMET, RUBBER .88 X .19 X 1.2 (not shown)	1
25		Ref. Steer Cylinder (refer to 501.1)	
26	1256844GT	SCREW, HHC, 1/2-13X1.5, 8, ZAG	10



201.1 Steer Linkage and Wheels (E-drive)



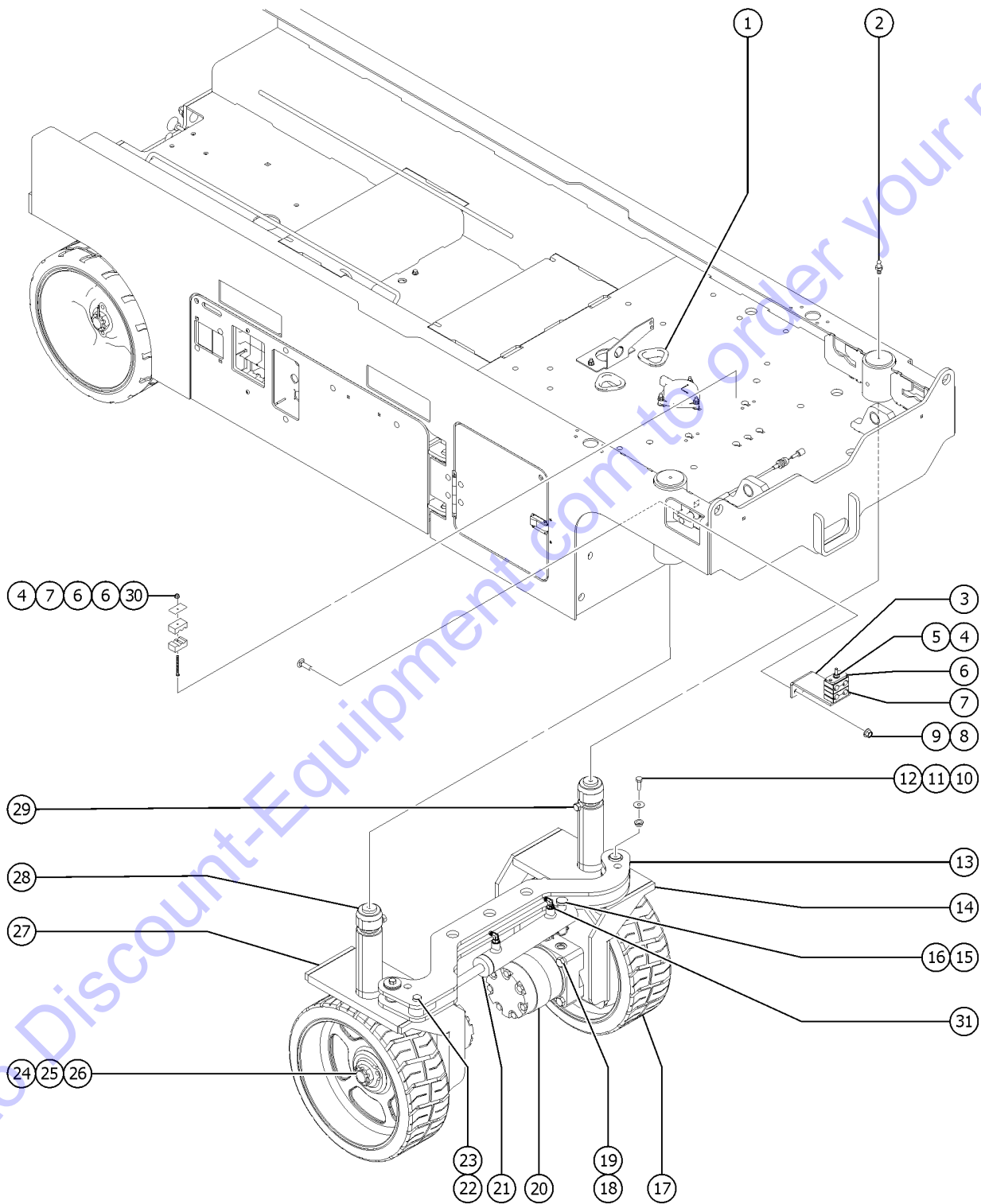
201.1 Steer Linkage and Wheels (E-drive)

Item	Part No.	Description	Qty.
27	825353GT	WASHER,FLAT,1/2,SAE,HRD,ZAG	10
28	1259193GT	PIN,CLEVIS,3/4X2,ZAG	1
29	1259194GT	CLIP,HAIR PIN,.125X2,.5-.75,ZA	1
30	1303529GT	WELDMENT, STEER YOKE, GS46, E-DRIVE, R (ground controls side)	1
31	13921GT	ELBOW, 07022-4-4	2
32	1259195GT	PIN,CLEVIS,3/4X3.25,ZAG	1
33	824128GT	RUE RING, 3/4, ZAG	1
34	1259192GT	SCREW, YOKE LOCK, ZAG	2
35	1256679GT	NUT,SERRATED,1/4-20,8,ZAG	1
		GS-3232 only	
36	132119GT	PLATE, HOSE ROUTING, BULKHEAD	1
37	78736GT	CLAMP,2 HOSE,PLASTIC	
		as require	
38	1256291GT	BOLT,CARRIAGE,1/4-20X3.5,5,ZAG	1

Go to Discount-Equipment.com to order your parts



201.2 Steer Linkage and Wheels (H-drive)



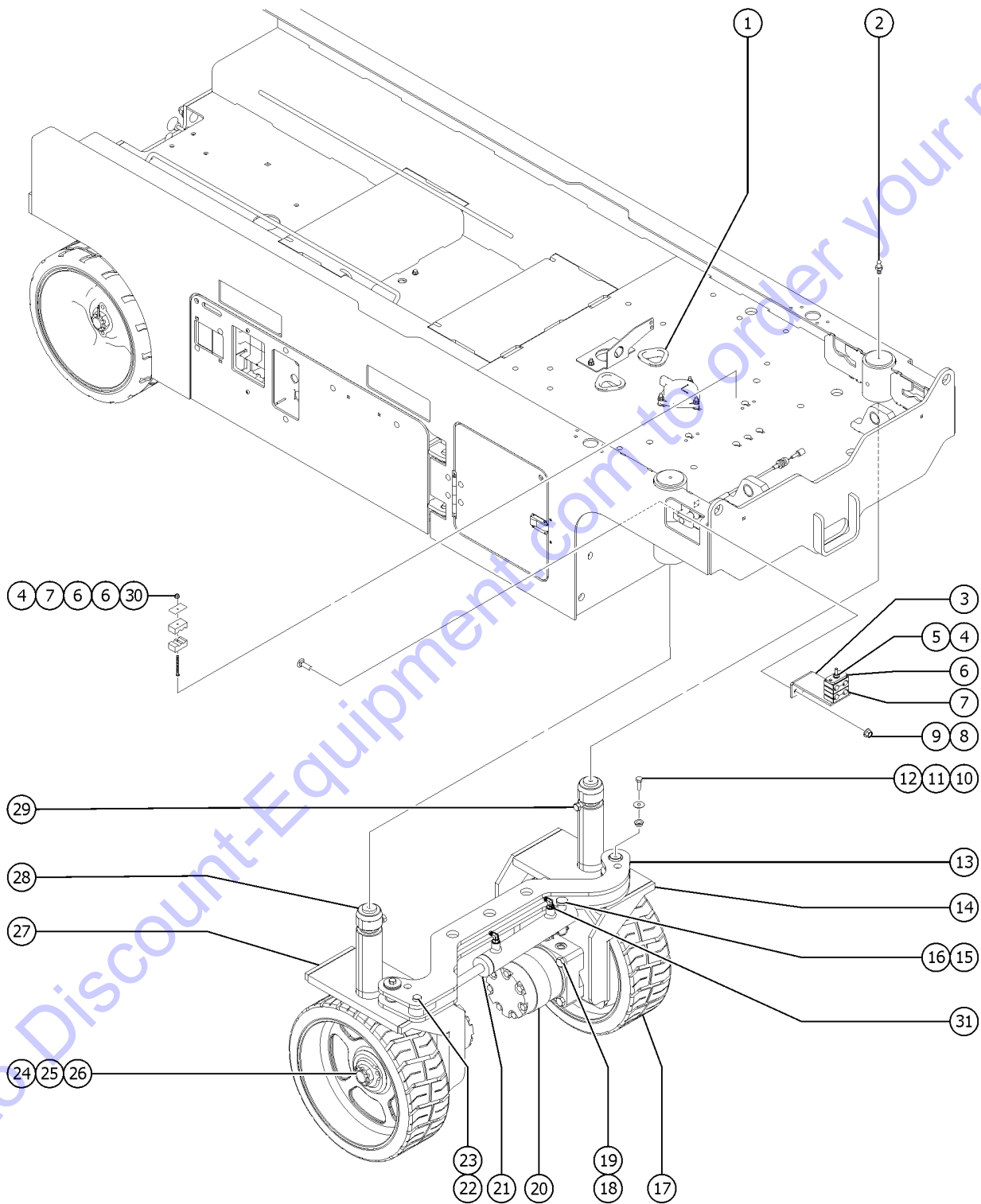
Go to Discount-Equipment.com to order your parts

201.2 Steer Linkage and Wheels (H-drive)

Item	Part No.	Description	Qty.
1	105440GT	GROMMET, RUBBER 2.5 X 3.0	2
2	66770GT	FITTING,STRAIGHT DRIVE-IN ZERK	2
3	1299697GT	FORMING,HOSE CLAMP SUPPORT	1
4	1277924GT	NUT,NYLOCK FLG,1/4-20,F,ZAG	
5	1256123GT	SCREW,HHC,1/4-20X3.25,8,ZAG	
6	132119GT	PLATE, HOSE ROUTING, BULKHEAD (as required)	
7	78736GT	CLAMP,2 HOSE,PLASTIC (as required)	
8	1274322GT	NUT,NYLOCK FLG,3/8-16,F,ZAG	2
9	1255757GT	BOLT,CARRIAGE,3/8-16X1.25,5,ZAG	
10	1256109GT	SCREW,HHC,3/8-16X.75,8,ZAG	2
11	824120GT	WASHER, FLAT, .375 X 1.50 X .125, ZAG	2
12	47946GT	BEARING,1.00IDX1.25ODX0.49L	2
13	84699GT	TIE ROD ASSEMBLY, GS32	1
13-	47946GT	BEARING,1.00IDX1.25ODX0.49L	4
13-	132354GT	WLDMT,TIE ROD,GS32 (does not include bearings)	
14	1304128GT	WLDMT, STEER YOKE, GS32, LT, H-DRIVE (battery pack side)	1
15	1259195GT	PIN,CLEVIS,3/4X3.25,ZAG	1
16	824128GT	RUE RING, 3/4, ZAG	1
17	1256051GT	WHEEL & TIRE ASSY,LP,15",EXMILE	2
18	1256287GT	SCREW,HHC,1/2-13X3.5,8,ZAG	8
19	1274172GT	NUT,NYLOCK FLG,1/2-13,G,ZAG	8
20		Ref. Drive Motor (refer to 508.1)	
21		Ref. Steer Cylinder (refer to 508.1)	
22	1259193GT	PIN,CLEVIS,3/4X2,ZAG	1
23	1259194GT	CLIP,HAIR PIN,.125X2,.5-.75,ZA	1
24	44780GT	NUT,CASTLE,1.125-18 UNEF	2
25	13635-10GT	PIN,COTTER,.156 X 1.75	2
26	44781GT	KEY,RECTANGULAR,.31X.28X1.25**	2



201.2 Steer Linkage and Wheels (H-drive)



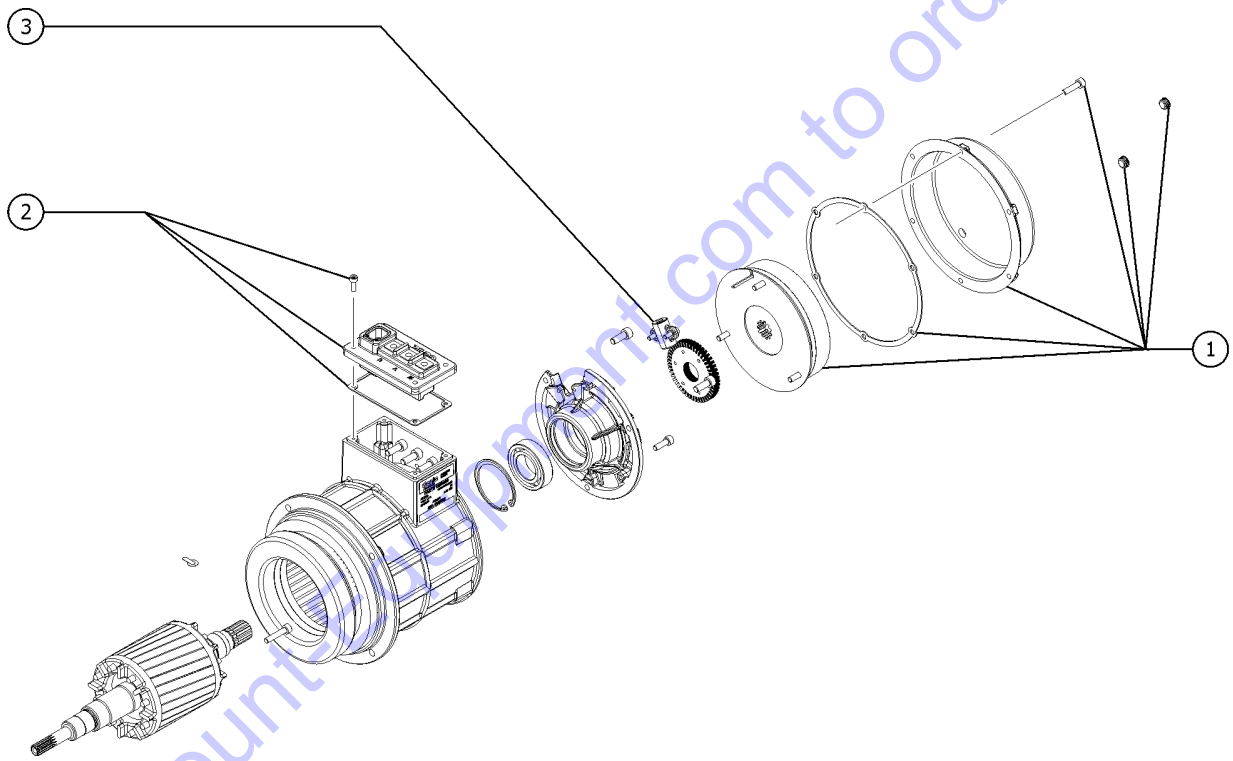
201.2 Steer Linkage and Wheels (H-drive)

Item	Part No.	Description	Qty.
27	1304127GT	WLDMT, STEER YOKE, GS32, RT, H-DRIVE (ground controls side)	1
28	105565GT	WASHER, THRUST, GS	2
29	1259192GT	SCREW, YOKE LOCK, ZAG	
30	1255797GT	BOLT, CARRIAGE, 1/4-20X2,5,ZAG (GS2032, GS2632 only)	1
31	13921GT	ELBOW, 07022-4-4	2

Go to Discount-Equipment.com to order your parts



201.3 Drivetrain Motor Service Kits



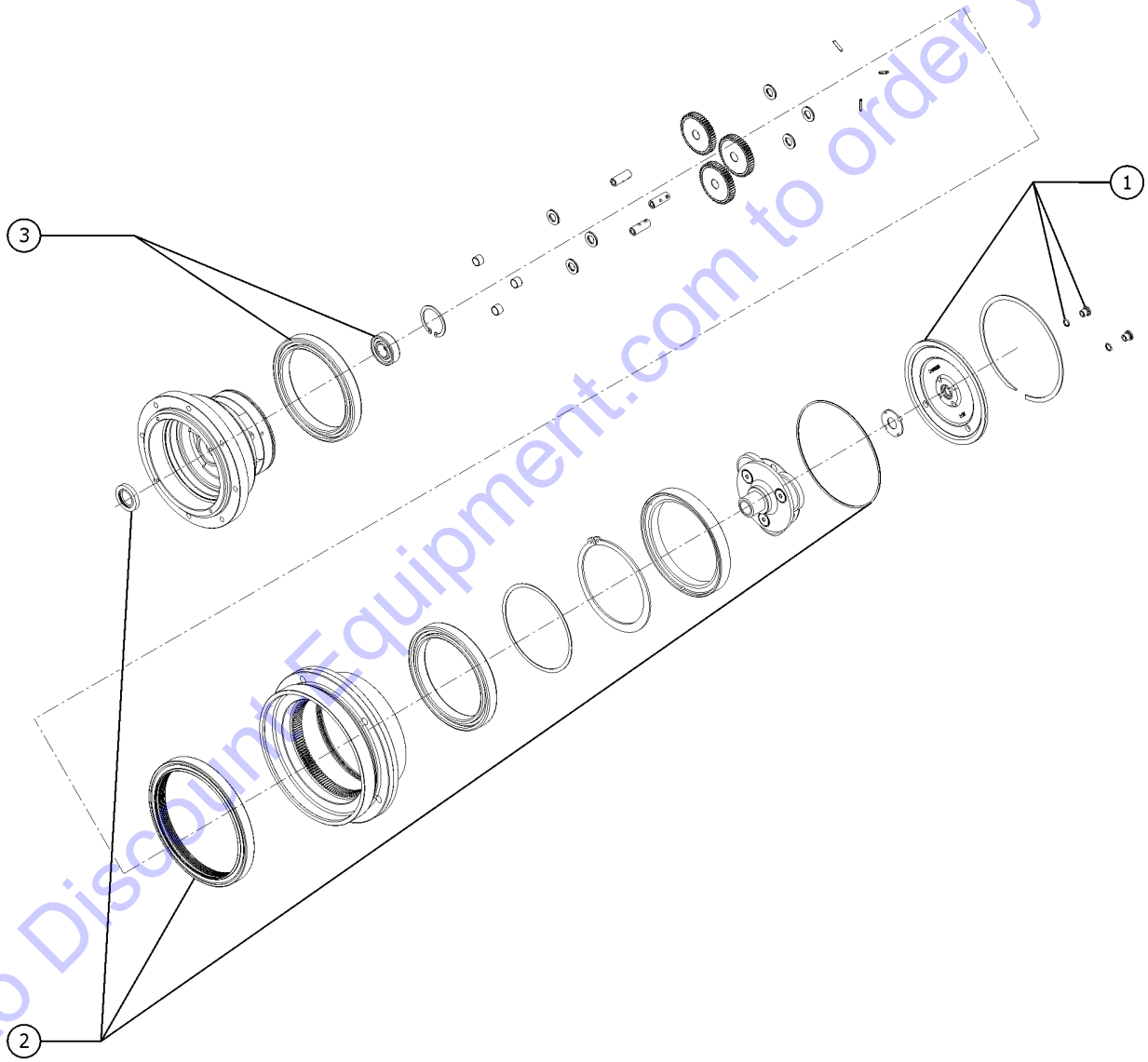
201.3 Drivetrain Motor Service Kits

<i>Item</i>	<i>Part No.</i>	<i>Description</i>	<i>Qty.</i>
1	1313486GT	BRAKE SERVICE KIT WITH COVER	
2	1296209GT	TERMINAL BLOCK SVC KIT	
3	1296211GT	SPEED SENSOR SERVICE KIT (WITH SCREWS & GASKET)	

Go to Discount-Equipment.com to order your parts



201.4 Drivetrain Gearbox Service Kits



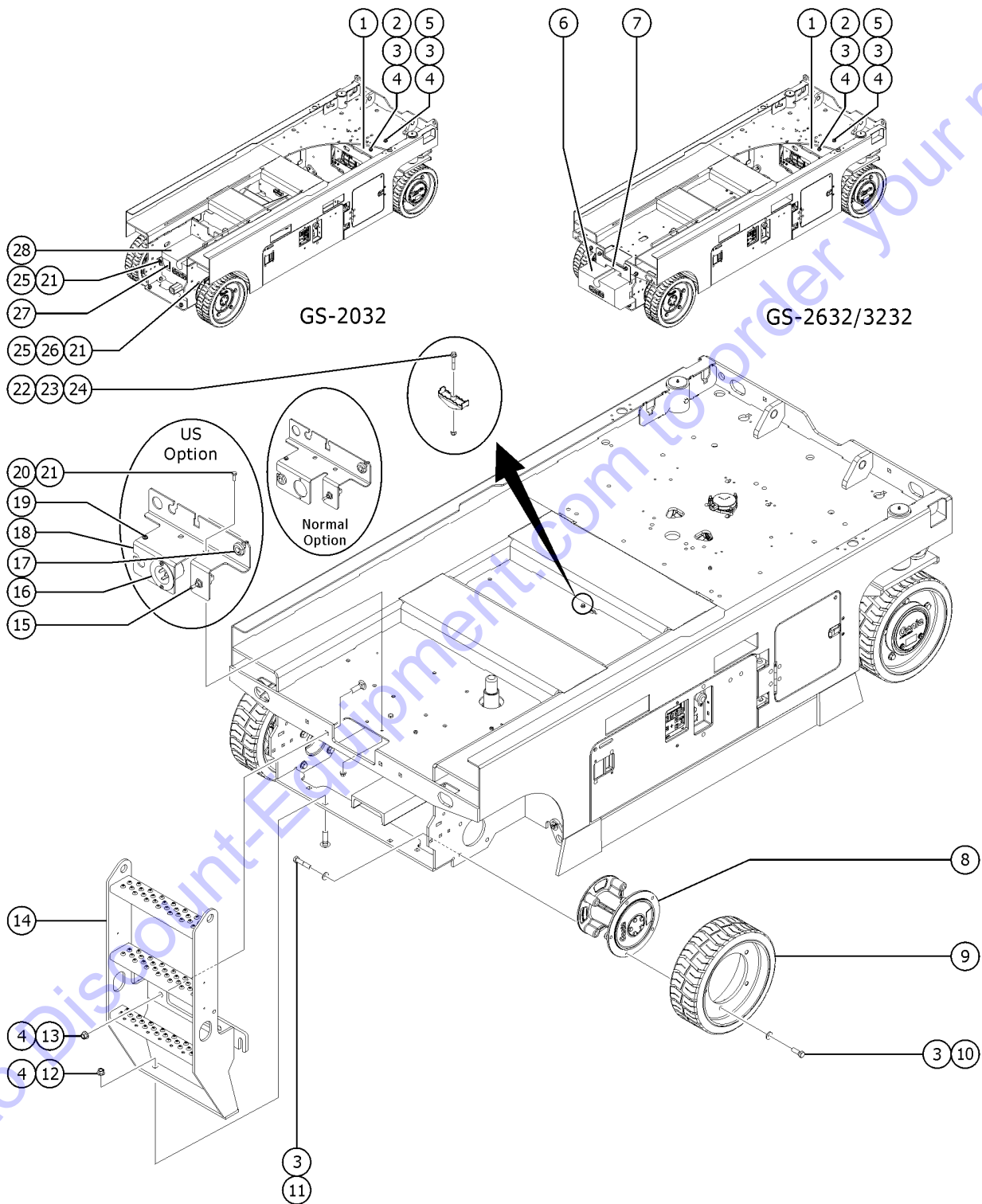
201.4 Drivetrain Gearbox Service Kits

Item	Part No.	Description	Qty.
1	1306954GT	END CAP KITS,DRIVE MOTOR,GS4655	
2	1296218GT	SEAL KIT	
3	1296219GT	BEARING KIT,GEAR BOX	

Go to Discount-Equipment.com to order your parts



202.1 Non-steer Axle Installation (E-drive)

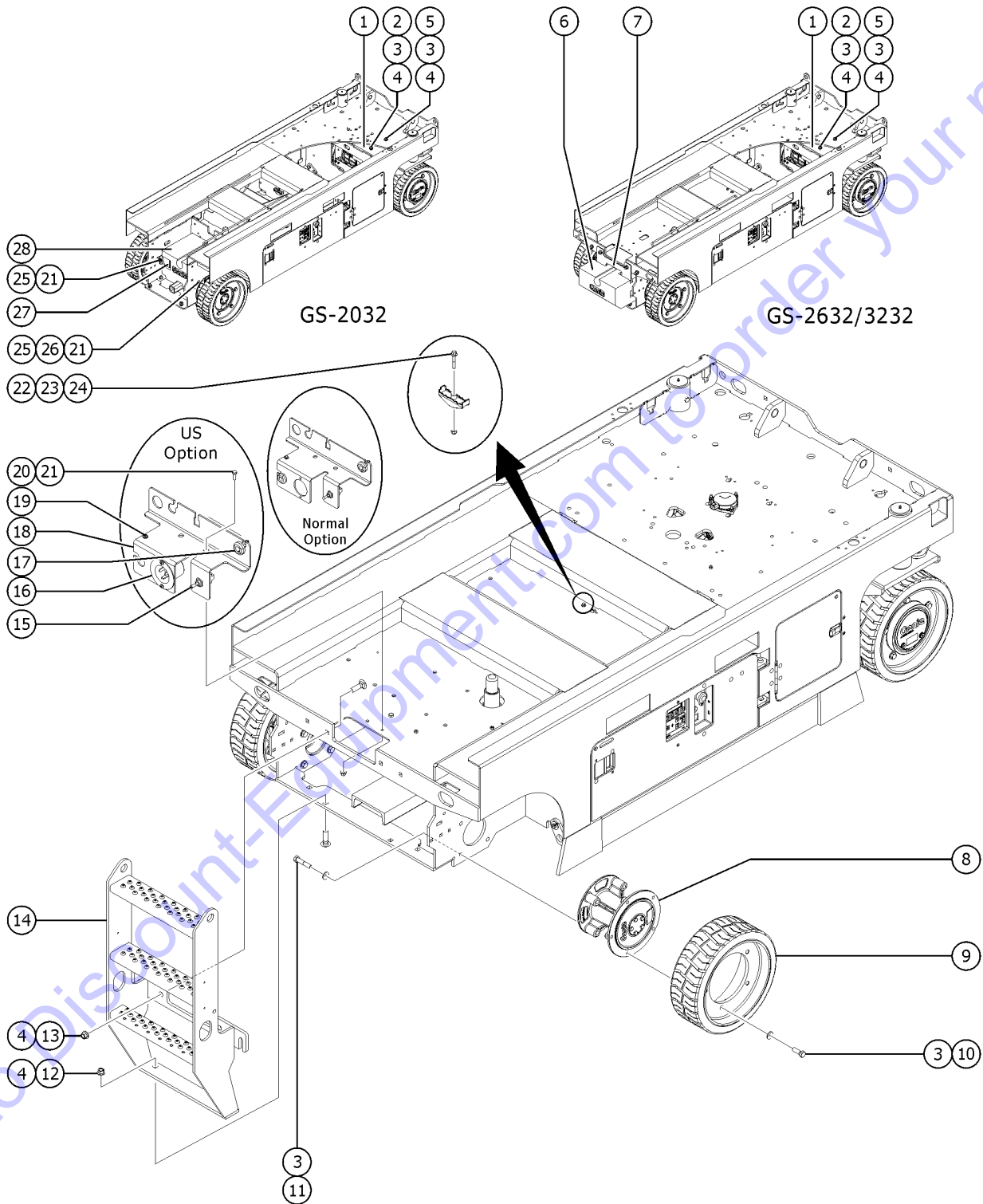


202.1 Non-steer Axle Installation (E-drive)

Item	Part No.	Description	Qty.
1	1301172GT	LARGE COUNTERWEIGHT, FRONT, RIGHT, G32/46 (GS-2032,2632 only)	1
2	1256112GT	SCREW,HHC,1/2-13X6,8,ZAG	1
3	825353GT	WASHER,FLAT,1/2,SAE,HRD,ZAG	
4	1274172GT	NUT,NYLOCK FLG,1/2-13,G,ZAG	
5	1256287GT	SCREW,HHC,1/2-13X3.5,8,ZAG	1
6	1306776GT	COUNTERWEIGHT,REAR-640,GS32 (GS2632,3232 only)	1
7	1306778GT	PLATE,CWT BRKT,GS32 (GS2632,3232 only)	1
8	1300538GT	ASSY,SPINDLE,CHASSIS,LARGE	2
9	1288762GT	WHEEL ,GS4655	2
10	1256844GT	SCREW,HHC,1/2-13X1.5,8,ZAG	10
11	1306174GT	SCREW,HHC,1/2-12X2.75,8,ZAG	8
12	1256179GT	BOLT,CARRIAGE,1/2-13X1.5,5,ZAG	
13	1256115GT	BOLT,CARRIAGE,1/2-13X1.75,5,ZAG	
14	1306366GT	WELDMENT,20XX LADDER (GS2032 only, decals not included refer to section one)	1
14B	1306368GT	WLDMT,GS32/46 LADDER (GS2632,3232 only, decals not included refer to section one)	1
15	128584GT	SWITCH TOGGLE SPDT 2P MNT SHDR	1
16		Ref. Electrical Plugs and Cords (refer to 402.1)	1
17	128118GT	BUSHING,STRAIN RELIEF,.875/.40	2
18	1309158GT	FORMING,PTP REAR BRKT,E-DRIVE	1
19	1306190GT	ASSEMBLY,CHARGER STATUS LED,3V	1
20	824067GT	SCREW, HHC, 3/8-16 X 1, 8, ZAG	2
21	1274322GT	NUT,NYLOCK FLG,3/8-16,F,ZAG	
22	824081GT	SCREW, HHF, 1/4-20 X 1.5, 8, ZA	1
23	105209GT	CLAMP,CABLE & HOSE	1
24	6091GT	NUT, NYLOCK, 1/4-20	1
25	1255757GT	BOLT,CARRIAGE,3/8-16X1.25,5,ZAG	
26	1304862GT	FORMING,CWT LIMIT,RT (GS2032 only)	1
27	1304861GT	FORMING,CWT LIMIT,LF (GS2032 only)	1



202.1 Non-steer Axle Installation (E-drive)



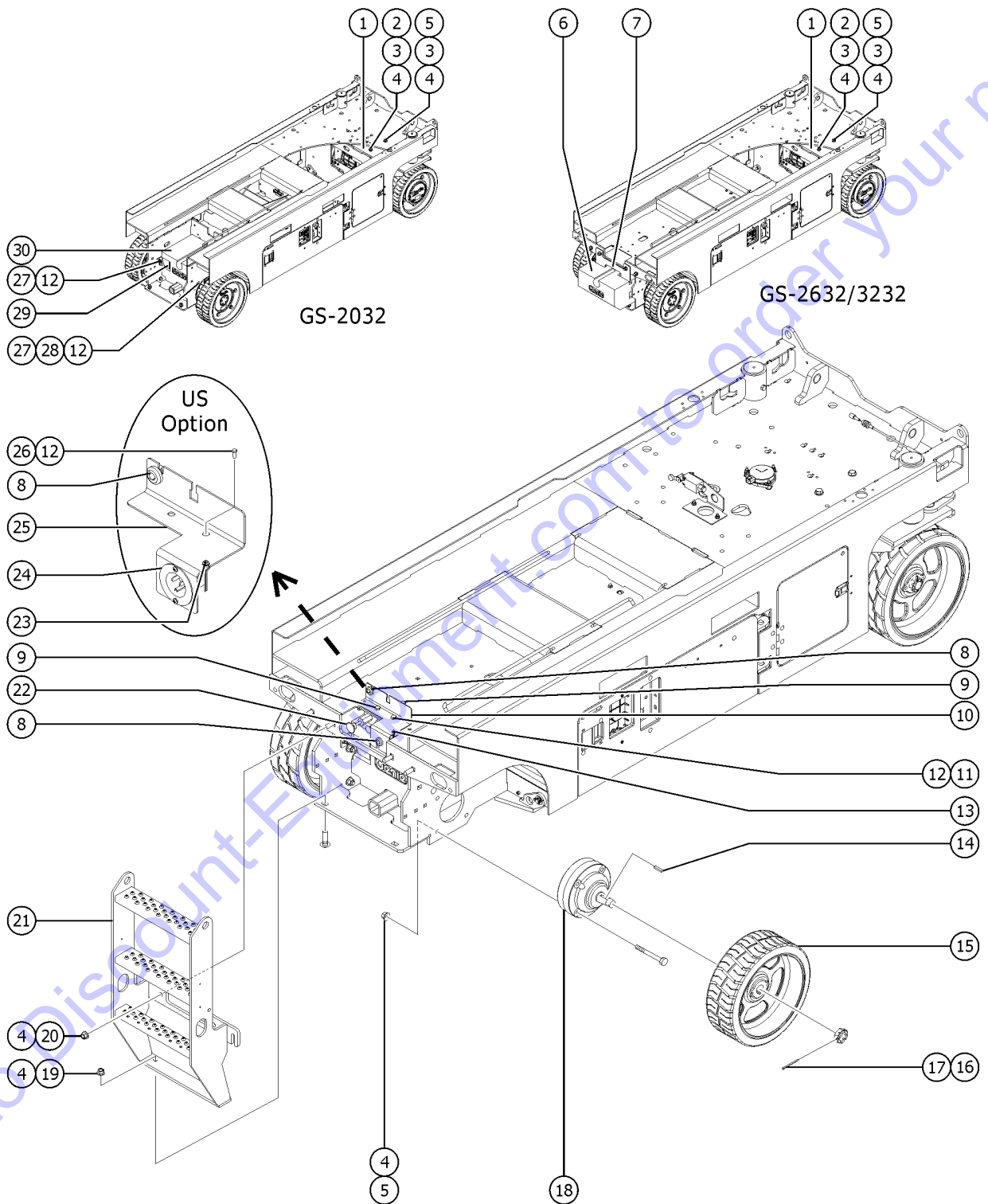
202.1 Non-steer Axle Installation (E-drive)

<i>Item</i>	<i>Part No.</i>	<i>Description</i>	<i>Qty.</i>
28	1304831GT	COUNTER WEIGHT,REAR-300,GS32 (GS2032 only)	1

Go to Discount-Equipment.com to order your parts



202.2 Non-steer Axle Installation and Counweight (H-drive)

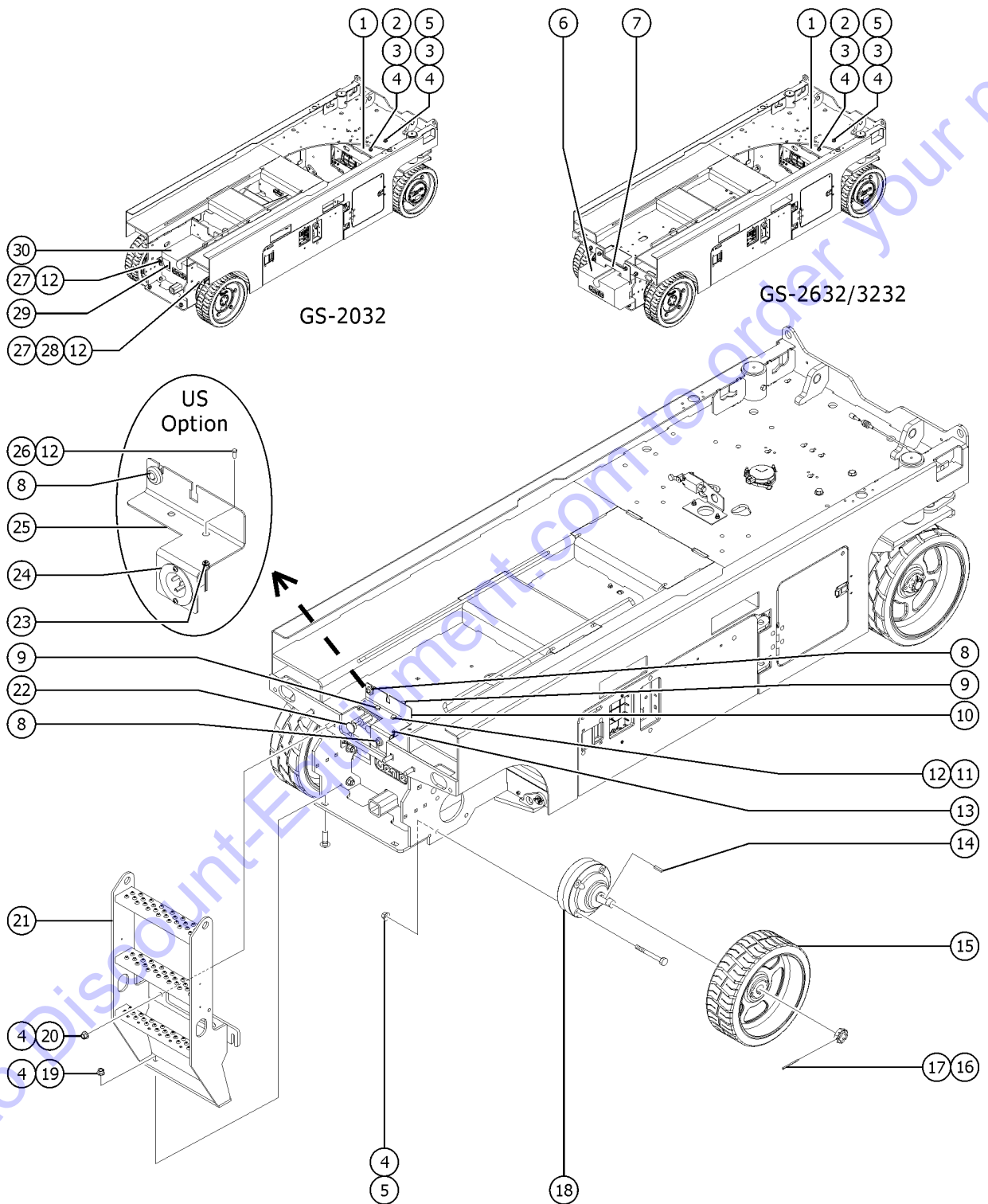


202.2 Non-steer Axle Installation and Counweight (H-drive)

Item	Part No.	Description	Qty.
1	1301172GT	LARGE COUNTERWEIGHT, FRONT, RIGHT, G32/46 (GS-2032,2632 only)	1
2	1256112GT	SCREW,HHC,1/2-13X6,8,ZAG	1
3	825353GT	WASHER,FLAT,1/2,SAE,HRD,ZAG	2
4	1274172GT	NUT,NYLOCK FLG,1/2-13,G,ZAG	
5	1256287GT	SCREW,HHC,1/2-13X3.5,8,ZAG	1
6	1306776GT	COUNTERWEIGHT,REAR-640,GS32 (GS2632,3232 only)	1
7	1306778GT	PLATE,CWT BRKT,GS32 (GS2632,3232 only)	1
8	128118GT	BUSHING,STRAIN RELIEF, .875/.40	2
9	1256109GT	SCREW,HHC,3/8-16X.75,8,ZAG	2
10	132614GT	FORMING, ALT. PLUG BRKT	1
11	824068GT	SCREW,HHC,3/8-16X1,8,ZAG	1
12	1274322GT	NUT,NYLOCK FLG,3/8-16,F,ZAG	
13	1306190GT	ASSEMBLY,CHARGER STATUS LED,3V	1
14	44781GT	KEY,RECTANGULAR,.31X.28X1.25**	2
15	1256051GT	WHEEL & TIRE ASSY,LP,15",EXMILE	2
16	42079GT	PIN,COTTER,.156 X 2.5	2
17	44780GT	NUT,CASTLE,1.125-18 UNEF	2
18		Ref. Hydraulic Brake (refer to 501.2)	
19	1256179GT	BOLT,CARRIAGE,1/2-13X1.5,5,ZAG	2
20	1256115GT	BOLT,CARRIAGE,1/2-13X1.75,5,ZAG	2
21	1306366GT	WELDMNT,20XX LADDER (GS2032 only, decals not included refer to section one)	1
21B	1306368GT	WLDMT,GS32/46 LADDER (GS2632,3232 only, decals not included refer to section one)	1
22		Ref. Brake Release Manifold (refer to 508.1)	
23	1306190GT	ASSEMBLY,CHARGER STATUS LED,3V	1
24		Ref. Electrical Plugs and Cords (refer to 402.1)	
25	1282153GT	FORMING,REC.PLUG BRKT,METRIC (US Plug option)	1
26	824067GT	SCREW, HHC, 3/8-16 X 1, 8, ZAG	2
27	1255757GT	BOLT,CARRIAGE,3/8-16X1.25,5,ZAG	2



202.2 Non-steer Axle Installation and Counweight (H-drive)



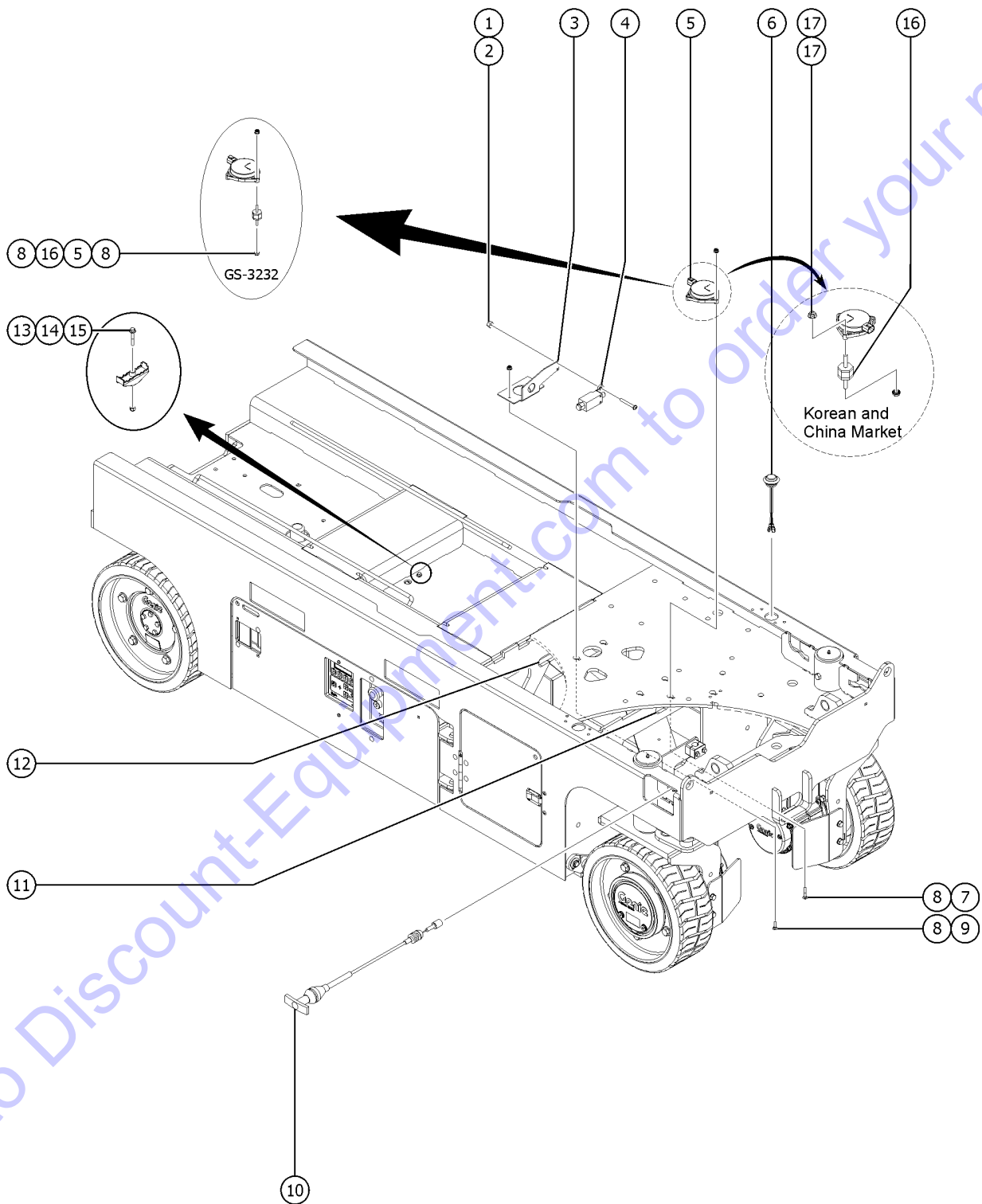
202.2 Non-steer Axle Installation and Counweight (H-drive)

Item	Part No.	Description	Qty.
28	1304862GT	FORMING,CWT LIMIT,RT (GS2032 only)	1
29	1304861GT	FORMING,CWT LIMIT,LF (GS2032 only)	1
30	1304831GT	COUNTER WEIGHT,REAR-300,GS32 (GS2032 only)	1

Go to Discount-Equipment.com to order your parts



203.1 Level Sensor Installation



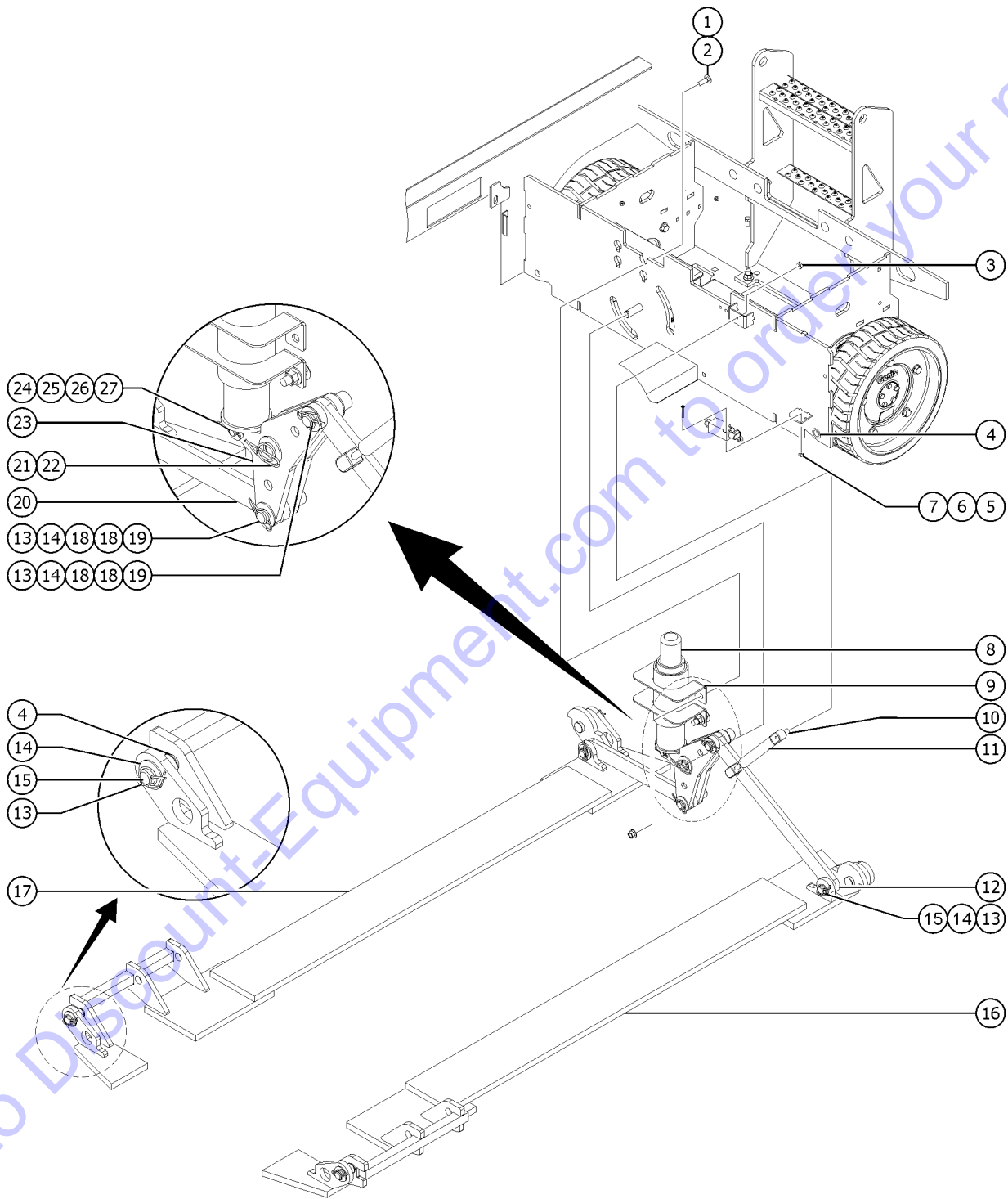
203.1 Level Sensor Installation

Item	Part No.	Description	Qty.
1	824216GT	SCREW, PHPM, 10-32 X 1.5, ZAG	1
2	1274168GT	NUT,NYLOCK,10-32,A,ZAG	1
3	1299642GT	LIMIT SWITCH BRACKET, LARGE	1
4	1308286GT	ASSEMBLY, DOWN LIMIT, GS46 (Includes plug)	1
4-	19491GT	CONTACTOR,LIMIT SWITCH	
4-	96948GT	SWITCH, LIMIT, W/ROLLER ARM***	
4-	97128GT	ROLLER ARM,LIMIT SWITCH***	
4B	T112507GT	WIRE ASSY,DOWN LIMIT SW Only for GS2632	1
5	823368GT	SENSOR,LEVEL,UNIVERSAL	1
6	1261183GT	ASSEMBLY,VISUAL IND LIGHT (Optional)	2
7	1255756GT	BOLT,CARRIAGE,1/4-20X1.5,5,ZAG	3
8	1277924GT	NUT,NYLOCK FLG,1/4-20,F,ZAG	5
9	1256127GT	BOLT,CARRIAGE,1/4-20X1",GR 5,ZAG	2
10	39232GT	CABLE,EMERGENCY DOWN	1
11	47238GT	GROMMET,RUBBER 1.5 ID	1
12	105440GT	GROMMET, RUBBER 2.5 X 3.0	1
13	824081GT	SCREW, HHF, 1/4-20 X 1.5, 8, ZA	1
14	105209GT	CLAMP,CABLE & HOSE	1
15	6091GT	NUT, NYLOCK, 1/4-20	1
16	1301073GT	ISOLATOR,1/4 THRD,HEX Korean and China Market	3
17	1256679GT	NUT,SERRATED,1/4-20,8,ZAG Korean and China Market	6

Go to DiscountEquipment.com to order your parts



204.1 Pothole Protection Assembly



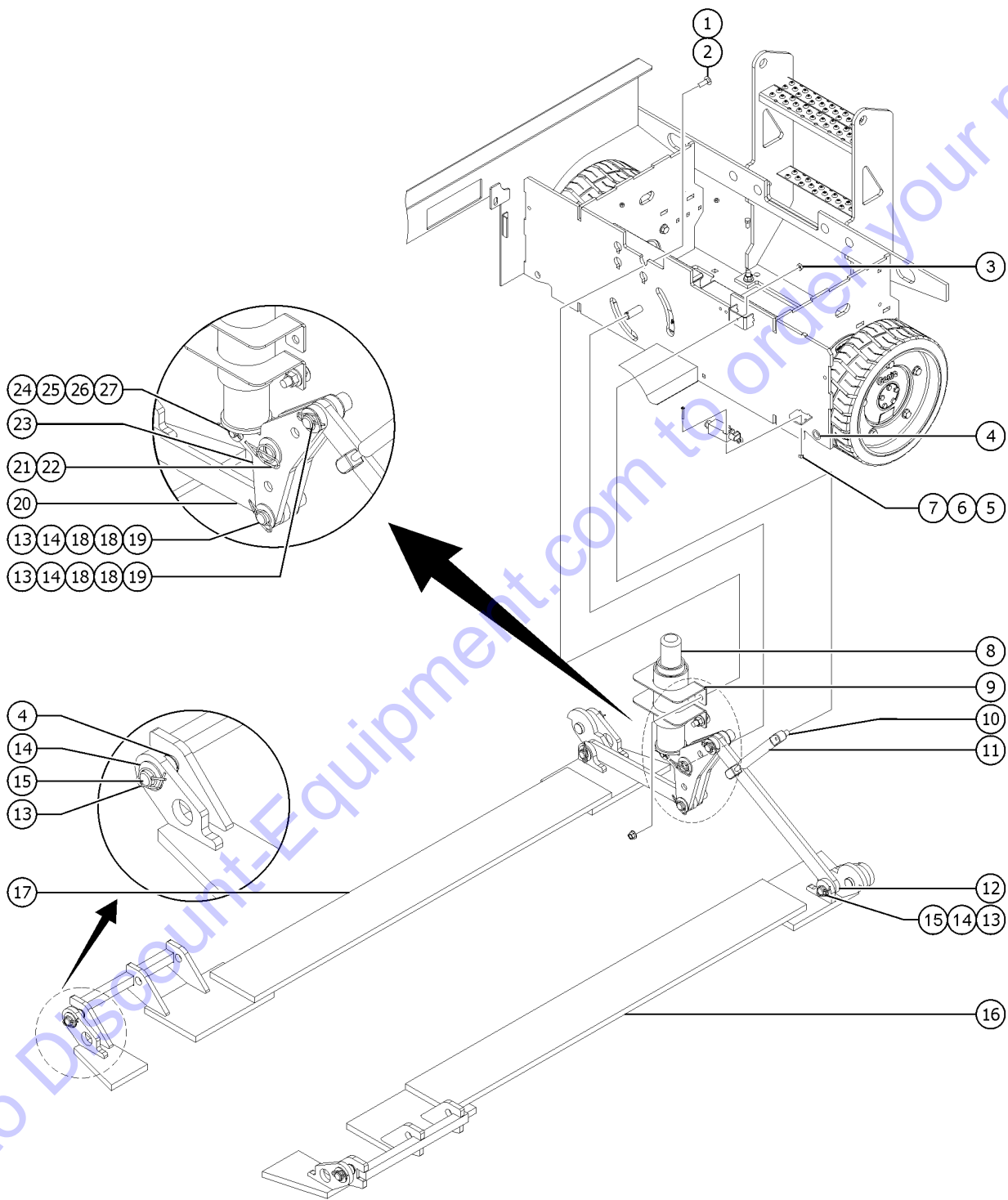
Go to Discount-Equipment.com to order your parts

204.1 Pothole Protection Assembly

Item	Part No.	Description	Qty.
--	1300747GT	ASSY,POTHOLE SYSTEM,GS2032/2632 (GS2032,GS2632 only)	
--	1299048GT	ASSY, POTHOLE SYSTEM, GS3232,E-DRIVE (GS3232 only)	
1	1255757GT	BOLT,CARRIAGE,3/8-16X1.25,5,ZAG	4
2	1274322GT	NUT,NYLOCK FLG,3/8-16,F,ZAG	4
3	824038GT	NUT, TL JAM, 3/8-16, A, ZAG	1
4	105156GT	BUSHING, FLNGD, .63 X .77 X .38	2
5	824216GT	SCREW, PHPM, 10-32 X 1.5, ZAG	2
6	96948GT	SWITCH, LIMIT, W/ROLLER ARM*** (down limit switch)	1
6-	19491GT	CONTACTOR,LIMIT SWITCH	
6-	97128GT	ROLLER ARM,LIMIT SWITCH***	
7	1274168GT	NUT,NYLOCK,10-32,A,ZAG	2
8	1300036GT	ASSY,POT HOLE PUSHER	1
9	1300053GT	WLDMT/ASSY,PH GUIDE,E-DRIVE	1
9-	1300540GT	BEARING,2.03IDX2.25ODX1.00L	
10	78086GT	BALL STUD, GAS STRUT, 3/8-16	2
11	39542GT	GAS SHOCK, SCISSORS***	1
12	1300729GT	PLATE,POTHOLE LINK	1
13	1259177GT	RUE RING,5/8,ZAG	
14	1259180GT	WASHER,SHIM,.625X1.188X.064,ZAG	
15	1259197GT	PIN,CLEVIS,.625X1.88,ZAG	
16	1300620GT	WELDMENT,POTHOLE,LEFT SIDE (GS2032,GS2632 only)	1
16B	1300742GT	WELDMENT, POTHOLE, LT,OR (GS3232 only)	1
17	1300619GT	WELDMENT,POTHOLE,RIGHT SIDE (GS2032,GS2632 only)	1
17B	1300741GT	WELDMENT, POTHOLE, RT,OR (GS3232 only)	1
18	96085GT	WASHER, THRUST, .63 X 1.13 X .06	4
19	1259179GT	PIN,CLEVIS,.625X1.79,ZAG	2
20	1300025GT	PLATE,POTHOLE LINK	1
21	824128GT	RUE RING, 3/4, ZAG	1



204.1 Pothole Protection Assembly



Go to Discount-Equipment.com to order your parts

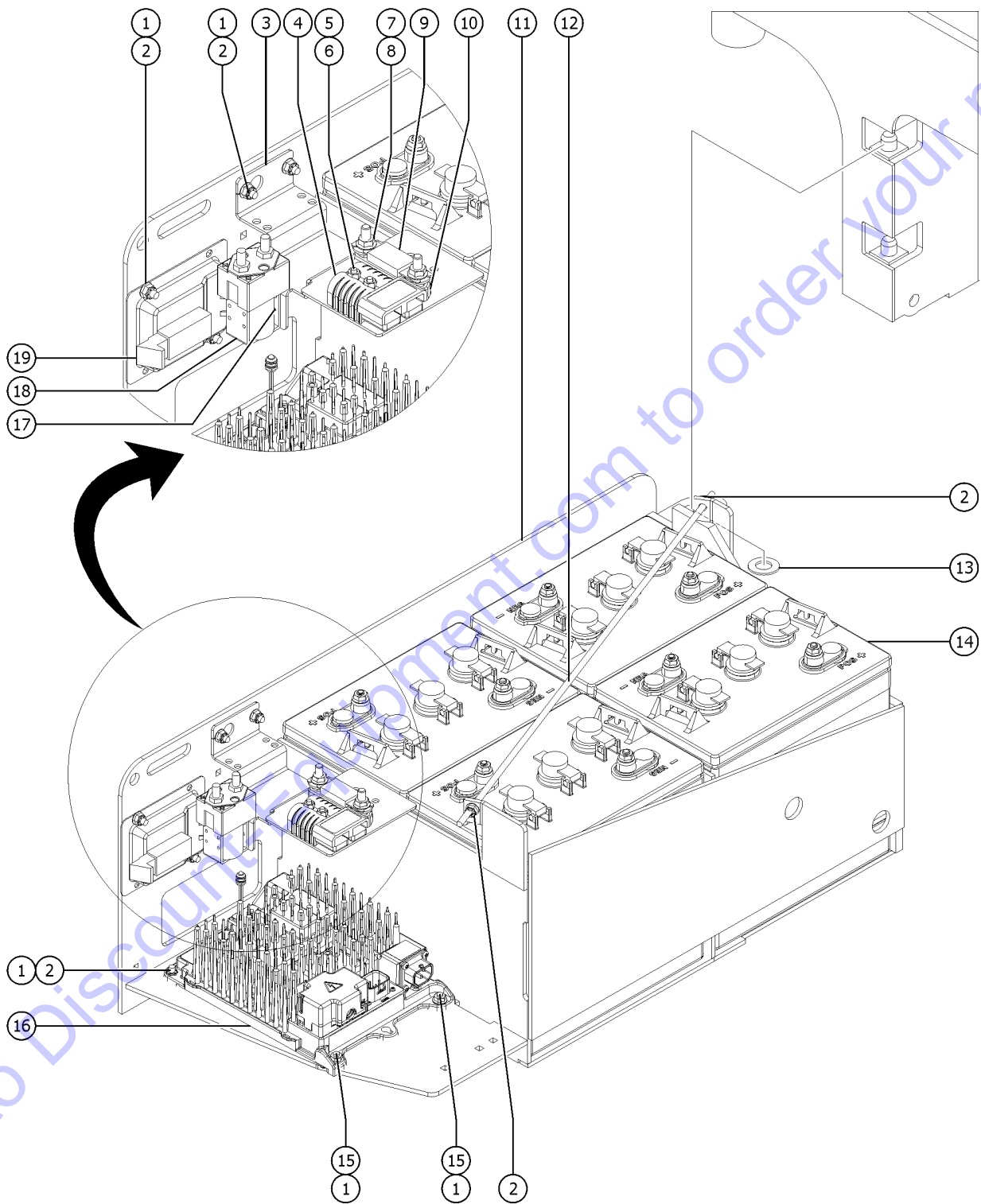
204.1 Pothole Protection Assembly

Item	Part No.	Description	Qty.
22	1259686GT	WASHER,FLAT,.765X1.312X.093,ZA	1
23	1300029GT	WLDMT/ASSY,PH BELLCRANK LINK	1
23-	105720GT	BUSHING, FLANGED, .75 X 1 X 1.38	
24	1303148GT	RUE RING,3/8,ZAG	1
25	825358GT	WASHER,FLAT,5/16,USS,ZAG	1
26	1259178GT	PIN,CLEVIS,.375X1.75,ZAG	1
27	96541GT	CAM FOLLOWER, 1.125 X .375, DELRIN	1

Go to Discount-Equipment.com to order your parts



205.1 Battery Pack Module (E-drive)



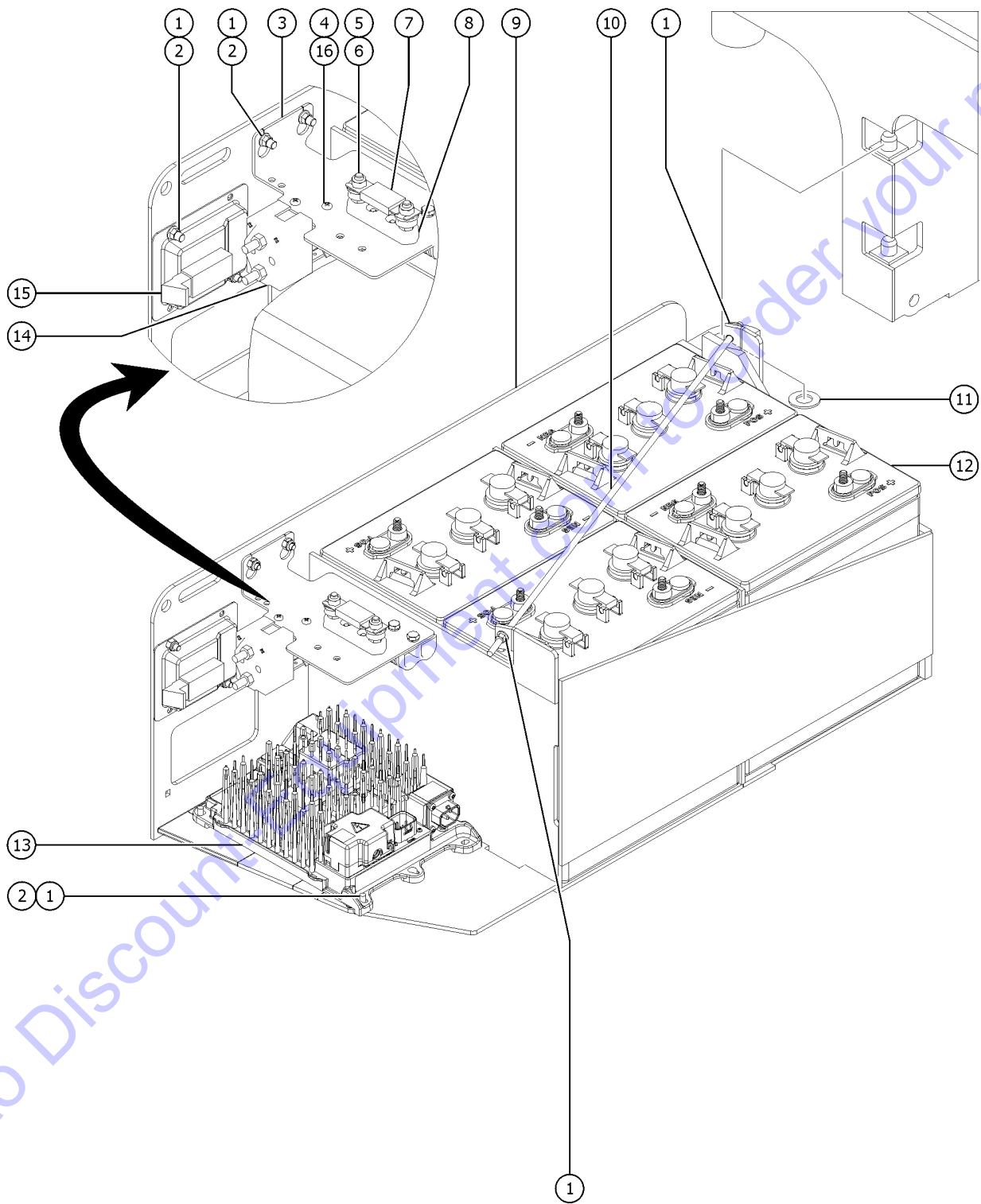
205.1 Battery Pack Module (E-drive)

Item	Part No.	Description	Qty.
1	824124GT	BOLT, CARRIAGE, 1/4-20 X .75, 5, ZAG	
2	1277924GT	NUT,NYLOCK FLG,1/4-20,F,ZAG	
3	1290574GT	FORMING,CONTACTOR/FUSE BRACKET	1
4	1288481GT	QUICK DISCONNECT CASING, BATT SB120	1
5	825352GT	SCREW,PHPM,10-32X1.25,ZAG	2
6	1274168GT	NUT,NYLOCK,10-32,A,ZAG	2
7	1255805GT	NUT,SERRATED,5/16-18,8,ZAG	2
8	825358GT	WASHER,FLAT,5/16,USS,ZAG	2
9	40833GT	FUSE, 275AMP, VERY FAST ACTING	1
10	66717GT	FUSE BLOCK, ANN & ANL FUSE (includes mounting fasteners)	1
11		Ref. Battery Tray (refer to 602.1)	1
12	30784-2550GT	THREADED ROD, (1/4-20), 25.50	1
13	1256863GT	WASHER,FLAT,.75,F436,HRD,ZAG	2
14	1299390GT	BATT,6V,210AH T605 LPT\3CAP	4
14B	1303590GT	BATTERY 6V, 220AH, VRLA, GC6 (discover option)	4
15	1256679GT	NUT,SERRATED,1/4-20,8,ZAG	2
16		Ref. Battery Charger (refer to 206.1)	1
17	1257402GT	SCREW,PHPM,6-32X.25,ZAG	
18	1304130GT	CONTACTOR,24V,80A,SPST,SEAL,UNBRANDED	1
19	55675GT	LATCH, LRG PADDLE HANDLE GS90	1

Go to Discount-Equipment.com to order your parts



205.2 Battery Pack Module (H-drive)



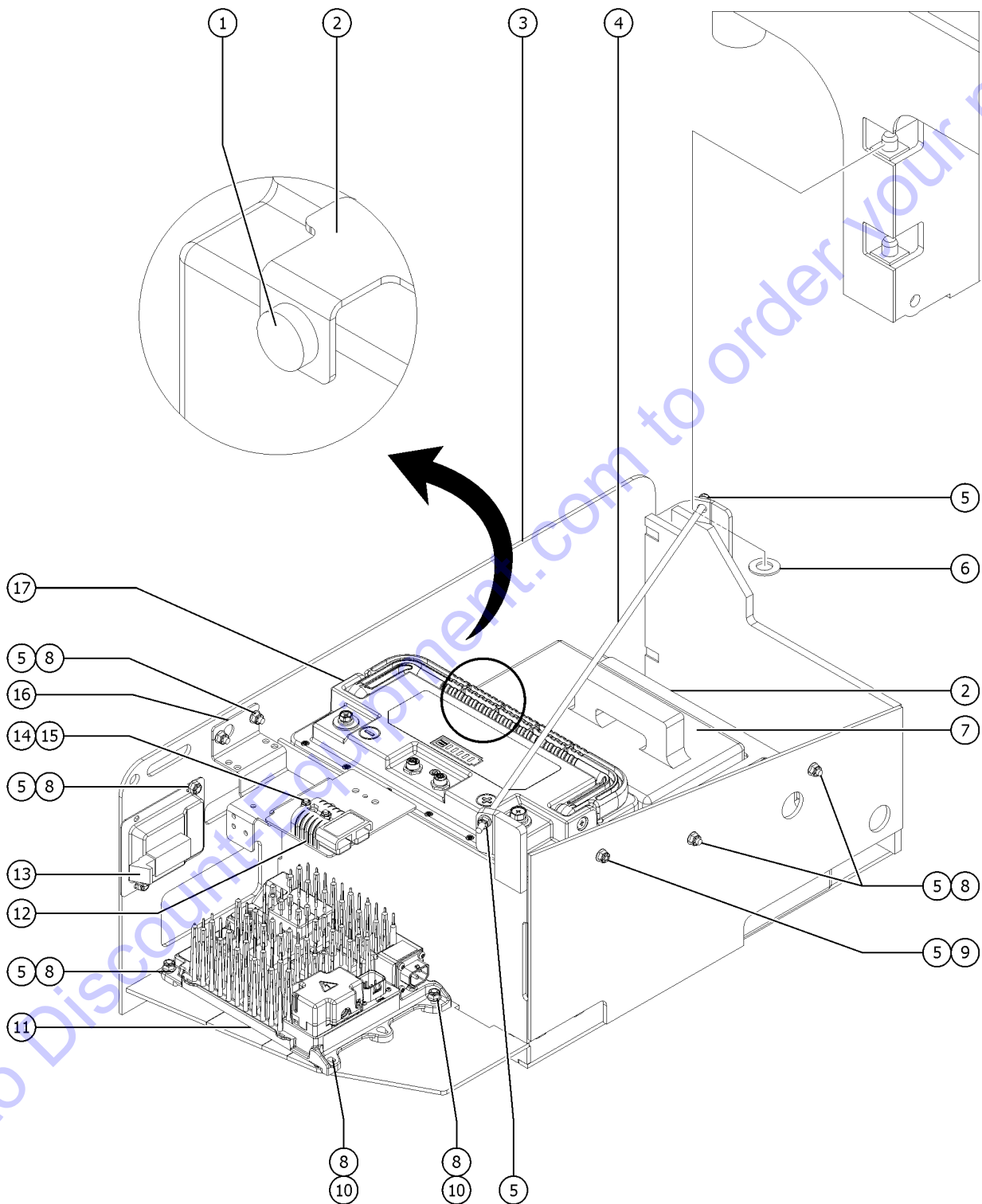
205.2 Battery Pack Module (H-drive)

Item	Part No.	Description	Qty.
1	824027GT	NUT, TL FLG, 1/4-20, G, ZAG	10
2	824124GT	BOLT, CARRIAGE, 1/4-20 X .75, 5, ZAG	8
3	1282144GT	FORMING, CONTACTOR/FUSE BRACKET, METRIC	1
4	825349GT	SCREW, PHPM, 10-32X.38, ZAG	2
5	13000GT	SCREW, HHC, 5/16-18 X 1.25	2
6	1255805GT	NUT, SERRATED, 5/16-18, 8, ZAG	2
7	40833GT	FUSE, 275AMP, VERY FAST ACTING	1
8	66717GT	FUSE BLOCK, ANN & ANL FUSE (includes mounting fasteners)	1
9		Ref. Battery Tray (refer to 602.1)	1
10	30784-2550GT	THREADED ROD, (1/4-20), 25.50	1
11	1256863GT	WASHER, FLAT, .75, F436, HRD, ZAG	2
12	76494GT	BATT, 6V, 225AH T105 LPT\3CAP	4
12-	1255805GT	NUT, SERRATED, 5/16-18, 8, ZAG	
12-	137769GT	BATTERY WATERING HAND PUMP	
12-	137770GT	BATTERY WATERING KIT, 24V UNIV (to watch the installation video, copy and paste this link to your web browser) https://www.youtube.com/watch?v=13zTfl-hWik	
12B	1303590GT	BATTERY 6V, 220AH, VRLA, GC6	4
12B-	137769GT	BATTERY WATERING HAND PUMP	
12B-	137770GT	BATTERY WATERING KIT, 24V UNIV (to watch the installation video, copy and paste this link to your web browser) https://www.youtube.com/watch?v=13zTfl-hWik	
12C	1257609GT	BATTERY, 6V, 240AH, T125, LPT\3CAP	4
13		Ref. Battery Charger (refer to 206.1)	
14	1270457GT	CONTACTOR, DRIVE, 24V, 180A UNBRANDED	1
15	55675GT	LATCH, LRG PADDLE HANDLE GS90	1
16	160414GT	GS3246_GB/T 93, SPRING WASHER, D5	2

Go to [Discontinued Part.com](https://www.geniepart.com) to order your parts



205.3 Battery Pack Module (Li Option)



Go to DiscountParts.com to order your parts

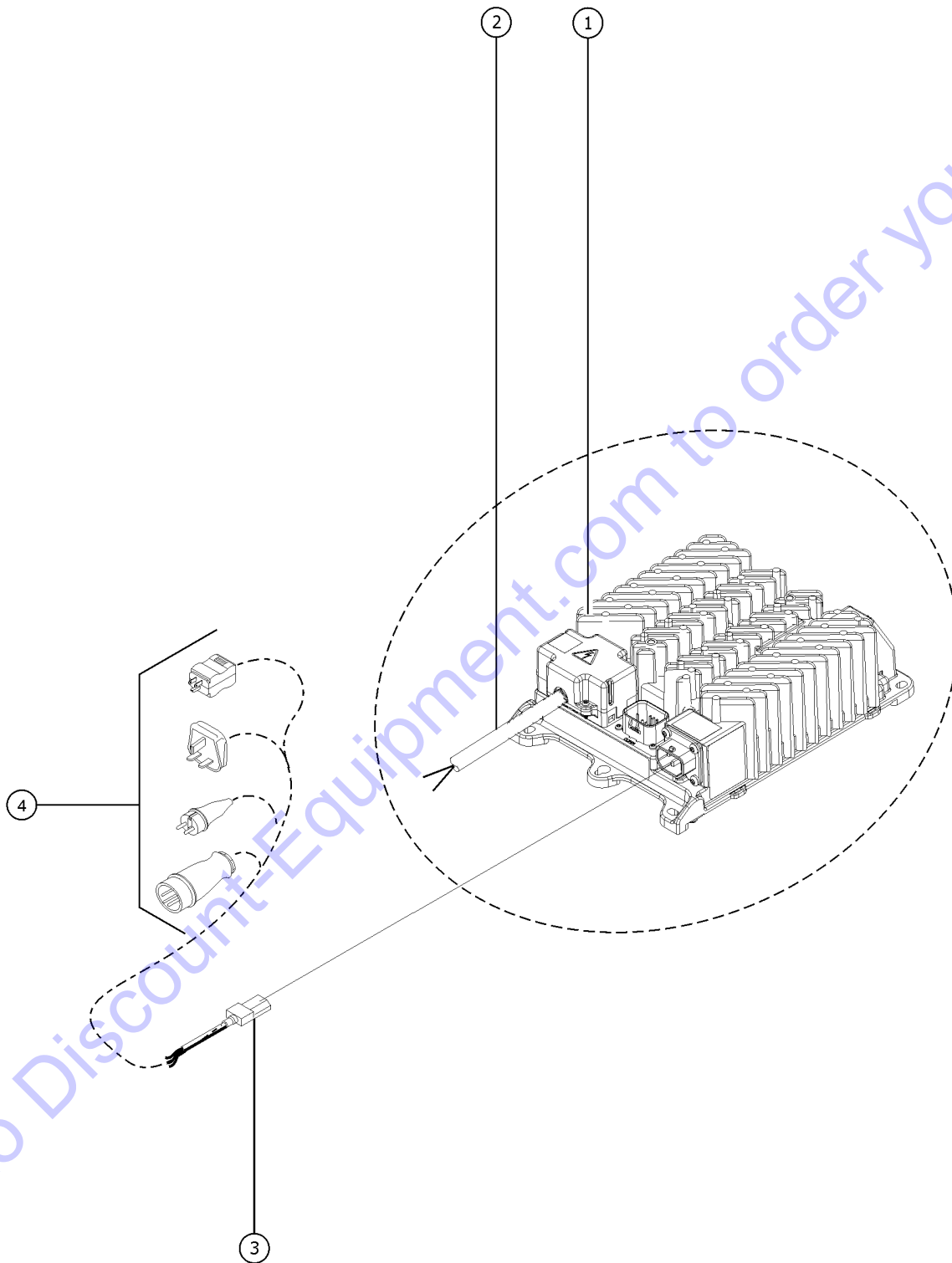
205.3 Battery Pack Module (Li Option)

Item	Part No.	Description	Qty.
1	43392GT	BUMPER,BATTERY BOX & RAILS	2
2	1306284GT	FORMING, COUNTERWEIGHT HOLD DOWN	1
3		Ref. Battery Tray	1
		(refer to 602.1)	
4	30784-2550GT	THREADED ROD, (1/4-20), 25.50	1
5	1277924GT	NUT,NYLOCK FLG,1/4-20,F,ZAG	
6	1256863GT	WASHER,FLAT,.75,F436,HRD,ZAG	2
7	1305108GT	COUNTERWEIGHT,CAST,BATTERY TRAY	1
8	824124GT	BOLT, CARRIAGE, 1/4-20 X .75, 5, ZAG	
9	26785GT	BUMPER,RUBBER	1
10	1256679GT	NUT,SERRATED,1/4-20,8,ZAG	2
11		Ref. Battery Charger	
		(refer to 206.1)	
12	1288481GT	QUICK DISCONNECT CASING, BATT SB120	1
13	55675GT	LATCH, LRG PADDLE HANDLE GS90	1
14	825352GT	SCREW,PHPM,10-32X1.25,ZAG	2
15	1274168GT	NUT,NYLOCK,10-32,A,ZAG	2
16	1290574GT	FORMING,CONTACTOR/FUSE BRACKET	1
17	1305193GT	BATTERY,24V,90AH,LFP,TRACTION,M10	1

Go to Discount-Equipment.com to order your parts



206.1 Battery Charger



Go to Discount-Equipment.com to order your parts

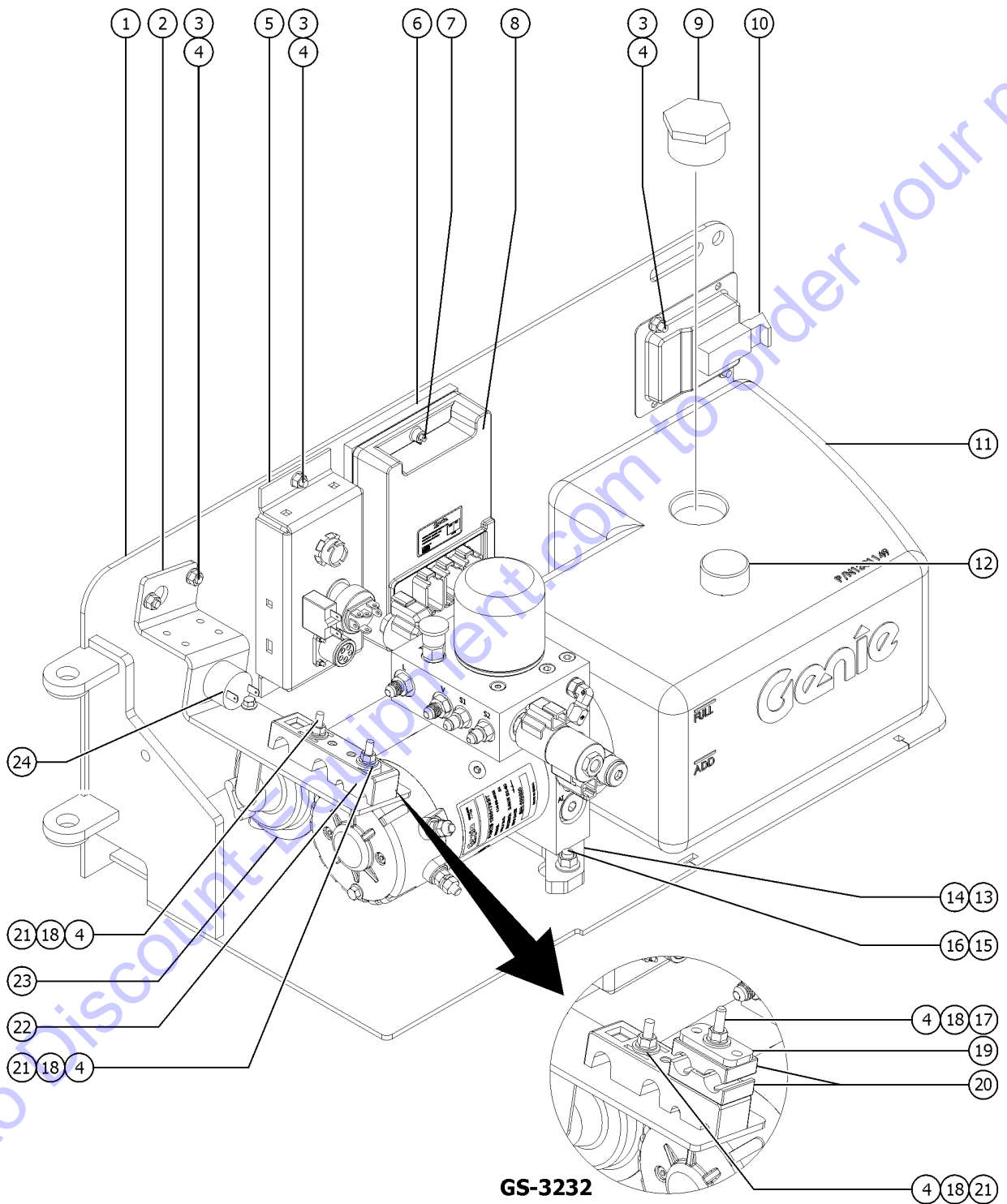
206.1 Battery Charger

Item	Part No.	Description	Qty.
1	1272232GT	CHARGER,24V,650W,USB	1
1-	1272557GT	POWER CORD, IEC 320, 90° power supply cord (ANSI/CSA models)	
1-	1272844GT	CABLE,CHARGER, DC, W/ BTS for AGM 'maintenance free' batteries	
1-	1279428GT	KIT, DC BLOCK ASSEMBLY	
1-	1288499GT	HARNESS,CHARGER EXTENSION 30DC	
1-	1288500GT	CABLE ASSY. CHARGER/BATTERY 30DC for standard 'flooded' batteries	
2		Ref. CABLE ASSY,CHARGER/BATTERY (refer to 210.1)	
3	1272557GT	POWER CORD, IEC 320, 90°	1
4		Ref. PLUG, ELECTRICAL	
		(refer to 402.1)	

Go to Discount-Equipment.com to order your parts



207.1 Power Unit Module (E-drive)



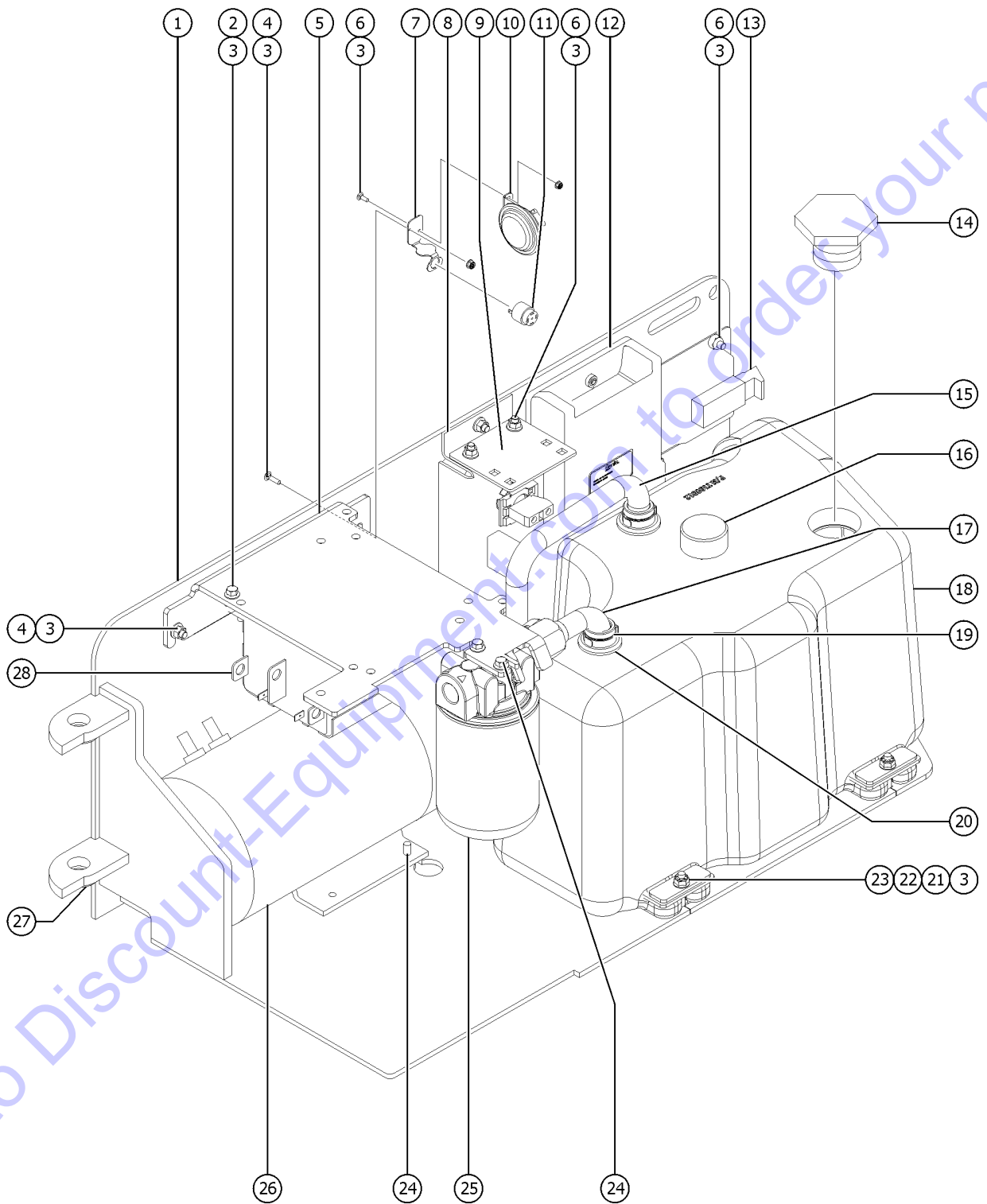
GS-3232

207.1 Power Unit Module (E-drive)

Item	Part No.	Description	Qty.
1	1298923GT	WELDMENT, HYDRAULIC TRAY, E-DRIVE	1
2	1303364GT	FORMING, BRACKET, HYD HOSE CLAMP	1
3	824124GT	BOLT, CARRIAGE, 1/4-20 X .75, 5, ZAG	
4	1277924GT	NUT, NYLOCK FLG, 1/4-20, F, ZAG	
5	1284781GT	FORMING, CONTROL PANEL, TECH PRO, METRIC	1
6	1252764GT	SPACER, GROUND CONTROL ECU	1
7	51063GT	SCREW, PHILLIPS, RHM, 10-32 X 1.5	1
8		Ref. GCON, GR/GRC/GS (refer to 208.1)	
9	66204GT	FILTER CAP (PLUG 1-1/2" NPT HEX	1
10	55675GT	LATCH, LRG PADDLE HANDLE GS90	1
11	1308895GT	POWER UNIT, MID SLAB GS2032, 2632 only	1
11B	1308894GT	POWER UNIT, GS3232, E-DRIVE GS3232 only	1
12	78546GT	BREATHER CAP, HYD. TANK, 1/4 NPT	1
13	1287951GT	PLATE, POWER UNIT MOUNT	1
14	1260703GT	SCREW, FHS, 3/8-16X1, F835, ZAG	2
15	1255757GT	BOLT, CARRIAGE, 3/8-16X1.25, 5, ZAG	2
16	1274322GT	NUT, NYLOCK FLG, 3/8-16, F, ZAG	2
17	96903GT	BOLT, CARRIAGE, 1/4-20 X 3.50, G2 (GS-3232 only)	1
18	824113GT	WASHER, FLAT, USS, 1/4, ZAG	2
19	132119GT	PLATE, HOSE ROUTING, BULKHEAD (GS-3232 only)	1
20	78736GT	CLAMP, 2 HOSE, PLASTIC (GS-3232 only)	2
21	1255797GT	BOLT, CARRIAGE, 1/4-20X2.5, ZAG (GS-2032 and GS-2632 only)	1
22	1304152GT	CLAMP, HOSE, HYD TRAY	1
23	234922GT	HORN OPTION, SLAB	1
24	39540GT	ALARM, STEADY TONE***	1
24-	72326GT	NUT - PLASTIC, RING FOR ALARMS for 39540	1
24B	1313257GT	WHITE NOISE ALARM 24VDC White noise alarm option	1



207.2 Power Unit Module (H-drive)

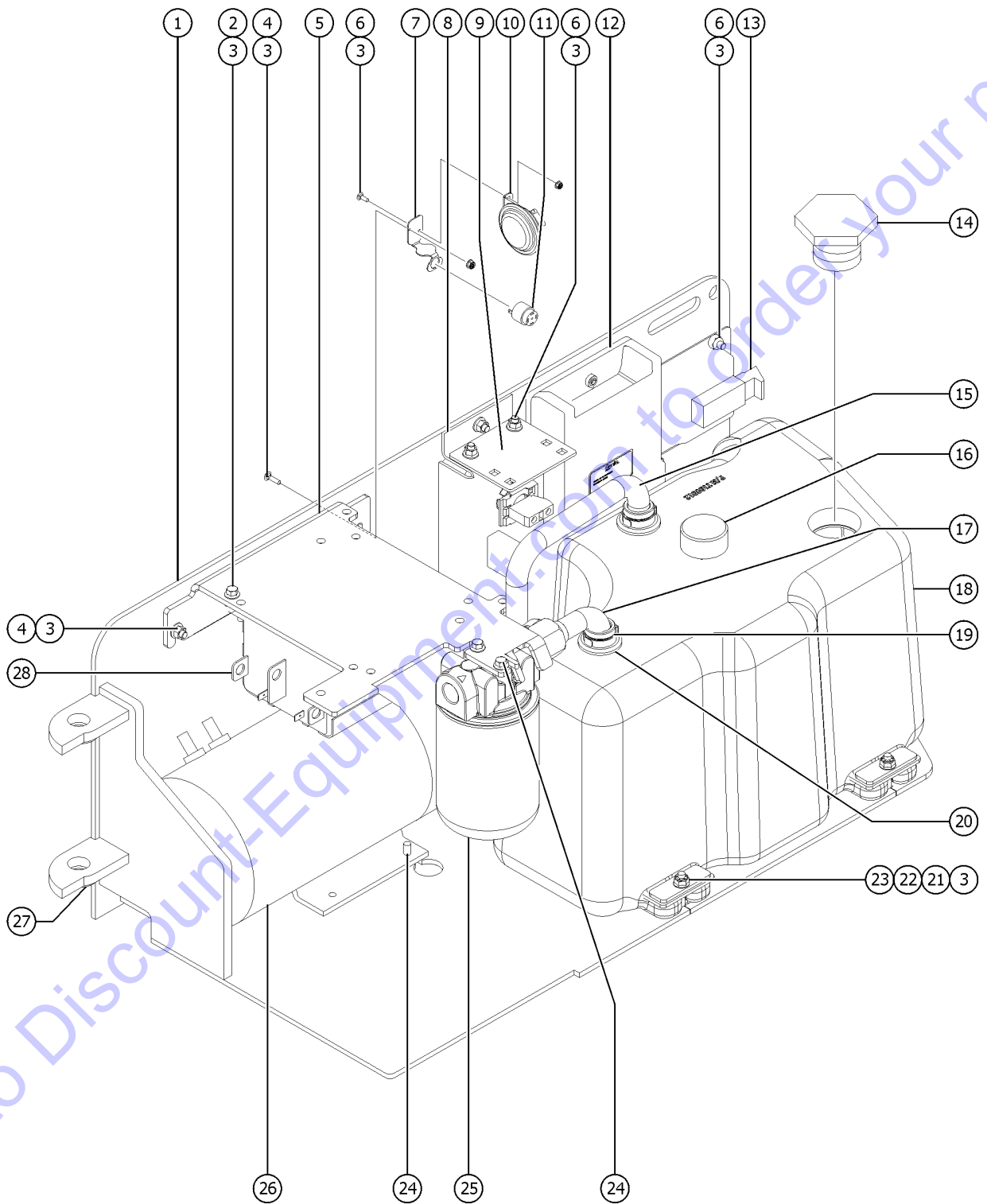


Go to Discount-Equipment.com to order your parts

Item	Part No.	Description	Qty.
1	132901GT	ASSY, GS HYDRAULIC TRAY	1
1-	227166GT	WELDMENT, GS HYD TRAY, MET (decals not included, refer to section one)	1
2	824080GT	SCREW, HHF, 1/4-20 X 1.25, 8, ZAG	
3	1277924GT	NUT,NYLOCK FLG,1/4-20,F,ZAG	
4	1256127GT	BOLT,CARRIAGE,1/4-20X1",GR 5,ZAG	
5	1273016GT	FORMING, FILTER-CNTRLR MOUNT	1
6	824124GT	BOLT, CARRIAGE, 1/4-20 X .75, 5, ZAG	
7	1306182GT	FORMING, ALARM MOUNT BRACKET	1
8		Ref. FORMING, CONTROL PANEL	
		(refer to 208.1)	
9	227164GT	GS3246_PLATE, HARNESS MOUNT, MET	1
10	1311282GT	HORN,24VDC,SPADE TERMINALS	1
11	39540GT	ALARM,STEADY TONE***	1
11B	1313257GT	WHITE NOISE ALARM 24VDC	1
		White noise alarm option	
12		Ref. GCON, GR/GRC/GS	
		(refer to 208.1)	
13	55675GT	LATCH, LRG PADDLE HANDLE GS90	1
14	66204GT	FILTER CAP (PLUG 1-1/2" NPT HEX	1
15	1270598GT	TUBE, ASSY, DRAW	1
15-	1270600GT	TUBE, SLAB RETURN ASSEMBLY	
15-	1273016GT	FORMING, FILTER-CNTRLR MOUNT	
16	78546GT	BREATHER CAP, HYD. TANK, 1/4 NPT	1
17	1270600GT	TUBE, SLAB RETURN ASSEMBLY	
18	1314911GT	KIT, HYDRAULIC TANK, SLABS	1
		includes items 15 and 16	
18-	T109012GT	TANK,HYD, SLAB SCISSORS	
19	96855GT	CLAMP,HOSE,1 EAR,1-1/16***	2
20	96709GT	GROMMET,SLAB HYD TANK***	2
21	1303372GT	PLATE, TANK SUPPORT	3
22	1303373GT	RUBBER CUSHION, TANK SUPPORT	3
23	1256463GT	BOLT,CARRIAGE,1/4-20X1.25,5,ZAG	3



207.2 Power Unit Module (H-drive)



Go to Discount-Equipment.com to order your parts

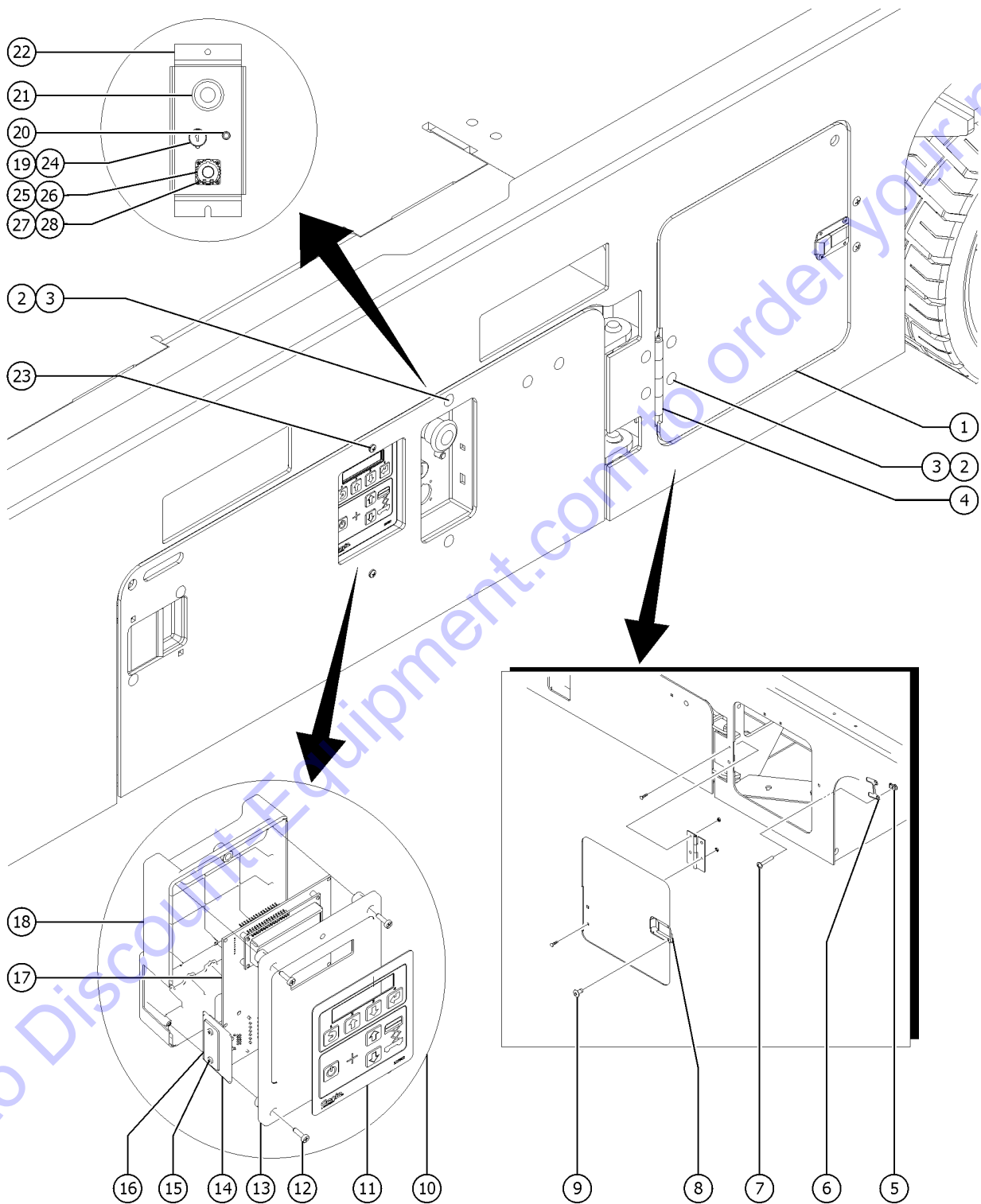
207.2 Power Unit Module (H-drive)

Item	Part No.	Description	Qty.
24	824078GT	SCREW,HHF,1/4-20X.75,8,ZAG	4
25		REF. FILTER ASSY	1
		(refer to 508.1)	
26		REF. ELECTRIC MOTOR/PUMP	1
		(refer to 508.1)	
27	1256863GT	WASHER,FLAT,.75,F436,HRD,ZAG	2
28	1257840GT	MOTOR CONTROLLER,DC,24V,360A	1

Go to Discount-Equipment.com to order your parts



208.1 Ground Controls (E-drive)



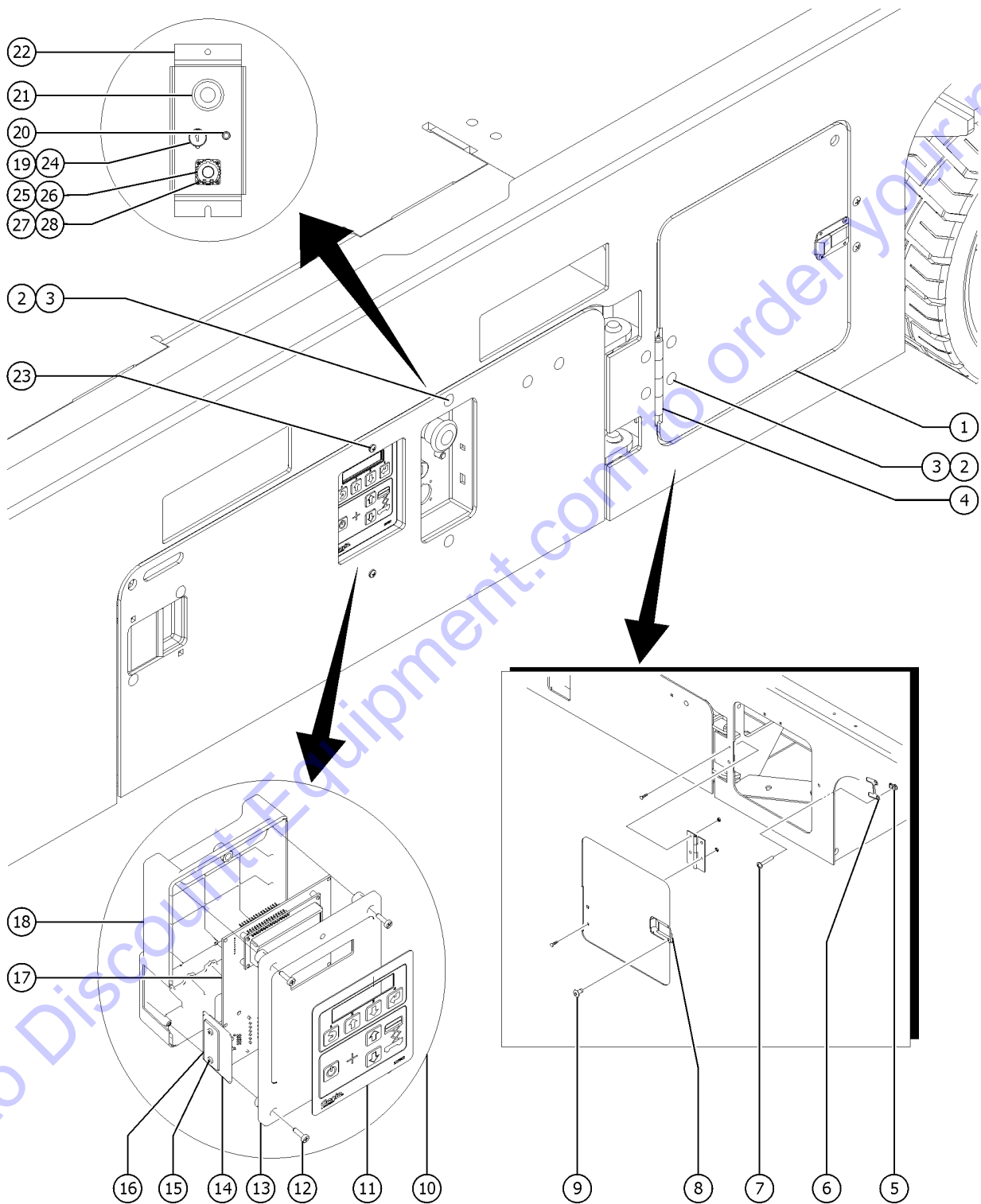
Go to DiscountEquipment.com to order your parts

208.1 Ground Controls (E-drive)

Item	Part No.	Description	Qty.
A	1252764GT	SPACER, GROUND CONTROL ECU	1
B	824216GT	SCREW, PHPM, 10-32 X 1.5, ZAG	
1	1299643GT	PLATE, SIDE DOOR	
2	824124GT	BOLT, CARRIAGE, 1/4-20 X .75, 5, ZAG	6
3	1277924GT	NUT, NYLOCK FLG, 1/4-20, F, ZAG	4
4	105734GT	HINGE, ACCESS DOOR(13G)	1
5	56912GT	SPRING CLIP, 1/4-20, .025-.15X.54, ZAG	2
6	132557GT	PLATE, SIDE DOOR STOP***	
7	1260984GT	SCREW, PHPM, 1/4-20X.75, ZAG	2
8	105759GT	LATCH, COMPRESSION, SMALL	1
9	824206GT	RIVET, STL, STL, DOME, 1/8 X .25, ZAG	2
10	1284285GT	GCON, STD, DUAL ZONE (GS2032/2632 only)	
10B	1284286GT	GCON, O/R, DUAL ZONE (GS3232 only)	
11	137562GT	DECAL, MEMBRANE, GR/GRC/GS GCON	1
12	137668GT	SCREW, PHM, 6-19X.75, 48-2 TRI-L	4
13	T106366GT	ENCLOSURE, GC27-25/GC21-19, FRNT	1
14	T106363GT	ADAPTER, RJ45, GC27-25/GC21-19	1
15	137637GT	SCREW, PHM, 4-20X.5, 48-2 TRI-L	2
16	T106362GT	COVER, RJ45, GC27-25/GC21-19	1
17	1256719GT	PCBA, GCON STD, PROP LIFT	1
18	T106372GT	ENCLOSURE, GC21-19, BK	1
19	96008-SGT	KEYSWITCH, 3 POS. W/KEYS***	1
19-	37947GT	KEYS, 10 PACK*** (sold seperately)	
19-	83093GT	KEY SINGLE*** (sold seperately)	
19-	85239GT	RETAINER NUT (96008)*** (sold seperately)	
19-	96009GT	WASHER, NITRILE (sold seperately)	
19-	96010GT	SCREW, PHILLIPS, PHM, 8-32 X.25** (sold seperately)	
20	96452GT	CIRCUIT BREAKER, 7.0 AMP***	1



208.1 Ground Controls (E-drive)



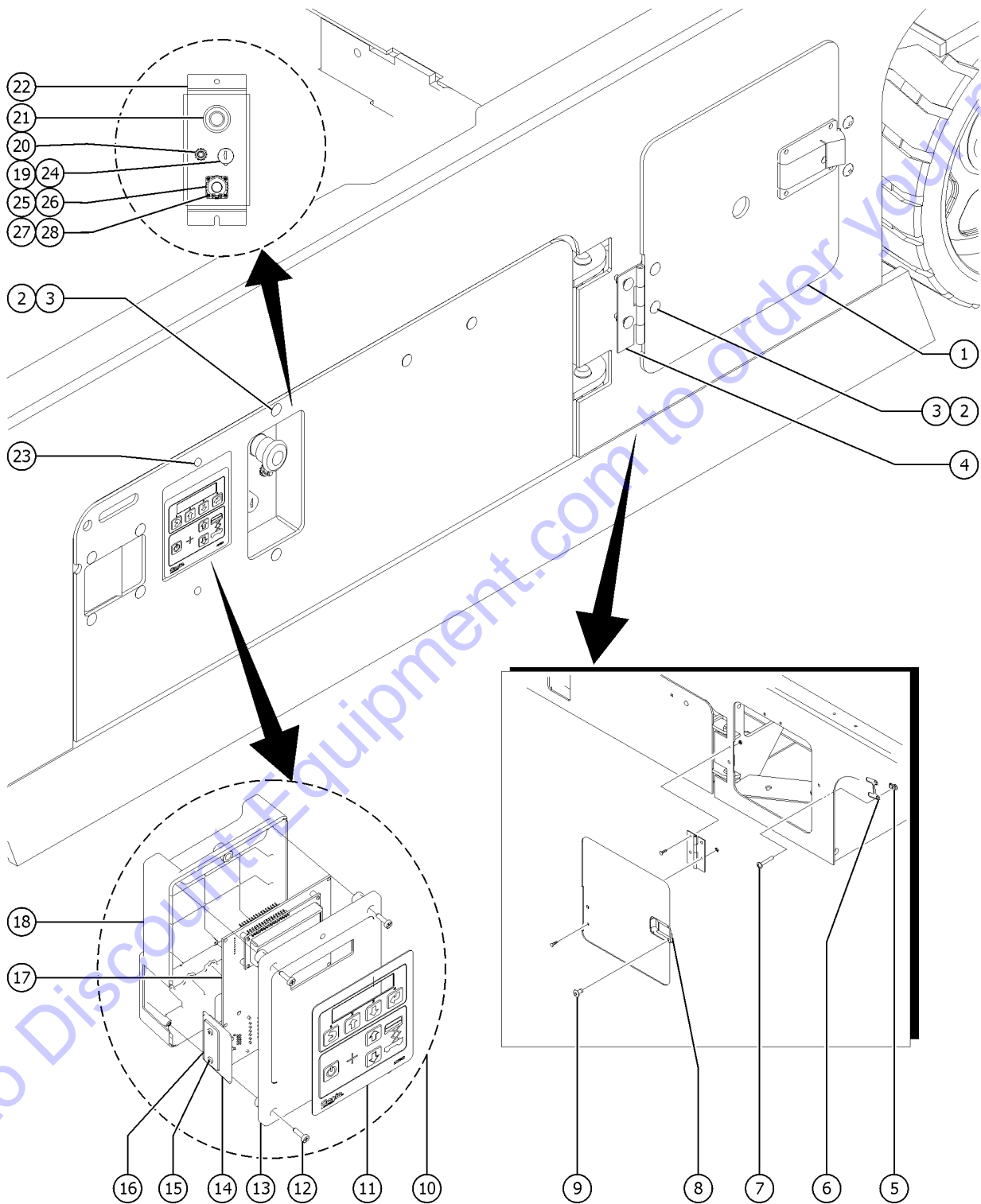
208.1 Ground Controls (E-drive)

Item	Part No.	Description	Qty.
20-	122994GT	NICKEL PLATED JAM NUT	
20-	6700GT	WASHER, STAR, EXTERNAL, .375	375
21	66812GT	BUTTON,PUSH,RED MUSHROOM HEAD	1
21-	58627GT	NUT	
21-	66817GT	BASE WITH 1 NC CONTACT, E-STOP	
22	1284781GT	FORMING,CONTROL PANEL,TECH PRO,METRIC	1
23	51063GT	SCREW,PHILLIPS,RHM,10-32 X 1.5	2
24	96010GT	SCREW,PHILLIPS,PHM,8-32 X.25**	3
25	1272122GT	CONN, RECEP, 5 WAY, DEUTSCH, HD10	1
26	1272123GT	DUST CAP, RECEPTACLE, 5 WAY, CIRCULAR	1
27	1253477GT	SCREW,PHPM,4-40X.5,ZAG	4
28	826854GT	NUT,NYLOCK,4-40	4

Go to Discount-Equipment.com to order your parts



208.2 Ground Controls (H-drive)

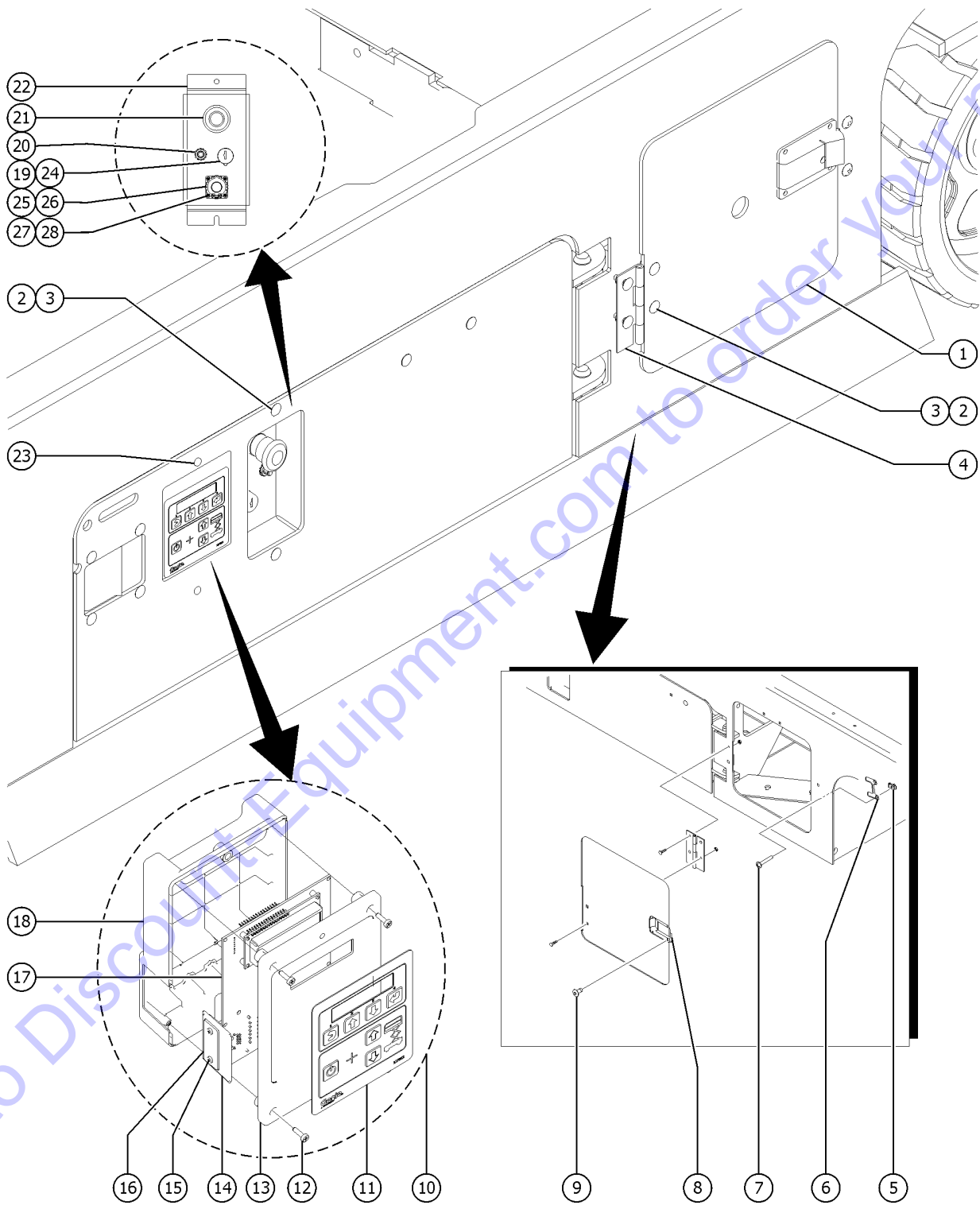


208.2 Ground Controls (H-drive)

Item	Part No.	Description	Qty.
A	1252764GT	SPACER, GROUND CONTROL ECU	1
B	824216GT	SCREW, PHPM, 10-32 X 1.5, ZAG	
1	132556GT	PLATE SIDE DOOR HTA	1
2	824124GT	BOLT, CARRIAGE, 1/4-20 X .75, 5, ZAG	6
3	1277924GT	NUT,NYLOCK FLG,1/4-20,F,ZAG	6
4	105734GT	HINGE,ACCESS DOOR(13G)	1
5	56912GT	SPRING CLIP,1/4-20,.025-.15X.54,ZAG	2
6	132557GT	PLATE,SIDE DOOR STOP***	1
7	1260984GT	SCREW,PHPM,1/4-20X.75,ZAG	2
8	105759GT	LATCH,COMPRESSION,SMALL	1
9	824206GT	RIVET, STL, STL, DOME, 1/8 X .25, ZAG	2
10	1284285GT	GCON,STD,DUAL ZONE GS-2032 and GS-2632	1
11	137562GT	DECAL,MEMBRANE, GR/GRC/GS GCON	1
12	137668GT	SCREW,PHM,6-19X.75, 48-2 TRI-L	4
13	T106366GT	ENCLOSURE,GC27-25/GC21-19,FRNT	1
14	T106363GT	ADAPTER, RJ45, GC27-25/GC21-19	1
15	137637GT	SCREW,PHM,4-20X.5, 48-2 TRI-L	2
16	T106362GT	COVER, RJ45, GC27-25/GC21-19	1
17	1256719GT	PCBA,GCON STD,PROP LIFT GS-2032 and GS-2632	1
18	T106372GT	ENCLOSURE,GC21-19,BK GS-2032 and GS-2632	1
19	96008-SGT	KEYSWITCH,3 POS. W/KEYS***	1
19-	37947GT	KEYS,10 PACK*** (sold seperately)	
19-	83093GT	KEY SINGLE*** (sold seperately)	
19-	85239GT	RETAINER NUT (96008)*** (sold seperately)	
19-	96009GT	WASHER,NITRILE (sold seperately)	
19-	96010GT	SCREW,PHILLIPS,PHM,8-32 X.25** (sold seperately)	
20	96452GT	CIRCUIT BREAKER, 7.0 AMP***	1
20-	122994GT	NICKEL PLATED JAM NUT	



208.2 Ground Controls (H-drive)



208.2 Ground Controls (H-drive)

Item	Part No.	Description	Qty.
20-	6700GT	WASHER, STAR, EXTERNAL, .375	
21	66812GT	BUTTON,PUSH,RED MUSHROOM HEAD	1
21-	58627GT	NUT	
21-	66817GT	BASE WITH 1 NC CONTACT, E-STOP	
22	1284781GT	FORMING,CONTROL PANEL,TECH PRO,METRIC	1
23	51063GT	SCREW,PHILLIPS,RHM,10-32 X 1.5	2
24	96010GT	SCREW,PHILLIPS,PHM,8-32 X.25**	3
25	1272122GT	CONN, RECEP, 5 WAY, DEUTSCH, HD10	1
26	1272123GT	DUST CAP, RECEPTACLE, 5 WAY, CIRCULAR	1
27	1253477GT	SCREW,PHPM,4-40X.5,ZAG	4
28	826854GT	NUT,NYLOCK,4-40	4

Go to Discount-Equipment.com to order your parts



PARTS FINDER

**Search Website
by Part Number**



**Search Manual
Library For Parts
Manual & Lookup Part
Numbers – Purchase
or Request Quote**

Search Manuals

Enter your information to help us find the right parts manual for your machine.

* Brand:

* Model:

* Serial:

* Part Number:

SEARCH

**Can't Find Part or
Manual? Request Help
by Manufacturer,
Model & Description**

Parts Order Form

Please fill in the following information to help us find the right part for your machine.

Manufacturer:	<input type="text"/>
Model:	<input type="text"/>
Description:	<input type="text"/>
Part Number:	<input type="text"/>
Quantity:	<input type="text"/>
Notes:	<input type="text"/>

SEARCH

Discount-Equipment.com is your online resource for quality parts & equipment.

Florida: **561-964-4949** Outside Florida TOLL FREE: **877-690-3101**

Need parts?

Click on this link: <http://www.discount-equipment.com/category/5443-parts/> and choose one of the options to help get the right parts and equipment you are looking for. Please have the machine model and serial number available in order to help us get you the correct parts. If you don't find the part on the website or on one of the online manuals, please fill out the request form and one of our experienced staff members will get back to you with a quote for the right part that your machine needs.

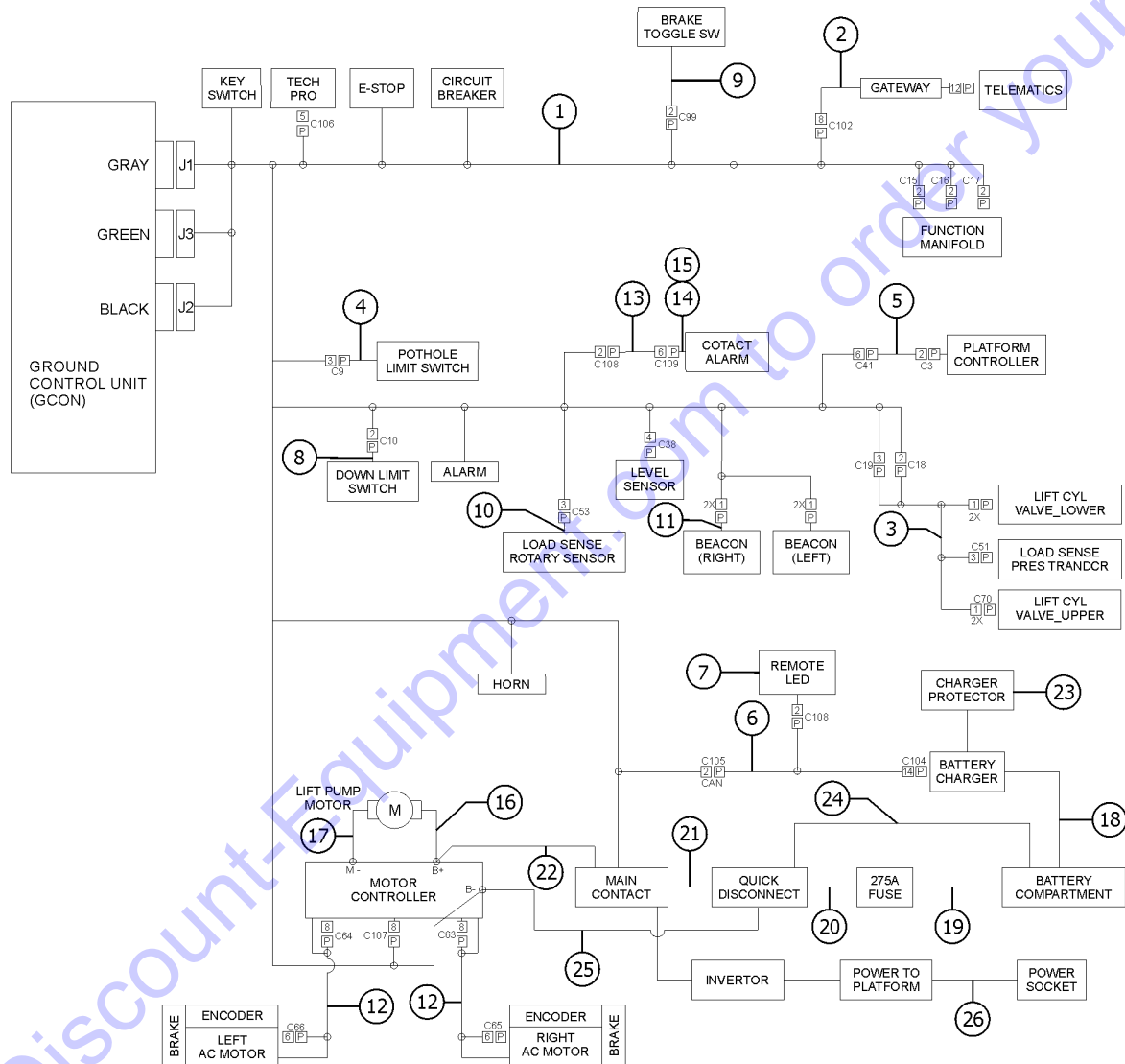
We sell worldwide for the brands: Genie, Terex, JLG, MultiQuip, Mikasa, Essick, Whiteman, Mayco, Toro Stone, Diamond Products, Generac Magnum, Airman, Haulotte, Barreto, Power Blanket, Nifty Lift, Atlas Copco, Chicago Pneumatic, Allmand, Miller Curber, Skyjack, Lull, Skytrak, Tsurumi, Husquvarna Target, Stow, Wacker, Sakai, Mi-T-M, Sullair, Basic, Dynapac, MBW, Weber, Bartell, Bennar Newman, Haulotte, Ditch Runner, Menegotti, Morrison, Contec, Buddy, Crown, Edco, Wyco, Bomag, Laymor, EZ Trench, Bil-Jax, F.S. Curtis, Gehl Pavers, Heli, Honda, ICS/PowerGrit, IHI, Partner, Imer, Clipper, MMD, Koshin, Rice, CH&E, General Equipment, Amida, Coleman, NAC, Gradall, Square Shooter, Kent, Stanley, Tamco, Toku, Hatz, Kohler, Robin, Wisconsin, Northrock, Oztec, Toker TK, Rol-Air, APT, Wylie, Ingersoll Rand / Doosan, Innovatech, Con X, Ammann, Mecalac, Makinex, Smith Surface Prep, Small Line, Wanco, Yanmar

209.1 Electrical Wiring - GS-2032/2632 (E-drive)

Item	Part No.	Description	Qty.
1	1298407GT	HARNESS,GS GROUND CONTROLLER,GS46	1
2	1289899GT	HARNESS, GATEWAY, GS	1
3	233053GT	CABLE,LFT CYL DN,20/26XX,W/LS	
		(GS-2032, GS-2632)	
4	1300887GT	ASSY,POTHOLE HARNESS GS32/GS46, E-DRI	1
5	233050GT	CABLE, PLATFORM CONTROL, 20XX	
		(GS-2032)	
5B	233051GT	CABLE, PLATFORM CONTROL, 26XX	
		(GS-2632)	
6	1272121GT	HARNESS,LED CHARGER,GS46	1
7	1306190GT	ASSEMBLY,CHARGER STATUS LED,3V	1
8	T112507GT	WIRE ASSY,DOWN LIMIT SW	1
8B	1309803GT	ASSEMBLY,DOWN LIMIT,GS,KO	1
		(Korea option)	
9	1301854GT	CABLE, BRAKE RELEASE SWITCH	1
10	T113136GT	ASSY,ROT SENSR W/HARNESS	1
11	1311603GT	ASSEMBLY, BEACON LED, 24V for GS	2
12	1303546GT	COMPOSITE MOTOR CABLE MID,E-DRIVE	2
13	1288727GT	CABLE,CONTACT ALARM,CHASSIS TO PLAT,20XX	
		(GS-2032) no longer available	
14	1288574GT	CABLE,CONTACT ALARM,45IN LINK	1
		no longer available	
15	1291053GT	HARNESS,CONTACT ALARM,GS46 PLATFORM	1
16	1297793GT	CABLE ASSY,MC TO POWER UNIT,RED	1
17	1297796GT	CABLE ASSY,MC TO POWER UNIT,BLK	1
18	1273576GT	CABLE ASSY,CHARGER/BATTERY	1
19	1297791GT	CABLE ASSY,BATT,5.50"RED	1
20	1297797GT	CABLE ASSY,FUSE TO QUIK,RED	1
21	1297799GT	CABLE ASSY,QUIK TO CONT,RED	1
22	1297795GT	CABLE ASSY,CONT TO MC,RED	1
23	1272557GT	POWER CORD, IEC 320, 90°	1
24	1297794GT	CABLE ASSY,BATT TO QUIK,BLK	1
25	1297798GT	CABLE ASSY,QUIK TO MC,BLK	1
26	43956GT	WIRE CABLE, 14/GA/3 CON. TPE JKT*	551
		(GS-2632)	



209.1 Electrical Wiring - GS-2032/2632 (E-drive)



Go to Discount-Equipment.com to order your parts

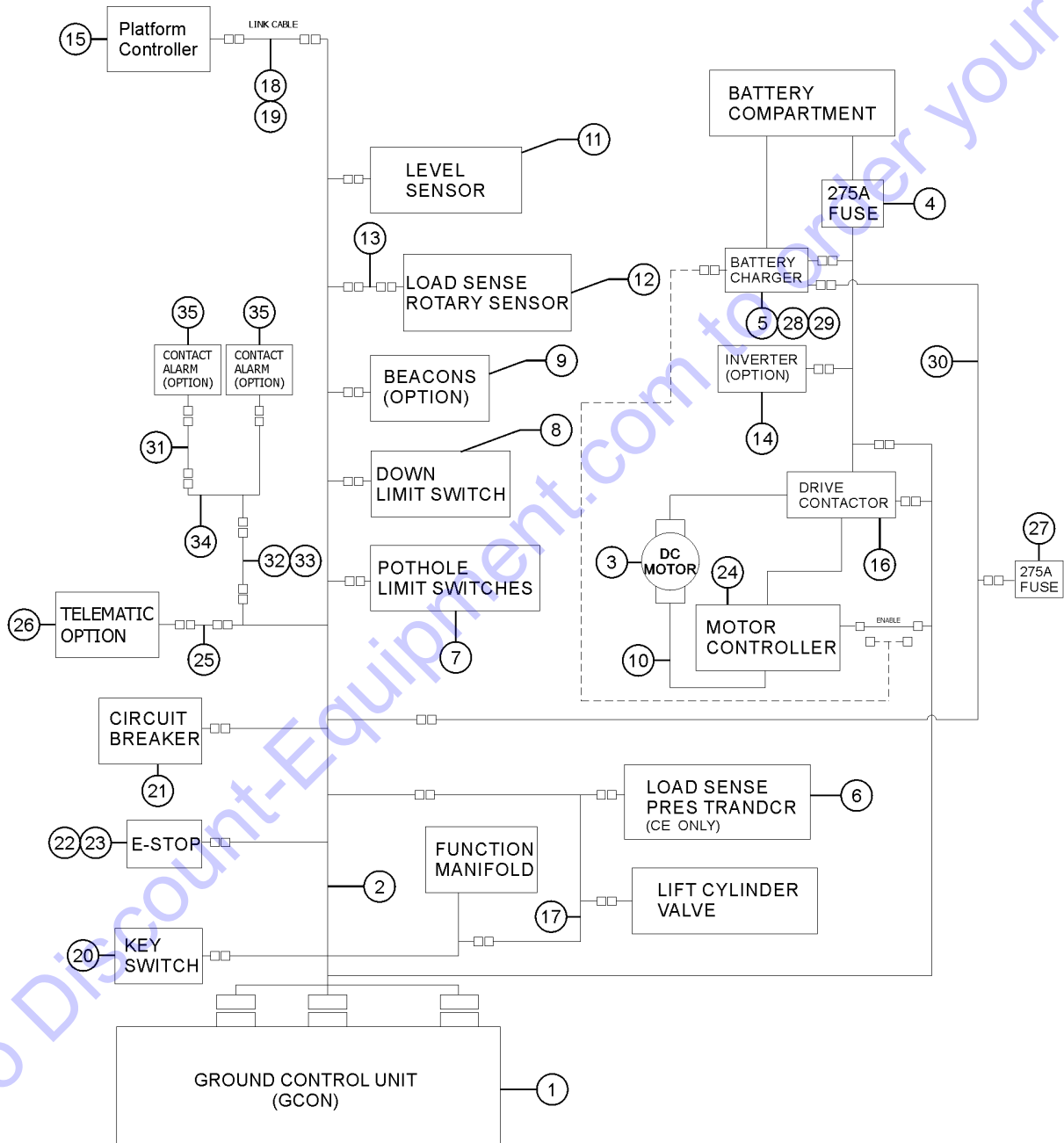
209.1 Electrical Wiring - GS-2032/2632 (E-drive)

<i>Item</i>	<i>Part No.</i>	<i>Description</i>	<i>Qty.</i>
26B	43956GT	WIRE CABLE, 14/GA/3 CON. TPE JKT* (GS-2032)	433

Go to Discount-Equipment.com to order your parts



209.2 Electrical Wiring - GS-2032/2632 (H-drive)

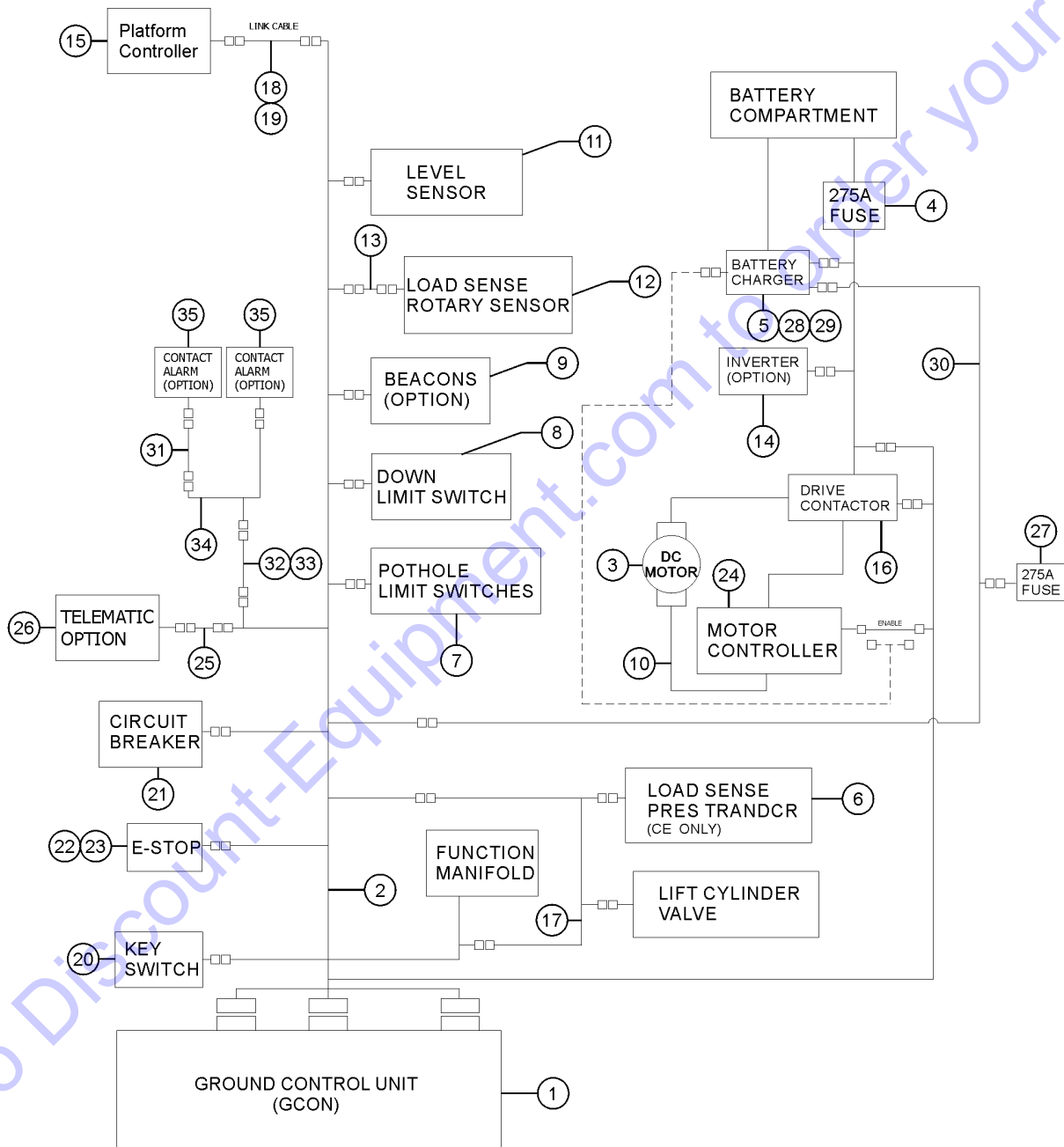


Go to Discount-Equipment.com to order your parts

Item	Part No.	Description	Qty.
1	1284285GT	GCON,STD,DUAL ZONE	1
2	1303914GT	HARNESS, GROUND CONTROLLER, GS32	1
3	40844GT	MOTOR,ELECTRIC,24VDC 4.5HP	1
4	40833GT	FUSE, 275AMP, VERY FAST ACTING	1
5	1264372GT	CHARGER,24V,650W,USB	1
6	1291577GT	PRESSURE TRANSDUCER,0-5K PSI	1
7	96309GT	POTHOLE HARNESS ASSEMBLY	
8	T112507GT	WIRE ASSY,DOWN LIMIT SW	1
8B	1308286GT	ASSEMBLY, DOWN LIMIT, GS46 (Korea option)	1
9	1311603GT	ASSEMBLY, BEACON LED, 24V for GS	2
10	1307205GT	BATTERY CABLE ASSEMBLY, GS30/32	1
11	823368GT	SENSOR,LEVEL,UNIVERSAL	1
12	T113136GT	ASSY,ROT SENSR W/HARNESS	1
13	T114031GT	HARNESS, ROTARY ANGLE	1
14	1293284GT	INVERTER,24VDC,120VAC 800W	1
15	1283792GT	PCON,STD,DUAL ZONE,GS/GR	1
16	1270456GT	CONTACTOR,DRIVE,24V,180A	1
17	233053GT	CABLE,LFT CYL DN,20/26XX,W/LS	1
18	233050GT	CABLE, PLATFORM CONTROL, 20XX	1
19	233051GT	CABLE, PLATFORM CONTROL, 26XX	1
20	96008-SGT	KEYSWITCH,3 POS. W/KEYS***	1
21	96452GT	CIRCUIT BREAKER, 7.0 AMP***	1
22	66812GT	BUTTON,PUSH,RED MUSHROOM HEAD	1
23	66817GT	BASE WITH 1 NC CONTACT, E-STOP	1
24	1257840GT	MOTOR CONTROLLER,DC,24V,360A	1
25	1289899GT	HARNESS, GATEWAY, GS	1
26	1291334GT	OPTION, GENIE TELEMATICS, NORTH AMERICA	1
27	1306190GT	ASSEMBLY,CHARGER STATUS LED,3V	1



209.2 Electrical Wiring - GS-2032/2632 (H-drive)



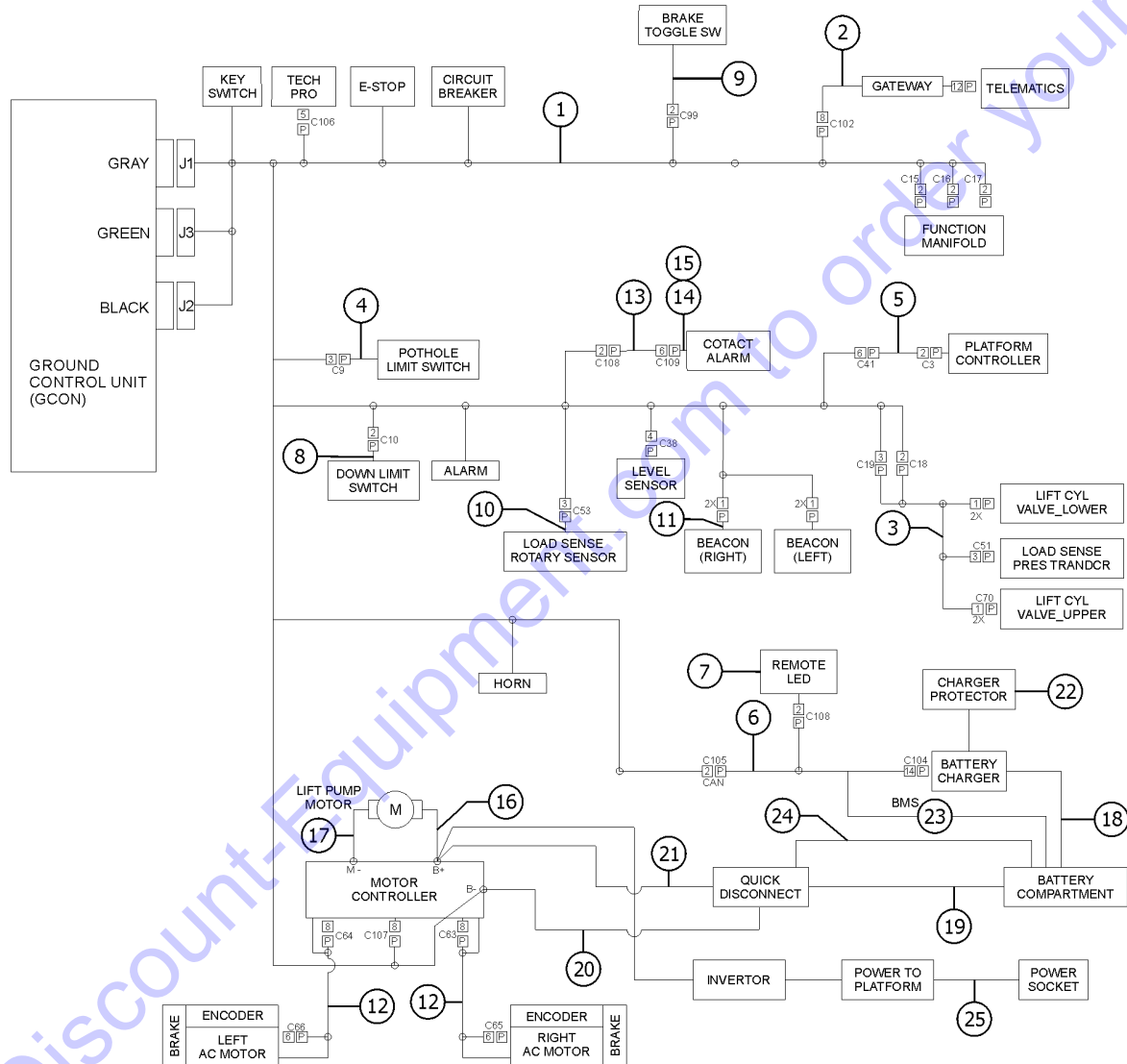
Go to Discount-Equipment.com to order your parts

Item	Part No.	Description	Qty.
28	1273576GT	CABLE ASSY,CHARGER/BATTERY	1
29	1272844GT	CABLE,CHARGER, DC, W/ BTS	1
30	1272120GT	HARNESS,LED CHARGER,GS32	1
31	1288574GT	CABLE,CONTACT ALARM,45IN LINK	1
		no longer available	
32	1288727GT	CABLE,CONTACT ALARM,CHASSIS TO PLAT,20XX	1
		no longer available	
33	1288728GT	CABLE,CONTACT ALARM,CHASSIS TO PLAT,26XX	1
		no longer available	
34	1291052GT	HARNESS,CONTACT ALARM,GS32 PLATFORM	1
35		ASSEMBLY, LIFTGUARD CONTACT ALARM	2
		(no longer available)	

Go to Discount-Equipment.com to order your parts



209.3 Electrical Wiring - GS-2032/2632 (Li Option)



Go to Discount-Equipment.com to order your parts

209.3 Electrical Wiring - GS-2032/2632 (Li Option)

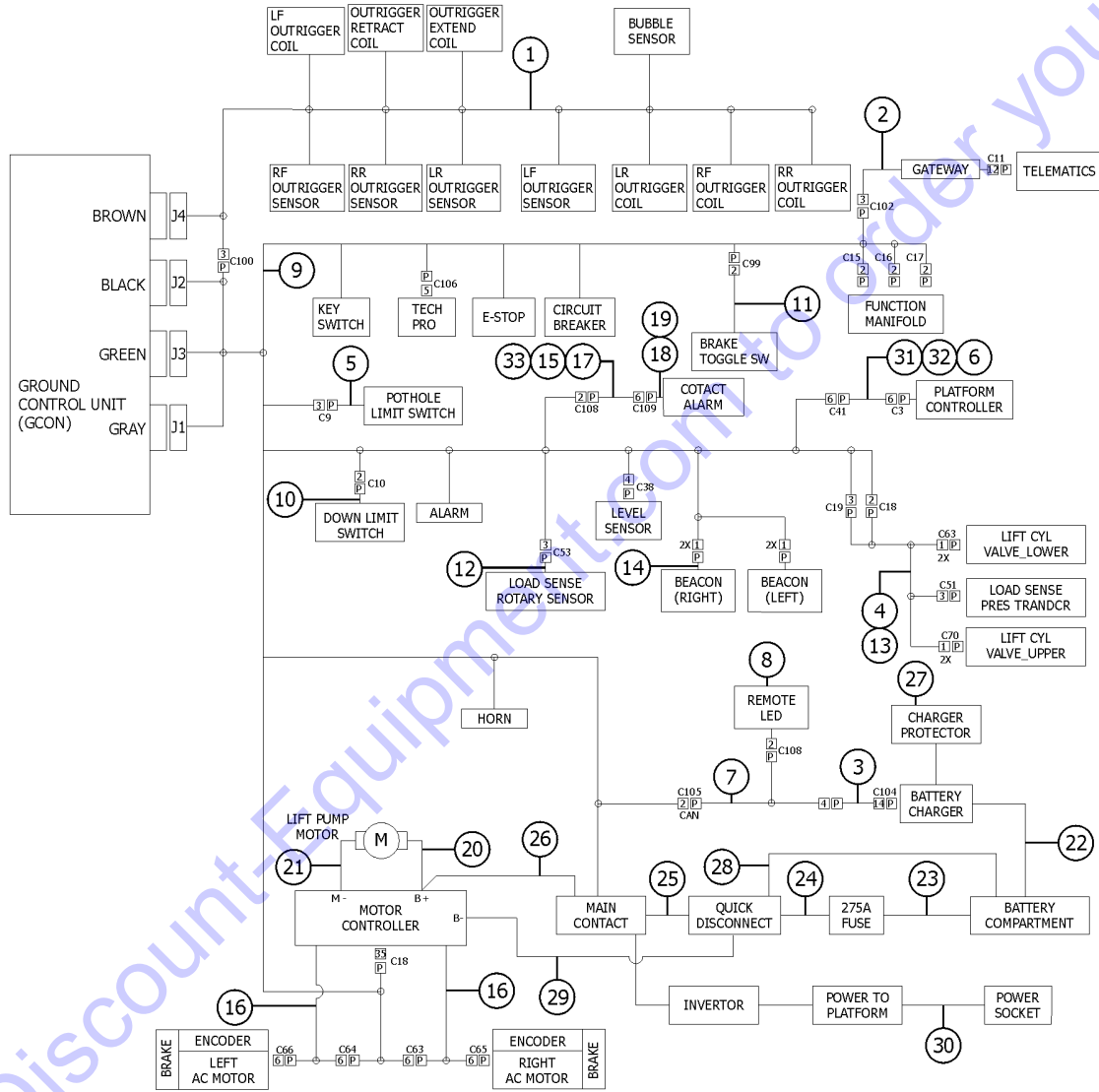
Item	Part No.	Description	Qty.
1	1306577GT	HARNESS,GCON,LITHIUM,GS32/GS46	1
2	1289899GT	HARNESS, GATEWAY, GS	1
3	233053GT	CABLE,LFT CYL DN,20/26XX,W/LS (GS-2032, GS-2632)	
4	1300887GT	ASSY,POTHOLE HARNESS GS32/GS46, E-DRI	1
5	233050GT	CABLE, PLATFORM CONTROL, 20XX (GS-2032)	
5B	233051GT	CABLE, PLATFORM CONTROL, 26XX (GS-2632)	1
6	1306162GT	HARNESS,LFP,BMS,GS30	1
7	1306190GT	ASSEMBLY,CHARGER STATUS LED,3V	1
8	T112507GT	WIRE ASSY,DOWN LIMIT SW	1
8B	1308286GT	ASSEMBLY, DOWN LIMIT, GS46 (Korea option)	1
9	1301854GT	CABLE, BRAKE RELEASE SWITCH	1
10	T113136GT	ASSY,ROT SENSR W/HARNESS	1
11	1311603GT	ASSEMBLY, BEACON LED, 24V for GS	2
12	1303546GT	COMPOSITE MOTOR CABLE MID,E-DRIVE	2
13		CABLE,CONTACT ALARM,CHASSIS TO PLAT,20XX GS-2032) no longer available	
14		CABLE,CONTACT ALARM,45IN LINK no longer available	1
15	1291053GT	HARNESS,CONTACT ALARM,GS46 PLATFORM	1
16	1297793GT	CABLE ASSY,MC TO POWER UNIT,RED	1
17	1297796GT	CABLE ASSY,MC TO POWER UNIT,BLK	1
18	1273576GT	CABLE ASSY,CHARGER/BATTERY	1
19	1306878GT	CABLE ASSY,RD,LFP,BAT TO QD,GS32/46	1
20	1297798GT	CABLE ASSY,QUIK TO MC,BLK	1
21	1306882GT	CABLE ASSY,RD,LFP,QD TO MC,GS32/46	1
22	1272557GT	POWER CORD, IEC 320, 90°	1
23	1308050GT	HARNESS,LFP,BMS	1
24	1306879GT	CABLE ASSY,BK,LFP,BAT TO QD,GS32/46	1
25	43956GT	WIRE CABLE, 14/GA/3 CON. TPE JKT* (GS-2632)	551
25B	43956GT	WIRE CABLE, 14/GA/3 CON. TPE JKT* (GS-2032)	433



Item	Part No.	Description	Qty.
1	1303748GT	HARNESS,GS GROUND CONTROLLER,GS3232	1
2	1289899GT	HARNESS, GATEWAY, GS	1
3	1265771GT	HARNESS, CHARGER CONTROL	1
4	233055GT	CABLE,LIFT CYL DWN, 32XX,W/LS	1
5	1300887GT	ASSY,POTHOLE HARNESS GS32/GS46, E-DRI	1
6	233052GT	CABLE, PLATFORM CONTROL, 32XX	1
7	1273394GT	HARNESS ,CHARGER EXTENSION	1
8	1306190GT	ASSEMBLY,CHARGER STATUS LED,3V	1
9	1304120GT	HARNESS,OUTRIGGER 3232,E-DRIVE	1
10	T112507GT	WIRE ASSY,DOWN LIMIT SW	1
10B	1308286GT	ASSEMBLY, DOWN LIMIT, GS46 (Korea option)	1
11	1301854GT	CABLE, BRAKE RELEASE SWITCH	1
12	T113136GT	ASSY,ROT SENSR W/HARNESS	1
13	233053GT	CABLE,LFT CYL DN,20/26XX,W/LS	1
14	1311603GT	ASSEMBLY, BEACON LED, 24V for GS	2
15	1288727GT	CABLE,CONTACT ALARM,CHASSIS TO PLAT,20XX no longer available	1
16	1303546GT	COMPOSITE MOTOR CABLE MID,E-DRIVE	2
17	1288729GT	CABLE,CONTACT ALARM,CHASSIS TO PLAT,32XX no longer available	1
18	1288574GT	CABLE,CONTACT ALARM,45IN LINK no longer available	1
19	1291052GT	HARNESS,CONTACT ALARM,GS32 PLATFORM	1
20	1297793GT	CABLE ASSY,MC TO POWER UNIT,RED	1
21	1297796GT	CABLE ASSY,MC TO POWER UNIT,BLK	1
22	1273576GT	CABLE ASSY,CHARGER/BATTERY	1
23	1297791GT	CABLE ASSY,BATT,5.50"RED	1
24	1297797GT	CABLE ASSY,FUSE TO QUIK,RED	1
25	1297799GT	CABLE ASSY,QUIK TO CONT,RED	1
26	1297795GT	CABLE ASSY,CONT TO MC,RED	1
27	1272557GT	POWER CORD, IEC 320, 90°	1



210.1 Electrical Wiring - GS-3232



Go to DiscountEquipment.com to order your parts

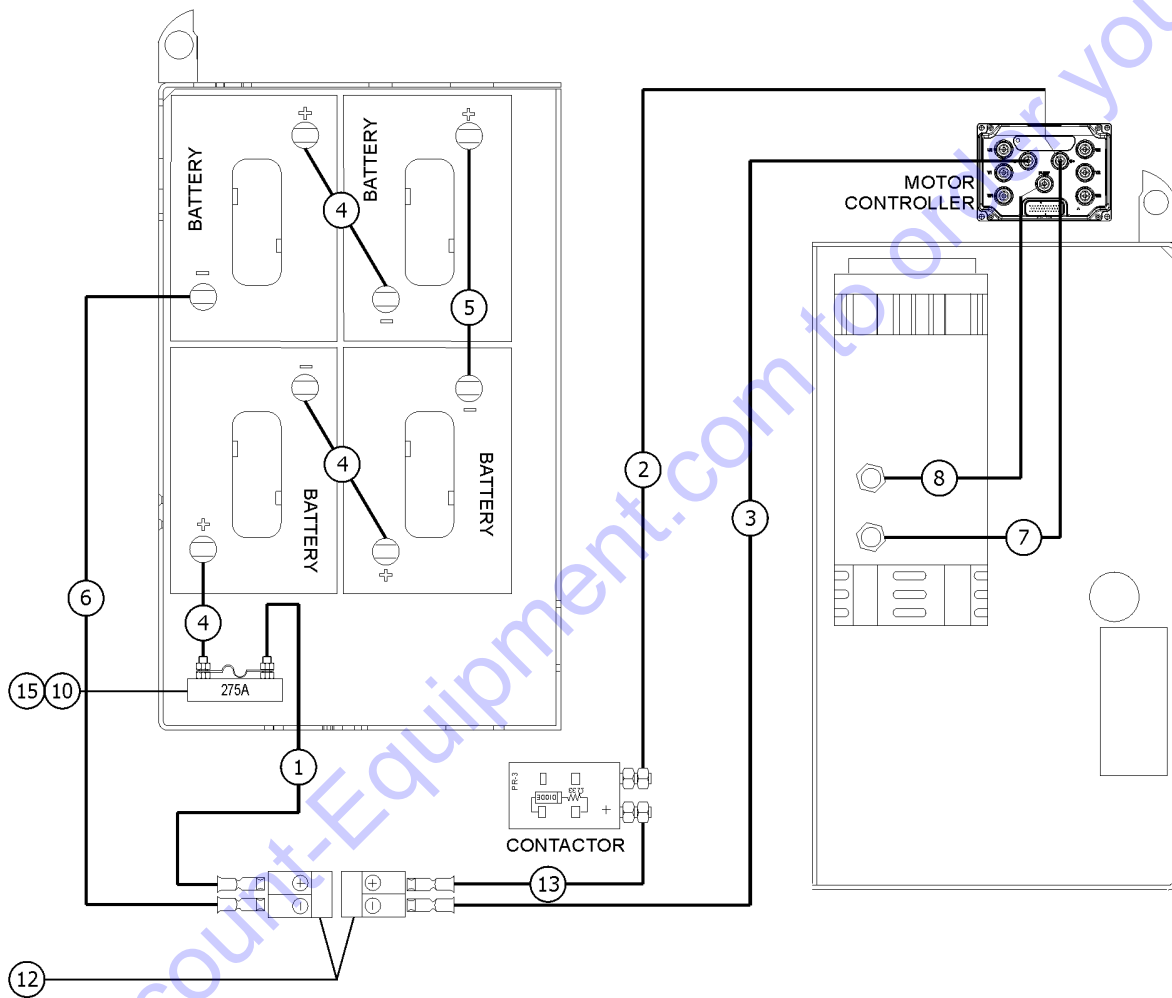
210.1 Electrical Wiring - GS-3232

Item	Part No.	Description	Qty.
28	1297794GT	CABLE ASSY,BATT TO QUIK,BLK	1
29	1297798GT	CABLE ASSY,QUIK TO MC,BLK	1
30	43956GT	WIRE CABLE, 14/GA/3 CON. TPE JKT*	630
31	233050GT	CABLE, PLATFORM CONTROL, 20XX	1
32	233051GT	CABLE, PLATFORM CONTROL, 26XX	1
33	1288728GT	CABLE,CONTACT ALARM,CHASSIS TO PLAT,26XX	1
		no longer available	

Go to Discount-Equipment.com to order your parts



211.1 Power Cables (E-drive)



Go to Discount-Equipment.com to order your parts

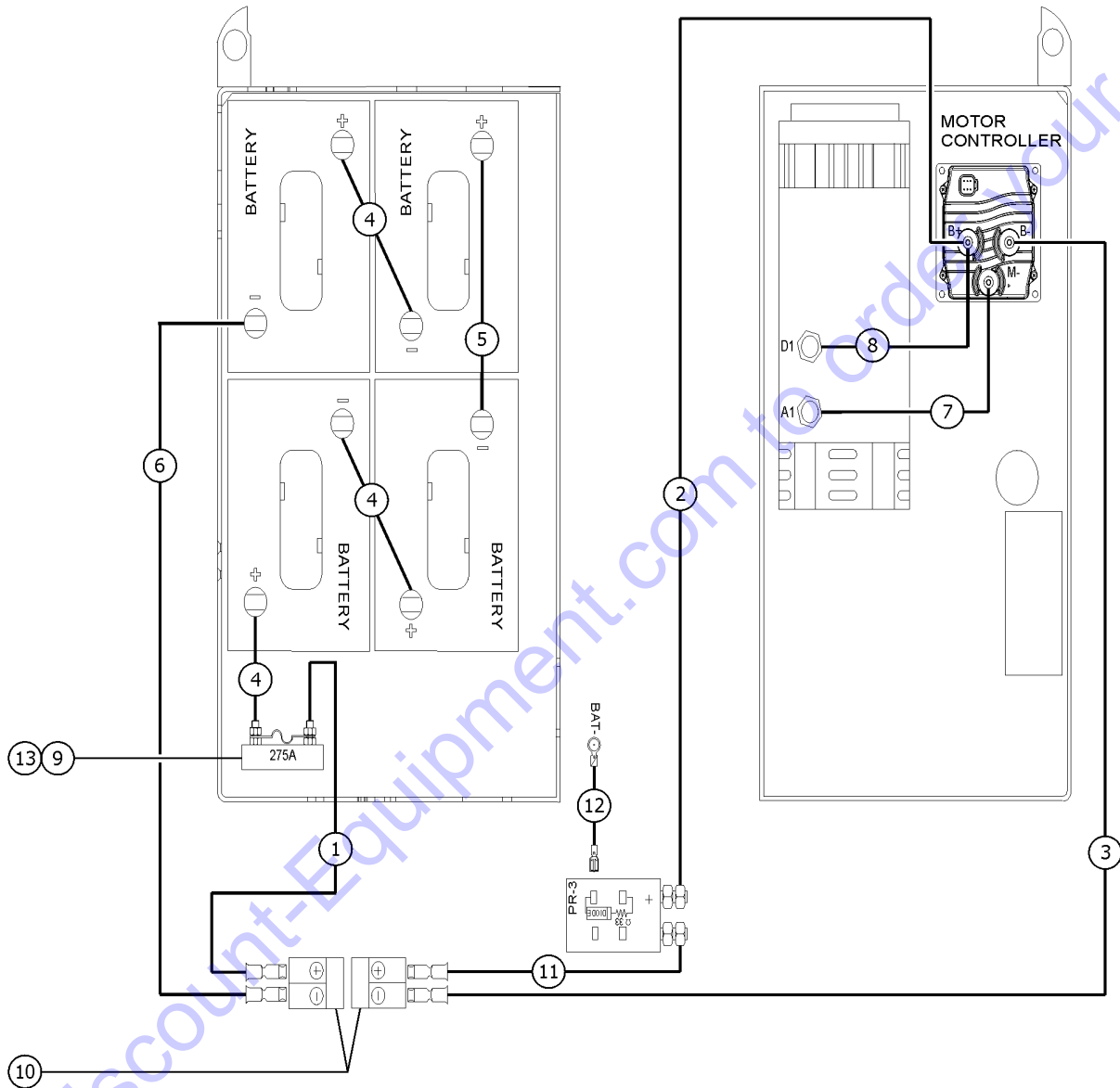
211.1 Power Cables (E-drive)

Item	Part No.	Description	Qty.
1	1297797GT	CABLE ASSY,FUSE TO QUIK,RED	1
2	1297795GT	CABLE ASSY,CONT TO MC,RED	1
3	1297798GT	CABLE ASSY,QUIK TO MC,BLK	1
4	1297791GT	CABLE ASSY,BATT,5.50"RED	3
5	1297792GT	CABLE ASSY,BATT,9.50"RED	1
6	1297794GT	CABLE ASSY,BATT TO QUIK,BLK	1
7	1297793GT	CABLE ASSY,MC TO POWER UNIT,RED	1
8	1297796GT	CABLE ASSY,MC TO POWER UNIT,BLK	1
9	28131GT	WIRE LOOM,1.25 DIA	16
10	66717GT	FUSE BLOCK, ANN & ANL FUSE	1
11	96110GT	BOOT, CABLE, TERMINAL COVER	15
12	1288481GT	QUICK DISCONNECT CASING, BATT SB120	2
13	1297799GT	CABLE ASSY,QUIK TO CONT,RED	1
14	79140GT	BOOT,CABLE TERMINAL,RED,XL	1
15	40833GT	FUSE, 275AMP, VERY FAST ACTING	1

Go to Discount-Equipment.com to order your parts



211.2 Power Cables (H-drive)



Go to Discount-Equipment.com to order your parts

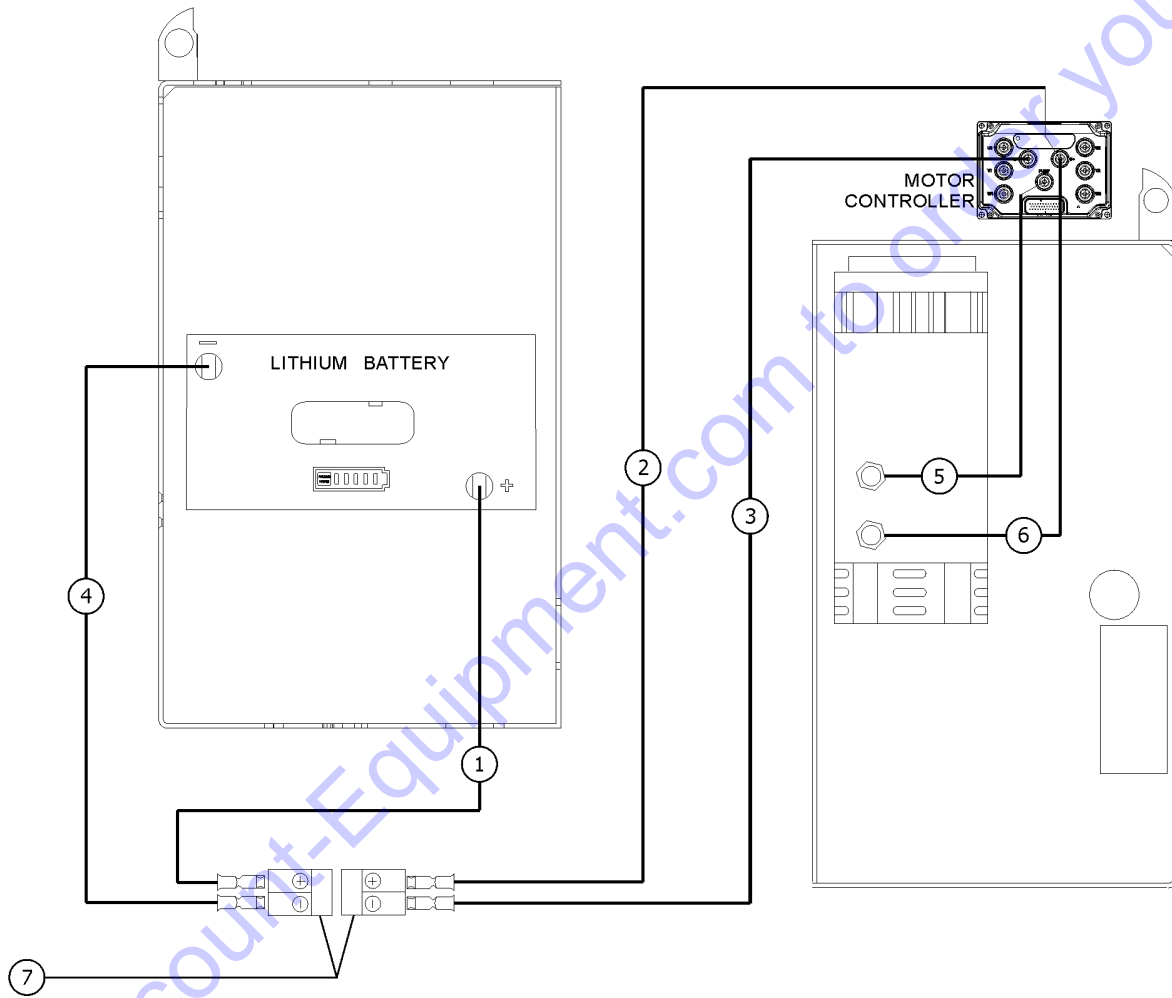
211.2 Power Cables (H-drive)

Item	Part No.	Description	Qty.
1	232576GT	CABLE ASSY,BATT, 12" RED	1
2	1257059GT	CABLE ASSY.,BATT. 74.5"RED	1
3	1257058GT	CABLE ASSY., BATT. 79" BLACK	1
4	96304GT	CABLE ASSY,BATT,5.50"RED	3
5	96306GT	CABLE ASSY,BATT,9.50"RED	1
6	232578GT	CABLE ASSY,BATT, 20" BLK	1
7	1257055GT	CABLE ASSY., BATT. 9.5" BLACK	1
8	1257054GT	CABLE ASSY., BATT. 11.5" RED	1
9	66717GT	FUSE BLOCK, ANN & ANL FUSE	1
10	66397GT	QUICK DISCONNECT CASING,BATT**	2
11	233371GT	CABLE ASSY, BATT, 23"RD	1
12	232582GT	GROUND WIRE ASSY,GS	1
13	40833GT	FUSE, 275AMP, VERY FAST ACTING	1

Go to Discount-Equipment.com to order your parts



211.3 Power Cables (Li Option)



Go to Discount-Equipment.com to order your parts

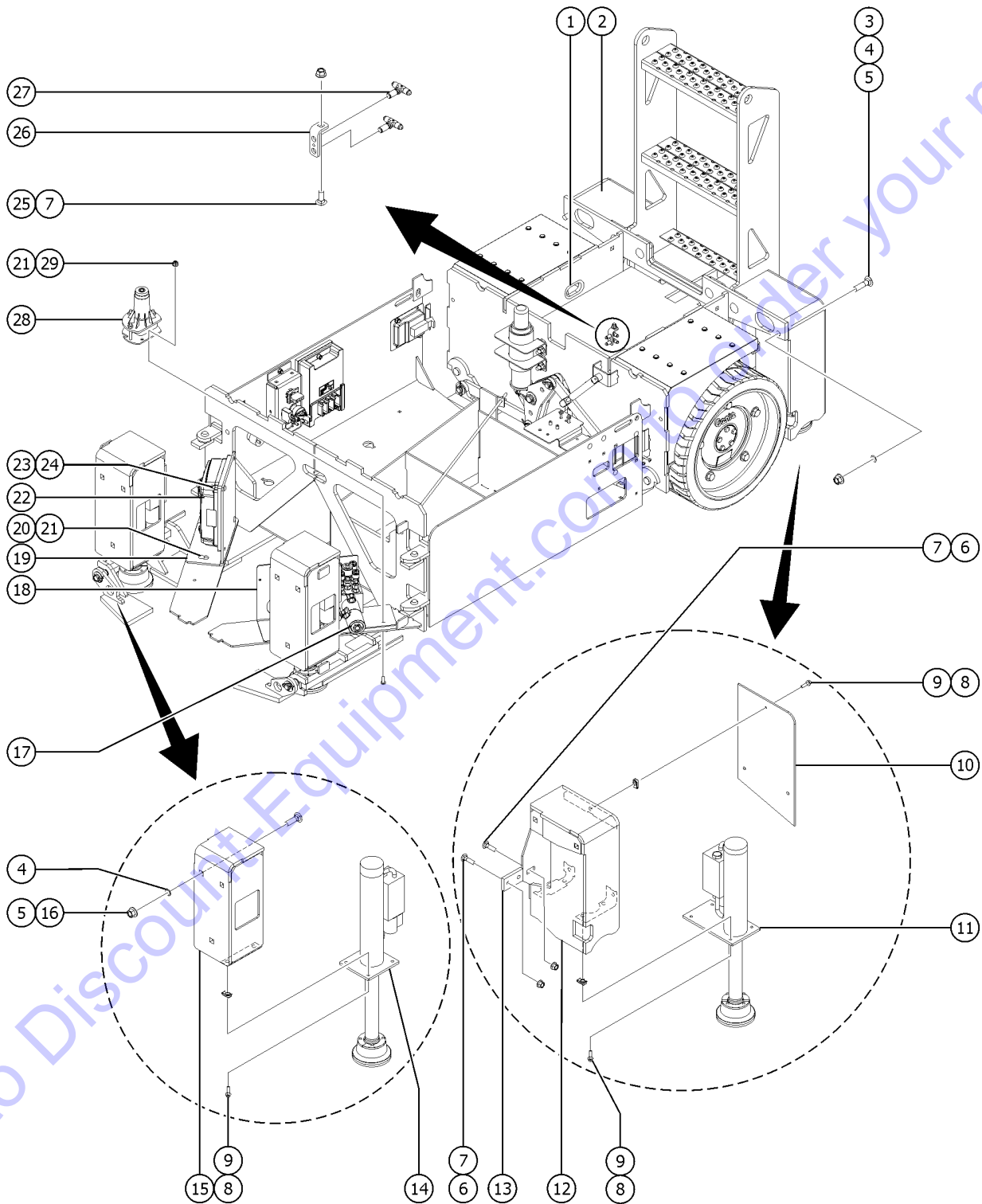
211.3 Power Cables (Li Option)

Item	Part No.	Description	Qty.
1	1306878GT	CABLE ASSY,RD,LFP,BAT TO QD,GS32/46	1
2	1306882GT	CABLE ASSY,RD,LFP,QD TO MC,GS32/46	1
3	1297798GT	CABLE ASSY,QUIK TO MC,BLK	1
4	1306879GT	CABLE ASSY,BK,LFP,BAT TO QD,GS32/46	1
5	1297796GT	CABLE ASSY,MC TO POWER UNIT,BLK	1
6	1297793GT	CABLE ASSY,MC TO POWER UNIT,RED	1
7	1288481GT	QUICK DISCONNECT CASING, BATT SB120	2
8	96110GT	BOOT, CABLE, TERMINAL COVER	3
		not shown	
9	79140GT	BOOT,CABLE TERMINAL,RED,XL	1
		not shown	
10	51147GT	BOOT,CABLE TERMINAL,LG,RED,2/0	1
		not shown	
11	55748GT	BOOT,CABLE TERMINAL,SMALL	1
		not shown	
12	28131GT	WIRE LOOM,1.25 DIA	16
		not shown	

Go to Discount-Equipment.com to order your parts



212.1 Outrigger Components, GS-3232

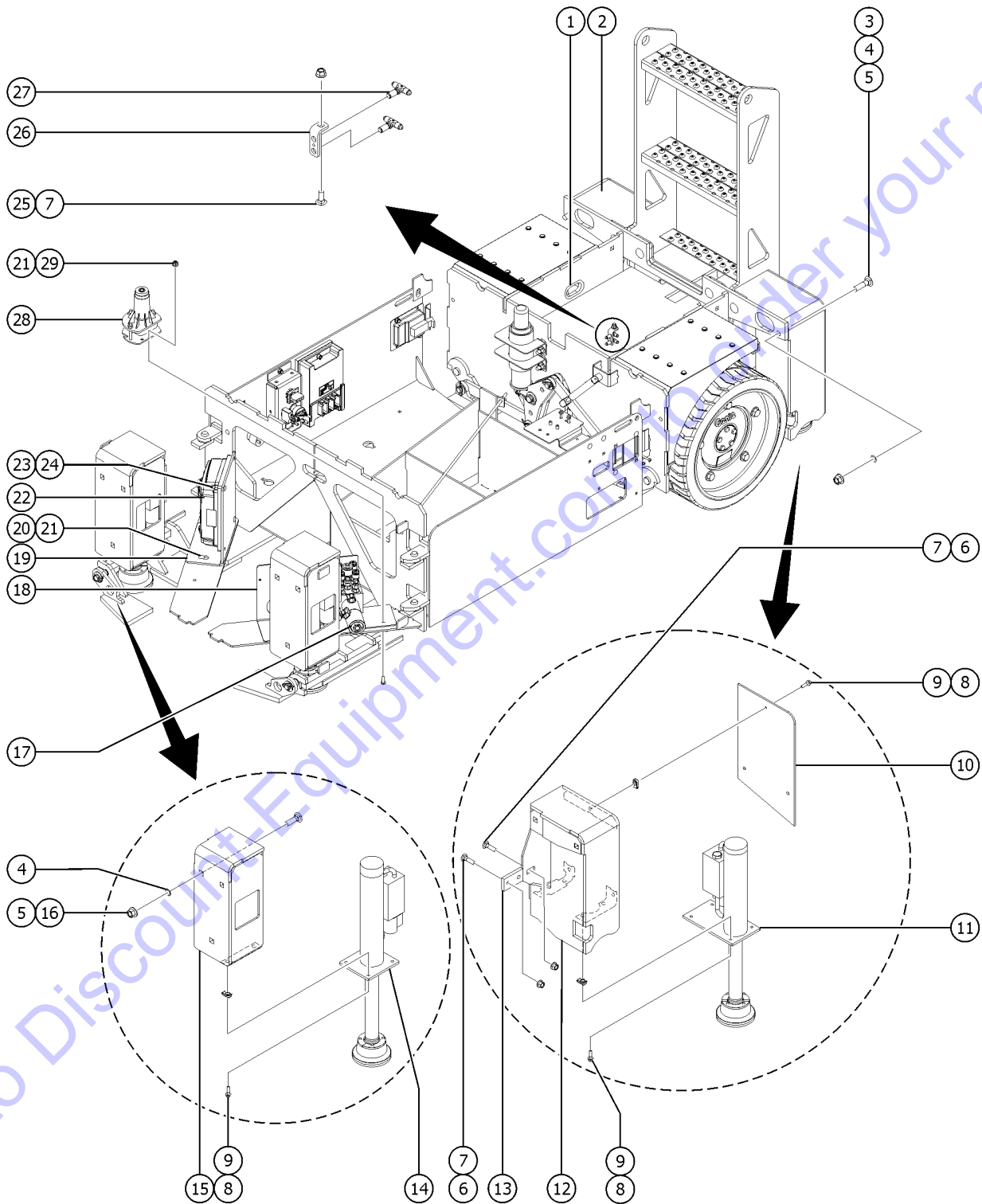


212.1 Outrigger Components, GS-3232

Item	Part No.	Description	Qty.
1	131582GT	GROMMET,RUBBER,1.50IDX.375	2
2	1304908GT	WLDMT,OUTRIGGER,RR	2
3	1255759GT	BOLT,CARRIAGE,1/2-13X2,5,ZAG	4
4	105634GT	WASHER,PUSH ON .75 SHAFT	4
5	1274172GT	NUT,NYLOCK FLG,1/2-13,G,ZAG	4
6	1256756GT	BOLT,CARRIAGE,3/8-16X1.5,5,ZAG	6
7	1274322GT	NUT,NYLOCK FLG,3/8-16,F,ZAG	7
8	824079GT	SCREW,HHF,1/4-20X1,8,ZAG	22
9	56912GT	SPRING CLIP,1/4-20,.025-.15X.54,ZAG	22
10	109745GT	PLATE,REAR COVER	2
11		Ref: Outrigger Cylinder, Rear (refer to 506.1)	
12	1304907GT	WLDMT,OUTRIGGER,LR	2
13	105758GT	PLATE, SHEAR, OUTRIGGER	2
14		Ref: Outrigger Cylinder, Front (refer to 506.1)	
15	1304815GT	WLDMNT,OUTRIGGER,FRONT	2
16	1256115GT	BOLT,CARRIAGE,1/2-13X1.75,5,ZAG	6
17		Ref: Outrigger Function Manifold (refer to 507.1)	1
18	1301745GT	FORMING,3232 COMPONENT BRRACKET,E-DRIVE	1
18-	824124GT	BOLT, CARRIAGE, 1/4-20 X .75, 5, ZAG	2
18-	1277924GT	NUT,NYLOCK FLG,1/4-20,F,ZAG	2
19	1299051GT	FORMING, MC BRACKET GS32/46	1
20	824124GT	BOLT, CARRIAGE, 1/4-20 X .75, 5, ZAG	2
21	1277924GT	NUT,NYLOCK FLG,1/4-20,F,ZAG	5
22	1303778GT	MOTOR CONTROLLER,24V,120A DUAL AC,200A PUMP	1
23	1256463GT	BOLT,CARRIAGE,1/4-20X1.25,5,ZAG	4
24	1274165GT	NUT,NYLOCK,1/4-20,C,ZAG	4
25	824125GT	BOLT,CARRIAGE,3/8-16X1,5,ZAG	1
26	1304830GT	FORMING,TEE	1



212.1 Outrigger Components, GS-3232



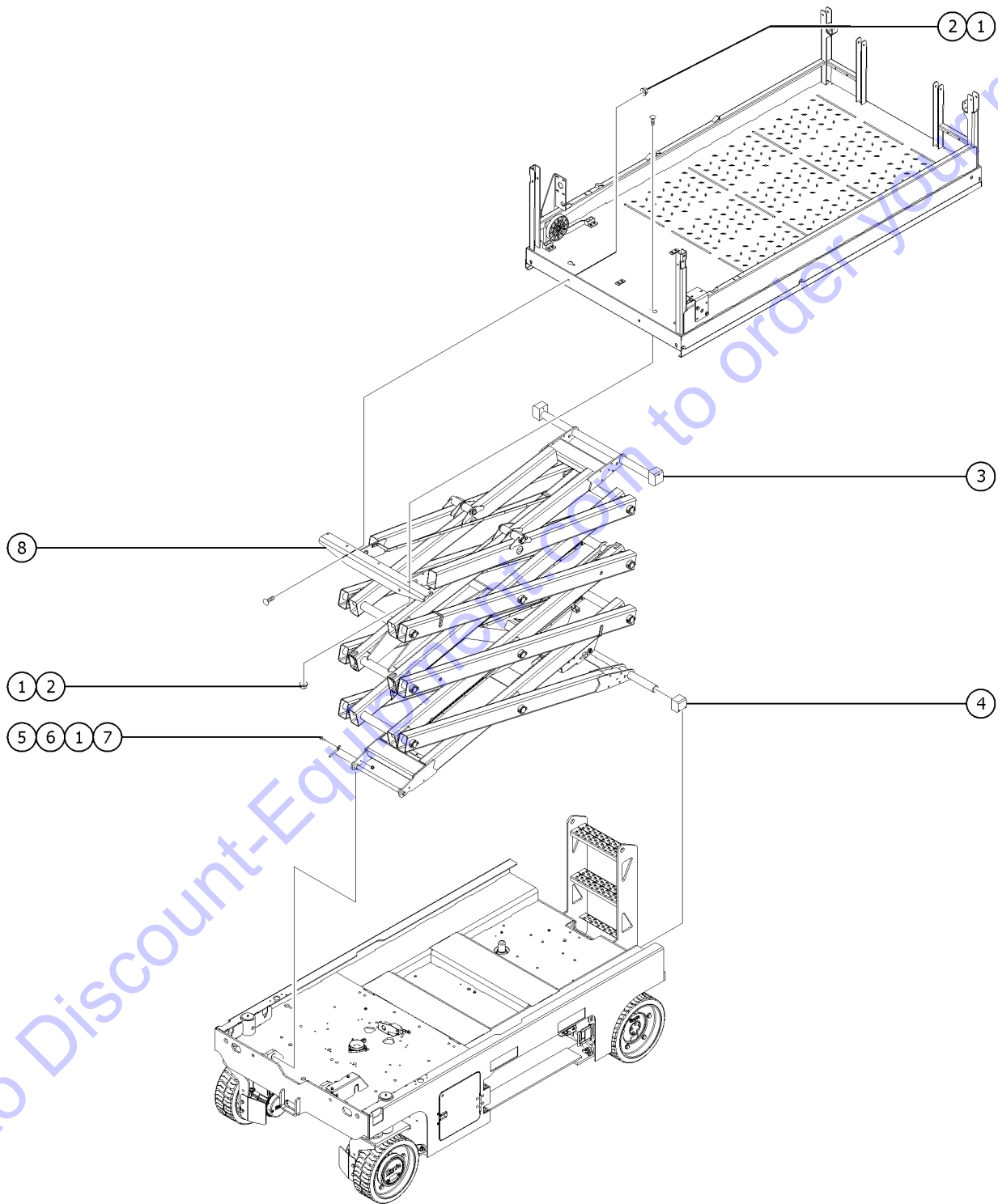
212.1 Outrigger Components, GS-3232

Item	Part No.	Description	Qty.
27	1304513GT	TEE, UNION, 070959-4, WLN	2
28	105708GT	LEVEL SENSOR, ANALOG to GS32D-12075	1
29	1260984GT	SCREW,PHPM,1/4-20X.75,ZAG	3

Go to Discount-Equipment.com to order your parts



301.1 Scissor Assembly Installation



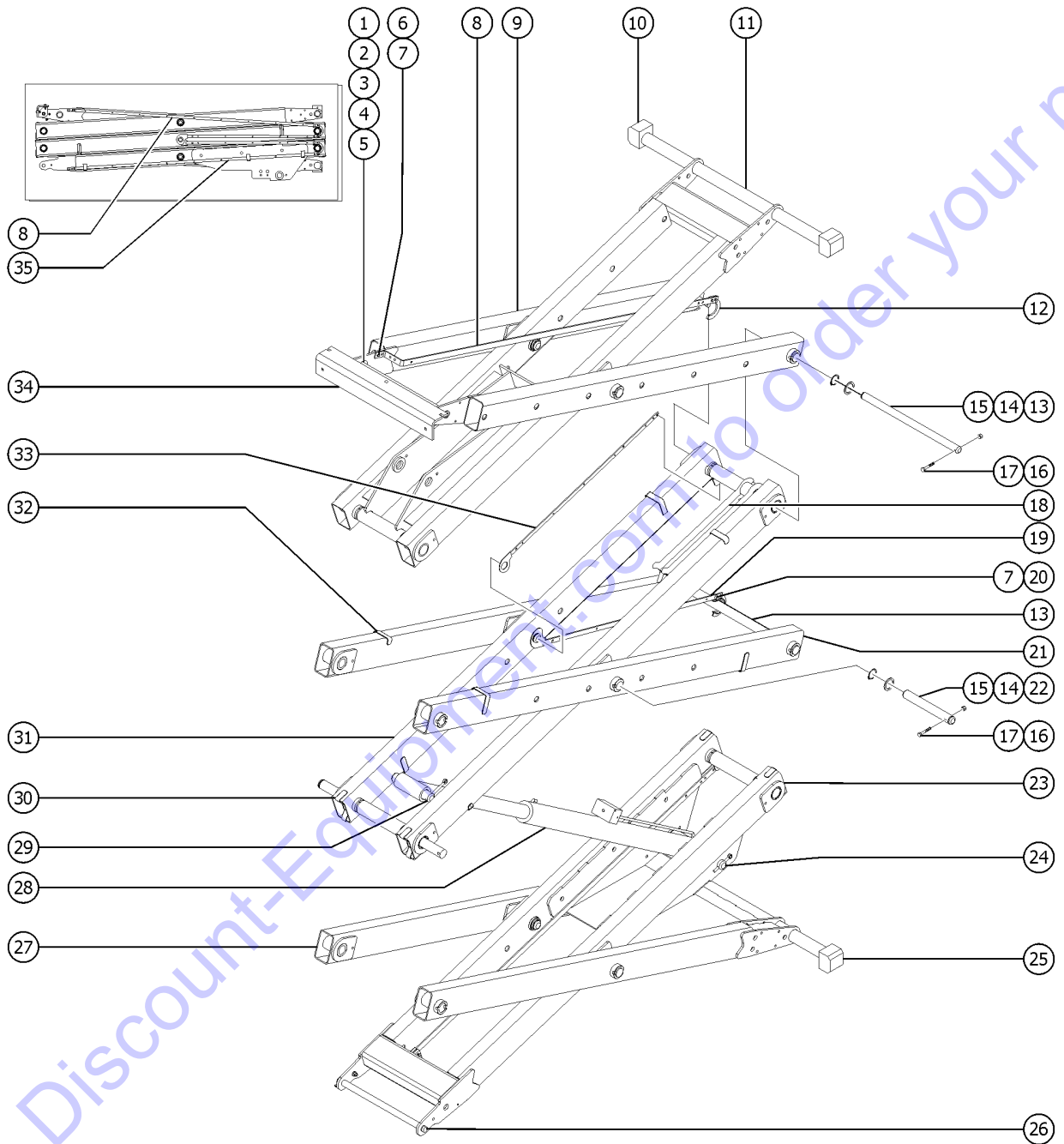
301.1 Scissor Assembly Installation

Item	Part No.	Description	Qty.
1	1274322GT	NUT,NYLOCK FLG,3/8-16,F,ZAG	8
2	1255757GT	BOLT,CARRIAGE,3/8-16X1.25,5,ZAG	4
3	1300939GT	SLIDER, UHMW, GSXX46 PLATFORM	2
4	96595GT	SLIDER,UHMW	2
5	824092GT	SCREW, HHF, 3/8-16 X 1.5, 8, ZAG	2
6	825019GT	ROD END, .375X3.69, ZAG	2
7	1302259GT	PIN,LINKSET MOUNT	1
8	132310GT	WELDMENT,PLATFORM MOUNT	1
8-	36369GT	BEARING,0.75IDX1.00ODX0.75L	1

Go to Discount-Equipment.com to order your parts



302.1 Scissor Assembly, GS-2032



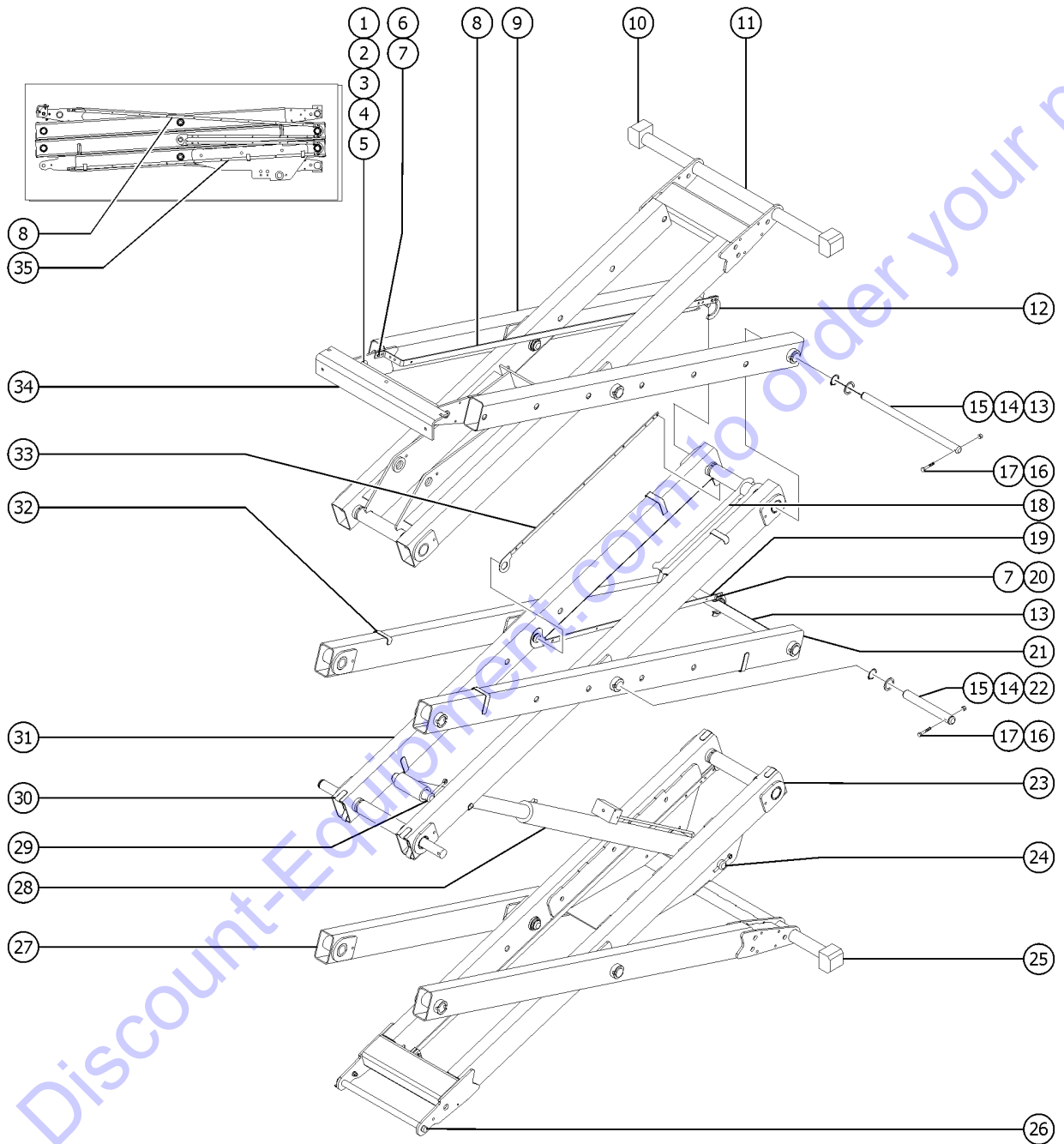
Go to Discount-Equipment.com to order your parts



Item	Part No.	Description	Qty.
1	96932GT	PIN, LINKSET MOUNT, 3/4"	1
2	825020GT	ROD END, .25 X 2.75, ZAG	2
3	824080GT	SCREW, HHF, 1/4-20 X 1.25, 8, ZAG	2
4	1277924GT	NUT, NYLOCK FLG, 1/4-20, F, ZAG	2
5	36369GT	BEARING, 0.75IDX1.00ODX0.75L	2
6	1256127GT	BOLT, CARRIAGE, 1/4-20X1", GR 5, ZAG	2
7	1256679GT	NUT, SERRATED, 1/4-20, 8, ZAG	5
8	132267GT	BAR, CABLE BRIDGE ARM, UPPER	1
9	132304GT	WLDMT, LNK, OUTER#3-20XX, #5-32XX	2
10		Ref. Platform Slider	
		(refer to 301.1)	
11	132299GT	WLDMT, LNK, INNER #3, 2032	1
11-	66055GT	BEARING, 1.50IDX1.77ODX1.25L	6
12	105193GT	CLIP, CABLEBRIDGE, GS32/46	2
13	96899GT	PIN, LONG, GS46	4
14	1260941GT	WASHER, SHIM, 1.54X2.00X.125, ZAG	10
15	825796GT	SNAP RING, EXTERNAL, 1.50, ZAG	8
16	1260940GT	SCREW, HHC, 3/8-16X3, 8, ZAG	10
17	1274166GT	NUT, NYLOCK, 3/8-16, C, ZAG	10
18	58000GT	SAFETY CHOCK, SCISSOR	1
		US part number	
18B	229571GT	ASSEMBLY, CHOCK	1
		China part number	
19	132270GT	WLDMT, CABLE BRIDGE, BOTTOM	2
20	1260963GT	BOLT, CARRIAGE, 1/4-20X.63, 5, ZAG	2
21	132298GT	WLDMT, LNK, OUTER #2, #3, #4	2
22	96900GT	PIN, SHORT, GS46	6
23	1300079GT	ASSEMBLY, LINK, INNER #1	1
		(decals not included refer to section one)	
23-	51474GT	BEARING, 1.00IDX1.25ODX0.75L	2
23-	1299483GT	WELDMENT, LNK, LOWER1, E-DRIVE	1
		(bearings not included)	
23B	1306187GT	WELDMENT, LOWER LINK XX32.46, KOREA	1
		(Korea option)	



302.1 Scissor Assembly, GS-2032

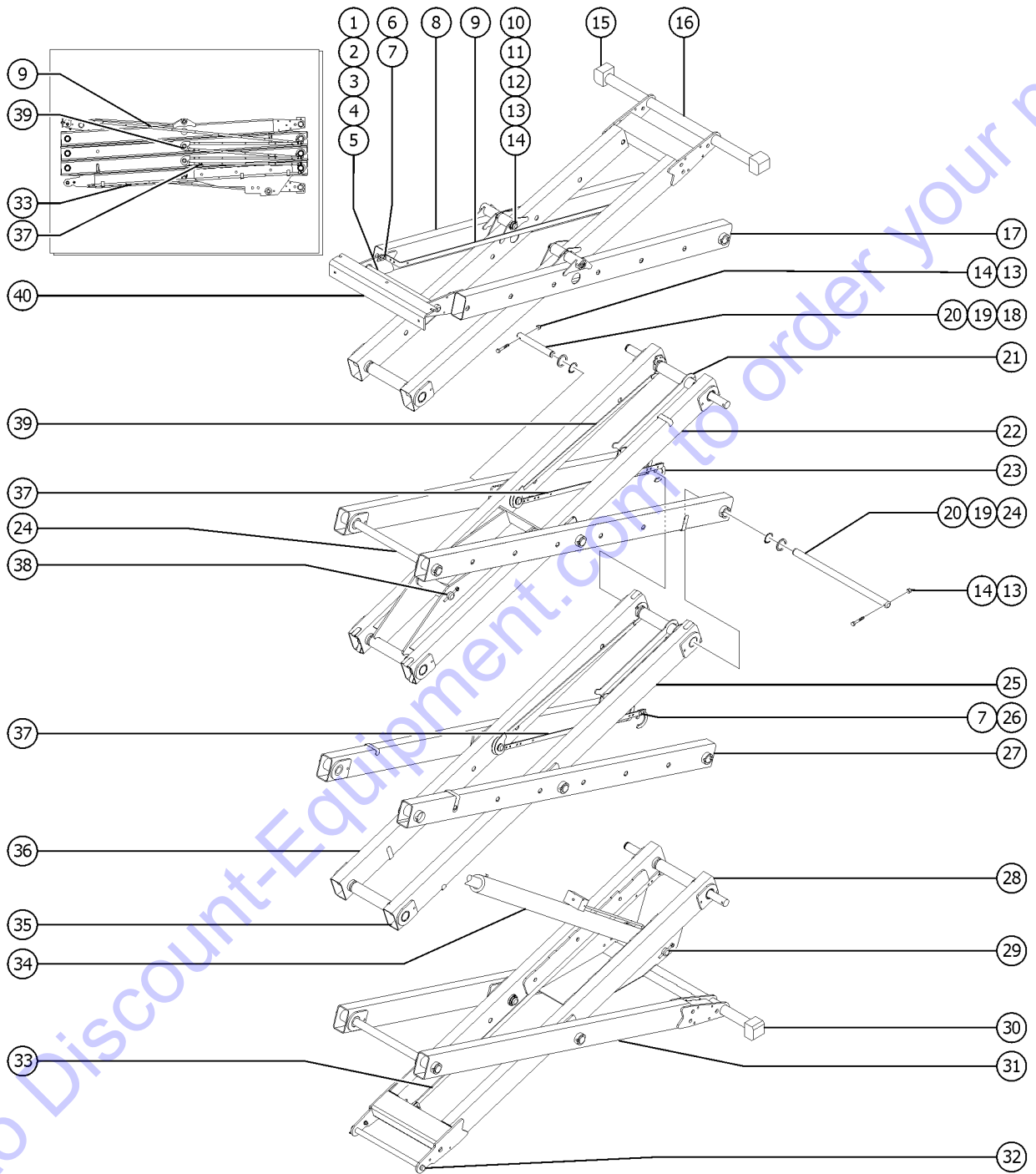


Item	Part No.	Description	Qty.
24	96662GT	PIN, LOWER CYLINDER MOUNT	1
25		Ref. Chassis Slider (refer to 301.1)	
26		Ref. Pin, Linkset Mount (refer to 301.1)	1
27	132288GT	WLDMT,LNK,OUTER #1,GS32 (decal not included refer to section one)	1
28		Ref. Lift Cylinder (refer to 503.1)	
29	96661GT	PIN, UPPER CYLINDER MOUNT	1
30	96735GT	LINK BUMPER, 5"	4
31	132294GT	WLDMT,LNK,INNER #2	1
31-	66055GT	BEARING,1.50IDX1.77ODX1.25L	8
32	96836GT	LINK BUMPER, SHORT TUBE	8
33	132273GT	WELDMENT.CABLE BRIDGE, TOP	1
34		Ref. Platform Mounting Assembly (refer to 301.1)	
35	132266GT	WLDMNT,CABLE BRIDGE,LOWER	1

Go to Discount-Equipment.com to order your parts



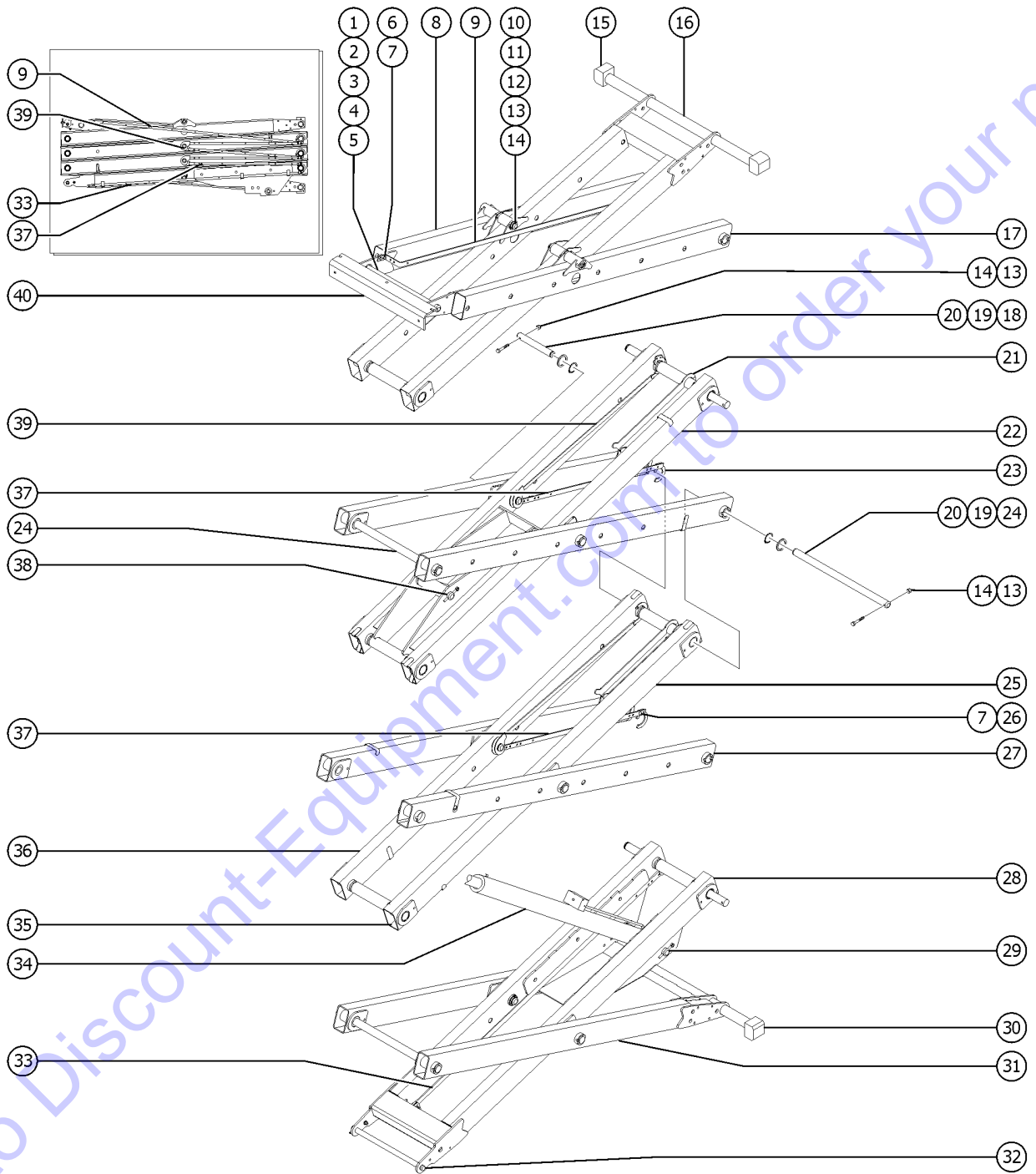
303.1 Scissor Assembly, GS-2632



Go to Discount-Equipment.com to order your parts

Item	Part No.	Description	Qty.
1	96932GT	PIN, LINKSET MOUNT, 3/4"	1
2	825020GT	ROD END, .25 X 2.75, ZAG	2
3	824080GT	SCREW, HHF, 1/4-20 X 1.25, 8, ZAG	2
4	1277924GT	NUT, NYLOCK FLG, 1/4-20, F, ZAG	2
5	36369GT	BEARING, 0.75IDX1.00ODX0.75L	2
6	1256127GT	BOLT, CARRIAGE, 1/4-20X1", GR 5, ZAG	2
7	1256679GT	NUT, SERRATED, 1/4-20, 8, ZAG	6
8	132383GT	WELDMENT, LNK, OUTER#4, RIGHT (ground controls side)	1
9	132267GT	BAR, CABLE BRIDGE ARM, UPPER	
10	96130GT	PIN, MINI, CENTRE	2
11	824164GT	SNAP RING, EXTERNAL, 1.25, ZAG	2
12	824151GT	WASHER, SHIM, 1.270X2.130X.062, Z	2
13	1274166GT	NUT, NYLOCK, 3/8-16, C, ZAG	14
14	1260940GT	SCREW, HHC, 3/8-16X3, 8, ZAG	14
15		Ref. Platform Slider (refer to 301.1)	
16	132379GT	WLDMT, LNK, INNER #4, 2632 (bearings not included)	1
16-	66055GT	BEARING, 1.50IDX1.77ODX1.25L	6
17	132385GT	WELDMENT, LNK, OUTER#4, LEFT (battery pack side)	1
18	96900GT	PIN, SHORT, GS46	6
19	1260941GT	WASHER, SHIM, 1.54X2.00X.125, ZAG	10
20	825796GT	SNAP RING, EXTERNAL, 1.50, ZAG	12
21	58000GT	SAFETY CHOCK, SCISSOR US part number	1
21B	229571GT	ASSEMBLY, CHOCK China part number	1
22	132375GT	WLDMT, LNK, INNER #3, 26XX	1
22-	66055GT	BEARING, 1.50IDX1.77ODX1.25L	8
23	105193GT	CLIP, CABLEBRIDGE, GS32/46	
24	96899GT	PIN, LONG, GS46	6
25	96836GT	LINK BUMPER, SHORT TUBE	8

303.1 Scissor Assembly, GS-2632

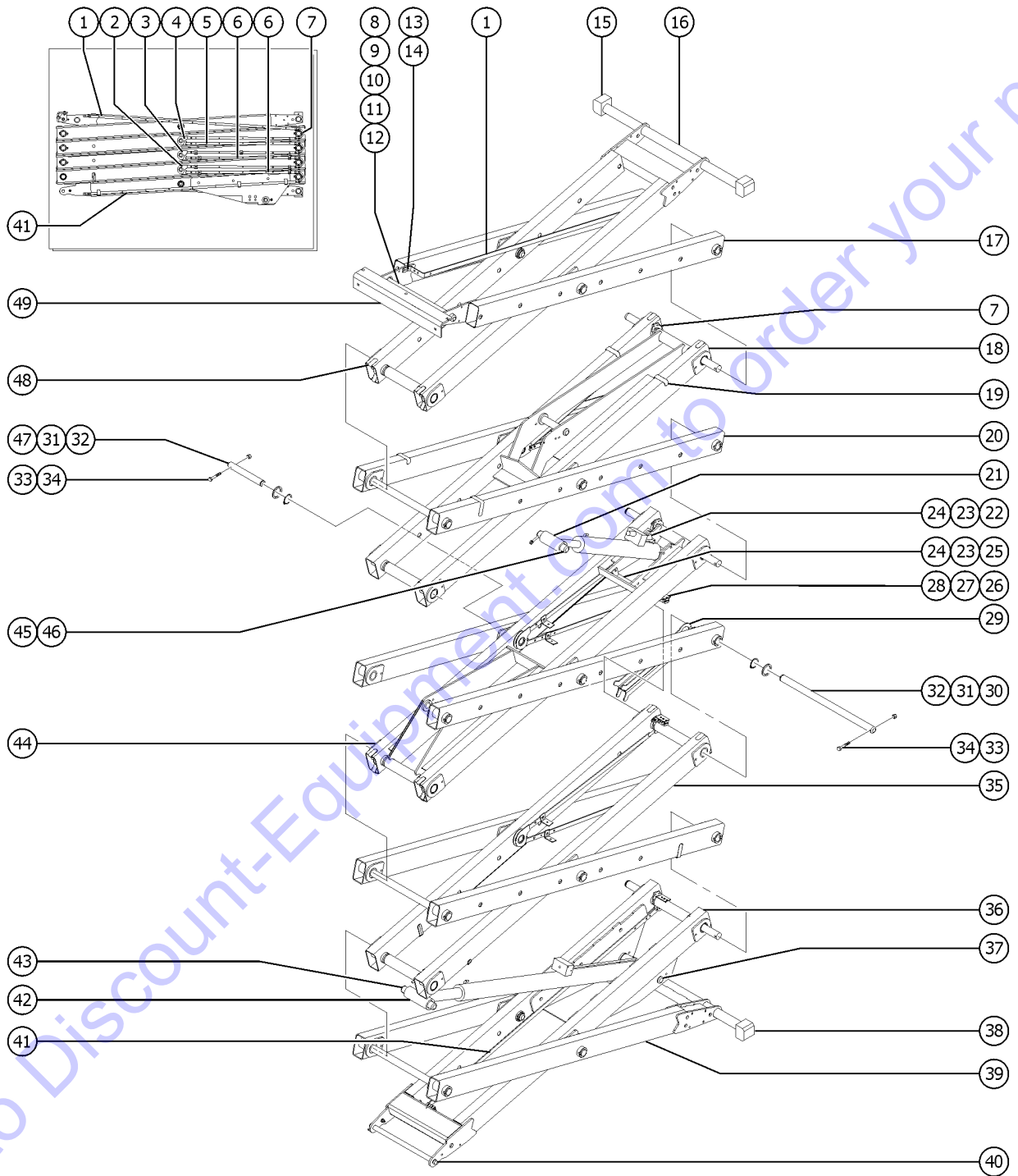


Item	Part No.	Description	Qty.
26	1260963GT	BOLT,CARRIAGE,1/4-20X.63,5,ZAG	3
27	132298GT	WLDMT,LNK,OUTER #2,#3,#4	4
28	1300079GT	ASSEMBLY, LINK, INNER #1	1
		(decal not included refer to section one)	
28-	66055GT	BEARING,1.50IDX1.77ODX1.25L	6
28-	1299483GT	WELDMENT, LNK, LOWER1 ,E-DRIVE	1
		(bearings not included)	
28B	1306187GT	WELDMENT,LOWER LINK XX32.46,KOREA	1
		(Korea option)	
28B-	66055GT	BEARING,1.50IDX1.77ODX1.25L	6
29	96662GT	PIN, LOWER CYLINDER MOUNT	6
30		Ref. Chassis Slider	
		(refer to 301.1)	
31	132288GT	WLDMT,LNK,OUTER #1,GS32	1
		(decal not included refer to section one)	
32		Ref. Pin, Linkset Mount	1
		(refer to 301.1)	
33	132266GT	WLDMNT,CABLE BRIDGE,LOWER	
34		Ref. Lift Cylinder	
		(refer to 503.1)	
35	96735GT	LINK BUMPER, 5"	4
36	132294GT	WLDMT,LNK,INNER #2	1
36-	66055GT	BEARING,1.50IDX1.77ODX1.25L	8
37	132270GT	WLDMT,CABLE BRIDGE,BOTTOM	
38	96812GT	PIN, LOWER CYL, ROD END	1
39	132273GT	WELDMENT,CABLE BRIDGE,TOP	
40		Ref. Platform Mount Assembly	
		(refer to 301.1)	

Go to Discount-Equipment.com to order your parts



304.1 Scissor Assembly, GS-3232

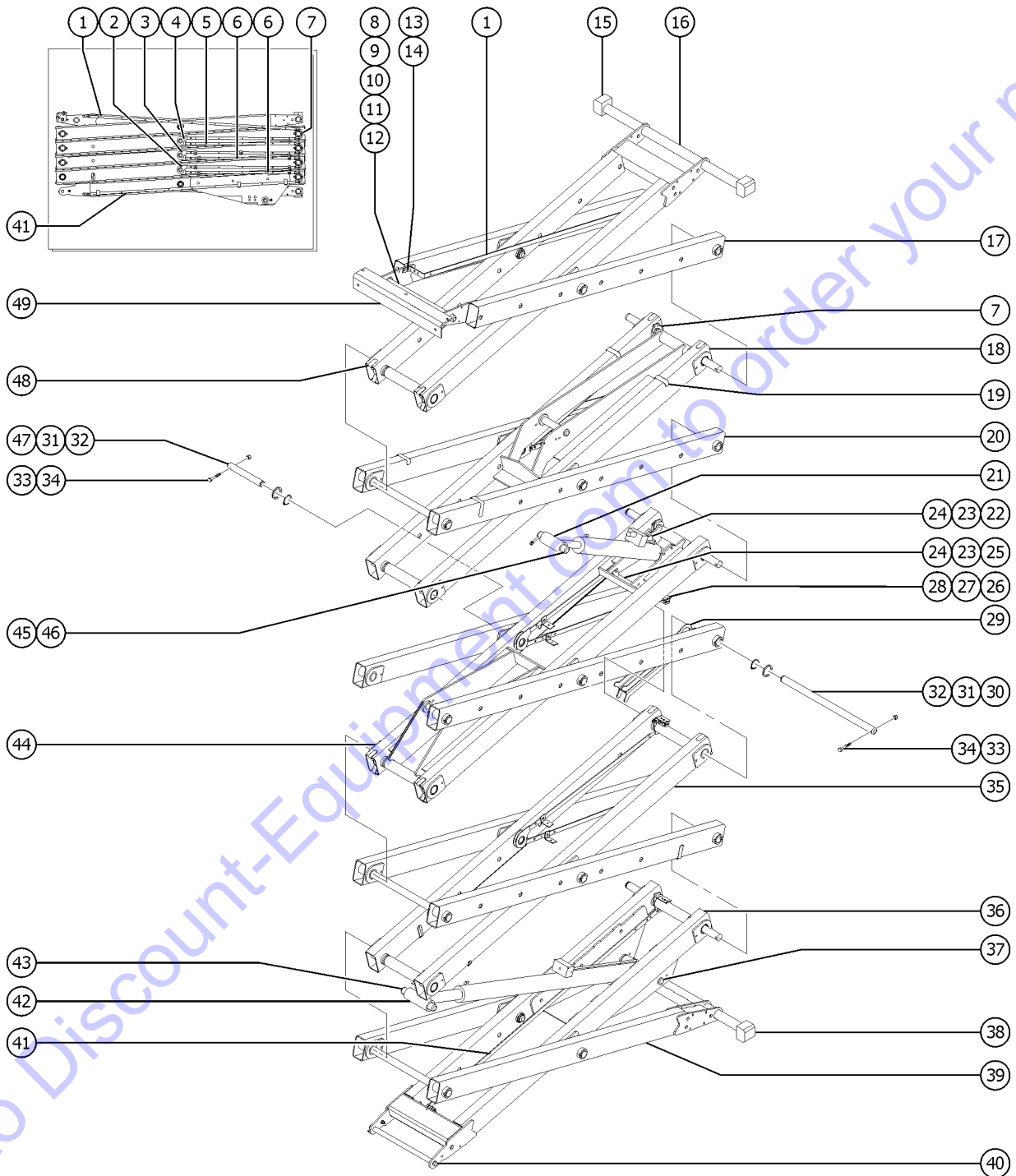


Item	Part No.	Description	Qty.
1	132267GT	BAR,CABLE BRIDGE ARM,UPPER	1
2	132390GT	WLDMNT,CABLE BRIDGE, TOP,32XX,M	1
3	132436GT	WLDMNT,CABLE BRIDGE,MID,32XX,M	1
4	132273GT	WELDMENT.CABLE BRIDGE, TOP	1
5	132270GT	WLDMT,CABLE BRIDGE,BOTTOM	1
6	132392GT	WLDMNT,CABLE BRIDGE,BTM,32XX,M	2
7	105193GT	CLIP,CABLEBRIDGE,GS32/46	4
8	96932GT	PIN, LINKSET MOUNT, 3/4"	1
9	825020GT	ROD END, .25 X 2.75, ZAG	2
10	824080GT	SCREW, HHF, 1/4-20 X 1.25, 8, ZAG	2
11	1277924GT	NUT,NYLOCK FLG,1/4-20,F,ZAG	2
12	36369GT	BEARING,0.75IDX1.00ODX0.75L	2
13	1256127GT	BOLT,CARRIAGE,1/4-20X1",GR 5,ZAG	2
14	1256679GT	NUT,SERRATED,1/4-20,8,ZAG	7
15		Ref. Platform Slider	
		(refer to 301.1)	
16	1294708GT	WLDMT,LNK,INNER #5,3232	1
16-	66055GT	BEARING,1.50IDX1.77ODX1.25L	8
17	132304GT	WLDMT,LINK,OUTER#3-20XX,#5-32XX	2
18	132401GT	WLDMT,LINK,INNER#4,32XX	1
18-	66055GT	BEARING,1.50IDX1.77ODX1.25L	8
19	96836GT	LINK BUMPER, SHORT TUBE	8
20	132298GT	WLDMT,LNK,OUTER #2,#3,#4	6
21		Ref. Lift Cylinder, Top	
		(refer to 503.1)	
22	132521GT	PLATE, PIN RETAINER	2
23	1256756GT	BOLT,CARRIAGE,3/8-16X1.5,5,ZAG	4
24	1274322GT	NUT,NYLOCK FLG,3/8-16,F,ZAG	8
25	96971GT	FORMING,HOSE CLAMP,UPPER CYL	1
26	78736GT	CLAMP,2 HOSE,PLASTIC	18

Go to Discount-Equipment.com to order your parts



304.1 Scissor Assembly, GS-3232

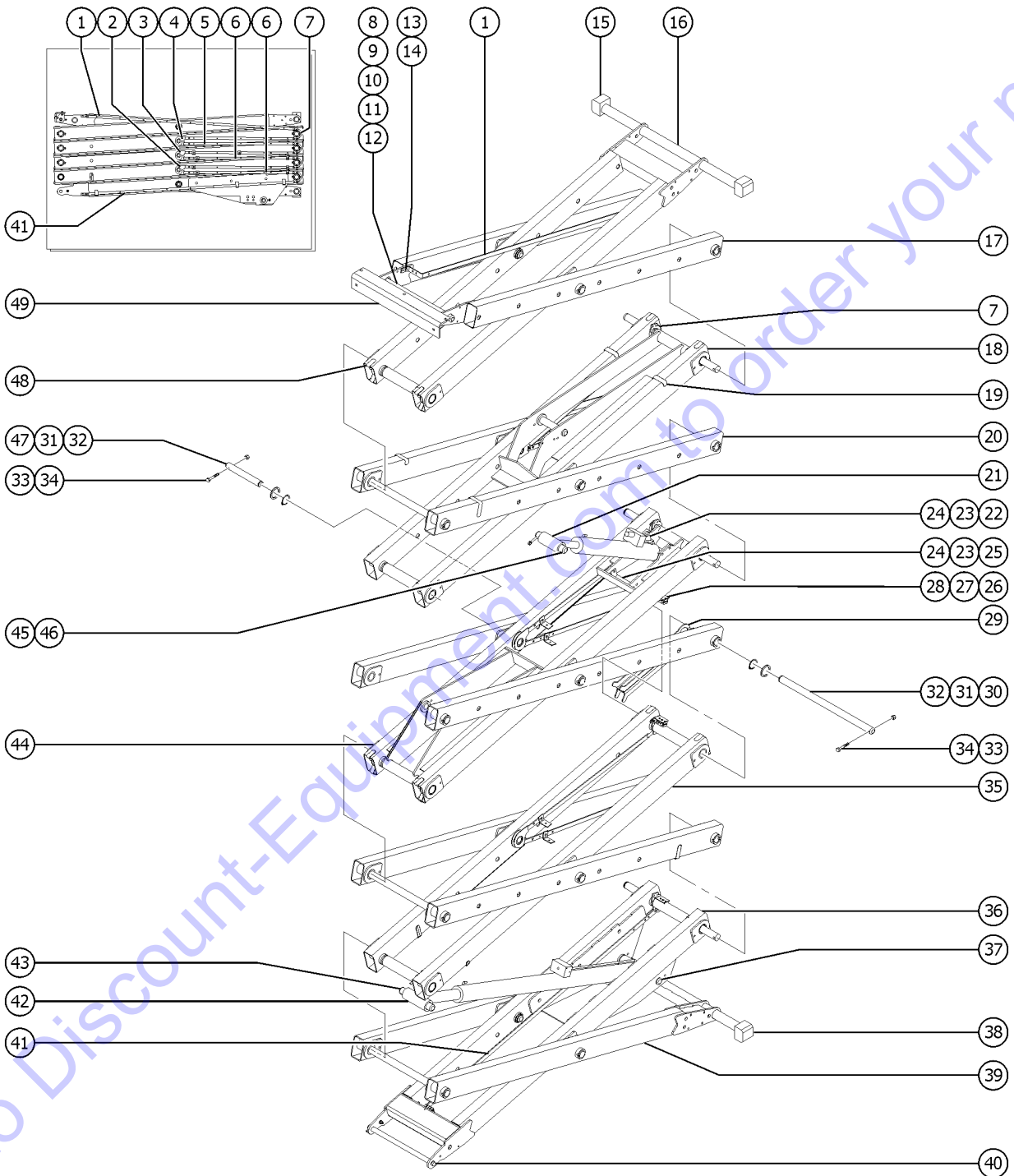


Go to Discount-Equipment.com to order your parts

Item	Part No.	Description	Qty.
27	1259201GT	BOLT,CARRIAGE,10-24X2,A,ZAG	9
28	1274170GT	NUT, NYLOCK, 10-24, A, ZAG	11
29	58000GT	SAFETY CHOCK,SCISSOR US part number	1
29B	229571GT	ASSEMBLY, CHOCK China part number	1
30	96899GT	PIN, LONG, GS46	8
31	1260941GT	WASHER,SHIM,1.54X2.00X.125,ZAG	15
32	825796GT	SNAP RING,EXTERNAL,1.50,ZAG	18
33	1260940GT	SCREW,HHC,3/8-16X3,8,ZAG	14
34	1274166GT	NUT,NYLOCK,3/8-16,C,ZAG	18
35	132294GT	WLDMT,LNK,INNER #2	1
35-	66055GT	BEARING,1.50IDX1.77ODX1.25L	8
36	1300079GT	ASSEMBLY, LINK, INNER #1 (decal not included refer to section one)	1
36-	66055GT	BEARING,1.50IDX1.77ODX1.25L	6
36-	1299483GT	WELDMENT, LNK, LOWER1 ,E-DRIVE (bearings not included)	
36B	1306187GT	WELDMENT,LOWER LINK XX32.46,KOREA (Korea option)	1
36B-	66055GT	BEARING,1.50IDX1.77ODX1.25L	6
37	96662GT	PIN, LOWER CYLINDER MOUNT	1
38		Ref. Chassis Slider (refer to 301.1)	
39	132288GT	WLDMT,LNK,OUTER #1,GS32 (decal not included refer to section one)	1
40		Ref. Pin, Linkset Mount (refer to 301.1)	1
41	132266GT	WLDMNT,CABLE BRIDGE,LOWER	1
42		Ref. Lift Cylinder, Bottom (refer to 503.1)	
43	96812GT	PIN, LOWER CYL, ROD END	1
44	132393GT	PIN, LOWER CYL, ROD END	1
45	96661GT	PIN, UPPER CYLINDER MOUNT	1
46	96663GT	PIN, SADDLE CYLINDER MOUNT	1
47	96900GT	PIN, SHORT, GS46	6
48	96735GT	LINK BUMPER, 5"	8



304.1 Scissor Assembly, GS-3232



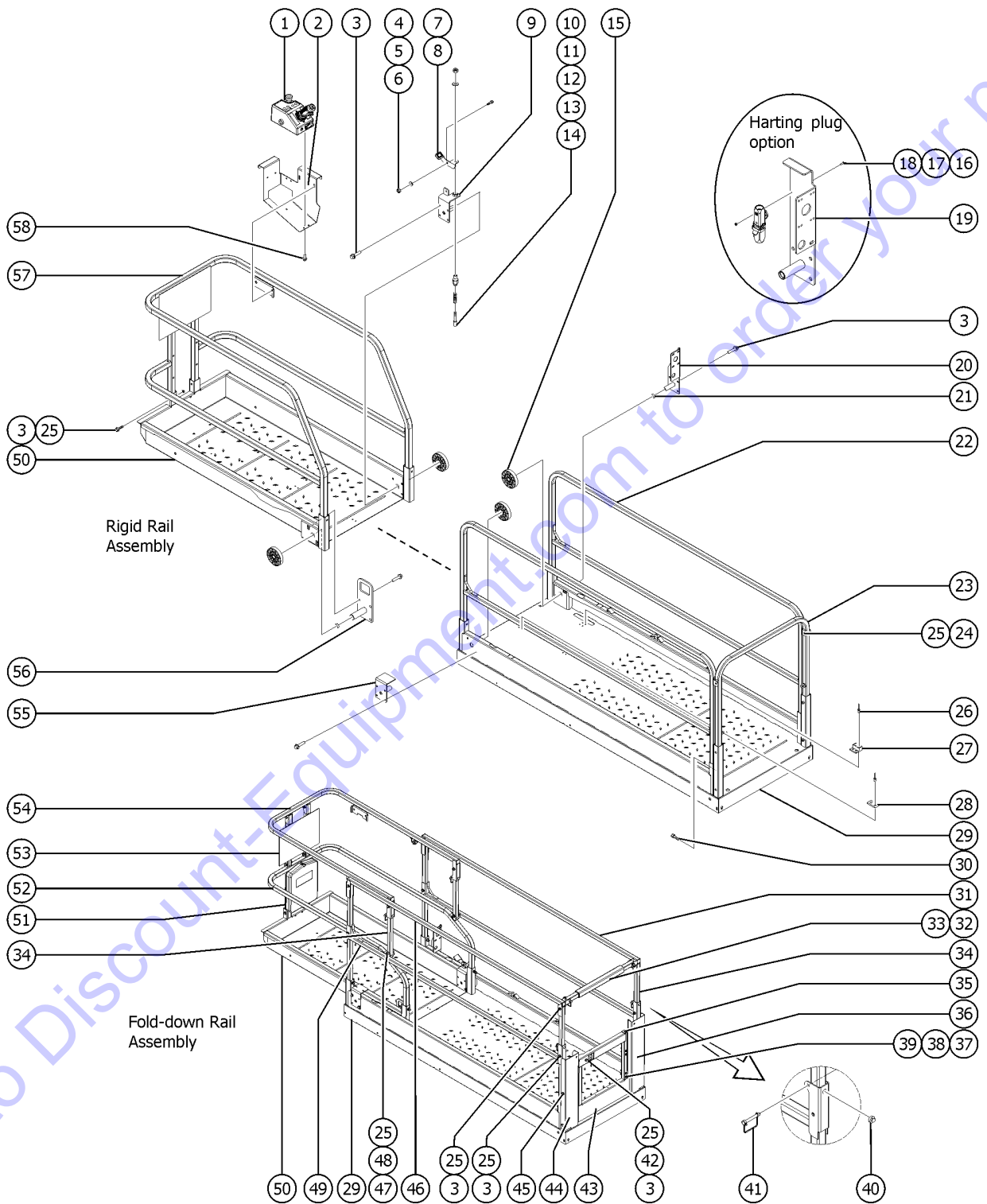
Go to Discount-Equipment.com to order your parts

<i>Item</i>	<i>Part No.</i>	<i>Description</i>	<i>Qty.</i>
49		Ref. Platform Mount Assembly (refer to 301.1)	

Go to Discount-Equipment.com to order your parts



401.1 Platform Components

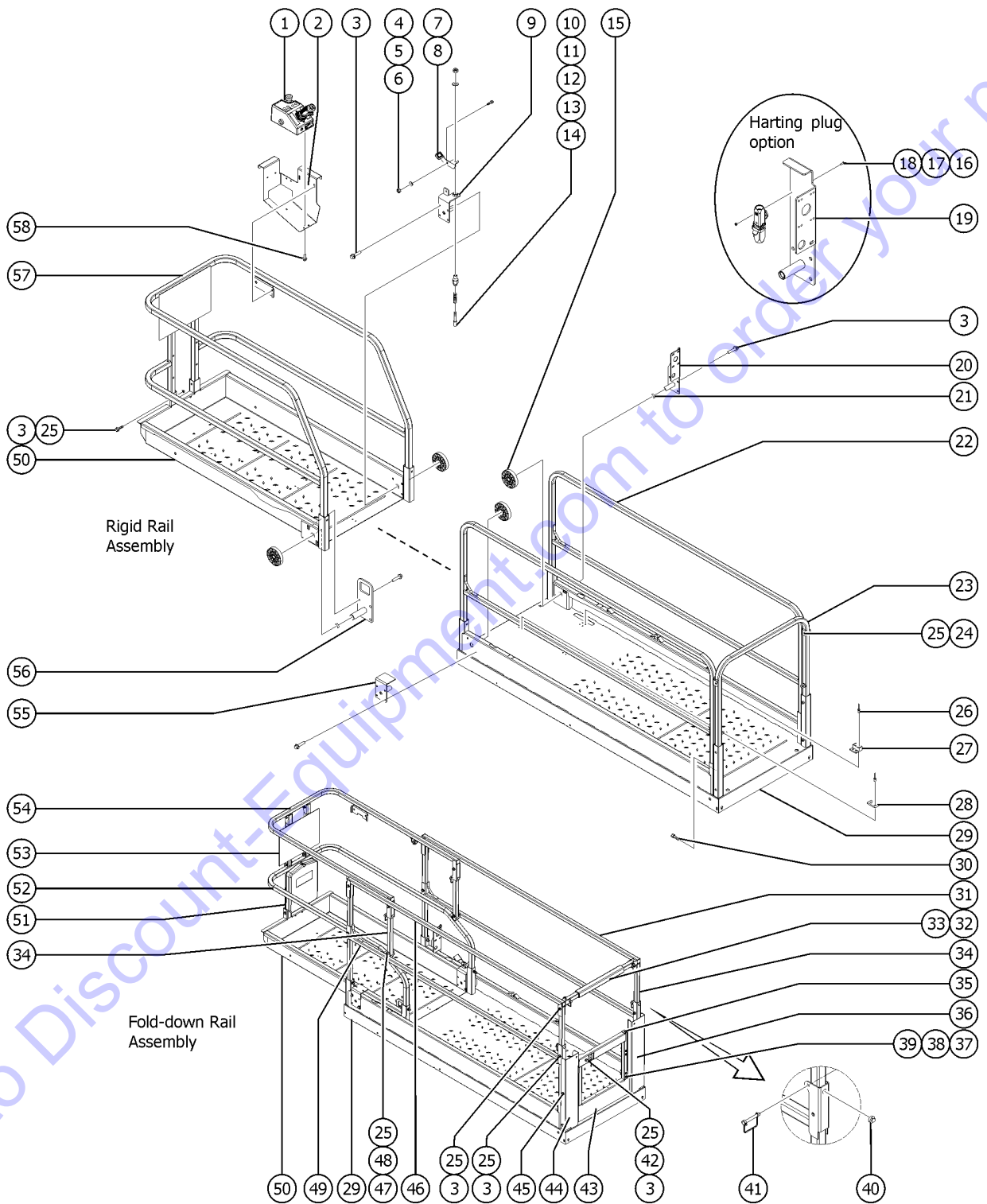


401.1 Platform Components

Item	Part No.	Description	Qty.
1		Ref. Platform Control Box (refer to 403.1)	
2		Ref. Platform Control Box Mount Bracket (refer to 403.1)	
3	1253478GT	SCREW,HHF,3/8-16X2,8,ZAG	8
4	1252977GT	NUT,TL JAM,5/16-18,A,ZAG	1
5	825358GT	WASHER,FLAT,5/16,USS,ZAG	1
6	1259223GT	BOLT,SHS,3/8X.375X5/16-18,ZAG	1
7	46260GT	FOOTPEDAL W/NON-SKID TAPE,GS**	1
8	47225GT	TAPE, NON-SKID, DIE CUT, 1.38 X 1.5	1
9	132151GT	ROLLER SUPPORT BRACKET	1
10	1259181GT	PIN,LOCK,0.5X3.125,ZAG	1
11	39469GT	SPRING,COMPRESSION.485 X1.75**	1
12	41630GT	HOUSING, LOCK PIN	1
13	1255758GT	WASHER,FLAT,3/8,USS,ZAG	1
14	824038GT	NUT, TL JAM, 3/8-16, A, ZAG	1
15	47163GT	ROLLER,PLATFORM EXTENSION	4
16	1253477GT	SCREW,PHPM,4-40X.5,ZAG	2
17	1280958GT	CABLE,PLATFORM CONTROL,GS,HARTING CONN OPTION	1
18	1259339GT	NUT,4-40,ZAG	2
19	1286357GT	WLDMT,ROLLER BRKT,RT,HARTING PIUG	1
20	132128GT	ROLLER BRKT RT (ground controls side)	1
21	21279GT	BUTTON, .800 O.D. X .281	3
22	66893GT	WELDMENT, MAIN SIDERAIL	2
23	105146GT	FORMING,SG HEADER RAIL,GS2032	
24	1256693GT	SCREW,HHF,3/8-16X2.25,8,ZAG	
25	1274322GT	NUT,NYLOCK FLG,3/8-16,F,ZAG	
26	39579GT	RIVET,STL,STL,.188 X .45	20
27	39310GT	WEAR/GUIDE PAD MAIN PLATFORM	4
28	39474GT	WEAR PAD, PLATFORM	4



401.1 Platform Components

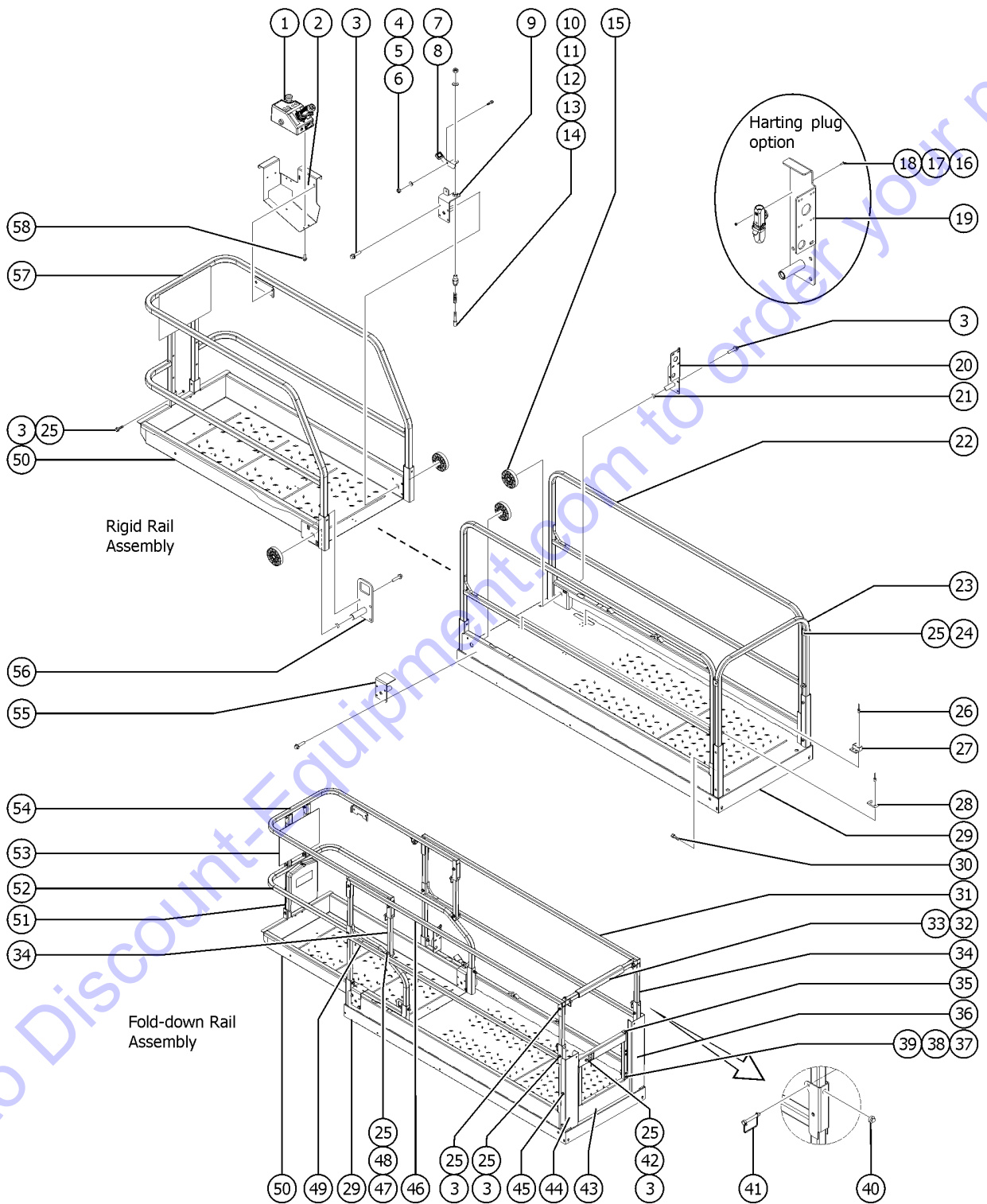


401.1 Platform Components

Item	Part No.	Description	Qty.
29	1302363GT	WLDMNT, PLATFORM, MIDI, PUNCHED	1
30	824067GT	SCREW, HHC, 3/8-16 X 1, 8, ZAG	
31	132248GT	WELDMNT, TOP RAIL, MAIL PLAT, RT	1
31-	78038GT	CAP TUBE SQUARE 1.25X0.083	
32	47188GT	FOAM, CLOSED CELL 1.75X.250X18"	1
33	132265GT	ENTRY SWING TUBE	1
34	132213GT	TUBE, VERT, FOLDING	6
35	78038GT	CAP TUBE SQUARE 1.25X0.083	1
36	132227GT	FORMING HALF GATE, HINGE	1
37	1253485GT	SCREW, HHF, 1/4-20X2, 8, ZAG	4
38	104804GT	HINGE, SPRING, LONG LEG	2
39	1277924GT	NUT, NYLOCK FLG, 1/4-20, F, ZAG	4
40	43392GT	BUMPER, BATTERY BOX & RAILS	
41	1311454GT	PIN, WIRE LOCK, 3/8X2-1/2SQ TAB LOCK	
42	65990-SGT	KIT, GATE LATCH (includes latch, spring and hardware)	1
43	132021GT	WLDMT, HALF GATE (decals not included, refer to section one)	1
44	132237GT	WLDT HALF GATE CATCH (battery pack side)	1
45	824094GT	SCREW, HHF, 3/8-16 X 2.75, 8, ZAG	4
46	132240GT	WLDMT, TOP RAIL, MAIL PLAT, RT (fold-down)	4
46-	78038GT	CAP TUBE SQUARE 1.25X0.083	
47	1260926GT	BOLT, CARRIAGE, 3/8-16X2.25, 5, ZAG	2
48	1277860GT	GLIDE BUTTON, FOLDING RAILS	2
49	132244GT	WELDMNT, MAIN PLAT, LWR SIDERAIL (fold-down)	2
50	1302369GT	WLDMNT, EXT DECK, MIDI, PUNCHED	1
51	24514GT	BOX, INSTRUCTION STORAGE (decals not included, refer to section one)	1
52	1273880GT	WELDMNT, FOLDING, LOWER, EXTENSION	1
53	132207GT	WLDMT, DECAL PLATE (decals not included, refer to section one)	3
54	1273881GT	WELDMNT, EXTENSION DECK RAIL, UPPER (decals not included, refer to section one)	1



401.1 Platform Components



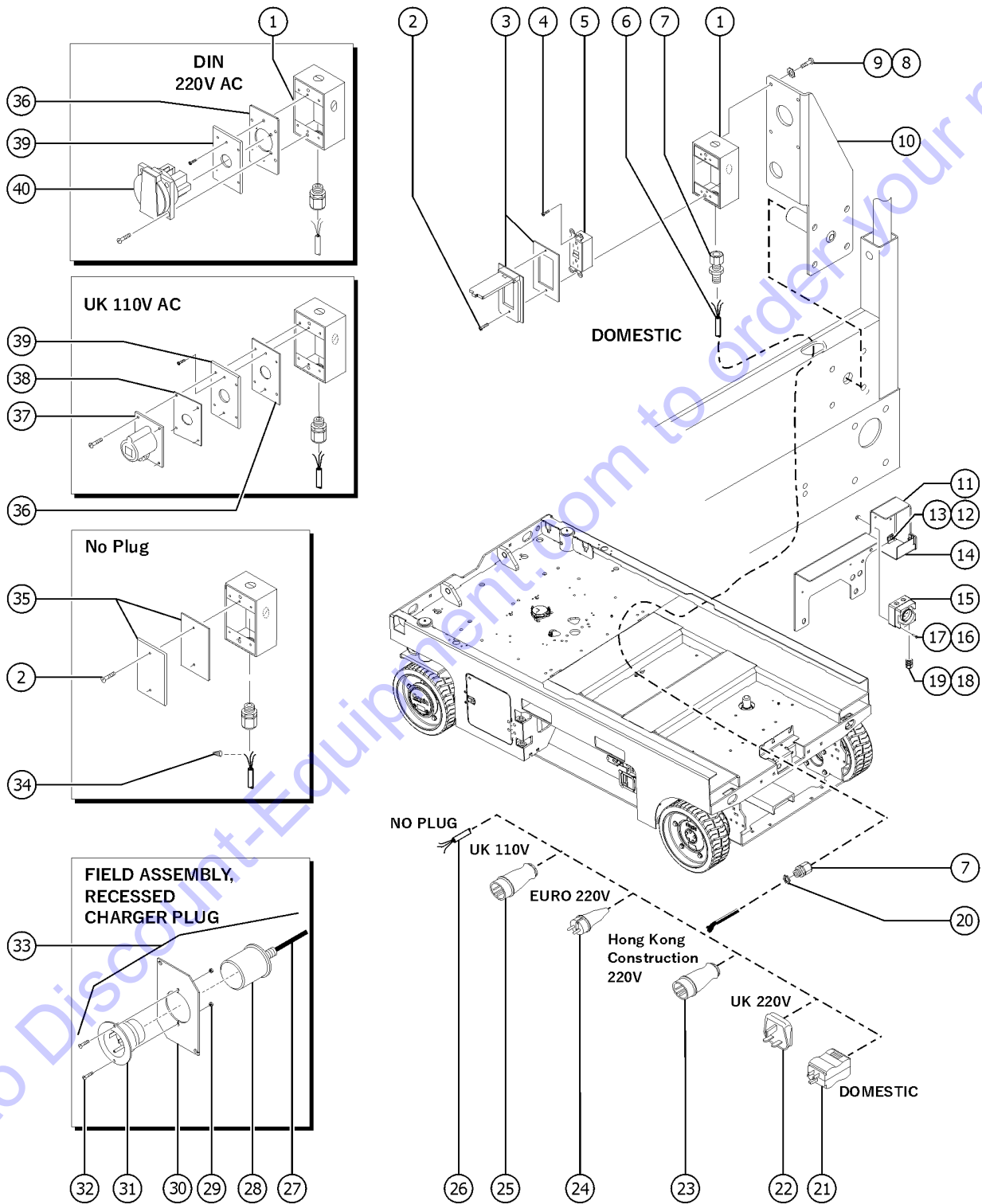
401.1 Platform Components

<i>Item</i>	<i>Part No.</i>	<i>Description</i>	<i>Qty.</i>
55	132127GT	ROLLER BRKT LEFT	3
56	132121GT	WELDMENT PLATFORM LANYARD	1
57	105091GT	WELDMENT,EXT SIDERAIL***	1
58	824078GT	SCREW,HHF,1/4-20X.75,8,ZAG	1

Go to Discount-Equipment.com to order your parts



402.1 Power to Platform

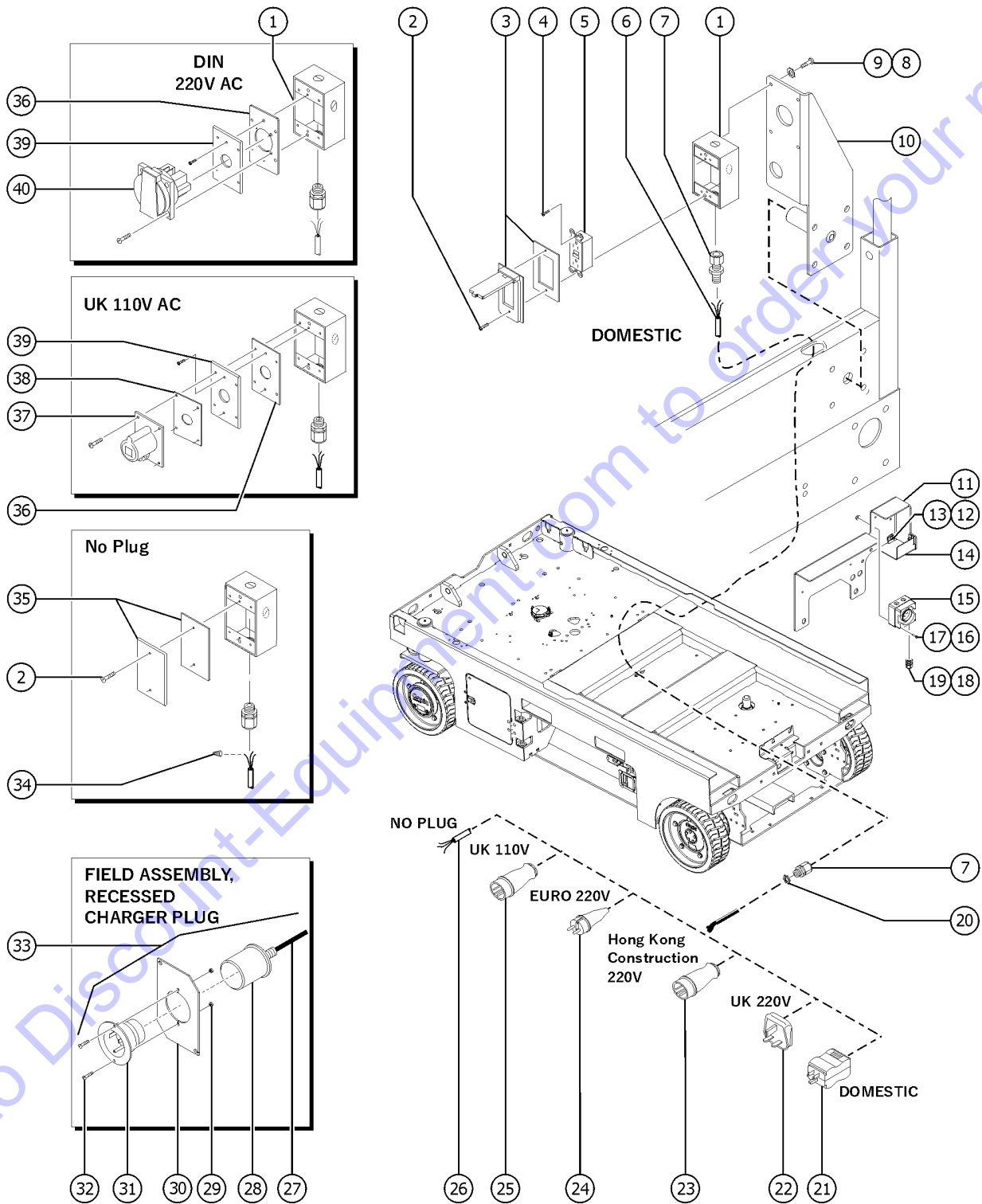


Go to Discount-Equipment.com to order your parts

Item	Part No.	Description	Qty.
A	33724GT	KIT,GASKET,UK POWER TO PLAT (includes 1 each, items 27 and 29)	
1	1310378GT	T-BOX, 2.75 X 4.5 X 2.0**	1
2	7127GT	SCREW,PHILLIPS,PHM,6-32 X .75	
3	74006GT	COVER,GFCI,HORIZONTAL,WEATHER (ANSI and CSA models) (includes gasket and mounting fasteners)	1
3B	105812GT	COVER,T-BOX LOCKABLE EE rated (not shown)	1
4	45546GT	SCREW,RHM,6-32 X .5	
5	13585GT	OUTLET 110V ANSI and CSA models	1
6	43956GT	WIRE CABLE, 14/GA/3 CON. TPE JKT* GS-2032	456
6B	43956GT	WIRE CABLE, 14/GA/3 CON. TPE JKT* GS-2632	516
6C	43956GT	WIRE CABLE, 14/GA/3 CON. TPE JKT* GS-3232	624
7	7056GT	CONN, SQZ, 1/2NPT, 0.38-0.50, SM	1
8	112772GT	SCREW,PHM,8-32X.438	
9	44936GT	WASHER,STAR,EXTERNAL,#8	4
10		Ref. ROLLER BRACKET (refer to 401.1)	
11	1305634GT	FORMING,AUS BRKT,GS32 AUS plug option	1
12	824078GT	SCREW,HHF,1/4-20X.75,8,ZAG AUS plug option	2
13	56912GT	SPRING CLIP,1/4-20,.025-.15X.54,ZAG AUS plug option	2
14	1305746GT	FORMING,AUS BRKT GUARD,GS32 AUS plug option	1
15	1284302GT	SCREW, PHPM, 10-32 X .75, ZAG AUS plug option	1
16	824215GT	SCREW, PHPM, 10-32 X .75, ZAG AUS plug option	4
17	824032GT	NUT, TL FLG, 10-32, F, ZAG AUS plug option	4
18	160412GT	WATER PROOF JOINT;PG13.5;M20X1.5 AUS plug option	2
19	96009GT	WASHER,NITRILE AUS plug option	1
20	6935GT	CONN, SQZ, 1/2NPT, LOCKNUT	1
21	6595GT	PLUG,ELECTRICAL,DOMESTIC	2
22	25388GT	PLUG,FUSED,250V,13AMP,U.K.**	
23	1263471GT	PLUG,IEC60309 CEE, 3PIN 220-24 (Hong Kong Construction)	1
24	1280665GT	PLUG, TYPE F, 230V, 50HZ, 16A, IP44	



402.1 Power to Platform

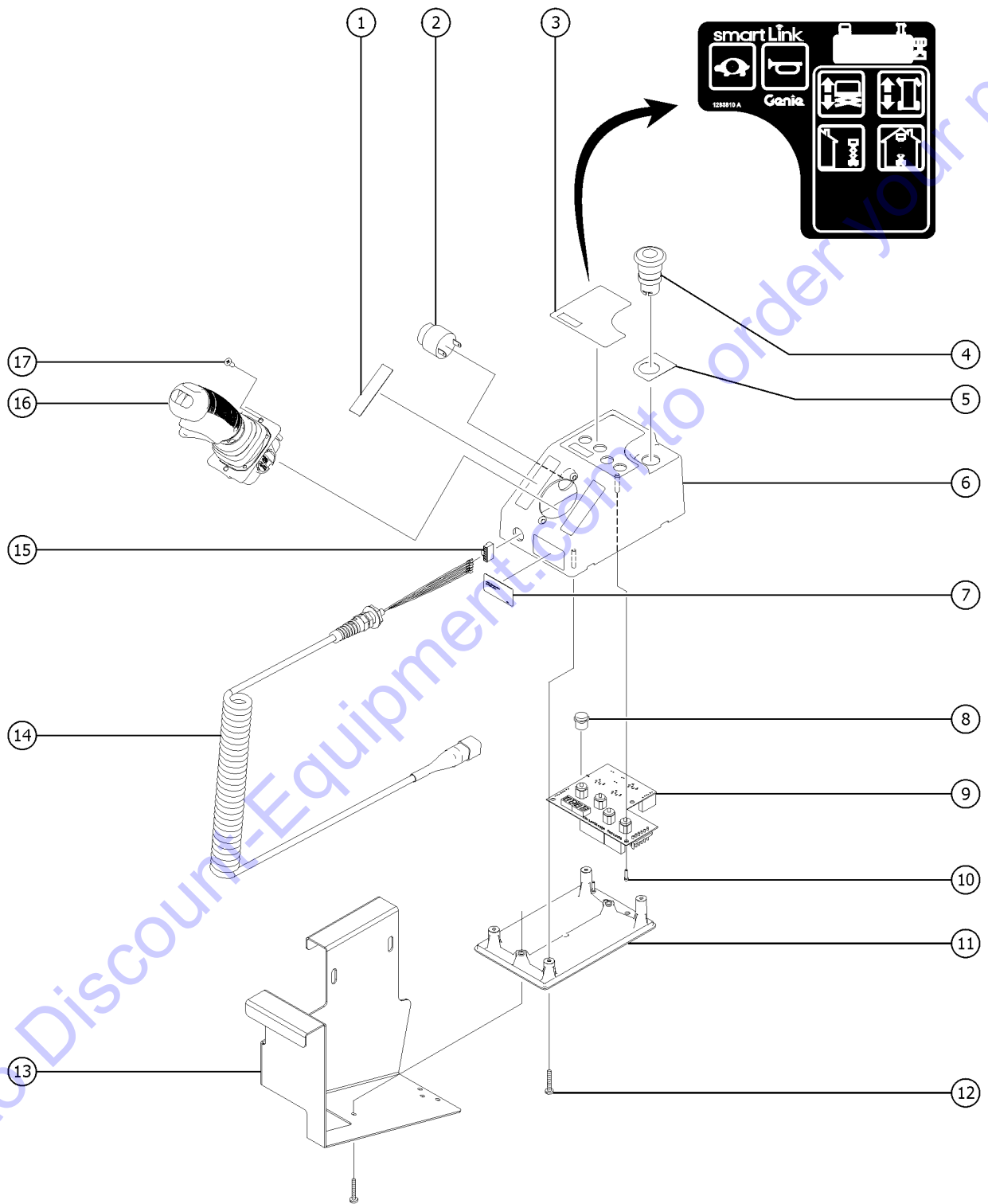


Item	Part No.	Description	Qty.
25	144161GT	PLUG,POWER,UK,16AMP,3PIN	
26	105117GT	PLUG,FLG INLET,15A/125V,2PWGD	
26-	105118GT	GASKET,(BOOT) FLANGE INLET PLG	
27	48282GT	POWER CORD, IEC 320 BLANK, 79"	1
28	105118GT	GASKET,(BOOT) FLANGE INLET PLG	1
29	1258187GT	NUT,TL,8-32,A,ZAG	2
30	105483-SGT	PLATE,AC ADAPTER(ANSI/CSA)	1
30-	6091GT	NUT, NYLOCK, 1/4-20	2
30-	6878GT	BOLT,CARRIAGE,1/4-20 X .75,G2 not included	2
31	105117GT	PLUG,FLG INLET,15A/125V,2PWGD	1
32	1268950GT	SCREW,PHPM,8-32X.50,ZAG	2
33	144129GT	RECESSED SIDE PLUG ASSY, GS	1
34	6626GT	WIRE CAP,ORANGE	1
35	10777GT	COVER, BLANK	1
36	66355GT	GASKET, UK & DIN PWR. TO PLAT 2.9 x 2.9 inches	1
37	T112560GT	RECEPTACLE,UK,110 VOLT	1
38	66356GT	GASKET, UK RECEPTACLE 2.9 x 2.9 inches	1
39	105483-SGT	PLATE,AC ADAPTER(ANSI/CSA) ANSI/CSA	
39B	96236GT	PLATE,AC ADAPTER,DIN/UK***	
39C	T112561GT	PLATE,UK POWER TO PLATFORM	
39D	105090GT	PLATE, AC ADAPTER(AUS)	
40	66353GT	RECEPTACLE, DIN, 220V 50A	1

Go to Discount Equipment.com to order your parts



403.1 Platform Controls (GS-2032, GS-2632)



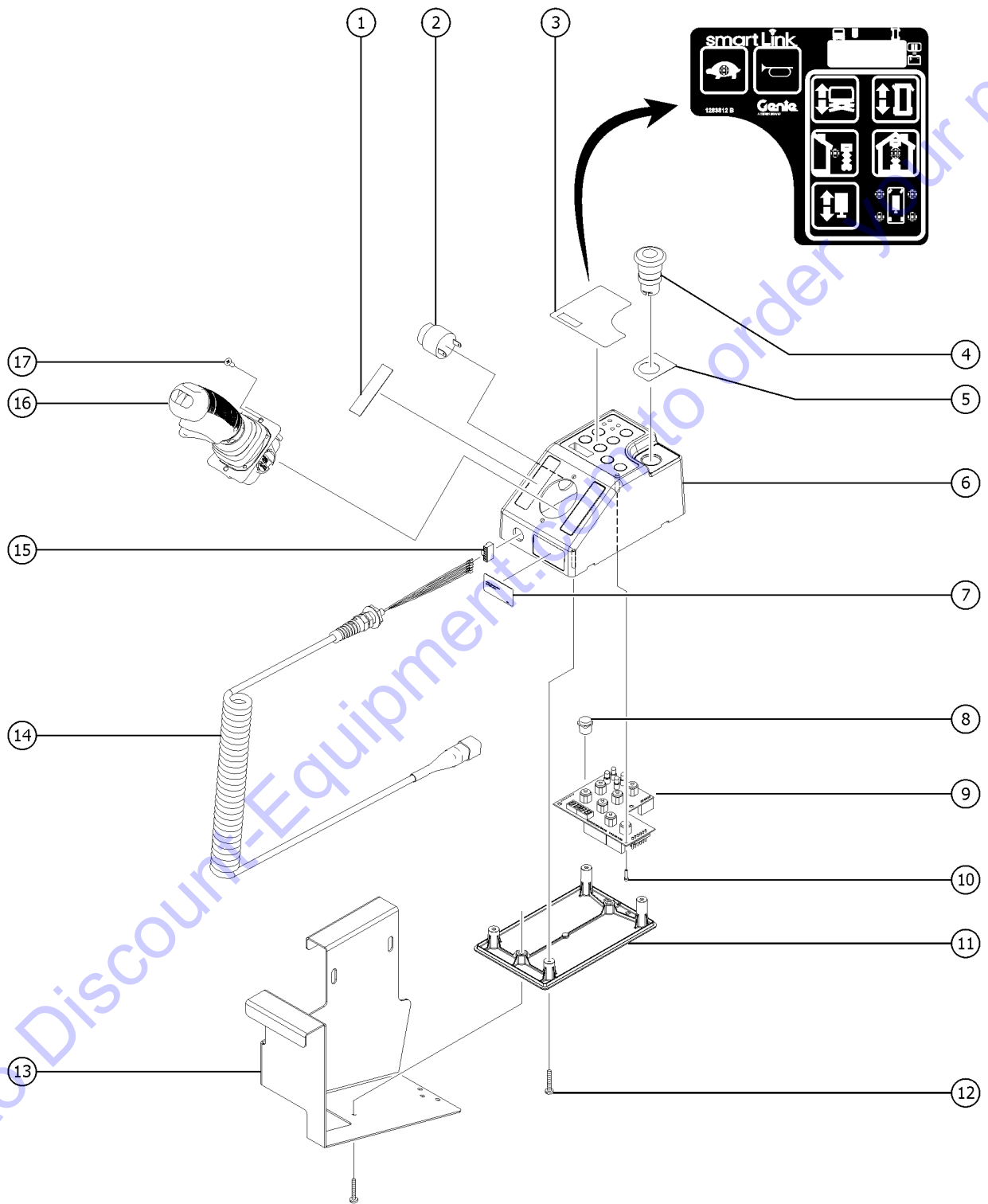
403.1 Platform Controls (GS-2032, GS-2632)

Item	Part No.	Description	Qty.
A	1283792GT	PCON,STD,DUAL ZONE,GS/GR (GS-2032, GS-2632), complete platform control box with coil cord, bracket not included	1
A-	1258731GT	FLASH DRIVE,SL1K2.0 SOFTWARE (For proportional lift or upgrade kits only. Software update available on-line. Flash drive sold separately.)	1
A-	137587GT	HARNESS, ESTOP, GR/GRC/GS PCON	1
B	1280957GT	PCON ASSEMBLY,HARTING CONN OPTION	1
C	1280958GT	CABLE,PLATFORM CONTROL,GS,HARTING CONN OPTION	1
1	137656GT	DECAL, PROPEL, GR/GRC/GS, PCON	1
2	39540GT	ALARM,STEADY TONE*** order 72326 mounting ring separately	1
2-	72326GT	NUT - PLASTIC,RING FOR ALARMS for 39540	1
3		Ref. Decal STD. Dual Zone (refer to 107.1 & 114.1)	1
4	66812GT	BUTTON,PUSH,RED MUSHROOM HEAD	1
4-	66817GT	BASE WITH 1 NC CONTACT, E-STOP	1
5	137605GT	DECAL,E-STOP, GR/GRC/GS PCON	1
6	T106368GT	ENCLOSURE,GC14-1,TOP	1
7	1284292GT	LABEL,SERIAL,STD PCON, GS/GR	1
8	T106373GT	CAP,BUTTON,K12	6
9	1283790GT	PCBA,PCON,STD,DUAL ZONE	1
10	137637GT	SCREW,PHM,4-20X.5, 48-2 TRI-L	1
11	T106370GT	ENCLOSURE,GC14-1/GC16-1, BOT	1
12	137640GT	SCREW,PHM,8-16X.75, 48-2 TRI-L	1
13	227167GT	FORMING, PLAT CONTROL BOX,MET (decals not included, refer to section one)	1
14	137611GT	ASSY, COIL CORD, GR/GRC/GS	1
15	137699GT	PLUG, 6POS ECO PWR	1
16		Ref., JOYSTICK (refer to 405.1)	1
17	229845GT	SCREW,BHSCS,M5X10,SS apply Loctite 243 or equivalent before installation	1

Go to DiscountEquipment.com to order your parts



404.1 Platform Controls (GS-3232)

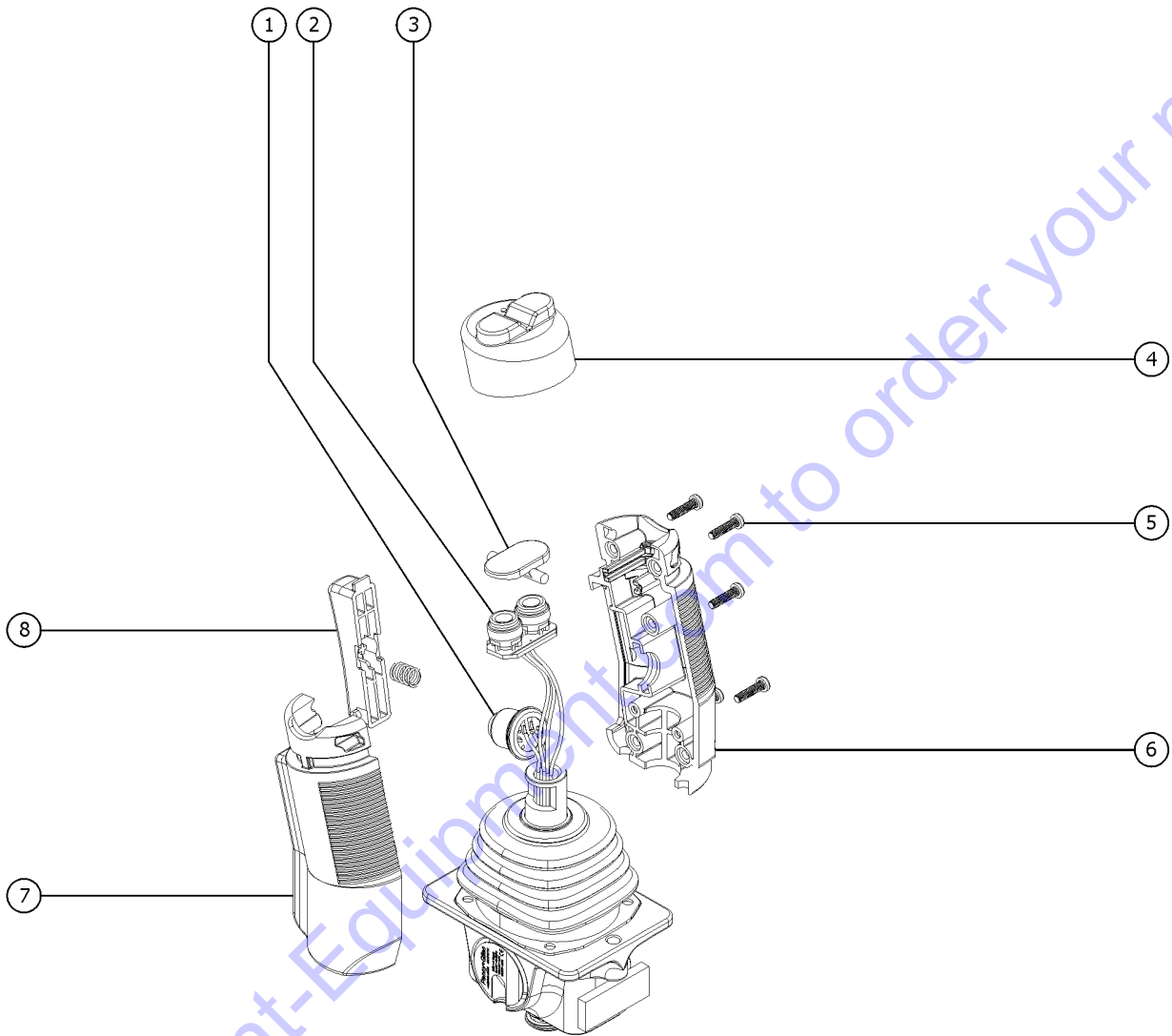


Item	Part No.	Description	Qty.
A	1283798GT	PCON,O/R,DUAL ZONE,GS complete platform control box with coil cord, bracket not included, GS3232	1
A-	1258731GT	FLASH DRIVE,SL1K2.0 SOFTWARE (For proportional lift or upgrade kits only. Software update available on-line. Flash drive sold separately.)	1
A-	137587GT	HARNESS, ESTOP, GR/GRC/GS PCON	1
B	1280957GT	PCON ASSEMBLY,HARTING CONN OPTION	1
C	1280958GT	CABLE,PLATFORM CONTROL,GS,HARTING CONN OPTION	1
1	137656GT	DECAL, PROPEL, GR/GRC/GS, PCON	1
2	39540GT	ALARM,STEADY TONE*** order 72326 mounting ring separately	1
2-	72326GT	NUT - PLASTIC,RING FOR ALARMS for 39540	1
3		Ref. DECAL,STD,DUAL ZONE,GR/GS,UI (refer to 107.1 or 114.1)	1
4	66812GT	BUTTON,PUSH,RED MUSHROOM HEAD	1
4-	66817GT	BASE WITH 1 NC CONTACT, E-STOP	1
5	137605GT	DECAL,E-STOP, GR/GRC/GS PCON	1
6	T106367GT	ENCLOSURE,GC16-1,TOP	1
7	1284293GT	LABEL,SERIAL,O/R PCON, GS	1
8	T106373GT	CAP,BUTTON,K12	6
9	1283796GT	PCBA,PCON,O/R,DUAL ZONE	1
10	137637GT	SCREW,PHM,4-20X.5, 48-2 TRI-L	1
11	T106370GT	ENCLOSURE,GC14-1/GC16-1, BOT	1
12	137640GT	SCREW,PHM,8-16X.75, 48-2 TRI-L	1
13	227167GT	FORMING, PLAT CONTROL BOX,MET (decals not included, refer to section one)	1
14	137611GT	ASSY, COIL CORD, GR/GRC/GS	1
15	137699GT	PLUG, 6POS ECO PWR	1
16		Ref., JOYSTICK (refer to 405.1)	1
17	229845GT	SCREW,BHSCS,M5X10,SS apply Loctite 243 or equivalent before installation	1

Go to DiscountEquipment.com to order your parts



405.1 Joystick Controller Metal Base



Go to Discount-Equipment.com to order your parts

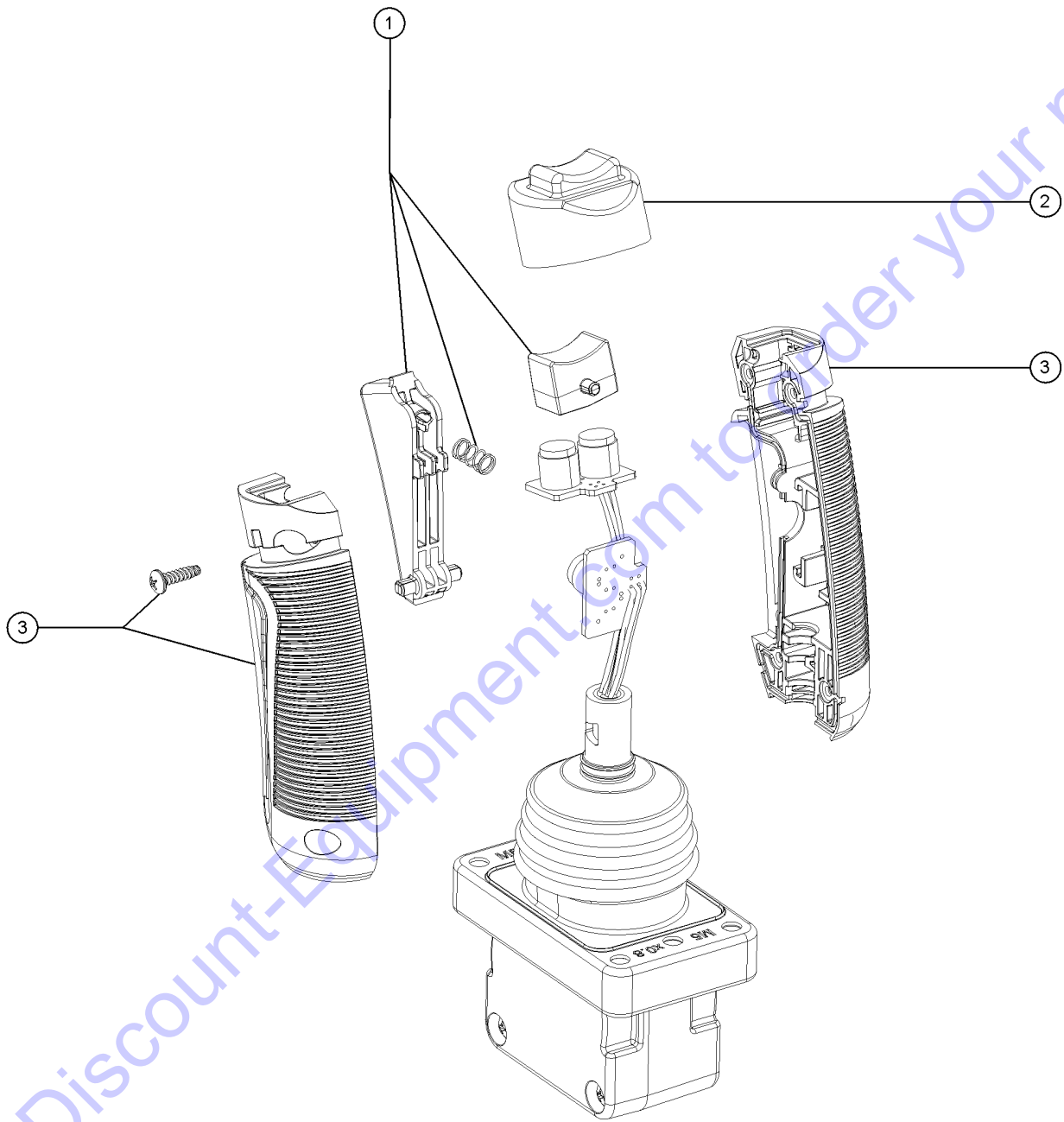
405.1 Joystick Controller Metal Base

Item	Part No.	Description	Qty.
--	137634GT	JOYSTICK, HALL EFFECT, SINGLE	
--	229097GT	TERMINAL, SPLINE (AMP)	
--	214544GT	KIT,BOOT,JOYSTICK,SL1000	
		joystick boot	
1	235463GT	KIT,SWITCH,JYSTK,SL1000	
		function enable and steer switches	
2	235463GT	KIT,SWITCH,JYSTK,SL1000	
		function enable and steer switches	
3	229092GT	ROCKER,2 SWITCH	1
4	229093GT	BOOT, 2 SWITCH, SILICON	1
5	229086GT	SCREW, SELF TAP	2
6	229087GT	HANDLE HALF,RIGHT,W/TOP SWITCH	1
6B	229091GT	SCREW,GRUB,M5X8MM,HLF DOG,BZP	
		for 229087GT	
7	229088GT	HANDLE HALF,LEFT,W/TOP SWITCH	1
7B	229090GT	SCREW,GRUB,M5X8MM CUP(BLK)	
		for 229088GT	
8	229089GT	TRIGGER, EXTENDED	1
8-	229094GT	SPRING, HANDLE TRIGGER	1

Go to Discount-Equipment.com to order your parts



405.2 Joystick Controller Plastic Base



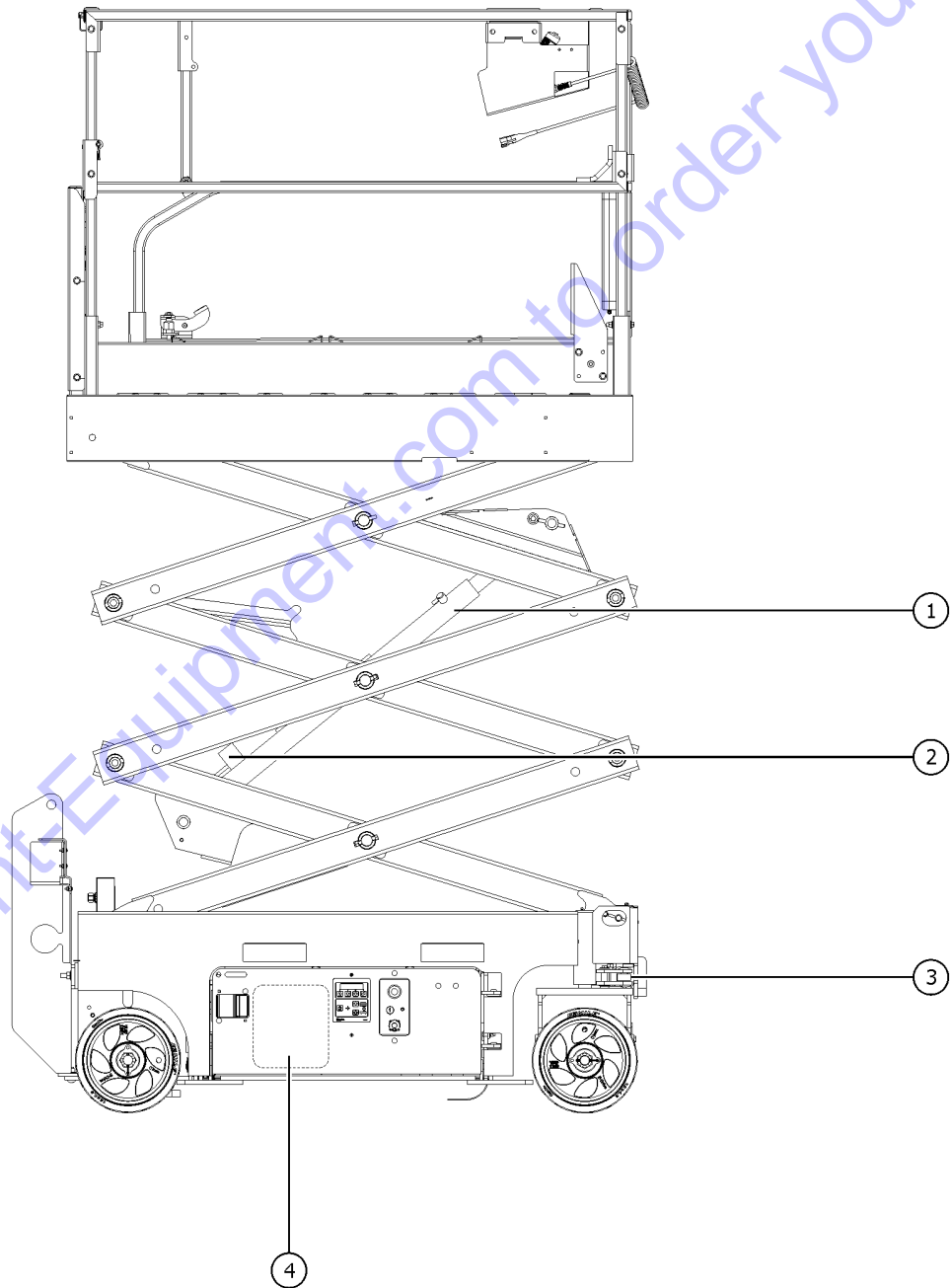
405.2 Joystick Controller Plastic Base

<i>Item</i>	<i>Part No.</i>	<i>Description</i>	<i>Qty.</i>
1	1314756GT	KIT, JOYSTICK, SWITCH ACTUATORS	
2	1314755GT	BOOT, JOYSTICK, SINGLE AXIS, SUREGRIP	
3	1314754GT	KIT, JOYSTICK, HANDLE HALVES AND SCREWS	

Go to Discount-Equipment.com to order your parts



501.1 Hydraulic Components



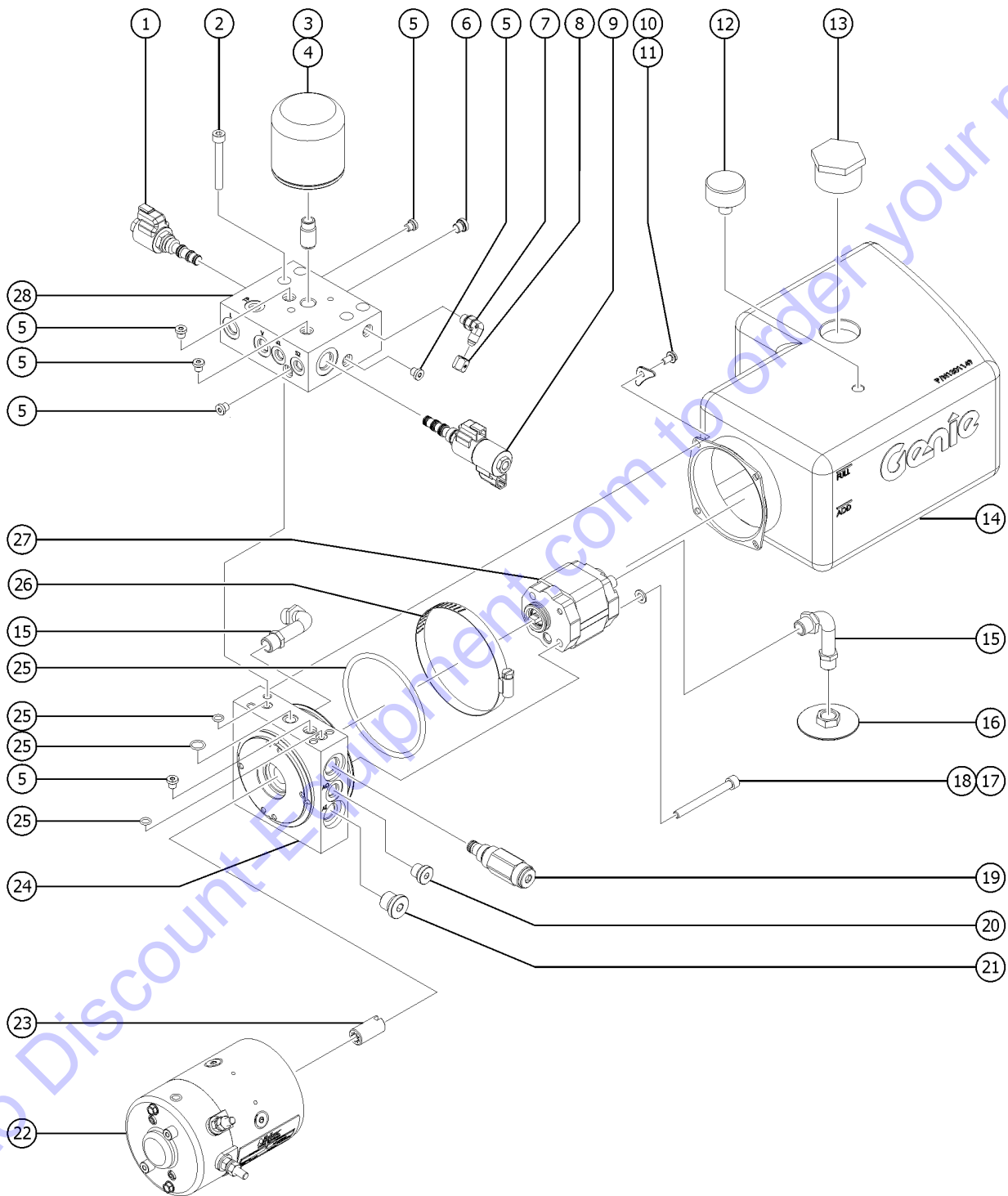
Go to DiscountEquipment.com to order your parts

Item	Part No.	Description	Qty.
1		Ref. Lift Cylinder Assembly (refer to 503.1)	
2		Ref. Pressure Transducer (refer to 701.1)	
3	1308977GT	CYLINDER,GS/GR STEER***	1
3-	1301219GT	SEAL KIT, CYLINDER, GS/GR STEER	
3-	105550GT	KIT,STEER CYL SEAL	
3-	105553GT	KIT,STEER CYL SEAL,040271P,HDM (for code H408147 and up)	
3-	105554GT	KIT,STEER CYL SEAL,040499P,HDM (for code H41109 and up)	
3-	105555GT	KIT,STEER CYL SEAL,040505P,HDM (for codes H41205, H41255, H51290, H501111, H505109, H509101, H60723 and H60870)	
4		Ref. Power Unit (refer to 502.1)	

Go to Discount-Equipment.com to order your parts



502.1 Power Unit



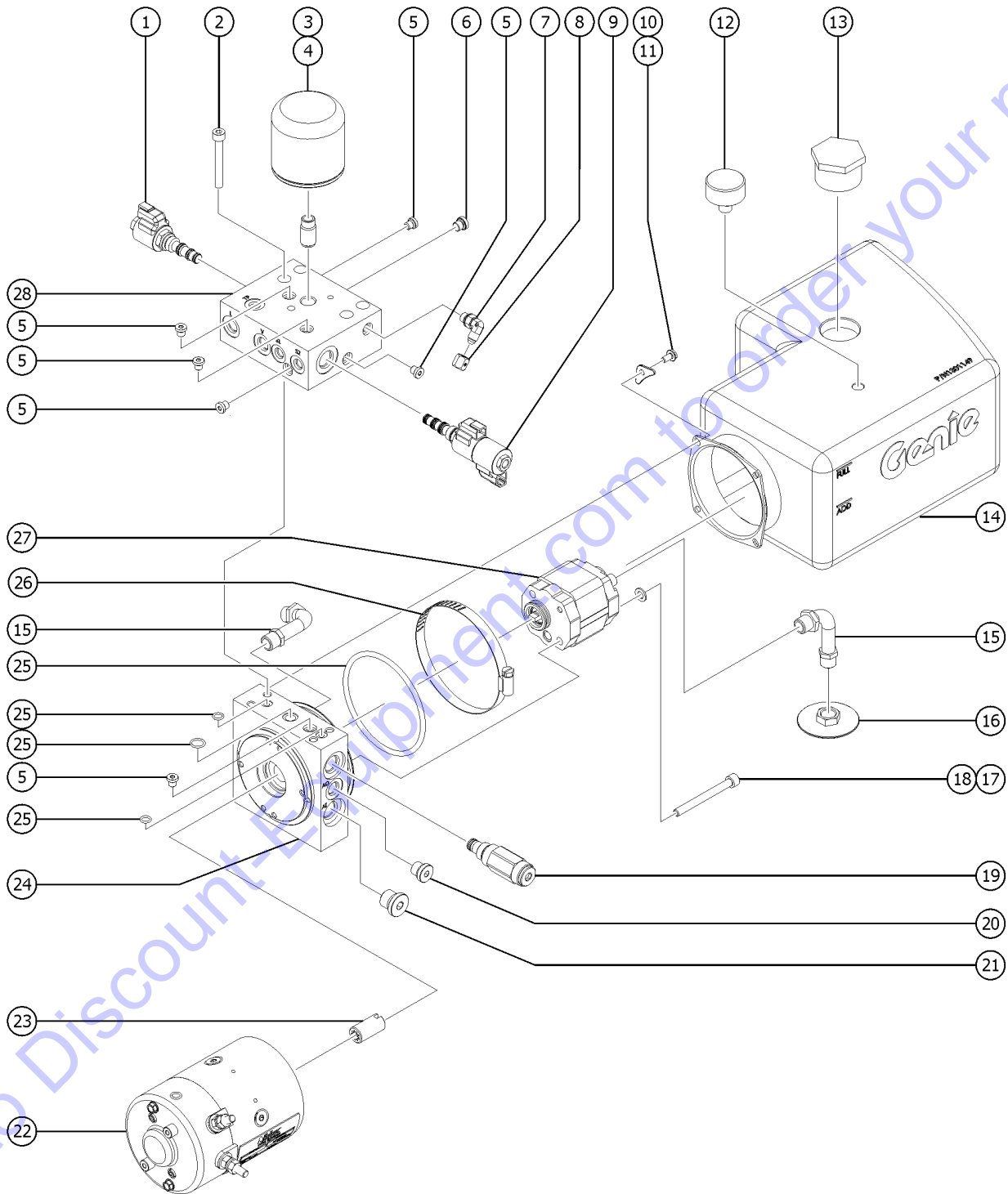
Go to DiscountHydraulics.com to order your parts



Item	Part No.	Description	Qty.
1	1307567GT	VALVE-SOLENOID,2POS 4WAY,DASV08-40-0-N-20ER	1
2	1302843GT	SCREW, GB/T70.1, M8X55, ZNCR, 12.9	4
3	1307565GT	FILTER, ELEMENT, SPIN ON	1
4	1300319GT	INSERT, THREADED, INTERNAL HEX	1
5	1302837GT	PLUG, M8X1, Y	6
6	1302836GT	PLUG, M10X1, Y	1
7	1307058GT	ELBOW, POWER UNIT	1
8	1307059GT	CAP, POWER UNIT	1
9	1307566GT	VALVE-SOLENOID,3POS 4WAY,DASV08-47A-0-N-20ER	1
9B	1313992GT	VALVE, DIRECTIONAL 3POS 4WAY, O TYPE, L (Li Option, GS2032,2632 only)	1
10	1302840GT	SCREW, GB/T5789, M6X8, 8.8	4
11	1302841GT	WASHER, TRIANGULAR, PU-**-04-P	4
12		Ref. Breather Cap (refer to 207.1)	1
13		Ref. Plug (refer to 207.1)	1
14	1301149GT	TANK, HYD. POLYETHYLENE, MID/LARGE SLAB, E-DRIVE	1
15	1302844GT	SUCTION TUBE, NPT3/8	2
16	1302845GT	SUCTION FILTER, PU-LW1	1
17	1302838GT	SCREW, GB/T70.1, M8X80, 12.9	2
18	1302839GT	WASHER, GB/T848, 8, BZN, 300HV	2
19	1307568GT	RELIEF VALVE,RVB0-S08-0B	1
19B	1313991GT	VALVE, ELECTRIC PROPORTIONAL, RELIEF 4000PSI (Li Option, GS2032,2632 only)	1
20	1302834GT	PLUG, SAE9, 16-18, Y (GS2032,2632 only)	1
21	1302835GT	PLUG, SAE3/4-16, 200Z60680 (GS2032,2632 only)	1
21B	1303257GT	THE VALVE CORE, E-DRIVE MANIFOLD (GS3232 only)	1
22	1308511GT	PUMP MOTOR,POWER UNIT,24V,AMJ	1
23	1302207GT	COUPLING, POWER UNIT, E-DRIVE	1
24	1301547GT	MANIFOLD BLOCK, CENTER BLOCK, POWER UNIT, E-DRIVE	1
25	1302833GT	SEAL KITS, O-RING, 109X5.3, 12.5X1.8, 8.5X1.8	1



502.1 Power Unit



Go to DiscountHydraulics.com to order your parts

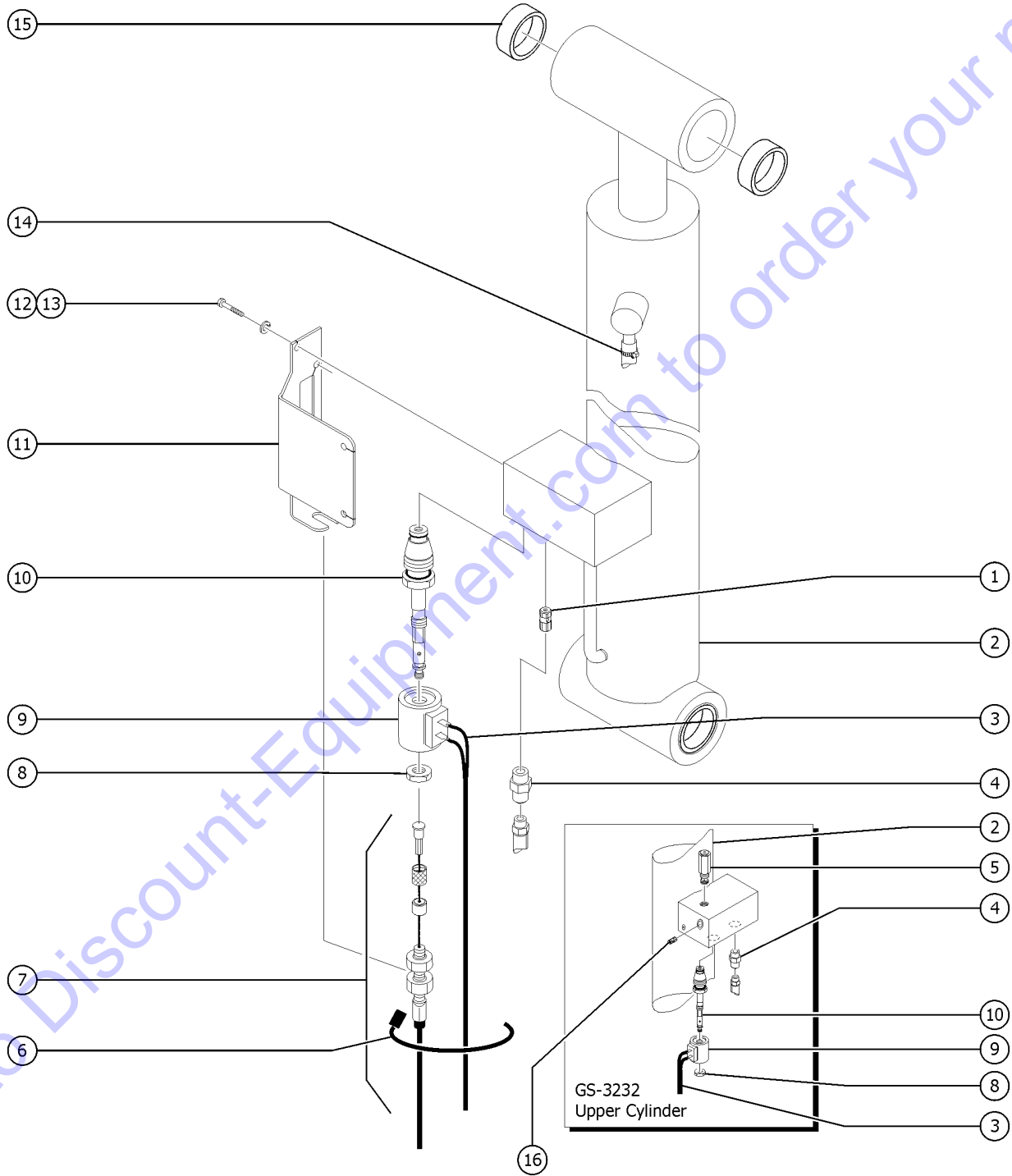


Item	Part No.	Description	Qty.
26	1302842GT	HOSECLAMP, 118-140MM	1
27	1301545GT	GEAR PUMP, 2.9CC, MID/LARGE SLAB, E-DRIVE	1
28	1301548GT	MANIFOLD BLOCK, DEPUTY BLOCK, POWER UNIT, E-DRIVE	1

Go to Discount-Equipment.com to order your parts

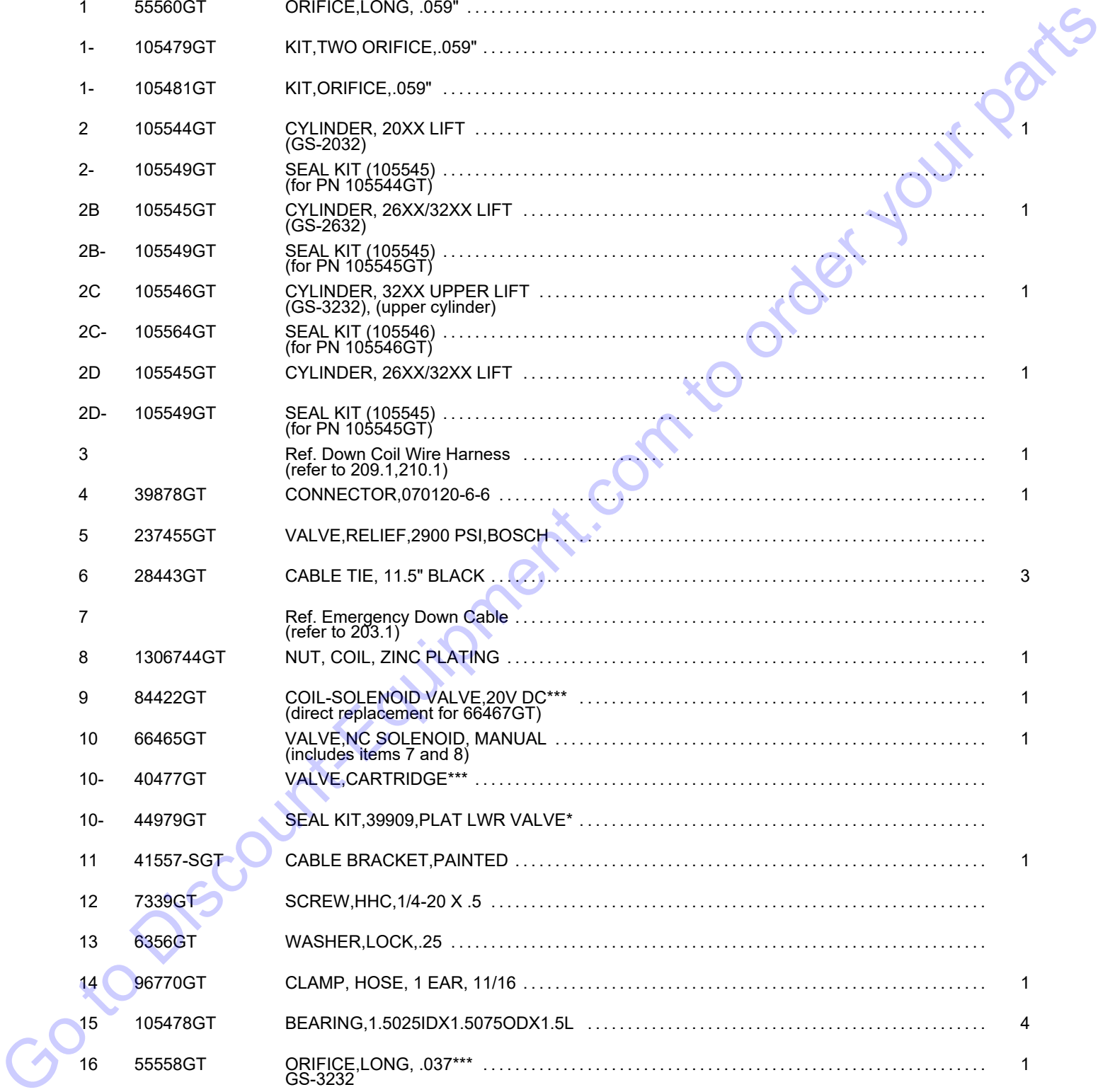


503.1 Lift Cylinder Assembly, All Models

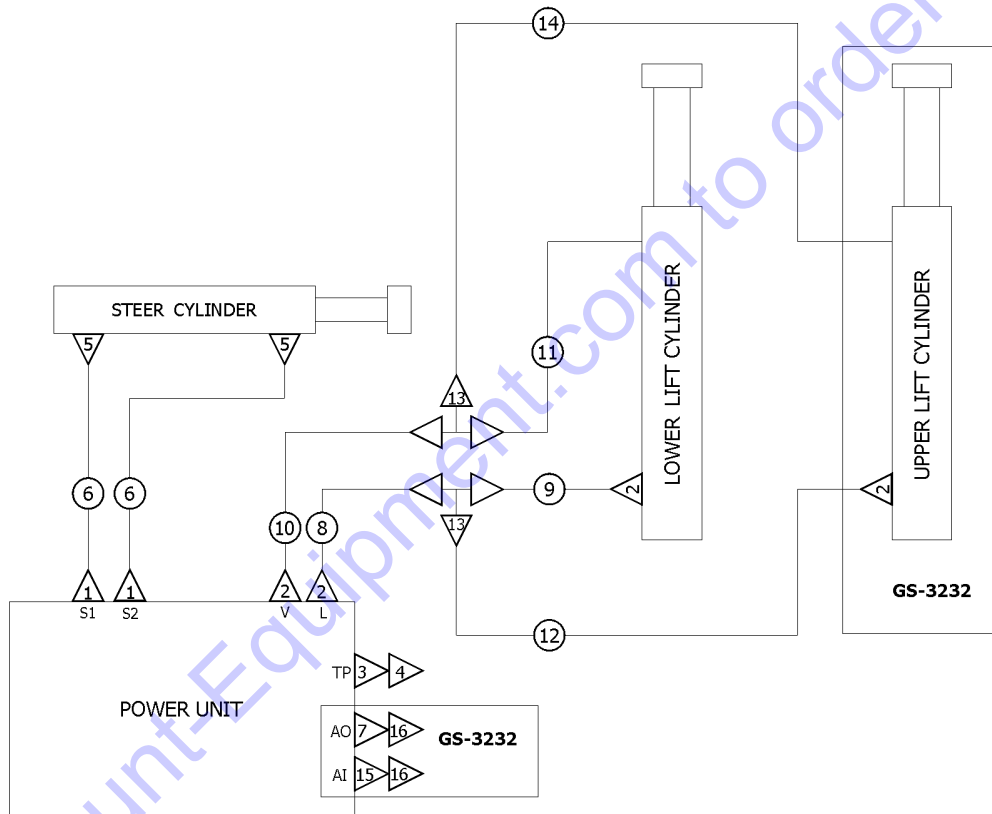


Go to Discount-Equipment.com to order your parts

Item	Part No.	Description	Qty.
1	55560GT	ORIFICE, LONG, .059"	
1-	105479GT	KIT, TWO ORIFICE, .059"	
1-	105481GT	KIT, ORIFICE, .059"	
2	105544GT	CYLINDER, 20XX LIFT (GS-2032)	1
2-	105549GT	SEAL KIT (105545) (for PN 105544GT)	
2B	105545GT	CYLINDER, 26XX/32XX LIFT (GS-2632)	1
2B-	105549GT	SEAL KIT (105545) (for PN 105545GT)	
2C	105546GT	CYLINDER, 32XX UPPER LIFT (GS-3232), (upper cylinder)	1
2C-	105564GT	SEAL KIT (105546) (for PN 105546GT)	
2D	105545GT	CYLINDER, 26XX/32XX LIFT	1
2D-	105549GT	SEAL KIT (105545) (for PN 105545GT)	
3		Ref. Down Coil Wire Harness (refer to 209.1, 210.1)	1
4	39878GT	CONNECTOR, 070120-6-6	1
5	237455GT	VALVE, RELIEF, 2900 PSI, BOSCH	
6	28443GT	CABLE TIE, 11.5" BLACK	3
7		Ref. Emergency Down Cable (refer to 203.1)	
8	1306744GT	NUT, COIL, ZINC PLATING	1
9	84422GT	COIL-SOLENOID VALVE, 20V DC*** (direct replacement for 66467GT)	1
10	66465GT	VALVE, NC SOLENOID, MANUAL (includes items 7 and 8)	1
10-	40477GT	VALVE, CARTRIDGE***	
10-	44979GT	SEAL KIT, 39909, PLAT LWR VALVE*	
11	41557-SGT	CABLE BRACKET, PAINTED	1
12	7339GT	SCREW, HHC, 1/4-20 X .5	
13	6356GT	WASHER, LOCK, .25	
14	96770GT	CLAMP, HOSE, 1 EAR, 11/16	1
15	105478GT	BEARING, 1.5025IDX1.5075ODX1.5L	4
16	55558GT	ORIFICE, LONG, .037*** GS-3232	1



504.1 Hydraulic Hoses and Fittings



LEGEND	
	ADAPTER
	HOSE ASSEMBLY
	UNION

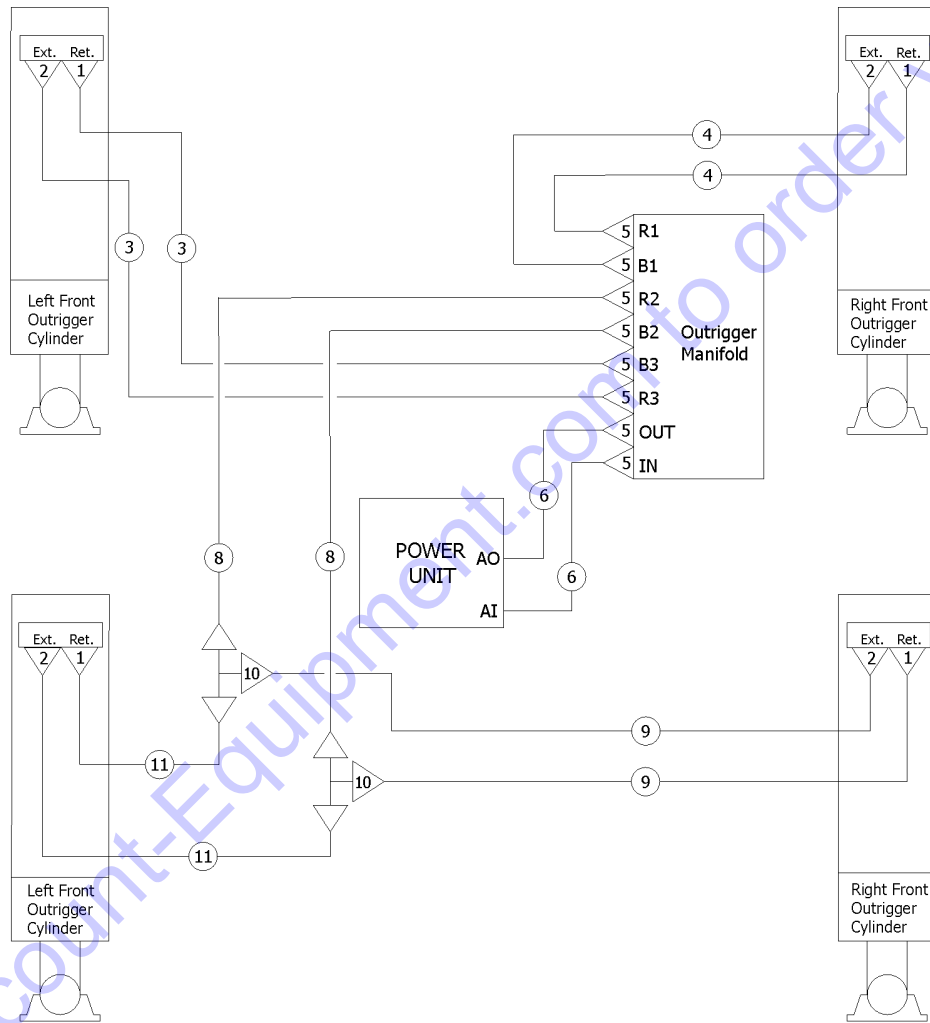
504.1 Hydraulic Hoses and Fittings

Item	Part No.	Description	Qty.
1	39877GT	CONNECTOR,070120-4-4	2
2	39878GT	CONNECTOR,070120-6-6	4
3	48997GT	NIPPLE,DIAGNOSTIC,#4	1
4	48880GT	CAP,DIAGNOSTIC NIPPLE	1
5	13921GT	ELBOW, 07022-4-4	2
6	1288365-5750GT	HOSE ASSY, STEER, RYCO	2
7	237086GT	HOSE,UPPER VENT	1
8	1288926-3988GT	HOSE ASSY, POWER UNIT, LIFT, RYCO	1
9	1259059GT	HOSE,LOWER VENT RYCO	1
10	1298646-4125GT	HOSE ASSY, POWER UNIT, VENT, RYCO	1
11	1259085GT	HOSE,LOWER VENT RYCO	1
12	1259186GT	HOSE ASSY,UPPER LIFT,RYCO	1
13	51152GT	TEE,RUN 070432-6*****	2
14	1259185GT	HOSE, UP VENT, RYCO	1
15	1304157GT	CONN,070122-6-6	1
16	1304158GT	ELBOW,SWIVEL 90D, 070221-L-6-6	2

Go to Discount-Equipment.com to order your parts



505.1 Hydraulic Hoses and Fittings, Outriggers, GS-3232



LEGEND	
	ADAPTER
	HOSE ASSEMBLY
	UNION

Go to Discount-Equipment.com to order your parts

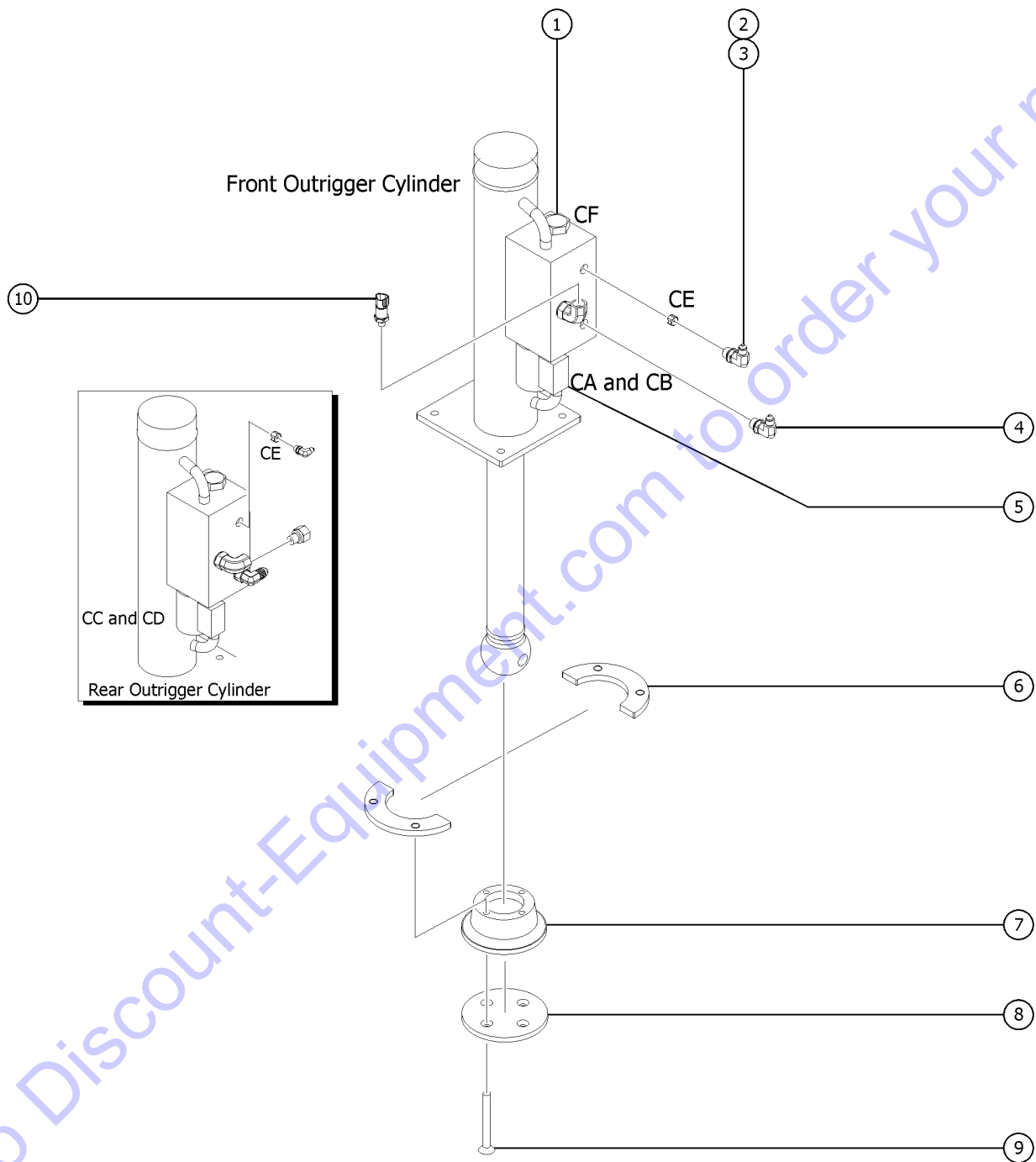
505.1 Hydraulic Hoses and Fittings, Outriggers, GS-3232

Item	Part No.	Description	Qty.
1	13921GT	ELBOW, 07022-4-4	4
2	39875GT	ELBOW,070220-4-6	4
3	105645GT	HOSE ASSY,LT FRONTO/R,GS3232	2
4	105648GT	HOSE ASSY,RT FRONT O/R,GS3232	2
5	39877GT	CONNECTOR,070120-4-4	6
6	1288926-5738GT	HOSE ASSY, POWER UNIT TO OUTRIGGERS	2
7	39878GT	CONNECTOR,070120-6-6	2
8	105649GT	HOSE ASSY,O/R MAN-T, GS3232	2
9	105647GT	HOSE ASSY,RT REAR O/R, GS3232	2
10	1304513GT	TEE, UNION, 070959-4, WLN	2
11	105646GT	HOSE ASSY,LT REAR O/R, GS3232	2

Go to Discount-Equipment.com to order your parts



506.1 Outrigger Cylinders, Front and Rear, GS-3232



Go to Discount-Equipment.com to order your parts

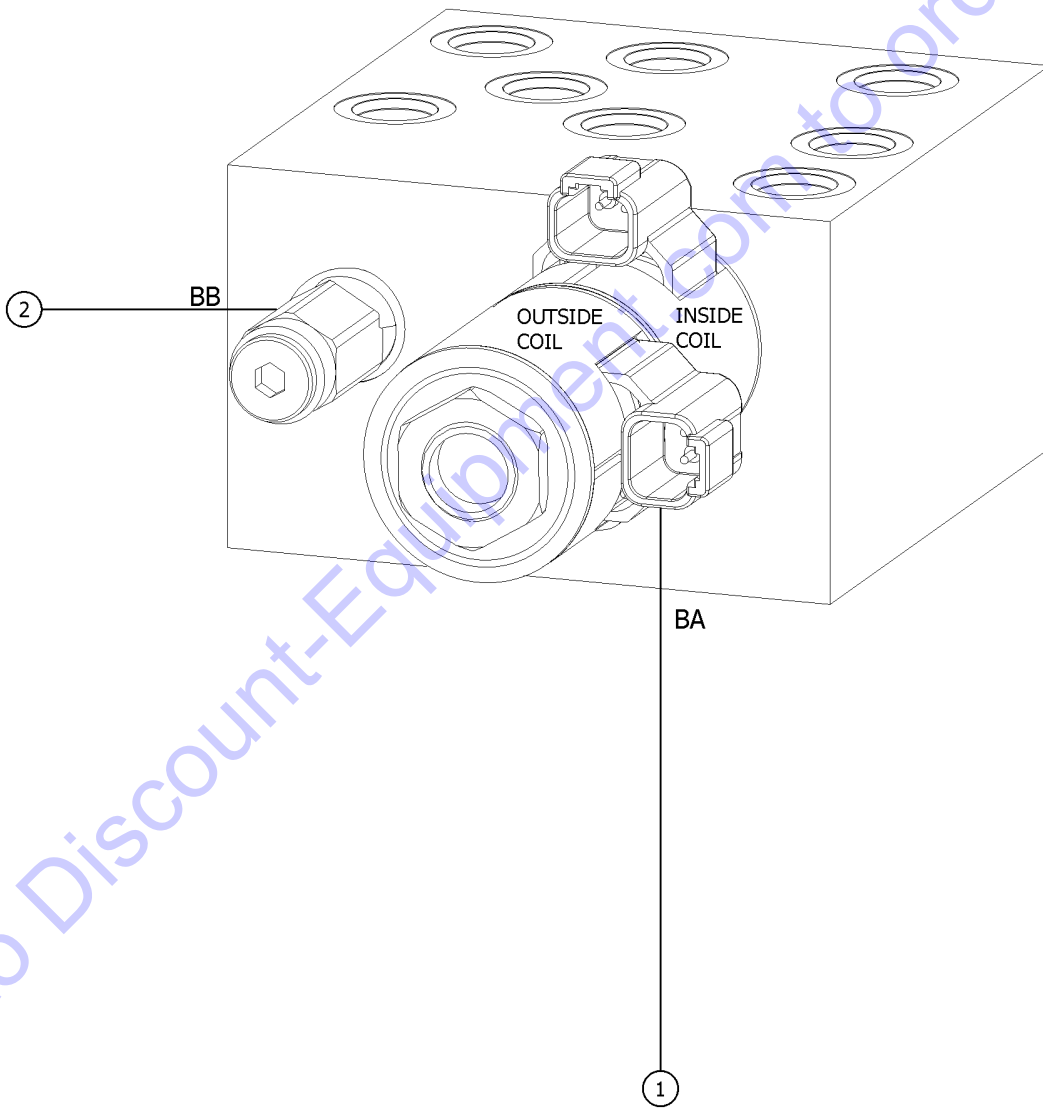
506.1 Outrigger Cylinders, Front and Rear, GS-3232

Item	Part No.	Description	Qty.
-	109877GT	CYLINDER,REAR OUTRIGGER order valves, orifice and fittings separately	
-	109878GT	CYLINDER,FRONT OUTRIGGER order valves, orifice and fittings separately	
-	144655GT	SEAL KIT,O/R CYLINDER*** for 109877GT and 109878GT	
1	105628GT	VALVE,CHECK,PILOT OPERATED (3500 psi, 240 bar)	1
1-	105695GT	SEAL KIT	
2	39875GT	ELBOW,070220-4-6	1
3	67744GT	ORIFICE,SHORT, 0.037 INCH (0.037 inch; 0.94 mm)	1
4	13921GT	ELBOW, 07022-4-4	1
5	105629GT	VALVE,SOLENOID 2 POS,2 WAY***	1
5-	44228GT	SEAL KIT, VALVE	
6	109750GT	PLATE,FOOTPAD RING	2
7	109756GT	FOOTPAD,OUTRIGGER,3232	1
8	105575GT	FOOTPAD,NON MARKING	1
9	1260987GT	SCREW,FHS,1/4-20X2.25XF835,ZAG	16
10	1291577GT	PRESSURE TRANSDUCER,0-5K PSI	1

Go to Discount-Equipment.com to order your parts



507.1 Outrigger Function Manifold, GS-3232



Go to Discount-Equipment.com to order your parts

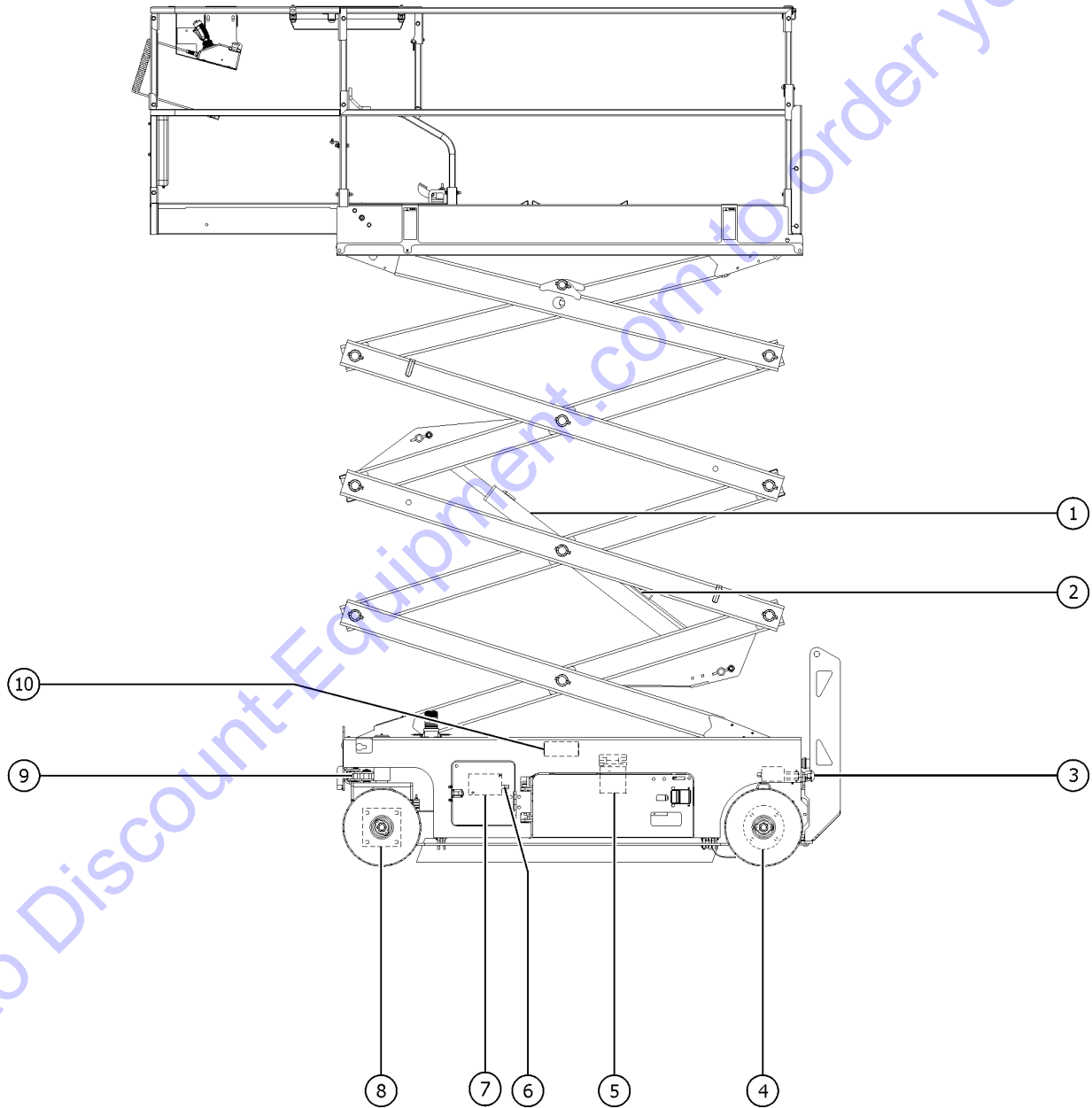
507.1 Outrigger Function Manifold, GS-3232

Item	Part No.	Description	Qty.
-	109757GT	MANIFOLD,OUTRIGGER OPTION	
-	49612GT	O-RING KIT (ORFS FITTINGS)	
-	49613GT	PLUG AND CAP KIT-SERVICE,ORFS*	
1	52376GT	VALVE,RELIEF,3500PSI*** (BB, Outrigger circuit)	
1-	44227GT	SEAL KIT, VALVE	
2	52380GT	VALVE,SOLENOID,3POS4WAY,GS68 (BA, Outrigger extend/retract)	
2-	44174GT	NUT-COIL SHORT	
2-	44175GT	SPACER-DUAL COIL,#10, SCISSORS	
2-	44230GT	SEAL KIT-P.N.44169,44172,44171	
2-	84385GT	COIL,20VDC DEUTCSH W/DIODE	

Go to Discount-Equipment.com to order your parts



508.1 Hydraulic Components (H-drive)

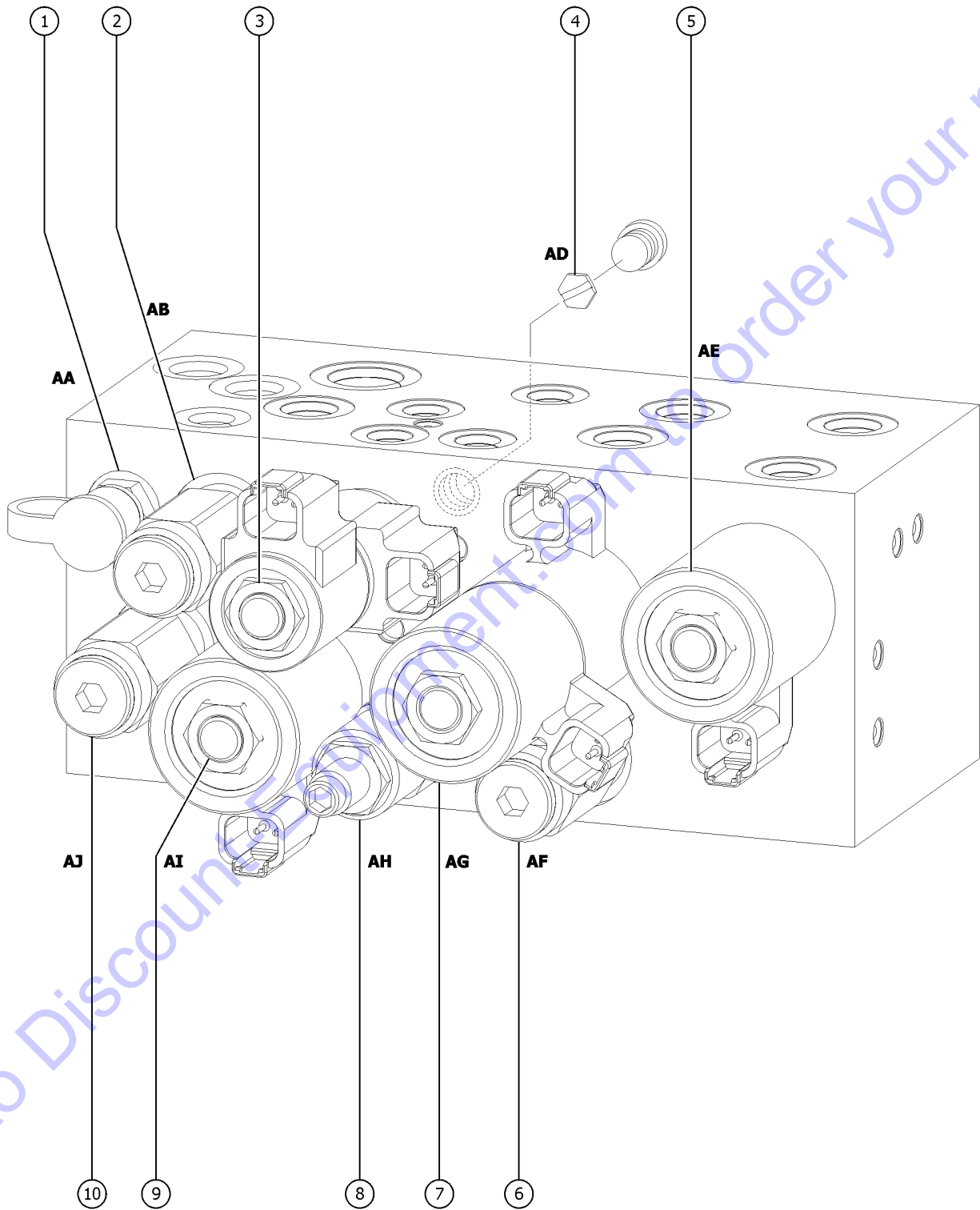


Go to Discount-Equipment.com to order your parts

Item	Part No.	Description	Qty.
1		Ref. Lift Cylinder Assembly (refer to 503.1)	
2		Ref. Pressure Transducer (refer to 701.1)	
3		Ref. Brake Release Hand Pump Manifold (refer to 510.1)	
4	96257GT	BRAKE, HYDRAULIC***	2
5	78622GT	FILTER ASSY, SAE8, 10 MIC, PAPER** (paper, standard)	1
5-	44788GT	FILTER ELEMENT-10MICRON, PAPER* (paper, standard)	
6		Ref. Check Valve (refer to 509.1)	
7		Ref. Function Manifold (refer to 509.1)	
8	T108663GT	DRIVE MOTOR, 22.9CI/REV	
8-	96419GT	SEAL KIT, RC SERIES DR MOTOR*** for T108663	
9	105547GT	CYLINDER, GS/GR STEER***	1
9-	105550GT	KIT, STEER CYL SEAL	
9-	105553GT	KIT, STEER CYL SEAL, 040271P, HDM (for code H408147 and up)	
9-	105554GT	KIT, STEER CYL SEAL, 040499P, HDM (for code H41109 and up)	
9-	105555GT	KIT, STEER CYL SEAL, 040505P, HDM (for codes H41205, H41255, H51290, H501111, H505109, H509101, H60723 and H60870)	
10	78422GT	ACCUMULATOR, 180 PSI PRECHARGE*	1

Go to Discount-Equipment.com to order your parts

509.1 Function Manifold (H-drive)

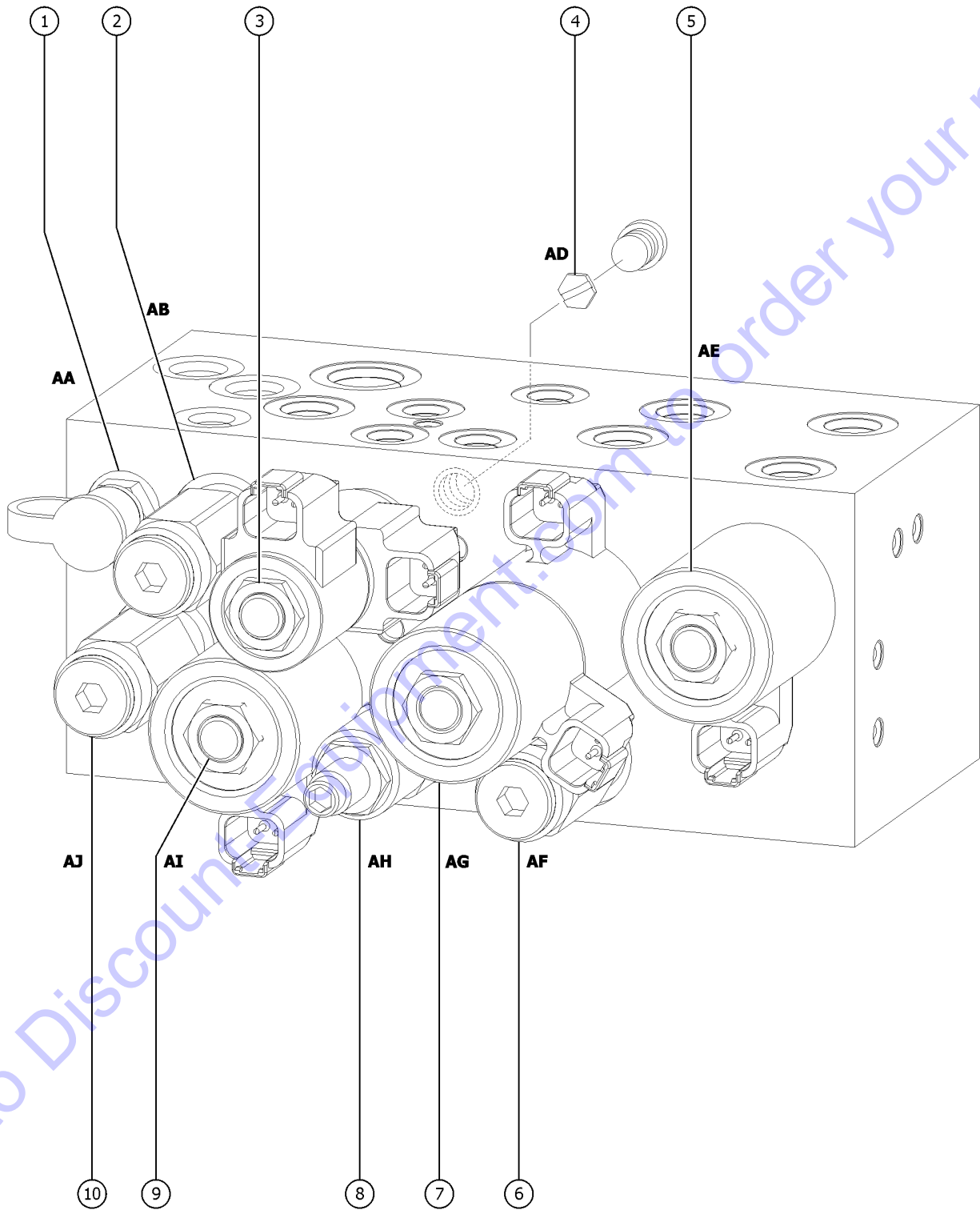


Go to DiscountEquipment.com to order your parts

Item	Part No.	Description	Qty.
-	1311985GT	FUNCTION, MANIFOLD, 2 SPEED (does not include check valve, item 4)	
-	1318721GT	PRESSURE TRANSDUCER TK,0-5K PSI (does not include check valve, item 4)	
-	49613GT	PLUG AND CAP KIT-SERVICE,ORFS*	
-	49612GT	O-RING KIT (ORFS FITTINGS)	
-	105463GT	126,DYN.BRAKING,MANIF,32/46	
1	48997GT	NIPPLE,DIAGNOSTIC,#4 (AA, Testing)	
1-	20224GT	DIAGNOSTIC FEMALE Q-DSCNT	
1-	48880GT	CAP,DIAGNOSTIC NIPPLE	
2	1299590GT	VALVE, FUNCTION MANIFOLD RELIEF, 3700PSI (AB, System relief)	
2-	44226GT	SEAL KIT-FOR P.N.44167	
2B	1299590GT	VALVE, FUNCTION MANIFOLD RELIEF, 3700PSI	
3	44168GT	VALVE,SOLENOID,3POS 4WAY (AC, Steer left/right)	
3-	44229GT	SEAL KIT, VALVE	
3-	44236GT	SPACER-DUAL COIL,#8*** (sold separately)	
3-	77709GT	COIL,#8 20VDC,DEUTSCH W/DIODE (sold separately)	
3-	44174GT	NUT-COIL SHORT (sold separately)	
4	84386GT	CHECK DISK, NO SPRING (AD, Steer circuit)	
5	44171GT	VALVE-SOLENOID,2POS 4WAY** (AE, Drive speed select circuit)	
5-	44175GT	SPACER-DUAL COIL,#10, SCISSORS (sold separately)	
5-	44230GT	SEAL KIT-P.N.44169,44172,44171	
5-	84385GT	COIL,20VDC DEUTCSH W/DIODE (sold separately)	
6	97409GT	VALVE,DIFF.AREA RELIEF,50PSI (AF, Brake release)	
7	150104GT	VALVE, DYN. BRAKING, GS32/46	
7-	44175GT	SPACER-DUAL COIL,#10, SCISSORS (sold separately)	
7-	84385GT	COIL,20VDC DEUTCSH W/DIODE (sold separately)	
8	84384GT	PRTY,FLOW CNTRL VALVE,.75 GPM (AH, Steer circuit)	
8-	1261888GT	SEAL KIT (84384) for 84384GT	
8-	44230GT	SEAL KIT-P.N.44169,44172,44171	



509.1 Function Manifold (H-drive)



Go to DiscountEquipment.com to order your parts

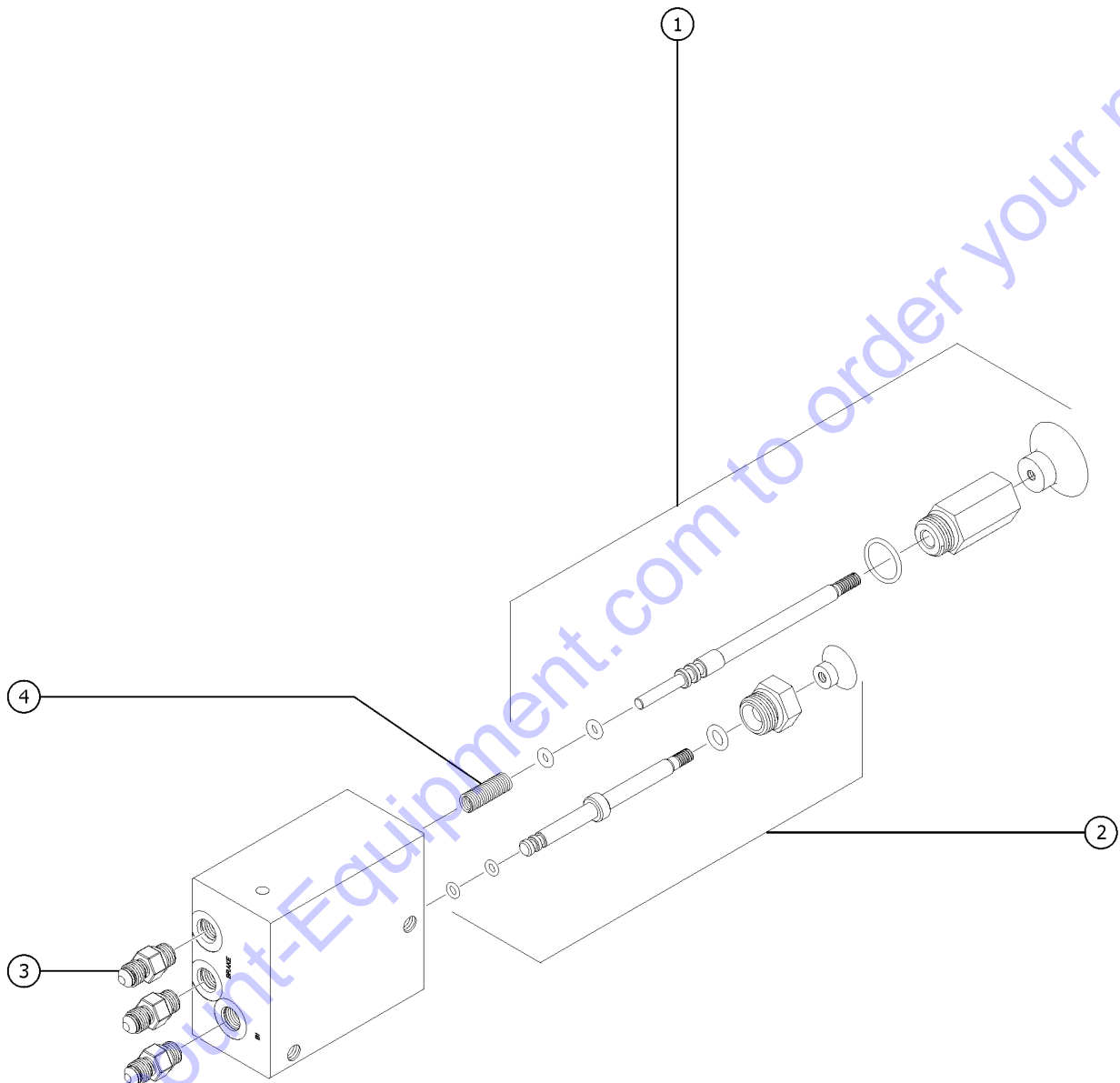
509.1 Function Manifold (H-drive)

Item	Part No.	Description	Qty.
9	44169GT	VALVE-SOLENOID, 2POS 4 WAY (AI, Platform up)	
9-	84385GT	COIL,20VDC DEUTCSH W/DIODE (sold separately)	
9-	44175GT	SPACER-DUAL COIL,#10, SCISSORS (sold separately)	
9-	44230GT	SEAL KIT-P.N.44169,44172,44171	
10	1299590GT	VALVE, FUNCTION MANIFOLD RELIEF, 3700PSI (AJ, Lift relief)	
10-	44226GT	SEAL KIT-FOR P.N.44167	
10B	1299590GT	VALVE, FUNCTION MANIFOLD RELIEF, 3700PSI	

Go to Discount-Equipment.com to order your parts



510.1 Brake Release Hand Pump Manifold (H-drive)



Go to Discount-Equipment.com to order your parts

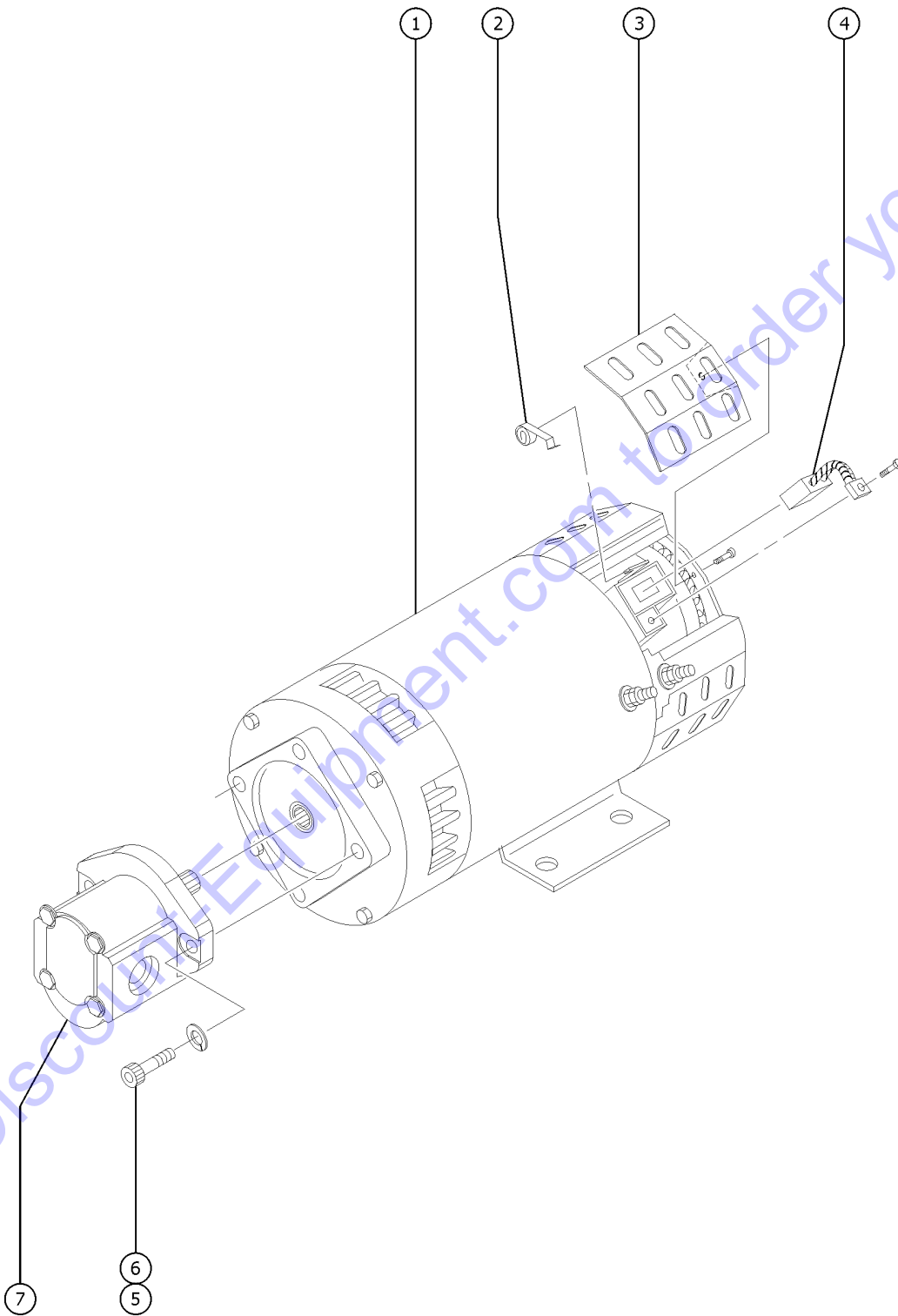
510.1 Brake Release Hand Pump Manifold (H-drive)

Item	Part No.	Description	Qty.
-	105067GT	MANIFOLD,BRAKE RELEASE (includes items 1, 2 and 4)	
1	84739GT	VALVE,HAND PUMP ASSEMBLY***	1
1-	84740GT	SEAL KIT,HAND PUMP***	
1-	84742GT	KNOB,HAND PUMP (RED)***	
2	84743GT	VALVE,PILOT OPERATED ASSEMBLY*	1
2-	84740GT	SEAL KIT,HAND PUMP***	
2-	84746GT	KNOB,PILOT OP VALVE (BLACK)***	
3	39877GT	CONNECTOR,070120-4-4	3
4	84748GT	SPRING,HAND PUMP ROD	1

Go to Discount-Equipment.com to order your parts



511.1 Hydraulic Power Unit (H-drive)



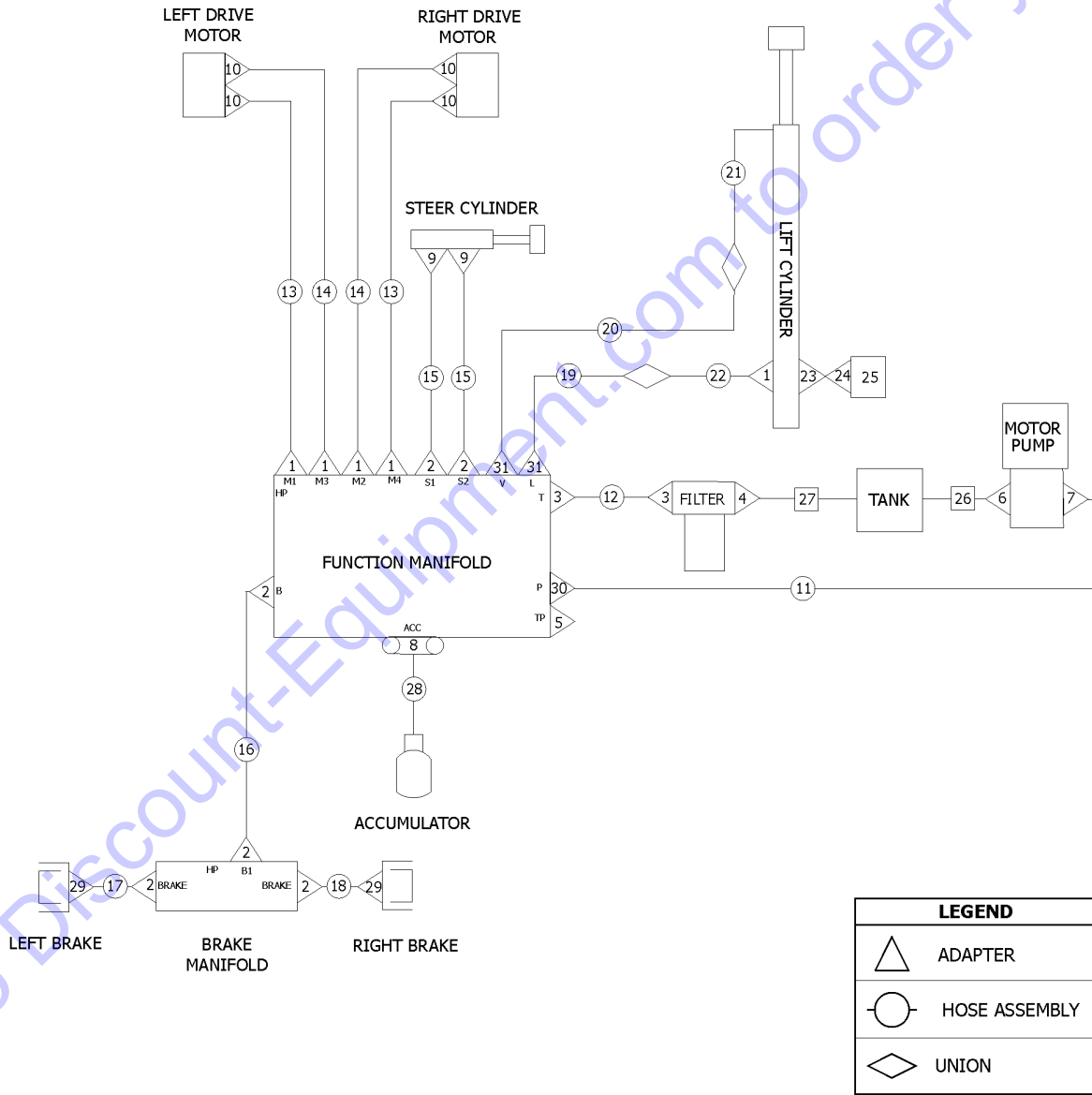
Go to DiscountEquipment.com to order your parts

Item	Part No.	Description	Qty.
-	49812GT	ENCLOSING BAND KIT Band Kit (EE models)	
-	78006GT	FORMING,PADLOCK BRACKET	
-	44716GT	HANDLE,ANDERSON CONNECTOR SB	
1	40844GT	MOTOR,ELECTRIC,24VDC 4.5HP US part number	1
1-	43685GT	SEAL KIT,LIFT PUMP,BARNES**	
1-	44777GT	BEARING,MOTOR	
1-	44778GT	BEARING,MOTOR,36843,BRUSH END*	
1B	1256517GT	MOTOR,DC24V,3.3KW,JIANGSU XINYU China part number	1
1B-	1309762GT	SPRING-BRUSH,1256517,SCISSORS	
1B-	1309763GT	COVER-BRUSH INSPEC,1256517,SCISSORS	
1B-	1309764GT	BRUSH PWR,UNIT(1256517)	
2	44750GT	SPRING-BRUSH,40844, SCISSORS	4
3	44752GT	COVER-BRUSH INSPEC.40844,SCISS	4
4	44751GT	BRUSH,PWR UNIT (40844)**	4
5	55921GT	SCREW,SHC,3/8-24 X 1.25"	
6	6021GT	WASHER,LOCK,.375	
7	T108662GT	PUMP,5.6CC GEAR,CCW	1
7-	236837GT	SEAL KIT,PUMP,5.6CC GEAR	

Go to Discount-Equipment.com to order your parts



512.1 Hydraulic Hoses and Fittings (H-drive)



512.1 Hydraulic Hoses and Fittings (H-drive)

Item	Part No.	Description	Qty.
-		The hose lengths below reflect the length of the hose only. Refer to the 'Fittings Cross Reference' to match Genie part numbers to Parker part numbers.	
-	66765-3000GT	WIRE LOOM, SPIRAL, 1-5/8 ID 30" used as hose protection on 3/8 hoses, sold by the inch	
1	39878GT	CONNECTOR, 070120-6-6 GS-2032, GS-2632	3
2	39877GT	CONNECTOR, 070120-4-4	6
2-	39882GT	PLUG, HEX SOCKET, 090109B-4	1
3	66389GT	CONN, 070120-8-6	2
4	96398GT	CONNECTOR, 070120-12-8	1
5		Ref. Diagnostic Nipple (refer to 509.1)	
6	22664GT	ELBOW, 070220-12-10	1
7	39876GT	ELBOW, 070220-6-8	1
8	39877GT	CONNECTOR, 070120-4-4	1
9	13921GT	ELBOW, 07022-4-4 GS-2032, GS-2632	2
10	39873GT	ELBOW, 070220-6-6	4
11	1259183GT	HOSE, ASSY, PRESS, RYCO (Components: 1259073, 1259073, and 1259076 @ 50 inches)	1
11B	96744GT	HOSE, ASSY, PRESSURE (Components: 39890, 39890, and 56776 @ 50 inches)	1
12	1259184GT	HOSE, ASSY, MAN TO FILTER, RYCO (Components: 96406, 96406, and 1259077 @ 25 inches)	1
12B	96348GT	HOSE, ASSY, MAN TO FILTER (Components: 96406, 96406, and 75631 @ 25 inches)	1
13	105802GT	HOSE ASSY, DRIVE MOTORS, GS32 (Components: 39890, 39890, and 56776 @ 50 inches)	2
14	105579GT	HOSE ASSY, DRIVE MOTORS, GS32 (Components: 39890, 39890, and 56776 @ 54 inches)	2
15	1259062GT	HOSE, ASSY STEER, GS32/46 RYCO (Components: 1259079, 1259079, and 1259078 @ 36 inches)	2
15B	105578GT	HOSE, ASSY STEER, GS32/46 (Components: 78855, 78855, and 78852 @ 36 inches)	2
16	1294831GT	HOSE, ASSY, BRAKE MAN, GS32, RYCO (Components: 1259079, 1259079, and 1259078 @ 62 inches)	1
16B	105804GT	HOSE, ASSY, BRAKE MAN, GS32 (Components: 78855, 78855, and 78852 @ 62 inches)	1
17	1262934GT	HOSE 1259078X475, RYCO (Components: 1259079, 1259079, and 1259078 @ 17 inches)	2
17B	96391GT	HOSE 78852X475 (Components: 78855, 78855, and 78852 @ 17 inches)	2
18	1294831GT	HOSE, ASSY, BRAKE MAN, GS32, RYCO (Components: 1259079, 1259079, and 1259078 @ 62 inches)	1
18B	105804GT	HOSE, ASSY, BRAKE MAN, GS32 (Components: 78855, 78855, and 78852 @ 62 inches)	1
19	1259083GT	HOSE, ASSY, LIFT RYCO (Components: 1259073, 1259073, and 1259076 @ 42 inches)	1



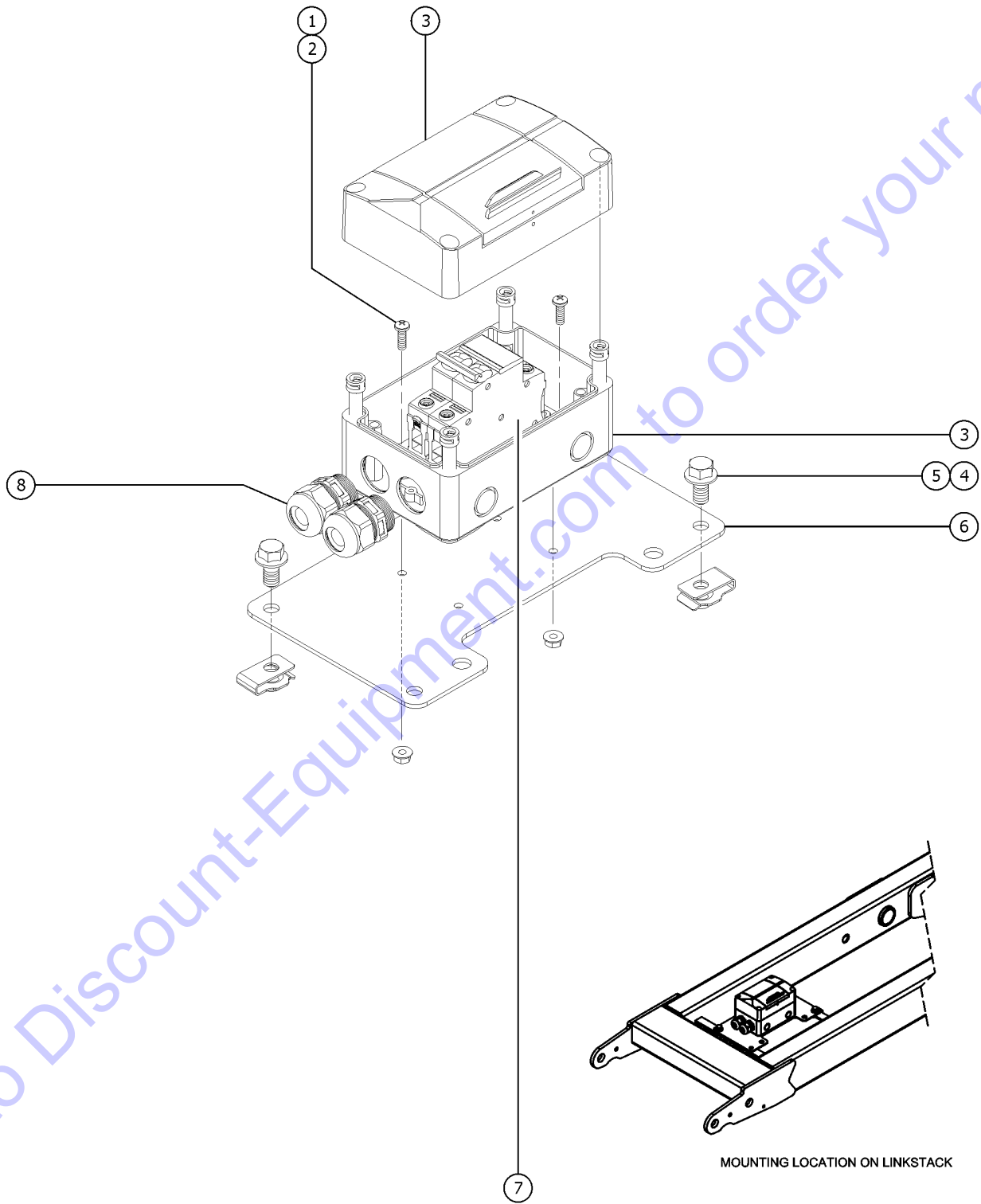
512.1 Hydraulic Hoses and Fittings (H-drive)

Item	Part No.	Description	Qty.
19B	96750GT	HOSE, ASSY, LIFT (Components: 39890, 39890, and 56776 @ 42 inches)	1
20	1259084GT	HOSE,ASSY,VENT RYCO (Components: 96406, 96407, and 1259077 @ 42 inches)	1
20B	96881GT	HOSE,LOWER VENT (Components: 96406, 96407, and 75631 @ 42 inches)	1
21	1259085GT	HOSE,LOWER VENT RYCO GS-2032, GS-2632 (Components: 96406 and 1259077 @ 170.5 inches)	1
21B	96882GT	HOSE,LOWER VENT GS-2032, GS-2632 (Components: 75631 @ 161 inches)	1
22	1259059GT	HOSE,LOWER VENT RYCO (Components: 1259075, 1259073, and 1259076 @ 127 inches)	1
22B	105046GT	HOSE ASSY,LOWER LIFT (Components: 39890, 47223, and 56776 @ 127 inches)	1
23	96885GT	CONN,SWIVEL,STR,THR,465OX-S	1
24	39881GT	CONNECTOR,070120-4-6	1
25		Ref. Pressure Switch (refer to 701.1)	
26	96354GT	TUBE, ASSY, DRAW	1
27	96355GT	TUBE, ASSY, RETURN	1
28	1262934GT	HOSE 1259078X475,RYCO (Components: 1259079, 1259079, and 1259078 @ 17 inches)	1
28B	105246GT	HOSE ASSY, MAN/ACCUM, GS32/46 (Components: 78855, 78855, and 78852 @ 17 inches)	
29	39877GT	CONNECTOR,070120-4-4	2
30	39878GT	CONNECTOR,070120-6-6 GS-2032, GS-2632	1
31	42283GT	ELBOW,070320-6-6 GS-2032, GS-2632	2

Go to Discount-Equipment.com to order your parts



601.1 RCBO



Go to Discount-Equipment.com to order your parts

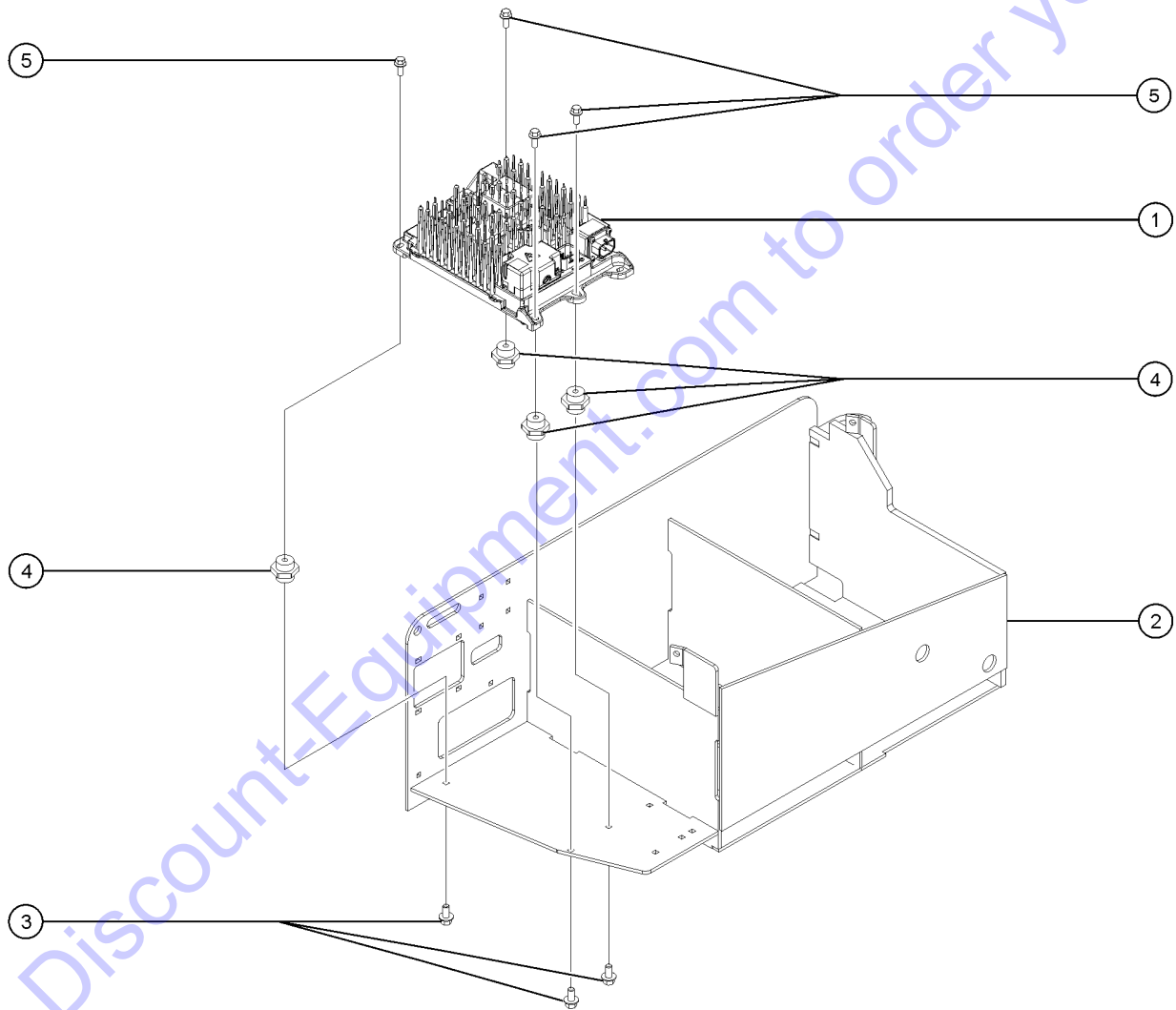
601.1 RCBO

Item	Part No.	Description	Qty.
1	1257227GT	SCREW,PHPM,10-32X.625,ZAG	2
2	1283004GT	NUT,NYLOCK FLG,10-24,A,ZAG	2
3	1269086GT	ENCLOSURE, FUSE, MODULAR, 100x150x96, IP65	1
4	824089GT	SCREW, HHF, 3/8-16 X .75, 8, ZAG	2
5	29868GT	SPRING CLIP,3/8-16,.05-.20X.73,ZAG	2
6	1274540GT	PLATE, RCBO, GS	1
7	231868GT	RCBO,16A,30MA,6KA 110/230VAC	1
8	1280947GT	GLAND ASSY,M25, 6-13MM	2
9	43956GT	WIRE CABLE, 14/GA/3 CON. TPE JKT* not shown	115
10	1280948GT	SLEEVE, CABLE-END, 16AWG, 1.5MM for 43956, not shown	6

Go to Discount-Equipment.com to order your parts



602.1 Charger Isolation



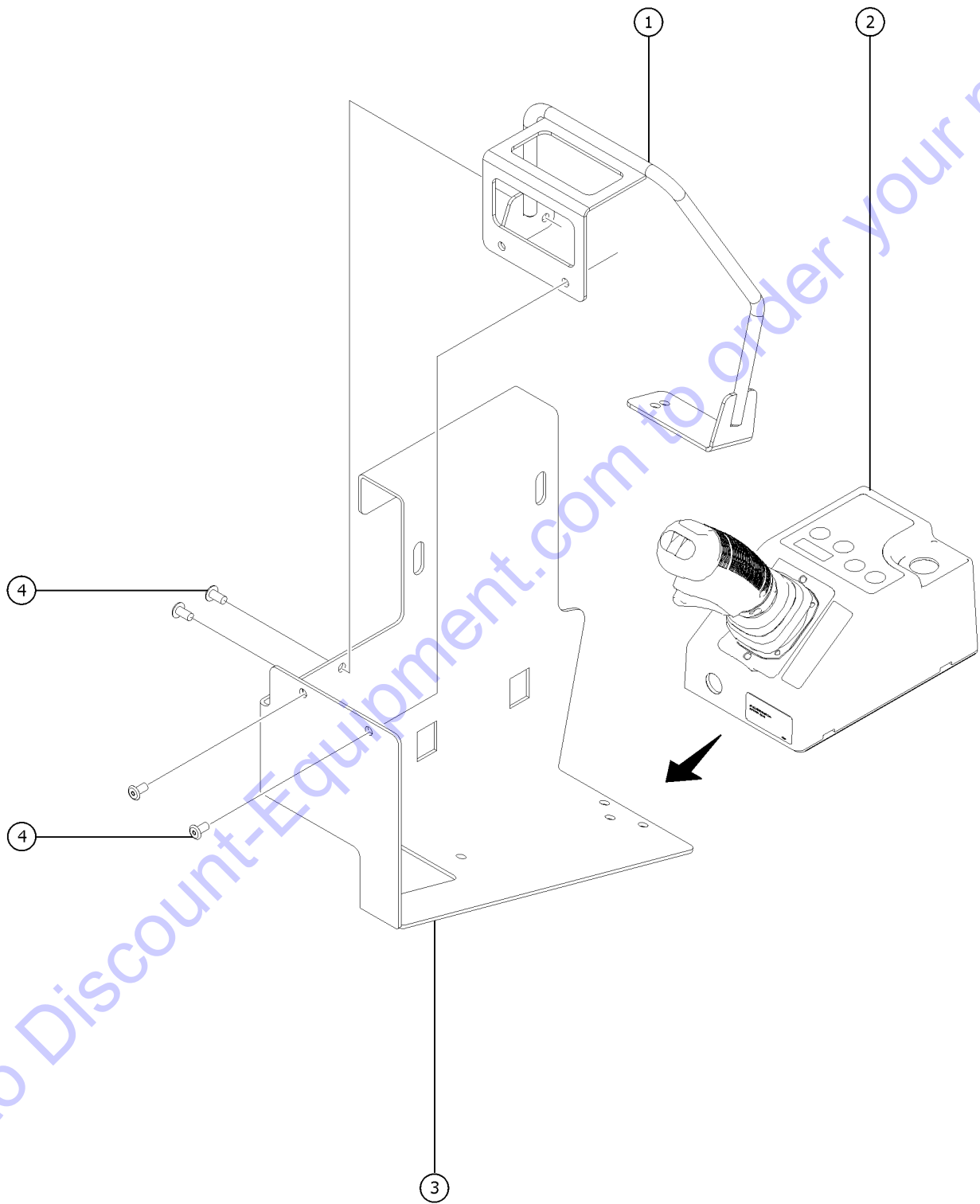
602.1 Charger Isolation

Item	Part No.	Description	Qty.
1		Ref.CHARGER, 24V, 650W, USB (refer to 206.1)	1
2	1304450GT	WLDMT,BATTERY TRAY,GS	1
3	824077GT	SCREW, HHF, 1/4-20 X .5, 8, ZAG	3
4	1276847GT	ISOLATOR,SANDWICH,1/4-20,M2M	4
5	1256855GT	SCREW,HHF,1/4-20X.625,8,ZAG	4

Go to Discount-Equipment.com to order your parts



603.1 PCON Guard



Go to Discount-Equipment.com to order your parts

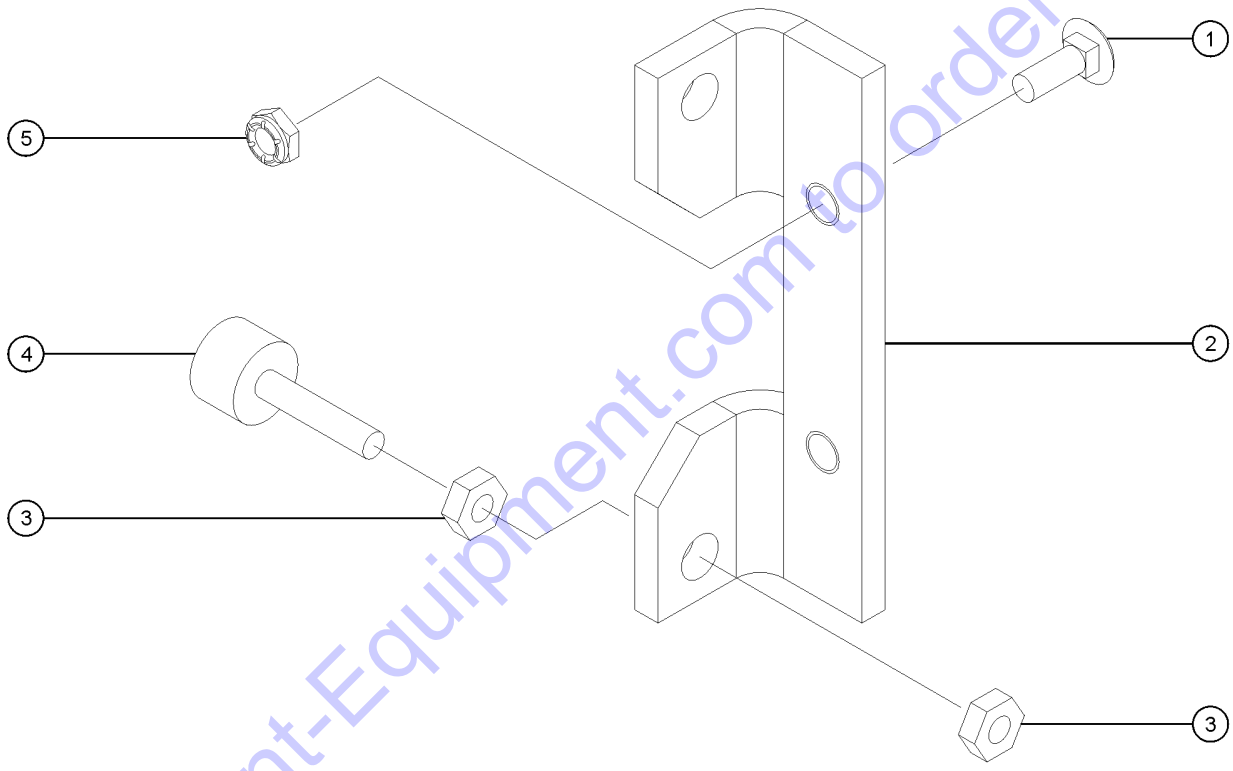
603.1 PCON Guard

Item	Part No.	Description	Qty.
1	1290292GT	WELDMENT, PCON GUARD ASSEMBLY, METRIC	1
2		Ref. PCON, GR/GRC/GS	
		(refer to 403.1 or 404.1)	
3		Ref. FORMING, PLAT CONTROL, GR/GRC	4
		(refer to 403.1 or 404.1), (holes drilled for PCON Guard option)	
4	6271GT	RIVET,STL,STL.MAN,P,.25 X .25	4

Go to Discount-Equipment.com to order your parts



604.1 Bumper Assembly Tray



Go to Discount-Equipment.com to order your parts

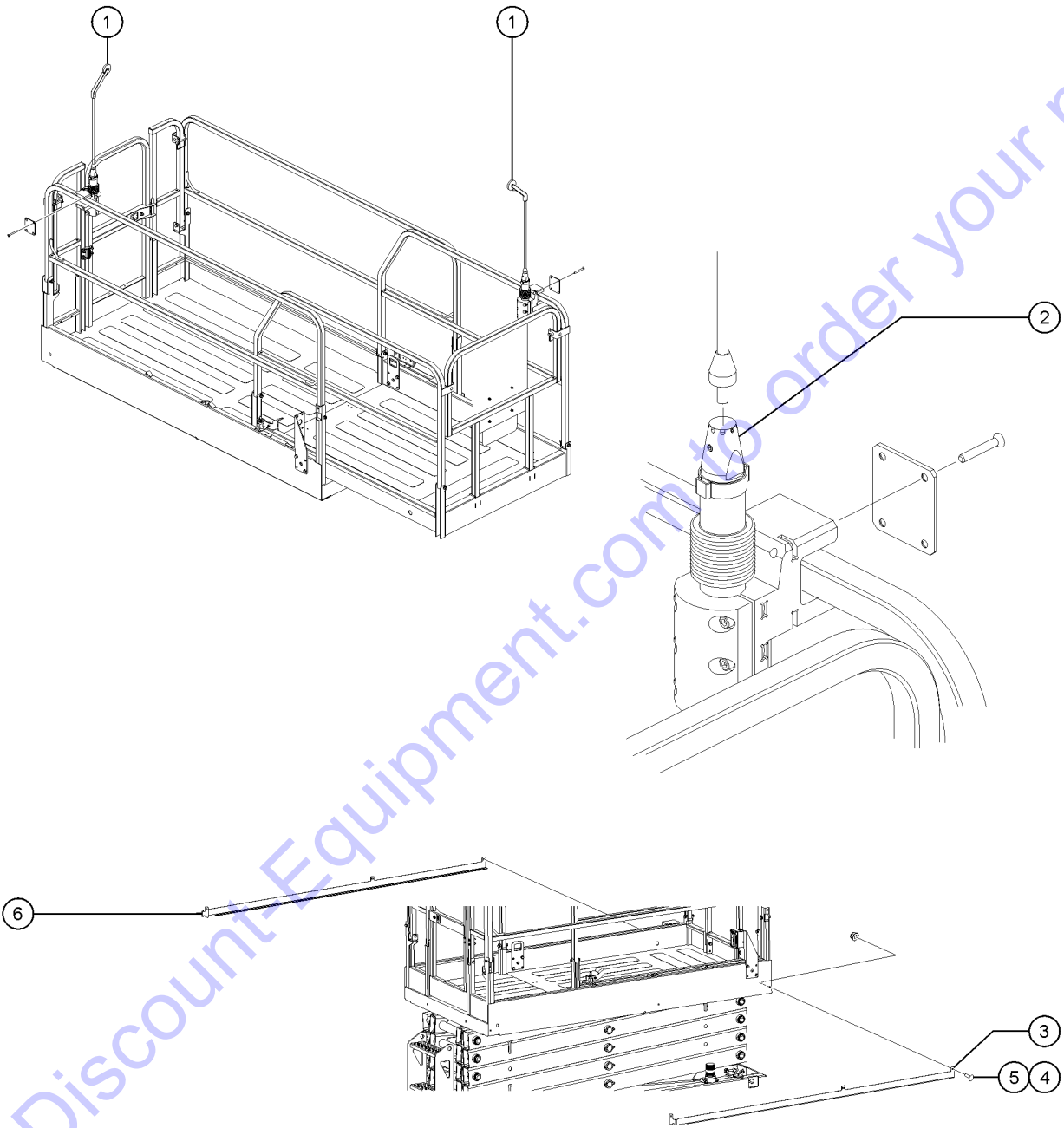
604.1 Bumper Assembly Tray

Item	Part No.	Description	Qty.
1	824124GT	BOLT, CARRIAGE, 1/4-20 X .75, 5, ZAG	2
2	1290291GT	BRACKET,BATTERY TRAY BUMPER	1
3	824037GT	NUT, HH JAM, 1/4-20, A, ZAG	4
4	36388GT	BUMPER,RUBBER,.75 X .50H,STUD	2
5	824027GT	NUT, TL FLG, 1/4-20, G, ZAG	2

Go to Discount-Equipment.com to order your parts



605.1 Lift Guard Contact Alarm, View-1



Go to Discount-Equipment.com to order your parts

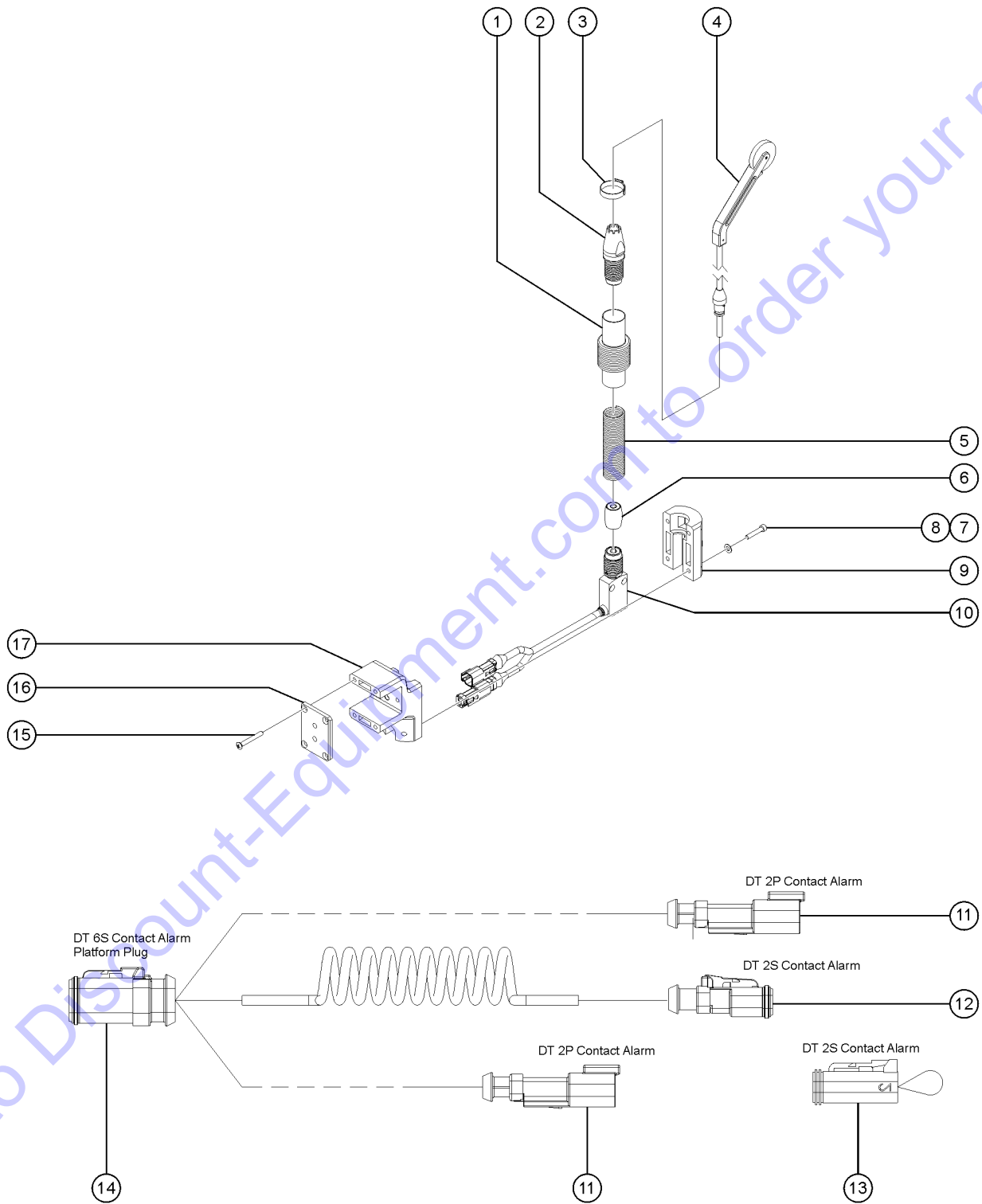
605.1 Lift Guard Contact Alarm, View-1

Item	Part No.	Description	Qty.
-	1291052GT	HARNESS,CONTACT ALARM,GS32 PLATFORM	1
1		ASSEMBLY, LIFTGUARD CONTACT ALARM	2
		refer to 608.1 (no longer available)	
2		ASSEMBLY, LIFTGUARD KNUCKLE	2
		OBSOLETE. refer to 608.1 (No longer available)	
3		FORMING,CABLE GUIDE,BAT,GS32	1
		ground control side (No longer available)	
4	824124GT	BOLT, CARRIAGE, 1/4-20 X .75, 5, ZAG	6
5	1277924GT	NUT,NYLOCK FLG,1/4-20,F,ZAG	6
6		FORMING,CABLE GUIDE,CNTRL,GS32	1
		battery side (No longer available)	

Go to Discount-Equipment.com to order your parts



606.1 Lift Guard Contact Alarm, View-2



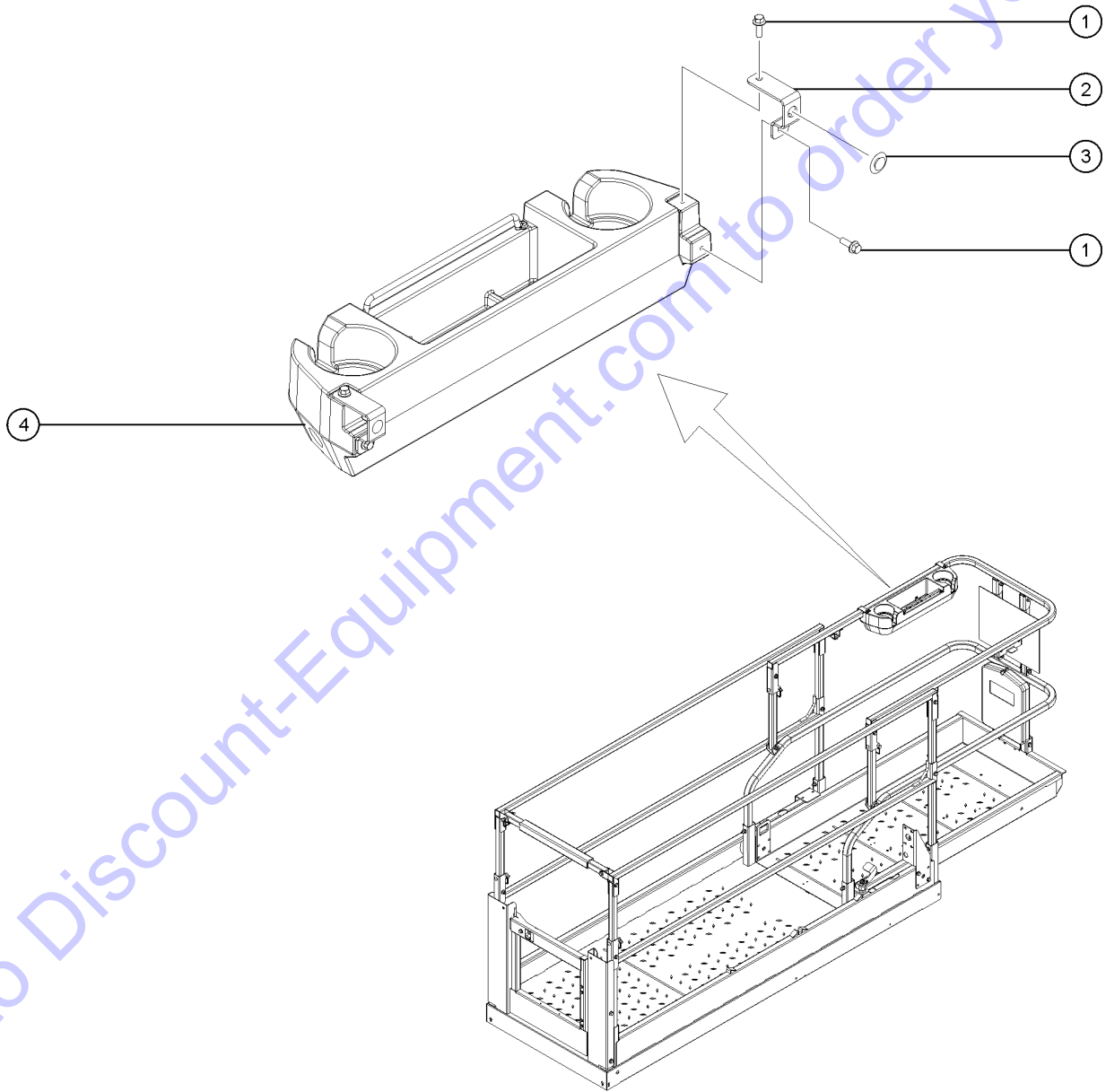
Go to Discount-Equipment.com to order your parts

Item	Part No.	Description	Qty.
-		ASSEMBLY, LIFTGUARD CONTACT ALARM Includes items 1-10, 15-17 (no longer available)	1
-		ASSEMBLY, LIFTGUARD KNUCKLE OBSOLETE. (part of assy 1287673, includes items 1-3, 5, 6 and 10 (No longer available))	1
-	1291052GT	HARNES,CONTACT ALARM,GS32 PLATFORM Includes items- 11 - 14	1
1		BELLOW, LIFTGUARD CONTACT ALARM no longer available	1
2		ASSEMBLY, UPPER WHISKER MOUNTING no longer available	1
3	1298716GT	CLAMP, STEPLESS, ONE EAR no longer available	1
4		ASSEMBLY, WHISKER no longer available	1
5		SPRING, TENSION, CONTACT ALARM no longer available	1
6		ASSEMBLY, MAGNETIC SNAP BARREL no longer available	1
7		SCREW,SHC,10-24X1,F837,18.8,NYL,SS no longer available	4
8		WASHER,FLAT,0.219X0.437X0.031,SS no longer available	4
9		BRACKET, RT LIFTGUARD, PART 2/2 no longer available	1
10		ASSEMBLY, LIMIT SWITCH MOUNT no longer available	1
11	1288352GT	CONN,RECEP,2 WAY,DT,14-18GA,CE09 no longer available	2
11-	60439GT	CONN, RECEP, 2 WAY, DEUTSCH, DT, LOCK no longer available	2
12	1288351GT	CONN,PLUG,2 WAY,DT,14-18GA,CE13 no longer available	1
12-	60245GT	WLDMNT,CABLE TRACK GUIDE LONG* no longer available	1
13	119056GT	CONN, PLUG, 2 WAY, DEUTSCH, DT, ENDCAP no longer available	1
13-	60425GT	CONN, PLUG, 2 WAY, DEUTSCH, DT, LOCK no longer available	1
14	1288576GT	CONN,PLUG,6WAY,DT,14-18GA,CE13 no longer available	1
14-	60431GT	LOCK,PLUG 6 WAY,14-18GA no longer available	1
15		SCREW,OHPM,10-24X1.5,NYL,SS no longer available	4
16		PLATE, LIFTGUARD BRACKET no longer available	1
17		BRACKET, RT LIFTGUARD, PART 1/2 no longer available	1

Go to Discount-Equipment.com to order your parts



607.1 Tool Tray Option

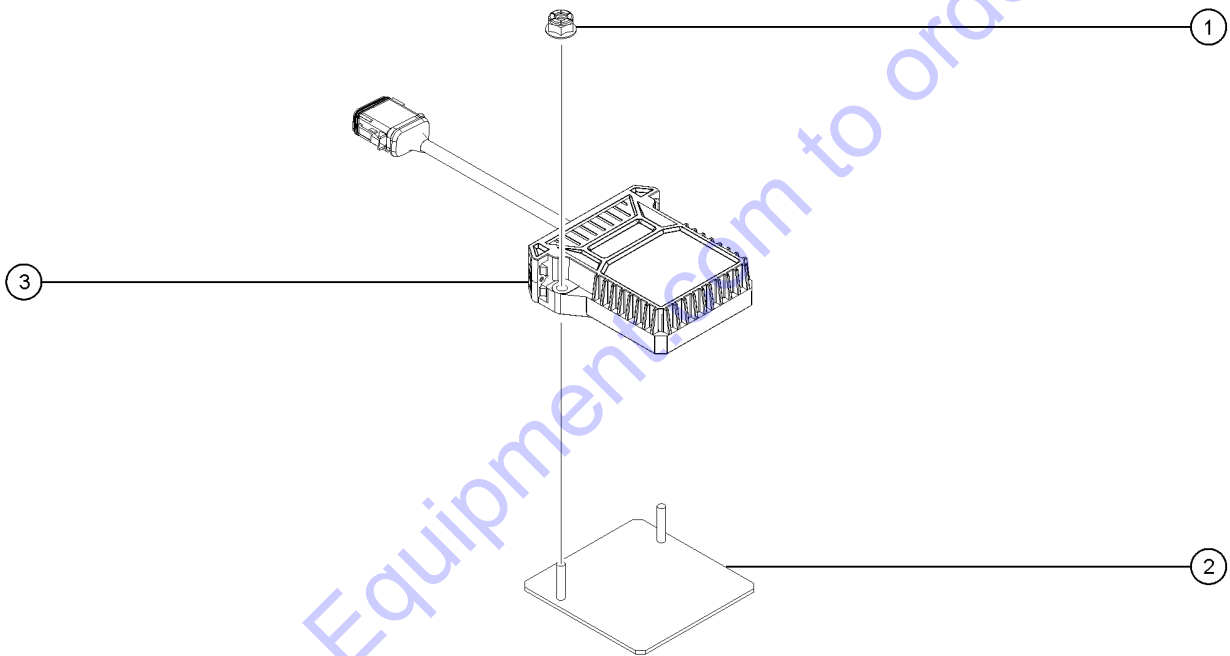


607.1 Tool Tray Option

<i>Item</i>	<i>Part No.</i>	<i>Description</i>	<i>Qty.</i>
1	824078GT	SCREW,HHF,1/4-20X.75,8,ZAG	4
2	1296036GT	FORMING, MOUNT, TOOL TRAY, GS	2
3	47478GT	BUMPER, RUBBER, 1"OD X .461H	2
4	1292944GT	TOOL TRAY, SLAB SCISSORS, GR	1

Go to Discount-Equipment.com to order your parts





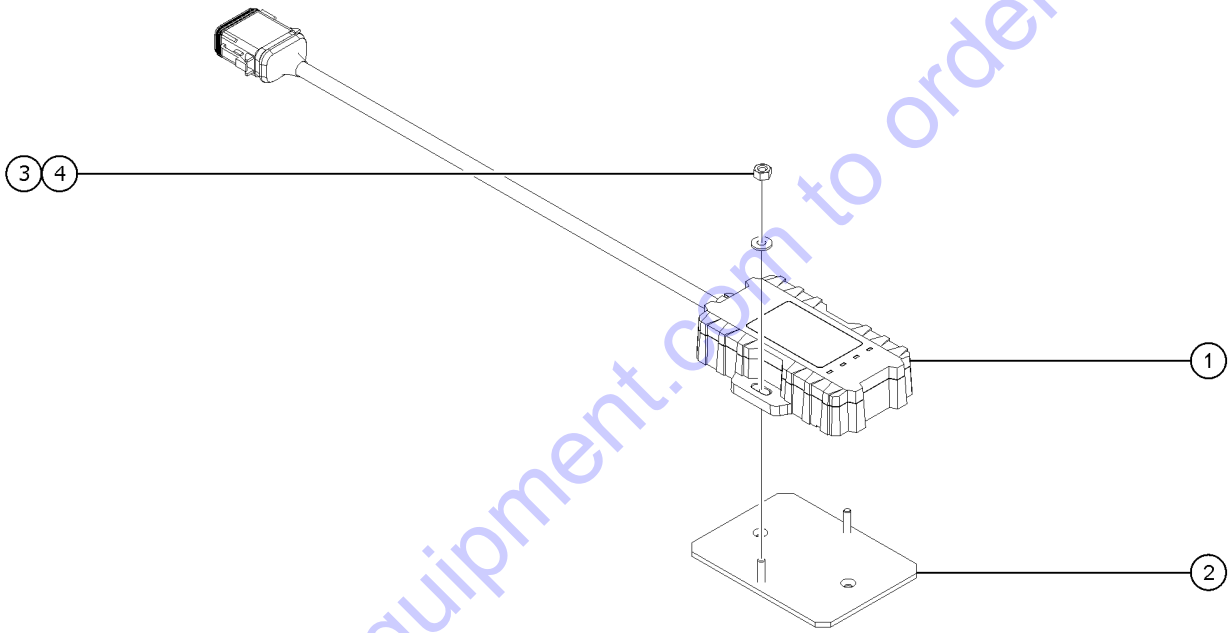
Go to Discount-Equipment.com to order your parts

608.1 China Telematics Option,TZ200, SLAB

Item	Part No.	Description	Qty.
A	1303367GT	HARNESS,LOCK,TELEMATICS,GS	1
1	1277924GT	NUT,NYLOCK FLG,1/4-20,F,ZAG	2
2	1305593GT	BRACKET,CHINA TELEMATICS,COMMON	1
3	1313614GT	MODULE, TELEMATICS, TIZALINK, CHINA	1

Go to Discount-Equipment.com to order your parts





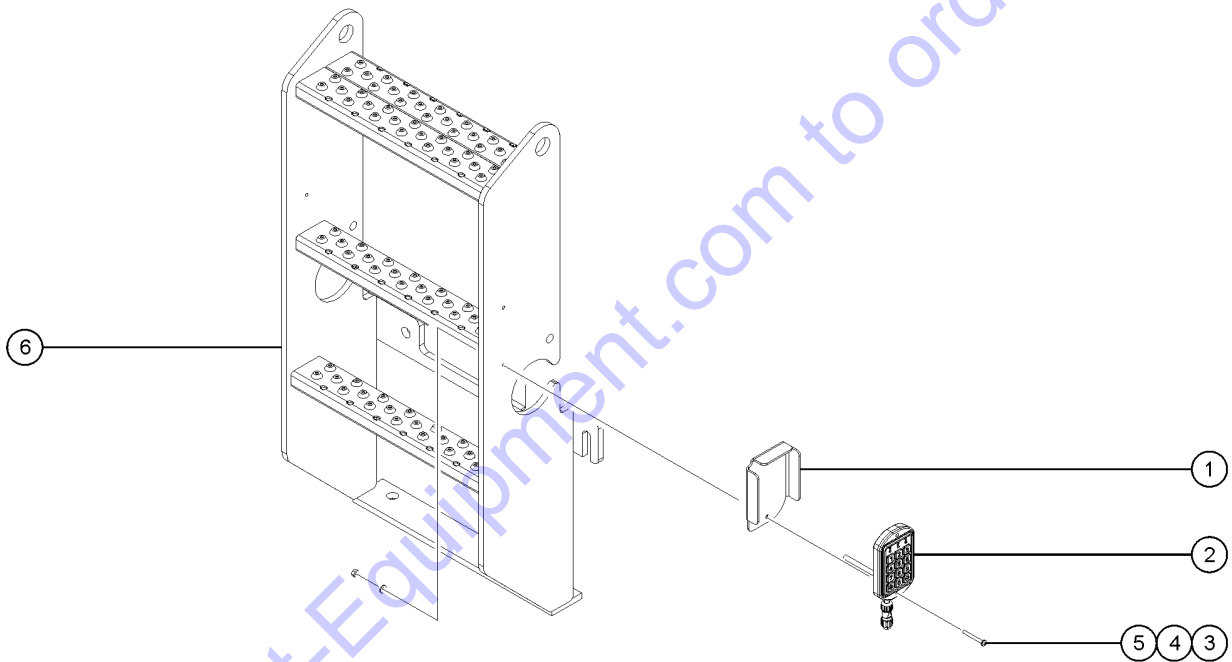
Go to Discount-Equipment.com to order your parts

Item	Part No.	Description	Qty.
1	1289520GT	MODULE,TELEMATICS,ZTR,M7,NORTH AMERICA North America	1
1B	1289521GT	MODULE,TELEMATICS,ZTR,M7,EMEA/APAC EMEA/APAC	1
1C	1289522GT	MODULE,TELEMATICS,ZTR,M7,APAC/ANZ APAC/ANZ	1
1D	1289523GT	MODULE,TELEMATICS,ZTR,M7,JAPAN Japan	1
1E	1307427GT	MODULE,TELEMATICS,ZTR,M7,BRAZIL Brazil	1
2	1307200GT	BRACKET,TELEMATICS	1
3	1271081GT	NUT,NYLOCK,8-32,8,ZAG	2
4	1257390GT	WASHER,FLAT,#8,SAE,ZAG	2

Go to Discount-Equipment.com to order your parts



609.1 Access Manager Option



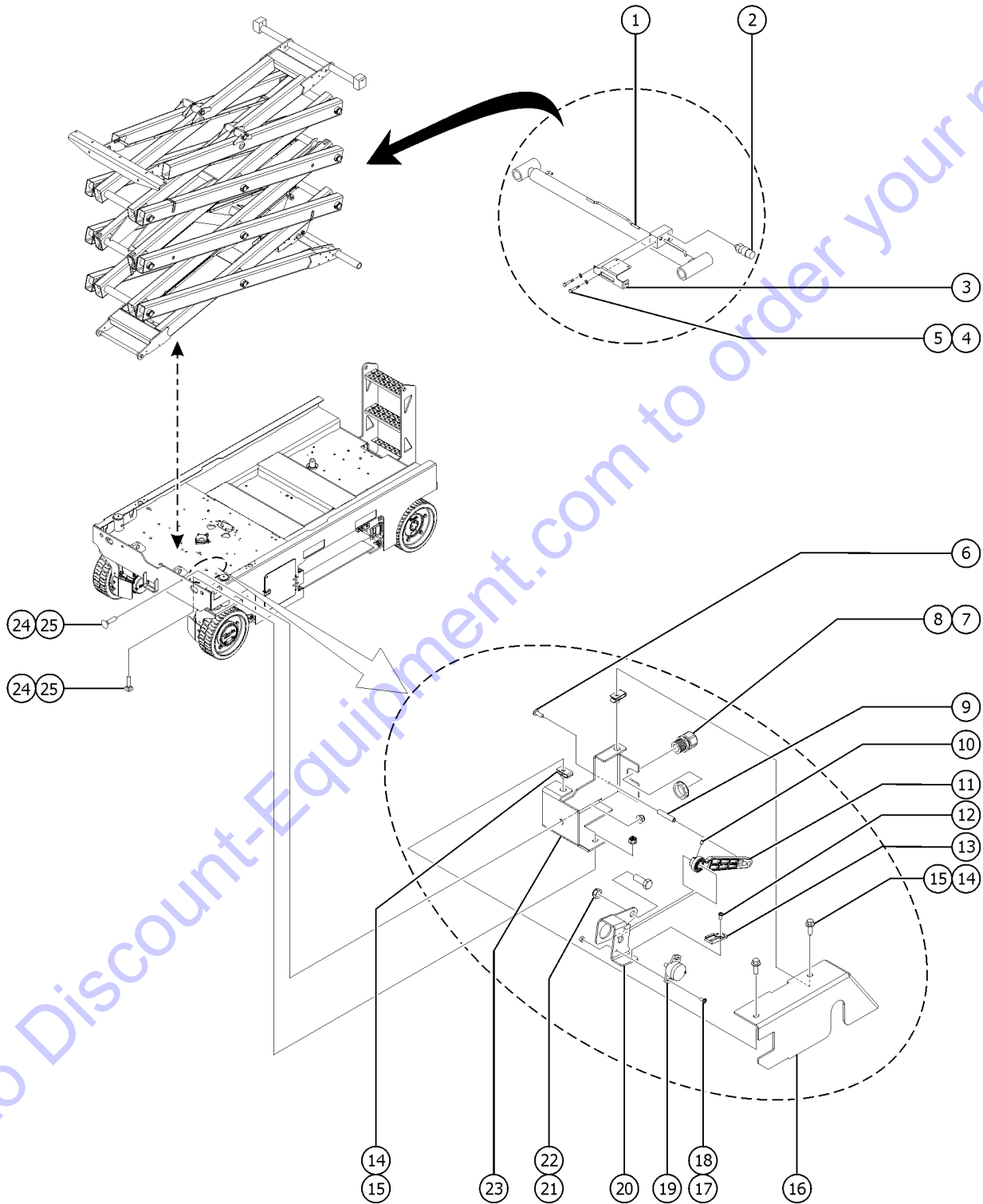
609.1 Access Manager Option

Item	Part No.	Description	Qty.
1	1299991GT	BRACKET, GS, ACCESS MNGR	1
2	1296895GT	KEYPAD, ACCESS MANAGEMENT, LIFT CONNECT	1
2-	1296896GT	HARNESS, ACCESS MANAGEMENT, 64"	1
2-	40928GT	CABLE TIE, BUTTON, BLACK, 10.00 LG for GS2032	2
2-	40928GT	CABLE TIE, BUTTON, BLACK, 10.00 LG for GS2632, 3232	3
3	1256698GT	SCREW,PHPM SEMS ET,8-32X1.5,ZAG	2
4	1257390GT	WASHER,FLAT,#8,SAE,ZAG	2
5	1271081GT	NUT,NYLOCK,8-32,8,ZAG	2
6		Ref. Ladder refer to 202.1, 202.2	

Go to Discount-Equipment.com to order your parts



701.1 Platform Overload



Item	Part No.	Description	Qty.
1		Ref: Lift Cylinder (refer to 503.1)	1
2	1291577GT	PRESSURE TRANSDUCER,0-5K PSI (only for GS2032, 2632)	1
2B	1295821GT	PRESSURE TRANSDUCER, 1-3K PSI (only for GS3232)	1
3	41557-SGT	CABLE BRACKET,PAINTED	1
4	7339GT	SCREW,HHC,1/4-20 X .5	1
5	6356GT	WASHER,LOCK,.25	1
6	1251757GT	SCREW,PHPM,10-32X.50,ZAG	1
7	33576GT	CONN,SQZ,BLK,1/2NPT,.38-.50,SM	1
8	T115429GT	NUT,CORDGRIP,1/2 NPT	1
9	T113142GT	OFFSET,RND,1/4-1.25,10-32	1
10	229146GT	SCREW,SET,8-32X.25	1
11	T114082GT	LEVER ARM,ANGLE SENSR ACTUATOR	1
12	39579GT	RIVET,STL,STL,.188 X .45	1
13	T113139GT	CLIP,DTM RECEP	1
14	824078GT	SCREW,HHF,1/4-20X.75,8,ZAG	2
15	56912GT	SPRING CLIP,1/4-20,.025-.15X.54,ZAG	2
16	1304102GT	FORMING,SENSOR COVER	1
17	1257296GT	SCREW,PHPM-ST,8-32X.50,TYPE F,ZAG	2
18	1271081GT	NUT,NYLOCK,8-32,8,ZAG	2
19	T113136GT	ASSY,ROT SENSR W/HARNESS	1
20	161981GT	FRMNG,ARM SENSOR BRCKT,32/46	1
21	1274322GT	NUT,NYLOCK FLG,3/8-16,F,ZAG	1
22	824068GT	SCREW,HHC,3/8-16X1,8,ZAG	1
23	1304101GT	FORMING,CHASSIS BRACKET	1
24	1256127GT	BOLT,CARRIAGE,1/4-20X1",GR 5,ZAG	2
25	1277924GT	NUT,NYLOCK FLG,1/4-20,F,ZAG	2

Go to Discount Equipment.com to order your parts



PARTS FINDER

**Search Website
by Part Number**



**Search Manual
Library For Parts
Manual & Lookup Part
Numbers – Purchase
or Request Quote**

Search Manuals

Enter your information to help us find the right parts manual for your machine.

* Brand:

* Model:

* Serial:

* Part Number:

SEARCH

**Can't Find Part or
Manual? Request Help
by Manufacturer,
Model & Description**

Parts Order Form

Please fill in the following information to help us find the right part for your machine.

Manufacturer:	<input type="text"/>
Model:	<input type="text"/>
Description:	<input type="text"/>
Part Number:	<input type="text"/>
Quantity:	<input type="text"/>
Notes:	<input type="text"/>

SEARCH

Discount-Equipment.com is your online resource for quality parts & equipment.

Florida: **561-964-4949** Outside Florida TOLL FREE: **877-690-3101**

Need parts?

Click on this link: <http://www.discount-equipment.com/category/5443-parts/> and choose one of the options to help get the right parts and equipment you are looking for. Please have the machine model and serial number available in order to help us get you the correct parts. If you don't find the part on the website or on one of the online manuals, please fill out the request form and one of our experienced staff members will get back to you with a quote for the right part that your machine needs.

We sell worldwide for the brands: Genie, Terex, JLG, MultiQuip, Mikasa, Essick, Whiteman, Mayco, Toro Stone, Diamond Products, Generac Magnum, Airman, Haulotte, Barreto, Power Blanket, Nifty Lift, Atlas Copco, Chicago Pneumatic, Allmand, Miller Curber, Skyjack, Lull, Skytrak, Tsurumi, Husquvarna Target, Stow, Wacker, Sakai, Mi-T-M, Sullair, Basic, Dynapac, MBW, Weber, Bartell, Bennar Newman, Haulotte, Ditch Runner, Menegotti, Morrison, Contec, Buddy, Crown, Edco, Wyco, Bomag, Laymor, EZ Trench, Bil-Jax, F.S. Curtis, Gehl Pavers, Heli, Honda, ICS/PowerGrit, IHI, Partner, Imer, Clipper, MMD, Koshin, Rice, CH&E, General Equipment, Amida, Coleman, NAC, Gradall, Square Shooter, Kent, Stanley, Tamco, Toku, Hatz, Kohler, Robin, Wisconsin, Northrock, Oztec, Toker TK, Rol-Air, APT, Wylie, Ingersoll Rand / Doosan, Innovatech, Con X, Ammann, Mecalac, Makinex, Smith Surface Prep, Small Line, Wanco, Yanmar