

PARTS MANUAL



MQ **MAYCO SERIES**
MODEL C30HDZ
BALL VALVE CONCRETE PUMP
(DEUTZ F2L1011F DIESEL ENGINE)

Revision #14 (01/12/21)

THIS MANUAL MUST ACCOMPANY THE EQUIPMENT AT ALL TIMES.

PARTS FINDER

**Search Website
by Part Number**



**Search Manual
Library For Parts
Manual & Lookup Part
Numbers – Purchase
or Request Quote**

**Can't Find Part or
Manual? Request Help
by Manufacturer,
Model & Description**

Discount-Equipment.com is your online resource for quality parts & equipment.

Florida: [561-964-4949](tel:561-964-4949) Outside Florida TOLL FREE: [877-690-3101](tel:877-690-3101)

Need parts?

Click on this link: <http://www.discount-equipment.com/category/5443-parts/> and choose one of the options to help get the right parts and equipment you are looking for. Please have the machine model and serial number available in order to help us get you the correct parts. If you don't find the part on the website or on one of the online manuals, please fill out the request form and one of our experienced staff members will get back to you with a quote for the right part that your machine needs.

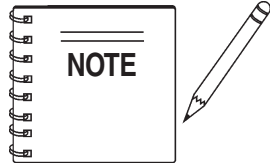
We sell worldwide for the brands: Genie, Terex, JLG, MultiQuip, Mikasa, Essick, Whiteman, Mayco, Toro Stone, Diamond Products, Generac Magnum, Airman, Haulotte, Barreto, Power Blanket, Nifty Lift, Atlas Copco, Chicago Pneumatic, Allmand, Miller Curber, Skyjack, Lull, Skytrak, Tsurumi, Husquvarna Target, Stow, Wacker, Sakai, Mi-T-M, Sullair, Basic, Dynapac, MBW, Weber, Bartell, Bennar Newman, Haulotte, Ditch Runner, Menegotti, Morrison, Contec, Buddy, Crown, Edco, Wyco, Bomag, Laymor, EZ Trench, Bil-Jax, F.S. Curtis, Gehl Pavers, Heli, Honda, ICS/PowerGrit, IHI, Partner, Imer, Clipper, MMD, Koshin, Rice, CH&E, General Equipment, Amida, Coleman, NAC, Gradall, Square Shooter, Kent, Stanley, Tamco, Toku, Hatz, Kohler, Robin, Wisconsin, Northrock, Oztec, Toker TK, Rol-Air, APT, Wylie, Ingersoll Rand / Doosan, Innovatech, Con X, Ammann, Mecalac, Makinex, Smith Surface Prep, Small Line, Wanco, Yanmar

**MAYCO C30HDZ
CONCRETE PUMP**

Table of Contents 2
Explanation of Codes in Remarks Column 4
Suggested Spare Parts 5

COMPONENT DRAWINGS

Nameplate and Decals 6-7
Compensator Piston Rod Assembly 8-9
Connecting Rod - Drive Side Assembly 10-11
Rocker Assembly 12-13
Countershaft Assembly 14-15
Crankshaft Assembly 16-17
Manifold Assembly 18-19
Frame Assembly 20-21
Axle Assembly 22-23
Muffler, Air Filter and Stop Switch Assembly 24-25
Clutch Assy 26-27
Engine Mounting 28-29
Throttle Assembly 30-31
Control Box Mounting Bracket Assembly 32-33
Control Box Assembly 34-35
Battery Assembly 36-37
Fuel Tank Assembly 38-39
Hopper Assy 40-41
Hood Assembly 42-43
Lubrication Panel Assembly 44-45
Remote Control Cable Assembly 46-47



Specification and part number are subject to change without notice.

Go to Discount-Equipment.com to order your parts

EXPLANATION OF CODE IN REMARKS COLUMN

The following section explains the different symbols and remarks used in the Parts section of this manual. Use the help numbers found on the back page of the manual if there are any questions.

NOTICE

The contents and part numbers listed in the parts section are subject to change **without notice**. Multiquip does not guarantee the availability of the parts listed.

SAMPLE PARTS LIST

NO.	PART NO.	PART NAME	QTY.	REMARKS
1	12345	BOLT.....	1	INCLUDES ITEMS W/%
2%		WASHER, 1/4 IN.....		NOT SOLD SEPARATELY
2%	12347	WASHER, 3/8 IN....	1	MQ-45T ONLY
3	12348	HOSE	A/R	MAKE LOCALLY
4	12349	BEARING	1	S/N 2345B AND ABOVE

NO. Column

Unique Symbols — All items with same unique symbol

(@, #, +, %, or >) in the number column belong to the same assembly or kit, which is indicated by a note in the “Remarks” column.

Duplicate Item Numbers — Duplicate numbers indicate multiple part numbers, which are in effect for the same general item, such as different size saw blade guards in use or a part that has been updated on newer versions of the same machine.

NOTICE

When ordering a part that has more than one item number listed, check the remarks column for help in determining the proper part to order.

PART NO. Column

Numbers Used — Part numbers can be indicated by a number, a blank entry, or TBD.

TBD (To Be Determined) is generally used to show a part that has not been assigned a formal part number at the time of publication.

A blank entry generally indicates that the item is not sold separately or is not sold by Multiquip. Other entries will be clarified in the “Remarks” Column.

QTY. Column

Numbers Used — Item quantity can be indicated by a number, a blank entry, or A/R.

A/R (As Required) is generally used for hoses or other parts that are sold in bulk and cut to length.

A blank entry generally indicates that the item is not sold separately. Other entries will be clarified in the “Remarks” Column.

REMARKS Column

Some of the most common notes found in the “Remarks” Column are listed below. Other additional notes needed to describe the item can also be shown.

Assembly/Kit — All items on the parts list with the same unique symbol will be included when this item is purchased.

Indicated by:

“INCLUDES ITEMS W/(unique symbol)”

Serial Number Break — Used to list an effective serial number range where a particular part is used.

Indicated by:

“S/N XXXXX AND BELOW”

“S/N XXXX AND ABOVE”

“S/N XXXX TO S/N XXX”

Specific Model Number Use — Indicates that the part is used only with the specific model number or model number variant listed. It can also be used to show a part is NOT used on a specific model or model number variant.

Indicated by:

“XXXXX ONLY”

“NOT USED ON XXXX”

“Make/Obtain Locally” — Indicates that the part can be purchased at any hardware shop or made out of available items. Examples include battery cables, shims, and certain washers and nuts.

“Not Sold Separately” — Indicates that an item cannot be purchased as a separate item and is either part of an assembly/kit that can be purchased, or is not available for sale through Multiquip.

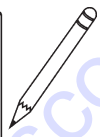
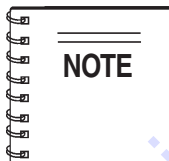
SUGGESTED SPARE PARTS

C30HDZ CONCRETE PUMP W/ SYSTEM 1 Units

P/N	DESCRIPTION	QTY.
EM14904	PISTON CUP KITS	6
EM18804	4-1/2" STEEL BALL	4
EM14818	4" STEEL BALL	4
EM14903	BALL STOP PIN KIT	6
EM18801	O-RING MANIFOLD	10
EM14308	CHAIN	1
EM26313	HALF LINK	2
EM26314	MASTER LINK	2
EM14334	COMPENSATOR SPRING	1
EM14408	BRONZE RING	2
EM903092	CAM BEARING (TIMKEN)	2
EM98296	CAM BEARING (MCGILL)	2
EM14315	V-BELT	2
EM14842	LOWER SEAT	2
EM14843	UPPER SEAT	2
EM18409	O-RING	10
EM20763	FUEL FILTER	2
EM20328TKIT	BEARING KIT	2
EM28004DD	REDUCER 3" X 2" X 36"	1
EM23946	3" ELBOW	1
EM28904	3" CLAMP	2
EM289041	3" GASKETS	4
EM14159	HOPPER SCREEN	1
EM14351	CLUTCH	1

C30HDZ CONCRETE PUMP W/ SYSTEM 3 Units

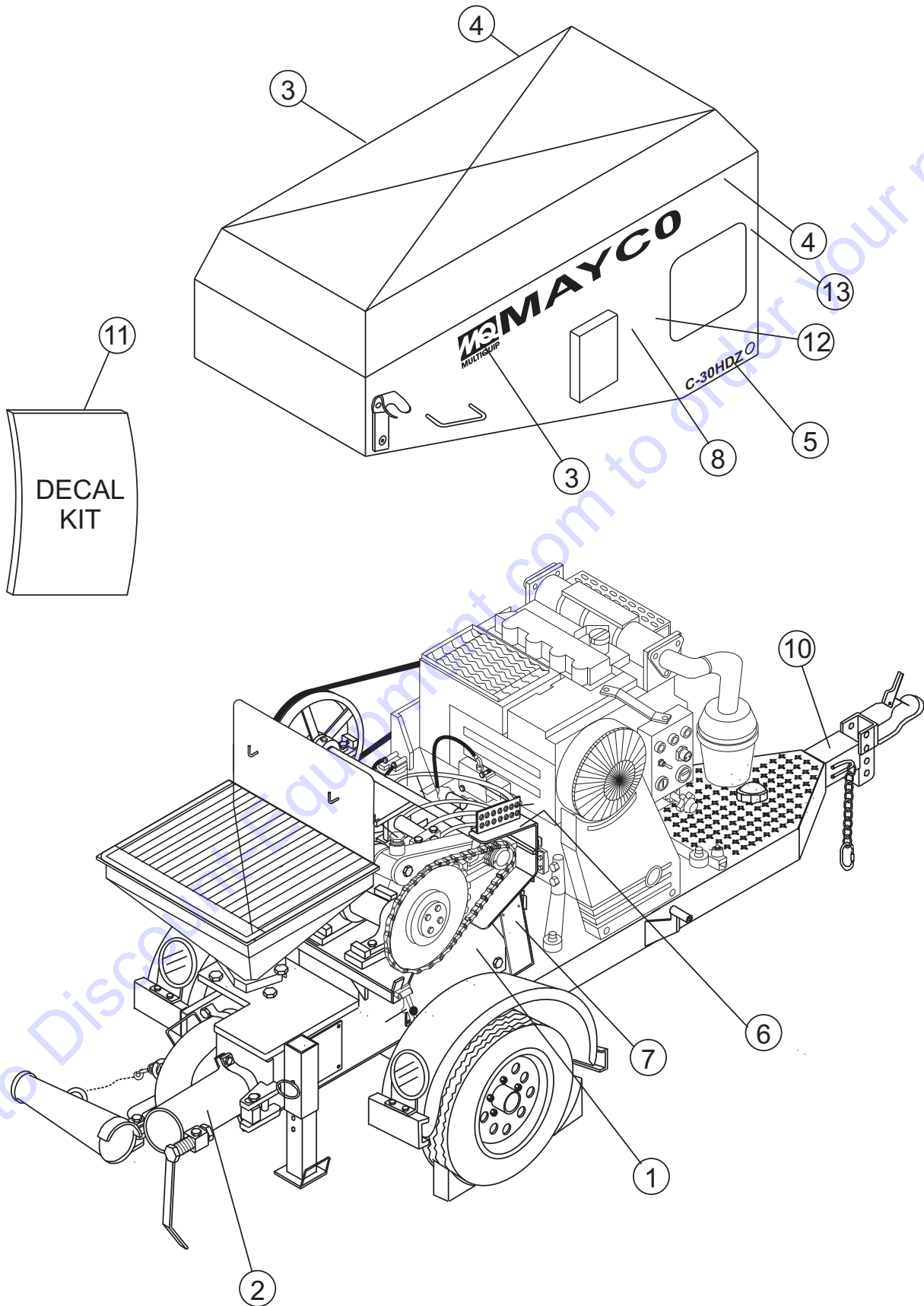
P/N	DESCRIPTION	QTY.
EM14904	PISTON CUP KITS	10
EM18804	4-1/2" STEEL	10
EM14818	4" STEEL BALL	10
EM14903	BALL STOP PIN KITS	12
EM18801	MANIFOLD O-RINGS	25
EM14308	CHAINS	3
EM26313	HALF LINK	10
EM26314	MASTER LINK	10
EM14334	COMPENSATOR SPRING	2
EM14408	BRONZE RING	4
EM903092	CAM BEARING (TIMKEN)	2
EM98296	CAM BEARING (MCGILL)	2
EM14315	V-BELT	6
EM14842	LOWER SEAT	6
EM14843	UPPER SEAT	6
EM18409	O-RING	20
EM20763	FUEL FILTER	6
EM20328TKIT	BEARING KIT	2
EM28004DD	REDUCER 3" x 2" X 36"	2
EM23946	3" ELBOW	2
EM28904	3" CLAMP	4
EM289041	3" GASKET	10
EM14159	HOPPER SCREEN	2
EM14300	CAM	1
EM14801	T-MANIFOLD	1
EM14819	Y-MANIFOLD	1
EM14335	PISTON ROD	2
EM26788	REMOTE SWITCH	1
EM903176	CONN. ROD BEARING	1
EM14807	PUMP CYLINDER	2
EM18800	COMPENSATOR CYLINDER	2
EM14351	CLUTCH	1



Part number on this Suggested Spare Parts List may super cede/replace the P/N shown in the text pages of this book.

NAMEPLATE AND DECALS

NAME PLATE AND DECALS



NAMEPLATE AND DECALS

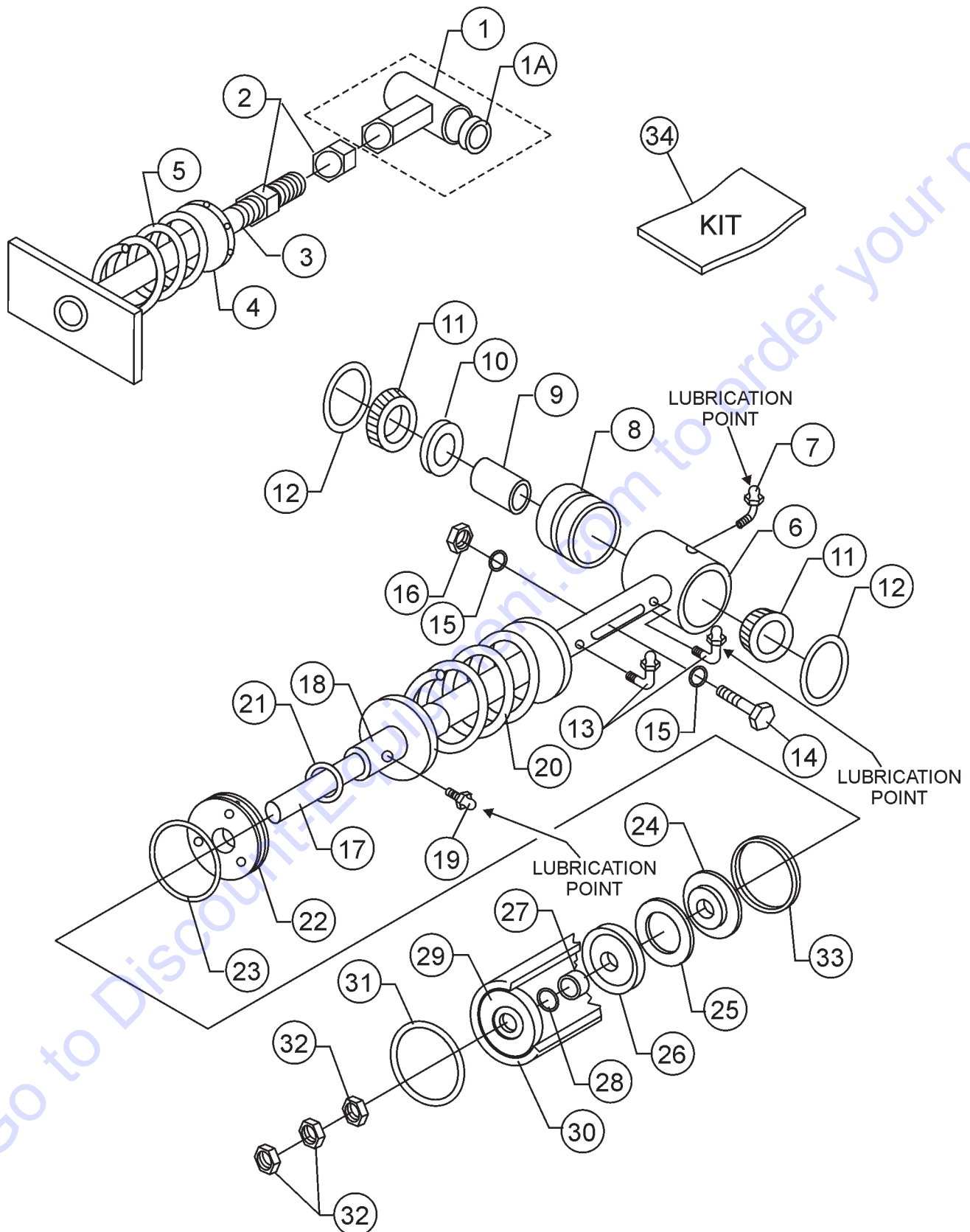
NAME PLATE AND DECALS

<u>NO</u>	<u>PART NO</u>	<u>PART NAME</u>	<u>QTY.</u>	<u>REMARKS</u>
1*	DCL152	DECAL, CAUTION OIL LEVEL	1	
2*	EM932	DECAL, CAUTION, MANIFOLD	1	
3*	EM1028	DECAL, MULTIQUIP MAYCO	2	
4*	508594	DECAL, CAUTION READ MANUAL	2	
5	EM513119	DECAL, C30HDZ	2	
6*	EM513165	DECAL, MAINTENANCE	1	
7		DECAL, NAME PLATE	1	CONTACT PARTS DEPT.
8*	513163	DECAL, CONTROL PANEL	1	
9*	34536	DECAL, OWNER'S MANUAL	1	
10*	TBD	DECAL, DIESEL FUEL ONLY	1	
11	DCLC30HDNIKIT	KIT, DECAL	1	INCLUDES ITEMS W/*
12	EM514187	DECAL, REFER TO MANUAL	1	
13	35137	DECAL, READ MANUAL	1	

Go to Discount-Equipment.com to order your parts

COMPENSATOR PISTON ROD ASSY.

COMPENSATOR PISTON ROD ASSY.



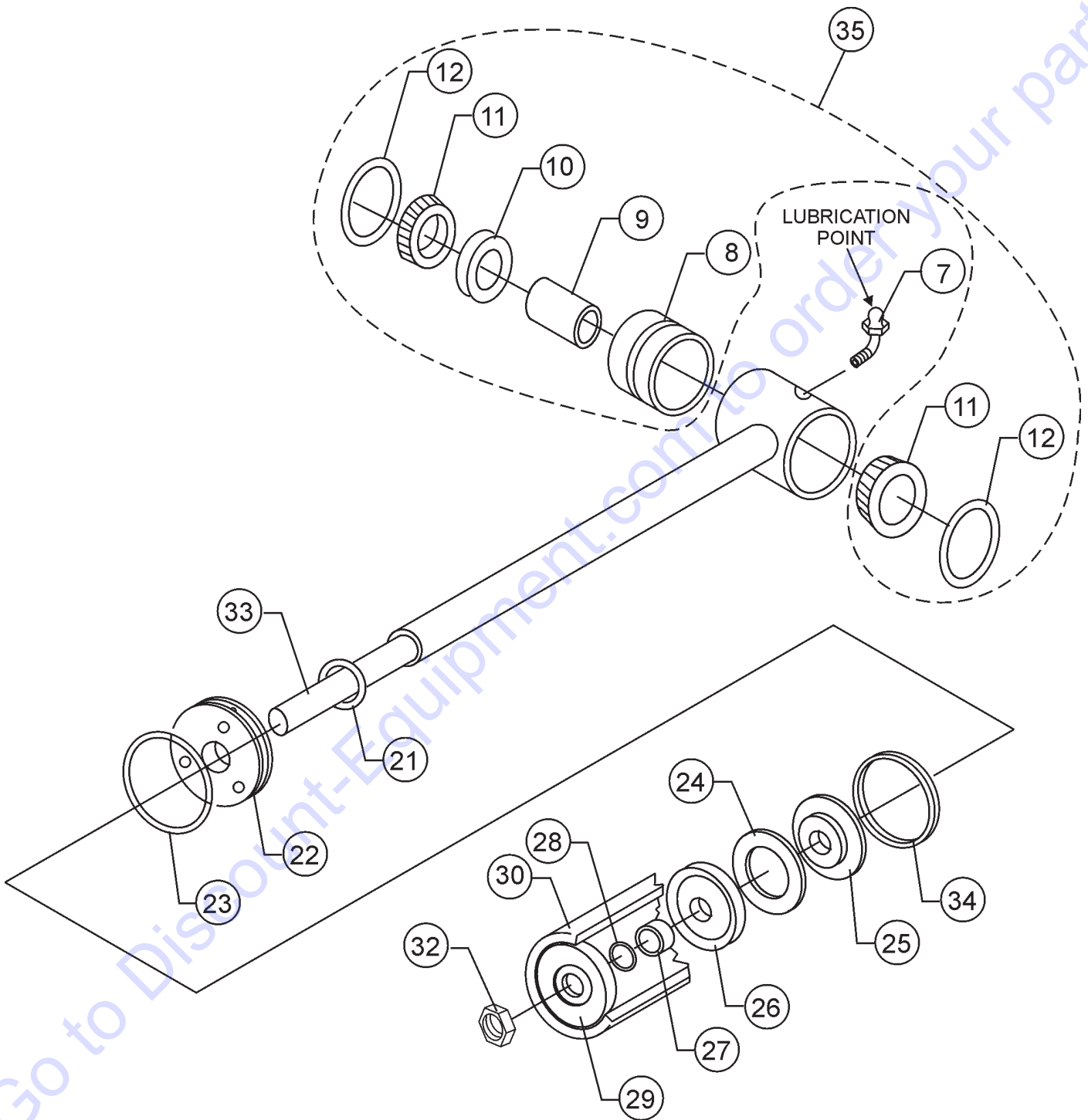
COMPENSATOR PISTON ROD ASSY.

COMPENSATOR PISTON ROD ASSY.

<u>NO.</u>	<u>PART NO.</u>	<u>PART NAME</u>	<u>QTY.</u>	<u>REMARKS</u>
1	EM14805	ROD END	1	INCLUDES ITEMS W/+
1A+	EM148053	BUSHING	1	
2	EM968446	NUT HEX, 3/4"-10 GR5	2	
3	EM14332	ROD SPRING GUIDE 3/4"	1	
4	EM14331	SPRING BACKING PLATE	1	
5	EM14333	SPRING RETURN	1	
6	EM14806	PISTON GUIDE ASSY.	1	
7	EM505490	FITTING	1	
8*	EM903163	BEARING CUP	1	
9*	EM20814	BEARING BUSHING	1	
10*	EM20813	SPACER	1	
11*	EM903162	BEARING CONE	2	
12*	EM20816	O-RING	2	
13	EM916001	FITTING	2	
14	EM510266	SCREW, HHC 1/2-13X3	1	
15	EM621	WASHER	2	
16	492584	NUT LOCK 1/2" DIA.	1	
17	EM14335	PISTON ROD	1	
18	EM14336	PISTON GUIDE	1	
19	EM505489	FITTING	1	
20	EM14334	COMPENSATOR SPRING	1	
21	EM18409	O-RING	1	
22	EM98032	PLATE, OILER	1	
23	EM14407	O-RING, OILER PLATE	1	
24	EM14410	RING & FELT HOLDER	1	
25	EM14408	BRONZE RING	1	
26	EM14411	PISTON CUP-BLACK	1	
26	EM98051	PISTON CUP-ORANGE	1	
27	EM14412	BUSHING 1 1/4 CRS	1	
28	EM18409	O-RING 1"	2	
29	EM14413	FACE PLATE	1	
30	EM18800HD	PUMPING CYLINDER	1	2-1/2" LIP SLEEVE
31	EM26525	O-RING, CYLINDER BOX	1	
32	EM968446	NUT HEX, 3/4-10	3	
33	EM16493	FELT RING	1	
34	EM148053	BUSHING	1	
35	EM20328TKIT	BEARING KIT	1	INCLUDES ITEMS W/*

C-30HDN PUMP — CONNECTING ROD - DRIVE SIDE ASSY.

CONNECTING ROD - DRIVE SIDE ASSY.



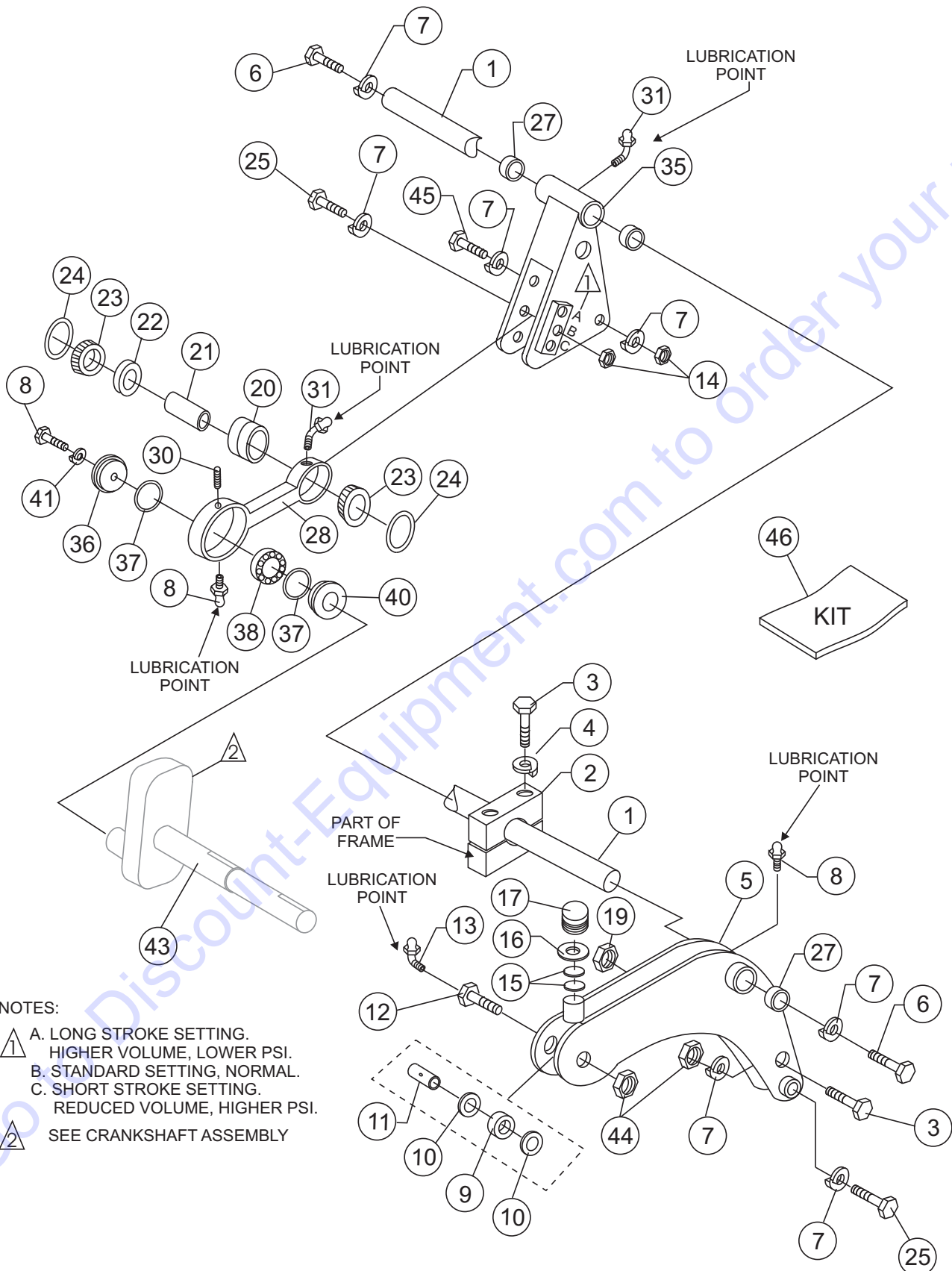
C-30HDN PUMP — CONNECTING ROD - DRIVE SIDE ASSY.

CONNECTING ROD - DRIVE SIDE ASSY.

<u>NO.</u>	<u>PART NO.</u>	<u>PART NAME</u>	<u>QTY.</u>	<u>REMARKS</u>
7	EM505490	FITTING	1	
8*	EM903163	BEARING CUP	1	
9*	EM20814	BEARING BUSHING	1	
10*	EM20813	SPACER	1	
11*	EM903162	BEARING CONE	2	
12*	EM20816	O-RING	2	
21	EM18409	O-RING	1	
22	EM98032	PLATE, OILER	1	
23	EM14407	O-RING, OILER PLATE	1	
24	EM14408	BRONZE RING	1	
25	EM14410	RING AND FELT HOLDER	1	
26	EM14411	PISTON CUP-BLACK	1	
26	EM98051	PISTON CUP-ORANGE	1	
27	EM14412	BUSHING 1 1/4 CRS	1	
28	EM18409	O-RING 1"	2	
29	EM14413	FACE PLATE	1	
30	EM14807HD	CONCRETE CYLINDER	1	3-3/4 IN. LIP SLEEVE
32	EM968446	NUT HEX, 3/4-10	3	
33	EM14808	PISTON ROD ASSY.	1	
34	EM16493	FELT RING	1	
35	EM20328TKIT	BEARING KIT	1	INCLUDES ITEMS W/*

ROCKER ASSY.

ROCKER ASSY.



NOTES:

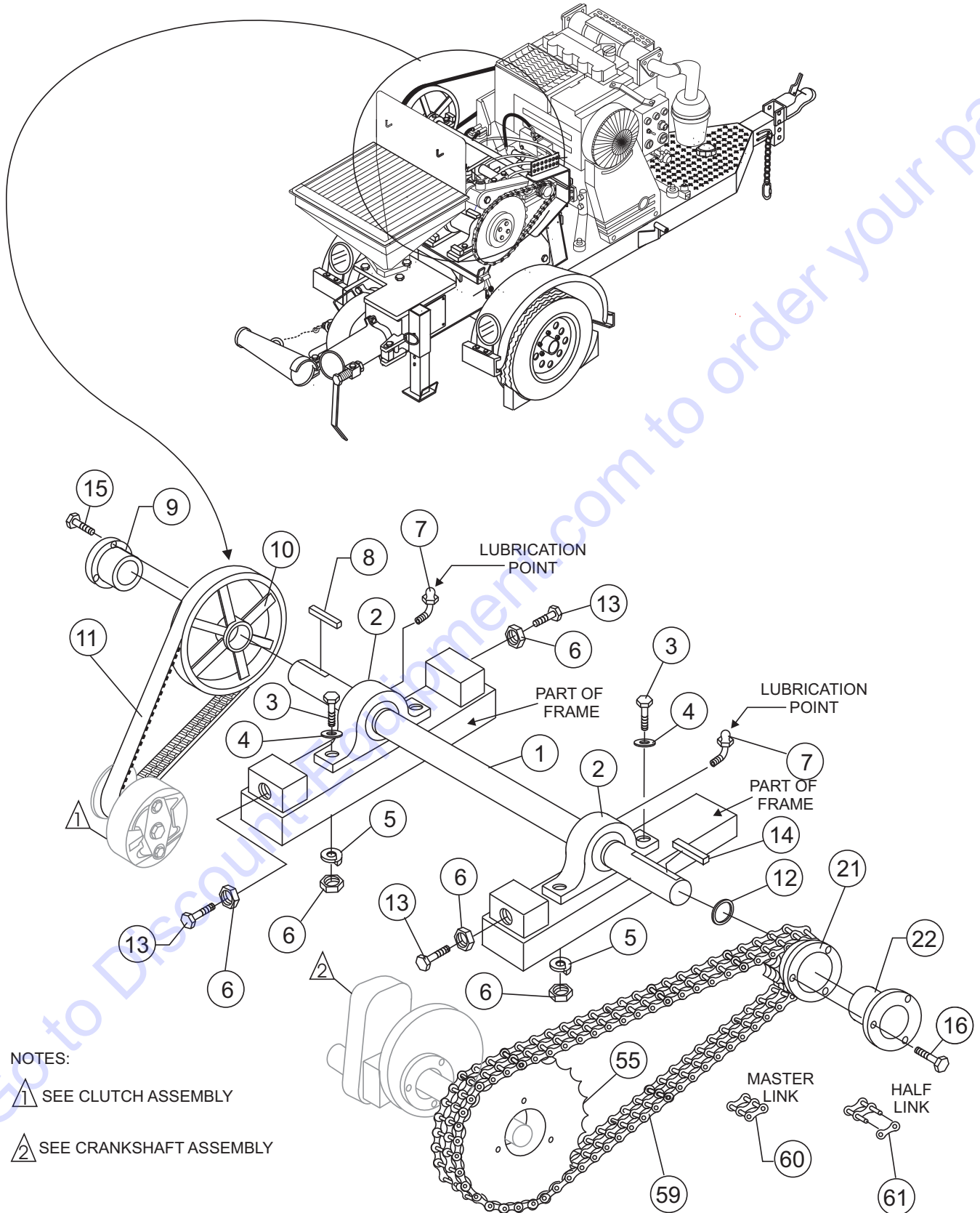
- ⚠ A. LONG STROKE SETTING.
HIGHER VOLUME, LOWER PSI.
- B. STANDARD SETTING, NORMAL.
- C. SHORT STROKE SETTING.
REDUCED VOLUME, HIGHER PSI.
- ② SEE CRANKSHAFT ASSEMBLY

ROCKER ASSY.

<u>NO.</u>	<u>PART NO.</u>	<u>PART NAME</u>	<u>QTY.</u>	<u>REMARKS</u>
1	EM14329	SHAFT ROCKER ARM	1	
2	EM14116	JOURNAL BLOCK	1	
3	EM963180	SCREW, HHC 3/4"-10X5	2	
4	EM923350	WASHER LOCK 3/4" SPRING STEEL	2	
5	EM14846	CAM ROCKER ARM	1	INCLUDES ITEMS W/+
6	EM133	BOLT 1"-14X2" HEX HEAD	1	
7	EM603	WASHER 1" LOCK	1	
8	EM916001	ZERK FITTING	1	
9	EM903092	CAM BEARING (TIMKEN)	1	BEFORE JANUARY 2017
9	EM98296	CAM BEARING (MCGILL)	1	AFTER DECEMBER 2016
10	EM20347	CAM BEARING SPACER	2	BEFORE JANUARY 2017
10	EM98298	CAM BEARING SPACER	2	AFTER DECEMBER 2016
11	EM402434	CAM BEARING BUSHING	1	BEFORE JANUARY 2017
11	EM98297	CAM BEARING BUSHING	1	AFTER DECEMBER 2016
12	EM20344	SPECIAL BOLT	1	
13	EM916001	ZERK FITTING	1	
14	EM417	NUT FLEX LOCK	1	
15	EM402456	OILER FELT	2	
16	EM923157	WASHER, FLAT 5/8"	1	
17	EM20349	OILER PLUG, PLASTIC	1	
19	EM969038	NUT STOP REG. 3/4"-10	1	
20%	EM903163	BEARING CUP	1	
21%	EM20814	BEARING BUSHING	1	
22%	EM20813	SPACER	1	
23%	EM903162	BEARING CONE	2	
24%	EM20816	O-RING	2	
25	EM105	BOLT 1"-14X6" HEX HEAD	1	
27#+	EM203262	BRONZE BUSHING	4	
28	EM20364	CONNECTING ROD	1	
30	EM702	SCREW ALLEN HEAD 3/8"-16X3/4"	1	
31	EM505490	ZERK FITTING	1	
35	EM14328	ROCKER ARM ASSY.	1	INCLUDES ITEM W/#
36	EM402996	SEAL PLATE	1	
37	EM20336	O-RING	1	
38	EM903176	BEARING	1	
40	EM20338	SPACER	1	
41	EM923348	WASHER LOCK 5/8	1	
42	EM503982	BOLT 1/2-13X5	1	
43	EM98043	FORGED CRANKSHAFT	1	INCLUDES ITEM W/*
44	EM417	NUT, LOCK 3/4"-10	2	
45	EM202	BOLT, HEX 1-8 X 6 LG.	1	
46	EM20328TKIT	BEARING KIT	1	INCLUDES ITEMS W/%

COUNTER-SHAFT ASSY.

COUNTERSHAFT ASSY.



NOTES:

① SEE CLUTCH ASSEMBLY

② SEE CRANKSHAFT ASSEMBLY

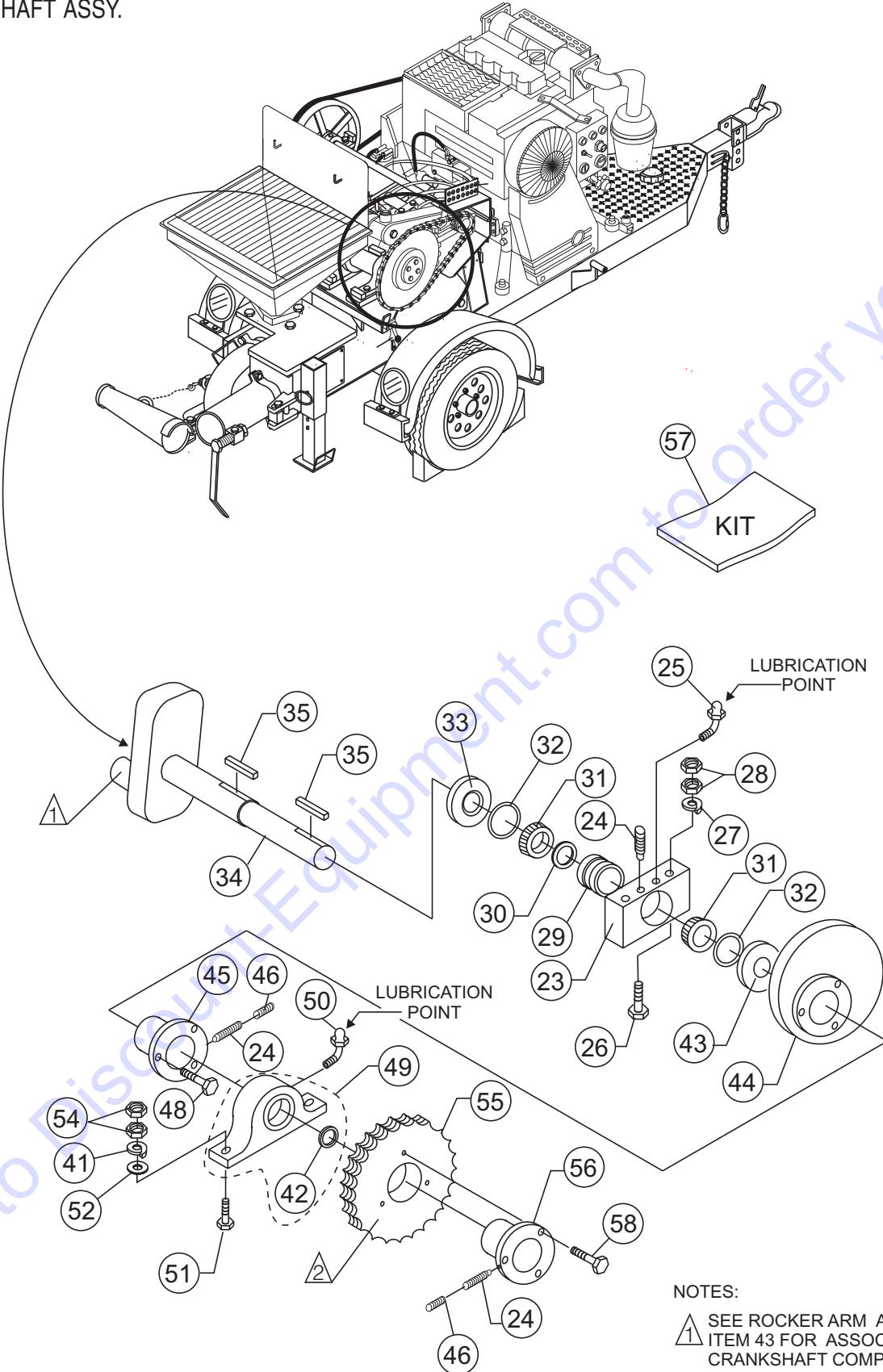
COUNTER-SHAFT ASSY.

COUNTER-SHAFT ASSY.

<u>NO.</u>	<u>PART NO.</u>	<u>PART NAME</u>	<u>QTY.</u>	<u>REMARKS</u>
1	EM513073	COUNTER SHAFT	1	
2	EM14311	CAM BEARING	2	
3	EM124	BOLT HEX 1/2 X 13 X 4"	4	
4	EM621	WASHER WILLIAMS 1/2"	4	
5	EM923346	WASHER, LOCK1/2"	4	
6	EM968011	NUT HEX, 1/2-13	7	
7	EM916001	FITTING, GREASE	2	
8	EM14316	KEY 3/8"X2.5"	1	
9	EM14314	BUSHING, PULLEY	1	
10	EM14313	PULLEY	1	
11	EM14315	BELT, DOUBLE 90 INCHES	1	
12	EM143111	SET COLLAR	1	
13	EM130	BOLT, SQUARE 1/2" - 13 X 2-1/2"	3	
14	EM14317	KEY, 3/8"	1	
15	EM123	BOLT, HEX 3/8" - 16 X 1-1/4"	3	
16	EM161	BOLT, HEX 3/8" - 16 X 1"	3	
21	EM14318	SPROCKET, 13 TOOTH	1	
22	EM14319	BUSHING	1	
55	EM14307	SPROCKET 60 TEETH	1	
59	EM14308	CHAIN W/MASTER LINK	1	
60	EM26314	LINK MASTER	1	
61	EM26313	HALF LINK	1	

CRANKSHAFT ASSY.

CRANKSHAFT ASSY.



NOTES:

▲ SEE ROCKER ARM ASSEMBLY
ITEM 43 FOR ASSOCIATED
CRANKSHAFT COMPONENTS.

▲ SEE COUNTER-SHAFT ASSEMBLY,
ITEM 55

CRANKSHAFT ASSY.

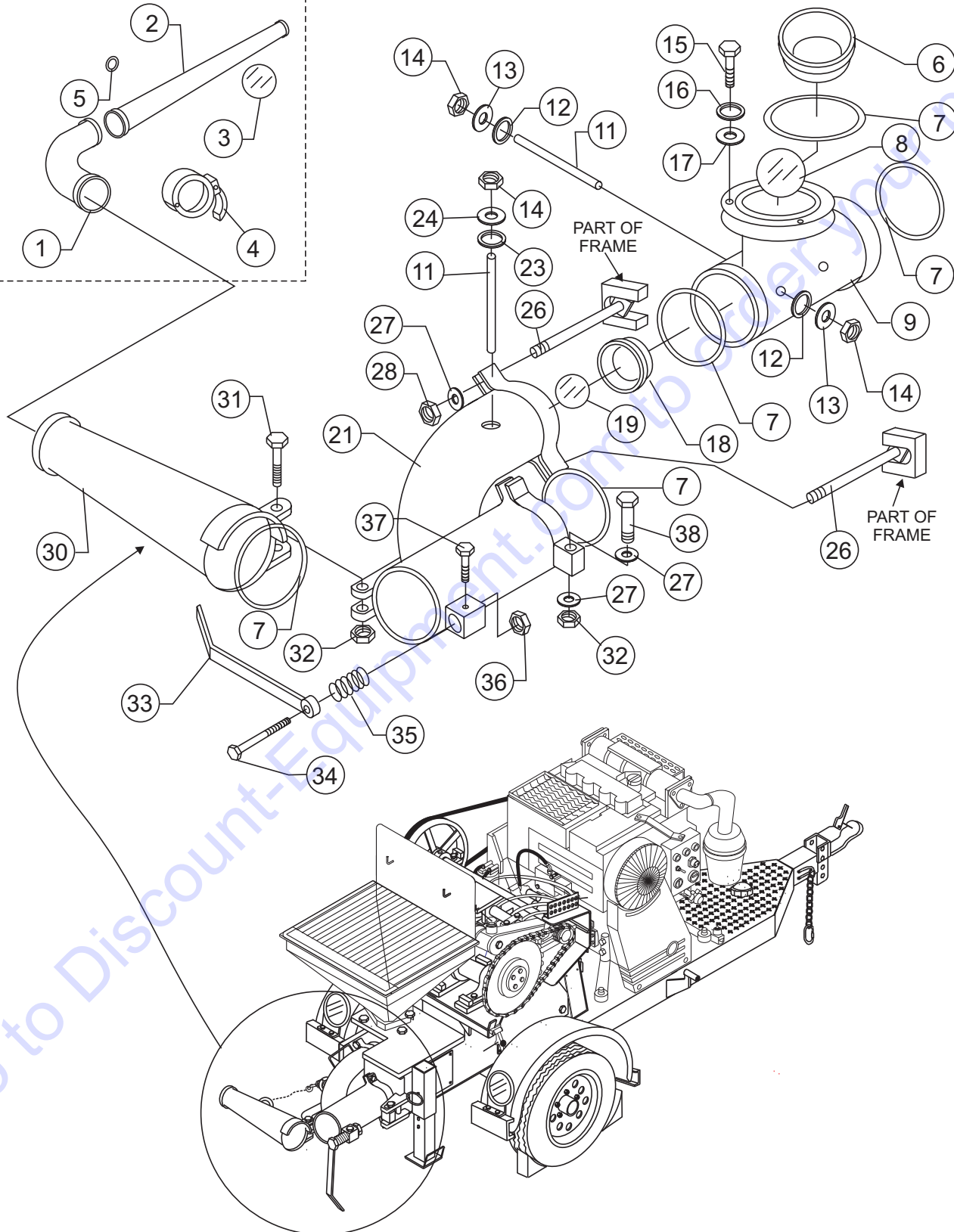
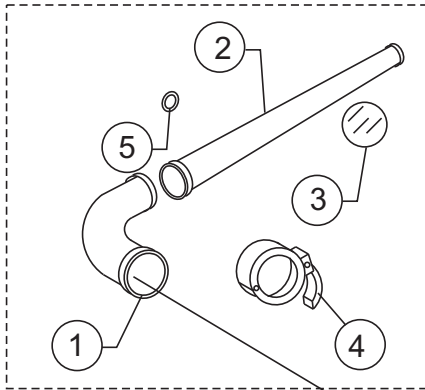
CRANKSHAFT ASSY.

<u>NO.</u>	<u>PART NO.</u>	<u>PART NAME</u>	<u>QTY.</u>	<u>REMARKS</u>
23*	EM14303	BEARING BLOCK	1	
24*	EM702	SCREW, ALLEN HEAD 3/8-16X3/4	6	
25	EM505490	ZERK FITTING	1	
26	EM129	SCREW, HHC 3/4-10X8-1/2	2	
27	EM492628	LOCK WASHER 3/4	2	
28	EM968446	NUT HEX, 3/4-10 GR5	4	
29*	EM14324	CUP BEARING	1	
30*	EM14323	SPACER BEARING CONE	1	
31*	EM14325	CONE BEARING	2	
32*	EM14326	O-RING	2	
33*	EM14322	SPACER	1	
34*	EM98043	CRANKSHAFT, FORGED	1	
35*	EM14306	KEY CRANKSHAFT	2	
38	EM903176	BEARING	1	
40	EM402996	SEAL PLATE	1	
41	EM923348	WASHER, LOCK 5/8"	2	
42#	EM30139	SET COLLAR	1	
43*	EM14302	SPACER, CAM BUSHING	1	
44*	EM14300	CAM ASSY.	1	
45*	EM14301	BUSHING, CAM	1	
46*	EM703	SCREW ALLEN HEAD 3/8-16X3/8	6	
48*	EM175	BOLT 3/8-16X1-1/4	6	
49*	EM14304	BEARING-CAM COMPLETE	1	INCLUDES ITEM W/ #
50*	EM916001	ZERK FITTING	1	
51	EM128	BOLT 5/8-11X4" HEX HEAD	2	
52	EM620	WASHER, SPECIAL 5/8"	2	
54	EM968013	NUT HEX 5/8-11	4	
55	EM14307	SPROCKET 60 TEETH	1	
56	EM14309	BUSHING	1	
57	EM98043K	CRANKSHAFT FORGE ASSEMBLY	1	INCLUDES ITEM W/*
58	492378	BOLT, HEX 3/8"-16 X 1-3/4"	3	

MANIFOLD ASSY.

MANIFOLD ASSY.

ACCESSORIES

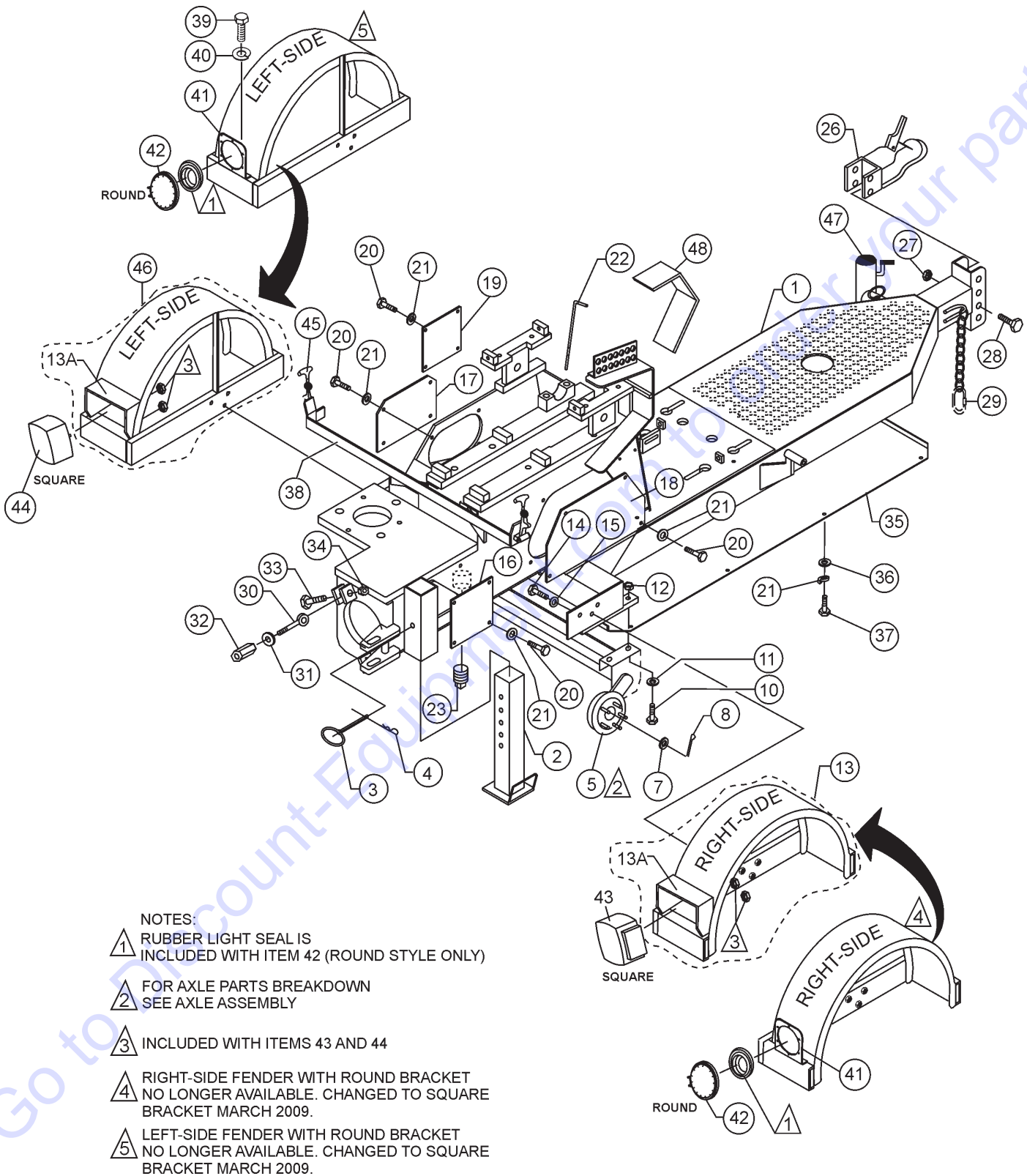


MANIFOLD ASSY.

MANIFOLD ASSY.

<u>NO.</u>	<u>PART NO.</u>	<u>PART NAME</u>	<u>QTY.</u>	<u>REMARKS</u>
1	EM23946	ELBOW 3"X90 DEG.HD	1	
2	EM28004DD	REDUCER 3X2X36 HD	1	
3	EM2C0B	BALL 2" SPONGE	2	
4	EM28904	COUPLING 3" HD *CF*	2	
5	EM18409	O-RING 1"	4	
6	EM14843	UPPER DURASEAT	1	
7	EM18801	O-RING	6	
8	EM18804	BALL 4-1/2"	1	
9	EM14801	MANIFOLD T ASSY.	1	
11	EM136	PIN BALL STOP 3/4-16 x 8	3	
12	EM18409	O-RING	4	
13	EM618	WASHER SPECIAL	4	
14	EM968266	NUT JAM HEX 3/4-16	4	
15	EM104	BOLT 5/8-11X2" HEX HEAD	3	
16	EM923348	WASHER LOCK 5/8 SPRING	3	
17	EM505882	WASHER, 5/8	3	
18	EM14842	SEAT DURA LOWER	1	
19	EM14818	BALL 4"	1	
21	EM14819A	MANIFOLD ASSY. EASY OPEN	1	
23	EM18409	O-RING	2	
24	EM618	WASHER SPECIAL	2	
26	EM137	TEE-BOLT 3/4-10X14"	2	
27	EM619	WASHER 3/4"	2	
28	EM968446	NUT HEX 3/4"-10 GR5	2	
30	EM14850	EXHAUST GATE "H/D"	1	
31	EM963180	CAPSCREW 3/4-10X5 HEX HD G8	1	
32	EM969038	NUT STOP REG.3/4-10	2	
33	EM14845	ARM CLAMP	1	
34	EM135	BOLT 1-1/4" -12X7" HEX HD.	1	
35	EM14810	SPRING	1	
36	EM451	NUT 1-1/4" -12 LOCK	1	
37	EM160	BOLT 3/8-16X3/4"	1	
38	EM509329	SCREW HHC 3/4-10X6	1	

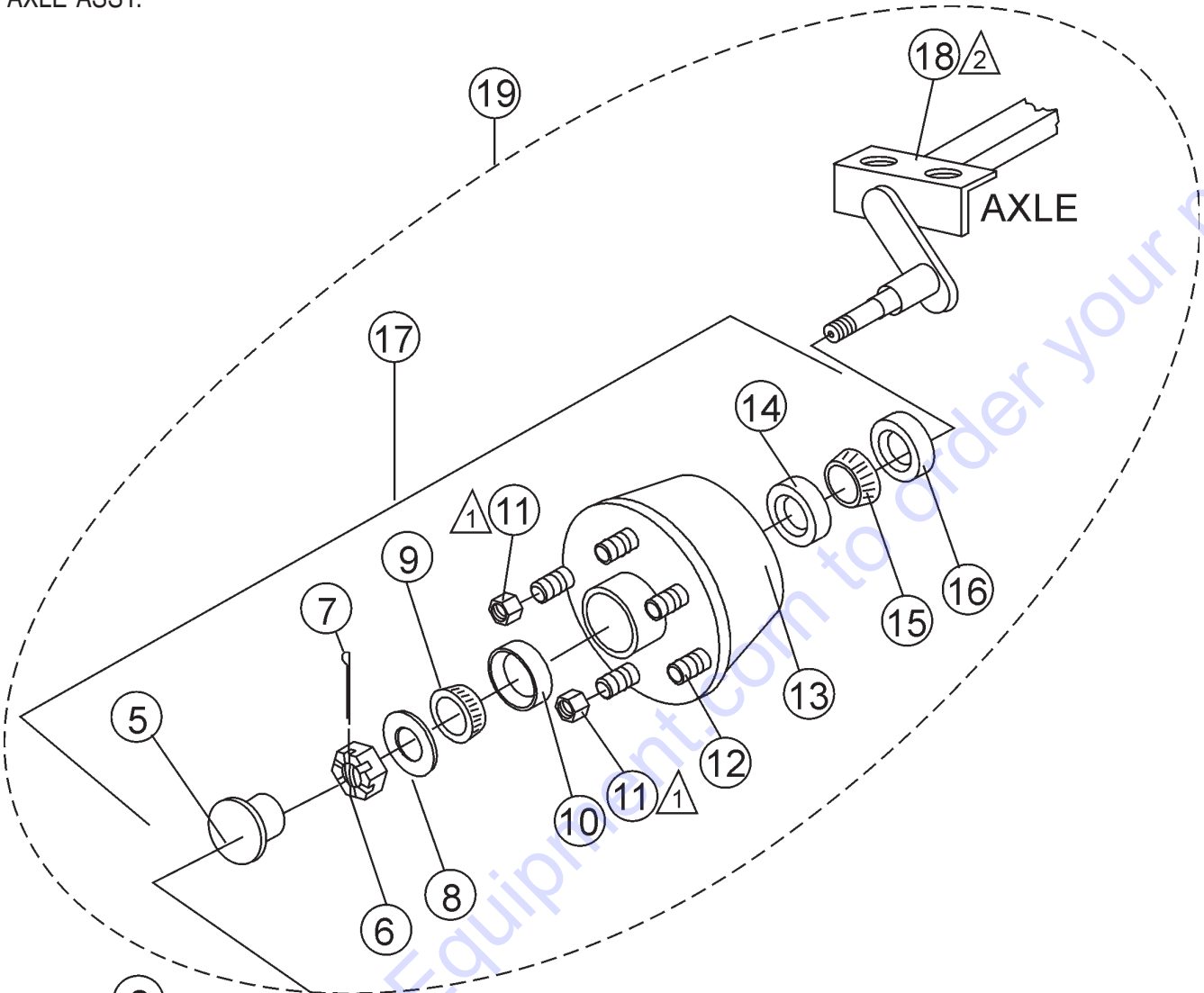
FRAME ASSY.



FRAME ASSY.

<u>NO.</u>	<u>PART NO.</u>	<u>PART NAME</u>	<u>QTY.</u>	<u>REMARKS</u>
1	EM513085	FRAME ASSEMBLY	1	
2	EM70186	JACK STAND, REAR	1	
3	EM744	CLEVIS PIN 1/2" X 4"	1	
4	EM745	HAIR PIN C 5/8- 3/4"	1	
5	EM14600A	AXLE, ASSEMBLY	1	
7	501299	WASHER THICK 1"	2	
8	491689	KEY COTTER 1/8 X 2	2	
10	EM492396	SCREW HHC 1/2- 13 X 2	4	
11	EM621	WASHER .5"	4	
12	EM406	NUT LOCK 1/2" DIA.	4	
13	EM511418	FENDER RIGHT-SIDE	1	INCLUDES ITEM W/%
13A%#	518570	BRACKET LIGHT, SQUARE	2	FROM MARCH 2009
14	981635	BOLT, HHC 1/2- 13 X 3/4	6	
15	6109180	WASHER LOCK 1/2"	6	
16	EM512251	COVER	1	
17	EM512252	COVER	1	
18	EM512253	COVER	1	
19	EM512250	COVER	1	
20	EM492309	SCREW, HHC	16	
21	0166 A	WASHER, LOCK 3/8"	24	
22	EM512263	ROD	1	
23	EM507895	PLUG, 2 1/2 NPT	2	
26	29228	HITCH, TONGUE 2"	1	
27	EM969023	NUT, HEX 5/8" NC	2	
28	EM507658	SCREW, HHC 5/8" NC 4-1/2 G5	2	
29	EM509947	LINK, QUICK	2	
30	EM14165	BOLT EYE	2	
31	EM619	WASHER 3/4" WILLIAM	2	
32	EM968002	NUT COUPLING 3/4- 10	2	
33	EM505121	SCREW 3/4"- 10 X 3 GR.5	2	
34	EM969038	NUT STOP REG. 3/4- 10	2	
35	EM513078	COVER, CHASSIS BOTTOM	1	
36	10136	WASHER, FLAT 3/8	8	
37	EM492264	HHCS. 3/8" NC X 1"	8	
38	EM929028	HOOD REST, STEEL	2	
39	492363	SCREW 5/16-18X3/4"	4	
40	EM923343	WASHER, LOCK	4	
41	EM265361	BRACKET LIGHT, ROUND	2	BEFORE MARCH 2009
42	EM26536	TAIL LIGHT, ROUND	2	BEFORE MARCH 2009
43	29242	TAIL LIGHT, SQ. (RIGHT-SIDE, CURB)	2	FROM MARCH 2009
44	29243	TAIL LIGHT, SQ. (LEFT-SIDE, STREET)	2	FROM MARCH 2009
45	491010	HOOD FASTENER, RUBBER	2	
46	EM513087	FENDER LEFT-SIDE	1	INCLUDES ITEM W/#
47	25610	JACK STAND, FRONT	1	
48	EM513199	BRACKET, CLUTCH SAFETY	1	

AXLE ASSY.



NOTES:

△ 1 TORQUE LUG NUTS PER LUG NUT TORQUE TABLE REFERENCED IN THIS MANUAL.

△ 2 FOR AXLE MOUNTING HARDWARE SEE FRAME ASSY

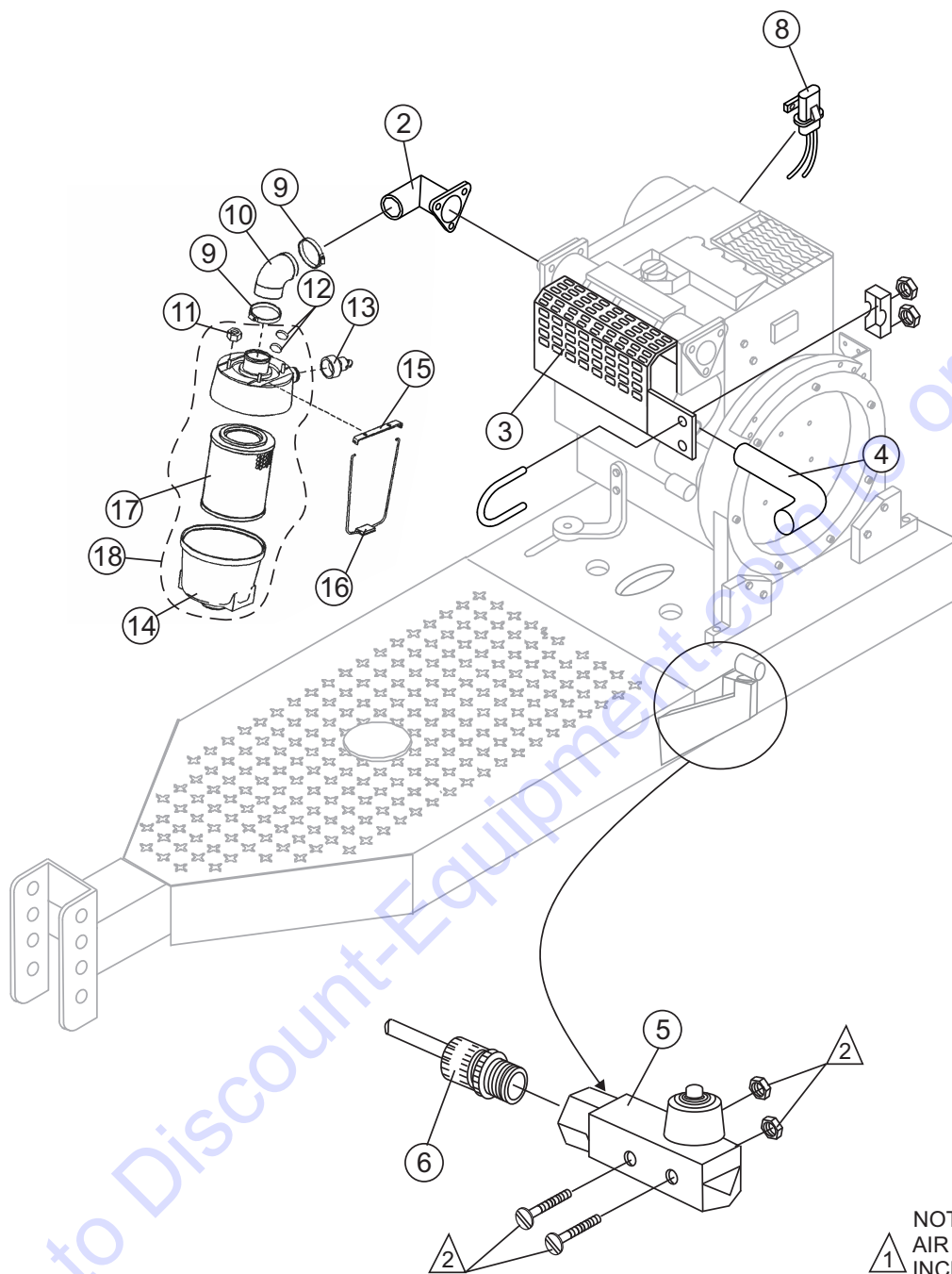
AXLE ASSY.

<u>NO.</u>	<u>PART NO.</u>	<u>PART NAME</u>	<u>QTY.</u>	<u>REMARKS</u>
1	EM26518	CAP 14" CHROME	2	
2	EM516478	TIRE ASSY.....	2	INCLUDES ITEMS W/*
3*		WHEEL	2	CANNOT BE PURCHASED SEPARATELY
4*		TIRE 14"	2	CANNOT BE PURCHASED SEPARATELY
5#	EM26306	DUST COVER	2	
6#	EM968481	CASTLE NUT	2	
7	EM705	PIN, COTTER 3/16X1-1/2	2	
8#	EM26329	WASHER	2	
9#	EM903113	OUTER BEARING	2	
10#	EM903012	OUTER CUP	2	
11#	EM26519	NUT	12	
12#	EM20612	STUD	12	
13#	EM26300	HUB	2	
14#	EM903169	INNER CUP	2	
15#	EM903168	INNER BEARING	2	
16#	EM26305	GREASE SEAL	2	
17%	EM20601	HUB ASSEMBLY	2	INCLUDES ITEMS W/#
18%	EM14600	AXLE	1	
19	EM14600A	AXLE WITH HUBS INSTALLED	1	INCLUDES ITEMS W/%

Go to Discount-Equipment.com to order your parts

MUFFLER, AIR FILTER, AND STOP SWITCH ASSY.

MUFFLER, AIR FILTER AND STOP SWITCH ASSY.



NOTES:

- 1 AIR FILTER SUPPORT BRACKET IS INCLUDED WITH ITEM 1.
- 2 STOP SWITCH MOUNTING HARDWARE IS INCLUDED WITH ITEM 19.

MUFFLER, AIR FILTER, AND STOP SWITCH ASSY.

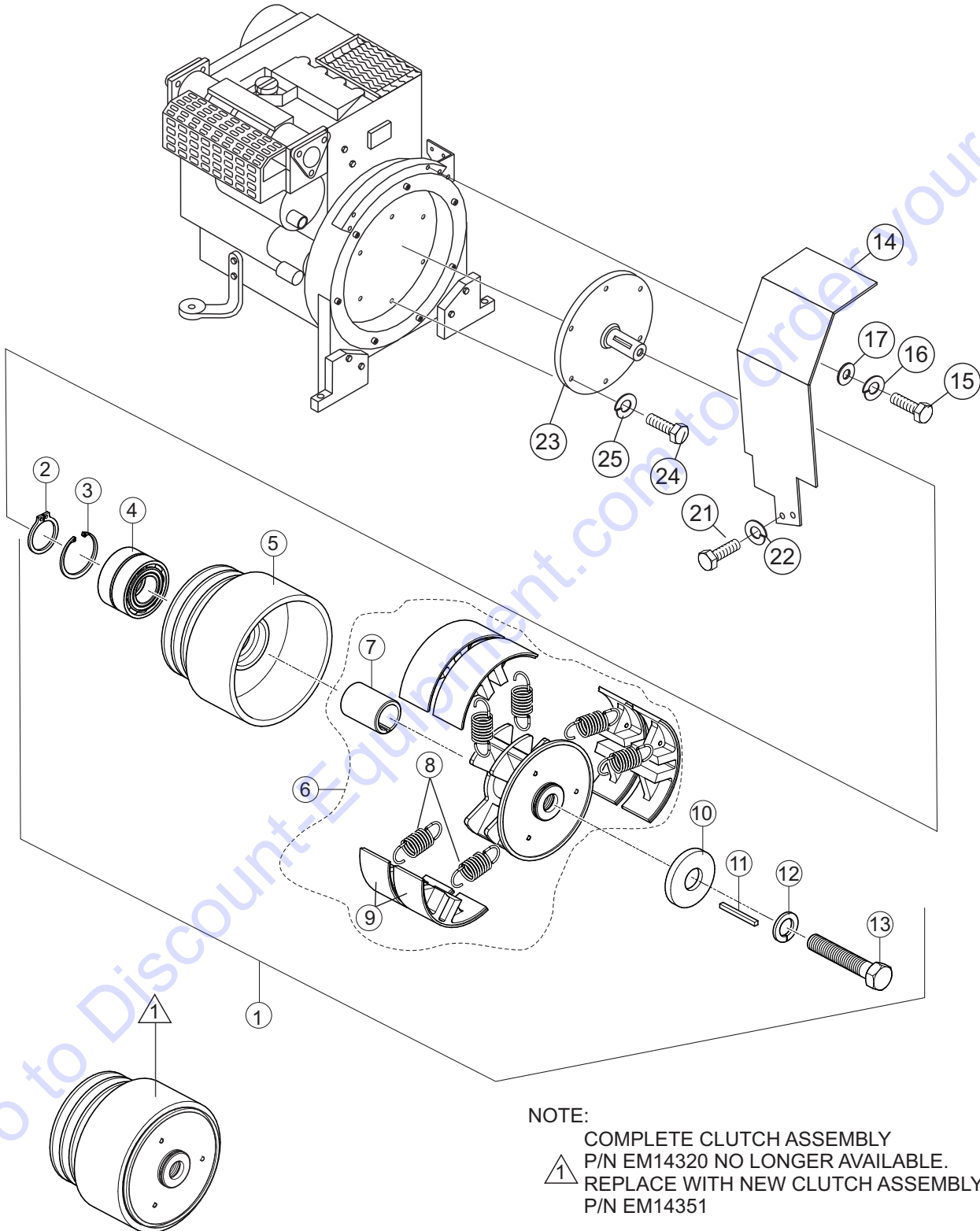
MUFFLER, AIR FILTER AND STOP SWITCH ASSY.

<u>NO.</u>	<u>PART NO.</u>	<u>PART NAME</u>	<u>QTY.</u>	<u>REMARKS</u>
1	EM98076	FILTER, AIR	1	
1A	EM98168	PRECLEANER, AIR FILTER	1	
2	513390	BRACKET, AIR CLEANER (PIPE)	1	
3	EM513474	MUFFLER COVER	1	
4	513196	MUFFLER PIPE	1	INCLUDED W/ ENGINE
5	EM14217	STOP SWITCH, ENGINE COVER	1	
6	EM491873	GLAND CONNECTOR	1	
7	506257	U-BOLT	1	
8	EM98066	FUSE HOLDER W/25A FUSE	1	
9	01173940	HOSE CLIP	2	
10	04172501	INTAKE ELBOW	1	
11*	01112824	HEX NUT	4	
12*	03363577	WASHER, FELT	2	
13	02165357	DUST EJECTOR	1	
14*	02240281	HOOD	1	
15	02240285	ANGLE PLATE	1	
16	02240283	CLAMPING YOKE	1	
17*	02339813	CARTRIDGE	1	
18	02169927	AIR CLEANER ASSY.	1	INCLUDES ITEMS W/*

Go to Discount-Equipment.com to order your parts

CLUTCH ASSY.

CLUTCH ASSY.



NOTE:
COMPLETE CLUTCH ASSEMBLY
P/N EM14320 NO LONGER AVAILABLE.
REPLACE WITH NEW CLUTCH ASSEMBLY
P/N EM14351

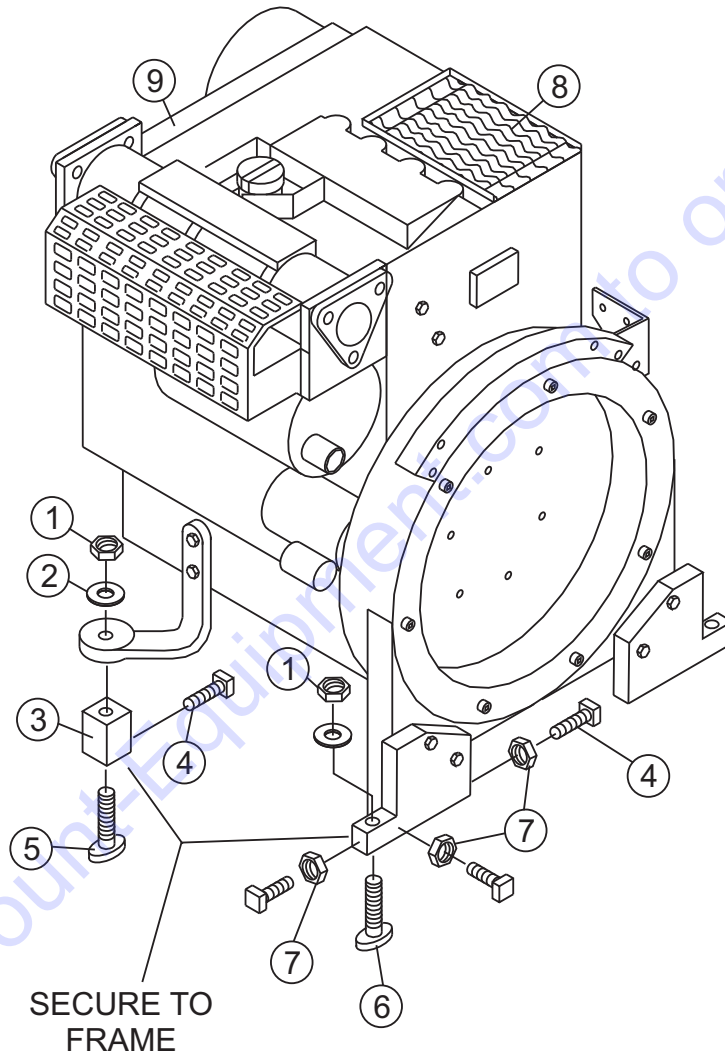
CLUTCH ASSY.

CLUTCH ASSY.

<u>NO.</u>	<u>PART NO.</u>	<u>PART NAME</u>	<u>QTY.</u>	<u>REMARKS</u>
1	EM14351	CLUTCH ASSEMBLY COMPLETE	1	INCLUDES ITEMS W/%
2%	EM01900311	SNAP RING	1	
3%	EM01900312	SNAP RING	1	
4%	03000055	CLUTCH BEARING	1	
5%	01660010	CLUTCH HOUSING (DRUM)	1	
6%	EMR60600304	ROTOR ASSEMBLY	1	INCLUDES ITEMS W/#
7%#	EM11300928	HUB	1	
8%#	EM01030108	SPRING	6	
9%#	EM11200200	SHOE	6	
10%		WASHER	1	CANNOT BE PURCHASED SEPARATELY
11%		KEY	1	CANNOT BE PURCHASED SEPARATELY
12%	EM923346	WASHER, LOCK	1	
13%	EM963105	RETAINING BOLT, HHCS 1/2-13X2 G5	1	
14	513199	GUARD, CLUTCH	1	
15	509252	SCREW, M10 X 20 P-1-1.58.8	2	
16	492625	WASHER, LOCK 7/16"	2	
17	3019092	WASHER, FLAT 3/8	2	
21	492357	BOLT, 1/4" NC X 1 GR 5	2	
22	2101402	WASHER, LOCK 1/4"	2	
23	EM512707	SHAFT STUB (FLANGE) ENGINE	1	
24	EM508342	SCREW, HHC M8X25	6	
25	0166 A	WASHER, LOCK 3/8"	6	

ENGINE MOUNTING ASSY.

ENGINE MOUNTING ASSY.



ENGINE MOUNTING ASSY.

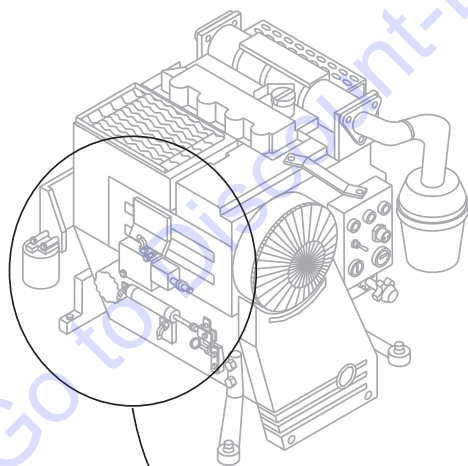
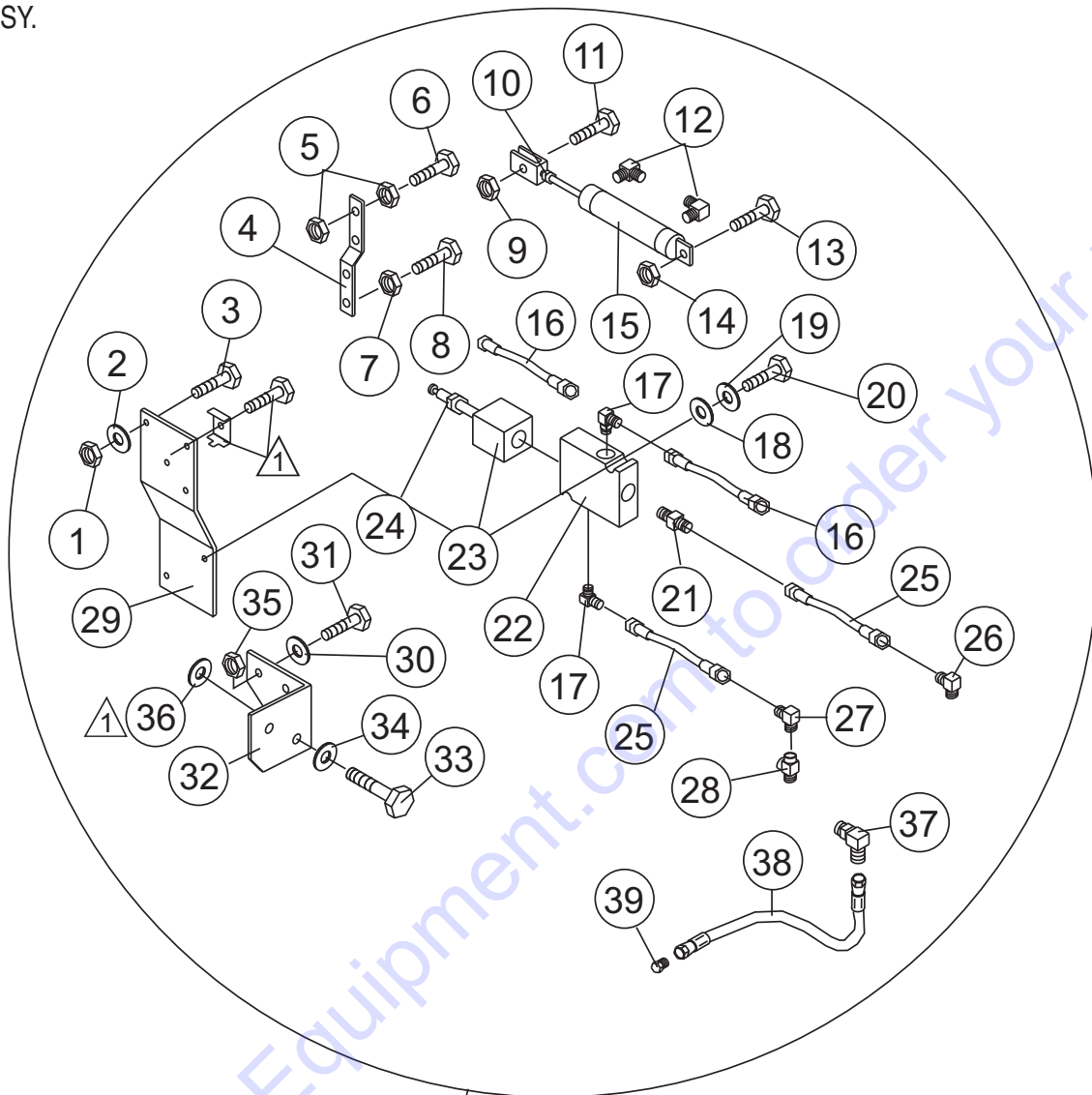
ENGINE MOUNTING ASSY.

<u>NO.</u>	<u>PART NO.</u>	<u>PART NAME</u>	<u>QTY.</u>	<u>REMARKS</u>
1	492556	NUT, HEX 1/2 IN.	8	
2	492626	WASHER, LOCK 1/2 IN.	4	
3	513195	ENGINE SUPPORT BLOCK (SIDE)	2	
4	EM130	SQUARE HEAD BOLT 1/2 NC X 2-1/2 IN.	6	
5	513204	BOLT 1/2 NC X 5 IN.	2	
6	513095	BOLT, C/T 1/2 NC x 2 IN.	2	
7	513194	ENGINE SUPPORT BLOCK (REAR)	2	
8	4280937	OIL COOLER	1	
9	EM98190	DEUTZ ENGINE	1	

Go to Discount-Equipment.com to order your parts

THROTTLE ASSY.

THROTTLE ASSY.



NOTES:

- △ 1 CONNECT TO CLUTCH SIDE OF ENGINE

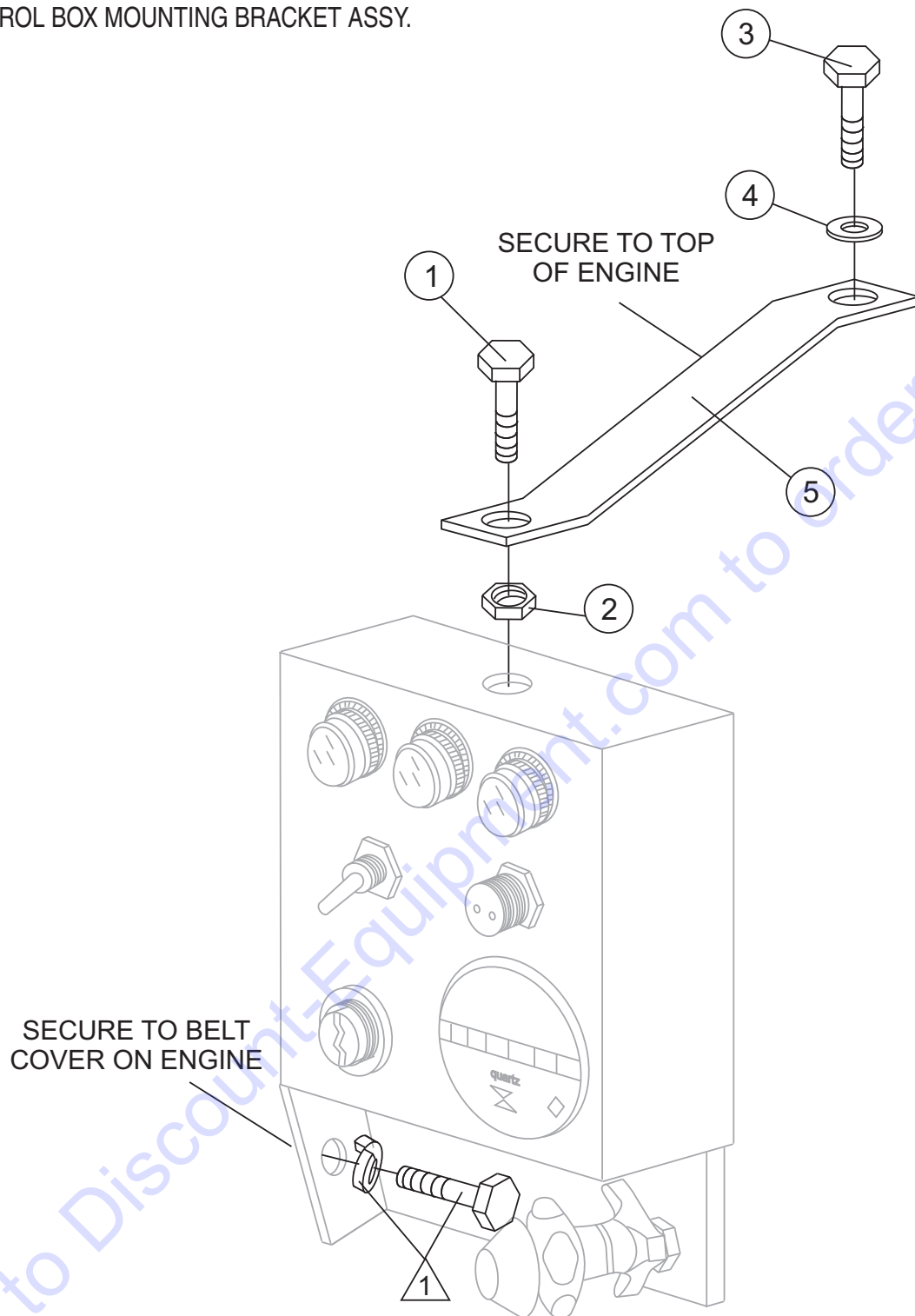
THROTTLE ASSY.

THROTTLE ASSY.


<u>NO.</u>	<u>PART NO.</u>	<u>PART NAME</u>	<u>QTY.</u>	<u>REMARKS</u>
1	492582	NYLON LOCK NUT	1	
2	505679	FLAT WASHER 5/16"	1	
3	492363	SCREW 5/16" x 3/4"	1	
4	512728	THROTTLE LEVER	1	
5	492582	NUT 5/16" NC	2	
6	492366	SCREW 5/16" x 1 1/2"	1	
7	492622	LOCK WASHER 1/4"	1	
8	506599	SCREW M6 x 15	1	
9	492581	NYLON LOCK NUT 1/4" INS	1	
10	EM400	NYLON LOCK NUT 1/4" HEX	1	
11	492357	SCREW 1/4"x 1"	1	
12	EM50449	FITTING	2	
13	492358	SCREW 1/4" x 1 1/4"	1	
14	492561	NYLON LOCK NUT 1/4" HEX	1	
15	CC700	OIL CYLINDER	1	
16	508443	HOSE .381-4 15" LONG	2	
17	EM25429	FITTING	2	
18	492596	FLAT WASHER 1/4"	1	
19	492622	LOCK WASHER 1/4"	1	
20	492359	SCREW 1/4" x 1 1/2"	1	
21	EM25511	FITTING	1	
22	EM25571	BODY 118206-01	1	
23	EM98228	COIL WA 704107-12	1	
24	EM98232	SPOOL 12 C51SM-10	1	
25	EM25576	HOSE 3RLA-4F JX-20	2	
26	EM25504	ELBOW 90 DEGREE	1	
27	EM50449	FITTING ELBOW	1	
28	EM25577	FITTING	1	
29	521730	SUPPORT, PISTON	1	
30	505679	FLAT WASHER 5/16"	1	
31	492369	SCREW 5/16" x 2 1/4"	1	
32	512729	SUPPORT, OIL FILTER	1	
33	509252	SCREW M10 x 20	1	
34	492624	LOCK WASHER 3/8"	1	
35	492582	NYLON LOCK NUT 5/16" INS	1	
36	492598	WASHER, LOCK 3/4" ESP	1	
37	513222	FITTING	1	
38	513219	HOSE	1	
39	513218	FITTING	1	

CONTROL BOX MOUNTING BRACKET ASSY.

CONTROL BOX MOUNTING BRACKET ASSY.



NOTES:

 COMES WITH ENGINE

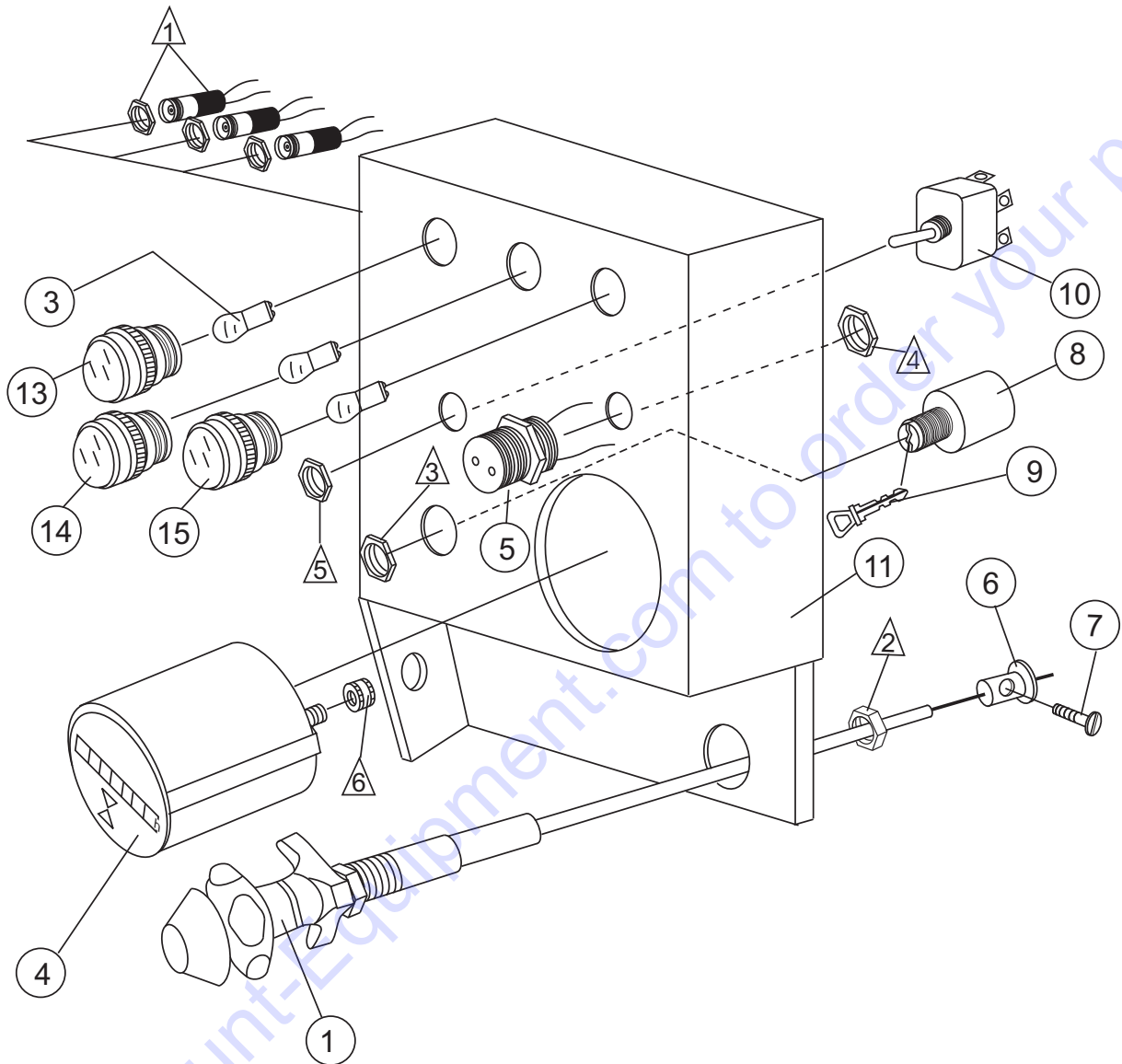
CONTROL BOX MOUNTING BRACKET ASSY.

CONTROL BOX MOUNTING BRACKET ASSY.

<u>NO.</u>	<u>PART NO.</u>	<u>PART NAME</u>	<u>QTY.</u>	<u>REMARKS</u>
1	492363	SCREW, HHC 5/16- 18 X 3/4"	1	
2	492582	NUT, NYLOC 5/16- 18	1	
3	506559	SCREW, HHC M6 X 20 P-1	1	
4	492596	WASHER, FLAT 1/4"	1	
5	513380	SUPPORT, CONTROL PANEL	1	

Go to Discount-Equipment.com to order your parts

CONTROL BOX ASSY.



NOTES:

- ① LAMP HOLDER INCLUDED WITH ITEMS 13, 14, & 15
- ② INCLUDED WITH ITEM 1, THROTTLE CABLE P/N 510229
- ③ INCLUDED WITH ITEM 8, IGNITION SWITCH P/N 10958
- ④ INCLUDED WITH ITEM 5, REMOTE OUTLET PLUG P/N Em26789
- ⑤ INCLUDED WITH ITEM 10, PUMPING CONTROL SWITCH P/N 40711
- ⑥ INCLUDED WITH ITEM 4, HOUR METER P/N 506222

CONTROL BOX ASSY.

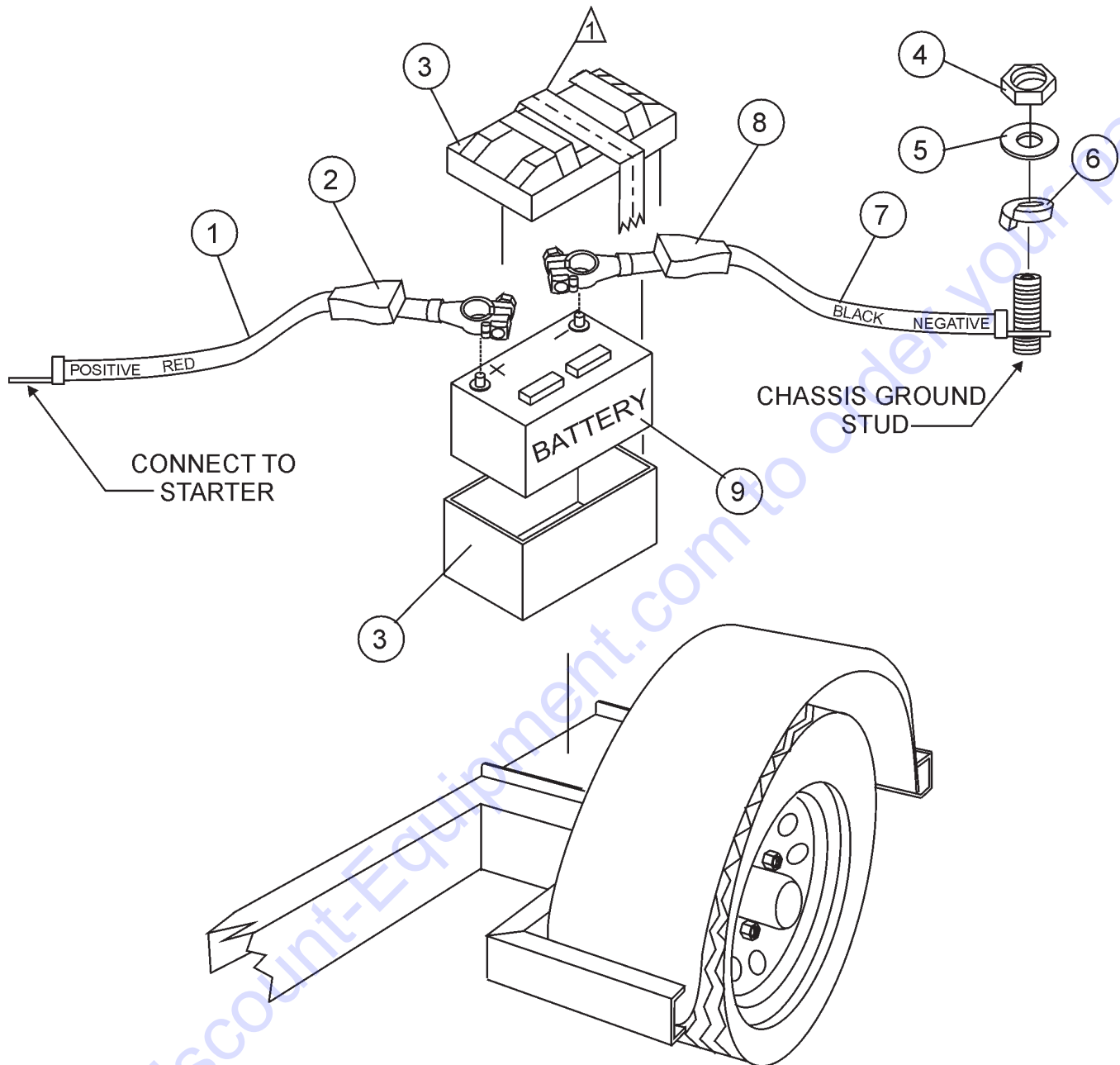
CONTROL BOX ASSY.

<u>NO.</u>	<u>PART NO.</u>	<u>PART NAME</u>	<u>QTY.</u>	<u>REMARKS</u>
1	510229	THROTTLE CABLE ASSY.	1	
3	01180677	12 VDC BULB	3	
4	506222	HOURMETER	1	
5	EM26789	RECEPTACLE (REMOTE)	1	
6	EM501102	LOCK, ACCELERATOR COUPLING	1	
7	EM491089	SCREW, 1/4"	1	
8	0302735	IGNITION SWITCH	1	
9	0302736	IGNITION SWITCH KEY	1	
10	EM40711	SWITCH, PUMPING CONTROL	1	
11	EM513076	CONTROL BOX	1	
13	01180383	RED PILOT LENS (OIL PRESSURE)	1	
14	01180384	RED PILOT LENS (BATTERY)	1	
15	01180382	RED PILOT LENS (OIL TEMPERATURE)	1	

Go to Discount-Equipment.com to order your parts

BATTERY ASSY.

BATTERY ASSY.



NOTES:

- ⚠ BATTERY HOLD-DOWN STRAP IS INCLUDED WITH ITEM 3, P/N 34506

BATTERY ASSY.

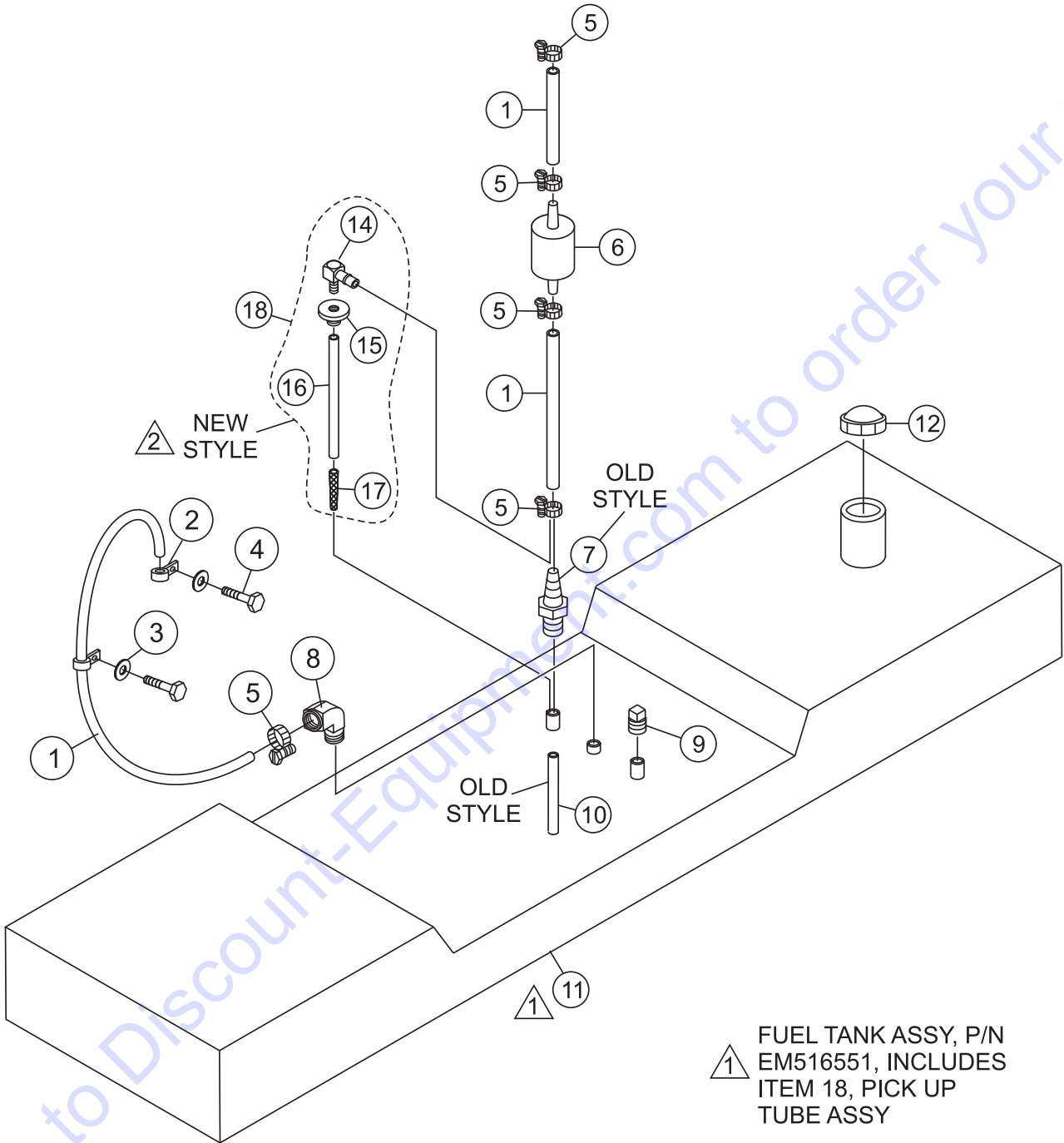
BATTERY ASSY.

<u>NO.</u>	<u>PART NO.</u>	<u>PART NAME</u>	<u>QTY.</u>	<u>REMARKS</u>
1	EM14705	CABLE, POSITIVE BATTERY	1	
2	EM506266	COVER, POSITIVE TERMINAL	1	
3	34506	BOX, BATTERY	1	
4	EM492541	NUT, HEX 5/16- 18	1	
5	EM923023	WASHER, FLAT 5/16	1	
6	EM923343	WASHER, LOCK 5/16	1	
7	EM20720	CABLE, NEGATIVE BATTERY	1	
8	EM505624	COVER, NEGATIVE TERMINAL	1	
9	EM491344	BATTERY, 12 VOLT	1	

Go to Discount-Equipment.com to order your parts

FUEL TANK ASSY.

FUEL TANK ASSY.



1 FUEL TANK ASSY, P/N EM516551, INCLUDES ITEM 18, PICK UP TUBE ASSY

2 ITEM 18, PICK UP TUBE ASSY, REPLACED ITEM 7, PIPE, AND ITEM 10, ADAPTER AFTER JULY 2005.

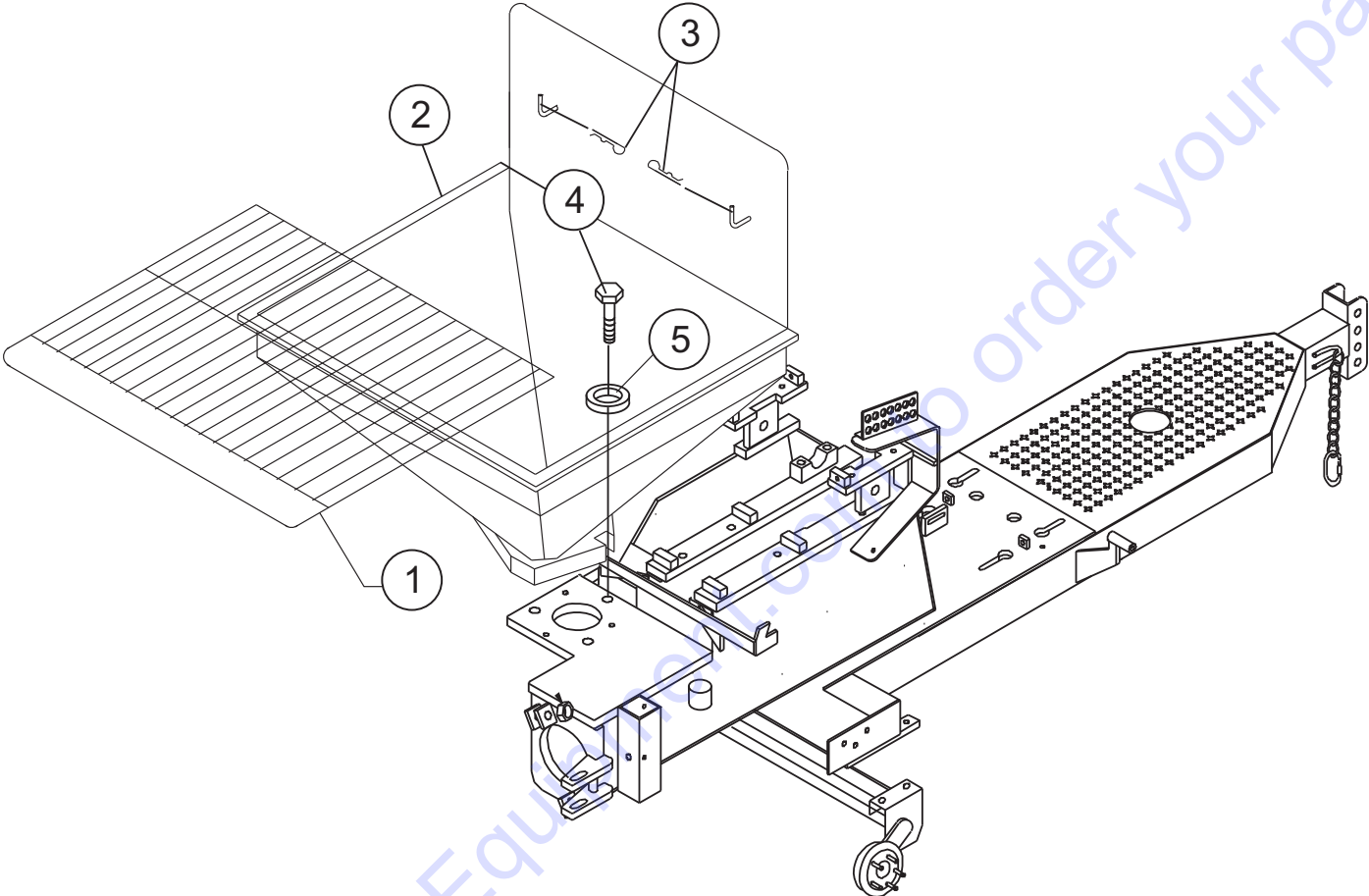
FUEL TANK ASSY.

FUEL TANK ASSY.

<u>NO.</u>	<u>PART NO.</u>	<u>PART NAME</u>	<u>QTY.</u>	<u>REMARKS</u>
1	6636A	HOSE, FUEL LINE 5/16"	A/R?	
2	TBD	CLAMP, HOSE	2	
3	TBD	WASHER, FLAT	2	
4	TBD	BOLT	2	
5	6109152	CLAMP, HOSE	5	
6	EM20763	FILTER, FUEL	1	
7	EM513115	ADAPTER NLA	1	BEFORE JULY 2005
8	EM20426	FITTING 1/4"	1	
9	EM491210	PLUG, 1/4"	1	
10	EM505594	PIPE, 5/16 COPPER NLA	1	BEFORE JULY 2005
11	EM514722	FUEL TANK	1	BEFORE JULY 2005
11	EM516551	FUEL TANK ASSY	1	INCLUDES ITEM 18 AFTER JULY 2005
12	42799	CAP, FUEL	1	
14#	516568	FITTING 5/16"	1	AFTER JULY 2005
15#	19633	BUSHING	1	AFTER JULY 2005
16#	60058	HOSE, 4-1/2"	1	AFTER JULY 2005
17#	12009	SCREEN	1	AFTER JULY 2005
18	EM516533	PICK UP TUBE ASSY	1	INCLUDES ITEMS W/# AFTER JULY 2005

HOPPER ASSY.

HOPPER ASSY.



Go to Discount-Equipment.com to order your parts

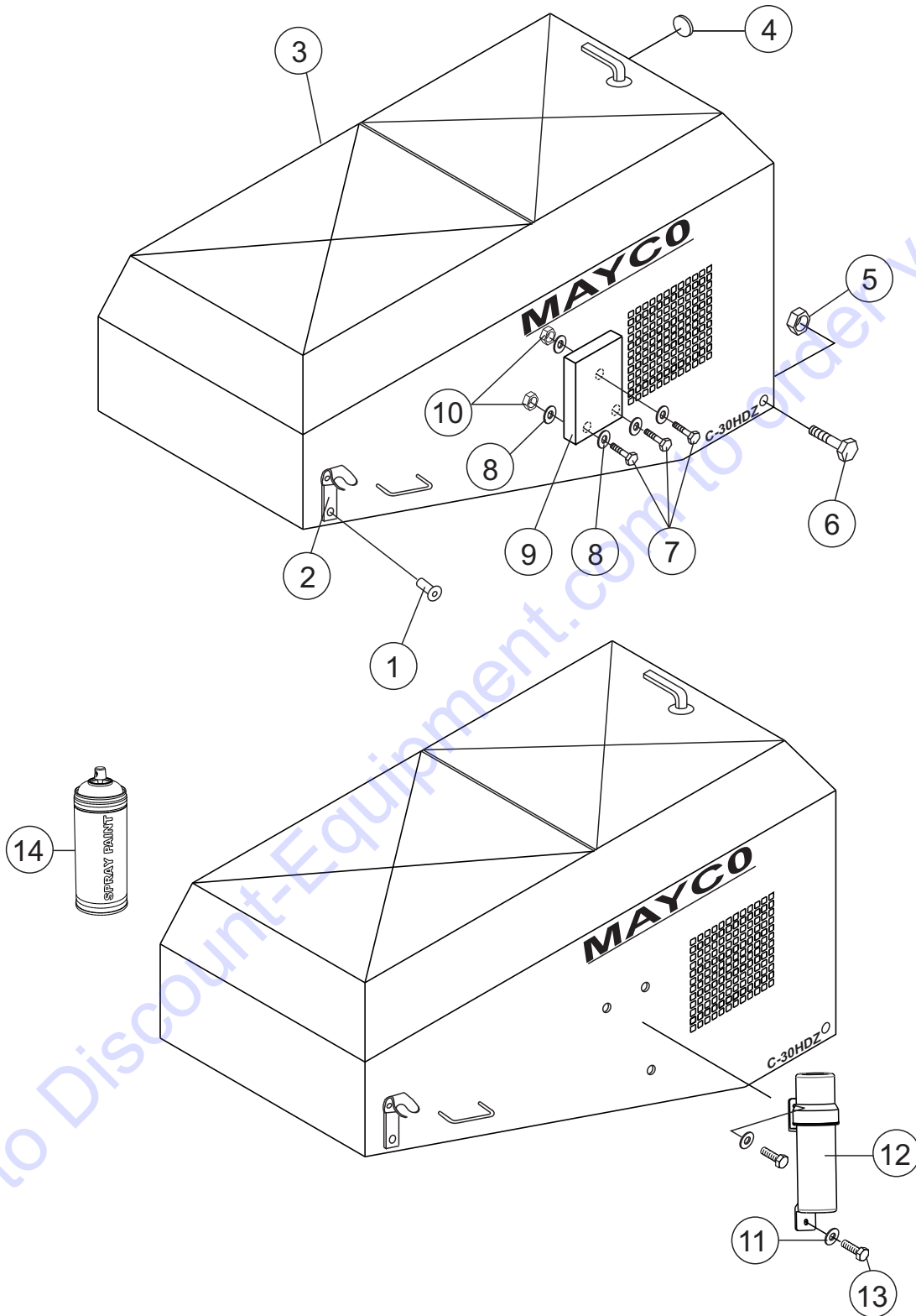
HOPPER ASSY.

HOPPER ASSY.

<u>NO.</u>	<u>PART NO.</u>	<u>PART NAME</u>	<u>QTY.</u>	<u>REMARKS</u>
1	EM14159	HOPPER SCREEN	1	
2	EM14141	HOPPER	1	
3	EM925191	PIN, HAIR	2	
4	EM104	BOLT, 5/8"-11X2" HEX HEAD	3	
5	EM507599	WASHER 5/8" FLAT	3	

Go to Discount-Equipment.com to order your parts

HOOD ASSY.



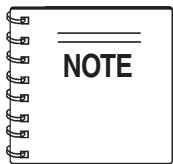
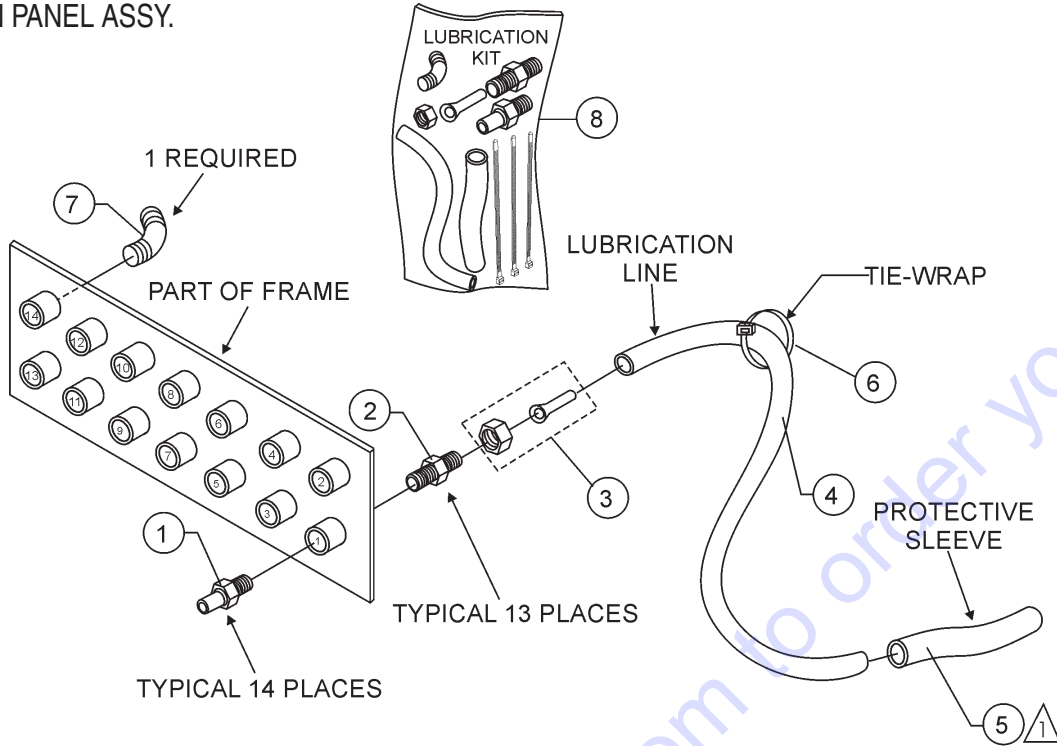
HOOD ASSY.

HOOD ASSY.

<u>NO.</u>	<u>PART NO.</u>	<u>PART NAME</u>	<u>QTY.</u>	<u>REMARKS</u>
1	503723	RIVET	4	
2	491010	LATCH KIT, RUBBER	2.....	BEFORE MARCH 2009
2	EM517295	LATCH KIT, STEEL	2.....	FROM MARCH 2009
3	EM14140	HOOD ASSY. , RUBBER LATCH	1.....	BEFORE MARCH 2009
3	EM511438R	HOOD ASSY. , STEEL LATCH	1.....	FROM MARCH 2009
4	490937	BUMPER, RUBBER	2	
5	EM406	NUT 1/2"-13 HEAVY HEX	2	
6	EM124	BOLT 1/2" DIA-NC X4" G5	2	
7	EM963003	SCREW, HHC 1/4-20 X 3/4	3	
8	EM923057	WASHER	3	
9	29057	MANUAL HOLDER	1.....	BEFORE MARCH 2009
10	EM969079	NUT LOC NYLON 1/4"	3	
11	492596	WASHER, FLAT 1/4"	3	
12	23297	MANUAL HOLDER	1.....	FROM MARCH 2009
13	EM963003	SCREW, HHC 1/4-20 X 3/4	3	
14	RAL1003S	PAINT, SPRAY CAN 12 OZ. (YELLOW)	AR	

LUBRICATION PANEL ASSY.

LUBRICATION PANEL ASSY.



Grease **daily**, two to three shots of #2 multi-purpose automotive grease. Over-greasing any bearing will not damage the machine.

NOTES:
 △ PLACE PROTECTIVE SLEEVE OVER LUBRICATION LINES 1 THROUGH 6.

<u>POSITION</u>	<u>LOCATION</u>	<u>LENGTH OF LINES</u>
1	COMPENSATOR ROD	28"
2	COMPENSATOR ROD	31"
3	COMPENSATOR ROD	28"
4	LOWER ROCKER ARM COMPENSATOR ROD	34"
5	LOWER CONNECTING ROD- DRIVE SIDE	10"
6	LOWER ROCKER ARM - DRIVE SIDE	15"
7	UPPER ROCKER ARM - COMPENSATOR SIDE	28"
8	UPPER ROCKER ARM - DRIVE SIDE	26"
9	COUNTER SHAFT BEARING - SPROCKET SIDE	20"
10	COUNTER SHAFT - PULLEY SIDE	20"
11	UPPER CONNECTING ROD - DRIVE SIDE	40"
12	CRANKSHAFT BEARING BLOCK	42"
13	CAM BEARING	42"
14	CRANKSHAFT BEARING FLANGE	20"
	TOTAL LENGTH OF LINES REQUIRED	384"

LUBRICATION PANEL ASSY.

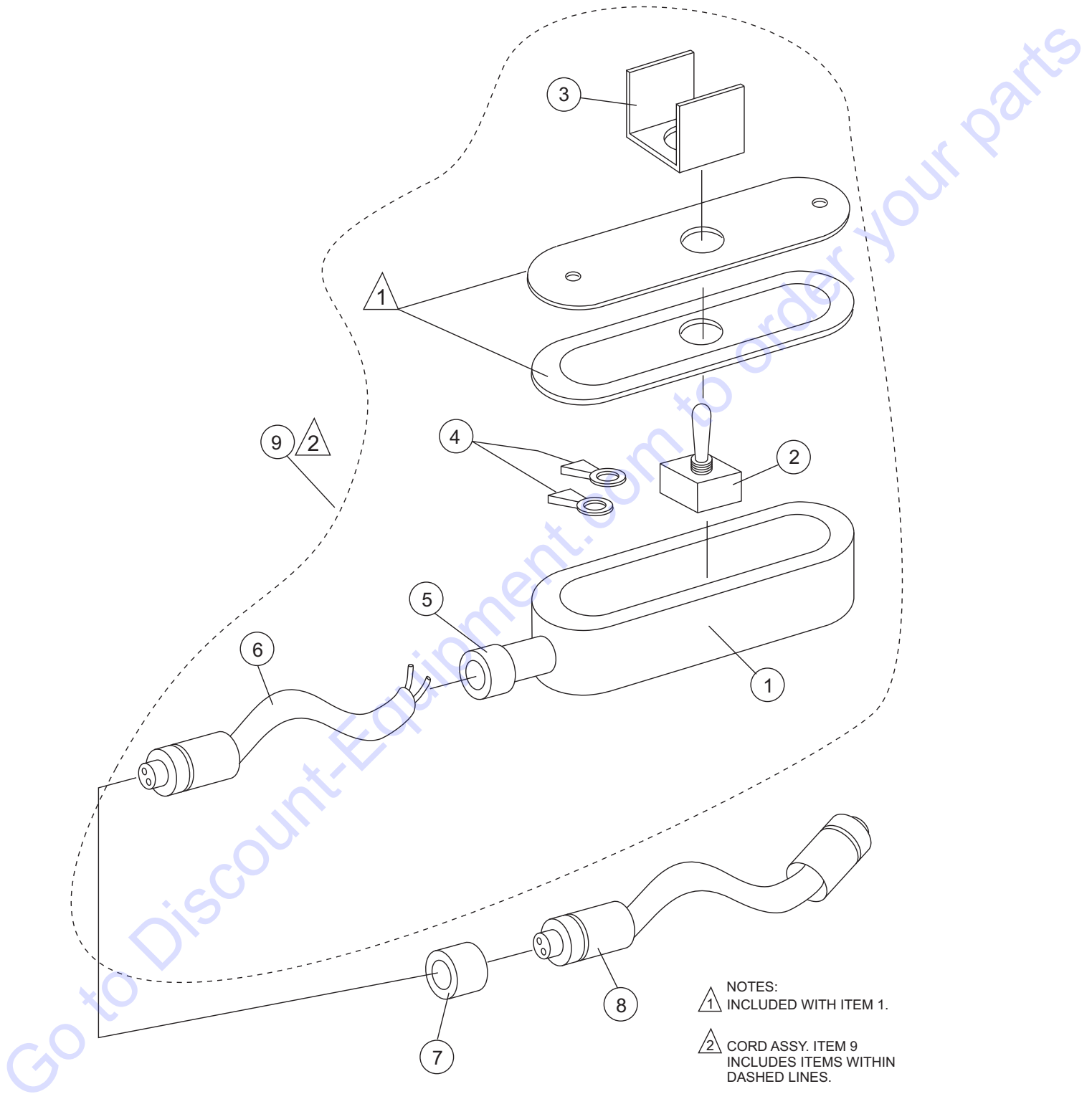
LUBRICATION PANEL ASSY.

<u>NO.</u>	<u>PART NO.</u>	<u>PART NAME</u>	<u>QTY.</u>	<u>REMARKS</u>
1*	EM916001	FITTING, GREASE 1/8" NPT	14	
2*	EM505489	STRAIGHT FITTING 1/8" NPT	13	
3*	505534	COUPLING W/NUT 1/8" NPT	14	
4*	EM505516	PLASTIC HOSE LINE 1/4" DIA.	AR	1FT=1PC
5*	EM490531	PROTECTIVE SLEEVE 3/8" (HOSE)	AR	1FT=1PC
6*	EM491028	TIE-WRAP 2.5 x 95 MM	AR	
7*	EM505490	ADAPTER, 90 DEGREE ELBOW	1	
8	EM512659	KIT, LUBRICATION	1	INCLUDES ITEMS W/*

Go to Discount-Equipment.com to order your parts

REMOTE CONTROL CABLE ASSY.

REMOTE CONTROL CABLE ASSY.



REMOTE CONTROL CABLE ASSY.

REMOTE CONTROL CABLE ASSY.

<u>NO.</u>	<u>PART NO.</u>	<u>PART NAME</u>	<u>QTY.</u>	<u>REMARKS</u>
1*	EM16753	JUNCTION BOX	1	
2*	EM16754	SWITCH, MICRO	1	
3*	EM16756	GUARD SWITCH - ALUMINUM	1	
4*	EM491897	CONNECTOR, 3/16 RING	2	
5*	EM26791	GRIP CORD SEAL	1	
6*	EM26790	CORD 25' MX P/E	1	
7	EM26793	ADAPTER CORD GRIP 1/2"	1	
8	EM26792	ADAPTER CORD 100 FT.	1	
9	EM26788	REMOTE W/ 25' CORD ONLY	1	INCLUDES ITEMS W/*

Go to Discount-Equipment.com to order your parts

PARTS FINDER

**Search Website
by Part Number**



**Search Manual
Library For Parts
Manual & Lookup Part
Numbers – Purchase
or Request Quote**

**Can't Find Part or
Manual? Request Help
by Manufacturer,
Model & Description**

Discount-Equipment.com is your online resource for quality parts & equipment.

Florida: **561-964-4949** Outside Florida TOLL FREE: **877-690-3101**

Need parts?

Click on this link: <http://www.discount-equipment.com/category/5443-parts/> and choose one of the options to help get the right parts and equipment you are looking for. Please have the machine model and serial number available in order to help us get you the correct parts. If you don't find the part on the website or on one of the online manuals, please fill out the request form and one of our experienced staff members will get back to you with a quote for the right part that your machine needs.

We sell worldwide for the brands: Genie, Terex, JLG, MultiQuip, Mikasa, Essick, Whiteman, Mayco, Toro Stone, Diamond Products, Generac Magnum, Airman, Haulotte, Barreto, Power Blanket, Nifty Lift, Atlas Copco, Chicago Pneumatic, Allmand, Miller Curber, Skyjack, Lull, Skytrak, Tsurumi, Husquvarna Target, Stow, Wacker, Sakai, Mi-T-M, Sullair, Basic, Dynapac, MBW, Weber, Bartell, Bennar Newman, Haulotte, Ditch Runner, Menegotti, Morrison, Contec, Buddy, Crown, Edco, Wyco, Bomag, Laymor, EZ Trench, Bil-Jax, F.S. Curtis, Gehl Pavers, Heli, Honda, ICS/PowerGrit, IHI, Partner, Imer, Clipper, MMD, Koshin, Rice, CH&E, General Equipment, Amida, Coleman, NAC, Gradall, Square Shooter, Kent, Stanley, Tamco, Toku, Hatz, Kohler, Robin, Wisconsin, Northrock, Oztec, Toker TK, Rol-Air, APT, Wylie, Ingersoll Rand / Doosan, Innovatech, Con X, Ammann, Mecalac, Makinex, Smith Surface Prep, Small Line, Wanco, Yanmar