

PARTS MANUAL



MODEL QP3TH TRASH PUMP

(HONDA GX240K1QA2/GX240U1QA2/GX240UT2QA2
GASOLINE ENGINE)

Revision #11 (06/02/20)



THIS MANUAL MUST ACCOMPANY THE EQUIPMENT AT ALL TIMES.

PARTS FINDER

**Search Website
by Part Number**



**Search Manual
Library For Parts
Manual & Lookup Part
Numbers – Purchase
or Request Quote**

Search Manuals

Enter your information to help us find the right parts manual for your machine.

* Brand:

* Model:

* Serial:

* Part Number:

SEARCH

**Can't Find Part or
Manual? Request Help
by Manufacturer,
Model & Description**

Parts Order Form

Please fill in the following information to help us find the right part for your machine.

MANUFACTURER:

MODEL:

DESCRIPTION:

DATE:

TIME:

PHONE:

EMAIL:

ADDRESS:

CITY:

STATE:

ZIP:

COUNTRY:

SEARCH

Discount-Equipment.com is your online resource for quality parts & equipment.

Florida: **561-964-4949** Outside Florida TOLL FREE: **877-690-3101**

Need parts?

Click on this link: <http://www.discount-equipment.com/category/5443-parts/> and choose one of the options to help get the right parts and equipment you are looking for. Please have the machine model and serial number available in order to help us get you the correct parts. If you don't find the part on the website or on one of the online manuals, please fill out the request form and one of our experienced staff members will get back to you with a quote for the right part that your machine needs.

We sell worldwide for the brands: Genie, Terex, JLG, MultiQuip, Mikasa, Essick, Whiteman, Mayco, Toro Stone, Diamond Products, Generac Magnum, Airman, Haulotte, Barreto, Power Blanket, Nifty Lift, Atlas Copco, Chicago Pneumatic, Allmand, Miller Curber, Skyjack, Lull, Skytrak, Tsurumi, Husquvarna Target, Stow, Wacker, Sakai, Mi-T-M, Sullair, Basic, Dynapac, MBW, Weber, Bartell, Bennar Newman, Haulotte, Ditch Runner, Menegotti, Morrison, Contec, Buddy, Crown, Edco, Wyco, Bomag, Laymor, EZ Trench, Bil-Jax, F.S. Curtis, Gehl Pavers, Heli, Honda, ICS/PowerGrit, IHI, Partner, Imer, Clipper, MMD, Koshin, Rice, CH&E, General Equipment, Amida, Coleman, NAC, Gradall, Square Shooter, Kent, Stanley, Tamco, Toku, Hatz, Kohler, Robin, Wisconsin, Northrock, Oztec, Toker TK, Rol-Air, APT, Wylie, Ingersoll Rand / Doosan, Innovatech, Con X, Ammann, Mecalac, Makinex, Smith Surface Prep, Small Line, Wanco, Yanmar

QP3TH Trash Pump

Explanation Of Code In Remarks Column..... 4
Suggested Spare Parts 5

Component Drawings

Pump Assembly..... 6-9
Engine Service Parts..... 10-11

NOTICE

Specifications and part numbers are subject to change without notice.

Go to Discount-Equipment.com to order your parts

EXPLANATION OF CODE IN REMARKS COLUMN

The following section explains the different symbols and remarks used in the Parts section of this manual. Use the help numbers found on the back page of the manual if there are any questions.

NOTICE

The contents and part numbers listed in the parts section are subject to change **without notice**. Multiquip does not guarantee the availability of the parts listed.

SAMPLE PARTS LIST

NO.	PART NO.	PART NAME	QTY.	REMARKS
1	12345	BOLT	1	INCLUDES ITEMS W/%
2%		WASHER, 1/4 IN.		NOT SOLD SEPARATELY
2%	12347	WASHER, 3/8 IN. ...	1	MQ-45T ONLY
3	12348	HOSE	A/R	MAKE LOCALLY
4	12349	BEARING	1	S/N 2345B AND ABOVE

NO. Column

Unique Symbols — All items with same unique symbol (@, #, +, %, or >) in the number column belong to the same assembly or kit, which is indicated by a note in the “Remarks” column.

Duplicate Item Numbers — Duplicate numbers indicate multiple part numbers, which are in effect for the same general item, such as different size saw blade guards in use or a part that has been updated on newer versions of the same machine.

NOTICE

When ordering a part that has more than one item number listed, check the remarks column for help in determining the proper part to order.

PART NO. Column

Numbers Used — Part numbers can be indicated by a number, a blank entry, or TBD.

TBD (To Be Determined) is generally used to show a part that has not been assigned a formal part number at the time of publication.

A blank entry generally indicates that the item is not sold separately or is not sold by Multiquip. Other entries will be clarified in the “Remarks” Column.

QTY. Column

Numbers Used — Item quantity can be indicated by a number, a blank entry, or A/R.

A/R (As Required) is generally used for hoses or other parts that are sold in bulk and cut to length.

A blank entry generally indicates that the item is not sold separately. Other entries will be clarified in the “Remarks” Column.

REMARKS Column

Some of the most common notes found in the “Remarks” Column are listed below. Other additional notes needed to describe the item can also be shown.

Assembly/Kit — All items on the parts list with the same unique symbol will be included when this item is purchased.

Indicated by:

“INCLUDES ITEMS W/(unique symbol)”

Serial Number Break — Used to list an effective serial number range where a particular part is used.

Indicated by:

“S/N XXXXX AND BELOW”

“S/N XXXX AND ABOVE”

“S/N XXXX TO S/N XXX”

Specific Model Number Use — Indicates that the part is used only with the specific model number or model number variant listed. It can also be used to show a part is NOT used on a specific model or model number variant.

Indicated by:

“XXXXX ONLY”

“NOT USED ON XXXX”

“Make/Obtain Locally” — Indicates that the part can be purchased at any hardware shop or made out of available items. Examples include battery cables, shims, and certain washers and nuts.

“Not Sold Separately” — Indicates that an item cannot be purchased as a separate item and is either part of an assembly/kit that can be purchased, or is not available for sale through Multiquip.

SUGGESTED SPARE PARTS

QP3TH TRASH PUMP WITH HONDA GX240K1QA2/GX240U1QA2/GX240UT2QA2 ENGINES

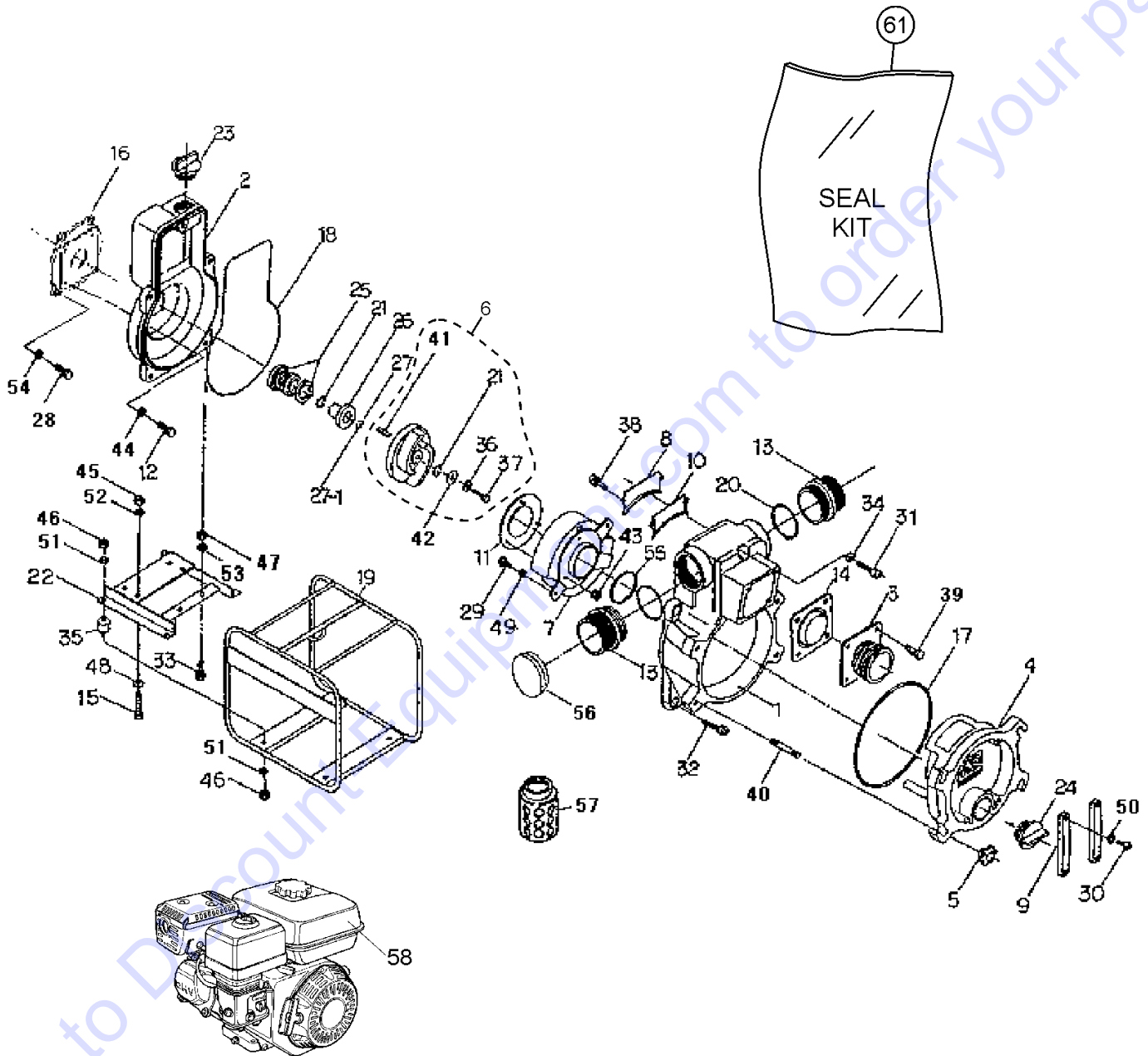
1 to 3 units

Qty.	P/N	Description
1	1992040032	IMPELLER
1	0811885446	MECHANICAL SEAL SLEEVE
2	080344293	MECHANICAL SEAL
2	0631211159	CAP, FLOODING
2	0483602250	O-RING, DRAIN COVER
2	0489403400	O-RING, CASING
2	0482200240	O-RING, MECHANICAL SEAL SLEEVE
4	0852834525	ADJUST LINER .30
4	0852854525	ADJUST LINER .50
2	17210ZE2515	ELEMENT, AIR CLEANER, GX240K1QA2/GX240U1QA2
2	17210ZE1517	ELEMENT, AIR CLEANER, GX240UT2QA2
3	9807956846	SPARK PLUG
1	28462ZE2W11	ROPE, RECOIL STARTER, GX240K1QA2/GX240U1QA2
1	28462ZH8003	ROPE, RECOIL STARTER, GX240UT2QA2
1	17620ZH7023	CAP, WITH GASKET, FUEL FILLER, GX240K1QA2/GX240U1QA2
1	17620Z4M000	CAP, WITH GASKET, FUEL FILLER, GX240UT2QA2

NOTICE

Part numbers on this Suggested Spare Parts list may supersede/replace the part numbers shown in the following parts lists.

PUMP ASSEMBLY



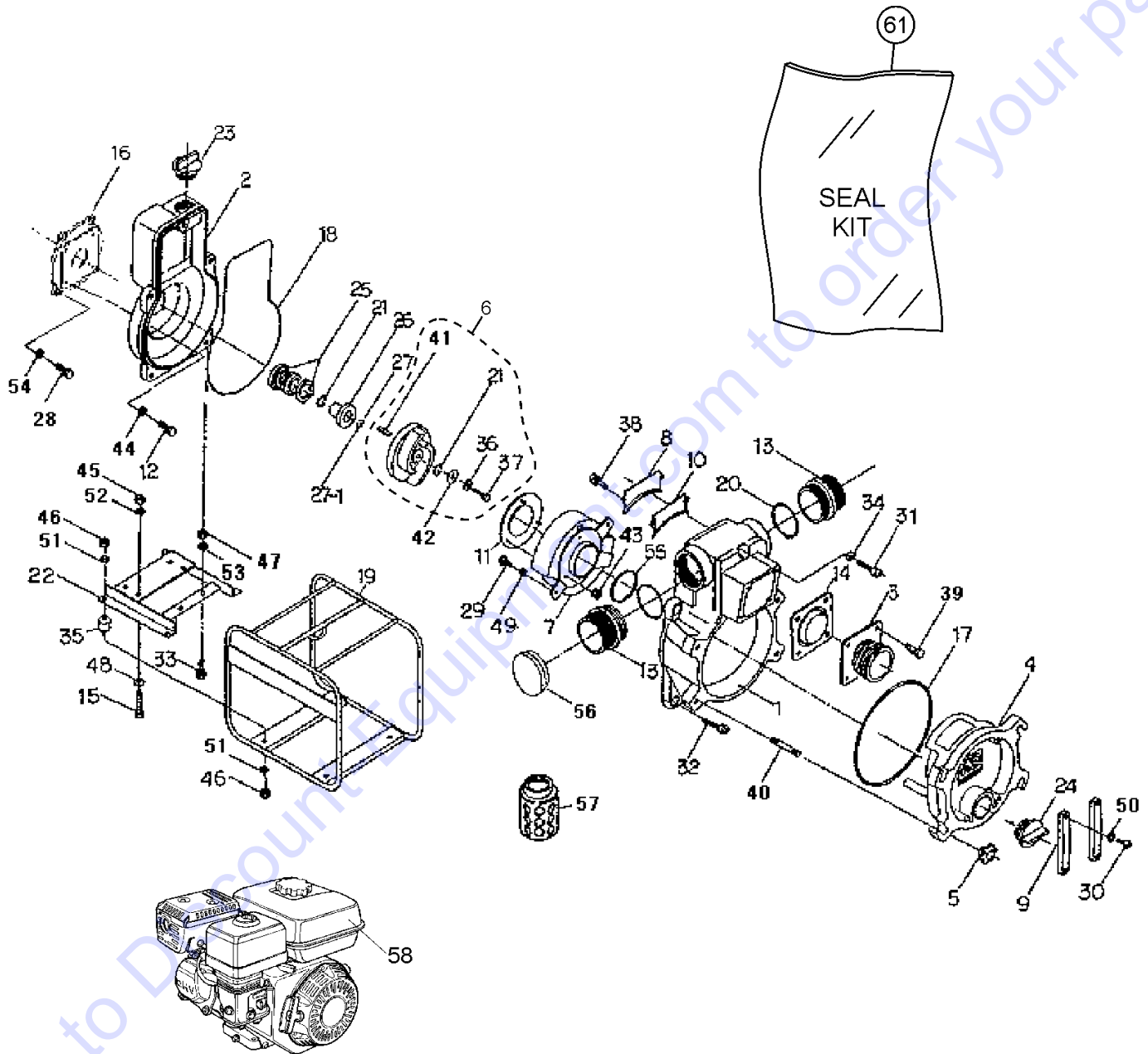
PUMP ASSEMBLY

NO.	PART NO.	PART NAME	QTY.	REMARKS
1	1992100011	CASING	1	
2	1992100020	CASING COVER	1	
3	13910001600014	SUCTION COVER	1	
4	1992100173	DRAIN COVER	1	REPLACES P/N 1992100171
5	19920002200014	DRAIN COVER HANDLE	4	
6	1992040033ASSY	IMPELLER KIT	1	INCLUDES ITEMS W/#
7	1992000110	VOLUTE CASING	1	REPLACES P/N 1992000133
8	1992100742	SUCTION PLATE	1	
9	1247100250	DRAIN COVER SET HANDLE	2	
10	1992330410	SUCTION PLATE PACKING	1	
11	1992250700	WEAR PLATE	1	
12	0105090820	BOLT(CASING COVER), M8 X 20	4	
13	07904330300014	NIPPLE, NPS3" X NPT3"	2	
14	1378350350	CHECK VALVE	1	
15	0105091045	BOLT (ENGINE), M10 X45	4	
16	43130006000014	CASING COVER PLATE	1	
17@	0483602250	O-RING (DRAIN COVER)	1	
18	0489403400	O-RING (CASING), 4 X 340 MM	1	
19	1992214010P002	BASE, SS400	1	
20	0481310800	O-RING (NIPPLE)	2	
21#@	0482200240	O-RING, IMPELLER, MECH SEAL	2	SEE NOTE BELOW
22	19922140200014	ENGINE BASE, SS400	1	
23	0631211159	FLOODING CAP, PF1-1/2"	1	
24	0631211159	DRAIN CAP, PF1-1/2"	1	
25@	0803442930	MECHANICAL SEAL	1	
26@	0811885446	MECHANICAL SEAL SLEEVE, DIA. 30MM	1	
27@	0852834525	ADJUST LINER DIA. 45 X 25.4 MM TO.3	1	
27-1@	0852854525	ADJUST LINER DIA. 45 X 25.4 MM TO.5	1	
28	0191170625	BOLT(IMPELLER), 3/8 X16 UNF X 25	4	
29	0131190823	SCREW (VOLUTE CASING) M8 X 22	4	REPLACES P/N 0141090820
30	0141090825	SCREW (DRAIN CVR. SET HANDLE) M8 X 25	4	
31	0131191290	CAP SCREW (CASING), M12 X 90	1	
32	0131191235	CAP SCREW (CASING), M12 X 35	4	
33	0105091040	BOLT (PUMP), M10 X 40	2	
34	0459220120	SEAL WASHER (CASING) M12	1	
35	0723302040	CUSHION RUBBER, 40 X 20 M10	4	
36#	0458220100	SEAL WASHER, IMPELLER	1	
37#	0191190750	BOLT IMPELLER	1	

NOTICE

Item 21, o-ring, is included in impeller kit, item 6. When ordered as part of the kit, quantity of o-ring is one. Replacement of impeller requires two o-rings, so it is necessary to order one additional o-ring.

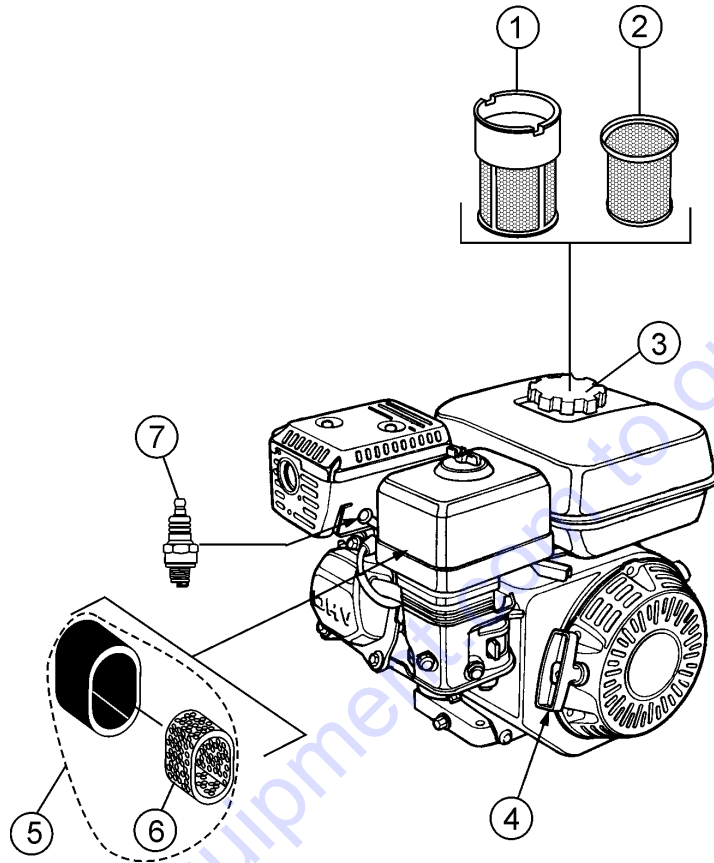
PUMP ASSEMBLY



PUMP ASSEMBLY

<u>NO.</u>	<u>PART NO.</u>	<u>PART NAME</u>	<u>QTY.</u>	<u>REMARKS</u>
38	0181090820	BOLT SET W/SPRING WASHER M8 X 20 (SUCTION PLATE)	2	
39	0181090825	BOLT SET WITH SPRING WASHER M8 X 25 (SUCTION COVER)	4	
40	0151191257	STUD BOLT, (DRAIN COVER HANDLE) M12 X 57 X15 X 22	4	
41#	0520040431	KEY, IMPELLER	1	
42	43342012400011	IMPELLER WASHER, DIA. 42 X 12 MM T4.5	1	
43	0204490060	U-NUT, WEAR PLATE M6	3	
44	0458220080	SEAL, WASHER, CASING COVER M8	4	
45	0205490100	NUT, ENGINE M10	4	
46	0205490100	NUT, CUSHION RUBBER M10	8	
47	0205490100	NUT, PUMP M10	2	
48	0401650100	WASHER, ENGINE M10	4	
49	0451290080	SPRING WASHER, (VOLUTE CASING) M8	4	
50	0451290080	SPRING WASHER (DRAIN COVER SET HANDLE) M8	4	
51	0451290100	SPRING WASHER, (CUSHION RUBBER) M10	8	
52	0451290100	SPRING WASHER, (ENGINE) M10	4	
53	0451290100	SPRING WASHER, (PUMP) M10	2	
54	0451290100	SPRING WASHER, (CASING COVER SET PLATE) M10	4	
55	0480570850	O-RING, (VOLUTE CASING)	1	
56	1992108050	CAP	1	
57	0742214080	STRAINER	1	
58	GX240K1QA2	ENGINE, HONDA 7.1 HP	1.....	S/N 3TH-4853 AND BELOW
58	GX240U1QA2	ENGINE, HONDA 7.1 HP	1.....	S/N 3TH-4854 TO 3TH-20727
58	GX240UT2QA2	ENGINE, HONDA 7.1 HP	1.....	S/N 3TH-20728 AND ABOVE
61	KIT3TE KIT	MECHANICAL SEAL, SLEEVE, & O-RINGS	1.....	INCLUDES ITEMS W/@

ENGINE SERVICE PARTS



ENGINE SERVICE PARTS

<u>NO.</u>	<u>PART NO.</u>	<u>PART NAME</u>	<u>QTY.</u>	<u>REMARKS</u>
1	17672ZE2W01	FILTER, FUEL	1	GX240K1QA2/GX240U1QA2
2	17672-880-000	FILTER, FUEL		GX240K1QA2
2	17672Z4H000	FILTER, FUEL	1	GX240U1QA2/ GX240UT2QA2
3	17620ZH7023	CAP, WITH GASKET FUEL FILLER	1.....	GX240K1QA2/GX240U1QA2
3	17620Z4M000	CAP, WITH GASKET FUEL FILLER	1.....	GX240UT2QA2
4	28462ZE2W11	ROPE, RECOIL STARTER	1.....	GX240K1QA2/GX240U1QA2
5	17210ZE2515	ELEMENT, AIR CLEANER	1.....	GX240K1QA2/GX240U1QA2
				INCLUDES ITEM W/ #
5	17210ZE1517	ELEMENT, AIR CLEANER	1.....	GX240UT2QA2
				INCLUDES ITEM W/ #
6#	17218ZE2505	FILTER, OUTER	1	
7	9807956846	SPARK PLUG	1	

Go to Discount-Equipment.com to order your parts

PARTS FINDER

**Search Website
by Part Number**



**Search Manual
Library For Parts
Manual & Lookup Part
Numbers – Purchase
or Request Quote**

Search Manuals

Enter your information to help us find the right parts manual for your machine.

* Brand:

* Model:

* Serial:

* Part Number:

SEARCH

**Can't Find Part or
Manual? Request Help
by Manufacturer,
Model & Description**

Parts Order Form

Please fill in the following information to help us find the right part for your machine.

Manufacturer:	<input type="text"/>
Model:	<input type="text"/>
Description:	<input type="text"/>
Part Number:	<input type="text"/>
Quantity:	<input type="text"/>
Notes:	<input type="text"/>

Submit

Discount-Equipment.com is your online resource for quality parts & equipment.

Florida: **561-964-4949** Outside Florida TOLL FREE: **877-690-3101**

Need parts?

Click on this link: <http://www.discount-equipment.com/category/5443-parts/> and choose one of the options to help get the right parts and equipment you are looking for. Please have the machine model and serial number available in order to help us get you the correct parts. If you don't find the part on the website or on one of the online manuals, please fill out the request form and one of our experienced staff members will get back to you with a quote for the right part that your machine needs.

We sell worldwide for the brands: Genie, Terex, JLG, MultiQuip, Mikasa, Essick, Whiteman, Mayco, Toro Stone, Diamond Products, Generac Magnum, Airman, Haulotte, Barreto, Power Blanket, Nifty Lift, Atlas Copco, Chicago Pneumatic, Allmand, Miller Curber, Skyjack, Lull, Skytrak, Tsurumi, Husquvarna Target, Stow, Wacker, Sakai, Mi-T-M, Sullair, Basic, Dynapac, MBW, Weber, Bartell, Bennar Newman, Haulotte, Ditch Runner, Menegotti, Morrison, Contec, Buddy, Crown, Edco, Wyco, Bomag, Laymor, EZ Trench, Bil-Jax, F.S. Curtis, Gehl Pavers, Heli, Honda, ICS/PowerGrit, IHI, Partner, Imer, Clipper, MMD, Koshin, Rice, CH&E, General Equipment, Amida, Coleman, NAC, Gradall, Square Shooter, Kent, Stanley, Tamco, Toku, Hatz, Kohler, Robin, Wisconsin, Northrock, Oztec, Toker TK, Rol-Air, APT, Wylie, Ingersoll Rand / Doosan, Innovatech, Con X, Ammann, Mecalac, Makinex, Smith Surface Prep, Small Line, Wanco, Yanmar