

OPERATION AND PARTS MANUAL



MODELS MQ-D305/D306 SERIES DIAPHRAGM PUMPS (Honda, Robin and B&S Gasoline Engines)

Revision #2 (08/24/05)



PARTS FINDER

**Search Website
by Part Number**



**Search Manual
Library For Parts
Manual & Lookup Part
Numbers – Purchase
or Request Quote**

Search Manuals

Enter your information to help us find the right parts manual for your machine.

* Brand:

* Model:

* Serial:

* Part Number:

SEARCH

**Can't Find Part or
Manual? Request Help
by Manufacturer,
Model & Description**

Parts Order Form

Please fill in the following information to help us find the right part for your machine.

Manufacturer:	<input type="text"/>
Model:	<input type="text"/>
Description:	<input type="text"/>
Part Number:	<input type="text"/>
Quantity:	<input type="text"/>
Notes:	<input type="text"/>

Submit

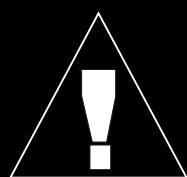
Discount-Equipment.com is your online resource for quality parts & equipment.

Florida: **561-964-4949** Outside Florida TOLL FREE: **877-690-3101**

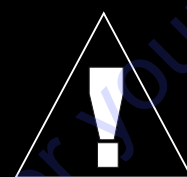
Need parts?

Click on this link: <http://www.discount-equipment.com/category/5443-parts/> and choose one of the options to help get the right parts and equipment you are looking for. Please have the machine model and serial number available in order to help us get you the correct parts. If you don't find the part on the website or on one of the online manuals, please fill out the request form and one of our experienced staff members will get back to you with a quote for the right part that your machine needs.

We sell worldwide for the brands: Genie, Terex, JLG, MultiQuip, Mikasa, Essick, Whiteman, Mayco, Toro Stone, Diamond Products, Generac Magnum, Airman, Haulotte, Barreto, Power Blanket, Nifty Lift, Atlas Copco, Chicago Pneumatic, Allmand, Miller Curber, Skyjack, Lull, Skytrak, Tsurumi, Husquvarna Target, Stow, Wacker, Sakai, Mi-T-M, Sullair, Basic, Dynapac, MBW, Weber, Bartell, Bennar Newman, Haulotte, Ditch Runner, Menegotti, Morrison, Contec, Buddy, Crown, Edco, Wyco, Bomag, Laymor, EZ Trench, Bil-Jax, F.S. Curtis, Gehl Pavers, Heli, Honda, ICS/PowerGrit, IHI, Partner, Imer, Clipper, MMD, Koshin, Rice, CH&E, General Equipment, Amida, Coleman, NAC, Gradall, Square Shooter, Kent, Stanley, Tamco, Toku, Hatz, Kohler, Robin, Wisconsin, Northrock, Oztec, Toker TK, Rol-Air, APT, Wylie, Ingersoll Rand / Doosan, Innovatech, Con X, Ammann, Mecalac, Makinex, Smith Surface Prep, Small Line, Wanco, Yanmar



WARNING



CALIFORNIA — Proposition 65 Warning

Engine exhaust and some of its constituents are known to the State of California to cause cancer, birth defects and other reproductive harm.

MQ-D305/D306 Series Gasoline Powered Diaphragm Pump

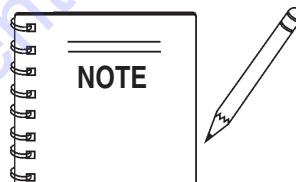
Here's How To Get Help	2
Table of Contents	3
Parts Ordering Procedures	4-5
Specifications (Pump/Engine)	6
Pump Dimensions	7
Safety Message Alert Symbols	8-9
Rules For Safe Operation	10-11
General Information	12
Pump Components	13
Basic Engine	14
Pre-Inspection (Engine)	15
Pre-Set-up (Pump)	16-17
Initial Start-up (Engine)	18-19
Maintenance (Pump)	20-21
Maintenance (Engine)	22-23
Preparation for Long-Term Storage	24
Troubleshooting (Pump)	25
Troubleshooting (Pump/Engine)	26
Explanation Of Code In Remarks Column	28
Suggested Spare Parts	29

HONDA GX120K1QX2 Engine

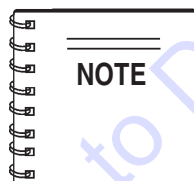
Air Cleaner Assembly	42-43
Camshaft Assembly	44-45
Carburetor Assembly	46-47
Control Assembly	48-49
Crankcase Cover Assembly	50-51
Crankshaft Assembly	52-53
Cylinder Barrel Assembly	54-55
Cylinder Head Assembly	56-57
Fan Cover Assembly	58-59
Flywheel Assembly	60-61
Fuel Tank Assembly	62-63
Ignition Coil Assembly	64-65
Muffler Assembly	66-67
Piston Assembly	68-69
Recoil Starter Assembly	70-71
Gasket Kit Assembly	72-73
Terms and Condition Of Sale — Parts	74

Component Drawings

Water Box and Groove Assembly	30-31
Pump Assembly (D306H Only)	32-35
Pump Assembly (D305R/D305B Only)	36-39
UWK W Wheel Kit Assy	40-41



As a continuing effort to update our parts book, contact Discount-equipment for the latest revision of your "Operation and Parts Manual"



Specification and part number are subject to change without notice.

MQ-D305/D306 SERIES — SPECIFICATIONS (PUMP/ENGINE)

Table 1. Specifications (Pump)

Pump	Type	MQ-306H Diaphragm Pump
	Suction & Discharge Size	3.00 in. (76 mm.)
	Maximum Pumping Capacity	5,100 gallons/hour (19,305 liters/hour)
	Max. Solids Diameter	1.5 in. (38 mm)
	Max Lift	25 ft. (7.62 meters)
	Max. Head	50 ft. (15.24 meters)
Dry Net Weight		160 lbs. (72 Kg.)

Table 2. Specifications (Engine)

Engine	Model	HONDA GX120K1QX2
	Type	Air-cooled 4 stroke, Single Cylinder, OHV, Horizontal Shaft Gasoline Engine
	Bore X Stroke	2.4 in. x 1.7 in. (60 mm x 42 mm)
	Displacement	119 cc (7.2 cu-in)
	Max Output	4.0 H.P./3600 R.P.M.
	Fuel Tank Capacity	0.66 US gal. (2.5 liters)
	Fuel	Unleaded Automobile Gasoline
	Lube Oil Capacity	0.63 qts. (60 liters)
	Speed Control Method	Centrifugal Fly-weight Type
	Starting Method	Recoil Start
Dimension (L x W x H)		11.7 x 13.4 x 12.5 in. (297 x 341 x 318 mm)
Dry Net Weight		28.7 lbs (13 Kg.)

MQ-D305/D306 SERIES — DIMENSIONS (PUMP)

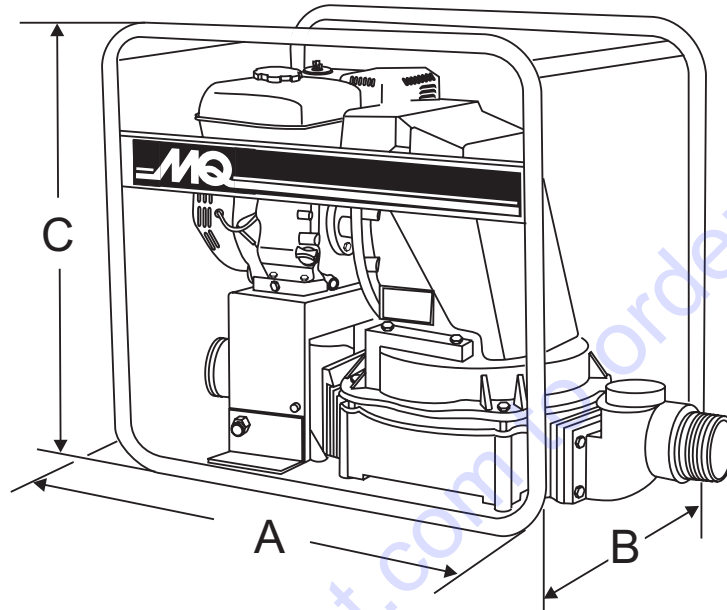


Figure 1. MQ-D305/D306 Series Pump Dimensions

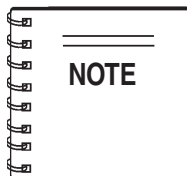
Table 3. Dimensions

MODEL	A LENGTH	B WIDTH	C HEIGHT
MQ-305/306 Series	36.0 in. (91 cm.)	19.0 in. (48 cm.)	27.0 in. (69 cm.)

MQ-D305/D306 SERIES — SAFETY MESSAGE ALERT SYMBOLS

FOR YOUR SAFETY AND THE SAFETY OF OTHERS!

Safety precautions should be followed at all times when operating this equipment. Failure to read and understand the Safety Messages and Operating Instructions could result in injury to yourself and others.



This Owner's Manual has been developed to provide complete instructions for the safe and efficient operation of the **MQ Model D305/D306 Series Diaphragm Pumps**. Refer to the engine manufacturers instructions for data relative to its safe operation.

Before using these pumps, ensure that the operating individual has read and understands all instructions in this manual.

SAFETY MESSAGE ALERT SYMBOLS

The three (3) Safety Messages shown below will inform you about potential hazards that could injure you or others. The Safety Messages specifically address the level of exposure to the operator, and are preceded by one of three words: **DANGER**, **WARNING**, or **CAUTION**.

DANGER

You **WILL** be **KILLED** or **SERIOUSLY** injured if you **DO NOT** follow directions.

WARNING

You **CAN** be **KILLED** or **SERIOUSLY** injured if you **DO NOT** follow directions.

CAUTION

You **CAN** be **INJURED** if you **DO NOT** follow directions.

HAZARD SYMBOLS

Potential hazards associated with the operation of the **MQ Model D-306H, B and R Diaphragm Pumps** will be referenced with Hazard Symbols which appear throughout this manual, and will be referenced in conjunction with Safety Message Alert Symbols.

WARNING - Lethal Exhaust Gas Hazards

Engine exhaust gases contain poisonous carbon monoxide. This gas is colorless and odorless, and can cause death if inhaled. **NEVER** operate this equipment in a confined area or enclosed structure that does not provide ample free flow air.



DANGER - Explosive Fuel Hazards

Gasoline is extremely flammable, and its vapors can cause an explosion if ignited. **DO NOT** start the engine near spilled fuel or combustible fluids.



DO NOT fill the fuel tank while the engine is running or hot. **DO NOT** overfill tank, since spilled fuel could ignite if it comes into contact with hot engine parts or sparks from the ignition system. Store fuel in approved containers, in well-ventilated areas and away from sparks and flames.

WARNING - Burn Hazards

Engine components can generate extreme heat. To prevent burns, **DO NOT** touch these areas while the engine is running or immediately after operations. Never operate the engine with heat shields or heat guards removed.



WARNING - Respiratory Hazards

ALWAYS wear approved **respiratory** protection when required.



MQ-D305/D306 SERIES — SAFETY MESSAGE ALERT SYMBOLS

CAUTION - Rotating Parts Hazards

NEVER operate equipment with covers, or guards removed. Keep fingers, hands, hair and clothing away from all moving parts to prevent injury.



CAUTION - Equipment Damage Hazards

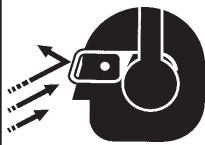
Other important messages are provided throughout this manual to help prevent damage to your light tower, other property, or the surrounding environment.

CAUTION - Accidental Starting Hazards

ALWAYS place the power source, circuit breakers or **ON/OFF** switch in the **OFF** position, when the generator is not in use, unless connected to transfer switch.



CAUTION - Eye and Hearing Hazards



ALWAYS wear approved eye and hearing protection.

CAUTION - Read Manual

Before attempting to operate the pump, and to avoid serious injury to personnel, always read and understand operation manual. Failure to read and understand operation manual could result in serious harm or even death!

	WARNING To avoid injury, you MUST read and understand operator's manual before using this machine.
	This machine to be operated by qualified personnel only. Ask for training as needed.

MQ-D305/D306 SERIES— RULES FOR SAFE OPERATION


DANGER

Read this manual!


Failure to follow instructions in this manual may lead to serious injury or even death! This equipment is to be operated by trained and qualified personnel only! This equipment is for industrial use only.

The following safety guidelines should always be used when operating the **MQ Model D-306H Diaphragm Pump**.


GENERAL SAFETY

- **DO NOT** operate or service this equipment before reading this entire manual. 
- This equipment should not be operated by persons under 18 years of age.
- **NEVER** operate this equipment without proper protective clothing, shatterproof glasses, steel-toed boots and other protective devices required by the job.



- **NEVER** operate this equipment when not feeling well due to fatigue, illness or taking medicine. 
- **NEVER** operate this equipment under the influence of **drugs** or **alcohol**.

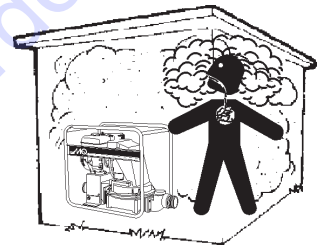


- **ALWAYS** wear proper respiratory (mask), hearing and eye protection equipment when operating the mixer. 
- **NEVER** place hands inside the drum while the blades are rotating.
- Whenever necessary, replace nameplate, operation and safety decals when they become difficult read.
- Manufacture does not assume responsibility for any accident due to equipment modifications.
- **NEVER** use accessories or attachments, which are not recommended by Multiquip for this equipment. Damage to the equipment and/or injury to user may result.

- **NEVER** touch the hot exhaust manifold, muffler or cylinder. Allow these parts to cool before servicing engine or mixer.




- **High Temperatures** – Allow the engine to cool before adding fuel or performing service and maintenance functions. Contact with **hot!** components can cause serious burns.
- The engine section of this mixer requires an adequate free flow of cooling air. **NEVER** operate the mixer in any enclosed or narrow area where free flow of the air is restricted. If the air flow is restricted it will cause serious damage to the mixer or engine and may cause injury to people. Remember the pump's engine gives off **DEADLY** carbon monoxide gas.



- **ALWAYS** refuel in a well-ventilated area, away from sparks and open flames.
- **ALWAYS** use extreme caution when working with **flammable** liquids. When refueling, **stop the engine** and allow it to cool. **DO NOT smoke** around or near the machine. Fire or explosion could result from fuel vapors, or if fuel is spilled on a hot engine.



- **NEVER** operate the pump in an explosive atmosphere or near combustible materials. An explosion or fire could result causing severe **bodily harm or even death**. 
- Topping-off to filler port is dangerous, as it tends to spill fuel.
- Maintain this equipment in a safe operating condition at all times.
- **ALWAYS** store equipment properly when it is not being used. Equipment should be stored in a clean, dry location out of the reach of children.

MQ-D305/D306 SERIES— RULES FOR SAFE OPERATION

- **ALWAYS** be sure the operator is familiar with proper safety precautions and operation techniques before using pump.
- **NEVER** leave the pump unattended, turn off engine when unattended.
- **NEVER** pump volatile, explosive, flammable or low flash point fluids. These fluids could ignite or explode.
- **NEVER** operate the pump in an **explosive** atmosphere.
- Keep all **inexperienced** and **unauthorized** people away from the equipment at all times.
- Before starting the pump, check that the clean-out cover is securely fasten.
- **ALWAYS** ensure pump is on level ground before use.
- Become familiar with the components of the pump before operating.
- **ALWAYS** replace any worn or damaged warning decals.
- **NEVER** pump corrosive chemicals or water containing toxic substances. These fluids could create serious health and environmental hazards. Contact local authorities for assistance.
- **NEVER** open the priming plug when pump is hot. Hot water inside could be pressurized much like the radiator of an automobile. Allow pump to cool to the touch before loosening plug.
- **NEVER** open the pump housing during operation or start the pump with the clean-out cover removed. The rotating impeller inside the pump can cut or sever objects caught in it.
- **NEVER** block or restrict flow from discharge hose. Remove kinks from discharge line before starting pump. Operation with a blocked discharge line can cause water inside pump to overheat.
- **ALWAYS** fill the pump casing with water before starting the engine. Failure to maintain water inside the pump housing will cause severe damage to the pump.
- In **winter** drain water from pump housing to prevent freezing.
- **ALWAYS** test the engine **ON/OFF** switch before operating. The purpose of this switch is to shut down the engine .
- Refer to the appropriate engine manual for technical questions or information recommended by Multiquip for this equipment. Damage to the equipment and/or injury to user may result.

TRANSPORTING

- **ALWAYS** shutdown engine before transporting.
- Tighten fuel tank cap securely and close fuel cock to prevent fuel from spilling.
- Drain fuel when transporting pump over long distances or bad roads.

MAINTENANCE

- **NEVER** lubricate components or attempt service on a running pump.
- **ALWAYS** allow the pump a proper amount of time to cool before servicing.
- Keep the pump in proper running condition.
- Fix damage to the pump immediately and always replace broken parts.
- Dispose of hazardous waste properly. Examples of potentially hazardous waste are used motor oil, fuel and fuel filters.
- **DO NOT** use food or plastic containers to dispose of hazardous waste.

EMERGENCIES

- **ALWAYS** know the location of the nearest **fire extinguisher** and **first aid kit**.



- In emergencies **always** know the location of the nearest phone or **keep a phone on the job site**. Also know the phone numbers of the nearest **ambulance**, **doctor** and **fire department**. This information will be invaluable in the case of an emergency.



MQ-D305/D306 SERIES— GENERAL INFORMATION

APPLICATION

The **MQ Model D305BR/D306H series diaphragm** pumps are designed to be used for de-watering applications. The suction and discharge ports on this pump use a 3-inch diameter opening, which allows the pump to pump at rate of approximately 5,100 gallons/hour (gph) or 19,305 liters/hour (lph).

Diaphragm pumps use a positive displacement design rather than centrifugal force to move water through the casing. This means the pump will deliver a specific amount of flow per stroke, revolution or cycle. These pumps are commonly referred to as mud hogs, mud hens and mud suckers. Their names reflect their popularity for use in applications where shallow depths and slurry water render centrifugal pumps ineffective

Power Plant

This diaphragm pump can be powered by either a Honda , Robin or Briggs & Stratton gasoline engine. This manual covers the **HONDA GX-120** gasoline engine.

The HONDA GX-120 is a 5.5 horsepower air cooled, 4-stroke, single cylinder gasoline engine that incorporates a low "**Oil Alert Feature**". The drive shaft of the engine is coupled to an offset connecting rod that is coupled to a flexible diaphragm. The connecting rod alternately raises (expands) and lowers (contracts) the diaphragm at a rate between 40 and 65 strokes per minute depending on engine speed.

Oil Alert Feature

In the event of **low oil** or **no oil**, the HONDA GX-120 engine has a built-in oil alarm engine shut-down feature. In the event the oil level is low the engine will automatically shut-down.

Suction Lift

This pump is intended to be used for dewatering applications and is capable of suction lifts up to 25 feet at sea level. For optimal suction lift performance keep the suction hose or line as short as possible. In general always place the pump as close to the water as possible.

Pump Support

The pump should always be placed on **solid stationary ground** in a level position.

NEVER place the pump on **soft soil**. The suction hose or pipe connection should always be checked for tightness and leaks. A small suction leak in the hose or fittings could prevent the pump from priming.

Elevation

Higher elevations will effect the performance of the pump. Due to less atmospheric pressure at higher altitudes, pumps **DO NOT** have the priming ability that they have at sea level. This is due to the "thinner air" or lack of oxygen at higher altitudes.

A general rule of thumb is that for every 1,000 feet of elevation above sea level a pump will lose one foot of priming ability.

For example, in Flagstaff, Arizona where the elevation is approximately 7,000 feet, the pump would have a suction lift of only 18 feet rather than the 25 feet at sea level. Table 3 shows suction lift at various elevations.

Table 3. Suction Lift at Various Elevations

Altitude Feet (Meters)	Suction Lift in Feet (Meters)			
	10.0 (3.048)	15.0 (4.572)	20.0 (6.096)	25.0 (7.620)
Sea Level	10.0 (3.048)	15.0 (4.572)	20.0 (6.096)	25.0 (7.620)
2,000 (610)	8.80 (2.680)	13.2 (4.023)	17.6 (5.364)	22.0 (6.705)
4,000 (1,219)	7.80 (2.377)	11.7 (3.566)	15.6 (4.754)	19.5 (5.943)
6,000 (1,829)	6.90 (2.103)	10.4 (3.169)	13.8 (4.206)	17.3 (5.273)
8,000 (2,438)	6.20 (1.889)	9.30 (2.834)	12.4 (3.779)	15.5 (4.724)
10,000 (3,048)	5.70 (1.737)	8.60 (2.621)	11.4 (3.474)	14.3 (4.358)

Table 4 shows percentage drops in performance as elevation increases.

Table 4. Performance Loss at Various Elevations

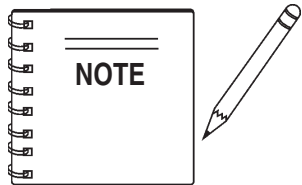
Altitude Feet (Meters)	Discharge Flow	Discharge Head
Sea Level	100%	100%
2,000 (610)	97%	95%
4,000 (1,219)	95%	91%
6,000 (1,829)	93%	87%
8,000 (2,438)	91%	83%
10,000 (3,048)	88%	78%



Please contact Discount-equipment for any accessories that your pump may require.

MQ-D305/D306 SERIES— PUMP COMPONENTS

Figure 2 shows a typical application using the MQ D305/D306 series diaphragm pump. Please note that this pump is intended for the removal of clean water and water containing some debris and solids. Maximum size of solids should not exceed 1.5 inch (38 mm) in diameter. **DO NOT** set strainer on bottom of water bed. Placing the strainer above the water bed will prevent the pump from drawing in excessive amounts of sand and foreign debris.



Contact Discount-equipment for quick disconnect hoses and fittings.

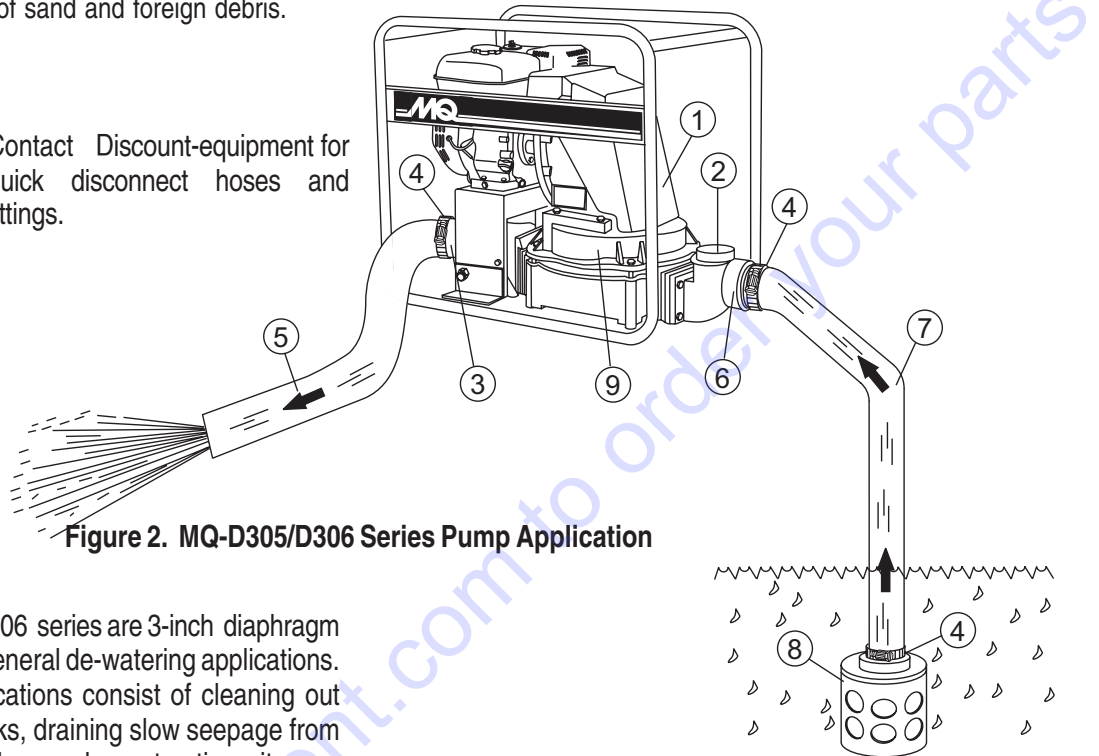


Figure 2. MQ-D305/D306 Series Pump Application

1. **Pump** – The MQ D305/D306 series are 3-inch diaphragm pumps and are used in general de-watering applications. Typical dewatering applications consist of cleaning out cesspools and septic tanks, draining slow seepage from small excavations, trenches and construction sites, or pumping out industrial waste.
2. **Fill Cap** – Prior to operation, the pump casing should be filled with water. Remove this cap to add water to the pump. After the initial prime, a sufficient amount of water will be retained in the casing so that the operator will not need to re-prime later.
If the casing is dry or has insufficient water, the pump will have difficulty in priming which could lead to premature mechanical seal wear thus causing damage to the pump.
3. **Discharge Port** – Connect a 3-inch discharge hose to this port. Use two worm clamps to secure the hose.
4. **Worm Clamp** – Used to secure the hose to the inlet and outlet ports on the pump. Use two clamps to secure the hose on the inlet side of the pump.
5. **Discharge Hose** – Connect a flexible rubber hose to the discharge port on the pump. Make sure that the hose lays flat and is not kinked. Use only recommended type discharge hose. Contact Discount-equipment for ordering information.
6. **Suction Port** – Connect a 3-inch inlet hose to this port. Use two worm clamps to secure the hose.
7. **Suction Hose** – Connect a flexible rubber hose to the suction port on the pump. Make sure that the hose lays flat and is not kinked. Use only recommended type suction hose. Contact Discount-equipment for ordering information
8. **Strainer** – Always attach a strainer to bottom side of the suction hose to prevent large objects and debris from entering the pump. Strainer should be positioned so that it will remain completely under water. Running the pump with the strainer above water for long periods can damage pump.
9. **Support Body** – This unit is equipped with a hinged support assembly, that allows for easy access to the pump body.

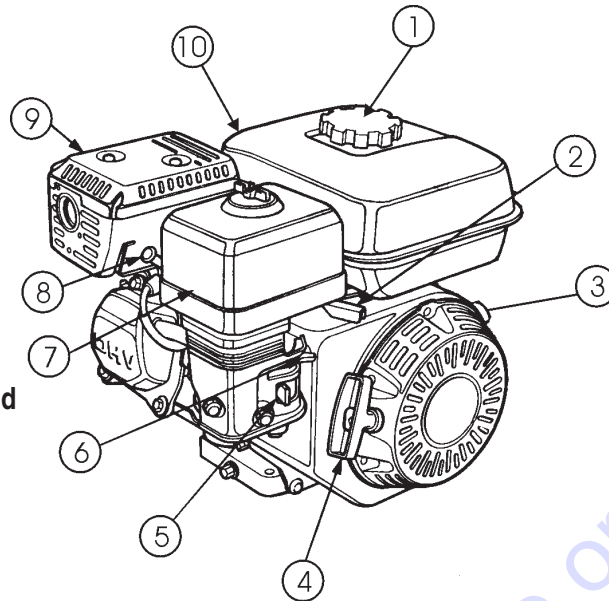


Figure 3. Engine Controls and Components

Honda Engine Shown

INITIAL SERVICING

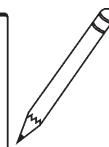
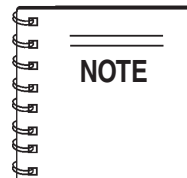
The engine (Figure 3) must be checked for proper lubrication and filled with fuel prior to operation. Refer to the Honda manufacturers engine manual for instructions and details for operation and servicing.

1. **Fuel Filler Cap** – Remove this cap to add unleaded gasoline to the fuel tank. Make sure cap is tightened securely. **DO NOT** over fill.

6. **Choke Lever** – Used in the starting of a cold engine, or in cold weather conditions. The choke enriches the fuel mixture.
7. **Air Cleaner** – Prevents dirt and other debris from entering the fuel system. Remove wing-nut on top of air filter cannister to gain access to filter element.

DANGER - Explosive Fuel

Adding fuel to the tank should be done only when the engine is stopped and has had an opportunity to cool down. In the event of a fuel spill, **DO NOT** attempt to start the engine until the fuel residue has been completely wiped up, and the area surrounding the engine is dry.



Operating the engine without an air filter, with a damaged air filter, or a filter in need of replacement will allow dirt to enter the engine, causing rapid engine wear.

2. **Throttle Lever** – Used to adjust engine RPM speed (lever advanced forward **SLOW**, lever back toward operator **FAST**).
3. **Engine ON/OFF Switch** – ON position permits engine starting, OFF position stops engine operations.
4. **Recoil Starter (pull rope)** – Manual-starting method. Pull the starter grip until resistance is felt, then pull briskly and smoothly.
5. **Fuel Valve Lever** – **OPEN** to let fuel flow, **CLOSE** to stop the flow of fuel.

8. **Spark Plug** – Provides spark to the ignition system. Set spark plug gap to 0.6 - 0.7 mm (0.028 - 0.031 inch) Clean spark plug once a week.
9. **Muffler** – Used to reduce noise and emissions.

CAUTION - Burn Hazard

Engine components can generate extreme heat. To prevent burns, **DO NOT** touch these areas while the engine is running or immediately after operating. **NEVER** operate the engine with the muffler removed.



10. **Fuel Tank** – Holds unleaded gasoline. For additional information refer to engine owner's manual.

MQ-D305/D306 SERIES— PRE-INSPECTION (ENGINE)

⚠ CAUTION - Read Manual

Please read the entire maintenance section in this manual before servicing the pump. In addition for operator safety, please read all safety messages at the beginning of the manual

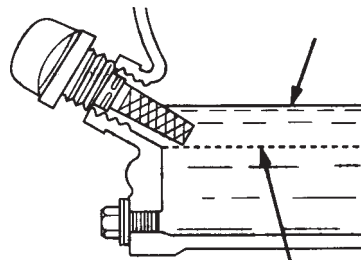


Figure 5. Engine Oil Dipstick (Oil Level)

Inspection

1. Clean the pump, removing dirt and dust, particularly the engine cooling air inlet, carburetor and air cleaner.
2. Check the air filter for dirt and dust. If air filter is dirty, replace air filter with a new one as required.
3. Check carburetor for external dirt and dust. Clean with dry compressed air.
4. Check fastening nuts and bolts for tightness.

Engine Oil Check

1. To check the engine oil level, place the pump on secure level ground with the engine stopped.
2. Remove the filler dipstick from the engine oil filler hole (Figure 4) and wipe clean.

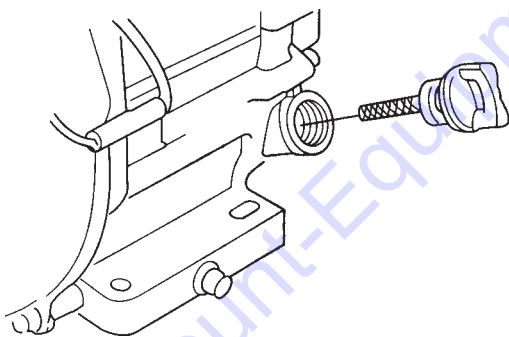


Figure 4. Engine Oil Dipstick (Removal)

3. Insert and remove the dipstick without screwing it into the filler neck. Check the oil level shown on the dipstick.
4. If the oil level is low (Figure 5), fill to the edge of the oil filler hole with the recommended oil type (Table 5). Maximum oil capacity is .63 quarts (.60 liters)

Table 5. Oil Type

Season	Temperature	Oil Type
Summer	25°C or Higher	SAE 10W-30
Spring/Fall	25°C~10°C	SAE 10W-30/20
Winter	0°C or Lower	SAE 10W-10

⚠ DANGER - Explosive Fuel

Motor fuels are highly flammable and can be dangerous if mishandled. **DO NOT** smoke while refueling. Adding fuel to the tank should be done only when the engine is stopped and has had an opportunity to cool down. **DO NOT** attempt to refuel the pump if the engine is **hot!** or **running!** In the event of any spilled fuel, wipe up immediately. **DO NOT** attempt to start the engine until the fuel residue has been completely wiped up, and the area surrounding the engine is dry.



Fuel Check

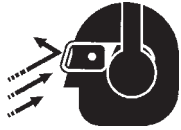
1. Remove the gasoline cap located on top of fuel tank.
2. Visually inspect to see if the fuel level is low. If fuel is low, replenish with unleaded fuel.
3. When refueling, be sure to use a strainer for filtration. **DO NOT** top-off fuel. Wipe up any spilled fuel **immediately!**

MQ-D305/D306 SERIES— PRE-SETUP (PUMP)

Before Starting:

CAUTION - General Safety Precautions

NEVER operate the pump in a confined area or enclosed area structure that does not provide ample **free flow of air**.



ALWAYS wear approved eye and hearing protection before operating the compactor.

Before Starting

1. Read safety instructions at the beginning of manual.
2. Place pump as near to water as possible, on a firm flat, level surface.
3. To prime pump, remove fill cap (Figure 2) and fill pump casing with water. If the pump casing is not filled with water before starting, it will not begin pumping.



CAUTION - Pump Casing

Pump casing **must** be filled with water before using pump. Otherwise pump will not be able to begin pumping.

WARNING - Fill Cap

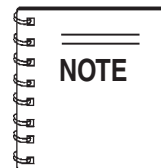
DO NOT open **fill cap** if pump is **hot!** Water inside may be under pressure.

4. Check for **leaks** between pump and engine. If water is leaking between the pump and engine housing, the seal inside the pump may be **worn** or damaged. Continued operation of the pump is not recommended. Further usage of the pump under these conditions may cause severe water damage to engine.

Hoses and Clamps

1. Check that all hoses are **securely** attached to the pump. Make certain suction hose (Figure 2) does not have any air leakage. Tighten hose clamps and couplings as required.
2. It is recommended that 2 clamps be used when securing the suction hose to the inlet side (suction) of the pump.

3. Remember suction hoses must be **rigid** enough not to collapse when the pump is in operation.
4. Check that the **discharge** hose (Figure 2) is not restricted. Place hose so that it lays as straight as it is possible on the ground. Remove any twists or sharp bends from hose which may block the flow of water.



Suction and discharge hoses are available. Contact Discount-equipment for more information.

5. The discharge hose is usually a **collapsible** (thin-walled) hose, however if a thin-walled discharge hose is not available, a rigid suction hose can be substituted in its place.
6. Make sure the **suction strainer** (Figure 2) is clean and securely attached to the water end of the suction hose. The strainer is designed to protect the pump by preventing large objects from being pulled into the pump.

CAUTION - Strainer

The strainer should be positioned so it will remain completely **under water**. Running the pump with the strainer above water for long periods can damage the pump.

CAUTION - Flammable Fluids

DO NOT pump flammable fluids, corrosive chemicals or fluids containing toxic substances. These fluids can create potentially dangerous health and environmental hazards. Contact Discount-equipment for assistance.

CAUTION - Mechanical Seal

This pump uses a water-cooled **mechanical seal** to prevent water from seeping into the engine. The passage of water through the pump casing lubricates the seal and prevents it from overheating. **NEVER!** operate the pump without water in the casing as this will cause damage to the mechanical seal.

Gear Reduction Oil (Transmission)

1. Remove the **transmission oil level plug** (Figure 6). If oil begins to seep out as the plug is being removed, then it can be assumed that the transmission oil is at the proper operating level.
2. If oil does not seep out as the oil level plug is being removed, then remove the **transmission oil fill plug** and fill with **SAE 80/90 EP gear oil** to the proper operating level. Transmission oil capacity is capacity is 1-1/4 pints (590 ml.).

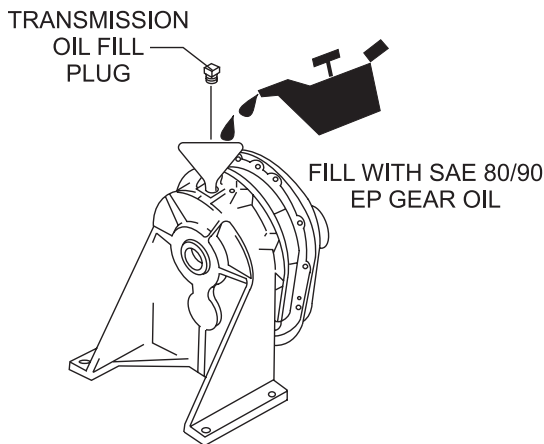


Figure 6. Transmission Oil Level

Connecting Rod Bearing Lubrication

1. Grease **connecting rod bearing** thru the access hole (Figure 7) every 25 hours of operation.
2. Use only **premium lithium based grease**, conforming to NLG1 Grade #2 consistency.

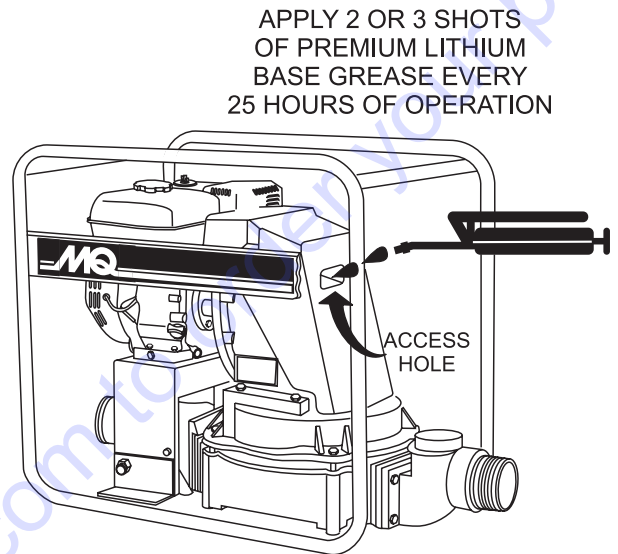
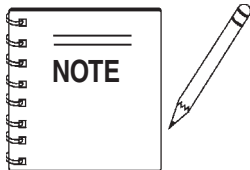


Figure 7. Connecting Rod Bearing Lubrication



Diaphragm pumps will handle fluids containing considerable solids (not to exceed 1.5 inch/28 mm), however, if the mixture is too heavy to be pumped, water must be added until the mixture becomes sufficiently fluid for pumping.

MQ-D305/D306 SERIES — INITIAL START-UP (ENGINE)

CAUTION - Read Manual

DO NOT attempt to operate the pump until the Safety, General Information and Inspection sections of this manual have been **read and thoroughly understood**.



This section is intended to assist the operator with the **initial start-up** of the diaphragm pump. It is extremely important that this section be read carefully before attempting to use the pump in the field.

Starting the Engine (HONDA engine)

1. Place the engine **fuel valve lever** (Figure 8) to the "ON" position.

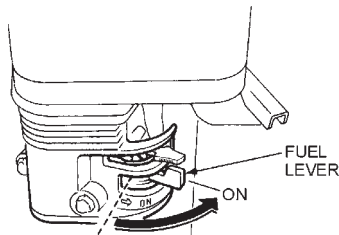


Figure 8. Engine Fuel Valve Lever (ON Position)

2. Move the **throttle lever** (Figure 9) away from the slow position, about 1/3 of the way toward the fast position.

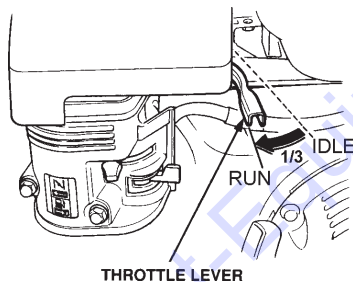


Figure 9. Throttle Lever (1/3 Start Position)

3. Place the **choke lever** (Figure 10) in the "OPEN" position if starting a **cold** engine.

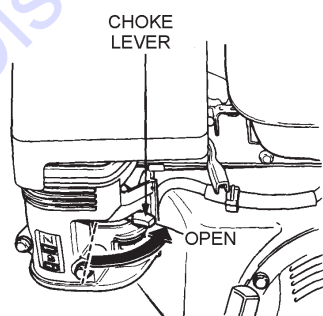


Figure 10. Engine Choke Lever (Open)

4. Place the **choke lever** (Figure 9) in the "CLOSED" position if starting a **warm engine** or the **temperature is warm**.

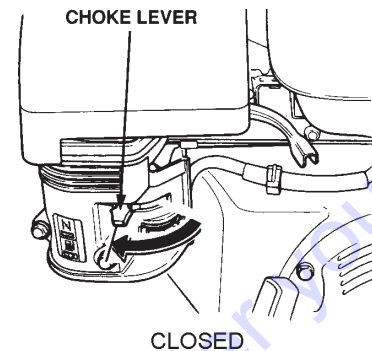


Figure 11. Engine Choke Lever (Closed)

5. Place the **engine ON/OFF switch** (Figure 12) in the "ON" position.

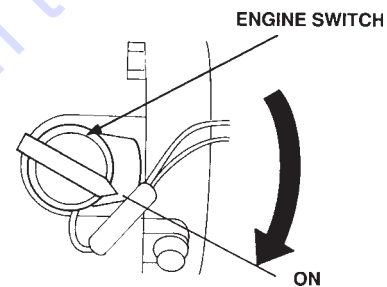


Figure 12. Engine ON/OFF Switch (ON Position)

6. Grasp the **starter grip** (Figure 13) and slowly pull it out. The resistance becomes the hardest at a certain position, corresponding to the compression point. Pull the starter grip briskly and smoothly for starting.

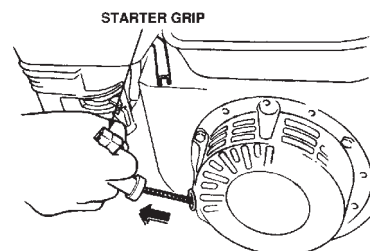


Figure 13. Starter Grip

MQ-D305/D306 SERIES — INITIAL START-UP (ENGINE)

7. If the engine has started, slowly return the choke lever (Figure 14) to the "CLOSED" position. If the engine has not started repeat steps 1 through 6.

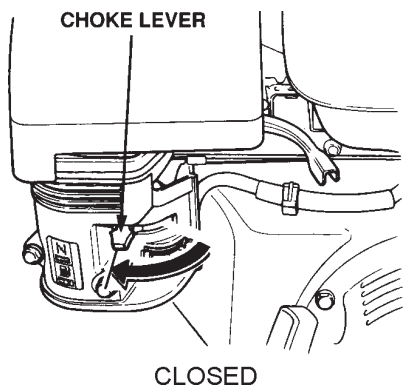


Figure 14. Choke Lever (Closed)

8. Before the pump is placed into operation, run the engine for several minutes. Check for fuel leaks, and noises that would associate with a loose component.
9. To begin pumping, place the throttle lever (Figure 15) in the "RUN" position.

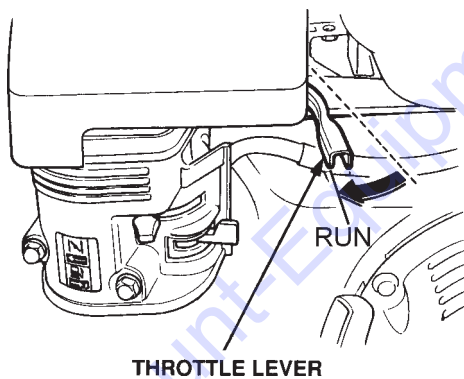
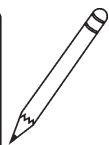
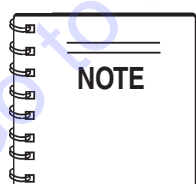


Figure 15. Throttle Lever (Run)



Pump speed can be **regulated** with the engine throttle control from full volume, 65 strokes per minute, to about 40 strokes per minute for lesser volume. Smoothest operation can be determined by trying to pump at several speeds. Limit maximum speed to 65 strokes per minute of the diaphragm (2,800 RPM engine speed).

Stopping The Engine

Normal Shutdown

1. Move the throttle lever to the **IDLE** position (Figure 16) and run the engine for three minutes at low speed.

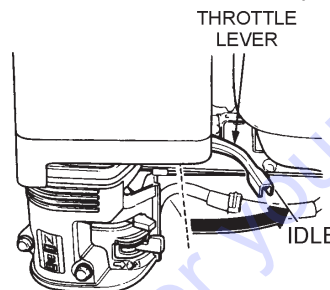


Figure 16. Throttle Lever (Idle)

2. After the engine **cools**, turn the engine ON/OFF switch to the "OFF" position (Figure 17).

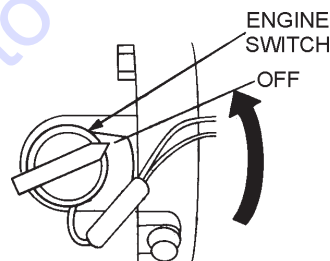


Figure 17. Engine ON/OFF Switch (OFF)

3. Place the **fuel shut-off lever** (Figure 18) in the "OFF" position.

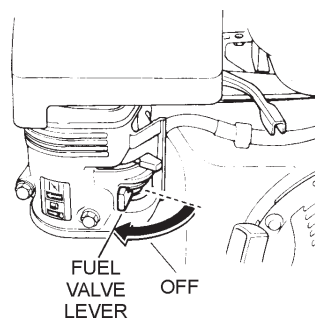


Figure 18. Fuel Valve Lever (OFF)

Emergency Showdown

1. Move the throttle lever quickly to the "IDLE" position, and place the engine ON/OFF switch in the "OFF" position.

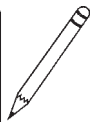
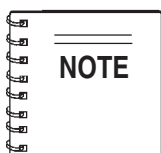
Pump Vacuum Test

CAUTION - Priming Pump

DO NOT attempt to start the engine unless the pump has previously been **primed** with water. Severe pump damage will occur if pump has not been primed.

To perform the pump vacuum test do the following:

1. Remove the pump fill cap (Figure 2), and fill the pump with water.
2. Start the engine as outlined in the initial start-up section, and wait for the pump to begin pumping.
3. As shown in Figure 19 (next page), place a water hose inside the discharge opening of the pump, and turn on the water. This flow of water into the discharge opening will **prevent** the pump from running dry.
4. Place the **Pump Vacuum Tester** (P/N 7000030) over the pump suction (inlet) opening (Figure 19) with the vacuum gauge facing upwards. It may be necessary to apply a small amount of water around the rubber seal of the vacuum tester to make a good suction fit.
5. Check and make sure that there are no air leaks between the vacuum tester and the inlet port on the pump. If air leaks are present reseal vacuum tester.
6. Run the pump for a few minutes while monitoring the vacuum gauge. If the gauge indicates a reading between -25 and -20 in. Hg. (inches of mercury) then it can be assumed that the pump is working correctly.



25 in. Hg (inches of mercury) translates into 25 feet of lift at **sea level**.

7. If the vacuum tester gauge indicates a reading **below** -20 in. Hg, it can then be assumed that the pump is not functioning correctly, and corrective action needs to be taken.
6. To test the **flapper valve**, shut down the engine. The vacuum tester should remain attached to the pump suction inlet port by vacuum. This indicates the pump's flapper valve is seating properly to hold water in the suction hose when the engine is stopped. This prevents backflow and allows for faster priming when the engine is restarted.

Pump Cleaning

After pumping water containing large amounts of dirt and debris, perform the following:

1. Remove the drain plug from the pump housing (Figure 2) and drain any water left in the pump.
3. Clean and remove dirt, debris from pump casing. Inspect impeller and volute for wear. Replace any damaged or worn parts.

Gear Reduction Oil (Transmission)

1. Change transmission oil after the first **40 hours** of operation. Use **SAE 80/90 EP gear oil**. Transmission oil capacity is 1-1/4 pints (590 ml.). Check oil level periodically and change oil after every **400 hours** of operation.

Connecting Rod Bearing Lubrication

1. Grease **connecting rod bearing** thru the access hole (Figure 7) every 25 hours of operation.
2. Use only **premium lithium based grease**, conforming to NLG1 Grade #2 consistency.

Connecting Rod Bearing Lubrication

1. Keep interior of pump and valves clean. Flush out pump with clear water after operation.
2. Remove connecting rod guard occasionally and wipe up excess grease from connecting rod bearing.

CAUTION

DO NOT RUN PUMP WITHOUT WATER.

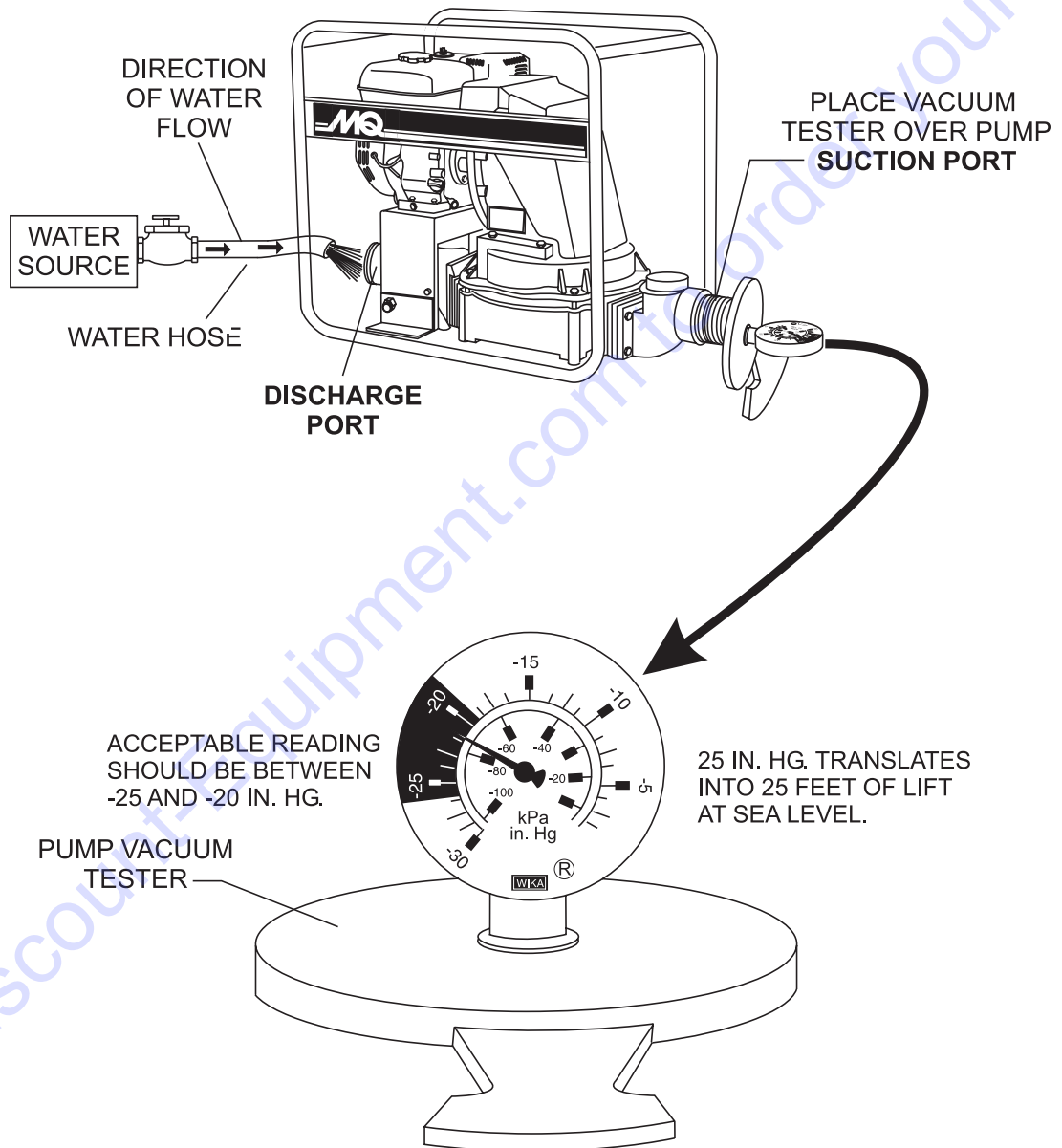
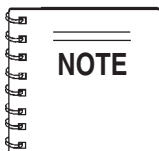


Figure 19. Pump Vacuum Tester



Pressure reading may vary depending on altitude. See Tables 3 and 4.

MQ-D305/D306 SERIES — MAINTENANCE (ENGINE)

Engine Maintenance

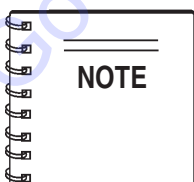
Perform engine maintenance procedures as referenced by Table 6 below:

Table 6. Engine Maintenance Schedule							
DESCRIPTION (3)	OPERATION	BEFORE	FIRST MONTH OR 10 HRS.	EVERY 3 MONTHS OR 25 HRS.	EVERY 6 MONTHS OR 50 HRS.	EVERY YEAR OR 100 HRS.	EVERY 2 YEARS OR 200 HRS.
Engine Oil	CHECK	X					
	CHANGE		X				
Air Cleaner	CHECK	X					
	CHANGE			X (1)			
All Nuts & Bolts	Re-tighten If Necessary	X					
Spark Plug	CHECK-CLEAN				X		
	REPLACE						X
Cooling Fins	CHECK				X		
Spark Arrester	CLEAN					X	
Fuel Tank	CLEAN					X	
Fuel Filter	CHECK					X	
Idle Speed	CHECK-ADJUST					X (2)	
Valve Clearance	CHECK-ADJUST						X (2)
Fuel lines	CHECK	Every 2 years (replace if necessary) (2)					

(1) Service more frequently when used in **DUSTY** areas.

(2) These items should be serviced by your servic dealer, unless you have the proper tools and are mechanically proficient. Refer to the HONDA shop Manual for service procedures

(3) For commercial use, log hours of operation to determine proper maintenance intervals.



Reference manufacturer engine manual for specific servicing instructions.

MQ-D305/D306 SERIES— MAINTENANCE (ENGINE)

Maintenance

Perform the engine maintenance procedures as indicated below:

DAILY

- Thoroughly remove dirt and oil from the engine and control area. Clean or replace the air cleaner elements as necessary. Check and retighten all fasteners as necessary. Check the spring box and bellows for oil leaks. Repair or replace as needed.

WEEKLY

- Remove the fuel filter cap and clean the inside of the fuel tank.
- Remove or clean the filter at the bottom of the tank.
- Remove and clean the spark plug (Figure 20), then adjust the spark gap to 0.028 ~0.031 inch (0.6~0.7 mm). This unit has electronic ignition, which requires no adjustments.

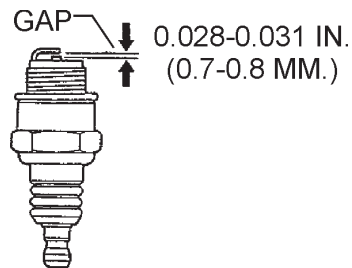


Figure 20. Spark Plug Gap

ENGINE OIL

- Drain the engine oil when the oil is **warm** as shown in Figure 21.
- Remove the oil drain bolt and sealing washer and allow the oil to drain into a suitable container.
- Replace engine oil with recommended type oil as listed in Table 5. Engine oil capacity is 1.16 quarts (1.1 liters). **DO NOT** overfill.
- Install drain bolt with sealing washer and tighten securely.

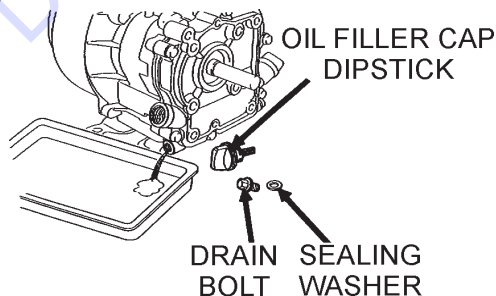


Figure 21. Engine Oil (Draining)

DANGER - Combustion (Fire, Explosion)

DO NOT use gasoline as a cleaning solvent. The possibility exists of fire or explosion..

ENGINE AIR CLEANER

- Remove the air cleaner cover and foam filter element as shown in Figure 22.
- Tap the paper filter element (Figure 22) several times on a hard surface to remove dirt, or blow compressed air [not exceeding 30 psi (207 kPa, 2.1 kgf/cm²)] through the filter element from the air cleaner case side. **NEVER** brush off dirt. Brushing will force dirt into the fibers. Replace the paper filter element if it is excessively dirty.
- Clean foam element in warm, soapy water or nonflammable solvent. Rinse and dry thoroughly. Dip the element in clean engine oil and completely squeeze out the excess oil from the element before installing.

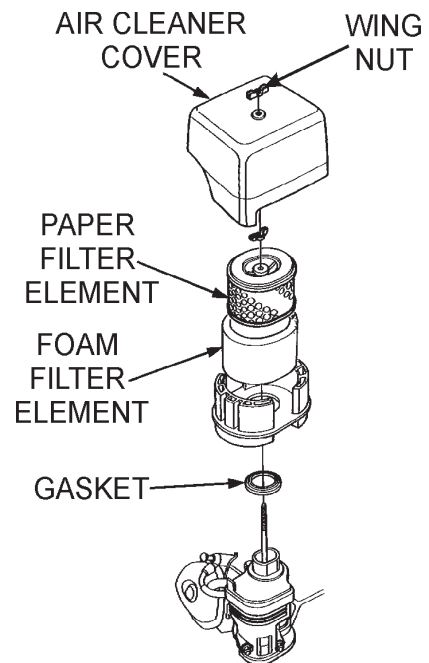


Figure 22. Engine Air Cleaner

Pump Storage

For storage of the pump for over 30 days, the following is required:

- Drain the fuel tank completely.
- Run the engine until the fuel is completely consumed.
- Completely drain used oil from the engine crankcase and fill with fresh clean oil, then follow the procedures described in the engine manual for engine storage.
- Remove the pump cover and clean inside of pump housing. Coat inside of pump housing with a light film of oil to reduce corrosion. A spray can of oil works well for this application.
- Cover suction and discharge ports with duct tape to prevent any foreign matter from falling into pump.
- Cover pump and engine with plastic covering or equivalent and store in a clean, dry place.
- To protect the water cooled-seals, place one-half pint of lubricating oil (new or used) through the discharge opening on the pump and crank the engine several times. This will prevent excessive corrosion and also keep the mechanical seal lubricated.

Go to Discount-Equipment.com to order your parts

MQ-D305/D306 SERIES— TROUBLESHOOTING (ENGINE)

TABLE 7. ENGINE TROUBLESHOOTING

SYMPTOM	POSSIBLE PROBLEM	SOLUTION
Difficult to start		
Fuel is available but spark plug will not ignite. (Power available at high tension cable).	Ignition plug being bridge?	Check ignition system.
	Carbon deposit at ignition?	Clean or replace ignition.
	Short circuit due to defective insulators?	Replace insulators.
	Improper spark gap?	Set spark plug gap to the correct gap.
Fuel is available but spark plug will not ignite. (Power NOT available at high tension cable).	Short circuit at stop switch?	Check stop switch circuit. Replace stop switch if defective.
	Ignition coil defective?	Replace ignition coil.
Fuel is available and spark plug ignites (compression normal).	Muffler clogged with carbon deposits?	Clean or replace muffler.
	Mixed fuel quality is inadequate?	Check fuel to oil mixture.
	Fuel in use inadequate (water, dust)?	Flush fuel sytem and replace with fresh fuel.
	Air Cleaner clogged?	Clean or replace air cleaner.
Fuel is available and spark plug ignites (compression low).	Defective cylinder head gasket?	Tighten cylinder head bolts or replace head gasket.
	Cylinder worn?	Replace cylinder.
	Spark plug loose?	Tighen spark plug.
Operation not satisfactory		
Not enough power available (compression normal, no miss-firing).	Air cleaner clogged?	Clean or replace air cleaner.
	Air in fuel line?	Bleed (remove air) from fuel line.
	Fuel level in carbureator float chamber improper?	Adjust carbureator float
	Carbon deposits in cylinder?	Clean or replace cylinder
Not enough power available (compression normal, miss-firing).	Ignition coil defective?	Flush fuel sytem and replace with fresh fuel.
	Ignition plug often shorts?	Replace ignition wires, clean ignition.
	Fuel in use inadequate (water, dust)?	Flush fuel sytem and replace with fresh fuel.
Engine overheats.	Excessive carbon deposition in combustion chamber?	Clean or replace crankcase.
	Exhaust or muffler clogged with carbon.	Clean or replace muffler.
	Spark plug heat value incorrect?	Replace spark plug with correct type spark plug.

MQ-D305/D306 SERIES— TROUBLESHOOTING (ENGINE/PUMP)

TABLE 7. ENGINE TROUBLESHOOTING (Continued)

SYMPTOM	POSSIBLE PROBLEM	SOLUTION
Operation not satisfactory		
Rotational speed fluctuates.	Governor adjustment improper?	Adjust governor to correct lever.
	Governor spring defective?	Clean or replace ignition.
	Fuel flow erratic?	Check fuel line.
	Air taken in through suction line?	Check suction line.
Recoil starter not working properly.	Dust in rotating part?	Clean recoil starter assembly.
	Spring spring failure?	Replace sprial spring.

TABLE 8. PUMP TROUBLESHOOTING

SYMPTOM	POSSIBLE PROBLEM	SOLUTION
Pump does not take on water.	Not enough priming water in the housing?	Add water.
	Engine speed too low?	Increase throttle.
	Strainer plugged?	Clean strainer.
	Suction hose damaged?	Replace or repair hose, and clamps
	Air leak at suction port?	Check that fittings are tight and properly sealed.
	Pump is located too high above water line?	Move pump closer to water.
	Debris collecting in pump housing?	Clean pump housing.
	Water leaking out weep hole between pump and engine?	Check condition of mechanical seal and gaskets, between pump end and engine housing.
	Valves not seated correctly?	Check that valves are seated correctly. Pour water in in suction chamber to help seal valves.
	Pump does not prime correctly?	Check diaphragm for breaks or leaks.
Pump takes in water, little or no discharge.	Engine speed too low?	Increase throttle speed.
	Suction strainer partially plugged?	Clean strainer.
Suction hose leaks at inlet.	Fittings/clamps are not sealed properly?	Tighten, replace or add clamp. (Keep extra seals on pump)
	Hose diameter is too large?	Use smaller diameter hose or replace hose.
Discharge hose does not stay on coupling.	Pressure too high?	Check pressure, add additional clamp.
	Hose kinked or end blocked?	Check hose.

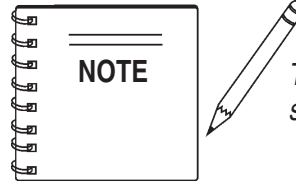
MQ-D305/D306 SERIES— EXPLANATION OF CODE IN REMARKS

How to read the marks and remarks used in this parts book.

Items Found In the “Remarks” Column

Serial Numbers-Where indicated, this indicates a serial number range (inclusive) where a particular part is used.

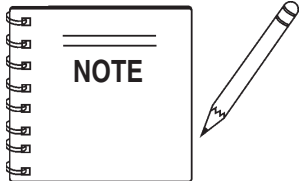
Model Number-Where indicated, this shows that the corresponding part is utilized only with this specific model number or model number variant.



The contents of this catalog are subject to change without notice.

Items Found In the “Items Number” Column

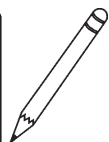
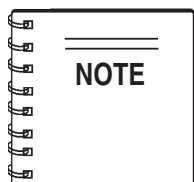
All parts with same symbol in the number column, *, #, +, %, or <, belong to the same assembly or kit.



If more than one of the same reference number is listed, the last one listed indicates newest (or latest) part available.

MQ-D305/D306 SERIES DIAPHRAGM PUMP 1 TO 3 UNITS WITH HONDA GX120K1QX2 ENGINE

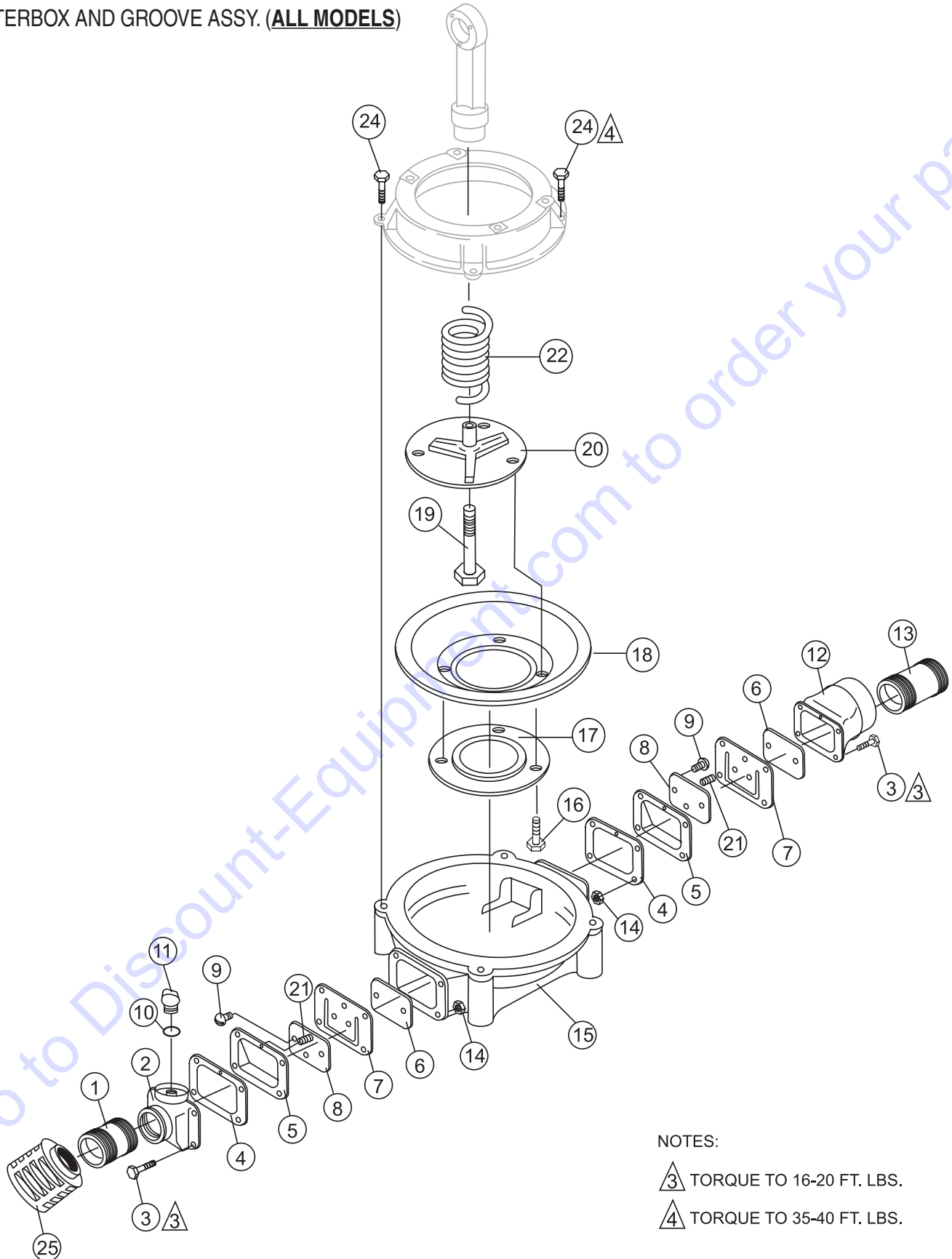
Qty.	P/N	Description
3	17210ZE0505 ..	ELEMENT AIR CLEANER DUAL
3	9807955846	SPARK PLUG
1	17620ZH7023 ..	CAP, FUEL WITH GASKET
1	28462ZH8003 ..	ROPE STARTER
1	3052726	DIAPHRAGM
2	3054937	FLAP VALVE
1	1506060	PLUG, FILL PLASTIC
1	1506064	O-RING (D306H)
1	0742304080	STRAINER (D306H)
1	3053365	STRAINER (D305B,R)



Part number on this Suggested Spare Parts List may super cede/replace the P/N shown in the text pages of this book.

MQ-D305/D306 SERIES— WATERBOX AND GROOVE ASSY.

WATERBOX AND GROOVE ASSY. (ALL MODELS)



NOTES:

△ 3 TORQUE TO 16-20 FT. LBS.

△ 4 TORQUE TO 35-40 FT. LBS.

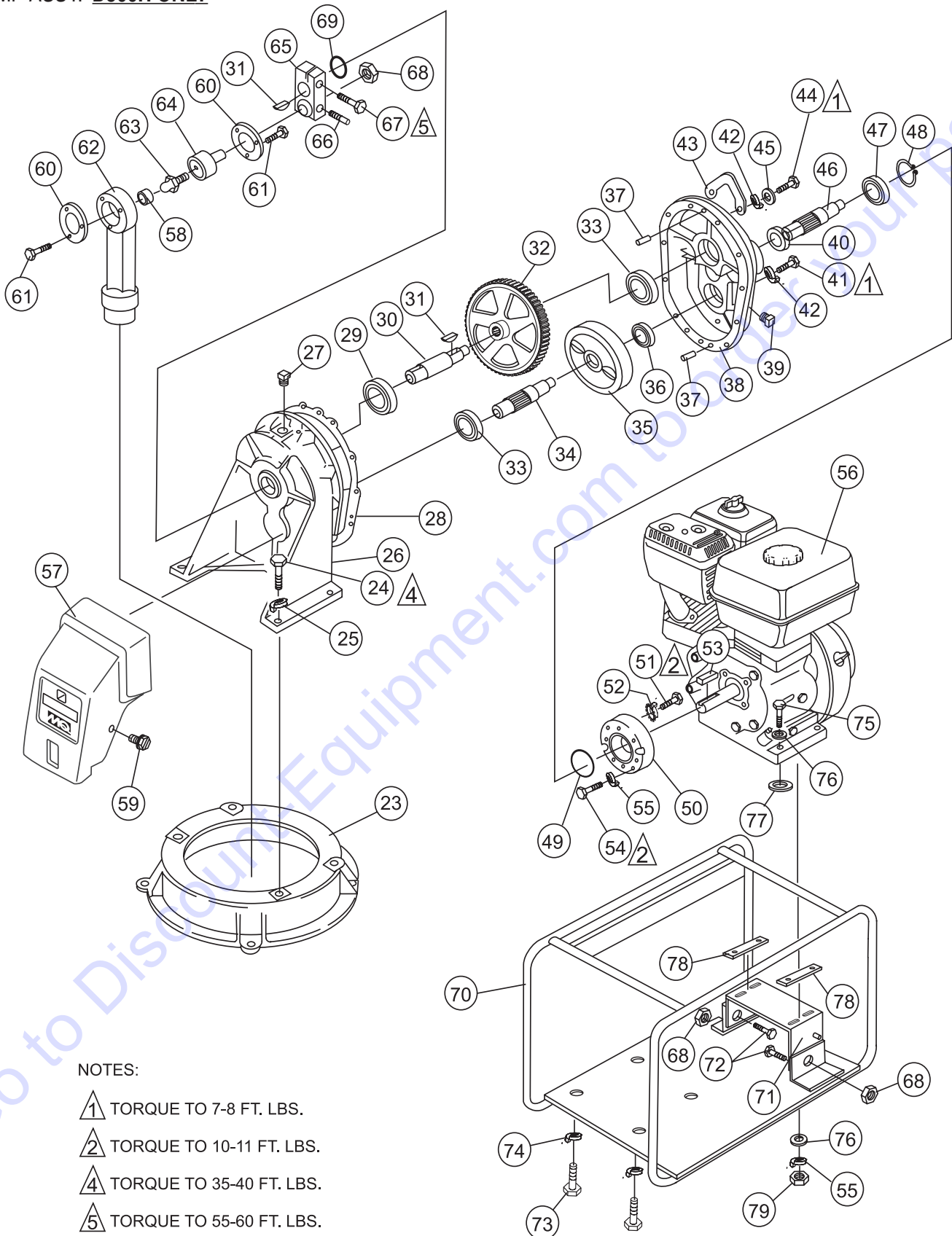
MQ-D305/D306 SERIES— WATERBOX AND GROOVE ASSY.

WATERBOX AND GROOVE ASSY. (ALL MODELS)

<u>NO.</u>	<u>PART NO.</u>	<u>PART NAME</u>	<u>QTY.</u>	<u>REMARKS</u>
1	3053041	NIPPLE, SUCTION	1	
2	3054932	SUCTION CONNECTION	1	
3	3053816	SCREW HEX 3/8"-16UNC 1-3/4	8	
4	3054935	GASKET, SUCTION AND DISCHARGE	2	
5	3054936	FLAP VALVE SEAT WITH SPRING PIN	2	
6	3054938	VALVE WEIGHT	2	
7	3054937	FLAP VALVE	2	
8	3054939	VALVE BINDER	2	
9	2021032	SCREW MACHINE RND HEAD 10-32x1/2	4	
10	1506064	O-RING FILL PLUG	1	
11	1506060	PLUG FILL PLASTIC	1	
12	3054933	DISCHARGE CONNECTION	1	
13	3054961	NIPPLE, DISCHARGE	1	
14	3053800	NUT 3/8"-16 FLEX-LOC THIN	8	
15	3054929	WATERBOX	1	
16	3051213C	BOLT, CARRIAGE W/HEX NUT	3	
17	3052724	DIAPHRAGM BOTTOM	1	
18	3052726	DIAPHRAGM	1	
19	3055026	CONNECTING ROD, CARRIAGE BOLD	1	
20	3054992	DIAPRHAGM TOP	1	
21	3051812	SPRING PIN (1/8" DIA.x1/2')	2	
22	3054944	SPRING COMPRESSION	1	
24	3051213	SCREW HEX 1/2"x1-3/4" 13 UNCX	4	
25	0742304080	STRAINER	1	

MQ-D305/D306 SERIES — PUMP ASSY.

PUMP ASSY. **D306H ONLY**



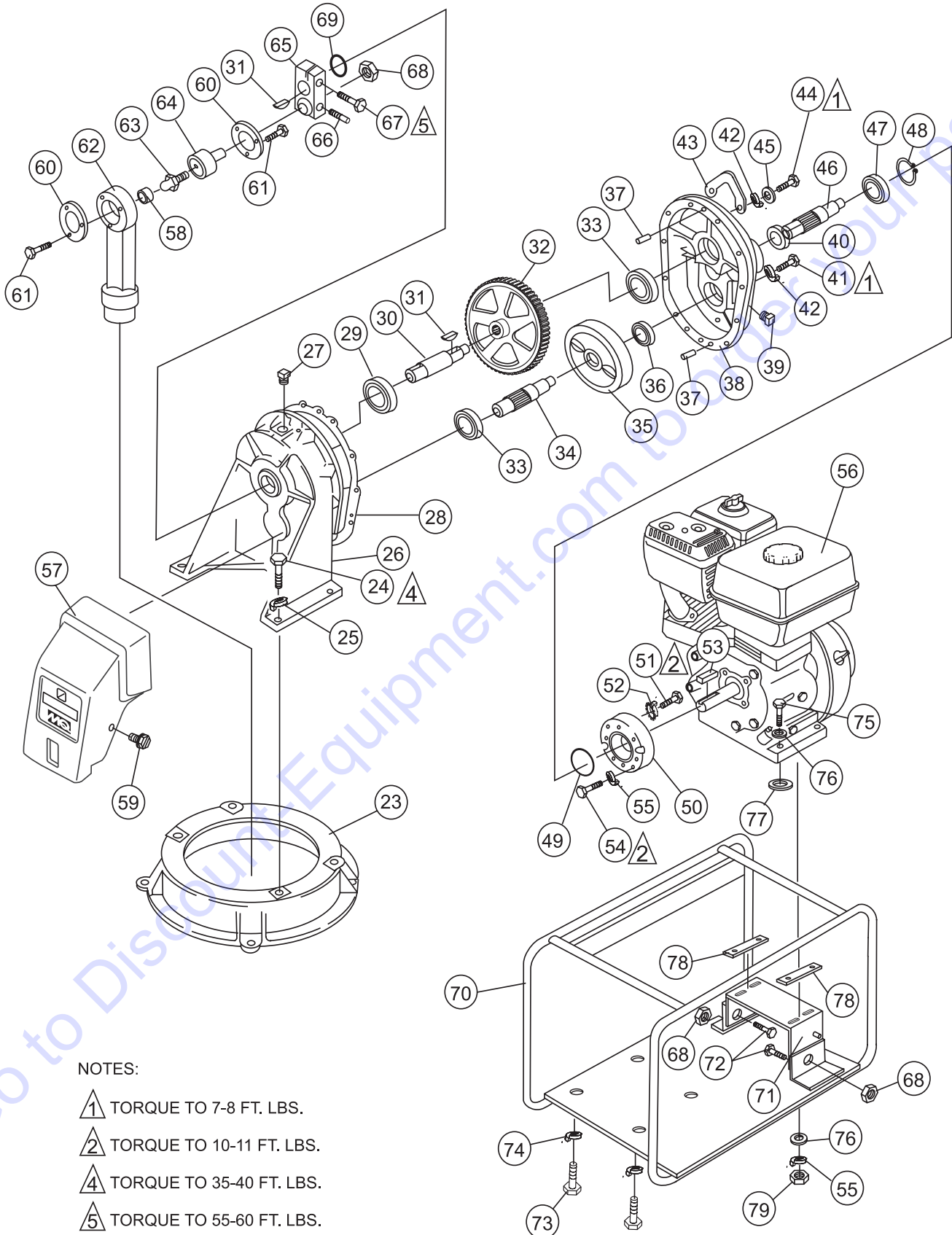
MQ-D305/D306 SERIES — PUMP ASSY.

PUMP ASSY. D306H ONLY

<u>NO.</u>	<u>PART NO.</u>	<u>PART NAME</u>	<u>QTY.</u>	<u>REMARKS</u>
23	3054928	PUMP FRAME	1	
24	3051213	SCREW, HEX 1/2"x1-3/4" 13 UNCX	4	
25	3051200	WASHER, LOCK 1/2"	4	
26	3054850	GEAR CASE	1	
27	305454A	PLUG PIPE VENTED 3/8" PLASTIC	1	D305H
27	2024540	PLUG PIPE VENTED 3/8" PLASTIC	1	D306H
28	3054858	GASKET, GEAR CASE	1	
29	2063070	BEARING BALL	1	
30	2024853	GEAR SHAFT	1	
31	3057080	KEY WOODRUFF #807	2	D305H
31	2020807	KEY WOODRUFF #807	2	D306H
32	2025058	GEAR 79T	1	
33	2063040	BEARING BALL	2	
34	2024852	PINION 11T	1	
35	2023417	GEAR INTERNAL 85T	1	
36	2023020	BEARING BALL	1	
37	2021434	PIN DOWEL 1/4 DIA.x3/4"	2	
38	2064851	COVER, GEAR CASE	1	
39	2021827	PIPE PLUG 1/8" NPT SQ.HD.	2	
40	2061880	NEEDLE BEARING	1	
41	3051421	SCREW HEX 1/4"-20x1	9	
42	2021421	WASHER LOCK 1/4"	11	
43	2024945	LIFTING HOOK	1	
44	3051420	SCREW HEX HEAD PLATED	2	
45	2021402	WASHER, FLAT 1/4"	2	
46	2024854	PINION 14T 3/4 BORE	1	
47	2029106	BEARING BALL	1	
48	2025100	RING RETAINING EXTERNAL	1	
49	2024859	"O" RING	1	
50	2024856	ENGINE ADAPTER	1	
51	2025160	SCREW 8W HDCP 5/16" 18UNCx1"	4	
52	2025165	WASHER, TOOTH LOCK	4	
53	2025601	KEY 3/16" SQ.x1"	1	
54	2025162	SCREW, HEX 5/16" 24UNFx1"	4	
55	2025167	WASHER, LOCK 5/16"	8	
56	GX120K1QX2	ENGINE, HONDA GX120K1 3/4" KEYED SHAFT	1	
57	3054953A	GUARD	1	
58	3054964	CAP, GREASE PLASTIC	1	
58	2024964	CAP, GREASE PLASTIC	1	
59	2021012	WASHER SLOTTED HEX 10x1/2	2	
		TYPE "F" SELF TAPPING MACH. SCREWS		
60	3053317	WASHER, RETAINING	2	

MQ-D305/D306 SERIES — PUMP ASSY. (CONT.)

PUMP ASSY. (CONT.) **D306H ONLY**



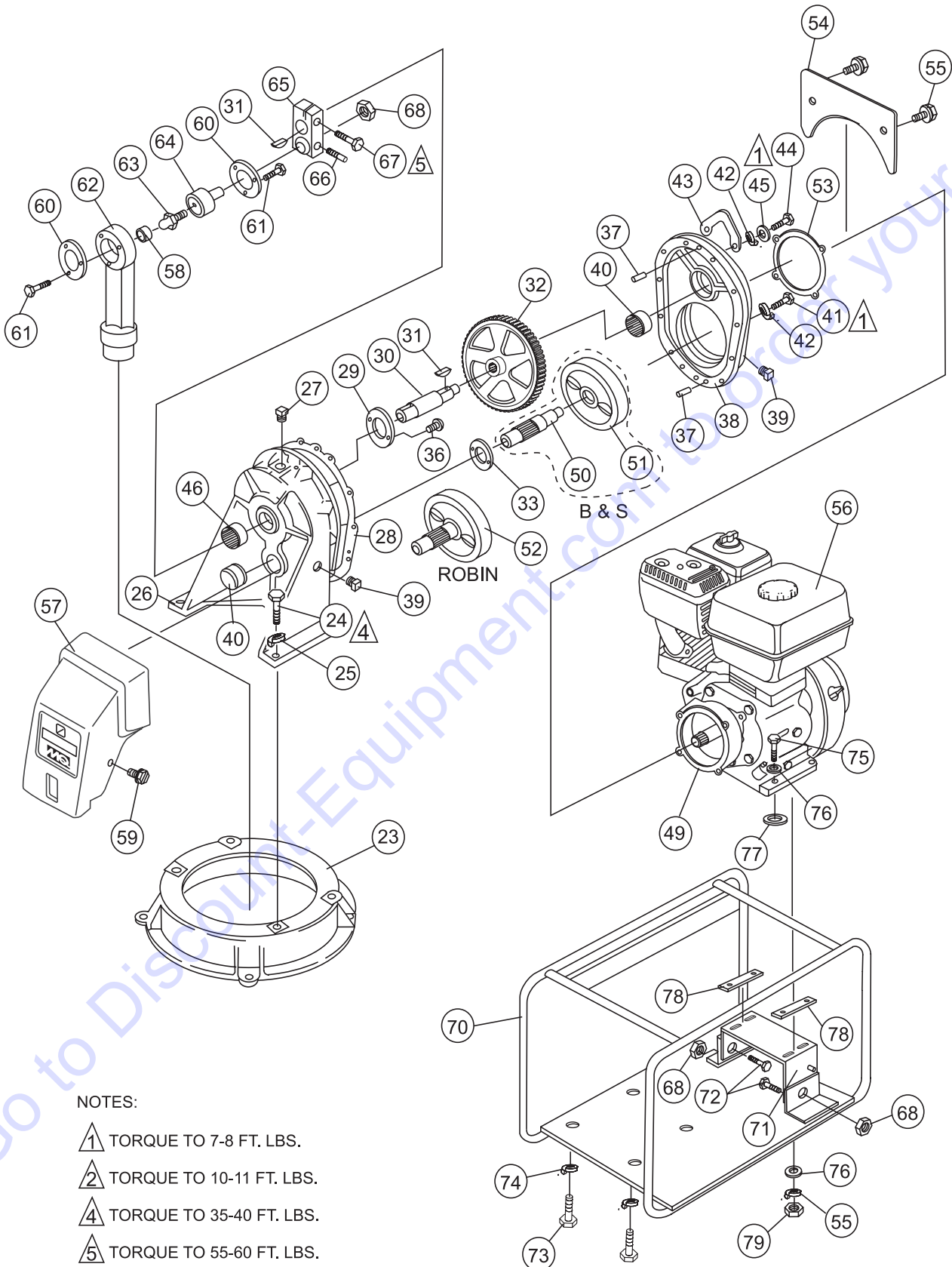
MQ-D305/D306 SERIES — PUMP ASSY. (CONT.)

PUMP ASSY. (CONT.) D306H ONLY

<u>NO.</u>	<u>PART NO.</u>	<u>PART NAME</u>	<u>QTY.</u>	<u>REMARKS</u>
61	2023212	SCREW, MACHINE FLT HD 10-32x1/2	6	
62	3054847B	CONNECTING ROD TOP	1	
63	2020316	FITTING, GREASE 3/16 STR	1	
64	3065581	CONNECTING ROD BEARING	1	
65	3065583	CRANK ARM	1	
66	2025656	SCREW, SOCKET SET 5/16"-18x5/16" L.G.	1	
67	2021211	SCREW, HEX 1/2"x1-1/2" 13UNC	1	
68	3053416	NUT HEX JAM LOCK NYLON 3/4-16"UNF	3	
69	2021232	OIL SEAL	1	
70	3065585	MOUNTING CAGE	1	
71	3065586	BRACKET ENGINE SUPPORT	1	
72	3053401	SCREW, HEX 3/4"x1" 16UNF	2	
73	3053858	SCREW, HEX 3/8"x5/8" 16UNF	4	
74	2023800	WASHER, LOCK	4	
75	3055613	SCREW, HEX 5/16"x1-3/4" 18UNC	4	
76	3055160	WASHER, FLAT 5/16"	8	
77	2022676C	WASHER, SLOTTED HOLE 1/32 THK.	8	
78	3054763	SPACER 3/16" THK.	2	
78	3054764	SPACER 1/18" THK.	2	
79	2025111	NUT, HEX 5/16" 18 UNC	4	

MQ-D305/D306 SERIES — PUMP ASSY.

PUMP ASSY. (D305B, D305R ONLY)



NOTES:

- ▲1 TORQUE TO 7-8 FT. LBS.
- ▲2 TORQUE TO 10-11 FT. LBS.
- ▲4 TORQUE TO 35-40 FT. LBS.
- ▲5 TORQUE TO 55-60 FT. LBS.

MQ-D305/D306 SERIES — PUMP ASSY.

PUMP ASSY. (D305B, D305R ONLY)

<u>NO.</u>	<u>PART NO.</u>	<u>PART NAME</u>	<u>QTY.</u>	<u>REMARKS</u>
24	3051213	SCREW, HEX 1/2"x1-3/4" 13 UNCX	4	
23	3054928	PUMP FRAME	1	
25	3051200	SPRING LOCK WASHER 1/2"	4	
26	3053302	GEAR CASE	1	
27	305454A	PLUG PIPE VENTED 3/8" PLASTIC	1	
28	3053304	GASKET, GEAR CASE	1	
29	3053316	THRUST WASHER	1	
30	3053314	GEAR SHAFT	1	
31	3057080	KEY WOODRUFF #807	2	
32	3053300	GEAR 79T	1	
33	3053326	THRUST WASHER	1	
36	3058032	SCREW, MACH., 8-32" NC 1/2" FL. HD.	4	
37	3051434	PIN DOWEL 1/4 DIA.x3/4"	2	
38	3053303	COVER, GEAR CASE	1	
39	3051827	PIPE PLUG 1/8"-27 NPT SQ.HD.	2	
40	3051212	NEEDLE BEARING 3/4"	1	
41	3051421	SCREW, HEX 1/4"-20x1	9	
42	2021421	WASHER ,LOCK 1/4"	11	
43	3054945	LIFTING HOOK	1	
44	3051420	SCREW HEX HEAD PLATED	2	
45	2021402	WASHER FLAT 1/4"	2	
46	3052014	NEEDLE BEARING 1-1/4"	1	
49	3054850	ENGINE CRANKCASE ADAPTER	1	ROBIN ENGINE ONLY
50	3053301	11 T PINION	1	B & S ENGINE ONLY
51	3053417	85 T INTERNAL GEAR	1	B & S ENGINE ONLY
52	3054473	PINION INTERNAL	1	ROBIN ENGINE ONLY
53	3054946	GASKET ENGINE TO COVER	1	
54	3054965	BACKPLATE, GUARD	1	
55	3053238	8-32 UNC X 3/8 SLOTTED HEX WASHER	2	
56	912320035	ENGINE, BRIGGS & STRATTON, 3.0 HP	1	
56	EY150WR1070	ENGINE, ROBIN, 3.5 HP	1	WI-145
57	3054953	GUARD	1	
58	3054964	CAP, GREASE PLASTIC	1	
59	3051012	WASHER, SLOTTED HEX 10x1/2	2	
		TYPE "F" SELF TAPPING MACH. SCREWS		
60	3053317	WASHER, RETAINING	2	

PARTS FINDER

**Search Website
by Part Number**



**Search Manual
Library For Parts
Manual & Lookup Part
Numbers – Purchase
or Request Quote**

Search Manuals

Enter your information to help us find the right parts manual for your machine.

* Brand:

* Model:

* Serial:

* Part Number:

SEARCH

**Can't Find Part or
Manual? Request Help
by Manufacturer,
Model & Description**

Parts Order Form

Please fill in the following information to help us find the right part for your machine.

Manufacturer:	<input type="text"/>
Model:	<input type="text"/>
Description:	<input type="text"/>
Part Number:	<input type="text"/>
Quantity:	<input type="text"/>
Notes:	<input type="text"/>

Submit

Discount-Equipment.com is your online resource for quality parts & equipment.

Florida: **561-964-4949** Outside Florida TOLL FREE: **877-690-3101**

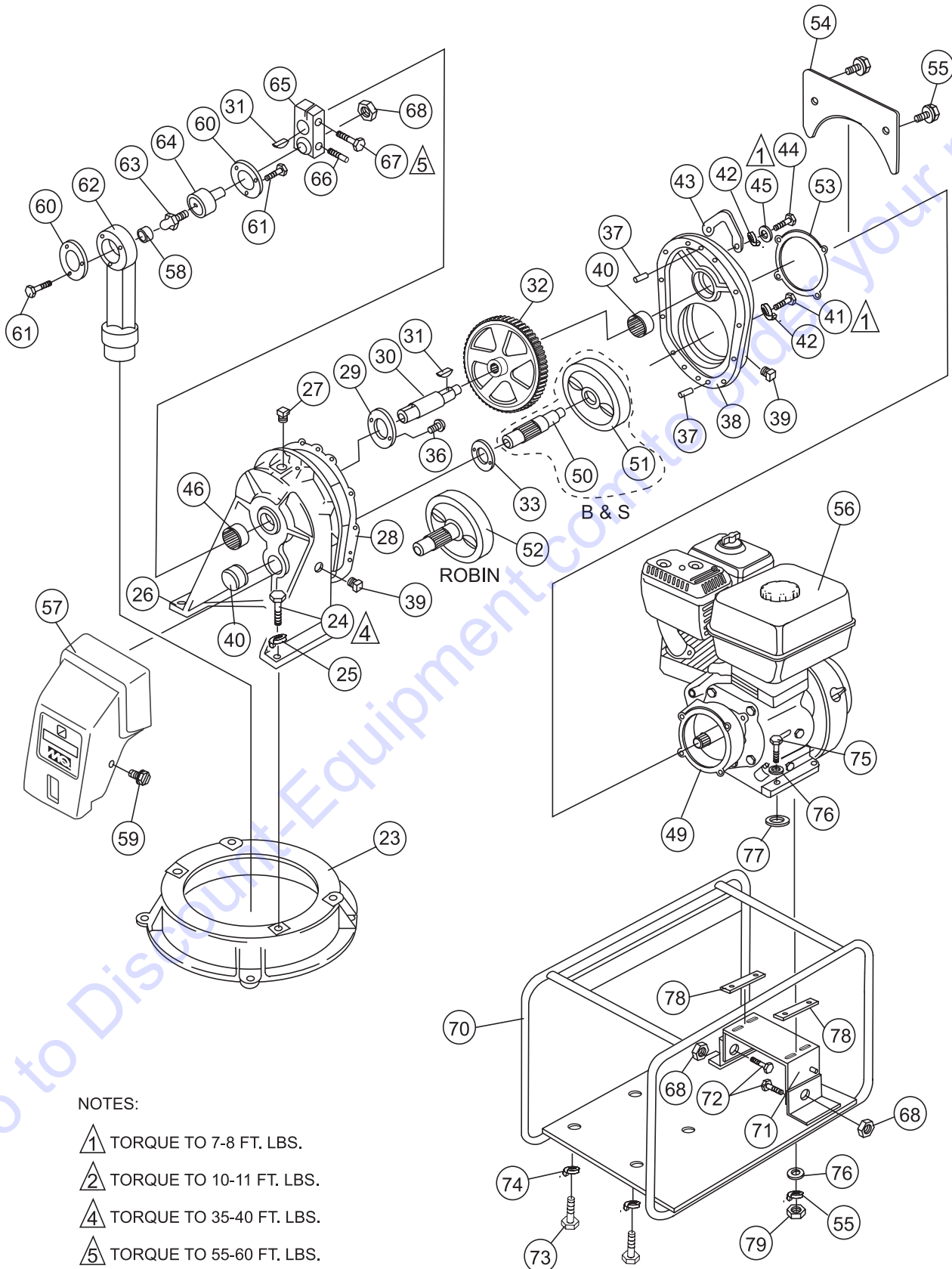
Need parts?

Click on this link: <http://www.discount-equipment.com/category/5443-parts/> and choose one of the options to help get the right parts and equipment you are looking for. Please have the machine model and serial number available in order to help us get you the correct parts. If you don't find the part on the website or on one of the online manuals, please fill out the request form and one of our experienced staff members will get back to you with a quote for the right part that your machine needs.

We sell worldwide for the brands: Genie, Terex, JLG, MultiQuip, Mikasa, Essick, Whiteman, Mayco, Toro Stone, Diamond Products, Generac Magnum, Airman, Haulotte, Barreto, Power Blanket, Nifty Lift, Atlas Copco, Chicago Pneumatic, Allmand, Miller Curber, Skyjack, Lull, Skytrak, Tsurumi, Husquvarna Target, Stow, Wacker, Sakai, Mi-T-M, Sullair, Basic, Dynapac, MBW, Weber, Bartell, Bennar Newman, Haulotte, Ditch Runner, Menegotti, Morrison, Contec, Buddy, Crown, Edco, Wyco, Bomag, Laymor, EZ Trench, Bil-Jax, F.S. Curtis, Gehl Pavers, Heli, Honda, ICS/PowerGrit, IHI, Partner, Imer, Clipper, MMD, Koshin, Rice, CH&E, General Equipment, Amida, Coleman, NAC, Gradall, Square Shooter, Kent, Stanley, Tamco, Toku, Hatz, Kohler, Robin, Wisconsin, Northrock, Oztec, Toker TK, Rol-Air, APT, Wylie, Ingersoll Rand / Doosan, Innovatech, Con X, Ammann, Mecalac, Makinex, Smith Surface Prep, Small Line, Wanco, Yanmar

MQ-D305/D306 SERIES — PUMP ASSY.

PUMP ASSY. (CONT.D305B, D305R ONLY)



NOTES:

- ① TORQUE TO 7-8 FT. LBS.
- ② TORQUE TO 10-11 FT. LBS.
- ④ TORQUE TO 35-40 FT. LBS.
- ⑤ TORQUE TO 55-60 FT. LBS.

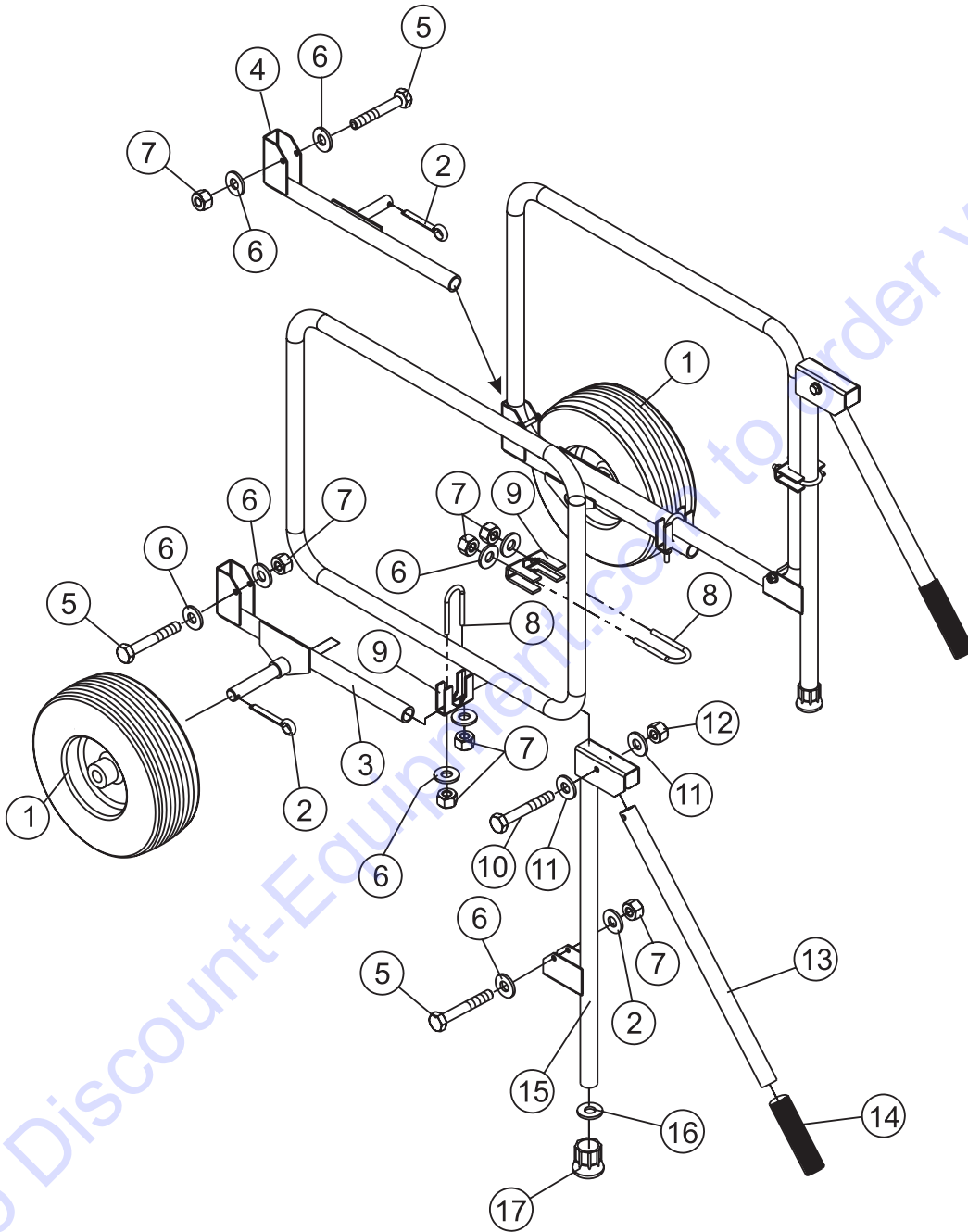
MQ-D305/D306 SERIES — PUMP ASSY.

PUMP ASSY. (CONT.D305B, D305R ONLY)

<u>NO.</u>	<u>PART NO.</u>	<u>PART NAME</u>	<u>QTY.</u>	<u>REMARKS</u>
61	3051032F	SCREW, MACHINE FLT HD 10-32x1/2	6	
62	3054847B	CONNECTING ROD TOP	1	
63	2020316	FITTING GREASE 3/16 STR	1	
64	3051913	CONNECTING ROD BEARING	1	
65	3053315	CRANK ARM	1	
66	3055016	SCREW SOCKET SET 5/16"-18x5/16" L.G.	1	
67	3051213	SCREW HEX 1/2"x1-1/2" 13UNC	1	
68	3053416	NUT HEX JAM LOCK NYLON 3/4-16"UNF	3	
70	3054927A	MOUNTING CAGE	1	
71	3055031	BRACKET ENGINE SUPPORT	1	REPLACES P5031
72	3053401	SCREW, HEX 3/4"x1" 16UNF	2	
73	3053858	SCREW, HEX 3/8"x5/8" 16UNF	4	
74	2023800	WASHER, LOCK	4	
75	3055161	SCREW, HEX 5/16"-18 UNC x1-1/2"	4	B & S ENGINE ONLY
75	3055634	SCREW, HEX 5/16"-18 UNC x1-3/4"	4	ROBIN ENGINE ONLY
76	3055160	WASHER, FLAT 5/16"	8	
77	2022676C	WASHER SLOTTED HOLE 1/32 THK.	8	
78	3054763	SPACER 3/16" THK.	2	ROBIN ENGINE ONLY
79	2025111	NUT, HEX 5/16" 18 UNC	4	

MQ-D305/D306 SERIES — UWK WHEEL KIT ASSY.

UWK WHEEL KIT ASSY. (D306H ONLY)



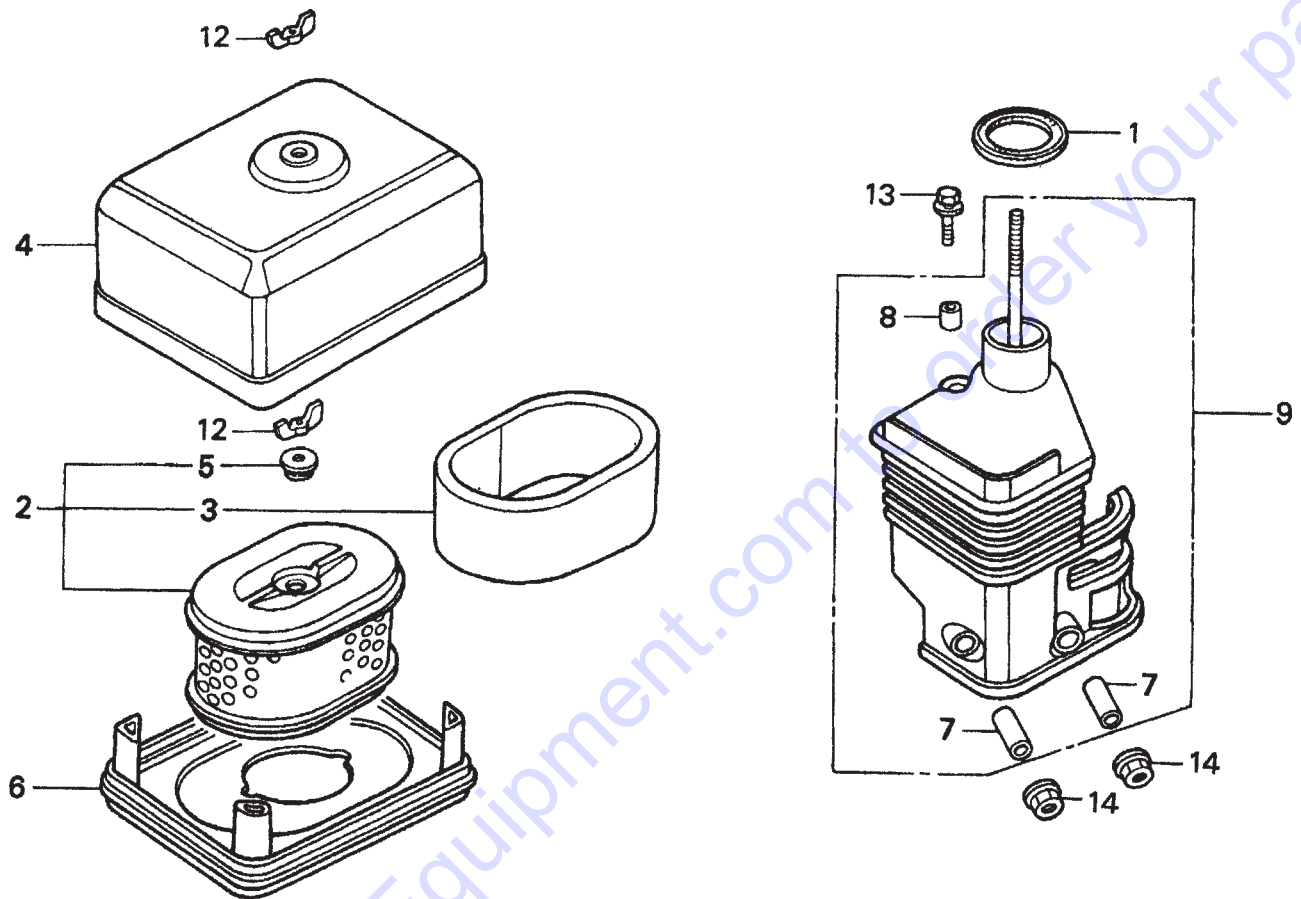
MQ-D305/D306 SERIES — UWK WHEEL KIT ASSY.

UWK WHEEL KIT ASSY. (D306H ONLY)

<u>NO.</u>	<u>PART NO.</u>	<u>PART NAME</u>	<u>QTY.</u>	<u>REMARKS</u>
1	19850	WHEEL/TIRE, GLEASON #EX 19838805	2	
2	8158	PIN, COTTER 3/16" D x 1-1/2	2	
3	29748	AXLE MOUNT W/A, LEFT	1	
4	29749	AXLE MOUNT W/A, RIGHT	1	
5	26250	SCREW, HHC 1/4-20 x 1-3/4	4	
6	0948	WASHER, FLAT SAE 1/4	16	
7	10024	NUT, NYLOC 1/4-20	12	
8	29750	U-BOLT, 1/4-20 x 1.0 x 2.75	4	
9	29757	CLAMP CLIP	4	
10	1207	SCREW, HHC 5/16-18 x 1-3/4	2	
11	0300 B	WASHER, FLAT SAE 5/16	4	
12	5283	NUT, NYLOC 5/16-18	2	
13	29739	TUBE, HANDLE	2	
14	19717	GRIP, HAND	2	
15	29746	HANDLE MOUNT W/A	2	
16	4001	WASHER, FLAT USS 3/8 PLD.	2	
17	19716	CRUTCH TIP	2	

HONDA GX120K1QX2 ENGINE — AIR CLEANER ASSY.

AIR CLEANER ASSY.



HONDA GX120K1QX2 ENGINE — AIR CLEANER ASSY.

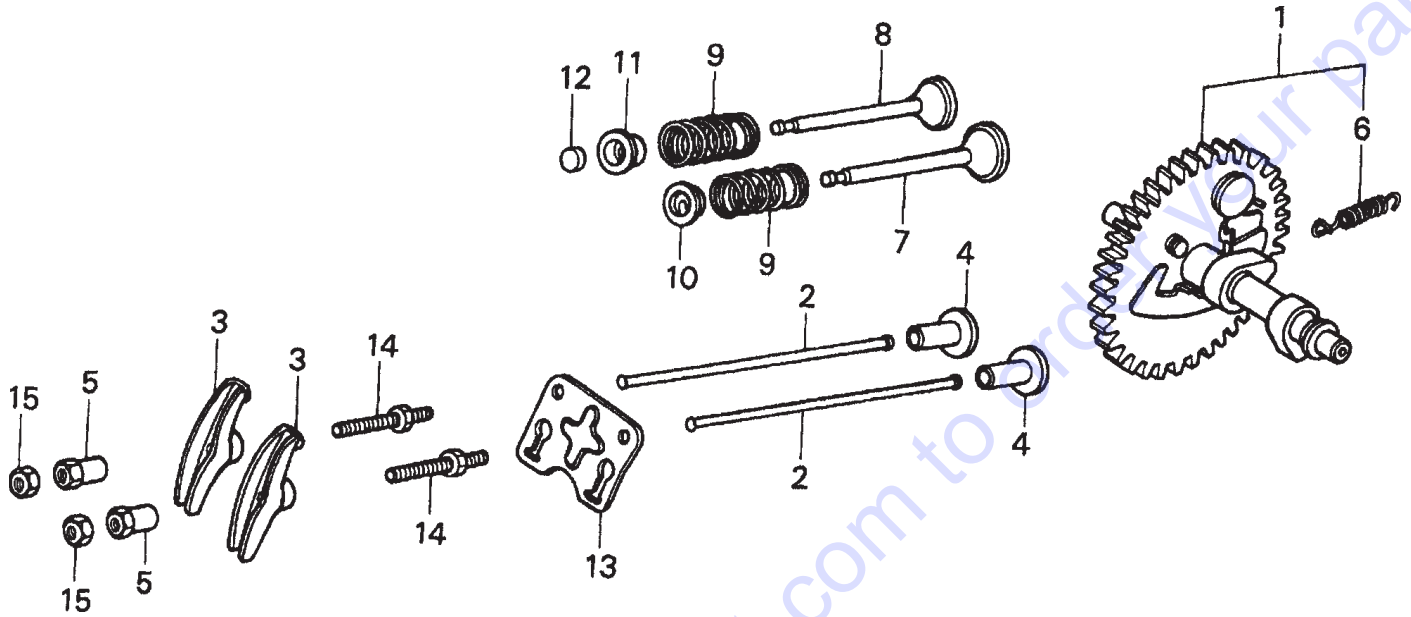
AIR CLEANER ASSY.

<u>NO.</u>	<u>PART NO.</u>	<u>PART NAME</u>	<u>QTY.</u>	<u>REMARKS</u>
1	16271ZE1000	GASKET, ELBOW	1	
2	17210ZE0505	ELEMENT, AIR CLEANER (DUAL)	1	INCLUDES ITEMS W/*
3*	17218ZE0505	FILTER, OUTER	1	
4	17230ZE0820	COVER, AIR CLEANER (DUAL)	1	
5*	17232891000	GROMMET, AIR CLEANER	1	
7#	17238ZE0010	COLLAR, AIR CLEANER	2	
8#	17239ZE1000	COLLAR B, AIR CLEANER	1	
9	17410ZE0030	ELBOW, AIR CLEANER	1	INCLUDES ITEMS W/#
12	90325044000	WINGNUT, TOOL BOX SETTING	2	
13	957010602000	BOLT, FLANGE 6X20	1	
14	9405006000	NUT, FLANGE 6MM	2	

Go to Discount-Equipment.com to order your parts

HONDA GX120K1QX2 ENGINE — CAMSHAFT ASSY.

CAMSHAFT ASSY.



HONDA GX120K1QX2 ENGINE — CAMSHAFT ASSY.

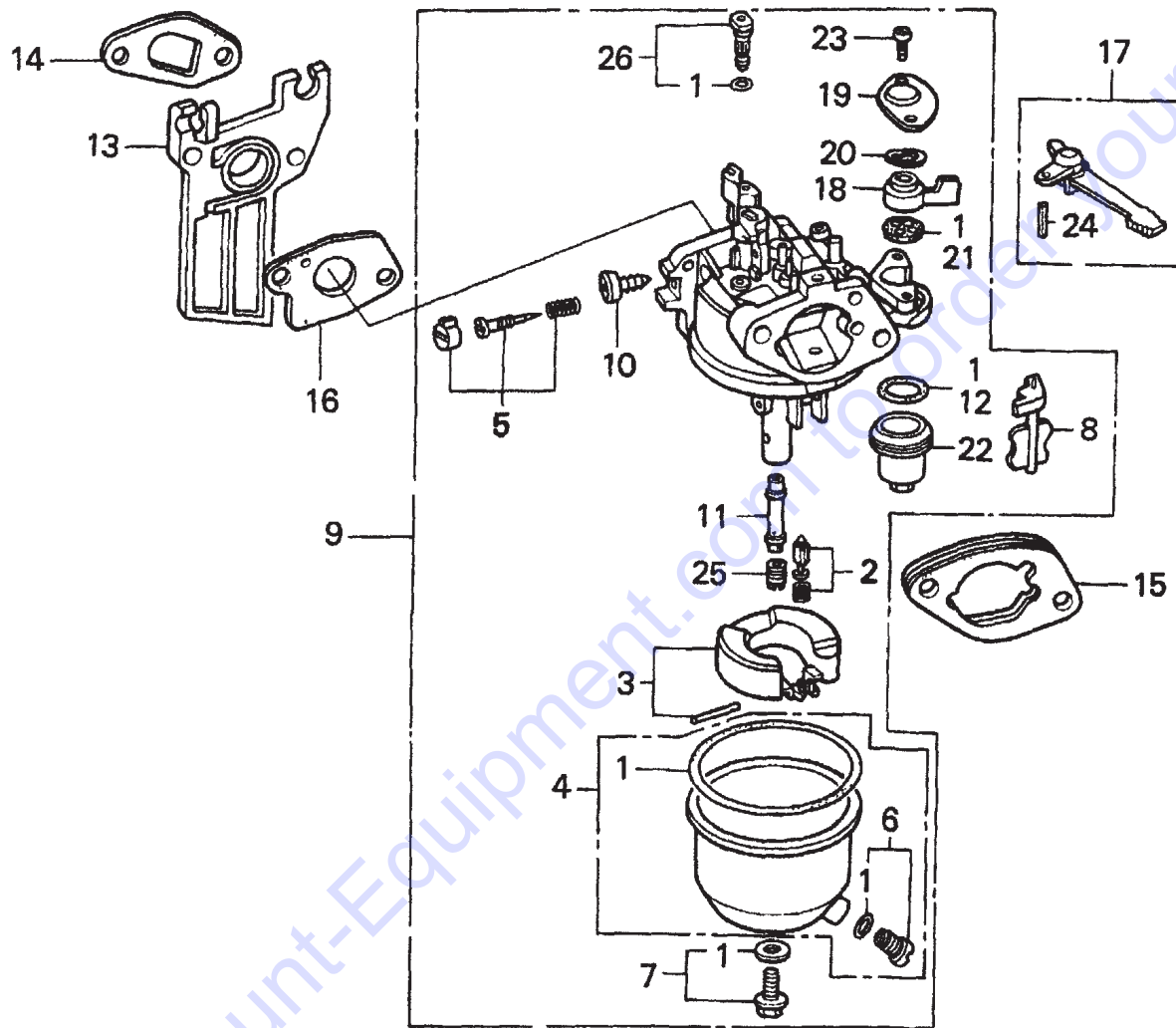
CAMSHAFT ASSY.

<u>NO.</u>	<u>PART NO.</u>	<u>PART NAME</u>	<u>QTY.</u>	<u>REMARKS</u>
1	14100ZE0812	CAMSHAFT ASSEMBLY	1	INCLUDES ITEMS W/*
2	14410ZE0010	ROD, PUSH	2	
3	14431ZE1000	ARM, VALVE ROCKER	2	
4	14441ZE1010	LIFTER, VALVE	2	
5	14451ZE1013	PIVOT, ROCKER ARM	2	
6*	14568ZE1000	SPRING, WEIGHT RETURN	1	
7	14711ZF0010	VALVE, IN.	1	
8	14721ZF0000	VALVE, EX.	1	
9	14751ZF1000	SPRING, VALVE	2	
10	14771ZE1000	RETAINER, IN. VALVE SPRING	1	
11	14773ZE1000	RETAINER, EX. VALVE SPRING	1	
12	14781ZE1000	ROTATOR, VALVE	1	
13	14791ZE0010	PLATE, PUSH ROD GUIDE	1	
14	90012ZE0010	BOLT, PIVOT 8MM	2	
15	90206ZE1000	NUT, PIVOT ADJ.	2	

Go to Discount-Equipment.com to order your parts

HONDA GX120K1QX2 ENGINE — CARBURETOR ASSY.

CARBURETOR ASSY.



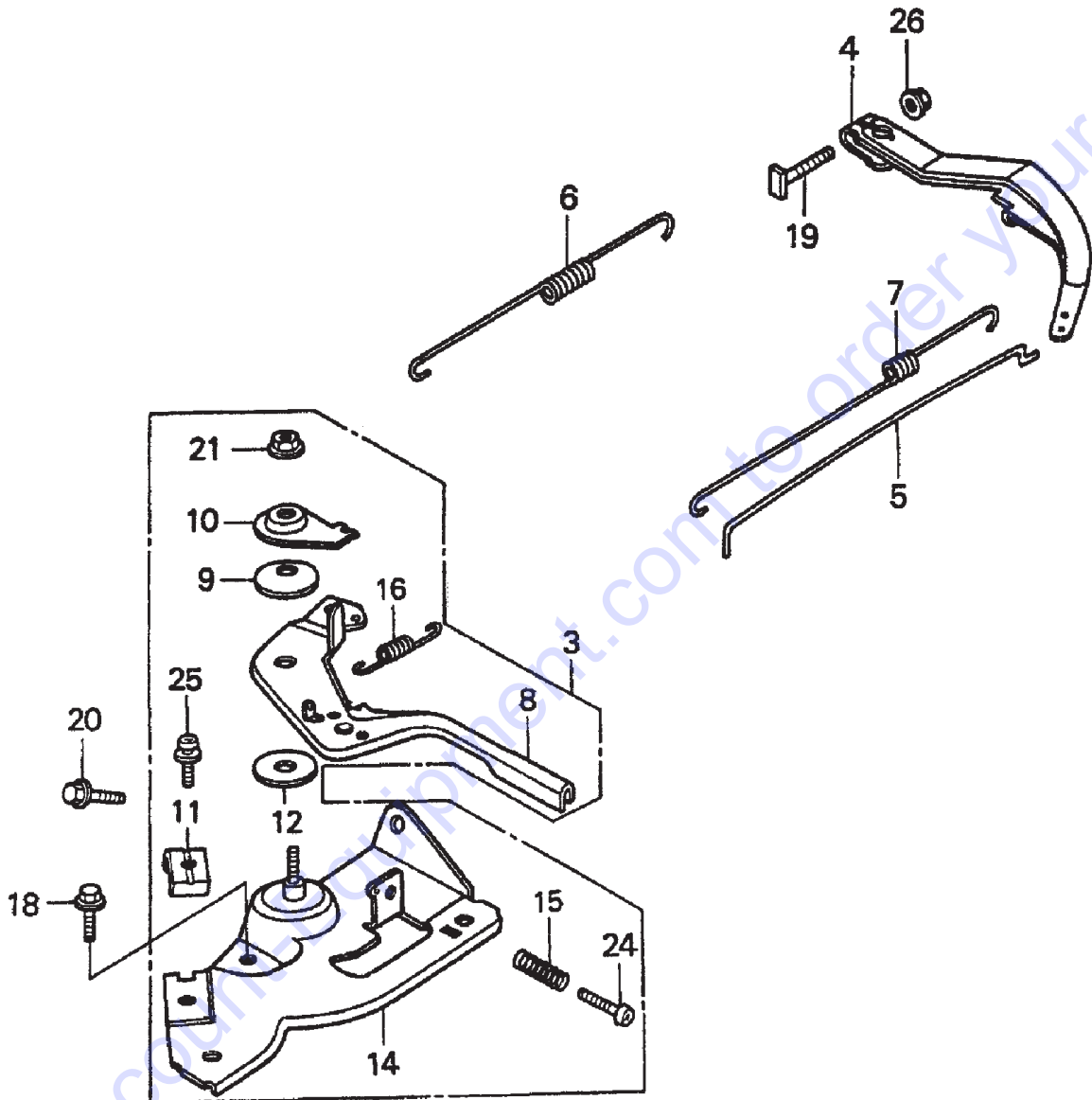
HONDA GX120K1QX2 ENGINE — CARBURETOR ASSY.

CARBURETOR ASSY.

<u>NO.</u>	<u>PART NO.</u>	<u>PART NAME</u>	<u>QTY.</u>	<u>REMARKS</u>
1*	16010ZE1812	GASKET SET	1	
2*	16011ZE0005	VALVE SET, FLOAT	1	
3*	16013ZE0005	FLOAT SET	1	
4*	16015ZE1811	CHAMBER SET, FLOAT	1	
5*	16016ZH7W01	SCREW SET	1	
6*	16024ZE1811	SCREW SET, DRAIN	1	
7*	16028ZE0005	SCREW SET B	1	
8*	16044ZE0005	CHOKE SET	1	
9	16100ZH7W51	CARBURETOR ASSEMBLY, BE60B B.....	1	INCLUDES ITEMS W/*
10*	16124ZE0005	SCREW, THROTTLE STOP	1	
11*	16166ZH7W50	NOZZLE, MAIN	1	
12*	16173001004	GASKET, FUEL STRAINER CUP	1	
13	16211ZE0000	INSULATOR, CARBURETOR	1	
14	16212ZH7800	GASKET, INSULATOR	1	
15	16220ZE1020	SPACER, CARBURETOR	1	
16	16221ZH8801	GASKET, CARBURETOR	1	
17	16610ZE1000	LEVER, CHOKE (STANDARD)	1	INCLUDES ITEMS W/+
18*	16953ZE1812	LEVER, VALVE	1	
19*	16954ZE1811	PLATE, LEVER SETTING	1	
20*	16956ZE1811	SPRING, VALVE LEVER	1	
21*	16957ZE1812	GASKET, VALVE	1	
22*	16967ZE0811	CUP, FUEL STRAINER	1	
23*	93500030080G	SCREW, PAN (3 X 6)	2	
24#	9430520122	PIN, SPRING (2 X 12)	1	
25	99101ZH80550	JET, MAIN (#55) (OPTIONAL)	1	
25	99101ZH80580	JET, MAIN (#58) (OPTIONAL)	1	
25*	99101ZH80600	JET, MAIN (#60)	1	
26*	99204ZE00350	JET, SET, PILOT (#35)	1	

HONDA GX120K1QX2 ENGINE — CONTROL ASSY.

CONTROL ASSY.



HONDA GX120K1QX2 ENGINE — CONTROL ASSY.

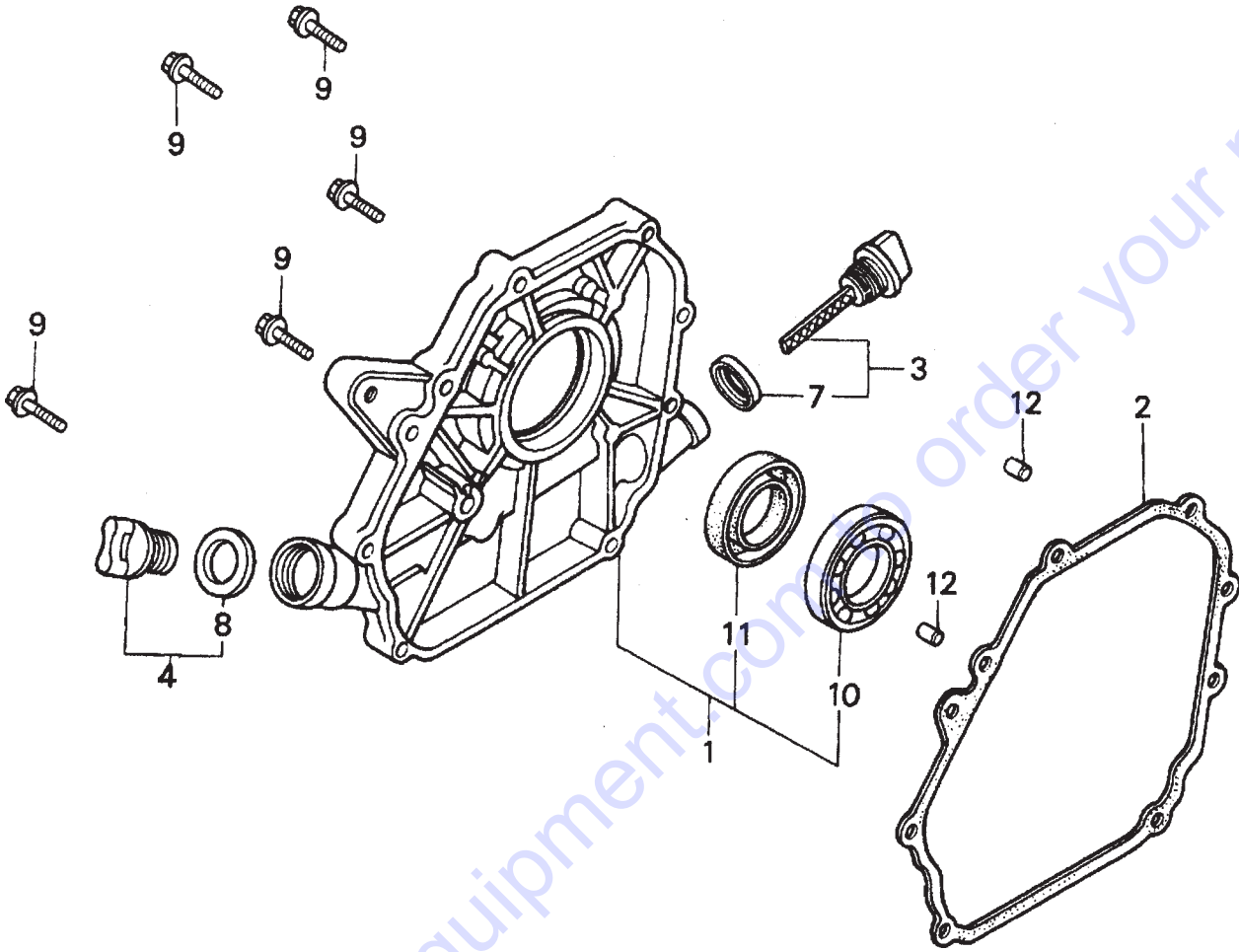
CONTROL ASSY.

<u>NO.</u>	<u>PART NO.</u>	<u>PART NAME</u>	<u>QTY.</u>	<u>REMARKS</u>
3	16500ZH7820	CONTROL ASSEMBLY (REMOTE)	1	INCLUDES ITEMS W/#
4	16551ZE0010	ARM, GOVERNOR	1	
5	16555ZE0000	ROD, GOVERNOR	1	
6	16561ZE0020	SPRING, GOVERNOR	1	
7	16562ZE0020	SPRING, THROTTLE RETURN	1	
8#	16571ZH7000	LEVER, CONTROL	1	
9#	16574ZE1000	SPRING, LEVER	1	
10#	16575ZH8000	WASHER, CONTROL LEVER	1	
11#	16576891000	HOLDER, CABLE		
12#	16578ZE1000	SPACER, CONTROL LEVER	1	
14#	16580ZH7810	BASE CONTROL	1	
15#	16584883300	SPRING, CONTROL ADJUSTING	1	
16#	16592ZE1810	SPRING, CABLE RETURN		
18	90013883000	BOLT, FLANGE 6X12 (CT200)	1	
19	90015ZE5010	BOLT, GOVERNOR ARM	1	
20	90022888010	BOLT, FLANGE 6X20 (CT200)	1	
21#	90114SA0000	NUT, SELF- LOCK 6MM	1	
24#	93500050250H	SCREW, PAN 5X25	1	
25#	93500050160A	SCREW, PAN	1	
26	9405006000	NUT, FLANGE 6MM	1	

Go to Discount-Equipment.com to order your parts

HONDA GX120K1QX2 ENGINE — CRANKCASE COVER ASSY.

CRANKCASE COVER ASSY.



HONDA GX120K1QX2 ENGINE — CRANKCASE COVER ASSY.

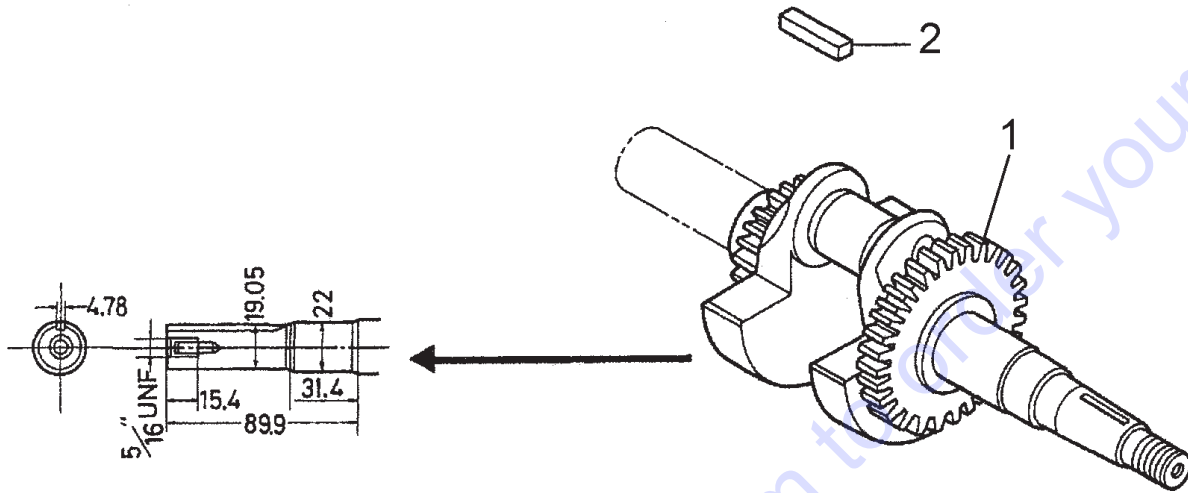
CRANKCASE COVER ASSY.

<u>NO.</u>	<u>PART NO.</u>	<u>PART NAME</u>	<u>QTY.</u>	<u>REMARKS</u>
1	11300ZE0640	COVER ASSEMBLY, CRANKCASE (W- TYPE).....	1	INCLUDES ITEMS W/*
2	11381ZH7800	GASKET, CASE COVER	1	
3	15600ZE1003	CAP ASSEMBLY, OIL FILLER	1	INCLUDES ITEMS W/#
4	15600ZG4003	CAP ASSEMBLY, OIL FILLER	1	INCLUDES ITEMS W/+
7#	15625ZE1003	GASKET, OIL FILLER CAP	1	
8+	15625ZE1003	GASKET, OIL FILLER CAP	1	
9	90015883000	BOLT, FLANGE 6X28	7	
10*	91001878003	BEARING, RADIAL BALL	1	
11*	91203ZE0003	OIL SEAL 22X41X6	1	
12	9430108140	PIN A, DOWEL 8X14	2	

Go to Discount-Equipment.com to order your parts

HONDA GX120K1QX2 ENGINE — CRANKSHAFT ASSY.

CRANKSHAFT ASSY.



HONDA GX120K1QX2 ENGINE — CRANKSHAFT ASSY.

CRANKSHAFT ASSY.

<u>NO.</u>	<u>PART NO.</u>	<u>PART NAME</u>	<u>QTY.</u>	<u>REMARKS</u>
1	13310ZE0601	CRANKSHAFT, H-TYPE	1	
2	90745ZE1600	KEY 4.78 X4.78X38	1	

Go to Discount-Equipment.com to order your parts

HONDA GX120K1QX2 ENGINE — CYLINDER BARREL ASSY.

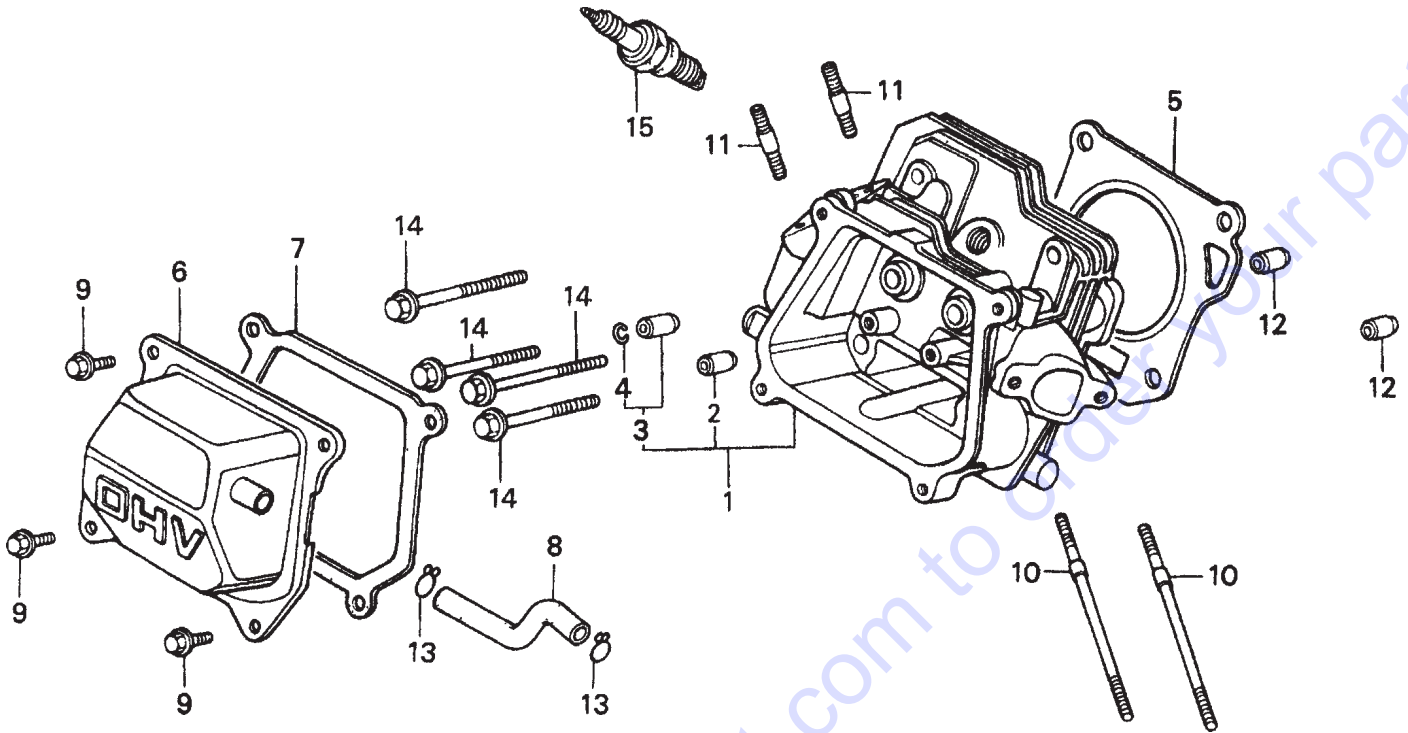
CYLINDER BARREL ASSY.

<u>NO.</u>	<u>PART NO.</u>	<u>PART NAME</u>	<u>QTY.</u>	<u>REMARKS</u>
2	120A0ZH7810	CYLINDER ASSEMBLY (OIL ALERT)	1	INCLUDES ITEMS W/*
3	15510ZE1033	SWITCH ASSEMBLY, OIL LEVEL	1	
4	16510ZE1000	GOVERNOR ASSEMBLY	1	INCLUDES ITEMS W/#
5#	16511ZE1000	WEIGHT, GOVERNOR	2	
6#	16512ZE1000	HOLDER, GOVERNOR WEIGHT	1	
7#	16513ZE1000	PIN, GOVERNOR WEIGHT	2	
8	16531ZE1000	SLIDER, GOVERNOR	1	
9	16541ZE1000	SHAFT, GOVERNOR ARM	1	
10	90131ZE1000	BOLT, DRAIN PLUG	2	
11	90451ZE1000	WASHER, THRUST 6mm	1	
12	90601ZE1000	WASHER, DRAIN PLUG 10.2mm	2	
13	90602ZE1000	CLIP, GOVERNOR HOLDER	1	
14*	91001878003	BEARING, RADIAL BALL 62/22	1	
15*	91202ZE6003	OIL SEAL 22X35X6	1	
16	91353671003	O- RING 13.5X1.5 (ARAI)	1	
17	9405010000	NUT, FLANGE 10mm	1	
18	9410106800	WASHER, PLAIN 6mm	2	
19	9425108000	PIN, LOCK 8mm	1	
20	957010601200	BOLT, FLANGE 6X12	2	

Go to Discount-Equipment.com to order your parts

HONDA GX120K1QX2 ENGINE — CYLINDER HEAD ASSY.

CYLINDER HEAD ASSY.



HONDA GX120K1QX2 ENGINE — CYLINDER HEAD ASSY.

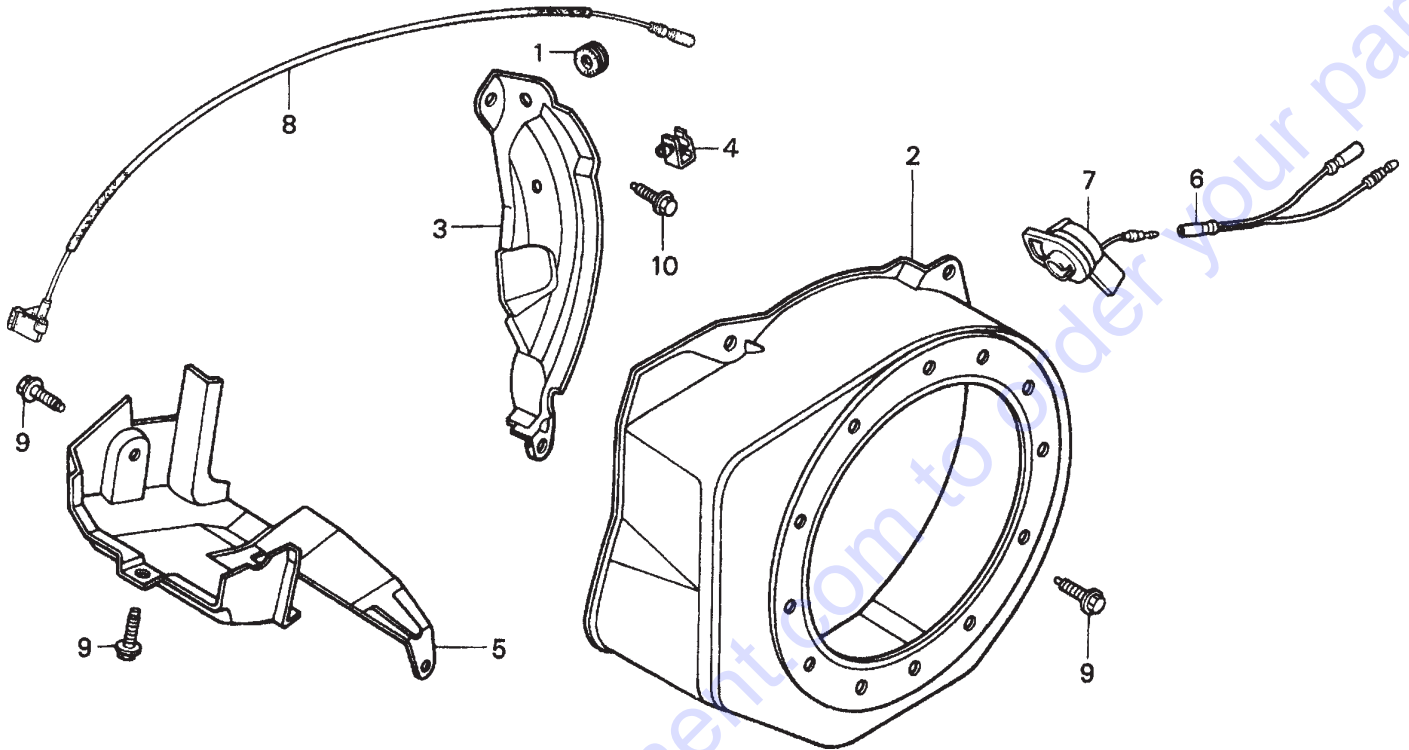
CYLINDER HEAD ASSY.

<u>NO.</u>	<u>PART NO.</u>	<u>PART NAME</u>	<u>QTY.</u>	<u>REMARKS</u>
1	12210ZH7000	CYLINDER HEAD	1	INCLUDES ITEMS W/*
2*	12204ZE1306	GUIDE, VALVE (OS) OPTIONAL	1	
3*	12205ZE1315	GUIDE, EX. VALVE (OS) OPTIONAL	1	INCLUDES ITEMS W/+
4*+	12216ZE5300	CLIP, VALVE GUIDE	1	
5	12251ZH7800	GASKET, CYLINDER HEAD	1	
6	12310ZE1000	COVER, HEAD	1	
6	12310ZE1010	COVER, HEAD	1	
7	12391ZE1000	GASKET, CYLINDER HEAD COVER	1	
8	15721ZH8000	TUBE, BREATHER	1	
9	90013883000	BOLT, FLANGE 6X12 (CT200)	4	
10	90043ZE1020	BOLT, STUD 6X109	2	
11	90047ZE1000	BOLT, STUD 8X32	2	
12	9430110160	PIN, A, DOWEL 10X16	2	
14	957230805500	BOLT, FLANGE 8X55	4	
15	9807955846	SPARK PLUG BPR6ES (NGK)	1	

Go to Discount-Equipment.com to order your parts

HONDA GX120K1QX2 ENGINE — FAN COVER ASSY.

FAN COVER ASSY.



HONDA GX120K1QX2 ENGINE — FAN COVER ASSY.

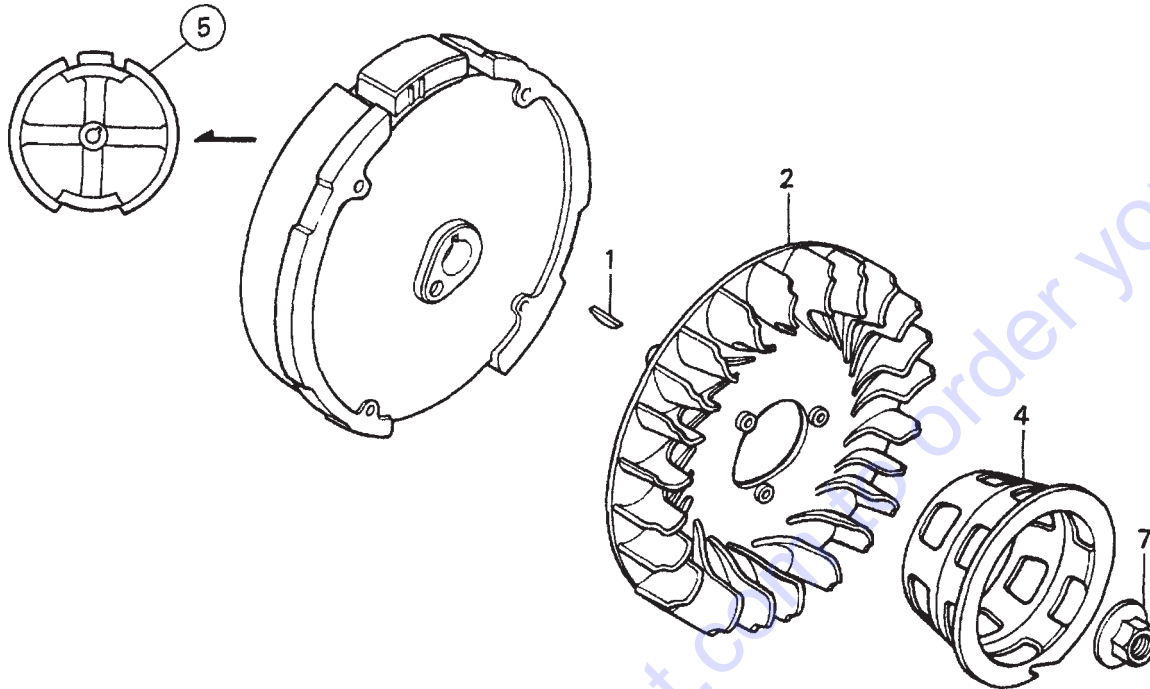
FAN COVER ASSY.

<u>NO.</u>	<u>PART NO.</u>	<u>PART NAME</u>	<u>QTY.</u>	<u>REMARKS</u>
1	11347371300	GROMMET, ADJUSTING COVER	1	
2	19610ZE0000ZE	COVER, FAN *NH1* BLACK	1	
3	19611ZH7810	PLATE, SIDE (OIL ALERT)	1	
4	90601ZH7013	CLIP, HARNESS	1	
5	19630ZH7000	SHROUD	1	
6	32197ZH8003	SUB- HARNESS	1	
7	36100ZE1015	SWITCH ASSEMBLY, ENGINE STOP	1	
7	36100ZH7003	SWITCH ASSEMBLY, ENGINE STOP	1	
8	36101ZE1010	WIRE, STOP SWITCH 370MM	1	
9	90013883000	BOLT, FLANGE 6X12 (CT200)	6	
10	90022888010	BOLT, FLANGE 6X12 (CT200)	1	
11	34150ZH7003	ALERT UNIT, OIL	1	
13	957010600800	BOLT, FLANGE 6X8	1	

Go to Discount-Equipment.com to order your parts

HONDA GX120K1QX2 ENGINE — FLYWHEEL ASSY.

FLYWHEEL ASSY.



Go to Discount-Equipment.com to order your parts

HONDA GX120K1QX2 ENGINE — FLYWHEEL ASSY.

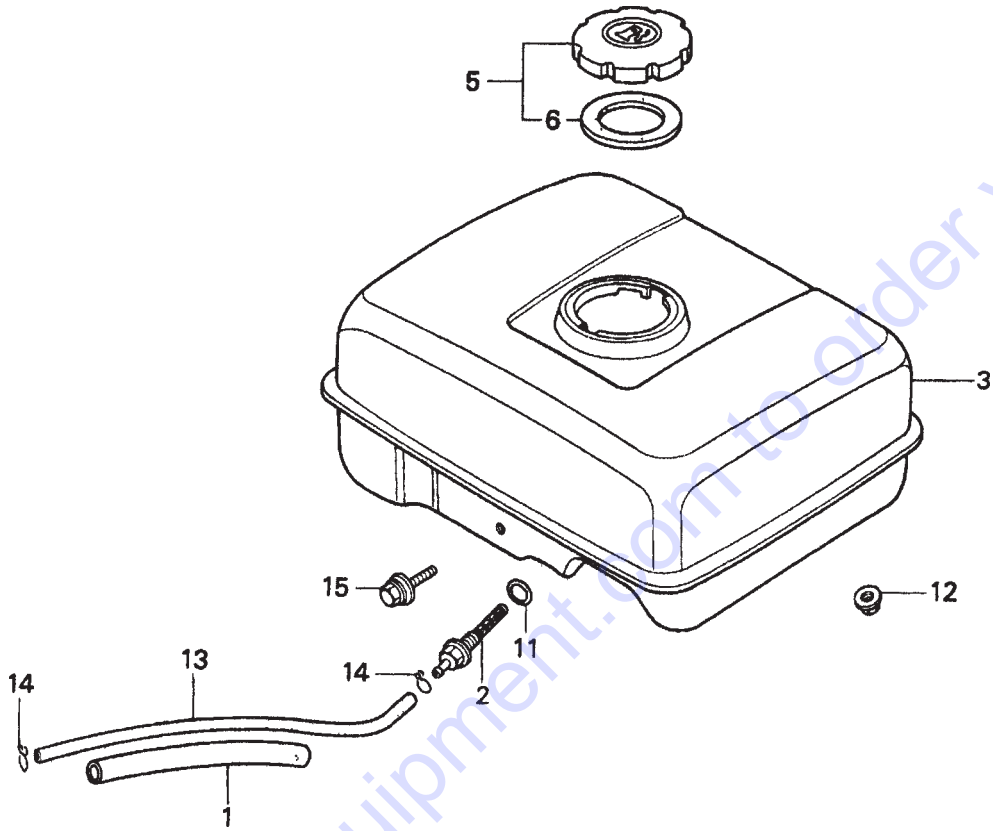
FLYWHEEL ASSY.

<u>NO.</u>	<u>PART NO.</u>	<u>PART NAME</u>	<u>QTY.</u>	<u>REMARKS</u>
1	13331357000	KEY, SPECIAL WOODRUFF 25X18	1	
2	19511ZE0000	FAN, COOLING	1	
4	28451ZH8003	PULLEY, STARTER	1	
5	31100ZE0010	FLYWHEEL	1	
7	90201878003	NUT, SPECIAL 14MM	1	

Go to Discount-Equipment.com to order your parts

HONDA GX120K1QX2 ENGINE — FUEL TANK ASSY.

FUEL TANK ASSY.



HONDA GX120K1QX2 ENGINE — FUEL TANK ASSY.

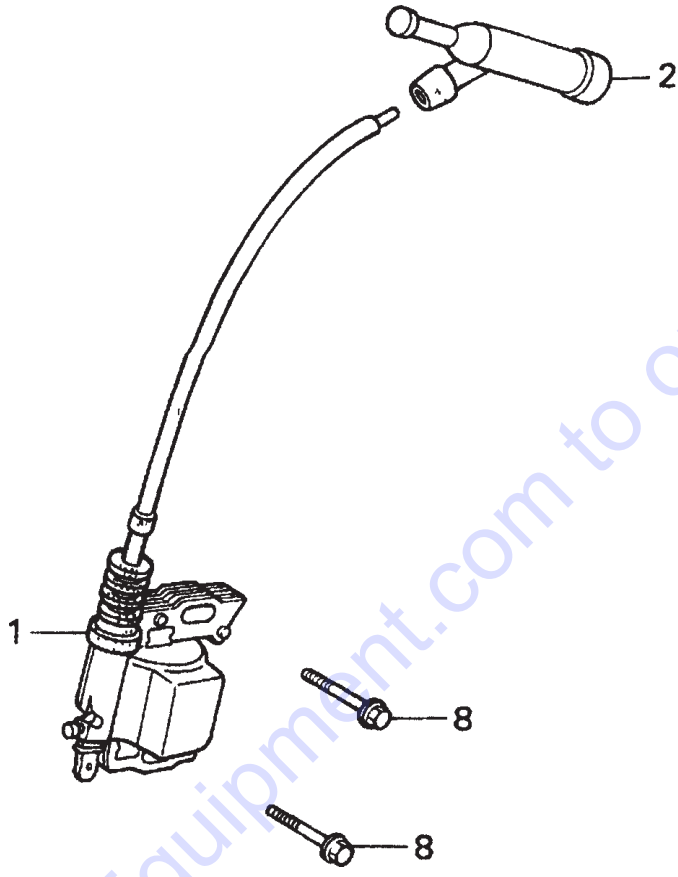
FUEL TANK ASSY.

<u>NO.</u>	<u>PART NO.</u>	<u>PART NAME</u>	<u>QTY.</u>	<u>REMARKS</u>
1	16854ZH8000	RUBBER, SUPPORTER 107MM	1	
2	16955ZE1000	JOINT, FUEL TANK	1	
3	17510ZE0020ZD	TANK, FUEL *NH1* (BLACK)	1	
5	17620ZH7023	CAP, FUEL FILLER	1	INCLUDES ITEMS W/*
6*	17631ZH7003	GASKET, FUEL FILLER CAP	1	
11	91353671003	O- RING 13.5X1.5 (ARAI)	1	
12	9405006000	NUT, FLANGE 6MM	2	
13	950014500360M	BULK HOSE, FUEL (4.5X3000) (4.5X140)	1	
14	9500202080	CLIP, TUBE (B8)	2	
15	90004ZH7003	BOLT, FLANGE 6X29	1	

Go to Discount-Equipment.com to order your parts

HONDA GX120K1QX2 ENGINE — IGNITION COIL ASSY.

IGNITION COIL ASSY.



Go to Discount-Equipment.com to order your parts

HONDA GX120K1QX2 ENGINE — IGNITION COIL ASSY.

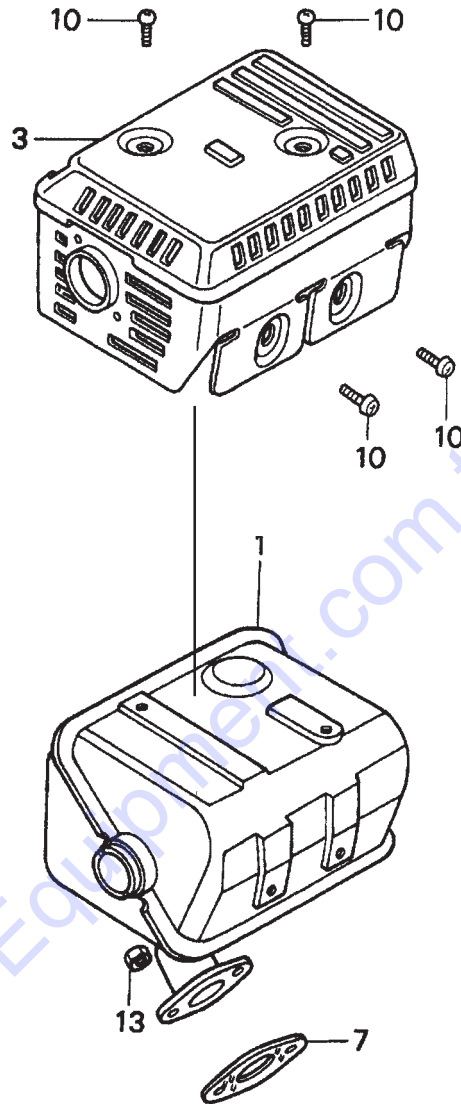
IGNITION COIL ASSY.

<u>NO.</u>	<u>PART NO.</u>	<u>PART NAME</u>	<u>QTY.</u>	<u>REMARKS</u>
1	30500ZE1033	COIL ASSEMBLY, IGNITION	1	
2	30700ZE1013	CAP ASSEMBLY, NOISE SUPPRESSOR	1	
8	90121952000	BOLT, FLANGE 6X25	2	

Go to Discount-Equipment.com to order your parts

HONDA GX120K1QX2 ENGINE — MUFFLER ASSY.

MUFFLER ASSY.



HONDA GX120K1QX2 ENGINE — MUFFLER ASSY.

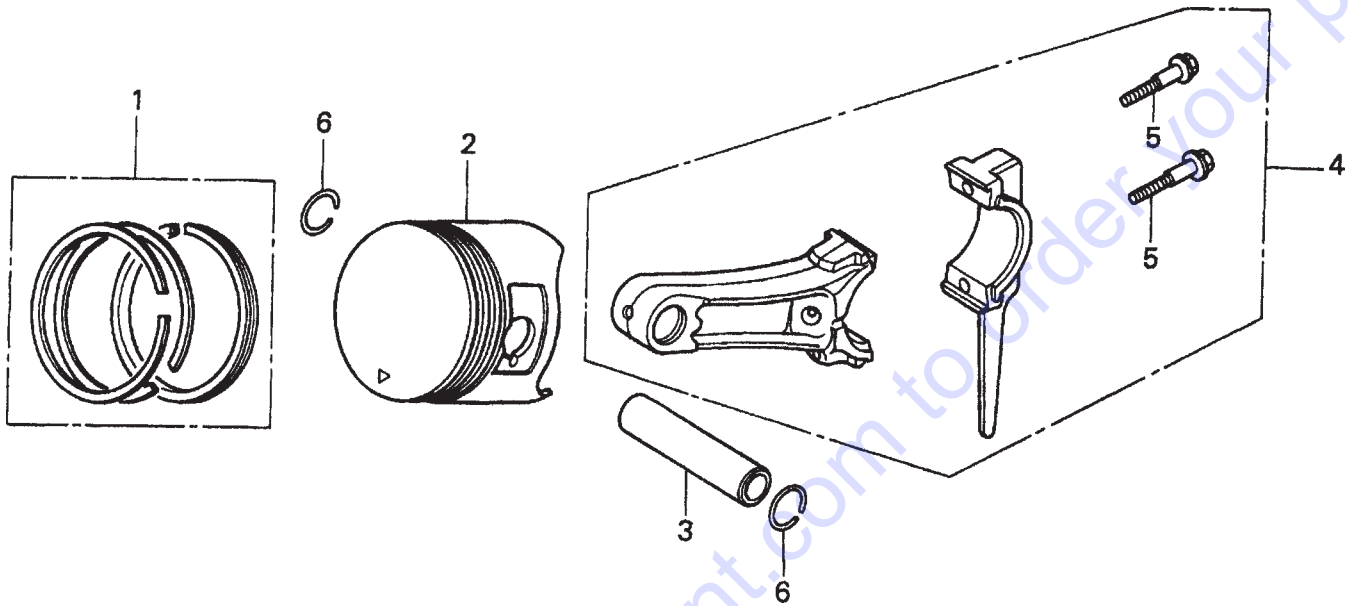
MUFFLER ASSY.

<u>NO.</u>	<u>PART NO.</u>	<u>PART NAME</u>	<u>QTY.</u>	<u>REMARKS</u>
1	18310ZF1000	MUFFLER	1	
3	18320ZF1H01	PROTECTOR, MUFFLER	1	
7	18381ZH8800	GASKET, MUFFLER	1	
10	90050ZE1000	SCREW, TAPPING 5X8	4	
13	94001080000S	NUT, HEX. 8MM	2	

Go to Discount-Equipment.com to order your parts

HONDA GX120K1QX2 ENGINE — PISTON ASSY.

PISTON ASSY.



HONDA GX120K1QX2 ENGINE — PISTON ASSY.

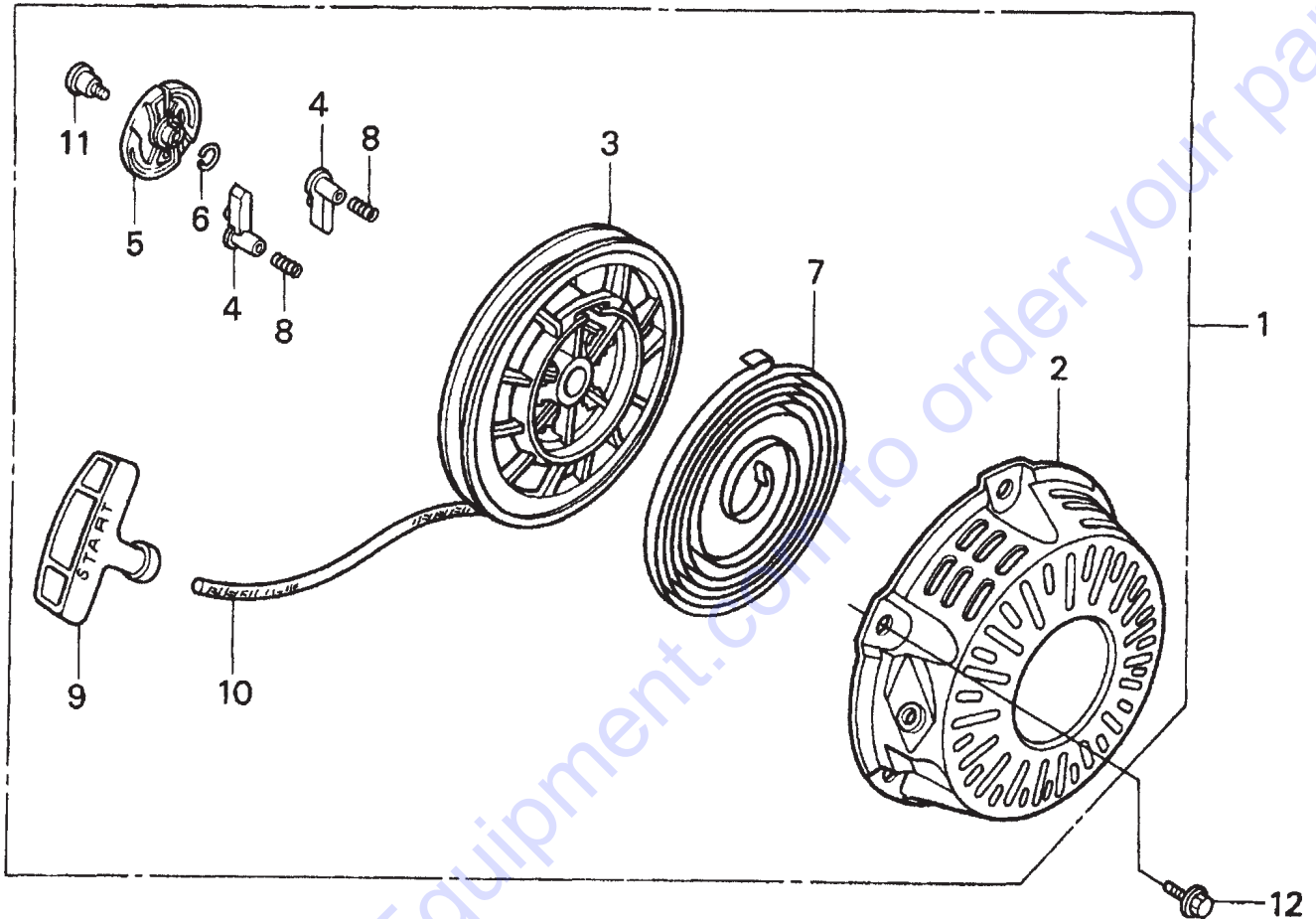
PISTON ASSY.

<u>NO.</u>	<u>PART NO.</u>	<u>PART NAME</u>	<u>QTY.</u>	<u>REMARKS</u>
1	13010ZK7V01	RING SET, PISTON (STANDARD)	1	
1	13011ZE6013	RING SET, PISTON (OS 0.25), OPTIONAL	1	
1	13012ZK7V01	RING SET, PISTON (OS 0.50) , OPTIONAL	1	
1	13013ZK7V01	RING SET, PISTON (OS 0.75), OPTIONAL	1	
2	13101ZH7000	PISTON, STANDARD	1	
2	13102ZH7000	PISTON, OS 0.25	1	
2	13103ZH7000	PISTON, OS 0.50	1	
2	13104ZH7000	PISTON, 0.75	1	
3	13111ZE0000	PIN, PISTON	1	
4	132A0ZE0000	ROD ASSY, CONNECTING (UNDER SIZE)	1	INCLUDES ITEMS W/*
4	13200ZE0000	ROD ASSEMBLY, CONNECTING	1	INCLUDES ITEMS W/*
5*	90001ZE1000	BOLT, CONNECTING ROD	2	
6	90551ZE0000	CLIP, PISTON PIN 13MM	2	

Go to Discount-Equipment.com to order your parts

HONDA GX120K1QX2 ENGINE — RECOIL STARTER ASSY.

RECOIL STARTER ASSY.



HONDA GX120K1QX2 ENGINE — RECOIL STARTER ASSY.

RECOIL STARTER ASSY.

NO.	PART NO.	PART NAME	QTY.	REMARKS
1	28400ZH8013ZB	STARTER ASSY., RECOIL *NH1* (BLACK)	1	INCLUDES ITEMS W/*
2*	28410ZH8003ZB	CASE, RECOIL STARTER *NH1* (BLACK)	1	
3*	28420ZH8013	REEL, RECOIL STARTER	1	
4*	28422ZH8013	RATCHET, STARTER	2	
5*	28433ZH8003	GUIDE, RATCHET	1	
6*	28441ZH8003	SPRING, FRICTION	1	
7*	28442ZH8003	SPRING, RECOIL STARTER	1	
8*	28443ZH8003	SPRING, RETURN	2	
9*	28461ZH8003	KNOB, RECOIL STARTER	1	
10*	28462ZH8003	ROPE, RECOIL STARTER	1	
11*	90003ZH8003	SCREW, SETTING	1	
12	9008ZE2003	BOLT, FLANGE 6X10	3	

Go to Discount-Equipment.com to order your parts

NO ARTWORK AVAILABLE

Go to Discount-Equipment.com to order your parts

HONDA GX120K1QX2 ENGINE — GASKET KIT ASSY.

GASKET KIT ASSY.

<u>NO.</u>	<u>PART NO.</u>	<u>PART NAME</u>	<u>QTY.</u>	<u>REMARKS</u>
2	06111ZH7405	GASKET KIT	1	INCLUDES ITEMS W/*
3*	11381ZH7800	GASKET, CASE COVER	1	
4*	12251ZH7800	GASKET, CYLINDER HEAD	1	
5*	12391ZE1000	GASKET, CYLINDER HEAD COVER	1	
6*	16212ZH7800	GASKET, INSULATOR	1	
7*	16221ZH8801	GASKET, CARBURETOR	1	
8*	18381ZH8800	GASKET, MUFFLER	1	

Go to Discount-Equipment.com to order your parts

PARTS FINDER

**Search Website
by Part Number**



**Search Manual
Library For Parts
Manual & Lookup Part
Numbers – Purchase
or Request Quote**

Search Manuals

Enter your information to help us find the right parts manual for your machine.

* Brand:

* Model:

* Serial:

* Part Number:

SEARCH

**Can't Find Part or
Manual? Request Help
by Manufacturer,
Model & Description**

Parts Order Form

Please fill in the following information to help us find the right part for your machine.

Manufacturer:	<input type="text"/>
Model:	<input type="text"/>
Description:	<input type="text"/>
Part Number:	<input type="text"/>
Quantity:	<input type="text"/>
Notes:	<input type="text"/>

Submit

Discount-Equipment.com is your online resource for quality parts & equipment.

Florida: **561-964-4949** Outside Florida TOLL FREE: **877-690-3101**

Need parts?

Click on this link: <http://www.discount-equipment.com/category/5443-parts/> and choose one of the options to help get the right parts and equipment you are looking for. Please have the machine model and serial number available in order to help us get you the correct parts. If you don't find the part on the website or on one of the online manuals, please fill out the request form and one of our experienced staff members will get back to you with a quote for the right part that your machine needs.

We sell worldwide for the brands: Genie, Terex, JLG, MultiQuip, Mikasa, Essick, Whiteman, Mayco, Toro Stone, Diamond Products, Generac Magnum, Airman, Haulotte, Barreto, Power Blanket, Nifty Lift, Atlas Copco, Chicago Pneumatic, Allmand, Miller Curber, Skyjack, Lull, Skytrak, Tsurumi, Husquvarna Target, Stow, Wacker, Sakai, Mi-T-M, Sullair, Basic, Dynapac, MBW, Weber, Bartell, Bennar Newman, Haulotte, Ditch Runner, Menegotti, Morrison, Contec, Buddy, Crown, Edco, Wyco, Bomag, Laymor, EZ Trench, Bil-Jax, F.S. Curtis, Gehl Pavers, Heli, Honda, ICS/PowerGrit, IHI, Partner, Imer, Clipper, MMD, Koshin, Rice, CH&E, General Equipment, Amida, Coleman, NAC, Gradall, Square Shooter, Kent, Stanley, Tamco, Toku, Hatz, Kohler, Robin, Wisconsin, Northrock, Oztec, Toker TK, Rol-Air, APT, Wylie, Ingersoll Rand / Doosan, Innovatech, Con X, Ammann, Mecalac, Makinex, Smith Surface Prep, Small Line, Wanco, Yanmar