

PARTS MANUAL



MODEL P33/24:

HHM

HHMR

HHMR-BD (OPTION)

VARIABLE EXCENTRIC WEIGHT (OPTION)

STARTING SERIAL NO. 1534189

VIBRATORY TRENCH ROLLER

Revision #0 (03/10/06)



THIS MANUAL MUST ACCOMPANY THE EQUIPMENT AT ALL TIMES.

PARTS FINDER

**Search Website
by Part Number**



**Search Manual
Library For Parts
Manual & Lookup Part
Numbers – Purchase
or Request Quote**

Search Manuals

Enter your information to search for a parts manual or lookup a part number.

* Brand:

* Model:

* Serial:

* Part Number:

SEARCH

**Can't Find Part or
Manual? Request Help
by Manufacturer,
Model & Description**

Parts Order Form

Please fill in the following information to request help finding a part or manual.

Manufacturer:

Model:

Description:

Quantity:

Part Number:

Part Name:

Part Description:

Part Location:

Part Condition:

Part Status:

Part Material:

Part Color:

Part Weight:

Part Dimensions:

Part Price:

Part Notes:

Submit

Discount-Equipment.com is your online resource for quality parts & equipment.

Florida: **561-964-4949** Outside Florida TOLL FREE: **877-690-3101**

Need parts?

Click on this link: <http://www.discount-equipment.com/category/5443-parts/> and choose one of the options to help get the right parts and equipment you are looking for. Please have the machine model and serial number available in order to help us get you the correct parts. If you don't find the part on the website or on one of the online manuals, please fill out the request form and one of our experienced staff members will get back to you with a quote for the right part that your machine needs.

We sell worldwide for the brands: Genie, Terex, JLG, MultiQuip, Mikasa, Essick, Whiteman, Mayco, Toro Stone, Diamond Products, Generac Magnum, Airman, Haulotte, Barreto, Power Blanket, Nifty Lift, Atlas Copco, Chicago Pneumatic, Allmand, Miller Curber, Skyjack, Lull, Skytrak, Tsurumi, Husquvarna Target, Stow, Wacker, Sakai, Mi-T-M, Sullair, Basic, Dynapac, MBW, Weber, Bartell, Bennar Newman, Haulotte, Ditch Runner, Menegotti, Morrison, Contec, Buddy, Crown, Edco, Wyco, Bomag, Laymor, EZ Trench, Bil-Jax, F.S. Curtis, Gehl Pavers, Heli, Honda, ICS/PowerGrit, IHI, Partner, Imer, Clipper, MMD, Koshin, Rice, CH&E, General Equipment, Amida, Coleman, NAC, Gradall, Square Shooter, Kent, Stanley, Tamco, Toku, Hatz, Kohler, Robin, Wisconsin, Northrock, Oztec, Toker TK, Rol-Air, APT, Wylie, Ingersoll Rand / Doosan, Innovatech, Con X, Ammann, Mecalac, Makinex, Smith Surface Prep, Small Line, Wanco, Yanmar

P33/24 HHM-HHMR — TABLE OF CONTENTS

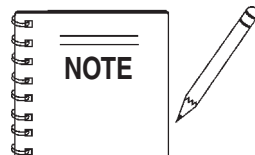
MQ RAMMAX P33/24 Vibratory Trench Roller

Table Of Contents	2
Here's How To Get Help	3
Parts Ordering Procedures	3
Explanation Of Code In Remarks Column	4
Suggested Spare Parts	5

Componet Drawings

Standard Drum Assembly	6-7
Universal Drum Assembly	8-9
Smooth Drum 24" Assembly	10-11
Smooth Drum 33" Assembly	12-13
Hydraulic Motor 1 Assembly	14-15
Hydraulic Motor 2 Assembly	16-17
Vibrator Assembly	18-19
Vibrator Motor Assembly	20-21
Mounting Frame Assembly	22-23
Engine Cover Plate Assembly	24-25
Insulating Board Assembly	26-27
Cyclone Filter Assembly	28-29
Diesel Engine Assembly	30-31
Engine Shock Mount Assembly	32-33
Exhaust Silencer Assembly	34-35
Air Cleaner Assembly	36-37
Pump Assembly	38-39
Air Intake/Oil Drain Hose Assembly	40-41
Fuel Lines Assembly	42-43
Console Cockpit Assembly	44-45
Emergency Stop Bumper Assembly	46-47
Valves Assembly	48-49
Manual Operation Valves Assembly	50-51
Remote Control Operation Valves Assembly	52-53
Valve Block (Var. Excentric Weight) Assembly ...	54-55
Throttle Cable Assembly	56-57
Receiver/Console Assembly	58-59
Console Components 1 Assembly	60-61
Console Components 2 Assembly	62-63

Transmitter Control Box 1 Assembly	64-65
Transmitter Control Box 2	66-67
Battery Assembly	68-69
Optional Battery Disconnecting Switch Assy	70-71
Suction Filter Assembly	72-73
Dozer Blade Assembly	74-75
Lift Cylinder Assembly	76-77
Valves Assembly	78-79
HHM-HHMR Hydraulic Schematic	80
HHMR-BD Hydraulic Schematic	81
Hydraulic Hose Layout	82-83
Hydraulic Hose Locator Chart	84
Component Locator	85
HHM Electrical Component Locator	86
HHM Wiring Schematic	87
HHMR Electrical Component Locator	88
HHMR Wiring Schematic	89
Var. Exc. Weight Electrical Component Locator	90
Var. Exc. Weight Wiring Schematic	91
HHMR-BD Wiring Schematic	92
Terms and Conditions of Sale	94



**Specification and part number
are subject to change without
notice.**

P33/24 HHM-HHMR — EXPLANATION OF PARTS SECTION REMARKS

The following section explains the different symbols and remarks used in the Parts section of this manual. Use the help numbers found on the back page of the manual if there are any questions.

The contents and part numbers listed in the parts section are subject to change **without notice**. Multiquip does not guarantee the availability of the parts listed.

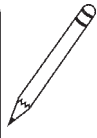
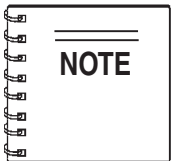
Sample Parts List:

NO.	PART NO.	PART NAME	QTY.	REMARKS
1	12345	BOLT	1	INCLUDES ITEMS W/*
2*		WASHER, 1/4 IN.		NOT SOLD SEPARATELY
2*	12347	WASHER, 3/8 IN.	1	MQ-45T ONLY
3	12348	HOSE	A/R	MAKE LOCALLY
4	12349	BEARING	1	S/N 2345B AND ABOVE

NO. Column

Unique Symbols - All items with same unique symbol (*, #, +, %, or >) in the number column belong to the same assembly or kit, which is indicated by a note in the "Remarks" column.

Duplicate Item Numbers - Duplicate numbers indicate multiple part numbers are in effect for the same general item, such as different size saw blade guards in use or a part that has been updated on newer versions of the same machine.



When ordering a part that has more than one item number listed, check the remarks column for help in determining the proper part to order.

PART NO. Column

Numbers Used - Part numbers can be indicated by a number, a blank entry, or TBD.

TBD (To Be Determined) is generally used to show a part that has not been assigned a formal part number at time of publication.

A blank entry generally indicates that the item is not sold separately or is not sold by Multiquip. Other entries will be clarified in the "Remarks" Column.

QTY. Column

Numbers Used - Item quantity can be indicated by a number, a blank entry, or A/R.

A/R (As Required) is generally used for hoses or other parts that are sold in bulk and cut to length.

A blank entry generally indicates that the item is not sold separately. Other entries will be clarified in the "Remarks" Column.

REMARKS Column

Some of the most common notes found in the "Remarks" Column are listed below. Other additional notes needed to describe the item can also be shown.

Assembly/Kit - All items on the parts list with the same unique symbol will be included when this item is purchased.

Indicated by:

"INCLUDES ITEMS W/(unique symbol)"

Serial Number Break - Used to list an effective serial number range where a particular part is used.

Indicated by:

"S/N XXXXX AND BELOW"

"S/N XXXX AND ABOVE"

"S/N XXXX TO S/N XXX"

Specific Model Number Use - Indicates that the part is used only with the specific model number or model number variant listed. It can also be used to show a part is NOT used on a specific model or model number variant.

Indicated by:

"XXXXX ONLY"

"NOT USED ON XXXX"

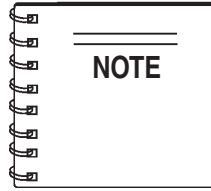
"Make/Obtain Locally" - Indicates that the part can be purchased at any hardware shop or made out of available items. Examples include battery cables, shims, and certain washers and nuts.

"Not Sold Separately" - Indicates that an item cannot be purchased as a separate item and is either part of an assembly/kit that can be purchased, or is not available for sale through Multiquip.

P33/24 HHM-HHMR — SUGGESTED SPARE PARTS

MQ RAMMAX P33/24 HHM-HHMR VIBRATORY TRENCH ROLLER 1 TO 3 UNITS W/HATZ 2 G40

Qty...	P/N	Description
3	49061600	AIR FILTER
3	50379100	FUEL FILTER
3	50302800	OIL FILTER
3	51619	HIGH-PRESSURE FILTER
1	68232	VOLTAGE REGULATOR
1	100105108	SAFETY BUMPER
1	64548	THROTTLE ASSY. (W/LEVER & CABLE)
1	52012	STARTER SWITCH
6	52007	STARTER KEYS
1	1010615126	RECEIVER EYE
1	68752	HOUR METER
1	68552	COCKPIT
3	68744	FUSES

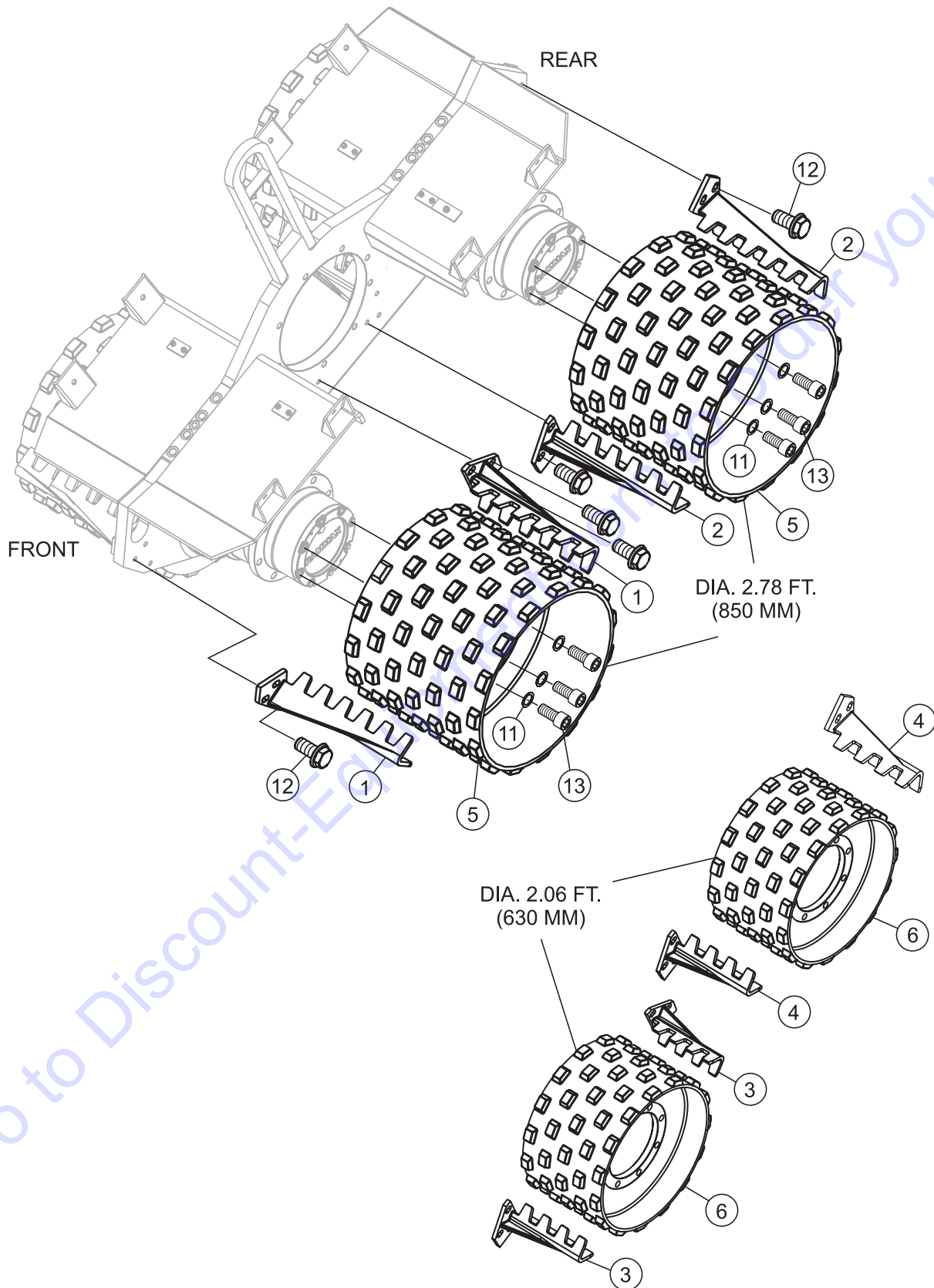


Part numbers on this Suggested Spare Parts List may supercede/replace the P/ N's shown in the test pages of this manual.

Go to Discount-Equipment.com to order your parts

P33/24 HHM-HHMR — STANDARD DRUM ASSY.

STANDARD DRUM ASSY.



P33/24 HHM-HHMR — STANDARD DRUM ASSY.

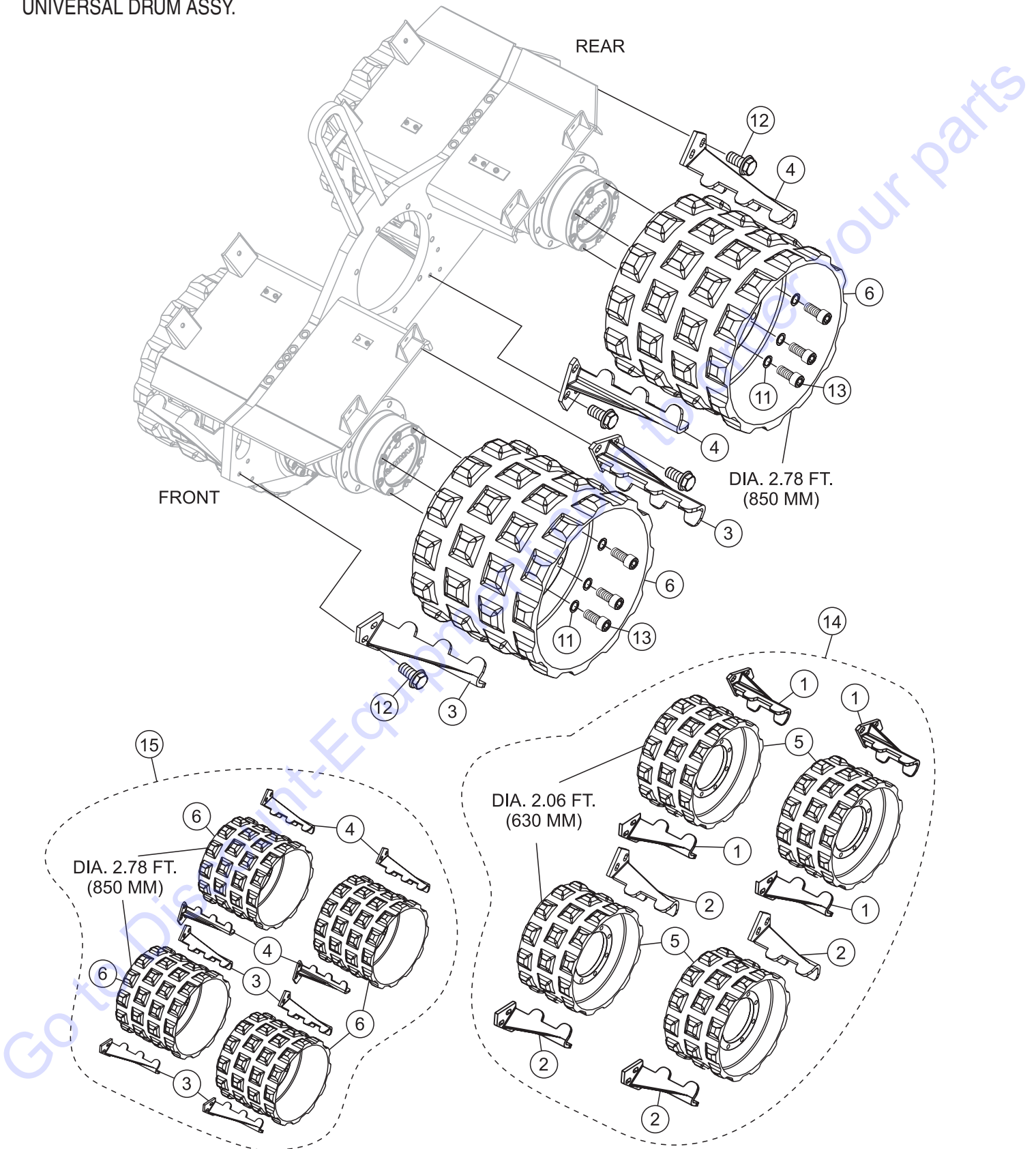
STANDARD DRUM ASSY.

<u>NO.</u>	<u>PART NO.</u>	<u>PART NAME</u>	<u>QTY.</u>	<u>REMARKS</u>
1	00288	SCRAPER, 33" F/R-F/L.....	4.....	USE WITH FRONT DRUM 00422
2	00289	SCRAPER, 33" R/R-R/L.....	4.....	USE WITH REAR DRUM 00422
3	00290	SCRAPER, 24" F/R-F/L.....	4.....	USE WITH FRONT DRUM 00423
4	00291	SCRAPER, 24" R/R-R/L.....	4.....	USE WITH REAR DRUM 00423
5	00422	DRUM, 33" SMALL PADS	4.....	DIA. 2.78 FT. (850 MM)
6	00423	DRUM, 24" SMALL PADS	4.....	DIA. 2.06 FT. (630 MM)
11	58332	RETAINING WASHER, S-18	32	
12	55946	HEX BOLT, M12 X 25	24	
13	54153	ALLEN HEAD CAP SCREW, M18 X 40	32	

Go to Discount-Equipment.com to order your parts

P33/24 HHM-HHMR — UNIVERSAL DRUM ASSY.

UNIVERSAL DRUM ASSY.



P33/24 HHM-HHMR — UNIVERSAL DRUM ASSY.

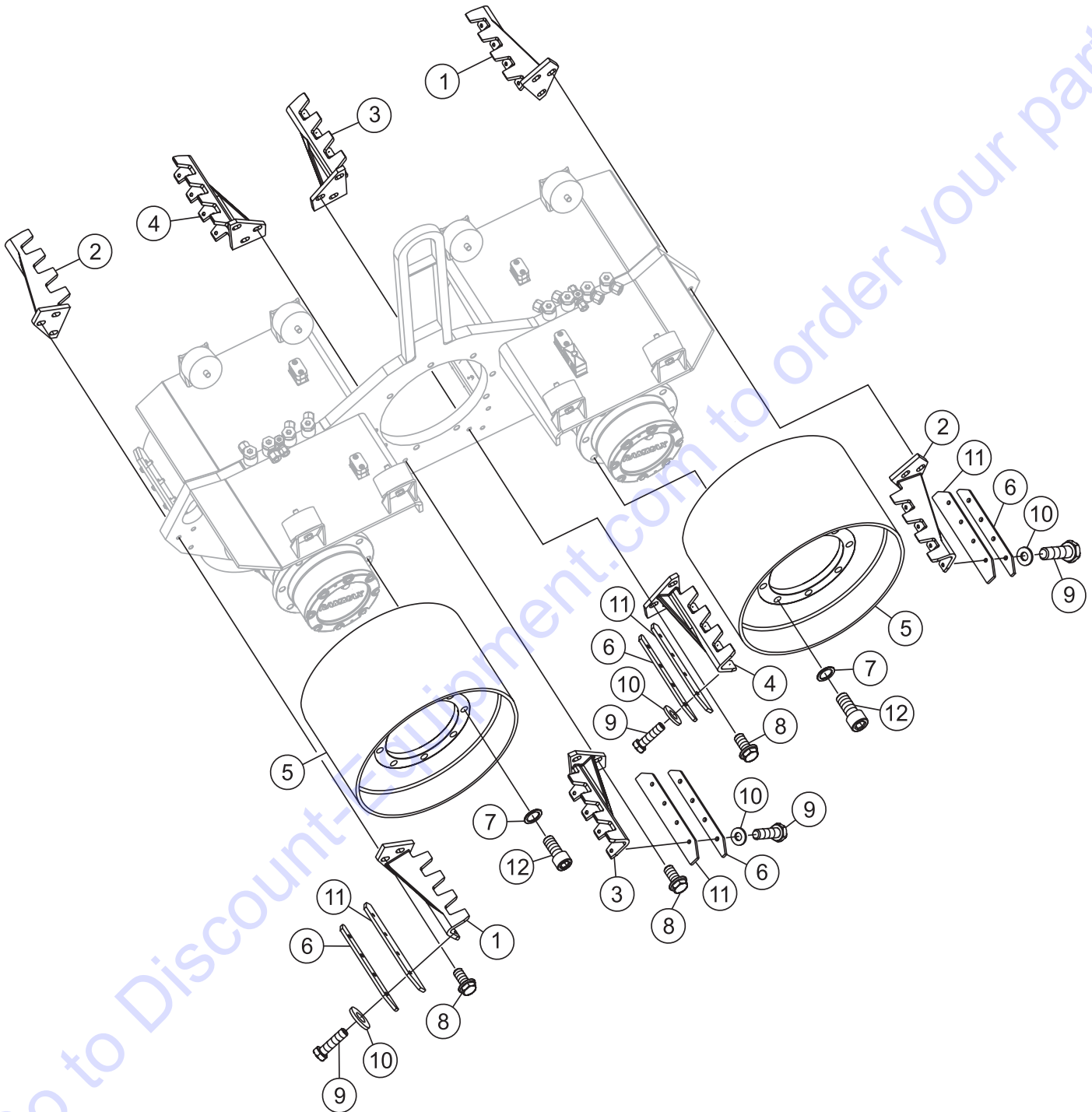
UNIVERSAL DRUM ASSY.

<u>NO.</u>	<u>PART NO.</u>	<u>PART NAME</u>	<u>QTY.</u>	<u>REMARKS</u>
1*	00342	SCRAPER, 24" F/L-R/R	4	USE WITH REAR DRUM 00300
2*	00343	SCRAPER, 24" F/R-L/R	4	USE WITH FRONT DRUM 00300
3#	00344	SCRAPER, 33" F/L-R/R	4	USE WITH FRONT DRUM 00400
4#	00345	SCRAPER, 33" F/R-L/R	4	USE WITH REAR DRUM 00400
5*	00300	DRUM, 24" LARGE PADS	4	DIA. 2.06 FT. (630 MM)
6#	00400	DRUM, 33" LARGE PADS	4	DIA. 2.78 FT (850 MM)
11	58332	RETAINING WASHER, S-18	32	
12	55946	HEX BOLT, M12 X 25	24	
13	54153	ALLEN HEAD CAP SCREW, M18X40	32	
14	KIT24A	DRUM AND SCRAPER KIT	1	CONTACT DISCOUNT-EQUIPMENT INCLUDES ITEMS W/*
15	KIT33A	DRUM AND SCRAPER KIT	1	CONTACT DISCOUNT-EQUIPMENT INCLUDES ITEMS W/#

Go to Discount-Equipment.com to your parts

P33/24 HHM-HHMR — SMOOTH DRUM 24" ASSY.

SMOOTH DRUM 24" ASSY.



P33/24 HHM-HHMR — SMOOTH DRUM 24” ASSY.

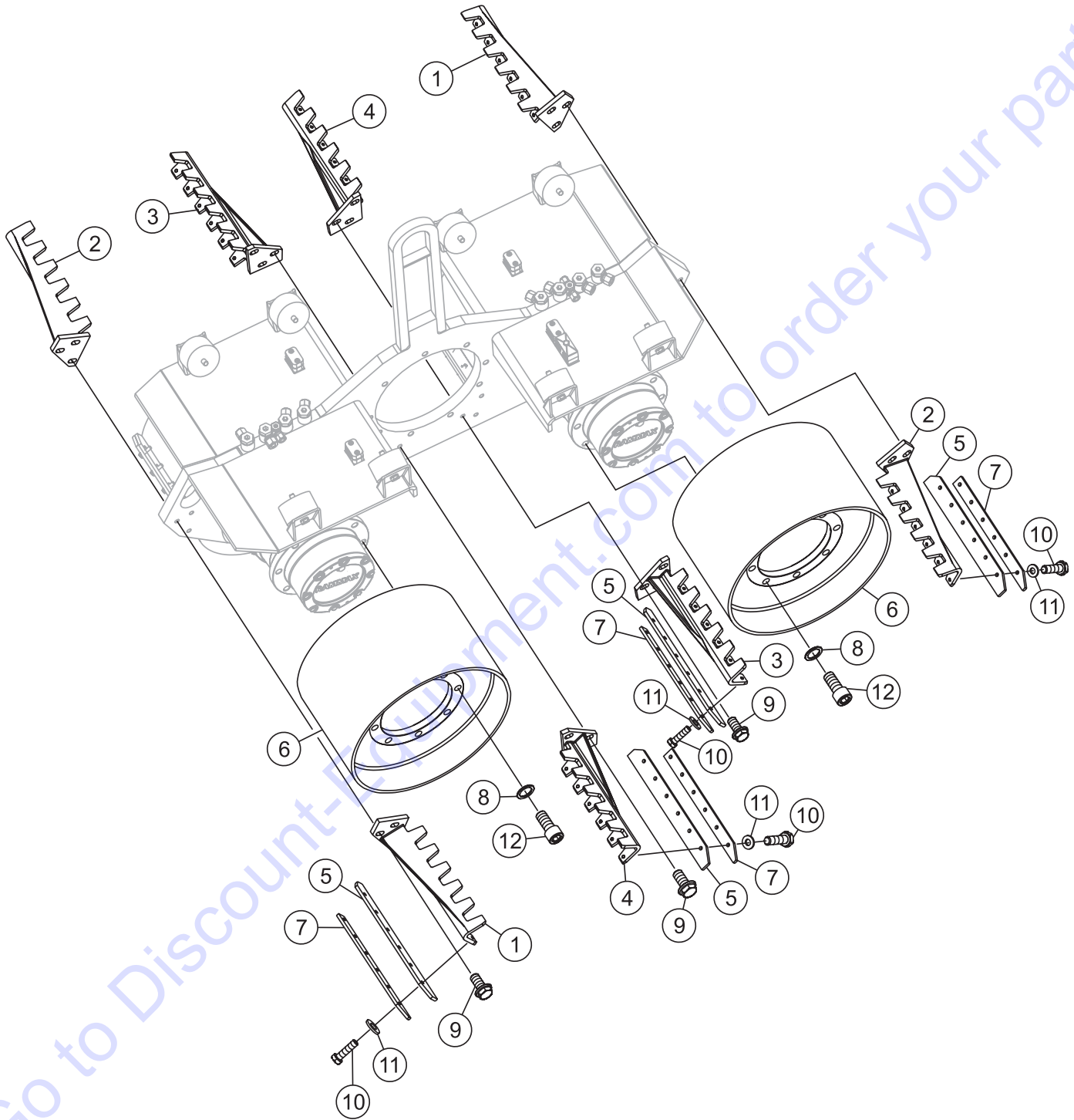
SMOOTH DRUM 24” ASSY.

<u>NO.</u>	<u>PART NO.</u>	<u>PART NAME</u>	<u>QTY.</u>	<u>REMARKS</u>
1	05456	SCRAPER	2	
2	05457	SCRAPER	2	
3	3-10615	SCRAPER	2	
4	3-10616	SCRAPER	2	
5	3-10614	DRUM, DIA. 24”	4	
6	05454	CLAMPING LATH	8	
7	58332	RETAINING WASHER, S-18	32	
8	55946	HEX BOLT, M12X25	24	
9	55902	HEX BOLT, M8X30	32	
10	58222	LOCK WASHER, 8.4X18X2	32	
11	05455	SCRAPER LATH, 3-74102 VULKOLLAN 90°SHORE T=8MM	8	
12	54153	ALLEN HEAD CAP SCREW, M18X40	32	

Go to Discount-Equipment.com to order your parts

P33/24 HHM-HHMR — SMOOTH DRUM 33" ASSY.

SMOOTH DRUM 33" ASSY.



P33/24 HHM-HHMR — SMOOTH DRUM 33" ASSY.

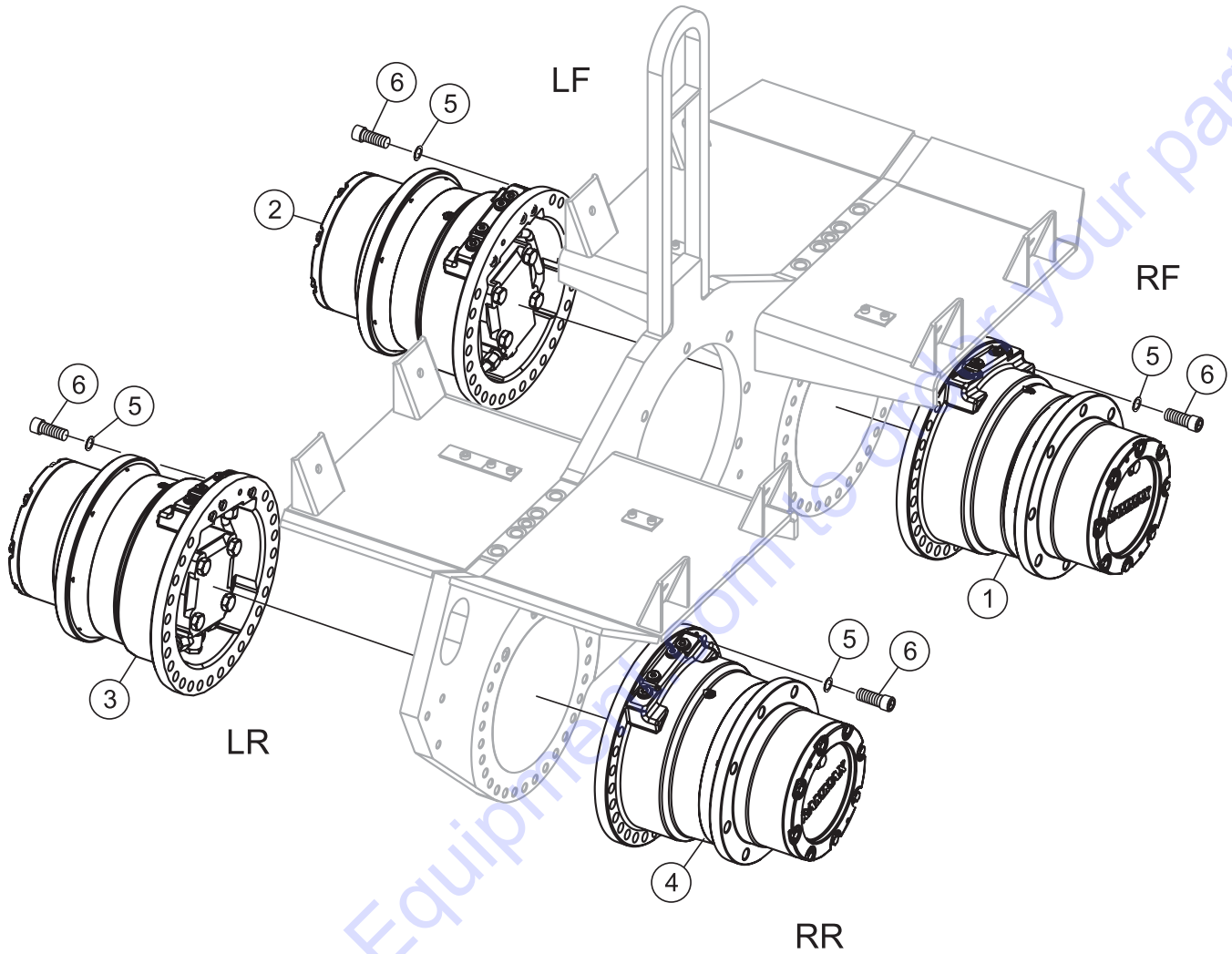
SMOOTH DRUM 33" ASSY.

<u>NO.</u>	<u>PART NO.</u>	<u>PART NAME</u>	<u>QTY.</u>	<u>REMARKS</u>
1	05428	SCRAPER	2	
2	05429	SCRAPER	2	
3	3-10612	SCRAPER	2	
4	3-10613	SCRAPER	2	
5	05426	SCRAPER LATH	8	
6	3-10611	DRUM, DIA. 33"	4	
7	05427	CLAMPING LATH, B6.4	8	
8	58332	RETAINING WASHER, S-18	32	
9	55946	HEX BOLT, M12X25	24	
10	55902	HEX BOLT, M8X30	48	
11	58222	LOCK WASHER, 8.4X18X2	48	
12	54153	ALLEN HEAD CAP SCREW	32	

Go to Discount-Equipment.com to order your parts

P33/24 HHM-HHMR — HYDRAULIC MOTOR 1 ASSY.

HYDRAULIC MOTOR 1 ASSY.



P33/24 HHM-HHMR — HYDRAULIC MOTOR 1 ASSY.

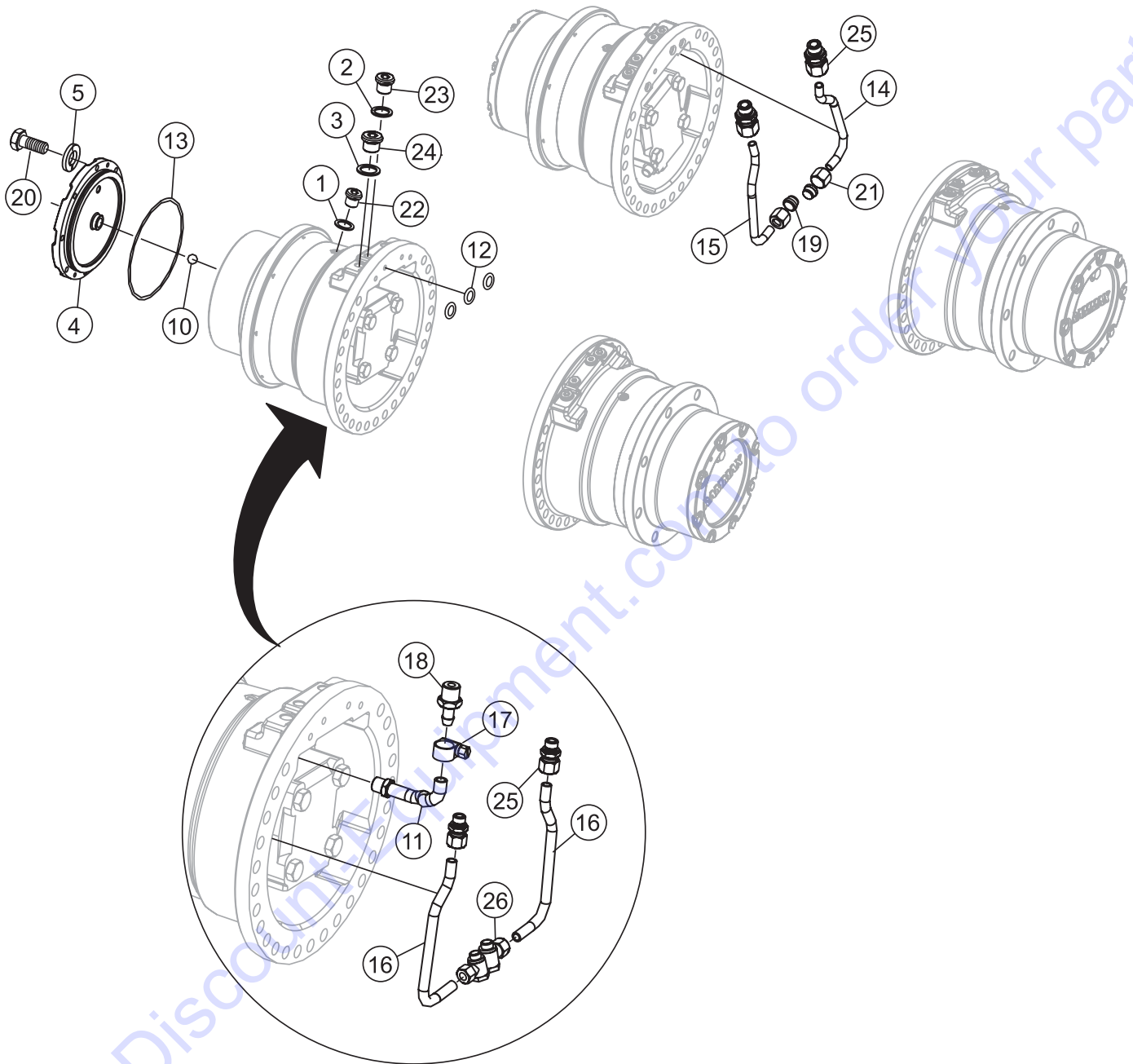
HYDRAULIC MOTOR 1 ASSY.

<u>NO.</u>	<u>PART NO.</u>	<u>PART NAME</u>	<u>QTY.</u>	<u>REMARKS</u>
1	88022	HYDRAULIC MOTOR, R/F WITHOUT BRAKE	1	
2	88021	HYDRAULIC MOTOR, L/F WITH BRAKE	1	
3	88022	HYDRAULIC MOTOR, L/R WITHOUT BRAKE	1	
4	88021	HYDRAULIC MOTOR, R/R WITH BRAKE	1	
5	58329	RETAINING WASHER, S-14	48	
6	54110	ALLEN HEAD CAP SCREW, M14 X 40	48	

Go to Discount-Equipment.com to order your parts

P33/24 HHM-HHMR — HYDRAULIC MOTOR 2 ASSY.

HYDRAULIC MOTOR 2 ASSY.



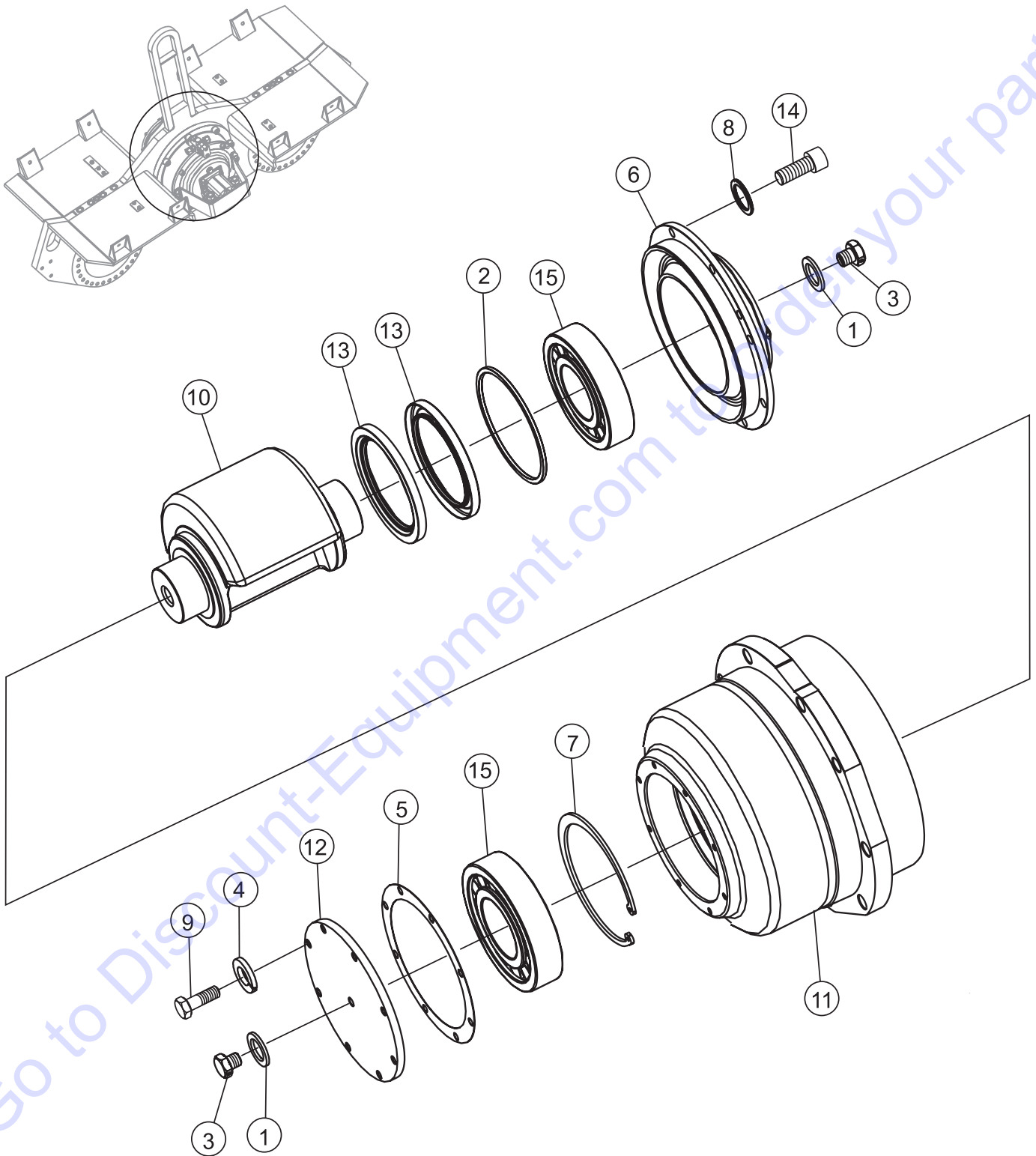
P33/24 HHM-HHMR — HYDRAULIC MOTOR 2 ASSY.

HYDRAULIC MOTOR 2 ASSY.

<u>NO.</u>	<u>PART NO.</u>	<u>PART NAME</u>	<u>QTY.</u>	<u>REMARKS</u>
1	58618	COPPER RING, 10 X 14 X 1	4	
2	58605	COPPER RING	8	
3	58606	COPPER RING, 16 X 22 X 1.5	8	
4	46203	BONNET, COVER	4	
5	58429	SPRING WASHER	32	
10	51215	BALL, RB-16 KI.5	4	
11	67000	OIL OVER FLOW HOSE	4	
12	62031	O-RING, 14 X 3 AU 90° SHORE	12	
13	62166	O-RING	4	
14	46222	PIPE	2	
15	46223	PIPE	2	
16	46224	PIPE	4	
17	63250	BRACKET, ABA 8- 12 X 9	4	
18	57775	HOSE STEM, M14 X 1.5	4	
19	57682	CUTTING RING, 12-L/S	4	
20	55901	HEX BOLT, M8 X 20	32	
21	57689	HEX NUT, 12-S	4	
22	58800	DRAIN PLUG, M10 X 1	4	
23	58814	DRAIN PLUG, M14 X 1.5	8	
24	58813	DRAIN PLUG, M16 X 1.5	8	
25	57475	HYDRAULIC FITTING, G3 12 LM	8	
26	57529	HYDRAULIC FITTING, SWVE 12 LM	4	

P33/24 HHM-HHMR — VIBRATOR ASSY.

VIBRATOR ASSY.



P33/24 HHM-HHMR — VIBRATOR ASSY.

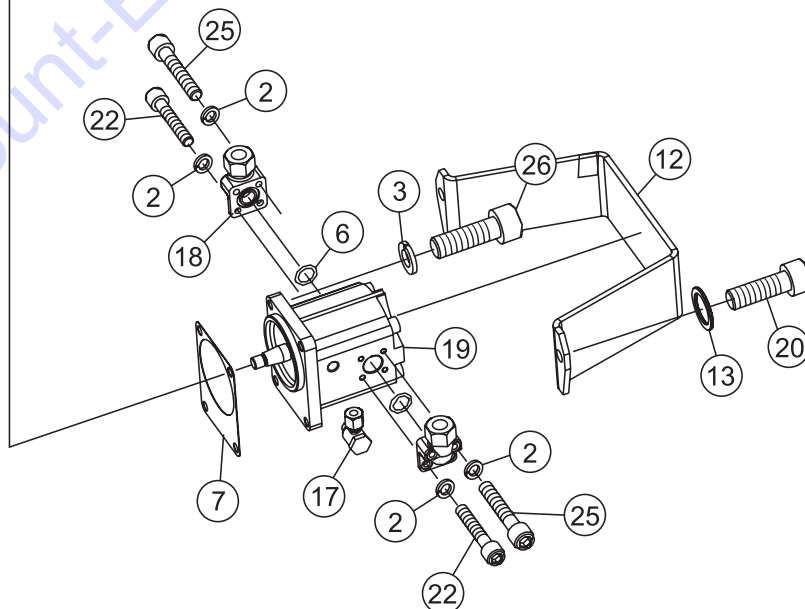
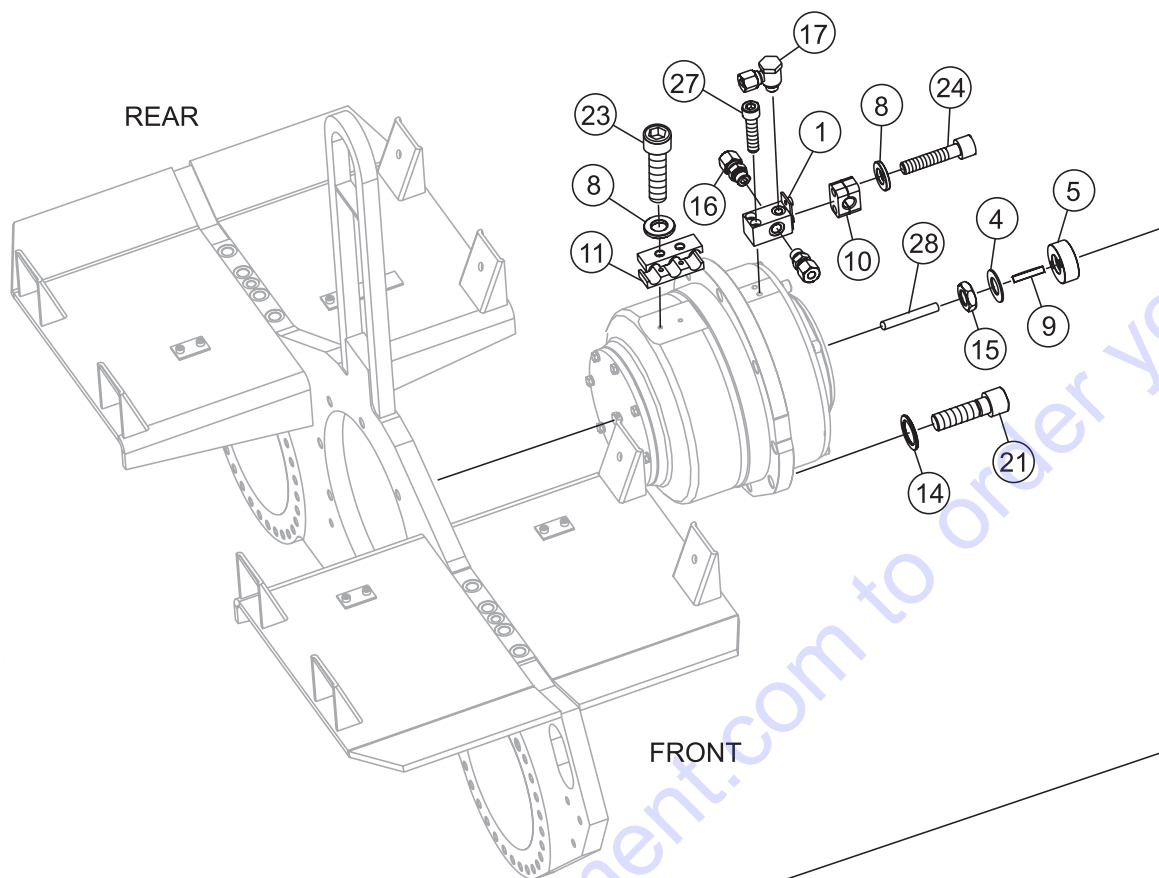
VIBRATOR ASSY.

<u>NO.</u>	<u>PART NO.</u>	<u>PART NAME</u>	<u>QTY.</u>	<u>REMARKS</u>
1	58603	COPPER RING, 12 X 18 X 1.5	2	
2	00405	SPACER RING	1	
3	00374	VENT SCREW	2	
4	58429	SPRING WASHER	8	
5	3-10146	PAPER SEAL	1	
6	3-10144	BEARING HOUSING	1	
7	58974	RING, I 170	1	
8	58335	RETAINING WASHER, S-12 VERZ.	6	
9	55903	HEX BOLT, M8 X 25	8	
10	3-10142	EXCENTRIC WEIGHT	1	STANDARD
10	3-10486	EXCENTRIC WEIGHT	1	VARIABLE
11	3-10143	EXCENTRIC HOUSING	1	
12	3-10145	COVER	1	
13	62503	SHAFT SEAL, 135 X 170 X 12 B1	2	
14	54648	ALLEN HEAD CAP SCREW, M12 X 30	6	
15	51102	ROLLER BEARING, NJ 316	2	

Go to Discount-Equipment.com to order your parts

P33/24 HHM-HHMR — VIBRATOR MOTOR ASSY.

VIBRATOR MOTOR ASSY.



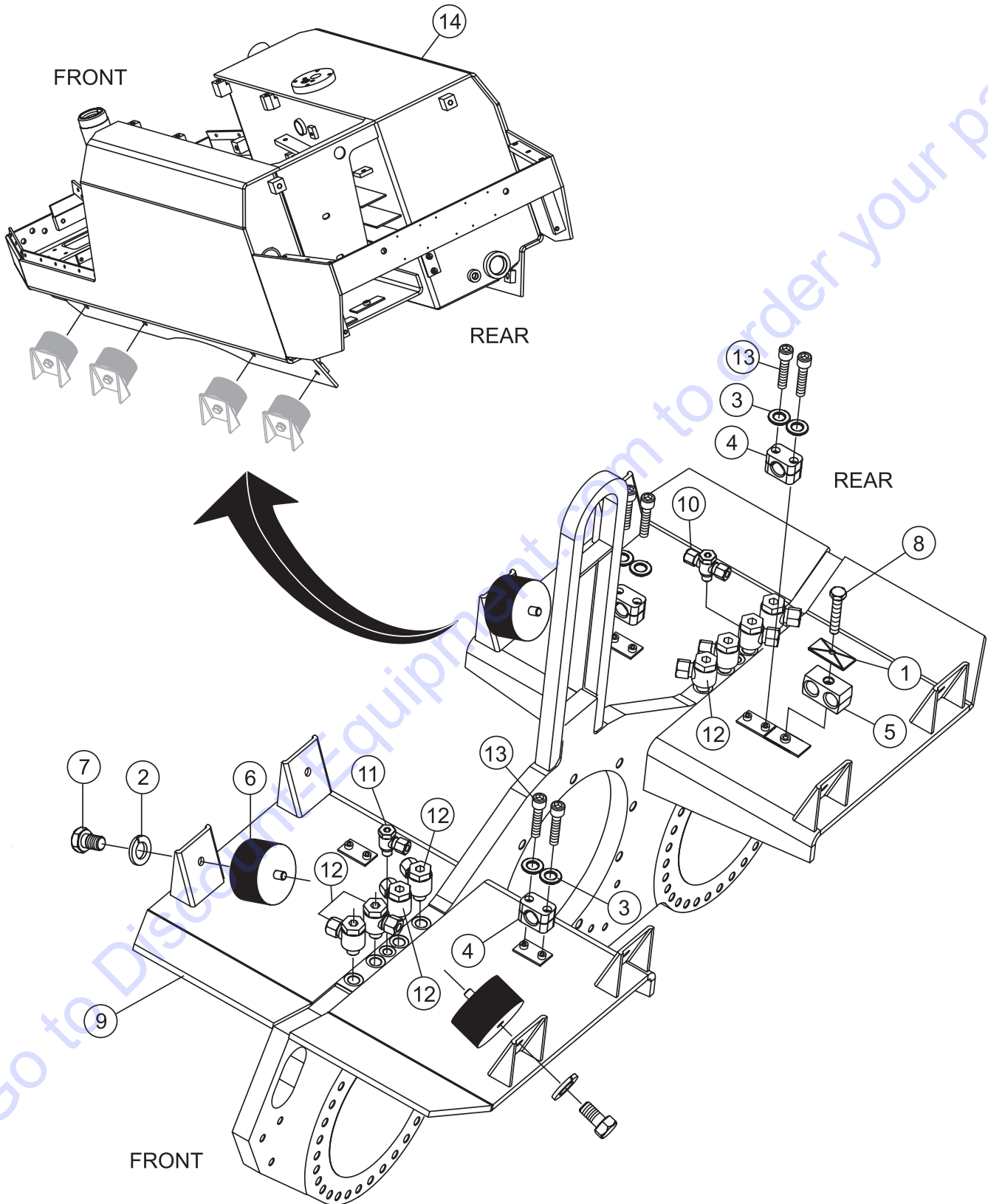
P33/24 HHM-HHMR — VIBRATOR MOTOR ASSY.

VIBRATOR MOTOR ASSY.

<u>NO.</u>	<u>PART NO.</u>	<u>PART NAME</u>	<u>QTY.</u>	<u>REMARKS</u>
1	05421	MANIFOLD	1	
2	58428	SPRING WASHER	8	
3	58429	SPRING WASHER	4	
4	58277	SPRING WASHER, B 12	1	
5	00397	COUPLING	1	
6	62039	O-RING, DURCHM. 18 X 25	2	
7	64100	PAPER SEAL, KM 1/11	1	
8	58025	WASHER, B 6.4	4	
9	59027	WOODRUFF KEY, 3 X 6.5	1	
10	63152	STRAP, GR.3 DURCHM. 18	1	
11	63175	STRAP, GR.3 18 X 18 X 18	2	
12	3-10184	SHEET METAL GUARD	1	
13	58335	RETAINING WASHER, S-12 VERZ.	2	
14	58331	RETAINING WASHER, S-16 VERZ.	9	
15	57171	HEX NUT, BM 12 X 1.5	1	
16	57503	HYDRAULIC FITTING, GE 10 SM	2	
17	57526	HYDRAULIC FITTING, SWVE 8 LM	2	
18	57635	HYDRAULIC FITTING, WF-35LK-L15-250	2	
19	50104	GEAR MOTOR, KM 1/11	1	
20	54649	ALLEN HEAD CAP SCREW, M12 X 35	2	
21	54516	ALLEN HEAD CAP SCREW, M16 X 55	9	
22	54604	ALLEN HEAD CAP SCREW, M6 X 20	4	
23	54605	ALLEN HEAD CAP SCREW, M6 X 25	2	
24	54606	ALLEN HEAD CAP SCREW, M6 X 30	2	
25	54607	ALLEN HEAD CAP SCREW, M6 X 35	4	
26	54619	ALLEN HEAD CAP SCREW, M8 X 25	4	
27	54621	ALLEN HEAD CAP SCREW, M8 X 35	2	
28	59524	PARALLEL PIN, 10M6 X 40	2	

P33/24 HHM-HHMR — MOUNTING FRAME ASSY.

MOUNTING FRAME ASSY.



P33/24 HHM-HHMR — MOUNTING FRAME ASSY.

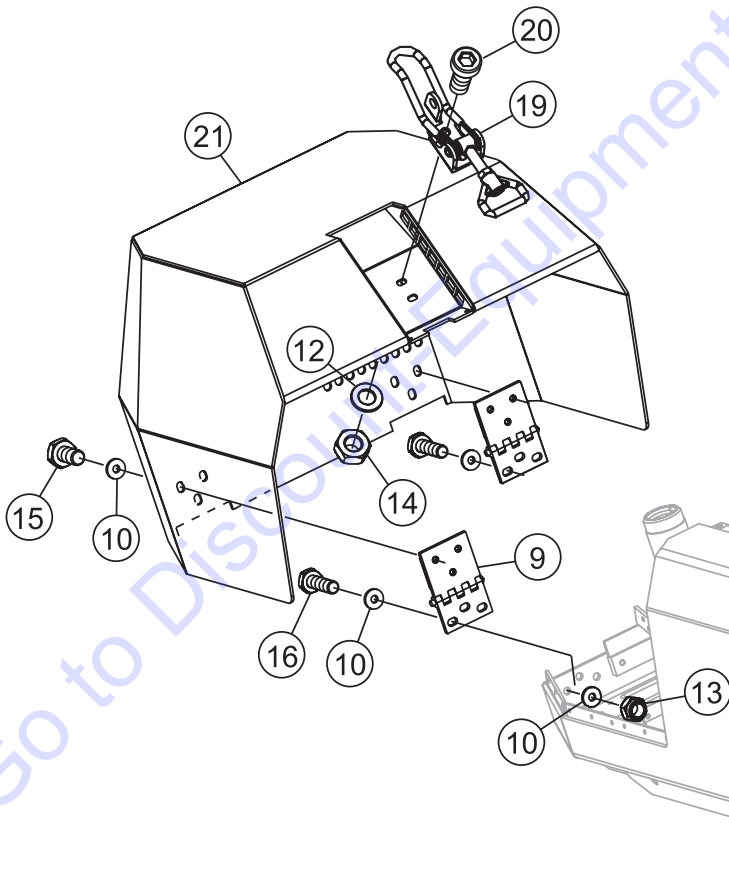
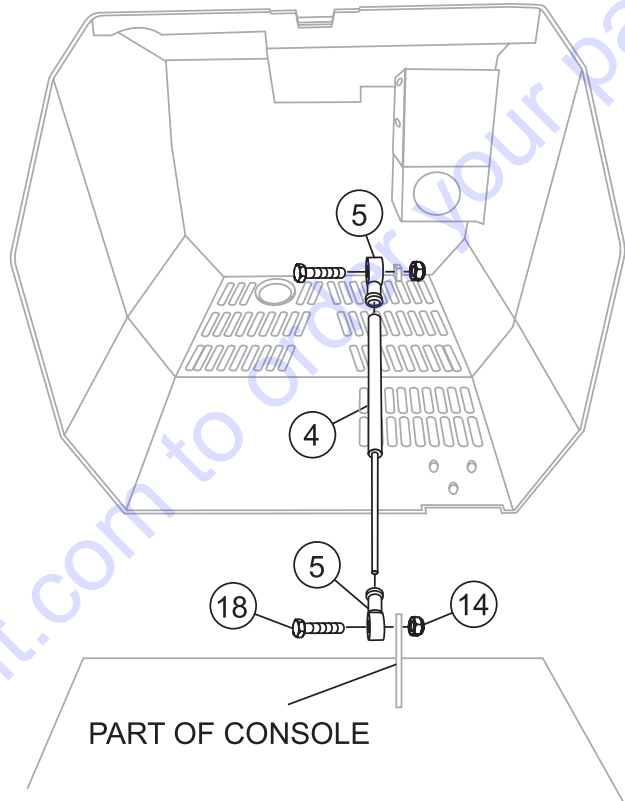
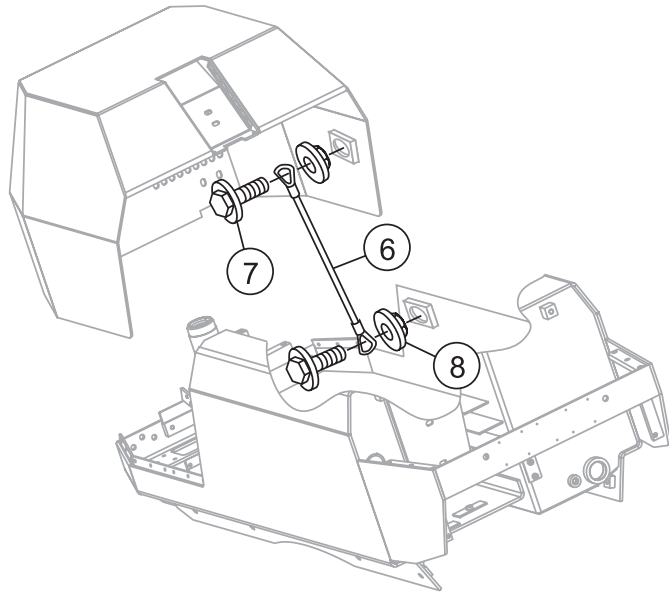
MOUNTING FRAME ASSY.

<u>NO.</u>	<u>PART NO.</u>	<u>PART NAME</u>	<u>QTY.</u>	<u>REMARKS</u>
1	63093	COVER PLATE, GR.3 GD	1	
2	58431	SPRING WASHER, A 12	8	
3	58025	WASHER, B 6.4	8	
4	63154	STRAP, GR.3 DURCHM. 22	4	
5	63171	STRAP, GR.3D 22X22	1	
6	63533	SHOCK MOUNT, 90 X 50 - 45°SHORE	8	
7	55721	HEX BOLT, M12 X 18	8	
8	55706	HEX BOLT, M8 X 45	1	
9	05281	MOUNTING FRAME COMPL.	1	
10	57484	HYDRAULIC FITTING, TH 10 PLM	1	
11	57577	HYDRAULIC FITTING, WHO 10 LM	1	
12	57578	HYDRAULIC FITTING, WHO 12 SM	8	
13	54606	ALLEN HEAD CAP SCREW, M6 X 30	8	
14	05267	CONSOLE COMPL.	1	

Go to Discount-Equipment.com to order your parts

P33/24 HHM-HHMR — ENGINE COVER PLATE ASSY.

ENGINE COVER PLATE ASSY.



P33/24 HHM-HHMR — ENGINE COVER PLATE ASSY.

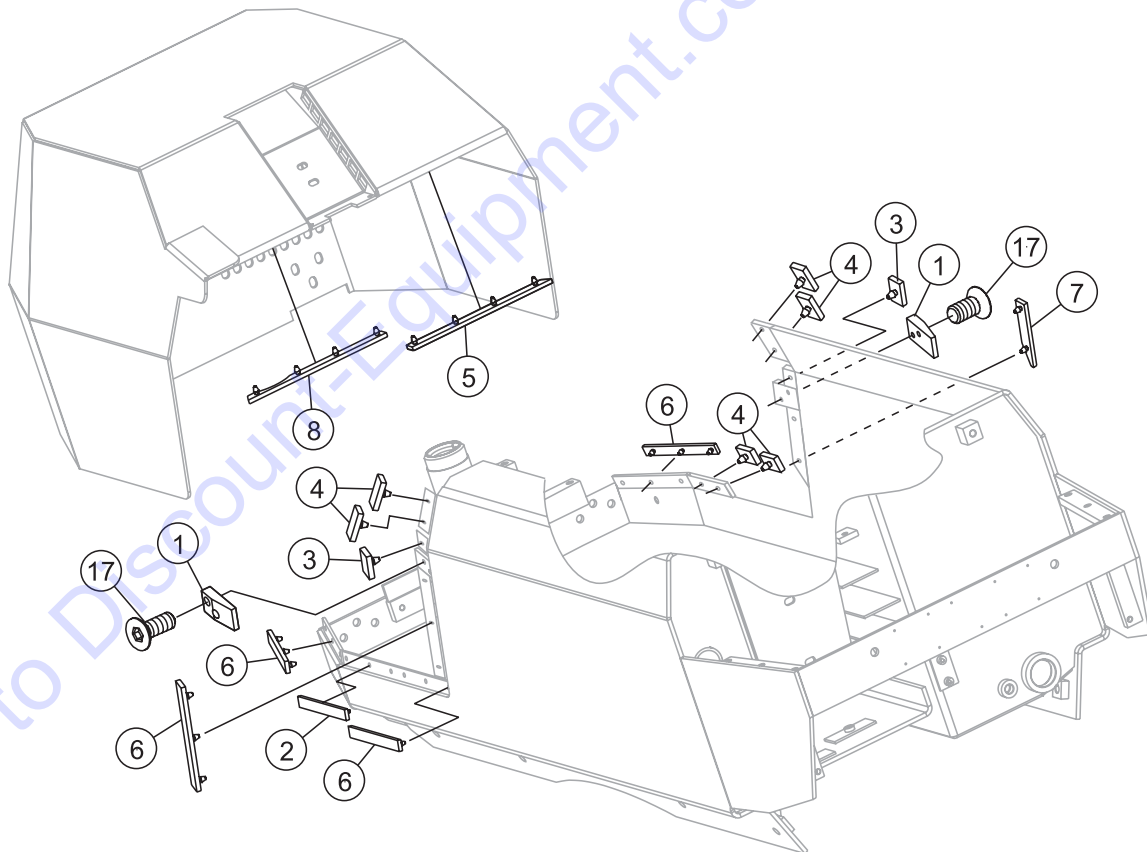
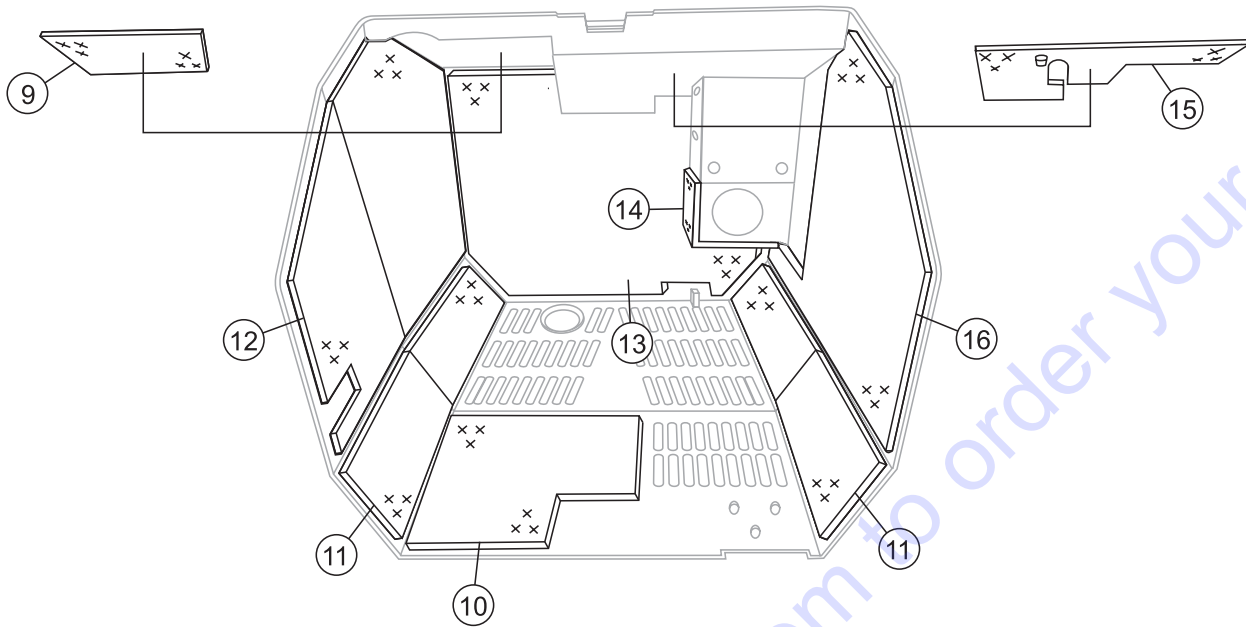
ENGINE COVER PLATE ASSY.

<u>NO.</u>	<u>PART NO.</u>	<u>PART NAME</u>	<u>QTY.</u>	<u>REMARKS</u>
4	59143	GAS PRESSURE SPRING	1	
5	63930	ARTICULATED EYE, AG 36	2	
6	05239	WIRE CABLE	1	
7	07254	PRESS-SCREW	2	
8	07253	PRESS-NUT	2	
9	3-10028	HINGE	2	
10	58125	WASHER, A 10.5 ST	18	
12	58026	WASHER, B 8.4	2	
13	57103	HEX NUT, M10	6	
14	57079	HEX NUT, M 8	4	
15	55911	HEX BOLT, M10 X 20	6	
16	55914	HEX BOLT, M10 X 35	6	
18	55908	HEX BOLT, M8 X 35	2	
19	05725	TOGGLE - TYPE FASTENER	1	
20	54803	ALLEN HEAD CAP SCREW, M8 X 20	2	
21	05246	COVER PLATE, ENGINE	1	

Go to Discount-Equipment.com to order your parts

P33/24 HHM-HHMR — INSULATING BOARD ASSY.

INSULATING BOARD ASSY.



P33/24 HHM-HHMR — INSULATING BOARD ASSY.

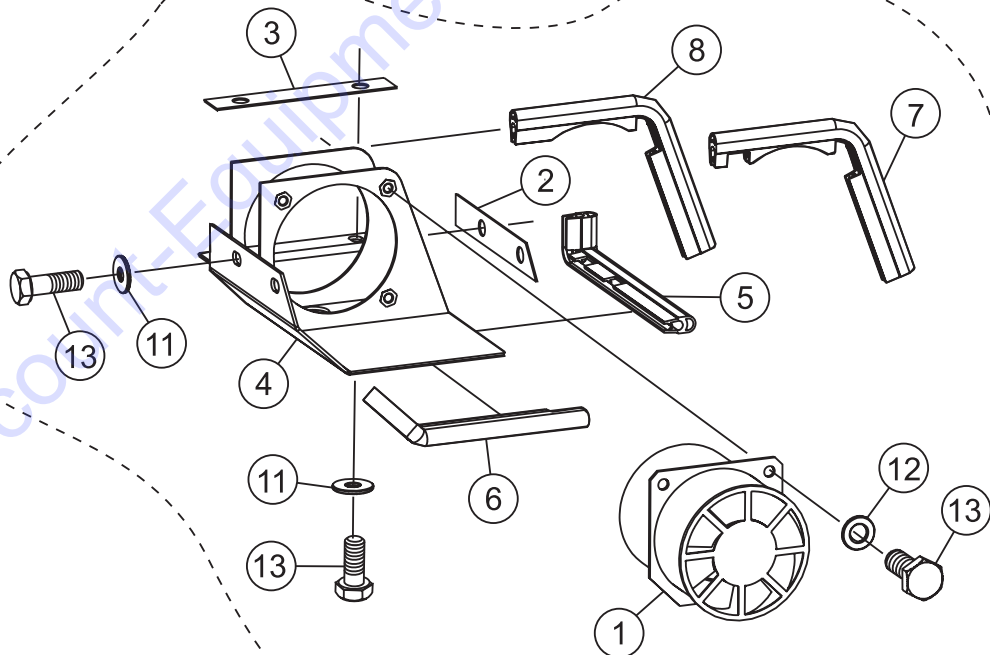
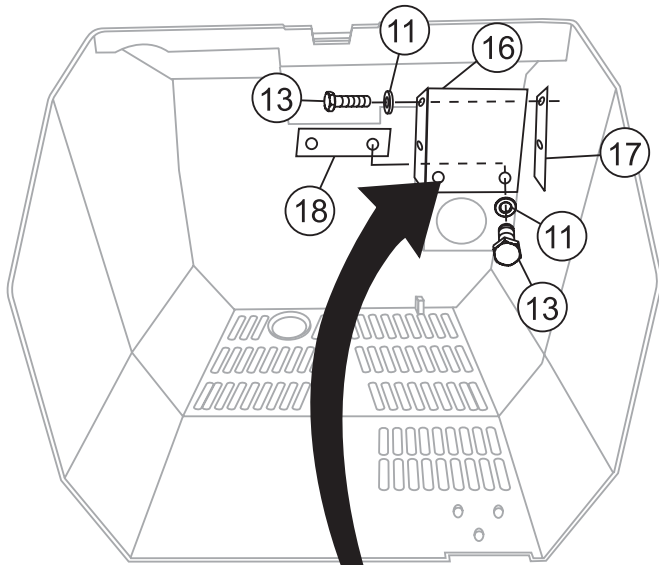
INSULATING BOARD ASSY.

<u>NO.</u>	<u>PART NO.</u>	<u>PART NAME</u>	<u>QTY.</u>	<u>REMARKS</u>
1	05312	STOP PLATE	2	
2	05223	SEAL LATH	1	
3	05254	SEAL LATH	2	
4	05255	SEAL LATH	6	
5	05522	SEAL LATH	1	
6	05594	SEAL LATH	4	
7	3-10021	SEAL LATH	1	
8	3-10156	SEAL LATH	1	
9	3-10109	SOUND DAMPENING PLATE	1	
10	3-10112	SOUND DAMPENING PLATE	1	
11	3-10120	SOUND DAMPENING PLATE	1	
12	3-10116	SOUND DAMPENING PLATE	1	
13	3-10117	SOUND DAMPENING PLATE	1	
14	3-10337	SOUND DAMPENING PLATE	1	
15	3-10338	SOUND DAMPENING PLATE	1	
16	3-10339	SOUND DAMPENING PLATE	1	
17	56055	SCREW, M6 X 12	4	

Go to Discount-Equipment.com to order your parts

P33/24 HHM-HHMR — CYCLONE FILTER ASSY.

CYCLONE FILTER ASSY.



OPTIONAL CYCLONE FILTER

P33/24 HHM-HHMR — CYCLONE FILTER ASSY.

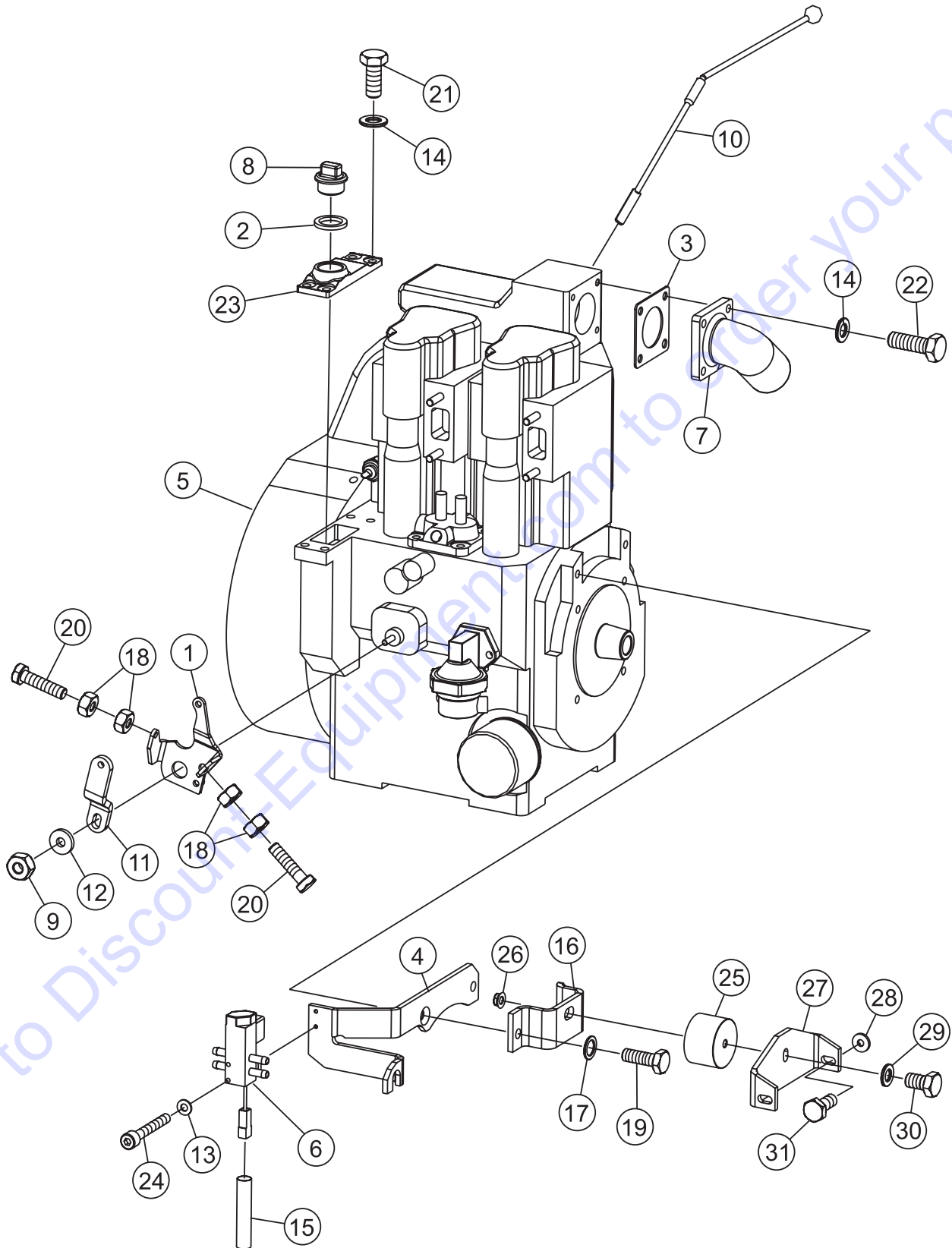
CYCLONE FILTER ASSY.

<u>NO.</u>	<u>PART NO.</u>	<u>PART NAME</u>	<u>QTY.</u>	<u>REMARKS</u>
1	3-10443	CYCLONE FILTER COMPL.	1	
2	3-10331	GASKET	1	
3	3-10332	GASKET	1	
4	3-10328	FILTER SUPPORT	1	
5	3-10341	EDGE PROTECTION	1	
6	3-10342	EDGE PROTECTION	1	
7	3-10343	EDGE PROTECTION	1	
8	3-10344	EDGE PROTECTION	1	
11	58176	WASHER, A 6.4	8	
12	58025	WASHER, B 6.4	3	
13	55892	HEX BOLT, M6 X 16	11	
16	3-10333	COVER ANGLE	1	
17	3-10331	GASKET	1	
18	3-10332	GASKET	1	

Go to Discount-Equipment.com to order your parts

P33/24 HHM-HHMR — DIESEL ENGINE ASSY.

DIESEL ENGINE ASSY.



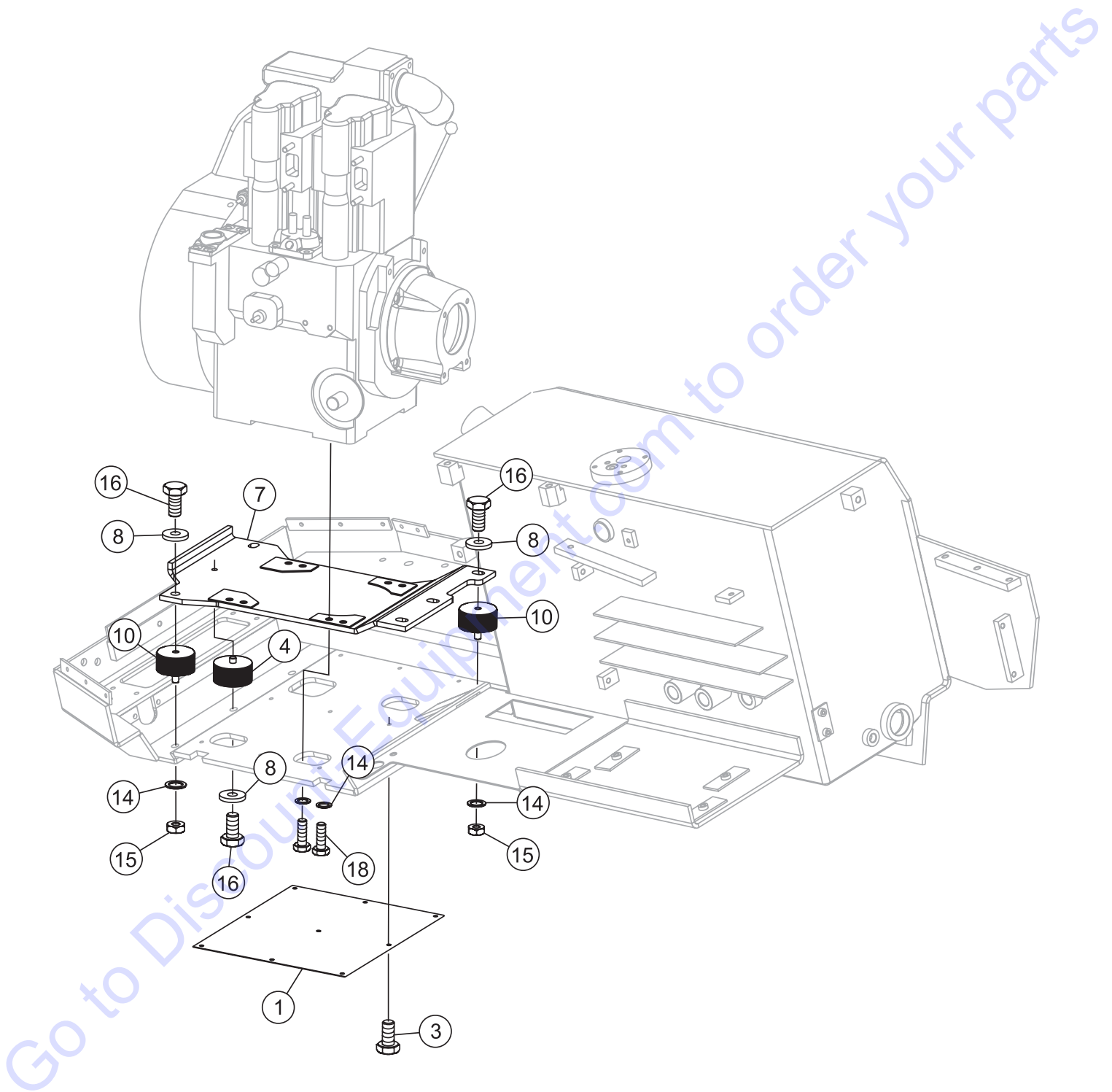
P33/24 HHM-HHMR — DIESEL ENGINE ASSY.

DIESEL ENGINE ASSY.

<u>NO.</u>	<u>PART NO.</u>	<u>PART NAME</u>	<u>QTY.</u>	<u>REMARKS</u>
1	3-10214	MANIFOLD	1	
2	05341	GASKET	1	
3	01285600	GASKET	1	
4	05408	VALVE PLATE	1	
5	49531	ENGINE 2 G40	1	
6	01178100	VALVE SHUTOFF	1	
7	05975	AIR SUCTION MANIFOLD	1	
8	00632101	ENGINE OIL CAP	1	
9	50328300	SCREW NUT	1	
10	50469200	GAUGE OIL	1	
11	05658	LEVER COMPL.	1	
12	58107	WASHER, A 6.4 ST	1	
13	58038	WASHER, B 4.3	2	
14	58026	WASHER, B 8.4	8	
15	3-10160	SHRINKABLE SLEEVE	1	
16	3-10335	SHOCK MOUNT FASTENING	1	
17	58334	RETAINING WASHER, S-10	2	
18	57028	HEX NUT, M 6	4	
19	55913	HEX BOLT, M10 X 30	2	
20	55895	HEX BOLT, M6 X 25	2	
21	55901	HEX BOLT, M8 X 20	4	
22	55903	HEX BOLT, M8 X 25	4	
23	05959	COVER	1	
24	54192	ALLEN HEAD CAP SCREW, M4 X 30	2	
25	63501	SHOCK MOUNT, 75 X 50 FORM D/45° SHORE	1	
26	57270	HEX NUT, M 12	1	
27	3-10334	HOLDING ANGLE	1	
28	58125	WASHER, A 10.5 ST	2	
29	58028	WASHER, B 13	1	
30	55920	HEX BOLT, M12 X 20	1	
31	55912	HEX BOLT, M10 X 25	2	

P33/24 HHM-HHMR — ENGINE SHOCK MOUNT ASSY.

ENGINE SHOCK MOUNT ASSY.



P33/24 HHM-HHMR — ENGINE SHOCK MOUNT ASSY.

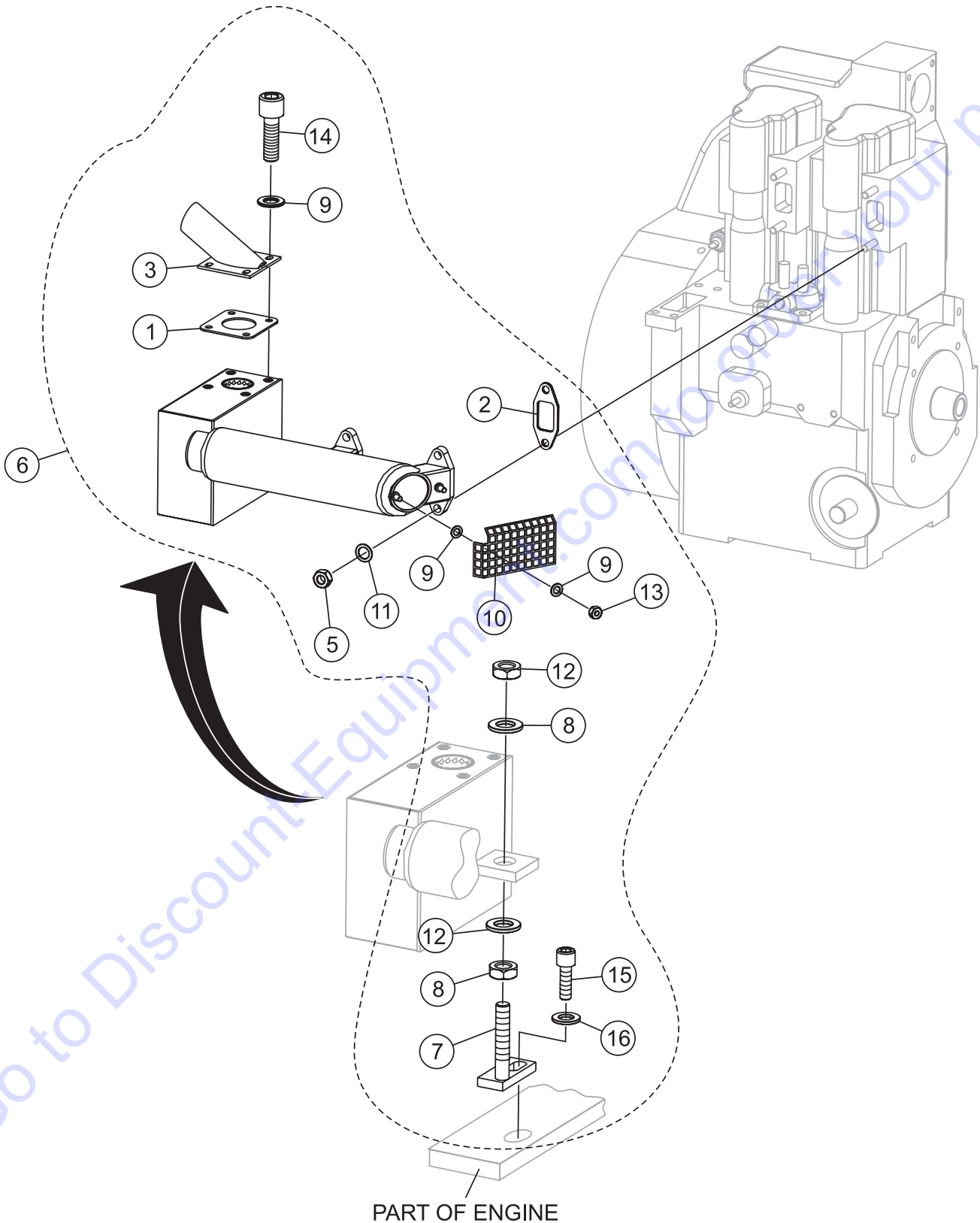
ENGINE SHOCK MOUNT ASSY.

<u>NO.</u>	<u>PART NO.</u>	<u>PART NAME</u>	<u>QTY.</u>	<u>REMARKS</u>
1	3-10227	COVER SHEET	1	
3	55959	HEX BOLT, M6 X 12	9	
4	3-10135	SHOCKMOUNT	1	
7	05420	ENGINE TUB	1	
8	58125	WASHER, A 10.5 ST	6	
10	63521	SHOCK MOUNT, 60X30 FORM B	5	
14	58334	RETAINING WASHER, S-10	13	
15	57030	HEX NUT, M10	5	
16	55911	HEX BOLT, M10 X 20	6	
18	55913	HEX BOLT, M10 X 30	8	

Go to Discount-Equipment.com to order your parts

P33/24 HHM-HHMR — EXHAUST SILENCER ASSY.

EXHAUST SILENCER ASSY.



P33/24 HHM-HHMR — EXHAUST SILENCER ASSY.

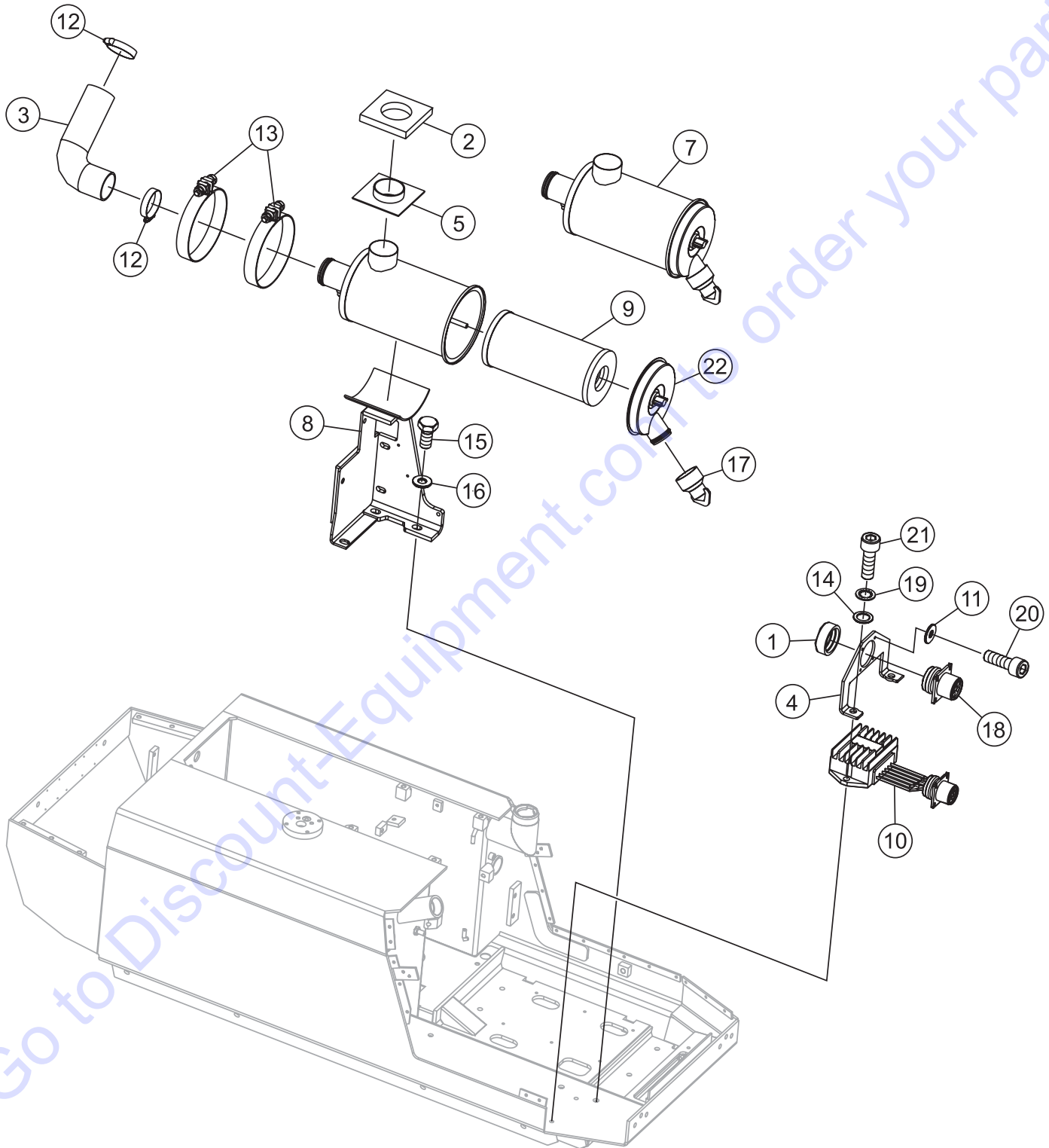
EXHAUST SILENCER ASSY.

<u>NO.</u>	<u>PART NO.</u>	<u>PART NAME</u>	<u>QTY.</u>	<u>REMARKS</u>
1*	05613	GASKET	1	
2*	01285500	GASKET	2	
3*	05610	OUTPUT TUBE	1	
5*	40028400	COPPER HEX NUT, M8	4	
6	90215	EXHAUST SILENCER WITH HARDWARE	1	INCLUDES ITEMS W/*
7*	05290	EXHAUST SILENCER SUPPORT	1	
8*	58028	WASHER, B 13	2	
9*	58025	WASHER, B 6.4	8	
10*	3-10027	PROTECTIVE GRATING	1	
11*	58325	RETAINING WASHER, S-8 VERZINKT	4	
12*	57131	HEX NUT, M 12	2	
13*	57028	HEX NUT, M 6	2	
14*	54604	ALLEN HEAD CAP SCREW, M6 X 20	4	
15*	54632	ALLEN HEAD CAP SCREW, M10 X 25	1	
16*	58027	WASHER, B 10.5	1	

Go to Discount-Equipment.com to order your parts

P33/24 HHM-HHMR — AIR CLEANER ASSY.

AIR CLEANER ASSY.



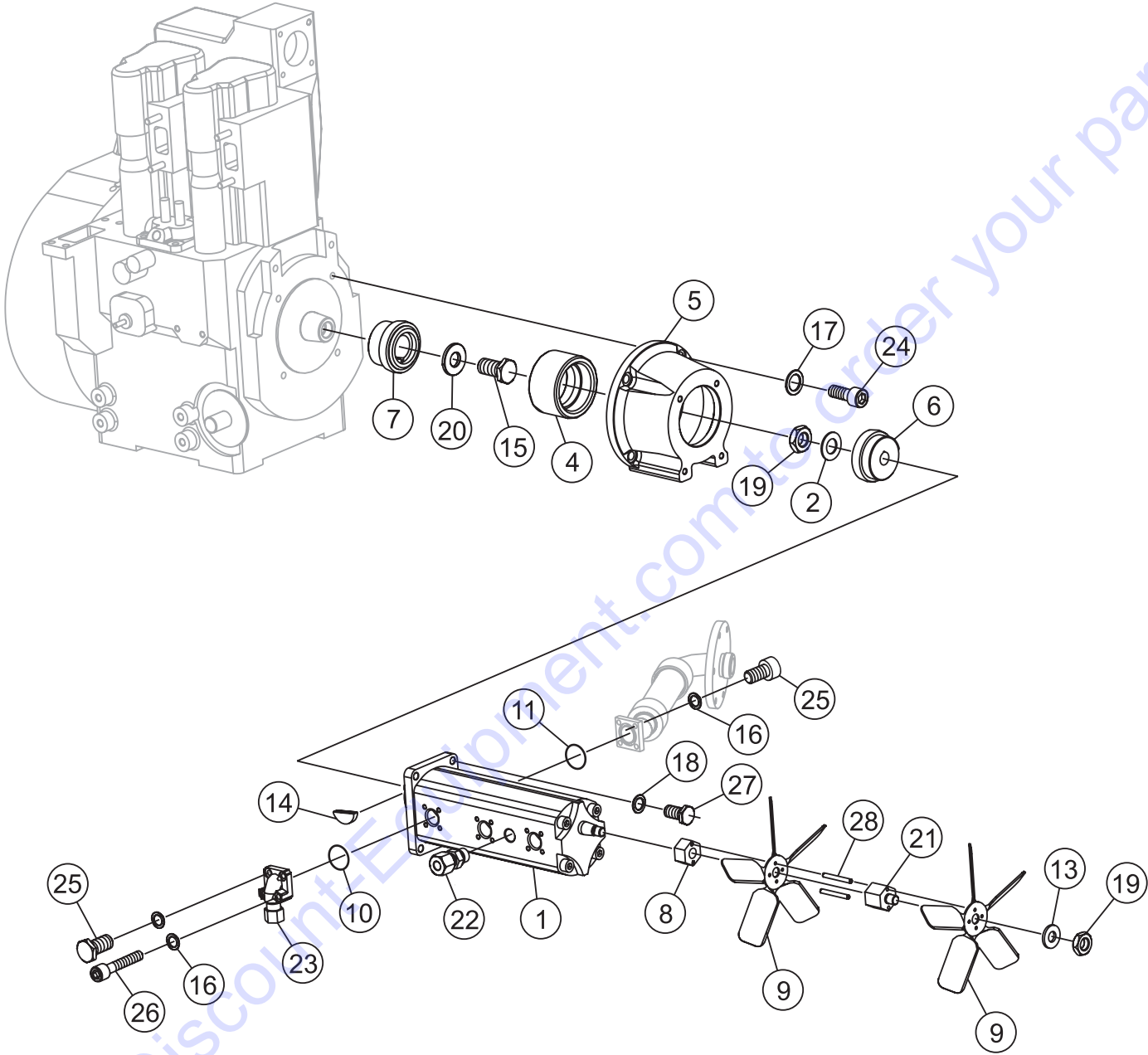
P33/24 HHM-HHMR — AIR CLEANER ASSY.

AIR CLEANER ASSY.

<u>NO.</u>	<u>PART NO.</u>	<u>PART NAME</u>	<u>QTY.</u>	<u>REMARKS</u>
1	68723	BEARING BUSH, HD 16-6-12 S-BO10	1	
2	3-10026	CELLULAR RUBBER PLATE	1	
3	3-10136	PIPE INLET	1	
4	3-10209	HOLDING ANGLE	1	
5	3-10025	CLAMP PIECE	1	
7	69209	AIR CLEANER COMPL.	1	
8	3-10315	AIR FILTER HOLDING DEVICE	1	
9	69210	AIR CLEANER CARTRIDGE	1	
10	68232	VOLTAGE REGULATOR	1	
11	3-58180	WASHER, A 3.2	4	
12	63268	BRACKET, ABA 44-56X12.2	2	
13	63281	BRACKET, NORMA 142	2	
14	58325	RETAINING WASHER, S-8	2	
15	55924	HEX BOLT, M12 X 25	3	
16	58224	LOCK WASHER, 13X29X3	3	
17	69205	RUBBER CAP	1	
18	68722	CONNECTOR, HD 10-6-12P	1	
19	58302	TOOTHED LOCK WASHER, I 8.2	2	
20	56130	ALLEN HEAD CAP SCREW, M3X8	4	
21	54619	ALLEN HEAD CAP SCREW, M8X25	2	
22	69218	AIR FILTER COVER W/ WING NUT	1	

P33/24 HHM-HHMR — PUMP ASSY.

PUMP ASSY.



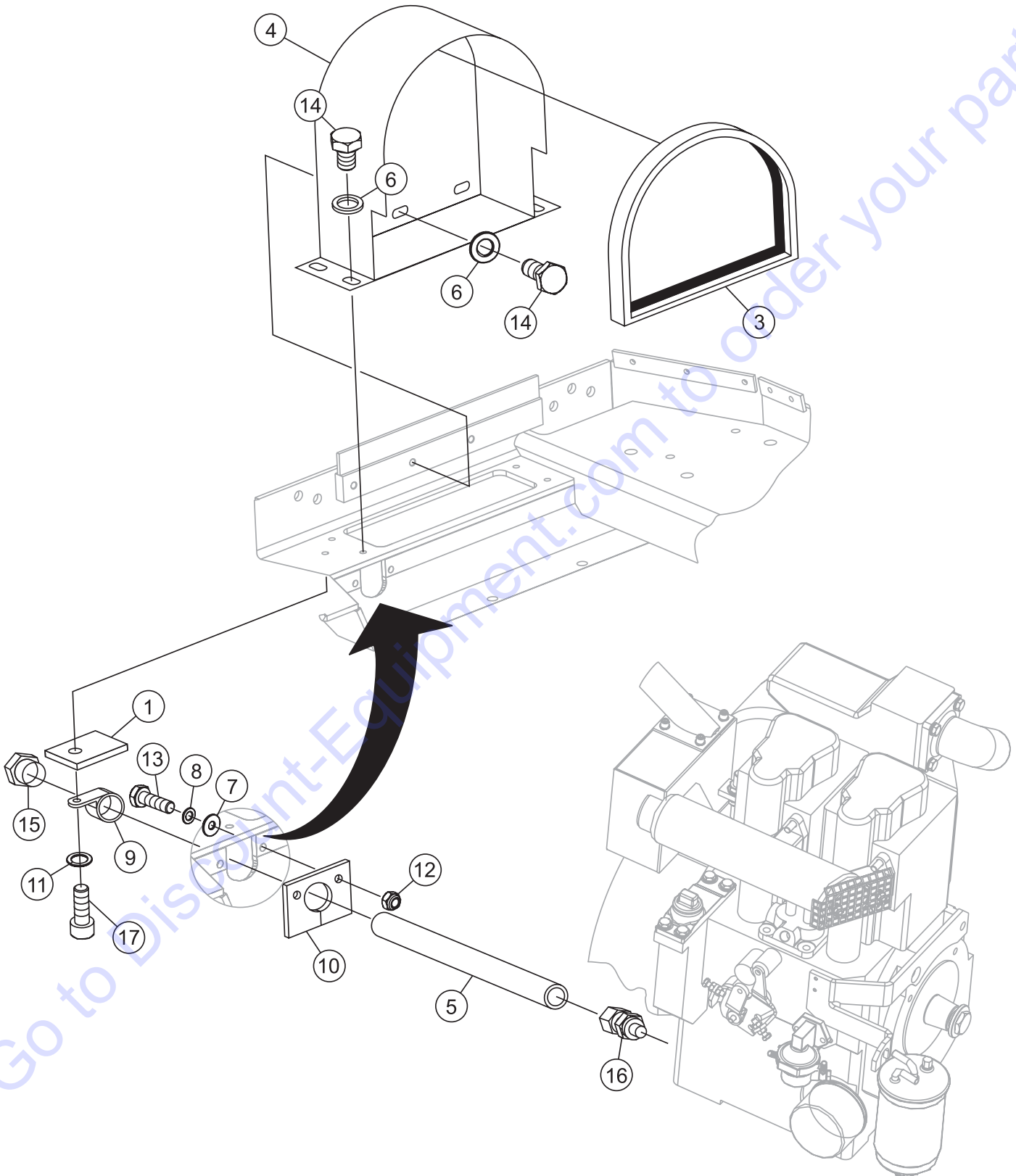
P33/24 HHM-HHMR — PUMP ASSY.

PUMP ASSY.

<u>NO.</u>	<u>PART NO.</u>	<u>PART NAME</u>	<u>QTY.</u>	<u>REMARKS</u>
1	50340	HYDRAULIC PUMP, KP 1/8 - 6 +3+3	1	STANDARD
1	50319	HYDRAULIC PUMP, KP1/11 +3+3	1	VARIABLE
2	58277	SPRING WASHER, B 12	1	
4	51038	COUPLING BOX, BOWEX M38	1	
5	05952	HOUSING	1	
6	51036	COUPLING HUB, L.0012280004	1	
7	51037	COUPLING HUB, L.0012280005	1	
8	3-10492	COUPLING HALF	1	
9	05462	VENTILATOR, ART.-NR.: 4402	2	
10	62039	O-RING, DURCHM. 18 X 2.5	3	
11	62050	O-RING, DURCHM. 24 X 2.5	1	
13	58076	WASHER, 13	1	
14	59027	WOODRUFF KEY, 3X6.5	1	
15	05955	SCREW	1	
16	58324	RETAINING WASHER, S-6 VERZINKT	16	
17	58334	RETAINING WASHER, S-10	4	
18	58325	RETAINING WASHER, S-8	4	
19	57171	HEX NUT, BM 12X1.5	2	
20	58220	LOCK WASHER, 19X42X4.5	1	
21	3-10230	COUPLING	1	
22	57456	HYDRAULIC FITTING	1	
23	57644	HYDRAULIC FITTING, WF-35LK-12L-315	3	
24	54632	ALLEN HEAD CAP SCREW	4	
25	54604	ALLEN HEAD CAP SCREW	8	
26	54607	ALLEN HEAD CAP SCREW	8	
27	54620	ALLEN HEAD CAP SCREW	4	
28	59501	PARALLEL PIN	2	

P33/24 HHM-HHMR — AIR INTAKE/OIL DRAIN HOSE ASSY.

AIR INTAKE/OIL DRAIN HOSE ASSY.



P33/24 HHM-HHMR — AIR INTAKE/OIL DRAIN HOSE ASSY.

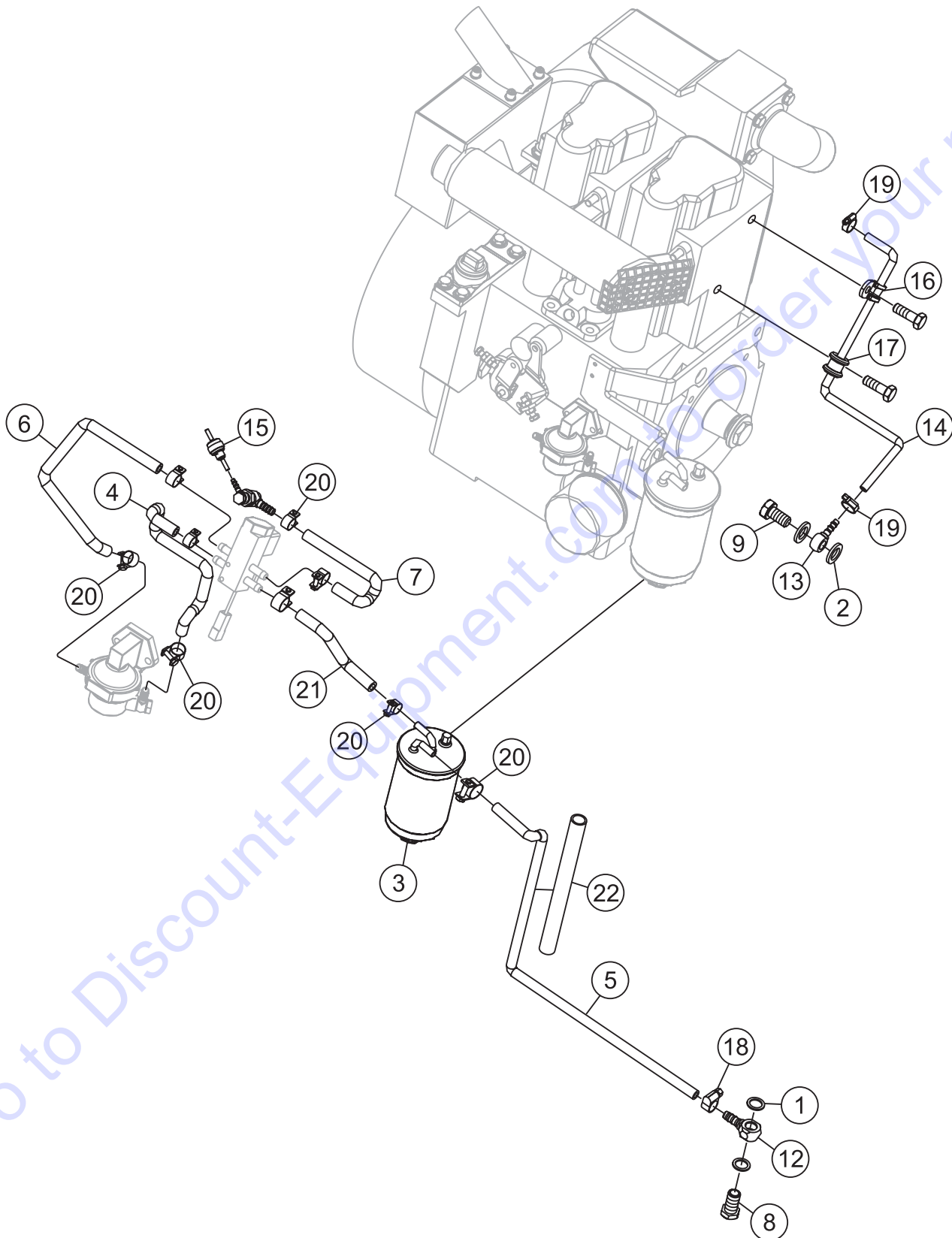
AIR INTAKE/OIL DRAIN HOSE ASSY.

<u>NO.</u>	<u>PART NO.</u>	<u>PART NAME</u>	<u>QTY.</u>	<u>REMARKS</u>
1	05424	DISTANCE	1	
3	3-10157	EDGE PROTECTION	1	
4	05240	FAN COVER	1	
5	05720	OIL DRAIN HOSE, 2 TEM DN 12X165	1	
6	58077	WASHER, 8.4	7	
7	58176	WASHER, A 6.4	2	
8	58025	WASHER, B 6.4	2	
9	63079	BRACKET, RSGU 1. 25/20	1	
10	3-10221	APRON	1	
11	58325	RETAINING WASHER, S-8	1	
12	57078	HEX NUT, M 6	2	
13	55894	HEX BOLT, M6X20	2	
14	55906	HEX BOLT, M8X12	7	
15	57438	DRAIN PLUG	1	
16	57476	HYDRAULIC FITTING, GE 12-PLM (14X1.5)	1	
17	54040	ALLEN HEAD CAP SCREW, M8X22	1	

Go to Discount-Equipment.com to order your parts

P33/24 HHM-HHMR — FUEL LINES ASSY.

FUEL LINES ASSY.



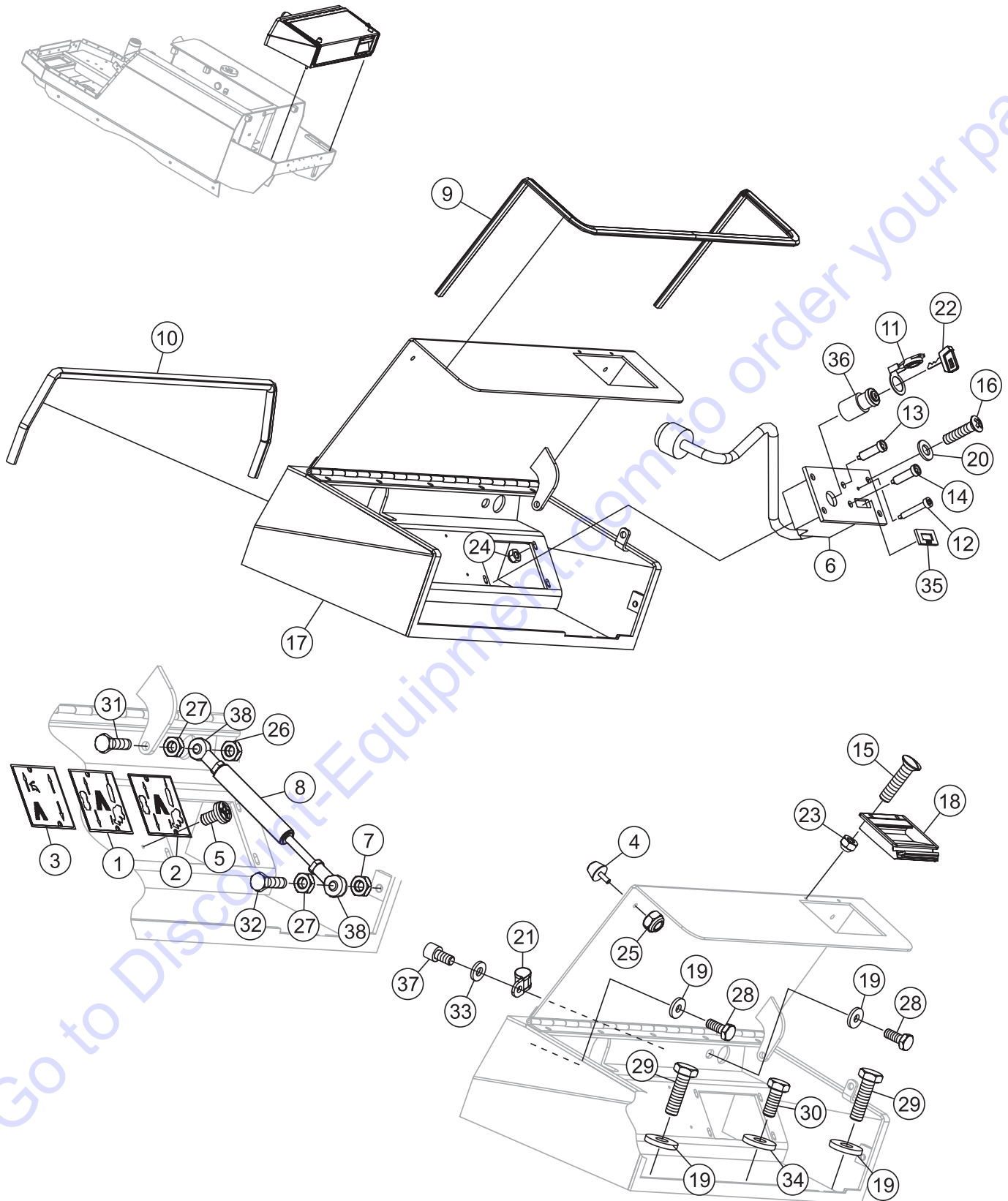
P33/24 HHM-HHMR — FUEL LINES ASSY.

FUEL LINES ASSY.

<u>NO.</u>	<u>PART NO.</u>	<u>PART NAME</u>	<u>QTY.</u>	<u>REMARKS</u>
1	58605	COPPER RING, 14X20X1.5	2	
2	58601	COPPER RING, 8X13X1.5	2	
3	50379100	DIESEL FILTER	1	
4	05718	DIESEL HOSE	1	
5	3-10158	DIESEL HOSE	1	
6	3-10161	DIESEL HOSE	1	
7	05589	HOSE	1	
8	57728	BANJO BOLT, M14X1.5	1	
9	57848	BANJO BOLT	1	
12	57729	BANJO UNION, M14X1.5 NW8	1	
13	57849	BANJO UNION	1	
14	3-10163	VALVE PLATE	1	
15	50354600	VALVE	1	
16	63050	BRACKET, RSGU 1. 10/15	1	
17	63068	BRACKET, RSGU 1. 10/20	1	
18	63250	BRACKET, ABA 8-12X9	1	
19	63255	BRACKET, D7-11	2	
20	63275	BRACKET, ABA 11-13 STANDARD W1		
		MINABA ART.-NR. 8864013009	9	
21	05589	HOSE	1	
22	3-10159	INSULATING TUBE	1	

P33/24 HHM-HHMR — CONSOLE COCKPIT ASSY.

CONSOLE COCKPIT ASSY.



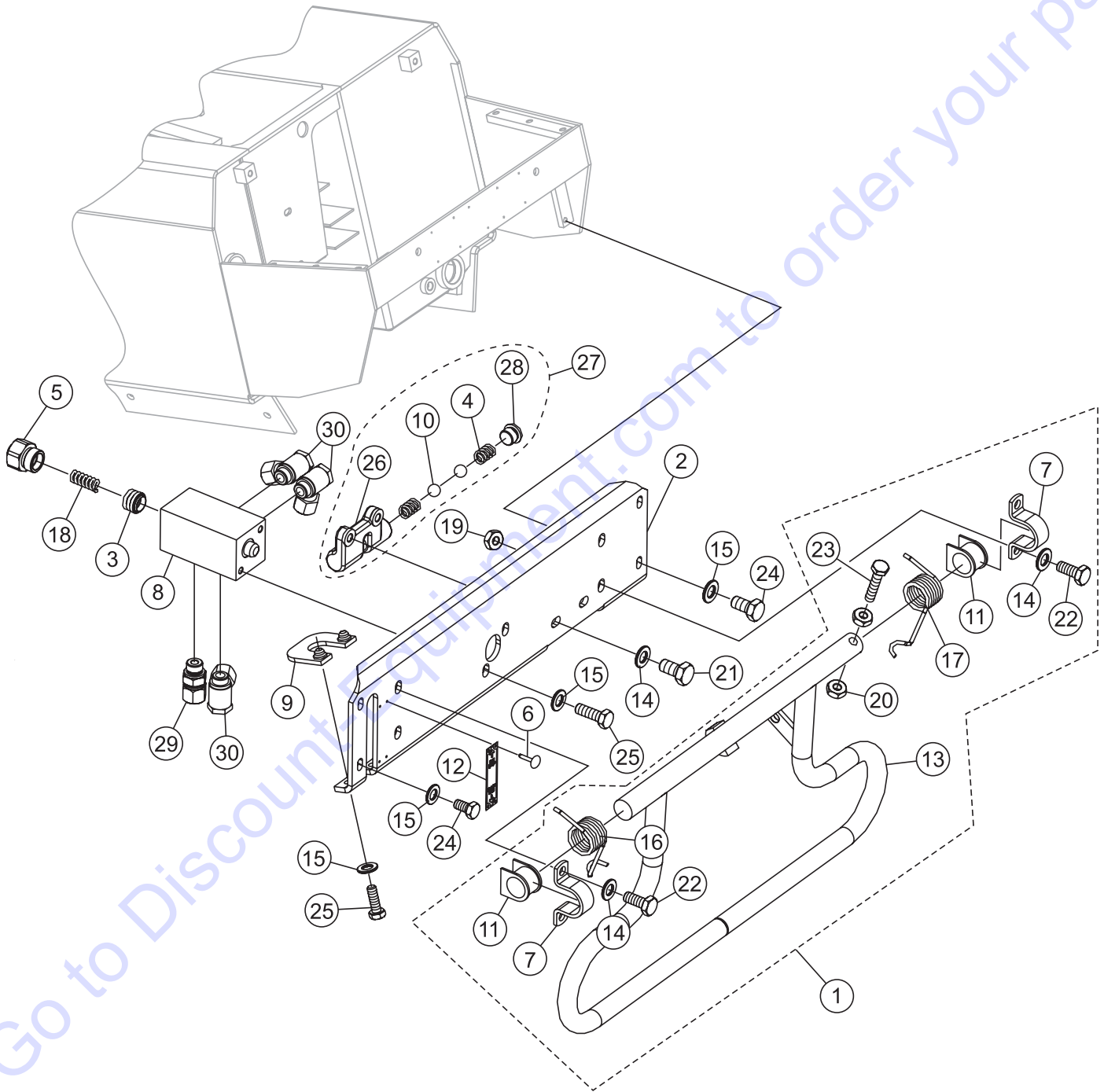
P33/24 HHM-HHMR — CONSOLE COCKPIT ASSY.

CONSOLE COCKPIT ASSY.

<u>NO.</u>	<u>PART NO.</u>	<u>PART NAME</u>	<u>QTY.</u>	<u>REMARKS</u>
1	39725	ADHESIVE PLATE	1	DRIVING RIGHT, MOVING BLADE UP ON P33/24 HHMR-BD
2	39725	ADHESIVE PLATE	1	DRIVING LEFT, MOVING BLADE DOWN ON P33/24 HHMR-BD
3	39724	ADHESIVE PLATE	1	FAST FORWARD, VIBRATION
4	63618	LIMIT STOP, D-25 KONISCH	2	
5	56251	PARKER SCREW, 3.5X6.5	6	
6	68552	COCKPIT	1	
7	3-10593	DISTANCE	1	
8	59142	GAS PRESSURE SPRING	1	WITHOUT ARTICULATED EYE
9	3-10485	EDGE PROTECTION	1	
10	3-10263	EDGE PROTECTION	1	
11	52026	HINGED COVER	1	
12	51927	CONTROL LAMP, RED	1	
13	51928	CONTROL LAMP, RED	1	
14	51929	CONTROL LAMP, GREEN	1	
15	56229	SCREW, M4X18	2	
16	56222	SCREW, M5X20	4	
17	05261	FRAME PLATE FOR VALVES	1	
18	68263	GRIP, HANDLE, KIPP 06960-11821	1	
19	58125	WASHER, A10.5 ST	4	
20	58039	WASHER, B5.3	4	
21	63066	BRACKET	1	
22	52007	KEY	2	
23	57076	HEX NUT, M4	2	
24	57077	HEX NUT, M5	4	
25	57078	HEX NUT, M6	2	
26	57079	HEX NUT, M8	1	
27	57129	HEX NUT, M8	2	
28	55912	HEX BOLT, M10X25	2	
29	55914	HEX BOLT, M10X35	2	
30	55901	HEX BOLT, M8X20	1	
31	55902	HEX BOLT, M8X30	1	
32	55908	HEX BOLT, M8X35	1	
33	58219	LOCK WASHER, 6.4X14X2	1	
34	58222	LOCK WASHER, 8.4X18X2	1	
35	68752	HOUR COUNTER	1	
36	52012	STARTER SWITCH	1	
37	54600	ALLEN HEAD CAP SCREW, M6X12	1	
38	63930	ARTICULATED EYE	2	

P33/24 HHM-HHMR — EMERGENCY STOP BUMPER ASSY.

EMERGENCY STOP BUMPER ASSY.



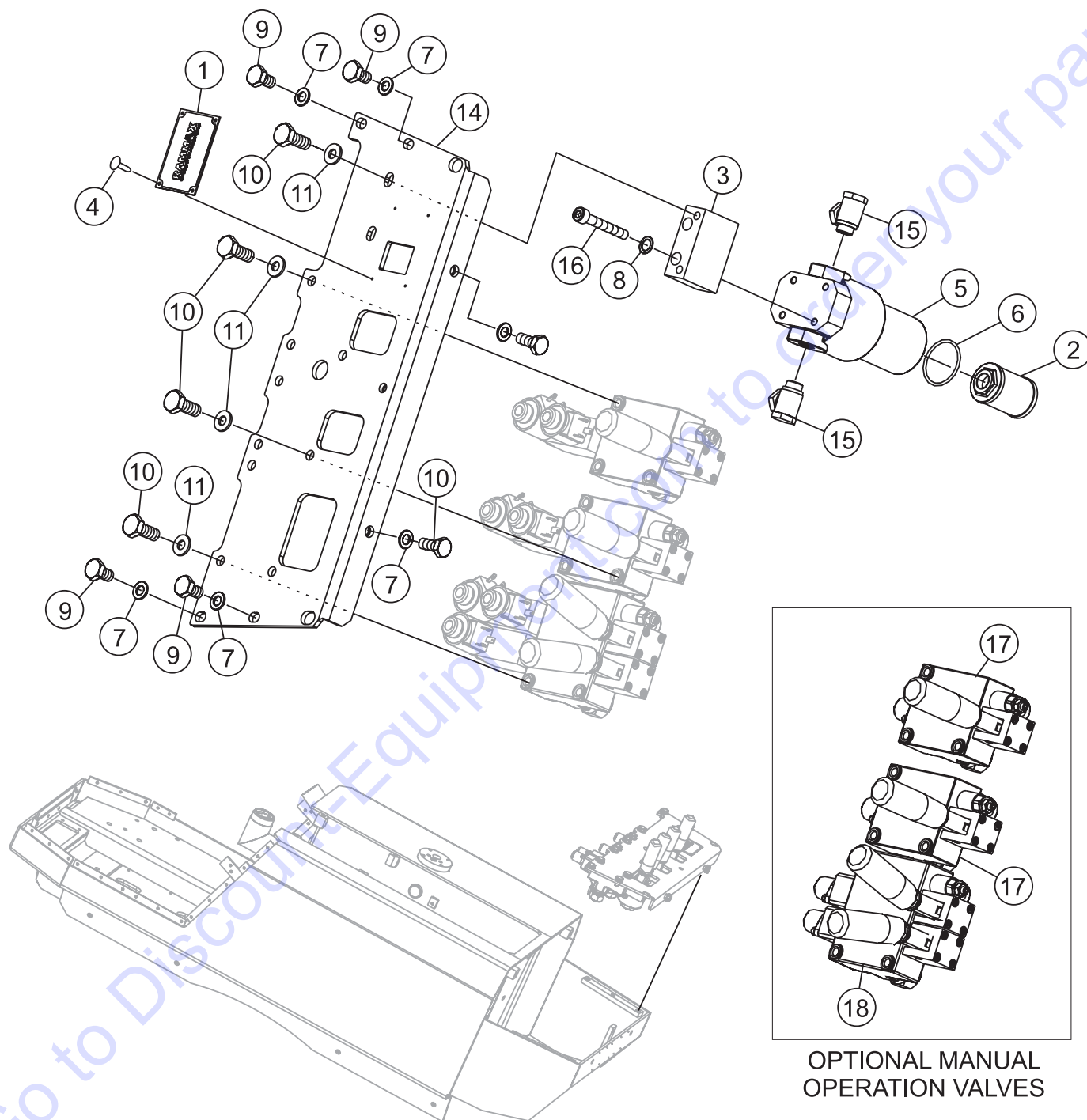
P33/24 HHM-HHMR — EMERGENCY STOP BUMPER ASSY.

EMERGENCY STOP BUMPER ASSY.

<u>NO.</u>	<u>PART NO.</u>	<u>PART NAME</u>	<u>QTY.</u>	<u>REMARKS</u>
1	90256	EMERGENCY STOP BUMPER	1	INCLUDES ITEMS W/*
2	3-10318	COVER PLATE	1	
3	50749	GASKET SET	1	
4%	59090	PRESSURE SPRING, D-283A-15	2	
5	50993	SPRING BARREL, NR. 01/101/4E	1	
6	59301	PIN, 2.3X6	4	
7*	3-10295	MOUNTING BOW	2	
8	50748	HYDRAULIC VALVE	1	
9	3-10187	CLAMPING PLATE COMPL.	1	
10%	51215	BALL	2	
11*	05628	BEARING BUSH	2	
12	39653	OPERATING PLATE	1	
13*	3-10319	SWITCHING BAR	1	
14*	58027	WASHER, B10.5	6	
15	58026	WASHER, B8.4	8	
16*	05625	LEG SPRING	1	
17*	05626	LEG SPRING	1	
18	50992	SPRING PRESSURE, NR. 3/11.8/36/77.7	1	
19	57080	HEX NUT, M10	4	
20*	57030	HEX NUT, M10	2	
21	55911	HEX BOLT, M10X20	2	
22*	55912	HEX BOLT, M10X25	4	
23*	55671	HEX BOLT, M10X50	1	
24	55900	HEX BOLT, M8X16	4	
25	55903	HEX BOLT, M8X25	4	
26%	05487	STOPPER	1	
27	3-10545	STOPPER COMPL.	1	INCLUDES ITEMS W/%
28%	58804	DRAIN PLUG, M18X1.5	1	
29	57504	HYDRAULIC FITTING, GE 12 SM	1	
30	57540	HYDRAULIC FITTING, SWVE 12 SM	3	

P33/24 HHM-HHMR — VALVES ASSY.

VALVES ASSY.



P33/24 HHM-HHMR — VALVES ASSY.

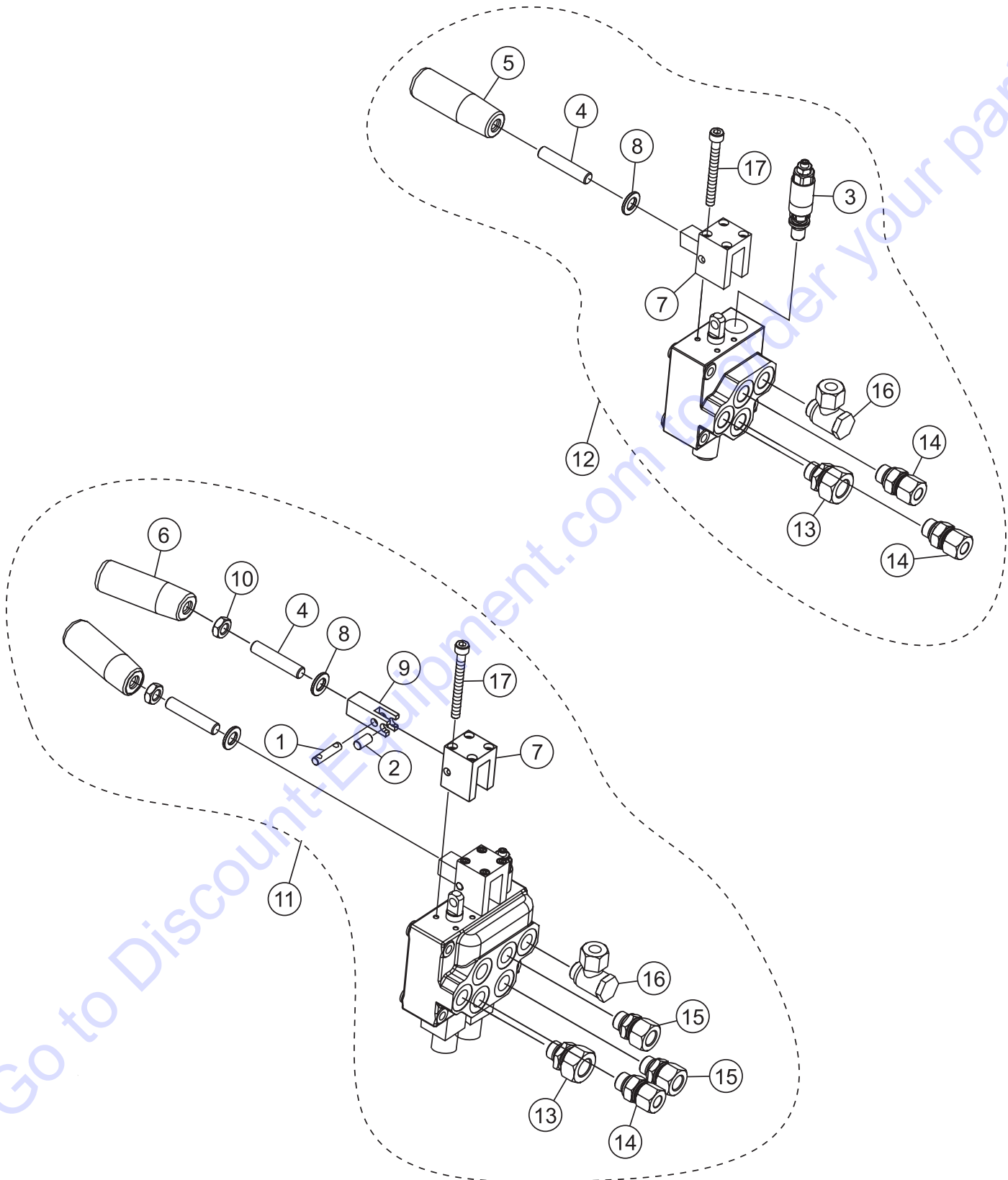
VALVES ASSY.

<u>NO.</u>	<u>PART NO.</u>	<u>PART NAME</u>	<u>QTY.</u>	<u>REMARKS</u>
1	3-10596	COVER SHEET	1	
2	51619	FILTER INSERT, V3.0510-08	1	
3	05225	THREADED BLOCK	1	
4	59304	PIN, 2.3X8	4	
5	51617	HIGH PRESSURE FILTER	1	
6	51620	O-RING, N 007.0543/1	1	
7	58027	WASHER, B10.5	6	
8	58325	RETAINING WASHER, S-8	2	
9	55714	HEX BOLT, M10X20	4	
10	55912	HEX BOLT, M10X25	13	
11	58221	LOCK WASHER, 10.5X23X2.5	11	
14	05259	VALVE PLATE	1	
15	57540	HYDRAULIC FITTING, SWVE 12 SM	2	
16	54047	ALLEN HEAD CAP SCREW, M8X55	2	
17	50933	CONTROL VALVE	2	MANUAL OPERATION
18	50932	CONTROL VALVE, IDENT.-NR. 300210	1	MANUAL OPERATION

Go to Discount-Equipment.com to order your parts

P33/24 HHM-HHMR — MANUAL OPERATION VALVES ASSY.

MANUAL OPERATION VALVES ASSY.



PARTS FINDER

**Search Website
by Part Number**



**Search Manual
Library For Parts
Manual & Lookup Part
Numbers – Purchase
or Request Quote**

**Can't Find Part or
Manual? Request Help
by Manufacturer,
Model & Description**

Discount-Equipment.com is your online resource for quality parts & equipment.

Florida: **561-964-4949** Outside Florida TOLL FREE: **877-690-3101**

Need parts?

Click on this link: <http://www.discount-equipment.com/category/5443-parts/> and choose one of the options to help get the right parts and equipment you are looking for. Please have the machine model and serial number available in order to help us get you the correct parts. If you don't find the part on the website or on one of the online manuals, please fill out the request form and one of our experienced staff members will get back to you with a quote for the right part that your machine needs.

We sell worldwide for the brands: Genie, Terex, JLG, MultiQuip, Mikasa, Essick, Whiteman, Mayco, Toro Stone, Diamond Products, Generac Magnum, Airman, Haulotte, Barreto, Power Blanket, Nifty Lift, Atlas Copco, Chicago Pneumatic, Allmand, Miller Curber, Skyjack, Lull, Skytrak, Tsurumi, Husquvarna Target, Stow, Wacker, Sakai, Mi-T-M, Sullair, Basic, Dynapac, MBW, Weber, Bartell, Bennar Newman, Haulotte, Ditch Runner, Menegotti, Morrison, Contec, Buddy, Crown, Edco, Wyco, Bomag, Laymor, EZ Trench, Bil-Jax, F.S. Curtis, Gehl Pavers, Heli, Honda, ICS/PowerGrit, IHI, Partner, Imer, Clipper, MMD, Koshin, Rice, CH&E, General Equipment, Amida, Coleman, NAC, Gradall, Square Shooter, Kent, Stanley, Tamco, Toku, Hatz, Kohler, Robin, Wisconsin, Northrock, Oztec, Toker TK, Rol-Air, APT, Wylie, Ingersoll Rand / Doosan, Innovatech, Con X, Ammann, Mecalac, Makinex, Smith Surface Prep, Small Line, Wanco, Yanmar

P33/24 HHM-HHMR — MANUAL OPERATION VALVES ASSY.

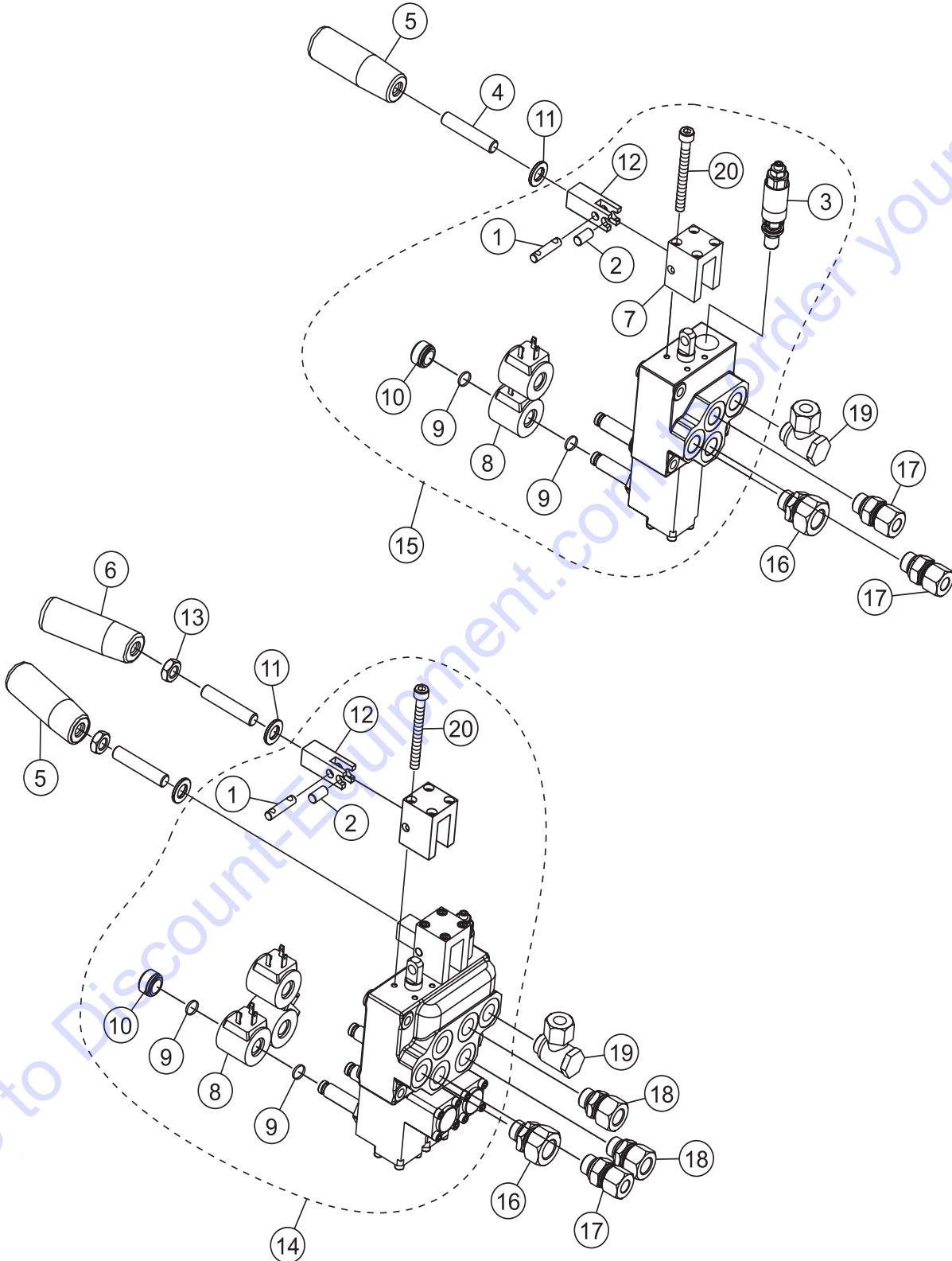
MANUAL OPERATION VALVES ASSY.

<u>NO.</u>	<u>PART NO.</u>	<u>PART NAME</u>	<u>QTY.</u>	<u>REMARKS</u>
1	50956	PIN	4	
2	50957	PIN	4	
3	50935	PRESSURE VALVE COMPLETE	3	
4	59660	HEADLESS PIN M12 X 60 DIN 913	4	
5	3-10594	GRIP STRAIGHT	2	
6	3-10595	GRIP BEVELED	2	
7	50954	HOLDING DEVICE	4	
8	58028	WASHER B13	4	
9	50955	LEVER	4	
10	57131	HEX NUT	2	
11	50932	VALVE, HIGH SPEED/VIBRATION	1	
12	50933	VALVE, STEERING	2	
13	57477	HYDRAULIC FITTING GE 18 LM	3	
14	57504	HYDRAULIC FITTING GE 12 LM	5	
15	57515	HYDRAULIC FITTING GE 15 LM	2	
16	57540	HYDRAULIC FITTING SWVE 12 SM	3	
17	54558	ALLEN HEAD CAP SCREW M5 X 50	16	

Go to Discount-Equipment.com to order your parts

P33/24 HHM-HHMR — REMOTE CONTROL OPERATION VALVES ASSY.

REMOTE CONTROL OPERATION VALVES ASSY.



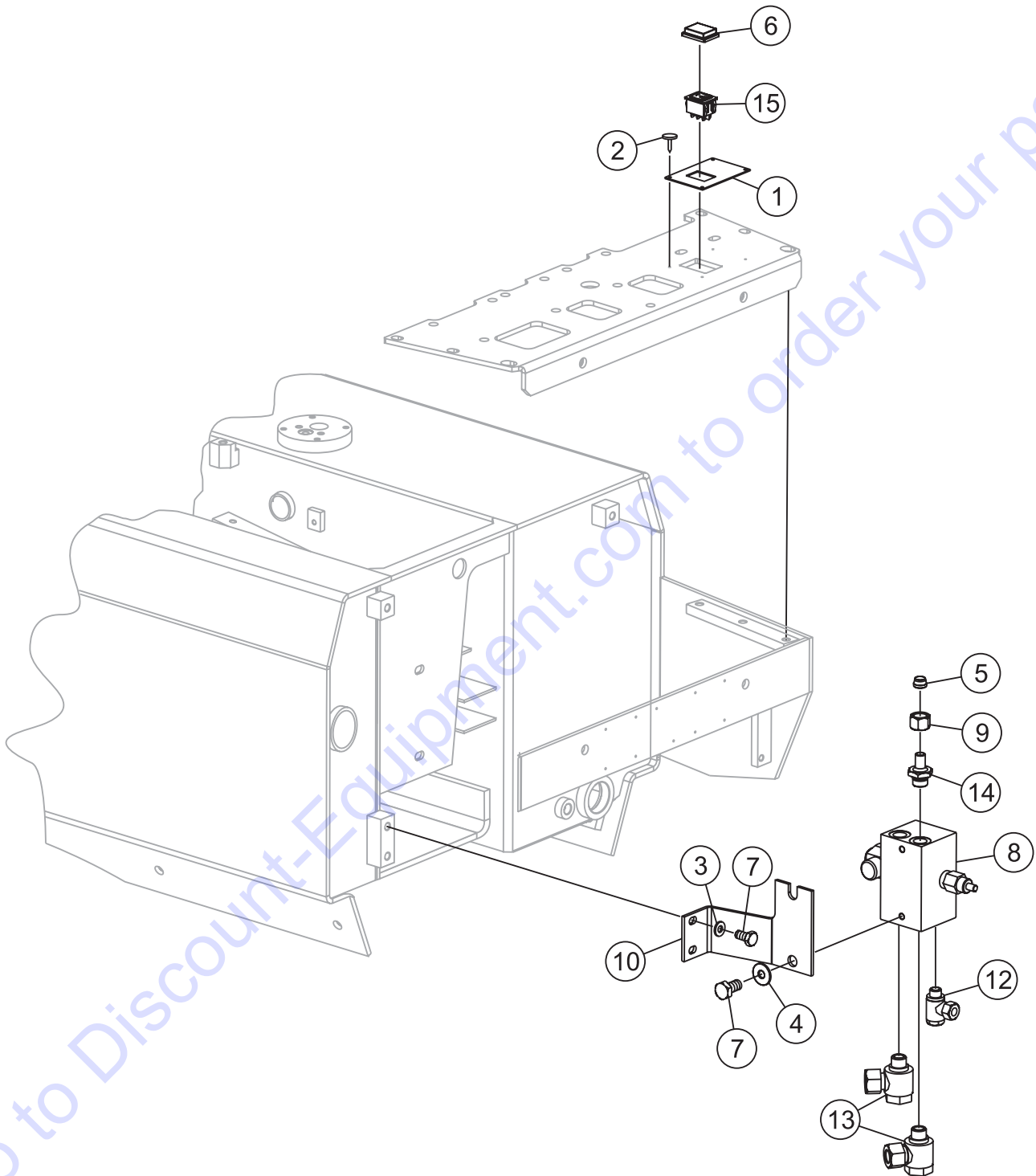
P33/24 HHM-HHMR — REMOTE CONTROL OPERATION VALVES ASSY.

REMOTE CONTROL OPERATION VALVES ASSY.

NO.	PART NO.	PART NAME	QTY.	REMARKS
1*#	50956	PIN	4	
2*#	50957	PIN	4	
3*#	50935	VALVE	3	
4	59660	HEADLESS PIN, M12X60	4	
5	3-10594	GRIP, HANDLE	2	
6	3-10595	GRIP, HANDLE	2	
7*#	50954	HOLDING DEVICE	4	
8*#	50978	MAGNET COIL, DPSA 1 B20-12C-18H	7	
9*#	50977	O-RING, 12.48X1.78	14	
10*#	50979	NUT	7	
11	58028	WASHER, B13	4	
12*#	50955	LEVER	4	
13	57131	HEX NUT, M12	2	
14	48012	CONTROL VALVE, HIGH SPEED/VIBRATION ...	1 REMOTE CONTROL OPERATION INCLUDES ITEMS W/*
15	50981	CONTROL VALVE, STEERING	2 REMOTE CONTROL OPERATION INCLUDES ITEMS W/#
16	57477	HYDRAULIC FITTING, GE 18 LM	3	
17	57504	HYDRAULIC FITTING, GE 12 SM	5	
18	57515	HYDRAULIC FITTING, GE 15 LM	2	
19	57540	HYDRAULIC FITTING, SWVE 12 SM	3	
20*#	54558	ALLEN HEAD CAP SCREW, M5X50	16	

P33/24 HHM-HHMR — VALVE BLOCK (VARIABLE EXCENTRIC WEIGHT) ASSY.

VALVE BLOCK (VARIABLE EXCENTRIC WEIGHT) ASSY.



P33/24 HHM-HHMR — VALVE BLOCK (VARIABLE EXCENTRIC WEIGHT) ASSY.

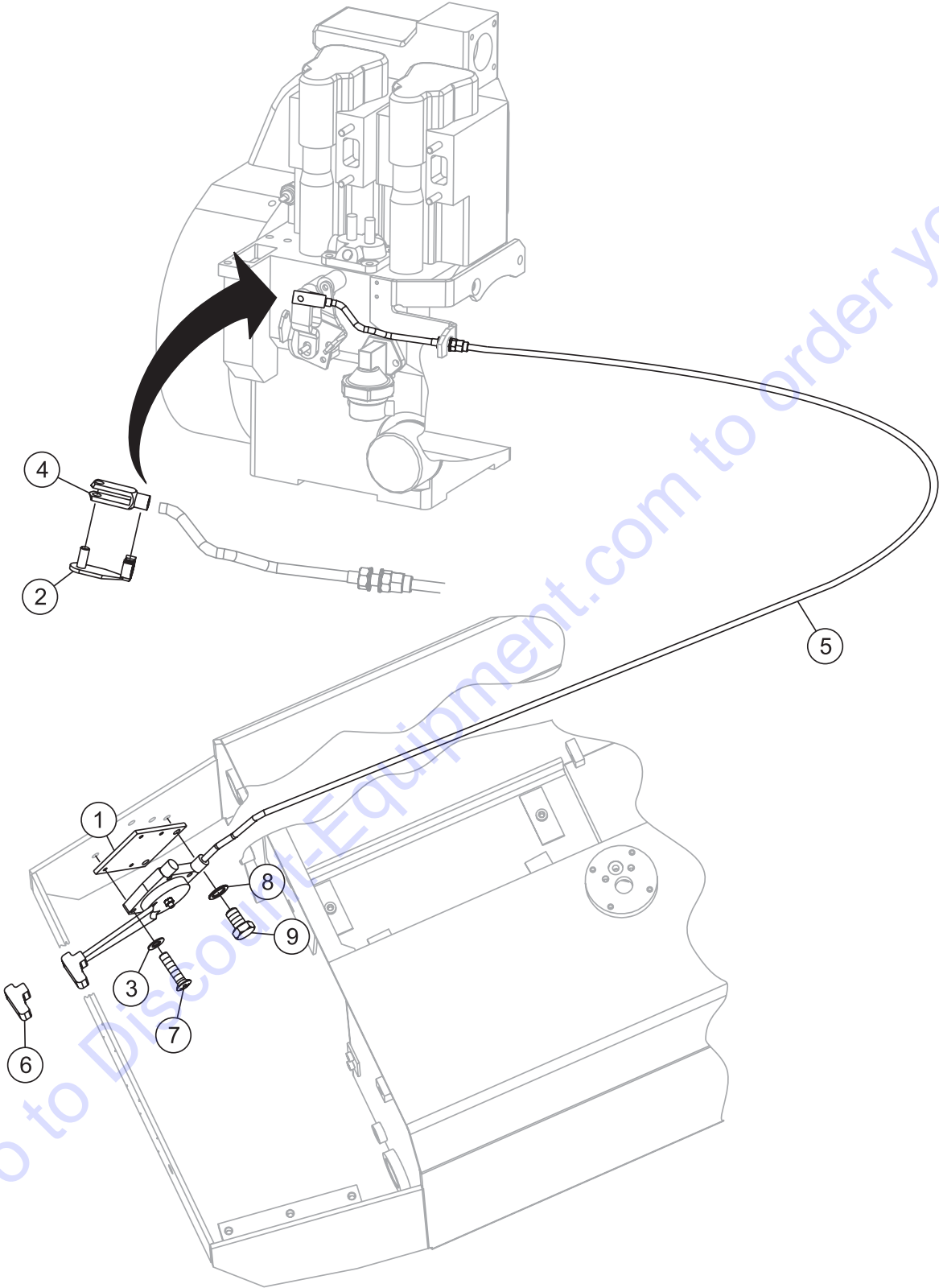
VALVE BLOCK (VARIABLE EXCENTRIC WEIGHT) ASSY.

<u>NO.</u>	<u>PART NO.</u>	<u>PART NAME</u>	<u>QTY.</u>	<u>REMARKS</u>
1	39726	ADHESIVE PLATE	1	
2	59304	PIN, 2.3X8	4	
3	58077	WASHER, 8.4	2	
4	58177	WASHER, A8.4	2	
5	57682	CUTTING RING, 12-L/S	2	
6	68356	PROTECTING CAP, CO 700894	1	
7	55900	HEX BOLT, M8X16	4	
8	48072	CONTROL BLOCK	1	FOR VARIABLE EXCENTRIC WEIGHT
9	57686	HEX NUT, 12-L (M18X1.5)	2	
10	3-10269	VALVE SUPPORT	1	
11	05259	VALVE PLATE	1	
12	57527	HYDRAULIC FITTING, SWVE 10 LM	1	
13	57535	HYDRAULIC FITTING, SWVE 15 LM	2	
14	57727	HYDRAULIC FITTING, EVGE 12 LM	1	
15	68357	SWITCH, CO 70045	1	

Go to Discount-Equipment.com to order your parts

P33/24 HHM-HHMR — THROTTLE CABLE ASSY.

THROTTLE CABLE ASSY.



P33/24 HHM-HHMR — THROTTLE CABLE ASSY.

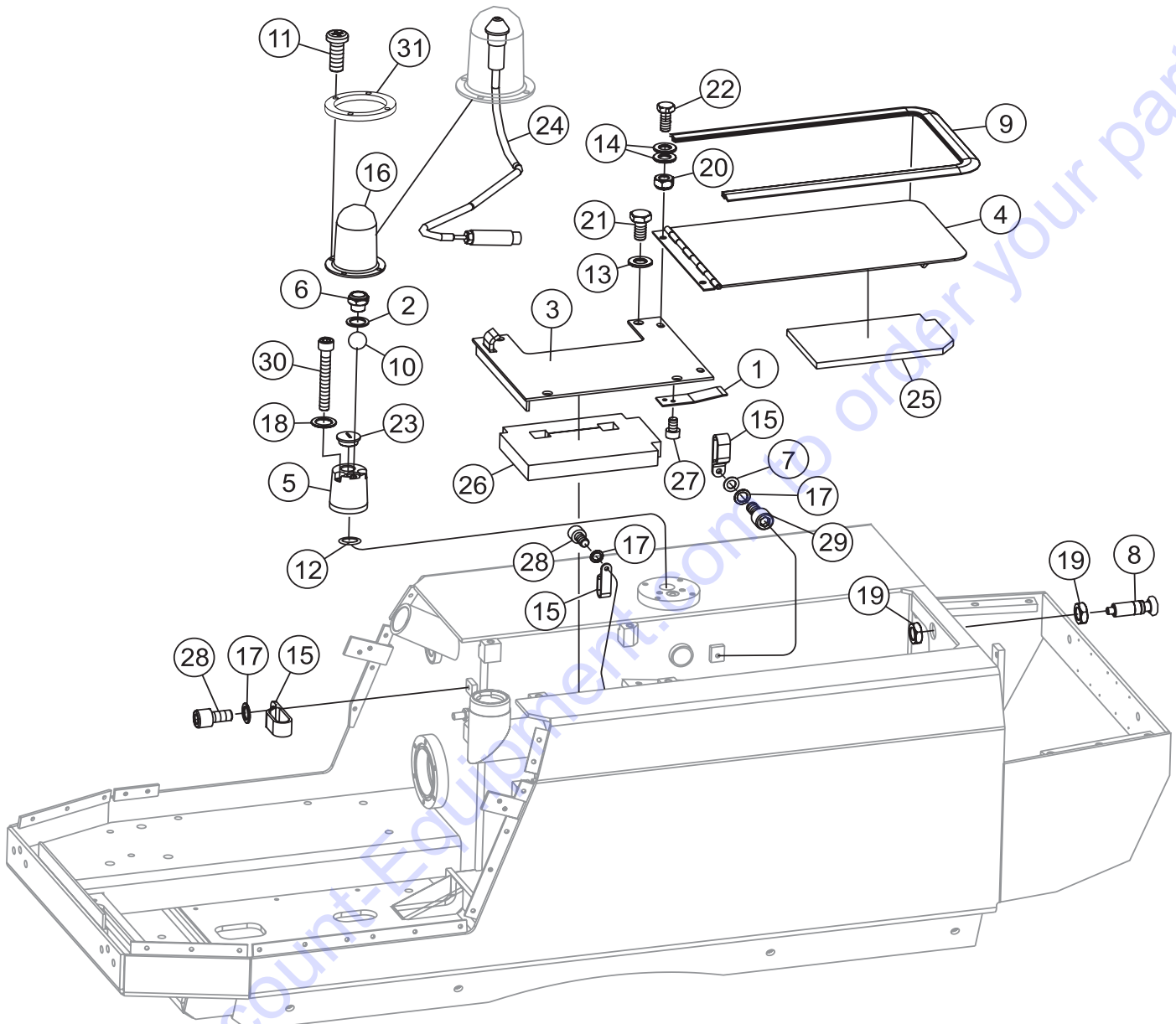
THROTTLE CABLE ASSY.

<u>NO.</u>	<u>PART NO.</u>	<u>PART NAME</u>	<u>QTY.</u>	<u>REMARKS</u>
1	05224	FASTENING PLATE	1	
2	63819	LOCKING BOLT, 6X24 SXN 01	1	
3	58251	TOOTHED LOCK WASHER, A 5.3	4	
4	64026	ROD HEAD BOLT, G6X24	1	
5	64548	THROTTLE CABLE	1	
6	64551	GRIP, HANDLE	1	
7	56222	SCREW, M5X20	4	
8	58325	RETAINING WASHER, S-8	2	
9	55909	HEX BOLT, M8X14	2	

Go to Discount-Equipment.com to order your parts

P33/24 HHM-HHMR — RECEIVER/CONSOLE ASSY.

RECEIVER/CONSOLE ASSY.



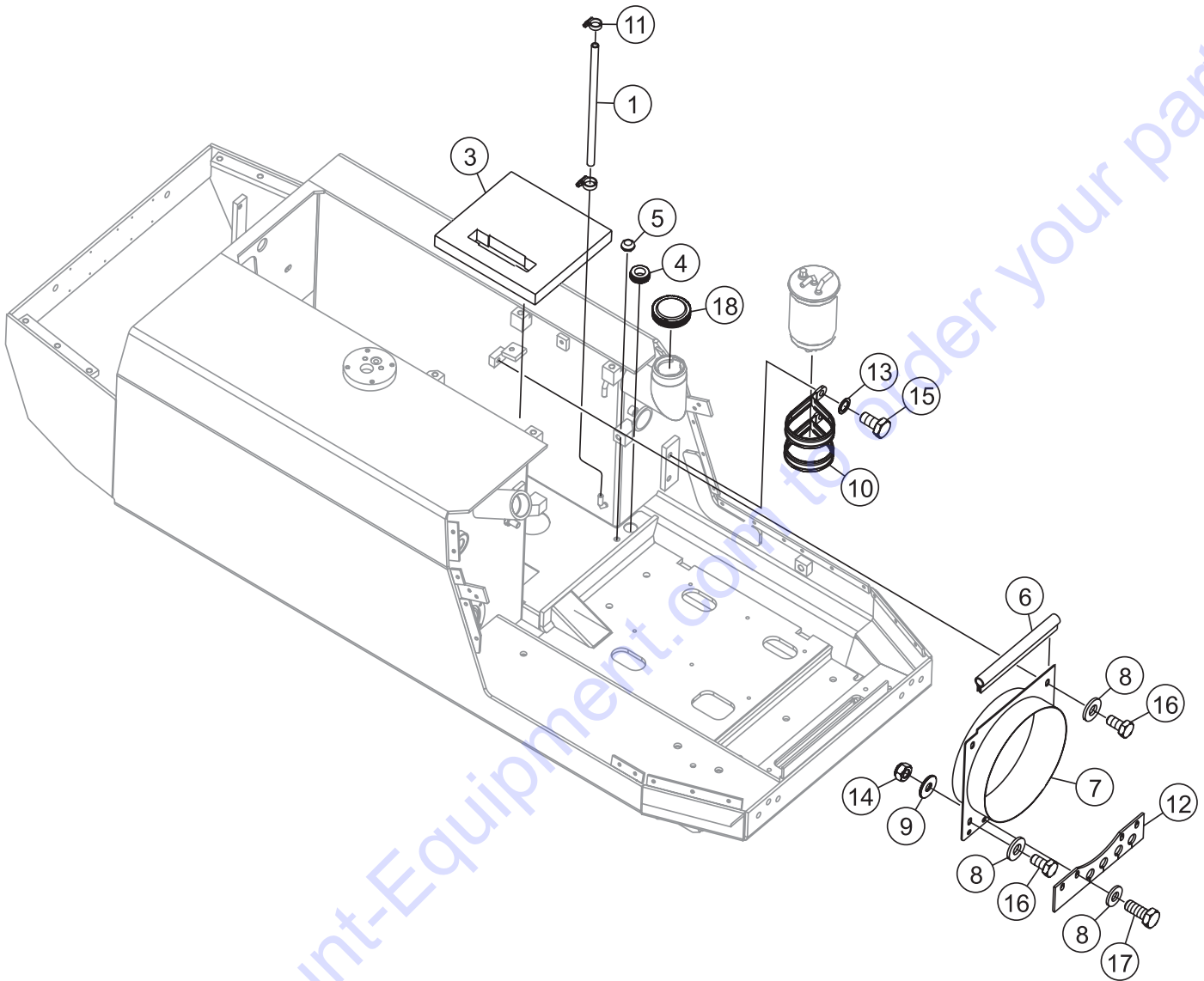
P33/24 HHM-HHMR — RECEIVER/CONSOLE ASSY.

RECEIVER/CONSOLE ASSY.

<u>NO.</u>	<u>PART NO.</u>	<u>PART NAME</u>	<u>QTY.</u>	<u>REMARKS</u>
1	3-10309	SPRING	1	
2	58618	COPPER RING, 10X14X1	1	
3	3-10280	BONNET, COVER	1	
4	3-10279	COVER, COMPL.	1 RW 1504 HF/HFS/HFVS
4	3-10310	COVER, COMPL.	1 RW 1504 /HK/HFK
5	3-10060	RECEIVER CONE SUPPORT		
6	51618	AERATION	1	
7	58252	TOOTHED LOCK WASHER, A6.4	1	
8	69713	SPRING BOLT WITH TOP	1	
9	3-10172	EDGE PROTECTION	1	
10	51219	BALL, DURCH. 12	1	
11	56218	SCREW, M6X10	4	
12	62029	O-RING, DURCHM. 14X2	1	
13	58027	WASHER, B10.5	4	
14	58026	WASHER, B8.4	4	
15	63092	BRACKET, RSGU 1/2X14/15	3	
16	3-10085	PROTECTING CAP	1	
17	58324	RETAINING WASHER, S-6 VERZINKT	3	
18	58325	RETAINING WASHER, S-8	2	
19	57161	HEX NUT, BM 20X1.5	2	
20	57079	HEX NUT, M8	2	
21	55911	HEX BOLT, M10X20	4	
22	55901	HEX BOLT, M8X20	2	
23	58830	DRAIN PLUG, PG-13.5	1	
24	68333	RECEIVER CONE	1	
25	3-10119	CELLULAR RUBBER PLATE	1	
26	3-10303	CELLULAR RUBBER PLATE	1	
27	54560	ALLEN HEAD CAP SCREW, M5X8	2	
28	54600	ALLEN HEAD CAP SCREW, M6X12	2	
29	54018	ALLEN HEAD CAP SCREW, M6X14	1	
30	54048	ALLEN HEAD CAP SCREW, M8X60	2	
31	3-10627	REINFORCING RING	1	

P33/24 HHM-HHMR — CONSOLE COMPONENTS 1 ASSY.

CONSOLE COMPONENTS 1 ASSY.



P33/24 HHM-HHMR — CONSOLE COMPONENTS 1 ASSY.

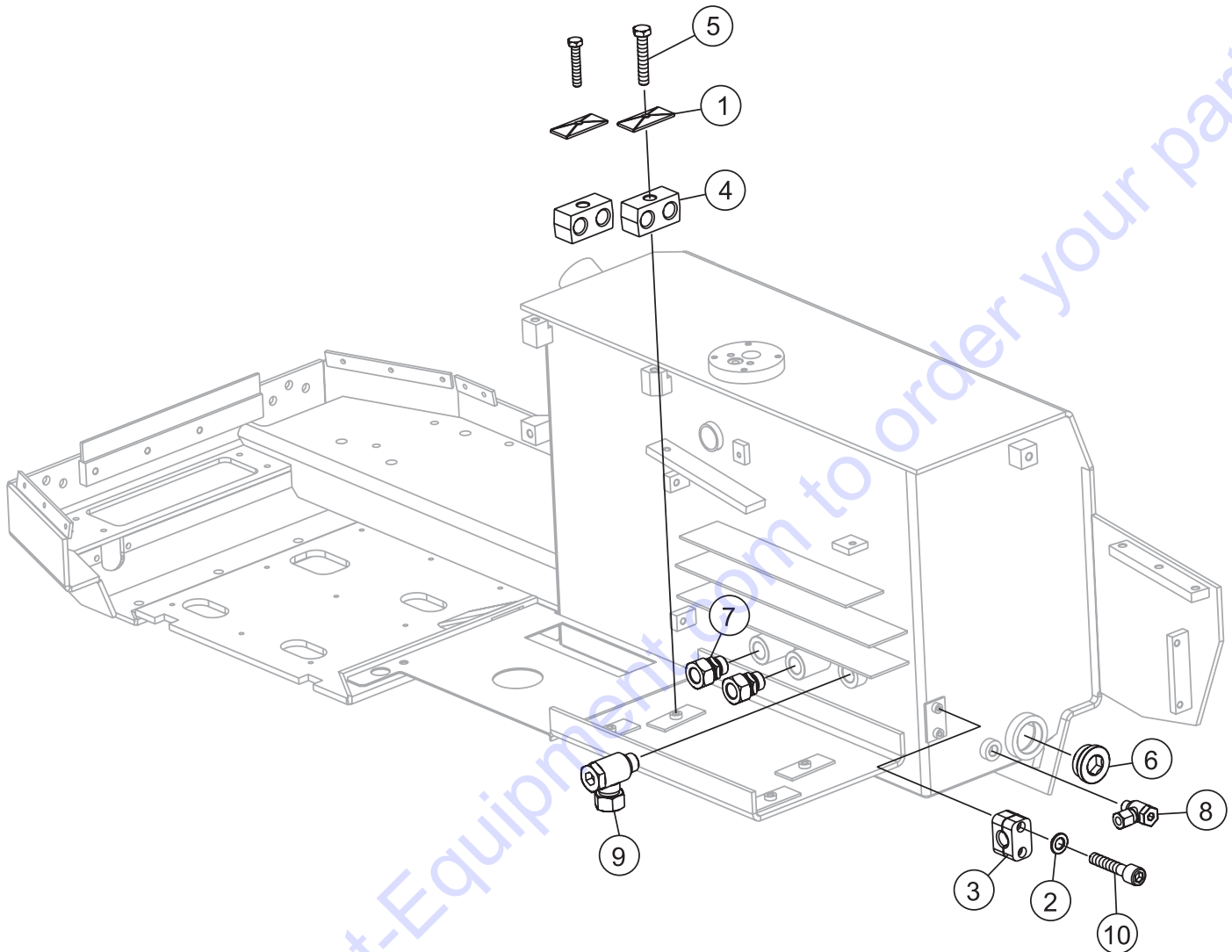
CONSOLE COMPONENTS 1 ASSY.

<u>NO.</u>	<u>PART NO.</u>	<u>PART NAME</u>	<u>QTY.</u>	<u>REMARKS</u>
1	3-10129	DIESEL INDICATION TUBE	1	
3	3-10225	FOAM RUBBER	1	
4	69411	CABLE BUSHING	1	
5	69410	CABLE BUSHING	1	
6	3-10266	EDGE PROTECTION	1	
7	3-10222	AIRDUCT	1	
8	58077	WASHER, 8.4	8	
9	58177	WASHER, A 8.4	4	
10	63084	BRACKET, RSGU 1. 80/25	1	
11	63255	BRACKET, D 7-11	2	
12	3-10223	APRON	1	
13	58334	RETAINING WASHER, S-10	2	
14	57079	HEX NUT, M8	4	
15	55911	HEX BOLT, M10X20	2	
16	55900	HEX BOLT, M8X16	4	
17	55901	HEX BOLT, M8X20	4	
18	8480062	TANK CAP, FUEL	1	

Go to Discount-Equipment.com to order your parts

P33/24 HHM-HHMR — CONSOLE COMPONENTS 2 ASSY.

CONSOLE COMPONENTS 2 ASSY.



P33/24 HHM-HHMR — CONSOLE COMPONENTS 2 ASSY.

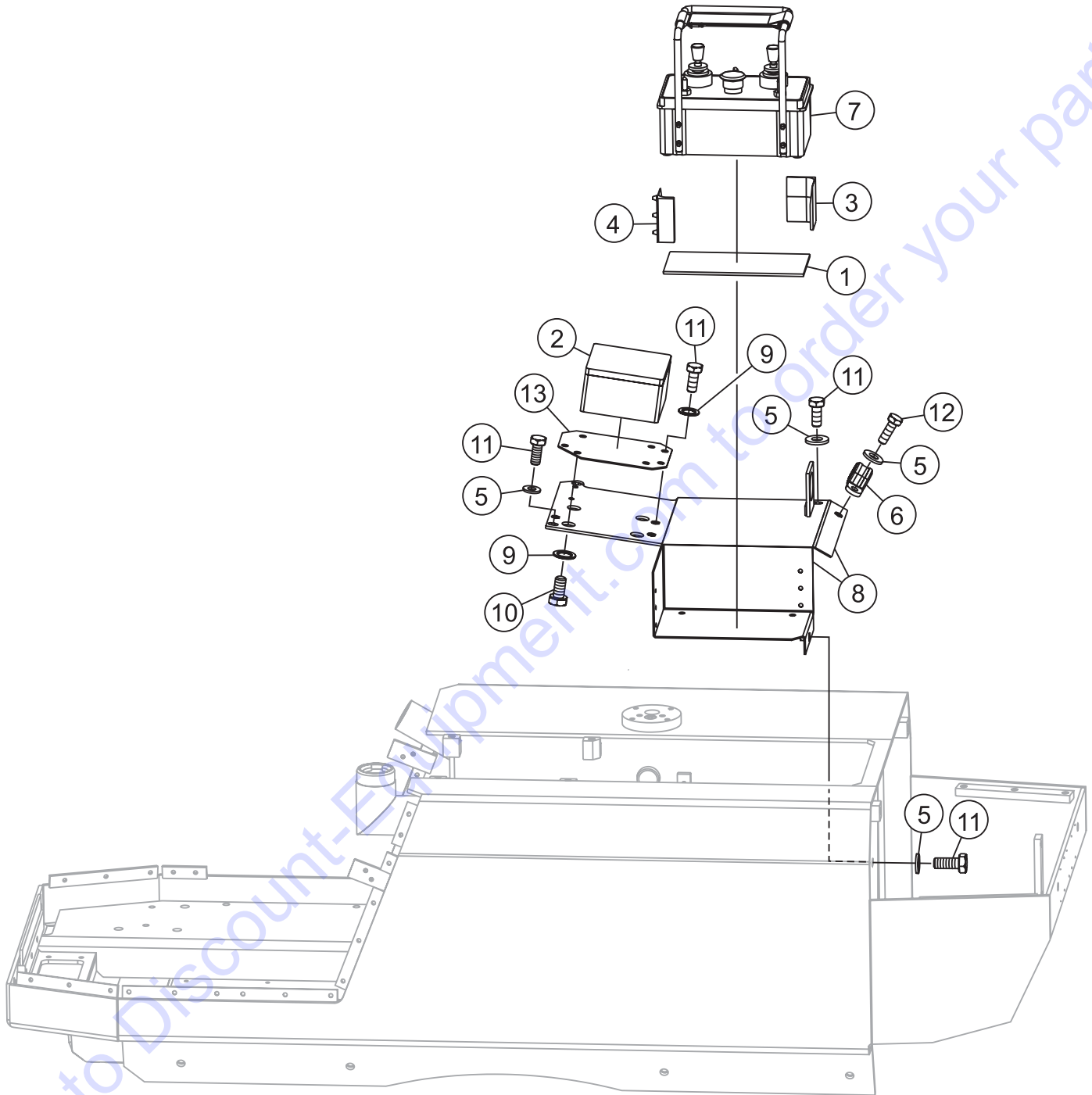
CONSOLE COMPONENTS 2 ASSY.

<u>NO.</u>	<u>PART NO.</u>	<u>PART NAME</u>	<u>QTY.</u>	<u>REMARKS</u>
1	63093	COVER PLATE, GR.3 GD	4	
2	58025	WASHER, B6.4	2	
3	63152	STRAP, GR.3 DURCHM. 18	1	
4	63165	STRAP, GR.3D 18X18	4	
5	55527	HEX BOLT, M8X45	4	
6	58808	DRAIN PLUG, M40X1.5	1	
7	57507	HYDRAULIC FITTING, GE 18 LM	2	
8	57577	HYDRAULIC FITTING, WHO 10 LM	1	
9	57583	HYDRAULIC FITTING, WHO 18 LM	1	
10	54606	ALLEN HEAD CAP SCREW, M6X30	2	

Go to Discount-Equipment.com to order your parts

P33/24 HHM-HHMR — TRANSMITTER CONTROL BOX 1 ASSY.

TRANSMITTER CONTROL BOX 1 ASSY.



P33/24 HHM-HHMR — TRANSMITTER CONTROL BOX 1 ASSY.

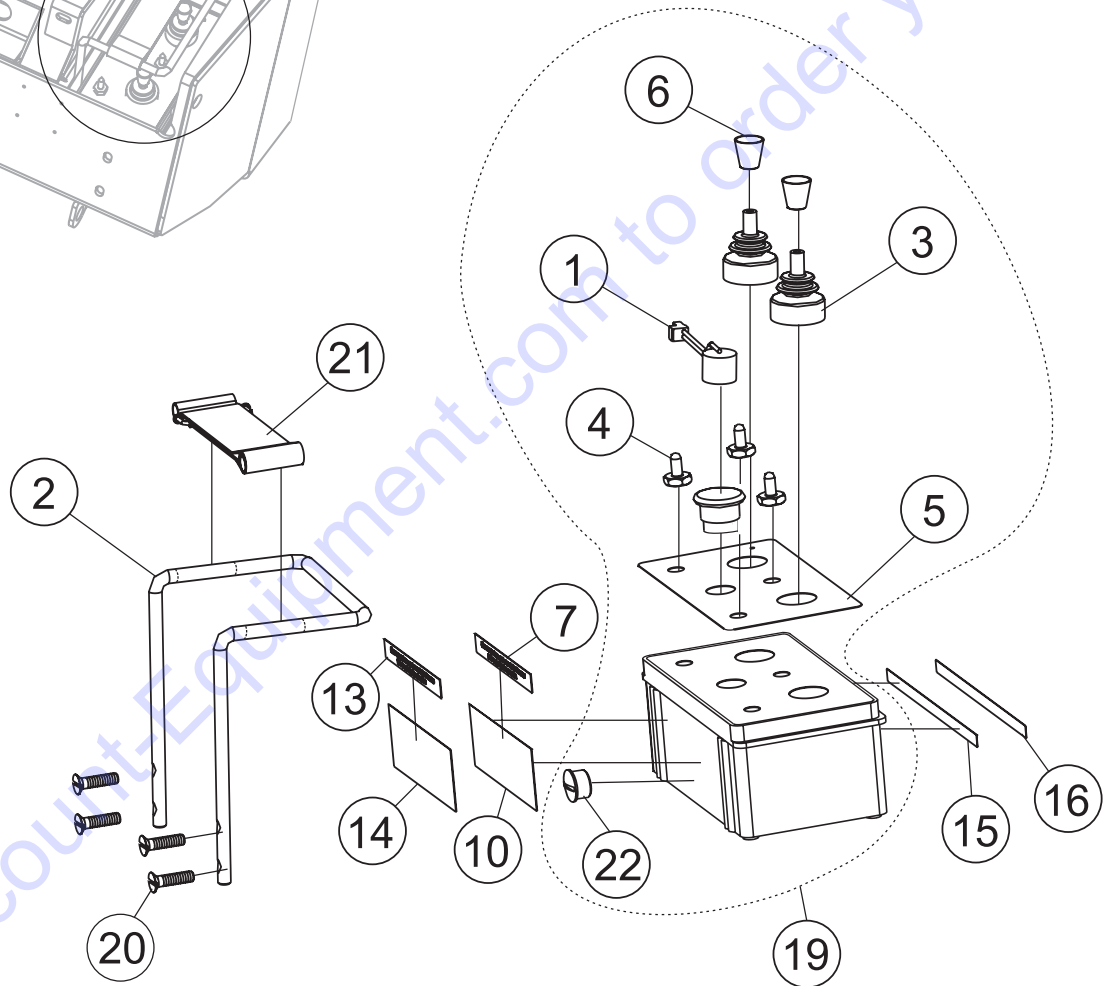
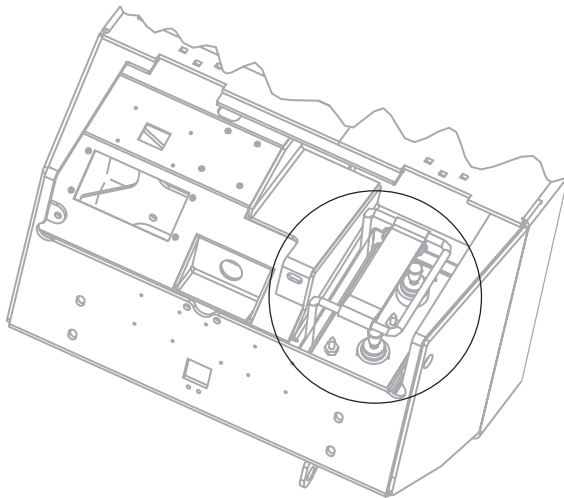
TRANSMITTER CONTROL BOX 1 ASSY.

<u>NO.</u>	<u>PART NO.</u>	<u>PART NAME</u>	<u>QTY.</u>	<u>REMARKS</u>
1	3-10114	FOAM RUBBER	1	
2	68328	RECEIVER	1	
3	3-10458	PLASTIC LATH	1	
4	3-10459	PLASTIC LATH	1	
5	58077	WASHER, 8.4	5	
6	63061	BRACKET, RSGU 1. 20/20	1	
7	3-10455	TRANSMITTER COMPL.	1	
8	3-10007	TRANSMITTER HOLDING SHEET	1	
9	58325	RETAINING WASHER, S-8	7	
10	55900	HEX BOLT, M8X16	4	
11	55901	HEX BOLT, M8X20	7	
12	55903	HEX BOLT, M8X25	1	
13	3-10075	HOLDING LATH	1	

Go to Discount-Equipment.com to order your parts

P33/24 HHM-HHMR — TRANSMITTER CONTROL BOX 2 ASSY.

TRANSMITTER CONTROL BOX 2 ASSY.



P33/24 HHM-HHMR — TRANSMITTER CONTROL BOX 2 ASSY.

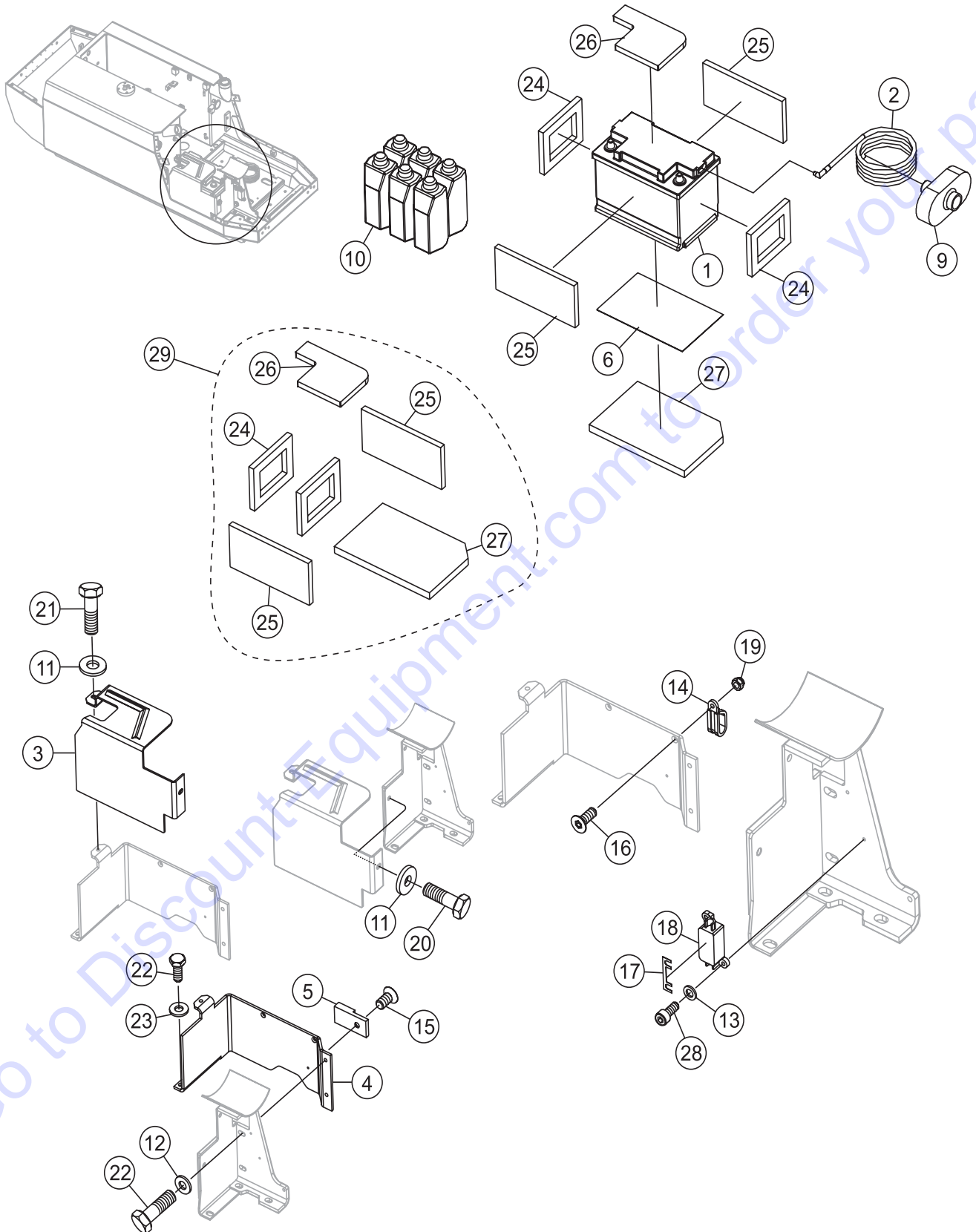
TRANSMITTER CONTROL BOX 2 ASSY.

<u>NO.</u>	<u>PART NO.</u>	<u>PART NAME</u>	<u>QTY.</u>	<u>REMARKS</u>
1*	68334	BATTERY	1	
2	3-10056	BOW	1	
3*	68511	RUBBER COLLAR	2	
4*	68305	RUBBER PROTECTING CAP	3	
5*	39668	STICKER	1	
6*	68542	KNOB	2	
7	39593	PVC-STICKER, ENGLISH	1	
10	39631	PVC-STICKER, ENGLISH	1	
13	39634	PVC-STICKER, ENGLISH	1	
14	39651	PVC-STICKER, ENGLISH	1	
15	39690	PVC-STICKER, ENGLISH	1	
16	39691	PVC-STICKER, ENGLISH	1	
19	3-10455	TRANSMITTER COMPL.	1	INCLUDES ITEMS W/*
20	56004	SCREW, M4X16	4	
21	3-10456	STRAP	1	
22*	68675	DRAIN PLUG, PG-7	1	

Go to Discount-Equipment.com to order your parts

P33/24 HHM-HHMR — BATTERY ASSY.

BATTERY ASSY.



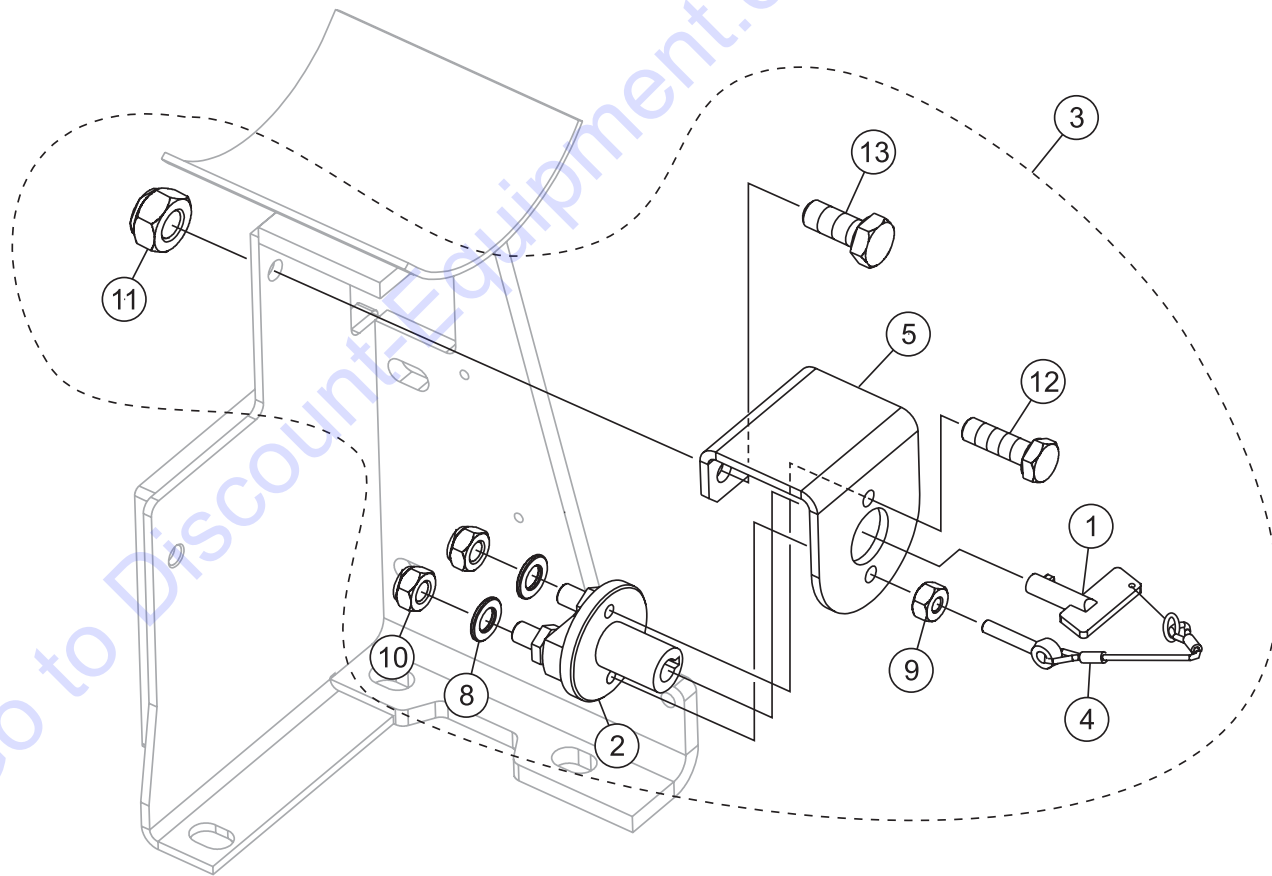
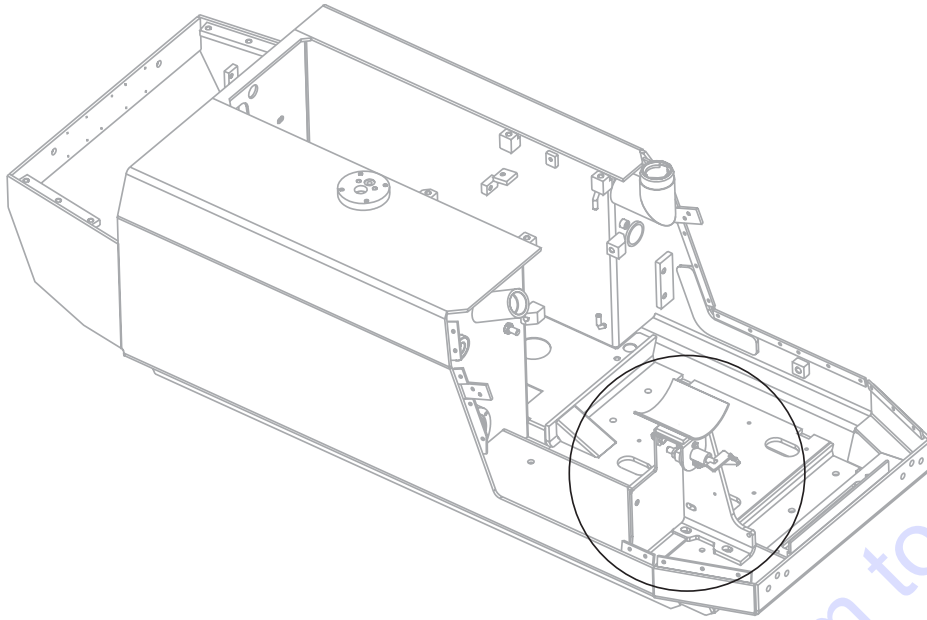
P33/24 HHM-HHMR — BATTERY ASSY.

BATTERY ASSY.

<u>NO.</u>	<u>PART NO.</u>	<u>PART NAME</u>	<u>QTY.</u>	<u>REMARKS</u>
1	50657VP	BATTERY, DRY	1	
2	3-10447	BATTERY VENT TUBE	1	
3	3-10300	BATTERY HOLDING SHEET	1	
4	05241	BATTERY HOLDER	1	
5	68751	FASTENING PLATE, 1011-026-0205	1	
6	3-10327	STEEL PLATE	1	
7	05267	CONSOLE COMPL.	1	
9	3-10366	FUSE BACKFIRE, 305 002 0502	1	
10		ACID PACKAGE BIG, FOR DRY BATTERY ..	1 SOURCE LOCALLY
11	58125	WASHER, A 10.5 ST	2	
12	58053	WASHER, B 10.5	2	
13	58039	WASHER, B 5.3	2	
14	63074	BRACKET, RSGU 1 2X 16/15	2	
15	56012	SCREW, M5X10	1	
16	56092	SCREW, M6X16	2	
17	68744	FUSE, 30A	1	
18	68745	FUSE HOLDER	1	
19	57101	HEX NUT, M6	2	
20	55910	HEX BOLT, M10X16	1	
21	55911	HEX BOLT, M10X20	1	
22	55912	HEX BOLT, M10X25	4	
23	58221	LOCK WASHER, 10.5X23X2.5	2	
24*	3-10304	CELLULAR RUBBER PLATE	2	
25*	3-10305	CELLULAR RUBBER PLATE	2	
26*	3-10306	CELLULAR RUBBER PLATE	1	
27*	3-10307	CELLULAR RUBBER PLATE	1	
28	54550	ALLEN HEAD CAP SCREW, M5X12	2	
29	90208HHMR	BATTERY FOAM KIT	1 INCLUDES ITEMS W/*

P33/24 HHM-HHMR — OPTIONAL BATTERY DISCONNECTING SWITCH ASSY.

OPTIONAL BATTERY DISCONNECTING SWITCH ASSY.



P33/24 HHM-HHMR — OPTIONAL BATTERY DISCONNECTING SWITCH ASSY.

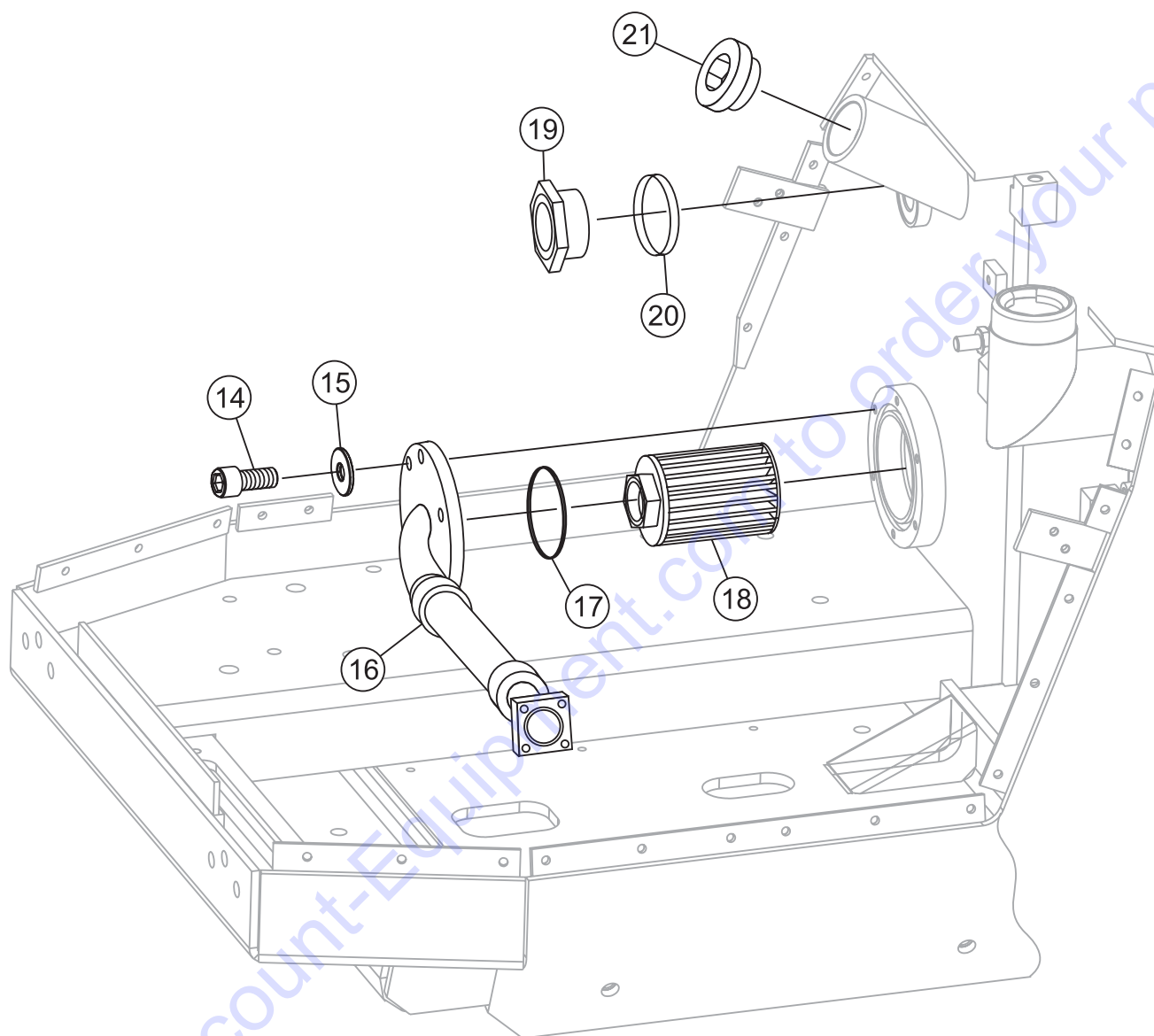
OPTIONAL BATTERY DISCONNECTING SWITCH ASSY.

<u>NO.</u>	<u>PART NO.</u>	<u>PART NAME</u>	<u>QTY.</u>	<u>REMARKS</u>
1*	50661	BATTERY SWITCH KEY	1	
2*	05373	BATTERY DISCONNECTING SWITCH	1	
3	90271	BATTERY DISCONNECTING SWITCH COMPL.	1	INCLUDES ITEMS W/*
4*	3-10391	WIRE CABLE	1	
5*	05209	HOLDING ANGLE	1	
8*	58025	WASHER, B6.4	2	
9*	57028	HEX NUT, M6	1	
10*	57078	HEX NUT, M6	2	
11*	57079	HEX NUT, M8	2	
12*	55894	HEX BOLT, M6X20	1	
13*	55901	HEX BOLT, M8X20	2	

Go to Discount-Equipment.com to order your parts

P33/24 HHM-HHMR — SUCTION FILTER ASSY.

SUCTION FILTER ASSY.



P33/24 HHM-HHMR — SUCTION FILTER ASSY.

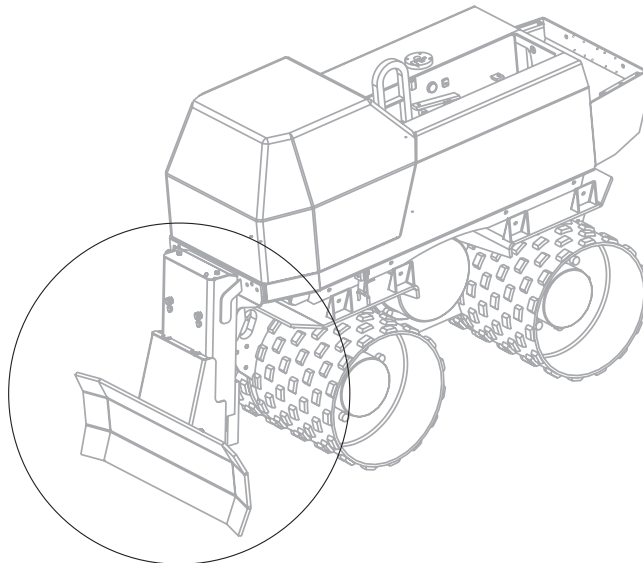
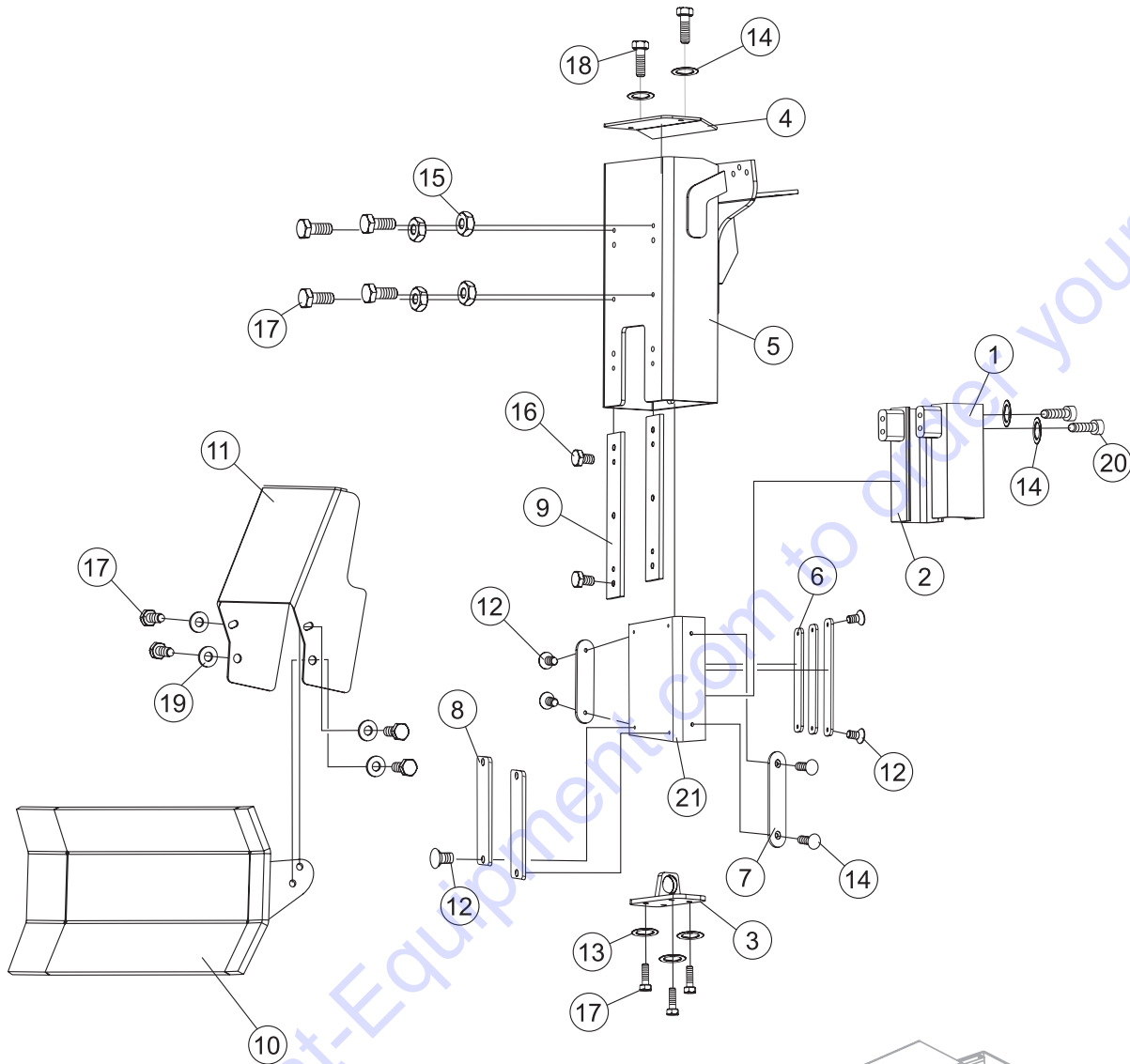
SUCTION FILTER ASSY.

<u>NO.</u>	<u>PART NO.</u>	<u>PART NAME</u>	<u>QTY.</u>	<u>REMARKS</u>
14	54604	ALLEN HEAD CAP SCREW, M6X20	6	
15	58324	RETAINING WASHER, S-6 VERZINKT	6	
16	3-10568	HOSE	1	
17	62115	O-RING, DURCHM. 80X4	1	
18	51601	SUCTION FILTER, AS 040-01K	1	
19	51750	OIL LEVEL GAGE, MOD. 240/AS R1	1	
20	62951	GASKET	1	
21	58808	DRAIN PLUG, M40X1.5	1	

Go to Discount-Equipment.com to order your parts

P33/24 HHMR-BD — DOZER BLADE ASSY.

DOZER BLADE ASSY.



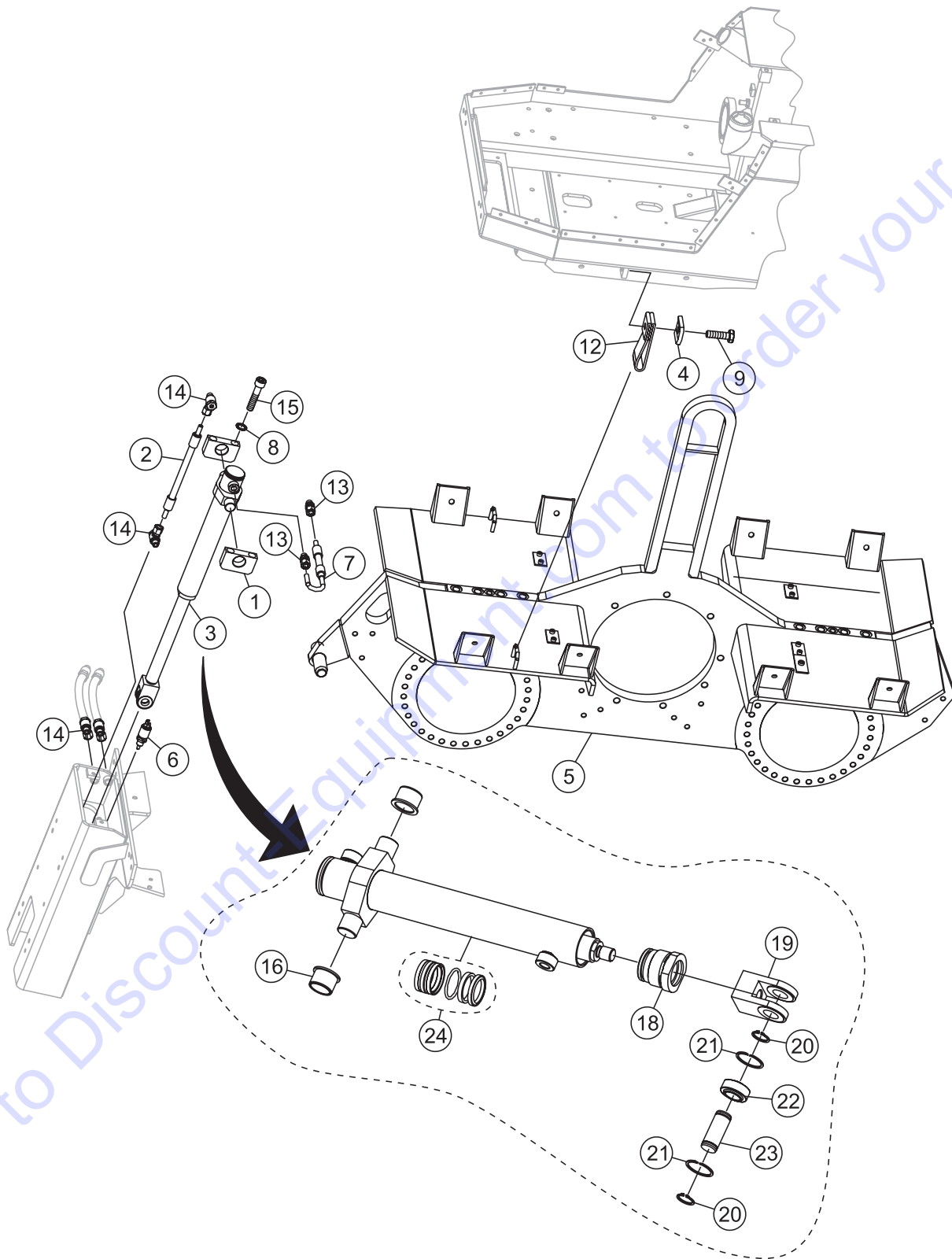
P33/24 HHMR-BD — DOZER BLADE ASSY.

DOZER BLADE ASSY.

<u>NO.</u>	<u>PART NO.</u>	<u>PART NAME</u>	<u>QTY.</u>	<u>REMARKS</u>
1	3-10275	SPUD, LEFT	1	
2	3-10276	SPUD, RIGHT	1	
3	3-10251	FASTENING PLATE	1	
4	3-10237	BONNET, COVER, DD 11 4MM STANDARD	1	
5	3-10252	GUIDANCE TUBE	1	
6	3-10258	SLIDING PLATE, BACK POM-DELTRIN	3	
7	3-10235	SLIDING PLATE, SIDE POM-DELTRIN	2	
8	3-10274	SLIDING PLATE, FRONT POM-DELTRIN	2	
9	3-10247	RAIL, ST 37 K	2	
10	3-10253	SLIDING TUBE	1	
11	3-10324	SHEET METAL GUARD, COMPL.	1	
12	56055	SCREW, M6X12	14	
13	58334	RETAINING WASHER, S-10	4	
14	58325	RETAINING WASHER, S-8	6	
15	57030	HEX NUT, M10	6	
16	55910	HEX BOLT, M10X16	4	
17	55912	HEX BOLT, M10X25	14	
18	55901	HEX BOLT, M8X20	2	
19	58221	LOCK WASHER, 10.5X23X2.5	4	
20	54620	ALLEN HEAD CAP SCREW, M8X30	4	

P33/24 HHMR-BD — LIFT CYLINDER ASSY.

LIFT CYLINDER ASSY.



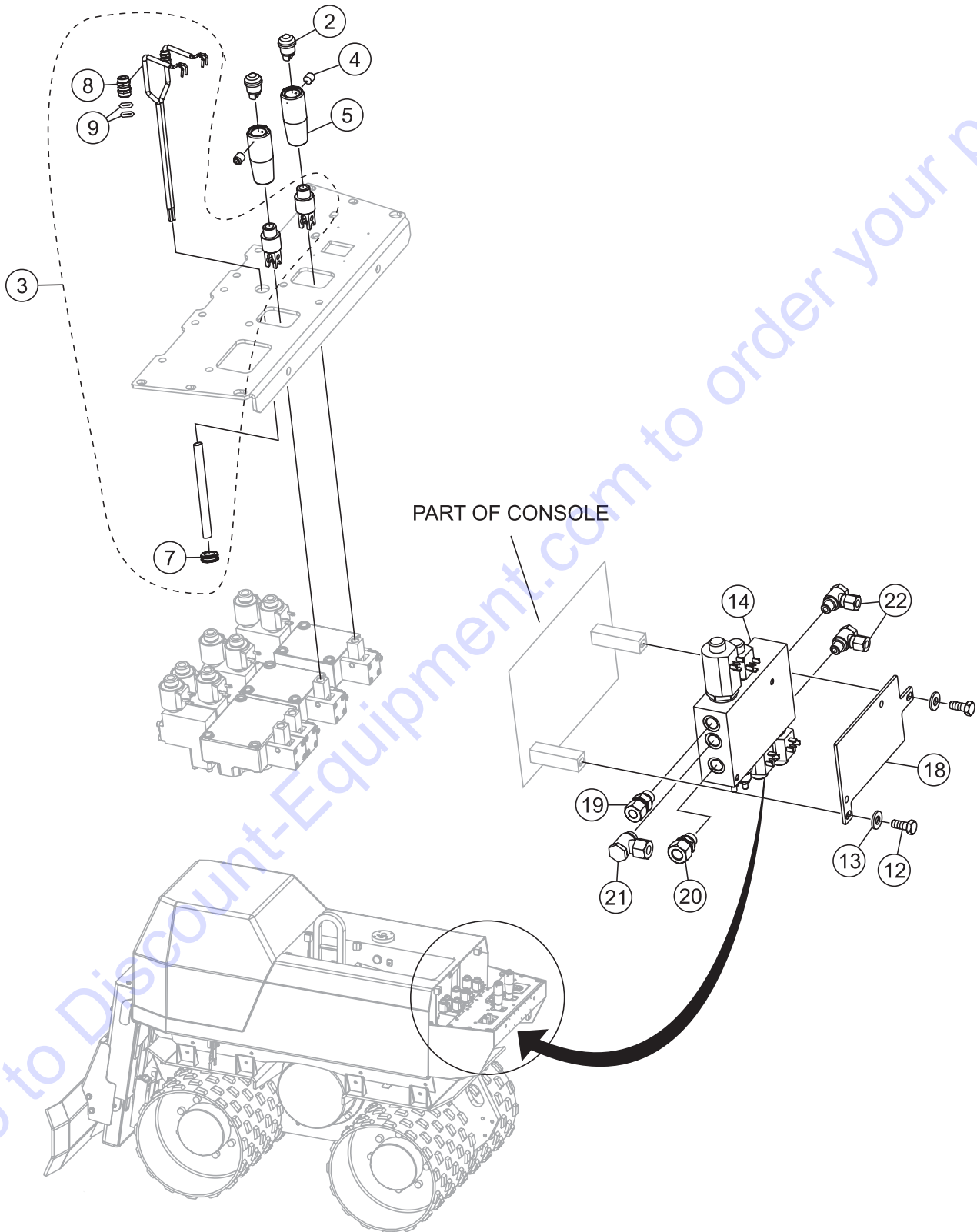
P33/24 HHMR-BD — LIFT CYLINDER ASSY.

LIFT CYLINDER ASSY.

<u>NO.</u>	<u>PART NO.</u>	<u>PART NAME</u>	<u>QTY.</u>	<u>REMARKS</u>
1	3-10236	POSITIONING BLOCK, S 235 JR	2	
2	66928	HD-HOSE, 2SNDN 08X280 RSL/RSL	1	
3	3-10487	LIFT CYLINDER COMPL.	1	INCLUDES ITEMS W/*
4	3-10386	CLAMPING PLATE	2	
6	52070	SWITCH, HELLA 6DF 003263001	1	
7	3-10380	HOSE	1	
8	58334	RETAINING WASHER, S-10	4	
9	55914	HEX BOLT, M10X35	2	
10	58221	SPRING WASHER, 10.5X23X2.5	2	
11	3-10389	MOUNTING FRAME COMPL.	1	
12	3-10387	TRANSPORT STRAP	2	
13	57502	HYDRAULIC FITTING, GE 10 LM	2	
14	57577	HYDRAULIC FITTING, WHO 10 LM	4	
15	54070	ALLEN HEAD CAP SCREW, M10X50	4	
16*	3-10241	BEARING BUSH, GC-CU SN7 ZN PB	2	
18*	64201	PILOT, 3-03-40/30	1	
19*	63914	BOLT HEAD ROD, GK 1-20	1	
20*	58906	PISTON ROD	2	
21*	64202	RETAINING RING, SB 35	2	
22*	63913	JOINT BEARING	1	
23*	3-10242	PIN, S 235 JR	1	
24*	62904	GASKET SET, DO-40/30/1	1	

Go to Discount-Equipment.com to order your parts

VALVE ASSY.



VALVE ASSY.

<u>NO.</u>	<u>PART NO.</u>	<u>PART NAME</u>	<u>QTY.</u>	<u>REMARKS</u>
2	52025	PRESS SWITCH, BOSCH 0 340 000 001	2	
3	3-10461	LEVER COMPL.	1	INCLUDES ITEMS W/*
4	59635	HEADLESS PIN, M4X5	4	
5	3-10294	GRIP, HANDLE	2	
7*	69413	CABLE BUSHING, ART.-NR.: 0842690	1	
8*	68846	CABLE FITTING, PG 07	2	
9*	62001	O-RING, DURCHM. 6X2	4	
12	55901	HEX BOLT, M8X20	4	
13	58222	LOCK WASHER, 8.4X18X2	4	
14	48011	CONTROL BLOCK, ART. NR. 401504	1	
18	3-10312	VALVE PLATE	1	
19	57456	HYDRAULIC FITTING, GE 12 LM M18X1.5	1	
20	57515	HYDRAULIC FITTING, GE 15 LM	1	
21	57540	HYDRAULIC FITTING, SWVE 12 SM	1	
22	57577	HYDRAULIC FITTING, WHO 10 LM	2	

Go to Discount-Equipment.com to order your parts

P33/24 HHM-HHMR — HYDRAULIC SCHEMATIC

HYDRAULIC SCHEMATIC

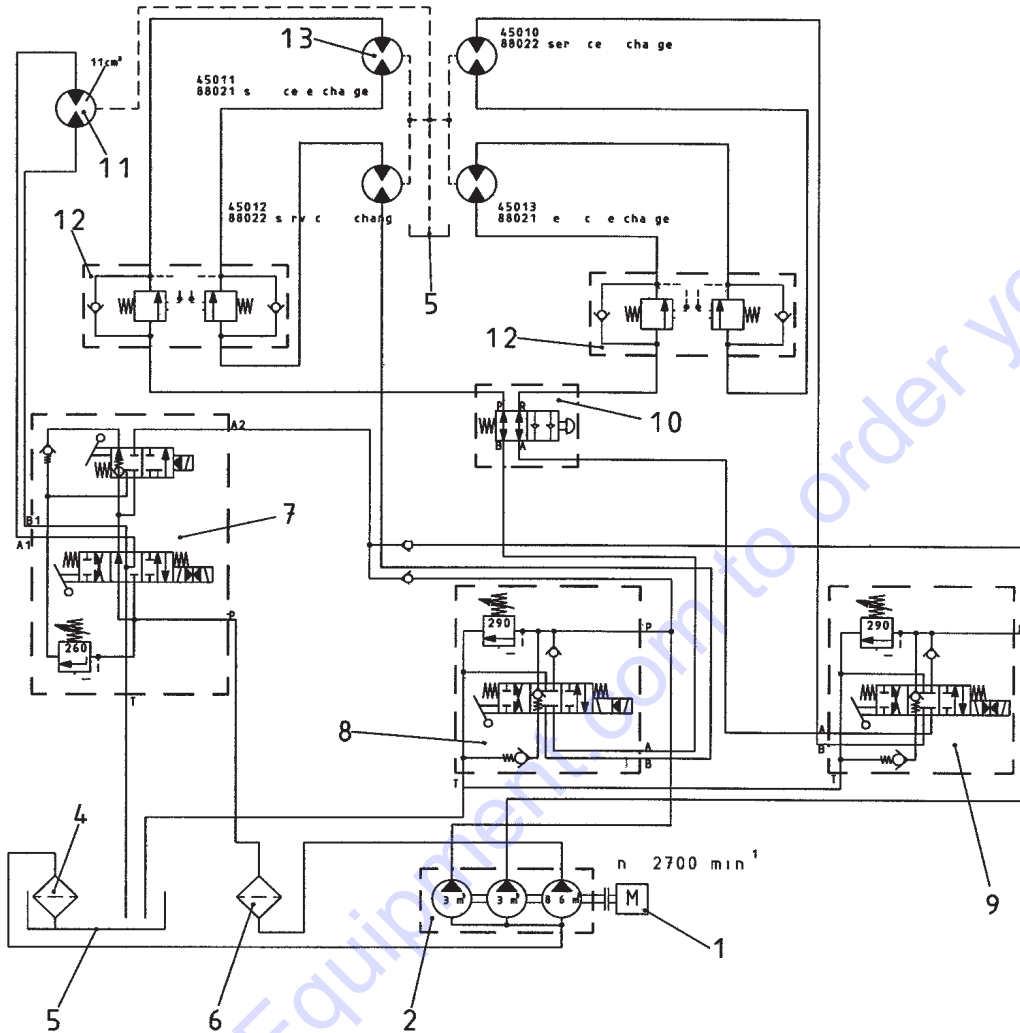


Table 1. Component Description

ITEM NO.	DESCRIPTION	ITEM NO.	DESCRIPTION
1	Deisel Engine	8	Valve (Drive Left)
2	Hydraulic Pump	9	Valve (Drive Right)
4	Suction Filter	10	Safety Shut-Down Valve
5	Oil Tank	11	Gear Motor
6	High-Pressure Filter	12	Countertorque Brake
7	Valve (Vibration/High Speed)	13	Hydraulic Motor

P33/24 HHMR-BD — HYDRAULIC SCHEMATIC

HYDRAULIC SCHEMATIC

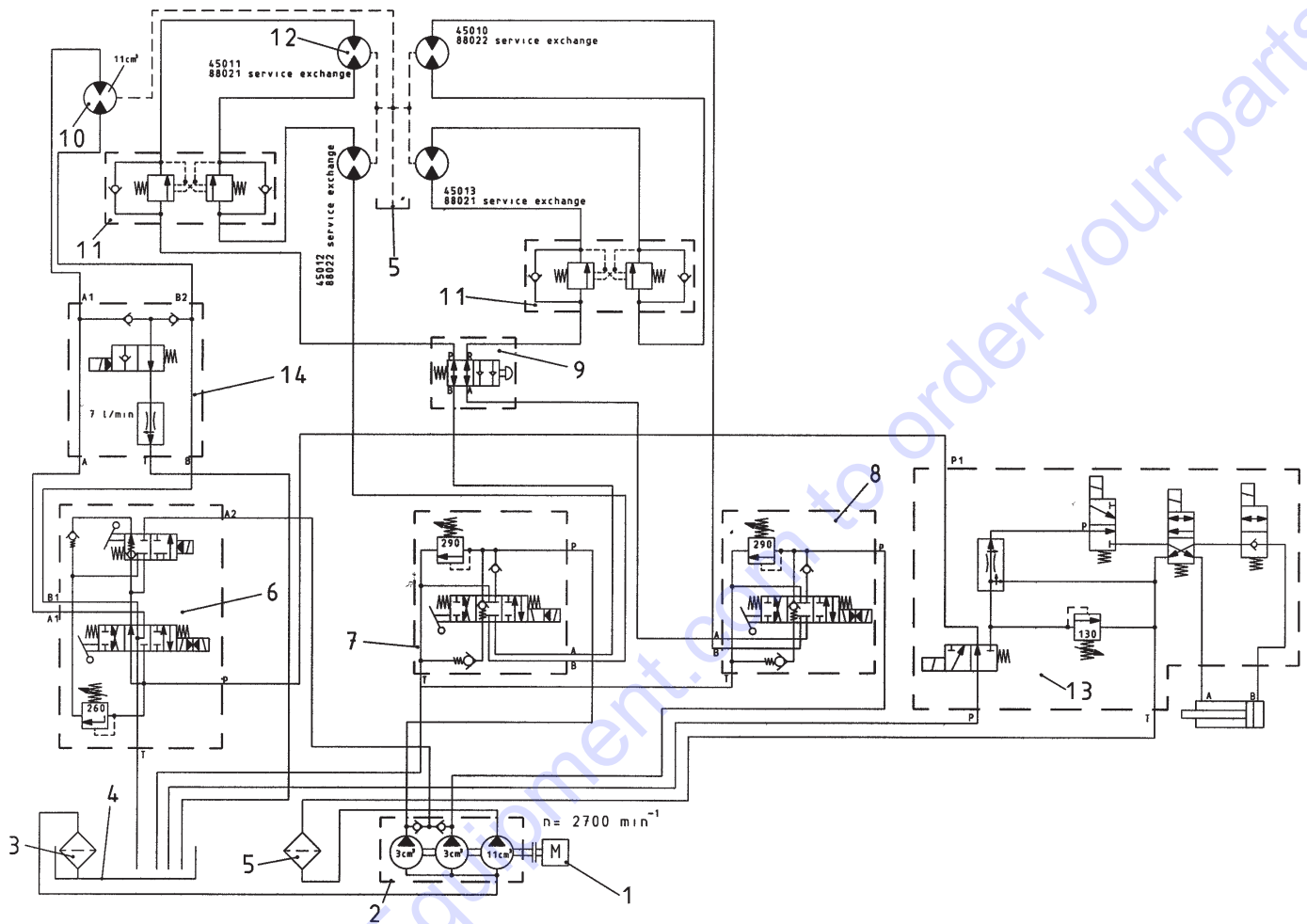
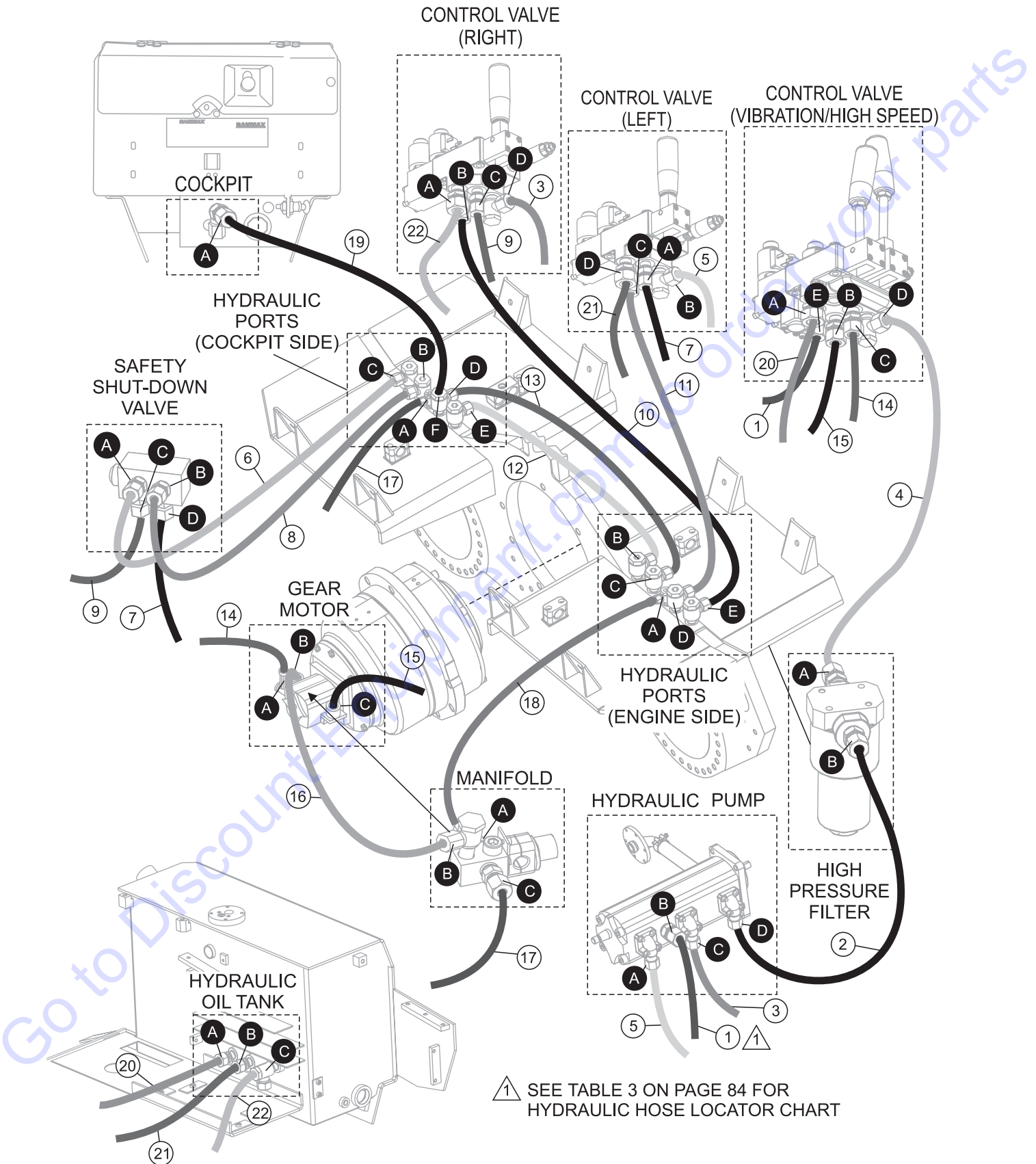


Table 2. Component Description

ITEM NO.	DESCRIPTION	ITEM NO.	DESCRIPTION
1	Deisel Engine	8	Valve (Drive Right)
2	Hydraulic Pump	9	Safety Shut-Down Valve
3	Suction Filter	10	Gear Motor
4	Oil Tank	11	Countertorque Brake
5	High-Pressure Filter	12	Hydraulic Motor
6	Valve (Vibration/High Speed)	13	Valve (Dozer Blade)
7	Valve (Drive Left)	14	Valve (Excentric Weight)

P33/24 HHM-HHMR — HYDRAULIC HOSE LAYOUT

HYDRAULIC HOSE LAYOUT



P33/24 HHM-HHMR — HYDRAULIC HOSE LAYOUT

HYDRAULIC HOSE LAYOUT

<u>NO.</u>	<u>PART NO.</u>	<u>PART NAME</u>	<u>QTY.</u>	<u>REMARKS</u>
1	66996	HD-HOSE	1	2 SN DN 10X850 RSL/RSL 90°
2	66790	HD-HOSE	1	2 SN DN 10X1010 RSL 90° SL 65/RSL 90° V-225°
3	66791	HD-HOSE	1	2 SN DN 10X825 RSL 90° /RSL 90° V-245°
4	66620	HD-HOSE	1	2 SN DN 10X250 RSL 90° /RSL 45°
5	66995	HD-HOSE	1	2 SN DN 10X770 RSL 45° /RSL 90° SL 65 V-240°
6	66691	HD-HOSE	1	2 SN DN 10X360 RSL 90° /RSL 90° SL 65 V-225°
7	66519	HD-HOSE	1	2 SN DN 10X360 RSL/RSL 90°
8	66519	HD-HOSE	1	2 SN DN 10X360 RSL/RSL 90°
9	66519	HD-HOSE	1	2 SN DN 10X360 RSL/RSL 90°
10	66681	HD-HOSE	1	2 SN DN 10X1440 RSL/RSL
11	65344	HD-HOSE	1	2 SN DN 10X1410 RSL/RSL
12	66697	HD-HOSE	1	2 SN DN 10X680 RSL/RSL
13	66698	HD-HOSE	1	2 SN DN 10X810 RSL/RSL
14	66692	HD-HOSE	1	2 SN DN 12X1000 RSL/RSL 45° Ø15
15	66693	HD-HOSE	1	2 SN DN 12X840 RSL/RSL 45° Ø15
16	66406	HD-HOSE	1	1 SN DN 06X380 RSL/RSL
17	66405	HD-HOSE	1	1 SN DN 08X405 RSL/RSL 90°
18	66405	HD-HOSE	1	1 SN DN 08X405 RSL/RSL 90°
19	66684	HD-HOSE	1	1 SN DN 08X360 RSL 45° /RSL 90°
20	66694	HD-HOSE	1	1 SN DN 16X465 RSL 45° /RSL 90° V-270°
21	66695	HD-HOSE	1	1 SN DN 16X335 RSL 90° /RSL 90° V-270°
22	66696	HD-HOSE	1	1 SN DN 16X250 RSL /RSL 90°

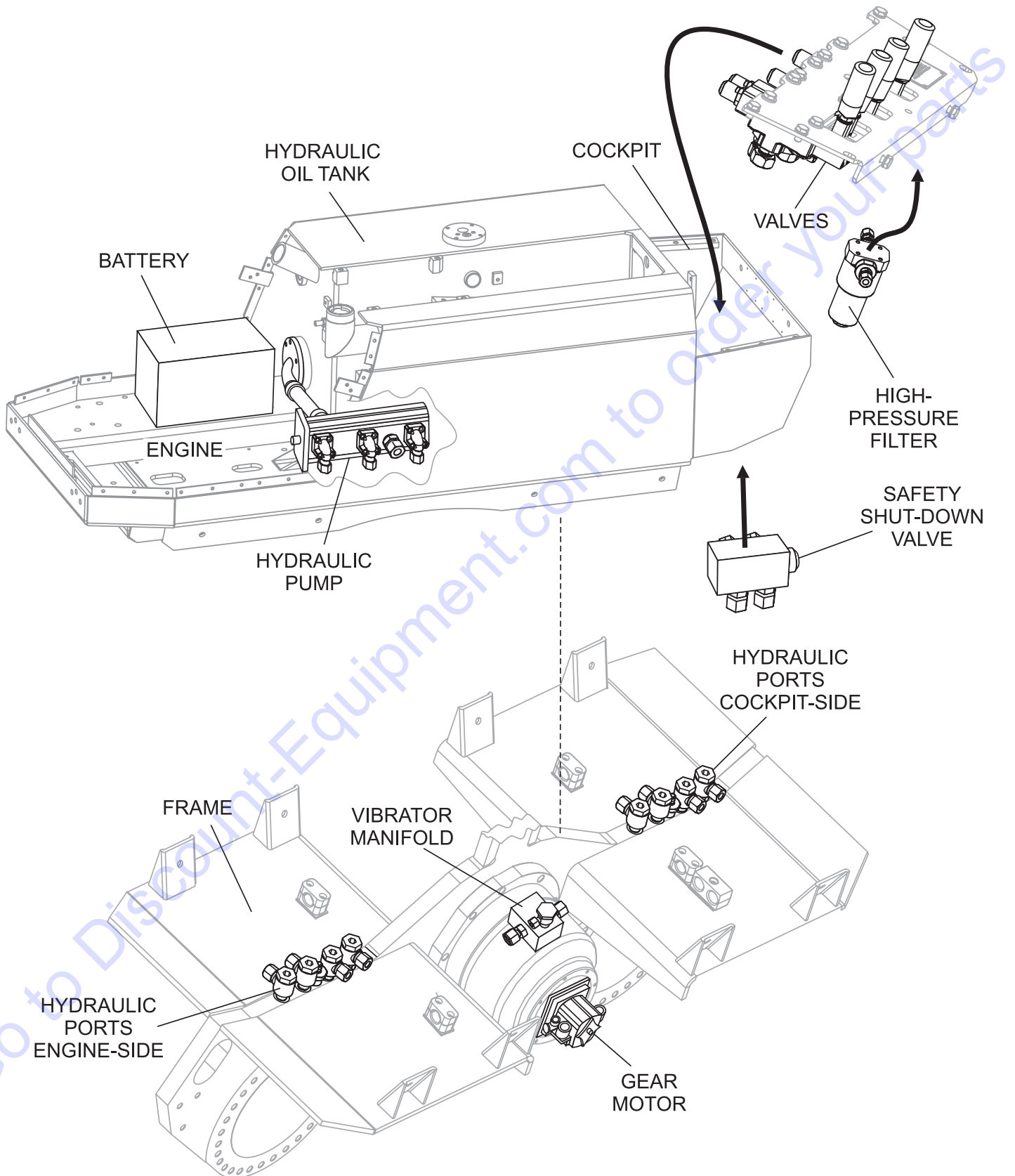
P33/24 HHM-HHMR — HYDRAULIC HOSE LOCATOR CHART

HYDRAULIC HOSE LOCATOR CHART

Table 3. Hydraulic Hose Layout		
ITEM NO.	DESTINATION	
	FROM	TO
1	HYDRAULIC PUMP PORT B	CONTROL VALVE (VIB.) PORT E
2	HYDRAULIC PUMP PORT D	HIGH-PRESSURE FILTER PORT B
3	HYDRAULIC PUMP PORT C	CONTROL VALVE (RIGHT) PORT D
4	HIGH-PRESSURE FILTER PORT A	CONTROL VALVE (VIB.) PORT D
5	HYDRAULIC PUMP PORT A	CONTROL VALVE (LEFT) PORT B
6	SAFETY SHUT-DOWN VALVE PORT A	HYDRAULIC PORT (COCKPIT SIDE) C
7	SAFETY SHUT-DOWN VALVE PORT D	CONTROL VALVE (LEFT) PORT A
8	SAFETY SHUT-DOWN VALVE PORT B	HYDRAULIC PORT (COCKPIT SIDE) B
9	SAFETY SHUT-DOWN VALVE PORT C	CONTROL VALVE (RIGHT) PORT C
10	HYDRAULIC PORT (ENGINE SIDE) E	CONTROL VALVE (RIGHT) PORT B
11	HYDRAULIC PORT (ENGINE SIDE) D	CONTROL VALVE (LEFT) PORT C
12	HYDRAULIC PORT (ENGINE SIDE) B	HYDRAULIC PORT (COCKPIT SIDE) E
13	HYDRAULIC PORT (ENGINE SIDE) C	HYDRAULIC PORT (COCKPIT SIDE) D
14	GEAR MOTOR PORT A	CONTROL VALVE (VIB.) PORT C
15	GEAR MOTOR PORT C	CONTROL VALVE (VIB.) PORT B
16	GEAR MOTOR PORT B	MANIFOLD PORT B
17	MANIFOLD PORT C	HYDRAULIC PORT (COCKPIT SIDE) A
18	MANIFOLD PORT A	HYDRAULIC PORT (ENGINE SIDE) A
19	HYDRAULIC PORT (COCKPIT SIDE) F	COCKPIT PORT A
20	CONTROL VALVE (VIB.) PORT A	HYDRAULIC OIL TANK PORT A
21	CONTROL VALVE (LEFT) PORT D	HYDRAULIC OIL TANK PORT B
22	CONTROL VALVE (RIGHT) PORT A	HYDRAULIC OIL TANK PORT C

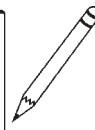
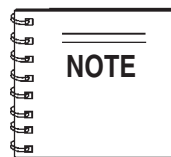
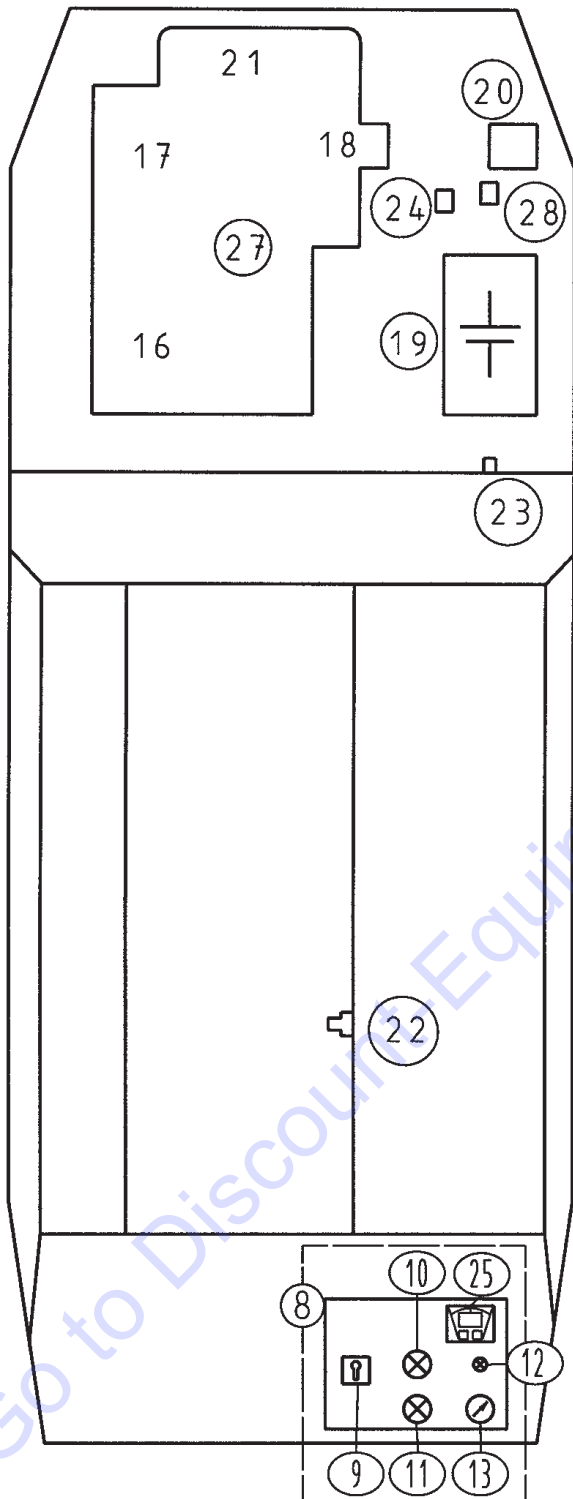
P33/24 HHM-HHMR — COMPONENT LOCATOR

COMPONENT LOCATOR



P33/24 HHM — ELECTRICAL COMPONENT LOCATOR

ELECTRICAL COMPONENT LOCATOR (P33/24 HHM)

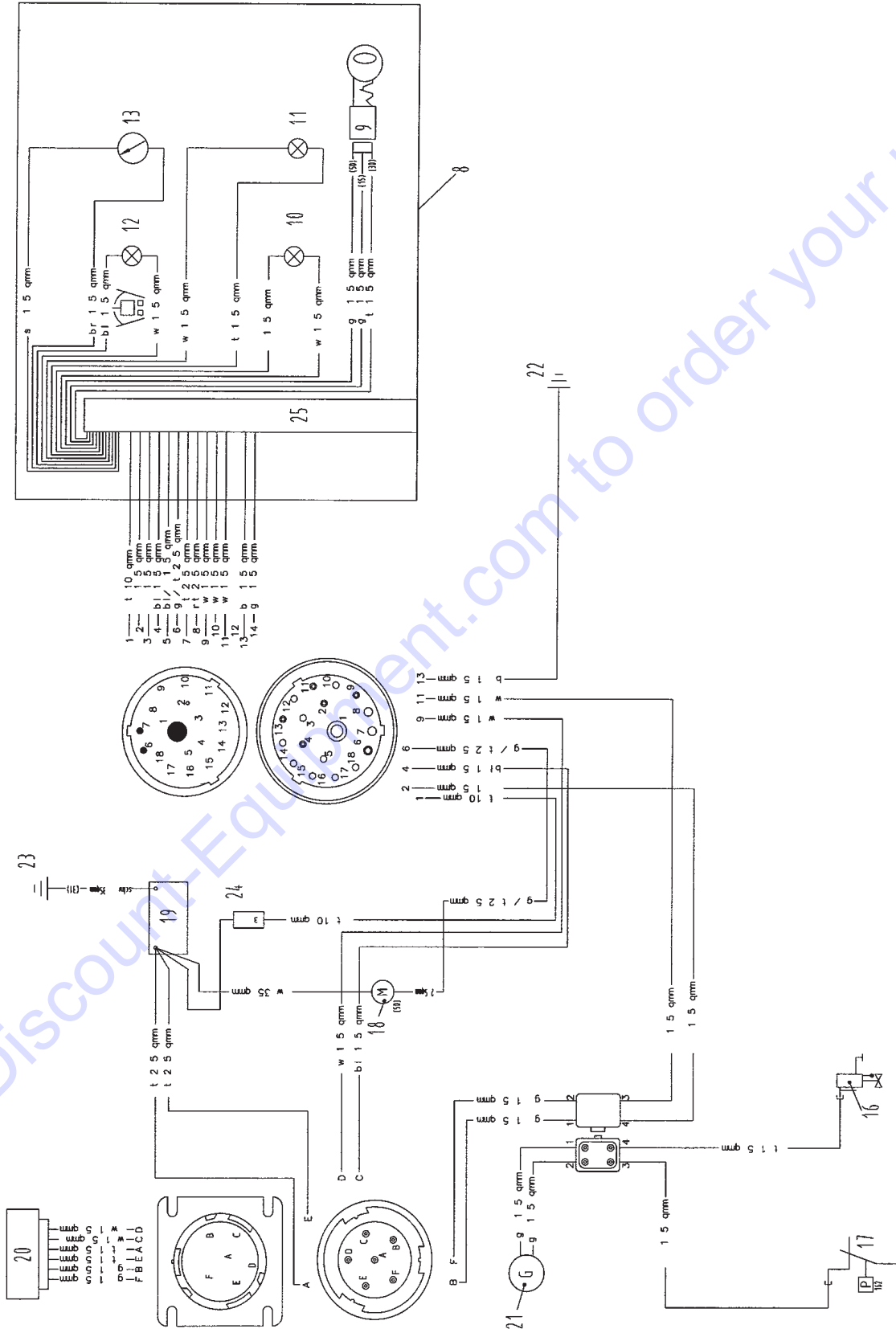


See next page for corresponding wiring schematic.

- Position 8: Cockpit
- Position 9: Starter Switch
- Position 10: Generator Control
- Position 11: Oil Control
- Position 12: Inclinometer Indicator
- Position 13: Hour counter
- Position 16: Shut-off Solenoid
- Position 17: Oil Pressure Switch
- Position 18: Starter
- Position 19: Battery
- Position 20: Regulator
- Position 21: Alternator
- Position 22: Ground Cockpit/Valve Control Device
- Position 23: Central Ground
- Position 24: Central Fuse
- Position 25: Engine Control
- Position 27: Engine
- Position 28: Battery Section Switch

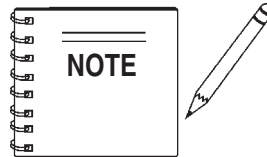
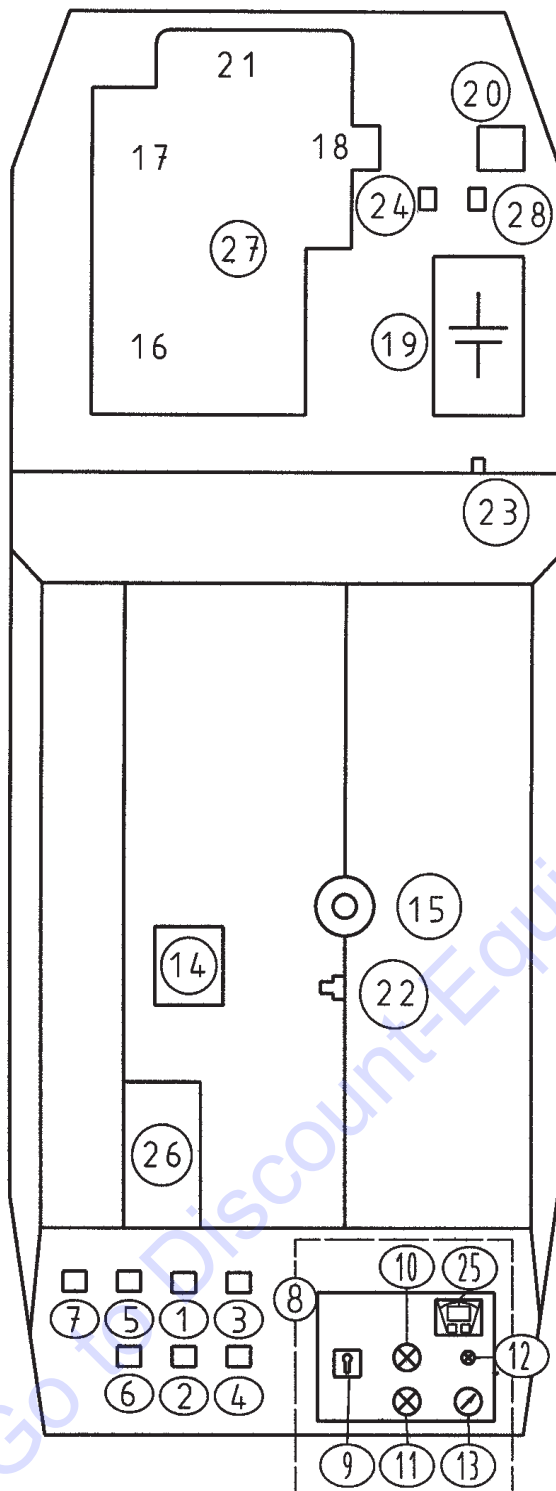
P33/24 HHM — WIRING SCHEMATIC

WIRING SCHEMATIC (P33/24 HHM)



P33/24 HHMR — ELECTRICAL COMPONENT LOCATOR

ELECTRICAL COMPONENT LOCATOR (P33/24 HHMR)

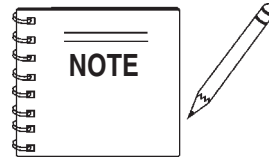
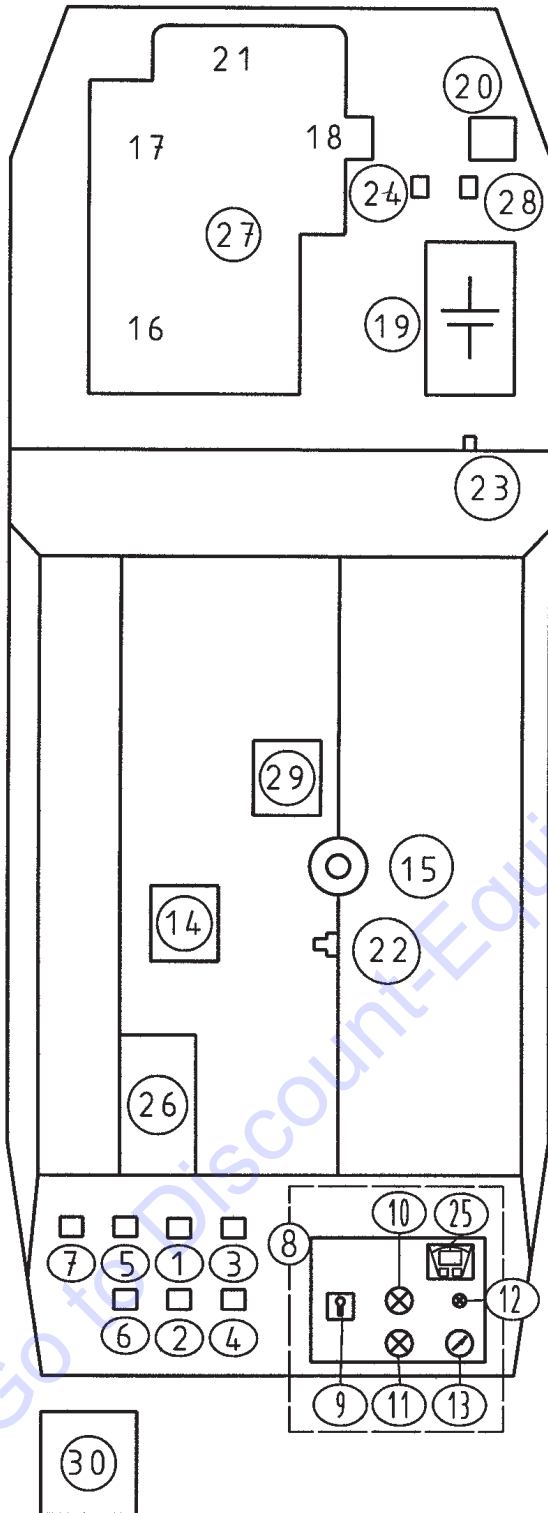


See next page for corresponding wiring schematic.

- Position 1: Drive Left Forward
- Position 2: Drive Left Backward
- Position 3: Drive Right Forward
- Position 4: Drive Right Backward
- Position 5: Vibration Forward
- Position 6: Vibration Backward
- Position 7: High Speed
- Position 8: Cockpit
- Position 9: Starter Switch
- Position 10: Generator Control
- Position 11: Oil Control
- Position 12: Inclinator Indicator
- Position 13: Hour Counter
- Position 14: Valve Control Device
- Position 15: Pre-amplifier
- Position 16: Shut-off Solenoid
- Position 17: Oil Pressure Switch
- Position 18: Starter
- Position 19: Battery
- Position 20: Regulator
- Position 21: Alternator
- Position 22: Ground Cockpit/Valve Control Device
- Position 23: Central Ground
- Position 24: Central Fuse
- Position 25: Engine Control
- Position 26: Transmitter
- Position 27: Engine
- Position 28: Battery Section Switch

P33/24 (VAR. EXC. WEIGHT) — ELECTRICAL COMPONENT LOCATOR

ELECTRICAL COMPONENT LOCATOR (P33/24 VAR. EXC. WEIGHT)

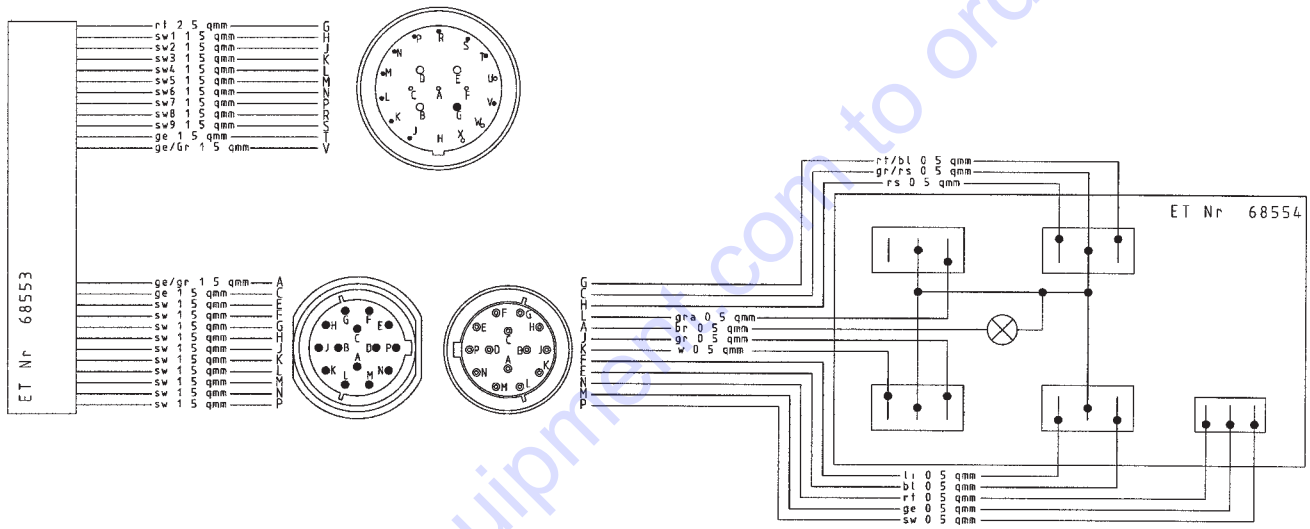


See next page for corresponding wiring schematic.

- Position 1: Drive Left Forward
- Position 2: Drive Left Backward
- Position 3: Drive Right Forward
- Position 4: Drive Right Backward
- Position 5: Vibration Forward
- Position 6: Vibration Backward
- Position 7: High Speed
- Position 8: Cockpit
- Position 9: Starter Switch
- Position 10: Generator Control
- Position 11: Oil Control
- Position 12: Inclinometer Indicator
- Position 13: Hour Counter
- Position 14: Valve Control Device
- Position 15: Pre-amplifier
- Position 16: Shut-off Solenoid
- Position 17: Oil Pressure Switch
- Position 18: Starter
- Position 19: Battery
- Position 20: Regulator
- Position 21: Alternator
- Position 22: Ground Cockpit/Valve Control Device
- Position 23: Central Ground
- Position 24: Central Fuse
- Position 25: Engine Control
- Position 26: Transmitter
- Position 27: Engine
- Position 28: Battery Section Switch
- Position 29: Control Box
- Position 30: Manual Control Box

P33/24 (VAR. EXC. WEIGHT) — WIRING SCHEMATIC

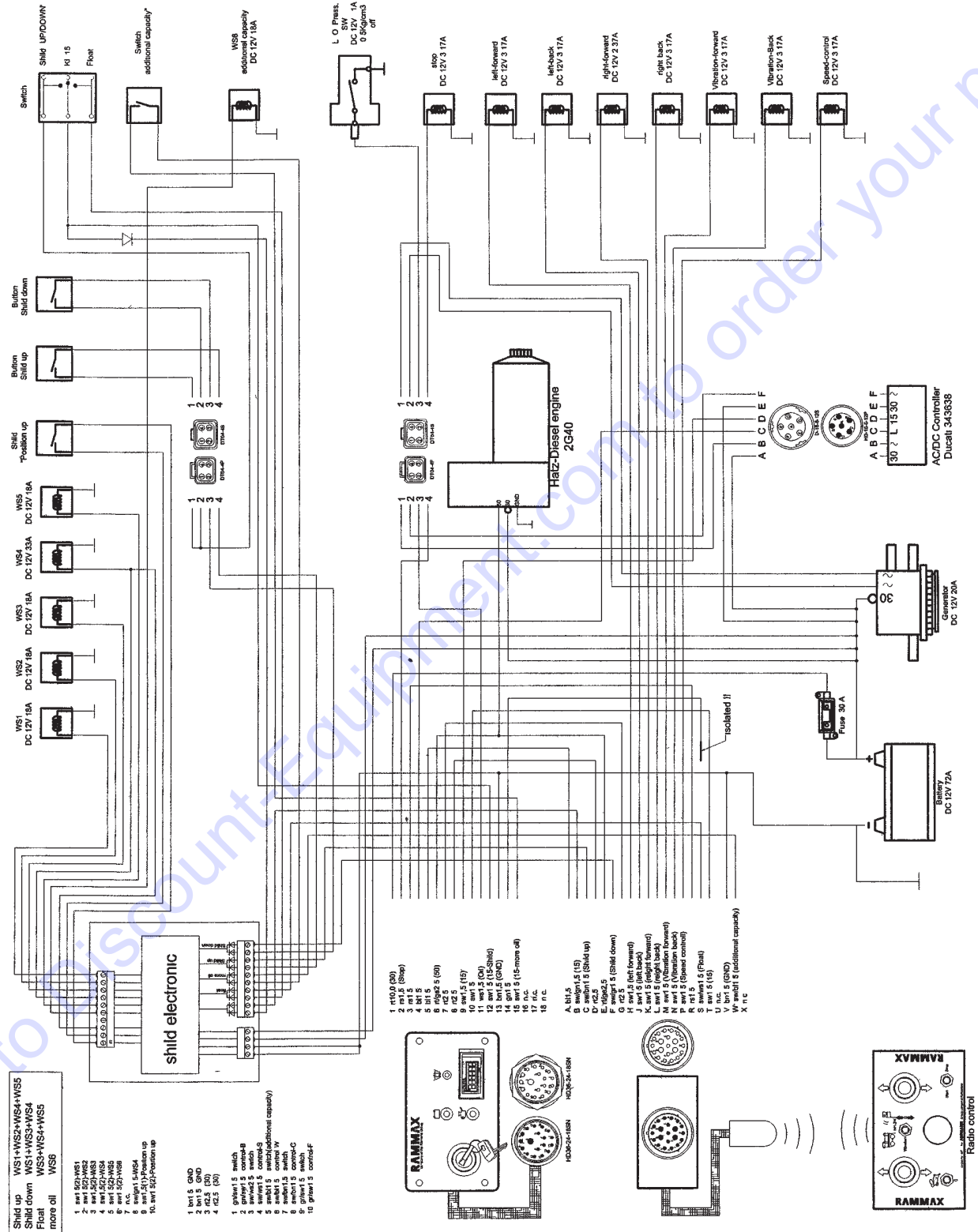
WIRING SCHEMATIC (P33/24 VAR. EXC. WEIGHT)



Go to Discount-Equipment.com to order your parts

P33/24 HHMR-BD—WIRING SCHEMATIC

WIRING SCHEMATIC (P33/24 HHMR-BD)



PARTS FINDER

**Search Website
by Part Number**



**Search Manual
Library For Parts
Manual & Lookup Part
Numbers – Purchase
or Request Quote**

Search Manuals

Enter your information to help us find the right parts manual for your machine.

* Brand:

* Model:

* Serial:

* Part Number:

SEARCH

**Can't Find Part or
Manual? Request Help
by Manufacturer,
Model & Description**

Parts Order Form

Please fill in the following information to help us find the right part for your machine.

Manufacturer:	<input type="text"/>
Model:	<input type="text"/>
Description:	<input type="text"/>
Part Number:	<input type="text"/>
Quantity:	<input type="text"/>
Notes:	<input type="text"/>

Submit

Discount-Equipment.com is your online resource for quality parts & equipment.

Florida: **561-964-4949** Outside Florida TOLL FREE: **877-690-3101**

Need parts?

Click on this link: <http://www.discount-equipment.com/category/5443-parts/> and choose one of the options to help get the right parts and equipment you are looking for. Please have the machine model and serial number available in order to help us get you the correct parts. If you don't find the part on the website or on one of the online manuals, please fill out the request form and one of our experienced staff members will get back to you with a quote for the right part that your machine needs.

We sell worldwide for the brands: Genie, Terex, JLG, MultiQuip, Mikasa, Essick, Whiteman, Mayco, Toro Stone, Diamond Products, Generac Magnum, Airman, Haulotte, Barreto, Power Blanket, Nifty Lift, Atlas Copco, Chicago Pneumatic, Allmand, Miller Curber, Skyjack, Lull, Skytrak, Tsurumi, Husquvarna Target, Stow, Wacker, Sakai, Mi-T-M, Sullair, Basic, Dynapac, MBW, Weber, Bartell, Bennar Newman, Haulotte, Ditch Runner, Menegotti, Morrison, Contec, Buddy, Crown, Edco, Wyco, Bomag, Laymor, EZ Trench, Bil-Jax, F.S. Curtis, Gehl Pavers, Heli, Honda, ICS/PowerGrit, IHI, Partner, Imer, Clipper, MMD, Koshin, Rice, CH&E, General Equipment, Amida, Coleman, NAC, Gradall, Square Shooter, Kent, Stanley, Tamco, Toku, Hatz, Kohler, Robin, Wisconsin, Northrock, Oztec, Toker TK, Rol-Air, APT, Wylie, Ingersoll Rand / Doosan, Innovatech, Con X, Ammann, Mecalac, Makinex, Smith Surface Prep, Small Line, Wanco, Yanmar