

# PARTS MANUAL



**MULTIQUIP®**

**RAMMAX**

**MODELS**

**RX1575**

**RX157533**

**TRENCH ROLLER**

**S/N 5570001 AND BELOW**

**(YANMAR 3TNV76 DIESEL ENGINE)**

Revision #0 (05/01/15)



THIS MANUAL MUST ACCOMPANY THE EQUIPMENT AT ALL TIMES.

# PARTS FINDER

**Search Website  
by Part Number**



**Search Manual  
Library For Parts  
Manual & Lookup Part  
Numbers – Purchase  
or Request Quote**

**Search Manuals**

Enter your information to help us find the right manual for your machine.

\* Brand:

\* Model:

\* Serial:

\* Part Number:

SEARCH

**Can't Find Part or  
Manual? Request Help  
by Manufacturer,  
Model & Description**

**Parts Order Form**

Please fill in the following information to help us find the right part for your machine.

Manufacturer:	<input type="text"/>
Model:	<input type="text"/>
Description:	<input type="text"/>
Part Number:	<input type="text"/>
Quantity:	<input type="text"/>
Notes:	<input type="text"/>

Submit

Discount-Equipment.com is your online resource for quality parts & equipment.

Florida: **561-964-4949** Outside Florida TOLL FREE: **877-690-3101**

**Need parts?**

Click on this link: <http://www.discount-equipment.com/category/5443-parts/> and choose one of the options to help get the right parts and equipment you are looking for. Please have the machine model and serial number available in order to help us get you the correct parts. If you don't find the part on the website or on one of the online manuals, please fill out the request form and one of our experienced staff members will get back to you with a quote for the right part that your machine needs.

We sell worldwide for the brands: Genie, Terex, JLG, MultiQuip, Mikasa, Essick, Whiteman, Mayco, Toro Stone, Diamond Products, Generac Magnum, Airman, Haulotte, Barreto, Power Blanket, Nifty Lift, Atlas Copco, Chicago Pneumatic, Allmand, Miller Curber, Skyjack, Lull, Skytrak, Tsurumi, Husquvarna Target, Stow, Wacker, Sakai, Mi-T-M, Sullair, Basic, Dynapac, MBW, Weber, Bartell, Bennar Newman, Haulotte, Ditch Runner, Menegotti, Morrison, Contec, Buddy, Crown, Edco, Wyco, Bomag, Laymor, EZ Trench, Bil-Jax, F.S. Curtis, Gehl Pavers, Heli, Honda, ICS/PowerGrit, IHI, Partner, Imer, Clipper, MMD, Koshin, Rice, CH&E, General Equipment, Amida, Coleman, NAC, Gradall, Square Shooter, Kent, Stanley, Tamco, Toku, Hatz, Kohler, Robin, Wisconsin, Northrock, Oztec, Toker TK, Rol-Air, APT, Wylie, Ingersoll Rand / Doosan, Innovatech, Con X, Ammann, Mecalac, Makinex, Smith Surface Prep, Small Line, Wanco, Yanmar

# TABLE OF CONTENTS

## RX1575 Trench Roller

Table Of Contents.....	2
Parts Ordering Procedures.....	3
Explanation Of Code In Remarks Column.....	4
Suggested Spare Parts .....	5

## Component Drawings

Nameplate And Decals.....	6-11
Drum Assembly .....	12-13
Drum Drive Assembly.....	14-15
Vibration Assembly.....	16-17
Center Beam Assembly.....	18-19
Center Beam Hose Assembly .....	20-21
Chassis Front Assembly .....	22-23
Chassis Rear Assembly .....	24-25
Engine Hood Assembly .....	26-27
Cover Hood Top Assembly .....	28-29
Cover Hood Bottom Assembly.....	30-31
Fuel Tank Assembly.....	32-33
Pendulum Support Assembly .....	34-35
Pendulum Joint Assembly .....	36-37
Steering Cylinder Assembly .....	38-39
Transport Securing Device Assembly.....	40-41
Diesel Engine Assembly.....	42-43
Engine Add-On Parts Assembly .....	44-51
Engine Electric Parts Assembly.....	52-53
Engine Cooler Assembly .....	54-55
Engine Air Filter Assembly .....	56-57
Engine Muffler Assembly.....	58-59
Variable Displacement Pump Assembly.....	60-61
Gear Pump Assembly.....	62-63
Hydraulic Oil Tank Assembly .....	64-65
Oil Cooler Assembly.....	66-67

Valve Block Assembly.....	68-69
Hydraulic Block Assembly .....	70-71
Hoses For Drive System Assembly .....	72-73
Suction And Leakage Assembly .....	74-75
Hoses For Steering System Assembly .....	76-77
Brake Hoses Assembly.....	78-79
Hoses For Vibration System Assembly.....	80-81
Cockpit Assembly .....	82-83
Holding Device With Battery Assembly .....	84-85
Shutdown Bar Assembly (Option) .....	86-87
Height Control Assembly Assembly .....	88-89
Filter Set Assembly.....	90-91

Terms And Conditions Of Sale — Parts .....	92
--	----

### NOTICE

Part numbers are subject to change without notice.

# EXPLANATION OF CODE IN REMARKS COLUMN

The following section explains the different symbols and remarks used in the Parts section of this manual. Use the help numbers found on the back page of the manual if there are any questions.

## NOTICE

The contents and part numbers listed in the parts section are subject to change **without notice**. Multiquip does not guarantee the availability of the parts listed.

## SAMPLE PARTS LIST

NO.	PART NO.	PART NAME	QTY.	REMARKS
1	12345	BOLT .....	1	INCLUDES ITEMS W/%
2%		WASHER, 1/4 IN. ....		NOT SOLD SEPARATELY
2%	12347	WASHER, 3/8 IN. ...	1	MQ-45T ONLY
3	12348	HOSE .....	A/R	MAKE LOCALLY
4	12349	BEARING .....	1	S/N 2345B AND ABOVE

## NO. Column

**Unique Symbols** — All items with same unique symbol (@, #, +, %, or >) in the number column belong to the same assembly or kit, which is indicated by a note in the “Remarks” column.

**Duplicate Item Numbers** — Duplicate numbers indicate multiple part numbers, which are in effect for the same general item, such as different size saw blade guards in use or a part that has been updated on newer versions of the same machine.

## NOTICE

When ordering a part that has more than one item number listed, check the remarks column for help in determining the proper part to order.

## PART NO. Column

**Numbers Used** — Part numbers can be indicated by a number, a blank entry, or TBD.

TBD (To Be Determined) is generally used to show a part that has not been assigned a formal part number at the time of publication.

A blank entry generally indicates that the item is not sold separately or is not sold by Multiquip. Other entries will be clarified in the “Remarks” Column.

## QTY. Column

**Numbers Used** — Item quantity can be indicated by a number, a blank entry, or A/R.

A/R (As Required) is generally used for hoses or other parts that are sold in bulk and cut to length.

A blank entry generally indicates that the item is not sold separately. Other entries will be clarified in the “Remarks” Column.

## REMARKS Column

Some of the most common notes found in the “Remarks” Column are listed below. Other additional notes needed to describe the item can also be shown.

**Assembly/Kit** — All items on the parts list with the same unique symbol will be included when this item is purchased.

Indicated by:

“INCLUDES ITEMS W/(unique symbol)”

**Serial Number Break** — Used to list an effective serial number range where a particular part is used.

Indicated by:

“S/N XXXXX AND BELOW”

“S/N XXXX AND ABOVE”

“S/N XXXX TO S/N XXX”

**Specific Model Number Use** — Indicates that the part is used only with the specific model number or model number variant listed. It can also be used to show a part is NOT used on a specific model or model number variant.

Indicated by:

“XXXXX ONLY”

“NOT USED ON XXXX”

**“Make/Obtain Locally”** — Indicates that the part can be purchased at any hardware shop or made out of available items. Examples include battery cables, shims, and certain washers and nuts.

**“Not Sold Separately”** — Indicates that an item cannot be purchased as a separate item and is either part of an assembly/kit that can be purchased, or is not available for sale through Multiquip.

## SUGGESTED SPARE PARTS

### RAMMAX 1575 TRENCH ROLLER WITH YANMAR 3TNV76 ENGINE

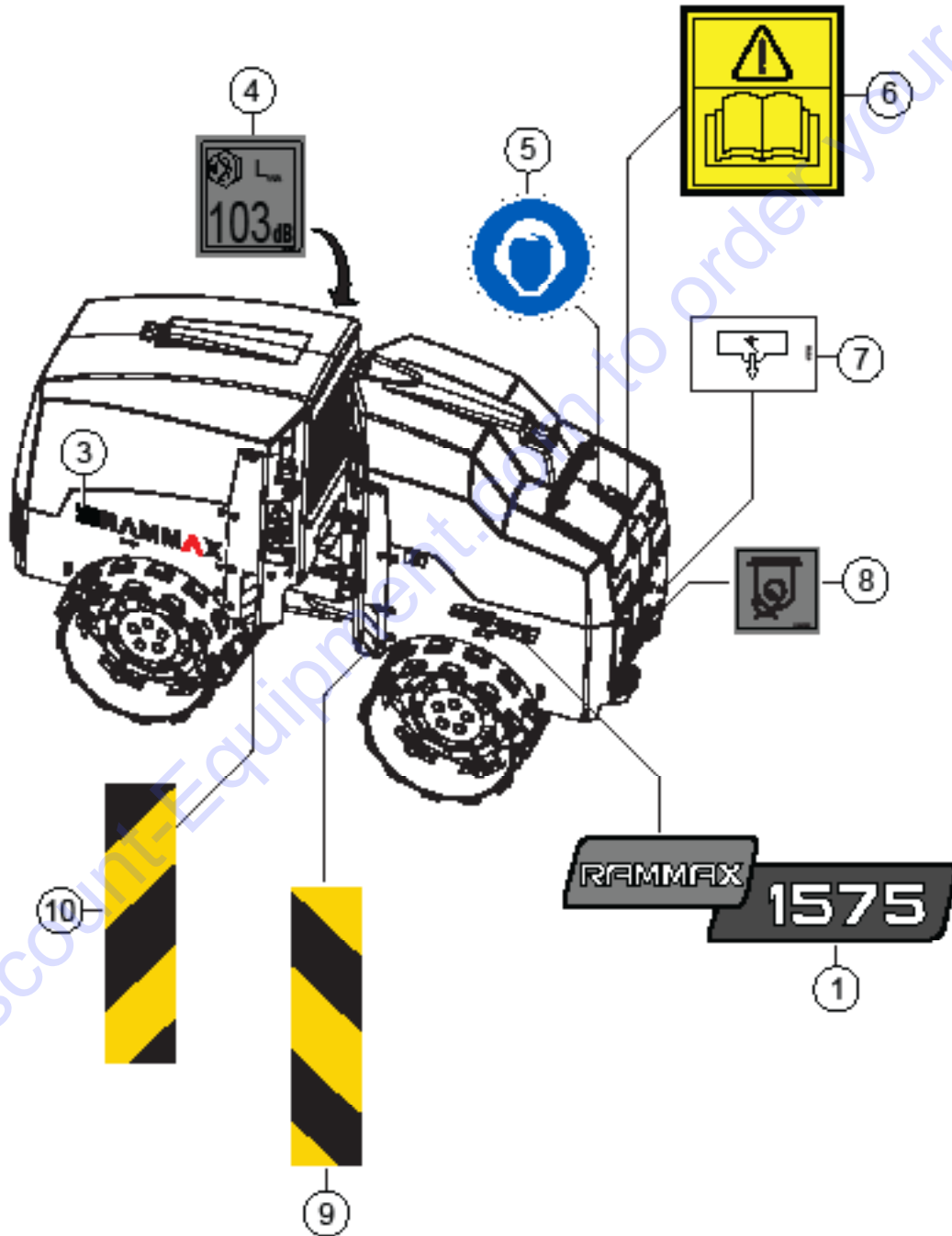
#### 1 to 3 units

Qty.	P/N	Description
3.....	1-954075 .....	OIL FILTER
3.....	1-954197 .....	FUEL FILTER
3.....	1224448.....	AIR FILTER
2.....	1242184.....	BREATHER FILTER, HYDRAULIC
1.....	1183743.....	V-BELT
1.....	1-30005179 .....	IGNITION SWITCH
3.....	114607.....	IGNITION KEYS
1.....	1-952347 .....	OIL PRESSURE SWITCH
1.....	1-952346 .....	WATER TEMP., SWITCH
3.....	1-921583 .....	FUSE, 10 AMP
2.....	1-921585 .....	FUSE, 25 AMP
3.....	1-944544 .....	FUSE, 40 AMP

#### NOTICE

Part numbers on this Suggested Spare Parts list may supersede/replace the part numbers shown in the following parts lists.

# NAMEPLATE AND DECALS



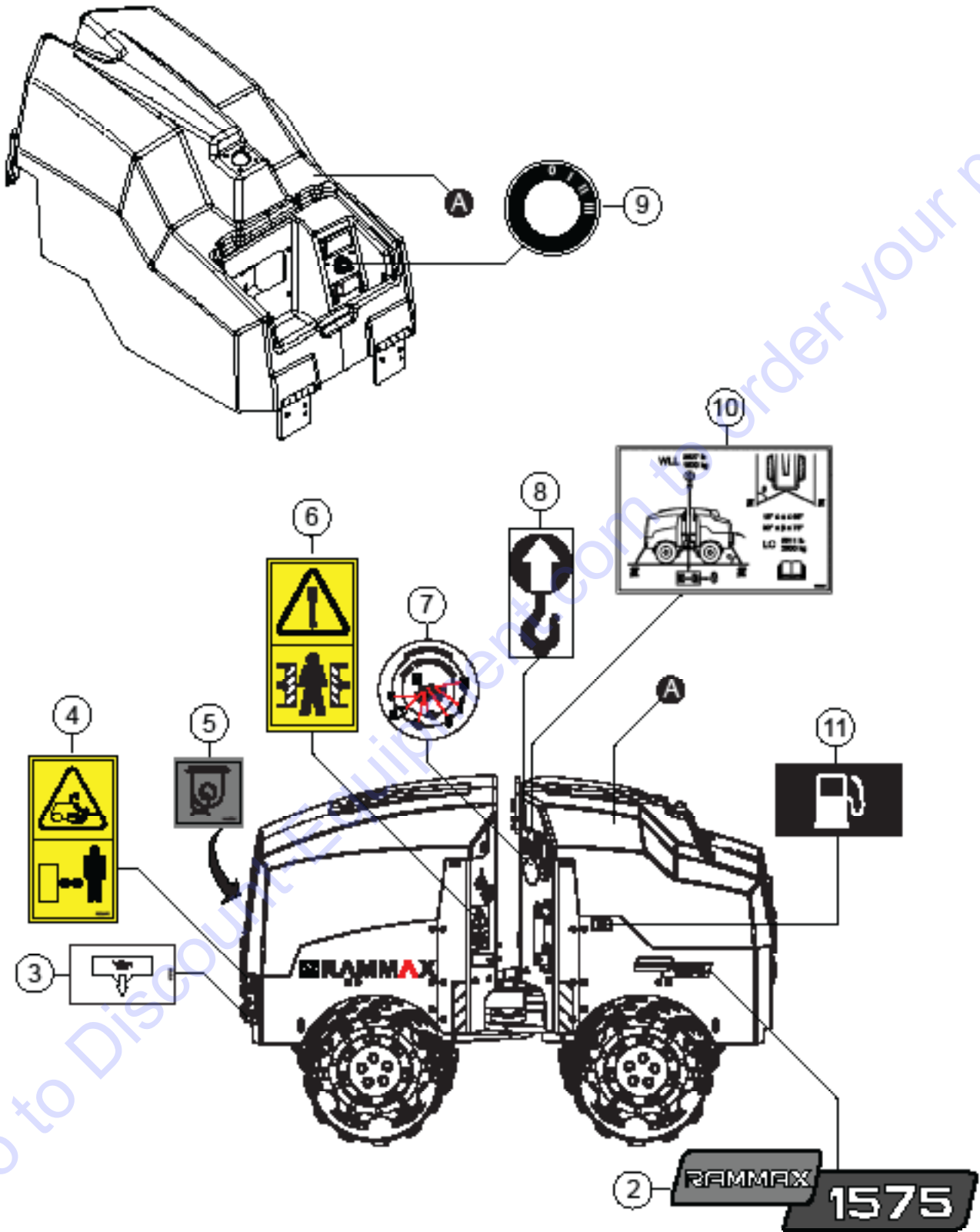
## NAMEPLATE AND DECALS

---

<u>NO.</u>	<u>PART NO.</u>	<u>PART NAME</u>	<u>QTY.</u>	<u>REMARKS</u>
1	1231055	DECAL, RAMMAX 1575	1	
3	3-39115	DECAL, MQ RAMMAX	1	
4	1192647	DECAL, NOISE LEVEL	1	
5	1-413020	DECAL, WEAR NOISE PROTECTION	1	
6	1118436	DECAL, READ MANUALS	1	
7	1-473755	DECAL, HYDRAULIC OIL DRAIN	1	
8	1155236	DECAL, TIE DOWN HOOK	1	
9	1176594	DECAL, WARNING REFLECTOR	2	
10	1176595	DECAL, WARNING REFLECTOR	2	

Go to Discount-Equipment.com to order your parts

# NAMEPLATE AND DECALS





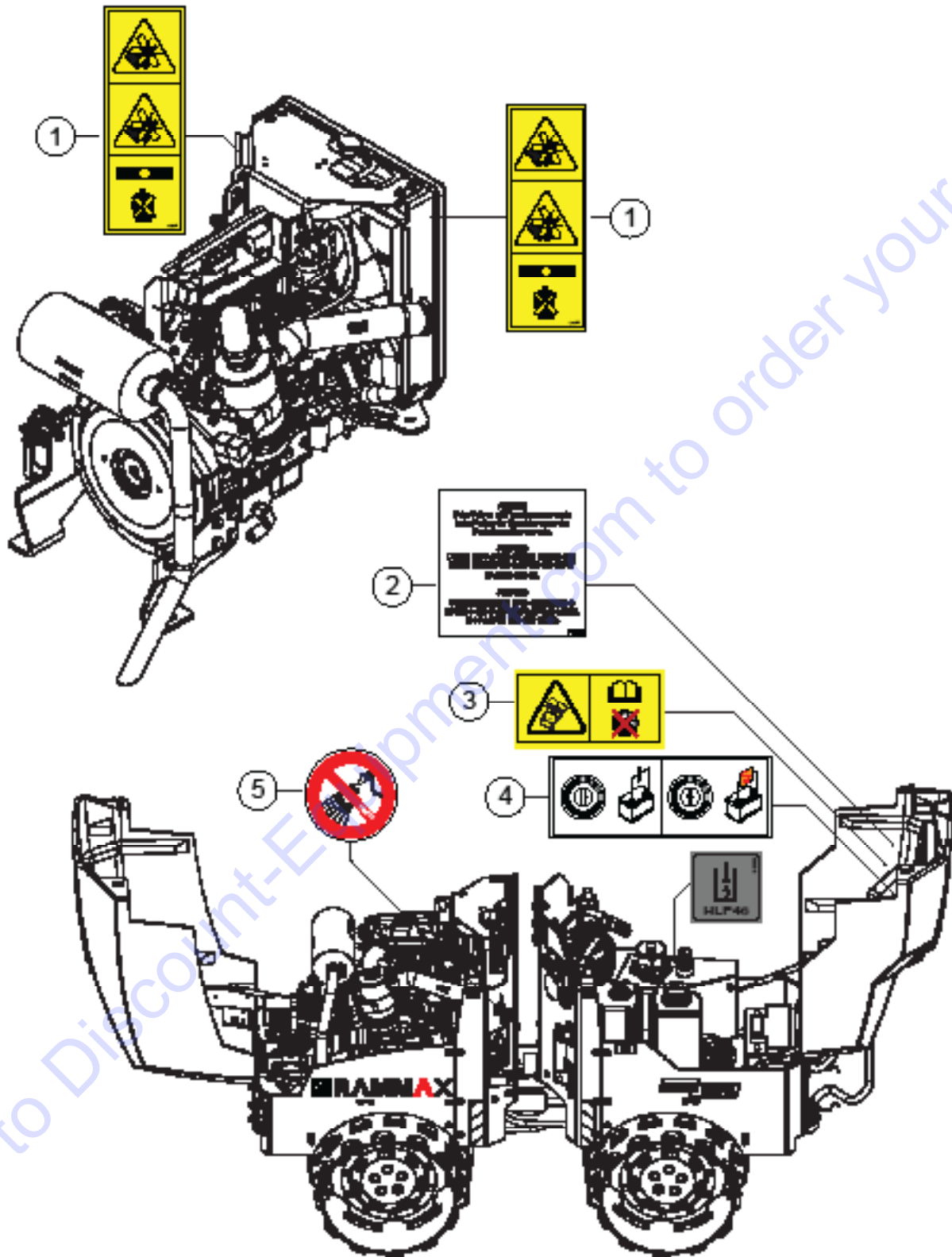
## NAMEPLATE AND DECALS

---

<u>NO.</u>	<u>PART NO.</u>	<u>PART NAME</u>	<u>QTY.</u>	<u>REMARKS</u>
2	1231056	DECAL, RAMMAX 1575	1	
3	1-473756	DECAL, OIL DRAIN	1	
4	1232648	DECAL, WARNING	3	
5	1155236	DECAL, TIE DOWN HOOK	1	
6	1191374	DECAL, WARNING CRUSH HAZARD	1	
7	124441	DECAL, FILTER KITS	1	
8	1-410988	DECAL, LIFTING HOOK	1	
9	1232992	DECAL, STARTING POSITION RING	1	
10	1233029	DECAL, ARTICULATION INFORMATION	1	
11	1-478679	DECAL, DIESEL FUEL	1	

Go to Discount-Equipment.com to order your parts

# NAMEPLATE AND DECALS



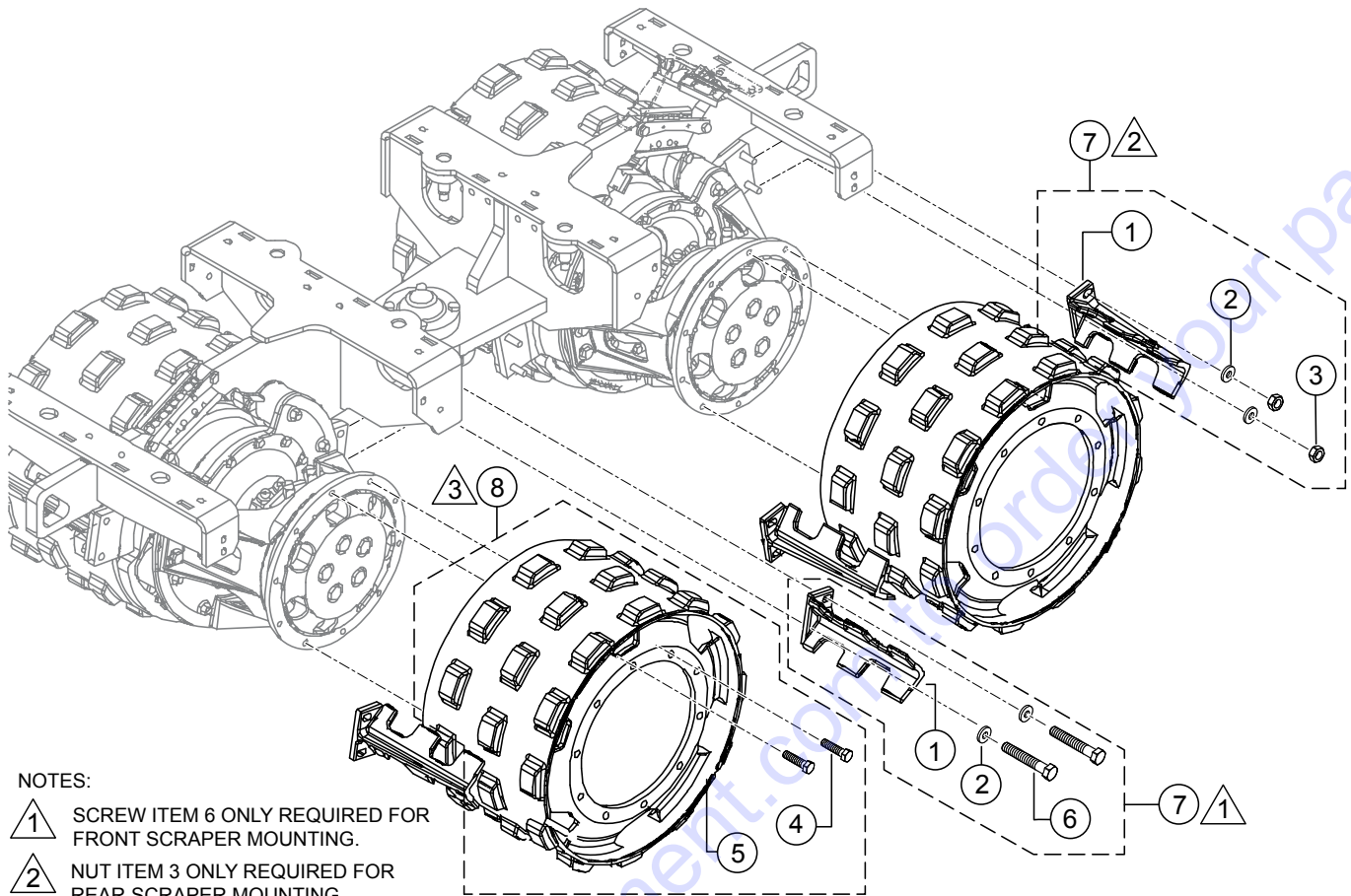
## NAMEPLATE AND DECALS

---

<u>NO.</u>	<u>PART NO.</u>	<u>PART NAME</u>	<u>QTY.</u>	<u>REMARKS</u>
1	1212577	DECAL, ROTATING BLADE HAZARD	2	
2	3-39672	DECAL, ATTENTION DRIVING W/ REMOTE	2	
3	1244596	DECAL, WARNING, INFORMATION	1	
4	1233394	DECAL, BATTERY/STARTING INFORMATION	1	
5	1195755	DECAL, NO WATER SPRAY	1	

Go to Discount-Equipment.com to order your parts

# DRUM ASSY.



NOTES:

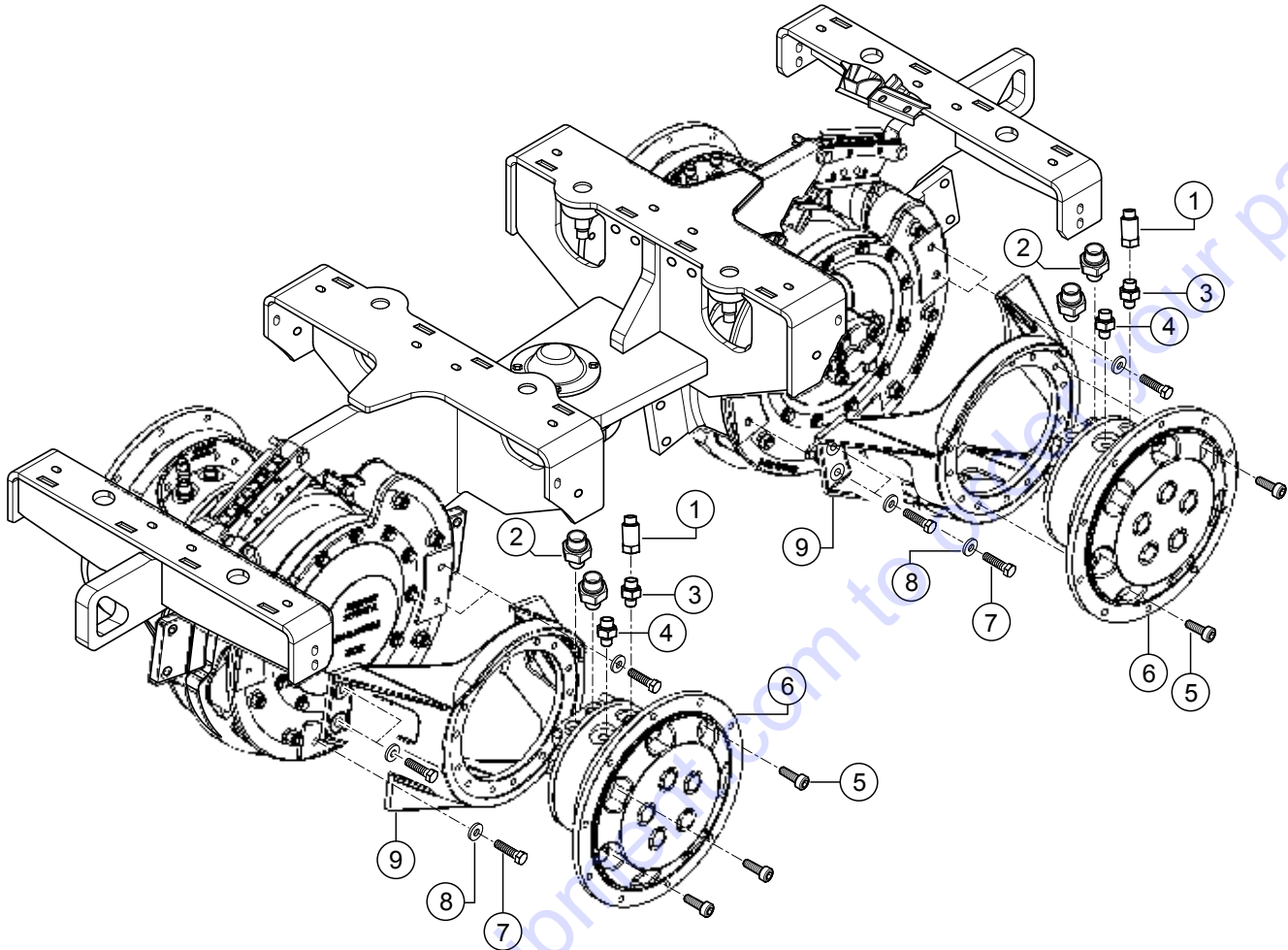
- ① SCREW ITEM 6 ONLY REQUIRED FOR FRONT SCRAPER MOUNTING.
- ② NUT ITEM 3 ONLY REQUIRED FOR REAR SCRAPER MOUNTING.
- ③ MOUNTING HARDWARE IS THE SAME FOR ALL FOUR DRUMS.

## DRUM ASSY.

<u>NO.</u>	<u>PART NO.</u>	<u>PART NAME</u>	<u>QTY.</u>	<u>REMARKS</u>
1#	1247173	SCRAPER, 24 IN./640 MM	8	
1#	1247172	SCRAPER, 33 IN./850 MM	8	
2#	J902287	WASHER	16	
3#	J902126	HEX. NUT	8	
4%	J901782	HEX. HEAD SCREW	40	
5%	1216887	DRUM, 24 IN./640 MM	4	
5%	1216809	DRUM, 33 IN./850 MM	4	
6#	J901787	HEX. HEAD SCREW .....	8.....	USED ON FRONT SCRAPER ONLY
7	1246814	KIT, SCRAPER MOUNTING.....	1.....	INCLUDES ITEMS W/#
8	1246815	KIT, DRUM.....	1.....	INCLUDES ITEMS W/%

Go to Discount-Equipment.com to order your parts

**DRUM DRIVE ASSY.**



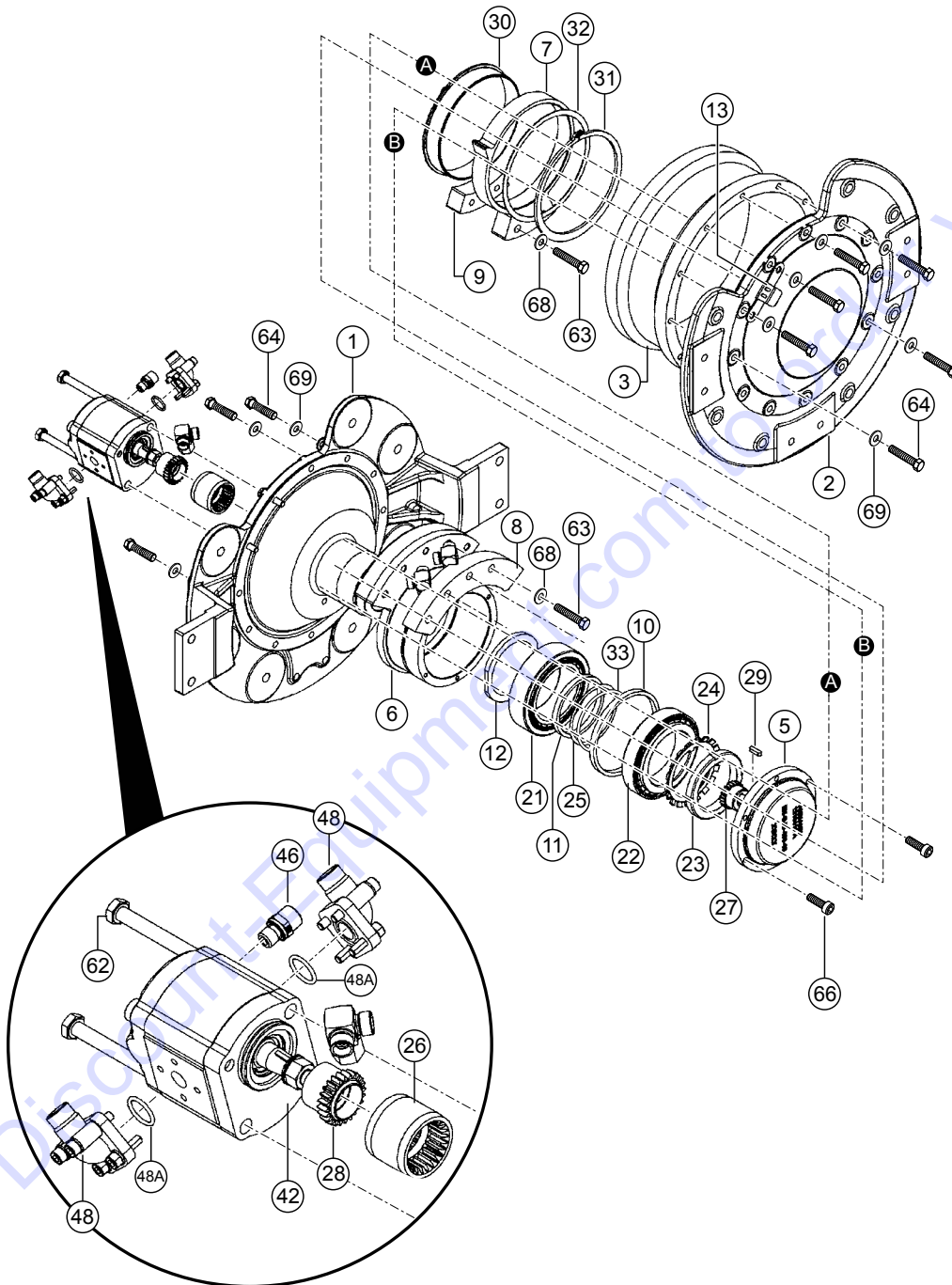
## DRUM DRIVE ASSY.

---

<u>NO.</u>	<u>PART NO.</u>	<u>PART NAME</u>	<u>QTY.</u>	<u>REMARKS</u>
1	1250593	SCREWED CONNECTION	6	
2	1204949	MALE STUD COUPLING BODY	8	
3	1193331	MALE STUD COUPLING BODY	4	
4	1183844	MALE STUD COUPLING BODY	4	
5	1-902651	SOCKET HEAD CAP SCREW	28	
6	1217513	FLUID, MOTOR	4	
7	J901783	HEX. HEAD SCREW	24	
8	J902387	STRAIN WASHER	24	
9	1216766	MOTOR SUPPORT	4	

Go to Discount-Equipment.com to order your parts

# VIBRATION ASSY.

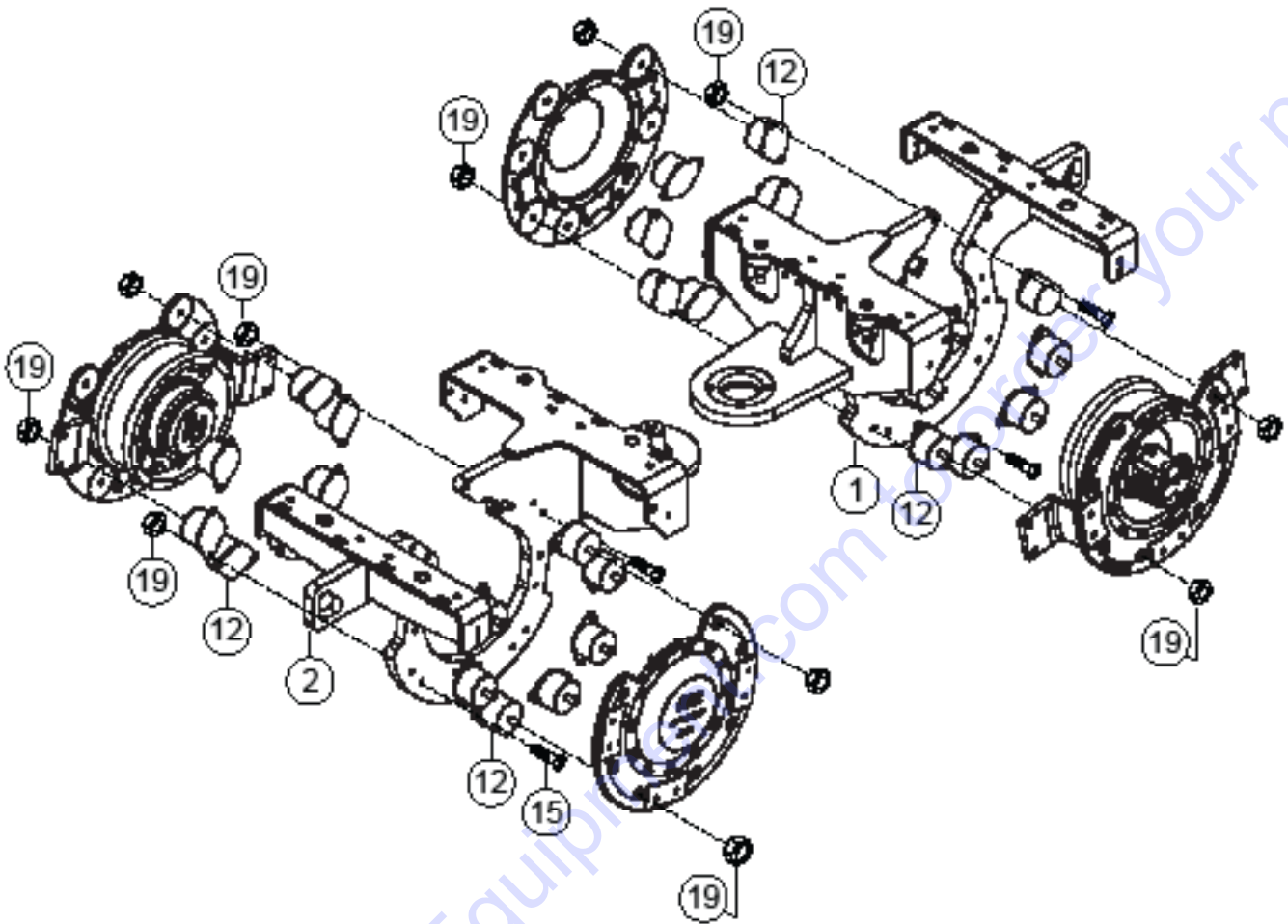




## VIBRATION ASSY.

<u>NO.</u>	<u>PART NO.</u>	<u>PART NAME</u>	<u>QTY.</u>	<u>REMARKS</u>
1	1216577	SUPPORT	1	
2	1216661	COVER	1	
3	1217651	SPACER PIPE	1	
5	1216419	BEARING COVER	1	
6	1216436	UNBALANCED MASS	1	
7	1217372	TRANSFER WEIGHT	1	
8	1217528	UNBALANCED MASS	1	
9	1217555	UNBALANCED MASS	1	
10	1217187	SPACER RING	1	
11	1217200	SPACER RING	1	
12	1217186	SPACER RING	1	
13	1251017	HOLDING PLATE	1	
21	1216944	TAPERED ROLLER BEARING	1	
22	1216948	TAPERED ROLLER BEARING	1	
23	J920193	GROOVE NUT	1	
24	1217014	SECURING PLATE	1	
25	1218344	SPACER RING	5	
26	1217047	COUPLING SLEEVE	1	
27	1217091	HUB	1	
28	1217049	HUB	1	
29	1-903813	FEATHER KEY	1	
30	1217043	PLAIN BEARING BUSHING	1	
31	1-903549	CIRCLIP	1	
32	1239140	SPACER	1	
33	1260479	SPACER	1	
42	1216418	GEAR MOTOR	1	
46	1182701	MALE STUD COUPLING BODY	1	
48	57644	ANGLE FLANGE	2	
48A	62039	O-RING	1	
62	1236079	HEX. HEAD SCREW	2	
63	H0105624	HEX. HEAD SCREW	7	
64	H77284445	HEX. HEAD SCREW	24	
66	J902634	SOCKET HEAD CAP SCREW	6	
68	1902386	STRAIN WASHER	7	
69	1908693	STRAIN WASHER	24	

# CENTER BEAM ASSY.



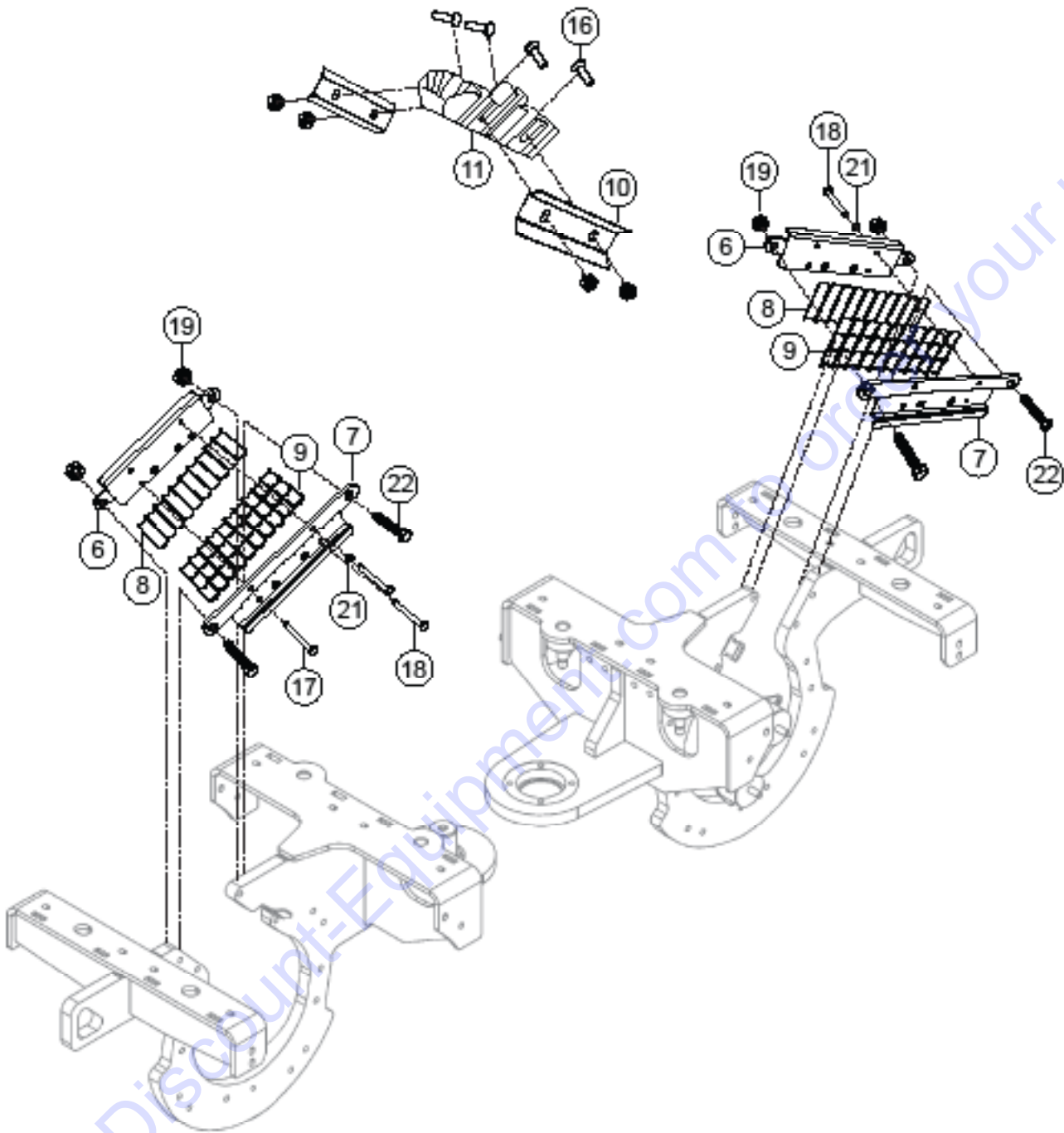
## CENTER BEAM ASSY.

---

<u>NO.</u>	<u>PART NO.</u>	<u>PART NAME</u>	<u>QTY.</u>	<u>REMARKS</u>
1	1225762	CENTER BEAM	1	
2	1225774	CENTER BEAM, REAR	1	
12	1217092	RUBBER CUSHION	28	
15	H0105624	HEX. HEAD SCREW	28	
19	J902125	HEX. NUT	50	

Go to Discount-Equipment.com to order your parts

# CENTER BEAM HOSE ASSY.



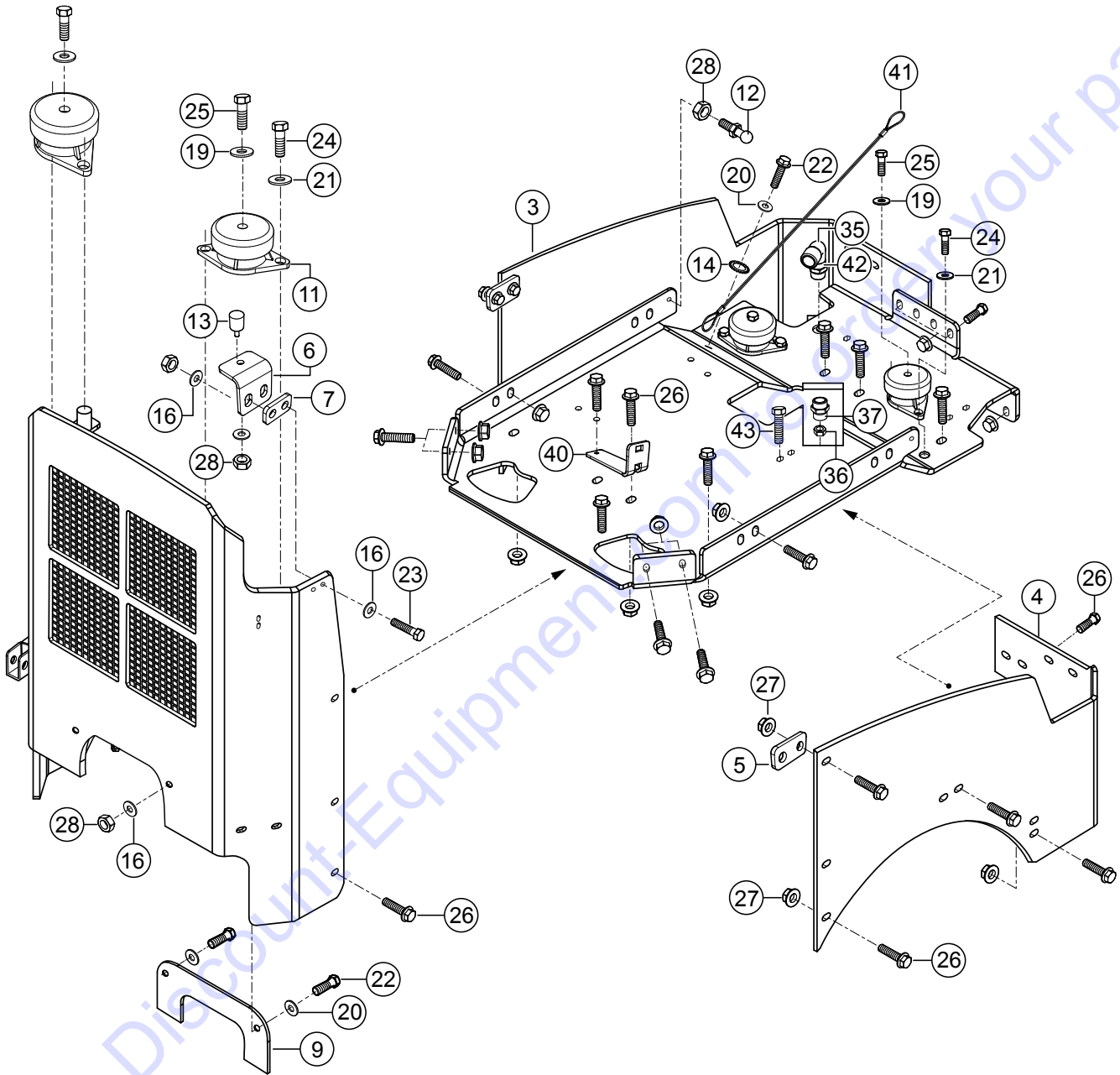
## CENTER BEAM HOSE ASSY.

---

<u>NO.</u>	<u>PART NO.</u>	<u>PART NAME</u>	<u>QTY.</u>	<u>REMARKS</u>
6	1248133	HOSE GUIDE	2	
7	1236573	HOSE GUIDE	2	
8	1235441	HOSE GUIDE	2	
9	1235442	HOSE GUIDE	2	
10	1225564	CLAMPLING PLATE	2	
11	1235443	HOSE GUIDE	1	
16	J902525	TRUSS HEAD SCREW	4	
17	1-921816	HEX. HEAD SCREW	4	
18	1225694	HEX. HEAD SCREW	4	
19	J902125	HEX. NUT	50	
21	J902260	WASHER	8	
22	H0040591	HEX. HEAD SCREW	4	

Go to Discount-Equipment.com to order your parts

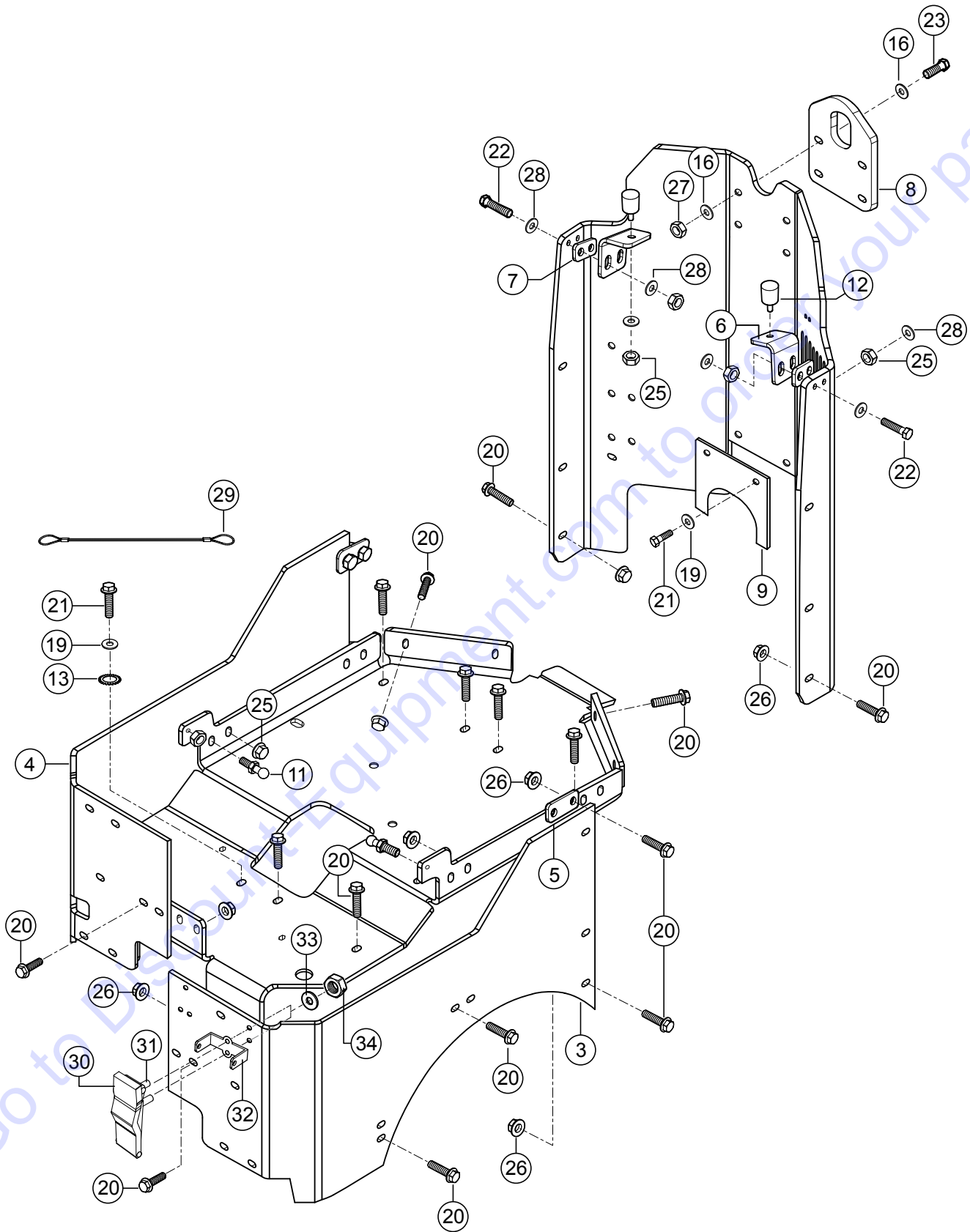
# CHASSIS FRONT ASSY.



## CHASSIS FRONT ASSY.

<u>NO.</u>	<u>PART NO.</u>	<u>PART NAME</u>	<u>QTY.</u>	<u>REMARKS</u>
3	1225771	SIDE PLATE	1	
4	1225770	SIDE PLATE	1	
5	1225768	HOLDING PLATE	2	
6	1225739	SUPPORT PLATE	2	
7	1225764	SPACER PLATE	2	
9	1225756	COVER	1	
11	1-491741	RUBBER MOUNT	4	
12	1-952972	BALL PIVOT	2	
13	1068503	BUMPER	2	
14	1-944415	SERRATED LOCK WASHER	1	
16	J902263	WASHER	12	
19	J902265	WASHER	4	
20	J902285	WASHER	3	
21	J902264	WASHER	8	
22	J901764	HEX. HEAD SCREW	3	
23	H0062345	HEX. HEAD SCREW	4	
24	J901775	HEX. HEAD SCREW	8	
25	J901782	HEX. HEAD SCREW	4	
26	1218260	HEX. HEAD SCREW	40	
27	1184584	HEX. NUT	40	
28	J902124	HEX. NUT	10	
35	1-901447	BULKHEAD ELBOW NIPPLE	1	
36	1-901003	UNION NUT	1	
37	1-901276	SEALING PLUG	1	
40	1233172	HOLDER	1	
41	1242717	STAY ROPE	1	
42	J902303	WASHER	1	
43	J901768	HEX. HEAD SCREW	2	

# CHASSIS REAR ASSY.





## CHASSIS REAR ASSY.

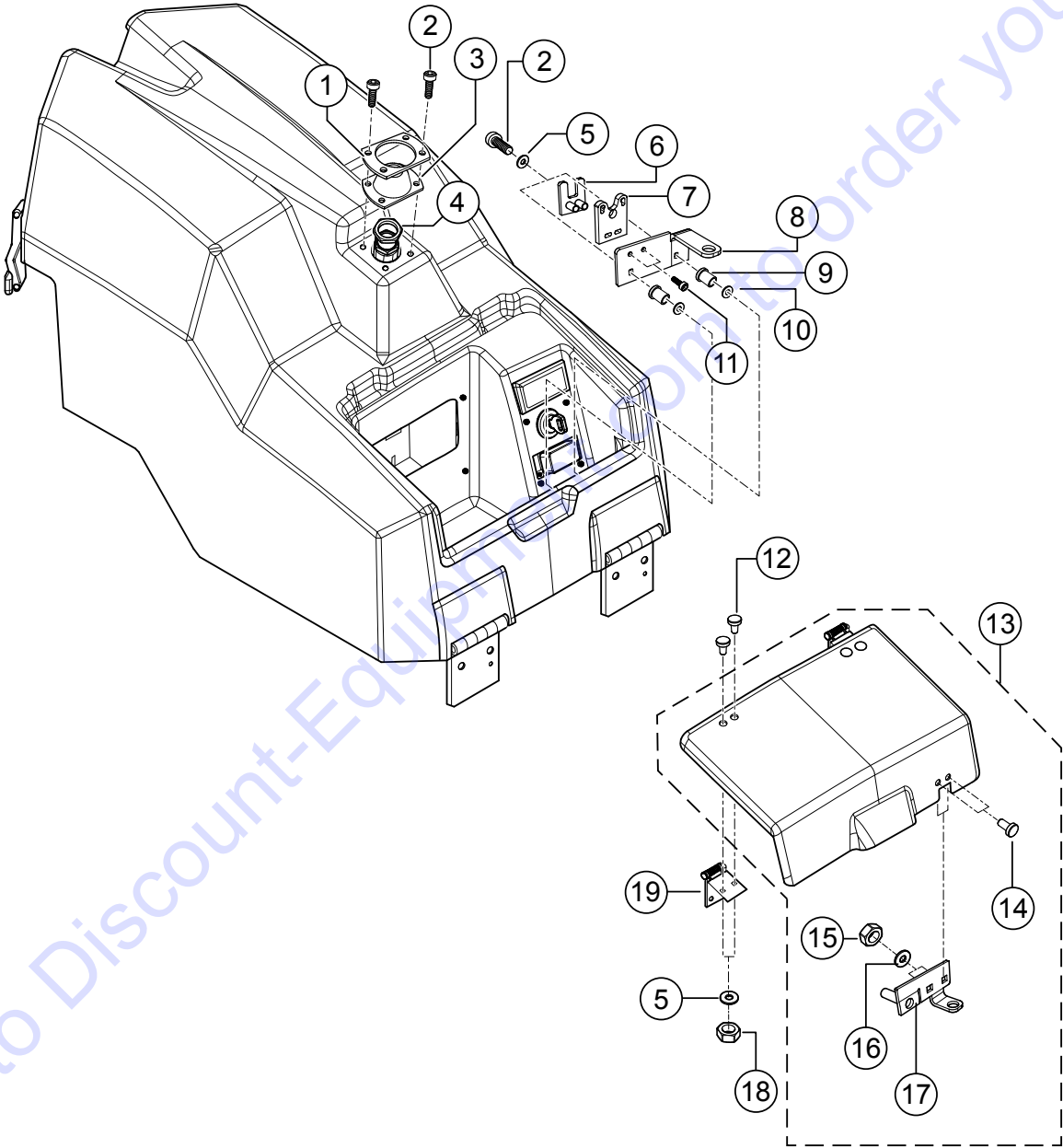
<u>NO.</u>	<u>PART NO.</u>	<u>PART NAME</u>	<u>QTY.</u>	<u>REMARKS</u>
3	1225802	SIDE PLATE	1	
4	1225803	SIDE PLATE	1	
5	1225768	HOLDING PLATE	2	
6	1225739	SUPPORT PLATE	2	
7	1225764	SPACER PLATE	2	
8	1226252	1-POINT SUSPENSION	1	
9	1225741	COVER	1	
11	1-952972	BALL PIVOT	2	
12	1068503	BUMPER	2	
13	1-944415	SERRATED LOCK WASHER	1	
16	1-902387	STRAIN WASHER	8	
19	J902285	WASHER	3	
20	1218260	HEX. HEAD SCREW	36	
21	J901764	HEX. HEAD SCREW	3	
22	H0062345	HEX. HEAD SCREW	4	
23	1185009	HEX. HEAD SCREW	4	
25	J902124	HEX. NUT	10	
26	1184584	HEX. NUT	36	
27	1185070	HEX. NUT	4	
28	J902263	WASHER	12	
29	1242717	STAY ROPE	1	
30	1-494880	BENT-LEVER CLOSURE	2	
31	J902631	SOCKET HEAD CAP SCREW	4	
32	1180778	STRIKING PLATE	2	
33	J902261	WASHER	4	
34	J902122	HEXAGON NUT	8	



## ENGINE HOOD ASSY.

<u>NO.</u>	<u>PART NO.</u>	<u>PART NAME</u>	<u>QTY.</u>	<u>REMARK</u>
1	1249286	ENGINE HOOD	1	
4	1241355	CLAMPING PLATE	1	
5	1225563	HINGE	2	
6	3-03778	PROTECTIVE CAP	1	
7	1178978	COMPANY LOGO	1	
8	1226285	SENSOR	1	
9	1-952972	BALL PIVOT	2	
15	1226372	OVAL HEAD SCREW	3	
16	1226478	SOCKET HEAD CAP SCREW	2	
17	1-902636	SOCKET HEAD CAP SCREW	4	
18	J901773	HEX. HEAD SCREW	4	
21	J917108	COUNTERNUT	1	
25	J902263	WASHER	2	
26	J902264	WASHER	8	
30	1201138	CABLE TIE ANCHOR	2	
31	J910527	ADHESIVE CLIP	6	
105	1180778	STRIKING PLATE	1	
106	1205428	GAS PRESSURE SPRING	2	
107	1-494880	BENT-LEVER CLOSURE	2	
108	1274069	SUPPORT PLATE	2	
109	1274090	SUPPORT PLATE	2	
110	1220542	OVAL HEAD SCREW	4	
111	J902631	SOCKET HEAD CAP SCREW	4	
112	H0040563	HEX. HEAD SCREW	4	
120	J902122	HEX. NUT	8	
140	1274064	PLATE RECTANGULAR	2	

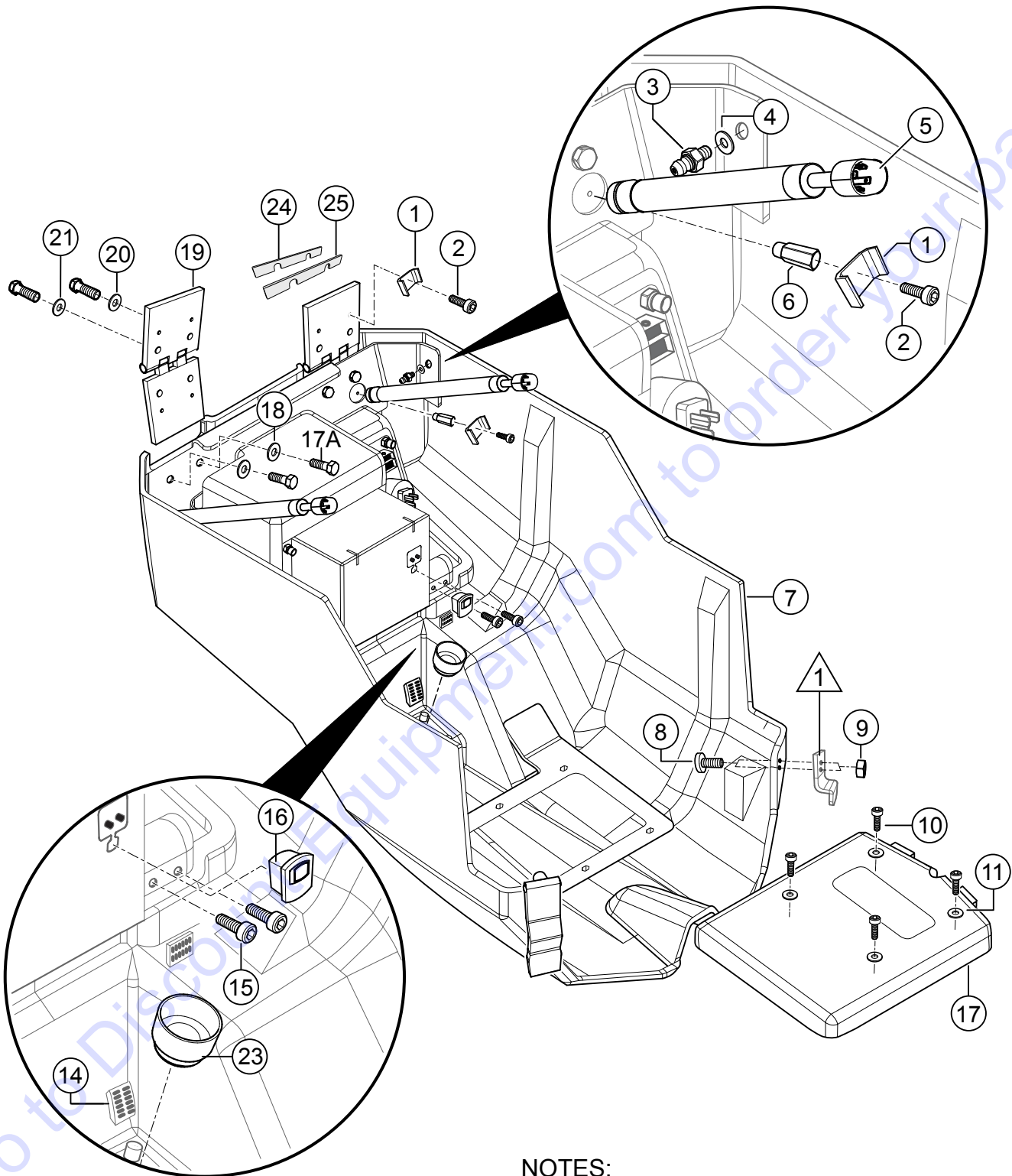
**COVER HOOD TOP ASSY.**



## COVER HOOD TOP ASSY.

<u>NO.</u>	<u>PART NO.</u>	<u>PART NAME</u>	<u>QTY.</u>	<u>REMARKS</u>
1	1241355	CLAMPING PLATE	1	
2	1-902636	SOCKET HEAD CAP SCREW	6	
3	3-03778	PROTECTIVE CAP	1	
4	J917108	COUNTERNUT	1	
5	J902262	WASHER	6	
6	3-10921	CLAMPING PLATE	1	
7	3-10884	DETENT	1	
8	1225656	STRIKING PLATE	1	
9	1201190	BLIND RIVET NUT	2	
10	J902265	WASHER	2	
11	1-948204	SOCKET HEAD CAP SCREW	6	
12	1-922658	TRUSS HEAD SCREW	4	
13	1225594	COCKPIT COVER .....	1	INCLUDES ITEMS W/\$
14\$	1-922658	TRUSS HEAD SCREW	2	
15\$	J902123	HEX. NUT	2	
16\$	J902262	WASHER	2	
17\$	1225566	LOCKING CAP	1	
18	J902123	HEX. NUT	4	
19	1225235	HINGE	2	

# COVER HOOD BOTTOM ASSY.



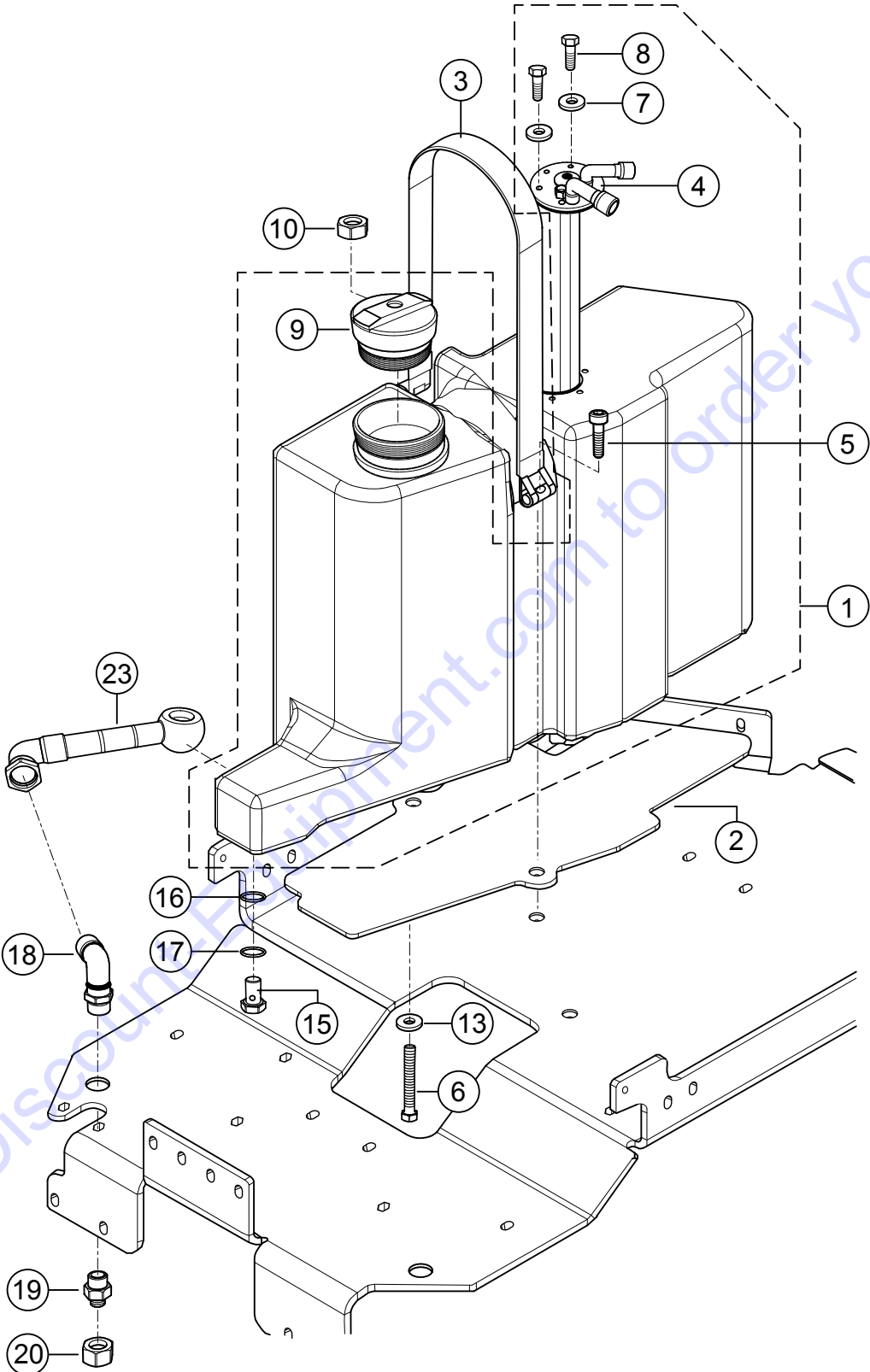
## NOTES:

- 1 REFER TO CHASSIS REAR ITEM# 30.

## COVER HOOD BOTTOM ASSY.

<u>NO.</u>	<u>PART NO.</u>	<u>PART NAME</u>	<u>QTY.</u>	<u>REMARKS</u>
1	1201138	CABLE TIE ANCHOR	2	
2	1226478	SOCKET HEAD CAP SCREW	2	
3	1-952972	BALL PIVOT	2	
4	J902263	WASHER	2	
5	1205428	GAS PRESSURE SPRING	2	
6	1-950215	SPACER	1	
7	1249287	COVER HOOD	1	
8	1220542	OVAL HEAD SCREW	4	
9	J902122	HEX. NUT	8	
10	1-948204	SOCKET HEAD CAP SCREW	6	
11	J902284	WASHER	4	
14	J910527	ADHESIVE CLIP	6	
15	1226372	OVAL HEAD SCREW	3	
16	1242334	STRAIN RELIEF	1	
17	1180399	DOCUMENT BOX	1	
17A	J901773	HEX HEAD SCREW	4	
18	J902264	WASHER	8	
19	1225563	HINGE	2	
20	J902264	WASHER	8	
21	H0040563	HEX HEAD SCREW	4	
23	1226285	SENSOR	1	
24	1274069	SUPPORT PLATE	2	
25	1274090	SUPPORT PLATE	2	

**FUEL TANK ASSY.**



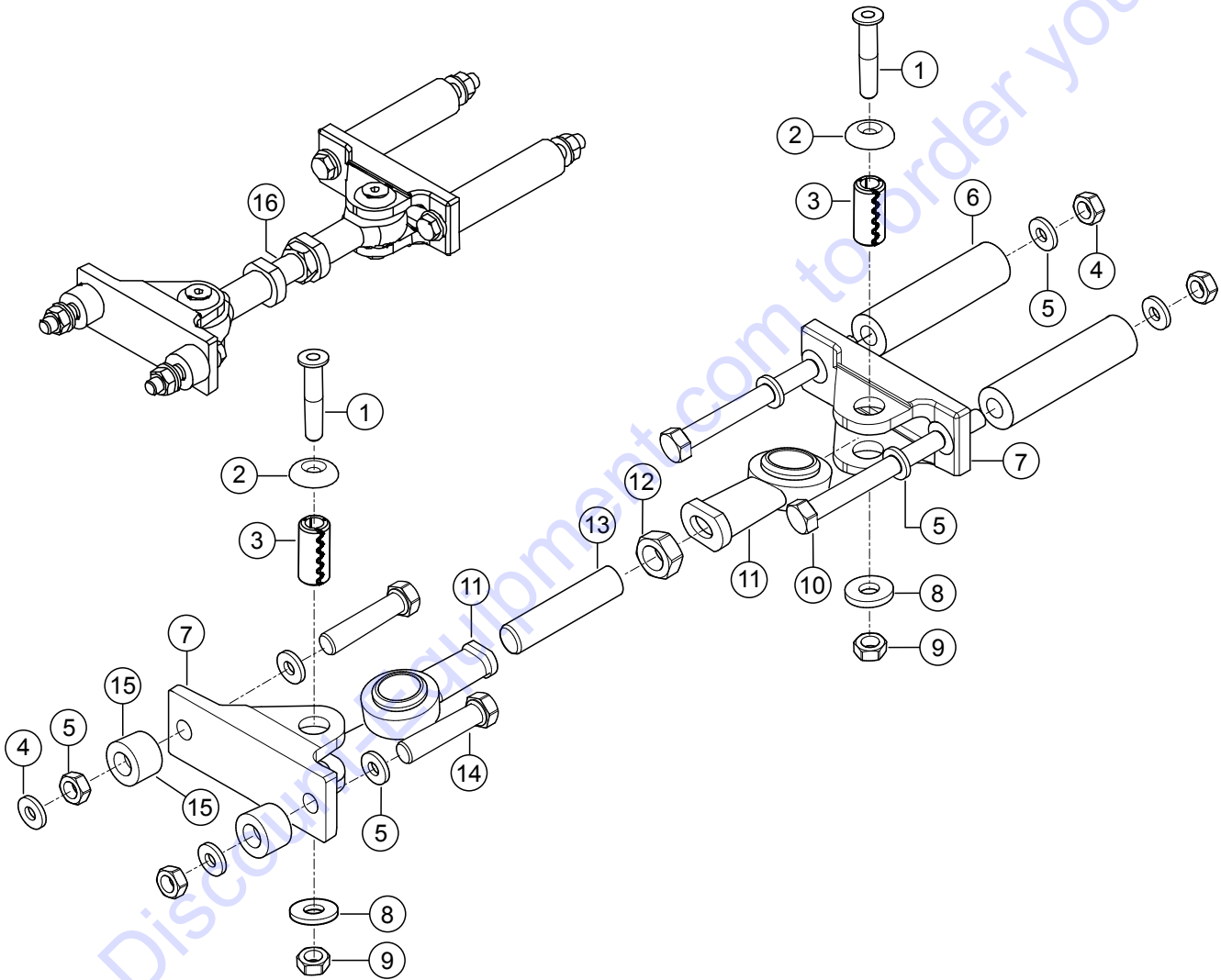


## FUEL TANK ASSY.

<u>NO.</u>	<u>PART NO.</u>	<u>PART NAME</u>	<u>QTY.</u>	<u>REMARKS</u>
1	1226760	FUEL TANK .....	1.....	INCLUDES ITEMS W/#
2	1226863	RUBBER MAT	1	
3	1226763	TENSIONING STRAP	1	
4#	1242221	TANK SENSOR	1	
5#	J902649	SOCKET HEAD CAP SCREW	1	
6	H0063266	HEX. HEAD SCREW	1	
7#	J902260	WASHER	6	
8#	1-922643	HEX. HEAD SCREW	6	
9#	1178986	FUEL FILLER CAP	1	
10	J902125	HEX. NUT	1	
13	J902264	WASHER	1	
15	1-954000	HOLLOW SCREW	1	
16	1-906645	O-RING	1	
17	1242196	SCREW SEAL	1	
18	1-901447	BULKHEAD ELBOW NIPPLE	1	
19	1-901276	SEALING PLUG	1	
20	1-901003	UNION NUT	1	
23	1233052	HYDRAULIC HOSE	1	

Go to Discount-Equipment.com to order your parts

# PENDULUM SUPPORT ASSY.

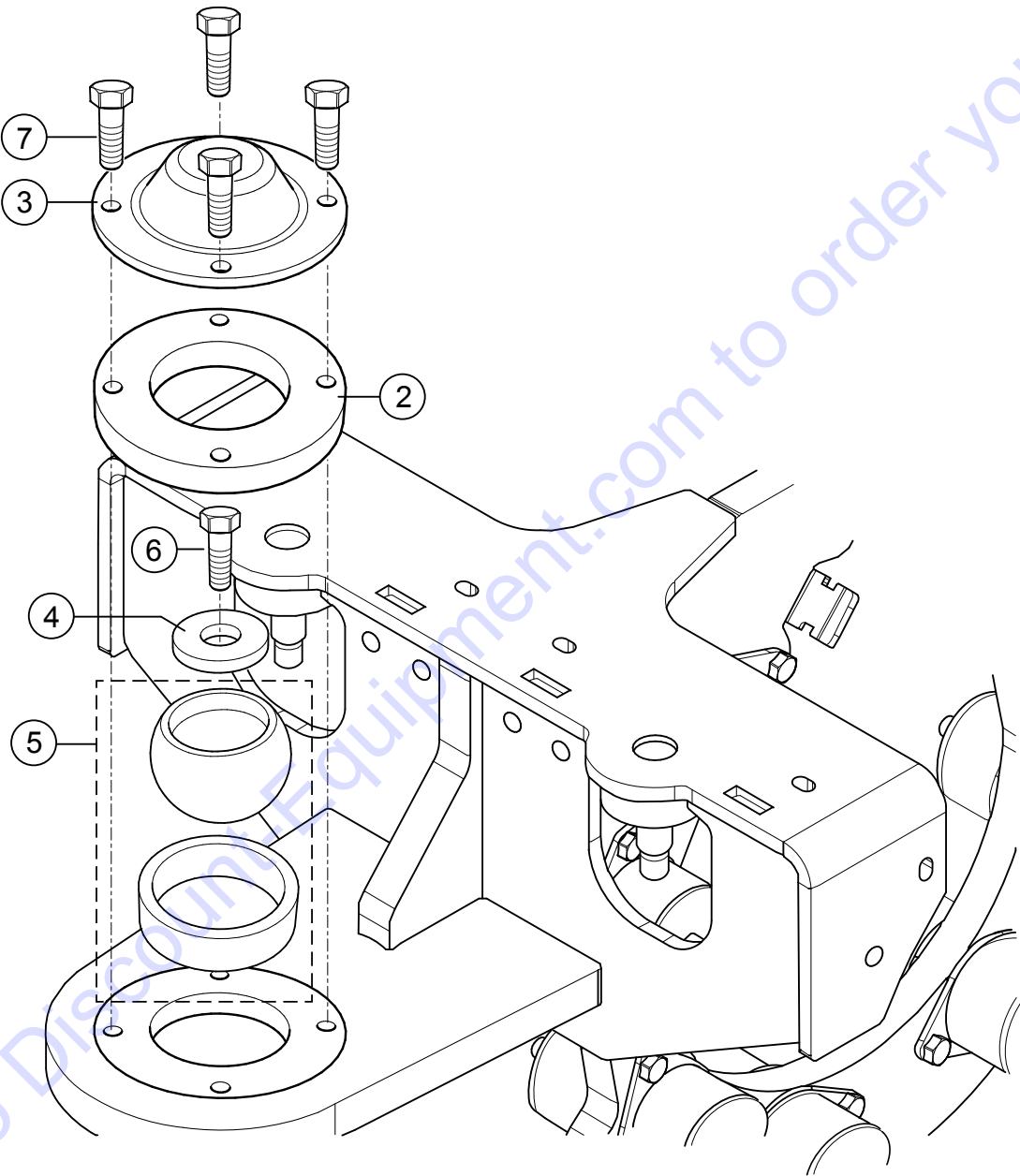


## PENDULUM SUPPORT ASSY.

<u>NO.</u>	<u>PART NO.</u>	<u>PART NAME</u>	<u>QTY.</u>	<u>REMARKS</u>
1	J902988	COUNTERSUNK SCREW	2	
2	1036734	WASHER	2	
3	1059956	SPRING PIN	2	
4	J902126	HEX. NUT	4	
5	J902265	WASHER	8	
6	1225786	ROD W/DRILLED HOLE	2	
7	1059945	SUPPORT	2	
8	J902286	WASHER	2	
9	J902125	HEX. NUT	2	
10	J901791	HEX. HEAD SCREW	2	
11	J491255	JOINT HEAD	2	
12	J902183	HEX. NUT	1	
13	1225783	THREADED ROD	1	
14	1-952361	HEX. HEAD SCREW	2	
15	1225784	ROD W/DRILLED HOLE	2	
16	1225790	PENDULUM SUPPORT	1	

Go to Discount-Equipment.com to order your parts

**PENDULUM JOINT ASSY.**

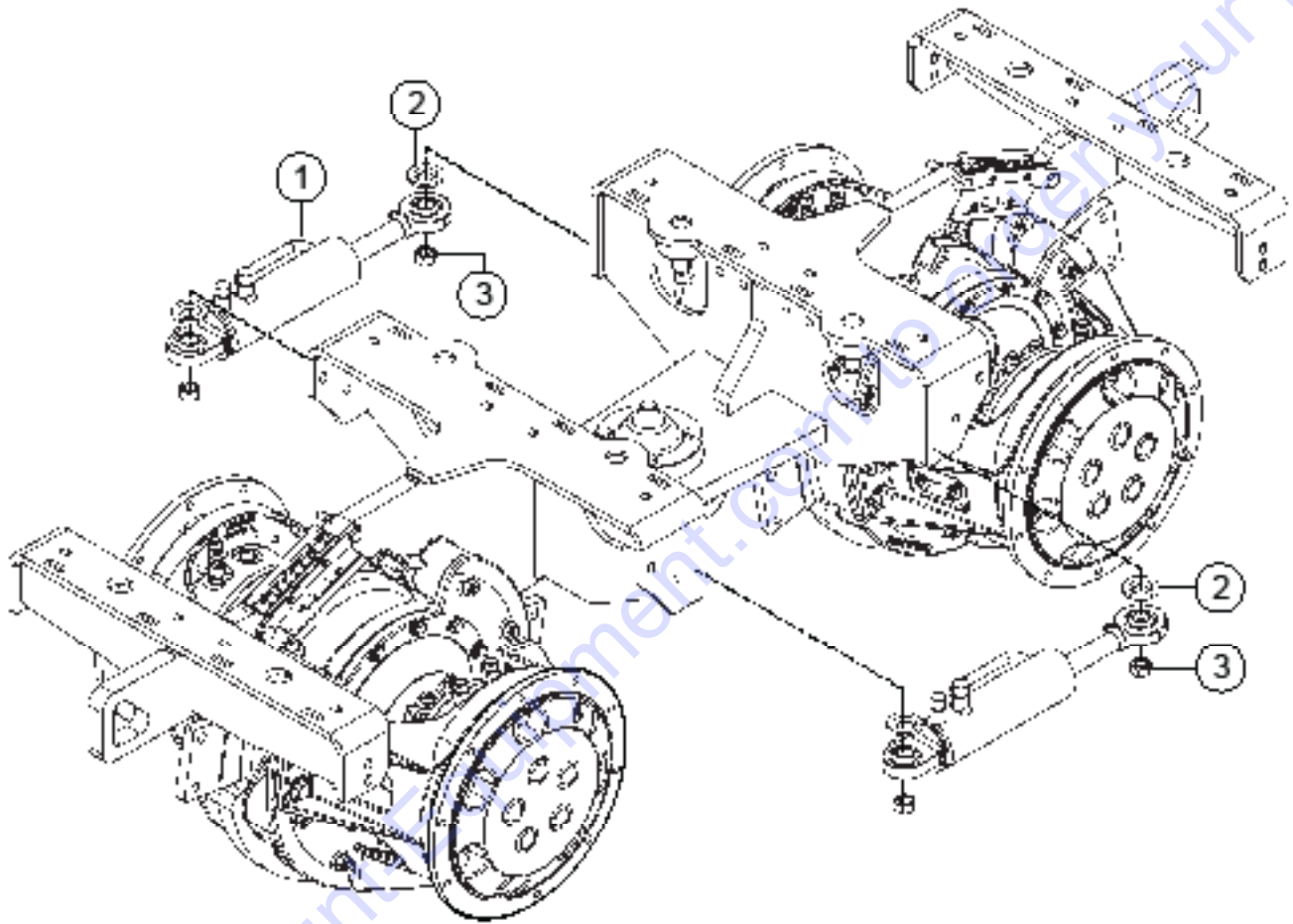


## PENDULUM JOINT ASSY.

<u>NO.</u>	<u>PART NO.</u>	<u>PART NAME</u>	<u>QTY.</u>	<u>REMARKS</u>
2	1225667	CLAMP RING	1	
3	1175651	COVER	1	
4	1175656	ROD W/DRILLED HOLE	1	
5	1175657	PIVOT BEARING .....	1.....	2 PIECE SET
6	J901799	HEX. HEAD SCREW	1	
7	J901785	HEX. HEAD SCREW	4	

Go to Discount-Equipment.com to order your parts

# STEERING CYLINDER ASSY.



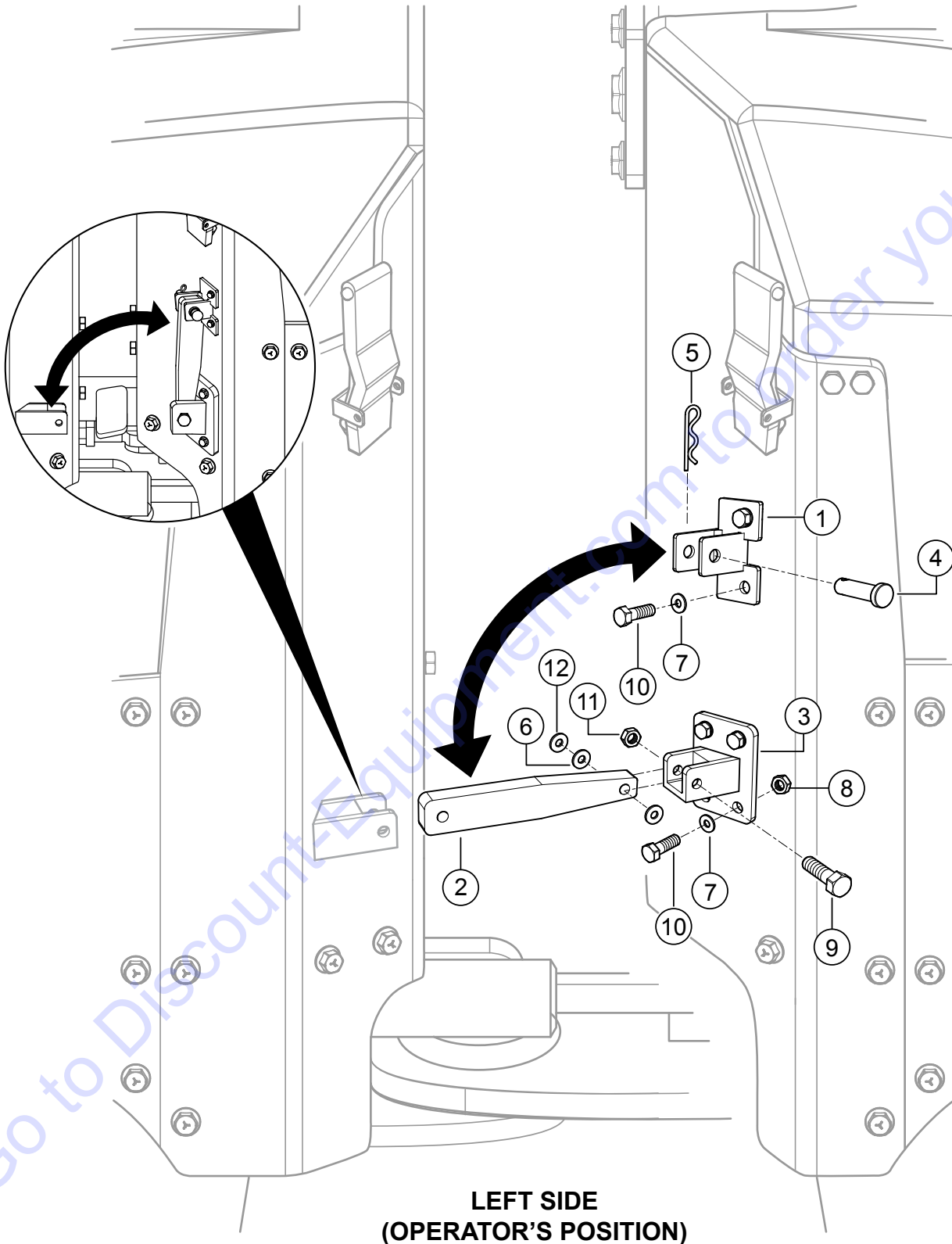
## STEERING CYLINDER ASSY.

---

<u>NO.</u>	<u>PART NO.</u>	<u>PART NAME</u>	<u>QTY.</u>	<u>REMARKS</u>
1	1216415	STEERING CYLINDER	2	
2	1218875	SPACER	4	
3	J902128	HEX. NUT	4	

Go to Discount-Equipment.com to order your parts

# TRANSPORT SECURING DEVICE ASSY.



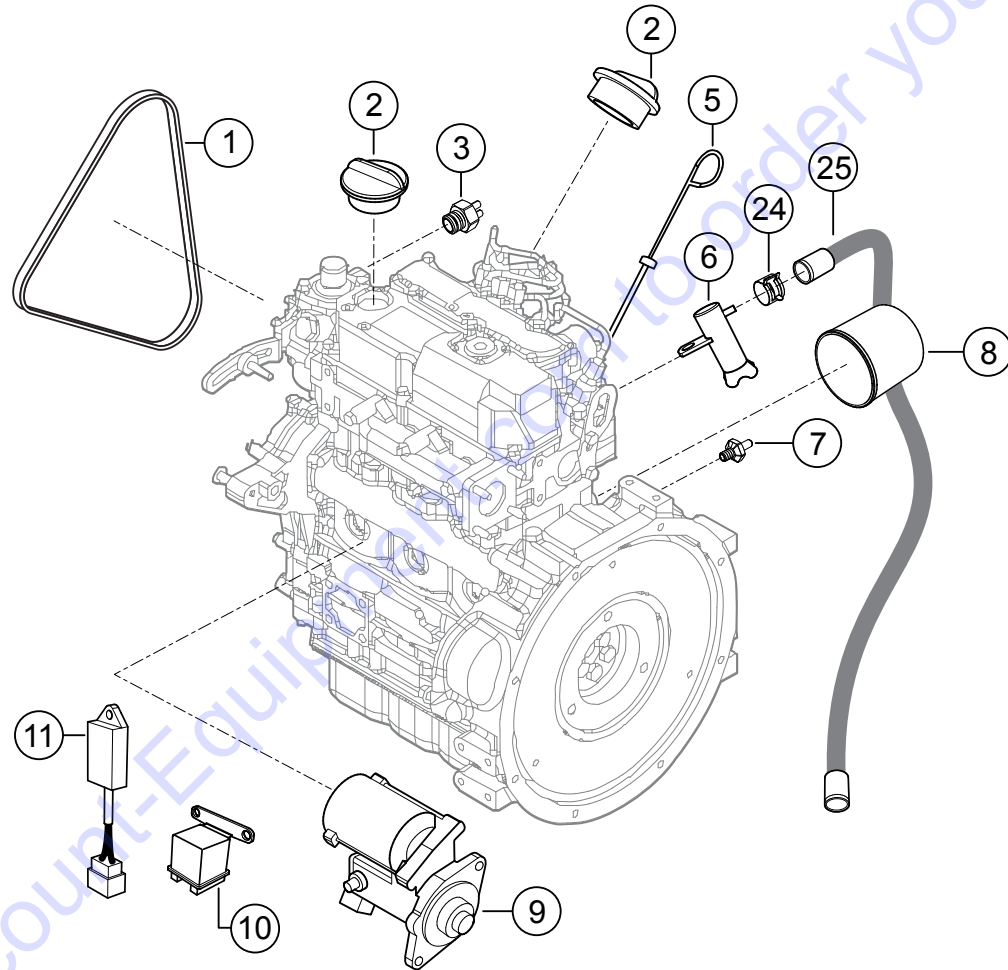


## TRANSPORT SECURING DEVICE ASSY.

<u>NO.</u>	<u>PART NO.</u>	<u>PART NAME</u>	<u>QTY.</u>	<u>REMARKS</u>
1	1223200	FIXTURE	1	
2	1223249	LEVER	1	
3	1226569	ATTACHMENT	1	
4	1175452	BOLT	1	
5	1-952823	COTTER SPRING	1	
6	1240345	WASHER	2	
7	1-908693	STRAIN WASHER	12	
8	J902124	HEX. NUT	6	
9	J901872	HEX. HEAD SCREW	1	
10	J901862	HEX. HEAD SCREW	6	
11	J902125	HEX. NUT	1	
12	J902264	WASHER	1	

Go to Discount-Equipment.com to order your parts

# DIESEL ENGINE ASSY.

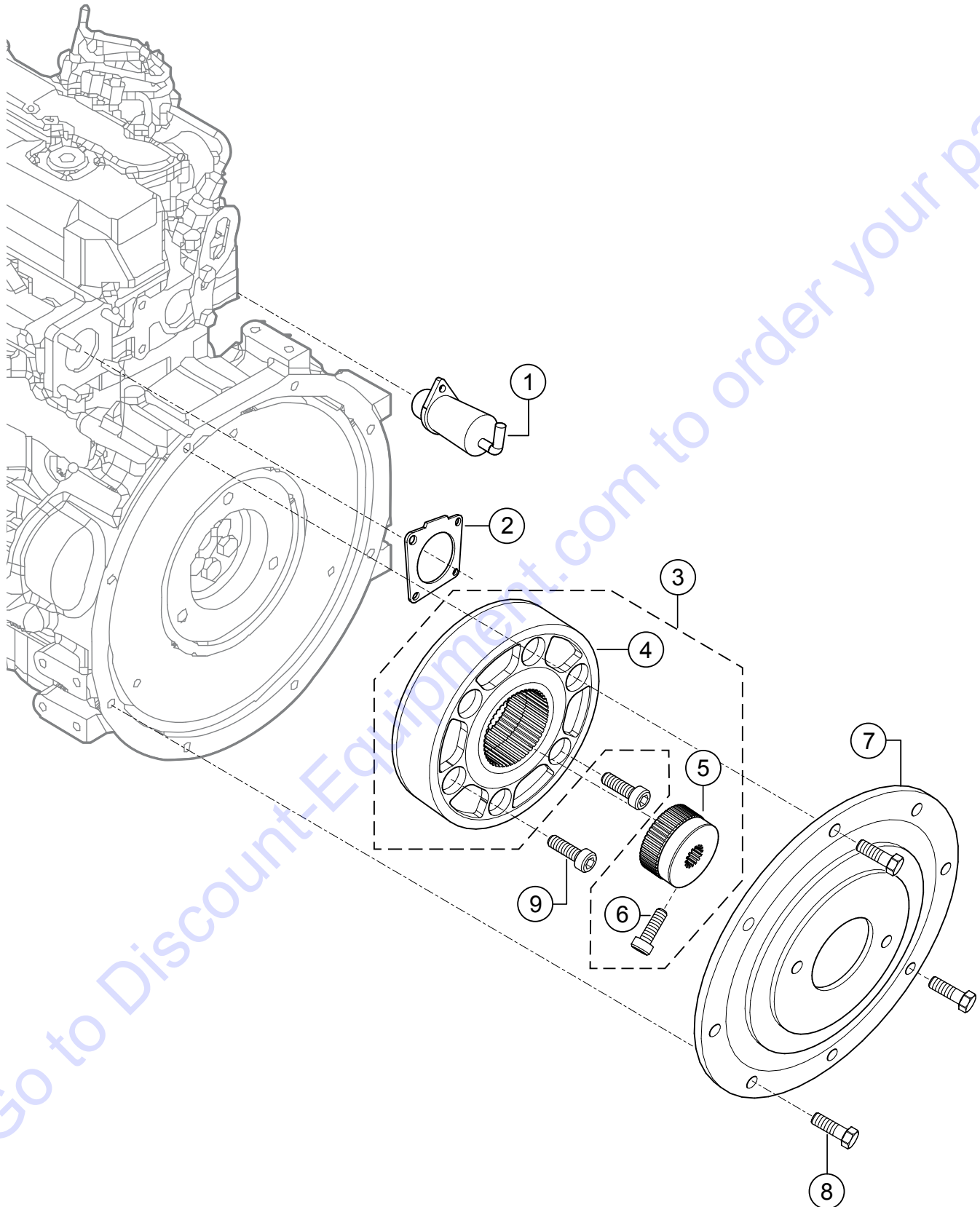


## DIESEL ENGINE ASSY.

<u>NO.</u>	<u>PART NO.</u>	<u>PART NAME</u>	<u>QTY.</u>	<u>REMARKS</u>
1	1183743	V-BELT	1	
2	1-952341	LOCKING COVER	2	
3	1-952346	TEMPERATURE SWITCH	1	
5	1-954076	OIL DIPSTICK	1	
6	1-952402	THREE-WAY COCK	1	
7	1-952347	OIL PRESSURE SWITCH	1	
8	1-954075	ENGINE FILTER	1	
9	1-954079	STARTER	1	
10	1-952514	RELAY	1	
11	1-952515	TIME RELAY	1	
24	1181042	HOSE CLIP	4	
25	1-922332	HYDRAULIC HOSE, 0.63M L. ....	1.....	1 PC = 1M

Go to Discount-Equipment.com to order your parts

# ENGINE ADD-ON PARTS ASSY.

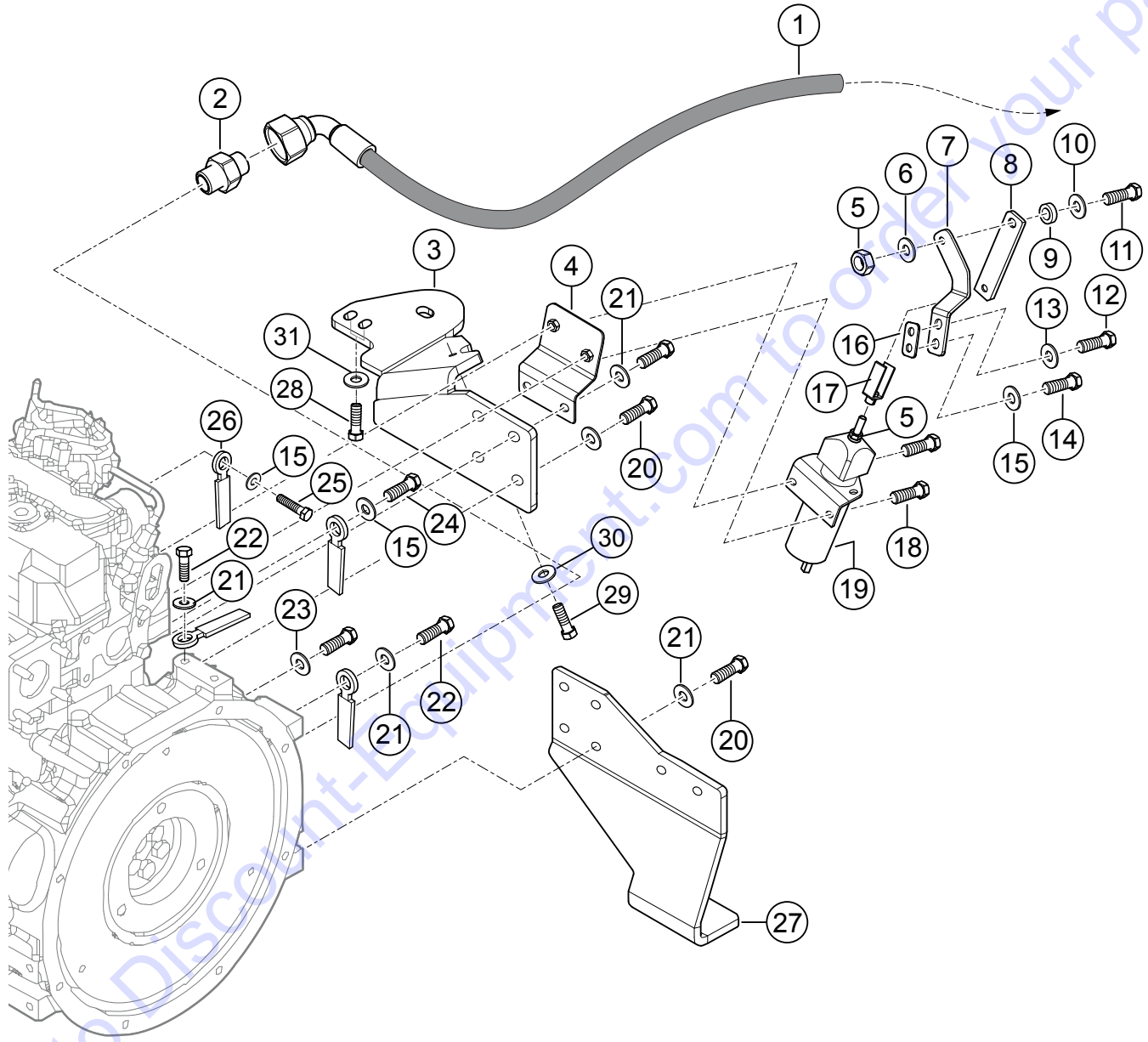


## ENGINE ADD-ON PARTS ASSY.

<u>NO.</u>	<u>PART NO.</u>	<u>PART NAME</u>	<u>QTY.</u>	<u>REMARKS</u>
1	1-954073	SWITCH-OFF VALVE	1	
2	1-953040	EXHAUST GASKET	1	
3	1-390538	CLUTCH .....	1	INCLUDES ITEMS W/%
4%	1-954007	FLANGE	1	
5%	1-954008	HUB	1	
6%	1-902647	SOCKET HEAD CAP SCREW	1	
7	1-390416	FLANGE	1	
8	H0040563	HEX. HEAD SCREW	20	
9	1-946180	SOCKET HEAD CAP SCREW	3	

Go to Discount-Equipment.com to order your parts

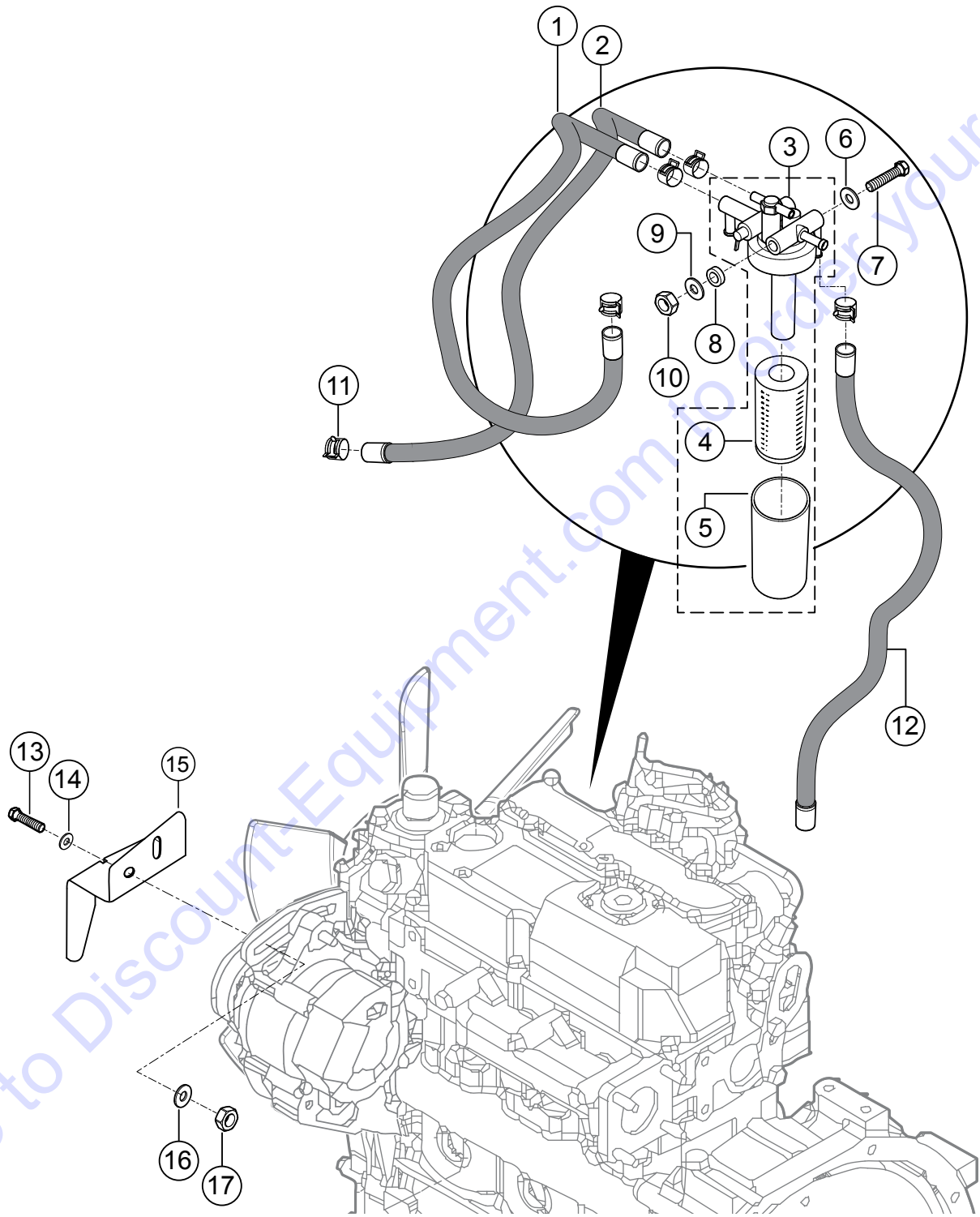
# ENGINE ADD-ON PARTS ASSY.(CONTINUED)



## ENGINE ADD-ON PARTS ASSY.(CONTINUED)

<u>NO.</u>	<u>PART NO.</u>	<u>PART NAME</u>	<u>QTY.</u>	<u>REMARKS</u>
1	1232768	HYDRAULIC HOSE	1	
2	1-953047	MALE STUD COUPLING BODY	1	
3	1226508	HOLDER	1	
4	1249891	HOLDING PLATE	1	
5	J902123	HEX. NUT	2	
6	J902284	WASHER	2	
7	1226526	LEVER	1	
8	1226551	INTERMEDIATE PIECE	1	
9	1226669	ROD W/DRILLED HOLE	1	
10	J902284	WASHER	2	
11	J901757	HEX. HEAD SCREW	1	
12	J901755	HEX. HEAD SCREW	3	
13	1952199	LOCK WASHER	3	
14	J901762	HEX. HEAD SCREW	3	
15	1-952116	LOCK WASHER	5	
16	1241767	THREADED PLATE	1	
17	J903646	FORK HEAD	1	
18	J902633	SOCKET HEAD CAP SCREW	2	
19	1226545	PULL MAGNET	1	
20	H0040563	HEX. HEAD SCREW	20	
21	1-952157	LOCK WASHER	18	
22	J901772	HEX. HEAD SCREW	4	
23	J902264	WASHER	1	
24	J901761	HEX. HEAD SCREW	1	
25	J901766	HEX. HEAD SCREW	1	
26	1-803707	CLAMP	4	
27	1226534	HOLDER	1	
28	J901764	HEX. HEAD SCREW	1	
29	J901762	HEX. HEAD SCREW	1	
30	J902263	WASHER	1	
31	1-952116	LOCK WASHER	4	

**ENGINE ADD-ON PARTS ASSY.(CONTINUED)**





## ENGINE ADD-ON PARTS ASSY.(CONTINUED)

<u>NO.</u>	<u>PART NO.</u>	<u>PART NAME</u>	<u>QTY.</u>	<u>REMARKS</u>
1	1-922332	HYDRAULIC HOSE, 0.41M L. ....	1.....	1 PC = 1M
2	1-922332	HYDRAULIC HOSE, 0.28M L. ....	1.....	1 PC = 1M
3	1-954077	FUEL FILTER.....	1.....	INCLUDES ITEMS W/#
4#	1-954197	FILTER ELEMENT	1	
5#	1-954196	INSPECTION GLASS	1	
6	J902263	WASHER	2	
7	J901866	HEX. HEAD SCREW	2	
8	1-923622	WASHER	2	
9	1-952116	LOCK WASHER	5	
10	J902124	HEX. NUT	3	
11	1181042	HOSE CLIP	8	
12	1-922332	HYDRAULIC HOSE, 0.85M L. ....	1.....	1 PC = 1M
13	J901763	HEX. HEAD SCREW	1	
14	J902263	WASHER	2	
15	1077310	BELT GUARD	1	
16	J902285	WASHER	1	
17	J902124	HEX. NUT	3	

Go to Discount-Equipment.com to order your parts

# PARTS FINDER

**Search Website  
by Part Number**



**Search Manual  
Library For Parts  
Manual & Lookup Part  
Numbers – Purchase  
or Request Quote**

**Search Manuals**

Enter your information to help us find the right parts manual for your machine.

\* Brand:

\* Model:

\* Serial:

\* Part Number:

SEARCH

**Can't Find Part or  
Manual? Request Help  
by Manufacturer,  
Model & Description**

**Parts Order Form**

Please fill in the following information to help us find the right part for your machine.

Manufacturer:	<input type="text"/>
Model:	<input type="text"/>
Description:	<input type="text"/>
Part Number:	<input type="text"/>
Quantity:	<input type="text"/>
Notes:	<input type="text"/>

Submit

Discount-Equipment.com is your online resource for quality parts & equipment.

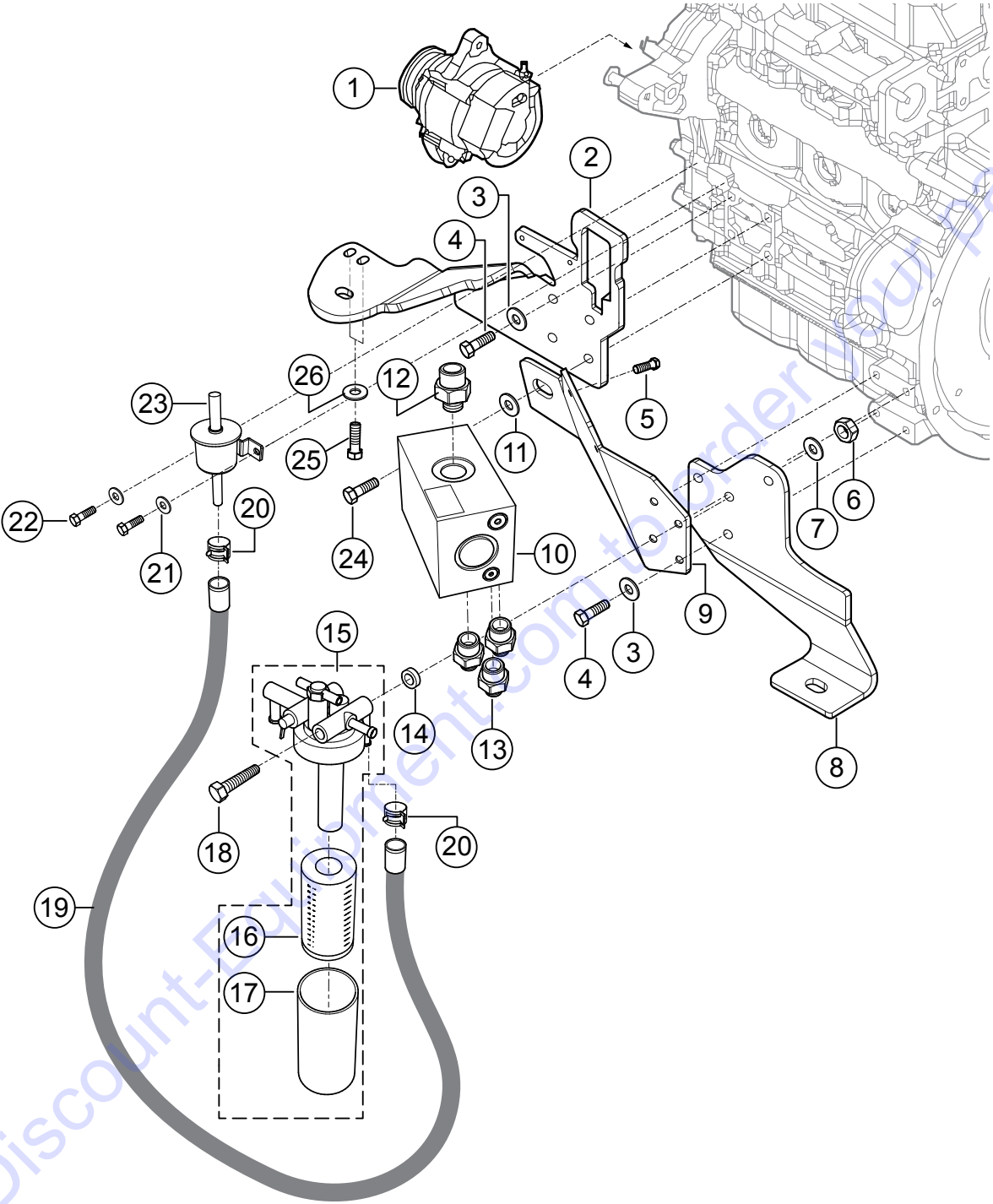
Florida: **561-964-4949** Outside Florida TOLL FREE: **877-690-3101**

**Need parts?**

Click on this link: <http://www.discount-equipment.com/category/5443-parts/> and choose one of the options to help get the right parts and equipment you are looking for. Please have the machine model and serial number available in order to help us get you the correct parts. If you don't find the part on the website or on one of the online manuals, please fill out the request form and one of our experienced staff members will get back to you with a quote for the right part that your machine needs.

We sell worldwide for the brands: Genie, Terex, JLG, MultiQuip, Mikasa, Essick, Whiteman, Mayco, Toro Stone, Diamond Products, Generac Magnum, Airman, Haulotte, Barreto, Power Blanket, Nifty Lift, Atlas Copco, Chicago Pneumatic, Allmand, Miller Curber, Skyjack, Lull, Skytrak, Tsurumi, Husquvarna Target, Stow, Wacker, Sakai, Mi-T-M, Sullair, Basic, Dynapac, MBW, Weber, Bartell, Bennar Newman, Haulotte, Ditch Runner, Menegotti, Morrison, Contec, Buddy, Crown, Edco, Wyco, Bomag, Laymor, EZ Trench, Bil-Jax, F.S. Curtis, Gehl Pavers, Heli, Honda, ICS/PowerGrit, IHI, Partner, Imer, Clipper, MMD, Koshin, Rice, CH&E, General Equipment, Amida, Coleman, NAC, Gradall, Square Shooter, Kent, Stanley, Tamco, Toku, Hatz, Kohler, Robin, Wisconsin, Northrock, Oztec, Toker TK, Rol-Air, APT, Wylie, Ingersoll Rand / Doosan, Innovatech, Con X, Ammann, Mecalac, Makinex, Smith Surface Prep, Small Line, Wanco, Yanmar

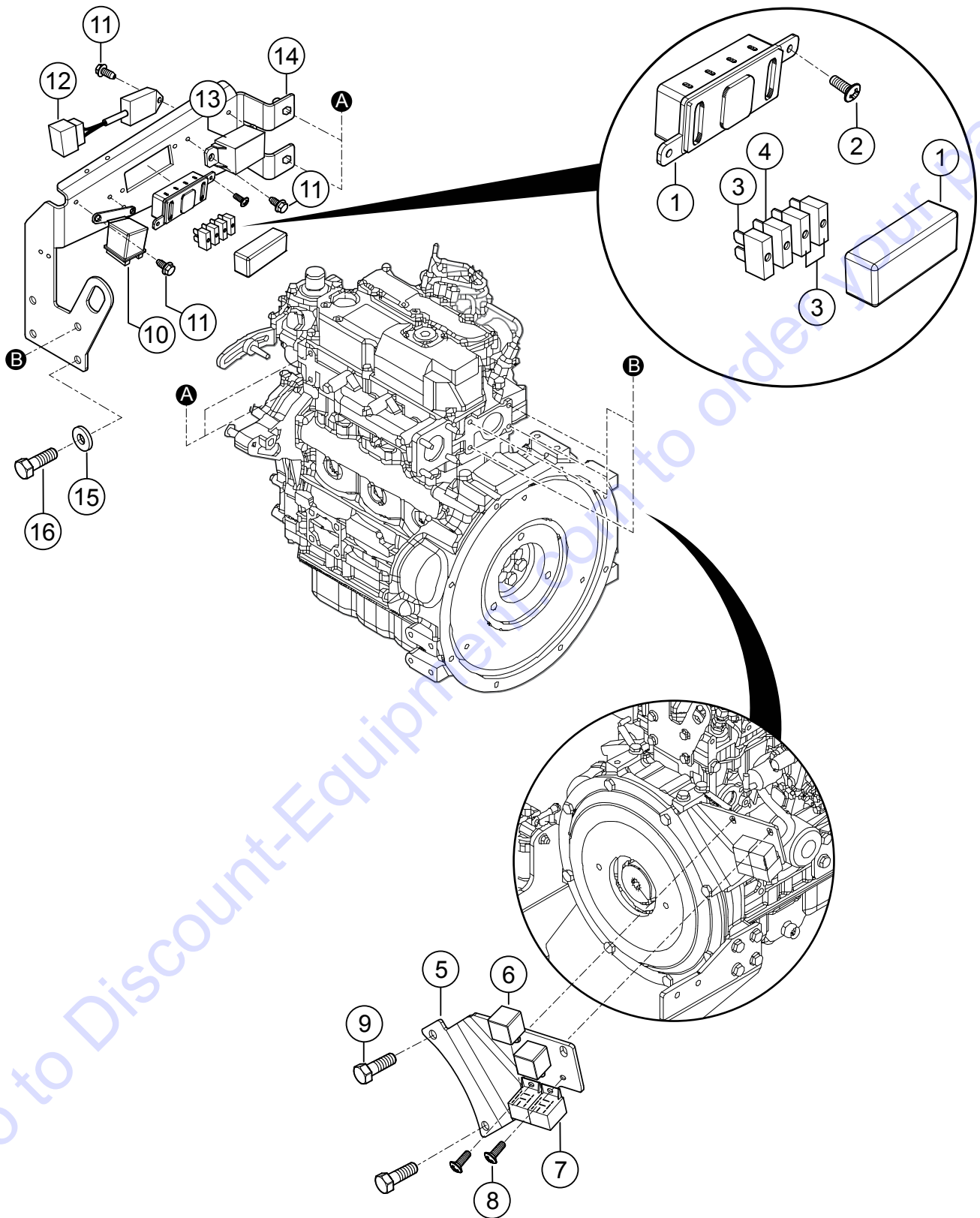
# ENGINE ADD-ON PARTS ASSY.(CONTINUED)



## ENGINE ADD-ON PARTS ASSY.(CONTINUED)

<u>NO.</u>	<u>PART NO.</u>	<u>PART NAME</u>	<u>QTY.</u>	<u>REMARKS</u>
1	1-954078	ALTERNATOR	1	
2	1226514	HOLDER	1	
3	1-952157	LOCK WASHER	18	
4	H0040563	HEX. HEAD SCREW	20	
5	J901762	HEX. HEAD SCREW	3	
6	J902124	HEX. NUT	3	
7	1-952116	LOCK WASHER	5	
8	1226519	HOLDER	1	
9	1140453	VOLUME DIVIDER HOLDER	1	
10	1216414	FLOW DIVIDER	1	
11	J902286	WASHER	1	
12	1-942784	MALE STUD COUPLING BODY	1	
13	1203988	MALE STUD COUPLING BODY	3	
14	1-923622	WASHER	2	
15	1-954077	FUEL FILTER.....	1.....	INCLUDES ITEMS W/#
16#	1-954197	FILTER ELEMENT	1	
17#	1-954196	INSPECTION GLASS	1	
18	J901866	HEX. HEAD SCREW	2	
19	1-922332	HYDRAULIC HOSE, 0.75M L. ....	1.....	1 PC = 1M
20	1181042	HOSE CLIP	8	
21	1-952199	LOCK WASHER	3	
22	J901755	HEX. HEAD SCREW	3	
23	1-952357	FUEL PUMP	1	
24	J901775	HEX. HEAD SCREW	1	
25	J901764	HEX. HEAD SCREW	2	
26	1-952116	LOCK WASHER	2	

# ENGINE ELECTRIC PARTS ASSY.

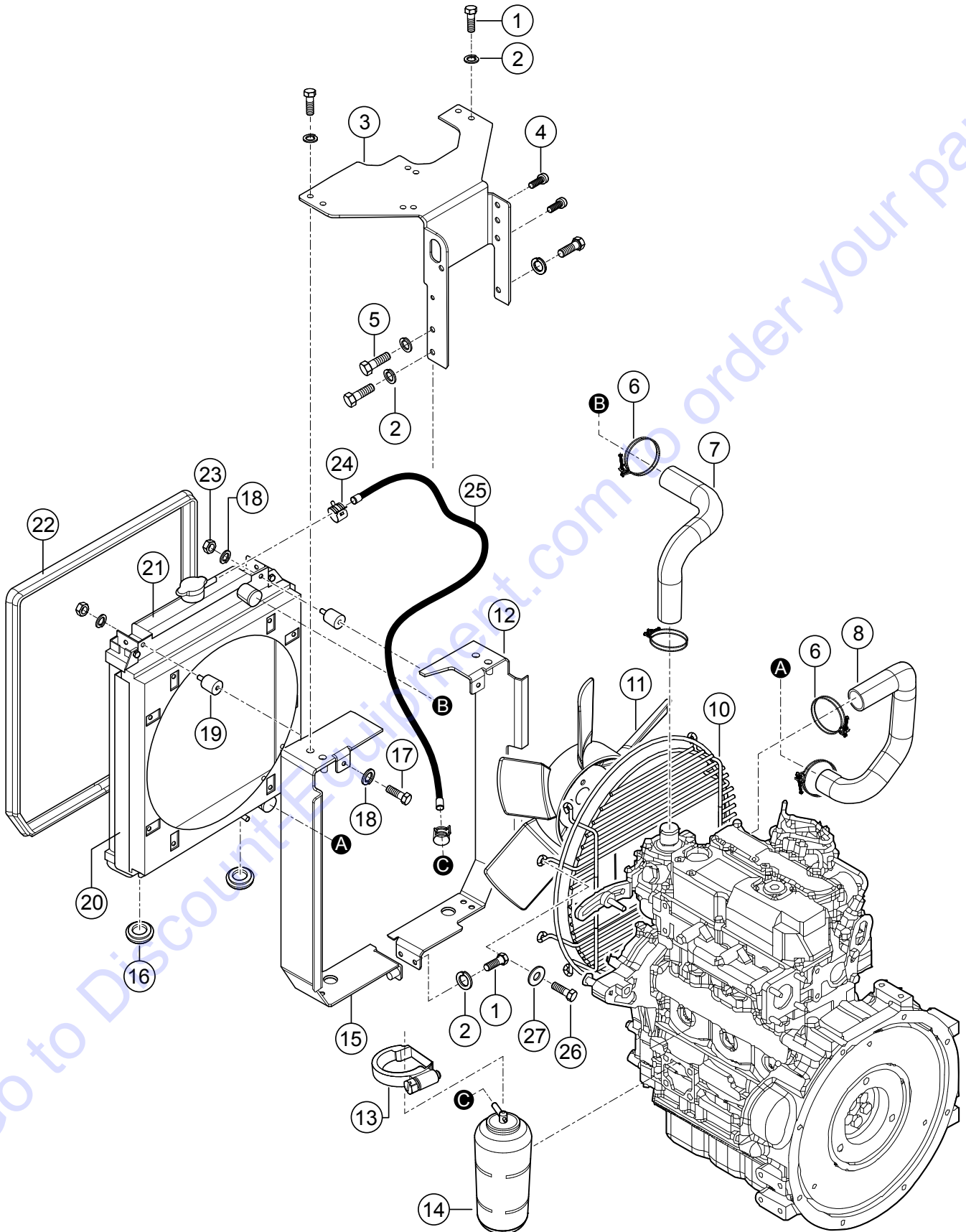


## ENGINE ELECTRIC PARTS ASSY.

<u>NO.</u>	<u>PART NO.</u>	<u>PART NAME</u>	<u>QTY.</u>	<u>REMARKS</u>
1	1-831072	FUSE MODULE	1	
2	1-903683	BLIND RIVET	2	
3	1-944544	FUSE, 40 AMP	3	
4	1-921583	FUSE, 10 AMP	1	
5	1249894	HOLDER	1	
6	1227066	RELAY	2	
7	1206463	RELAY SUPPORT	2	
8	1220542	OVAL HEAD SCREW	2	
9	H0040563	HEX. HEAD SCREW	2	
10	1-952514	RELAY	1	
11	1-954810	HEX. HEAD SCREW	5	
12	1-952515	TIME RELAY	1	
13	1-493837	STARTING RELAY	1	
14	1249896	MOUNTING PLATE	1	
15	J901762	HEX. HEAD SCREW	4	
16	1-952116	LOCK WASHER	4	

Go to Discount-Equipment.com to order your parts

# ENGINE COOLER ASSY.

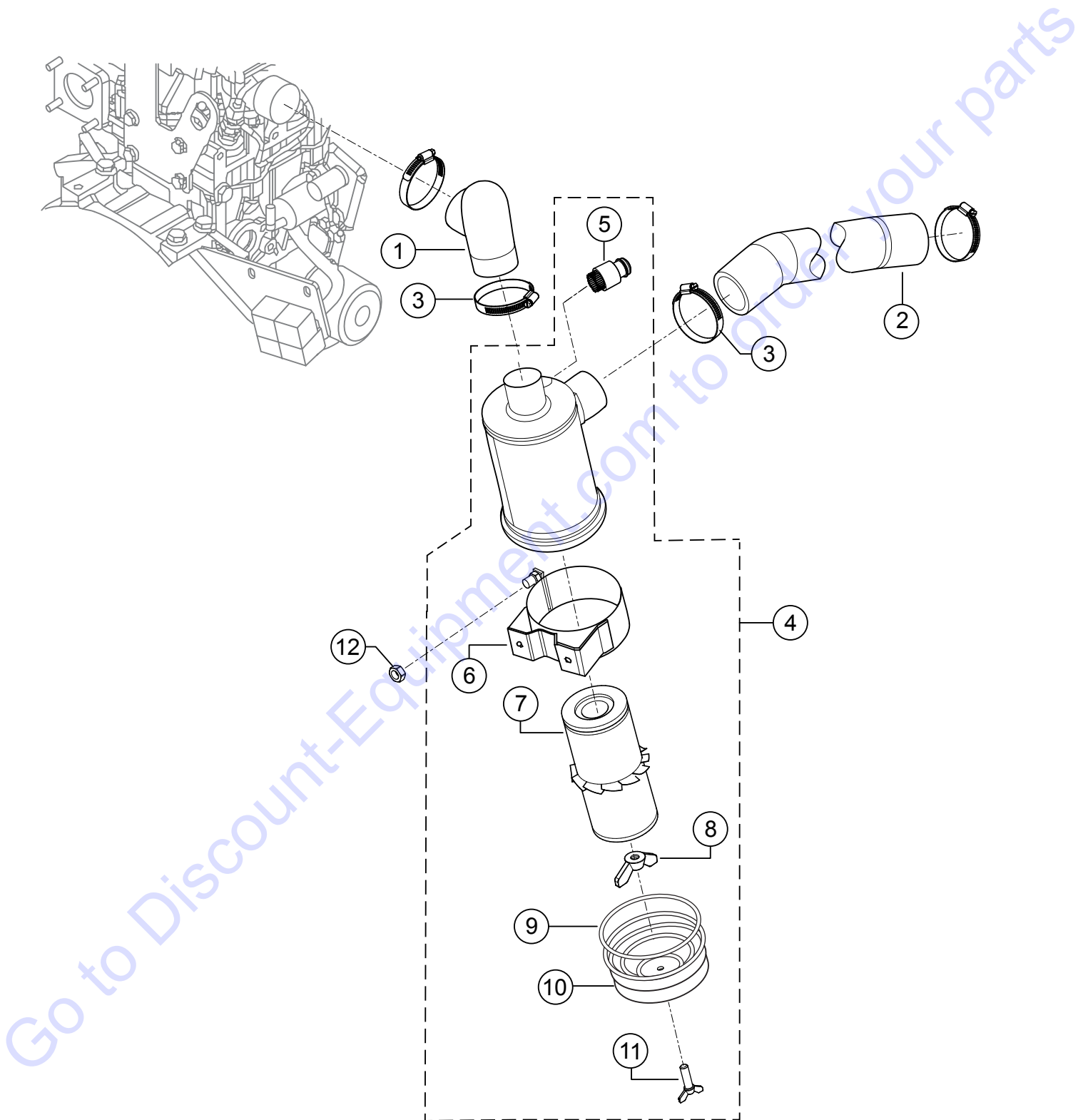


## ENGINE COOLER ASSY.

<u>NO.</u>	<u>PART NO.</u>	<u>PART NAME</u>	<u>QTY.</u>	<u>REMARKS</u>
1	J901764	HEX. HEAD SCREW	10	
2	1-952116	LOCK WASHER	13	
3	1242127	HOLDING PLATE	1	
4	1197136	SOCKET HEAD CAP SCREW	2	
5	J901762	HEX. HEAD SCREW	4	
6	1-952355	HOSE CLIP	4	
7	1-953041	COOLER, HOSE	1	
8	1100756	COOLER, HOSE	1	
10	1-30005841	PROTECTIVE GRID	1	
11	1-952338	FAN	1	
12	1226505	CASING PLATE	1	
13	1-952512	CLIP	1	
14	76-11981344510	EXPANSION VESSEL	1	
15	1226502	CASING PLATE	1	
16	1-952352	RUBBER CUSHION	2	
17	J901754	HEX. HEAD SCREW	2	
18	1-952199	LOCK WASHER	4	
19	1-952403	RUBBER MOUNT	2	
22	1-952852	SEALING CLAMP PROFILE, 1.75M	1	
23	J902123	HEX. NUT	2	
24	1181042	HOSE CLIP	5	
25	1-922332	HYDRAULIC HOSE, 0.7M L. ....	1.....	1 PC = 1M
26	J901756	HEX. HEAD SCREW	8	
27	J902284	WASHER	8	



# ENGINE AIR FILTER ASSY.

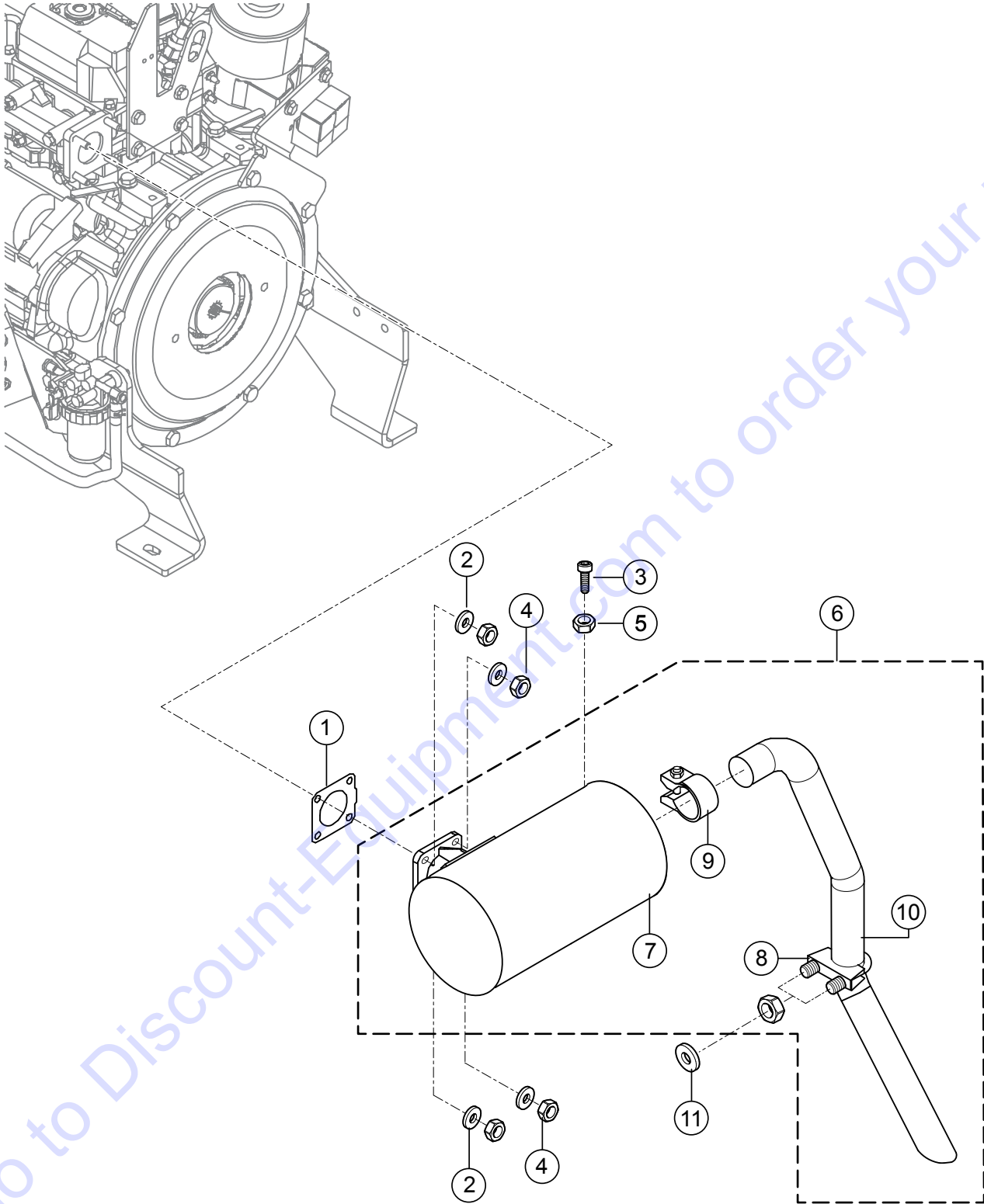


## ENGINE AIR FILTER ASSY.

<u>NO.</u>	<u>PART NO.</u>	<u>PART NAME</u>	<u>QTY.</u>	<u>REMARKS</u>
1	1226987	MOULDED HOSE	1	
2	1226983	MOULDED HOSE	1	
3	J903778	HOSE CLIP	4	
4	1224408	AIR FILTER.....	1.....	INCLUDES ITEMS W/\$
5\$	1-952299	MAINTENANCE INDICATOR	1	
6\$	1224979	AIR FILTER	1	
7\$	1224448	FILTER ELEMENT	1	
8\$	1224444	WING NUT	1	
9\$	1224424	GASKET	1	
10\$	1224426	COVER	1	
11\$	1224441	SCREW	1	
12	J902124	HEX. NUT	2	

Go to Discount-Equipment.com to order your parts

# ENGINE MUFFLER ASSY.

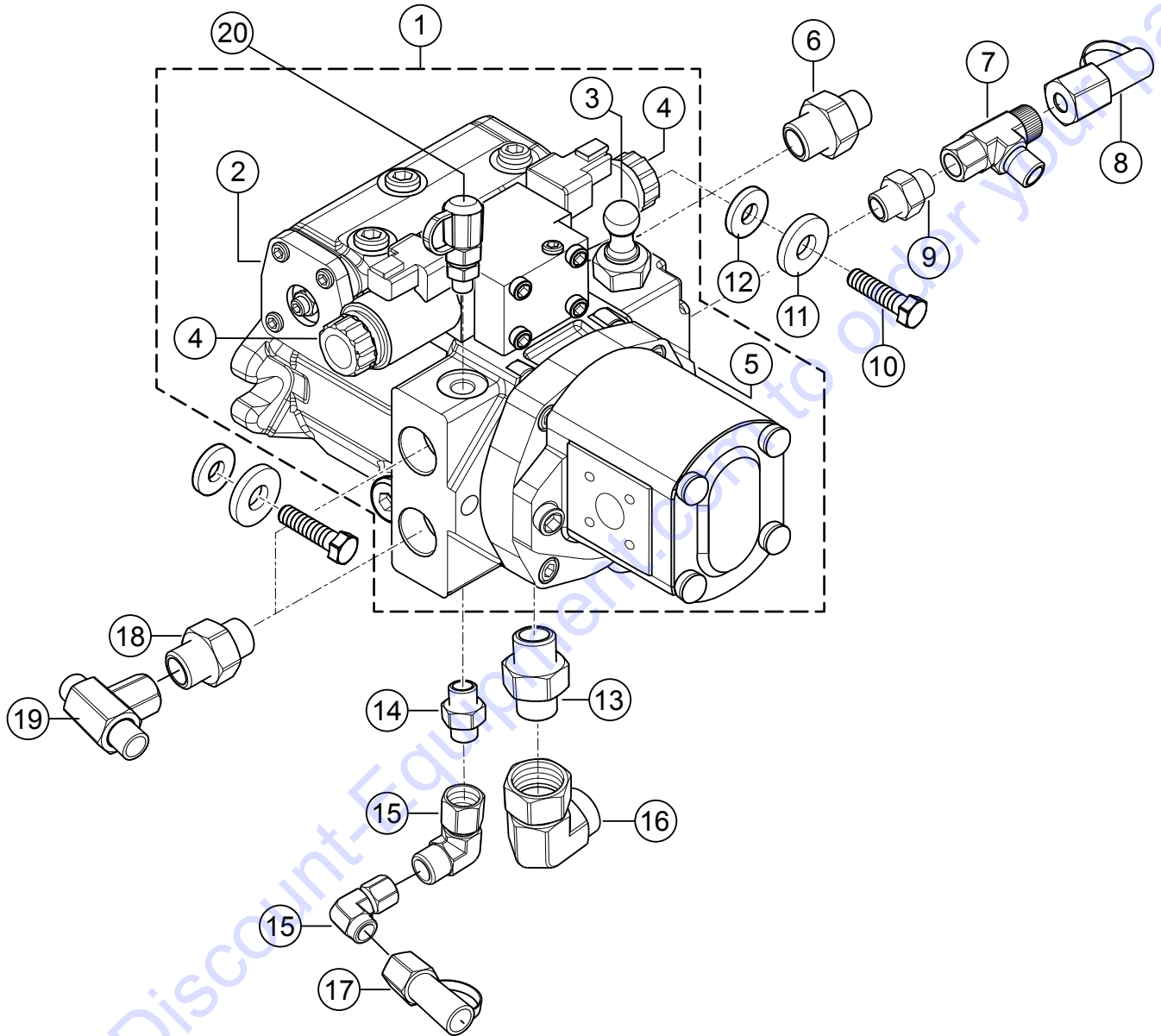


## ENGINE MUFFLER ASSY.

<u>NO.</u>	<u>PART NO.</u>	<u>PART NAME</u>	<u>QTY.</u>	<u>REMARKS</u>
1	1-953040	EXHAUST GASKET	1	
2	1-908693	STRAIN WASHER	4	
3	J902644	SOCKET HEAD CAP SCREW	1	
4	J902124	HEX. NUT	4	
5	1-952157	LOCK WASHER	1	
6	1226617	SOUND ABSORBER.....	1	INCLUDES ITEMS W/#
7#	1076641	SILENCER	1	
8#	1-923200	PIPE CLIP	1	
9#	1076629	PIPE CLIP	1	
10#	1226616	EXHAUST PIPE	1	
11	J902263	WASHER	1	

Go to Discount-Equipment.com to order your parts

# VARIABLE DISPLACEMENT PUMP ASSY.

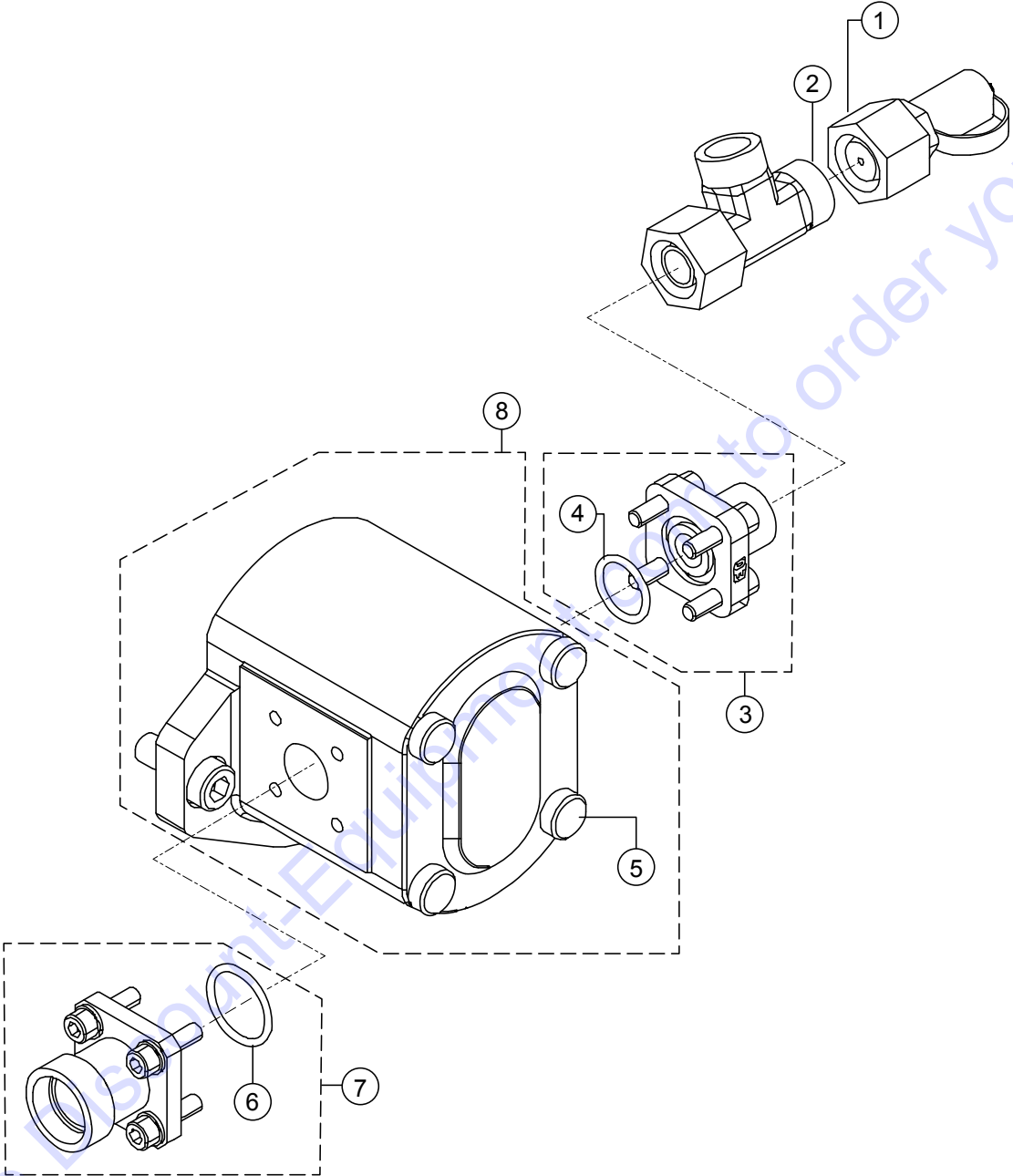


## VARIABLE DISPLACEMENT PUMP ASSY.

<u>NO.</u>	<u>PART NO.</u>	<u>PART NAME</u>	<u>QTY.</u>	<u>REMARKS</u>
1	1194416	HYDRAULIC PUMP .....	1.....	INCLUDES ITEMS W/%
2%	1194359	SEALING KIT	1	
3%	1244274	PRESSURE RELIEF VALVE	2	
4%	1194414	MAGNETIC COIL	2	
5%	1244275	PRESSURE RELIEF VALVE	1	
6	1180953	MALE STUD COUPLING BODY	1	
7	1-901249	ADJUSTABLE MALE STUD RUN	1	
8	1205781	SCREW COUPLING	1	
9	1-942825	MALE STUD COUPLING BODY	1	
10	J901784	HEX. HEAD SCREW	2	
11	1-902387	STRAIN WASHER	2	
12	J907885	WASHER	2	
13	1-942504	MALE STUD COUPLING BODY	1	
14	1-942821	MALE STUD COUPLING BODY	1	
15	1-901209	ELBOW SOCKET	2	
16	1-901213	ELBOW SOCKET	1	
17	1-921283	SCREW COUPLING	1	
18	1242432	MALE STUD COUPLING BODY	2	
19	1-901236	T-SOCKET	1	
20	1-921031	SCREW COUPLING	1	

Go to Discount-Equipment.com to order your parts

**GEAR PUMP ASSY.**



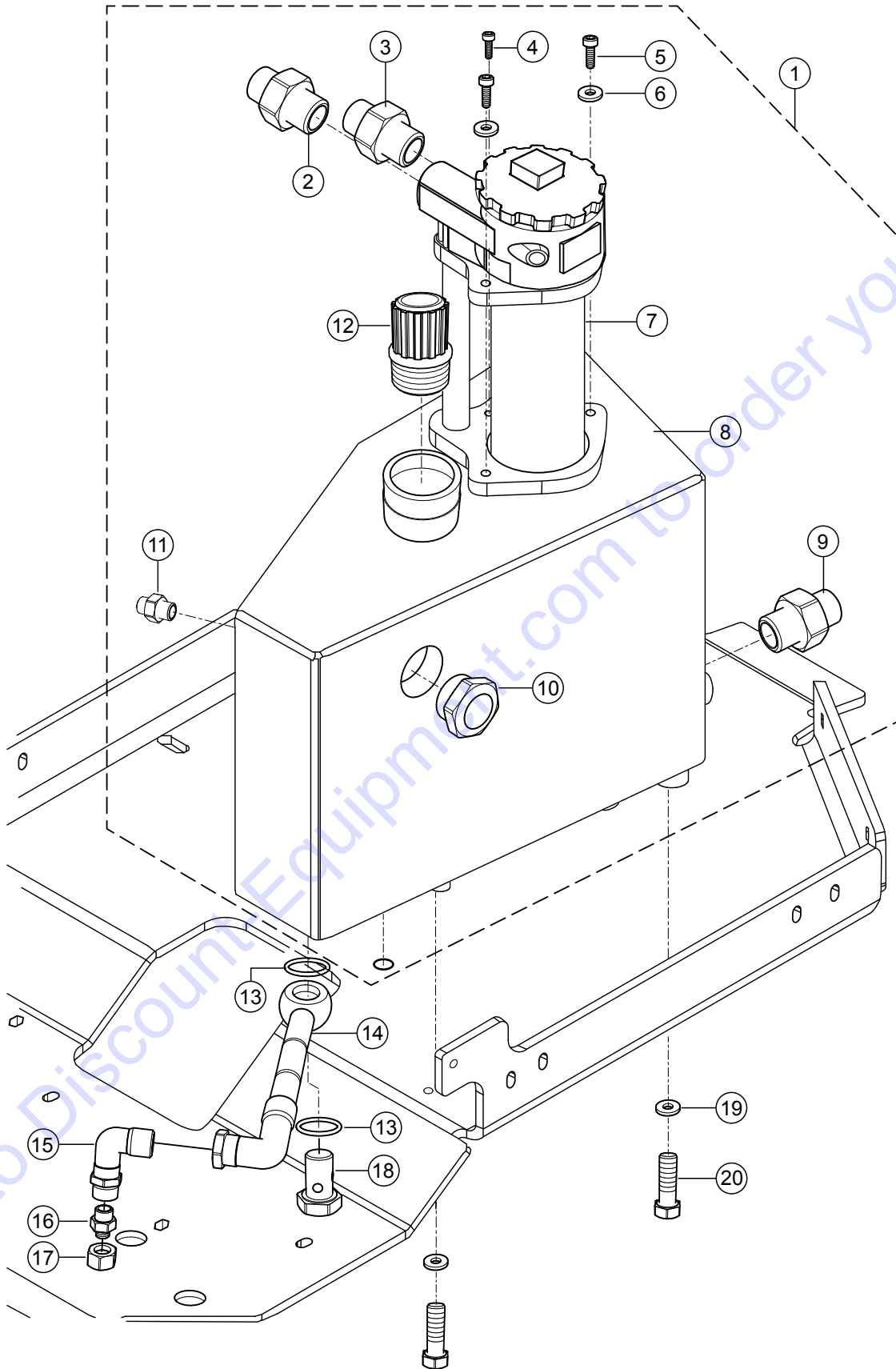
## GEAR PUMP ASSY.

<u>NO.</u>	<u>PART NO.</u>	<u>PART NAME</u>	<u>QTY.</u>	<u>REMARKS</u>
1	1-921033	SCREW COUPLING	1	
2	1-901250	ADJUSTABLE MALE STUD RUN	1	
3	1-491354	STRAIGHT FLANGE CONNECTION .....	1.....	INCLUDES ITEMS W/#
4#	1-906670	O-RING	1	
5\$	1194392	O-RING	1	
6%	1-906672	O-RING	1	
7	1-491577	STRAIGHT FLANGE CONNECTION .....	1.....	INCLUDES ITEMS W/%
8	1216440	GEAR PUMP .....	1.....	INCLUDES ITEMS W/\$

Go to Discount-Equipment.com to order your parts



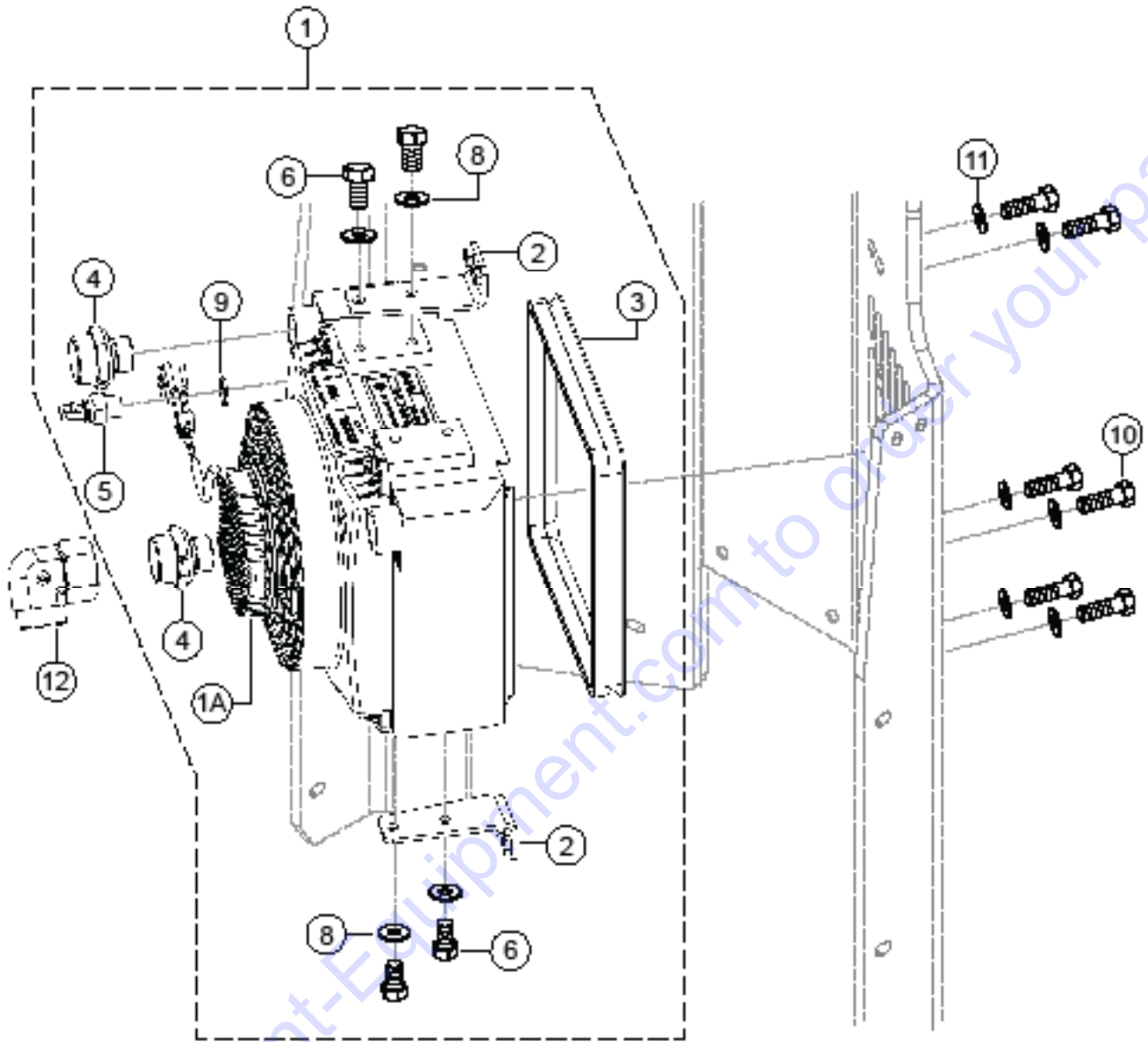
# HYDRAULIC OIL TANK ASSY.



## HYDRAULIC OIL TANK ASSY.

<u>NO.</u>	<u>PART NO.</u>	<u>PART NAME</u>	<u>QTY.</u>	<u>REMARKS</u>
1	1217678	HYDRAULIC OIL TANK ASSY. ....	1.....	INCLUDES ITEMS W/\$
2\$	1-942781	MALE STUD COUPLING BODY	1	
3\$	1-942818	MALE STUD COUPLING BODY	1	
4\$	J902634	SOCKET HEAD CAP SCREW	1	
5\$	J902646	SOCKET HEAD CAP SCREW	2	
6\$	J902264	WASHER	2	
7\$	1179047	RETURN-SUCTION FILTER	1	
8\$	1217677	OIL TANK	1	
9\$	1-948155	MALE STUD COUPLING BODY	1	
10\$	1179076	INSPECTION GLASS	1	
11\$	1183844	MALE STUD COUPLING BODY	1	
12\$	1242184	BREATHER FILTER	1	
13	1-906940	SEALING RING	2	
14	1232770	HYDRAULIC HOSE	1	
15	1-901447	BULKHEAD ELBOW NIPPLE	1	
16	1-901276	SEALING PLUG	1	
17	1-901003	UNION NUT	1	
18	1-954000	HOLLOW SCREW	1	
19	J902263	WASHER	3	
20	J901763	HEX. HEAD SCREW	3	

# OIL COOLER ASSY.

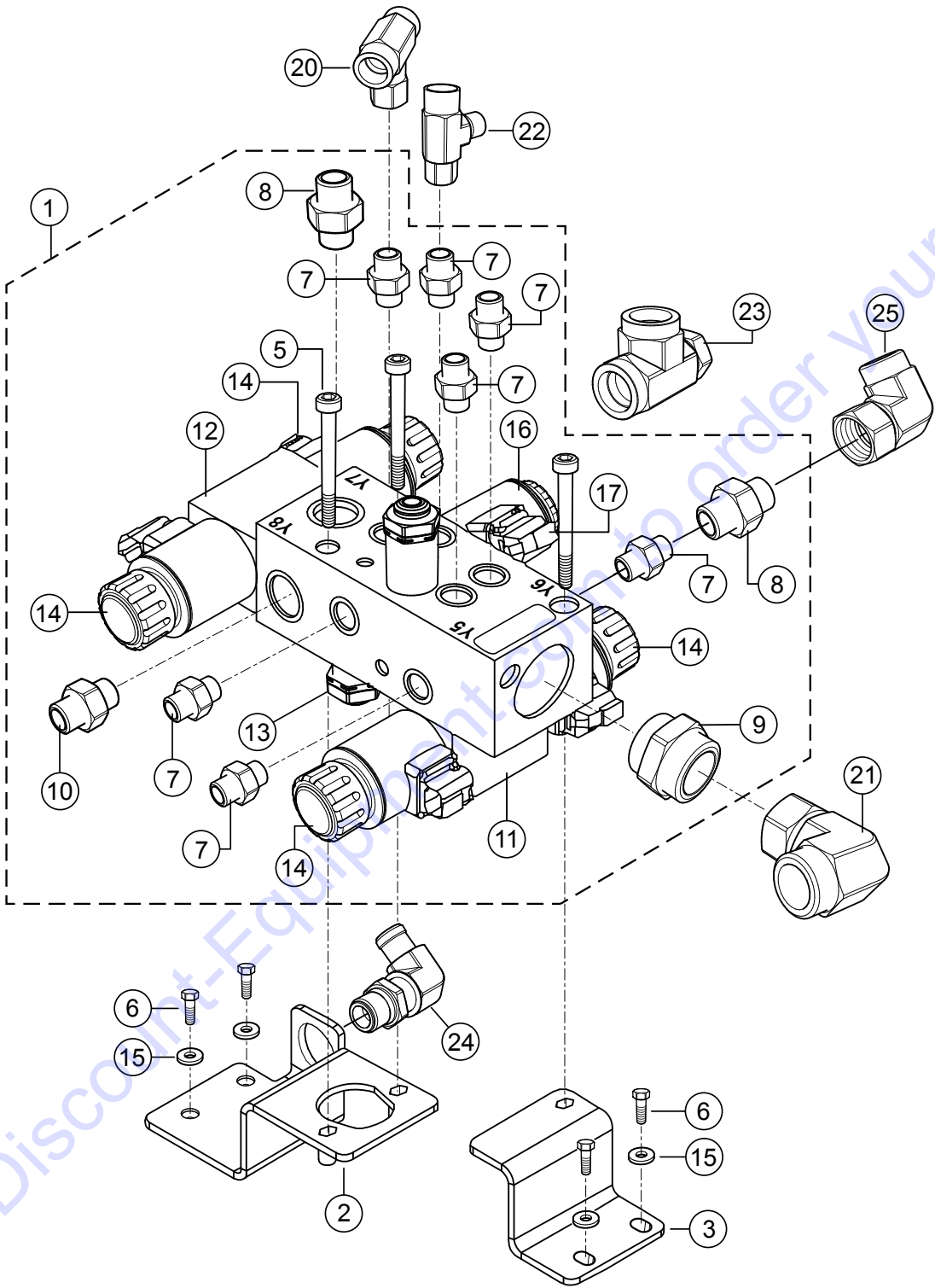


## OIL COOLER ASSY.

<u>NO.</u>	<u>PART NO.</u>	<u>PART NAME</u>	<u>QTY.</u>	<u>REMARKS</u>
1	1221652	OIL COOLER ASSY. ....	1.....	INCLUDES ITEMS W/#
1A#	1178292	OIL COOLER	1	
2#	1251656	HOLDING PLATE	3	
3#	1178294	CLAMPING PROFILE	1	
4#	1221314	MALE STUD COUPLING BODY	2	
5#	1225724	TEMPERATURE SWITCH	1	
6#	J901762	HEX. HEAD SCREW	6	
8#	J902263	WASHER	6	
9#	1225736	SEALING RING	1	
10	J901764	HEX. HEAD SCREW	6	
11	J902285	WASHER	6	
12	1-901214	ELBOW SOCKET	1	

Go to Discount-Equipment.com to order your parts

**VALVE BLOCK ASSY.**

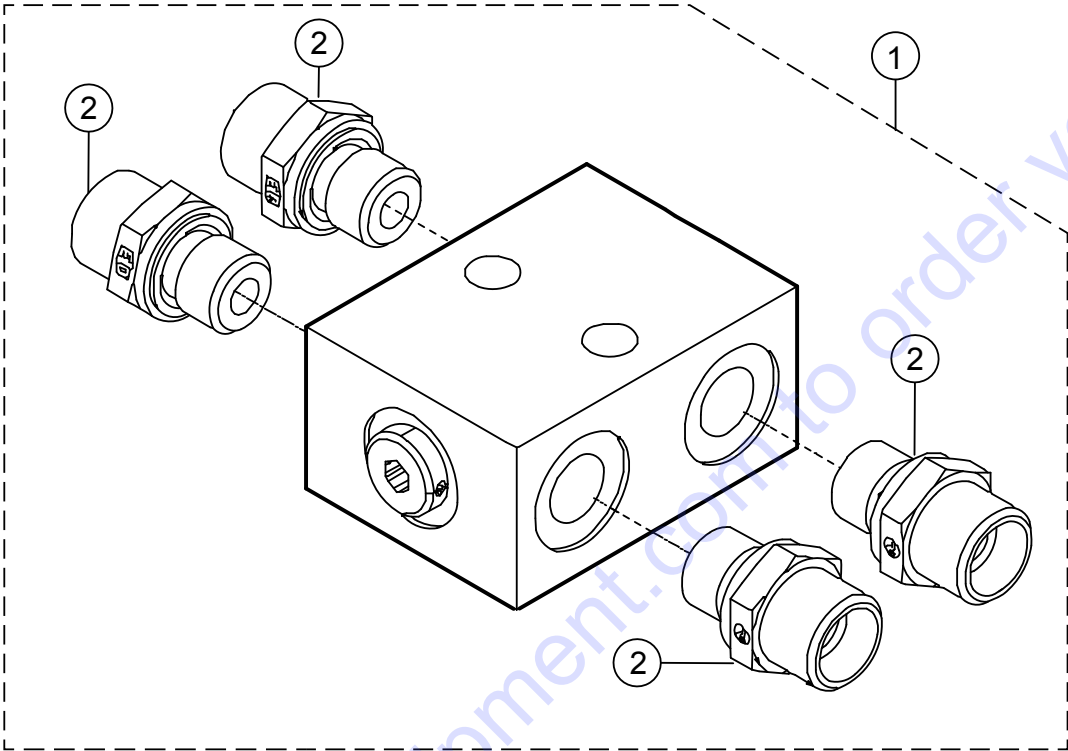


**VALVE BLOCK ASSY.**

<u>NO.</u>	<u>PART NO.</u>	<u>PART NAME</u>	<u>QTY.</u>	<u>REMARKS</u>
1	1219129	VALVE BLOCK.....	1.....	INCLUDES ITEMS W/%
2	1251637	MOUNTING PLATE	1	
3	1251638	MOUNTING PLATE	1	
5%	1-902686	SOCKET HEAD CAP SCREW	3	
6	J901764	HEX. HEAD SCREW	4	
7%	1197813	MALE STUD COUPLING BODY	7	
8%	1-942785	MALE STUD COUPLING BODY	2	
9%	1-942781	MALE STUD COUPLING BODY	1	
10%	1-942784	MALE STUD COUPLING BODY	1	
11%	1221373	VALVE	1	
12%	1221374	VALVE	1	
13%	1221375	VALVE	1	
14%	1221398	MAGNETIC COIL	4	
15	J902263	WASHER	4	
16%	1221378	VALVE	1	
17%	1221397	MAGNETIC COIL	1	
20	J901458	T-SOCKET	1	
21	1-901214	ELBOW SOCKET	1	
22	1-901436	ADJUSTABLE MALE STUD RUN	1	
23	1-922516	BANJO COUPLING	1	
24	1-901447	BULKHEAD ELBOW NIPPLE	1	
25	J901211	ELBOW SOCKET	1	

Go to Discount-Equipment.com to order your parts

**HYDRAULIC BLOCK ASSY.**



Go to Discount-Equipment.com to order your parts

# HYDRAULIC BLOCK ASSY.

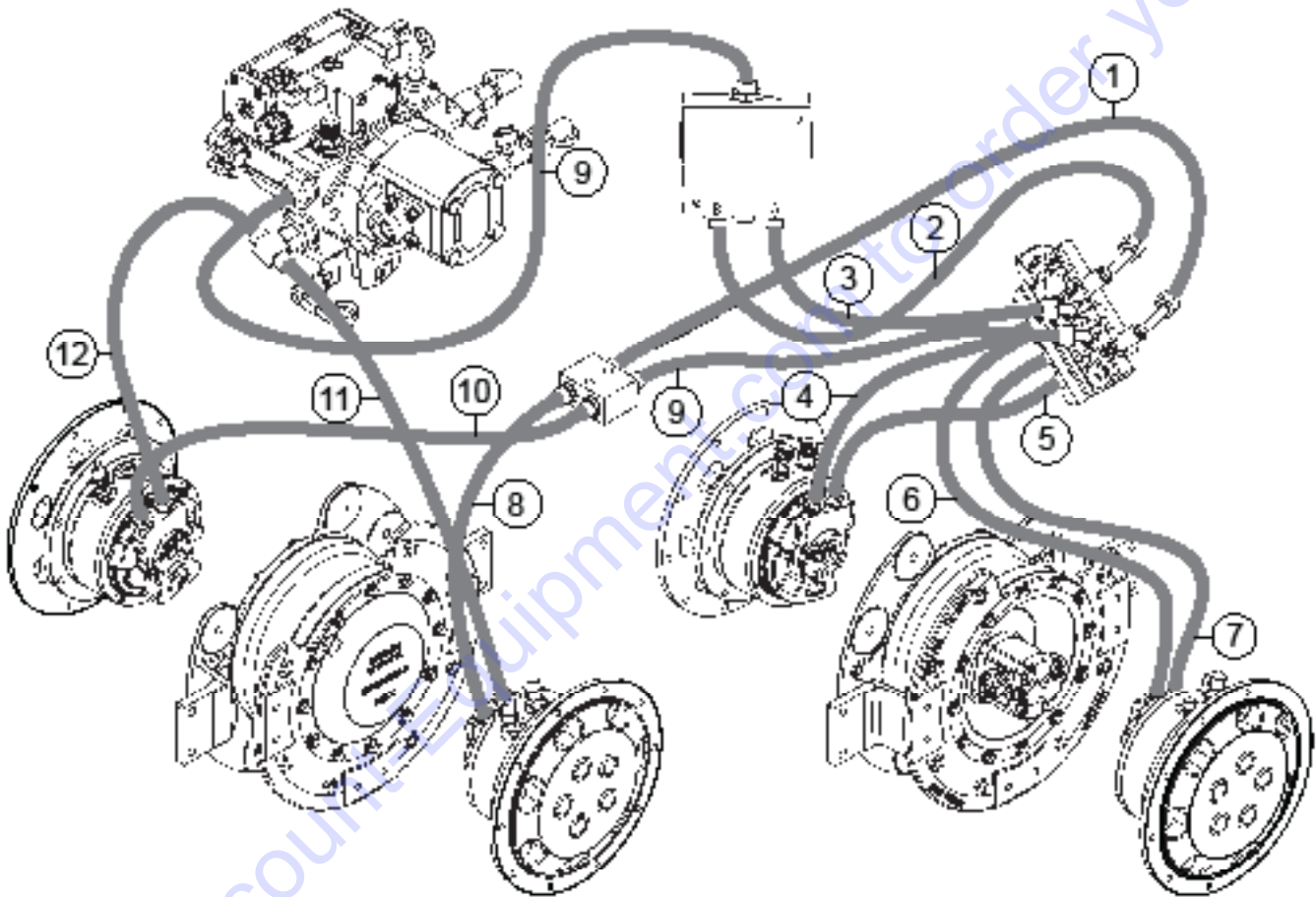
---

<u>NO.</u>	<u>PART NO.</u>	<u>PART NAME</u>	<u>QTY.</u>	<u>REMARKS</u>
1	1242646	HYDRAULIC BLOCK.....	1.....	INCLUDES ITEM W/\$
2\$	1197813	MALE STUD COUPLING BODY	4	

Go to Discount-Equipment.com to order your parts



# HOSES FOR DRIVE SYSTEM ASSY.



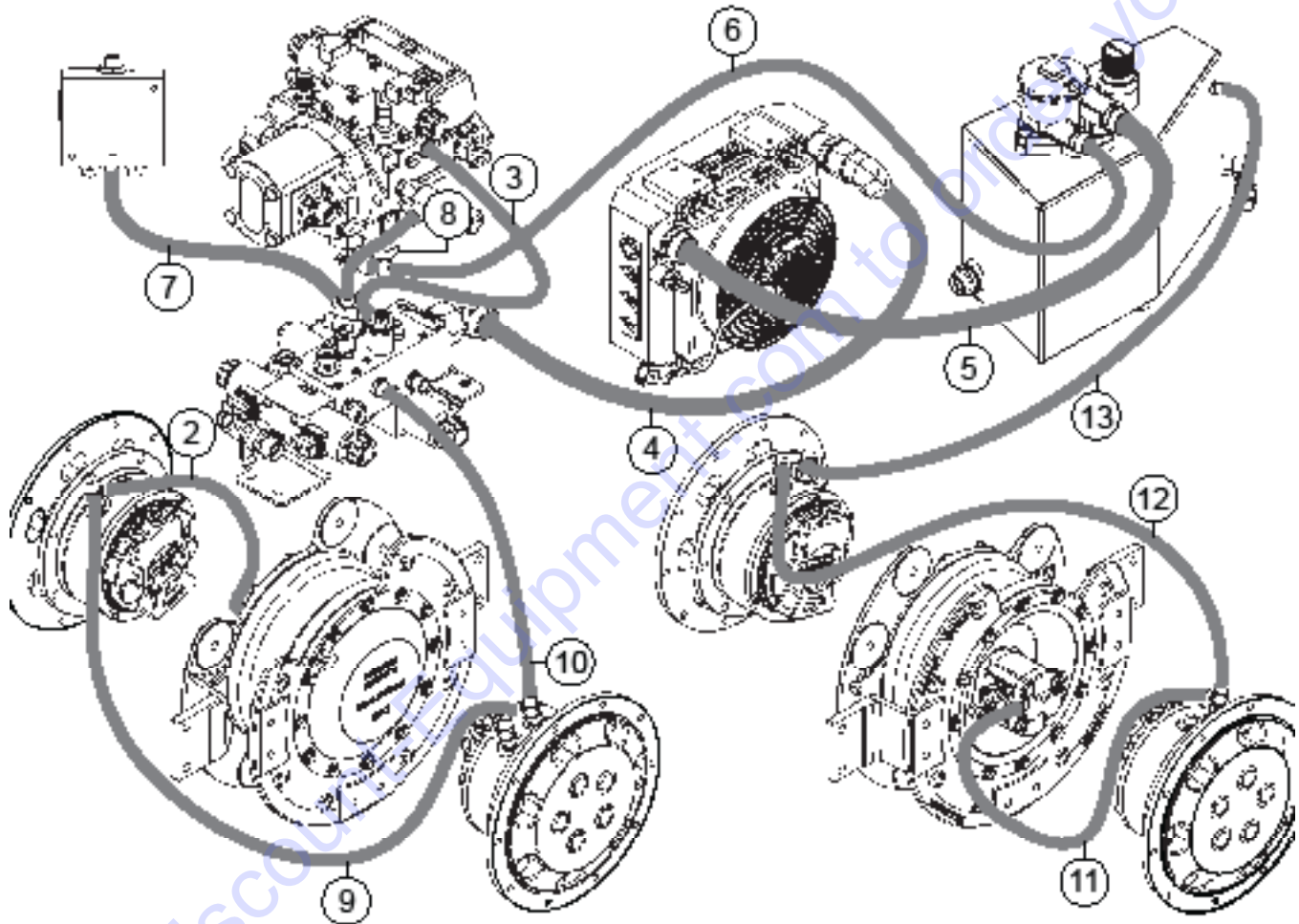
## HOSES FOR DRIVE SYSTEM ASSY.

---

<u>NO.</u>	<u>PART NO.</u>	<u>PART NAME</u>	<u>QTY.</u>	<u>REMARKS</u>
1	1243101	HYDRAULIC HOSE	1	
2	1243103	HYDRAULIC HOSE	1	
3	1243104	HYDRAULIC HOSE	1	
4	1232787	HYDRAULIC HOSE	1	
5	1232724	HYDRAULIC HOSE	1	
6	1243107	HYDRAULIC HOSE	1	
7	1232726	HYDRAULIC HOSE	1	
8	1243099	HYDRAULIC HOSE	1	
9	1243100	HYDRAULIC HOSE	1	
10	1243098	HYDRAULIC HOSE	1	
11	1243096	HYDRAULIC HOSE	1	
12	1243097	HYDRAULIC HOSE	1	

Go to Discount-Equipment.com to order your parts

# SUCTION AND LEAKAGE ASSY.



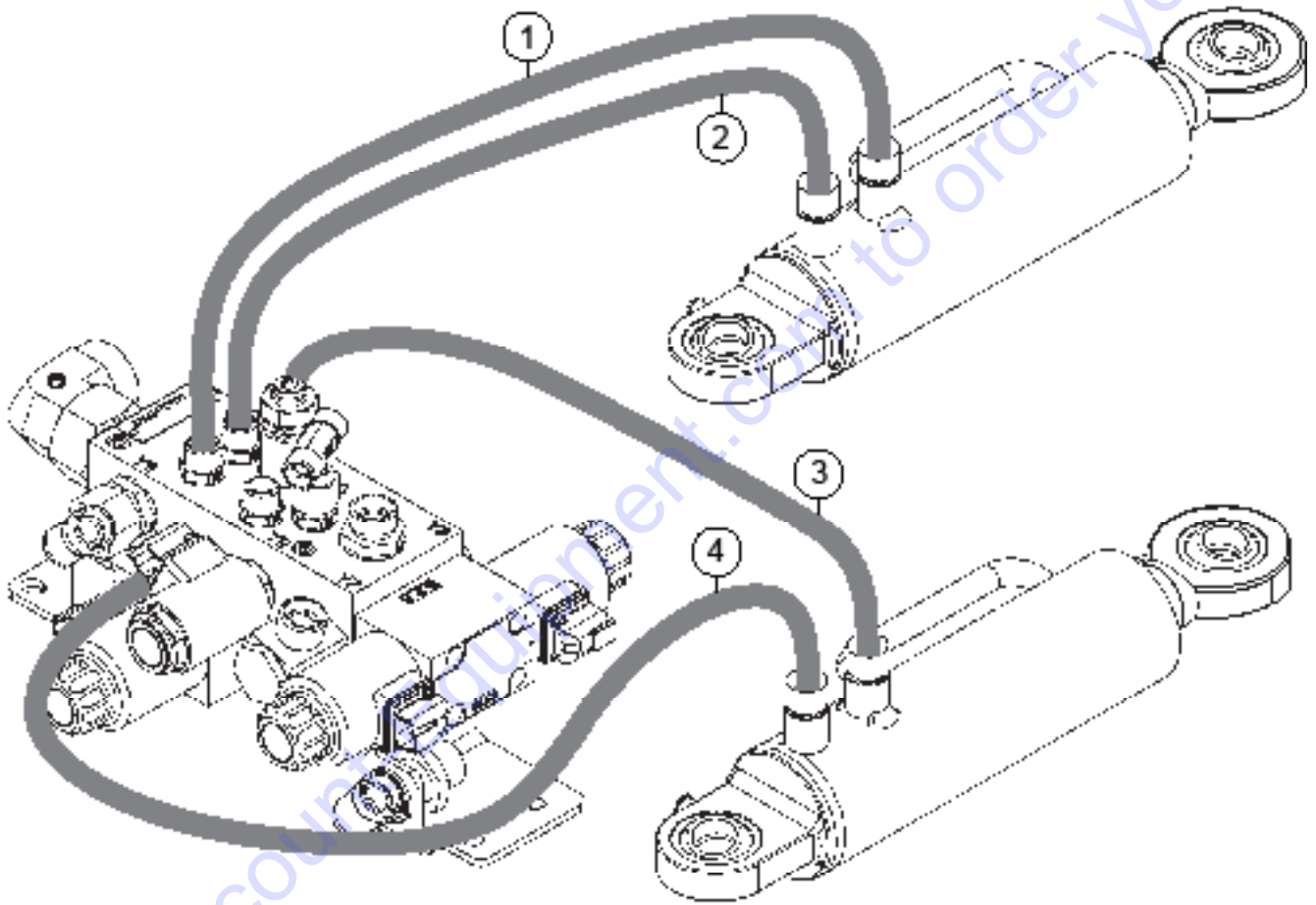
## SUCTION AND LEAKAGE ASSY.

---

<u>NO.</u>	<u>PART NO.</u>	<u>PART NAME</u>	<u>QTY.</u>	<u>REMARKS</u>
2	1232773	HYDRAULIC HOSE	1	
3	1247785	HYDRAULIC HOSE	1	
4	1232789	HYDRAULIC HOSE	1	
5	1232800	HYDRAULIC HOSE	1	
6	1232801	HYDRAULIC HOSE	1	
7	1243091	HYDRAULIC HOSE	1	
8	1243090	HYDRAULIC HOSE	1	
9	1251203	HYDRAULIC HOSE	1	
10	1251204	HYDRAULIC HOSE	1	
11	1232773	HYDRAULIC HOSE	1	
12	1251203	HYDRAULIC HOSE	1	
13	1251200	HYDRAULIC HOSE	1	

Go to Discount-Equipment.com to order your parts

# HOSES FOR STEERING SYSTEM ASSY.



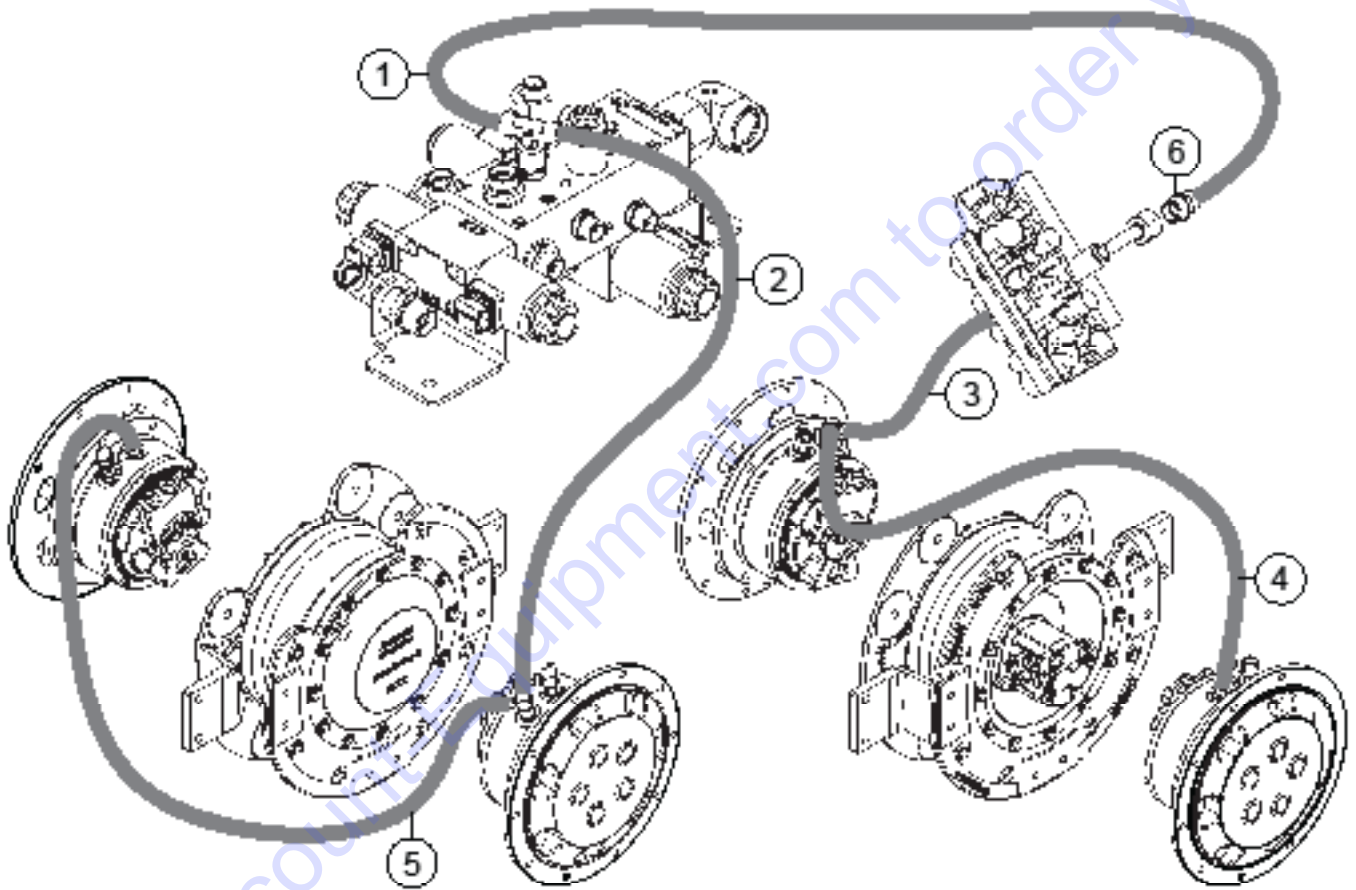
## HOSES FOR STEERING SYSTEM ASSY.

---

<u>NO.</u>	<u>PART NO.</u>	<u>PART NAME</u>	<u>QTY.</u>	<u>REMARKS</u>
1	1232758	HYDRAULIC HOSE	1	
2	1232759	HYDRAULIC HOSE	1	
3	1232754	HYDRAULIC HOSE	1	
4	1232756	HYDRAULIC HOSE	1	

Go to Discount-Equipment.com to order your parts

# BRAKE HOSES ASSY.



## **BRAKE HOSES ASSY.**

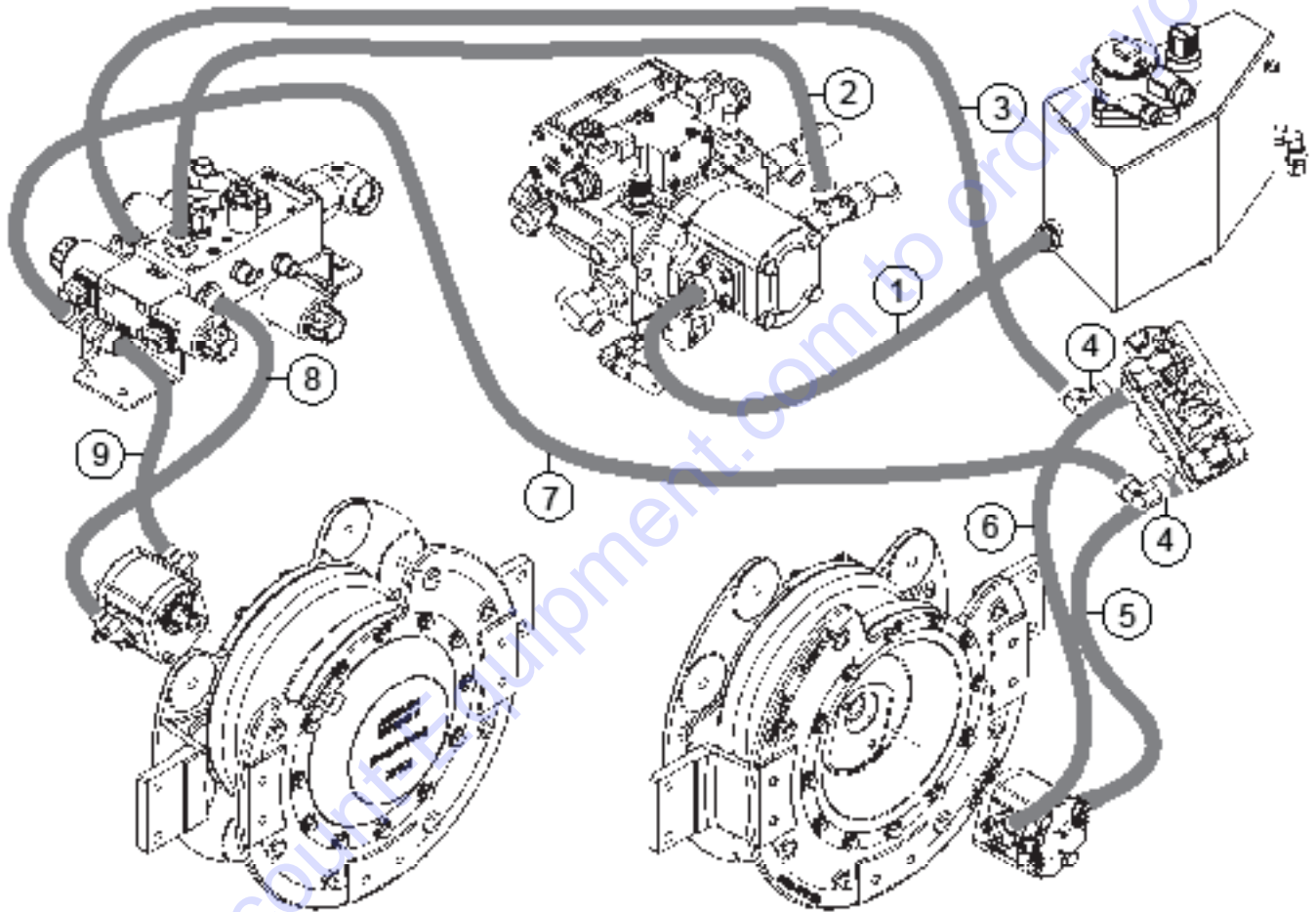
---

<u>NO.</u>	<u>PART NO.</u>	<u>PART NAME</u>	<u>QTY.</u>	<u>REMARKS</u>
1	1232752	HYDRAULIC HOSE	1	
2	1232765	HYDRAULIC HOSE	1	
3	1243109	HYDRAULIC HOSE	1	
4	1251202	HYDRAULIC HOSE	1	
5	1251202	HYDRAULIC HOSE	1	
6	1-901010	STRAIGHT FITTING	1	

Go to Discount-Equipment.com to order your parts



# HOSES FOR VIBRATION SYSTEM ASSY.



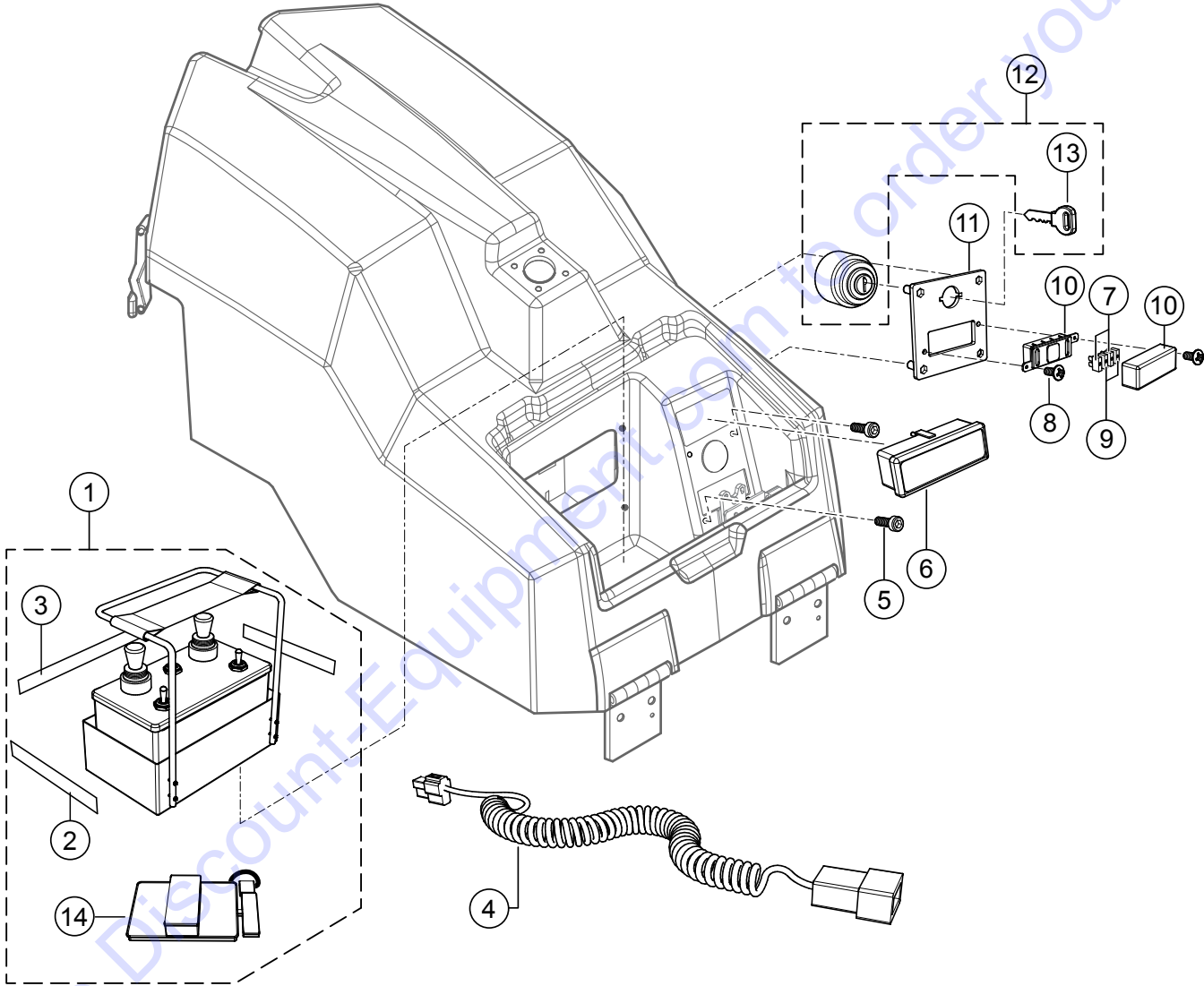
## HOSES FOR VIBRATION SYSTEM ASSY.

---

<u>NO.</u>	<u>PART NO.</u>	<u>PART NAME</u>	<u>QTY.</u>	<u>REMARKS</u>
1	1243110	HYDRAULIC HOSE	1	
2	1232681	HYDRAULIC HOSE	1	
3	1232697	HYDRAULIC HOSE	1	
4	1-901027	ANGLE	2	
5	1251253	HYDRAULIC HOSE	1	
6	1232747	HYDRAULIC HOSE	1	
7	1232688	HYDRAULIC HOSE	1	
8	1232785	HYDRAULIC HOSE	1	
9	1232722	HYDRAULIC HOSE	1	

Go to Discount-Equipment.com to order your parts

**COCKPIT ASSY.**

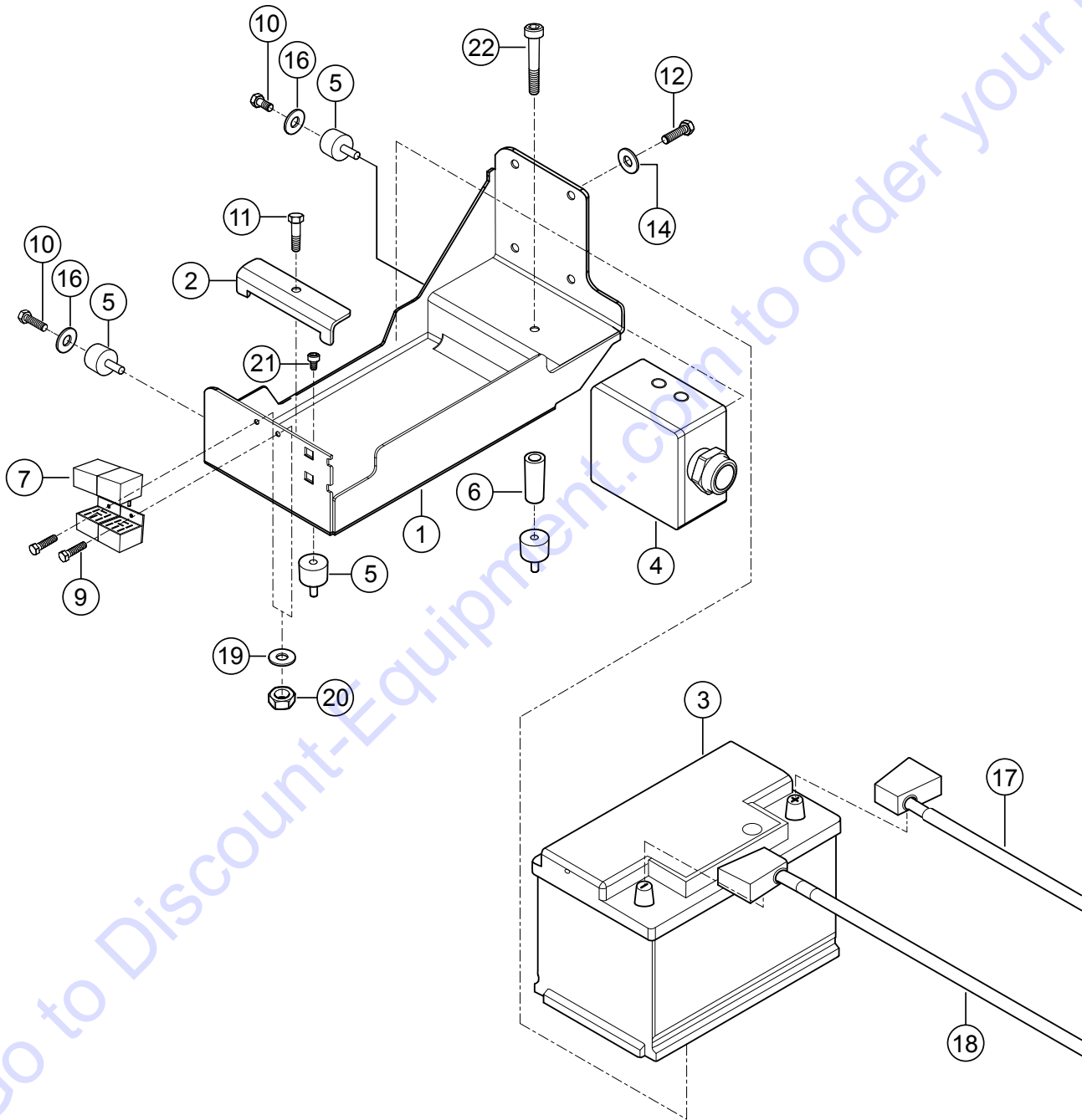


## COCKPIT ASSY.

<u>NO.</u>	<u>PART NO.</u>	<u>PART NAME</u>	<u>QTY.</u>	<u>REMARKS</u>
1	1226283	INFRARED TRANSMITTER.....	1.....	INCLUDES ITEMS W/#
2#	1253867	REFLECTOR	2	
3#	1253868	REFLECTOR	2	
4	1242589	CABLE	1	
5	1-948204	SOCKET HEAD CAP SCREW	4	
6	1226581	DISPLAY UNIT	1	
7	1-921583	FUSE, 10 AMP	2	
8	1-903683	BLIND RIVET	2	
9	1-921585	FUSE, 25 AMP	2	
10	1-831072	FUSE MODULE	1	
11	1252132	HOLDING PLATE	1	
12	1-30005179	IGNITION LOCK.....	1.....	INCLUDES ITEM W/\$
13\$	1-14607	IGNITION KEY	1	
14	1266872	TRANSMITTER BATTERY	1	

Go to Discount-Equipment.com to order your parts

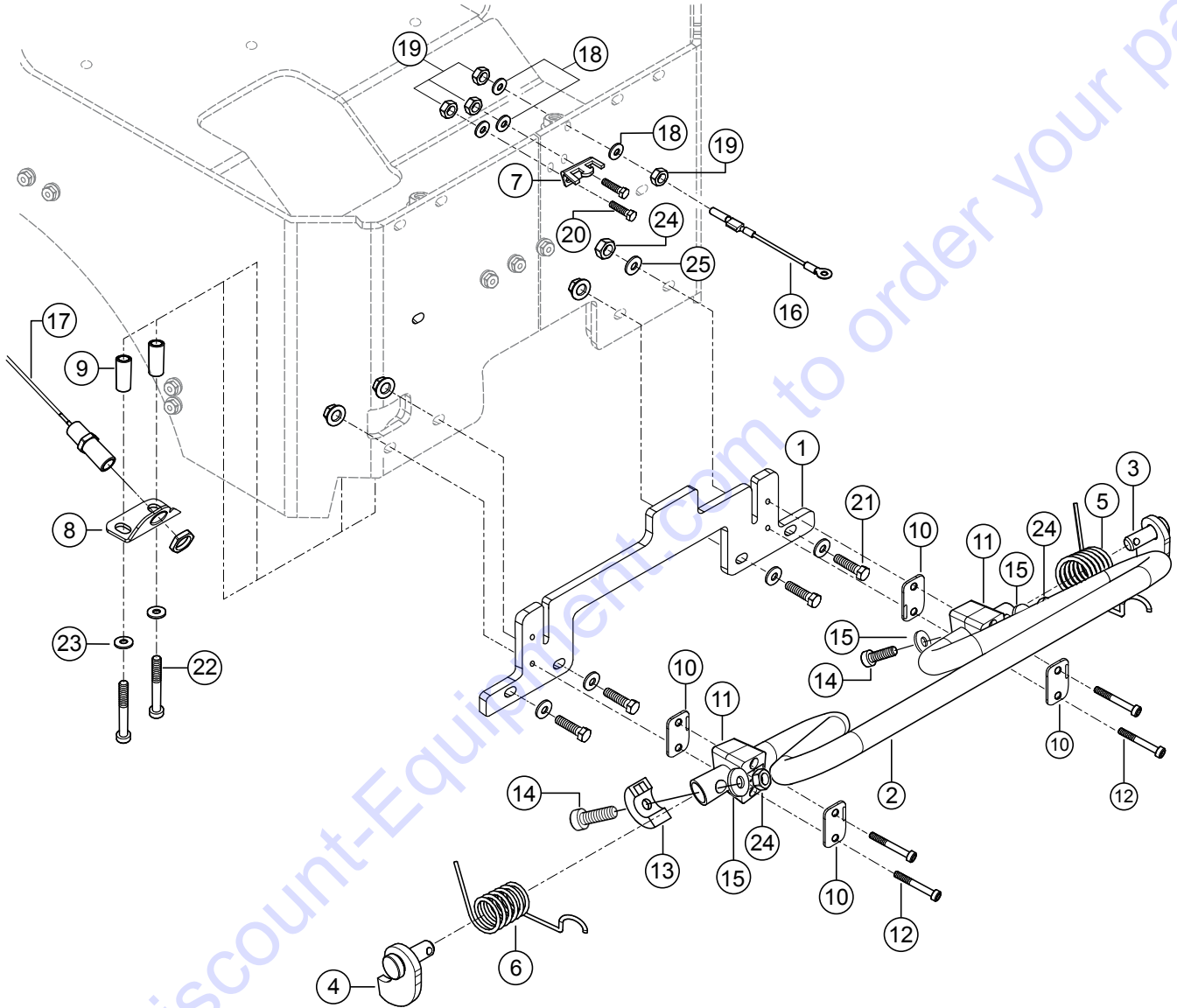
# HOLDING DEVICE WITH BATTERY ASSY.



## HOLDING DEVICE WITH BATTERY ASSY.

<u>NO.</u>	<u>PART NO.</u>	<u>PART NAME</u>	<u>QTY.</u>	<u>REMARKS</u>
1	1252133	BATTERY PLATE	1	
2	1226975	CLAMPING ANGLE	1	
3	1127111	STARTER BATTERY	1	
4	1226284	CONTROL UNIT	1	
5	1-923280	RUBBER MOUNT	4	
6	1250943	ROD W/DRILLED HOLE	1	
7	1227066	RELAY	2	
9	1-901747	HEX. HEAD SCREW	2	
10	J901762	HEX. HEAD SCREW	2	
11	J901766	HEX. HEAD SCREW	1	
12	J901763	HEX. HEAD SCREW	4	
14	1-908693	STRAIN WASHER	4	
16	J902263	WASHER	2	
17	1236038	BATTERY CABLE, POSITIVE	1	
18	1236036	BATTERY CABLE, NEGATIVE	1	
19	J902260	WASHER	2	
20	J902121	HEX. NUT	2	
21	J902637	SOCKET HEAD CAP SCREW	1	
22	1-902693	SOCKET HEAD CAP SCREW	1	

# SHUTDOWN BAR ASSY. (OPTION)

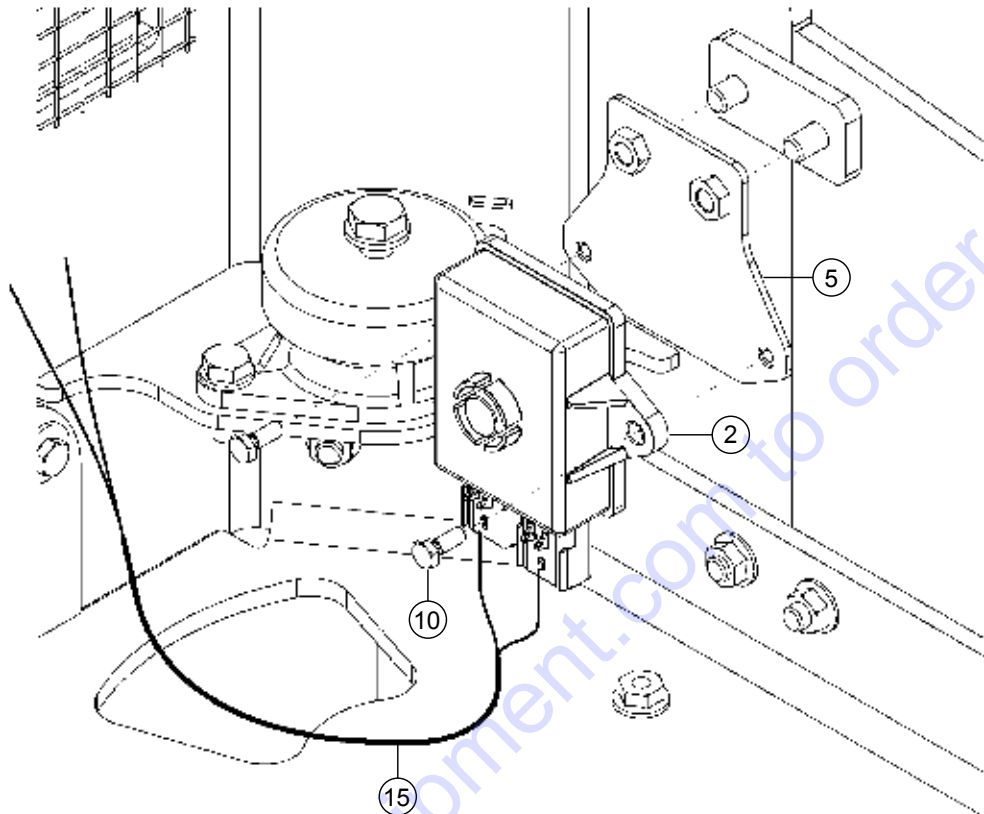


## SHUTDOWN BAR ASSY. (OPTION)

<u>NO.</u>	<u>PART NO.</u>	<u>PART NAME</u>	<u>QTY.</u>	<u>REMARKS</u>
1	1241600	HOLDING PLATE	1	
2	1218322	PIPE	1	
3	1241607	LIMIT STOP	1	
4	1241605	LIMIT STOP	1	
5	1218324	COMPRESSION SPRING	1	
6	1218323	COMPRESSION SPRING	1	
7	1225894	FIXTURE	1	
8	1218340	HOLDING PLATE	1	
9	1225895	ROD W/DRILLED HOLE	2	
10	1189754	COVER PLATE	4	
11	1241110	CLAMP BODY	2	
12	1-902684	SOCKET HEAD CAP SCREW	4	
13	3-52075	SWITCHING CAM	1	
14	J902701	SOCKET HEAD CAP SCREW	2	
15	J941593	WASHER	3	
16	3-18873	STAY ROPE	1	
17	3-52074	SAFETY SWITCH	1	
18	J902262	WASHER	4	
19	J902123	HEX. NUT	4	
20	J901757	HEX. HEAD SCREW	2	
21	H0105624	HEX. HEAD SCREW	4	
22	1183223	HEX. HEAD SCREW	2	
23	1-908693	STRAIN WASHER	2	
24	J902125	HEX. NUT	6	
25	J902264	WASHER	8	



**HEIGHT CONTROL ASSY.**



Go to Discount-Equipment.com to order your parts

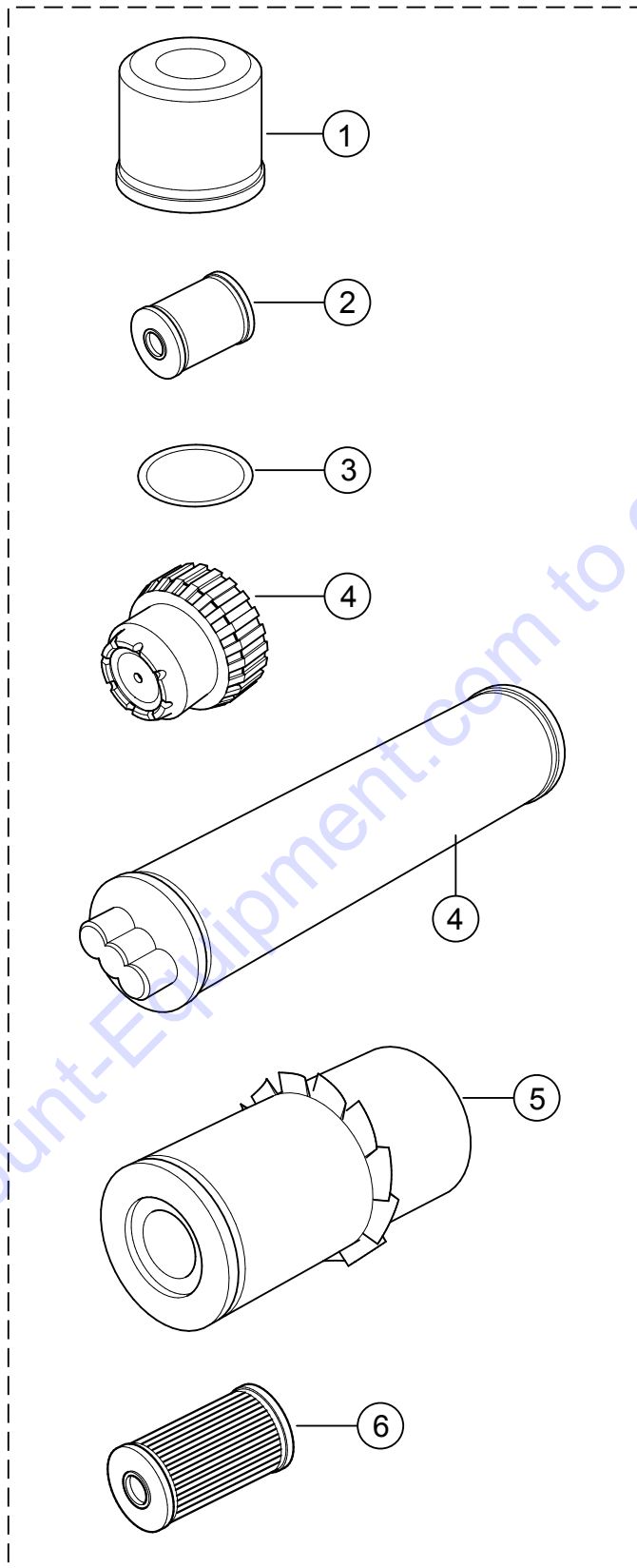
## HEIGHT CONTROL ASSY.

---

<u>NO.</u>	<u>PART NO.</u>	<u>PART NAME</u>	<u>QTY.</u>	<u>REMARKS</u>
2	1260881	SENSOR	1	
5	1270253	HOLDING PLATE	1	
10	J901756	HEXAGON HEAD SCREW	2	
15	1238635	CABLE HARNESS	1	

Go to Discount-Equipment.com to order your parts

# FILTER SET ASSY.



## FILTER SET ASSY.

---

<u>NO.</u>	<u>PART NO.</u>	<u>PART NAME</u>	<u>QTY.</u>	<u>REMARKS</u>
1#	1-954075	ENGINE FILTER	1	
2#	1-954195	FILTER ELEMENT	1	
3#	76-10210355520	O-RING	1	
4#	1182946	FILTER SET	1	
5#	1224448	FILTER ELEMENT	1	
6#	1-954197	FILTER ELEMENT	1	
7	1228783	FILTER SET .....	1.....	INCLUDES ITEMS W/#

Go to Discount-Equipment.com to order your parts

# PARTS FINDER

**Search Website  
by Part Number**



**Search Manual  
Library For Parts  
Manual & Lookup Part  
Numbers – Purchase  
or Request Quote**

**Search Manuals**

Enter your information to search for a manual or to purchase a manual or parts.

\* Brand:

\* Model:

\* Serial:

\* Part Number:

SEARCH

**Can't Find Part or  
Manual? Request Help  
by Manufacturer,  
Model & Description**

**Parts Order Form**

Please fill in the following information to request help finding a part or manual.

Manufacturer:

Model:

Description:

Quantity:

Part Number:

Part Name:

Part Description:

Part Category:

Part Location:

Part Status:

Part Condition:

Part Material:

Part Color:

Part Weight:

Part Dimensions:

Part Price:

Part Availability:

Part Lead Time:

Part Notes:

Submit

Discount-Equipment.com is your online resource for quality parts & equipment.

Florida: **561-964-4949** Outside Florida TOLL FREE: **877-690-3101**

**Need parts?**

Click on this link: <http://www.discount-equipment.com/category/5443-parts/> and choose one of the options to help get the right parts and equipment you are looking for. Please have the machine model and serial number available in order to help us get you the correct parts. If you don't find the part on the website or on one of the online manuals, please fill out the request form and one of our experienced staff members will get back to you with a quote for the right part that your machine needs.

We sell worldwide for the brands: Genie, Terex, JLG, MultiQuip, Mikasa, Essick, Whiteman, Mayco, Toro Stone, Diamond Products, Generac Magnum, Airman, Haulotte, Barreto, Power Blanket, Nifty Lift, Atlas Copco, Chicago Pneumatic, Allmand, Miller Curber, Skyjack, Lull, Skytrak, Tsurumi, Husquvarna Target, Stow, Wacker, Sakai, Mi-T-M, Sullair, Basic, Dynapac, MBW, Weber, Bartell, Bennar Newman, Haulotte, Ditch Runner, Menegotti, Morrison, Contec, Buddy, Crown, Edco, Wyco, Bomag, Laymor, EZ Trench, Bil-Jax, F.S. Curtis, Gehl Pavers, Heli, Honda, ICS/PowerGrit, IHI, Partner, Imer, Clipper, MMD, Koshin, Rice, CH&E, General Equipment, Amida, Coleman, NAC, Gradall, Square Shooter, Kent, Stanley, Tamco, Toku, Hatz, Kohler, Robin, Wisconsin, Northrock, Oztec, Toker TK, Rol-Air, APT, Wylie, Ingersoll Rand / Doosan, Innovatech, Con X, Ammann, Mecalac, Makinex, Smith Surface Prep, Small Line, Wanco, Yanmar