

# PARTS MANUAL



**NIGHTHAWK SERIES**  
**MODELS LT12D, LT12P**  
**DEDICATED LIGHT TOWER**  
**(DEUTZ F3M1008F DIESEL ENGINE)**  
**(LOMBARDINI LDW 1003 DIESEL ENGINE)**  
**(PERKINS 103-10 DIESEL ENGINE)**

Revision #17 (06/03/11)



THIS MANUAL MUST ACCOMPANY THE EQUIPMENT AT ALL TIMES.

PN 49119

# PARTS FINDER

**Search Website  
by Part Number**



**Search Manual  
Library For Parts  
Manual & Lookup Part  
Numbers – Purchase  
or Request Quote**

**Search Manuals**

Enter your information to help us find the right parts manual for your machine.

\* Brand:

\* Model:

\* Serial:

\* Part Number:

SEARCH

**Can't Find Part or  
Manual? Request Help  
by Manufacturer,  
Model & Description**

**Parts Order Form**

Please fill in the following information to help us find the right part for your machine.

Manufacturer:	<input type="text"/>
Model:	<input type="text"/>
Description:	<input type="text"/>
Part Number:	<input type="text"/>
Quantity:	<input type="text"/>
Notes:	<input type="text"/>

Submit

Discount-Equipment.com is your online resource for quality parts & equipment.

Florida: **561-964-4949** Outside Florida TOLL FREE: **877-690-3101**

**Need parts?**

Click on this link: <http://www.discount-equipment.com/category/5443-parts/> and choose one of the options to help get the right parts and equipment you are looking for. Please have the machine model and serial number available in order to help us get you the correct parts. If you don't find the part on the website or on one of the online manuals, please fill out the request form and one of our experienced staff members will get back to you with a quote for the right part that your machine needs.

We sell worldwide for the brands: Genie, Terex, JLG, MultiQuip, Mikasa, Essick, Whiteman, Mayco, Toro Stone, Diamond Products, Generac Magnum, Airman, Haulotte, Barreto, Power Blanket, Nifty Lift, Atlas Copco, Chicago Pneumatic, Allmand, Miller Curber, Skyjack, Lull, Skytrak, Tsurumi, Husquvarna Target, Stow, Wacker, Sakai, Mi-T-M, Sullair, Basic, Dynapac, MBW, Weber, Bartell, Bennar Newman, Haulotte, Ditch Runner, Menegotti, Morrison, Contec, Buddy, Crown, Edco, Wyco, Bomag, Laymor, EZ Trench, Bil-Jax, F.S. Curtis, Gehl Pavers, Heli, Honda, ICS/PowerGrit, IHI, Partner, Imer, Clipper, MMD, Koshin, Rice, CH&E, General Equipment, Amida, Coleman, NAC, Gradall, Square Shooter, Kent, Stanley, Tamco, Toku, Hatz, Kohler, Robin, Wisconsin, Northrock, Oztec, Toker TK, Rol-Air, APT, Wylie, Ingersoll Rand / Doosan, Innovatech, Con X, Ammann, Mecalac, Makinex, Smith Surface Prep, Small Line, Wanco, Yanmar

# TABLE OF CONTENTS

## LT12 Series Light Tower

Table Of Contents .....	2
Parts Ordering Procedures.....	3
Explanation Of Code In Remarks Column .....	4
Suggested Spare Parts .....	5
Nameplates And Decals 1 .....	6-7
Nameplate And Decals 2.....	8-9
Cabinet Assembly (Old Style).....	10-11
Cabinet Assembly (New Style) .....	12-13
Trailer Assembly .....	14-15
Mast Assembly .....	16-17
Mast Raise/Lower Assembly .....	18-19
Winch Assembly (Fulton).....	20-21
Winch Assembly (Dutton-Lainson) .....	22-23
T-Bar Assembly (S/N 901681 And Below) .....	24-25
T-Bar Assembly (S/N 901682 And Above).....	26-27
Lamp Assembly (S/N 901681 And Below).....	28-29
Lamp Assembly (S/N 901682 And Above) .....	30-31
Control Panel/Ballast Assy. (S/N 904384 & Below)	32-33
Control Panel/Ballast Assy. (S/N 904385 & Above)	34-35
Fuel Tank Assembly .....	36-37
Battery Assembly.....	38-39
Engine Assembly (Perkins).....	40-41
Engine Assembly (Deutz/Lombardini) .....	42-43
Generator/Engine Mounting Assy. (Perkins).....	44-45
Generator/Engine Mounting Assembly .....	
(Old Style Deutz/Lombardini) .....	46-47
Generator/Engine Mounting Assembly .....	
(Deutz/Lombardini S/N 904548 And Above) ....	48-49
Generator Assembly (S/N 902148 And Below)	50-51
Generator Assembly (S/N 902149 And Above)	52-53
Coil Cord Assembly .....	54-55
Terms And Conditions Of Sale — Parts .....	56

### NOTICE

Part numbers are subject to change without notice.

# EXPLANATION OF CODE IN REMARKS COLUMN

The following section explains the different symbols and remarks used in the Parts section of this manual. Use the help numbers found on the back page of the manual if there are any questions.

## NOTICE

The contents and part numbers listed in the parts section are subject to change **without notice**. Multiquip does not guarantee the availability of the parts listed.

## SAMPLE PARTS LIST

NO.	PART NO.	PART NAME	QTY.	REMARKS
1	12345	BOLT.....	1	INCLUDES ITEMS W/%
2%		WASHER, 1/4 IN.....		NOT SOLD SEPARATELY
2%	12347	WASHER, 3/8 IN....	1	MQ-45T ONLY
3	12348	HOSE .....	A/R	MAKE LOCALLY
4	12349	BEARING .....	1	S/N 2345B AND ABOVE

## NO. Column

**Unique Symbols** — All items with same unique symbol

(@, #, +, %, or >) in the number column belong to the same assembly or kit, which is indicated by a note in the “Remarks” column.

**Duplicate Item Numbers** — Duplicate numbers indicate multiple part numbers, which are in effect for the same general item, such as different size saw blade guards in use or a part that has been updated on newer versions of the same machine.

## NOTICE

When ordering a part that has more than one item number listed, check the remarks column for help in determining the proper part to order.

## PART NO. Column

**Numbers Used** — Part numbers can be indicated by a number, a blank entry, or TBD.

TBD (To Be Determined) is generally used to show a part that has not been assigned a formal part number at the time of publication.

A blank entry generally indicates that the item is not sold separately or is not sold by Multiquip. Other entries will be clarified in the “Remarks” Column.

## QTY. Column

**Numbers Used** — Item quantity can be indicated by a number, a blank entry, or A/R.

A/R (As Required) is generally used for hoses or other parts that are sold in bulk and cut to length.

A blank entry generally indicates that the item is not sold separately. Other entries will be clarified in the “Remarks” Column.

## REMARKS Column

Some of the most common notes found in the “Remarks” Column are listed below. Other additional notes needed to describe the item can also be shown.

**Assembly/Kit** — All items on the parts list with the same unique symbol will be included when this item is purchased.

Indicated by:

“INCLUDES ITEMS W/(unique symbol)”

**Serial Number Break** — Used to list an effective serial number range where a particular part is used.

Indicated by:

“S/N XXXXX AND BELOW”

“S/N XXXX AND ABOVE”

“S/N XXXX TO S/N XXX”

**Specific Model Number Use** — Indicates that the part is used only with the specific model number or model number variant listed. It can also be used to show a part is NOT used on a specific model or model number variant.

Indicated by:

“XXXXX ONLY”

“NOT USED ON XXXX”

**“Make/Obtain Locally”** — Indicates that the part can be purchased at any hardware shop or made out of available items. Examples include battery cables, shims, and certain washers and nuts.

**“Not Sold Separately”** — Indicates that an item cannot be purchased as a separate item and is either part of an assembly/kit that can be purchased, or is not available for sale through Multiquip.

## SUGGESTED SPARE PARTS

### LT12 SERIES LIGHT TOWER WITH OLD STYLE LAMP S/N 901681 AND BELOW

1 to 3 units

Qty.	P/N	Description
2.....	43007020200 .....	Clamp, Light
2.....	2450108 .....	Lens Gasket
2.....	5550079 .....	Lens and Gasket
2.....	29560 .....	Support, Top Lamp 1000 Watt
2.....	M1000U .....	Bulb
2.....	4105012 .....	Reflector (without glass)
1.....	29169 .....	Cord Set Molded

### LT12 SERIES LIGHT TOWER WITH OLD STYLE SQUARE GENERATOR S/N 902148 AND BELOW

1 to 3 units

Qty.	P/N	Description
1.....	M1000120AC5M .....	Ballast/Transformer 60Hz
1.....	19598 .....	Ballast Capacitor 24 µF @480V
2.....	GECAP18MF .....	Excitation Capacitor 18µF @425V
1.....	GECAP35MF .....	Excitation Capacitor 35µF @425V

### LT12P LIGHT TOWER WITH PERKINS 103-10 DIESEL ENGINE

1 to 3 units

Qty.	P/N	Description
1.....	140517000.....	Oil Filter
1.....	26560017.....	Fuel Filter
1.....	36510362.....	Element, Air Filter
1.....	80109049.....	V-Belt, Fan
1.....	3483H043.....	Lower Radiator Hose
1.....	3483H034.....	Upper Radiator Hose
1.....	145206210.....	Thermostat
1.....	145996590.....	Thermostat Gasket (O-Ring)
1.....	130506290.....	Fuel (Feed) Pump Lift
1.....	2415A070.....	Fuel (Feed) Pump Gasket (O-Ring)
1.....	145016474.....	Water Pump
1.....	145996900.....	Water Pump Gasket
1.....	185246060.....	Oil Switch
1.....	185046160.....	Alternator
1.....	100AC.....	Electric Panel Control Box
1.....	185086610.....	Starter

### LT12 SERIES LIGHT TOWER WITH NEW STYLE LAMP S/N 901682 AND ABOVE

1 to 3 units

Qty.	P/N	Description
2.....	200ZG106 .....	Lens Gasket
2.....	190ZQREF .....	Lens
2.....	50Z-D-REF-SUP .....	Support, Lamp Tip
2.....	MVR1000BT37.....	Bulb
1.....	150Z-E267 .....	Cord Set, 60" w/ 3 Pin Male Plug

### LT12 SERIES LIGHT TOWER WITH NEW STYLE ROUND GENERATOR S/N 902149 AND ABOVE

1 to 3 units

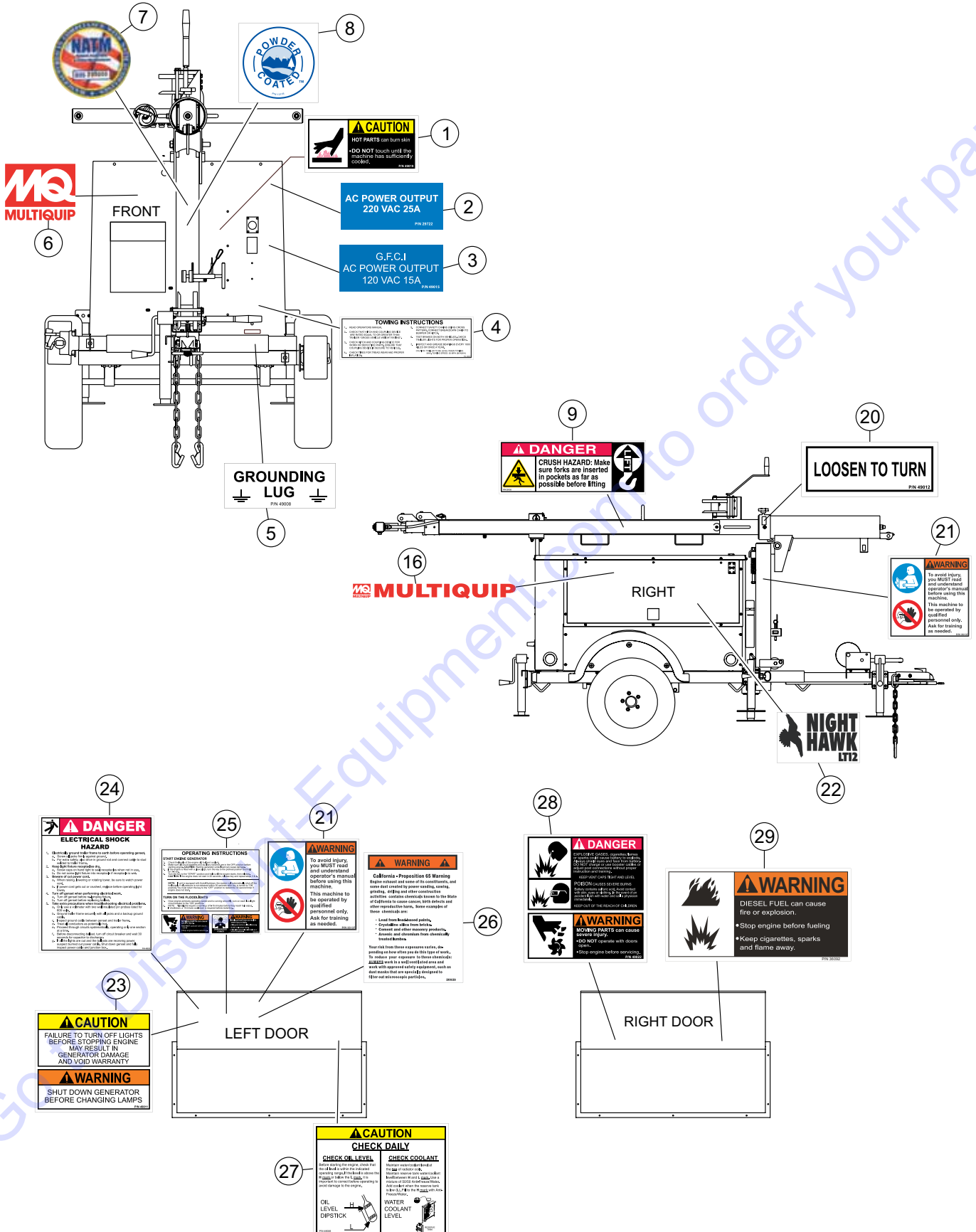
Qty.	P/N	Description
1.....	M1000120AC5M .....	Ballast/Transformer 60Hz
1.....	19598 .....	Ballast Capacitor 24 µF @480V
1.....	GECAP25MF .....	Excitation Capacitor 25 µF @425V

### LT12D LIGHT TOWER WITH DEUTZ F3M1008F OR LOMBARDINI LDW 1003 DIESEL ENGINE

1 to 3 units

Qty.	P/N	Description
1.....	2175107.....	Oil Filter, Lombardini
1.....	12850312.....	Oil Filter, Deutz
1.....	2175046.....	Fuel Filter 4-3/4"L
1.....	12850347.....	Fuel Filter 2-3/4"L
1.....	2175143S.....	Fuel Filter W/Water Drain
1.....	2175164.....	Air Filter
1.....	12850745.....	Fan Belt 875mm
1.....	12851312.....	Lower Radiator Hose
1.....	12850362.....	Upper Radiator Hose
1.....	9195124.....	Thermostat
1.....	12850153.....	Thermostat Gasket (O-Ring)
1.....	6585097.....	Fuel (Feed) Pump
1.....	1200087.....	Fuel (Feed) Pump Gasket (O-Ring)
1.....	6584438.....	Water Pump
1.....	4580083.....	Water Pump Gasket
1.....	6745056.....	Oil Switch
1.....	12850742.....	Alternator
1.....	7245454.....	Electric Panel Control Box
1.....	5840224.....	Starter
1.....	2440338.....	Timing Belt
1.....	5460450.....	Muffler
1.....	4400102.....	Valve Cover Gasket

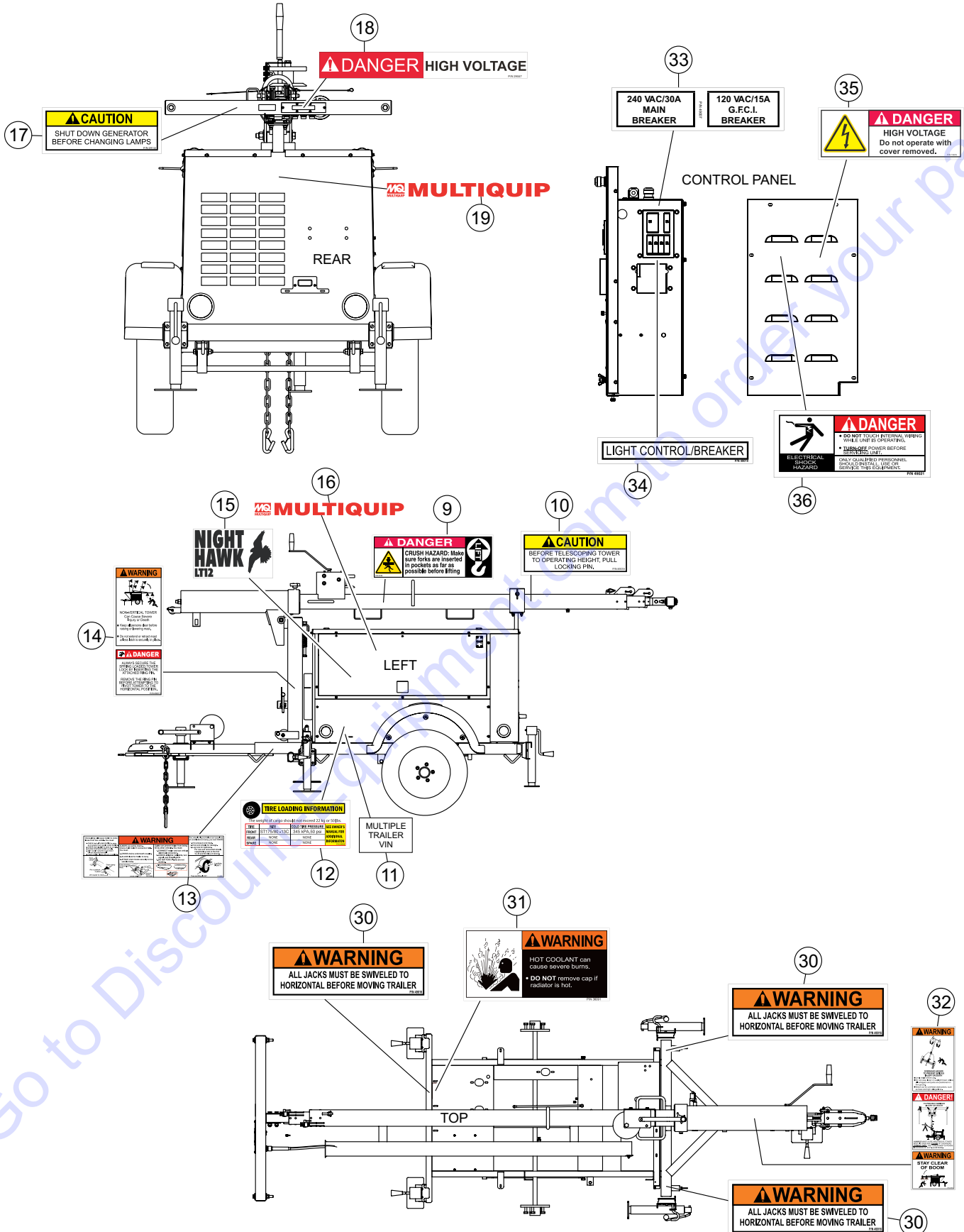
# NAMEPLATES AND DECALS 1



## NAMEPLATES AND DECALS 1

<b>NO.</b>	<b>PART NO.</b>	<b>PART NAME</b>	<b>QTY.</b>	<b>REMARKS</b>
1	49019	DECAL, HOT SURFACE .....	1	.... REPLACES DCL181
2	29722	DECAL, 220 VAC POWER 25A, 1.0" X 2.0"	1	
3	49015	DECAL, 115 VAC OUTLET .....	1	.... REPLACES DCL199
4	49009	DECAL, TOWING INSTRUCTIONS .....	1	.... REPLACES DCL112
5	49008	DECAL, GROUND LUG .....	1	.... REPLACES DCL105
6	49025	DECAL, MQ LOGO 5.6 X 4.5, RED	1	
7	29729	DECAL, NATM MANUFACTURER COMPLIANCE	1	
8	13118	DECAL, POWDER COATED	1	
9	29126	DECAL, INSERT FORKS.....	1	.... REPLACES DCL103
16	49026	DECAL, MQ/MULTIQUIP, 36" RED	1	
20	49012	DECAL, LOOSEN TO TURN (MAST) .....	1	.... REPLACES DCL116
21	35137	DECAL, READ MANUAL, ASK FOR TRAINING	2	
22	49029	DECAL, NIGHTHAWK/LT12, CURB SIDE	1	
23	49011	DECAL, LAMPS.....	1	.... REPLACES DCL113, DCL117
24	49020	DECAL, SHOCK HAZARD, LARGE.....	1	.... REPLACES DCL102
25	49014	DECAL, OPERATING INSTRUCTIONS.....	1	.... REPLACES DCL119, DCL180, DCL182, 36090
26	20525	DECAL, WARNING "PROP 65", 3.25 X 4.25	1	
27	49006	DECAL, CHECK ENGINE.....	1	.... REPLACES DCL193, DCL194
28	49022	DECAL, DANGER BATTERY/MOVING PARTS .....	1	.... REPLACES DCL182, DCL191
29	36092	DECAL, DIESEL FUEL, 3.5 X 1.75.....	1	.... REPLACES DCL184

# NAMEPLATES AND DECALS 2



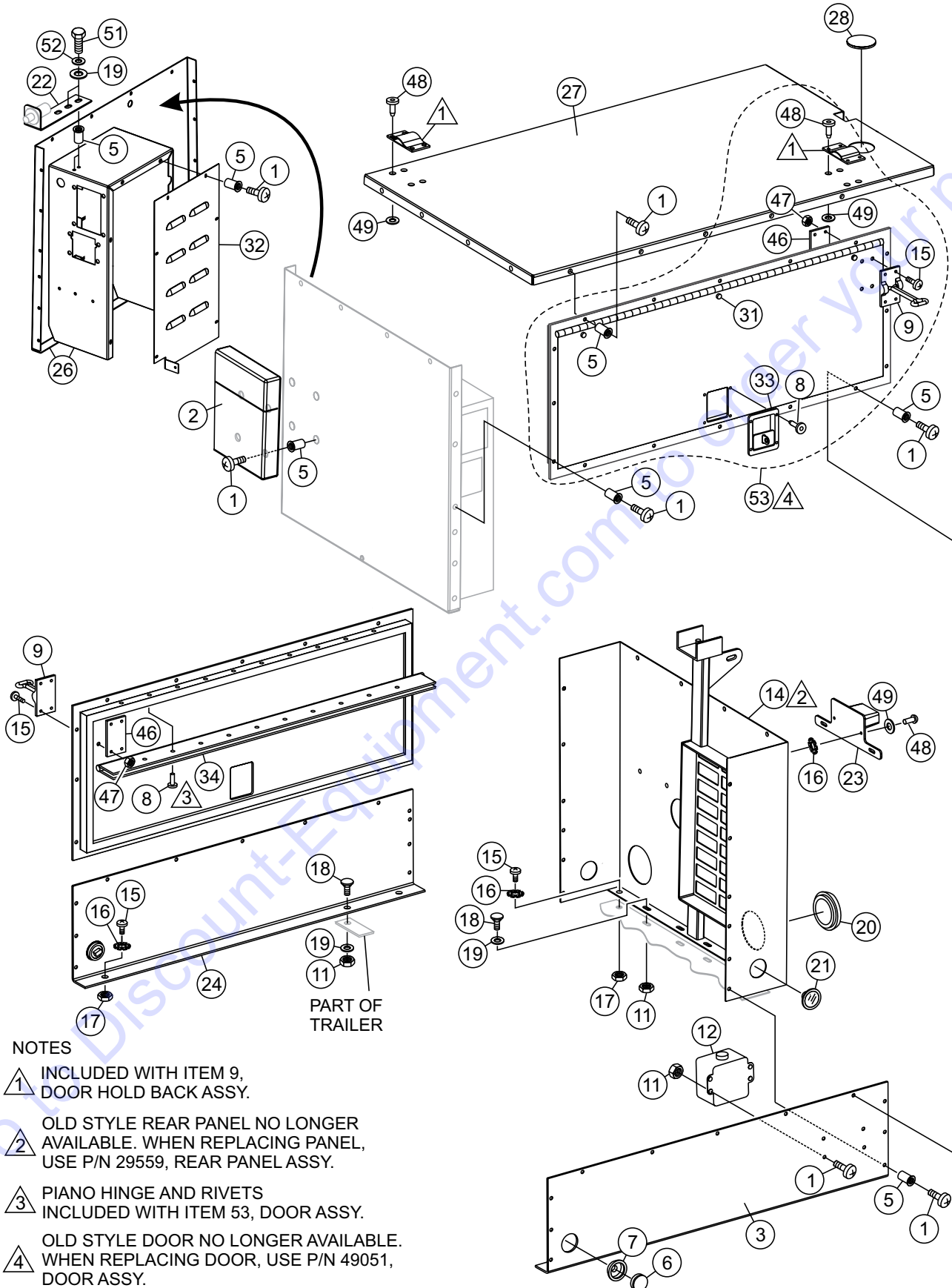


## NAMEPLATES AND DECALS 2

<u>NO.</u>	<u>PART NO.</u>	<u>PART NAME</u>	<u>QTY.</u>	<u>REMARKS</u>
9	29126	DECAL, INSERT FORKS.....	1	REPLACES DCL103
10	49018	DECAL, MAST LOCK PIN .....	1	REPLACES DCL118
11	29680	DECAL, MULTIPLE TRAILER VIN	1	
12	29838	DECAL, TIRE LOADING, LT12	1	
13	49002	DECAL, TRLR HITCH/WHEEL WARNING .....	1	REPLACES 29471, 29472, 29473, 29474
14	49013	DECAL, STANCHION LATCH .....	1	REPLACES DCL109, DCL104
15	49028	DECAL, NIGHTHAWK/LT12, ROAD SIDE	1	
16	49026	DECAL, MQ/MULTIQUIP, 36" RED	1	
17	29132	DECAL, SHUT DOWN	1	
18	29047	DECAL, HIGH VOLTAGE	1	
19	49027	DECAL, MQ/MULTIQUIP, 30" RED	1	
30	49016	DECAL, HORIZONTAL JACKS .....	3	REPLACES DCL106
31	36091	DECAL, HOT COOLANT 3.5 X 1.75.....	1	REPLACES DCL183
32	29651	DECAL, MAST SAFETY .....	1	REPLACES DCL108, DCL120
33	49007	DECAL, MAIN BREAKERS.....	1	REPLACES DCL189, DCL199
34	49010	DECAL, LIGHT CONTROLS.....	1	REPLACES DCL115
35	19655	DECAL, DANGER HIGH VOLTAGE .....	1	REPLACES 29116
36	49021	DECAL, SHOCK HAZARD, SMALL.....	1	REPLACES DCL187

Go to Discount-Equipment.com to buy your parts

# CABINET ASSY. (OLD STYLE)



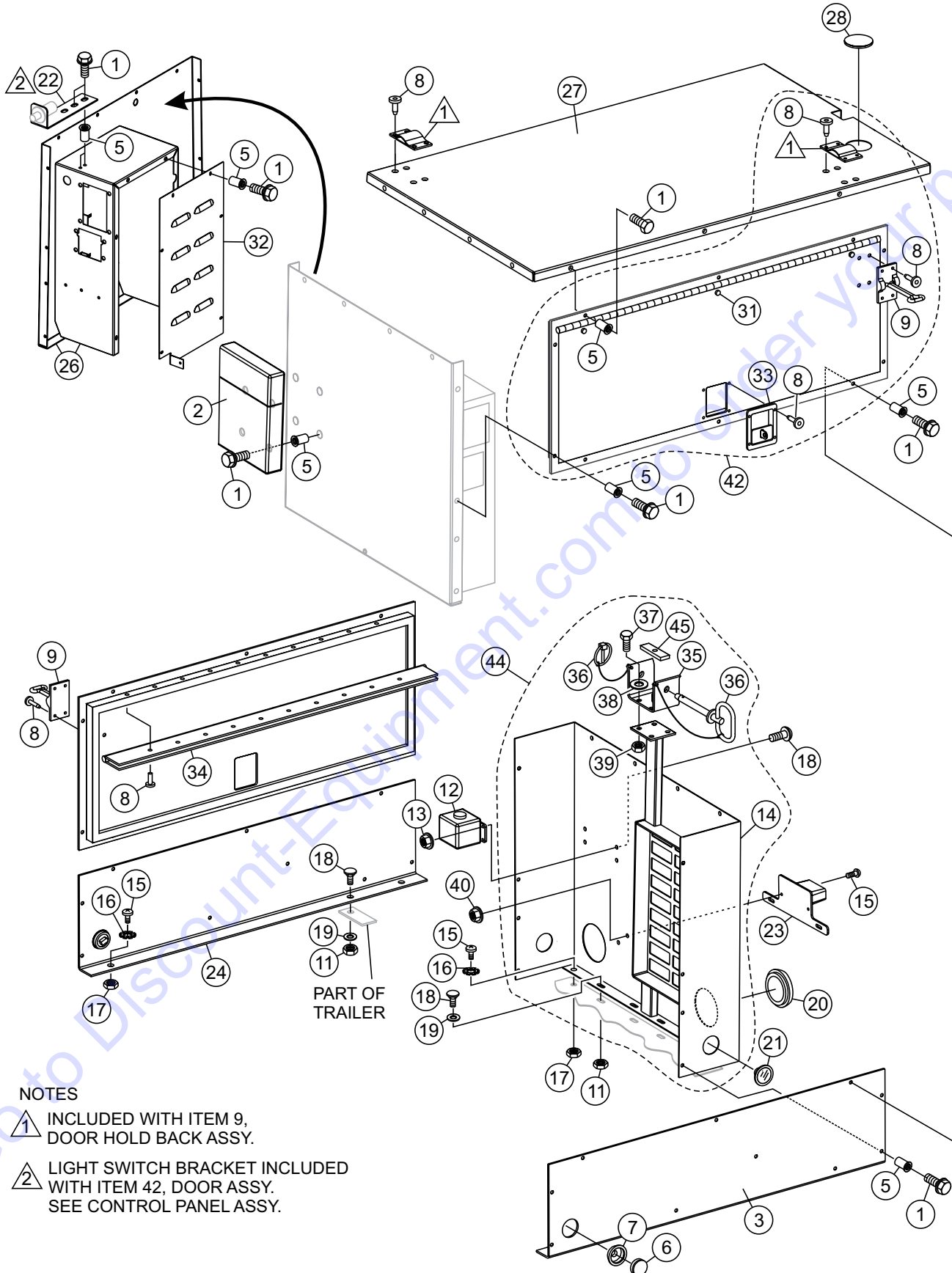
## NOTES

- ① INCLUDED WITH ITEM 9, DOOR HOLD BACK ASSY.
- ② OLD STYLE REAR PANEL NO LONGER AVAILABLE. WHEN REPLACING PANEL, USE P/N 29559, REAR PANEL ASSY.
- ③ PIANO HINGE AND RIVETS INCLUDED WITH ITEM 53, DOOR ASSY.
- ④ OLD STYLE DOOR NO LONGER AVAILABLE. WHEN REPLACING DOOR, USE P/N 49051, DOOR ASSY.

## CABINET ASSY. (OLD STYLE)

<u>NO.</u>	<u>PART NO.</u>	<u>PART NAME</u>	<u>QTY.</u>	<u>REMARKS</u>
1	12287	SCREW, THP 1/4-20 X 3/4 SS	68	
2	29057	DOCUMENT BOX, CP20007-07	1	
3	29561	PANEL, LOWER LEFT SIDE	1	
5	19266	NUT, BLIND 1/4-20 X 10GA GRIP	64	
6	29563	LIGHT, 2" ROUND, AMBER, M146A	2	
7	29564	GROMMET, W/WIRE KIT, 2", 24146-18K	4	
8@	19847	RIVET	50	
9@	29281	DOOR HOLD BACK ASSY.	2	
11	10024	NUT, NYLOC 1/4-20	5	
12	29653	TANK, COOLANT RECOVERY 1 QT	1	
14		PANEL, REAR.....	1	NO LONGER AVAILABLE S/N 903837 AND BELOW
15@	5065 B	SCREW, PHP 10-32 X 1/2	12	
16	10237	WASHER, EXT. SHKP, #10	6	
17	10019	NUT, NYLOC 10-32	4	
18	29712	BOLT, CARRIAGE 1/4-20 x 3/4	4	
19	0948	WASHER, FLAT SAE 1/4	7	
20	29610	LIGHT KIT, STOP/TAIL	2	
21	29611	LIGHT, 2" ROUND RED M146R	2	
22	29607	BRACKET, LIGHT SWITCH	1	
23	29552	BRACKET, LICENSE PLATE W/LIGHT	1	
24	29663	PANEL, LOWER RIGHT SIDE	1	
26	29615	PANEL, FRONT W/A DLT	1	
27	29553	PANEL, TOP	1	
28	29690	COVER, PLASTIC SNAP 3.0 HOLE	1	
31	29711	BUMPER, 1/2 DIA. BLACK	10	
32	29682	COVER, BALLAST, PERKINS	1	
32	29683	COVER, BALLAST, DEUTZ/ LOMBARDINI	1	
33@	081407053413	LATCH	2	
34@		PIANO HINGE	2	
46@	29689	PLATE, DOOR HOLD BACK	2	
47@	1618	NUT, NYLOC 10-24	8	
48@	29341	RIVET, POP, SS, 3/16x1/4-3/8 GRIP	10	
49@	29342	WASHER, 3/16" POP-RIVET BACKUP SS 8	10	
51	0131 A	SCREW, HHC 1/4-20 x .75	2	
52	0181 B	WASHER, LOCK 1/4 MED	2	
53		DOOR ASSY.....	2	NO LONGER AVAILABLE MAY 2007 AND BELOW USE NEW P/N 49051 INCLUDES ITEMS W/@

# CABINET ASSY. (NEW STYLE)



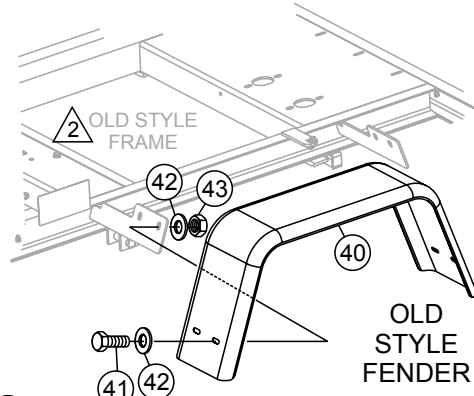
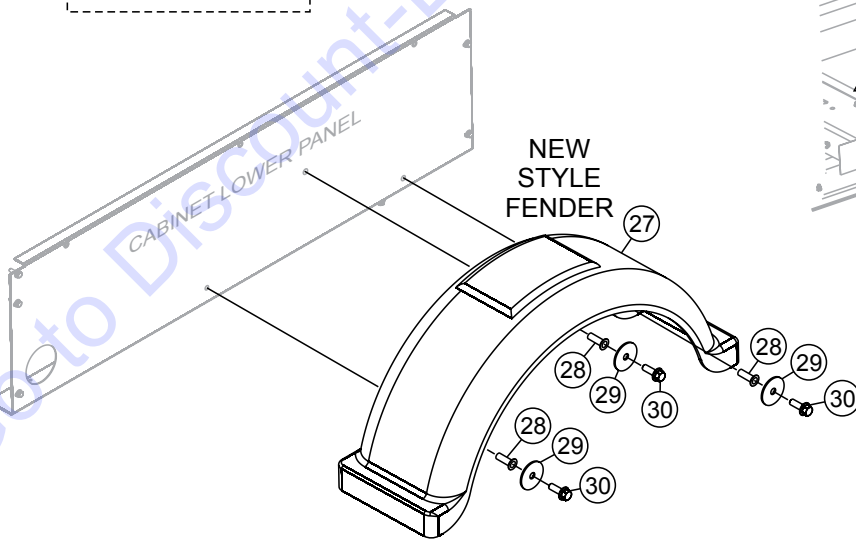
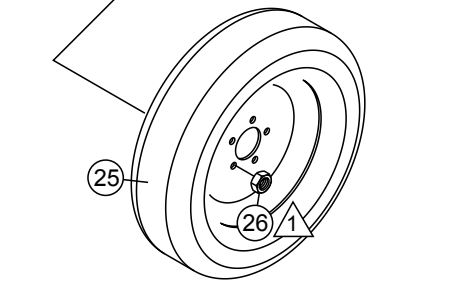
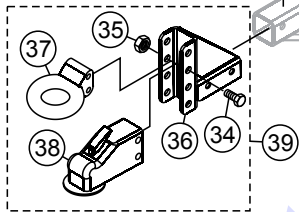
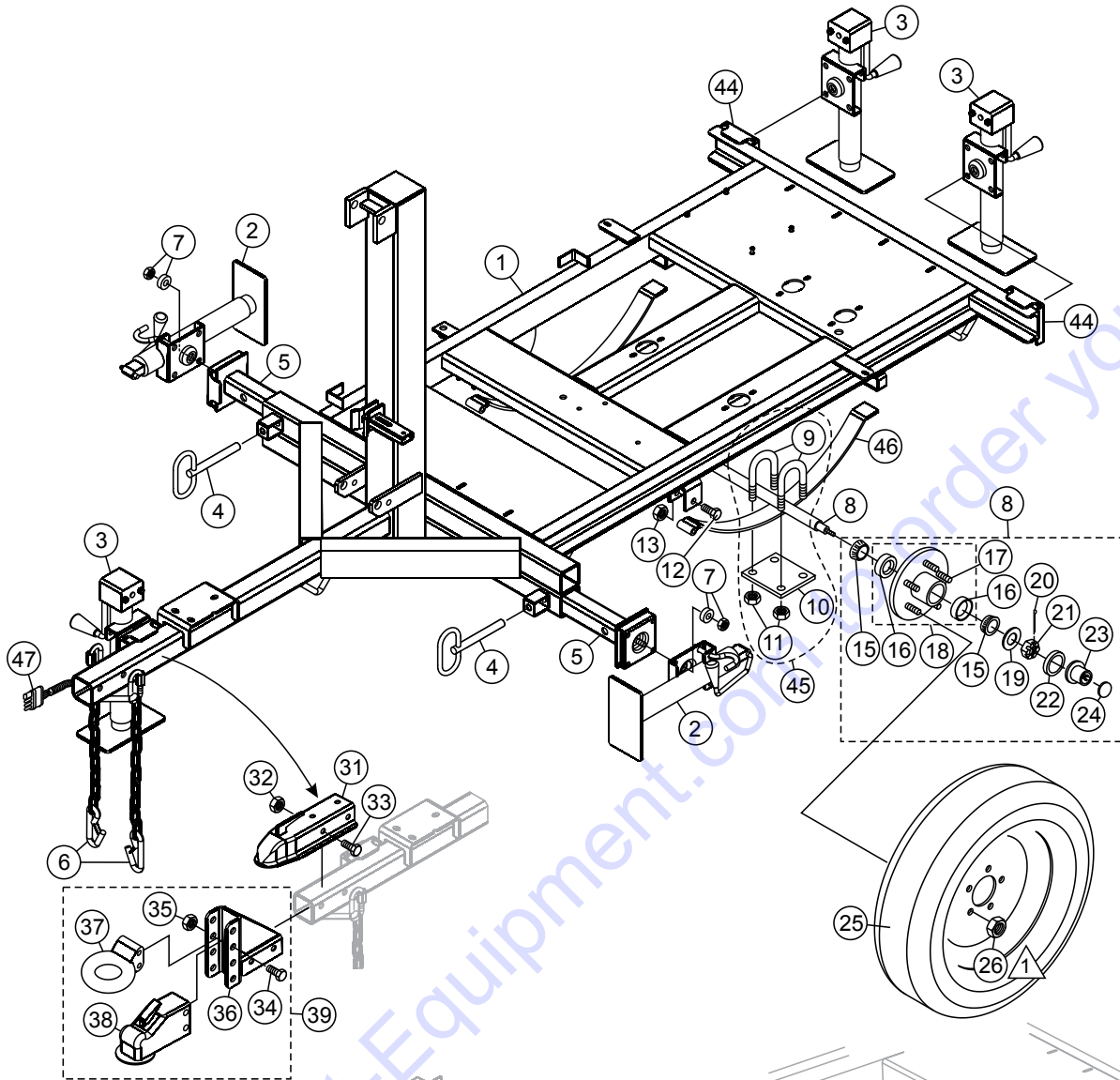
## NOTES

- 1 INCLUDED WITH ITEM 9, DOOR HOLD BACK ASSY.
- 2 LIGHT SWITCH BRACKET INCLUDED WITH ITEM 42, DOOR ASSY. SEE CONTROL PANEL ASSY.

## CABINET ASSY. (NEW STYLE)

<u>NO.</u>	<u>PART NO.</u>	<u>PART NAME</u>	<u>QTY.</u>	<u>REMARKS</u>
1	49048	SCREW, HHFS 1/4-20 X 3/4 GR5	48	
2	29057	DOCUMENT BOX, CP20007-07	1	
3	29816	PANEL, LOWER LEFT SIDE	1	
5	19266	NUT, BLIND 1/4-20 X 10GA GRIP	48	
6	29898	LIGHT, 2-1/2 SIDE MARKER, AMBER, 143A	2	
7	29900	GROMMET, W/WIRE KIT, 2-1/2", 14218K	4	
8%	19847	RIVET, POP, ALUM, 3/16 X 1/8-1/4 GRIP	66	
9%	29281	DOOR HOLD BACK ASSY.	2	
11	10024	NUT, NYLOC 1/4-20	5	
12	29653	TANK, COOLANT RECOVERY 1 QT	1	
13	49070	NUT, FLANGED 1/4-20 SERRATED PLTD	4	
14@	29940	PANEL, REAR	1	
15	5065 B	SCREW, PHP 10-32 X 1/2	6	
16	10237	WASHER, EXT. SHKP, #10	4	
17	10019	NUT, NYLOC 10-32	4	
18	29712	BOLT, CARRIAGE 1/4-20 X 3/4	9	
19	0948	WASHER, FLAT SAE 1/4	5	
20	29610	LIGHT KIT, STOP/TAIL	2	
21	29899	LIGHT, 2-1/2 SIDE MARKER, RED 143R	2	
22%	29607	BRACKET, LIGHT SWITCH	1	
23	29552	BRACKET, LICENSE PLATE W/LIGHT	1	
24	29817	PANEL, LOWER RIGHT SIDE	1	
26	29866	PANEL, FRONT W/A DLT SNAP	1	
27	29553	PANEL, TOP	1	
28	29989	COVER, PLASTIC SNAP 4.0 HOLE	1	
31%	29711	BUMPER, 1/2 DIA. BLACK	6	
32	29879	COVER, BALLAST DLT, SNAP FIT SWITCH DEUTZ/LOMBARDINI	1	
33%	081407053413	LATCH	2	
34%		PIANO HINGE		
35@	29945	MAST SUPPORT	1	
36@	19280	PIN, 5/8" X 6"	1	
37@	1023	SCREW, HHC 3/8-16 X 1-1/4 GR 5	4	
38@	10136	WASHER, FLAT SAE 3/8	4	
39@	10133	NUT, NYLOC 3/8-16	4	
40	29797	NUT, BLIND 10-32 X .02/.13 GRIP	2	
42	49051	DOOR ASSY.....	2	INCLUDES ITEMS W/% JUNE 2007 AND ABOVE
44	29559	REAR PANEL ASSY.....	1	INCLUDES ITEMS W/@ S/N 903838 AND ABOVE
45@	29946	STOP, MAST SUPPORT, 3/8"	1	

# TRAILER ASSY.

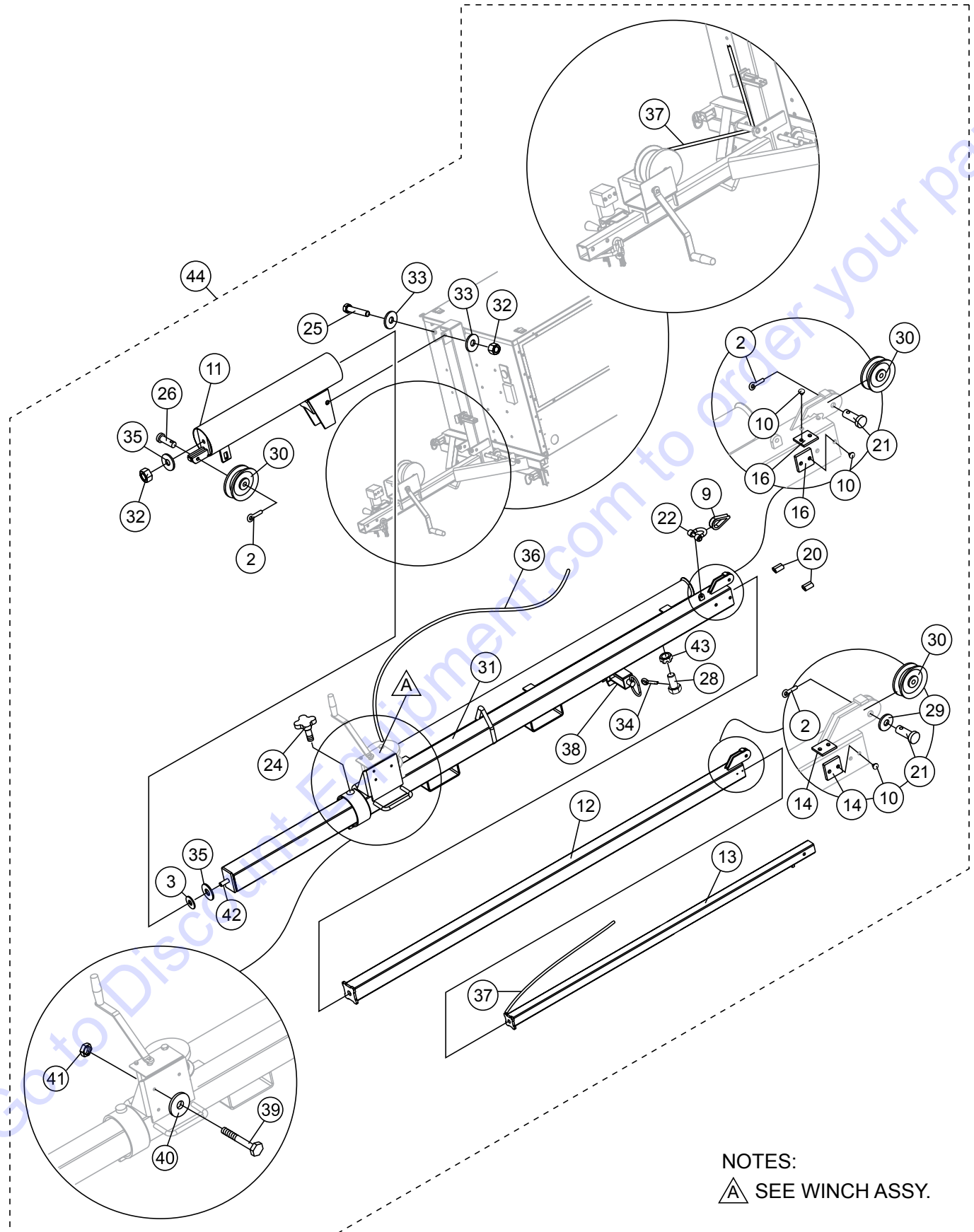


NOTES:  
 1. TORQUE LUG NUTS PER LUG NUT TORQUE TABLE REFERENCED IN OPERATION MANUAL.  
 2. OLD STYLE FRAME NO LONGER AVAILABLE. WHEN ORDERING NEW FRAME, IF YOU HAVE METAL FENDERS, YOU MUST ALSO PURCHASE NEW PLASTIC FENDERS.

## TRAILER ASSY.

<u>NO.</u>	<u>PART NO.</u>	<u>PART NAME</u>	<u>QTY.</u>	<u>REMARKS</u>
1	29532	FRAME	1	
2	29478	JACK, TOPWIND 10" BOLT-THRU .5 PIN	2	
3	29479	JACK, SIDEWIND 10" BOLT THRU 0.5" PIN	3	
4	29542	PIN, SPRING LOCK, .625" DIA. X .88"	2	
5	29508	OUTRIGGER, W/A, BOLT MOUNT, PAINTED	2	
6	29572	CHAIN ASM, SAFETY 7600 LB	2	
7	7H0933325	BUSHING/LOCKNUT/BOLT	5	
8	9506	AXLE, SPRING,HUB ASSY,43",TRLR10 .....	1	INCLUDES ITEMS W/%
9#		U-BOLT .....	4	NOT SOLD SEPARATELY
10#		PLATE, U-BOLT.....	2	NOT SOLD SEPARATELY
11#		NUT, U-BOLT.....	8	NOT SOLD SEPARATELY
12	29248	SCREW, HHC 9/16-18	2	
13	29249	NUT, 9/16-18 AXLE MOUNTING N-2	2	
15%	363180	BEARING CONE (INNER & OUTER)	4	
16%@	363913	BEARING CUP (INNER & OUTER)	4	
17%@	363908	STUD, 1/2"-20	10	
18%	363188	HUB ASSY., IDLER.....	2	INCLUDES ITEMS W/@
19%	363259	WASHER, SPINDLE	2	
20%	363258	COTTER PIN	2	
21%	363257	SPINDLE NUT 1"-1/4	2	
22%	363275	SEAL, GREASE	2	
23%	363277	GREASE CAP (AG)	2	
24%	568067	RUBBER PLUG (AG)	2	
25	19045	WHEEL/TIRE ST175/80-13 L.R. C	2	
26	29194	NUT, LUG 1/2-20	10	
27	29818	FENDER, PLASTIC DLT	2	
28	19266	NUT, BLIND 1/4-20 X 10GA GRIP	6	
29	10930	WASHER, FENDER, 1/4 X 1-1/4	6	
30	49048	SCREW, HHFS 1/4-20 x 3/4 GR5	6	
31	29546	COUPLER, 2" BALL 2.50" TUBE	1	
32	10176	NUT, NYLOC 1/2-13	2	
33	915217	SCREW, HHC 1/2-13 x 3-1/2 GD8 YZ	2	
34\$	9502	BOLT, 5/8-11	2	
35\$	9503	NUT, 5/8-11	2	
36\$	29718	ADAPTER, COUPLING.....	1	
37\$	29369	PINTLE EYE .....	1	
38\$	29228	COUPLER, 2 IN. BALL	1	
39	29721	PINTLE KIT .....	1	INCLUDES ITEMS W/\$
40	9505	FENDER, 8X30X13 , METAL	2	
41	0205	SCREW, HHC 3/8-16 X 1.0	8	
42	4001	WASHER, FLAT USS 3/8 PLD	16	
43	10133	NUT, NYLOC 3/8-16	8	
44	29476	BRACKET	2	
45	UBK1741	U-BOLT KIT .....	2	INCLUDES ITEMS W/#
46	49017	LEAF SPRING	2	
47	29784	HARNESS, TRLR, 48" LOOM	1	

# MAST ASSY.

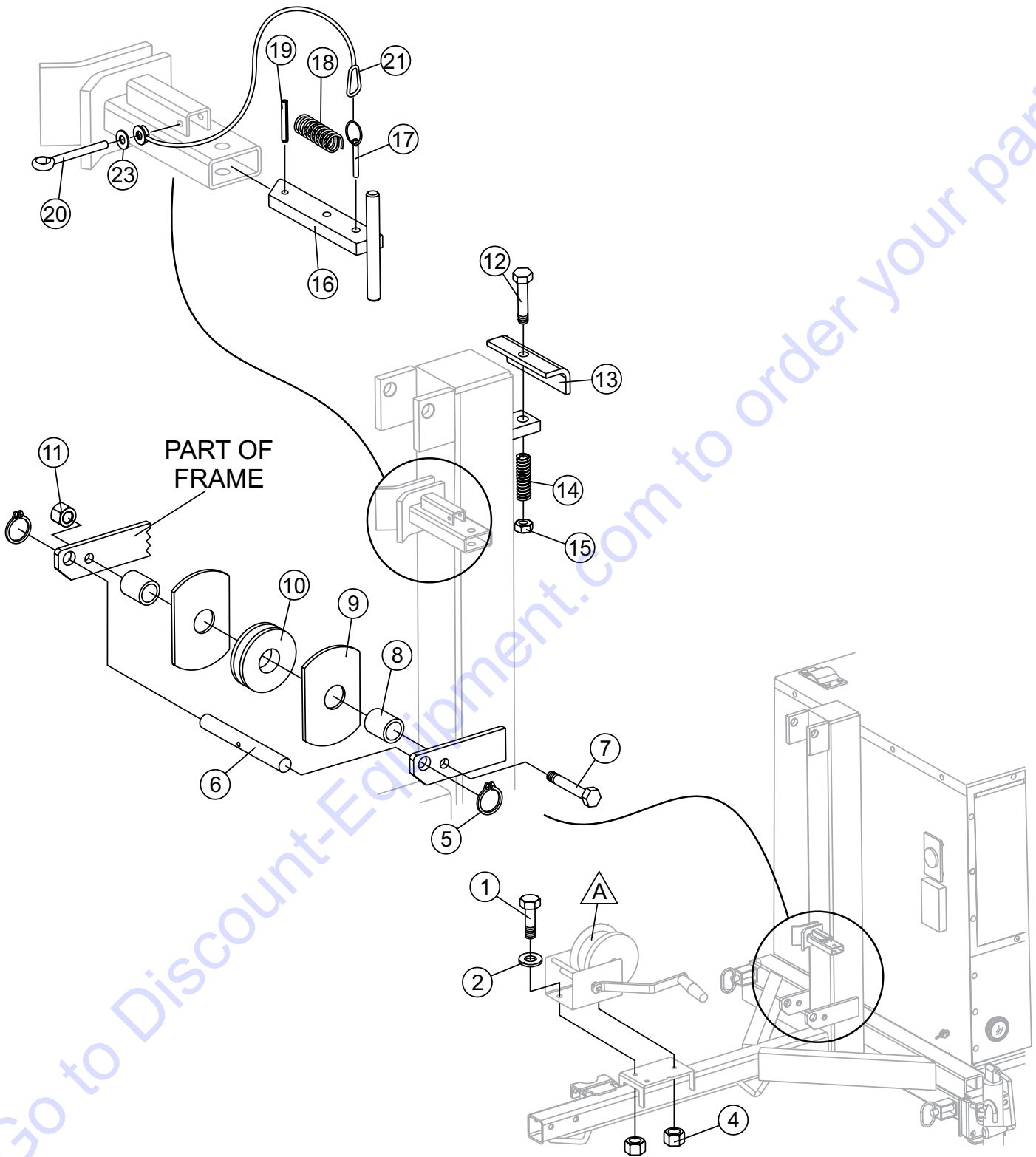




# MAST ASSY.

<u>NO.</u>	<u>PART NO.</u>	<u>PART NAME</u>	<u>QTY.</u>	<u>REMARKS</u>
2	0183	PIN, COTTER 1/8D X 1-1/4	3	
3	0948	WASHER, FLAT SAE 1/4	1	
9	19200	THIMBLE, 3/16 WIRE	1	
10	19847	RIVET, POP, ALUM, 3/16x1/8-1/4 GRIP	16	
11	19882	SWIVEL, BASE W/A	1	
12	19920	TUBE, TW-MID W/A	1	
13	19923	TUBE, TWR TOP W/A	1	
14	35302	BLOCK, MAST SLIDE, 2 X 2 UPPER.....	4.....	REPLACES 19926 AND 19927
16	35300	BLOCK, MAST SLIDE, 3 X 3 LOWER .....	4.....	REPLACES 19928 AND 19929
20	19973	SWAGE, AL 3/16	2	
21	19974	PIN, CLEVIS 1/2 X 1.25 EFF	2	
22	19975	SHACKLE, ANCHOR CP	1	
24	19977	KNOB, CLAMP 1/2-13 THREAD	1	
25	19978	SCREW, HHC 3/4-10 x 6.5	1	
26	19988	PIN, CLEVIS 1/2 X 1.75 EFF	1	
28	29075	SCREW, HHC 1/2-13 X 1 DRILLED	1	
29	29114	WASHER, FENDER 1/2 x 2 MLT	1	
30	29155	SHEAVE, 2.00 OD X 0.500 ID	3	
31	29652	TUBE, BOTTOM TOWER W/A .....	1.....	S/N 903837 AND BELOW
31	29941	TUBE, BOTTOM TOWER W/A .....	1.....	S/N 903838 AND ABOVE
32	5070 B	NUT, NYLOC 3/4-10	2	
33	5079	WASHER, FLAT 3/4 USS	3	
34	6014 B	PIN, COTTER 3/32DX1.00	1	
35	8151	WASHER, FLAT SAE 3/4	2	
36	19939	CABLE, LOWER MAST .....	1.....	231 IN. LENGTH
37	19938	CABLE, UPPPER MAST.....	2.....	140 IN. LENGTH
38	29664	PIN, SPRING LOCK.....	1.....	S/N 903837 AND BELOW
39	1023	HHC 3/8-16 X 1-1/4 GR5	3	
40	10136	WASHER, FLAT 3/8 SAE	3	
41	21781	NUT, FLANGED 3/8-16 SERRATED, PLATED..	3.....	REPLACES 10133
42	4387	SCREW, HHC 3/4-10 X 2-1/4	1	
43	29062	NUT, SLOTTED 1/2-13, NOT PLATED	1	
44	29650	MAST ASSY.....	1.....	S/N 903838 AND ABOVE
		.....		S/N 903837 AND BELOW NO LONGER

# MAST RAISE/LOWER ASSY.



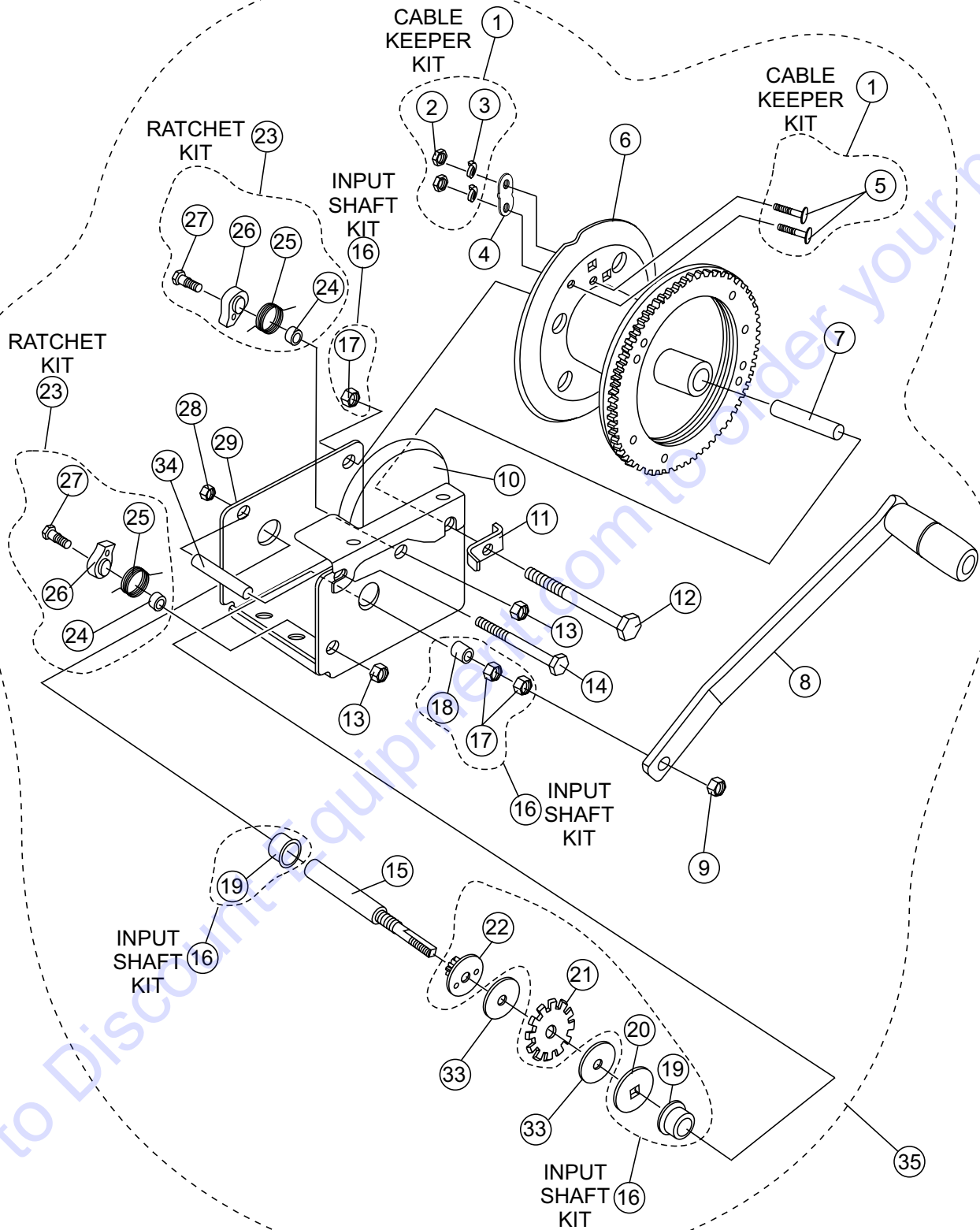
## NOTES:

▲ SEE WINCH ASSY.

## MAST RAISE/LOWER ASSY.

<u>NO.</u>	<u>PART NO.</u>	<u>PART NAME</u>	<u>QTY.</u>	<u>REMARKS</u>
1	0205	SCREW, HHC 3/8-16 x 1 IN. PLATED	3	
2	10136	WASHER, FLAT 3/8 IN.	3	
4	21781	NUT, FLANGED 3/8-16 SERRATED, PLATED.....	3	REPLACES 10133
5	1135	SNAP RING	2	
6	29008	PIN, SWAGE BALL SOCKET	1	
7	29017	SCREW, HHC 1/2-13 x 5.5 IN.	1	
8	29018	SPACER, .75 OD x .5 ID x 1.59 IN.	2	
9	29016	GUIDE, WIRE ROPE	2	
10	29155	SHEAVE, 2 OD x .5 IN. ID	1	
11	10176	NUT, NYLOC 1/2-13 IN.	1	
12	29077	SCREW, HHC 5/8-11 x 9.5 IN.	1	
13	29481	STOP, MAST THRUST SPRING	1	
14	19989	SPRING, TOWER	1	
15	9503	NUT, NYLOC 5/8-11 IN.	1	
16	29033	TOWER, LOCK	1	
17	19012	LOCK PIN 5/16 x 2 IN. QUICK RELEASE	1	
18	29482	SPRING, .468 OD x 2.13 IN.	1	
19	20276	PIN, ROLL 1/4 x 1.75 IN.	1	
20	0183	PIN, COTTER 1/8D x 1-1/4 IN.	1	
21	19996	LANYARD	1	
23	1450	WASHER, FLAT SAE #6	1	

# WINCH ASSY. (FULTON)



NOTES:

▲ SEE MAST ASSY.

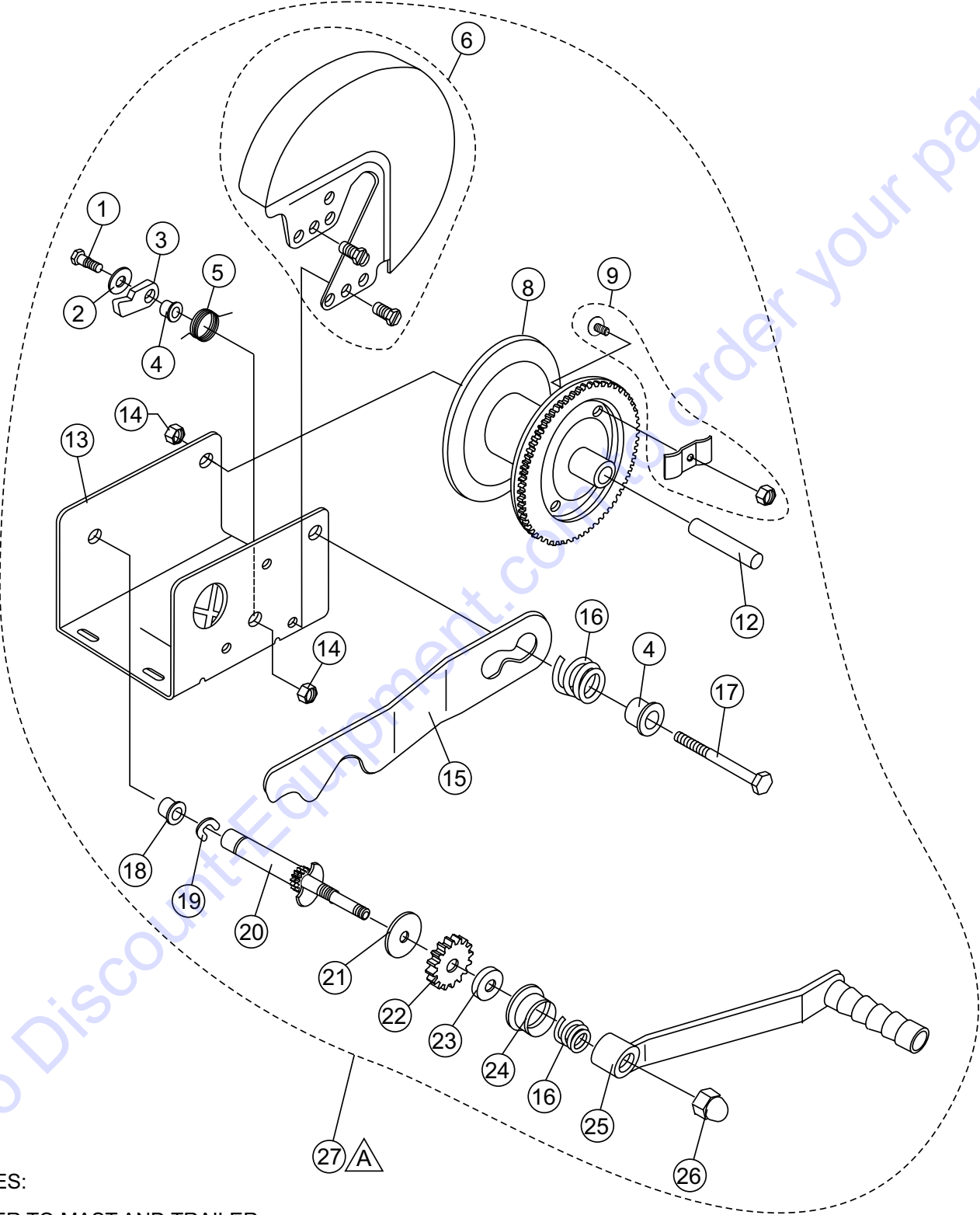
## WINCH ASSY. (FULTON)

NO.	PART NO.	PART NAME	QTY.	REMARKS
1+	562101	CABLE KEEPER KIT .....	2	INCLUDES ITEM W/@
2@+		NUT	2	
3@+		WASHER, LOCK	2	
4@+		CABLE CLAMP	1	
5@+		CARRIAGE BOLT	2	
6+		DRUM ASSY.....	1	SEE NOTICE BELOW
7+		DRUM SPACER .....	1	SEE NOTICE BELOW
8+	29206	HANDLE ASSY.	1	
9+		LOCK NUT 1/2-13.....	1	STD. HDW. PURCHASE LOCALLY
10+	12124S01	COVER ASSY	1	
11+		BOLT LOCK .....	1	SEE NOTICE BELOW
12+		CAP SCREW 1/2-13.....	1	STD. HDW. PURCHASE LOCALLY
13%+		LOCK NUT	2	
14+		CAP SCREW 3/8-16.....	1	STD. HDW. PURCHASE LOCALLY
15+	1564S01	INPUT SHAFT	1	
16+	1563S01	KIT, INPUT SHAFT .....	1	INCLUDES ITEM W/#
17#+		LOCK NUT 1/2-13	3	
18#+		SPACER	1	
19#+		BUSHING	2	
20#+		SHAFT BRAKE DISC	1	
21#+		RATCHET GEAR	1	
22#+		PINION AND DISC	1	
23+	6730S00	RATCHET KIT .....	2	INCLUDES ITEMS W/%
24%+		RATCHET SPACER	2	
25%+		RATCHET SPRING	2	
26%+		RATCHET PAWL	2	
27%+		SHOULDER BOLT 5/16-18	2	
28+		LOCK NUT 3/8-16.....	1	STD. HDW. PURCHASE LOCALLY
29+		FRAME .....	1	SEE NOTICE BELOW
33+	1558S00	FRICTION DISC KIT	2	
34+		FRAME SPACER .....	1	SEE NOTICE BELOW
35	19976	HAND WINCH 1200 LBS. COMPLETE ASSY.....	1	INCLUDES ITEMS W/+

### NOTICE

Sold only as a complete assembly. Use part number 19976 when ordering.

# WINCH ASSY. (DUTTON-LAINSON)



NOTES:

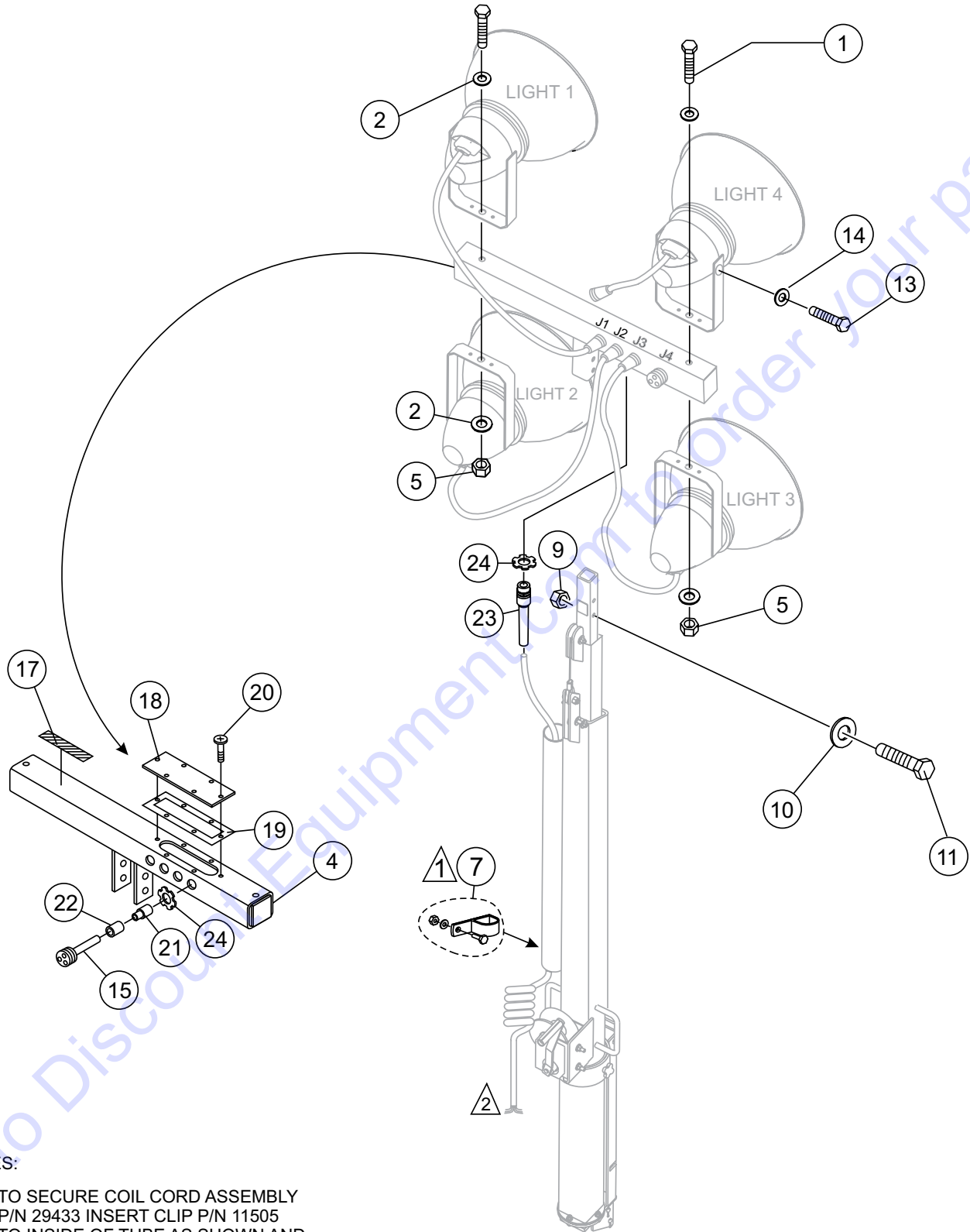
**A** REFER TO MAST AND TRAILER ASSEMBLIES FOR WINCH MOUNTING HARDWARE.

## WINCH ASSY. (DUTTON-LAINSON)

<u>NO.</u>	<u>PART NO.</u>	<u>PART NAME</u>	<u>QTY.</u>	<u>REMARKS</u>
1#	DL205167	BOLT	1	
2#	DL205055	WASHER	1	
3#	DL404409	PAWL	1	
4#	DL404166	SPACER	2	
5#	DL204363	SPRING	1	
6#	DL5240387	GEAR COVER, PAINTED BRONZE	1	
6#	DL5240403	GEAR COVER, PLATED	1	
8#	DL304755	REEL	1	
9#	DL304221	ROPE CLAMP KIT	1	
12#	DL204808	REEL SPACER	1	
13#	DL404891	BASE	1	
14#	DL204803	NUT	2	
15#	DL404579	LOCKOUT LEVER	1	
16#	DL204364	SPRING	2	
17#	DL205127	BOLT	1	
18#	DL204009	BUSHING	1	
19#	DL205116	E-RING	1	
20#	DL304760	DRIVE SHAFT	1	
21#	DL204362	PRESSURE PLATE	1	
22#	DL404164	RATCHET WHEEL	1	
23#	DL404163	PRESSURE WASHER	1	
24#	DL206328	BUSHING	1	
25#	29793	HANDLE	1	
26#	DL205033	NUT	1	
27	29790	WINCH ASSEMBLY 1500A D-L.....	1	.....INCLUDES ITEMS W/#

Go to Discount-Equipment.com to order your parts

# T-BAR ASSY. (S/N 901681 AND BELOW)



**NOTES:**

1 TO SECURE COIL CORD ASSEMBLY P/N 29433 INSERT CLIP P/N 11505 TO INSIDE OF TUBE AS SHOWN AND ROUTE CORD THROUGH OPENING OF CLIP.

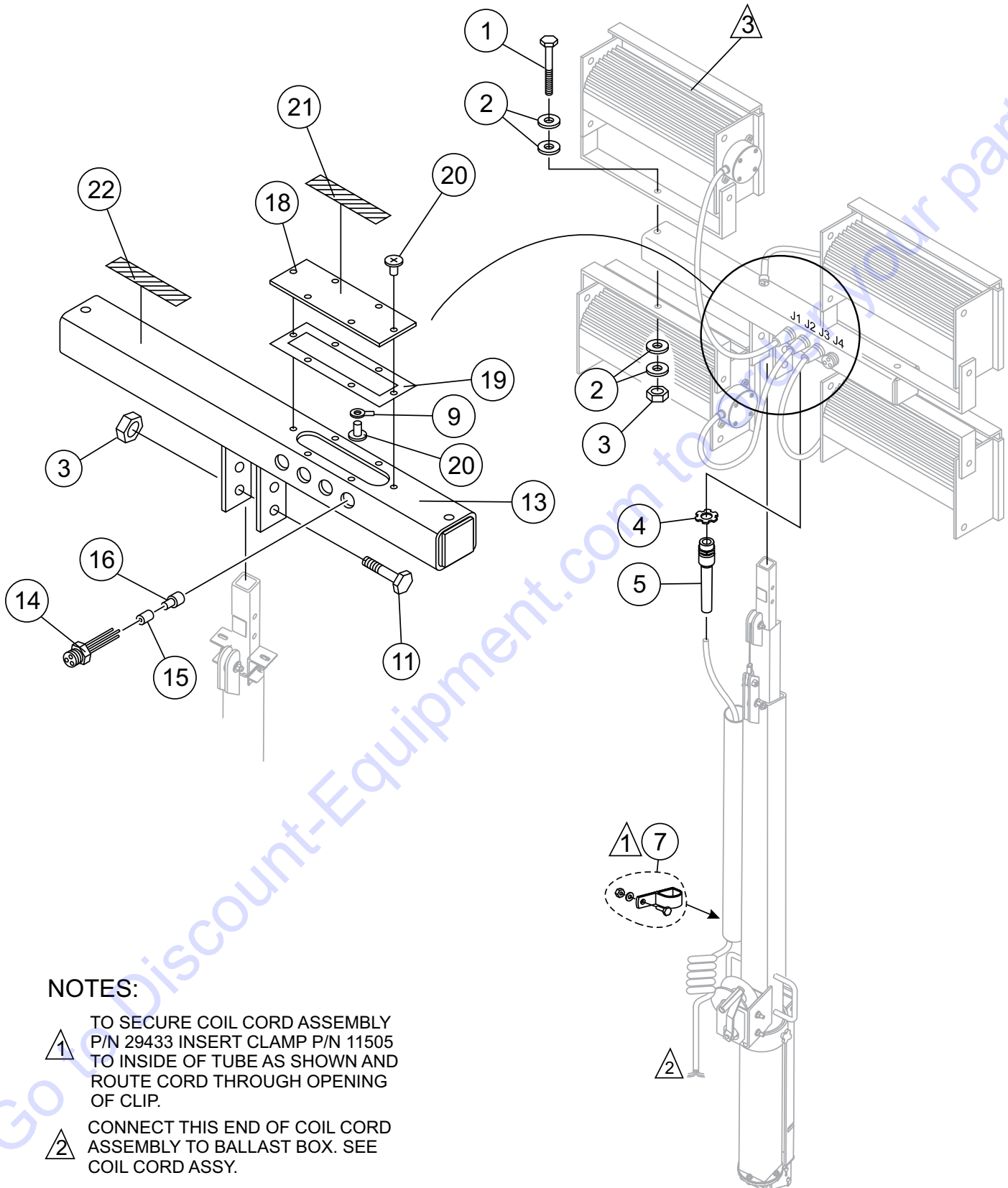
2 CONNECT THIS END OF COIL CORD ASSEMBLY TO BALLAST BOX. SEE COIL CORD ASSY.



## T-BAR ASSY. (S/N 901681 AND BELOW)

<u>NO.</u>	<u>PART NO.</u>	<u>PART NAME</u>	<u>QTY.</u>	<u>REMARKS</u>
1	19249	SCREW, HHC 3/4-16 x 4	2	
2	5079	FLAT WASHER, 3/4	4	
4	29738	MOUNT, LIGHT FIXTURE W/A	1	
5	19250	NUT, NYLOC 3/4-16 x 4	2	
7	11505	CLIP, CABLE	2	
9	10176	NUT, NYLOC 1/2-13	2	
10	0447	WASHER, FLAT, 1/2 SAE 2	2	
11	3215	SCREW, HHC 1/2-13 X 3-1/2	2	
13	29161	SCREW, HHC 1/2-13 X 1 SS	4	
14	29162	WASHER, HS 1/2 SS	4	
15	29042	RECEPTACLE, FEMALE (J1,J2,J3 & J4)	4	
17	19972	REFLECTOR, RED	1	
18	19945	PLATE, COVER	1	
19	19944	GASKET, PLATE COVER	1	
20	29046	SCREW, COVER PLATE	6	
21	19688	INSULATOR, SPLICE CAP PLASTIC	6	
22	19687	COPPER SPLICE CAP	6	
23	19965	CORD GRIP (HUBBELL 07401017)	1	
24	26560	NUT, LOCKING 3/4 NPT CONDUIT	5	

# T-BAR ASSY. (S/N 901682 AND ABOVE)



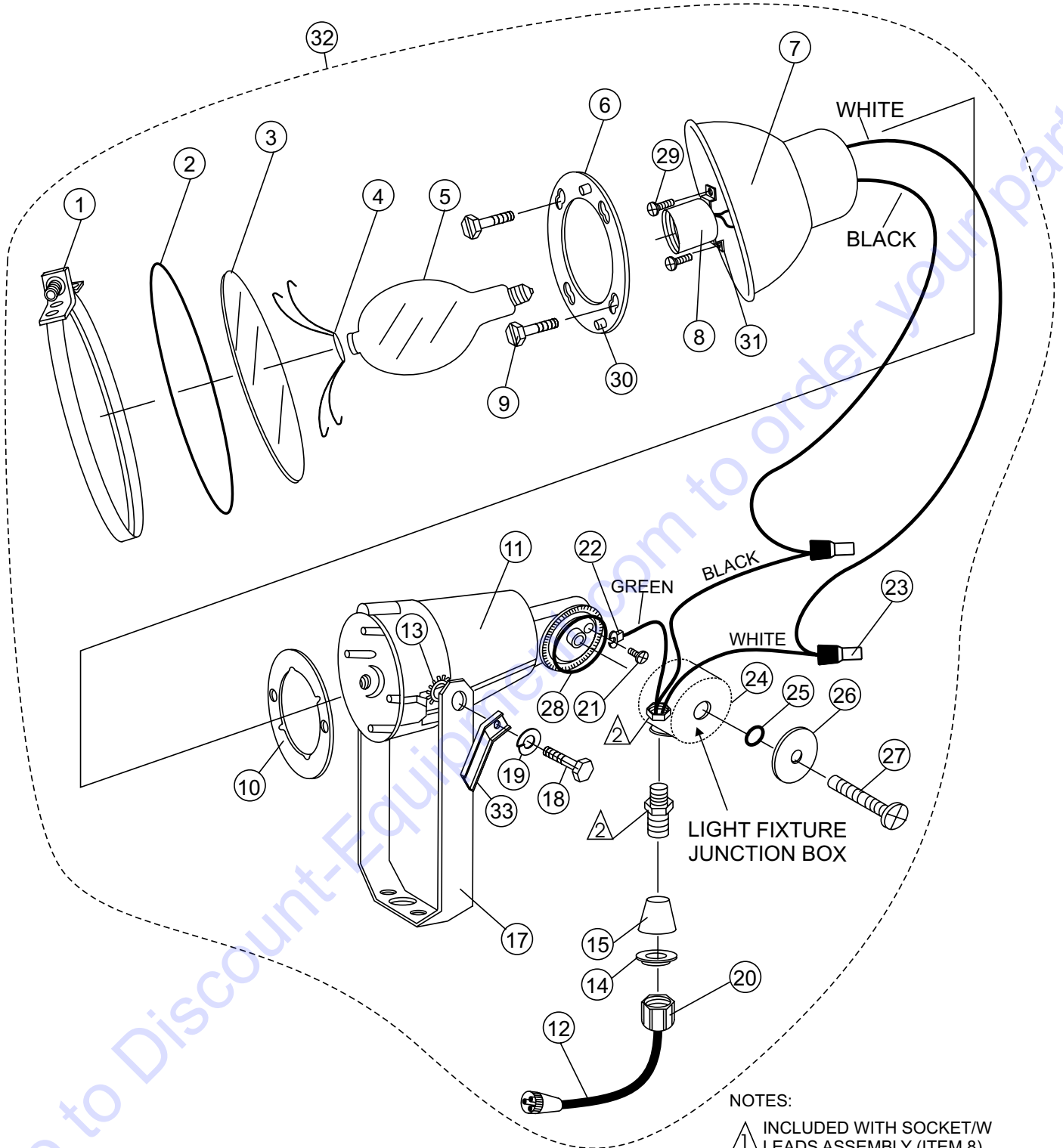
## NOTES:

- 1 TO SECURE COIL CORD ASSEMBLY P/N 29433 INSERT CLAMP P/N 11505 TO INSIDE OF TUBE AS SHOWN AND ROUTE CORD THROUGH OPENING OF CLIP.
- 2 CONNECT THIS END OF COIL CORD ASSEMBLY TO BALLAST BOX. SEE COIL CORD ASSY.
- 3 SPERO LAMP  
SEE LAMP ASSY (S/N 901682 AND UP)

## T-BAR ASSY. (S/N 901682 AND ABOVE)

<u>NO.</u>	<u>PART NO.</u>	<u>PART NAME</u>	<u>QTY.</u>	<u>REMARKS</u>
1	10306	SCREW, HHC 1/2-13 X 4 1/2	2	
2	13211	WASHER, FLAT 1/2 IN. USS	8	
3	10176	NUT, NYLOC 1/2-13	4	
4	26560	NUT, LOCKING 3/4 NPT CONDUIT	1	
5	19965	CORD GRIP (HUBBELL 07401017)	1	
7	11505	CLAMP	1	
9	3254	TERMINAL, RING 16-14 3/8 IN.	1	
11	06503-026	SCREW, HHC 1/2-13 X 3-1/4 IN.	2	
13	29781	TEE-BAR, LIGHT MOUNT, MLT/DLT SPERO	1	
14	29168	RECEPTACLE ASSY	4	
15	19687	CRIMP, SLEEVE (30-410)	7	
16	19688	INSULATOR, SPLICE CAP (2007)	7	
18	19945	PLATE, T-BAR WIRING COVER	1	
19	19944	GASKET, T BAR	1	
20	29046	SCREW, PHPM 10-32 X 3/8 IN. ZINC	7	
21	29047	DECAL, HIGH VOLTAGE	1	
22	19972	REFLECTOR, RED, PETERSON #B491R	1	

# LAMP ASSY. (S/N 901681 AND BELOW)

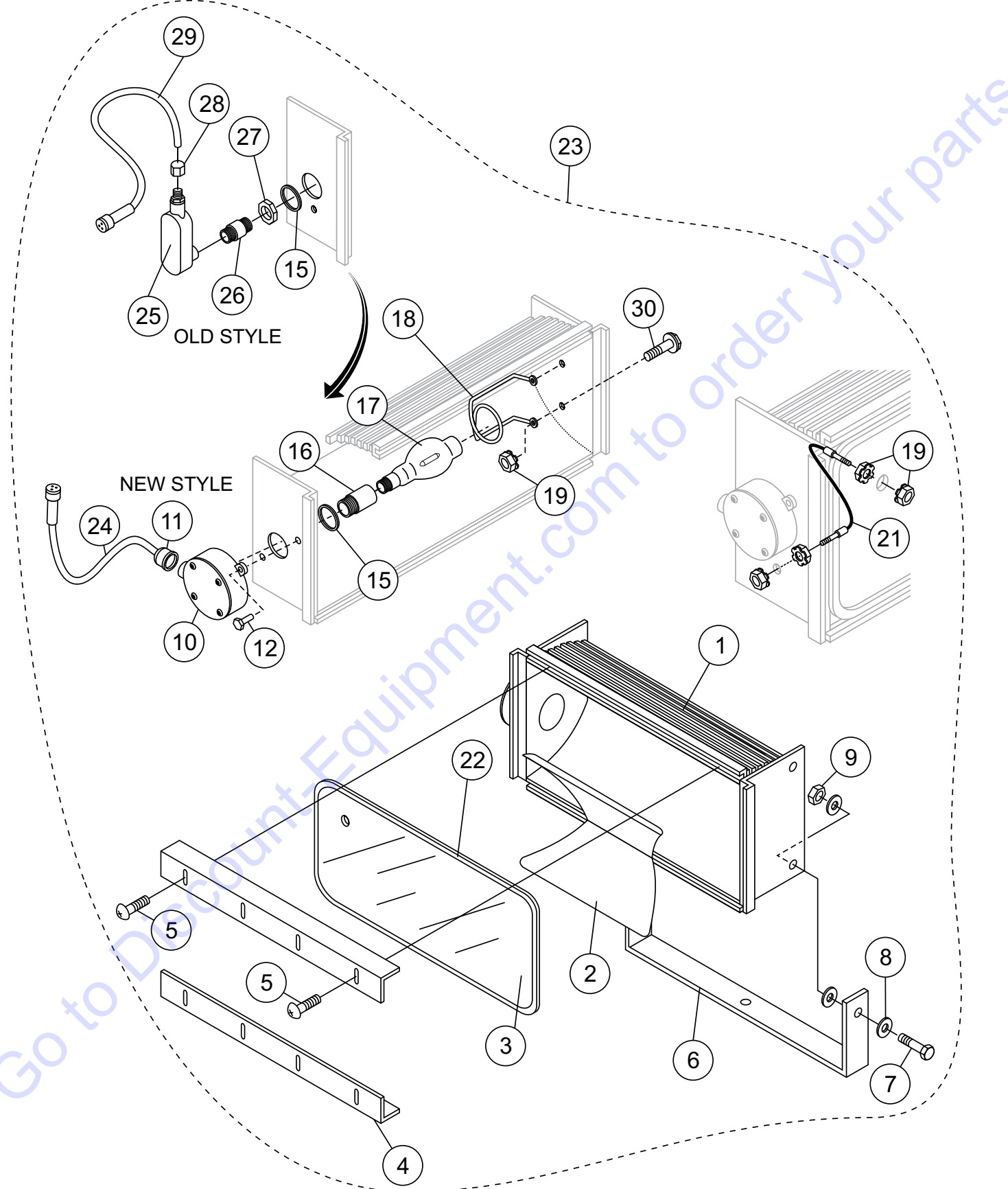


- NOTES:
- ⚠ INCLUDED WITH SOCKET/W LEADS ASSEMBLY (ITEM 8).
  - ⚠ INCLUDED WITH ITEM 20

## LAMP ASSY. (S/N 901681 AND BELOW)

<u>NO.</u>	<u>PART NO.</u>	<u>PART NAME</u>	<u>QTY.</u>	<u>REMARKS</u>
1%	43007020200	CLAMP, LIGHT .....	4 .....	REPLACES 64167441
2%	2450108	LENS GASKET .....	4 .....	REPLACES 64167100
3%	5550079	LENS AND GASKET.....	4.....	REPLACES 64167744
4%	29560	SUPPORT, TOP LAMP 1000 WATT .....	4.....	REPLACES 19823
5%	M1000U	BULB	4	
6%	4101024	REINFORCING RING	1	
7%	4105012	REFLECTOR (WITHOUT GLASS)	4	
8%	A4605079	SOCKET W/LEADS .....	4.....	REPLACES A4605079
9%	70463	SCREW, 10-24 X 5/8 BLACK	16	
10%	2450120	GASKET, HOUSING/REFLECTOR	4	
11%	3100056	FIXTURE HOUSING	4	
12%	29169	CORD SET MOLDED	4	
13%	4110624000	WASHER, 1/2 EXT. TOOTH SS	4	
14%	6900446	SEAL RING .755 ID	4	
15%	6900447	STRAIN RELIEF	4	
17%	4101021	TRUNION (YOKE)	4	
18%	63960	SCREW, HHCS 1/2-13 X 1-1/4	4	
19%	29162	WASHER, LOCK HS 1/2 SS	4	
20%	19695	CONNECTOR, STRAIN RELIEF 5/8-3/4 .....	4.....	T&B 2535
21%	4107742000	SCREW, 6-32 X 3/8	4	
22%	2856	TERMINAL, SPADE 16-14#8 INSUL.....	4.....	REPLACES 1272
23%	19688	INSULATOR, SPLICE CAP (PLASTIC)	4	
24%		CONNECTION BOX.....	4.....	NO LONGER AVAILABLE
25%	2450121	O-RING .206" X 1.03" SILICON	4	
26%	6351110	WASHER, 1/4 X 1-1/4 OD X .63 GALV.	4	
27%	6301045	SCREW, 1/4-20 X 2" PH PH SS	4	
28%	2450119	O-RING, 1.925" ID X 1.03"	4	
29%	4106781000	SCREW, 8-32 X 3/8 PH PH	8	
30%	4104021000	POP RIVET 1/8 X 3/16 DOMED AL	8	
31%	4101023	BRACKET, SOCKET	4	
32	29174	LIGHT FIXTURE ASSY. ....	1.....	INCLUDES ITEMS W/%
33%	29174HANDLE	HANDLE, FLOODLIGHT	4	

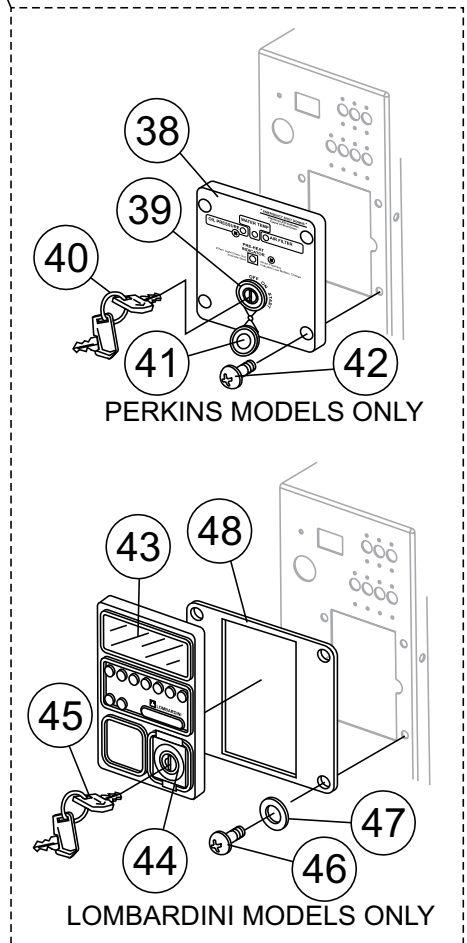
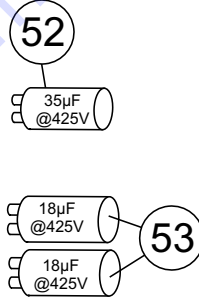
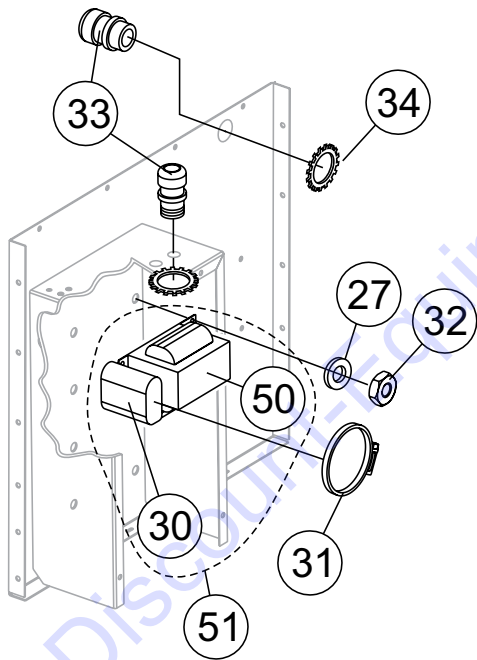
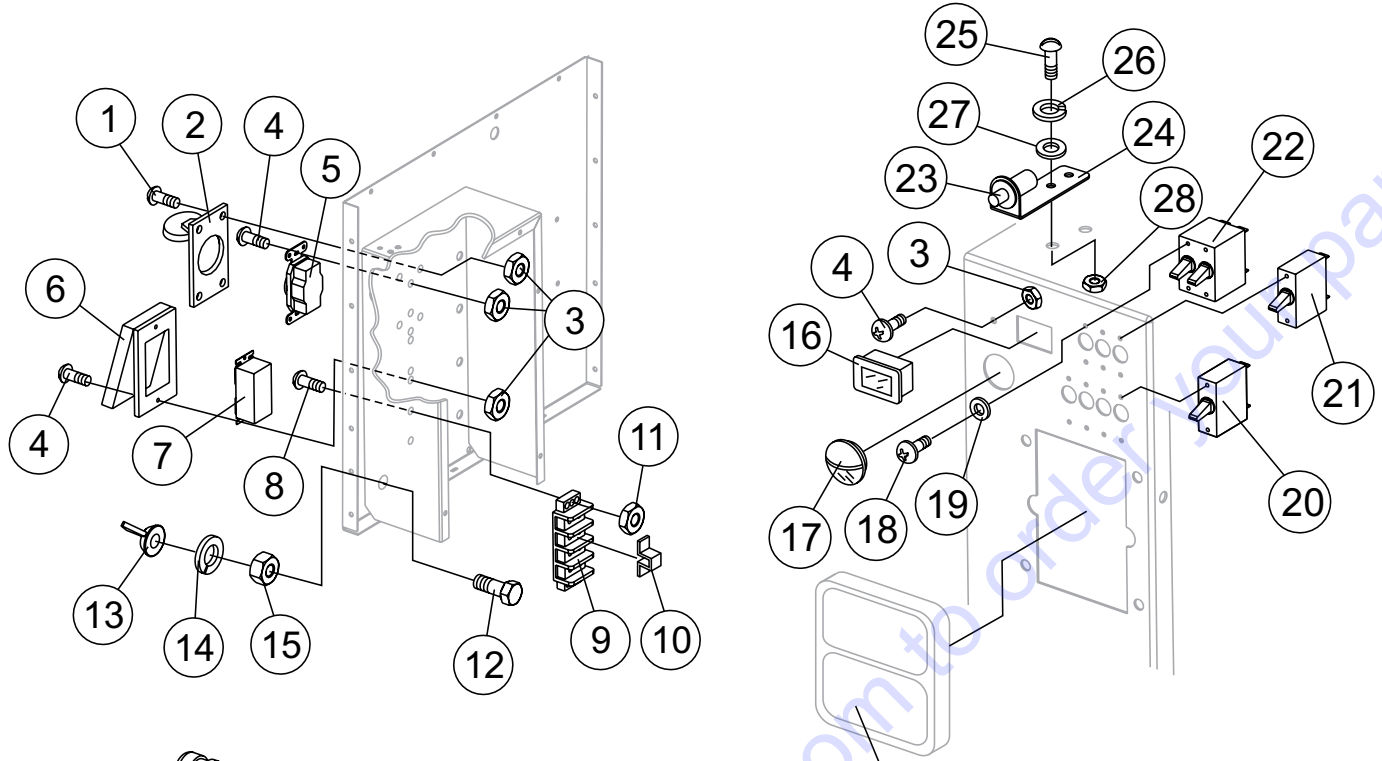
**LAMP ASSY. (S/N 901682 AND ABOVE)**



## LAMP ASSY. (S/N 901682 AND ABOVE)

<u>NO.</u>	<u>PART NO.</u>	<u>PART NAME</u>	<u>QTY.</u>	<u>REMARKS</u>
1%	20S-REF-1	REF1000 BODY ASSY.	1	
2%	30M-REF-REF	REFLECTOR, ALUMINUM 14-7/8 X 16-5/8 IN.	1	
3%	190ZQREF	REF 1000 LENS 190ZQREF	1	
4%	170M-REF-5	REF LENS HOLD DOWN	2	
5%	70Z-FSCR3	SCREW 8-32 X 1/2 IN.	8	
6%	250-REF-6	YOKE, LIGHT FIXTURE	1	
7%	260Z-FSCR9	BOLT, HEX HEAD 1/2-13 x 1-1/2 IN.	2	
8%	280Z-FWFL2	WASHER, FLAT 1/2 IN.	4	
9%	270Z-FNT4	NUT, HEX 1/2-13 IN.	2	
10%	Z-C-239	VAPORTITE OCTAGON BOX 1/2 IN. W/4 THREADED PLUGS G9 SILVER.....	1	NEW STYLE
11%	150Z-FSR3	STRAIN RELIEF SRW 1/2 IN. BLACK.....	1	NEW STYLE
12%	Z-FSCR9	BOLT, HEX HEAD ZINC PLATED 1/2-13 X 1-1/2 IN.	2	
15%	90Z-G-102	GASKET, HEX #5 OR #6	1	
16%	70Z-SK65	MOGUL SOCKET W/ANTI-VIBRATION GASKET	1	
17%	MVR1000BT37	BULB, LIGHT FIXTURE	1	
18%	50Z-D-REF-SUP	SUPPORT, REF1000 LAMP TIP	1	
19%	230Z-FNTL6-1	KEEP NUT 8-32	6	
21%	210S-CBL-6	CABLE ASSEMBLY	1	
22%	200ZG106	GASKET, U-CHANNEL REFLECTOR 200ZG106	1	
23	29773	LIGHT FIXTURE ASSY. ....	1	INCLUDES ITEMS W/%
24%	150Z-EZ67	POWER CORD, 60" W/ 3-PIN MALE PLUG .....	1	NEW STYLE
25	130Z-E76	CONDUIT BODY, 1/2 IN. HUB.....	1	OLD STYLE
26	100Z-C-93	FLANGE, #5 OR #6 .....	1	OLD STYLE
27	110Z-C-91	NUT, CAST #5 OR #6 .....	1	OLD STYLE
28	160Z-FSR3	FITTING, CONDUIT BODY 1/2 IN.....	1	OLD STYLE
29	150Z-E266	CORD SET, 36 IN. W/3-PIN MALE PLUG.....	1	OLD STYLE
30	4106781000	SCREW, 8-32 X 3/8	2	

# CONTROL PANEL/BALLAST ASSY. (S/N 904384 AND BELOW)

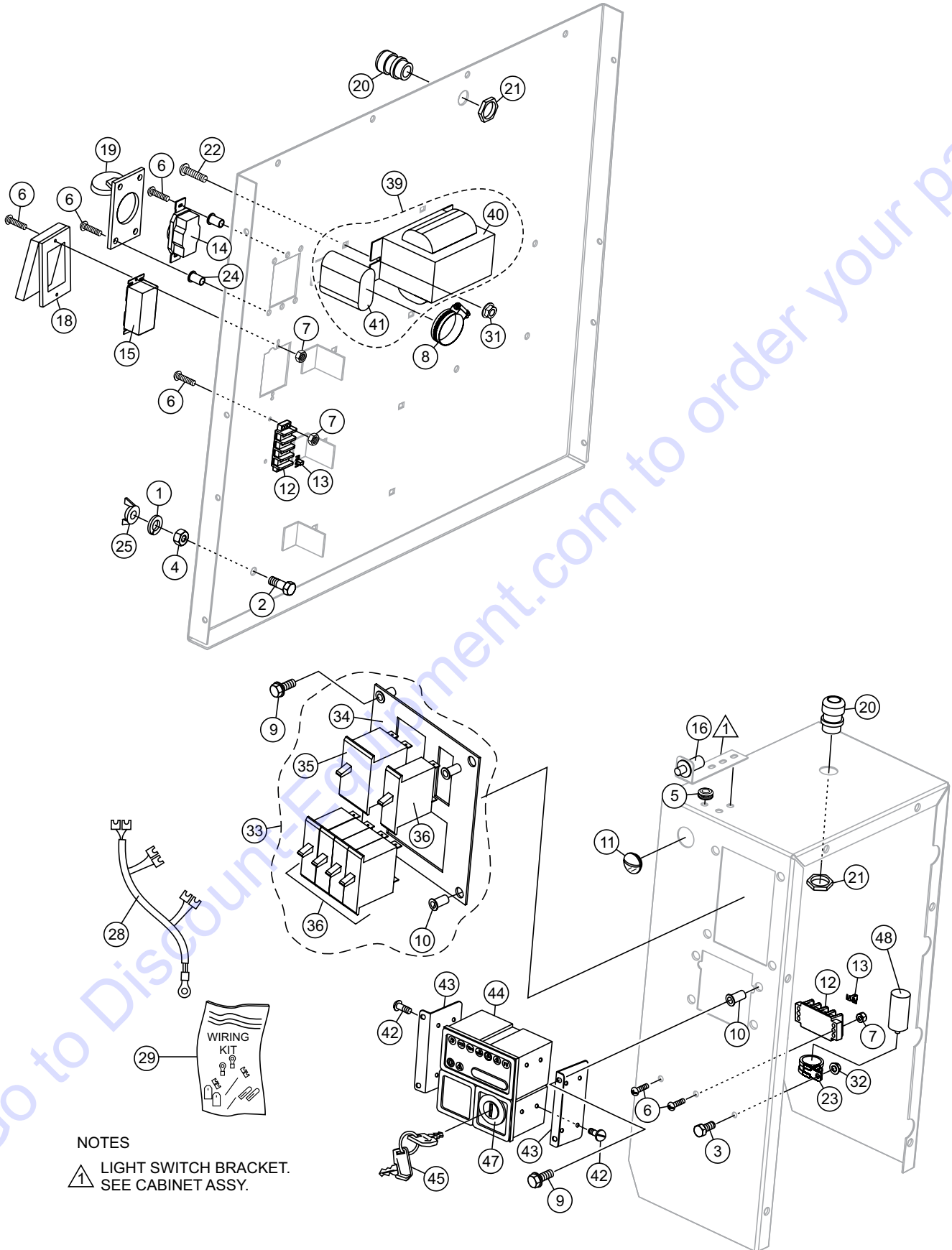




## CONTROL PANEL/BALLAST ASSY. (S/N 904384 AND BELOW)

<u>NO.</u>	<u>PART NO.</u>	<u>PART NAME</u>	<u>QTY.</u>	<u>REMARKS</u>
1	15177	SCREW, PAN HEAD 10-32 X 1	4	
2	29647	COVER, 220 OUTLET COOPER P/N 1990	1	
3	10019	NUT, NYLOC 10-32	9	
4	5065 B	SCREW, RHM #10-32 x 0.5	5	
5	29276	RECEPTACLE, 4PRG LOCKING 30A, 120/250V	1	
6	29646	COVER, 110 GFI OUTLET COOPER P/N 2966	1	
7	29343	DUPLEX OUTLET, 15A 120V GFCI UL CSA	1	
8	1623	SCREW, RHM #10-24 x 0.75	2	
9	19968	TERMINAL BLOCK ( DC 70014 )	1	
10	29071	CONNECTOR, QUICK SCREW TERMINAL	3	
11	1618	NUT, NYLOC 10-24	2	
12	0205	SCREW, HHC 3/8-16 X 1 PLATED	1	
13	W29109	NUT, WING 3/8-16	1	
14	0166 A	WASHER, LOCK, 3/8 MED.	1	
15	1876	NUT, HEX FINISH 3/8-16	1	
16	29640	HOUR METER, SENDEC RECT FLUSH MOUNT	1	
17	19297	LIGHT, PETERSON MFG V438	1	
18	19819	SCREW, PHP #6-32 x 0.25	14	
19	1450	WASHER, FLAT #6 SAE	14	
20	29688	CIRCUIT BREAKER, 120VAC 10A DLT LIGHT	4	
21	29376	CIRCUIT BREAKER, 15A, 227 VAC KD-1800	1	
22	19223	30 A 277 V CIRCUIT BREAKER	1	
23	29603	SWITCH, MOMENTARY OFF COLE HERSEE 9075	1	
24	29607	BRACKET, LIGHT SWITCH DLT	1	
25	0131 A	SCREW, HHC 1/4-20 X 3/4 IN.	2	
26	0181 B	WASHER, LOCK 1/4 IN. MED	2	
27	0948	WASHER, FLAT SAE 1/4	10	
28	19266	NUT, BLIND 1/4-20 X 10 GA	32	
29	12287	SCREW, THP 1/4-20 X 3/4 SS	8	
30@	19598	BALLAST CAPACITOR 24 µF @480V	4	
31	10434	CLAMP, HOSE WORM 1-9/16 TO 2 SIZE 32	4	
32	10024	NUT, NYLOC 1/4-20	8	
33	29655	FITTING, STRAIN RELIEF HEYCO 3234	3	
34	10237	WASHER, EXT. SHKP #10	3	
38	100AC	CONTROL PANEL, PERKINS ENGINE	1	
39	385201161	IGNITION SWITCH W/KEY, PERKINS .....	1	INCLUDES ITEMS W/%
40	385210060	KEY, IGNITION, PERKINS	1	
41	390190030	PLATE, IGNITION SWITCH	1	
42	15177	SCREW PHP 10-32 X 1	4	
43	12851652	CONTROL PANEL, DEUTZ/LOMBARDINI ENGINE	1	
44	12850033	IGNITION SWITCH W/KEY, DEUTZ, SINGLE-SIDED	1	
44	50384401	IGNITION SWITCH, DOUBLE-SIDED	1	
45	12850033KEY	KEY, IGNITION, SINGLE-SIDED	1	
45	50404900	KEY, IGNITION, DOUBLE-SIDED	1	
46	21611	SCREW THP 1/4-20 X 5/8 SS	4	
47	0948	WASHER, FLAT SAE 1/4	4	
48	29761	MOUNTING PLATE, CONTROL PANEL	1	
49	29675	WIRING KIT, DLT FOR BALLAST	1	
50@	M1000120AC5M	BALLAST/TRANSFORMER 60HZ	4	
51	19229	BALLAST/CAPACITOR, M47 60HZ .....	4	INCLUDES ITEMS W/@
52	GECAP35MF	EXCITATION CAPACITOR 35 µF @425V .....	1	S/N 902148 AND BELOW
53	GECAP18MF	EXCITATION CAPACITOR 18 µF @425V .....	2	S/N 902148 AND BELOW

# CONTROL PANEL/BALLAST ASSY. (S/N 904385 AND ABOVE)



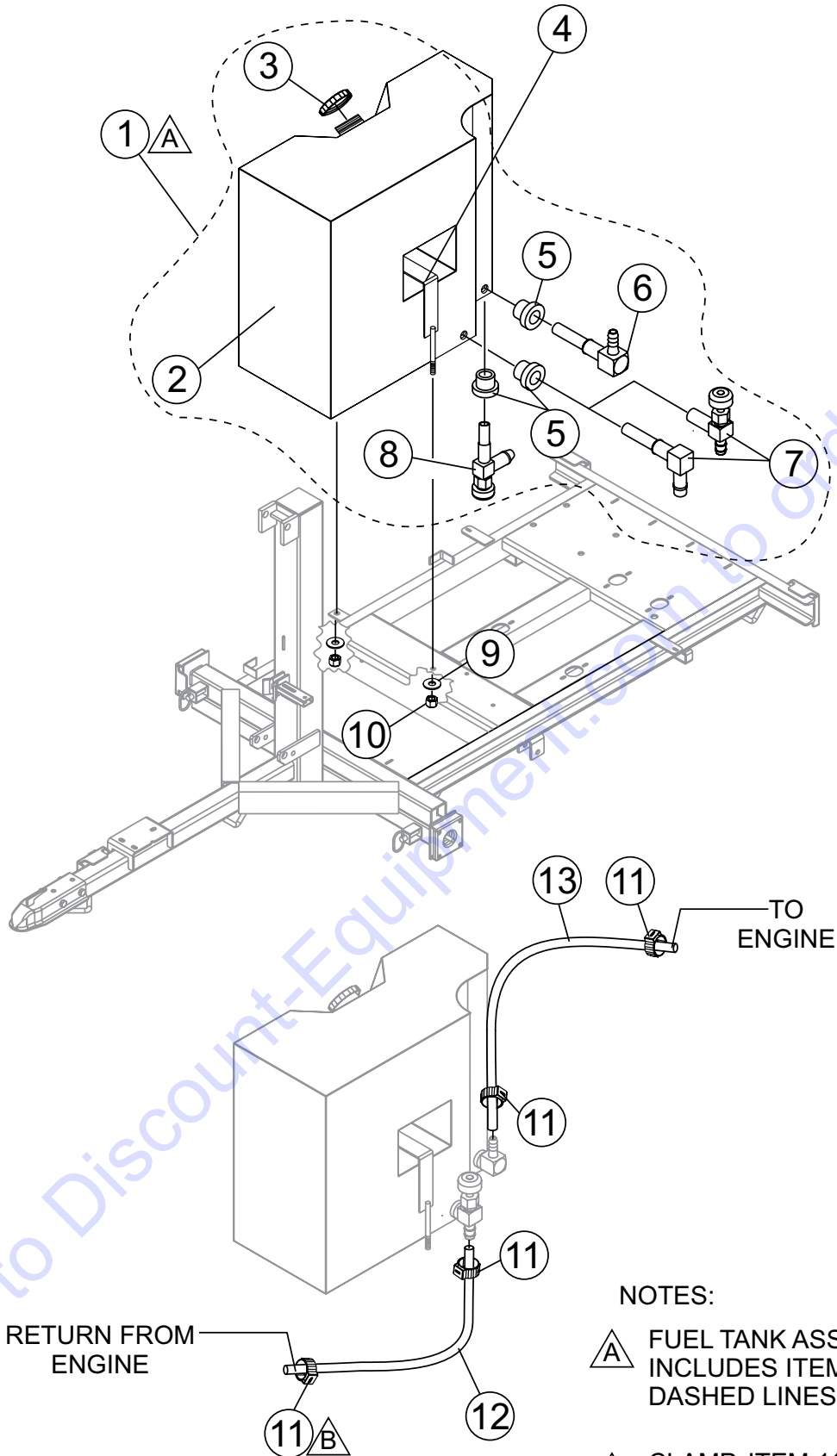
**NOTES**

▲ LIGHT SWITCH BRACKET.  
SEE CABINET ASSY.

## CONTROL PANEL/BALLAST ASSY. (S/N 904385 AND ABOVE)

NO.	PART NO.	PART NAME	QTY.	REMARKS
1	0166 A	WASHER, LOCK, 3/8 MED.	1	
2	0205	SCREW, HHC 3/8-16 X 1 PLATED	1	
3	0655	SCREW, HHC 5/16-18	1	
4	1876	NUT, HEX FINISH 3/8-16	1	
5	2574	GROMMET, 5/16" ID 7/16" OD	1	
6	8133	SCREW, PHP 10-32 X 3/4	12	
7	10019	NUT, NYLOC 10-32	6	
8	12277	CLAMP, HOSE WORM 1-9/16 TO 2 SIZE 32	4	
9	49048	SCREW, HHFS 1/4-20 X 3/4 G5	8	
10%	19266	NUT, BLIND 1/4-20 X 10 GA	8	
11	19297	LIGHT, PETERSON MFG V438	1	
12	19968	TERMINAL BLOCK ( DC 70014 )	2	
13	29071	CONNECTOR, QUICK SCREW TERMINAL	4	
14	29276	RECEPTACLE, 4PRG LOCKING 30A, 120/250V	1	
15	29343	DUPLEX OUTLET, 15A 120V GFCI UL CSA	1	
16	29603	SWITCH, MOMENTARY	1	
18	29646	COVER, 110 GFI OUTLET	1	
19	29647	COVER, 220 OUTLET	1	
20	29655	FITTING, STRAIN RELIEF HEYCO 3234	2	
21	29656	LOCKNUT, NYLON	2	
22	29712	BOLT, CARRIAGE 1/4-20 X 3/4	8	
23	29796	CLAMP, CUSHIONED LOOP, 1-3/4 DIA X1	1	
24	29797	NUT, BLIND 10-32 X 02/.13 GRIP	6	
25	W29109	NUT, WING 3/8-16	1	
28	49046	HARNESS, LT-12 CONTROL (AC)	1	
29	49047	WIRING KIT, LT-12	1	
31	49070	NUT, FLANGED 1/4-20 SERATED PLTD	8	
32	49071	NUT, FLANGED 5/16-18 SERATED PLTD	1	
33	29865	SNAP SWITCH PLATE ASSY.....	1	INCLUDES ITEMS W/%
34%	29864	SNAP FIT SWITCH INSERT	1	
35%	29848	CIRCUIT BREAKER, 2 POLE, 30A SNAP FIT .....	1	S/N 902626 AND ABOVE
36%	29847	CIRCUIT BREAKER, 1 POLE, 15A SNAP FIT	5	
39	19229	BALLAST AND CAPACITOR, M47.....	4	INCLUDES ITEMS W/@
40@	M1000120AC5M	BALLAST/TRANSFORMER 60 HZ	4	
41@	19598	BALLAST CAPACITOR 24 $\mu$ F @480 V	4	
42	29719	SCREW HHC M5-.8 X 8MM PLATED, 8.8 DIN	8	
43	29795	BRACKET, DEUTZ CONTROL PANEL	2	
44	7245454	CONTROL PANEL, LOMBARDINI	1	
45	50404900	KEYS, IGNITION, DOUBLE-SIDED	2	
47	50384401	IGNITION SWITCH	1	
48	GECAP25MF	EXCITATION CAPACITOR 25 $\mu$ F @425V .....	1	S/N 902149 AND ABOVE

# FUEL TANK ASSY.



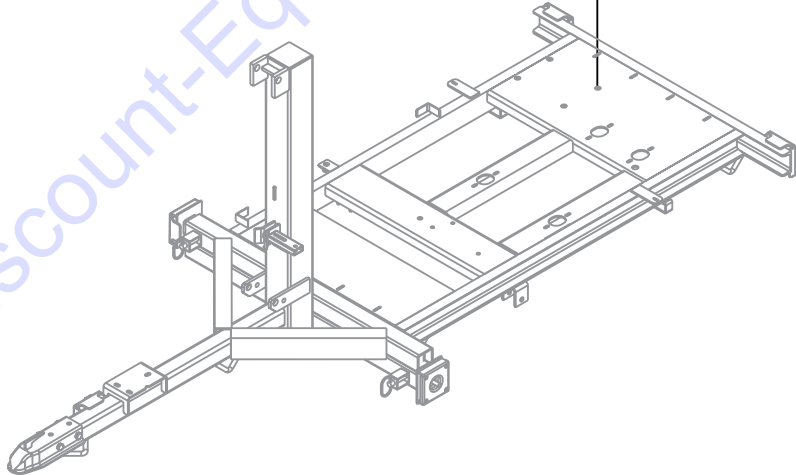
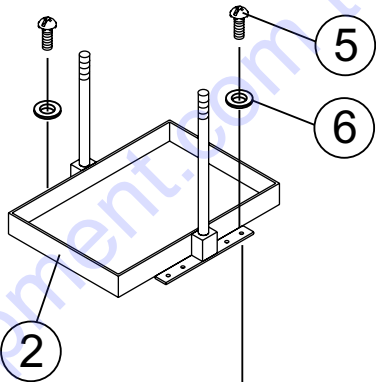
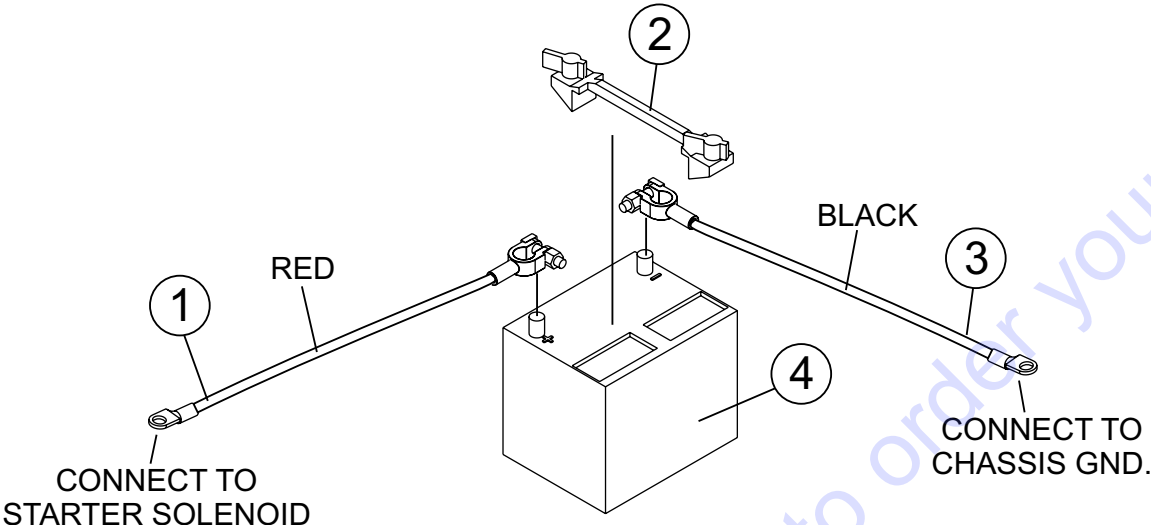
## NOTES:

- △ **A** FUEL TANK ASSY., ITEM 1 INCLUDES ITEMS WITHIN DASHED LINES.
- △ **B** CLAMP, ITEM 11 IS INCLUDED WITH FUEL TANK ASSY. ITEM 1.

## FUEL TANK ASSY.

<u>NO.</u>	<u>PART NO.</u>	<u>PART NAME</u>	<u>QTY.</u>	<u>REMARKS</u>
1	29676	FUEL TANK ASSY.....	1	INCLUDES ITEMS W/#
2#	29605	FUEL TANK	1	
3#	29694	CAP, FUEL TANK W/LANYARD	1	
4	29674	STRAP, FUEL TANK	1	
5#	19633	BUSHING, FUEL	3	
6#	12006	FITTING, 90°	1	
7#	29677	FITTING, 90° .....	1	S/N 904605 AND BELOW
7#	20795	VALVE, SHUTOFF 4MBARB X 6SBARB SCREEN .....	1	S/N 904306 AND ABOVE
8#	19661	VALVE, SHUTOFF 5BARB X 6SBARB NO SCREEN	1	
9	0447	WASHER, FLAT	2	
10	10176	NUT, NYLOCK 1/2-13	2	
11	22066	CLAMP, STEPLESS EAR 3/16 HOSE #123	4	
12	60028	HOSE, FUEL RETURN .312 ID SAE J30R7 AR	1PC = 1 FT.	
13	60004	HOSE, FUEL LINE .187 I.D. SAE J30R7 AR	1PC = 1 FT.	

**BATTERY ASSY.**



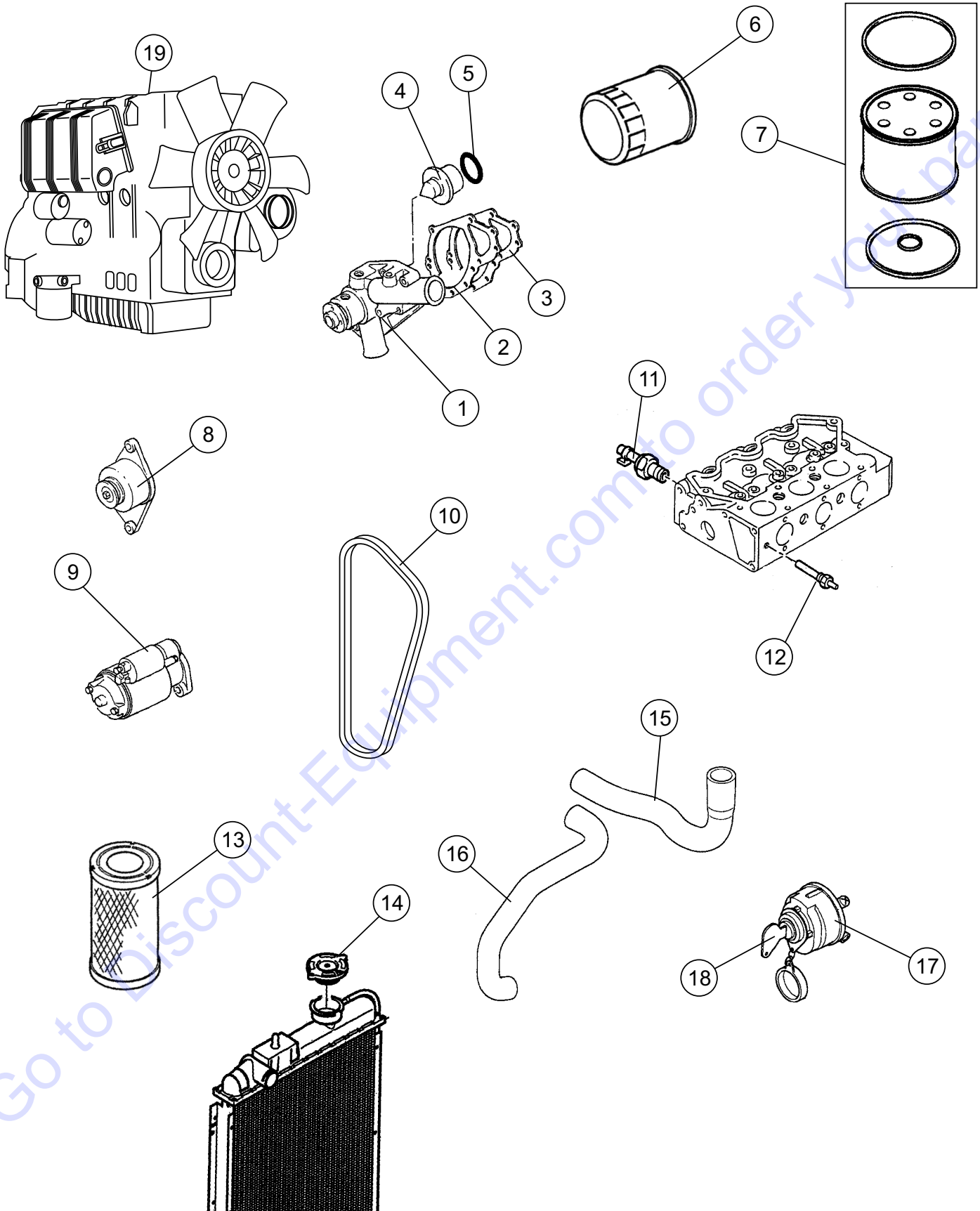
## BATTERY ASSY.

---

<u>NO.</u>	<u>PART NO.</u>	<u>PART NAME</u>	<u>QTY.</u>	<u>REMARKS</u>
1	29693	CABLE, POS. BATTERY (+).....	1.....	PERKINS ENGINES ONLY
1	10313	CABLE, POS. BATTERY (+).....	1.....	DEUTZ/LOMBARDINI ENGINES
2	29661	BATTERY TRAY	1	
3	12278	CABLE, NEG. BATTERY (-)	1	
4	10315	BATTERY, WET 12V GR22	1	
5	1623	SCREW, RHM #10-24 x .75 IN.	4	
6	2203	WASHER, FLAT #10	4	

Go to Discount-Equipment.com to order your parts

# ENGINE ASSY. (PERKINS)

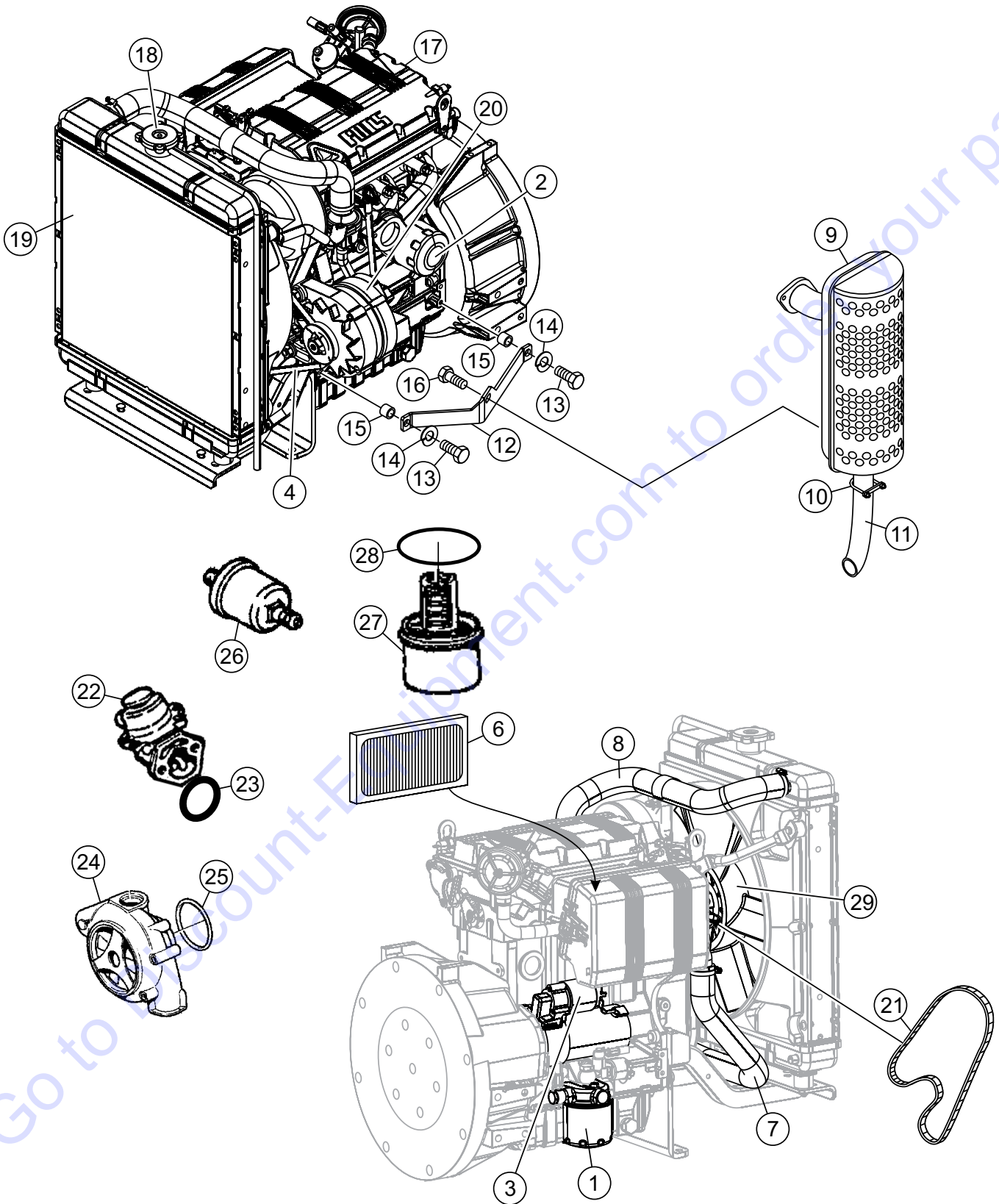




## ENGINE ASSY. (PERKINS)

<u>NO.</u>	<u>PART NO.</u>	<u>PART NAME</u>	<u>QTY.</u>	<u>REMARKS</u>
1	145016474	WATER PUMP	1	
2	145996660	JOINT, GASKET	1	
3	145996650	JOINT, GASKET	1	
4	145206210	THERMOSTAT	1	
5	145996590	SEAL, THERMOSTAT	1	
6	140517000	FILTER, OIL	1	
7	26560017	FILTER ELEMENT KIT, FUEL	1	
8	185086610	STARTER ASSY	1	
9	185046160	ALTERNATOR	1	
10	80109049	VBELT, FAN	1	
11	185246060	SWITCH, OIL	1	
12	385720101	SENDER, OIL	1	
13	36510362	ELEMENT, AIR FILTER	1	
14	24850072	CAP, RADIATOR	1	
15	3483H043	HOSE, RADIATOR LOWER	1	
16	3483H034	HOSE, RADIATOR UPPER	1	
17	385201160	SWITCH, IGNITION	1	
18	385210060	KEY, IGNITION	1	
19		ENGINE, PERKINS 103-10 DIESEL.....	1	NO LONGER AVAILABLE

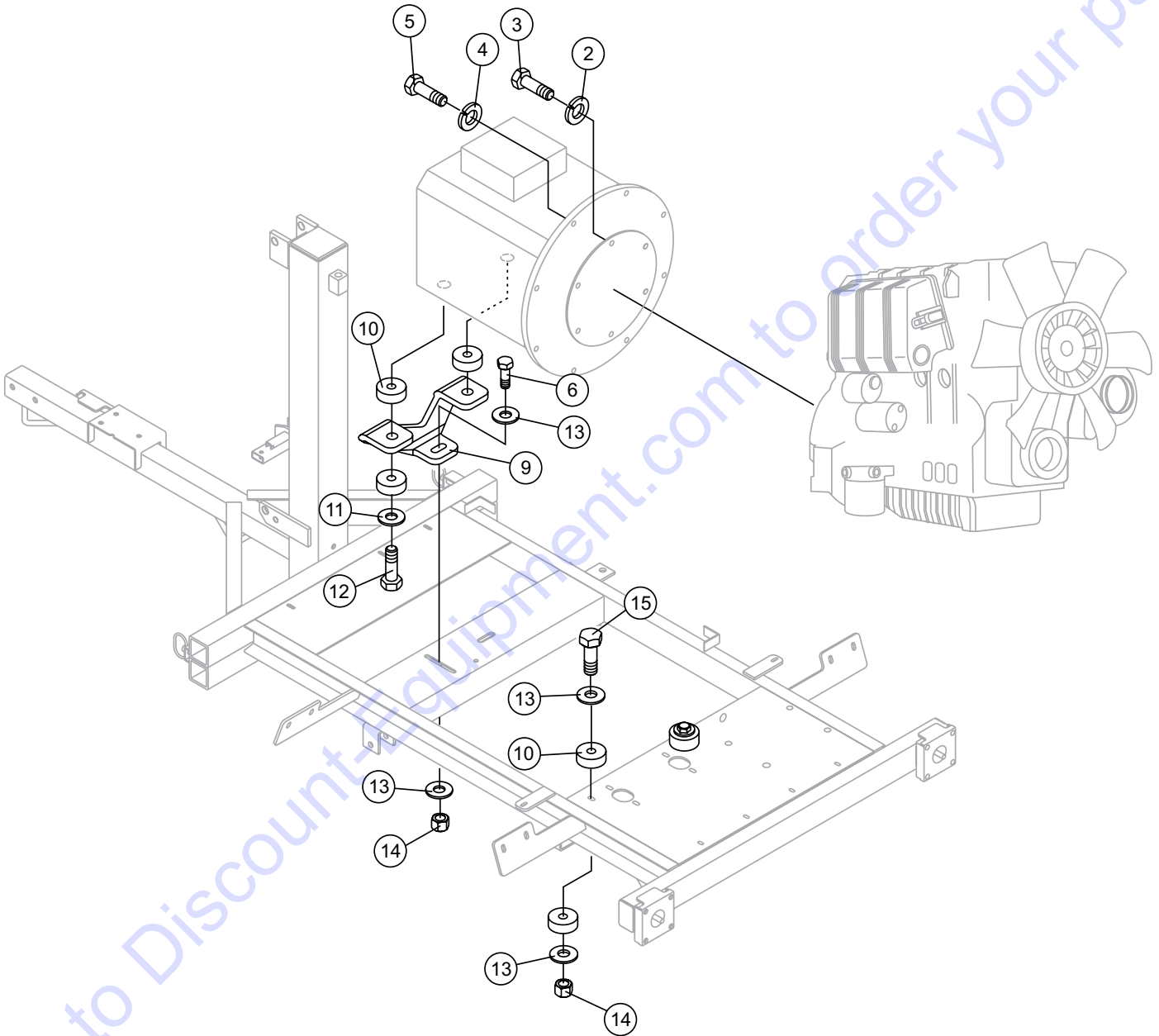
# ENGINE ASSY. (DEUTZ/LOMBARDINI)



## ENGINE ASSY. (DEUTZ/LOMBARDINI)

<u>NO.</u>	<u>PART NO.</u>	<u>PART NAME</u>	<u>QTY.</u>	<u>REMARKS</u>
1	12850347	FUEL FILTER 2-3/4" L	1	
1	2175046	FUEL FILTER 4-3/4" L	1	
1	2175143S	FUEL FILTER W/WATER DRAIN	1	
2	2175107	OIL FILTER .....	1	.....LOMBARDINI
2	12850312	OIL FILTER .....	1	.....DEUTZ
3	5840224	STARTER	1	
4	12850745	FAN BELT 875MM	1	
6	12851312	AIR FILTER	1	
7	12850362	LOWER RADIATOR HOSE	1	
8	12850649	UPPER RADIATOR HOSE	1	
9	5460450	MUFFLER	1	
10	10855	CLAMP, 1-1/2 MUFFLER	1	
11	29645	EXHAUST PIPE	1	
12	29937	BRACE, LOWER MUFFLER	1	
13	21584	BOLT M10-1.5P X 35MM	2	
14	0161 C	WASHER, LOCK 5/16 MED	2	
15	29938	SPACER, MUFFLER BRACKET, 3/8 X 3/4 X 5/8	2	
16	2299	BOLT, M8-1.25P X 16MM	1	
17	29644	ENGINE, LOMBARDINI LDW1003	1	
17	29699	ENGINE, DEUTZ F3M1008F DIESEL	1	
18	9000184	RADIATOR CAP	1	
19	7350270	RADIATOR	1	
20	12850742	ALTERNATOR	1	
21	2440338	TIMING BELT	1	
22	6585097	FUEL (FEED) PUMP	1	
23	1200087	GASKET, FUEL (FEED) PUMP)	1	
24	6584438	WATER PUMP	1	
25	4580083	GASKET, WATER PUMP	1	
26	6745056	OIL SWITCH	1	
27	9195124	THERMOSTAT	1	
28	12850153	GASKET, THERMOSTAT	1	
29	12850551	COOLING FAN	1	

# GENERATOR/ENGINE MOUNTING ASSY. (PERKINS)

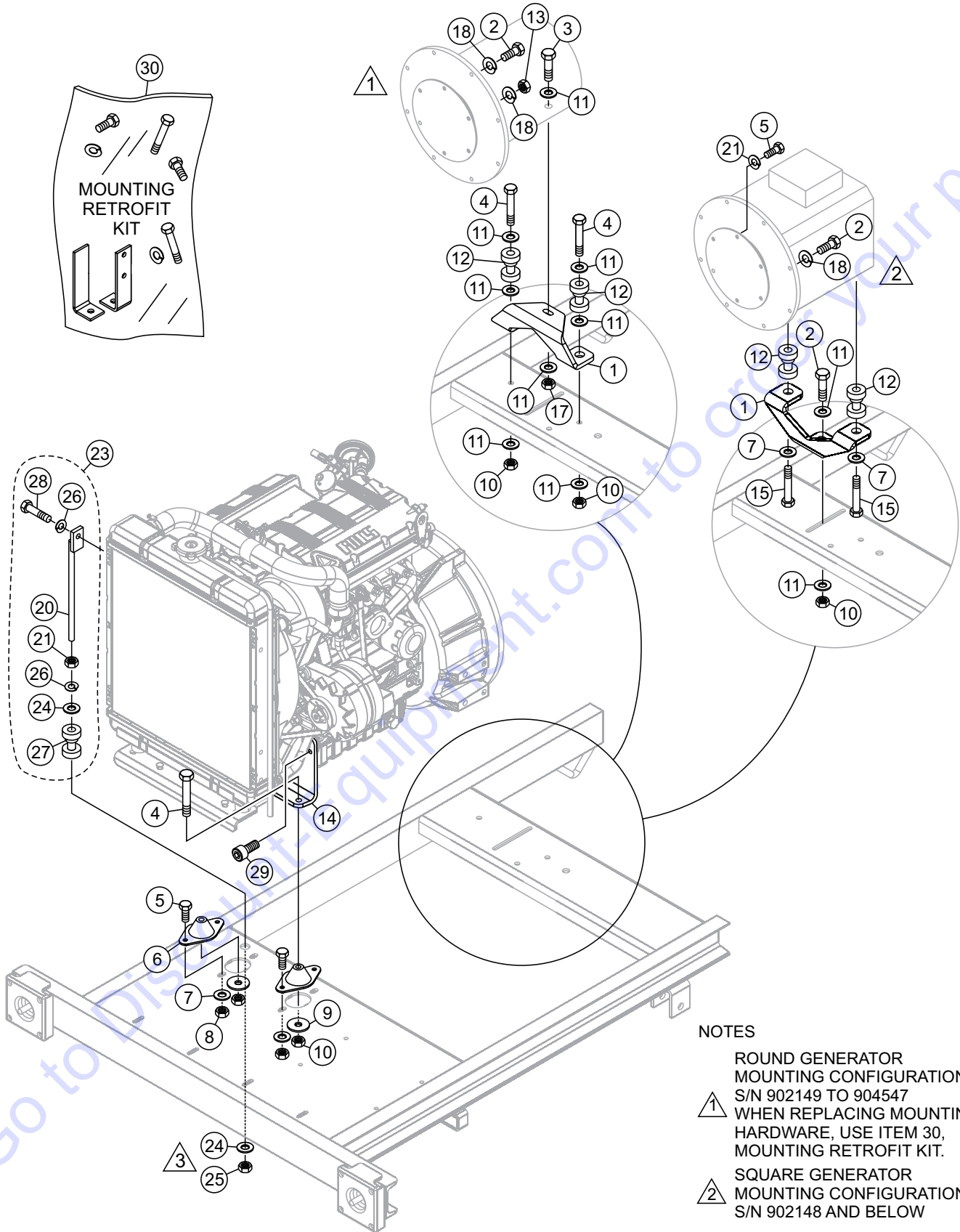


## GENERATOR/ENGINE MOUNTING ASSY. (PERKINS)

<u>NO.</u>	<u>PART NO.</u>	<u>PART NAME</u>	<u>QTY.</u>	<u>REMARKS</u>
2	0161 C	WASHER, LOCK 5/16 MED	6	
3	0655	SCREW, HHC 5/16-18 x .75	6	
4	0166 A	WASHER, LOCK 3/8 MED	8	
5	1023	SCREW, HHC 3.8-16 x 1-1/4 GR 5	8	
6	1023	SCREW, HHC 3/8-16 X 1 1/4 GR 5	1	
9	29684	SUPPORT, MECC ALTE GENERATOR	1	
10	29649	MOUNT, VIBRATION KORFUND RB1-200	4	
11	19470	WASHER, FLAT 5/16 USS	2	
12	9182	SCREW, HHC M8-1.25 X 45MM PLATED	2	
13	4001	WASHER, FLAT USS 3/8 PLD	6	
14	10133	NUT, NYLOC 3/8-16	3	

Go to Discount-Equipment.com to order your parts

# GENERATOR/ENGINE MOUNTING ASSY. (OLD STYLE DEUTZ/LOMBARDINI)



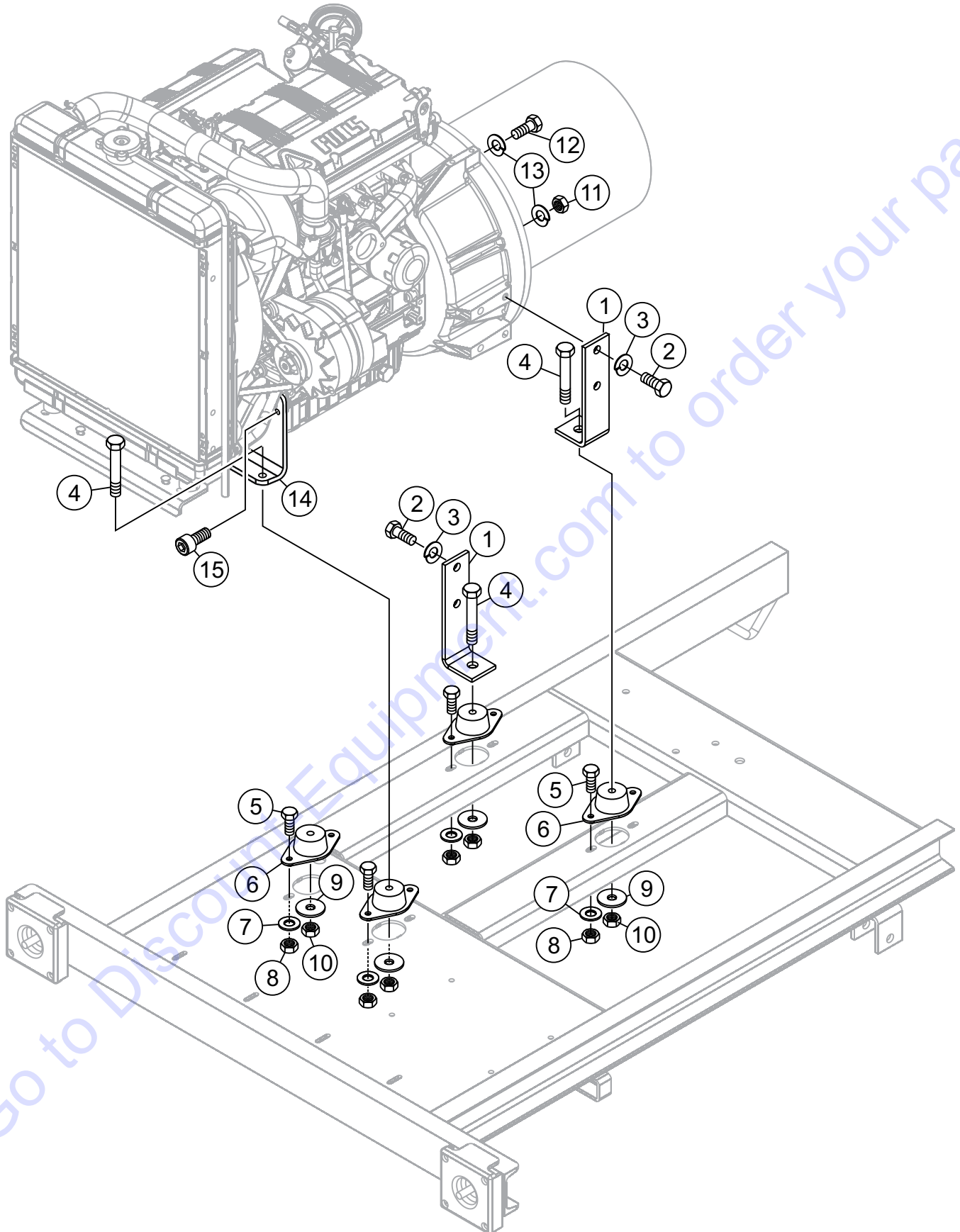
## NOTES

- ROUND GENERATOR MOUNTING CONFIGURATION  
S/N 902149 TO 904547  
① WHEN REPLACING MOUNTING HARDWARE, USE ITEM 30, MOUNTING RETROFIT KIT.
- SQUARE GENERATOR MOUNTING CONFIGURATION  
S/N 902148 AND BELOW  
②
- ③ INCLUDED WITH ITEM 23, TORQUE LIMITER KIT

**GENERATOR/ENGINE MOUNTING ASSY. (OLD STYLE DEUTZ/LOMBARDINI)**

<u>NO.</u>	<u>PART NO.</u>	<u>PART NAME</u>	<u>QTY.</u>	<u>REMARKS</u>
1	29770	SUPPORT, MECC ALTE GEN	1	
2	1023	SCREW, HHC 3/8-16 X 1 1/4 GR 5 .....	9	SQUARE GEN.
2	1023	SCREW, HHC 3/8-16 X 1 1/4 GR 5 .....	8	ROUND GEN.
3	21584	SCREW, HHC M10-1.5 X 35MM GR 10.9 .....	1	ROUND GEN.
4	8156	SCREW, HHC 3/8-16 X 2 1/2 .....	2	SQUARE GEN.
4	8156	SCREW, HHC 3/8-16 X 2 1/2 .....	4	ROUND GEN.
5	0655	SCREW, HHC 5/16-18 X 3/4 .....	10	SQUARE GEN.
5	0655	SCREW, HHC 5/16-18 X 3/4 .....	4	ROUND GEN.
6	29269	MOUNT, VIBRATORY ENGINE	2	
7	19470	WASHER, FLAT 5/16 USS .....	6	SQUARE GEN.
7	19470	WASHER, FLAT 5/16 USS .....	4	ROUND GEN.
8	5283	NUT, NYLOC 5/16-18	4	
9	29043001	WHEEL, POINTER .41IDx2.00OD C.SAW	2	
10	10133	NUT, NYLOC 3/8-16 .....	3	SQUARE GEN.
10	10133	NUT, NYLOC 3/8-16 .....	4	ROUND GEN.
11	4001	WASHER, FLAT USS 3/8 PLD .....	2	SQUARE GEN.
11	4001	WASHER, FLAT USS 3/8 PLD .....	8	ROUND GEN.
12	29649	MOUNT, VIBRATION KORFUND RB1-200	2	
13	1456	NUT, HEX FINISH 3/8-16	6	
14		MOUNT, FRONT ENGINE.....	1	SUPPLIED BY VENDOR
15	9182	SCREW, HHC M8-1.25 X 45MM .....	2	SQUARE GEN.
17	10355	NUT, M10-1.5 .....	1	ROUND GEN.
18	0166 A	WASHER, LOCK, 3/8 MED. ....	8	SQUARE GEN.
18	0166 A	WASHER, LOCK, 3/8 MED. ....	14	ROUND GEN.
20%	29883	TORQUE ROD .....	1	S/N 902141-902913
21%	1456	NUT, HEX FINISH 3/8-16 .....	1	S/N 902141-902913
23	29884	TORQUE LIMITER KIT.....	1	INCLUDES ITEMS W/% S/N 902141-902913
24%	4001	WASHER, FLAT USS 3/8 PLD .....	2	S/N 902141-902913
25%	10133	NUT, NYLOC 3/8-16 .....	1	S/N 902141-902913
26%	0166 A	WASHER, LOCK, 3/8 MED. ....	2	S/N 902141-902913
27%	29649	MOUNT, VIBRATION KORFUND RB1-200 .....	1	S/N 902141-902913
28%	21584	SCREW, HHC M10-1.5 X 35MM GR 10.9.....	1	S/N 902141-902913
29		SCREW .....	2	SUPPLIED BY VENDOR
30	49064	MOUNTING RETROFIT KIT .....	1	S/N 902149-904547
		.....		CONTACT TECH SUPPORT FOR
		.....		INSTALLATION INSTRUCTIONS

**GENERATOR/ENGINE MOUNTING ASSY. (DEUTZ/LOMBARDINI S/N 904548 AND ABOVE)**



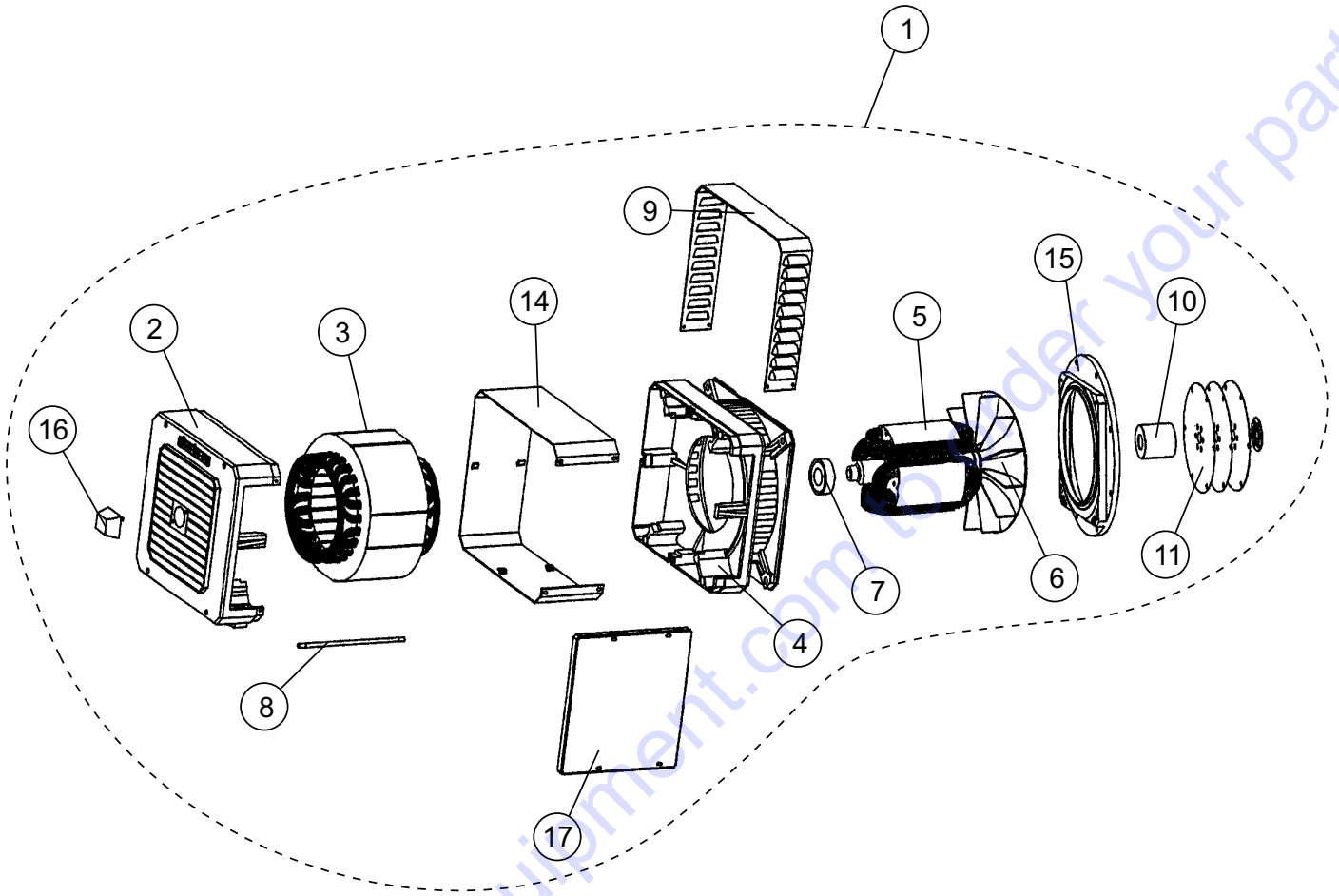


**GENERATOR/ENGINE MOUNTING ASSY. (DEUTZ/LOMBARDINI S/N 904548 AND ABOVE)**

<u>NO.</u>	<u>PART NO.</u>	<u>PART NAME</u>	<u>QTY.</u>	<u>REMARKS</u>
1	49003	MOUNT, REAR ENGINE	2	
2	17099	SCREW, HHC M12-1.75 X 20 ZN, DIN933	4	
3	5054 A	WASHER, LOCK 1/2 MED	4	
4	8156	SCREW, HHC 3/8-16 X 2 1/2	4	
5	0655	SCREW, HHC 5/16-18 X 3/4	8	
6	29269	MOUNT, VIBRATORY ENGINE	4	
7	19470	WASHER, FLAT 5/16 USS	8	
8	5283	NUT, NYLOC 5/16-18	8	
9	29043001	WHEEL, POINTER .411Dx2.00OD C.SAW	4	
10	10133	NUT, NYLOC 3/8-16	4	
11	1456	NUT, HEX FINISH 3/8-16	6	
12	1023	SCREW, HHC 3/8-16 X 1 1/4 GR 5	8	
13	0166 A	WASHER, LOCK, 3/8 MED.	14	
14		MOUNT, FRONT ENGINE.....	1	SUPPLIED BY VENDOR
15		SCREW.....	2	SUPPLIED BY VENDOR

Go to Discount-Equipment.com to order your parts

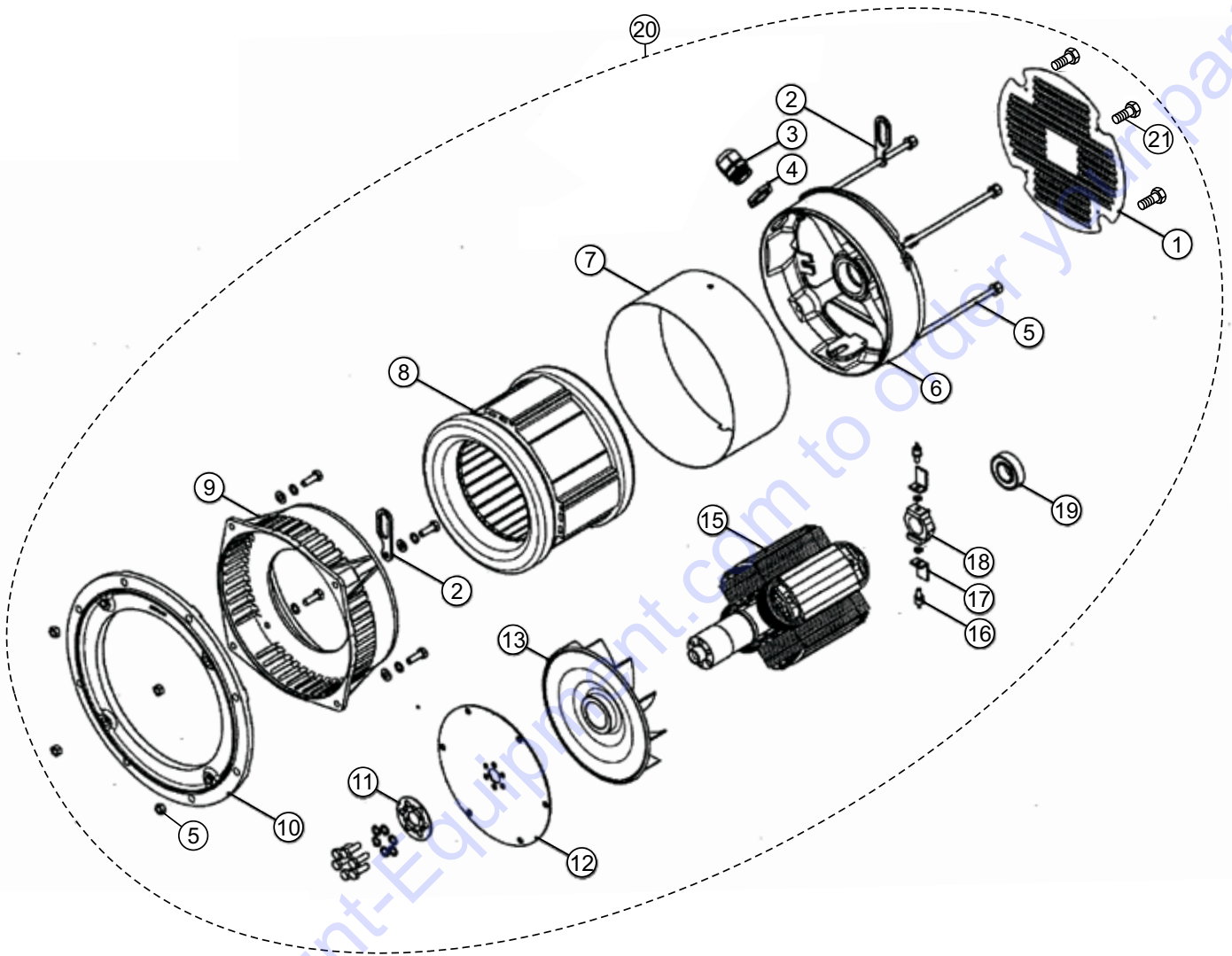
# GENERATOR ASSY. (S/N 902148 AND BELOW)



## GENERATOR ASSY. (S/N 902148 AND BELOW)

NO.	PART NO.	PART NAME	QTY.	REMARKS
1		GENERATOR ASSY.....	1.....	NO LONGER AVAILABLE. .....CONTACT DISCOUNT-EQUIPMENT .....REPLACEMENT PARTS .....INCLUDES ITEMS W/#
2#	0390302207	COVER, REAR	1	
3#	4500491504	STATOR 130/4	1	
4#	0391700135	COVER, FRONT	1	
5#	4500561290	ROTOR 130/4.....	1.....	INCLUDES ITEMS W/%
6#%		FAN	1	
7#%		BEARING, REAR	1	
8#		BOLT, COVER SECURING.....	4.....	OBTAIN LOCALLY
9#	0390601031	BAND, PROTECTION IP23	1	
10#%		HUB, COUPLING	1	
11#	6110611180	DISC PLATE SAE 6,5	3	
11#	6110611182	DISC PLATE SAE 7,5	3	
14#	9909512155	LOCKING BAND, PLASTIC 130/4	1	
14#	9903905132	LOCKING BAND, METAL 130/4	1	
15#	6102332037	FLANGE, INTERCHANGEABLE	1	
16#	0391802005	PLUG, TERMINAL BOX	1	
17#	9910359005	DIODE .....	1.....	NOT SHOWN

# GENERATOR ASSY. (S/N 902149 AND ABOVE)

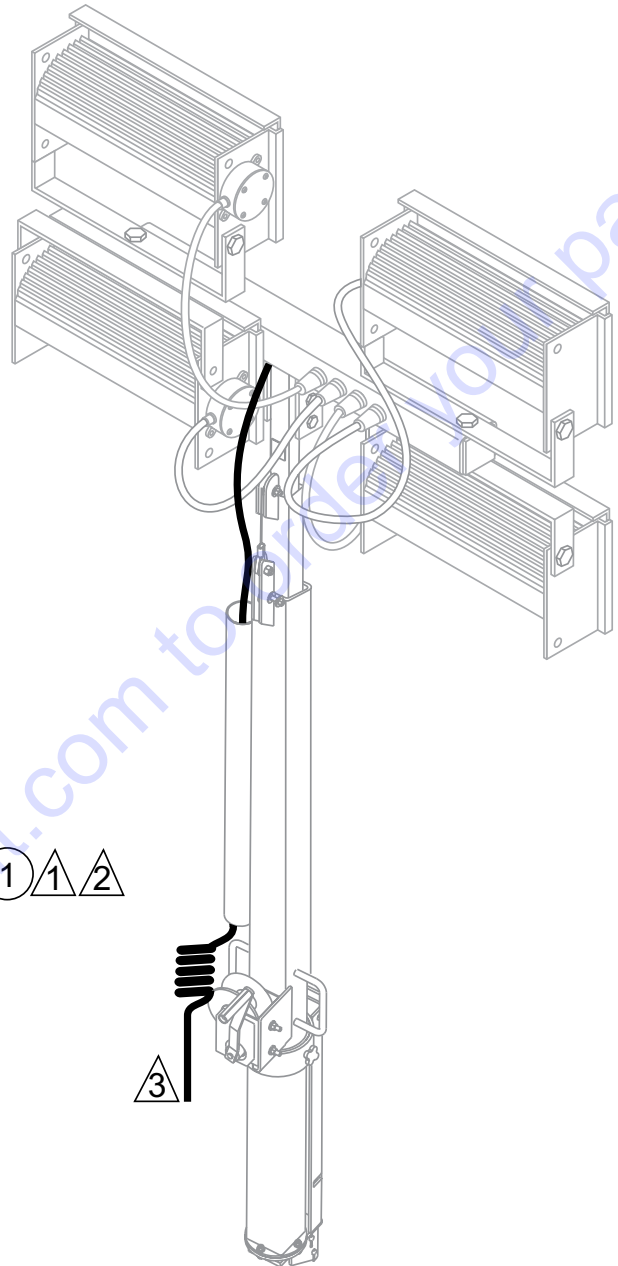
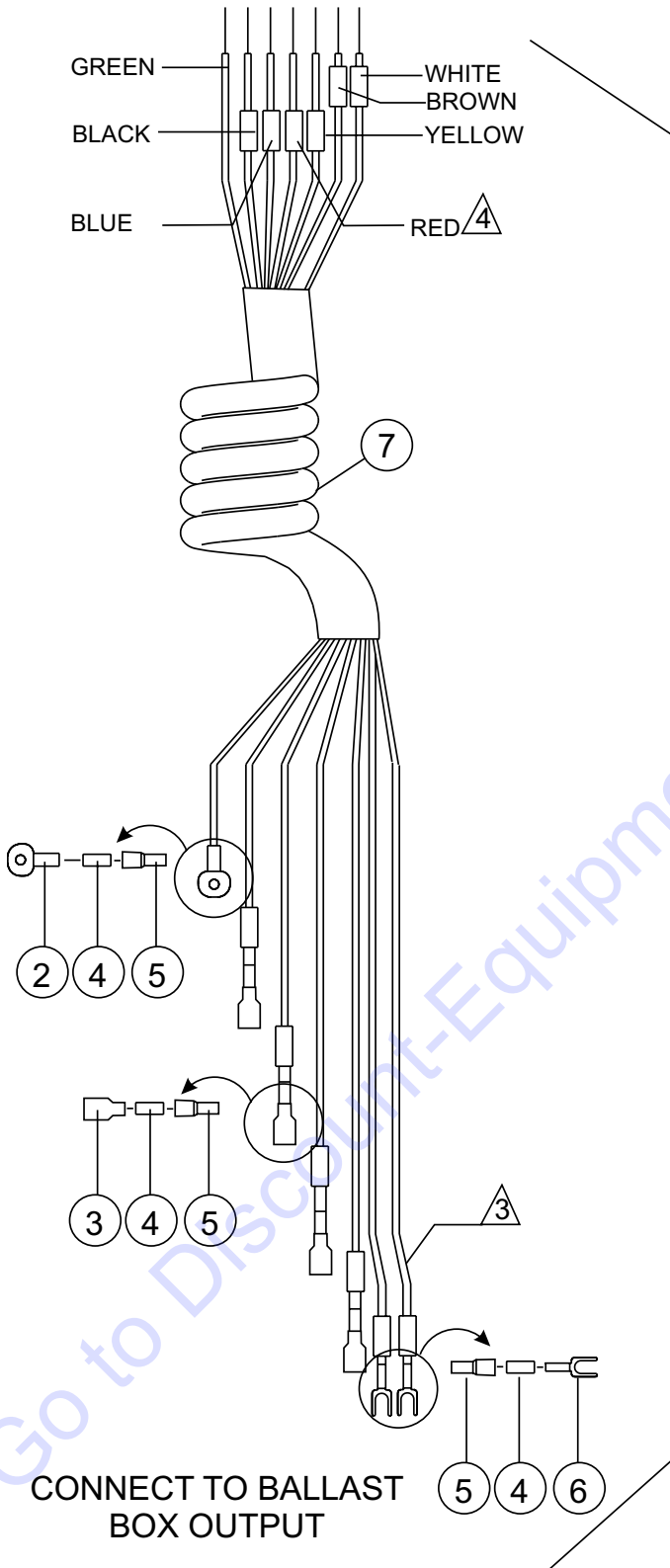


## GENERATOR ASSY. (S/N 902149 AND ABOVE)

<u>NO.</u>	<u>PART NO.</u>	<u>PART NAME</u>	<u>QTY.</u>	<u>REMARKS</u>
1%	9903905068	REAR SEAL	1	
2%	9903905069	LIFTING HOOK	2	
3%	9909510155	PG21 CABLE GLAND	1	
4%	9909510195	PG21 NUT	1	
5%	GELT3100ROD	COVER STAY BOLT AND NUT	4	
6%	6102204175	NON-DRIVE END BRACKET	1	
7%	GELT3ENCBAND	ENCLOSING BAND	1	
8%	GELT3100STATOR60	WOUND STATOR AND FRAME	1	
9%	6102208192	DRIVE END BRACKET	1	
10%	6102208193	INTERCHANGEABLE FLANGE	1	
11%	6110611508	RING SPACER	1	
12%	GEECO3DISC65	FLEXIBLE DISC	1	
13%	7502223039	FAN	1	
15%	GELT3100ROTOR60	ROTOR ASSY	1	
16%	9910359005	DIODES	2	
17%	7501001015	HEAT SINK, ROTATING DIODE BRIDGE	2	
18%	9909527011	SUPPORT, ROTATING DIODE BRIDGE	1	
19%	9900905055	REAR BEARING 6205-2RS	1	
20	29895	GENERATOR LT3.....	1	INCLUDES ITEMS W/%
21%	29895SCREW	COVER SCREWS, SET OF 3	1	

# COIL CORD ASSY.

CONNECT TO T-BAR ASSEMBLY



## NOTES:

- ① ITEM 1, P/N 29433 (7-WIRE COIL CORD ASSY.), REPLACES P/N 19955 (6-WIRE COIL CORD ASSY.).
- ② WHEN REPLACING 6-WIRE COIL CORD REFERENCE ELECTRICAL SCHEMATIC DIAGRAM IN OPERATION MANUAL OR CONTACT DISCOUNT-EQUIPMENT.
- ③ CONNECT THIS END OF COIL CORD ASSY. TO BALLAST BOX. REFERENCE ELECTRICAL SCHEMATIC DIAGRAM IN OPERATION MANUAL.
- ④ CONNECT THIS END OF COIL CORD ASSY. TO T-BAR ASSY. REFERENCE ELECTRICAL SCHEMATIC DIAGRAM IN OPERATION MANUAL.

**COIL CORD ASSY.**

---

<u>NO.</u>	<u>PART NO.</u>	<u>PART NAME</u>	<u>QTY.</u>	<u>REMARKS</u>
1	29433	COIL CORD ASSY.....	1	INCLUDES ITEMS W/#
2#	3254	TERMINAL, RING 16-14 3/8	1	
3#	11947	TERMINAL, FEM 16-14 PUSH-ON, INS	4	
4#	19687	CRIMP, SLEEVE (30-410)	7	
5#	19688	INSULATOR, SPLICE CAP	7	
6#	19957	TERMINAL, SPADE 16-14, #10 INS	2	
7#	49030	COIL CORD , 600V, 7-WIRE	1	

Go to Discount-Equipment.com to order your parts

# PARTS FINDER

**Search Website  
by Part Number**



**Search Manual  
Library For Parts  
Manual & Lookup Part  
Numbers – Purchase  
or Request Quote**

**Search Manuals**

Enter your information to help us find the right parts manual for your equipment.

\* Brand:

\* Model:

\* Serial:

\* Part Number:

SEARCH

**Can't Find Part or  
Manual? Request Help  
by Manufacturer,  
Model & Description**

**Parts Order Form**

Please fill in the following information to help us find the right part for your equipment.

Manufacturer:	<input type="text"/>
Model:	<input type="text"/>
Description:	<input type="text"/>
Part Number:	<input type="text"/>
Quantity:	<input type="text"/>
Notes:	<input type="text"/>

Discount-Equipment.com is your online resource for quality parts & equipment.

Florida: **561-964-4949** Outside Florida TOLL FREE: **877-690-3101**

**Need parts?**

Click on this link: <http://www.discount-equipment.com/category/5443-parts/> and choose one of the options to help get the right parts and equipment you are looking for. Please have the machine model and serial number available in order to help us get you the correct parts. If you don't find the part on the website or on one of the online manuals, please fill out the request form and one of our experienced staff members will get back to you with a quote for the right part that your machine needs.

We sell worldwide for the brands: Genie, Terex, JLG, MultiQuip, Mikasa, Essick, Whiteman, Mayco, Toro Stone, Diamond Products, Generac Magnum, Airman, Haulotte, Barreto, Power Blanket, Nifty Lift, Atlas Copco, Chicago Pneumatic, Allmand, Miller Curber, Skyjack, Lull, Skytrak, Tsurumi, Husquvarna Target, Stow, Wacker, Sakai, Mi-T-M, Sullair, Basic, Dynapac, MBW, Weber, Bartell, Bennar Newman, Haulotte, Ditch Runner, Menegotti, Morrison, Contec, Buddy, Crown, Edco, Wyco, Bomag, Laymor, EZ Trench, Bil-Jax, F.S. Curtis, Gehl Pavers, Heli, Honda, ICS/PowerGrit, IHI, Partner, Imer, Clipper, MMD, Koshin, Rice, CH&E, General Equipment, Amida, Coleman, NAC, Gradall, Square Shooter, Kent, Stanley, Tamco, Toku, Hatz, Kohler, Robin, Wisconsin, Northrock, Oztec, Toker TK, Rol-Air, APT, Wylie, Ingersoll Rand / Doosan, Innovatech, Con X, Ammann, Mecalac, Makinex, Smith Surface Prep, Small Line, Wanco, Yanmar