



A TEREX BRAND

Parts Manual

Serial Number Range

GS-4047

from SN GS4716P-101

to SN GS4716P-999

from SN GS47P-1000

Part No. 1273857GT

Rev: B.07

May 2023



www.discount-equipment.com

PARTS FINDER

**Search Website
by Part Number**



**Search Manual
Library For Parts
Manual & Lookup Part
Numbers – Purchase
or Request Quote**

Search Manuals

Enter your information to help us find the right parts manual for your machine.

* Brand:

* Model:

* Serial:

* Part Number:

SEARCH

**Can't Find Part or
Manual? Request Help
by Manufacturer,
Model & Description**

Parts Order Form

Please fill in the following information to help us find the right part for your machine.

Manufacturer:	<input type="text"/>
Model:	<input type="text"/>
Description:	<input type="text"/>
Part Number:	<input type="text"/>
Quantity:	<input type="text"/>
Notes:	<input type="text"/>

Discount-Equipment.com is your online resource for quality parts & equipment.

Florida: **561-964-4949** Outside Florida TOLL FREE: **877-690-3101**

Need parts?

Click on this link: <http://www.discount-equipment.com/category/5443-parts/> and choose one of the options to help get the right parts and equipment you are looking for. Please have the machine model and serial number available in order to help us get you the correct parts. If you don't find the part on the website or on one of the online manuals, please fill out the request form and one of our experienced staff members will get back to you with a quote for the right part that your machine needs.

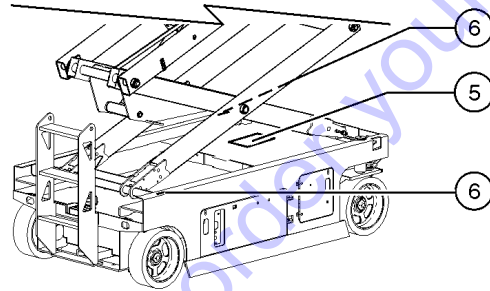
We sell worldwide for the brands: Genie, Terex, JLG, MultiQuip, Mikasa, Essick, Whiteman, Mayco, Toro Stone, Diamond Products, Generac Magnum, Airman, Haulotte, Barreto, Power Blanket, Nifty Lift, Atlas Copco, Chicago Pneumatic, Allmand, Miller Curber, Skyjack, Lull, Skytrak, Tsurumi, Husquvarna Target, Stow, Wacker, Sakai, Mi-T-M, Sullair, Basic, Dynapac, MBW, Weber, Bartell, Bennar Newman, Haulotte, Ditch Runner, Menegotti, Morrison, Contec, Buddy, Crown, Edco, Wyco, Bomag, Laymor, EZ Trench, Bil-Jax, F.S. Curtis, Gehl Pavers, Heli, Honda, ICS/PowerGrit, IHI, Partner, Imer, Clipper, MMD, Koshin, Rice, CH&E, General Equipment, Amida, Coleman, NAC, Gradall, Square Shooter, Kent, Stanley, Tamco, Toku, Hatz, Kohler, Robin, Wisconsin, Northrock, Oztec, Toker TK, Rol-Air, APT, Wylie, Ingersoll Rand / Doosan, Innovatech, Con X, Ammann, Mecalac, Makinex, Smith Surface Prep, Small Line, Wanco, Yanmar

To August 31, 2016

Genie
A TEREX BRAND

Model:
Serial number: GS4716P-123456
Manufacture date: 1/2/16 Model year: 2016
Electrical schematic number:
Machine unladen weight:
Rated work load (including occupants):
Maximum number of platform occupants:
Maximum allowable inclination of the chassis:
Outrigger retracted:
Outrigger deployed:

GS47 16 P - 123456
1 2 3 4



- 1 Model
- 2 Model year
- 3 Facility code

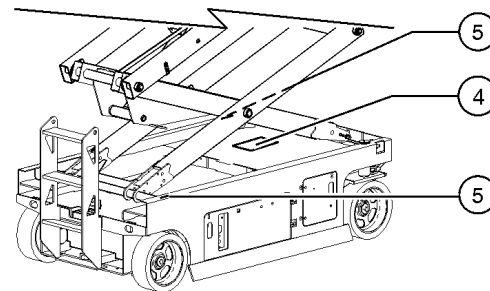
- 4 Sequence number
- 5 Serial label (located on chassis)
- 6 Serial number (stamped on chassis)

From September 1, 2016

Genie
A TEREX BRAND

Model:
Serial number: GS47P-123456
Year of manufacture: 2016
Electrical schematic number:
Machine unladen weight:
Rated work load (including occupants):
Maximum number of platform occupants:
Maximum allowable inclination of the chassis:
Outrigger retracted:
Outrigger deployed:

GS47 P - 123456
1 2 3



- 1 Model
- 2 Facility code
- 3 Sequence number

- 4 Serial label (located on chassis)
- 5 Serial number (stamped on chassis)

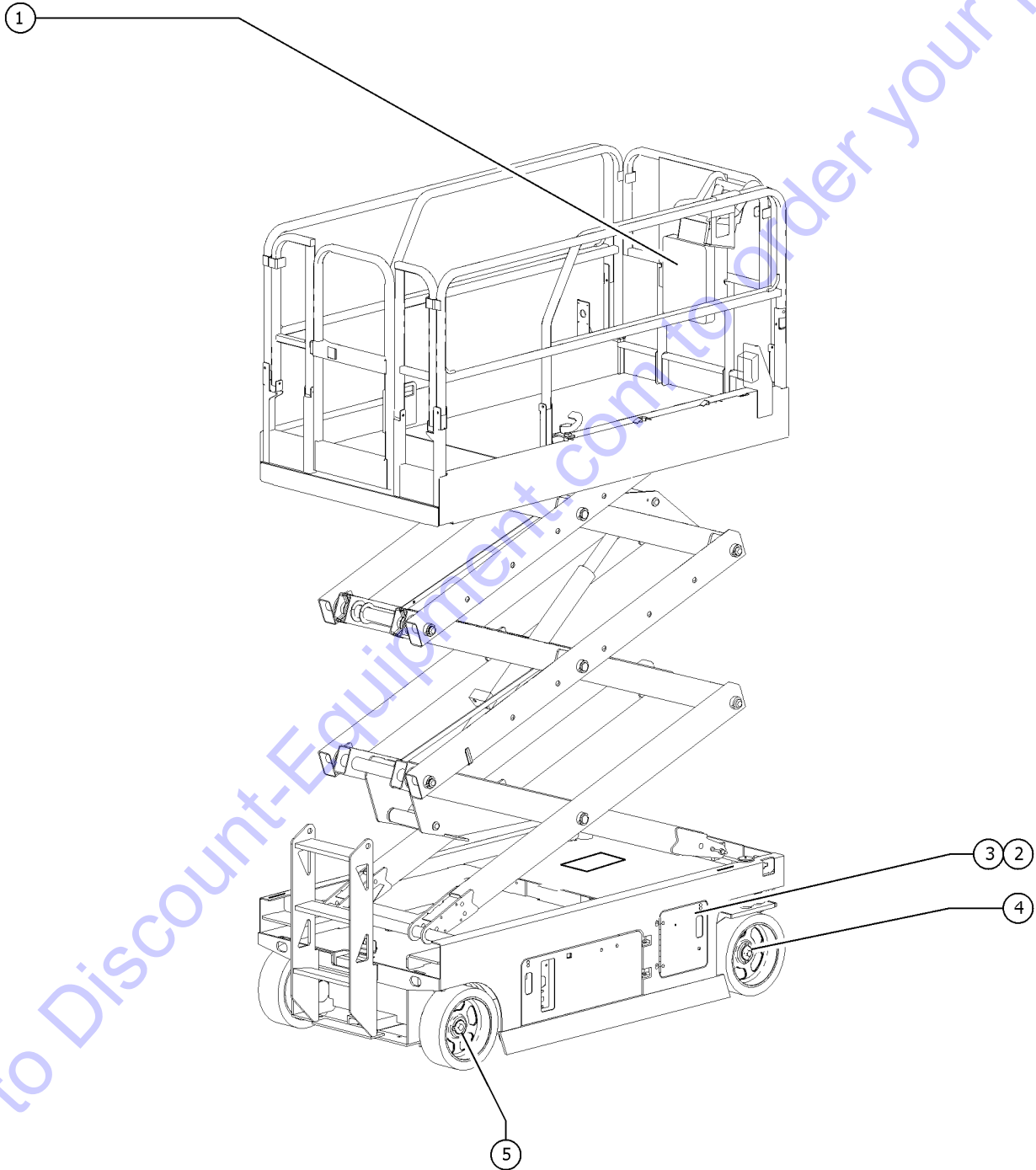
Description	Page
001 Parts Stocking List	10
001.1 Parts Stocking List	10
100 Decals	12
101.1 Word Decals, Battery Side	12
102.1 Word Decals, Ground Control Side	14
102.2 Word Decals, Ground Control Side	16
103.1 Word Decals, Platform	18
104.1 Symbol Decals, Battery Side	20
105.1 Symbol Decals, Ground Control Side	22
105.2 Symbol Decals, Ground Control Side	24
106.1 Symbol Decals, Platform	26
200 Drive Chassis Components	28
201.1 Steer Linkage and Wheels	28
202.1 Non-Steer Axle Installation	30
203.1 Level Sensor Installation	32
204.1 Pot Hole Protection Assembly	34
205.1 Battery Pack Tray	38
206.1 Battery Charger (to SN 2645)	40
206.2 Battery Charger (from SN 2646)	42
207.1 Power Unit Module	44
208.1 Ground Controls	46
209.1 Electrical Wiring	50
209.2 Electrical Wiring	54
210.1 Power Cables	58
211.1 Accumulator, Lift Pressure Select and Function Manifolds	60
300 Scissor Components	62
301.1 Scissor Assembly Installation	62
302.1 Scissor Assembly	64
303.1 Scissor Assembly, Hose Clamps	70
400 Platform Components	72
401.1 Platform Components	72
402.1 Power to Platform	78
403.1 Platform Controls	80
404.1 Joystick Controller Metal Base	82
404.2 Joystick Controller Plastic Base	84
500 Hydraulic Components	86

Table of Contents

Description	Page
501.1 Hydraulic Components	86
502.1 Function Manifold	88
503.1 Brake Release Hand Pump Manifold	92
504.1 Hydraulic Power Unit	94
505.1 Lift Cylinder Assemblies	96
506.1 Hydraulic Hoses and Fittings	98
600 Accessories	102
601.1 Alarm, Horn and Flashing Beacons	102
602.1 Air Line to Platform	104
603.1 RCBO	106
604.1 Voltage Inverter	108
605.1 Lift Guard Contact Alarm, View-1 (to SN GS47P-3306)	110
605.2 Lift Guard Contact Alarm, View-1 (from SN GS47P-3307)	112
606.1 Lift Guard Contact Alarm, View-2 (to SN GS47P-3306)	114
606.2 Lift Guard Contact Alarm, View-2 (from SN GS47P-3307)	116
607.1 Telematics Option	118
Part Number Index	120

Go to Discount-Equipment.com to order your parts

001.1 Parts Stocking List



Item	Part No.	Description	Qty.
A-	66399GT	GREASE,DIELECTRIC 4 OZ**	
B-		Ref. CHEVRON ULTRA-DUTY GREASE (LITHIUM), OR EQUIVALENT, EP NLGI 1 (source locally)	
C-	1484GT	PAINT,AEROSOL,BRIGHT BLUE***	
		12-ounce spray paint	
D-	1268GT	PAINT,AEROSOL,GENIE GRAY***	
		12-ounce spray paint	
E-	49613GT	PLUG AND CAP KIT-SERVICE,ORFS*	
1A	27581GT	MANUAL, EMI SAFETY	
1B	1298933GT	MANUAL, SAIA MANUAL OF RESPONSIBILITIES, MEWP	1
2	44788GT	FILTER ELEMENT-10MICRON, PAPER*	
3	78546GT	BREATHER CAP, HYD. TANK, 1/4 NPT	
4	13635-10GT	PIN,COTTER,.156 X 1.75	
5	42079GT	PIN,COTTER,.156 X 2.5	

Go to Discount-Equipment.com to order your parts



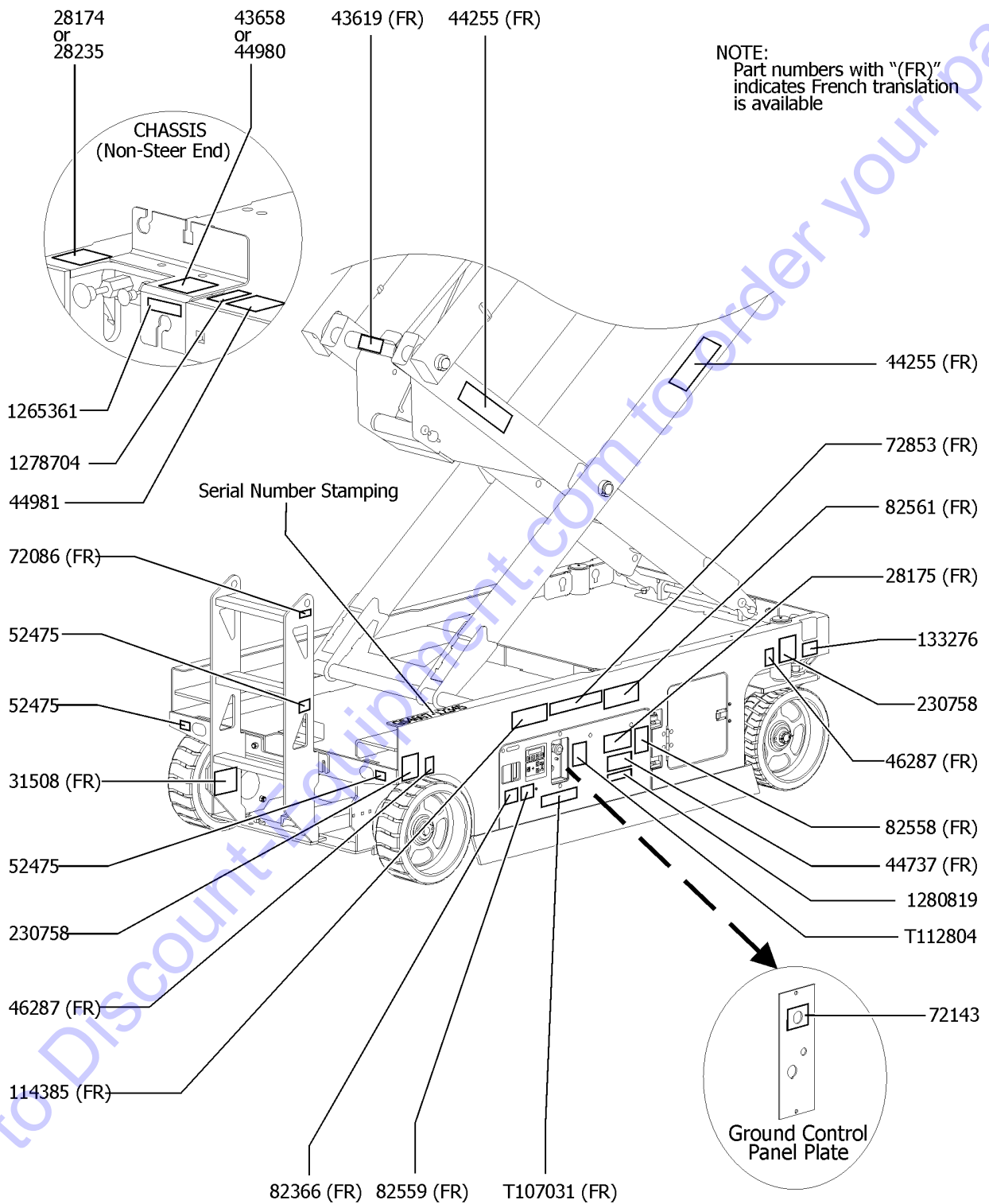
101.1 Word Decals, Battery Side

Item	Part No.	Description	Qty.
1	31060GT	DECAL,DANGER DO NOT ALTER SWTC	1
2	31788GT	DECAL,DANGER,BATTERY SAFETY***	1
3	44255GT	DECAL,DANGER,CRUSHING HAZARD	2
4	44737GT	DECAL,DANGER,TIP-OVER,TRAYS	1
5	46287GT	DECAL,LABEL-TIRE SPECS	2
6	52475GT	DECAL LABEL TRANSPORT TIE DOWN*	4
7	72086GT	DECAL,LABEL,LIFTING EYE	3
8	72970GT	DECAL,INSTRUCTIONS-CHARGER OP	1
9	82561GT	DECAL,DANGER-USE SAFETY ARM	1
10	114361GT	DECAL,SYM-TIP-OVER,LIM SWITCH	2
11	114385GT	DECAL,DANGER,ELEC HAZARD,GS	1
12	214864GT	ECAL,BATTERY CONNECTION,GS-4047	1
13	214867GT	DECAL,BATT. TRAY/WEIGHT,GS-4047	1
14	230758GT	DECAL,LABEL,WHEEL LOAD,GS-4047	2
15	T107029GT	DECAL DANGER BRAKE REL SAFETY	1
16	1272242GT	DECAL,MACHINE REGISTRATION/OWNER TRANSFER	1

Go to Discount-Equipment.com to order your parts

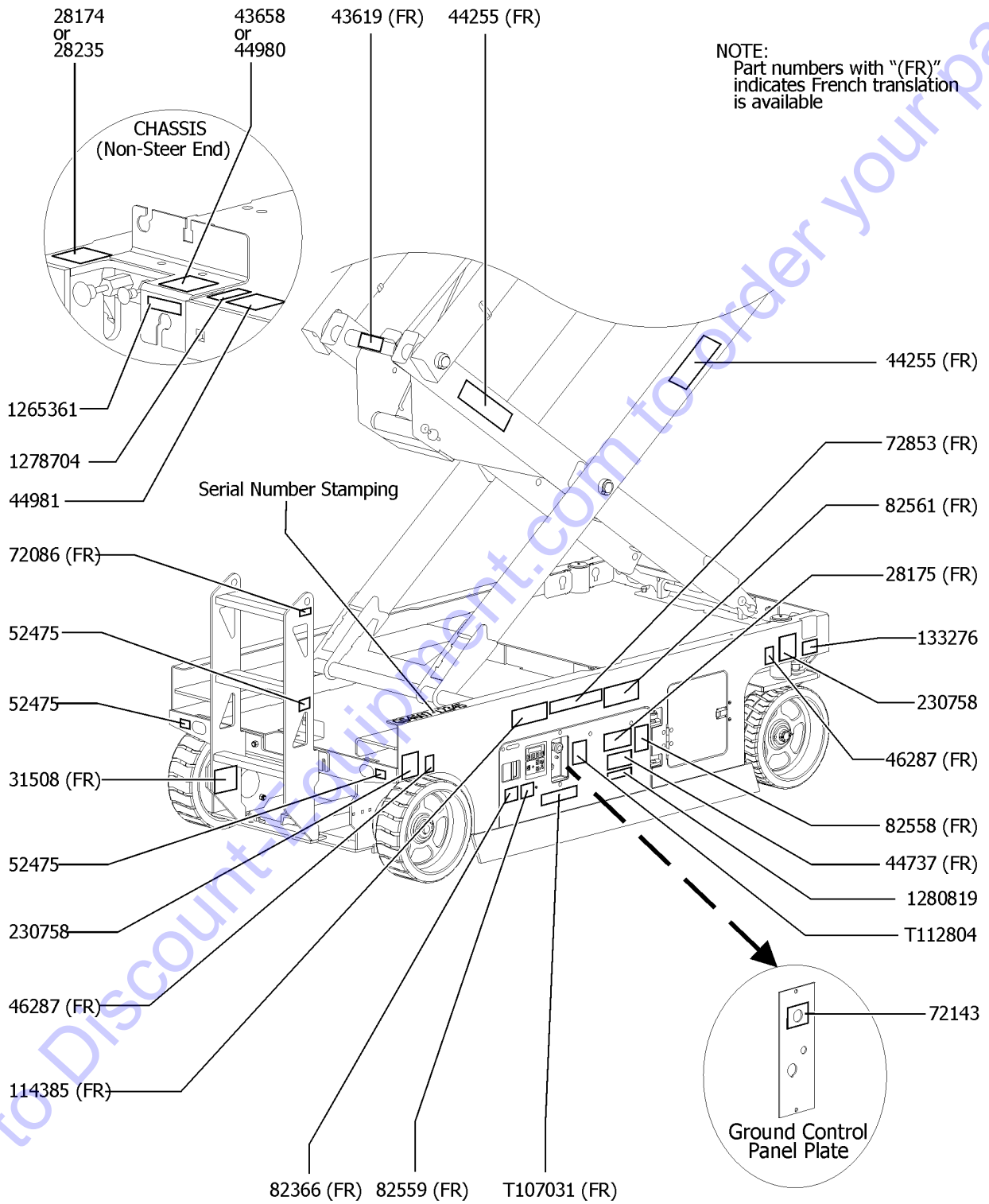


102.1 Word Decals, Ground Control Side



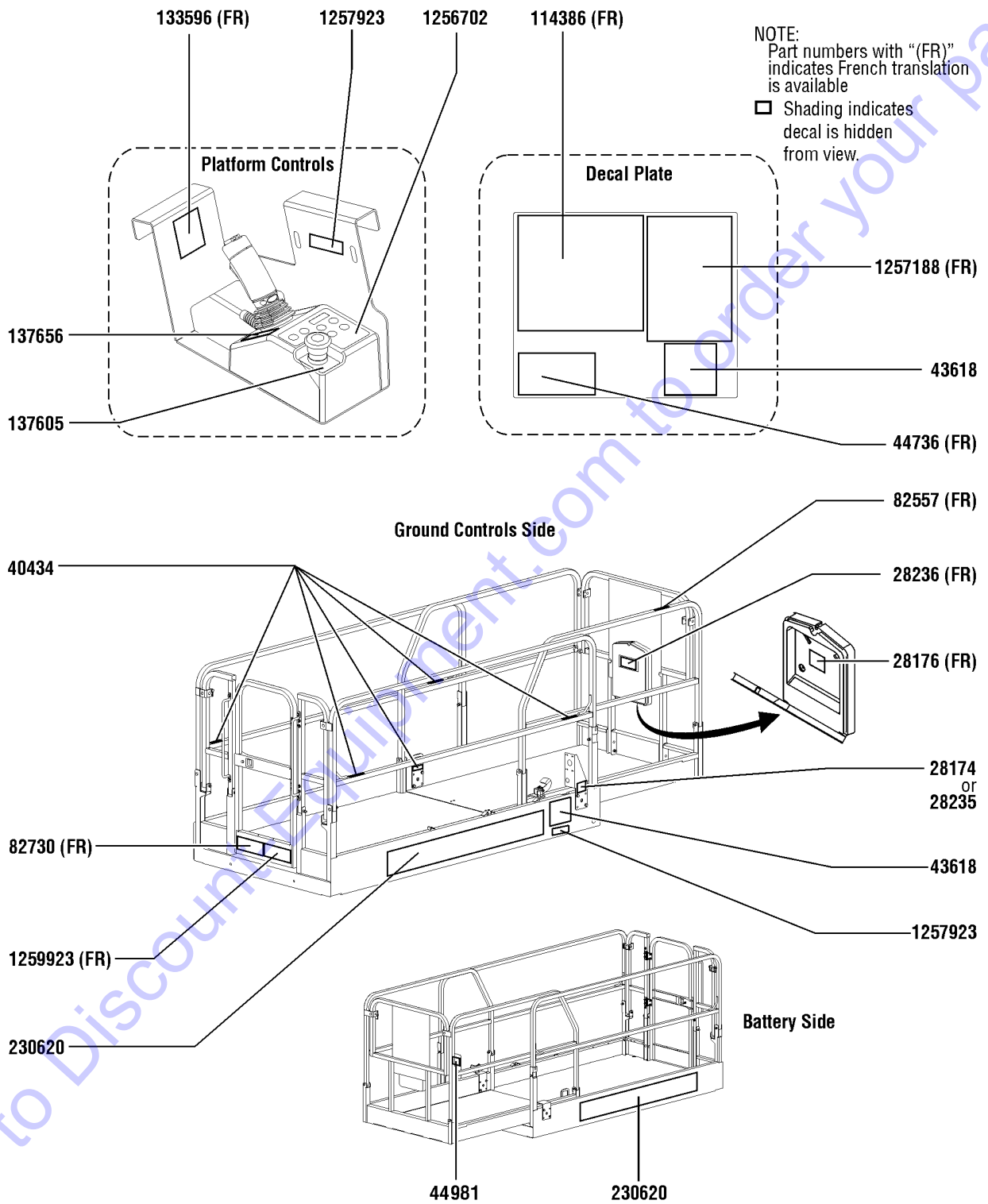
Item	Part No.	Description	Qty.
1	28174GT	DECAL, POWER TO PLATFORM 230V** Option, power to platform	1
2	28175GT	DECAL,WARNING-COMPART ACCESS	1
3	28235GT	DECAL, POWER TO PLATFORM 115V** Option, power to platform	1
4	31508GT	DECAL,DANGER,ELECT HAZARD,PLUG	1
5	43619GT	DECAL LABEL SAFETY ARM	1
6	43658GT	DECAL, LABEL, PWR TO CHARGER 230 EU Option, power to charger	1
7	44255GT	DECAL,DANGER,CRUSHING HAZARD	2
8	44737GT	DECAL,DANGER,TIP-OVER,TRAYS	1
9	44980GT	DECAL, LABEL, PWR TO CHARGER 115 UK Option, power to charger	1
10	44981GT	DECAL LABEL AIRLINE 110PSI Option, airline to platform	1
11	46287GT	DECAL,LABEL-TIRE SPECS	2
12	52475GT	DECAL LABEL TRANSPORT TIE DOWN*	3
13	72086GT	DECAL,LABEL,LIFTING EYE	1
14	72143GT	DECAL, EMERGENCY STOP, GR	1
15	72853GT	DECAL,DANGER,IMPROPER USE HAZ.	1
16	82366GT	DECAL,CHEVRON RANDO HD Option, hydraulic oil	1
17	82558GT	DECAL,SKIN INJECTION	1
18	82559GT	DECAL,INSTRUCT-ANNUAL INSP REQ	1
19	82561GT	DECAL,DANGER-USE SAFETY ARM	1
20	114385GT	DECAL,DANGER,ELEC HAZARD,GS	1
21	133276GT	DECAL,EMERGENCY LOWERING	1
22	230758GT	DECAL,LABEL,WHEEL LOAD,GS-4047	2
23	T107031GT	DECAL,OP INST,GCON	1
24	T112804GT	DECAL,GCON PANEL,GS	1

102.2 Word Decals, Ground Control Side



Item	Part No.	Description	Qty.
1	28174GT	DECAL, POWER TO PLATFORM 230V** Option, power to platform	1
2	28175GT	DECAL,WARNING-COMPART ACCESS	1
3	28235GT	DECAL, POWER TO PLATFORM 115V** Option, power to platform	1
4	31508GT	DECAL,DANGER,ELECT HAZARD,PLUG	1
5	43619GT	DECAL LABEL SAFETY ARM	1
6	43658GT	DECAL, LABEL, PWR TO CHARGER 230 EU Option, power to charger	1
7	44255GT	DECAL,DANGER,CRUSHING HAZARD	2
8	44737GT	DECAL,DANGER,TIP-OVER,TRAYS	1
9	44980GT	DECAL, LABEL, PWR TO CHARGER 115 UK Option, power to charger	1
10	44981GT	DECAL LABEL AIRLINE 110PSI Option, airline to platform	1
11	46287GT	DECAL,LABEL-TIRE SPECS	2
12	52475GT	DECAL LABEL TRANSPORT TIE DOWN*	3
13	72086GT	DECAL,LABEL,LIFTING EYE	1
14	72143GT	DECAL, EMERGENCY STOP, GR	1
15	72853GT	DECAL,DANGER,IMPROPER USE HAZ.	1
16	82366GT	DECAL,CHEVRON RANDO HD Option, hydraulic oil	1
17	82558GT	DECAL,SKIN INJECTION	1
18	82559GT	DECAL,INSTRUCT-ANNUAL INSP REQ	1
19	82561GT	DECAL,DANGER-USE SAFETY ARM	1
20	114385GT	DECAL,DANGER,ELEC HAZARD,GS	1
21	133276GT	DECAL,EMERGENCY LOWERING	1
22	230758GT	DECAL,LABEL,WHEEL LOAD,GS-4047	2
23	T107031GT	DECAL,OP INST,GCON	1
24	T112804GT	DECAL,GCON PANEL,GS	1
25	1265361GT	DECAL, BATTERY CHARGER INDICAT from SN GS47P-1639 to GS47P-2436	1
26	1278704GT	DECAL,CHARGE STATUS IND. from SN GS47P-2347	1
27	1280819GT	DECAL,WARNING,CANCER AND REPRODUCTIVE HARM, PROP 65 (US only ANSI from SN P-2748)	1

103.1 Word Decals, Platform



Go to DiscountFurniture.com to order your parts

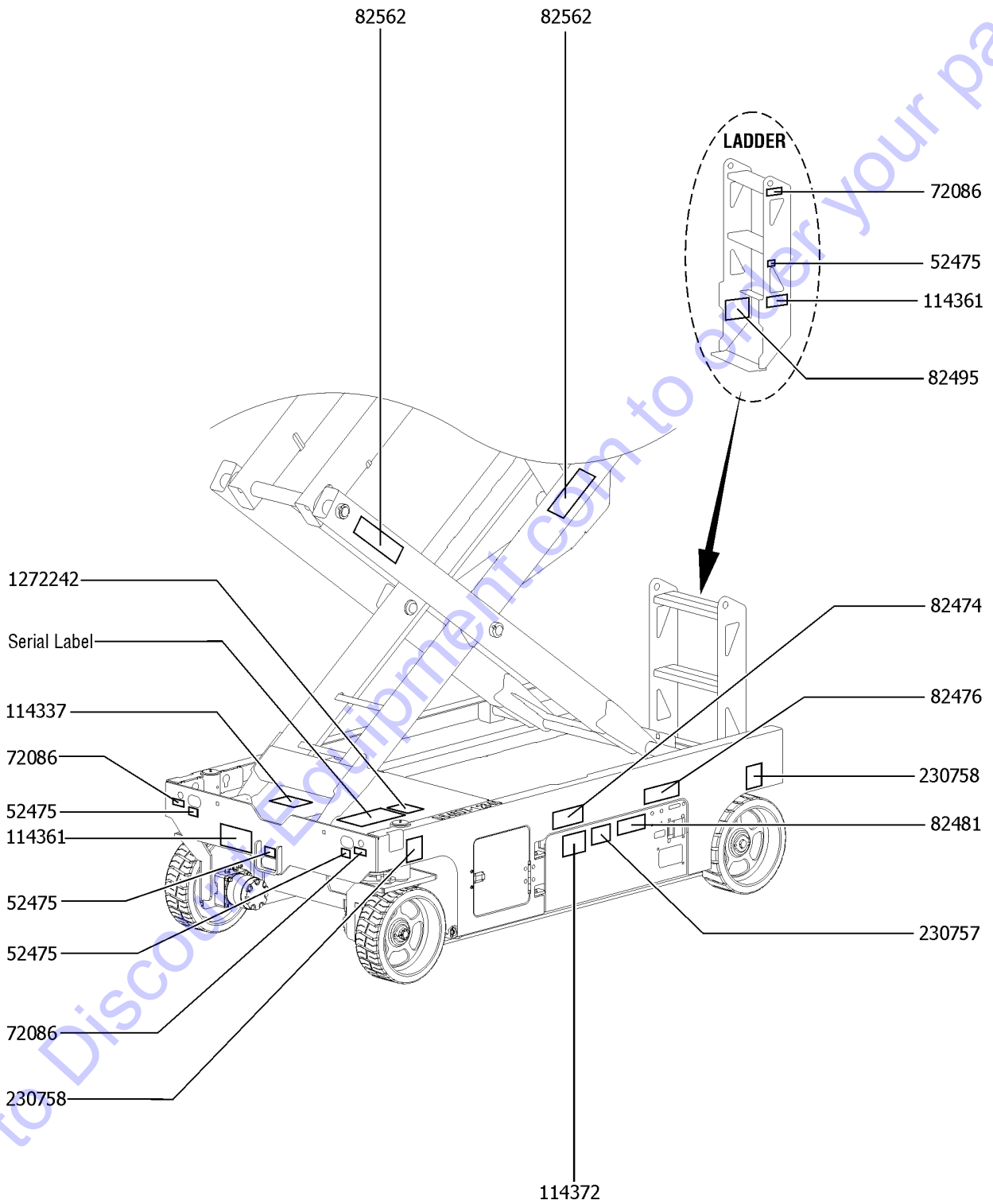
103.1 Word Decals, Platform

Item	Part No.	Description	Qty.
1	28174GT	DECAL, POWER TO PLATFORM 230V** Option, power to platform	1
2	28176GT	DECAL,LABEL,MANUAL NOT HERE	1
3	28235GT	DECAL, POWER TO PLATFORM 115V** Option, power to platform	1
4	28236GT	DECAL,WARN,IMPROPER OPERATION	1
5	40434GT	DECAL,LANYARD ANCHORAGE POINT	5
6	43618GT	DECAL, LABEL - DIRECTION ARROWS	2
7	44736GT	DECAL,DANGER,TIP-OVER,TILT	1
8	44981GT	DECAL LABEL AIRLINE 110PSI Option, airline to platform	1
9	82557GT	DECAL,LABEL,PLAT CONT LOCATION	1
10	82730GT	DECAL,INSTR-SIDE FRC,ANSI 3246	1
11	114386GT	DECAL,DANGER-GEN SAFETY	1
12	133596GT	DECAL,LABEL,FAULT CODES	1
13	137605GT	DECAL,E-STOP, GR/GRC/GS PCON	1
14	137656GT	DECAL, PROPEL, GR/GRC/GS, PCON	1
15	230620GT	DECAL,COSMETIC,GS-4047	2
16	1256702GT	DECAL, UI, GS/GR, PROP LIFT	1
17	1257188GT	DECAL,OP INST,PLAT,GS46 ANSI	1
18	1257923GT	DECAL, SMARTLINK PROPORTIONAL	2
19	1259923GT	DECAL,INSTR-MAX CAP, 4047	1

Go to Discount-Equipment.com to order your parts



104.1 Symbol Decals, Battery Side



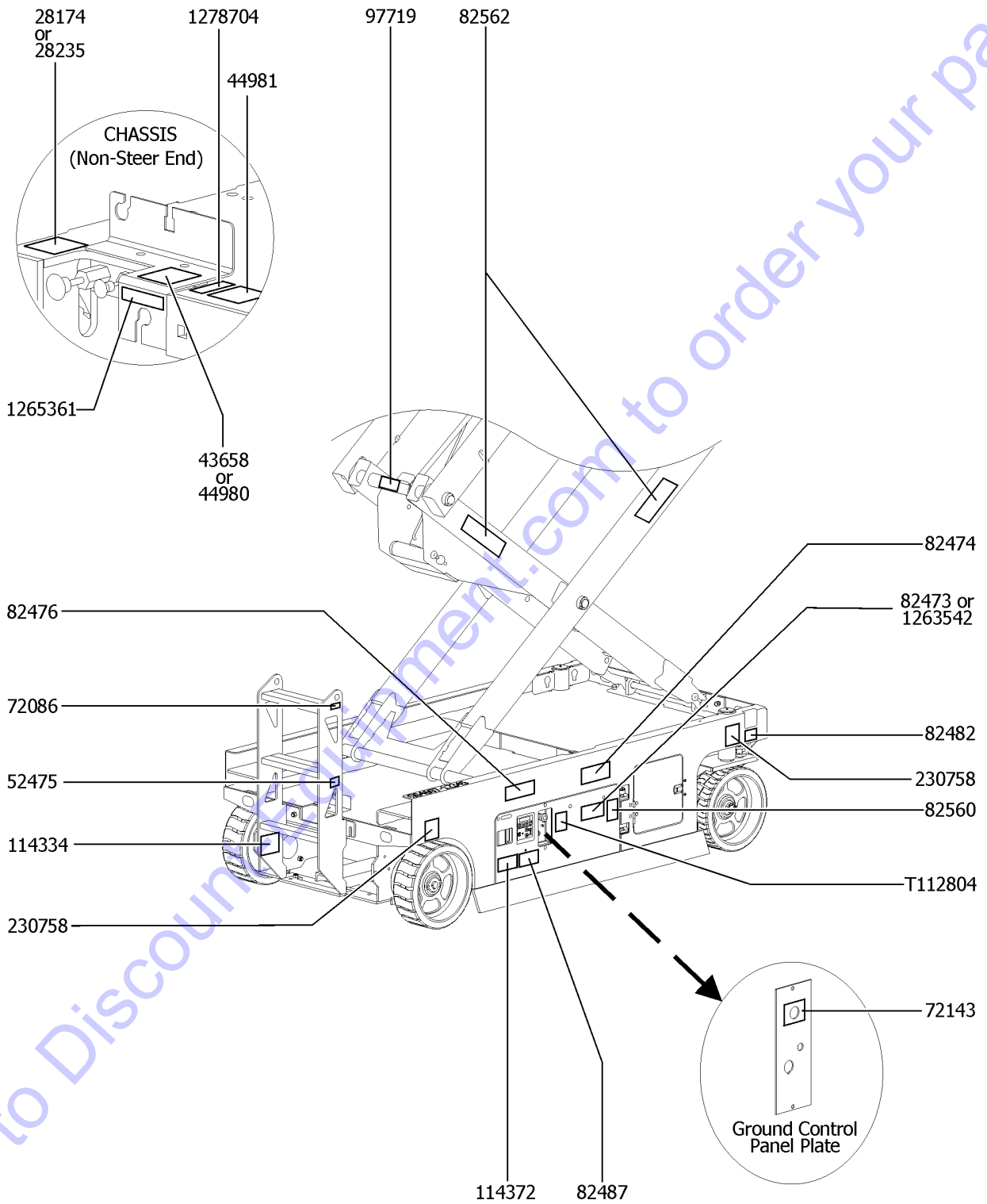
104.1 Symbol Decals, Battery Side

Item	Part No.	Description	Qty.
A	1261982GT	DECAL KIT, SYM, PLAT, ANSI Decal kit, Platform (symbol)	
B	1261998GT	OPTION, SYM DECALS, ANSI, 4047 Decal Kit, Complete (symbol)	
1	52475GT	DECAL LABEL TRANSPORT TIE DOWN*	4
2	72086GT	DECAL, LABEL, LIFTING EYE	3
3	82474GT	DECAL SYMBOL USE SAFETY ARM	1
4	82476GT	DECAL, SYMBOL-ELEC HAZARD, GS	1
5	82481GT	DECAL SYMBOL BATTERY SAFETY	1
6	82495GT	DECAL, LABEL, FORKLIFT POCKET	1
7	82562GT	DECAL, SYMBOL-CRUSHING HAZARD	2
8	114337GT	DECAL SYMBOL TIP OVER LIMIT SWITCH	1
9	114361GT	DECAL, SYM-TIP-OVER, LIM SWITCH	2
10	114372GT	DECAL SYMBOL TIP OVER TRAYS	1
11	230757GT	DECAL, SYM, TIPOVER, BATT, GS-4047	1
12	230758GT	DECAL, LABEL, WHEEL LOAD, GS-4047	2
13	1272242GT	DECAL, MACHINE REGISTRATION/OWNER TRANSFER	1

Go to Discount-Equipment.com to order your parts



105.1 Symbol Decals, Ground Control Side



Go to DiscountEquipment.com to order your parts

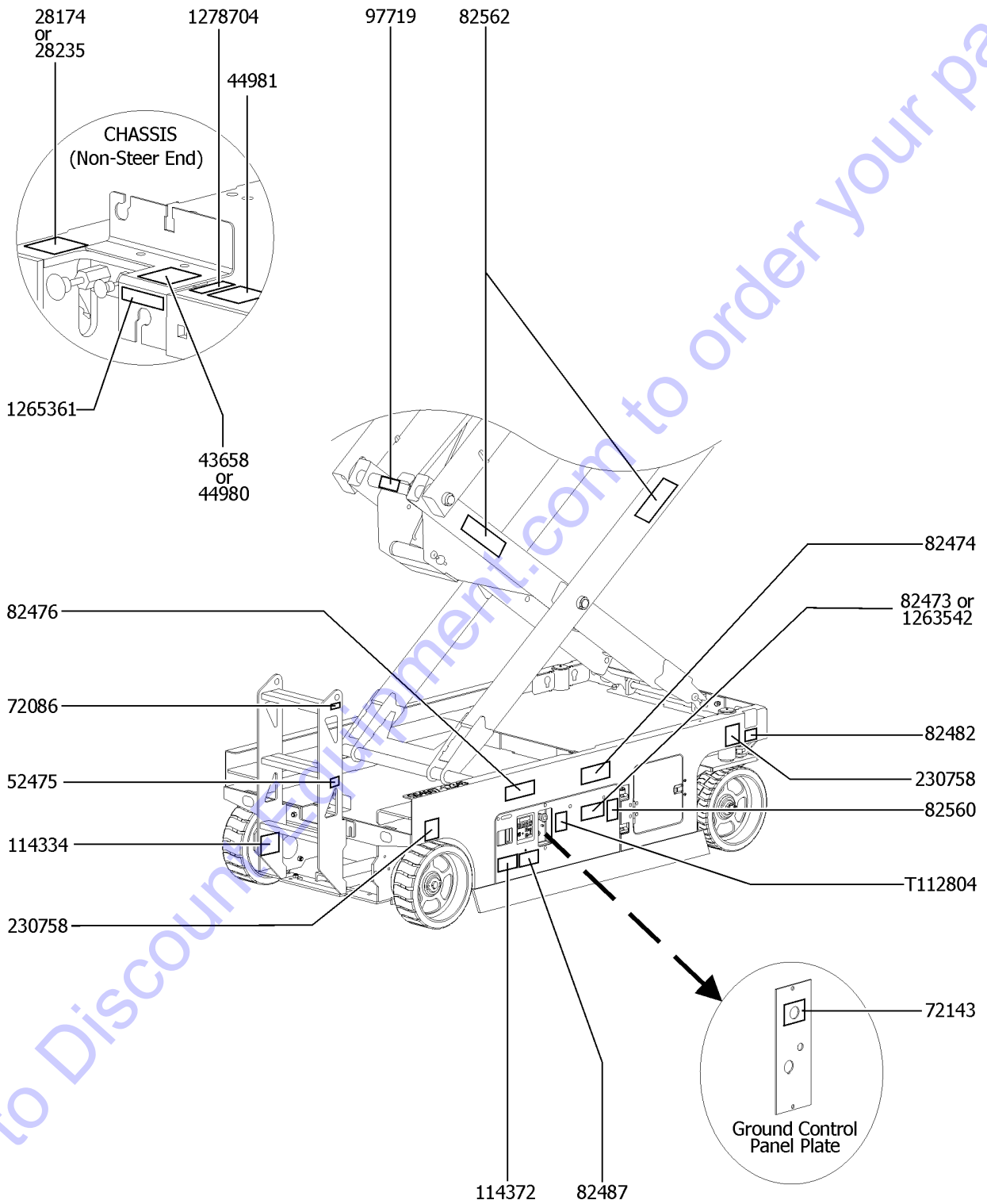
105.1 Symbol Decals, Ground Control Side

Item	Part No.	Description	Qty.
A		REF: GS-4047 Symbol Decal Kits Ref to 104.1	
1	28174GT	DECAL, POWER TO PLATFORM 230V** Option, power to platform	1
2	28235GT	DECAL, POWER TO PLATFORM 115V** Option, power to platform	1
3	43658GT	DECAL, LABEL, PWR TO CHARGER 230 EU Option, power to charger	1
4	44980GT	DECAL, LABEL, PWR TO CHARGER 115 UK Option, power to charger	1
5	44981GT	DECAL LABEL AIRLINE 110PSI Option, airline to platform	1
6	52475GT	DECAL LABEL TRANSPORT TIE DOWN*	1
7	72086GT	DECAL,LABEL,LIFTING EYE	1
8	72143GT	DECAL, EMERGENCY STOP, GR	1
9	82473GT	DECAL,SYMBOL-COMP ACCESS to SN GS47P-1249	1
10	82474GT	DECAL SYMBOL USE SAFETY ARM	1
11	82476GT	DECAL,SYMBOL-ELEC HAZARD,GS	1
12	82482GT	DECAL,LABEL,AUX LOWERING	1
13	82487GT	DECAL,SYMBOL-READ THE MANUAL	1
14	82560GT	DECAL,SYMBOL-SKIN INJECT HAZRD	1
15	82562GT	DECAL,SYMBOL-CRUSHING HAZARD	2
16	97719GT	DECAL, LABEL, SAFETY ARM SYMBOL	1
17	114334GT	DECAL SYMBOL ELECTRIC HAZARD PLUG	1
18	114372GT	DECAL SYMBOL TIP OVER TRAYS	1
19	230758GT	DECAL,LABEL,WHEEL LOAD,GS-4047	2
20	1263542GT	DECAL, COMPARTMENT ACCESS from SN GS47P-1250	1
21	T112804GT	DECAL,GCON PANEL,GS	1

Go to DiscountEquipment.com to order your parts



105.2 Symbol Decals, Ground Control Side

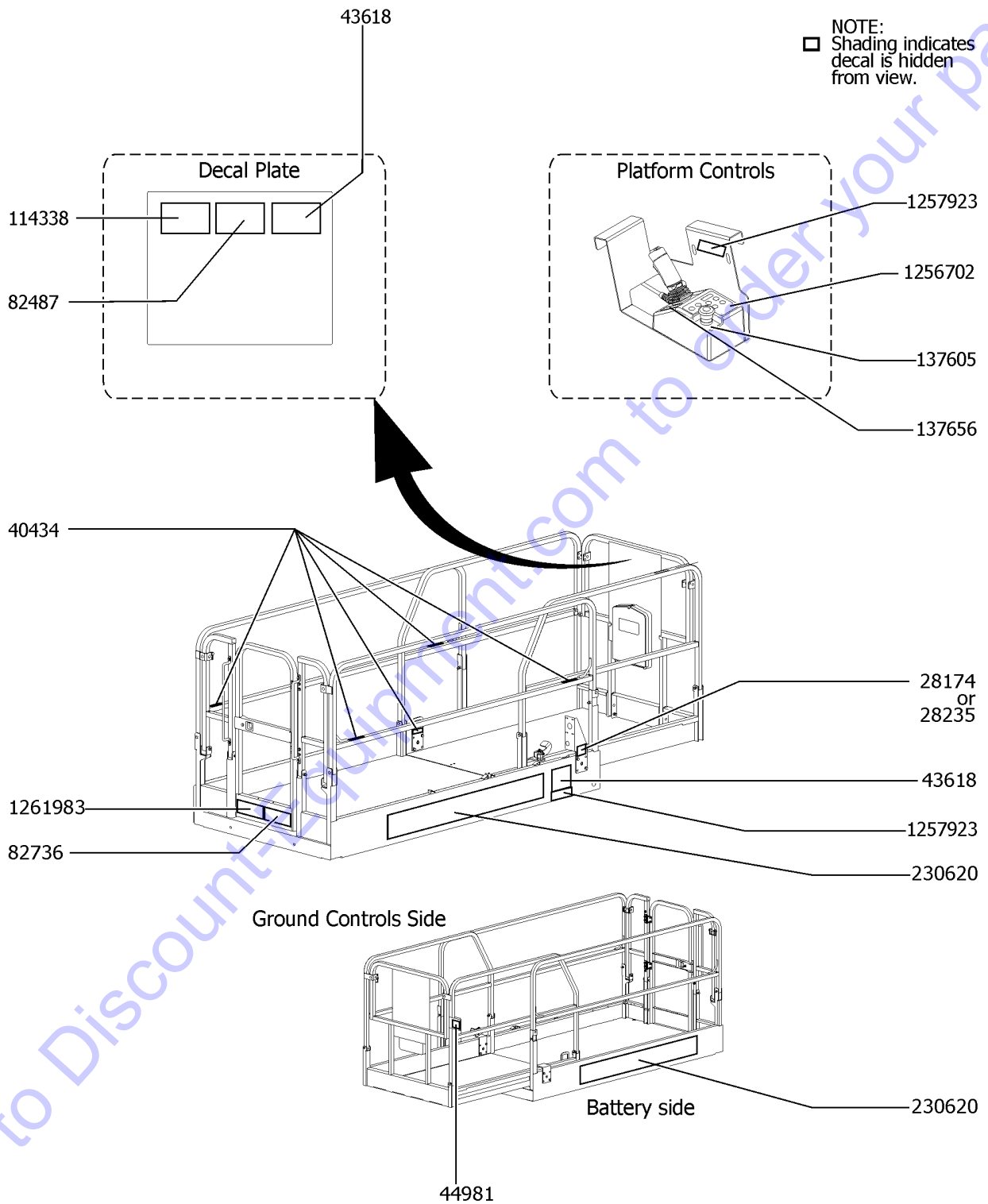


105.2 Symbol Decals, Ground Control Side

Item	Part No.	Description	Qty.
A		REF: GS-4047 Symbol Decal Kits Ref to 104.1	
1	28174GT	DECAL, POWER TO PLATFORM 230V** Option, power to platform	1
2	28235GT	DECAL, POWER TO PLATFORM 115V** Option, power to platform	1
3	43658GT	DECAL, LABEL, PWR TO CHARGER 230 EU Option, power to charger	1
4	44980GT	DECAL, LABEL, PWR TO CHARGER 115 UK Option, power to charger	1
5	44981GT	DECAL LABEL AIRLINE 110PSI Option, airline to platform	1
6	52475GT	DECAL LABEL TRANSPORT TIE DOWN*	1
7	72086GT	DECAL,LABEL,LIFTING EYE	1
8	72143GT	DECAL, EMERGENCY STOP, GR	1
9	82473GT	DECAL,SYMBOL-COMP ACCESS to SN GS47P-1249	1
10	82474GT	DECAL SYMBOL USE SAFETY ARM	1
11	82476GT	DECAL,SYMBOL-ELEC HAZARD,GS	1
12	82482GT	DECAL,LABEL,AUX LOWERING	1
13	82487GT	DECAL,SYMBOL-READ THE MANUAL	1
14	82560GT	DECAL,SYMBOL-SKIN INJECT HAZRD	1
15	82562GT	DECAL,SYMBOL-CRUSHING HAZARD	2
16	97719GT	DECAL, LABEL, SAFETY ARM SYMBOL	1
17	114334GT	DECAL SYMBOL ELECTRIC HAZARD PLUG	1
18	114372GT	DECAL SYMBOL TIP OVER TRAYS	1
19	230758GT	DECAL,LABEL,WHEEL LOAD,GS-4047	2
20	1263542GT	DECAL, COMPARTMENT ACCESS from SN GS47P-1250	1
21	T112804GT	DECAL,GCON PANEL,GS	1
22	1265361GT	DECAL, BATTERY CHARGER INDICAT from SN GS47P-1639 to GS47P-2436	1
23	1278704GT	DECAL CHARGE STATUS IND. from GS47P-2347	1



106.1 Symbol Decals, Platform



Go to Discount-www.genie.com to order your parts

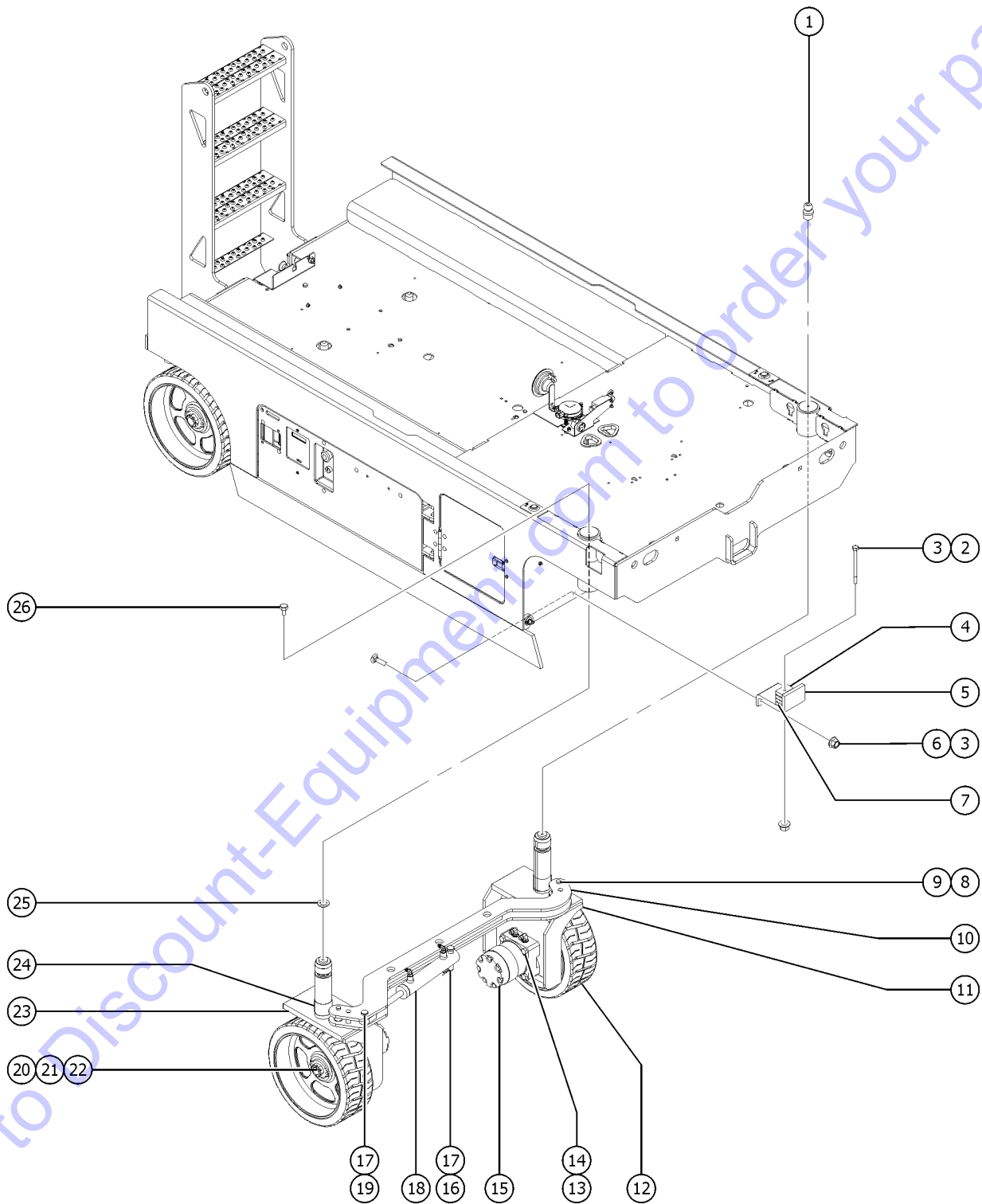
106.1 Symbol Decals, Platform

Item	Part No.	Description	Qty.
A		REF: GS-4047 Symbol Decal Kits Ref to 104.1	
1	28174GT	DECAL, POWER TO PLATFORM 230V** Option, power to platform	1
2	28235GT	DECAL, POWER TO PLATFORM 115V** Option, power to platform	1
3	40434GT	DECAL,LANYARD ANCHORAGE POINT	5
4	43618GT	DECAL, LABEL - DIRECTION ARROWS	2
5	44981GT	DECAL LABEL AIRLINE 110PSI Option, airline to platform	1
6	82487GT	DECAL,SYMBOL-READ THE MANUAL	1
7	82736GT	DECAL,SYM-SIDE FORCE	1
8	114338GT	DECAL,SYM-TIP-OVR,TILT ALARM	1
9	137605GT	DECAL,E-STOP, GR/GRC/GS PCON	1
10	137656GT	DECAL, PROPEL, GR/GRC/GS, PCON	2
11	230620GT	DECAL,COSMETIC,GS-4047	2
12	1256702GT	DECAL, UI, GS/GR, PROP LIFT	2
13	1257923GT	DECAL, SMARTLINK PROPORTIONAL	2
14	1261983GT	DECAL,SYM,MAX CAP,4047,ANSI	1

Go to Discount-Equipment.com to order your parts



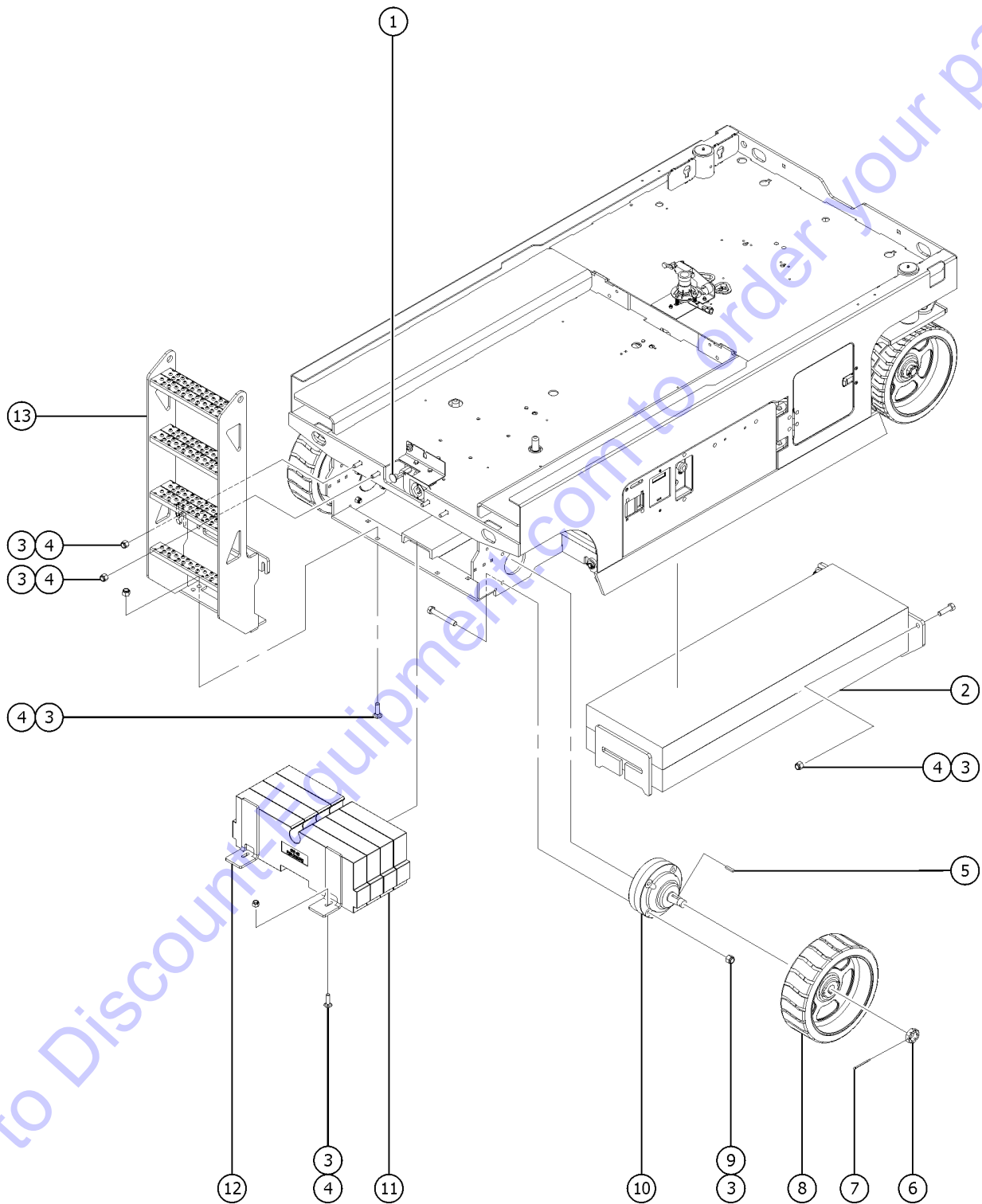
201.1 Steer Linkage and Wheels



201.1 Steer Linkage and Wheels

Item	Part No.	Description	Qty.
1	66770GT	FITTING,STRAIGHT DRIVE-IN ZERK	2
2	1256123GT	SCREW,HHC,1/4-20X3.25,8,ZAG	1
3	824027GT	NUT, TL FLG, 1/4-20, G, ZAG	
4	78736GT	CLAMP,2 HOSE,PLASTIC	4
5	230364GT	FORMING,HOSE CLAMP SPT,PTD,BLU	1
6	824124GT	BOLT, CARRIAGE, 1/4-20 X .75, 5, ZAG	
7	58592GT	PLATE,HOSE ROUTG,BULKHEAD(PTD)	1
8	8255GT	SCREW,HHC,3/8-16 X .75	
9	47946GT	BEARING,1.00IDX1.25ODX0.49L	2
10	97267GT	TIE ROD ASSY, GS46	1
		(battery pack side)	
10-	47946GT	BEARING,1.00IDX1.25ODX0.49L	4
10-	96574GT	WLDMT,TIE ROD,GS46	1
11	96573GT	WLDMT,STEER YOKE,LT,GS32/46	1
		(battery pack side)	
12	105454GT	WHEEL & TIRE ASSY LP, 15"	2
13	1256287GT	SCREW,HHC,1/2-13X3.5,8,ZAG	
14	1251997GT	NUT,TL,FLG,1/2-13,G,ZAG	
15		Ref. Drive Motor	
		(refer to 501.1)	
16	1259195GT	PIN,CLEVIS,3/4X3.25,ZAG	1
17	21253GT	CLIP, HAIR PIN, .125 X 2	2
18		Ref. Steer Cylinder	
		(refer to 501.1)	
19	1259193GT	PIN,CLEVIS,3/4X2,ZAG	1
20	44780GT	NUT,CASTLE,1.125-18 UNEF	2
21	13635-10GT	PIN,COTTER,.156 X 1.75	2
22	44781GT	KEY,RECTANGULAR,.31X.28X1.25"*	2
23	96572GT	WLDMT,STEER YOKE,RT,GS32/46	1
		(ground controls side)	
24	18722GT	BEARING,2.25IDX2.50ODX1.50L ***	2
25	824120GT	WASHER, FLAT, .375 X 1.50 X .125, ZAG	2
26	1256109GT	SCREW,HHC,3/8-16X.75,8,ZAG	

202.1 Non-Steer Axle Installation



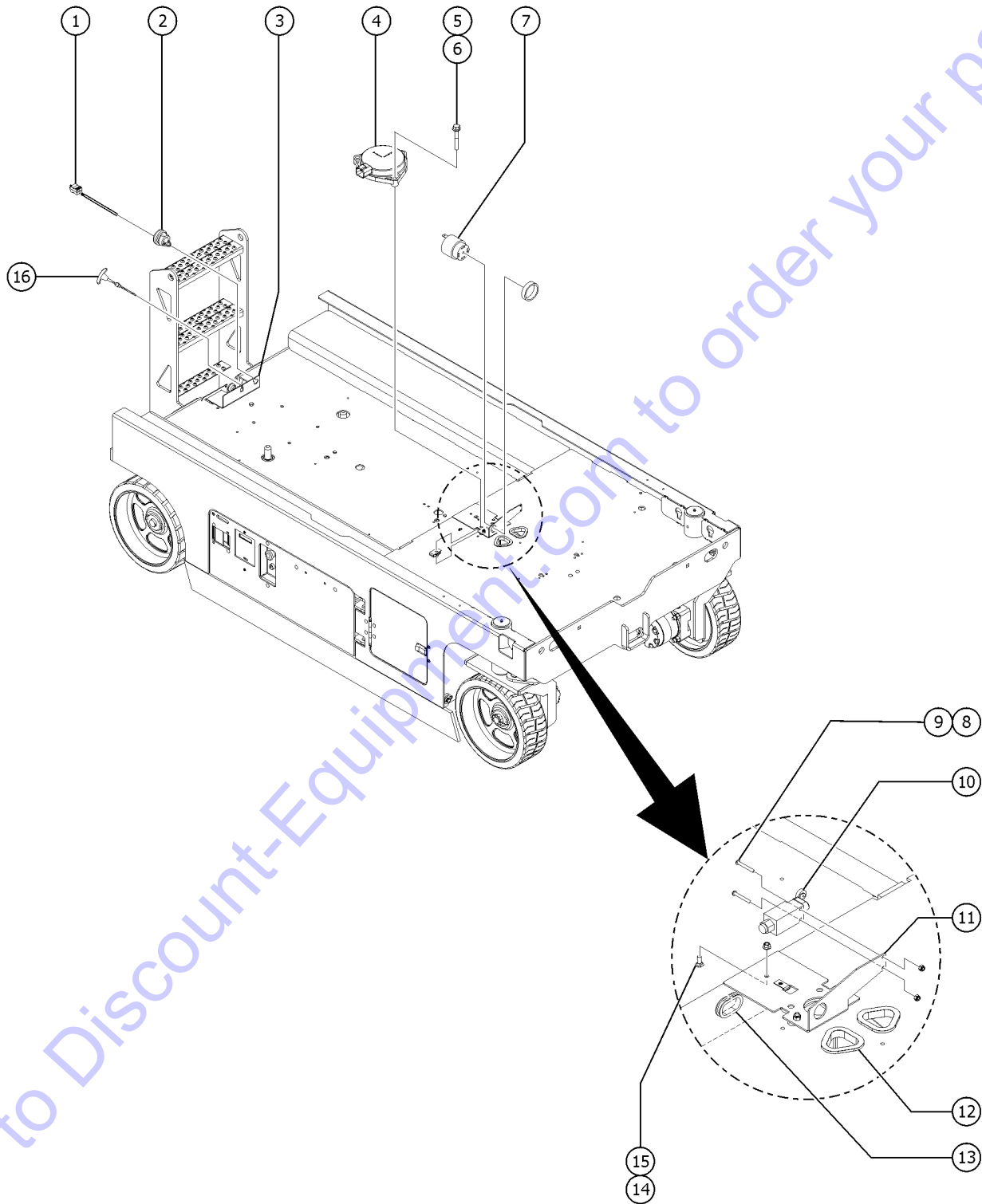
Go to DiscountEquipment.com to order your parts

Item	Part No.	Description	Qty.
1		REF: BRAKE RELEASE MANIFOLD (refer to 503.1)	
2	96876GT	COUNTERWEIGHT, BELLY inside front center of chassis)	1
3	1251997GT	NUT,TL,FLG,1/2-13,G,ZAG	
4	1256115GT	BOLT,CARRIAGE,1/2-13X1.75,5,ZAG	
5	44781GT	KEY,RECTANGULAR,.31X.28X1.25"*	2
6	44780GT	NUT,CASTLE,1.125-18 UNEF	2
7	42079GT	PIN,COTTER,.156 X 2.5	2
8	105454GT	WHEEL & TIRE ASSY LP, 15"	2
9	1256287GT	SCREW,HHC,1/2-13X3.5,8,ZAG	4
10		REF: HYDRAULIC BRAKE (refer to 501.1)	
11	96887GT	CWT, REAR, XX46	1
12	1273381GT	FORMING, CWT CLAMP	1
13	1273371GT	WELDMENT,LADDER,GS4047	1

Go to Discount-Equipment.com to order your parts



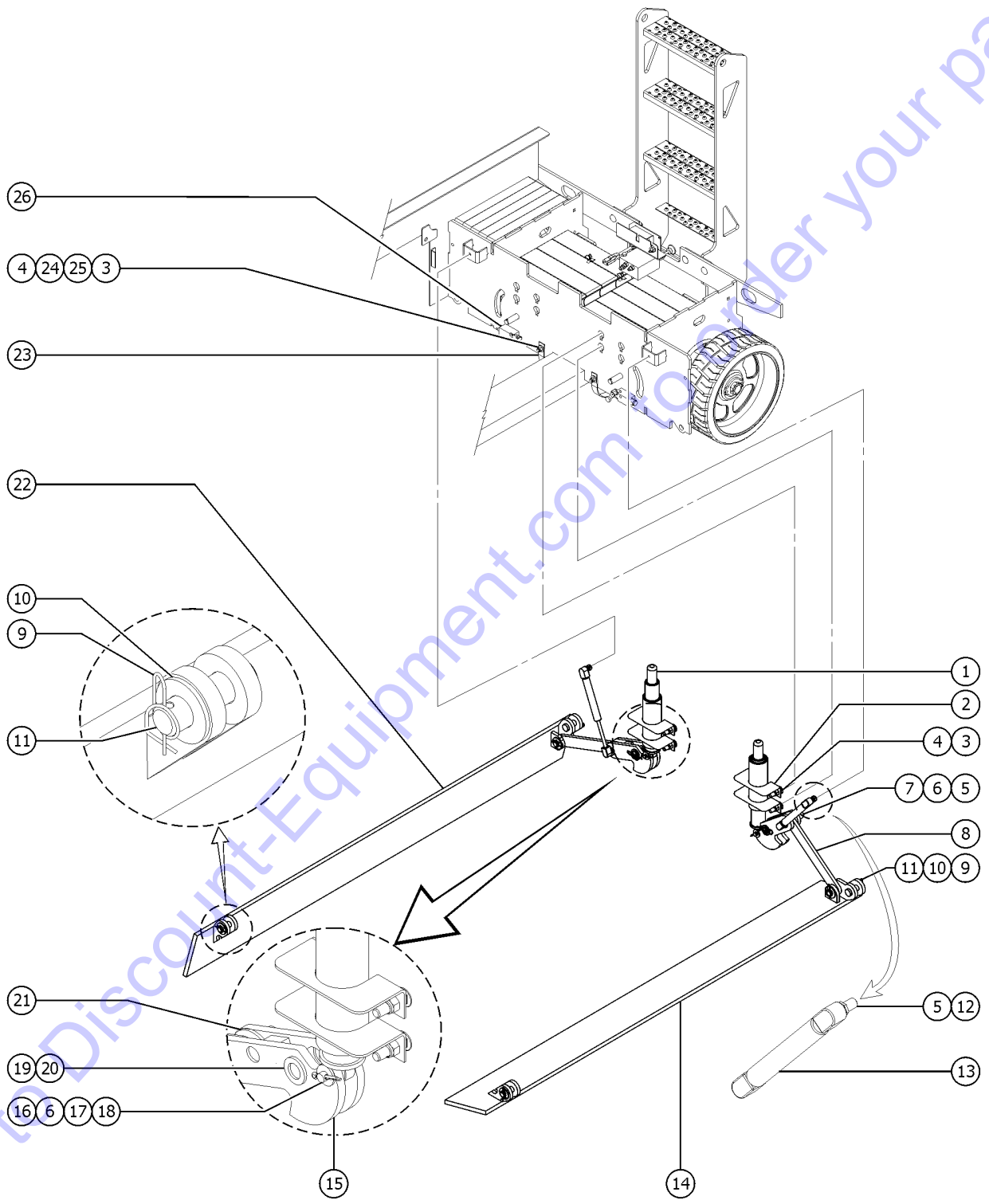
203.1 Level Sensor Installation



Item	Part No.	Description	Qty.
1		REF. Electrical Plugs and Cords (refer to 402.1)	
2	128118GT	BUSHING,STRAIN RELIEF,.875/.40	1
3	144226GT	FORMING, REC. PLUG BRKT	1
4	823368GT	SENSOR,LEVEL,UNIVERSAL	1
5	824079GT	SCREW,HHF,1/4-20X1,8,ZAG	3
6	56912GT	SPRING CLIP,1/4-20,.025-.15X.54,ZAG	3
7	39540GT	ALARM,STEADY TONE*** order 72326 mounting ring separately	1
7-	72326GT	NUT - PLASTIC,RING FOR ALARMS for 39540	
8	51063GT	SCREW,PHILLIPS,RHM,10-32 X 1.5	
9	6178GT	NUT, NYLOCK, 10-32	
10	T112507GT	ASSEMBLY, DOWN LIMIT, GS (Includes plug)	1
10-	19491GT	CONTACTOR,LIMIT SWITCH	
10-	96948GT	SWITCH, LIMIT, W/ROLLER ARM***	
10-	97128GT	ROLLER ARM,LIMIT SWITCH***	
11	96870GT	FORMING,ALARM BRACKET	1
12	47232GT	GROMMET,RUBBER 2 X 2.75	2
13	47238GT	GROMMET,RUBBER 1.5 ID	1
14	824124GT	BOLT, CARRIAGE, 1/4-20 X .75, 5, ZAG	
15	824027GT	NUT, TL FLG, 1/4-20, G, ZAG	
16	39232GT	CABLE,EMERGENCY DOWN	1

Go to DiscountEquipment.com to order your parts

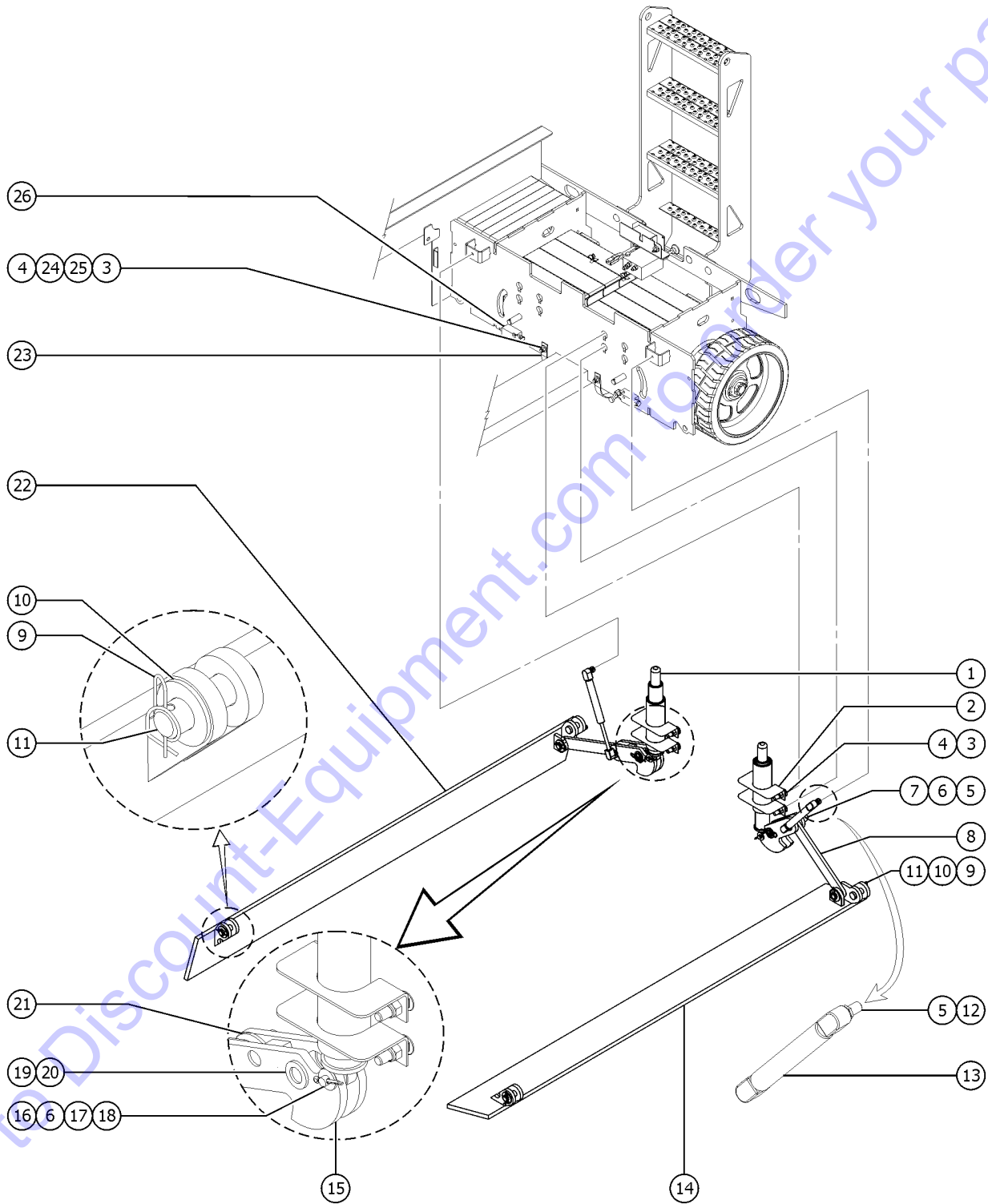
204.1 Pot Hole Protection Assembly



Item	Part No.	Description	Qty.
1	96839GT	ASSY,POT HOLE PUSHER,GS***	2
1-	25817GT	BEARING,1.00IDX1.25ODX1.00L	1
1-	96142GT	WLDMT, POT HOLE ACTUATOR	1
1-	96838GT	SPRING, POTHOLE PUSHER	1
1-	96840GT	PIN,PH ACTUATOR	1
2	105069GT	WLDMT/ASSY,PH GUIDE,GS46 (ground controls side)	2
2-	96408GT	BEARING,1.523IDX1.75ODX0.63L	
3	1255757GT	BOLT,CARRIAGE,3/8-16X1.25,5,ZAG	
4	824029GT	NUT,TL FLG,3/8-16,G,ZAG	
5	78086GT	BALL STUD, GAS STRUT, 3/8-16	
6	825358GT	WASHER,FLAT,5/16,USS,ZAG	
7	96643GT	PIN, POTHOLE LINK PIVOT	2
8	96637GT	PLATE,POTHOLE LINK	2
9	1259177GT	RUE RING,5/8,ZAG	
10	1259180GT	WASHER,SHIM,.625X1.188X.064,ZAG	
11	1259197GT	PIN,CLEVIS,.625X1.88,ZAG	4
11-	105156GT	BUSHING, FLNGD, .63 X .77 X .38 (sold seperately)	4
12	824038GT	NUT, TL JAM, 3/8-16, A, ZAG	
13	39542GT	GAS SHOCK, SCISSORS***	2
14	96639GT	WELDMNT, POTHOLE, LEFT SIDE (battery pack side)	1
15	84574GT	POT HOLE BELL CRNK LINK ASSYGS30	2
15-	96281GT	PH BELLCRANK LINK	1
15-	96642GT	BEARING,.75ID X 1.00D X 1.38LG	1
16	12016GT	PIN, COTTER, .125 X .75	
17	1259178GT	PIN,CLEVIS,.375X1.75,ZAG	2
18	96541GT	CAM FOLLOWER, 1.125 X .375, DELRIN	2
19	1259686GT	WASHER,FLAT,.765X1.312X.093,ZA	
20	55355GT	SPACER,.75ID X 1.50D X 1/4THK	



204.1 Pot Hole Protection Assembly



Go to Discount-Equipment.com to order your parts

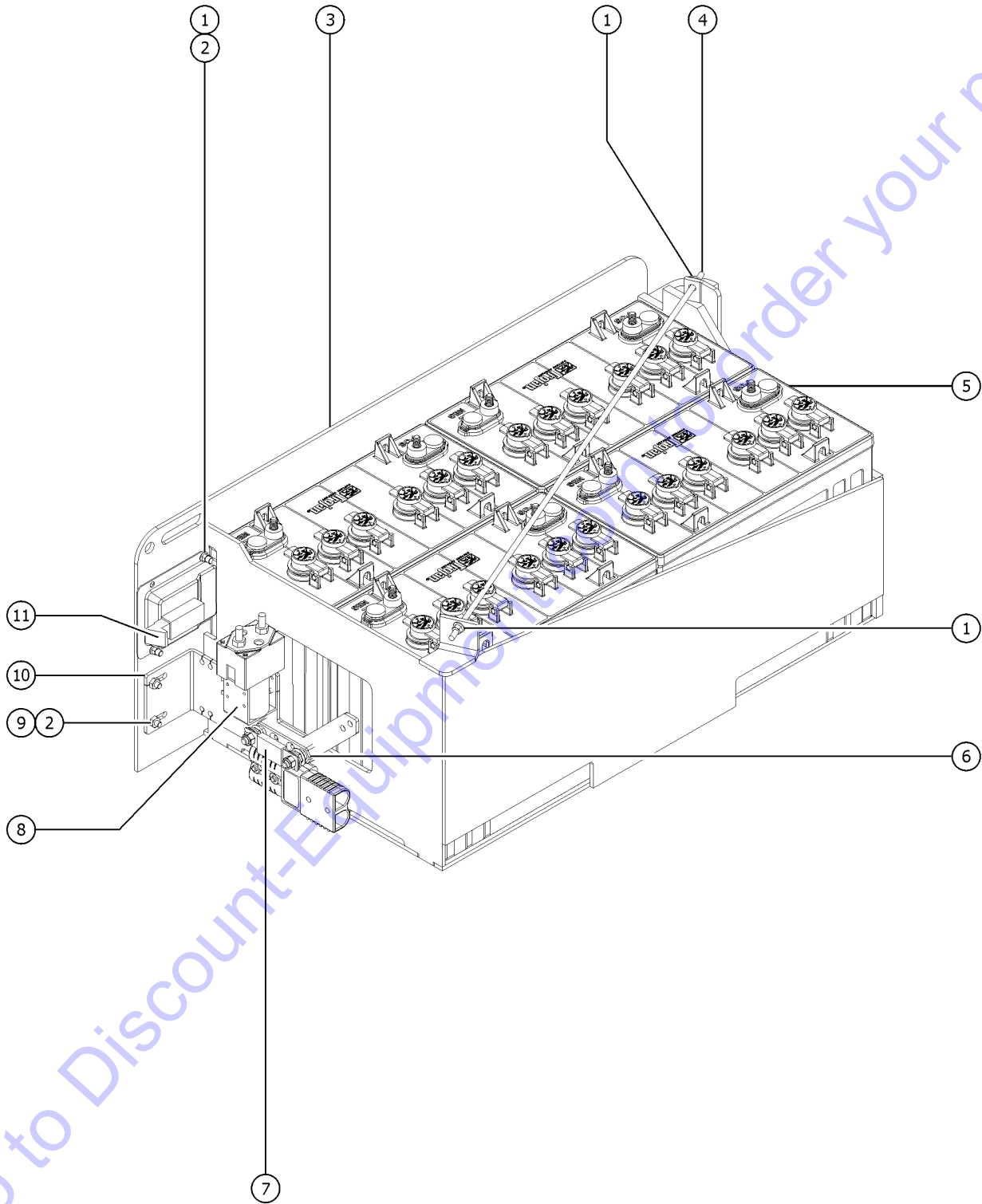
204.1 Pot Hole Protection Assembly

Item	Part No.	Description	Qty.
21	96085GT	WASHER, THRUST, .63 X 1.13 X .06	
22	96638GT	WELDMENT, POTHOLE, RIGHT SIDE	1
		(ground controls side)	
23	105060GT	GROUND STRAP, 8"LG	2
24	6700GT	WASHER, STAR, EXTERNAL, .375	
25	1255758GT	WASHER, FLAT, 3/8, USS, ZAG	
26	96948GT	SWITCH, LIMIT, W/ROLLER ARM***	2
26-	1256177GT	SCREW, PHPM, 10-32X1.75, ZAG	4
26-	1274168GT	NUT, NYLOCK, 10-32, A, ZAG	4
26-	19491GT	CONTACTOR, LIMIT SWITCH	
26-	97128GT	ROLLER ARM, LIMIT SWITCH***	

Go to Discount-Equipment.com to order your parts



205.1 Battery Pack Tray



Go to Discount-Equipment.com to order your parts

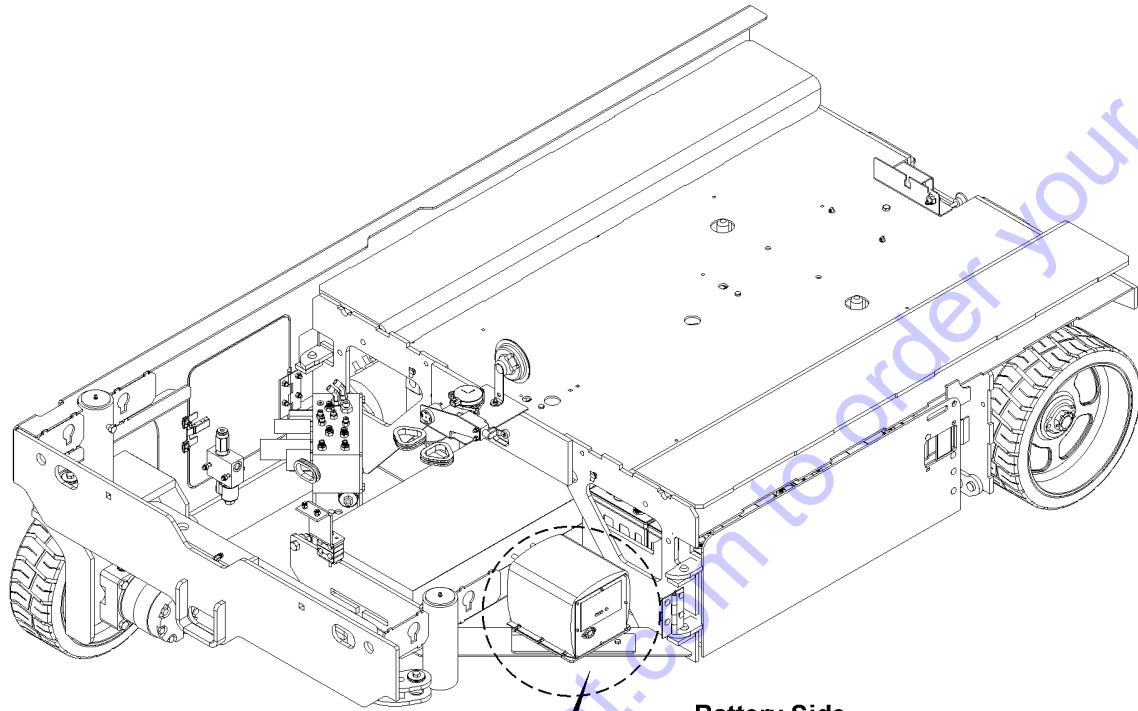
205.1 Battery Pack Tray

Item	Part No.	Description	Qty.
1	824027GT	NUT, TL FLG, 1/4-20, G, ZAG	6
2	824124GT	BOLT, CARRIAGE, 1/4-20 X .75, 5, ZAG	4
3	1273373GT	WLDMNT,GS4047 BATTERY TRAY	1
4	237165GT	THREADED ROD,1/4-20,28.5"	1
		(air hose sold seperately)	
4-	75631GT	HOSE,AIR 3/8	27
5	T113971GT	BATTERY,12V,150AH, T1275	4
6	66717GT	FUSE BLOCK, ANN & ANL FUSE	1
		(includes mounting fasteners)	
7	40833GT	FUSE, 275AMP, VERY FAST ACTING	1
8	1270456GT	CONTACTOR,DRIVE,24V,180A	1
9	1256679GT	NUT,SERRATED,1/4-20,8,ZAG	2
10	1273388GT	FORMING, FUSE BRACKET	1
11	55675GT	LATCH, LRG PADDLE HANDLE GS90	1

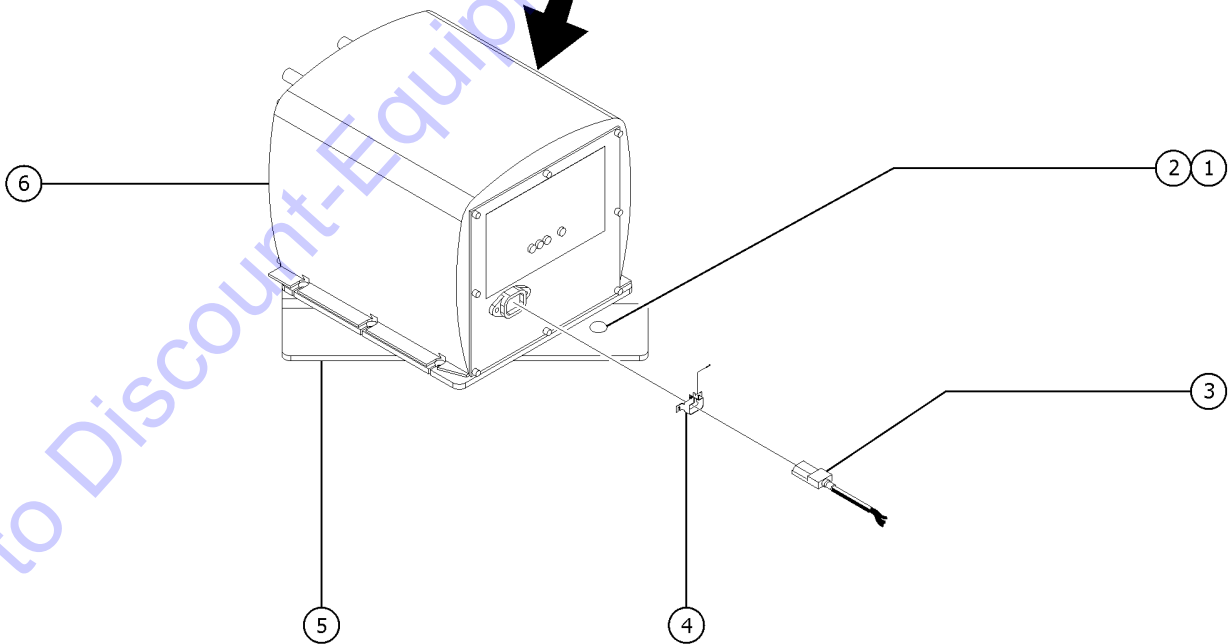
Go to Discount-Equipment.com to order your parts



206.1 Battery Charger (to SN 2645)



Battery Side



Go to Discount-Equipment.com to order your parts

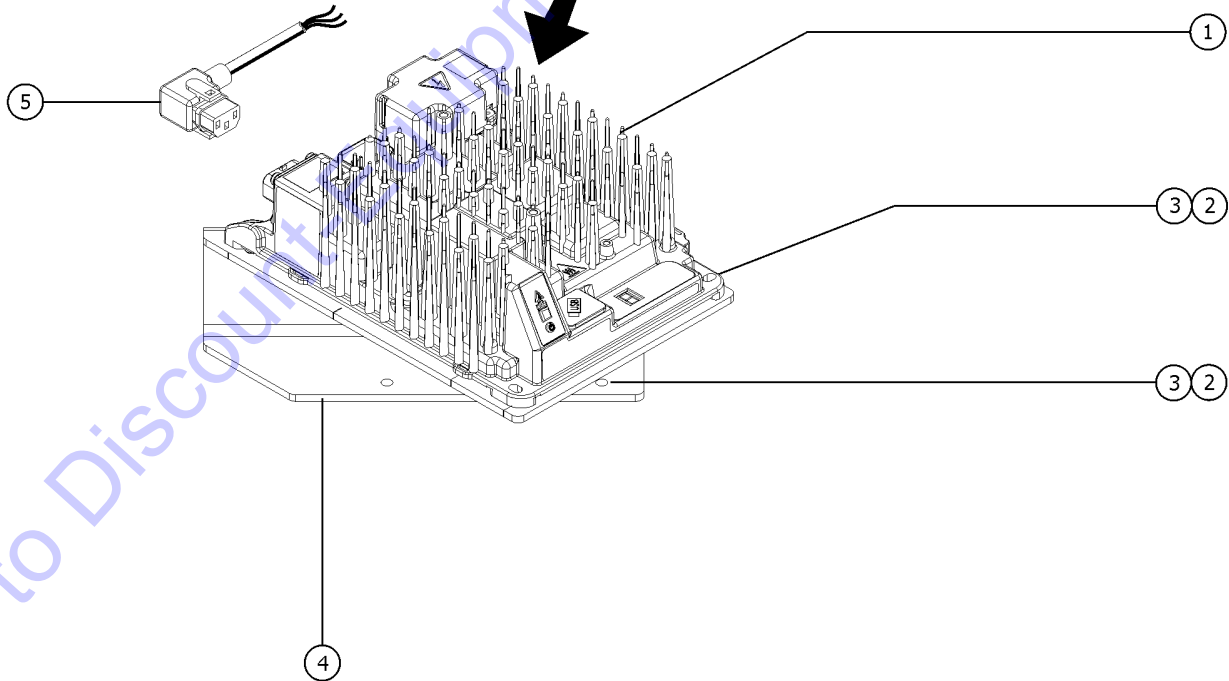
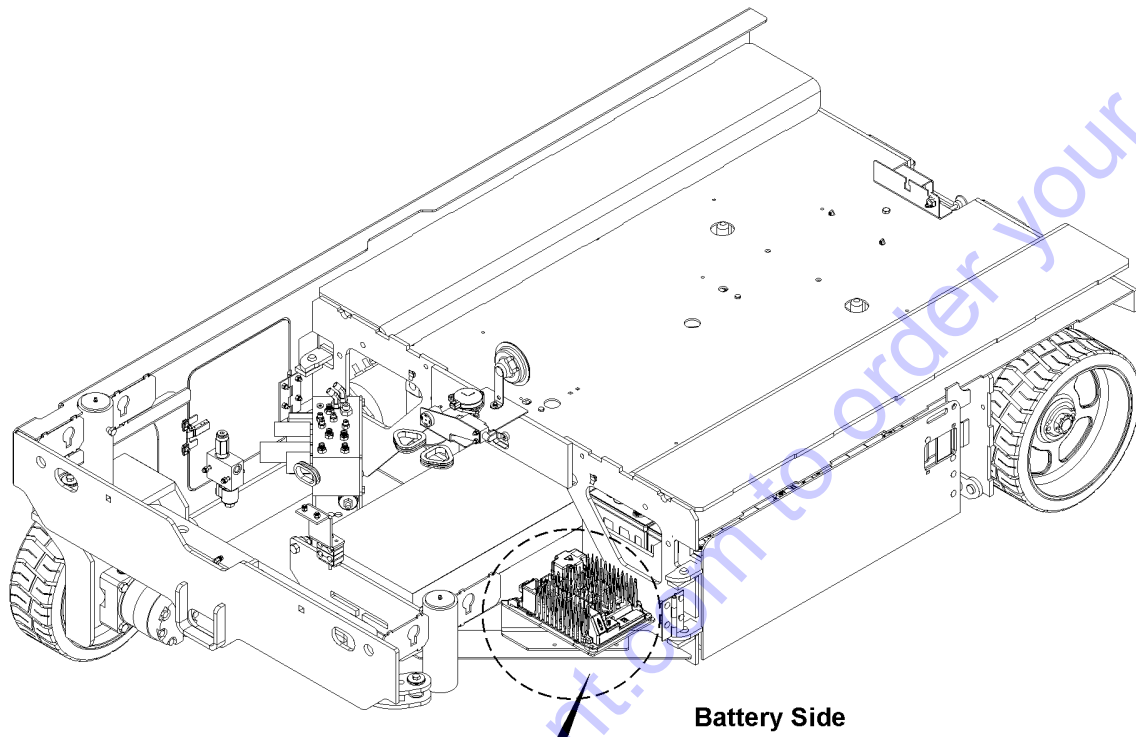
206.1 Battery Charger (to SN 2645)

Item	Part No.	Description	Qty.
A		REF. Side Door (refer to 208.1 Ground Controls)	
B		REF. Field Assembly Recessed Charger Plug (refer to 402.1 Power to Platform)	
C	105334GT	CONNECTOR, IEC CHARGER CORD for 5-LED battery charger	
D	219611GT	KIT,BATTERY CHARGER,24V (includes item 6) (includes fasteners, ring terminals and instructions for field installation)	1
1	824124GT	BOLT, CARRIAGE, 1/4-20 X .75, 5, ZAG	2
2	1256679GT	NUT,SERRATED,1/4-20,8,ZAG	2
3	144130GT	POWER CORD, IEC 320, 115" (to SN 2645)	1
4	55010GT	LOCK, CONNECTOR (includes fasteners) (to SN 2645)	1
5	1273382GT	FORMING,CHARGER MOUNT (shown) (to SN 2645)	1
6	229604GT	CHARGER,24VDC,HI/LOW,GEN2,25A (shown) (to SN 2645)	1
6-	215543GT	MANUAL, OWNERS, CHARGER, 229604	

Go to Discount-Equipment.com to order your parts



206.2 Battery Charger (from SN 2646)

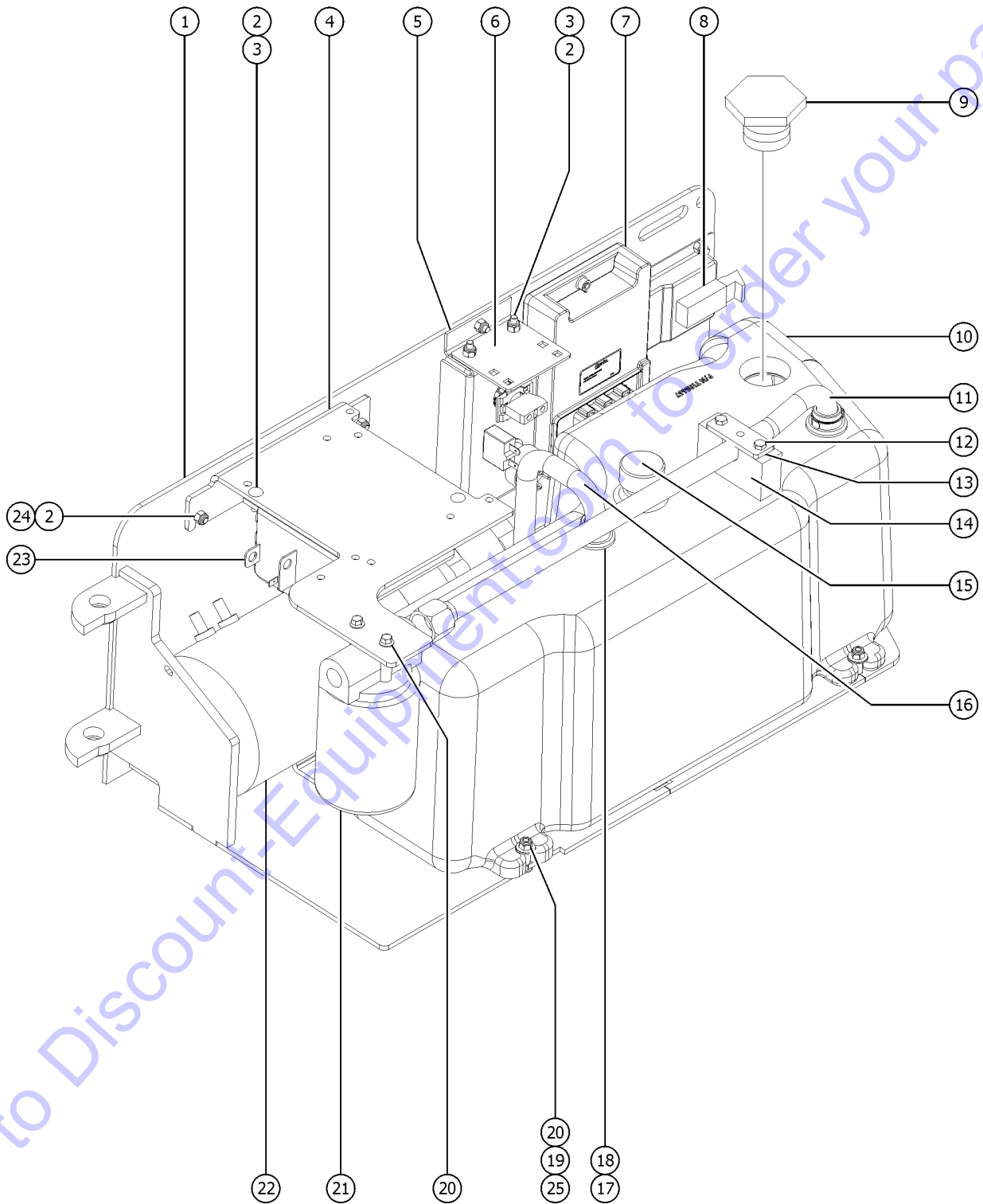


Item	Part No.	Description	Qty.
A		REF. Side Door (refer to 208.1 Ground Controls)	
1	1264372GT	CHARGER, 24V, 650W, USB (from SN 2646)	
1-		CABLE ASSY, CHARGER/BATTERY, 4047 (refer to 209.1) (for 1264372)	
1-		ASSEMBLY, CHARGER STATUS LED, 2V (refer to 209.1) (for 1264372)	
1-		HARNES, LED CHARGER, GS46 (refer to 209.1) (for 1264372)	
2	824027GT	NUT, TL FLG, 1/4-20, G, ZAG	
3	1256127GT	BOLT, CARRIAGE, 1/4-20X1", GR 5, ZAG	
4	1278664GT	FORMING, CHARGER MOUNT, 4047 (from SN 2646)	
5	1272557GT	POWER CORD, IEC 320, 90° (from SN 2646)	

Go to Discount-Equipment.com to order your parts



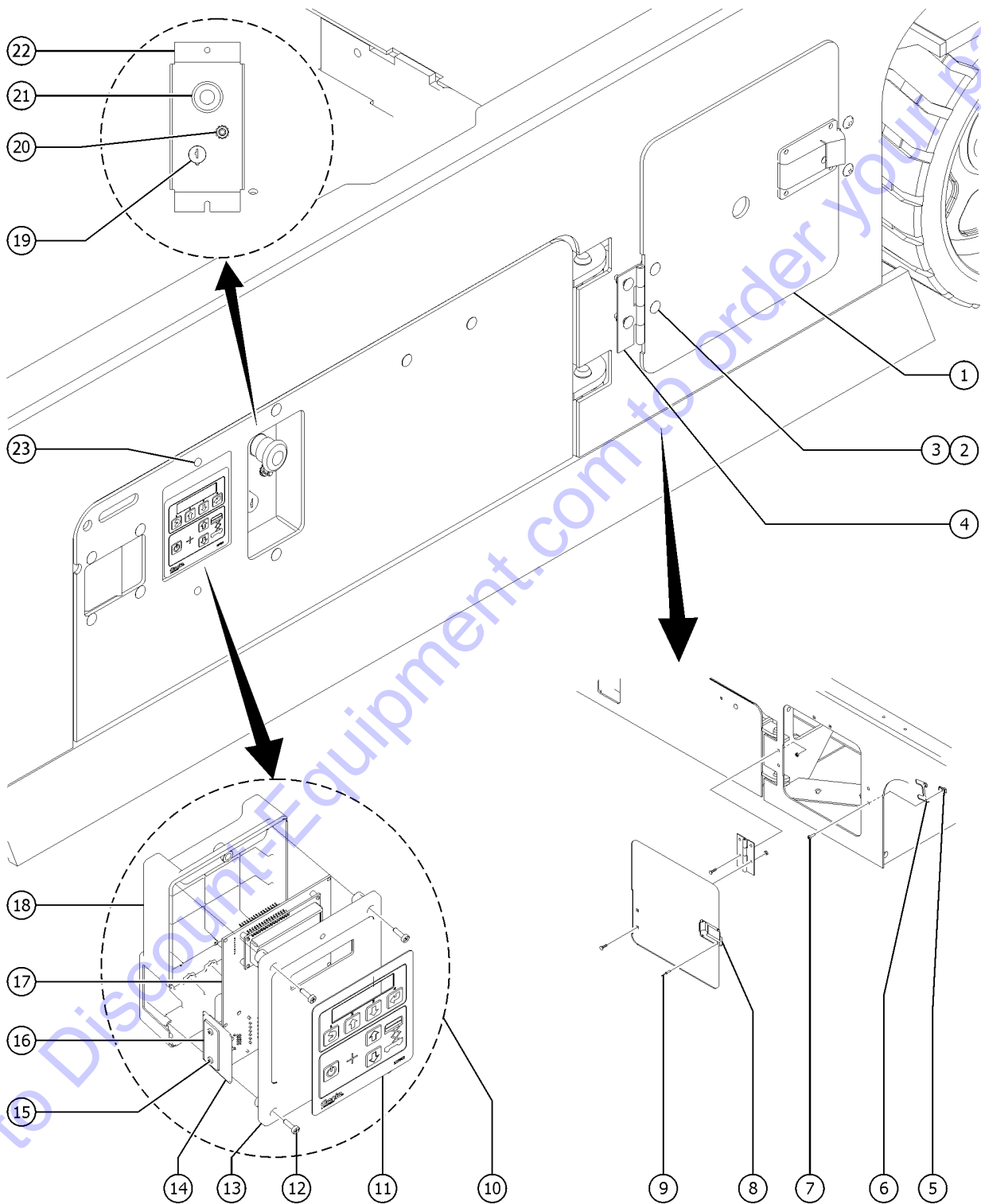
207.1 Power Unit Module



Item	Part No.	Description	Qty.
1	T113296GT	WELDMENT,GS HYD TRAY (decals not included, refer to section one)	1
2	824124GT	BOLT, CARRIAGE, 1/4-20 X .75, 5, ZAG	1
3	824027GT	NUT, TL FLG, 1/4-20, G, ZAG	1
4	1273379GT	FORMING,FILTER-CNTRLR MOUNT	1
5		REF. FORMING CONTROL PANEL (refer to figure 208.1)	
6	T108326GT	PLATE,HARNESS MOUNT	1
7		REF. GCON (refer to figure 208.1)	
8	55675GT	LATCH, LRG PADDLE HANDLE GS90	1
9	66204GT	FILTER CAP (PLUG 1-1/2" NPT HEX	1
10	T108667GT	TANK,HYDRAULIC,6.5 GAL	1
11	228339GT	ASSEMBLY,TANK RETURN,TUBE	1
12	1256454GT	SCREW,HHC,M6-1.0X55,DIN931,10.9,ZAB	2
13	1273380GT	PLATE,CLAMP	1
14	228361GT	CLAMP, RETURN LINE	1
15	78546GT	BREATHER CAP, HYD. TANK, 1/4 NPT	1
16	96354GT	TUBE, ASSY, DRAW	1
17	96855GT	CLAMP,HOSE,1 EAR,1-1/16***	2
18	96709GT	GROMMET,SLAB HYD TANK***	2
19	96699GT	SLEEVE,TANK SUPPORT	
20	824078GT	SCREW,HHF,1/4-20X.75,8,ZAG	
21		REF. FILTER ASSY (refer to figure 501.1)	
22		REF. ELECTRIC MOTOR/PUMP (refer to figure 504.1)	
23	1257840GT	MOTOR CONTROLLER,DC,24V,360A	1
24	1256679GT	NUT,SERRATED,1/4-20,8,ZAG	2
25	6091GT	NUT, NYLOCK, 1/4-20	3



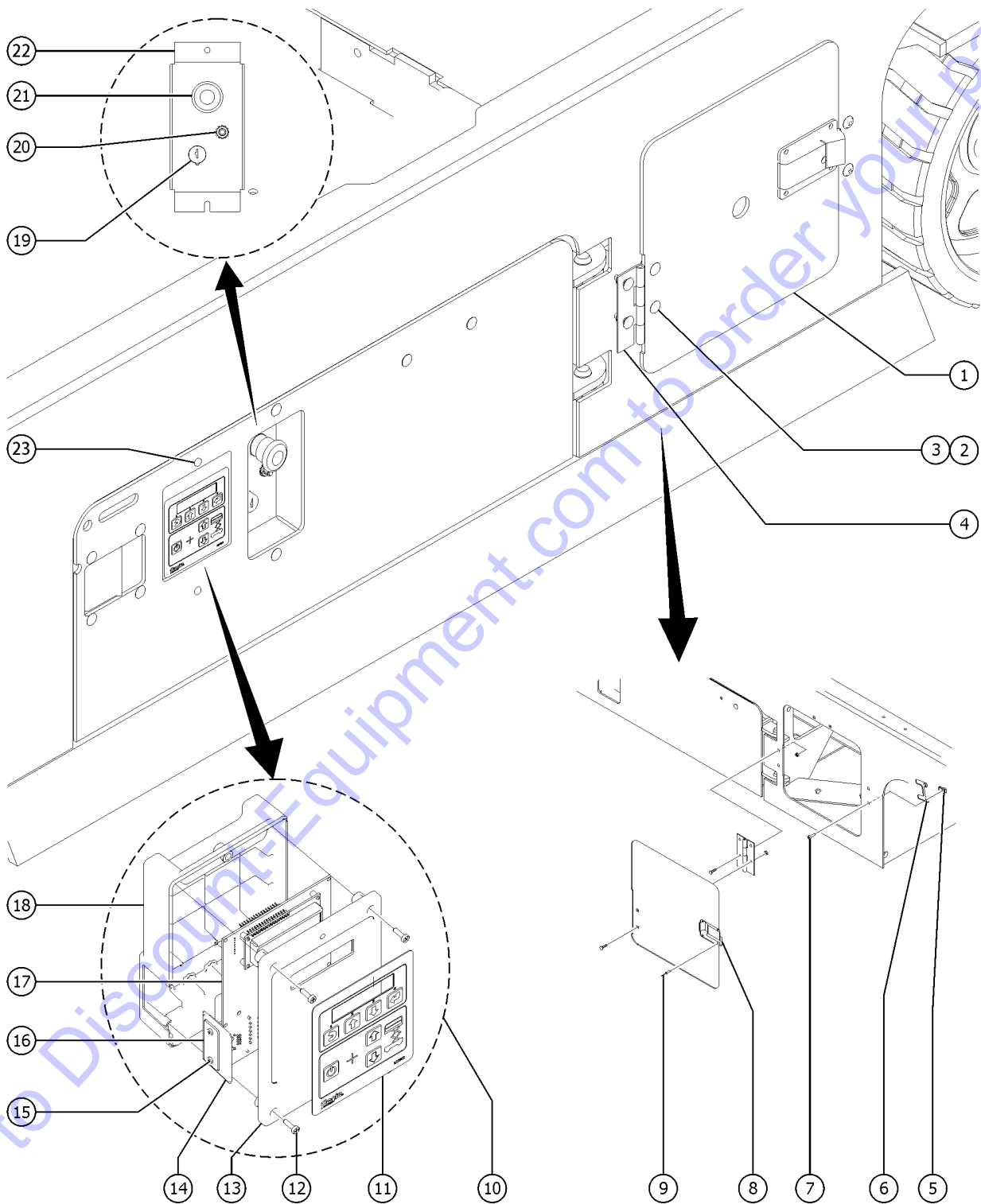
208.1 Ground Controls



Item	Part No.	Description	Qty.
1	105732GT	PLATE,SIDE DOOR***	1
2	824124GT	BOLT, CARRIAGE, 1/4-20 X .75, 5, ZAG	4
3	824027GT	NUT, TL FLG, 1/4-20, G, ZAG	4
4	105734GT	HINGE,ACCESS DOOR(13G)	1
5	56912GT	SPRING CLIP,1/4-20,.025-.15X.54,ZAG	2
6	105733GT	PLATE,SIDE DOOR STOP***	1
7	1260984GT	SCREW,PHPM,1/4-20X.75,ZAG	2
8	105759GT	LATCH,COMPRESSION,SMALL	1
9	6272GT	RIVET,STL,STL,P,.125 X .25	4
10	1256721GT	GCON,STD,PROP LIFT (models with 4 button, proportional controller)	1
11	137562GT	DECAL,MEMBRANE, GR/GRC/GS GCON	1
12	137668GT	SCREW,PHM,6-19X.75, 48-2 TRI-L	4
13	T106366GT	ENCLOSURE,GC27-25/GC21-19,FRNT	1
14	T106363GT	ADAPTER, RJ45, GC27-25/GC21-19	1
15	137637GT	SCREW,PHM,4-20X.5, 48-2 TRI-L	2
16	T106362GT	COVER, RJ45, GC27-25/GC21-19	1
17	1256719GT	PCBA,GCON STD,PROP LIFT (models with 4 button, proportional controller)	1
18	T106372GT	ENCLOSURE, GC21-19, BK	1
19	96008-SGT	KEYSWITCH,3 POS. W/KEYS***	1
19-	37947GT	KEYS,10 PACK***	
19-	83093GT	KEY SINGLE***	
19-	85239GT	RETAINER NUT (96008)***	
19-	96010GT	SCREW,PHILLIPS,PHM,8-32 X.25**	
20	96452GT	CIRCUIT BREAKER, 7.0 AMP***	1
20-	122994GT	NICKEL PLATED JAM NUT	
20-	6700GT	WASHER,STAR,EXTERNAL,.375	
21	66812GT	BUTTON,PUSH,RED MUSHROOM HEAD	1
21-	58627GT	NUT	



208.1 Ground Controls



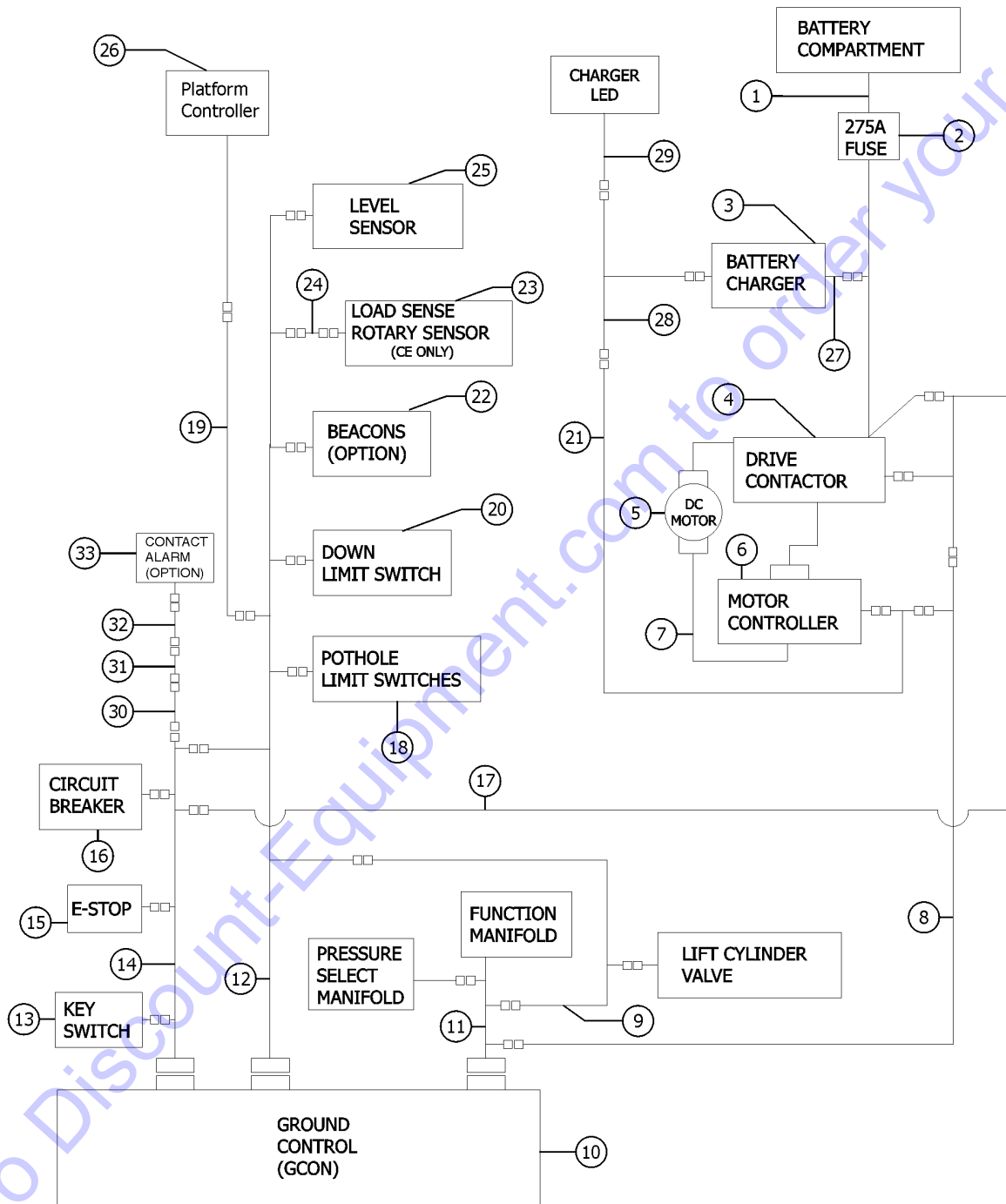
208.1 Ground Controls

<i>Item</i>	<i>Part No.</i>	<i>Description</i>	<i>Qty.</i>
21-	66817GT	E-STOP W/ NC CONTACT	
22	T108327GT	FORMING,CONTROL PANEL	1
23	51063GT	SCREW,PHILLIPS,RHM,10-32 X 1.5	2

Go to Discount-Equipment.com to order your parts



209.1 Electrical Wiring



Item	Part No.	Description	Qty.
A-	T112509GT	CABLE,LFT CYL DN,15/19XX, W/LS (not shown)	
B-	T112508GT	CABLE, LIFT CYL DOWN WO/LS (not shown)	
C-	105214GT	CABLE TIE MOUNT, WINGED (not shown)	
D-	56926GT	CLIP, TIE HARNESS MOUNT*** (not shown)	
E-	1264822GT	KIT, TRC RETROFIT, STNDRD Telematics (includes 1264834)	
F-	1264834GT	INSTRN, TRC RETROFIT, STNDRD	
1		REF: Battery Cable (refer to 210.1)	
2		REF: Fuse (refer to 205.1)	
3		REF: Battery Charger (refer to 206.1)	
4		REF: Drive Contactor (refer to 205.1)	1
5		REF: Electric Motor (refer to 504.1)	
6		REF: Motor Contoller (refer to 207.1)	
7		REF: Battery Cable (refer to 210.1)	
8	232580GT	HARNESS,DIODE JUMPER	1
9	236781GT	CABLE,LIFT CYL,GS4047	1
10		REF: Ground Controls (GCON) (refer to 208.1)	
11	1257845GT	HARNESS, FUNC. MANIFOLD, GS47	1
12	T110891GT	HARNESS, GS SENSORS, CE (Green connector)	1
13		REF: Key Switch (refer to 208.1)	
14	T110890GT	HARNESS, GS POWER CONTRL (Grey connector)	1
15		REF: E-Stop (refer to 208.1)	
16		REF: Circuit Breaker (refer to 208.1)	
17	233430GT	HRNS,CONTACTOR SIGNAL,GS46	1
18	96309GT	POTHOLE HARNESS ASSEMBLY	1
19	1260202GT	CABLE,PLAT CNTRL,GS4047	1
20		REF: Down Limit (refer to 203.1)	
21	144213GT	CHARGER INTERLOCK CBLE,GS30/32	
22		REF: Strobe Beacon (refer to 601.1)	

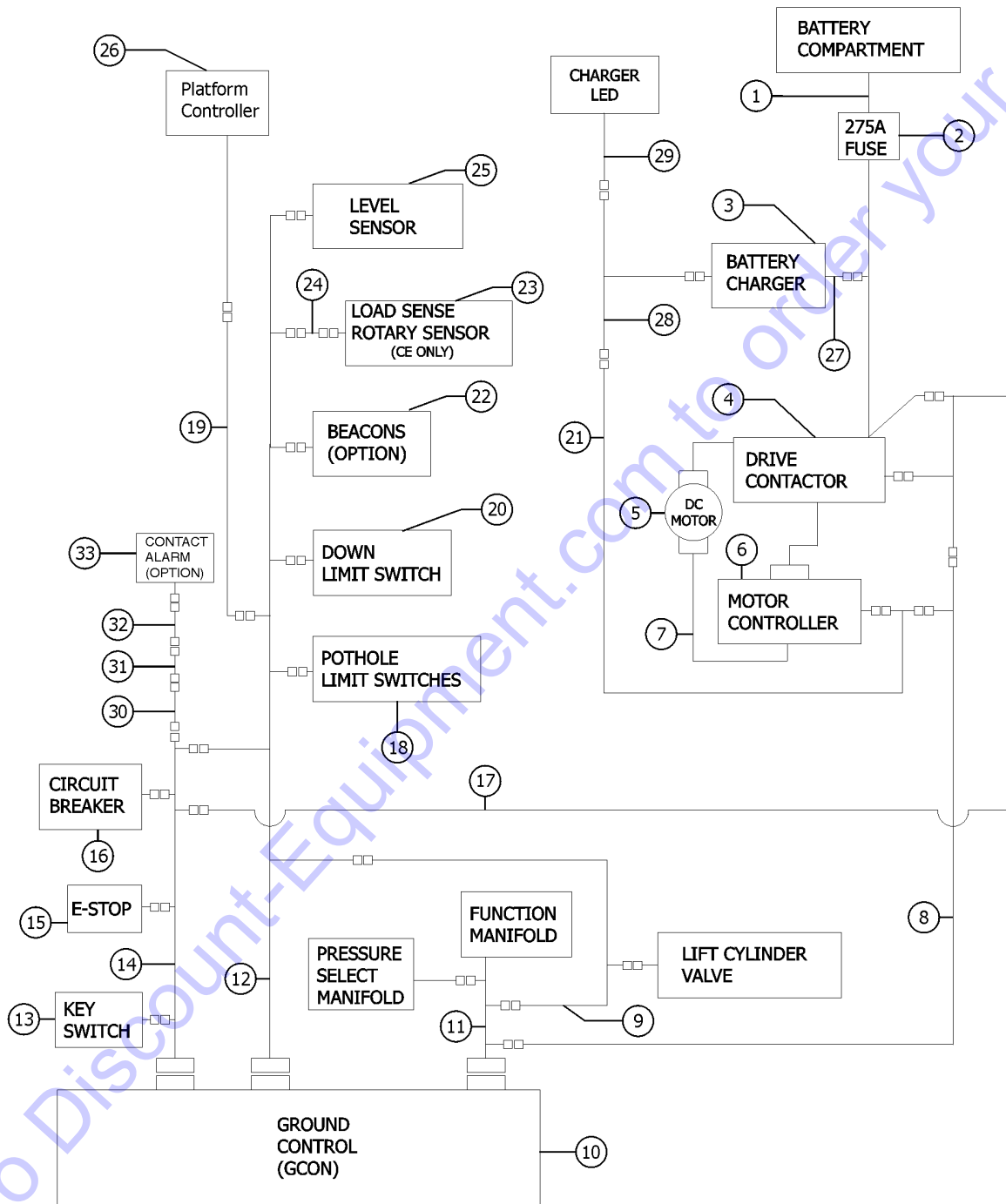


Item	Part No.	Description	Qty.
23	T113136GT	ASSY,ROT SENSR W/HARNESS	1
24	T114031GT	HARNESS, ROTARY ANGLE	1
25		REF: Level Sensor	
		(refer to 203.1)	
26		REF: Platform Controls (PCON)	
		(refer to 403.1)	
27	1278366GT	CABLE ASSY, CHARGER/BATTERY,4047	1
		from SN 2646 (refer to 206.2)	
28	1272121GT	HARNESS,LED CHARGER,GS46	1
		from SN 2646 to 3645 (refer to 206.2)	
28B	1272120GT	HARNESS,LED CHARGER,GS32	
		from SN 3646 (refer to 206.2)	
29	1270281GT	ASSEMBLY, CHARGER STATUS LED, 2V, BCI	1
		from SN 2646 (refer to 206.2)	
30		CABLE,CONTACT ALARM,CHASSIS TO PLAT,4047	1
		(from SN GS47P-3307) no longer available	
31	1291053GT	HARNESS,CONTACT ALARM,GS46 PLATFORM	1
		refer to 606.2 (from SN GS47P-3307)	
32		CABLE,CONTACT ALARM,45IN LINK	1
		(from SN GS47P-3307) no longer available	
33		Ref. LIFTGUARD CONTACT ALARM	2
		refer to 605.2 and 606.2	

Go to Discount-Equipment.com to order your parts



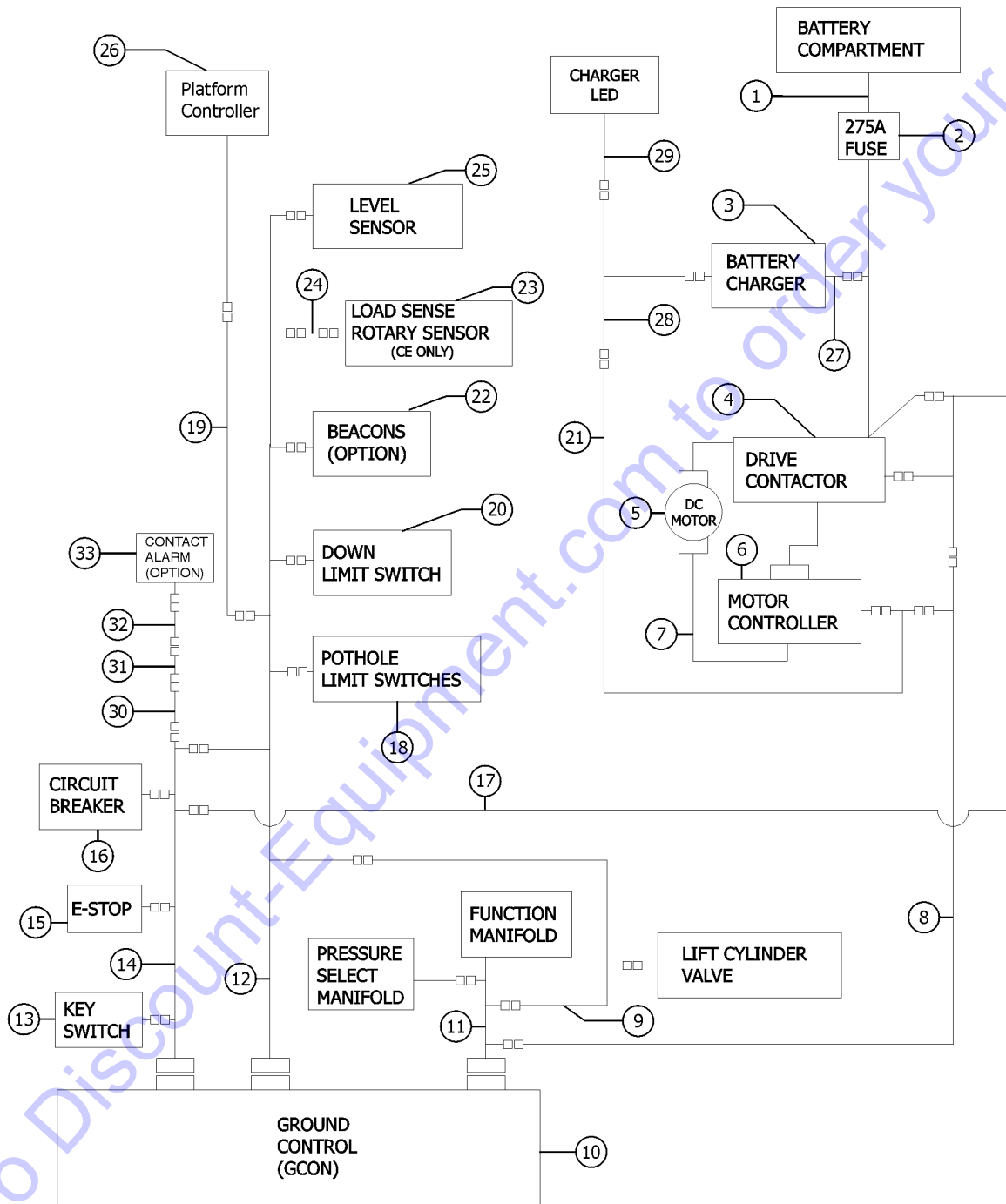
209.2 Electrical Wiring



Item	Part No.	Description	Qty.
A-	T112509GT	CABLE,LFT CYL DN,15/19XX, W/LS (not shown)	
B-	T112508GT	CABLE, LIFT CYL DOWN WO/LS (not shown)	
C-	105214GT	CABLE TIE MOUNT, WINGED (not shown)	
D-	56926GT	CLIP, TIE HARNESS MOUNT*** (not shown)	
E-	1264822GT	KIT, TRC RETROFIT, STNDRD Telematics (includes 1264834)	
F-	1264834GT	INSTRN, TRC RETROFIT, STNDRD	
1		REF: Battery Cable (refer to 210.1)	
2		REF: Fuse (refer to 205.1)	
3		REF: Battery Charger (refer to 206.1)	
4		REF: Drive Contactor (refer to 205.1)	1
5		REF: Electric Motor (refer to 504.1)	
6		REF: Motor Contoller (refer to 207.1)	
7		REF: Battery Cable (refer to 210.1)	
8	232580GT	HARNESS,DIODE JUMPER	1
9	236781GT	CABLE,LIFT CYL,GS4047	1
10		REF: Ground Controls (GCON) (refer to 208.1)	
11	1257845GT	HARNESS, FUNC. MANIFOLD, GS47	1
12	T110891GT	HARNESS, GS SENSORS, CE (Green connector)	1
13		REF: Key Switch (refer to 208.1)	
14	T110890GT	HARNESS, GS POWER CONTRL (Grey connector)	1
15		REF: E-Stop (refer to 208.1)	
16		REF: Circuit Breaker (refer to 208.1)	
17	233430GT	HRNS,CONTACTOR SIGNAL,GS46	1
18	96309GT	POTHOLE HARNESS ASSEMBLY	1
19	1260202GT	CABLE,PLAT CNTRL,GS4047	1
20		REF: Down Limit (refer to 203.1)	
21	144213GT	CHARGER INTERLOCK CBLE,GS30/32	
22		REF: Strobe Beacon (refer to 601.1)	



209.2 Electrical Wiring



Item	Part No.	Description	Qty.
23	T113136GT	ASSY,ROT SENSR W/HARNESS	1
24	T114031GT	HARNESS, ROTARY ANGLE	1
25		REF: Level Sensor	
		(refer to 203.1)	
26		REF: Platform Controls (PCON)	
		(refer to 403.1)	
27	1278366GT	CABLE ASSY, CHARGER/BATTERY,4047	1
		from SN 2646 (refer to 206.2)	
28	1272121GT	HARNESS,LED CHARGER,GS46	1
		from SN 2646 to 3645 (refer to 206.2)	
28B	1272120GT	HARNESS,LED CHARGER,GS32	
		from SN 3646 (refer to 206.2)	
29	1270281GT	ASSEMBLY, CHARGER STATUS LED, 2V, BCI	1
		from SN 2646 (refer to 206.2)	
30		CABLE,CONTACT ALARM,CHASSIS TO PLAT,4047	1
		(from SN GS47P-3307) no longer available	
31	1291053GT	HARNESS,CONTACT ALARM,GS46 PLATFORM	1
		refer to 606.2 (from SN GS47P-3307)	
32		CABLE,CONTACT ALARM,45IN LINK	1
		(from SN GS47P-3307) no longer available	
33		Ref. LIFTGUARD CONTACT ALARM	2
		refer to 605.1 and 606.1	

Go to Discount-Equipment.com to order your parts



PARTS FINDER

**Search Website
by Part Number**



**Search Manual
Library For Parts
Manual & Lookup Part
Numbers – Purchase
or Request Quote**

Search Manuals

Enter your information to help us find the right parts manual for your machine.

* Brand:

* Model:

* Serial:

* Part Number:

SEARCH

**Can't Find Part or
Manual? Request Help
by Manufacturer,
Model & Description**

Parts Order Form

Please fill in the following information to help us find the right part for your machine.

Manufacturer:	<input type="text"/>
Model:	<input type="text"/>
Description:	<input type="text"/>
Part Number:	<input type="text"/>
Quantity:	<input type="text"/>
Notes:	<input type="text"/>

Discount-Equipment.com is your online resource for quality parts & equipment.

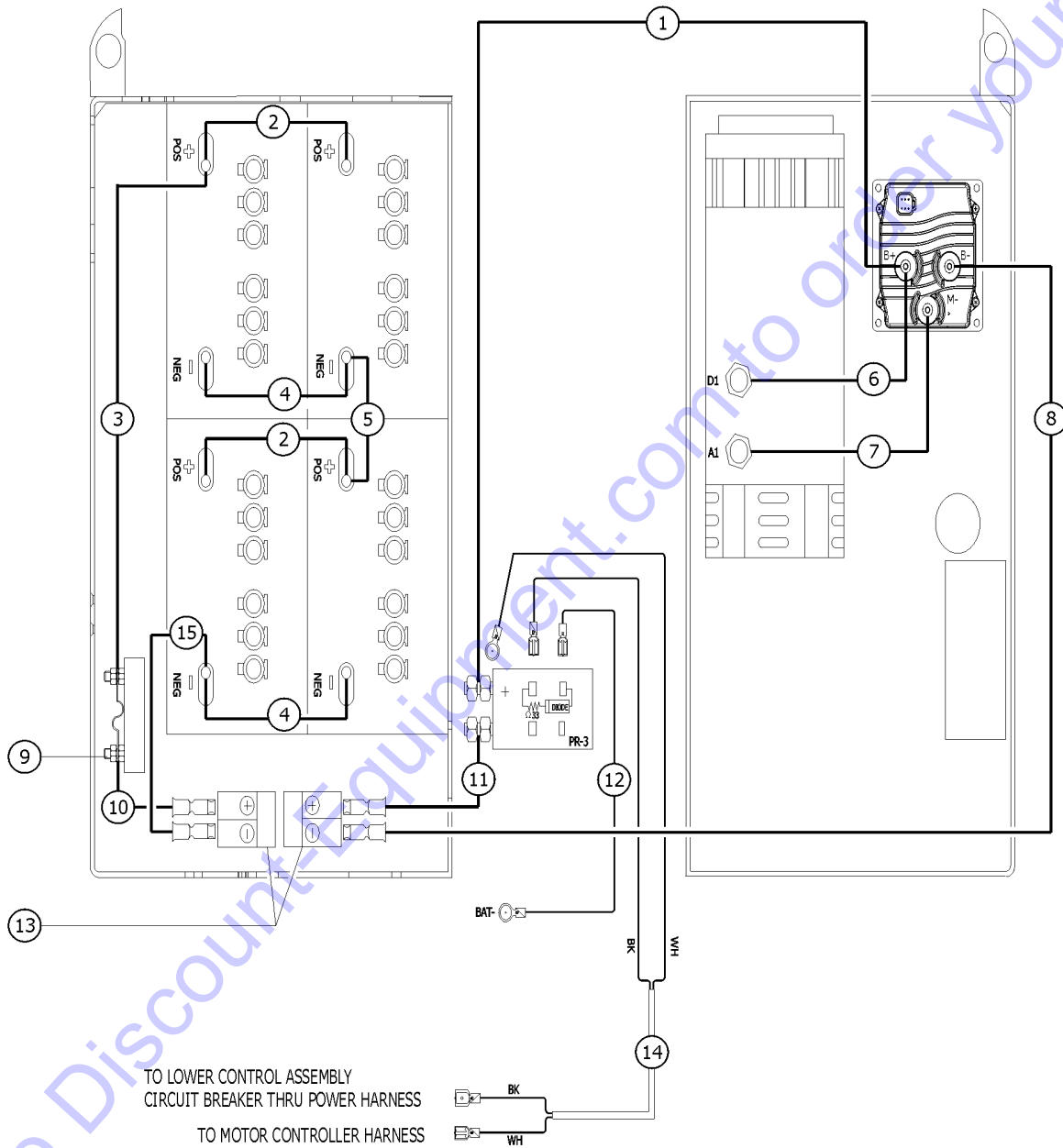
Florida: **561-964-4949** Outside Florida TOLL FREE: **877-690-3101**

Need parts?

Click on this link: <http://www.discount-equipment.com/category/5443-parts/> and choose one of the options to help get the right parts and equipment you are looking for. Please have the machine model and serial number available in order to help us get you the correct parts. If you don't find the part on the website or on one of the online manuals, please fill out the request form and one of our experienced staff members will get back to you with a quote for the right part that your machine needs.

We sell worldwide for the brands: Genie, Terex, JLG, MultiQuip, Mikasa, Essick, Whiteman, Mayco, Toro Stone, Diamond Products, Generac Magnum, Airman, Haulotte, Barreto, Power Blanket, Nifty Lift, Atlas Copco, Chicago Pneumatic, Allmand, Miller Curber, Skyjack, Lull, Skytrak, Tsurumi, Husquvarna Target, Stow, Wacker, Sakai, Mi-T-M, Sullair, Basic, Dynapac, MBW, Weber, Bartell, Bennar Newman, Haulotte, Ditch Runner, Menegotti, Morrison, Contec, Buddy, Crown, Edco, Wyco, Bomag, Laymor, EZ Trench, Bil-Jax, F.S. Curtis, Gehl Pavers, Heli, Honda, ICS/PowerGrit, IHI, Partner, Imer, Clipper, MMD, Koshin, Rice, CH&E, General Equipment, Amida, Coleman, NAC, Gradall, Square Shooter, Kent, Stanley, Tamco, Toku, Hatz, Kohler, Robin, Wisconsin, Northrock, Oztec, Toker TK, Rol-Air, APT, Wylie, Ingersoll Rand / Doosan, Innovatech, Con X, Ammann, Mecalac, Makinex, Smith Surface Prep, Small Line, Wanco, Yanmar

210.1 Power Cables



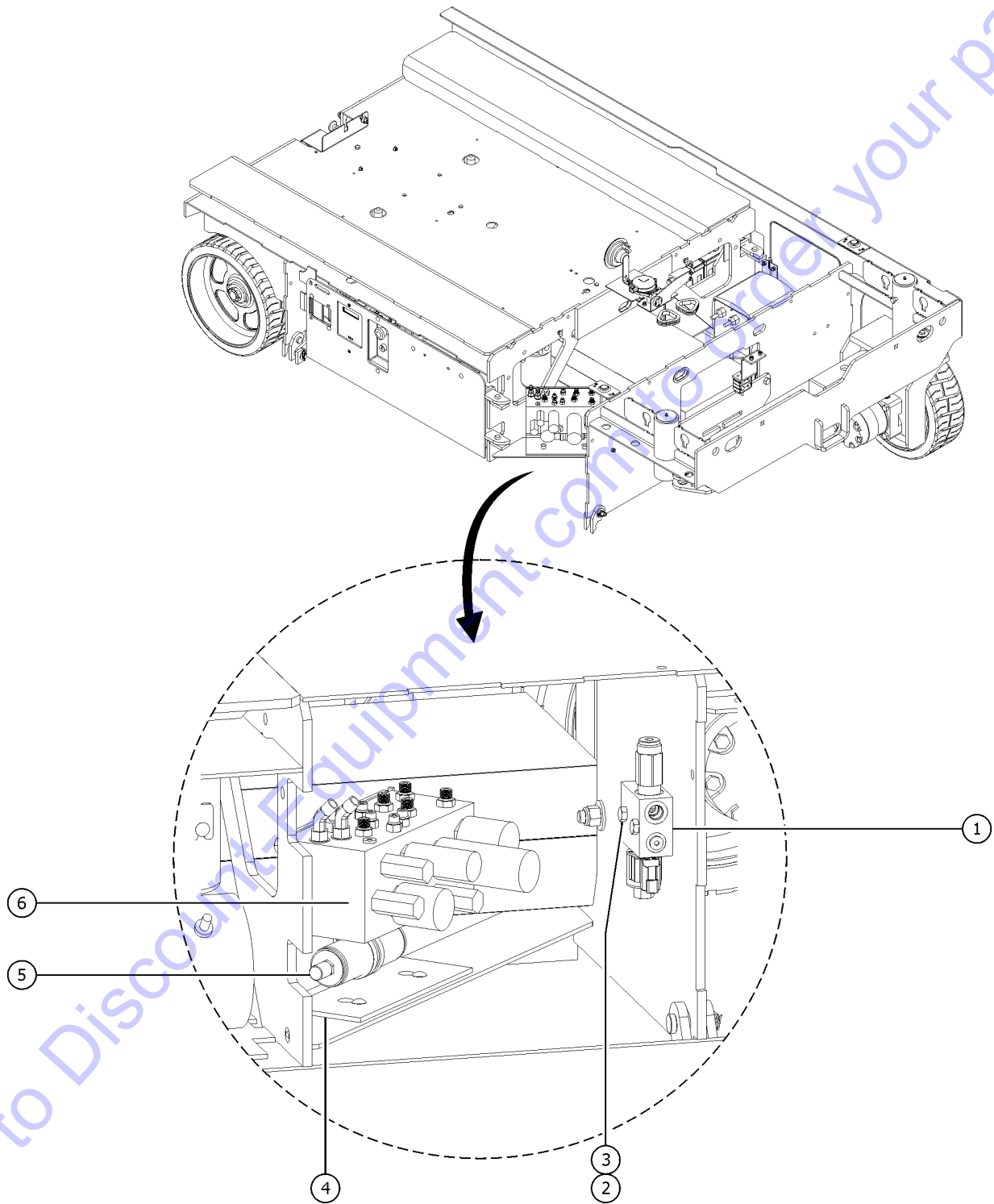
210.1 Power Cables

Item	Part No.	Description	Qty.
A	28131GT	WIRE LOOM,1.25 DIA	16
B	96110GT	BOOT, CABLE, TERMINAL COVER	11
C	79140GT	BOOT,CABLE TERMINAL,RED,XL	6
1	1257858GT	CABLE ASSY., BATT. 101", RED	1
2	1252766GT	CABLE ASSY,BATT,11"RED	2
3	236806GT	CABLE ASSY,BATT,30.5" RED	1
4	1252765GT	CABLE ASSY,BATT,11"BLACK	2
5	1252767GT	CABLE ASSY,BATT,14" BLACK,2 RING	1
6	1257054GT	CABLE ASSY., BATT. 11.5" RED	1
7	1257055GT	CABLE ASSY., BATT. 9.5" BLACK	1
8	1257855GT	CABLE ASSY., BATT. 106" BLACK	1
9	66717GT	FUSE BLOCK, ANN & ANL FUSE	1
10	236821GT	CABLE ASSY,BATT.10.5" RED	1
11	214827GT	CABLE ASSY, BATT, 15" RED	1
12	232582GT	GROUND WIRE ASSY,GS	1
13A	66397GT	QUICK DISCONNECT CASING,BATT**	2
13B	44716GT	HANDLE,ANDERSON CONNECTOR SB	1
14	233430GT	HRNS,CONTACTOR SIGNAL,GS46	1
15	236822GT	CABLE ASSY,BATT,12.5" BLACK	1

Go to Discount-Equipment.com to order your parts



211.1 Accumulator, Lift Pressure Select and Function Manifolds



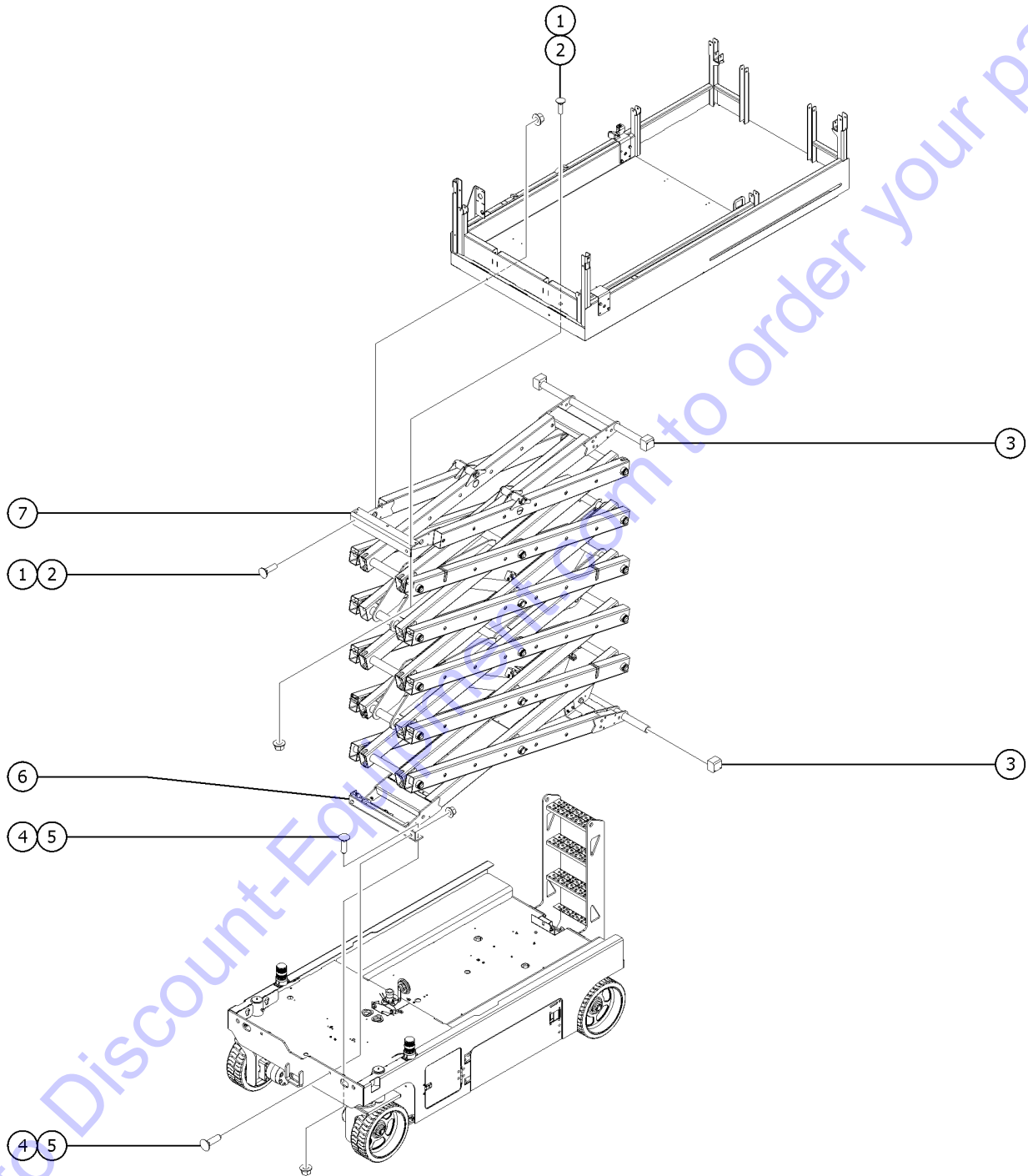
211.1 Accumulator, Lift Pressure Select and Function Manifolds

Item	Part No.	Description	Qty.
1	229606GT	MANIFOLD,LIFT PRESSURE SELECT	1
1-	119827GT	COIL, 20V, ZENER DIODE DEUTSCH	
1-	229616GT	VALVE,RELIEF,SZ8, 3500 PSI	
1-	44997GT	VALVE,SOLENOID,2POS 2WAY N.O.*	
2	1255801GT	SCREW,HHF,5/16-18X2.25,8,ZAG	2
3	824028GT	NUT,TL FLG,5/16-18,G,ZAG	2
4	105574GT	FORMING,MANIFOLD	1
5	78422GT	ACCUMULATOR,180 PSI PRECHARGE*	1
5-	18504GT	NUT,LOCKING-LG.FLANGE,1/4-20	
5-	32339GT	CLAMP,1.75,#28 X 3/8,RUB CUSH*	
5-	9116GT	BOLT,CARRIAGE,1/4-20 X 1.25,G2	
6		Ref. Function Manifold	1
		(refer to 502.1)	

Go to Discount-Equipment.com to order your parts



301.1 Scissor Assembly Installation



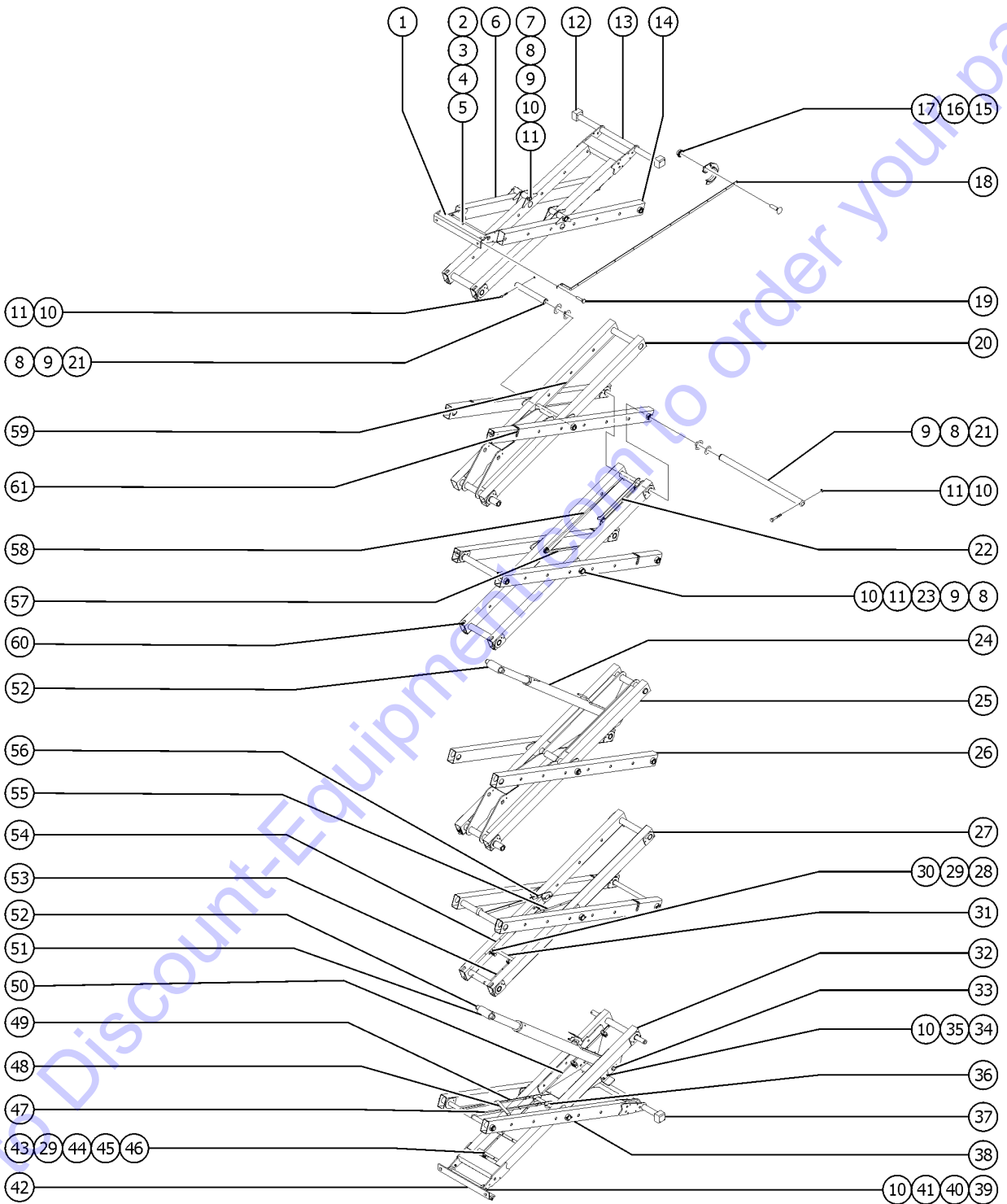
Go to Discount-Equipment.com to order your parts

Item	Part No.	Description	Qty.
1	1255757GT	BOLT,CARRIAGE,3/8-16X1.25,5,ZAG	8
2	824029GT	NUT,TL FLG,3/8-16,G,ZAG	8
3	96595GT	SLIDER,UHMW	4
4	1256115GT	BOLT,CARRIAGE,1/2-13X1.75,5,ZAG	8
5	1251997GT	NUT,TL,FLG,1/2-13,G,ZAG	8
6	97241GT	CHASSIS MOUNT ASSY, GS32&46	1
6-	51474GT	BEARING,1.00IDX1.25ODX0.75L	
7	84747GT	PLATFORM MOUNT ASSY, GS32&46 to SN GS47P-3645	1
7-	36369GT	BEARING,0.75IDX1.00ODX0.75L	2
		for 84747	
7B	1285864GT	ASSEMBLY, PLATFORM MOUNT, GS from SN GS47P-3646	1
7B-	36369GT	BEARING,0.75IDX1.00ODX0.75L	2
		for 1285864	

Go to Discount-Equipment.com to order your parts



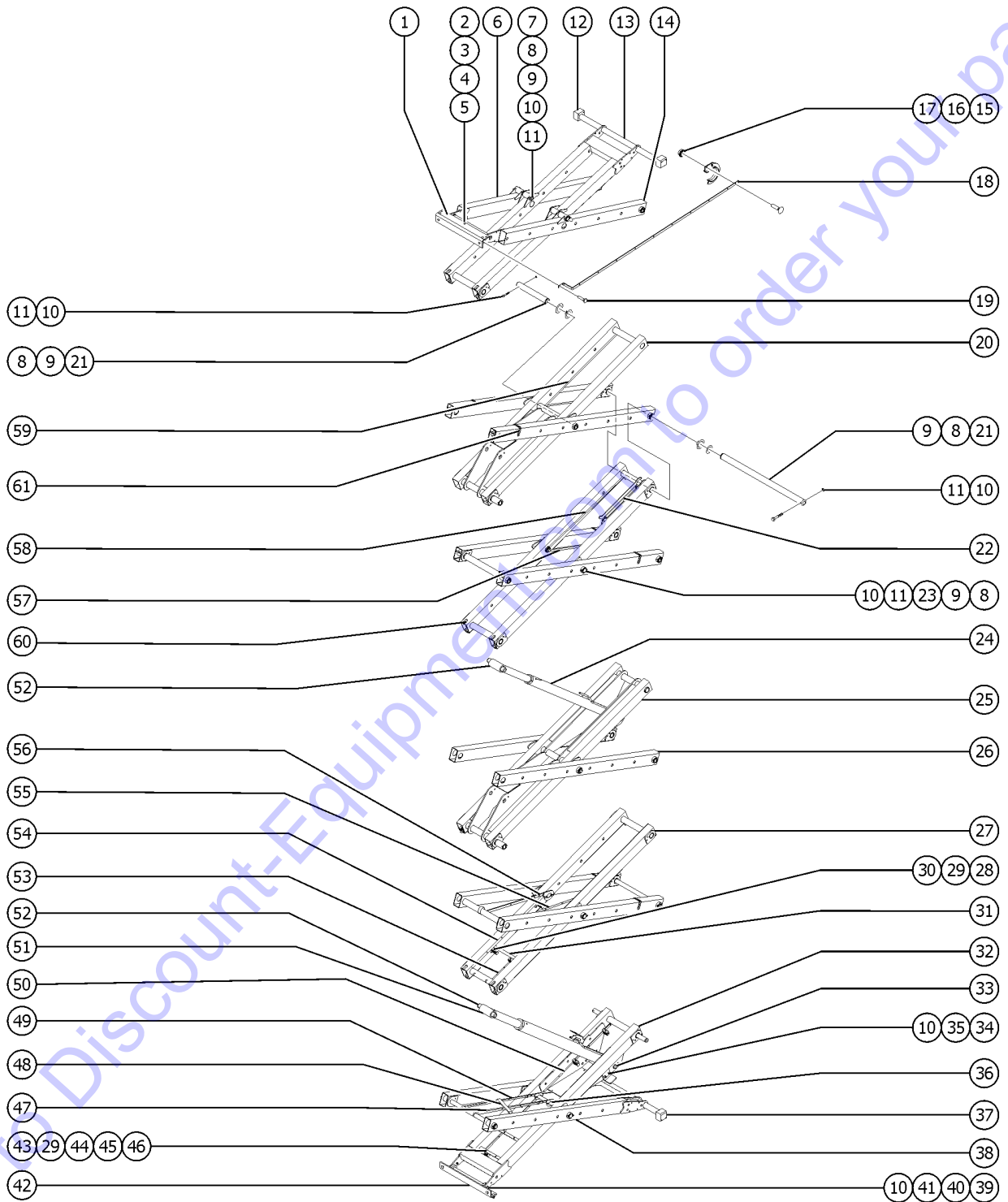
302.1 Scissor Assembly



Go to Discount-Equipment.com to order your parts

Item	Part No.	Description	Qty.
1		Ref. Platform Mount Assembly (refer to 301.1)	
2	96932GT	PIN, LINKSET MOUNT, 3/4"	1
3	825020GT	ROD END, .25 X 2.75, ZAG	2
4	824080GT	SCREW,HHF,1/4-20X1.25,8,ZAG	
5	824027GT	NUT, TL FLG, 1/4-20, G, ZAG	
6	96615GT	WLDMT,LNK,OUTER #4,26XX (ground controls side)	1
7	96130GT	PIN, MINI, CENTRE	2
8	825796GT	SNAP RING,EXTERNAL,1.50,ZAG	
9	1260941GT	WASHER,SHIM,1.54X2.00X.125,ZAG	
10	824025GT	NUT,TL,3/8-16,C,ZAG	
11	1256848GT	SCREW,HHC,3/8-16X2.75,8,ZAG	
12		Ref. Platform Slider (refer 301.1)	
13	1273427GT	ASSEMBLY,LINK,INNER #6	1
13-	66055GT	BEARING,1.50IDX1.77ODX1.25L	
13-	96487GT	BEARING,1.26IDX1.53ODX1.25L	
14	96616GT	WLDMT,LNK,OUTER #4,26XX,LEFT (battery pack side)	1
15	1256679GT	NUT,SERRATED,1/4-20,8,ZAG	22
16	105193GT	CLIP,CABLEBRIDGE,GS32/46	12
17	1260963GT	BOLT,CARRIAGE,1/4-20X.63,5,ZAG	24
18	105189GT	BAR,CABLE BRIDGE ARM,UPPER	1
19	9116GT	BOLT,CARRIAGE,1/4-20 X 1.25,G2	2
20	1273419GT	ASSEMBLY,LINK,INNER #5	1
21	96899GT	PIN, LONG, GS46	13
22	58000GT	SAFETY CHOCK,SCISSOR	1
23	96900GT	PIN, SHORT, GS46	4
24		Ref. Lift Cylinder, Top (refer 505.1)	
24-	66055GT	BEARING,1.50IDX1.77ODX1.25L	
25	1273421GT	ASSEMBLY,LINK,INNER #3	1

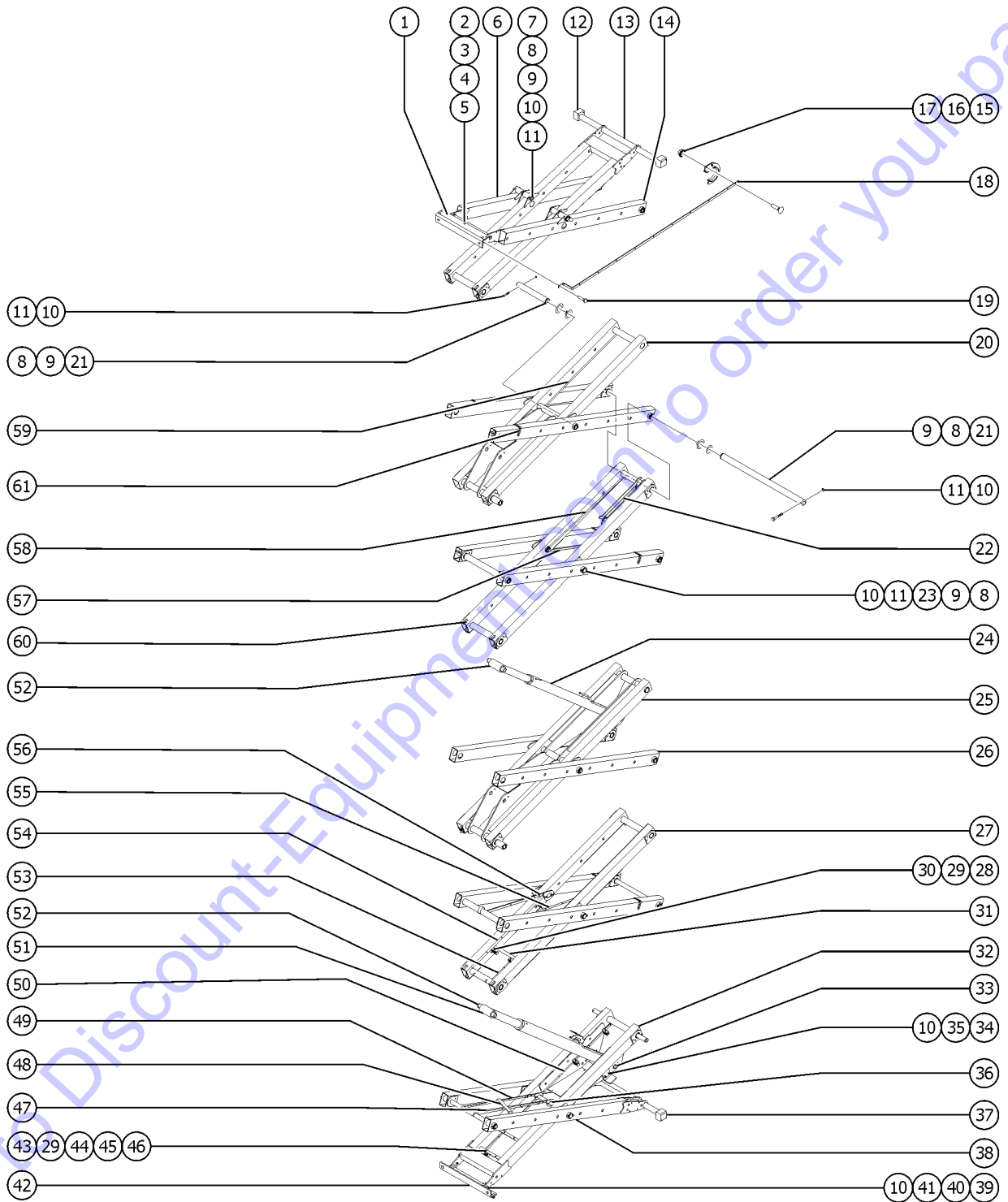
302.1 Scissor Assembly



Go to Discount-Equipment.com to order your parts

Item	Part No.	Description	Qty.
26	229579GT	WELDMENT, LINK, OUTER, #2,3,4,5	8
26-	66055GT	BEARING, 1.50IDX1.77ODX1.25L	
27	1273420GT	ASSEMBLY, LINK, INNER #2,4	2
28	1261822GT	BOLT, CARRIAGE, 10-24 X 1.5", G2	12
29	105213GT	RUBBER CUSHION, CLAMP, SHORT	
30	105206GT	CLAMP, SHORT	13
31	1273387GT	FORMING, END CONNECTING	1
32	1273426GT	ASSEMBLY, LINK, INNER #1 (decal not included refer to section one)	1
32-	66055GT	BEARING, 1.50IDX1.77ODX1.25L	
33	96662GT	PIN, LOWER CYLINDER MOUNT	1
34	1255757GT	BOLT, CARRIAGE, 3/8-16X1.25, 5, ZAG	
35	105074GT	FORMING, PH PUSHER, GS46	2
36	1261823GT	BEARING, 1.5IDX1.75ODX2.4L	2
37		Ref. Chassis Slider (refer 301.1)	
38	96603GT	WLDMT, LNK, OUTER #1, XX46 (decal not included refer to section one)	1
39	96862GT	PIN, LINKSET MOUNT, 1"	
40	825019GT	ROD END, .375X3.69, ZAG	6
41	8516GT	SCREW, HCC, 3/8-16 X 1.50	
42		Ref. Chassis Mount Assembly (refer 301.1)	
43	105208GT	RUBBER CUSHION, SEPARATOR	5
44	105205GT	CLAMP, LONG	
45	1256467GT	NUT, TL FLG, 10-24, F, ZAG	
46	1260962GT	BOLT, CARRIAGE, 10-24X2.5, A, ZAG	
47	1273370GT	WELDMENT, CABLE BRIDGE TOP	1
48	1273385GT	FORMING, END CONNECTING	2
49	1273367GT	WELDMENT, CABLE BRIDGE, TOP	1
50	105186GT	WLDMNT, CABLE BRIDGE, LOWER	1
51		Ref. Lift Cylinder, Bottom (refer 505.1)	

302.1 Scissor Assembly



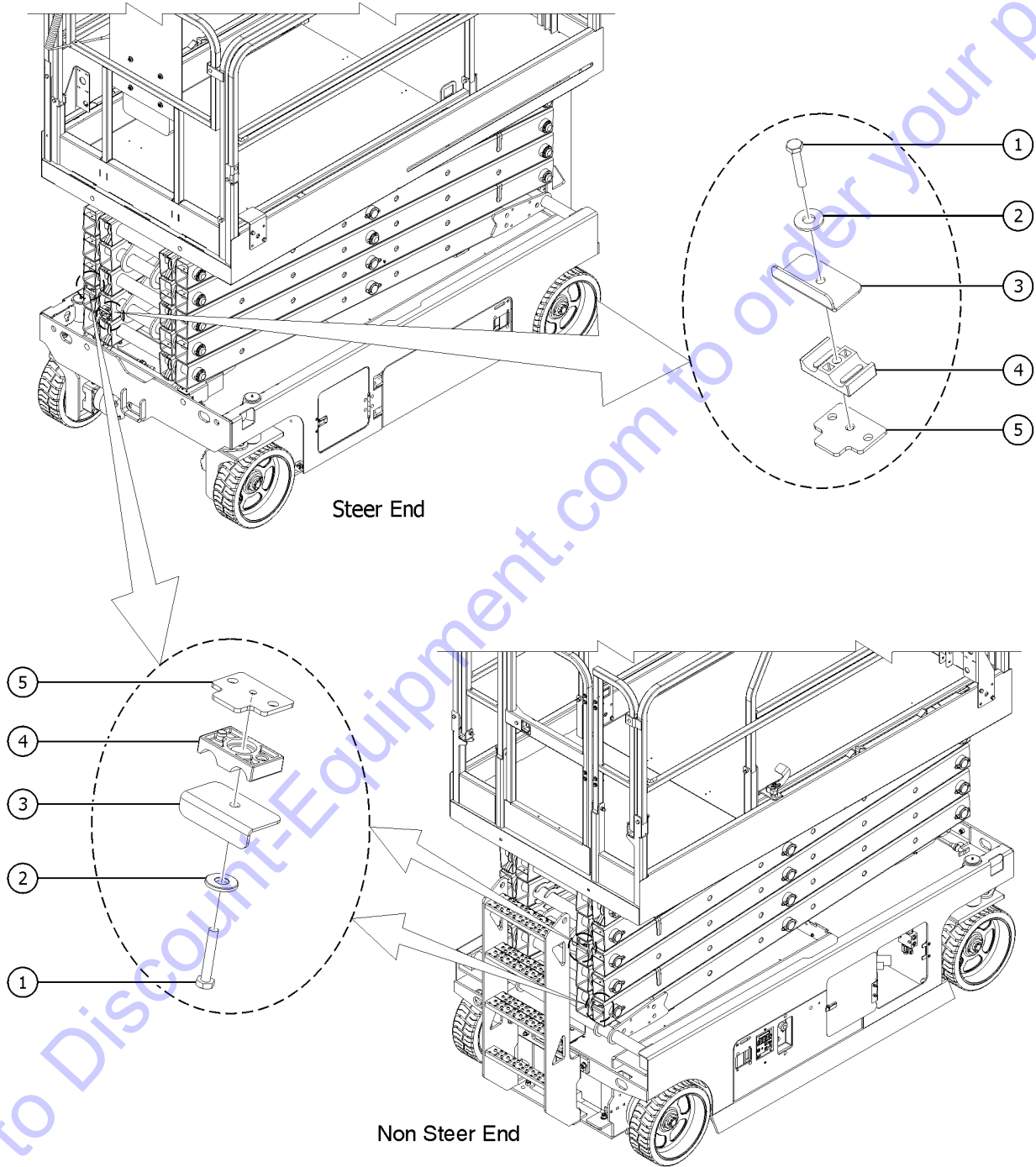
Go to Discount-Equipment.com to order your parts

Item	Part No.	Description	Qty.
52	96661GT	PIN, UPPER CYLINDER MOUNT	3
53	1273361GT	WELDMENT, CABLE BRIDGE, BOTTOM	1
54	1273366GT	WELDMENT, CABLE BRIDGE, BOTTOM	1
55	1273365GT	WELDMENT, CABLE BRIDGE, TOP	1
56	1273364GT	WELDMENT, CABLE BRIDGE, TOP	1
57	1273573GT	WLDMT,CABLE BRIDGE,BOTTOM	1
58	105191GT	WELDMENT.CABLE BRIDGE, TOP	1
59	1273386GT	BAR, CABLE BRIDGE ARM	2
60	96735GT	LINK BUMPER, 5"	10
61	96836GT	LINK BUMPER, SHORT TUBE	8

Go to Discount-Equipment.com to order your parts



303.1 Scissor Assembly, Hose Clamps



Go to Discount-Equipment.com to order your parts

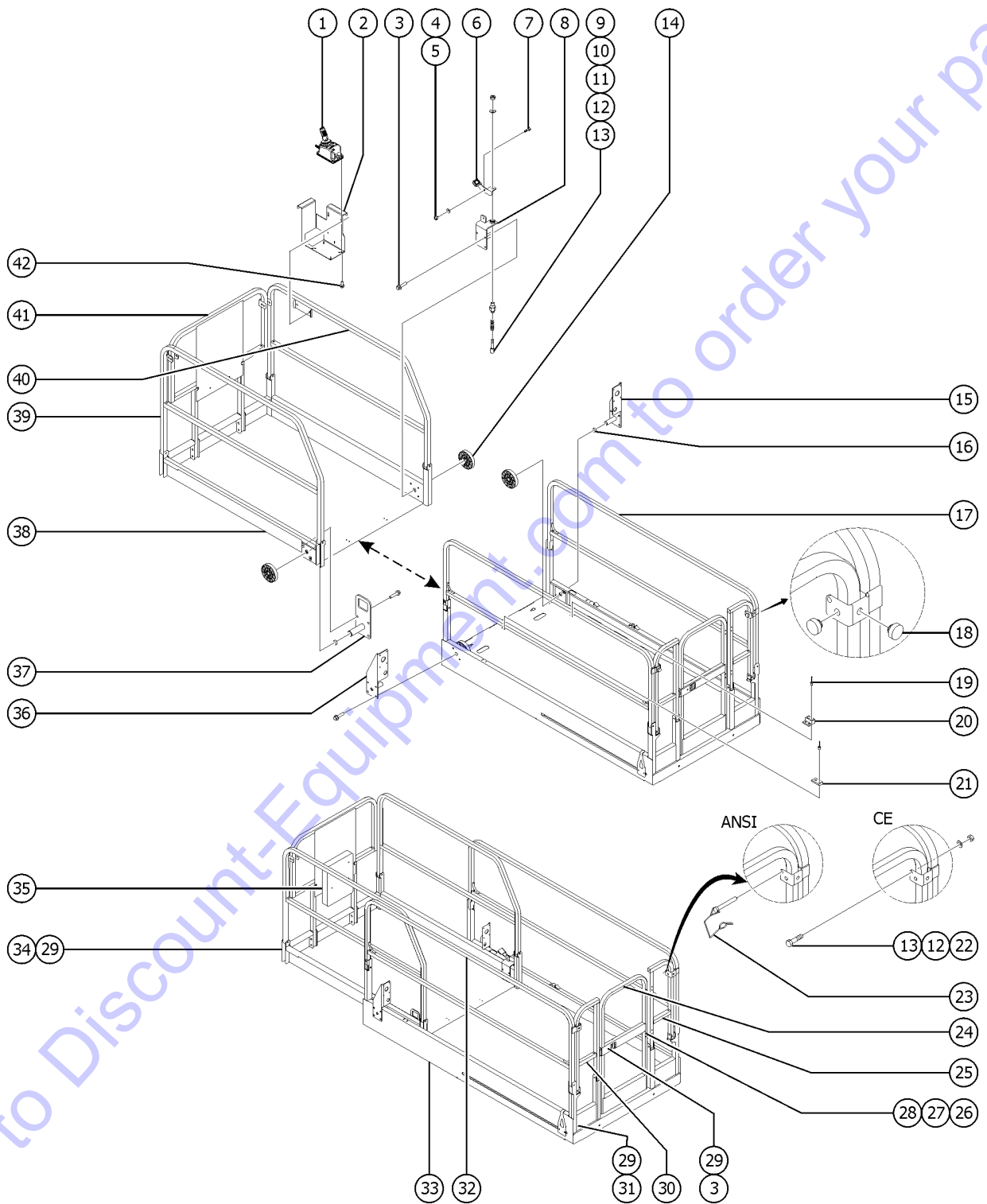
303.1 Scissor Assembly, Hose Clamps

Item	Part No.	Description	Qty.
1	238348GT	SCREW, HHC, 1/4-20 X 1.5"L, STL GR8	4
2	5397GT	WASHER,FLAT,USS,5/16",Y	4
3	1273384GT	FORMING, HOSE CLAMP	4
4	78736GT	CLAMP,2 HOSE,PLASTIC	4
5	1273383GT	PLATE, RETAINER	4

Go to Discount-Equipment.com to order your parts



401.1 Platform Components



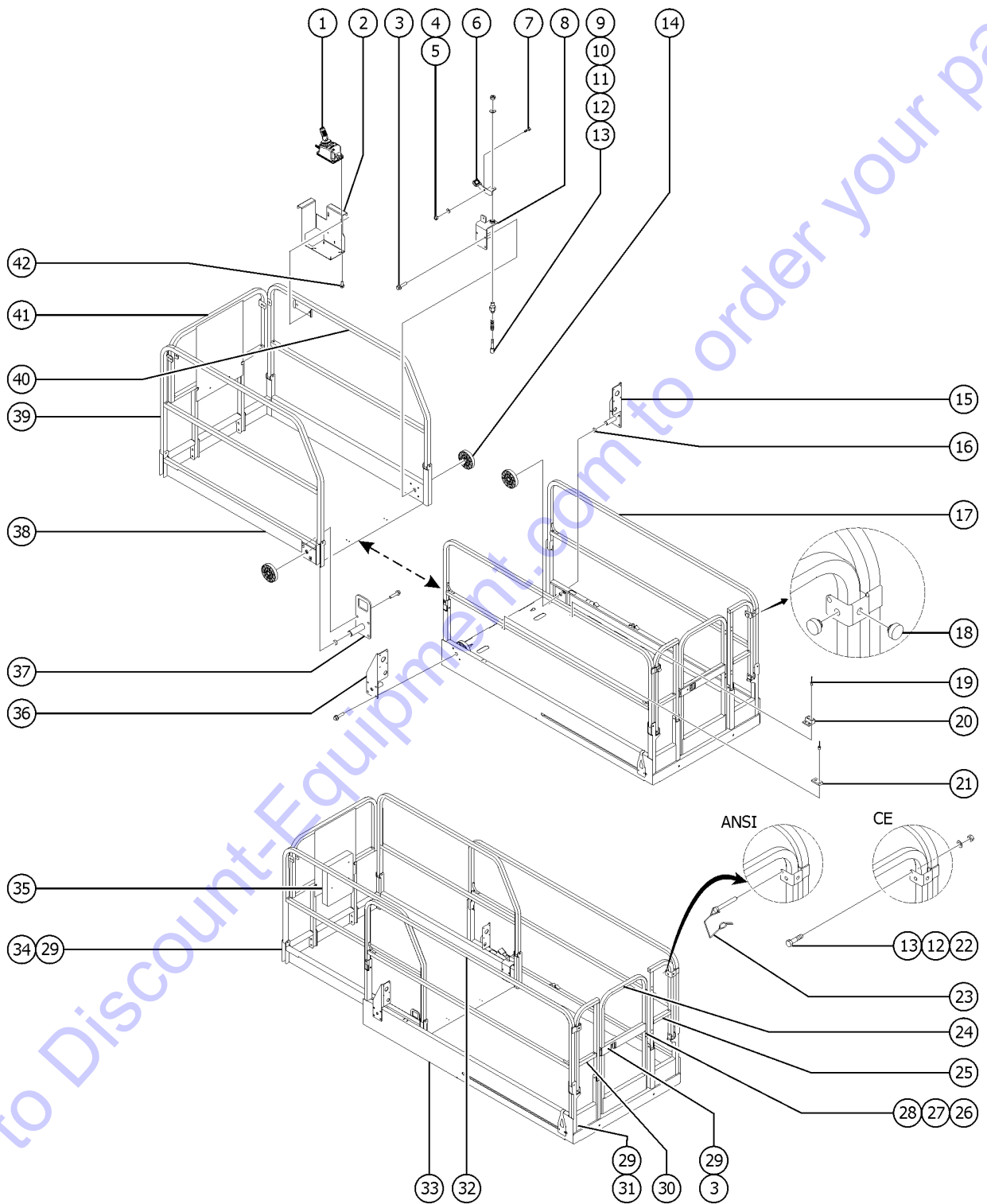
Go to Discount-Equipment.com to order your parts

401.1 Platform Components

Item	Part No.	Description	Qty.
1		Ref. Platform Control Box (refer to 403.1)	
2		Ref. Platform Control Box Mount Bracket (refer to 403.1)	
3	1253478GT	SCREW,HHF,3/8-16X2,8,ZAG	5
4	1252977GT	NUT,TL JAM,5/16-18,A,ZAG	1
5	825358GT	WASHER,FLAT,5/16,USS,ZAG	1
6	46260GT	FOOTPEDAL W/NON-SKID TAPE,GS**	1
6-	47166GT	BRACKET,FOOT PEDAL (non skid tape not included)	1
6-	47225GT	TAPE, NON-SKID, DIE CUT, 1.38 X 1.5 (not included sold separately)	
7	1259223GT	BOLT,SHS,3/8X.375X5/16-18,ZAG	1
8	96413GT	WLDMT,LOCKING ROLLER SUPPORT	1
9	1259181GT	PIN,LOCK,0.5X3.125,ZAG	1
10	39469GT	SPRING,COMPRESSION.485 X1.75**	1
11	41630GT	HOUSING, LOCK PIN	1
12	1255758GT	WASHER,FLAT,3/8,USS,ZAG	4
13	824038GT	NUT, TL JAM, 3/8-16, A, ZAG	4
14	47163GT	ROLLER,PLATFORM EXTENSION	4
15	84587GT	ROLLER BRACKET ASSY, GRND CNTR (ground controls side)	1
16	21279GT	BUTTON, .800 O.D. X .281	3
17	82052-SGT	RAIL-GS46 PLAT,MAINDECK RT**** (ground controls side)	1
18	43392GT	BUMPER,BATTERY BOX & RAILS	14
19	39579GT	RIVET,STL,STL,.188 X .45	20
20	39310GT	WEAR/GUIDE PAD MAIN PLATFORM	4
21	39474GT	WEAR PAD, PLATFORM	3
22	824094GT	SCREW,HHF,3/8-16X2.75,8,ZAG	3
23	1259182GT	PIN,WIRE LOCK 3/8 X 2 -1/2,ZAG	
23-	78022GT	LANYARD,BLACK NYLON,TYPE 1	
24A	96760GT	ASSY, PLATFORM GATE, GSXX46 COMPLETE (decals not included, refer to section one)	1
24B	97242GT	SWING GATE ASSY, GS46 WELD (decals not included, refer to section one)	1



401.1 Platform Components

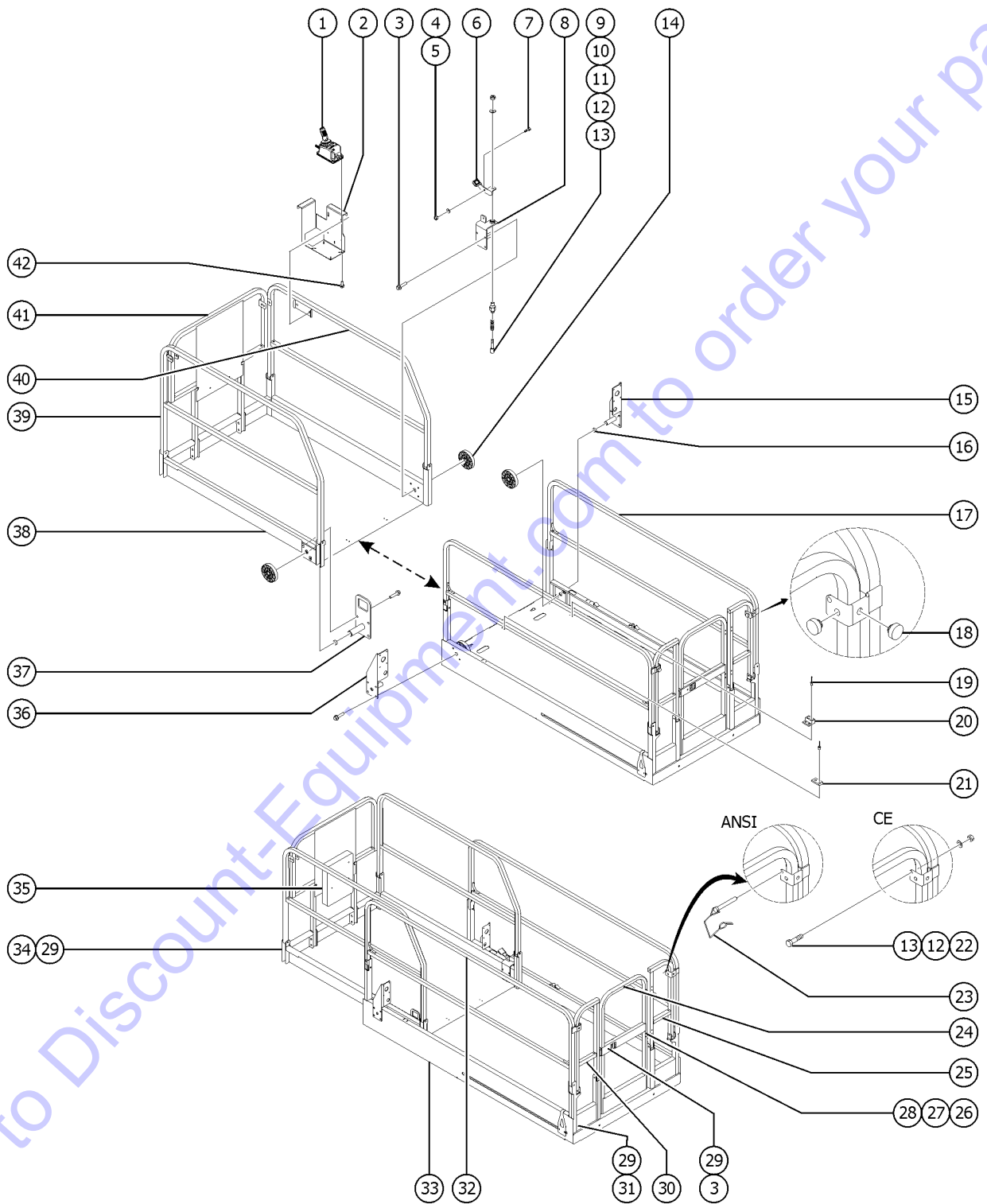


401.1 Platform Components

Item	Part No.	Description	Qty.
24C	66512GT	WLDMT, FULL HEIGHT GATE	1
24D	65990-SGT	KIT,GATE LATCH (includes items 3 and 29)	1
24D-	22446GT	SPRING, COMPRESSION .835 X 2 included in kit 65990-SGT	1
24D-	66544GT	LATCH HANDLE included in kit 65990-SGT	1
25	66923GT	WLDMT, ENTRY SIDERAIL, RT (ground controls side)	1
25-	78038GT	CAP, PLASTIC, 1.25 X 0.08"	
26	1253485GT	SCREW,HHF,1/4-20X2,8,ZAG	8
27	104804GT	HINGE, SPRING, LONG LEG	2
28	824027GT	NUT, TL FLG, 1/4-20, G, ZAG	8
29	824029GT	NUT,TL FLG,3/8-16,G,ZAG	
30	66920GT	WLDMT, ENTRY SIDERAIL, LT (battery pack side)	1
30-	78038GT	CAP, PLASTIC, 1.25 X 0.08" (not included sold separately)	
31	1260926GT	BOLT,CARRIAGE,3/8-16X2.25,5,ZAG	2
32	82053-SGT	RAIL-GS46 PLAT,MAINDECK LT**** (battery pack side)	1
32-	43392GT	BUMPER,BATTERY BOX & RAILS	3
33	1284268GT	WLDMT,MAIN DECK,GS46 (decals not included, refer to section one)	1
33-	47098GT	TAPE,NON-SKID,DIE CUT,4"X 40" (not included sold separately)	
33-	47231GT	TAPE,NON-SKID,DIE CUT,4"X 16" (not included sold separately)	
33-	47374GT	TAPE,NON-SKID,DIE CUT,4"X 32" (not included sold separately)	
34	1256856GT	SCREW,HHF,3/8-16X2.5,8,ZAG	
35	24514GT	BOX,INSTRUCTION STORAGE (decals not included, refer to section one)	1
35-	1256855	SCREW,HHF,1/4-20X.625,8,ZAG	4
35-	824027GT	NUT, TL FLG, 1/4-20, G, ZAG	4
35-	824113GT	WASHER,FLAT,USS,1/4,ZAG	4
36	96246GT	WELDMENT,ROLLER BRACKET,LT***	1
37	96200GT	WLDMT, LANYARD ROLLER BRKT (decals not included, refer to section one)	1
37-	21279GT	BUTTON, .800 O.D. X .281 (sold separately)	1
38	97258GT	EXT. DECK ASSY, GS46	1



401.1 Platform Components



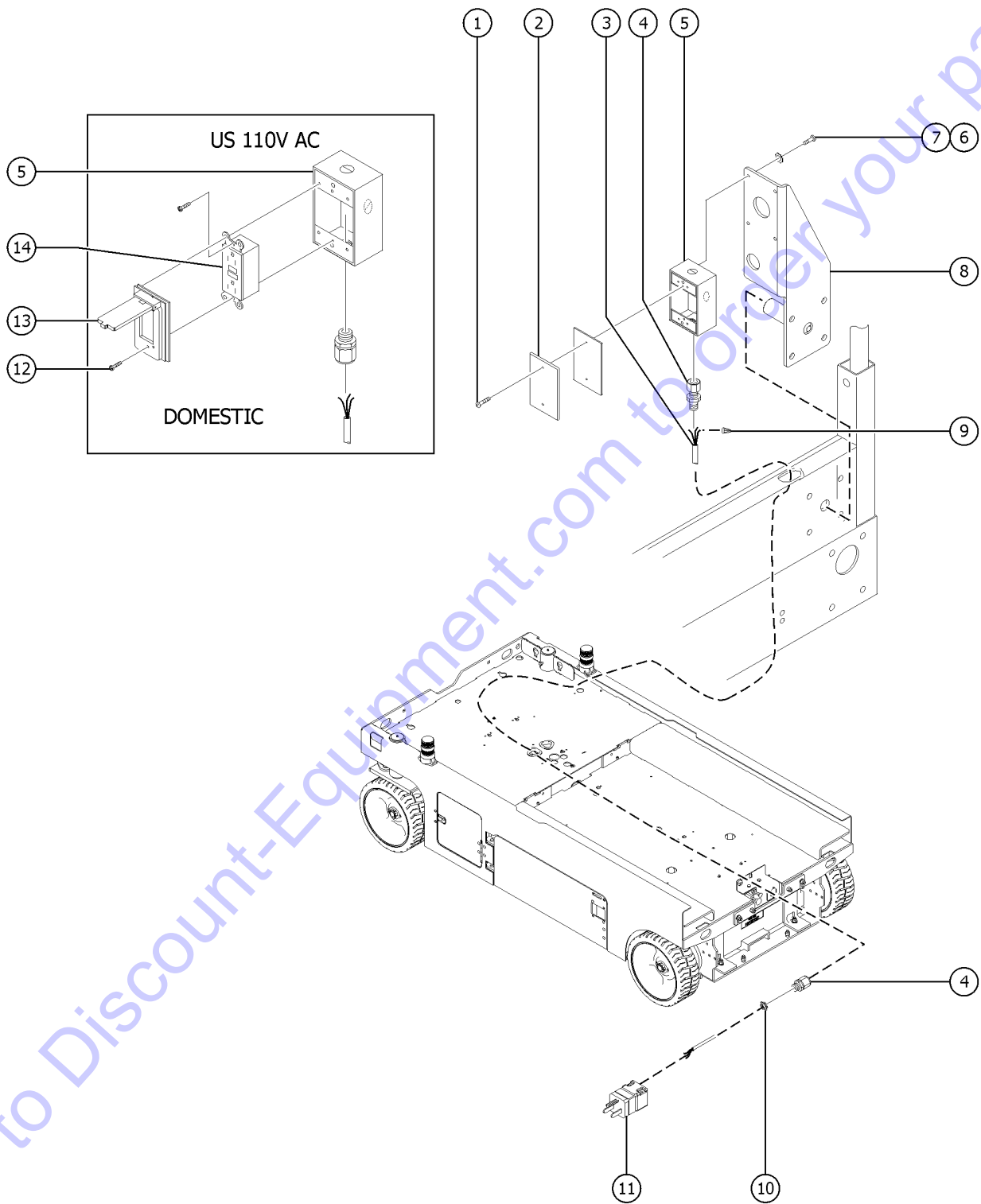
401.1 Platform Components

Item	Part No.	Description	Qty.
38-	39474GT	WEAR PAD, PLATFORM	2
38-	47374GT	TAPE, NON-SKID, DIE CUT, 4" X 32"	7
38-	96719GT	WLDMT, EXT. DECK, GSXX46	1
38-	T113787GT	RIVET, ALUM, STL, .188 X .250 for 39474GT	4
39	97263GT	LEFT EX. RAIL, GS46 (battery pack side)	1
39-	43392GT	BUMPER, BATTERY BOX & RAILS	3
40	97264GT	RIGHT EXT RAIL, GS46 (SYMBOL) (decals not included, refer to section one)	
40-	43392GT	BUMPER, BATTERY BOX & RAILS	3
41	96794GT	WLDMT, EXTENSION ENDRAIL (decals not included, refer to section one)	1
42	824078GT	SCREW, HHF, 1/4-20X.75, 8, ZAG	1

Go to Discount-Equipment.com to order your parts



402.1 Power to Platform



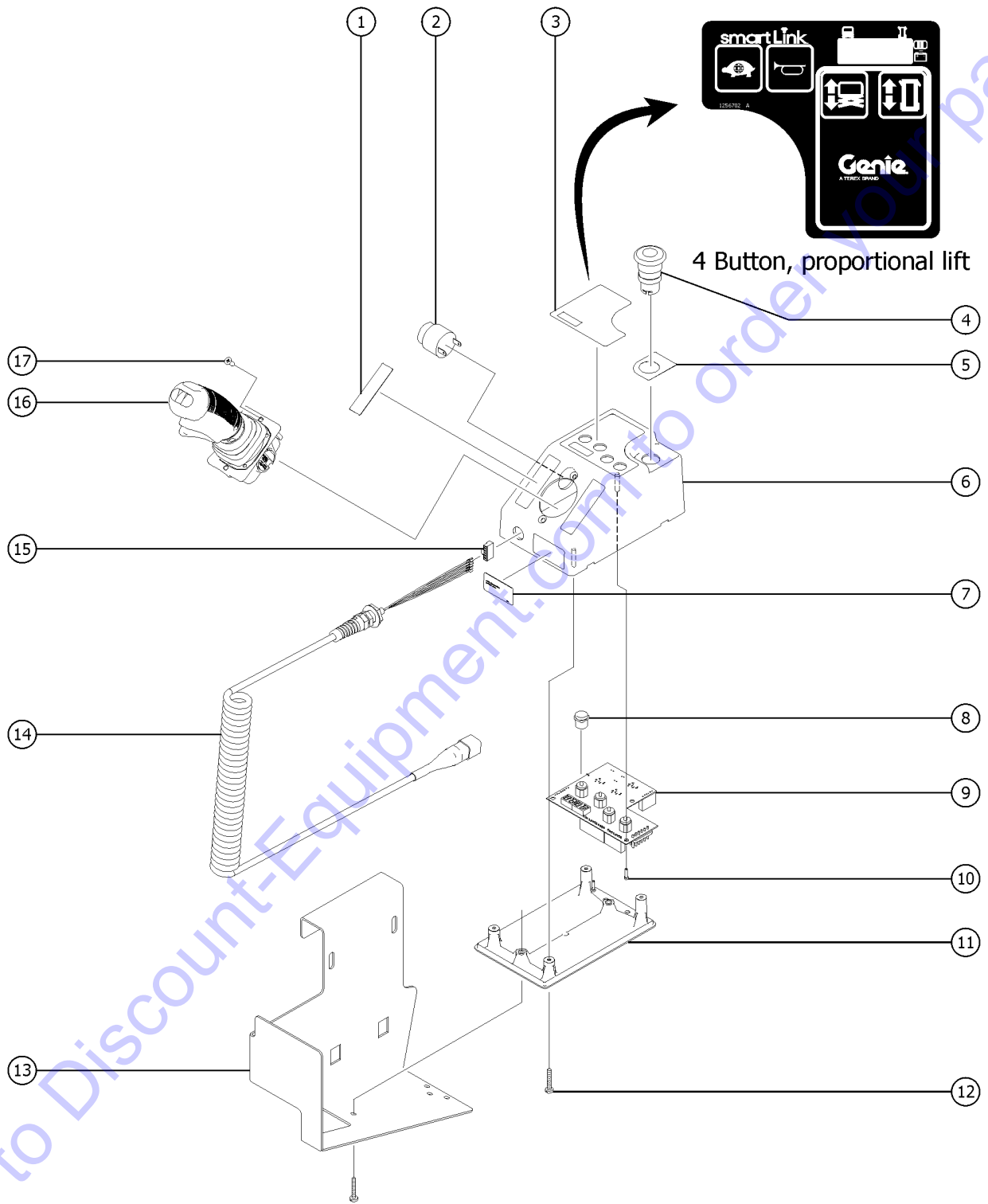
402.1 Power to Platform

Item	Part No.	Description	Qty.
A	33724GT	KIT,GASKET,UK POWER TO PLAT	
1	7127GT	SCREW,PHILLIPS,PHM,6-32 X .75	
2	10777GT	COVER,BLANK	1
3	43956GT	WIRE CABLE, 14/GA/3 CON. TPE JKT*	724
4	7056GT	CONN,SQUEEZE,1/2NPT .38-.50,SM	2
5	10775GT	T-BOX,2.75 X 4.5 X 2.0	1
6	57075GT	SCREW, PHIL, 8-32 X .50, SELF TAP	4
7	44936GT	WASHER,STAR,EXTERNAL,#8	4
8		REF: Roller Bracket	
		(refer to 401.1)	
9	6626GT	WIRE CAP,ORANGE	3
10	6935GT	CONN, SQZ, 1/2NPT, LOCKNUT	
11	6595GT	PLUG,ELECTRICAL,DOMESTIC	1
12	45546GT	SCREW,RHM,6-32 X .5	2
13	45437GT	COVER,GFCI,WEATHERPROOF	1
		(includes gasket and mounting fasteners)	
14	13585GT	OUTLET, 110V	1

Go to Discount-Equipment.com to order your parts

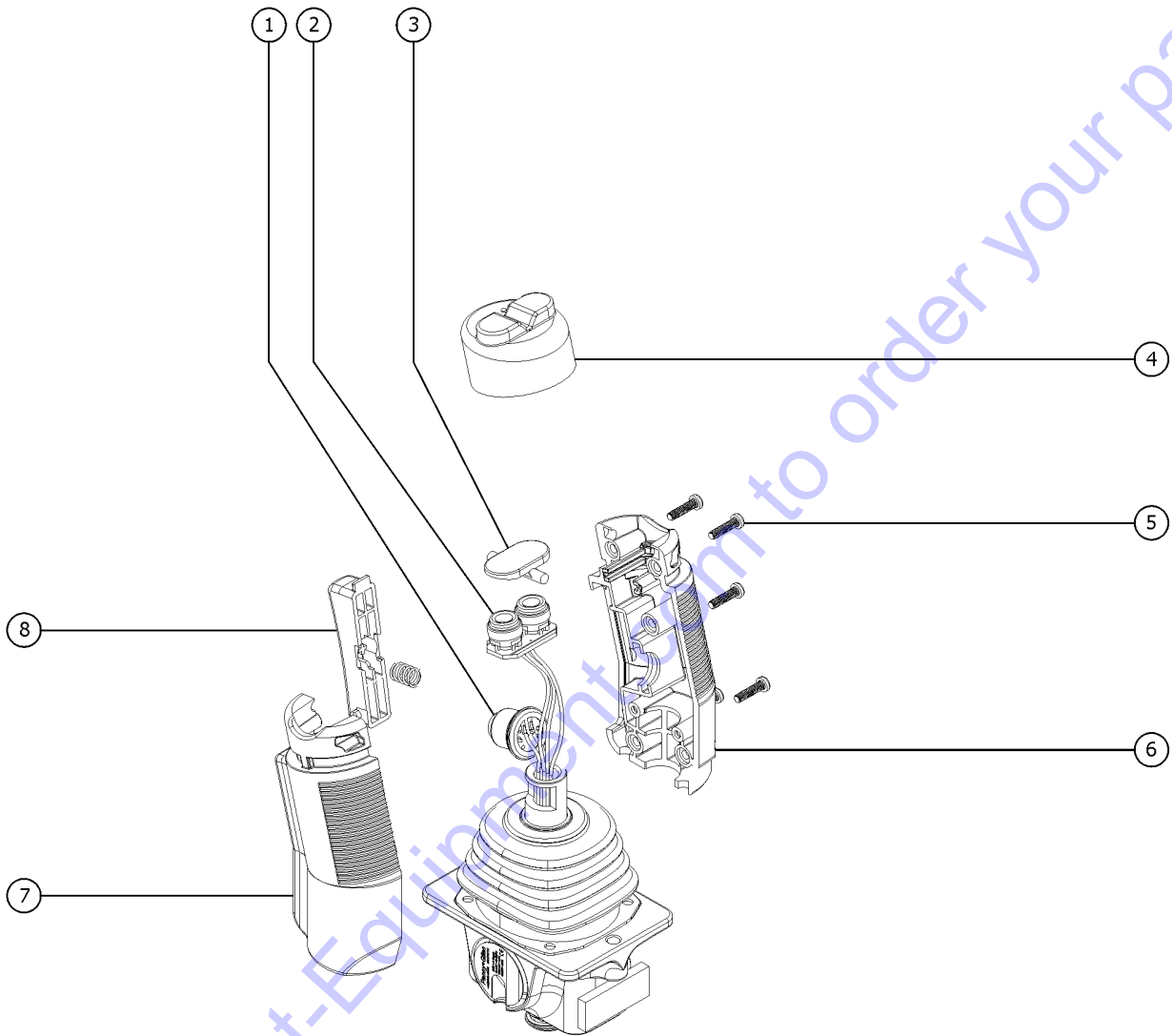


403.1 Platform Controls



Item	Part No.	Description	Qty.
A-	1256727GT	PCON,STD,PROP LIFT,GR/GS complete platform control box with coil cord, bracket not included	1
B-	1258731GT	FLASH DRIVE,SL1K2.0 SOFTWARE (For proportional lift or upgrade kits only. Software update available on-line. Flash drive sold separately.)	1
C-	137587GT	HARNESS, ESTOP, GR/GRC/GS PCON	1
1	137656GT	DECAL, PROPEL, GR/GRC/GS, PCON (refer to 103.1 or 106.1)	1
2A	39540GT	ALARM,STEADY TONE*** order 72326 mounting ring separately	1
2B	72326GT	NUT - PLASTIC,RING FOR ALARMS for 39540	1
3		Ref: UI, GR/GRC/GS PCON DECAL (refer to 103.1 or 106.1)	1
4	66812GT	BUTTON,PUSH,RED MUSHROOM HEAD	1
4-	66817GT	E-STOP W/ NC CONTACT	1
5		Ref: DECAL,E-STOP,GR/GRC/GS PCON (refer to 103.1 or 106.1)	1
6	T106368GT	ENCLOSURE,GC14-1,TOP	1
7	137642GT	LABEL, GR/GRC/GS PCON	1
8	T106373GT	CAP,BUTTON,K12	6
9	1256725GT	PCBA,PCON STD,PROP LIFT	1
10	137637GT	SCREW,PHM,4-20X.5, 48-2 TRI-L	1
11	T106370GT	ENCLOSURE,GC14-1/GC16-1, BOT	1
12	137640GT	SCREW,PHM,8-16X.75, 48-2 TRI-L	1
13	T114397GT	FORMING,PLAT CONTROL BOX	1
14	235464GT	KIT,COIL CORD,CONTRLR,SL1000	1
14-	231921GT	KIT,CONN,RECEPT W/PIN AND LOCK	1
14-	231922GT	KIT,CONN,PLUG W/SCKT AND LOCK	1
15	137699GT	PLUG, 6POS ECO PWR	1
16		REF: Joystick (refer to 404.1)	1
17	229845GT	SCREW,BHSCS,M5X10,SS apply Loctite 243 or equivalent before installation	1

404.1 Joystick Controller Metal Base



404.1 Joystick Controller Metal Base

Item	Part No.	Description	Qty.
A-	137634GT	JOYSTICK, HALL EFFECT, SINGLE	
B-	235462GT	KIT,STR SWITCH,JYSTK,SL1000	
C-	229097GT	TERMINAL, SPLINE (AMP)	
1	235463GT	KIT,SWITCH,JYSTK,SL1000	
2	235463GT	KIT,SWITCH,JYSTK,SL1000	
3	229092GT	ROCKER,2 SWITCH	1
4	229093GT	BOOT, 2 SWITCH, SILICON	1
5	229086GT	SCREW, SELF TAP	5
6A	229087GT	HANDLE HALF,RIGHT,W/TOP SWITCH	1
6B	229091GT	SCREW,GRUB,M5X8MM,HLF DOG,BZP for 229087	
7A	229088GT	HANDLE HALF,LEFT,W/TOP SWITCH	1
7B	229090GT	SCREW,GRUB,M5X8MM CUP(BLK) for 229088	
8A	229089GT	TRIGGER, EXTENDED	1
8B	229094GT	SPRING, HANDLE TRIGGER	1

Go to Discount-Equipment.com to order your parts



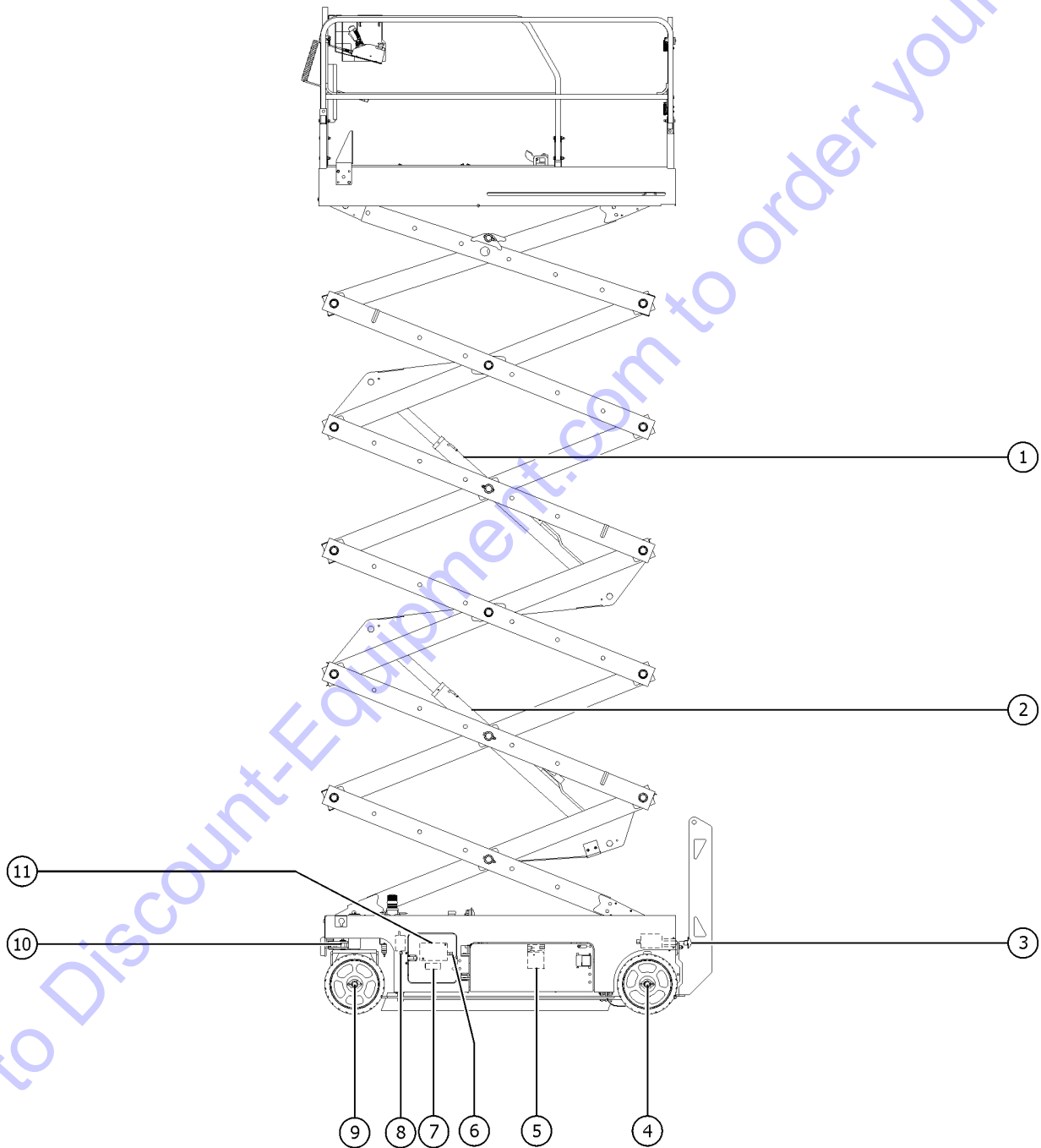
404.2 Joystick Controller Plastic Base

<i>Item</i>	<i>Part No.</i>	<i>Description</i>	<i>Qty.</i>
1	1314756GT	KIT, JOYSTICK, SWITCH ACTUATORS	
2	1314755GT	BOOT, JOYSTICK, SINGLE AXIS, SUREGRIP	
3	1314754GT	KIT, JOYSTICK, HANDLE HALVES AND SCREWS	

Go to Discount-Equipment.com to order your parts



501.1 Hydraulic Components



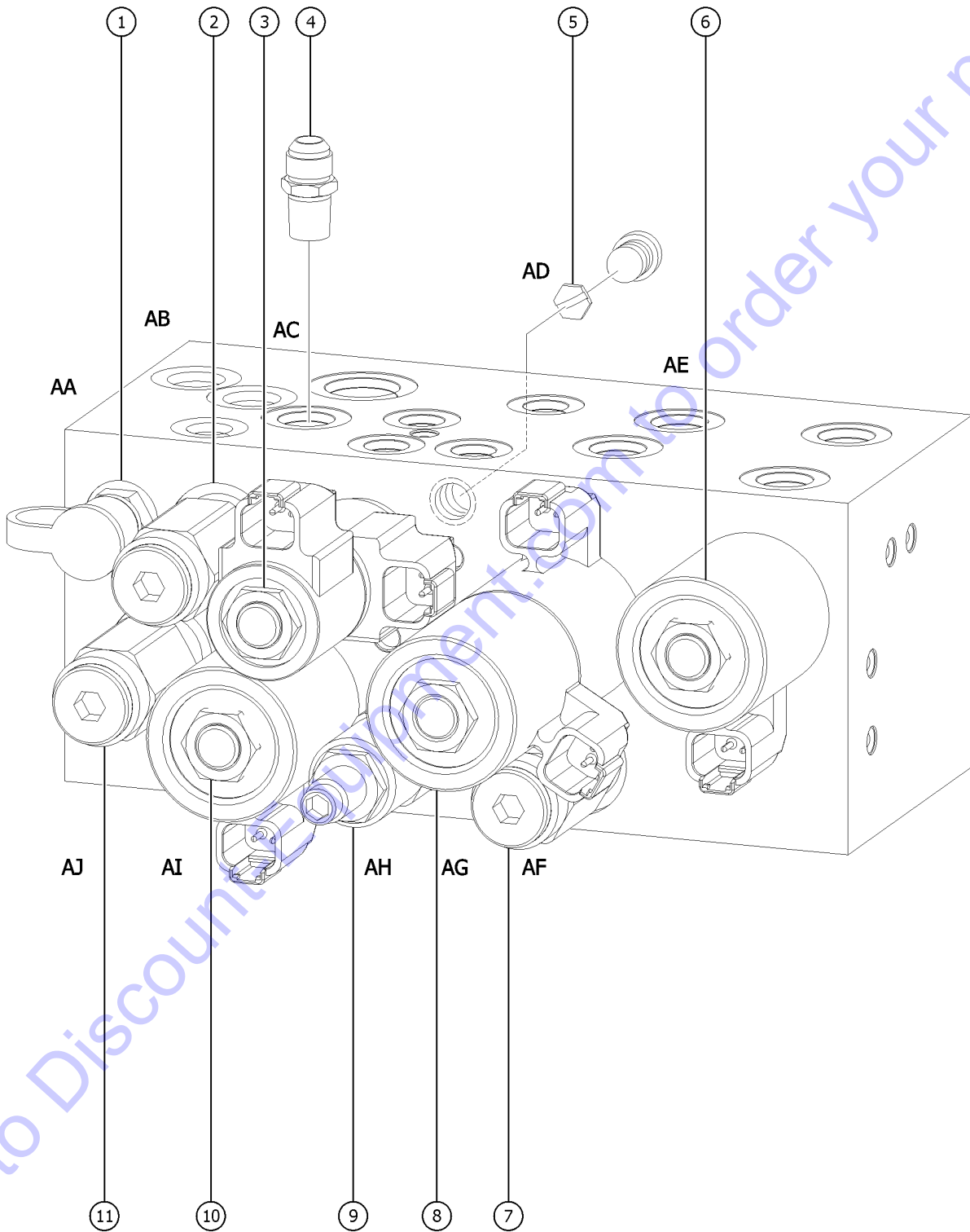
Go to Discount-Equipment.com to order your parts

Item	Part No.	Description	Qty.
1		Ref: Upper Lift Cylinder (refer to 505.1)	
2		Ref: Lower Lift Cylinder (refer to 505.1)	
3		Ref: Brake Release Hand Pump (refer to 503.1)	
4	T108664GT	BRAKE, HYDRAULIC, 15KIP-IN	2
5	78622GT	FILTER ASSY, SAE8, 10 MIC, PAPER**	1
5-	44207GT	FILTER ELEMENT, BETA(10)=200	
5-	44788GT	FILTER ELEMENT-10MICRON, PAPER*	
6		Ref: Check Valve (refer to 502.1)	
7		Ref: Accumulator (refer to 211.1)	
8		Ref: Lift Pressure Select Manifold (refer to 211.1)	
9	T108663GT	DRIVE MOTOR, 22.9CI/REV	2
9-	96419GT	SEAL KIT, RC SERIES DR MOTOR*** (for PN T108663)	
9-	44780GT	NUT, CASTLE, 1.125-18 UNEF	
10	105547GT	CYLINDER, GS/GR STEER***	1
10-	105550GT	KIT, STEER CYL SEAL	
10-	1298556GT	CYLINDER, GS/GR STEER	1
10-	1301219GT	SEAL KIT, CYLINDER, GS/GR STEER First line of engraving near rod end of barrel begins with 27894	
11		Ref: Function Manifold (refer to 502.1)	

Go to Discount-Equipment.com to order your parts



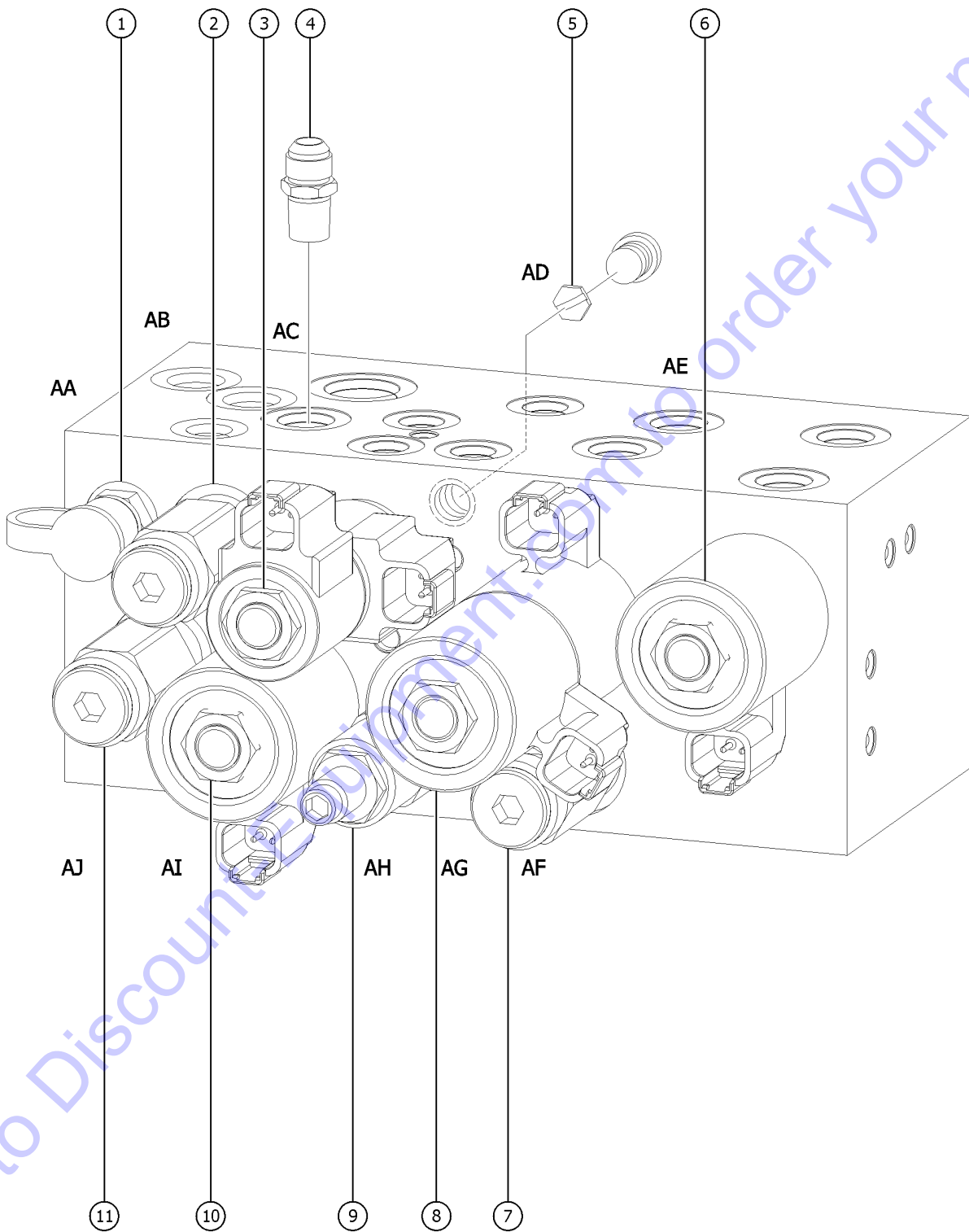
502.1 Function Manifold



Item	Part No.	Description	Qty.
A	150105GT	MANIFOLD,FUNCTION,2 SPEED (does not include check valve, item 4)	
B	49612GT	O-RING KIT (ORFS FITTINGS)	
C	49613GT	PLUG AND CAP KIT-SERVICE,ORFS*	
1	48997GT	NIPPLE, DIAGNOSTIC, #4 (AA, Testing)	
1-	20224GT	DIAGNOSTIC FEMALE Q-DSCNT	
1-	48880GT	CAP, DIAGNOSTIC NIPPLE	
2	65962GT	VALVE-RELIEF, 3700 PSI #8** (AB, System relief).	
2B	1299590GT	VALVE, FUNCTION MANIFOLD RELIEF, 3700PSI (AB, System relief).	
2B-	44226GT	SEAL KIT-FOR P.N.44167	
3	44168GT	VALVE,SOLENOID,3POS 4WAY (AC, Steer left/right)	
3-	44174GT	NUT-COIL SHORT (sold separately)	
3-	44229GT	SEAL KIT, VALVE	
3-	44236GT	SPACER-DUAL COIL,#8*** (sold separately)	
3-	77709GT	COIL,#8 20VDC,DEUTSCH W/DIOD (sold separately)	
4	237086GT	HOSE,UPPER VENT (sold separately)	
5	84386GT	CHECK DISK, NO SPRING (AD, Steer circuit)	
6	44171GT	VALVE-SOLENOID,2POS 4WAY** (AE, Drive speed select circuit)	
6-	44175GT	SPACER-DUAL COIL,#10, SCISSORS (sold separately)	
6-	44230GT	SEAL KIT-P.N.44169,44172,44171	
6-	84385GT	COIL,20VDC DEUTCSH W/DIODE (sold separately)	
7	97409GT	VALVE,DIFF.AREA RELIEF,50PSI (AF, Brake release)	
8	150104GT	VALVE, DYN. BRAKING, GS32/46	
8-	44175GT	SPACER-DUAL COIL,#10, SCISSORS (sold separately)	
8-	84385GT	COIL,20VDC DEUTCSH W/DIODE (sold separately)	
9	84384GT	PRTY,FLOW CNTRL VALVE,.75 GPM (AH, Steer circuit)	
9-	1261888GT	SEAL KIT (84384) for 84384	
9-	44230GT	SEAL KIT-P.N.44169,44172,44171	
10	44169GT	VALVE-SOLENOID, 2POS 4 WAY (AI, Platform up)	



502.1 Function Manifold



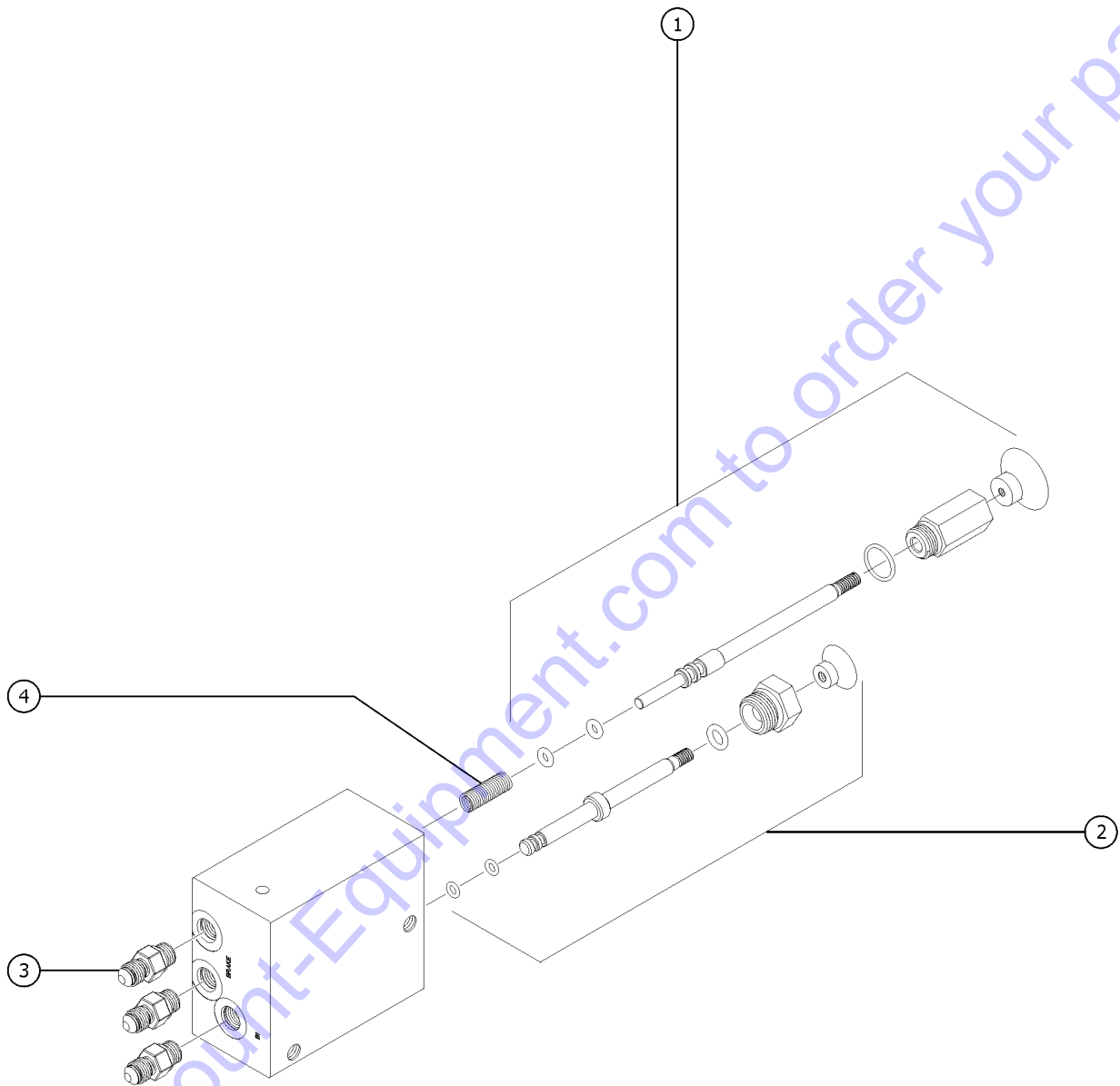
Go to DiscountEquipment.com to order your parts

Item	Part No.	Description	Qty.
10-	44175GT	SPACER-DUAL COIL,#10, SCISSORS (sold separately)	
10-	44230GT	SEAL KIT-P.N.44169,44172,44171	
10-	84385GT	COIL,20VDC DEUTCSH W/DIODE (sold separately)	
11	65962GT	VALVE-RELIEF, 3700 PSI #8** (AJ, Lift relief).	
11B	1299590GT	VALVE, FUNCTION MANIFOLD RELIEF, 3700PSI (AJ, Lift relief).	
11B-	44226GT	SEAL KIT-FOR P.N.44167	

Go to Discount-Equipment.com to order your parts



503.1 Brake Release Hand Pump Manifold



Go to Discount-Equipment.com to order your parts

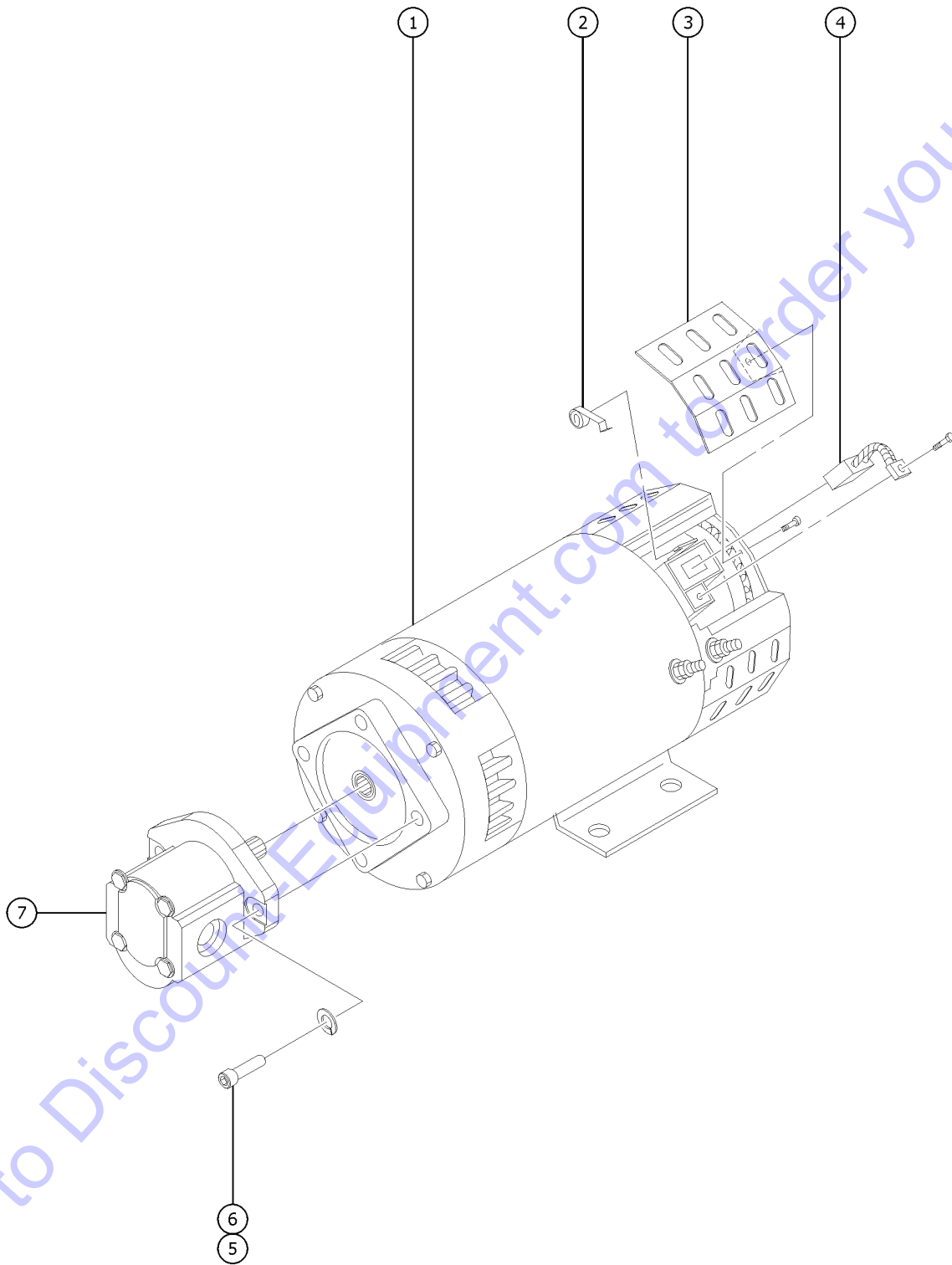
503.1 Brake Release Hand Pump Manifold

Item	Part No.	Description	Qty.
	105067GT	MANIFOLD,BRAKE RELEASE (includes items 1, 2 and 4)	
1	84739GT	VALVE,HAND PUMP ASSEMBLY***	1
1-	84740GT	SEAL KIT,HAND PUMP***	
1-	84742GT	KNOB,HAND PUMP (RED)***	
2	84743GT	VALVE,PILOT OPERATED ASSEMBLY*	1
2-	84740GT	SEAL KIT,HAND PUMP***	
2-	84746GT	KNOB,PILOT OP VALVE (BLACK)***	
3		Ref: Connector (refer to 506.1)	3
4	84748GT	SPRING,HAND PUMP ROD	1

Go to Discount-Equipment.com to order your parts



504.1 Hydraulic Power Unit

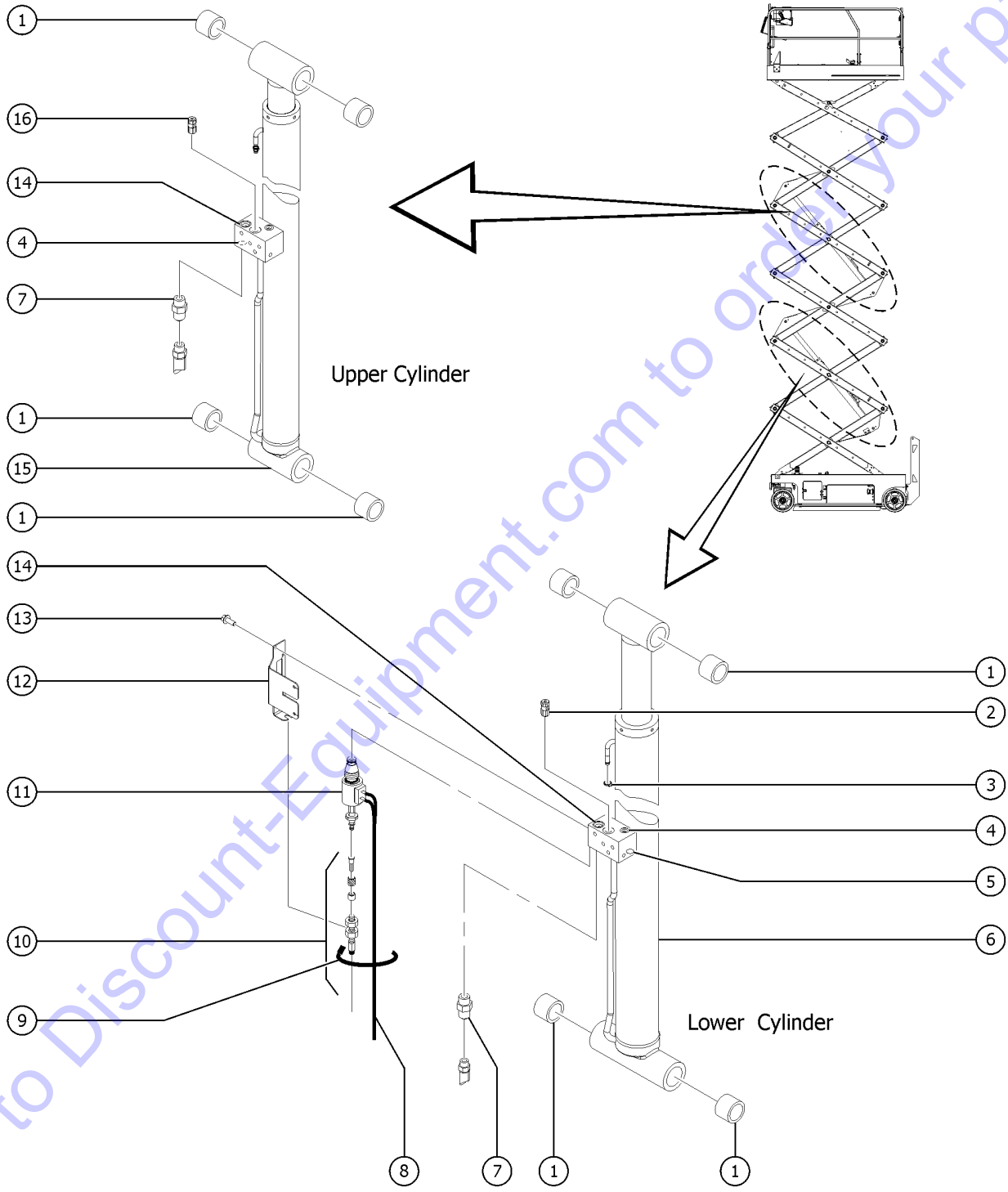


Item	Part No.	Description	Qty.
1	40844GT	MOTOR,ELECTRIC,24VDC 4.5HP	1
1-	43685GT	SEAL KIT,LIFT PUMP,BARNES**	
1-	44777GT	BEARING,MOTOR	
1-	44778GT	BEARING,MOTOR,36843,BRUSH END*	
2	44750GT	SPRING-BRUSH,40844, SCISSORS	
3	44752GT	COVER-BRUSH INSPEC.40844,SCISS	4
4	44751GT	BRUSH,PWR UNIT (40844)**	4
5	824100GT	SCREW,SHC,3/8-24X1.25,A574,ZAG	4
6	824110GT	WASHER, LOCK, 3/8, ZAG	4
7	T108662GT	PUMP,5.6CC GEAR,CCW	1
7-	236837GT	SEAL KIT,PUMP,5.6CC GEAR For Bosch PN 9510290037	

Go to Discount-Equipment.com to order your parts



505.1 Lift Cylinder Assemblies



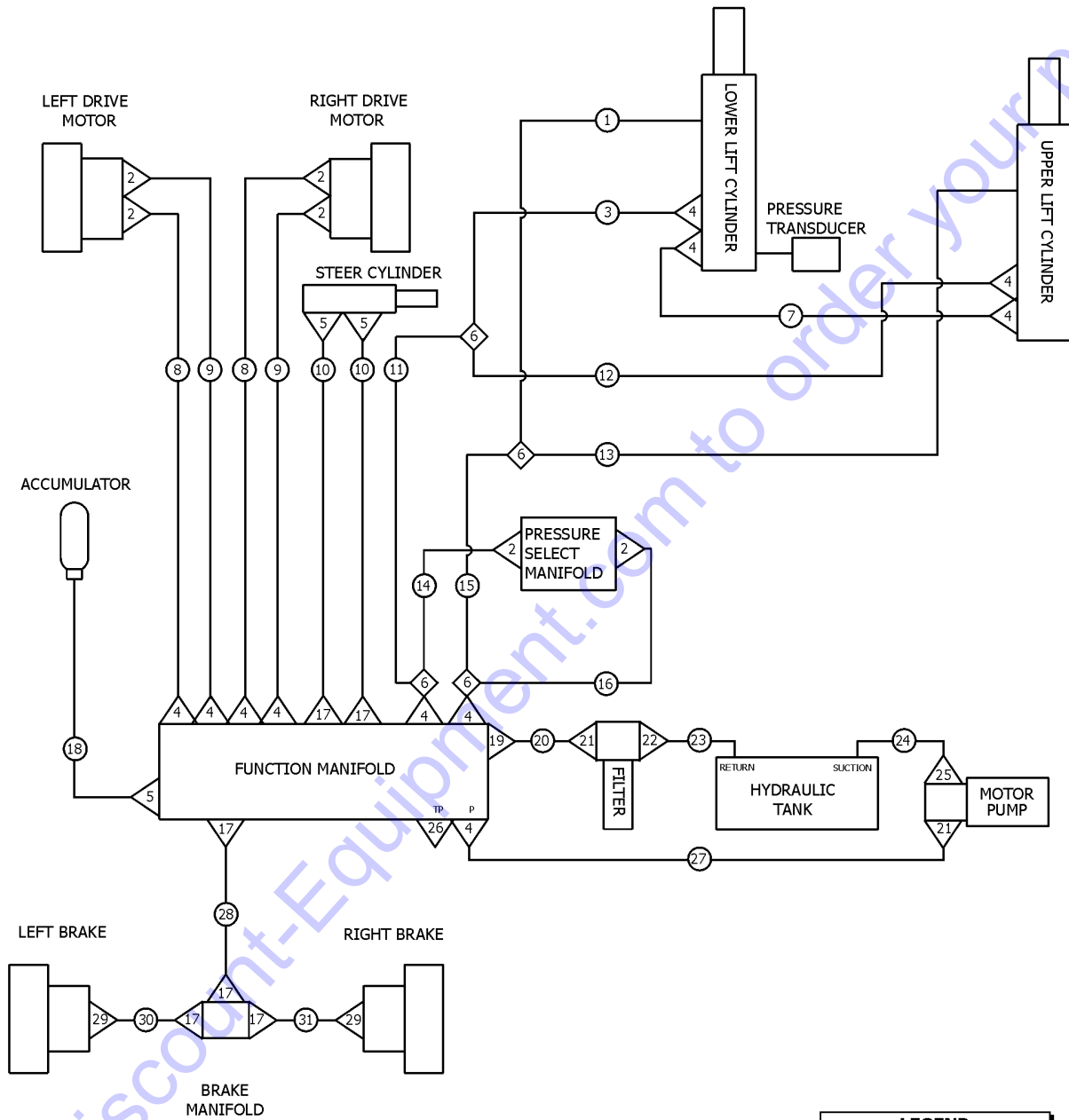
505.1 Lift Cylinder Assemblies

Item	Part No.	Description	Qty.
1	30738GT	BEARING,1.50IDX2.00ODX1.50LG	8
2	214817GT	ORIFICE, LONG, .076"	1
3	96770GT	CLAMP, HOSE, 1 EAR, 11/16	1
4	52368GT	VALVE,CHECK,GS68 (SIZE8 8)	2
5	237472GT	PRESSURE TRANSDUCER,1K-3K PSI	1
6	1264781GT	LOWER CYL,4047 LIFT,3.5" BORE,	1
6-	1282019GT	SEAL KIT,LOWER CYLINDER,4047 LIFT for 1264781	
7	39878GT	CONNECTOR, 070120-6-6	4
		(two per cylinder)	
8		Ref. Down Coil Wire Harness	
		(Refer to 210.1)	
9	28443GT	CABLE TIE, 11.5" BLACK	3
10		Ref. Emergency Down Cable	
		(Refer to 203.1)	
11	229615GT	VALVE, PROPORTIONAL, SP08-20	1
		(includes 44973)	
12	41557-SGT	CABLE BRACKET,PAINTED	1
13	824077GT	SCREW,HHF,1/4-20X.5,8,ZAG	2
14	237455GT	VALVE,RELIEF,2900 PSI,BOSCH	2
		(one per cylinder)	
15	1264780GT	UPPER CYL,4047 LIFT,3" BORE,DO	1
15-	1282018GT	SEAL KIT,UPPER CYLINDER,4047 LIFT for 1264780	
16	55560GT	ORIFICE,LONG, .059"	1

Go to Discount-Equipment.com to order your parts



506.1 Hydraulic Hoses and Fittings

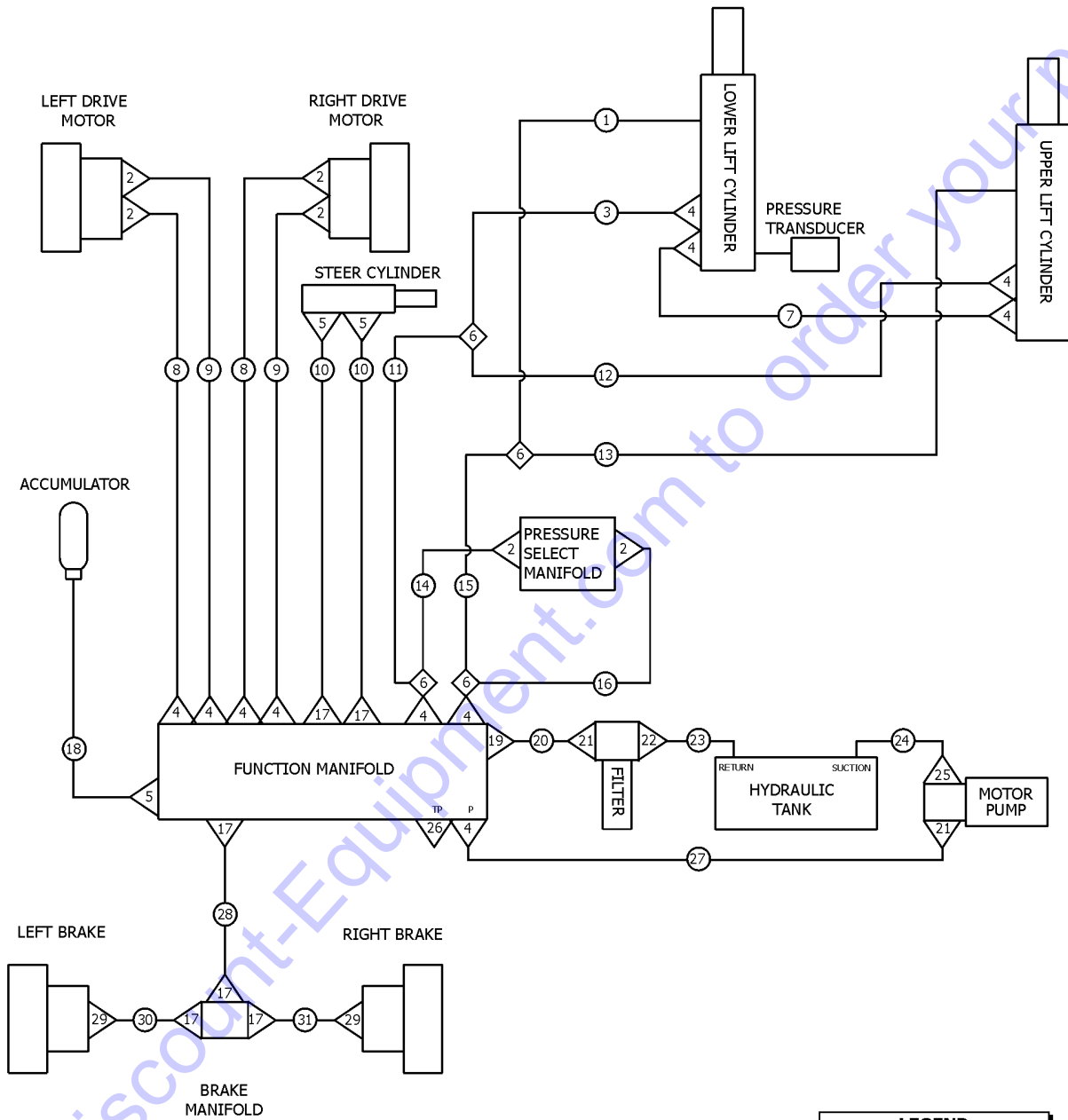


LEGEND	
	ADAPTER
	HOSE ASSEMBLY
	UNION

Item	Part No.	Description	Qty.
		The hose lengths below reflect the length of the hose only. Refer to the 'Fittings Cross Reference' to match Genie part numbers to Parker part numbers.	
	216276GT	WIRE LOOM, BLACK SPIRAL, 1.10"	98
1	96882GT	HOSE, LOWER VENT (Components: 75631 @ 161 inches)	1
2	39873GT	ELBOW, 07022-6-6	6
3	105046GT	HOSE ASSY, LOWER LIFT (Components: 39890, 47223, and 56776 @ 127 inches)	1
4	39878GT	CONNECTOR, 070120-6-6	11
5	13921GT	ELBOW, 070220-4-4	3
6	51152GT	TEE, RUN 070432-6*****	4
7	1260603GT	HOSE, ASSY, CYL TO CYL (Components: 39890, 39890, and 56776 @ 336 inches)	1
8	105801GT	HOSE ASSY, DRIVE MOTORS, GS46 (Components: 39890, 39890, and 56776 @ 60 inches)	2
9	105580GT	HOSE ASSY, DRIVE MOTORS, GS46 (Components: 39890, 39890, and 56776 @ 64 inches)	2
10	105578GT	HOSE, ASSY STEER, GS32/46 (Components: 78855, 78855, and 78852 @ 36 inches)	2
11	96750GT	HOSE, ASSY, LIFT (Components: 39890, 39890, and 56776 @ 42 inches)	1
12	1260604GT	HOSE, ASSY, UPPER LIFT (Components: 39890, 39891, and 56776 @ 342 inches)	1
13	1260605GT	HOSE, VENT, UPPER (Components: 105045 and 75631 @ 372 inches)	1
14	215749GT	HOSE, ASSY, PRESS SELECTOR, PRESS (Components: 39890, 39890, and 56776 @ 17 inches)	1
15	96881GT	HOSE, LOWER VENT (Components: 96406, 96407, and 75631 @ 42 inches)	1
16	236917GT	HOSE, ASSY, PRESSURE SELECTOR (Components: 96406, 105045, and 75631 @ 18 inches)	1
17	39877GT	CONNECTOR, 070120-4-4	6
18	105246GT	HOSE ASSY, MAN/ACCUM, GS32/46 (Components: 78855, 78855, and 78852 @ 17 inches)	1
19	66389GT	CONN, 070120-8-6	1
20	236914GT	HOSE, ASSY, MAN TO FILTER (Components: 96406, 96406, and 75631 @ 55 inches)	1
21	39876GT	ELBOW, 070220-6-8	2
22	96398GT	CONNECTOR, 070120-12-8	1
23	228339GT	ASSEMBLY, TANK RETURN, TUBE	1
24	96354GT	TUBE, ASSY, DRAW	1
25	22664GT	ELBOW, 070220-12-10	1
26	48997GT	NIPPLE, DIAGNOSTIC, #4	1



506.1 Hydraulic Hoses and Fittings



LEGEND	
	ADAPTER
	HOSE ASSEMBLY
	UNION

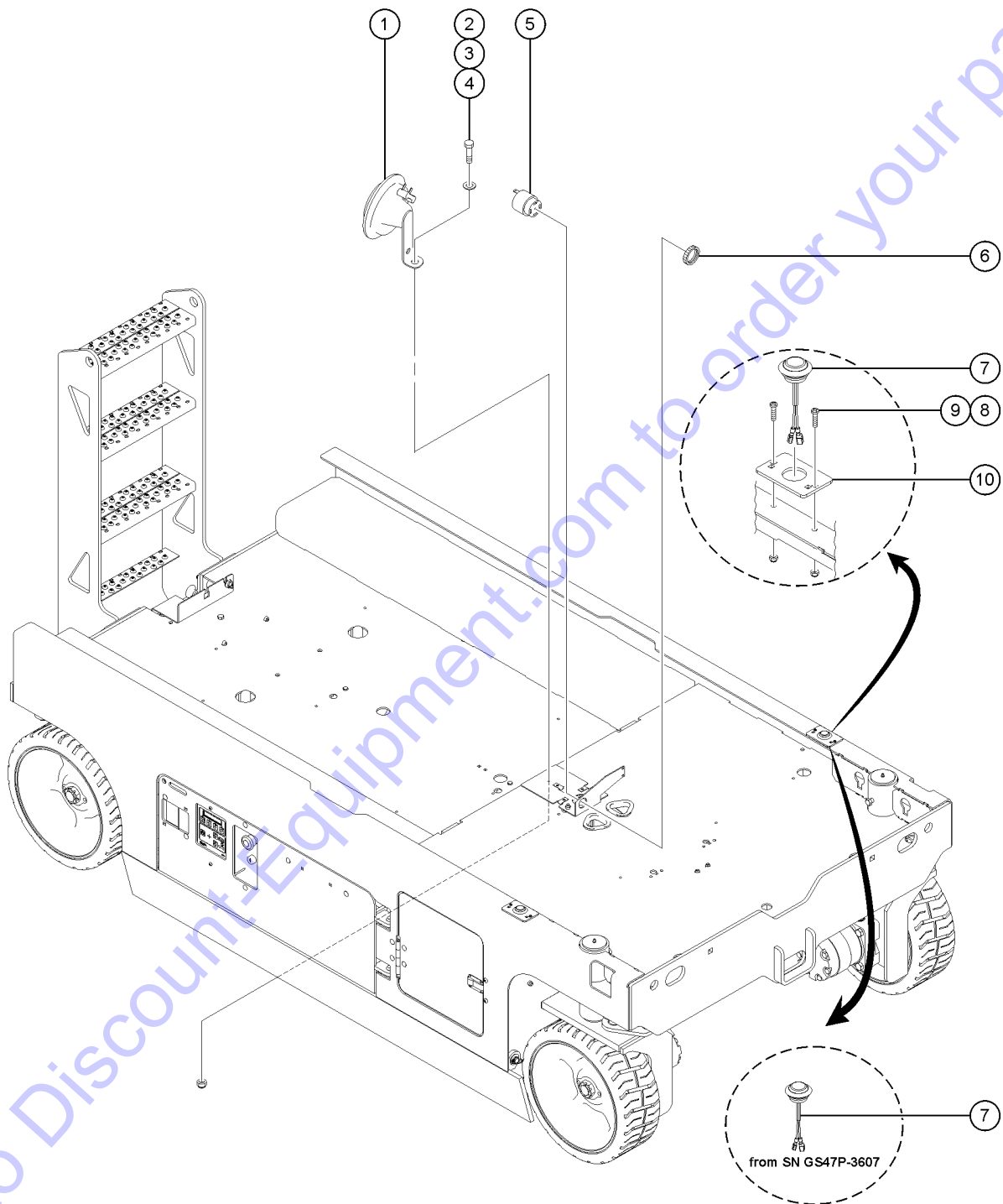
506.1 Hydraulic Hoses and Fittings

Item	Part No.	Description	Qty.
27	105801GT	HOSE ASSY,DRIVE MOTORS,GS46	1
28	105577GT	HOSE,ASSY,BRAKE,GS46 (Components: 78855, 78855, and 78852 @ 65 inches)	1
29	45351GT	ELBOW, 070320-4-4	2
30	105803GT	HOSE,ASSY, BRAKE MAN,GS46 (Components: 78855, 78855, and 78852 @ 22 inches)	1
31	96749GT	HOSE, ASSY, BRAKE MAN, GS46 (Components: 78855, 78855, and 78852 @ 20 inches)	1

Go to Discount-Equipment.com to order your parts



601.1 Alarm, Horn and Flashing Beacons



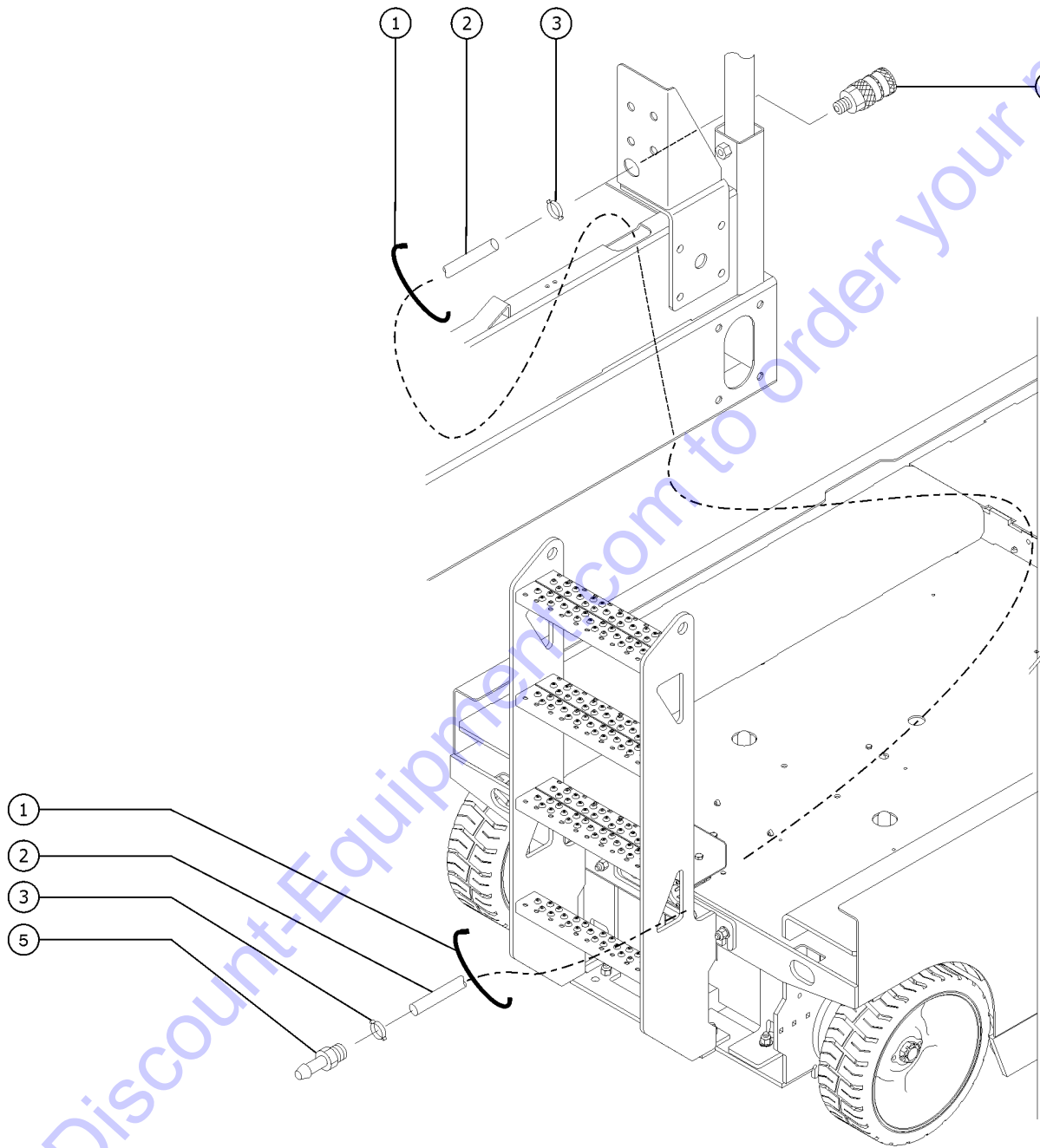
601.1 Alarm, Horn and Flashing Beacons

Item	Part No.	Description	Qty.
-	1260386GT	VISUAL ALARM SUPPLEMENT	
1	81579GT	HORN, 24VDC, SPADE TERMINALS***	1
2	8914GT	SCREW,HHC,1/4-20 X .625	
		to SN 147692	
2B	1275722GT	ISOLATOR,HORN,5/16-18 THRD	
		from SN 147693 (not shown)	
3	6638GT	WASHER, FLAT, USS, 1/4"Y	
		to SN 147692	
4	6091GT	NUT, NYLOCK, 1/4-20	
		to SN 147692	
4B	1274167GT	NUT,NYLOCK FLG,5/16-18,F,ZAG	
		from SN 147693	
5	39540GT	ALARM,STEADY TONE***	1
		Does not include 72326 nut	
6	72326GT	NUT - PLASTIC,RING FOR ALARMS	1
7	1261183GT	ASSEMBLY,VISUAL IND LIGHT	2
		to SN GS47P-3606	
7-	1254572GT	LIGHT,TURN SIGNAL,1.25" LED,AM	
		to SN GS47P-3606	
7-	1261526GT	HARNES,VISUAL IND LIGHTS,MINI	
		to SN GS47P-3606	
7B	1270162GT	ASSEMBLY, BEACON LED, 24V	2
		from SN GS47P-3607	
7B-	1270662GT	HARNES, BEACON, LED, LARGE	1
		from SN GS47P-3607	
8	9116GT	BOLT,CARRIAGE,1/4-20 X 1.25,G2	4
		to SN GS47P-3606	
9	6889GT	NUT,LP NYLOCK,1/4-20	4
		to SN GS47P-3606	
10	1261143GT	PLATE,VISUAL IND LIGHT MOUNT	2
		to SN GS47P-3606	

Go to Discount-Equipment.com to order your parts



602.1 Air Line to Platform



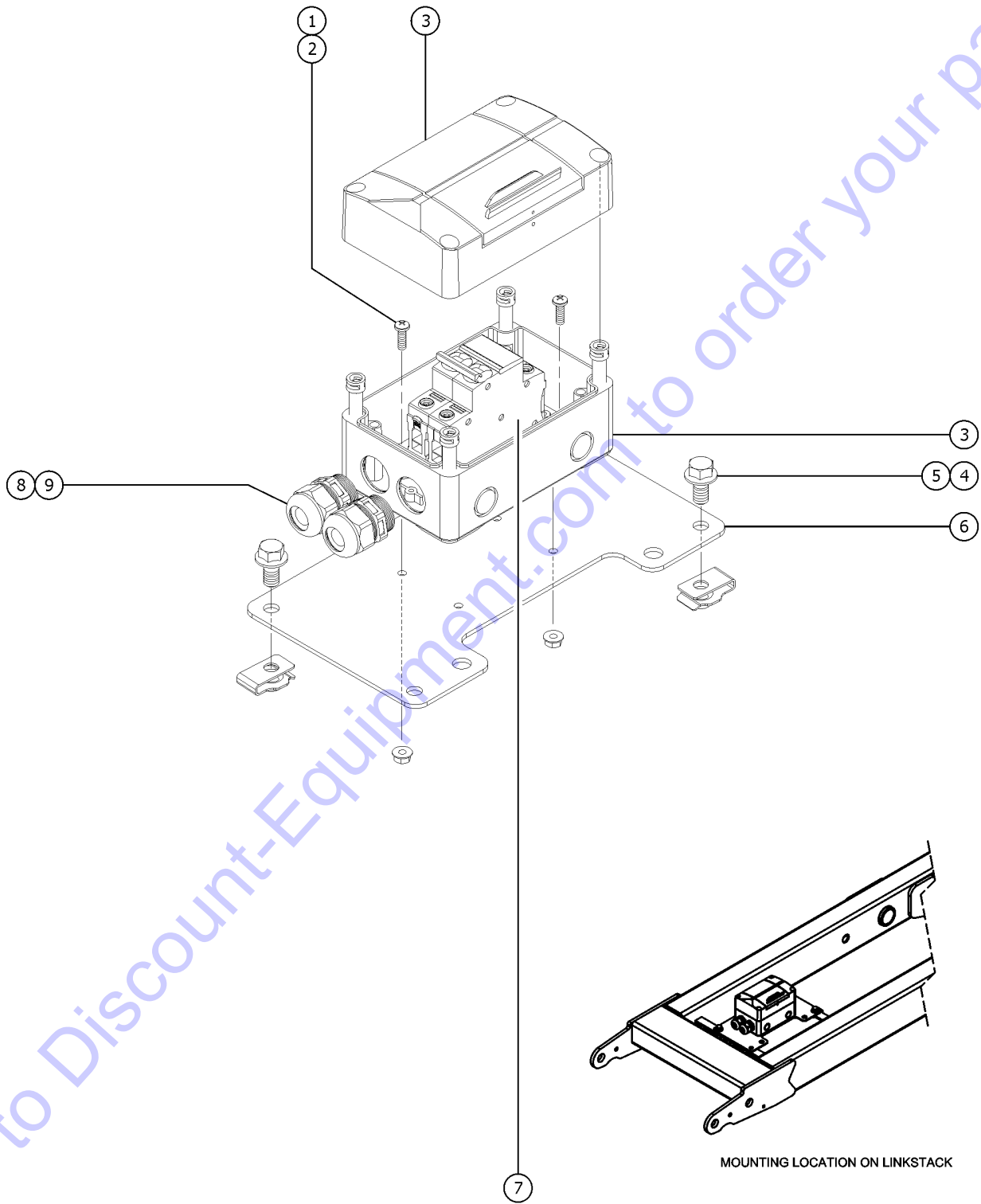
602.1 Air Line to Platform

Item	Part No.	Description	Qty.
1	28443GT	CABLE TIE, 11.5" BLACK	
2	27903GT	HOSE,LOW PRESSURE,.375 ID,BLK	700
2B	1281118GT	HOSE, AIR-PLAT, GS4047 (PLATFORM) hose assembly includes fittings (platform) (305 in)	1
2B-	105959GT	ELBOW,90,3/8"NPT,MALE	
2B-	105958GT	COUPLER,INTERFACE,RECTUS 25	
2C	1281117GT	HOSE, AIR-PLAT, GS4047 (DRIVE CHASSIS) hose assembly includes fittings (chassis) (395 in)	1
2C-	1281119GT	FITTING, 3/8", BARB-BARB	
3	45454GT	CLAMP,0.75,#12 X 3/8,RUB CUSH*	1
4	96354GT	TUBE, ASSY, DRAW	1
5	96542GT	PLUG,1/4"SERIES,3/8 P-LOCK***	1

Go to Discount-Equipment.com to order your parts



603.1 RCBO



Go to Discount-Equipment.com to order your parts

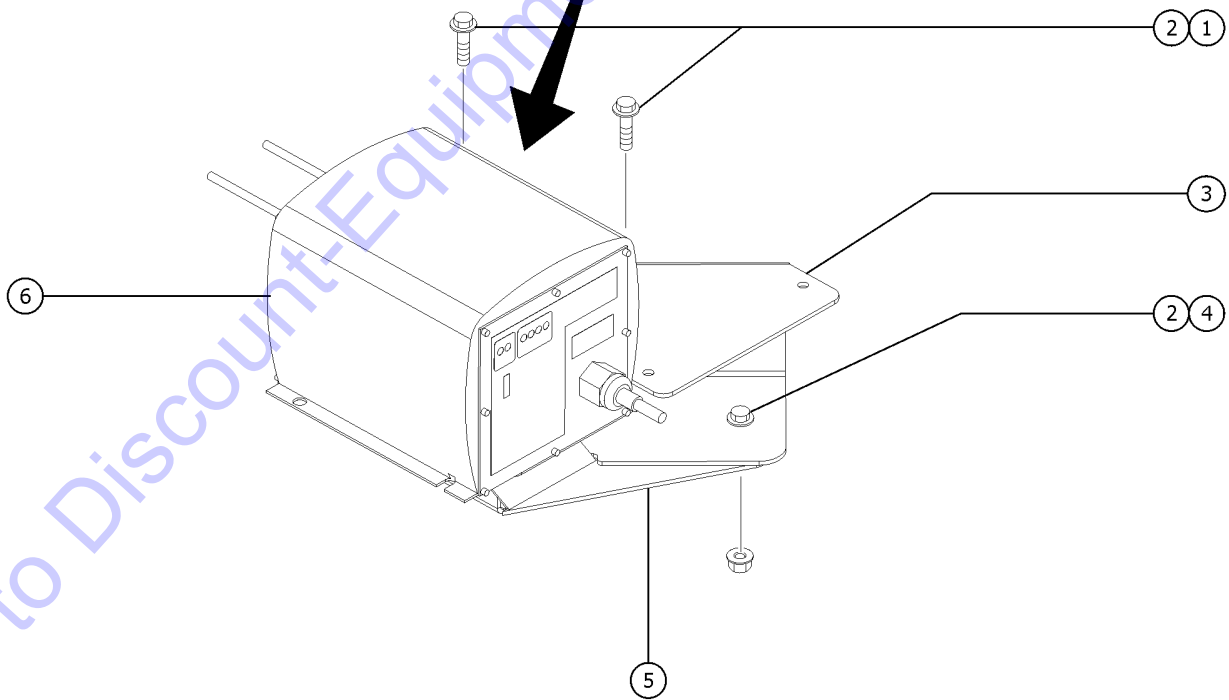
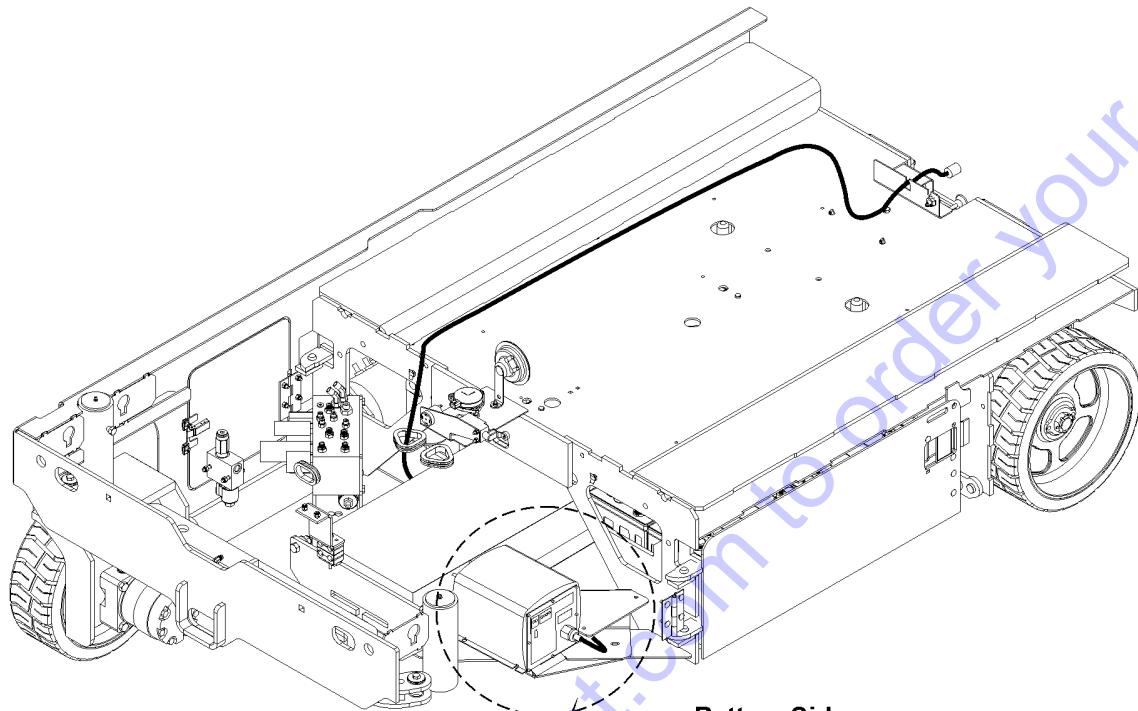
603.1 RCBO

Item	Part No.	Description	Qty.
1	1257227GT	SCREW,PHPM,10-32X.625,ZAG	2
2	1256467GT	NUT,TL FLG,10-24,F,ZAG	2
3	1269086GT	ENCLOSURE, FUSE, MODULAR, 100X150X96, IP65	1
4	824089GT	SCREW, HHF, 3/8-16 X .75, 8, ZAG	2
5	29868GT	SPRING CLIP,3/8-16,.05-.20X.73,ZAG	2
6	1274540GT	PLATE, RCBO, GS	1
7	231868GT	RCBO,16A,30MA,6KA 110/230V AC	1
8	1269087GT	CONNECTOR, SQUEEZE, M25 6-13MM	2
9	1269107GT	NUT, PLASTIC, M25, GREY	2
10	43956GT	WIRE CABLE, 14/GA/3 CON. TPE JKT* not shown	115
11	1262911GT	SLEEVE, CABLE-END, 14AWG, 2.5MM for 43956	6

Go to Discount-Equipment.com to order your parts



604.1 Voltage Inverter



Go to Discount-Equipment.com to order your parts

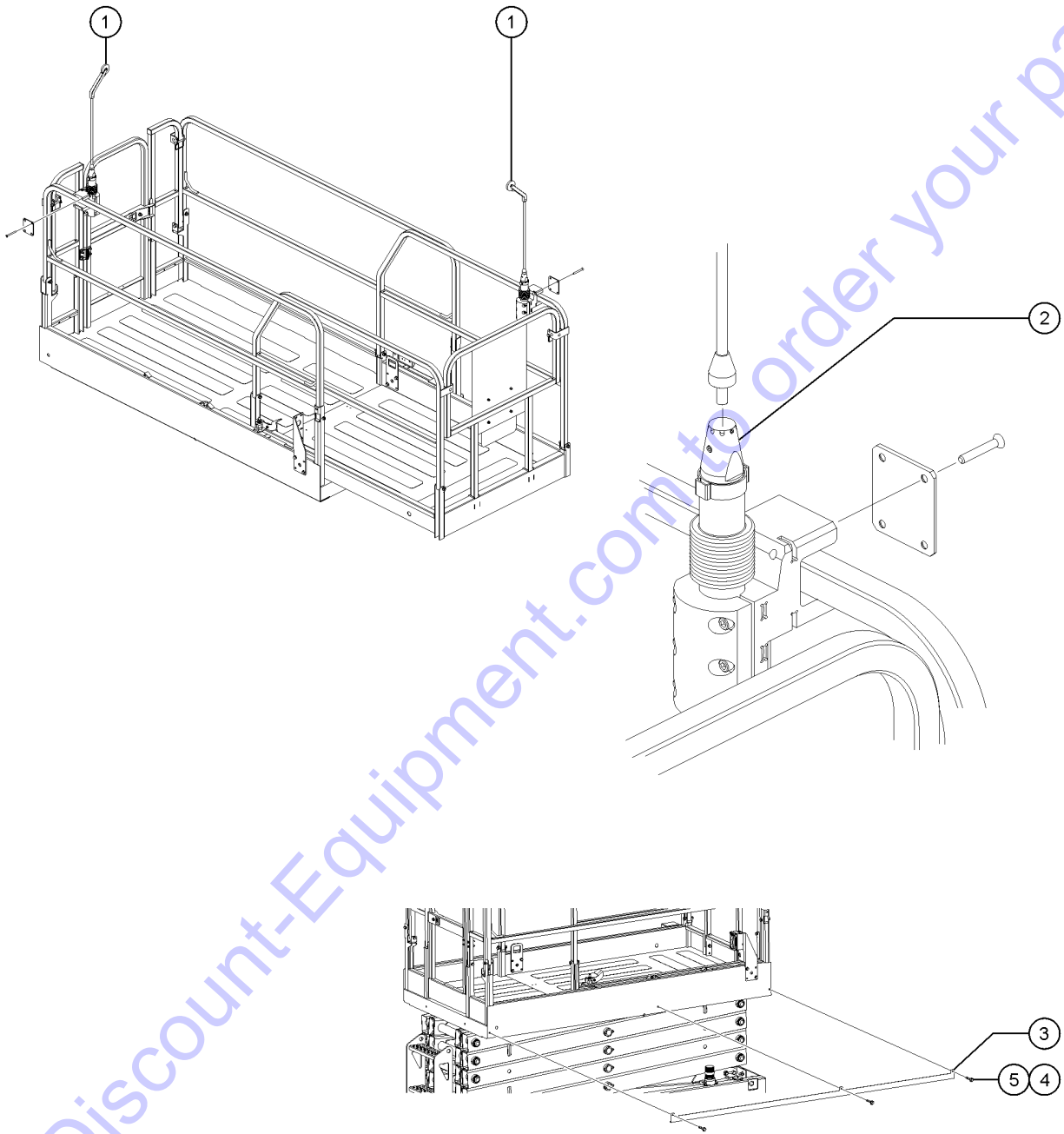
604.1 Voltage Inverter

Item	Part No.	Description	Qty.
1	824078GT	SCREW,HHF,1/4-20X.75,8,ZAG	6
2	824027GT	NUT, TL FLG, 1/4-20, G, ZAG	8
3	1273457GT	FORMING,CHRGER MT PROTCTION,ANSI,47 mount for charger, refer to item 5 for inverter mount	1
4	824079GT	SCREW,HHF,1/4-20X1,8,ZAG	2
5	1273456GT	INVERTER BRACKET,GS4047,ANSI	4
6	96950GT	INVERTER,24VDC,110/230 VAC***	1

Go to Discount-Equipment.com to order your parts



605.1 Lift Guard Contact Alarm, View-1 (to SN GS47P-3306)



Go to Discount-Equipment.com to order your parts

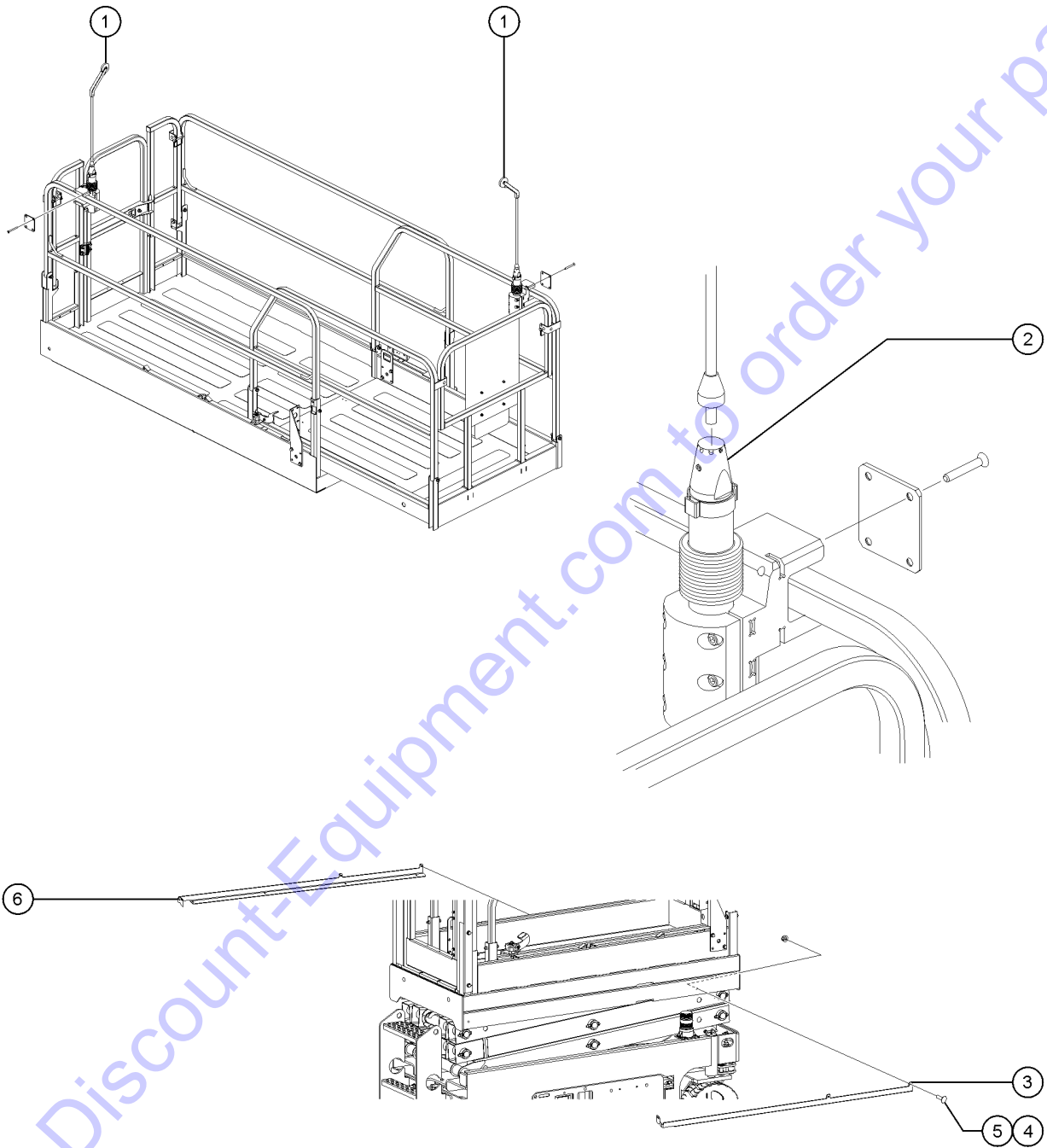
605.1 Lift Guard Contact Alarm, View-1 (to SN GS47P-3306)

Item	Part No.	Description	Qty.
-		CABLE, CONTACT ALARM, 20IN LINK (No longer available)	1
1		ASSEMBLY, LIFTGUARD CONTACT ALARM refer to 606.1 (no longer available)	2
2		ASSEMBLY, LIFTGUARD KNUCKLE OBSOLETE. refer to 606.1 (No longer available)	2
3		FORMING, CONTACT ALARM, CABLE GUIDE, BAT, GS46 Battery Side (No longer available)	1
4	824078GT	SCREW, HHF, 1/4-20X.75, 8, ZAG	6
5	824027GT	NUT, TL FLG, 1/4-20, G, ZAG	6

Go to Discount-Equipment.com to order your parts



605.2 Lift Guard Contact Alarm, View-1 (from SN GS47P-3307)



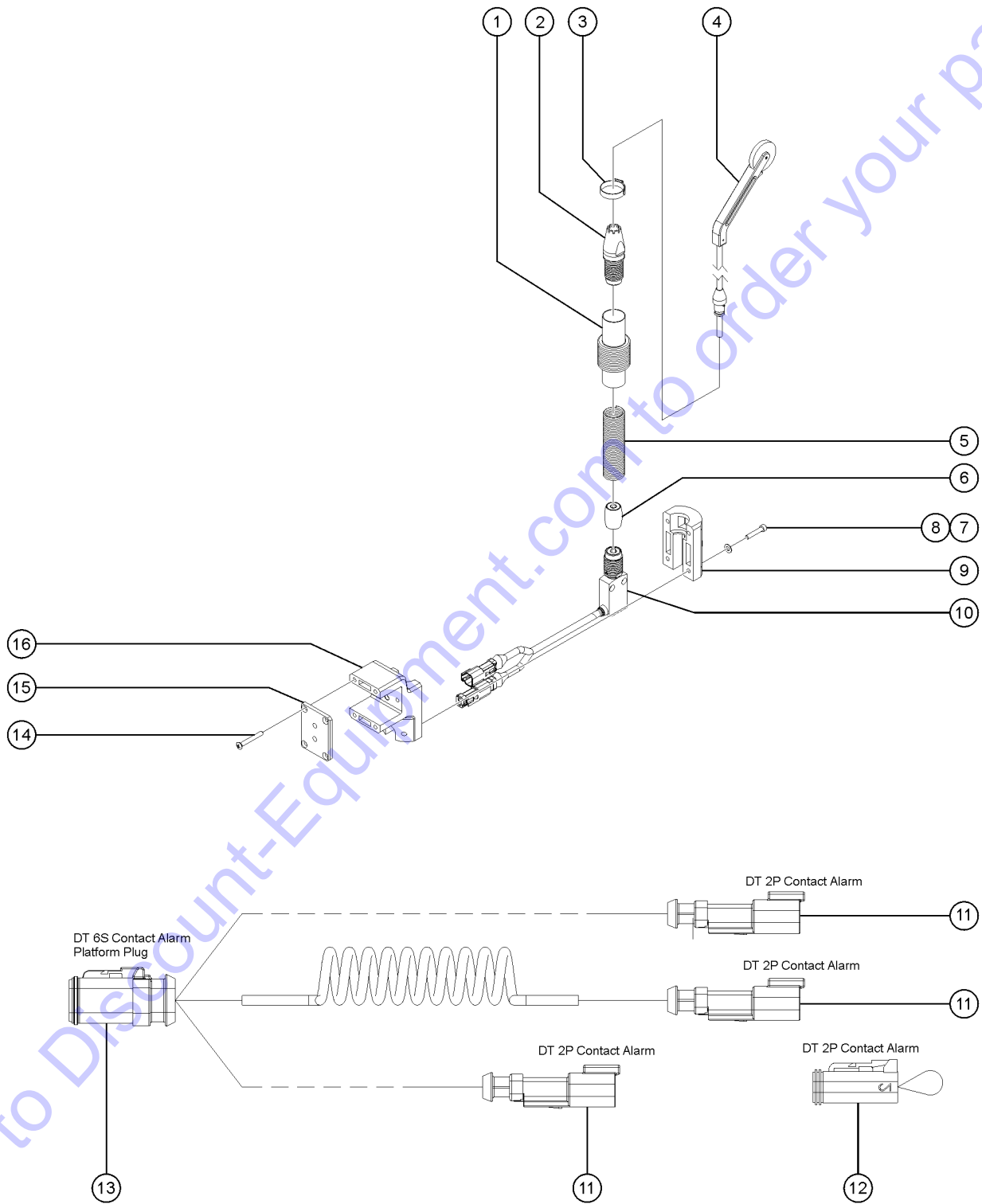
605.2 Lift Guard Contact Alarm, View-1 (from SN GS47P-3307)

Item	Part No.	Description	Qty.
-	1292194GT	FORMING,CABLE GUIDE,CNTRL,GS32	1
1		ASSEMBLY, LIFTGUARD CONTACT ALARM	2
		refer to 606.2 (no longer available)	
2		ASSEMBLY, LIFTGUARD KNUCKLE	2
		OBSOLETE. refer to 606.2 (No longer available)	
3		FORMING,CABLE GUIDE,CNTRL,GS46	1
		control side (No longer available)	
4	824124GT	BOLT, CARRIAGE, 1/4-20 X .75, 5, ZAG	8
5	1277924GT	NUT,NYLOCK FLG,1/4-20,F,ZAG	8
6		FORMING,CABLE GUIDE,BAT,GS46	1
		battery side (No longer available)	

Go to Discount-Equipment.com to order your parts



606.1 Lift Guard Contact Alarm, View-2 (to SN GS47P-3306)



Go to Discount-Equipment.com to order your parts

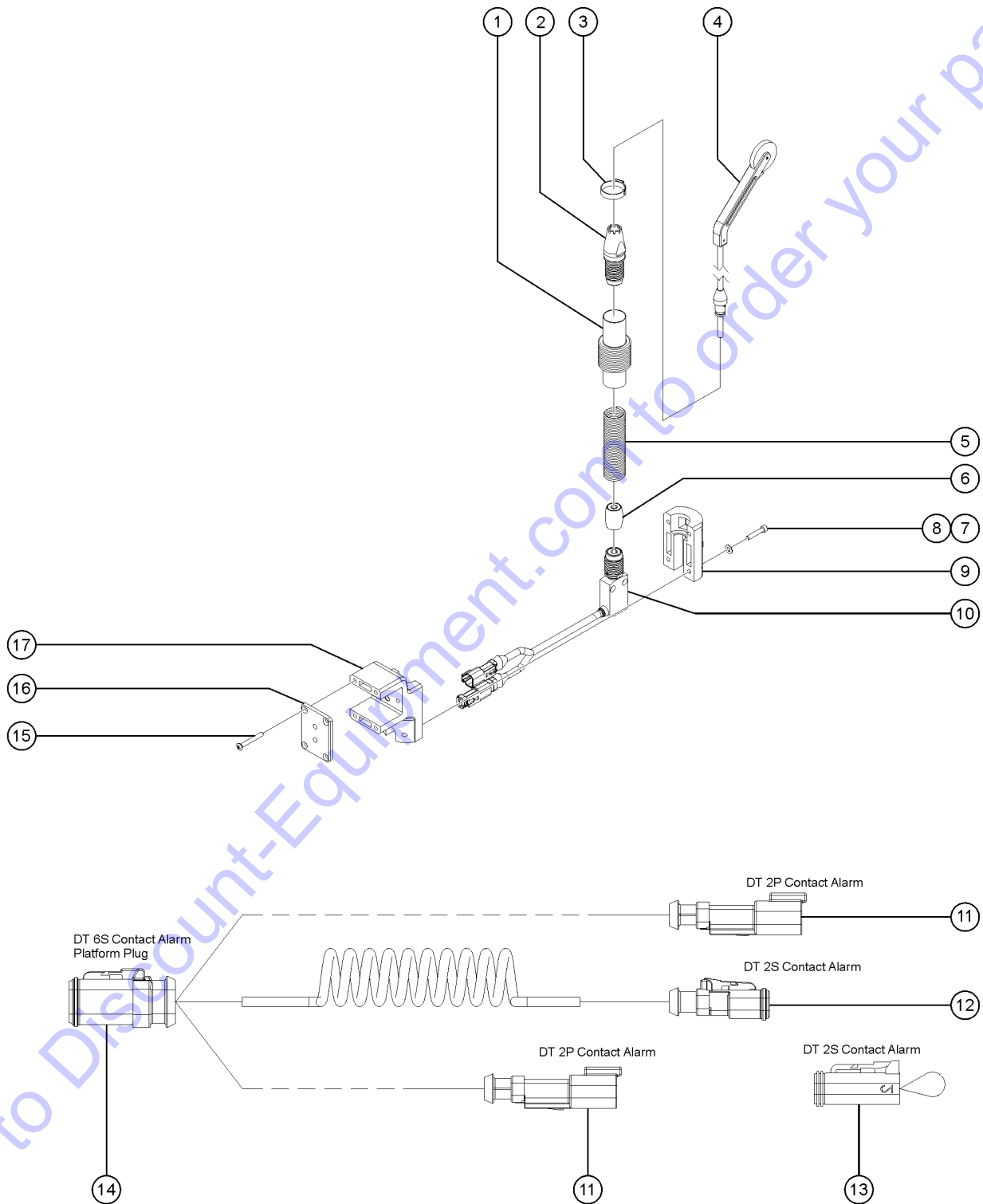
606.1 Lift Guard Contact Alarm, View-2 (to SN GS47P-3306)

Item	Part No.	Description	Qty.
-		ASSEMBLY, LIFTGUARD CONTACT ALARM Includes items 1-10, 14-16 (no longer available)	1
-		ASSEMBLY, LIFTGUARD KNUCKLE OBSOLETE. (part of assy 1287673, includes items 1-3, 5, 6 and 10) (No longer available)	1
1		BELLOW, LIFTGUARD CONTACT ALARM no longer available	1
2		ASSEMBLY, UPPER WHISKER MOUNTING no longer available	1
3	1298716GT	CLAMP, STEPLESS, ONE EAR	1
4		ASSEMBLY, WHISKER no longer available	1
5		SPRING, TENSION, CONTACT ALARM no longer available	1
6		ASSEMBLY, MAGNETIC SNAP BARREL no longer available	1
7		SCREW,SHC,10-24X1,F837,18.8,NYL,SS no longer available	4
8		WASHER,FLAT,0.219X0.437X0.031,SS no longer available	4
9		BRACKET, RT LIFTGUARD, PART 2/2 no longer available	1
10		ASSEMBLY, LIMIT SWITCH MOUNT no longer available	1
11	1288352GT	CONN,RECEP,2 WAY,DT,14-18GA,CE09	3
11-	60439GT	CONN, RECEP, 2 WAY, DEUTSCH, DT, LOCK	
12	119056GT	CONN, PLUG, 2 WAY, DEUTSCH, DT, ENDCAP	1
12-	60425GT	CONN, PLUG, 2 WAY, DEUTSCH, DT, LOCK	
13	1288576GT	CONN,PLUG,6WAY,DT,14-18GA,CE13	1
13-	60431GT	LOCK,PLUG 6 WAY,14-18GA	
14		SCREW,OHPM,10-24X1.5,NYL,SS no longer available	4
15		PLATE, LIFTGUARD BRACKET no longer available	1
16		BRACKET, RT LIFTGUARD, PART 1/2 no longer available	1

Go to DiscoverEquipment.com to order your parts



606.2 Lift Guard Contact Alarm, View-2 (from SN GS47P-3307)

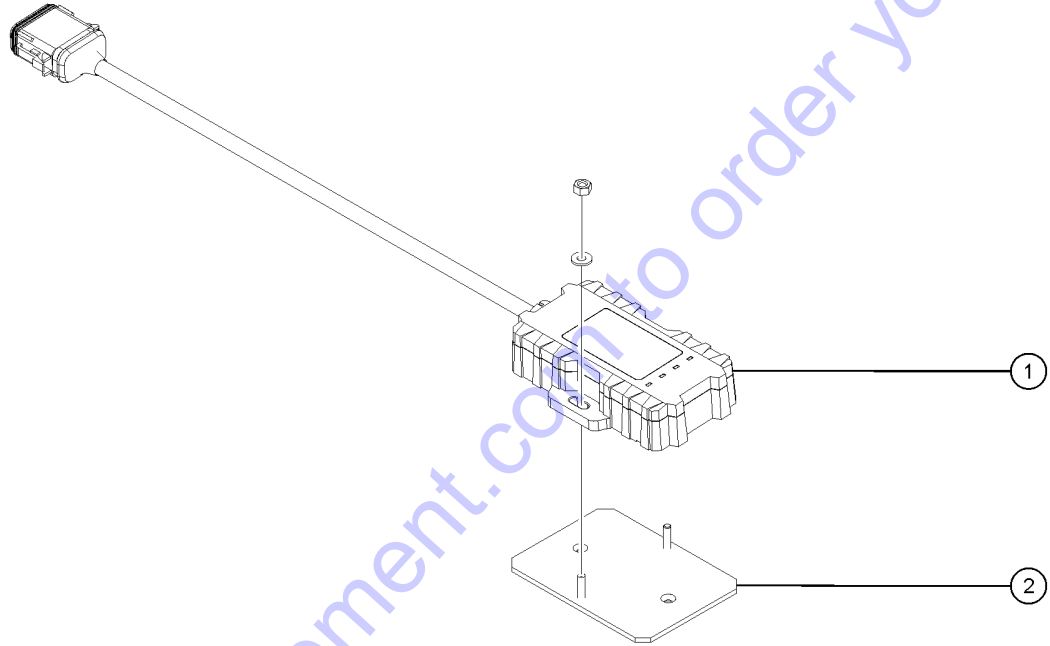


Go to Discount-Equipment.com to order your parts

606.2 Lift Guard Contact Alarm, View-2 (from SN GS47P-3307)

Item	Part No.	Description	Qty.
-		ASSEMBLY, LIFTGUARD CONTACT ALARM Includes items 1-10, 15-17 (no longer available)	1
-		ASSEMBLY, LIFTGUARD KNUCKLE OBSOLETE. (part of assy 1287673, includes items 1-3, 5, 6 and 10) (No longer available)	1
-	1291053GT	HARNES,CONTACT ALARM,GS46 PLATFORM Includes items- 11 - 14	1
1		BELLOW, LIFTGUARD CONTACT ALARM no longer available	1
2		ASSEMBLY, UPPER WHISKER MOUNTING no longer available	1
3	1298716GT	CLAMP, STEPLESS, ONE EAR no longer available	1
4		ASSEMBLY, WHISKER no longer available	1
5		SPRING, TENSION, CONTACT ALARM no longer available	1
6		ASSEMBLY, MAGNETIC SNAP BARREL no longer available	1
7		SCREW,SHC,10-24X1,F837,18.8,NYL,SS no longer available	4
8		WASHER,FLAT,0.219X0.437X0.031,SS no longer available	4
9		BRACKET, RT LIFTGUARD, PART 2/2 no longer available	1
10		ASSEMBLY, LIMIT SWITCH MOUNT no longer available	1
11	1288352GT	CONN,RECEP,2 WAY,DT,14-18GA,CE09 no longer available	2
11-	60439GT	CONN, RECEP, 2 WAY, DEUTSCH, DT, LOCK no longer available	2
12	1288351GT	CONN,PLUG,2 WAY,DT,14-18GA,CE13 no longer available	1
12-	60425GT	CONN, PLUG, 2 WAY, DEUTSCH, DT, LOCK no longer available	1
13	119056GT	CONN, PLUG, 2 WAY, DEUTSCH, DT, ENDCAP no longer available	1
13-	60425GT	CONN, PLUG, 2 WAY, DEUTSCH, DT, LOCK no longer available	1
14	1288576GT	CONN,PLUG,6WAY,DT,14-18GA,CE13 no longer available	1
14-	60431GT	LOCK,PLUG 6 WAY,14-18GA no longer available	1
15		SCREW,OHPM,10-24X1.5,NYL,SS no longer available	4
16		PLATE, LIFTGUARD BRACKET no longer available	1
17		BRACKET, RT LIFTGUARD, PART 1/2 no longer available	1





607.1 Telematics Option

Item	Part No.	Description	Qty.
-	1289899GT	HARNES, GATEWAY, GS	1
1	1289520GT	MODULE, TELEMATICS, ZTR, M7, NORTH AMERICA North America	1
1B	1289521GT	MODULE, TELEMATICS, ZTR, M7, EMEA/APAC EMEA/APAC	
1C	1289522GT	MODULE, TELEMATICS, ZTR, M7, APAC/ANZ APAC/ANZ	
1D	1289523GT	MODULE, TELEMATICS, ZTR, M7, JAPAN Japan	
2	1289561GT	BRACKET, TELEMATICS	1

Go to Discount-Equipment.com to order your parts



PARTS FINDER

**Search Website
by Part Number**



**Search Manual
Library For Parts
Manual & Lookup Part
Numbers – Purchase
or Request Quote**

Search Manuals

Enter your information to help us find the right parts manual for your machine.

* Brand:

* Model:

* Serial:

* Part Number:

SEARCH

**Can't Find Part or
Manual? Request Help
by Manufacturer,
Model & Description**

Parts Order Form

Please fill in the following information to help us find the right part for your machine.

Manufacturer:	<input type="text"/>
Model:	<input type="text"/>
Description:	<input type="text"/>
Part Number:	<input type="text"/>
Quantity:	<input type="text"/>
Notes:	<input type="text"/>

Discount-Equipment.com is your online resource for quality parts & equipment.

Florida: **561-964-4949** Outside Florida TOLL FREE: **877-690-3101**

Need parts?

Click on this link: <http://www.discount-equipment.com/category/5443-parts/> and choose one of the options to help get the right parts and equipment you are looking for. Please have the machine model and serial number available in order to help us get you the correct parts. If you don't find the part on the website or on one of the online manuals, please fill out the request form and one of our experienced staff members will get back to you with a quote for the right part that your machine needs.

We sell worldwide for the brands: Genie, Terex, JLG, MultiQuip, Mikasa, Essick, Whiteman, Mayco, Toro Stone, Diamond Products, Generac Magnum, Airman, Haulotte, Barreto, Power Blanket, Nifty Lift, Atlas Copco, Chicago Pneumatic, Allmand, Miller Curber, Skyjack, Lull, Skytrak, Tsurumi, Husquvarna Target, Stow, Wacker, Sakai, Mi-T-M, Sullair, Basic, Dynapac, MBW, Weber, Bartell, Bennar Newman, Haulotte, Ditch Runner, Menegotti, Morrison, Contec, Buddy, Crown, Edco, Wyco, Bomag, Laymor, EZ Trench, Bil-Jax, F.S. Curtis, Gehl Pavers, Heli, Honda, ICS/PowerGrit, IHI, Partner, Imer, Clipper, MMD, Koshin, Rice, CH&E, General Equipment, Amida, Coleman, NAC, Gradall, Square Shooter, Kent, Stanley, Tamco, Toku, Hatz, Kohler, Robin, Wisconsin, Northrock, Oztec, Toker TK, Rol-Air, APT, Wylie, Ingersoll Rand / Doosan, Innovatech, Con X, Ammann, Mecalac, Makinex, Smith Surface Prep, Small Line, Wanco, Yanmar

California Proposition 65

 **WARNING**

Operating, servicing and maintaining this equipment, passenger vehicle or off-highway motor vehicle can expose you to chemicals including engine exhaust, carbon monoxide, phthalates, and lead, which are known to the State of California to cause cancer and birth defects or other reproductive harm. These chemicals can be emitted from or contained in other various parts and systems, fluids and some component wear by-products. To minimize exposure, avoid breathing exhaust, do not idle the engine except as necessary, service your equipment and vehicle in a well-ventilated area and wear gloves or wash your hands frequently when servicing your equipment or vehicle and after operation. For more information go to www.P65Warnings.ca.gov/passenger-vehicle.

Breathing diesel engine exhaust exposes you to chemicals known to the State of California to cause cancer and birth defects or other reproductive harm.

- Always start and operate the engine in a well-ventilated area.
- If in an enclosed area, vent the exhaust to the outside.
- Do not modify or tamper with the exhaust system.
- Do not idle the engine except as necessary.

For more information go to www.P65warnings.ca.gov/diesel.

www.genielift.com

Distributed By:

www.GenieEquipment.com to order your parts