



A TEREX BRAND

Parts Manual

Serial Number Range

GS-4047

from SN GS47D-6859

Part No. 1285639GT
Rev: A.07
May 2023



www.discount-equipment.com

PARTS FINDER

**Search Website
by Part Number**



**Search Manual
Library For Parts
Manual & Lookup Part
Numbers – Purchase
or Request Quote**

Search Manuals

Enter your information to search for a manual or to purchase a manual or parts.

* Brand:

* Model:

* Serial:

* Part Number:

SEARCH

**Can't Find Part or
Manual? Request Help
by Manufacturer,
Model & Description**

Parts Order Form

Please fill in the following information:

Manufacturer:

Model:

Description:

Quantity:

Part Number:

Part Name:

Part Description:

Part Category:

Part Location:

Part Status:

Part Condition:

Part Material:

Part Color:

Part Weight:

Part Dimensions:

Part Price:

Part Notes:

Submit

Discount-Equipment.com is your online resource for quality parts & equipment.

Florida: **561-964-4949** Outside Florida TOLL FREE: **877-690-3101**

Need parts?

Click on this link: <http://www.discount-equipment.com/category/5443-parts/> and choose one of the options to help get the right parts and equipment you are looking for. Please have the machine model and serial number available in order to help us get you the correct parts. If you don't find the part on the website or on one of the online manuals, please fill out the request form and one of our experienced staff members will get back to you with a quote for the right part that your machine needs.

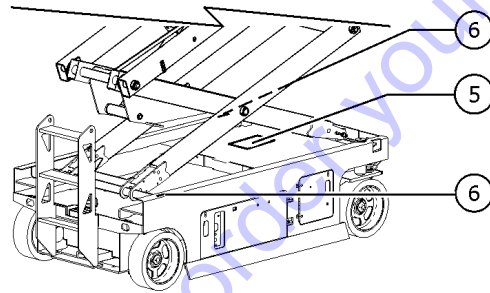
We sell worldwide for the brands: Genie, Terex, JLG, MultiQuip, Mikasa, Essick, Whiteman, Mayco, Toro Stone, Diamond Products, Generac Magnum, Airman, Haulotte, Barreto, Power Blanket, Nifty Lift, Atlas Copco, Chicago Pneumatic, Allmand, Miller Curber, Skyjack, Lull, Skytrak, Tsurumi, Husquvarna Target, Stow, Wacker, Sakai, Mi-T-M, Sullair, Basic, Dynapac, MBW, Weber, Bartell, Bennar Newman, Haulotte, Ditch Runner, Menegotti, Morrison, Contec, Buddy, Crown, Edco, Wyco, Bomag, Laymor, EZ Trench, Bil-Jax, F.S. Curtis, Gehl Pavers, Heli, Honda, ICS/PowerGrit, IHI, Partner, Imer, Clipper, MMD, Koshin, Rice, CH&E, General Equipment, Amida, Coleman, NAC, Gradall, Square Shooter, Kent, Stanley, Tamco, Toku, Hatz, Kohler, Robin, Wisconsin, Northrock, Oztec, Toker TK, Rol-Air, APT, Wylie, Ingersoll Rand / Doosan, Innovatech, Con X, Ammann, Mecalac, Makinex, Smith Surface Prep, Small Line, Wanco, Yanmar

To August 31, 2016

Genie
A TEREX BRAND

Model:
Serial number: GS4716D-123456
Manufacture date: 1/2/16 **Model year:** 2016
Electrical schematic number:
Machine unladen weight:
Rated work load (including occupants):
Maximum number of platform occupants:
Maximum allowable inclination of the chassis:
Outrigger retracted:
Outrigger deployed:

GS47 16 D - 123456
 1 2 3 4



- 1 Model
- 2 Model year
- 3 Facility code

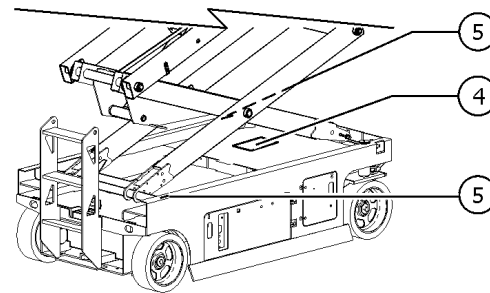
- 4 Sequence number
- 5 Serial label (located on chassis)
- 6 Serial number (stamped on chassis)

From September 1, 2016

Genie
A TEREX BRAND

Model:
Serial number: GS47D-123456
Year of manufacture: 2016
Electrical schematic number:
Machine unladen weight:
Rated work load (including occupants):
Maximum number of platform occupants:
Maximum allowable inclination of the chassis:
Outrigger retracted:
Outrigger deployed:

GS47 D - 123456
 1 2 3



- 1 Model
- 2 Facility code
- 3 Sequence number

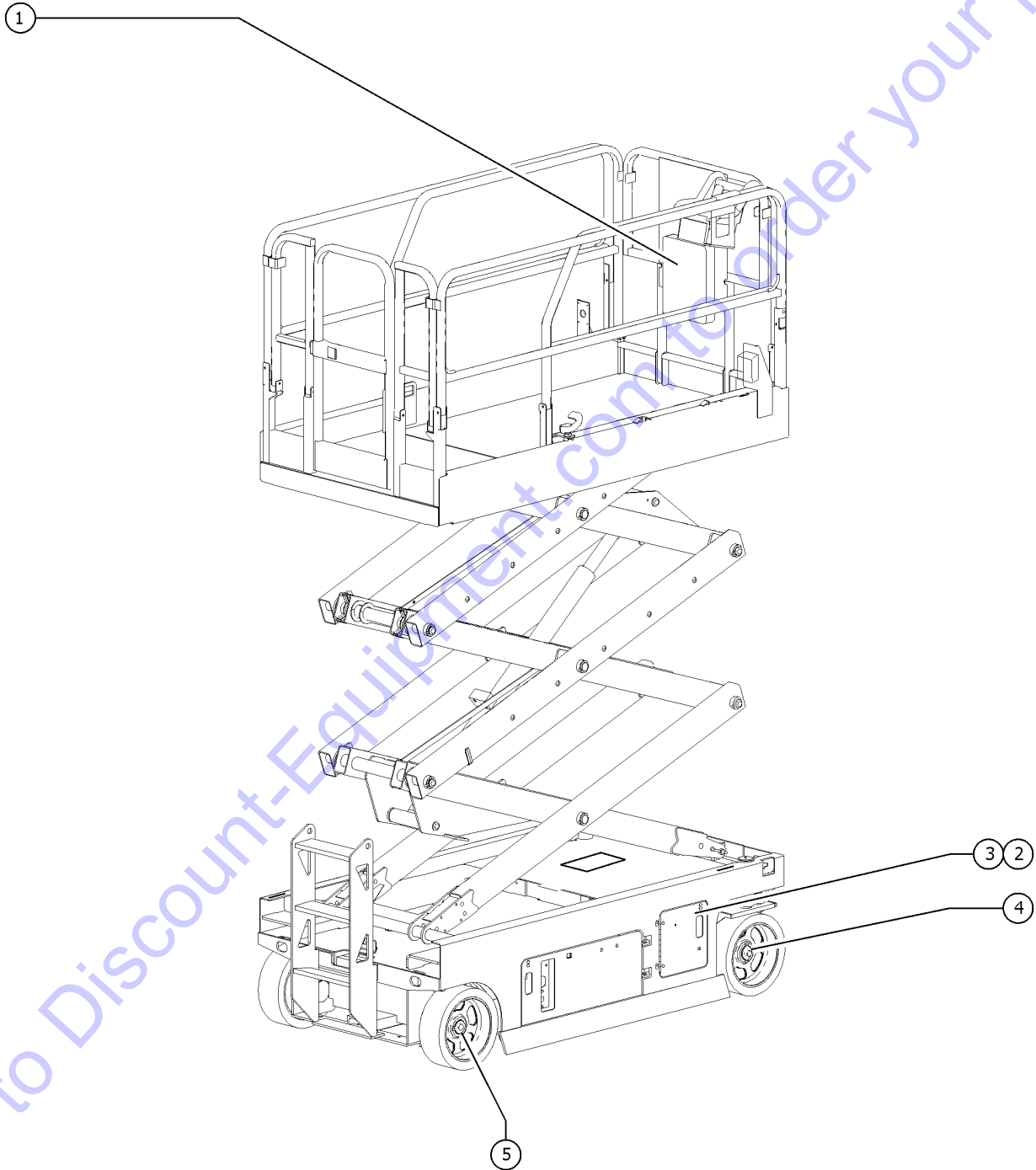
- 4 Serial label (located on chassis)
- 5 Serial number (stamped on chassis)

Description	Page
001 Parts Stocking List	10
001.1 Parts Stocking List	10
100 Decals	12
101.1 Word Decals, Battery Side	12
102.1 Word Decals, Ground Control Side	14
103.1 Word Decals, Platform (ANSI & Australia)	18
104.1 Symbol Decals, Battery Side	20
105.1 Symbol Decals, Ground Control Side	22
106.1 Symbol Decals, Platform	24
200 Drive Chassis Components.....	26
201.1 Steer Linkage and Wheels	26
202.1 Non-Steer Axle Installation	30
203.1 Level Sensor Installation	32
204.1 Pot Hole Protection Assembly	36
205.1 Battery Pack Tray	40
206.1 Battery Charger (from SN GS4716D-3102)	42
207.1 Power Unit Module	44
208.1 Ground Controls	48
209.1 Electrical Wiring (to SN GS47D-10154)	52
209.2 Electrical Wiring (from SN GS47D-10155)	56
210.1 Power Cables	60
211.1 Accumulator, Lift Pressure Select and Function Manifolds	62
300 Scissor Components	64
301.1 Scissor Assembly Installation	64
302.1 Scissor Assembly	66
303.1 Scissor Assembly, Hose Clamps	74
400 Platform Components	76
401.1 Platform Components	76
402.1 Power to Platform	84
403.1 Platform Controls	88
404.1 Joystick Controller Metal Base	92
404.2 Joystick Controller Plastic Base	94
500 Hydraulic Components	96
501.1 Hydraulic Components	96
502.1 Function Manifold	98
503.1 Brake Release Hand Pump Manifold	102

Table of Contents

Description	Page
504.1 Hydraulic Power Unit	104
505.1 Lift Cylinder Assemblies	106
506.1 Hydraulic Hoses and Fittings	108
506.2 Hydraulic Hoses and Fittings (Parker Hose Option)	112
600 Accessories	116
601.1 Alarm, Horn and Flashing Beacons	116
602.1 Air Line to Platform	118
603.1 RCBO	120
604.1 Voltage Inverter	122
605.1 Telematics	124
606.1 PCON Guard	126
607.1 Bumper Assembly Tray	128
608.1 Lift Guard Contact Alarm, View-1	130
609.1 Lift Guard Contact Alarm, View-2	132
610.1 Telematics Option	134
611.1 China Package Platform and Handrail	136
700 Platform Overload Components	140
701.1 Platform Overload	140
Part Number Index	142

001.1 Parts Stocking List



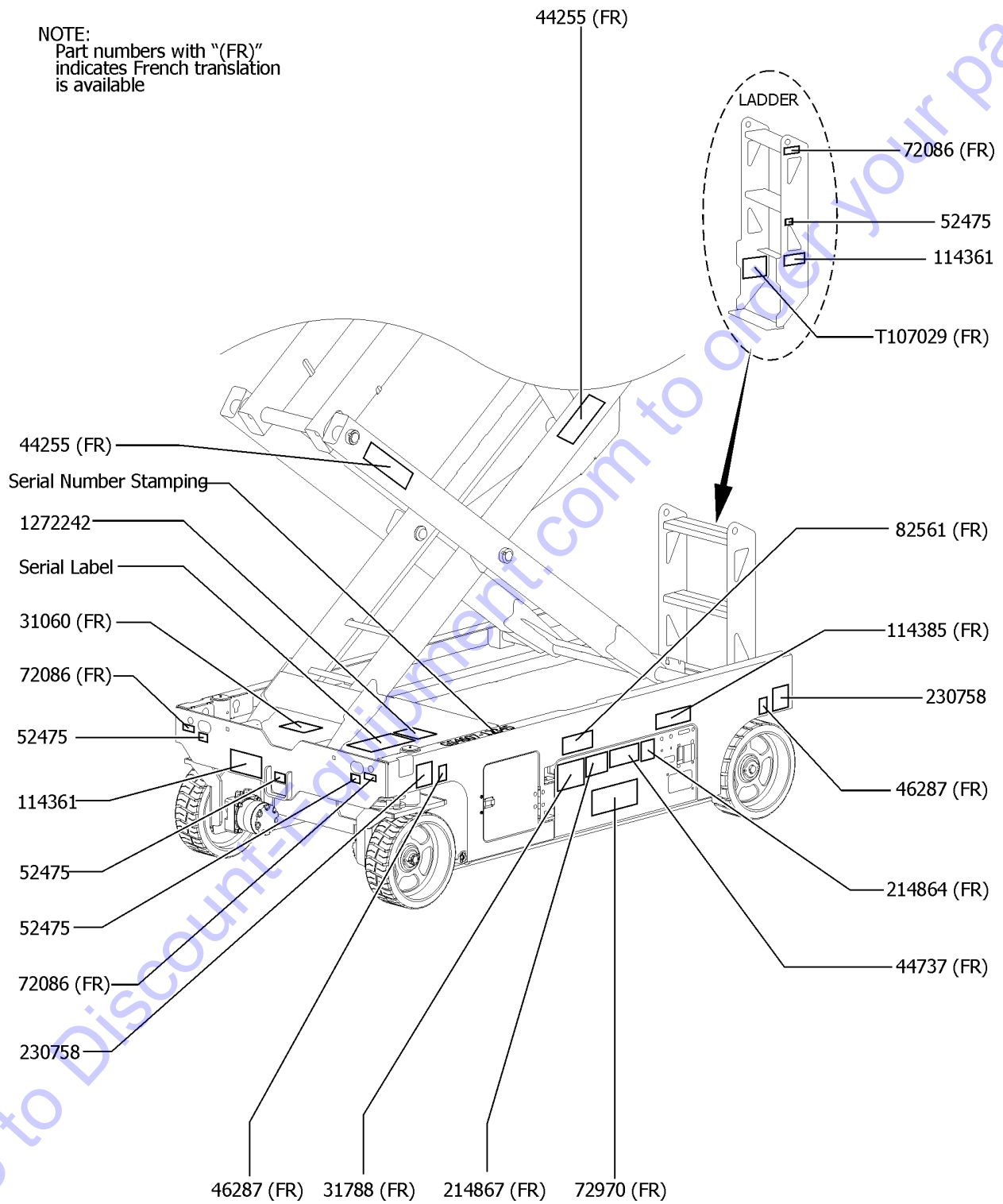
Item	Part No.	Description	Qty.
A-	66399GT	GREASE, DIELECTRIC 4 OZ**	
B-		Ref. CHEVRON ULTRA-DUTY GREASE (LITHIUM), OR EQUIVALENT, EP NLGI 1 (source locally)	
C-	1484GT	PAINT, AEROSOL, BRIGHT BLUE*** 12-ounce spray paint	
C-	1268GT	PAINT, AEROSOL, GENIE GRAY*** 12-ounce spray paint	
C-	1258567GT	PAINT, AEROSOL, TRAFFIC BLACK 12-ounce spray paint	
D-	32150GT	PAINT, WET, GENIE BLUE (1 GL)** 1-gallon	
D-	32151GT	PAINT, WET, GENIE GRAY (1GL)** 1-gallon	
D-	1257733GT	PAINT, WET, TRAFFIC BLACK(1 GL)** 1-gallon	
E-	49613GT	PLUG AND CAP KIT-SERVICE,ORFS*	
1	27581GT	MANUAL, SAFTY MANNAL	
1B	1298933GT	MANUAL, SAIA MANUAL OF RESPONSIBILITIES, MEWP	
2	44788GT	FILTER ELEMENT-10MICRON, PAPER* US part number	
2B	78622GT	FILTER ASSY,SAE8,10 MIC,PAPR** China part number	
3	78546GT	BREATHER CAP, HYD. TANK, 1/4 NPT	
4	13635-10GT	PIN,COTTER,.156 X 1.75	
5	42079GT	PIN,COTTER,.156 X 2.5	

Go to Discount-Equipment.com to order your parts



101.1 Word Decals, Battery Side

NOTE:
Part numbers with "(FR)"
indicates French translation
is available



Go to Discount-Furniture.com to order your parts

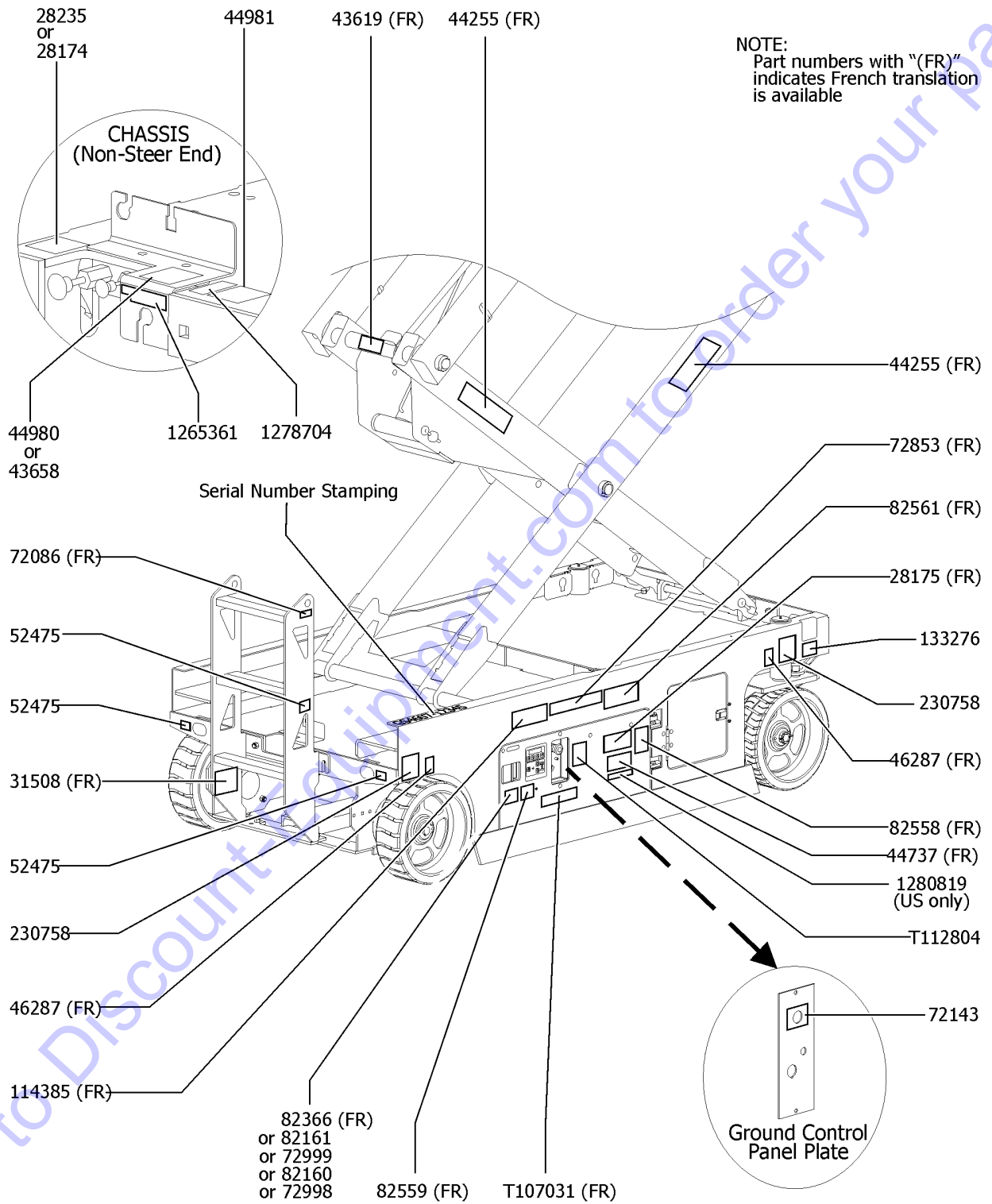
101.1 Word Decals, Battery Side

Item	Part No.	Description	Qty.
A	1259920GT	OPTION,WORD DECALS,ENG,4047	
A-	1259925GT	DECAL KIT,WORD,ENG,CHAS,4047	
A-	234930GT	DECAL KIT,WORD,ENG,LADDER,GS	
A-	144240GT	DECAL KIT,WORD,ENG,LINKS,GS	
A-	1259921GT	DECAL KIT,WORD,ENG,PLAT,4047	
1	31060GT	DECAL,DANGER DO NOT ALTER SWTC	1
2	31788GT	DECAL,DANGER,BATTERY SAFETY***	1
3	44255GT	DECAL,DANGER,CRUSHING HAZARD	2
4	44737GT	DECAL,DANGER,TIP-OVER,TRAYS	1
5	46287GT	DECAL,LABEL-TIRE SPECS	2
6	52475GT	DECAL LABEL TRANSPORT TIE DOWN*	4
7	72086GT	DECAL,LABEL,LIFTING EYE	3
8	72970GT	DECAL,INSTRUCTIONS-CHARGER OP	1
9	82561GT	DECAL,DANGER-USE SAFETY ARM	1
10	114361GT	DECAL,SYM-TIP-OVER,LIM SWITCH	2
11	114385GT	DECAL,DANGER,ELEC HAZARD,GS	1
12	214864GT	ECAL,BATTERY CONNECTION,GS-4047	1
13	214867GT	DECAL,BATT. TRAY/WEIGHT,GS-4047	1
14	230758GT	DECAL,LABEL,WHEEL LOAD,GS-4047	2
15	T107029GT	DECAL DANGER BRAKE REL SAFETY	1
16	1272242GT	DECAL,MACHINE REGISTRATION/OWNER TRANSFER	1

Go to DiscountEquipment.com to order your parts



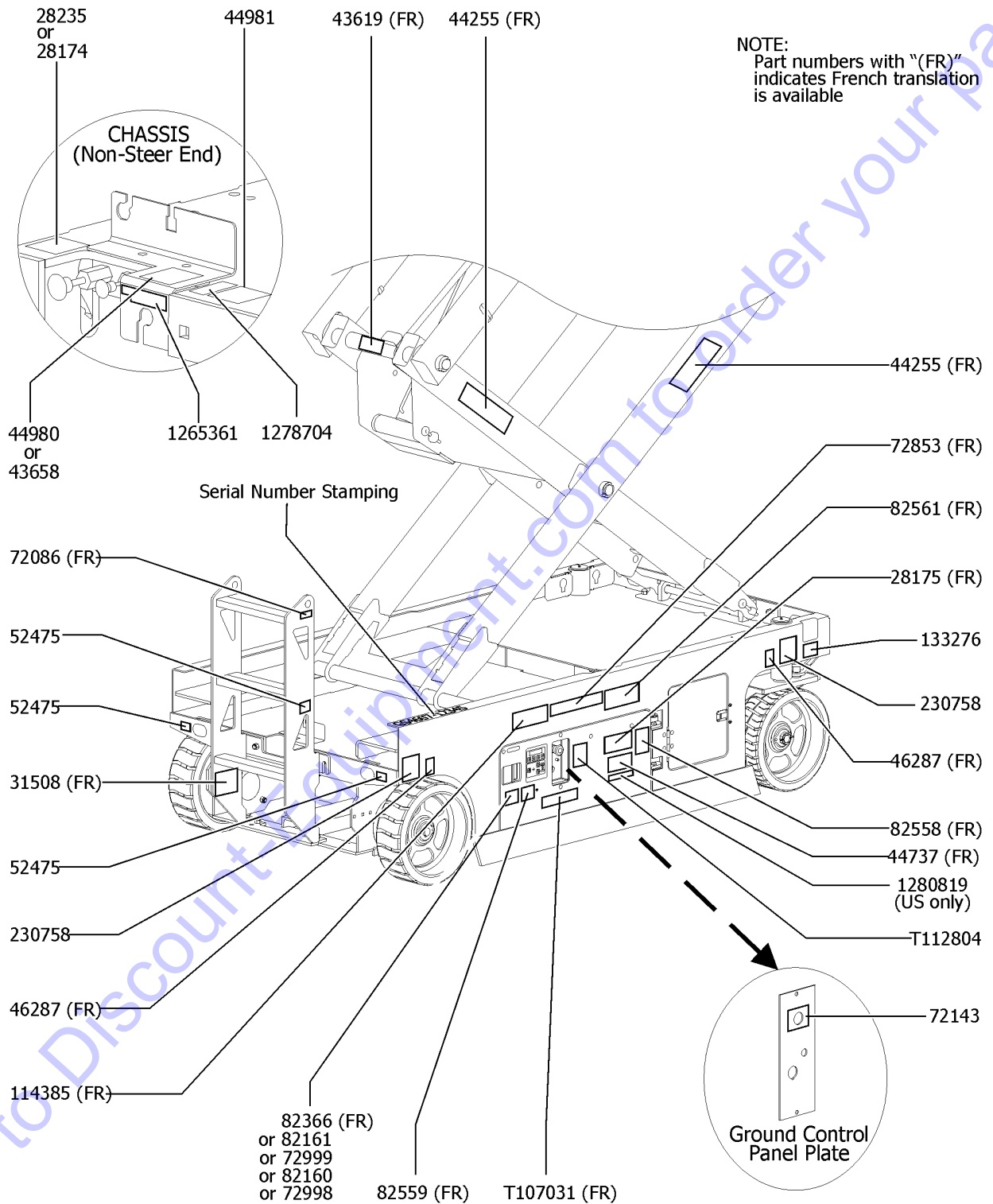
102.1 Word Decals, Ground Control Side



Item	Part No.	Description	Qty.
1	28174GT	DECAL, POWER TO PLATFORM 230V** Option, power to platform	1
2	28175GT	DECAL,WARNING-COMPART ACCESS	1
3	28235GT	DECAL, POWER TO PLATFORM 115V** Option, power to platform	1
4	31508GT	DECAL,DANGER,ELECT HAZARD,PLUG	1
5	43619GT	DECAL LABEL SAFETY ARM	1
6	43658GT	DECAL, LABEL, PWR TO CHARGER 230 EU Option, power to charger	1
7	44255GT	DECAL,DANGER,CRUSHING HAZARD	2
8	44737GT	DECAL,DANGER,TIP-OVER,TRAYS	1
9	44980GT	DECAL, LABEL, PWR TO CHARGER 115 UK Option, power to charger	1
10	44981GT	DECAL LABEL AIRLINE 110PSI Option, airline to platform	1
11	46287GT	DECAL,LABEL-TIRE SPECS	2
12	52475GT	DECAL LABEL TRANSPORT TIE DOWN*	3
13	72086GT	DECAL,LABEL,LIFTING EYE	1
14	72143GT	DECAL, EMERGENCY STOP, GR	1
15	72853GT	DECAL,DANGER,IMPROPER USE HAZ.	1
16	72998GT	DECAL, LABEL, QUINTOLUBRIK	1
17	72999GT	DECAL,LABEL,PETRO CANADA***	1
18	82160GT	DECAL, LABEL, STATOIL HYDRAWAY	1
19	82161GT	DECAL,LABEL,UCON HYDROLUBE	1
20	82366GT	DECAL,CHEVRON RANDO HD Option, hydraulic oil	1
21	82558GT	DECAL,SKIN INJECTION	1
22	82559GT	DECAL,INSTRUCT-ANNUAL INSP REQ	1
23	82561GT	DECAL,DANGER-USE SAFETY ARM	1
24	114385GT	DECAL,DANGER,ELEC HAZARD,GS	1
25	133276GT	DECAL,EMERGENCY LOWERING	1
26	230758GT	DECAL,LABEL,WHEEL LOAD,GS-4047	2
27	1265361GT	DECAL, BATTERY CHARGER INDICAT	1
28	1278704GT	DECAL,CHARGE STATUS IND from SN GS47D-6635	1



102.1 Word Decals, Ground Control Side



Go to DiscountWhipPart.com to order your parts

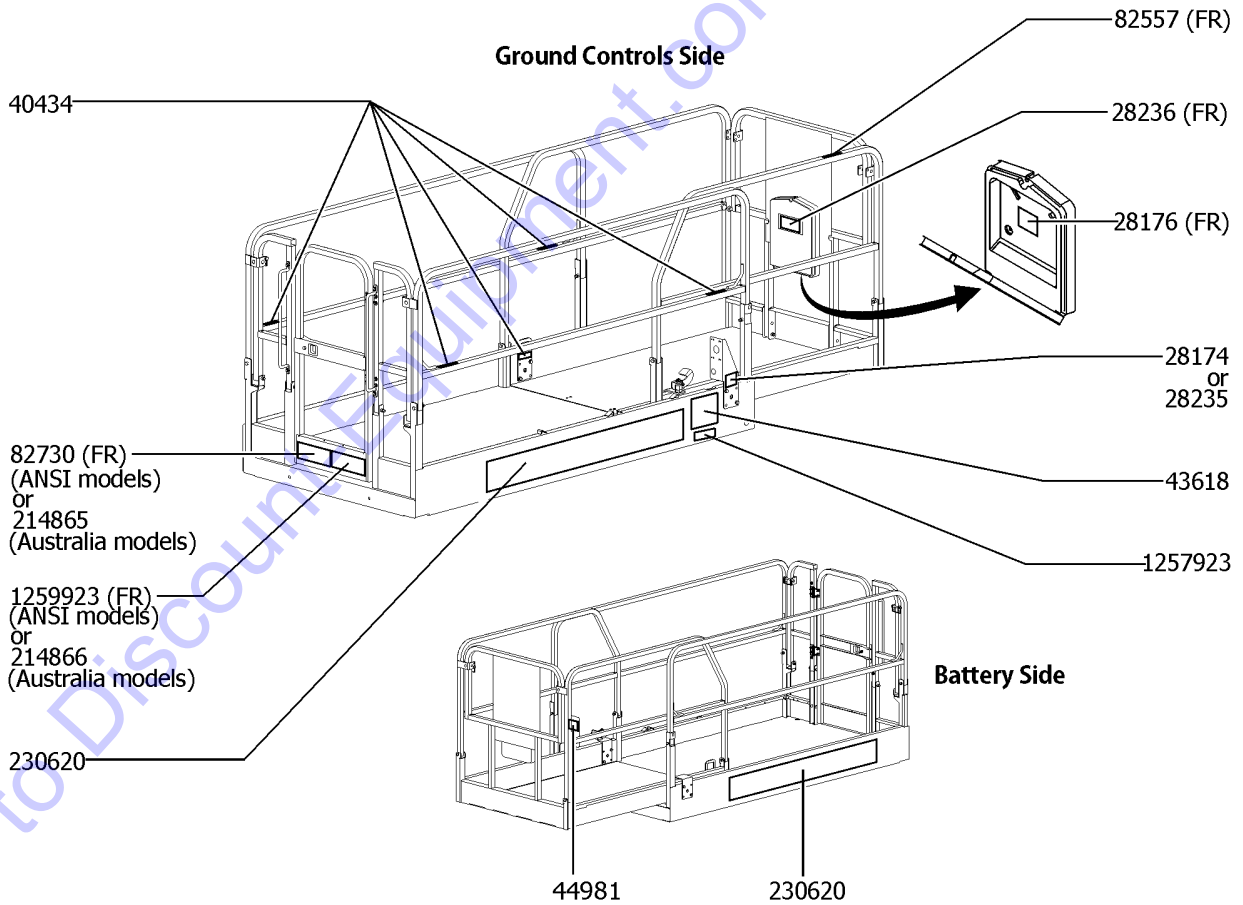
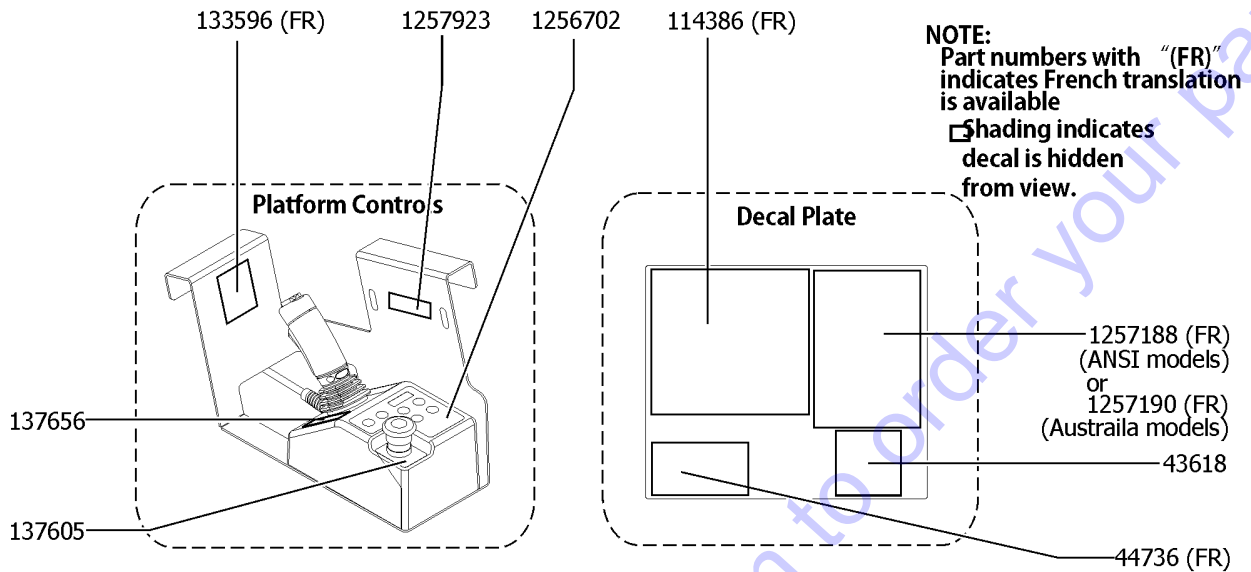
102.1 Word Decals, Ground Control Side

Item	Part No.	Description	Qty.
29	1280819GT	DECAL,WARNING,CANCER AND REPRODUCTIVE HARM, PROP 65 US only	1
30	T107031GT	DECAL,OP INST,GCON	1
31	T112804GT	DECAL,GCON PANEL,GS	1

Go to Discount-Equipment.com to order your parts



103.1 Word Decals, Platform (ANSI & Australia)

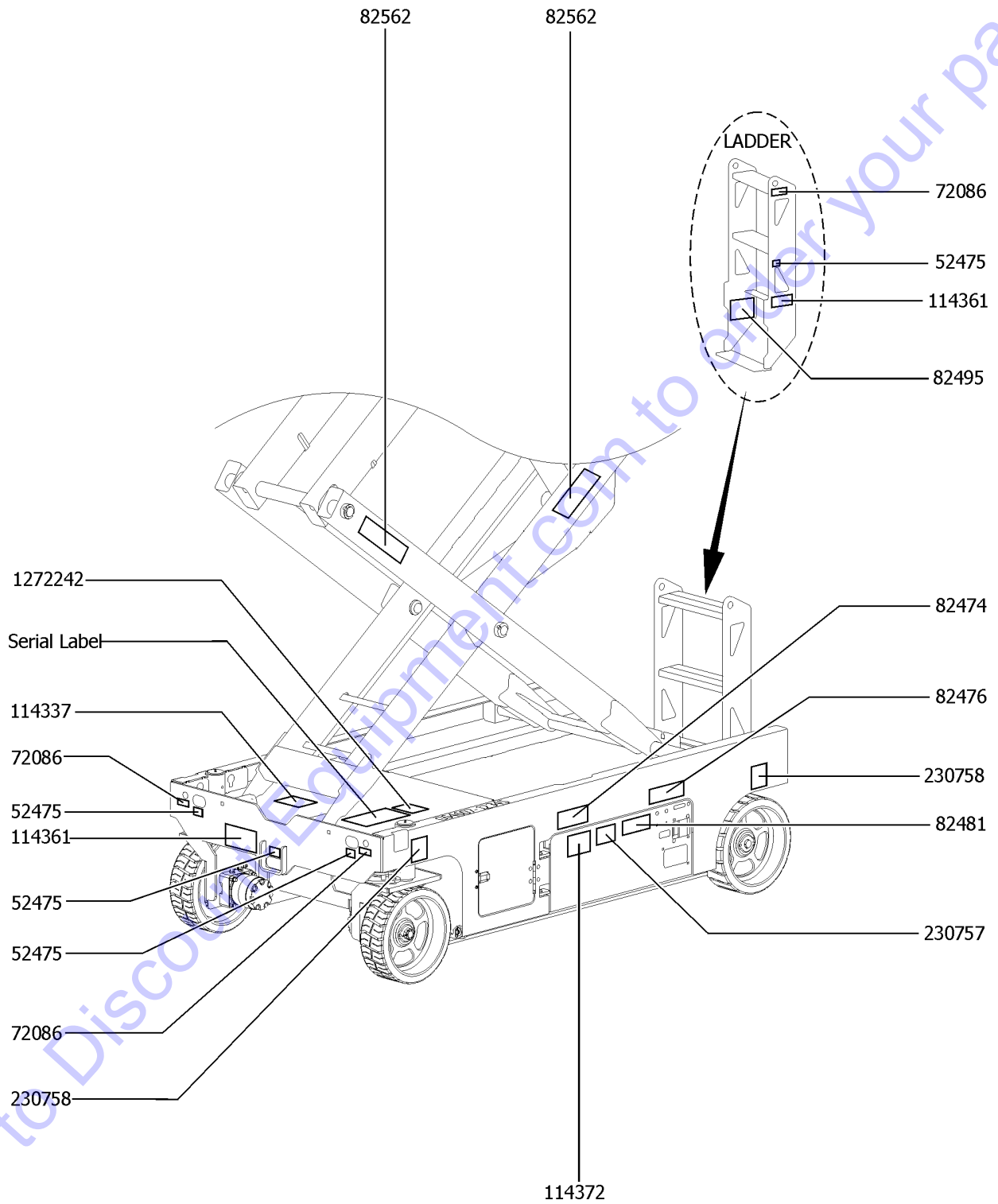


103.1 Word Decals, Platform (ANSI & Australia)

Item	Part No.	Description	Qty.
1	28174GT	DECAL, POWER TO PLATFORM 230V** Option, power to platform	1
2	28176GT	DECAL,LABEL,MANUAL NOT HERE	1
3	28235GT	DECAL, POWER TO PLATFORM 115V** Option, power to platform	1
4	28236GT	DECAL,WARN,IMPROPER OPERATION	1
5	40434GT	DECAL,LANYARD ANCHORAGE POINT	5
6	43618GT	DECAL, LABEL - DIRECTION ARROWS	2
7	44736GT	DECAL,DANGER,TIP-OVER,TILT	1
8	44981GT	DECAL LABEL AIRLINE 110PSI Option, airline to platform	1
9	82557GT	DECAL,LABEL,PLAT CONT LOCATION	1
10	82730GT	DECAL,INSTR-SIDE FRC,ANSI 3246	1
11	114386GT	DECAL,DANGER-GEN SAFETY	1
12	133596GT	DECAL,LABEL,FAULT CODES	1
13	137605GT	DECAL,E-STOP, GR/GRC/GS PCON	1
14	137656GT	DECAL, PROPEL, GR/GRC/GS, PCON	1
15	214865GT	DECAL,MANUAL FORCE,GS-4047	1
16	214866GT	DECAL,PLAT.CAPACITY,GS-4047	1
17	230620GT	DECAL,COSMETIC,GS-4047	2
18	1256702GT	DECAL, UI, GS/GR, PROP LIFT	1
19	1257188GT	DECAL,OP INST,PLAT,GS46 ANSI	1
20	1257190GT	DECAL,OP INST,PLAT,GS46,AUS	1
21	1257923GT	DECAL, SMARTLINK PROPORTIONAL	2
22	1259923GT	DECAL,INSTR-MAX CAP, 4047	1



104.1 Symbol Decals, Battery Side



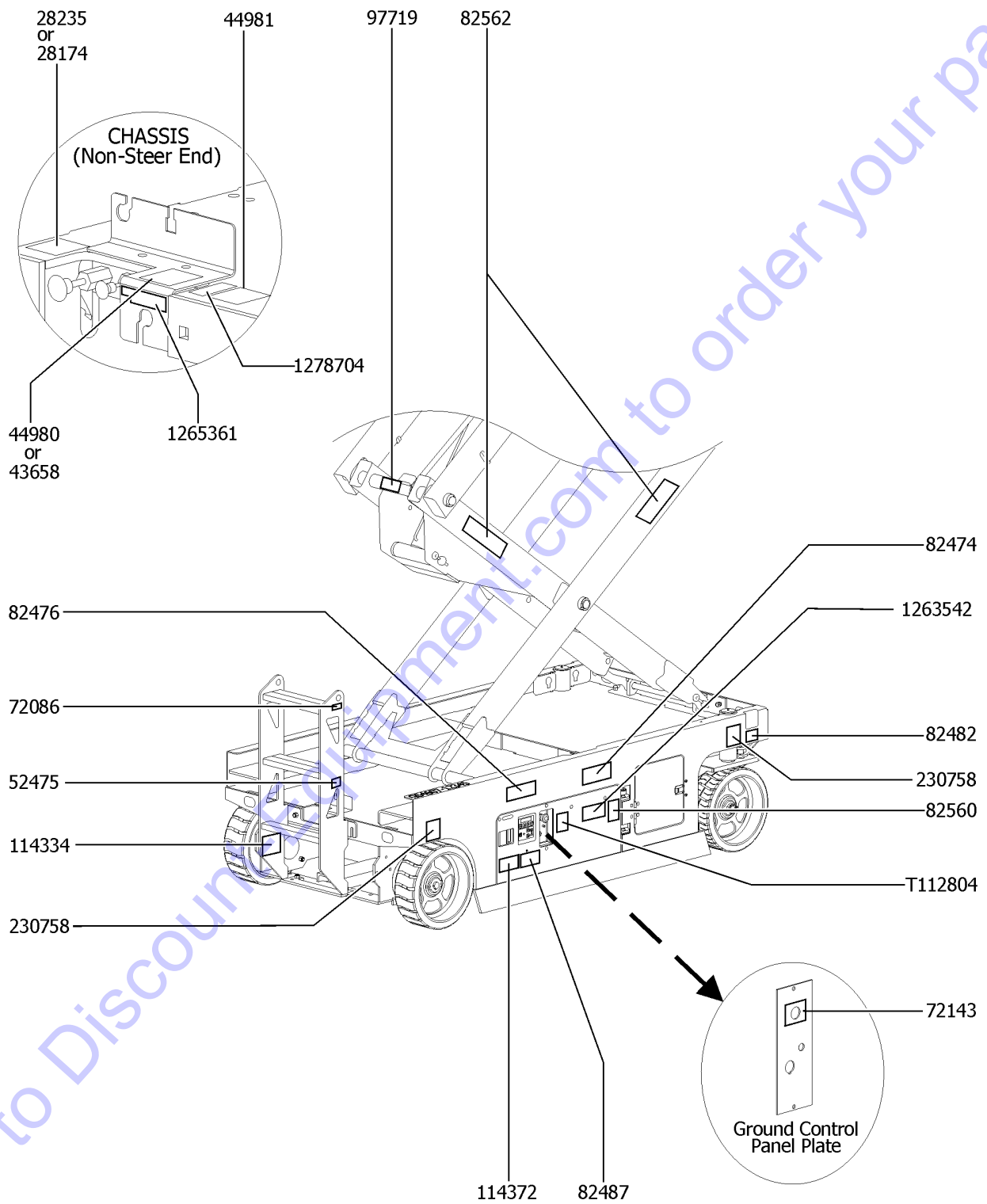
104.1 Symbol Decals, Battery Side

Item	Part No.	Description	Qty.
A	1261982GT	DECAL KIT, SYM, PLAT, ANSI Decal kit, Platform (symbol)	
B	1261998GT	OPTION, SYM DECALS, ANSI, 4047 Decal Kit, Complete (symbol)	
1	52475GT	DECAL LABEL TRANSPORT TIE DOWN*	4
2	72086GT	DECAL, LABEL, LIFTING EYE	3
3	82474GT	DECAL SYMBOL USE SAFETY ARM	1
4	82476GT	DECAL, SYMBOL-ELEC HAZARD, GS	1
5	82481GT	DECAL SYMBOL BATTERY SAFETY	1
6	82495GT	DECAL, LABEL, FORKLIFT POCKET	1
7	82562GT	DECAL, SYMBOL-CRUSHING HAZARD	2
8	114337GT	DECAL SYMBOL TIP OVER LIMIT SWITCH	1
9	114361GT	DECAL, SYM-TIP-OVER, LIM SWITCH	2
10	114372GT	DECAL SYMBOL TIP OVER TRAYS	1
11	230757GT	DECAL, SYM, TIPOVER, BATT, GS-4047	1
12	230758GT	DECAL, LABEL, WHEEL LOAD, GS-4047	2
13	1272242GT	DECAL, MACHINE REGISTRATION/OWNER TRANSFER	1

Go to Discount-Equipment.com to order your parts



105.1 Symbol Decals, Ground Control Side



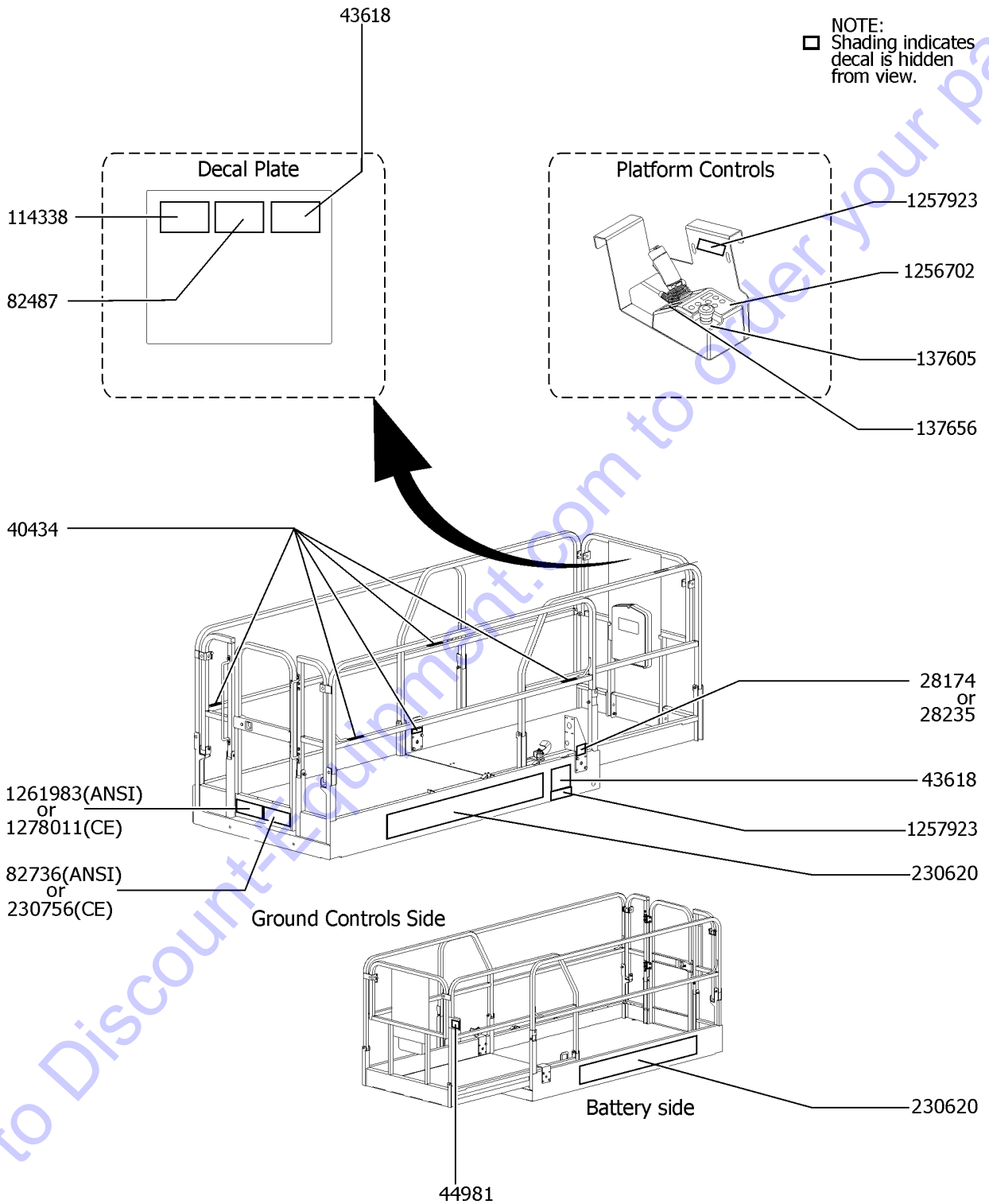
105.1 Symbol Decals, Ground Control Side

Item	Part No.	Description	Qty.
A		REF: GS-4047 Symbol Decal Kits Ref to 104.1	
1	28174GT	DECAL, POWER TO PLATFORM 230V** Option, power to platform	1
2	28235GT	DECAL, POWER TO PLATFORM 115V** Option, power to platform	1
3	43658GT	DECAL, LABEL, PWR TO CHARGER 230 EU Option, power to charger	1
4	44980GT	DECAL, LABEL, PWR TO CHARGER 115 UK Option, power to charger	1
5	44981GT	DECAL LABEL AIRLINE 110PSI Option, airline to platform	1
6	52475GT	DECAL LABEL TRANSPORT TIE DOWN*	1
7	72086GT	DECAL,LABEL,LIFTING EYE	1
8	72143GT	DECAL, EMERGENCY STOP, GR	1
10	82474GT	DECAL SYMBOL USE SAFETY ARM	1
11	82476GT	DECAL,SYMBOL-ELEC HAZARD,GS	1
12	82482GT	DECAL,LABEL,AUX LOWERING	1
13	82487GT	DECAL,SYMBOL-READ THE MANUAL	1
14	82560GT	DECAL,SYMBOL-SKIN INJECT HAZRD	1
15	82562GT	DECAL,SYMBOL-CRUSHING HAZARD	2
16	97719GT	DECAL, LABEL, SAFETY ARM SYMBOL	1
17	114334GT	DECAL SYMBOL ELECTRIC HAZARD PLUG	1
18	114372GT	DECAL SYMBOL TIP OVER TRAYS	1
19	230758GT	DECAL,LABEL,WHEEL LOAD,GS-4047	2
20	1263542GT	DECAL, COMPARTMENT ACCESS	1
21	1265361GT	DECAL, BATTERY CHARGER INDICAT from SN GS47D-6635	1
22	1278704GT	DECAL,CHARGE STATUS IND from SN GS47D-6635	1
23	T112804GT	DECAL,GCON PANEL,GS	1

Go to DiscountEquipment.com to order your parts



106.1 Symbol Decals, Platform



Go to Discount-Equipment.com to order your parts

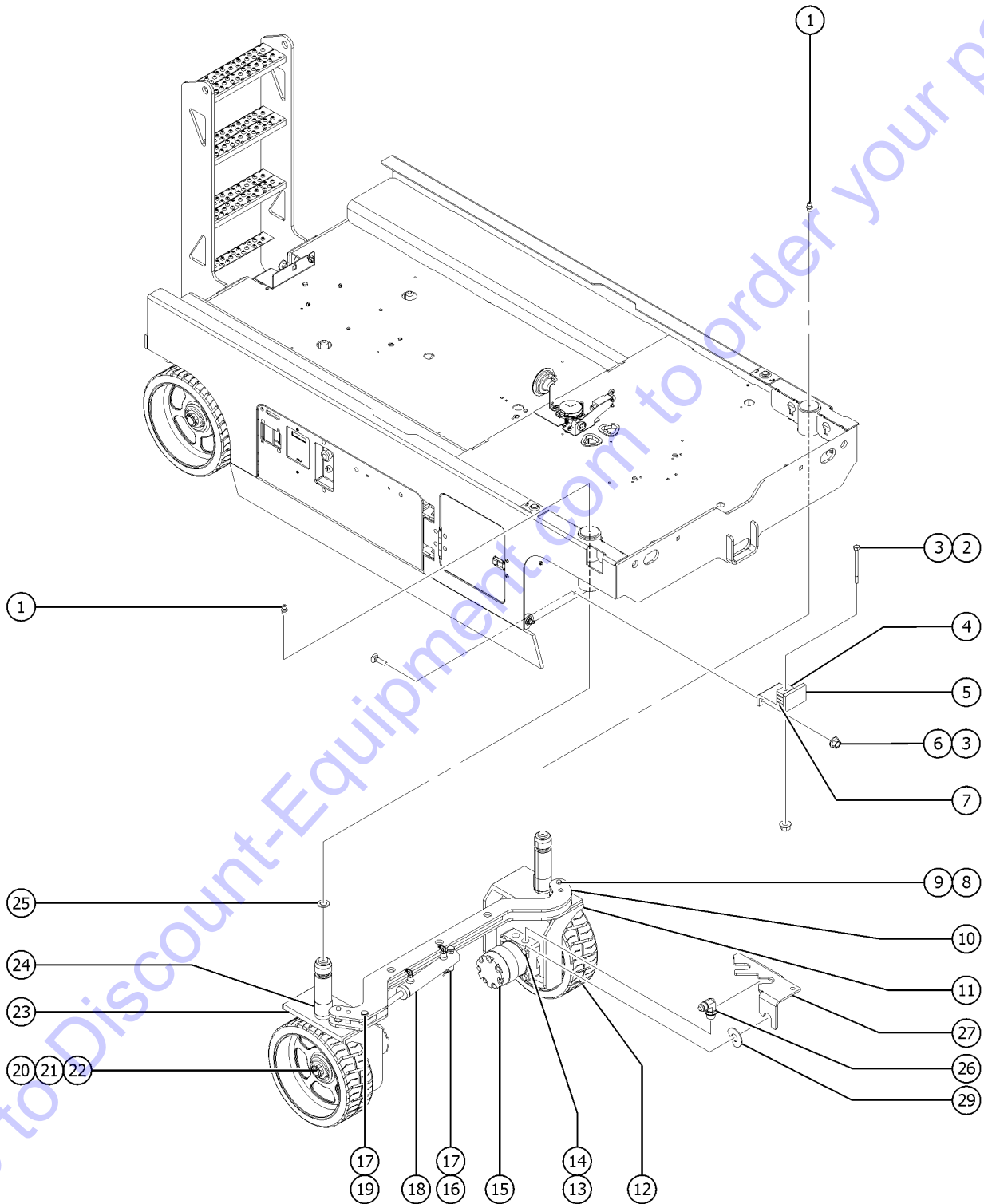
106.1 Symbol Decals, Platform

Item	Part No.	Description	Qty.
A		REF: GS-4047 Symbol Decal Kits Ref to 104.1	
1	28174GT	DECAL, POWER TO PLATFORM 230V** Option, power to platform	1
2	28235GT	DECAL, POWER TO PLATFORM 115V** Option, power to platform	1
3	40434GT	DECAL,LANYARD ANCHORAGE POINT	5
4	43618GT	DECAL, LABEL - DIRECTION ARROWS	2
5	44981GT	DECAL LABEL AIRLINE 110PSI Option, airline to platform	1
6	82487GT	DECAL,SYMBOL-READ THE MANUAL	1
7	82736GT	DECAL,SYM-SIDE FORCE	1
8	114338GT	DECAL,SYM-TIP-OVR,TILT ALARM	1
9	137605GT	DECAL,E-STOP, GR/GRC/GS PCON	1
10	137656GT	DECAL, PROPEL, GR/GRC/GS, PCON	2
11	230620GT	DECAL,COSMETIC,GS-4047	2
12	1256702GT	DECAL, UI, GS/GR, PROP LIFT	2
13	1257923GT	DECAL, SMARTLINK PROPORTIONAL	2
14	1261983GT	DECAL,SYM,MAX CAP,4047,ANSI	1
15	1278011GT	DECAL, SYMBOL, CE, MAXIMUM CAPACITY, 350KG	1
16	230756GT	DECAL,MANUAL FORCE,GS-4047	1

Go to Discount-Equipment.com to order your parts



201.1 Steer Linkage and Wheels

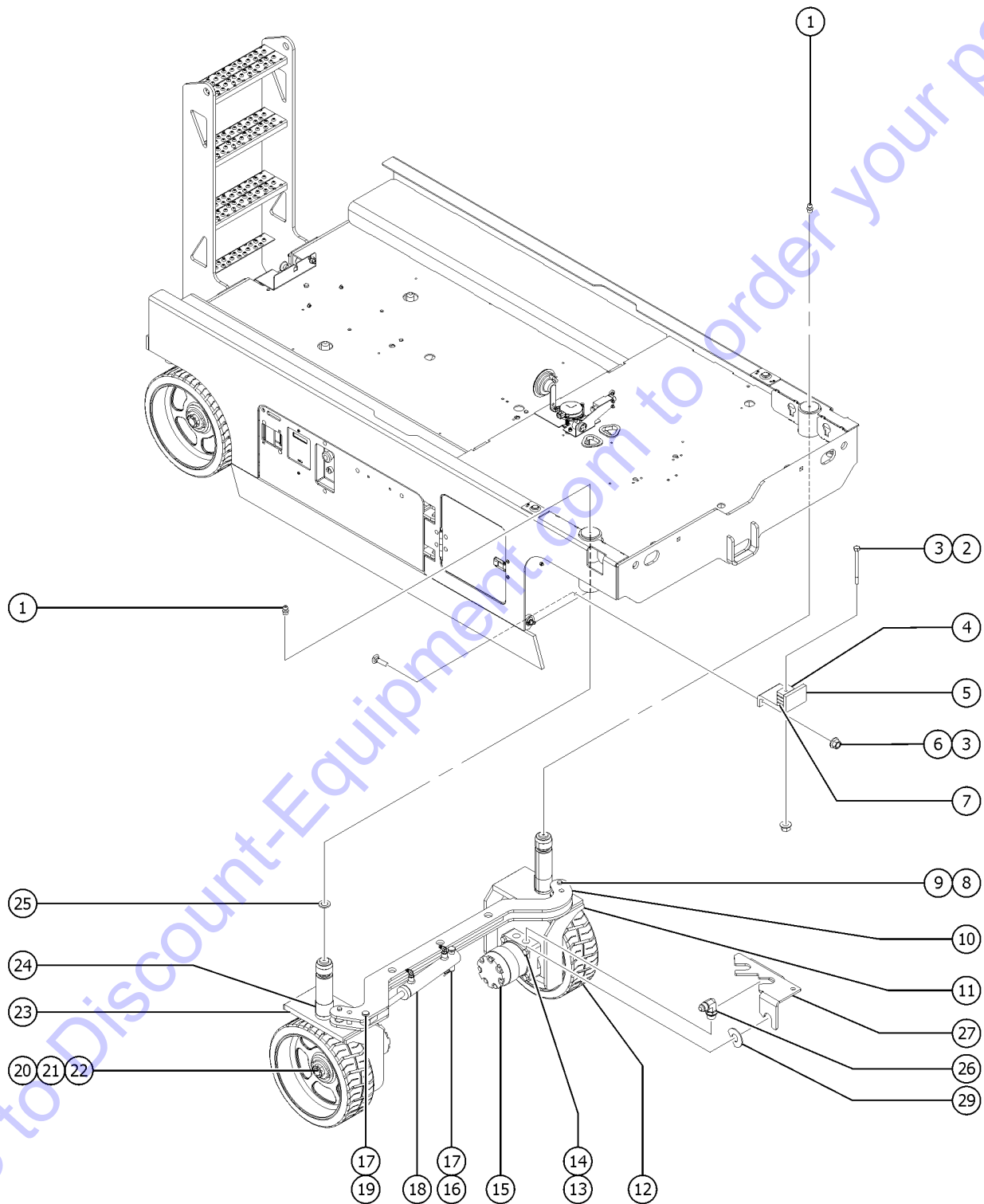


201.1 Steer Linkage and Wheels

Item	Part No.	Description	Qty.
1	66770GT	FITTING,STRAIGHT DRIVE-IN ZERK	2
2	1256123GT	SCREW,HHC,1/4-20X3.25,8,ZAG	1
3	824027GT	NUT, TL FLG, 1/4-20, G, ZAG	
4	78736GT	CLAMP, 2 HOSE, PLASTIC, 5/8	4
5	230364GT	FORMING,HOSE CLAMP SPT,PTD,BLU	1
		US part number	
5B	132467GT	FORMING, HOSE CLAMP SUPPORT	1
		China part number	
6	824124GT	BOLT, CARRIAGE, 1/4-20 X .75, 5, ZAG	
7	58592GT	PLATE,HOSE ROUTG,BULKHEAD(PTD)	1
		US part number	
7B	132119GT	PLATE, HOSE ROUTING, BULKHEAD	1
		China part number	
8	8255GT	SCREW,HHC,3/8-16 X .75	
9	47946GT	BEARING,1.00IDX1.25ODX0.49L	2
10	97267GT	TIE ROD ASSY, GS46	1
		(battery pack side)	
10-	47946GT	BEARING,1.00IDX1.25ODX0.49L	4
10-	96574GT	WLDMT,TIE ROD,GS46	1
		US part number	
10-	132463GT	WLDMT,TIE ROD,GS46	1
		China part number	
11	96573GT	WLDMT,STEER YOKE,LT,GS32/46	1
		US part number; (battery pack side)	
11B	228349GT	WELDMENT, STEER YOKE, LT	1
		China part number	
12	105454GT	WHEEL & TIRE ASSY LP, 15"	2
13	1256287GT	SCREW,HHC,1/2-13X3.5,8,ZAG	
14	1251997GT	NUT,TL,FLG,1/2-13,G,ZAG	
15		Ref. Drive Motor	
		(refer to 501.1)	
16	1259195GT	PIN,CLEVIS,3/4X3.25,ZAG	1
17	21253GT	CLIP, HAIR PIN, .125 X 2	2
18		Ref. Steer Cylinder	
		(refer to 501.1)	
19	1259193GT	PIN,CLEVIS,3/4X2,ZAG	1
20	44780GT	NUT,CASTLE,1.125-18 UNEF	2
21	13635-10GT	PIN,COTTER,.156 X 1.75	2
22	44781GT	KEY,RECTANGULAR,.31X.28X1.25***	2



201.1 Steer Linkage and Wheels



Go to Discount-Equipment.com to order your parts

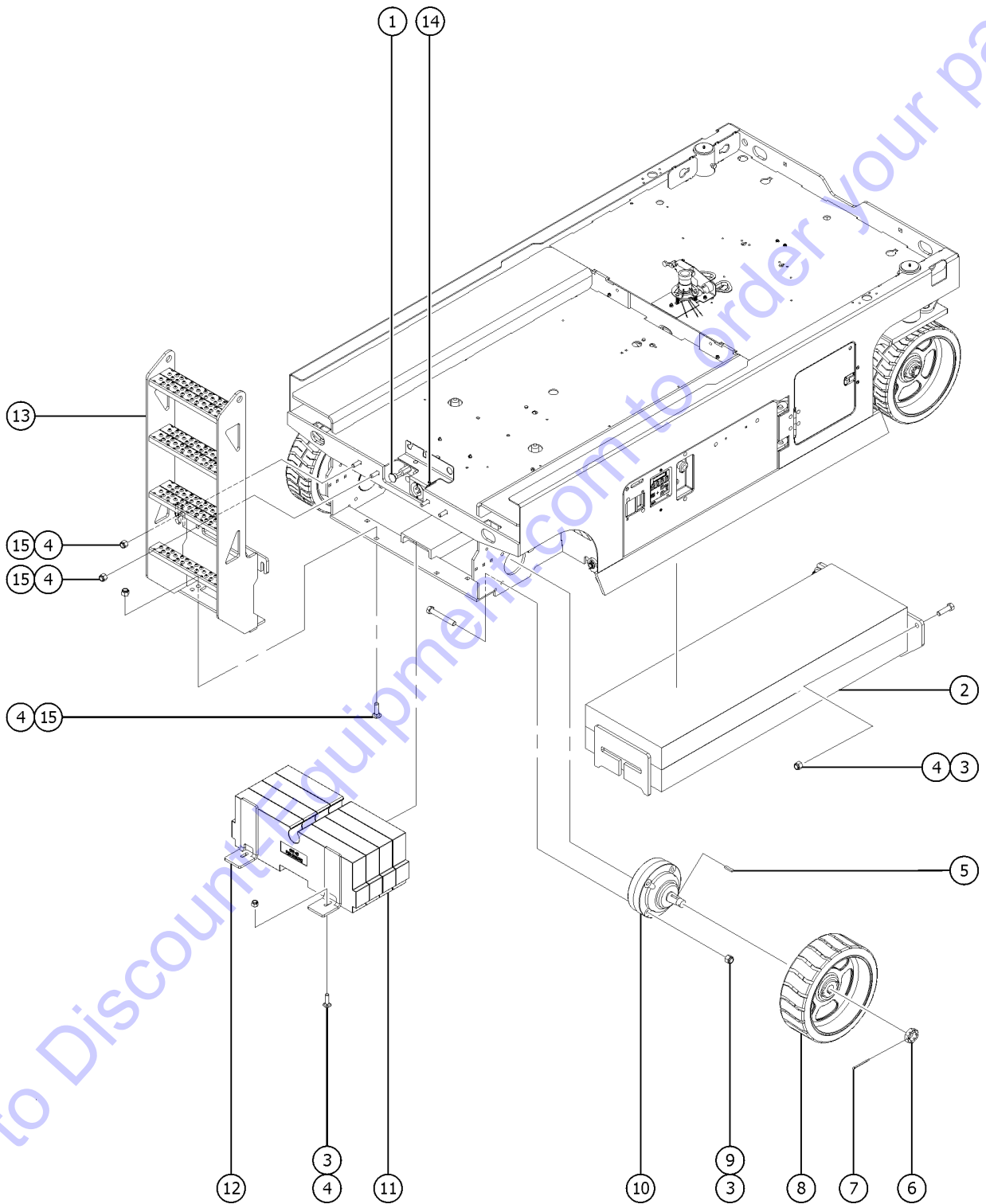
201.1 Steer Linkage and Wheels

Item	Part No.	Description	Qty.
23	96572GT	WLDMT,STEER YOKE,RT,GS32/46 US part number; ground controls side)	1
23B	228350GT	WELDMENT, STEER YOKE, RT China part number	1
24	18722GT	BEARING,2.25IDX2.50ODX1.50L***	2
25	824120GT	WASHER, FLAT, .375 X 1.50 X .125, ZAG	2
26	39873GT	ELBOW, 07022-6-6	4
27	1288705GT	FORMING, LH BRACKET, DRIVE MOTOR US models	1
27A	1292498GT	KIT, BRACKET, DRIVE MOTOR includes 1288705 and 1288704	
27B	1266279GT	STEER FIXED PLATE,RIGHT	1
28	1288704GT	FORMING, RH BRACKET, DRIVE MOTOR US models, (not shown)	1
28B	1266278GT	STEER FIXED PLATE,LEFT (not shown)	1
29	1289409GT	WASHER, D, ZINC	2

Go to Discount-Equipment.com to order your parts



202.1 Non-Steer Axle Installation



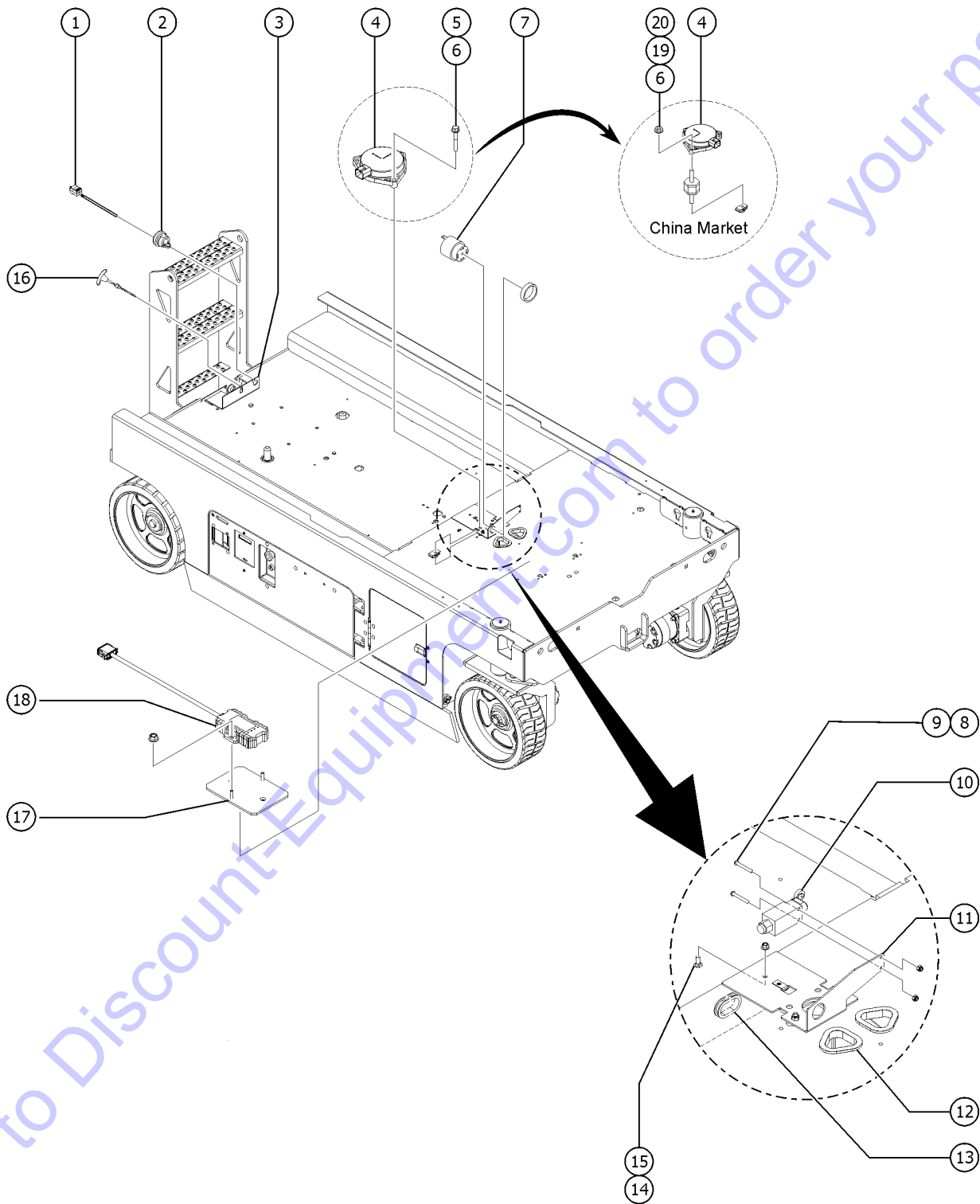
Go to DiscountEquipment.com to order your parts

Item	Part No.	Description	Qty.
1		REF: BRAKE RELEASE MANIFOLD (refer to 503.1)	
2	96876GT	COUNTERWEIGHT, BELLY inside front center of chassis)	1
3	1251997GT	NUT,TL,FLG,1/2-13,G,ZAG	
4	1256115GT	BOLT,CARRIAGE,1/2-13X1.75,5,ZAG	
5	44781GT	KEY,RECTANGULAR,.31X.28X1.25"*	2
6	44780GT	NUT,CASTLE,1.125-18 UNEF	2
7	42079GT	PIN,COTTER,.156 X 2.5	2
8	105454GT	WHEEL & TIRE ASSY LP, 15"	2
9	1256287GT	SCREW,HHC,1/2-13X3.5,8,ZAG	4
10		REF: HYDRAULIC BRAKE (refer to 501.1)	
11	96887GT	CWT, REAR, XX46	1
12	228377GT	FORMING, CWT CLAMP US part number	1
12B	1273381GT	FORMING, CWT CLAMP China part number	1
13	228367GT	WELDMENT, LADDER US part number	1
13B	1273371GT	WELDMENT,LADDER,GS4047 China part number	1
14	1306190GT	ASSEMBLY,CHARGER STATUS LED,3V	1
15	1274172GT	NUT,NYLOCK FLG,1/2-13,G,ZAG	6

Go to Discount-Equipment.com to order your parts



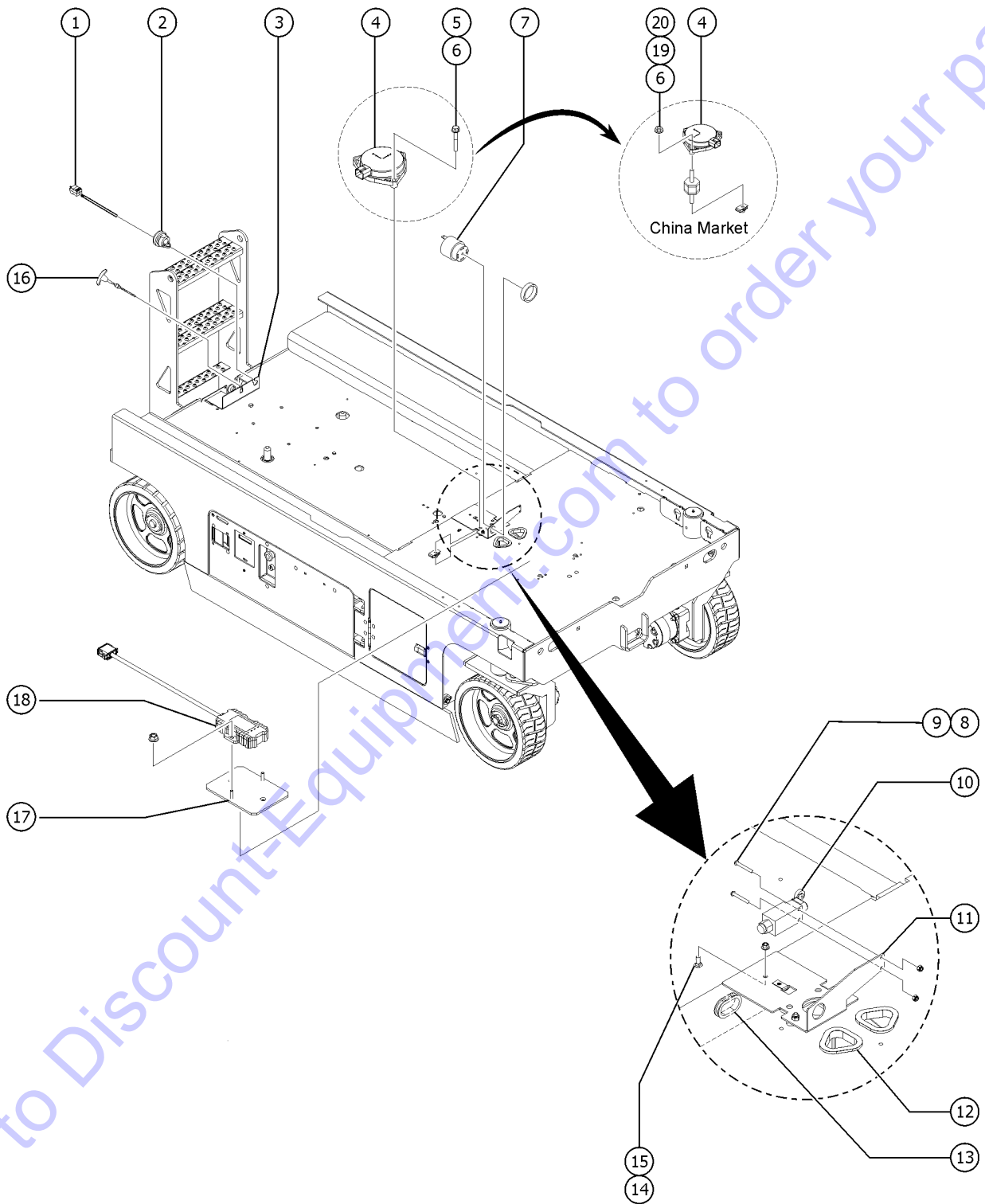
203.1 Level Sensor Installation



Item	Part No.	Description	Qty.
1		REF. Electrical Plugs and Cords (refer to 402.1)	
2	128118GT	BUSHING,STRAIN RELIEF,.875/.40	1
3	1282153GT	FORMING,REC.PLUG BRKT,METRIC North US and Japan	1
3B	144226GT	FORMING, REC. PLUG BRKT CE models	1
3C	1282145GT	FORMING, PLUG/LED BRACKET,METRIC AUS models	1
4	823368GT	SENSOR,LEVEL,UNIVERSAL	1
5	824079GT	SCREW,HHF,1/4-20X1,8,ZAG	3
6	56912GT	SPRING CLIP,1/4-20,.025-.15X.54,ZAG	3
7	39540GT	ALARM,STEADY TONE*** order 72326 mounting ring separately	1
7-	72326GT	NUT - PLASTIC,RING FOR ALARMS for 39540	
8	824216GT	SCREW, PHPM, 10-32 X 1.5, ZAG	
9	1274168GT	NUT,NYLOCK,10-32,A,ZAG	
10	T112507GT	WIRE ASSY,DOWN LIMIT SW (Includes plug)	1
10-	19491GT	CONTACTOR,LIMIT SWITCH	
10-	96948GT	SWITCH, LIMIT, W/ROLLER ARM***	
10-	97128GT	ROLLER ARM,LIMIT SWITCH***	
11	96870GT	FORMING,ALARM BRACKET US part number	1
11B	1267821GT	FORMING, ALARM BRACKET, METRIC China part number	1
12	47232GT	GROMMET,RUBBER 2 X 2.75	2
13	47238GT	GROMMET,RUBBER 1.5 ID	1
14	824124GT	BOLT, CARRIAGE, 1/4-20 X .75, 5, ZAG	
15	824027GT	NUT, TL FLG, 1/4-20, G, ZAG	
16	39232GT	CABLE,EMERGENCY DOWN	1
17	1289561GT	BRACKET, TELEMATICS	1
18	1289520GT	MODULE,TELEMATICS,ZTR,M7,NORTH AMERICA North America	1
18B	1289521GT	MODULE, TELEMATICS, ZTR, M7, EMEA/APAC	1
18C	1289522GT	MODULE,TELEMATICS,ZTR,M7,APAC/ANZ APAC/ANZ	1
18D	1289523GT	MODULE,TELEMATICS,ZTR,M7,JAPAN Japan	1



203.1 Level Sensor Installation



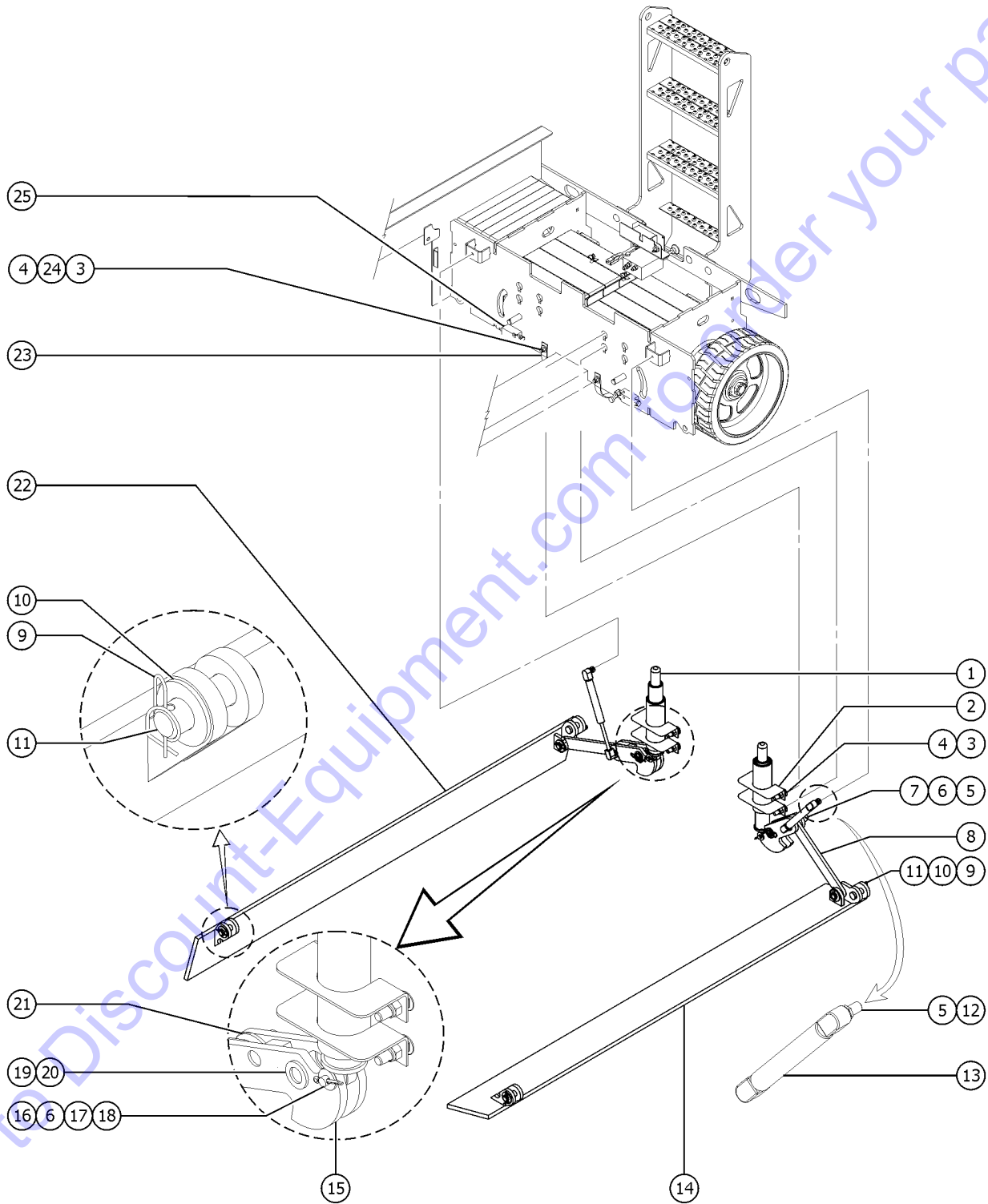
203.1 Level Sensor Installation

<i>Item</i>	<i>Part No.</i>	<i>Description</i>	<i>Qty.</i>
19	1301073GT	ISOLATOR,1/4 THRD,HEX China package only	3
20	1256679GT	0 China package only	6

Go to Discount-Equipment.com to order your parts



204.1 Pot Hole Protection Assembly

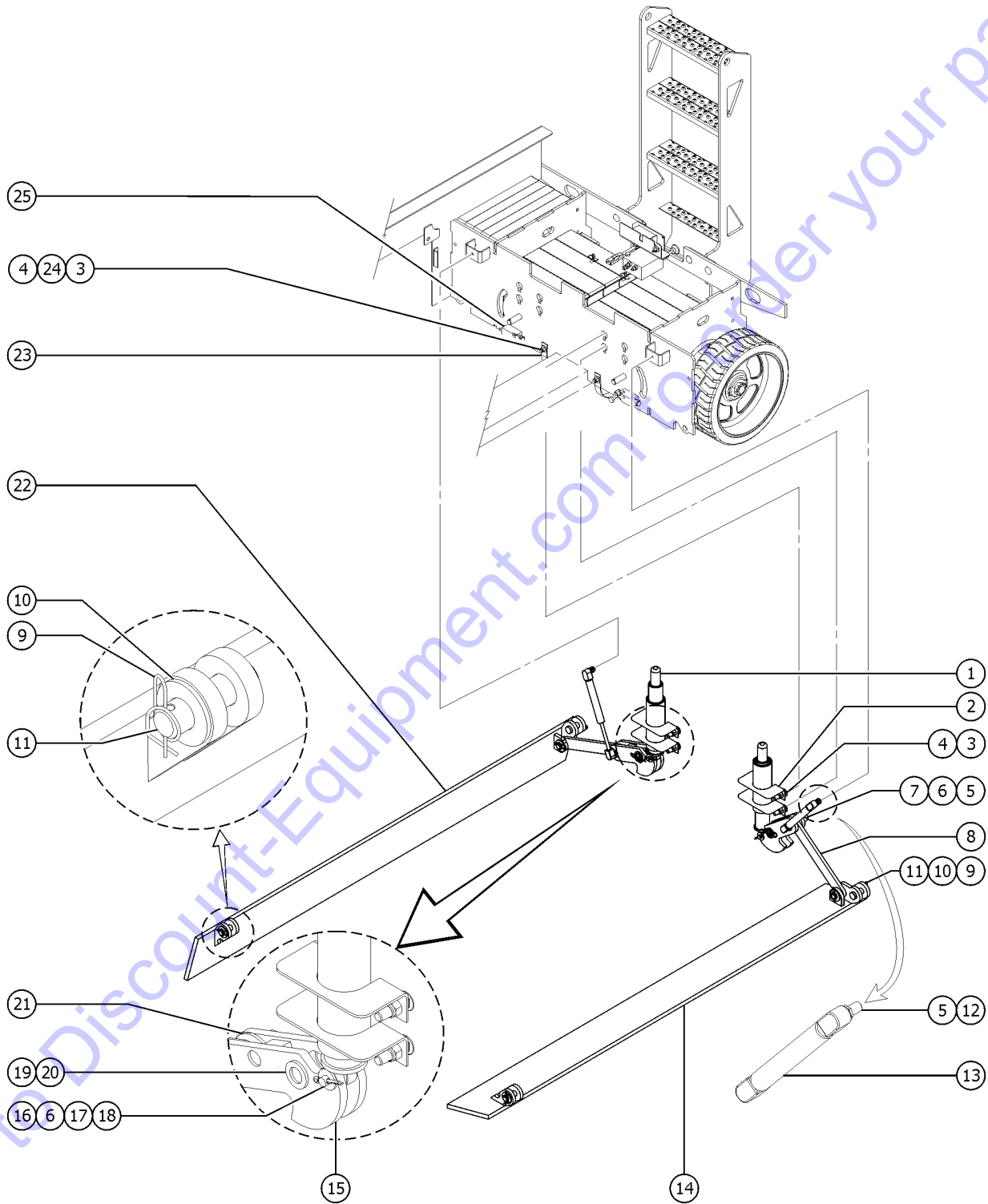


204.1 Pot Hole Protection Assembly

Item	Part No.	Description	Qty.
1	132588GT	ASSY,POT HOLE SYSTEM,GSXX46	2
1-	25817GT	BEARING,1.00IDX1.25ODX1.00L	1
1-	132097GT	WLDMT, POT HOLE ACTUATOR	1
1-	96838GT	SPRING, POTHOLE PUSHER	1
1-	96840GT	PIN,PH ACTUATOR	1
2	132465GT	WELDMENT,PH GUIDE,GS46	2
		(ground controls side)	
3	1255757GT	BOLT,CARRIAGE,3/8-16X1.25,5,ZAG	
4	824029GT	NUT,TL FLG,3/8-16,G,ZAG	
5	78086GT	BALL STUD, GAS STRUT, 3/8-16	
6	825358GT	WASHER,FLAT,5/16,USS,ZAG	
7	96643GT	PIN, POTHOLE LINK PIVOT	2
8	96637GT	PLATE,POTHOLE LINK	2
		US part number	
8B	132371GT	PLATE, POTHOLE LINK	2
		China part number	
9	1259177GT	RUE RING,5/8,ZAG	
10	1259180GT	WASHER,SHIM,.625X1.188X.064,ZAG	
11	1259197GT	PIN,CLEVIS,.625X1.88,ZAG	4
11-	105156GT	BUSHING, FLNGD, .63 X .77 X .38	4
		(sold seperately)	
12	824038GT	NUT, TL JAM, 3/8-16, A, ZAG	
13	39542GT	GAS SHOCK, SCISSORS***	2
14	96639GT	WELDMENT, POTHOLE, LEFT SIDE	1
		US part number; (ground controls side)	
14B	132362GT	WELDMENT, POTHOLE, LEFT SIDE	1
		China part number; (battery pack side)	
15	84574GT	POT HOLE BELL CRNK LINK ASSYGS30	2
		US part number	
15-	96281GT	PH BELLCRANK LINK	1
15-	96642GT	BEARING,.75ID X 1.00D X 1.38LG	1
15B	132133GT	WLDMT, POT HOLE BELLCRANK LINK	1
		China part number	
16	12016GT	PIN, COTTER, .125 X .75	
17	1259178GT	PIN,CLEVIS,.375X1.75,ZAG	2
18	96541GT	CAM FOLLOWER, 1.125 X .375, DELRIN	2



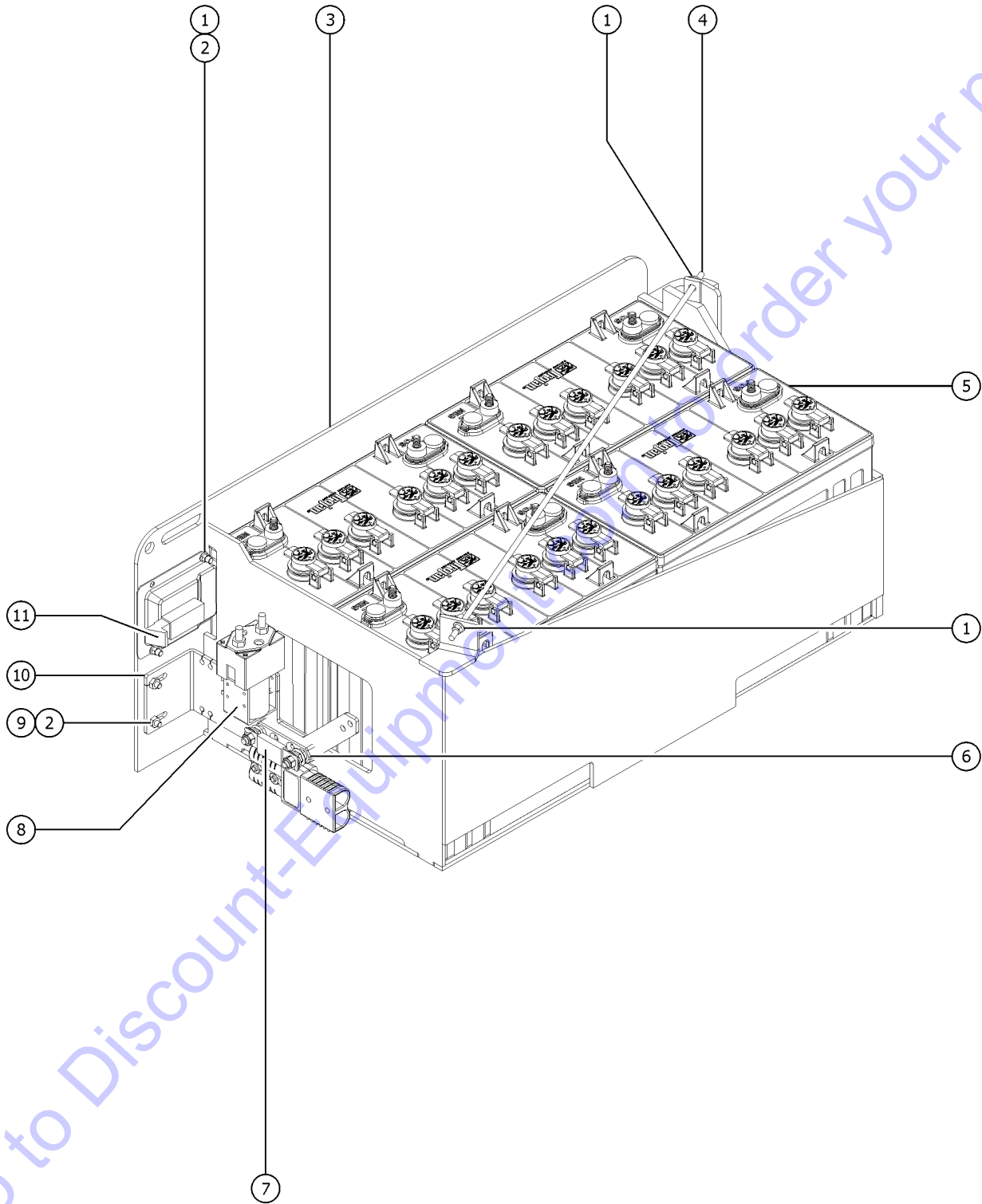
204.1 Pot Hole Protection Assembly



Item	Part No.	Description	Qty.
19	1259686GT	WASHER,FLAT,.765X1.312X.093,ZA	
20	55355GT	SPACER,.75ID X 1.5OD X 1/4THK	
21	96085GT	WASHER, THRUST, .63 X 1.13 X .06	
22	96638GT	WELDMENT, POTHOLE, RIGHT SIDE	1
		US part number; (ground controls side)	
22B	132357GT	WELDMENT, POTHOLE, RIGHT SIDE	1
		China part number; (ground controls side)	
23	105060GT	GROUND STRAP, 8"LG	2
24	1255758GT	WASHER,FLAT,3/8,USS,ZAG	
25	96948GT	SWITCH, LIMIT, W/ROLLER ARM***	2
		to SN GS47D-9815	
25-	1256177GT	SCREW,PHPM,10-32X1.75,ZAG	4
		to SN GS47D-9815	
25-	824032GT	NUT, TL FLG, 10-32, F, ZAG	4
		to SN GS47D-9815	
25-	19491GT	CONTACTOR,LIMIT SWITCH	
		to SN GS47D-9815	
25-	97128GT	ROLLER ARM,LIMIT SWITCH***	
		to SN GS47D-9815	
25B	96948GT	SWITCH, LIMIT, W/ROLLER ARM***	2
		from SN GS47D-9816	
25B-	1290288GT	PLATE,LIMIT SWITCH,LARGE SCISSOR	2
		from SN GS47D-9816	
25B-	1256312GT	WASHER,LOCK,#10,ZAG	4
		from SN GS47D-9816	
25B-	824078GT	SCREW,HHF,1/4-20X.75,8,ZAG	4
		from SN GS47D-9816	
25B-	1256177GT	SCREW,PHPM,10-32X1.75,ZAG	4
		from SN GS47D-9816	
25B-	824032GT	NUT, TL FLG, 10-32, F, ZAG	4
		from SN GS47D-9816	

Go to Discount-Equipment.com to order your parts

205.1 Battery Pack Tray



Go to Discount-Equipment.com to order your parts

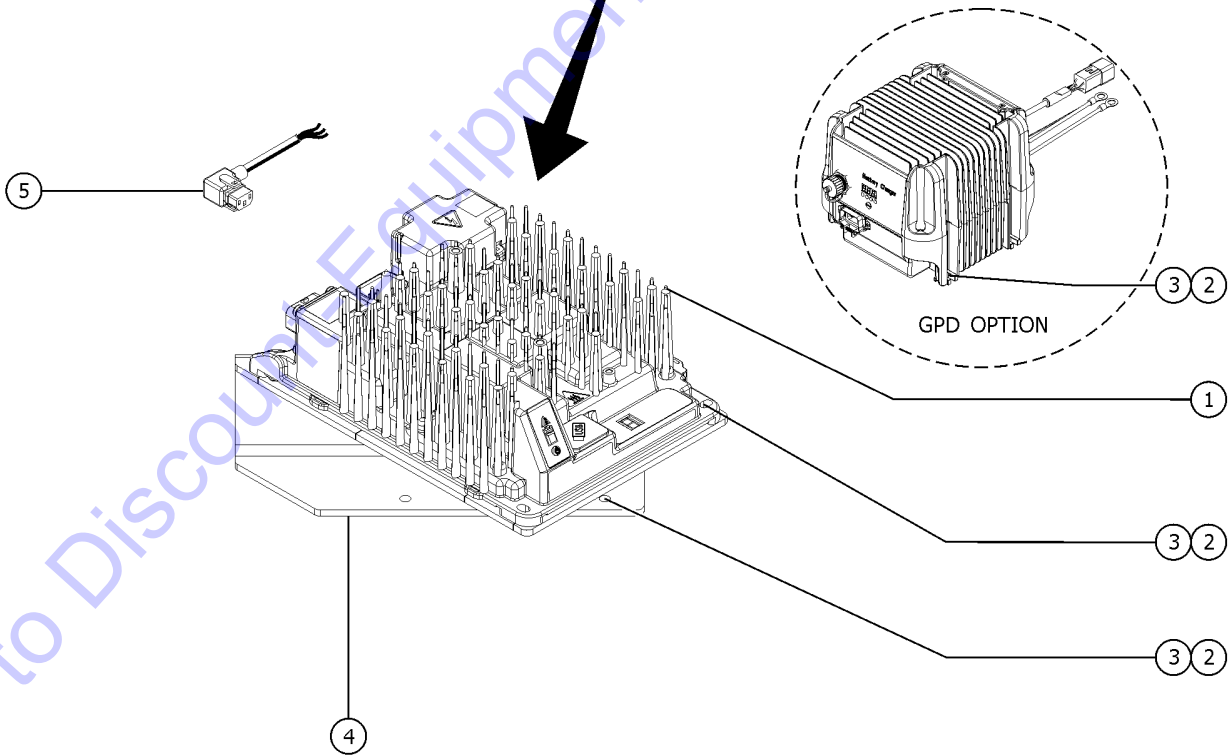
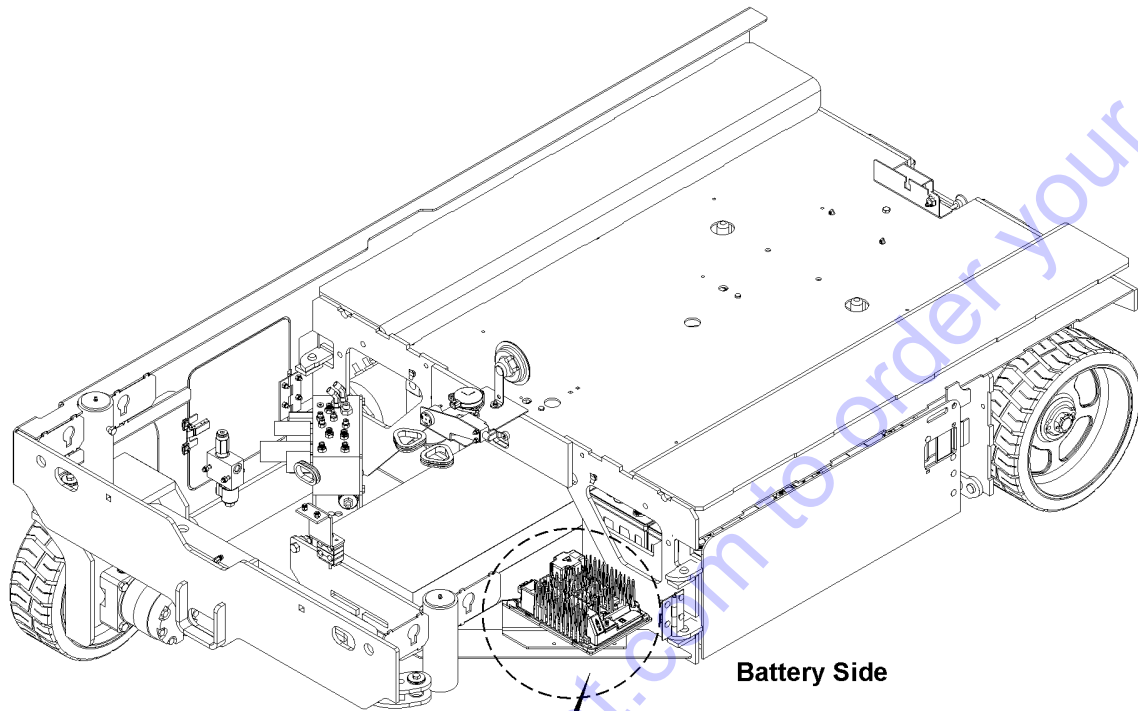
205.1 Battery Pack Tray

Item	Part No.	Description	Qty.
1	824027GT	NUT, TL FLG, 1/4-20, G, ZAG	6
2	824124GT	BOLT, CARRIAGE, 1/4-20 X .75, 5, ZAG	4
3	T108670GT	WLDMT,GS4047 BATTERY TRAY FLA battery	1
3B	1256686GT	WLDMT,GS4047 BATTERY TRAY2 AGM battery	1
4	237165GT	THREADED ROD, 1/4-20, 28.5" (air hose sold seperately)	1
4-	75631GT	HOSE,AIR 3/8	27
5	T113971GT	BATTERY, 12V, 150AH, T1275 FLA battery	4
5B	1256078GT	AGM BATTERY, DC150-12, DP CYCLE AGM battery	4
6	66717GT	FUSE BLOCK, ANN & ANL FUSE (includes mounting fasteners)	1
7	40833GT	FUSE, 275AMP, VERY FAST ACTING	1
8	1270456GT	CONTACTOR, DRIVE, 24V, 180A US part number	1
8B	1270457GT	CONTACTOR, DRIVE, 24V, 180A UNBRANDED China part number	1
9	1256679GT	0	2
10	1273388GT	FORMING, FUSE BRACKET US part number	1
10B	214375GT	FORMING, FUSE BRACKET China part number	1
11	55675GT	LATCH, LRG PADDLE HANDLE GS90	1

Go to Discount-Equipment.com to order your parts



206.1 Battery Charger (from SN GS4716D-3102)



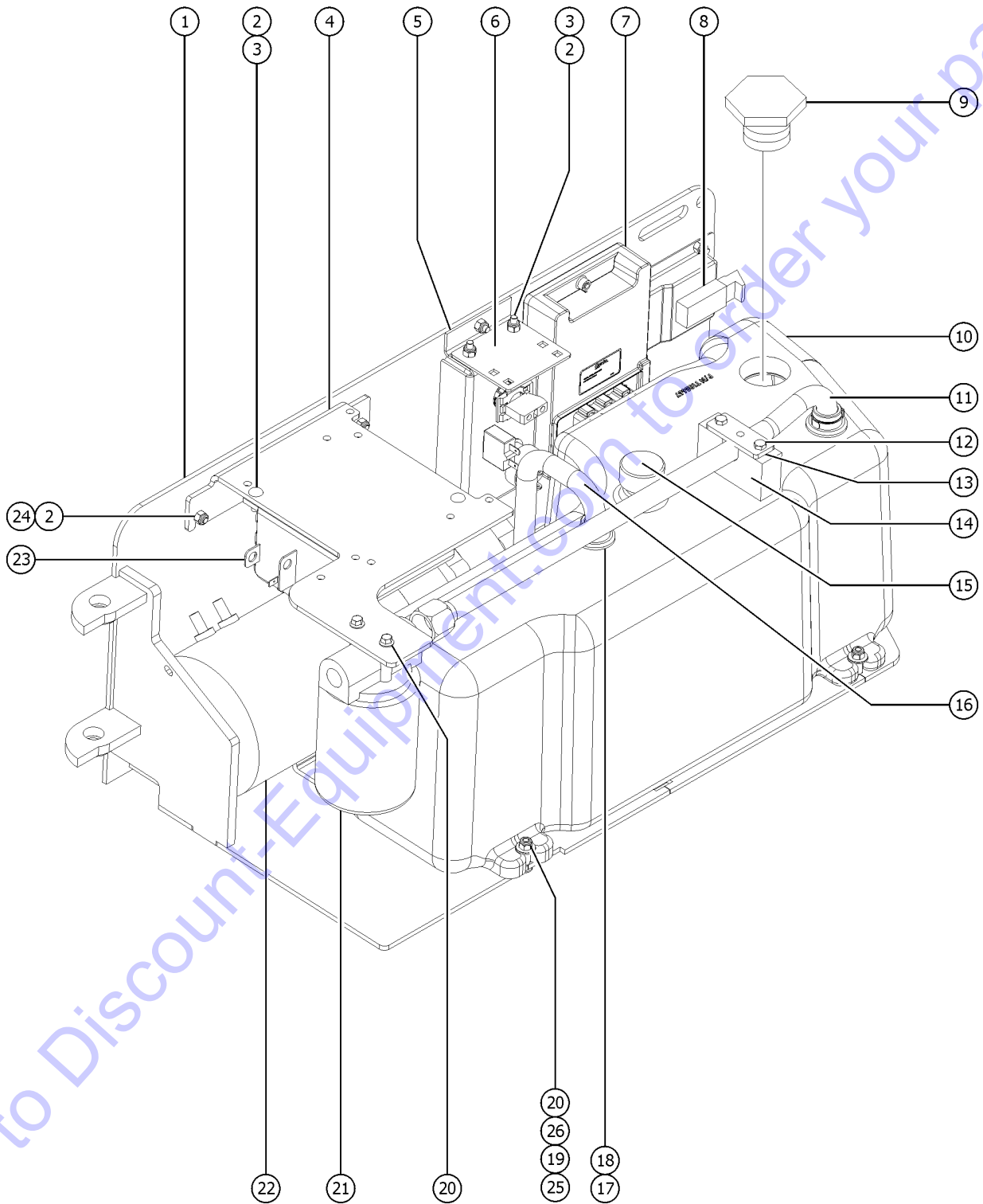
206.1 Battery Charger (from SN GS4716D-3102)

Item	Part No.	Description	Qty.
A		REF. Side Door (refer to 208.1 Ground Controls)	
1	1272232GT	CHARGER, 24V, 650W, USB from SN 4716D-3102	
1-		ASSEMBLY, CHARGER STATUS LED, 2V refer to 209.1	
1B	1296085GT	CHARGER, 24V, 750W (GDP option)	
2	824027GT	NUT, TL FLG, 1/4-20, G, ZAG	
2B	1256455GT	NUT, TL, M6-1.0, DIN980, 10, ZAB (GDP option)	
3	1256127GT	BOLT, CARRIAGE, 1/4-20X1", GR 5, ZAG	
3B	231512GT	SCREW, HHF, M6-1.0X25, DIN6921, 10.9, ZAB (GDP option)	
4	1278664GT	FORMING, CHARGER MOUNT, 4047 from SN 4716D-3102	
5	1272557GT	POWER CORD, IEC 320, 90 DEG from SN 4716D-3102	
5B	1296549GT	POWER, CORD, IEC320, 90°, 150' (GDP option)	

Go to Discount-Equipment.com to order your parts



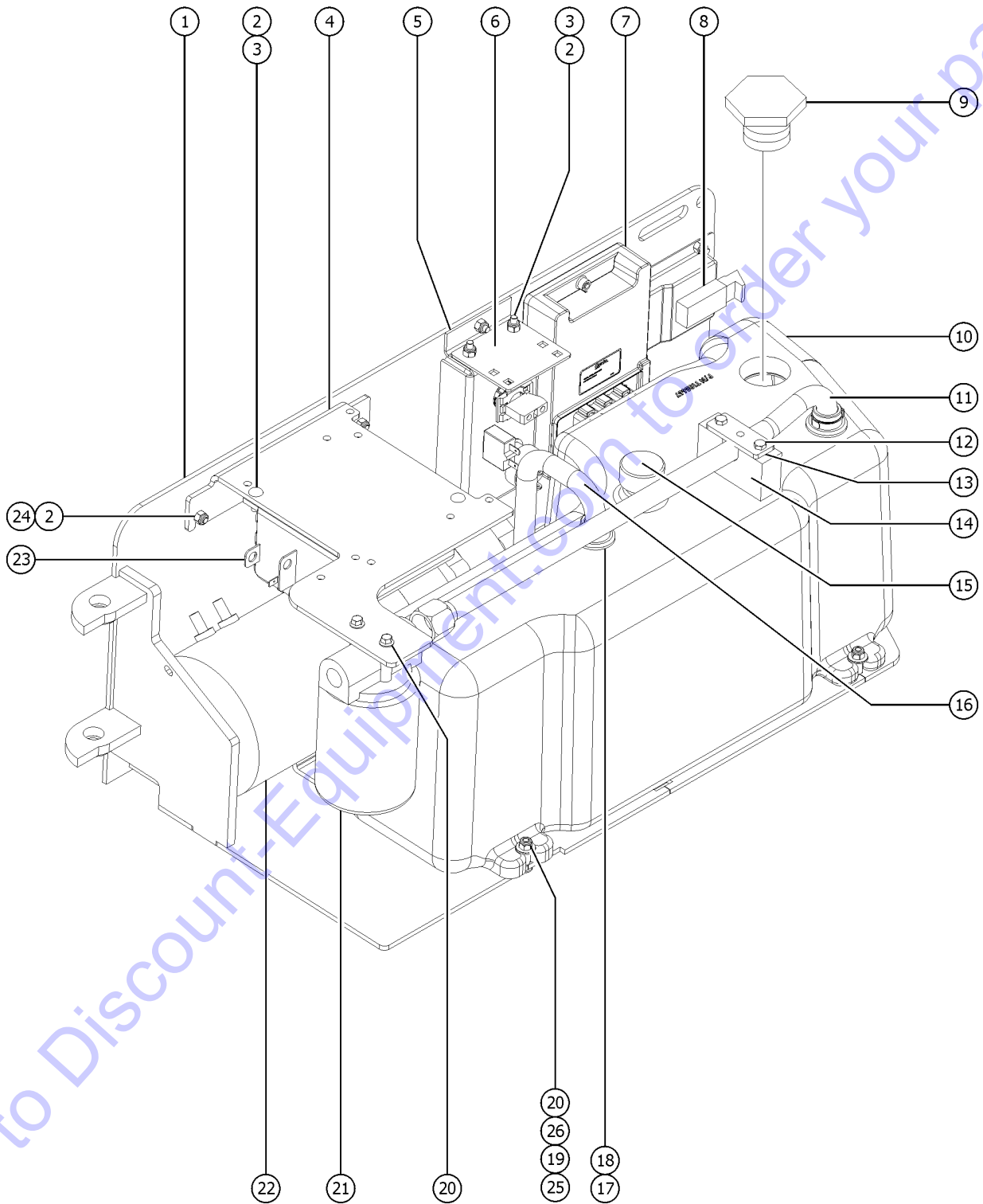
207.1 Power Unit Module



Item	Part No.	Description	Qty.
1	T113296GT	WELDMENT,GS HYD TRAY US part number;(decals not included, refer to section one)	1
1B	227166GT	WELDMENT, GS HYD TRAY, MET China part number	1
2	824124GT	BOLT, CARRIAGE, 1/4-20 X .75, 5, ZAG	
3	824027GT	NUT, TL FLG, 1/4-20, G, ZAG	1
4	1273379GT	FORMING,FILTER-CNTRLR MOUNT US part number	1
4B	228342GT	FORMING, FILTER-CNTRLR MOUNT China part number	1
5		REF. FORMING CONTROL PANEL (refer to figure 208.1)	
6	T108326GT	PLATE,HARNESS MOUNT US part number	1
6B	227164GT	GS3246 PLATE, HARNESS MOUNT, MET China part number	1
7		REF. GCON (refer to figure 208.1)	
8	55675GT	LATCH, LRG PADDLE HANDLE GS90	1
9	66204GT	FILTER CAP (PLUG 1-1/2" NPT HEX	1
10	T108667GT	TANK,HYDRAULIC,6.5 GAL	1
11	228339GT	ASSEMBLY,TANK RETURN,TUBE	1
12	1256454GT	SCREW,HHC,M6-1.0X55,DIN931,10.9,ZAB	2
13	1273380GT	PLATE,CLAMP US part number	1
13B	228362GT	PLATE, CLAMP China part number	1
14	228361GT	CLAMP, RETURN LINE	1
15	78546GT	BREATHER CAP, HYD. TANK, 1/4 NPT	1
16	96354GT	TUBE, ASSY, DRAW	1
17	96855GT	CLAMP,HOSE,1 EAR,1-1/16***	2
18	96709GT	GROMMET,SLAB HYD TANK***	2
19	96699GT	SLEEVE,TANK SUPPORT	
20	9116GT	BOLT,CARRIAGE,1/4-20 X 1.25,G2	
21		REF. FILTER ASSY (refer to figure 501.1)	
22		REF. ELECTRIC MOTOR/PUMP (refer to figure 504.1)	
23	1257840GT	MOTOR CONTROLLER,DC,24V,360A	1
24	1256679GT	0	2



207.1 Power Unit Module

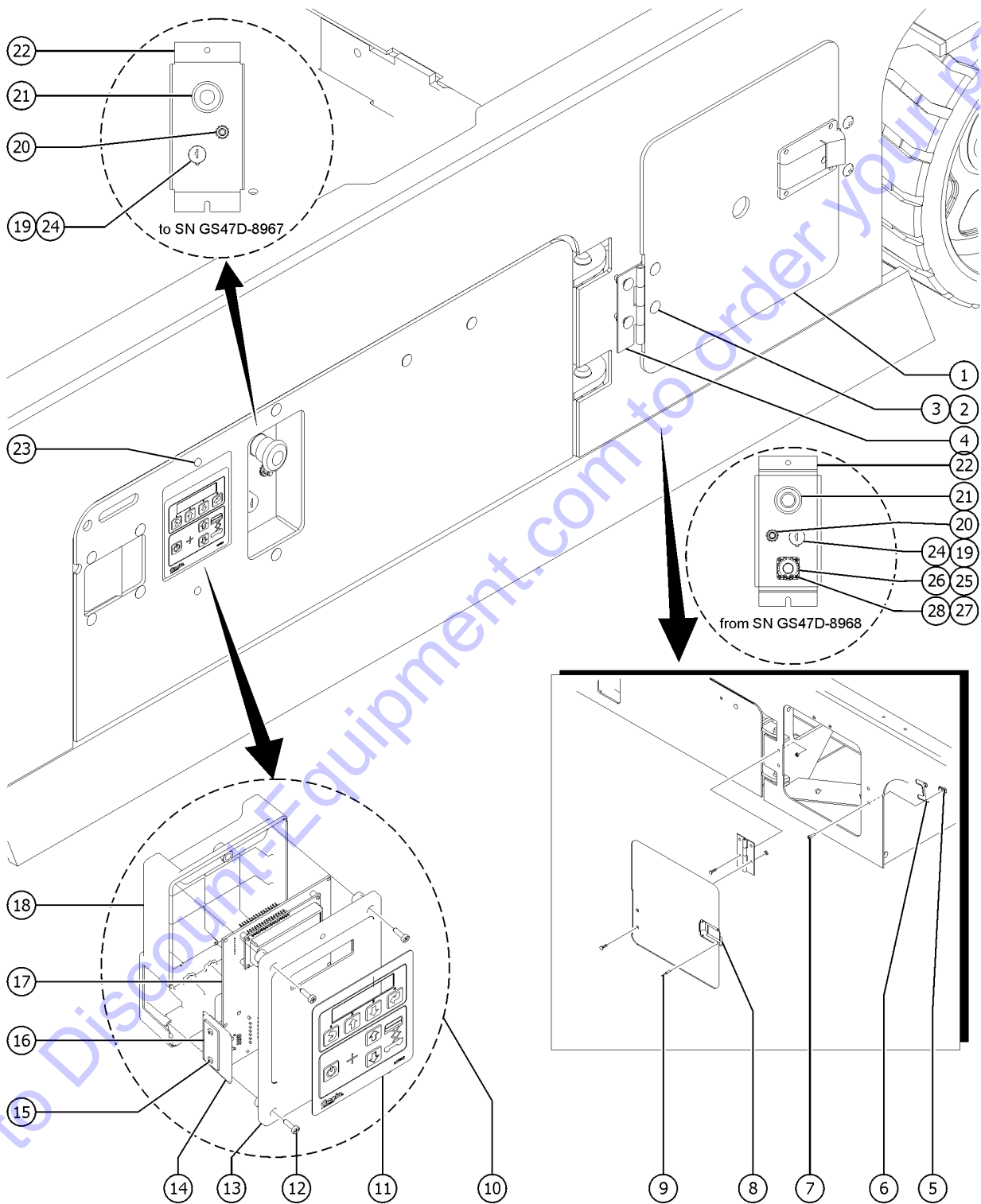


<i>Item</i>	<i>Part No.</i>	<i>Description</i>	<i>Qty.</i>
25	6091GT	NUT,NYLOCK,1/4-20	3
26	6638GT	WASHER, FLAT, USS, 1/4"Y	

Go to Discount-Equipment.com to order your parts



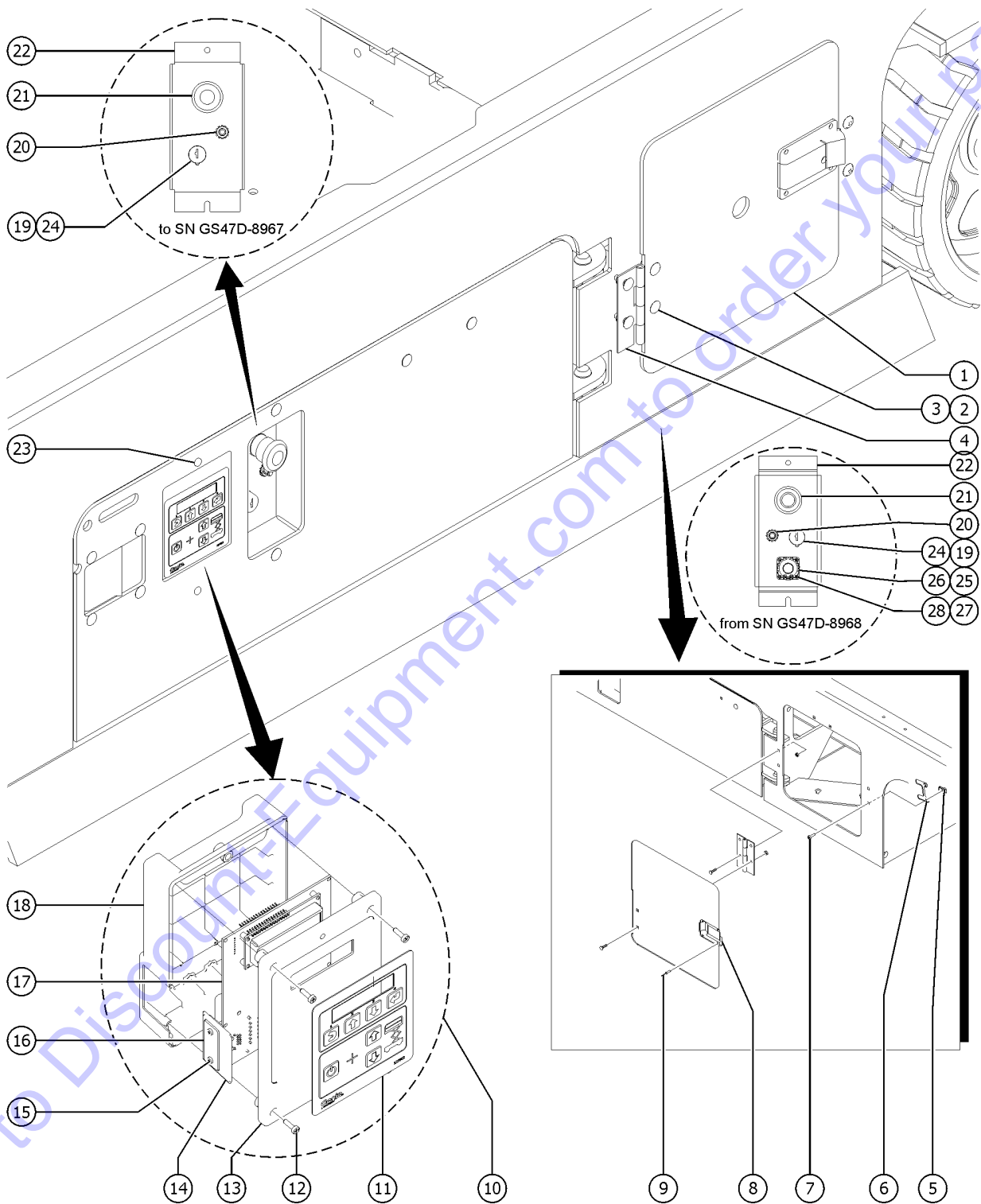
208.1 Ground Controls



Item	Part No.	Description	Qty.
1	105732GT	PLATE,SIDE DOOR*** US part number; (used on both sides)	1
1B	132556GT	PLATE SIDE DOOR HTA China part number	1
2	824124GT	BOLT, CARRIAGE, 1/4-20 X .75, 5, ZAG	4
3	824027GT	NUT, TL FLG, 1/4-20, G, ZAG	4
4	105734GT	HINGE,ACCESS DOOR(13G)	1
5	56912GT	SPRING CLIP,1/4-20,.025-.15X.54,ZAG	2
6	105733GT	PLATE,SIDE DOOR STOP*** US part number	1
6B	132557GT	PLATE,SIDE DOOR STOP*** China part number	1
7	1260984GT	SCREW,PHPM,1/4-20X.75,ZAG	2
8	105759GT	LATCH,COMPRESSION,SMALL	1
9	6272GT	RIVET,STL,STL,P,.125 X .25	4
10	1256721GT	GCON,STD,PROP LIFT (models with 4 button, proportional controller)	1
11	137562GT	DECAL,MEMBRANE, GR/GRC/GS GCON	1
12	137668GT	SCREW,PHM,6-19X.75, 48-2 TRI-L	4
13	T106366GT	ENCLOSURE,GC27-25/GC21-19,FRNT	1
14	T106363GT	ADAPTER, RJ45, GC27-25/GC21-19	1
15	137637GT	SCREW,PHM,4-20X.5, 48-2 TRI-L	2
16	T106362GT	COVER, RJ45, GC27-25/GC21-19	1
17	1256719GT	PCBA,GCON STD,PROP LIFT (models with 4 button, proportional controller)	1
18	T106372GT	ENCLOSURE,GC21-19,BK	1
19	96008-SGT	KEYSWITCH,3 POS. W/KEYS***	1
19-	37947GT	KEYS,10 PACK***	
19-	83093GT	KEY SINGLE***	
19-	85239GT	RETAINER NUT (96008)***	
19-	96010GT	SCREW,PHILLIPS,PHM,8-32 X.25**	
19-	88827GT	GASKET,KEYSWITCH,PLASTIC***	
20	96452GT	GS3246_CIRCUIT BREAKER, 7.0 AMP***	1
20-	122994GT	NICKEL PLATED JAM NUT	



208.1 Ground Controls

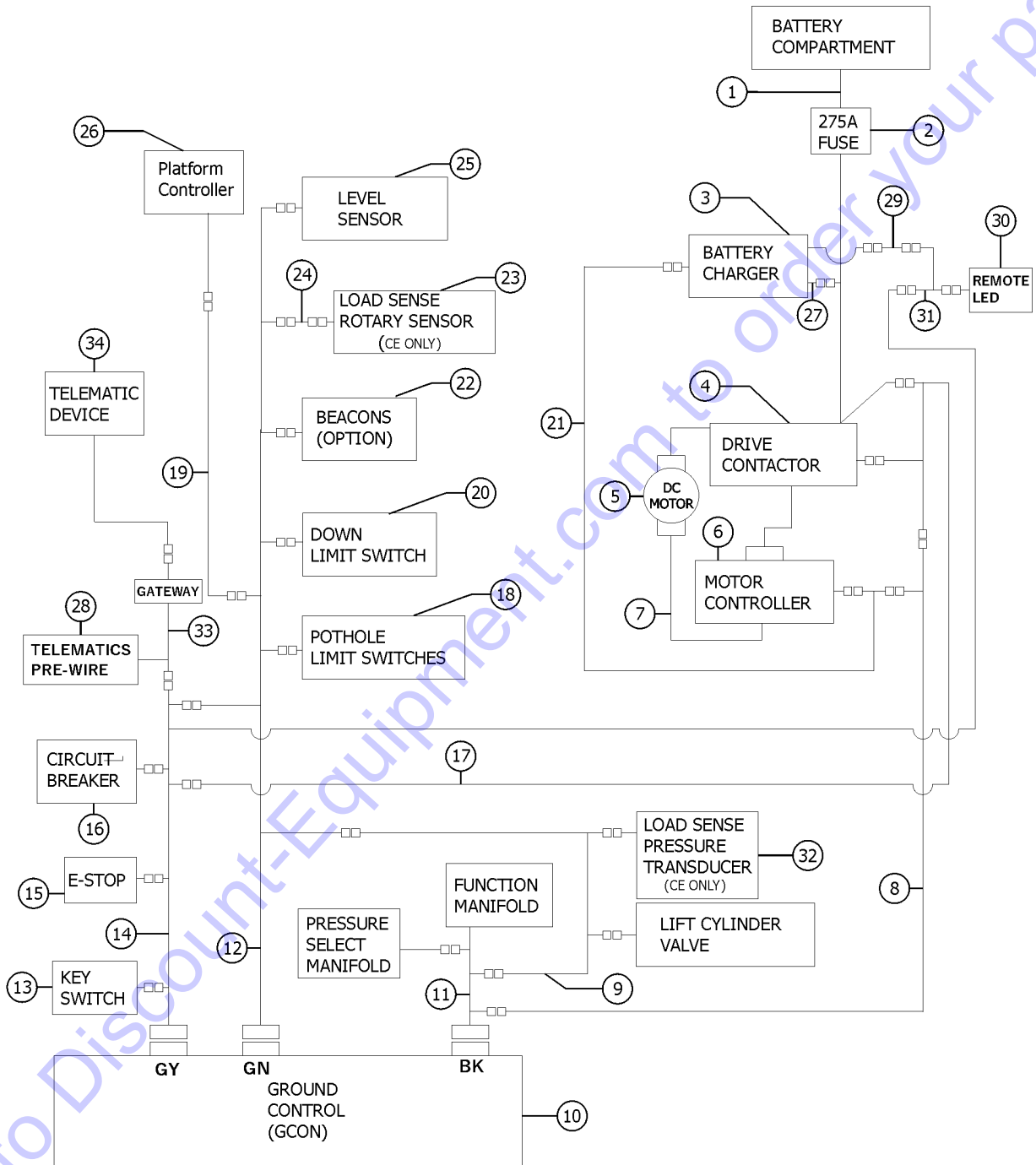


Item	Part No.	Description	Qty.
20-	6700GT	WASHER, STAR, EXTERNAL, .375	
21	66812GT	BUTTON,PUSH,RED MUSHROOM HEAD	1
21-	58627GT	NUT	
21-	66817GT	BASE WITH 1 NC CONTACT, E-STOP	
22	T108327GT	FORMING,CONTROL PANEL	1
		US part number	
22B	227165GT	FORMING,CONTROL PANEL,MET	1
		China part number; to SN GS47D-8967	
22C	1284781GT	FORMING,CONTROL PANEL,TECH PRO,METRIC	1
		China part number; from SN GS47D-8968	
23	51063GT	SCREW,PHILLIPS,RHM,10-32 X 1.5	2
24	96010GT	SCREW,PHILLIPS,PHM,8-32 X.25**	3
25	1272122GT	CONN, RECEP, 5 WAY, DEUTSCH, HD10	1
26	1272123GT	DUST CAP, RECEPTACLE, 5 WAY, CIRCULAR	1
27	1253477GT	SCREW,PHPM,4-40X.5,ZAG	4
28	826854GT	NUT,NYLOCK,4-40	4

Go to Discount-Equipment.com to order your parts



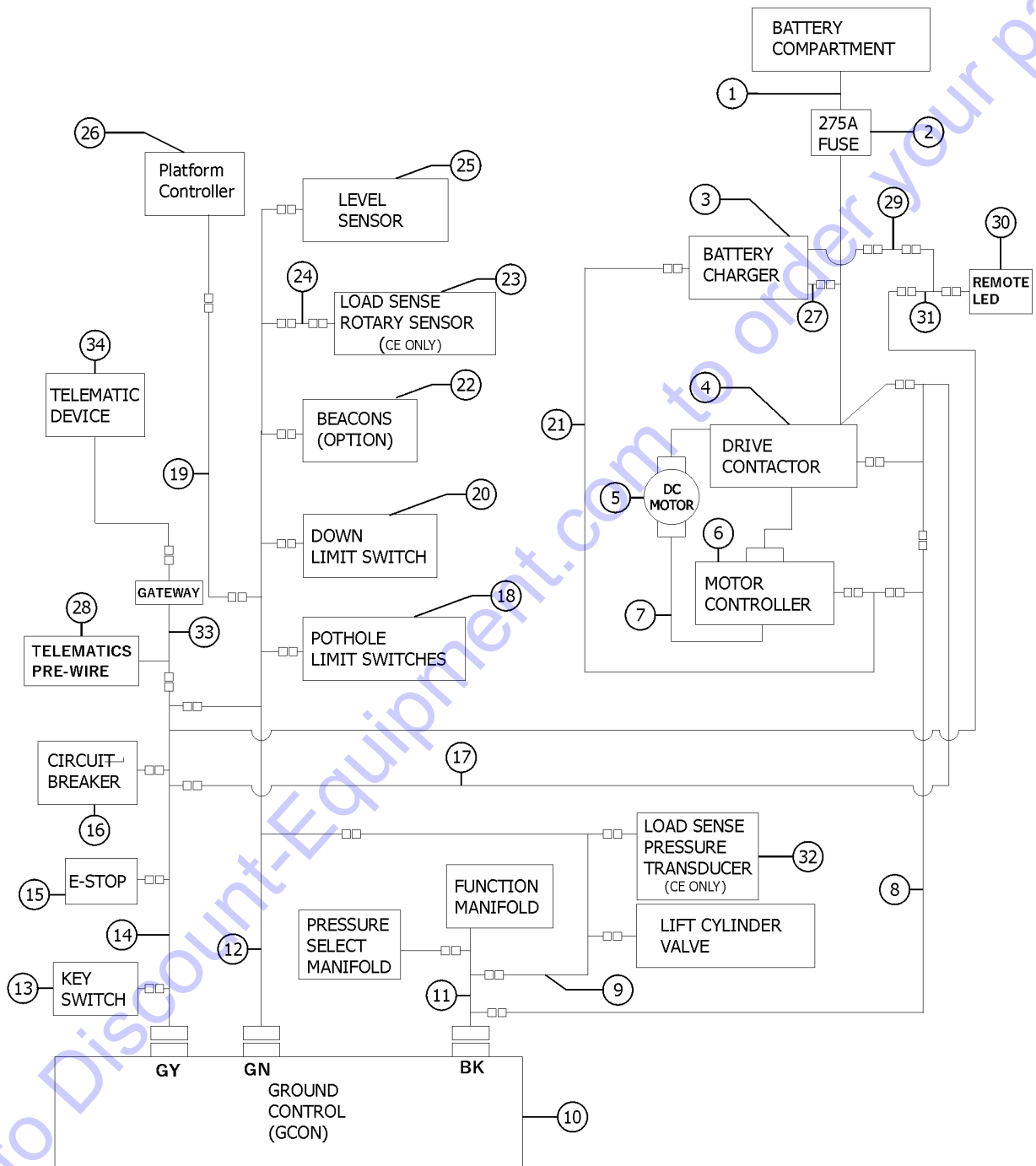
209.1 Electrical Wiring (to SN GS47D-10154)



Item	Part No.	Description	Qty.
A-	T112509GT	CABLE,LFT CYL DN,15/19XX, W/LS (not shown)	
B-	T112508GT	CABLE, LIFT CYL DOWN WO/LS (not shown)	
C-	105214GT	CABLE TIE MOUNT, WINGED (not shown)	
D-	56926GT	CLIP, TIE HARNESS MOUNT*** (not shown)	
E-	1264822GT	KIT, TRC RETROFIT, STNDRD Telematics (includes 1264834)	
F-	1264834GT	INSTRN, TRC RETROFIT, STNDRD	
1		REF: Battery Cable (refer to 210.1)	
2		REF: Fuse (refer to 205.1)	
3		REF: Battery Charger (refer to 206.1)	
4		REF: Drive Contactor (refer to 205.1)	1
5		REF: Electric Motor (refer to 504.1)	
6		REF: Motor Contoller (refer to 207.1)	
7		REF: Battery Cable (refer to 210.1)	
8	232580GT	HARNESS,DIODE JUMPER	1
9	236781GT	CABLE,LIFT CYL,GS4047	1
10		REF: Ground Controls (GCON) (refer to 208.1)	
11	1257845GT	HARNESS, FUNC. MANIFOLD, GS47	1
12	T110891GT	HARNESS, GS SENSORS, CE US part number; (Green connector)	1
12B	1263220GT	HARNESS, GS SENSORS, CE China part number; witout load sense	1
12C	1263221GT	HARNESS, GS SENSORS, ANSI China part number; with load sense	1
13		REF: Key Switch (refer to 208.1)	
14	T110890GT	HARNESS, GS POWER CONTRL US part number; (Grey connector)	1
14B	1258394GT	HARNESS, GS POWER CONTROL China part number; (Grey connector)	1
15		REF: E-Stop (refer to 208.1)	
16		REF: Circuit Breaker (refer to 208.1)	
17	233430GT	HRNS,CONTACTOR SIGNAL,GS46	1
18	96309GT	POTHOLE HARNESS ASSEMBLY US part number;	1
18B	96853GT	ASSY,POTHOLE HARNESS GS32/GS46 China part number	1



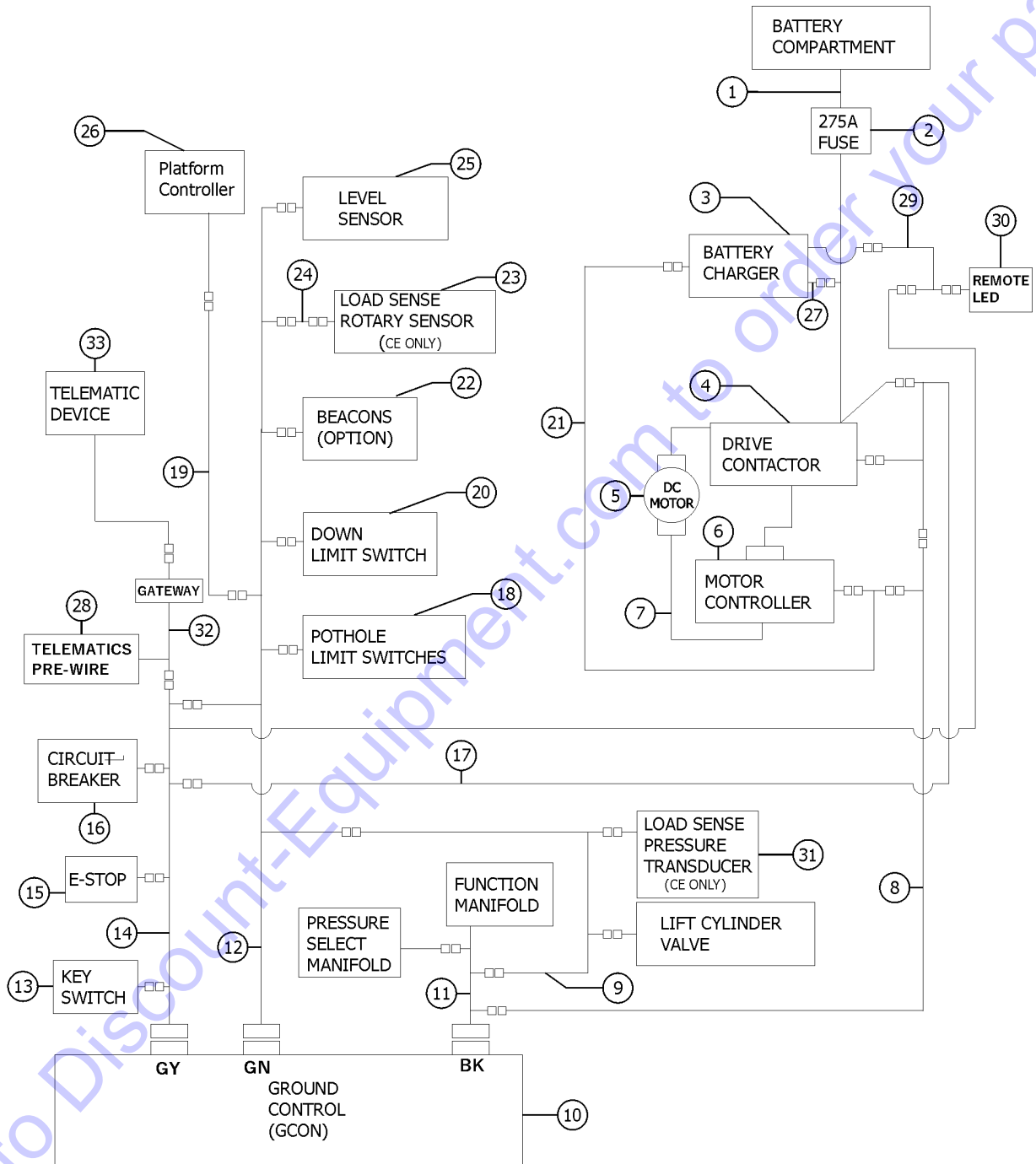
209.1 Electrical Wiring (to SN GS47D-10154)



Item	Part No.	Description	Qty.
19	1260202GT	CABLE,PLAT CNTRL,GS4047	1
20		REF: Down Limit (refer to 203.1)	
21	144213GT	CHARGER INTERLOCK CBLE,GS30/32 US part number	
21B	825013GT	CHARGER INTERLOCK CBLE,GS47 China part number; to SN GS47D-8908	
22		REF: Strobe Beacon (refer to 601.1)	
23	T113136GT	ASSY,ROT SENSR W/HARNESS	1
24	T114031GT	HARNESS, ROTARY ANGLE	1
25		REF: Level Sensor (refer to 203.1)	
26		REF: Platform Controls (PCON) (refer to 403.1)	
27	1278366GT	CABLE ASSY, CHARGER/BATTERY,4047 (standard batteries)	1
27B	1273351GT	CABLE,CHARGER,DC,W/BTS (AGM Batteries), (no need for GDP option)	
28	1283053GT	HARNESS, TELEMATICS, GS SLAB from SN GS47D-7082	1
29	1265771GT	HARNESS, CHARGER CONTROL from SN GS4716D-3102, (no need for GDP option)	1
30	1306190GT	ASSEMBLY,CHARGER STATUS LED,3V from SN GS4716D-3971	1
30B	1296550GT	CHARGER,STATUS LED CBI (GDP option)	
31	1273394GT	HARNESS,CHARGER EXTENSION from SN GS4716D-3971	1
31B	1296992GT	HARNESS,CHARGER EXTENSION,GS47 (GDP option)	1
32		REF:Pressure Transducer (refer to 701.1)	
33	1289899GT	HARNESS, GATEWAY, GS	1
34		Ref. MODULE,TELEMATICS,ZTR,M7 (refer to 203.1)	1

Go to DiscountEquipment.com to order your parts

209.2 Electrical Wiring (from SN GS47D-10155)

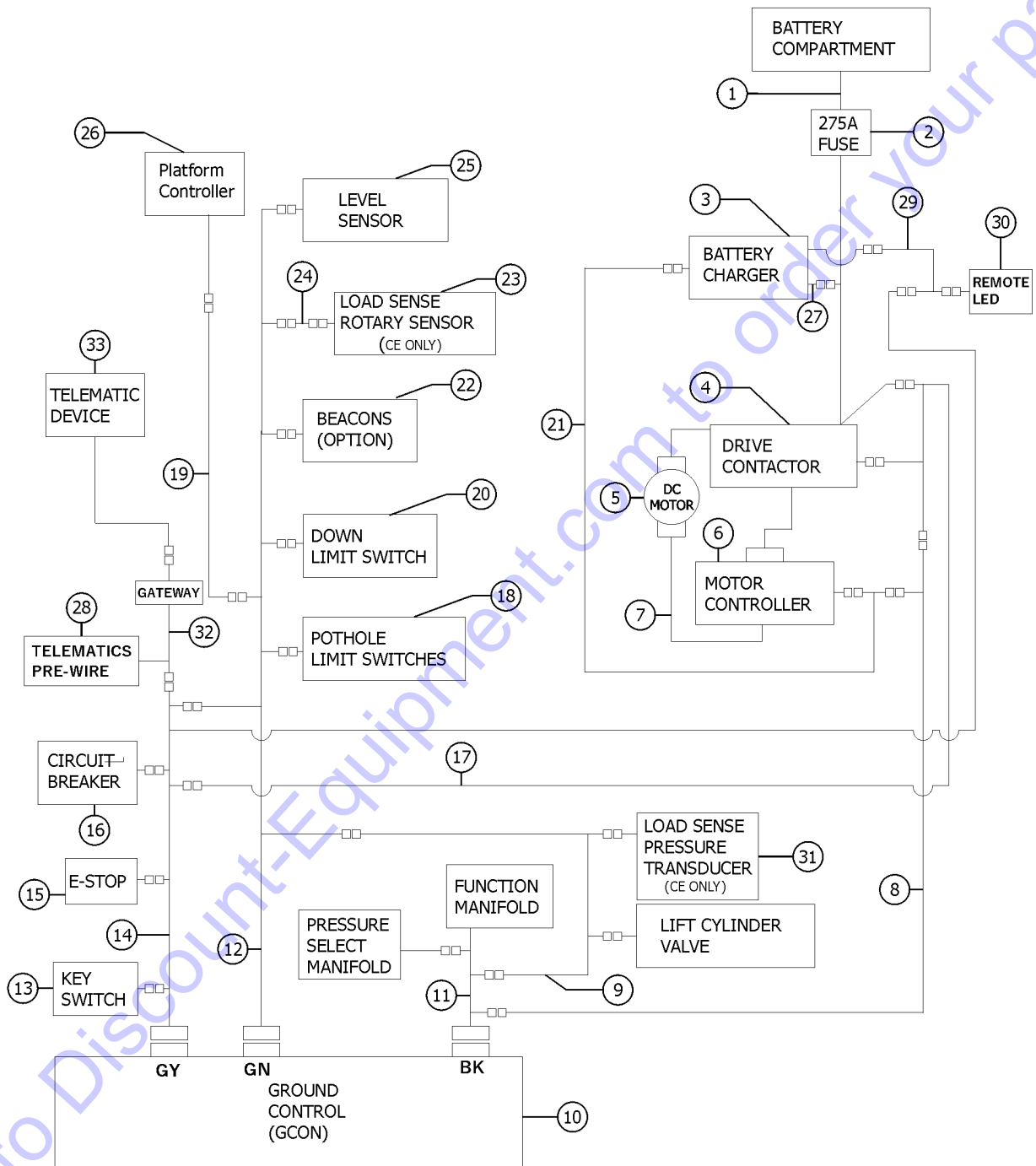


Go to Discount-Equipment.com to order your parts

Item	Part No.	Description	Qty.
A-	T112509GT	CABLE,LFT CYL DN,15/19XX, W/LS (not shown)	
B-	T112508GT	CABLE, LIFT CYL DOWN WO/LS (not shown)	
C-	105214GT	CABLE TIE MOUNT, WINGED (not shown)	
D-	56926GT	CLIP, TIE HARNESS MOUNT*** (not shown)	
E-	1264822GT	KIT, TRC RETROFIT, STNDRD Telematics (includes 1264834)	
F-	1264834GT	INSTRN, TRC RETROFIT, STNDRD	
1		REF: Battery Cable (refer to 210.1)	
2		REF: Fuse (refer to 205.1)	
3		REF: Battery Charger (refer to 206.1)	
4		REF: Drive Contactor (refer to 205.1)	1
5		REF: Electric Motor (refer to 504.1)	
6		REF: Motor Contoller (refer to 207.1)	
7		REF: Battery Cable (refer to 210.1)	
8	232580GT	HARNESS,DIODE JUMPER	1
9	236781GT	CABLE,LIFT CYL,GS4047	1
10		REF: Ground Controls (GCON) (refer to 208.1)	
11	1257845GT	HARNESS, FUNC. MANIFOLD, GS47	1
12	T110891GT	HARNESS, GS SENSORS, CE US part number; (Green connector)	1
12B	1263220GT	HARNESS, GS SENSORS, CE China part number; witout load sense	1
12C	1263221GT	HARNESS, GS SENSORS, ANSI China part number; with load sense	1
13		REF: Key Switch (refer to 208.1)	
14	T110890GT	HARNESS, GS POWER CONTRL US part number; (Grey connector)	1
14B	1258394GT	HARNESS, GS POWER CONTROL China part number; (Grey connector)	1
15		REF: E-Stop (refer to 208.1)	
16		REF: Circuit Breaker (refer to 208.1)	
17	233430GT	HRNS,CONTACTOR SIGNAL,GS46	1
18	96309GT	POTHOLE HARNESS ASSEMBLY US part number;	1
18B	96853GT	ASSY,POTHOLE HARNESS GS32/GS46 China part number	1



209.2 Electrical Wiring (from SN GS47D-10155)

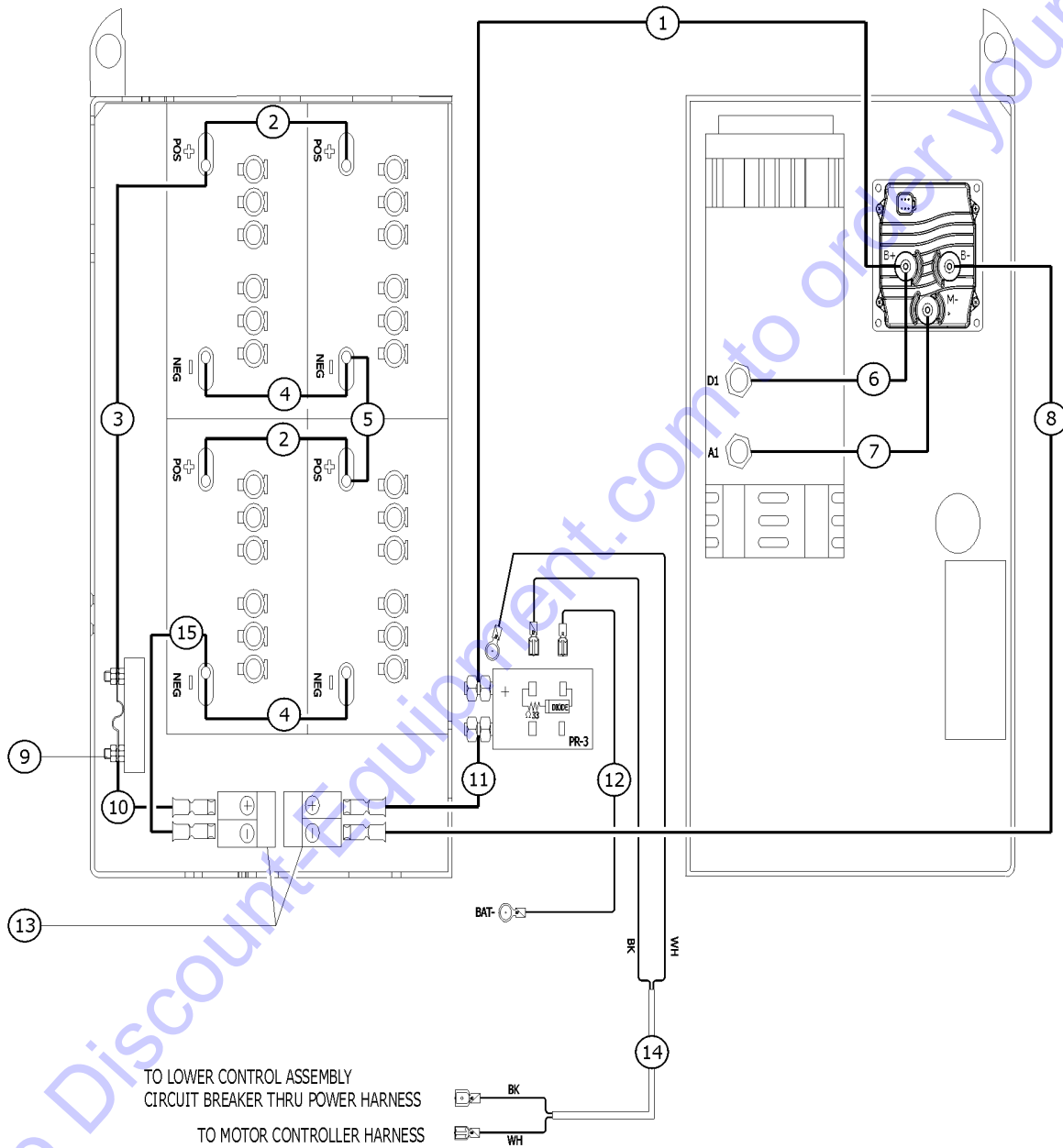


Item	Part No.	Description	Qty.
19	1260202GT	CABLE,PLAT CNTRL,GS4047	1
20		REF: Down Limit (refer to 203.1)	
21	144213GT	CHARGER INTERLOCK CBLE,GS30/32 US part number	
21B	825013GT	CHARGER INTERLOCK CBLE,GS47 China part number; to SN GS47D-8908	
22		REF: Strobe Beacon (refer to 601.1)	
23	T113136GT	ASSY,ROT SENSR W/HARNESS	1
24	T114031GT	HARNESS, ROTARY ANGLE	1
25		REF: Level Sensor (refer to 203.1)	
26		REF: Platform Controls (PCON) (refer to 403.1)	
27	1278366GT	CABLE ASSY, CHARGER/BATTERY,4047 (standard batteries)	1
27B	1273351GT	CABLE,CHARGER,DC,W/BTS (AGM Batteries)	
28	1283053GT	HARNESS, TELEMATICS, GS SLAB	1
29	1272120GT	HARNESS,LED CHARGER,GS32	1
30	1306190GT	ASSEMBLY,CHARGER STATUS LED,3V	1
31		REF:Pressure Transducer (refer to 701.1)	
32	1289899GT	HARNESS, GATEWAY, GS	1
33		Ref. MODULE,TELEMATICS,ZTR,M7 (refer to 203.1)	1

Go to Discount-Equipment.com to order your parts



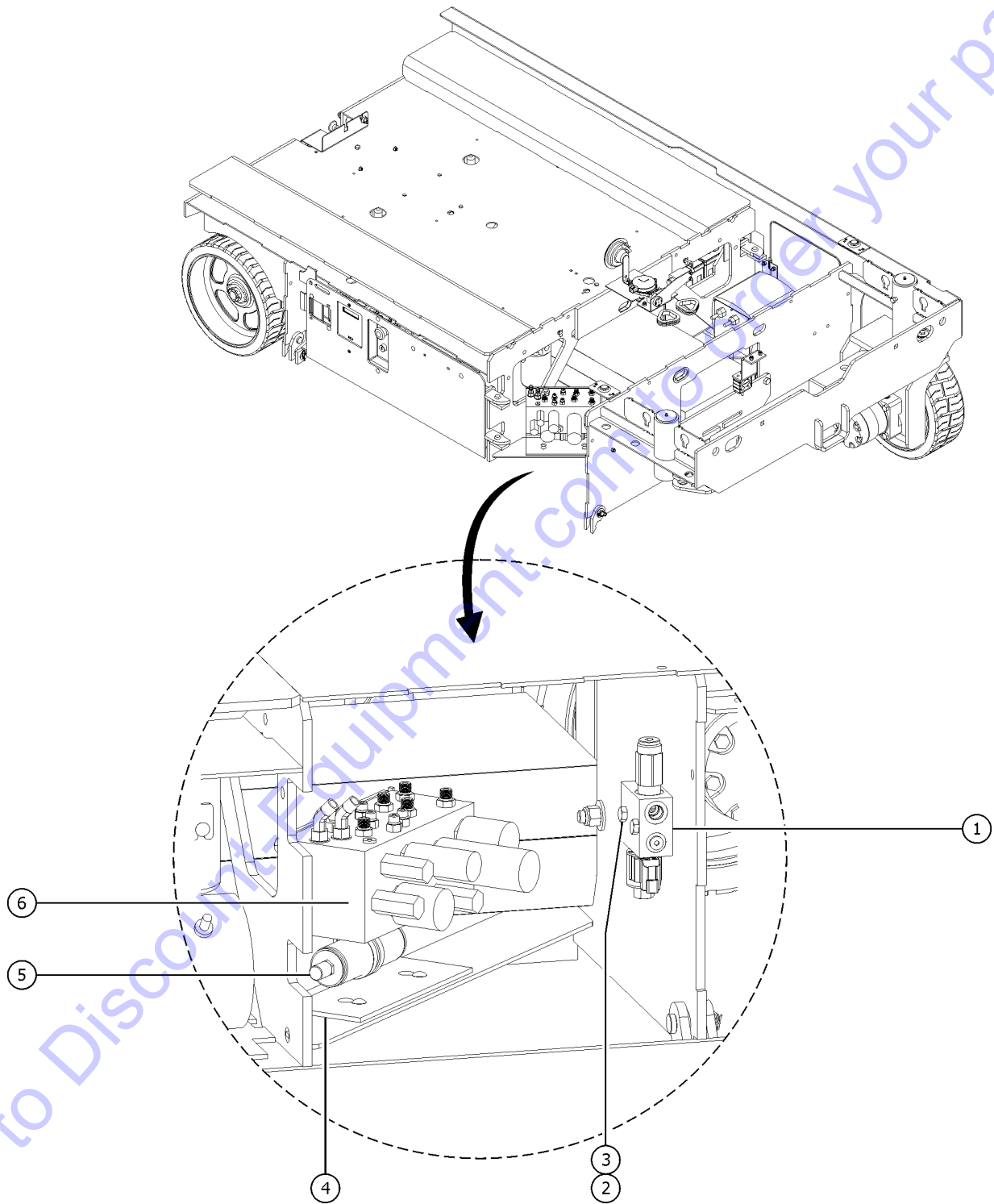
210.1 Power Cables



Item	Part No.	Description	Qty.
A	28131GT	WIRE LOOM,1.25 DIA	16
B	96110GT	BOOT, CABLE, TERMINAL COVER	11
C	79140GT	BOOT,CABLE TERMINAL,RED,XL	6
1	1257858GT	CABLE ASSY., BATT. 101", RED	1
2	1252766GT	CABLE ASSY,BATT,11"RED	2
		US part number	
2B	236817GT	CABLE ASSY,BATT,7" BLACK	4
		China part number; (FLA)	
2C	96304GT	CABLE ASSY,BATT,5.50"RED	1
		China part number; (AGM)	
3	236806GT	CABLE ASSY,BATT,30.5" RED	1
4	1252765GT	CABLE ASSY,BATT,11"BLACK	2
		US part number	
4B	236824GT	CABLE ASSY,BATT,11" BLACK	1
		China part number; (FLA)	
4C	96306GT	CABLE ASSY,BATT,9.50"RED	3
		China part number; (AGM)	
5	1252767GT	CABLE ASSY,BATT,14" BLACK,2 RING	1
6	1257054GT	CABLE ASSY., BATT. 11.5" RED	1
7	1257055GT	CABLE ASSY., BATT. 9.5" BLACK	1
8	1257855GT	CABLE ASSY., BATT. 106" BLACK	1
9	66717GT	FUSE BLOCK, ANN & ANL FUSE	1
10	236821GT	CABLE ASSY,BATT.10.5" RED	1
11	214827GT	CABLE ASSY, BATT, 15" RED	1
		US part number	
11B	233371GT	CABLE ASSY, BATT, 23"RD	1
		China part number	
12	232582GT	GROUND WIRE ASSY,GS	1
		US part number	
12B	1264227GT	GROUND WIRE ASSY,GS4047	1
		China part number	
13	66397GT	QUICK DISCONNECT CASING,BATT**	2
13B	44716GT	HANDLE,ANDERSON CONNECTOR SB	1
14	233430GT	HRNS,CONTACTOR SIGNAL,GS46	1
15	236822GT	CABLE ASSY,BATT,12.5" BLACK	1
		US part number	
15B	236824GT	CABLE ASSY,BATT,11" BLACK	1
		China part number	



211.1 Accumulator, Lift Pressure Select and Function Manifolds



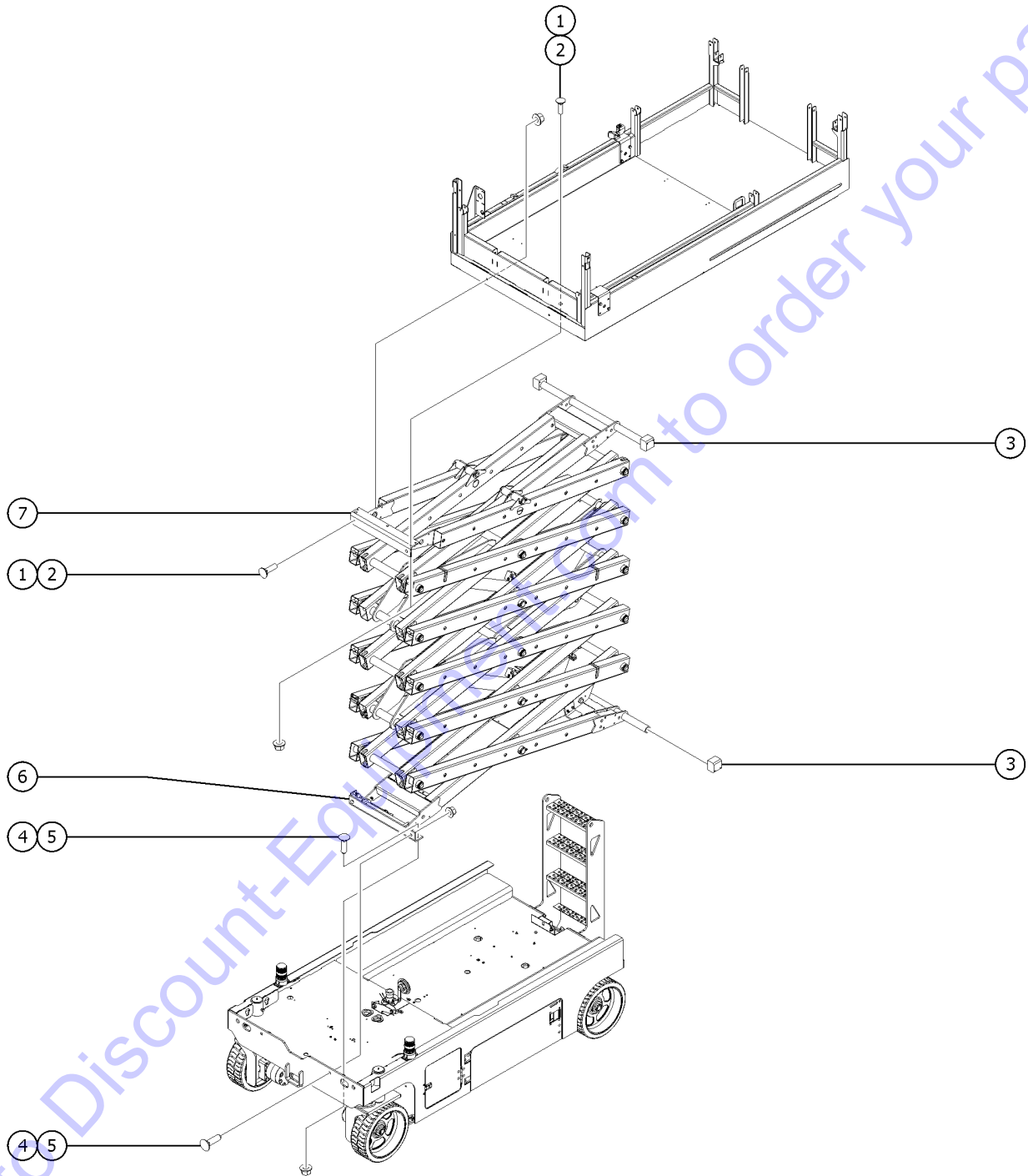
211.1 Accumulator, Lift Pressure Select and Function Manifolds

Item	Part No.	Description	Qty.
1	229606GT	MANIFOLD,LIFT PRESSURE SELECT	1
1-	119827GT	COIL, 20V, ZENER DIODE DEUTSCH	
1-	229616GT	VALVE,RELIEF,SZ8, 3500 PSI	
1-	44997GT	VALVE,SOLENOID,2POS 2WAY N.O.*	
2	824064GT	SCREW, HHC, 1/4-20 X 2.25, 8, ZAG	2
3	824027GT	NUT, TL FLG, 1/4-20, G, ZAG	2
4	105574GT	FORMING,MANIFOLD	1
		US part number	
4B	132370GT	FORMING MANIFOLD MOUNT	1
		China part number	
5	78422GT	ACCUMULATOR,180 PSI PRECHARGE*	1
5-	18504GT	NUT,LOCKING-LG.FLANGE,1/4-20	
5-	32339GT	CLAMP,1.75,#28 X 3/8,RUB CUSH*	
5-	9116GT	BOLT,CARRIAGE,1/4-20 X 1.25,G2	
6		Ref. Function Manifold	1
		(refer to 502.1)	

Go to Discount-Equipment.com to order your parts



301.1 Scissor Assembly Installation



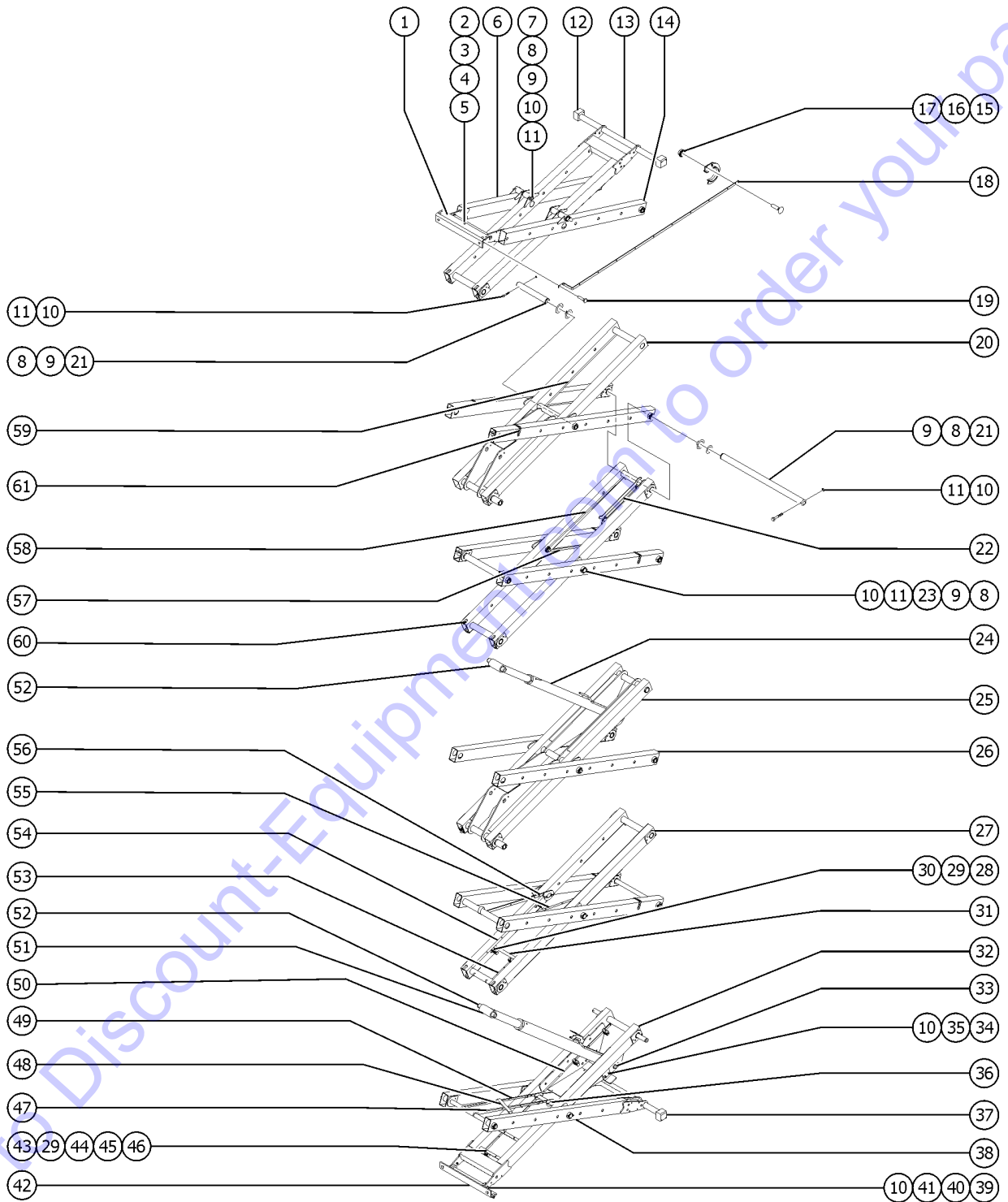
Go to Discount-Equipment.com to order your parts

Item	Part No.	Description	Qty.
1	1255757GT	BOLT,CARRIAGE,3/8-16X1.25,5,ZAG	8
2	824029GT	NUT,TL FLG,3/8-16,G,ZAG	8
3	96595GT	SLIDER,UHMW	4
4	1256115GT	BOLT,CARRIAGE,1/2-13X1.75,5,ZAG	8
5	1251997GT	NUT,TL,FLG,1/2-13,G,ZAG	8
6	97241GT	CHASSIS MOUNT ASSY, GS32&46	1
		US part number	
6-	51474GT	BEARING,1.00IDX1.25ODX0.75L	
6B	132307GT	WELDMENT,CHASSIS MOUNT	1
		China part number	
7	84747GT	PLATFORM MOUNT ASSY, GS32&46	1
		US part number	
7-	36369GT	BEARING,0.75IDX1.00ODX0.75L	
7B	132577GT	PLATFORM MOUNT ASSY, M	1
		China part number	
7B-	96932GT	PIN, LINKSET MOUNT, 3/4"	
7B-	45748GT	ROD END,.250 X 2.75 LG	
7B-	1301699GT	PLATFORM MOUNT WITH BEARING, GS46	
7B-	1255757GT	BOLT,CARRIAGE,3/8-16X1.25,5,ZAG	
7B-	824029GT	NUT,TL FLG,3/8-16,G,ZAG	

Go to Discount-Equipment.com to order your parts



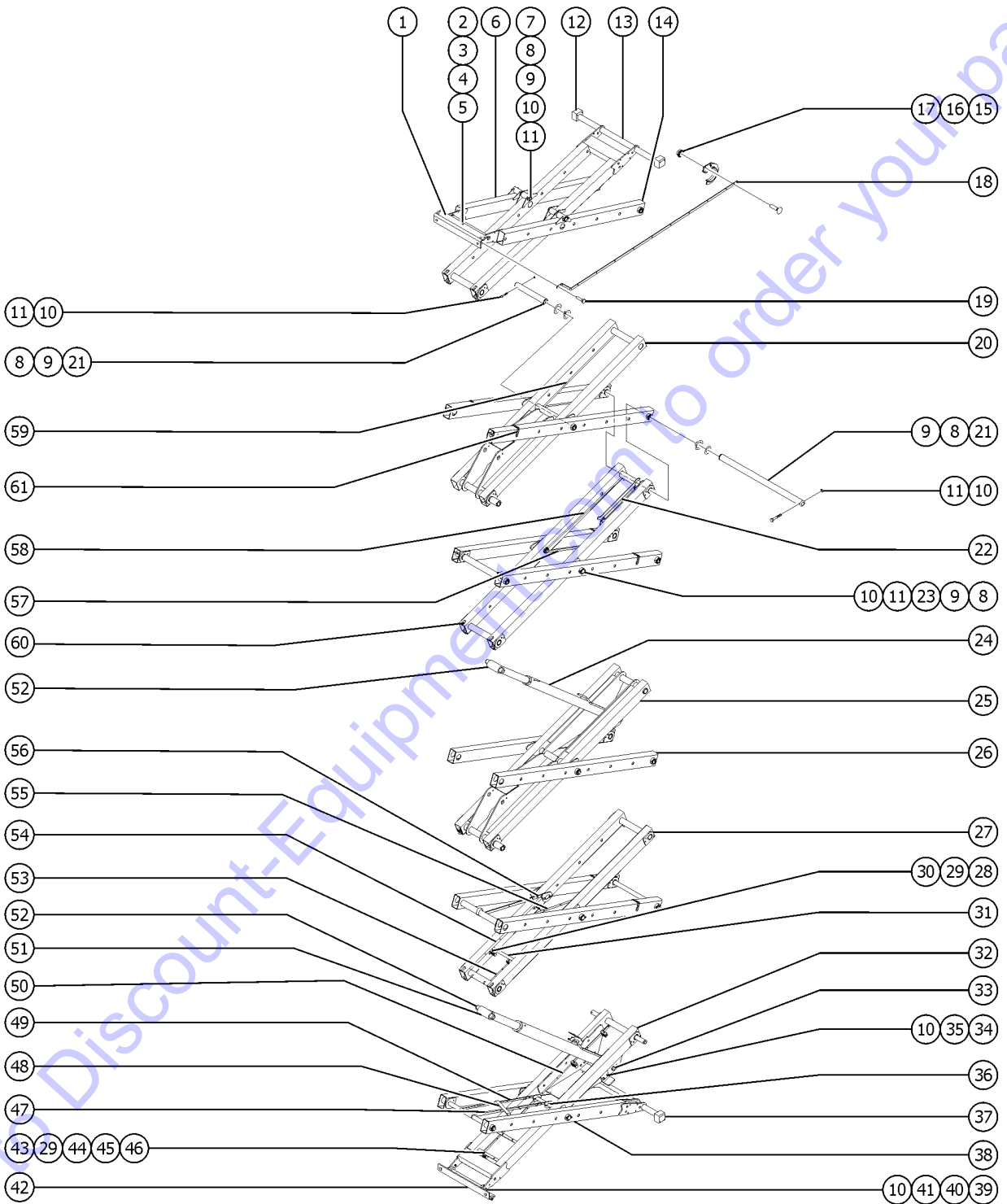
302.1 Scissor Assembly



Go to Discount-Equipment.com to order your parts

Item	Part No.	Description	Qty.
1		Ref. Platform Mount Assembly (refer to 301.1)	
2	96932GT	PIN, LINKSET MOUNT, 3/4"	1
3	825020GT	ROD END, .25 X 2.75, ZAG	2
4	824080GT	SCREW,HHF,1/4-20X1.25,8,ZAG	
5	824027GT	NUT, TL FLG, 1/4-20, G, ZAG	
6	96615GT	WLDMT,LNK,OUTER #4,26XX US part number; (ground controls side)	1
6B	132383GT	WELDMENT,LNK,OUTER#4,RIGHT China part number; (ground controls side)	1
7	96130GT	PIN, MINI, CENTRE	2
8	825796GT	SNAP RING,EXTERNAL,1.50,ZAG	
9	1260941GT	WASHER,SHIM,1.54X2.00X.125,ZAG	
10	824025GT	NUT,TL,3/8-16,C,ZAG	
11	1256848GT	SCREW,HHC,3/8-16X2.75,8,ZAG	
12		Ref. Platform Slider (refer 301.1)	
13	1273427GT	ASSEMBLY,LINK,INNER #6 US part number	1
13A-	66055GT	BEARING,1.50IDX1.77ODX1.25L	
13A-	96487GT	BEARING,1.26IDX1.53ODX1.25L	
13B	229585GT	ASSEMBLY, LINK, INNER #6 China part number	1
13B-	66055GT	BEARING,1.50IDX1.77ODX1.25L	
13B-	96487GT	BEARING,1.26IDX1.53ODX1.25L	
14	96616GT	WLDMT,LNK,OUTER #4,26XX,LEFT US part number; (battery pack side)	1
14B	132385GT	WELDMENT,LNK,OUTER#4,LEFT China part number; (battery pack side)	1
15	1256679GT	0	22
16	105193GT	CLIP,CABLEBRIDGE,GS32/46	12
17	1260963GT	BOLT,CARRIAGE,1/4-20X.63,5,ZAG	24
18	105189GT	BAR,CABLE BRIDGE ARM,UPPER US part number	1
18B	132267GT	BAR,CABLE BRIDGE ARM,UPPER China part number	1
19	9116GT	BOLT,CARRIAGE,1/4-20 X 1.25,G2	2
20	1273419GT	ASSEMBLY,LINK,INNER #5 US part number	1

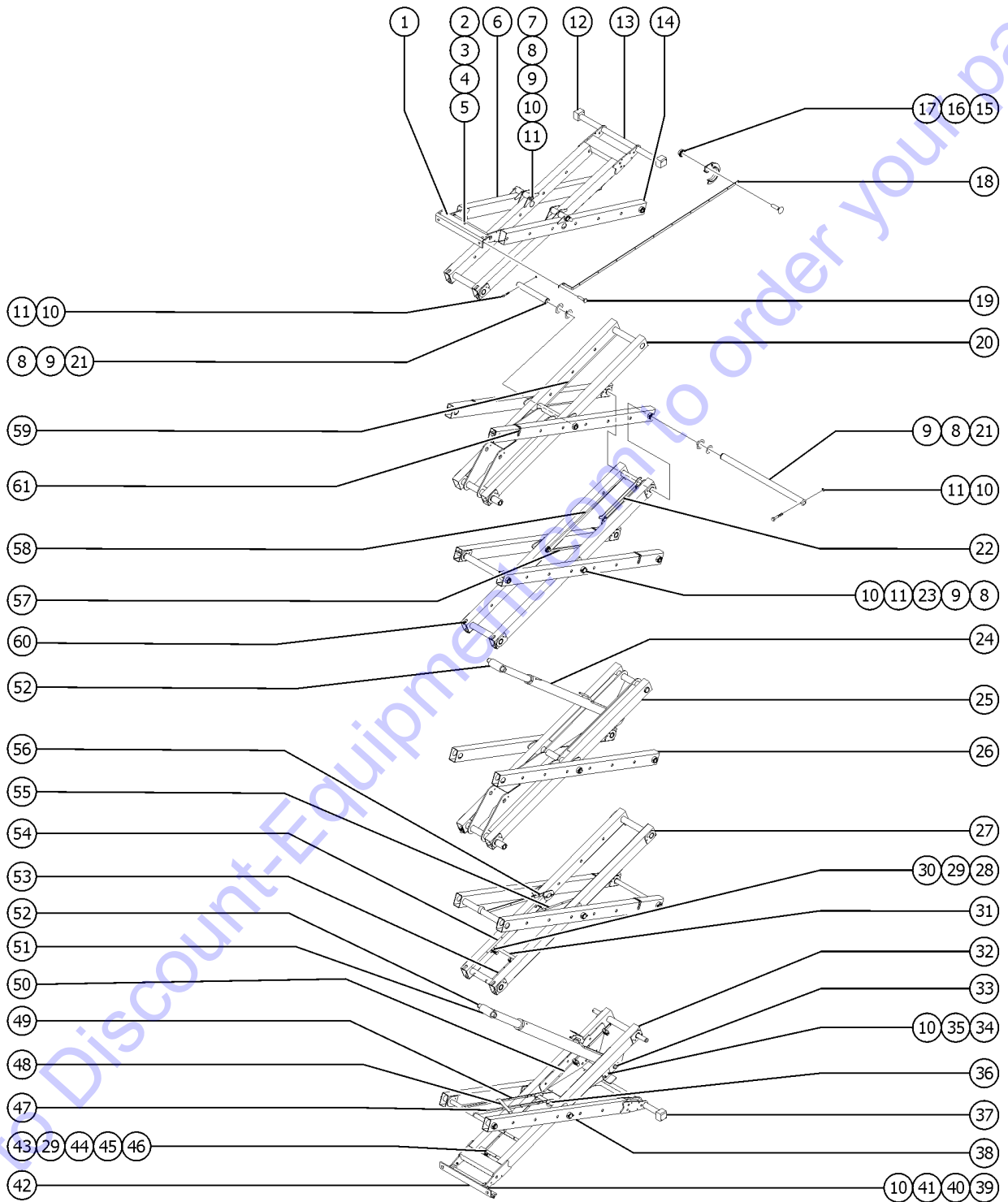
302.1 Scissor Assembly



Go to Discount-Equipment.com to order your parts

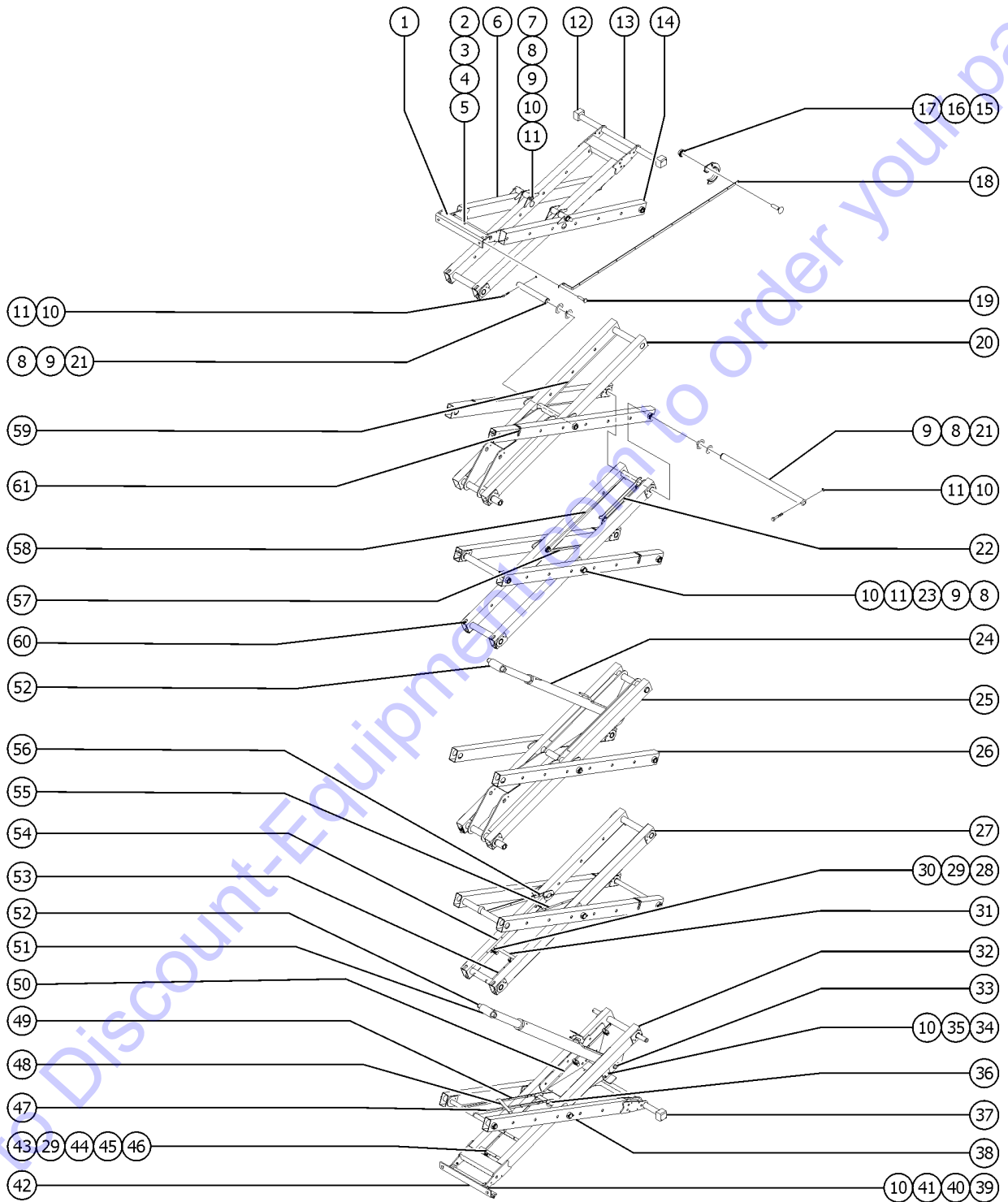
Item	Part No.	Description	Qty.
20B	1260196GT	ASSEMBLY, LINK, INNER #5 China part number	1
20B-	66055GT	BEARING,1.50IDX1.77ODX1.25L	
20B-	1260198GT	WELDMENT, LINK, INNER#5 to SN GS47D-8653	1
20B-	1290077GT	WELDMENT, LINK, INNER#5 from SN GS47D-8654	1
21	96899GT	PIN, LONG, GS46	13
22	58000GT	SAFETY CHOCK, SCISSOR US part number	1
22B	229571GT	ASSEMBLY, CHOCK China part number	1
23	96900GT	PIN, SHORT, GS46	4
24		Ref. Lift Cylinder, Top (refer 505.1)	
24-	66055GT	BEARING,1.50IDX1.77ODX1.25L	
25	1273421GT	ASSEMBLY, LINK, INNER #3 US part number	1
25B	1260306GT	ASSEMBLY, LINK, INNER #3 China part number	1
25B-	66055GT	BEARING,1.50IDX1.77ODX1.25L	
25B-	1260307GT	WELDMENT, LINK, INNER#3 to SN GS47D-8653	1
25B-	1290078GT	WELDMENT, LINK, INNER#3 from SN GS47D-8654	1
26	229579GT	WELDMENT, LINK, OUTER, #2,3,4,5 to SN GS47D-8653	8
26-	66055GT	BEARING,1.50IDX1.77ODX1.25L	
26B	1290076GT	WELDMENT, LINK, OUTER #2,3,4,5 from SN GS47D-8654	8
27	1273420GT	ASSEMBLY, LINK, INNER #2,4 US part number	2
27B	1260199GT	ASSEMBLY, LINK, INNER #2,4 China part number	2
28	1261822GT	BOLT, CARRIAGE, 10-24 X 1.5", G2	12
29	105213GT	RUBBER CUSHION, CLAMP, SHORT	
30	105206GT	CLAMP, SHORT US part number	12
30B	215655GT	CLAMP, SHORT China part number	12
31	1273387GT	FORMING, END CONNECTING	1
32	1273426GT	ASSEMBLY, LINK, INNER #1 US part number; (decals not included refer to section one)	1
32-	66055GT	BEARING,1.50IDX1.77ODX1.25L	
32B	229581GT	ASSEMBLY, LINK, INNER #1 China part number;	1

302.1 Scissor Assembly



Item	Part No.	Description	Qty.
33	96662GT	PIN, LOWER CYLINDER MOUNT	1
34	1255757GT	BOLT,CARRIAGE,3/8-16X1.25,5,ZAG	
35	105074GT	FORMING,PH PUSHER, GS46	2
		US part number	
35B	132522GT	FORMING,PH PUSHER, GS46	2
		China part number	
36	1261823GT	BEARING,1.5IDX1.75ODX2.4L	2
37		Ref. Chassis Slider	
		(refer 301.1)	
38	96603GT	WLDMT,LNK,OUTER #1,XX46	1
		US part number; (decal not included refer to section one)	
38B	132517GT	WLDMT,LNK,OUTER #1,XX46	1
		China part number; (decal not included refer to section one)	
39	96862GT	PIN, LINKSET MOUNT, 1"	
40	825019GT	ROD END, .375X3.69, ZAG	6
41	8516GT	SCREW, HCC, 3/8-16 X 1.50	
42		Ref. Chassis Mount Assembly	
		(refer 301.1)	
43	105208GT	RUBBER CUSHION,SEPARATOR	5
44	105205GT	CLAMP,LONG	
		US part number	
44B	132268GT	CLAMP,LONG	
		China part number	
45	1256467GT	NUT,TL FLG,10-24,F,ZAG	
46	1260962GT	BOLT,CARRIAGE,10-24X2.5,A,ZAG	
47	1273370GT	WELDMNT,CABLE BRIDGE TOP	1
48	1273385GT	FORMING, END CONNECTING	2
49	1273367GT	WELDMNT, CABLE BRIDGE, TOP	1
50	105186GT	WLDMNT,CABLE BRIDGE,LOWER	1
51		Ref. Lift Cylinder, Bottom	
		(refer 505.1)	
52	96661GT	PIN, UPPER CYLINDER MOUNT	3
53	1273361GT	WELDMNT, CABLE BRIDGE, BOTTOM	1
		US part number	
53B	1259939GT	WELDMNT, CABLE BRIDGE, BOTTOM	1
		China part number	
54	1273366GT	WELDMNT, CABLE BRIDGE, BOTTOM	1
		US part number	
54B	1259942GT	WELDMNT,CABLE BRIDGE,BOTTOM	1
		China part number	
55	1273365GT	WELDMNT, CABLE BRIDGE, TOP	1

302.1 Scissor Assembly



Go to Discount-Equipment.com to order your parts

Item	Part No.	Description	Qty.
56	1273364GT	WELDMENT, CABLE BRIDGE, TOP	1
57	1273573GT	WLDMT,CABLE BRIDGE,BOTTOM	1
		US part number	
57B	1259946GT	WELDMENT, CABLE BRIDGE, BOTTOM	1
		China part number	
58	105191GT	WELDMENT.CABLE BRIDGE, TOP	1
59	1273386GT	BAR, CABLE BRIDGE ARM	2
		US part number	
59B	1259943GT	BAR, CABLE BRIDGE ARM, SYM	2
		China part number	
60	96735GT	LINK BUMPER, 5"	10
61	96836GT	LINK BUMPER, SHORT TUBE	8

Go to Discount-Equipment.com to order your parts



PARTS FINDER

**Search Website
by Part Number**



**Search Manual
Library For Parts
Manual & Lookup Part
Numbers – Purchase
or Request Quote**

**Can't Find Part or
Manual? Request Help
by Manufacturer,
Model & Description**

Discount-Equipment.com is your online resource for quality parts & equipment.

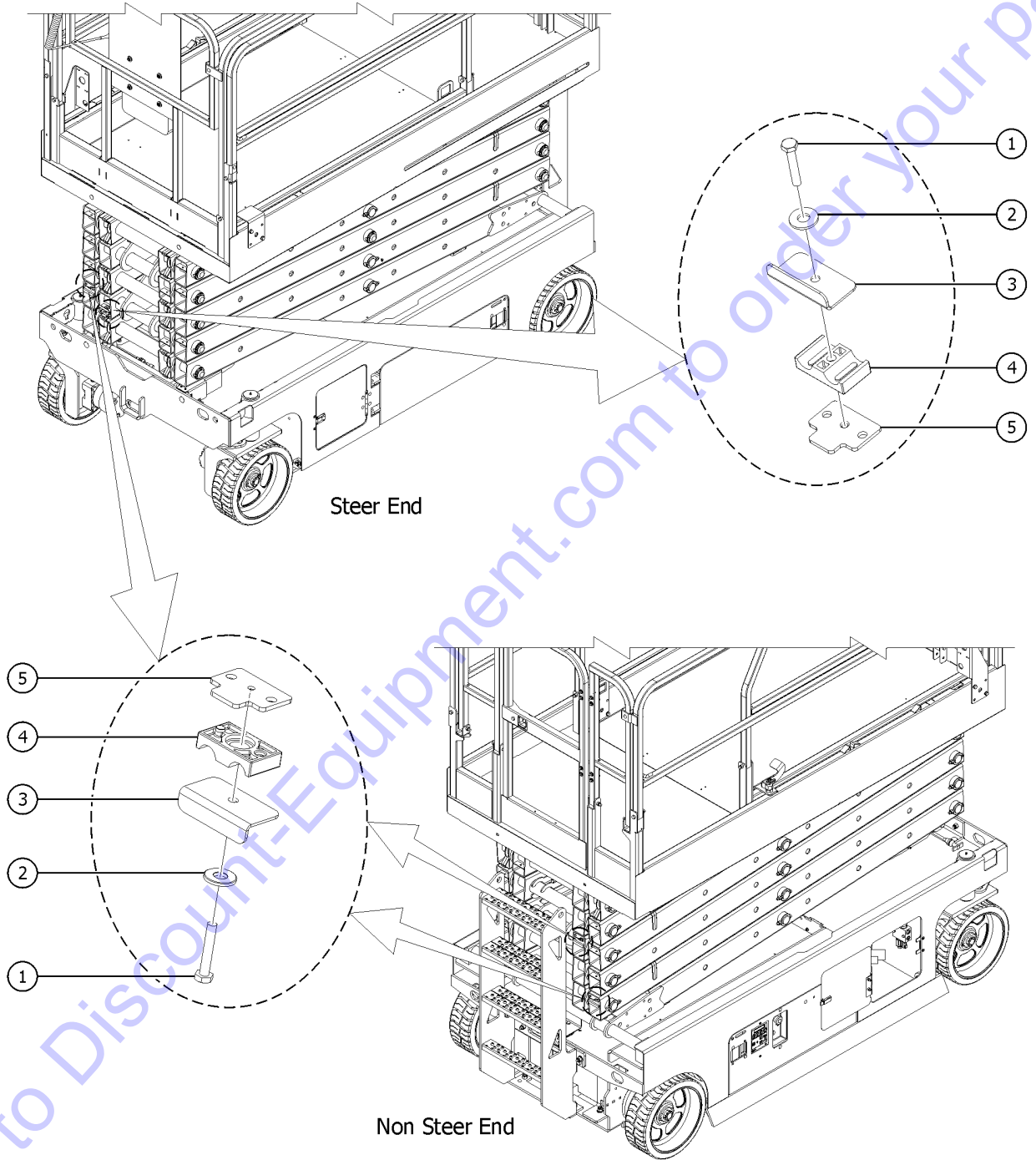
Florida: **561-964-4949** Outside Florida TOLL FREE: **877-690-3101**

Need parts?

Click on this link: <http://www.discount-equipment.com/category/5443-parts/> and choose one of the options to help get the right parts and equipment you are looking for. Please have the machine model and serial number available in order to help us get you the correct parts. If you don't find the part on the website or on one of the online manuals, please fill out the request form and one of our experienced staff members will get back to you with a quote for the right part that your machine needs.

We sell worldwide for the brands: Genie, Terex, JLG, MultiQuip, Mikasa, Essick, Whiteman, Mayco, Toro Stone, Diamond Products, Generac Magnum, Airman, Haulotte, Barreto, Power Blanket, Nifty Lift, Atlas Copco, Chicago Pneumatic, Allmand, Miller Curber, Skyjack, Lull, Skytrak, Tsurumi, Husquvarna Target, Stow, Wacker, Sakai, Mi-T-M, Sullair, Basic, Dynapac, MBW, Weber, Bartell, Bennar Newman, Haulotte, Ditch Runner, Menegotti, Morrison, Contec, Buddy, Crown, Edco, Wyco, Bomag, Laymor, EZ Trench, Bil-Jax, F.S. Curtis, Gehl Pavers, Heli, Honda, ICS/PowerGrit, IHI, Partner, Imer, Clipper, MMD, Koshin, Rice, CH&E, General Equipment, Amida, Coleman, NAC, Gradall, Square Shooter, Kent, Stanley, Tamco, Toku, Hatz, Kohler, Robin, Wisconsin, Northrock, Oztec, Toker TK, Rol-Air, APT, Wylie, Ingersoll Rand / Doosan, Innovatech, Con X, Ammann, Mecalac, Makinex, Smith Surface Prep, Small Line, Wanco, Yanmar

303.1 Scissor Assembly, Hose Clamps



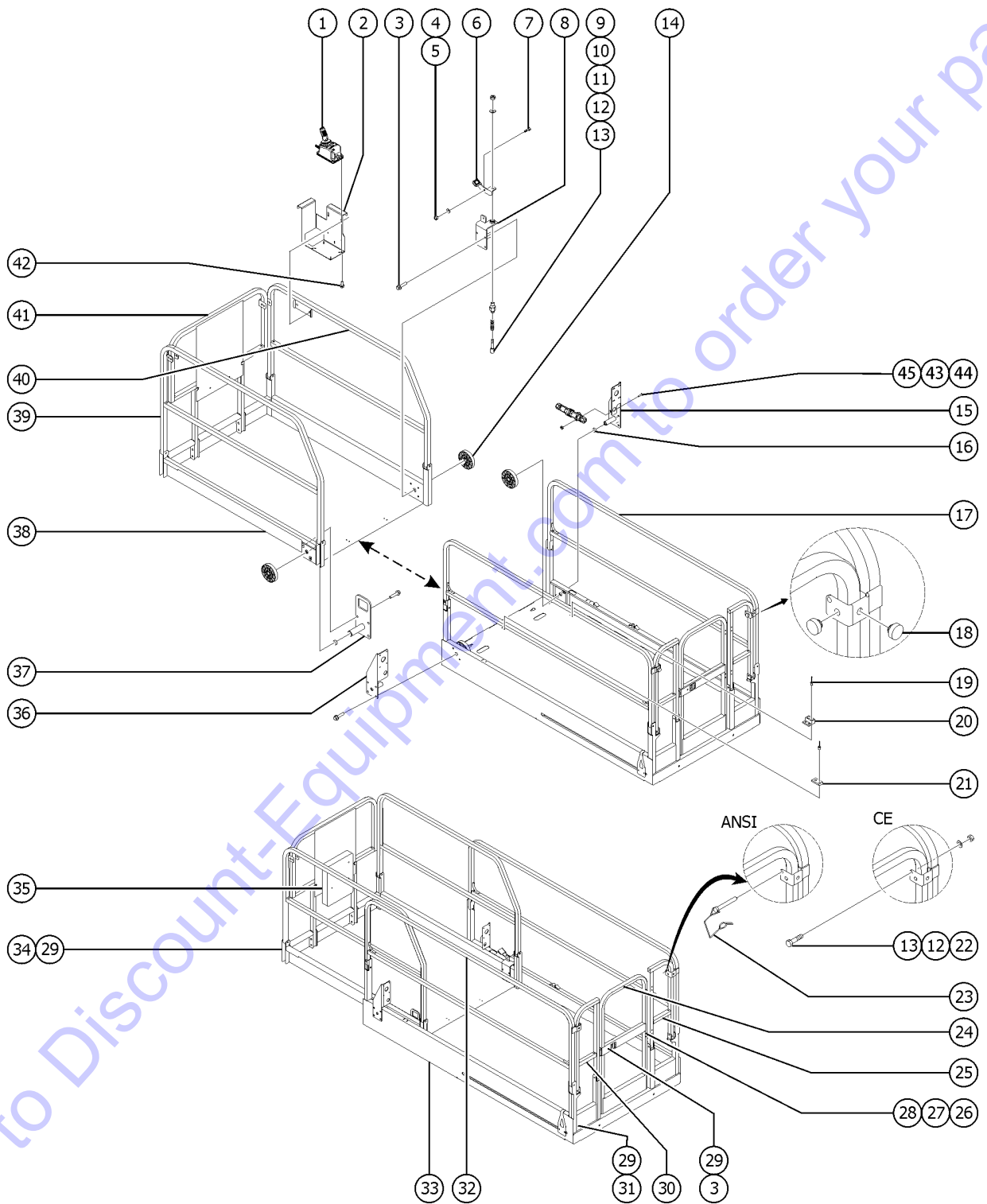
303.1 Scissor Assembly, Hose Clamps

Item	Part No.	Description	Qty.
1	238348GT	SCREW, HHC, 1/4-20 X 1.5"L, STL GR8	4
2	5397GT	WASHER, FLAT, USS, 5/16", Y	4
3	1273384GT	FORMING, HOSE CLAMP	4
4	78736GT	CLAMP, 2 HOSE, PLASTIC, 5/8	4
5	1273383GT	PLATE, RETAINER	4

Go to Discount-Equipment.com to order your parts



401.1 Platform Components

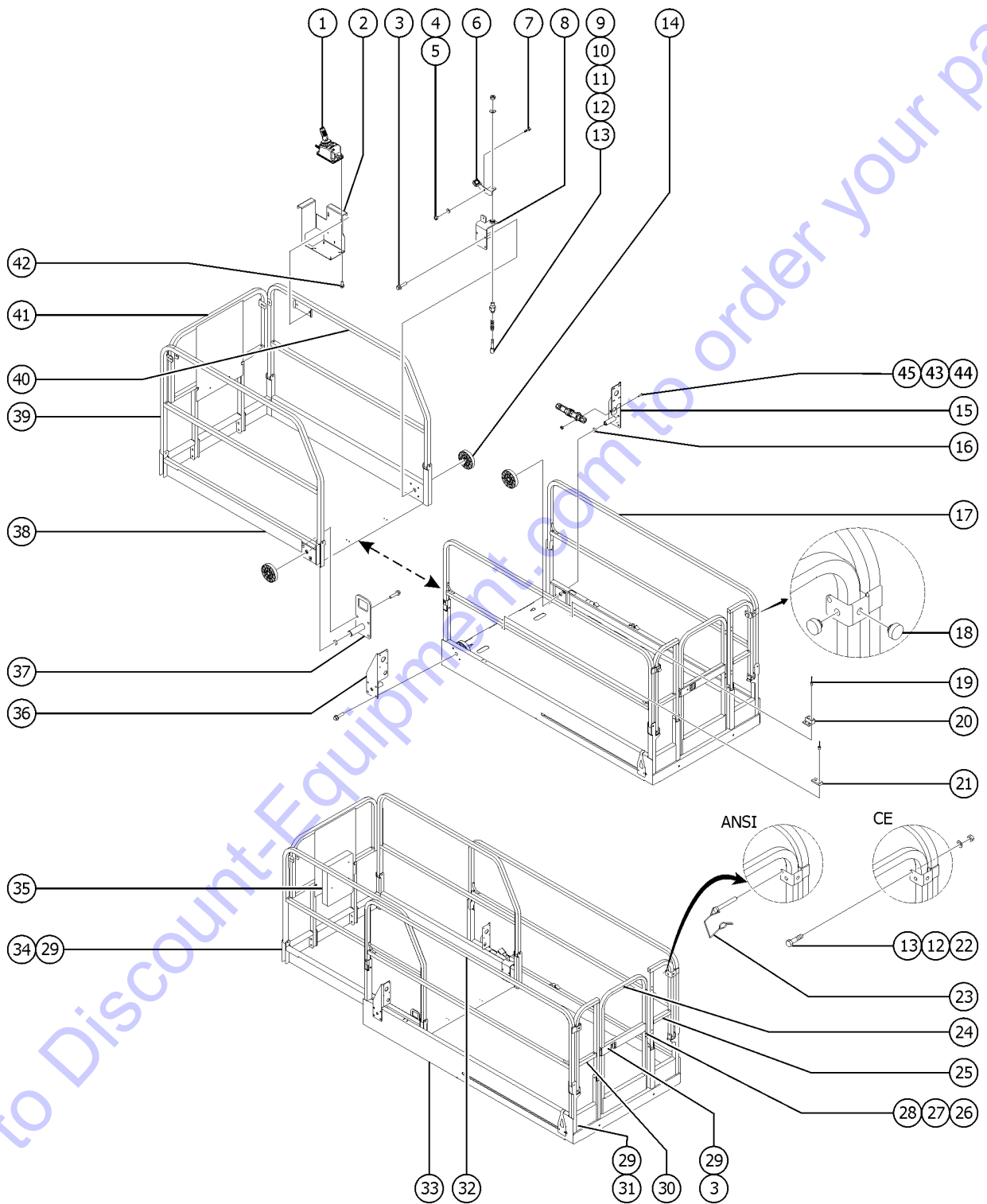


401.1 Platform Components

Item	Part No.	Description	Qty.
1		Ref. Platform Control Box (refer to 403.1)	
1B	1280957GT	PCON ASSEMBLY,HARTING CONN OPTION	1
2		Ref. Platform Control Box Mount Bracket (refer to 403.1)	
3	1253478GT	SCREW,HHF,3/8-16X2,8,ZAG	5
4	1252977GT	NUT,TL JAM,5/16-18,A,ZAG	1
5	825358GT	WASHER,FLAT,5/16,USS,ZAG	1
6	46260GT	FOOTPEDAL W/NON-SKID TAPE,GS**	1
6-	47166GT	BRACKET,FOOT PEDAL (non skid tape not included)	1
6-	47225GT	TAPE, NON-SKID, DIE CUT, 1.38 X 1.5 (not included sold separately)	
7	1259223GT	BOLT,SHS,3/8X.375X5/16-18,ZAG	1
8	96413GT	WLDMT,LOCKING ROLLER SUPPORT US part number	1
8B	132151GT	ROLLER SUPPORT BRACKET China part number	1
9	1259181GT	PIN,LOCK,0.5X3.125,ZAG	1
10	39469GT	SPRING,COMPRESSION.485 X1.75**	1
11	41630GT	HOUSING, LOCK PIN	1
12	1255758GT	WASHER,FLAT,3/8,USS,ZAG	4
13	824038GT	NUT, TL JAM, 3/8-16, A, ZAG	4
14	47163GT	ROLLER,PLATFORM EXTENSION	4
15	84587GT	ROLLER BRACKET ASSY, GRND CNTR US part number; (ground controls side)	1
15B	132128GT	ROLLER BRKT RT China part number	
15C	1280962GT	WLDMT,ROLLER BRKT,RT China part number; to SN GS47D-7541	1
15D	1286357GT	WLDMT,ROLLER BRKT,RT,HARTING PIUG China part number; from SN GS47D-7542	1
16	21279GT	BUTTON, .800 O.D. X .281	3
17	82052-SGT	RAIL-GS46 PLAT,MAINDECK RT**** US part number; (ground controls side)	1
17B	132492GT	WELDMENT,UPPER EXT RAIL,GS32 China part number	1
18	43392GT	BUMPER,BATTERY BOX & RAILS	14
19	39579GT	RIVET,STL,STL,.188 X .45	20
20	39310GT	WEAR/GUIDE PAD MAIN PLATFORM	4



401.1 Platform Components

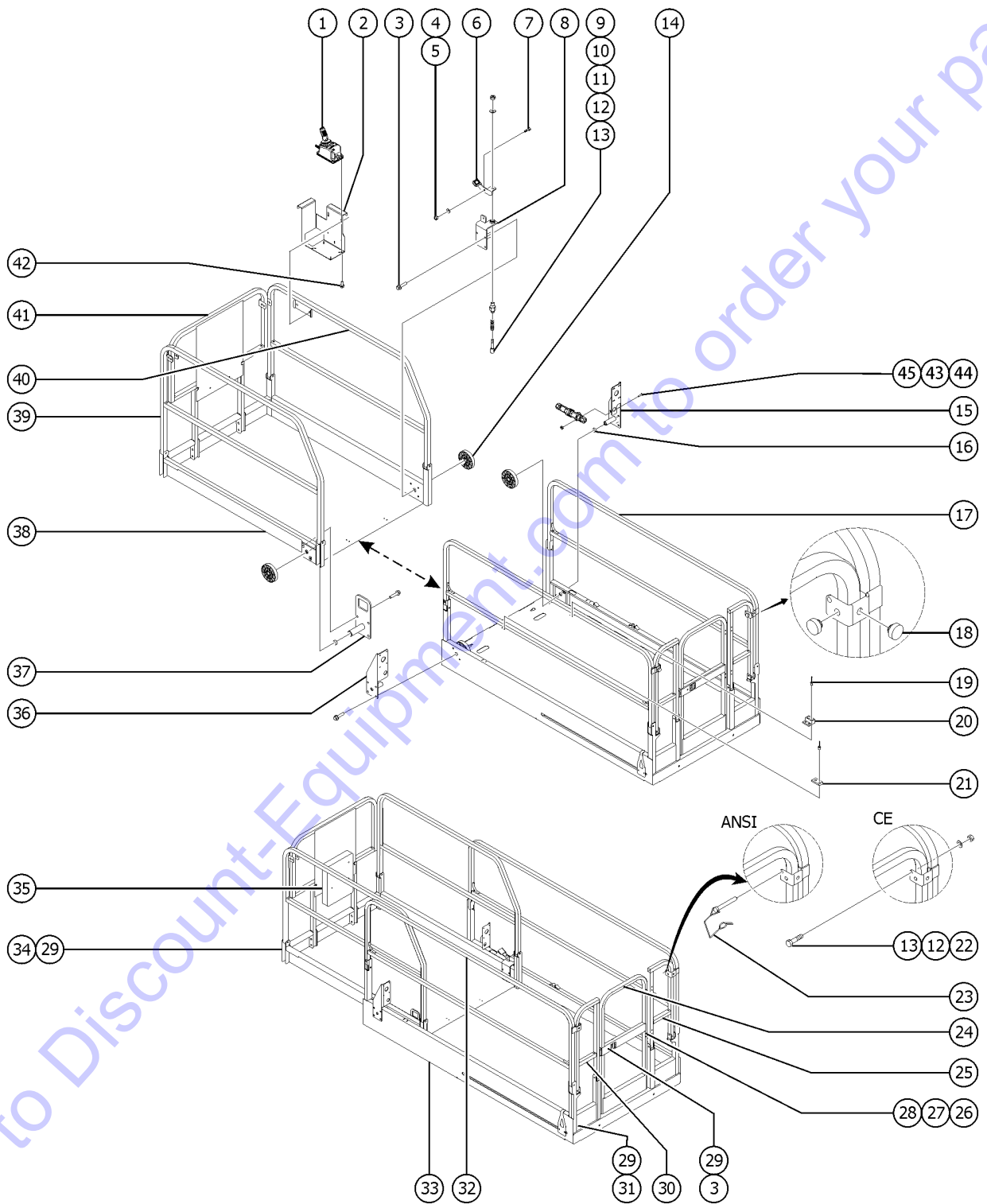


401.1 Platform Components

Item	Part No.	Description	Qty.
21	39474GT	WEAR PAD, PLATFORM	3
22	824094GT	SCREW,HHF,3/8-16X2.75,8,ZAG	3
23	1307198GT	PIN,WIRE LOCK,3/8X2-1/2SQ DW SnPn	
23-	78022GT	LANYARD,BLACK NYLON,TYPE 1	
24	96760GT	ASSY, PLATFORM GATE, GSXX46 US part number; COMPLETE (decals not included, refer to section one)	1
24B	132591GT	ASSY,PLATFORM GATE,GSXX46 China part number	1
24C	97242GT	SWING GATE ASSY, GS46 WELD (decals not included, refer to section one)	1
24D	66512GT	WLDMT, FULL HEIGHT GATE	1
24E	65990-SGT	KIT,GATE LATCH (includes items 3 and 29)	
24E-	22446GT	SPRING, COMPRESSION .835 X 2 included in kit 65990-SGT	1
24E-	66544GT	LATCH HANDLE included in kit 65990-SGT	1
25	66923GT	WLDMT, ENTRY SIDERAIL, RT (ground controls side)	1
25-	78038GT	CAP TUBE SQUARE 1.25X0.083	
26	1253485GT	SCREW,HHF,1/4-20X2,8,ZAG	8
27	104804GT	HINGE, SPRING, LONG LEG	2
28	1277924GT	NUT,NYLOCK FLG,1/4-20,F,ZAG	8
29	824029GT	NUT,TL FLG,3/8-16,G,ZAG	
30	66920GT	WLDMT, ENTRY SIDERAIL, LT US part number; (battery pack side)	1
30-	78038GT	CAP TUBE SQUARE 1.25X0.083 (not included sold separately)	
30B	132509GT	WLDMT,ENTRY SIDERAIL,LT China part number	1
31	1260926GT	BOLT,CARRIAGE,3/8-16X2.25,5,ZAG	2
32	82053-SGT	RAIL-GS46 PLAT,MAINDECK LT**** (battery pack side)	1
32-	43392GT	BUMPER,BATTERY BOX & RAILS	3
32-	132486GT	WLDMT,MAIN SIDERAIL,LEFT	1
33	96718GT	WLDMT, MAIN DECK, GSXX46 US part number; (decals not included, refer to section one)	1
33-	47098GT	TAPE,NON-SKID,DIE CUT,4"X 40" (not included sold separately)	
33-	47231GT	TAPE,NON-SKID,DIE CUT,4"X 16" (not included sold separately)	
33-	47374GT	TAPE,NON-SKID,DIE CUT,4"X 32" (not included sold separately)	

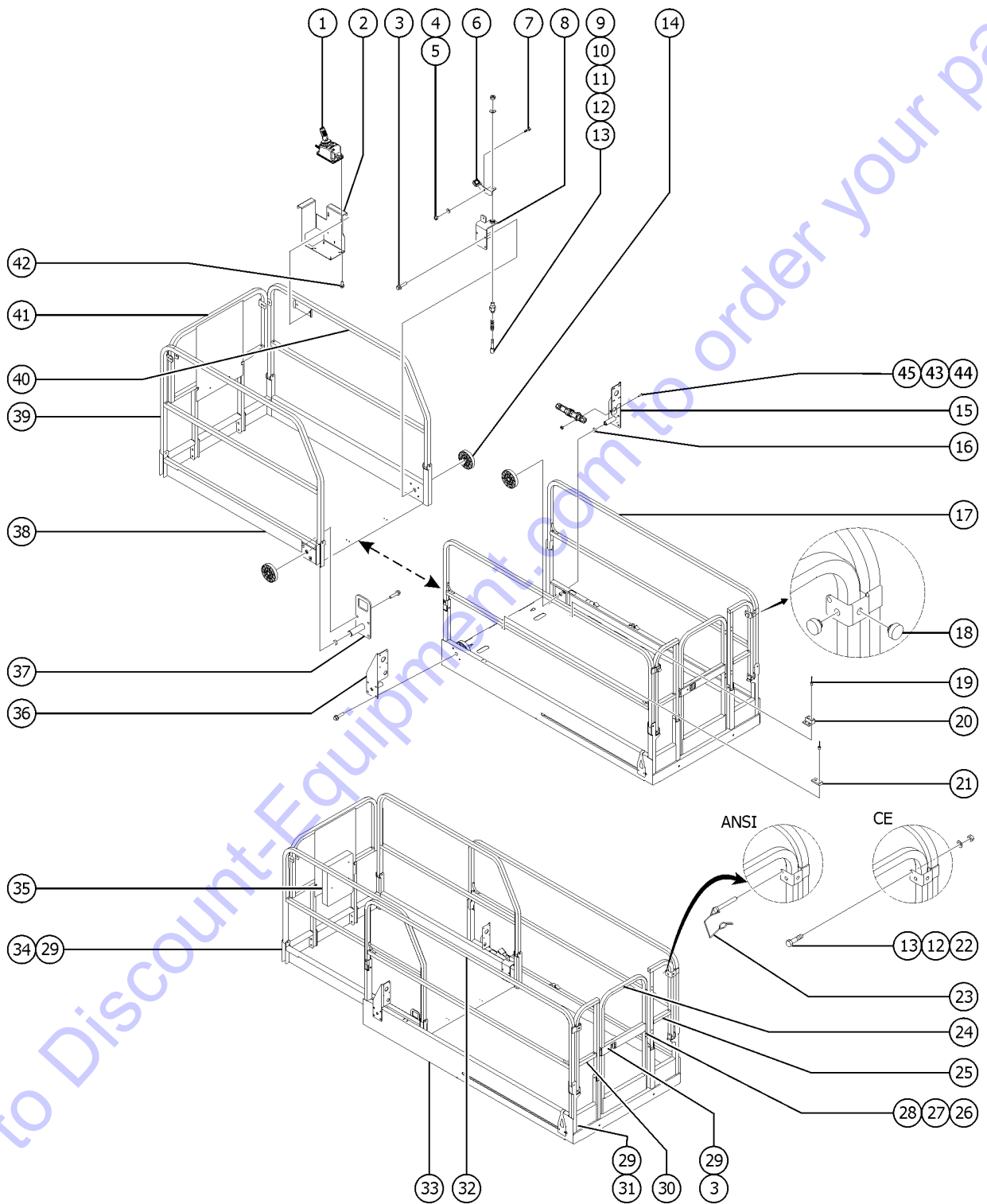


401.1 Platform Components



Item	Part No.	Description	Qty.
33B	132469GT	WLDMT,MAIN DECK,GSXX46 China part number; to SN GS47D-7220	1
33C	1284269GT	WLDMT,MAIN DECK,GS46,MET China part number; from SN GS47D-7221	1
34	1256856GT	SCREW,HHF,3/8-16X2.5,8,ZAG	
35	24514GT	BOX,INSTRUCTION STORAGE (decals not included, refer to section one)	1
35-	1256855	SCREW,HHF,1/4-20X.625,8,ZAG	4
35-	1277924GT	NUT,NYLOCK FLG,1/4-20,F,ZAG	4
35-	825358GT	WASHER,FLAT,5/16,USS,ZAG	4
36	96246GT	WELDMENT,ROLLER BRACKET,LT*** US part number	1
36B	132127GT	ROLLER BRKT LEFT China part number	1
37	96200GT	WLDMT, LANYARD ROLLER BRKT US part number; (decals not included, refer to section one)	1
37-	21279GT	BUTTON, .800 O.D. X .281 (sold separately)	1
37B	132121GT	WELDMENT PLATFORM LANYARD China part number	1
38	97258GT	EXT. DECK ASSY, GS46 US part number	1
38-	39474GT	WEAR PAD, PLATFORM	2
38-	47374GT	TAPE,NON-SKID,DIE CUT,4"X 32"	7
38-	96719GT	WLDMT, EXT. DECK, GSXX46	1
38-	T113787GT	RIVET,ALUM,STL,.188 X .25 for 39474GT	4
38B	132480GT	WLDMT, EXT.DECK,GS32 China part number	1
39	97263GT	LEFT EX. RAIL, GS46 US part number; (battery pack side)	1
39-	43392GT	BUMPER,BATTERY BOX & RAILS	3
39B	132493GT	WLDMT, EXT. SIDERAIL,LT China part number	1
40	97264GT	RIGHT EXT RAIL, GS46 (SYMBOL) US part number; (decals not included, refer to section one)	
40-	43392GT	BUMPER,BATTERY BOX & RAILS	3
40B	132499GT	WELDMENT,ENX SIDERAIL,RT China part number	
41	97259GT	EXT. ENDRAIL ASSY, GS46 (WORD) Word decals	1
41B	97260GT	EXT. ENDRAIL ASSY, GS46 (SYMB) Symbol decals	
42	824078GT	SCREW,HHF,1/4-20X.75,8,ZAG	1
43	1280958GT	CABLE,PLATFORM CONTROL,GS,HARTING CONN OPTION	1

401.1 Platform Components



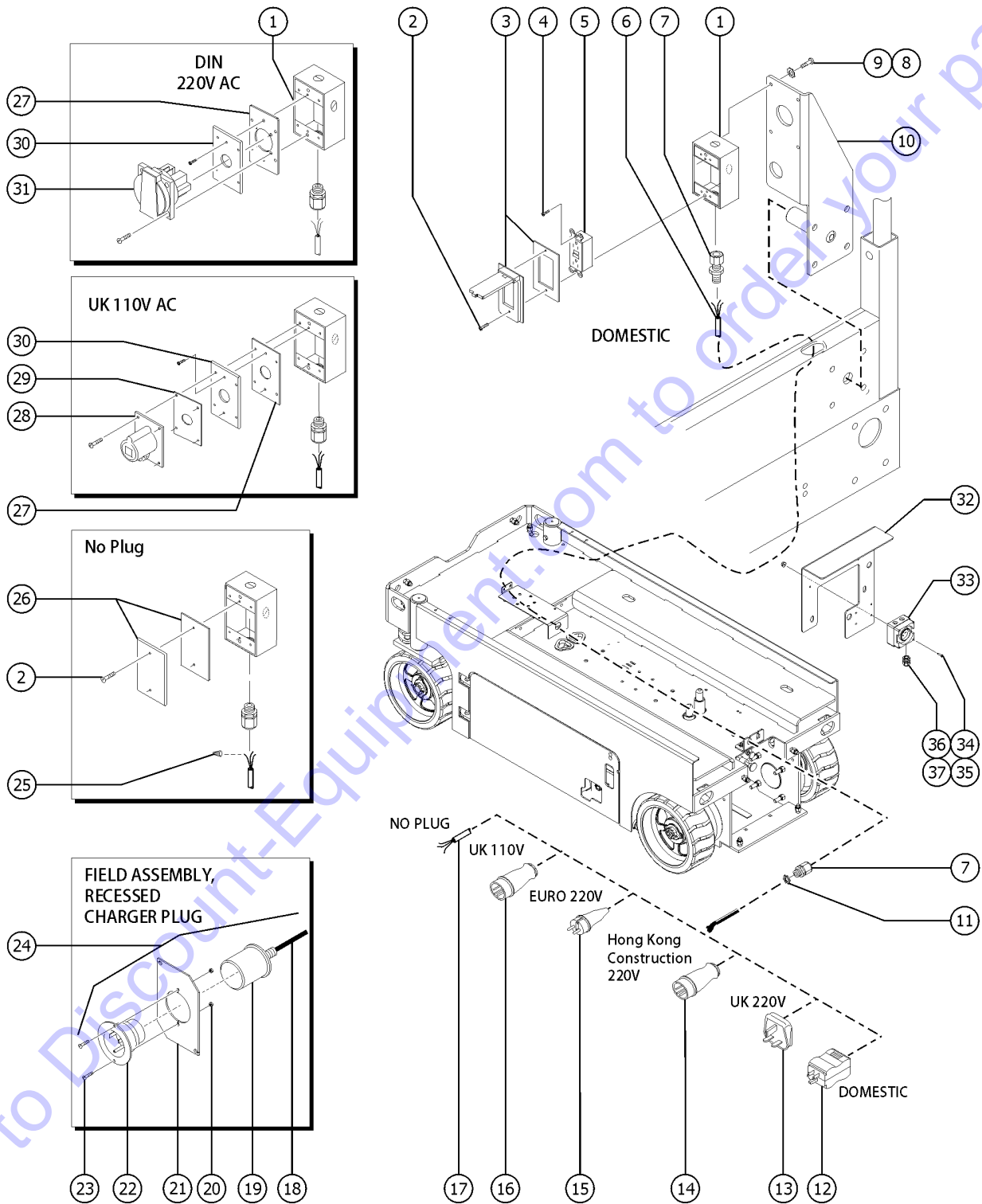
401.1 Platform Components

<i>Item</i>	<i>Part No.</i>	<i>Description</i>	<i>Qty.</i>
44	1253477GT	SCREW,PHPM,4-40X.5,ZAG	1
45	1259339GT	NUT,4-40,ZAG	1

Go to Discount-Equipment.com to order your parts



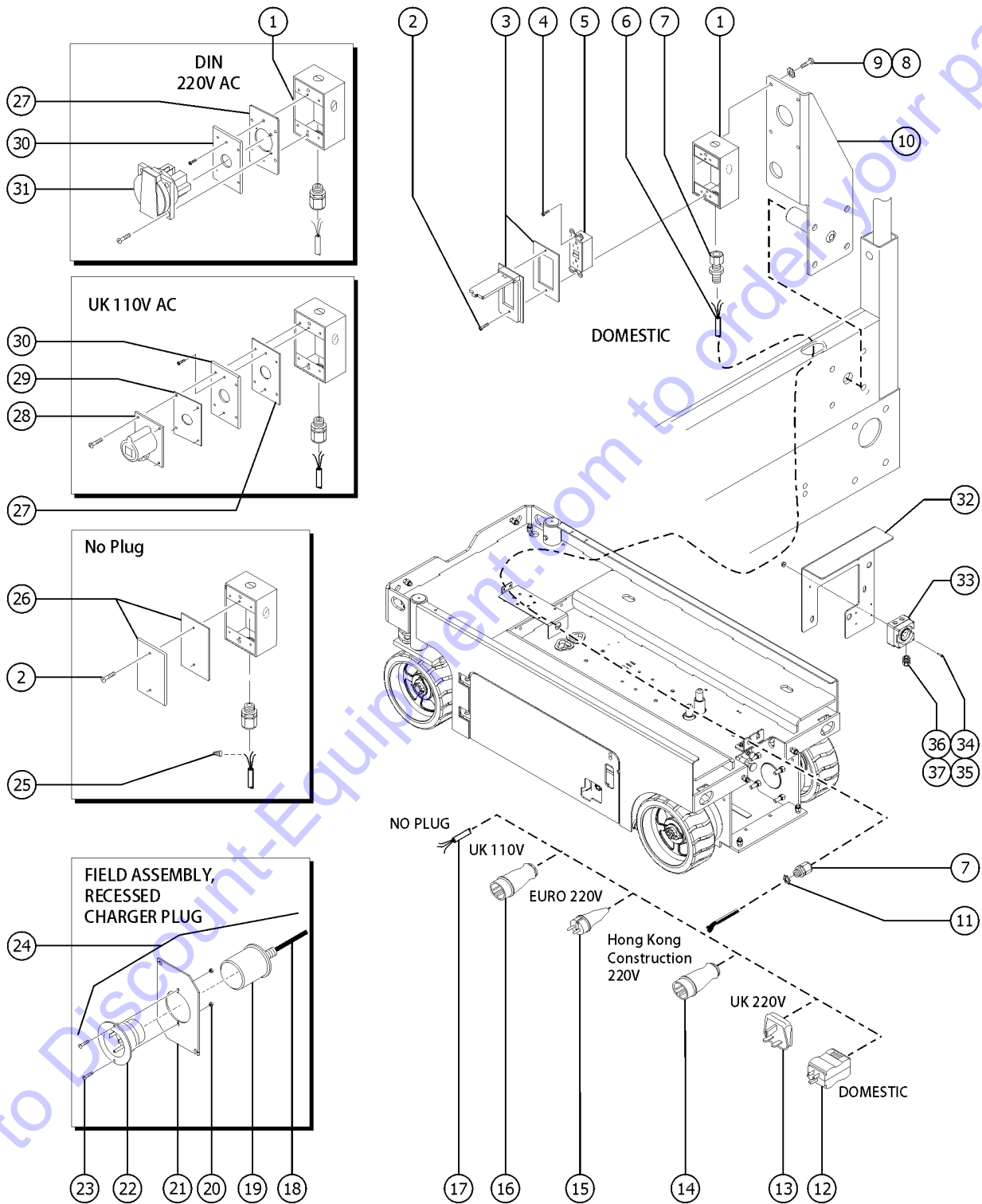
402.1 Power to Platform



Item	Part No.	Description	Qty.
A	33724GT	KIT,GASKET,UK POWER TO PLAT includes 1 each, items 27 and 29	1
1	10775GT	T-BOX,2.75 X 4.5 X 2.0	1
2	7127GT	SCREW,PHILLIPS,PHM,6-32 X .75	1
3	74006GT	COVER,GFCI,HORIZONTAL,WEATHER (ANSI and CSA models) (includes gasket and mounting fasteners)	1
3B	105812GT	COVER,T-BOX LOCKABLE EE rated (not shown)	1
4	45546GT	SCREW,RHM,6-32 X .5	1
5	13585GT	OUTLET, 110V ANSI and CSA models	1
6	43956GT	WIRE CABLE, 14/GA/3 CON. TPE JKT* GS-2046	45 6- i nc hes
6B	43956GT	WIRE CABLE, 14/GA/3 CON. TPE JKT* GS-2646	51 6- i nc hes
6C	43956GT	WIRE CABLE, 14/GA/3 CON. TPE JKT* GS-3246	62 4- i nc hes
7	7056GT	CONN,SQUEEZE,1/2NPT .38-.50,SM	1
8	57075GT	SCREW, PHIL, 8-32 X .50, SELF TAP	1
9	44936GT	WASHER,STAR,EXTERNAL,#8	4
10		Ref. ROLLER BRACKET refer to 401.1	1
11	6935GT	CONN, SQZ, 1/2NPT, LOCKNUT	1
12	6595GT	PLUG,ELECTRICAL,DOMESTIC	2
13	25388GT	PLUG,FUSED,250V,13AMP,U.K.**	1
14	1263471GT	PLUG,IEC60309 CEE, 3PIN 220-24 (Hong Kong Construction)	1
15	1280665GT	PLUG, TYPE F, 230A, 50HZ, 16A, IP44	1
16	144161GT	PLUG,PWR,UK,16AMP,3PIN,BLK	1
17	105117GT	PLUG,FLG INLET,15A/125V,2PWGD	1
17-	105118GT	GASKET,(BOOT) FLANGE INLET PLG	1
18	48282GT	POWER CORD, IEC 320 BLANK, 79"	1
19	105118GT	GASKET,(BOOT) FLANGE INLET PLG	1
20	1271081GT	NUT,NYLOCK,8-32,8,ZAG	2
21	105483-SGT	PLATE,AC ADAPTER(ANSI/CSA)	1



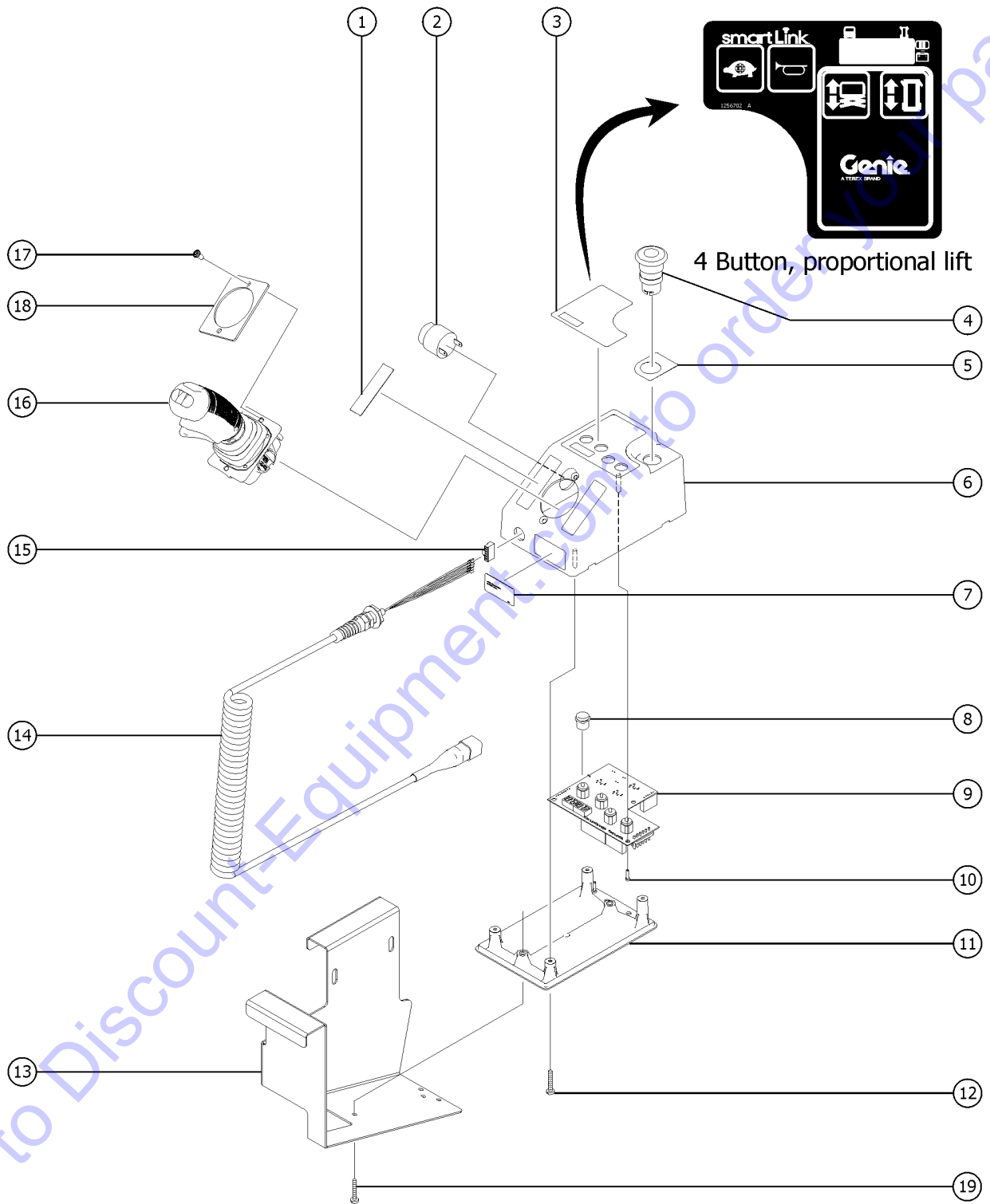
402.1 Power to Platform



Item	Part No.	Description	Qty.
21-	6091GT	NUT,NYLOCK,1/4-20 not included	2
21-	6878GT	BOLT,CARRIAGE,1/4-20 X .75,G2 not included	2
22	105117GT	PLUG,FLG INLET,15A/125V,2PWGD	1
23	1268950GT	SCREW,PHPM,8-32X.50,ZAG	2
24	144129GT	RECESSED SIDE PLUG ASSY, GS includes items 18-23	1
25	6626GT	WIRE CAP,ORANGE	1
26	10777GT	COVER,BLANK	1
27	66355GT	GASKET, UK & DIN PWR. TO PLAT 2.9 x 2.9 inches	1
28	T112563GT	SVC KIT,UK RECEPT.REPLACEMENT to SN GS47D-7144	1
28B	T112560GT	RECEPTACLE,UK,110V CE models, from SN GS47D-7145	1
29	66356GT	GASKET, UK RECEPTACLE 2.9 x 2.9 inches, to SN GS47D-7144	1
30	105483-SGT	PLATE,AC ADAPTER(ANSI/CSA) ANSI/CSA	
30B	96236GT	PLATE,AC ADAPTER,DIN/UK*** to SN GS47D-7144	
30C	T112561GT	PLATE,UK,POWER TO PLAT CE models, from SN GS47D-7145	
30D	105090GT	PLATE, AC ADAPTER(AUS)	
31	66353GT	RECEPTACLE, DIN, 220V 50A	1
32	1275425GT	FORMING, AUS RCD BRACKET, GS47	1
33	1284302GT	SCREW, PHPM, 10-32 X .75, ZAG	1
34	824215GT	SCREW, PHPM, 10-32 X .75, ZAG	8
35	824032GT	NUT, TL FLG, 10-32, F, ZAG	8
36	160412GT	WATER PROOF JOINT;PG13.5;M20X1.5	2
37	96009GT	WASHER,NITRILE	1

Go to DiscountEquipment.com to order your parts

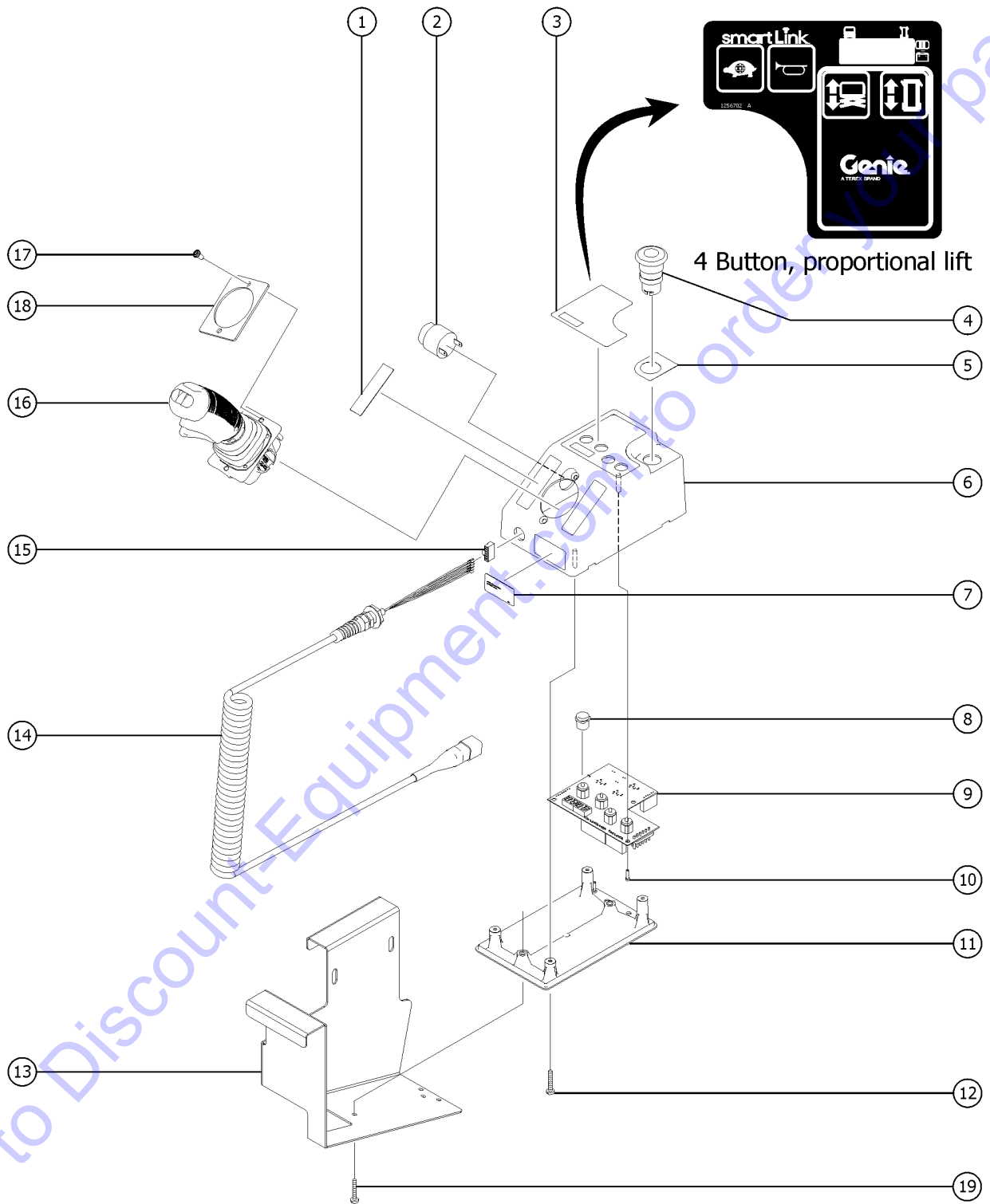
403.1 Platform Controls



Item	Part No.	Description	Qty.
A	1256727GT	PCON,STD,PROP LIFT,GR/GS complete platform control box with coil cord, bracket not included	
A-	1258731GT	FLASH DRIVE,SL1K2.0 SOFTWARE (For proportional lift or upgrade kits only. Software update available on-line. Flash drive sold separately.)	
A-	137587GT	HARNESS, ESTOP, GR/GRC/GS PCON	
B	1280957GT	PCON ASSEMBLY,HARTING CONN OPTION	1
C	1280958GT	CABLE,PLATFORM CONTROL,GS,HARTING CONN OPTION	1
D	1256819GT	FCON,FOOTSWITCH,PROP LIFT	
1	137656GT	DECAL, PROPEL, GR/GRC/GS, PCON (refer to 103.1 or 106.1)	1
2	39540GT	ALARM,STEADY TONE*** order 72326 mounting ring separately	1
2B	72326GT	NUT - PLASTIC,RING FOR ALARMS for 39540	
3		Ref: UI, GR/GRC/GS PCON DECAL (refer to 103.1 or 106.1)	1
4	66812GT	BUTTON,PUSH,RED MUSHROOM HEAD	1
4-	66817GT	BASE WITH 1 NC CONTACT, E-STOP	1
5		Ref: DECAL,E-STOP,GR/GRC/GS PCON (refer to 103.1 or 106.1)	1
6	T106368GT	ENCLOSURE,GC14-1,TOP	1
7	137642GT	LABEL, GR/GRC/GS PCON	1
8	T106373GT	CAP,BUTTON,K12	6
9	1256725GT	PCBA,PCON STD,PROP LIFT	1
10	137637GT	SCREW,PHM,4-20X.5, 48-2 TRI-L	1
11	T106370GT	ENCLOSURE,GC14-1/GC16-1, BOT	1
12	137640GT	SCREW,PHM,8-16X.75, 48-2 TRI-L	1
13	T114397GT	FORMING,PLAT CONTROL BOX US part number	1
13B	227167GT	FORMING, PLAT CONTROL BOX,MET China part number	1
14	235464GT	KIT,COIL CORD,CONTRLR,SL1000	1
14-	231921GT	KIT,CONN,RECEPT W/PIN AND LOCK	
14-	231922GT	KIT,CONN,PLUG W/SCKT AND LOCK	
15	137699GT	PLUG, 6POS ECO PWR	1
16		REF: Joystick (refer to 404.1)	1
17	229845GT	SCREW,BHSCS,M5X10,SS apply Loctite 243 or equivalent before installation, to SN GS47D-9815	



403.1 Platform Controls



Go to Discount-Equipment.com to order parts

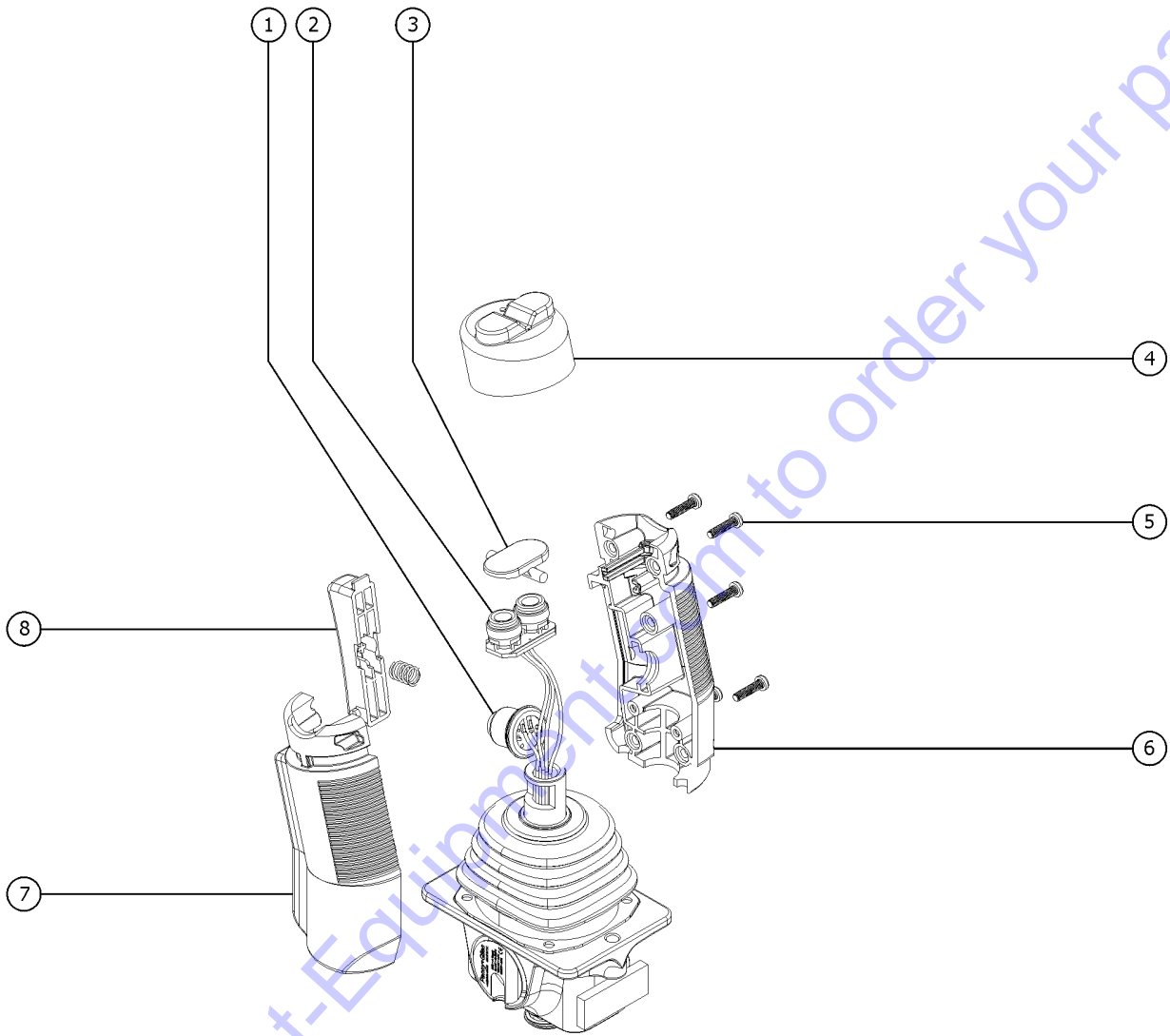
403.1 Platform Controls

Item	Part No.	Description	Qty.
17B	1291173GT	SCREW,BHSCS,M5X12,SS apply Loctite 243 or equivalent before installation, from SN GS47D-9816	2
18	1290297GT	PLATE,JOYSTICK PROTECTOR from SN GS47D-9816	1
19	824078GT	SCREW,HHF,1/4-20X.75,8,ZAG	2

Go to Discount-Equipment.com to order your parts



404.1 Joystick Controller Metal Base



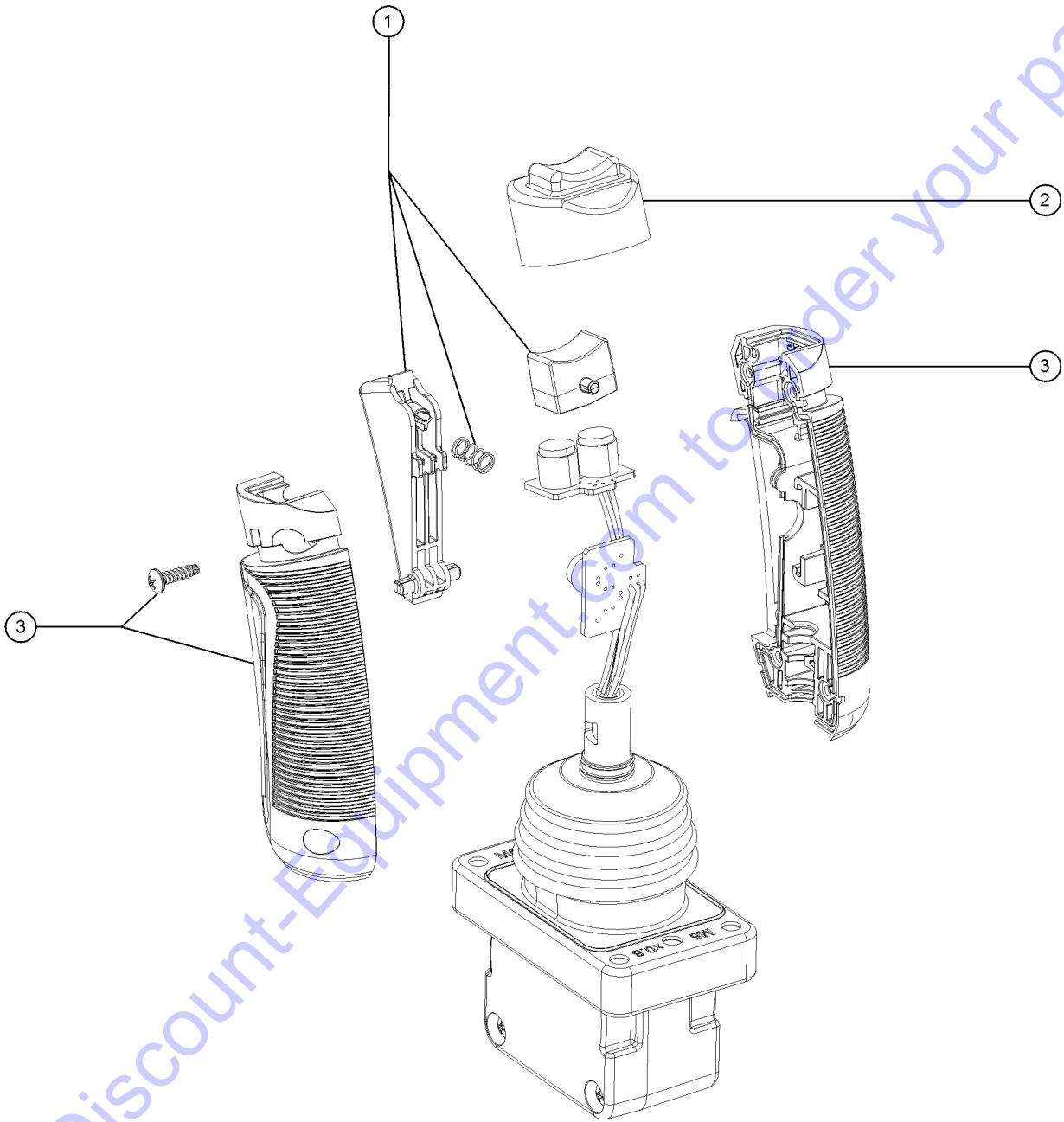
404.1 Joystick Controller Metal Base

Item	Part No.	Description	Qty.
A-	137634GT	JOYSTICK, HALL EFFECT, SINGLE	
B-	235462GT	KIT,STR SWITCH,JYSTK,SL1000	
C-	229097GT	TERMINAL, SPLINE (AMP)	
D-	214544GT	KIT,BOOT,JOYSTICK,SL1000	
		joystick boot	
1	235463GT	KIT,SWITCH,JYSTK,SL1000	
2	235463GT	KIT,SWITCH,JYSTK,SL1000	
3	229092GT	ROCKER,2 SWITCH	1
4	229093GT	BOOT, 2 SWITCH, SILICON	1
5	229086GT	SCREW, SELF TAP	5
6	229087GT	HANDLE HALF,RIGHT,W/TOP SWITCH	1
6B	229091GT	SCREW,GRUB,M5X8MM,HLF DOG,BZP	
		for 229087	
7	229088GT	HANDLE HALF,LEFT,W/TOP SWITCH	1
7B	229090GT	SCREW,GRUB,M5X8MM CUP(BLK)	
		for 229088	
8	229089GT	TRIGGER, EXTENDED	1
8B	229094GT	SPRING, HANDLE TRIGGER	1

Go to Discount-Equipment.com to order your parts



404.2 Joystick Controller Plastic Base



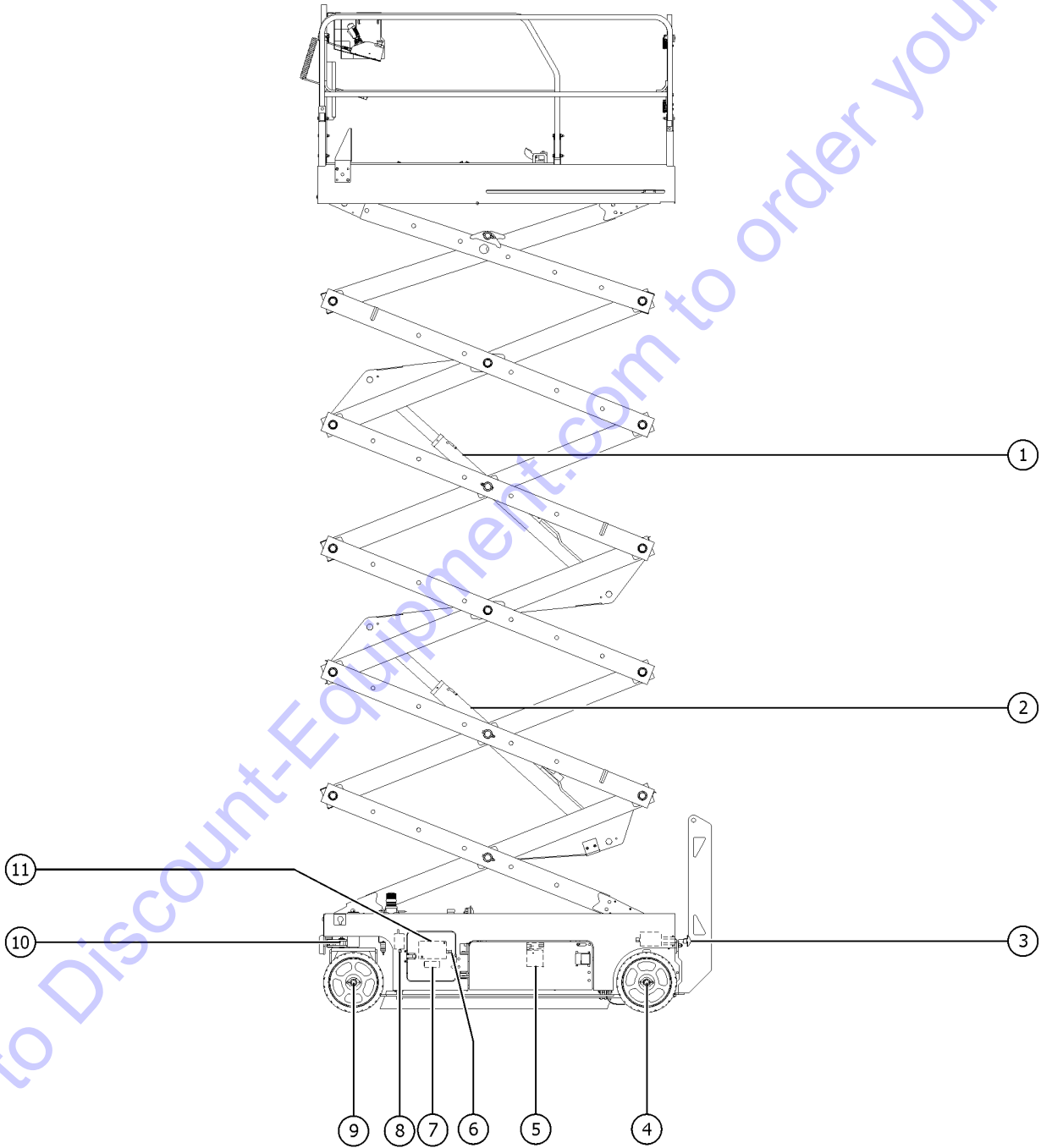
404.2 Joystick Controller Plastic Base

<i>Item</i>	<i>Part No.</i>	<i>Description</i>	<i>Qty.</i>
1	1314756GT	KIT, JOYSTICK, SWITCH ACTUATORS	
2	1314755GT	BOOT, JOYSTICK, SINGLE AXIS, SUREGRIP	
3	1314754GT	KIT, JOYSTICK, HANDLE HALVES AND SCREWS	

Go to Discount-Equipment.com to order your parts



501.1 Hydraulic Components

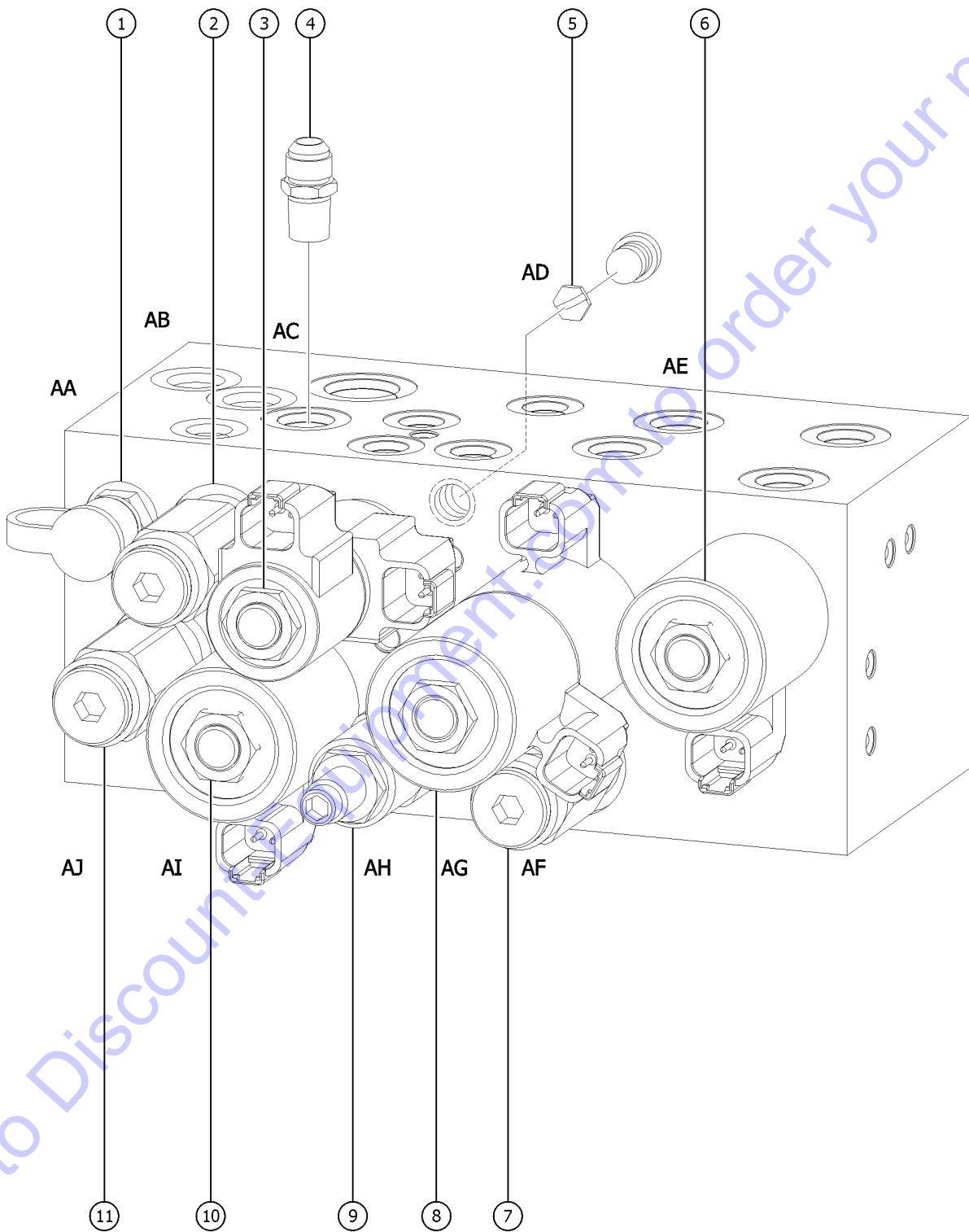


Go to Discount-Equipment.com to order your parts

Item	Part No.	Description	Qty.
1		Ref: Upper Lift Cylinder (refer to 505.1)	
2		Ref: Lower Lift Cylinder (refer to 505.1)	
3		Ref: Brake Release Hand Pump (refer to 503.1)	
4	T108664GT	BRAKE, HYDRAULIC, 15KIP-IN	2
5	78622GT	FILTER ASSY, SAE8, 10 MIC, PAPER**	1
5-	44207GT	FILTER ELEMENT, BETA(10)=200	
5-	44788GT	FILTER ELEMENT-10MICRON, PAPER*	
6		Ref: Check Valve (refer to 502.1)	
7		Ref: Accumulator (refer to 211.1)	
8		Ref: Lift Pressure Select Manifold (refer to 211.1)	
9	T108663GT	DRIVE MOTOR, 22.9CI/REV	2
9-	96419GT	SEAL KIT, RC SERIES DR MOTOR*** (for PN T108663)	
9-	44780GT	NUT, CASTLE, 1.125-18 UNEF	
10	105547GT	CYLINDER, GS/GR STEER***	1
10-	105550GT	KIT, STEER CYL SEAL	
11		Ref: Function Manifold (refer to 502.1)	

Go to Discount-Equipment.com to order your parts

502.1 Function Manifold

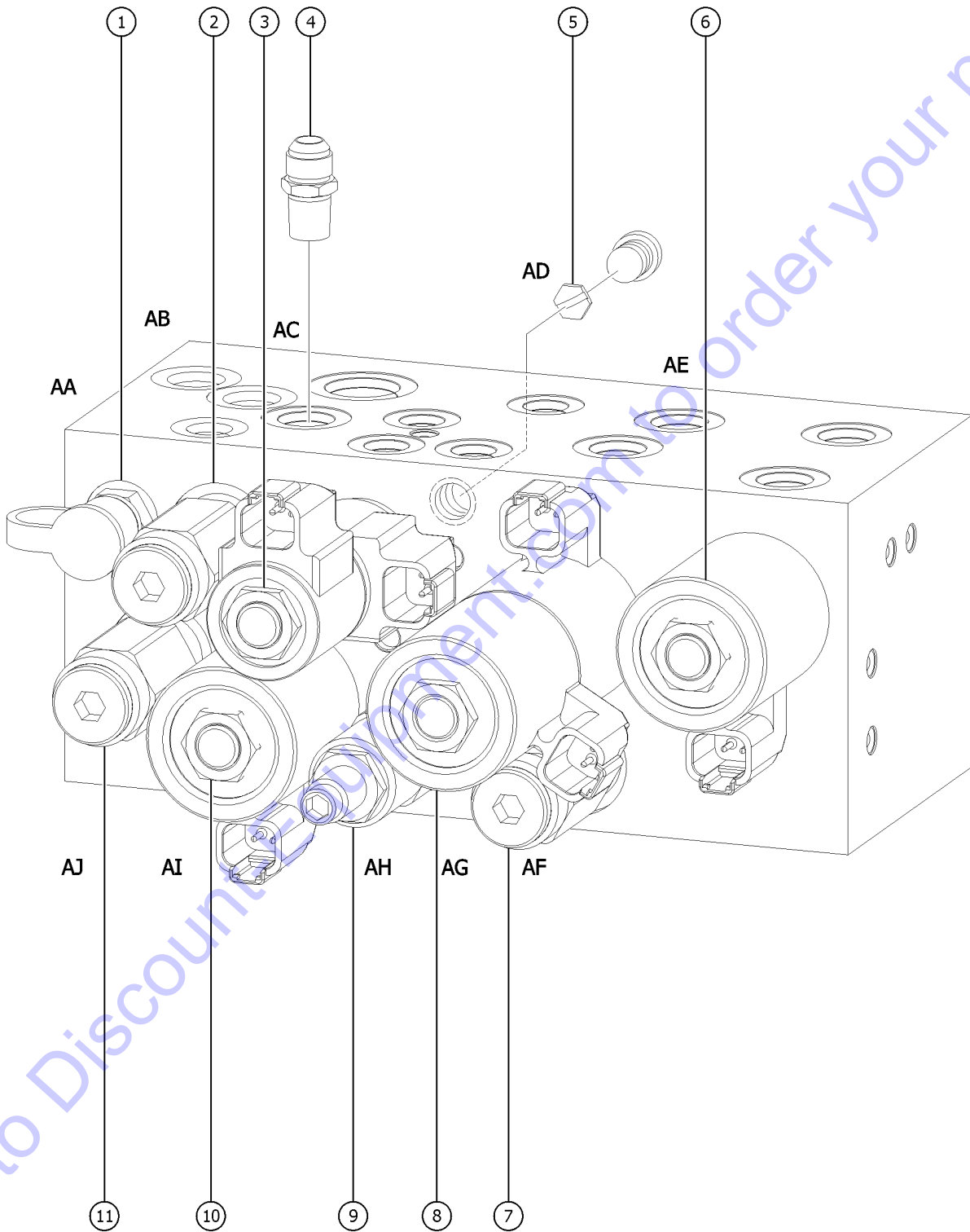


Go to DiscountEquipment.com to order your parts

Item	Part No.	Description	Qty.
A	150105GT	MANIFOLD,FUNCTION,2 SPEED (does not include check valve, item 4)	
B	49612GT	O-RING KIT (ORFS FITTINGS)	
C	49613GT	PLUG AND CAP KIT-SERVICE,ORFS*	
1	48997GT	NIPPLE,DIAGNOSTIC,#4 (AA, Testing)	
1-	20224GT	DIAGNOSTIC FEMALE Q-DSCNT	
1-	48880GT	CAP,DIAGNOSTIC NIPPLE	
2	1299590GT	VALVE, FUNCTION MANIFOLD RELIEF, 3700PSI (AB, System relief)	
2-	44226GT	SEAL KIT-FOR P.N.44167	
2B	1299590GT	VALVE, FUNCTION MANIFOLD RELIEF, 3700PSI	
3	44168GT	VALVE,SOLENOID,3POS 4WAY (AC, Steer left/right)	
3-	44174GT	NUT-COIL SHORT (sold separately)	
3-	44229GT	SEAL KIT, VALVE	
3-	44236GT	SPACER-DUAL COIL,#8*** (sold separately)	
3-	77709GT	COIL,#8 20VDC,DEUTSCH W/DIODE (sold separately)	
4	237086GT	HOSE,UPPER VENT (sold separately)	
5	84386GT	CHECK DISK, NO SPRING (AD, Steer circuit)	
6	44171GT	VALVE-SOLENOID,2POS 4WAY** (AE, Drive speed select circuit)	
6-	44175GT	SPACER-DUAL COIL,#10, SCISSORS (sold separately)	
6-	44230GT	SEAL KIT-P.N.44169,44172,44171	
6-	84385GT	COIL,20VDC DEUTCSH W/DIODE (sold separately)	
7	97409GT	VALVE,DIFF.AREA RELIEF,50PSI (AF, Brake release)	
8	150104GT	VALVE, DYN. BRAKING, GS32/46	
8-	44175GT	SPACER-DUAL COIL,#10, SCISSORS (sold separately)	
8-	84385GT	COIL,20VDC DEUTCSH W/DIODE (sold separately)	
9	84384GT	PRTY,FLOW CNTRL VALVE,.75 GPM (AH, Steer circuit)	
9-	1261888GT	SEAL KIT (84384) for 84384	
9-	44230GT	SEAL KIT-P.N.44169,44172,44171	
10	44169GT	VALVE-SOLENOID, 2POS 4 WAY (AI, Platform up)	



502.1 Function Manifold



Go to DiscountEquipment.com to order your parts

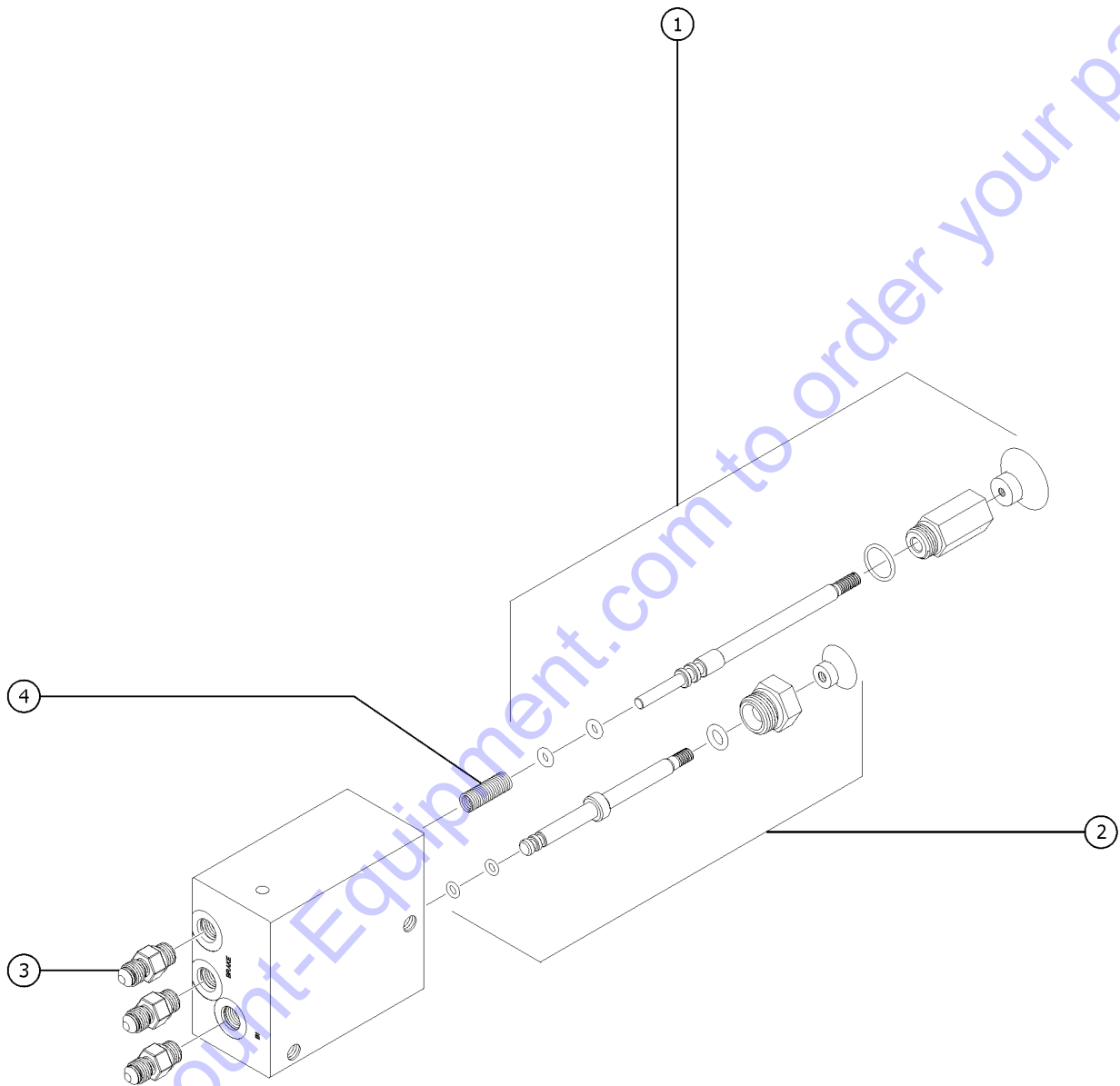
502.1 Function Manifold

Item	Part No.	Description	Qty.
10-	44175GT	SPACER-DUAL COIL,#10, SCISSORS (sold separately)	
10-	44230GT	SEAL KIT-P.N.44169,44172,44171	
10-	84385GT	COIL,20VDC DEUTCSH W/DIODE (sold separately)	
11	1299590GT	VALVE, FUNCTION MANIFOLD RELIEF, 3700PSI (AJ, Lift relief)	
11-	44226GT	SEAL KIT-FOR P.N.44167	
11B	1299590GT	VALVE, FUNCTION MANIFOLD RELIEF, 3700PSI	

Go to Discount-Equipment.com to order your parts



503.1 Brake Release Hand Pump Manifold



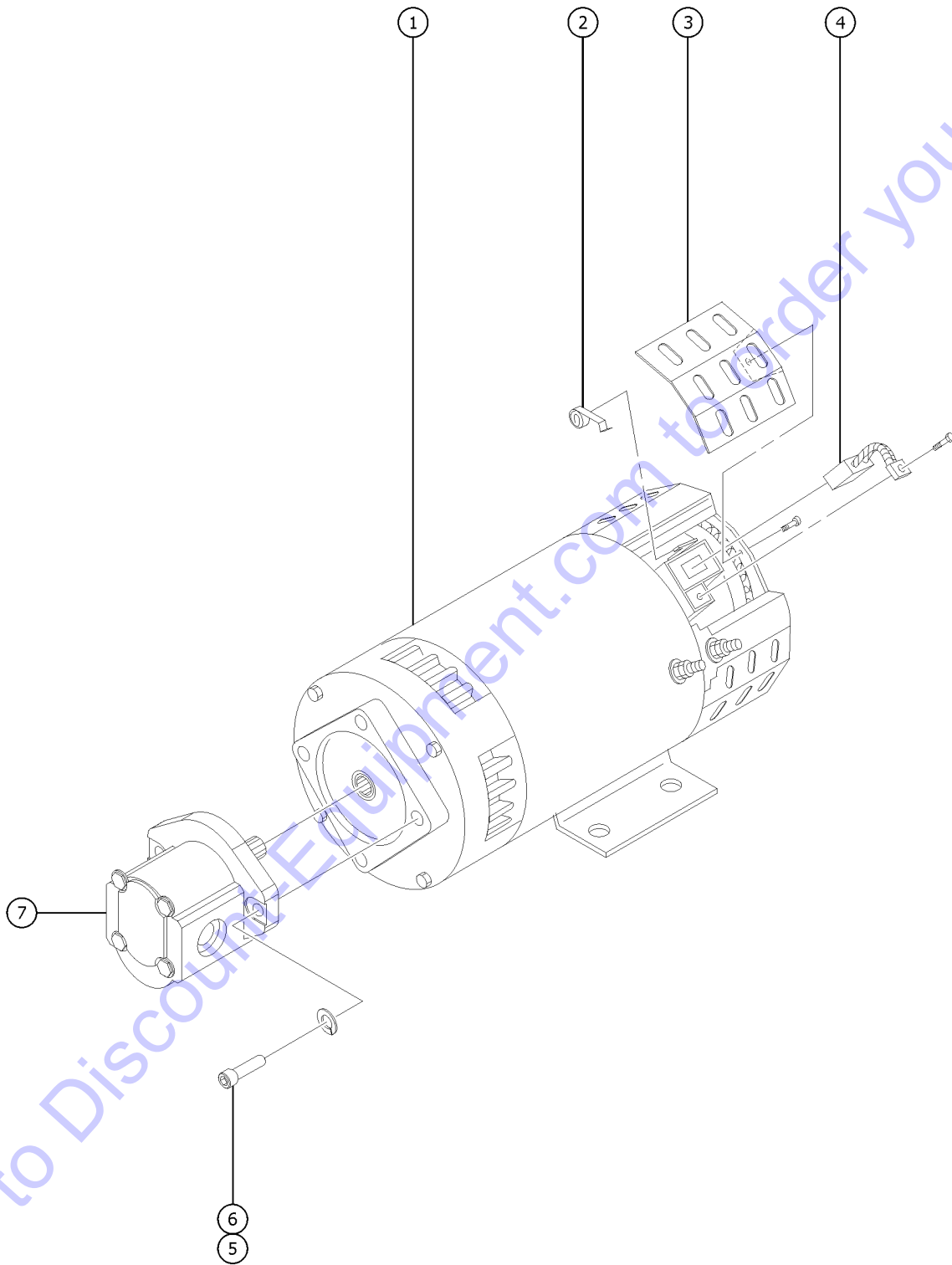
503.1 Brake Release Hand Pump Manifold

Item	Part No.	Description	Qty.
	105067GT	MANIFOLD,BRAKE RELEASE (includes items 1, 2 and 4)	
1	84739GT	VALVE,HAND PUMP ASSEMBLY***	1
1-	84740GT	SEAL KIT,HAND PUMP***	
1-	84742GT	KNOB,HAND PUMP (RED)***	
2	84743GT	VALVE,PILOT OPERATED ASSEMBLY*	1
2-	84740GT	SEAL KIT,HAND PUMP***	
2-	84746GT	KNOB,PILOT OP VALVE (BLACK)***	
3		Ref: Connector (refer to 506.1)	3
4	84748GT	SPRING,HAND PUMP ROD	1

Go to Discount-Equipment.com to order your parts



504.1 Hydraulic Power Unit

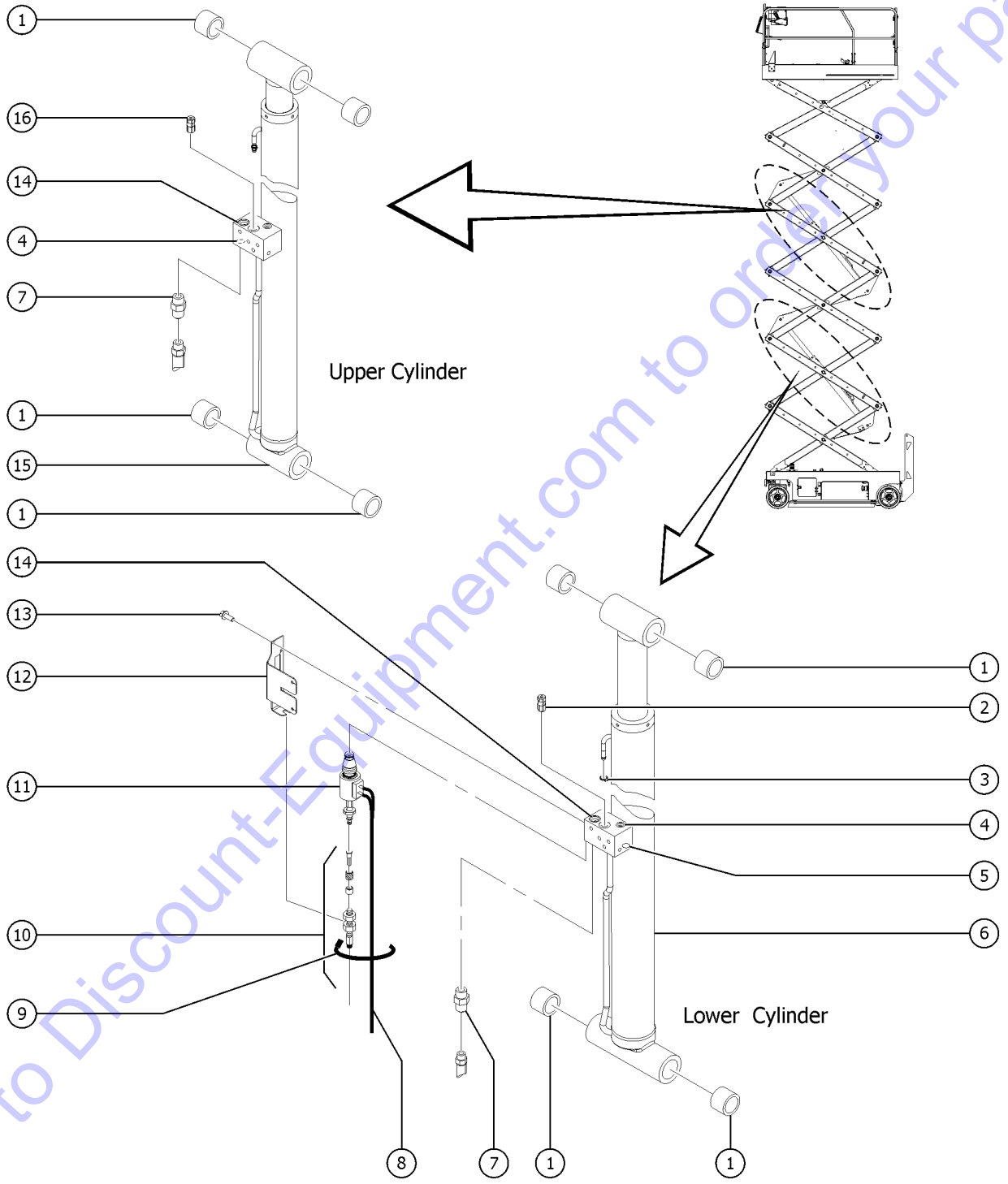


Go to DiscountEquipment.com to order your parts

Item	Part No.	Description	Qty.
1	40844GT	MOTOR,ELECTRIC,24VDC 4.5HP US part number	1
1A-	43685GT	SEAL KIT,LIFT PUMP,BARNES**	
1A-	44777GT	BEARING,MOTOR	
1A-	44778GT	BEARING,MOTOR,36843,BRUSH END*	
1B	1256517GT	MOTOR,DC24V,3.3KW,JIANGSU XINYU China part number	1
1B-	1309762GT	SPRING-BRUSH,1256517,SCISSORS	
1B-	1309763GT	COVER-BRUSH INSPEC,1256517,SCISSORS	
1B-	1309764GT	BRUSH PWR,UNIT(1256517)	
2	44750GT	SPRING-BRUSH,40844, SCISSORS	
3	44752GT	COVER-BRUSH INSPEC.40844,SCISS	4
4	44751GT	BRUSH,PWR UNIT (40844)**	4
5	824100GT	SCREW,SHC,3/8-24X1.25,A574,ZAG	4
6	824110GT	WASHER, LOCK, 3/8, ZAG	4
7	T108662GT	PUMP,5.6CC GEAR,CCW US part number	1
7-	236837GT	SEAL KIT,PUMP,5.6CC GEAR For Bosch PN 9510290037	
7B	1275607GT	PUMP,6.0CC GEAR,CCW,GS47 China part number; to SN GS47D-10095	1
7C	1291760GT	PUMP,HYDRAULIC,5.6CC,CCW China part number; from SN GS47D-10096	1
7C-	233568GT	SEAL KIT,PUMP,GRH,(231572GT) for GRH PN 2ABPF-TLT; from SN GS47D-10096	

Go to Discount-Equipment.com to order your parts

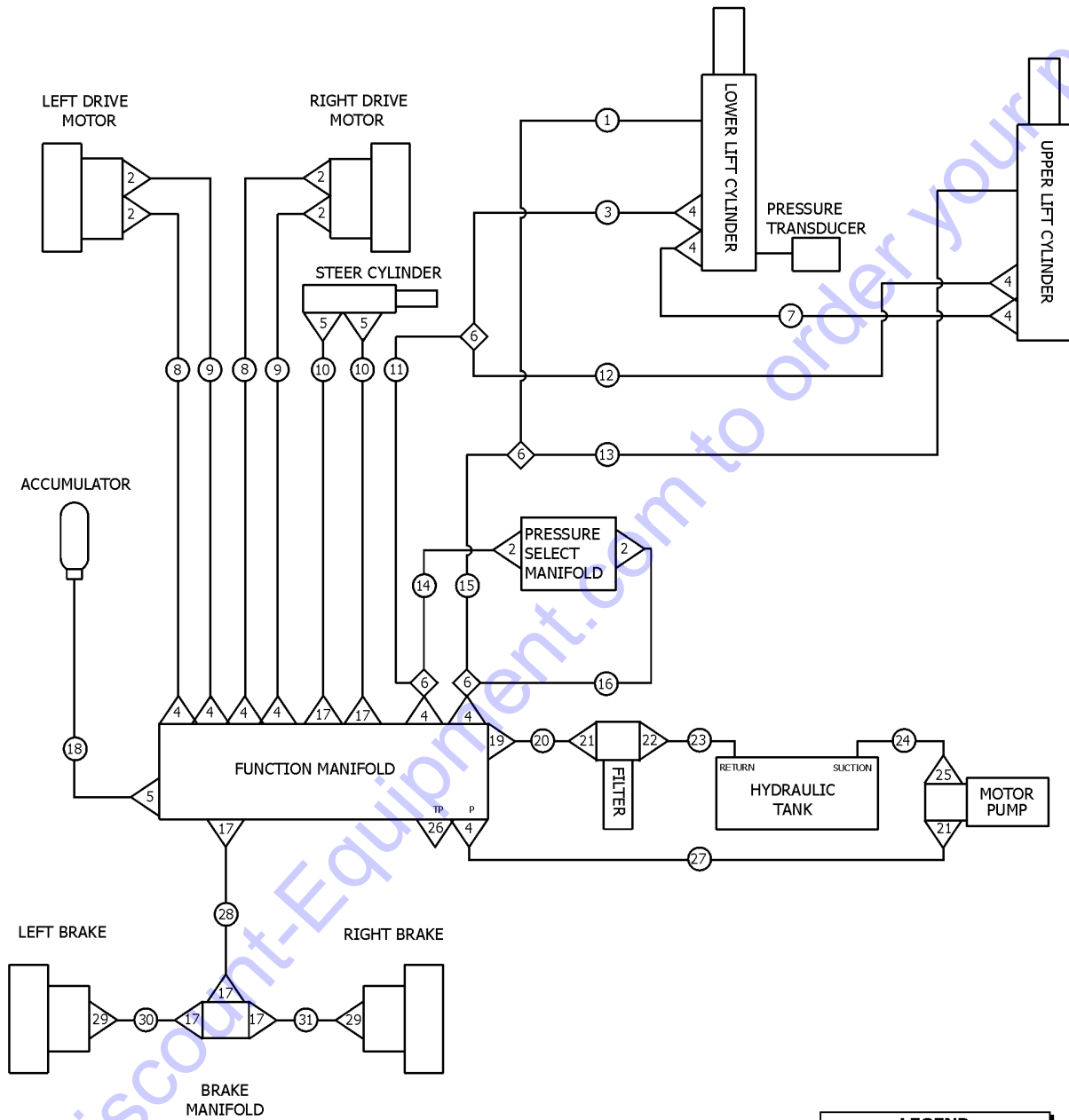
505.1 Lift Cylinder Assemblies



Item	Part No.	Description	Qty.
1	30738GT	BEARING,1.50IDX2.00ODX1.50LG US part number	8
1B	66055GT	BEARING,1.50IDX1.77ODX1.25L China part number	8
2	214817GT	ORIFICE, LONG, .076"	1
3	96770GT	CLAMP, HOSE, 1 EAR, 11/16	1
4	52368GT	VALVE,CHECK,GS68 (SIZE8 8)	2
5	1295821GT	PRESSURE TRANSDUCER, 1-3K PSI	1
6	1264781GT	LOWER CYL,4047 LIFT,3.5" BORE,	1
6-	1282019GT	SEAL KIT,LOWER CYLINDER,4047 LIFT for 1264781	
7	39878GT	CONNECTOR, 070120-6-6 (two per cylinder)	4
8		Ref. Down Coil Wire Harness (Refer to 210.1)	
9	28443GT	CABLE TIE, 11.5" BLACK	3
10		Ref. Emergency Down Cable (Refer to 203.1)	
11	229615GT	VALVE, PROPORTIONAL, SP08-20 (includes p/n 44973)	1
12	41557-SGT	CABLE BRACKET,PAINTED US part number	1
12B	132013GT	FORMING,VERTICAL CABLE COVER China part number	1
13	824077GT	SCREW,HHF,1/4-20X.5,8,ZAG	2
14	237455GT	VALVE,RELIEF,2900 PSI,BOSCH US part number; (one per cylinder)	2
14B		VALVE,RELIEF,SIZE 8,3500 PSI China part number; (one per cylinder) (No Longer Available, Order 14C)	2
14C	1299588GT	VALVE, 4047 CYLINDER RELIEF	2
15	1264780GT	UPPER CYL,4047 LIFT,3" BORE,DO	1
15-	1282018GT	SEAL KIT,UPPER CYLINDER,4047 LIFT for 1264780	
16	55560GT	ORIFICE,LONG, .059"	1

Go to DiscountElement.com to order your parts

506.1 Hydraulic Hoses and Fittings



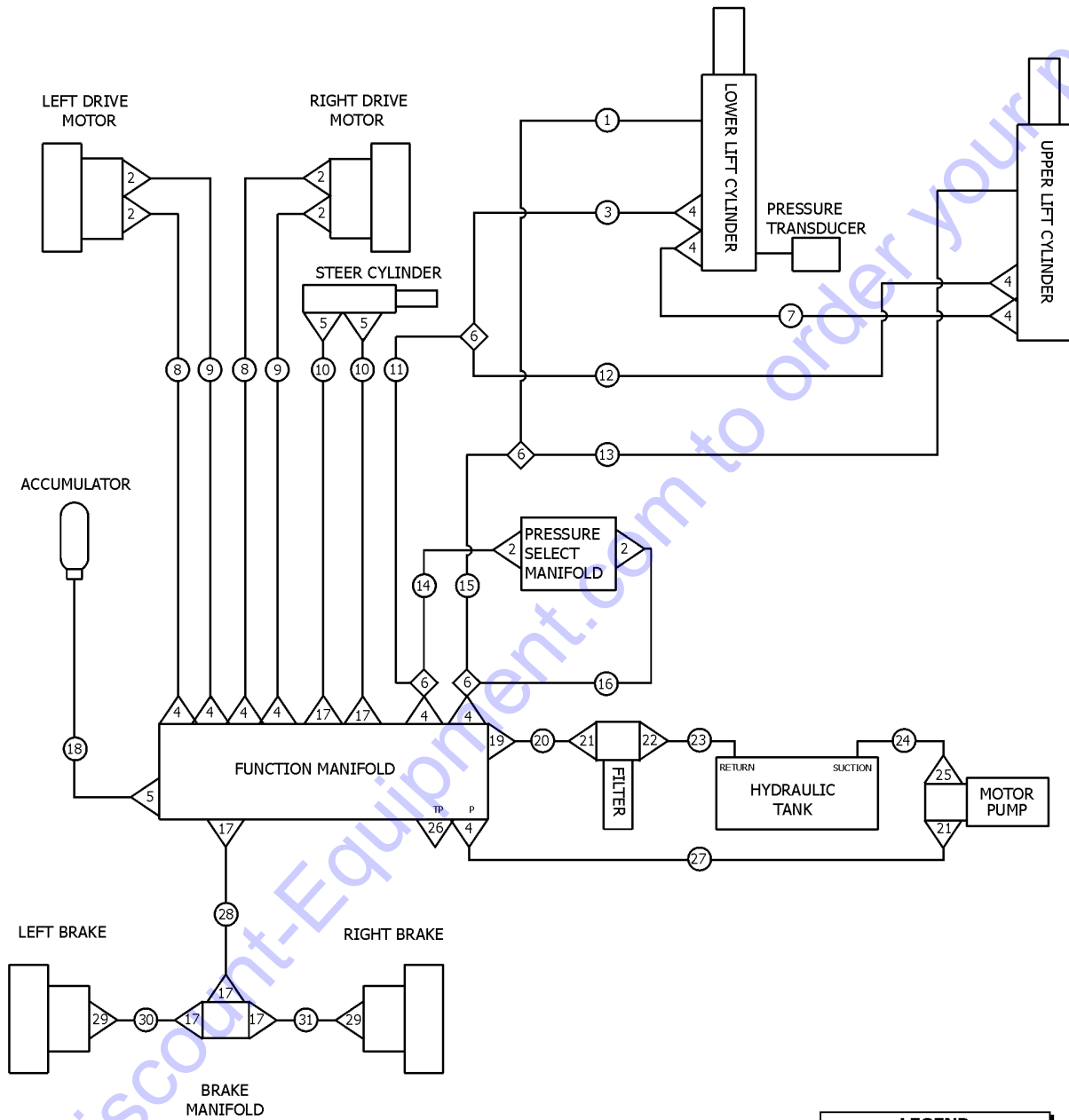
LEGEND	
	ADAPTER
	HOSE ASSEMBLY
	UNION

506.1 Hydraulic Hoses and Fittings

Item	Part No.	Description	Qty.
		The hose lengths below reflect the length of the hose only. Refer to the 'Fittings Cross Reference' to match Genie part numbers to Parker part numbers.	
	216276GT	WIRE LOOM, BLACK SPIRAL, 1.10"	98
1	96882GT	HOSE, LOWER VENT China part number; (Components: 75631 @ 161 inches)	1
1B	1259085GT	HOSE, LOWER VENT RYCO China part number	1
2	39873GT	ELBOW, 07022-6-6	6
3	105046GT	HOSE ASSY, LOWER LIFT (Components: 39890, 47223, and 56776 @ 127 inches)	1
4	39878GT	CONNECTOR, 070120-6-6	11
5	13921GT	ELBOW, 070220-4-4	3
6	51152GT	TEE, RUN 070432-6****	4
7	1260603GT	HOSE, ASSY, CYL TO CYL (Components: 39890, 39890, and 56776 @ 336 inches)	1
8	105801GT	HOSE ASSY, DRIVE MOTORS, GS46 (Components: 39890, 39890, and 56776 @ 60 inches)	2
9	105580GT	HOSE ASSY, DRIVE MOTORS, GS46 (Components: 39890, 39890, and 56776 @ 64 inches)	2
10	105578GT	HOSE, ASSY STEER, GS32/46 US part number; (Components: 78855, 78855, and 78852 @ 36 inches)	2
10B	1259062GT	HOSE, ASSY STEER, GS32/46 RYCO China part number; (Components: 78855, 78855, and 78852 @ 36 inches)	2
11	96750GT	HOSE, ASSY, LIFT US part number; (Components: 39890, 39890, and 56776 @ 42 inches)	1
11B	1259083GT	HOSE, ASSY, LIFT RYCO China part number	1
12	1260604GT	HOSE, ASSY, UPPER LIFT (Components: 39890, 39891, and 56776 @ 342 inches)	1
13	1260605GT	HOSE, VENT, UPPER (Components: 105045 and 75631 @ 372 inches)	1
14	215749GT	HOSE, ASSY, PRESS SELECTOR, PRESS US part number; (Components: 39890, 39890, and 56776 @ 17 inches)	1
14B	1259066GT	HOSE, ASSY, PRESS SELECTOR, PRESS RYCO China part number; (Components: 39890, 39890, and 56776 @ 17 inches)	1
15	96881GT	HOSE, LOWER VENT US part number; (Components: 96406, 96407, and 75631 @ 42 inches)	1
15B	1259084GT	HOSE, ASSY, VENT RYCO China part number; (Components: 96406, 96407, and 75631 @ 42 inches)	1
16	236917GT	HOSE, ASSY, PRESSURE SELECTOR Components: 96406, 105045, and 75631 @ 18 inches)	1
17	39877GT	CONNECTOR, 070120-4-4	6
18	105246GT	HOSE ASSY, MAN/ACCUM, GS32/46 US part number; (Components: 78855, 78855, and 78852 @ 17 inches)	1
18B	1259060GT	HOSE ASSY, MAN/ACCUM, GS32/46 China part number; (Components: 78855, 78855, and 78852 @ 17 inches)	1
19	66389GT	CONN, 070120-8-6	1
20	236914GT	HOSE, ASSY, MAN TO FILTER US part number; (Components: 96406, 96406, and 75631 @ 55 inches)	1



506.1 Hydraulic Hoses and Fittings



LEGEND	
	ADAPTER
	HOSE ASSEMBLY
	UNION

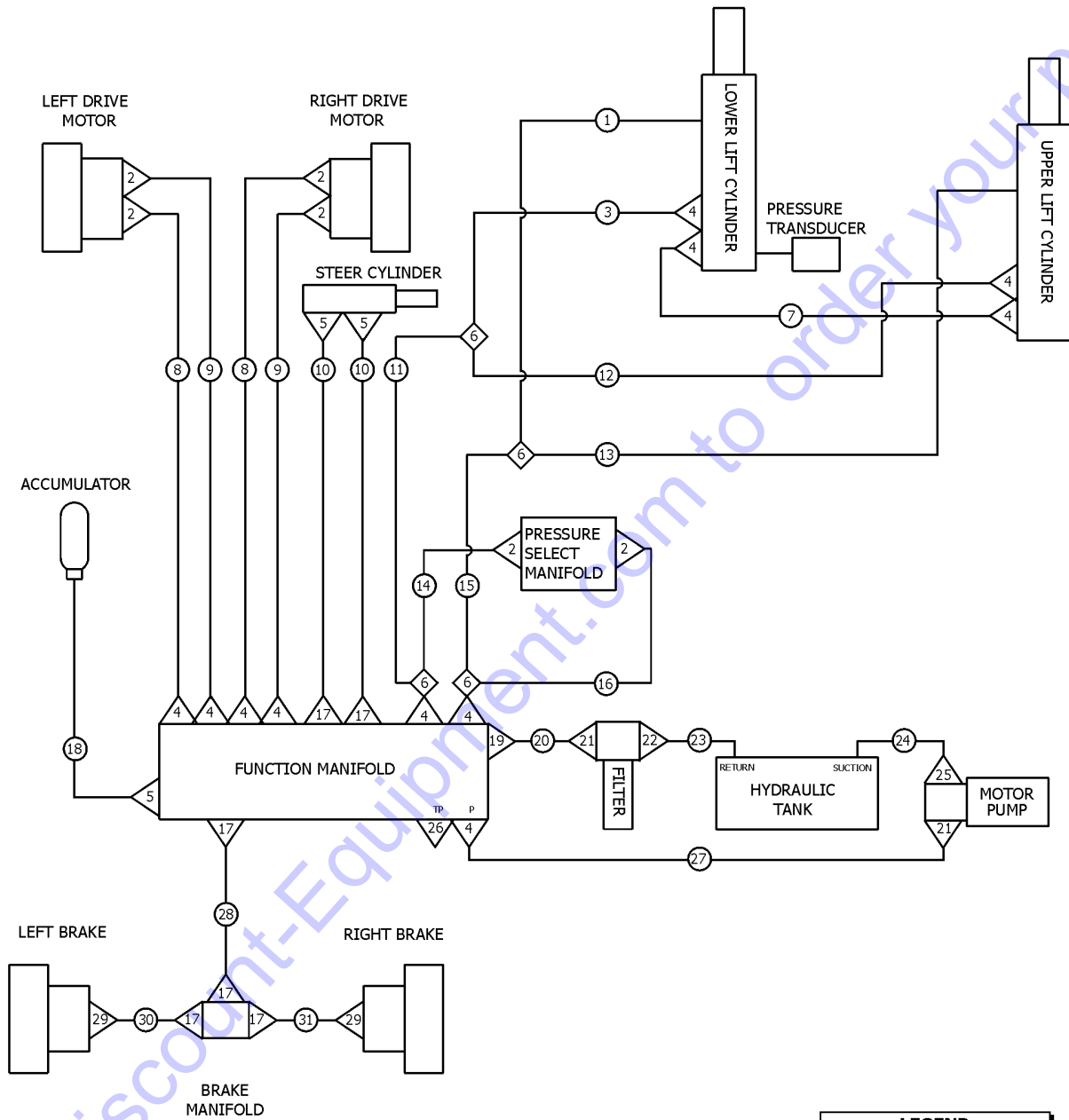
506.1 Hydraulic Hoses and Fittings

Item	Part No.	Description	Qty.
20B	1259068GT	HOSE,ASSY,MAN TO FILTER RYCO China part number; (Components: 96406, 96406, and 75631 @ 55 inches)	1
21	39876GT	ELBOW,070220-6-8	2
22	96398GT	CONNECTOR, 070120-12-8	1
23	228339GT	ASSEMBLY,TANK RETURN,TUBE	1
24	96354GT	TUBE, ASSY, DRAW	1
25	22664GT	ELBOW,070220-12-10	1
26	48997GT	NIPPLE,DIAGNOSTIC,#4	1
27	105801GT	HOSE ASSY,DRIVE MOTORS,GS46 US part number	1
27B	1259067GT	HOSE,ASSY,PRESSURE RYCO China part number	1
28	105577GT	HOSE,ASSY,BRAKE,GS46 (Components: 78855, 78855, and 78852 @ 65 inches)	1
29	45351GT	ELBOW, 070320-4-4	2
30	105803GT	HOSE,ASSY, BRAKE MAN,GS46 US part number; (Components: 78855, 78855, and 78852 @ 22 inches)	1
30B	1259082GT	HOSE, ASSY, BRAKE MAN, GS46 China part number	1
31	96749GT	HOSE, ASSY, BRAKE MAN, GS46 US part number; (Components: 78855, 78855, and 78852 @ 20 inches)	1
31B	1259065GT	HOSE,ASSY, BRAKE MAN,GS46 China part number	1

Go to Discount-Equipment.com to order your parts



506.2 Hydraulic Hoses and Fittings (Parker Hose Option)



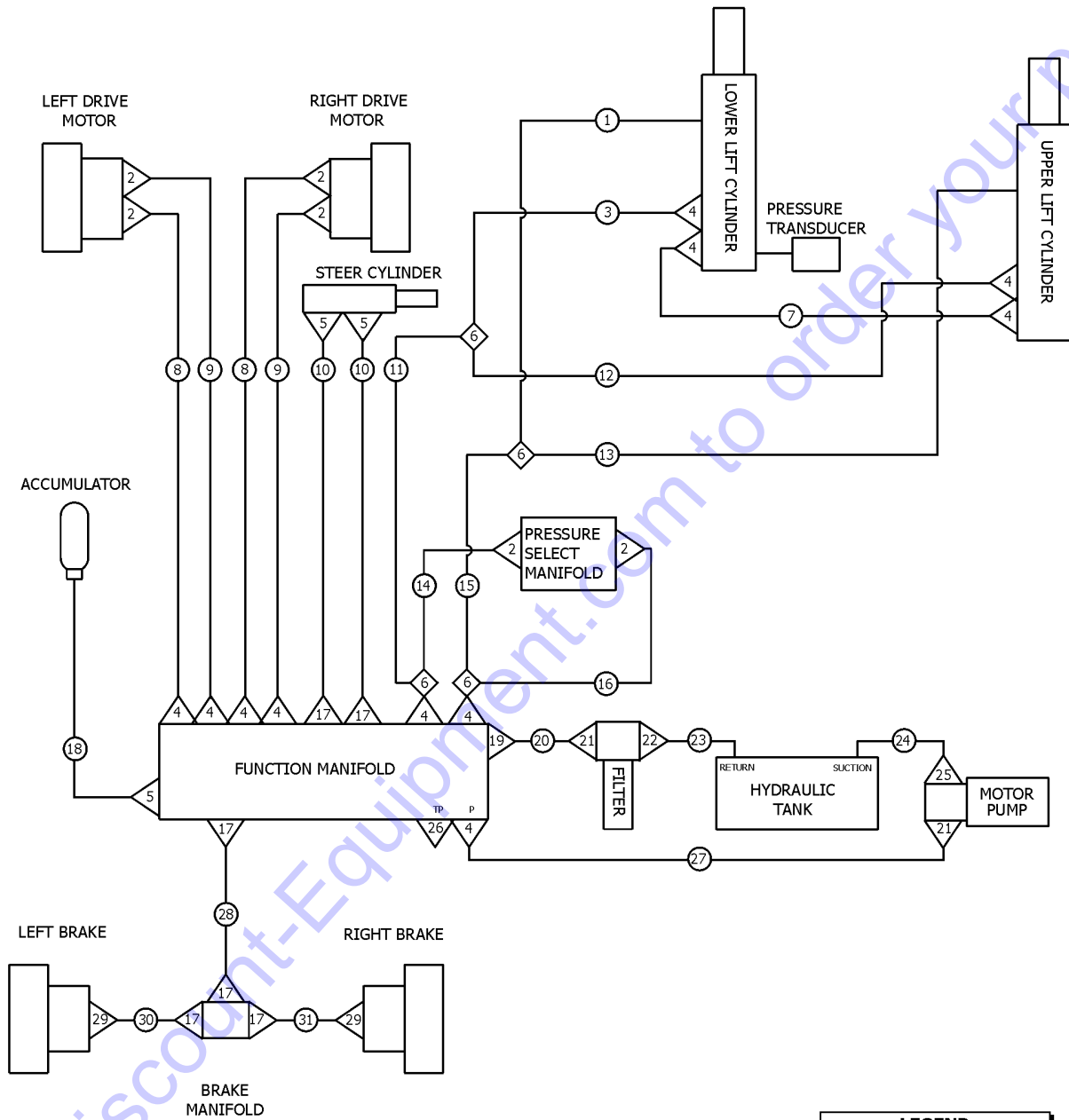
LEGEND	
	ADAPTER
	HOSE ASSEMBLY
	UNION

506.2 Hydraulic Hoses and Fittings (Parker Hose Option)

Item	Part No.	Description	Qty.
--		The hose lengths below reflect the length of the hose only. Refer to the 'Fittings Cross Reference' to match Genie part numbers to Parker part numbers.	
--	216276GT	WIRE LOOM, BLACK SPIRAL, 1.10"	98
1	96882GT	HOSE, LOWER VENT (Components: 75631 @ 161 inches)	1
2	39873GT	ELBOW, 07022-6-6	6
3	105046GT	HOSE ASSY, LOWER LIFT (Components: 39890, 47223, and 56776 @ 127 inches)	1
4	39878GT	CONNECTOR, 070120-6-6	11
5	13921GT	ELBOW, 070220-4-4	3
6	51152GT	TEE, RUN 070432-6*****	4
7	1260603GT	HOSE, ASSY, CYL TO CYL (Components: 39890, 39890, and 56776 @ 340 inches)	1
8	105801GT	HOSE ASSY, DRIVE MOTORS, GS46 (Components: 39890, 39890, and 56776 @ 60 inches)	2
9	105580GT	HOSE ASSY, DRIVE MOTORS, GS46 (Components: 39890, 39890, and 56776 @ 64 inches)	2
10	105578GT	HOSE, ASSY STEER, GS32/46 (Components: 78855, 78855, and 78852 @ 36 inches)	2
11	96750GT	HOSE, ASSY, LIFT (Components: 39890, 39890, and 56776 @ 42 inches)	1
12	1260604GT	HOSE, ASSY, UPPER LIFT (Components: 39890, 39891, and 56776 @ 344 inches)	1
13	1260605GT	HOSE, VENT, UPPER (Components: 105045 and 75631 @ 372 inches)	1
14	215749GT	HOSE, ASSY, PRESS SELECTOR, PRESS (Components: 39890, 39890, and 56776 @ 18 inches)	1
15	96881GT	HOSE, LOWER VENT (Components: 96406, 96407, and 75631 @ 42 inches)	1
16	236917GT	HOSE, ASSY, PRESSURE SELECTOR (Components: 96406, 105045, and 75631 @ 18 inches)	1
17	39877GT	CONNECTOR, 070120-4-4	6
18	105246GT	HOSE ASSY, MAN/ACCUM, GS32/46 (Components: 78855, 78855, and 78852 @ 17 inches)	1
19	66389GT	CONN, 070120-8-6	1
20	236914GT	HOSE, ASSY, MAN TO FILTER (Components: 96406, 96406, and 75631 @ 55 inches)	1
21	39876GT	ELBOW, 070220-6-8	2
22	96398GT	CONNECTOR, 070120-12-8	1
23	228339GT	ASSEMBLY, TANK RETURN, TUBE	1
24	96354GT	TUBE, ASSY, DRAW	1
25	22664GT	ELBOW, 070220-12-10	1



506.2 Hydraulic Hoses and Fittings (Parker Hose Option)



LEGEND	
	ADAPTER
	HOSE ASSEMBLY
	UNION

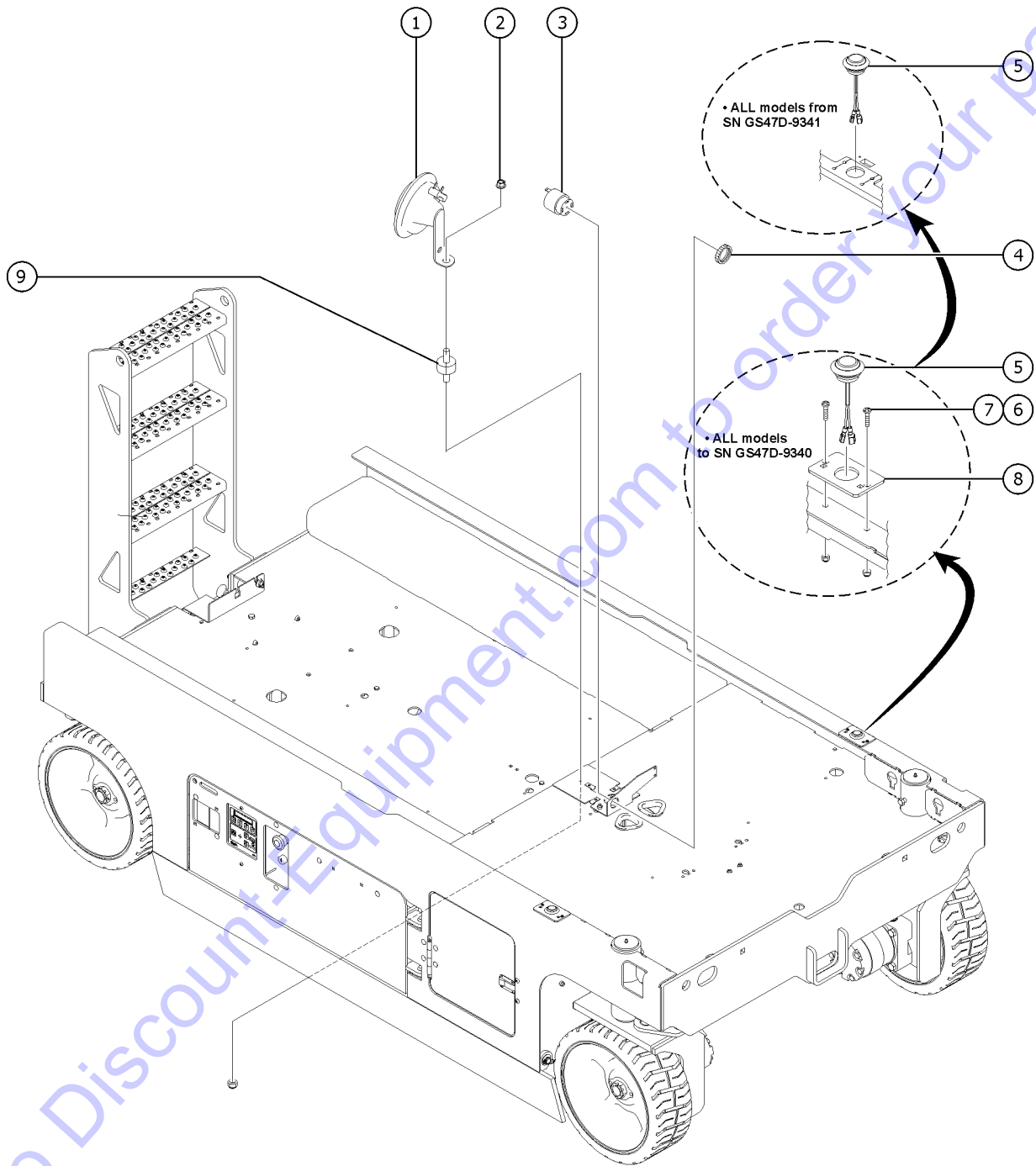
506.2 Hydraulic Hoses and Fittings (Parker Hose Option)

Item	Part No.	Description	Qty.
26	48997GT	NIPPLE,DIAGNOSTIC,#4	1
27	236913GT	HOSE,ASSY,PRESSURE (Components: 39890, 39890, and 56776 @ 60 inches)	1
28	105577GT	HOSE,ASSY,BRAKE,GS46 (Components: 78855, 78855, and 78852 @ 65 inches)	1
29	45351GT	ELBOW, 070320-4-4	2
30	105803GT	HOSE,ASSY, BRAKE MAN,GS46 (Components: 78855, 78855, and 78852 @ 22 inches)	1
31	96749GT	HOSE, ASSY, BRAKE MAN, GS46 (Components: 78855, 78855, and 78852 @ 20 inches)	1

Go to Discount-Equipment.com to order your parts



601.1 Alarm, Horn and Flashing Beacons



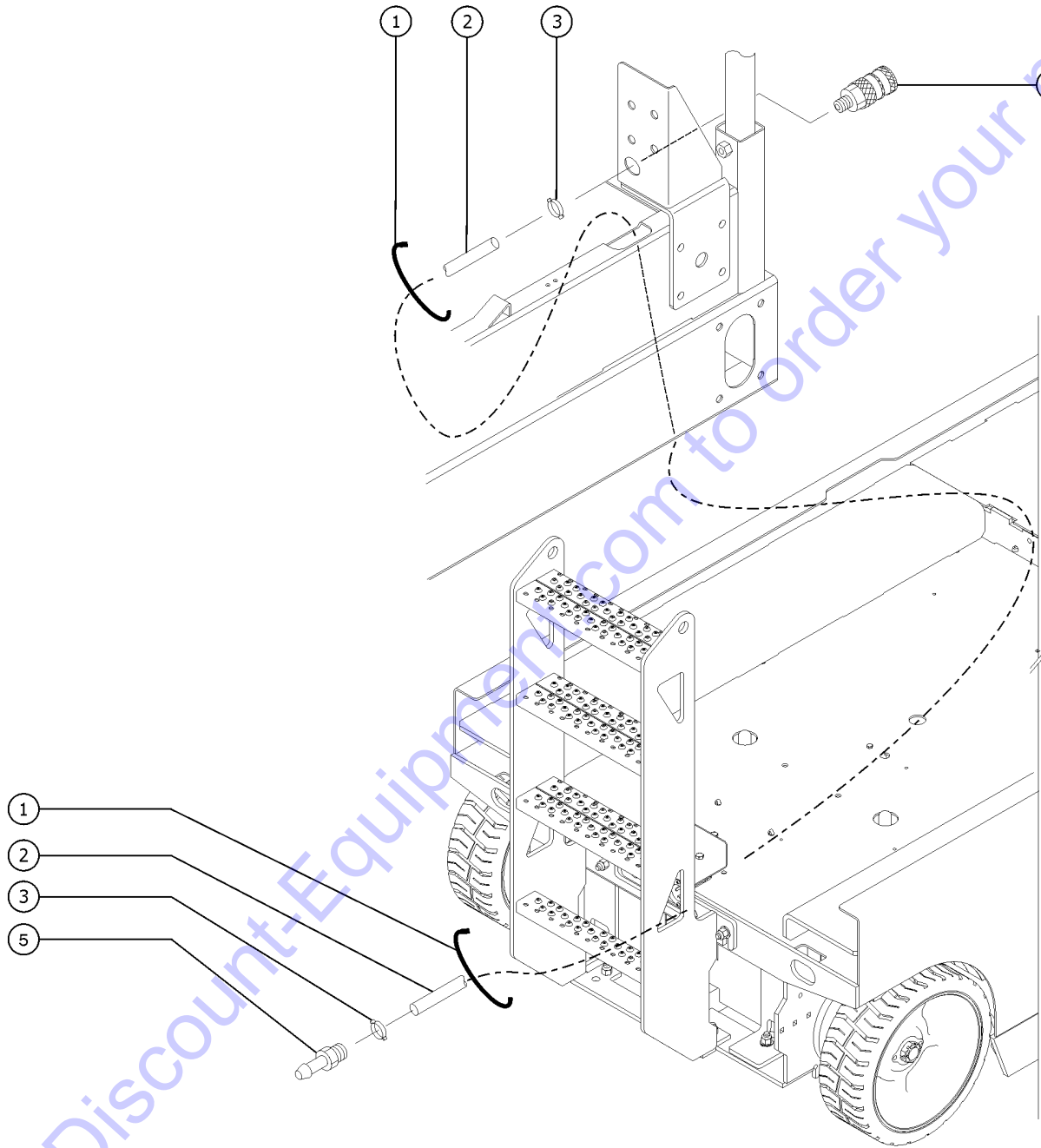
601.1 Alarm, Horn and Flashing Beacons

Item	Part No.	Description	Qty.
A	1260386GT	VISUAL ALARM SUPPLEMENT	
1	81579GT	HORN, 24VDC, SPADE TERMINALS***	1
2	6091GT	NUT,NYLOCK,1/4-20	
2B	824028GT	NUT,TL FLG,5/16-18,G,ZAG	
3	39540GT	ALARM,STEADY TONE*** Does not include 72326 nut	1
4	72326GT	NUT - PLASTIC,RING FOR ALARMS	1
5	1261183GT	ASSEMBLY,VISUAL IND LIGHT	2
5-	1254572GT	LIGHT,TURN SIGNAL,1.25" LED,AM	
5-	1261526GT	HARNESS,VISUAL IND LIGHTS,MINI	
5B	1270162GT	ASSY,BEACON,LED 24V	2
5B-	1270662GT	HARNESS, BEACON, LED, LARGE	1
6	1255756GT	BOLT,CARRIAGE,1/4-20X1.5,5,ZAG to SN GS47D-9340	4
7	824027GT	NUT, TL FLG, 1/4-20, G, ZAG to SN GS47D-9340	4
8	1261778GT	PLATE,VISUAL ALARM MOUNT,METRIC to SN GS47D-9340	2
9	1275722GT	ISOLATOR,HORN,5/16-18 THRD	1

Go to Discount-Equipment.com to order your parts



602.1 Air Line to Platform



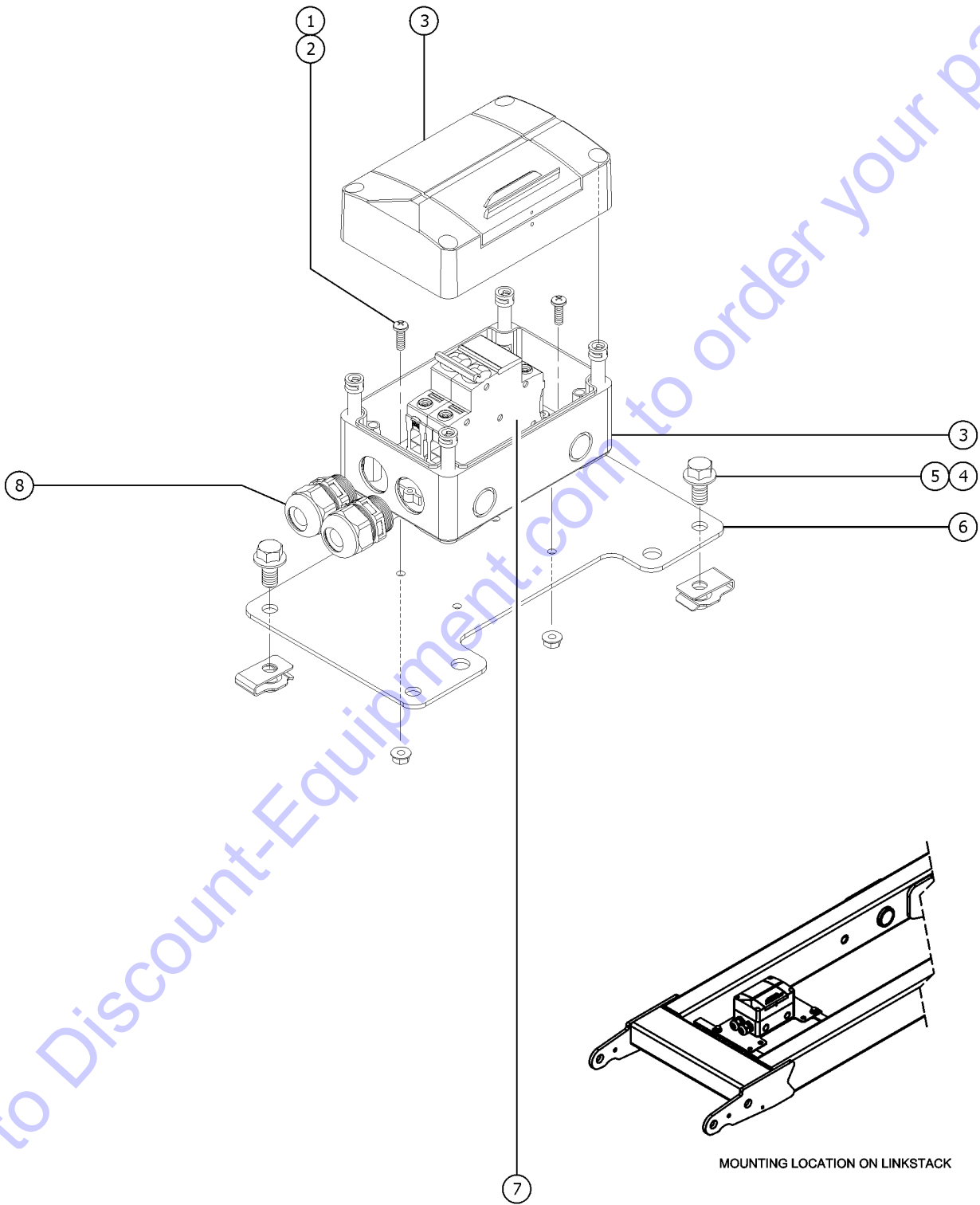
602.1 Air Line to Platform

Item	Part No.	Description	Qty.
1	28443GT	CABLE TIE, 11.5" BLACK	
2	27903GT	HOSE, LOW PRESSURE, .375 ID	700
2B	1281118GT	HOSE, AIR-PLAT, GS4047 (PLATFORM) hose assembly includes fittings (platform) (305 in)	1
2B-	105959GT	ELBOW,90,3/8"NPT,MALE	
2B-	105958GT	COUPLER,INTERFACE,RECTUS 25	1
2C	1281117GT	HOSE, AIR-PLAT, GS4047 (DRIVE CHASSIS) hose assembly includes fittings (chassis) (395 in)	1
2C-	1281119GT	FITTING, 3/8", BARB-BARB	
3	45454GT	CLAMP,0.75,#12 X 3/8,RUB CUSH*	1
4	96543GT	COUPLER,1/4"SERIES,3/8 P-LOK	1
5	96542GT	PLUG,1/4"SERIES,3/8 P-LOCK***	1

Go to Discount-Equipment.com to order your parts



603.1 RCBO



Go to Discount-Equipment.com to order your parts

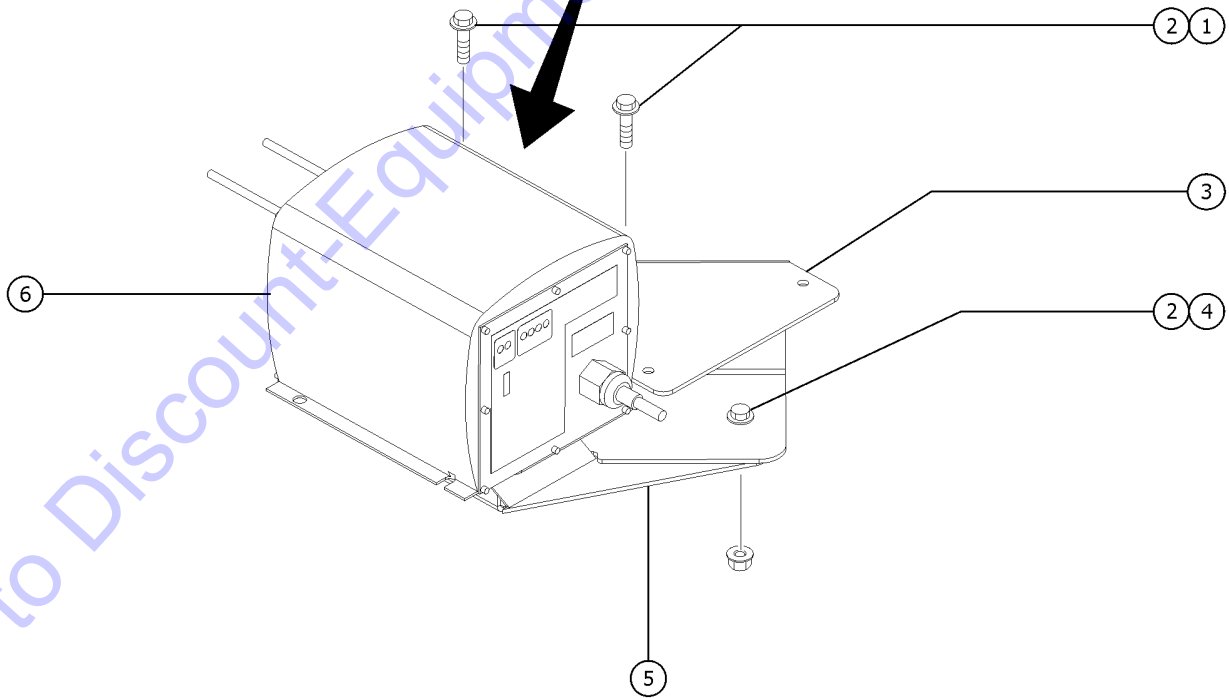
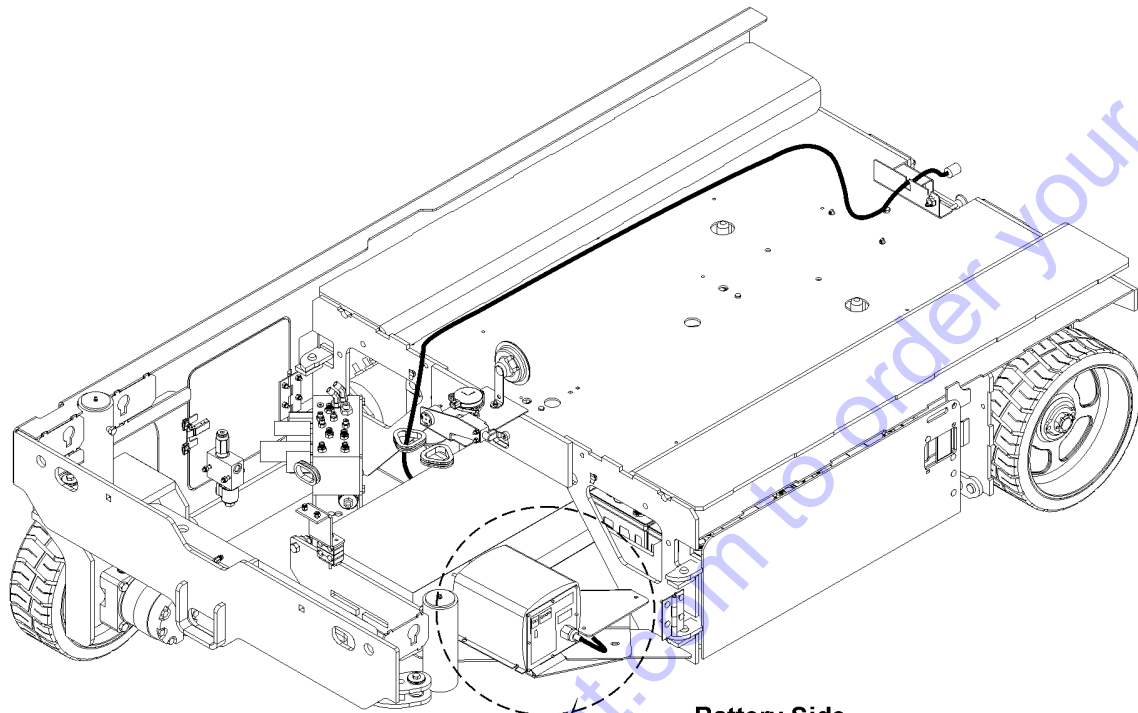
603.1 RCBO

Item	Part No.	Description	Qty.
1	1257227GT	SCREW,PHPM,10-32X.625,ZAG	2
2	1256467GT	NUT,TL FLG,10-24,F,ZAG	2
3	1269086GT	ENCLOSURE, FUSE, MODULAR, 100x150x96, IP65	1
4	824089GT	SCREW, HHF, 3/8-16 X .75, 8, ZAG	2
5	29868GT	SPRING CLIP,3/8-16,.05-.20X.73,ZAG	2
6	1274540GT	PLATE, RCBO, GS	1
7	231868GT	RCBO,16A,30MA,6KA 110/230VAC	1
8	1280947GT	GLAND ASSY,M25, 6-13MM	2
9	43956GT	WIRE CABLE, 14/GA/3 CON. TPE JKT* not shown	115
10	1262911GT	SLEEVE, CABLE-END, 14AWG, 2.5MM US part number; for 43956	6
10B	1280948GT	SLEEVE, CABLE-END, 16AWG, 1.5MM China part number; for 43956	6

Go to Discount-Equipment.com to order your parts



604.1 Voltage Inverter



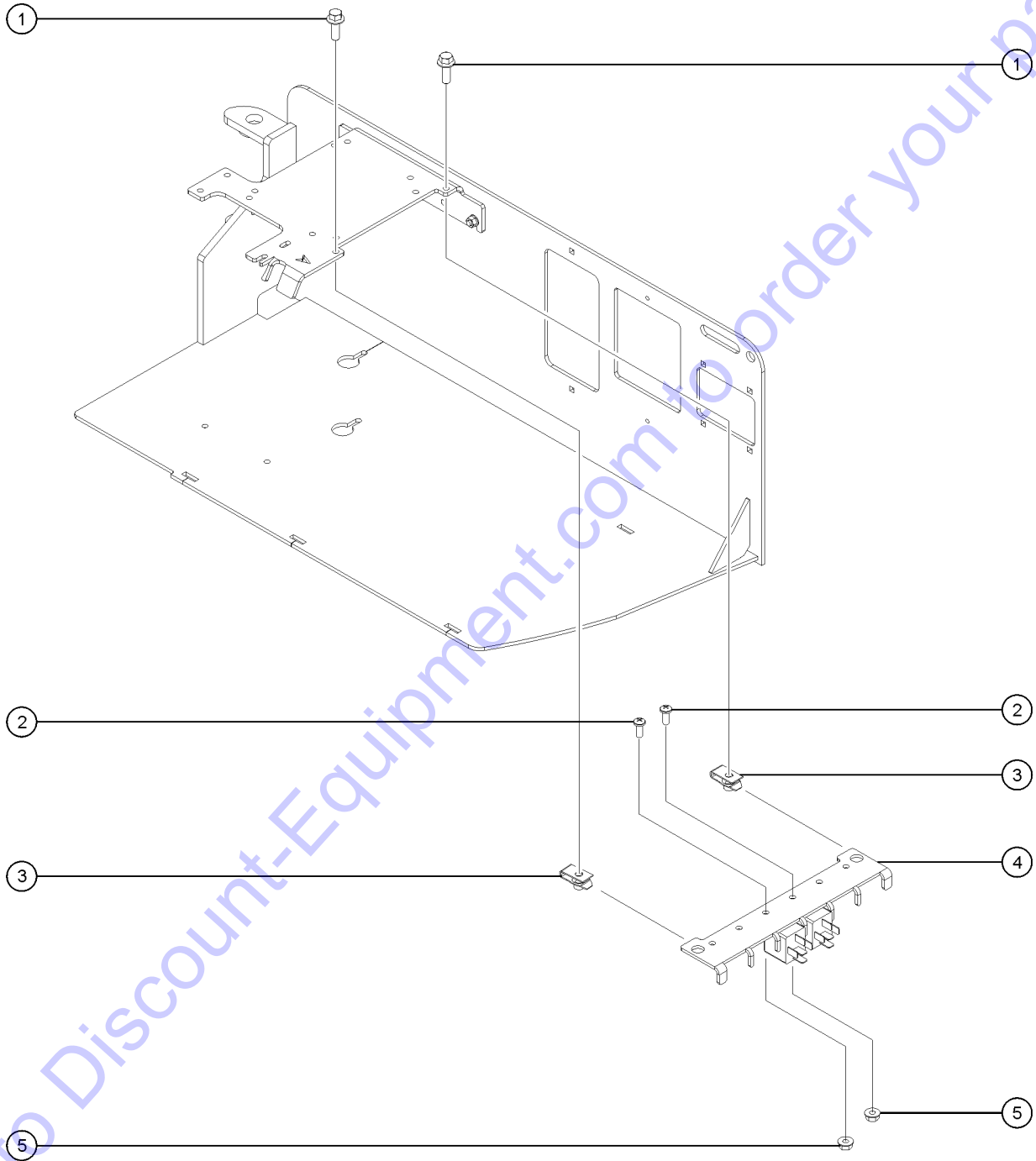
604.1 Voltage Inverter

Item	Part No.	Description	Qty.
1	824078GT	SCREW,HHF,1/4-20X.75,8,ZAG	6
2	824027GT	NUT, TL FLG, 1/4-20, G, ZAG	8
3	1273457GT	FORMING,CHRGER MT PROTCTION,ANSI,47 mount for charger, refer to item 5 for inverter mount	1
4	824079GT	SCREW,HHF,1/4-20X1,8,ZAG	2
5	1273456GT	INVERTER BRACKET,GS4047,ANSI	4
6	96950GT	INVERTER,24VDC,110/230 VAC***	1

Go to Discount-Equipment.com to order your parts



605.1 Telematics

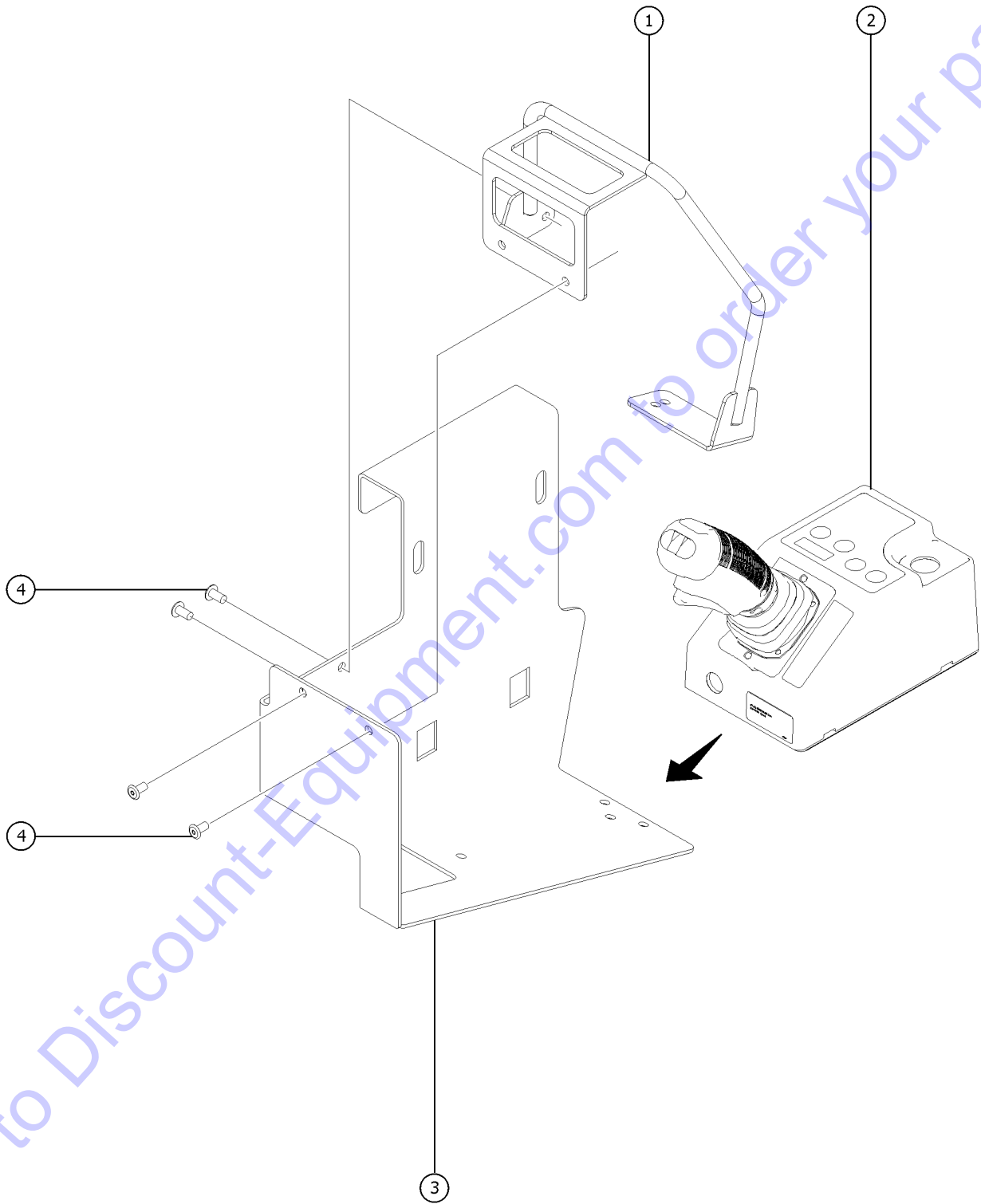


<i>Item</i>	<i>Part No.</i>	<i>Description</i>	<i>Qty.</i>
1	824078GT	SCREW,HHF,1/4-20X.75,8,ZAG	2
2	1256479GT	SCREW,PHPM,10-24X.50,ZAG	2
3	56912GT	SPRING CLIP,1/4-20,.025-.15X.54,ZAG	2
4	132199GT	FORMING,RELEY MOUNT	1
5	824032GT	NUT, TL FLG, 10-32, F, ZAG	2

Go to Discount-Equipment.com to order your parts



606.1 PCON Guard



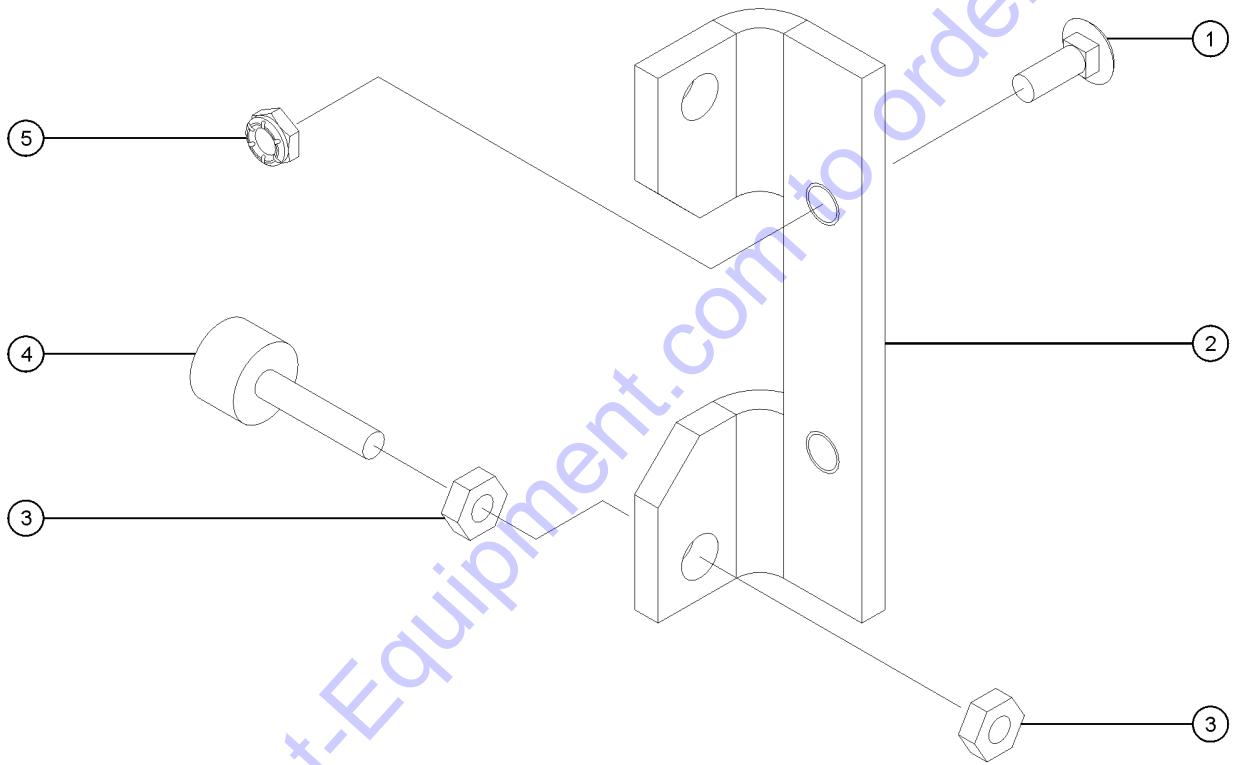
606.1 PCON Guard

Item	Part No.	Description	Qty.
1	1290292GT	WELDMENT, PCON GUARD ASSEMBLY, METRIC	1
2		Ref. PCON, GR/GRC/GS	1
		refer to 403.1	
3		Ref. FORMING, PLAT CONTROL, GR/GRC	1
		refer to 403.1 (holes drilled for PCON Guard option)	
4	6271GT	RIVET,STL,STL.MAN,P,.25 X .25	4

Go to Discount-Equipment.com to order your parts



607.1 Bumper Assembly Tray



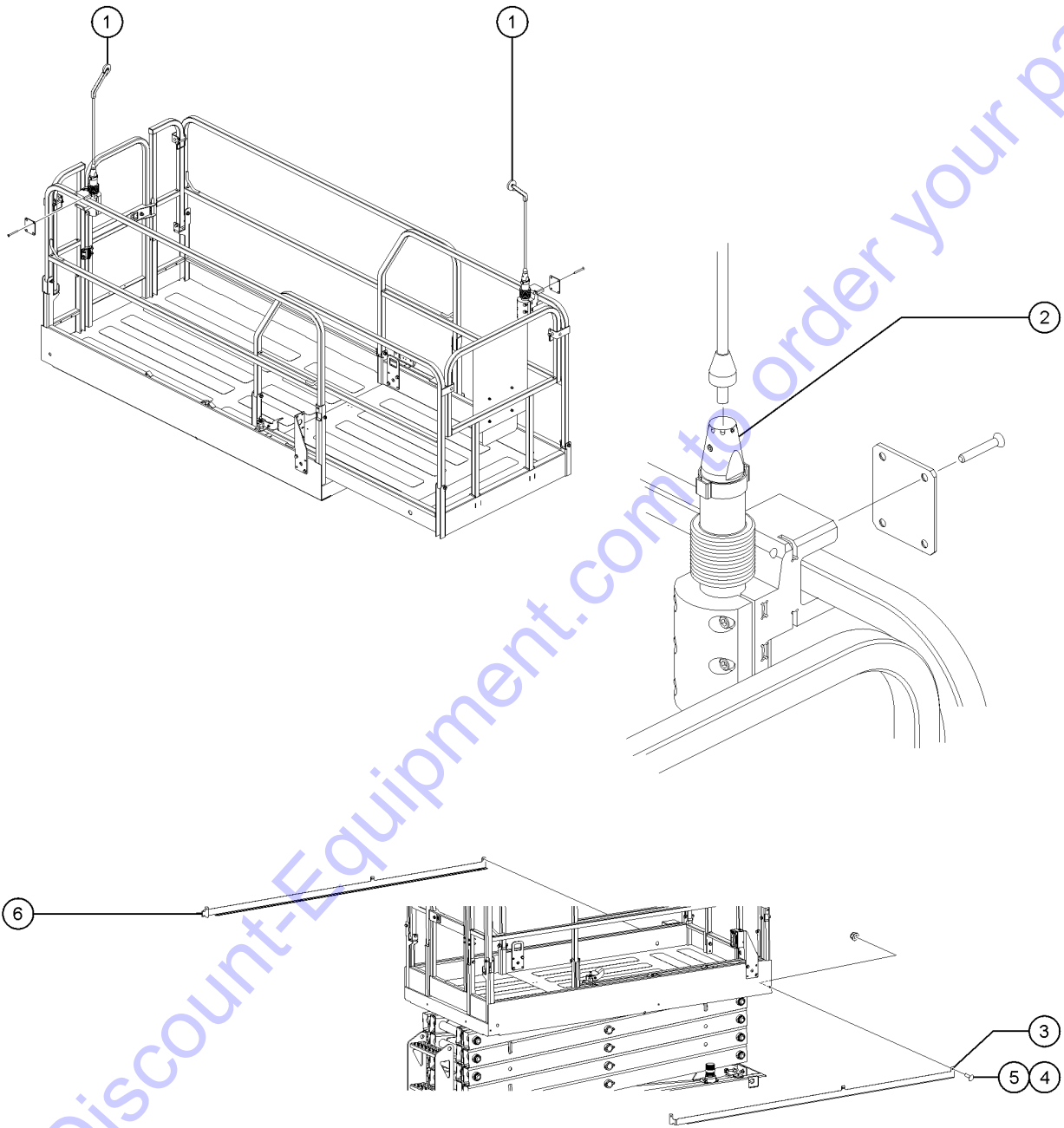
607.1 Bumper Assembly Tray

Item	Part No.	Description	Qty.
1	824124GT	BOLT, CARRIAGE, 1/4-20 X .75, 5, ZAG	2
2	1290291GT	BRACKET,BATTERY TRAY BUMPER	1
3	824037GT	NUT, HH JAM, 1/4-20, A, ZAG	4
4	36388GT	BUMPER,RUBBER,.75 X .50H,STUD	2
5	824027GT	NUT, TL FLG, 1/4-20, G, ZAG	2

Go to Discount-Equipment.com to order your parts



608.1 Lift Guard Contact Alarm, View-1



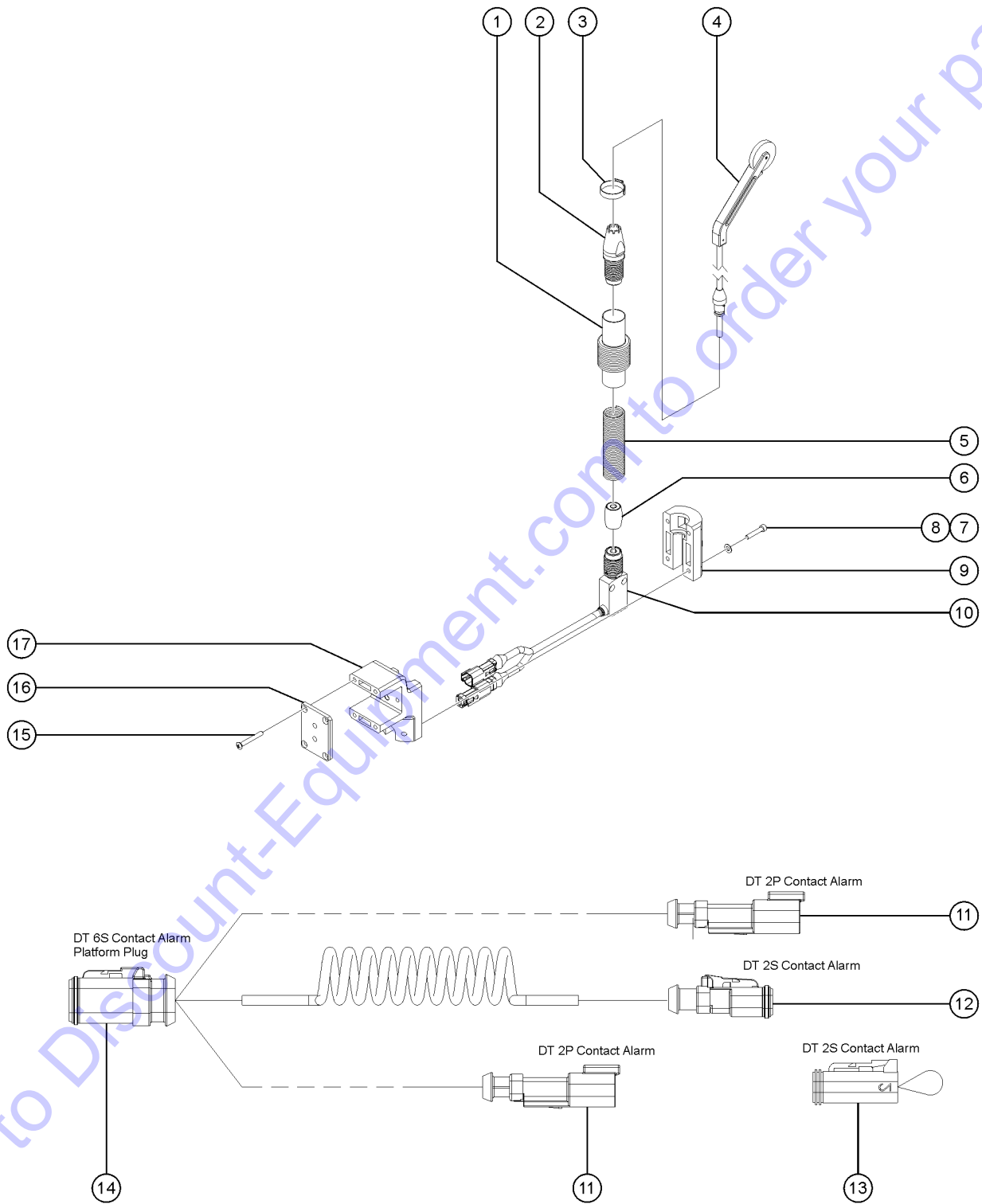
Go to Discount-Equipment.com to order your parts

Item	Part No.	Description	Qty.
-	1291053GT	HARNESS,CONTACT ALARM,GS46 PLATFORM	1
1		ASSEMBLY, LIFTGUARD CONTACT ALARM	2
		refer to 609.1 (no longer available)	
2		ASSEMBLY, LIFTGUARD KNUCKLE	2
		OBSOLETE. refer to 609.1 (No longer available)	
3		FORMING,CABLE GUIDE,CNTRL,GS46	1
		Ground control side (No longer available)	
4	824124GT	BOLT, CARRIAGE, 1/4-20 X .75, 5, ZAG	6
5	1277924GT	NUT,NYLOCK FLG,1/4-20,F,ZAG	6
6		FORMING,CABLE GUIDE,BAT,GS46	1
		Battery Side (No longer available)	

Go to Discount-Equipment.com to order your parts

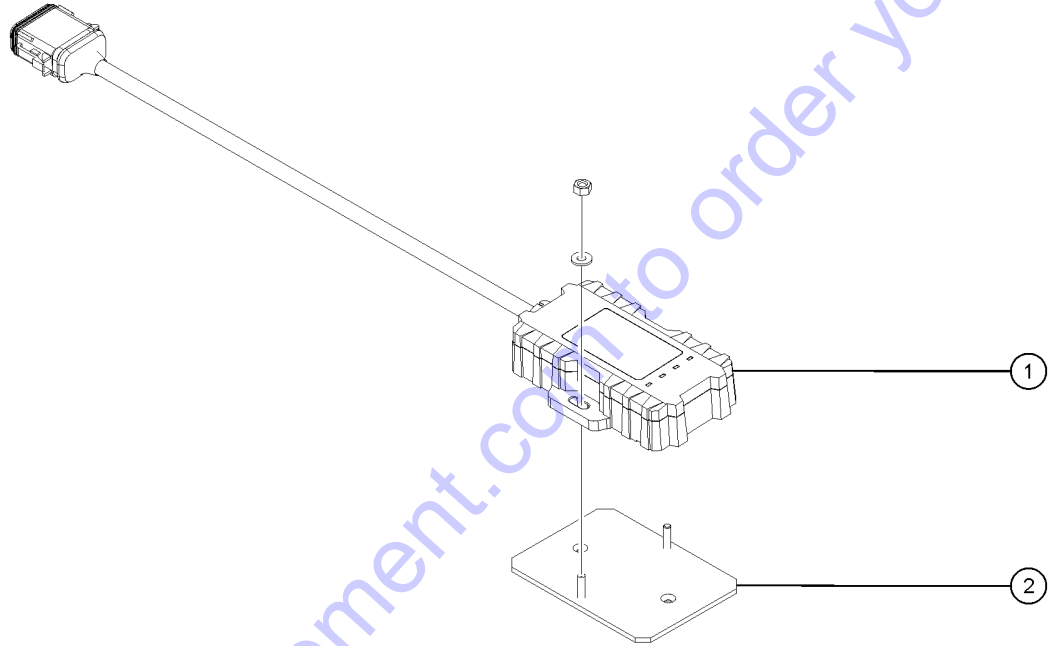


609.1 Lift Guard Contact Alarm, View-2



Go to Discount-Equipment.com to order your parts

Item	Part No.	Description	Qty.
-		ASSEMBLY, LIFTGUARD CONTACT ALARM Includes items 1-10, 15-17 (no longer available)	1
-		ASSEMBLY, LIFTGUARD KNUCKLE OBSOLETE. (part of assy 1287673, includes items 1-3, 5, 6 and 10) (No longer available)	1
-	1291053GT	HARNES,CONTACT ALARM,GS46 PLATFORM Includes items 11 - 14	1
1		BELLOW, LIFTGUARD CONTACT ALARM no longer available	1
2		ASSEMBLY, UPPER WHISKER MOUNTING	1
3	1298716GT	CLAMP, STEPLESS, ONE EAR	1
4		ASSEMBLY, WHISKER no longer available	1
5		SPRING, TENSION, CONTACT ALARM no longer available	1
6		ASSEMBLY, MAGNETIC SNAP BARREL no longer available	1
7		SCREW,SHC,10-24X1,F837,18.8,NYL,SS no longer available	4
8		WASHER,FLAT,0.219X0.437X0.031,SS no longer available	4
9		BRACKET, RT LIFTGUARD, PART 2/2 no longer available	1
10		ASSEMBLY, LIMIT SWITCH MOUNT no longer available	1
11	1288352GT	CONN,RECEP,2 WAY,DT,14-18GA,CE09	2
11-	60439GT	CONN, RECEP, 2 WAY, DEUTSCH, DT, LOCK	2
12	1288351GT	CONN,PLUG,2 WAY,DT,14-18GA,CE13	1
12-	60425GT	CONN, PLUG, 2 WAY, DEUTSCH, DT, LOCK	1
13	119056GT	CONN, PLUG, 2 WAY, DEUTSCH, DT, ENDCAP	1
13-	60425GT	CONN, PLUG, 2 WAY, DEUTSCH, DT, LOCK	1
14	1288576GT	CONN,PLUG,6WAY,DT,14-18GA,CE13	1
14-	60431GT	LOCK,PLUG 6 WAY,14-18GA	1
15		SCREW,OHPM,10-24X1.5,NYL,SS no longer available	4
16		PLATE, LIFTGUARD BRACKET no longer available	1
17		BRACKET, RT LIFTGUARD, PART 1/2 no longer available	1



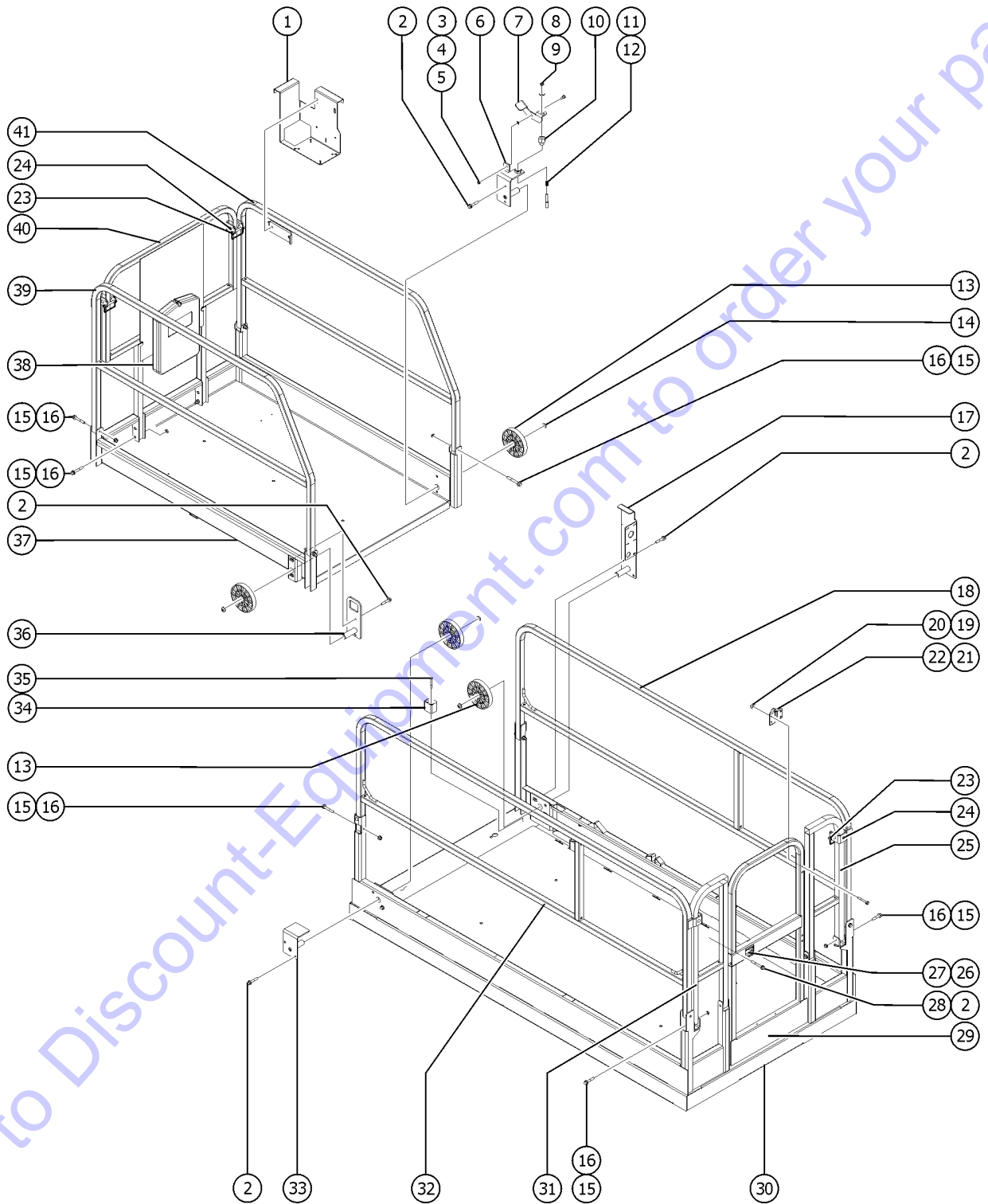
610.1 Telematics Option

Item	Part No.	Description	Qty.
-	1289899GT	HARNESS, GATEWAY, GS for first time insulation, must order this Harness with one of the models 1289520GT, 1289521GT, 1289522GT, or 1289523GT	1
1	1289520GT	MODULE, TELEMATICS, ZTR, M7, NORTH AMERICA North America	1
1B	1289521GT	MODULE, TELEMATICS, ZTR, M7, EMEA/APAC EMEA/APAC	
1C	1289522GT	MODULE, TELEMATICS, ZTR, M7, APAC/ANZ APAC/ANZ	
1D	1289523GT	MODULE, TELEMATICS, ZTR, M7, JAPAN Japan	
2	1289561GT	BRACKET, TELEMATICS	1

Go to Discount-Equipment.com to order your parts



611.1 China Package Platform and Handrail



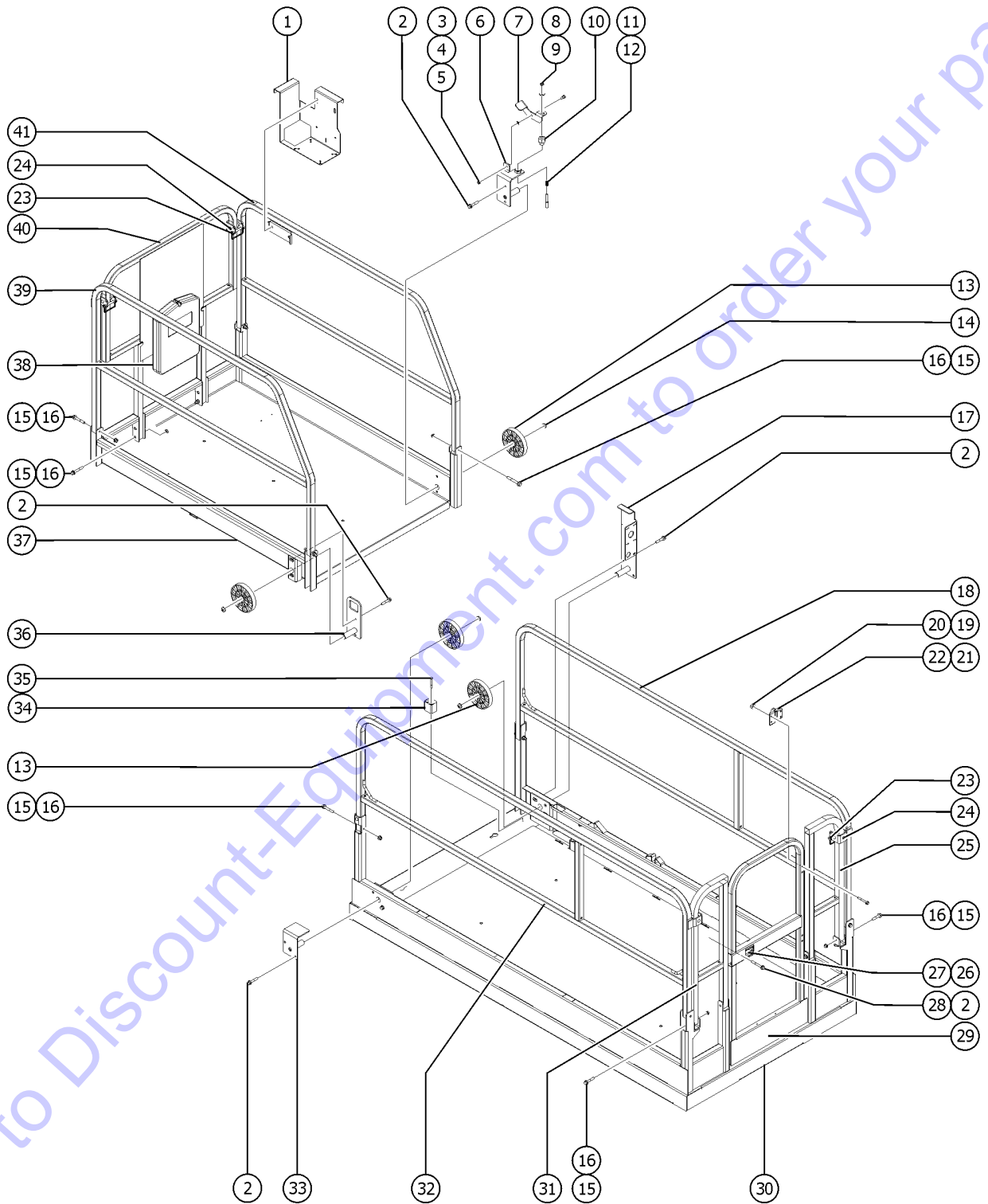
Go to Discount-Equipment.com to order your parts

611.1 China Package Platform and Handrail

Item	Part No.	Description	Qty.
1	227167GT	FORMING, PLAT CONTROL BOX,MET	1
2	1253478GT	SCREW,HHF,3/8-16X2,8,ZAG	1
3	6002GT	NUT, LP NYLOCK, 5/16-18	1
4	47222GT	WASHER, SHOULDER, NYLON	1
5	1259223GT	BOLT,SHS,3/8X.375X5/16-18,ZAG	1
6	1292090GT	WELDMENT,LOCKING ROLLER	1
7	132996GT	BRACKET, FOOT PEDAL	1
8	824038GT	NUT, TL JAM, 3/8-16, A, ZAG	1
9	1255758GT	WASHER,FLAT,3/8,USS,ZAG	1
10	41630GT	HOUSING, LOCK PIN	1
11	39469GT	SPRING,COMPRESSION.485 X1.75**	1
12	1259181GT	PIN,LOCK,0.5X3.125,ZAG	1
13	47163GT	ROLLER,PLATFORM EXTENSION	4
14	21279_KGKGT	BUTTON, .800 O.D. X .281	4
15	1256856GT	SCREW,HHF,3/8-16X2.5,8,ZAG	1
16	1274322GT	NUT,NYLOCK FLG,3/8-16,F,ZAG	1
17	1291392GT	WLDMT,ROLLER BRKT,RT,HARTING PIUG, CHINA	1
18	1289569GT	WLDMT, MAIN SIDERAIL, RT CHINA	1
19	824027GT	NUT, TL FLG, 1/4-20, G, ZAG	8
20	1253485GT	SCREW,HHF,1/4-20X2,8,ZAG	8
21	105734GT	HINGE,ACCESS DOOR(13G)	2
22	104804GT	HINGE, SPRING, LONG LEG	2
23	66030GT	PIN, WIRE LOCK 3/8 X 2 -1/2	4
24	43392GT	BUMPER,BATTERY BOX & RAILS	1
25	1289567GT	WLDMT, ENTRY SIDERAIL, LT	1
26	66544GT	LATCH HANDLE	1
27	22446GT	SPRING, COMPRESSION .835 X 2	1
28	824029GT	NUT,TL FLG,3/8-16,G,ZAG	1



611.1 China Package Platform and Handrail



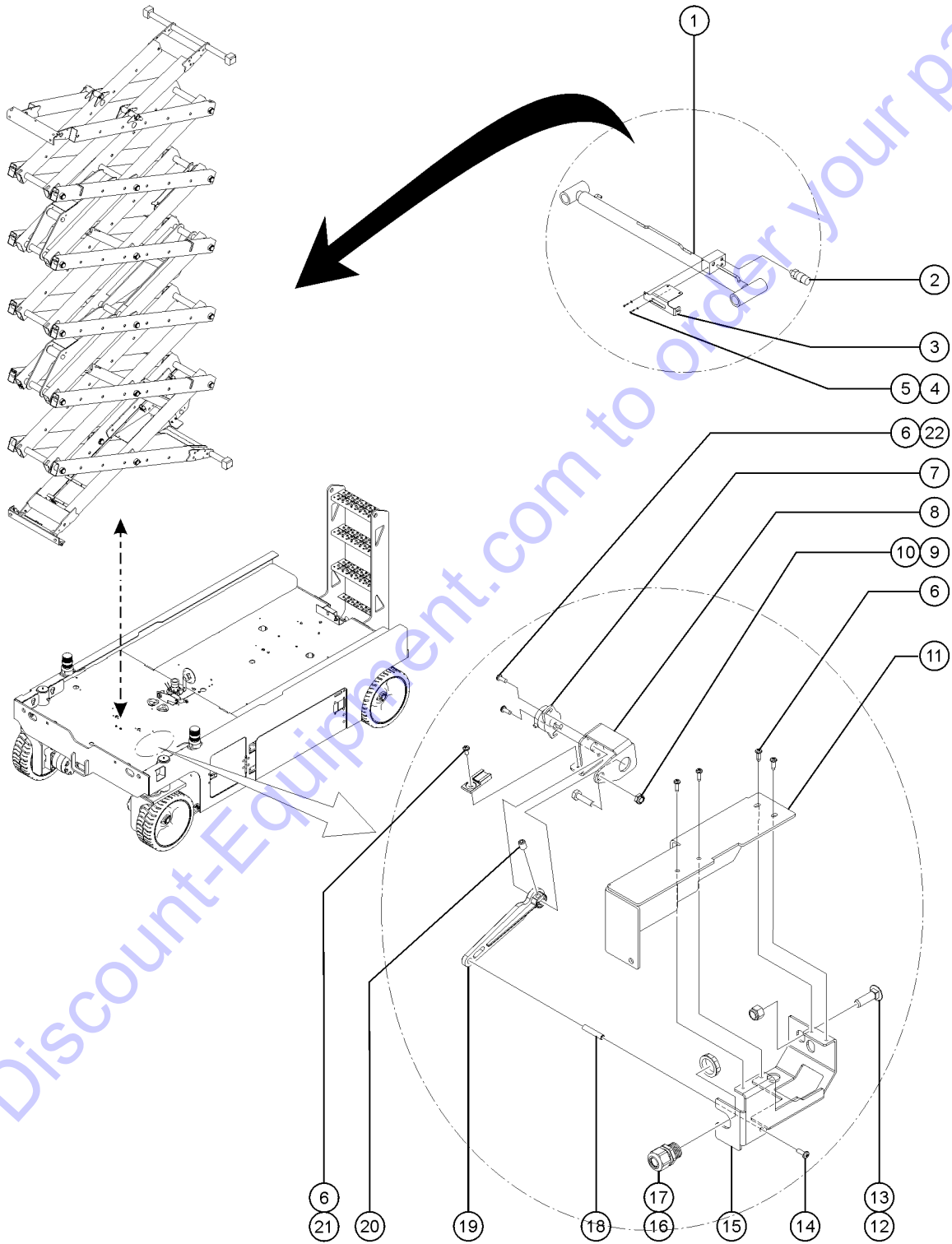
611.1 China Package Platform and Handrail

Item	Part No.	Description	Qty.
29	1295860GT	FULL HEIGHT GATE, CHINA PACKAGE	1
30	1289272GT	WLDMT,MAIN DECK,GS46,MET CHINA	1
31	1289567GT	WLDMT, ENTRY SIDERAIL, LT	1
32	1289570GT	WLDMT, MAIN SIDERAIL, LT CHINA	1
33	1292089GT	WELDMENT,ROLLER BRACKET,LT	1
34	1296266GT	GUIDE PAD,CHINA PACKAGE	4
35	1256454GT	SCREW,HHC,M6-1.0X55,DIN931,10.9,ZAB	8
36	1292091GT	PLATE,PLATFORM LANYARD	1
37	1289268GT	WELDMENT, EXTENSION PLATFORM CHINA	1
38	24514GT	BOX,INSTRUCTION STORAGE	1
39	1289564GT	WLDMT, EXT SIDERAIL, LT	1
40	1289566GT	WLDMT, EXTENSION ENDRAIL	1
41	1289565GT	WLDMT, EXT SIDERAIL, RT	1

Go to Discount-Equipment.com to order your parts



701.1 Platform Overload



Go to Discount-Equipment.com to order your parts

Item	Part No.	Description	Qty.
1		Ref: Lift Cylinder (refer to 505.1)	
2	1295821GT	PRESSURE TRANSDUCER, 1-3K PSI	1
3	41557-SGT	CABLE BRACKET,PAINTED	1
4	7339GT	SCREW,HHC,1/4-20 X .5	
5	6356GT	WASHER,LOCK,.25	
6	229655GT	GS3246_ SCREW,PHM,8-32X.313,SELF TAP	7
7	T113136GT	ASSY,ROT SENSR W/HARNESS	1
8	227169GT	FRMNG,ARM SENSOR BRCKT,32/46	1
9	7713GT	NUT, LP NYLOCK, 3/8-16	
10	6175GT	SCREW,HHC,3/8-16 X 1	
11	227170GT	FRMNG,SENSOR COVER,32/46	1
12	96203GT	BOLT,CARRIAGE,1/2-13X1.75, G5	
13	6198GT	NUT, NYLOCK, 1/2-13	
14	49819GT	SCREW,PHILLIPS,PHM,10-32 X .5	
15	T113141GT	FRMG,CHASSIS BRKT	1
16	33576GT	CONN,SQZ,BLK,1/2NPT,.38-.50,SM	1
17	T115429GT	NUT,CORDGRIP,1/2 NPT	1
18	T113142GT	OFFSET,RND,1/4-1.25,10-32	1
19	T114082GT	LEVER ARM,ANGLE SENSR ACTUATOR	1
20	229146GT	SCREW,SET,8-32X.25	
21	T113139GT	CLIP,DTM RECEP	1
22	1271081GT	NUT,NYLOCK,8-32,8,ZAG	2

Go to DiscountEquipment.com to order your parts



PARTS FINDER

**Search Website
by Part Number**



**Search Manual
Library For Parts
Manual & Lookup Part
Numbers – Purchase
or Request Quote**

Search Manuals

Enter your information to help us find the right parts manual for your machine.

* Brand:

* Model:

* Serial:

* Part Number:

SEARCH

**Can't Find Part or
Manual? Request Help
by Manufacturer,
Model & Description**

Parts Order Form

Please fill in the following information to help us find the right part for your machine.

Manufacturer:	<input type="text"/>
Model:	<input type="text"/>
Description:	<input type="text"/>
Part Number:	<input type="text"/>
Quantity:	<input type="text"/>
Notes:	<input type="text"/>

Discount-Equipment.com is your online resource for quality parts & equipment.

Florida: **561-964-4949** Outside Florida TOLL FREE: **877-690-3101**

Need parts?

Click on this link: <http://www.discount-equipment.com/category/5443-parts/> and choose one of the options to help get the right parts and equipment you are looking for. Please have the machine model and serial number available in order to help us get you the correct parts. If you don't find the part on the website or on one of the online manuals, please fill out the request form and one of our experienced staff members will get back to you with a quote for the right part that your machine needs.

We sell worldwide for the brands: Genie, Terex, JLG, MultiQuip, Mikasa, Essick, Whiteman, Mayco, Toro Stone, Diamond Products, Generac Magnum, Airman, Haulotte, Barreto, Power Blanket, Nifty Lift, Atlas Copco, Chicago Pneumatic, Allmand, Miller Curber, Skyjack, Lull, Skytrak, Tsurumi, Husquvarna Target, Stow, Wacker, Sakai, Mi-T-M, Sullair, Basic, Dynapac, MBW, Weber, Bartell, Bennar Newman, Haulotte, Ditch Runner, Menegotti, Morrison, Contec, Buddy, Crown, Edco, Wyco, Bomag, Laymor, EZ Trench, Bil-Jax, F.S. Curtis, Gehl Pavers, Heli, Honda, ICS/PowerGrit, IHI, Partner, Imer, Clipper, MMD, Koshin, Rice, CH&E, General Equipment, Amida, Coleman, NAC, Gradall, Square Shooter, Kent, Stanley, Tamco, Toku, Hatz, Kohler, Robin, Wisconsin, Northrock, Oztec, Toker TK, Rol-Air, APT, Wylie, Ingersoll Rand / Doosan, Innovatech, Con X, Ammann, Mecalac, Makinex, Smith Surface Prep, Small Line, Wanco, Yanmar

California Proposition 65

 **WARNING**

Operating, servicing and maintaining this equipment, passenger vehicle or off-highway motor vehicle can expose you to chemicals including engine exhaust, carbon monoxide, phthalates, and lead, which are known to the State of California to cause cancer and birth defects or other reproductive harm. These chemicals can be emitted from or contained in other various parts and systems, fluids and some component wear by-products. To minimize exposure, avoid breathing exhaust, do not idle the engine except as necessary, service your equipment and vehicle in a well-ventilated area and wear gloves or wash your hands frequently when servicing your equipment or vehicle and after operation. For more information go to www.P65Warnings.ca.gov/passenger-vehicle.

Breathing diesel engine exhaust exposes you to chemicals known to the State of California to cause cancer and birth defects or other reproductive harm.

- Always start and operate the engine in a well-ventilated area.
- If in an enclosed area, vent the exhaust to the outside.
- Do not modify or tamper with the exhaust system.
- Do not idle the engine except as necessary.

For more information go to www.P65warnings.ca.gov/diesel.

www.genielift.com

Distributed By:

www.GenieliftEquipment.com to order your parts