



A TEREX BRAND

## Parts Manual

Serial Number Range

**GS-4047**

from SN 4714D-101 to  
GS4716D-3959

from SN GS47D-3960

Part No. 1283268GT  
Rev: A.06  
April 2023



[www.discount-equipment.com](http://www.discount-equipment.com)

# PARTS FINDER

**Search Website  
by Part Number**



**Search Manual  
Library For Parts  
Manual & Lookup Part  
Numbers – Purchase  
or Request Quote**

**Search Manuals**

Enter your information to help us find the right parts manual for your machine.

\* Brand:

\* Model:

\* Serial:

\* Part Number:

SEARCH

**Can't Find Part or  
Manual? Request Help  
by Manufacturer,  
Model & Description**

**Parts Order Form**

Please fill in the following information to help us find the right part for your machine.

Manufacturer:	<input type="text"/>
Model:	<input type="text"/>
Description:	<input type="text"/>
Part Number:	<input type="text"/>
Quantity:	<input type="text"/>
Notes:	<input type="text"/>

Submit

Discount-Equipment.com is your online resource for quality parts & equipment.

Florida: **561-964-4949** Outside Florida TOLL FREE: **877-690-3101**

**Need parts?**

Click on this link: <http://www.discount-equipment.com/category/5443-parts/> and choose one of the options to help get the right parts and equipment you are looking for. Please have the machine model and serial number available in order to help us get you the correct parts. If you don't find the part on the website or on one of the online manuals, please fill out the request form and one of our experienced staff members will get back to you with a quote for the right part that your machine needs.

We sell worldwide for the brands: Genie, Terex, JLG, MultiQuip, Mikasa, Essick, Whiteman, Mayco, Toro Stone, Diamond Products, Generac Magnum, Airman, Haulotte, Barreto, Power Blanket, Nifty Lift, Atlas Copco, Chicago Pneumatic, Allmand, Miller Curber, Skyjack, Lull, Skytrak, Tsurumi, Husquvarna Target, Stow, Wacker, Sakai, Mi-T-M, Sullair, Basic, Dynapac, MBW, Weber, Bartell, Bennar Newman, Haulotte, Ditch Runner, Menegotti, Morrison, Contec, Buddy, Crown, Edco, Wyco, Bomag, Laymor, EZ Trench, Bil-Jax, F.S. Curtis, Gehl Pavers, Heli, Honda, ICS/PowerGrit, IHI, Partner, Imer, Clipper, MMD, Koshin, Rice, CH&E, General Equipment, Amida, Coleman, NAC, Gradall, Square Shooter, Kent, Stanley, Tamco, Toku, Hatz, Kohler, Robin, Wisconsin, Northrock, Oztec, Toker TK, Rol-Air, APT, Wylie, Ingersoll Rand / Doosan, Innovatech, Con X, Ammann, Mecalac, Makinex, Smith Surface Prep, Small Line, Wanco, Yanmar



**Model:** GS-1930  
**Serial number:** GS3011C-12345  
**Model year:** 2011      **Manufacture date:** 03/01/2011  
**Electrical schematic number:**  
**Machine unladen weight:** 3255 lbs / 1476 kg  
**Rated work load (including occupants):**

**Maximum allowable inclination of the chassis:**

**Outriggers retracted:**  
N/A

**Outriggers deployed:**  
N/A

**Gradeability:**

**Outdoor rating:**  
Maximum allowable side force: N/A  
Maximum wind speed: N/A  
Maximum number of platform occupants: N/A

**Indoor rating:**  
Maximum allowable side force:  
Maximum wind speed: 0 mph / 0 m/s  
Maximum number of platform occupants:

**Nominal Power:**

**Country of manufacture:**

**Manufacturer:**  
Terex South Dakota, Inc.  
500 Oak Wood Road  
PO Box 1150  
Watertown, SD 57201  
USA

**European Representative:**  
Genie UK LTD  
The Maltings  
Wharf Road, Grantham, Lin  
NG31 6BH United Kingdom

**This machine complies with:**



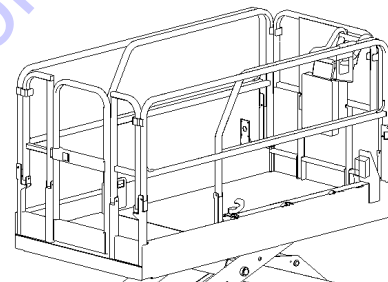
GS30 11 C - 12345

1

2

3

4



6

5

6

Go to DiscountEquipment.com to order your parts

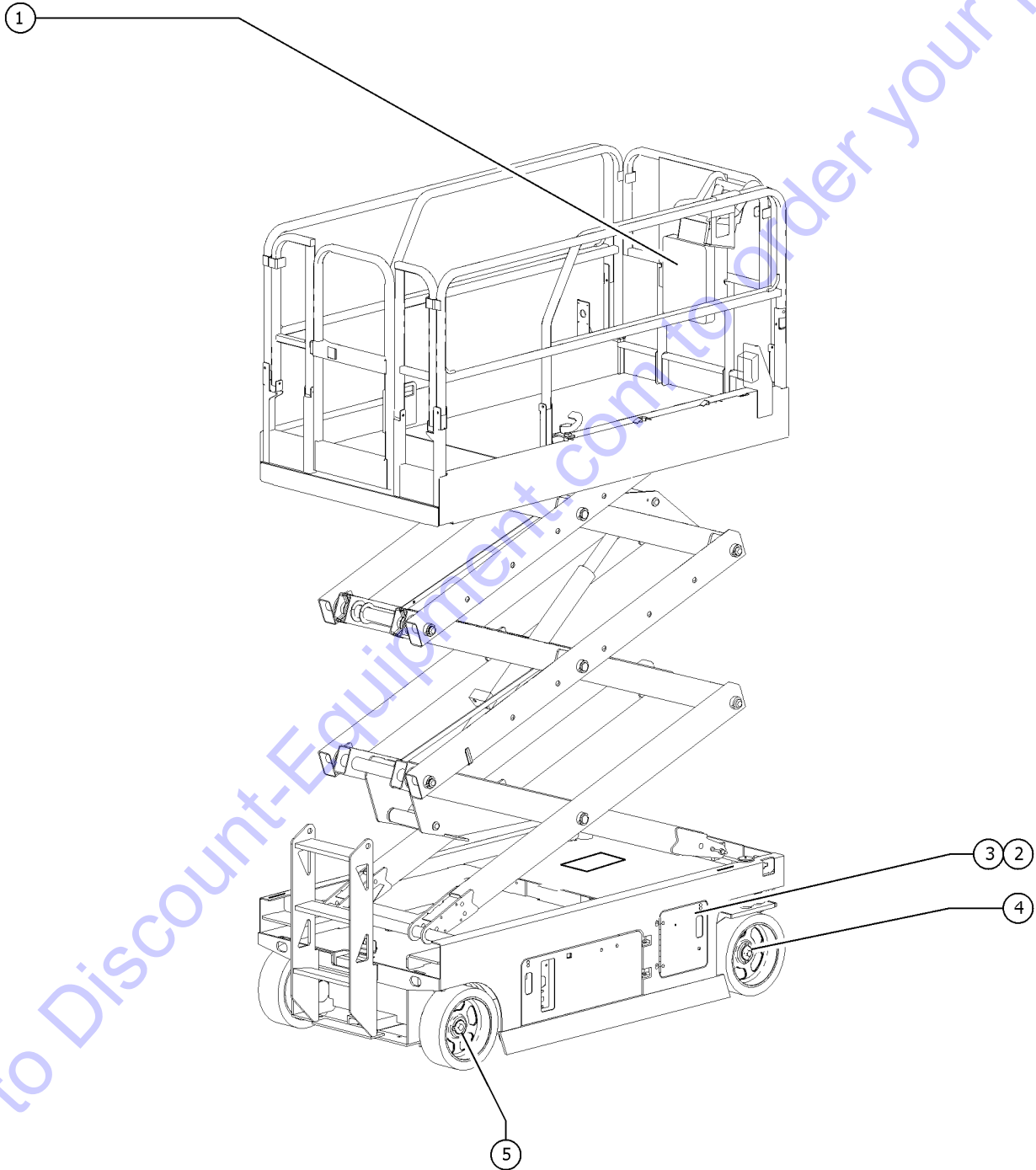
<b>Description</b>	<b>Page</b>
<b>001 Parts Stocking List</b> .....	<b>10</b>
001.1 Parts Stocking List .....	10
<b>100 Decals</b> .....	<b>12</b>
101.1 Symbol Decals, GS-4047, Battery Side, CE & ANSI .....	12
102.1 Symbol Decals, GS-4047, Ground Control Side, CE & ANSI .....	14
103.1 Symbol Decals, GS-4047, Platform, CE & ANSI .....	16
104.1 Word Decals, GS-4047, Battery Side, Australia & ANSI .....	18
105.1 Word Decals, GS-4047, Ground Control Side, Australia & ANSI .....	20
106.1 Word Decals, GS-4047, Platform, Australia & ANSI .....	22
<b>200 Drive Chassis Components</b> .....	<b>24</b>
201.1 Steer Linkage and Wheels .....	24
202.1 Non-Steer Axle Installation .....	28
203.1 Level Sensor Installation .....	30
204.1 Pot Hole Protection Assembly .....	34
205.1 Battery Pack Tray .....	38
206.1 Battery Charger .....	40
207.1 Power Unit Module .....	42
208.1 Ground Controls .....	46
209.1 Electrical Wiring .....	50
210.1 Power Cables (to SN GS4714D-316) .....	54
210.2 Power Cables (from SN GS4714D-317) .....	56
211.1 Accumulator, Lift Pressure Select and Function Manifolds .....	58
<b>300 Scissor Components</b> .....	<b>60</b>
301.1 Scissor Assy Installation .....	60
302.1 Scissor Assembly .....	62
303.1 Scissor Assembly, Hose Clamps .....	68
<b>400 Platform Components</b> .....	<b>70</b>
401.1 Platform Components .....	70
402.1 Power to Platform .....	74
403.1 Platform Controls .....	78
404.1 Joystick Controller .....	80
<b>500 Hydraulic Components</b> .....	<b>82</b>
501.1 Hydraulic Components .....	82
502.1 Function Manifold .....	84
503.1 Brake Release Hand Pump Manifold .....	88
504.1 Hydraulic Power Unit .....	90

Table of Contents

<b>Description</b>	<b>Page</b>
505.1 Lift Cylinder Assemblies .....	92
506.1 Hydraulic Hoses and Fittings .....	94
<b>600 Accessories .....</b>	<b>98</b>
601.1 Alarm, Horn and Flashing Beacons .....	98
602.1 Air Line to Platform .....	100
603.1 RCBO .....	102
604.1 Lift Guard Contact Alarm, View-1 (from SN GS4714D-300) .....	104
605.1 Lift Guard Contact Alarm, View-2 (from SN GS4714D-300) .....	106
606.1 Telematics Option (from SN GS4715D-1106) .....	108
<b>700 Platform Overload Components .....</b>	<b>110</b>
701.1 Platform Overload .....	110
<b>Part Number Index .....</b>	<b>112</b>

Go to Discount-Equipment.com to order your parts

001.1 Parts Stocking List

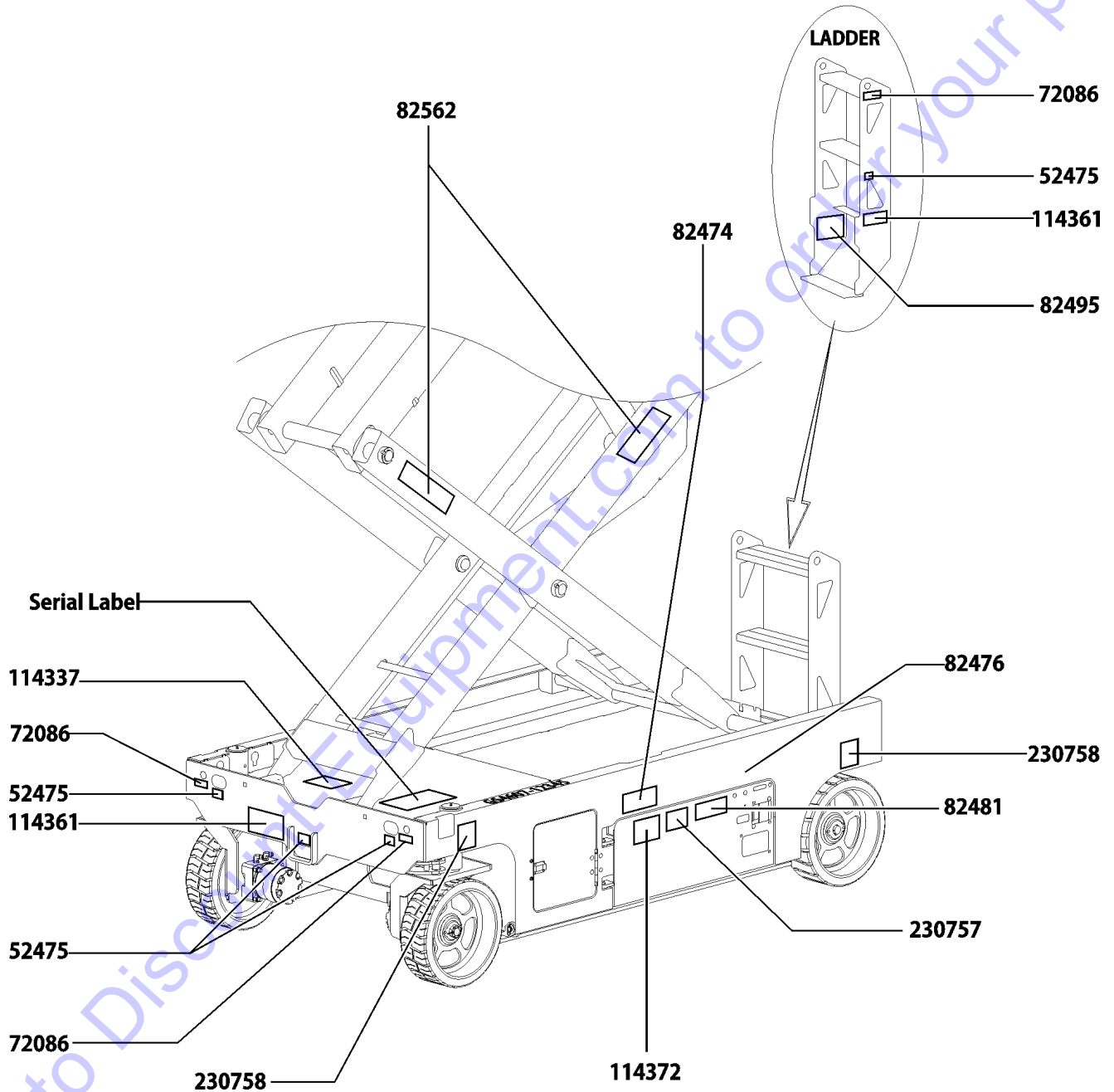


Item	Part No.	Description	Qty.
A-	66399GT	GREASE,DIELECTRIC 4 OZ** .....	
B-		Ref. CHEVRON ULTRA-DUTY GREASE (LITHIUM), OR EQUIVALENT, EP NLGI 1 .....	
		(source locally)	
C-	1484GT	PAINT,AEROSOL,BRIGHT BLUE*** .....	
		12-ounce spray paint	
C-	1268GT	PAINT,AEROSOL,GENIE GRAY*** .....	
		12-ounce spray paint	
C-	1258567GT	PAINT, AEROSOL, TRAFFIC BLACK .....	
		12-ounce spray paint	
D-	32150GT	PAINT, WET, GENIE BLUE (1 GL)** .....	
		1-gallon	
D-	32151GT	PAINT, WET, GENIE GRAY (1GL)** .....	
		1-gallon	
D-	1257733GT	PAINT, WET, TRAFFIC BLACK(1 GL)** .....	
		1-gallon	
E-	49613GT	PLUG AND CAP KIT-SERVICE,ORFS* .....	
1	27581GT	MANUAL, EMI SAFETY .....	
1B	1298933GT	MANUAL, SAIA MANUAL OF RESPONSIBILITIES, MEWP .....	
2	44788GT	FILTER ELEMENT-10MICRON, PAPER* .....	
		US part number	
2B	78622GT	FILTER ASSY,SAE8,10 MIC,PAPR** .....	
		China part number	
3	78546GT	BREATHER CAP, HYD. TANK, 1/4 NPT .....	
4	13635-10GT	PIN,COTTER,.156 X 1.75 .....	
5	42079GT	PIN,COTTER,.156 X 2.5 .....	

Go to Discount-Equipment.com to order your parts



101.1 Symbol Decals, GS-4047, Battery Side, CE & ANSI



Go to [DiscountEquipment.com](http://DiscountEquipment.com) to order your parts



101.1 Symbol Decals, GS-4047, Battery Side, CE & ANSI

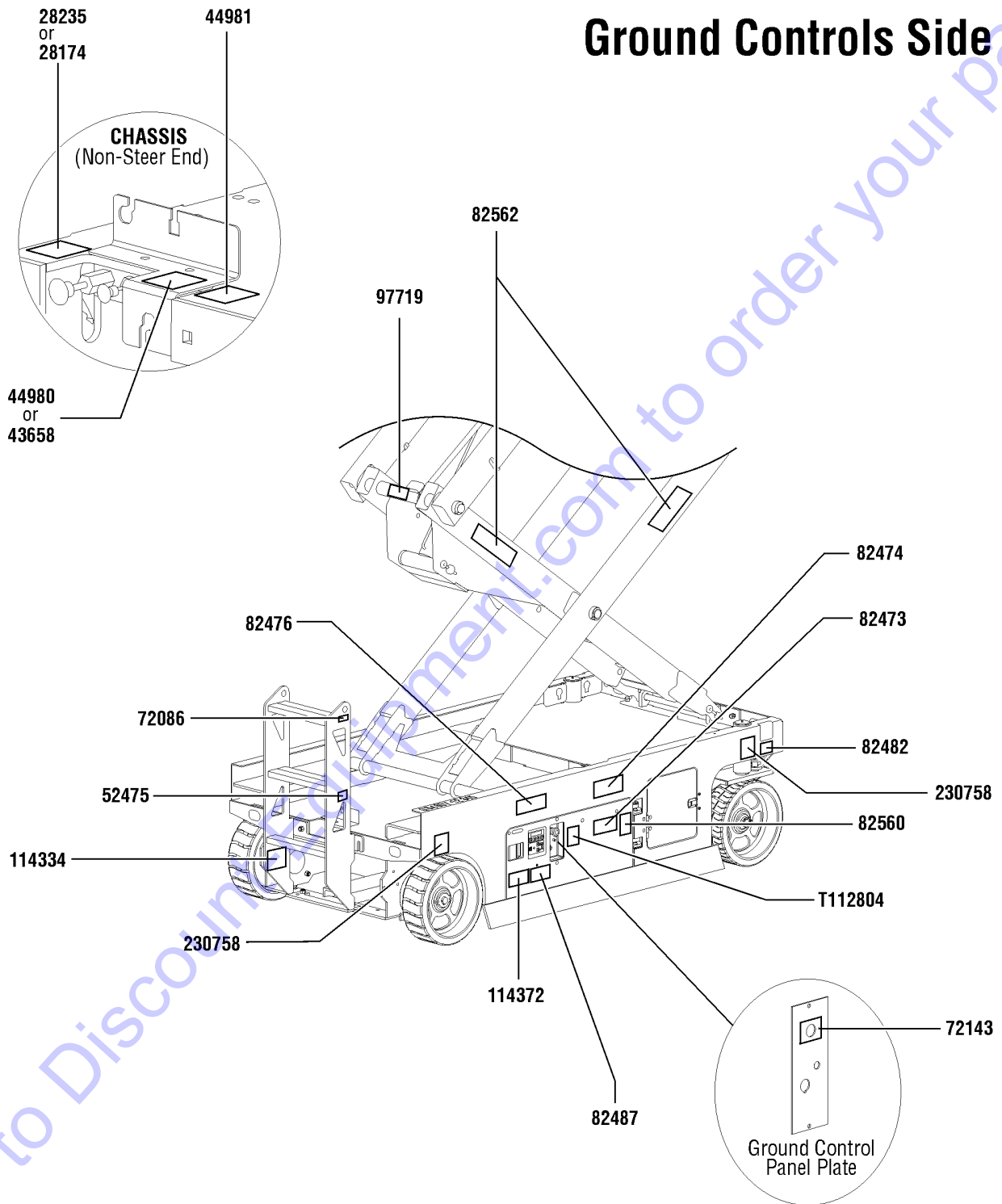
Item	Part No.	Description	Qty.
-	215612GT	DECAL KIT,4047 COMP.SYMBOL Decal kit, complete, for CE models) (includes decal placement drawing) to SN GS4714C-1799	.....
-	215613GT	DECAL KIT,4047 PLAT.SYMBOL (Decal kit, platform, for CE models) (includes decal placement drawing) to SN GS4714C-1799	.....
-	1261982GT	DECAL KIT, SYM, PLAT, ANSI .....	.....
-	1261998GT	OPTION,SYM DECALS,ANSI,4047 .....	.....
1	52475GT	DECAL LABEL TRANSPORT TIE DOWN* .....	4
2	72086GT	DECAL,LABEL,LIFTING EYE .....	3
3	82474GT	DECAL SYMBOL USE SAFETY ARM .....	1
4	82476GT	DECAL,SYMBOL-ELEC HAZARD,GS .....	1
5	82481GT	DECAL SYMBOL BATTERY SAFETY .....	1
6	82495GT	DECAL,LABEL,FORKLIFT POCKET .....	1
7	82562GT	DECAL,SYMBOL-CRUSHING HAZARD .....	2
8	114337GT	DECAL SYMBOL TIP OVER LIMIT SWITCH .....	1
9	114361GT	DECAL,SYM-TIP-OVER,LIM SWITCH .....	2
10	114372GT	DECAL SYMBOL TIP OVER TRAYS .....	1
11	230757GT	DECAL,SYM,TIPOVER,BATT,GS-4047 .....	1
12	230758GT	DECAL,LABEL,WHEEL LOAD,GS-4047 .....	2

Go to Discount-Equipment.com to order your parts



102.1 Symbol Decals, GS-4047, Ground Control Side, CE & ANSI

# Ground Controls Side



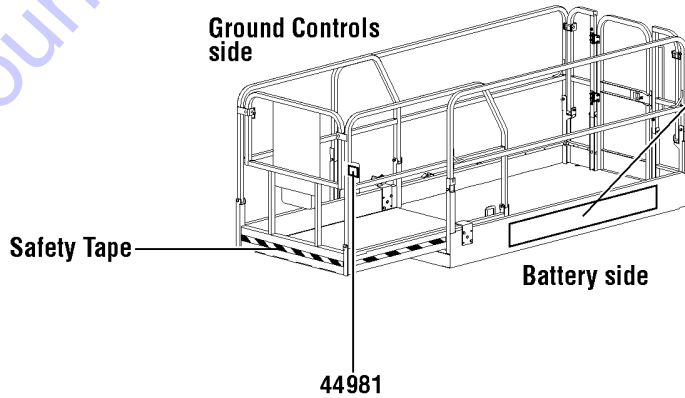
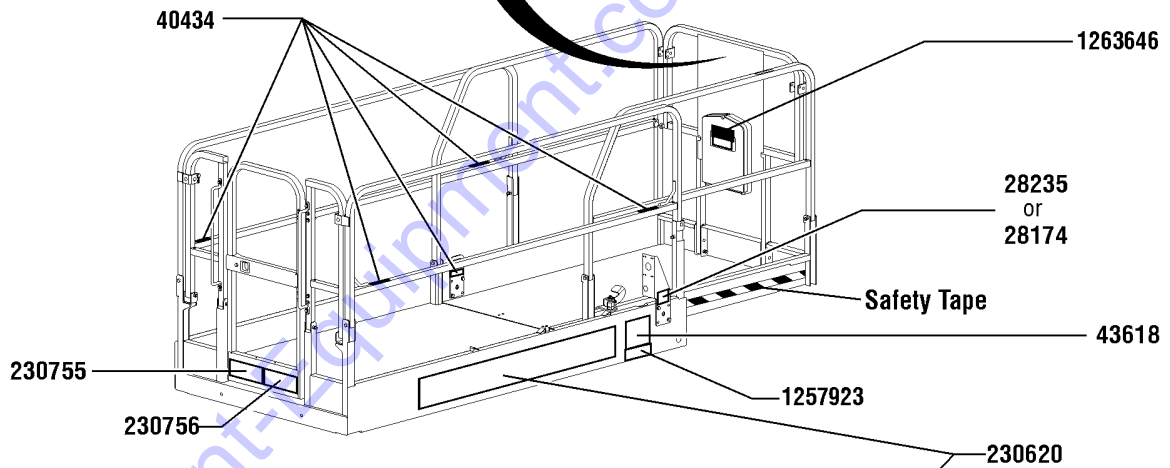
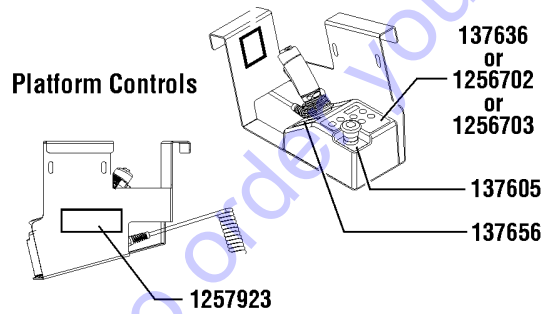
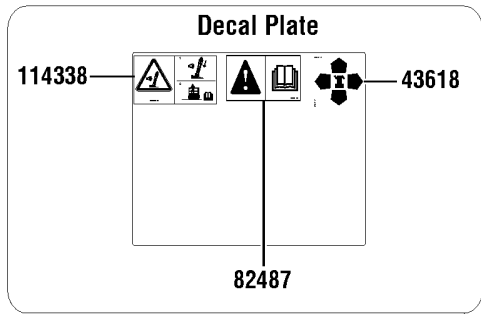
102.1 Symbol Decals, GS-4047, Ground Control Side, CE & ANSI

Item	Part No.	Description	Qty.
-		REF: GS-4047 SYMBOL DECAL KITS ..... (refer to 101.1)	
1	28174GT	DECAL, POWER TO PLATFORM 230V** .....	1
2	28235GT	DECAL, POWER TO PLATFORM 115V** .....	1
3	43658GT	DECAL, LABEL, PWR TO CHARGER 230 EU .....	1
4	44980GT	DECAL, LABEL, PWR TO CHARGER 115 UK .....	1
5	44981GT	DECAL LABEL AIRLINE 110PSI ..... (Option)	1
6	52475GT	DECAL LABEL TRANSPORT TIE DOWN* .....	1
7	72086GT	DECAL,LABEL,LIFTING EYE .....	1
8	72143GT	DECAL, EMERGENCY STOP, GR .....	1
9	82473GT	DECAL,SYMBOL-COMP ACCESS .....	1
10	82474GT	DECAL SYMBOL USE SAFETY ARM .....	1
11	82476GT	DECAL,SYMBOL-ELEC HAZARD,GS .....	1
12	82482GT	DECAL,LABEL,AUX LOWERING .....	1
13	82487GT	DECAL,SYMBOL-READ THE MANUAL .....	1
14	82560GT	DECAL,SYMBOL-SKIN INJECT HAZRD .....	1
15	82562GT	DECAL,SYMBOL-CRUSHING HAZARD .....	2
16	97719GT	DECAL, LABEL, SAFETY ARM SYMBOL .....	1
17	114334GT	DECAL SYMBOL ELECTRIC HAZARD PLUG .....	1
18	114372GT	DECAL SYMBOL TIP OVER TRAYS .....	1
19	230758GT	DECAL,LABEL,WHEEL LOAD,GS-4047 .....	2
20	T112804GT	DECAL,GCON PANEL,GS .....	1

Go to DiscountEquipment.com to order your parts



# Platform, CE models



103.1 Symbol Decals, GS-4047, Platform, CE & ANSI

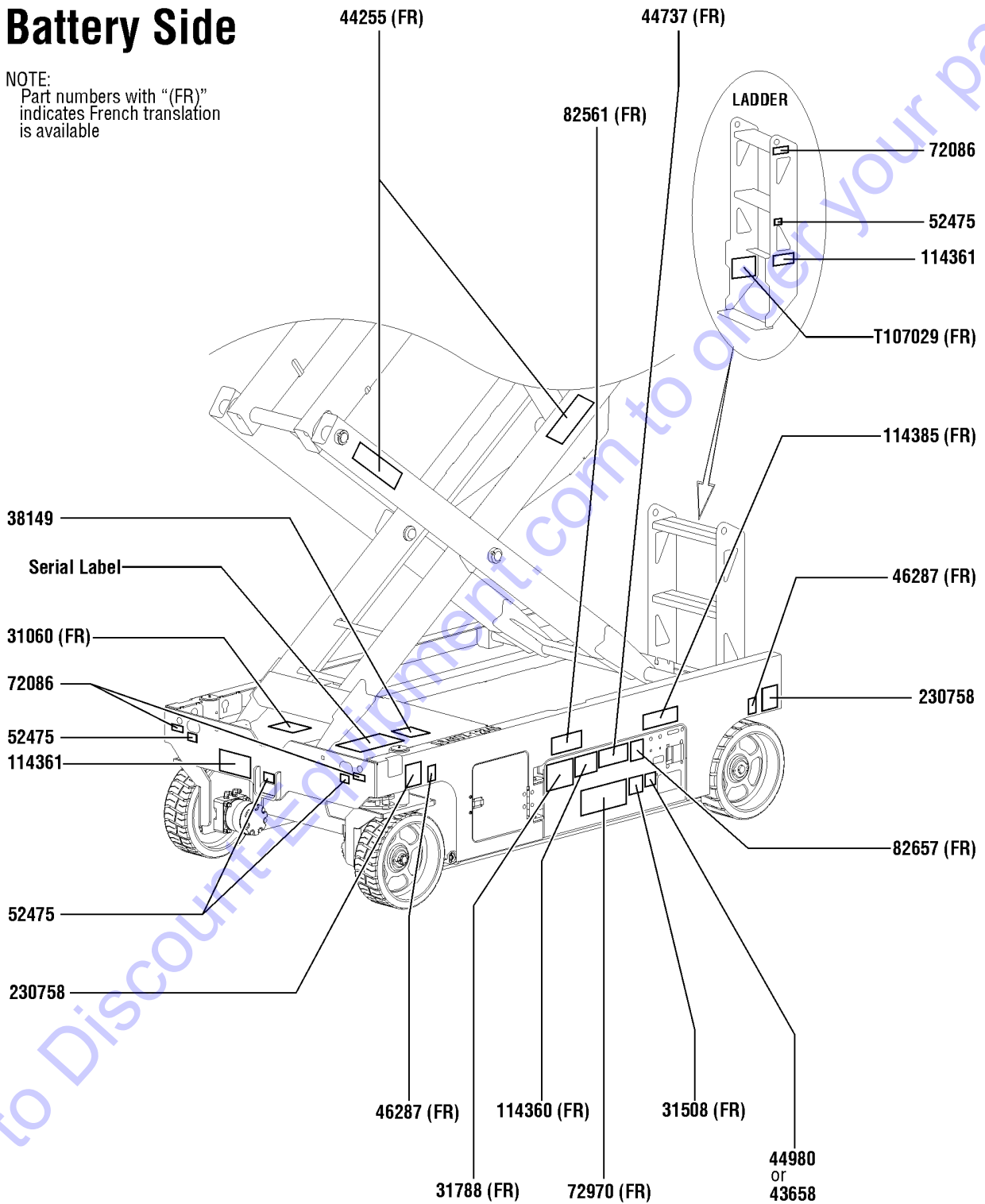
Item	Part No.	Description	Qty.
-		REF: GS-4047 SYMBOL DECAL KITS ..... (refer to 101.1)	
1	28174GT	DECAL, POWER TO PLATFORM 230V** .....	1
2	28235GT	DECAL, POWER TO PLATFORM 115V** .....	1
3	40434GT	DECAL,LANYARD ANCHORAGE POINT .....	5
4	43618GT	DECAL, LABEL - DIRECTION ARROWS .....	2
5	44981GT	DECAL LABEL AIRLINE 110PSI ..... (Option)	1
6	82487GT	DECAL,SYMBOL-READ THE MANUAL .....	1
7	230756GT	DECAL,MANUAL FORCE,GS-4047 .....	1
8	114338GT	DECAL,SYM-TIP-OVR,TILT ALARM .....	1
9	137605GT	DECAL,E-STOP, GR/GRC/GS PCON .....	1
10	137636GT	DECAL, UI, GR/GRC/GS PCON ..... (models with 6 button, 2 speed controller) to SN GS4714C-1799	1
11	137656GT	DECAL, PROPEL, GR/GRC/GS, PCON .....	1
12	230620GT	DECAL,COSMETIC,GS-4047 .....	2
13	230755GT	DECAL,MAXIMUM CAPACITY,GS-4047 .....	1
14	1256702GT	DECAL, UI, GS/GR, PROP LIFT ..... (models with 4 button, proportional controller)	1
15	1256703GT	DECAL, STD, PROP LIFT, UI, SVC ..... (units converted from 6 button, 2 speed lift to 4 button, proportional controller)	1
16	1257923GT	DECAL, SMARTLINK PROPORTIONAL ..... (models with 4 button, proportional controller, and units converted from 6 button, 2 speed lift to 4 button, proportional controller)	2
17	1261983GT	DECAL,SYM,MAX CAP,4047,ANSI .....	1
18	82736GT	DECAL,SYM-SIDE FORCE .....	1
19	1263646GT	DECAL,QR CODE,PARTS&SERVICE MANUAL .....	1

Go to DiscountEquipment.com to order your parts



# Battery Side

NOTE:  
Part numbers with "(FR)" indicates French translation is available



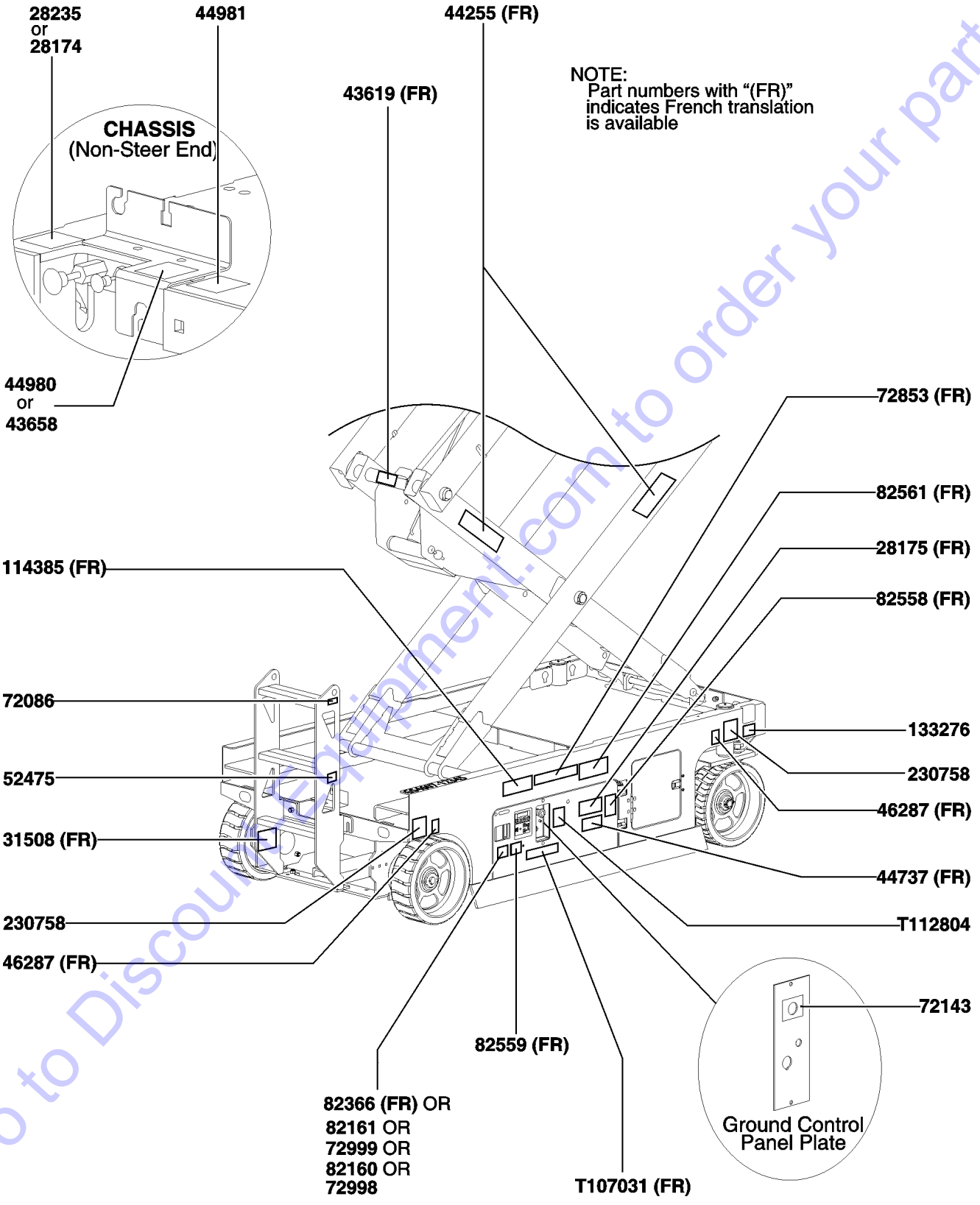
104.1 Word Decals, GS-4047, Battery Side, Australia & ANSI

Item	Part No.	Description	Qty.
1	31060GT	DECAL,DANGER DO NOT ALTER SWTC .....	1
2	31508GT	DECAL,DANGER,ELECT HAZARD,PLUG .....	1
		(Australia models only)	
3	31788GT	DECAL,DANGER,BATTERY SAFETY*** .....	1
4	43658GT	DECAL, LABEL, PWR TO CHARGER 230 EU .....	1
		(Australia models only)	
5	44255GT	DECAL,DANGER,CRUSHING HAZARD .....	2
6	44737GT	DECAL,DANGER,TIP-OVER,TRAYS .....	1
7	44980GT	DECAL, LABEL, PWR TO CHARGER 115 UK .....	1
		(Australia models only)	
8	46287GT	DECAL,LABEL-TIRE SPECS .....	2
9	52475GT	DECAL LABEL TRANSPORT TIE DOWN* .....	4
10	72086GT	DECAL,LABEL,LIFTING EYE .....	3
11	72970GT	DECAL,INSTRUCTIONS-CHARGER OP .....	1
12	82561GT	DECAL,DANGER-USE SAFETY ARM .....	1
13	114361GT	DECAL,SYM-TIP-OVER,LIM SWITCH .....	1
14	114385GT	DECAL,DANGER,ELEC HAZARD,GS .....	2
15	214864GT	ECAL,BATTERY CONNECTION,GS-4047 .....	1
16	214867GT	DECAL,BATT. TRAY/WEIGHT,GS-4047 .....	1
17	230758GT	DECAL,LABEL,WHEEL LOAD,GS-4047 .....	1
18	T107029GT	DECAL DANGER BRAKE REL SAFETY .....	1

Go to Discount-Equipment.com to order your parts



105.1 Word Decals, GS-4047, Ground Control Side, Australia & ANSI





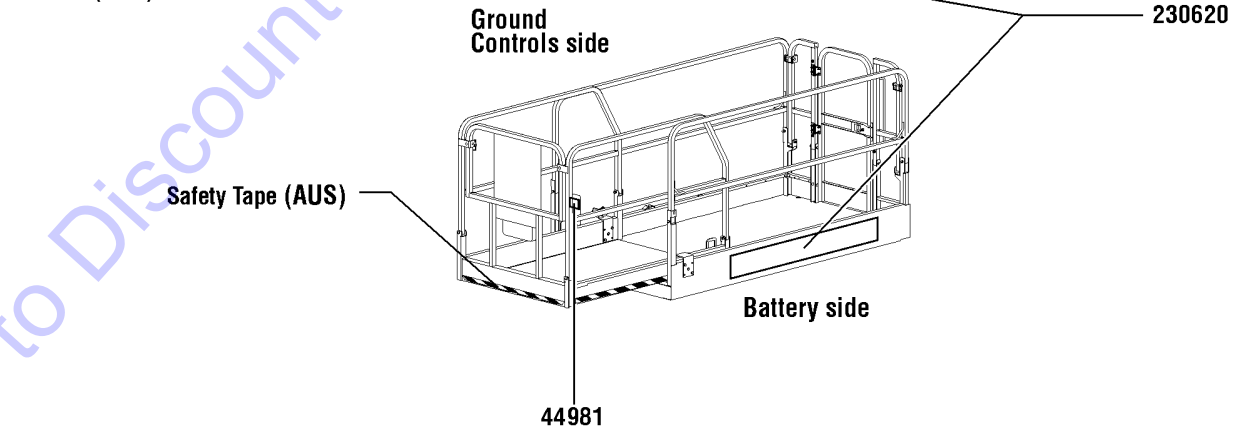
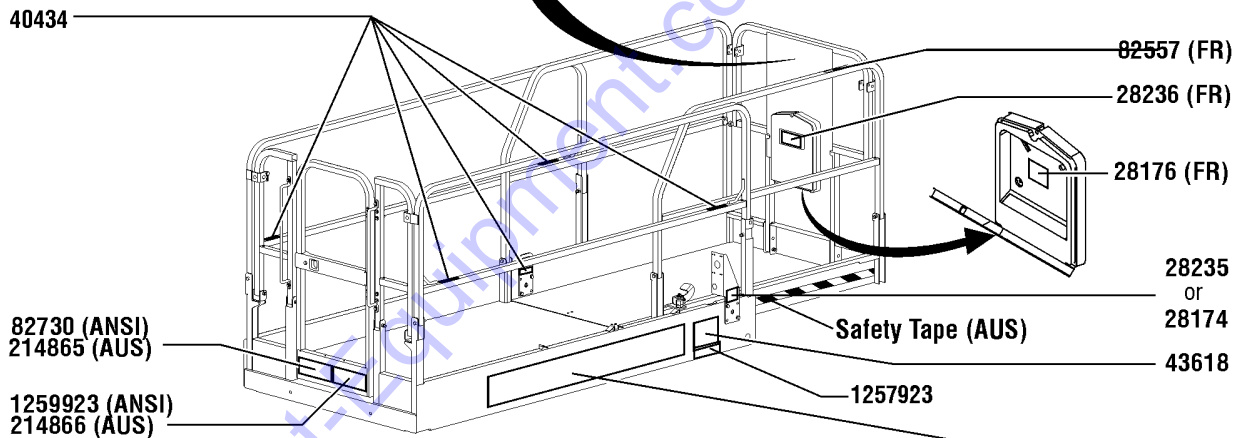
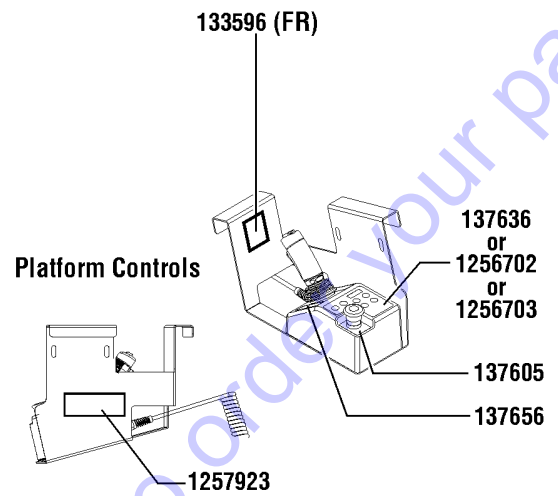
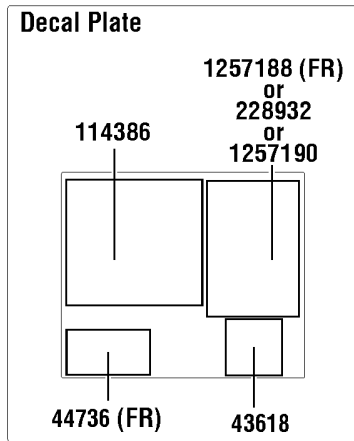
105.1 Word Decals, GS-4047, Ground Control Side, Australia & ANSI

Item	Part No.	Description	Qty.
1	28174GT	DECAL, POWER TO PLATFORM 230V**	1
2	28175GT	DECAL,WARNING-COMPART ACCESS	1
3	28235GT	DECAL, POWER TO PLATFORM 115V**	1
4	43619GT	DECAL LABEL SAFETY ARM	1
5	44255GT	DECAL,DANGER,CRUSHING HAZARD	2
6	44737GT	DECAL,DANGER,TIP-OVER,TRAYS	1
7	44981GT	DECAL LABEL AIRLINE 110PSI (Option)	1
8	46287GT	DECAL,LABEL-TIRE SPECS	2
9	52475GT	DECAL LABEL TRANSPORT TIE DOWN*	1
10	72086GT	DECAL,LABEL,LIFTING EYE	1
11	72143GT	DECAL, EMERGENCY STOP, GR	1
12	72853GT	DECAL,DANGER,IMPROPER USE HAZ.	1
13	72998GT	DECAL, LABEL, QUINTOLUBRIK (models with Quintolub hydraulic oil)	1
14	72999GT	DECAL,LABEL,PETRO CANADA*** (For models with Petro Canada hydraulic oil only)	1
15	82160GT	DECAL, LABEL, STATOIL HYDRAWAY (For models with Statoil hydraulic oil only)	1
16	82161GT	DECAL,LABEL,UCON HYDROLUBE (For models with Ucon Hydrolube hydraulic oil only)	1
17	82366GT	DECAL,CHEVRON RANDO HD (For models with Chevron Rando hydraulic oil only)	1
18	82558GT	DECAL,SKIN INJECTION	1
19	82559GT	DECAL,INSTRUCT-ANNUAL INSP REQ	1
20	82561GT	DECAL,DANGER-USE SAFETY ARM	1
22	114385GT	DECAL,DANGER,ELEC HAZARD,GS	1
23	133276GT	DECAL,EMERGENCY LOWERING	1
24	230758GT	DECAL,LABEL,WHEEL LOAD,GS-4047	1
25	T107031GT	DECAL,OP INST,GCON	1
26	T112804GT	DECAL,GCON PANEL,GS	1



# Platform, Australia models

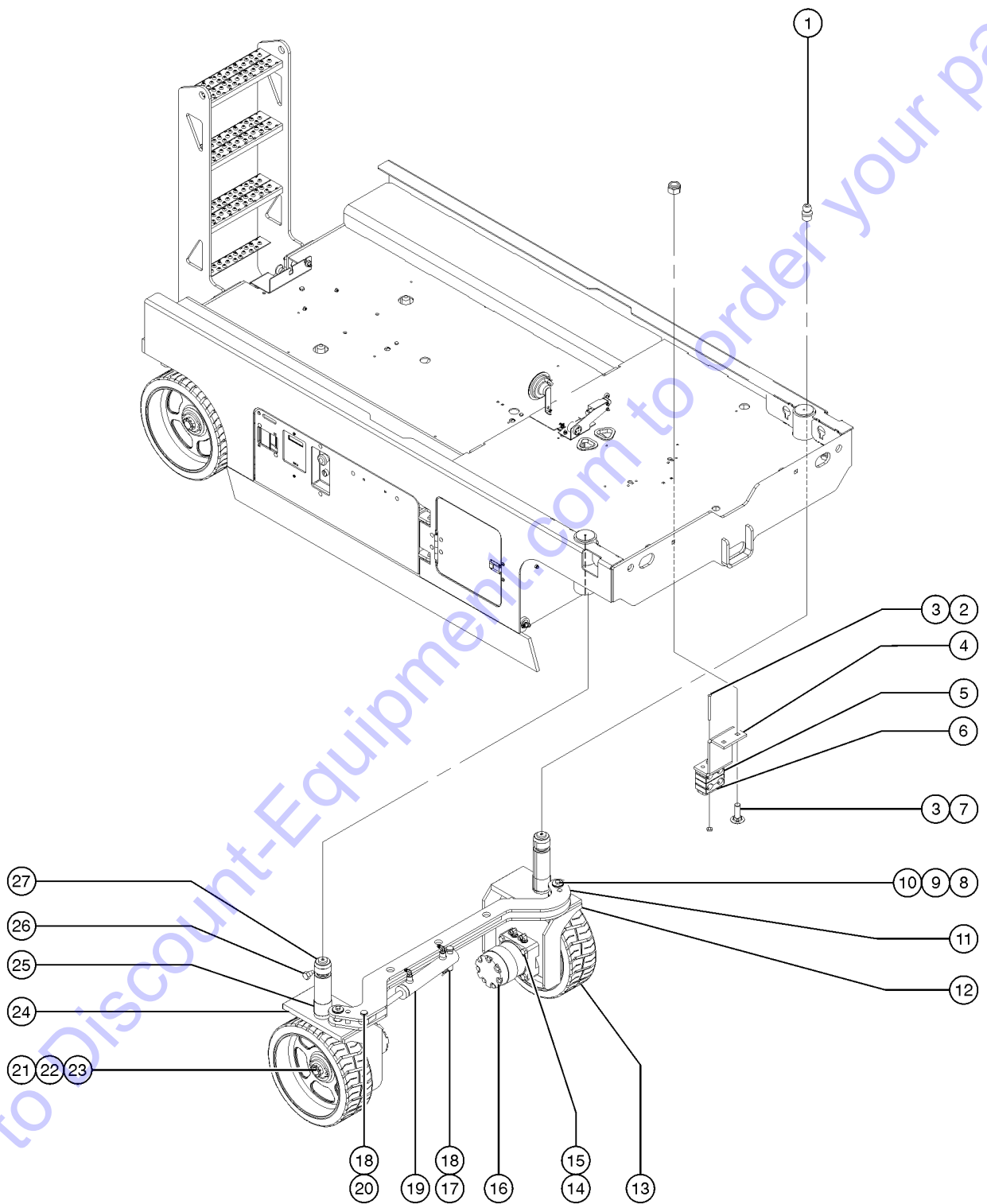
NOTE:  
Part numbers with "(FR)"  
indicates French translation  
is available



Item	Part No.	Description	Qty.
1	28174GT	DECAL, POWER TO PLATFORM 230V**	1
2	28176GT	DECAL,LABEL,MANUAL NOT HERE	1
3	28235GT	DECAL, POWER TO PLATFORM 115V**	1
4	28236GT	DECAL,WARN,IMPROPER OPERATION	1
5	40434GT	DECAL,LANYARD ANCHORAGE POINT	5
6	43618GT	DECAL, LABEL - DIRECTION ARROWS	2
7	44736GT	DECAL,DANGER,TIP-OVER,TILT	1
8	44981GT	DECAL LABEL AIRLINE 110PSI (Option)	1
9	82557GT	DECAL,LABEL,PLAT CONT LOCATION	1
10	114386GT	DECAL,DANGER-GEN SAFETY	1
11	133596GT	DECAL,LABEL,FAULT CODES	1
12	137605GT	DECAL,E-STOP, GR/GRC/GS PCON	1
13	137636GT	DECAL, UI, GR/GRC/GS PCON (models with 6 button, 2 speed controller) to SN GS4714C-1799	1
14	137656GT	DECAL, PROPEL, GR/GRC/GS, PCON	1
15	228932GT	DECAL,OP INST,AUS,GS-46 (models with 6 button, 2 speed controller) to SN GS4714C-1799	1
16	214865GT	DECAL,MANUAL FORCE,GS-4047	1
17	214866GT	DECAL,PLAT.CAPACITY,GS-4047	1
18	230620GT	DECAL,COSMETIC,GS-4047	2
19	1256702GT	DECAL, UI, GS/GR, PROP LIFT (models with 4 button, proportional controller)	1
20	1256703GT	DECAL, STD, PROP LIFT, UI, SVC (units converted from 6 button, 2 speed lift to 4 button, proportional controller)	1
21	1257190GT	DECAL,OP INST,PLAT,GS46,AUS (models with 4 button, proportional controller)	1
22	1257923GT	DECAL, SMARTLINK PROPORTIONAL (models with 4 button, proportional controller, and units converted from 6 button, 2 speed lift to 4 button, proportional controller)	2
23	1257188GT	DECAL,OP INST,PLAT,GS46 ANSI	1
24	82730GT	DECAL,INSTR-SIDE FRC,ANSI 3246	1
25	1259923GT	DECAL,INSTR-MAX CAP, 4047	1



201.1 Steer Linkage and Wheels

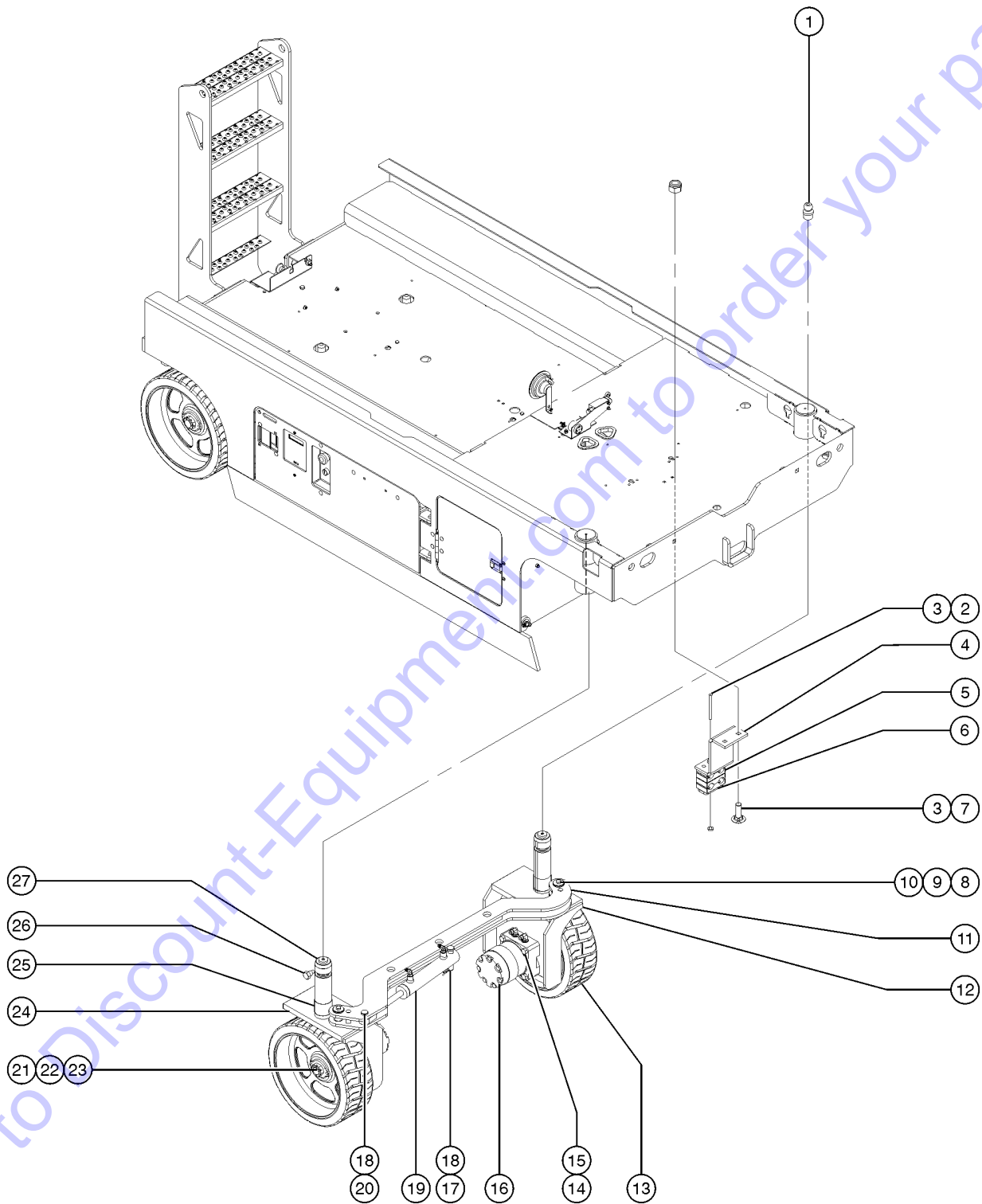


201.1 Steer Linkage and Wheels

Item	Part No.	Description	Qty.
1	66770GT	FITTING,STRAIGHT DRIVE-IN ZERK .....	2
2	144374GT	SCREW,HHC,1/4-20X3.25,GR8 .....	1
3	6091GT	NUT, NYLOCK, 1/4-20 .....	
4	230364GT	FORMING,HOSE CLAMP SPT,PTD,BLU .....	1
5	78736GT	CLAMP, 2 HOSE, PLASTIC, 5/8 .....	4
6	58592GT	PLATE,HOSE ROUTG,BULKHEAD(PTD) .....	1
7	9116GT	BOLT,CARRIAGE,1/4-20 X 1.25,G2 .....	
8	8255GT	SCREW,HHC,3/8-16 X .75 .....	
9	15086GT	WASHER,FLAT,,.375 X 1.5 X .125 .....	
10	47946GT	BEARING,1.00IDX1.25ODX0.49L .....	2
11	97267GT	TIE ROD ASSY, GS46 .....	1
		(battery pack side)	
11-	47946GT	BEARING,1.00IDX1.25ODX0.49L .....	4
11-	96574GT	WLDMT,TIE ROD,GS46 .....	1
12	228349GT	WELDMENT, STEER YOKE, LT .....	1
		(battery pack side)	
13	105454GT	WHEEL & TIRE ASSY LP, 15" .....	2
14	8357GT	SCREW,HHC,1/2-13 X 3.5 .....	
15	6198GT	NUT, NYLOCK, 1/2-13 .....	
16		Ref. Drive Motor .....	
		(refer to 501.1 )	
17	1259195GT	PIN,CLEVIS,3/4X3.25,ZAG .....	1
18	21253GT	CLIP, HAIR PIN, .125 X 2 .....	2
19		Ref. Steer Cylinder .....	
		(refer to 501.1 )	
20	6545GT	PIN,CLEVIS,.75 X 2 .....	1
21	44780GT	NUT,CASTLE,1.125-18 UNEF .....	2
22	13635-10GT	PIN,COTTER,.156 X 1.75 .....	2
23	44781GT	KEY,RECTANGULAR,.31X.28X1.25"" .....	2
24	228350GT	WELDMENT, STEER YOKE, RT .....	1
		(ground controls side)	
25	18722GT	BEARING,2.25IDX2.50ODX1.50L *** .....	2
26	1259192GT	SCREW, YOKE LOCK, ZAG .....	



201.1 Steer Linkage and Wheels

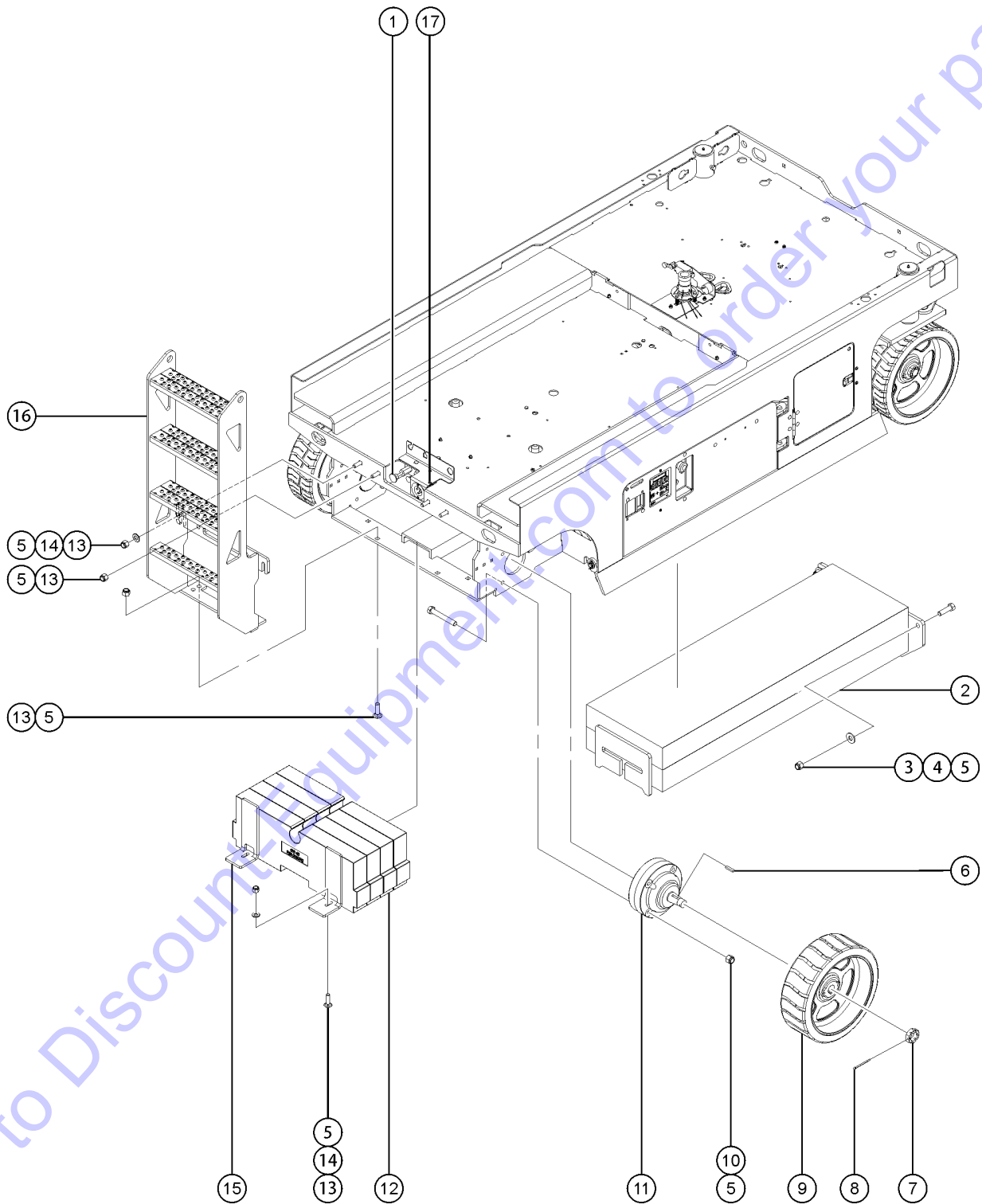


201.1 Steer Linkage and Wheels

<i>Item</i>	<i>Part No.</i>	<i>Description</i>	<i>Qty.</i>
27	105565GT	WASHER,THRUST, GS .....	2

Go to Discount-Equipment.com to order your parts

202.1 Non-Steer Axle Installation



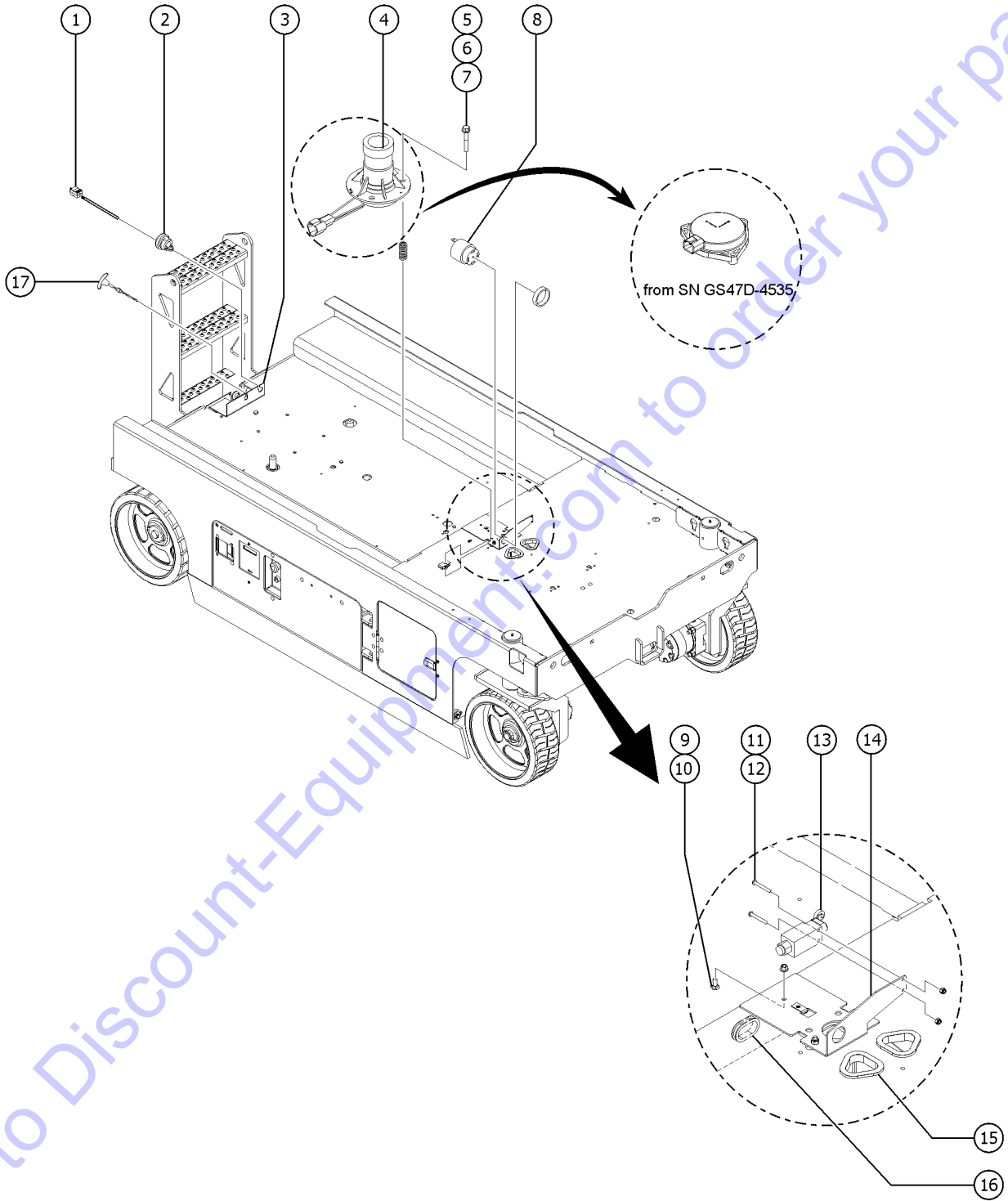


Item	Part No.	Description	Qty.
1		REF: BRAKR RELEASE MANIFOLD ..... (refer to 503.1)	
2	96876GT	COUNTERWEIGHT, BELLY ..... (inside front center of chasis)	1
3	22788GT	SCREW,HHC,1/2-13 X 1.75 .....	
4	21020GT	WASHER,FLAT,.56 X 1.25 X .086 .....	
5	6198GT	NUT, NYLOCK, 1/2-13 .....	
6	44781GT	KEY,RECTANGULAR,.31X.28X1.25** .....	2
7	44780GT	NUT,CASTLE,1.125-18 UNEF .....	2
8	42079GT	PIN,COTTER,.156 X 2.5 .....	2
9	105454GT	WHEEL & TIRE ASSY LP, 15" .....	2
10	8357GT	SCREW,HHC,1/2-13 X 3.5 .....	
11		REF: HYDRAULIC BRAKE ..... (refer to 501.1)	
12	96887GT	CWT, REAR, XX46 ..... Australia & CE (inside rear chasis)	1
13	96203GT	BOLT,CARRIAGE,1/2-13X1.75, G5 .....	
14	13066GT	WASHER,FLAT,.5 HARDENED .....	
15	228377GT	FORMING, CWT CLAMP .....	2
16	228367GT	WELDMENT, LADDER .....	1
16B	1306334GT	WELDMENT, LADDER .....	1
17	1270281GT	ASSEMBLY, CHARGER STATUS LED, 2V, BCI .....	1

Go to Discount-Equipment.com to order your parts



203.1 Level Sensor Installation

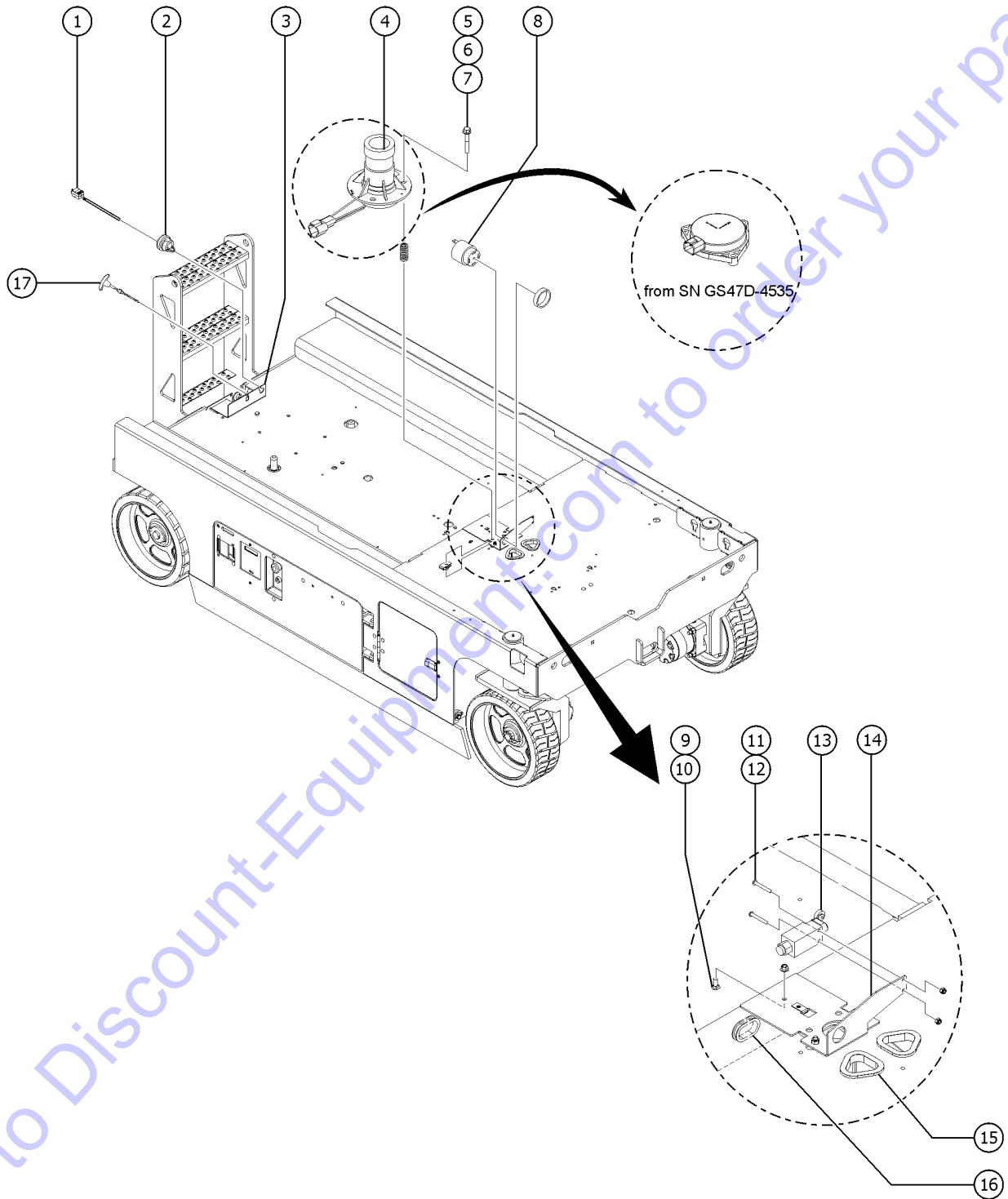


203.1 Level Sensor Installation

Item	Part No.	Description	Qty.
1		REF. Electrical Plugs and Cords ..... (refer to 402.1)	
2	128118GT	BUSHING,STRAIN RELIEF,.875/.40 .....	1
3A	144226GT	FORMING, REC. PLUG BRKT ..... CE models	1
3B	1282153GT	FORMING,REC.PLUG BRKT,METRIC ..... North US and Japan	1
3C	1282145GT	FORMING, PLUG/LED BRACKET,METRIC ..... AUS market	1
4A	228406GT	ASSY,LVL SNSR W/ CONNECTOR ..... to SN GS47D-4534	1
4A-	105142GT	LEVEL SENSOR,LS60,RED,1.5 DIA ..... (does not include connectors)	1
4A-	60440GT	CONN,RECEP 3 WAY, 14-18GA .....	1
4A-	60441GT	CONN, RECEP, 3 WAY, DEUTSCH, DT, LOCK .....	1
4B	823368GT	SENSOR,LEVEL,UNIVERSAL ..... from SN GS47D-4535	1
5	6637GT	SCREW,HHC,1/4-20 X 1.75 .....	
6	39469GT	SPRING,COMPRESSION.485 X1.75** .....	3
7	56912GT	SPRING CLIP,1/4-20,.025-.15X.54,ZAG .....	3
8	39540GT	ALARM,STEADY TONE*** ..... Does not include 72326 nut	1
8-	72326GT	NUT,PLASTIC,RING FOR ALARMS .....	
9	6878GT	BOLT,CARRIAGE,1/4-20 X .75,G2 .....	
10	6091GT	NUT, NYLOCK, 1/4-20 .....	
11	16487GT	SCREW,RHM,10-32 X 1.5 .....	
12	6178GT	NUT,NYLOCK,10-32 .....	
13	T112507GT	WIRE ASSY,DOWN LIMIT SW ..... (Includes plug)	1
13-	96948GT	SWITCH, LIMIT, W/ROLLER ARM*** .....	
13-	19491GT	CONTACTOR,LIMIT SWITCH .....	
13-	97128GT	ROLLER ARM,LIMIT SWITCH*** .....	
14	96870GT	FORMING,ALARM BRACKET .....	1
15	47232GT	GROMMET,RUBBER 2 X 2.75 .....	2
16	47238GT	GROMMET,RUBBER 1.5 ID .....	1
17	39232GT	CABLE,EMERGENCY DOWN .....	1
18	6090GT	SCREW,HHC,1/4-20 X .75 .....	



203.1 Level Sensor Installation

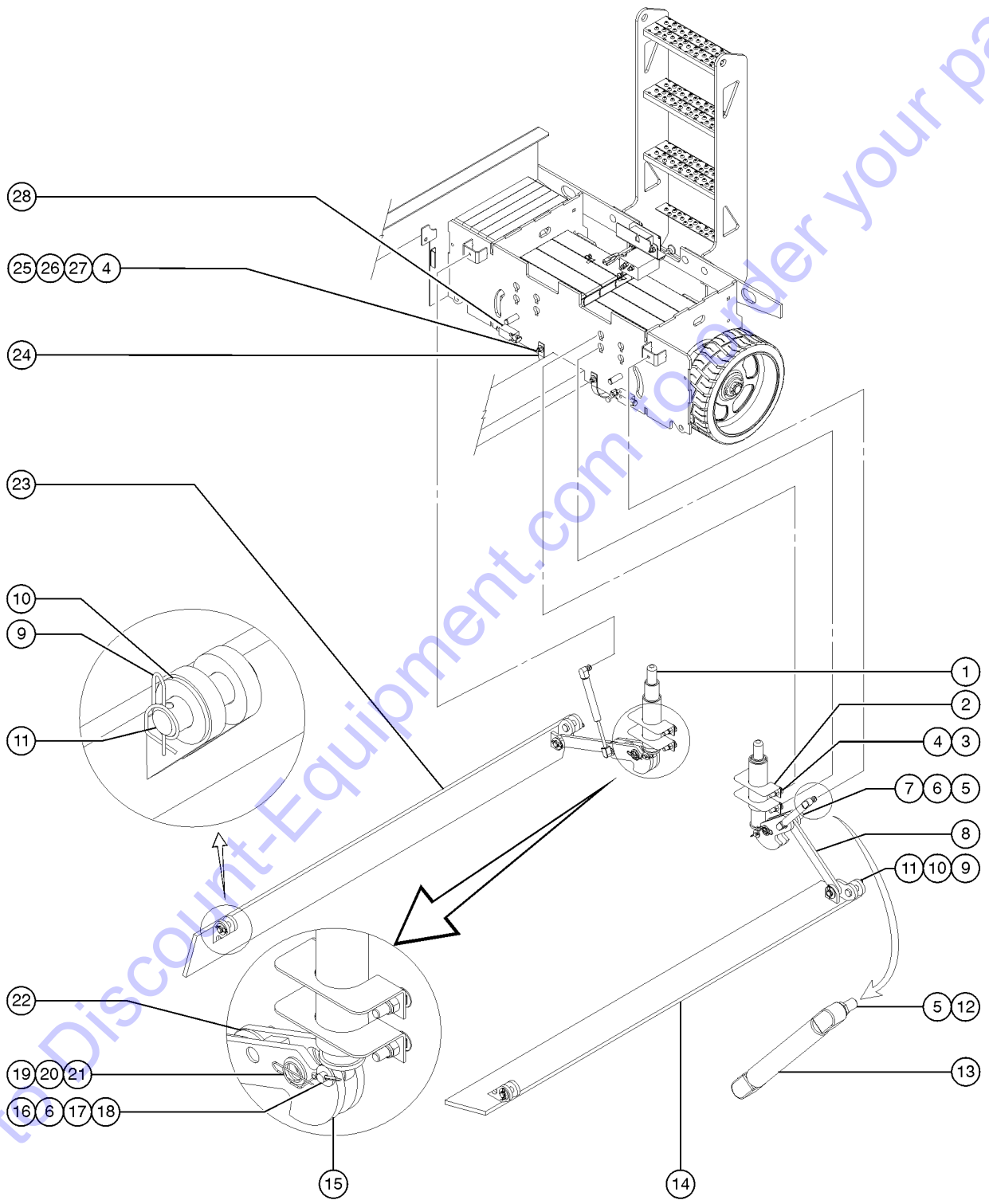


<i>Item</i>	<i>Part No.</i>	<i>Description</i>	<i>Qty.</i>
19	6833GT	CLAMP,0.50,#8 X 1/4,RUB CUSH .....	

Go to Discount-Equipment.com to order your parts



204.1 Pot Hole Protection Assembly

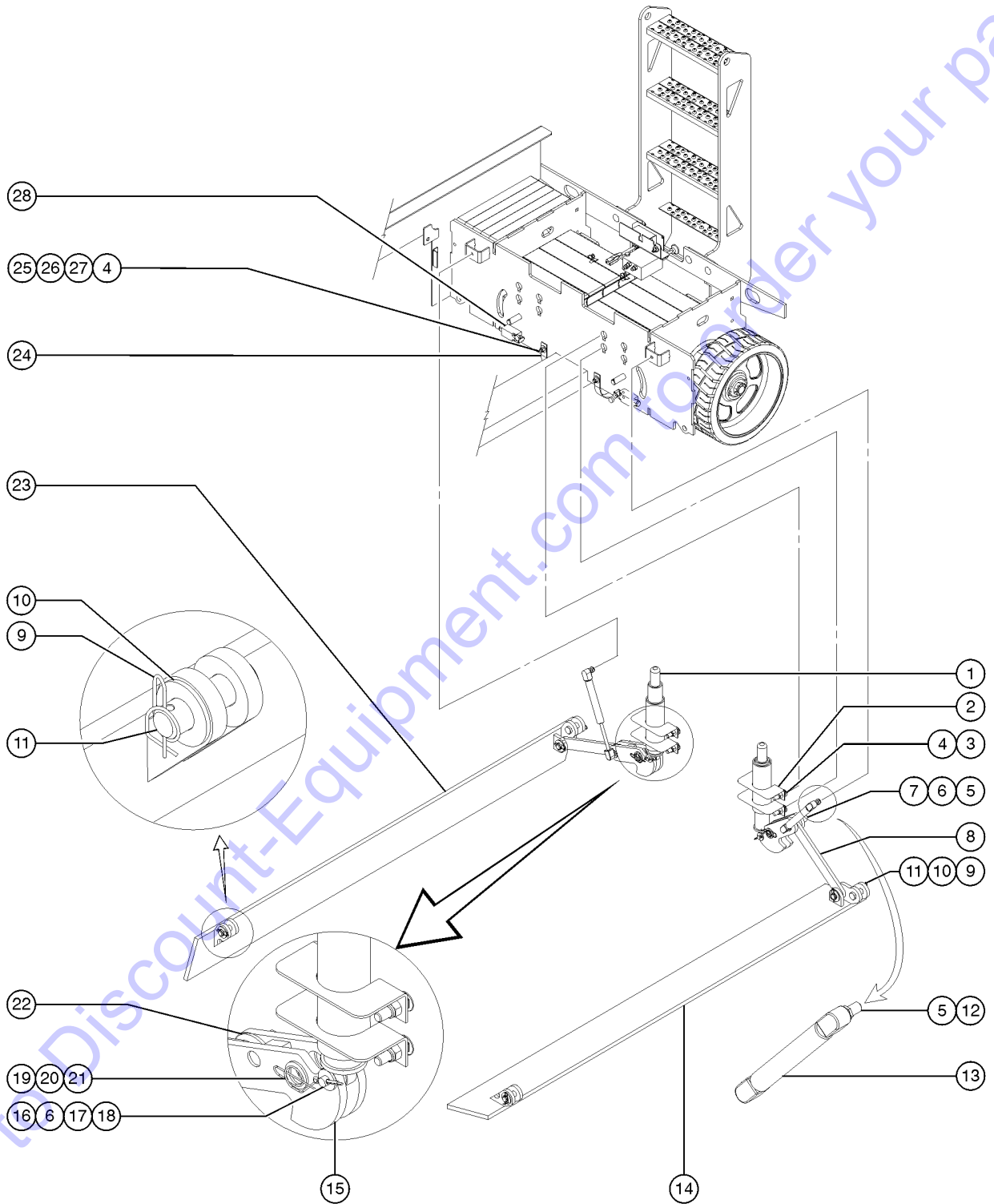


204.1 Pot Hole Protection Assembly

Item	Part No.	Description	Qty.
1	96839GT	ASSY,POT HOLE PUSHER,GS***	2
1-	25817GT	BEARING,1.00IDX1.25ODX1.00L	1
1-	96142GT	WLDMT, POT HOLE ACTUATOR	1
1-	96838GT	SPRING, POTHOLE PUSHER	1
1-	96840GT	PIN,PH ACTUATOR	1
2	105069GT	WLDMT/ASSY,PH GUIDE,GS46 (ground controls side)	2
2-	96408GT	BEARING,1.523IDX1.75ODX0.63L	2
3	60790GT	BOLT,CARRIAGE,3/8-16 X1.50,G5	
4	4828GT	NUT,NYLOCK,3/8-16	
5	78086GT	BALL STUD, GAS STRUT, 3/8-16	
6	5397GT	WASHER,FLAT,USS,5/16",Y	
7	96643GT	PIN, POTHOLE LINK PIVOT	2
8	96637GT	PLATE,POTHOLE LINK	2
9	96422GT	RUE RING,5/8 PIN	
10	6898GT	WASHER,SHIM,.625 X 1.188X.064	
11	96135GT	PIN,CLEVIS,.625 X 1.88,ZINC PL	4
11-	105156GT	BUSHING, FLNGD, .63 X .77 X .38 (sold seperately)	4
12	7713GT	NUT, LP NYLOCK, 3/8-16	
13	39542GT	GAS SHOCK, SCISSORS***	2
14	96639GT	WELDMENT, POTHOLE, LEFT SIDE (battery pack side)	1
15	84574GT	POT HOLE BELL CRNK LINK ASSYGS30	2
15-	96642GT	BEARING,.75ID X 1.00D X 1.38LG	1
15-	96281GT	PH BELLCRANK LINK	1
16	12016GT	PIN, COTTER, .125 X .75	
17	34742GT	PIN,CLEVIS,.375 X 1.75 LG.	2
18	96541GT	CAM FOLLOWER, 1.125 X .375, DELRIN	2
19	96423GT	RUE RING,3/4 PIN	
20	6564GT	WASHER, SHIM,.765 X 1.312 X .093	



204.1 Pot Hole Protection Assembly



Go to Discount-Equipment.com to order your parts



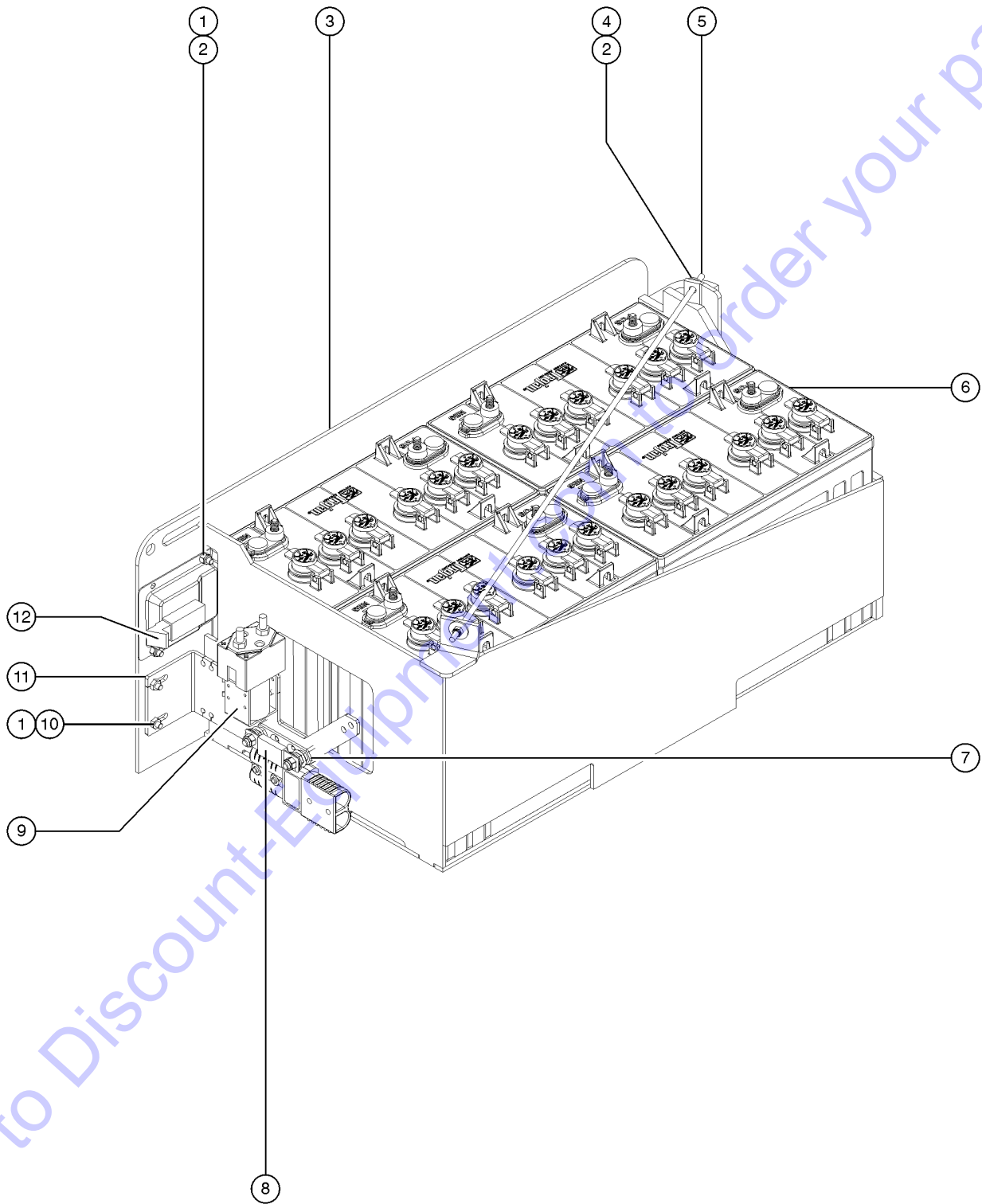
204.1 Pot Hole Protection Assembly

Item	Part No.	Description	Qty.
21	55355GT	SPACER,.75ID X 1.5OD X 1/4THK .....	
22	96085GT	WASHER, THRUST, .63 X 1.13 X .06 .....	
23	96638GT	WELDMENT, POTHOLE, RIGHT SIDE .....	1
		(ground controls side)	
24	105060GT	GROUND STRAP, 8"LG .....	2
25	105092GT	BOLT,CARRIAGE,3/8-16X1.25,GR5 .....	
26	6700GT	WASHER, STAR, EXTERNAL, .375 .....	
27	6097GT	WASHER,FLAT,USS,3/8",Y .....	
28	96948GT	SWITCH, LIMIT, W/ROLLER ARM*** .....	2
28-	19491GT	CONTACTOR,LIMIT SWITCH .....	
28-	97128GT	ROLLER ARM,LIMIT SWITCH*** .....	

Go to Discount-Equipment.com to order your parts



205.1 Battery Pack Tray



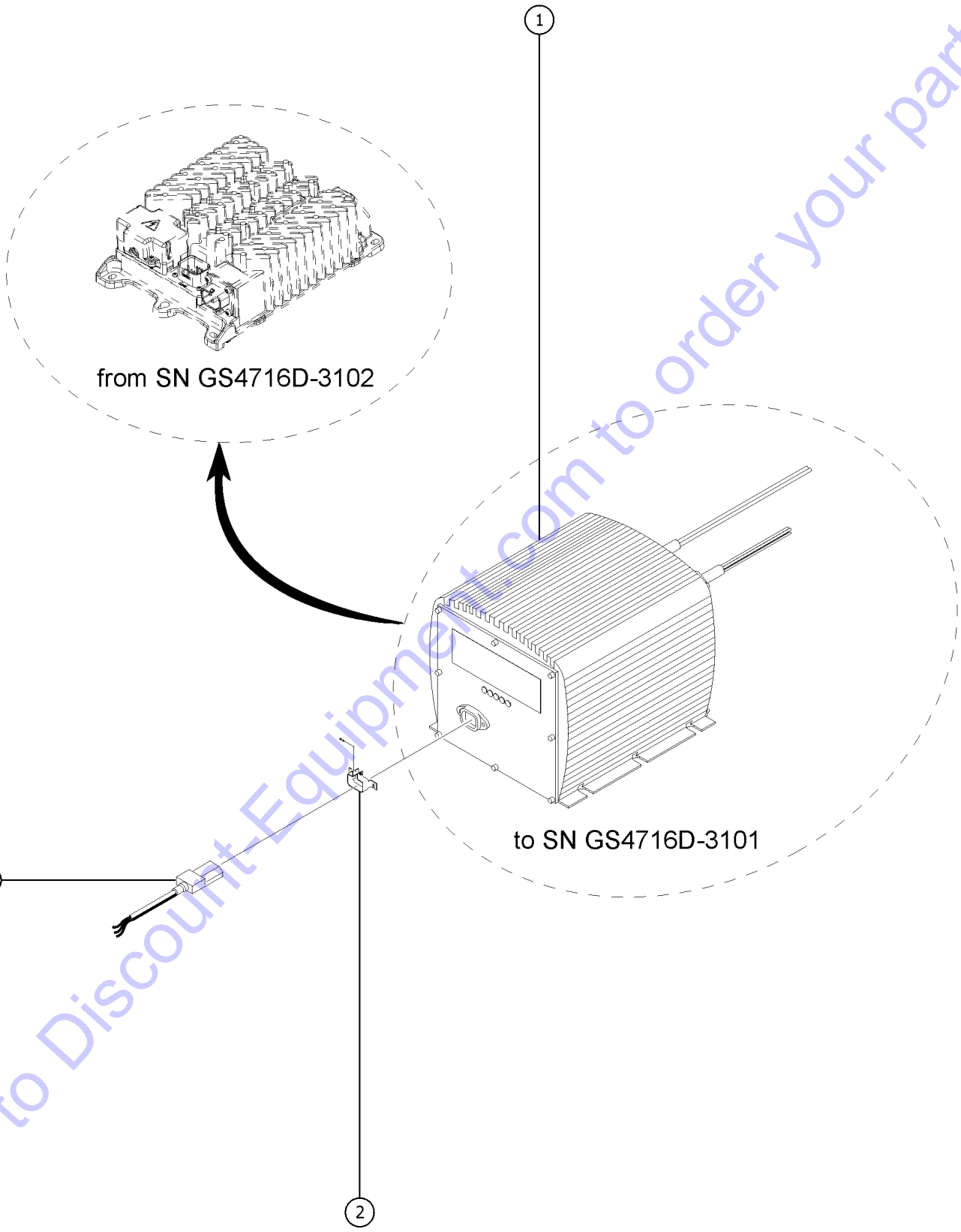
205.1 Battery Pack Tray

Item	Part No.	Description	Qty.
A-	75631GT	HOSE,AIR 3/8 .....	27
1	6878GT	BOLT,CARRIAGE,1/4-20 X .75,G2 .....	4
2	6091GT	NUT, NYLOCK, 1/4-20 .....	2
3	T108670GT	WLDMT,GS4047 BATTERY TRAY .....	1
4	6889GT	NUT,LP NYLOCK,1/4-20 .....	1
5	237165GT	THREADED ROD, M6 X 736MM (air hose sold seperately) (see part number 75631) .....	1
6A	T113971GT	BATTERY,12V,150AH,T1275 .....	4
6B	1256078GT	AGM BATTERY,DC150-12,DP CYCLE .....	4
7	66717GT	FUSE BLOCK, ANN & ANL FUSE .....	1
		(includes mounting fasteners)	
8	40833GT	FUSE, 275AMP, VERY FAST ACTING .....	1
9A	74267GT	CONTACTOR,DRIVE,24V,180A*** .....	1
		to SN GS4716D-3333	
9B	1270457GT	CONTACTOR, DRIVE, 24V, 180A UNBRANDED .....	
		from SN GS4616D-3334	
10	18504GT	NUT,LOCKING-LG.FLANGE,1/4-20 .....	2
11	214375GT	FORMING, FUSE BRACKET .....	1
12	55675GT	LATCH, LRG PADDLE HANDLE GS90 .....	1

Go to Discount-Equipment.com to order your parts



206.1 Battery Charger



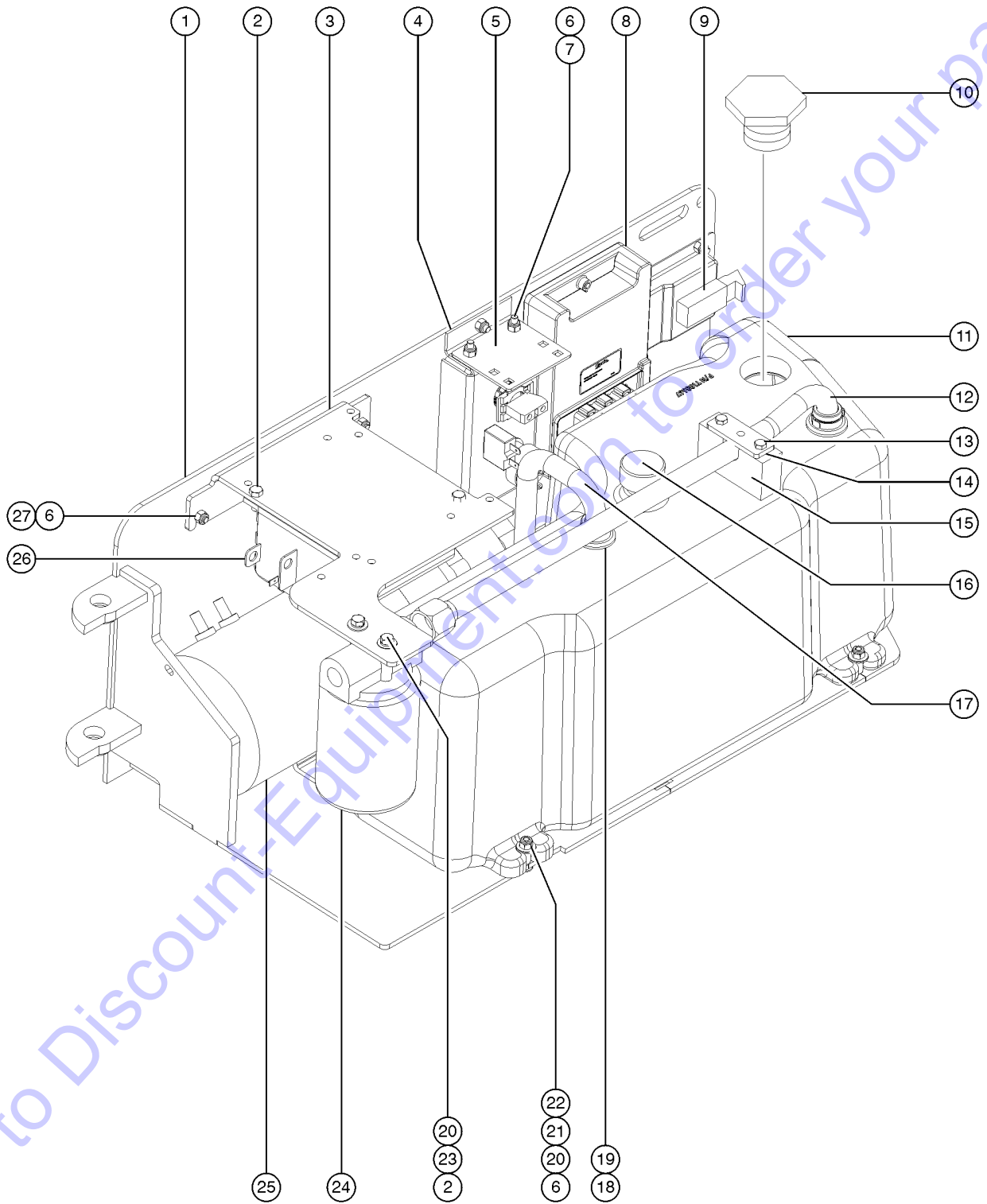
206.1 Battery Charger

Item	Part No.	Description	Qty.
-	97059GT	FUSE,BATTERY CHARGER*** for 5-LED battery charger	
-	105334GT	CONNECTOR, IEC CHARGER CORD for 5-LED battery charger	
1A	105739GT	CHARGER,BAT,24VDC,H/LO GEN2 Signet battery charger. NOTE: Some machines are equipped with an alternative-brand battery charger. Inspect your machine before ordering OR contact Genie Service Parts if needed.	1
1A-	144180GT	MANUAL,OWNERS,CHARGER,105739	
1B		Ref. Field Assembly Recessed Charger Plug (refer to 403.1)	
1C	219480GT	KIT,BATTERY CHARGER,24V (includes 105739 charger, fasteners, ring terminals and instructions for field installation)	
1D	1272232GT	CHARGER,24V,650W,USB from SN GS4716D-3102	1
1D-	1279428GT	KIT, DC BLOCK ASSEMBLY for 1279428	
2	55010GT	LOCK, CONNECTOR (includes fasteners)	1
3A	144130GT	POWER CORD, IEC 320, 115" to SN GS4716D-3101	1
3B	1273351GT	CABLE,CHARGER,DC,W/BTS from SN GS4716D-3102	1

Go to Discount-Equipment.com to order your parts



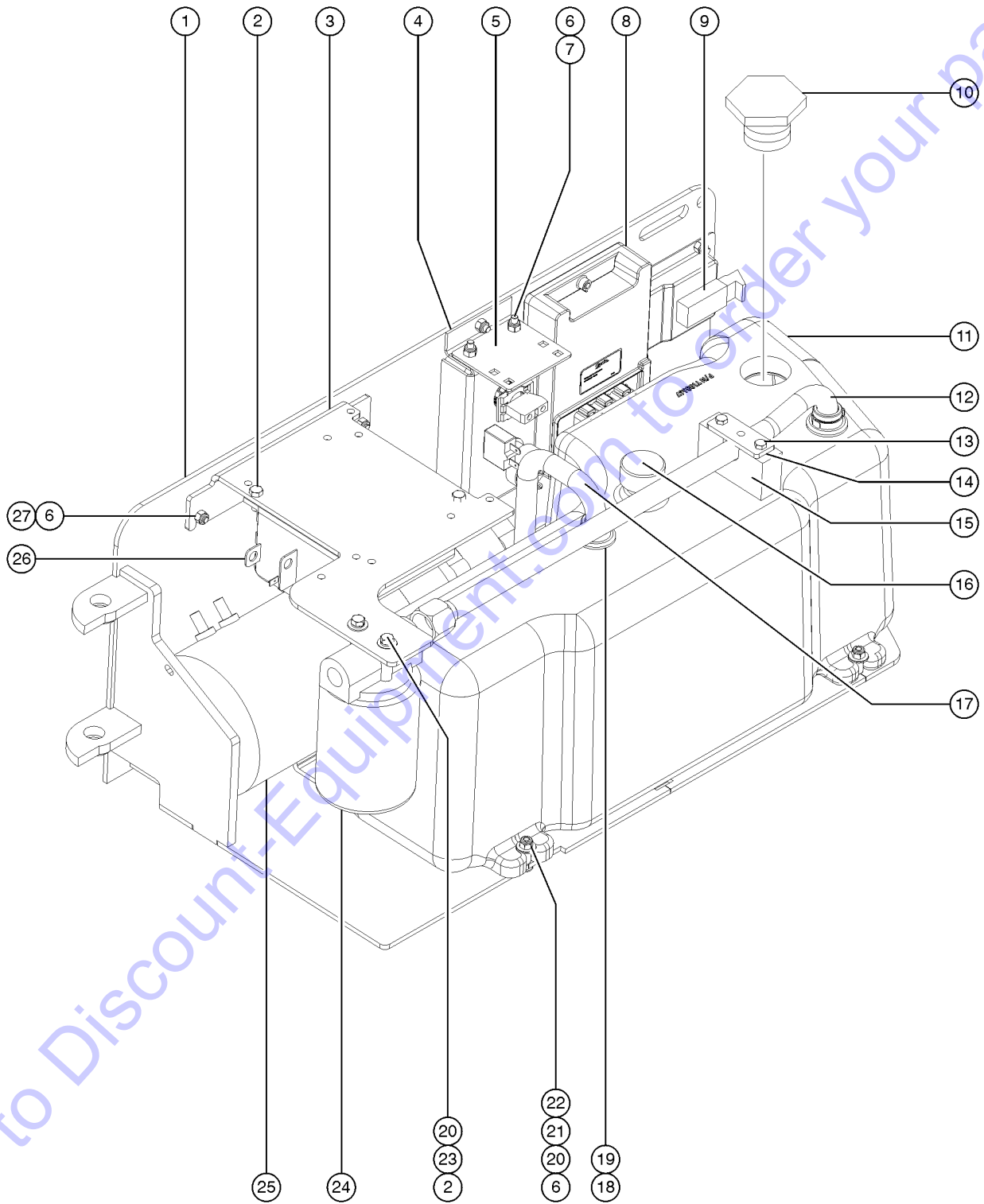
207.1 Power Unit Module



Item	Part No.	Description	Qty.
1	227166GT	WELDMENT, GS HYD TRAY, MET (decals not included, refer to section one)	1
2	6090GT	SCREW,HHC,1/4-20 X .75	
3	228342GT	FORMING, FILTER-CNTRLR MOUNT	1
4		REF. FORMING,CONTROL PANEL (refer to figure 208.1)	
5	T108326GT	PLATE,HARNESS MOUNT	1
6	6091GT	NUT, NYLOCK, 1/4-20	
7	6878GT	BOLT,CARRIAGE,1/4-20 X .75,G2	
8		REF. GCON (refer to figure 208.1)	
9	55675GT	LATCH, LRG PADDLE HANDLE GS90	1
10	66204GT	FILTER CAP (PLUG 1-1/2" NPT HEX	1
11	T108667GT	TANK,HYDRAULIC,6.5 GAL	1
12	228339GT	ASSEMBLY,TANK RETURN,TUBE	1
13	237360GT	SCREW, HHC, M6 X 55MM	2
14	228362GT	PLATE, CLAMP	1
15	228361GT	CLAMP, RETURN LINE	1
16	78546GT	BREATHER CAP, HYD. TANK, 1/4 NPT	1
17	96354GT	TUBE, ASSY, DRAW	1
18	96855GT	CLAMP,HOSE,1 EAR,1-1/16***	2
19	96709GT	GROMMET,SLAB HYD TANK***	2
20	6638GT	WASHER,FLAT,USS,1/4"Y	
21	96699GT	SLEEVE,TANK SUPPORT	
22	9116GT	BOLT,CARRIAGE,1/4-20 X 1.25,G2	
23	6356GT	WASHER,LOCK,.25	
24		REF. FILTER ASSY (refer to figure 501.1)	
25		REF. ELECTRIC MOTOR/PUMP (refer to figure 504.1)	
26A	823408GT	MOTOR CONTROLLER, DC,24V,300A (to SN 4714D-316)	1
26A-	1268799GT	KIT, GS47 MOTOR CONTROLLER (includes 1257840GT, cables, and instructions)	
26B	1257840GT	MOTOR CONTROLLER,DC,24V,360A (from SN 4714D-317)	1



207.1 Power Unit Module



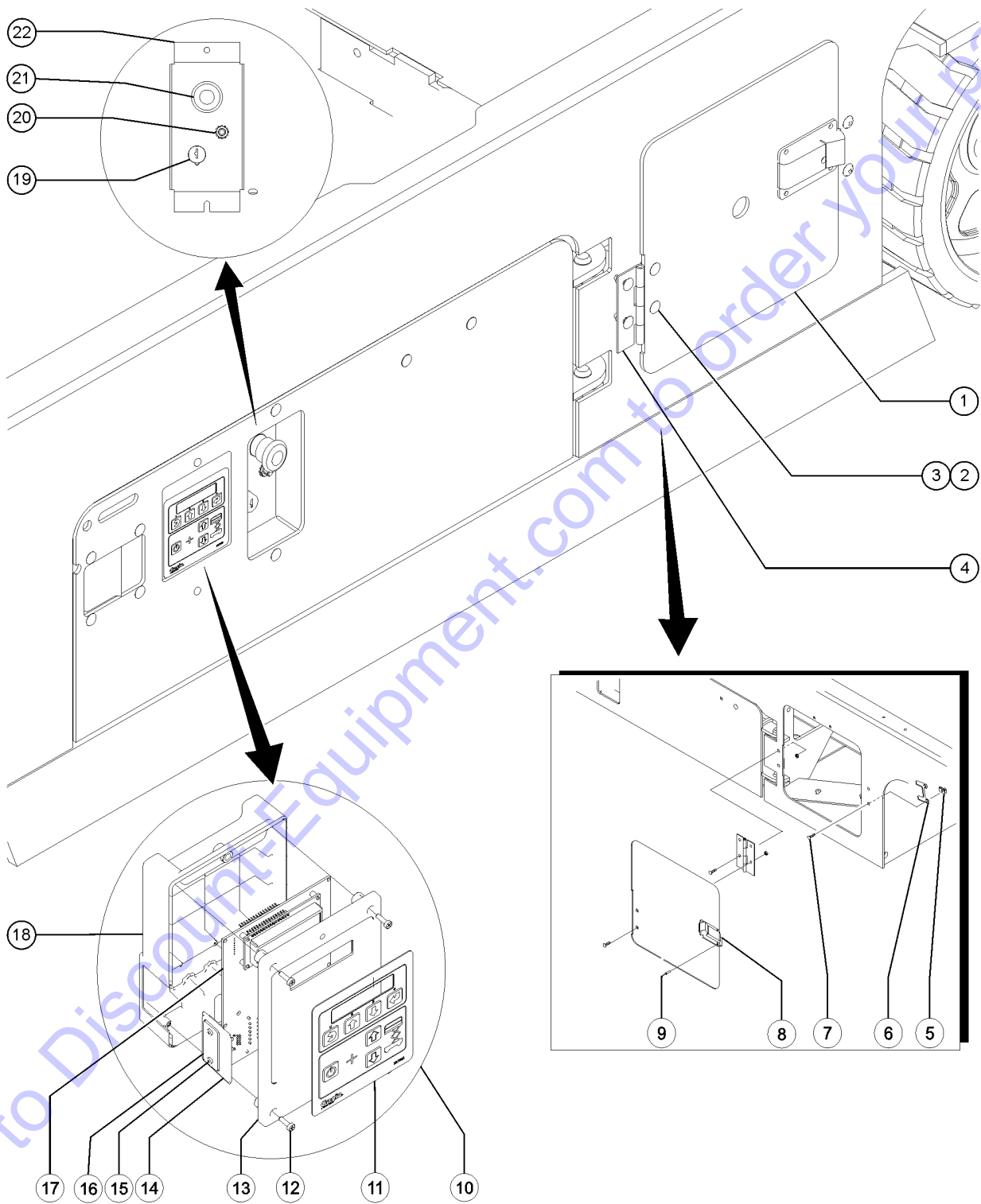
Go to Discount-Equipment.com to order your parts



<i>Item</i>	<i>Part No.</i>	<i>Description</i>	<i>Qty.</i>
27	6878GT	BOLT,CARRIAGE,1/4-20 X .75,G2 .....	

Go to Discount-Equipment.com to order your parts

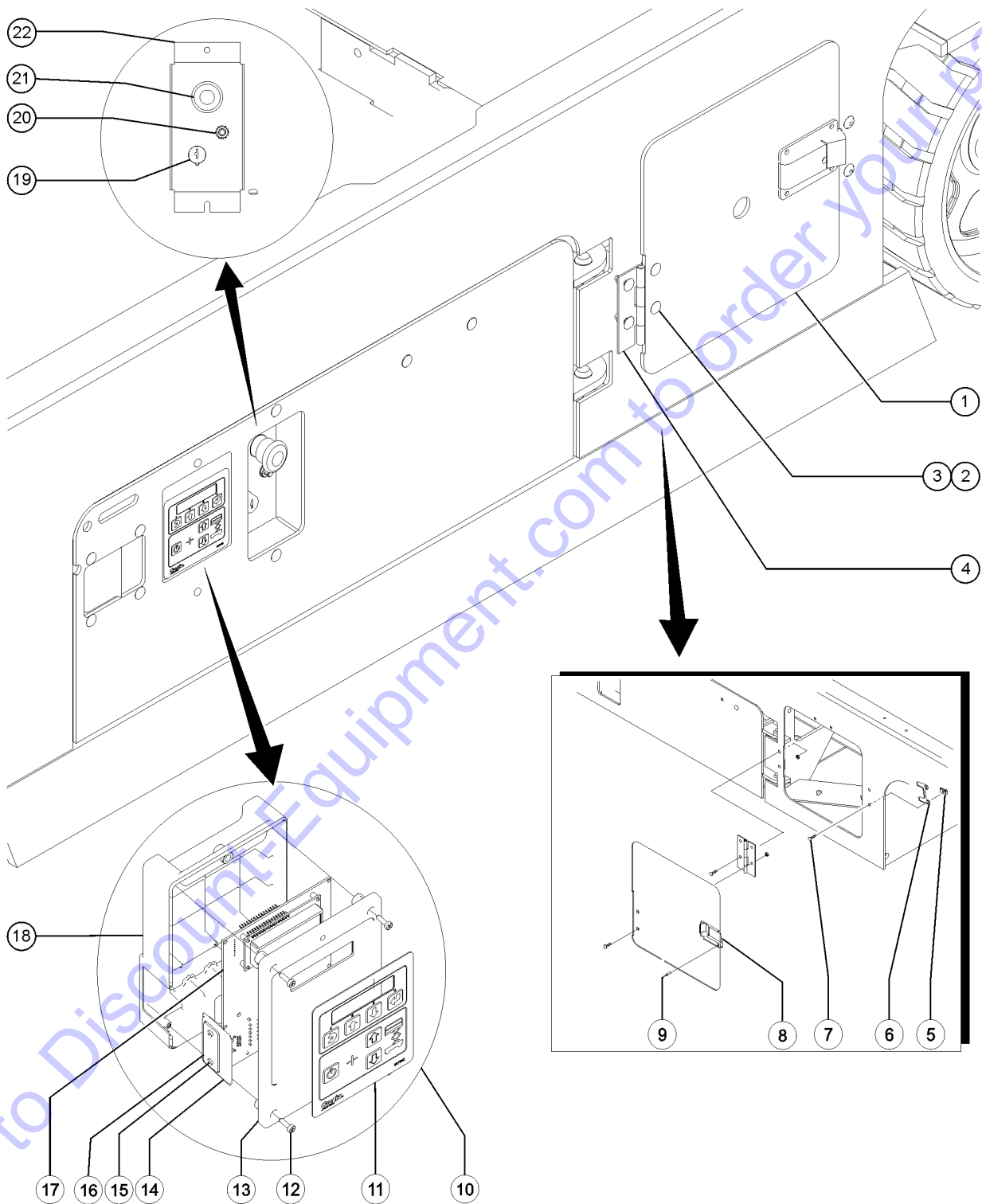
208.1 Ground Controls



Item	Part No.	Description	Qty.
1	105732GT	PLATE,SIDE DOOR***	1
2	6878GT	BOLT,CARRIAGE,1/4-20 X .75,G2	4
3	6091GT	NUT, NYLOCK, 1/4-20	4
4	105734GT	HINGE,ACCESS DOOR(13G)	1
5	56912GT	SPRING CLIP,1/4-20,.025-.15X.54,ZAG	2
6	105733GT	PLATE,SIDE DOOR STOP***	1
7	43137GT	SCREW,PHM,1/4-20 X .75	2
8	105759GT	LATCH,COMPRESSION,SMALL	1
9	6272GT	RIVET,STL,STL,P,.125 X .25	4
10A	137692GT	GCON, GR/GRC/GS (models with 6 button, 2 speed controller) to SN GS4714C-1799	1
10A-		LABEL, SERIAL, GC21-19 No longer available	1
10B	1256721GT	GCON,STD,PROP LIFT (models with 4 button, proportional controller)	1
11	137562GT	DECAL,MEMBRANE, GR/GRC/GS GCON	1
12	137668GT	SCREW,PHM,6-19X.75, 48-2 TRI-L	4
13	T106366GT	ENCLOSURE,GC27-25/GC21-19,FRNT	1
14	T106363GT	ADAPTER, RJ45, GC27-25/GC21-19	1
15	137637GT	SCREW,PHM,4-20X.5, 48-2 TRI-L	2
16	T106362GT	COVER, RJ45, GC27-25/GC21-19	1
17A	137604GT	PCBA, GC21-19 (models with 6 button, 2 speed controller) to SN GS4714C-1799	1
17B	1256719GT	PCBA,GCON STD,PROP LIFT (models with 4 button, proportional controller)	1
18	T106372GT	ENCLOSURE,GC21-19,BK	1
19	96008-SGT	KEYSWITCH,3 POS. W/KEYS***	1
19-	37947GT	KEYS,10 PACK***	
19-	83093GT	KEY SINGLE***	
19-	85239GT	RETAINER NUT (96008)***	
19-	96010GT	SCREW,PHILLIPS,PHM,8-32 X.25**	
20	96452GT	GS3246_CIRCUIT BREAKER, 7.0 AMP***	1
20-	122994GT	NICKEL PLATED JAM NUT	



208.1 Ground Controls



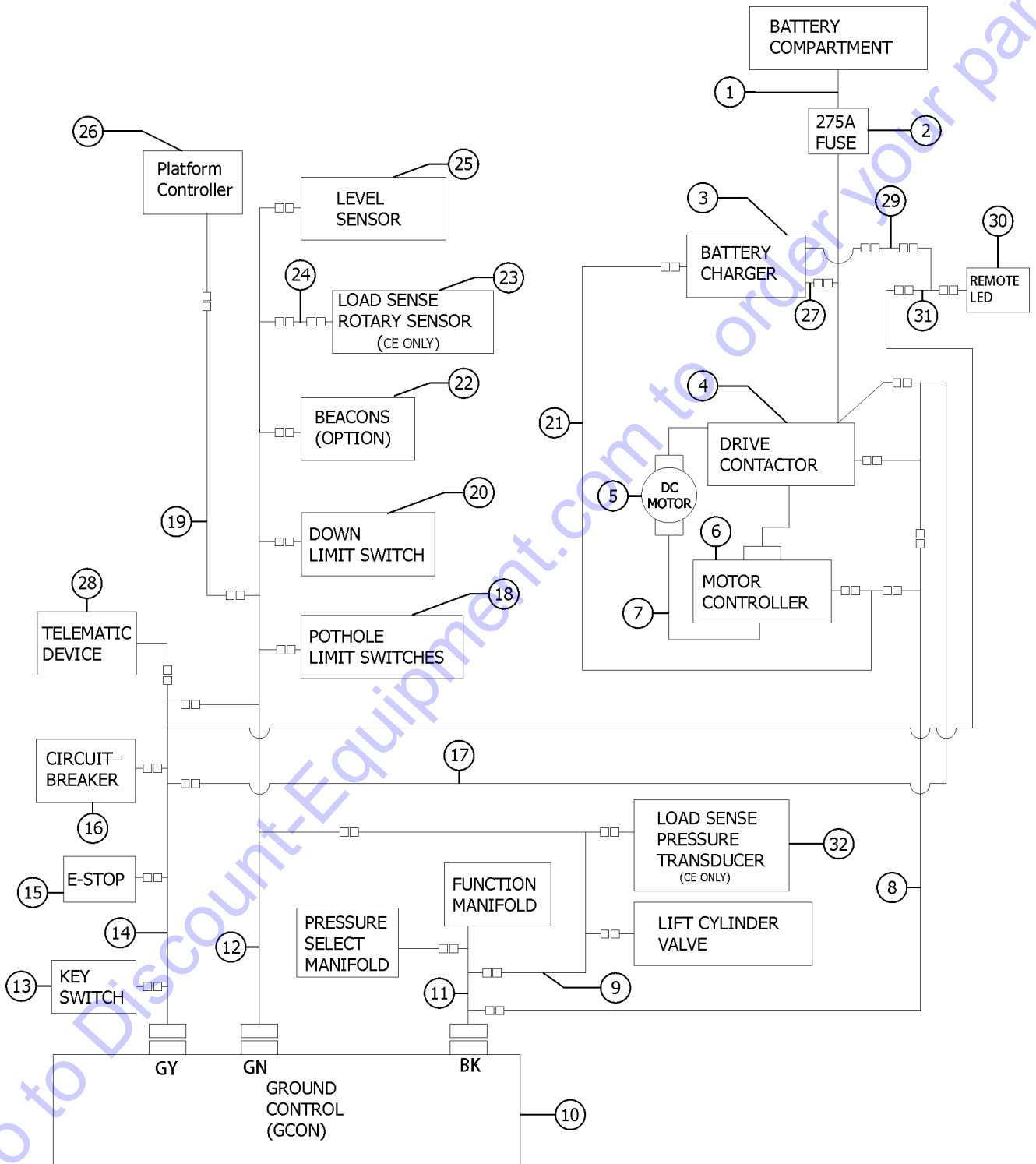
208.1 Ground Controls

Item	Part No.	Description	Qty.
20-	6700GT	WASHER, STAR, EXTERNAL, .375 .....	
21	66812GT	BUTTON,PUSH,RED MUSHROOM HEAD .....	1
21-	58627GT	NUT .....	
21-	66817GT	E-STOP NC CONTACT .....	
22	T108327GT	FORMING CONTROL PANEL .....	1
		To SN GS47P-3227	
22-	1283213GT	FORMING CONTROL PANEL, TECH PRO .....	
		From SN GS47P-3228	

Go to Discount-Equipment.com to order your parts



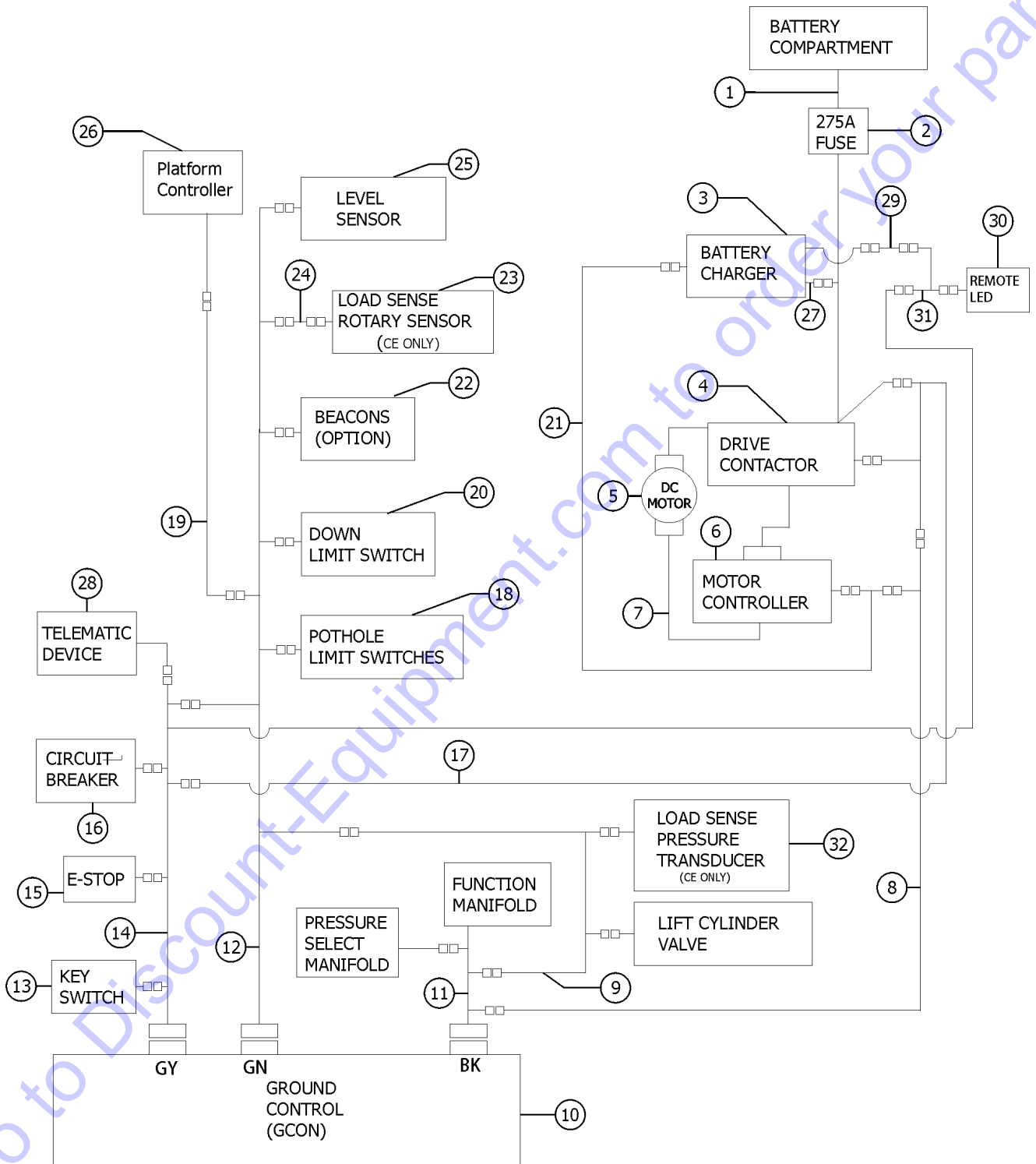
209.1 Electrical Wiring



Item	Part No.	Description	Qty.
A-	T112509GT	CABLE,LFT CYL DN,15/19XX, W/LS (not shown)	
B-	T112508GT	CABLE, LIFT CYL DOWN WO/LS (not shown)	
C-	105214GT	CABLE TIE MOUNT, WINGED (not shown)	
D-	56926GT	CLIP,TIE HARNESS MOUNT*** (not shown)	
E-	1264822GT	KIT, TRC RETROFIT, STNDRD Telematics (includes 1264834)	
F-	1264834GT	INSTRN, TRC RETROFIT, STNDRD	
1		REF: Battery Cable (refer to 210.1)	
2		REF: Fuse (refer to 205.1)	
3		REF: Battery Charger (refer to 206.1)	
4		REF: Drive Contactor (refer to 205.1)	1
5		REF: Electric Motor (refer to 504.1)	
6		REF: Motor Contoller (refer to 207.1)	
7		REF: Battery Cable (refer to 210.1)	
8	232580GT	HARNESS,DIODE JUMPER	1
9	236781GT	CABLE,LIFT CYL,GS4047	1
10		REF: Ground Controls (GCON) (refer to 208.1)	
11A	238007GT	HARNESS,FUNCTION MAN,GS4047 (replaced by 1257845 to SN GS4714D-316)	1
11B	1257845GT	HARNESS, FUNC. MANIFOLD, GS47 (replaced 238007 from SN GS4714D-317)	1
12	T110891GT	HARNESS, GS SENSORS, CE (Green connector)	1
13		REF: Key Switch (refer to 208.1)	
14	T110890GT	HARNESS, GS POWER CONTRL (Grey connector)	1
15		REF: E-Stop (refer to 208.1)	
16		REF: Circuit Breaker (refer to 208.1)	
17	233430GT	HRNS,CONTACTOR SIGNAL,GS46	1
18	96309GT	POTHOLE HARNESS ASSEMBLY	1
19A	238006GT	CABLE,PLAT CNTRL,GS4047 (CE models)	1
19B	1260202GT	CABLE,PLAT CNTRL,GS4047 (ANSI models)	1
20		REF: Down Limit (refer to 203.1)	



209.1 Electrical Wiring



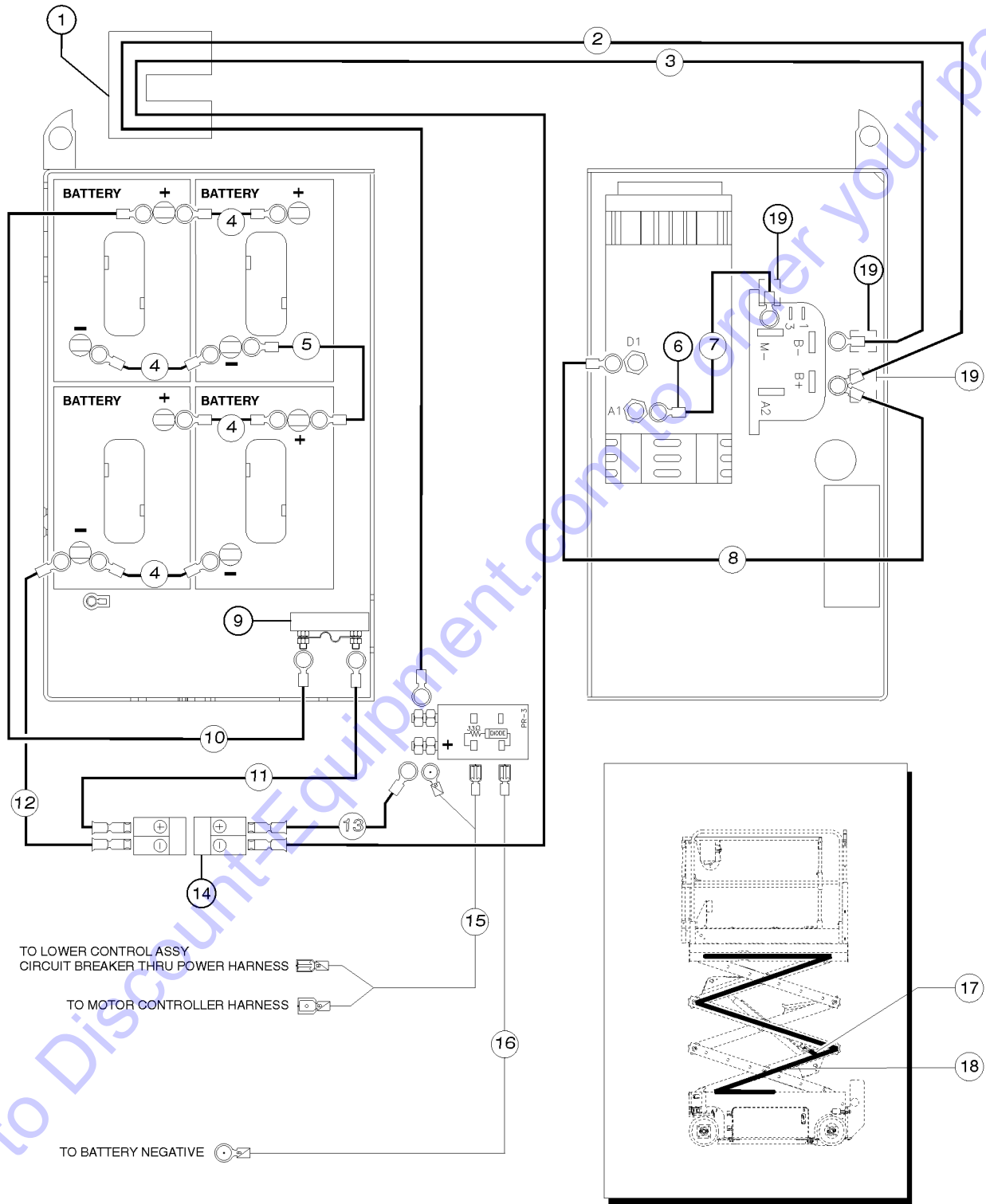
Go to Discount-Equipment.com to order your parts



Item	Part No.	Description	Qty.
21	144213GT	CHARGER INTERLOCK CBLE,GS30/32 .....	
22		REF: Strobe Beacon .....	
		(refer to 601.1)	
23	T113136GT	ASSY,ROT SENSR W/HARNESS .....	1
24	T114031GT	HARNESS, ROTARY ANGLE .....	1
25		REF: Level Sensor .....	
		(refer to 203.1)	
26		REF: Platform Controls (PCON) .....	
		(refer to 403.1)	
27	1273351GT	CABLE,CHARGER,DC,W/BTS .....	
		(AGM Batteries)	
28	1283053GT	HARNESS, TELEMATICS, GS SLAB .....	1
		from SN GS47D-7082	
29	1265771GT	HARNESS, CHARGER CONTROL .....	1
		from SN GS4716D-3102	
30A	1288206GT	ASSEMBLY, CHARGER STATUS LED, 2V,BCI .....	1
		from SN GS4716D-3102 to GS4716D-3970	
30B	1270281GT	ASSEMBLY, CHARGER STATUS LED, 2V, BCI .....	1
		from SN GS4716D-3971	
31A	1288219GT	HARNESS,CHARGER EXTENSION,BLACK PLUG .....	1
		from SN GS4716D-3102 to GS4716D-3970	
31B	1273394GT	HARNESS ,CHARGER EXTENSION .....	1
		from SN GS4716D-3971	
32		REF:Pressure Transducer .....	
		(refer to 701.1)	

Go to Discount-Equipment.com to order your parts

210.1 Power Cables (to SN GS4714D-316)



Go to DiscountEquipment.com to order your parts

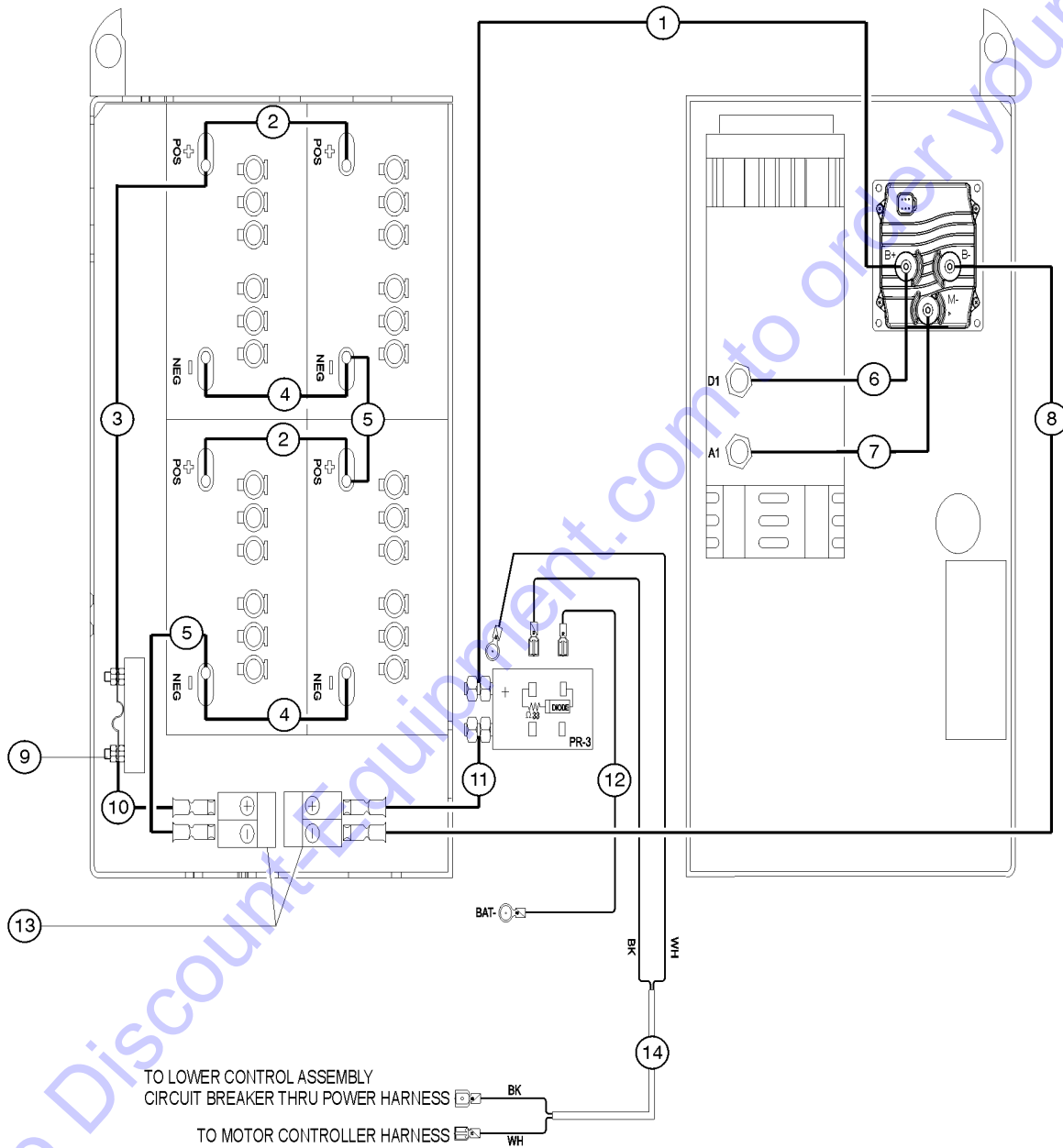
210.1 Power Cables (to SN GS4714D-316)

Item	Part No.	Description	Qty.
1	28131GT	WIRE LOOM,1.25 DIA .....	16
2	236823GT	CABLEASSY,BATT,97.5" RED .....	1
3	236818GT	CABLE ASSY,BATT,100" BLACK .....	1
4	236817GT	CABLE ASSY,BATT,7" BLACK .....	4
5	236824GT	CABLE ASSY,BATT,11" BLACK .....	1
6	96110GT	BOOT, CABLE, TERMINAL COVER .....	13
7	96303GT	CABLE ASSY,BATT, 7.50" BLACK .....	1
8	96302GT	CABLE ASSY,BATT, 7.50" RED .....	1
9	66717GT	FUSE BLOCK, ANN & ANL FUSE .....	1
9-	40833GT	FUSE, 275AMP, VERY FAST ACTING .....	1
10	236806GT	CABLE ASSY,BATT,30.5" RED .....	1
11	236821GT	CABLE ASSY,BATT.10.5" RED .....	1
12	236822GT	CABLE ASSY,BATT,12.5" BLACK .....	1
13	214827GT	CABLE ASSY, BATT, 15" RED .....	1
14	66397GT	QUICK DISCONNECT CASING,BATT** .....	2
15	233430GT	HRNS,CONTACTOR SIGNAL,GS46 .....	1
16	232582GT	GROUND WIRE ASSY,GS .....	1
17		REF: Lift Cylinder Down Cable .....	
		(refer to 209.1)	
18		REF: Platform Control Cable .....	
		(refer to 209.1)	
19	47224GT	TUBING,PVC,1",BLACK*** .....	3

Go to DiscountEquipment.com to order your parts



210.2 Power Cables (from SN GS4714D-317)



210.2 Power Cables (from SN GS4714D-317)

Item	Part No.	Description	Qty.
A	28131GT	WIRE LOOM,1.25 DIA .....	16
B	96110GT	BOOT, CABLE, TERMINAL COVER .....	11
C	79140GT	BOOT,CABLE TERMINAL,RED,XL .....	6
1	1257858GT	CABLE ASSY., BATT. 101", RED .....	1
2	1252766GT	CABLE ASSY,BATT,11"RED .....	2
3	236806GT	CABLE ASSY,BATT,30.5" RED .....	1
4	1252765GT	CABLE ASSY,BATT,11"BLACK .....	2
5	1252767GT	CABLE ASSY,BATT,14" BLACK,2 RING .....	2
6	1257054GT	CABLE ASSY., BATT. 11.5" RED .....	1
7	1257055GT	CABLE ASSY., BATT. 9.5" BLACK .....	1
8	1257855GT	CABLE ASSY., BATT. 106" BLACK .....	1
9	66717GT	FUSE BLOCK, ANN & ANL FUSE .....	1
10	236821GT	CABLE ASSY,BATT.10.5" RED .....	1
11	214827GT	CABLE ASSY, BATT, 15" RED .....	1
12	232582GT	GROUND WIRE ASSY,GS .....	1
13	66397GT	QUICK DISCONNECT CASING,BATT** .....	2
14	233430GT	HRNS,CONTACTOR SIGNAL,GS46 .....	1

Go to Discount-Equipment.com to order your parts



# PARTS FINDER

**Search Website  
by Part Number**



**Search Manual  
Library For Parts  
Manual & Lookup Part  
Numbers – Purchase  
or Request Quote**

**Search Manuals**

Enter your information to help us find the right parts manual for your machine.

\* Brand:

\* Model:

\* Serial:

\* Part Number:

SEARCH

**Can't Find Part or  
Manual? Request Help  
by Manufacturer,  
Model & Description**

**Parts Order Form**

Please fill in the following information to help us find the right part for your machine.

Manufacturer:	<input type="text"/>
Model:	<input type="text"/>
Description:	<input type="text"/>
Part Number:	<input type="text"/>
Quantity:	<input type="text"/>
Notes:	<input type="text"/>

SEARCH

Discount-Equipment.com is your online resource for quality parts & equipment.

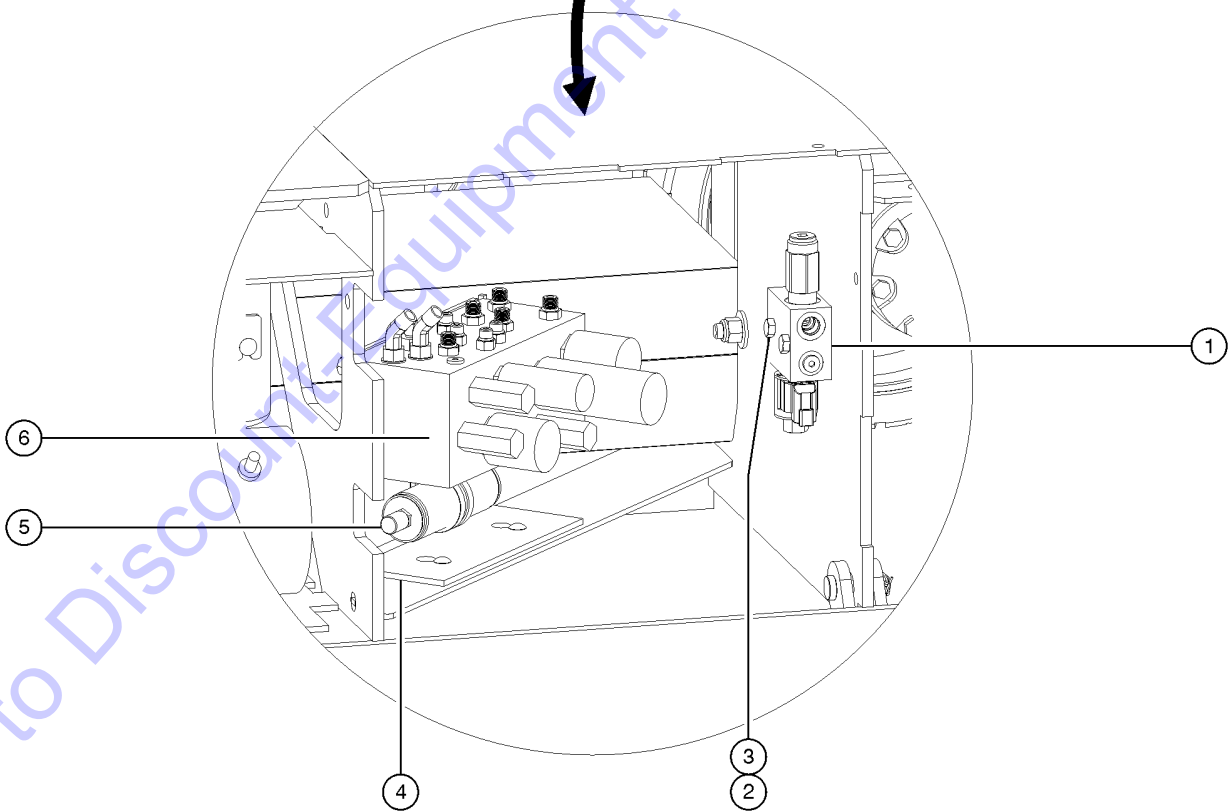
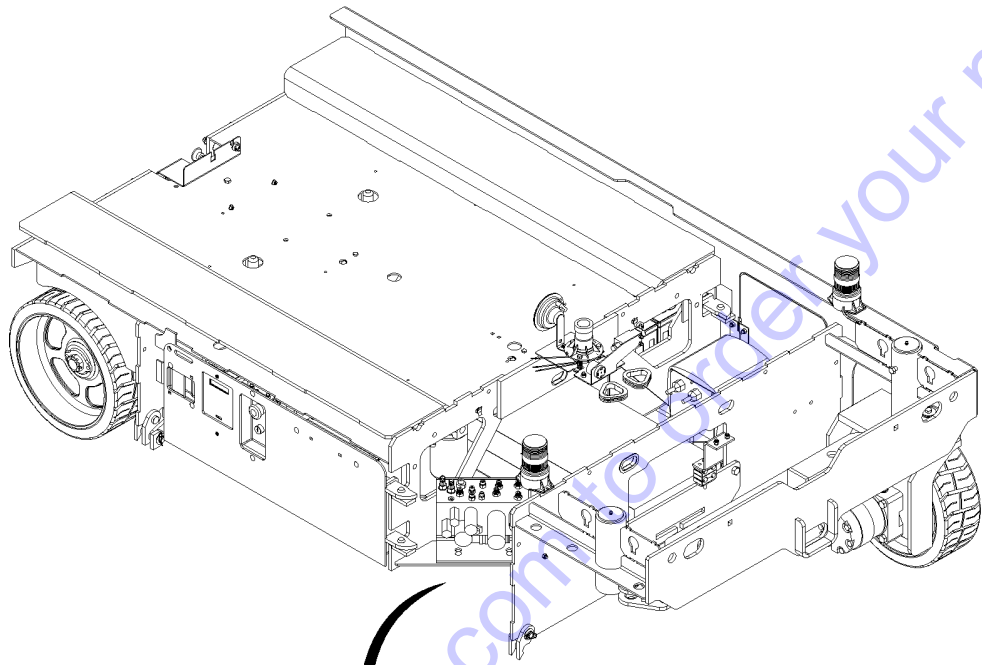
Florida: **561-964-4949** Outside Florida TOLL FREE: **877-690-3101**

**Need parts?**

Click on this link: <http://www.discount-equipment.com/category/5443-parts/> and choose one of the options to help get the right parts and equipment you are looking for. Please have the machine model and serial number available in order to help us get you the correct parts. If you don't find the part on the website or on one of the online manuals, please fill out the request form and one of our experienced staff members will get back to you with a quote for the right part that your machine needs.

We sell worldwide for the brands: Genie, Terex, JLG, MultiQuip, Mikasa, Essick, Whiteman, Mayco, Toro Stone, Diamond Products, Generac Magnum, Airman, Haulotte, Barreto, Power Blanket, Nifty Lift, Atlas Copco, Chicago Pneumatic, Allmand, Miller Curber, Skyjack, Lull, Skytrak, Tsurumi, Husquvarna Target, Stow, Wacker, Sakai, Mi-T-M, Sullair, Basic, Dynapac, MBW, Weber, Bartell, Bennar Newman, Haulotte, Ditch Runner, Menegotti, Morrison, Contec, Buddy, Crown, Edco, Wyco, Bomag, Laymor, EZ Trench, Bil-Jax, F.S. Curtis, Gehl Pavers, Heli, Honda, ICS/PowerGrit, IHI, Partner, Imer, Clipper, MMD, Koshin, Rice, CH&E, General Equipment, Amida, Coleman, NAC, Gradall, Square Shooter, Kent, Stanley, Tamco, Toku, Hatz, Kohler, Robin, Wisconsin, Northrock, Oztec, Toker TK, Rol-Air, APT, Wylie, Ingersoll Rand / Doosan, Innovatech, Con X, Ammann, Mecalac, Makinex, Smith Surface Prep, Small Line, Wanco, Yanmar

211.1 Accumulator, Lift Pressure Select and Function Manifolds



211.1 Accumulator, Lift Pressure Select and Function Manifolds

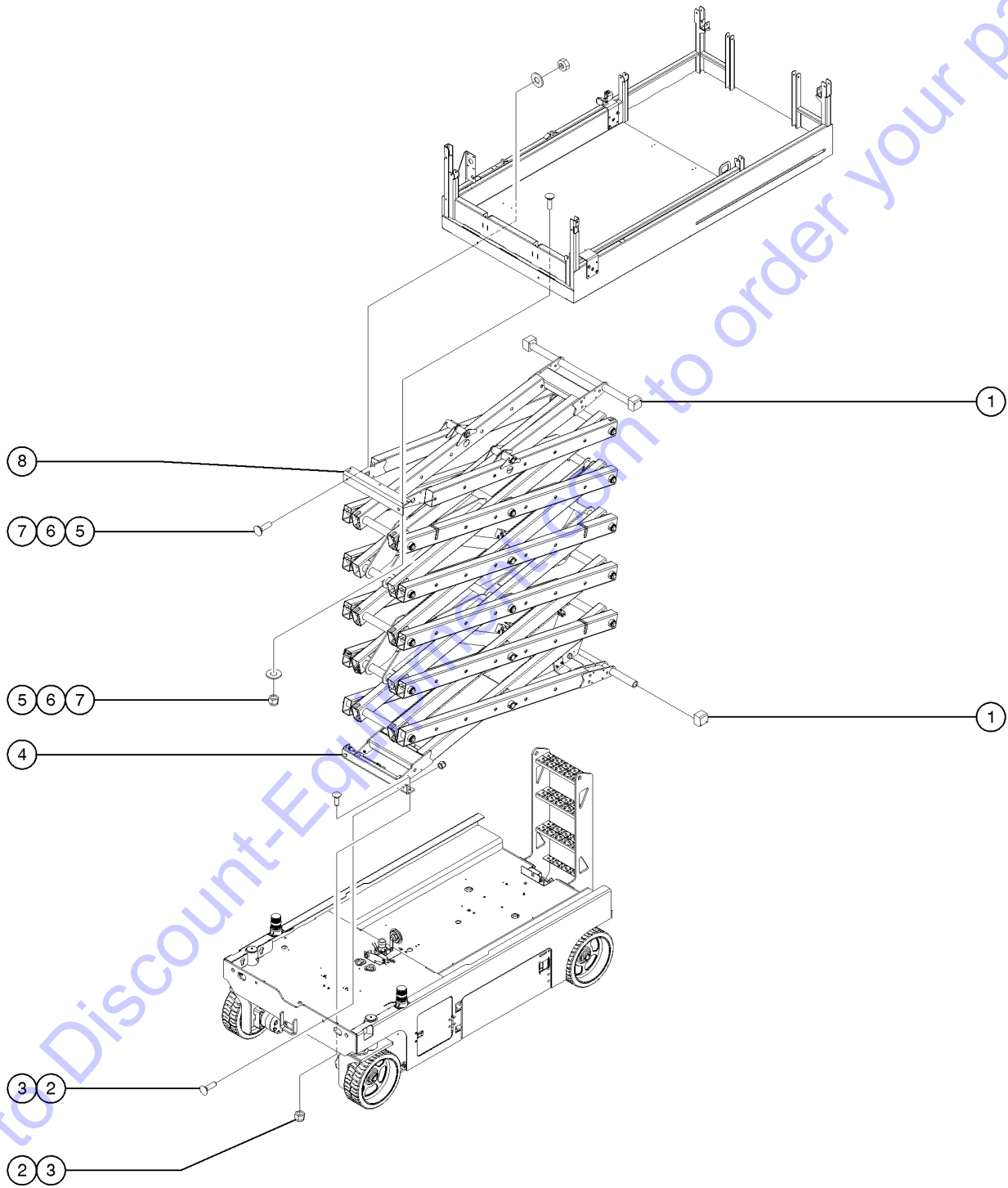
Item	Part No.	Description	Qty.
1	229606GT	MANIFOLD,LIFT PRESSURE SELECT .....	1
1A-	229616GT	VALVE,RELIEF,SZ8, 3500 PSI .....	1
1A-	119827GT	COIL, 20V, ZENER DIODE DEUTSCH .....	1
1A-	44997GT	VALVE,SOLENOID,2POS 2WAY N.O.* .....	1
2	8179GT	SCREW,HHC,1/4-20 X 2.25 .....	2
3	6091GT	NUT, NYLOCK, 1/4-20 .....	2
4	105574GT	FORMING,MANIFOLD .....	1
5	78422GT	ACCUMULATOR,180 PSI PRECHARGE* .....	1
5-	18504GT	NUT,LOCKING-LG.FLANGE,1/4-20 .....	
5-	32339GT	CLAMP,1.75,#28 X 3/8,RUB CUSH* .....	
5-	1256127GT	BOLT,CARRIAGE,1/4-20X1",GR 5,ZAG .....	
6		Ref. Function Manifold .....	1
		(refer to 502.1)	

Go to Discount-Equipment.com to order your parts





301.1 Scissor Assy Installation



Go to Discount-Equipment.com to order your parts

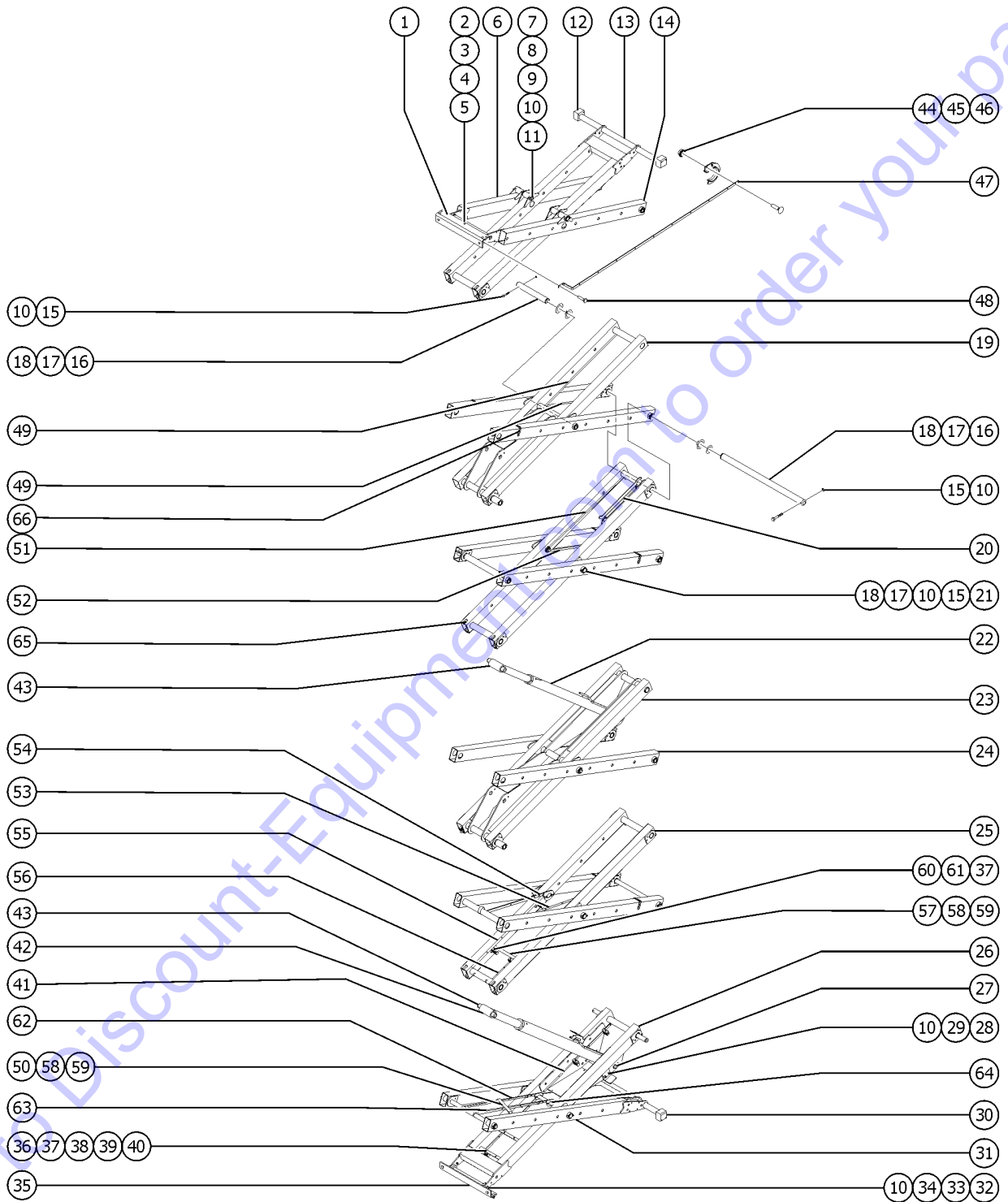
301.1 Scissor Assy Installation

Item	Part No.	Description	Qty.
A-	216276GT	WIRE LOOM,BLACK SPIRAL,1.10" .....	98
1	96595GT	SLIDER,UHMW .....	4
2	6198GT	NUT, NYLOCK, 1/2-13 .....	8
3	96977GT	BOLT,CARRIAGE,1/2-13X1.50,GR5 .....	8
4	97241GT	CHASSIS MOUNT ASSY, GS32&46 .....	1
4-	51474GT	BEARING,1.00IDX1.25ODX0.75L .....	2
5	4828GT	NUT,NYLOCK,3/8-16 .....	
6	6097GT	WASHER,FLAT,USS,3/8",Y .....	
7	105092GT	BOLT,CARRIAGE,3/8-16X1.25,GR5 .....	
8	84747GT	PLATFORM MOUNT ASSY, GS32&46 (does not include bearing) .....	1
8-	36369GT	BEARING,0.75IDX1.00ODX0.75L .....	2

Go to Discount-Equipment.com to order your parts



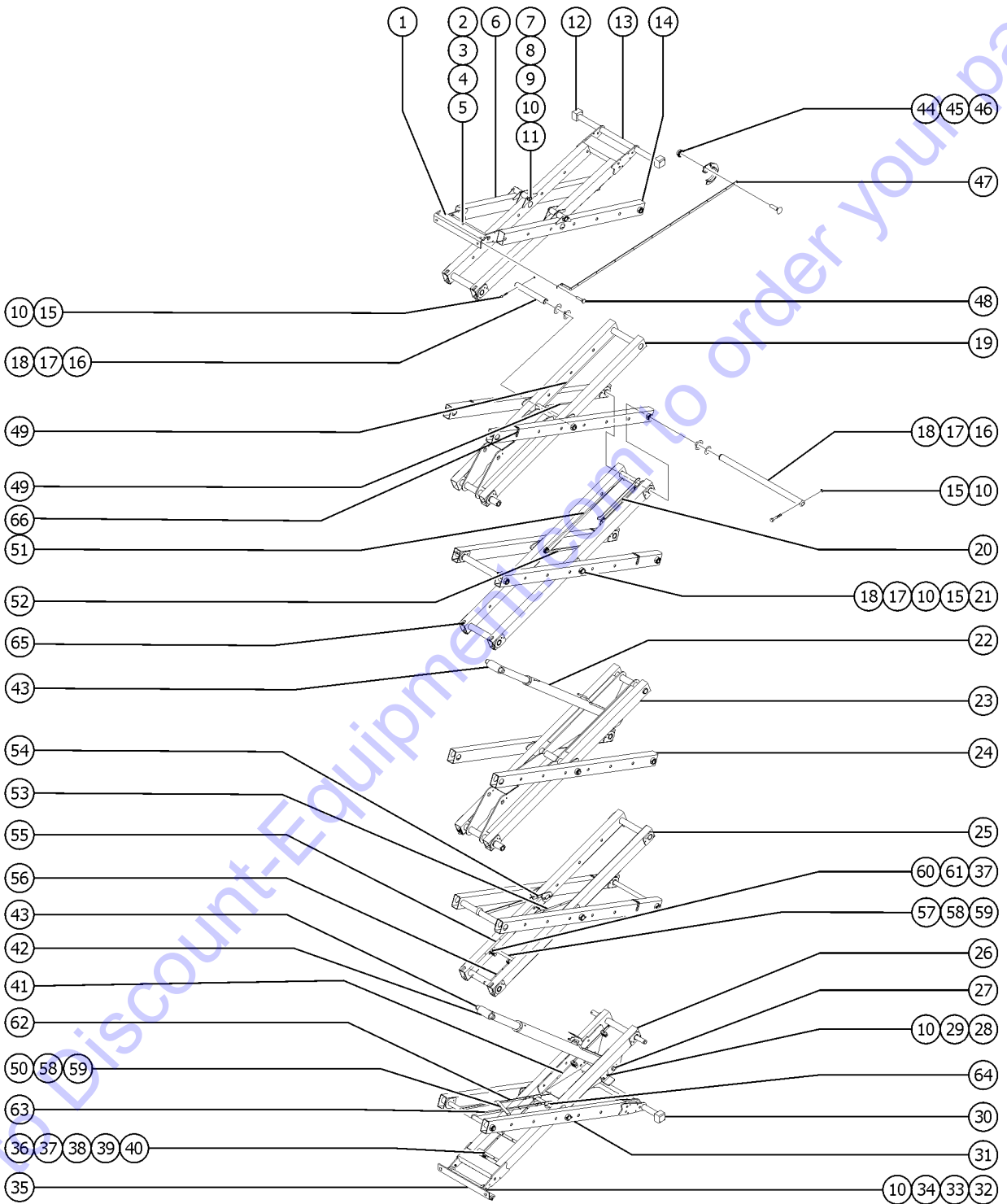
302.1 Scissor Assembly



Go to Discount-Equipment.com to order your parts

Item	Part No.	Description	Qty.
1		Ref. Platform Mount Assembly (refer to 301.1)	
2	96932GT	PIN, LINKSET MOUNT, 3/4"	1
3	825020GT	ROD END, .25 X 2.75, ZAG	2
4	8915GT	SCREW,HHC,1/4-20 X 1.25	
5	6091GT	NUT, NYLOCK, 1/4-20	
6	96615GT	WLDMT,LNK,OUTER #4,26XX (ground controls side)	1
7	96130GT	PIN, MINI, CENTRE	2
8	30217GT	SNAP RING,EXTERNAL,1.25 DIA.**	
9	96390GT	WASHER,FLAT, 1.27 X 2.13 X .13	
10	4828GT	NUT,NYLOCK,3/8-16	
11	14033GT	SCREW, HHC, 3/8-16 X 2.75	
12		Ref. Platform Slider (refer 301.1)	
13	97243GT	INNER ARM ASSY #4, 2646	1
13-	66055GT	BEARING,1.50IDX1.77ODX1.25L	2
13-	96487GT	BEARING,1.26IDX1.53ODX1.25L	4
14	96616GT	WLDMT,LNK,OUTER #4,26XX,LEFT (battery pack side)	1
15	6326GT	SCREW,HHC,3/8-16 X 3	
16	96899GT	PIN, LONG, GS46	13
17	1260941GT	WASHER,SHIM,1.54X2.00X.125,ZAG	
18	18383GT	SNAP RING,EXTERNAL,1.5 DIA	8
19A	229584GT	ASSEMBLY, LINK, INNER #5 (CE and Australia models)	1
19B	1260196GT	ASSEMBLY, LINK, INNER #5 (ANSI models only)	1
19-	66055GT	BEARING,1.50IDX1.77ODX1.25L	6
20	58000GT	SAFETY CHOCK,SCISSOR	1
21	96900GT	PIN, SHORT, GS46	4
22		Ref. Lift Cylinder, Top (refer 505.1)	
23A	229583GT	ASSEMBLY, LINK, INNER #3 (CE and Australia models)	1
23B	1260306GT	ASSEMBLY, LINK, INNER #3 (ANSI models only)	1

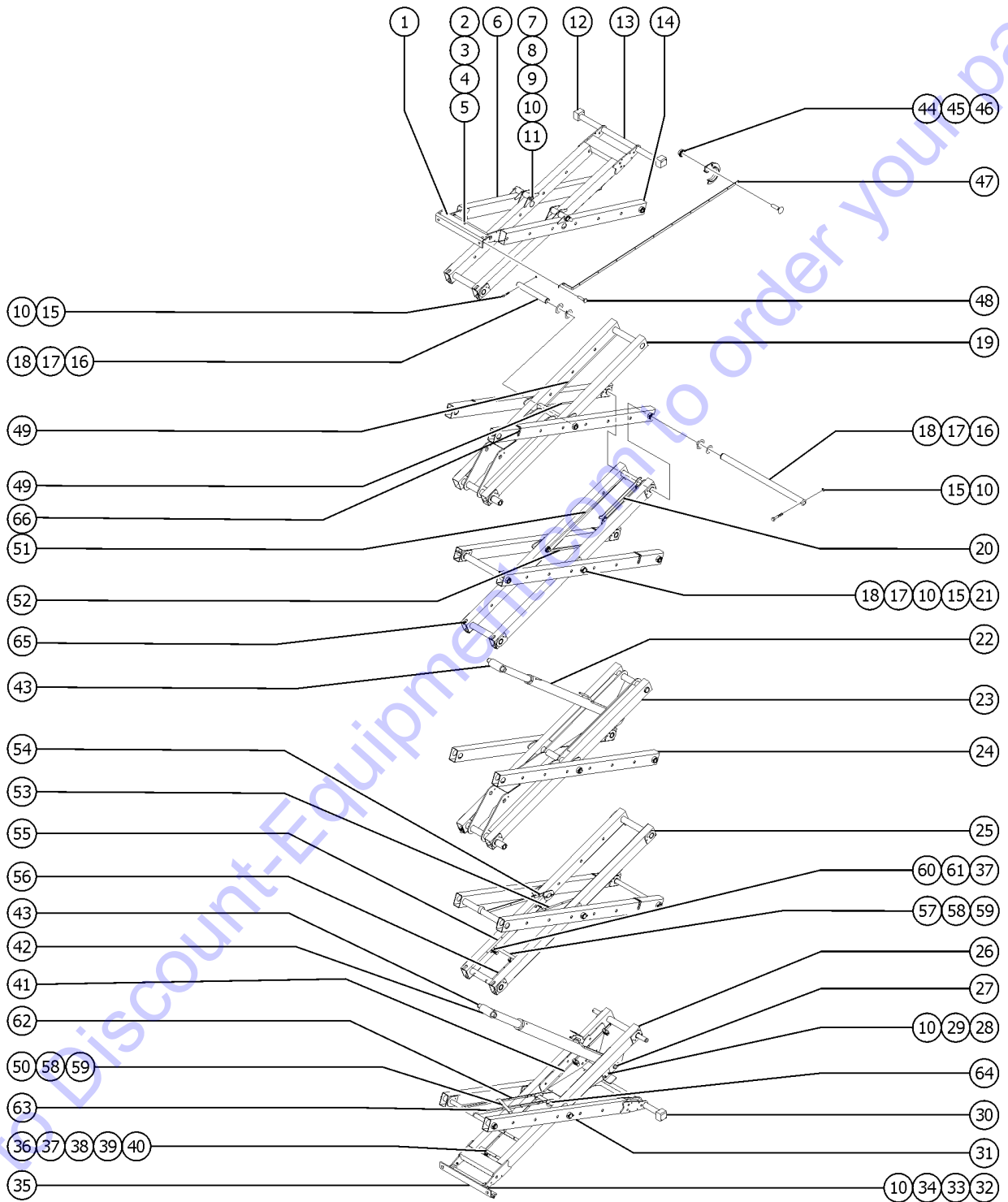
302.1 Scissor Assembly



Go to Discount-Equipment.com to order your parts

Item	Part No.	Description	Qty.
23-	66055GT	BEARING,1.50IDX1.77ODX1.25L	6
24	229579GT	WELDMENT,LINK,OUTER,#2,3,4,5	8
25A	229582GT	ASSEMBLY, LINK, INNER #2, 4 (CE and Australia models)	2
25B	1260199GT	ASSEMBLY, LINK, INNER #2,4 (ANSI models only)	1
25-	66055GT	BEARING,1.50IDX1.77ODX1.25L	8
26A	1299483GT	WELDMENT, LNK, LOWER1 ,E-DRIVE (decal not included refer to section one)	1
26-	66055GT	BEARING,1.50IDX1.77ODX1.25L	4
26B	1275749GT	WLDMT,LNK,INNER #1,KO (Korean, decal not included refer to section one)	1
27	96662GT	PIN, LOWER CYLINDER MOUNT	1
28	105092GT	BOLT,CARRIAGE,3/8-16X1.25,GR5	
29	105074GT	FORMING,PH PUSHER, GS46	2
30		Ref. Chassis Slider (refer 301.1)	
31	96603GT	WLDMT,LNK,OUTER #1,XX46 (decal not included refer to section one)	1
32	96862GT	PIN, LINKSET MOUNT, 1"	
33	825019GT	ROD END, .375X3.69, ZAG	6
34	8516GT	SCREW, HCC, 3/8-16 X 1.50	
35		Ref. Chassis Mount Assembly (refer 301.1)	
36	105208GT	RUBBER CUSHION,SEPARATOR	5
37	105213GT	RUBBER CUSHION, CLAMP,SHORT	
38	105205GT	CLAMP,LONG	
39	5365GT	NUT,NYLOCK,10-24	
40	822801GT	BOLT,CARRIAGE,10-24 X 2,GA,Z	
41A	105186GT	WLDMNT,CABLE BRIDGE,LOWER (CE and Australia models) (Right side) (shown)	1
41B	237810GT	WELDMENT,CABLE BRIDGE,SHORT (CE and Australia models) (Left side) (not shown)	1
41C	105186GT	WLDMNT,CABLE BRIDGE,LOWER (ANSI models only)	1
42		Ref. Lift Cylinder, Bottom (refer 505.1)	
43	96661GT	PIN, UPPER CYLINDER MOUNT	3
44	18504GT	NUT,LOCKING-LG.FLANGE,1/4-20 (ANSI models only)	22

302.1 Scissor Assembly

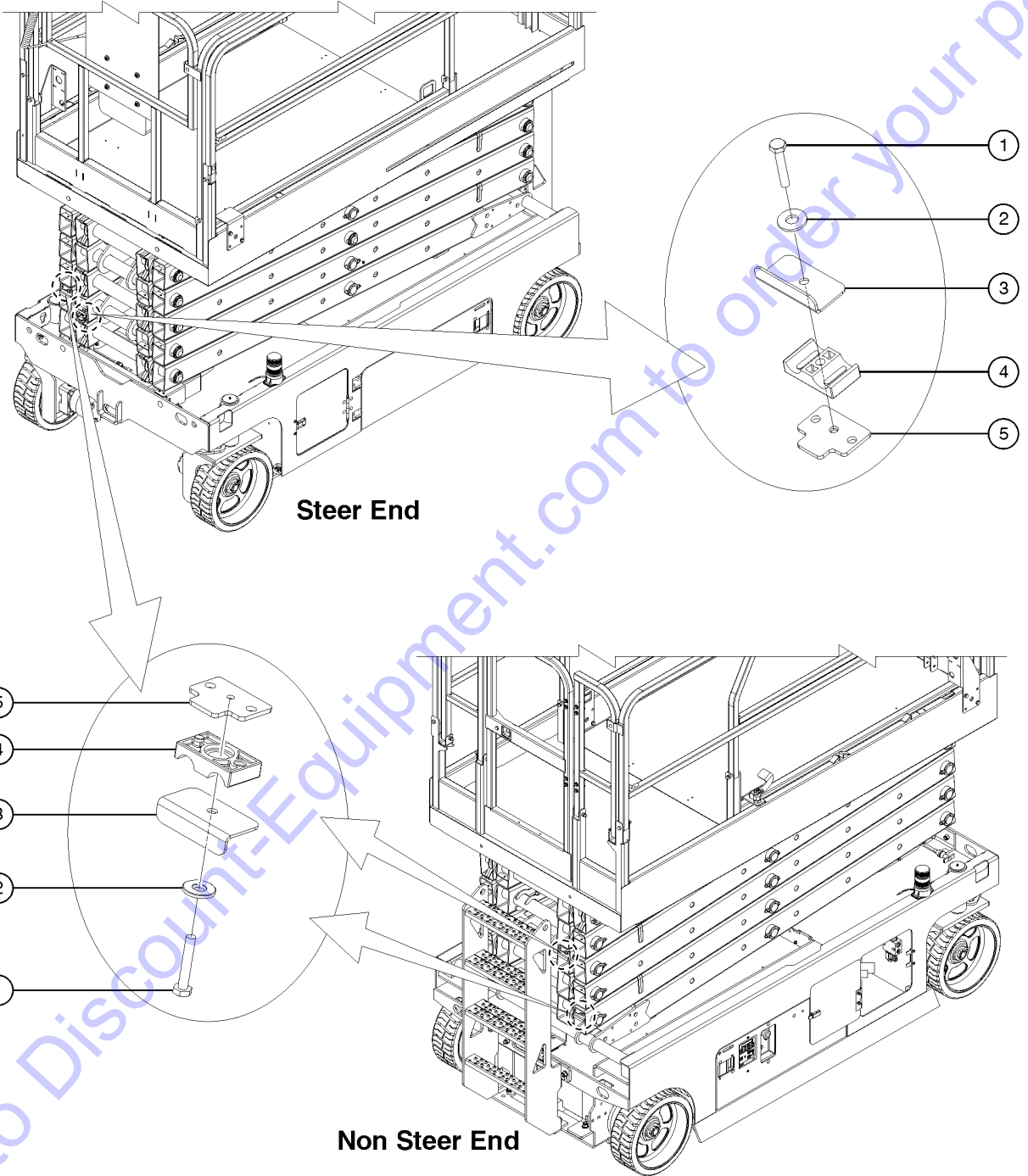


Go to Discount-Equipment.com to order your parts

Item	Part No.	Description	Qty.
45	105193GT	CLIP,CABLEBRIDGE,GS32/46 (ANSI models only)	12
46	80149GT	BOLT,CARRIAGE,1/4-20 X .5,G2 (ANSI models only)	20
47	105189GT	BAR,CABLE BRIDGE ARM,UPPER (ANSI models only)	1
48	9116GT	BOLT,CARRIAGE,1/4-20 X 1.25,G2 (ANSI models only)	2
49	1259943GT	BAR,CABLE BRIDGE ARM,SYM (ANSI models only)	2
50	1259937GT	FORMING, END CONNECTING (ANSI models only)	2
51	105191GT	WELDMENT,CABLE BRIDGE, TOP (ANSI models only)	1
52	1259942GT	WELDMENT,CABLE BRIDGE,BOTTOM (ANSI models only)	1
53	1259945GT	WELDMENT, CABLE BRIDGE, TOP (ANSI models only)	1
54	1259944GT	WELDMENT, CABLE BRIDGE, TOP (ANSI models only)	1
55	1259946GT	WELDMENT, CABLE BRIDGE, BOTTOM (ANSI models only)	1
56	1259939GT	WELDMENT, CABLE BRIDGE, BOTTOM (ANSI models only)	1
57	1260201GT	FORMING, END CONNECTING (ANSI models only)	1
58	18504GT	NUT,LOCKING-LG.FLANGE,1/4-20 (ANSI models only)	6
59	80149GT	BOLT,CARRIAGE,1/4-20 X .5,G2 (ANSI models only)	6
60	1259949GT	CLAMP, SHORT (ANSI models only)	12
61	1261822GT	BOLT,CARRIAGE,10-24 X 1.5",G2 (ANSI models only)	12
62	1259947GT	WELDMENT, CABLE BRIDGE, TOP (ANSI models only)	1
63	1259948GT	WELDMENT, CABLE BRIDGE, TOP (ANSI models only)	1
64	1261823GT	BEARING,1.5IDX1.75ODX2.4L (ANSI models only)	2
65	96735GT	LINK BUMPER, 5"	10
66	96836GT	LINK BUMPER, SHORT TUBE	6



303.1 Scissor Assembly, Hose Clamps



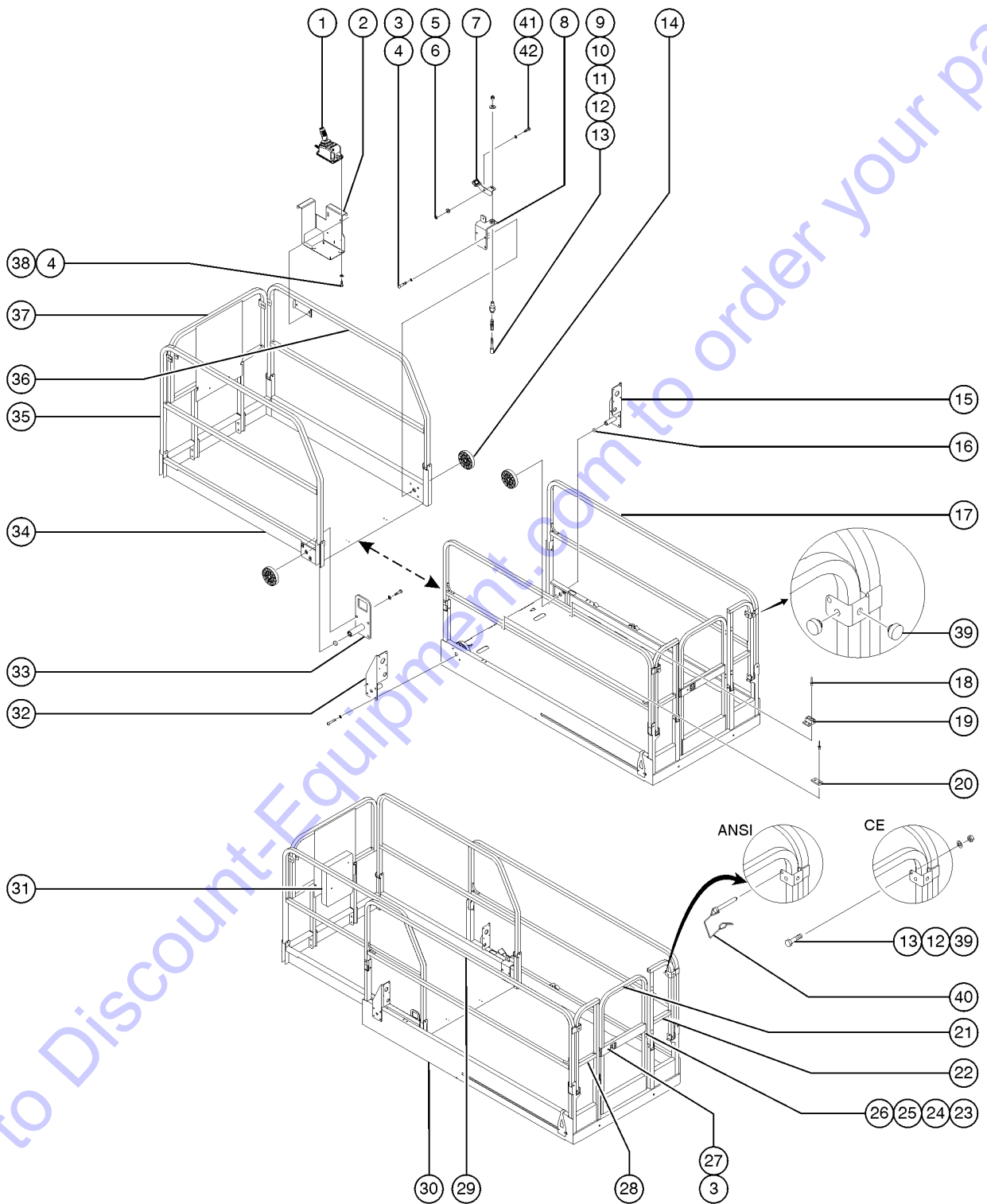
303.1 Scissor Assembly, Hose Clamps

Item	Part No.	Description	Qty.
1	238348GT	SCREW, HHC, 1/4-20 X 1.5"L, STL GR8 .....	4
2	5397GT	WASHER, FLAT, USS, 5/16", Y .....	4
3	237674GT	FORMING, HOSE CLAMP .....	4
4	78736GT	CLAMP, 2 HOSE, PLASTIC, 5/8 .....	4
5	237673GT	PLATE, RETAINER, HOSE CLAMP .....	4

Go to Discount-Equipment.com to order your parts



401.1 Platform Components

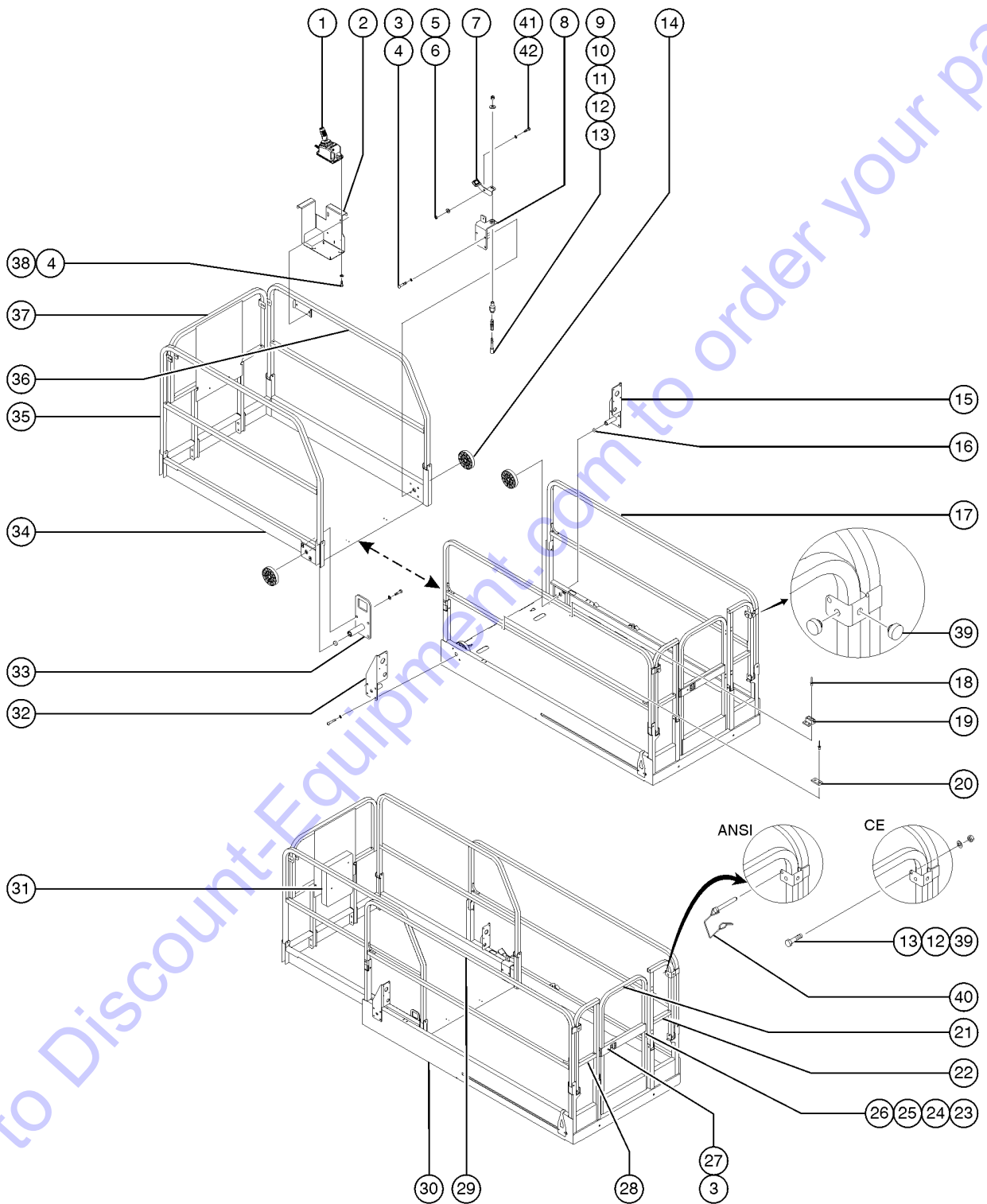


401.1 Platform Components

Item	Part No.	Description	Qty.
1		Ref. Platform Control Box ..... (refer to 403.1)	
2		Ref. Platform Control Box Mount Bracket ..... (refer to 403.1)	
3	5224GT	SCREW,HHC,3/8-16 X 2 .....	
4	6356GT	WASHER,LOCK,.25 .....	
5	6002GT	NUT, LP NYLOCK, 5/16-18 .....	
6	47222GT	WASHER, SHOULDER, NYLON .....	
7A	47166GT	BRACKET,FOOT PEDAL ..... (non skid tape not included)	1
7B	144127GT	NON-SKID TAPE LAYOUT,GS46 ..... (not included sold separately)	1
7B-	47098GT	TAPE,NON-SKID,DIE CUT,4"X 40" .....	
7B-	47231GT	TAPE,NON-SKID,DIE CUT,4"X 16" .....	
7B-	47374GT	TAPE,NON-SKID,DIE CUT,4"X 32" .....	
8	96413GT	WLDMT,LOCKING ROLLER SUPPORT .....	1
9	39470GT	PIN, LOCK .....	1
10	39469GT	SPRING,COMPRESSION.485 X1.75** .....	1
11	41630GT	HOUSING, LOCK PIN .....	1
12	6097GT	WASHER,FLAT,USS,3/8",Y .....	
13	7713GT	NUT, LP NYLOCK, 3/8-16 .....	
14	47163GT	ROLLER,PLATFORM EXTENSION .....	4
15	96247GT	WELDMENT,ROLLER BRACKET,RT*** ..... (ground controls side)	1
16	21279GT	BUTTON, .800 O.D. X .281 .....	3
17	82052-SGT	RAIL-GS46 PLAT,MAINDECK RT**** ..... US part number	1
17B	132492GT	WELDMENT,UPPER EXT RAIL,GS32 ..... China part number	1
18	T113787GT	RIVET,ALUM,STL,.188 X .25 .....	20
19	39310GT	WEAR/GUIDE PAD MAIN PLATFORM .....	4
20	39474GT	WEAR PAD, PLATFORM .....	3
21	96760GT	ASSY, PLATFORM GATE, GSXX46 ..... COMPLETE (decals not included, refer to section one)	1
21A	65990-SGT	KIT,GATE LATCH .....	
21A-	22446GT	SPRING, COMPRESSION .835 X 2 .....	1



401.1 Platform Components

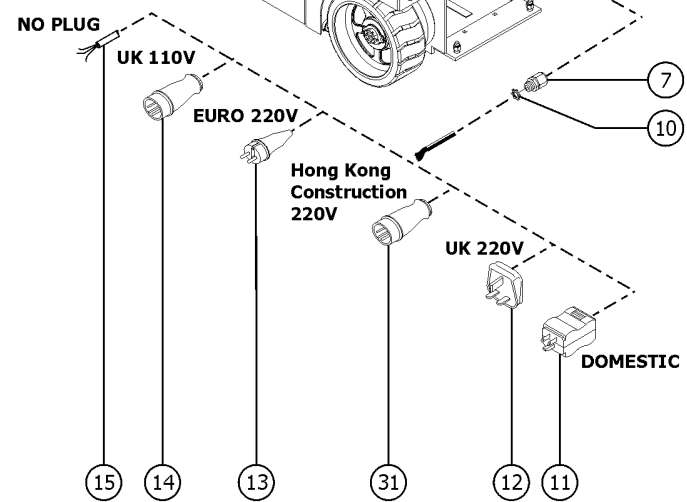
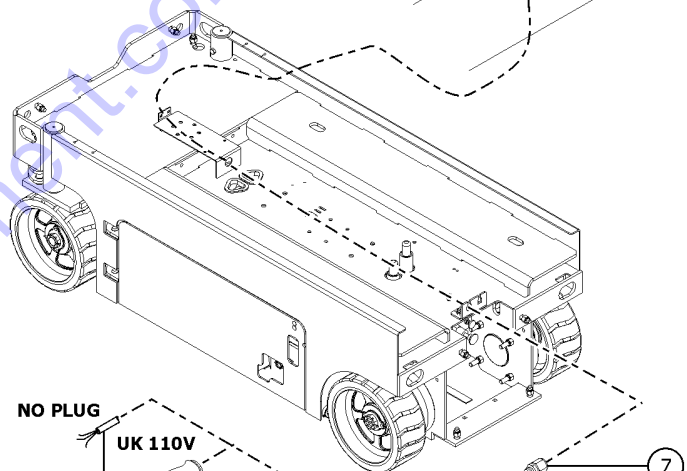
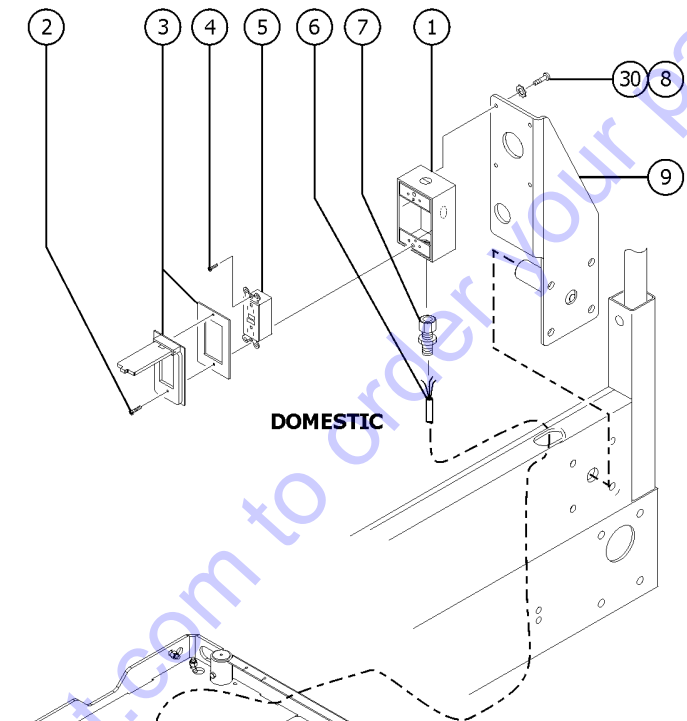
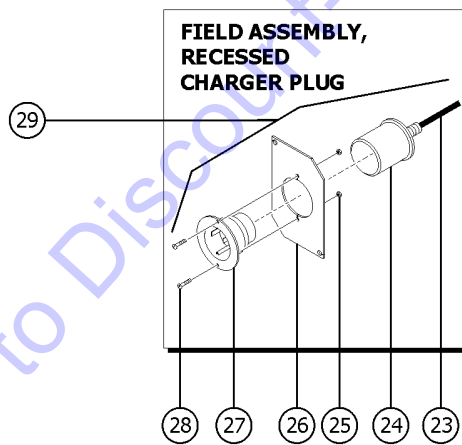
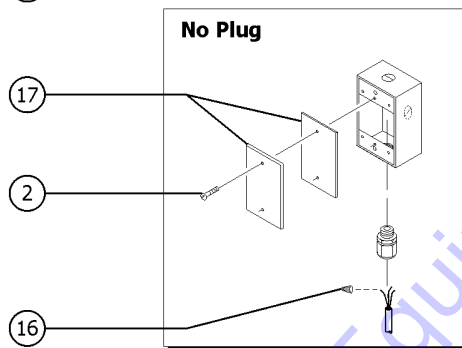
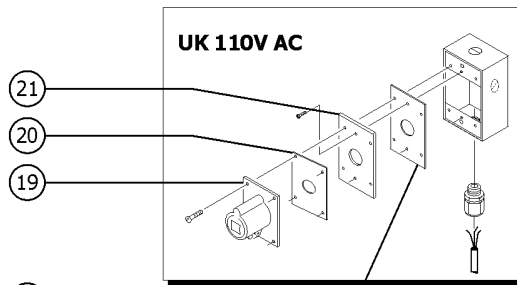
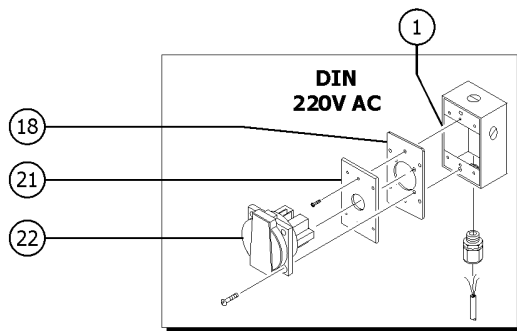


401.1 Platform Components

Item	Part No.	Description	Qty.
21A-	66544GT	LATCH HANDLE .....	1
22	66923GT	WLDMT, ENTRY SIDERAIL, RT .....	1
23	4266GT	SCREW,HHC,1/4-20 X 2 .....	
24	6638GT	WASHER,FLAT,USS,1/4"Y .....	
25	104804GT	HINGE, SPRING, LONG LEG .....	2
26	6091GT	NUT, NYLOCK, 1/4-20 .....	
27	4828GT	NUT,NYLOCK,3/8-16 .....	
28	66920GT	WLDMT, ENTRY SIDERAIL, LT (battery pack side) .....	1
29	82053-SGT	RAIL-GS46 PLAT,MAINDECK LT**** (battery pack side) .....	1
30	1284269GT	WLDMT,MAIN DECK,GS46,MET (decals not included, refer to section one) .....	1
31A	44743GT	MANUAL BOX W/DECALS*** USA/Canada/Australia .....	1
31B	24514GT	BOX,INSTRUCTION STORAGE Europe/Asia/South America (decals required; refer to Section100) .....	
32	96246GT	WELDMENT,ROLLER BRACKET,LT*** .....	1
33	96200GT	WLDMT, LANYARD ROLLER BRKT (decals not included, refer to section one) .....	1
34	96719GT	WLDMT, EXT. DECK, GSXX46 .....	1
35	97263GT	LEFT EX. RAIL, GS46 (battery pack side)(includes bumpers) .....	1
36	96762GT	WELDMENT,EXT SIDERAIL,RT*** (decals not included, refer to section one) .....	1
37	96794GT	WLDMT, EXTENSION ENDRAIL (decals not included, refer to section one) .....	1
38	6090GT	SCREW,HHC,1/4-20 X .75 .....	
39	43392GT	BUMPER,BATTERY BOX & RAILS .....	14
40	66030GT	PIN, WIRE LOCK 3/8 X 2 -1/2 .....	
40-	78022GT	LANYARD,BLACK NYLON,TYPE 1 (CE & Australia models) .....	
41	1259223GT	BOLT,SHS,3/8X.375X5/16-18,ZAG .....	
42	6021GT	WASHER,LOCK,.375 .....	



402.1 Power to Platform

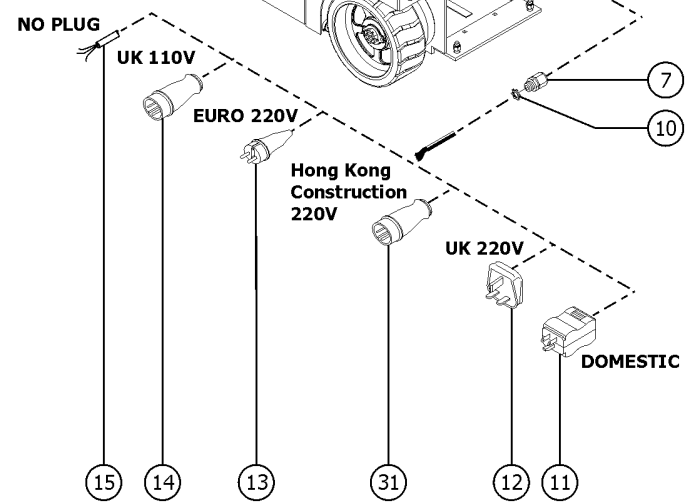
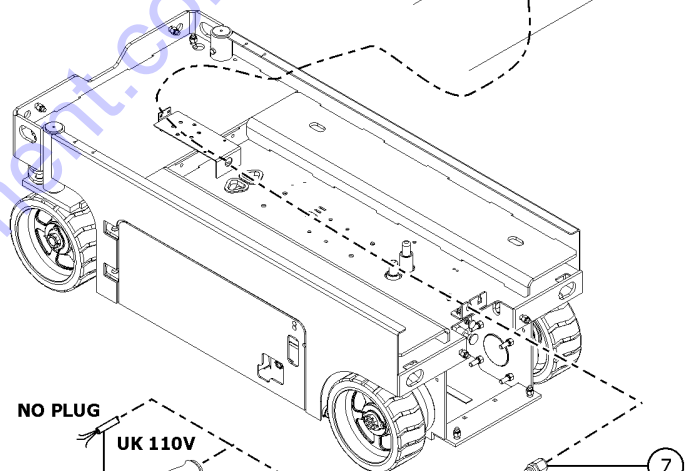
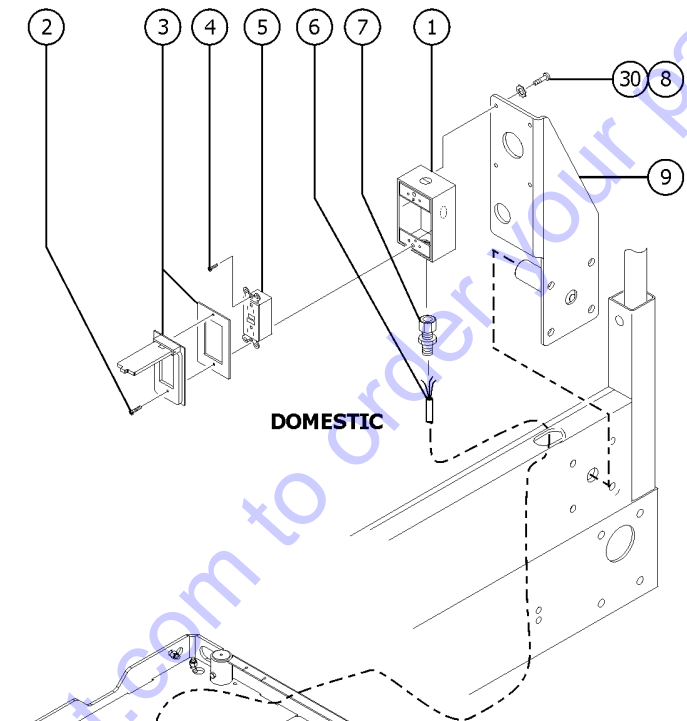
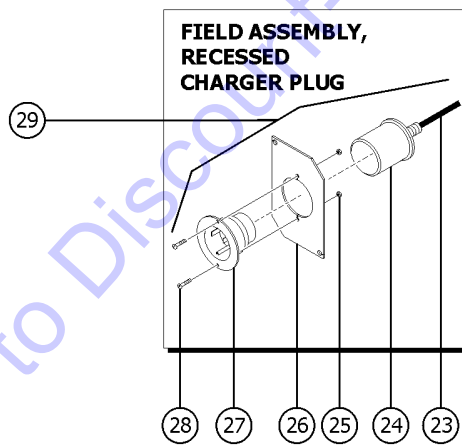
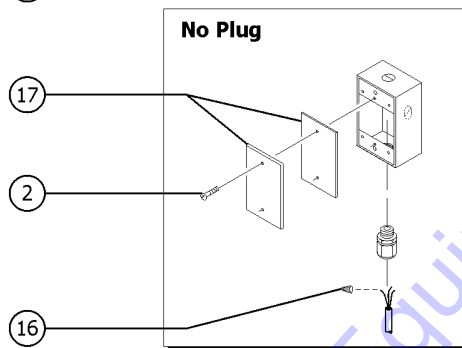
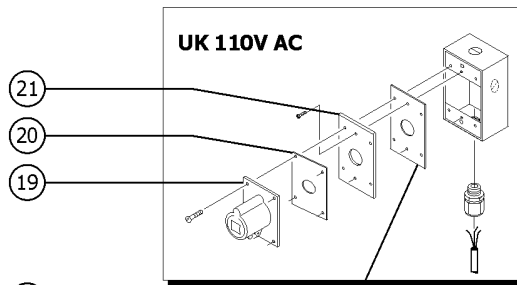
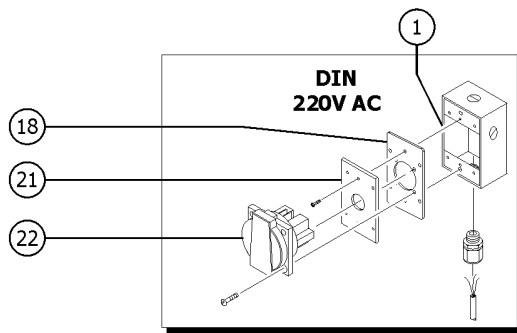


Go to DiscountEquipment.com to order your parts

Item	Part No.	Description	Qty.
	33724GT	KIT,GASKET,UK POWER TO PLAT includes 1 each, items 18 and 20	
1	10775GT	T-BOX,2.75 X 4.5 X 2.0	1
2	7127GT	SCREW,PHILLIPS,PHM,6-32 X .75	
3A	74006GT	COVER,GFCI,HORIZONTAL,WEATHER (ANSI and CSA models) (includes gasket and mounting fasteners)	1
3B	105812GT	COVER,T-BOX LOCKABLE EE rated (not shown)	1
4	45546GT	SCREW,RHM,6-32 X .5	
5	13585GT	OUTLET, 110V ANSI and CSA models	1
6	43956GT	WIRE CABLE, 14/GA/3 CON. TPE JKT* GS-3246	624
7	7056GT	CONN, SQZ, 1/2NPT, 0.38-0.50,SM	1
8	57075GT	SCREW,PHIL,8-32X.50,SELF TAP	
9		Ref. ROLLER BRACKET refer to 401.1	
10	6935GT	CONN, SQZ, 1/2NPT, LOCKNUT	1
11	6595GT	PLUG,ELECTRICAL,DOMESTIC	1
12	25388GT	PLUG,FUSED,250V,13AMP,U.K.**	
13	1280665GT	PLUG, TYPE F, 230A, 50HZ, 16A, IP44	
14	144161GT	PLUG,PWR,UK,16AMP,3PIN,BLK	
15	105117GT	PLUG,FLG INLET,15A/125V,2PWGD	
15-	105118GT	GASKET,(BOOT) FLANGE INLET PLG	
16	6626GT	WIRE CAP,ORANGE	1
17	10777GT	COVER, BLANK	1
18	66355GT	GASKET, UK & DIN PWR. TO PLAT 2.9 x 2.9 inches	1
19	T112563GT	SVC KIT,UK RECEPT.REPLACEMENT	1
20	66356GT	GASKET, UK RECEPTACLE 2.9 x 2.9 inches	1
21A	105483-SGT	PLATE,AC ADAPTER(ANSI/CSA) ANSI/CSA	
21B	96236GT	PLATE,AC ADAPTER,DIN/UK***	
21C	105090GT	PLATE, AC ADAPTER(AUS)	
22	66353GT	RECEPTACLE, DIN, 220V 50A	1
23	48282GT	POWER CORD, IEC 320 BLANK, 79"	1



402.1 Power to Platform



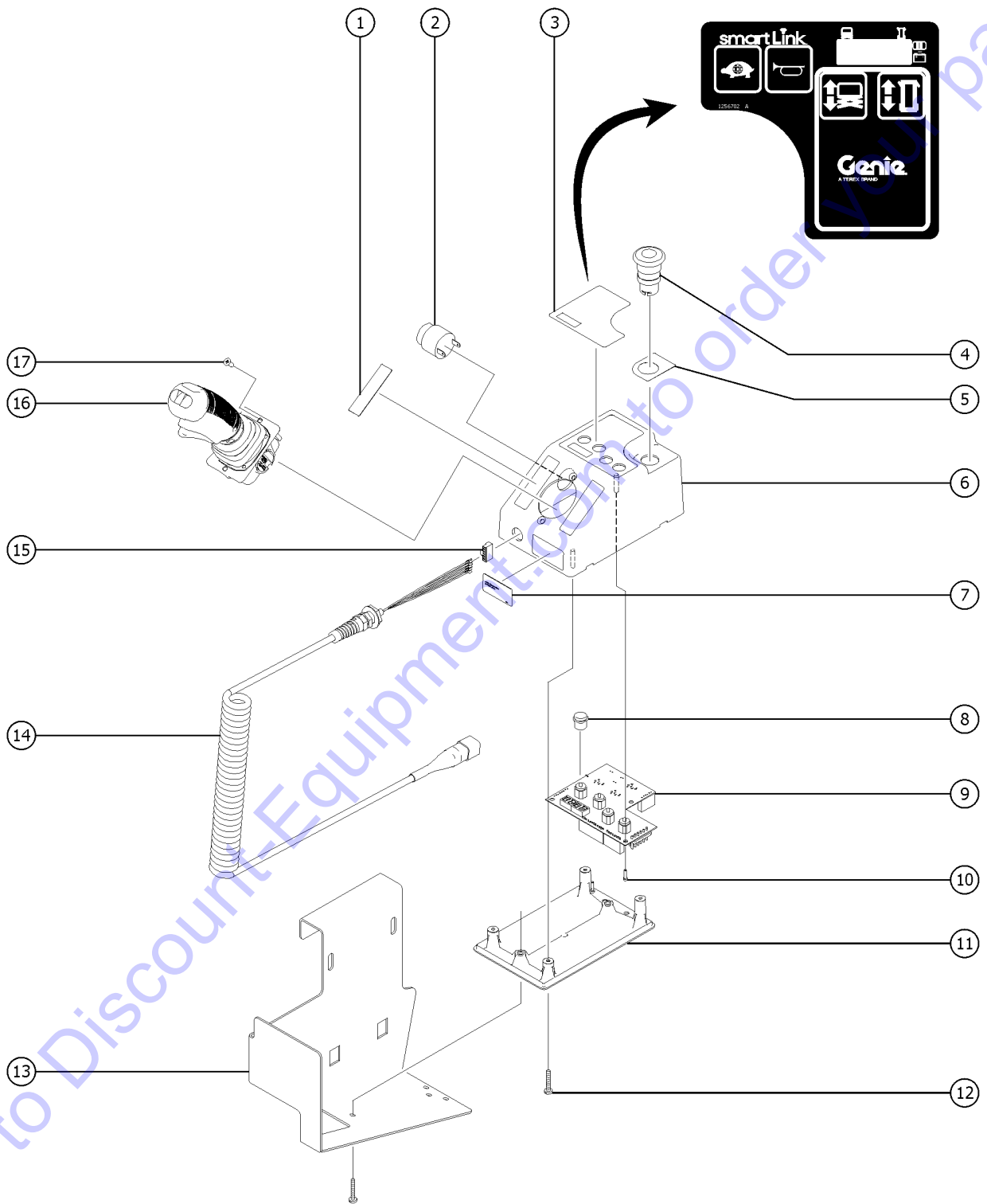
Go to DiscountEquipment.com to order your parts

Item	Part No.	Description	Qty.
24	105118GT	GASKET,(BOOT) FLANGE INLET PLG .....	1
25	18605GT	NUT,NYLOCK,8-32 .....	2
26	105483-SGT	PLATE,AC ADAPTER(ANSI/CSA) .....	1
26-	6878GT	BOLT,CARRIAGE,1/4-20 X .75,G2 not included .....	2
26-	6091GT	NUT, NYLOCK, 1/4-20 not included .....	2
27	105117GT	PLUG,FLG INLET,15A/125V,2PWGD .....	1
28	55906GT	SCREW, PHILLIPS, PHM, 8-32 X .5 .....	2
29	144129GT	RECESSED SIDE PLUG ASSY, GS includes items 23-28 .....	1
30	44936GT	WASHER,STAR,EXTERNAL,#8 .....	4
31	1263471GT	PLUG,IEC60309 CEE, 3PIN 220-24 (Hong Kong Construction) .....	1

Go to Discount-Equipment.com to order your parts



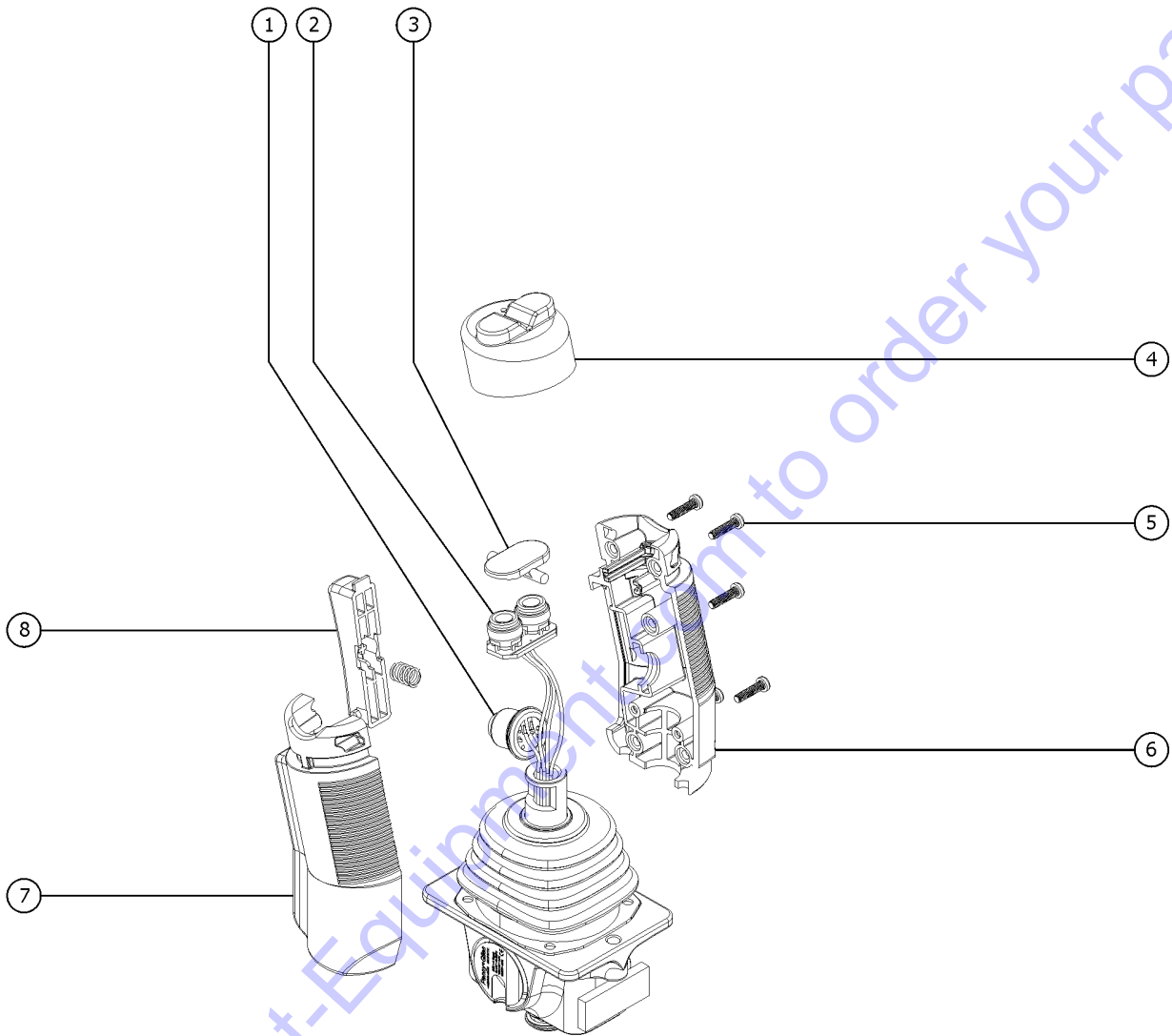
403.1 Platform Controls



Go to Discount Equipment.com to order your parts

Item	Part No.	Description	Qty.
A	1256727GT	PCON,STD,PROP LIFT,GR/GS complete platform control box with coil cord, bracket not included	
A-	1258731GT	FLASH DRIVE,SL1K2.0 SOFTWARE (For proportional lift or upgrade kits only. Software update available on-line. Flash drive sold separately.)	
A-	137587GT	HARNESS, ESTOP, GR/GRC/GS PCON	
B	1258384GT	KIT, SL PROP UPGRD, AUS, GS46 Australia models (For 2 speed to proportional lift conversion. Software upgrade is required and available on-line or refer to USB flash drive) to SN GS4714C-1799	
1	137656GT	DECAL, PROPEL, GR/GRC/GS, PCON	1
2	39540GT	ALARM,STEADY TONE***	1
3	1256702GT	DECAL, UI, GS/GR, PROP LIFT (models with 4 button, proportional controller)	1
4	66812GT	BUTTON,PUSH,RED MUSHROOM HEAD	1
4-	66817GT	E-STOP NC CONTACT	
5	137605GT	DECAL,E-STOP, GR/GRC/GS PCON	1
6	1256656GT	ENCLOSURE,STD 4-BUTTON, TOP	1
7		(component no longer available)	
8	T106373GT	CAP,BUTTON,K12	6
9	1256725GT	PCBA,PCON STD,PROP LIFT	1
10	137637GT	SCREW,PHM,4-20X.5, 48-2 TRI-L	
11	T106370GT	ENCLOSURE,GC14-1/GC16-1, BOT	1
12	137640GT	SCREW,PHM,8-16X.75, 48-2 TRI-L	
13	T114397GT	FORMING,PLAT CONTROL BOX (decals not included, refer to section one)	
14	235464GT	KIT,COIL CORD,CONTRLR,SL1000 includes item 15	1
14-	231921GT	KIT,CONN,RECEPT W/PIN AND LOCK	
14-	231922GT	KIT,CONN,PLUG W/SCKT AND LOCK	
15	137699GT	PLUG, 6POS ECO PWR	1
16		Ref., JOYSTICK (refer to 404.1)	1
17	229845GT	SCREW,BHSCS,M5X10,SS apply Loctite 243 or equivalent before installation	

404.1 Joystick Controller



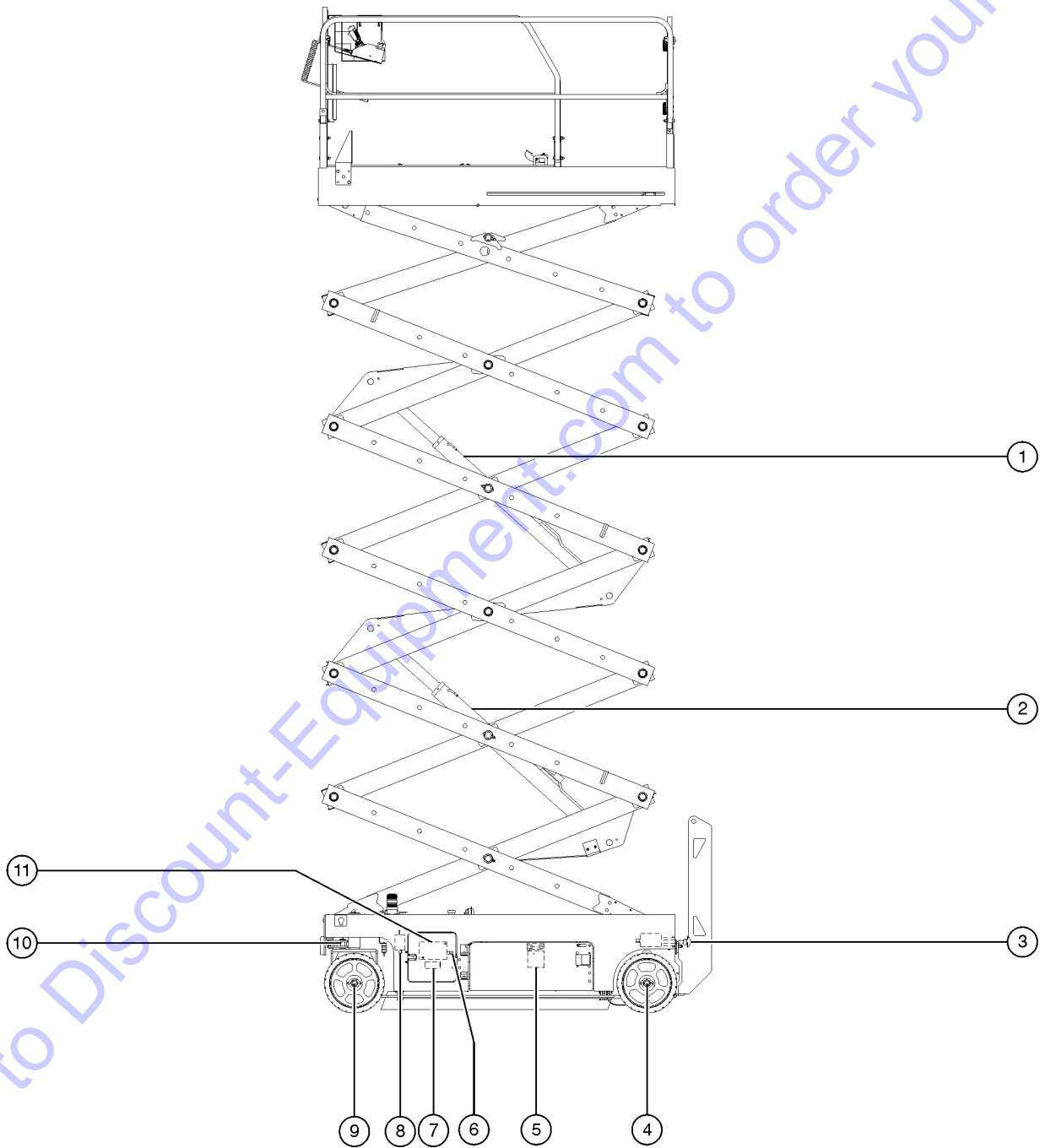
404.1 Joystick Controller

Item	Part No.	Description	Qty.
A-	137634GT	JOYSTICK, HALL EFFECT, SINGLE .....	
B-	229097GT	TERMINAL, SPLINE (AMP) .....	
C-	214544GT	KIT,BOOT,JOYSTICK,SL1000 .....	
		joystick boot	
1	235463GT	KIT,SWITCH,JYSTK,SL1000 .....	
		function enable and steer switches	
2	235463GT	KIT,SWITCH,JYSTK,SL1000 .....	
		function enable and steer switches	
3	229092GT	ROCKER,2 SWITCH .....	1
4	229093GT	BOOT, 2 SWITCH, SILICON .....	1
5	229086GT	SCREW, SELF TAP .....	2
6A	229087GT	HANDLE HALF,RIGHT,W/TOP SWITCH .....	1
6B	229091GT	SCREW,GRUB,M5X8MM,HLF DOG,BZP .....	
		for 229087GT	
7A	229088GT	HANDLE HALF,LEFT,W/TOP SWITCH .....	1
7B	229090GT	SCREW,GRUB,M5X8MM CUP(BLK) .....	
		for 229088GT	
8	229089GT	TRIGGER, EXTENDED .....	1
8-	229094GT	SPRING, HANDLE TRIGGER .....	1

Go to Discount-Equipment.com to order your parts



501.1 Hydraulic Components



Go to Discount-Equipment.com to order your parts

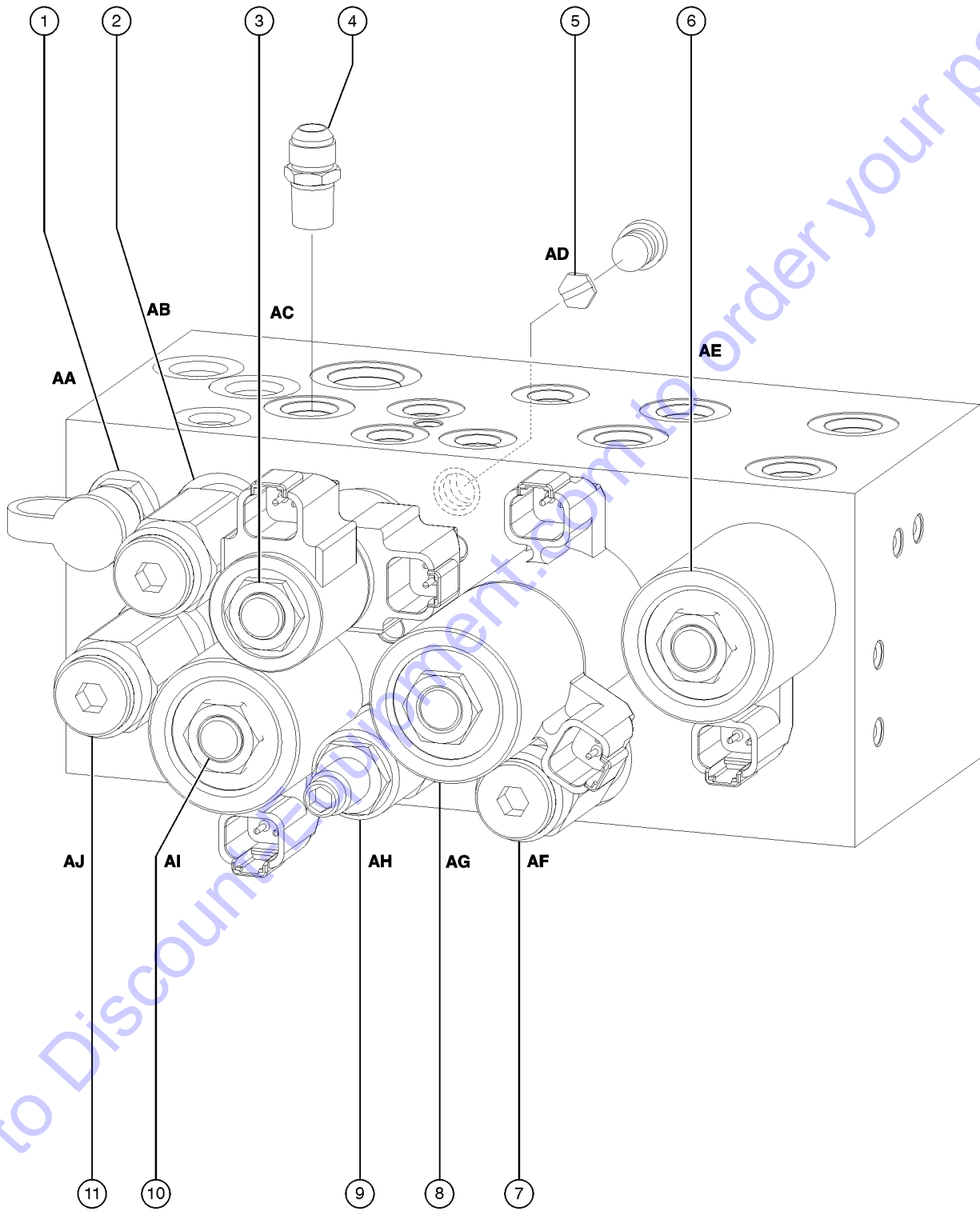
Item	Part No.	Description	Qty.
1		Ref: Upper Lift Cylinder ..... (refer to 505.1)	
2		Ref: Lower Lift Cylinder ..... (refer to 505.1)	
3		Ref: Brake Release Hand Pump ..... (refer to 503.1)	
4	T108664GT	BRAKE, HYDRAULIC, 15KIP-IN .....	2
5	78622GT	FILTER ASSY, SAE8, 10 MIC, PAPER** .....	1
5-	44207GT	FILTER ELEMENT, BETA(10)=200 .....	
5-	44788GT	FILTER ELEMENT-10MICRON, PAPER* .....	
6		Ref: Check Valve ..... (refer to 502.1)	
7		Ref: Accumulator ..... (refer to 211.1)	
8		Ref: Lift Pressure Select Manifold ..... (refer to 211.1)	
9	T108663GT	DRIVE MOTOR, 22.9CI/REV .....	2
9-	96419GT	SEAL KIT, RC SERIES DR MOTOR*** ..... (for PN T108663)	
9-	44780GT	NUT, CASTLE, 1.125-18 UNEF .....	
10	105547GT	CYLINDER, GS/GR STEER*** .....	1
10-	105550GT	KIT, STEER CYL SEAL .....	
11		Ref: Function Manifold ..... (refer to 502.1)	

Go to Discount-Equipment.com to order your parts





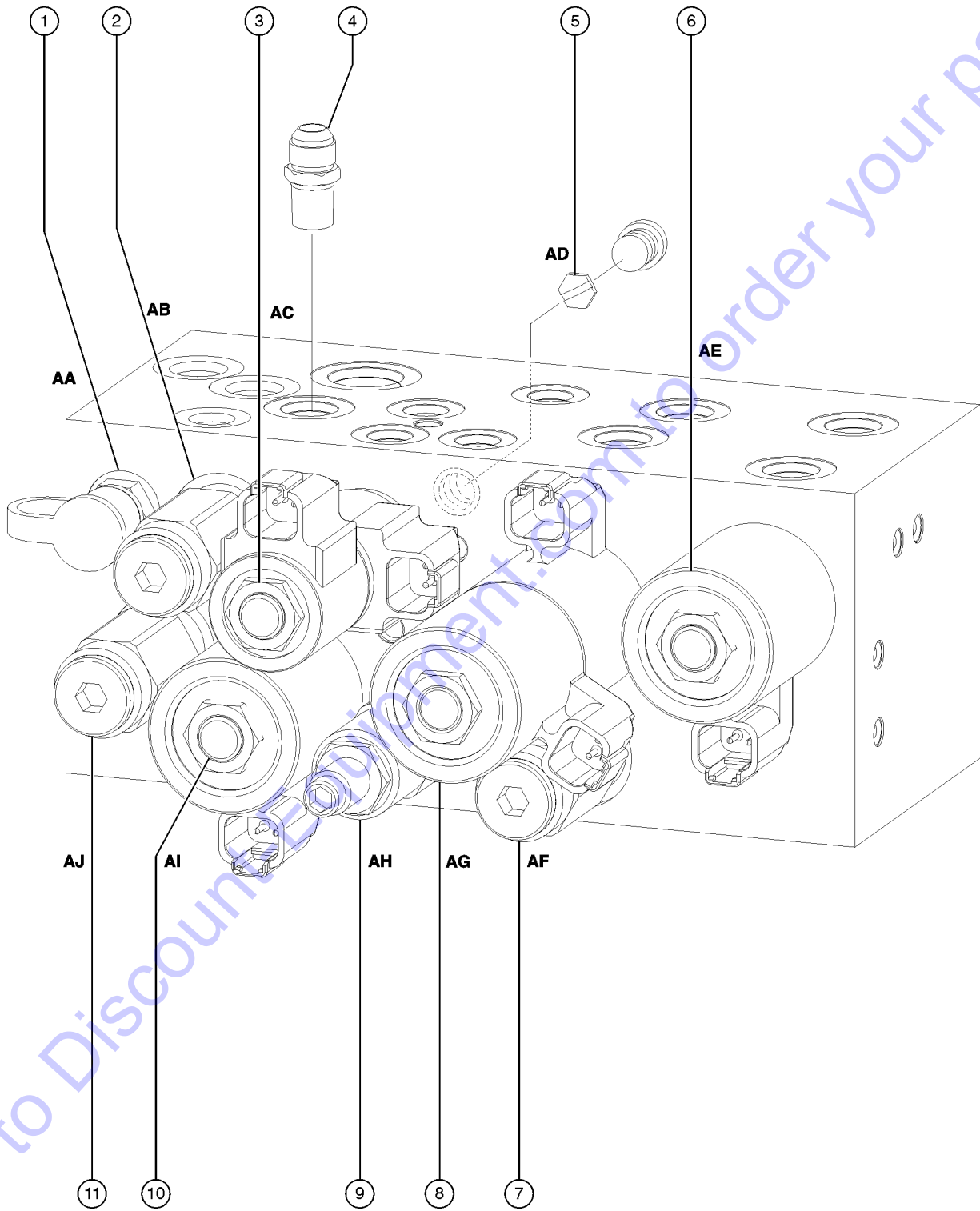
502.1 Function Manifold



Item	Part No.	Description	Qty.
A-	105463GT	126,DYN.BRAKING,MANIF,32/46 .....	
B-	150105GT	MANIFOLD,FUNCTION,2 SPEED (does not include check valve, item 4) .....	
C-	49612GT	O-RING KIT (ORFS FITTINGS) .....	
D-	49613GT	PLUG AND CAP KIT-SERVICE,ORFS* .....	
1	48997GT	CONN,520120-8-12 .....	
		(AA, Testing)	
1-	20224GT	DIAGNOSTIC FEMALE Q-DSCNT .....	
1-	48880GT	CAP,DIAGNOSTIC NIPPLE .....	
2	1299590GT	VALVE, FUNCTION MANIFOLD RELIEF, 3700PSI .....	
		(AB, System relief).	
2-	44226GT	SEAL KIT-FOR P.N.44167 .....	
3	44168GT	VALVE,SOLENOID,3POS 4WAY .....	
		(AC, Steer left/right)	
3-	77709GT	COIL,#8 20VDC,DEUTSCH W/DIOD .....	
		(sold separately)	
3-	44174GT	NUT-COIL SHORT .....	
		(sold separately)	
3-	44236GT	SPACER-DUAL COIL,#8*** .....	
		(sold separately)	
3-	44229GT	SEAL KIT, VALVE .....	
4	237086GT	HOSE,UPPER VENT .....	
		(sold separately)	
5	84386GT	CHECK DISK, NO SPRING .....	
		(AD, Steer circuit)	
6	44171GT	VALVE-SOLENOID,2POS 4WAY** .....	
		(AE, Drive speed select circuit)	
6-	44230GT	SEAL KIT-P.N.44169,44172,44171 .....	
6-	84385GT	COIL,20VDC DEUTCSH W/DIODE .....	
		(sold separately)	
6-	44175GT	SPACER-DUAL COIL,#10, SCISSORS .....	
		(sold separately)	
7	97409GT	VALVE,DIFF.AREA RELIEF,50PSI .....	
		(AF, Brake release)	
8	150104GT	VALVE, DYN. BRAKING, GS32/46 .....	
8-	84385GT	COIL,20VDC DEUTCSH W/DIODE .....	
		(sold separately)	
8-	44175GT	SPACER-DUAL COIL,#10, SCISSORS .....	
		(sold separately)	
9	84384GT	PRTY,FLOW CNTRL VALVE,.75 GPM .....	
		(AH, Steer circuit)	
9-	1261888GT	SEAL KIT (84384) .....	
		for 84384	
9-	44230GT	SEAL KIT-P.N.44169,44172,44171 .....	
10	44169GT	VALVE-SOLENOID, 2POS 4 WAY .....	
		(AI, Platform up)	



502.1 Function Manifold

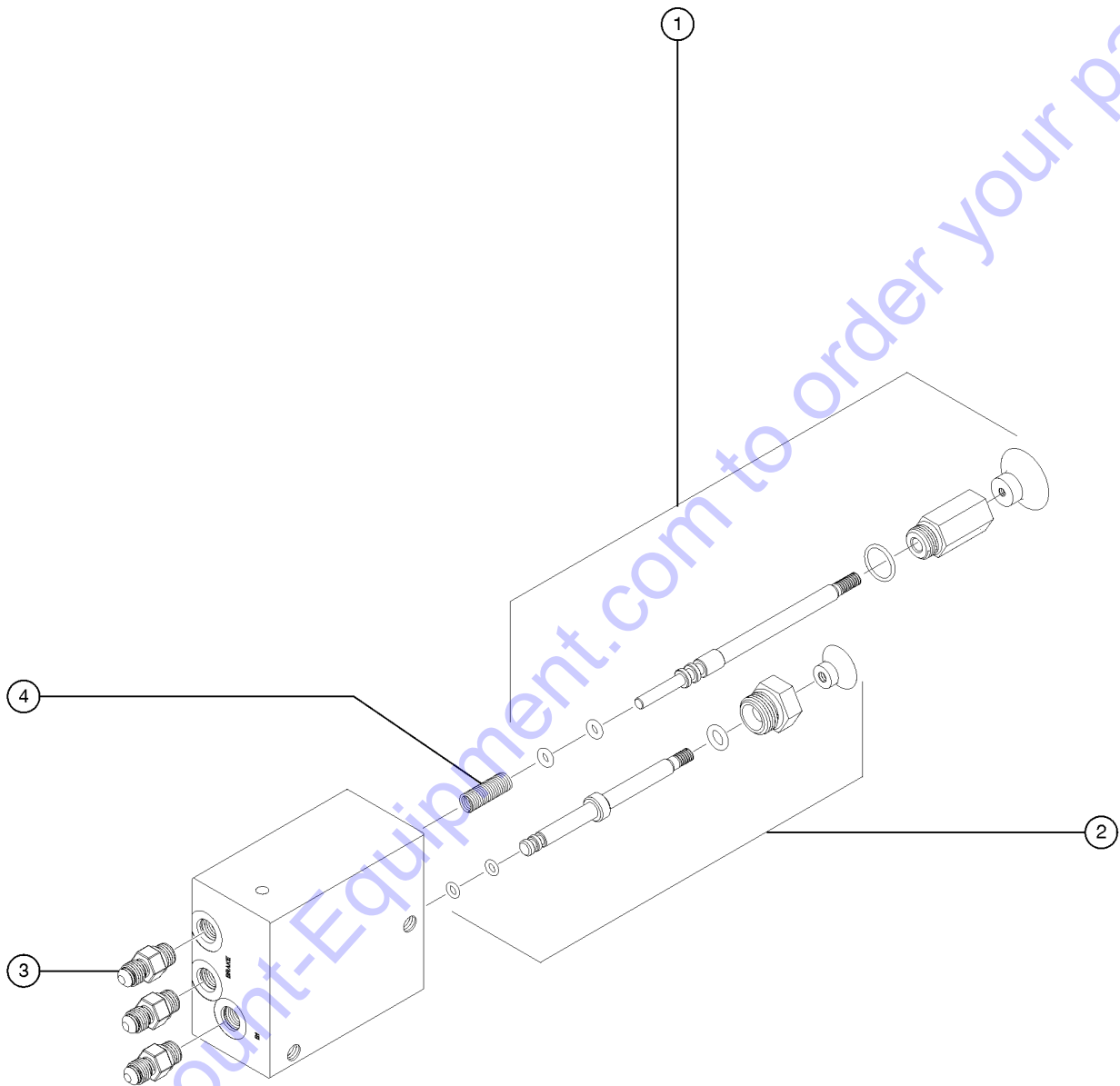


Item	Part No.	Description	Qty.
10-	44230GT	SEAL KIT-P.N.44169,44172,44171 .....	
10-	84385GT	COIL,20VDC DEUTCSH W/DIODE ..... (sold separately)	
10-	44175GT	SPACER-DUAL COIL,#10, SCISSORS ..... (sold separately)	
11	1299590GT	VALVE, FUNCTION MANIFOLD RELIEF, 3700PSI ..... (AJ, Lift relief).	
11-	44226GT	SEAL KIT-FOR P.N.44167 .....	

Go to Discount-Equipment.com to order your parts



503.1 Brake Release Hand Pump Manifold



Go to Discount-Equipment.com to order your parts

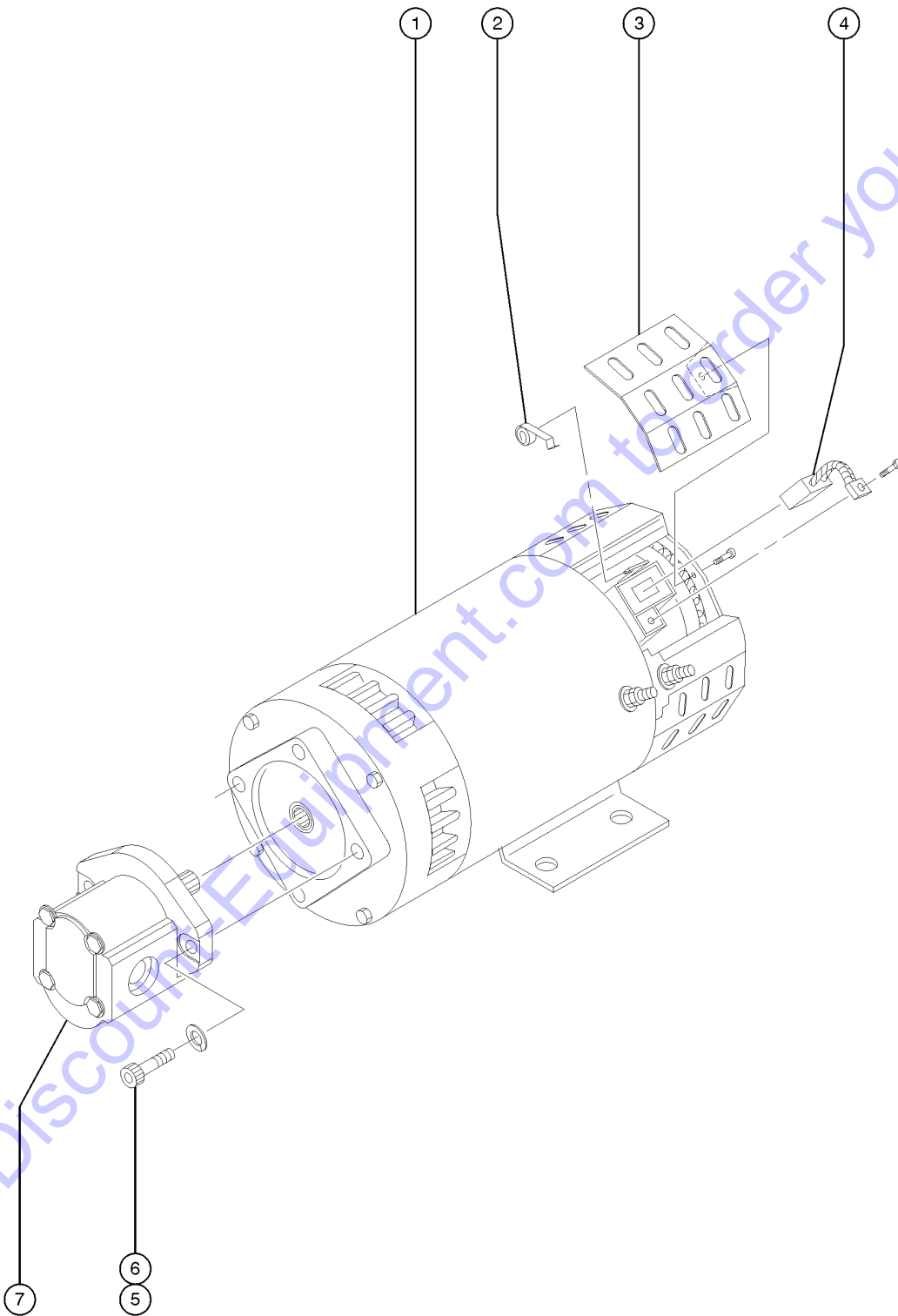
503.1 Brake Release Hand Pump Manifold

Item	Part No.	Description	Qty.
	105067GT	MANIFOLD,BRAKE RELEASE ..... (includes items 1, 2 and 4)	
1	84739GT	VALVE,HAND PUMP ASSEMBLY*** .....	1
1-	84740GT	SEAL KIT,HAND PUMP*** .....	
1-	84742GT	KNOB,HAND PUMP (RED)*** .....	
2	84743GT	VALVE,PILOT OPERATED ASSEMBLY* .....	1
2-	84740GT	SEAL KIT,HAND PUMP*** .....	
2-	84746GT	KNOB,PILOT OP VALVE (BLACK)*** .....	
3		Ref: Connector ..... (refer to 506.1)	3
4	84748GT	SPRING,HAND PUMP ROD .....	1

Go to Discount-Equipment.com to order your parts



504.1 Hydraulic Power Unit



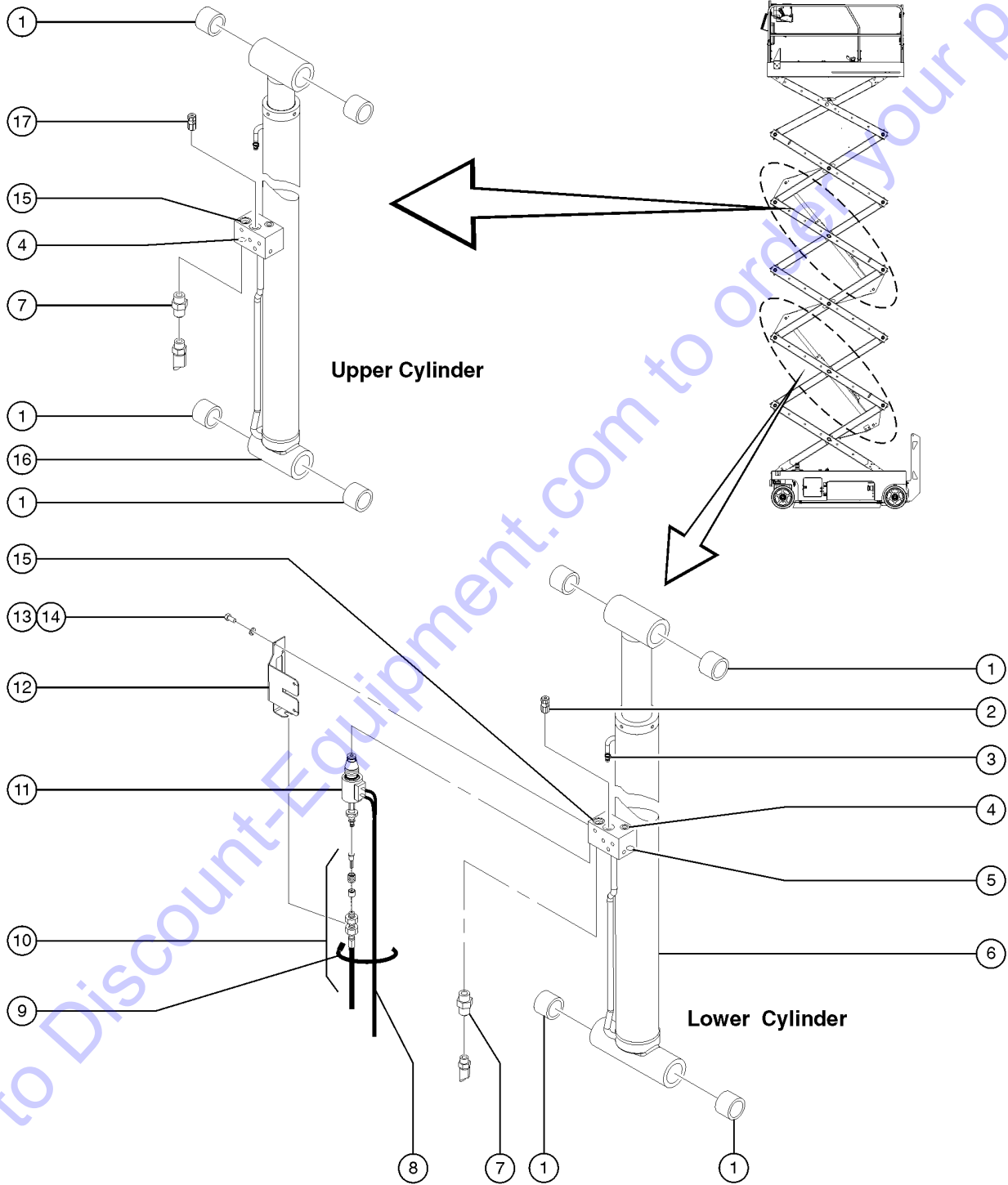
Go to DiscountEquipment.com to order your parts

Item	Part No.	Description	Qty.
A-	78006GT	FORMING,PADLOCK BRACKET .....	
B-	44716GT	HANDLE,ANDERSON CONNECTOR SB .....	
1A	40844GT	MOTOR,ELECTRIC,24VDC 4.5HP (for GS47A GS47B GS47D ANSI models) .....	
1A-	43685GT	SEAL KIT,LIFT PUMP,BARNES** .....	1
1A-	44777GT	BEARING,MOTOR .....	
1A-	44778GT	BEARING,MOTOR,36843,BRUSH END* .....	
1B	1256517GT	MOTOR,DC24V 3.3KW,JIANGSU XINYU (for GS47D CE & Australia models) .....	1
1B-	1262821GT	SEAL KIT,LIFT PUMP,BARNES** .....	
1B-	1262822GT	BEARING,MOTOR .....	
1B-	1262823GT	BEARING,MOTOR,BRUSH END* .....	
2	44750GT	SPRING-BRUSH,40844, SCISSORS .....	
3	44752GT	COVER-BRUSH INSPEC.40844,SCISS .....	4
4	44751GT	BRUSH,PWR UNIT (40844)** .....	4
5	55921GT	SCREW,SHC,3/8-24 X 1.25" .....	4
6	6021GT	WASHER,LOCK,.375 .....	
7A	T108662GT	PUMP,5.6CC GEAR,CCW .....	
7A-	236837GT	SEAL KIT,PUMP,5.6CC GEAR For Bosch PN 9510290037 .....	1

Go to Discount-Equipment.com to order your parts



505.1 Lift Cylinder Assemblies



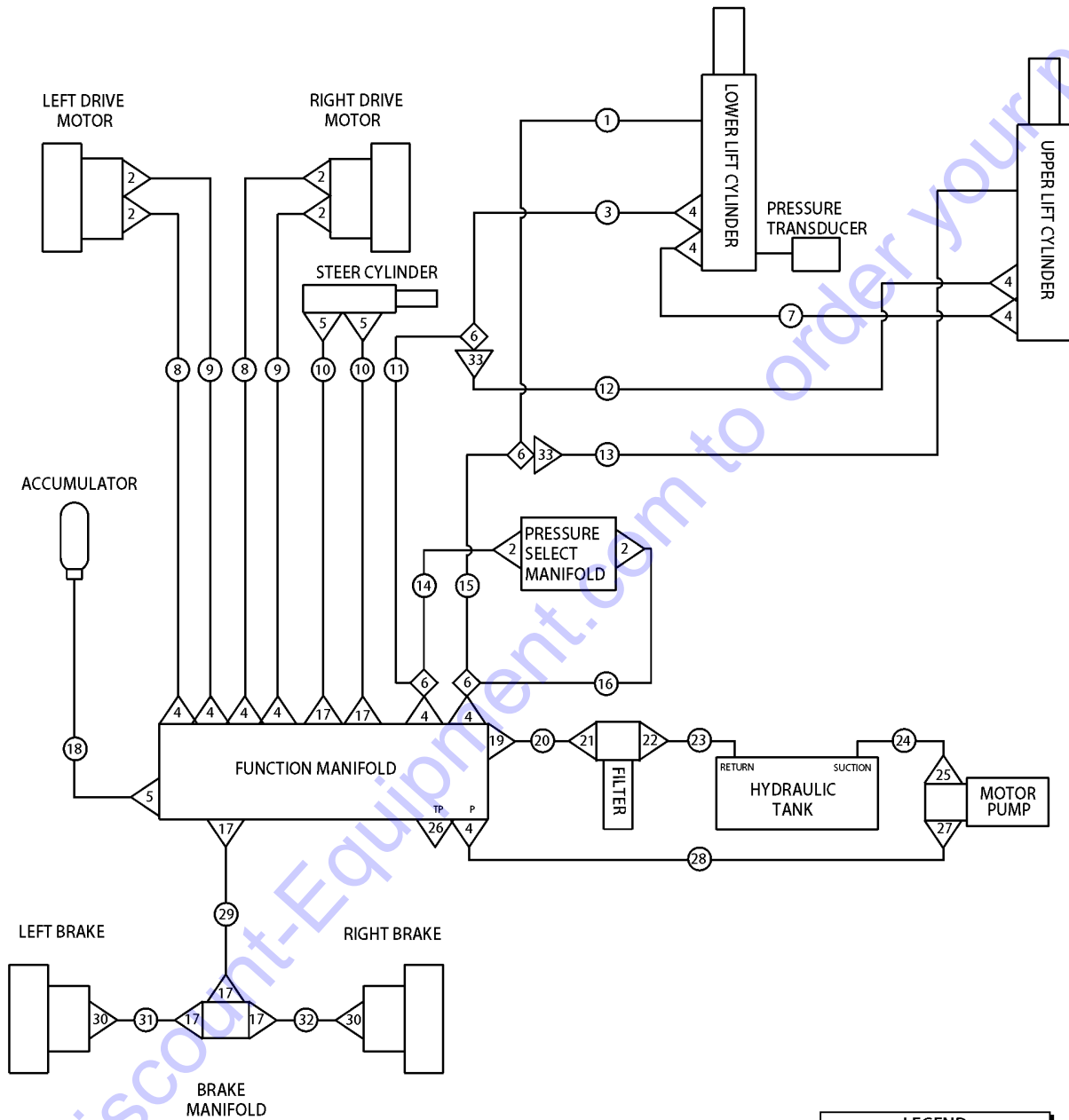
505.1 Lift Cylinder Assemblies

Item	Part No.	Description	Qty.
1	30738GT	BEARING,1.50IDX2.00ODX1.50LG .....	8
2	214817GT	ORIFICE, LONG, .076" .....	1
3	96770GT	CLAMP, HOSE, 1 EAR, 11/16 .....	1
4	52368GT	VALVE,CHECK,GS68 (SIZE8 8) .....	2
5	237472GT	PRESSURE TRANSDUCER,1K-3K PSI .....	1
6A	T113970GT	CYLINDER,LIFT 3.5 BORE,LOWER to SN GS4715D-678 .....	1
6A-	236264GT	SEAL KIT,3.5"BORE, 2.75"ROD (For PN T113970) .....	
6B	1264781GT	LOWER CYL,4047 LIFT,3.5" BORE, from SN GS4715D-679 .....	1
6B-	1282019GT	SEAL KIT,LOWER CYLINDER,4047 LIFT for 1264781 .....	
7	39878GT	CONNECTOR,070120-6-6 .....	2
8		Ref. Down Coil Wire Harness (Refer to 210.1) .....	
9	28443GT	CABLE TIE,11.5" BLACK .....	3
10		Ref. Emergency Down Cable (Refer to 203.1) .....	
11	229615GT	VALVE, PROPORTIONAL, SP08-20 (includes 44973) .....	1
12	41557-SGT	CABLE BRACKET,PAINTED .....	1
13	7339GT	SCREW,HHC,1/4-20 X .5 .....	
14	6356GT	WASHER,LOCK,.25 .....	
15	1299588GT	VALVE, 4047 CYLIDER RELIEF .....	2
16A	T113968GT	CYLINDER,LIFT 3.0 BORE,UPPER to SN GS4715D-678 .....	1
16A-	236276GT	SEAL KIT,3.0" BORE, 2.50" ROD for T113968 .....	
16B	1264780GT	UPPER CYL,4047 LIFT,3" BORE,DO from SN GS4715D-679 .....	1
16B-	1282018GT	SEAL KIT,UPPER CYLINDER,4047 LIFT for 1264780 .....	
17	55560GT	ORIFICE,LONG, .059" .....	1

Go to DiscoverEquipment.com to order your parts



506.1 Hydraulic Hoses and Fittings



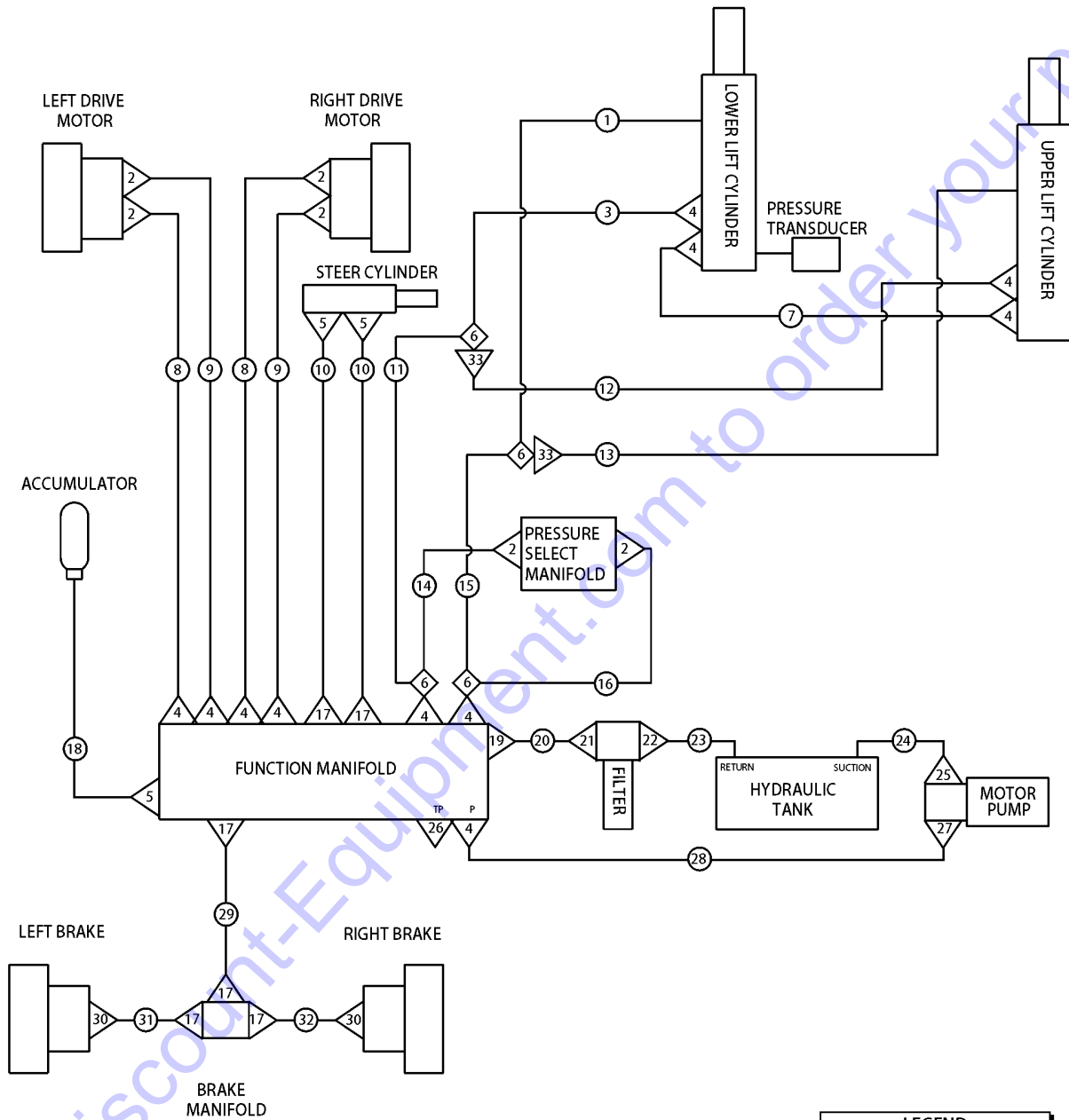
LEGEND	
	ADAPTER
	HOSE ASSEMBLY
	UNION

506.1 Hydraulic Hoses and Fittings

Item	Part No.	Description	Qty.
A-		The hose lengths below reflect the length of the hose only. Refer to the 'Fittings Cross Reference' to match Genie part numbers to Parker part numbers.	
1	96882GT	HOSE,LOWER VENT (Components: 75631 @ 161 inches)	1
2	39873GT	ELBOW, 07022-6-6	6
3	105046GT	HOSE ASSY,LOWER LIFT (Components: 39890, 47223, and 56776 @ 127 inches)	1
4	39878GT	CONNECTOR,070120-6-6	11
5	13921GT	ELBOW,070220-4-4	3
6	51152GT	TEE,RUN 070432-6*****	4
7	236918GT	HOSE,ASSY,CYL TO CYL CE & Australia (Components: 96406, 96406, and 56776 @ 288 inches)	1
7B	1260603GT	HOSE,ASSY,CYL TO CYL ANSI (Components: 39890, 39890, and 56776 @ 336 inches)	1
8	105801GT	HOSE ASSY,DRIVE MOTORS,GS46 (Components: 39890, 39890, and 56776 @ 60 inches)	2
9	105580GT	HOSE ASSY,DRIVE MOTORS,GS46 (Components: 39890, 39890, and 56776 @ 64 inches)	2
10	105578GT	HOSE,ASSY STEER,GS32/46 (Components: 78855, 78855, and 78852 @ 36 inches)	2
11	96750GT	HOSE, ASSY, LIFT (Components: 39890, 39890, and 56776 @ 42 inches)	1
12	236915GT	HOSE,ASSY,UPPER LIFT Australia (Components: 39890, 39891, and 56776 @ 372 inches)	1
12B	1260604GT	HOSE,ASSY,UPPER LIFT ANSI (Components: 39890, 39891, and 56776 @ 342 inches)	1
12C	236915GT	HOSE,ASSY,UPPER LIFT CE (from SN GS4712C-101 to 3514) (Components: 39890, 39891, and 56776 @ 372 inches)	1
12D	1268122GT	HOSE,ASSY,UPPER LIFT CE (from SN GS4716C-3515)	1
13	236916GT	HOSE,VENT,UPPER Australia (Components: 105045, and 75631 @ 388 inches)	1
13B	1260605GT	HOSE,VENT,UPPER ANSI (Components: 105045 and 75631 @ 372 inches)	1
13C	236916GT	HOSE,VENT,UPPER CE (from SN GS4712C-101 to 3514) (Components: 105045, and 75631 @ 388 inches)	1
13D	1268142GT	HOSE,VENT,UPPER CE (from SN GS4716C-3515)	1
14	215749GT	HOSE,ASSY,PRESS SELECTOR,PRESS (Components: 39890, 39890, and 56776 @ 17 inches)	1
15	96881GT	HOSE,LOWER VENT (Components: 96406, 96407, and 75631 @ 42 inches)	1
16	236917GT	HOSE,ASSY,PRESSURE SELECTOR (Components: 96406, 105045, and 75631 @ 18 inches)	1
17	39877GT	CONNECTOR,070120-4-4	6
18	105246GT	HOSE ASSY, MAN/ACCUM, GS32/46 (Components: 78855, 78855, and 78852 @ 17 inches)	1
19	66389GT	CONN,070120-8-6	1



506.1 Hydraulic Hoses and Fittings



LEGEND	
	ADAPTER
	HOSE ASSEMBLY
	UNION

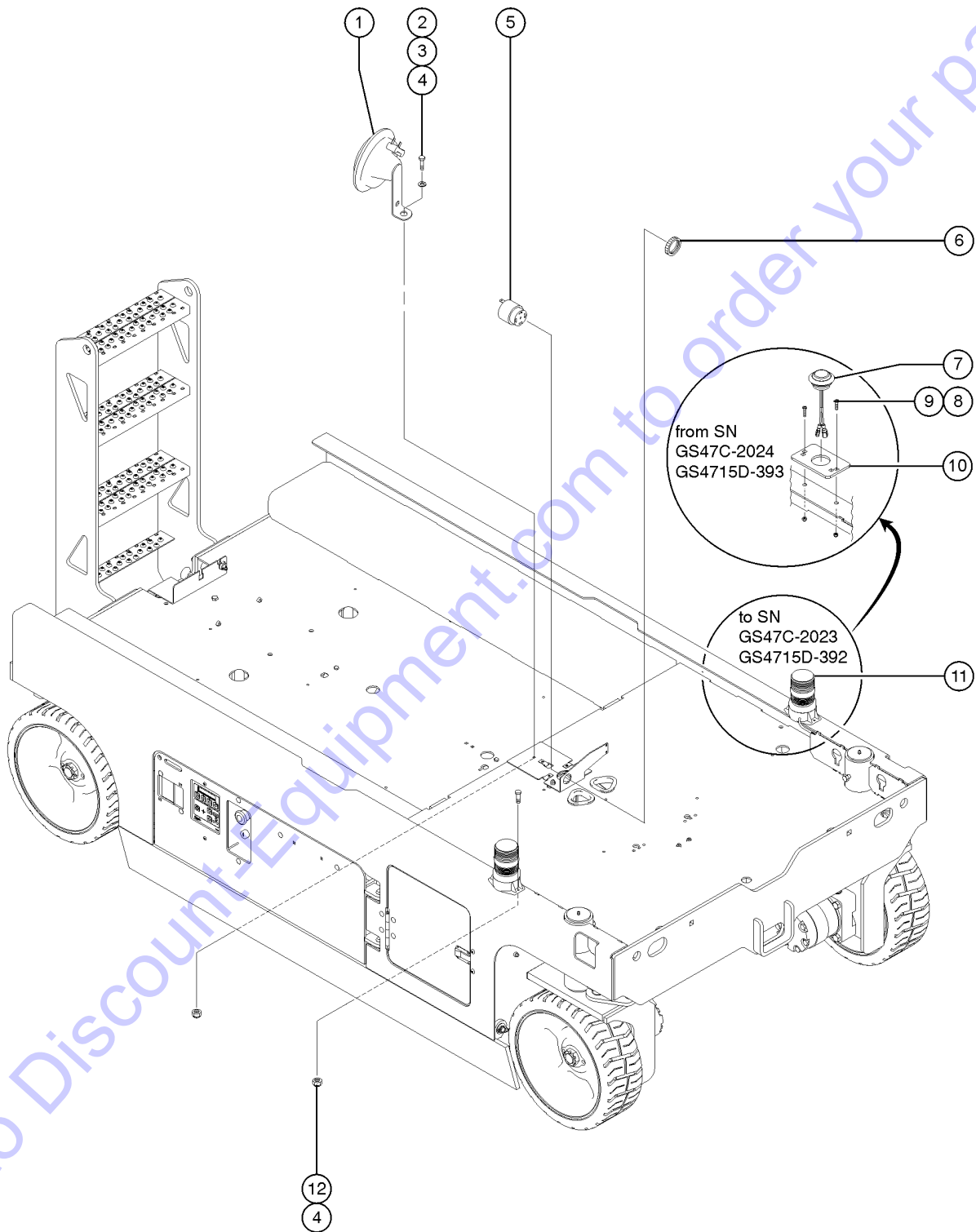
506.1 Hydraulic Hoses and Fittings

Item	Part No.	Description	Qty.
20	236914GT	HOSE,ASSY,MAN TO FILTER (Components: 96406, 96406, and 75631 @ 55 inches)	1
21	78091GT	ELBOW,SWIVEL NUT 90DEG, -6	1
22	96398GT	CONNECTOR, 070120-12-8	1
23	228339GT	ASSEMBLY,TANK RETURN,TUBE	1
24	96354GT	TUBE, ASSY, DRAW	1
25	22664GT	ELBOW,070220-12-10	1
26	48997GT	CONN,520120-8-12	1
27	39876GT	ELBOW,070220-6-8	1
28	105801GT	HOSE ASSY,DRIVE MOTORS,GS46	1
29	105577GT	HOSE,ASSY,BRAKE,GS46 (Components: 78855, 78855, and 78852 @ 65 inches)	1
30	45351GT	ELBOW, 070320-4-4	2
31	105803GT	HOSE,ASSY, BRAKE MAN,GS46 (Components: 78855, 78855, and 78852 @ 22 inches)	1
32	96749GT	HOSE, ASSY, BRAKE MAN, GS46 (Components: 78855, 78855, and 78852 @ 20 inches)	1
33	78091GT	ELBOW,SWIVEL NUT 90DEG, -6 GS-4047 (UK models only) (from SN GS4716C-3515)	2

Go to Discount-Equipment.com to order your parts



601.1 Alarm, Horn and Flashing Beacons



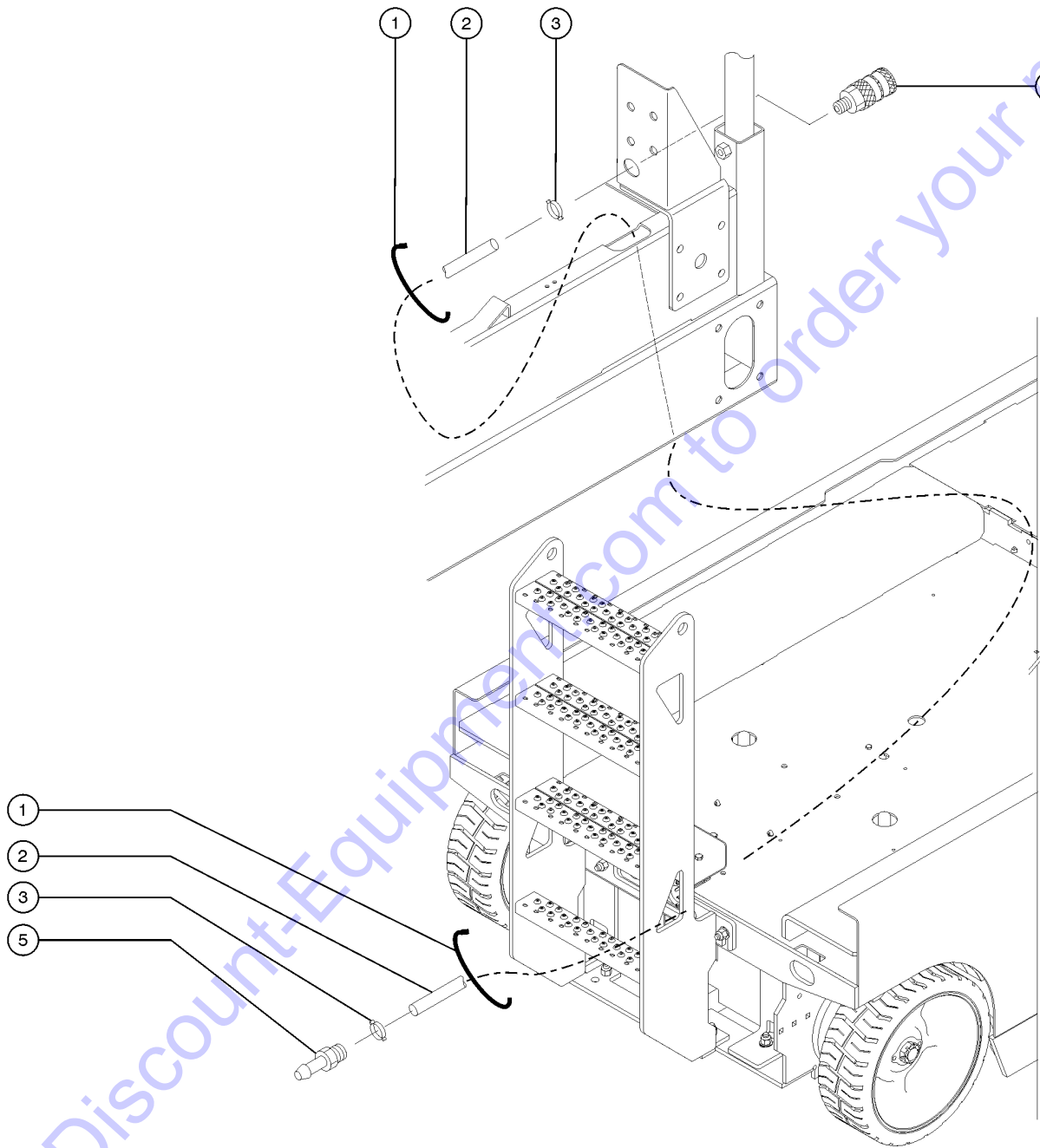
601.1 Alarm, Horn and Flashing Beacons

Item	Part No.	Description	Qty.
	1260386GT	VISUAL ALARM SUPPLEMENT from SN GS4715C-2024 and GS4715D-393	
1	81579GT	HORN, 24VDC, SPADE TERMINALS***	1
2	8914GT	SCREW,HHC,1/4-20 X .625	
3	6638GT	WASHER,FLAT,USS,1/4"Y	
4	6091GT	NUT, NYLOCK, 1/4-20	
5	39540GT	ALARM,STEADY TONE*** Does not include 72326 nut	1
6	72326GT	NUT,PLASTIC,RING FOR ALARMS	
7	1261183GT	ASSEMBLY,VISUAL IND LIGHT from SN GS4715C-2024 and GS4715D-393	2
7-	1254572GT	LIGHT,TURN SIGNAL,1.25" LED,AM from SN GS4715C-2024 and GS4715D-393	2
7-	1261526GT	HARNES,VISUAL IND LIGHTS,MINI from SN GS4715C-2024 and GS4715D-393	1
8	9116GT	BOLT,CARRIAGE,1/4-20 X 1.25,G2 from SN GS4715C-2024 and GS4715D-393	4
9	6889GT	NUT,LP NYLOCK,1/4-20 from SN GS4715C-2024 and GS4715D-393	4
10	1261143GT	PLATE,VISUAL IND LIGHT MOUNT from SN GS4715C-2024 and GS4715D-393	2
11	231931GT	STROBE,BEACON, AC COMP 12-80V to SN GS4715C-2023 and GS4715D-392	2
11-	105556GT	LENS,FLASHING BEACON for 231931	
11-	105557GT	BULB,FLASHING BEACON for 231931	
12	6878GT	BOLT,CARRIAGE,1/4-20 X .75,G2	

Go to Discount-Equipment.com to order your parts



602.1 Air Line to Platform



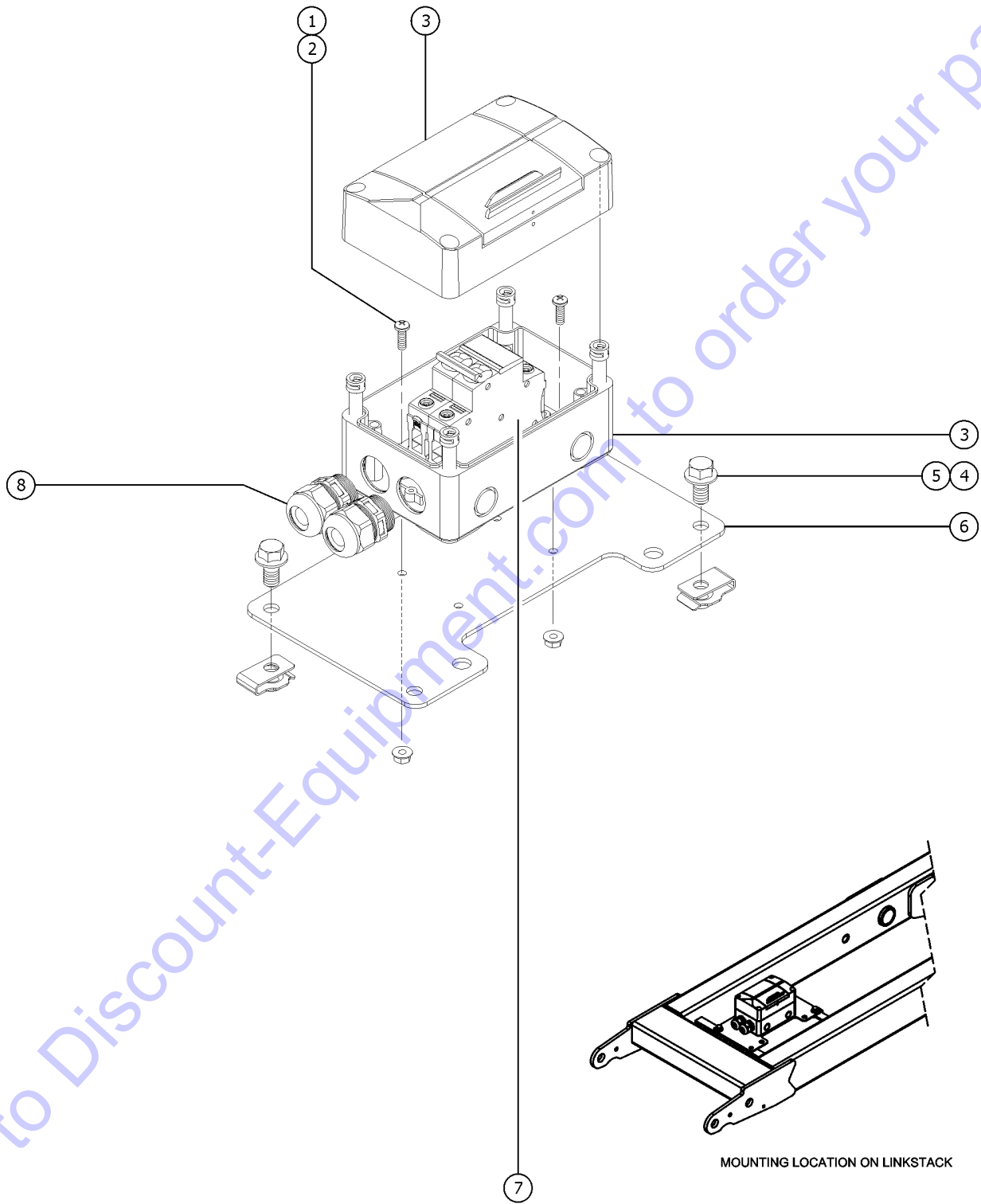
602.1 Air Line to Platform

Item	Part No.	Description	Qty.
1	28443GT	CABLE TIE,11.5" BLACK .....	
2	27903GT	HOSE,LOW PRESSURE,.375 ID,BLK .....	700
2B	1281118GT	HOSE, AIR-PLAT, GS4047 (PLATFORM) hose assembly includes fittings (platform) (395 in) .....	1
2B-	105959GT	ELBOW,90,3/8"NPT,MALE .....	
2B-	105958GT	COUPLER,INTERFACE,RECTUS 25 .....	
2C	1281117GT	HOSE, AIR-PLAT, GS4047 (DRIVE CHASSIS) hose assembly includes fittings (chassis) (305 in) .....	1
2C-	1281119GT	FITTING, 3/8", BARB-BARB .....	
3	45454GT	CLAMP,RUB CUSH,0.75,#12 X 3/8* .....	1
4	96354GT	TUBE, ASSY, DRAW .....	1
5	96542GT	PLUG,1/4"SERIES,3/8 P-LOCK*** .....	1

Go to Discount-Equipment.com to order your parts



603.1 RCBO



Go to Discount-Equipment.com to order your parts

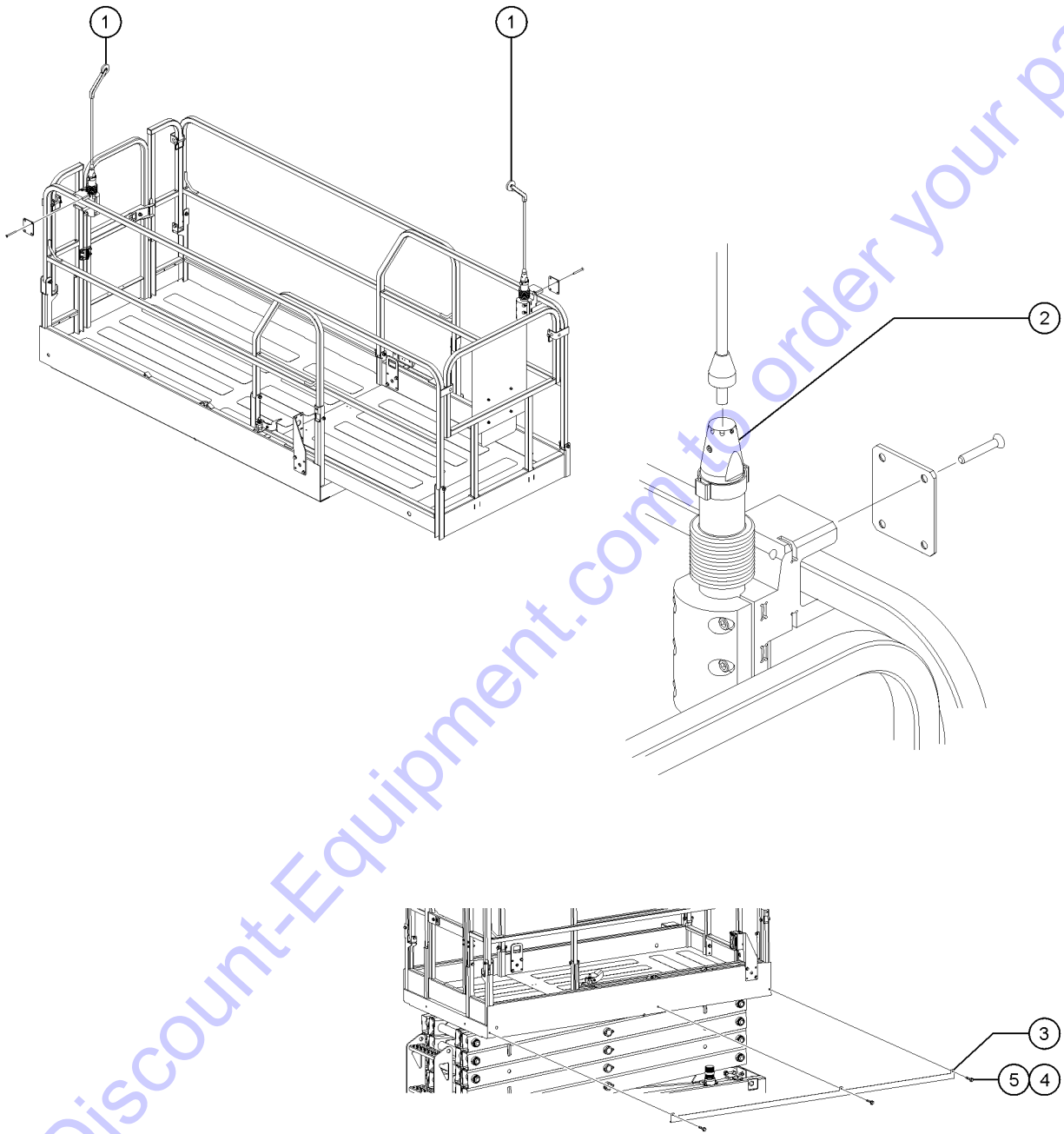
603.1 RCBO

Item	Part No.	Description	Qty.
1	1257227GT	SCREW,PHPM,10-32X.625,ZAG .....	2
2	1256467GT	NUT,TL FLG,10-24,F,ZAG .....	2
3	1269086GT	ENCLOSURE, FUSE, MODULAR, 100X150X96, IP65 .....	1
4	824089GT	SCREW, HHF, 3/8-16 X .75, 8, ZAG .....	2
5	29868GT	SPRING CLIP,3/8-16,.05-.20X.73,ZAG .....	2
6	1274540GT	PLATE, RCBO, GS .....	1
7	231868GT	RCBO,16A,30MA,6KA 110/230V AC .....	1
8	1280947GT	GLAND ASSY,M25, 6-13MM .....	2
9	43956GT	WIRE CABLE, 14/GA/3 CON. TPE JKT* not shown .....	115
10	1280948GT	SLEEVE, CABLE-END, 16AWG, 1.5MM for 43956 .....	6

Go to Discount-Equipment.com to order your parts



604.1 Lift Guard Contact Alarm, View-1 (from SN GS4714D-300)



Go to Discount-Equipment.com to order your parts

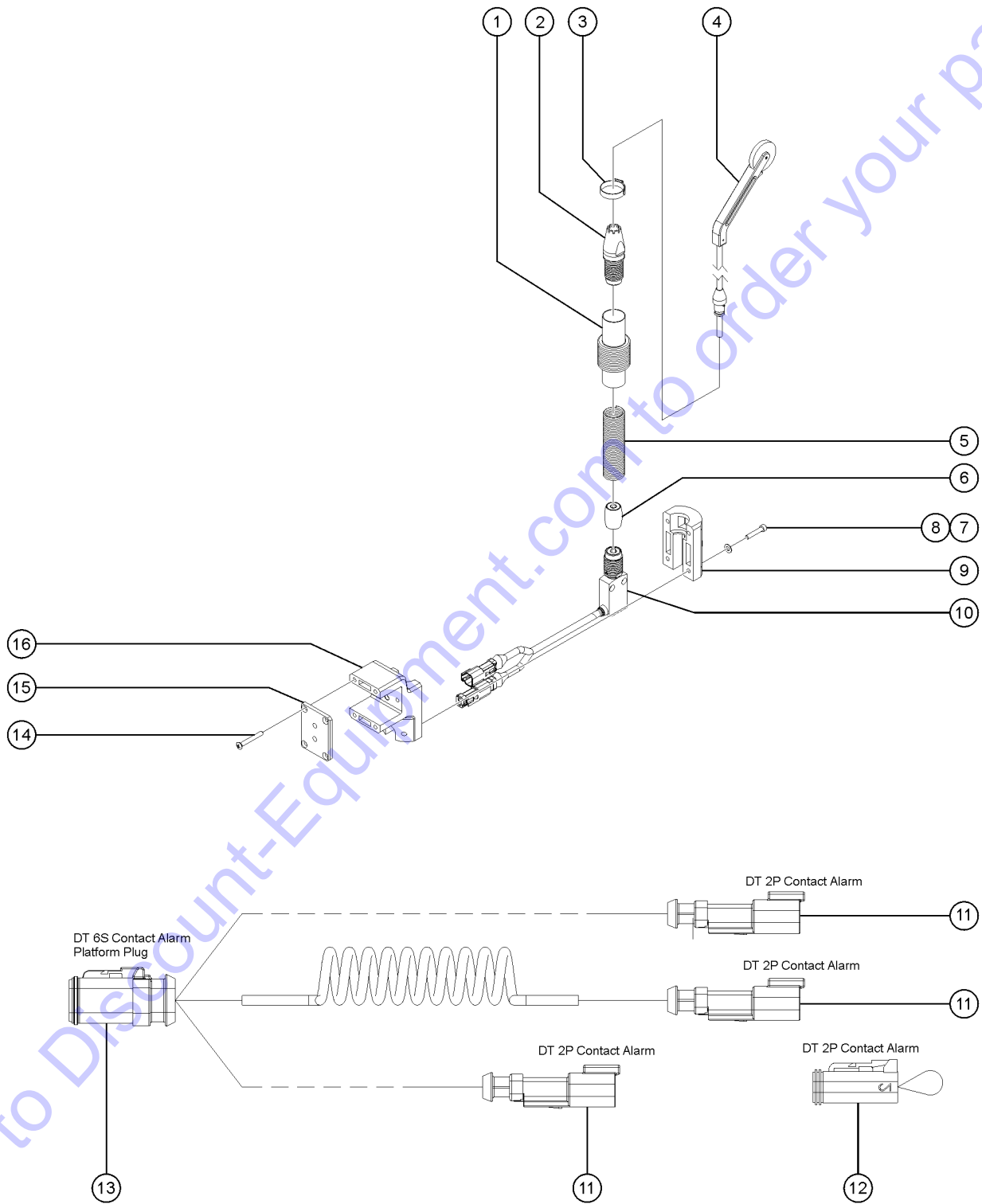
604.1 Lift Guard Contact Alarm, View-1 (from SN GS4714D-300)

Item	Part No.	Description	Qty.
-		CABLE, CONTACT ALARM, 20IN LINK ..... (No longer available)	1
1		ASSEMBLY, LIFTGUARD CONTACT ALARM ..... refer to 605.1 (no longer available)	2
2		ASSEMBLY, LIFTGUARD KNUCKLE ..... OBSOLETE. refer to 605.1 (No longer available)	2
3		FORMING, CONTACT ALARM, CABLE GUIDE, BAT, GS46 ..... Battery Side (No longer available)	1
4	824078GT	SCREW, HHF, 1/4-20X.75, 8, ZAG .....	6
5	824027GT	NUT, TL FLG, 1/4-20, G, ZAG .....	6

Go to Discount-Equipment.com to order your parts



605.1 Lift Guard Contact Alarm, View-2 (from SN GS4714D-300)



Go to Discount-Equipment.com to order your parts

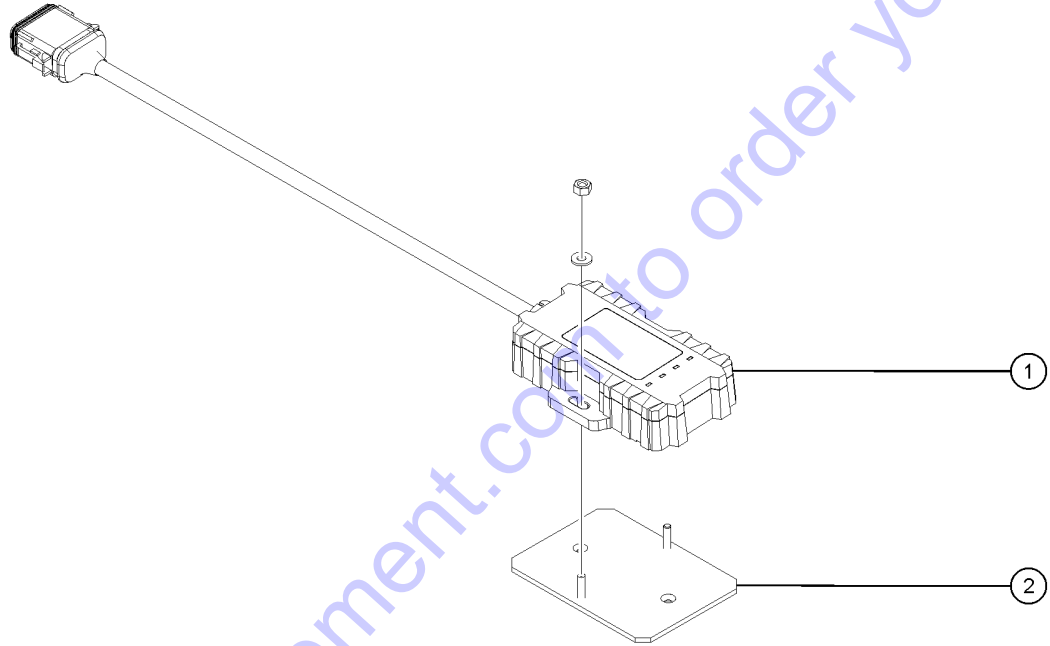
605.1 Lift Guard Contact Alarm, View-2 (from SN GS4714D-300)

Item	Part No.	Description	Qty.
-		ASSEMBLY, LIFTGUARD CONTACT ALARM ..... Includes items 1-10, 14-16 (no longer available)	1
-		ASSEMBLY, LIFTGUARD KNUCKLE ..... OBSOLETE. (part of assy 1287673, includes items 1-3, 5, 6 and 10) (No longer available)	1
1		BELLOW, LIFTGUARD CONTACT ALARM ..... no longer available	1
2		ASSEMBLY, UPPER WHISKER MOUNTING ..... no longer available	1
3	1298716GT	CLAMP, STEPLESS, ONE EAR .....	1
4		ASSEMBLY, WHISKER ..... no longer available	1
5		SPRING, TENSION, CONTACT ALARM ..... no longer available	1
6		ASSEMBLY, MAGNETIC SNAP BARREL ..... no longer available	1
7		SCREW,SHC,10-24X1,F837,18.8,NYL,SS ..... no longer available	4
8		WASHER,FLAT,0.219X0.437X0.031,SS ..... no longer available	4
9		BRACKET, RT LIFTGUARD, PART 2/2 ..... no longer available	1
10		ASSEMBLY, LIMIT SWITCH MOUNT ..... no longer available	1
11	1288352GT	CONN,RECEP,2 WAY,DT,14-18GA,CE09 .....	3
11-	60439GT	CONN, RECEP, 2 WAY, DEUTSCH, DT, LOCK .....	
12	119056GT	CONN, PLUG, 2 WAY, DEUTSCH, DT, ENDCAP .....	1
12-	60425GT	CONN, PLUG, 2 WAY, DEUTSCH, DT, LOCK .....	
13	1288576GT	CONN,PLUG,6WAY,DT,14-18GA,CE13 .....	1
13-	60431GT	LOCK,PLUG 6 WAY,14-18GA .....	
14		SCREW,OHPM,10-24X1.5,NYL,SS ..... no longer available	4
15		PLATE, LIFTGUARD BRACKET ..... no longer available	1
16		BRACKET, RT LIFTGUARD, PART 1/2 ..... no longer available	1





606.1 Telematics Option (from SN GS4715D-1106)



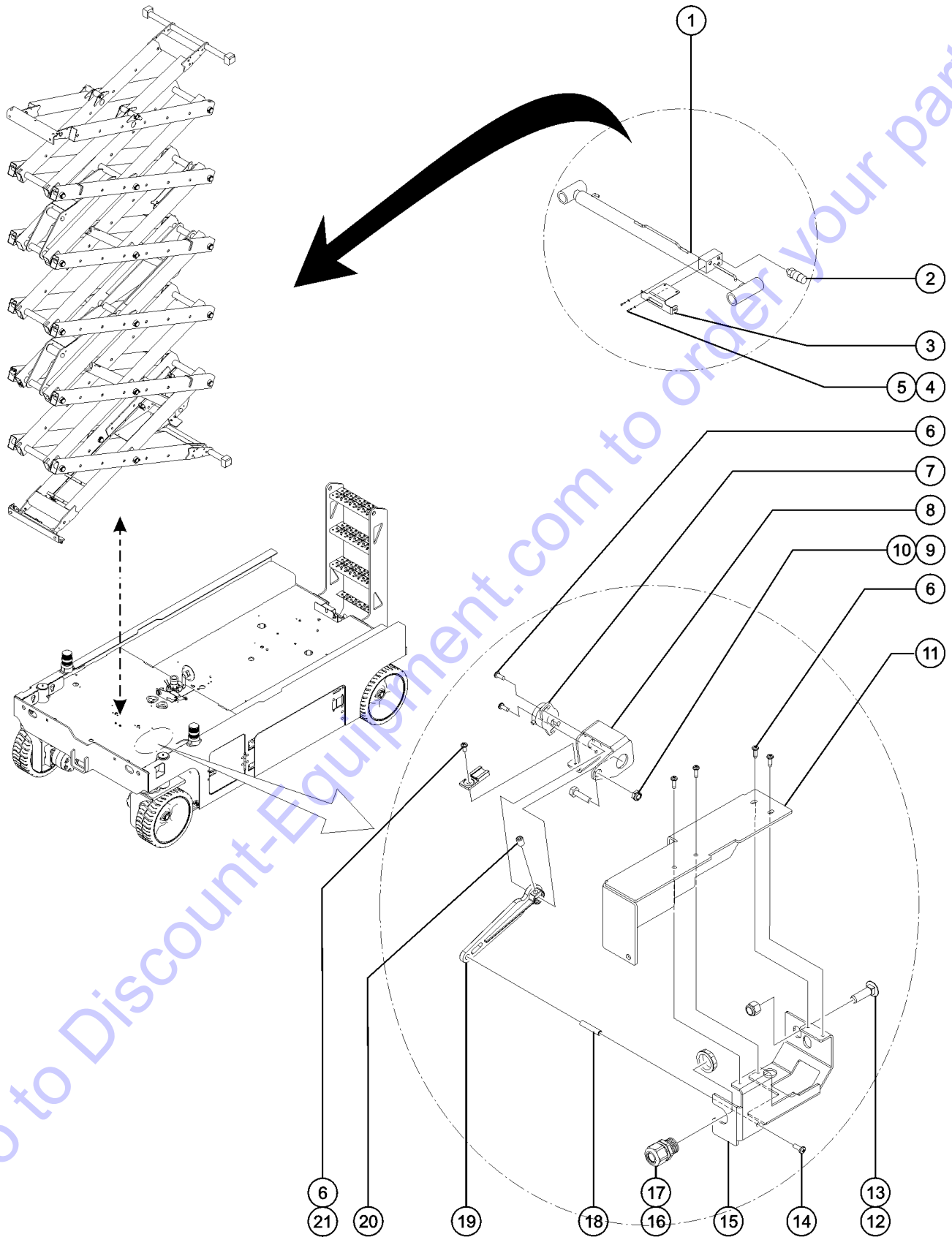
606.1 Telematics Option (from SN GS4715D-1106)

Item	Part No.	Description	Qty.
-	1289899GT	HARNESS, GATEWAY, GS for units after SN GS4715D-1106 for first time insulation, must order this Harness with one of the models 1289520GT, 1289521GT, 1289522GT, or 1289523GT	1
1	1289520GT	MODULE, TELEMATICS, ZTR, M7, NORTH AMERICA ..... North America	1
1B	1289521GT	MODULE, TELEMATICS, ZTR, M7, EMEA/APAC ..... EMEA/APAC	
1C	1289522GT	MODULE, TELEMATICS, ZTR, M7, APAC/ANZ ..... APAC/ANZ	
1D	1289523GT	MODULE, TELEMATICS, ZTR, M7, JAPAN ..... Japan	
2	1289561GT	BRACKET, TELEMATICS .....	1

Go to Discount-Equipment.com to order your parts



701.1 Platform Overload



Item	Part No.	Description	Qty.
1		Ref: Lift Cylinder ..... (refer to 505.1)	
2	237472GT	PRESSURE TRANSDUCER,1K-3K PSI .....	1
3	41557-SGT	CABLE BRACKET,PAINTED .....	1
4	7339GT	SCREW,HHC,1/4-20 X .5 .....	
5	6356GT	WASHER,LOCK,.25 .....	
6	229655GT	GS3246_ SCREW,PHM,8-32X.313,SELF TAP .....	7
7	T113136GT	ASSY,ROT SENSR W/HARNESS .....	1
8	227169GT	FRMNG,ARM SENSOR BRCKT,32/46 .....	1
9	7713GT	NUT, LP NYLOCK, 3/8-16 .....	
10	6175GT	SCREW,HHC,3/8-16 X 1 .....	
11	227170GT	FRMNG,SENSOR COVER,32/46 .....	1
12	96203GT	BOLT,CARRIAGE,1/2-13X1.75, G5 .....	
13	6198GT	NUT, NYLOCK, 1/2-13 .....	
14	49819GT	SCREW,PHILLIPS,PHM,10-32 X .5 .....	
15	T113141GT	FRMG,CHASSIS BRKT .....	1
16	33576GT	CONN,SQZ,BLK,1/2NPT,.38-.50,SM .....	1
17	T115429GT	NUT,CORDGRIP,1/2 NPT .....	1
18	T113142GT	OFFSET, RDN, 1/4-1.25,10-32 .....	1
19	T114082GT	LEVER ARM,ANGLE SENSR ACTUATOR .....	1
20	229146GT	SCREW,SET,8-32X.25 .....	
21	T113139GT	CLIP,DTM RECEP .....	1

Go to DiscountEquipment.com to order your parts



# PARTS FINDER

**Search Website  
by Part Number**



**Search Manual  
Library For Parts  
Manual & Lookup Part  
Numbers – Purchase  
or Request Quote**

**Search Manuals**

Enter your information to help us find the right parts manual for your machine.

\* Brand:

\* Model:

\* Serial:

\* Part Number:

SEARCH

**Can't Find Part or  
Manual? Request Help  
by Manufacturer,  
Model & Description**

**Parts Order Form**

Please fill in the following information to help us find the right part for your machine.

Manufacturer:	<input type="text"/>
Model:	<input type="text"/>
Description:	<input type="text"/>
Part Number:	<input type="text"/>
Quantity:	<input type="text"/>
Notes:	<input type="text"/>

Submit

Discount-Equipment.com is your online resource for quality parts & equipment.

Florida: **561-964-4949** Outside Florida TOLL FREE: **877-690-3101**

**Need parts?**

Click on this link: <http://www.discount-equipment.com/category/5443-parts/> and choose one of the options to help get the right parts and equipment you are looking for. Please have the machine model and serial number available in order to help us get you the correct parts. If you don't find the part on the website or on one of the online manuals, please fill out the request form and one of our experienced staff members will get back to you with a quote for the right part that your machine needs.

We sell worldwide for the brands: Genie, Terex, JLG, MultiQuip, Mikasa, Essick, Whiteman, Mayco, Toro Stone, Diamond Products, Generac Magnum, Airman, Haulotte, Barreto, Power Blanket, Nifty Lift, Atlas Copco, Chicago Pneumatic, Allmand, Miller Curber, Skyjack, Lull, Skytrak, Tsurumi, Husquvarna Target, Stow, Wacker, Sakai, Mi-T-M, Sullair, Basic, Dynapac, MBW, Weber, Bartell, Bennar Newman, Haulotte, Ditch Runner, Menegotti, Morrison, Contec, Buddy, Crown, Edco, Wyco, Bomag, Laymor, EZ Trench, Bil-Jax, F.S. Curtis, Gehl Pavers, Heli, Honda, ICS/PowerGrit, IHI, Partner, Imer, Clipper, MMD, Koshin, Rice, CH&E, General Equipment, Amida, Coleman, NAC, Gradall, Square Shooter, Kent, Stanley, Tamco, Toku, Hatz, Kohler, Robin, Wisconsin, Northrock, Oztec, Toker TK, Rol-Air, APT, Wylie, Ingersoll Rand / Doosan, Innovatech, Con X, Ammann, Mecalac, Makinex, Smith Surface Prep, Small Line, Wanco, Yanmar

California Proposition 65

 **WARNING**

Operating, servicing and maintaining this equipment, passenger vehicle or off-highway motor vehicle can expose you to chemicals including engine exhaust, carbon monoxide, phthalates, and lead, which are known to the State of California to cause cancer and birth defects or other reproductive harm. These chemicals can be emitted from or contained in other various parts and systems, fluids and some component wear by-products. To minimize exposure, avoid breathing exhaust, do not idle the engine except as necessary, service your equipment and vehicle in a well-ventilated area and wear gloves or wash your hands frequently when servicing your equipment or vehicle and after operation. For more information go to [www.P65Warnings.ca.gov/passenger-vehicle](http://www.P65Warnings.ca.gov/passenger-vehicle).

Breathing diesel engine exhaust exposes you to chemicals known to the State of California to cause cancer and birth defects or other reproductive harm.

- Always start and operate the engine in a well-ventilated area.
- If in an enclosed area, vent the exhaust to the outside.
- Do not modify or tamper with the exhaust system.
- Do not idle the engine except as necessary.

For more information go to [www.P65warnings.ca.gov/diesel](http://www.P65warnings.ca.gov/diesel).

[www.genielift.com](http://www.genielift.com)

Distributed By:

[www.GenieliftEquipment.com](http://www.GenieliftEquipment.com) to order your parts