



A TEREX BRAND

Parts Manual

Serial Number Range

GS-2046
GS-2646
GS-3246

from SN GS4613D-101 to
GS4616D-5029
from SN GS46D-5030 to
GS46D-9637

Part No. 1267431GT
Rev: A.08
March 2023



www.discount-equipment.com

PARTS FINDER

**Search Website
by Part Number**



**Search Manual
Library For Parts
Manual & Lookup Part
Numbers – Purchase
or Request Quote**

Search Manuals

Enter your information to help us find the right parts manual for your machine.

* Brand:

* Model:

* Serial:

* Part Number:

SEARCH

**Can't Find Part or
Manual? Request Help
by Manufacturer,
Model & Description**

Parts Order Form

Please fill in the following information to help us find the right part for your machine.

Manufacturer:	<input type="text"/>
Model:	<input type="text"/>
Description:	<input type="text"/>
Part Number:	<input type="text"/>
Quantity:	<input type="text"/>
Notes:	<input type="text"/>

Submit

Discount-Equipment.com is your online resource for quality parts & equipment.

Florida: **561-964-4949** Outside Florida TOLL FREE: **877-690-3101**

Need parts?

Click on this link: <http://www.discount-equipment.com/category/5443-parts/> and choose one of the options to help get the right parts and equipment you are looking for. Please have the machine model and serial number available in order to help us get you the correct parts. If you don't find the part on the website or on one of the online manuals, please fill out the request form and one of our experienced staff members will get back to you with a quote for the right part that your machine needs.

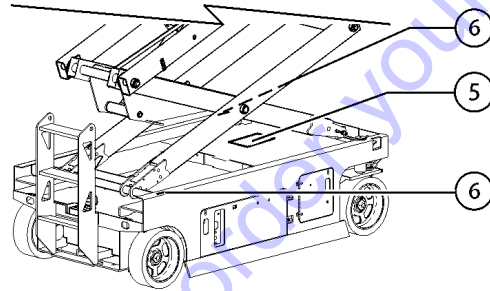
We sell worldwide for the brands: Genie, Terex, JLG, MultiQuip, Mikasa, Essick, Whiteman, Mayco, Toro Stone, Diamond Products, Generac Magnum, Airman, Haulotte, Barreto, Power Blanket, Nifty Lift, Atlas Copco, Chicago Pneumatic, Allmand, Miller Curber, Skyjack, Lull, Skytrak, Tsurumi, Husquvarna Target, Stow, Wacker, Sakai, Mi-T-M, Sullair, Basic, Dynapac, MBW, Weber, Bartell, Bennar Newman, Haulotte, Ditch Runner, Menegotti, Morrison, Contec, Buddy, Crown, Edco, Wyco, Bomag, Laymor, EZ Trench, Bil-Jax, F.S. Curtis, Gehl Pavers, Heli, Honda, ICS/PowerGrit, IHI, Partner, Imer, Clipper, MMD, Koshin, Rice, CH&E, General Equipment, Amida, Coleman, NAC, Gradall, Square Shooter, Kent, Stanley, Tamco, Toku, Hatz, Kohler, Robin, Wisconsin, Northrock, Oztec, Toker TK, Rol-Air, APT, Wylie, Ingersoll Rand / Doosan, Innovatech, Con X, Ammann, Mecalac, Makinex, Smith Surface Prep, Small Line, Wanco, Yanmar

To August 31, 2016

Genie
A TEREX BRAND

Model:
Serial number: GS4616D-123456
Manufacture date: 1/2/16 Model year: 2016
Electrical schematic number:
Machine unladen weight:
Rated work load (including occupants):
Maximum number of platform occupants:
Maximum allowable inclination of the chassis:
Outrigger retracted:
Outrigger deployed:

Gs46 16 D - 123456
1 2 3 4



- 1 Model
- 2 Model year
- 3 Facility code

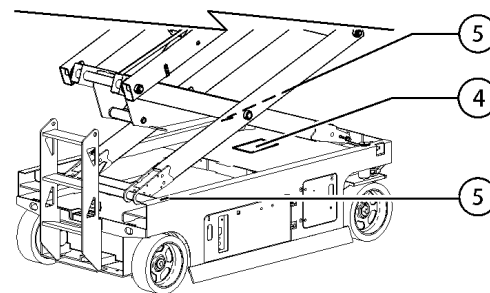
- 4 Sequence number
- 5 Serial label (located on chassis)
- 6 Serial number (stamped on chassis)

From September 1, 2016

Genie
A TEREX BRAND

Model:
Serial number: GS46D-123456
Year of manufacture: 2016
Electrical schematic number:
Machine unladen weight:
Rated work load (including occupants):
Maximum number of platform occupants:
Maximum allowable inclination of the chassis:
Outrigger retracted:
Outrigger deployed:

Gs46 D - 123456
1 2 3



- 1 Model
- 2 Facility code
- 3 Sequence number

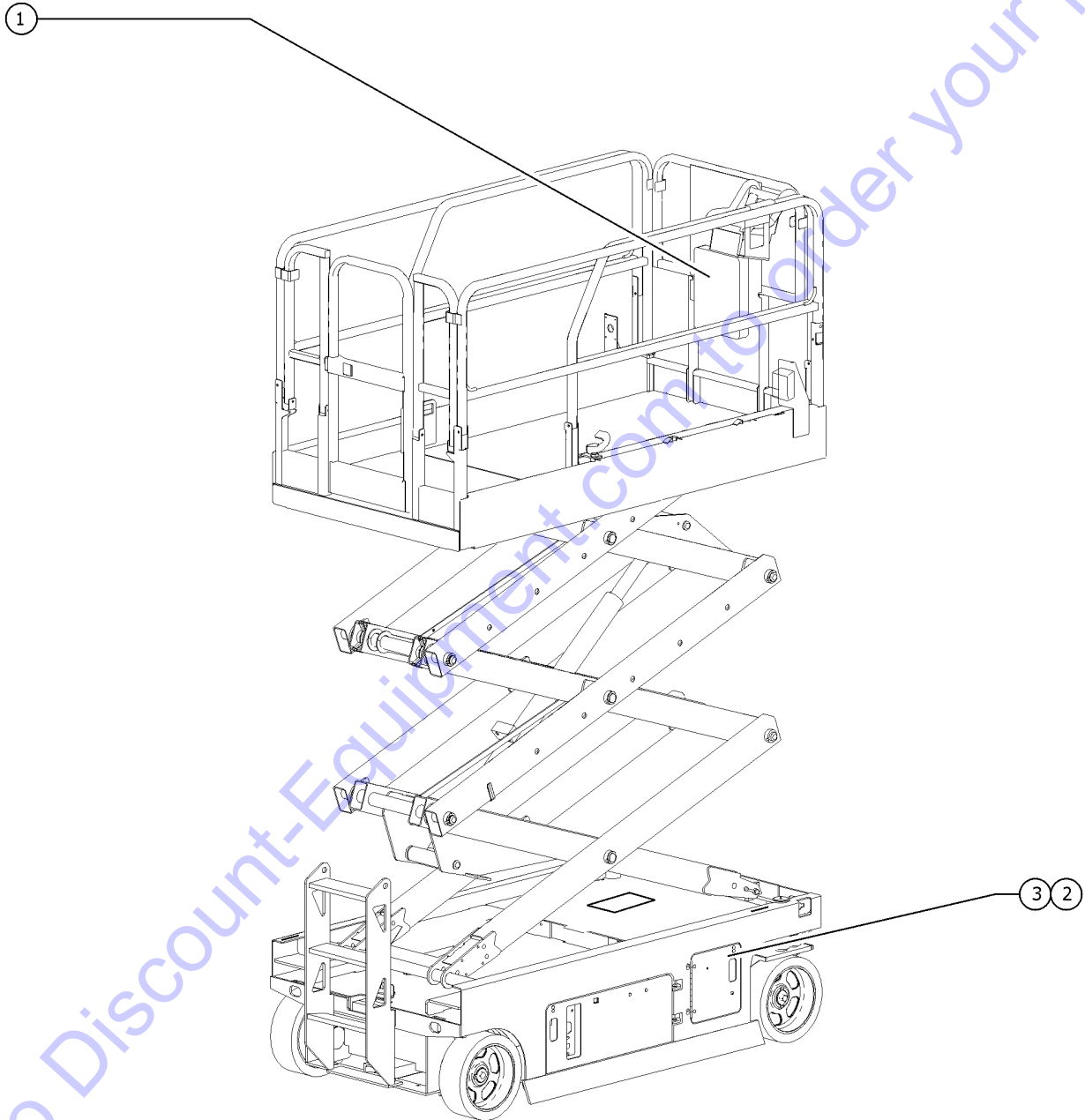
- 4 Serial label (located on chassis)
- 5 Serial number (stamped on chassis)

Description	Page
001 Parts Stocking List	10
001.1 Parts Stocking List	10
100 Decals	12
101.1 Word Decals, GS-2046, Battery Side, ANSI & Australia	12
102.1 Word Decals, GS-2046, Ground Control Side, ANSI and Australia	14
103.1 Word Decals, GS-2046, Platform, ANSI	18
104.1 Word Decals, GS-2046, Platform, Australia	20
105.1 Word Decals, GS-2646, Battery Side, ANSI & Australia	22
106.1 Word Decals, GS-2646, Ground Control Side, ANSI and Australia	24
107.1 Word Decals, GS-2646, Platform, ANSI	26
108.1 Word Decals, GS-2646, Platform, Australia	28
109.1 Word Decals, GS-3246, Battery Side, ANSI & Australia	30
110.1 Word Decals, GS-3246, Ground Control Side, ANSI and Australia	32
111.1 Word Decals, GS-3246, Platform, ANSI	34
112.1 Word Decals, GS-3246, Platform, Australia	36
113.1 Symbol Decals, GS-2046, Battery Side, ANSI & CE	38
114.1 Symbol Decals, GS-2046, Ground Control Side, ANSI and CE	40
115.1 Symbol Decals, GS-2046, Platform, ANSI	42
116.1 Symbol Decals, GS-2046, Platform, CE	44
117.1 Symbol Decals, GS-2646, Battery Side, ANSI & CE	46
118.1 Symbol Decals, GS-2646, Ground Control Side, ANSI and CE	48
119.1 Symbol Decals, GS-2646, Platform, ANSI	50
120.1 Symbol Decals, GS-2646, Platform, CE	52
121.1 Symbol Decals, GS-3246, Battery Side, ANSI & CE	54
122.1 Symbol Decals, GS-3246, Ground Control Side, ANSI and CE	56
123.1 Symbol Decals, GS-3246, Platform, ANSI	58
124.1 Symbol Decals, GS-3246, Platform, CE	60
200 Drive Chassis Components.....	62
201.1 Steer Linkage and Wheels	62
202.1 Non-steer Axle Installation	66
203.1 Level Sensor Installation	68
204.1 Pothole Protection Assembly	72
205.1 Battery Pack Module	76
206.1 Battery Charger	78
207.1 Power Unit Module	80
208.1 Ground Controls	82
209.1 Electrical Wiring	86
210.1 Power Cables	90
211.1 Function Manifold and Accumulator Components,	92

Table of Contents

Description	Page
300 Scissor Components	94
301.1 Scissor Assembly Installation	94
302.1 Scissor Assembly, GS-2046	96
303.1 Scissor Assembly, GS-2646	100
304.1 Scissor Assembly, GS-3246	106
400 Platform Components	112
401.1 Platform Components	112
402.1 Power to Platform	116
403.1 Platform Controls	120
404.1 Joystick Controller	122
500 Hydraulic Components	124
501.1 Hydraulic Components	124
502.1 Function Manifold	126
503.1 Brake Release Hand Pump Manifold	130
504.1 Hydraulic Power Unit, All Models	132
505.1 Lift Cylinder Assembly, All Models	134
506.1 Hydraulic Hoses and Fittings	138
600 Accessories	142
601.1 Alarm, Horn and Flashing Beacons	142
602.1 Air Line to Platform	144
603.1 Platform Work Light	146
604.1 Voltage Inverter	148
605.1 Pipe Cradle Assembly	150
606.1 Panel Carrier Assembly, GS2046, GS-2646 (ANSI/CSA models)	152
607.1 Lift Guard Contact Alarm, View-1 (from SN GS4614D-1000)	154
608.1 Lift Guard Contact Alarm, View-2 (from SN GS4614D-1000)	156
609.1 Telematics Option (from SN GS4615D-2217)	158
700 Platform Overload Components	160
701.1 Platform Overload	160
Part Number Index	162

001.1 Parts Stocking List

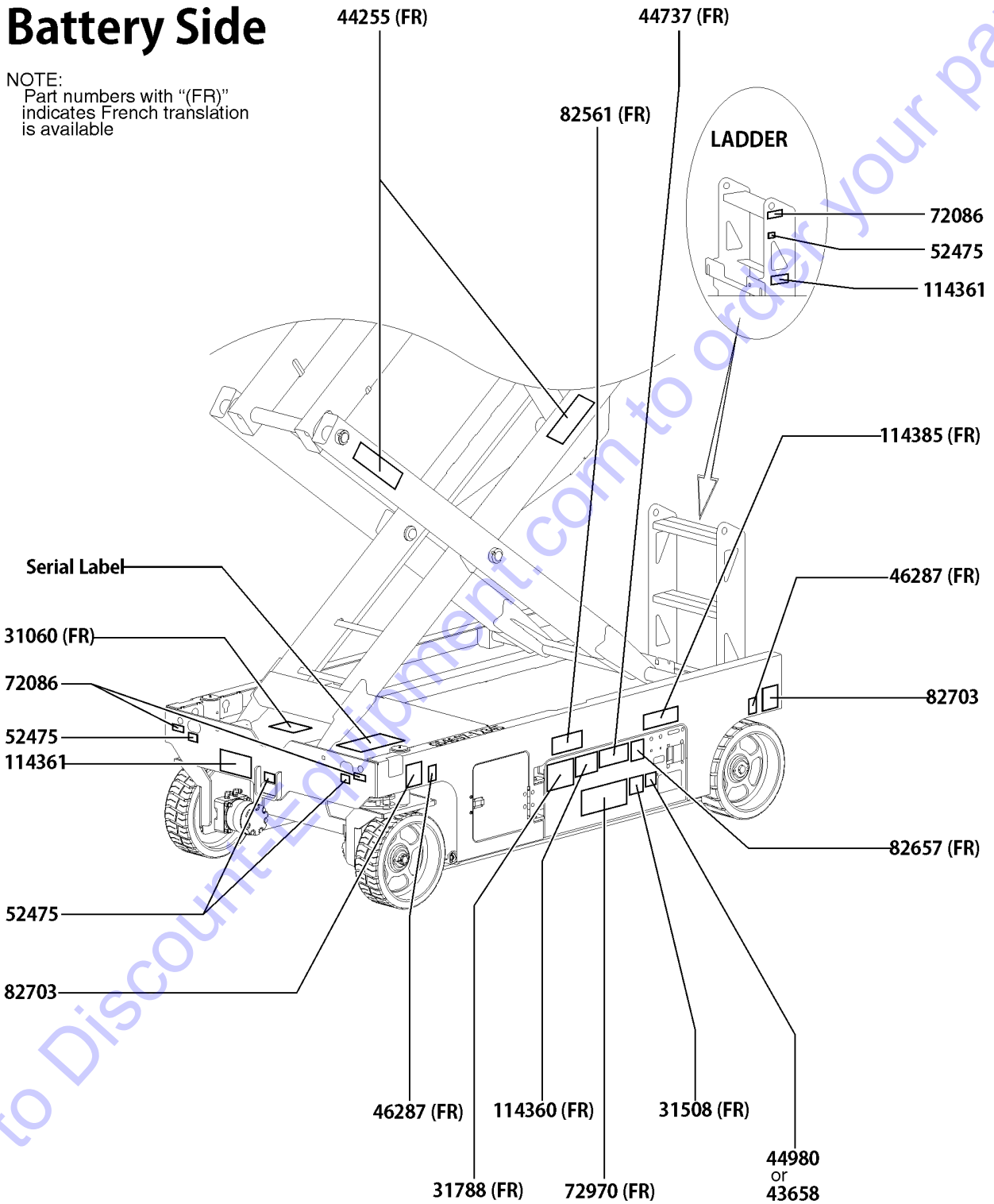


Item	Part No.	Description	Qty.
A		— GENERAL SERVICE PARTS —	
A-	66399GT	GREASE,DIELECTRIC 4 OZ**	
B-		Ref. CHEVRON ULTRA-DUTY GREASE (LITHIUM), OR EQUIVALENT, EP NLGI 1 (source locally)	
C-	1484GT	PAINT,AEROSOL,BRIGHT BLUE*** 12-ounce spray paint	
C-	1268GT	PAINT,AEROSOL,GENIE GRAY*** 12-ounce spray paint	
C-	1258567GT	PAINT, AEROSOL, TRAFFIC BLACK 12-ounce spray paint	
D-	32150GT	PAINT, WET, GENIE BLUE (1 GL)** 1-gallon	
D-	32151GT	PAINT, WET, GENIE GRAY (1GL)** 1-gallon	
D-	1257733GT	PAINT, WET, TRAFFIC BLACK(1 GL)** 1-gallon	
E-	49613GT	PLUG AND CAP KIT-SERVICE,ORFS*	
1		— MANUALS —	
1-	27581GT	MANUAL, EMI SAFETY	
1A	1298933GT	MANUAL, SAIA MANUAL OF RESPONSIBILITIES, MEWP	1
2		— HYD FILTERS —	
2-	44788GT	FILTER ELEMENT-10MICRON, PAPER*	
3	78546GT	BREATHER CAP, HYD. TANK, 1/4 NPT	



Battery Side

NOTE:
Part numbers with "(FR)"
indicates French translation
is available



101.1 Word Decals, GS-2046, Battery Side, ANSI & Australia

Item	Part No.	Description	Qty.
1	31060GT	DECAL,DANGER DO NOT ALTER SWTC	1
2	31508GT	DECAL,DANGER,ELECT HAZARD,PLUG	1
		(Australia models only)	
3	31788GT	DECAL,DANGER,BATTERY SAFETY***	1
4	43658GT	DECAL,LABEL,PWR TO CHARGR 230V	1
		(Australia models only)	
5	44255GT	DECAL,DANGER,CRUSHING HAZARD	2
6	44737GT	DECAL,DANGER,TIP-OVER,TRAYS	1
7	44980GT	DECAL,LABEL,PWR TO CHARGR 115V	1
		(Australia models only)	
8	46287GT	DECAL,LABEL-TIRE SPECS	2
9	52475GT	DECAL,LABEL,TRANSPORT TIEDOWN*	4
10	72086GT	DECAL,LABEL,LIFTING EYE	3
11	72970GT	DECAL,INSTRUCTIONS-CHARGER OP	1
12	82561GT	DECAL,DANGER-USE SAFETY ARM	1
13	82657GT	DECAL,INSTRUCT,BATTERY CONNECT	1
14	82703GT	DECAL,LABEL,WHEEL LOAD 2046	2
15	114360GT	DECAL,DANGER-TIP-OVER,BATT	1
16	114361GT	DECAL,SYM-TIP-OVER,LIM SWITCH	2
17	114385GT	DECAL,DANGER,ELEC HAZARD,GS	1

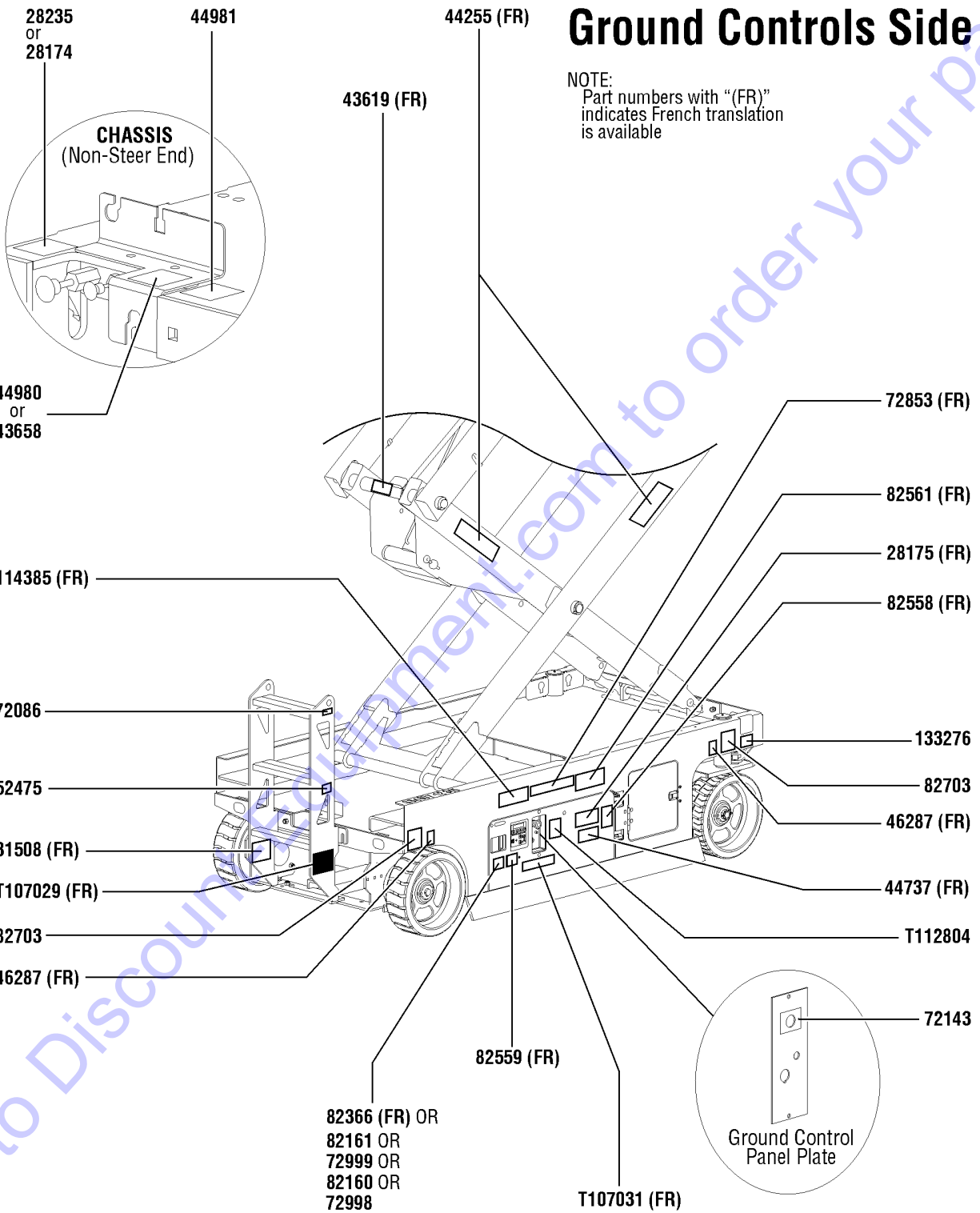
Go to Discount-Equipment.com to order your parts



102.1 Word Decals, GS-2046, Ground Control Side, ANSI and Australia

Ground Controls Side

NOTE:
Part numbers with "(FR)" indicates French translation is available



102.1 Word Decals, GS-2046, Ground Control Side, ANSI and Australia

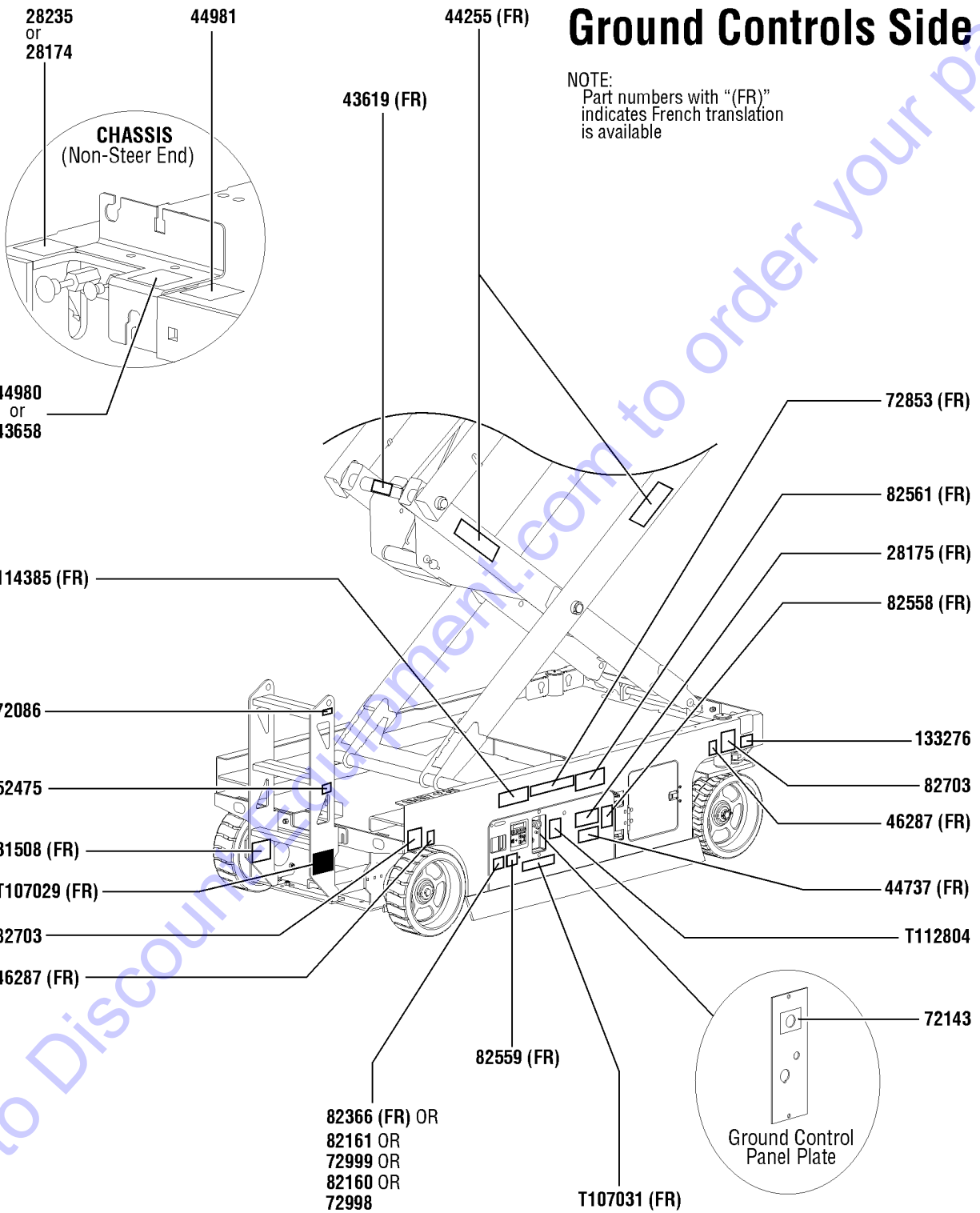
Item	Part No.	Description	Qty.
1	28174GT	DECAL,POWER TO PLATFORM 230V	1
2	28175GT	DECAL,WARNING-COMPART ACCESS	1
3	28235GT	DECAL,POWER TO PLATFORM 115V	1
4	31508GT	DECAL,DANGER,ELECT HAZARD,PLUG (ANSI models)	1
5	43619GT	DECAL,LABEL,SAFETY ARM	1
6	43658GT	DECAL,LABEL,PWR TO CHARGR 230V (ANSI models)	1
7	44255GT	DECAL,DANGER,CRUSHING HAZARD	2
8	44737GT	DECAL,DANGER,TIP-OVER,TRAYS	1
9	44980GT	DECAL,LABEL,PWR TO CHARGR 115V (ANSI models)	1
10	44981GT	DECAL,LABEL,AIRLINE 110 PSI (Option)	1
11	46287GT	DECAL,LABEL-TIRE SPECS	2
12	52475GT	DECAL,LABEL,TRANSPORT TIEDOWN*	1
13	72086GT	DECAL,LABEL,LIFTING EYE	1
14	72143GT	DECAL,EMERGENCY STOP,GR	1
15	72853GT	DECAL,DANGER,IMPROPER USE HAZ.	1
16	72998GT	DECAL, LABEL, QUINTOLUBRIK (models with Quintolub hydraulic oil)	1
17	72999GT	DECAL,LABEL,PETRO CANADA*** (For models with Petro Canada hydraulic oil only)	1
18	82160GT	DECAL, LABEL, STATOIL HYDRAWAY (For models with Statoil hydraulic oil only)	1
19	82161GT	DECAL,LABEL,UCON HYDROLUBE (For models with Ucon Hydrolube hydraulic oil only)	1
20	82366GT	DECAL,CHEVRON RANDO HD (For models with Chevron Rando hydraulic oil only)	1
21	82558GT	DECAL,SKIN INJECTION	1
22	82559GT	DECAL,INSTRUCT-ANNUAL INSP REQ	1
23	82561GT	DECAL,DANGER-USE SAFETY ARM	1
24	82703GT	DECAL,LABEL,WHEEL LOAD 2046	2
25	114385GT	DECAL,DANGER,ELEC HAZARD,GS	1
26	133276GT	DECAL,EMERGENCY LOWERING	1
27	T107029GT	DECAL DANGER BRAKE REL SAFETY	1
28	T107031GT	DECAL,OP INST,GCON	1



102.1 Word Decals, GS-2046, Ground Control Side, ANSI and Australia

Ground Controls Side

NOTE:
Part numbers with "(FR)" indicates French translation is available



102.1 Word Decals, GS-2046, Ground Control Side, ANSI and Australia

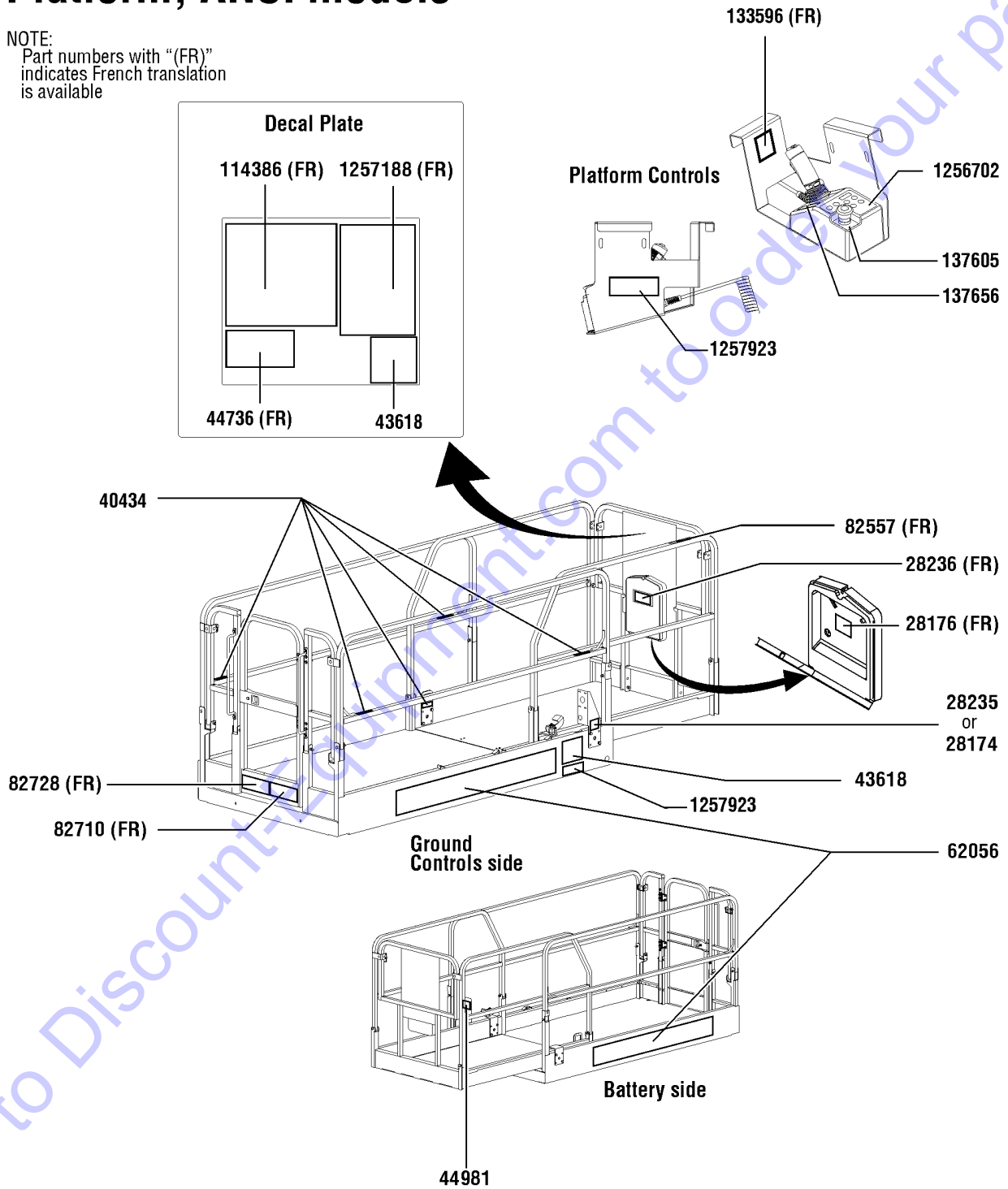
<i>Item</i>	<i>Part No.</i>	<i>Description</i>	<i>Qty.</i>
29	T112804GT	DECAL,GCON PANEL,GS	1

Go to Discount-Equipment.com to order your parts



Platform, ANSI models

NOTE:
Part numbers with "(FR)" indicates French translation is available



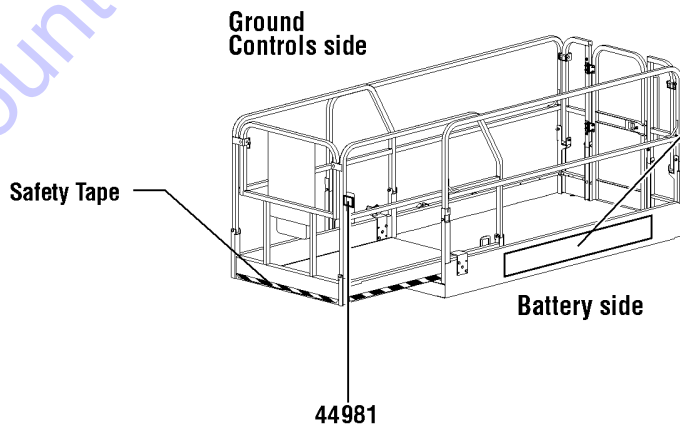
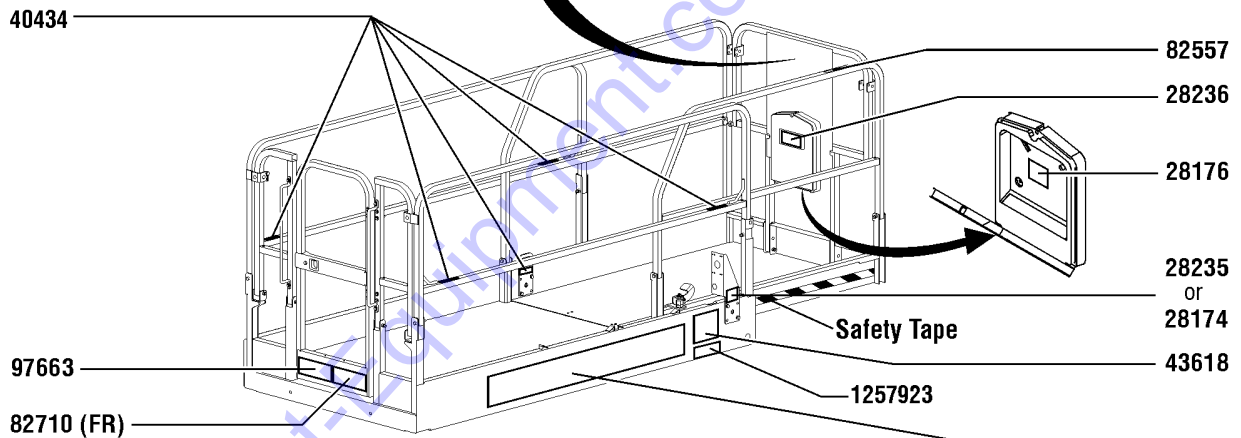
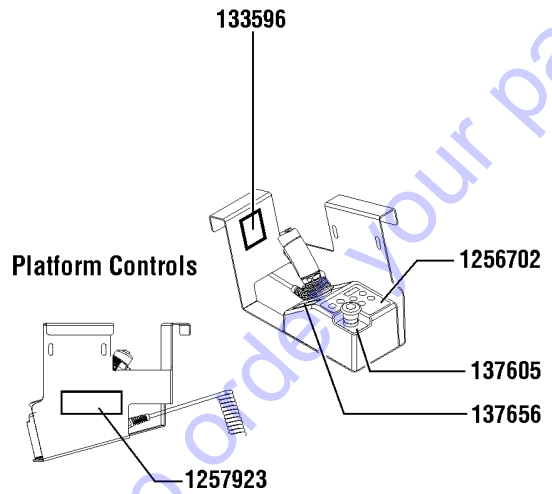
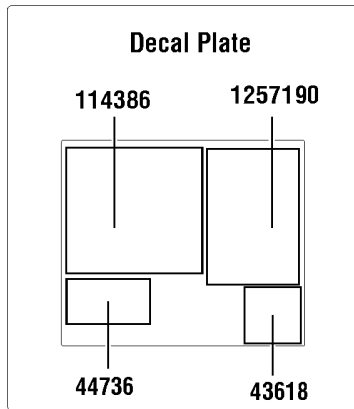
103.1 Word Decals, GS-2046, Platform, ANSI

Item	Part No.	Description	Qty.
1	28174GT	DECAL,POWER TO PLATFORM 230V	1
2	28176GT	DECAL,LABEL,MANUAL NOT HERE	1
3	28235GT	DECAL,POWER TO PLATFORM 115V	1
4	28236GT	DECAL,WARN,IMPROPER OPERATION	1
5	40434GT	DECAL,LANYARD ANCHORAGE POINT	5
6	43618GT	DECAL,LABEL-DIRECTION ARROWS	2
7	44736GT	DECAL,DANGER,TIP-OVER,TILT	1
8	44981GT	DECAL,LABEL,AIRLINE 110 PSI	1
		(Option)	
9	62056GT	DECAL,COSMETIC,GENIE GS-2046**	2
10	82557GT	DECAL,LABEL,PLAT CONT LOCATION	1
11	82710GT	DECAL,INSTR-MAX CAP 1200LBS	1
		GS-2046	
12	82728GT	DECAL,INSTR-SIDE FRC,ANSI 2046	1
13	114386GT	DECAL,DANGER-GEN SAFETY	1
14	133596GT	DECAL,LABEL,FAULT CODES	1
15	137605GT	DECAL,E-STOP,GR/GRC/GS PCON	1
16	137656GT	DECAL,PROPEL,GR/GRC/GS,PCON	1
17	1256702GT	DECAL, UI, GS/GR, PROP LIFT	1
18	1257188GT	DECAL,OP INST,PLAT,GS46 ANSI	1
19	1257923GT	DECAL, SMARTLINK PROPORTIONAL	2



Platform, Australia models

NOTE:
Part numbers with "(FR)"
indicates French translation
is available

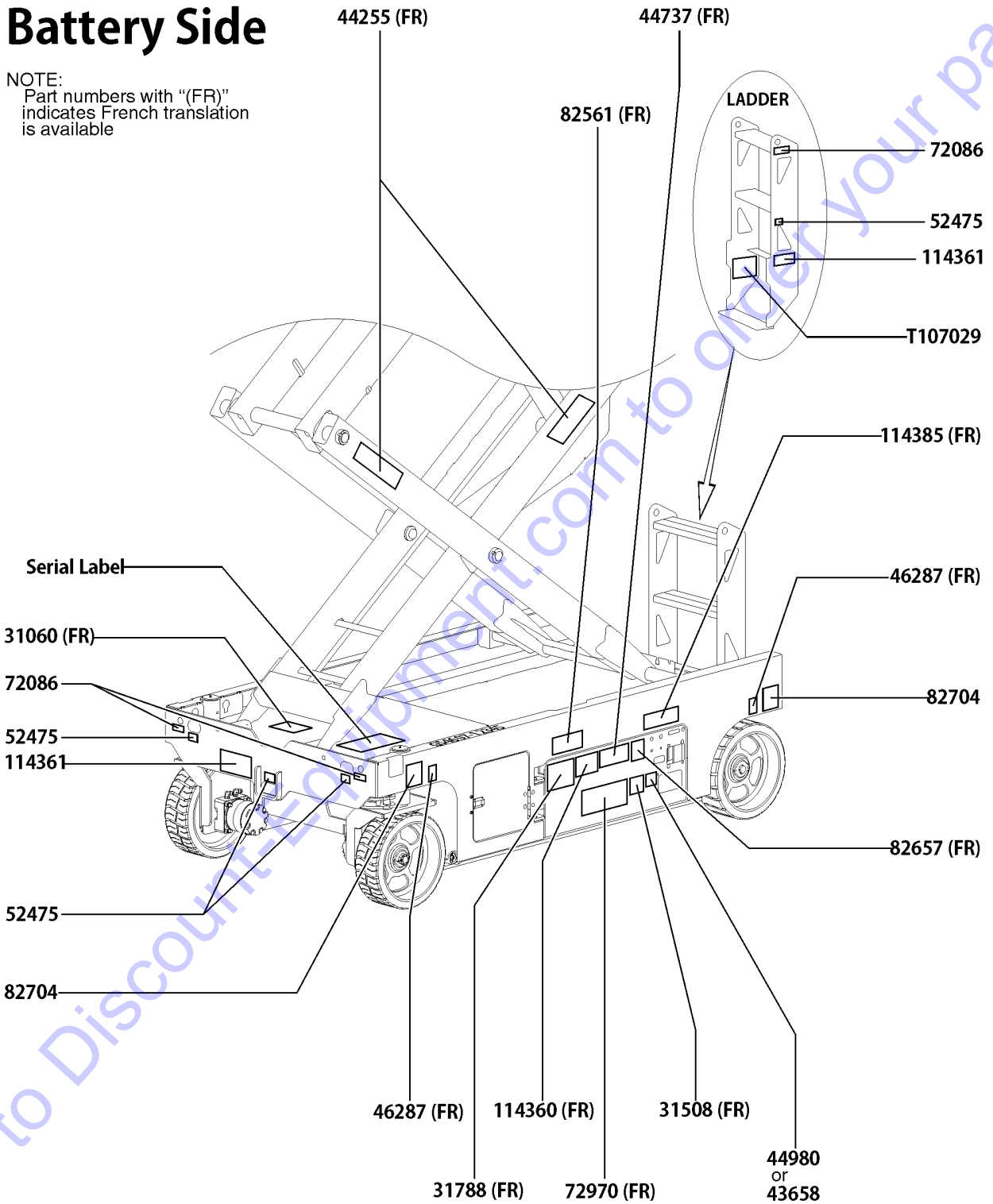


Item	Part No.	Description	Qty.
1	28174GT	DECAL,POWER TO PLATFORM 230V	1
2	28176GT	DECAL,LABEL,MANUAL NOT HERE	1
3	28235GT	DECAL,POWER TO PLATFORM 115V	1
4	28236GT	DECAL,WARN,IMPROPER OPERATION	1
5	40434GT	DECAL,LANYARD ANCHORAGE POINT	5
6	43618GT	DECAL,LABEL-DIRECTION ARROWS	2
7	44736GT	DECAL,DANGER,TIP-OVER,TILT	1
8	44981GT	DECAL,LABEL,AIRLINE 110 PSI	1
		(Option)	
9	62056GT	DECAL,COSMETIC,GENIE GS-2046**	2
10	82557GT	DECAL,LABEL,PLAT CONT LOCATION	1
11	82710GT	DECAL,INSTR-MAX CAP 1200LBS	1
		GS-2046	
12	97663GT	DECAL,INSTR-MANUALFRC,AUS 400N	1
		GS-2046	
13	114386GT	DECAL,DANGER-GEN SAFETY	1
14	133596GT	DECAL,LABEL,FAULT CODES	1
15	137605GT	DECAL,E-STOP,GR/GRC/GS PCON	1
16	137656GT	DECAL,PROPEL,GR/GRC/GS,PCON	1
17	1256702GT	DECAL, UI, GS/GR, PROP LIFT	1
18	1257190GT	DECAL,OP INST,PLAT,GS46,AUS	1
19	1257923GT	DECAL, SMARTLINK PROPORTIONAL	2



Battery Side

NOTE:
Part numbers with "(FR)" indicates French translation is available



Go to DiscountPart.com to order your parts



105.1 Word Decals, GS-2646, Battery Side, ANSI & Australia

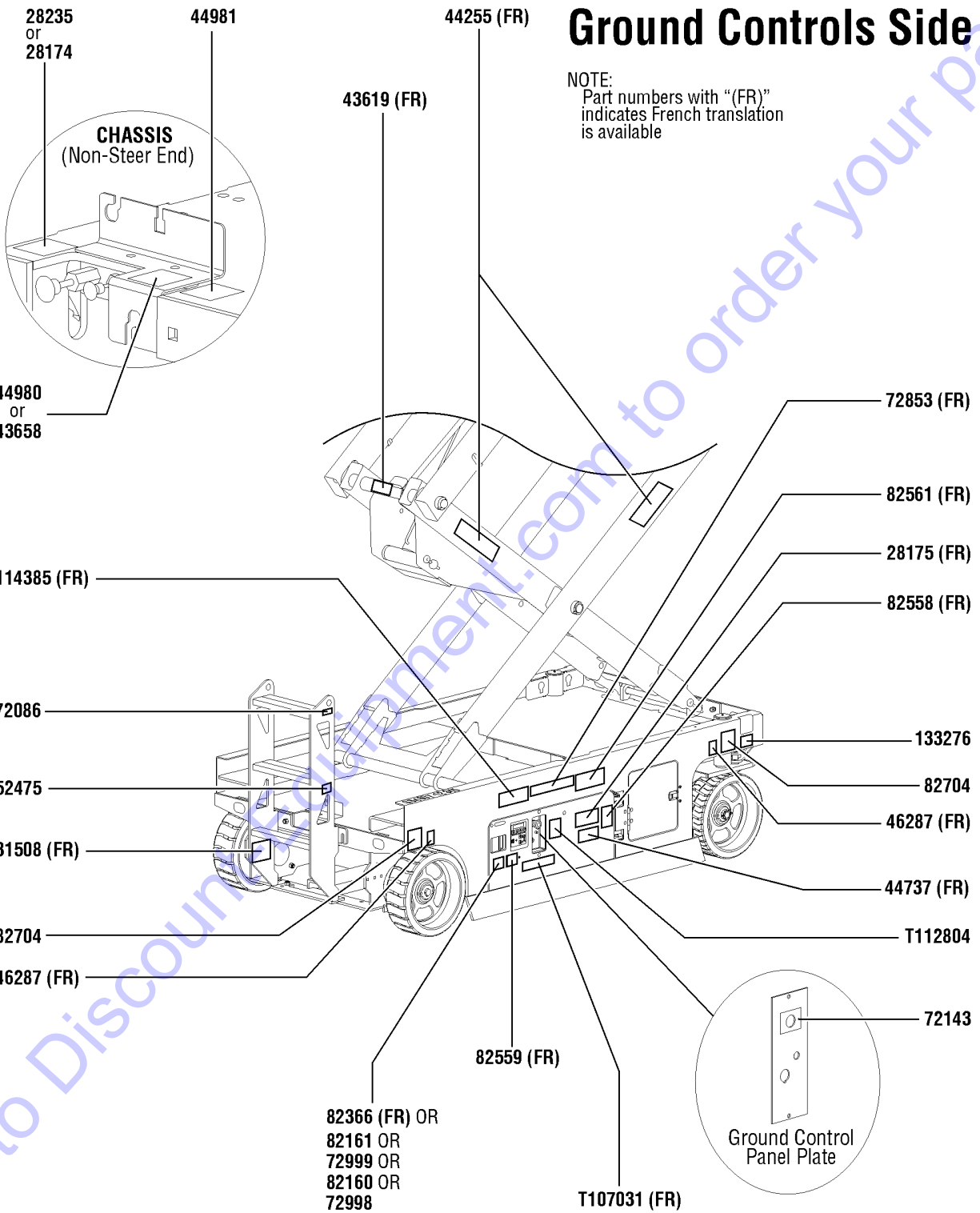
Item	Part No.	Description	Qty.
1	31060GT	DECAL,DANGER DO NOT ALTER SWTC	1
2	31508GT	DECAL,DANGER,ELECT HAZARD,PLUG	1
		(Australia models only)	
3	31788GT	DECAL,DANGER,BATTERY SAFETY***	1
4	43658GT	DECAL,LABEL,PWR TO CHARGR 230V	1
		(Australia models only)	
5	44255GT	DECAL,DANGER,CRUSHING HAZARD	2
6	44737GT	DECAL,DANGER,TIP-OVER,TRAYS	1
7	44980GT	DECAL,LABEL,PWR TO CHARGR 115V	1
		(Australia models only)	
8	46287GT	DECAL,LABEL-TIRE SPECS	2
9	52475GT	DECAL,LABEL,TRANSPORT TIEDOWN*	4
10	72086GT	DECAL,LABEL,LIFTING EYE	3
11	72970GT	DECAL,INSTRUCTIONS-CHARGER OP	1
12	82561GT	DECAL,DANGER-USE SAFETY ARM	1
13	82657GT	DECAL,INSTRUCT,BATTERY CONNECT	1
14	82704GT	DECAL,LABEL,WHEEL LOAD 2646	2
15	114360GT	DECAL,DANGER-TIP-OVER,BATT	1
16	114361GT	DECAL,SYM-TIP-OVER,LIM SWITCH	2
17	114385GT	DECAL,DANGER,ELEC HAZARD,GS	1
18	T107029GT	DECAL DANGER BRAKE REL SAFETY	1



106.1 Word Decals, GS-2646, Ground Control Side, ANSI and Australia

Ground Controls Side

NOTE:
Part numbers with "(FR)" indicates French translation is available



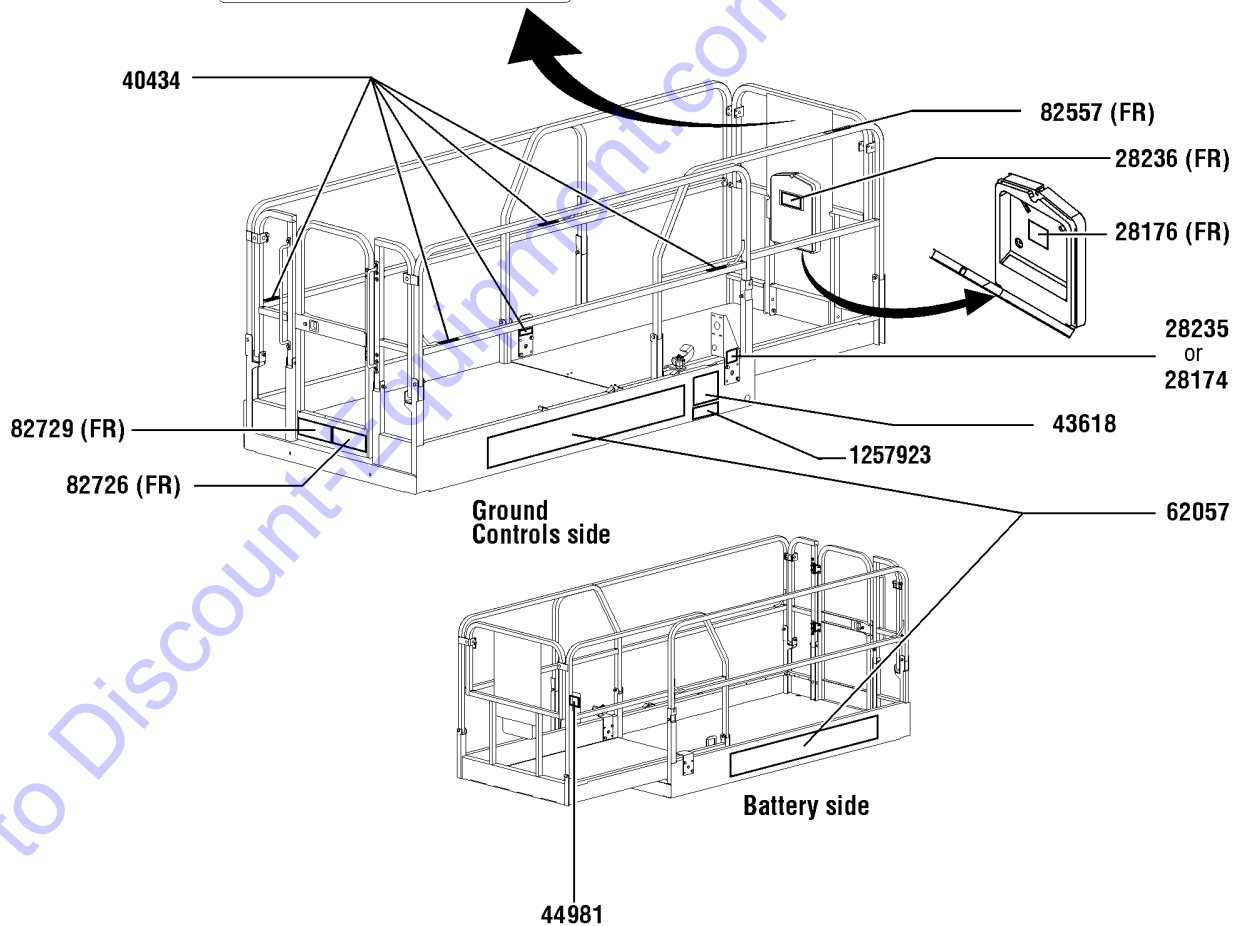
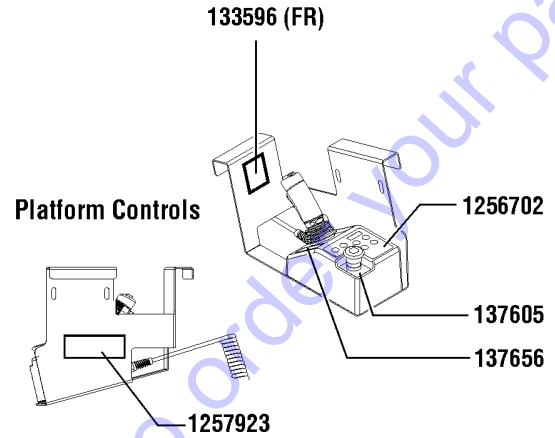
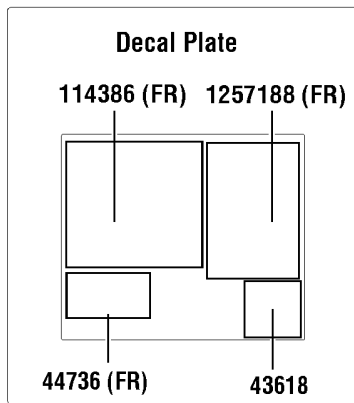
106.1 Word Decals, GS-2646, Ground Control Side, ANSI and Australia

Item	Part No.	Description	Qty.
1	28174GT	DECAL,POWER TO PLATFORM 230V	1
2	28175GT	DECAL,WARNING-COMPART ACCESS	1
3	28235GT	DECAL,POWER TO PLATFORM 115V	1
4	31508GT	DECAL,DANGER,ELECT HAZARD,PLUG (ANSI models only)	1
5	43619GT	DECAL,LABEL,SAFETY ARM	1
6	43658GT	DECAL,LABEL,PWR TO CHARGR 230V (ANSI models only)	1
7	44255GT	DECAL,DANGER,CRUSHING HAZARD	2
8	44737GT	DECAL,DANGER,TIP-OVER,TRAYS	1
9	44980GT	DECAL,LABEL,PWR TO CHARGR 115V (ANSI models only)	1
10	44981GT	DECAL,LABEL,AIRLINE 110 PSI (Option)	1
11	46287GT	DECAL,LABEL-TIRE SPECS	2
12	52475GT	DECAL,LABEL,TRANSPORT TIEDOWN*	1
13	72086GT	DECAL,LABEL,LIFTING EYE	1
14	72143GT	DECAL,EMERGENCY STOP,GR	1
15	72853GT	DECAL,DANGER,IMPROPER USE HAZ.	1
16	72998GT	DECAL, LABEL, QUINTOLUBRIK (models with Quintolub hydraulic oil)	1
17	72999GT	DECAL,LABEL,PETRO CANADA*** (For models with Petro Canada hydraulic oil only)	1
18	82160GT	DECAL, LABEL, STATOIL HYDRAWAY (For models with Statoil hydraulic oil only)	1
19	82161GT	DECAL,LABEL,UCON HYDROLUBE (For models with Ucon Hydrolube hydraulic oil only)	1
20	82366GT	DECAL,CHEVRON RANDO HD (For models with Chevron Rando hydraulic oil only)	1
21	82558GT	DECAL,SKIN INJECTION	1
22	82559GT	DECAL,INSTRUCT-ANNUAL INSP REQ	1
23	82561GT	DECAL,DANGER-USE SAFETY ARM	1
24	82704GT	DECAL,LABEL,WHEEL LOAD 2646	2
25	114385GT	DECAL,DANGER,ELEC HAZARD,GS	1
26	133276GT	DECAL,EMERGENCY LOWERING	1
27	T107031GT	DECAL,OP INST,GCON	1
28	T112804GT	DECAL,GCON PANEL,GS	1



Platform, ANSI models

NOTE:
Part numbers with "(FR)" indicates French translation is available



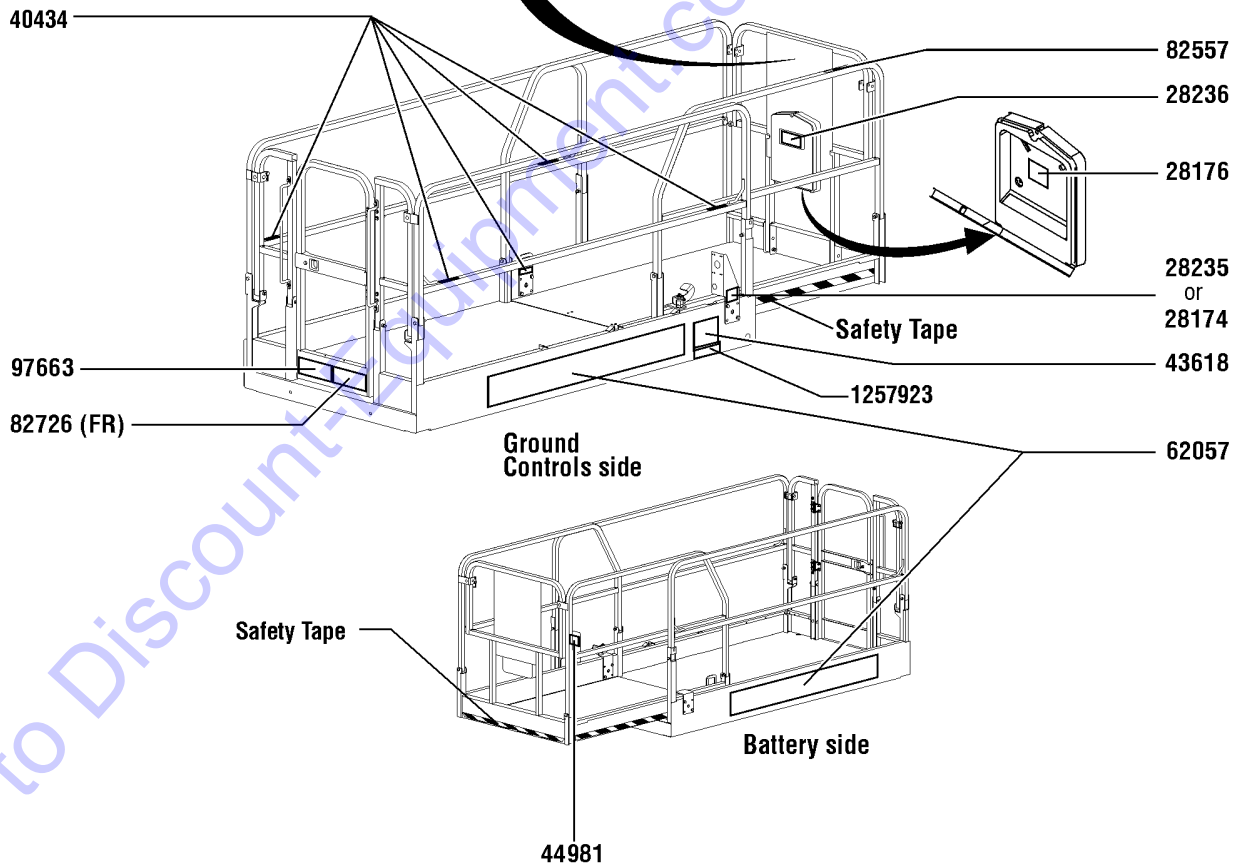
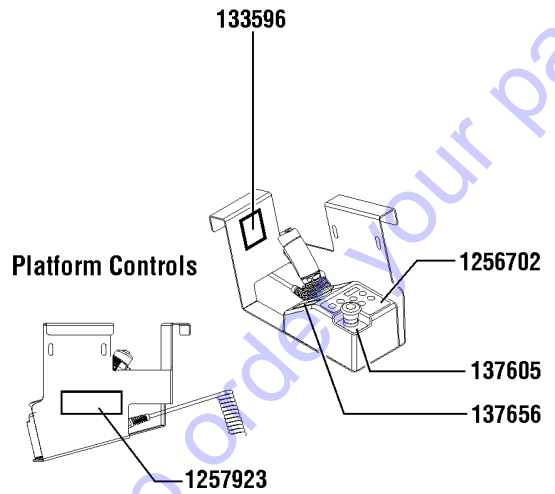
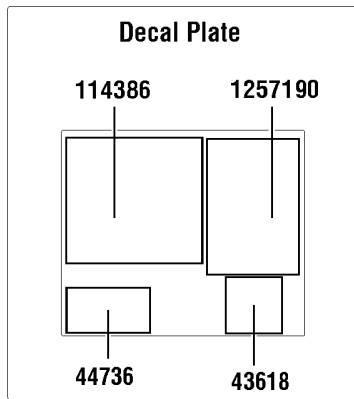
107.1 Word Decals, GS-2646, Platform, ANSI

Item	Part No.	Description	Qty.
1	28174GT	DECAL,POWER TO PLATFORM 230V	1
2	28176GT	DECAL,LABEL,MANUAL NOT HERE	1
3	28235GT	DECAL,POWER TO PLATFORM 115V	1
4	28236GT	DECAL,WARN,IMPROPER OPERATION	1
5	40434GT	DECAL,LANYARD ANCHORAGE POINT	5
6	43618GT	DECAL,LABEL-DIRECTION ARROWS	2
7	44736GT	DECAL,DANGER,TIP-OVER,TILT	1
8	44981GT	DECAL,LABEL,AIRLINE 110 PSI	1
		(Option)	
9	62057GT	DECAL,COSMETIC,GENIE GS-2646	2
10	82557GT	DECAL,LABEL,PLAT CONT LOCATION	1
11	82726GT	DECAL,INSTRUCT,MAXCAP1000LBS	1
		GS-2646	
12	82729GT	NOTICE,SIDE FRC ANSI2646	1
13	114386GT	DECAL,DANGER-GEN SAFETY	1
14	133596GT	DECAL,LABEL,FAULT CODES	1
15	137605GT	DECAL,E-STOP,GR/GRC/GS PCON	1
16	137656GT	DECAL,PROPEL,GR/GRC/GS,PCON	1
17	1256702GT	DECAL, UI, GS/GR, PROP LIFT	1
18	1257188GT	DECAL,OP INST,PLAT,GS46 ANSI	1
19	1257923GT	DECAL, SMARTLINK PROPORTIONAL	2



Platform, Australia models

NOTE:
Part numbers with "(FR)"
indicates French translation
is available

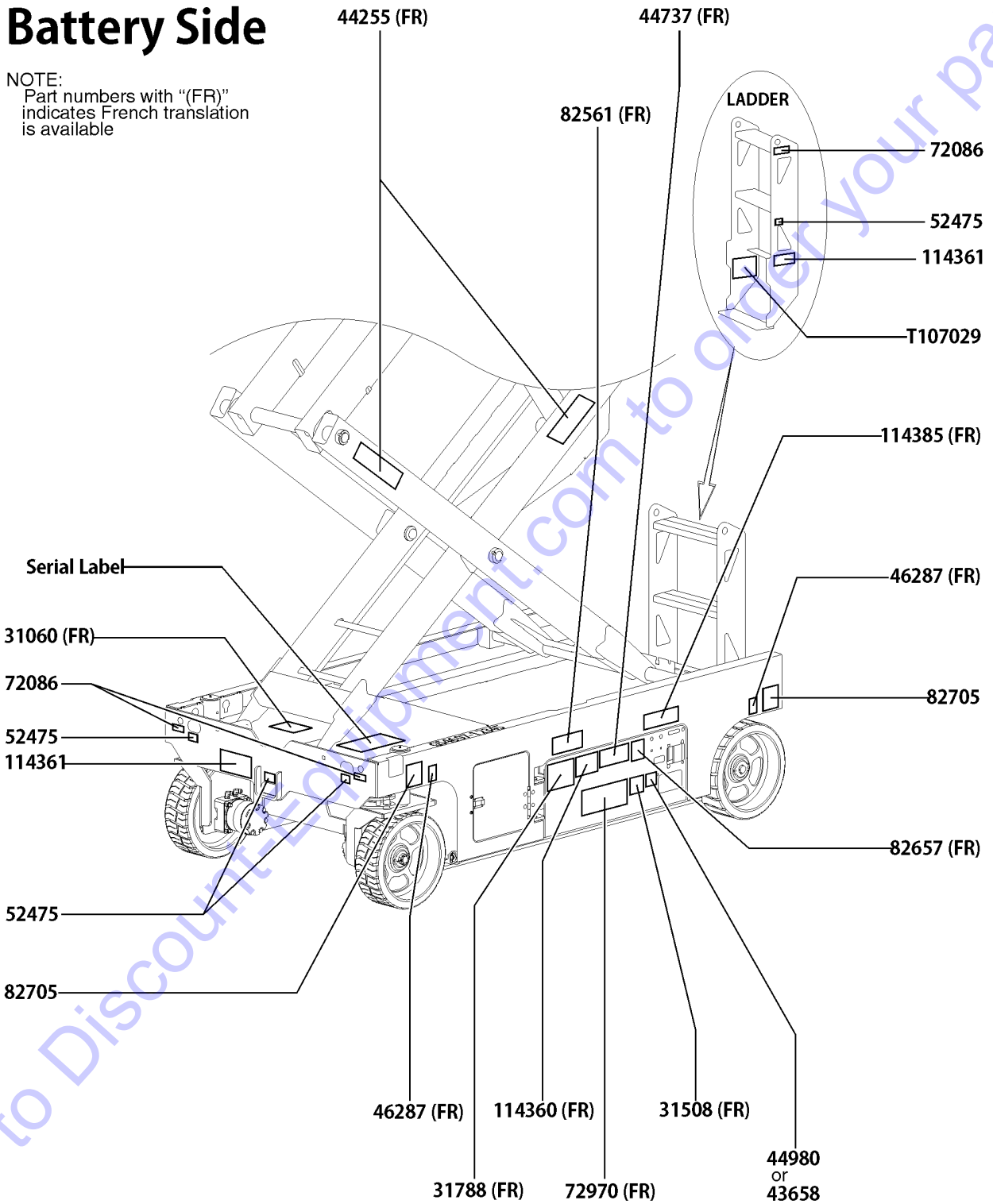


Item	Part No.	Description	Qty.
1	28174GT	DECAL,POWER TO PLATFORM 230V	1
2	28176GT	DECAL,LABEL,MANUAL NOT HERE	1
3	28235GT	DECAL,POWER TO PLATFORM 115V	1
4	28236GT	DECAL,WARN,IMPROPER OPERATION	1
5	40434GT	DECAL,LANYARD ANCHORAGE POINT	5
6	43618GT	DECAL,LABEL-DIRECTION ARROWS	2
7	44736GT	DECAL,DANGER,TIP-OVER,TILT	1
8	44981GT	DECAL,LABEL,AIRLINE 110 PSI	1
		(Option)	
9	62057GT	DECAL,COSMETIC,GENIE GS-2646	2
10	82557GT	DECAL,LABEL,PLAT CONT LOCATION	1
11	82726GT	DECAL,INSTRUCT,MAXCAP1000LBS	1
		GS-2646	
12	97663GT	DECAL,INSTR-MANUALFRC,AUS 400N	1
		GS-2646	
13	114386GT	DECAL,DANGER-GEN SAFETY	1
14	133596GT	DECAL,LABEL,FAULT CODES	1
15	137605GT	DECAL,E-STOP,GR/GRC/GS PCON	1
16	137656GT	DECAL,PROPEL,GR/GRC/GS,PCON	1
17	1256702GT	DECAL, UI, GS/GR, PROP LIFT	1
18	1257190GT	DECAL,OP INST,PLAT,GS46,AUS	1
19	1257923GT	DECAL, SMARTLINK PROPORTIONAL	2



Battery Side

NOTE:
Part numbers with "(FR)"
indicates French translation
is available



109.1 Word Decals, GS-3246, Battery Side, ANSI & Australia

Item	Part No.	Description	Qty.
1	31060GT	DECAL,DANGER DO NOT ALTER SWTC	1
2	31508GT	DECAL,DANGER,ELECT HAZARD,PLUG	1
		(Australia models only)	
3	31788GT	DECAL,DANGER,BATTERY SAFETY***	1
4	43658GT	DECAL,LABEL,PWR TO CHARGR 230V	1
		(Australia models only)	
5	44255GT	DECAL,DANGER,CRUSHING HAZARD	2
6	44737GT	DECAL,DANGER,TIP-OVER,TRAYS	1
7	44980GT	DECAL,LABEL,PWR TO CHARGR 115V	1
		(Australia models only)	
8	46287GT	DECAL,LABEL-TIRE SPECS	2
9	52475GT	DECAL,LABEL,TRANSPORT TIEDOWN*	4
10	72086GT	DECAL,LABEL,LIFTING EYE	3
11	72970GT	DECAL,INSTRUCTIONS-CHARGER OP	1
12	82561GT	DECAL,DANGER-USE SAFETY ARM	1
13	82657GT	DECAL,INSTRUCT,BATTERY CONNECT	1
14	82705GT	DECAL,LABEL,WHEEL LOAD 3246	2
15	114360GT	DECAL,DANGER-TIP-OVER,BATT	1
16	114361GT	DECAL,SYM-TIP-OVER,LIM SWITCH	2
17	114385GT	DECAL,DANGER,ELEC HAZARD,GS	1
18	T107029GT	DECAL DANGER BRAKE REL SAFETY	1

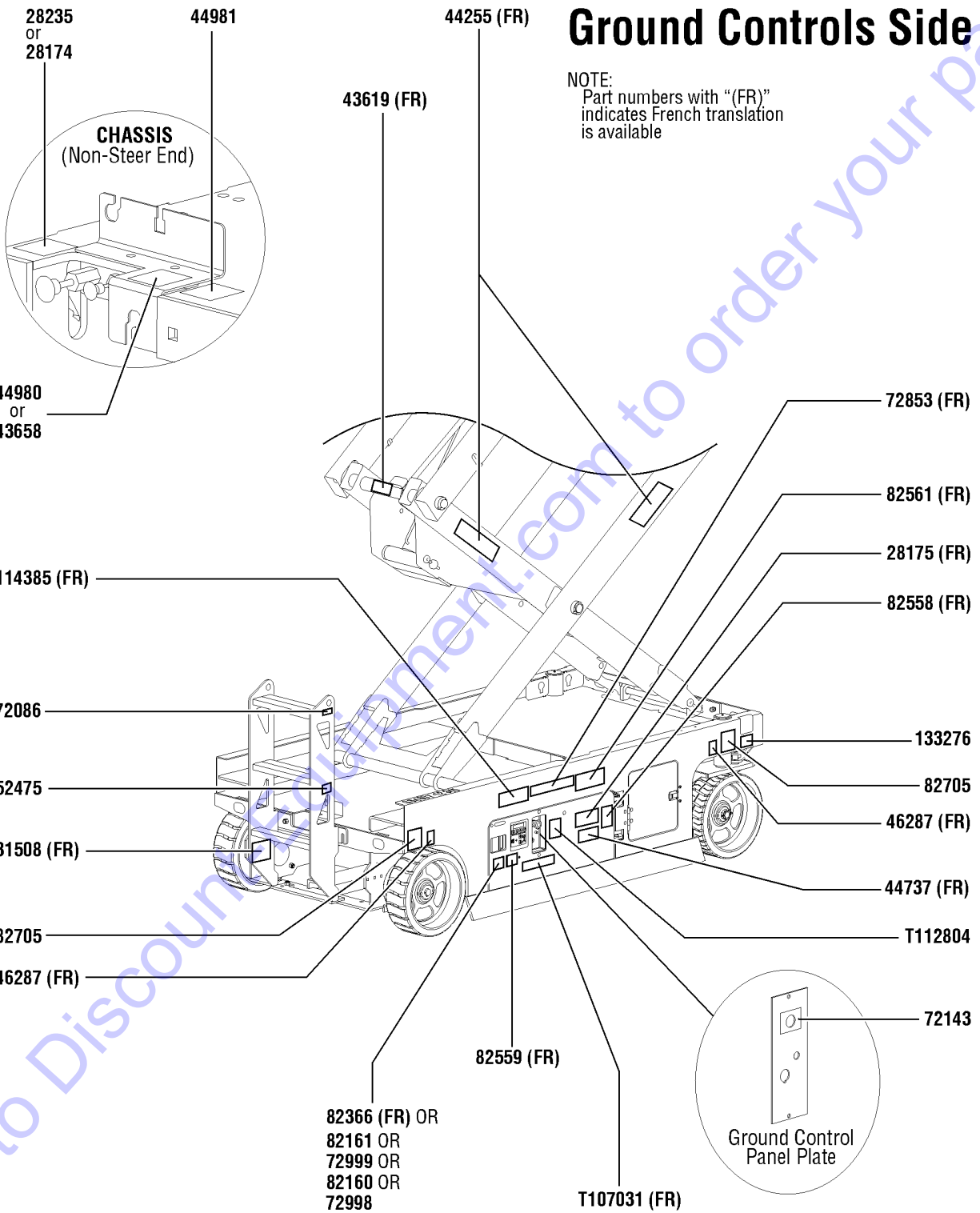
Go to Discount-Equipment.com to order your parts



110.1 Word Decals, GS-3246, Ground Control Side, ANSI and Australia

Ground Controls Side

NOTE:
Part numbers with "(FR)" indicates French translation is available



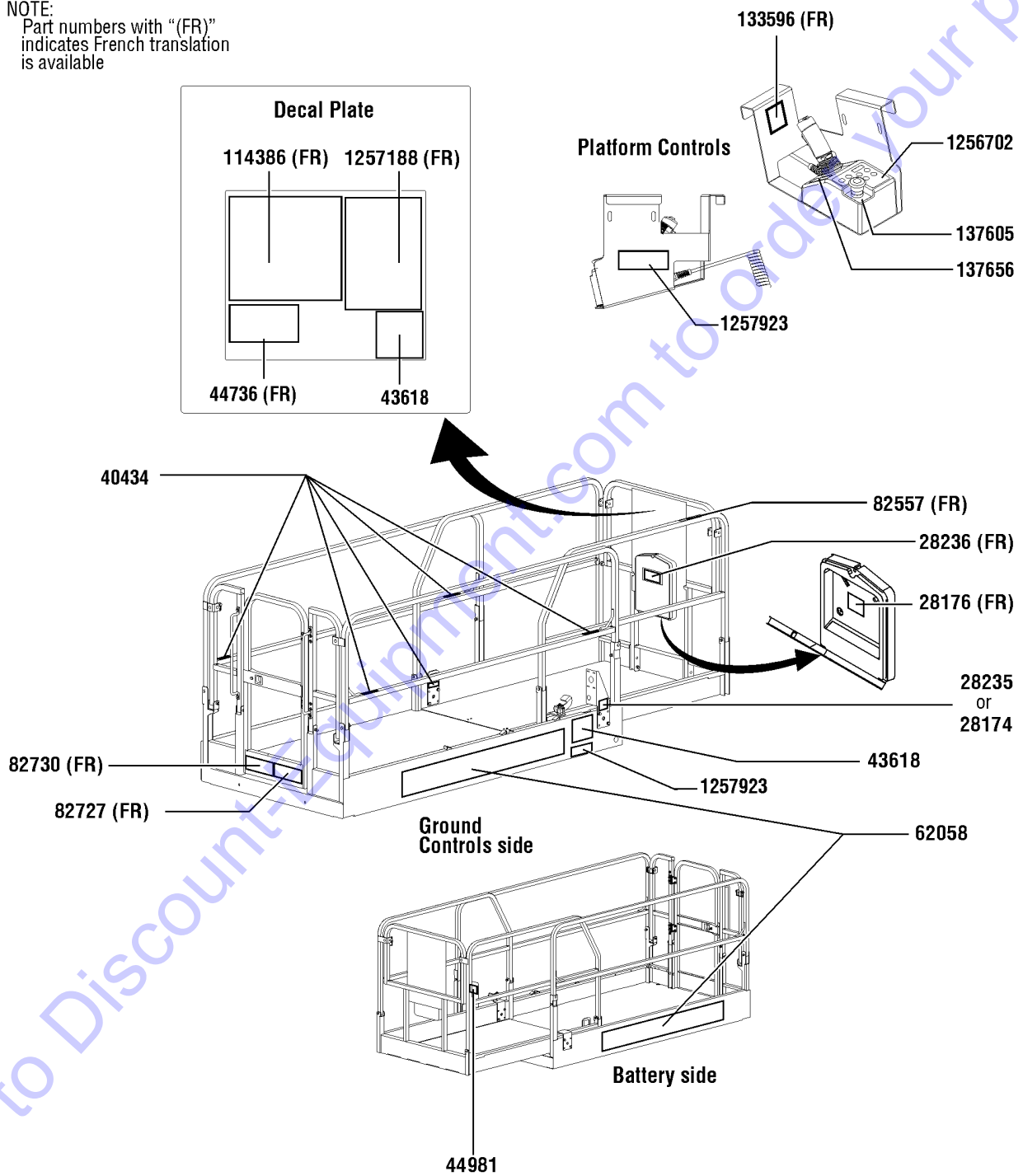
110.1 Word Decals, GS-3246, Ground Control Side, ANSI and Australia

Item	Part No.	Description	Qty.
1	28174GT	DECAL,POWER TO PLATFORM 230V	1
2	28175GT	DECAL,WARNING-COMPART ACCESS	1
3	28235GT	DECAL,POWER TO PLATFORM 115V	1
4	31508GT	DECAL,DANGER,ELECT HAZARD,PLUG (ANSI models)	1
5	43619GT	DECAL,LABEL,SAFETY ARM	1
6	43658GT	DECAL,LABEL,PWR TO CHARGR 230V (ANSI models)	1
7	44255GT	DECAL,DANGER,CRUSHING HAZARD	2
8	44737GT	DECAL,DANGER,TIP-OVER,TRAYS	1
9	44980GT	DECAL,LABEL,PWR TO CHARGR 115V (ANSI models)	1
10	44981GT	DECAL,LABEL,AIRLINE 110 PSI (Option)	1
11	46287GT	DECAL,LABEL-TIRE SPECS	2
12	52475GT	DECAL,LABEL,TRANSPORT TIEDOWN*	1
13	72086GT	DECAL,LABEL,LIFTING EYE	1
14	72143GT	DECAL,EMERGENCY STOP,GR	1
15	72853GT	DECAL,DANGER,IMPROPER USE HAZ.	1
16	72998GT	DECAL, LABEL, QUINTOLUBRIK (models with Quintolub hydraulic oil)	1
17	72999GT	DECAL,LABEL,PETRO CANADA*** (For models with Petro Canada hydraulic oil only)	1
18	82160GT	DECAL, LABEL, STATOIL HYDRAWAY (For models with Statoil hydraulic oil only)	1
19	82161GT	DECAL,LABEL,UCON HYDROLUBE (For models with Ucon Hydrolube hydraulic oil only)	1
20	82366GT	DECAL,CHEVRON RANDO HD (For models with Chevron Rando hydraulic oil only)	1
21	82558GT	DECAL,SKIN INJECTION	1
22	82559GT	DECAL,INSTRUCT-ANNUAL INSP REQ	1
23	82561GT	DECAL,DANGER-USE SAFETY ARM	1
24	82705GT	DECAL,LABEL,WHEEL LOAD 3246	2
25	114385GT	DECAL,DANGER,ELEC HAZARD,GS	1
26	133276GT	DECAL,EMERGENCY LOWERING	1
27	T107031GT	DECAL,OP INST,GCON	1
28	T112804GT	DECAL,GCON PANEL,GS	1



Platform, ANSI models

NOTE:
Part numbers with "(FR)" indicates French translation is available



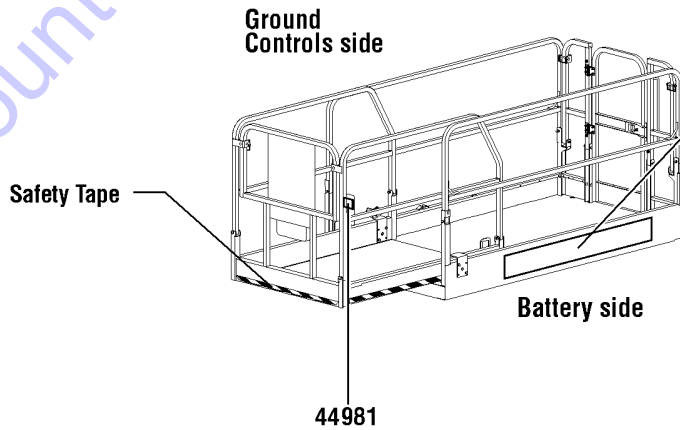
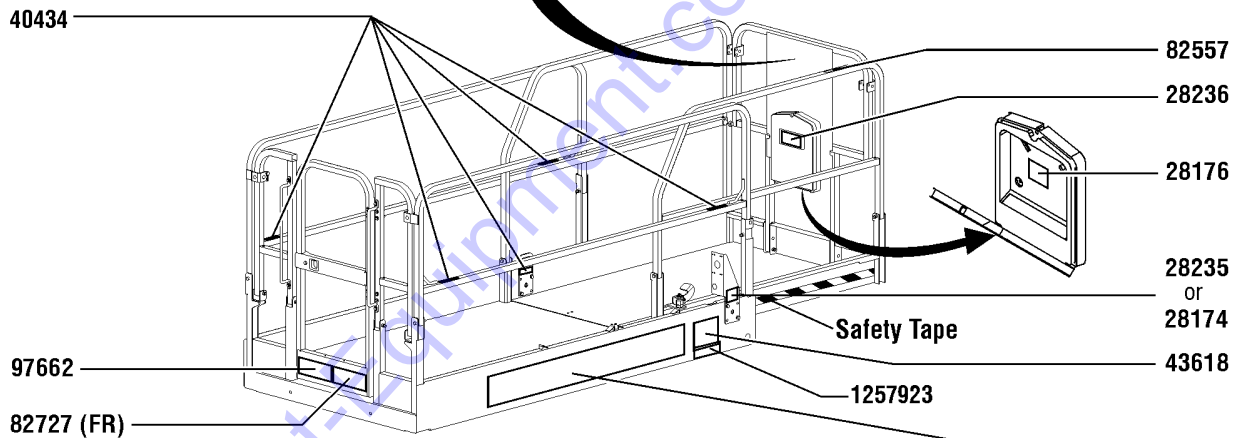
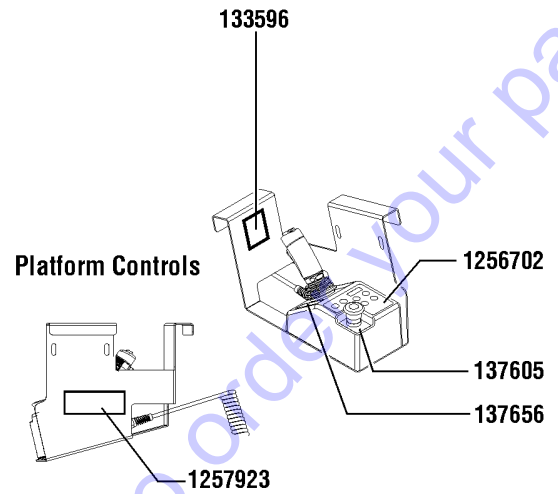
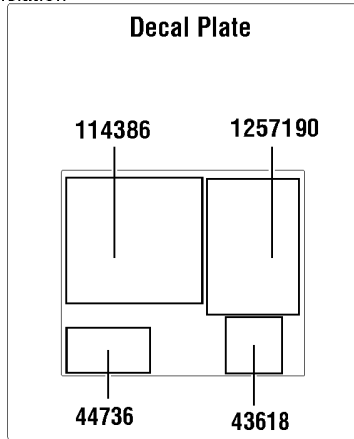
111.1 Word Decals, GS-3246, Platform, ANSI

Item	Part No.	Description	Qty.
1	28174GT	DECAL,POWER TO PLATFORM 230V	1
2	28176GT	DECAL,LABEL,MANUAL NOT HERE	1
3	28235GT	DECAL,POWER TO PLATFORM 115V	1
4	28236GT	DECAL,WARN,IMPROPER OPERATION	1
5	40434GT	DECAL,LANYARD ANCHORAGE POINT	5
6	43618GT	DECAL,LABEL-DIRECTION ARROWS	2
7	44736GT	DECAL,DANGER,TIP-OVER,TILT	1
8	44981GT	DECAL,LABEL,AIRLINE 110 PSI	1
		(Option)	
9	62058GT	DECAL,COSMETIC,GENIE GS-3246	2
10	82557GT	DECAL,LABEL,PLAT CONT LOCATION	1
11	82727GT	DECAL,INSTR-MAX CAP 700LBS	1
		GS-3246	
12	82730GT	DECAL,INSTR-SIDE FRC,ANSI 3246	1
13	114386GT	DECAL,DANGER-GEN SAFETY	1
14	133596GT	DECAL,LABEL,FAULT CODES	1
15	137605GT	DECAL,E-STOP,GR/GRC/GS PCON	1
16	137656GT	DECAL,PROPEL,GR/GRC/GS,PCON	1
17	1256702GT	DECAL, UI, GS/GR, PROP LIFT	1
18	1257188GT	DECAL,OP INST,PLAT,GS46 ANSI	1
19	1257923GT	DECAL, SMARTLINK PROPORTIONAL	2



Platform, Australia models

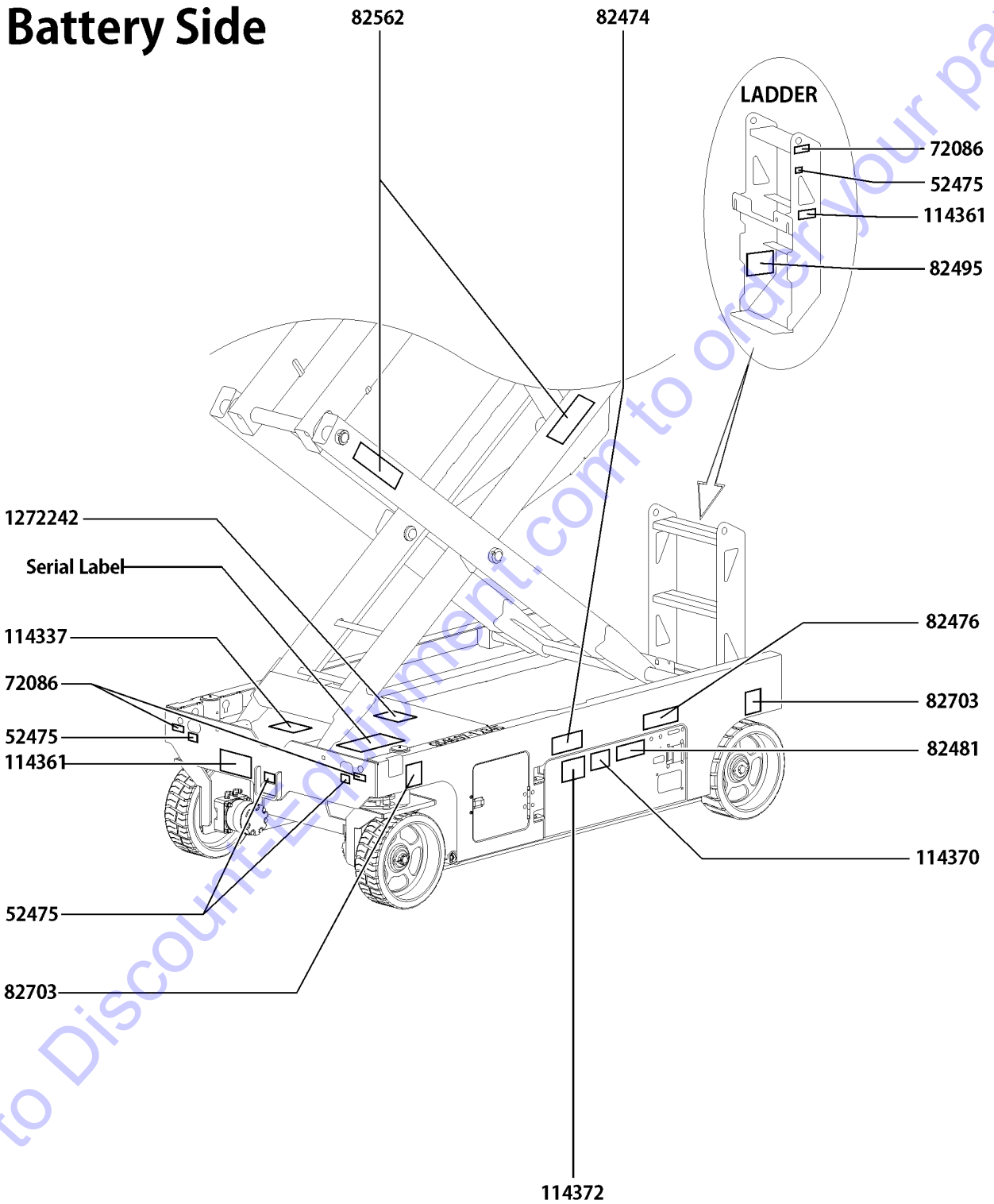
NOTE:
Part numbers with "(FR)"
indicates French translation
is available



Item	Part No.	Description	Qty.
1	28174GT	DECAL,POWER TO PLATFORM 230V	1
2	28176GT	DECAL,LABEL,MANUAL NOT HERE	1
3	28235GT	DECAL,POWER TO PLATFORM 115V	1
4	28236GT	DECAL,WARN,IMPROPER OPERATION	1
5	40434GT	DECAL,LANYARD ANCHORAGE POINT	5
6	43618GT	DECAL,LABEL-DIRECTION ARROWS	2
7	44736GT	DECAL,DANGER,TIP-OVER,TILT	1
8	44981GT	DECAL,LABEL,AIRLINE 110 PSI	1
		(Option)	
9	62058GT	DECAL,COSMETIC,GENIE GS-3246	2
10	82557GT	DECAL,LABEL,PLAT CONT LOCATION	1
11	82727GT	DECAL,INSTR-MAX CAP 700LBS	1
		GS-3246	
12	97662GT	DECAL,INSTR-MANUALFRC,AUS 3246	1
13	114386GT	DECAL,DANGER-GEN SAFETY	1
14	133596GT	DECAL,LABEL,FAULT CODES	1
15	137605GT	DECAL,E-STOP,GR/GRC/GS PCON	1
16	137656GT	DECAL,PROPEL,GR/GRC/GS,PCON	1
17	1256702GT	DECAL, UI, GS/GR, PROP LIFT	1
18	1257190GT	DECAL,OP INST,PLAT,GS46,AUS	1
19	1257923GT	DECAL, SMARTLINK PROPORTIONAL	2



Battery Side



113.1 Symbol Decals, GS-2046, Battery Side, ANSI & CE

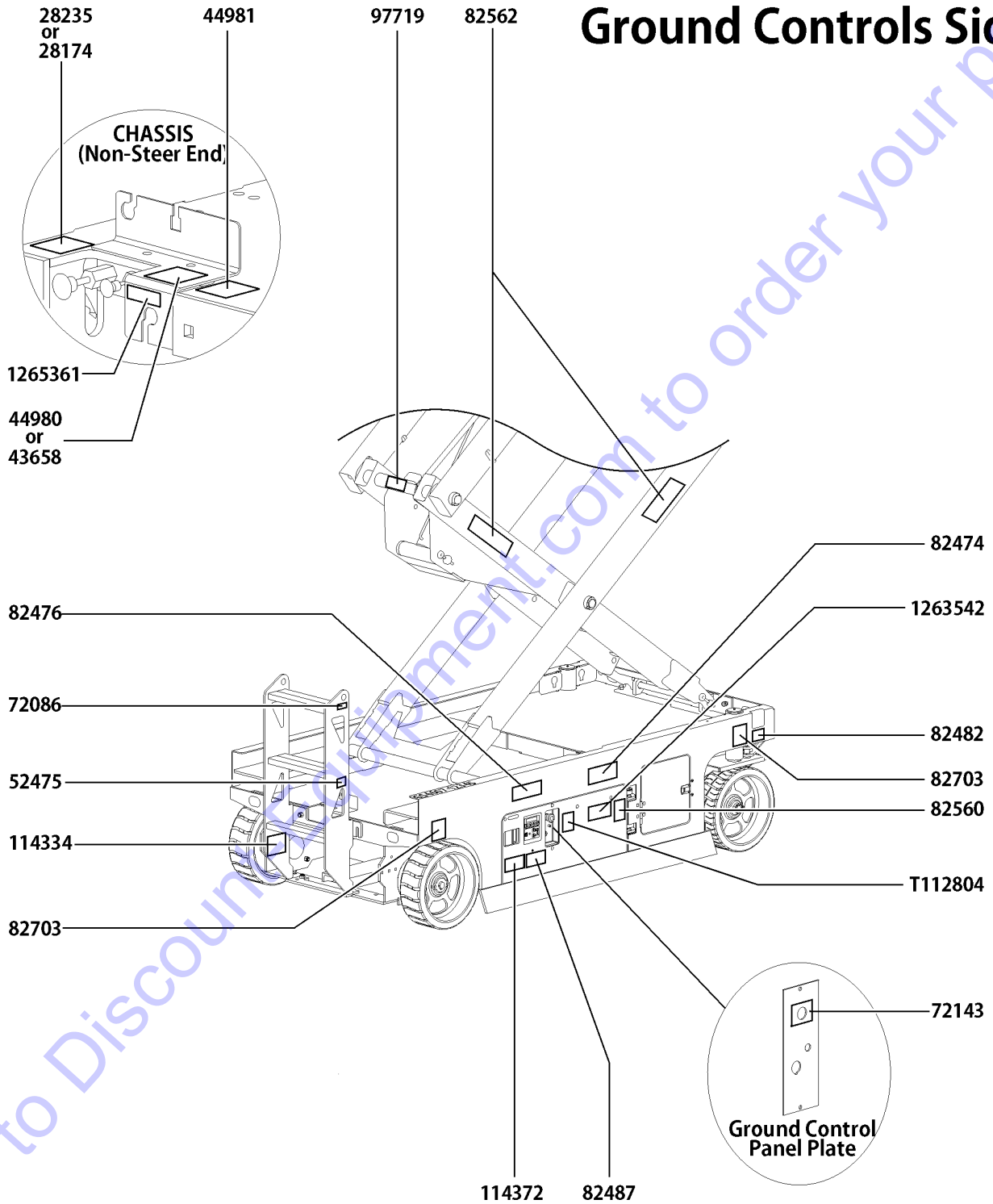
Item	Part No.	Description	Qty.
1	52475GT	DECAL,LABEL,TRANSPORT TIEDOWN*	4
2	72086GT	DECAL,LABEL,LIFTING EYE	3
3	82474GT	DECAL,SYMBOL-USE SAFETY ARM	1
4	82476GT	DECAL,SYMBOL-ELEC HAZARD,GS	1
5	82481GT	DECAL,SYMBOL-BATTERY SAFETY	1
6	82495GT	DECAL,LABEL,FORKLIFT POCKET	1
7	82562GT	DECAL,SYMBOL-CRUSHING HAZARD	2
8	82703GT	DECAL,LABEL,WHEEL LOAD 2046	2
9	114337GT	DECAL, COMPARTMENT ACCESS	1
10	114361GT	DECAL,SYM-TIP-OVER,LIM SWITCH	2
11	114370GT	DECAL-SYM-TIP-OVR,BATTERIES	1
12	114372GT	DECAL SYMBOL TIP OVER TRAYS	1
13	1272242GT	DECAL,MACHINE REGISTRATION/OWNER TRANSFER	1

Go to Discount-Equipment.com to order your parts



114.1 Symbol Decals, GS-2046, Ground Control Side, ANSI and CE

Ground Controls Side

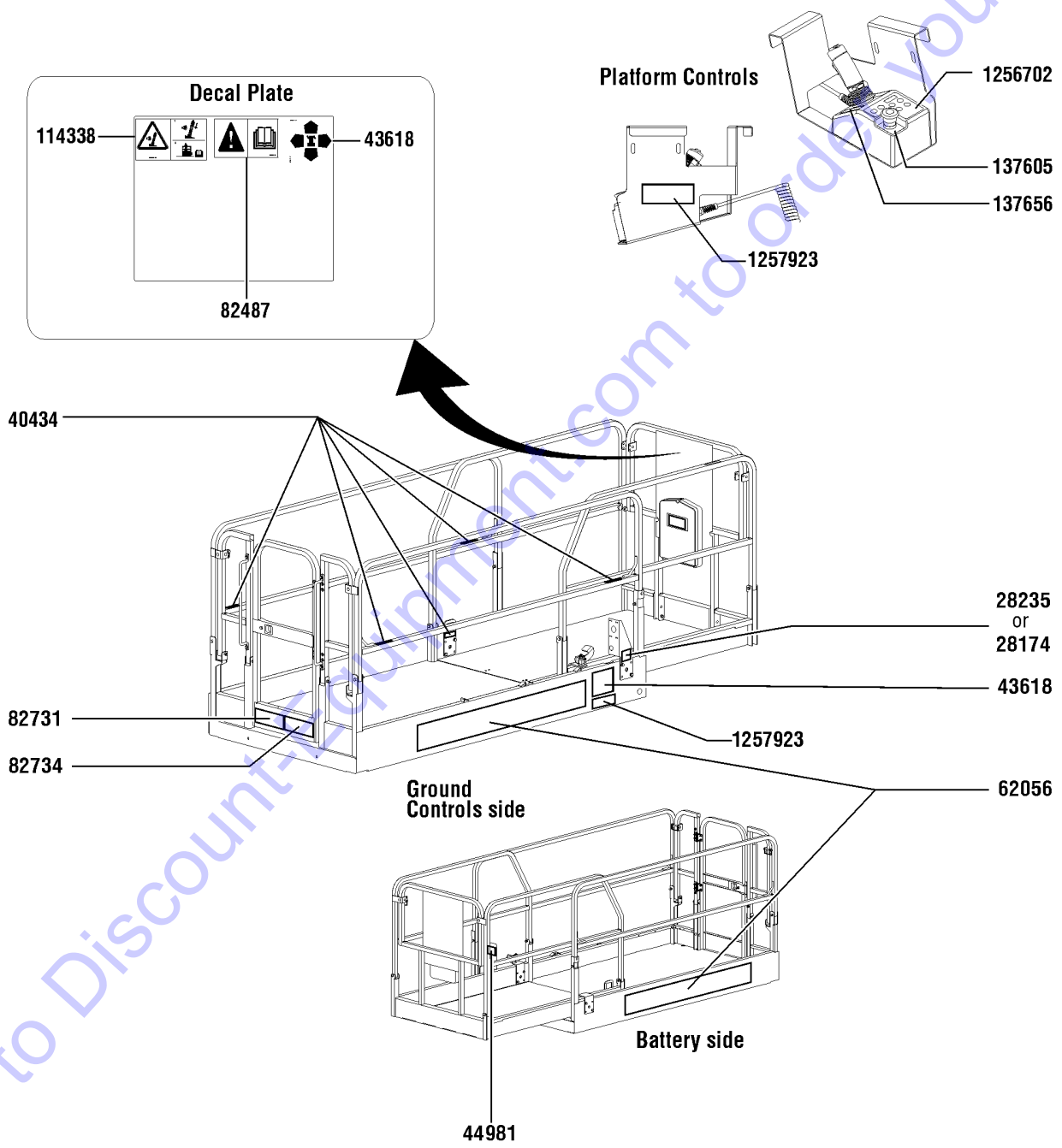


114.1 Symbol Decals, GS-2046, Ground Control Side, ANSI and CE

Item	Part No.	Description	Qty.
1	28174GT	DECAL,POWER TO PLATFORM 230V	1
2	28235GT	DECAL,POWER TO PLATFORM 115V	1
3	43658GT	DECAL,LABEL,PWR TO CHARGR 230V	1
4	44980GT	DECAL,LABEL,PWR TO CHARGR 115V	1
5	44981GT	DECAL,LABEL,AIRLINE 110 PSI (Option)	1
6	52475GT	DECAL,LABEL,TRANSPORT TIEDOWN*	1
7	72086GT	DECAL,LABEL,LIFTING EYE	1
8	72143GT	DECAL,EMERGENCY STOP,GR	1
9	82474GT	DECAL,SYMBOL-USE SAFETY ARM	1
10	82476GT	DECAL,SYMBOL-ELEC HAZARD,GS	1
11	82482GT	DECAL,LABEL,AUX LOWERING	1
12	82487GT	DECAL,SYMBOL-READ THE MANUAL	1
13	82560GT	DECAL,SYMBOL-SKIN INJECT HAZRD	1
14	82562GT	DECAL,SYMBOL-CRUSHING HAZARD	2
15	82703GT	DECAL,LABEL,WHEEL LOAD 2046	2
16	97719GT	DECAL, LABEL, SAFETY ARM SYMB	1
17	114334GT	DECAL SYMBOL ELECTRIC HAZARD PLUG	1
18	114372GT	DECAL SYMBOL TIP OVER TRAYS	1
19	1263542GT	DECAL, COMPARTMENT ACCESS	1
20	1265361GT	DECAL, BATTERY CHARGER INDICAT	1
21	T112804GT	DECAL,GCON PANEL,GS	1



Platform, ANSI models



Go to Discount-www.genieequipment.com to order your parts



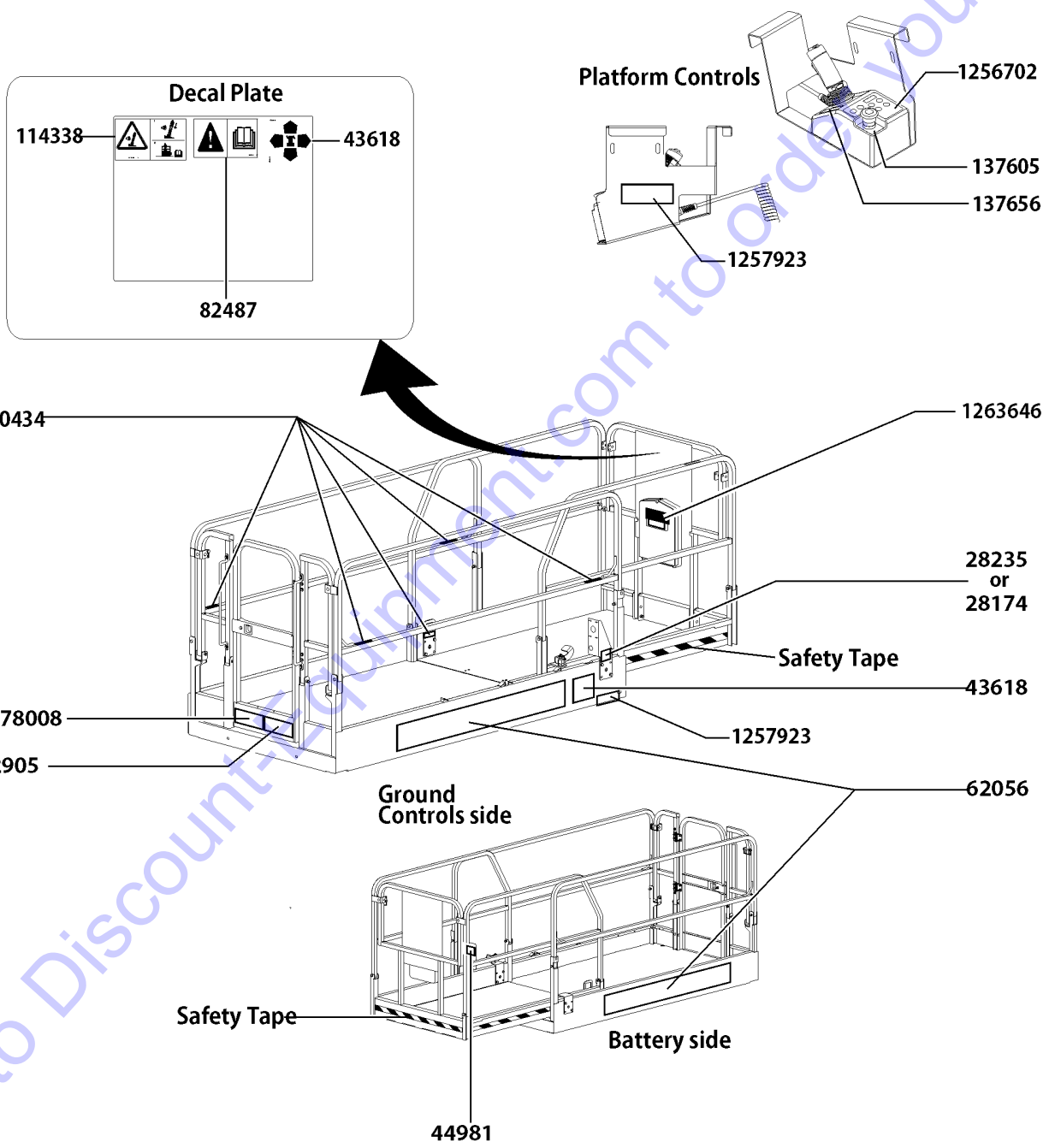
115.1 Symbol Decals, GS-2046, Platform, ANSI

Item	Part No.	Description	Qty.
1	28174GT	DECAL,POWER TO PLATFORM 230V	1
2	28235GT	DECAL,POWER TO PLATFORM 115V	1
3	40434GT	DECAL,LANYARD ANCHORAGE POINT	5
4	43618GT	DECAL,LABEL-DIRECTION ARROWS	2
5	44981GT	DECAL,LABEL,AIRLINE 110 PSI	1
		(Option)	
6	62056GT	DECAL,COSMETIC,GENIE GS-2046**	2
7	82487GT	DECAL,SYMBOL-READ THE MANUAL	1
8	82731GT	DECAL,SYM-MAXCAP 1200	1
9	82734GT	DECAL,SYM-SIDE FORCE 2046	1
10	114338GT	DECAL,SYM-TIP-OVR,TILT ALARM	1
11	137605GT	DECAL,E-STOP,GR/GRC/GS PCON	1
13	137656GT	DECAL,PROPEL,GR/GRC/GS,PCON	1
14	1256702GT	DECAL, UI, GS/GR, PROP LIFT	1
16	1257923GT	DECAL, SMARTLINK PROPORTIONAL	2

Go to Discount-Equipment.com to order your parts



Platform, CE models



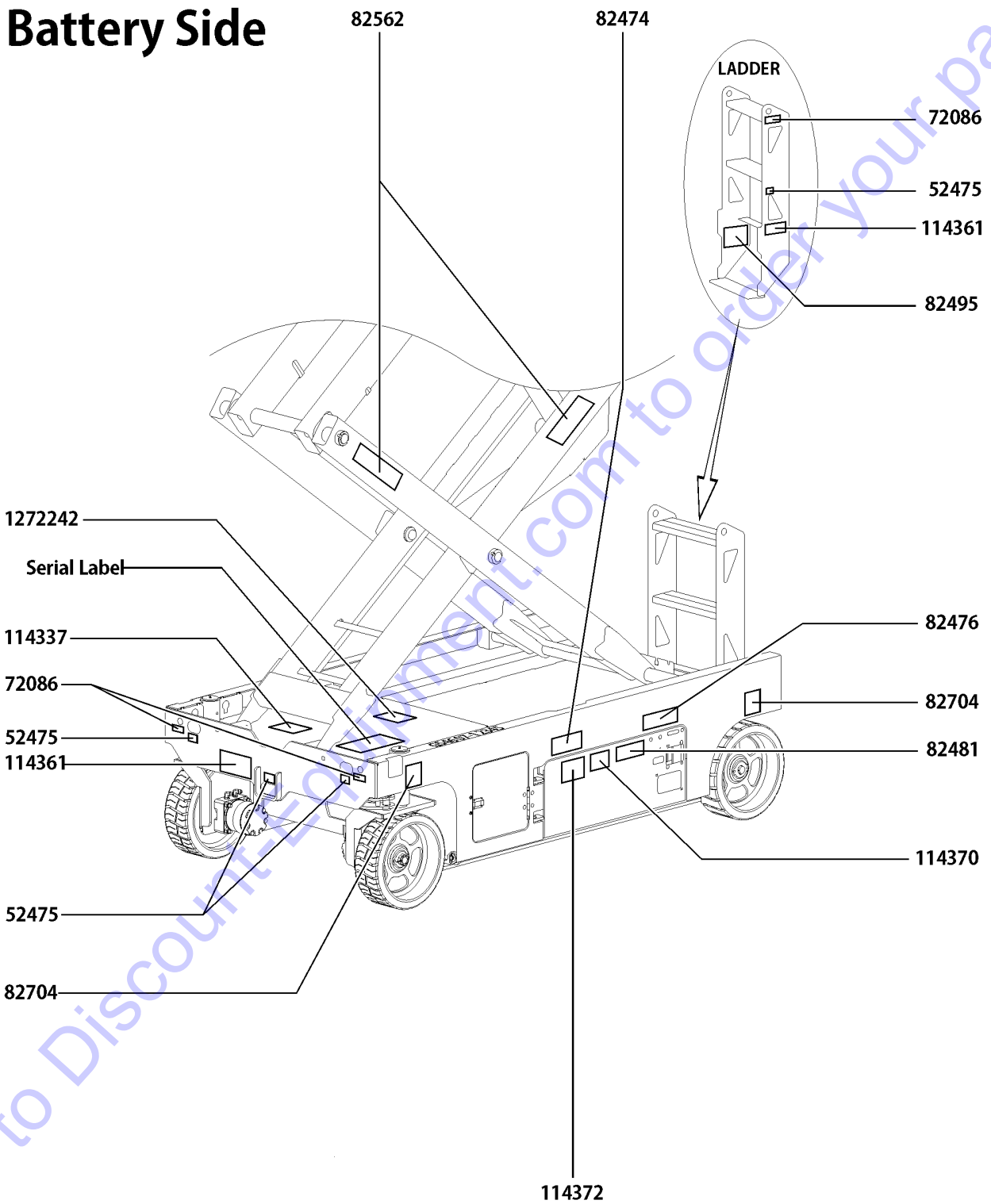
116.1 Symbol Decals, GS-2046, Platform, CE

Item	Part No.	Description	Qty.
1	28174GT	DECAL,POWER TO PLATFORM 230V	1
2	28235GT	DECAL,POWER TO PLATFORM 115V	1
3	40434GT	DECAL,LANYARD ANCHORAGE POINT	5
4	43618GT	DECAL,LABEL-DIRECTION ARROWS	2
5	44981GT	DECAL,LABEL,AIRLINE 110 PSI	1
		(Option)	
6	62056GT	DECAL,COSMETIC,GENIE GS-2046**	2
7	82487GT	DECAL,SYMBOL-READ THE MANUAL	1
8	82905GT	DECAL,SYM-SIDEFORCE 400N	1
9	114338GT	DECAL,SYM-TIP-OVR,TILT ALARM	1
10	137605GT	DECAL,E-STOP,GR/GRC/GS PCON	1
11	137656GT	DECAL,PROPEL,GR/GRC/GS,PCON	1
12	1256702GT	DECAL, UI, GS/GR, PROP LIFT	1
13	1257923GT	DECAL, SMARTLINK PROPORTIONAL	2
14	1263646GT	DECAL,QR CODE,PARTS&SERVICE MANUAL	1
15	1278008GT	DECAL, SYMBOL, CE, MAXIMUM CAPACITY, 544KG	1

Go to Discount-Equipment.com to order your parts



Battery Side



117.1 Symbol Decals, GS-2646, Battery Side, ANSI & CE

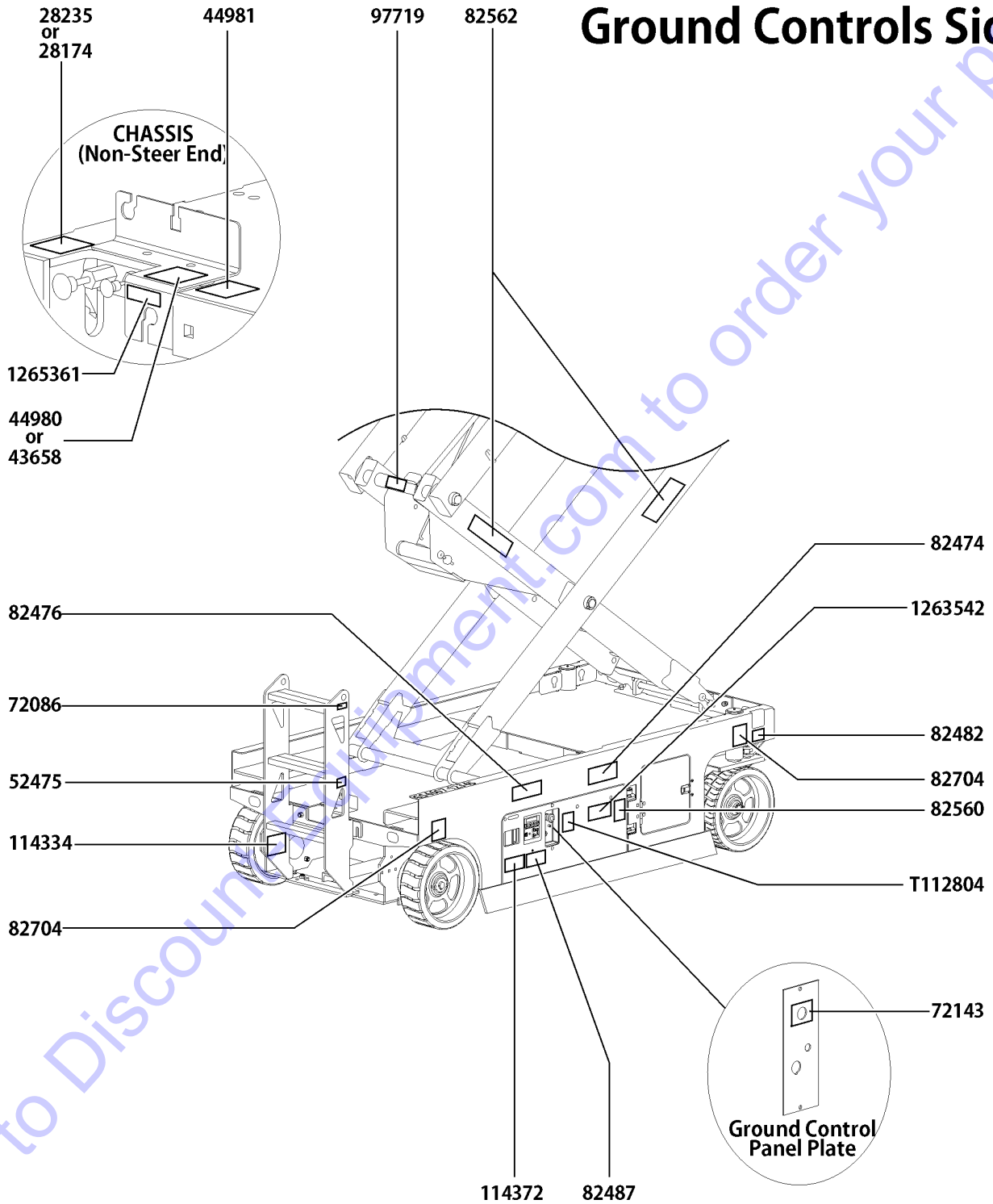
Item	Part No.	Description	Qty.
1	52475GT	DECAL,LABEL,TRANSPORT TIEDOWN*	4
2	72086GT	DECAL,LABEL,LIFTING EYE	3
3	82474GT	DECAL,SYMBOL-USE SAFETY ARM	1
4	82476GT	DECAL,SYMBOL-ELEC HAZARD,GS	1
5	82481GT	DECAL,SYMBOL-BATTERY SAFETY	1
6	82495GT	DECAL,LABEL,FORKLIFT POCKET	1
7	82562GT	DECAL,SYMBOL-CRUSHING HAZARD	2
8	82704GT	DECAL,LABEL,WHEEL LOAD 2646	2
9	114337GT	DECAL, COMPARTMENT ACCESS	1
10	114361GT	DECAL,SYM-TIP-OVER,LIM SWITCH	2
11	114370GT	DECAL-SYM-TIP-OVR,BATTRIES	1
12	114372GT	DECAL SYMBOL TIP OVER TRAYS	1
13	1272242GT	DECAL,MACHINE REGISTRATION/OWNER TRANSFER	1

Go to Discount-Equipment.com to order your parts



118.1 Symbol Decals, GS-2646, Ground Control Side, ANSI and CE

Ground Controls Side

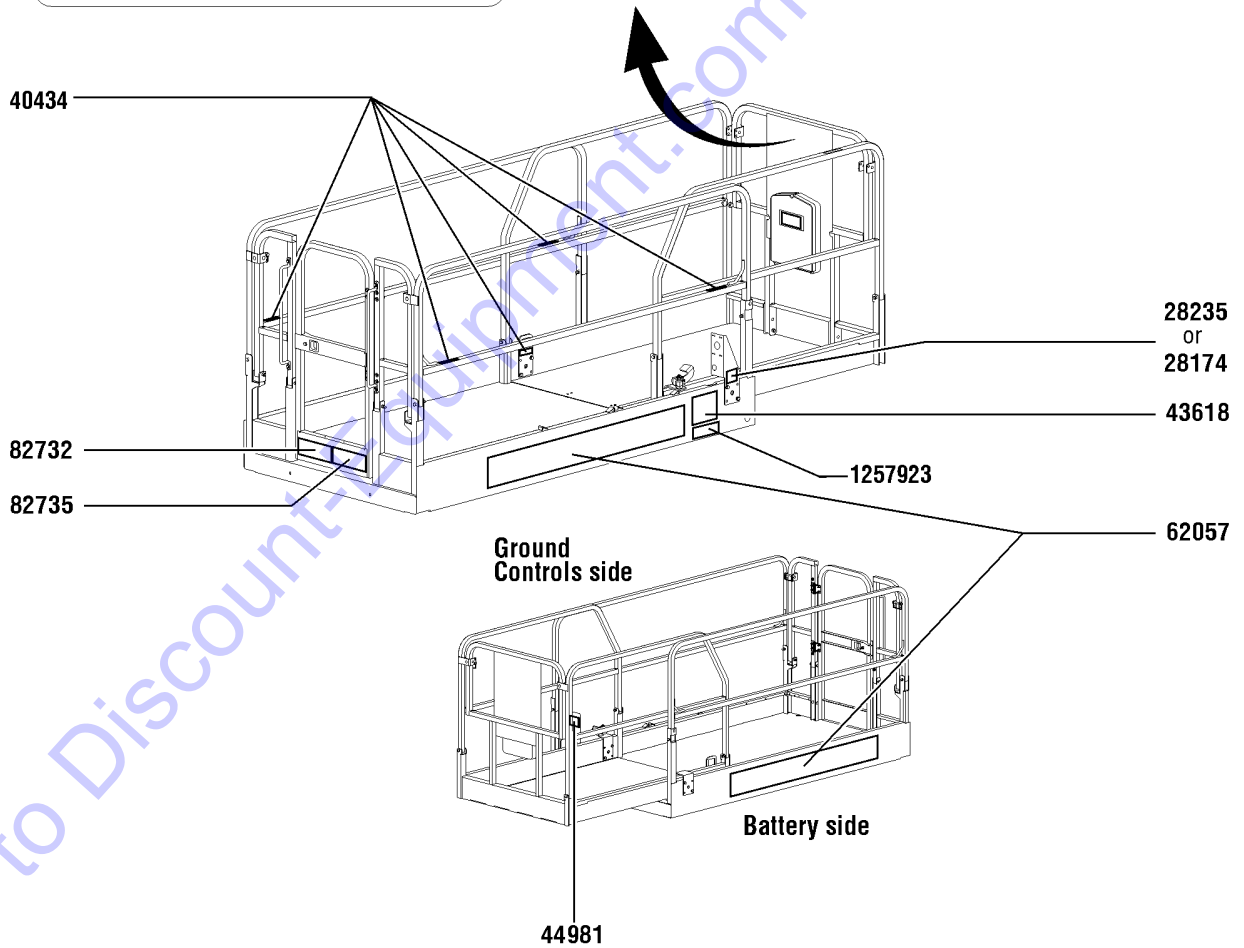
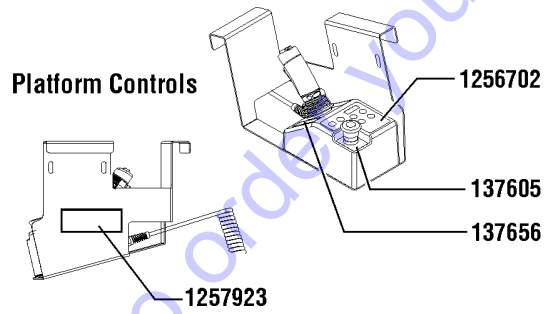
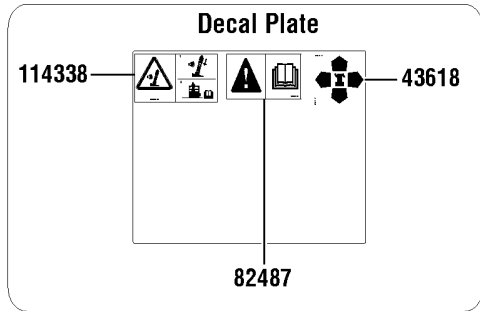


118.1 Symbol Decals, GS-2646, Ground Control Side, ANSI and CE

Item	Part No.	Description	Qty.
1	28174GT	DECAL,POWER TO PLATFORM 230V	1
2	28235GT	DECAL,POWER TO PLATFORM 115V	1
3	43658GT	DECAL,LABEL,PWR TO CHARGR 230V	1
4	44980GT	DECAL,LABEL,PWR TO CHARGR 115V	1
5	44981GT	DECAL,LABEL,AIRLINE 110 PSI (Option)	1
6	52475GT	DECAL,LABEL,TRANSPORT TIEDOWN*	1
7	72086GT	DECAL,LABEL,LIFTING EYE	1
8	72143GT	DECAL,EMERGENCY STOP,GR	1
10	82474GT	DECAL,SYMBOL-USE SAFETY ARM	1
11	82476GT	DECAL,SYMBOL-ELEC HAZARD,GS	1
12	82482GT	DECAL,LABEL,AUX LOWERING	1
13	82487GT	DECAL,SYMBOL-READ THE MANUAL	1
14	82560GT	DECAL,SYMBOL-SKIN INJECT HAZRD	1
15	82562GT	DECAL,SYMBOL-CRUSHING HAZARD	2
16	82704GT	DECAL,LABEL,WHEEL LOAD 2646	2
17	97719GT	DECAL, LABEL, SAFETY ARM SYMB	1
18	114334GT	DECAL SYMBOL ELECTRIC HAZARD PLUG	1
19	114372GT	DECAL SYMBOL TIP OVER TRAYS	1
20	1263542GT	DECAL, COMPARTMENT ACCESS	1
21	1265361GT	DECAL, BATTERY CHARGER INDICAT	1
22	T112804GT	DECAL,GCON PANEL,GS	1



Platform, ANSI models



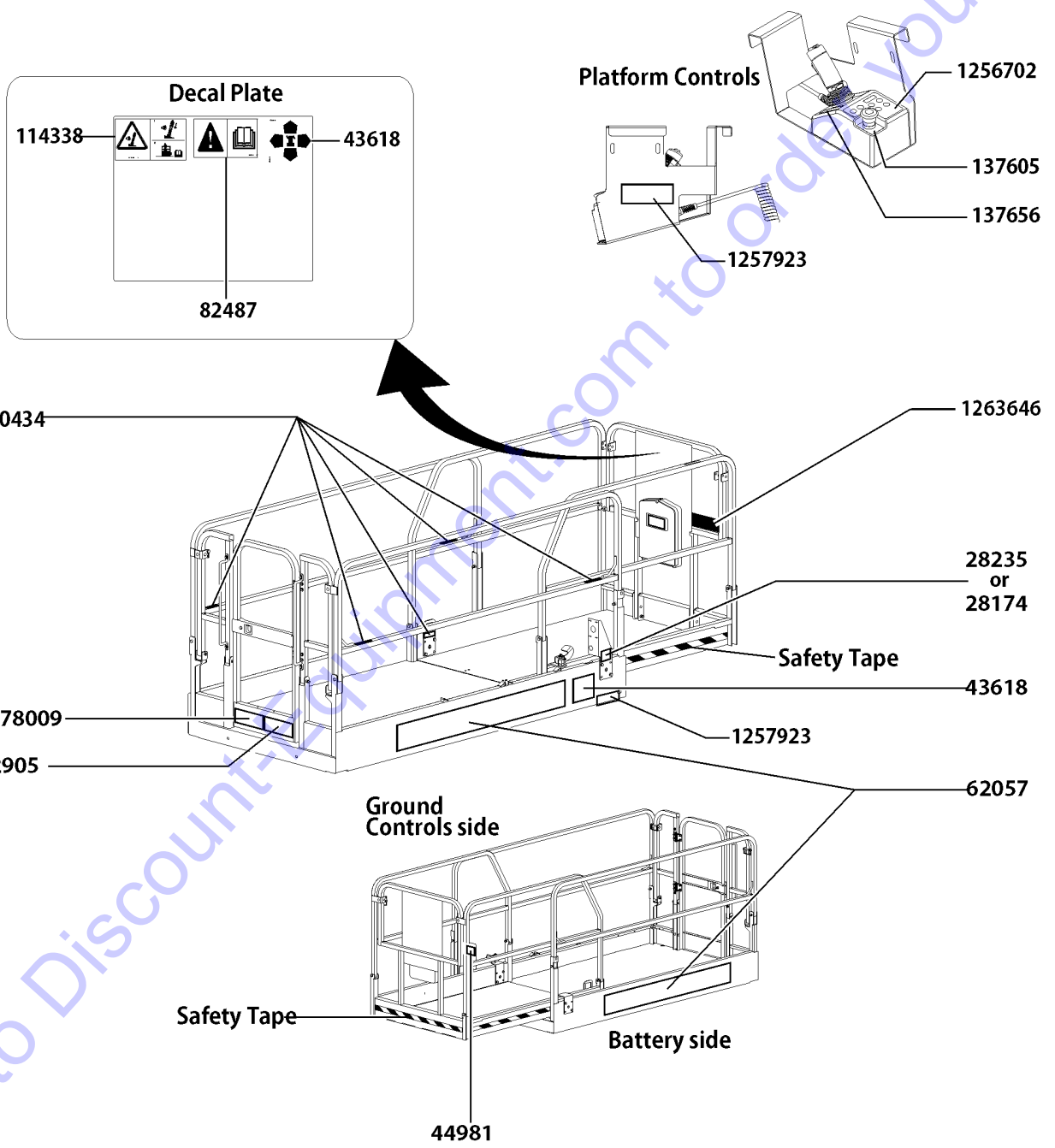
119.1 Symbol Decals, GS-2646, Platform, ANSI

Item	Part No.	Description	Qty.
1	28174GT	DECAL,POWER TO PLATFORM 230V	1
2	28235GT	DECAL,POWER TO PLATFORM 115V	1
3	40434GT	DECAL,LANYARD ANCHORAGE POINT	5
4	43618GT	DECAL,LABEL-DIRECTION ARROWS	2
5	44981GT	DECAL,LABEL,AIRLINE 110 PSI	1
		(Option)	
6	62057GT	DECAL,COSMETIC,GENIE GS-2646	2
7	82487GT	DECAL,SYMBOL-READ THE MANUAL	1
8	82732GT	DECAL,SYM-MAXCAP 1000	1
9	82735GT	DECAL,SYM-SIDE FORCE 2646	1
10	114338GT	DECAL,SYM-TIP-OVR,TILT ALARM	1
11	137605GT	DECAL,E-STOP,GR/GRC/GS PCON	1
13	137656GT	DECAL,PROPEL,GR/GRC/GS,PCON	1
14	1256702GT	DECAL, UI, GS/GR, PROP LIFT	1
16	1257923GT	DECAL, SMARTLINK PROPORTIONAL	2

Go to Discount-Equipment.com to order your parts



Platform, CE models



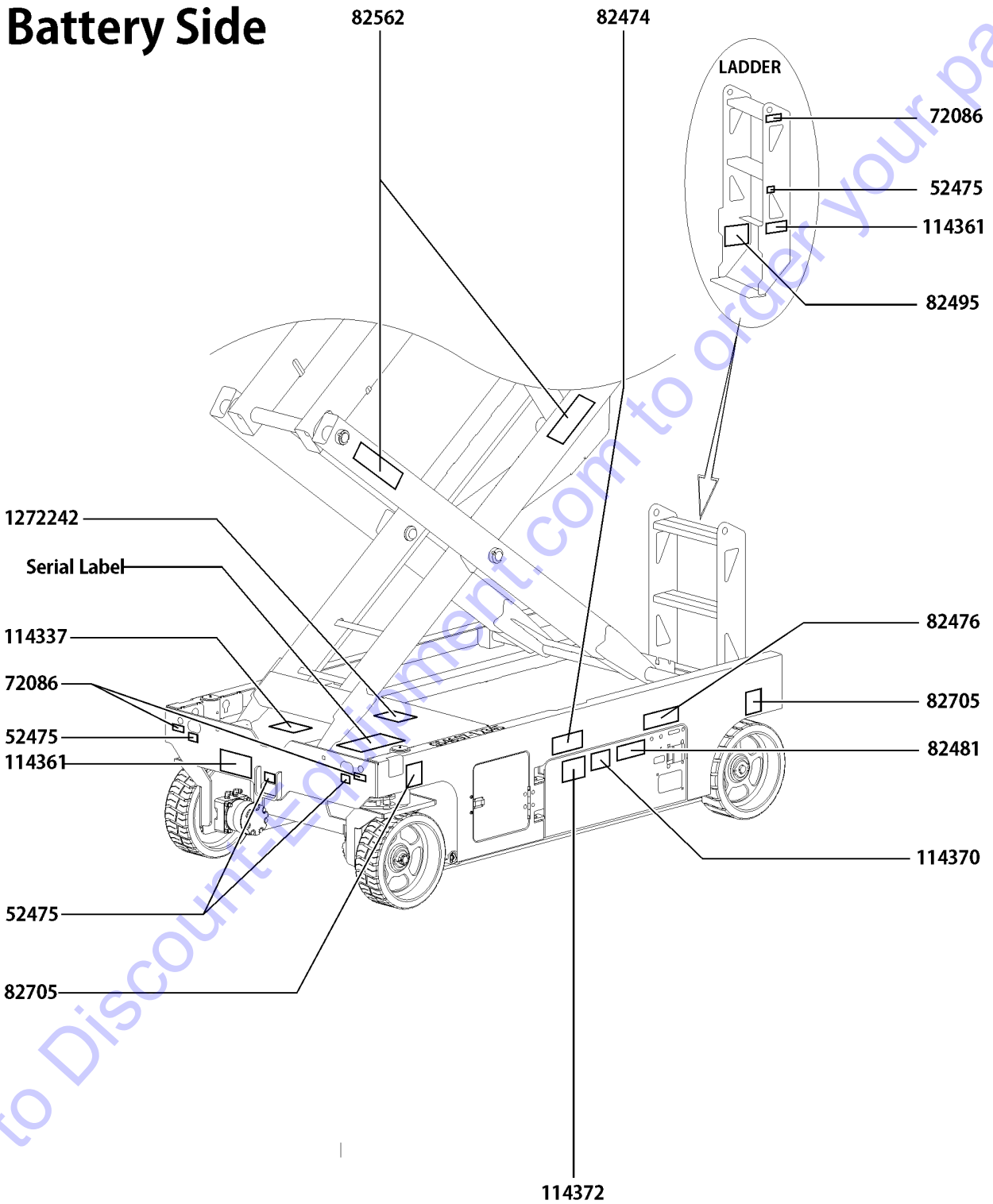
120.1 Symbol Decals, GS-2646, Platform, CE

Item	Part No.	Description	Qty.
1	28174GT	DECAL,POWER TO PLATFORM 230V	1
2	28235GT	DECAL,POWER TO PLATFORM 115V	1
3	40434GT	DECAL,LANYARD ANCHORAGE POINT	5
4	43618GT	DECAL,LABEL-DIRECTION ARROWS	2
5	44981GT	DECAL,LABEL,AIRLINE 110 PSI	1
		(Option)	
6	62057GT	DECAL,COSMETIC,GENIE GS-2646	2
7	82487GT	DECAL,SYMBOL-READ THE MANUAL	1
8	82905GT	DECAL,SYM-SIDEFORCE 400N	1
9	114338GT	DECAL,SYM-TIP-OVR,TILT ALARM	1
10	137605GT	DECAL,E-STOP,GR/GRC/GS PCON	1
11	137656GT	DECAL,PROPEL,GR/GRC/GS,PCON	1
12	1256702GT	DECAL, UI, GS/GR, PROP LIFT	1
13	1257923GT	DECAL, SMARTLINK PROPORTIONAL	2
14	1263646GT	DECAL,QR CODE,PARTS&SERVICE MANUAL	1
15	1278009GT	DECAL, SYMBOL, CE, MAXIMUM CAPACITY, 454KG	1

Go to Discount-Equipment.com to order your parts



Battery Side



121.1 Symbol Decals, GS-3246, Battery Side, ANSI & CE

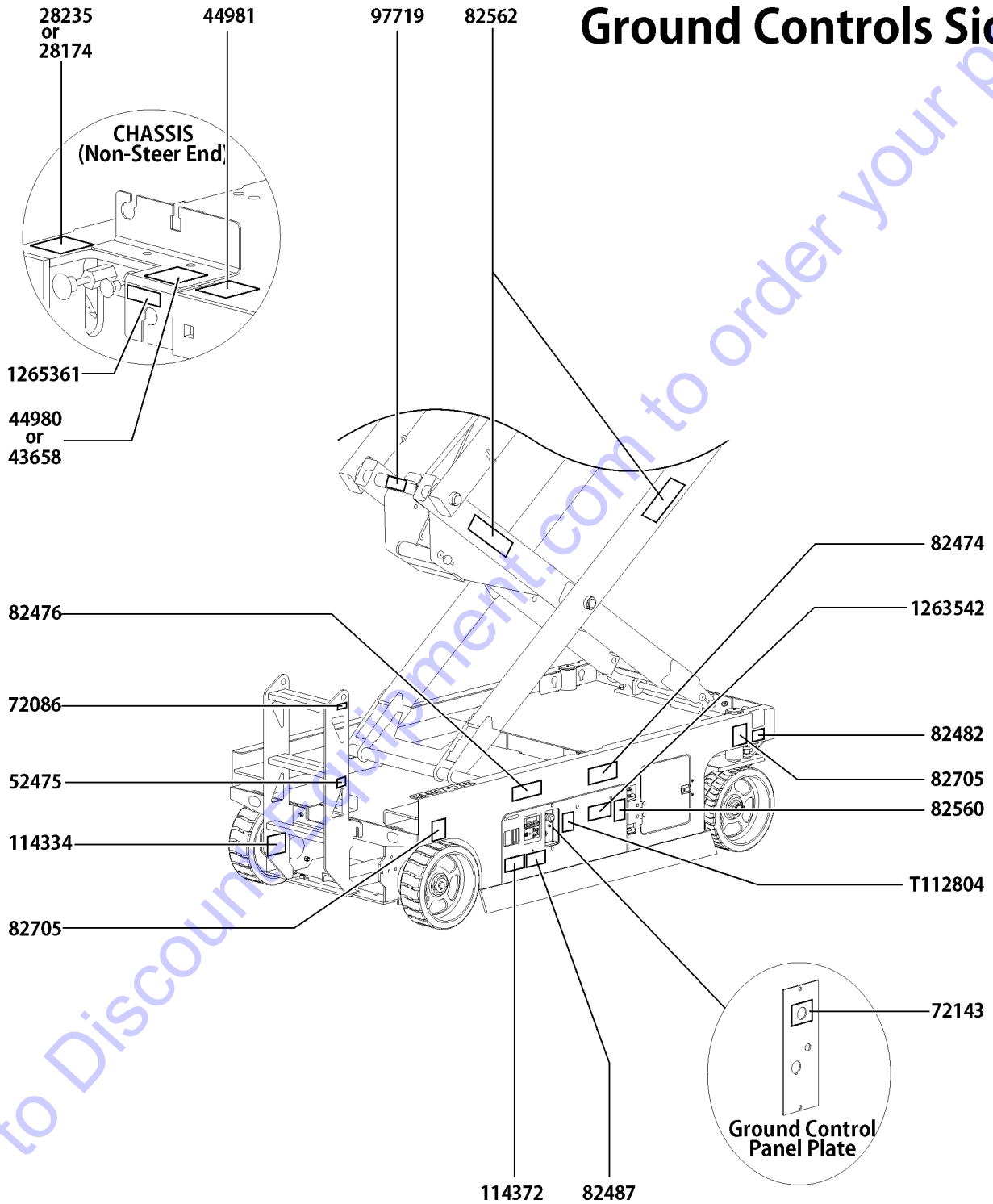
Item	Part No.	Description	Qty.
1	52475GT	DECAL,LABEL,TRANSPORT TIEDOWN*	4
2	72086GT	DECAL,LABEL,LIFTING EYE	3
3	82474GT	DECAL,SYMBOL-USE SAFETY ARM	1
4	82476GT	DECAL,SYMBOL-ELEC HAZARD,GS	1
5	82481GT	DECAL,SYMBOL-BATTERY SAFETY	1
6	82495GT	DECAL,LABEL,FORKLIFT POCKET	1
7	82562GT	DECAL,SYMBOL-CRUSHING HAZARD	2
8	82705GT	DECAL,LABEL,WHEEL LOAD 3246	2
9	114337GT	DECAL, COMPARTMENT ACCESS	1
10	114361GT	DECAL,SYM-TIP-OVER,LIM SWITCH	2
11	114370GT	DECAL-SYM-TIP-OVR,BATTERIES	1
12	114372GT	DECAL SYMBOL TIP OVER TRAYS	1
13	1272242GT	DECAL,MACHINE REGISTRATION/OWNER TRANSFER	1

Go to Discount-Equipment.com to order your parts



122.1 Symbol Decals, GS-3246, Ground Control Side, ANSI and CE

Ground Controls Side

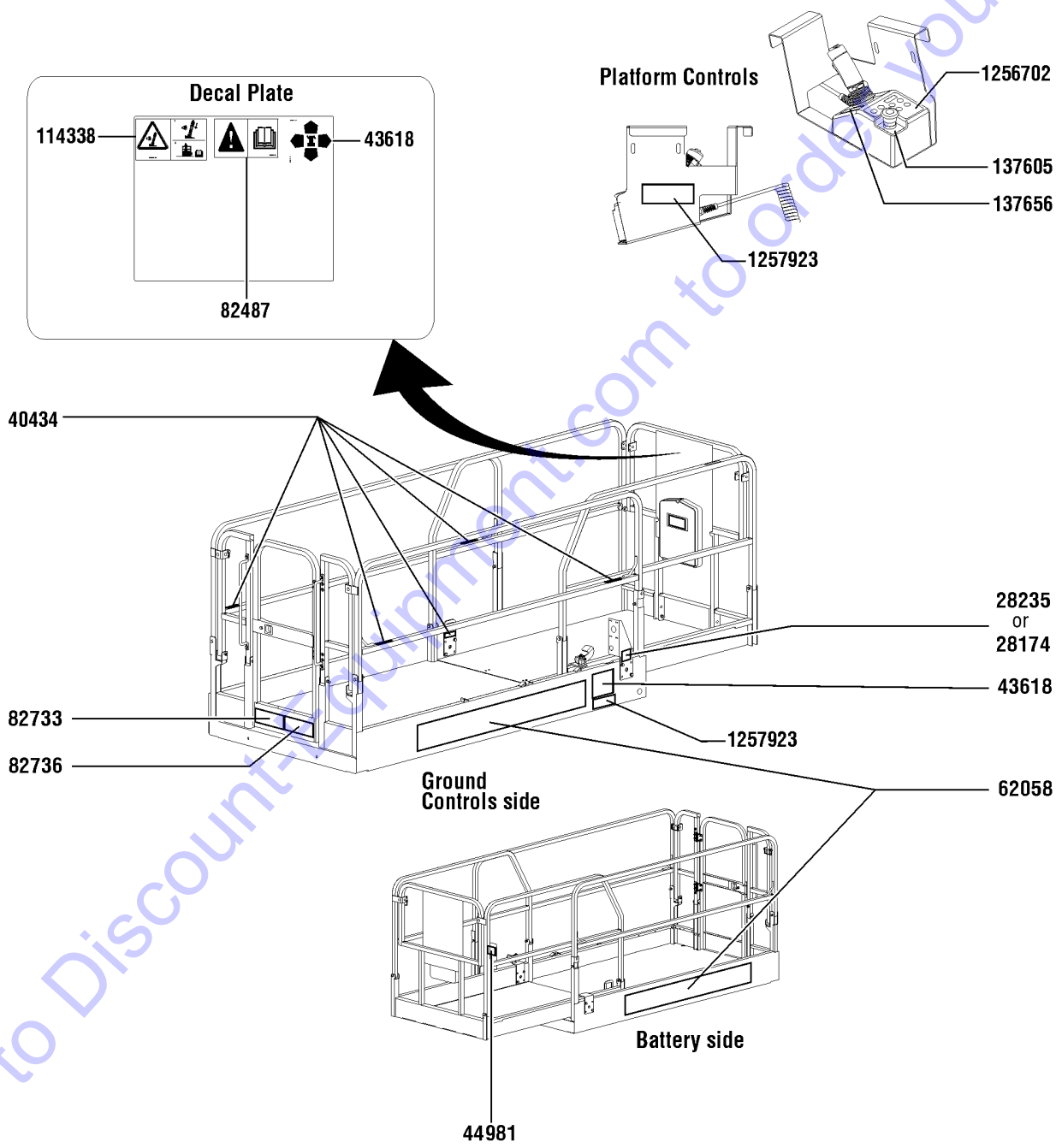


122.1 Symbol Decals, GS-3246, Ground Control Side, ANSI and CE

Item	Part No.	Description	Qty.
1	28174GT	DECAL,POWER TO PLATFORM 230V	1
2	28235GT	DECAL,POWER TO PLATFORM 115V	1
3	43658GT	DECAL,LABEL,PWR TO CHARGR 230V	1
4	44980GT	DECAL,LABEL,PWR TO CHARGR 115V	1
5	44981GT	DECAL,LABEL,AIRLINE 110 PSI (Option)	1
6	52475GT	DECAL,LABEL,TRANSPORT TIEDOWN*	1
7	72086GT	DECAL,LABEL,LIFTING EYE	1
8	72143GT	DECAL,EMERGENCY STOP,GR	1
9	82474GT	DECAL,SYMBOL-USE SAFETY ARM	1
10	82476GT	DECAL,SYMBOL-ELEC HAZARD,GS	1
11	82482GT	DECAL,LABEL,AUX LOWERING	1
12	82487GT	DECAL,SYMBOL-READ THE MANUAL	1
13	82560GT	DECAL,SYMBOL-SKIN INJECT HAZRD	1
14	82562GT	DECAL,SYMBOL-CRUSHING HAZARD	2
15	82705GT	DECAL,LABEL,WHEEL LOAD 3246	2
16	97719GT	DECAL, LABEL, SAFETY ARM SYMB	1
17	114334GT	DECAL SYMBOL ELECTRIC HAZARD PLUG	1
18	114372GT	DECAL SYMBOL TIP OVER TRAYS	1
19	1263542GT	DECAL, COMPARTMENT ACCESS	1
20	1265361GT	DECAL, BATTERY CHARGER INDICAT	1
21	T112804GT	DECAL,GCON PANEL,GS	1



Platform, ANSI models



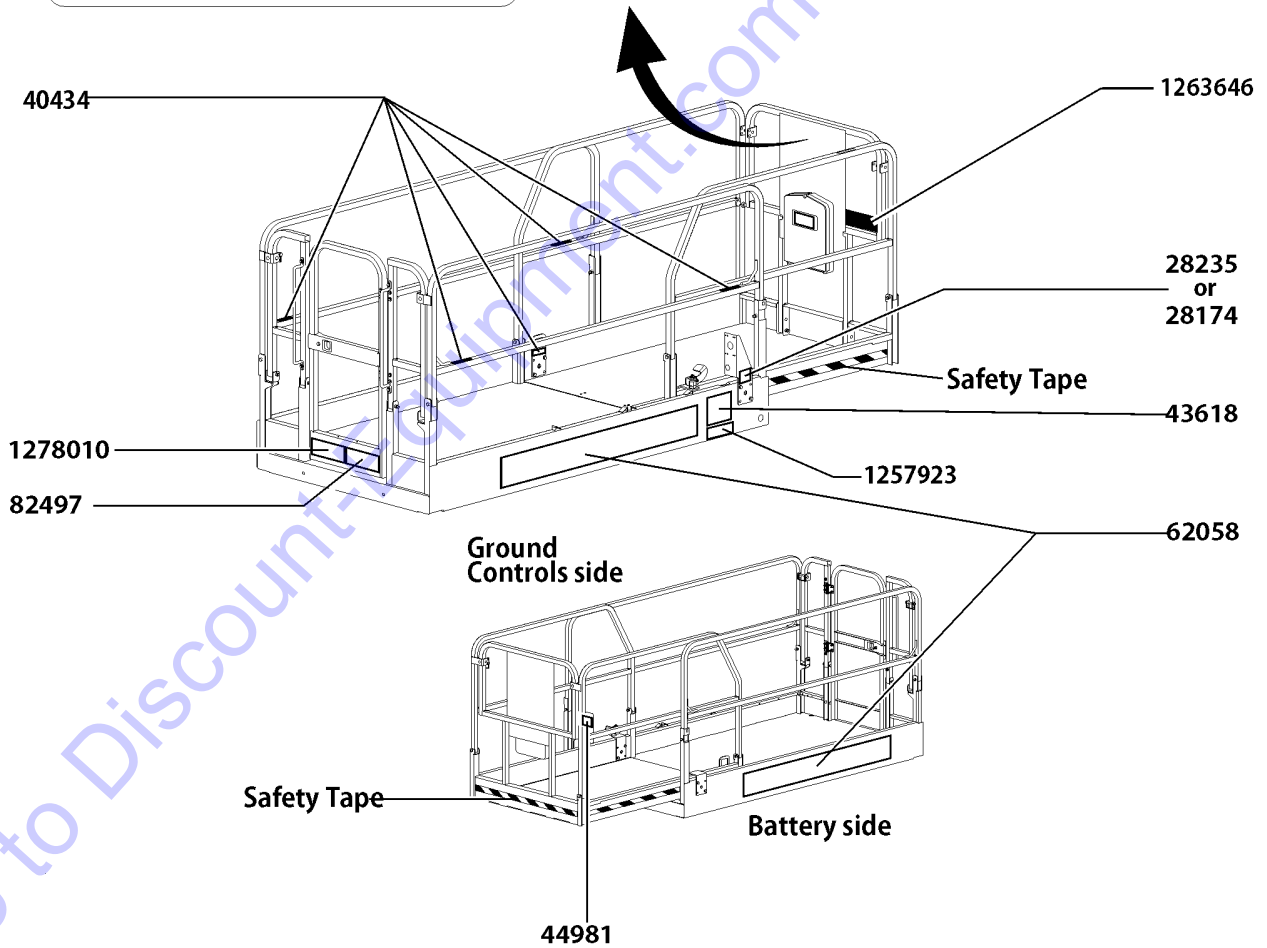
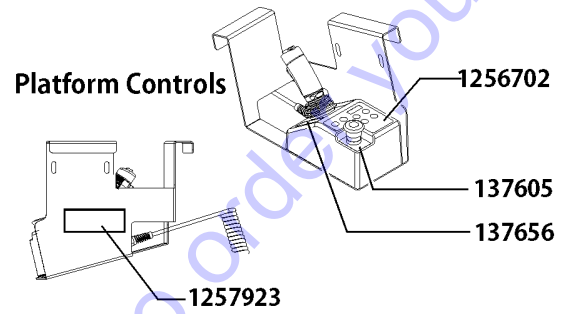
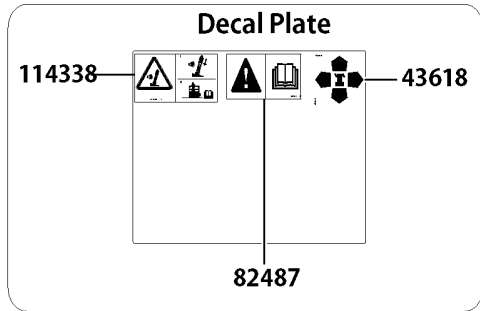
123.1 Symbol Decals, GS-3246, Platform, ANSI

Item	Part No.	Description	Qty.
1	28174GT	DECAL,POWER TO PLATFORM 230V	1
2	28235GT	DECAL,POWER TO PLATFORM 115V	1
3	40434GT	DECAL,LANYARD ANCHORAGE POINT	5
4	43618GT	DECAL,LABEL-DIRECTION ARROWS	2
5	44981GT	DECAL,LABEL,AIRLINE 110 PSI	1
		(Option)	
6	62058GT	DECAL,COSMETIC,GENIE GS-3246	2
7	82487GT	DECAL,SYMBOL-READ THE MANUAL	1
8	82733GT	DECAL,SYM-MAXCAP 700	1
9	82736GT	DECAL,SYM-SIDE FORCE	1
10	114338GT	DECAL,SYM-TIP-OVR,TILT ALARM	1
11	137605GT	DECAL,E-STOP,GR/GRC/GS PCON	1
12	137656GT	DECAL,PROPEL,GR/GRC/GS,PCON	1
13	1256702GT	DECAL, UI, GS/GR, PROP LIFT	1
14	1257923GT	DECAL, SMARTLINK PROPORTIONAL	2

Go to Discount-Equipment.com to order your parts



Platform, CE models



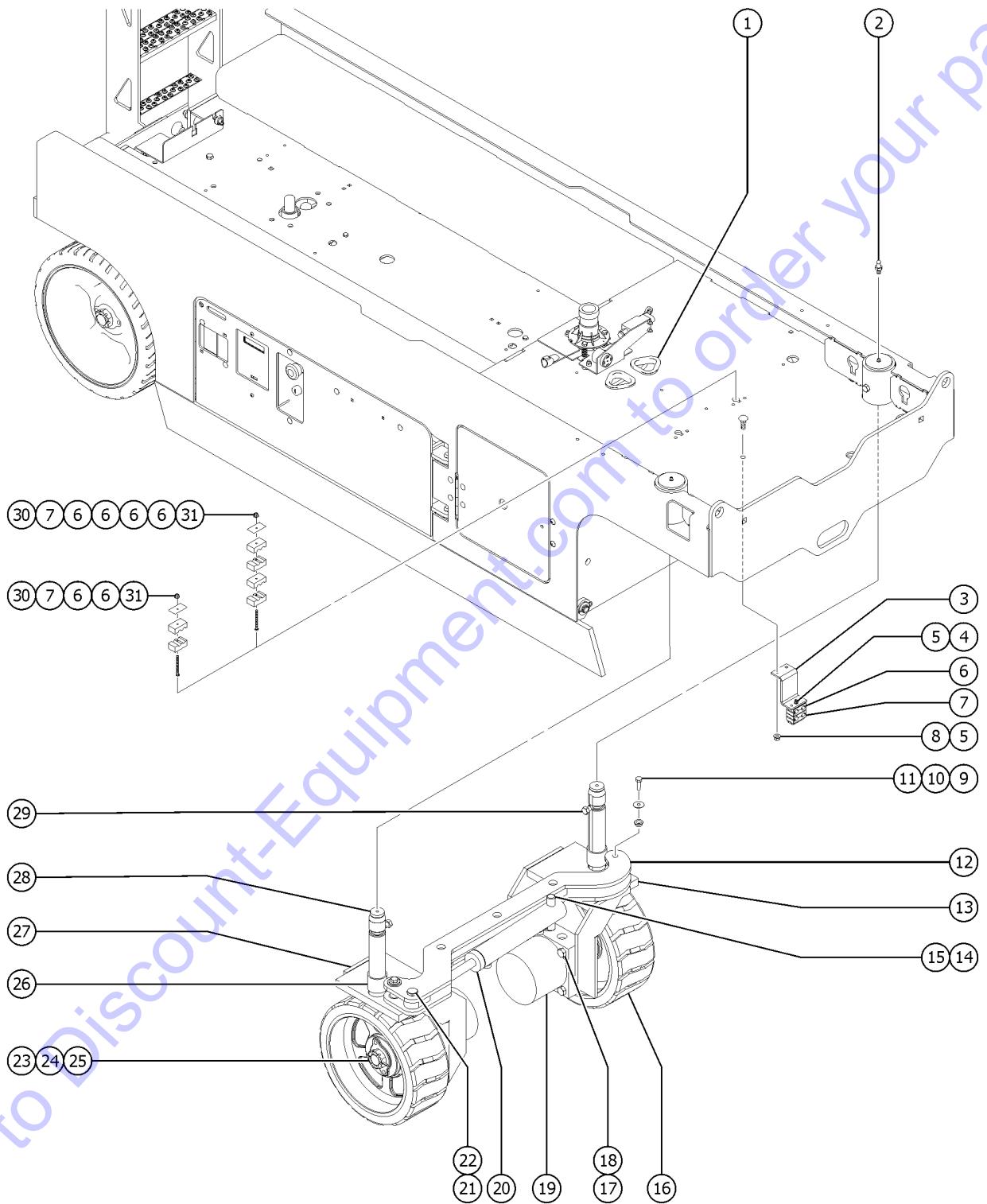
124.1 Symbol Decals, GS-3246, Platform, CE

Item	Part No.	Description	Qty.
1	28174GT	DECAL,POWER TO PLATFORM 230V	1
2	28235GT	DECAL,POWER TO PLATFORM 115V	1
3	40434GT	DECAL,LANYARD ANCHORAGE POINT	5
4	43618GT	DECAL,LABEL-DIRECTION ARROWS	2
5	44981GT	DECAL,LABEL,AIRLINE 110 PSI	1
		(Option)	
6	62058GT	DECAL,COSMETIC,GENIE GS-3246	2
7	82487GT	DECAL,SYMBOL-READ THE MANUAL	1
8	82497GT	DECAL,SYM-SIDEFORCE 200400	1
9	114338GT	DECAL,SYM-TIP-OVR,TILT ALARM	1
10	137605GT	DECAL,E-STOP,GR/GRC/GS PCON	1
11	137656GT	DECAL,PROPEL,GR/GRC/GS,PCON	1
12	1256702GT	DECAL, UI, GS/GR, PROP LIFT	1
13	1257923GT	DECAL, SMARTLINK PROPORTIONAL	2
14	1263646GT	DECAL,QR CODE,PARTS&SERVICE MANUAL	1
15	1278010GT	DECAL, SYMBOL, CE, MAXIMUM CAPACITY, 318KG	

Go to Discount-Equipment.com to order your parts



201.1 Steer Linkage and Wheels

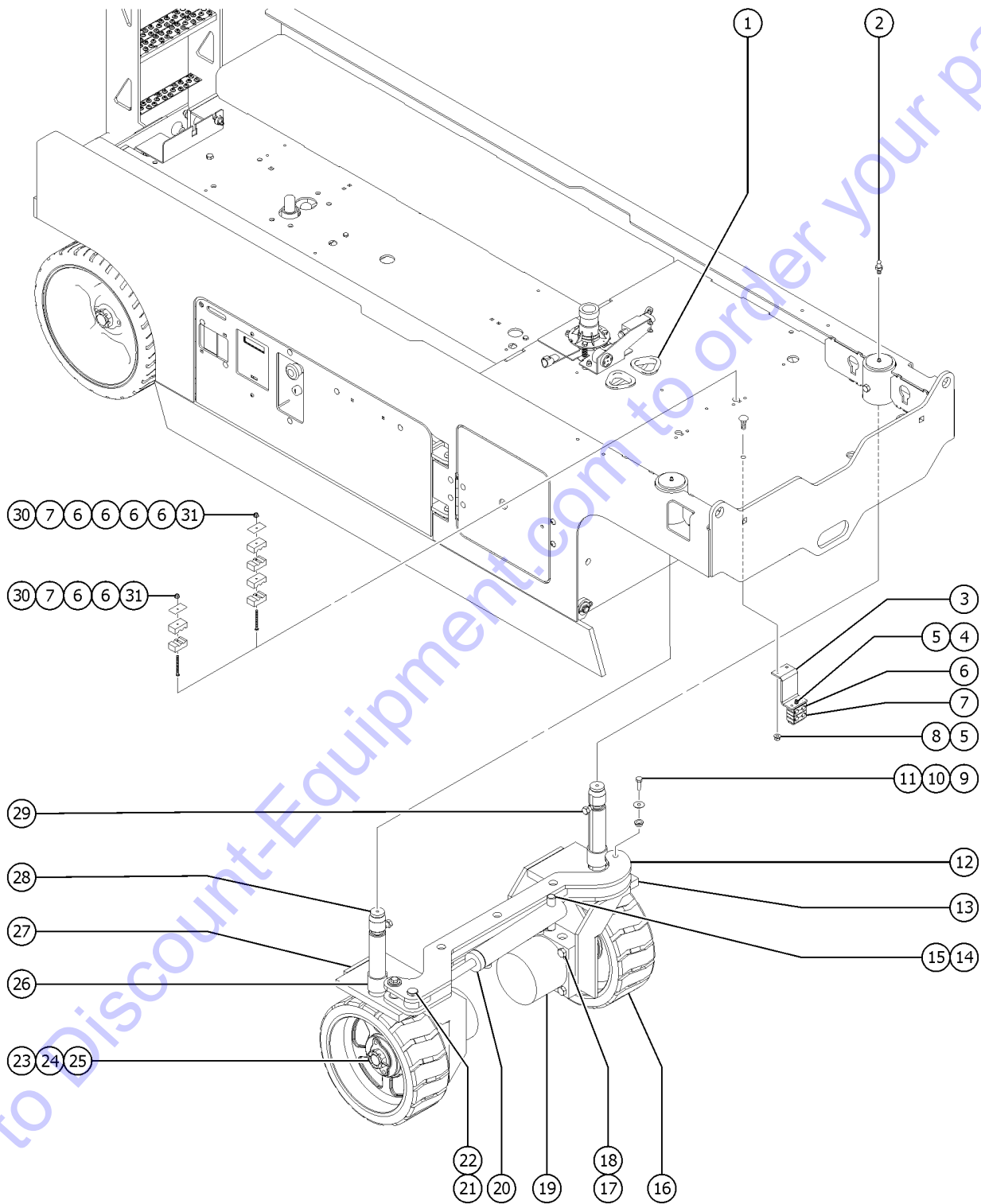


201.1 Steer Linkage and Wheels

Item	Part No.	Description	Qty.
1	47232GT	GROMMET,RUBBER 2 X 2.75	2
2	66770GT	FITTING,STRAIGHT DRIVE-IN ZERK	2
3	96767GT	FORMING, HOSE CLAMP SUPPORT	1
4	144374GT	SCREW,HHC,1/4-20X3.25,GR8	
5	6091GT	NUT, NYLOCK, 1/4-20	
6	78736GT	CLAMP,2 HOSE,PLASTIC,5/8 (as required)	
7	58592GT	PLATE,HOSE ROUTG,BULKHEAD(PTD) (as required)	
8	9116GT	BOLT,CARRIAGE,1/4-20 X 1.25,G2	
9	8255GT	SCREW,HHC,3/8-16 X .75	
10	15086GT	WASHER,FLAT,.375 X 1.5 X .125	
11	47946GT	BEARING,1.00IDX1.25ODX0.49L	2
12	96574GT	WLDMT,TIE ROD,GS46	1
13	96573GT	WLDMT,STEER YOKE,LT,GS32/46 (battery pack side)	1
14	1259195GT	PIN,CLEVIS,3/4X3.25,ZAG	1
15	96423GT	RUE RING,3/4 PIN	
16	105454GT	WHEEL & TIRE ASSY LP, 15"	2
17	8357GT	SCREW,HHC,1/2-13 X 3.5	
18	6198GT	NUT,NYLOK,1/2-13	
19		Ref. Drive Motor (refer to 501.1)	
20		Ref. Steer Cylinder (refer to 501.1)	
21	6545GT	PIN,CLEVIS,.75 X 2	1
22	21253GT	CLIP, HAIR PIN, .125 X 2	1
23	44780GT	NUT,CASTLE,1.125-18 UNEF	
24	13635-10GT	PIN,COTTER,.156 X 1.75	2
25	44781GT	KEY,RECTANGULAR,.31X.28X1.25**	2
26	18722GT	BEARING,2.25IDX2.50ODX1.50L***	
27	96572GT	WLDMT,STEER YOKE,RT,GS32/46 (ground controls side)	1
28	105565GT	WASHER,THRUST, GS	



201.1 Steer Linkage and Wheels



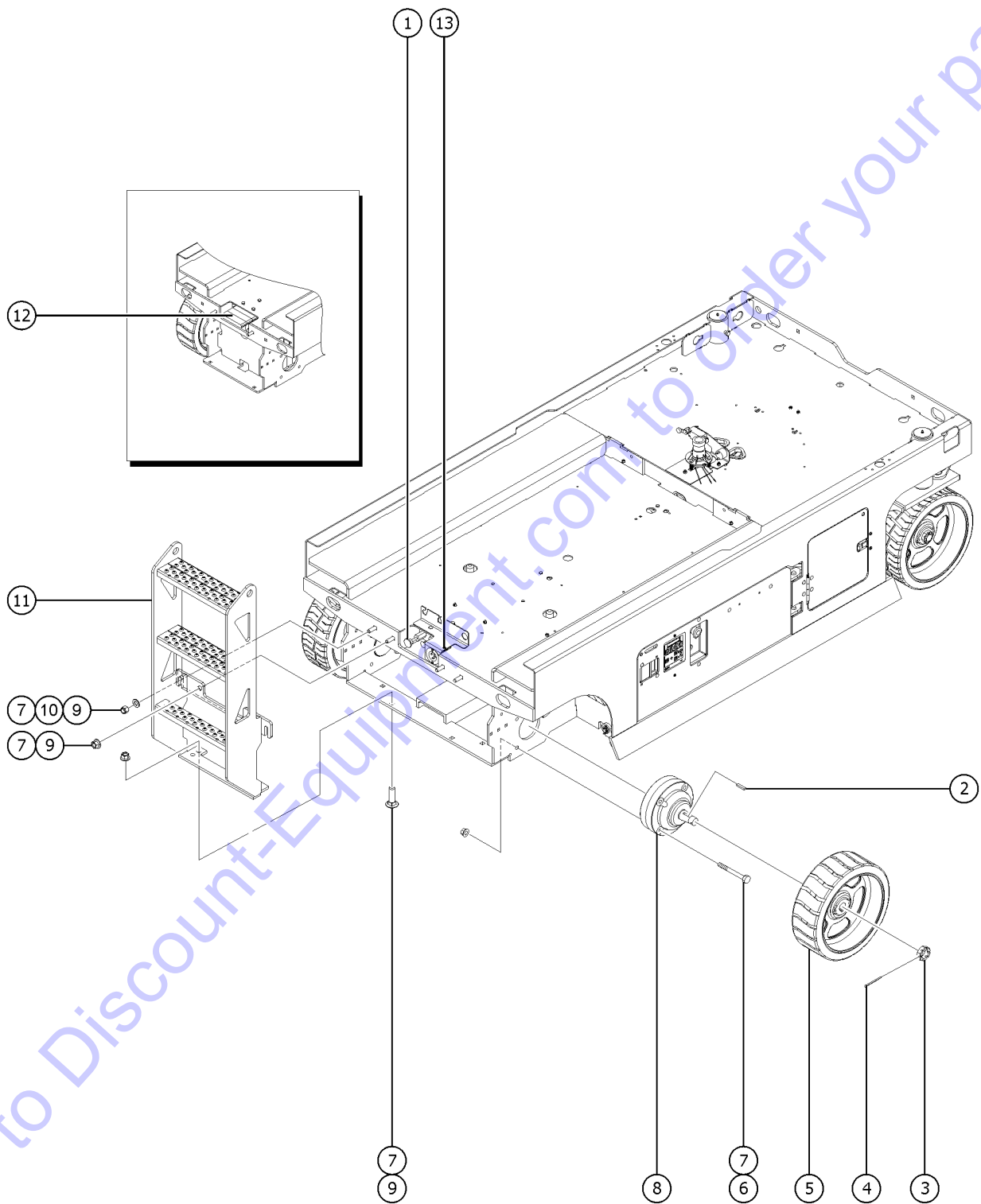
201.1 Steer Linkage and Wheels

<i>Item</i>	<i>Part No.</i>	<i>Description</i>	<i>Qty.</i>
29	1259192GT	SCREW, YOKE LOCK, ZAG	
30	18504GT	NUT, LOCKING-LG.FLANGE, 1/4-20	
31	96903GT	BOLT, CARRIAGE, 1/4-20 X 3.50, G2	1

Go to Discount-Equipment.com to order your parts



202.1 Non-steer Axle Installation

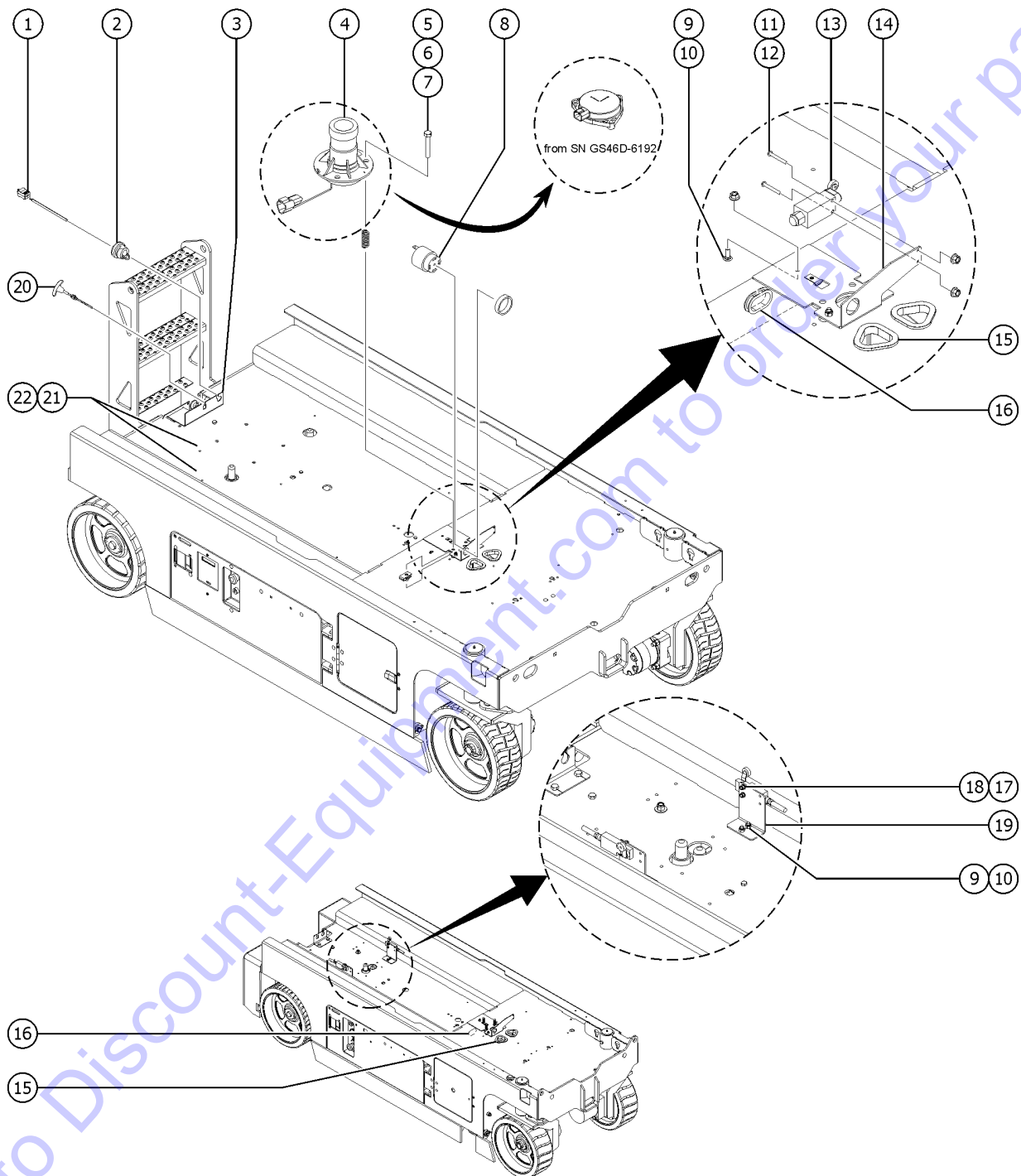


202.1 Non-steer Axle Installation

Item	Part No.	Description	Qty.
1		Ref: BRAKE RELEASE MANIFOLD (refer to 503.1)	
2	44781GT	KEY,RECTANGULAR,.31X.28X1.25**	2
3	44780GT	NUT,CASTLE,1.125-18 UNEF	2
4	42079GT	PIN,COTTER,.156 X 2.5	2
5	105454GT	WHEEL & TIRE ASSY LP, 15"	2
6	8357GT	SCREW,HHC,1/2-13 X 3.5	
7	6198GT	NUT,NYLOK,1/2-13	
8		Ref: HYDRAULIC BRAKE (refer to 501.1)	
9	96203GT	BOLT,CARRIAGE,1/2-13X1.75, G5	
10	13066GT	WASHER,FLAT,.5 HARDENED	2
11	96570GT	WLDMT,GS32/46 LADDER*** GS-2646, GS-3246 (decals not included refer to section one)	1
11B	96895GT	WELDMENT,20XX LADDER GS-2046 (decals not included refer to section one)	1
12	96887GT	CWT, REAR, XX46 GS-2046, GS-2646, GS-3246 Australia & CE (inside rear chassis)	1
12B	96876GT	COUNTERWEIGHT, BELLY GS-2646, GS-3246 (inside front center of chassis)	1
13	1270281GT	ASSEMBLY, CHARGER STATUS LED, 2V, BCI	1



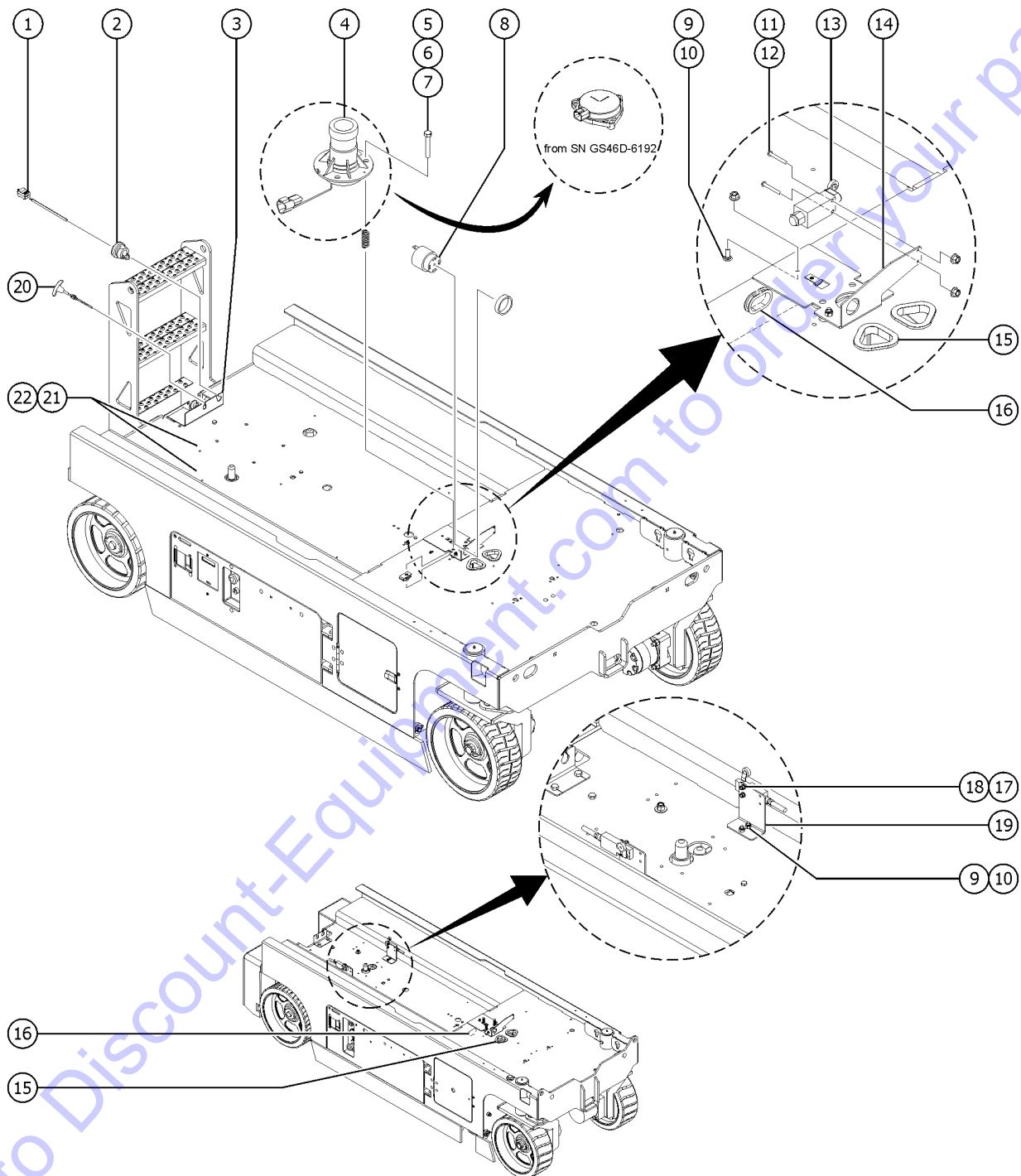
203.1 Level Sensor Installation



Item	Part No.	Description	Qty.
1		Ref. Electrical Plugs and Cords (refer to 402.1)	
2	128118GT	BUSHING,STRAIN RELIEF,.875/.40	1
3A	1282153GT	FORMING,REC.PLUG BRKT,METRIC North US and Japan	1
3B	144226GT	FORMING, REC. PLUG BRKT CE	1
3C	1282145GT	FORMING, PLUG/LED BRACKET,METRIC AUS	1
4A	228406GT	ASSY,LVL SNSR W/ CONNECTOR to SN GS46D-6191	1
4B	823368GT	SENSOR,LEVEL,UNIVERSAL from SN GS46D-6192	1
5	9116GT	BOLT,CARRIAGE,1/4-20 X 1.25,G2	
6	39469GT	SPRING,COMPRESSION.485 X1.75**	
7	18504GT	NUT,LOCKING-LG.FLANGE,1/4-20	
8	39540GT	ALARM,STEADY TONE***	1
8-	72326GT	NUT,PLASTIC,RING FOR ALARMS	
9	6878GT	BOLT,CARRIAGE,1/4-20 X .75,G2	
10	6091GT	NUT, NYLOCK, 1/4-20	
11	51063GT	SCREW,PHILLIPS,RHM,10-32 X 1.5	
12	6178GT	NUT,NYLOCK,10-32	
13	T112507GT	ASSEMBLY, DOWN LIMIT, GS (Includes plug)	1
13-	19491GT	CONTACTOR,LIMIT SWITCH	
13-	96948GT	SWITCH,LIMIT,W/ROLLER ARM***	
13-	97128GT	ROLLER ARM,LIMIT SWITCH***	
14	1267821GT	FORMING, ALARM BRACKET, METRIC	1
15	47232GT	GROMMET,RUBBER 2 X 2.75	2
16	47238GT	GROMMET,RUBBER 1.5 ID	1
17	18605GT	NUT,NYLOCK,8-32	
18	55906GT	SCREW, PHILLIPS, PHM, 8-32 X .5	
19	105736GT	FRMING,LMT SWCH BRKT,3232	
20	39232GT	CABLE,EMERGENCY DOWN	1
21	6090GT	SCREW,HHC,1/4-20 X .75	



203.1 Level Sensor Installation

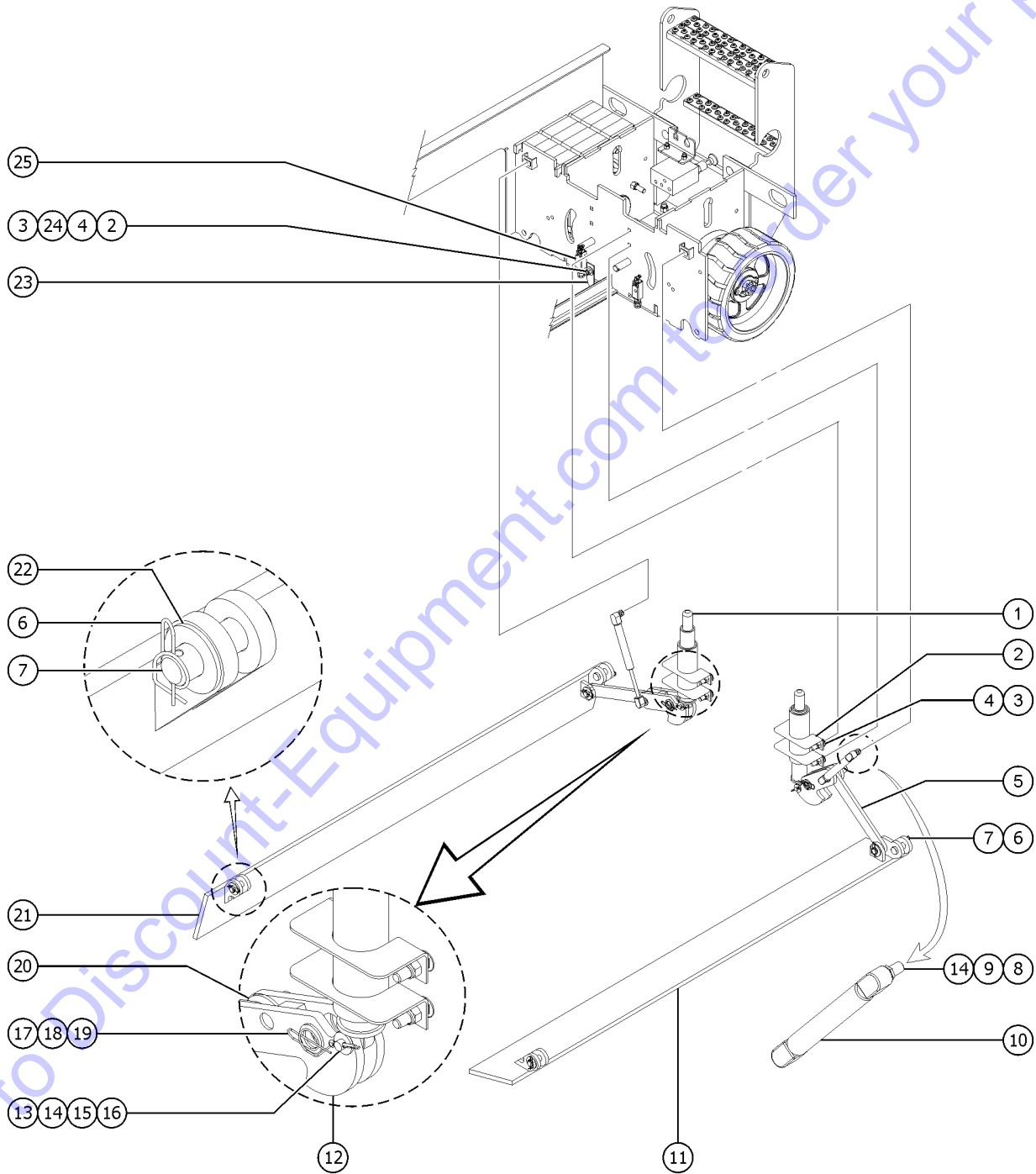


<i>Item</i>	<i>Part No.</i>	<i>Description</i>	<i>Qty.</i>
22	6833GT	CLAMP,0.50,#8 X 1/4,RUB CUSH	

Go to Discount-Equipment.com to order your parts



204.1 Pothole Protection Assembly

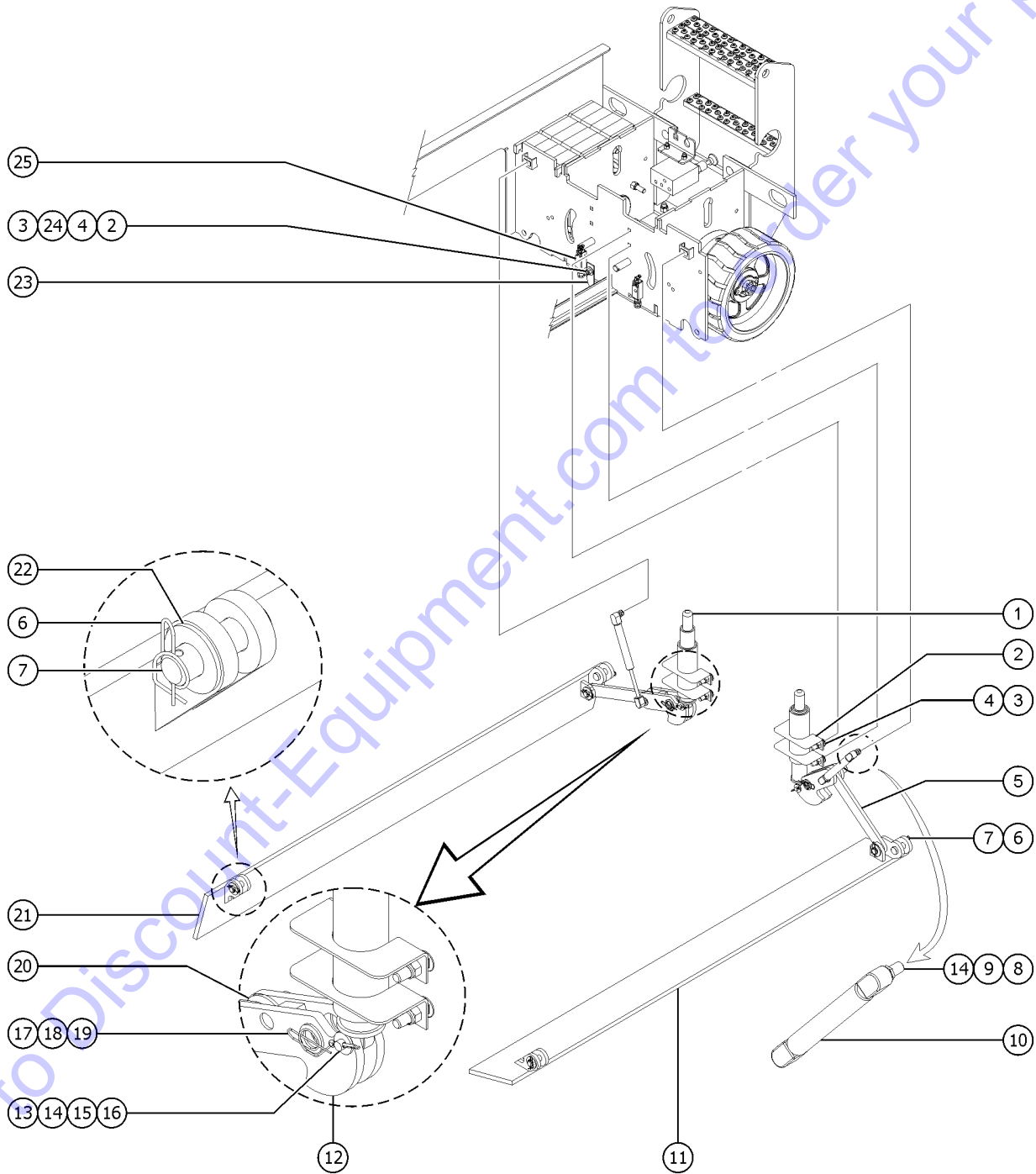


204.1 Pothole Protection Assembly

Item	Part No.	Description	Qty.
1	96839GT	ASSY,POT HOLE PUSHER,GS***	
2	105069GT	WLDMT/ASSY,PH GUIDE,GS46	2
3	105092GT	BOLT,CARRIAGE,3/8-16X1.25,GR5	
4	4828GT	NUT,NYLOCK,3/8-16	
5A	96637GT	PLATE,POTHOLE LINK	2
5B	105156GT	BUSHING,FLNGD,.63 X .77 X .38 (sold seperately)	
6	96422GT	RUE RING,5/8 PIN	
7	96135GT	PIN,CLEVIS,.625 X 1.88,ZINC PL	6
8	96643GT	PIN, POTHOLE LINK PIVOT	
9	78086GT	BALL STUD, GAS STRUT, 3/8-16	
10	39542GT	GAS SHOCK,SCISSORS***	2
11	96639GT	WELDMENT, POTHOLE, LEFT SIDE	1
12	96281GT	PH BELLCRANK LINK	2
13	12016GT	PIN,COTTER,.125 X .75	
14	5397GT	WASHER,FLAT,USS,5/16",Y	
15	34742GT	PIN,CLEVIS,.375 X 1.75 LG.	2
16	96541GT	CAM FOLLOWER,1.125X.375,DELFIN	2
17	96423GT	RUE RING,3/4 PIN	
18	6564GT	WASHER, SHIM,.765 X 1.312 X .093	
19	55355GT	SPACER,.75ID X 1.5OD X 1/4THK	
20	96085GT	WASHER,THRUST,.63 X 1.13 X .06	
21	96638GT	WELDMENT, POTHOLE, RIGHT SIDE	1
22	6898GT	WASHER,SHIM,.625 X 1.188X.064	
23	105060GT	GROUND STRAP, 8"LG	1
24	6097GT	WASHER,FLAT,USS,3/8",Y	
25	96948GT	SWITCH,LIMIT,W/ROLLER ARM*** (down limit switch)	2
25-	1256177GT	SCREW,PHPM,10-32X1.75,ZAG	
25-	19491GT	CONTACTOR,LIMIT SWITCH	



204.1 Pothole Protection Assembly

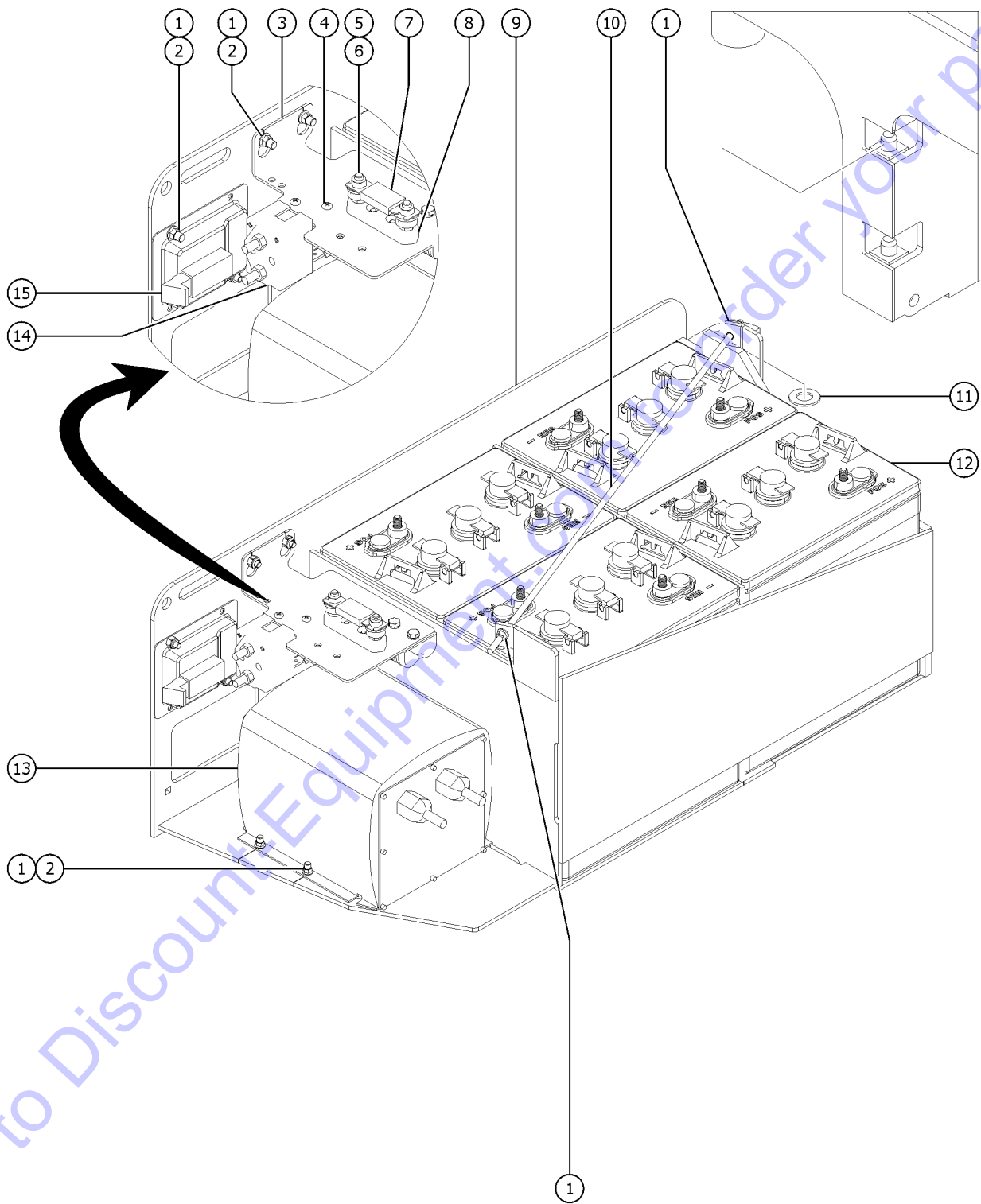


<i>Item</i>	<i>Part No.</i>	<i>Description</i>	<i>Qty.</i>
25-	824032GT	NUT,TL FLG,10-32,F,ZAG	
25-	97128GT	ROLLER ARM,LIMIT SWITCH***	

Go to Discount-Equipment.com to order your parts



205.1 Battery Pack Module

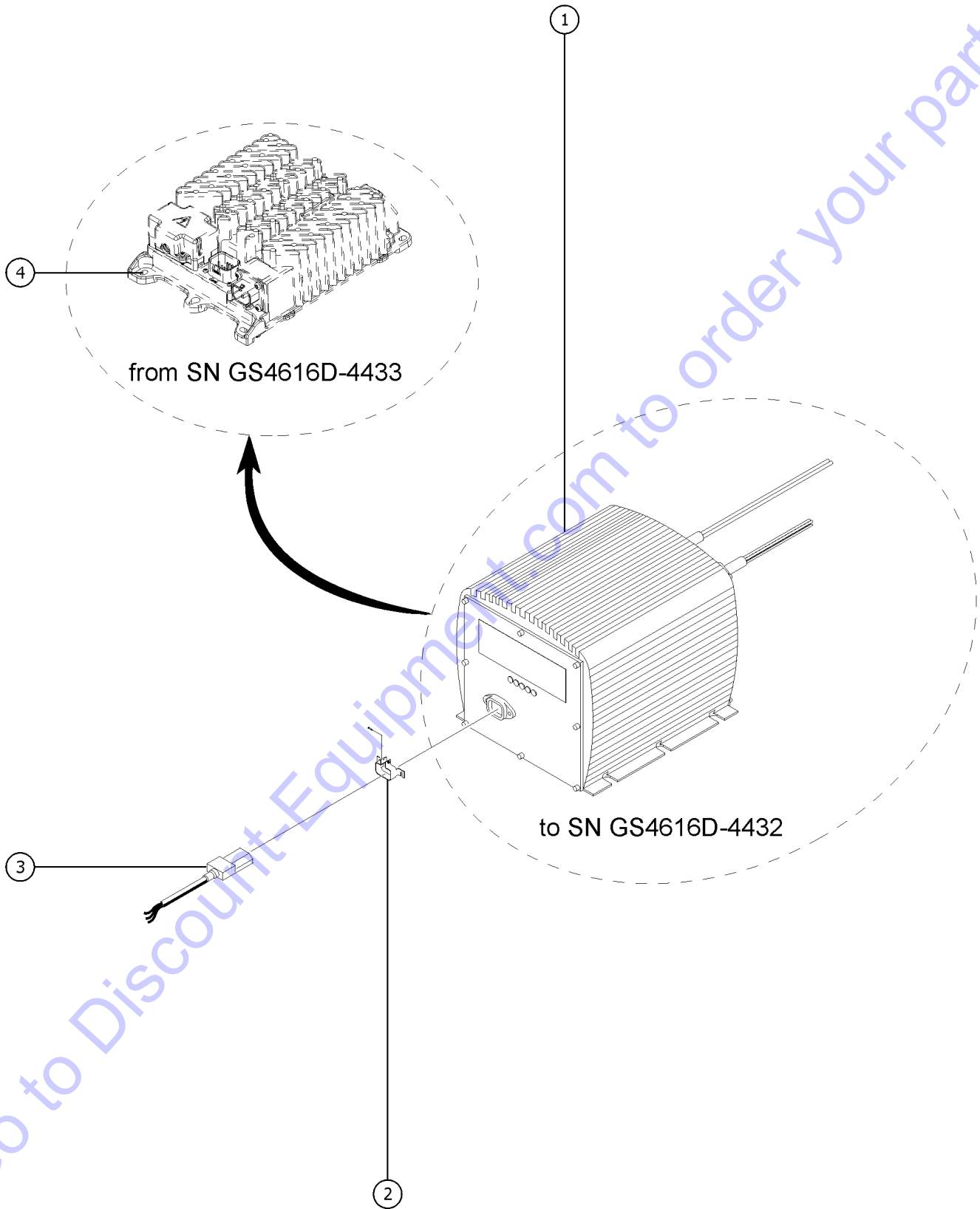


205.1 Battery Pack Module

Item	Part No.	Description	Qty.
1	6091GT	NUT, NYLOCK, 1/4-20	
2	6878GT	BOLT, CARRIAGE, 1/4-20 X .75, G2	
3	1282144GT	FORMING, CONTACTOR/FUSE BRACKET, METRIC	1
4	49818GT	SCREW, PHILLIPS, PHM, 10-32 X .38	
5	5397GT	WASHER, FLAT, USS, 5/16", Y	
6	18503GT	NUT, LOCKING - LG FLANGE 5/16 - 18	
7	40833GT	FUSE, 275AMP, VERY FAST ACTING	1
8	66717GT	FUSE BLOCK, ANN & ANL FUSE (includes mounting fasteners)	1
9	1273354GT	WLDMT, GS BATTERY TRAY	1
10	30784-2550GT	THREADED ROD, (1/4-20), 25.50	1
11	6638GT	WASHER, FLAT, USS, 1/4"Y	
12A	76494GT	BATT, 6V, 225AH T105 LPT\3CAP	4
12B	1263152GT	FULLRIVER BATT, DC224-6, 6V, 224AH, GS3246 AGM	4
13		Ref. Battery Charger (refer to 206.1)	
14	1270457GT	CONTACTOR, DRIVE, 24V, 180A UNBRANDED	1
15	55675GT	LATCH, LRG PADDLE HANDLE GS90	1



206.1 Battery Charger



206.1 Battery Charger

Item	Part No.	Description	Qty.
-	97059GT	FUSE,BATTERY CHARGER*** for 5-LED battery charger	
-	105334GT	CONNECTOR, IEC CHARGER CORD for 5-LED battery charger	
1A	105739GT	CHARGER,BAT,24VDC,H/LO GEN2 Signet battery charger. NOTE: Some machines are equipped with an alternative-brand battery charger. Inspect your machine before ordering OR contact Genie Service Parts if needed.	1
1A-	144180GT	MANUAL,OWNERS,CHARGER,105739	
1B		Ref. Field Assembly Recessed Charger Plug (refer to 403.1)	
1C	219480GT	KIT,BATTERY CHARGER,24V (includes 105739 charger, fasteners, ring terminals and instructions for field installation)	
1D	1272232GT	CHARGER, 24V, 650W, USB from SN GS4616D-4433	1
1D-	1279428GT	KIT, DC BLOCK ASSEMBLY for 1279428	
2	55010GT	LOCK, CONNECTOR (includes fasteners)	1
3A	144130GT	POWER CORD, IEC 320, 115" to SN GS4616D-4432	1
3B	1272557GT	POWER CORD, IEC 320, 90 from SN GS4616D-4433	1
4	1272292GT	OPT,SUNBELT MOVIE PAINT,S100	1

Go to Discount-Equipment.com to order your parts



PARTS FINDER

**Search Website
by Part Number**



**Search Manual
Library For Parts
Manual & Lookup Part
Numbers – Purchase
or Request Quote**

Search Manuals

Enter your information to help us find the right parts manual for your machine.

* Brand:

* Model:

* Serial:

* Part Number:

SEARCH

**Can't Find Part or
Manual? Request Help
by Manufacturer,
Model & Description**

Parts Order Form

Please fill in the following information to help us find the right part for your machine.

Manufacturer:	<input type="text"/>
Model:	<input type="text"/>
Description:	<input type="text"/>
Part Number:	<input type="text"/>
Quantity:	<input type="text"/>
Notes:	<input type="text"/>

Submit

Discount-Equipment.com is your online resource for quality parts & equipment.

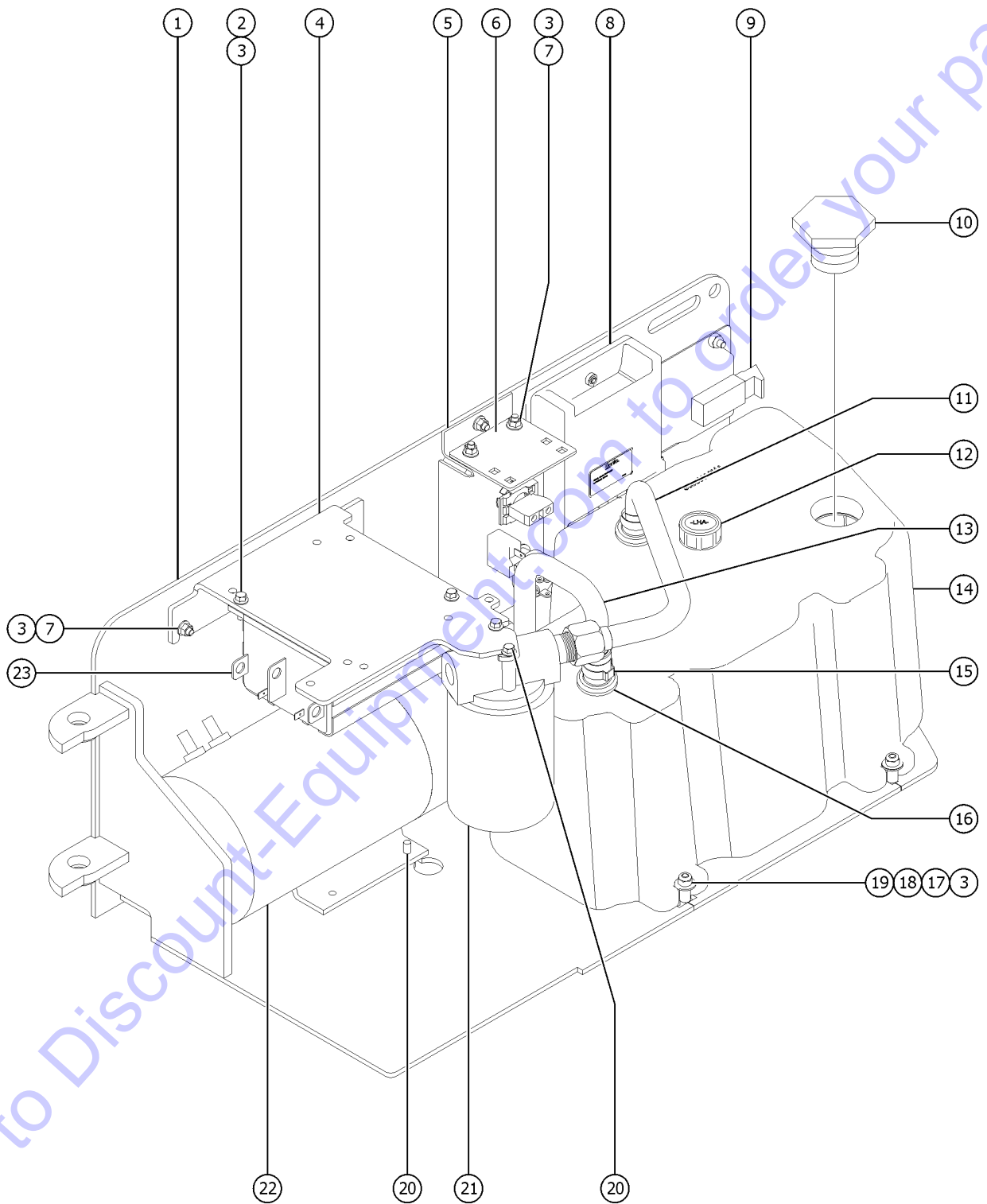
Florida: **561-964-4949** Outside Florida TOLL FREE: **877-690-3101**

Need parts?

Click on this link: <http://www.discount-equipment.com/category/5443-parts/> and choose one of the options to help get the right parts and equipment you are looking for. Please have the machine model and serial number available in order to help us get you the correct parts. If you don't find the part on the website or on one of the online manuals, please fill out the request form and one of our experienced staff members will get back to you with a quote for the right part that your machine needs.

We sell worldwide for the brands: Genie, Terex, JLG, MultiQuip, Mikasa, Essick, Whiteman, Mayco, Toro Stone, Diamond Products, Generac Magnum, Airman, Haulotte, Barreto, Power Blanket, Nifty Lift, Atlas Copco, Chicago Pneumatic, Allmand, Miller Curber, Skyjack, Lull, Skytrak, Tsurumi, Husquvarna Target, Stow, Wacker, Sakai, Mi-T-M, Sullair, Basic, Dynapac, MBW, Weber, Bartell, Bennar Newman, Haulotte, Ditch Runner, Menegotti, Morrison, Contec, Buddy, Crown, Edco, Wyco, Bomag, Laymor, EZ Trench, Bil-Jax, F.S. Curtis, Gehl Pavers, Heli, Honda, ICS/PowerGrit, IHI, Partner, Imer, Clipper, MMD, Koshin, Rice, CH&E, General Equipment, Amida, Coleman, NAC, Gradall, Square Shooter, Kent, Stanley, Tamco, Toku, Hatz, Kohler, Robin, Wisconsin, Northrock, Oztec, Toker TK, Rol-Air, APT, Wylie, Ingersoll Rand / Doosan, Innovatech, Con X, Ammann, Mecalac, Makinex, Smith Surface Prep, Small Line, Wanco, Yanmar

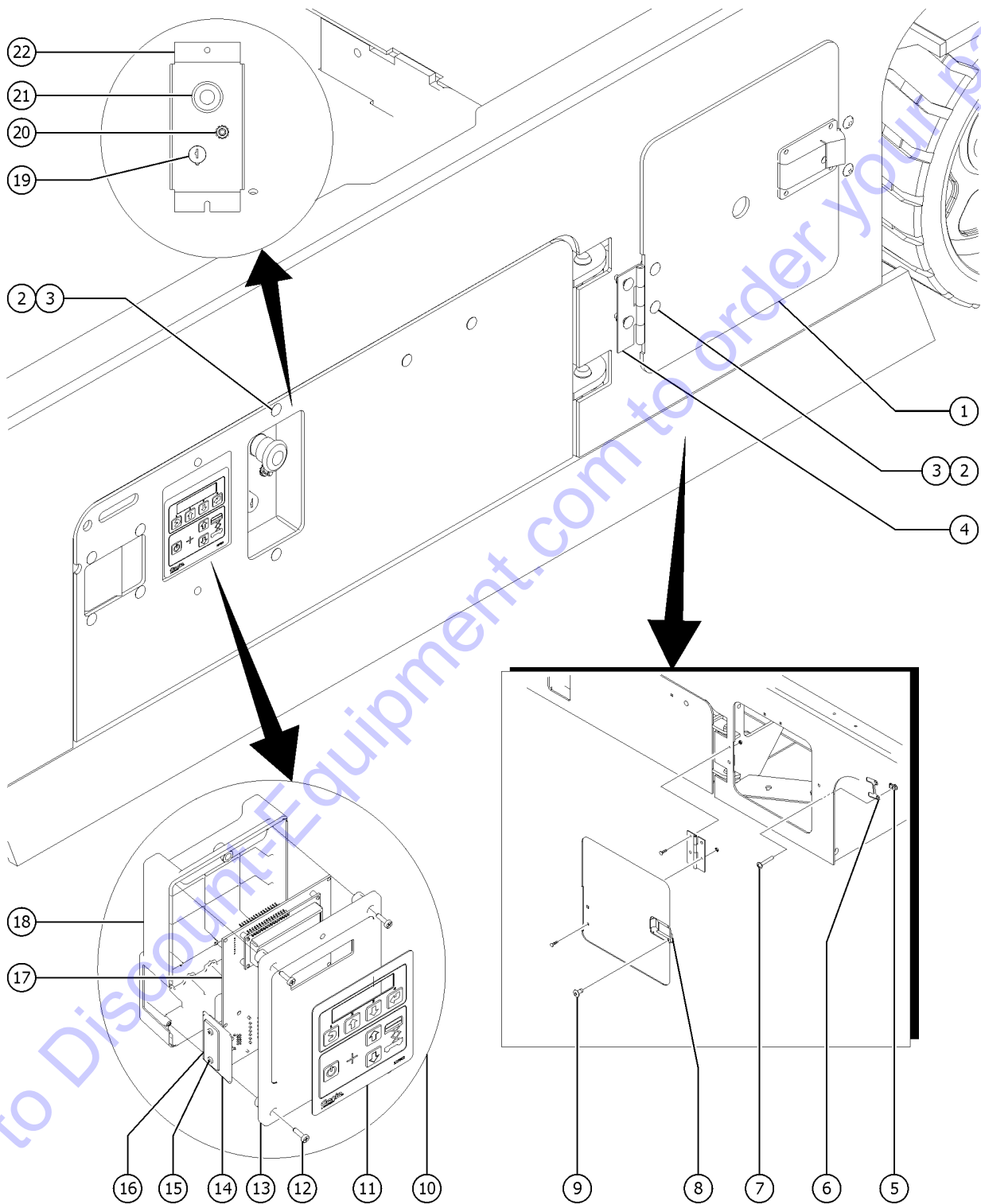
207.1 Power Unit Module



Item	Part No.	Description	Qty.
1	229195GT	ASSY,GS HYDRAULIC TRAY,MET	1
1-	227166GT	WELDMENT, GS HYD TRAY, MET (decals not included, refer to section one)	
2	824080GT	SCREW,HHF,1/4-20X1.25,8,ZAG	
3	6091GT	NUT, NYLOCK, 1/4-20	
4	1273016GT	FORMING, FILTER-CNTRLR MOUNT	
5		Ref. FORMING, CONTROL PANEL	
6	227164GT	GS3246_PLATE, HARNESS MOUNT, MET	
7	6878GT	BOLT,CARRIAGE,1/4-20 X .75,G2	
8		Ref. GCON, GR/GRC/GS	
		(refer to figure 208.1)	
9	55675GT	LATCH, LRG PADDLE HANDLE GS90	1
10	66204GT	FILTER CAP (PLUG 1-1/2" NPT HEX	1
11	1270600GT	TUBE, SLAB RETURN ASSEMBLY	1
12	78546GT	BREATHER CAP, HYD. TANK, 1/4 NPT	1
13	1270598GT	TUBE, ASSY, DRAW	
14	226163GT	HYD. TANK KIT, GS30,32,46	1
		(includes items 15 and 16)	
14-	T109012GT	TANK,HYD, SLAB SCISSORS	
15	96855GT	CLAMP,HOSE,1 EAR,1-1/16***	2
16	96709GT	GROMMET,SLAB HYD TANK***	2
17	96699GT	SLEEVE,TANK SUPPORT	
18	6638GT	WASHER,FLAT,USS,1/4"Y	
19	9116GT	BOLT,CARRIAGE,1/4-20 X 1.25,G2	
20	6090GT	SCREW,HHC,1/4-20 X .75	
21		REF. FILTER ASSY	
		(refer to figure 501.1)	
22		REF. ELECTRIC MOTOR/PUMP	
		(refer to figure 505.1)	
23	1257840GT	MOTOR CONTROLLER,DC,24V,360A	



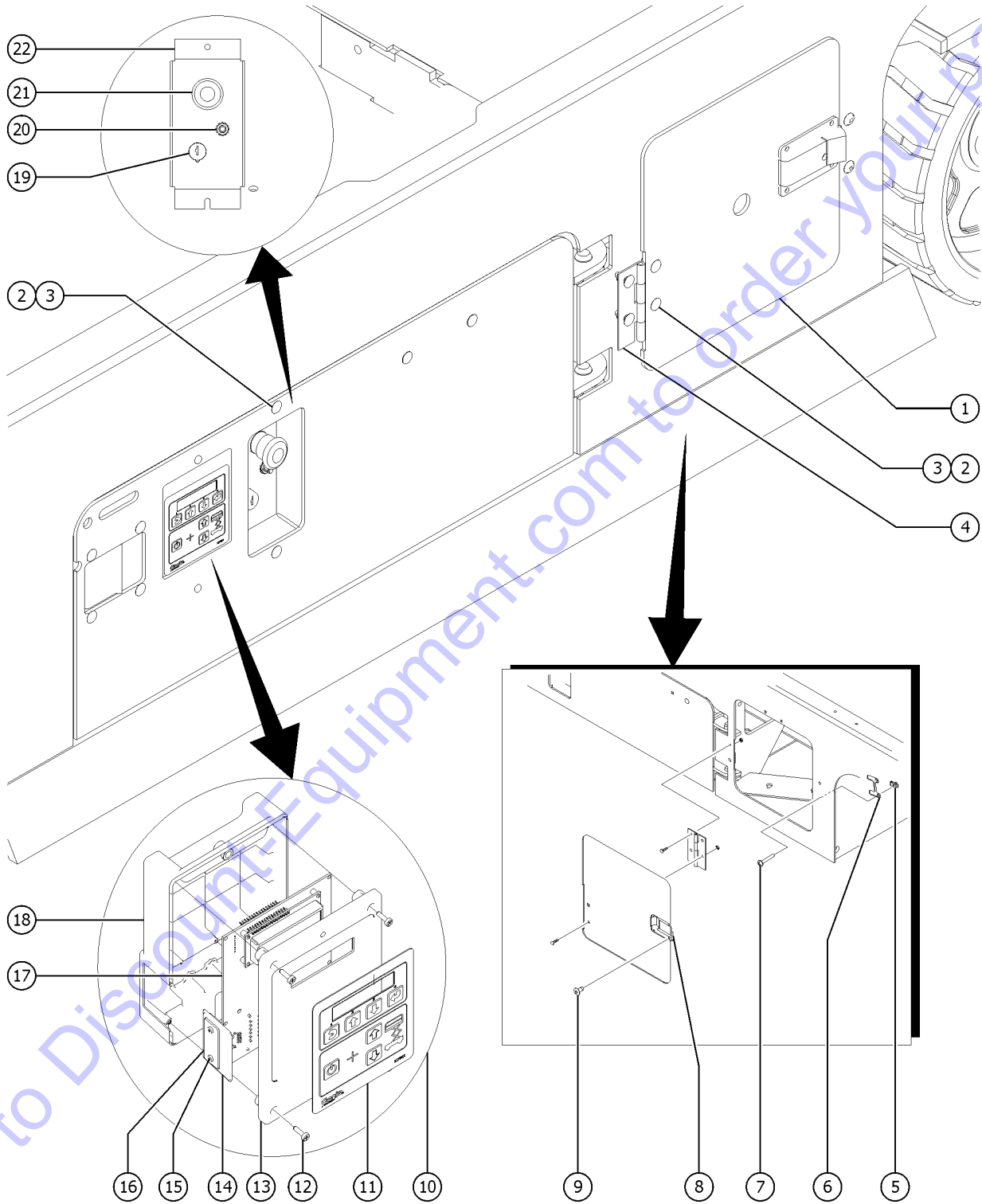
208.1 Ground Controls



Item	Part No.	Description	Qty.
A	1252764GT	SPACER, GROUND CONTROL ECU	1
1	105732GT	PLATE,SIDE DOOR*** (used on both sides)	1
2	6878GT	BOLT,CARRIAGE,1/4-20 X .75,G2	6
3	6091GT	NUT, NYLOCK, 1/4-20	
4	105734GT	HINGE,ACCESS DOOR(13G)	1
5	56912GT	SPRING CLIP,1/4-20,.025-.15X.54,ZAG	
6	105733GT	PLATE,SIDE DOOR STOP***	1
7	43137GT	SCREW,PHM,1/4-20 X .75	
8	105759GT	LATCH,COMPRESSION,SMALL	1
9	6272GT	RIVET,STL,STL,P,.125 X .25	2
10	1256721GT	GCON,STD,PROP LIFT.	1
11	137562GT	DECAL,MEMBRANE, GR/GRC/GS GCON	1
12	137668GT	SCREW,PHM,6-19X.75, 48-2 TRI-L	
13	T106366GT	ENCLOSURE,GC27-25/GC21-19,FRNT	1
14	T106363GT	ADAPTER, RJ45, GC27-25/GC21-19	1
15	137637GT	SCREW,PHM,4-20X.5, 48-2 TRI-L	
16	T106362GT	COVER, RJ45, GC27-25/GC21-19	1
17	1256719GT	PCBA,GCON STD,PROP LIFT	1
18	T106372GT	ENCLOSURE, GC21-19, BK	1
19	96008-SGT	KEYSWITCH,3 POS. W/KEYS***	1
19-	37947GT	KEYS,10 PACK*** (sold seperately)	
19-	83093GT	KEY SINGLE*** (sold seperately)	
19-	85239GT	NUT,RETAINER (96008) (sold seperately)	
19-	96009GT	WASHER,NITRILE (sold seperately)	
19-	96010GT	SCREW,PHILLIPS,PHM,8-32 X.25** (sold seperately)	
20	96452GT	CIRCUIT BREAKER, 7.0 AMP***	1
20-	122994GT	NICKEL PLATED JAM NUT	
20-	6700GT	WASHER,STAR,EXTERNAL,,.375	



208.1 Ground Controls



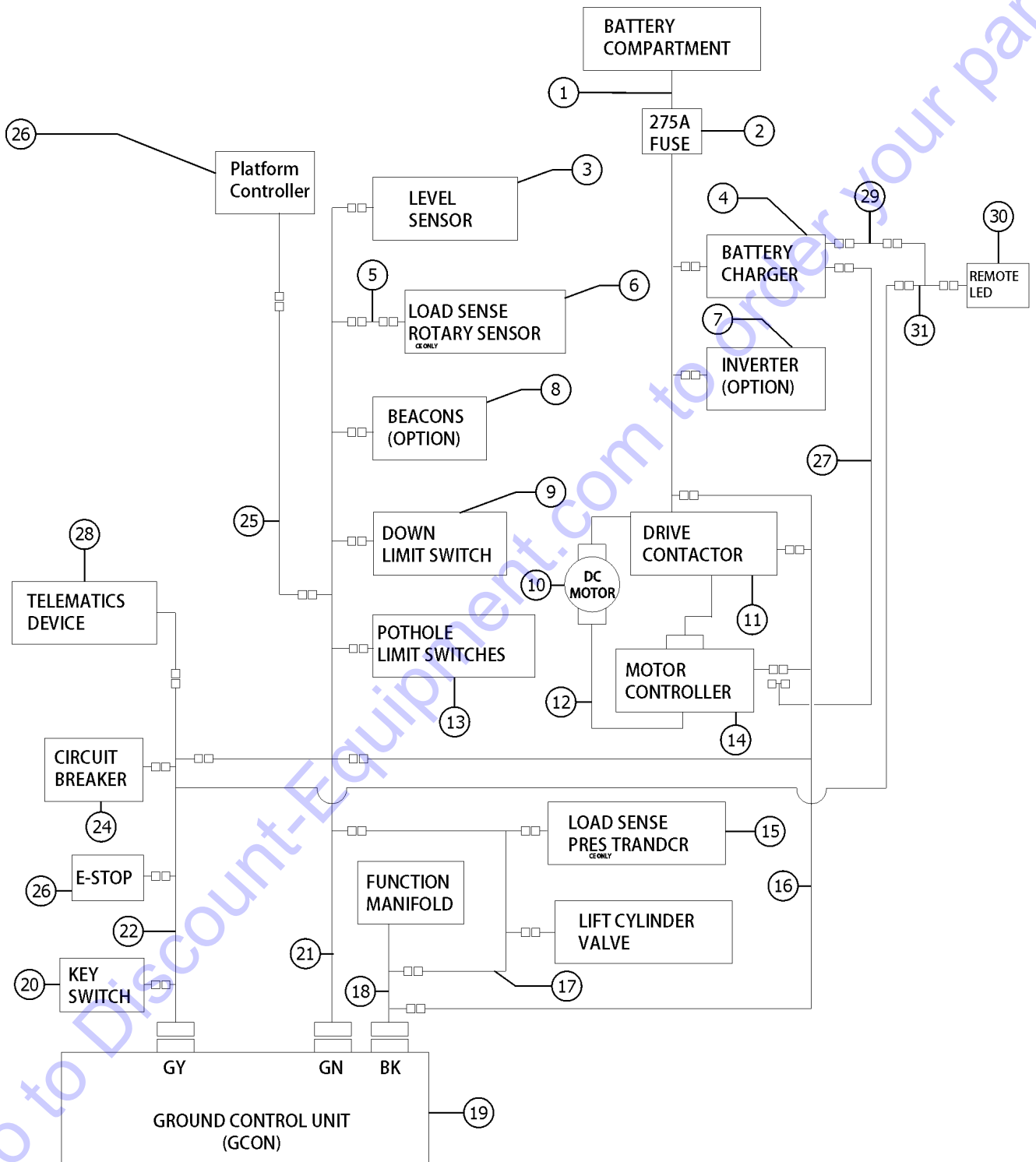
208.1 Ground Controls

<i>Item</i>	<i>Part No.</i>	<i>Description</i>	<i>Qty.</i>
21	66812GT	BUTTON,PUSH,RED MUSHROOM HEAD	1
21-	58627GT	NUT	
21-	66817GT	E-STOP NC CONTACT	
22	227165GT	FORMING,CONTROL PANEL,MET	1

Go to Discount-Equipment.com to order your parts

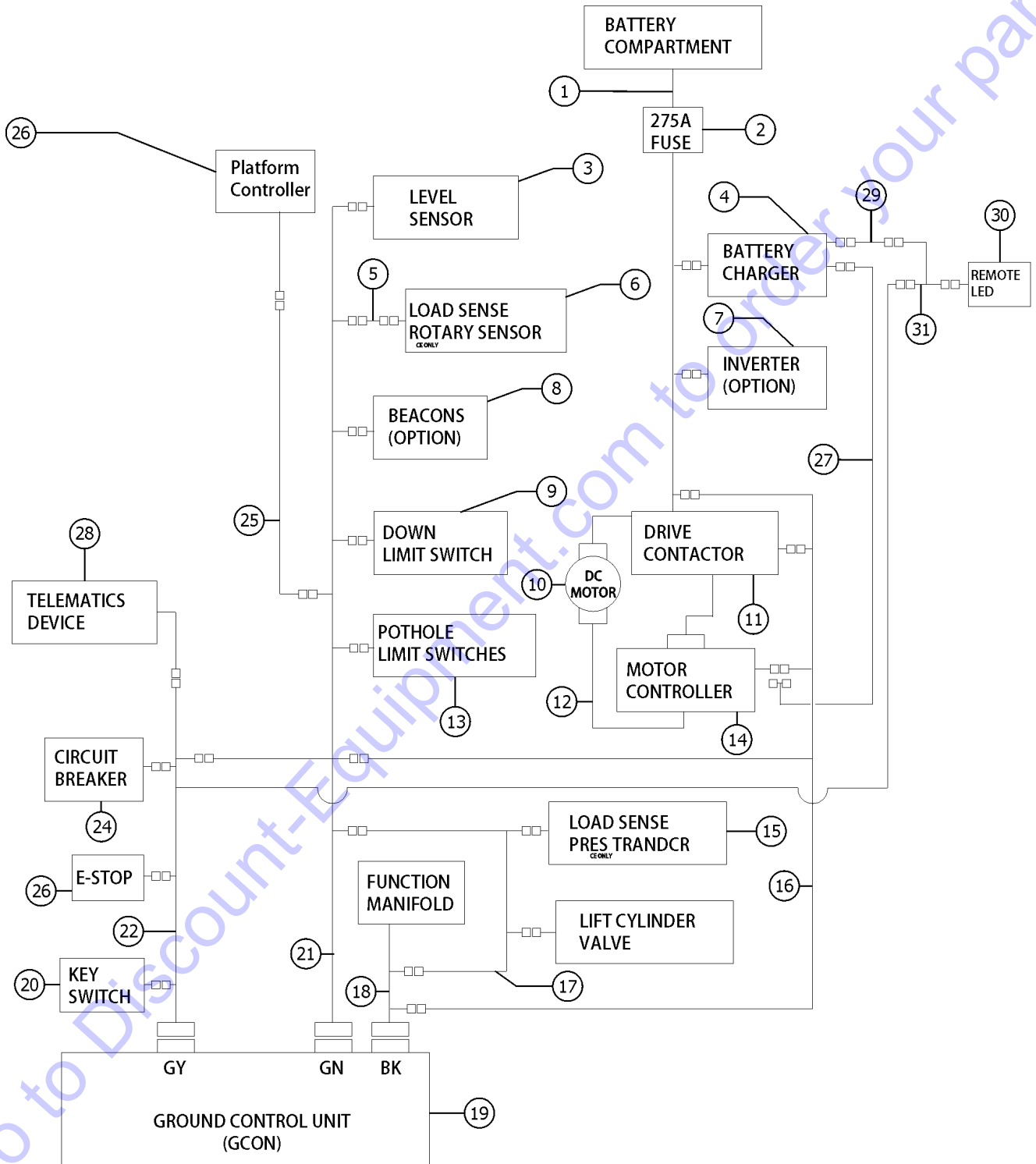


209.1 Electrical Wiring



Item	Part No.	Description	Qty.
A	105214GT	CABLE TIE MOUNT, WINGED not shown	
A	56926GT	CLIP, TIE HARNESS MOUNT*** not shown	
B	1264822GT	KIT, TRC RETROFIT, STNDRD Telematics (includes 1264834)	
B-	1264834GT	INSTRN, TRC RETROFIT, STNDRD	
1		REF. BATTERY CABLE refer to 210.1	
2		REF. FUSE refer to 205.1	
3		REF. LEVEL SENSOR refer to 203.1	
4		REF. CHARGER refer to 206.1	
5	T114031GT	HARNESS, ROTARY ANGLE	1
6	T113136GT	ASSY,ROT SENSR W/ HARNESS	1
7		REF. INVERTER refer to 604.1	
8		REF. STOBE,BEACON refer to 601.1	
9		REF. DOWN LIMIT, GS refer to 203.1	
10		REF. ELECTRIC MOTOR refer to 504.1	
11	1270457GT	CONTACTOR, DRIVE, 24V, 180A UNBRANDED	1
12		REF. BATTERY CABLE refer to 210.1	
13	96853GT	ASSY,POTHOLE HARNESS GS32/GS46	1
14		REF. MOTOR CONTROLLER refer to 207.1	
15	1311101GT	PRESSURE TRANSDUCER,0-5K,1-5V	1
16	233430GT	HRNS,CONTACTOR SIGNAL,GS46 GS-2646, GS-3246	1
17A	233055GT	CABLE,LIFT CYL DWN, 32XX,W/LS GS-2646 (CE, Australia)	1
17B	234168GT	CABLE,LIFT CYL DWN, 32XX,WO/LS GS-2646 (ANSI, CSA)	1
17C	233055GT	CABLE,LIFT CYL DWN, 32XX,W/LS GS-3246(CE,Australia)	1
17D	234168GT	CABLE,LIFT CYL DWN, 32XX,WO/LS GS-3246(ANSI,CSA)	1
18	1257824GT	HARNESS,FUNCTION MANIFOLD,GS replaced T110889GT (Black connector)	1
19		REF. GCON refer to 208.1	
20		REF. KEYSWITCH refer to 208.1	
21A	1263221GT	HARNESS, GS SENSORS, ANSI	1

209.1 Electrical Wiring

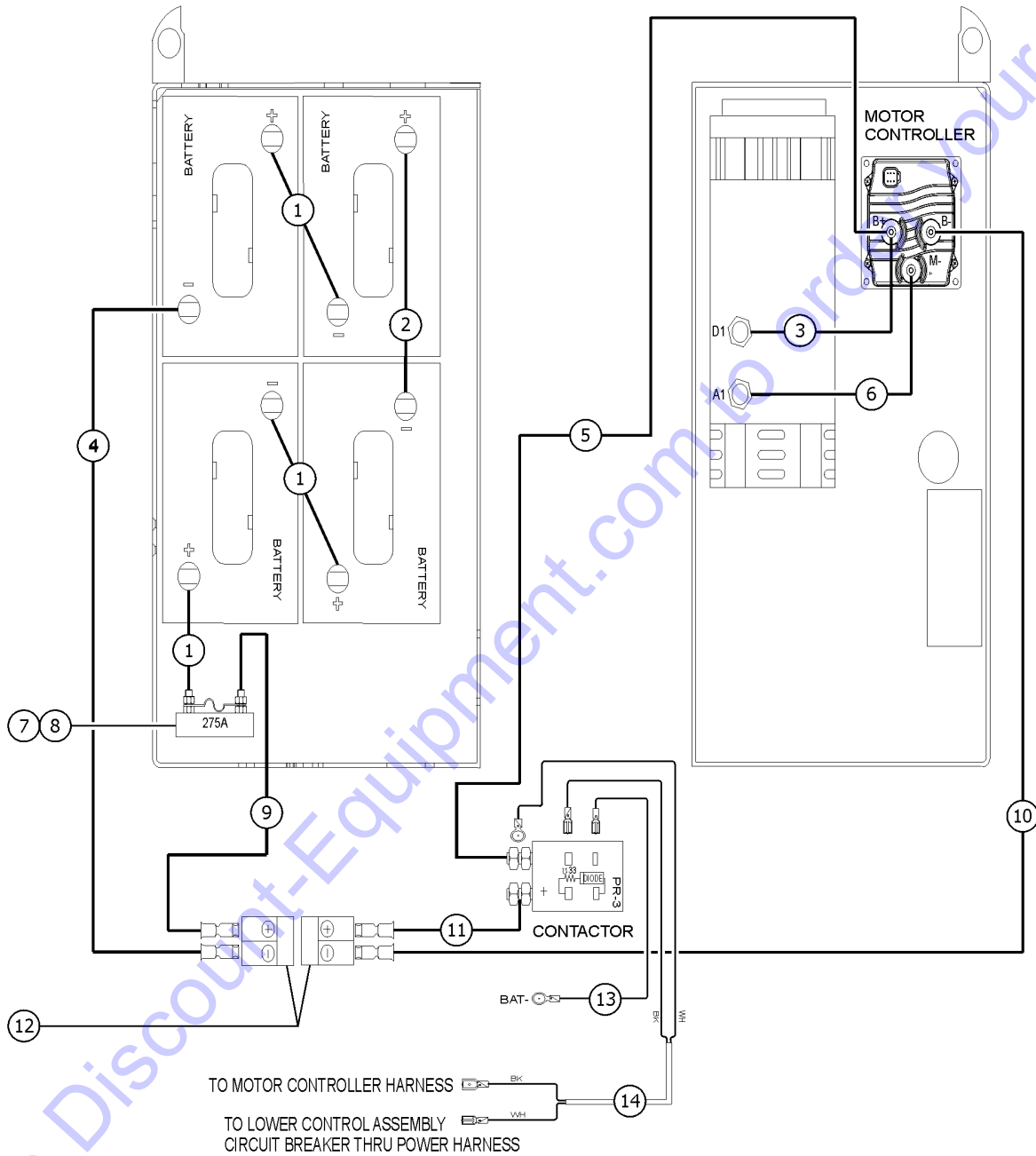


Go to Discount-Equipment.com to order your parts

Item	Part No.	Description	Qty.
21A-	233711GT	HRNS ASSY,RESISTOR DIODE for 228786GT and T110891GT	
21B	T110891GT	HARNESS, GS SENSORS, CE (Green connector)	1
21B-	233711GT	HRNS ASSY,RESISTOR DIODE for 228786GT and T110891GT	
21B-	233644GT	RESISTOR,200 OHM 10W,CERAMIC for 233711GT	
21C	1263220GT	HARNESS, GS SENSORS, CE for UTS only	
22A	T110890GT	HARNESS, GS POWER CONTRL (Grey connector)	1
23		REF. E-STOP BUTTON refer to 208.1	
24		REF. CIRCUIT BREAKER refer to 208.1	
25A	233050GT	CABLE, PLATFORM CONTROL, 20XX GS-2046	1
25A-	231921GT	KIT,CONN,RECEPT W/PIN AND LOCK	
25A-	231922GT	KIT,CONN,PLUG W/SCKT AND LOCK	
25A-	218579GT	WIRE CABLE 18/5 - UNSHIELDED	
25B	233051GT	CABLE, PLATFORM CONTROL, 26XX GS-2646	
25B-	231921GT	KIT,CONN,RECEPT W/PIN AND LOCK	
25B-	231922GT	KIT,CONN,PLUG W/SCKT AND LOCK	
25B-	218579GT	WIRE CABLE 18/5 - UNSHIELDED	
25C	233052GT	CABLE, PLATFORM CONTROL, 32XX GS-3246	
25C-	218579GT	WIRE CABLE 18/5 - UNSHIELDED	
25C-	231921GT	KIT,CONN,RECEPT W/PIN AND LOCK	
25C-	231922GT	KIT,CONN,PLUG W/SCKT AND LOCK	
26		REF. PCON refer to 403.1	
27	144215GT	CHARGER INTERLOCK CABLE,GS46	
28	1283053GT	HARNESS, TELEMATICS, GS SLAB from SN GS46D-9971	1
29	1265771GT	HARNESS, CHARGER CONTROL from SN GS4616D-4433	1
30A	1288206GT	ASSEMBLY, CHARGER STATUS LED, 2V,BCI from SN GS4616D-4434 to GS4616D-5043	1
30B	1270281GT	ASSEMBLY, CHARGER STATUS LED, 2V, BCI from SN GS4616D-5044	1
31A	1288219GT	HARNESS,CHARGER EXTENSION,BLACK PLUG from SN GS4616D-4434 to GS4616D-5043	1
31B	1273394GT	HARNESS ,CHARGER EXTENSION from SN GS4616D-5044	1



210.1 Power Cables



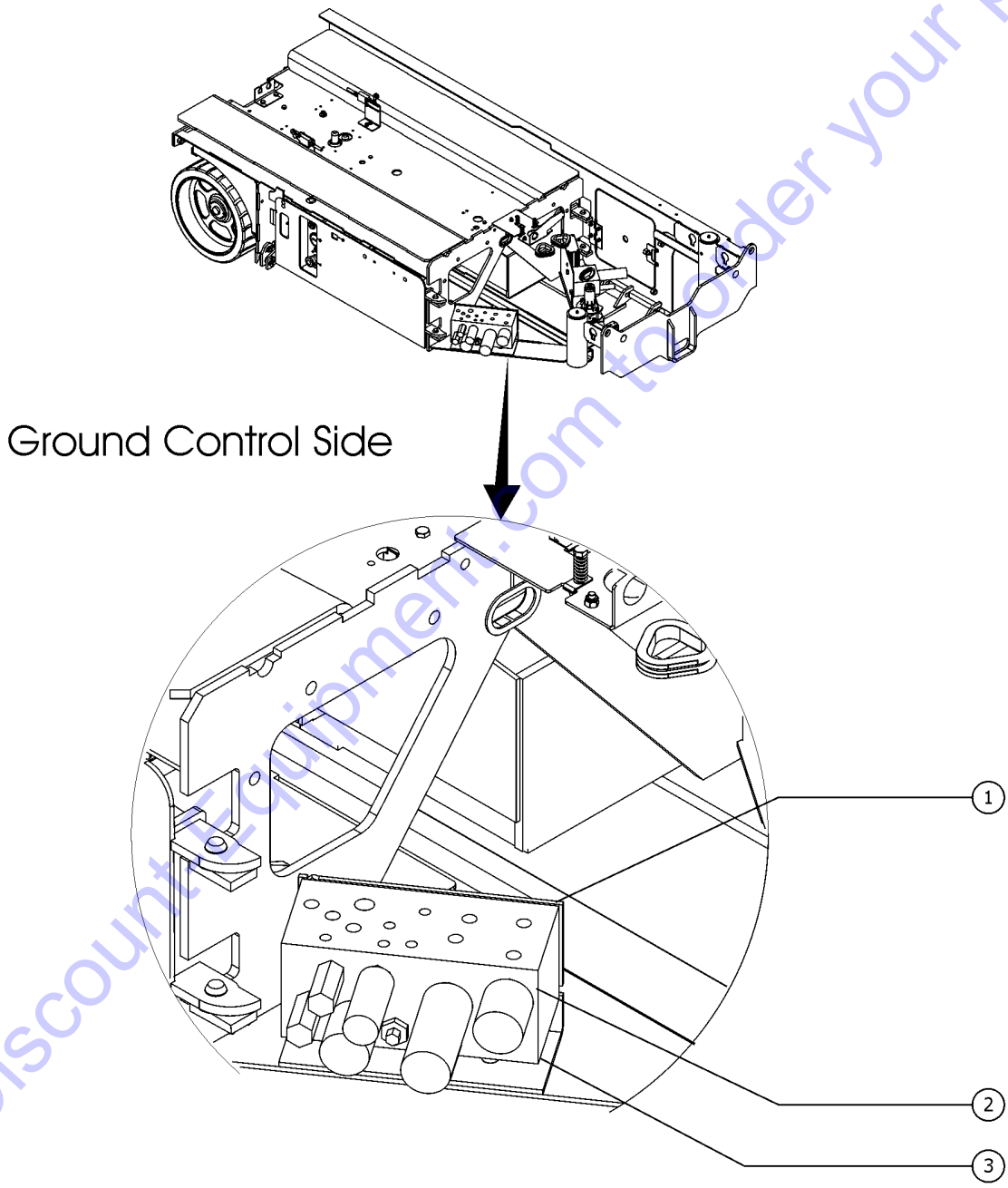
210.1 Power Cables

Item	Part No.	Description	Qty.
A-	28131GT	WIRE LOOM,1.25 DIA	16
B-	96110GT	BOOT, CABLE, TERMINAL COVER	14
C-	51147GT	BOOT,CABLE TERMINAL,LG,RED,2/0	2
1	96304GT	CABLE ASSY,BATT,5.50"RED	3
2	96306GT	CABLE ASSY,BATT,9.50"RED	1
3	1257054GT	CABLE ASSY., BATT. 11.5" RED	1
4	232578GT	CABLE ASSY,BATT, 20" BLK	1
5	1257057GT	CABLE ASSY., BATT. 88.5" RED	1
6	1257055GT	CABLE ASSY., BATT. 9.5" BLACK	1
7	66717GT	FUSE BLOCK, ANN & ANL FUSE	1
8	40833GT	FUSE, 275AMP, VERY FAST ACTING	1
9	232576GT	CABLE ASSY,BATT, 12" RED	1
10	1257056GT	CABLE ASSY., BATT. 93" BLACK	1
11	233371GT	CABLE ASSY, BATT, 23"RD	1
12	66397GT	QUICK DISCONNECT CASING,BATT**	2
13	232582GT	GROUND WIRE ASSY,GS	1
14	233430GT	HRNS,CONTACTOR SIGNAL,GS46	1

Go to Discount-Equipment.com to order your parts



211.1 Function Manifold and Accumulator Components,



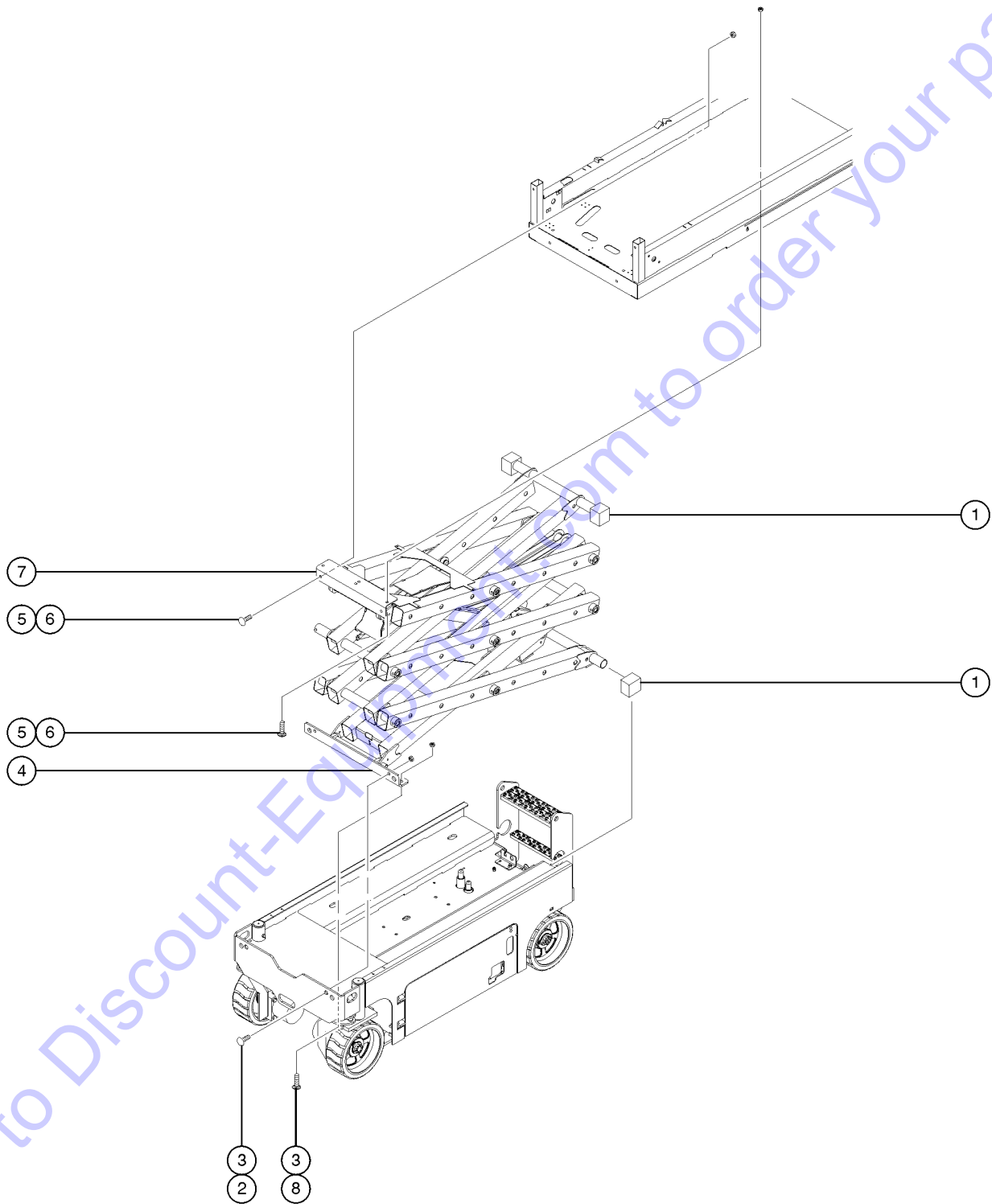
211.1 Function Manifold and Accumulator Components,

Item	Part No.	Description	Qty.
1	105574GT	FORMING,MANIFOLD	
2		Ref. Function Manifold	
		(refer to 502.1)	
3	78422GT	ACCUMULATOR,180 PSI PRECHARGE*	
		(hidden from view)	
3-	32339GT	CLAMP,1.75,#28 X 3/8,RUB CUSH*	
		(hidden from view)	
3-	9116GT	BOLT,CARRIAGE,1/4-20 X 1.25,G2	
		(hidden from view)	
3-	824024GT	NUT,TL,1/4-20,C,ZAG	
		(hidden from view)	

Go to Discount-Equipment.com to order your parts



301.1 Scissor Assembly Installation

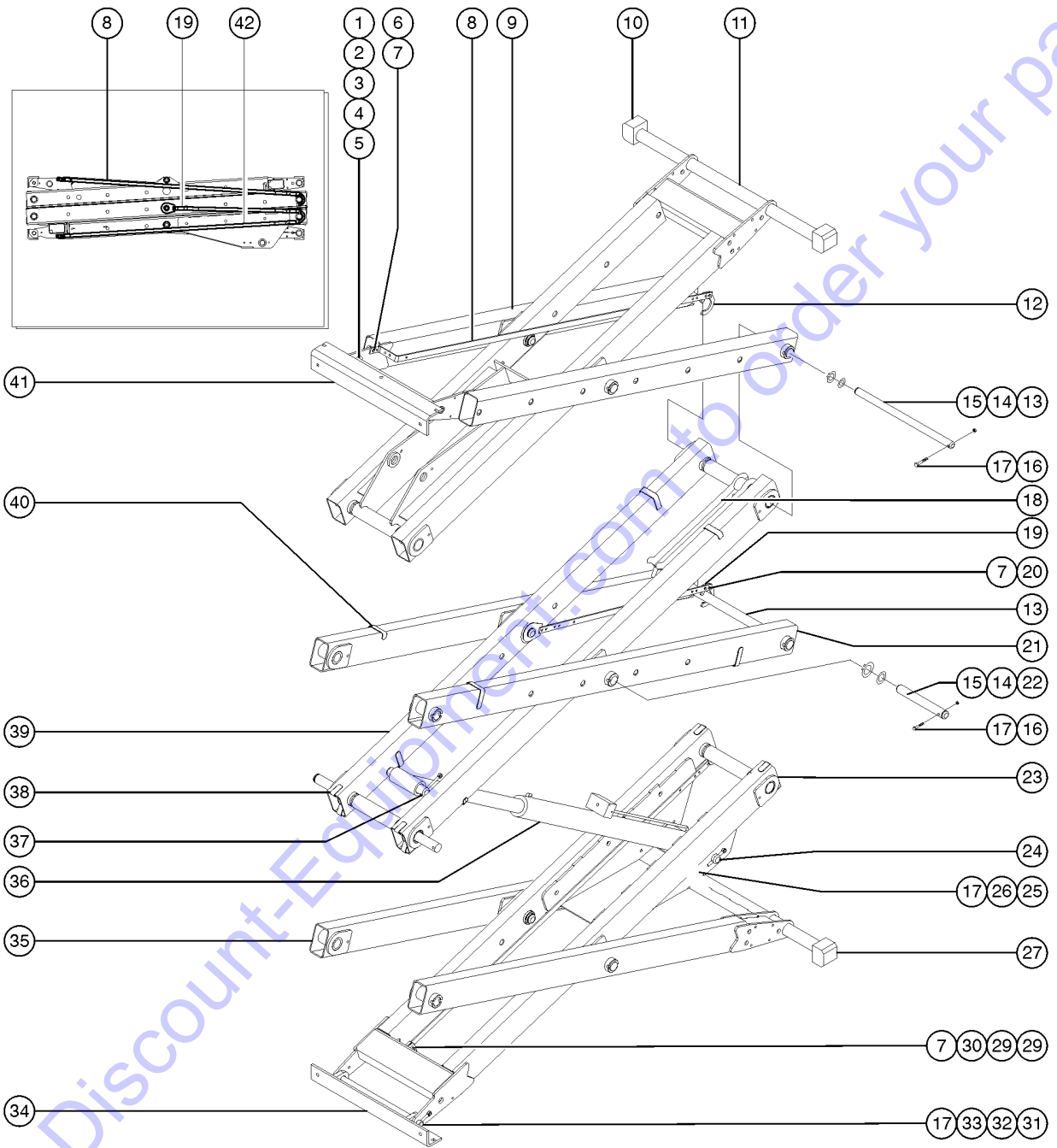


Item	Part No.	Description	Qty.
1	96595GT	SLIDER,UHMW	4
2	96977GT	BOLT,CARRIAGE,1/2-13X1.50,GR5	2
3	6198GT	NUT,NYLOK,1/2-13	4
4	97241GT	CHASSIS MOUNT ASSY, GS32&46	1
4-	51474GT	BEARING,1.00IDX1.25ODX0.75L	2
5	105092GT	BOLT,CARRIAGE,3/8-16X1.25,GR5	
6	4828GT	NUT,NYLOCK,3/8-16	
7	84747GT	PLATFORM MOUNT ASSY, GS32&46	1
7-	36369GT	BEARING,0.75IDX1.00ODX0.75L	2
8	96203GT	BOLT,CARRIAGE,1/2-13X1.75, G5	2

Go to Discount-Equipment.com to order your parts



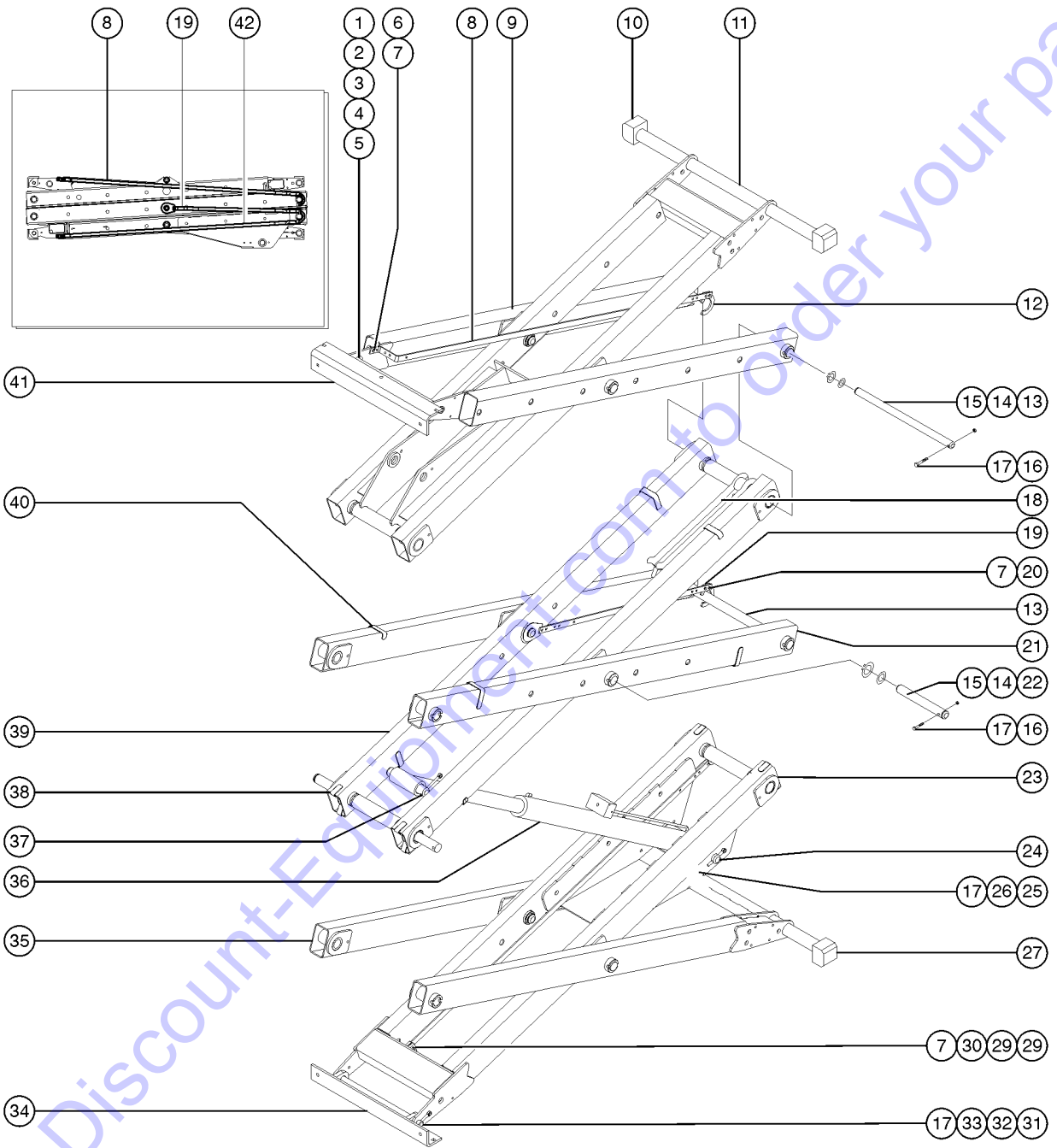
302.1 Scissor Assembly, GS-2046



Item	Part No.	Description	Qty.
1	96932GT	PIN, LINKSET MOUNT, 3/4"	1
2	825020GT	ROD END,.250X2.75,ZAG	2
3	8915GT	SCREW,HHC,1/4-20 X 1.25	
4	6356GT	WASHER,LOCK,.25	
5	6091GT	NUT, NYLOCK, 1/4-20	
6	9116GT	BOLT,CARRIAGE,1/4-20 X 1.25,G2	
7	18504GT	NUT,LOCKING-LG.FLANGE,1/4-20	
8	105189GT	BAR,CABLE BRIDGE ARM,UPPER	1
9	96611GT	WLDMT,LNK,OUT #3-20XX,#5-32XX	2
10		Ref. Platform Slider (refer to 301.1)	
11	1280902GT	INNER ARM ASSY, #3, 2046M	1
11-	96606GT	WLDMT,LNK,INNER #3,2046 (bearings not included)	
11-	66055GT	BEARING,1.50IDX1.77ODX1.25L	6
12	105193GT	CLIP,CABLEBRIDGE,GS32/46	2
13	96899GT	PIN, LONG, GS46	4
14	1260941GT	WASHER,SHIM,1.54X2.00X.125,ZAG	
15	18383GT	SNAP RING,EXTERNAL,1.5 DIA	10
16	6326GT	SCREW,HHC,3/8-16 X 3	
17	4828GT	NUT,NYLOCK,3/8-16	
18	78901GT	FORMING,SAFETY ARM***	1
19A	105191GT	WELDMENT.CABLE BRIDGE, TOP	2
19B	105190GT	WLDMT,CABLE BRIDGE,BOTTOM	2
20	6878GT	BOLT,CARRIAGE,1/4-20 X .75,G2	
21	96605GT	WLDMT,LNK,OUTER #2,#3,#4	2
22	96900GT	PIN, SHORT, GS46	6
23	1280903GT	INNER ARM ASSEMBLY #1,GS32/46,M (decal not included refer to section one)	1
23-	1299483GT	WELDMENT, LNK, LOWER1 ,E-DRIVE (bearings not included)	1
23-	66055GT	BEARING,1.50IDX1.77ODX1.25L	6



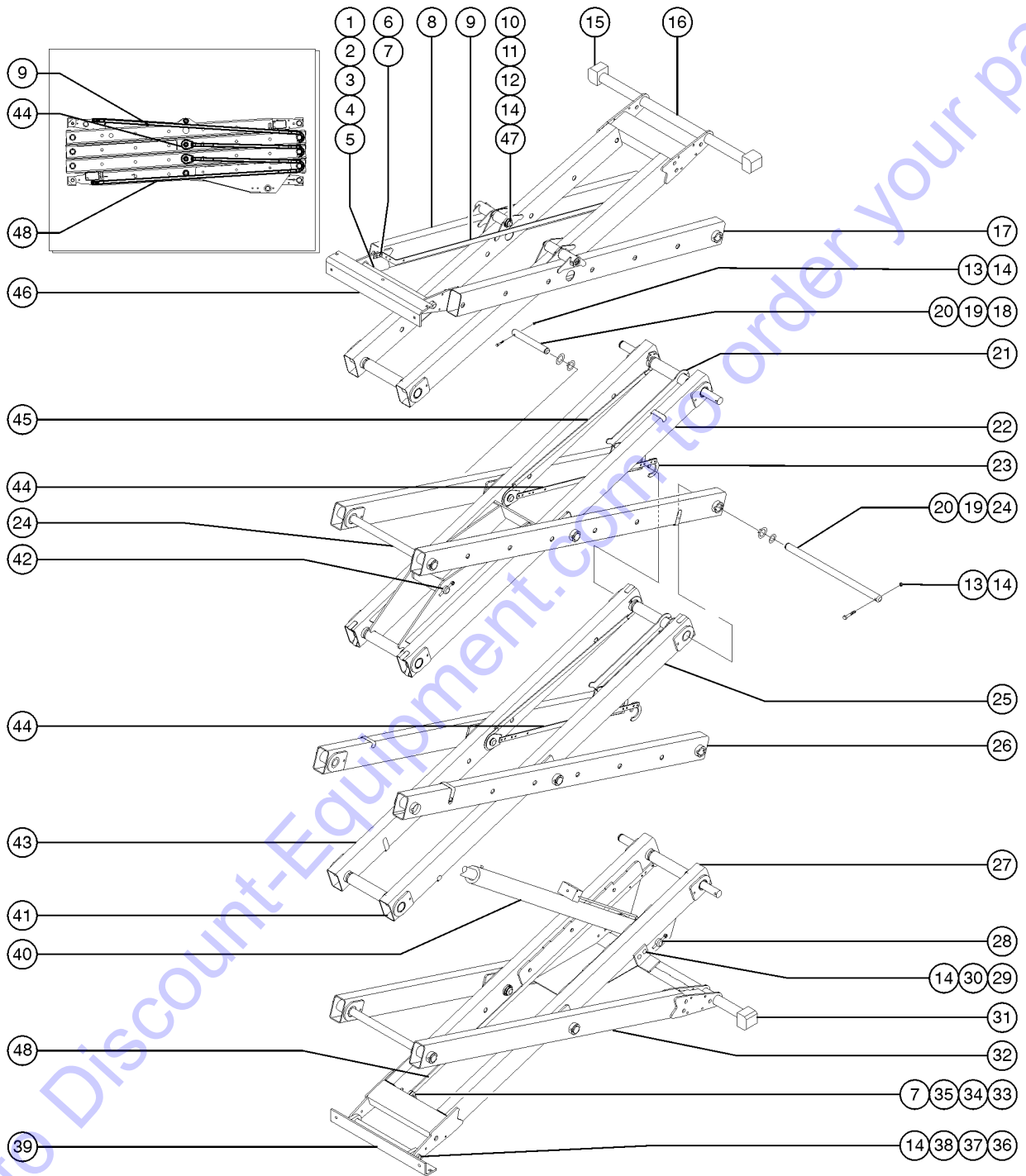
302.1 Scissor Assembly, GS-2046



Item	Part No.	Description	Qty.
24	96662GT	PIN, LOWER CYLINDER MOUNT	1
25	105092GT	BOLT,CARRIAGE,3/8-16X1.25,GR5	
26	105074GT	FORMING,PH PUSHER, GS46	1
27		Ref. Chassis Slider (refer to 301.1)	
28	58592GT	PLATE,HOSE ROUTG,BULKHEAD(PTD) ANSI/CSA models	2
28	96196GT	PLATE,HOSE ROUTING,BULKHEAD CE models	2
29	78736GT	CLAMP,2 HOSE,PLASTIC,5/8	4
30	96905GT	BOLT,CARRIAGE,1/4-20 X 2.5,G2	
31	96862GT	PIN, LINKSET MOUNT, 1"	1
32	825019GT	ROD END,.375X3.69,ZAG	3
33	8516GT	SCREW, HCC, 3/8-16 X 1.50	
34		Ref. Chassis Mount Assembly (refer to 301.1)	
35	96603GT	WLDMT,LNK,OUTER #1,XX46 (decal not included refer to section one)	1
36		Ref. Lift Cylinder (refer to 505.1)	
37	96661GT	PIN, UPPER CYLINDER MOUNT	1
38	96735GT	LINK BUMPER, 5"	4
39	1280904GT	INNER ARM ASSY,#2,GS32/46,M	1
39-	96604GT	WLDMT,LNK,INNER #2	1
39-	66055GT	BEARING,1.50IDX1.77ODX1.25L	8
40	96836GT	LINK BUMPER, SHORT TUBE	8
41		Ref. Platform Mounting Assembly (refer to 301.1)	
42	105186GT	WLDMNT,CABLE BRIDGE,LOWER	1

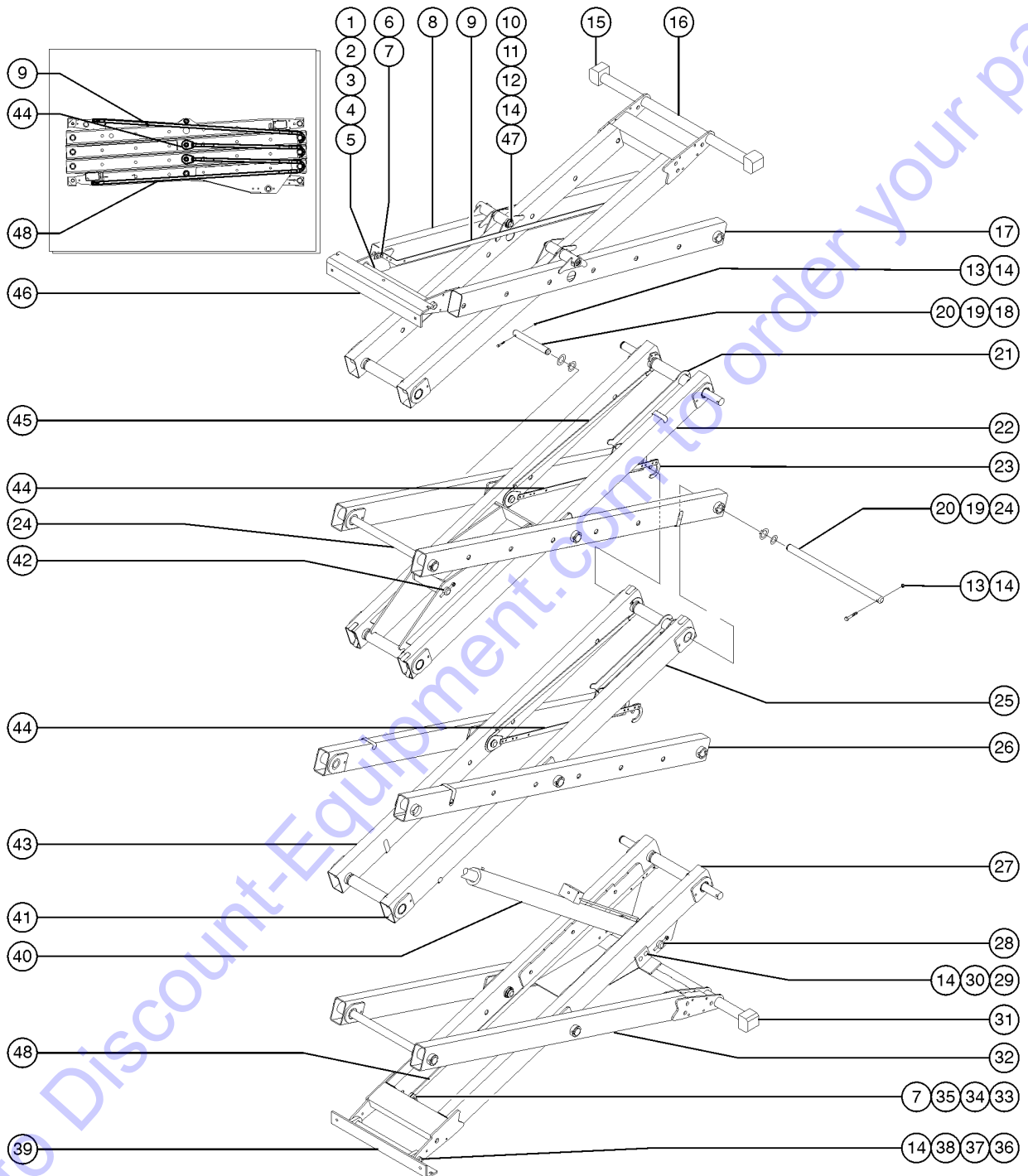


303.1 Scissor Assembly, GS-2646



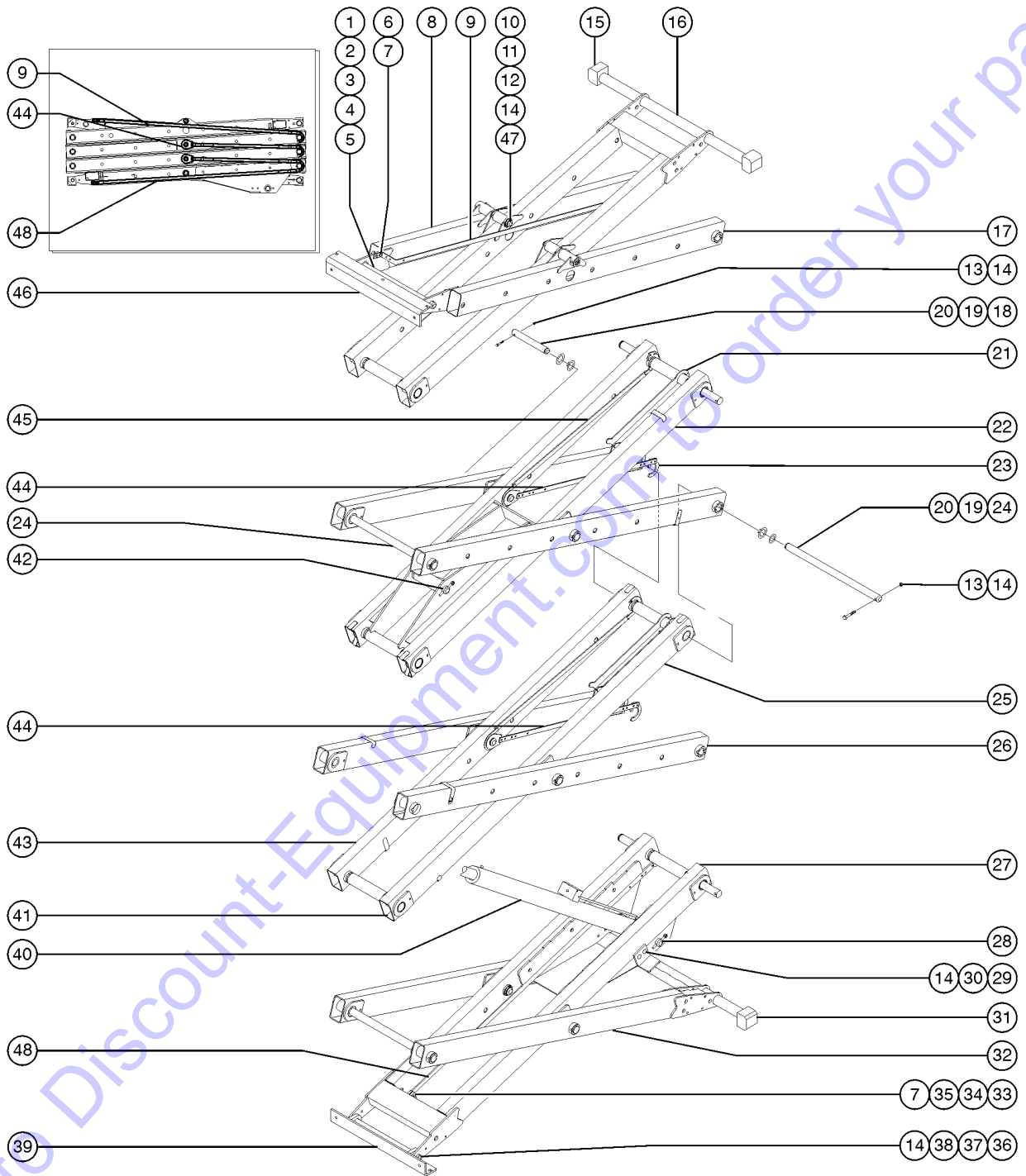
Item	Part No.	Description	Qty.
1	96932GT	PIN, LINKSET MOUNT, 3/4"	1
2	825020GT	ROD END,.250X2.75,ZAG	2
3	8915GT	SCREW,HHC,1/4-20 X 1.25	
4	6356GT	WASHER,LOCK,.25	
5	6091GT	NUT, NYLOCK, 1/4-20	
6	9116GT	BOLT,CARRIAGE,1/4-20 X 1.25,G2	
7	18504GT	NUT,LOCKING-LG.FLANGE,1/4-20	
8	96615GT	WLDMT,LNK,OUTER #4,26XX (ground controls side)	1
9	105189GT	BAR,CABLE BRIDGE ARM,UPPER	
10	96130GT	PIN, MINI, CENTRE	2
11	30217GT	SNAP RING,EXTERNAL,1.25 DIA.**	
12	96390GT	WASHER,FLAT, 1.27 X 2.13 X .13	
13	6326GT	SCREW,HHC,3/8-16 X 3	
14	4828GT	NUT,NYLOCK,3/8-16	
15		Ref. Platform Slider (refer to 301.1)	
16	1280905GT	INNER ARM ASSY, #4, 2646, M	1
16-	96614GT	WLDMT,LNK,INNER #4,2646	1
16-	66055GT	BEARING,1.50IDX1.77ODX1.25L	6
17	96616GT	WLDMT,LNK,OUTER #4,26XX,LEFT (battery pack side)	1
18	96900GT	PIN, SHORT, GS46	6
19	1260941GT	WASHER,SHIM,1.54X2.00X.125,ZAG	
20	18383GT	SNAP RING,EXTERNAL,1.5 DIA	12
21	78901GT	FORMING,SAFETY ARM***	1
22	1280906GT	INNER ARM ASSY, #3, 2646, M	1
22-	96607GT	WLDMT,LNK,INNER #3, 26XX	1
22-	66055GT	BEARING,1.50IDX1.77ODX1.25L	8
23	105193GT	CLIP,CABLEBRIDGE,GS32/46	
24	96899GT	PIN, LONG, GS46	6

303.1 Scissor Assembly, GS-2646



Item	Part No.	Description	Qty.
25	96836GT	LINK BUMPER, SHORT TUBE	8
26	96605GT	WLDMT,LNK,OUTER #2,#3,#4	4
27A	1280903GT	INNER ARM ASSEMBLY #1,GS32/46,M (decal not included refer to section one)	1
27A-	1299483GT	WELDMENT, LNK, LOWER1 ,E-DRIVE (bearings not included)	1
27A-	66055GT	BEARING,1.50IDX1.77ODX1.25L	6
28B	1275749GT	WLDMT,LNK,INNER #1,KO	1
		Korean	
28B-	66055GT	BEARING,1.50IDX1.77ODX1.25L	6
28	96662GT	PIN, LOWER CYLINDER MOUNT	1
29	105092GT	BOLT,CARRIAGE,3/8-16X1.25,GR5	1
		GS-2646	
30	105074GT	FORMING,PH PUSHER, GS46	1
31		Ref. Chassis Slider	
		(refer to 301.1)	
32	96603GT	WLDMT,LNK,OUTER #1,XX46 (decal not included refer to section one)	1
33	58592GT	PLATE,HOSE ROUTG,BULKHEAD(PTD)	1
		ANSI/CSA models	
33	96196GT	PLATE,HOSE ROUTING,BULKHEAD	1
		CE models	
34	78736GT	CLAMP,2 HOSE,PLASTIC,5/8	4
35	96905GT	BOLT,CARRIAGE,1/4-20 X 2.5,G2	
36	96862GT	PIN, LINKSET MOUNT, 1"	1
37	825019GT	ROD END,.375X3.69,ZAG	3
38	8516GT	SCREW, HCC, 3/8-16 X 1.50	
39		Ref. Chassis Mount Assembly	
		(refer to 301.1)	
40		Ref. Lift Cylinder	
		(refer to 506.1)	
41	96735GT	LINK BUMPER, 5"	4
42	96812GT	PIN, LOWER CYL, ROD END	1
43	1280904GT	INNER ARM ASSY,#2,GS32/46,M	1
43-	96604GT	WLDMT,LNK,INNER #2	1
43-	66055GT	BEARING,1.50IDX1.77ODX1.25L	8
44	105191GT	WELDMENT.CABLE BRIDGE, TOP	
45	105190GT	WLDMT,CABLE BRIDGE,BOTTOM	2

303.1 Scissor Assembly, GS-2646



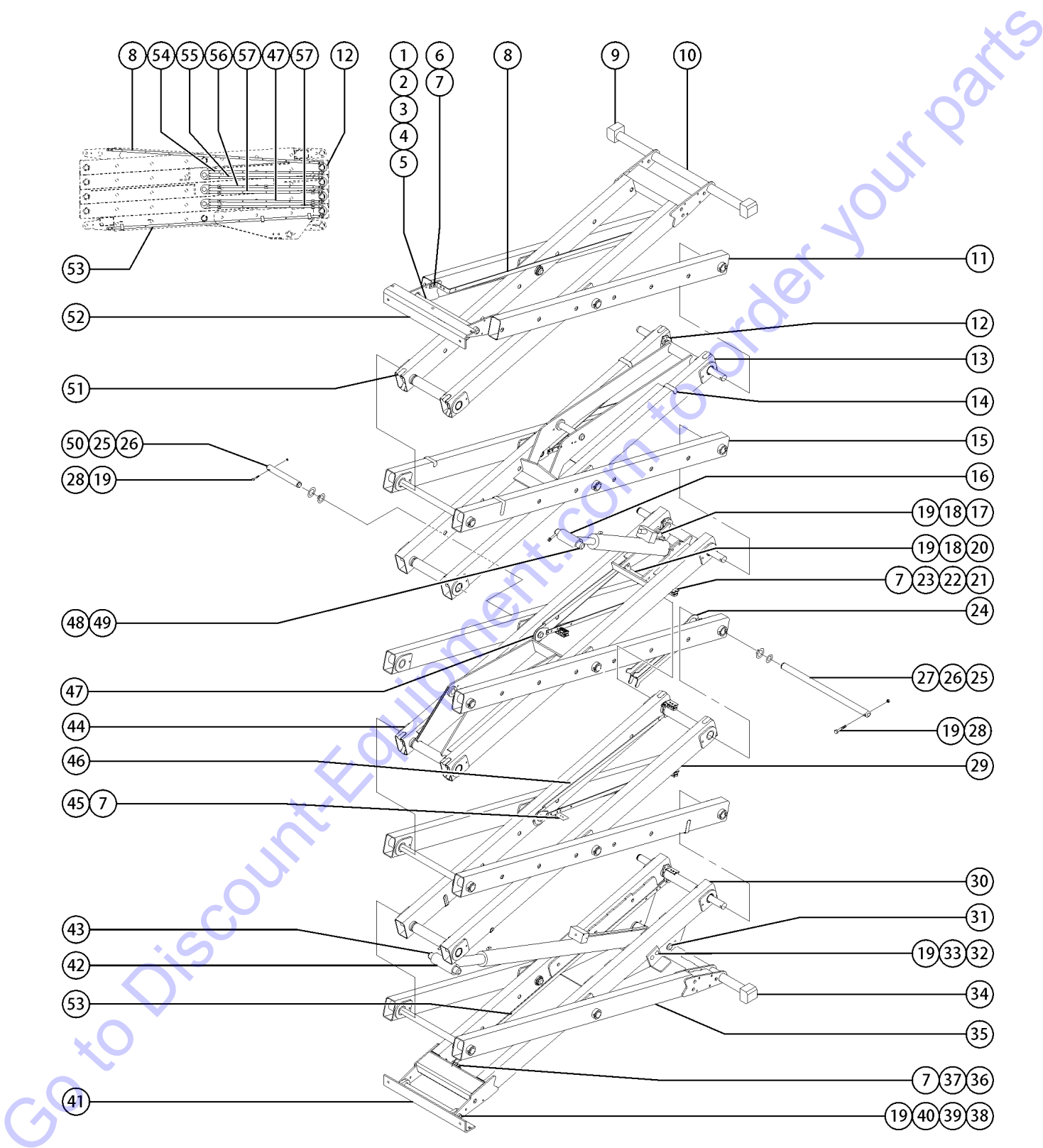
Go to Discount-Equipment.com to order your parts

Item	Part No.	Description	Qty.
46		Ref. Platform Mount Assembly (refer to 301.1)	
47	14033GT	SCREW, HHC, 3/8-16 X 2.75	
48	105186GT	WLDMNT,CABLE BRIDGE,LOWER GS-2646	1

Go to Discount-Equipment.com to order your parts

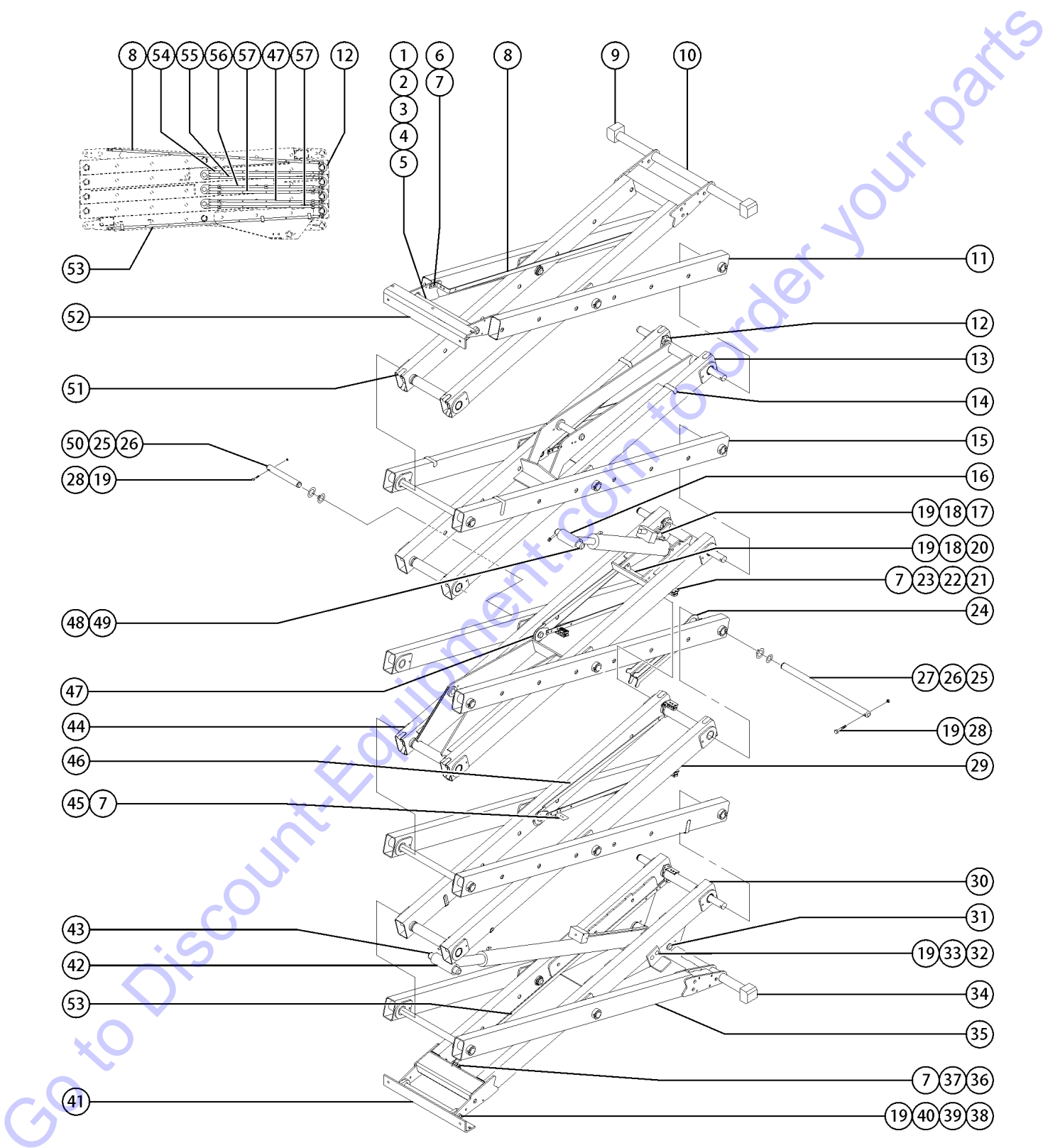


304.1 Scissor Assembly, GS-3246



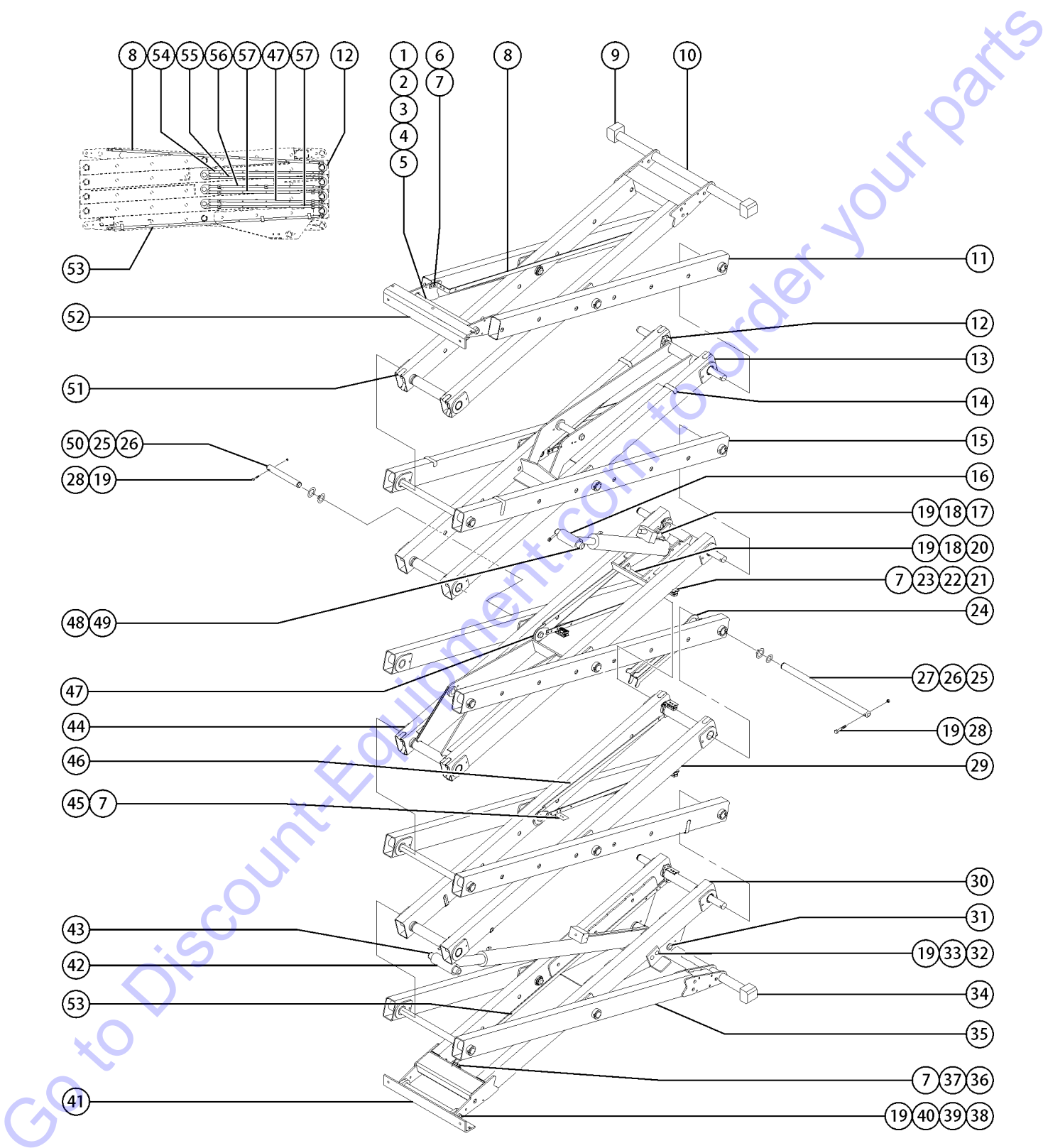
Item	Part No.	Description	Qty.
1	96932GT	PIN, LINKSET MOUNT, 3/4"	1
2	825020GT	ROD END,.250X2.75,ZAG	2
3	8915GT	SCREW,HHC,1/4-20 X 1.25	
4	6356GT	WASHER,LOCK,.25	
5	6091GT	NUT, NYLOCK, 1/4-20	
6	9116GT	BOLT,CARRIAGE,1/4-20 X 1.25,G2	
7	18504GT	NUT,LOCKING-LG.FLANGE,1/4-20	
8	105189GT	BAR,CABLE BRIDGE ARM,UPPER	
9		Ref. Platform Slider (refer to 301.1)	
10	1280907GT	INNER ARM ASSY #5, 3246, M	1
10-	96609GT	WLDMT,LNK,INNER #5,3246*** (bearings not included)	1
10-	66055GT	BEARING,1.50IDX1.77ODX1.25L	8
11	96611GT	WLDMT,LNK,OUT #3-20XX,#5-32XX	2
12	105193GT	CLIP,CABLEBRIDGE,GS32/46	
13	96613GT	WLDMT,LNK,INNER #4,32XX	1
13-	66055GT	BEARING,1.50IDX1.77ODX1.25L	8
14	96836GT	LINK BUMPER, SHORT TUBE	8
15	96605GT	WLDMT,LNK,OUTER #2,#3,#4	6
16		Ref. Lift Cylinder, Top (refer to 506.1)	
17	96700GT	PLATE, PIN RETAINER	2
18	60790GT	BOLT,CARRIAGE,3/8-16 X1.50,G5	
19	4828GT	NUT,NYLOCK,3/8-16	
20	96971GT	FORMING,HOSE CLAMP,UPPER CYL	1
21	78736GT	CLAMP,2 HOSE,PLASTIC,5/8	18
22	6145GT	SCREW,HHC,1/4-20 X 1.5	
23	6638GT	WASHER,FLAT,USS,1/4"Y	
24	78901GT	FORMING,SAFETY ARM***	1
25	96899GT	PIN, LONG, GS46	8

304.1 Scissor Assembly, GS-3246



Item	Part No.	Description	Qty.
26	1260941GT	WASHER,SHIM,1.54X2.00X.125,ZAG	
27	18383GT	SNAP RING,EXTERNAL,1.5 DIA	18
28	6326GT	SCREW,HHC,3/8-16 X 3	
29	1280904GT	INNER ARM ASSY,#2,GS32/46,M	1
29-	96604GT	WLDMT,LNK,INNER #2	1
29-	66055GT	BEARING,1.50IDX1.77ODX1.25L	8
30A	1280903GT	INNER ARM ASSEMBLY #1,GS32/46,M (decal not included refer to section one)	1
30A-	1299483GT	WELDMENT, LNK, LOWER1 ,E-DRIVE	
30A-	66055GT	BEARING,1.50IDX1.77ODX1.25L	6
30B	1275749GT	WLDMT,LNK,INNER #1,KO Korean	1
30B-	66055GT	BEARING,1.50IDX1.77ODX1.25L	6
31	96662GT	PIN, LOWER CYLINDER MOUNT	1
32	105092GT	BOLT,CARRIAGE,3/8-16X1.25,GR5	
33	105074GT	FORMING,PH PUSHER, GS46	2
34		Ref. Chassis Slider (refer to 301.1)	
35	96603GT	WLDMT,LNK,OUTER #1,XX46 (decal not included refer to section one)	
36	58592GT	PLATE,HOSE ROUTG,BULKHEAD(PTD) ANSI/CSA models	3
36	96196GT	PLATE,HOSE ROUTING,BULKHEAD CE models	3
37	96903GT	BOLT,CARRIAGE,1/4-20 X 3.50,G2	
38	96862GT	PIN, LINKSET MOUNT, 1"	1
39	825019GT	ROD END,.375X3.69,ZAG	4
40	8516GT	SCREW, HCC, 3/8-16 X 1.50	
41		Ref. Chassis Mount Assembly (refer to 301.1)	
42		Ref. Lift Cylinder, Bottom (refer to 506.1)	
43	96812GT	PIN, LOWER CYL, ROD END	1
44	96608GT	WLDMT,LNK,INNER #3,32XX	1
44-	66055GT	BEARING,1.50IDX1.77ODX1.25L	8
45	6878GT	BOLT,CARRIAGE,1/4-20 X .75,G2	

304.1 Scissor Assembly, GS-3246

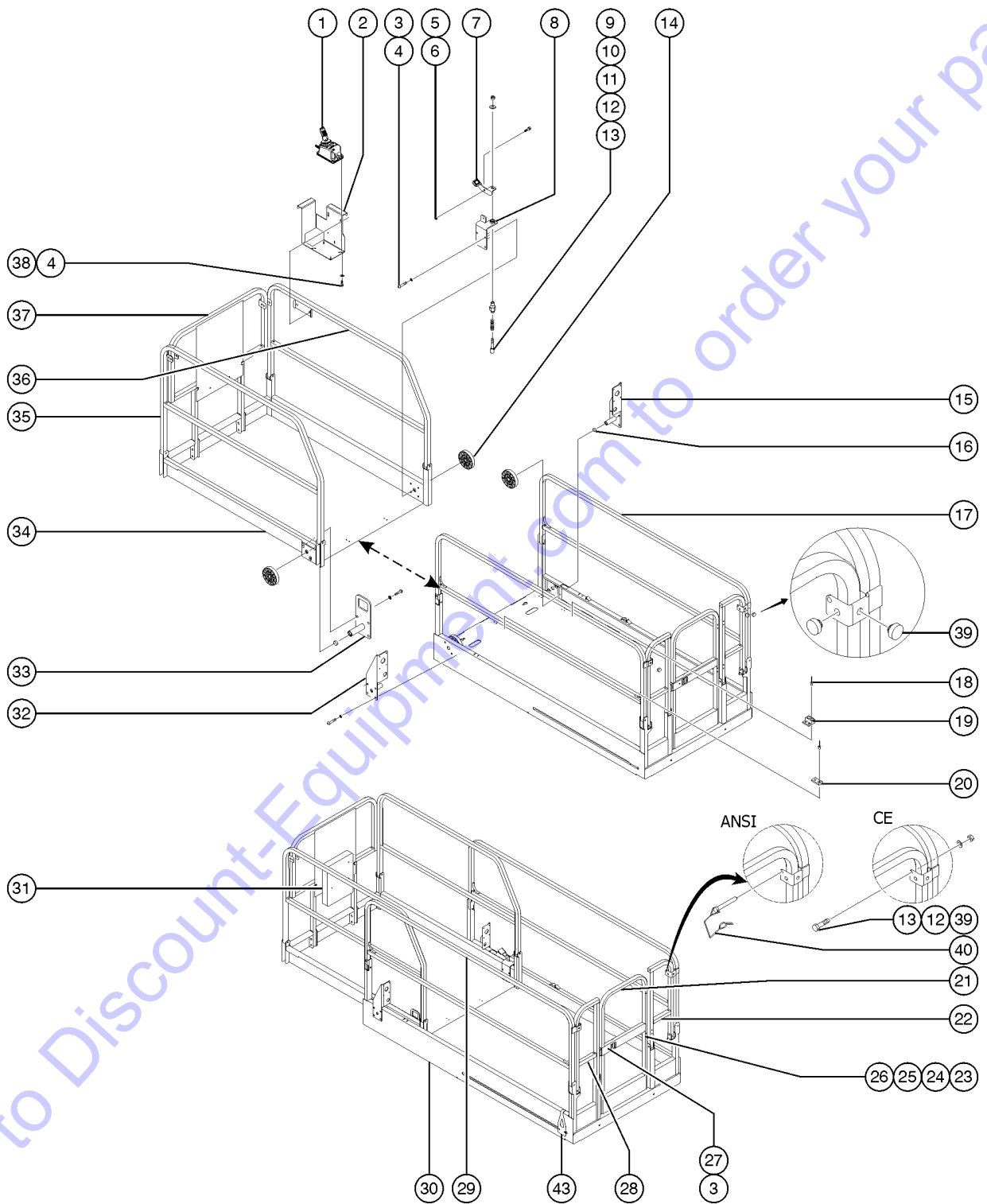


Item	Part No.	Description	Qty.
46	105187GT	WELDMENT,CABLE BRIDGE, TOP,32XX (to GS46-85766)	3
47	105192GT	WELDMENT,CABLE BRIDGE***	6
48	96661GT	PIN, UPPER CYLINDER MOUNT	1
49	96663GT	PIN, SADDLE CYLINDER MOUNT	1
50	96900GT	PIN, SHORT, GS46	6
51	96735GT	LINK BUMPER, 5"	8
52		Ref. Platform Mount Assembly (refer to 301.1)	
53	105186GT	WLDMNT,CABLE BRIDGE,LOWER	1
54	105191GT	WELDMENT.CABLE BRIDGE, TOP	1
55	105190GT	WLDMT,CABLE BRIDGE,BOTTOM	2
56	105192GT	WELDMENT,CABLE BRIDGE***	1
57	105188GT	WLDMT,CABLE BRIDGE,BOTTOM,3246	2

Go to Discount-Equipment.com to order your parts



401.1 Platform Components



Go to Discount-Equipment.com to order your parts

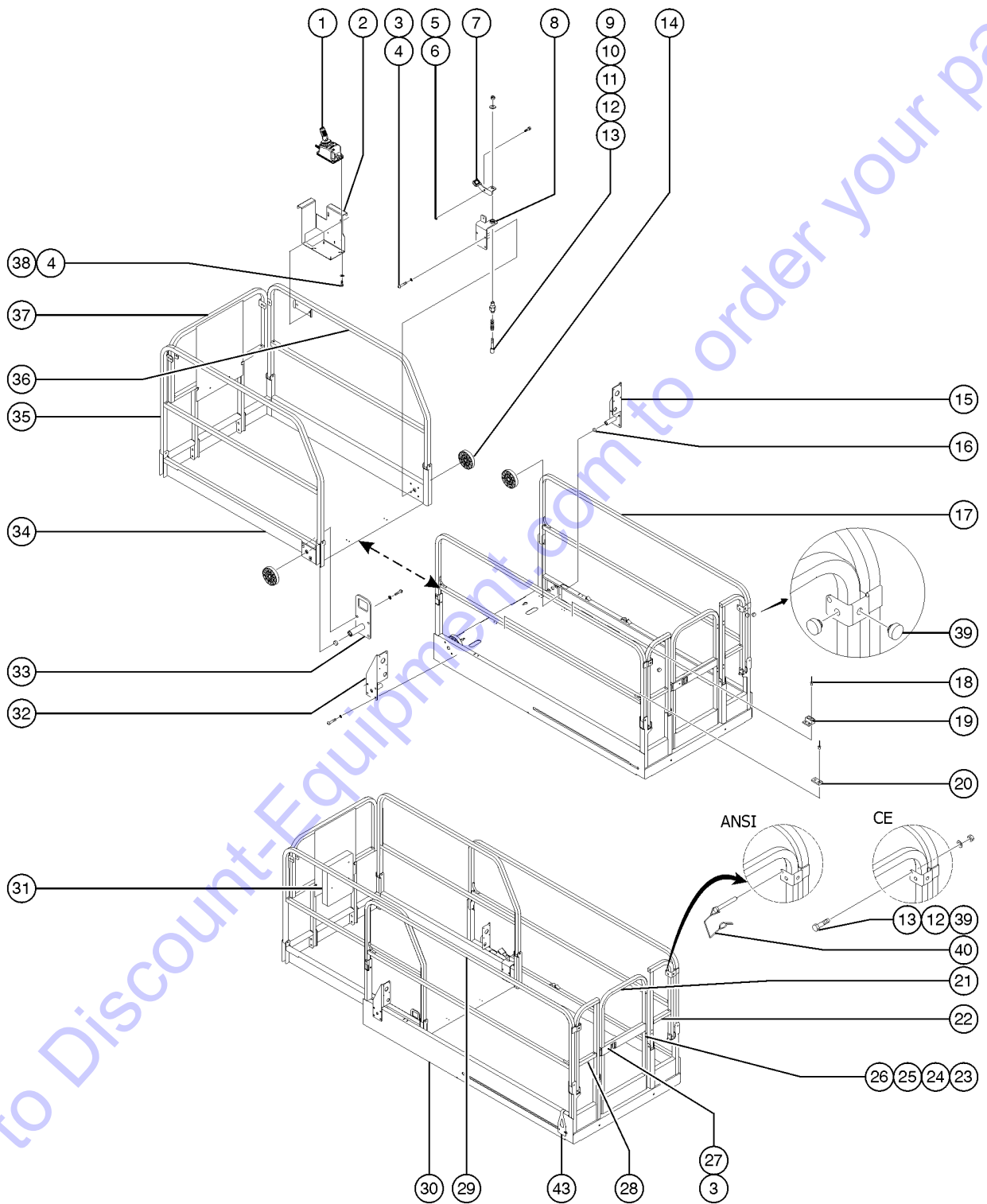


401.1 Platform Components

Item	Part No.	Description	Qty.
1		Ref. Platform Control Box (refer to 403.1)	
2		Ref. Platform Control Box Mount Bracket (refer to 403.1)	
3	5224GT	SCREW,HHC,3/8-16 X 2	
4	6356GT	WASHER,LOCK, .25	
5	6002GT	NUT, LP NYLOCK, 5/16-18	
6	47222GT	WASHER, SHOULDER, NYLON	
7A	47166GT	BRACKET,FOOT PEDAL (non skid tape not included)	1
7B	144127GT	NON-SKID TAPE LAYOUT,GS46 (not included sold separately)	1
7B-	47098GT	TAPE,NON-SKID,DIE CUT,4"X 40"	
7B-	47231GT	TAPE,NON-SKID,DIE CUT,4"X 16"	
7B-	47374GT	TAPE,NON-SKID,DIE CUT,4"X 32"	
8	96413GT	WLDMT,LOCKING ROLLER SUPPORT	1
9	39470GT	PIN, LOCK	1
10	39469GT	SPRING,COMPRESSION.485 X1.75**	1
11	41630GT	HOUSING, LOCK PIN	1
12	6097GT	WASHER,FLAT,USS,3/8",Y	
13	7713GT	NUT, LP NYLOCK, 3/8-16	
14	47163GT	ROLLER,PLATFORM EXTENSION	4
15	96247GT	WELDMENT,ROLLER BRACKET,RT*** (ground controls side)	1
16	21279GT	BUTTON, .800 O.D. X .281	3
17	82052-SGT	RAIL-GS46 PLAT,MAINDECK RT**** US part number	1
17B	132492GT	WELDMENT,UPPER EXT RAIL,GS32 China part number	1
18	T113787GT	RIVET,ALUM,STL,.188 X .250	20
19	39310GT	WEAR/GUIDE PAD MAIN PLATFORM	4
20	39474GT	WEAR PAD,PLATFORM	3
21	96760GT	ASSY, PLATFORM GATE, GSXX46 COMPLETE (decals not included, refer to section one)	1
22	66923GT	WLDMT, ENTRY SIDERAIL, RT	1
23	4266GT	SCREW,HHC,1/4-20 X 2	



401.1 Platform Components



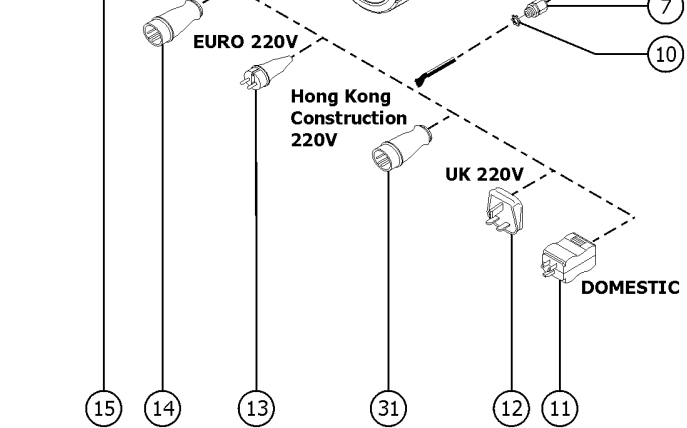
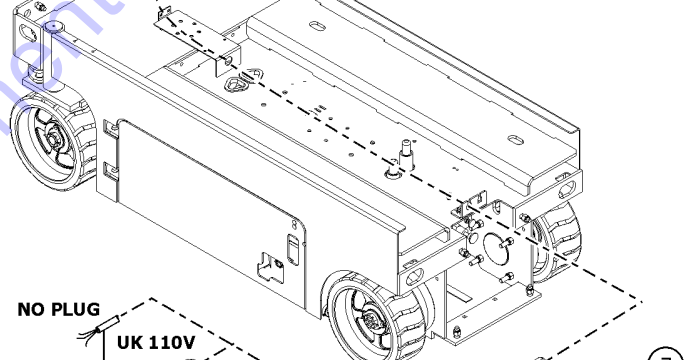
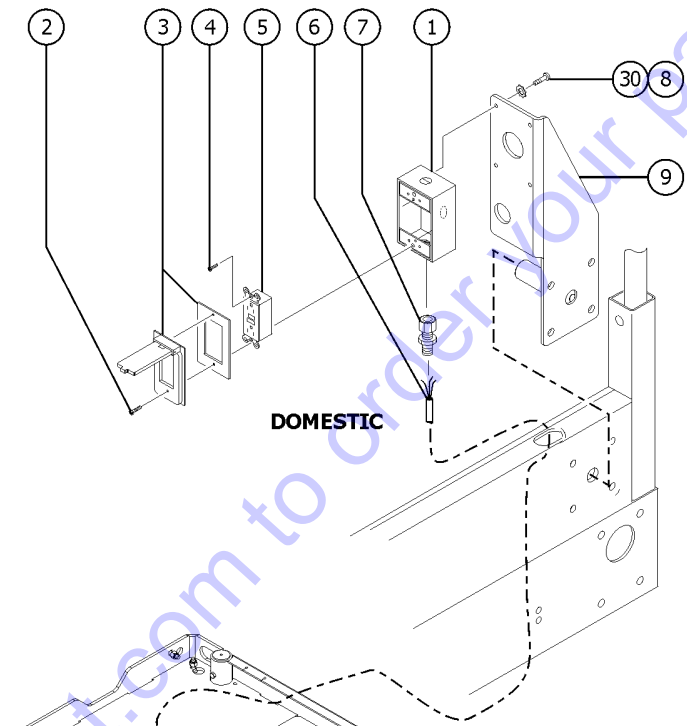
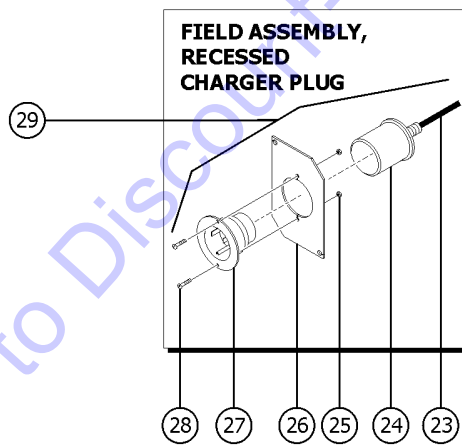
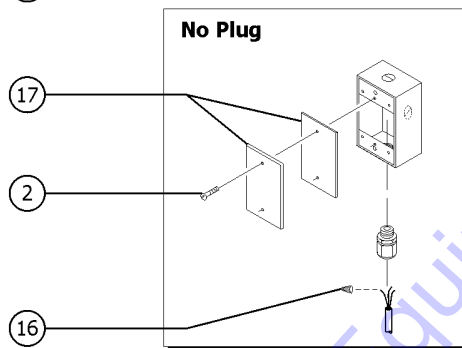
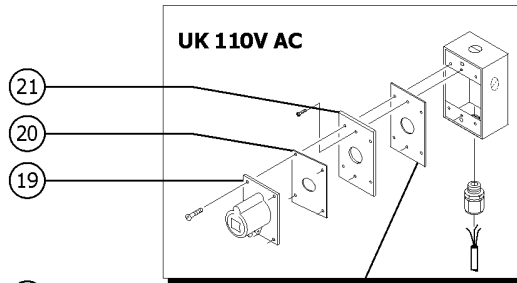
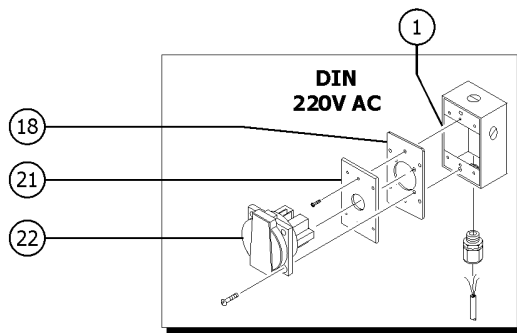
Go to Discount-Equipment.com to order your parts

401.1 Platform Components

Item	Part No.	Description	Qty.
24	6638GT	WASHER,FLAT,USS,1/4"Y	
25	104804GT	HINGE, SPRING, LONG LEG	2
26	6091GT	NUT, NYLOCK, 1/4-20	
27	4828GT	NUT,NYLOCK,3/8-16	
28	66920GT	WLDMT, ENTRY SIDERAIL, LT (battery pack side)	1
29	82053-SGT	RAIL-GS46 PLAT,MAINDECK LT**** (battery pack side)	1
30	96718GT	WLDMT, MAIN DECK, GSXX46 (decals not included, refer to section one)	1
31A	44743GT	MANUAL BOX W/DECALS*** USA/Canada/Australia	1
31B	24514GT	BOX,INSTRUCTION STORAGE Europe/Asia/South America (decals required; refer to Section100)	
32	96246GT	WELDMENT,ROLLER BRACKET,LT***	1
33	96200GT	WLDMT, LANYARD ROLLER BRKT (decals not included, refer to section one)	1
34	96719GT	WLDMT, EXT. DECK, GSXX46	1
35	97263GT	LEFT EX. RAIL, GS46 (battery pack side)(includes bumpers)	1
36	96762GT	WELDMENT,EXT SIDERAIL,RT*** (decals not included, refer to section one)	1
37A	97259GT	EXT. ENDRAIL ASSY, GS46 (WORD) Word decals	1
37B	97260GT	EXT. ENDRAIL ASSY, GS46 (SYMB) Symbol decals	
38	6090GT	SCREW,HHC,1/4-20 X .75	
39	43392GT	BUMPER,BATTERY BOX & RAILS	14
40	66030GT	PIN, WIRE LOCK 3/8 X 2 -1/2	
40-	78022GT	LANYARD,BLACK NYLON,TYPE 1*** (CE & Australia models)	
41	1259223GT	BOLT,SHS,3/8X.375X5/16-18,ZAG	
42	6021GT	WASHER,LOCK,,375	
43	96872GT	FORMING, POINTER	1
43-	96903GT	BOLT,CARRIAGE,1/4-20 X 3.50,G2	
43-	6091GT	NUT, NYLOCK, 1/4-20	

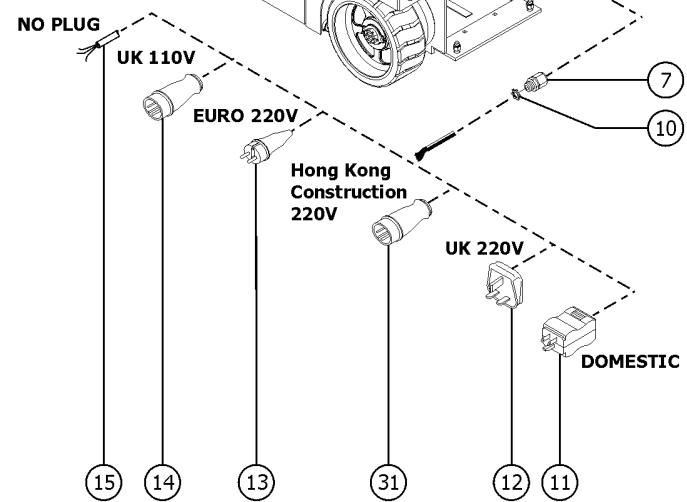
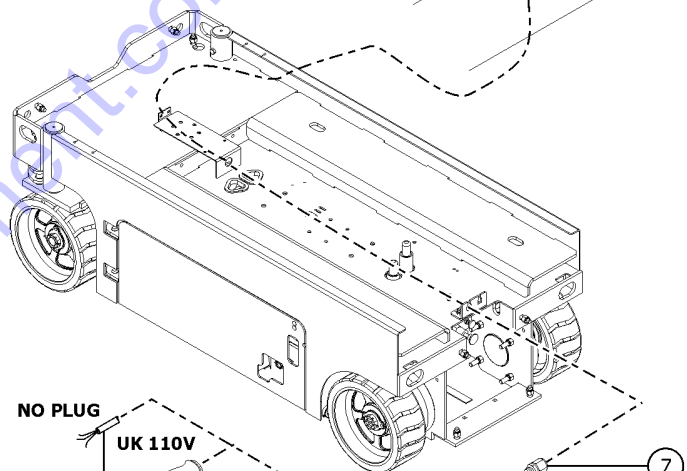
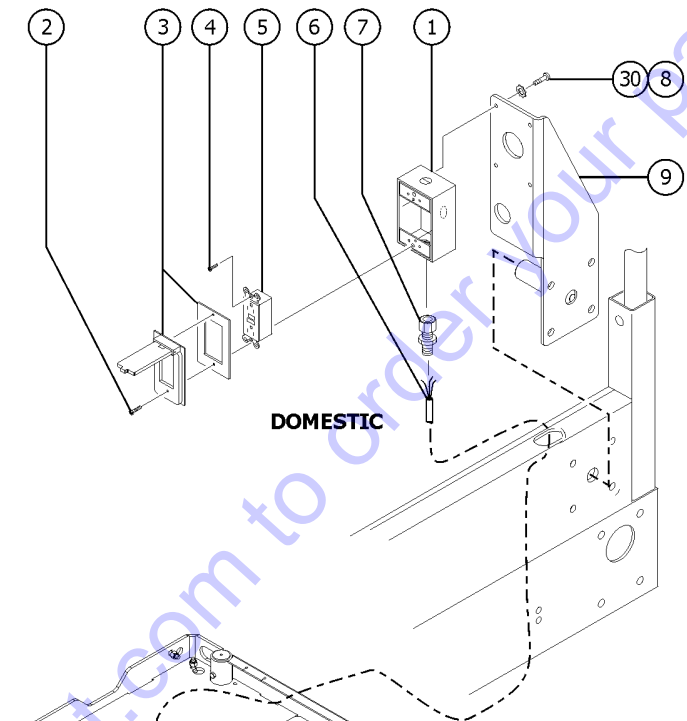
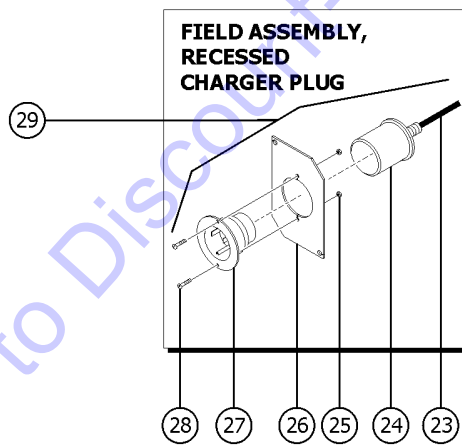
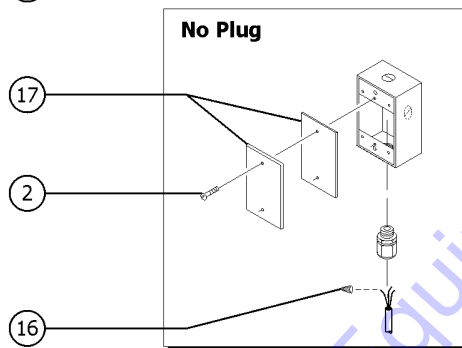
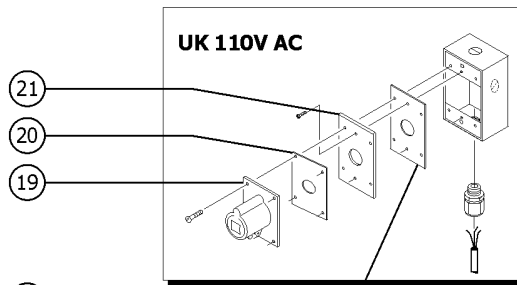
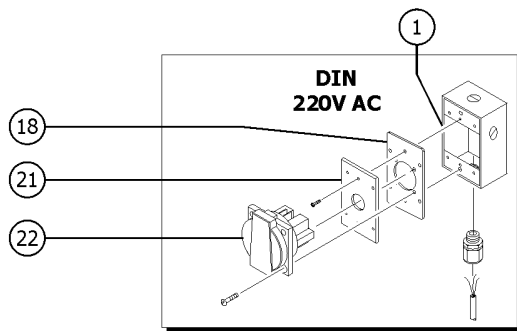


402.1 Power to Platform



Item	Part No.	Description	Qty.
	33724GT	KIT,GASKET,UK POWER TO PLAT includes 1 each, items 18 and 20	
1	10775GT	T-BOX,2.75 X 4.5 X 2.0	1
2	7127GT	SCREW,PHILLIPS,PHM,6-32 X .75	
3A	74006GT	COVER,GFCI,HORIZONTAL,WEATHER (ANSI and CSA models) (includes gasket and mounting fasteners)	1
3B	105812GT	COVER,T-BOX LOCKABLE EE rated (not shown)	1
4	45546GT	SCREW,RHM,6-32 X .5	
5	13585GT	OUTLET, 110V ANSI and CSA models	1
6	43956GT	WIRE CABLE,14/3 CON.TPE JKT* GS-3246	624
7	7056GT	CONN, SQZ, 1/2NPT, 0.38-0.50,SM	1
8	57075GT	SCREW,PHIL,8-32X.50,SELF TAP	
9		Ref. ROLLER BRACKET refer to 401.1	
10	6935GT	CONN, SQZ, 1/2NPT, LOCKNUT	1
11	6595GT	PLUG,ELECTRICAL,DOMESTIC	1
12	25388GT	PLUG,FUSED,250V,13AMP,U.K.**	
13	1280665GT	PLUG, TYPE F, 230A, 50HZ, 16A, IP44	
14	144161GT	PLUG,PWR,UK,16AMP,3PIN,BLK	
15	105117GT	PLUG,FLG INLET,15A/125V,2PWGD	
15-	105118GT	GASKET,(BOOT) FLANGE INLET PLG	
16	6626GT	WIRE CAP,ORANGE	1
17	10777GT	COVER, BLANK	1
18	66355GT	GASKET, UK & DIN PWR. TO PLAT 2.9 x 2.9 inches	1
19	T112563GT	SVC KIT,UK RECEPT.REPLACEMENT (includes mounting plate, gasket and fasteners) for Europe	1
20	66356GT	GASKET, UK RECEPTACLE 2.9 x 2.9 inches	1
21A	105483-SGT	PLATE,AC ADAPTER(ANSI/CSA) ANSI/CSA	
21B	96236GT	PLATE,AC ADAPTER,DIN/UK***	
21C	105090GT	PLATE, AC ADAPTER(AUS)	
22	66353GT	RECEPTACLE, DIN, 220V 50A	1
23	48282GT	POWER CORD, IEC 320 BLANK	1

402.1 Power to Platform

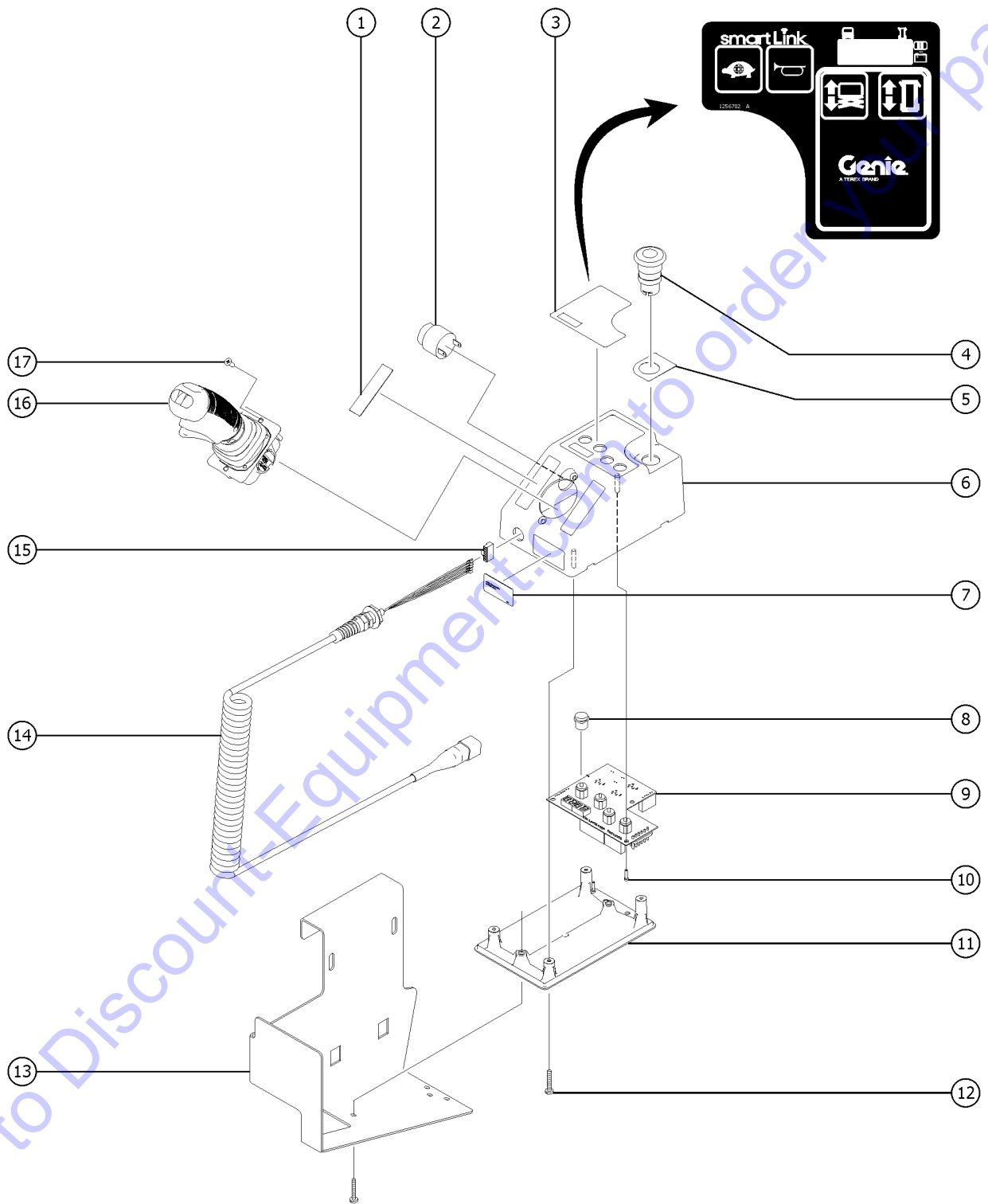


Item	Part No.	Description	Qty.
24	105118GT	GASKET,(BOOT) FLANGE INLET PLG	1
25	18605GT	NUT,NYLOCK,8-32	2
26	105483-SGT	PLATE,AC ADAPTER(ANSI/CSA)	1
26-	6878GT	BOLT,CARRIAGE,1/4-20 X .75,G2	2
		not included	
26-	6091GT	NUT, NYLOCK, 1/4-20	2
		not included	
27	105117GT	PLUG,FLG INLET,15A/125V,2PWGD	1
28	55906GT	SCREW, PHILLIPS, PHM, 8-32 X .5	2
29	144129GT	RECESSED SIDE PLUG ASSY, GS	1
		includes items 23-28	
30	44936GT	WASHER,STAR,EXTERNAL,#8	4
31	1263471GT	PLUG,IEC60309 CEE, 3PIN 220-24	1
		(Hong Kong Construction)	

Go to Discount-Equipment.com to order your parts



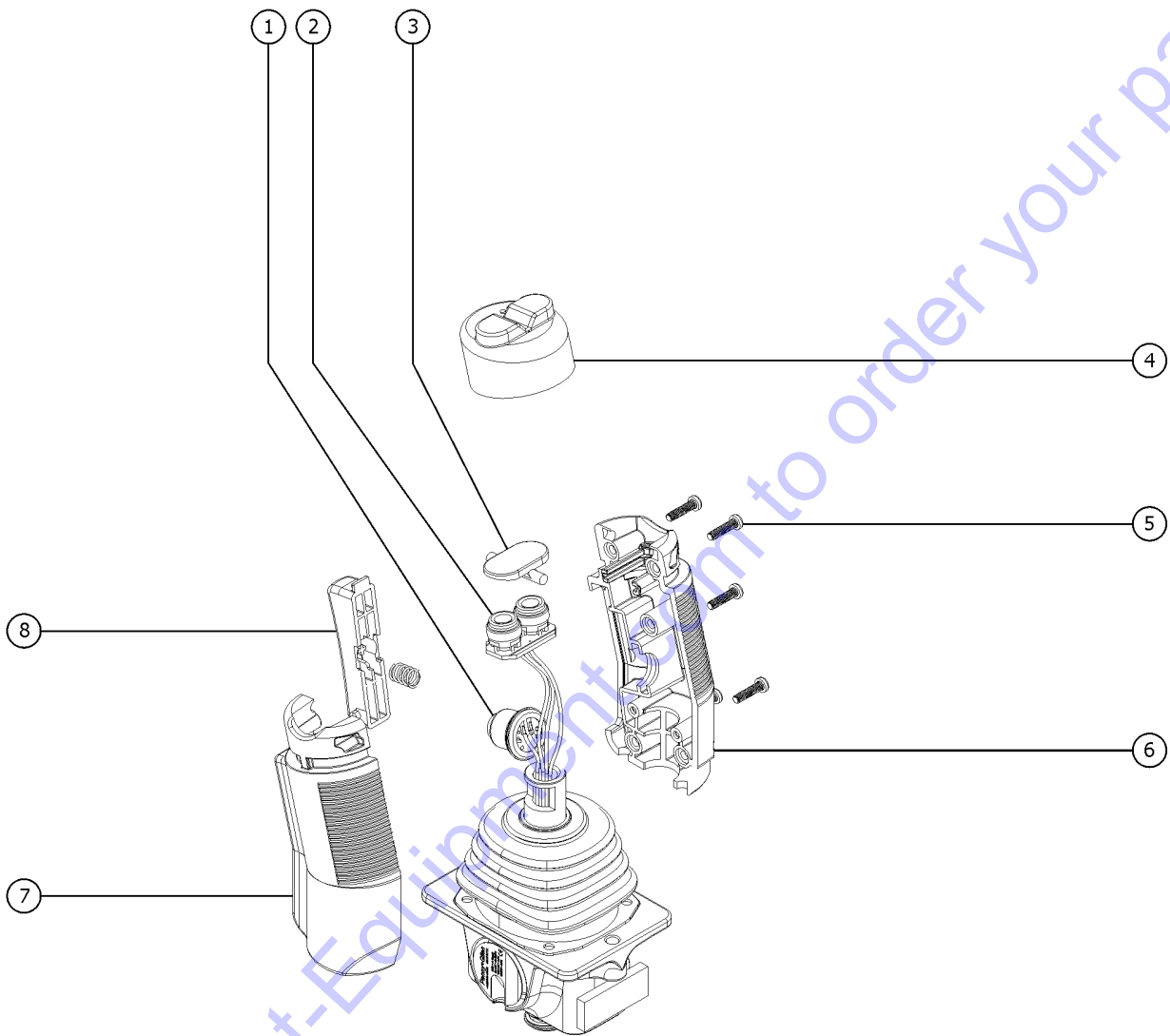
403.1 Platform Controls



Item	Part No.	Description	Qty.
A	1256727GT	PCON,STD,PROP LIFT,GR/GS complete platform control box with coil cord, bracket not included	1
A-	1258731GT	FLASH DRIVE,SL1K2.0 SOFTWARE (For proportional lift or upgrade kits only. Software update available on-line. Flash drive sold separately.)	1
A-	137587GT	HARNESS, ESTOP, GR/GRC/GS PCON	1
1	137656GT	DECAL,PROPEL,GR/GRC/GS,PCON	1
2	39540GT	ALARM,STEADY TONE***	1
3	1256702GT	DECAL, UI, GS/GR, PROP LIFT (models with 4 button, proportional controller)	1
4	66812GT	BUTTON,PUSH,RED MUSHROOM HEAD	1
4-	66817GT	E-STOP NC CONTACT	1
5	137605GT	DECAL,E-STOP,GR/GRC/GS PCON	1
6	1256656GT	ENCLOSURE,STD 4-BUTTON, TOP	1
7		(component no longer available)	
8	T106373GT	CAP,BUTTON,K12	6
9	1256725GT	PCBA,PCON STD,PROP LIFT	1
10	137637GT	SCREW,PHM,4-20X.5, 48-2 TRI-L	1
11	T106370GT	ENCLOSURE,GC14-1/GC16-1, BOT	1
12	137640GT	SCREW,PHM,8-16X.75, 48-2 TRI-L	1
13	T114397GT	FORMING,PLAT CONTROL BOX (decals not included, refer to section one)	1
14	235464GT	KIT,COIL CORD,CONTRLR,SL1000 includes item 15	1
14-	231921GT	KIT,CONN,RECEPT W/PIN AND LOCK	1
14-	231922GT	KIT,CONN,PLUG W/SCKT AND LOCK	1
15	137699GT	PLUG, 6POS ECO PWR	1
16		Ref., JOYSTICK (refer to 404.1)	1
17	229845GT	SCREW,BHSCS,M5X10,SS apply Loctite 243 or equivalent before installation	1



404.1 Joystick Controller



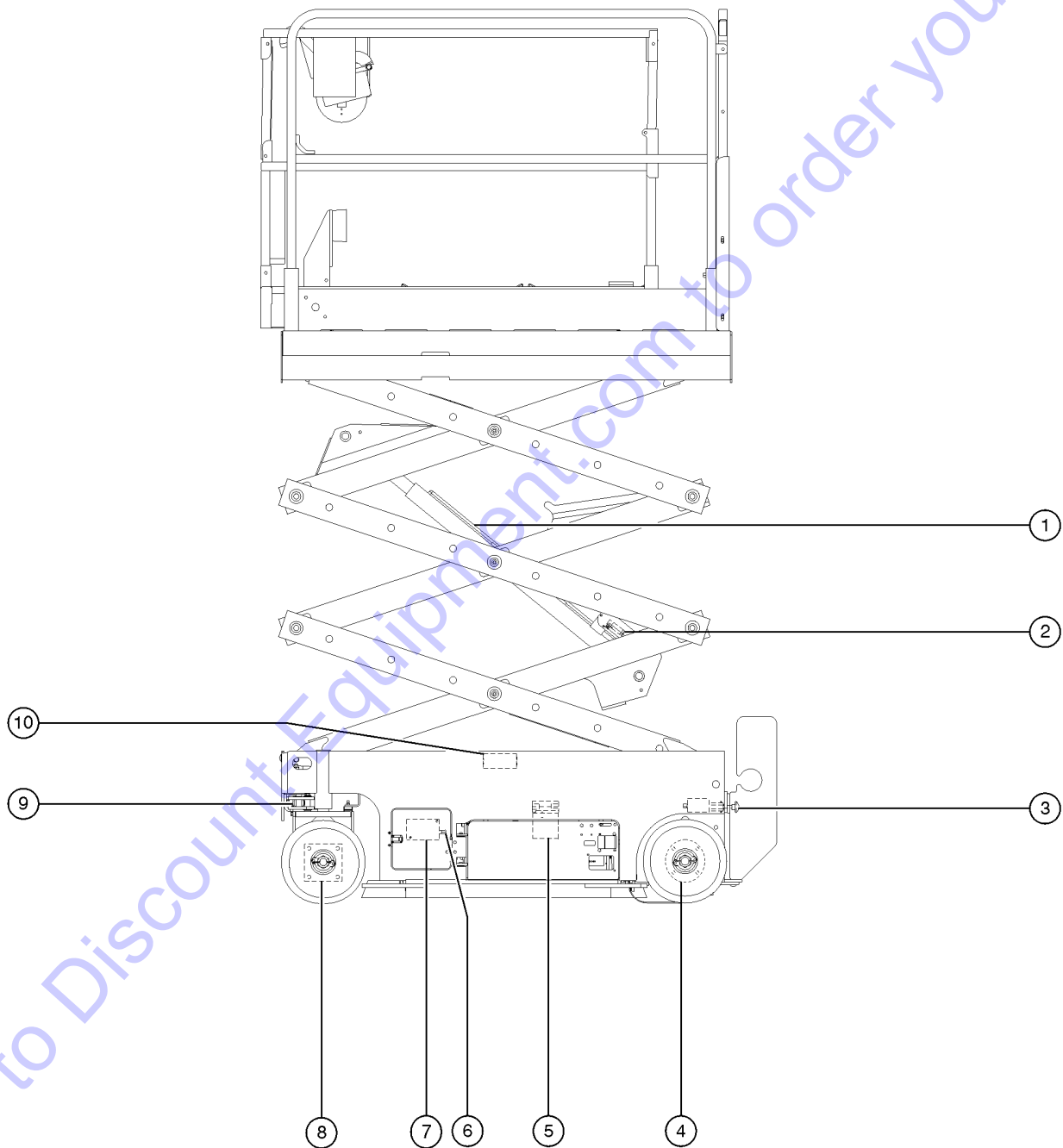
404.1 Joystick Controller

Item	Part No.	Description	Qty.
A-	137634GT	JOYSTICK, HALL EFFECT, SINGLE	
B-	229097GT	TERMINAL, SPLINE (AMP)	
C-	214544GT	KIT,BOOT,JOYSTICK,SL1000	
		joystick boot	
1	235463GT	KIT,SWITCH,JYSTK,SL1000	
		function enable and steer switches	
2	235463GT	KIT,SWITCH,JYSTK,SL1000	
		function enable and steer switches	
3	229092GT	ROCKER,2 SWITCH	1
4	229093GT	BOOT, 2 SWITCH, SILICON	1
5	229086GT	SCREW, SELF TAP	2
6A	229087GT	HANDLE HALF,RIGHT,W/TOP SWITCH	1
6B	229091GT	SCREW,GRUB,M5X8MM,HLF DOG,BZP	
		for 229087GT	
7A	229088GT	HANDLE HALF,LEFT,W/TOP SWITCH	1
7B	229090GT	SCREW,GRUB,M5X8MM CUP(BLK)	
		for 229088GT	
8	229089GT	TRIGGER, EXTENDED	1
8-	229094GT	SPRING, HANDLE TRIGGER	1

Go to Discount-Equipment.com to order your parts



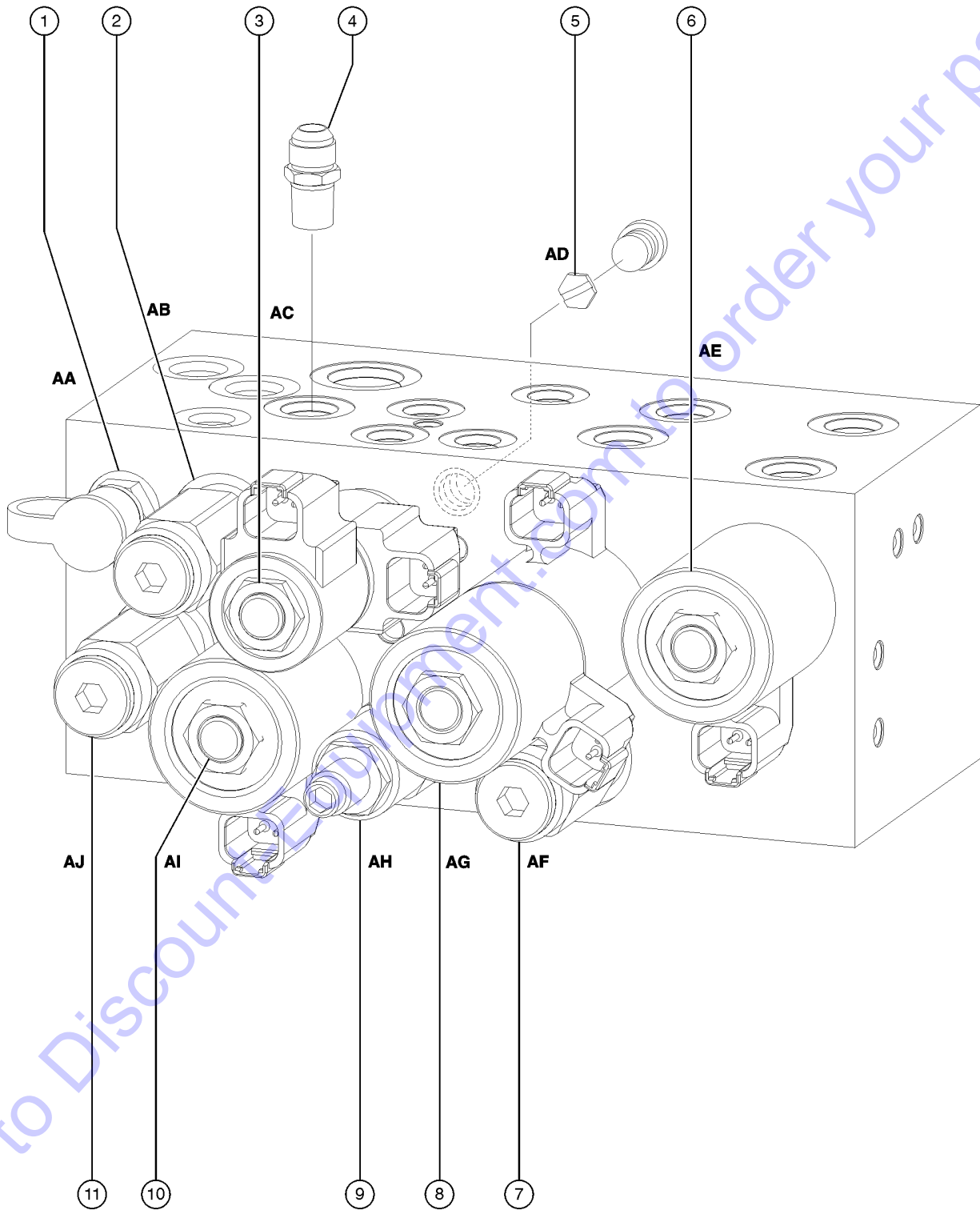
501.1 Hydraulic Components



Item	Part No.	Description	Qty.
1		Ref. Lift Cylinder Assembly (refer to 505.1)	
2		Ref. Pressure Transducer (refer to 701.1)	
3		Ref. Brake Release Hand Pump Manifold (refer to 503.1)	
4	96257GT	BRAKE, HYDRAULIC***	2
5	78622GT	FILTER ASSY, SAE8, 10 MIC, PAPER** (paper, standard)	1
5-	44788GT	FILTER ELEMENT-10MICRON, PAPER* (paper, standard)	
6		Ref. Check Valve (refer to 502.1)	
7		Ref. Function Manifold (refer to 502.1)	
8	T108663GT	DRIVE MOTOR, 22.9CI/REV	
8-	96419GT	SEAL KIT, RC SERIES DR MOTOR*** for T108663	
9	105547GT	CYLINDER, GS/GR STEER***	1
9-	105555GT	KIT, STEER CYL SEAL, 040505P, HDM (for codes H41205, H41255, H51290, H501111, H505109, H509101, H60723 and H60870)	
9-	105554GT	KIT, STEER CYL SEAL, 040499P, HDM (for code H41109 and up)	
9-	105553GT	KIT, STEER CYL SEAL, 040271P, HDM (for code H408147 and up)	
9-	105550GT	KIT, STEER CYL SEAL	
10	78422GT	ACCUMULATOR, 180 PSI PRECHARGE*	1



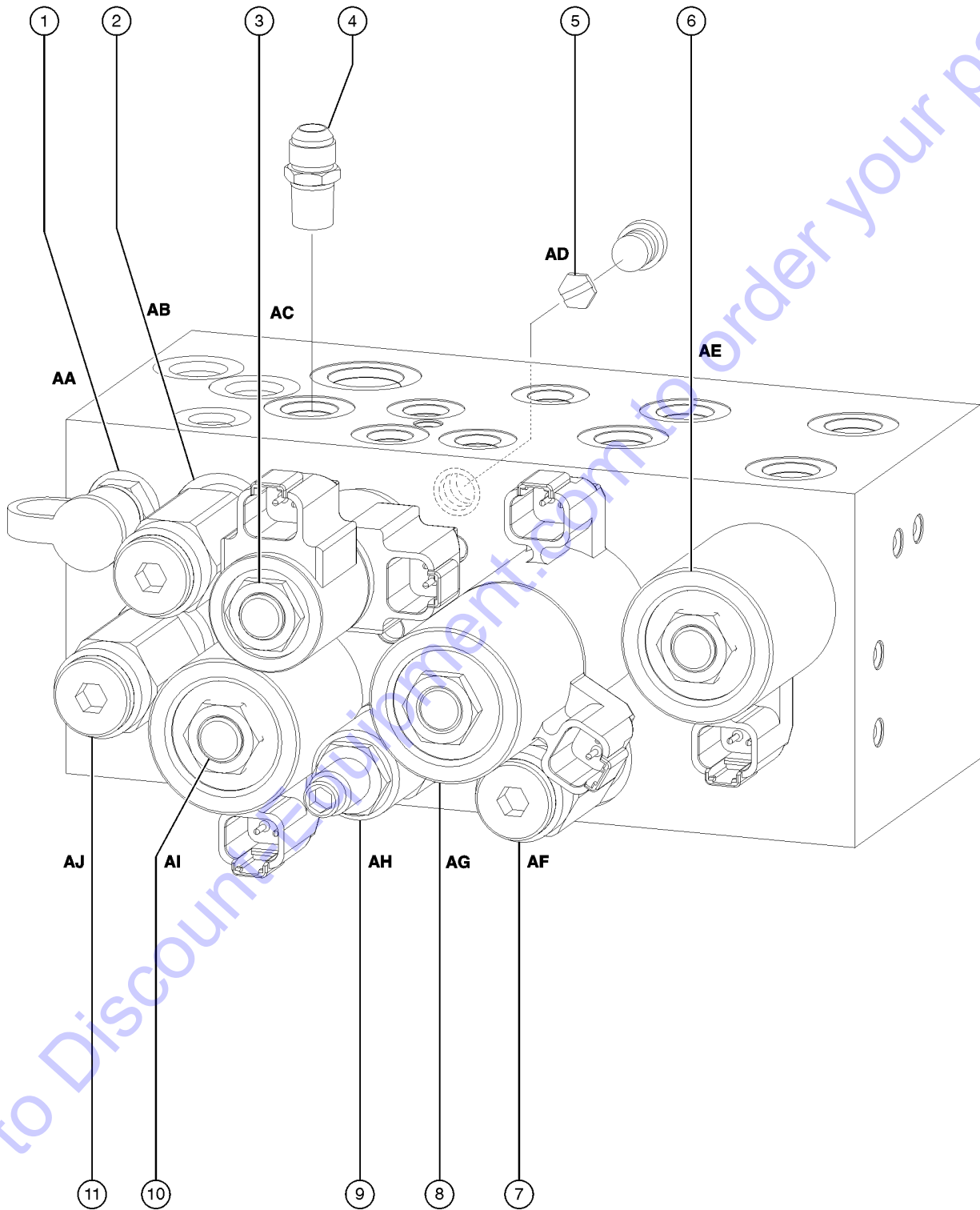
502.1 Function Manifold



Item	Part No.	Description	Qty.
A-	105463GT	126,DYN.BRAKING,MANIF,32/46	
B-	105947GT	FUNCTION MANIFOLD ASSEMBLY	
		(does not include check valve, item 4)	
C-	49612GT	O-RING KIT (ORFS FITTINGS)	
D-	49613GT	PLUG AND CAP KIT-SERVICE,ORFS*	
1	48997GT	CONN,520120-8-12	
		(AA, Testing)	
1-	20224GT	DIAGNOSTIC FEMALE Q-DSCNT	
1-	48880GT	CAP,DIAGNOSTIC NIPPLE	
2	1299590GT	VALVE, FUNCTION MANIFOLD RELIEF, 3700PSI	
		(AB, System relief).	
2-	44226GT	SEAL KIT-FOR P.N.44167	
3	44168GT	VALVE,SOLENOID,3POS 4WAY	
		(AC, Steer left/right)	
3-	77709GT	COIL,#8 20VDC,DEUTSCH W/DIOD	
		(sold separately)	
3-	44174GT	NUT-COIL SHORT	
		(sold separately)	
3-	44236GT	SPACER-DUAL COIL,#8***	
		(sold separately)	
3-	44229GT	SEAL KIT, VALVE	
4	237086GT	HOSE,UPPER VENT	
		GS-3246 (Australia & CE) (sold separately)	
5	84386GT	CHECK DISK, NO SPRING	
		(AD, Steer circuit)	
6	44171GT	VALVE-SOLENOID,2POS 4WAY**	
		(AE, Drive speed select circuit)	
6-	44230GT	SEAL KIT-P.N.44169,44172,44171	
6-	84385GT	COIL,20VDC DEUTCSH W/DIODE	
		(sold separately)	
6-	44175GT	SPACER-DUAL COIL,#10, SCISSORS	
		(sold separately)	
7	97409GT	VALVE,DIFF.AREA RELIEF,50PSI	
		(AF, Brake release)	
8	150104GT	VALVE, DYN. BRAKING, GS32/46	
8-	84385GT	COIL,20VDC DEUTCSH W/DIODE	
		(sold separately)	
8-	44175GT	SPACER-DUAL COIL,#10, SCISSORS	
		(sold separately)	
9	84384GT	PRTY,FLOW CNTRL VALVE,.75 GPM	
		(AH, Steer circuit)	
9-	1261888GT	SEAL KIT (84384)	
		for 84384GT	
9-	44230GT	SEAL KIT-P.N.44169,44172,44171	
10	44169GT	VALVE-SOLENOID, 2POS 4 WAY	
		(AI, Platform up)	



502.1 Function Manifold



Go to DiscountEquipment.com to order your parts

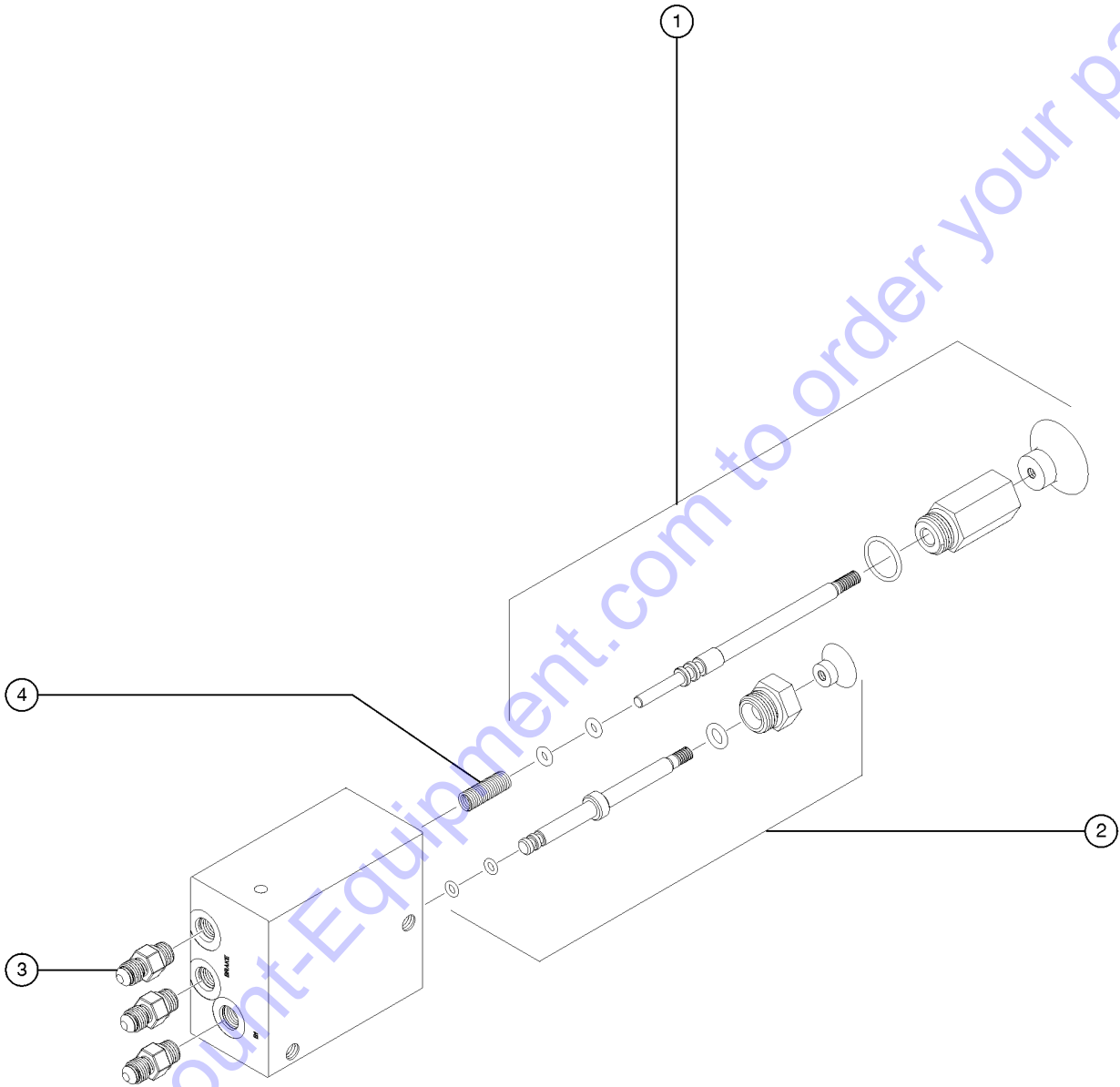


<i>Item</i>	<i>Part No.</i>	<i>Description</i>	<i>Qty.</i>
10-	44230GT	SEAL KIT-P.N.44169,44172,44171	
10-	84385GT	COIL,20VDC DEUTCSH W/DIODE (sold separately)	
10-	44175GT	SPACER-DUAL COIL,#10, SCISSORS (sold separately)	
11	1299590GT	VALVE, FUNCTION MANIFOLD RELIEF, 3700PSI (AJ, Lift relief).	
11-	44226GT	SEAL KIT-FOR P.N.44167	

Go to Discount-Equipment.com to order your parts



503.1 Brake Release Hand Pump Manifold



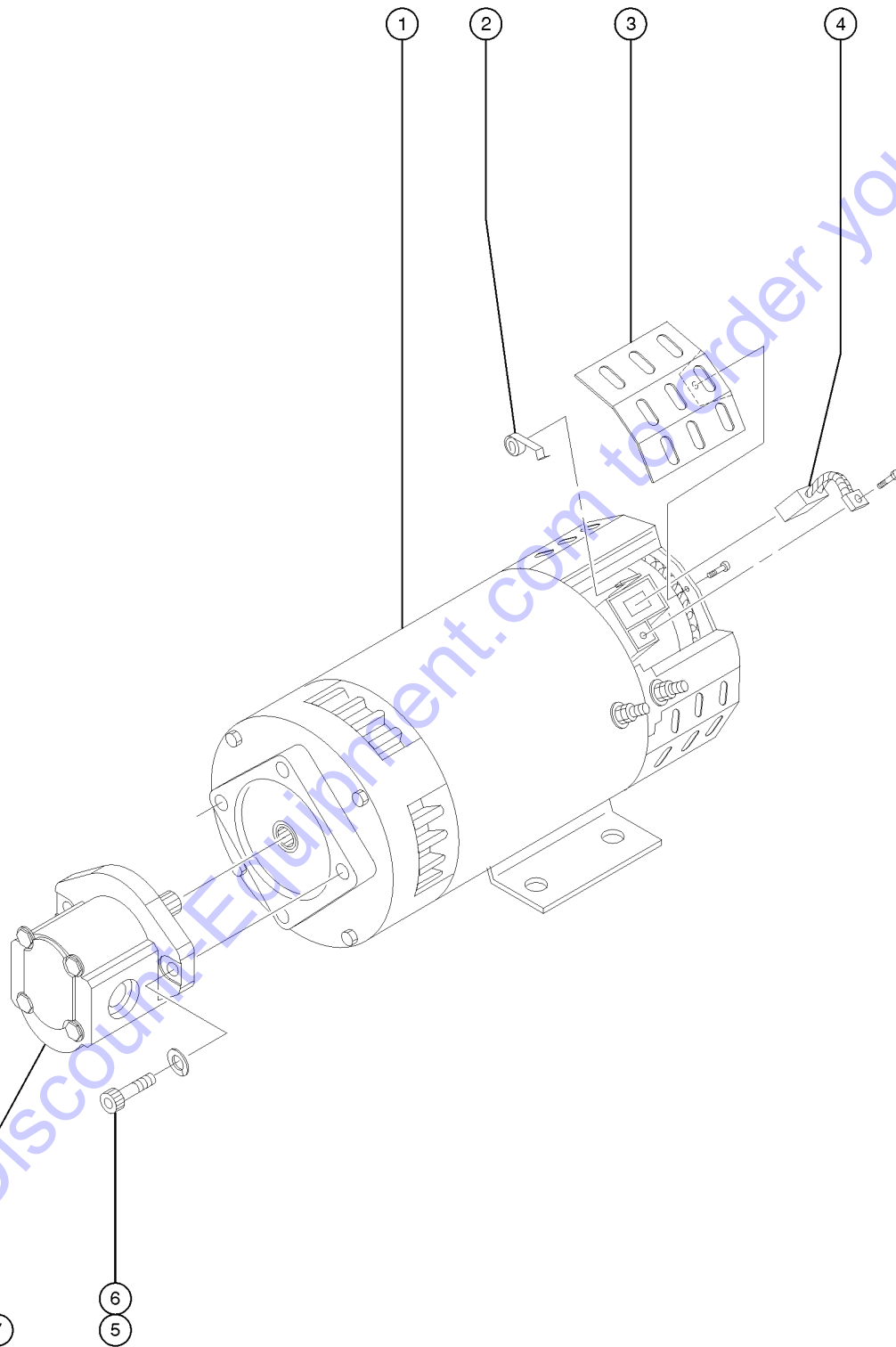
503.1 Brake Release Hand Pump Manifold

Item	Part No.	Description	Qty.
	105067GT	MANIFOLD,BRAKE RELEASE (includes items 1, 2 and 4)	
1	84739GT	VALVE,HAND PUMP ASSEMBLY***	1
1-	84740GT	SEAL KIT,HAND PUMP***	
1-	84742GT	KNOB,HAND PUMP (RED)***	
2	84743GT	VALVE,PILOT OPERATED ASSEMBLY*	1
2-	84740GT	SEAL KIT,HAND PUMP***	
2-	84746GT	KNOB,PILOT OP VALVE (BLACK)***	
3	39877GT	CONNECTOR,070120-4-4	3
4	84748GT	SPRING,HAND PUMP ROD	1

Go to Discount-Equipment.com to order your parts



504.1 Hydraulic Power Unit, All Models



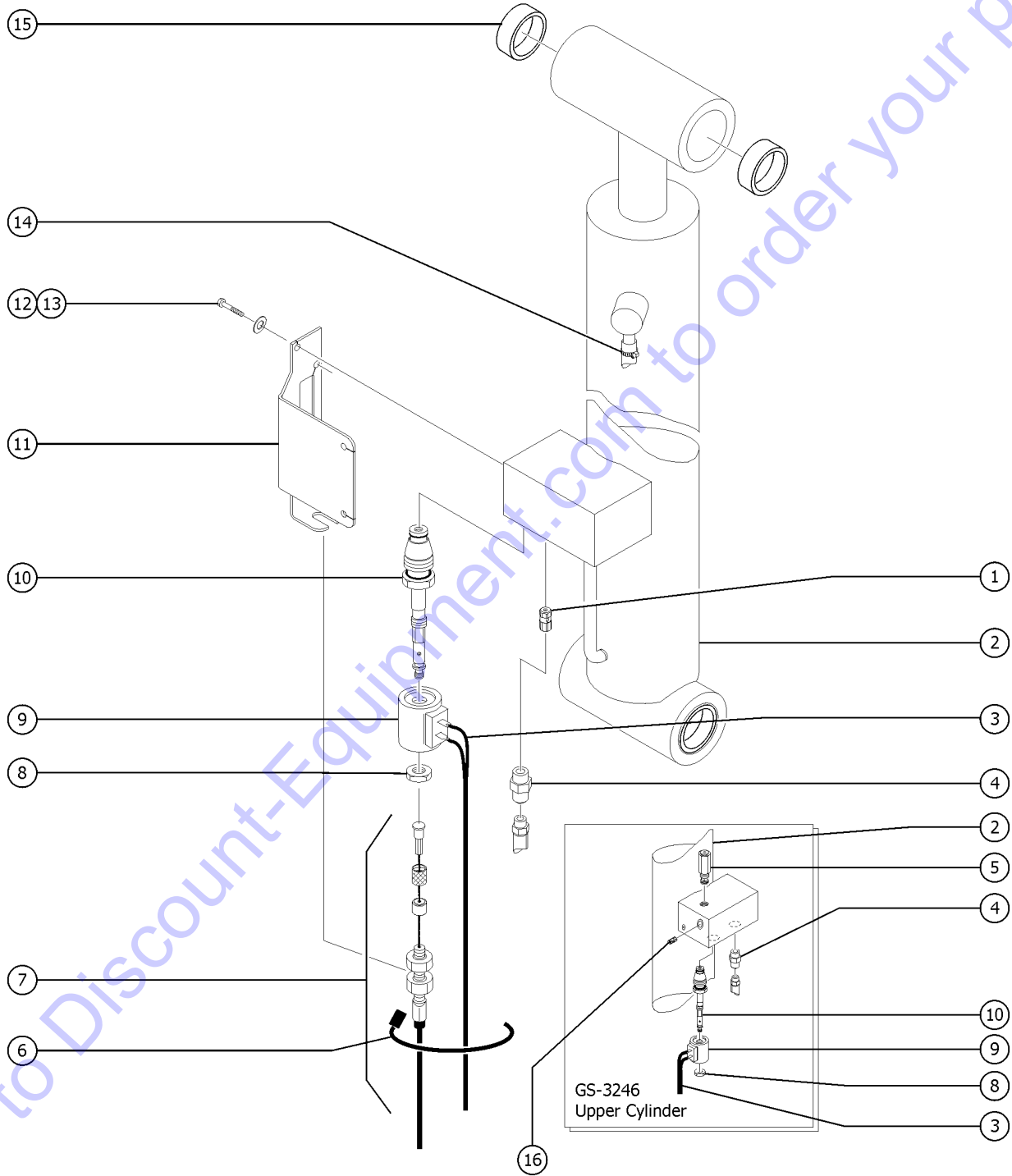
Go to DiscountEquipment.com to order your parts

Item	Part No.	Description	Qty.
B-	49812GT	ENCLOSING BAND KIT Band Kit (EE models)	
C-	78006GT	FORMING,PADLOCK BRACKET	
D-	44716GT	HANDLE,ANDERSON CONNECTOR SB	
1	1256517GT	MOTOR,DC24V,3.3KW,JIANGSU XINYU	1
2	1280938GT	SPRING-BRUSH,1256517,SCISSOR	4
3	1280939GT	COVER-BRUSH INSPEC.1256517,SCISSOR	4
4	1280940GT	BRUSH,PWR UNIT (1256517)	4
5	55921GT	SCREW,SHC,3/8-24 X 1.25"	
6	6021GT	WASHER,LOCK, .375	
7	231572GT	PUMP,4CC,GEAR,CCW	1
7-	233568GT	SEAL KIT,PUMP,GRH,(231572GT) for T108662GT	

Go to Discount-Equipment.com to order your parts



505.1 Lift Cylinder Assembly, All Models

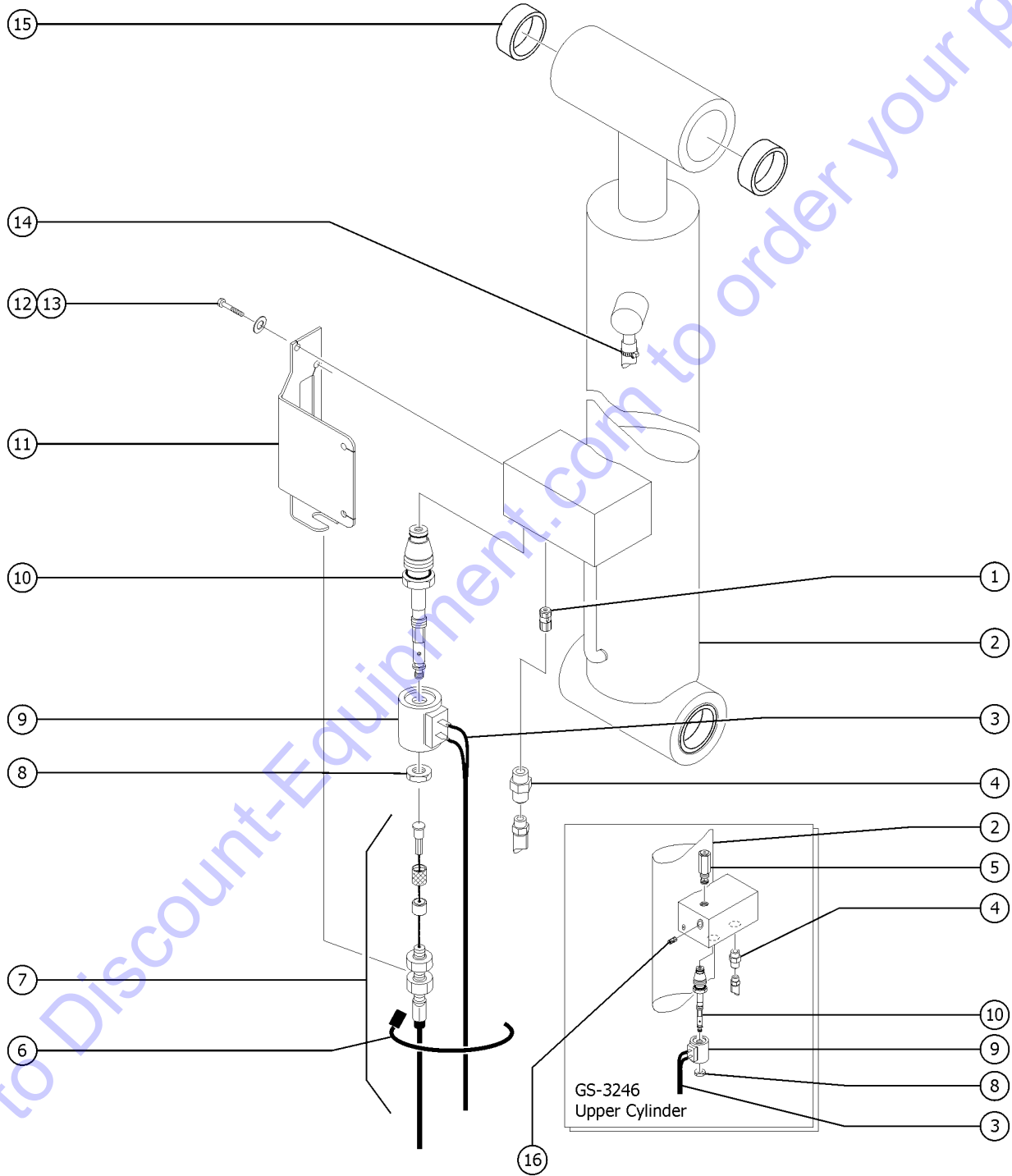


Go to Discount-Equipment.com to order your parts

Item	Part No.	Description	Qty.
1	55560GT	ORIFICE,LONG, .059"	
1-	105481GT	KIT,ORIFICE,.059"	
1-	105479GT	KIT,TWO ORIFICE,.059"	
2A	105544GT	CYLINDER, 20XX LIFT GS-2046	1
2A-	105549GT	SEAL KIT (105545) (for PN 105544GT)	
2B	105545GT	CYLINDER, 26XX/32XX LIFT GS-2646	1
2B-	105549GT	SEAL KIT (105545) (for PN 105545GT)	
2C	105546GT	CYLINDER, 32XX UPPER LIFT GS-3246 (upper cylinder)	1
2C-	105564GT	SEAL KIT (105546) (for PN 105546GT)	
2D	105545GT	CYLINDER, 26XX/32XX LIFT GS-3246 (lower cylinder)	1
2D-	105549GT	SEAL KIT (105545) (for PN 105545GT)	
3		Ref. Down Coil Wire Harness (refer to 210.1)	
4	39878GT	CONNECTOR, 070120-6-6	1
5A	97130GT	VALVE-RELIEF,2500PSI	
5A-	44227GT	SEAL KIT, VALVE for 97130	
5B	237455GT	VALVE,RELIEF,2900 PSI,BOSCH	
6	28443GT	CABLE TIE, 11.5" BLACK	3
7		Ref. Emergency Down Cable (refer to 203.1)	
8	44973GT	NUT,COIL (39909)	1
9	84422GT	COIL-SOLENOID VALVE,20V DC*** (direct replacement for 66467GT)	1
10	66465GT	VALVE,W/20V NC SOLENOID,MANUAL (includes items 8 and 9)	1
10-	40477GT	VALVE,CARTRIDGE***	
10-	44979GT	SEAL KIT,39909,PLAT LWR VALVE*	
11	41557-SGT	CABLE BRACKET,PAINTED	1
12	7339GT	SCREW,HHC,1/4-20 X .5	
13	6356GT	WASHER,LOCK,.25	
14	96770GT	CLAMP, HOSE, 1 EAR, 11/16	1
15	105478GT	BEARING,1.5025IDX1.5075ODX1.5L	4



505.1 Lift Cylinder Assembly, All Models



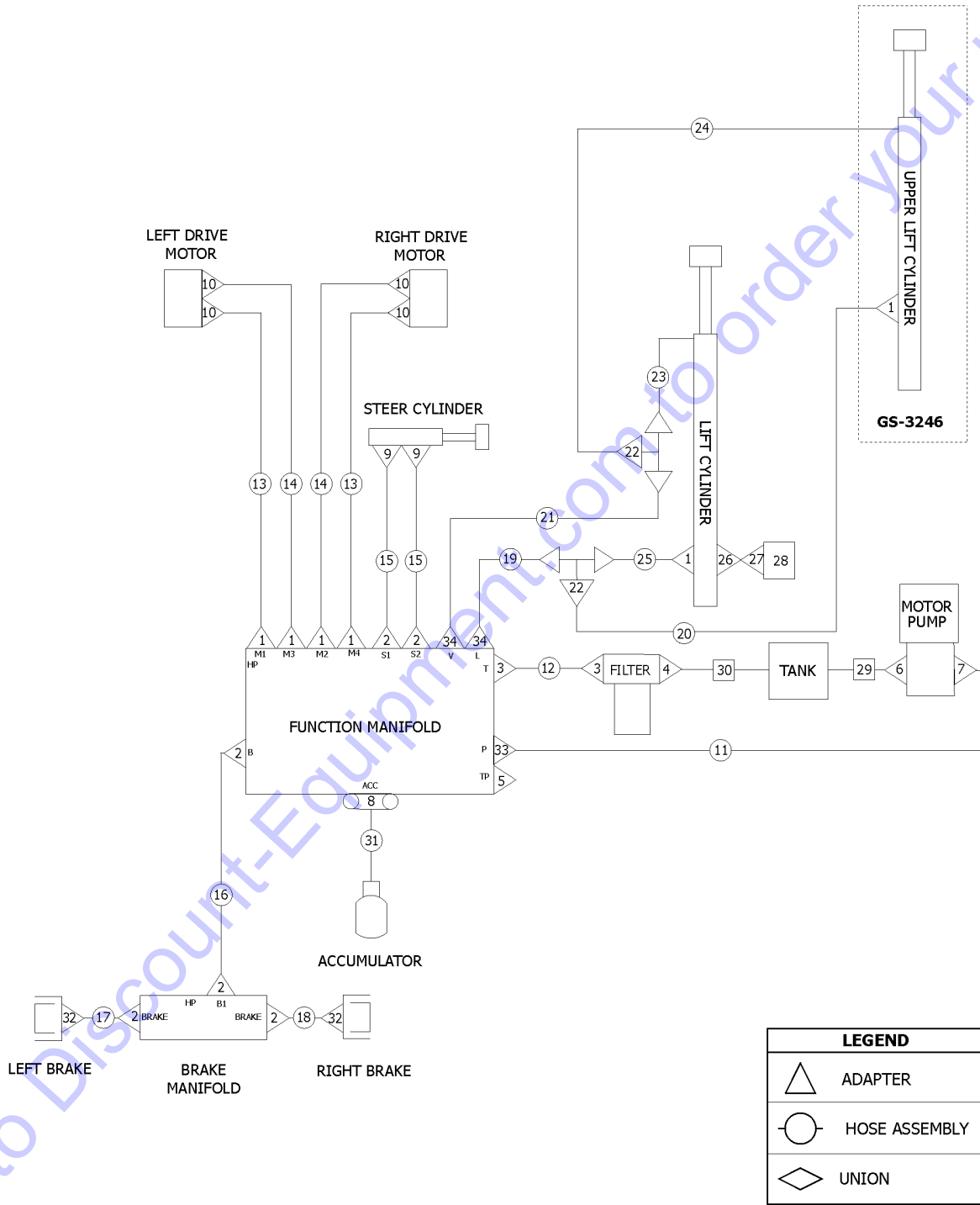
Go to Discount-Equipment.com to order your parts

<i>Item</i>	<i>Part No.</i>	<i>Description</i>	<i>Qty.</i>
16	55558GT	ORIFICE, LONG, .037*** GS-3246	1

Go to Discount-Equipment.com to order your parts



506.1 Hydraulic Hoses and Fittings

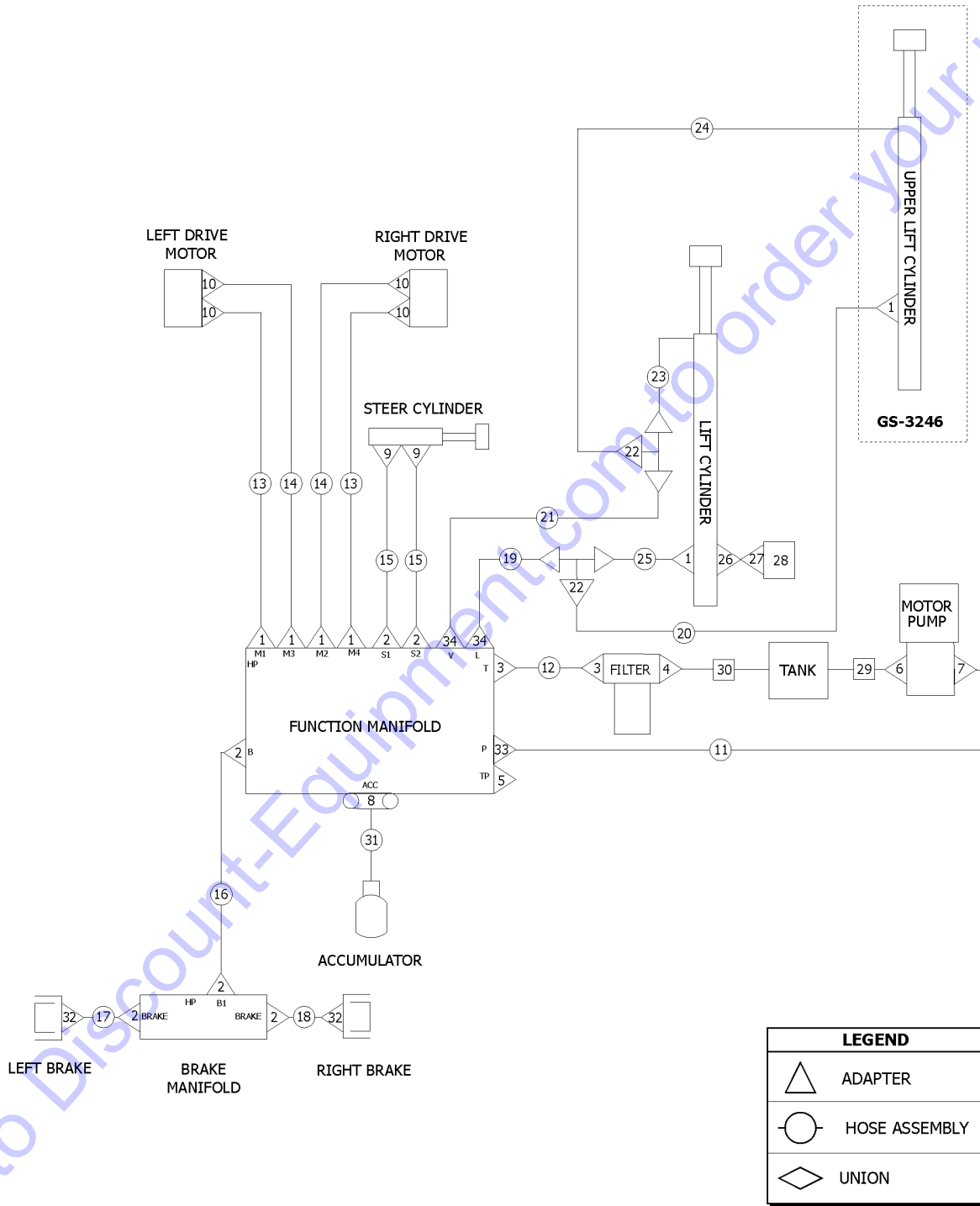


506.1 Hydraulic Hoses and Fittings

Item	Part No.	Description	Qty.
	66765-3000GT	WIRE LOOM, SPIRAL, 1-5/8 ID 30" used as hose protection on 3/8 hoses, sold by the inch	
		The hose lengths below reflect the length of the hose only. Refer to the 'Fittings Cross Reference' to match Genie part numbers to Parker part numbers.	
1	39878GT	CONNECTOR, 070120-6-6	5
2	39877GT	CONNECTOR, 070120-4-4	6
2-	39882GT	PLUG, HEX SOCKET, 090109B-4	1
3	66389GT	CONN, 070120-8-6	2
4	96398GT	CONNECTOR, 070120-12-8	1
5		Ref. Diagnostic Nipple 502.1	
6	22664GT	ELBOW, 070220-12-10	1
7	39876GT	ELBOW, 070220-6-8	1
8	39877GT	CONNECTOR, 070120-4-4	1
9	13921GT	ELBOW, 070220-4-4 GS-2046, GS-2646	2
10	39873GT	ELBOW, 070220-6-6	4
11	1259183GT	HOSE, ASSY, PRESS, RYCO (Components: 1259073, 1259073, and 1259076 @ 50 inches)	1
12	1259184GT	HOSE, ASSY, MAN TO FILTER, RYCO (Components: 1259080, 1259080, and 1259077 @ 25 inches)	1
13	1259064GT	HOSE ASSY, DRIVE MOTORS, GS46 (Components: 1259073, 1259073, and 1259076 @ 60 inches)	2
14	1259063GT	HOSE ASSY, DRIVE MOTORS, GS46 (Components: 1259073, 1259073, and 1259076 @ 64 inches)	4
15	1259062GT	HOSE, ASSY STEER, GS32/46 RYCO (Components: 1259079, 1259079, and 1259078 @ 36 inches)	2
16	1259061GT	HOSE, ASSY, BRAKE, GS46 (Components: 1259079, 1259079, and 1259078 @ 65 inches)	1
17	1259065GT	HOSE, ASSY, BRAKE MAN, GS46 (Components: 1259079, 1259079, and 1259078 @ 22 inches)	2
18	1259082GT	HOSE, ASSY, BRAKE MAN, GS46 (Components: 1259079, 1259079, and 1259078 @ 20 inches)	2
19	1259083GT	HOSE, ASSY, LIFT RYCO (Components: 1259073, 1259073, and 1259076 @ 42 inches)	1
20	1259186GT	HOSE ASSY, UPPER LIFT, RYCO GS-3246 (Components: 1259073, 1259074, and 1259076 @ 297 inches)	1
21	1259084GT	HOSE, ASSY, VENT RYCO (Components: 1259080, 1259081, and 1259077 @ 42 inches)	1
22	51152GT	TEE, RUN 070432-6***** GS-3246	2
23	1259085GT	HOSE, LOWER VENT RYCO (Components: 1259080, and 1259077 @ 170.5 inches)	1
24	1259185GT	HOSE, UP VENT, RYCO GS-3246 (Components: 1259058, and 1259077 @ 324 inches)	1
25	1259059GT	HOSE, LOWER VENT RYCO (Components: 1259073, 1259073, and 1259076 @ 127 inches)	1



506.1 Hydraulic Hoses and Fittings



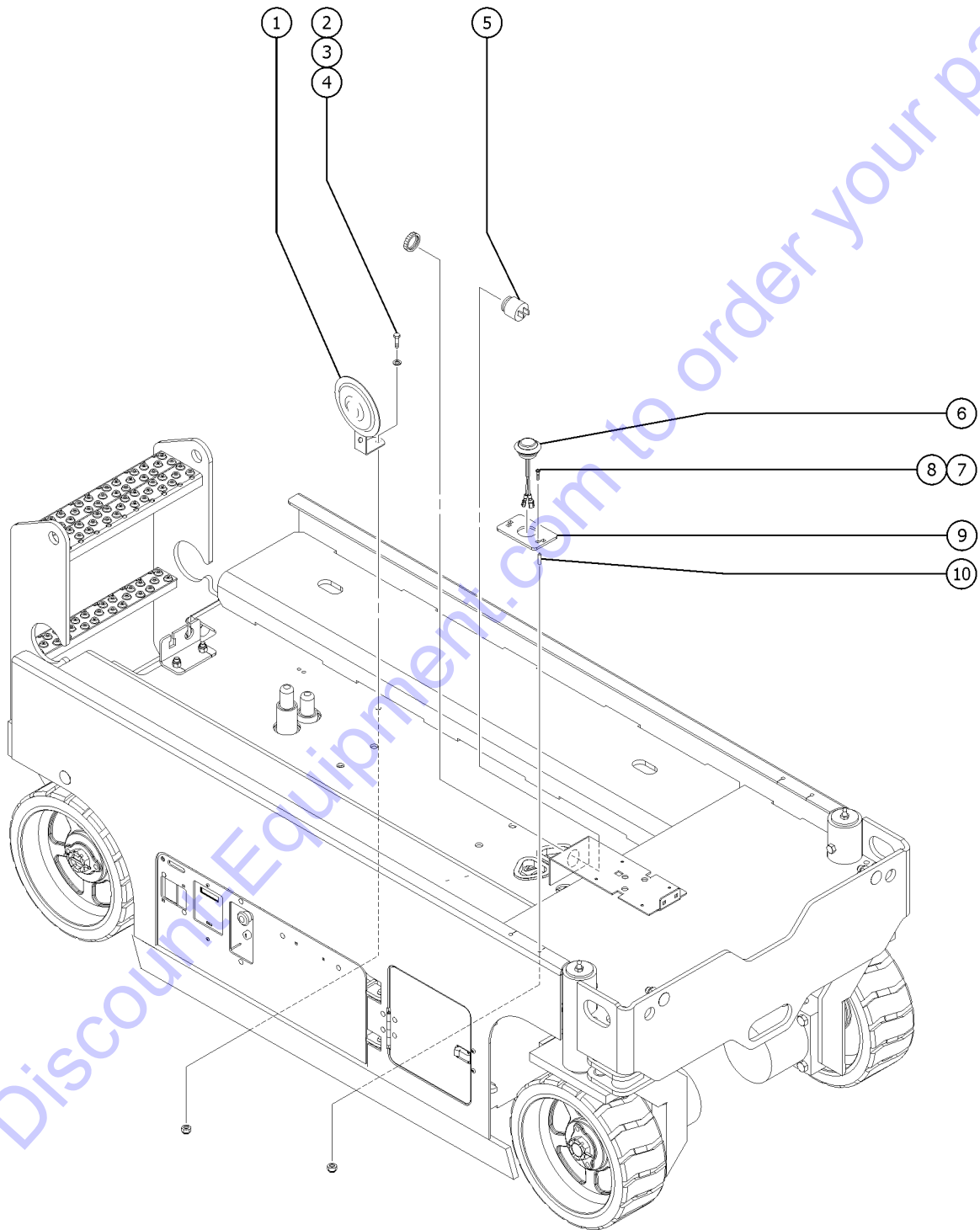
506.1 Hydraulic Hoses and Fittings

Item	Part No.	Description	Qty.
26	96885GT	CONN,SWIVEL,STR,THR,465OX-S	1
27	39881GT	CONNECTOR,070120-4-6	1
28		Ref.Pressure Switch 701.1	1
29A	96354GT	TUBE, ASSY, DRAW to SN GS4616D-3985	1
29B	1270598GT	TUBE, ASSY, DRAW from SN GS4616D-3986	1
30A	96355GT	TUBE, ASSY, RETURN to SN GS4616D-3985	1
30B	1270600GT	TUBE, SLAB RETURN ASSEMBLY from SN GS4616D-3986	1
31	1259060GT	HOSE ASSY, MAN/ACCUM, GS32/46 (Components: 1259079, 1259079, and 1259078 @ 17 inches)	1
32	39877GT	CONNECTOR,070120-4-4	2
33A	39878GT	CONNECTOR, 070120-6-6	1
33B	237086GT	HOSE,UPPER VENT GS-3246 (Australia, CE)	1
34A	42283GT	ELBOW,070320-6-6	2
34B	130011GT	HOSE CLAMP, SAE #6 GS-3246	2

Go to Discount-Equipment.com to order your parts



601.1 Alarm, Horn and Flashing Beacons



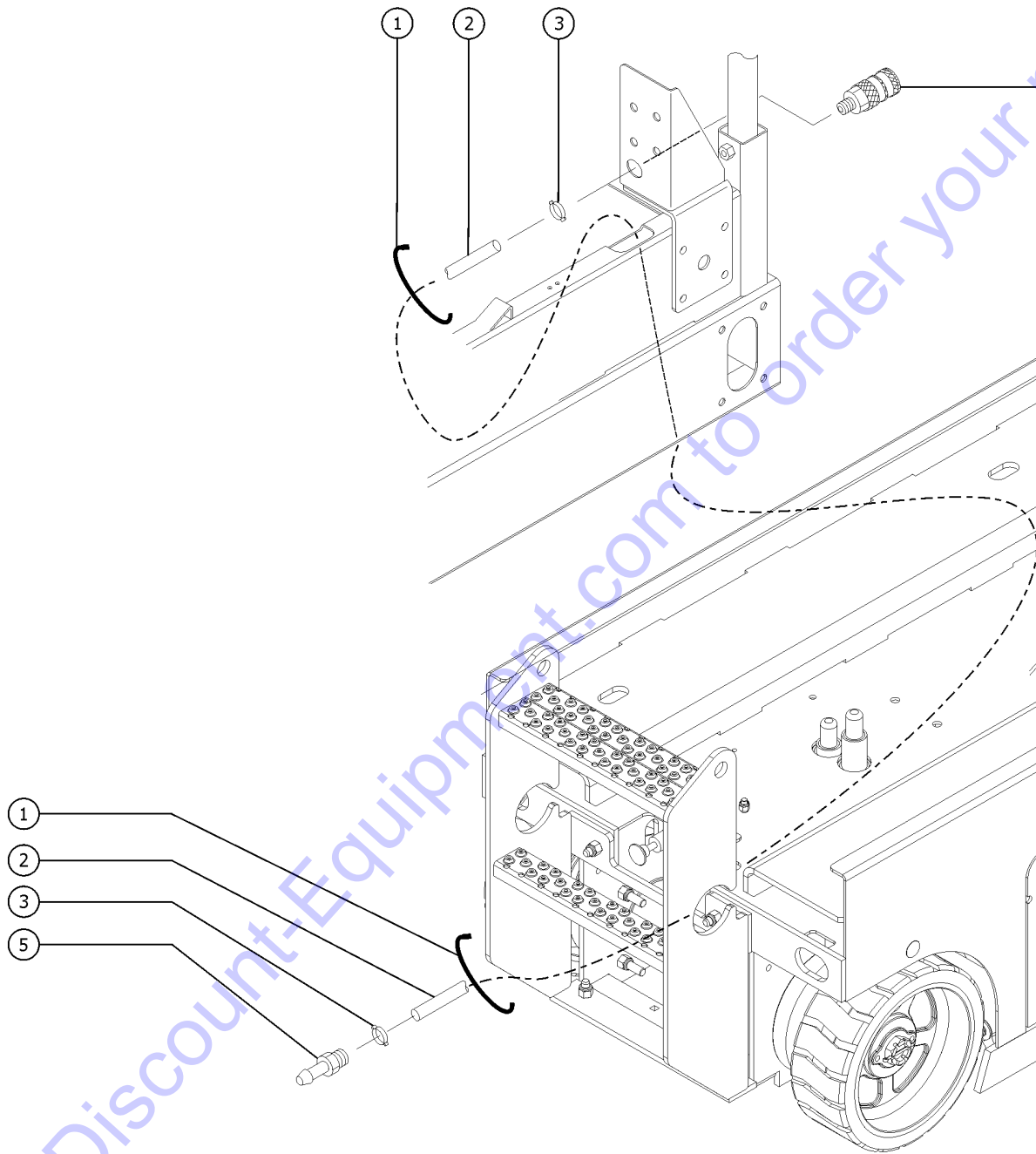
601.1 Alarm, Horn and Flashing Beacons

Item	Part No.	Description	Qty.
A-	144046GT	KIT,BEACON,GENIE SCISSOR	
B-	1260386GT	VISUAL ALARM SUPPLEMENT	
		CE Models	
1	81579GT	HORN, 24VDC, SPADE TERMINALS***	1
2	8914GT	SCREW,HHC,1/4-20 X .625	
3	6638GT	WASHER,FLAT,USS,1/4"Y	
4	6091GT	NUT, NYLOCK, 1/4-20	
5	39540GT	ALARM,STEADY TONE***	1
		Does not include 72326 nut	
5-	72326GT	NUT,PLASTIC,RING FOR ALARMS	
6	1261183GT	ASSEMBLY,VISUAL IND LIGHT	2
		CE Models	
6-	1254572GT	LIGHT,TURN SIGNAL,1.25" LED,AM	2
		CE Models	
6-	1261168GT	HARNESS,VISUAL IND LIGHTS	1
		CE Models	
7	1256463GT	BOLT,CARRIAGE,1/4-20X1.25,5,ZAG	4
		CE Models	
8	6889GT	NUT,LP NYLOCK,1/4-20	4
		CE Models	
9	1261778GT	PLATE,VISUAL ALARM MOUNT,METRIC	2
		CE Models	
10	96699GT	SLEEVE,TANK SUPPORT	1

Go to Discount-Equipment.com to order your parts



602.1 Air Line to Platform



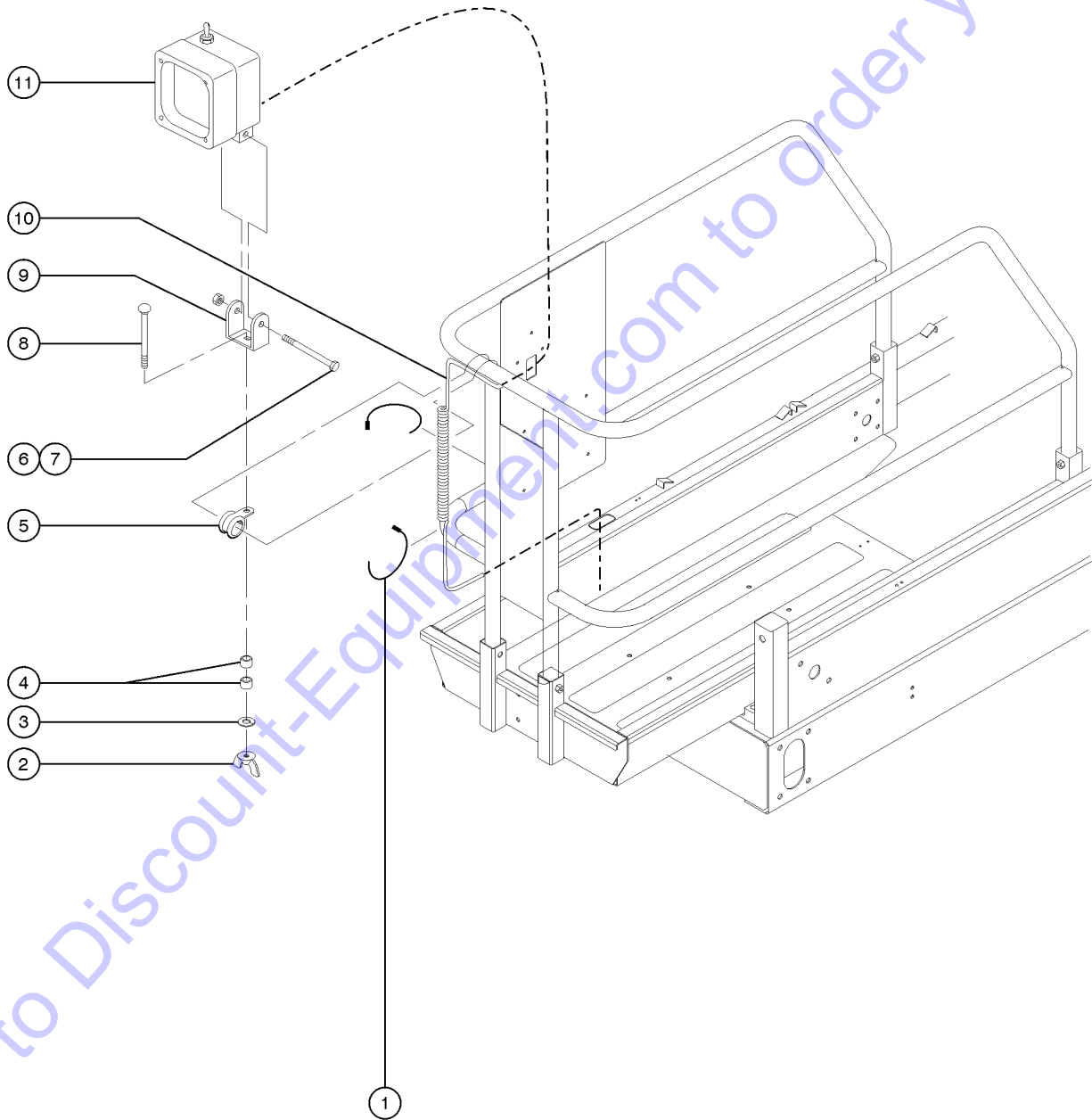
602.1 Air Line to Platform

Item	Part No.	Description	Qty.
	96731-SGT	AIR TO PLAT, GS20XX, ACC	
1	28443GT	CABLE TIE, 11.5" BLACK	
2B-	27903GT	HOSE,LOW PRESSURE,.375 ID,BLK	390
3	45454GT	CLAMP,RUB CUSH,0.75,#12 X 3/8*	1
4	96543GT	COUPLER,1/4"SERIES,3/8 P-LOK	1
5	96542GT	PLUG,1/4"SERIES,3/8 P-LOCK***	1

Go to Discount-Equipment.com to order your parts



603.1 Platform Work Light



Go to Discount-Equipment.com to order your parts

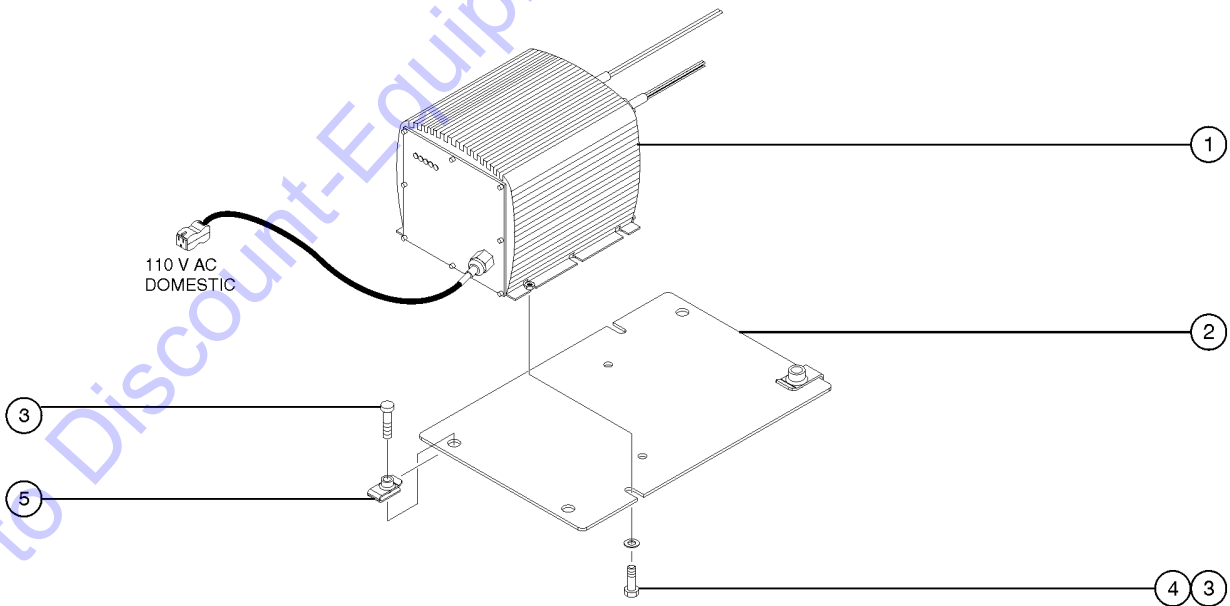
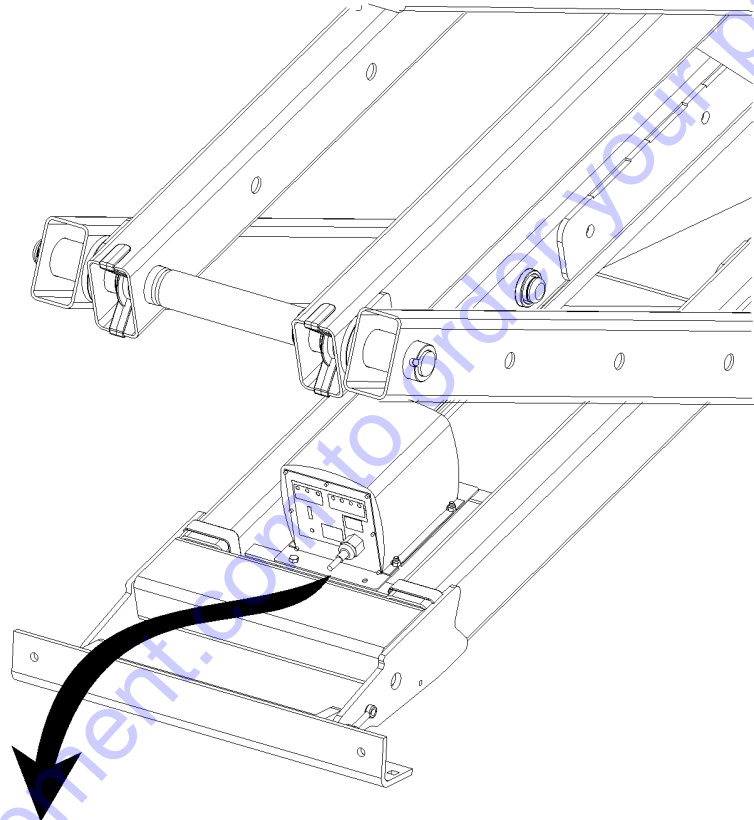
603.1 Platform Work Light

Item	Part No.	Description	Qty.
-	105974GT	WORKLIGHT CABLE,GS26XX (linkset) GS-2646	
-	105971GT	WORKLIGHT PIGTAIL ASSY (chassis)	
-	105975GT	WORKLIGHT CABLE,GS32XX (linkset) GS-3246	
1	28443GT	CABLE TIE, 11.5" BLACK	10
2	69229GT	NUT,WING 5/16-18	1
3	6886GT	WASHER,LOCK, .313	
4	5397GT	WASHER,FLAT,USS,5/16",Y add sufficient washers to equal aproximately 0.435 inch thickness of each spacer	2
5	33784GT	CLAMP,1.31,#21 X 1/4,RUB CUSH	1
6	50793GT	SCREW,HHC,5/16-18 X 2	
7	6782GT	NUT, NYLOCK, 5/16-18	
8	65439GT	BOLT,CARRIAGE,5/16-18 X 2.0,G2	
9	144009GT	WORKLIGHT BRACKET	1
10	65721GT	COIL CORD,WORKLIGHT(144011)	1
11	144011GT	WORKLIGHT,24V,COIL CORD	1

Go to Discount-Equipment.com to order your parts



604.1 Voltage Inverter



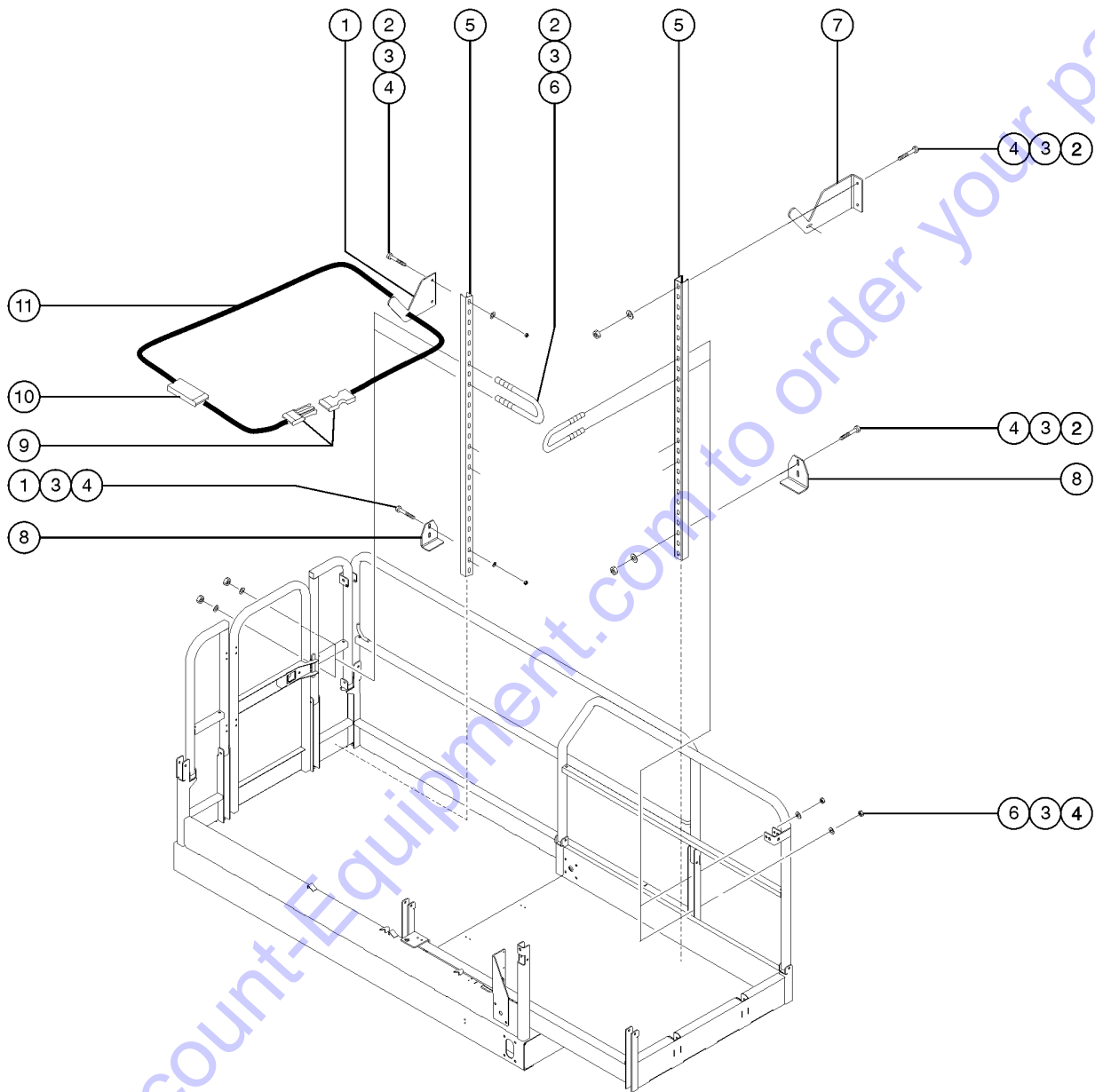
604.1 Voltage Inverter

<i>Item</i>	<i>Part No.</i>	<i>Description</i>	<i>Qty.</i>
1	96950GT	INVERTER,24VDC,110/230 VAC***	1
2	105129GT	PLATE, INVERTER MOUNT**	1
3	6090GT	SCREW,HHC,1/4-20 X .75	
4	6638GT	WASHER,FLAT,USS,1/4"Y	
5	56912GT	SPRING CLIP,1/4-20,.025-.15X.54,ZAG	2

Go to Discount-Equipment.com to order your parts



605.1 Pipe Cradle Assembly



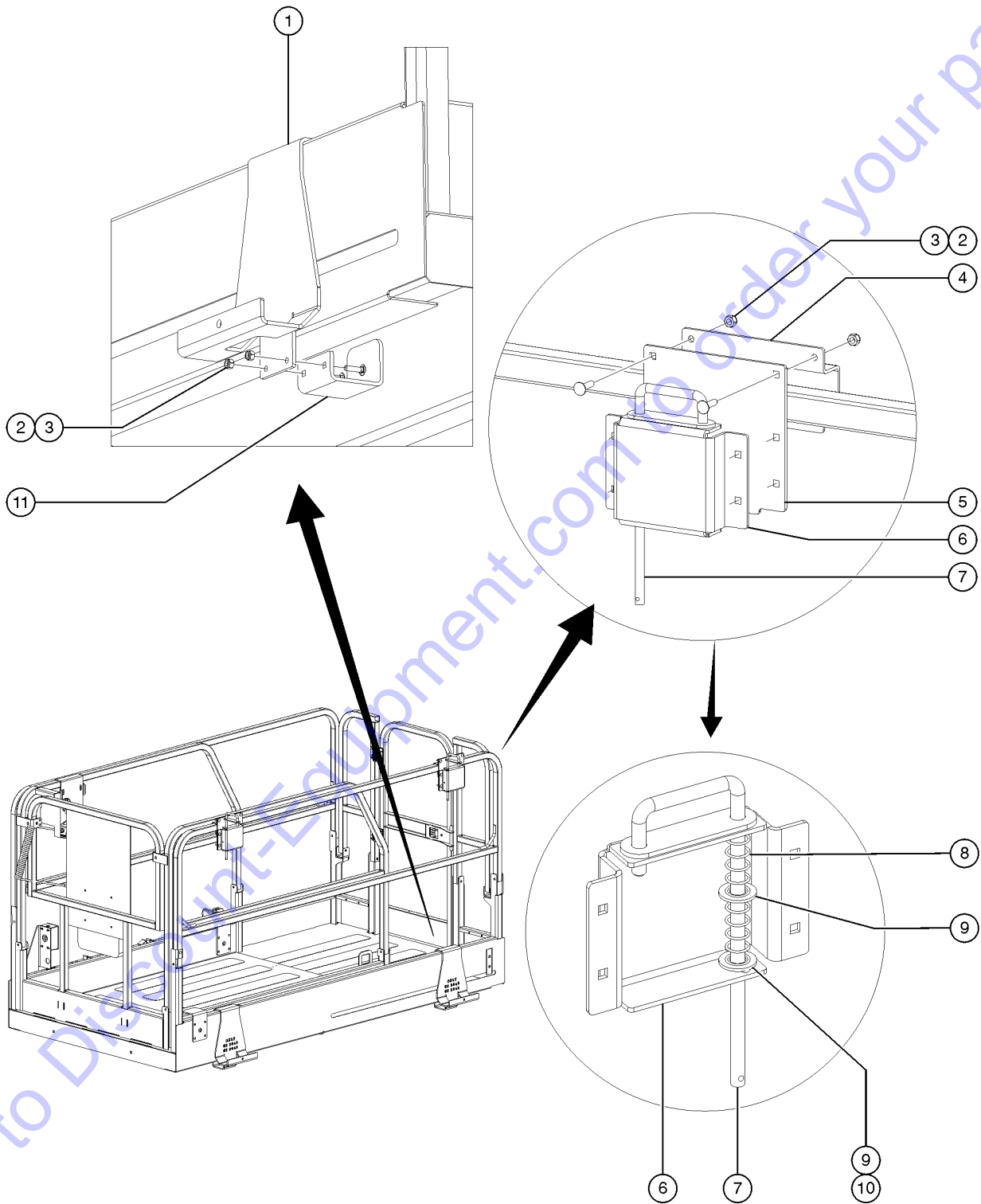
605.1 Pipe Cradle Assembly

Item	Part No.	Description	Qty.
	72878GT	PIPE CRDL,SQ RAILINGS,GS46	
1	79156GT	PLATE,PIPE HOLDER, GS68	1
2	14033GT	SCREW, HHC, 3/8-16 X 2.75	
3	6097GT	WASHER,FLAT,USS,3/8",Y	
4	4828GT	NUT,NYLOCK,3/8-16	
5	66171GT	CHANNEL,PIPE RACK	2
6	66472GT	U-BOLT, SQR, 3/8-16X2X5, PLTD	4
7	66169GT	FORMING, PIPE HOLDER RACK	1
8	66170GT	FORMING, PIPE RACK BASE	2
9	100810GT	BUCKLE & SLIDE STRAP SET	1
10	35643GT	BUCKLE,SIDE RELEASE	2
11	35642GT	STRAP,NYLON,1.0 IN. BLACK	96

Go to Discount-Equipment.com to order your parts



606.1 Panel Carrier Assembly, GS2046, GS-2646 (ANSI/CSA models)



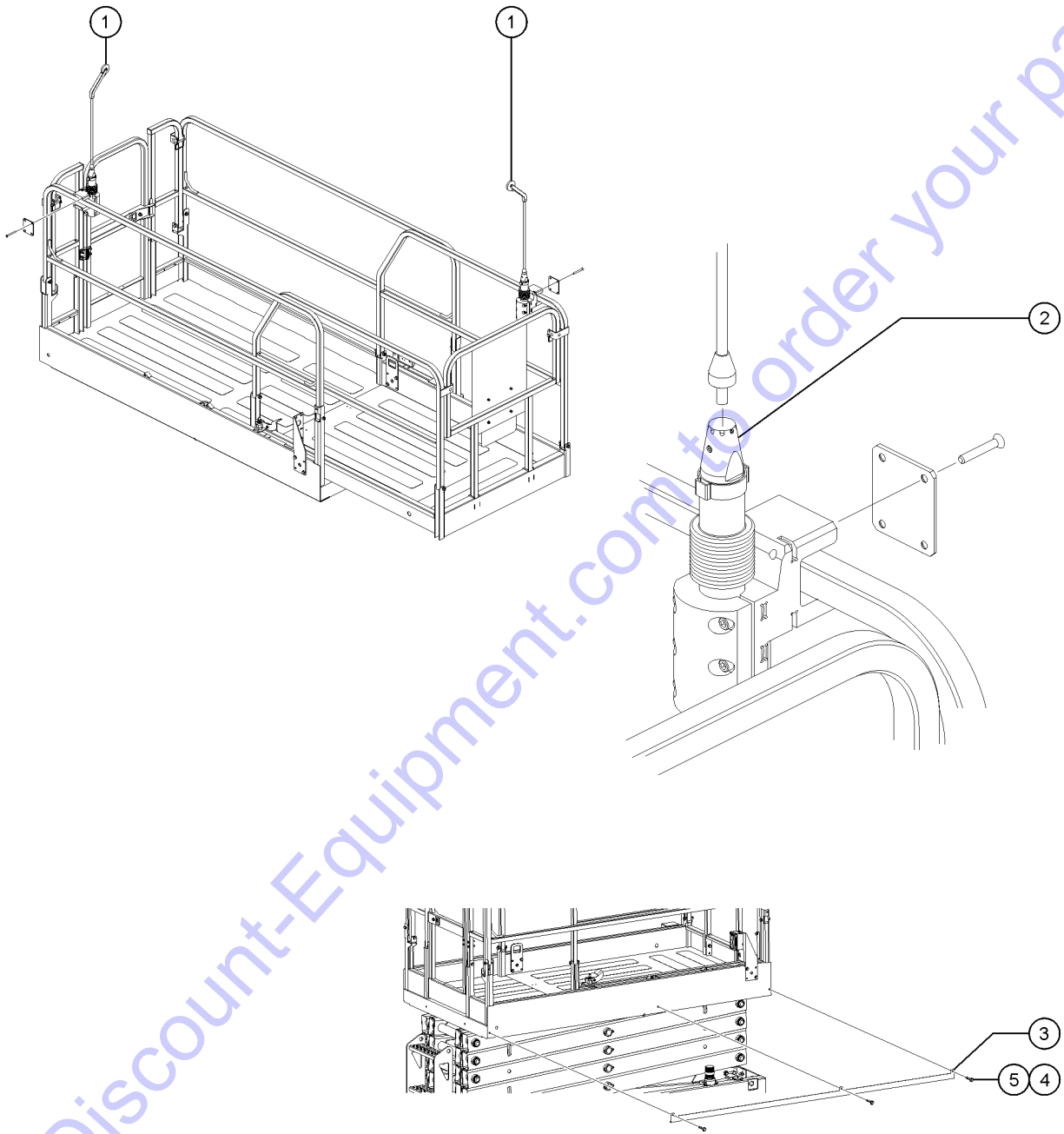
606.1 Panel Carrier Assembly, GS2046, GS-2646 (ANSI/CSA models)

Item	Part No.	Description	Qty.
1	1251805GT	FORMING, PANEL HOOK	2
2	6091GT	NUT, NYLOCK, 1/4-20	
3	124576GT	BOLT,CARRIAGE,1/4-20X1.00 G5	
4	1251809GT	FORMING, RAIL CLAMP	2
5	1251808GT	PLATE, COVER	2
6	1251807GT	FORMING, HOUSING, CLAMP	2
7	1251812GT	WELDMENT, CLAMP	2
8	1251813GT	SPRING, .660 X 2.00, 14.8 #/IN	4
9	6097GT	WASHER,FLAT,USS,3/8",Y	
10	12016GT	PIN,COTTER,.125 X .75	2
11	1251806GT	FORMING, RETAINER	2

Go to Discount-Equipment.com to order your parts



607.1 Lift Guard Contact Alarm, View-1 (from SN GS4614D-1000)



Go to Discount-Equipment.com to order your parts

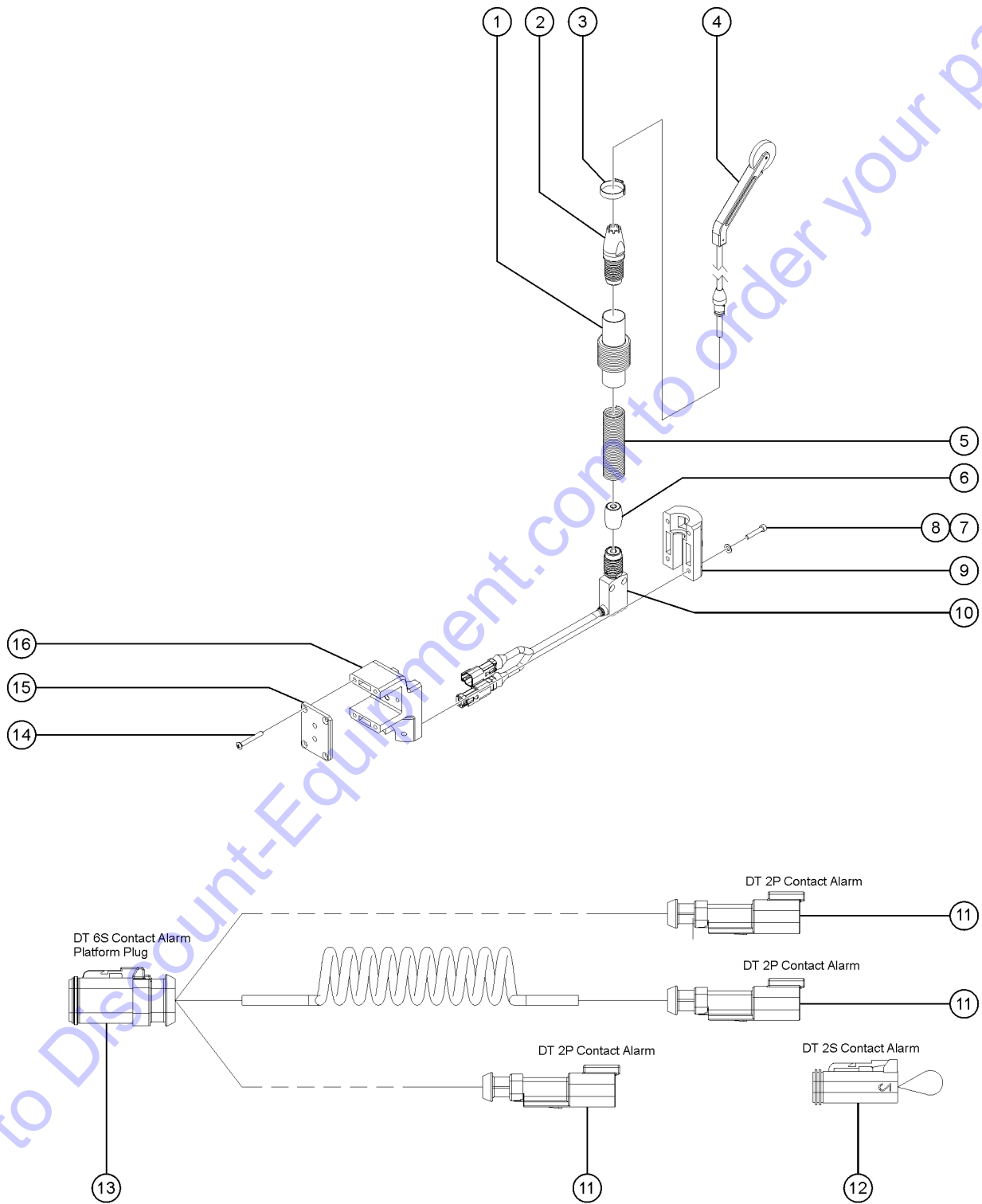
607.1 Lift Guard Contact Alarm, View-1 (from SN GS4614D-1000)

Item	Part No.	Description	Qty.
-		CABLE, CONTACT ALARM, 20IN LINK (No longer available)	1
1		ASSEMBLY, LIFTGUARD CONTACT ALARM refer to 608.1 (no longer available)	2
2		ASSEMBLY, LIFTGUARD KNUCKLE OBSOLETE. refer to 608.1 (No longer available)	2
3		FORMING, CONTACT ALARM, CABLE GUIDE, BAT, GS46 Battery Side(No longer available)	1
4	824078GT	SCREW, HHF, 1/4-20X.75, 8, ZAG GS-2046	4
4B	824078GT	SCREW, HHF, 1/4-20X.75, 8, ZAG GS-2646, GS-3246	6
5	824027GT	NUT, TL FLG, 1/4-20, G, ZAG GS-2046	4
5B	824027GT	NUT, TL FLG, 1/4-20, G, ZAG GS-2646, GS-3246	6

Go to Discount-Equipment.com to order your parts



608.1 Lift Guard Contact Alarm, View-2 (from SN GS4614D-1000)

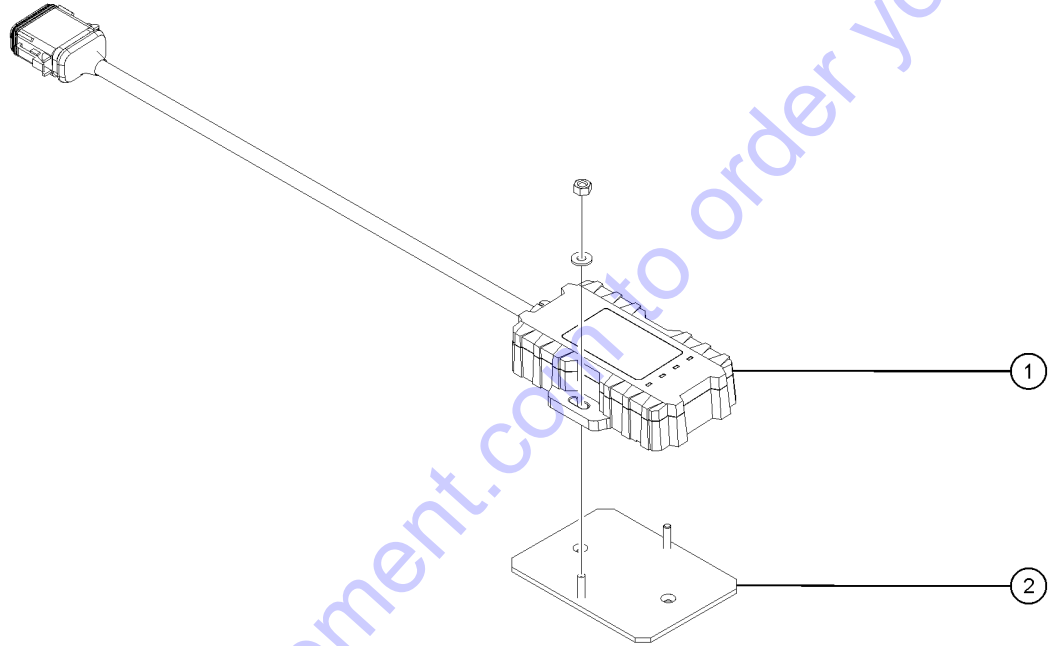


608.1 Lift Guard Contact Alarm, View-2 (from SN GS4614D-1000)

Item	Part No.	Description	Qty.
-		ASSEMBLY, LIFTGUARD CONTACT ALARM Includes items 1-10, 14-16 (no longer available)	1
-		ASSEMBLY, LIFTGUARD KNUCKLE OBSOLETE. (part of assy 1287673, includes items 1-3, 5, 6 and 10) (No longer available)	1
1		BELLOW, LIFTGUARD CONTACT ALARM no longer available	1
2		ASSEMBLY, UPPER WHISKER MOUNTING no longer available	1
3	1298716GT	CLAMP, STEPLESS, ONE EAR	1
4		ASSEMBLY, WHISKER no longer available	1
5		SPRING, TENSION, CONTACT ALARM no longer available	1
6		ASSEMBLY, MAGNETIC SNAP BARREL no longer available	1
7		SCREW,SHC,10-24X1,F837,18.8,NYL,SS no longer available	4
8		WASHER,FLAT,0.219X0.437X0.031,SS no longer available	4
9		BRACKET, RT LIFTGUARD, PART 2/2 no longer available	1
10		ASSEMBLY, LIMIT SWITCH MOUNT no longer available	1
11	1288352GT	CONN,RECEP,2 WAY,DT,14-18GA,CE09	3
11-	60439GT	CONN, RECEP, 2 WAY, DEUTSCH, DT, LOCK	
12	119056GT	CONN, PLUG, 2 WAY, DEUTSCH, DT, ENDCAP	1
12-	60425GT	CONN, PLUG, 2 WAY, DEUTSCH, DT, LOCK	
13	1288576GT	CONN,PLUG,6WAY,DT,14-18GA,CE13	1
13-	60431GT	LOCK,PLUG 6 WAY,14-18GA	
14		SCREW,OHPM,10-24X1.5,NYL,SS no longer available	4
15		PLATE, LIFTGUARD BRACKET no longer available	1
16		BRACKET, RT LIFTGUARD, PART 1/2 no longer available	1



609.1 Telematics Option (from SN GS4615D-2217)



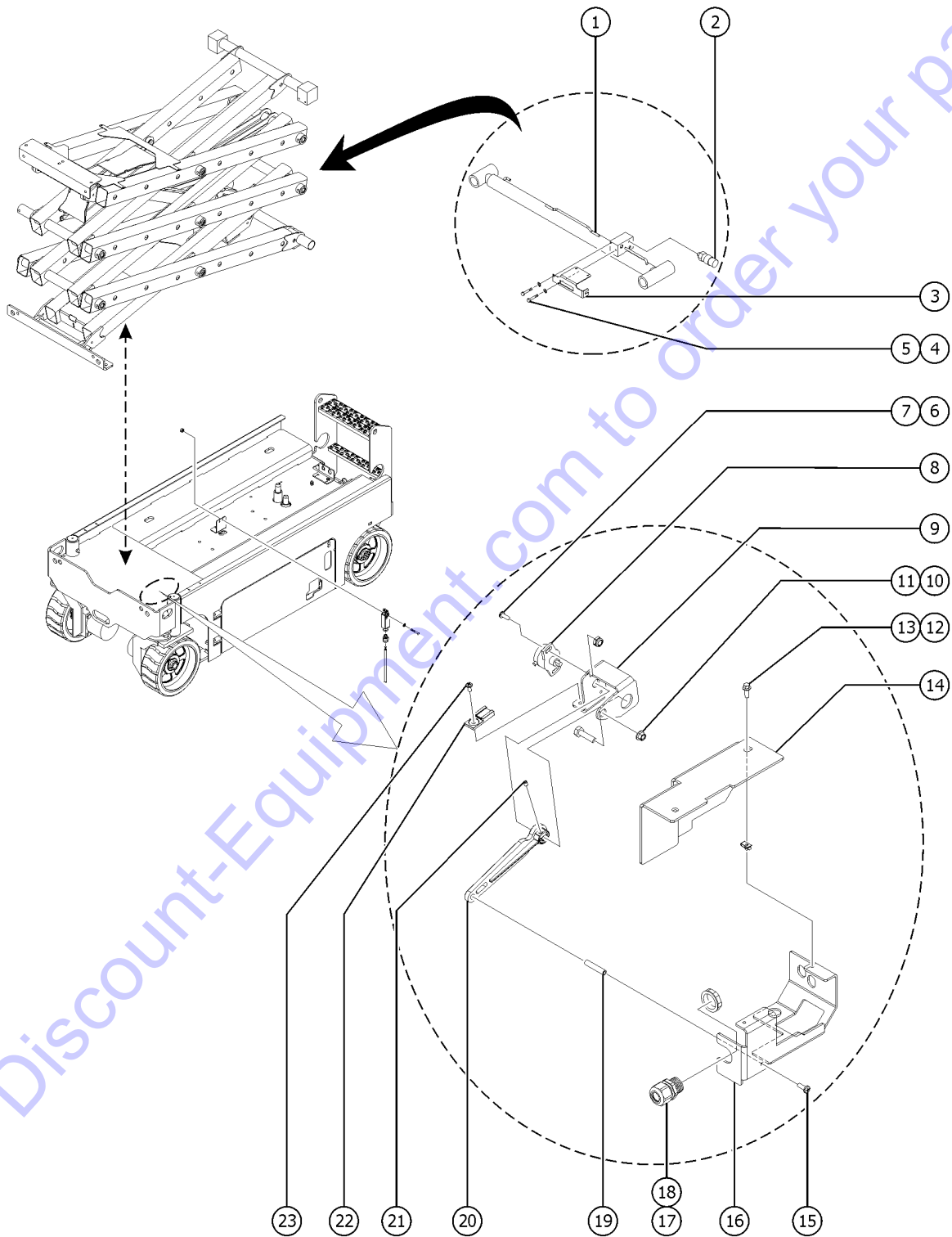
609.1 Telematics Option (from SN GS4615D-2217)

Item	Part No.	Description	Qty.
-	1289899GT	HARNESS, GATEWAY, GS for units after SN GS4615D-2217 for first time insulation, must order this Harness with one of the models 1289520GT, 1289521GT, 1289522GT, or 1289523GT	1
1	1289520GT	MODULE, TELEMATICS, ZTR, M7, NORTH AMERICA North America	1
1B	1289521GT	MODULE, TELEMATICS, ZTR, M7, EMEA/APAC EMEA/APAC	
1C	1289522GT	MODULE, TELEMATICS, ZTR, M7, APAC/ANZ APAC/ANZ	
1D	1289523GT	MODULE, TELEMATICS, ZTR, M7, JAPAN Japan	
2	1289561GT	BRACKET, TELEMATICS	1

Go to Discount-Equipment.com to order your parts



701.1 Platform Overload



Item	Part No.	Description	Qty.
1		Ref: Lift Cylinder (refer to 505.1)	1
2	1311101GT	PRESSURE TRANSDUCER,0-5K,1-5V (includes transducer)	1
3	41557GT	FORMING,VERTICAL CABLE COVER	1
4	7339GT	SCREW,HHC,1/4-20 X .5	1
5	6356GT	WASHER,LOCK,.25	1
6A	57075GT	SCREW,PHIL,8-32X.50,SELF TAP	7
6B	55906GT	SCREW, PHILLIPS, PHM, 8-32 X .5 (used with 161981)	2
7	18605GT	NUT,NYLOCK,8-32 (used with 161981)	2
8	T113136GT	ASSY,ROT SENSR W/ HARNESS	1
9	227171GT	FRMNG,ARM SENSOR BRCKT,32/46	1
10	7713GT	NUT, LP NYLOCK, 3/8-16	1
11	6175GT	SCREW,HHC,3/8-16 X 1	1
12	8914GT	SCREW,HHC,1/4-20 X .625 (used with 161977)	2
13	56912GT	SPRING CLIP,1/4-20,.025-.15X.54,ZAG (used with 161977)	2
14	227172GT	FRMNG,SENSOR COVER,32/46	1
15	96203GT	BOLT,CARRIAGE,1/2-13X1.75, G5	1
16	6198GT	NUT,NYLOK,1/2-13	1
17	49819GT	SCREW,PHILLIPS,PHM,10-32 X .5	1
18	227190GT	GS3246_FRMNG,CHASSIS BRCKT,MET	1
19	33576GT	CONN,SQZ,BLK,1/2NPT,.38-.50,SM	1
20	T115429GT	NUT,CORDGRIP,1/2 NPT	1
21	T113142GT	OFFSET, RDN, 1/4-1.25,10-32	1
22	T114082GT	LEVER ARM,ANGLE SENSR ACTUATOR	1
23	229146GT	SCREW,SET,8-32X.25	1
24	T113139GT	CLIP,DTM RECEP	1
25	229655GT	GS3246_SCREW,PHM,8-32X.313,SELF TAP	1



PARTS FINDER

**Search Website
by Part Number**



**Search Manual
Library For Parts
Manual & Lookup Part
Numbers – Purchase
or Request Quote**

Search Manuals

Enter your information to help us find the right parts manual for your machine.

* Brand:

* Model:

* Serial:

* Part Number:

SEARCH

**Can't Find Part or
Manual? Request Help
by Manufacturer,
Model & Description**

Parts Order Form

Please fill in the following information to help us find the right part for your machine.

Manufacturer:	<input type="text"/>
Model:	<input type="text"/>
Description:	<input type="text"/>
Part Number:	<input type="text"/>
Quantity:	<input type="text"/>
Notes:	<input type="text"/>

Discount-Equipment.com is your online resource for quality parts & equipment.

Florida: **561-964-4949** Outside Florida TOLL FREE: **877-690-3101**

Need parts?

Click on this link: <http://www.discount-equipment.com/category/5443-parts/> and choose one of the options to help get the right parts and equipment you are looking for. Please have the machine model and serial number available in order to help us get you the correct parts. If you don't find the part on the website or on one of the online manuals, please fill out the request form and one of our experienced staff members will get back to you with a quote for the right part that your machine needs.

We sell worldwide for the brands: Genie, Terex, JLG, MultiQuip, Mikasa, Essick, Whiteman, Mayco, Toro Stone, Diamond Products, Generac Magnum, Airman, Haulotte, Barreto, Power Blanket, Nifty Lift, Atlas Copco, Chicago Pneumatic, Allmand, Miller Curber, Skyjack, Lull, Skytrak, Tsurumi, Husquvarna Target, Stow, Wacker, Sakai, Mi-T-M, Sullair, Basic, Dynapac, MBW, Weber, Bartell, Bennar Newman, Haulotte, Ditch Runner, Menegotti, Morrison, Contec, Buddy, Crown, Edco, Wyco, Bomag, Laymor, EZ Trench, Bil-Jax, F.S. Curtis, Gehl Pavers, Heli, Honda, ICS/PowerGrit, IHI, Partner, Imer, Clipper, MMD, Koshin, Rice, CH&E, General Equipment, Amida, Coleman, NAC, Gradall, Square Shooter, Kent, Stanley, Tamco, Toku, Hatz, Kohler, Robin, Wisconsin, Northrock, Oztec, Toker TK, Rol-Air, APT, Wylie, Ingersoll Rand / Doosan, Innovatech, Con X, Ammann, Mecalac, Makinex, Smith Surface Prep, Small Line, Wanco, Yanmar

California Proposition 65

 **WARNING**

Operating, servicing and maintaining this equipment, passenger vehicle or off-highway motor vehicle can expose you to chemicals including engine exhaust, carbon monoxide, phthalates, and lead, which are known to the State of California to cause cancer and birth defects or other reproductive harm. These chemicals can be emitted from or contained in other various parts and systems, fluids and some component wear by-products. To minimize exposure, avoid breathing exhaust, do not idle the engine except as necessary, service your equipment and vehicle in a well-ventilated area and wear gloves or wash your hands frequently when servicing your equipment or vehicle and after operation. For more information go to www.P65Warnings.ca.gov/passenger-vehicle.

Breathing diesel engine exhaust exposes you to chemicals known to the State of California to cause cancer and birth defects or other reproductive harm.

- Always start and operate the engine in a well-ventilated area.
- If in an enclosed area, vent the exhaust to the outside.
- Do not modify or tamper with the exhaust system.
- Do not idle the engine except as necessary.

For more information go to www.P65warnings.ca.gov/diesel.

www.genielift.com

Distributed By:

www.Genielift.com to order your parts