



A TEREX BRAND

Parts Manual

Serial Number Range

GS-2046

GS-2646

GS-3246

from SN GS46D-9638 to GS46D-20000

Part No. 1285638GT

Rev: A.07

March 2023



www.discount-equipment.com

PARTS FINDER

Search Website
by Part Number



Search Manual
Library For Parts
Manual & Lookup Part
Numbers – Purchase
or Request Quote

Can't Find Part or
Manual? Request Help
by Manufacturer,
Model & Description

Discount-Equipment.com is your online resource for quality parts & equipment.

Florida: **561-964-4949** Outside Florida TOLL FREE: **877-690-3101**

Need parts?

Click on this link: <http://www.discount-equipment.com/category/5443-parts/> and choose one of the options to help get the right parts and equipment you are looking for. Please have the machine model and serial number available in order to help us get you the correct parts. If you don't find the part on the website or on one of the online manuals, please fill out the request form and one of our experienced staff members will get back to you with a quote for the right part that your machine needs.

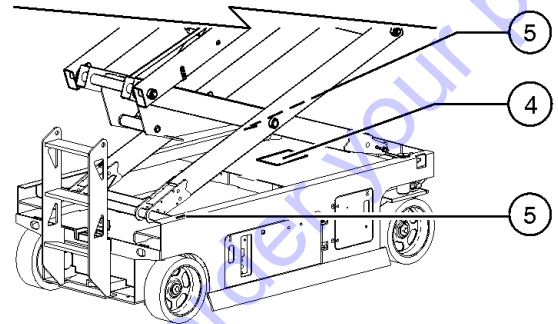
We sell worldwide for the brands: Genie, Terex, JLG, MultiQuip, Mikasa, Essick, Whiteman, Mayco, Toro Stone, Diamond Products, Generac Magnum, Airman, Haulotte, Barreto, Power Blanket, Nifty Lift, Atlas Copco, Chicago Pneumatic, Allmand, Miller Curber, Skyjack, Lull, Skytrak, Tsurumi, Husquvarna Target, Stow, Wacker, Sakai, Mi-T-M, Sullair, Basic, Dynapac, MBW, Weber, Bartell, Bennar Newman, Haulotte, Ditch Runner, Menegotti, Morrison, Contec, Buddy, Crown, Edco, Wyco, Bomag, Laymor, EZ Trench, Bil-Jax, F.S. Curtis, Gehl Pavers, Heli, Honda, ICS/PowerGrit, IHI, Partner, Imer, Clipper, MMD, Koshin, Rice, CH&E, General Equipment, Amida, Coleman, NAC, Gradall, Square Shooter, Kent, Stanley, Tamco, Toku, Hatz, Kohler, Robin, Wisconsin, Northrock, Oztec, Toker TK, Rol-Air, APT, Wylie, Ingersoll Rand / Doosan, Innovatech, Con X, Ammann, Mecalac, Makinex, Smith Surface Prep, Small Line, Wanco, Yanmar

Genie
A TEREX BRAND

Model:
Serial number: GS46D-9750
Year of manufacture: 2016
Electrical schematic number:
Machine unladen weight:
Rated work load (including occupants):
Maximum number of platform occupants:
Maximum allowable inclination of the chassis:
Outrigger retracted:
Outrigger deployed:

GS46 D - 9750

- 1
- 2
- 3



- 1 Model
- 2 Facility code
- 3 Sequence number

- 4 Serial label (located on chassis)
- 5 Serial number (stamped on chassis)

Go to Discount-Equipment.com for your parts

Description	Page
001 Parts Stocking List	10
001.1 Parts Stocking List	10
100 Decals	12
101.1 Word Decals, GS-2046, Battery Side, ANSI & Australia	12
102.1 Word Decals, GS-2046, Ground Control Side, ANSI and Australia	14
103.1 Word Decals, GS-2046, Platform, ANSI	18
104.1 Word Decals, GS-2046, Platform, Australia	20
105.1 Word Decals, GS-2646, Battery Side, ANSI & Australia	22
106.1 Word Decals, GS-2646, Ground Control Side, ANSI and Australia	24
107.1 Word Decals, GS-2646, Platform, ANSI	28
108.1 Word Decals, GS-2646, Platform, Australia	30
109.1 Word Decals, GS-3246, Battery Side, ANSI & Australia	32
110.1 Word Decals, GS-3246, Ground Control Side, ANSI and Australia	34
111.1 Word Decals, GS-3246, Platform, ANSI	38
112.1 Word Decals, GS-3246, Platform, Australia	40
113.1 Symbol Decals, GS-2046, Battery Side, ANSI & CE	42
114.1 Symbol Decals, GS-2046, Ground Control Side, ANSI and CE	44
115.1 Symbol Decals, GS-2046, Platform, ANSI	46
116.1 Symbol Decals, GS-2046, Platform, CE	48
117.1 Symbol Decals, GS-2646, Battery Side, ANSI & CE	50
118.1 Symbol Decals, GS-2646, Ground Control Side, ANSI and CE	52
119.1 Symbol Decals, GS-2646, Platform, ANSI	54
120.1 Symbol Decals, GS-2646, Platform, CE	56
121.1 Symbol Decals, GS-3246, Battery Side, ANSI & CE	58
122.1 Symbol Decals, GS-3246, Ground Control Side, ANSI and CE	60
123.1 Symbol Decals, GS-3246, Platform, ANSI	62
124.1 Symbol Decals, GS-3246, Platform, CE	64
200 Drive Chassis Components.....	66
201.1 Steer Linkage and Wheels, GS-2046, GS-2646	66
201.2 Steer Linkage and Wheels, GS-3246	70
202.1 Non-steer Axle Installation, GS-2046	74
202.2 Non-steer Axle Installation, GS-2646	76
202.3 Non-steer Axle Installation, GS-3246	78
203.1 Level Sensor Installation	80
204.1 Pothole Protection Assembly	84
205.1 Battery Pack Module	88
205.2 Battery Pack Tray	90
206.1 Battery Charger	92
207.1 Power Unit Module (to SN GS4616D-3985)	94

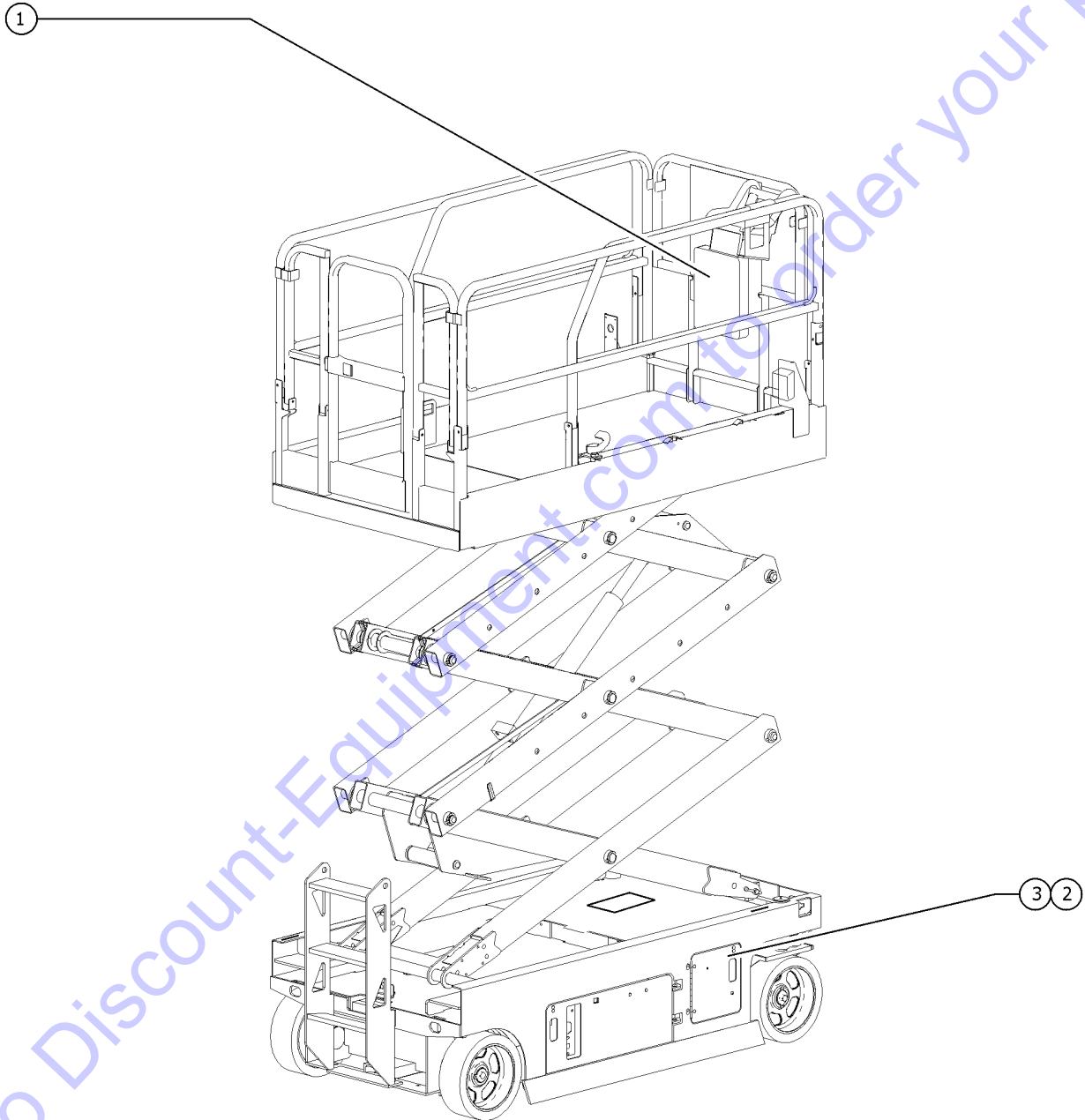
Table of Contents

Description	Page
207.2 Power Unit Module (from SN GS4616D-3986)	98
208.1 Ground Controls	102
209.1 Electrical Wiring, GS-2046 (to SN GS46D-16180)	106
209.1 Electrical Wiring, GS-2646 (to SN GS46D-16180)	110
209.2 Electrical Wiring (from SN GS46D-16181)	114
210.1 Power Cables	118
210.2 Power Cables	120
211.1 Function Manifold and Accumulator Components	122
300 Scissor Components	124
301.1 Scissor Assembly Installation	124
302.1 Scissor Assembly, GS-2046	126
303.1 Scissor Assembly, GS-2646	130
304.1 Scissor Assembly, GS-3246	136
400 Platform Components	142
401.1 Platform Components	142
402.1 Power to Platform, GS-2046	148
402.2 Power to Platform, GS-2646	152
402.3 Power to Platform, GS-3246	156
403.1 Platform Controls	160
404.1 Joystick Controller	162
500 Hydraulic Components	164
501.1 Hydraulic Components	164
502.1 Function Manifold	166
503.1 Brake Release Hand Pump Manifold	170
504.1 Hydraulic Power Unit, All Models	172
505.1 Lift Cylinder Assembly, All Models, GS-2046	174
505.2 Lift Cylinder Assembly, All Models, GS-2646	176
505.3 Lift Cylinder Assembly, All Models, GS-3246	178
506.1 Hydraulic Hoses and Fittings, GS-2046, GS-2646	180
506.2 Hydraulic Hoses and Fittings, GS-3246	184
506.3 Hydraulic Hoses and Fittings (Parker Hose Option)	188
600 Accessories	192
601.1 Alarm, Horn and Flashing Beacons	192
602.1 Air Line to Platform, GS-2046	196
602.2 Air Line to Platform, GS-2646	198
602.3 Air Line to Platform, GS-3246	200
603.1 Platform Work Light, GS-2046	202
603.2 Platform Work Light, GS-2646	204

Description	Page
603.3 Platform Work Light, GS-3246	206
604.1 Voltage Inverter	208
604.2 Voltage Inverter	210
605.1 Pipe Cradle Assembly	212
606.1 Panel Carrier Assembly, GS-2046, GS-2646 (ANSI/CSA models)	214
607.1 RCBO	216
608.1 Charger Isolation	218
609.1 Telematics	220
610.1 PCON Guard	222
611.1 Bumper Assembly Tray	224
612.1 Lift Guard Contact Alarm, View-1	226
613.1 Lift Guard Contact Alarm, View-2	228
614.1 Telematics Option	230
615.1 China Package Platform and Handrail	232
700 Platform Overload Components	236
701.1 Platform Overload	236
Part Number Index	238

Go to Discount-Equipment.com to order your parts

001.1 Parts Stocking List



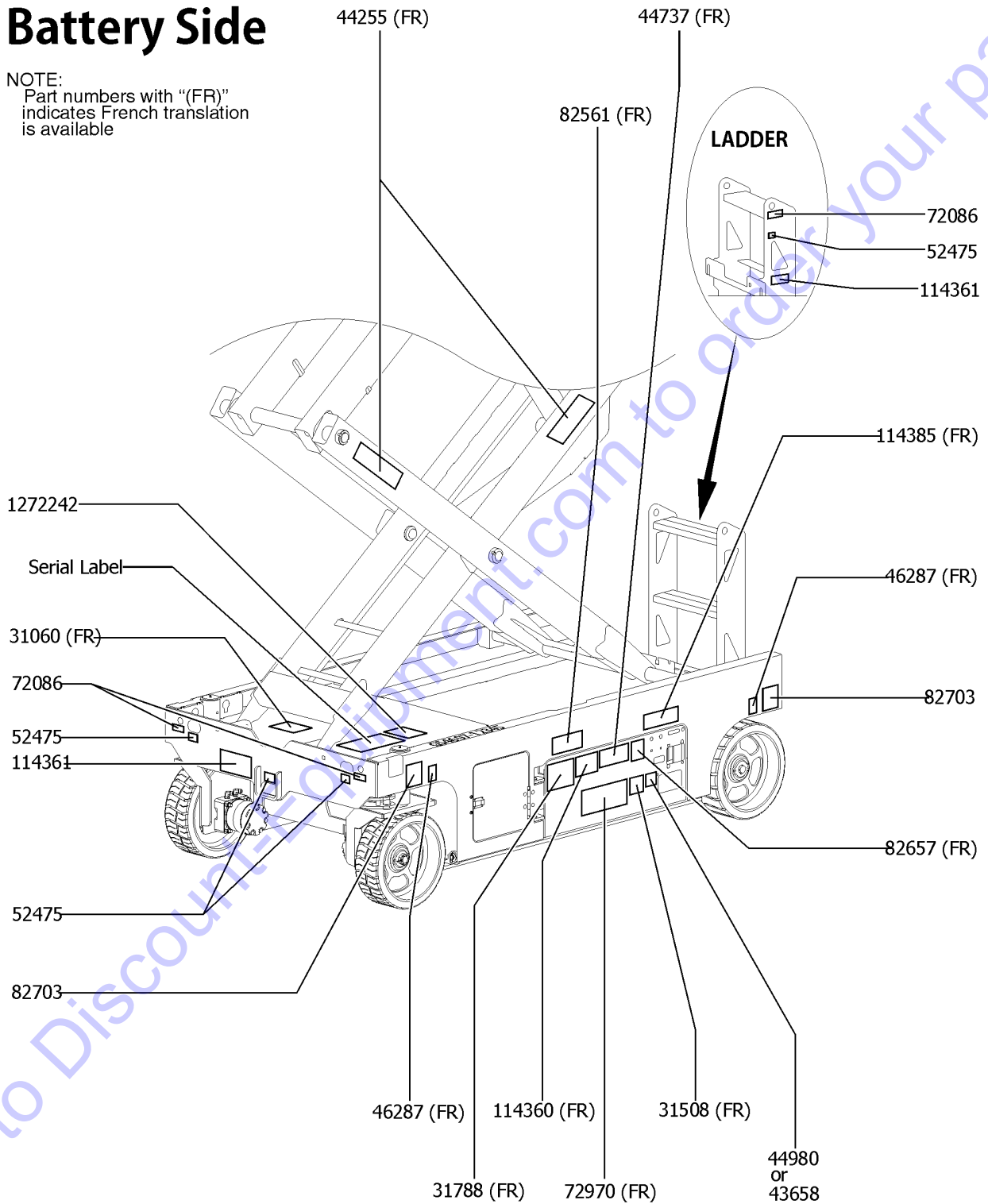
Item	Part No.	Description	Qty.
A-	66399GT	GREASE,DIELECTRIC 4 OZ**	
B-		Ref. CHEVRON ULTRA-DUTY GREASE (LITHIUM), OR EQUIVALENT, EP NLGI 1 (source locally)	
C-	1484GT	PAINT,AEROSOL,BRIGHT BLUE***	
		12-ounce spray paint	
C-	1268GT	PAINT,AEROSOL,GENIE GRAY***	
		12-ounce spray paint	
C-	1258567GT	PAINT, AEROSOL, TRAFFIC BLACK	
		12-ounce spray paint	
D-	32150GT	PAINT, WET, GENIE BLUE (1 GL)**	
		1-gallon	
D-	32151GT	PAINT, WET, GENIE GRAY (1GL)**	
		1-gallon	
D-	1257733GT	PAINT, WET, TRAFFIC BLACK(1 GL)**	
		1-gallon	
E-	49613GT	PLUG AND CAP KIT-SERVICE,ORFS*	
1	27581GT	MANUAL, EMI SAFETY	
1B	1298933GT	MANUAL, SAIA MANUAL OF RESPONSIBILITIES, MEWP	1
2	44788GT	FILTER ELEMENT-10MICRON, PAPER*	
3	78546GT	BREATHER CAP, HYD. TANK, 1/4 NPT	

Go to Discount-Equipment.com to order your parts



Battery Side

NOTE:
Part numbers with "(FR)"
indicates French translation
is available



101.1 Word Decals, GS-2046, Battery Side, ANSI & Australia

Item	Part No.	Description	Qty.
1	31060GT	DECAL,DANGER DO NOT ALTER SWTC	1
2	31508GT	DECAL,DANGER,ELECT HAZARD,PLUG	1
		(Australia models only)	
3	31788GT	DECAL,DANGER,BATTERY SAFETY***	1
4	43658GT	DECAL,LABEL,PWR TO CHARGR 230V	1
		(Australia models only)	
5	44255GT	DECAL,DANGER,CRUSHING HAZARD	2
6	44737GT	DECAL,DANGER,TIP-OVER,TRAYS	1
7	44980GT	DECAL,LABEL,PWR TO CHARGR 115V	1
		(Australia models only)	
8	46287GT	DECAL,LABEL-TIRE SPECS	2
9	52475GT	DECAL,LABEL,TRANSPORT TIEDOWN*	4
10	72086GT	DECAL,LABEL,LIFTING EYE	3
11	72970GT	DECAL,INSTRUCTIONS-CHARGER OP	1
12	82561GT	DECAL,DANGER-USE SAFETY ARM	1
13	82657GT	DECAL,INSTRUCT,BATTERY CONNECT	1
14	82703GT	DECAL,LABEL,WHEEL LOAD 2046	2
15	114360GT	DECAL,DANGER-TIP-OVER,BATT	1
16	114361GT	DECAL,SYM-TIP-OVER,LIM SWITCH	2
17	114385GT	DECAL,DANGER,ELEC HAZARD,GS	1
18	1272242GT	DECAL,MACHINE REGISTRATION/OWNER TRANSFER	1

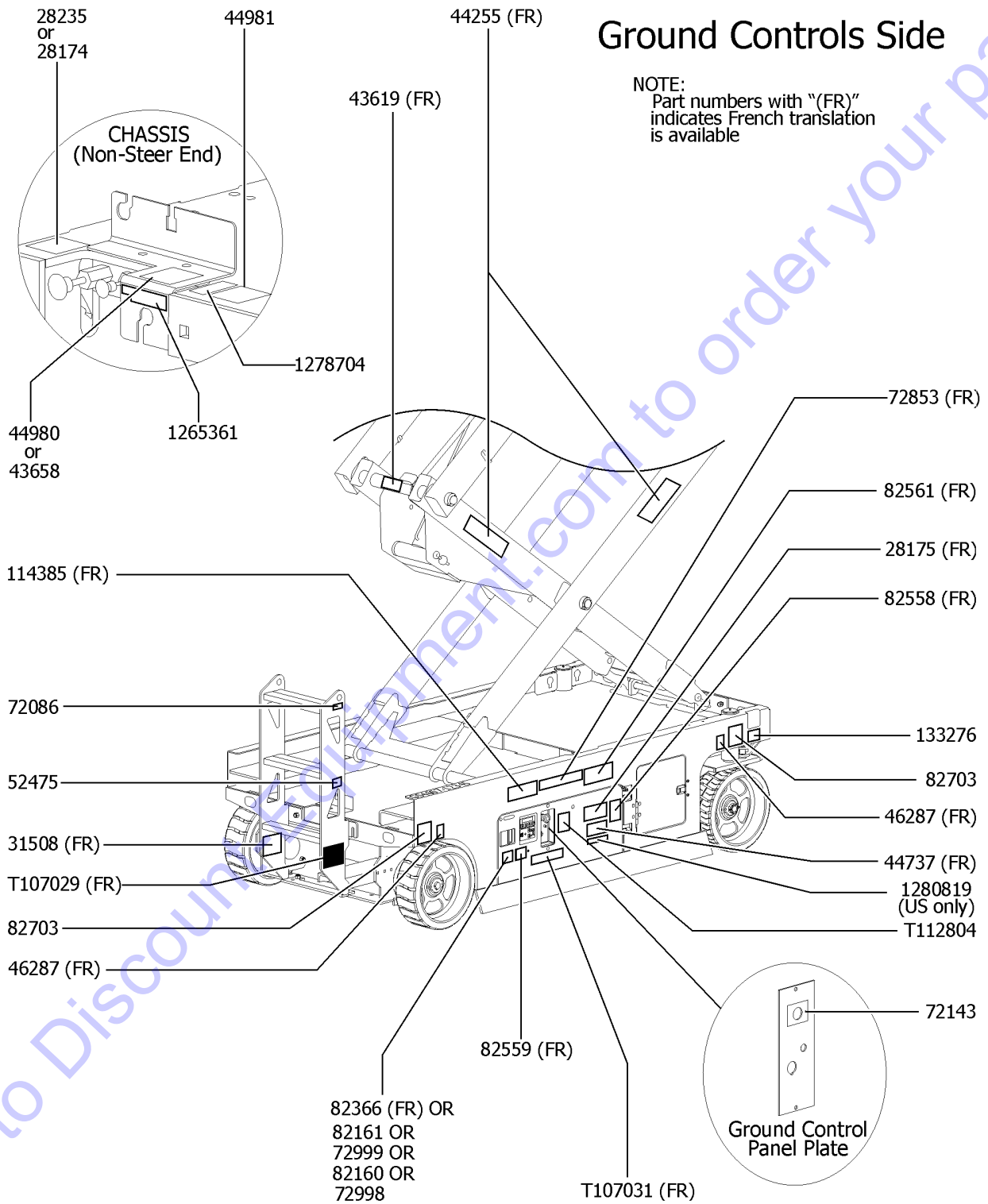
Go to Discount-Equipment.com to order your parts



102.1 Word Decals, GS-2046, Ground Control Side, ANSI and Australia

Ground Controls Side

NOTE:
Part numbers with "(FR)"
indicates French translation
is available

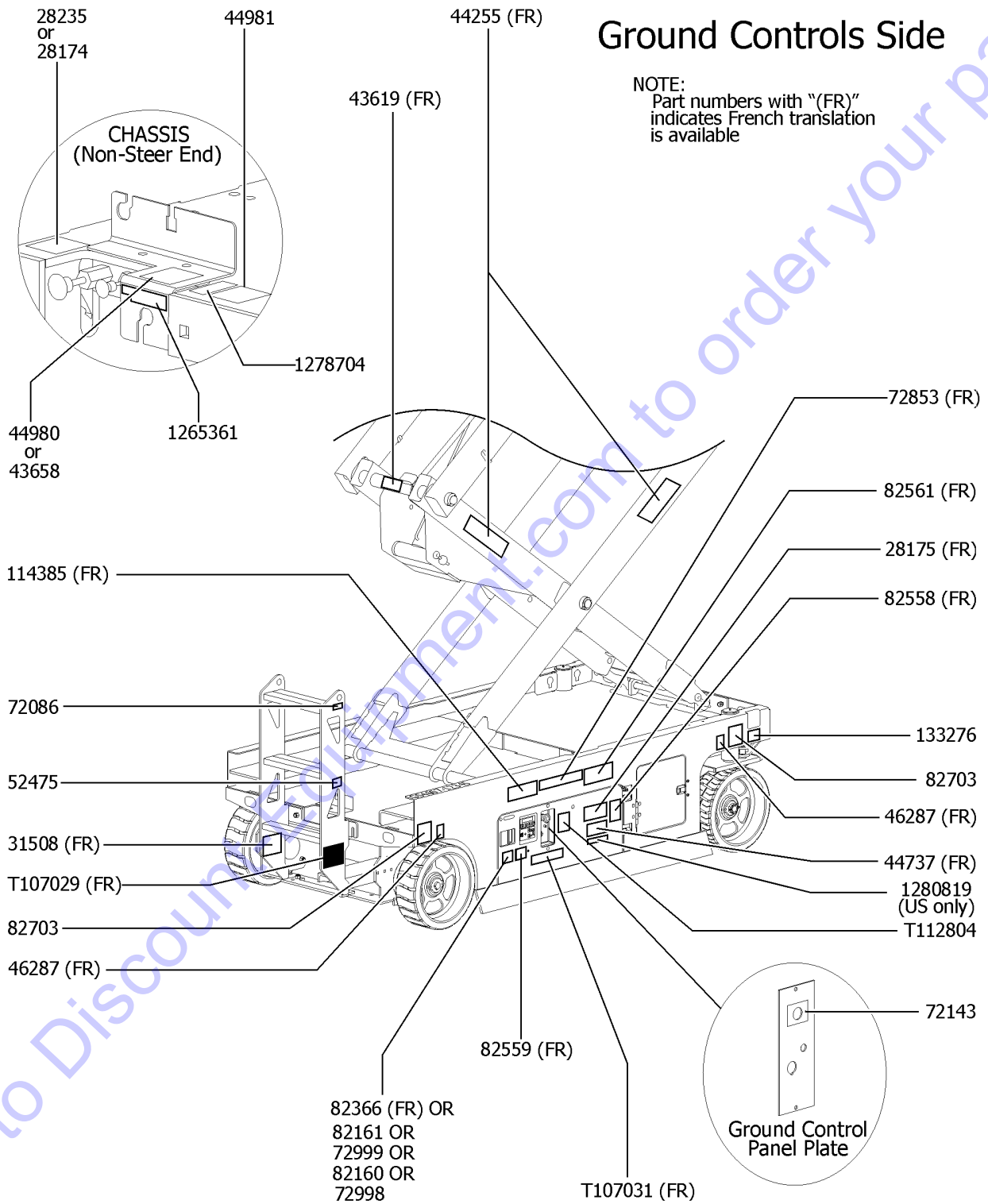


102.1 Word Decals, GS-2046, Ground Control Side, ANSI and Australia

Item	Part No.	Description	Qty.
1	28174GT	DECAL,POWER TO PLATFORM 230V	1
2	28175GT	DECAL,WARNING-COMPART ACCESS	1
3	28235GT	DECAL,POWER TO PLATFORM 115V	1
4	31508GT	DECAL,DANGER,ELECT HAZARD,PLUG (ANSI models)	1
5	43619GT	DECAL,LABEL,SAFETY ARM	1
6	43658GT	DECAL,LABEL,PWR TO CHARGR 230V (ANSI models)	1
7	44255GT	DECAL,DANGER,CRUSHING HAZARD	2
8	44737GT	DECAL,DANGER,TIP-OVER,TRAYS	1
9	44980GT	DECAL,LABEL,PWR TO CHARGR 115V (ANSI models)	1
10	44981GT	DECAL,LABEL,AIRLINE 110 PSI (Option)	1
11	46287GT	DECAL,LABEL-TIRE SPECS	2
12	52475GT	DECAL,LABEL,TRANSPORT TIEDOWN*	1
13	72086GT	DECAL,LABEL,LIFTING EYE	1
14	72143GT	DECAL,EMERGENCY STOP,GR	1
15	72853GT	DECAL,DANGER,IMPROPER USE HAZ.	1
16	72998GT	DECAL, LABEL, QUINTOLUBRIK (models with Quintolub hydraulic oil)	1
17	72999GT	DECAL,LABEL,PETRO CANADA*** (For models with Petro Canada hydraulic oil only)	1
18	82160GT	DECAL, LABEL, STATOIL HYDRAWAY (For models with Statoil hydraulic oil only)	1
19	82161GT	DECAL,LABEL,UCON HYDROLUBE (For models with Ucon Hydrolube hydraulic oil only)	1
20	82366GT	DECAL,CHEVRON RANDO HD (For models with Chevron Rando hydraulic oil only)	1
21	82558GT	DECAL,SKIN INJECTION	1
22	82559GT	DECAL,INSTRUCT-ANNUAL INSP REQ	1
23	82561GT	DECAL,DANGER-USE SAFETY ARM	1
24	82703GT	DECAL,LABEL,WHEEL LOAD 2046	2
25	114385GT	DECAL,DANGER,ELEC HAZARD,GS	1
26	133276GT	DECAL,EMERGENCY LOWERING	1
27	1265361GT	DECAL, BATTERY CHARGER INDICAT from SN GS46P-143361	1
28	1278704GT	DECAL,CHARGE STATUS IND. from SN GS46D-9041	1



102.1 Word Decals, GS-2046, Ground Control Side, ANSI and Australia



102.1 Word Decals, GS-2046, Ground Control Side, ANSI and Australia

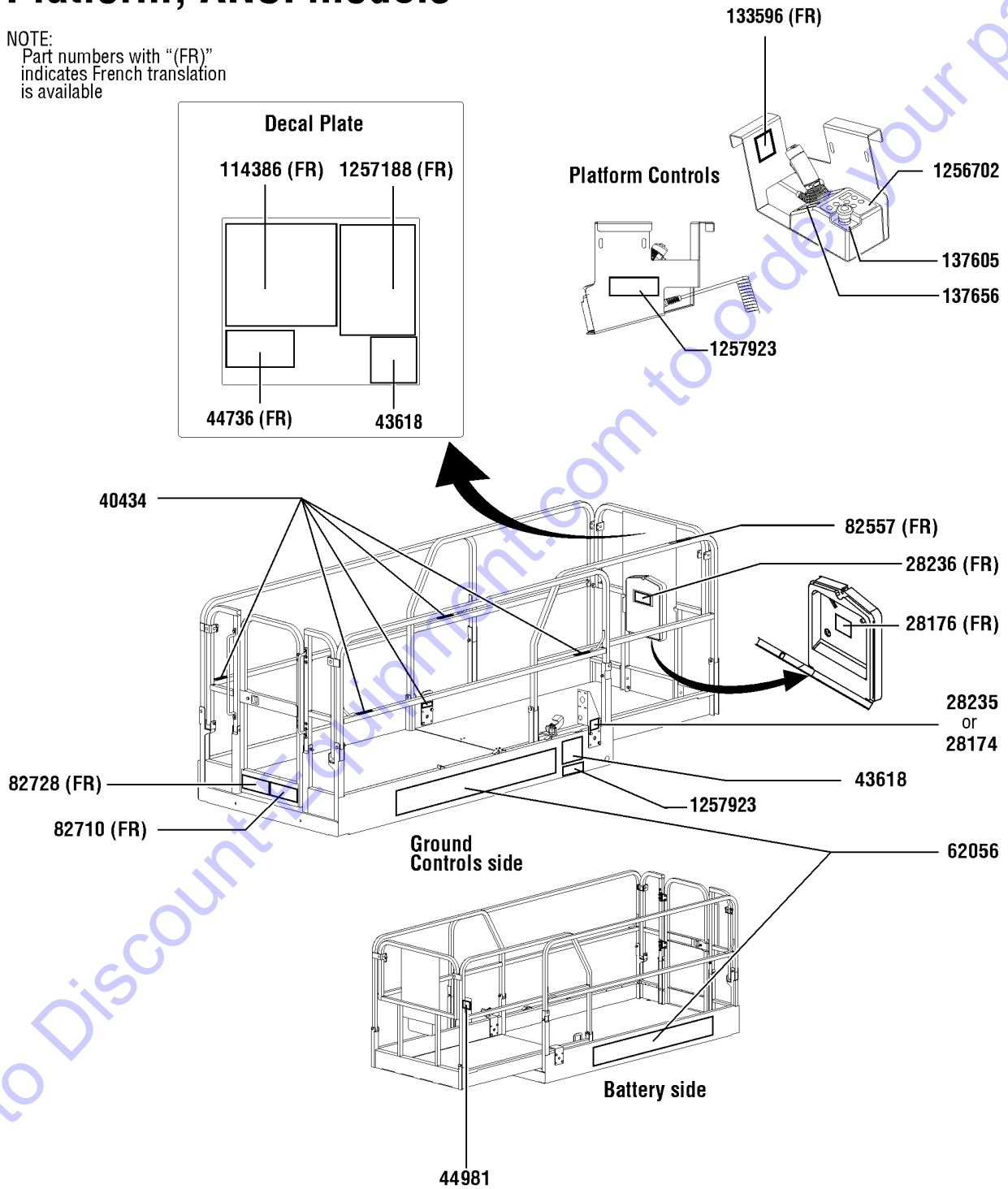
Item	Part No.	Description	Qty.
29	1280819GT	DECAL,WARNING,CANCER AND REPRODUCTIVE HARM, PROP 65 US only	1
30	T107029GT	DECAL DANGER BRAKE REL SAFETY	1
31	T107031GT	DECAL,OP INST,GCON	1
32	T112804GT	DECAL,GCON PANEL,GS	1

Go to Discount-Equipment.com to order your parts



Platform, ANSI models

NOTE:
Part numbers with "(FR)"
indicates French translation
is available



103.1 Word Decals, GS-2046, Platform, ANSI

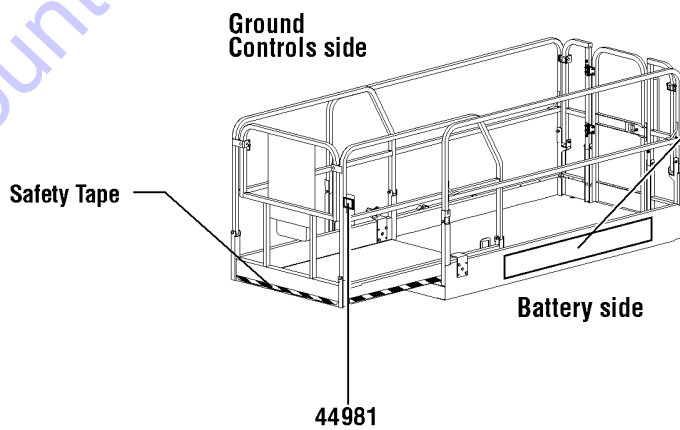
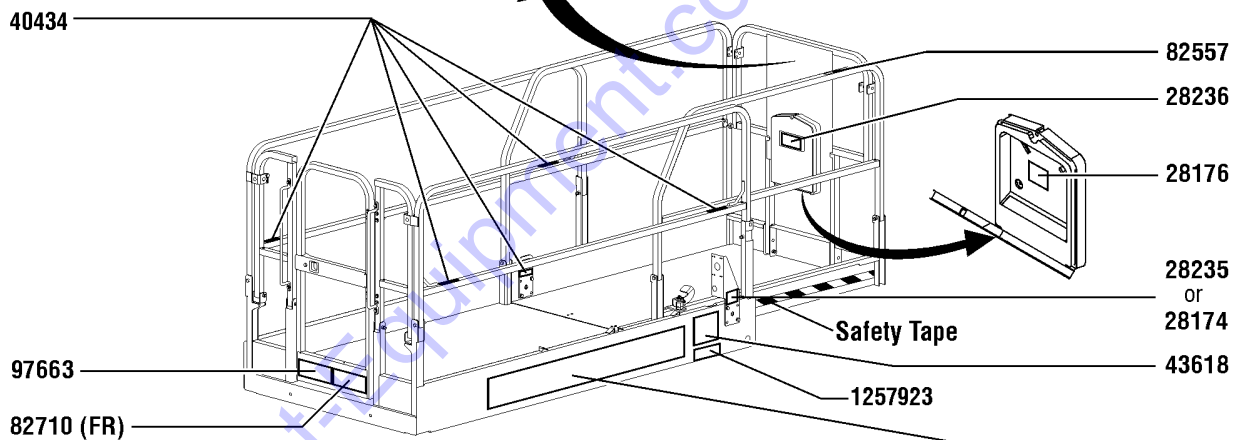
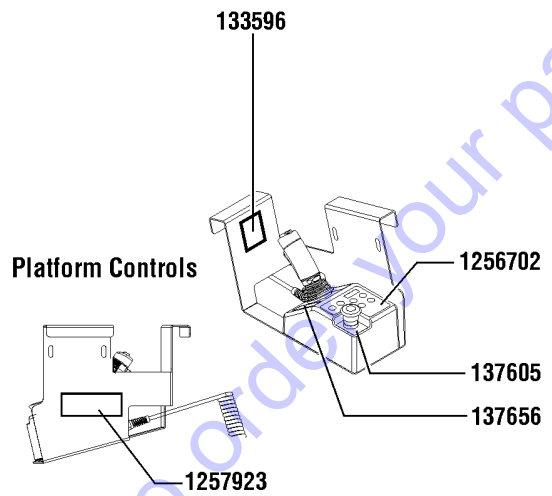
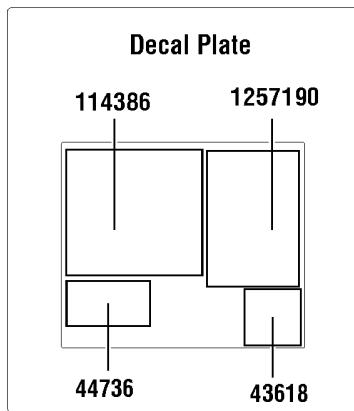
Item	Part No.	Description	Qty.
1	28174GT	DECAL,POWER TO PLATFORM 230V	1
2	28176GT	DECAL,LABEL,MANUAL NOT HERE	1
3	28235GT	DECAL,POWER TO PLATFORM 115V	1
4	28236GT	DECAL,WARN,IMPROPER OPERATION	1
5	40434GT	DECAL,LANYARD ANCHORAGE POINT	5
6	43618GT	DECAL,LABEL-DIRECTION ARROWS	2
7	44736GT	DECAL,DANGER,TIP-OVER,TILT	1
8	44981GT	DECAL,LABEL,AIRLINE 110 PSI	1
		(Option)	
9	62056GT	DECAL,COSMETIC,GENIE GS-2046**	2
10	82557GT	DECAL,LABEL,PLAT CONT LOCATION	1
11	82710GT	DECAL,INSTR-MAX CAP 1200LBS	1
		GS-2046	
12	82728GT	DECAL,INSTR-SIDE FRC,ANSI 2046	1
13	114386GT	DECAL,DANGER-GEN SAFETY	1
14	133596GT	DECAL,LABEL,FAULT CODES	1
15	137605GT	DECAL,E-STOP,GR/GRC/GS PCON	1
16	137656GT	DECAL,PROPEL,GR/GRC/GS,PCON	1
17	1256702GT	DECAL, UI, GS/GR, PROP LIFT	1
18	1257188GT	DECAL,OP INST,PLAT,GS46 ANSI	1
19	1257923GT	DECAL, SMARTLINK PROPORTIONAL	2

Go to Discount-Equipment.com to order your parts



Platform, Australia models

NOTE:
Part numbers with "(FR)" indicates French translation is available



104.1 Word Decals, GS-2046, Platform, Australia

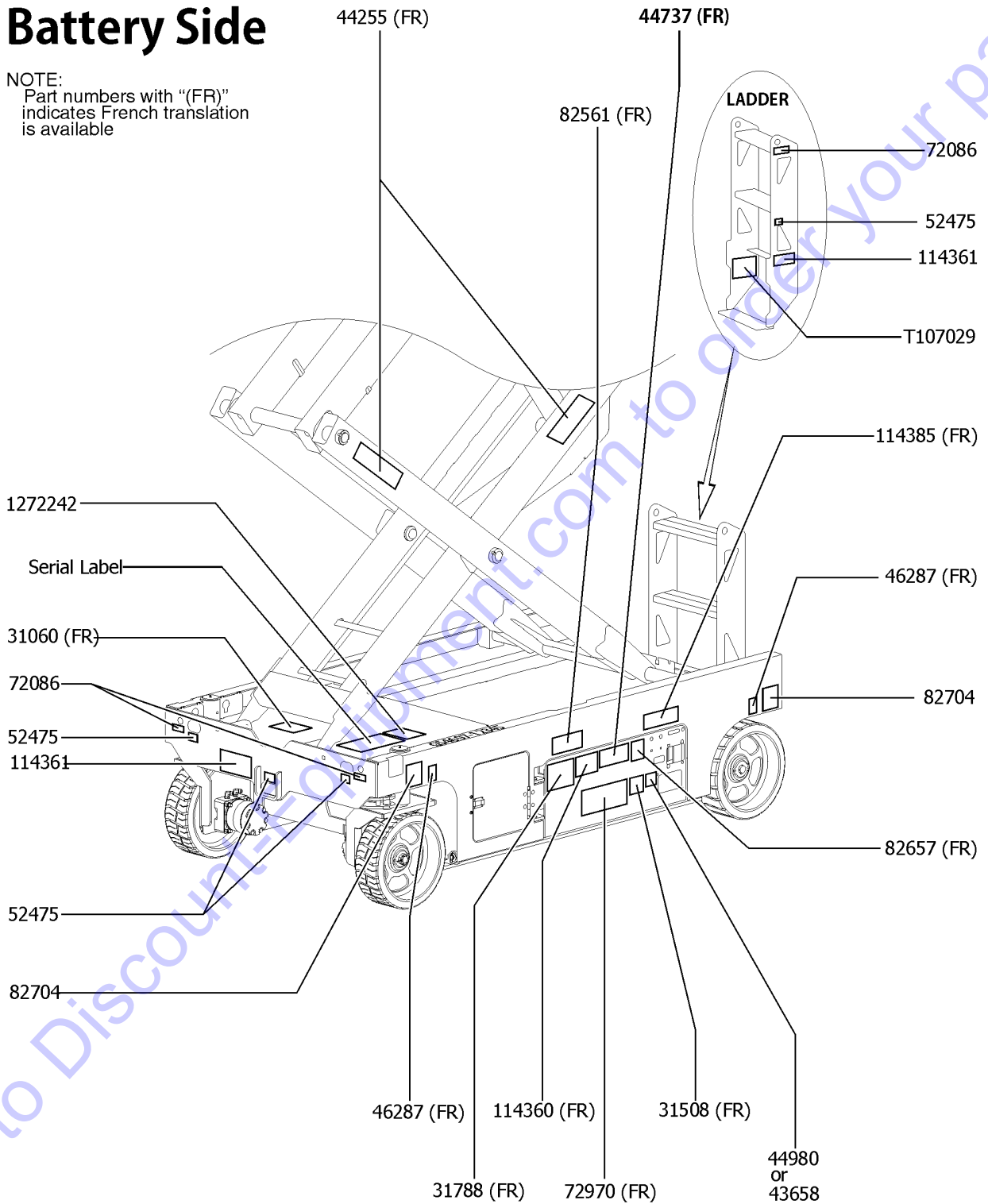
Item	Part No.	Description	Qty.
1	28174GT	DECAL,POWER TO PLATFORM 230V	1
2	28176GT	DECAL,LABEL,MANUAL NOT HERE	1
3	28235GT	DECAL,POWER TO PLATFORM 115V	1
4	28236GT	DECAL,WARN,IMPROPER OPERATION	1
5	40434GT	DECAL,LANYARD ANCHORAGE POINT	5
6	43618GT	DECAL,LABEL-DIRECTION ARROWS	2
7	44736GT	DECAL,DANGER,TIP-OVER,TILT	1
8	44981GT	DECAL,LABEL,AIRLINE 110 PSI	1
		(Option)	
9	62056GT	DECAL,COSMETIC,GENIE GS-2046**	2
10	82557GT	DECAL,LABEL,PLAT CONT LOCATION	1
11	82710GT	DECAL,INSTR-MAX CAP 1200LBS	1
		GS-2046	
12	97663GT	DECAL,INSTR-MANUALFRC,AUS 400N	1
		GS-2046	
13	114386GT	DECAL,DANGER-GEN SAFETY	1
14	133596GT	DECAL,LABEL,FAULT CODES	1
15	137605GT	DECAL,E-STOP,GR/GRC/GS PCON	1
16	137656GT	DECAL,PROPEL,GR/GRC/GS,PCON	1
17	1256702GT	DECAL, UI, GS/GR, PROP LIFT	1
18	1257190GT	DECAL,OP INST,PLAT,GS46,AUS	1
19	1257923GT	DECAL, SMARTLINK PROPORTIONAL	2

Go to Discount-Equipment.com to order your parts



Battery Side

NOTE:
Part numbers with "(FR)" indicates French translation is available



105.1 Word Decals, GS-2646, Battery Side, ANSI & Australia

Item	Part No.	Description	Qty.
1	31060GT	DECAL,DANGER DO NOT ALTER SWTC	1
2	31508GT	DECAL,DANGER,ELECT HAZARD,PLUG	1
		(Australia models only)	
3	31788GT	DECAL,DANGER,BATTERY SAFETY***	1
4	43658GT	DECAL,LABEL,PWR TO CHARGR 230V	1
		(Australia models only)	
5	44255GT	DECAL,DANGER,CRUSHING HAZARD	2
6	44737GT	DECAL,DANGER,TIP-OVER,TRAYS	1
7	44980GT	DECAL,LABEL,PWR TO CHARGR 115V	1
		(Australia models only)	
8	46287GT	DECAL,LABEL-TIRE SPECS	2
9	52475GT	DECAL,LABEL,TRANSPORT TIEDOWN*	4
10	72086GT	DECAL,LABEL,LIFTING EYE	3
11	72970GT	DECAL,INSTRUCTIONS-CHARGER OP	1
12	82561GT	DECAL,DANGER-USE SAFETY ARM	1
13	82657GT	DECAL,INSTRUCT,BATTERY CONNECT	1
14	82704GT	DECAL,LABEL,WHEEL LOAD 2646	2
15	114360GT	DECAL,DANGER-TIP-OVER,BATT	1
16	114361GT	DECAL,SYM-TIP-OVER,LIM SWITCH	2
17	114385GT	DECAL,DANGER,ELEC HAZARD,GS	1
18	1272242GT	DECAL,MACHINE REGISTRATION/OWNER TRANSFER	1
19	T107029GT	DECAL DANGER BRAKE REL SAFETY	1

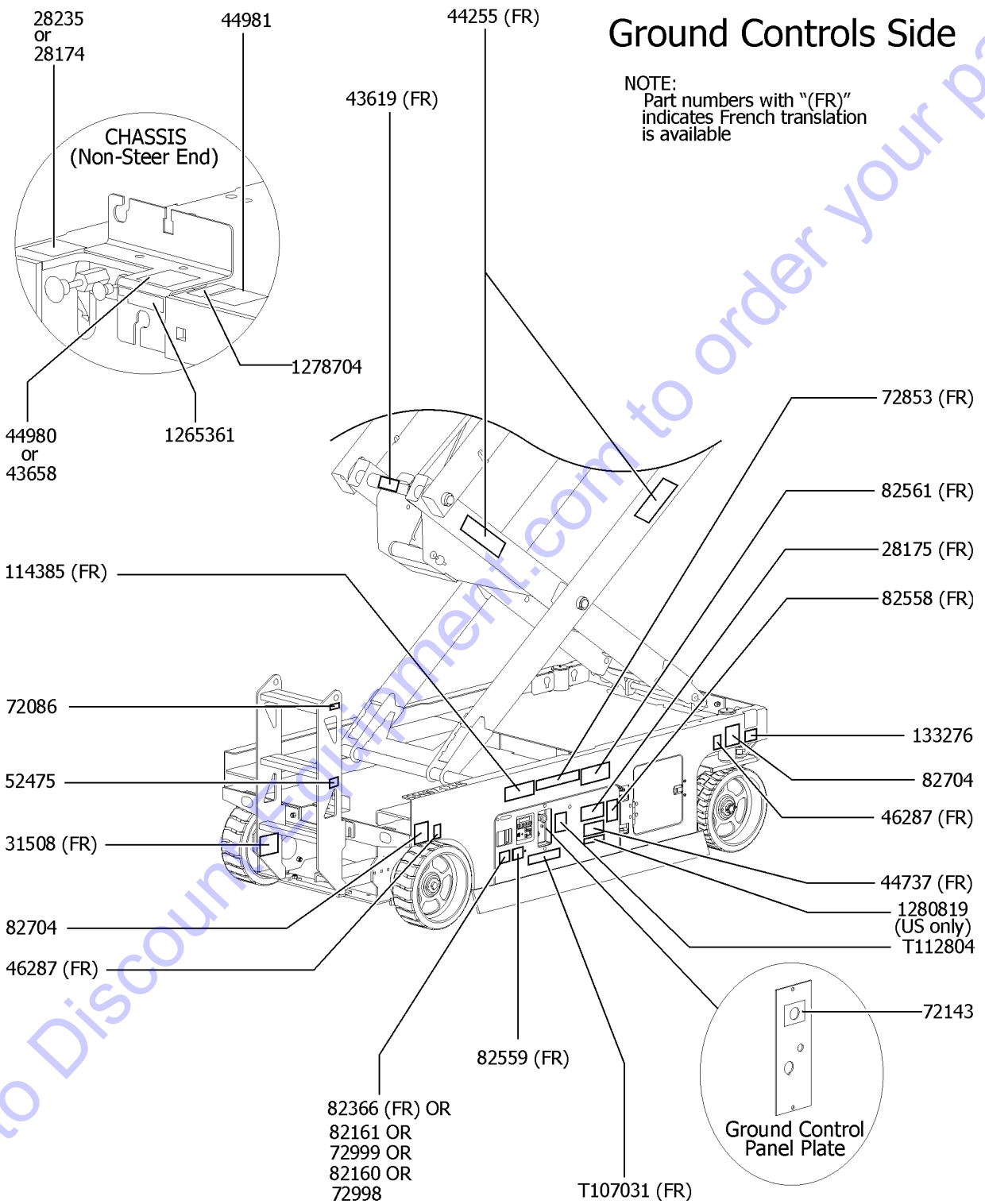
Go to Discount-Equipment.com to order your parts



106.1 Word Decals, GS-2646, Ground Control Side, ANSI and Australia

Ground Controls Side

NOTE:
Part numbers with "(FR)"
indicates French translation
is available

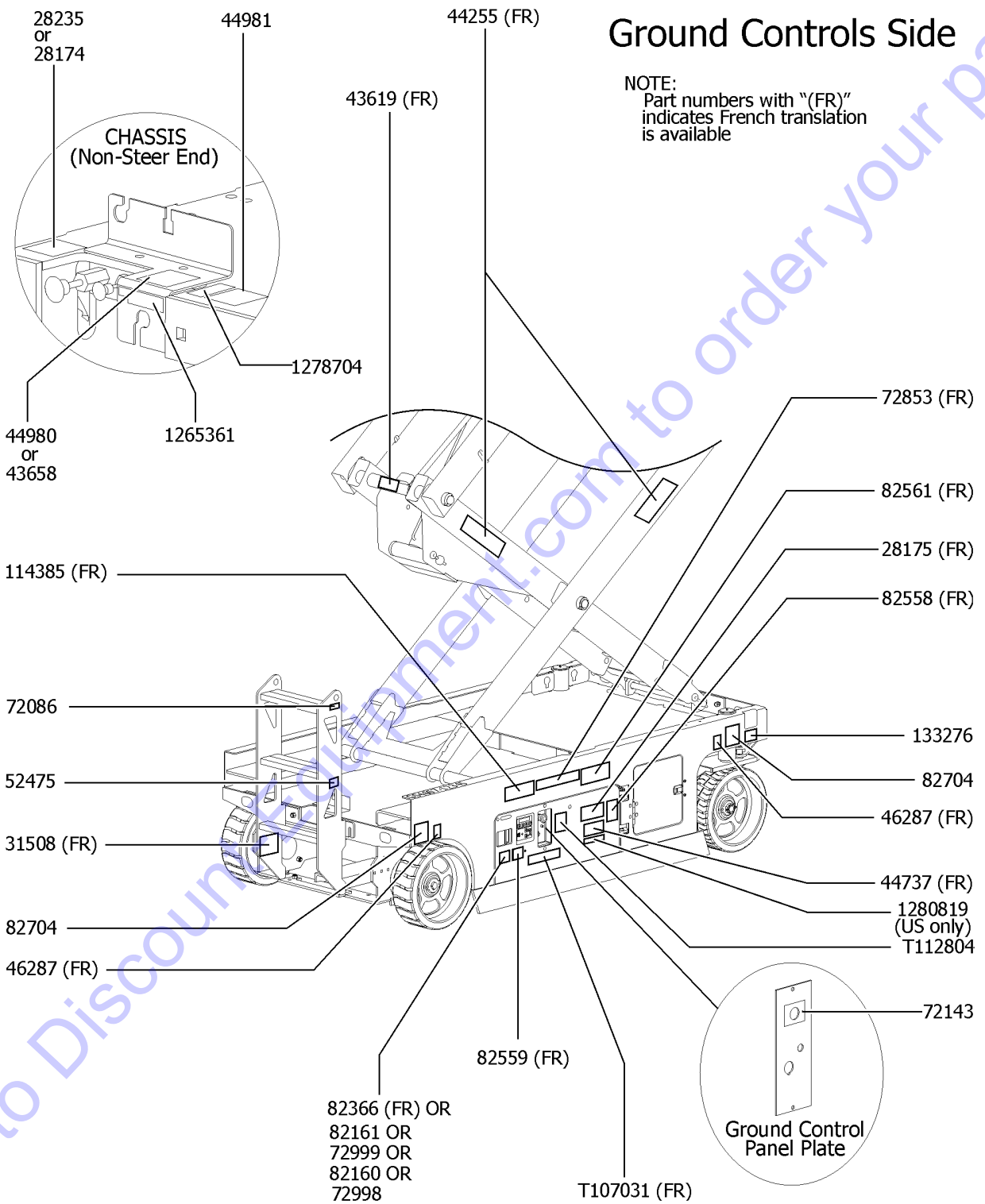


106.1 Word Decals, GS-2646, Ground Control Side, ANSI and Australia

Item	Part No.	Description	Qty.
1	28174GT	DECAL,POWER TO PLATFORM 230V	1
2	28175GT	DECAL,WARNING-COMPART ACCESS	1
3	28235GT	DECAL,POWER TO PLATFORM 115V	1
4	31508GT	DECAL,DANGER,ELECT HAZARD,PLUG (ANSI models only)	1
5	43619GT	DECAL,LABEL,SAFETY ARM	1
6	43658GT	DECAL,LABEL,PWR TO CHARGR 230V (ANSI models only)	1
7	44255GT	DECAL,DANGER,CRUSHING HAZARD	2
8	44737GT	DECAL,DANGER,TIP-OVER,TRAYS	1
9	44980GT	DECAL,LABEL,PWR TO CHARGR 115V (ANSI models only)	1
10	44981GT	DECAL,LABEL,AIRLINE 110 PSI (Option)	1
11	46287GT	DECAL,LABEL-TIRE SPECS	2
12	52475GT	DECAL,LABEL,TRANSPORT TIEDOWN*	1
13	72086GT	DECAL,LABEL,LIFTING EYE	1
14	72143GT	DECAL,EMERGENCY STOP,GR	1
15	72853GT	DECAL,DANGER,IMPROPER USE HAZ.	1
16	72998GT	DECAL, LABEL, QUINTOLUBRIK (models with Quintolub hydraulic oil)	1
17	72999GT	DECAL,LABEL,PETRO CANADA*** (For models with Petro Canada hydraulic oil only)	1
18	82160GT	DECAL, LABEL, STATOIL HYDRAWAY (For models with Statoil hydraulic oil only)	1
19	82161GT	DECAL, LABEL, UCON HYDROLUBE (For models with Ucon Hydrolube hydraulic oil only)	1
20	82366GT	DECAL,CHEVRON RANDO HD (For models with Chevron Rando hydraulic oil only)	1
21	82558GT	DECAL,SKIN INJECTION	1
22	82559GT	DECAL,INSTRUCT-ANNUAL INSP REQ	1
23	82561GT	DECAL,DANGER-USE SAFETY ARM	1
24	82704GT	DECAL,LABEL,WHEEL LOAD 2646	2
25	114385GT	DECAL,DANGER,ELEC HAZARD,GS	1
26	133276GT	DECAL,EMERGENCY LOWERING	1
27	1265361GT	DECAL, BATTERY CHARGER INDICAT from SN GS46-143361	1
28	1278704GT	DECAL,CHARGE STATUS IND. from GS46D-9041	1



106.1 Word Decals, GS-2646, Ground Control Side, ANSI and Australia



106.1 Word Decals, GS-2646, Ground Control Side, ANSI and Australia

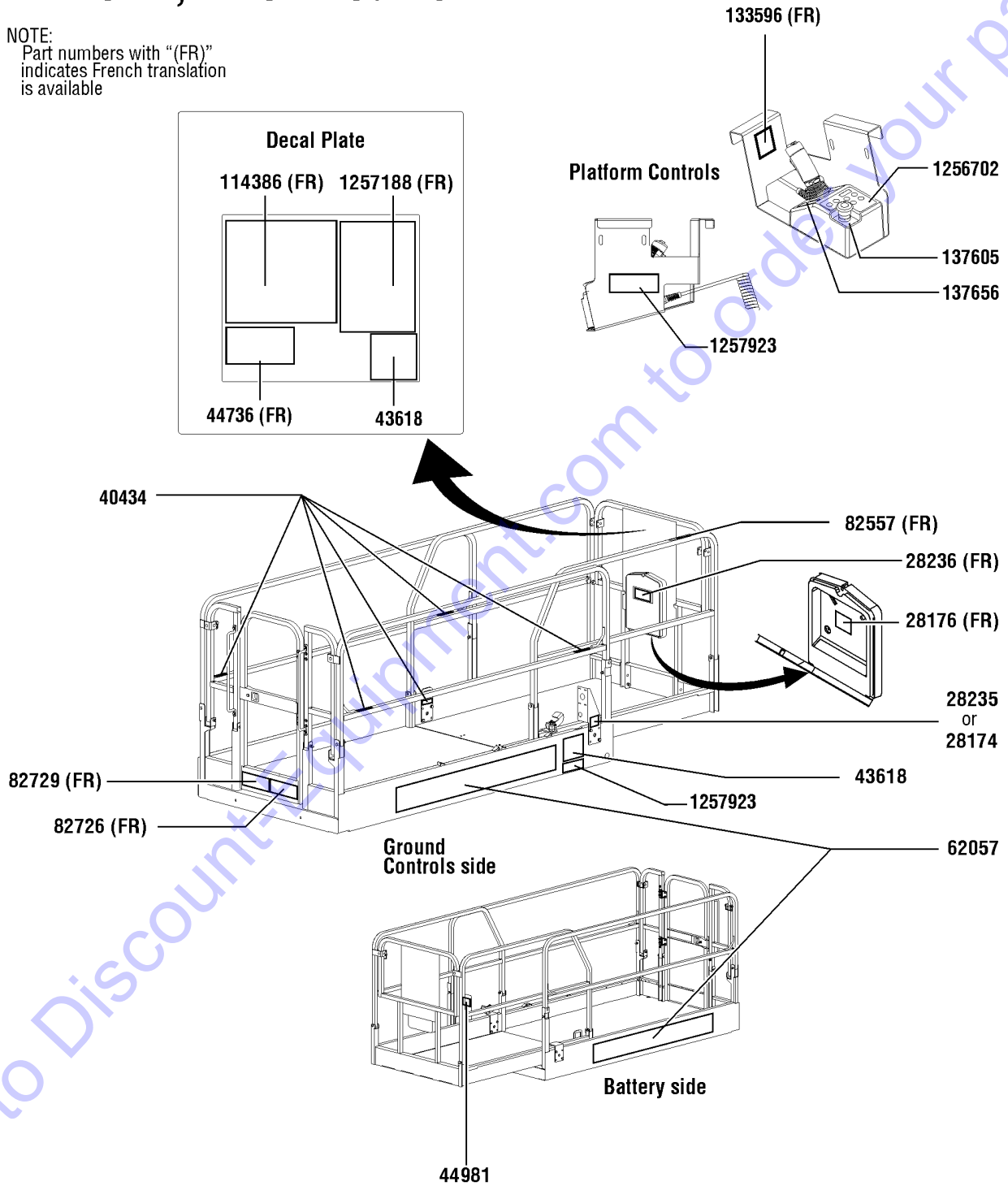
<i>Item</i>	<i>Part No.</i>	<i>Description</i>	<i>Qty.</i>
29	1280819GT	DECAL,WARNING,CANCER AND REPRODUCTIVE HARM, PROP 65 US only	1
30	T107031GT	DECAL,OP INST,GCON	1
31	T112804GT	DECAL,GCON PANEL,GS	1

Go to Discount-Equipment.com to order your parts



Platform, ANSI models

NOTE:
Part numbers with "(FR)"
indicates French translation
is available



107.1 Word Decals, GS-2646, Platform, ANSI

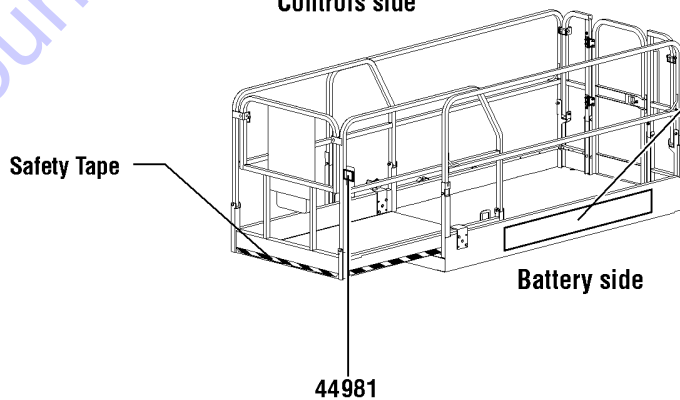
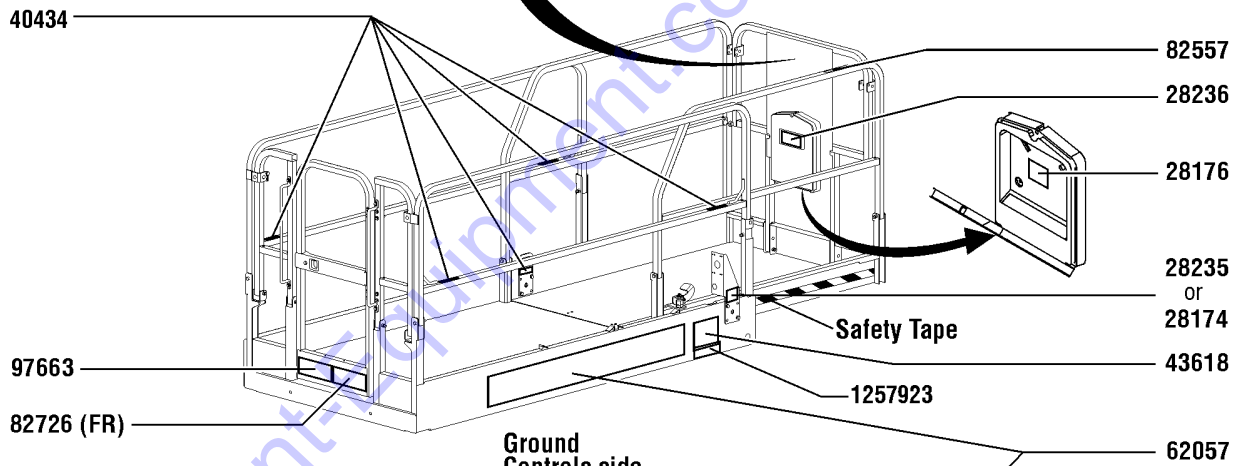
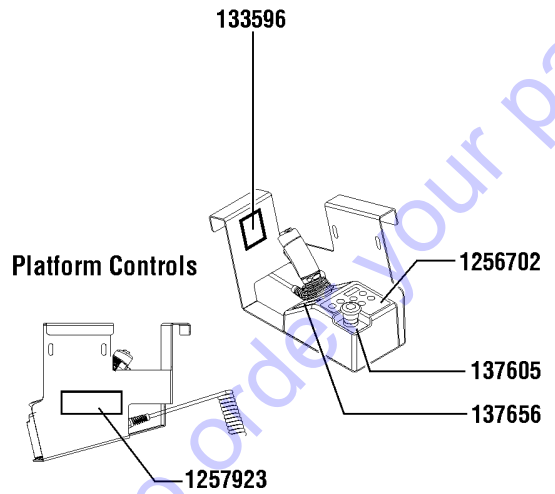
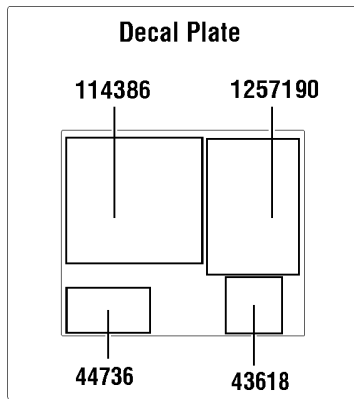
Item	Part No.	Description	Qty.
1	28174GT	DECAL,POWER TO PLATFORM 230V	1
2	28176GT	DECAL,LABEL,MANUAL NOT HERE	1
3	28235GT	DECAL,POWER TO PLATFORM 115V	1
4	28236GT	DECAL,WARN,IMPROPER OPERATION	1
5	40434GT	DECAL,LANYARD ANCHORAGE POINT	5
6	43618GT	DECAL,LABEL-DIRECTION ARROWS	2
7	44736GT	DECAL,DANGER,TIP-OVER,TILT	1
8	44981GT	DECAL,LABEL,AIRLINE 110 PSI	1
		(Option)	
9	62057GT	DECAL,COSMETIC,GENIE GS-2646	2
10	82557GT	DECAL,LABEL,PLAT CONT LOCATION	1
11	82726GT	DECAL,INSTRUCT,MAXCAP1000LBS	1
		GS-2646	
12	82729GT	NOTICE,SIDE FRC ANSI2646	1
13	114386GT	DECAL,DANGER-GEN SAFETY	1
14	133596GT	DECAL,LABEL,FAULT CODES	1
15	137605GT	DECAL,E-STOP,GR/GRC/GS PCON	1
16	137656GT	DECAL,PROPEL,GR/GRC/GS,PCON	1
17	1256702GT	DECAL, UI, GS/GR, PROP LIFT	1
18	1257188GT	DECAL,OP INST,PLAT,GS46 ANSI	1
19	1257923GT	DECAL, SMARTLINK PROPORTIONAL	2

Go to Discount-Equipment.com to order your parts



Platform, Australia models

NOTE:
Part numbers with "(FR)"
indicates French translation
is available



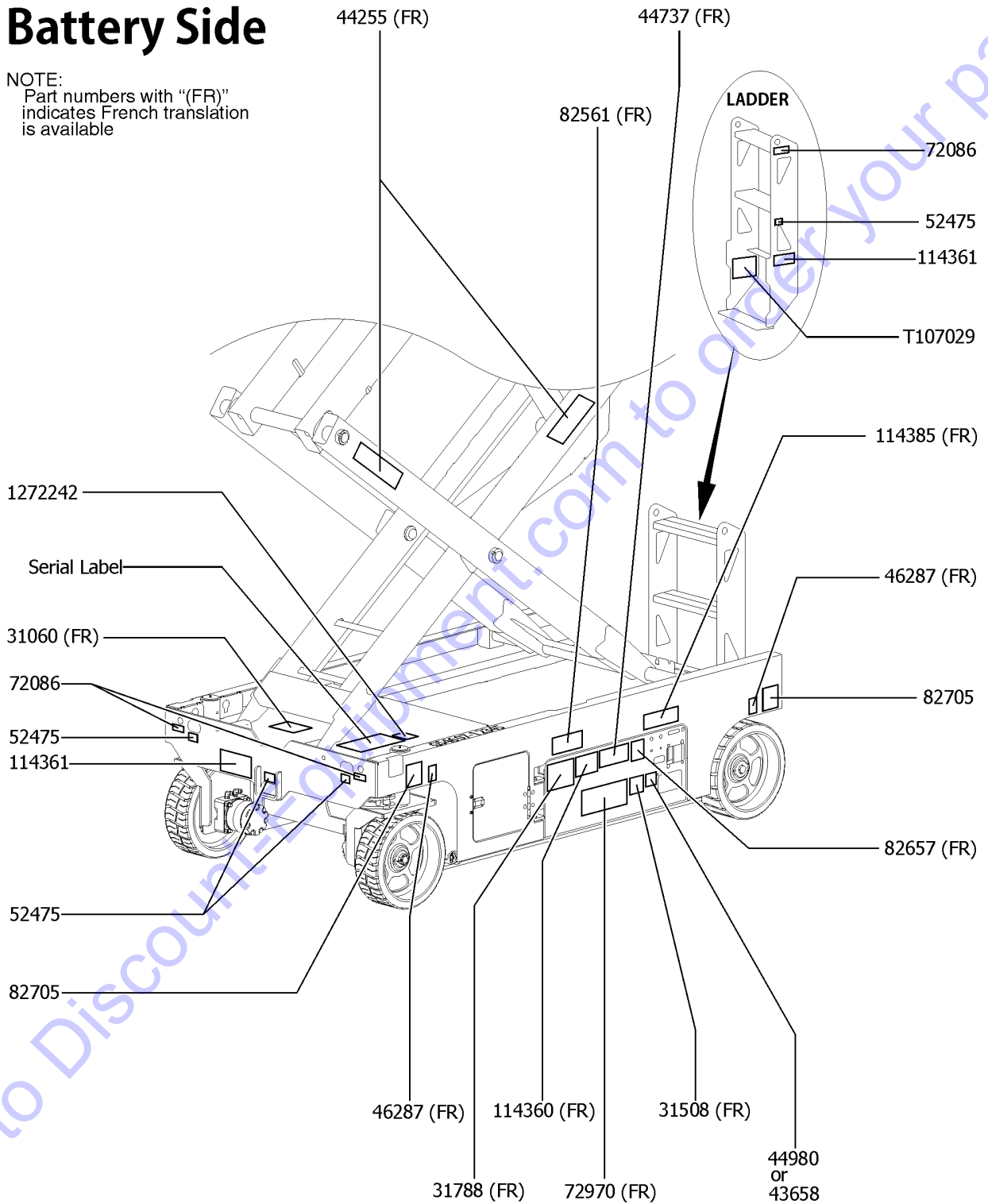
Item	Part No.	Description	Qty.
1	28174GT	DECAL,POWER TO PLATFORM 230V	1
2	28176GT	DECAL,LABEL,MANUAL NOT HERE	1
3	28235GT	DECAL,POWER TO PLATFORM 115V	1
4	28236GT	DECAL,WARN,IMPROPER OPERATION	1
5	40434GT	DECAL,LANYARD ANCHORAGE POINT	5
6	43618GT	DECAL,LABEL-DIRECTION ARROWS	2
7	44736GT	DECAL,DANGER,TIP-OVER,TILT	1
8	44981GT	DECAL,LABEL,AIRLINE 110 PSI	1
		(Option)	
9	62057GT	DECAL,COSMETIC,GENIE GS-2646	2
10	82557GT	DECAL,LABEL,PLAT CONT LOCATION	1
11	82726GT	DECAL,INSTRUCT,MAXCAP1000LBS	1
		GS-2646	
12	97663GT	DECAL,INSTR-MANUALFRC,AUS 400N	1
		GS-2646	
13	114386GT	DECAL,DANGER-GEN SAFETY	1
14	133596GT	DECAL,LABEL,FAULT CODES	1
15	137605GT	DECAL,E-STOP,GR/GRC/GS PCON	1
16	137656GT	DECAL,PROPEL,GR/GRC/GS,PCON	1
17	1256702GT	DECAL, UI, GS/GR, PROP LIFT	1
18	1257190GT	DECAL,OP INST,PLAT,GS46,AUS	1
19	1257923GT	DECAL, SMARTLINK PROPORTIONAL	2

Go to Discount-Equipment.com to order your parts



Battery Side

NOTE:
Part numbers with "(FR)" indicates French translation is available



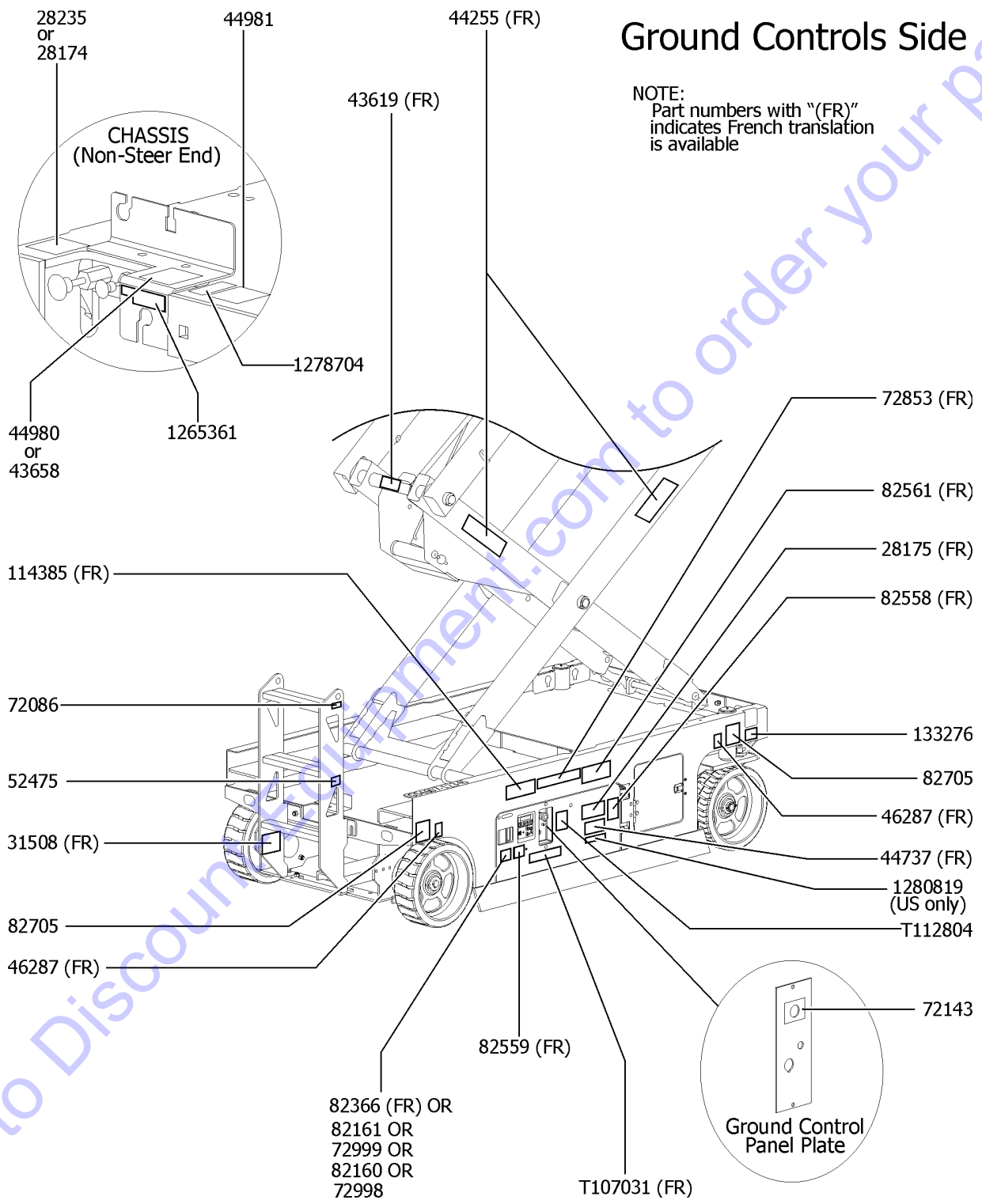
109.1 Word Decals, GS-3246, Battery Side, ANSI & Australia

Item	Part No.	Description	Qty.
1	31060GT	DECAL,DANGER DO NOT ALTER SWTC	1
2	31508GT	DECAL,DANGER,ELECT HAZARD,PLUG	1
		(Australia models only)	
3	31788GT	DECAL,DANGER,BATTERY SAFETY***	1
4	43658GT	DECAL,LABEL,PWR TO CHARGR 230V	1
		(Australia models only)	
5	44255GT	DECAL,DANGER,CRUSHING HAZARD	2
6	44737GT	DECAL,DANGER,TIP-OVER,TRAYS	1
7	44980GT	DECAL,LABEL,PWR TO CHARGR 115V	1
		(Australia models only)	
8	46287GT	DECAL,LABEL-TIRE SPECS	2
9	52475GT	DECAL,LABEL,TRANSPORT TIEDOWN*	4
10	72086GT	DECAL,LABEL,LIFTING EYE	3
11	72970GT	DECAL,INSTRUCTIONS-CHARGER OP	1
12	82561GT	DECAL,DANGER-USE SAFETY ARM	1
13	82657GT	DECAL,INSTRUCT,BATTERY CONNECT	1
14	82705GT	DECAL,LABEL,WHEEL LOAD 3246	2
15	114360GT	DECAL,DANGER-TIP-OVER,BATT	1
16	114361GT	DECAL,SYM-TIP-OVER,LIM SWITCH	2
17	114385GT	DECAL,DANGER,ELEC HAZARD,GS	1
18	1272242GT	DECAL,MACHINE REGISTRATION/OWNER TRANSFER	1
19	T107029GT	DECAL DANGER BRAKE REL SAFETY	1

Go to Discount-Equipment.com to order your parts



110.1 Word Decals, GS-3246, Ground Control Side, ANSI and Australia

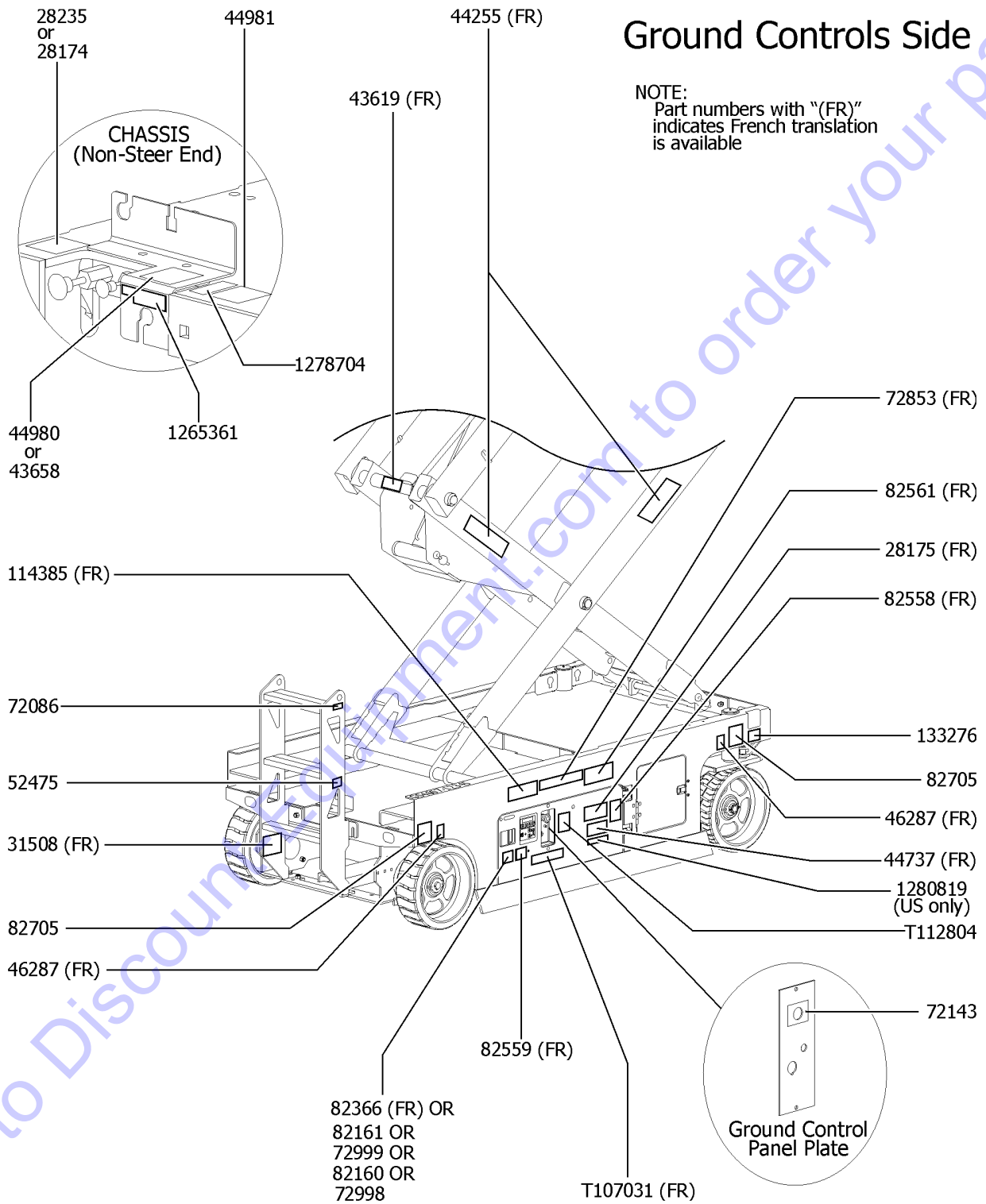


110.1 Word Decals, GS-3246, Ground Control Side, ANSI and Australia

Item	Part No.	Description	Qty.
1	28174GT	DECAL,POWER TO PLATFORM 230V	1
2	28175GT	DECAL,WARNING-COMPART ACCESS	1
3	28235GT	DECAL,POWER TO PLATFORM 115V	1
4	31508GT	DECAL,DANGER,ELECT HAZARD,PLUG (ANSI models)	1
5	43619GT	DECAL,LABEL,SAFETY ARM	1
6	43658GT	DECAL,LABEL,PWR TO CHARGR 230V (ANSI models)	1
7	44255GT	DECAL,DANGER,CRUSHING HAZARD	2
8	44737GT	DECAL,DANGER,TIP-OVER,TRAYS	1
9	44980GT	DECAL,LABEL,PWR TO CHARGR 115V (ANSI models)	1
10	44981GT	DECAL,LABEL,AIRLINE 110 PSI (Option)	1
11	46287GT	DECAL,LABEL-TIRE SPECS	2
12	52475GT	DECAL,LABEL,TRANSPORT TIEDOWN*	1
13	72086GT	DECAL,LABEL,LIFTING EYE	1
14	72143GT	DECAL,EMERGENCY STOP,GR	1
15	72853GT	DECAL,DANGER,IMPROPER USE HAZ.	1
16	72998GT	DECAL, LABEL, QUINTOLUBRIK (models with Quintolub hydraulic oil)	1
17	72999GT	DECAL,LABEL,PETRO CANADA*** (For models with Petro Canada hydraulic oil only)	1
18	82160GT	DECAL, LABEL, STATOIL HYDRAWAY (For models with Statoil hydraulic oil only)	1
19	82161GT	DECAL,LABEL,UCON HYDROLUBE (For models with Ucon Hydrolube hydraulic oil only)	1
20	82366GT	DECAL,CHEVRON RANDO HD (For models with Chevron Rando hydraulic oil only)	1
21	82558GT	DECAL,SKIN INJECTION	1
22	82559GT	DECAL,INSTRUCT-ANNUAL INSP REQ	1
23	82561GT	DECAL,DANGER-USE SAFETY ARM	1
24	82705GT	DECAL,LABEL,WHEEL LOAD 3246	2
25	114385GT	DECAL,DANGER,ELEC HAZARD,GS	1
26	133276GT	DECAL,EMERGENCY LOWERING	1
27	1265361GT	DECAL, BATTERY CHARGER INDICAT from SN GS46P-143361	1
28	1278704GT	DECAL,CHARGE STATUS IND. from SN GS46D-9041	1



110.1 Word Decals, GS-3246, Ground Control Side, ANSI and Australia



110.1 Word Decals, GS-3246, Ground Control Side, ANSI and Australia

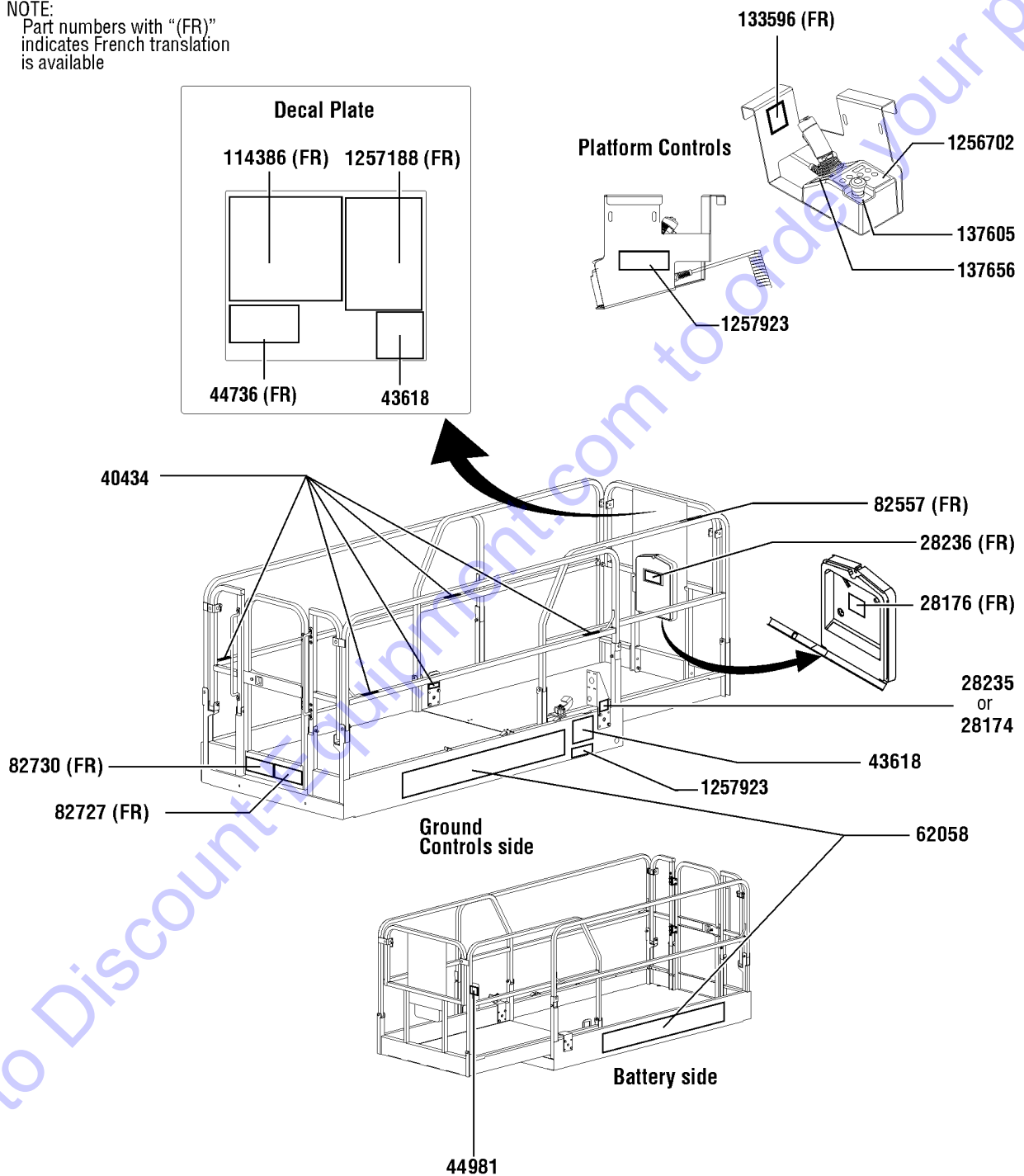
<i>Item</i>	<i>Part No.</i>	<i>Description</i>	<i>Qty.</i>
29	1280819GT	DECAL,WARNING,CANCER AND REPRODUCTIVE HARM, PROP 65 US only	1
30	T107031GT	DECAL,OP INST,GCON	1
31	T112804GT	DECAL,GCON PANEL,GS	1

Go to Discount-Equipment.com to order your parts



Platform, ANSI models

NOTE:
Part numbers with "(FR)" indicates French translation is available



111.1 Word Decals, GS-3246, Platform, ANSI

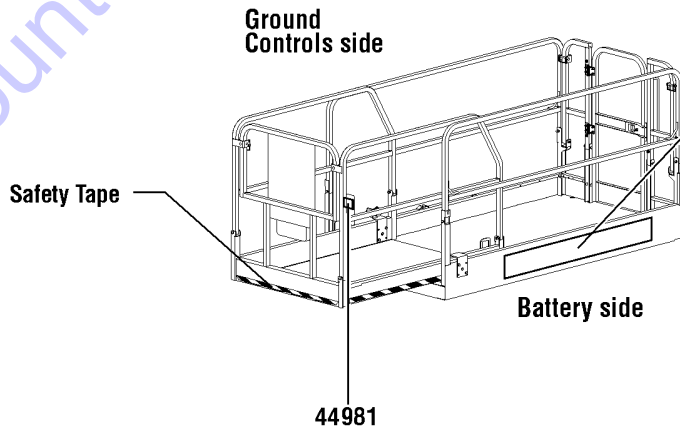
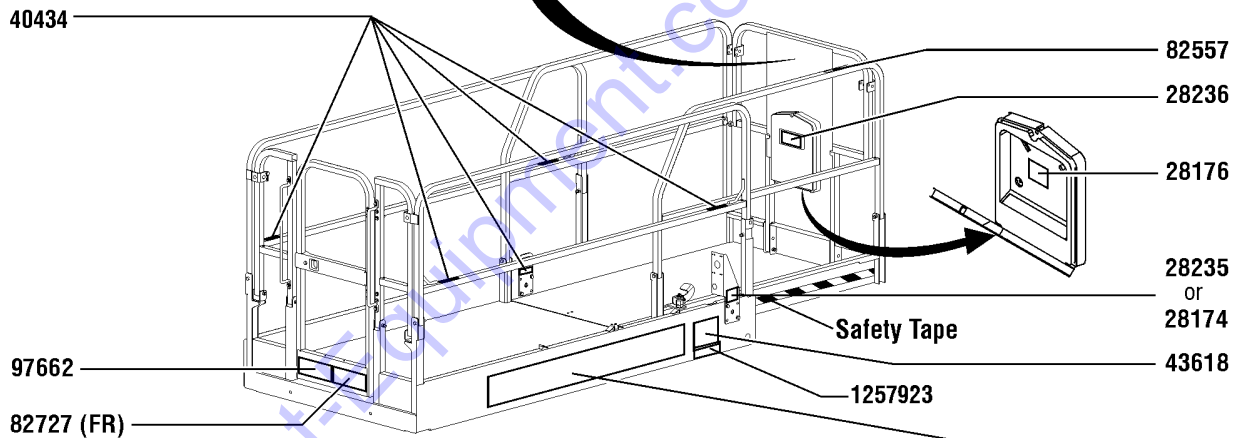
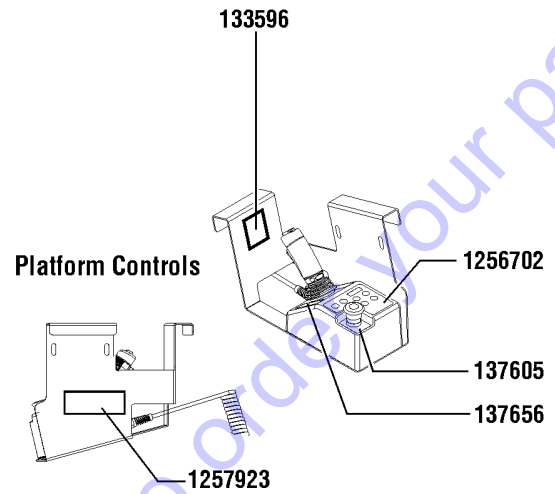
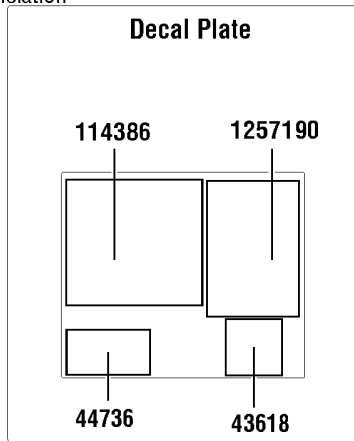
Item	Part No.	Description	Qty.
1	28174GT	DECAL,POWER TO PLATFORM 230V	1
2	28176GT	DECAL,LABEL,MANUAL NOT HERE	1
3	28235GT	DECAL,POWER TO PLATFORM 115V	1
4	28236GT	DECAL,WARN,IMPROPER OPERATION	1
5	40434GT	DECAL,LANYARD ANCHORAGE POINT	5
6	43618GT	DECAL,LABEL-DIRECTION ARROWS	2
7	44736GT	DECAL,DANGER,TIP-OVER,TILT	1
8	44981GT	DECAL,LABEL,AIRLINE 110 PSI	1
		(Option)	
9	62058GT	DECAL,COSMETIC,GENIE GS-3246	2
10	82557GT	DECAL,LABEL,PLAT CONT LOCATION	1
11	82727GT	DECAL,INSTR-MAX CAP 700LBS	1
		GS-3246	
12	82730GT	DECAL,INSTR-SIDE FRC,ANSI 3246	1
13	114386GT	DECAL,DANGER-GEN SAFETY	1
14	133596GT	DECAL,LABEL,FAULT CODES	1
15	137605GT	DECAL,E-STOP,GR/GRC/GS PCON	1
16	137656GT	DECAL,PROPEL,GR/GRC/GS,PCON	1
17	1256702GT	DECAL, UI, GS/GR, PROP LIFT	1
18	1257188GT	DECAL,OP INST,PLAT,GS46 ANSI	1
19	1257923GT	DECAL, SMARTLINK PROPORTIONAL	2

Go to Discount-Equipment.com to order your parts



Platform, Australia models

NOTE:
Part numbers with "(FR)"
indicates French translation
is available

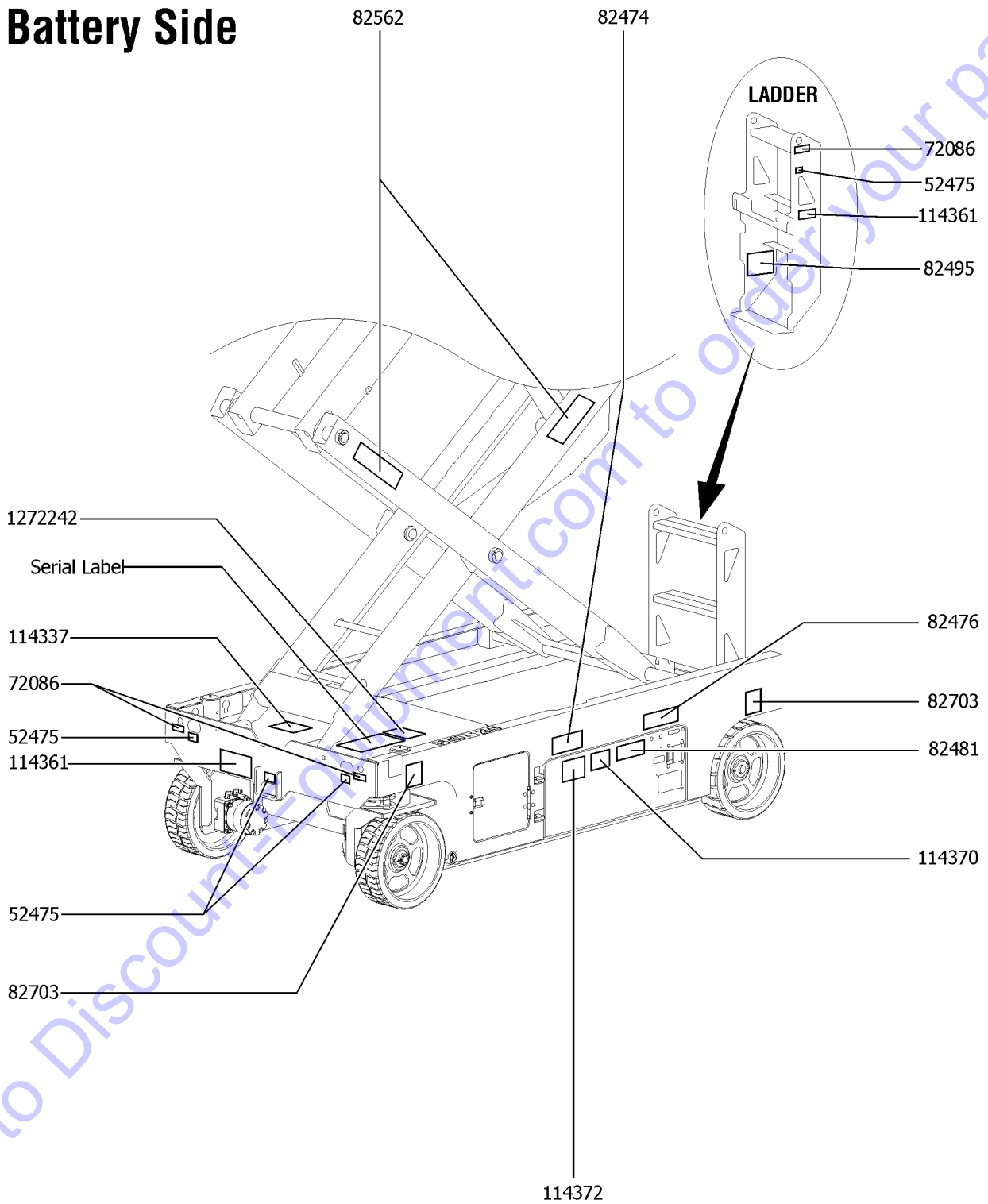


Item	Part No.	Description	Qty.
1	28174GT	DECAL,POWER TO PLATFORM 230V	1
2	28176GT	DECAL,LABEL,MANUAL NOT HERE	1
3	28235GT	DECAL,POWER TO PLATFORM 115V	1
4	28236GT	DECAL,WARN,IMPROPER OPERATION	1
5	40434GT	DECAL,LANYARD ANCHORAGE POINT	5
6	43618GT	DECAL,LABEL-DIRECTION ARROWS	2
7	44736GT	DECAL,DANGER,TIP-OVER,TILT	1
8	44981GT	DECAL,LABEL,AIRLINE 110 PSI	1
		(Option)	
9	62058GT	DECAL,COSMETIC,GENIE GS-3246	1
10	82557GT	DECAL,LABEL,PLAT CONT LOCATION	1
11	82727GT	DECAL,INSTR-MAX CAP 700LBS	1
		GS-3246	
12	97662GT	DECAL,INSTR-MANUALFRC,AUS 3246	1
13	114386GT	DECAL,DANGER-GEN SAFETY	1
14	133596GT	DECAL,LABEL,FAULT CODES	1
15	137605GT	DECAL,E-STOP,GR/GRC/GS PCON	1
16	137656GT	DECAL,PROPEL,GR/GRC/GS,PCON	1
17	1256702GT	DECAL, UI, GS/GR, PROP LIFT	1
18	1257190GT	DECAL,OP INST,PLAT,GS46,AUS	1
19	1257923GT	DECAL, SMARTLINK PROPORTIONAL	2

Go to Discount-Equipment.com to order your parts



Battery Side



113.1 Symbol Decals, GS-2046, Battery Side, ANSI & CE

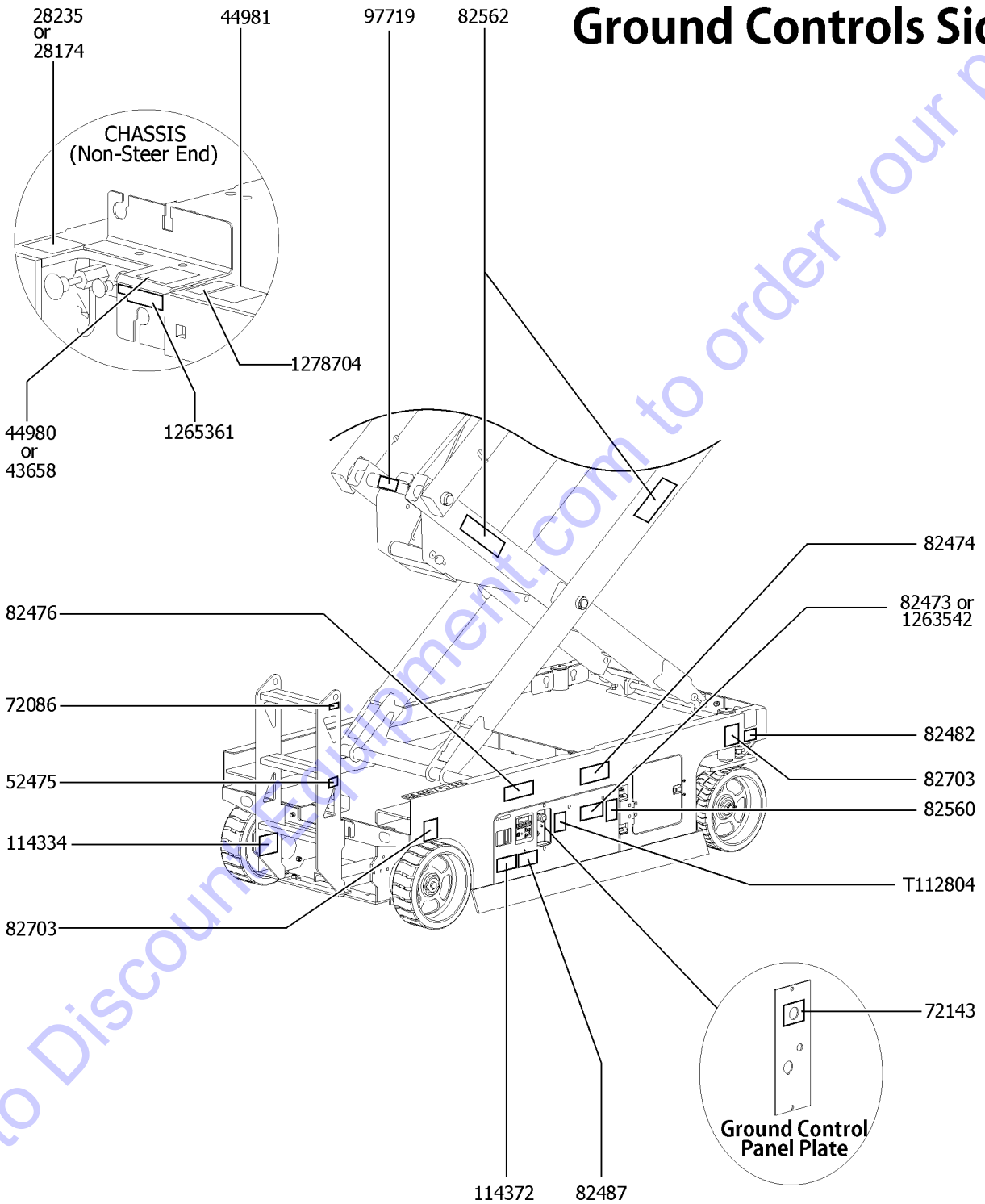
Item	Part No.	Description	Qty.
1	52475GT	DECAL,LABEL,TRANSPORT TIEDOWN*	4
2	72086GT	DECAL,LABEL,LIFTING EYE	3
3	82474GT	DECAL,SYMBOL-USE SAFETY ARM	1
4	82476GT	DECAL,SYMBOL-ELEC HAZARD,GS	1
5	82481GT	DECAL,SYMBOL-BATTERY SAFETY	1
6	82495GT	DECAL,LABEL,FORKLIFT POCKET	1
7	82562GT	DECAL,SYMBOL-CRUSHING HAZARD	2
8	82703GT	DECAL,LABEL,WHEEL LOAD 2046	2
9	114337GT	DECAL, COMPARTMENT ACCESS	1
10	114361GT	DECAL,SYM-TIP-OVER,LIM SWITCH	2
11	114370GT	DECAL-SYM-TIP-OVR,BATTRIES	1
12	114372GT	DECAL SYMBOL TIP OVER TRAYS	1
13	1272242GT	DECAL,MACHINE REGISTRATION/OWNER TRANSFER	1

Go to Discount-Equipment.com to order your parts



114.1 Symbol Decals, GS-2046, Ground Control Side, ANSI and CE

Ground Controls Side

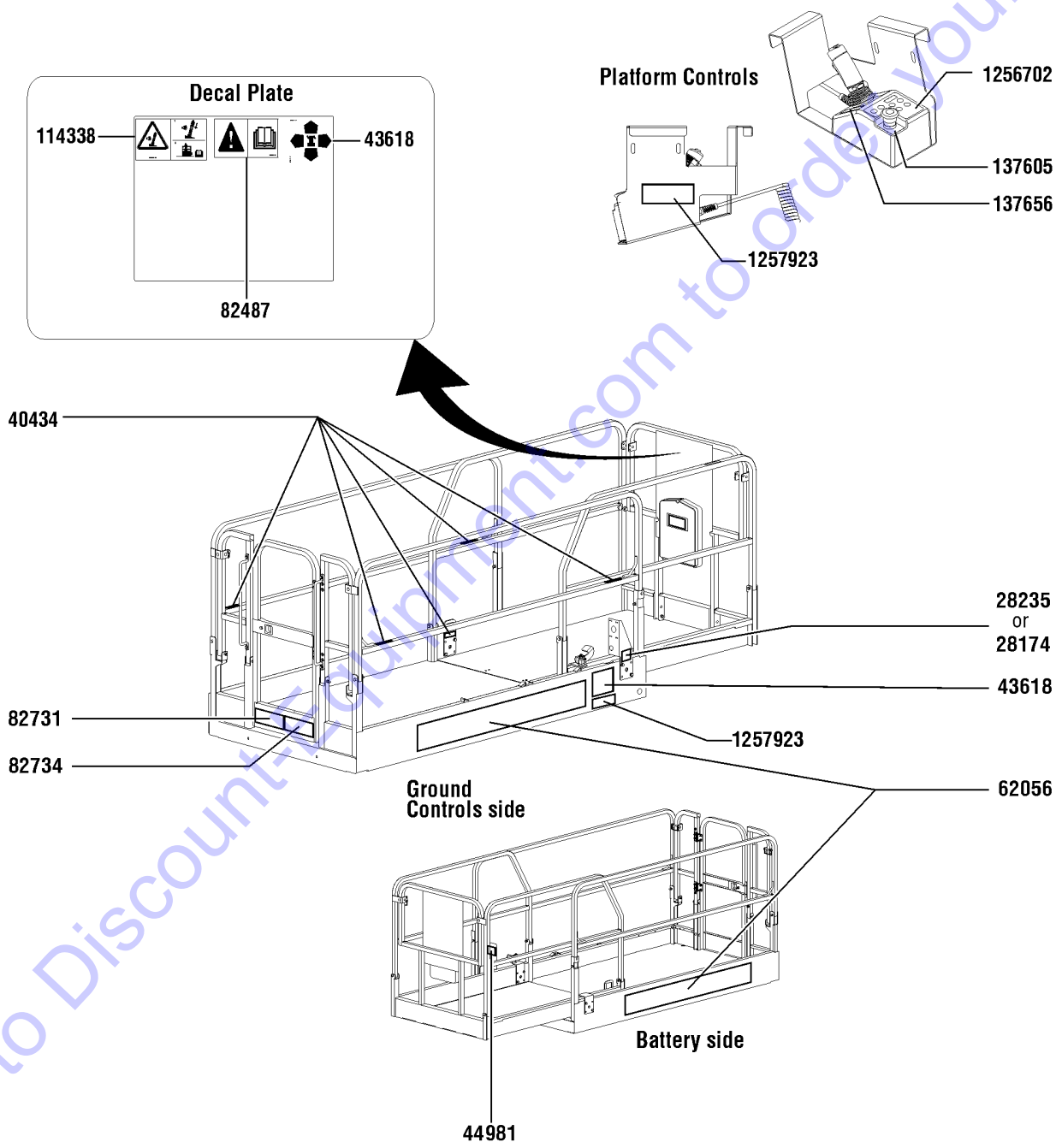


114.1 Symbol Decals, GS-2046, Ground Control Side, ANSI and CE

Item	Part No.	Description	Qty.
1	28174GT	DECAL,POWER TO PLATFORM 230V	1
2	28235GT	DECAL,POWER TO PLATFORM 115V	1
3	43658GT	DECAL,LABEL,PWR TO CHARGR 230V	1
4	44980GT	DECAL,LABEL,PWR TO CHARGR 115V	1
5	44981GT	DECAL,LABEL,AIRLINE 110 PSI (Option)	1
6	52475GT	DECAL,LABEL,TRANSPORT TIEDOWN*	1
7	72086GT	DECAL,LABEL,LIFTING EYE	1
8	72143GT	DECAL,EMERGENCY STOP,GR	1
9	82473GT	DECAL,SYMBOL-COMP ACCESS	1
10	82474GT	DECAL,SYMBOL-USE SAFETY ARM	1
11	82476GT	DECAL,SYMBOL-ELEC HAZARD,GS	1
12	82482GT	DECAL,LABEL,AUX LOWERING	1
13	82487GT	DECAL,SYMBOL-READ THE MANUAL	1
14	82560GT	DECAL,SYMBOL-SKIN INJECT HAZRD	1
15	82562GT	DECAL,SYMBOL-CRUSHING HAZARD	2
16	82703GT	DECAL,LABEL,WHEEL LOAD 2046	2
17	97719GT	DECAL, LABEL, SAFETY ARM SYMB	1
18	114334GT	DECAL SYMBOL ELECTRIC HAZARD PLUG	1
19	114372GT	DECAL SYMBOL TIP OVER TRAYS	1
20	1263542GT	DECAL, COMPARTMENT ACCESS	1
21	1265361GT	DECAL, BATTERY CHARGER INDICAT from SN GS46D-9041	1
22	1278704GT	DECAL,CHARGE STATUS IND. from SN GS46D-9041	1
23	T112804GT	DECAL,GCON PANEL,GS	1



Platform, ANSI models



Go to DiscountParts.com to order your parts

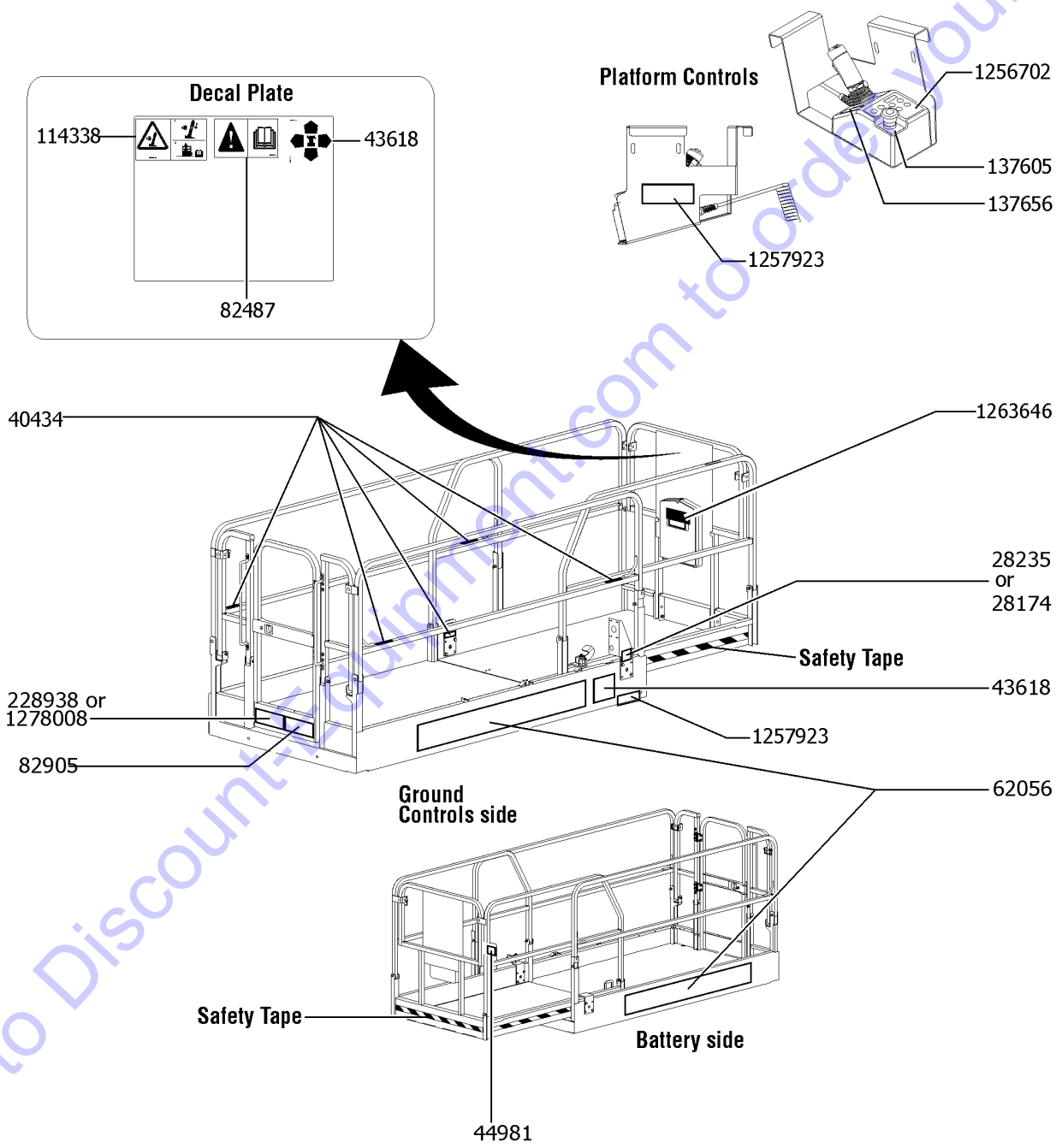
115.1 Symbol Decals, GS-2046, Platform, ANSI

Item	Part No.	Description	Qty.
1	28174GT	DECAL,POWER TO PLATFORM 230V	1
2	28235GT	DECAL,POWER TO PLATFORM 115V	1
3	40434GT	DECAL,LANYARD ANCHORAGE POINT	5
4	43618GT	DECAL,LABEL-DIRECTION ARROWS	2
5	44981GT	DECAL,LABEL,AIRLINE 110 PSI	1
		(Option)	
6	62056GT	DECAL,COSMETIC,GENIE GS-2046**	2
7	82487GT	DECAL,SYMBOL-READ THE MANUAL	1
8	82731GT	DECAL,SYM-MAXCAP 1200	1
9	82734GT	DECAL,SYM-SIDE FORCE 2046	1
10	114338GT	DECAL,SYM-TIP-OVR,TILT ALARM	1
11	137605GT	DECAL,E-STOP,GR/GRC/GS PCON	1
13	137656GT	DECAL,PROPEL,GR/GRC/GS,PCON	1
14	1256702GT	DECAL, UI, GS/GR, PROP LIFT	1
16	1257923GT	DECAL, SMARTLINK PROPORTIONAL	2

Go to Discount-Equipment.com to order your parts



Platform, CE models



Go to DiscountParts.com to order your parts

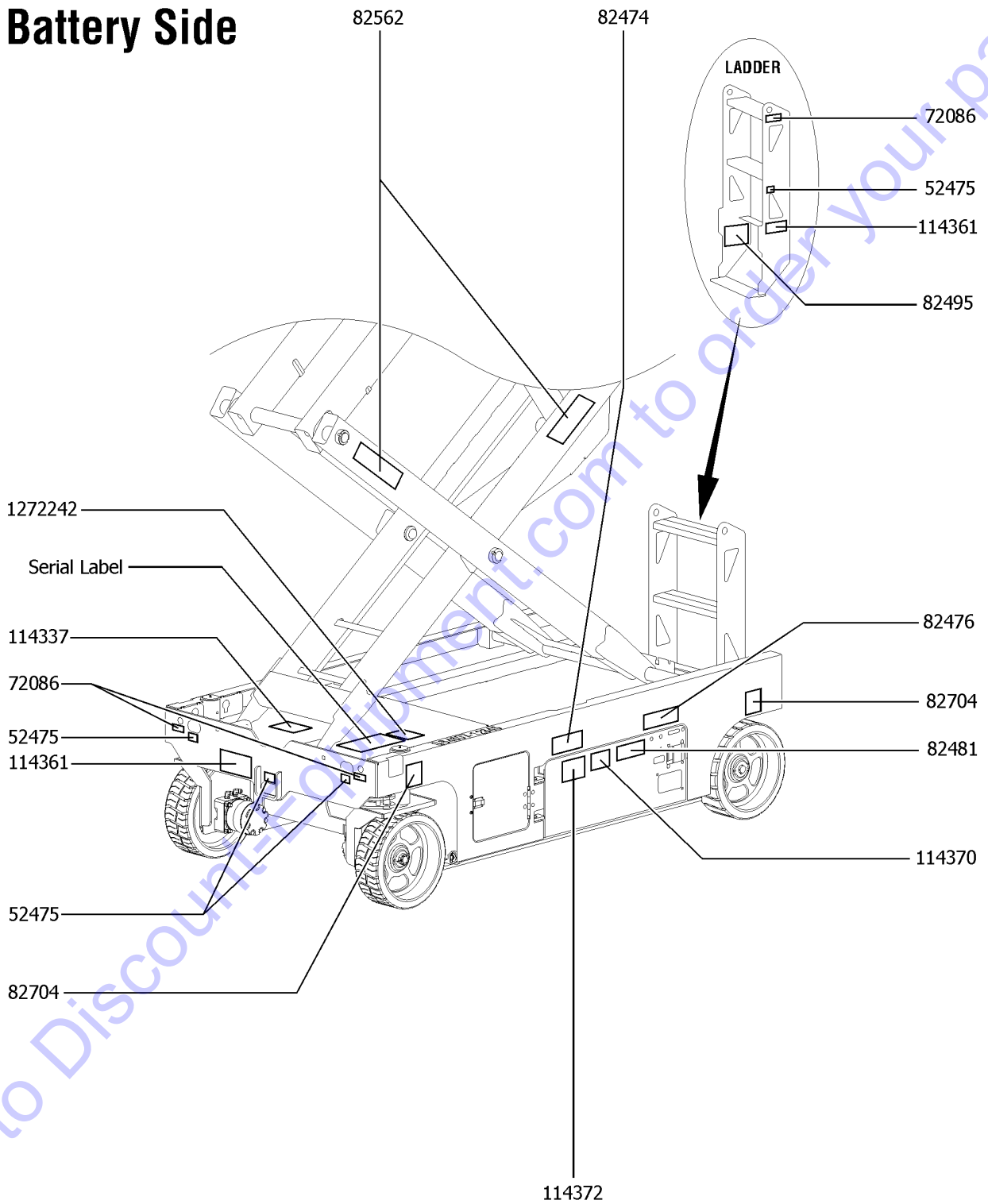
116.1 Symbol Decals, GS-2046, Platform, CE

Item	Part No.	Description	Qty.
1	28174GT	DECAL,POWER TO PLATFORM 230V	1
2	28235GT	DECAL,POWER TO PLATFORM 115V	1
3	40434GT	DECAL,LANYARD ANCHORAGE POINT	5
4	43618GT	DECAL,LABEL-DIRECTION ARROWS	2
5	44981GT	DECAL,LABEL,AIRLINE 110 PSI	1
		(Option)	
6	62056GT	DECAL,COSMETIC,GENIE GS-2046**	2
7	82487GT	DECAL,SYMBOL-READ THE MANUAL	1
8	82905GT	DECAL,SYM-SIDEFORCE 400N	1
9	114338GT	DECAL,SYM-TIP-OVR,TILT ALARM	1
10	137605GT	DECAL,E-STOP,GR/GRC/GS PCON	1
11	137656GT	DECAL,PROPEL,GR/GRC/GS,PCON	1
12	228938GT	DECAL,SYM,MAXCAP CE,GS2046	1
13	1256702GT	DECAL, UI, GS/GR, PROP LIFT	1
14	1257923GT	DECAL, SMARTLINK PROPORTIONAL	2
15	1263646GT	DECAL,QR CODE,PARTS&SERVICE MANUAL	1
16	1278008GT	DECAL, SYMBOL, CE, MAXIMUM CAPACITY, 544KG	1

Go to Discount-Equipment.com to order your parts



Battery Side



117.1 Symbol Decals, GS-2646, Battery Side, ANSI & CE

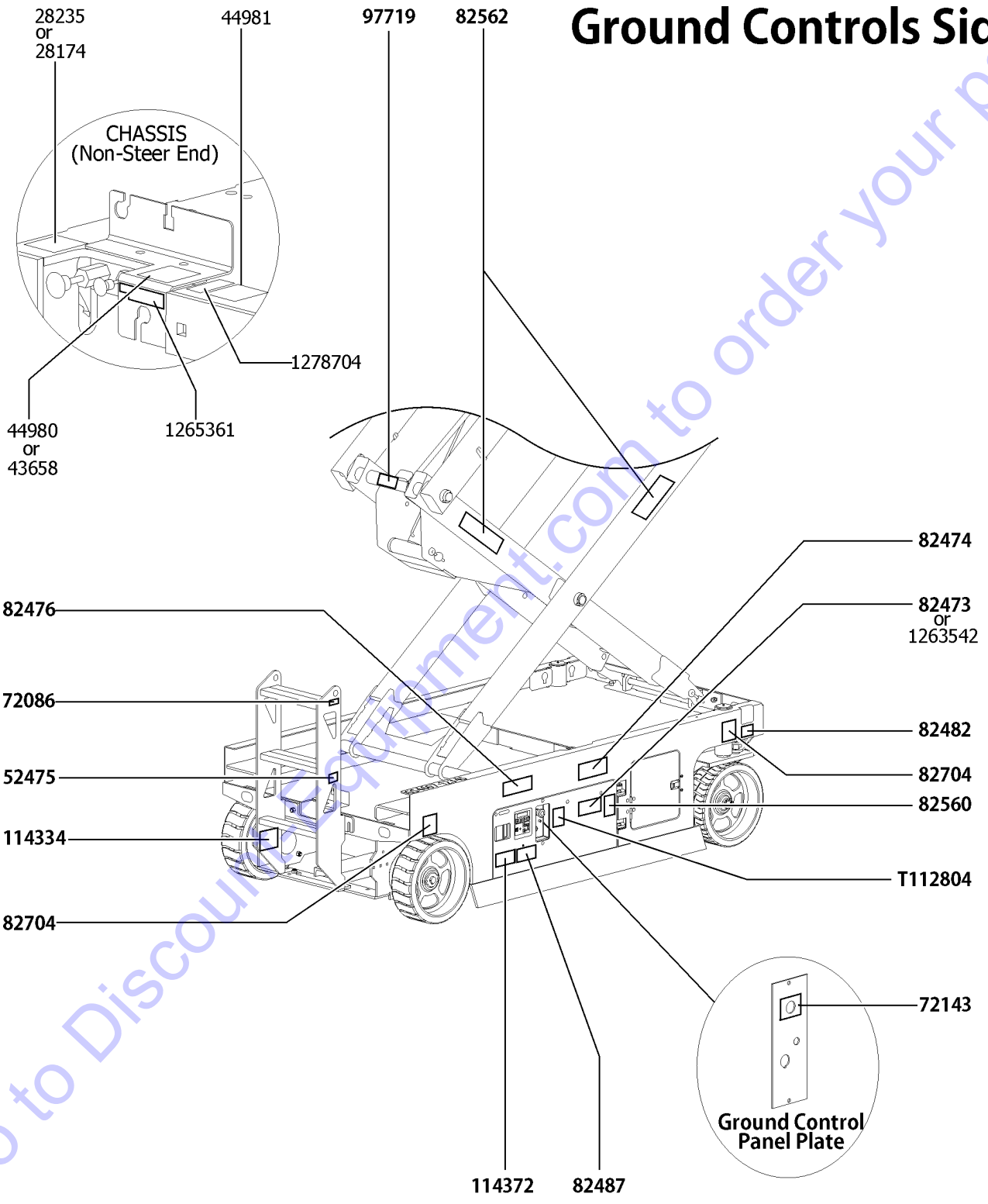
Item	Part No.	Description	Qty.
1	52475GT	DECAL,LABEL,TRANSPORT TIEDOWN*	4
2	72086GT	DECAL,LABEL,LIFTING EYE	3
3	82474GT	DECAL,SYMBOL-USE SAFETY ARM	1
4	82476GT	DECAL,SYMBOL-ELEC HAZARD,GS	1
5	82481GT	DECAL,SYMBOL-BATTERY SAFETY	1
6	82495GT	DECAL,LABEL,FORKLIFT POCKET	1
7	82562GT	DECAL,SYMBOL-CRUSHING HAZARD	2
8	82704GT	DECAL,LABEL,WHEEL LOAD 2646	2
9	114337GT	DECAL, COMPARTMENT ACCESS	1
10	114361GT	DECAL,SYM-TIP-OVER,LIM SWITCH	2
11	114370GT	DECAL-SYM-TIP-OVR,BATTRIES	1
12	114372GT	DECAL SYMBOL TIP OVER TRAYS	1
13	1272242GT	DECAL,MACHINE REGISTRATION/OWNER TRANSFER	1

Go to Discount-Equipment.com to order your parts



118.1 Symbol Decals, GS-2646, Ground Control Side, ANSI and CE

Ground Controls Side



Go to DiscountEquipment.com to order your parts

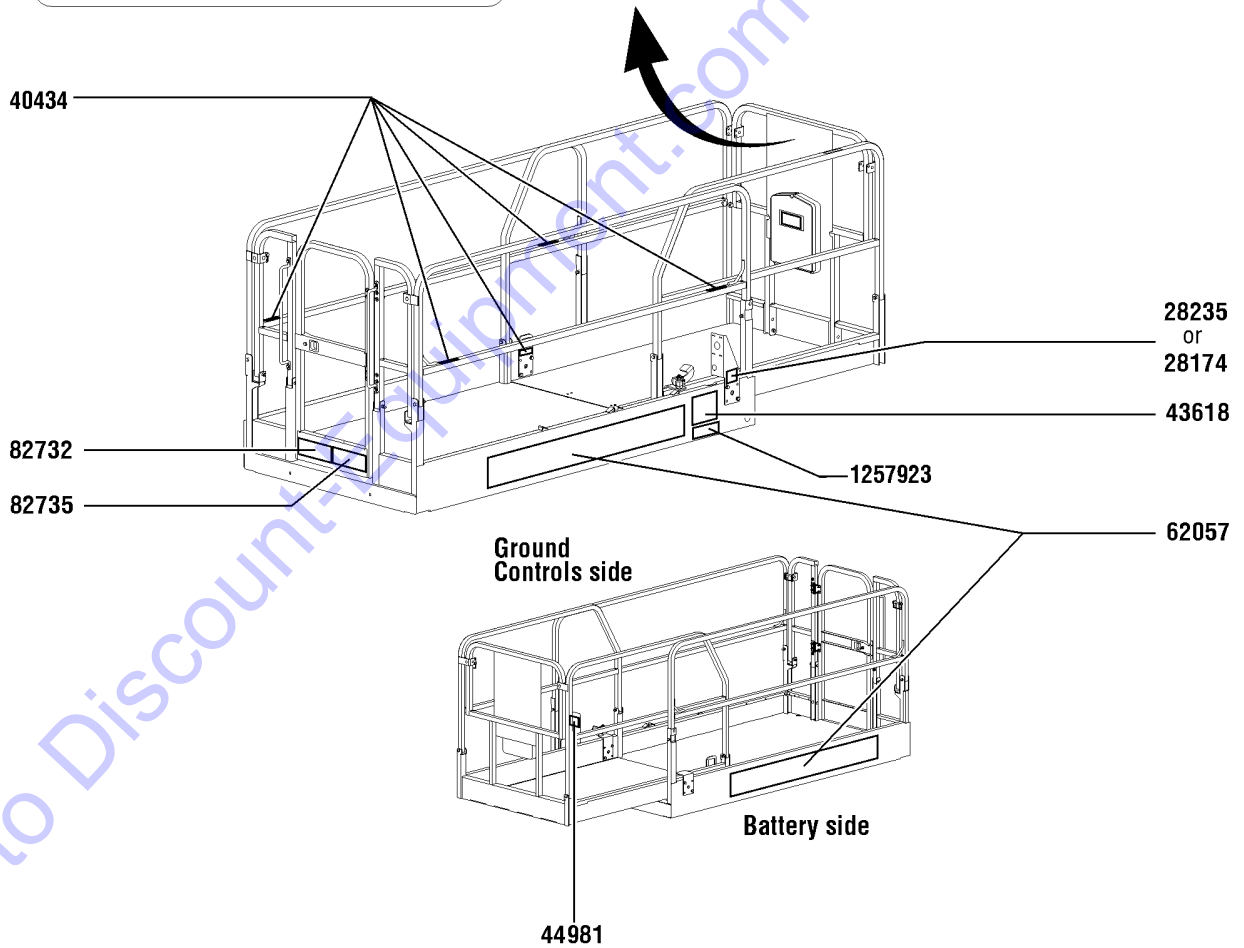
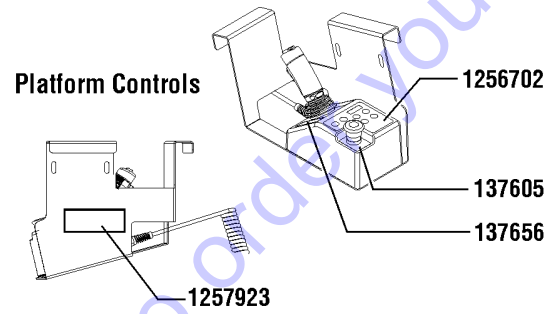
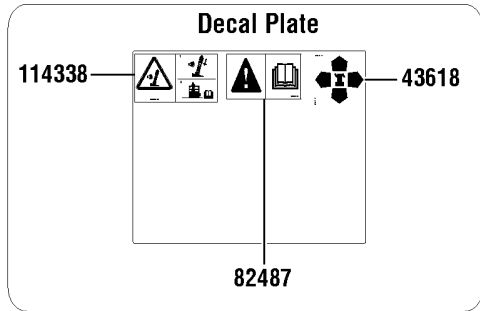


118.1 Symbol Decals, GS-2646, Ground Control Side, ANSI and CE

Item	Part No.	Description	Qty.
1	28174GT	DECAL,POWER TO PLATFORM 230V	1
2	28235GT	DECAL,POWER TO PLATFORM 115V	1
3	43658GT	DECAL,LABEL,PWR TO CHARGR 230V	1
4	44980GT	DECAL,LABEL,PWR TO CHARGR 115V	1
5	44981GT	DECAL,LABEL,AIRLINE 110 PSI (Option)	1
6	52475GT	DECAL,LABEL,TRANSPORT TIEDOWN*	1
7	72086GT	DECAL,LABEL,LIFTING EYE	1
8	72143GT	DECAL,EMERGENCY STOP,GR	1
9	82473GT	DECAL,SYMBOL-COMP ACCESS	1
10	82474GT	DECAL,SYMBOL-USE SAFETY ARM	1
11	82476GT	DECAL,SYMBOL-ELEC HAZARD,GS	1
12	82482GT	DECAL,LABEL,AUX LOWERING	1
13	82487GT	DECAL,SYMBOL-READ THE MANUAL	1
14	82560GT	DECAL,SYMBOL-SKIN INJECT HAZRD	1
15	82562GT	DECAL,SYMBOL-CRUSHING HAZARD	2
16	82704GT	DECAL,LABEL,WHEEL LOAD 2646	2
17	97719GT	DECAL, LABEL, SAFETY ARM SYMB	1
18	114334GT	DECAL SYMBOL ELECTRIC HAZARD PLUG	1
19	114372GT	DECAL SYMBOL TIP OVER TRAYS	1
20	1263542GT	DECAL, COMPARTMENT ACCESS	1
21	1265361GT	DECAL, BATTERY CHARGER INDICAT from SN GS46D-9041	1
22	1278704GT	DECAL,CHARGE STATUS IND. from SN GS46D-9041	1
23	T112804GT	DECAL,GCON PANEL,GS	1



Platform, ANSI models



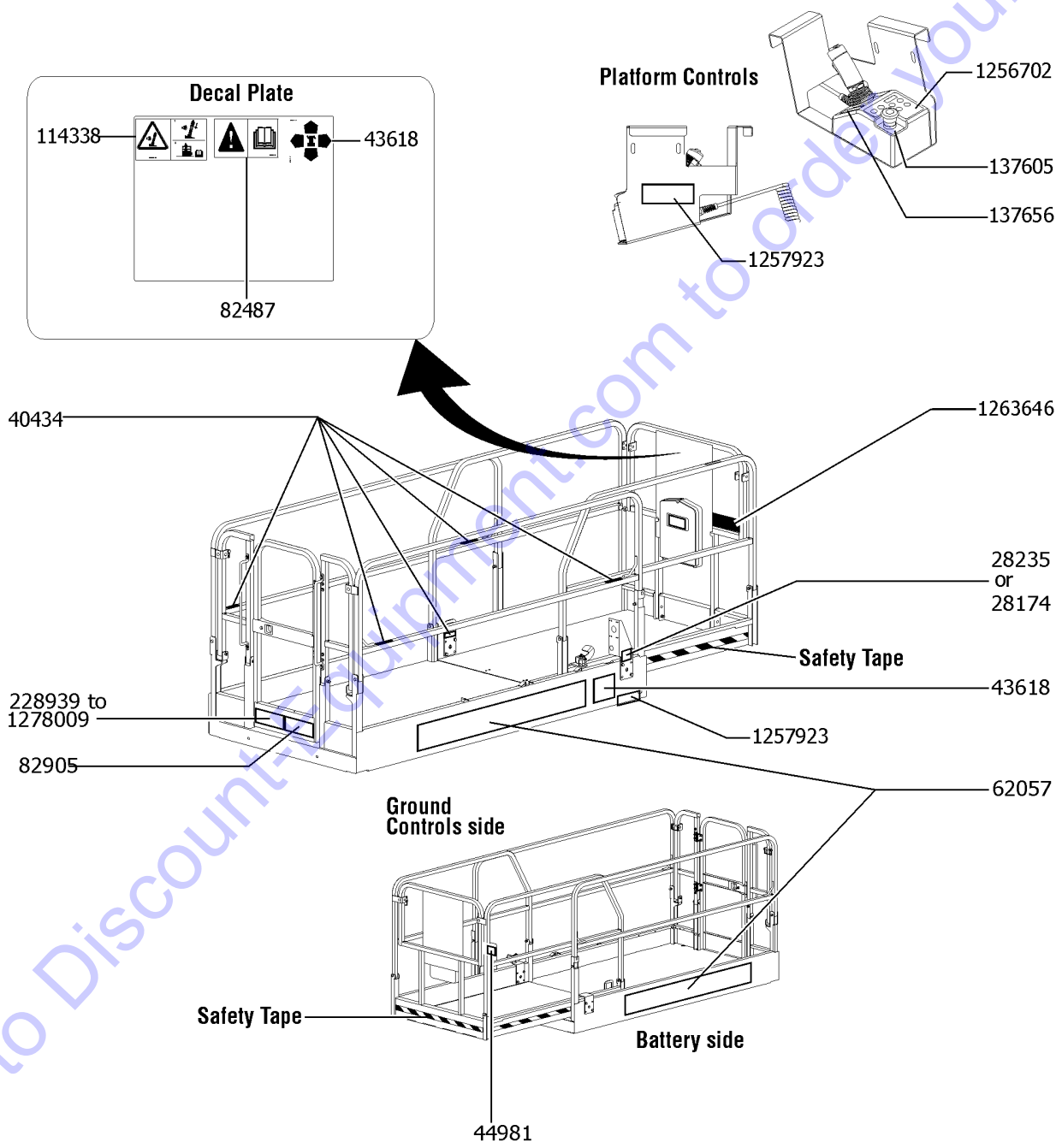
119.1 Symbol Decals, GS-2646, Platform, ANSI

Item	Part No.	Description	Qty.
1	28174GT	DECAL,POWER TO PLATFORM 230V	1
2	28235GT	DECAL,POWER TO PLATFORM 115V	1
3	40434GT	DECAL,LANYARD ANCHORAGE POINT	5
4	43618GT	DECAL,LABEL-DIRECTION ARROWS	2
5	44981GT	DECAL,LABEL,AIRLINE 110 PSI	1
		(Option)	
6	62057GT	DECAL,COSMETIC,GENIE GS-2646	2
7	82487GT	DECAL,SYMBOL-READ THE MANUAL	1
8	82732GT	DECAL,SYM-MAXCAP 1000	1
9	82735GT	DECAL,SYM-SIDE FORCE 2646	1
10	114338GT	DECAL,SYM-TIP-OVR,TILT ALARM	1
11	137605GT	DECAL,E-STOP,GR/GRC/GS PCON	1
12	137656GT	DECAL,PROPEL,GR/GRC/GS,PCON	1
13	1256702GT	DECAL, UI, GS/GR, PROP LIFT	1
14	1257923GT	DECAL, SMARTLINK PROPORTIONAL	2

Go to Discount-Equipment.com to order your parts



Platform, CE models



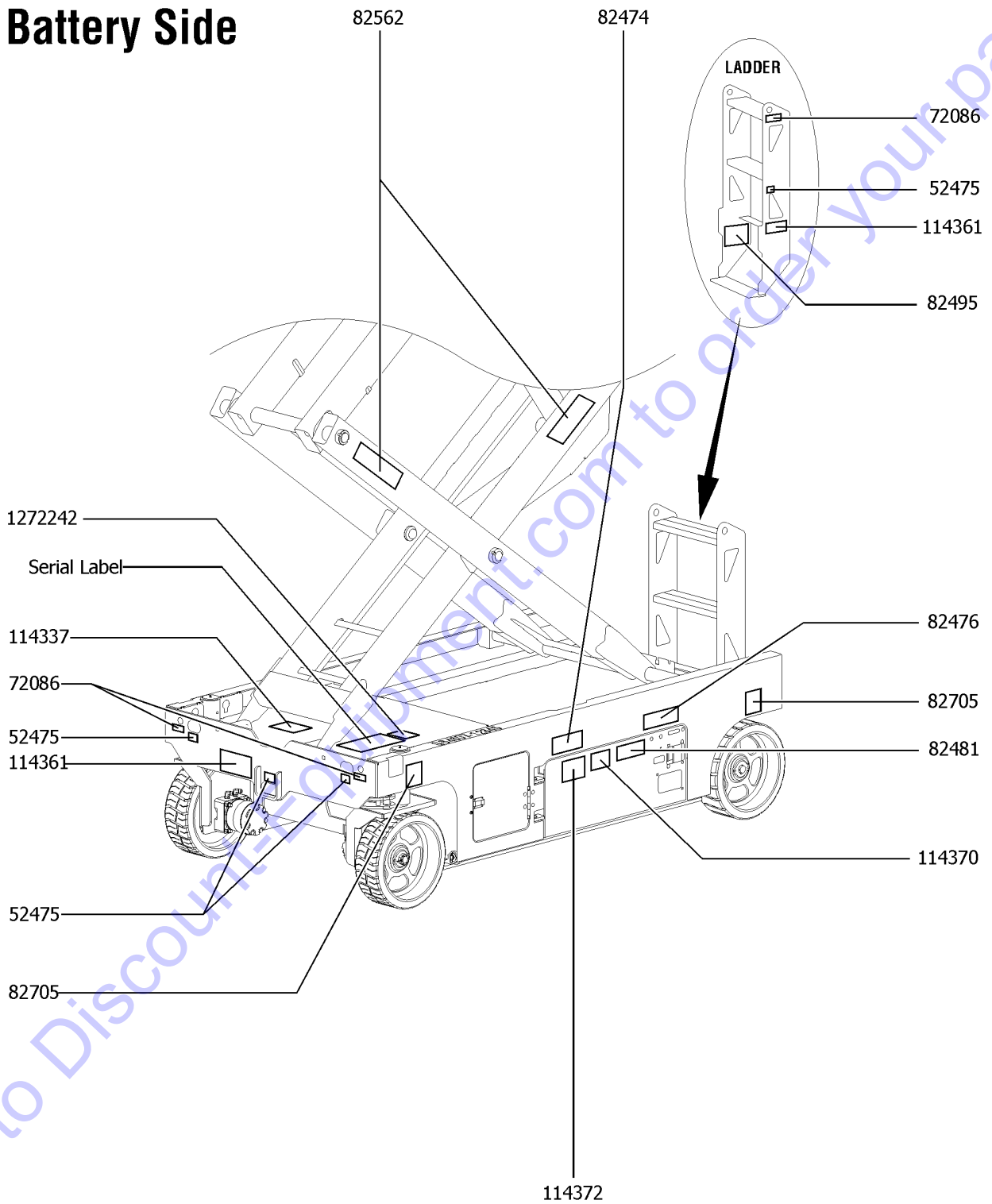
120.1 Symbol Decals, GS-2646, Platform, CE

Item	Part No.	Description	Qty.
1	28174GT	DECAL,POWER TO PLATFORM 230V	1
2	28235GT	DECAL,POWER TO PLATFORM 115V	1
3	40434GT	DECAL,LANYARD ANCHORAGE POINT	5
4	43618GT	DECAL,LABEL-DIRECTION ARROWS	2
5	44981GT	DECAL,LABEL,AIRLINE 110 PSI	1
		(Option)	
6	62057GT	DECAL,COSMETIC,GENIE GS-2646	2
7	82487GT	DECAL,SYMBOL-READ THE MANUAL	1
8	82905GT	DECAL,SYM-SIDEFORCE 400N	1
9	114338GT	DECAL,SYM-TIP-OVR,TILT ALARM	1
10	137605GT	DECAL,E-STOP,GR/GRC/GS PCON	1
11	137656GT	DECAL,PROPEL,GR/GRC/GS,PCON	1
12	228939GT	DECAL,SYM,MAX CAP,CE,GS2646	1
13	1256702GT	DECAL, UI, GS/GR, PROP LIFT	1
14	1257923GT	DECAL, SMARTLINK PROPORTIONAL	2
15	1263646GT	DECAL,QR CODE,PARTS&SERVICE MANUAL	1
16	1278009GT	DECAL, SYMBOL, CE, MAXIMUM CAPACITY, 454KG	1

Go to Discount-Equipment.com to order your parts



Battery Side



121.1 Symbol Decals, GS-3246, Battery Side, ANSI & CE

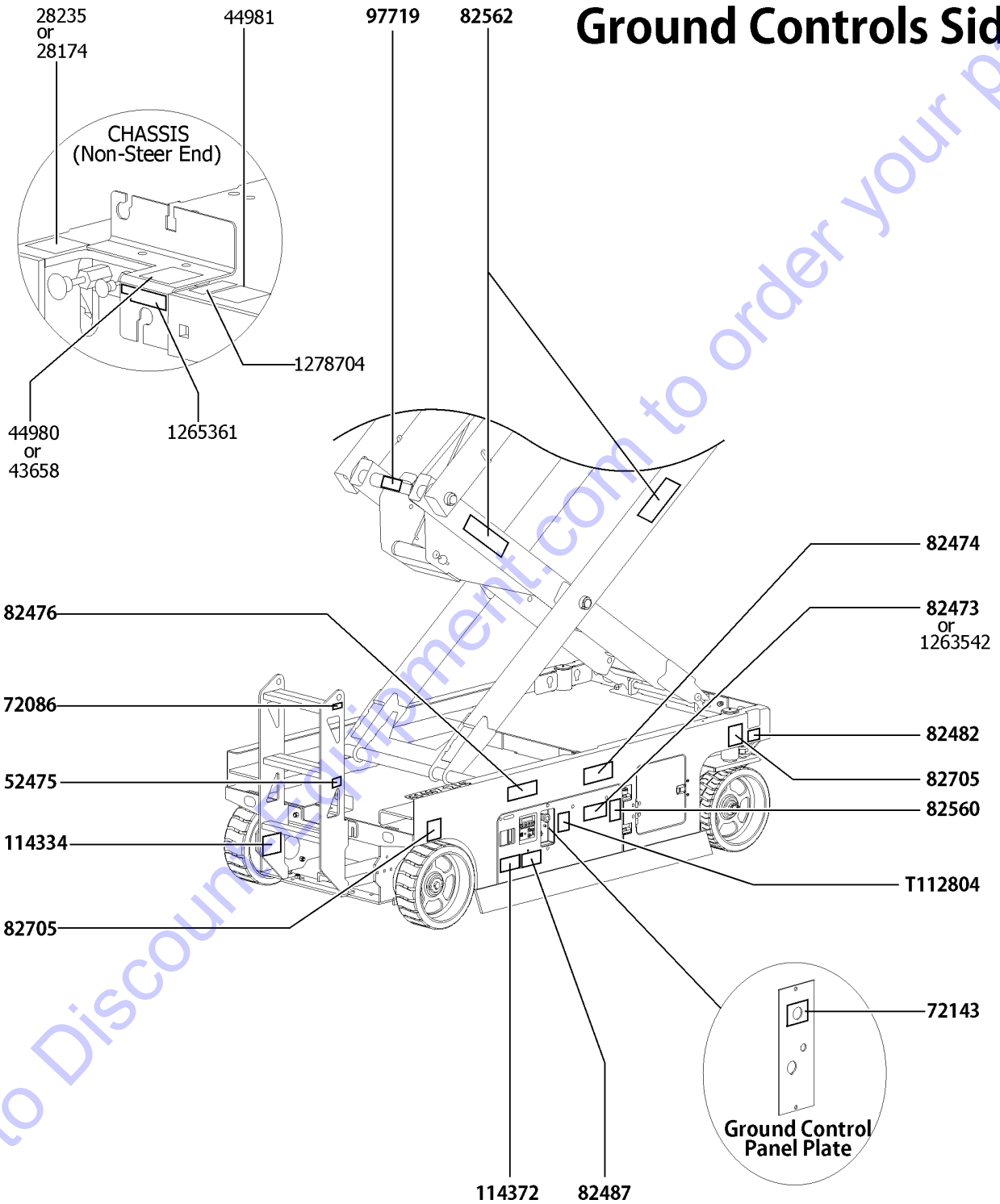
Item	Part No.	Description	Qty.
1	52475GT	DECAL,LABEL,TRANSPORT TIEDOWN*	4
2	72086GT	DECAL,LABEL,LIFTING EYE	3
3	82474GT	DECAL,SYMBOL-USE SAFETY ARM	1
4	82476GT	DECAL,SYMBOL-ELEC HAZARD,GS	1
5	82481GT	DECAL,SYMBOL-BATTERY SAFETY	1
6	82495GT	DECAL,LABEL,FORKLIFT POCKET	1
7	82562GT	DECAL,SYMBOL-CRUSHING HAZARD	2
8	82705GT	DECAL,LABEL,WHEEL LOAD 3246	2
9	114337GT	DECAL, COMPARTMENT ACCESS	1
10	114361GT	DECAL,SYM-TIP-OVER,LIM SWITCH	2
11	114370GT	DECAL-SYM-TIP-OVR,BATTRIES	1
12	114372GT	DECAL SYMBOL TIP OVER TRAYS	1
13	1272242GT	DECAL,MACHINE REGISTRATION/OWNER TRANSFER	1

Go to Discount-Equipment.com to order your parts



122.1 Symbol Decals, GS-3246, Ground Control Side, ANSI and CE

Ground Controls Side



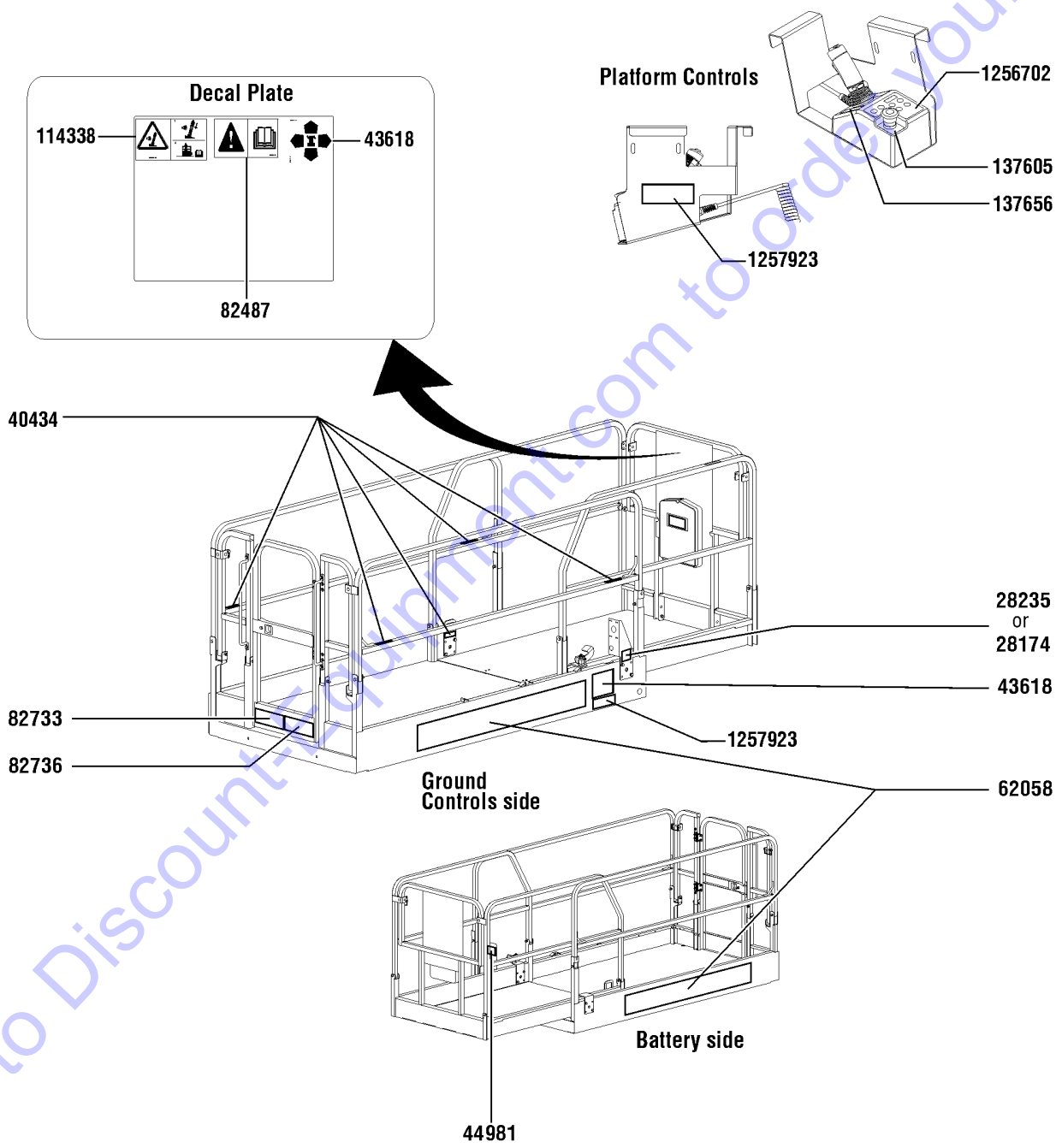
Go to DiscountEquipment.com to order your parts

122.1 Symbol Decals, GS-3246, Ground Control Side, ANSI and CE

Item	Part No.	Description	Qty.
1	28174GT	DECAL,POWER TO PLATFORM 230V	1
2	28235GT	DECAL,POWER TO PLATFORM 115V	1
3	43658GT	DECAL,LABEL,PWR TO CHARGR 230V	1
4	44980GT	DECAL,LABEL,PWR TO CHARGR 115V	1
5	44981GT	DECAL,LABEL,AIRLINE 110 PSI (Option)	1
6	52475GT	DECAL,LABEL,TRANSPORT TIEDOWN*	1
7	72086GT	DECAL,LABEL,LIFTING EYE	1
8	72143GT	DECAL,EMERGENCY STOP,GR	1
9	82473GT	DECAL,SYMBOL-COMP ACCESS	1
10	82474GT	DECAL,SYMBOL-USE SAFETY ARM	1
11	82476GT	DECAL,SYMBOL-ELEC HAZARD,GS	1
12	82482GT	DECAL,LABEL,AUX LOWERING	1
13	82487GT	DECAL,SYMBOL-READ THE MANUAL	1
14	82560GT	DECAL,SYMBOL-SKIN INJECT HAZRD	1
15	82562GT	DECAL,SYMBOL-CRUSHING HAZARD	2
16	82705GT	DECAL,LABEL,WHEEL LOAD 3246	2
17	97719GT	DECAL, LABEL, SAFETY ARM SYMB	1
18	114334GT	DECAL SYMBOL ELECTRIC HAZARD PLUG	1
19	114372GT	DECAL SYMBOL TIP OVER TRAYS	1
20	1263542GT	DECAL, COMPARTMENT ACCESS	1
21	1265361GT	DECAL, BATTERY CHARGER INDICAT from SN GS46D-9041	1
22	1278704GT	DECAL,CHARGE STATUS IND. from SN GS46D-9041	1
23	T112804GT	DECAL,GCON PANEL,GS	1



Platform, ANSI models



Go to DiscountedParts.com to order your parts



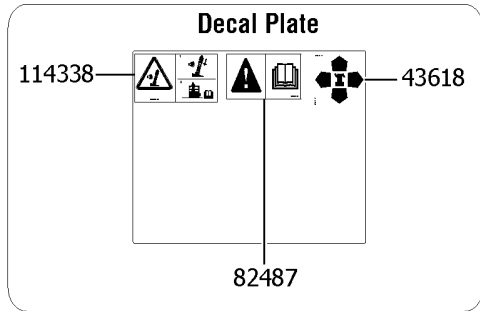
123.1 Symbol Decals, GS-3246, Platform, ANSI

Item	Part No.	Description	Qty.
1	28174GT	DECAL,POWER TO PLATFORM 230V	1
2	28235GT	DECAL,POWER TO PLATFORM 115V	1
3	40434GT	DECAL,LANYARD ANCHORAGE POINT	5
4	43618GT	DECAL,LABEL-DIRECTION ARROWS	2
5	44981GT	DECAL,LABEL,AIRLINE 110 PSI	1
		(Option)	
6	62058GT	DECAL,COSMETIC,GENIE GS-3246	2
7	82487GT	DECAL,SYMBOL-READ THE MANUAL	1
8	82733GT	DECAL,SYM-MAXCAP 700	1
9	82736GT	DECAL,SYM-SIDE FORCE	1
10	114338GT	DECAL,SYM-TIP-OVR,TILT ALARM	1
11	137605GT	DECAL,E-STOP,GR/GRC/GS PCON	1
12	137656GT	DECAL,PROPEL,GR/GRC/GS,PCON	1
13	1256702GT	DECAL, UI, GS/GR, PROP LIFT	1
14	1257923GT	DECAL, SMARTLINK PROPORTIONAL	2

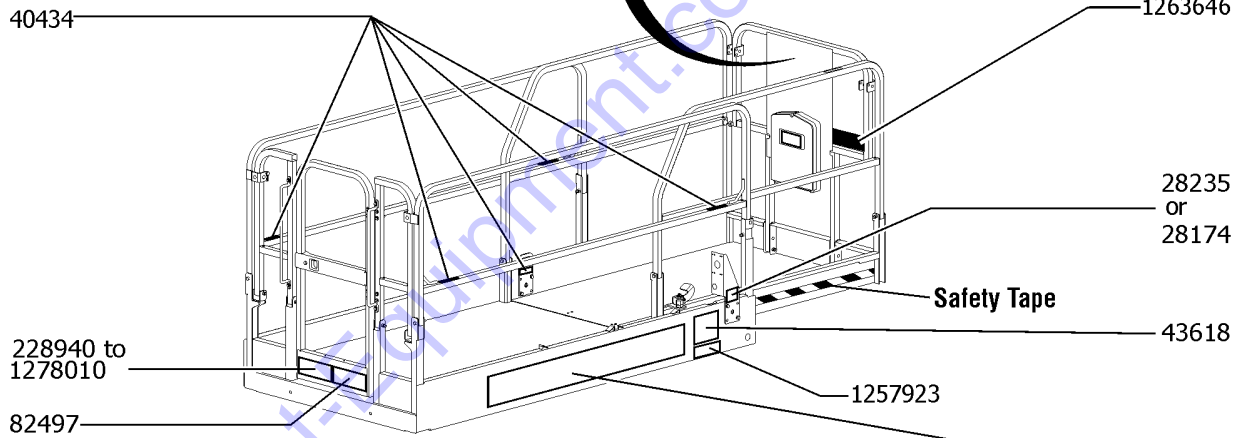
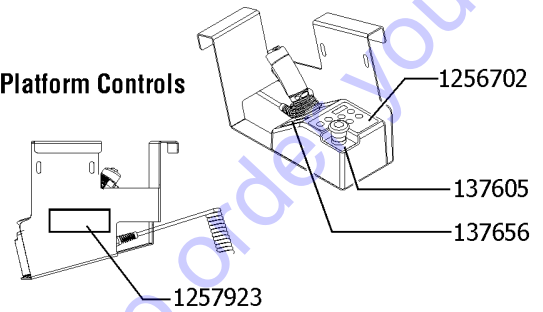
Go to Discount-Equipment.com to order your parts



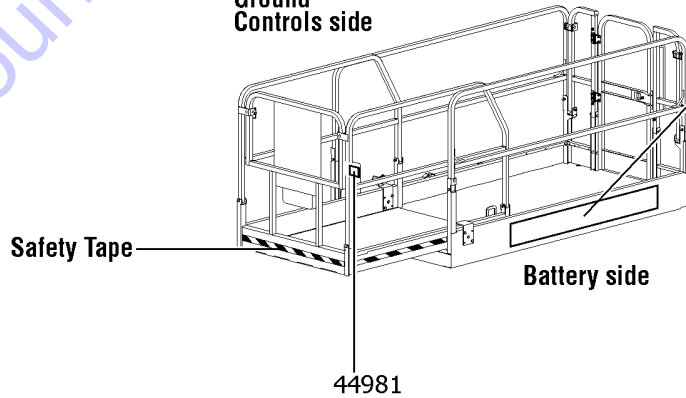
Platform, CE models



Platform Controls



Ground Controls side



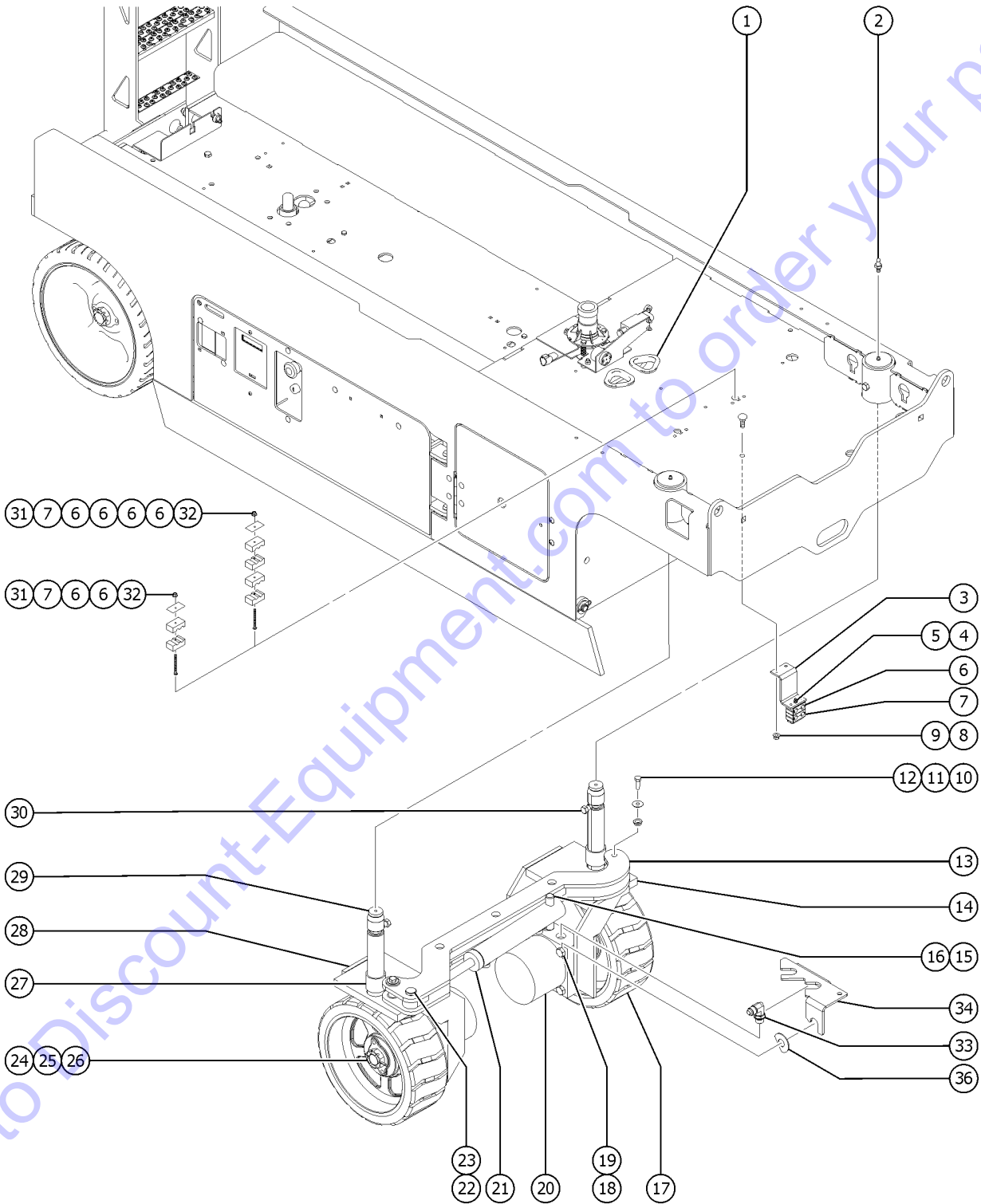
124.1 Symbol Decals, GS-3246, Platform, CE

Item	Part No.	Description	Qty.
1	28174GT	DECAL,POWER TO PLATFORM 230V	1
2	28235GT	DECAL,POWER TO PLATFORM 115V	1
3	40434GT	DECAL,LANYARD ANCHORAGE POINT	5
4	43618GT	DECAL,LABEL-DIRECTION ARROWS	2
5	44981GT	DECAL,LABEL,AIRLINE 110 PSI	1
		(Option)	
6	62058GT	DECAL,COSMETIC,GENIE GS-3246	2
7	82487GT	DECAL,SYMBOL-READ THE MANUAL	1
8	82497GT	DECAL,SYM-SIDEFORCE 200400	1
9	114338GT	DECAL,SYM-TIP-OVR,TILT ALARM	1
10	137605GT	DECAL,E-STOP,GR/GRC/GS PCON	1
11	137656GT	DECAL,PROPEL,GR/GRC/GS,PCON	1
12	228940GT	DECAL,SYM-MAX CAP CE GS3246	1
13	1256702GT	DECAL, UI, GS/GR, PROP LIFT	1
14	1257923GT	DECAL, SMARTLINK PROPORTIONAL	2
15	1263646GT	DECAL,QR CODE,PARTS&SERVICE MANUAL	1
16	1278010GT	DECAL, SYMBOL, CE, MAXIMUM CAPACITY, 318KG	1

Go to Discount-Equipment.com to order your parts



201.1 Steer Linkage and Wheels, GS-2046, GS-2646

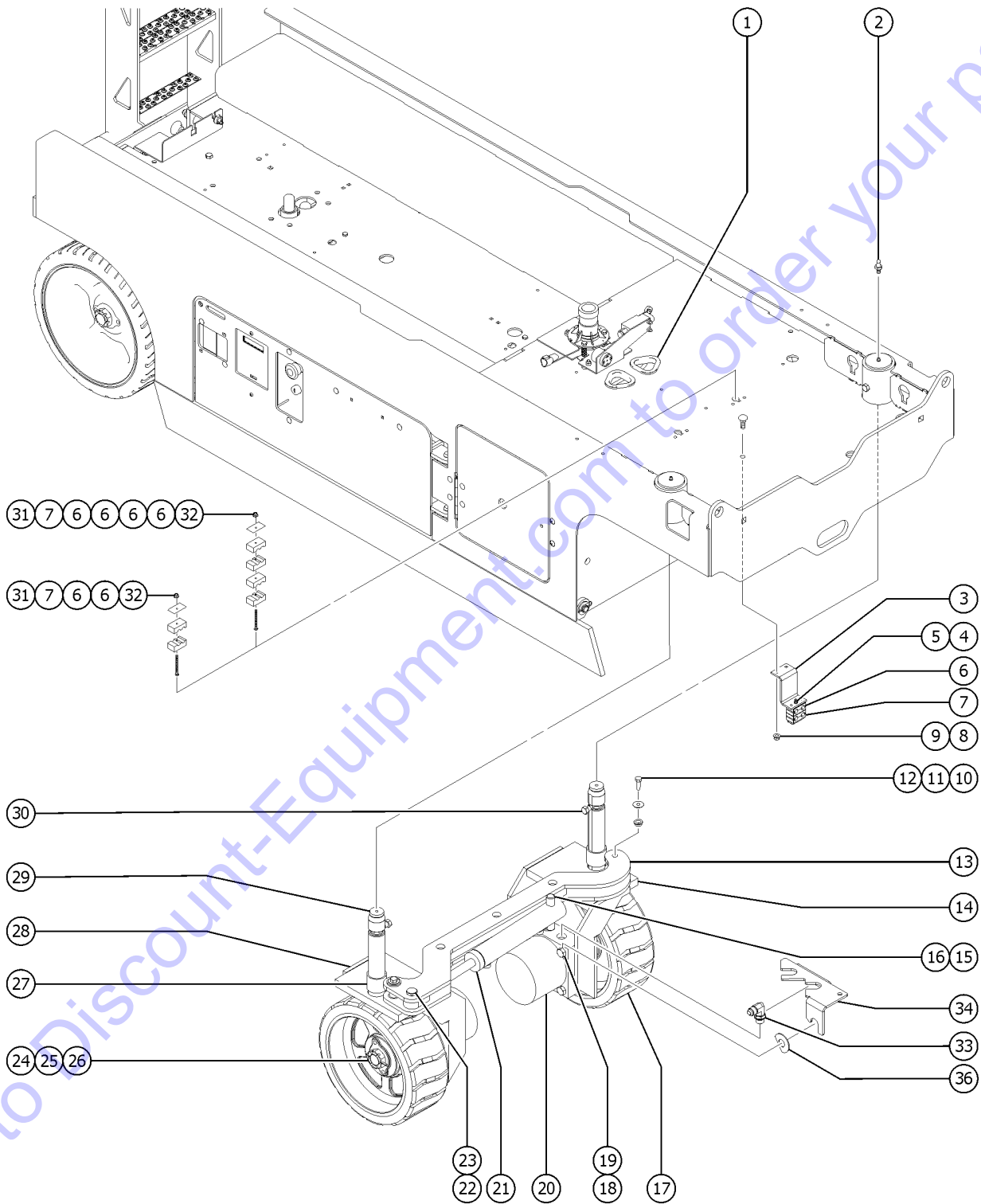


201.1 Steer Linkage and Wheels, GS-2046, GS-2646

Item	Part No.	Description	Qty.
1	47232GT	GROMMET,RUBBER 2 X 2.75	2
2	66770GT	FITTING,STRAIGHT DRIVE-IN ZERK	2
3	230364GT	FORMING,HOSE CLAMP SPT,PTD,BLU US part number	1
3B	132467GT	FORMING, HOSE CLAMP SUPPORT China part number	1
4	824027GT	NUT, TL FLG, 1/4-20, G, ZAG	
5	1256123GT	SCREW,HHC,1/4-20X3.25,8,ZAG	
6	78736GT	CLAMP,2 HOSE,PLASTIC,5/8 (as required)	
7	58592GT	PLATE,HOSE ROUTG,BULKHEAD(PTD) US part number; (as required)	
7B	132119GT	PLATE,HOSE ROUTING,BULKHEAD * China part number; (as required)	
8	824029GT	NUT,TL FLG,3/8-16,G,ZAG	2
9	1255757GT	BOLT,CARRIAGE,3/8-16X1.25,5,ZAG	
10	1256109GT	SCREW,HHC,3/8-16X.75,8,ZAG	2
11	824120GT	WASHER,FLAT,.375X1.50X.125,ZAG	2
12	47946GT	BEARING,1.00IDX1.25ODX0.49L	2
13	97267GT	TIE ROD ASSY, GS46 US part number;	1
13-	47946GT	BEARING,1.00IDX1.25ODX0.49L	4
13-	96574GT	WLDMT,TIE ROD,GS46 (does not include bearings)	
13B	132463GT	WLDMT,TIE ROD,GS46 China part number;	1
14	96573GT	WLDMT,STEER YOKE,LT,GS32/46 US part number; (battery pack side)	1
14B	132353GT	WLDMT,STEER YOKE,LT,GS32/46 China part number; (battery pack side)	1
15	1259195GT	PIN,CLEVIS,3/4X3.25,ZAG	1
16	824128GT	RUE RING,3/4,ZAG	1
17	105454GT	WHEEL & TIRE ASSY LP, 15"	2
18	1256287GT	SCREW,HHC,1/2-13X3.5,8,ZAG	8
19	1251997GT	NUT,TL,FLG,1/2-13,G,ZAG	8
20		Ref. Drive Motor (refer to 501.1)	
21		Ref. Steer Cylinder (refer to 501.1)	
22	1259193GT	PIN,CLEVIS,3/4X2,ZAG	1



201.1 Steer Linkage and Wheels, GS-2046, GS-2646



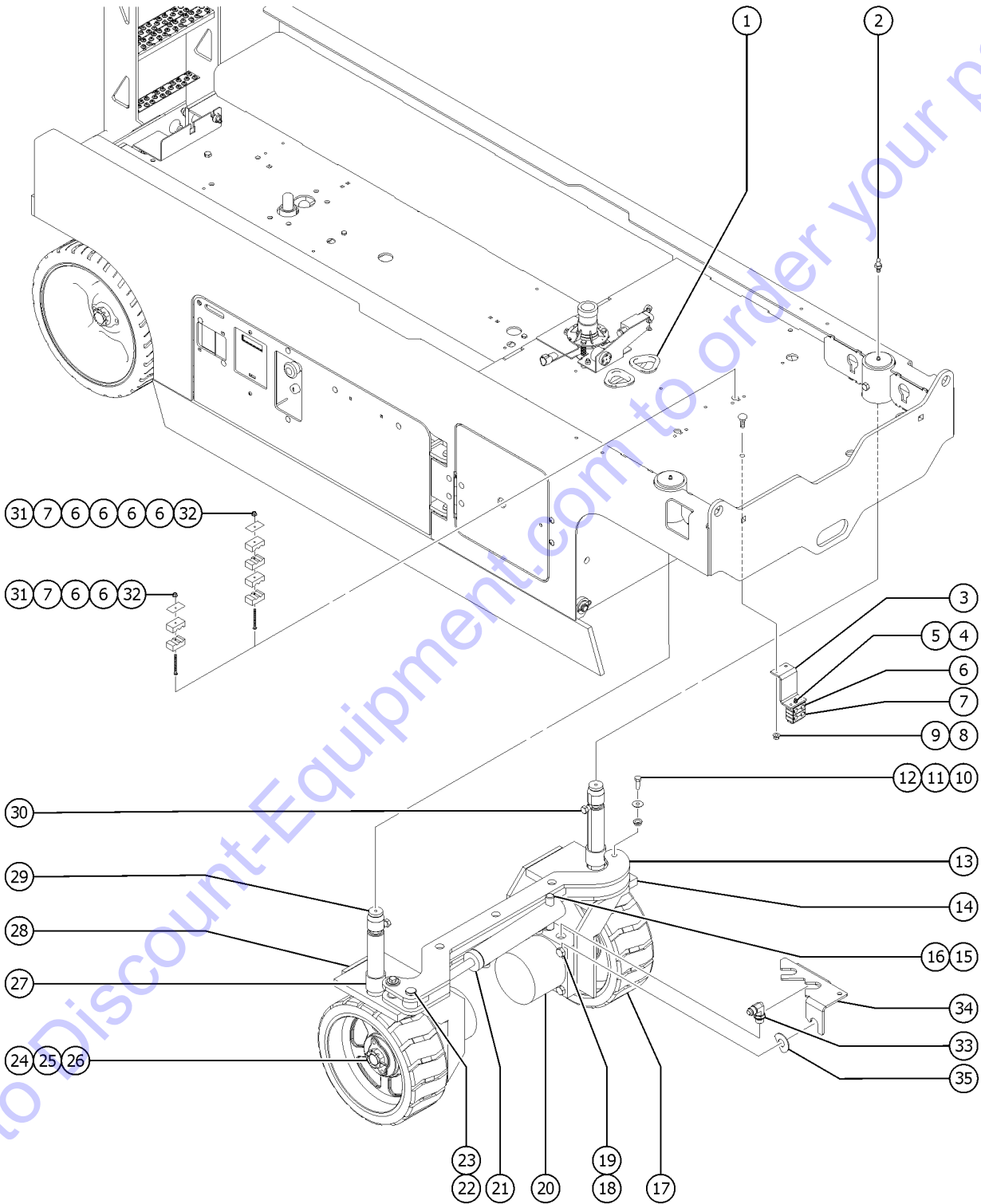
201.1 Steer Linkage and Wheels, GS-2046, GS-2646

Item	Part No.	Description	Qty.
23	1259194GT	CLIP,HAIR PIN,.125X2,.5-.75,ZA	1
24	44780GT	NUT,CASTLE,1.125-18 UNEF	2
25	13635-10GT	PIN,COTTER,.156 X 1.75	2
26	44781GT	KEY,RECTANGULAR,.31X.28X1.25"*	2
27	18722GT	BEARING,2.25IDX2.50ODX1.50L ***	
28	96572GT	WLDMT,STEER YOKE,RT,GS32/46	1
		US part number; (ground controls side)	
28B	132348GT	WLDMT,STEER YOKE,RT,GS32/46	1
		China part number; (ground controls side)	
29	105565GT	WASHER,THRUST, GS	2
30	1259192GT	SCREW, YOKE LOCK, ZAG	
31	1256679GT	NUT,SERRATED,1/4-20,8,ZAG	1
32	1255797GT	BOLT,CARRIAGE,1/4-20X2,5,ZAG	1
		(GS2046, 2646 only)	
33	39873GT	ELBOW,070220-6-6	4
34	1288705GT	FORMING, LH BRACKET, DRIVE MOTOR	1
		US models	
34A	1292498GT	KIT, BRACKET, DRIVE MOTOR	
		includes 1288705 and 1288704	
34B	1266279GT	STEER FIXED PLATE,RIGHT	1
35	1288704GT	FORMING, RH BRACKET, DRIVE MOTOR	1
		US models (not shown)	
35B	1266278GT	STEER FIXED PLATE,LEFT	1
		(not shown)	
36	1289409GT	WASHER, D, ZINC	2

Go to Discount-Equipment.com to order your parts



201.2 Steer Linkage and Wheels, GS-3246

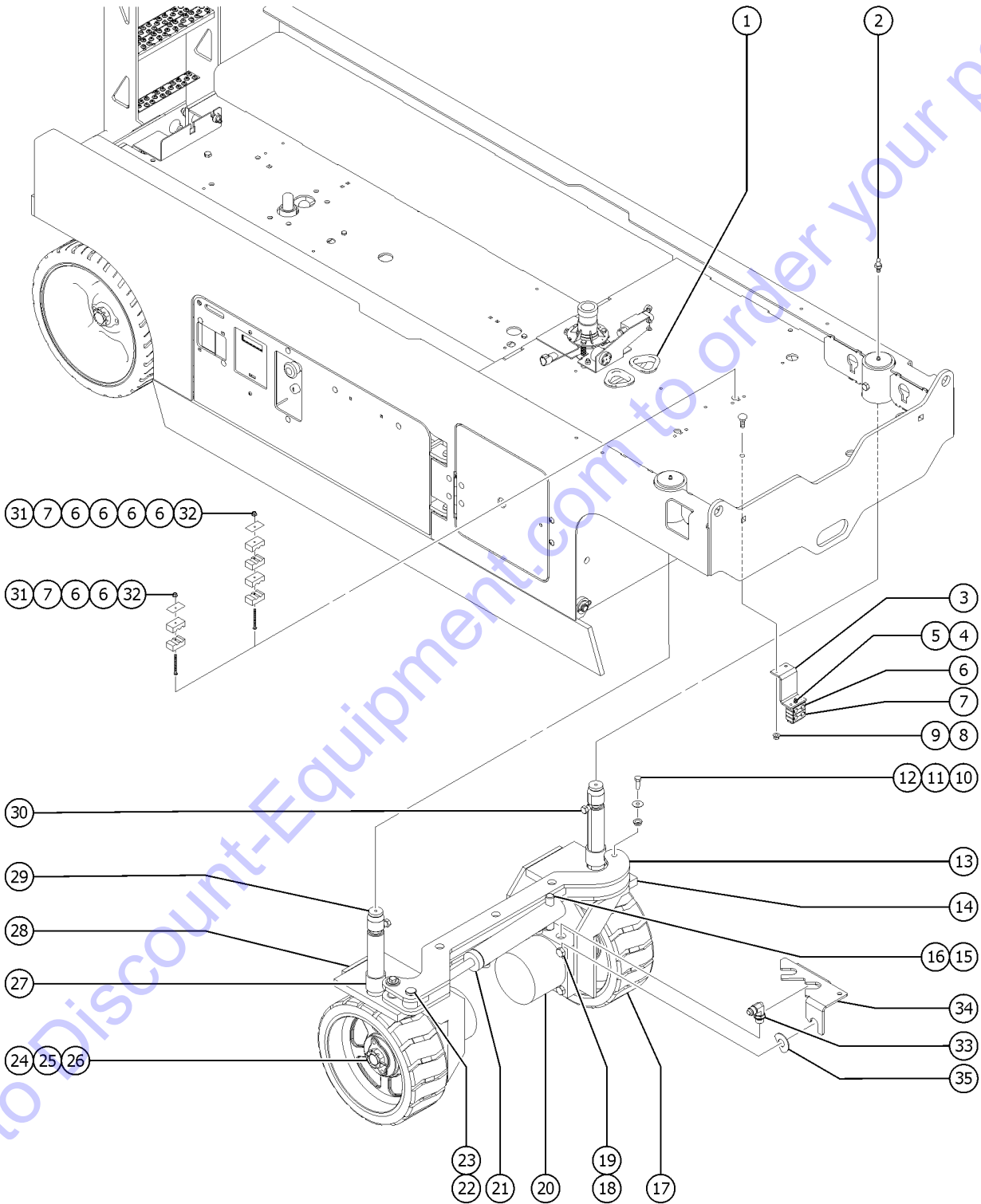


201.2 Steer Linkage and Wheels, GS-3246

Item	Part No.	Description	Qty.
1	47232GT	GROMMET,RUBBER 2 X 2.75	2
2	66770GT	FITTING,STRAIGHT DRIVE-IN ZERK	2
3	230364GT	FORMING,HOSE CLAMP SPT,PTD,BLU US part number	1
3B	132467GT	FORMING, HOSE CLAMP SUPPORT China part number	1
4	824027GT	NUT, TL FLG, 1/4-20, G, ZAG	
5	1256123GT	SCREW,HHC,1/4-20X3.25,8,ZAG	
6	78736GT	CLAMP,2 HOSE,PLASTIC,5/8 (as required)	
7	58592GT	PLATE,HOSE ROUTG,BULKHEAD(PTD) US part number; (as required)	
7B	132119GT	PLATE,HOSE ROUTING,BULKHEAD * China part number; (as required)	
8	824029GT	NUT,TL FLG,3/8-16,G,ZAG	2
9	1255757GT	BOLT,CARRIAGE,3/8-16X1.25,5,ZAG	
10	1256109GT	SCREW,HHC,3/8-16X.75,8,ZAG	2
11	824120GT	WASHER,FLAT,.375X1.50X.125,ZAG	2
12	47946GT	BEARING,1.00IDX1.25ODX0.49L	2
13	97267GT	TIE ROD ASSY, GS46 US part number	1
13-	47946GT	BEARING,1.00IDX1.25ODX0.49L	4
13-	96574GT	WLDMT,TIE ROD,GS46 (does not include bearings)	
13B	132463GT	WLDMT,TIE ROD,GS46 China part number	1
14	96573GT	WLDMT,STEER YOKE,LT,GS32/46 US part number; (battery pack side)	1
14B	132353GT	WLDMT,STEER YOKE,LT,GS32/46 China part number; (battery pack side)	1
15	1259195GT	PIN,CLEVIS,3/4X3.25,ZAG	1
16	824128GT	RUE RING,3/4,ZAG	1
17	105454GT	WHEEL & TIRE ASSY LP, 15"	2
18	1256287GT	SCREW,HHC,1/2-13X3.5,8,ZAG	8
19	1251997GT	NUT,TL,FLG,1/2-13,G,ZAG	8
20		Ref. Drive Motor (refer to 501.1)	
21		Ref. Steer Cylinder (refer to 501.1)	
22	1259193GT	PIN,CLEVIS,3/4X2,ZAG	1



201.2 Steer Linkage and Wheels, GS-3246



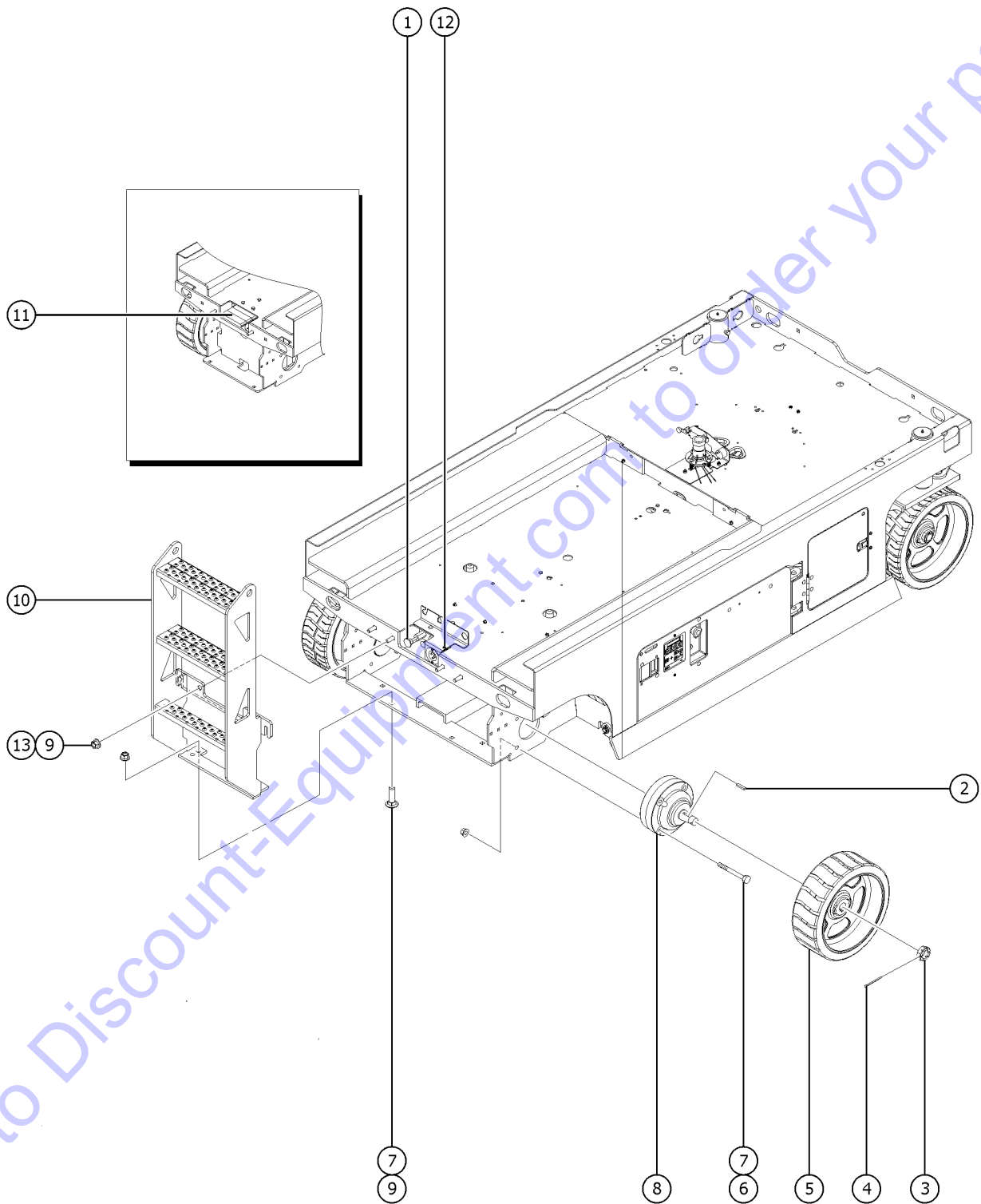
201.2 Steer Linkage and Wheels, GS-3246

Item	Part No.	Description	Qty.
23	1259194GT	CLIP,HAIR PIN,.125X2,.5-.75,ZA	1
24	44780GT	NUT,CASTLE,1.125-18 UNEF	2
25	13635-10GT	PIN,COTTER,.156 X 1.75	2
26	44781GT	KEY,RECTANGULAR,.31X.28X1.25"*	2
27	18722GT	BEARING,2.25IDX2.50ODX1.50L ***	
28	96572GT	WLDMT,STEER YOKE,RT,GS32/46	1
		US part number; (ground controls side)	
28B	132348GT	WLDMT,STEER YOKE,RT,GS32/46	1
		China part number; (ground controls side)	
29	105565GT	WASHER,THRUST, GS	2
30	1259192GT	SCREW, YOKE LOCK, ZAG	
31	1256679GT	NUT,SERRATED,1/4-20,8,ZAG	1
32B	1258676GT	BOLT,CARRIAGE,1/4-20X2.5,5,ZAG	1
		(GS3246, only)	
33	39873GT	ELBOW,070220-6-6	4
34	1288705GT	FORMING, LH BRACKET, DRIVE MOTOR	1
		US models	
34A	1292498GT	KIT, BRACKET, DRIVE MOTOR	
		includes 1288705 and 1288704	
34B	1266279GT	STEER FIXED PLATE,RIGHT	1
35	1288704GT	FORMING, RH BRACKET, DRIVE MOTOR	1
		US models, (not shown)	
35B	1266278GT	STEER FIXED PLATE,LEFT	1
		(not shown)	
36	1289409GT	WASHER, D, ZINC	2

Go to Discount-Equipment.com to order your parts



202.1 Non-steer Axle Installation, GS-2046



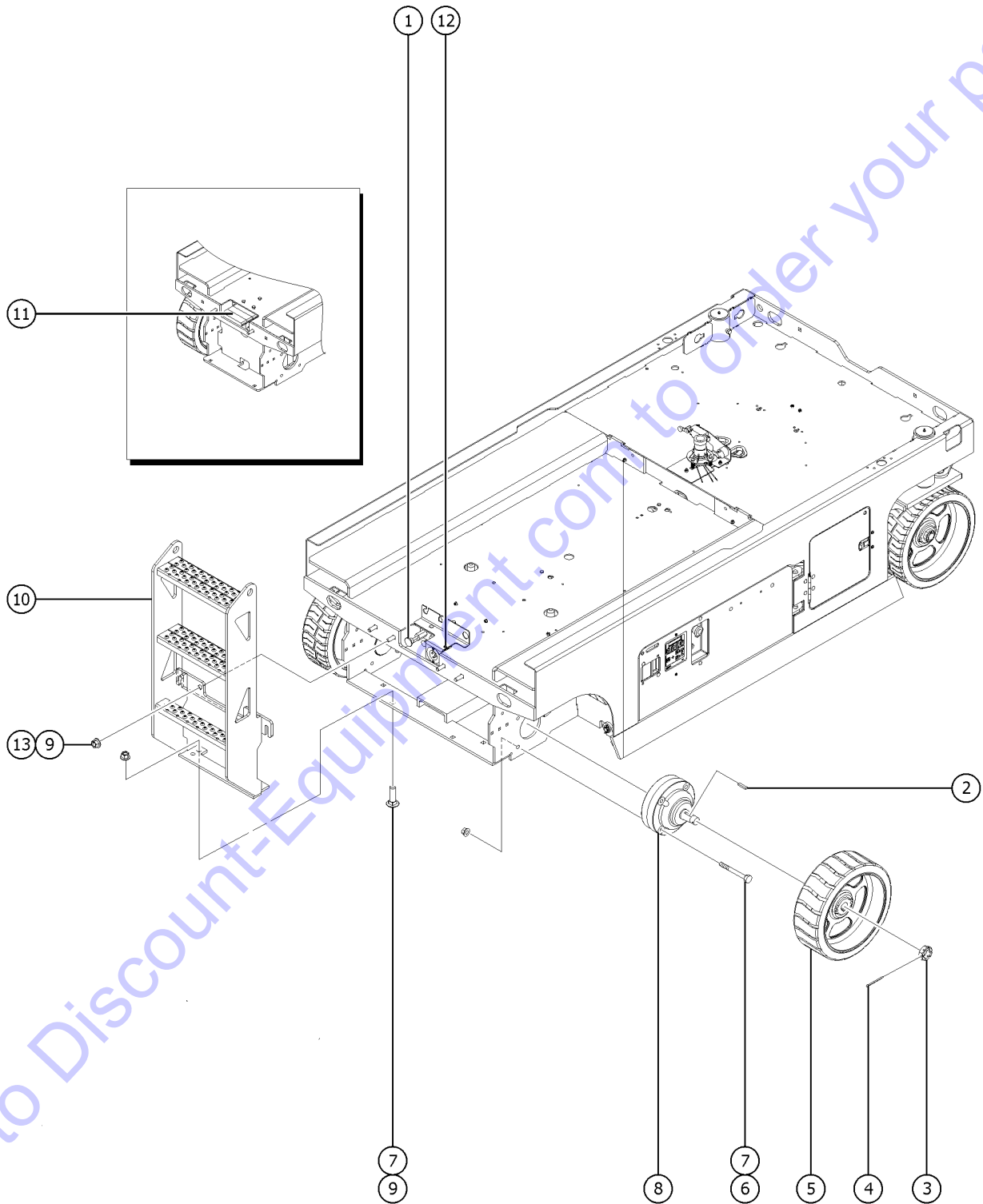
Go to Discount-Equipment.com to order your parts

Item	Part No.	Description	Qty.
1		Ref: BRAKE RELEASE MANIFOLD (refer to 503.1)	
2	44781GT	KEY,RECTANGULAR,.31X.28X1.25**	2
3	44780GT	NUT,CASTLE,1.125-18 UNEF	2
4	42079GT	PIN,COTTER,.156 X 2.5	2
5	105454GT	WHEEL & TIRE ASSY LP, 15"	2
6	1256287GT	SCREW,HHC,1/2-13X3.5,8,ZAG	
7	1251997GT	NUT,TL,FLG,1/2-13,G,ZAG	
8		Ref: HYDRAULIC BRAKE (refer to 501.1)	
9	1256115GT	BOLT,CARRIAGE,1/2-13X1.75,5,ZA.	
10C	96895GT	WELDMENT,20XX LADDER US part number; GS-2046 (decals not included refer to section one)	1
10D	1306366GT	WELDMENT,20XX LADDER China part number; GS-2046 (decals not included refer to section one)	1
11	96887GT	CWT, REAR, XX46 GS-2046, GS-2646, GS-3246 Australia & CE (inside rear chassis)	1
12	1306190GT	ASSEMBLE,CHARGER STATUS LED,3V	1
13	1274172GT	NUT,NYLOCK FLG,1/2-13,G,ZAG	6

Go to Discount-Equipment.com to order your parts



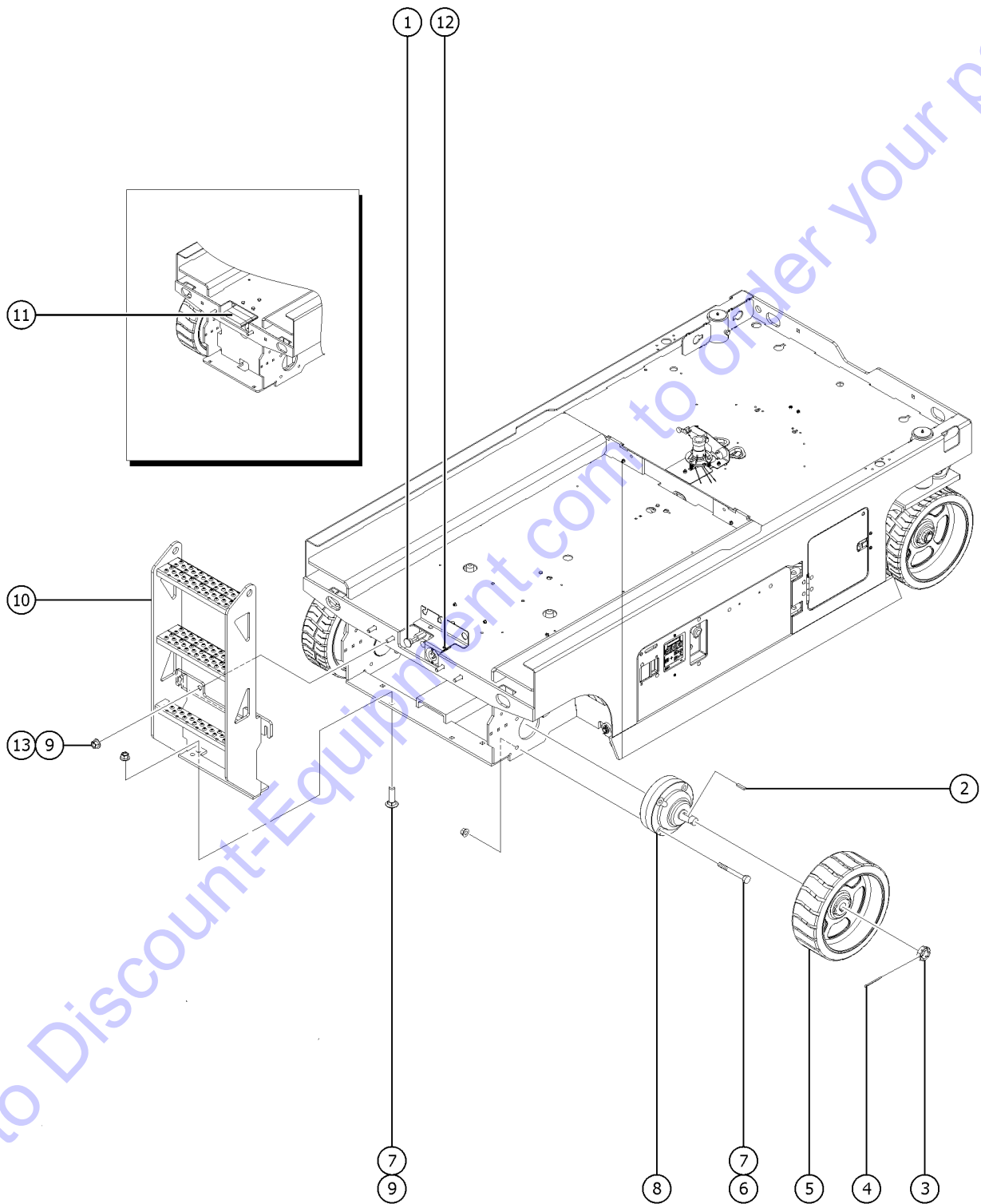
202.2 Non-steer Axle Installation, GS-2646



Item	Part No.	Description	Qty.
1		Ref: BRAKE RELEASE MANIFOLD (refer to 503.1)	
2	44781GT	KEY,RECTANGULAR,.31X.28X1.25**	2
3	44780GT	NUT,CASTLE,1.125-18 UNEF	2
4	42079GT	PIN,COTTER,.156 X 2.5	2
5	105454GT	WHEEL & TIRE ASSY LP, 15"	2
6	1256287GT	SCREW,HHC,1/2-13X3.5,8,ZAG	
7	1251997GT	NUT,TL,FLG,1/2-13,G,ZAG	
8		Ref: HYDRAULIC BRAKE (refer to 501.1)	
9	1256115GT	BOLT,CARRIAGE,1/2-13X1.75,5,ZA.	
10	96570GT	WLDMT,GS32/46 LADDER*** US part number; GS-2646, GS-3246 (decals not included refer to section one)	1
10B	1306368GT	WLDMT,GS32/46 LADDER China part number; GS-2646, GS-3246 (decals not included refer to section one)	1
11	96887GT	CWT, REAR, XX46 GS-2046, GS-2646, GS-3246 Australia & CE (inside rear chassis)	1
11B	96876GT	COUNTERWEIGHT, BELLY GS-2646, GS-3246 (inside front center of chassis)	1
12	1306190GT	ASSEMBLE,CHARGER STATUS LED,3V	
13	1274172GT	NUT,NYLOCK FLG,1/2-13,G,ZAG	6

Go to Discount-Equipment.com to order your parts

202.3 Non-steer Axle Installation, GS-3246



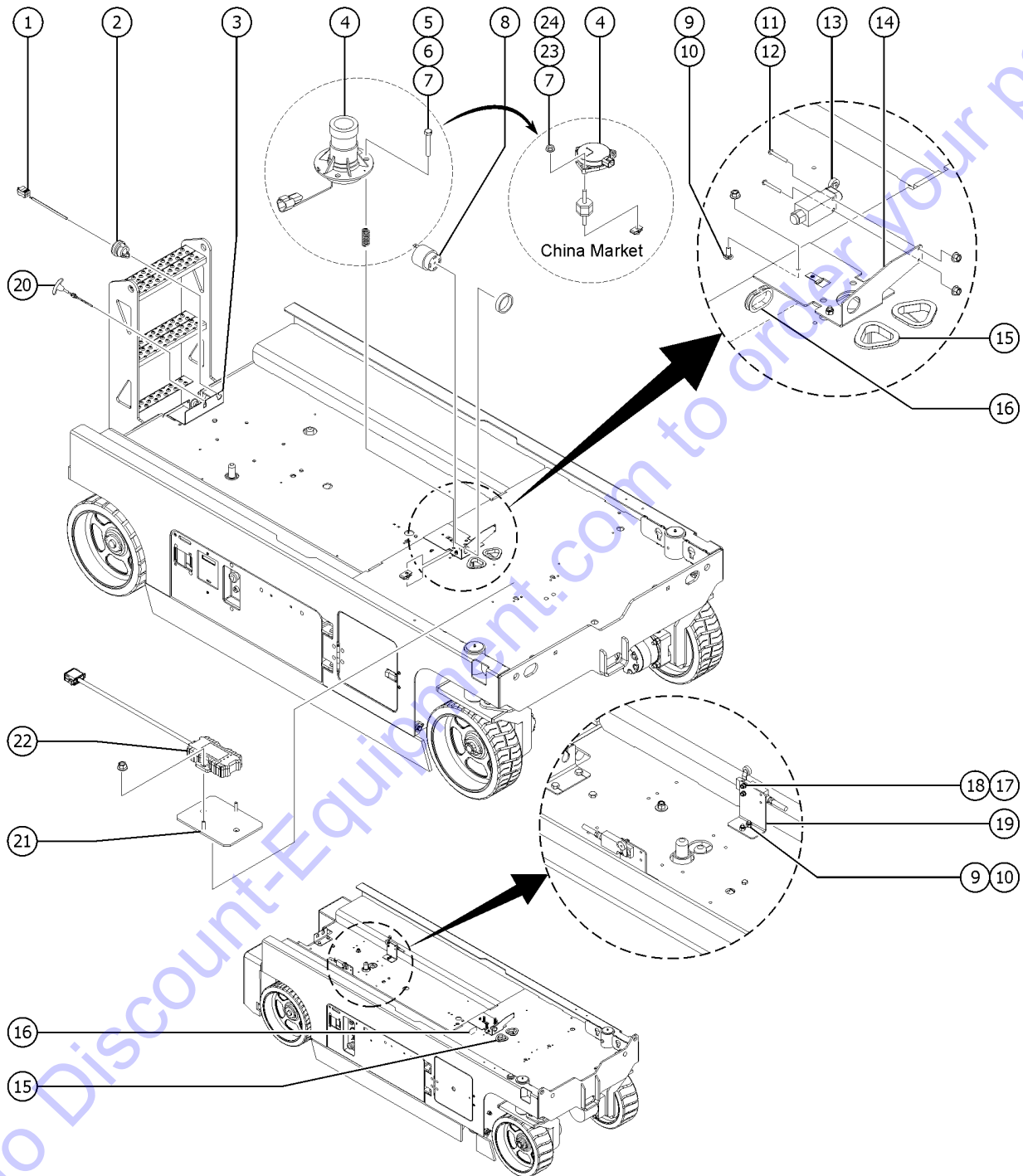
202.3 Non-steer Axle Installation, GS-3246

Item	Part No.	Description	Qty.
1		Ref: BRAKE RELEASE MANIFOLD (refer to 503.1)	
2	44781GT	KEY,RECTANGULAR,.31X.28X1.25**	2
3	44780GT	NUT,CASTLE,1.125-18 UNEF	2
4	42079GT	PIN,COTTER,.156 X 2.5	2
5	1256051GT	WHEEL&TIRE ASSY,LP,15",EXMILE	2
6	1256287GT	SCREW,HHC,1/2-13X3.5,8,ZAG	
7	1251997GT	NUT,TL,FLG,1/2-13,G,ZAG	
8		Ref: HYDRAULIC BRAKE (refer to 501.1)	
9	1256115GT	BOLT,CARRIAGE,1/2-13X1.75,5,ZA.	
10	96570GT	WLDMT,GS32/46 LADDER*** US part number; GS-2646, GS-3246 (decals not included refer to section one)	1
10B	132373GT	WLDMT,GS32/46 LADDER*** China part number; GS-2646, GS-3246 (decals not included refer to section one)	
11	96887GT	CWT, REAR, XX46 GS-2046, GS-2646, GS-3246 Australia & CE (inside rear chassis)	1
11B	96876GT	COUNTERWEIGHT, BELLY GS-2646, GS-3246 (inside front center of chassis)	1
12	1306190GT	ASSEMBLE,CHARGER STATUS LED,3V	
13	1274172GT	NUT,NYLOCK FLG,1/2-13,G,ZAG	6

Go to Discount-Equipment.com to order your parts



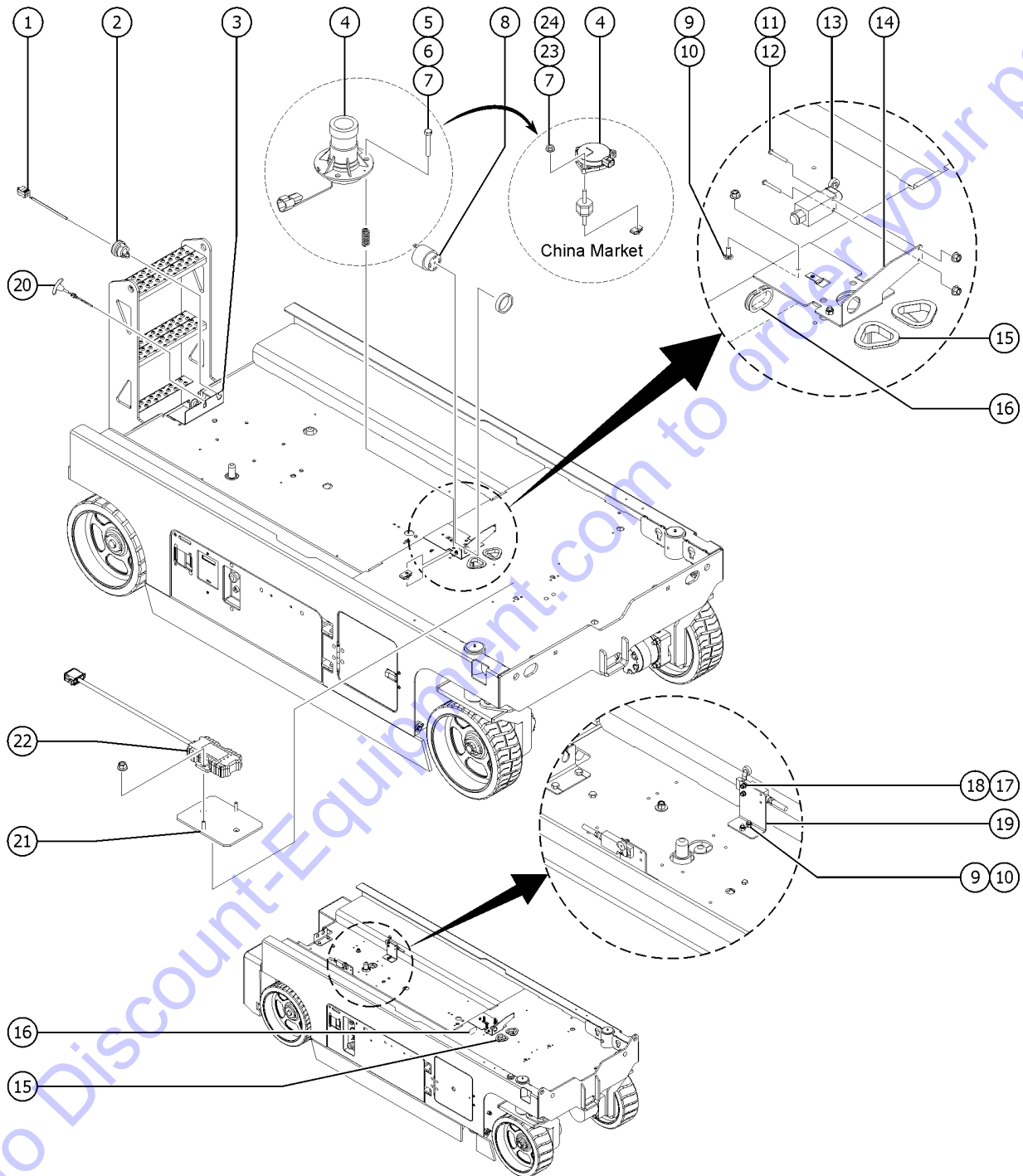
203.1 Level Sensor Installation



Item	Part No.	Description	Qty.
1		Ref. Electrical Plugs and Cords (refer to 402.1)	
2	128118GT	BUSHING,STRAIN RELIEF,.875/.40	1
3	1282153GT	FORMING,REC.PLUG BRKT,METRIC North US and Japan	1
3B	144226GT	FORMING, REC. PLUG BRKT CE	1
3C	1282145GT	FORMING, PLUG/LED BRACKET,METRIC AUS	1
4	823368GT	SENSOR,LEVEL,UNIVERSAL (use with 1264843, 1264129)	1
5	824063GT	SCREW, HHC, 1/4-20 X 1.75, 8, ZAG	3
6	39469GT	SPRING,COMPRESSION.485 X1.75**	3
7	56912GT	SPRING CLIP,1/4-20,.025-.15X.54,ZAG	3
8	39540GT	ALARM,STEADY TONE***	1
		Does not include 72326GT nut	
8-	72326GT	NUT,PLASTIC,RING FOR ALARMS	
9	824124GT	BOLT,CARRIAGE,1/4-20X.75,5,ZAG	3
10	824027GT	NUT, TL FLG, 1/4-20, G, ZAG	3
11	824216GT	SCREW, PHPM, 10-32 X 1.5, ZAG	2
12	1274168GT	NUT,NYLOCK,10-32,A,ZAG	2
13	T112507GT	ASSEMBLY, DOWN LIMIT, GS (Includes plug)	1
13-	19491GT	CONTACTOR,LIMIT SWITCH	
13-	96948GT	SWITCH,LIMIT,W/ROLLER ARM***	
13-	97128GT	ROLLER ARM,LIMIT SWITCH***	
14	96870GT	FORMING,ALARM BRACKET US part number; (for use with 228406)	1
14B	1267821GT	FORMING, ALARM BRACKET, METRIC China part number	1
15	47232GT	GROMMET,RUBBER 2 X 2.75	2
16	47238GT	GROMMET,RUBBER 1.5 ID	1
17	1258187GT	NUT,TL,8-32,A,ZAG	2
18	1257909GT	SCREW,PHPM,8-32 X .875,ZAG	2
19	105736GT	FRMING,LMT SWCH BRKT,3232	1
20	39232GT	CABLE,EMERGENCY DOWN	1
21	1289561GT	BRACKET, TELEMATICS	1



203.1 Level Sensor Installation

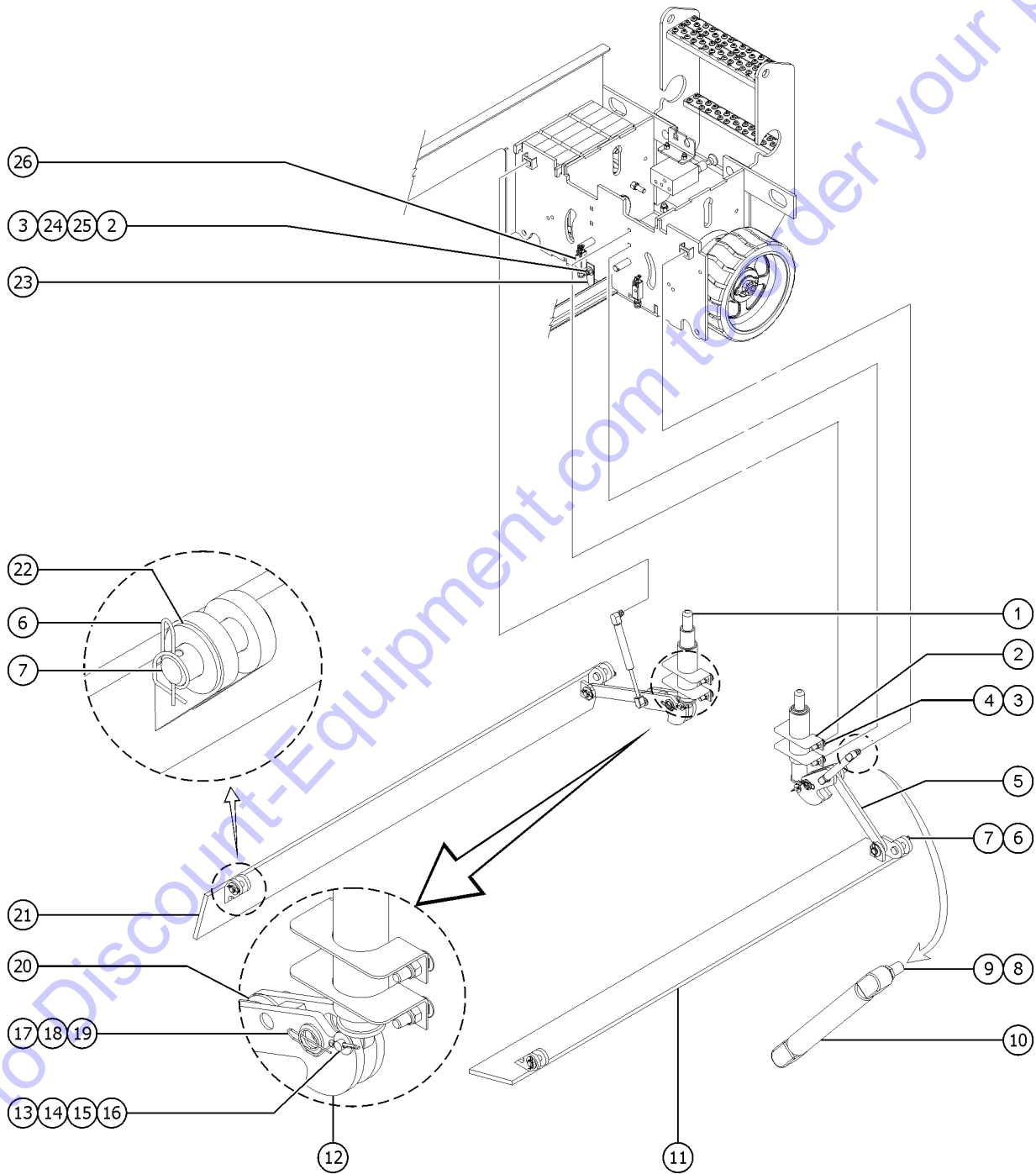


Item	Part No.	Description	Qty.
22	1289520GT	MODULE,TELEMATICS,ZTR,M7,NORTH AMERICA North America	1
22B	1289521GT	MODULE, TELEMATICS, ZTR, M7, EMEA/APAC EMEA/APAC	1
22C	1289522GT	MODULE, TELEMATICS, ZTR, M7, APAC/ANZ APAC/ANZ	1
22D	1289523GT	MODULE, TELEMATICS, ZTR, M7, JAPAN Japan	1
23	1301073GT	ISOLATOR,1/4 THRD,HEX China package only	3
24	1256679GT	NUT,SERRATED,1/4-20,8,ZAG China package only	6

Go to Discount-Equipment.com to order your parts



204.1 Pothole Protection Assembly

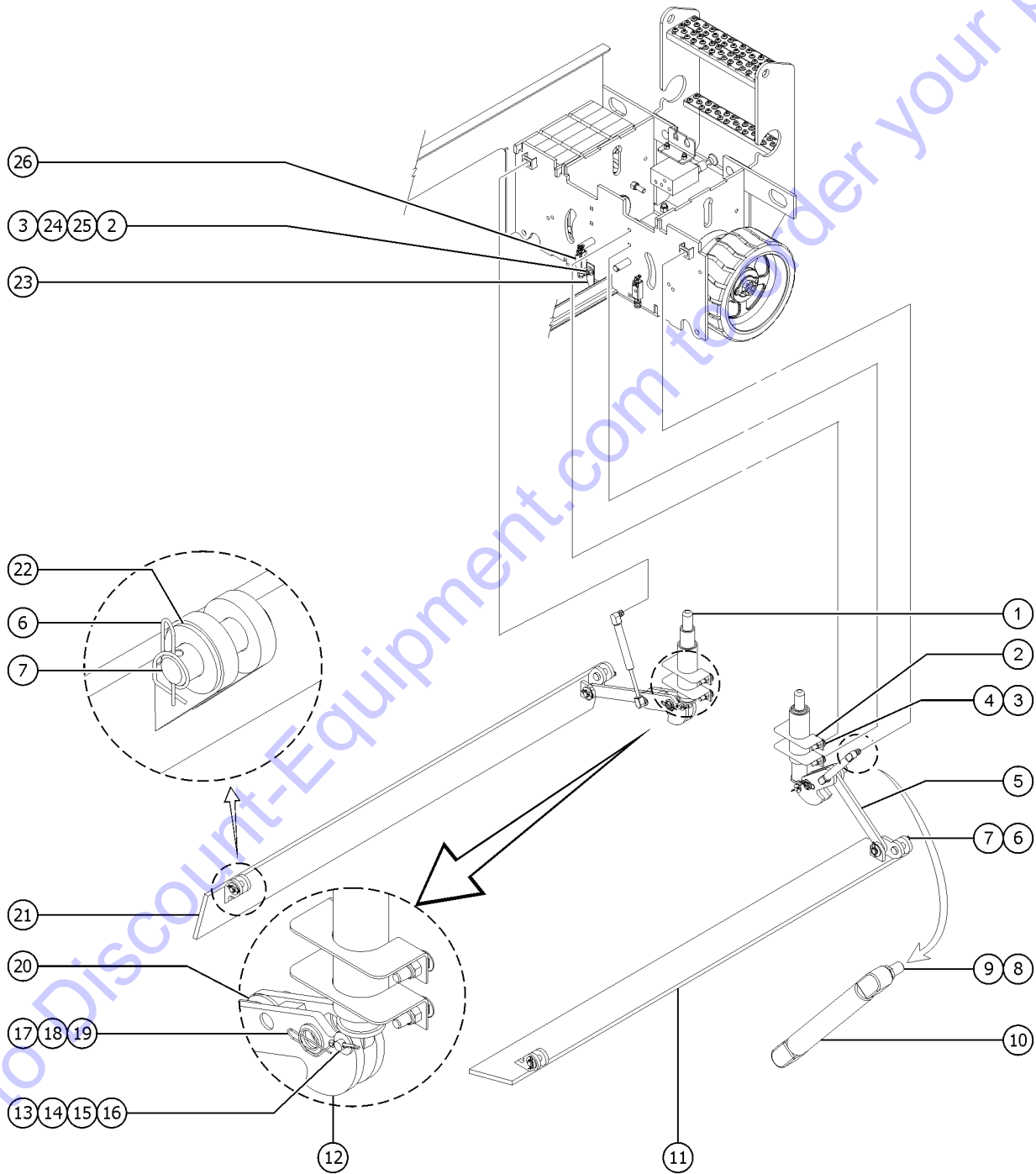


204.1 Pothole Protection Assembly

Item	Part No.	Description	Qty.
1	96839GT	ASSY,POT HOLE PUSHER,GS*** US part number	
1B	132588GT	ASSY,POT HOLE SYSTEM,GSXX46 China part number	
2	105069GT	WLDMT/ASSY,PH GUIDE,GS46 US part number	2
2-	96408GT	BEARING,1.523IDX1.75ODX0.63L	
2B	132465GT	WELDMENT,PH GUIDE,GS46 China part number	2
3	1255757GT	BOLT,CARRIAGE,3/8-16X1.25,5,ZAG	10
4	824029GT	NUT,TL FLG,3/8-16,G,ZAG	8
5	96637GT	PLATE,POT HOLE LINK US part number	2
5B	132371GT	PLATE, POTHOLE LINK China part number	2
5C	105156GT	BUSHING,FLNGD,.63 X .77 X .38 (sold seperately)	
6	1259177GT	RUE RING,5/8,ZAG	6
7	1259197GT	PIN,CLEVIS,.625X1.88,ZAG	6
8	824038GT	NUT, TL JAM, 3/8-16, A, ZAG	2
9	78086GT	BALL STUD, GAS STRUT, 3/8-16	
10	39542GT	GAS SHOCK,SCISSORS***	2
11	96639GT	WELDMENT, POTHOLE, LEFT SIDE US part number; (battery pack side)	1
11B	132362GT	WELDMENT, POTHOLE, LEFT SIDE China part number; (battery pack side)	1
12	132133GT	WLDMT, POT HOLE BELLCRANK LINK	2
12-	96642GT	BEARING,.75ID X 1.00D X 1.38LG	
12-	105156GT	BUSHING,FLNGD,.63 X .77 X .38	
13	12016GT	PIN,COTTER,.125 X .75	
14	825358GT	WASHER,FLAT,5/16,USS,ZAG	2
15	1259178GT	PIN,CLEVIS,.375X1.75,ZAG	2
16	96541GT	CAM FOLLOWER,1.125X.375,DELTRIN	2
17	824128GT	RUE RING,3/4,ZAG	2
18	1259686GT	WASHER,FLAT,.765X1.312X.093,ZA	2
19	55355GT	SPACER,.75ID X 1.5OD X 1/4THK	
20	96085GT	WASHER,THRUST,.63 X 1.13 X .06	



204.1 Pothole Protection Assembly



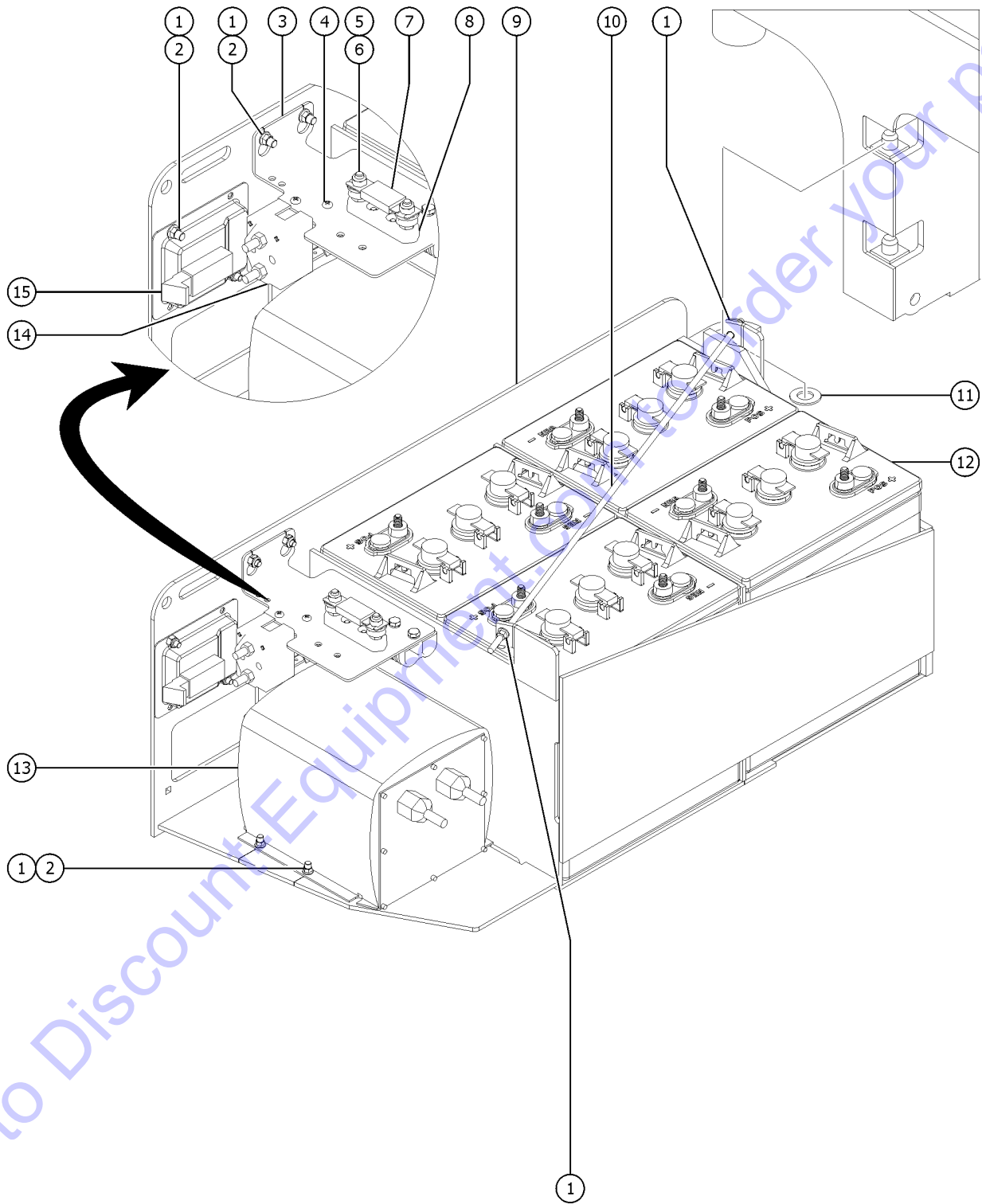
204.1 Pothole Protection Assembly

Item	Part No.	Description	Qty.
21	96638GT	WELDMENT, POTHOLE, RIGHT SIDE US part number; (ground controls side)	1
21B	132357GT	WELDMENT, POTHOLE, RIGHT SIDE China part number; (ground controls side)	1
21-	105156GT	BUSHING,FLNGD,.63 X .77 X .38	1
22	1259180GT	WASHER,SHIM,.625X1.188X.064,ZA	6
23	105060GT	GROUND STRAP, 8"LG	1
24	1255758GT	WASHER,FLAT,3/8,USS,ZAG	2
25	824025GT	NUT,TL,3/8-16,C,ZAG	2
26	96948GT	SWITCH,LIMIT,W/ROLLER ARM*** (down limit switch), (toSN GS46D-15808)	2
26-	1256177GT	SCREW,PHPM,10-32X1.75,ZAG (toSN GS46D-15808)	1
26-	824032GT	NUT,TL FLG,10-32,F,ZAG (toSN GS46D-15808)	1
26-	19491GT	CONTACTOR,LIMIT SWITCH (toSN GS46D-15808)	1
26-	97128GT	ROLLER ARM,LIMIT SWITCH*** (toSN GS46D-15808)	1
26B	96948GT	SWITCH,LIMIT,W/ROLLER ARM*** (from SN GS46D-15809)	2
26B-	1290288GT	PLATE,LIMIT SWITCH,LARGE SCISSOR (from SN GS46D-15809)	2
26B-	1256312GT	WASHER,LOCK,#10,ZAG (from SN GS46D-15809)	4
26B-	824078GT	SCREW,HHF,1/4-20X.75,8,ZAG (from SN GS46D-15809)	4
26B-	1256177GT	SCREW,PHPM,10-32X1.75,ZAG (from SN GS46D-15809)	4
26B-	824032GT	NUT,TL FLG,10-32,F,ZAG (from SN GS46D-15809)	4

Go to Discount-Equipment.com to order your parts



205.1 Battery Pack Module

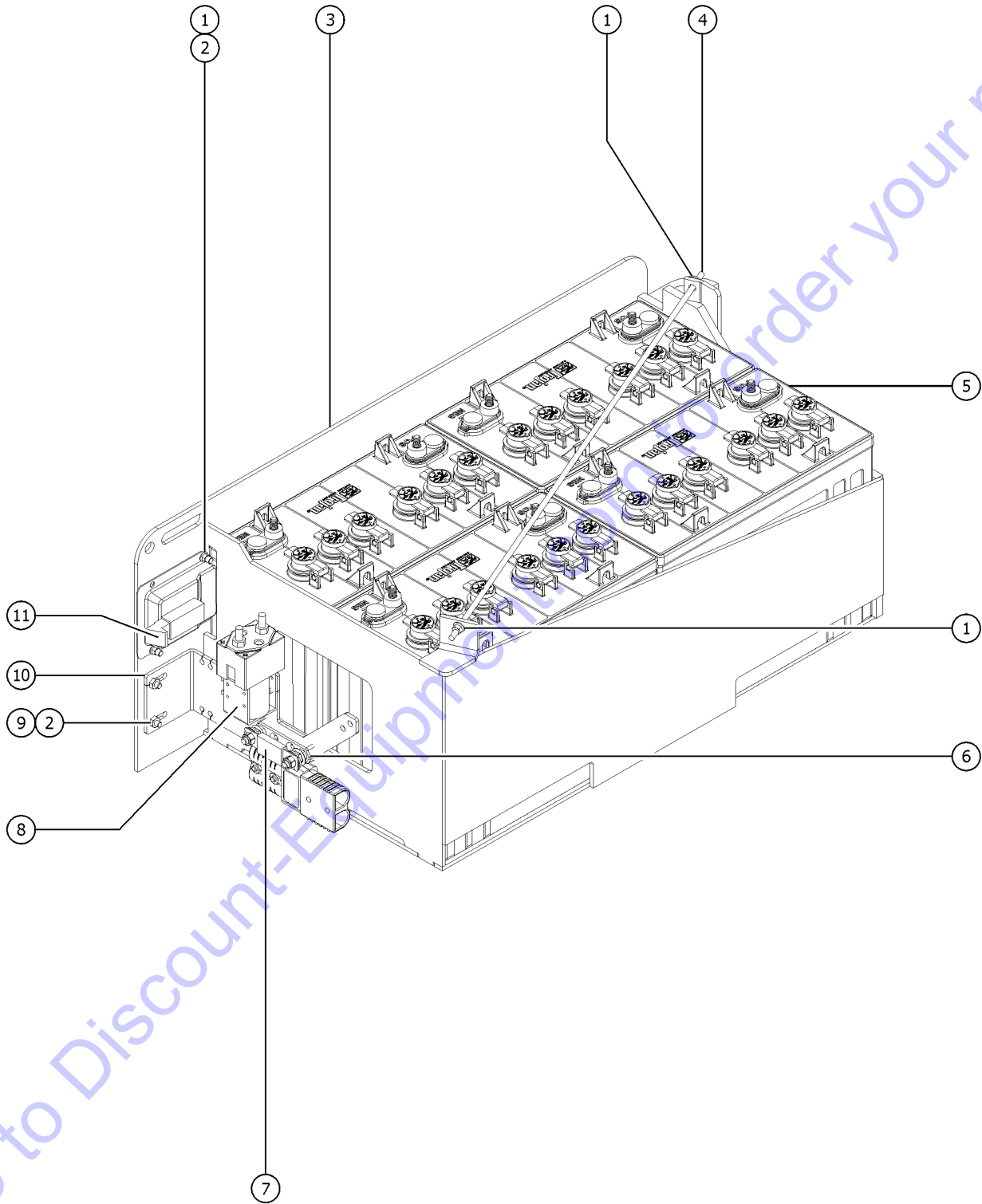


205.1 Battery Pack Module

Item	Part No.	Description	Qty.
1	824027GT	NUT, TL FLG, 1/4-20, G, ZAG	10
2	824124GT	BOLT, CARRIAGE, 1/4-20X.75, 5, ZAG	8
3	1273054GT	FORMING, CONTACTOR/FUSE BRACKET US part number	1
3B	1282144GT	FORMING, CONTACTOR/FUSE BRACKET, METRIC China part number	1
4	825349GT	SCREW, PHPM, 10-32X.38, ZAG	2
5	13000GT	SCREW, HHC, 5/16-18 X 1.25	2
6	1255805GT	NUT, SERRATED, 5/16-18, 8, ZAG	2
7	40833GT	FUSE, 275AMP, VERY FAST ACTING	1
8	66717GT	FUSE BLOCK, ANN & ANL FUSE (includes mounting fasteners)	1
9	105467GT	WLDMT, GS BATTERY TRAY US part number	1
9B		Ref. Battery Tray China part number; (refer to 608.1)	1
10	30784-2550GT	THREADED ROD, (1/4-20), 25.50	1
11	1256863GT	WASHER, FLAT, .75, F436, HRD, ZAG	2
	76502GT	BATTERY, T105 W/LPT, 3 CAP, DRY** no longer available (contact customer service)	
12	76494GT	BATT, 6V, 225AH T105 LPT 3CAP	4
12B	1263152GT	FULLRIVER BATT, DC224-6, 6V, 224AH, GS3246 AGM	4
12C	1286454GT	BATTERY PACKAGE, T1275, FLA, GS46	4
13		Ref. Battery Charger (refer to 206.1)	
14	74267GT	CONTACTOR, DRIVE, 24V, 180A*** US part number	1
14B	1270457GT	CONTACTOR, DRIVE, 24V, 180A UNBRANDED China part number	1
15	55675GT	LATCH, LRG PADDLE HANDLE GS90	1



205.2 Battery Pack Tray



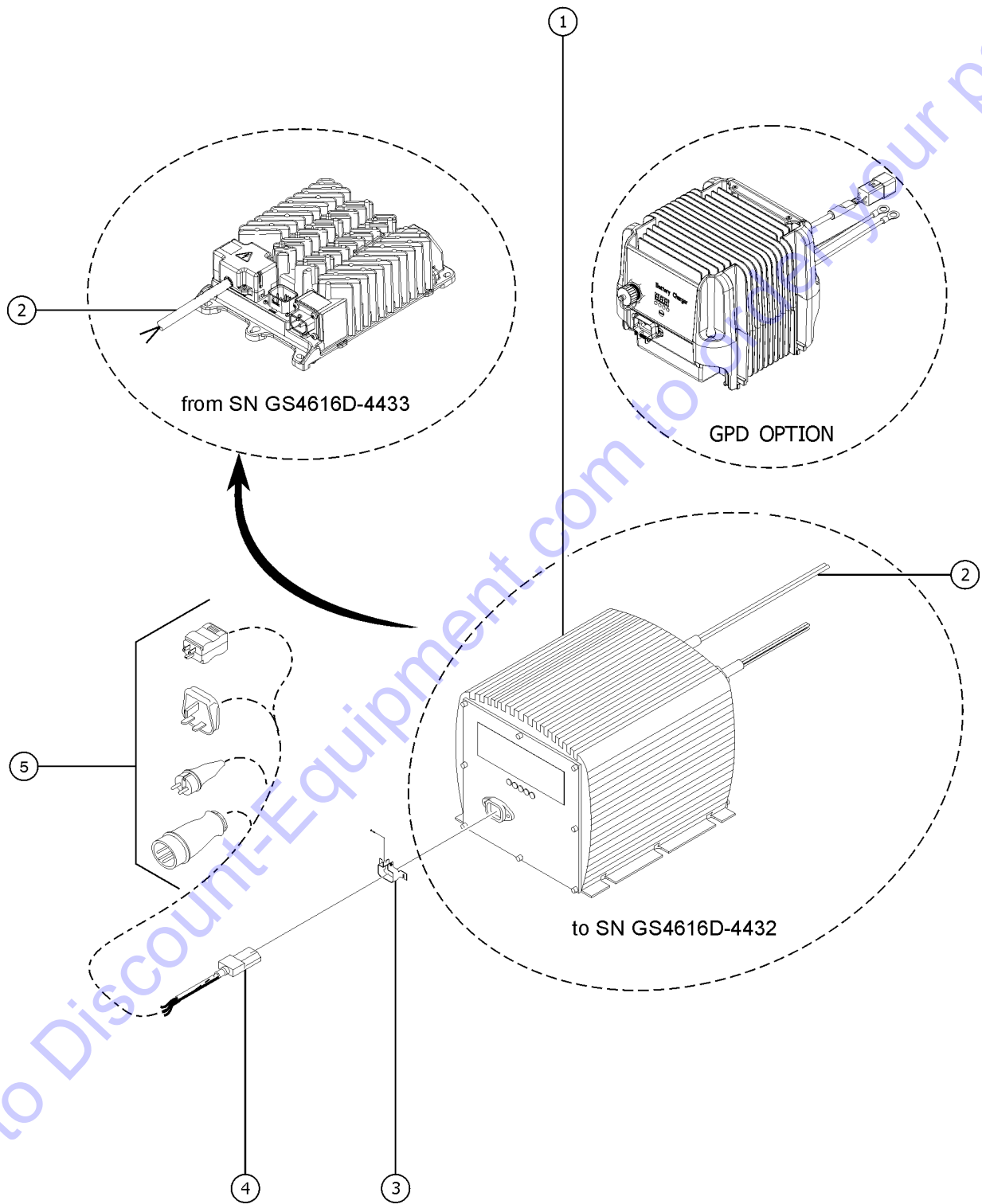
205.2 Battery Pack Tray

Item	Part No.	Description	Qty.
1	824027GT	NUT, TL FLG, 1/4-20, G, ZAG	6
2	824124GT	BOLT, CARRIAGE, 1/4-20X.75,5,ZAG	4
3	T108670GT	WLDMT,GS4047 BATTERY TRAY	1
		FLA battery	
3B	1256686GT	WLDMT,GS4047 BATTERY TRAY2	1
		AGM battery	
4	237165GT	THREADED ROD, M6 X 736MM	1
		(air hose sold seperately)	
4-	75631GT	HOSE,AIR 3/8	27
5	T113971GT	BATTERY,12V,150AH,T1275	4
		FLA battery	
5B	1256078GT	AGM BATTERY,DC150-12,DP CYCLE	4
		AGM battery	
6	66717GT	FUSE BLOCK, ANN & ANL FUSE	1
		includes mounting fasteners)	
7	40833GT	FUSE, 275AMP, VERY FAST ACTING	1
8	1270457GT	CONTACTOR, DRIVE, 24V, 180A UNBRANDED	1
9	1256679GT	NUT,SERRATED,1/4-20,8,ZAG	2
10	1273388GT	FORMING, FUSE BRACKET	1
11	55675GT	LATCH, LRG PADDLE HANDLE GS90	1

Go to Discount-Equipment.com to order your parts



206.1 Battery Charger



Go to Discount-Equipment.com to buy your parts

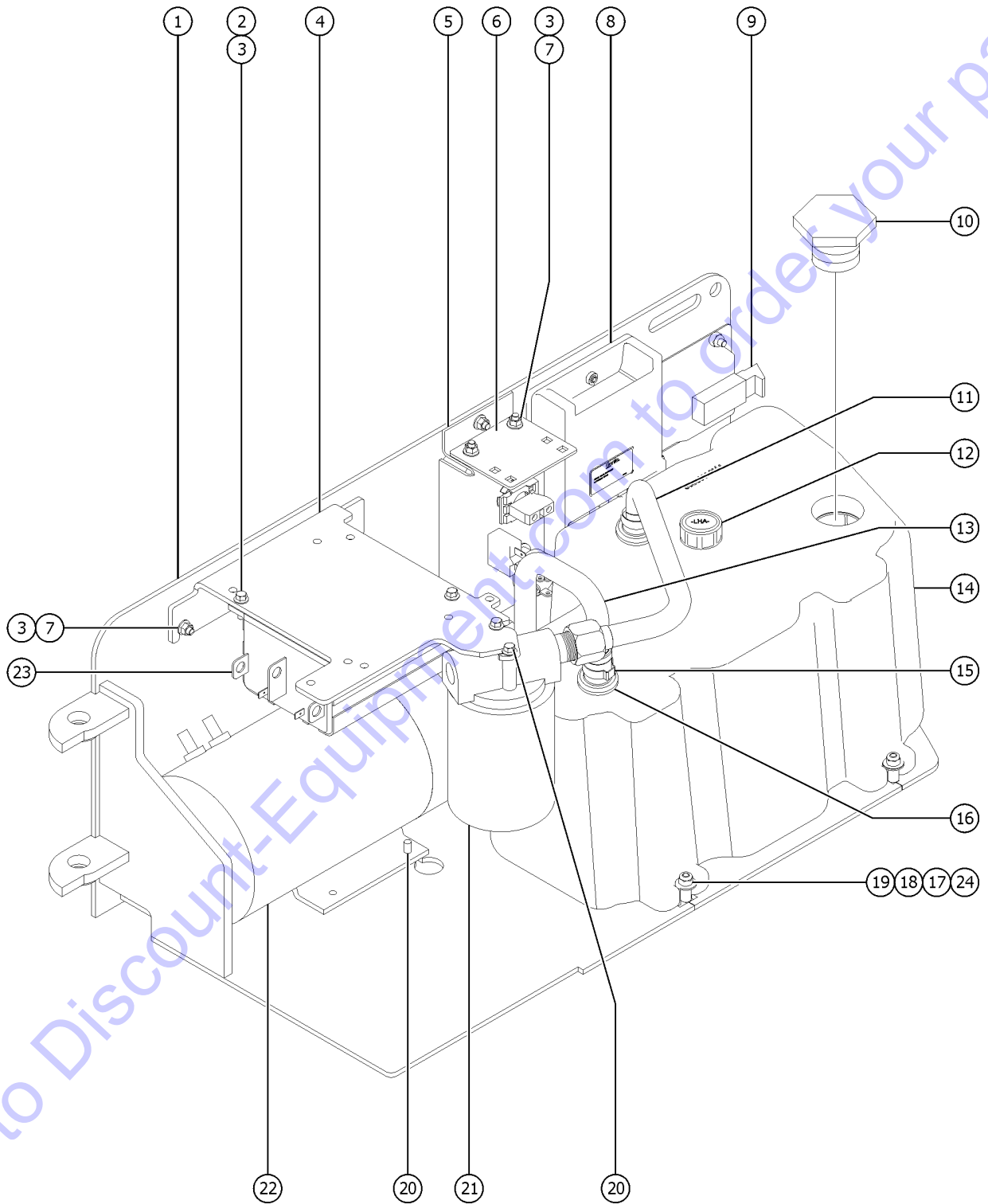
206.1 Battery Charger

Item	Part No.	Description	Qty.
A	105334GT	CONNECTOR, IEC CHARGER CORD for 5-LED battery charger	
B	97059GT	FUSE, BATTERY CHARGER*** for 5-LED battery charger	
C	1273576GT	CABLE ASSY, CHARGER/BATTERY (for 1264372)	
1	1264372GT	CHARGER, 24V, 650W, USB US part number	1
1B	1272232GT	CHARGER, 24V, 650W, USB China part number; (from SN GS4616D-4433)	1
1B-	1273576GT	CABLE ASSY, CHARGER/BATTERY for standard 'flooded' batteries	
1B-	1272844GT	CABLE, CHARGER, DC, W/ BTS for AGM 'maintenance free' batteries	
1B-	1272121GT	HARNESS, LED CHARGER, GS46 wire harness with 15-pin connector	
1C	1296085GT	CHARGER, 24V 750W (China market)	1
2		Ref. CABLE ASSY, CHARGER/BATTERY (refer to 210.1)	
3	55010GT	LOCK, CONNECTOR (includes fasteners)	1
4	1272557GT	POWER CORD, IEC 320, 90 (from SN GS4616D-4433)	1
4B	1296549GT	POWER, CORD, IEC320, 90°, 150' (GDP option)	1
5		Ref. PLUG, ELECTRICAL (refer to 402.1)	

Go to Discount-Equipment.com to order your parts



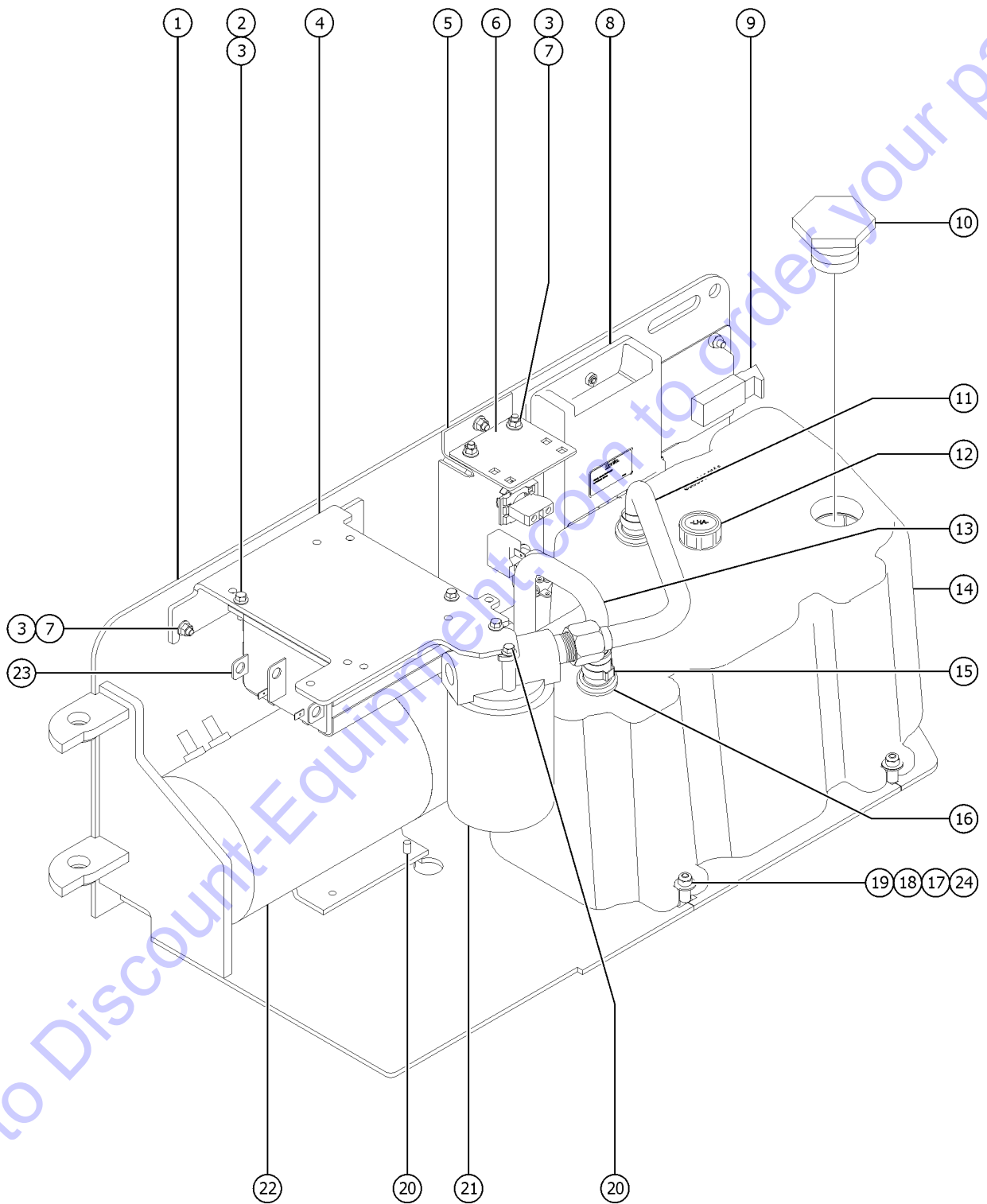
207.1 Power Unit Module (to SN GS4616D-3985)



Item	Part No.	Description	Qty.
1	231114GT	HYDR TRAY ASSY W/WORDS US part number	1
1A-	T113296GT	WELDMENT,GS HYD TRAY US part number; (decals not included, refer to section one)	
1B	229195GT	ASSY,GS HYDRAULIC TRAY,MET China part number	1
1B-	227166GT	WELDMENT, GS HYD TRAY, MET China part number; (decals not included, refer to section one)	
2	824080GT	SCREW,HHF,1/4-20X1.25,8,ZAG	
3	824027GT	NUT, TL FLG, 1/4-20, G, ZAG	
4	105308GT	FORMING, FILTER-CNTRLR MOUNT US part number	1
4B	132198GT	FORMING, FILTER-CNTRLR MOUNT China part number	1
5		Ref. FORMING, CONTROL PANEL (refer to 208.1)	
6	T108326GT	PLATE,HARNESS MOUNT US part number	1
6B	227164GT	GS3246 PLATE, HARNESS MOUNT, MET China part number	1
7	824124GT	BOLT,CARRIAGE,1/4-20X.75,5,ZAG	
8		Ref. GCON, GR/GRC/GS (refer to figure 208.1)	
9	55675GT	LATCH, LRG PADDLE HANDLE GS90	1
10	66204GT	FILTER CAP (PLUG 1-1/2" NPT HEX	1
11	96355GT	TUBE, ASSY, RETURN	1
12	78546GT	BREATHER CAP, HYD. TANK, 1/4 NPT	1
13	96354GT	TUBE, ASSY, DRAW	1
14	226163GT	HYD. TANK KIT, GS30,32,46 (includes items 15 and 16)	1
14-	T109012GT	TANK,HYD, SLAB SCISSORS	
15	96855GT	CLAMP,HOSE,1 EAR,1-1/16***	2
16	96709GT	GROMMET,SLAB HYD TANK***	2
17	96699GT	SLEEVE,TANK SUPPORT	
18	824113GT	WASHER,FLAT,USS,1/4,ZAG US part number	
18B	6638GT	WASHER,FLAT,USS,1/4"Y China part number	
19	1256463GT	BOLT,CARRIAGE,1/4-20X1.25,5,ZAG US part number	
19B	9116GT	BOLT,CARRIAGE,1/4-20 X 1.25,G2 China part number	
20	824078GT	SCREW,HHF,1/4-20X.75,8,ZAG	



207.1 Power Unit Module (to SN GS4616D-3985)



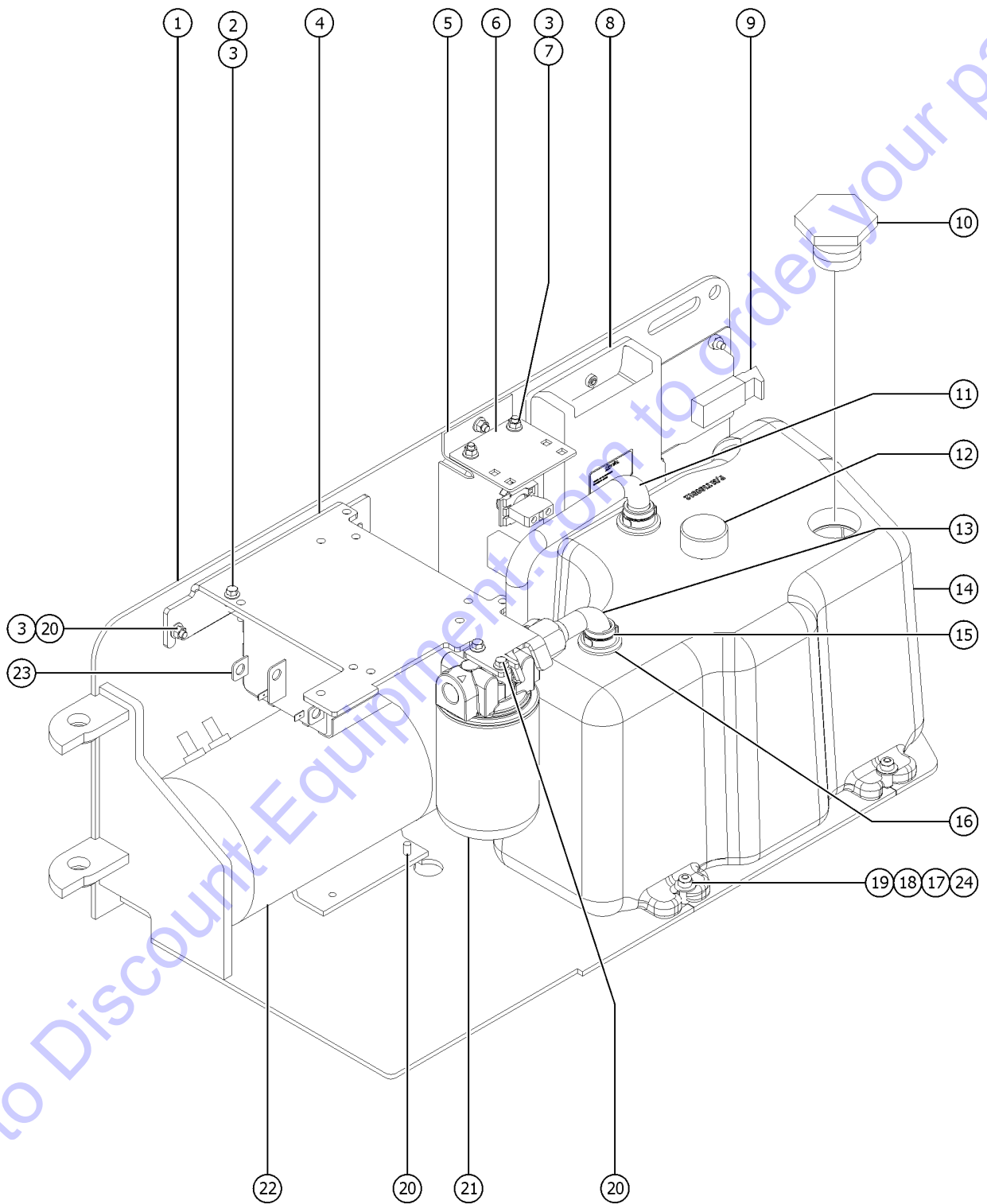
207.1 Power Unit Module (to SN GS4616D-3985)

Item	Part No.	Description	Qty.
21		REF. FILTER ASSY (refer to figure 501.1)	
22		REF. ELECTRIC MOTOR/PUMP (refer to figure 505.1)	
23	823408GT	MOTOR CONTROLLER, DC,24V,300A	
24	6091GT	NUT, NYLOCK, 1/4-20	

Go to Discount-Equipment.com to order your parts



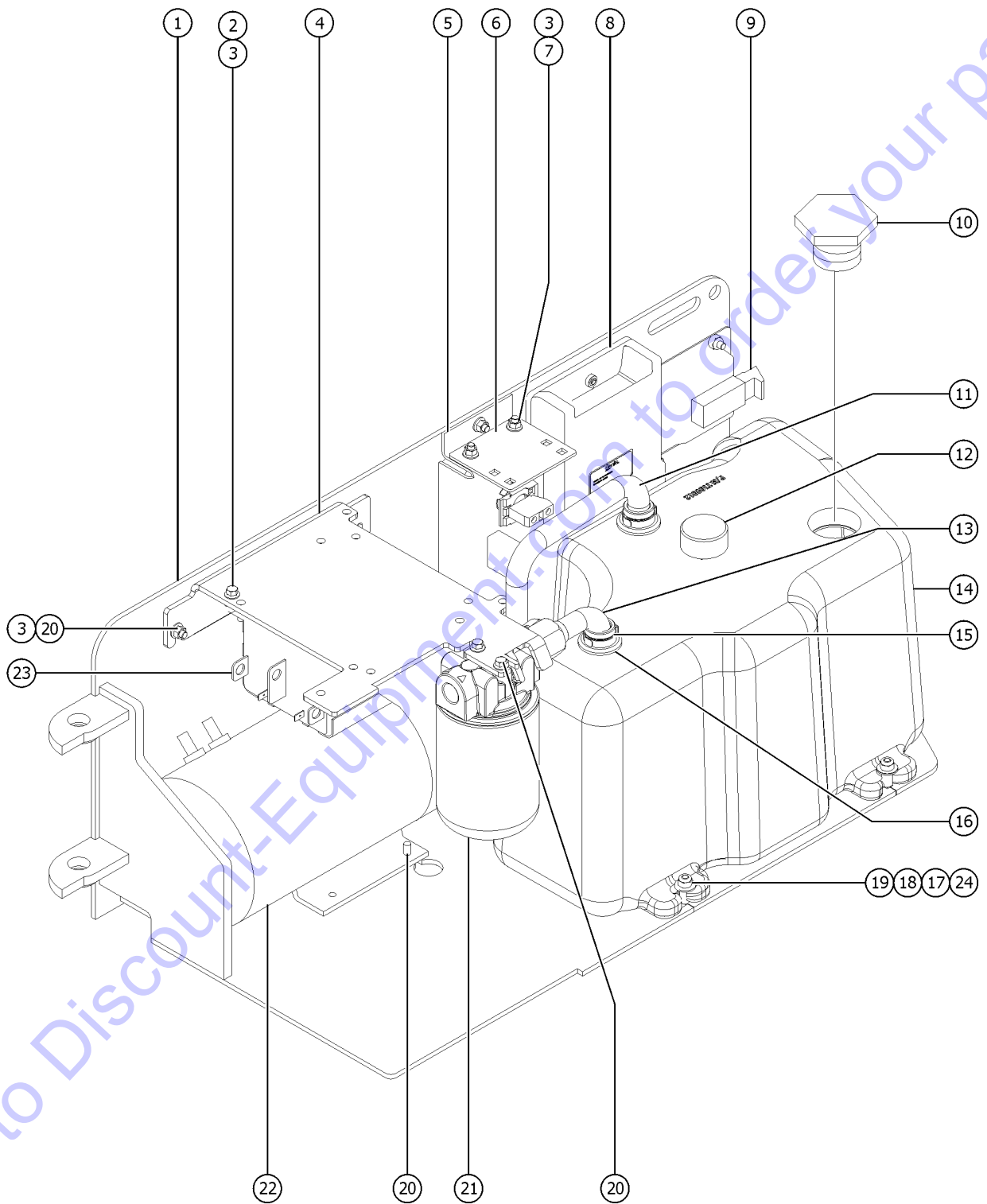
207.2 Power Unit Module (from SN GS4616D-3986)



Item	Part No.	Description	Qty.
1	231114GT	HYDR TRAY ASSY W/WORDS US part number	1
1-	T113296GT	WELDMENT,GS HYD TRAY US part number; (decals not included, refer to section one)	
1B	229195GT	ASSY,GS HYDRAULIC TRAY,MET China part number	1
1B-	227166GT	WELDMENT, GS HYD TRAY, MET China part number; (decals not included, refer to section one)	
2	824080GT	SCREW,HHF,1/4-20X1.25,8,ZAG (refer to figure 208.1)	
3	824027GT	NUT, TL FLG, 1/4-20, G, ZAG	
4	1276562GT	FORMING,FILTER-CONTROLLER MOUNT US part number	
4-	1270598GT	TUBE, ASSY, DRAW	
4B	1273016GT	FORMING, FILTER-CNTRLR MOUNT China part number	
5		Ref. FORMING, CONTROL PANEL	
6	T108326GT	PLATE,HARNESS MOUNT US part number	1
6B	227164GT	GS3246_PLATE, HARNESS MOUNT, MET China part number	1
7	824124GT	BOLT,CARRIAGE,1/4-20X.75,5,ZAG	
8		Ref. GCON, GR/GRC/GS (refer to figure 208.1)	
9	55675GT	LATCH, LRG PADDLE HANDLE GS90	1
10	66204GT	FILTER CAP (PLUG 1-1/2" NPT HEX	1
11	1280158GT	KIT,SLAB HYD TANK TUBE REPLACEMENT	1
11A-	96354GT	TUBE, ASSY, DRAW	
11A-	132198GT	FORMING, FILTER-CNTRLR MOUNT	
11B	1270598GT	TUBE, ASSY, DRAW	1
12	78546GT	BREATHER CAP, HYD. TANK, 1/4 NPT	1
13	1280158GT	KIT,SLAB HYD TANK TUBE REPLACEMENT	
13A-	96355GT	TUBE, ASSY, RETURN	
13A-	132198GT	FORMING, FILTER-CNTRLR MOUNT	
13B	1276561GT	TUBE, ASSY, RETURN US part number	
13C	1270600GT	TUBE, SLAB RETURN ASSEMBLY China part number	1
14	226163GT	HYD. TANK KIT, GS30,32,46 (includes items 15 and 16)	1
14-	T109012GT	TANK,HYD, SLAB SCISSORS	



207.2 Power Unit Module (from SN GS4616D-3986)



Go to Discount-Equipment.com to order your parts

Item	Part No.	Description	Qty.
15	96855GT	CLAMP,HOSE,1 EAR,1-1/16***	2
16	96709GT	GROMMET,SLAB HYD TANK***	2
17	96699GT	SLEEVE,TANK SUPPORT	
18	824113GT	WASHER,FLAT,USS,1/4,ZAG US part number	
18B	6638GT	WASHER,FLAT,USS,1/4"Y China part number	
19	1256463GT	BOLT,CARRIAGE,1/4-20X1.25,5,ZAG US part number	
19B	9116GT	BOLT,CARRIAGE,1/4-20 X 1.25,G2 China part number	
20	824078GT	SCREW,HHF,1/4-20X.75,8,ZAG	
21		REF. FILTER ASSY (refer to figure 501.1)	
22		REF. ELECTRIC MOTOR/PUMP (refer to figure 505.1)	
23	1257840GT	MOTOR CONTROLLER,DC,24V,360A	
24	6091GT	NUT, NYLOCK, 1/4-20	

Go to Discount-Equipment.com to order your parts



PARTS FINDER

**Search Website
by Part Number**



**Search Manual
Library For Parts
Manual & Lookup Part
Numbers – Purchase
or Request Quote**

Search Manuals

Enter your information to help us find the right parts manual for your machine.

* Brand:

* Model:

* Serial:

* Part Number:

SEARCH

**Can't Find Part or
Manual? Request Help
by Manufacturer,
Model & Description**

Parts Order Form

Please fill in the following information to help us find the right part for your machine.

Manufacturer:	<input type="text"/>
Model:	<input type="text"/>
Description:	<input type="text"/>
Part Number:	<input type="text"/>
Quantity:	<input type="text"/>
Notes:	<input type="text"/>

Submit

Discount-Equipment.com is your online resource for quality parts & equipment.

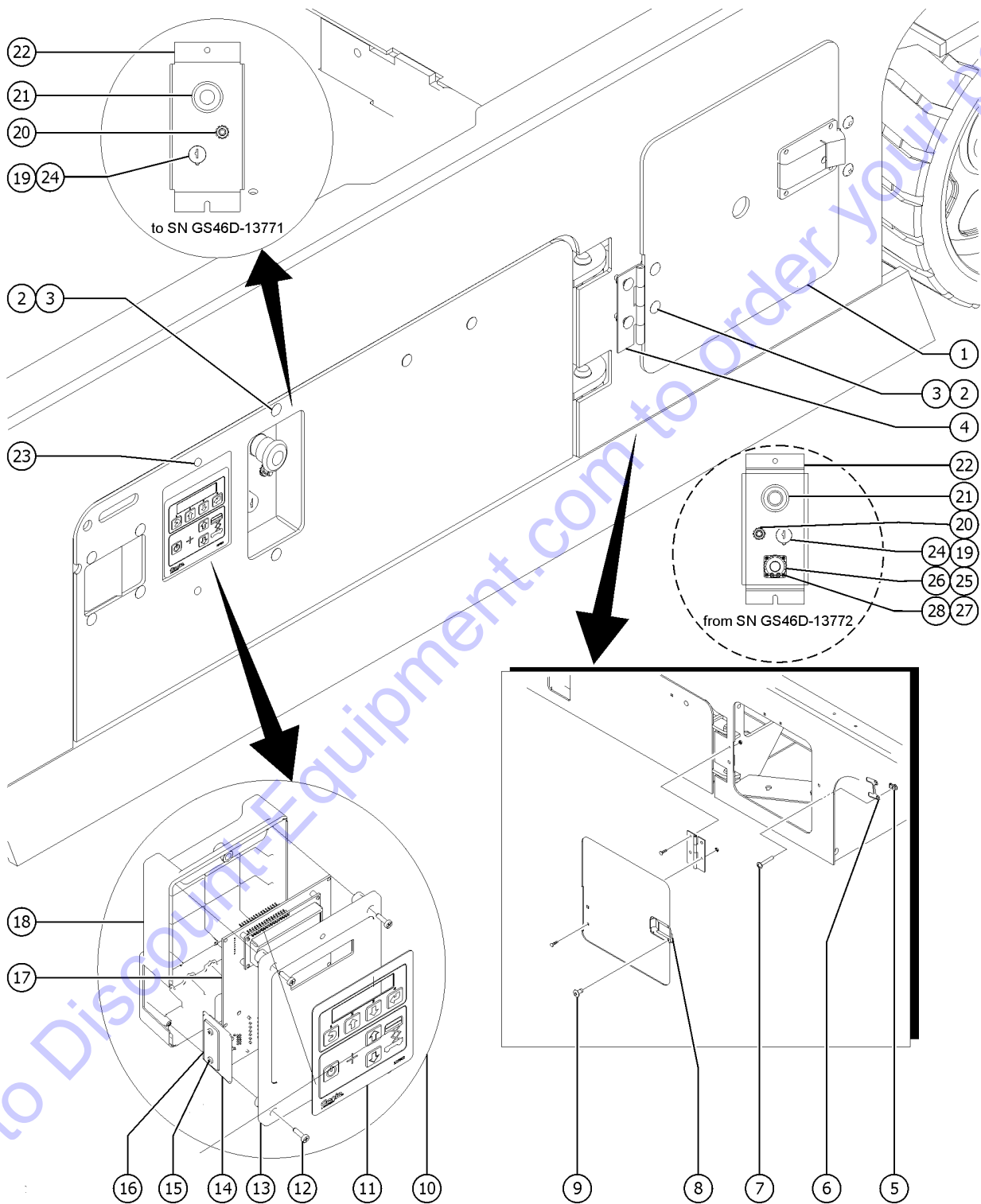
Florida: **561-964-4949** Outside Florida TOLL FREE: **877-690-3101**

Need parts?

Click on this link: <http://www.discount-equipment.com/category/5443-parts/> and choose one of the options to help get the right parts and equipment you are looking for. Please have the machine model and serial number available in order to help us get you the correct parts. If you don't find the part on the website or on one of the online manuals, please fill out the request form and one of our experienced staff members will get back to you with a quote for the right part that your machine needs.

We sell worldwide for the brands: Genie, Terex, JLG, MultiQuip, Mikasa, Essick, Whiteman, Mayco, Toro Stone, Diamond Products, Generac Magnum, Airman, Haulotte, Barreto, Power Blanket, Nifty Lift, Atlas Copco, Chicago Pneumatic, Allmand, Miller Curber, Skyjack, Lull, Skytrak, Tsurumi, Husquvarna Target, Stow, Wacker, Sakai, Mi-T-M, Sullair, Basic, Dynapac, MBW, Weber, Bartell, Bennar Newman, Haulotte, Ditch Runner, Menegotti, Morrison, Contec, Buddy, Crown, Edco, Wyco, Bomag, Laymor, EZ Trench, Bil-Jax, F.S. Curtis, Gehl Pavers, Heli, Honda, ICS/PowerGrit, IHI, Partner, Imer, Clipper, MMD, Koshin, Rice, CH&E, General Equipment, Amida, Coleman, NAC, Gradall, Square Shooter, Kent, Stanley, Tamco, Toku, Hatz, Kohler, Robin, Wisconsin, Northrock, Oztec, Toker TK, Rol-Air, APT, Wylie, Ingersoll Rand / Doosan, Innovatech, Con X, Ammann, Mecalac, Makinex, Smith Surface Prep, Small Line, Wanco, Yanmar

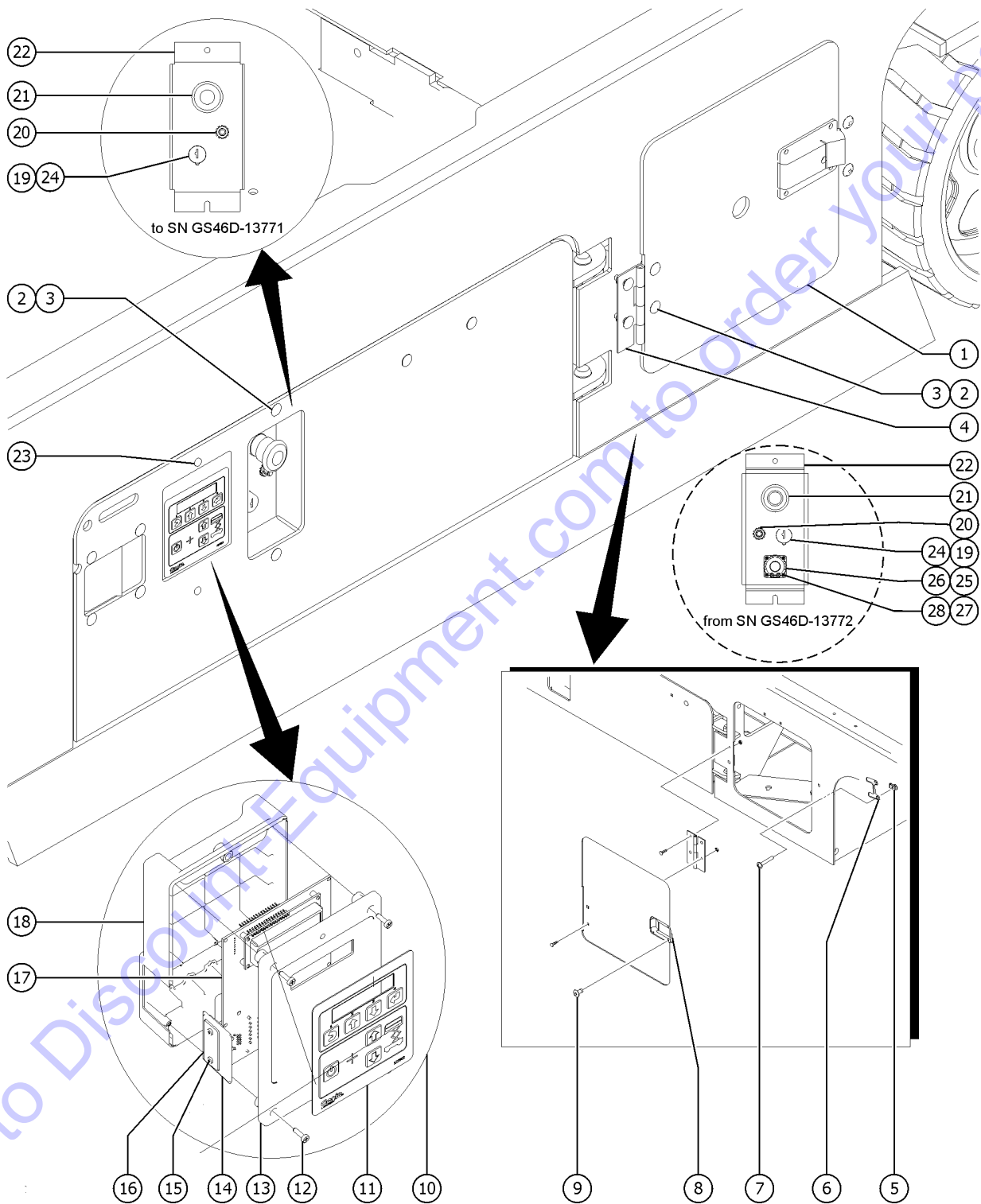
208.1 Ground Controls



Item	Part No.	Description	Qty.
A	1252764GT	SPACER, GROUND CONTROL ECU	1
B	824216GT	SCREW, PHPM, 10-32 X 1.5, ZAG	
1	105732GT	PLATE, SIDE DOOR*** US part number; (used on both sides)	1
1B	132556GT	PLATE SIDE DOOR HTA	1
		China part number	
2	824124GT	BOLT, CARRIAGE, 1/4-20X.75,5,ZAG	6
3	824027GT	NUT, TL FLG, 1/4-20, G, ZAG	6
4	105734GT	HINGE, ACCESS DOOR(13G)	1
5	56912GT	SPRING CLIP, 1/4-20, .025-.15X.54,ZAG	2
6	105733GT	PLATE, SIDE DOOR STOP***	1
		US part number	
6B	132557GT	PLATE, SIDE DOOR STOP***	1
		China part number	
7	1260984GT	SCREW, PHPM, 1/4-20X.75,ZAG	2
8	105759GT	LATCH, COMPRESSION, SMALL	1
9	824206GT	RIVET, STL, STL, DOME, 1/8 X .25, ZAG	2
10	1256721GT	GCON, STD, PROP LIFT.	1
11	137562GT	DECAL, MEMBRANE, GR/GRC/GS GCON	1
12	137668GT	SCREW, PHM, 6-19X.75, 48-2 TRI-L	4
13	T106366GT	ENCLOSURE, GC27-25/GC21-19, FRNT	1
14	T106363GT	ADAPTER, RJ45, GC27-25/GC21-19	1
15	137637GT	SCREW, PHM, 4-20X.5, 48-2 TRI-L	2
16	T106362GT	COVER, RJ45, GC27-25/GC21-19	1
17	1256719GT	PCBA, GCON STD, PROP LIFT	1
18	T106372GT	ENCLOSURE, GC21-19, BK	1
19	96008-SGT	KEYSWITCH, 3 POS. W/KEYS***	1
19-	37947GT	KEYS, 10 PACK*** (sold seperately)	
19-	83093GT	KEY SINGLE*** (sold seperately)	
19-	85239GT	NUT, RETAINER (96008) (sold seperately)	
19-	96009GT	WASHER, NITRILE (sold seperately)	
19-	96010GT	SCREW, PHILLIPS, PHM, 8-32 X.25** (sold seperately)	



208.1 Ground Controls

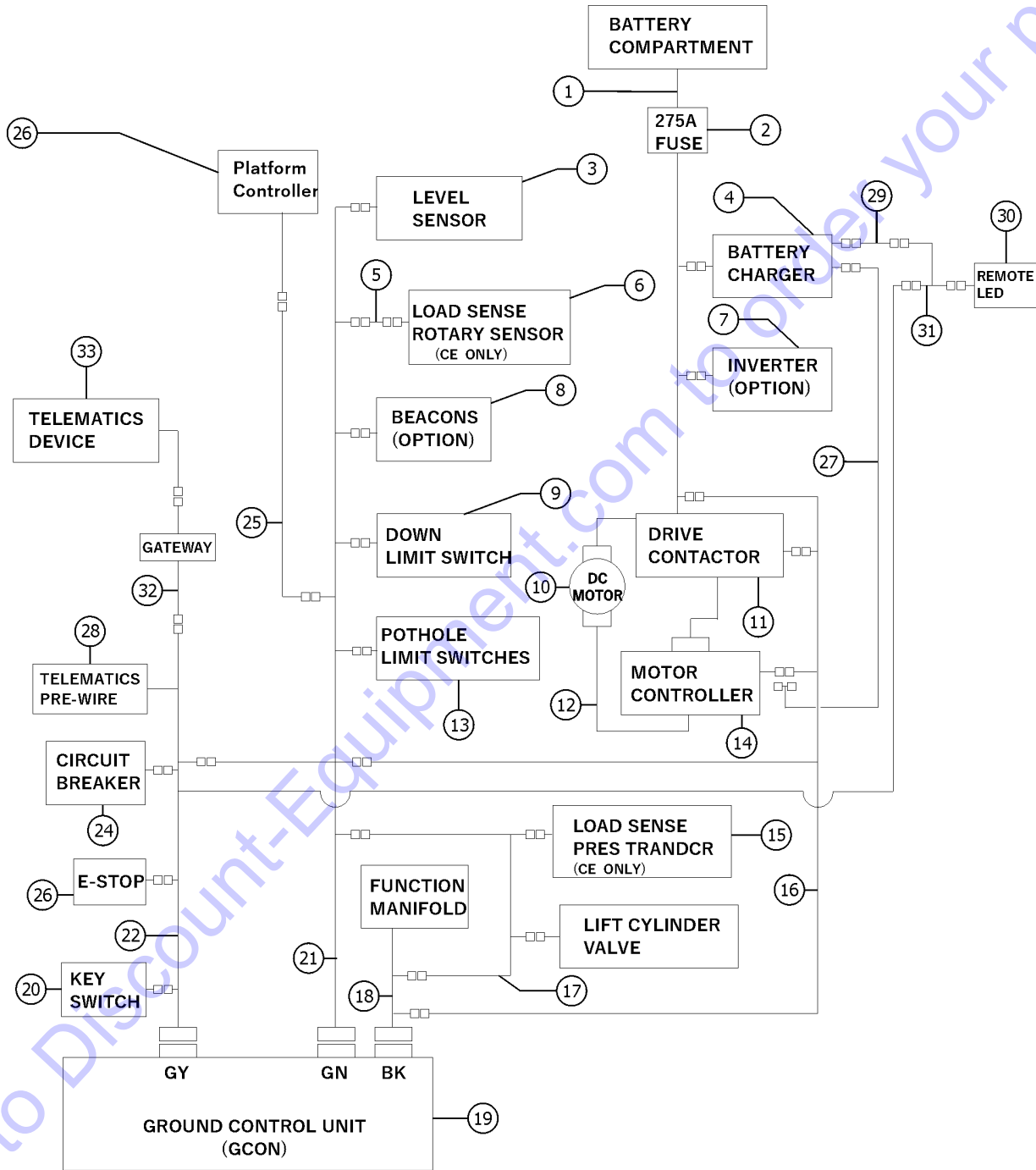


Item	Part No.	Description	Qty.
20	96452GT	CIRCUIT BREAKER, 7.0 AMP***	1
20-	122994GT	NICKEL PLATED JAM NUT	
20-	6700GT	WASHER,STAR,EXTERNAL,,375	
21	66812GT	BUTTON,PUSH,RED MUSHROOM HEAD	1
21-	58627GT	NUT	
21-	66817GT	E-STOP NC CONTACT	
22	T108327GT	FORMING,CONTROL PANEL US part number	1
22B	227165GT	FORMING,CONTROL PANEL,MET China part number; (to SN GS46D-13771)	1
22C	1284781GT	FORMING,CONTROL PANEL,TECH PRO,METRIC (from SN GS46D-13772)	1
23	51063GT	SCREW,PHILLIPS,RHM,10-32 X 1.5	2
24	96010GT	SCREW,PHILLIPS,PHM,8-32 X.25**	3
25	1272122GT	CONN, RECEP, 5 WAY, DEUTSCH, HD10	1
26	1272123GT	DUST CAP, RECEPTACLE, 5 WAY, CIRCULAR	1
27	1253477GT	SCREW,PHPM,4-40X.5,ZAG	4
28	826854GT	NUT,NYLOCK,4-40	4

Go to Discount-Equipment.com to order your parts



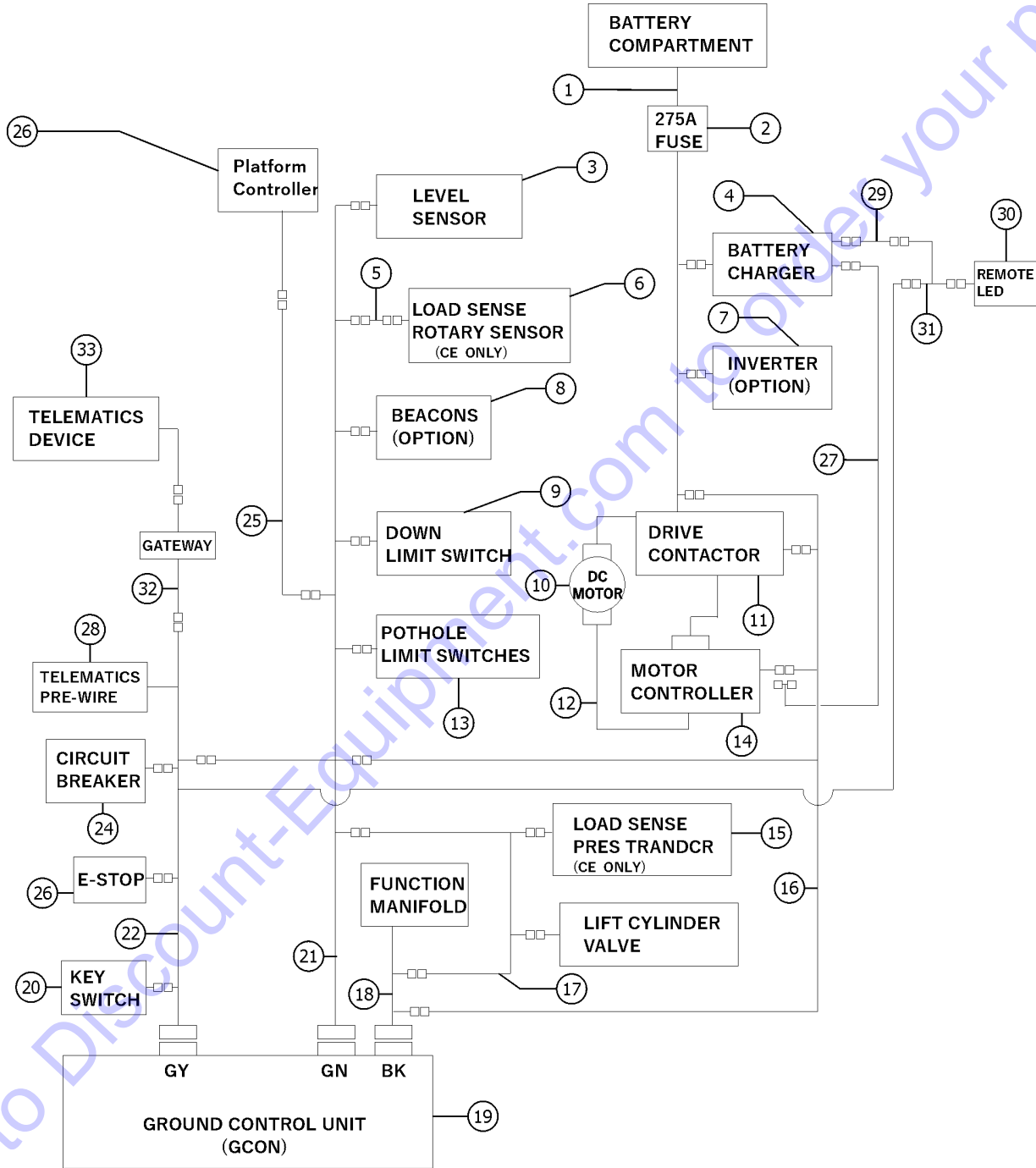
209.1 Electrical Wiring, GS-2046 (to SN GS46D-16180)



Item	Part No.	Description	Qty.
A	105214GT	CABLE TIE MOUNT, WINGED not shown	
A	56926GT	CLIP, TIE HARNESS MOUNT*** not shown	
B	1264822GT	KIT, TRC RETROFIT, STNDRD Telematics (includes 1264834)	
B-	1264834GT	INSTRN, TRC RETROFIT, STNDRD	
1		REF. BATTERY CABLE refer to 210.1	
2		REF. FUSE refer to 205.1	
3		REF. LEVEL SENSOR refer to 203.1	
4		REF. CHARGER refer to 206.1	
5	T114031GT	HARNESS, ROTARY ANGLE	1
6	T113136GT	ASSY, ROT SENS R W/ HARNESS	1
7		REF. INVERTER refer to 604.1	
8		REF. STROBE, BEACON refer to 601.1	
9		REF. DOWN LIMIT, GS refer to 203.1	
10		REF. ELECTRIC MOTOR refer to 504.1	
11	1270456GT	CONTACTOR, DRIVE, 24V, 180A US part number	
11B	1270457GT	CONTACTOR, DRIVE, 24V, 180A UNBRANDED China part number	
12		REF. BATTERY CABLE refer to 210.1	
13	96309GT	POTHOLE HARNESS ASSEMBLY US part number	1
13B	96853GT	ASSY, POTHOLE HARNESS GS32/GS46 China part number	1
14		REF. MOTOR CONTROLLER refer to 207.1	
15	1291577GT	PRESSURE TRANSDUCER, 0-5K PSI	1
16	233430GT	HRNS, CONTACTOR SIGNAL, GS46	1
17	233054GT	CABLE, LFT CYL DN, 20/26XX, WO/LS GS-2046, GS-2646 (ANSI, CSA)	1
17B	233053GT	CABLE, LFT CYL DN, 20/26XX, W/LS GS-2046, GS-2646 (CE, Australia)	1
18	1257824GT	HARNESS, FUNCTION MANIFOLD, GS replaced T110889GT (Black connector)	1
19		REF. GCON refer to 208.1	
20		REF. KEYSWITCH refer to 208.1	
21	1263221GT	HARNESS, GS SENSORS, ANSI	1

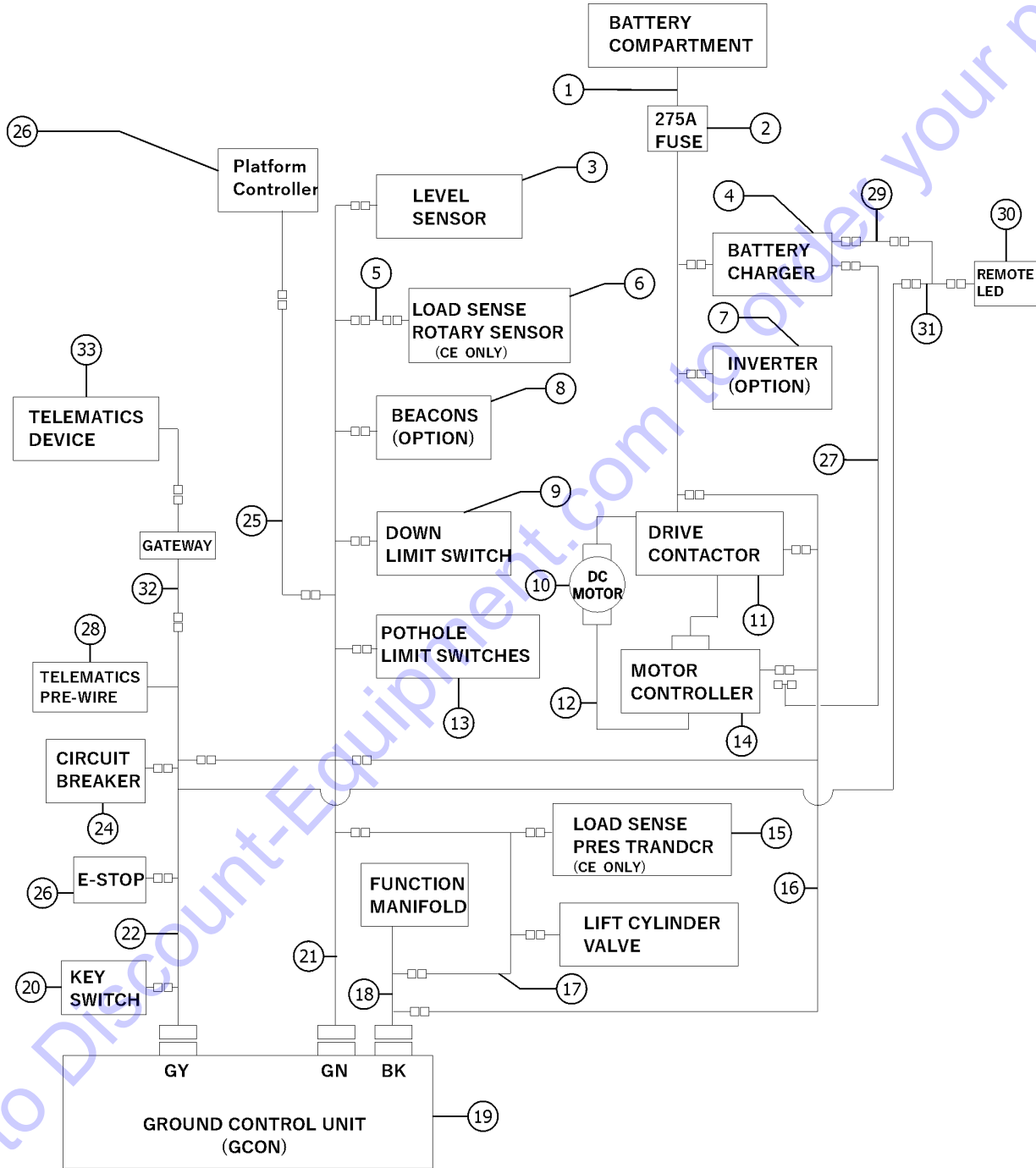


209.1 Electrical Wiring, GS-2046 (to SN GS46D-16180)



Item	Part No.	Description	Qty.
21A-	233711GT	HRNS ASSY,RESISTOR DIODE for 228786GT and T110891GT	
21B	T110891GT	HARNESS, GS SENSORS, CE (Green connector)	1
21B-	233711GT	HRNS ASSY,RESISTOR DIODE for 228786GT and T110891GT	
21B-	233644GT	RESISTOR,200 OHM 10W,CERAMIC for 233711GT	
21C	1263220GT	HARNESS, GS SENSORS, CE for UTS only	
22	T110890GT	HARNESS, GS POWER CONTRL US part number; (Grey connector)	1
22B	1258394GT	HARNESS, GS POWER CONTROL China part number; (from SN GS46D-9971)	1
23		REF. E-STOP BUTTON refer to 208.1	
24		REF. CIRCUIT BREAKER refer to 208.1	
25	233050GT	CABLE, PLATFORM CONTROL, 20XX GS-2046	1
25A-	231921GT	KIT,CONN,RECEPT W/PIN AND LOCK	
25A-	231922GT	KIT,CONN,PLUG W/SCKT AND LOCK	
25A-	218579GT	WIRE CABLE 18/5 - UNSHIELDED GS-2046	324
25C	233052GT	CABLE, PLATFORM CONTROL, 32XX from SN GS46D-9971	1
26		REF. PCON refer to 403.1	
27	144215GT	CHARGER INTERLOCK CABLE,GS46 to SN GS46D-13604	
28	1283053GT	HARNESS, TELEMATICS, GS SLAB from SN GS46D-9971	1
29	1265771GT	HARNESS, CHARGER CONTROL from SN GS4616D-4433, (no need for GDP option)	1
30	1306190GT	ASSEMBLE,CHARGER STATUS LED,3V from SN GS4616D-5044	1
30B	1296550GT	CHARGER,STATUS LED CBI (GDP option)	1
31	1273394GT	HARNESS,CHARGER EXTENSION from SN GS4616D-5044	1
31B	1296990GT	HARNESS,CHARGER EXTENSION,AGM,GS30/46 (GDP option)	1
32	1289899GT	HARNESS, GATEWAY, GS	1
33		Ref. MODULE,TELEMATICS,ZTR,M7 (refer to 203.1)	1

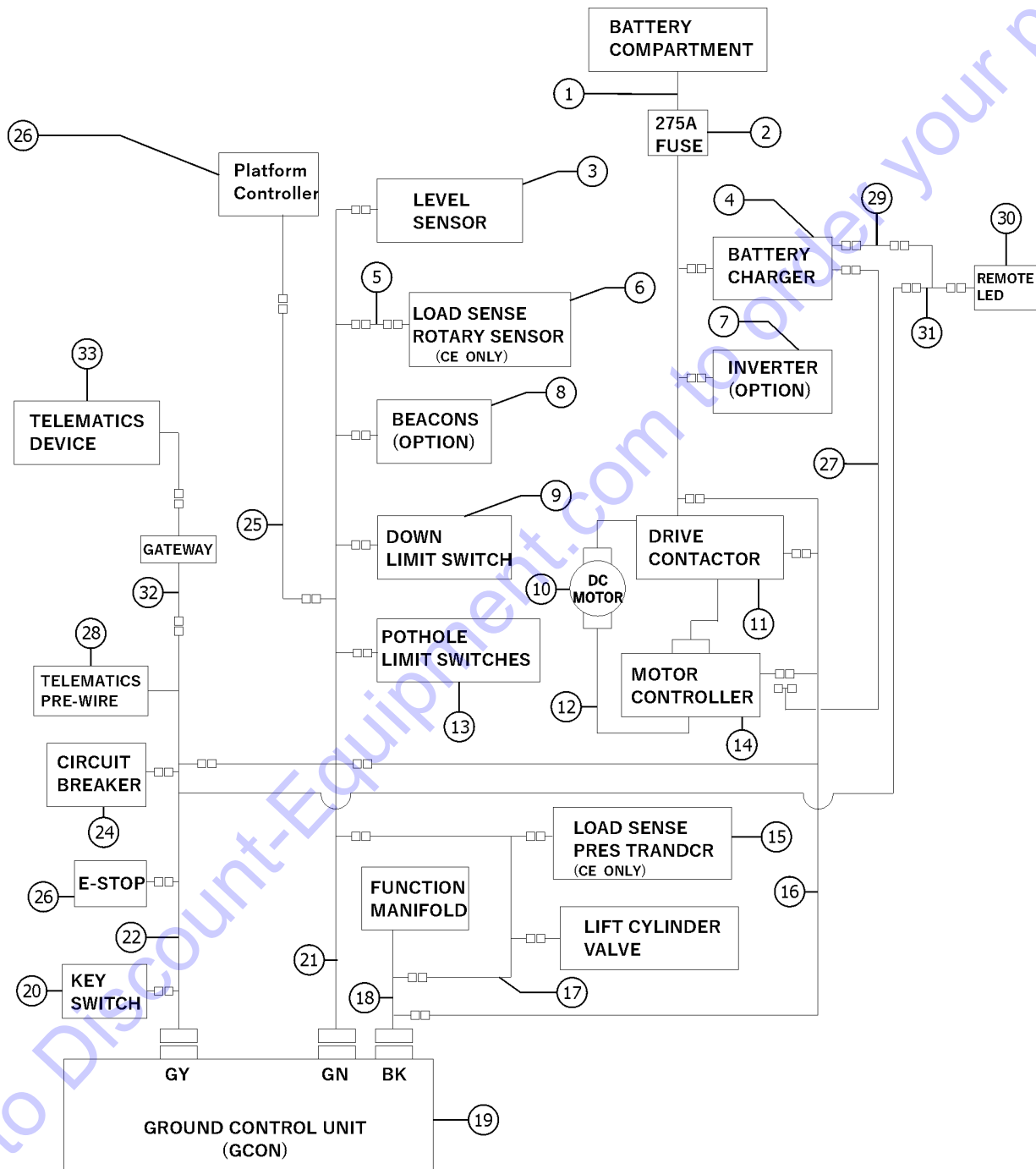
209.1 Electrical Wiring, GS-2646 (to SN GS46D-16180)



Item	Part No.	Description	Qty.
A	105214GT	CABLE TIE MOUNT, WINGED not shown	
A	56926GT	CLIP, TIE HARNESS MOUNT*** not shown	
B	1264822GT	KIT, TRC RETROFIT, STNDRD Telematics (includes 1264834)	
B-	1264834GT	INSTRN, TRC RETROFIT, STNDRD	
1		REF. BATTERY CABLE refer to 210.1	
2		REF. FUSE refer to 205.1	
3		REF. LEVEL SENSOR refer to 203.1	
4		REF. CHARGER refer to 206.1	
5	T114031GT	HARNESS, ROTARY ANGLE	1
6	T113136GT	ASSY, ROT SENSR W/ HARNESS	1
7		REF. INVERTER refer to 604.1	
8		REF. STOBE, BEACON refer to 601.1	
9		REF. DOWN LIMIT, GS refer to 203.1	
10		REF. ELECTRIC MOTOR refer to 504.1	
11	1270457GT	CONTACTOR, DRIVE, 24V, 180A UNBRANDED	
12		REF. BATTERY CABLE refer to 210.1	
13	96309GT	POTHOLE HARNESS ASSEMBLY	1
14		REF. MOTOR CONTROLLER refer to 207.1	
15	1291577GT	PRESSURE TRANSDUCER, 0-5K PSI	1
16	233430GT	HRNS, CONTACTOR SIGNAL, GS46	1
17	233054GT	CABLE, LFT CYL DN, 20/26XX, WO/LS GS-2046, GS-2646 (ANSI, CSA)	1
17B	233053GT	CABLE, LFT CYL DN, 20/26XX, W/LS GS-2046, GS-2646 (CE, Australia)	1
18	1257824GT	HARNESS, FUNCTION MANIFOLD, GS replaced T110889GT (Black connector)	1
19		REF. GCON refer to 208.1	
20		REF. KEYSWITCH refer to 208.1	
21	1263221GT	HARNESS, GS SENSORS, ANSI	1
21A-	233711GT	HRNS ASSY, RESISTOR DIODE for 228786GT and T110891GT	
21B	T110891GT	HARNESS, GS SENSORS, CE (Green connector)	1



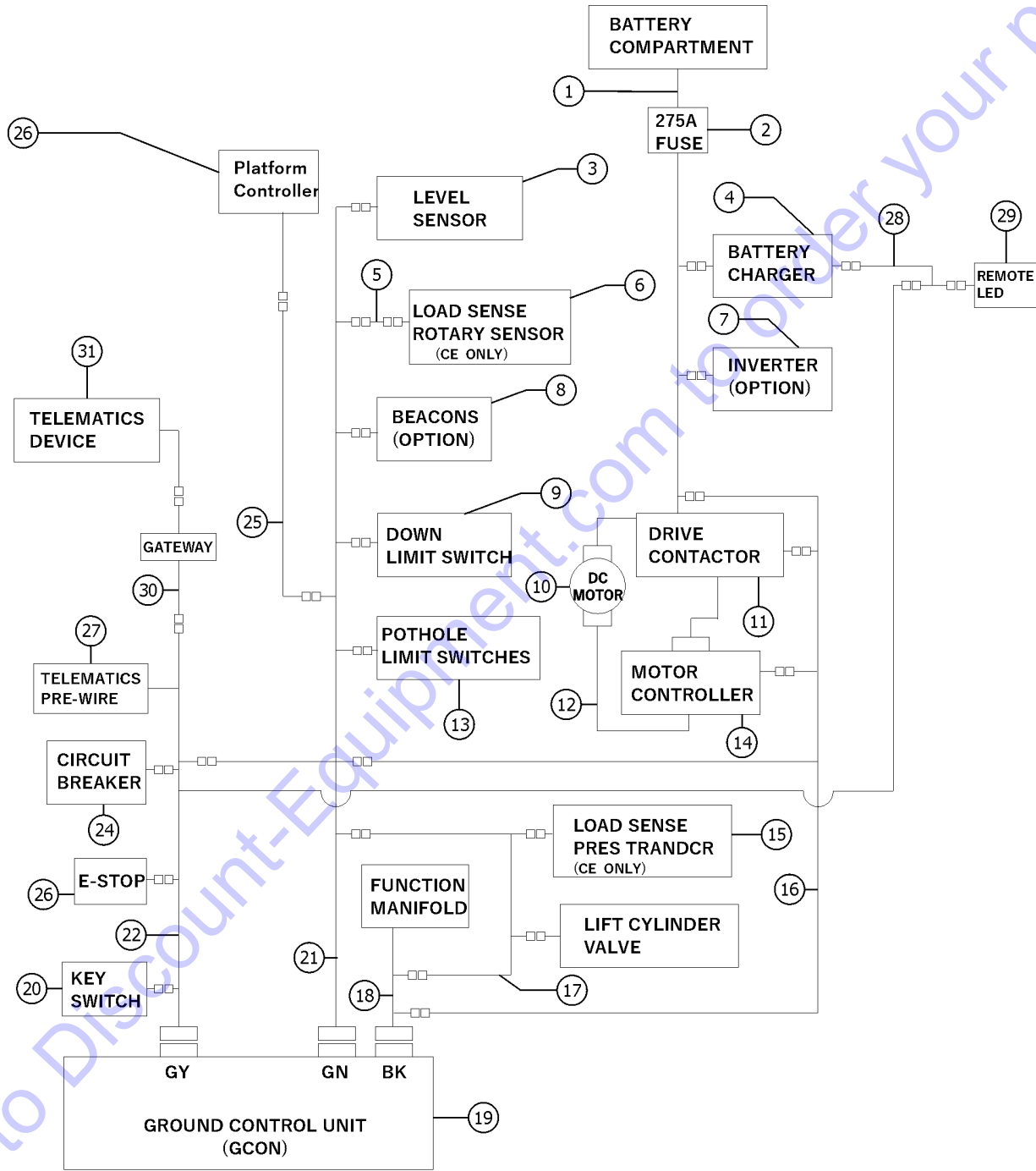
209.1 Electrical Wiring, GS-2646 (to SN GS46D-16180)



Item	Part No.	Description	Qty.
21B-	233711GT	HRNS ASSY,RESISTOR DIODE for 228786GT and T110891GT	
21B-	233644GT	RESISTOR,200 OHM 10W,CERAMIC for 233711GT	
21C	1263220GT	HARNESS, GS SENSORS, CE for UTS only	
22	T110890GT	HARNESS, GS POWER CONTRL US part number; (Grey connector)	1
22B	1258394GT	HARNESS, GS POWER CONTROL China part number; (from SN GS46D-9971)	1
23		REF. E-STOP BUTTON refer to 208.1	
24		REF. CIRCUIT BREAKER refer to 208.1	
25B	233051GT	CABLE, PLATFORM CONTROL, 26XX GS-2646	1
25B-	231921GT	KIT,CONN,RECEPT W/PIN AND LOCK	
25B-	231922GT	KIT,CONN,PLUG W/SCKT AND LOCK	
25B-	218579GT	WIRE CABLE 18/5 - UNSHIELDED GS-2646	440
25C	233052GT	CABLE, PLATFORM CONTROL, 32XX (from SN GS46D-9971)	1
26		REF. PCON refer to 403.1	
27	144215GT	CHARGER INTERLOCK CABLE,GS46 to SN GS46D-13604	
28	1283053GT	HARNESS, TELEMATICS, GS SLAB from SN GS46D-9971	1
29	1265771GT	HARNESS, CHARGER CONTROL from SN GS4616D-4433, (no need for GDP option)	1
30	1306190GT	ASSEMBLE,CHARGER STATUS LED,3V from SN GS4616D-5044	
30B	1296550GT	CHARGER,STATUS LED CBI (GDP option)	1
31	1273394GT	HARNESS, CHARGER EXTENSION from SN GS4616D-5044	1
31B	1296990GT	HARNESS,CHARGER EXTENSION,AGM,GS30/46 (GDP option)	1
32	1289899GT	HARNESS, GATEWAY, GS	1
33		Ref. MODULE,TELEMATICS,ZTR,M7 (refer to 203.1)	1

Go to www.genie.com to order your parts

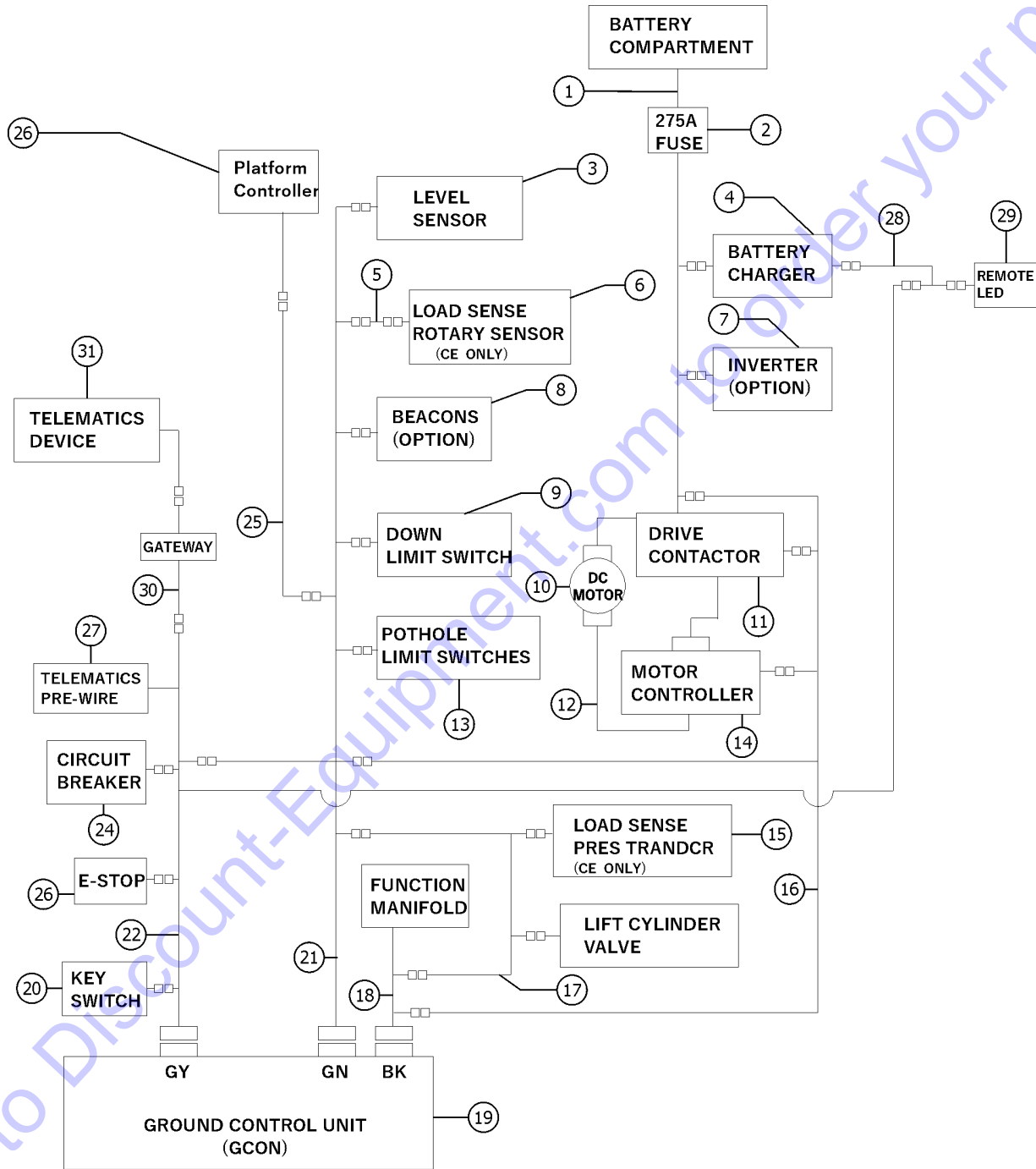




Go to Discount-Equipment.com to order your parts

Item	Part No.	Description	Qty.
A	105214GT	CABLE TIE MOUNT, WINGED not shown	
A	56926GT	CLIP, TIE HARNESS MOUNT*** not shown	
B	1264822GT	KIT, TRC RETROFIT, STNDRD Telematics (includes 1264834)	
B-	1264834GT	INSTRN, TRC RETROFIT, STNDRD	
1		REF. BATTERY CABLE refer to 210.1	
2		REF. FUSE refer to 205.1	
3		REF. LEVEL SENSOR refer to 203.1	
4		REF. CHARGER refer to 206.1	
5	T114031GT	HARNESS, ROTARY ANGLE	1
6	T113136GT	ASSY, ROT SENS R W/ HARNESS	1
7		REF. INVERTER refer to 604.1	
8		REF. STOB, BEACON refer to 601.1	
9		REF. DOWN LIMIT, GS refer to 203.1	
10		REF. ELECTRIC MOTOR refer to 504.1	
11	1270456GT	CONTACTOR, DRIVE, 24V, 180A US part number	
11B	1270457GT	CONTACTOR, DRIVE, 24V, 180A UNBRANDED China part number	
12		REF. BATTERY CABLE refer to 210.1	
13	96309GT	POTHOLE HARNESS ASSEMBLY US part number	1
13B	96853GT	ASSY, POTHOLE HARNESS GS32/GS46 China part number	1
14		REF. MOTOR CONTROLLER refer to 207.1	
15	1291577GT	PRESSURE TRANSDUCER, 0-5K PSI	1
16	233430GT	HRNS, CONTACTOR SIGNAL, GS46	1
17	233054GT	CABLE, LFT CYL DN, 20/26XX, W/O/LS GS-2046, GS-2646 (ANSI, CSA)	1
17B	233053GT	CABLE, LFT CYL DN, 20/26XX, W/LS GS-2046, GS-2646 (CE, Australia)	1
18	1257824GT	HARNESS, FUNCTION MANIFOLD, GS replaced T110889GT (Black connector)	1
19		REF. GCON refer to 208.1	
20		REF. CIRCUIT BREAKER refer to 208.1	
21	1263221GT	HARNESS, GS SENSORS, ANSI	1

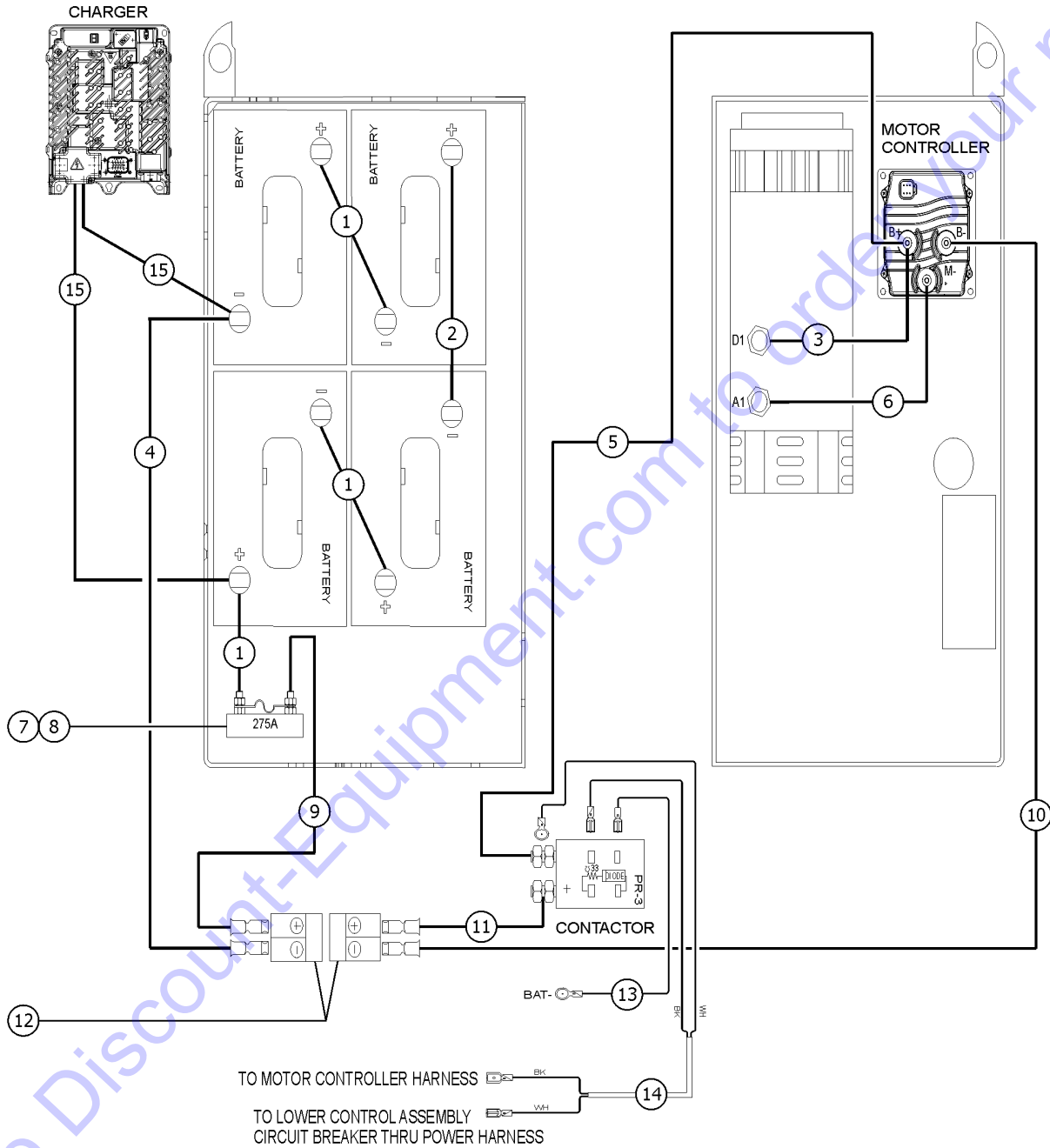




Go to Discount-Equipment.com to order your parts

Item	Part No.	Description	Qty.
21A-	233711GT	HRNS ASSY,RESISTOR DIODE for 228786GT and T110891GT	
21B	T110891GT	HARNESS, GS SENSORS, CE (Green connector)	1
21B-	233711GT	HRNS ASSY,RESISTOR DIODE for 228786GT and T110891GT	
21B-	233644GT	RESISTOR,200 OHM 10W,CERAMIC for 233711GT	
21C	1263220GT	HARNESS, GS SENSORS, CE for UTS only	
22	T110890GT	HARNESS, GS POWER CONTRL US part number; (Grey connector)	1
22B	1258394GT	HARNESS, GS POWER CONTROL China part number;	1
23		REF. E-STOP BUTTON refer to 208.1	
24		REF. CIRCUIT BREAKER refer to 208.1	
25	233050GT	CABLE, PLATFORM CONTROL, 20XX GS-2046	1
25A-	231921GT	KIT,CONN,RECEPT W/PIN AND LOCK	
25A-	231922GT	KIT,CONN,PLUG W/SCKT AND LOCK	
25A-	218579GT	WIRE CABLE 18/5 - UNSHIELDED GS-2046	324
25B	233051GT	CABLE, PLATFORM CONTROL, 26XX GS-2646	1
25B-	231921GT	KIT,CONN,RECEPT W/PIN AND LOCK	
25B-	231922GT	KIT,CONN,PLUG W/SCKT AND LOCK	
25B-	218579GT	WIRE CABLE 18/5 - UNSHIELDED GS-2646	440
25C	233052GT	CABLE, PLATFORM CONTROL, 32XX GS-3246	1
26		REF. PCON refer to 403.1	
27	1283053GT	HARNESS, TELEMATICS, GS SLAB	1
28	1272121GT	HARNESS,LED CHARGER,GS46	1
29	1306190GT	ASSEMBLE,CHARGER STATUS LED,3V	1
30	1289899GT	HARNESS, GATEWAY, GS	1
31		Ref. MODULE,TELEMATICS,ZTR,M7 (refer to 203.1)	1

210.1 Power Cables



Go to Discount-Equipment.com to order your parts

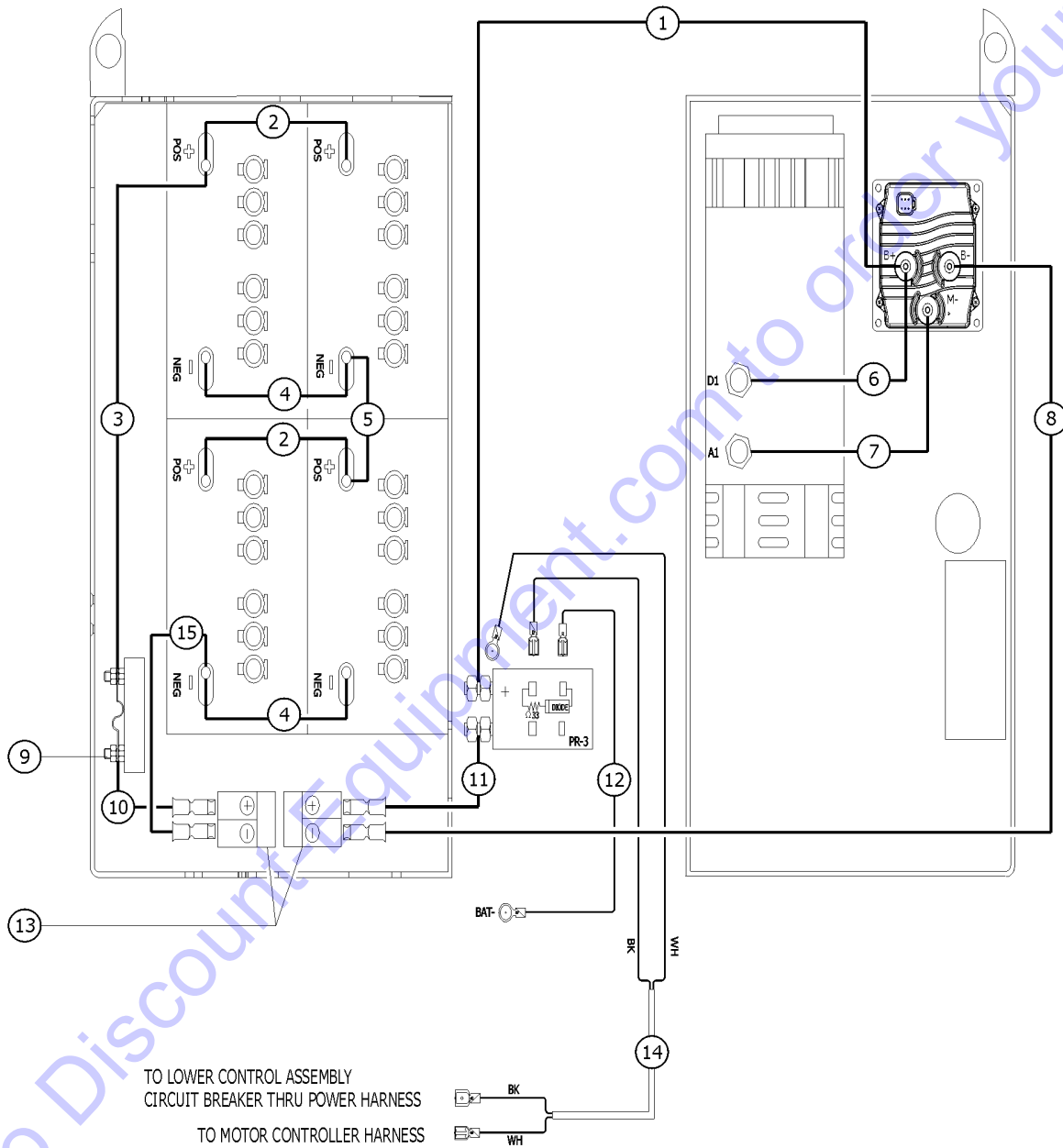
210.1 Power Cables

Item	Part No.	Description	Qty.
A	28131GT	WIRE LOOM,1.25 DIA	16
B	96110GT	BOOT, CABLE, TERMINAL COVER	14
C	79140GT	BOOT,CABLE TERMINAL,RED,XL	2
1	96304GT	CABLE ASSY,BATT,5.50"RED	3
2	96306GT	CABLE ASSY,BATT,9.50"RED	1
3	1257054GT	CABLE ASSY., BATT. 11.5" RED	1
4	232578GT	CABLE ASSY,BATT, 20" BLK	1
5	1257057GT	CABLE ASSY., BATT. 88.5" RED	1
6	1257055GT	CABLE ASSY., BATT. 9.5" BLACK	1
7	66717GT	FUSE BLOCK, ANN & ANL FUSE	1
8	40833GT	FUSE, 275AMP, VERY FAST ACTING	1
9	232576GT	CABLE ASSY,BATT, 12" RED	1
10	1257056GT	CABLE ASSY., BATT. 93" BLACK	1
11	233371GT	CABLE ASSY, BATT, 23"RD	1
12	66397GT	QUICK DISCONNECT CASING,BATT**	2
13	232582GT	GROUND WIRE ASSY,GS	1
14	233430GT	HRNS,CONTACTOR SIGNAL,GS46	1
15	1273576GT	CABLE ASSY,CHARGER/BATTERY	
		(standard batteries)	
15B	1272844GT	CABLE,CHARGER, DC, W/ BTS	1
		(AGM batteries), (no need for GDP option)	

Go to DiscountEquipment.com to order your parts



210.2 Power Cables



Go to DiscountEquipment.com to order your parts

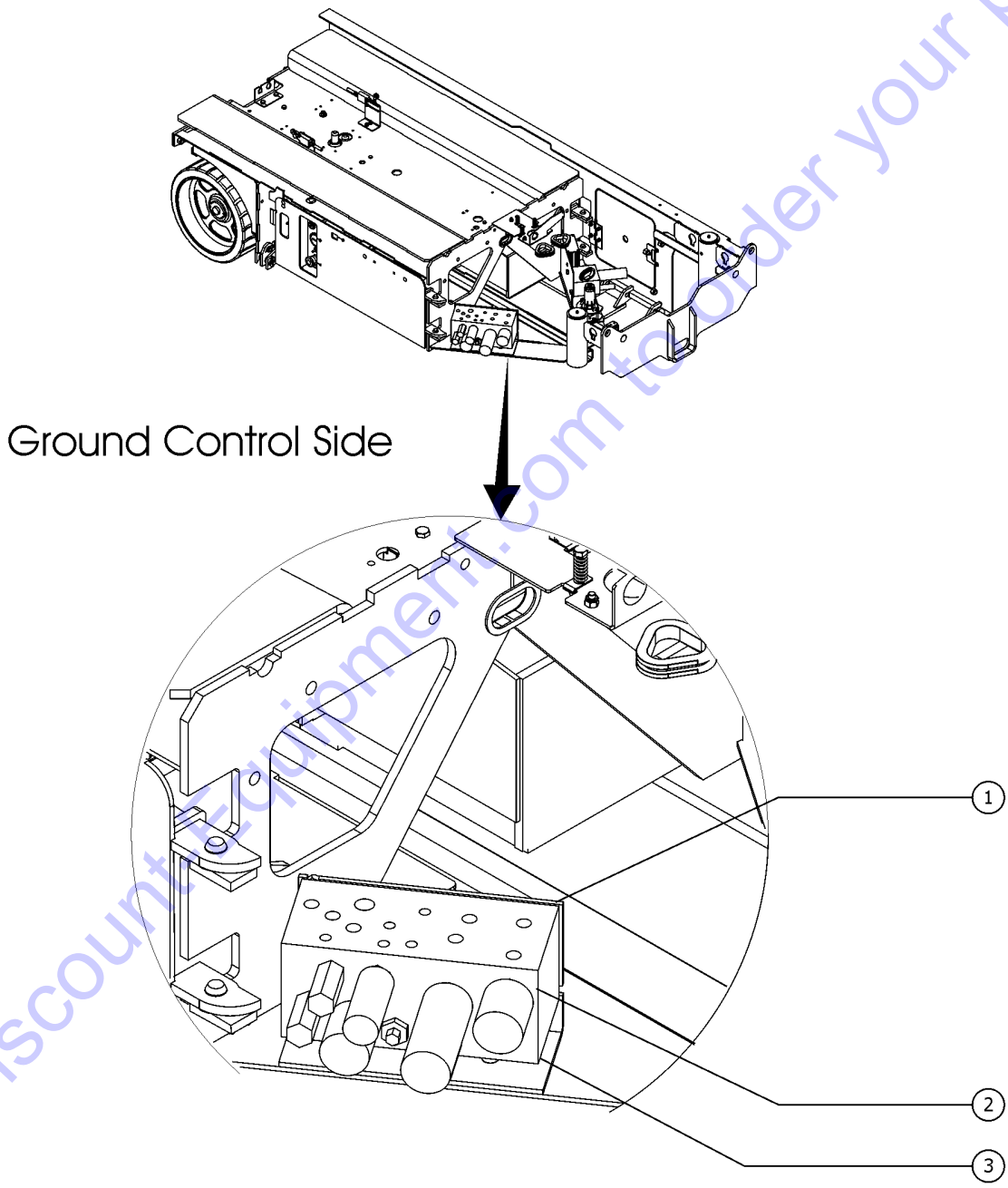
210.2 Power Cables

Item	Part No.	Description	Qty.
A	28131GT	WIRE LOOM,1.25 DIA	16 in ch es
B	96110GT	BOOT, CABLE, TERMINAL COVER	11
C	79140GT	BOOT,CABLE TERMINAL,RED,XL	6
1	1257858GT	CABLE ASSY., BATT. 101", RED	1
2	1252766GT	CABLE ASSY,BATT,11"RED	2
3	236806GT	CABLE ASSY,BATT,30.5" RED	1
4	1252765GT	CABLE ASSY,BATT,11"BLACK	2
5	236824GT	CABLE ASSY,BATT,11" BLACK	1
6	1257054GT	CABLE ASSY., BATT. 11.5" RED	1
7	1257055GT	CABLE ASSY., BATT. 9.5" BLACK	1
8	1257855GT	CABLE ASSY., BATT. 106" BLACK	1
9	66717GT	FUSE BLOCK, ANN & ANL FUSE	1
10	236821GT	CABLE ASSY,BATT.10.5" RED	1
11	233371GT	CABLE ASSY, BATT, 23"RD	1
12	1264227GT	GROUND WIRE ASSY,GS4047	1
13	232582GT	GROUND WIRE ASSY,GS	
14	233430GT	HRNS,CONTACTOR SIGNAL,GS46	1
15	236824GT	CABLE ASSY,BATT,11" BLACK	1

Go to Discount-Equipment.com to order your parts



211.1 Function Manifold and Accumulator Components



Go to DiscountEquipment.com to order your parts

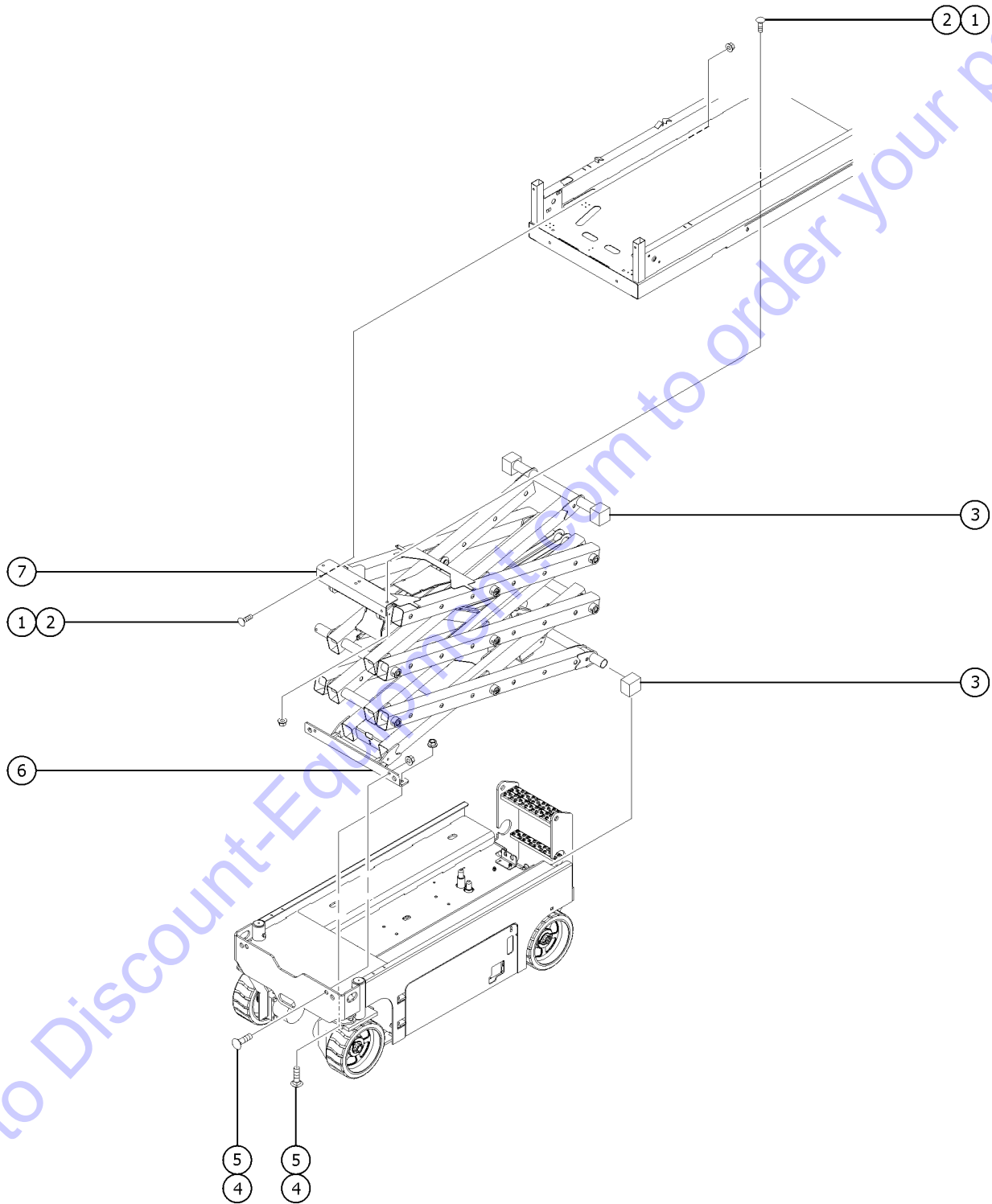
211.1 Function Manifold and Accumulator Components

Item	Part No.	Description	Qty.
1	105574GT	FORMING,MANIFOLD US part number	
1B	132370GT	FORMING MANIFOLD MOUNT China part number	
2		Ref. Function Manifold (refer to 502.1)	
3	78422GT	ACCUMULATOR,180 PSI PRECHARGE* (hidden from view)	
3-	32339GT	CLAMP,1.75,#28 X 3/8,RUB CUSH* (hidden from view)	
3-	9116GT	BOLT,CARRIAGE,1/4-20 X 1.25,G2 (hidden from view)	
3-	824024GT	NUT,TL,1/4-20,C,ZAG (hidden from view)	

Go to Discount-Equipment.com to order your parts



301.1 Scissor Assembly Installation

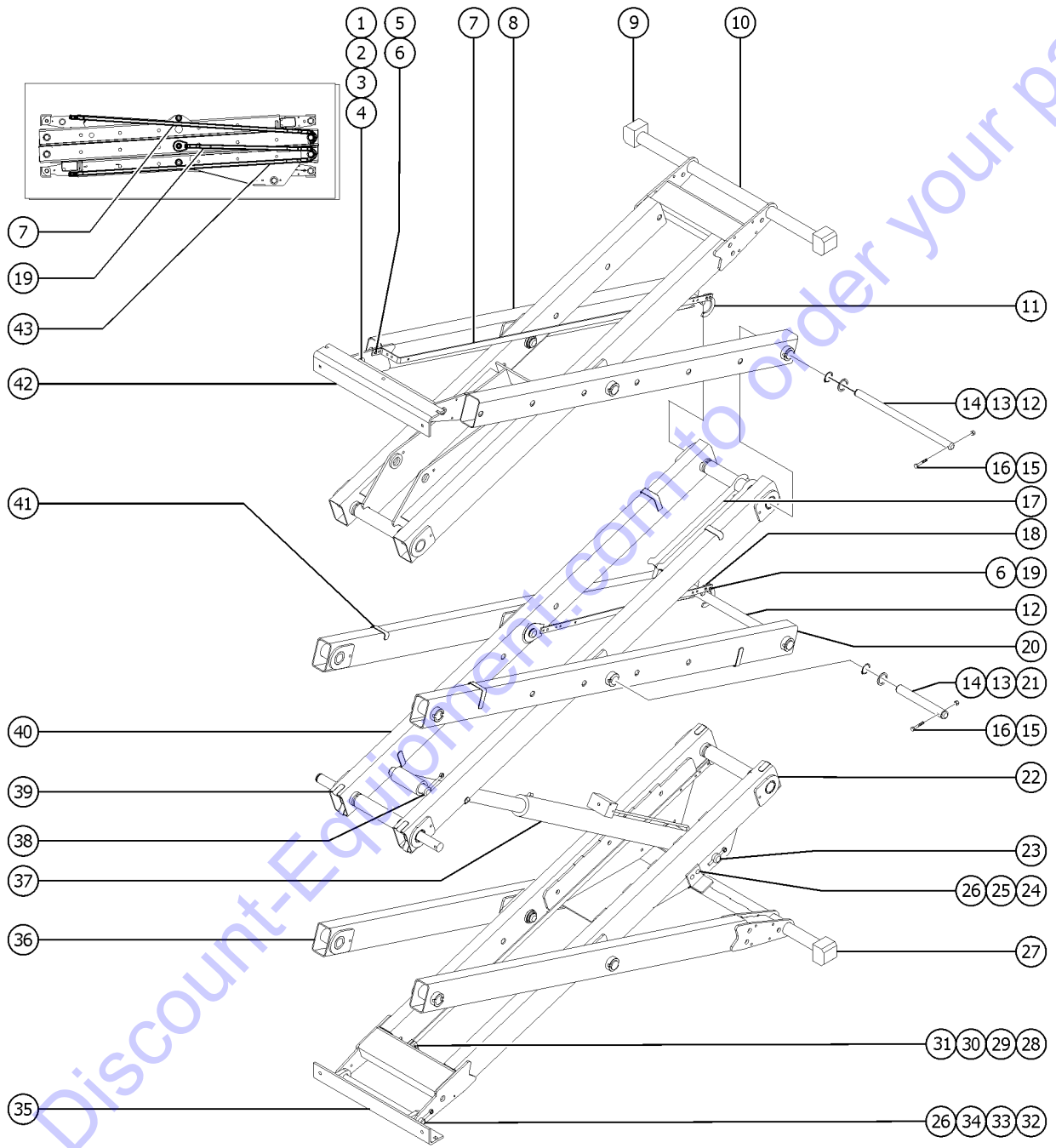


Item	Part No.	Description	Qty.
1	1255757GT	BOLT,CARRIAGE,3/8-16X1.25,5,ZAG	4
2	824029GT	NUT,TL FLG,3/8-16,G,ZAG	4
3	96595GT	SLIDER,UHMW	4
4	1256115GT	BOLT,CARRIAGE,1/2-13X1.75,5,ZA.	4
5	1251997GT	NUT,TL,FLG,1/2-13,G,ZAG	4
6	97241GT	CHASSIS MOUNT ASSY, GS32&46	1
		US part number	
6-	51474GT	BEARING,1.00IDX1.25ODX0.75L	2
6-	96578GT	WELDMENT,CHASSIS MOUNT	1
6B	132578GT	CHASSIS MOUNT ASSY, M	1
		China part number	
6B-	132307GT	WELDMENT,CHASSIS MOUNT	1
7	84747GT	PLATFORM MOUNT ASSY, GS32&46	1
		US part number	
7-	36369GT	BEARING,0.75IDX1.00ODX0.75L	
7B	132577GT	PLATFORM MOUNT ASSY, M	1
		China part number	
7B-	96932GT	PIN, LINKSET MOUNT, 3/4"	
7B-	45748GT	ROD END,.250 X 2.75 LG	
7B-	1301699GT	PLATFORM MOUNT WITH BEARING, GS46	
7B-	1255757GT	BOLT,CARRIAGE,3/8-16X1.25,5,ZAG	
7B-	824029GT	NUT,TL FLG,3/8-16,G,ZAG	

Go to Discount-Equipment.com to order your parts



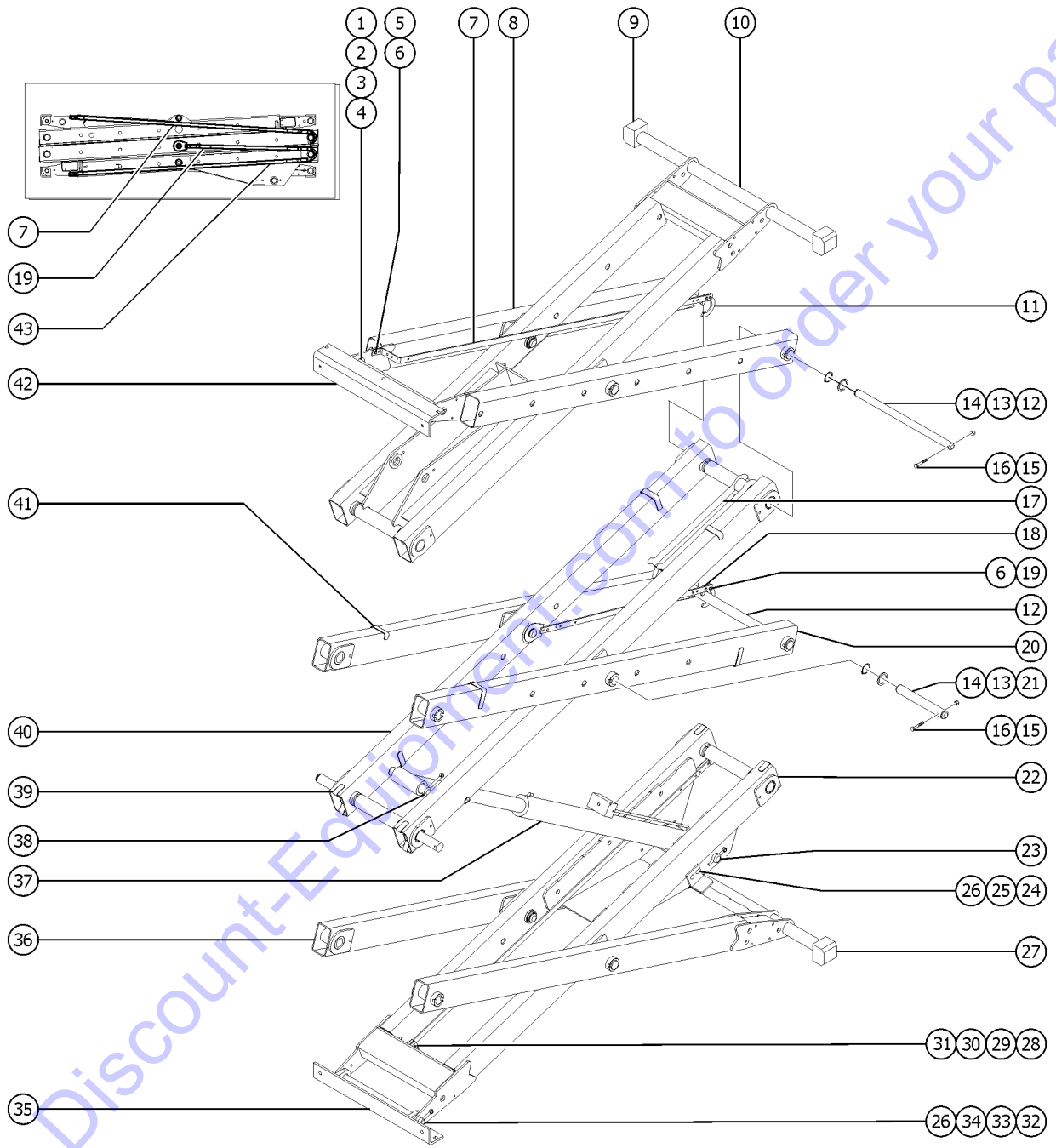
302.1 Scissor Assembly, GS-2046



Item	Part No.	Description	Qty.
1	96932GT	PIN, LINKSET MOUNT, 3/4"	1
2	825020GT	ROD END,.250X2.75,ZAG	2
3	824080GT	SCREW,HHF,1/4-20X1.25,8,ZAG	2
4	824027GT	NUT, TL FLG, 1/4-20, G, ZAG	2
5	1256127GT	BOLT,CARRIAGE,1/4-20X1",GR 5,ZAG	2
6	1256679GT	NUT,SERRATED,1/4-20,8,ZAG	5
7	105189GT	BAR,CABLE BRIDGE ARM,UPPER US part number	1
7B	132267GT	BAR,CABLE BRIDGE ARM,UPPER China part number	1
8	96611GT	WLDMT,LNK,OUT #3-20XX,#5-32XX US part number	2
8B	132298GT	WLDMT,LNK,OUTER #2,#3,#4 China part number	2
9		Ref. Platform Slider (refer to 301.1)	
10	132518GT	WLDMT,LNK,INNER #3,2046 (include bearings)	1
11	105193GT	CLIP,CABLEBRIDGE,GS32/46	2
12	96899GT	PIN, LONG, GS46	4
13	1260941GT	WASHER,SHIM,1.54X2.00X.125,ZAG	10
14	825796GT	SNAP RING,EXTERNAL,1.50,ZAG	8
15	1256848GT	SCREW,HHC,3/8-16X2.75,8,ZAG	10
16	824025GT	NUT,TL,3/8-16,C,ZAG	10
17	58000GT	SAFETY CHOCK,SCISSOR US part number	1
17B	132038GT	FORMING,SAFETY ARM China part number	2
18	105191GT	WELDMENT.CABLE BRIDGE,TOP US part number	2
18B	105190GT	WLDMT,CABLE BRIDGE,BOTTOM US part number	2
18C	132273GT	WELDMENT.CABLE BRIDGE,TOP China part number	2
18D	132266GT	WLDMNT,CABLE BRIDGE,LOWER China part number	2
19	1260963GT	BOLT,CARRIAGE,1/4-20X.63,5,ZAG	2
20	96605GT	WLDMT,LNK,OUTER #2,#3,#4 US part number	2
20B	132298GT	WLDMT,LNK,OUTER #2,#3,#4 China part number	2
21	96900GT	PIN, SHORT, GS46	6



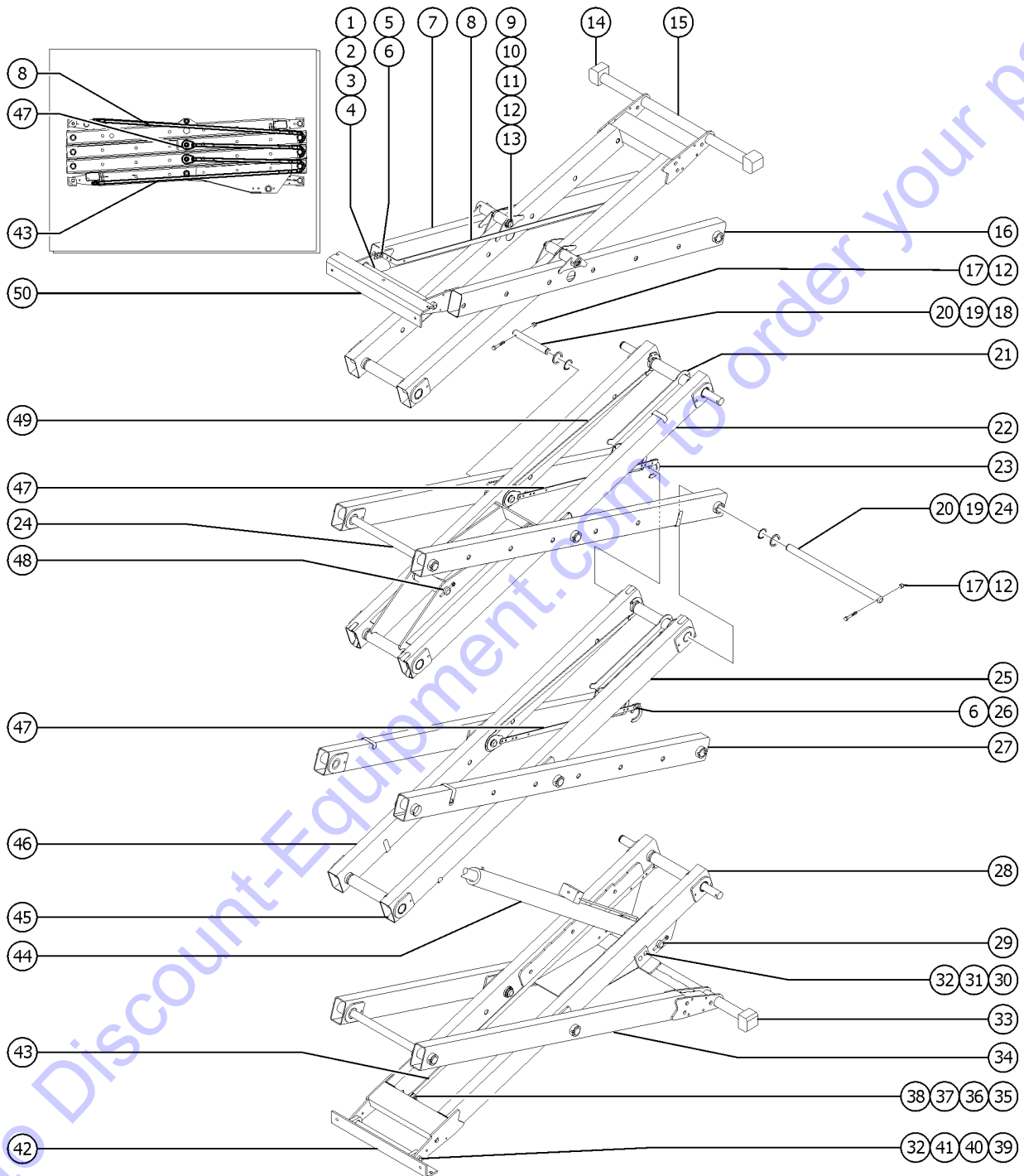
302.1 Scissor Assembly, GS-2046



Item	Part No.	Description	Qty.
22	132274GT	WLDMT,LNK,INNER #1 (include bearings)	1
23	96662GT	PIN, LOWER CYLINDER MOUNT	1
24	1256756GT	BOLT,CARRIAGE,3/8-16X1.5,5,ZAG	2
25	105074GT	FORMING,PH PUSHER, GS46 US part number	1
25B	132522GT	FORMING,PH PUSHER, GS46 China part number	1
26	824029GT	NUT,TL FLG,3/8-16,G,ZAG	9
27		Ref. Chassis Slider (refer to 301.1)	
28	58592GT	PLATE,HOSE ROUTG,BULKHEAD(PTD) US part number	2
28B	132119GT	PLATE,HOSE ROUTING,BULKHEAD * China part number	2
29	78736GT	CLAMP,2 HOSE,PLASTIC,5/8	4
30	1259201GT	BOLT,CARRIAGE,10-24X2,A,ZAG	3
31	1256467GT	NUT,TL FLG,10-24,F,ZAG	3
32	96862GT	PIN, LINKSET MOUNT, 1"	1
33	825019GT	ROD END,.375X3.69,ZAG	3
34	824092GT	SCREW,HHF,3/8-16X1.5,8,ZAG	3
35		Ref. Chassis Mount Assembly (refer to 301.1)	
36	96603GT	WLDMT,LNK,OUTER #1,XX46 US part number; (decal not included refer to section one)	1
36B	132517GT	WLDMT,LNK,OUTER #1,XX46 China part number; (decal not included refer to section one)	1
37		Ref. Lift Cylinder (refer to 505.1)	
38	96661GT	PIN, UPPER CYLINDER MOUNT	1
39	96735GT	LINK BUMPER, 5"	4
40	97234GT	INNER ARM ASSY, #2, GS32&46	1
40-	66055GT	BEARING,1.50IDX1.77ODX1.25L	8
41	96836GT	LINK BUMPER, SHORT TUBE	8
42		Ref. Platform Mounting Assembly (refer to 301.1)	
43	105186GT	WLDMNT,CABLE BRIDGE,LOWER US part number	1
43B	132266GT	WLDMNT,CABLE BRIDGE,LOWER China part number	1

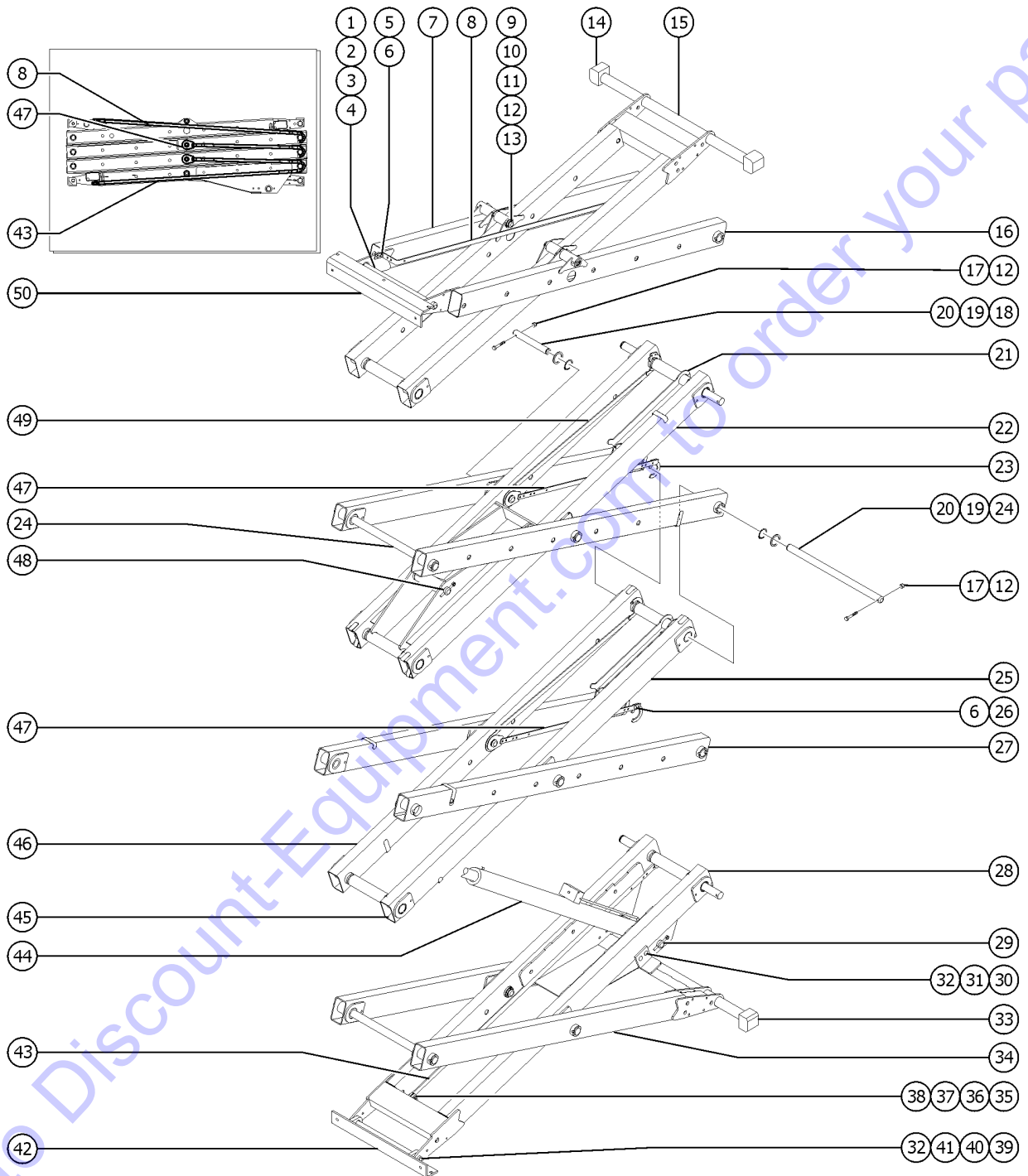


303.1 Scissor Assembly, GS-2646



Item	Part No.	Description	Qty.
1	96932GT	PIN, LINKSET MOUNT, 3/4"	1
2	825020GT	ROD END,.250X2.75,ZAG	2
3	824080GT	SCREW,HHF,1/4-20X1.25,8,ZAG	2
4	824027GT	NUT, TL FLG, 1/4-20, G, ZAG	2
5	1256127GT	BOLT,CARRIAGE,1/4-20X1",GR 5,ZAG	2
6	1256679GT	NUT,SERRATED,1/4-20,8,ZAG	6
7	96615GT	WLDMT,LNK,OUTER #4,26XX US part number; (ground controls side)	1
7B	132383GT	WELDMENT,LNK,OUTER#4,RIGHT China part number; (ground controls side)	1
8	105189GT	BAR,CABLE BRIDGE ARM,UPPER US part number	
8B	132267GT	BAR,CABLE BRIDGE ARM,UPPER China part number	
9	96130GT	PIN, MINI, CENTRE	2
10	824164GT	SNAP RING,EXTERNAL,1.25,ZAG	2
11	824151GT	WASHER,SHIM,1.270X2.130X.062,Z	2
12	824025GT	NUT,TL,3/8-16,C,ZAG	14
13	1256848GT	SCREW,HHC,3/8-16X2.75,8,ZAG	2
14		Ref. Platform Slider (refer to 301.1)	
15	132525GT	WLDMT,LNK,INNER #4,2646	1
16	96616GT	WLDMT,LNK,OUTER #4,26XX,LEFT US part number; (battery pack side)	1
16B	132385GT	WELDMENT,LNK,OUTER#4,LEFT China part number; (battery pack side)	1
17	1256848GT	SCREW,HHC,3/8-16X2.75,8,ZAG	12
18	96900GT	PIN, SHORT, GS46	6
19	1260941GT	WASHER,SHIM,1.54X2.00X.125,ZAG	10
20	825796GT	SNAP RING,EXTERNAL,1.50,ZAG	12
21	58000GT	SAFETY CHOCK,SCISSOR US part number	1
21B	132038GT	FORMING,SAFETY ARM China part number	2
22	97244GT	INNER ARM ASSY #3, 2632/2646	1
22-	66055GT	BEARING,1.50IDX1.77ODX1.25L	8
23	105193GT	CLIP,CABLEBRIDGE,GS32/46	

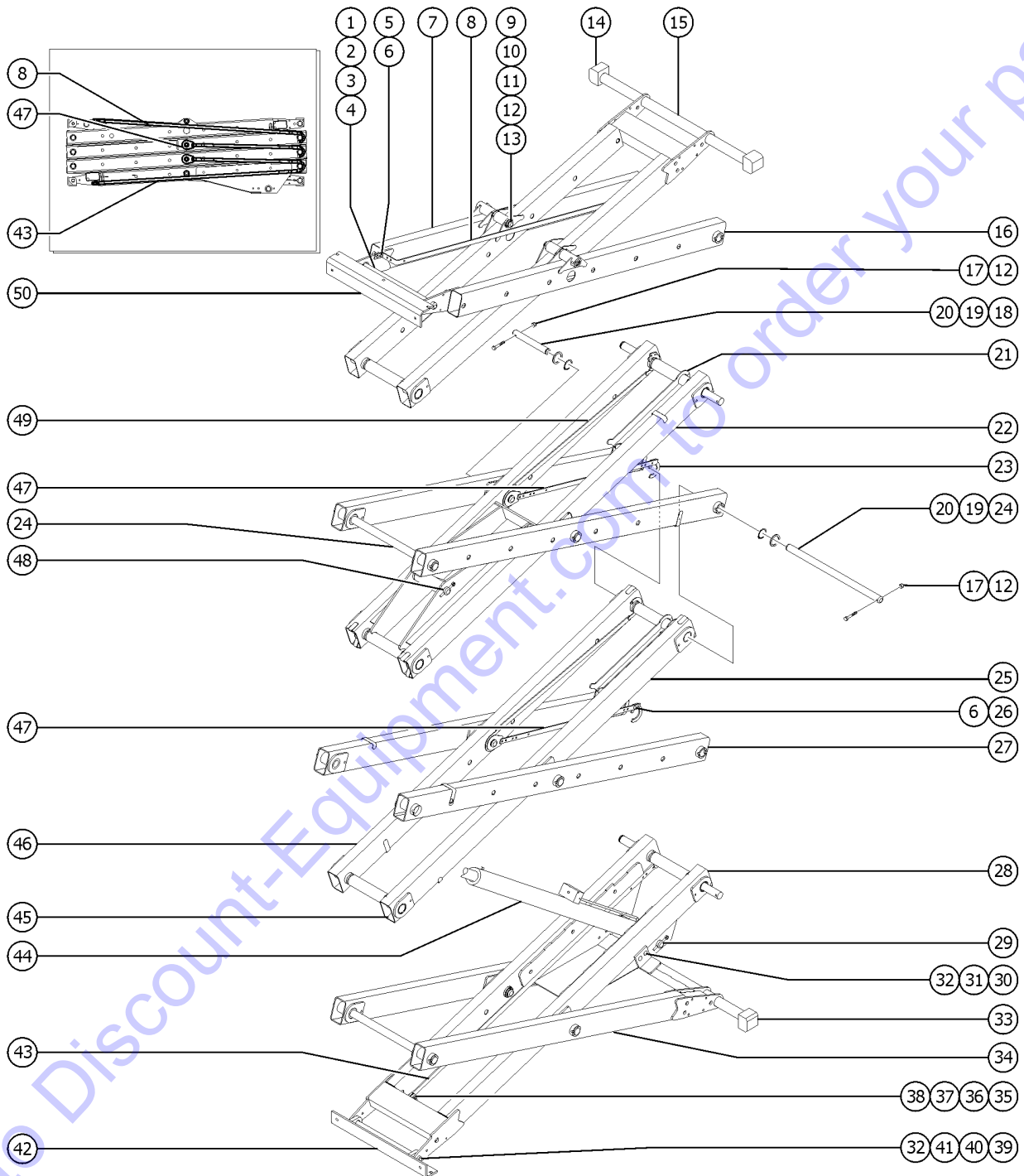
303.1 Scissor Assembly, GS-2646



Item	Part No.	Description	Qty.
24	96899GT	PIN, LONG, GS46	6
25	96836GT	LINK BUMPER, SHORT TUBE	8
26	1260963GT	BOLT,CARRIAGE,1/4-20X.63,5,ZAG	3
27	96605GT	WLDMT,LNK,OUTER #2,#3,#4 US part number	4
27B	132298GT	WLDMT,LNK,OUTER #2,#3,#4 China part number	4
28	132274GT	WLDMT,LNK,INNER #1 (included bearings)	
29	96662GT	PIN, LOWER CYLINDER MOUNT	1
30	1256756GT	BOLT,CARRIAGE,3/8-16X1.5,5,ZAG GS-2646	2
31	105074GT	FORMING,PH PUSHER, GS46 US part number	1
31B	132522GT	FORMING,PH PUSHER, GS46 China part number	1
32	824029GT	NUT,TL FLG,3/8-16,G,ZAG	9
33		Ref. Chassis Slider refer to 301.1)	
34	96603GT	WLDMT,LNK,OUTER #1,XX46 US part number; (decal not included refer to section one)	1
34B	132517GT	WLDMT,LNK,OUTER #1,XX46 China part number; (decal not included refer to section one)	1
35	58592GT	PLATE,HOSE ROUTG,BULKHEAD(PTD) US part number	2
35B	132119GT	PLATE,HOSE ROUTING,BULKHEAD * China part number	2
36	78736GT	CLAMP,2 HOSE,PLASTIC,5/8	4
37	1259201GT	BOLT,CARRIAGE,10-24X2,A,ZAG	3
38	1256467GT	NUT,TL FLG,10-24,F,ZAG	3
39	96862GT	PIN, LINKSET MOUNT, 1"	1
40	825019GT	ROD END,.375X3.69,ZAG	3
41	824092GT	SCREW,HHF,3/8-16X1.5,8,ZAG	3
42		Ref. Chassis Mount Assembly (refer to 301.1)	
43	105186GT	WLDMNT,CABLE BRIDGE,LOWER US part number; GS-2646	
43B	132266GT	WLDMNT,CABLE BRIDGE,LOWER China part number	
44		Ref. Lift Cylinder (refer to 505.1)	
45	96735GT	LINK BUMPER, 5"	4
46	97234GT	INNER ARM ASSY, #2, GS32&46	1



303.1 Scissor Assembly, GS-2646

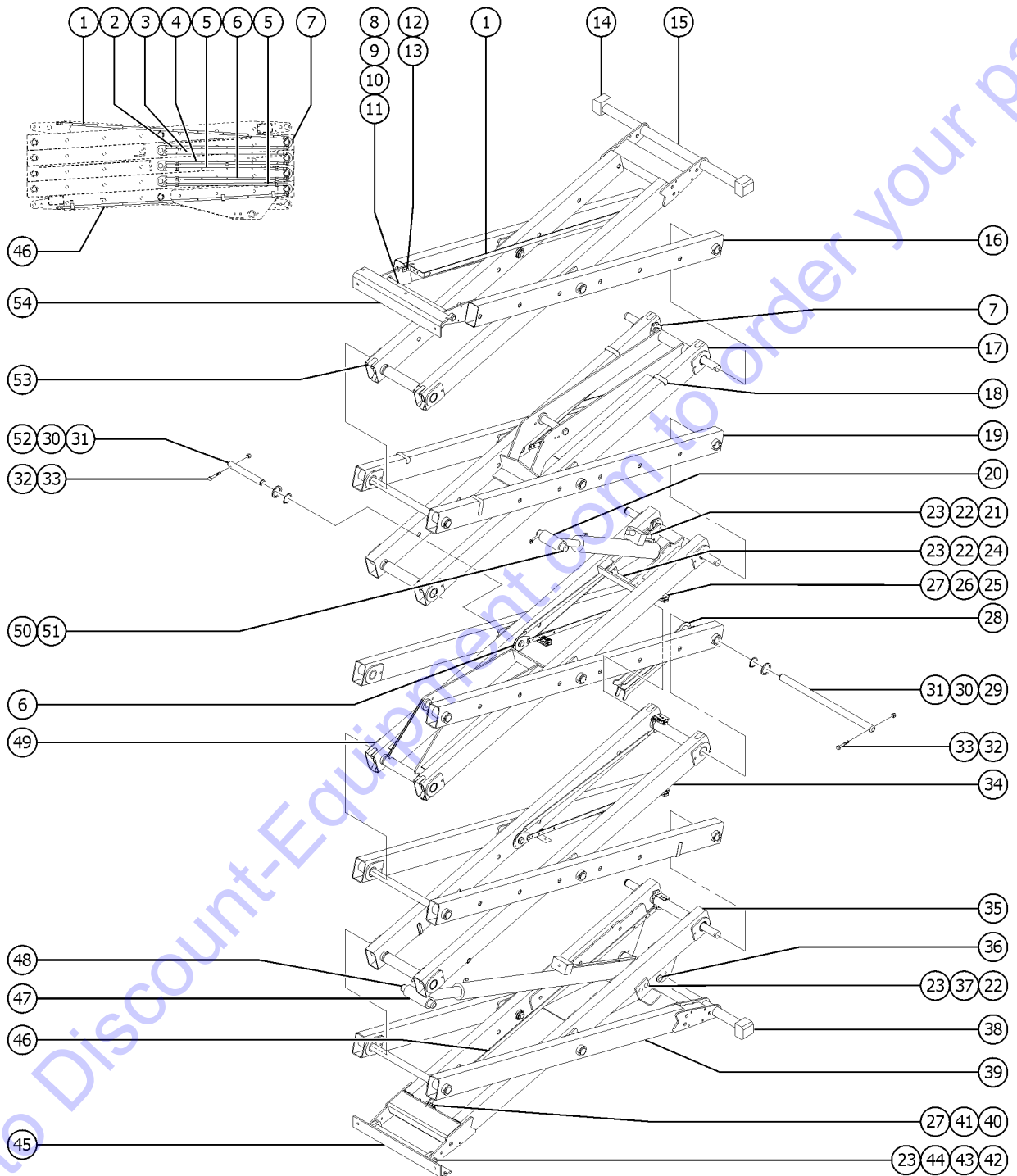


Item	Part No.	Description	Qty.
46-	66055GT	BEARING,1.50IDX1.77ODX1.25L	8
47	105191GT	WELDMENT,CABLE BRIDGE,TOP	
		US part number	
47B	132273GT	WELDMENT,CABLE BRIDGE,TOP	
		China part number	
48	96812GT	PIN, LOWER CYL, ROD END	1
49	105190GT	WLDMT,CABLE BRIDGE,BOTTOM	
		US part number	
49B	132270GT	WLDMT,CABLE BRIDGE,BOTTOM	
		China part number	
50		Ref. Platform Mount Assembly	
		(refer to 301.1)	

Go to Discount-Equipment.com to order your parts

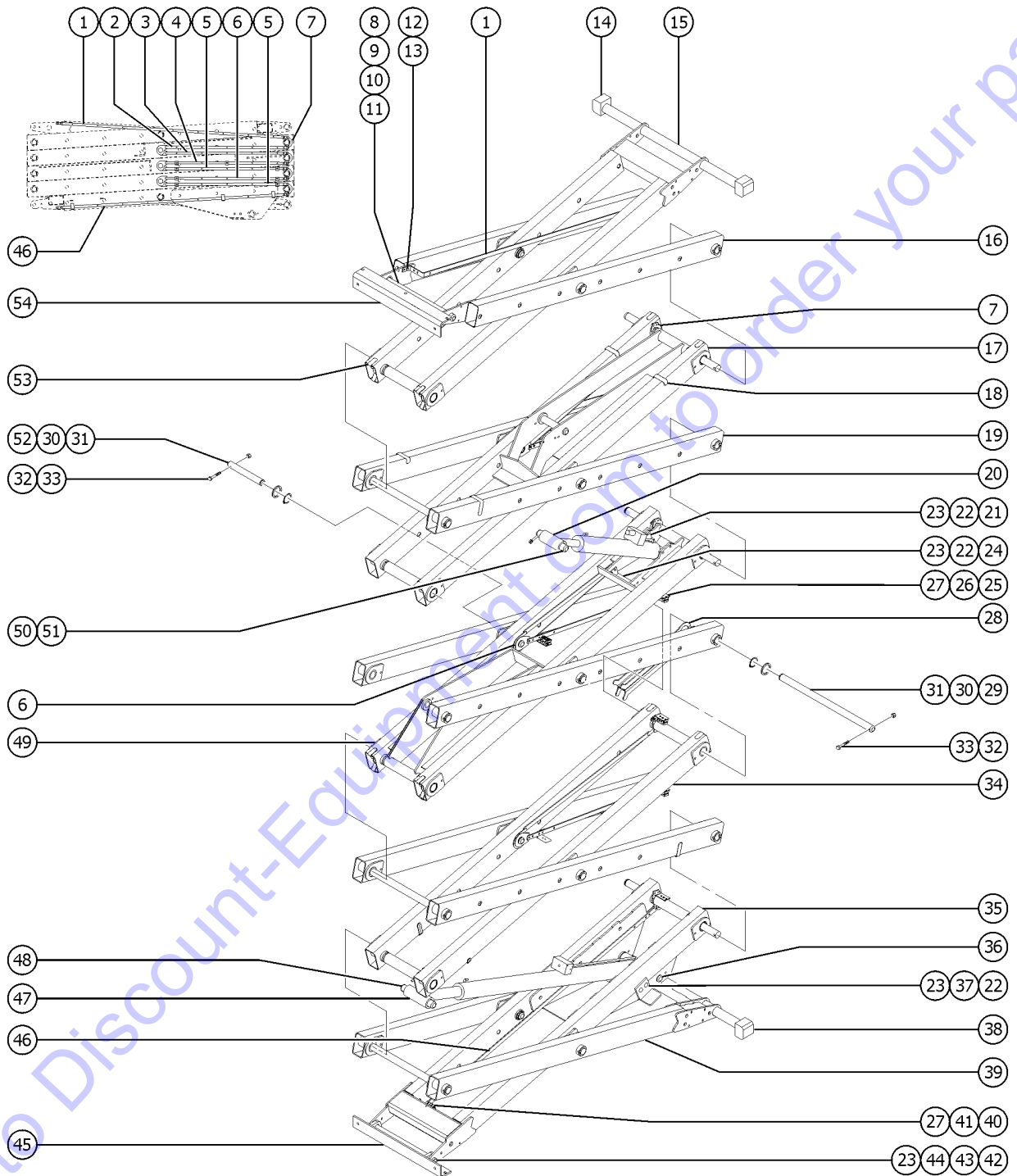


304.1 Scissor Assembly, GS-3246



Item	Part No.	Description	Qty.
1	105189GT	BAR,CABLE BRIDGE ARM,UPPER US part number	
1B	132267GT	BAR,CABLE BRIDGE ARM,UPPER China part number	
2	105191GT	WELDMNT,CABLE BRIDGE, TOP US part number	1
2B	132273GT	WELDMNT,CABLE BRIDGE, TOP China part number	1
3	105190GT	WLDMT,CABLE BRIDGE,BOTTOM US part number	1
3B	132270GT	WLDMT,CABLE BRIDGE,BOTTOM China part number	1
4	105192GT	WELDMNT,CABLE BRIDGE***	1
5	105188GT	WLDMT,CABLE BRIDGE,BOTTOM,3246	2
6	105187GT	WELDMNT,CABLE BRIDGE, TOP,32XX	6
7	105193GT	CLIP,CABLEBRIDGE,GS32/46	
8	96932GT	PIN, LINKSET MOUNT, 3/4"	1
9	825020GT	ROD END,.250X2.75,ZAG	2
10	824080GT	SCREW,HHF,1/4-20X1.25,8,ZAG	2
11	824027GT	NUT, TL FLG, 1/4-20, G, ZAG	2
12	1256127GT	BOLT,CARRIAGE,1/4-20X1",GR 5,ZAG	2
13	1256679GT	NUT,SERRATED,1/4-20,8,ZAG	7
14		Ref. Platform Slider (refer to 301.1)	
15	115114GT	INNER ARM ASSY #5, 3232	1
15A-	66055GT	BEARING,1.50IDX1.77ODX1.25L	8
15B	97245GT	INNER ARM ASSY #5, 3246	1
15B-	66055GT	BEARING,1.50IDX1.77ODX1.25L	8
16	96611GT	WLDMT,LNK,OUT #3-20XX,#5-32XX	2
17	97246GT	INNER ARM ASSY #4, 3246	1
17-	66055GT	BEARING,1.50IDX1.77ODX1.25L	8
18	96836GT	LINK BUMPER, SHORT TUBE	8
19	96605GT	WLDMT,LNK,OUTER #2,#3,#4	6
20		Ref. Lift Cylinder, Top (refer to 505.1)	
21	96700GT	PLATE, PIN RETAINER	2

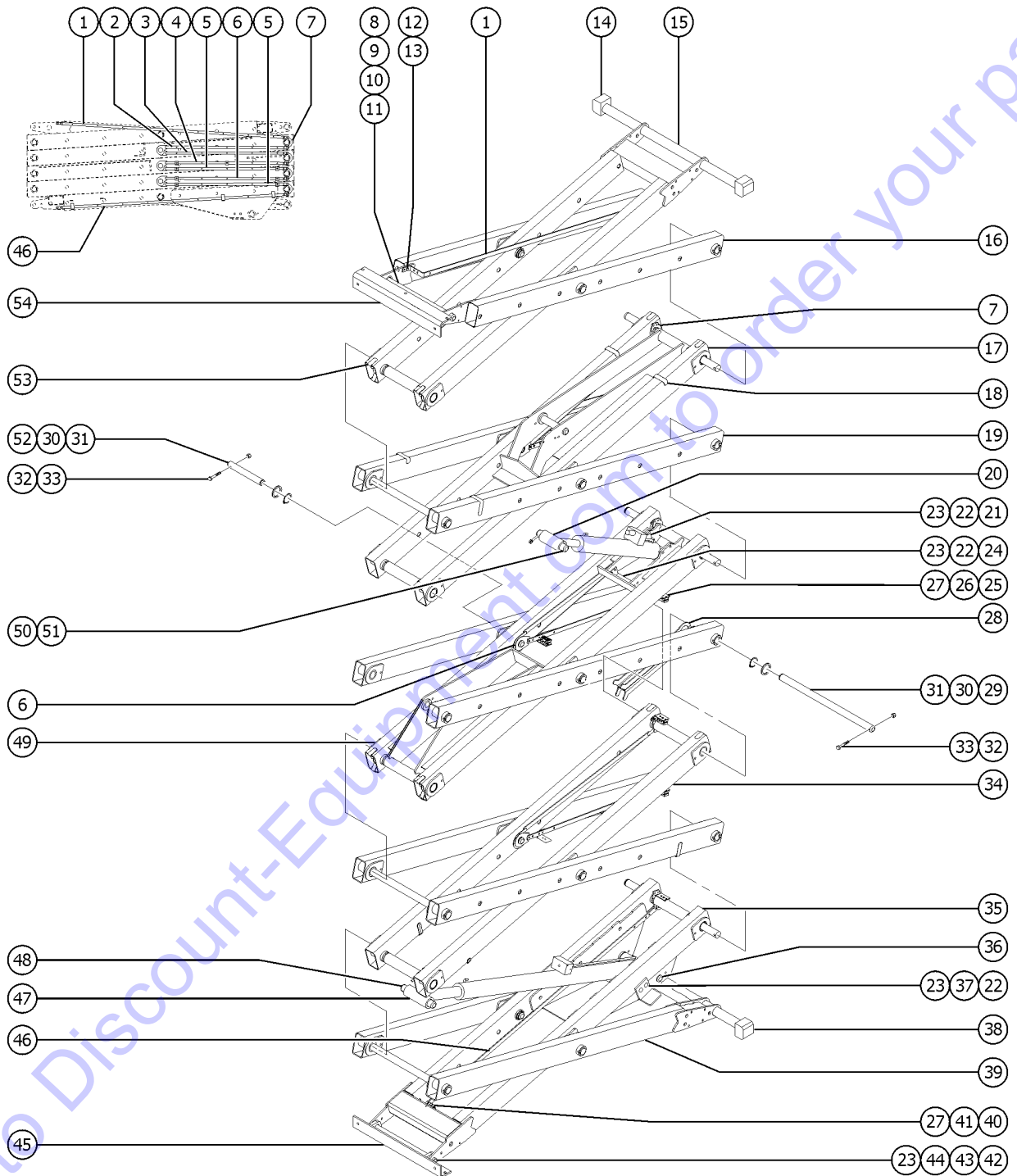
304.1 Scissor Assembly, GS-3246



Item	Part No.	Description	Qty.
22	1256756GT	BOLT,CARRIAGE,3/8-16X1.5,5,ZAG	6
23	824029GT	NUT,TL FLG,3/8-16,G,ZAG	10
24	96971GT	FORMING,HOSE CLAMP,UPPER CYL	1
25	78736GT	CLAMP,2 HOSE,PLASTIC,5/8	18
26	1259201GT	BOLT,CARRIAGE,10-24X2,A,ZAG	9
27	1256467GT	NUT,TL FLG,10-24,F,ZAG	11
28	58001GT	SAFETY CHOCK-SCISSOR	1
29	96899GT	PIN, LONG, GS46	8
30	1260941GT	WASHER,SHIM,1.54X2.00X.125,ZAG	15
31	825796GT	SNAP RING,EXTERNAL,1.50,ZAG	18
32	1256848GT	SCREW,HHC,3/8-16X2.75,8,ZAG	12
33	824025GT	NUT,TL,3/8-16,C,ZAG	18
34	97234GT	INNER ARM ASSY, #2, GS32&46	1
34-	66055GT	BEARING,1.50IDX1.77ODX1.25L	8
35	1300079GT	ASSEMBLY, LINK, INNER #1 (decal not included refer to section one)	1
35-	66055GT	BEARING,1.50IDX1.77ODX1.25L	6
35-	1299483GT	WELDMENT, LNK, LOWER1 ,E-DRIVE	
36	96662GT	PIN, LOWER CYLINDER MOUNT	1
37	105074GT	FORMING,PH PUSHER, GS46	2
38		Ref. Chassis Slider (refer to 301.1)	
39	105029GT	WLDMT,LNK,OUTER #1,GS32 (decal not included refer to section one)	1
39B	96603GT	WLDMT,LNK,OUTER #1,XX46 (decal not included refer to section one)	1
40	58592GT	PLATE,HOSE ROUTG,BULKHEAD(PTD)	3
41	1260962GT	BOLT,CARRIAGE,10-24X2.5,A,ZAG	2
42	96862GT	PIN, LINKSET MOUNT, 1"	1
43	825019GT	ROD END,.375X3.69,ZAG	4
44	824092GT	SCREW,HHF,3/8-16X1.5,8,ZAG	4
45		Ref. Chassis Mount Assembly (refer to 301.1)	



304.1 Scissor Assembly, GS-3246

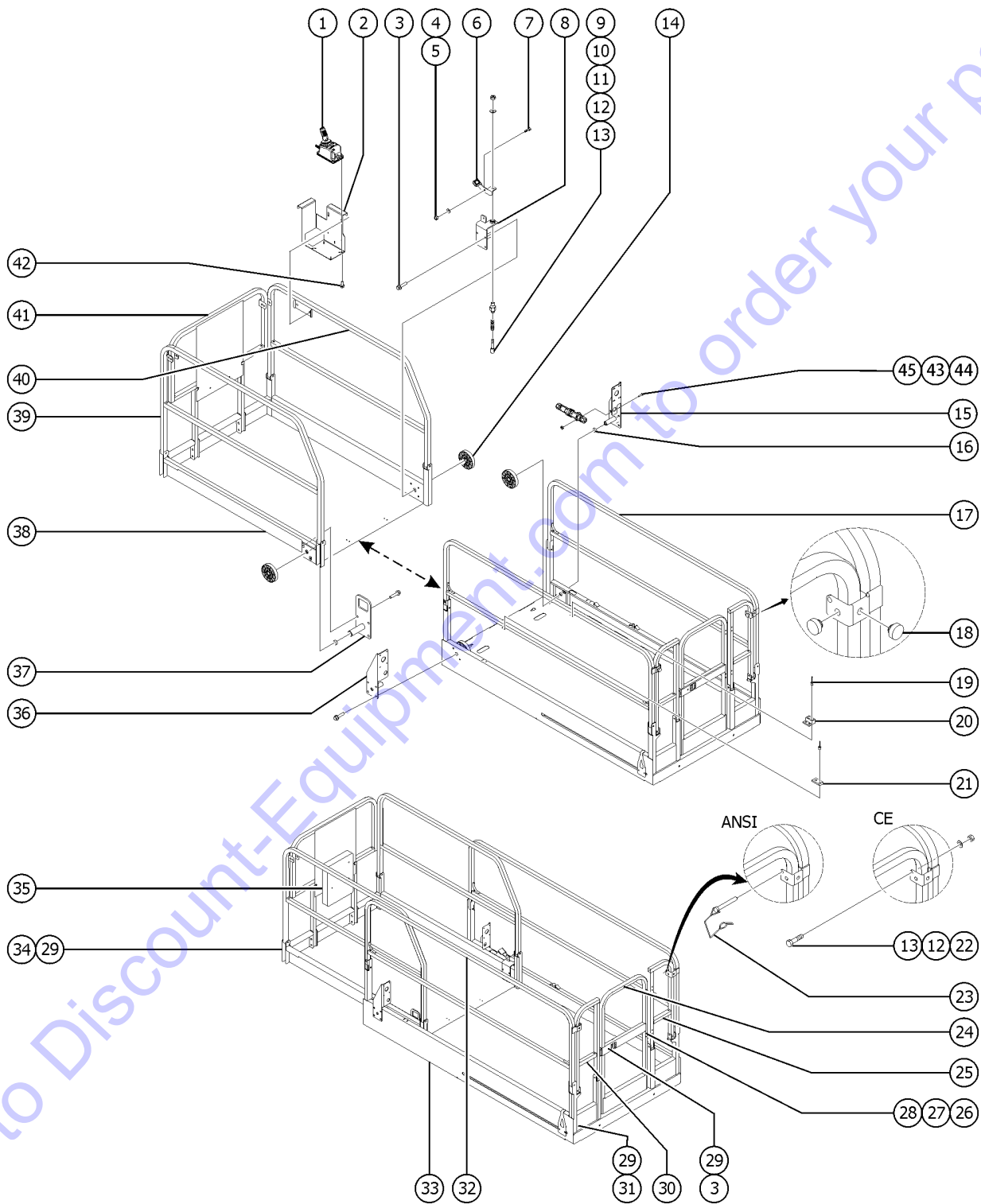


Item	Part No.	Description	Qty.
46	105186GT	WLDMNT,CABLE BRIDGE,LOWER	1
47		Ref. Lift Cylinder, Bottom	
48	96812GT	PIN, LOWER CYL, ROD END	1
49	96608GT	WLDMT,LNK,INNER #3,32XX	1
		US part number	
49B	132393GT	PIN, LOWER CYL, ROD END	1
		China part number	
50	96661GT	PIN, UPPER CYLINDER MOUNT	1
51	96663GT	PIN, SADDLE CYLINDER MOUNT	1
52	96900GT	PIN, SHORT, GS46	6
53	96735GT	LINK BUMPER, 5"	8
54		Ref. Platform Mount Assembly	
		(refer to 301.1)	

Go to Discount-Equipment.com to order your parts



401.1 Platform Components



Go to Discount-Equipment.com to order your parts

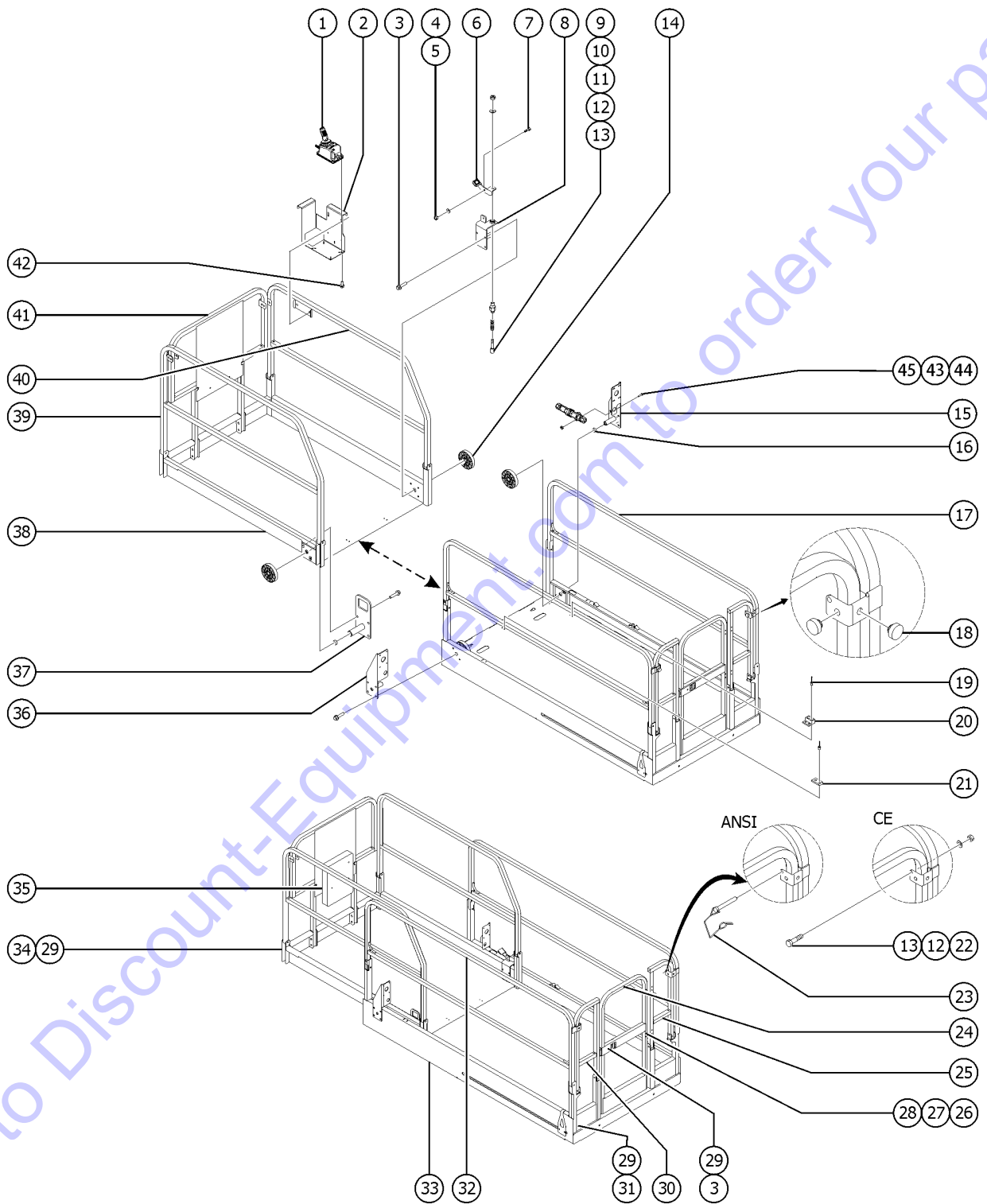


401.1 Platform Components

Item	Part No.	Description	Qty.
1		Ref. Platform Control Box (refer to 403.1)	
1B	1280957GT	PCON ASSEMBLY, HARTING CONN OPTION	1
2		Ref. Platform Control Box Mount Bracket (refer to 403.1)	
3	1253478GT	SCREW,HHF,3/8-16X2,8,ZAG	5
4	1252977GT	NUT,TL JAM,5/16-18,A,ZAG	1
5	825358GT	WASHER,FLAT,5/16,USS,ZAG	1
6	47225GT	TAPE,NON-SKID,DIE CUT,1.38X1.5 (not included sold separately)	
7	1259223GT	BOLT,SHS,3/8X.375X5/16-18,ZAG	1
8	96413GT	WLDMT,LOCKING ROLLER SUPPORT US part number	1
8B	132151GT	ROLLER SUPPORT BRACKET China part number	1
9	1259181GT	PIN,LOCK,0.5X3.125,ZAG	1
10	39469GT	SPRING,COMPRESSION.485 X1.75**	1
11	41630GT	HOUSING, LOCK PIN	1
12	1255758GT	WASHER,FLAT,3/8,USS,ZAG	4
13	824038GT	NUT, TL JAM, 3/8-16, A, ZAG	4
14	47163GT	ROLLER,PLATFORM EXTENSION	4
15	132128GT	ROLLER BRKT RT	1
15B	1280962GT	WLDMT,ROLLER BRKT,RT to SN GS46D-10312	1
15C	1286357GT	WLDMT,ROLLER BRKT,RT,HARTING PIUG from SN GS46D-10313	1
16	21279GT	BUTTON, .800 O.D. X .281	3
17	82052-SGT	RAIL-GS46 PLAT,MAINDECK RT**** US part number	1
17B	132492GT	WELDMENT,UPPER EXT RAIL,GS32 China part number	1
18	43392GT	BUMPER,BATTERY BOX & RAILS	14
19	39579GT	RIVET,STL,STL,.188 X .45	20
20	39310GT	WEAR/GUIDE PAD MAIN PLATFORM	4
21	39474GT	WEAR PAD,PLATFORM	3
22	824094GT	SCREW,HHF,3/8-16X2.75,8,ZAG	3
23	1307198GT	PIN,WIRE LOCK,3/8X2-1/2SQ DW SnPn	



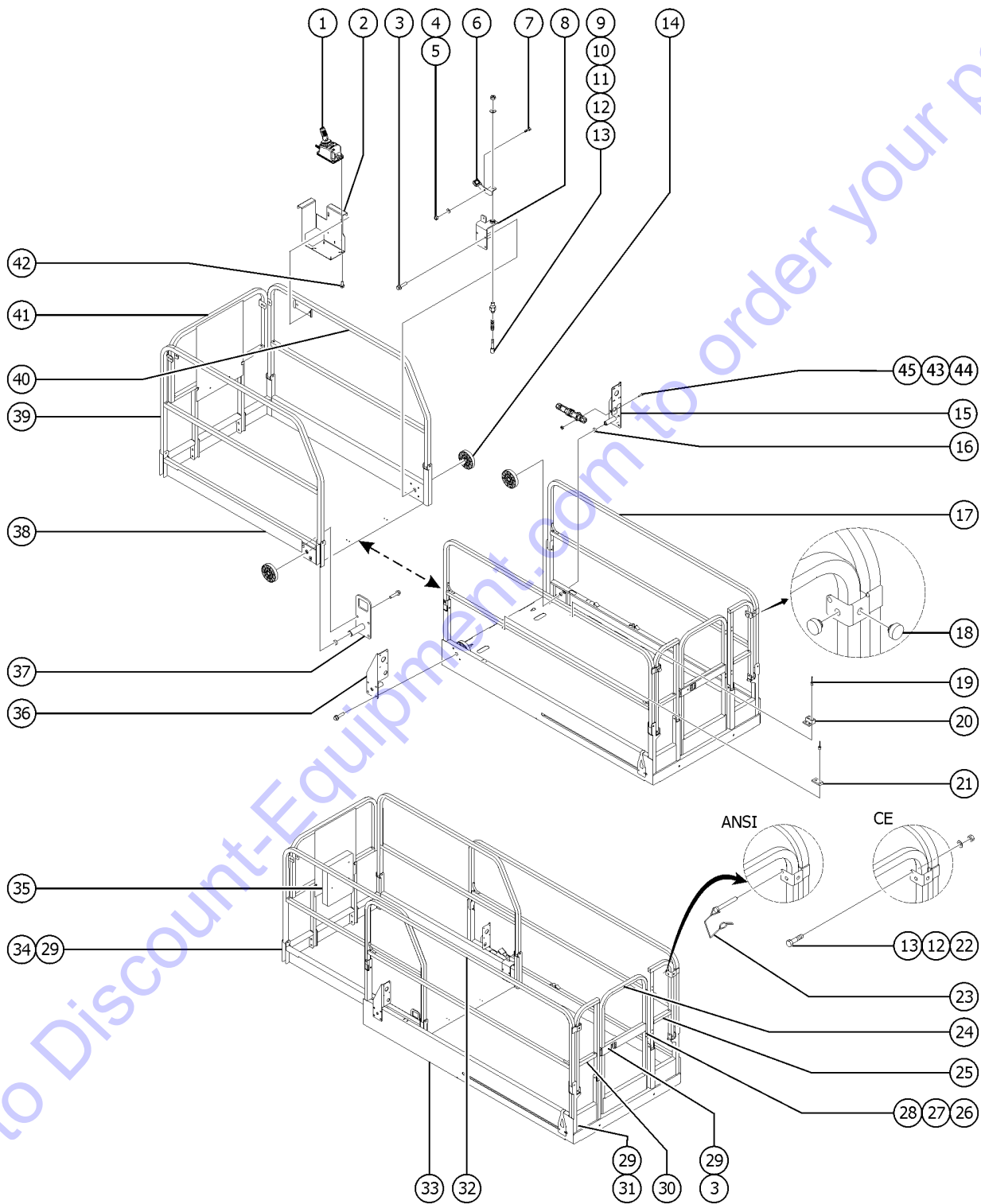
401.1 Platform Components



Item	Part No.	Description	Qty.
23-	78022GT	LANYARD,BLACK NYLON,TYPE 1*** (CE & Australia models)	1
24	96760GT	ASSY, PLATFORM GATE, GSXX46 US part number; COMPLETE (decals not included, refer to section one)	1
24B	132591GT	ASSY,PLATFORM GATE,GSXX46 China part number	1
25	66923GT	WLDMT, ENTRY SIDERAIL, RT US part number; (ground controls side)	1
25-	78038GT	CAP, PLASTIC, 1.25 X 0.08"	1
25B	132514GT	WLDMT, ENTRY SIDERAIL,RT China part number	1
26	1253485GT	SCREW,HHF,1/4-20X2,8,ZAG	8
27	104804GT	HINGE, SPRING, LONG LEG	2
28	1277924GT	NUT,NYLOCK FLG,1/4-20,F,ZAG	8
29	824029GT	NUT,TL FLG,3/8-16,G,ZAG	1
30	66920GT	WLDMT, ENTRY SIDERAIL, LT US part number; (battery pack side)	1
30-	78038GT	CAP, PLASTIC, 1.25 X 0.08" (not included sold separately)	1
30B	132509GT	WLDMT,ENTRY SIDERAIL,LT China part number	1
31	1260926GT	BOLT,CARRIAGE,3/8-16X2.25,5,ZAG	2
32	132486GT	WLDMT,MAIN SIDERAIL,LEFT	1
33	96718GT	WLDMT, MAIN DECK, GSXX46 US part number; (decals not included, refer to section one) , to SN GS46D-10338	1
33B	132469GT	WLDMT,MAIN DECK,GSXX46 China part number; (decals not included, refer to section one) , to SN GS46D-10338	1
33C	1284269GT	WLDMT,MAIN DECK,GS46,MET (decals not included, refer to section one) , from SN GS46D-10339	1
33C-	47098GT	TAPE,NON-SKID,DIE CUT,4"X 40" (not included sold separately)	1
33C-	47231GT	TAPE,NON-SKID,DIE CUT,4"X 16" (not included sold separately)	1
33C-	47374GT	TAPE,NON-SKID,DIE CUT,4"X 32" (not included sold separately)	1
34	1256856GT	SCREW,HHF,3/8-16X2.5,8,ZAG	4
35	24514GT	BOX,INSTRUCTION STORAGE (decals not included, refer to section one)	1
35-	1256855	SCREW,HHF,1/4-20X.625,8,ZAG	4
35-	1277924GT	NUT,NYLOCK FLG,1/4-20,F,ZAG	4
35-	825358GT	WASHER,FLAT,5/16,USS,ZAG	4
36	96246GT	WELDMENT,ROLLER BRACKET,LT*** US part number	1
36B	132127GT	ROLLER BRKT LEFT China part number	1



401.1 Platform Components



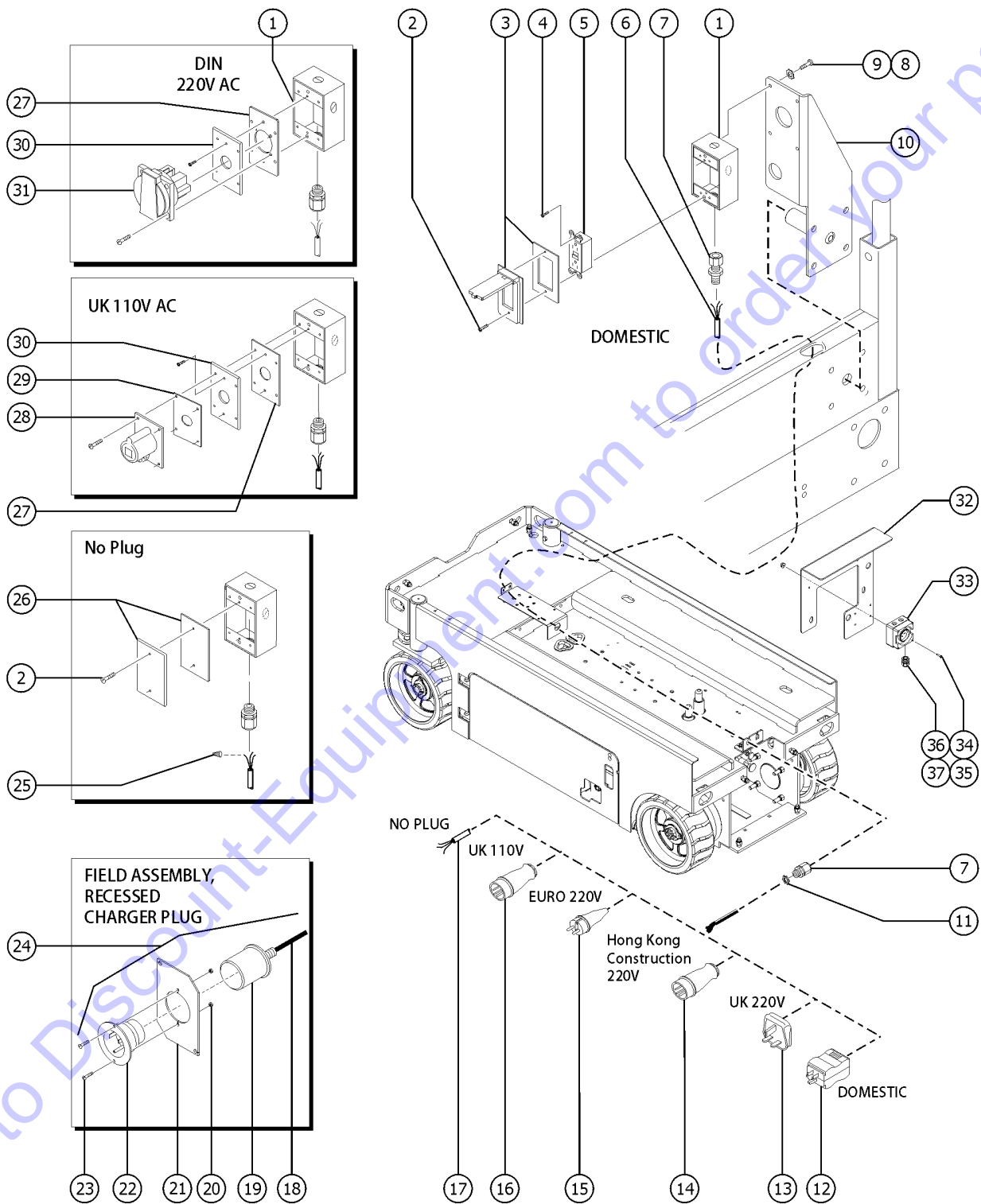
401.1 Platform Components

Item	Part No.	Description	Qty.
37	96200GT	WLDMT, LANYARD ROLLER BRKT US part number; (decals not included, refer to section one)	1
37-	21279GT	BUTTON, .800 O.D. X .281 (sold separately)	1
37B	132121GT	WELDMENT PLATFORM LANYARD China part number	1
38	97258GT	EXT. DECK ASSY, GS46 US part number	1
38-	39474GT	WEAR PAD, PLATFORM	2
38-	47374GT	TAPE, NON-SKID, DIE CUT, 4" X 32"	7
38-	96719GT	WLDMT, EXT. DECK, GSXX46	1
38-	T113787GT	RIVET, ALUM, STL, .188 X .250 for 39474GT	4
38B	132480GT	WLDMT, EXT. DECK, GS32 China part number	1
39	97263GT	LEFT EX. RAIL, GS46 US part number; (battery pack side)	1
39-	43392GT	BUMPER, BATTERY BOX & RAILS	3
39B	132493GT	WLDMT, EXT. SIDERAIL, LT China part number	1
40	97264GT	RIGHT EXT RAIL, GS46 (SYMBOL) US part number; (decals not included, refer to section one)	
40-	43392GT	BUMPER, BATTERY BOX & RAILS	3
40B	132499GT	WELDMENT, ENX SIDERAIL, RT China part number	1
41	97259GT	EXT. ENDRAIL ASSY, GS46 (WORD) Word decals	1
41B	97260GT	EXT. ENDRAIL ASSY, GS46 (SYMB) Symbol decals	
42	824078GT	SCREW, HHF, 1/4-20X.75, 8, ZAG	1
43	1280958GT	CABLE, PLATFORM CONTROL, GS, HARTING CONN OPTION	1
44	1253477GT	SCREW, PHPM, 4-40X.5, ZAG	1
45	1259339GT	NUT, 4-40, ZAG	1

Go to DiscountEquipment.com to order your parts



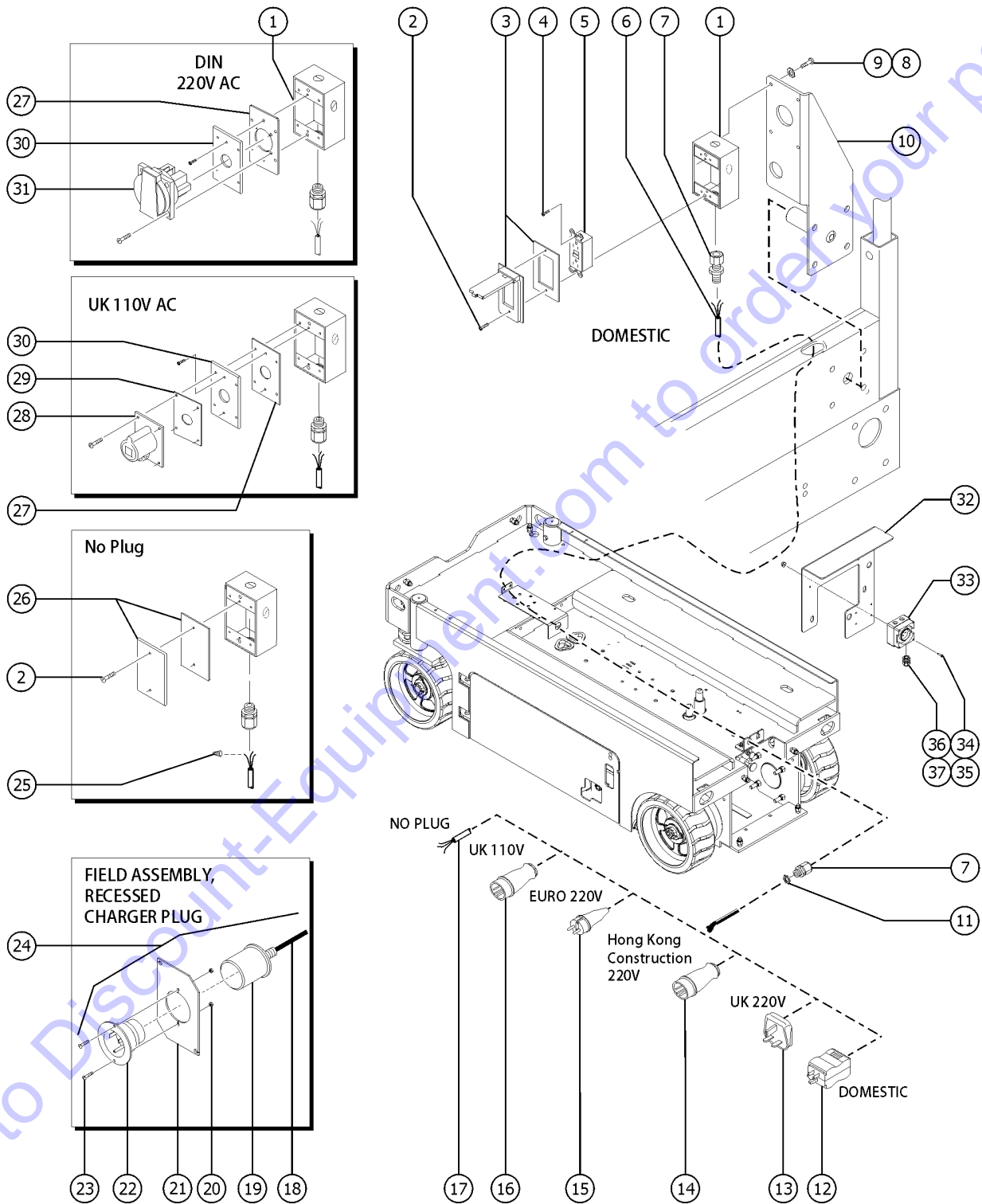
402.1 Power to Platform, GS-2046



Item	Part No.	Description	Qty.
1	10775GT	T-BOX,2.75 X 4.5 X 2.0	1
2	7127GT	SCREW,PHILLIPS,PHM,6-32 X .75	
3	74006GT	COVER,GFCI,HORIZONTAL,WEATHER US part number; (ANSI and CSA models) (includes gasket and mounting fasteners)	1
3B	45437GT	COVER,GFCI,WEATHERPROOF China part number; (ANSI and CSA models) (includes gasket and mounting fasteners)	1
4	45546GT	SCREW,RHM,6-32 X .5	
5	13585GT	OUTLET, 110V ANSI and CSA models	1
6	43956GT	WIRE CABLE,14/3 CON.TPE JKT* GS-2046	456
7	7056GT	CONN, SQZ, 1/2NPT, 0.38-0.50,SM	1
8	57075GT	SCREW,PHIL,8-32X.50,SELF TAP	
9	44936GT	WASHER,STAR,EXTERNAL,#8	4
10		Ref. ROLLER BRACKET refer to 401.1	
11	6935GT	CONN, SQZ, 1/2NPT, LOCKNUT	1
12	6595GT	PLUG,ELECTRICAL,DOMESTIC	2
13	25388GT	PLUG,FUSED,250V,13AMP,U.K.**	
14	1263471GT	PLUG,IEC60309 CEE, 3PIN 220-24 (Hong Kong Construction)	1
15	1280665GT	PLUG, TYPE F, 230A, 50HZ, 16A, IP44	
16	144161GT	PLUG,PWR,UK,16AMP,3PIN,BLK	
17	105117GT	PLUG,FLG INLET,15A/125V,2PWGD	
17-	105118GT	GASKET,(BOOT) FLANGE INLET PLG	
18	48282GT	POWER CORD, IEC 320 BLANK	1
19	105118GT	GASKET,(BOOT) FLANGE INLET PLG	1
20	1271081GT	NUT,NYLOCK,8-32,8,ZAG	2
21	105483-SGT	PLATE,AC ADAPTER(ANSI/CSA)	1
21-	6091GT	NUT, NYLOCK, 1/4-20 not included	2
21-	6878GT	BOLT,CARRIAGE,1/4-20 X .75,G2 not included	2
22	105117GT	PLUG,FLG INLET,15A/125V,2PWGD	1
23	1268950GT	SCREW,PHPM,8-32X.50,ZAG	2
24	144129GT	RECESSED SIDE PLUG ASSY, GS includes items 18-23	1



402.1 Power to Platform, GS-2046

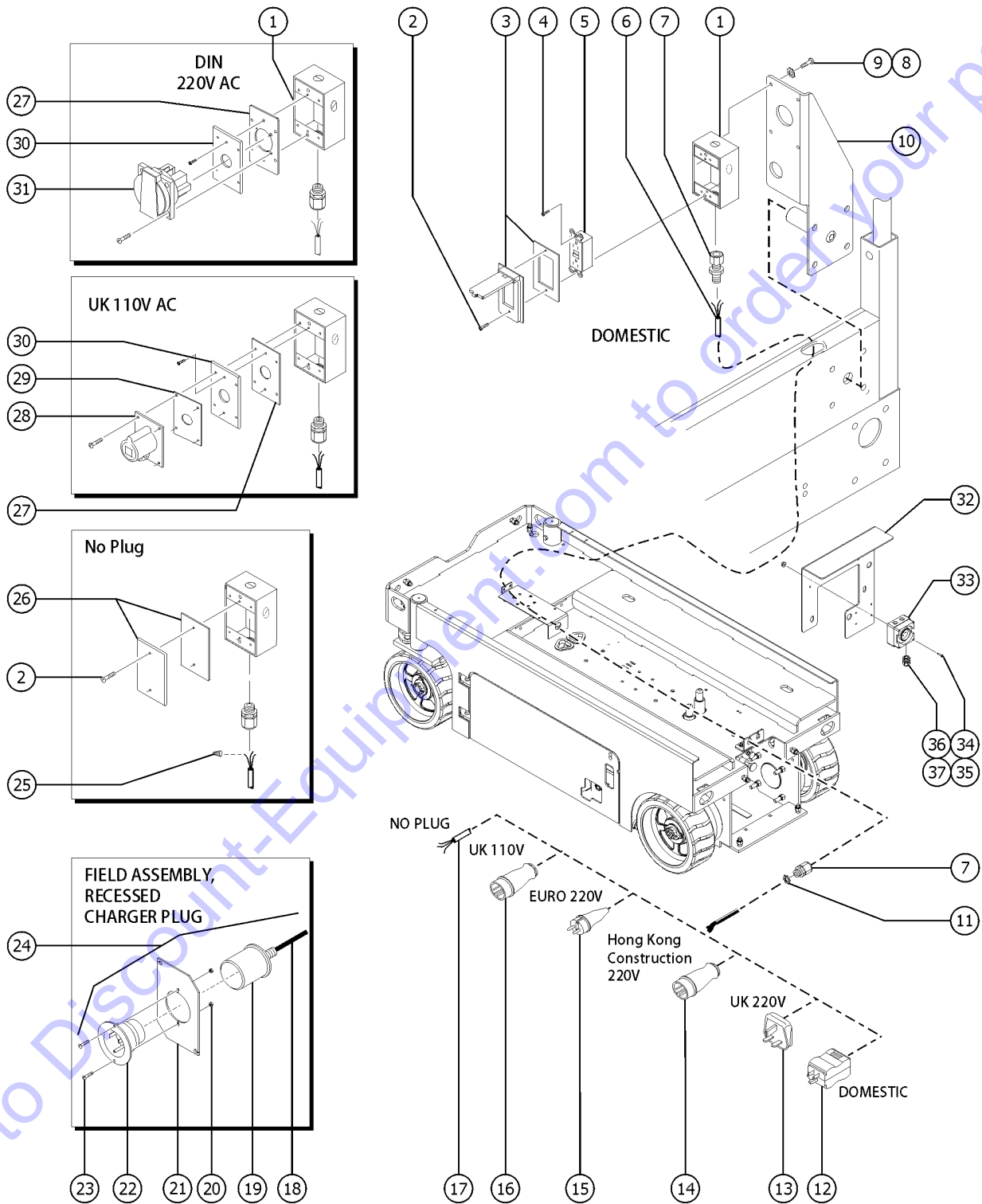


Item	Part No.	Description	Qty.
25	6626GT	WIRE CAP,ORANGE	1
26	10777GT	COVER, BLANK	1
27	66355GT	GASKET, UK & DIN PWR. TO PLAT 2.9 x 2.9 inches	1
28	T112563GT	SVC KIT,UK RECEPT.REPLACEMENT to SN GS46D-10210	1
28B	T112560GT	RECEPTACLE,UK,110 VOLT from SN GS46D-10211	1
29	66356GT	GASKET, UK RECEPTACLE 2.9 x 2.9 inches, to SN GS46D-10210	1
30	105483-SGT	PLATE,AC ADAPTER(ANSI/CSA) ANSI/CSA	
30B	96236GT	PLATE,AC ADAPTER,DIN/UK*** CE; (to SN GS46D-10210)	
30C	T112561GT	PLATE,UK POWER TO PLATFORM CE; (from SN GS46D-10211)	
30D	105090GT	PLATE, AC ADAPTER(AUS) AUS	
31	66353GT	RECEPTACLE, DIN, 220V 50A	1
32	1275424GT	FORMING,AUS RCD BRACKET,GS46	1
33	1284302GT	SCREW, PHPM, 10-32 X .75, ZAG	1
34	824215GT	SCREW, PHPM, 10-32 X .75, ZAG	8
35	824032GT	NUT,TL FLG,10-32,F,ZAG	8
36	160412GT	JOINT;PG13.5;M20x1.5	2
37	96009GT	WASHER,NITRILE	1

Go to Discount-Equipment.com to order your parts



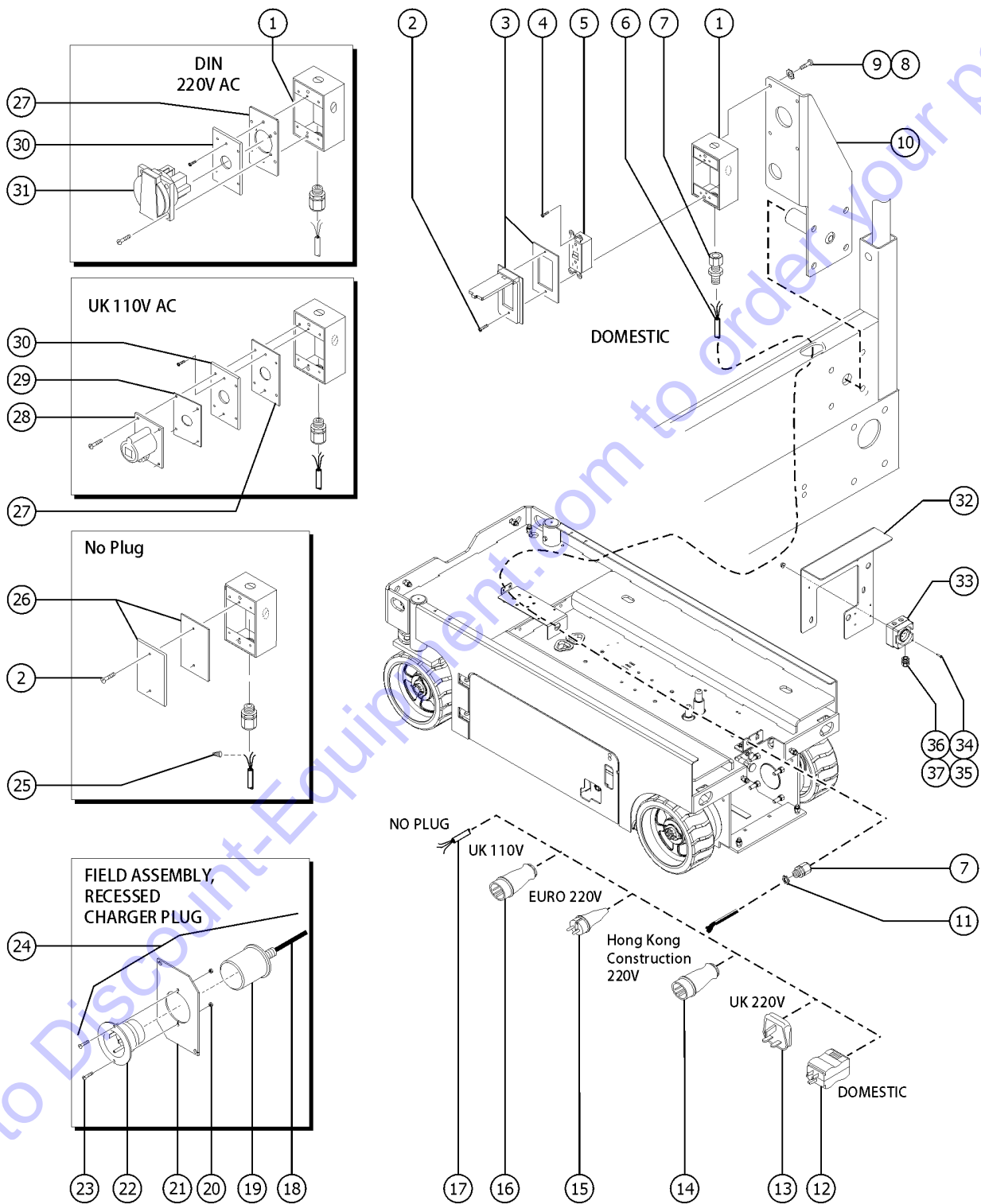
402.2 Power to Platform, GS-2646



Item	Part No.	Description	Qty.
A	33724GT	KIT,GASKET,UK POWER TO PLAT includes 1 each, items 27 and 29	1
1	10775GT	T-BOX,2.75 X 4.5 X 2.0	1
2	7127GT	SCREW,PHILLIPS,PHM,6-32 X .75	1
3	74006GT	COVER,GFCI,HORIZONTAL,WEATHER US part number; (ANSI and CSA models) (includes gasket and mounting fasteners)	1
3B	45437GT	COVER,GFCI,WEATHERPROOF China part number; (ANSI and CSA models) (includes gasket and mounting fasteners)	1
4	45546GT	SCREW,RHM,6-32 X .5	1
5	13585GT	OUTLET, 110V ANSI and CSA models	1
6B	43956GT	WIRE CABLE,14/3 CON.TPE JKT* GS-2646	516
7	7056GT	CONN, SQZ, 1/2NPT, 0.38-0.50,SM	1
8	57075GT	SCREW,PHIL,8-32X.50,SELF TAP	1
9	44936GT	WASHER,STAR,EXTERNAL,#8	4
10		Ref. ROLLER BRACKET refer to 401.1	
11	6935GT	CONN, SQZ, 1/2NPT, LOCKNUT	1
12	6595GT	PLUG,ELECTRICAL,DOMESTIC	2
13	25388GT	PLUG,FUSED,250V,13AMP,U.K.**	1
14	1263471GT	PLUG,IEC60309 CEE, 3PIN 220-24 (Hong Kong Construction)	1
15	1280665GT	PLUG, TYPE F, 230A, 50HZ, 16A, IP44	1
16	144161GT	PLUG,PWR,UK,16AMP,3PIN,BLK	1
17	105117GT	PLUG,FLG INLET,15A/125V,2PWGD	1
17-	105118GT	GASKET,(BOOT) FLANGE INLET PLG	1
18	48282GT	POWER CORD, IEC 320 BLANK	1
19	105118GT	GASKET,(BOOT) FLANGE INLET PLG	1
20	1271081GT	NUT,NYLOCK,8-32,8,ZAG	2
21	105483-SGT	PLATE,AC ADAPTER(ANSI/CSA)	1
21-	6091GT	NUT, NYLOCK, 1/4-20 not included	2
21-	6878GT	BOLT,CARRIAGE,1/4-20 X .75,G2 not included	2
22	105117GT	PLUG,FLG INLET,15A/125V,2PWGD	1
23	1268950GT	SCREW,PHPM,8-32X.50,ZAG	2



402.2 Power to Platform, GS-2646

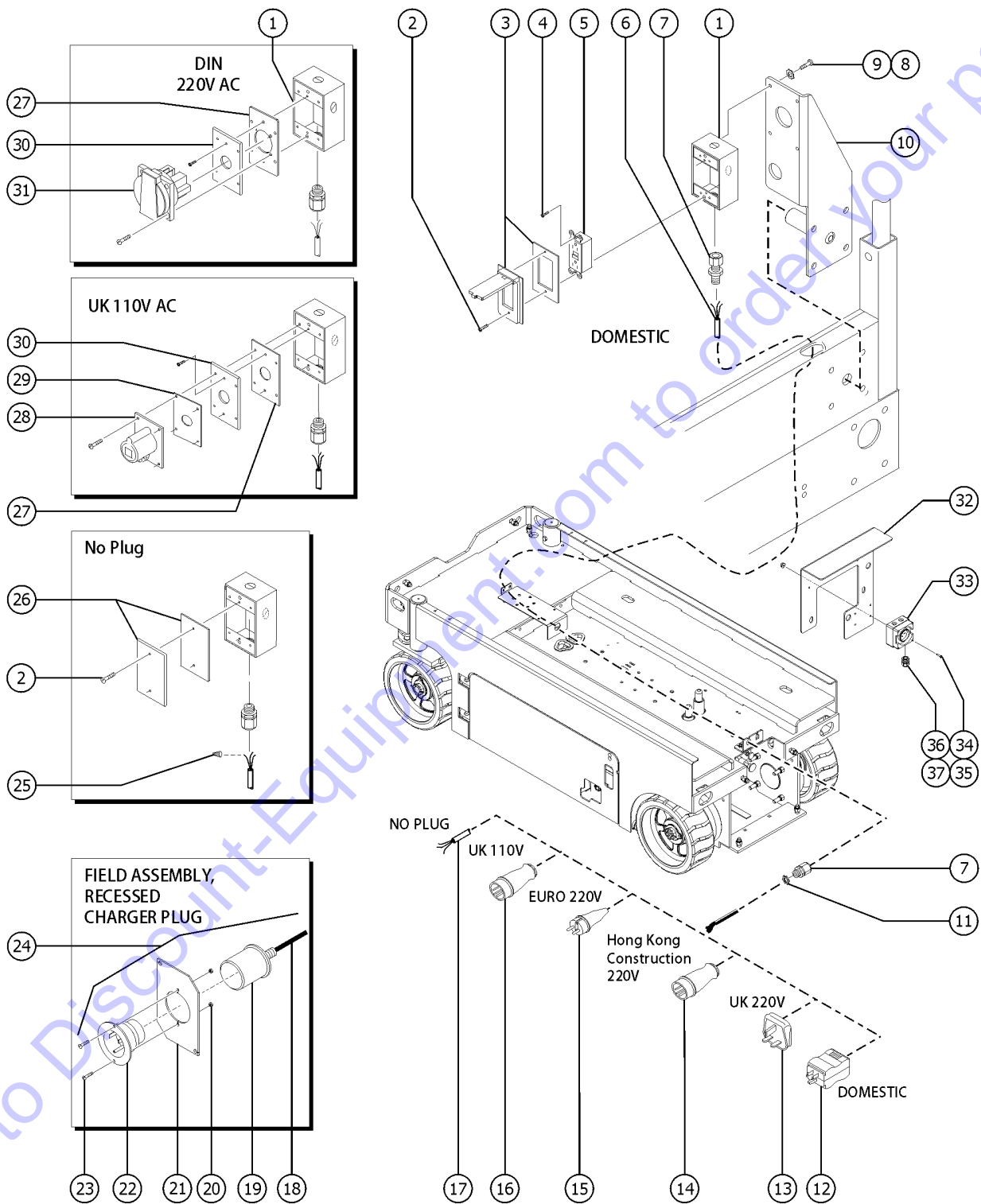


Item	Part No.	Description	Qty.
24	144129GT	RECESSED SIDE PLUG ASSY, GS includes items 18-23	1
25	6626GT	WIRE CAP,ORANGE	1
26	10777GT	COVER, BLANK	1
27	66355GT	GASKET, UK & DIN PWR. TO PLAT 2.9 x 2.9 inches	1
28	T112563GT	SVC KIT,UK RECEPT.REPLACEMENT to SN GS46D-10210	1
28B	T112560GT	RECEPTACLE,UK,110 VOLT from SN GS46D-10211	1
29	66356GT	GASKET, UK RECEPTACLE 2.9 x 2.9 inches, to SN GS46D-10210	1
30	105483-SGT	PLATE,AC ADAPTER(ANSI/CSA) ANSI/CSA	
30B	96236GT	PLATE,AC ADAPTER,DIN/UK*** CE; (to SN GS46D-10210)	
30C	T112561GT	PLATE,UK POWER TO PLATFORM CE; (from SN GS46D-10211)	
30D	105090GT	PLATE, AC ADAPTER(AUS) AUS	
31	66353GT	RECEPTACLE, DIN, 220V 50A	1
32	1275424GT	FORMING,AUS RCD BRACKET,GS46	1
33	1284302GT	SCREW, PHPM, 10-32 X .75, ZAG	1
34	824215GT	SCREW, PHPM, 10-32 X .75, ZAG	8
35	824032GT	NUT,TL FLG,10-32,F,ZAG	8
36	160412GT	JOINT;PG13.5;M20x1.5	2
37	96009GT	WASHER,NITRILE	1

Go to Discount-Equipment.com to order your parts



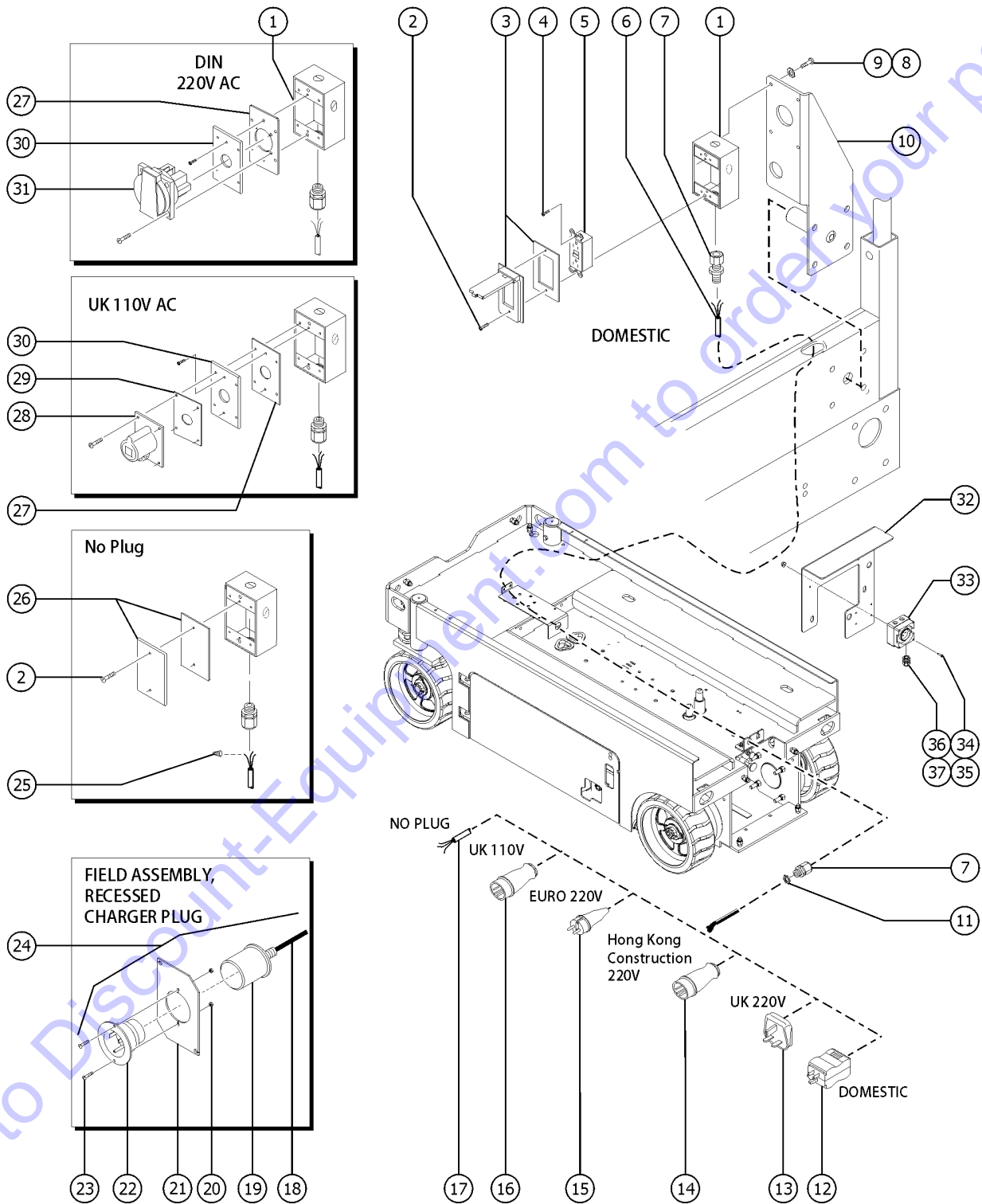
402.3 Power to Platform, GS-3246



Item	Part No.	Description	Qty.
A	33724GT	KIT,GASKET,UK POWER TO PLAT includes 1 each, items 27 and 29	
1	10775GT	T-BOX,2.75 X 4.5 X 2.0	1
2	7127GT	SCREW,PHILLIPS,PHM,6-32 X .75	
3	74006GT	COVER,GFCI,HORIZONTAL,WEATHER US part number; (ANSI and CSA models) (includes gasket and mounting fasteners)	1
3B	45437GT	COVER,GFCI,WEATHERPROOF China part number; (ANSI and CSA models) (includes gasket and mounting fasteners)	1
4	45546GT	SCREW,RHM,6-32 X .5	
5	13585GT	OUTLET, 110V ANSI and CSA models	1
6C	43956GT	WIRE CABLE,14/3 CON.TPE JKT* GS-3246	624
7	7056GT	CONN, SQZ, 1/2NPT, 0.38-0.50,SM	1
8	57075GT	SCREW,PHIL,8-32X.50,SELF TAP	
9	44936GT	WASHER,STAR,EXTERNAL,#8	4
10		Ref. ROLLER BRACKET refer to 401.1	
11	6935GT	CONN, SQZ, 1/2NPT, LOCKNUT	1
12	6595GT	PLUG,ELECTRICAL,DOMESTIC	1
12B	6595GT	PLUG,ELECTRICAL,DOMESTIC	2
13	25388GT	PLUG,FUSED,250V,13AMP,U.K.**	
14	1263471GT	PLUG,IEC60309 CEE, 3PIN 220-24 (Hong Kong Construction)	1
15	1280665GT	PLUG, TYPE F, 230A, 50HZ, 16A, IP44	
16	144161GT	PLUG,PWR,UK,16AMP,3PIN,BLK	
17	105117GT	PLUG,FLG INLET,15A/125V,2PWGD	
17-	105118GT	GASKET,(BOOT) FLANGE INLET PLG	
18	48282GT	POWER CORD, IEC 320 BLANK	1
19	105118GT	GASKET,(BOOT) FLANGE INLET PLG	1
20	1271081GT	NUT,NYLOCK,8-32,8,ZAG	2
21	105483-SGT	PLATE,AC ADAPTER(ANSI/CSA)	1
21-	6091GT	NUT, NYLOCK, 1/4-20 not included	2
21-	6878GT	BOLT,CARRIAGE,1/4-20 X .75,G2 not included	2
22	105117GT	PLUG,FLG INLET,15A/125V,2PWGD	1



402.3 Power to Platform, GS-3246

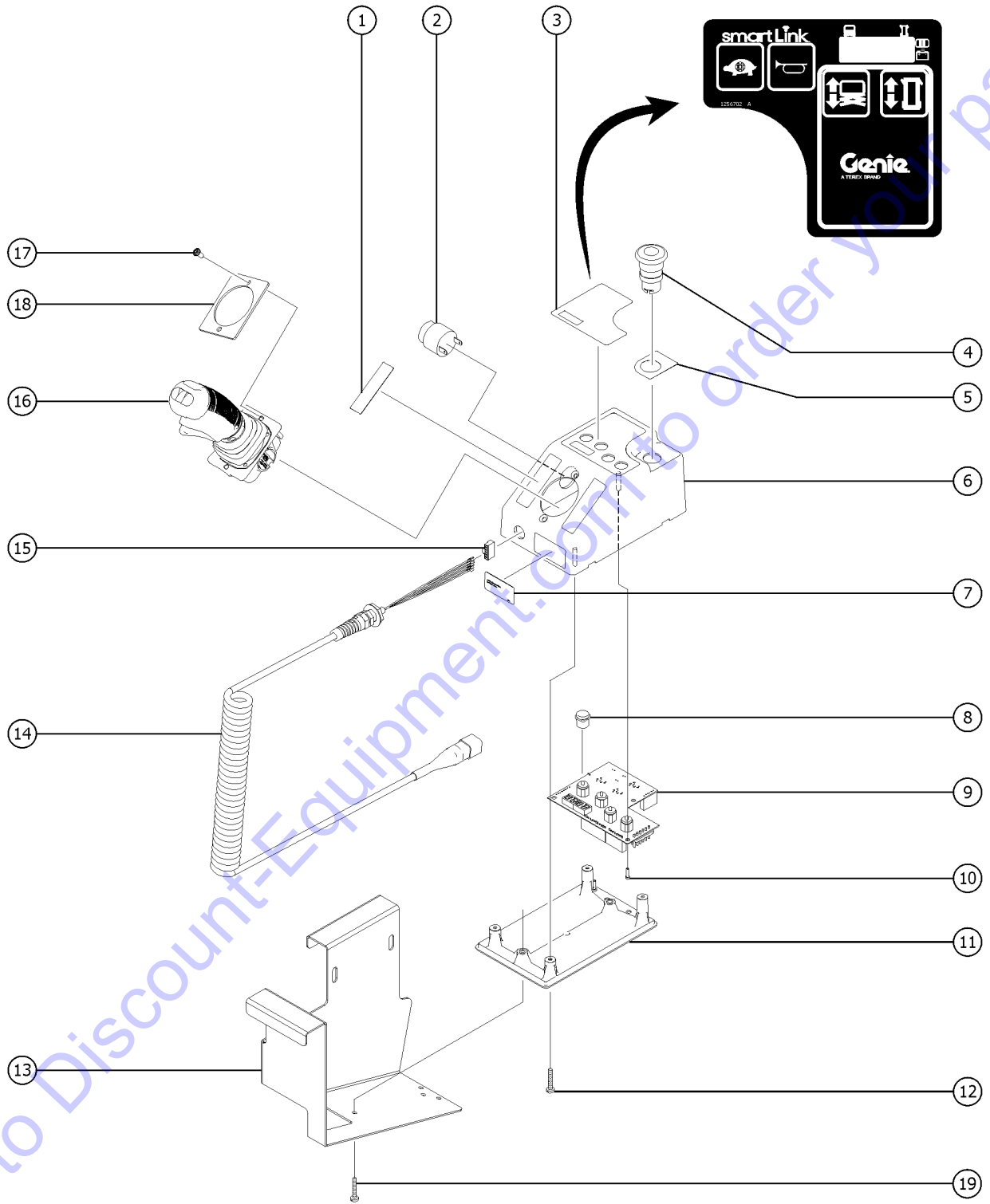


Item	Part No.	Description	Qty.
23	1268950GT	SCREW,PHPM,8-32X.50,ZAG	2
24	144129GT	RECESSED SIDE PLUG ASSY, GS includes items 18-23	1
25	6626GT	WIRE CAP,ORANGE	1
26	10777GT	COVER, BLANK	1
27	66355GT	GASKET, UK & DIN PWR. TO PLAT 2.9 x 2.9 inches	1
28	T112563GT	SVC KIT,UK RECEPT.REPLACEMENT to SN GS46D-10210	1
28B	T112560GT	RECEPTACLE,UK,110 VOLT from SN GS46D-10211	1
29	66356GT	GASKET, UK RECEPTACLE 2.9 x 2.9 inches, to SN GS46D-10210	1
30	105483-SGT	PLATE,AC ADAPTER(ANSI/CSA) ANSI/CSA	
30B	96236GT	PLATE,AC ADAPTER,DIN/UK*** CE; (to SN GS46D-10210)	
30C	T112561GT	PLATE,UK POWER TO PLATFORM CE; (from SN GS46D-10211)	
30D	105090GT	PLATE, AC ADAPTER(AUS) AUS	
31	66353GT	RECEPTACLE, DIN, 220V 50A	1
32	1275424GT	FORMING,AUS RCD BRACKET,GS46	1
33	1284302GT	SCREW, PHPM, 10-32 X .75, ZAG	1
34	824215GT	SCREW, PHPM, 10-32 X .75, ZAG	8
35	824032GT	NUT,TL FLG,10-32,F,ZAG	8
36	160412GT	JOINT;PG13.5;M20x1.5	2
37	96009GT	WASHER,NITRILE	1

Go to Discount-Equipment.com to order your parts



403.1 Platform Controls

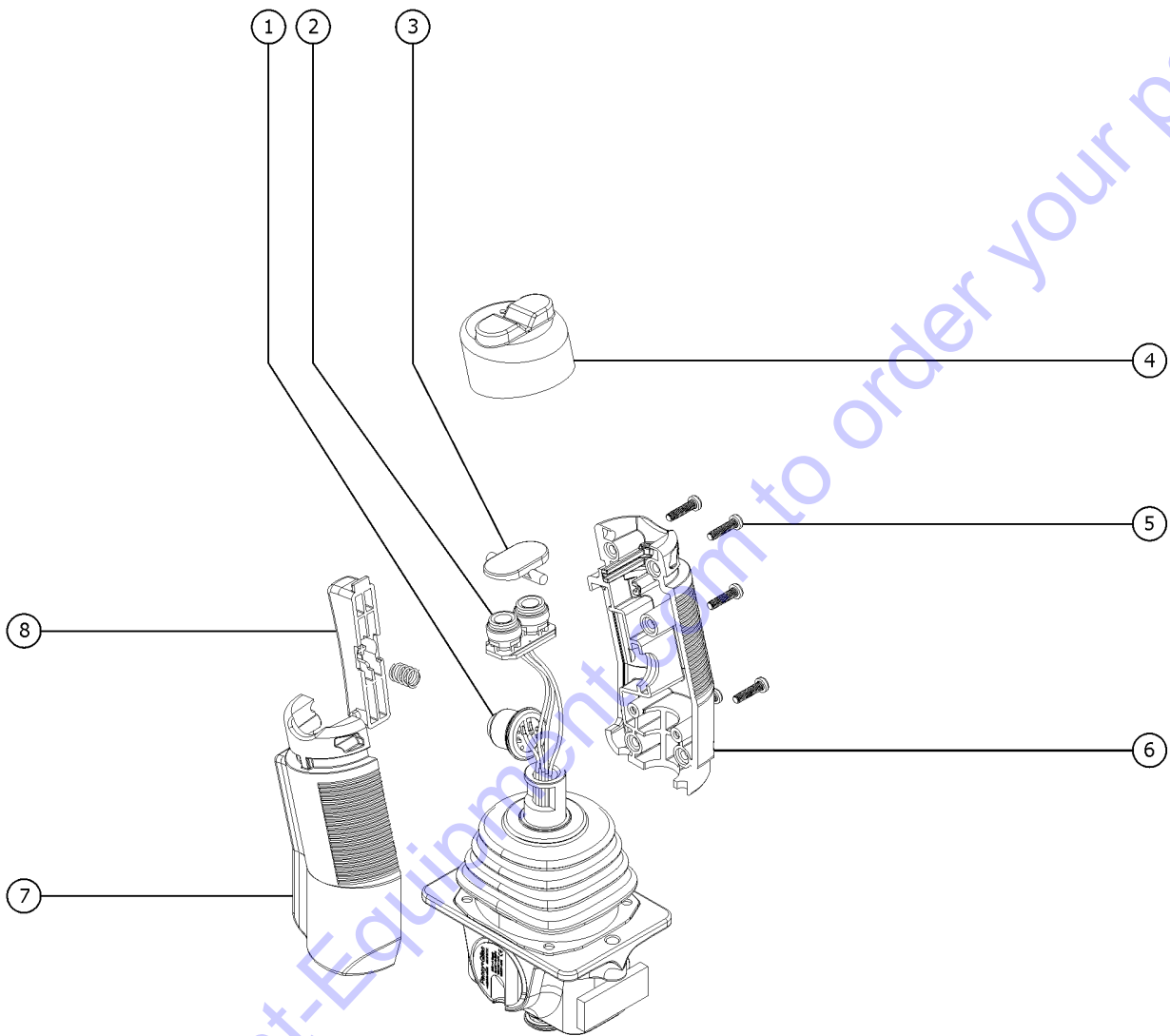


Go to Discount-Equipment.com to order your parts

Item	Part No.	Description	Qty.
A	1256727GT	PCON,STD,PROP LIFT,GR/GS complete platform control box with coil cord, bracket not included	1
A-	1258731GT	FLASH DRIVE,SL1K2.0 SOFTWARE (For proportional lift or upgrade kits only. Software update available on-line. Flash drive sold separately.)	1
A-	137587GT	HARNESS, ESTOP, GR/GRC/GS PCON	1
B	1280957GT	PCON ASSEMBLY, HARTING CONN OPTION	1
C	1280958GT	CABLE,PLATFORM CONTROL,GS,HARTING CONN OPTION	1
1	137656GT	DECAL,PROPEL,GR/GRC/GS,PCON	1
2	39540GT	ALARM,STEADY TONE*** order 72326 mounting ring separately	1
3	1256702GT	DECAL, UI, GS/GR, PROP LIFT (models with 4 button, proportional controller)	1
4	66812GT	BUTTON,PUSH,RED MUSHROOM HEAD	1
4-	66817GT	E-STOP NC CONTACT	1
5	137605GT	DECAL,E-STOP,GR/GRC/GS PCON	1
6	1256656GT	ENCLOSURE,STD 4-BUTTON, TOP	1
7		(component no longer available)	
8	T106373GT	CAP,BUTTON,K12	6
9	1256725GT	PCBA,PCON STD,PROP LIFT	1
10	137637GT	SCREW,PHM,4-20X.5, 48-2 TRI-L	1
11	T106370GT	ENCLOSURE,GC14-1/GC16-1, BOT	1
12	137640GT	SCREW,PHM,8-16X.75, 48-2 TRI-L	1
13	227167GT	FORMING, PLAT CONTROL BOX,MET (decals not included, refer to section one)	1
14	235464GT	KIT,COIL CORD,CONTRLR,SL1000 includes item 15	1
14-	231921GT	KIT,CONN,RECEPT W/PIN AND LOCK	1
14-	231922GT	KIT,CONN,PLUG W/SCKT AND LOCK	1
15	137699GT	PLUG, 6POS ECO PWR	1
16		Ref., JOYSTICK (refer to 404.1)	1
17	229845GT	SCREW,BHSCS,M5X10,SS apply Loctite 243 or equivalent before installation, to SN GS46D-15808	2
17B	1291173GT	SCREW,BHSCS,M5X12,SS apply Loctite 243 or equivalent before installation, from SN GS46D-15809	2
18	1290297GT	PLATE,JOYSTICK PROTECTOR from SN GS46D-15809	1
19	824078GT	SCREW,HHF,1/4-20X.75,8,ZAG	2



404.1 Joystick Controller



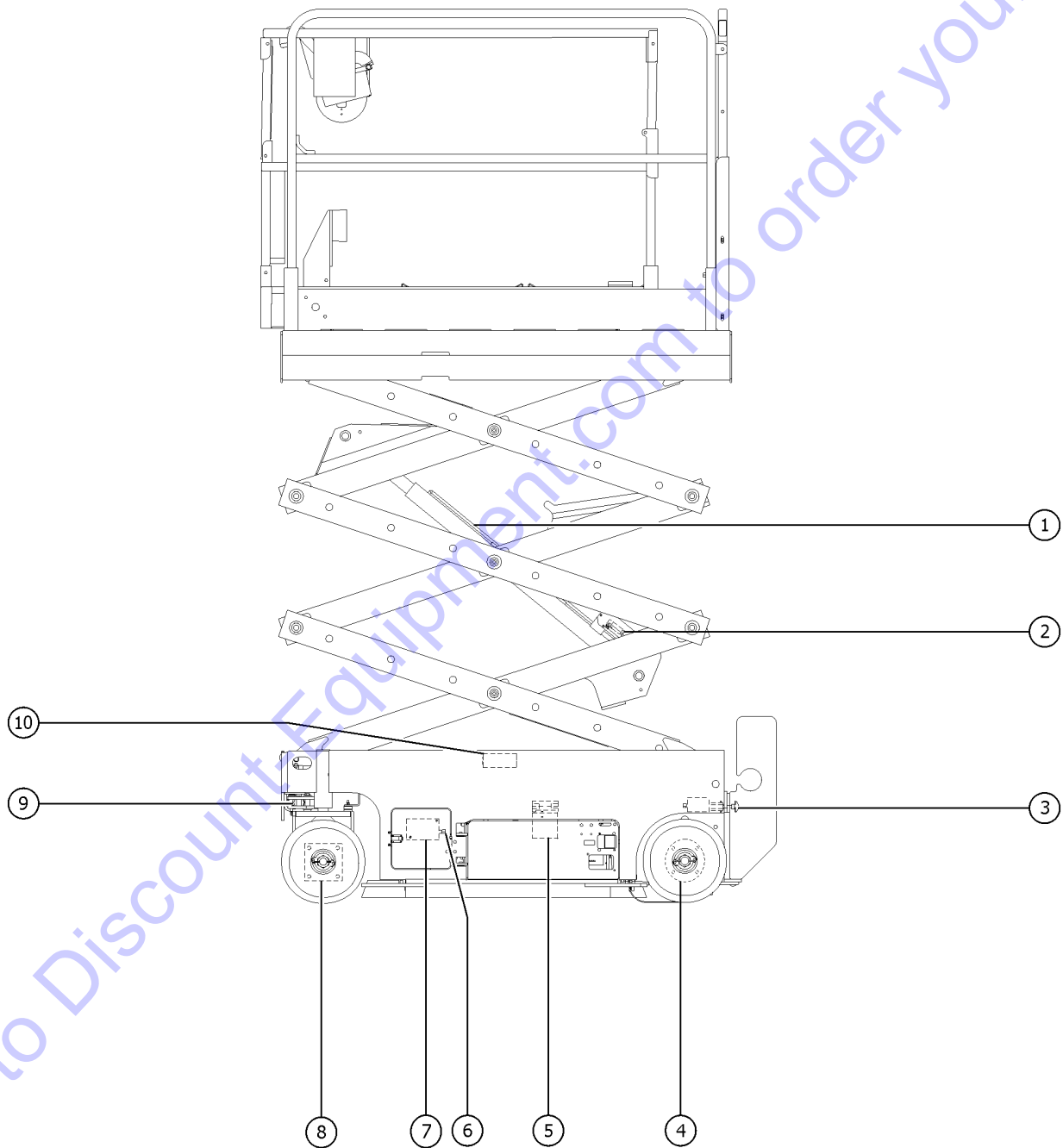
404.1 Joystick Controller

Item	Part No.	Description	Qty.
A-	137634GT	JOYSTICK, HALL EFFECT, SINGLE	
B-	229097GT	TERMINAL, SPLINE (AMP)	
C-	214544GT	KIT,BOOT,JOYSTICK,SL1000	
		joystick boot	
1	235463GT	KIT,SWITCH,JYSTK,SL1000	
		function enable and steer switches	
2	235463GT	KIT,SWITCH,JYSTK,SL1000	
		function enable and steer switches	
3	229092GT	ROCKER,2 SWITCH	1
4	229093GT	BOOT, 2 SWITCH, SILICON	1
5	229086GT	SCREW, SELF TAP	2
6	229087GT	HANDLE HALF,RIGHT,W/TOP SWITCH	1
6B	229091GT	SCREW,GRUB,M5X8MM,HLF DOG,BZP	
		for 229087GT	
7	229088GT	HANDLE HALF,LEFT,W/TOP SWITCH	1
7B	229090GT	SCREW,GRUB,M5X8MM CUP(BLK)	
		for 229088GT	
8	229089GT	TRIGGER, EXTENDED	1
8-	229094GT	SPRING, HANDLE TRIGGER	1

Go to Discount-Equipment.com to order your parts



501.1 Hydraulic Components



Go to DiscountEquipment.com to order your parts

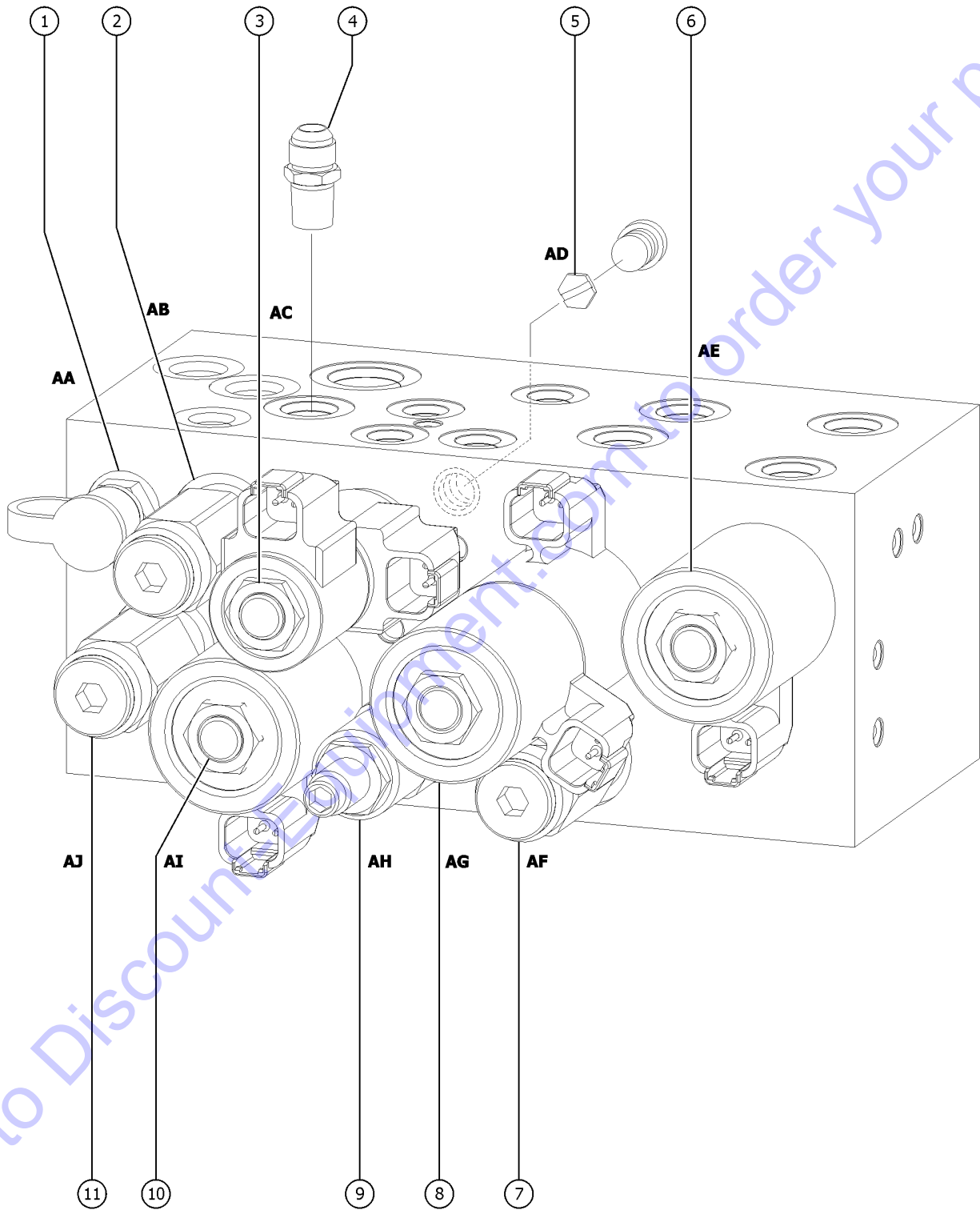
501.1 Hydraulic Components

Item	Part No.	Description	Qty.
1		Ref. Lift Cylinder Assembly (refer to 505.1)	
2		Ref. Pressure Transducer (refer to 701.1)	
3		Ref. Brake Release Hand Pump Manifold (refer to 503.1)	
4	96257GT	BRAKE, HYDRAULIC***	2
5	78622GT	FILTER ASSY, SAE8, 10 MIC, PAPER** (paper, standard)	1
5-	44788GT	FILTER ELEMENT-10MICRON, PAPER* (paper, standard)	
5B	T114321GT	FILTER ASSY, FIBRGLS, #8-#8 (fiberglass, optional upgrade)	1
5B-	44207GT	FILTER ELEMENT, BETA(10)=200 (fiberglass, optional upgrade)	
6		Ref. Check Valve (refer to 502.1)	
7		Ref. Function Manifold (refer to 502.1)	
8	T108663GT	DRIVE MOTOR, 22.9CI/REV	
8-	96419GT	SEAL KIT, RC SERIES DR MOTOR*** for T108663	
9	105547GT	CYLINDER, GS/GR STEER***	1
9-	105555GT	KIT, STEER CYL SEAL, 040505P, HDM (for codes H41205, H41255, H51290, H501111, H505109, H509101, H60723 and H60870)	
9-	105554GT	KIT, STEER CYL SEAL, 040499P, HDM (for code H41109 and up)	
9-	105553GT	KIT, STEER CYL SEAL, 040271P, HDM (for code H408147 and up)	
9-	105550GT	KIT, STEER CYL SEAL	
10	78422GT	ACCUMULATOR, 180 PSI PRECHARGE*	1

Go to Discount-Equipment.com to order your parts



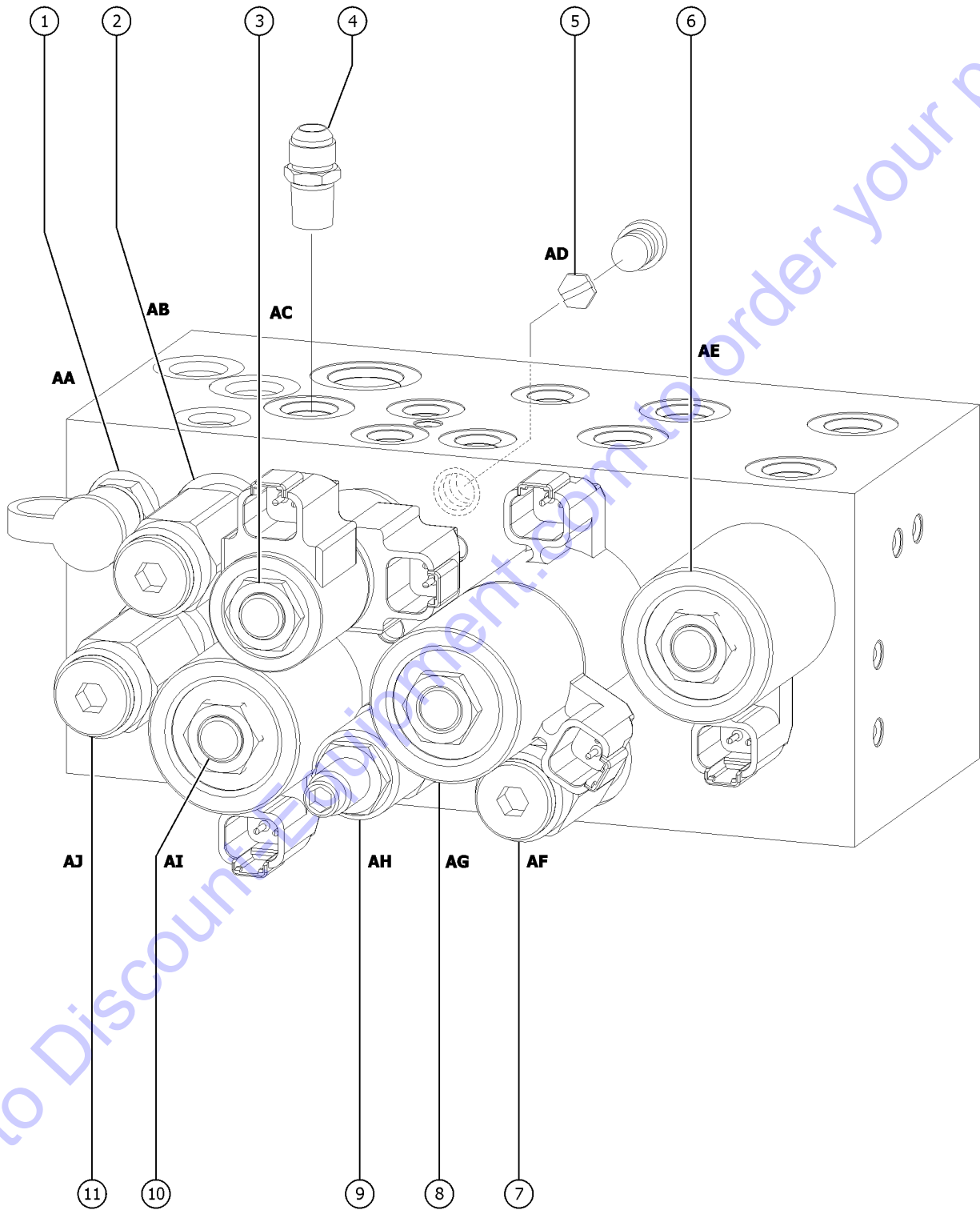
502.1 Function Manifold



Item	Part No.	Description	Qty.
A-	150105GT	MANIFOLD,FUNCTION,2 SPEED	
B-	49612GT	O-RING KIT (ORFS FITTINGS)	
C-	49613GT	PLUG AND CAP KIT-SERVICE,ORFS*	
1	48997GT	CONN,520120-8-12	
		(AA, Testing)	
1-	20224GT	DIAGNOSTIC FEMALE Q-DSCNT	
1-	48880GT	CAP,DIAGNOSTIC NIPPLE	
2	1299590GT	VALVE, FUNCTION MANIFOLD RELIEF, 3700PSI	
		(AB, System relief)	
2-	44226GT	SEAL KIT-FOR P.N.44167	
2B	1299590GT	VALVE, FUNCTION MANIFOLD RELIEF, 3700PSI	
3	44168GT	VALVE,SOLENOID,3POS 4WAY	
		(AC, Steer left/right)	
3-	77709GT	COIL,#8 20VDC,DEUTSCH W/DIOD	
		(sold separately)	
3-	44174GT	NUT-COIL SHORT	
		(sold separately)	
3-	44236GT	SPACER-DUAL COIL,#8***	
		(sold separately)	
3-	44229GT	SEAL KIT, VALVE	
4	237086GT	HOSE,UPPER VENT	
		GS-3246 (Australia & CE) (sold separately)	
5	84386GT	CHECK DISK, NO SPRING	
		(AD, Steer circuit)	
6	44171GT	VALVE-SOLENOID,2POS 4WAY**	
		(AE, Drive speed select circuit)	
6-	44230GT	SEAL KIT-P.N.44169,44172,44171	
6-	84385GT	COIL,20VDC DEUTCSH W/DIODE	
		(sold separately)	
6-	44175GT	SPACER-DUAL COIL,#10, SCISSORS	
		(sold separately)	
7	97409GT	VALVE,DIFF.AREA RELIEF,50PSI	
		(AF, Brake release)	
8	150104GT	VALVE, DYN. BRAKING, GS32/46	
8-	84385GT	COIL,20VDC DEUTCSH W/DIODE	
		(sold separately)	
8-	44175GT	SPACER-DUAL COIL,#10, SCISSORS	
		(sold separately)	
9	84384GT	PRTY,FLOW CNTRL VALVE,.75 GPM	
		(AH, Steer circuit)	
9-	1261888GT	SEAL KIT (84384)	
		for 84384GT	
9-	44230GT	SEAL KIT-P.N.44169,44172,44171	
10	44169GT	VALVE-SOLENOID, 2POS 4 WAY	
		(AI, Platform up)	



502.1 Function Manifold



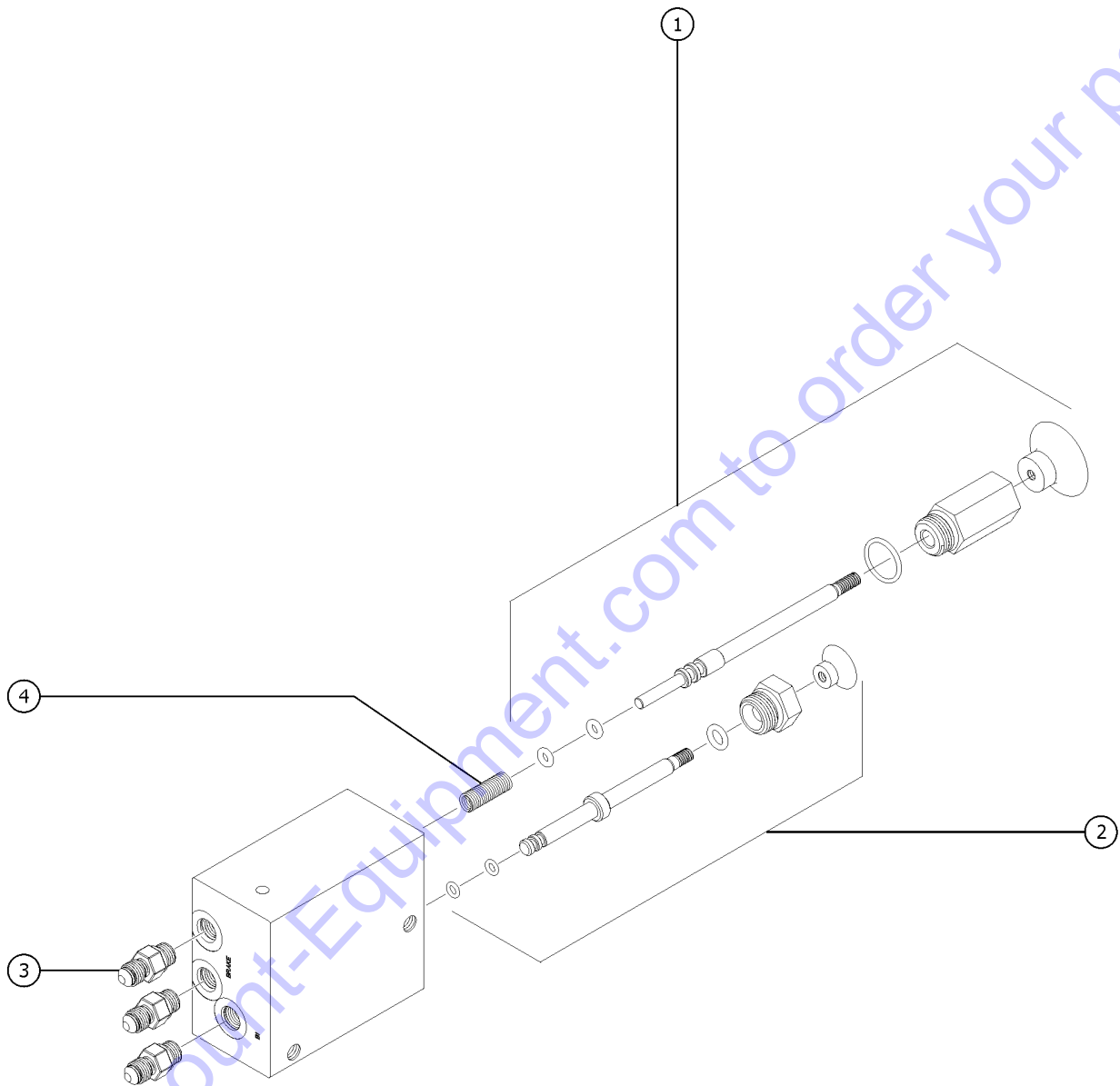
Go to DiscountEquipment.com to order your parts

<i>Item</i>	<i>Part No.</i>	<i>Description</i>	<i>Qty.</i>
10-	44230GT	SEAL KIT-P.N.44169,44172,44171	
10-	84385GT	COIL,20VDC DEUTCSH W/DIODE (sold separately)	
10-	44175GT	SPACER-DUAL COIL,#10, SCISSORS (sold separately)	
11	1299590GT	VALVE, FUNCTION MANIFOLD RELIEF, 3700PSI (AJ, Lift relief)	
11-	44226GT	SEAL KIT-FOR P.N.44167	
11B	1299590GT	VALVE, FUNCTION MANIFOLD RELIEF, 3700PSI	

Go to Discount-Equipment.com to order your parts



503.1 Brake Release Hand Pump Manifold



Go to Discount-Equipment.com to order your parts

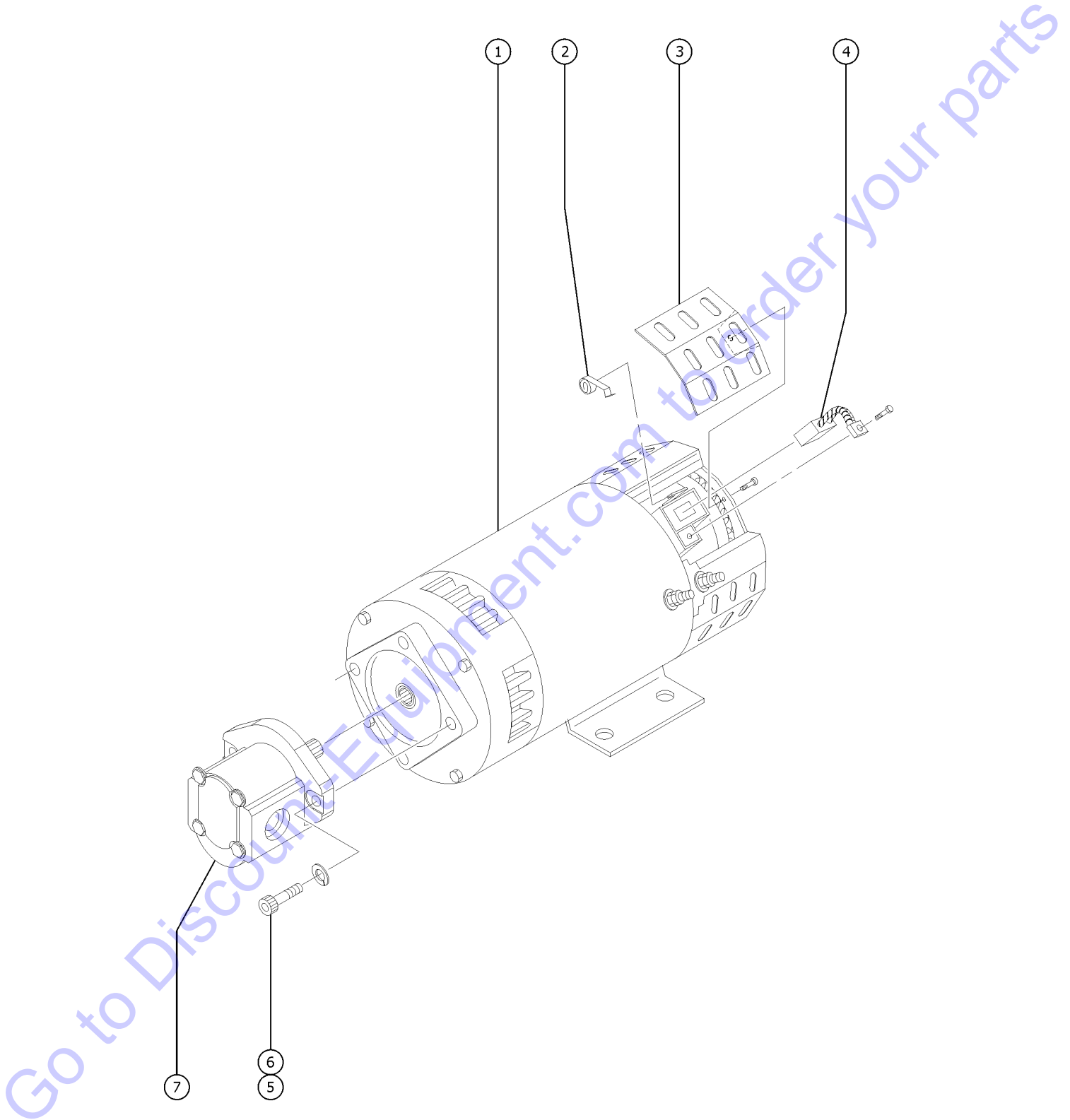
503.1 Brake Release Hand Pump Manifold

Item	Part No.	Description	Qty.
	105067GT	MANIFOLD,BRAKE RELEASE (includes items 1, 2 and 4)	
1	84739GT	VALVE,HAND PUMP ASSEMBLY***	1
1-	84740GT	SEAL KIT,HAND PUMP***	
1-	84742GT	KNOB,HAND PUMP (RED)***	
2	84743GT	VALVE,PILOT OPERATED ASSEMBLY*	1
2-	84740GT	SEAL KIT,HAND PUMP***	
2-	84746GT	KNOB,PILOT OP VALVE (BLACK)***	
3	39877GT	CONNECTOR,070120-4-4	3
4	84748GT	SPRING,HAND PUMP ROD	1

Go to Discount-Equipment.com to order your parts



504.1 Hydraulic Power Unit, All Models

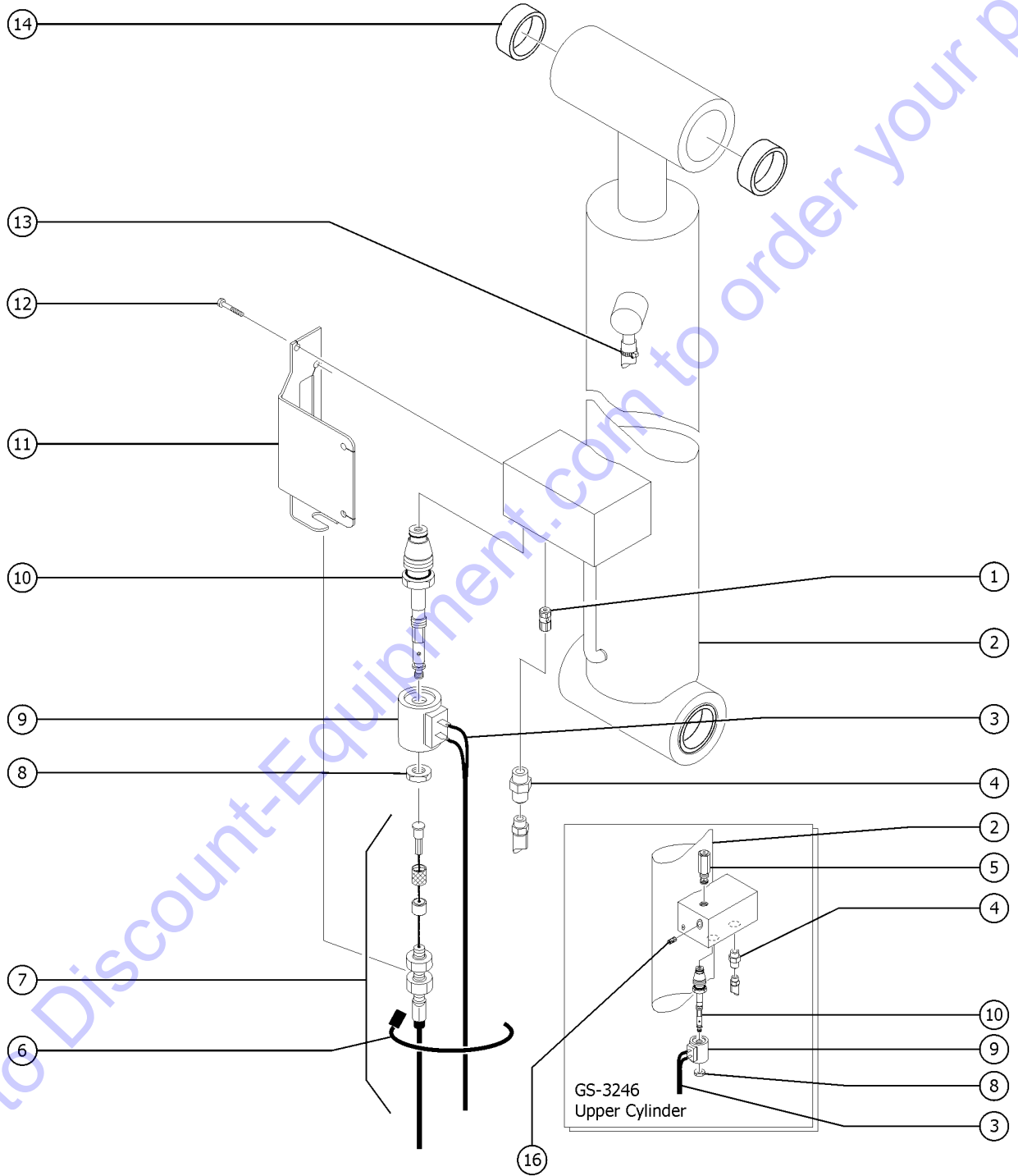


Item	Part No.	Description	Qty.
A-	49812GT	ENCLOSING BAND KIT Band Kit (EE models)	
B-	78006GT	FORMING,PADLOCK BRACKET	
C-	44716GT	HANDLE,ANDERSON CONNECTOR SB	
1	40844GT	MOTOR,ELECTRIC,24VDC 4.5HP to SN GS46D-13781	1
1-	43685GT	SEAL KIT,LIFT PUMP,BARNES**	
1-	44777GT	BEARING,MOTOR	
1-	44778GT	BEARING,MOTOR,36843,BRUSH END*	
1B	1256517GT	MOTOR,DC24V,3.3KW,JIANGSU XINYU from SN GS46D-13782	1
1B-	1262821GT	SEAL KIT,LIFT PUMP,BARNES**	
1B-	1262822GT	BEARING,MOTOR	
1B-	1262823GT	BEARING,MOTOR,BRUSH END*	
2	44750GT	SPRING-BRUSH,40844, SCISSORS	4
3	44752GT	COVER-BRUSH INSPEC.40844,SCISS	4
4	44751GT	BRUSH,PWR UNIT (40844)**	4
5	824100GT	SCREW,SHC,3/8-24X1.25,A574,ZAG	
6	824110GT	WASHER, LOCK, 3/8, ZAG	
7	T108662GT	PUMP,5.6CC GEAR,CCW	1
7-	236837GT	SEAL KIT,PUMP,5.6CC GEAR for T108662GT	

Go to Discount-Equipment.com to order your parts



505.1 Lift Cylinder Assembly, All Models, GS-2046



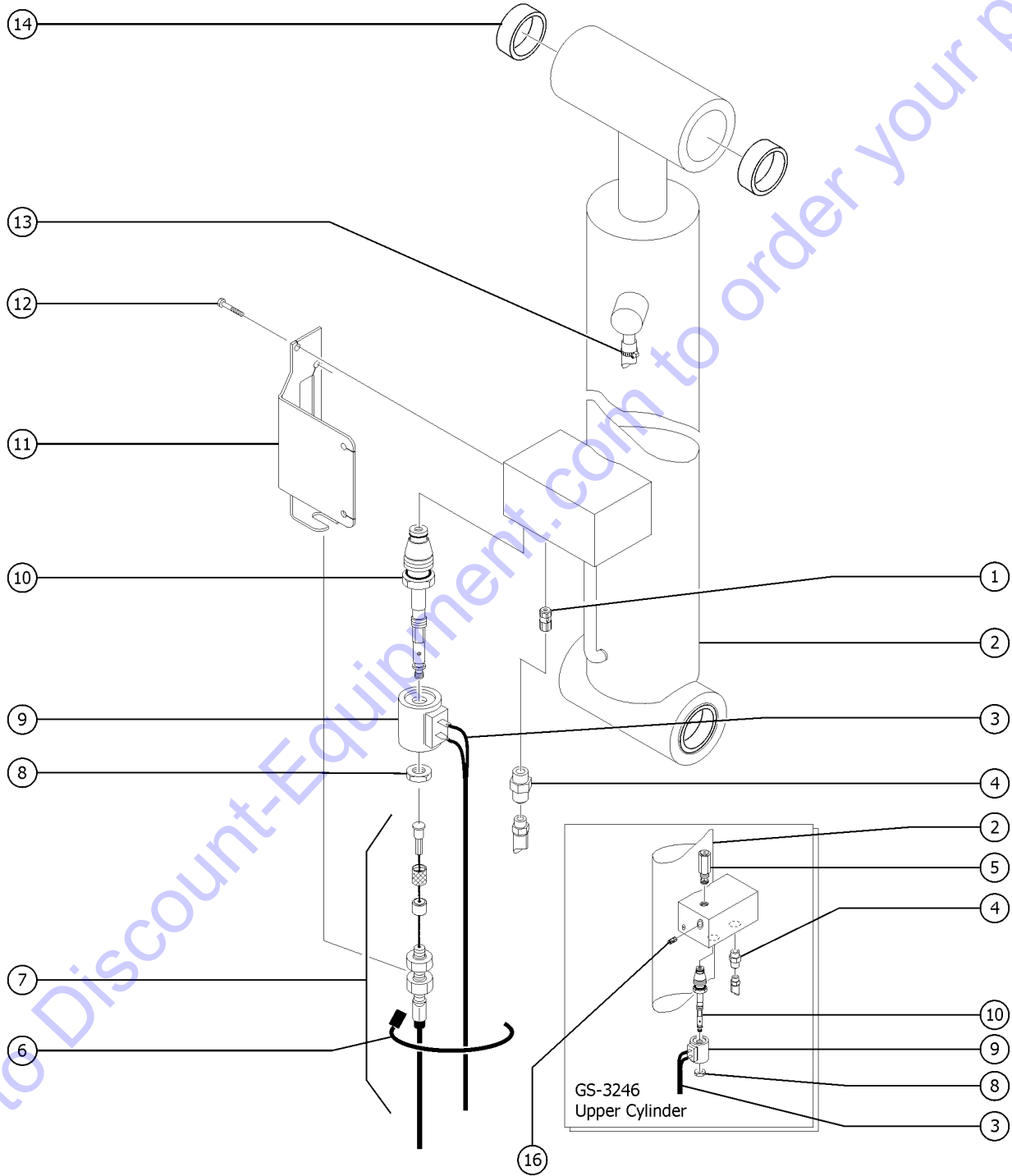
505.1 Lift Cylinder Assembly, All Models, GS-2046

Item	Part No.	Description	Qty.
1	55560GT	ORIFICE, LONG, .059"	
1-	105481GT	KIT, ORIFICE, .059"	
1-	105479GT	KIT, TWO ORIFICE, .059"	
2	105544GT	CYLINDER, 20XX LIFT	1
		GS-2046	
2-	105549GT	SEAL KIT (105545)	
		(for PN 105544GT)	
3		Ref. Down Coil Wire Harness	
		(refer to 210.1)	
4	39878GT	CONNECTOR, 070120-6-6	1
5	97130GT	VALVE-RELIEF, 2500PSI	
5-	44227GT	SEAL KIT, VALVE	
		for 97130	
5B	237455GT	VALVE, RELIEF, 2900 PSI, BOSCH	
6	28443GT	CABLE TIE, 11.5" BLACK	3
7		Ref. Emergency Down Cable	
		(refer to 203.1)	
8	44973GT	NUT, COIL (39909)	1
9	84422GT	COIL-SOLENOID VALVE, 20V DC***	1
		(direct replacement for 66467GT)	
10	66465GT	VALVE, W/20V NC SOLENOID, MANUAL	1
		(includes items 7 and 8)	
10-	40477GT	VALVE, CARTRIDGE***	
10-	44979GT	SEAL KIT, 39909, PLAT LWR VALVE*	
11	41557-SGT	CABLE BRACKET, PAINTED	1
12	824077GT	SCREW, HHF, 1/4-20X.5, 8, ZAG	
13	96770GT	CLAMP, HOSE, 1 EAR, 11/16	1
14	105478GT	BEARING, 1.5025IDX1.5075ODX1.5L	4

Go to DiscountEquipment.com to order your parts



505.2 Lift Cylinder Assembly, All Models, GS-2646



Go to Discount-Equipment.com to order your parts

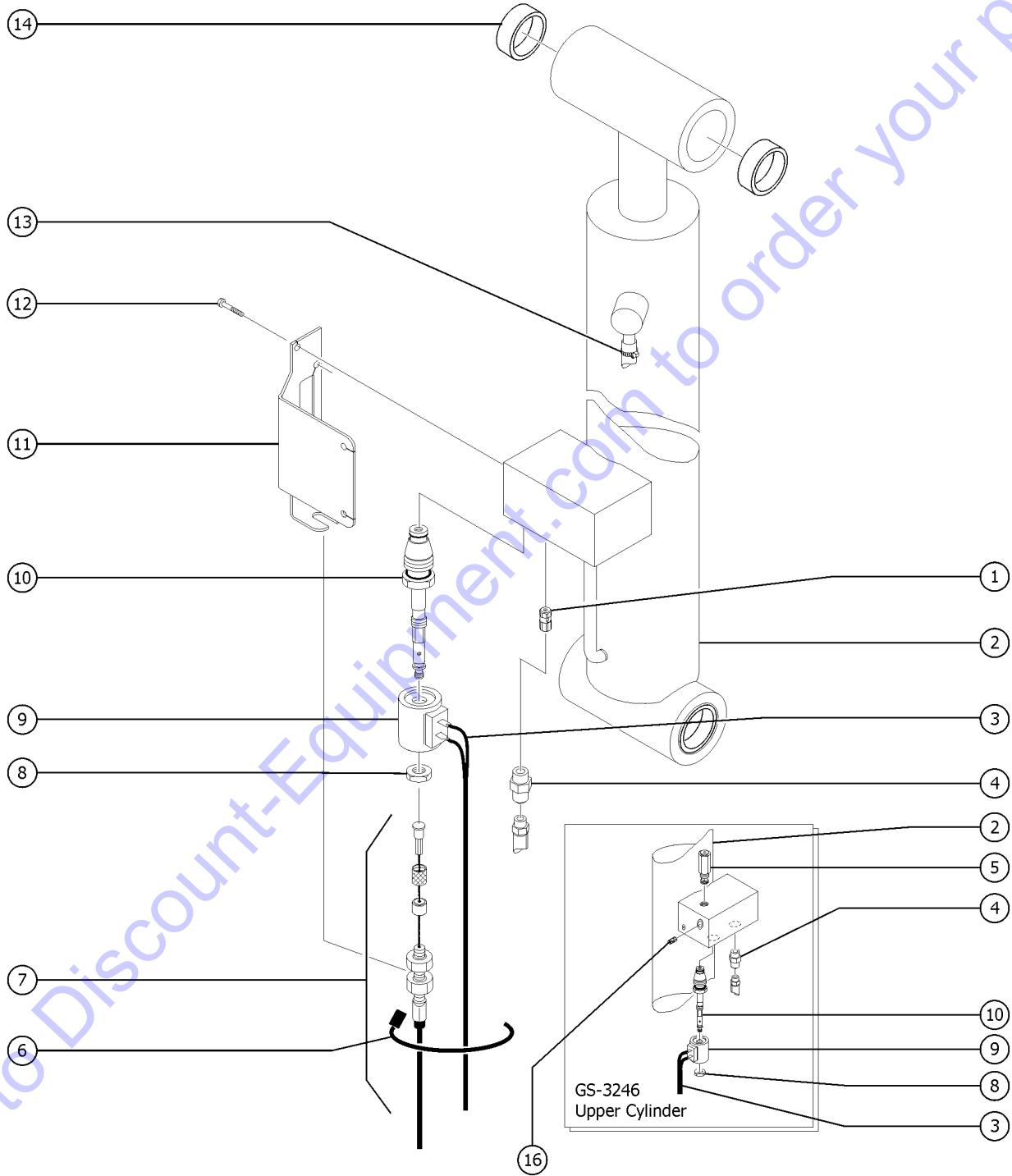
505.2 Lift Cylinder Assembly, All Models, GS-2646

Item	Part No.	Description	Qty.
1	55560GT	ORIFICE, LONG, .059"	
1-	105481GT	KIT, ORIFICE, .059"	
1-	105479GT	KIT, TWO ORIFICE, .059"	
2B	105545GT	CYLINDER, 26XX/32XX LIFT GS-2646	1
2B-	105549GT	SEAL KIT (105545) (for PN 105545GT)	
3		Ref. Down Coil Wire Harness (refer to 210.1)	
4	39878GT	CONNECTOR, 070120-6-6	1
5	97130GT	VALVE-RELIEF, 2500PSI	
5-	44227GT	SEAL KIT, VALVE for 97130	
5B	237455GT	VALVE, RELIEF, 2900 PSI, BOSCH	
6	28443GT	CABLE TIE, 11.5" BLACK	3
7		Ref. Emergency Down Cable (refer to 203.1)	
8	44973GT	NUT, COIL (39909)	1
9	84422GT	COIL-SOLENOID VALVE, 20V DC*** (direct replacement for 66467GT)	1
10	66465GT	VALVE, W/20V NC SOLENOID, MANUAL (includes items 7 and 8)	1
10-	40477GT	VALVE, CARTRIDGE***	
10-	44979GT	SEAL KIT, 39909, PLAT LWR VALVE*	
11	41557-SGT	CABLE BRACKET, PAINTED	1
12	824077GT	SCREW, HHF, 1/4-20X.5, 8, ZAG	
13	96770GT	CLAMP, HOSE, 1 EAR, 11/16	1
14	105478GT	BEARING, 1.5025IDX1.5075ODX1.5L	4

Go to DiscountEquipment.com to order your parts



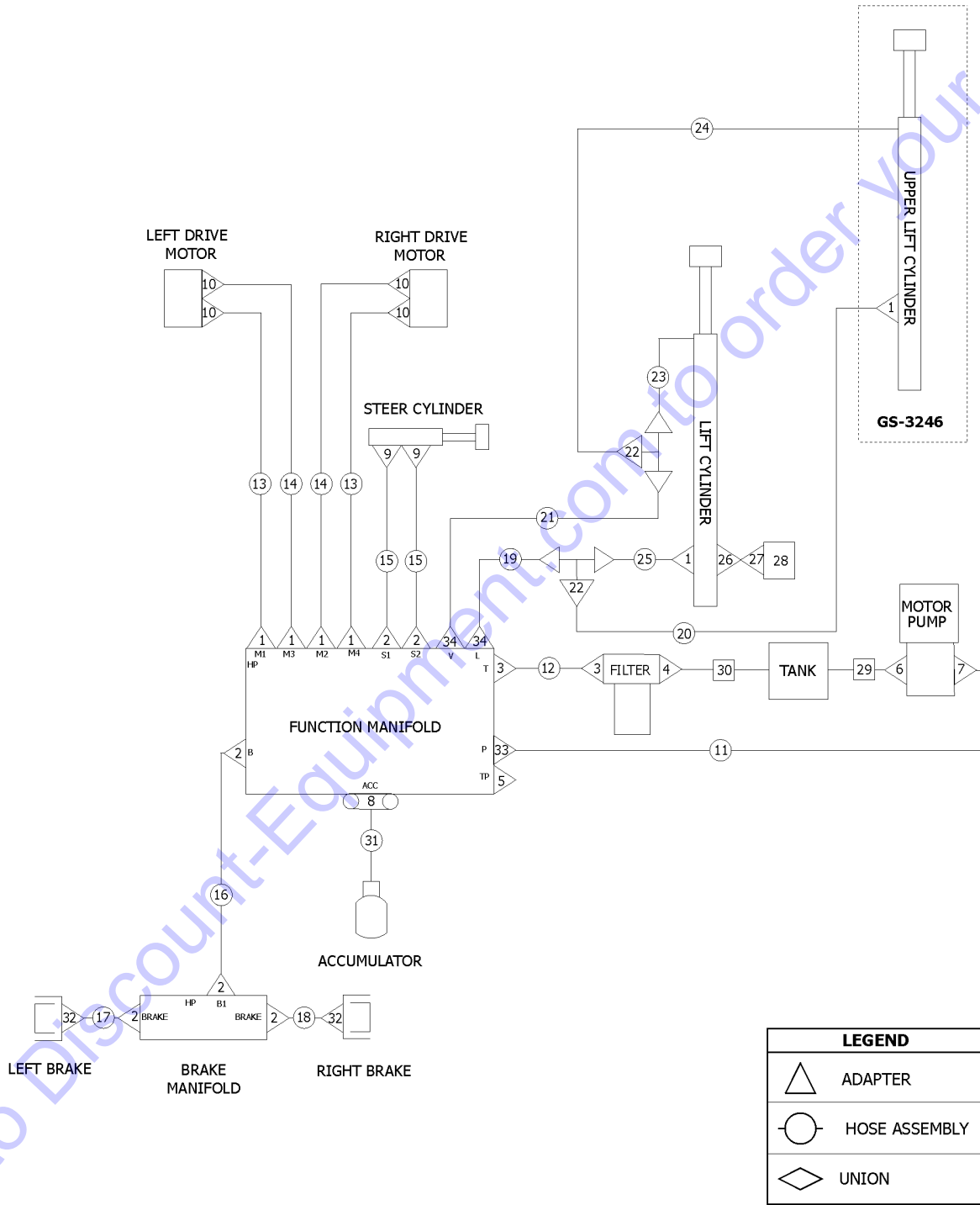
505.3 Lift Cylinder Assembly, All Models, GS-3246



Item	Part No.	Description	Qty.
1	55560GT	ORIFICE, LONG, .059"	
1-	105481GT	KIT, ORIFICE, .059"	
1-	105479GT	KIT, TWO ORIFICE, .059"	
2C	105546GT	CYLINDER, 32XX UPPER LIFT	1
		GS-3246 (upper cylinder)	
2C-	105564GT	SEAL KIT (105546)	
		(for PN 105546GT)	
2D	105545GT	CYLINDER, 26XX/32XX LIFT	1
		GS-3246 (lower cylinder)	
2D-	105549GT	SEAL KIT (105545)	
		(for PN 105545GT)	
3		Ref. Down Coil Wire Harness	
		(refer to 210.1)	
4	39878GT	CONNECTOR, 070120-6-6	1
5	97130GT	VALVE-RELIEF, 2500PSI	
5-	44227GT	SEAL KIT, VALVE	
		for 97130	
5B	237455GT	VALVE, RELIEF, 2900 PSI, BOSCH	
6	28443GT	CABLE TIE, 11.5" BLACK	3
7		Ref. Emergency Down Cable	
		(refer to 203.1)	
8	44973GT	NUT, COIL (39909)	1
9	84422GT	COIL-SOLENOID VALVE, 20V DC***	1
		(direct replacement for 66467GT)	
10	66465GT	VALVE, W/20V NC SOLENOID, MANUAL	1
		(includes items 7 and 8)	
10-	40477GT	VALVE, CARTRIDGE***	
10-	44979GT	SEAL KIT, 39909, PLAT LWR VALVE*	
11	41557-SGT	CABLE BRACKET, PAINTED	1
12	824077GT	SCREW, HHF, 1/4-20X.5, 8, ZAG	
13	96770GT	CLAMP, HOSE, 1 EAR, 11/16	1
14	55558GT	ORIFICE, LONG, .037***	1
		GS-3246	



506.1 Hydraulic Hoses and Fittings, GS-2046, GS-2646



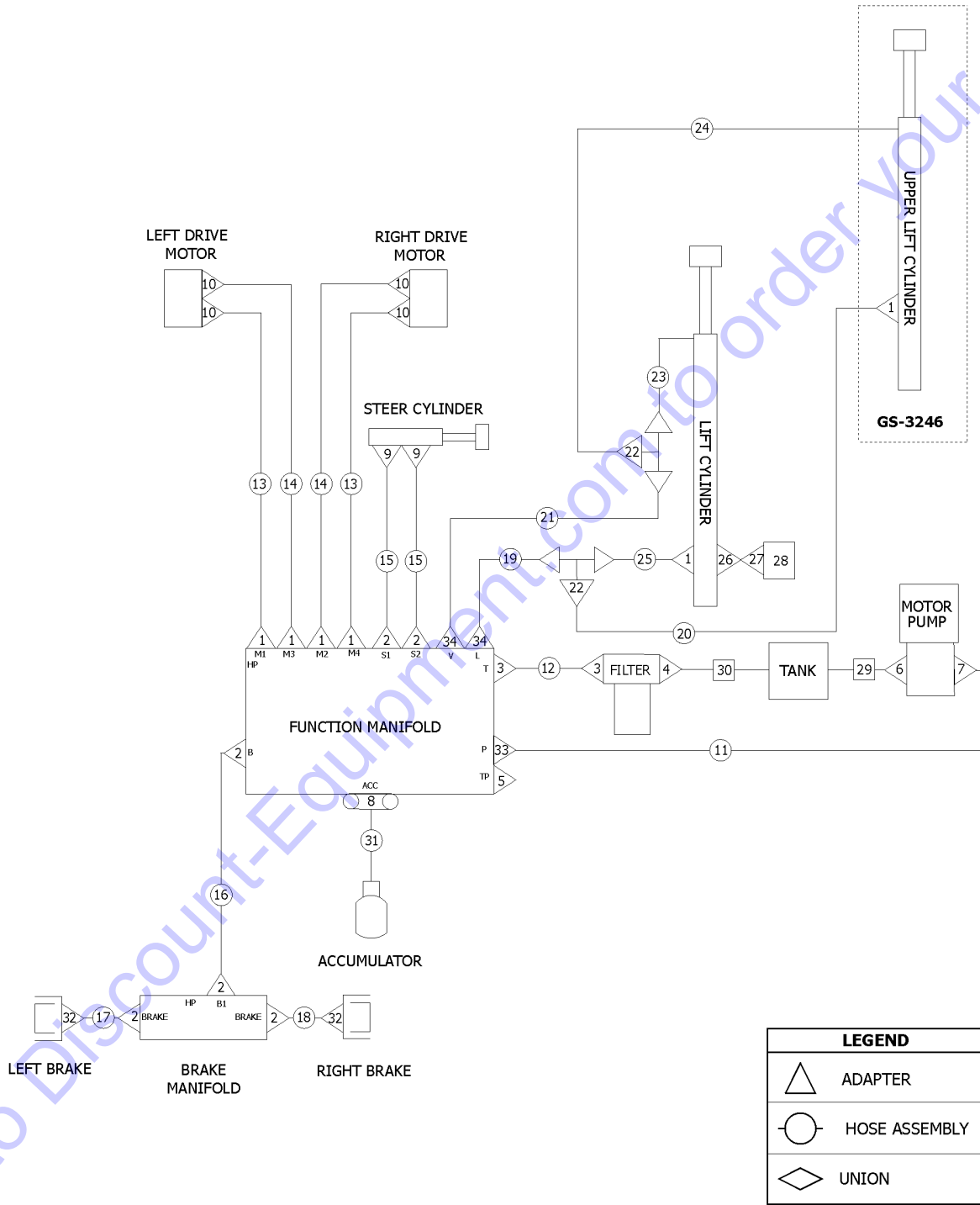
Go to Discount-Equipment.com to order your parts

506.1 Hydraulic Hoses and Fittings, GS-2046, GS-2646

Item	Part No.	Description	Qty.
	66765-3000GT	WIRE LOOM, SPIRAL, 1-5/8 ID 30" used as hose protection on 3/8 hoses, sold by the inch	
		The hose lengths below reflect the length of the hose only. Refer to the 'Fittings Cross Reference' to match Genie part numbers to Parker part numbers.	
1	39878GT	CONNECTOR, 070120-6-6	5
2	39877GT	CONNECTOR, 070120-4-4	6
2-	39882GT	PLUG, HEX SOCKET, 090109B-4	1
3	66389GT	CONN, 070120-8-6	2
4	96398GT	CONNECTOR, 070120-12-8	1
5		Ref. Diagnostic Nipple 502.1	
6	22664GT	ELBOW, 070220-12-10	1
7	39876GT	ELBOW, 070220-6-8	1
8	39877GT	CONNECTOR, 070120-4-4	1
9	13921GT	ELBOW, 070220-4-4 GS-2046, GS-2646	2
10	39873GT	ELBOW, 070220-6-6	4
11	96744GT	HOSE, ASSY, PRESSURE (Components: 39890, 39890, and 56776 @ 50 inches), (Parker hose)	1
11B	1259183GT	HOSE, ASSY, PRESS, RYCO Ryco hose	1
12	96348GT	HOSE, ASSY, MAN TO FILTER (Components: 96406, 96406, and 75631 @ 25 inches), (Parker hose)	1
12B	1259184GT	HOSE, ASSY, MAN TO FILTER, RYCO Ryco hose	1
13	105801GT	HOSE ASSY, DRIVE MOTORS, GS46 (Components: 39890, 39890, and 56776 @ 60 inches), (Parker hose)	2
13B	1259064GT	HOSE ASSY, DRIVE MOTORS, GS46 Ryco hose	2
14	105580GT	HOSE ASSY, DRIVE MOTORS, GS46 (Components: 39890, 39890, and 56776 @ 64 inches), (Parker hose)	2
14B	1259063GT	HOSE ASSY, DRIVE MOTORS, GS46 Ryco hose	2
15	105578GT	HOSE, ASSY STEER, GS32/46 (Components: 78855, 78855, and 78852 @ 36 inches), (Parker hose)	2
15B	1259062GT	HOSE, ASSY STEER, GS32/46 RYCO Ryco hose	2
16	105577GT	HOSE, ASSY, BRAKE, GS46 (Components: 78855, 78855, and 78852 @ 65 inches), (Parker hose)	1
16B	1259061GT	HOSE, ASSY, BRAKE, GS46 Ryco hose	1
17	105803GT	HOSE, ASSY, BRAKE MAN, GS46 (Components: 39890, 39890, and 78852 @ 22 inches), (Parker hose)	1
17B	1259065GT	HOSE, ASSY, BRAKE MAN, GS46 Ryco hose	1
18	96749GT	HOSE, ASSY, BRAKE MAN, GS46 (Components: 78855, 78855, and 78852 @ 20 inches), (Parker hose)	1



506.1 Hydraulic Hoses and Fittings, GS-2046, GS-2646



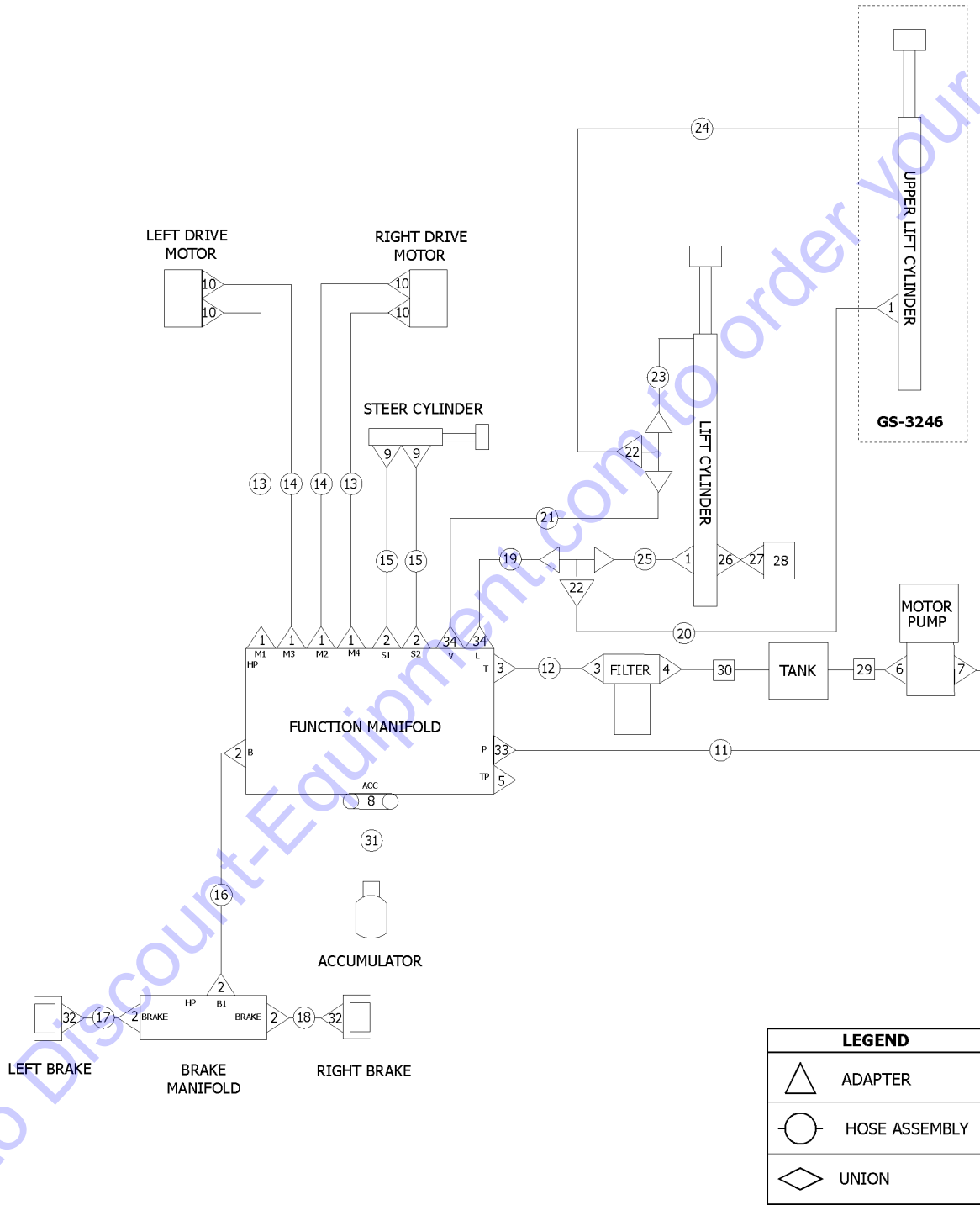
506.1 Hydraulic Hoses and Fittings, GS-2046, GS-2646

Item	Part No.	Description	Qty.
18B	1259082GT	HOSE, ASSY, BRAKE MAN, GS46 Ryco hose	1
19	96750GT	HOSE, ASSY, LIFT (Components: 39890, 39891, and 56776 @ 42 inches) , (Parker hose)	1
19B	1259083GT	HOSE, ASSY, LIFT RYCO Ryco hose	1
21	96881GT	HOSE,LOWER VENT (Components: 96406, 96407, and 75631 @ 42 inches), (Parker hose)	1
21B	1259084GT	HOSE,ASSY,VENT RYCO Ryco hose	1
23	96882GT	HOSE,LOWER VENT (Components: 75631 @ 161 inches), (Parker hose)	1
23B	1259085GT	HOSE,LOWER VENT RYCO Ryco hose	1
25	105046GT	HOSE ASSY,LOWER LIFT (Components: 39890, 47223, and 56776 @ 127 inches), (Parker hose)	1
25B	1259059GT	HOSE,LOWER VENT RYCO Ryco hose	1
26	96885GT	CONN,SWIVEL,STR,THR,465OX-S	1
27	39881GT	CONNECTOR,070120-4-6	1
28		Ref.Pressure Switch 701.1 refer to 701.1	1
29	1270598GT	TUBE, ASSY, DRAW	1
30	1270600GT	TUBE, SLAB RETURN ASSEMBLY	1
31	105246GT	HOSE ASSY, MAN/ACCUM, GS32/46 (Components: 78855, 78855, and 78852 @ 17 inches), (Parker hose)	1
31B	1259060GT	HOSE ASSY, MAN/ACCUM, GS32/46 Ryco hose	1
32	39877GT	CONNECTOR,070120-4-4	2
33	39878GT	CONNECTOR, 070120-6-6	1
34	42283GT	ELBOW,070320-6-6	2

Go to Discount-EquipmentPart.com to order your parts



506.2 Hydraulic Hoses and Fittings, GS-3246

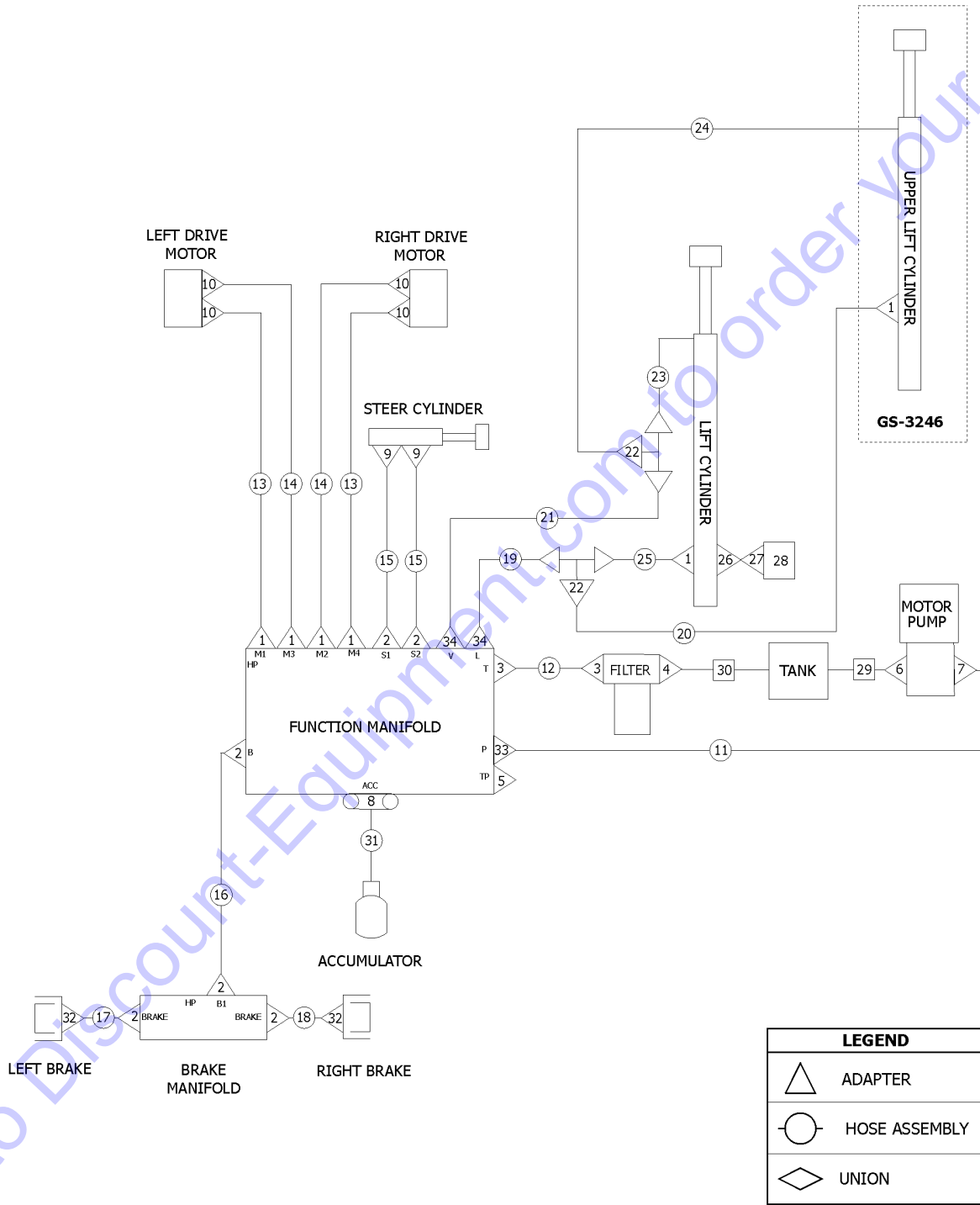


506.2 Hydraulic Hoses and Fittings, GS-3246

Item	Part No.	Description	Qty.
	66765-3000GT	WIRE LOOM, SPIRAL, 1-5/8 ID 30" used as hose protection on 3/8 hoses, sold by the inch	
The hose lengths below reflect the length of the hose only. Refer to the 'Fittings Cross Reference' to match Genie part numbers to Parker part numbers.			
1	39878GT	CONNECTOR, 070120-6-6	5
2	39877GT	CONNECTOR, 070120-4-4	6
2-	39882GT	PLUG, HEX SOCKET, 090109B-4	1
3	66389GT	CONN, 070120-8-6	2
4	96398GT	CONNECTOR, 070120-12-8	1
5		Ref. Diagnostic Nipple 502.1	
6	22664GT	ELBOW, 070220-12-10	1
7	39876GT	ELBOW, 070220-6-8	1
8	39877GT	CONNECTOR, 070120-4-4	1
10	39873GT	ELBOW, 070220-6-6	4
11	96744GT	HOSE, ASSY, PRESSURE (Components: 39890, 39890, and 56776 @ 50 inches), (Parker hose)	1
11B	1259183GT	HOSE, ASSY, PRESS, RYCO Ryco hose	1
12	96348GT	HOSE, ASSY, MAN TO FILTER (Components: 96406, 96406, and 75631 @ 25 inches), (Parker hose)	1
12B	1259184GT	HOSE, ASSY, MAN TO FILTER, RYCO Ryco hose	1
13	105801GT	HOSE ASSY, DRIVE MOTORS, GS46 (Components: 39890, 39890, and 56776 @ 60 inches), (Parker hose)	2
13B	1259064GT	HOSE ASSY, DRIVE MOTORS, GS46 Ryco hose	2
14	105580GT	HOSE ASSY, DRIVE MOTORS, GS46 (Components: 39890, 39890, and 56776 @ 64 inches), (Parker hose)	2
14B	1259063GT	HOSE ASSY, DRIVE MOTORS, GS46 Ryco hose	2
15	105578GT	HOSE, ASSY STEER, GS32/46 (Components: 78855, 78855, and 78852 @ 36 inches), (Parker hose)	2
15B	1259062GT	HOSE, ASSY STEER, GS32/46 RYCO Ryco hose	2
16	105577GT	HOSE, ASSY, BRAKE, GS46 (Components: 78855, 78855, and 78852 @ 65 inches), (Parker hose)	1
16B	1259061GT	HOSE, ASSY, BRAKE, GS46 Ryco hose	1
17	105803GT	HOSE, ASSY, BRAKE MAN, GS46 (Components: 39890, 39890, and 78852 @ 22 inches), (Parker hose)	1
17B	1259065GT	HOSE, ASSY, BRAKE MAN, GS46 Ryco hose	1
18	96749GT	HOSE, ASSY, BRAKE MAN, GS46 (Components: 78855, 78855, and 78852 @ 20 inches), (Parker hose)	1
18B	1259082GT	HOSE, ASSY, BRAKE MAN, GS46 Ryco hose	1



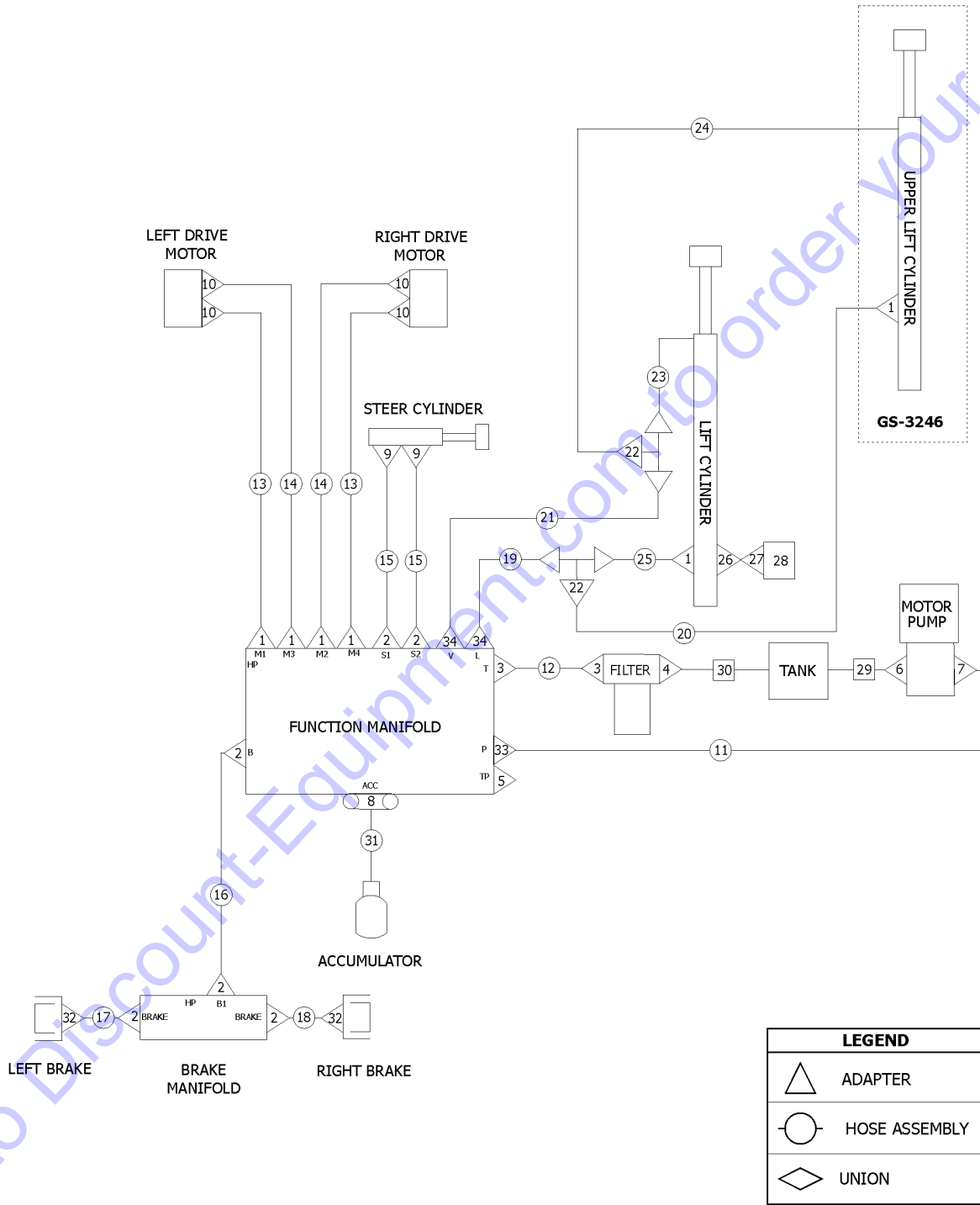
506.2 Hydraulic Hoses and Fittings, GS-3246



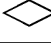


506.2 Hydraulic Hoses and Fittings, GS-3246

Item	Part No.	Description	Qty.
19	96750GT	HOSE, ASSY, LIFT (Components: 39890, 39891, and 56776 @ 42 inches), (Parker hose)	1
19B	1259083GT	HOSE, ASSY, LIFT RYCO Ryco hose	1
20	96880GT	HOSE ASSY,UPPER LIFT GS-3246 (Components: 39890, 39891, and 56776 @ 297 inches), (Parker hose)	1
20B	1259186GT	HOSE ASSY,UPPER LIFT,RYCO Ryco hose	1
21	96881GT	HOSE,LOWER VENT (Components: 96406, 96407, and 75631 @ 42 inches), (Parker hose)	1
21B	1259084GT	HOSE,ASSY,VENT RYCO Ryco hose	1
22	51152GT	TEE,RUN 070432-6***** GS-3246	2
23	96882GT	HOSE,LOWER VENT (Components: 75631 @ 161 inches), (Parker hose)	1
23B	1259085GT	HOSE,LOWER VENT RYCO Ryco hose	1
24	96883GT	HOSE,UPPER VENT GS-3246 (Components: 105045, and 75631 @ 320 inches), (Parker hose)	1
24B	1259185GT	HOSE, UP VENT, RYCO Ryco hose	1
25	105046GT	HOSE ASSY,LOWER LIFT (Components: 39890, 47223, and 56776 @ 127 inches), (Parker hose)	1
25B	1259059GT	HOSE,LOWER VENT RYCO Ryco hose	1
26	96885GT	CONN,SWIVEL,STR,THR,465OX-S	1
27	39881GT	CONNECTOR,070120-4-6	1
28		Ref.Pressure Switch 701.1 refer to 701.1	1
29	1270598GT	TUBE, ASSY, DRAW	1
30	1270600GT	TUBE, SLAB RETURN ASSEMBLY	1
31	105246GT	HOSE ASSY, MAN/ACCUM, GS32/46 (Components: 78855, 78855, and 78852 @ 17 inches), (Parker hose)	1
31B	1259060GT	HOSE ASSY, MAN/ACCUM, GS32/46 Ryco hose	1
32	39877GT	CONNECTOR,070120-4-4	2
33	39878GT	CONNECTOR, 070120-6-6	1
33B	237086GT	HOSE,UPPER VENT GS-3246 (Australia, CE)	1
34	42283GT	ELBOW,070320-6-6	2
34B	130011GT	HOSE CLAMP, SAE #6 GS-3246	2

506.3 Hydraulic Hoses and Fittings (Parker Hose Option)



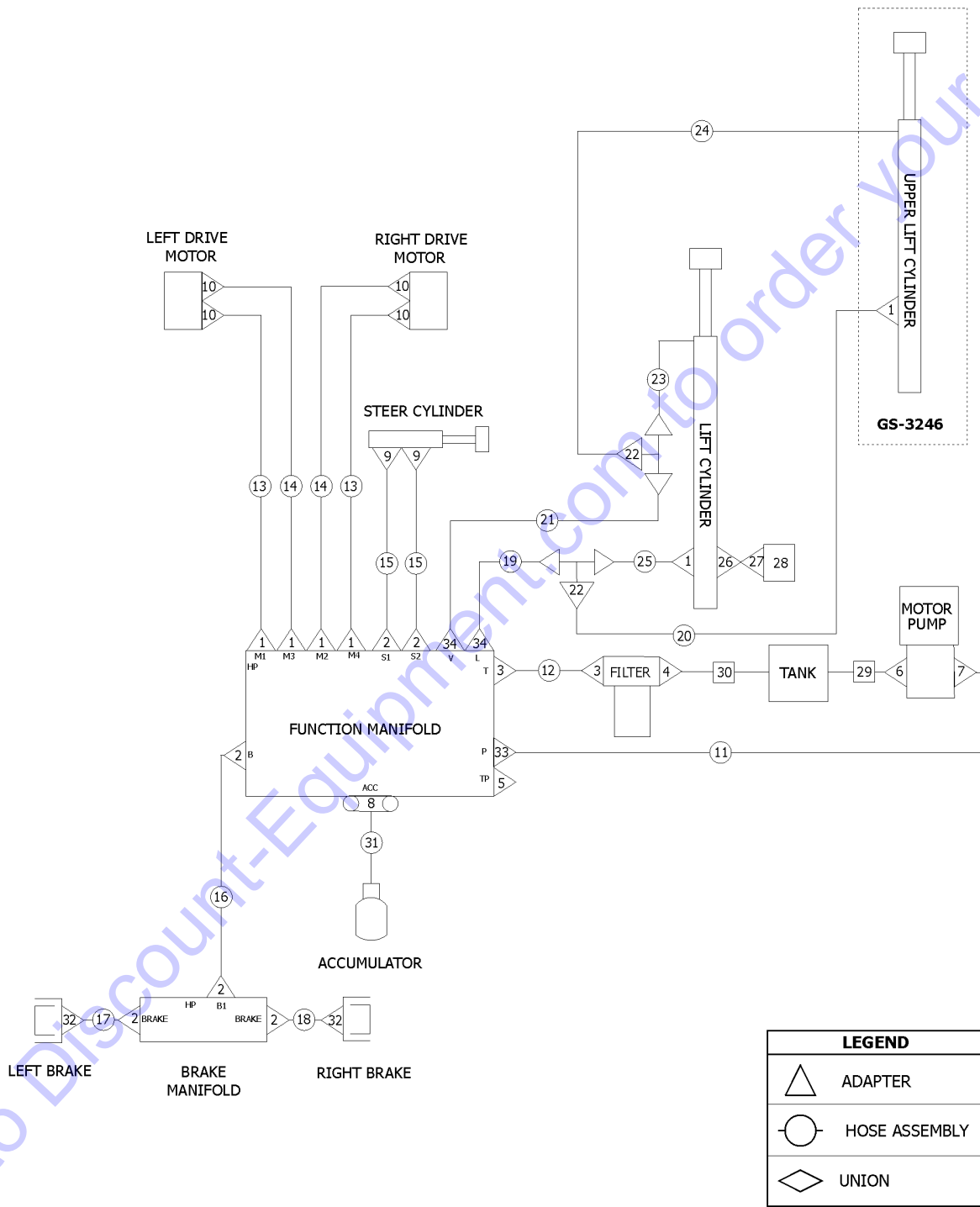
LEGEND	
	ADAPTER
	HOSE ASSEMBLY
	UNION

506.3 Hydraulic Hoses and Fittings (Parker Hose Option)

Item	Part No.	Description	Qty.
--		The hose lengths below reflect the length of the hose only. Refer to the 'Fittings Cross Reference' to match Genie part numbers to Parker part numbers.	
--	66765-3000GT	WIRE LOOM, SPIRAL, 1-5/8 ID 30" used as hose protection on 3/8 hoses, sold by the inch	
1	39878GT	CONNECTOR, 070120-6-6	5
2	39877GT	CONNECTOR, 070120-4-4	6
2-	39882GT	PLUG, HEX SOCKET, 090109B-4	1
3	66389GT	CONN, 070120-8-6	2
4	96398GT	CONNECTOR, 070120-12-8	1
5		Ref. Diagnostic Nipple 502.1	
6	22664GT	ELBOW, 070220-12-10	1
7	39876GT	ELBOW, 070220-6-8	1
8	39877GT	CONNECTOR, 070120-4-4	1
9	13921GT	ELBOW, 070220-4-4 GS-2046, GS-2646	2
10	39873GT	ELBOW, 070220-6-6	4
11	96744GT	HOSE, ASSY, PRESSURE (Components: 39890, 39890, and 56776 @ 50 inches)	1
12	96348GT	HOSE, ASSY, MAN TO FILTER (Components: 96406, 96406, and 75631 @ 25 inches)	1
13	105801GT	HOSE ASSY, DRIVE MOTORS, GS46 (Components: 39890, 39890, and 56776 @ 60 inches)	2
14	105580GT	HOSE ASSY, DRIVE MOTORS, GS46 (Components: 39890, 39890, and 56776 @ 64 inches)	2
15	105578GT	HOSE, ASSY STEER, GS32/46 (Components: 78855, 78855, and 78852 @ 36 inches)	2
16	105577GT	HOSE, ASSY, BRAKE, GS46 (Components: 78855, 78855, and 78852 @ 65 inches)	1
17	105803GT	HOSE, ASSY, BRAKE MAN, GS46 (Components: 39890, 39890, and 78852 @ 22 inches)	1
18	96749GT	HOSE, ASSY, BRAKE MAN, GS46 (Components: 78855, 78855, and 78852 @ 20 inches)	1
19	96750GT	HOSE, ASSY, LIFT (Components: 39890, 39891, and 56776 @ 42 inches)	1
20	96880GT	HOSE ASSY, UPPER LIFT GS-3246 (Components: 39890, 39891, and 56776 @ 297 inches)	1
21	96881GT	HOSE, LOWER VENT (Components: 96406, 96407, and 75631 @ 42 inches)	1
22	51152GT	TEE, RUN 070432-6***** GS-3246	2
23	96882GT	HOSE, LOWER VENT (Components: 75631 @ 161 inches)	1
24	96883GT	HOSE, UPPER VENT GS-3246 (Components: 105045 and 75631 @ 320 inches)	1



506.3 Hydraulic Hoses and Fittings (Parker Hose Option)



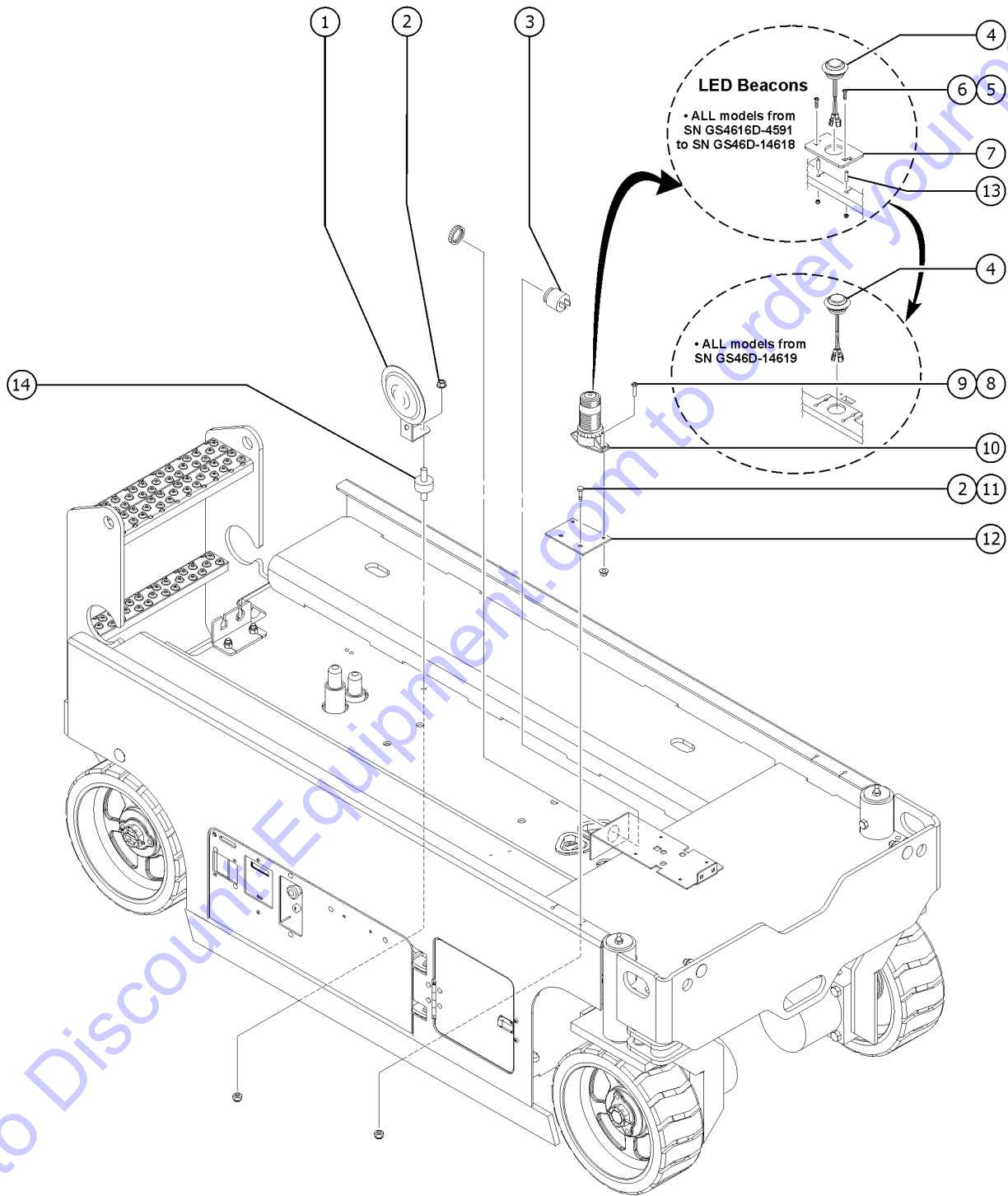
506.3 Hydraulic Hoses and Fittings (Parker Hose Option)

Item	Part No.	Description	Qty.
25	105046GT	HOSE ASSY,LOWER LIFT (Components: 39890, 47223, and 56776 @ 127 inches)	1
26	96885GT	CONN,SWIVEL,STR,THR,465OX-S	1
27	39881GT	CONNECTOR,070120-4-6	1
28		Ref.Pressure Switch 701.1 refer to 701.1	1
29	96354GT	TUBE, ASSY, DRAW	1
30	96355GT	TUBE, ASSY, RETURN	1
31	105246GT	HOSE ASSY, MAN/ACCUM, GS32/46 (Components: 78855, 78855, and 78852 @ 17 inches)	1
32	39877GT	CONNECTOR,070120-4-4	2
33	39878GT	CONNECTOR, 070120-6-6	1
33B	237086GT	HOSE,UPPER VENT GS-3246 (Australia, CE)	1
34	42283GT	ELBOW,070320-6-6	2
34B	130011GT	HOSE CLAMP, SAE #6 GS-3246	2

Go to Discount-Equipment.com to order your parts



601.1 Alarm, Horn and Flashing Beacons

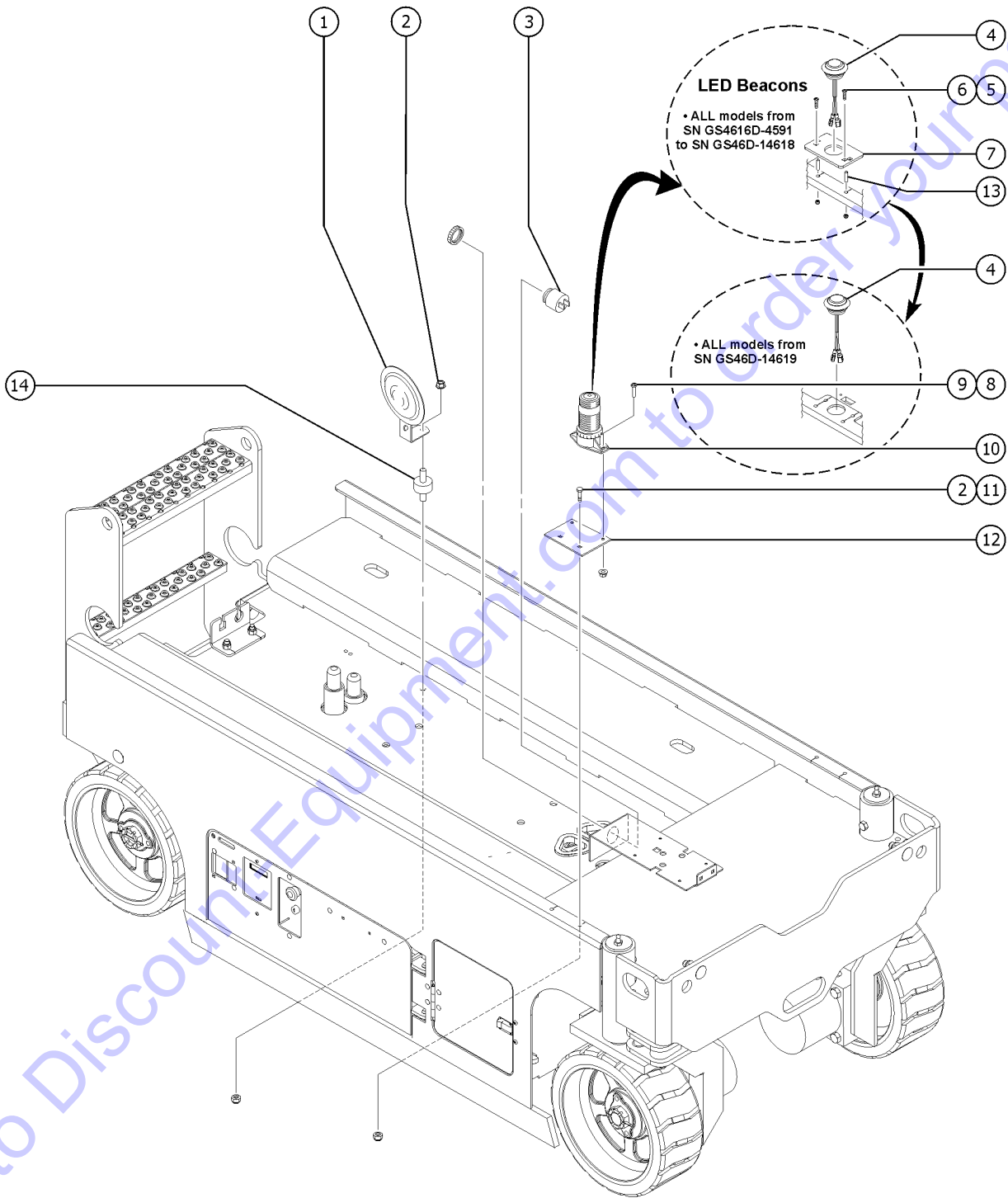


601.1 Alarm, Horn and Flashing Beacons

Item	Part No.	Description	Qty.
-	105797GT	KIT,BEACON,GS32/46 ANSI models to SN GS4616D-4590	
-	1260386GT	VISUAL ALARM SUPPLEMENT CE Models to SN GS4616D-4590	
-	1260386GT	VISUAL ALARM SUPPLEMENT All models from SN GS4616D-4591	
1	81579GT	HORN, 24VDC, SPADE TERMINALS***	1
2	6091GT	NUT, NYLOCK, 1/4-20	
2B	824028GT	NUT,TL FLG,5/16-18,G,ZAG	2
3	39540GT	ALARM,STEADY TONE*** Does not include 72326 nut; order separately	1
3-	72326GT	NUT,PLASTIC,RING FOR ALARMS for 39540	
4	1261183GT	ASSEMBLY,VISUAL IND LIGHT CE Models to SN GS4616D-4590	2
4-	1254572GT	LIGHT,TURN SIGNAL,1.25" LED,AM	2
4-	1270162GT	ASSEMBLY, BEACON LED, 24V for 1261183	2
4-	1271521GT	HARNES, BEACON, LED, MINI for 1261183	1
4B	1261183GT	ASSEMBLY,VISUAL IND LIGHT All models from SN GS4616D-4591	2
4B-	1254572GT	LIGHT,TURN SIGNAL,1.25" LED,AM	2
4B-	1270162GT	ASSEMBLY, BEACON LED, 24V for 1261183	2
4B-	1271521GT	HARNES, BEACON, LED, MINI for 1261183	1
5	1255756GT	BOLT,CARRIAGE,1/4-20X1.5,5,ZAG to SN GS46D-14618	4
6	824027GT	NUT, TL FLG, 1/4-20, G, ZAG to SN GS46D-14618	4
7	1261143GT	PLATE,VISUAL IND LIGHT MOUNT CE Models to SN GS4616D-4590	2
7B	1261143GT	PLATE,VISUAL IND LIGHT MOUNT All models from SN GS4616D-4591 to SN GS46D-14618	2
8	824215GT	SCREW, PHPM, 10-32 X .75, ZAG CE Models to SN GS4616D-4590	4
8B	824215GT	SCREW, PHPM, 10-32 X .75, ZAG All models from SN GS4616D-4591	4
9	824032GT	NUT,TL FLG,10-32,F,ZAG ANSI models to SN GS4616D-4590	2
10	231931GT	STROBE,BEACON, AC COMP 12-80V ANSI models to SN GS4616D-4590	2
10-	105556GT	LENS,FLASHING BEACON for 231931	
10-	105557GT	BULB,FLASHING BEACON for 231931	
11	824124GT	BOLT,CARRIAGE,1/4-20X.75,5,ZAG ANSI models to SN GS4616D-4590	4
12	96363GT	PLATE,BEACON MOUNT ANSI models to SN GS4616D-4590	2



601.1 Alarm, Horn and Flashing Beacons



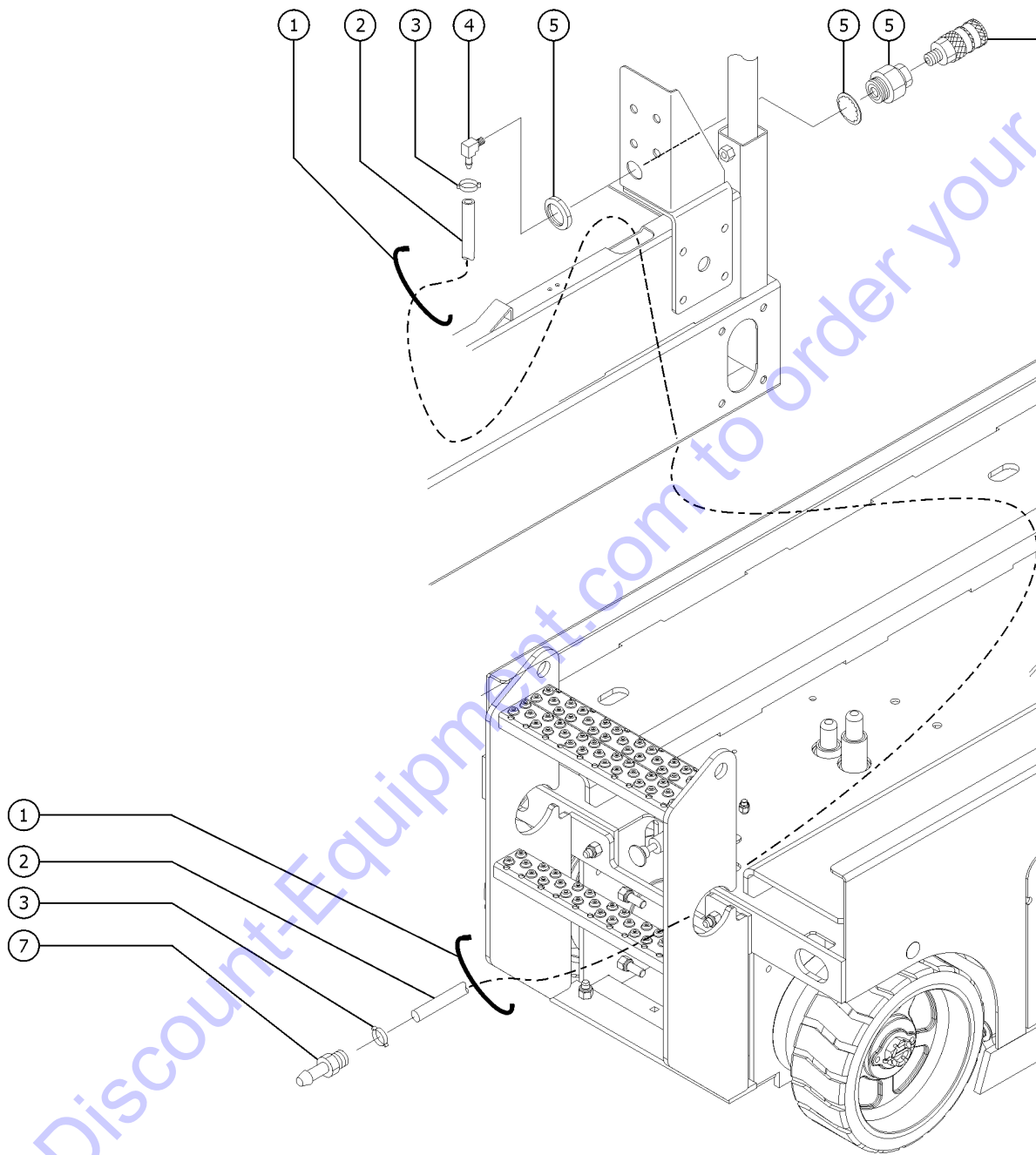
601.1 Alarm, Horn and Flashing Beacons

<i>Item</i>	<i>Part No.</i>	<i>Description</i>	<i>Qty.</i>
13	96699GT	SLEEVE,TANK SUPPORT CE Models to SN GS4616D-4590	4
13B	96699GT	SLEEVE,TANK SUPPORT All models from SN GS4616D-4591 to SN GS46D-14618	4
14	1275722GT	ISOLATOR,HORN,5/16-18 THRD	1

Go to Discount-Equipment.com to order your parts



602.1 Air Line to Platform, GS-2046

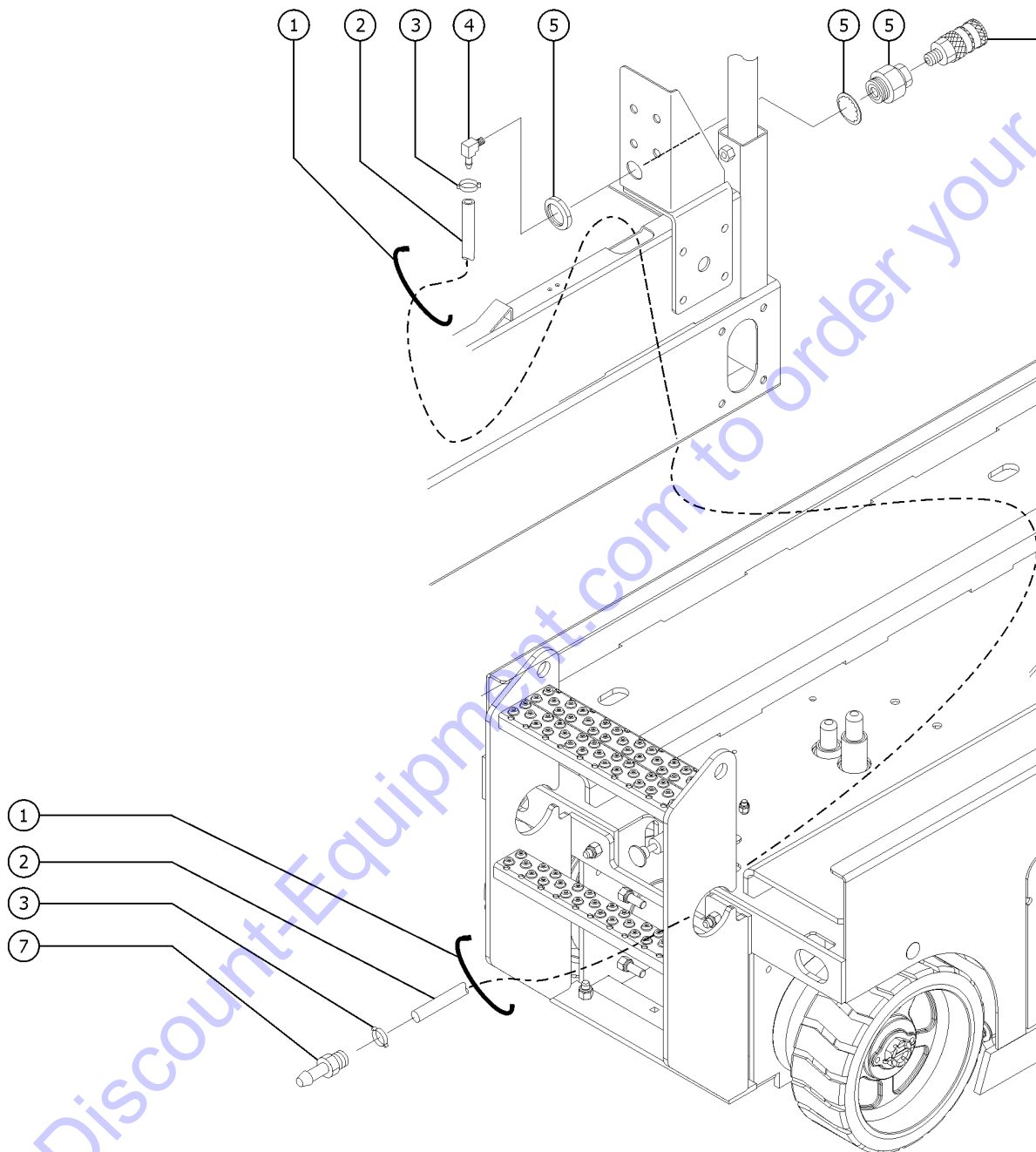


Item	Part No.	Description	Qty.
	96731-SGT	AIR TO PLAT, GS20XX, ACC GS-2046	
1	28443GT	CABLE TIE, 11.5" BLACK	
2	27903GT	HOSE,LOW PRESSURE,.375 ID,BLK GS-2046	390
3	27902GT	CLAMP,HOSE,2 EAR, 5/8	2
4	27904GT	HOSE END,BARBED,RIGID,90DEG6-6	1
5	27900GT	BULKHEAD,FEMALE X 6 X 6	1
6	27895GT	COUPLER,1/4"SERIES 3/8 MPT	1
7	96542GT	PLUG,1/4"SERIES,3/8 P-LOCK***	1

Go to Discount-Equipment.com to order your parts



602.2 Air Line to Platform, GS-2646

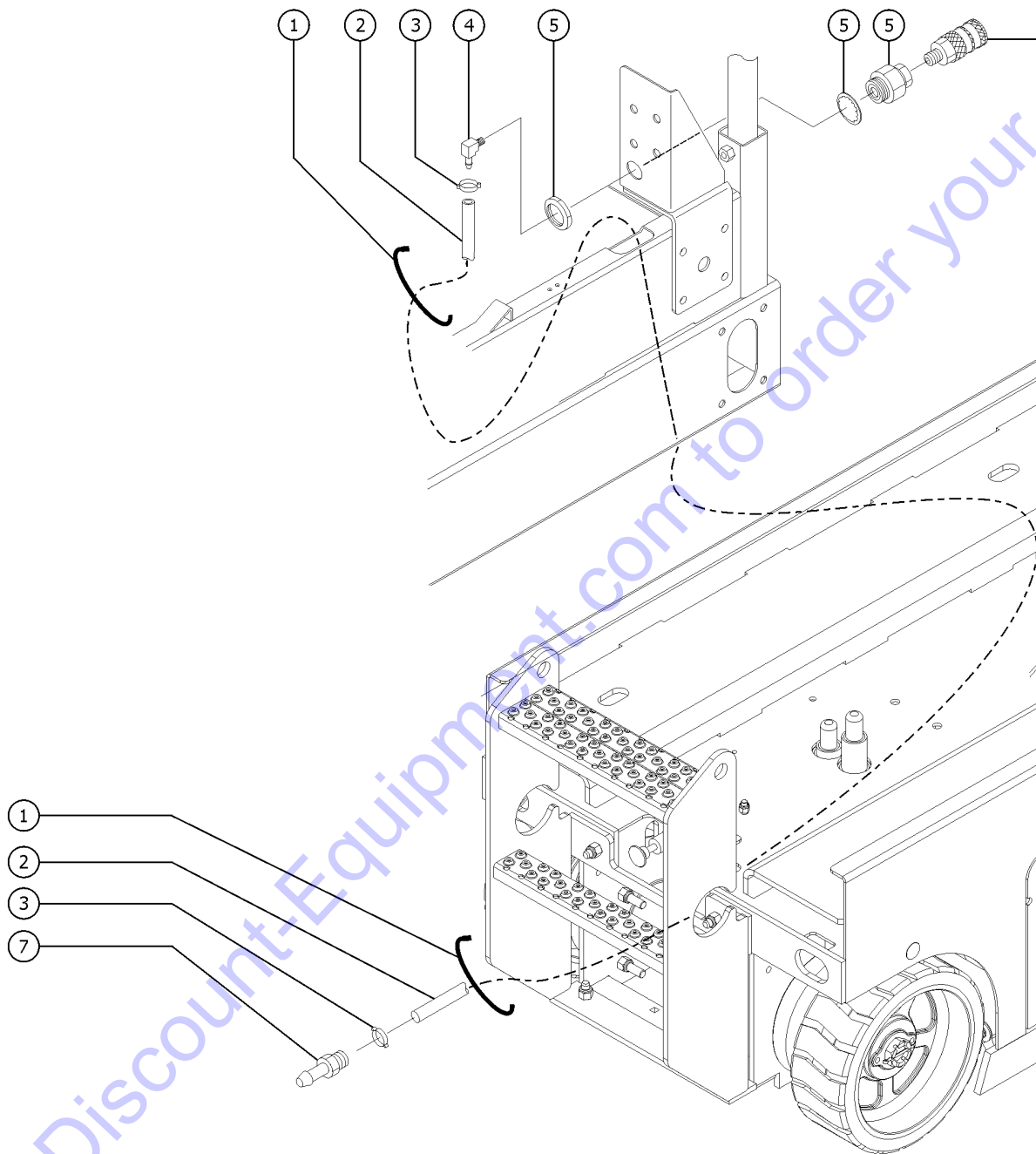


Item	Part No.	Description	Qty.
	96990-SGT	AIR TO PLAT, GS26XX, ACC GS-2646	
1	28443GT	CABLE TIE, 11.5" BLACK	
2B	27903GT	HOSE,LOW PRESSURE,.375 ID,BLK GS-2646	490
3	27902GT	CLAMP,HOSE,2 EAR, 5/8	2
4	27904GT	HOSE END,BARBED,RIGID,90DEG6-6	1
5	27900GT	BULKHEAD,FEMALE X 6 X 6	1
6	27895GT	COUPLER,1/4"SERIES 3/8 MPT	1
7	96542GT	PLUG,1/4"SERIES,3/8 P-LOCK***	1

Go to Discount-Equipment.com to order your parts



602.3 Air Line to Platform, GS-3246

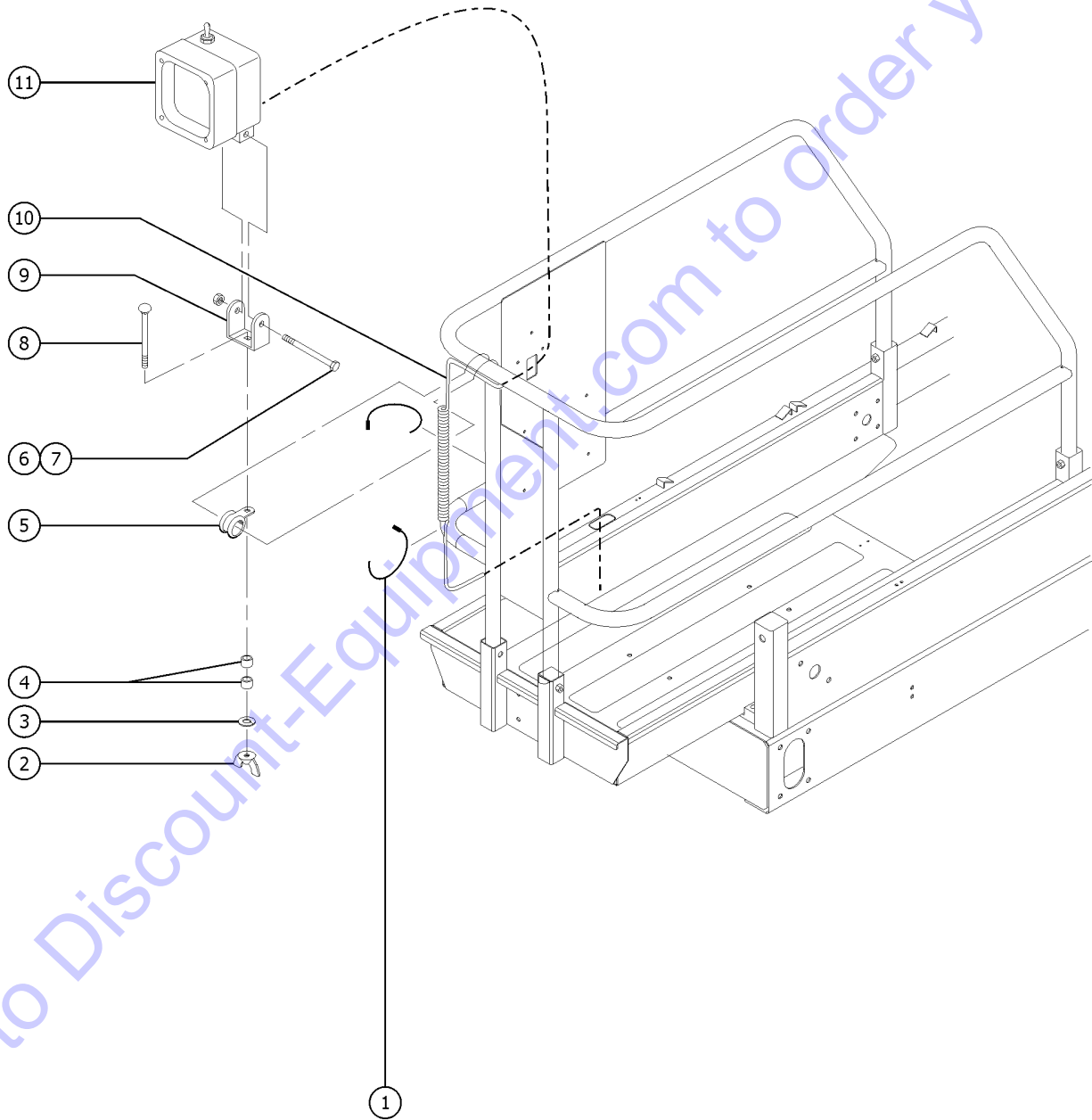


Item	Part No.	Description	Qty.
	96991-SGT	AIR TO PLAT, GS3246, ACC GS-3246	
1	28443GT	CABLE TIE, 11.5" BLACK	
2C	27903GT	HOSE,LOW PRESSURE,.375 ID,BLK GS-3246	590
3	27902GT	CLAMP,HOSE,2 EAR, 5/8	2
4	27904GT	HOSE END,BARBED,RIGID,90DEG6-6	1
5	27900GT	BULKHEAD,FEMALE X 6 X 6	1
6	27895GT	COUPLER,1/4"SERIES 3/8 MPT	1
7	96542GT	PLUG,1/4"SERIES,3/8 P-LOCK***	1

Go to Discount-Equipment.com to order your parts



603.1 Platform Work Light, GS-2046



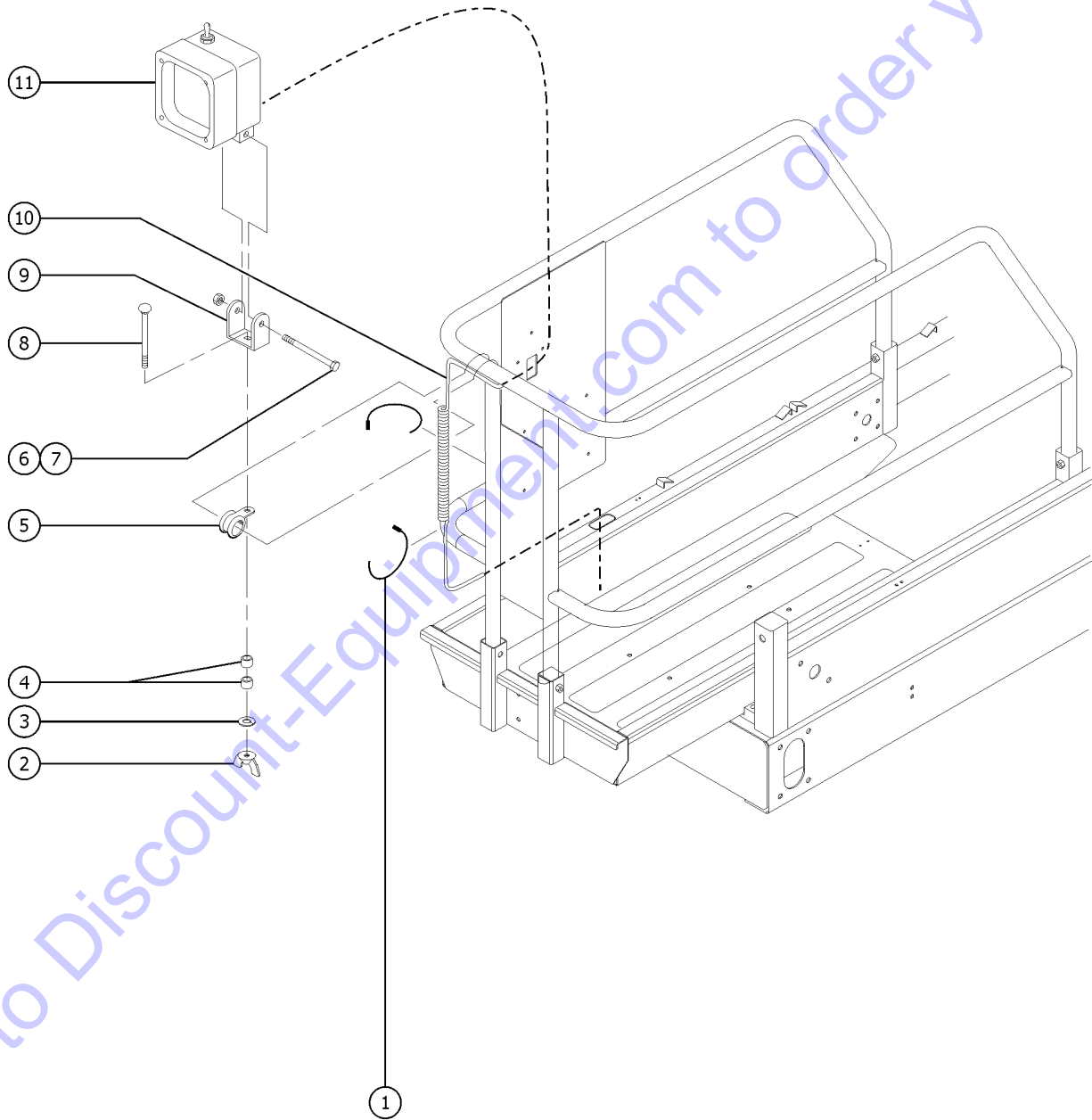
603.1 Platform Work Light, GS-2046

Item	Part No.	Description	Qty.
A-	105973GT	WORKLIGHT CABLE,GS19/20XX (linkset) GS-2046	
B-	105971GT	WORKLIGHT PIGTAIL ASSY (chassis)	
1	28443GT	CABLE TIE, 11.5" BLACK	10
2	69229GT	NUT,WING 5/16-18	1
3	6886GT	WASHER,LOCK,.313	
4	5397GT	WASHER,FLAT,USS,5/16",Y add sufficient washers to equal aproximately 0.435 inch thickness of each spacer	2
5	33784GT	CLAMP,1.31,#21 X 1/4,RUB CUSH	1
6	50793GT	SCREW,HHC,5/16-18 X 2	
7	6782GT	NUT, NYLOCK, 5/16-18	
8	65439GT	BOLT,CARRIAGE,5/16-18 X 2.0,G2	
9	144009GT	WORKLIGHT BRACKET	1
10	65721GT	COIL CORD,WORKLIGHT(144011)	1
11	144011GT	WORKLIGHT,24V,COIL CORD	1

Go to Discount-Equipment.com to order your parts



603.2 Platform Work Light, GS-2646



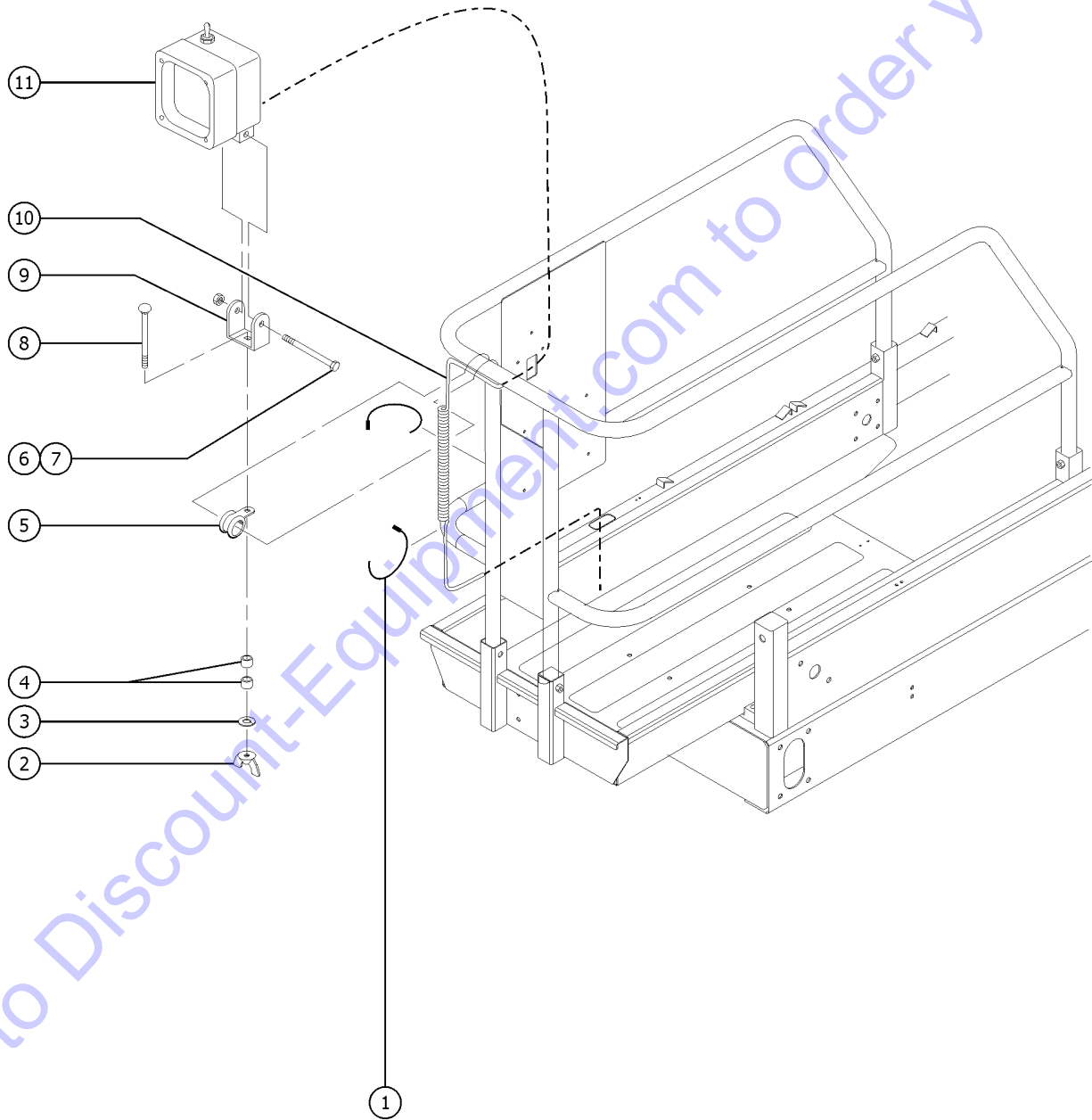
603.2 Platform Work Light, GS-2646

Item	Part No.	Description	Qty.
C-	105974GT	WORKLIGHT CABLE,GS26XX (linkset) GS-2646	
D-	105971GT	WORKLIGHT PIGTAIL ASSY (chassis)	
1	28443GT	CABLE TIE, 11.5" BLACK 10	
2	69229GT	NUT,WING 5/16-18 1	
3	6886GT	WASHER,LOCK,.313 1	
4	5397GT	WASHER,FLAT,USS,5/16",Y 2 add sufficient washers to equal aproximately 0.435 inch thickness of each spacer	
5	33784GT	CLAMP,1.31,#21 X 1/4,RUB CUSH 1	
6	50793GT	SCREW,HHC,5/16-18 X 2 1	
7	6782GT	NUT, NYLOCK, 5/16-18 1	
8	65439GT	BOLT,CARRIAGE,5/16-18 X 2.0,G2 1	
9	144009GT	WORKLIGHT BRACKET 1	
10	65721GT	COIL CORD,WORKLIGHT(144011) 1	
11	144011GT	WORKLIGHT,24V,COIL CORD 1	

Go to Discount-Equipment.com to order your parts



603.3 Platform Work Light, GS-3246



Go to Discount-Equipment.com to order your parts

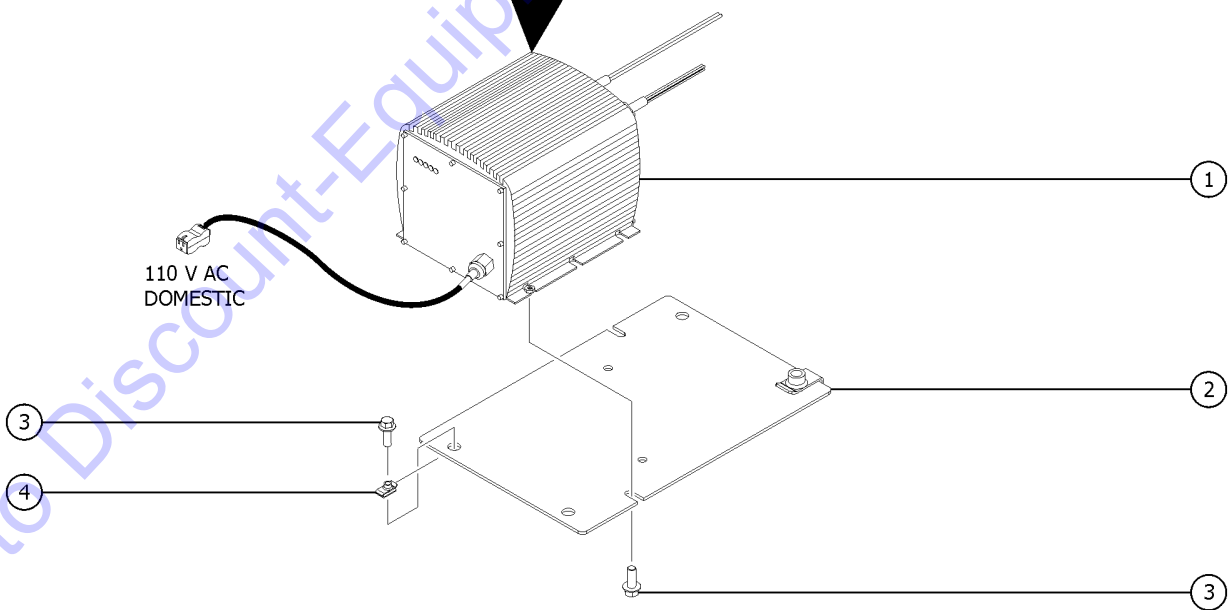
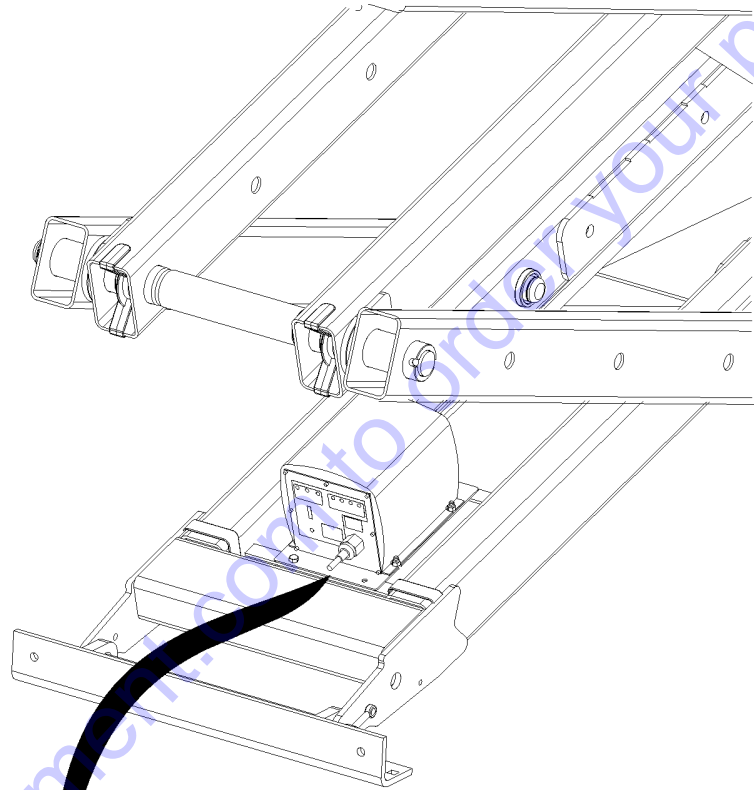
603.3 Platform Work Light, GS-3246

Item	Part No.	Description	Qty.
E-	105975GT	WORKLIGHT CABLE,GS32XX GS-3246	
F-	105971GT	WORKLIGHT PIGTAIL ASSY (chassis)	
1	28443GT	CABLE TIE, 11.5" BLACK	10
2	69229GT	NUT,WING 5/16-18	1
3	6886GT	WASHER,LOCK,.313	
4	5397GT	WASHER,FLAT,USS,5/16",Y add sufficient washers to equal aproximately 0.435 inch thickness of each spacer	2
5	33784GT	CLAMP,1.31,#21 X 1/4,RUB CUSH	1
6	50793GT	SCREW,HHC,5/16-18 X 2	
7	6782GT	NUT, NYLOCK, 5/16-18	
8	65439GT	BOLT,CARRIAGE,5/16-18 X 2.0,G2	
9	144009GT	WORKLIGHT BRACKET	1
10	65721GT	COIL CORD,WORKLIGHT(144011)	1
11	144011GT	WORKLIGHT,24V,COIL CORD	1

Go to Discount-Equipment.com to order your parts



604.1 Voltage Inverter



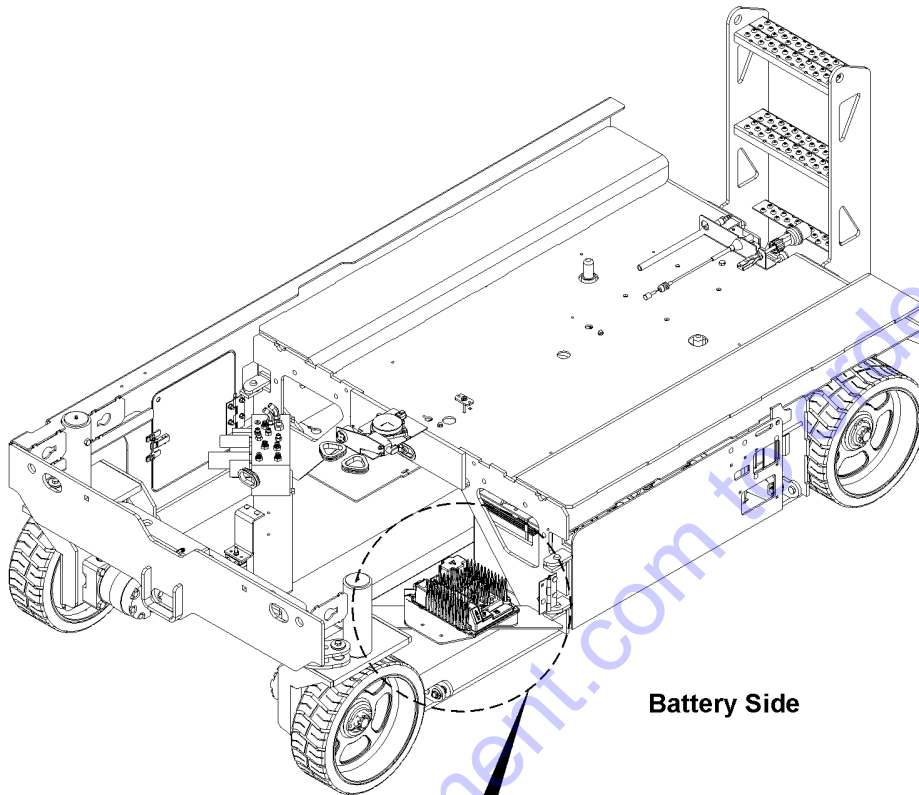
604.1 Voltage Inverter

<i>Item</i>	<i>Part No.</i>	<i>Description</i>	<i>Qty.</i>
1	96950GT	INVERTER,24VDC,110/230 VAC***	1
2	105129GT	PLATE, INVERTER MOUNT**	1
3	824078GT	SCREW,HHF,1/4-20X.75,8,ZAG	4
4	56912GT	SPRING CLIP,1/4-20,.025-.15X.54,ZAG	2

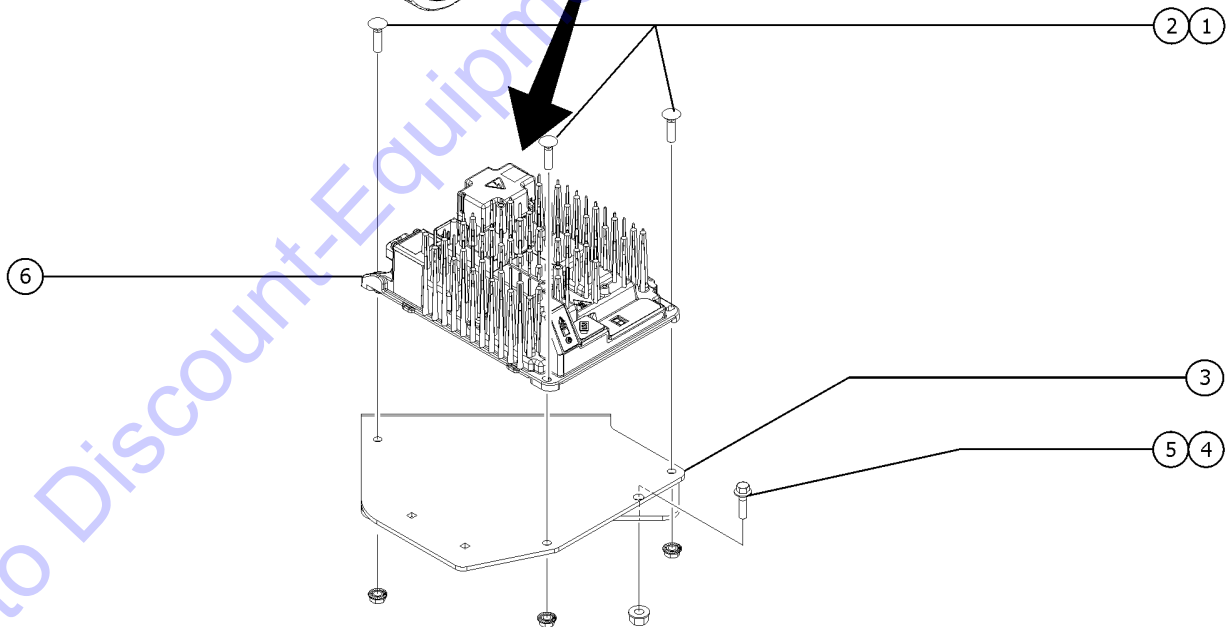
Go to Discount-Equipment.com to order your parts



604.2 Voltage Inverter



Battery Side



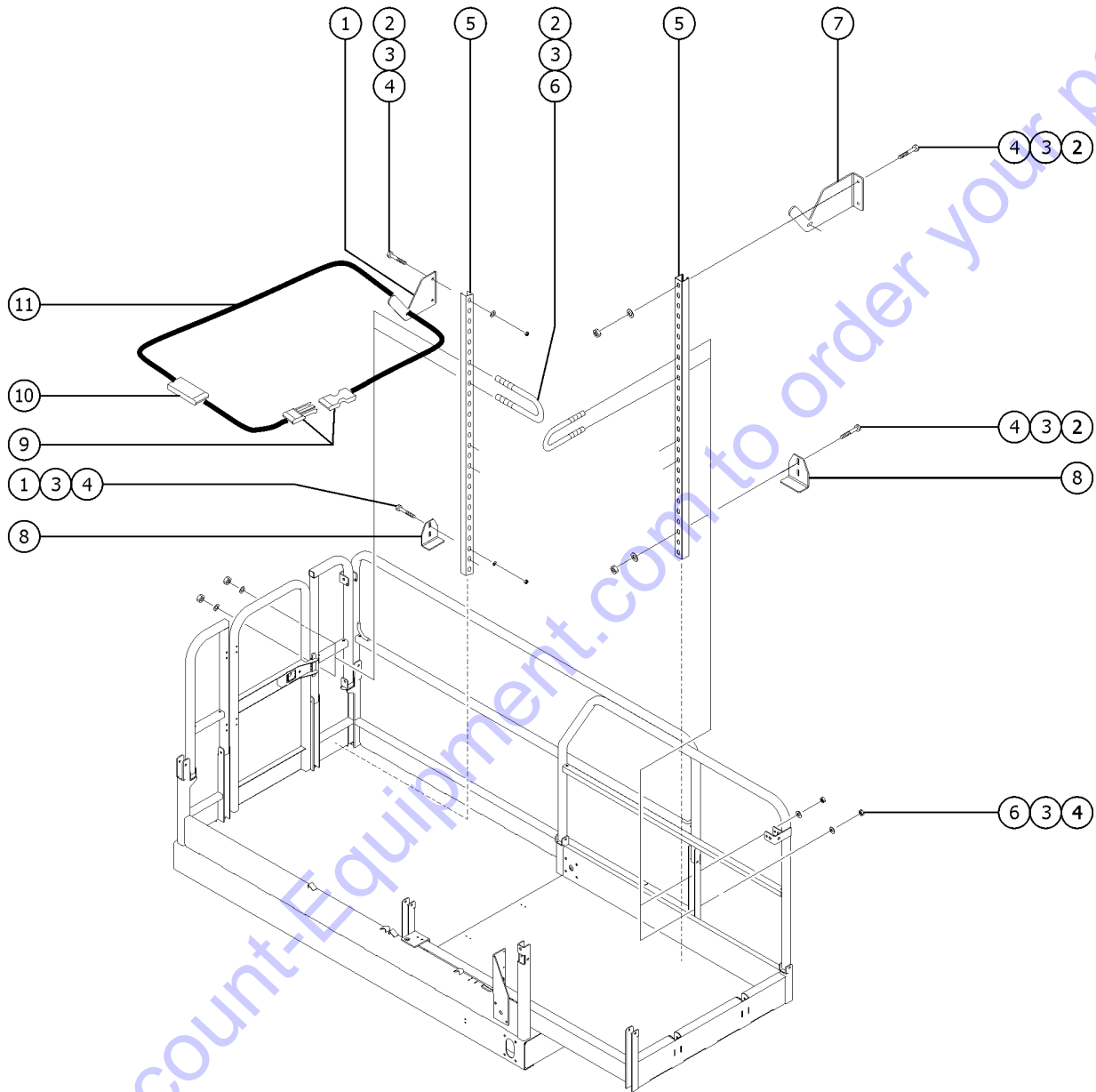
604.2 Voltage Inverter

<i>Item</i>	<i>Part No.</i>	<i>Description</i>	<i>Qty.</i>
1	1256127GT	BOLT,CARRIAGE,1/4-20X1",GR 5,ZAG	3
2	1256679GT	NUT,SERRATED,1/4-20,8,ZAG	3
3	1273056GT	FORMING,DELTA-Q CHARGER MOUNT	1
4	824079GT	SCREW,HHF,1/4-20X1,8,ZAG	2
5	824027GT	NUT, TL FLG, 1/4-20, G, ZAG	2
6	1272232GT	CHARGER, 24V, 650W, USB	1

Go to Discount-Equipment.com to order your parts



605.1 Pipe Cradle Assembly



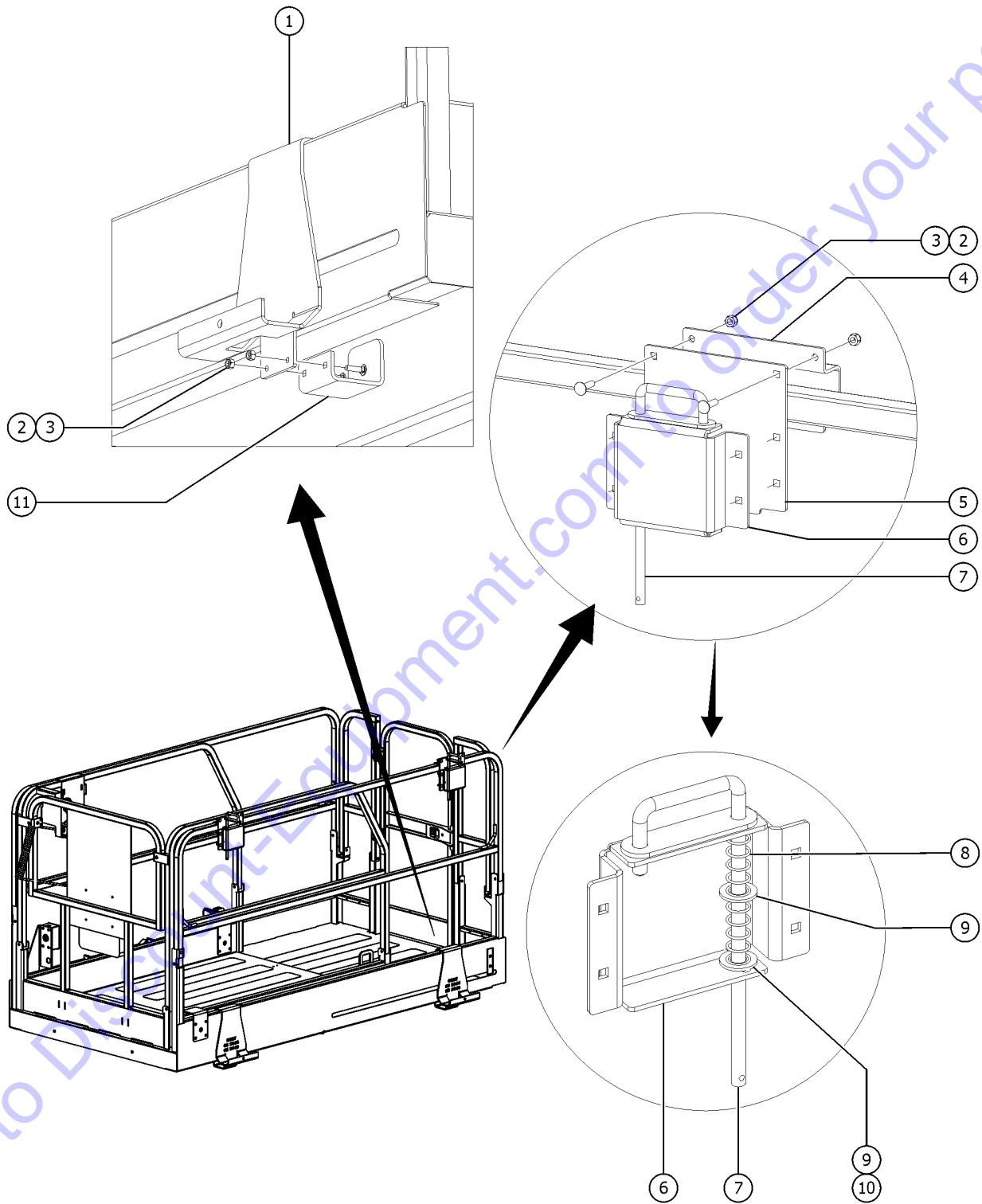
605.1 Pipe Cradle Assembly

Item	Part No.	Description	Qty.
	72878GT	PIPE CRDL,SQ RAILINGS,GS46	
1	79156GT	PLATE,PIPE HOLDER, GS68	1
2	14033GT	SCREW, HHC, 3/8-16 X 2.75	
3	6097GT	WASHER,FLAT,USS,3/8",Y	
4	4828GT	NUT,NYLOCK,3/8-16	
5	66171GT	CHANNEL,PIPE RACK	2
6	66472GT	U-BOLT, SQR, 3/8-16X2X5, PLTD	4
7	66169GT	FORMING, PIPE HOLDER RACK	1
8	66170GT	FORMING, PIPE RACK BASE	2
9	100810GT	BUCKLE & SLIDE STRAP SET	1
10	35643GT	BUCKLE,SIDE RELEASE	2
11	35642GT	STRAP,NYLON,1.0 IN. BLACK	96

Go to Discount-Equipment.com to order your parts



606.1 Panel Carrier Assembly, GS-2046, GS-2646 (ANSI/CSA models)



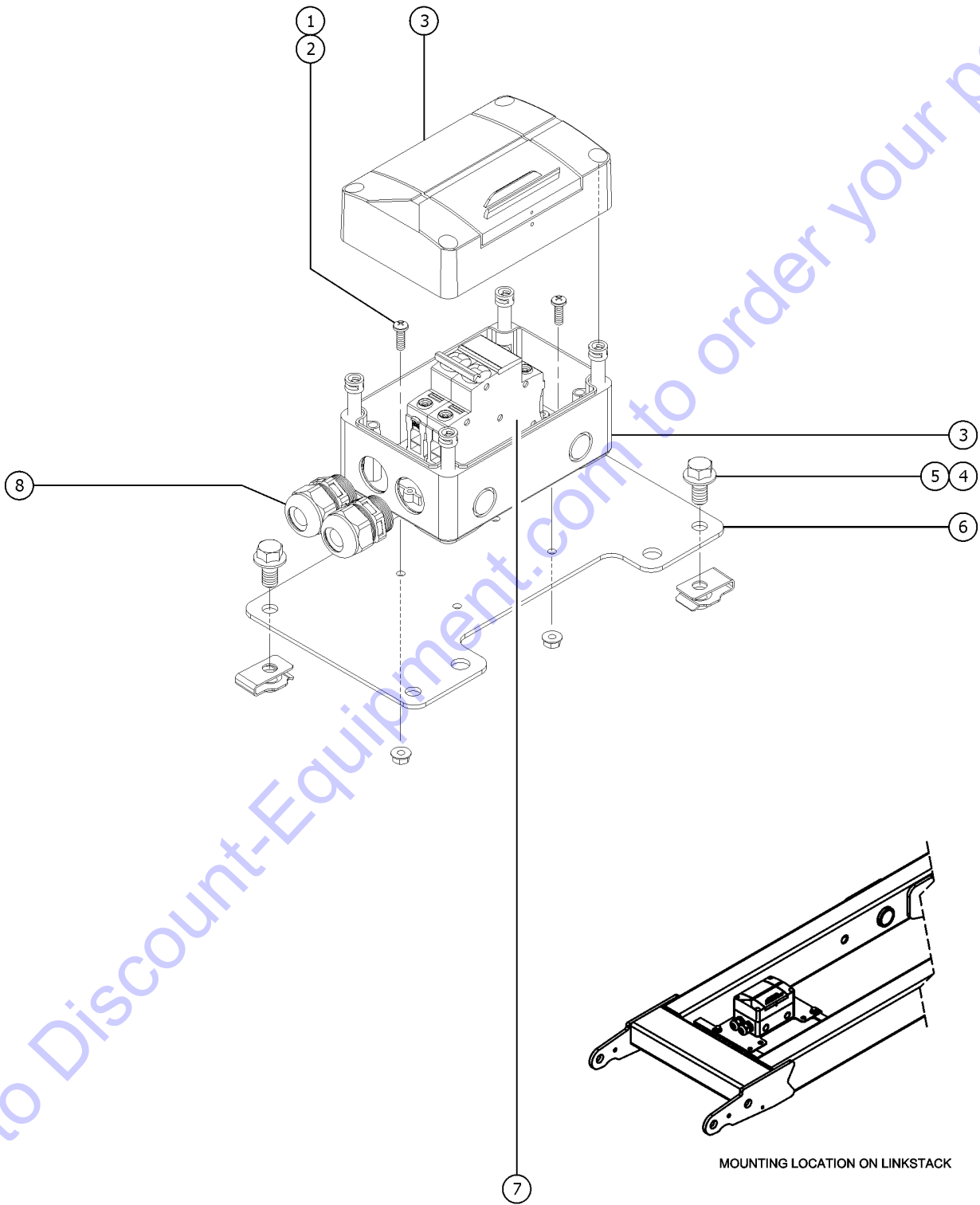
606.1 Panel Carrier Assembly, GS-2046, GS-2646 (ANSI/CSA models)

Item	Part No.	Description	Qty.
A	1251827GT	ACCESSORY, PANEL CARRIER For GS-2046 and GS-2646 only (ANSI/CSA models only) (not approved for use on CE or AUS models)	1
1	1251805GT	FORMING, PANEL HOOK	2
2	6091GT	NUT, NYLOCK, 1/4-20	2
3	124576GT	BOLT, CARRIAGE, 1/4-20X1.00 G5	2
4	1251809GT	FORMING, RAIL CLAMP	2
5	1251808GT	PLATE, COVER	2
6	1251807GT	FORMING, HOUSING, CLAMP	2
7	1251812GT	WELDMENT, CLAMP	2
8	1251813GT	SPRING, .660 X 2.00, 14.8 #/IN	4
9	6097GT	WASHER, FLAT, USS, 3/8", Y	2
10	12016GT	PIN, COTTER, .125 X .75	2
11	1251806GT	FORMING, RETAINER	2

Go to Discount-Equipment.com to order your parts



607.1 RCBO



Go to Discount-Equipment.com to order your parts



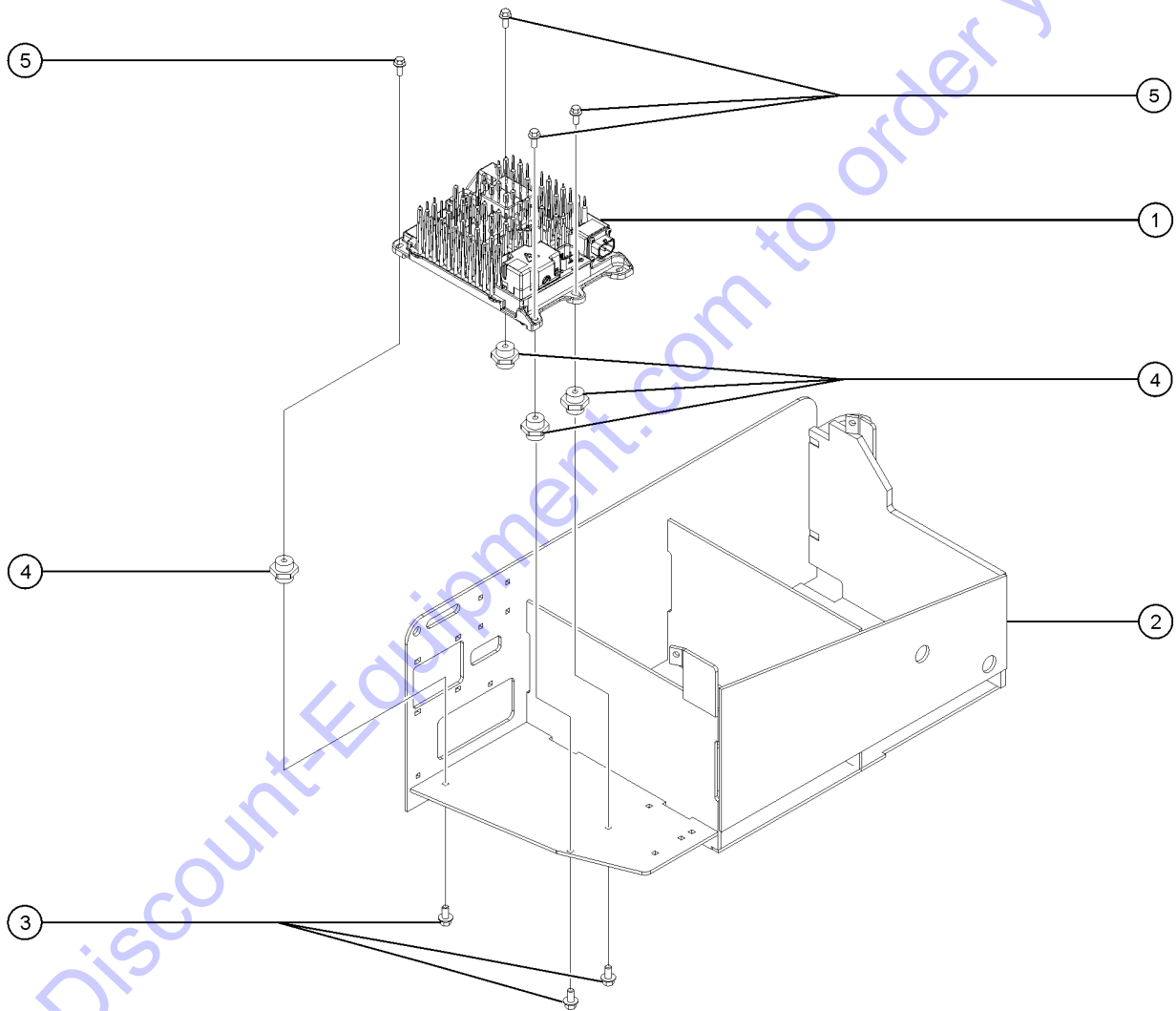
607.1 RCBO

Item	Part No.	Description	Qty.
1	1257227GT	SCREW,PHPM,10-32X.625,ZAG	2
2	1256467GT	NUT,TL FLG,10-24,F,ZAG	2
3	1269086GT	ENCLOSURE, FUSE, MODULAR, 100X150X96, IP65	1
4	824089GT	SCREW, HHF, 3/8-16 X .75, 8, ZAG	2
5	29868GT	SPRING CLIP,3/8-16,.05-.20X.73,ZAG	2
6	1274540GT	PLATE, RCBO, GS	1
7	231868GT	RCBO,16A,30MA,6KA 110/230V AC	1
8	1280947GT	GLAND ASSY,M25, 6-13MM	2
9	43956GT	WIRE CABLE,14/3 CON.TPE JKT* not shown	115
10	1280948GT	SLEEVE, CABLE-END, 16AWG, 1.5MM for 43956	6

Go to Discount-Equipment.com to order your parts



608.1 Charger Isolation



Go to Discount-Equipment.com to order your parts

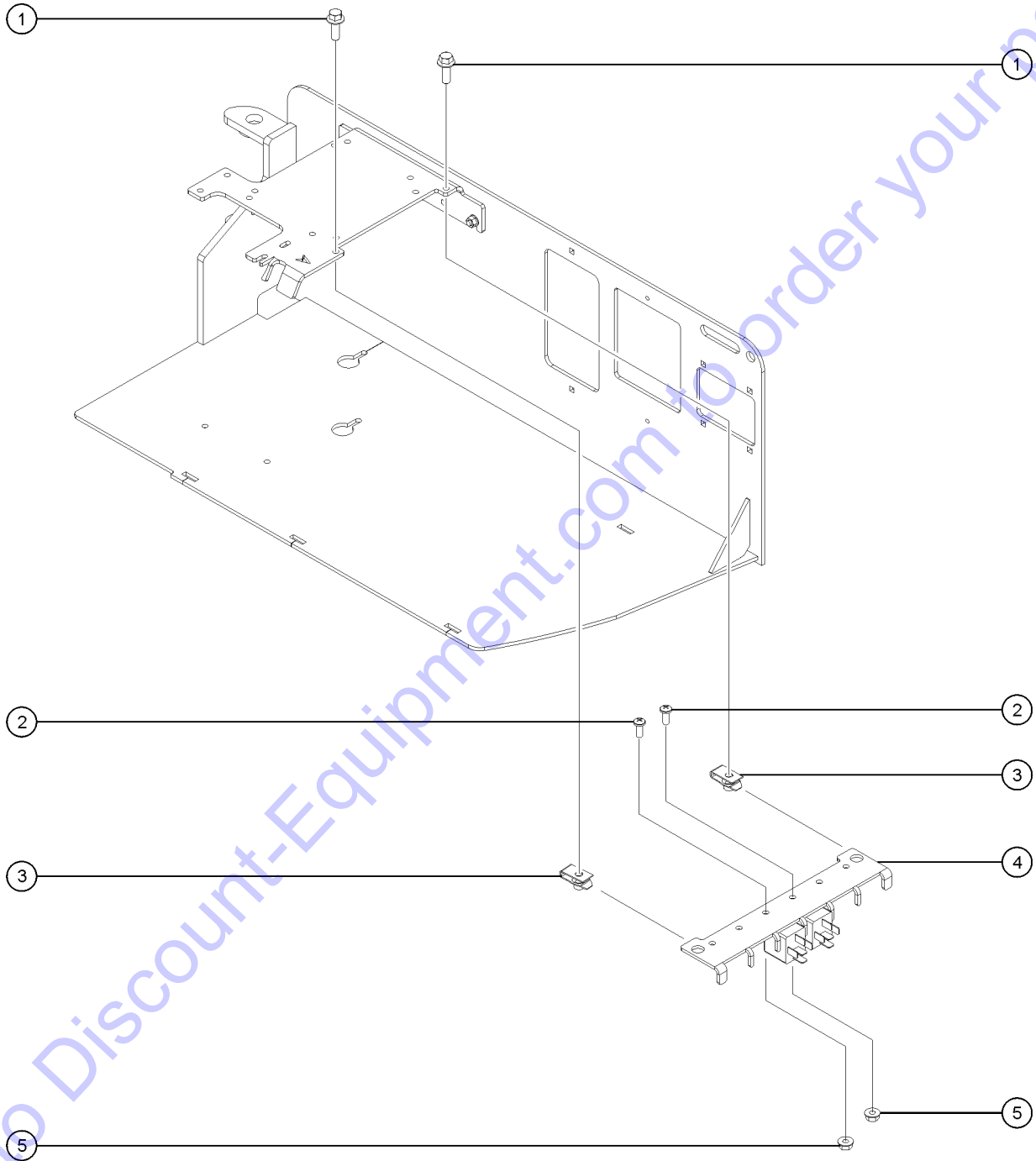
608.1 Charger Isolation

Item	Part No.	Description	Qty.
1		Ref.CHARGER, 24V, 650W, USB (refer to 206.1)	1
2	1304450GT	WLDMT,BATTERY TRAY,GS	1
3	824077GT	SCREW,HHF,1/4-20X.5,8,ZAG	3
4	1276847GT	ISOLATOR,SANDWICH,1/4-20,M2M	4
5	1256855	SCREW,HHF,1/4-20X.625,8,ZAG	4

Go to Discount-Equipment.com to order your parts



609.1 Telematics

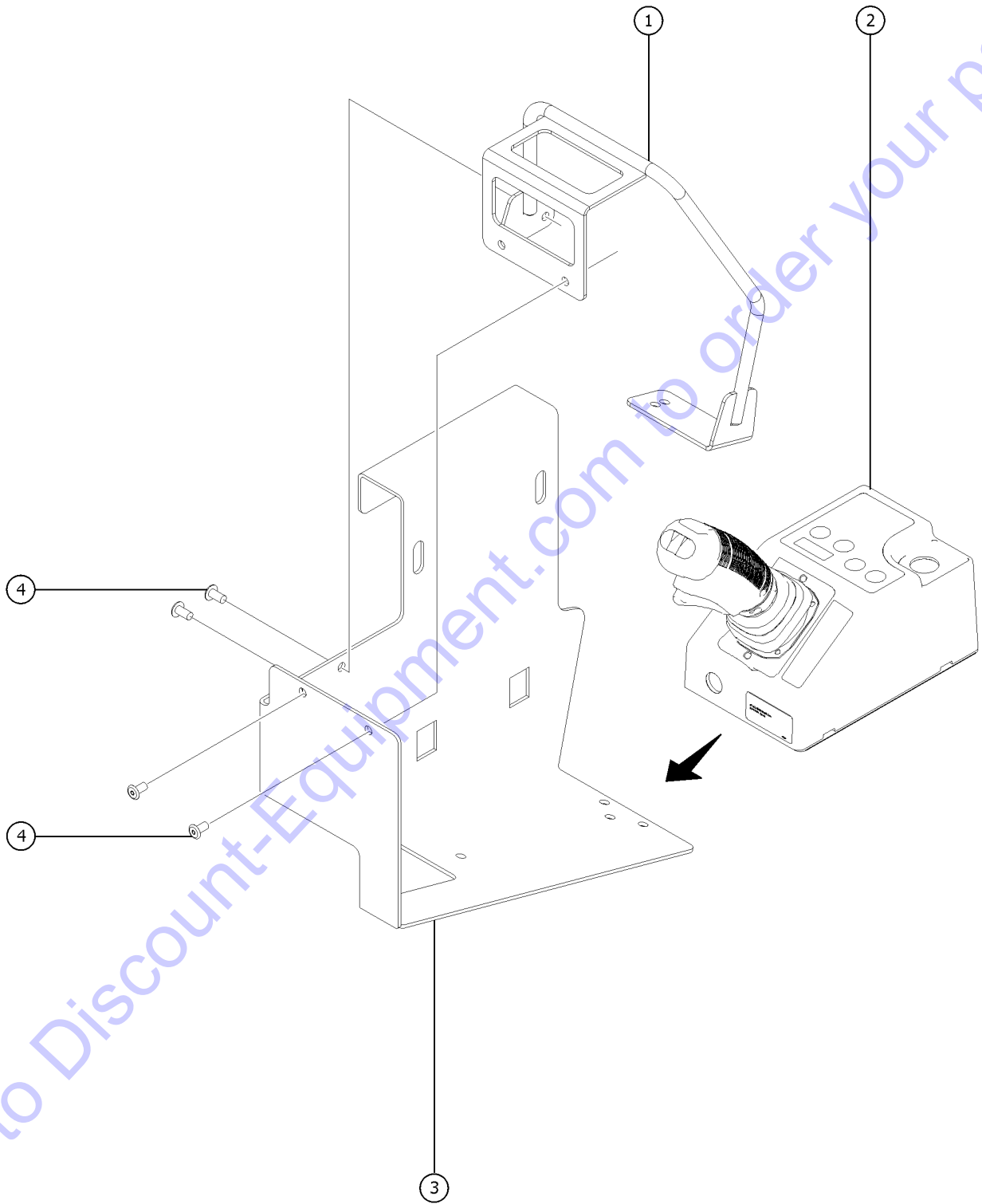


<i>Item</i>	<i>Part No.</i>	<i>Description</i>	<i>Qty.</i>
1	824078GT	SCREW,HHF,1/4-20X.75,8,ZAG	2
2	1256479GT	SCREW,PHPM,10-24X.50,ZAG	2
3	56912GT	SPRING CLIP,1/4-20,.025-.15X.54,ZAG	2
4	132199GT	FORMING,RELEY MOUNT	1
5	824032GT	NUT,TL FLG,10-32,F,ZAG	2

Go to Discount-Equipment.com to order your parts



610.1 PCON Guard



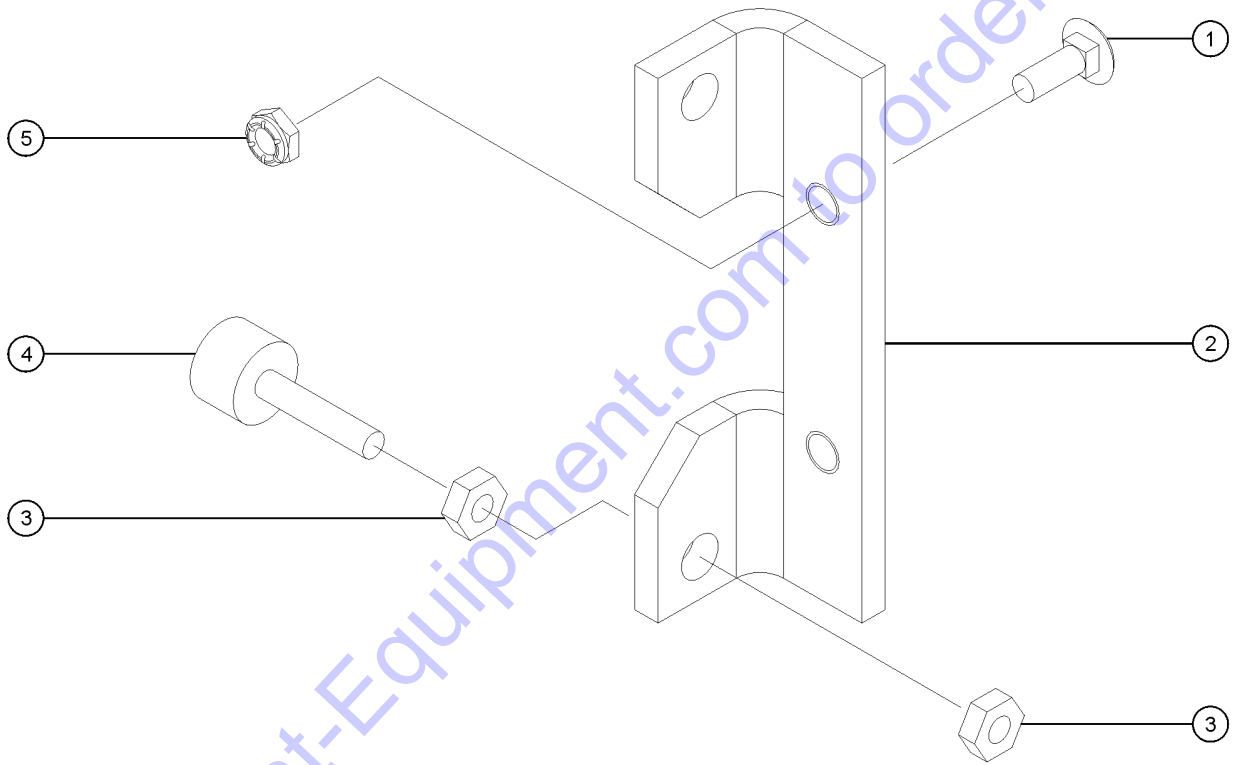
610.1 PCON Guard

Item	Part No.	Description	Qty.
1	1290292GT	WELDMENT, PCON GUARD ASSEMBLY, METRIC	1
2		Ref. PCON, GR/GRC/GS	1
		refer to 403.1	
3		Ref. FORMING, PLAT CONTROL, GR/GRC	1
		refer to 403.1 (holes drilled for PCON Guard option)	
4	6271GT	RIVET,STL,STL.MAN,P,.25 X .25	4

Go to Discount-Equipment.com to order your parts



611.1 Bumper Assembly Tray



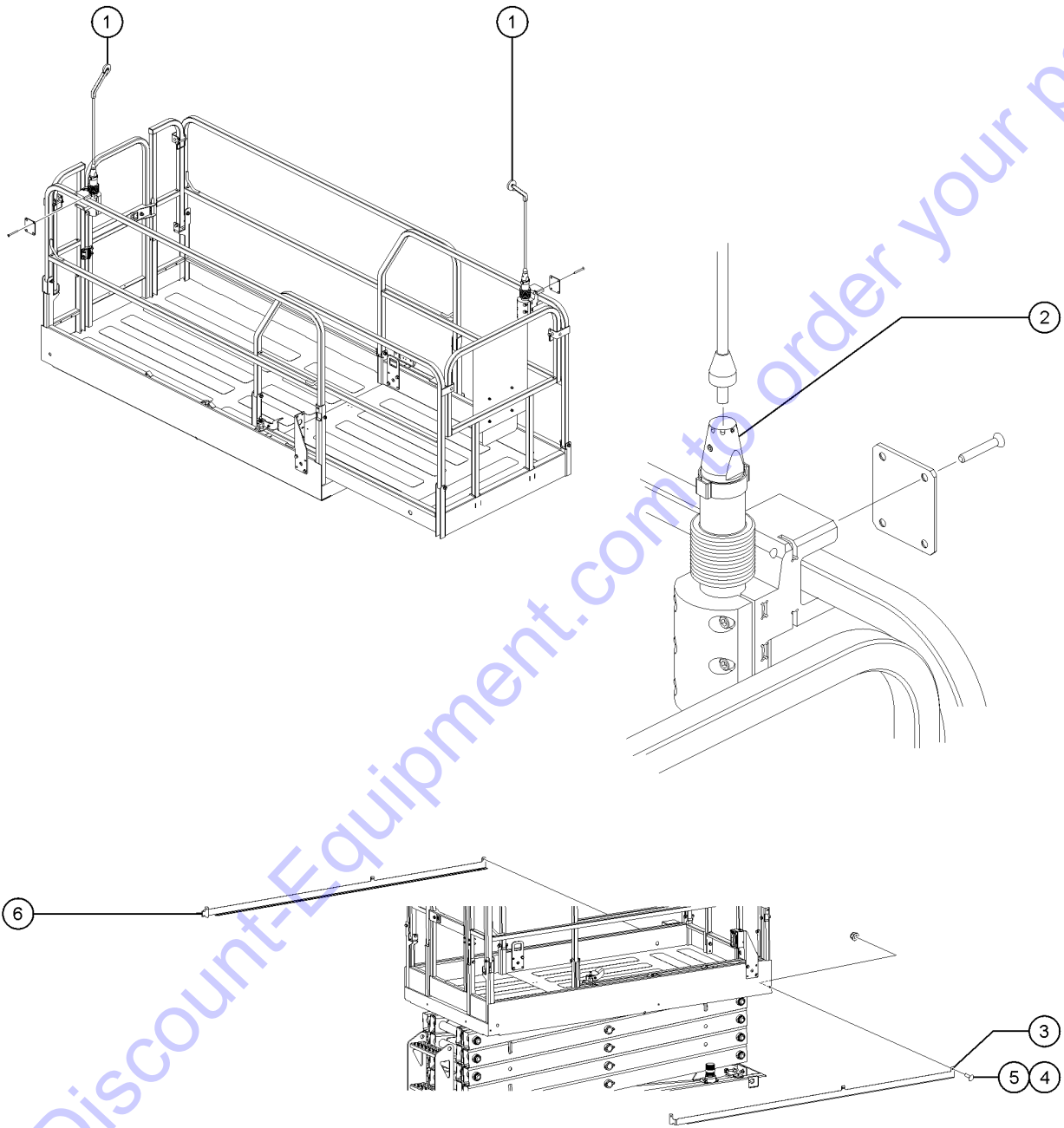
611.1 Bumper Assembly Tray

<i>Item</i>	<i>Part No.</i>	<i>Description</i>	<i>Qty.</i>
1	824124GT	BOLT,CARRIAGE,1/4-20X.75,5,ZAG	2
2	1290291GT	BRACKET,BATTERY TRAY BUMPER	1
3	824037GT	NUT, HH JAM, 1/4-20, A, ZAG	4
4	36388GT	BUMPER,RUBBER,.75 X .50H,STUD	2
5	824027GT	NUT, TL FLG, 1/4-20, G, ZAG	2

Go to Discount-Equipment.com to order your parts



612.1 Lift Guard Contact Alarm, View-1



Go to Discount-Equipment.com to order your parts

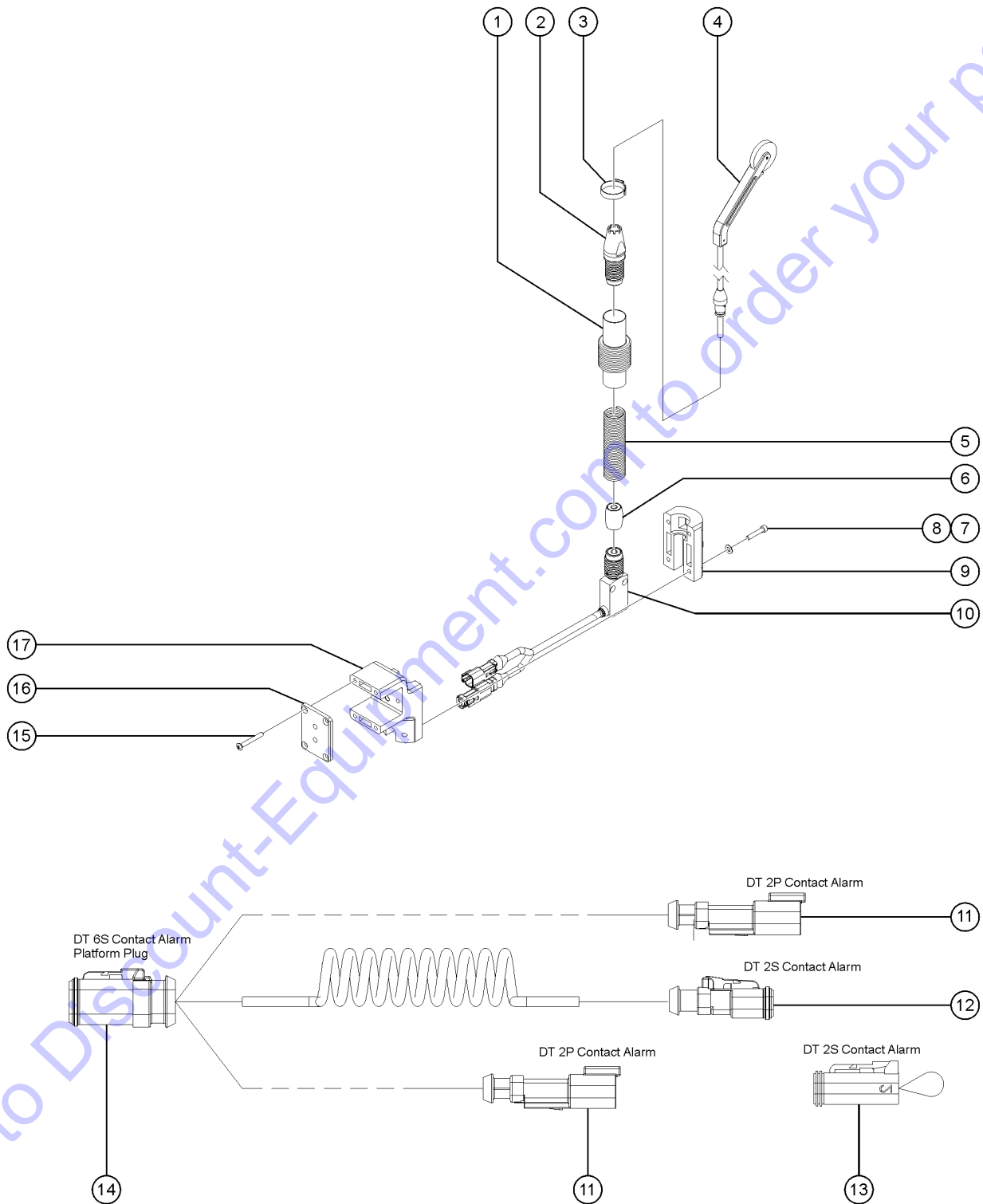
612.1 Lift Guard Contact Alarm, View-1

Item	Part No.	Description	Qty.
-	1291053GT	HARNESS,CONTACT ALARM,GS46 PLATFORM	1
1		ASSEMBLY, LIFTGUARD CONTACT ALARM	2
		refer to 613.1 (no longer available)	
2		ASSEMBLY, LIFTGUARD KNUCKLE	2
		OBSOLETE. refer to 613.1 (No longer available)	
3		FORMING,CABLE GUIDE,CNTRL,GS46	1
		Ground control side (No longer available)	
4	824124GT	BOLT,CARRIAGE,1/4-20X.75,5,ZAG	6
5	1277924GT	NUT,NYLOCK FLG,1/4-20,F,ZAG	6
6		FORMING,CABLE GUIDE,BAT,GS46	1
		Battery Side (No longer available)	

Go to Discount-Equipment.com to order your parts



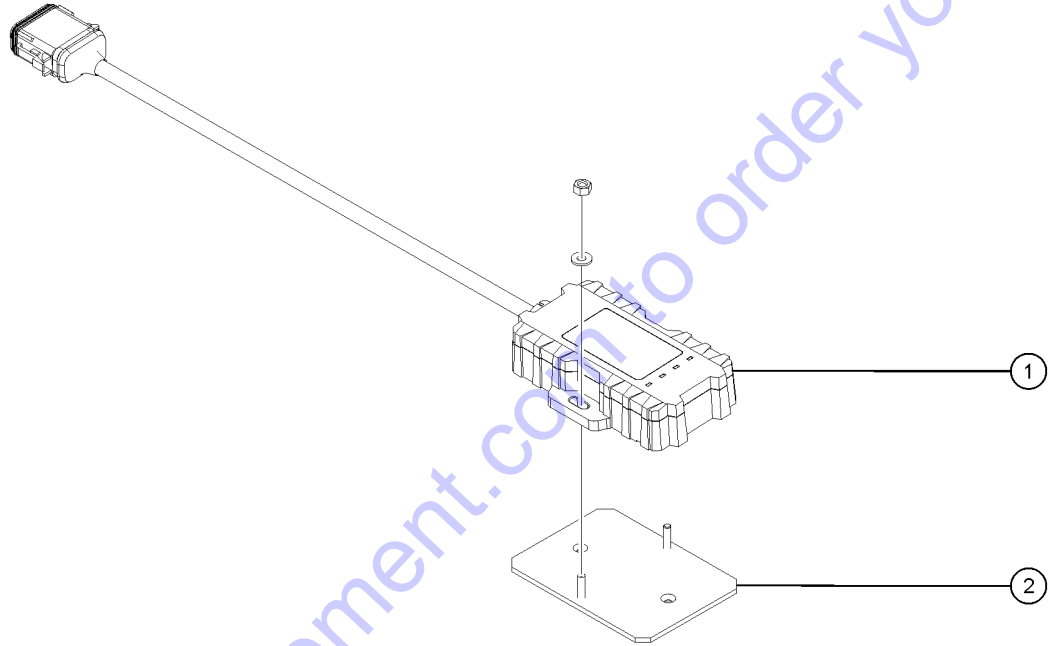
613.1 Lift Guard Contact Alarm, View-2



Item	Part No.	Description	Qty.
-		ASSEMBLY, LIFTGUARD CONTACT ALARM Includes items 1-10, 15-17 (no longer available)	1
-		ASSEMBLY, LIFTGUARD KNUCKLE OBSOLETE. (part of assy 1287673, includes items 1-3, 5, 6 and 10) (No longer available)	1
-	1291053GT	HARNES,CONTACT ALARM,GS46 PLATFORM Includes items 11 - 14	1
1		BELLOW, LIFTGUARD CONTACT ALARM no longer available	1
2		ASSEMBLY, UPPER WHISKER MOUNTING no longer available	1
3	1298716GT	CLAMP, STEPLESS, ONE EAR no longer available	1
4		ASSEMBLY, WHISKER no longer available	1
5		SPRING, TENSION, CONTACT ALARM no longer available	1
6		ASSEMBLY, MAGNETIC SNAP BARREL no longer available	1
7		SCREW,SHC,10-24X1,F837,18.8,NYL,SS no longer available	4
8		WASHER,FLAT,0.219X0.437X0.031,SS no longer available	4
9		BRACKET, RT LIFTGUARD, PART 2/2 no longer available	1
10		ASSEMBLY, LIMIT SWITCH MOUNT no longer available	1
11	1288352GT	CONN,RECEP,2 WAY,DT,14-18GA,CE09 no longer available	2
11-	60439GT	CONN, RECEP, 2 WAY, DEUTSCH, DT, LOCK no longer available	2
12	1288351GT	CONN,PLUG,2 WAY,DT,14-18GA,CE13 no longer available	1
12-	60425GT	CONN, PLUG, 2 WAY, DEUTSCH, DT, LOCK no longer available	1
13	119056GT	CONN, PLUG, 2 WAY, DEUTSCH, DT, ENDCAP no longer available	1
13-	60425GT	CONN, PLUG, 2 WAY, DEUTSCH, DT, LOCK no longer available	1
14	1288576GT	CONN,PLUG,6WAY,DT,14-18GA,CE13 no longer available	1
14-	60431GT	LOCK,PLUG 6 WAY,14-18GA no longer available	1
15		SCREW,OHPM,10-24X1.5,NYL,SS no longer available	4
16		PLATE, LIFTGUARD BRACKET no longer available	1
17		BRACKET, RT LIFTGUARD, PART 1/2 no longer available	1

Go to DiscountEquipment.com to order your parts





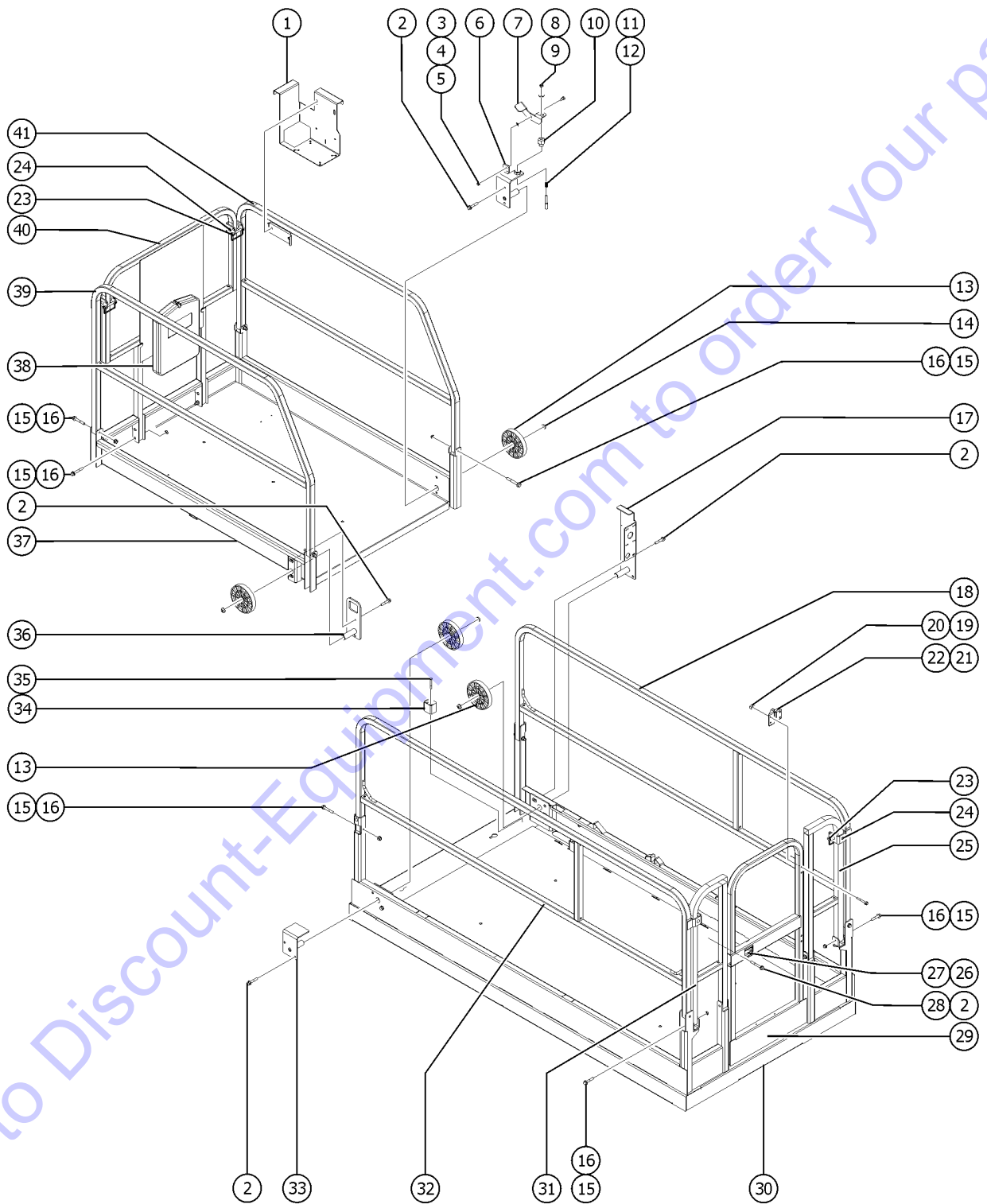
614.1 Telematics Option

Item	Part No.	Description	Qty.
-	1289899GT	HARNESS, GATEWAY, GS for first time insulation, must order this Harness with one of the models 1289520GT, 1289521GT, 1289522GT, or 1289523GT	1
1	1289520GT	MODULE, TELEMATICS, ZTR, M7, NORTH AMERICA North America	1
1B	1289521GT	MODULE, TELEMATICS, ZTR, M7, EMEA/APAC EMEA/APAC	
1C	1289522GT	MODULE, TELEMATICS, ZTR, M7, APAC/ANZ APAC/ANZ	
1D	1289523GT	MODULE, TELEMATICS, ZTR, M7, JAPAN Japan	
2	1289561GT	BRACKET, TELEMATICS	1

Go to Discount-Equipment.com to order your parts



615.1 China Package Platform and Handrail



Go to Discount-Equipment.com to order your parts

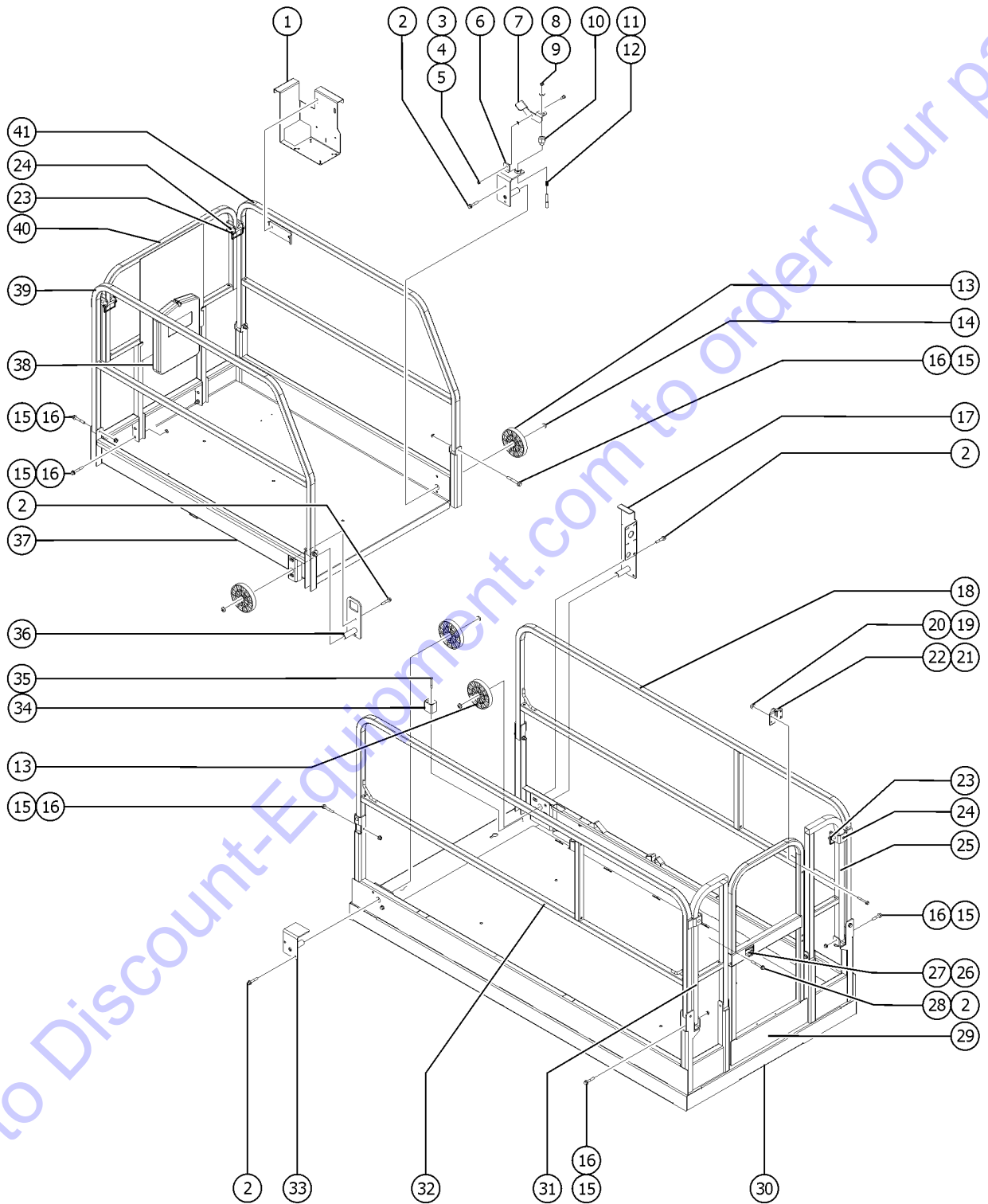


615.1 China Package Platform and Handrail

Item	Part No.	Description	Qty.
1	227167GT	FORMING, PLAT CONTROL BOX,MET	1
2	1253478GT	SCREW,HHF,3/8-16X2,8,ZAG	1
3	6002GT	NUT, LP NYLOCK, 5/16-18	1
4	47222GT	WASHER, SHOULDER, NYLON	1
5	1259223GT	BOLT,SHS,3/8X.375X5/16-18,ZAG	1
6	1292090GT	WELDMENT,LOCKING ROLLER	1
7	132996GT	BRACKET, FOOT PEDAL	1
8	824038GT	NUT, TL JAM, 3/8-16, A, ZAG	1
9	1255758GT	WASHER,FLAT,3/8,USS,ZAG	1
10	41630GT	HOUSING, LOCK PIN	1
11	39469GT	SPRING,COMPRESSION.485 X1.75**	1
12	1259181GT	PIN,LOCK,0.5X3.125,ZAG	1
13	47163GT	ROLLER,PLATFORM EXTENSION	4
14	21279_KGKGT	BUTTON, .800 O.D. X .281	4
15	1256856GT	SCREW,HHF,3/8-16X2.5,8,ZAG	1
16	1274322GT	NUT,NYLOCK FLG,3/8-16,F,ZAG	1
17	1291392GT	WLDMT,ROLLER BRKT,RT,HARTING PIUG, CHINA	1
18	1289569GT	WLDMT, MAIN SIDERAIL, RT CHINA	1
19	824027GT	NUT, TL FLG, 1/4-20, G, ZAG	8
20	1253485GT	SCREW,HHF,1/4-20X2,8,ZAG	8
21	105734GT	HINGE,ACCESS DOOR(13G)	2
22	104804GT	HINGE, SPRING, LONG LEG	2
23	66030GT	PIN, WIRE LOCK 3/8 X 2 -1/2	4
24	43392GT	BUMPER,BATTERY BOX & RAILS	1
25	1289567GT	WLDMT, ENTRY SIDERAIL, LT	1
26	66544GT	LATCH HANDLE	1
27	22446GT	SPRING, COMPRESSION .835 X 2	1
28	824029GT	NUT,TL FLG,3/8-16,G,ZAG	1



615.1 China Package Platform and Handrail



Go to Discount-Equipment.com to order your parts



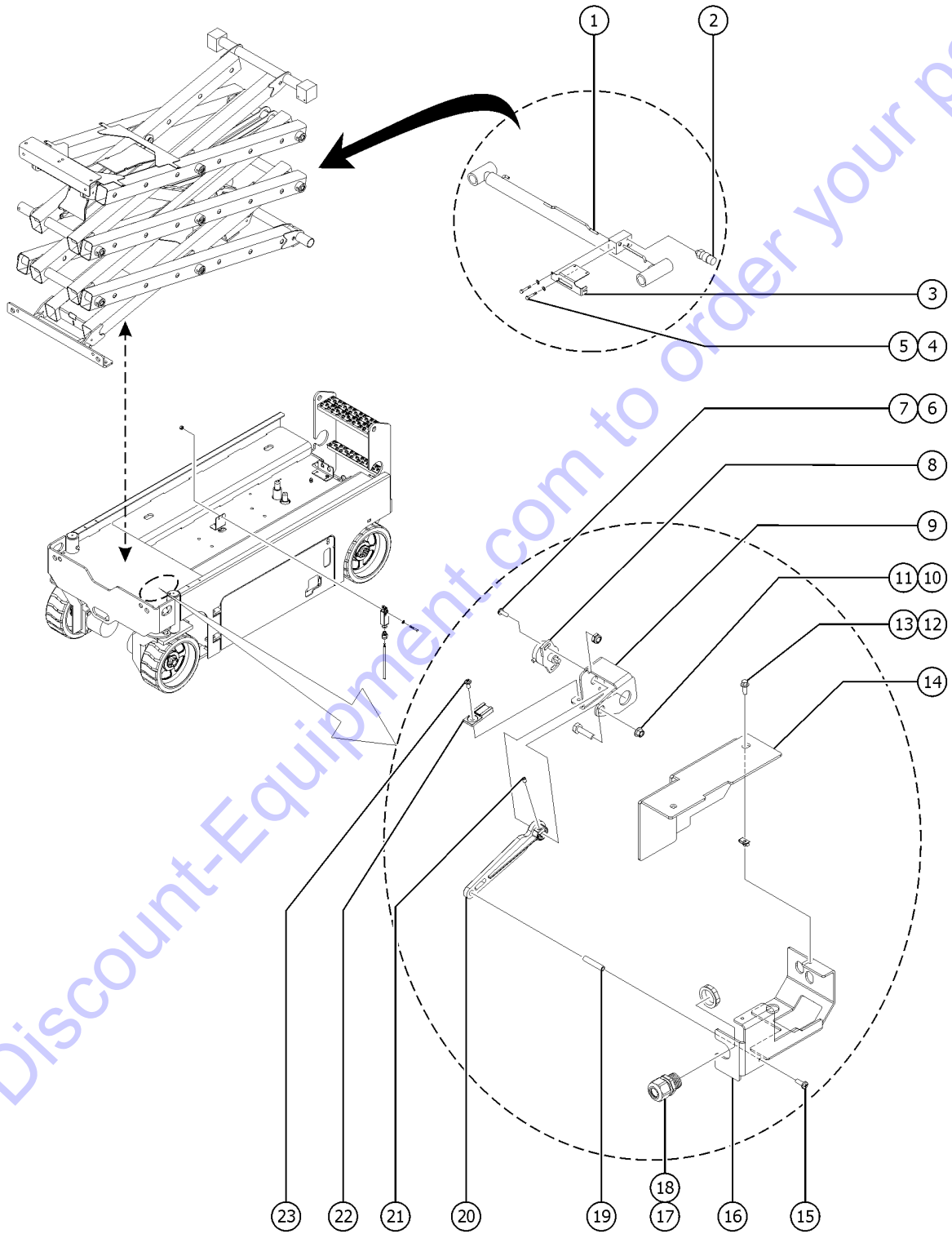
615.1 China Package Platform and Handrail

Item	Part No.	Description	Qty.
29	1295860GT	FULL HEIGHT GATE, CHINA PACKAGE	1
30	1289272GT	WLDMT,MAIN DECK,GS46,MET CHINA	1
31	1289567GT	WLDMT, ENTRY SIDERAIL, LT	1
32	1289570GT	WLDMT, MAIN SIDERAIL, LT CHINA	1
33	1292089GT	WELDMENT,ROLLER BRACKET,LT	1
34	1296266GT	GUIDE PAD,CHINA PACKAGE	4
35	1256454GT	SCREW,HHC,M6-1.0X55,DIN931,10.9,ZAB	8
36	1292091GT	PLATE,PLATFORM LANYARD	1
37	1289268GT	WELDMENT, EXTENSION PLATFORM CHINA	1
38	24514GT	BOX,INSTRUCTION STORAGE	1
39	1289564GT	WLDMT, EXT SIDERAIL, LT	1
40	1289566GT	WLDMT, EXTENSION ENDRAIL	1
41	1289565GT	WLDMT, EXT SIDERAIL, RT	1

Go to Discount-Equipment.com to order your parts



701.1 Platform Overload



Item	Part No.	Description	Qty.
1		Ref: Lift Cylinder (refer to 505.1)	1
2	1291577GT	PRESSURE TRANSDUCER,0-5K PSI (includes transducer)	1
3	41557-SGT	CABLE BRACKET,PAINTED	1
4	7339GT	SCREW,HHC,1/4-20 X .5	1
5	6356GT	WASHER,LOCK,.25	1
6	1257296GT	SCREW,PHPM-ST,8-32X.50,TYPE F,ZAG	2
7	1271081GT	NUT,NYLOCK,8-32,8,ZAG	2
8	T113136GT	ASSY,ROT SENSR W/ HARNESS	1
9	161981GT	FRMNG,ARM SENSOR BRCKT,32/46	1
10	824029GT	NUT,TL FLG,3/8-16,G,ZAG	1
11	824068GT	SCREW,HHC,3/8-16X1.25,8,ZAG	1
12	824078GT	SCREW,HHF,1/4-20X.75,8,ZAG	2
13	56912GT	SPRING CLIP,1/4-20,.025-.15X.54,ZAG	2
14	161977GT	FRMG,SENSOR COVERING US part number	1
14B	227172GT	FRMNG,SENSOR COVER,32/46 China part number	1
15	1251757GT	SCREW,PHPM,10-32X.5,ZAG	1
16	161975GT	FRMG,CHASSIS BRKTING US part number	1
16B	227190GT	GS3246_FRMNG,CHASSIS BRCKT,MET China part number	1
17	33576GT	CONN,SQZ,BLK,1/2NPT,.38-.50,SM	1
18	T115429GT	NUT,CORDGRIP,1/2 NPT	1
19	T113142GT	OFFSET, RDN, 1/4-1.25,10-32	1
20	T114082GT	LEVER ARM,ANGLE SENSR ACTUATOR	1
21	229146GT	SCREW,SET,8-32X.25	1
22	T113139GT	CLIP,DTM RECEP	1
23	39579GT	RIVET,STL,STL,.188 X .45 US part number	1
23B	229655GT	GS3246_SCREW,PHM,8-32X.313,SELF TAP China part number	1



PARTS FINDER

**Search Website
by Part Number**



**Search Manual
Library For Parts
Manual & Lookup Part
Numbers – Purchase
or Request Quote**

Search Manuals

Enter your information to help us find the right parts manual for your machine.

* Brand:

* Model:

* Serial:

* Part Number:

SEARCH

**Can't Find Part or
Manual? Request Help
by Manufacturer,
Model & Description**

Parts Order Form

Please fill in the following information to help us find the right part for your machine.

Manufacturer:	<input type="text"/>
Model:	<input type="text"/>
Description:	<input type="text"/>
Part Number:	<input type="text"/>
Quantity:	<input type="text"/>
Notes:	<input type="text"/>

Submit

Discount-Equipment.com is your online resource for quality parts & equipment.

Florida: **561-964-4949** Outside Florida TOLL FREE: **877-690-3101**

Need parts?

Click on this link: <http://www.discount-equipment.com/category/5443-parts/> and choose one of the options to help get the right parts and equipment you are looking for. Please have the machine model and serial number available in order to help us get you the correct parts. If you don't find the part on the website or on one of the online manuals, please fill out the request form and one of our experienced staff members will get back to you with a quote for the right part that your machine needs.

We sell worldwide for the brands: Genie, Terex, JLG, MultiQuip, Mikasa, Essick, Whiteman, Mayco, Toro Stone, Diamond Products, Generac Magnum, Airman, Haulotte, Barreto, Power Blanket, Nifty Lift, Atlas Copco, Chicago Pneumatic, Allmand, Miller Curber, Skyjack, Lull, Skytrak, Tsurumi, Husquvarna Target, Stow, Wacker, Sakai, Mi-T-M, Sullair, Basic, Dynapac, MBW, Weber, Bartell, Bennar Newman, Haulotte, Ditch Runner, Menegotti, Morrison, Contec, Buddy, Crown, Edco, Wyco, Bomag, Laymor, EZ Trench, Bil-Jax, F.S. Curtis, Gehl Pavers, Heli, Honda, ICS/PowerGrit, IHI, Partner, Imer, Clipper, MMD, Koshin, Rice, CH&E, General Equipment, Amida, Coleman, NAC, Gradall, Square Shooter, Kent, Stanley, Tamco, Toku, Hatz, Kohler, Robin, Wisconsin, Northrock, Oztec, Toker TK, Rol-Air, APT, Wylie, Ingersoll Rand / Doosan, Innovatech, Con X, Ammann, Mecalac, Makinex, Smith Surface Prep, Small Line, Wanco, Yanmar

California Proposition 65

 **WARNING**

Operating, servicing and maintaining this equipment, passenger vehicle or off-highway motor vehicle can expose you to chemicals including engine exhaust, carbon monoxide, phthalates, and lead, which are known to the State of California to cause cancer and birth defects or other reproductive harm. These chemicals can be emitted from or contained in other various parts and systems, fluids and some component wear by-products. To minimize exposure, avoid breathing exhaust, do not idle the engine except as necessary, service your equipment and vehicle in a well-ventilated area and wear gloves or wash your hands frequently when servicing your equipment or vehicle and after operation. For more information go to www.P65Warnings.ca.gov/passenger-vehicle.

Breathing diesel engine exhaust exposes you to chemicals known to the State of California to cause cancer and birth defects or other reproductive harm.

- Always start and operate the engine in a well-ventilated area.
- If in an enclosed area, vent the exhaust to the outside.
- Do not modify or tamper with the exhaust system.
- Do not idle the engine except as necessary.

For more information go to www.P65warnings.ca.gov/diesel.

www.genielift.com

Distributed By:

Genie Equipment.com to order your parts