



A TEREX BRAND

# Parts Manual

Serial Number Range

**GS-2046**  
**GS-2646**  
**GS-3246**  
**GS-4046**

from SN GS46P-200101

Part No. 1310144GT  
Rev: A.01  
March 2023



[www.discount-equipment.com](http://www.discount-equipment.com)

# PARTS FINDER

**Search Website  
by Part Number**



**Search Manual  
Library For Parts  
Manual & Lookup Part  
Numbers – Purchase  
or Request Quote**

**Search Manuals**

Enter your information to help us find the right parts manual for your machine.

\* Brand:

\* Model:

\* Serial:

\* Part Number:

SEARCH

**Can't Find Part or  
Manual? Request Help  
by Manufacturer,  
Model & Description**

**Parts Order Form**

Please fill in the following information to help us find the right part for your machine.

Manufacturer:	<input type="text"/>
Model:	<input type="text"/>
Description:	<input type="text"/>
Part Number:	<input type="text"/>
Quantity:	<input type="text"/>
Notes:	<input type="text"/>

Submit

Discount-Equipment.com is your online resource for quality parts & equipment.

Florida: **561-964-4949** Outside Florida TOLL FREE: **877-690-3101**

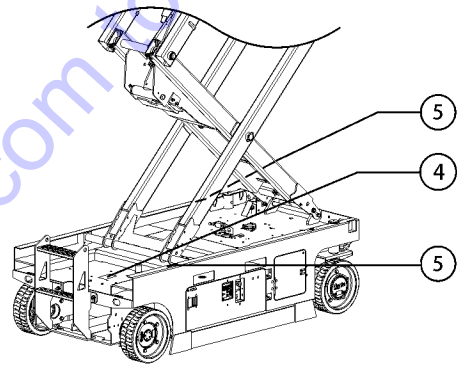
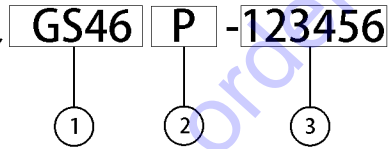
**Need parts?**

Click on this link: <http://www.discount-equipment.com/category/5443-parts/> and choose one of the options to help get the right parts and equipment you are looking for. Please have the machine model and serial number available in order to help us get you the correct parts. If you don't find the part on the website or on one of the online manuals, please fill out the request form and one of our experienced staff members will get back to you with a quote for the right part that your machine needs.

We sell worldwide for the brands: Genie, Terex, JLG, MultiQuip, Mikasa, Essick, Whiteman, Mayco, Toro Stone, Diamond Products, Generac Magnum, Airman, Haulotte, Barreto, Power Blanket, Nifty Lift, Atlas Copco, Chicago Pneumatic, Allmand, Miller Curber, Skyjack, Lull, Skytrak, Tsurumi, Husquvarna Target, Stow, Wacker, Sakai, Mi-T-M, Sullair, Basic, Dynapac, MBW, Weber, Bartell, Bennar Newman, Haulotte, Ditch Runner, Menegotti, Morrison, Contec, Buddy, Crown, Edco, Wyco, Bomag, Laymor, EZ Trench, Bil-Jax, F.S. Curtis, Gehl Pavers, Heli, Honda, ICS/PowerGrit, IHI, Partner, Imer, Clipper, MMD, Koshin, Rice, CH&E, General Equipment, Amida, Coleman, NAC, Gradall, Square Shooter, Kent, Stanley, Tamco, Toku, Hatz, Kohler, Robin, Wisconsin, Northrock, Oztec, Toker TK, Rol-Air, APT, Wylie, Ingersoll Rand / Doosan, Innovatech, Con X, Ammann, Mecalac, Makinex, Smith Surface Prep, Small Line, Wanco, Yanmar

**Genie**  
A TEREX BRAND

**Model:**  
**Serial number:** GS46P-123456  
**Year of manufacture:** 2021  
**Electrical schematic number:**  
**Machine unladen weight:**  
**Rated work load (including occupants):**  
**Maximum number of platform occupants:**  
**Maximum allowable inclination of the chassis:**  
**Outrigger retracted:**  
**Outrigger deployed:**



- 1 Model
- 2 Facility code
- 3 Sequence number

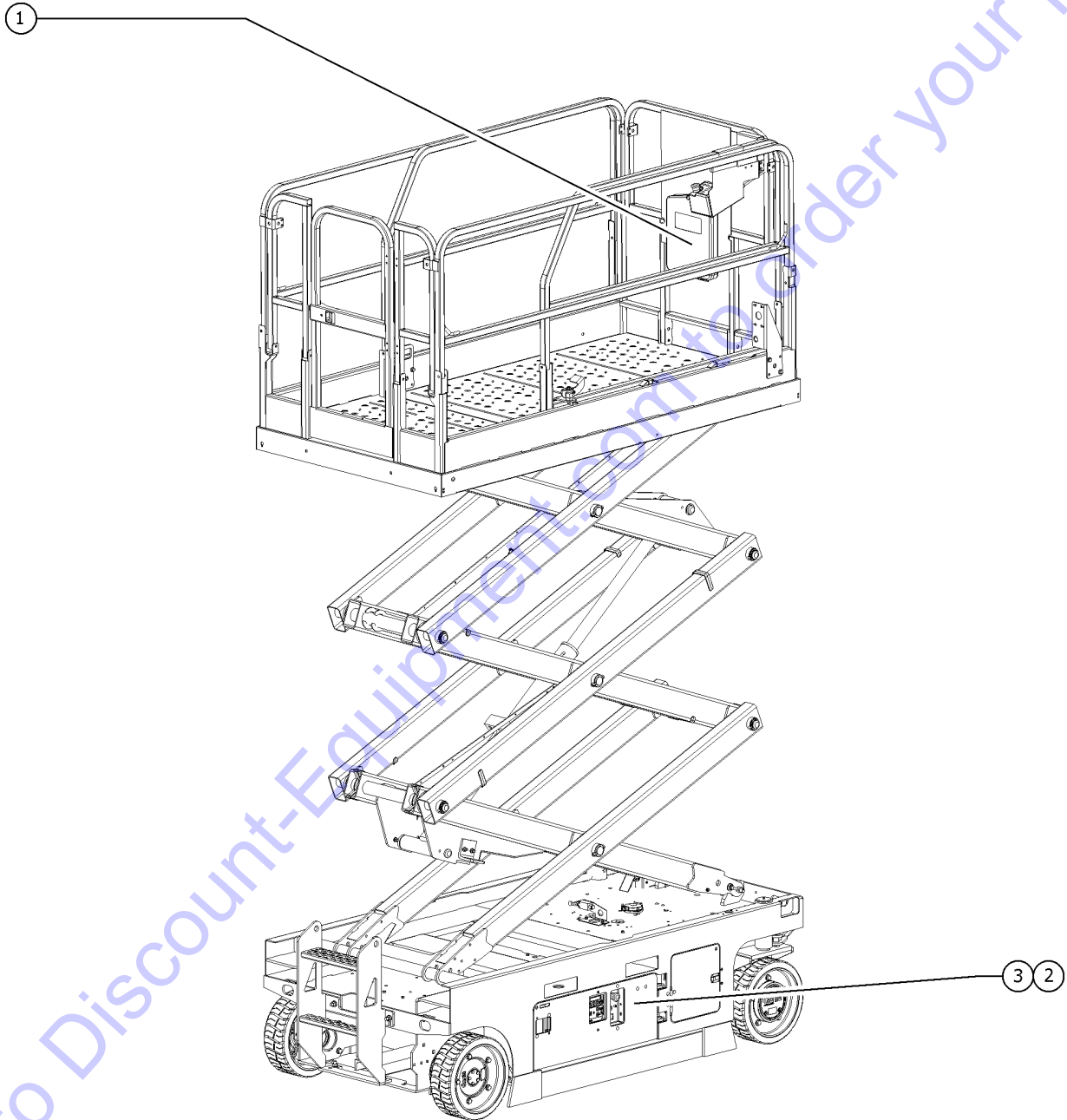
- 4 Serial label (located on chassis)
- 5 Serial number (stamped on chassis)

<b>Description</b>	<b>Page</b>
<b>001 Parts Stocking List</b> .....	<b>10</b>
001.1 Parts Stocking List .....	10
<b>100 Decals</b> .....	<b>12</b>
101.1 Word Decals, GS-2046, Battery Side, ANSI & Australia .....	12
102.1 Word Decals, GS-2046, Ground Control Side, ANSI and Australia .....	14
103.1 Word Decals, GS-2646, Battery Side, ANSI & Australia .....	18
104.1 Word Decals, GS-2646, Ground Control Side, ANSI and Australia .....	20
105.1 Word Decals, GS-3246, Battery Side, ANSI and Australia .....	24
106.1 Word Decals, GS-3246, Ground Control Side, ANSI and Australia .....	26
107.1 Word Decals, GS-4046, Battery Side, ANSI and Australia .....	30
108.1 Word Decals, GS-4046, Ground Control Side, ANSI and Australia .....	32
109.1 Word Decals, Platform, ANSI and Australia, All Models .....	36
110.1 Symbol Decals, GS-2046, Battery Side, ANSI & CE .....	40
111.1 Symbol Decals, GS-2046, Ground Control Side, ANSI & CE .....	42
112.1 Symbol Decals, GS-2646, Battery Side, ANSI & CE .....	46
113.1 Symbol Decals, GS-2646, Ground Control Side, ANSI & CE .....	48
114.1 Symbol Decals, GS-3246, Battery Side, ANSI & CE .....	52
115.1 Symbol Decals, GS-3246, Ground Control Side, ANSI & CE .....	54
116.1 Symbol Decals, GS-4046, Battery Side, ANSI & CE .....	58
117.1 Symbol Decals, GS-4046, Ground Control Side, ANSI & CE .....	60
118.1 Symbol Decals, Platform, ANSI and CE, All Models .....	64
<b>200 Drive Chassis Components</b> .....	<b>66</b>
201.1 Steer Linkage and Wheels .....	66
202.1 Non-Steer Axle Installation .....	70
203.1 Level Sensor Installation .....	74
204.1 Pothole Protection Assembly .....	76
205.1 Battery Pack Module (E-Drive) .....	80
205.2 Battery Pack Module (GS-4046) .....	82
206.1 Battery Charger (GS-4046) .....	84
207.1 Power Unit Module .....	86
208.1 Ground Controls .....	88
209.1 Electrical Wiring .....	92
210.1 Power Cables (GS-2046, GS-2646 and GS-3246) .....	96
210.2 Power Cables (GS-4046) .....	98
<b>300 Scissor Components</b> .....	<b>100</b>
301.1 Scissor Assembly Installation .....	100
302.1 Scissor Assembly, GS-2046 .....	102
303.1 Scissor Assembly, GS-2646 .....	106

Table of Contents

<b>Description</b>	<b>Page</b>
304.1 Scissor Assembly, GS-3246 .....	110
305.1 Scissor Assembly, GS-4046 .....	114
<b>400 Platform Components .....</b>	<b>120</b>
401.1 Platform Components .....	120
402.1 Power to Platform .....	124
403.1 Platform Controls .....	128
404.1 Joystick Controller .....	130
<b>500 Hydraulic Components .....</b>	<b>132</b>
501.1 Hydraulic Components .....	132
502.1 Power Unit .....	134
503.1 Lift Cylinder Assembly (GS2046, GS2646, GS3246) .....	138
503.2 Lift Cylinder Assembly (GS4046) .....	142
504.1 Hydraulic Hoses and Fittings (GS2046, GS2646, GS3246) .....	144
504.2 Hydraulic Hoses and Fittings (GS4046) .....	146
<b>600 Accessories .....</b>	<b>148</b>
601.1 Alarm, Horn and Flashing Beacons .....	148
602.1 RCBO .....	150
603.1 PCON Guard .....	152
604.1 Voltage Inverter (GS-2046, GS-2646 and GS-3246) .....	154
604.2 Voltage Inverter (GS-4046) .....	156
605.1 Lift Guard Contact Alarm, View-1 .....	158
606.1 Lift Guard Contact Alarm, View-1 .....	160
607.1 Lift Tools Work Tray .....	162
608.1 Lift Tools Spill Guard .....	164
609.1 Lift Tools Pipe Cradle .....	166
610.1 Lift Tools Panel Carrier .....	168
<b>700 Platform Overload .....</b>	<b>170</b>
701.1 Platform Overload .....	170
<b>Part Number Index .....</b>	<b>172</b>

001.1 Parts Stocking List



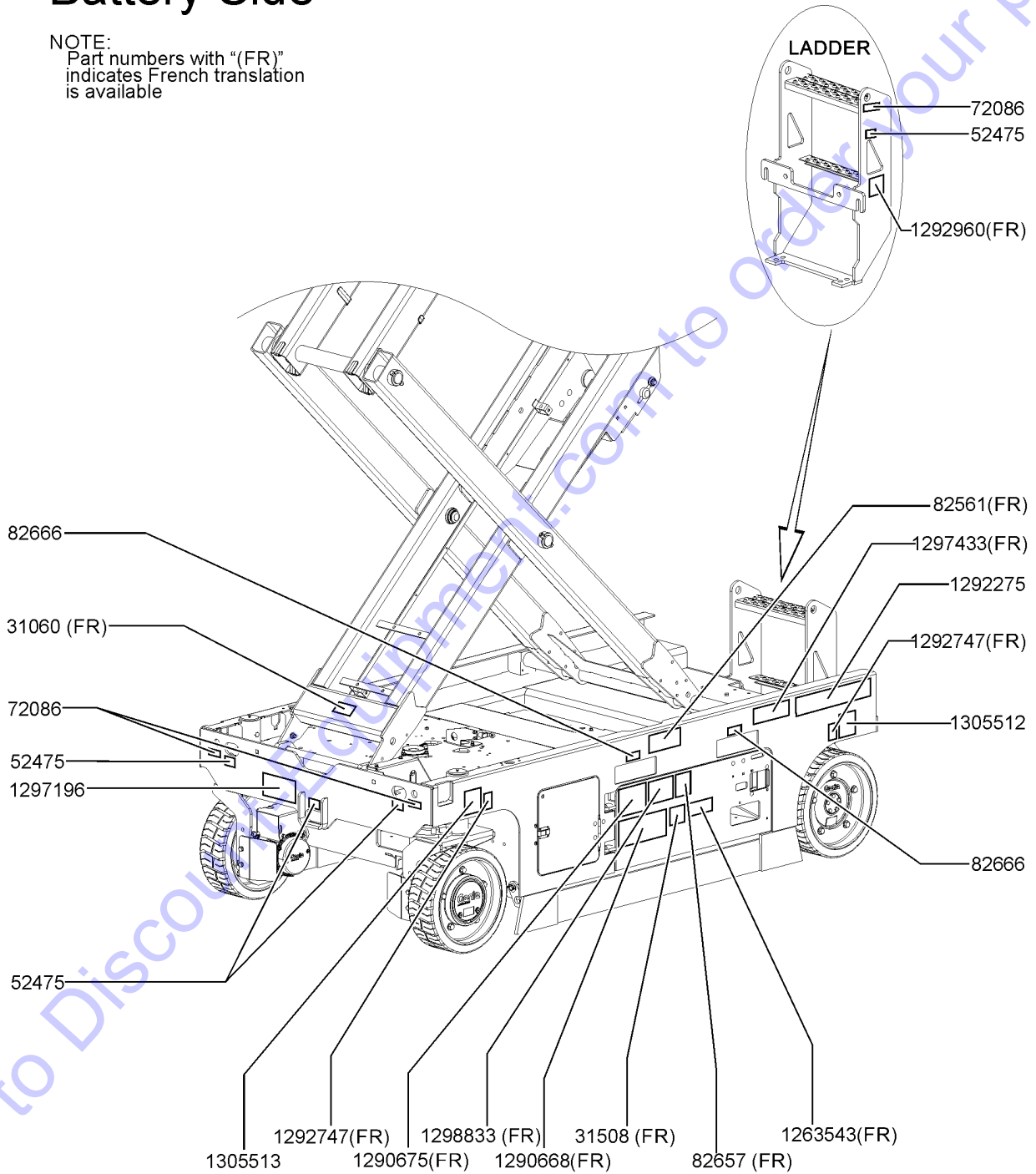
Item	Part No.	Description	Qty.
--	66399GT	GREASE,DIELECTRIC 4 OZ** .....	
--		Ref. CHEVRON ULTRA-DUTY GREASE (LITHIUM), OR EQUIVALENT, EP NLGI 1 .....	
		(source locally)	
--	1258567GT	PAINT, AEROSOL, TRAFFIC BLACK .....	
		12-ounce spray paint	
--	1268GT	PAINT,AEROSOL,GENIE GRAY*** .....	
		12-ounce spray paint	
--	1484GT	PAINT,AEROSOL,BRIGHT BLUE*** .....	
		12-ounce spray paint	
--	1257733GT	PAINT, WET, TRAFFIC BLACK(1 GL)** .....	
		1-gallon	
--	32150GT	PAINT, WET, GENIE BLUE (1 GL)** .....	
		1-gallon	
--	32151GT	PAINT, WET, GENIE GRAY (1GL)** .....	
		1-gallon	
--	49613GT	PLUG AND CAP KIT-SERVICE,ORFS* .....	
1	27581GT	MANUAL, EMI SAFETY .....	
1B	1298933GT	MANUAL, SAIA MANUAL OF RESPONSIBILITIES, MEWP .....	
2	1300318GT	FILTER, ELEMENT, SPIN ON .....	
3	78546GT	BREATHER CAP, HYD. TANK, 1/4 NPT .....	

Go to Discount-Equipment.com to order your parts



# Battery Side

NOTE:  
Part numbers with "(FR)"  
indicates French translation  
is available





101.1 Word Decals, GS-2046, Battery Side, ANSI & Australia

Item	Part No.	Description	Qty.
1	31060GT	DECAL,DANGER DO NOT ALTER SWTC .....	1
2	31508GT	DECAL,DANGER,ELECT HAZARD,PLUG .....	1
3	52475GT	DECAL,LABEL,TRANSPORT TIEDOWN* .....	4
4	72086GT	DECAL,LABEL,LIFTING EYE .....	3
5	82561GT	DECAL,DANGER-USE SAFETY ARM .....	1
6	82657GT	DECAL,INSTRUCT,BATTERY CONNECT .....	1
7	82666GT	DECAL,LABEL,FORKLIFT POCKET .....	2
8	1263543GT	DECAL,COMPARTMENT ACCESS .....	1
9	1290668GT	DECAL,INSTRUCTIONS-CHARGER OP, GS-1330m .....	1
10	1290675GT	DECAL,DANGER,BATTERY SAFETY***,GS-1330m .....	1
11	1292275GT	DECAL, ELECTRIC DRIVE, E-DRIVE .....	1
12	1292747GT	DECAL,LABEL-TIRE SPECS .....	2
13	1292960GT	DECAL DANGER BRAKE REL SAFETY, GS-1330m .....	1
14	1297196GT	DECAL, LABEL-TRANSPORT DIAGRAM .....	1
15	1297433GT	DECAL, DANGER, ELECTRICAL HAZARD, SLAB .....	1
16	1298833GT	DECAL, DANGER, TIP-OVER, BATTERY .....	1
17	1305512GT	DECAL, LABEL, WHEEL LOAD, E-DRIVE, GS-2046 .....	2

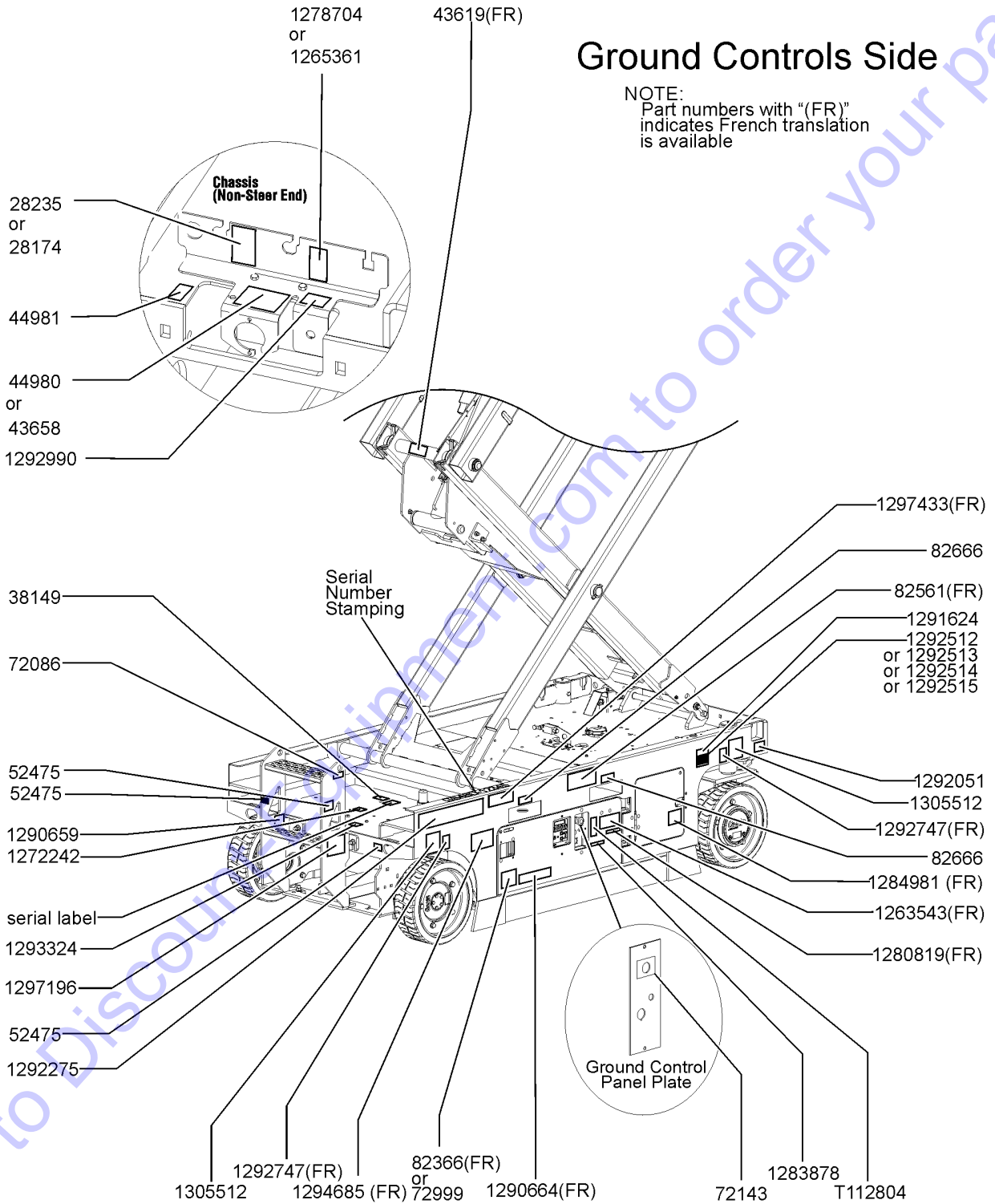
Go to Discount-Equipment.com to order your parts



102.1 Word Decals, GS-2046, Ground Control Side, ANSI and Australia

### Ground Controls Side

NOTE:  
Part numbers with "(FR)" indicates French translation is available



102.1 Word Decals, GS-2046, Ground Control Side, ANSI and Australia

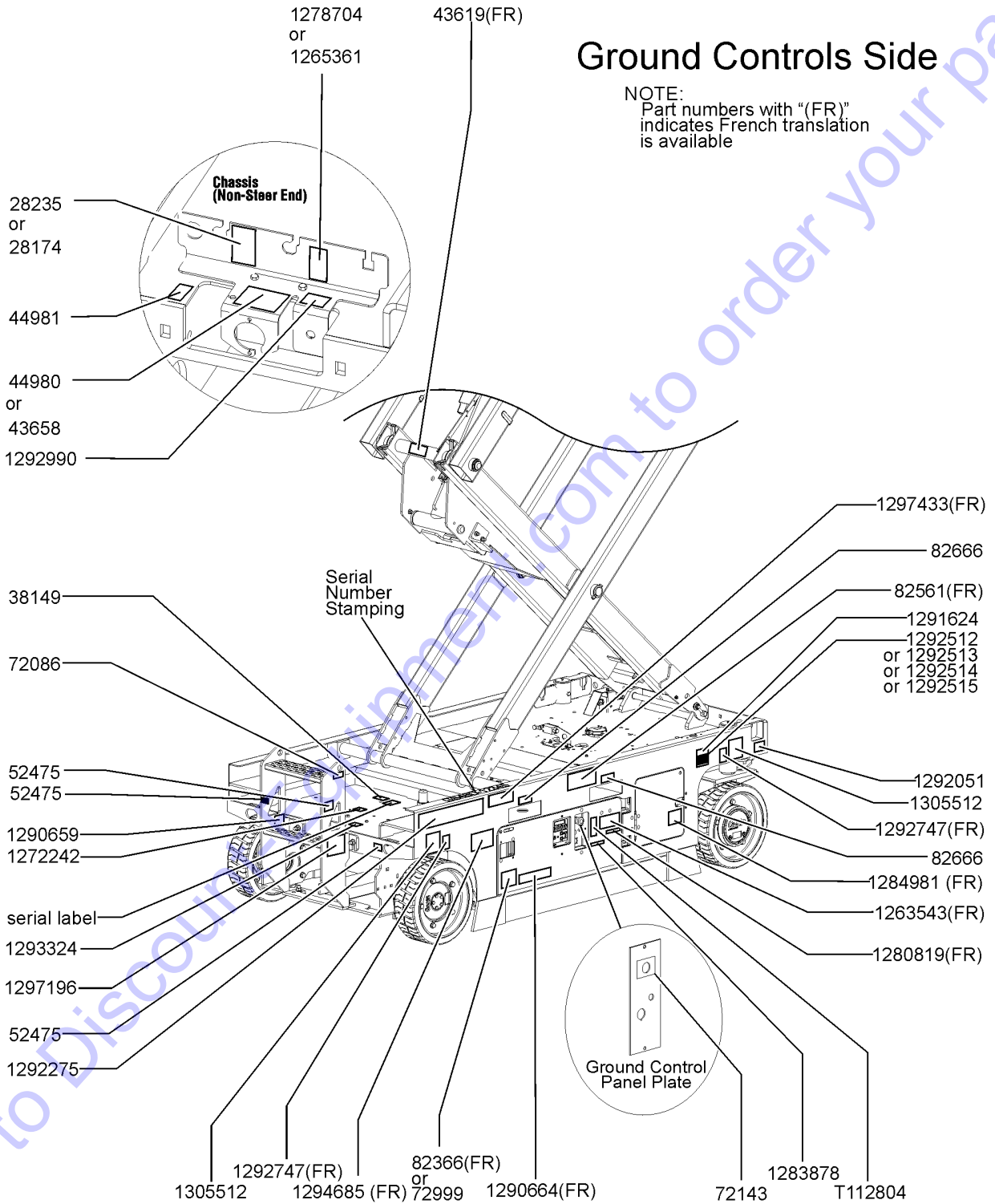
Item	Part No.	Description	Qty.
1	28174GT	DECAL,POWER TO PLATFORM 230V .....	1
2	28235GT	DECAL,POWER TO PLATFORM 115V .....	1
3	38149GT	DECAL,LABEL,PATENTS .....	1
4	43619GT	DECAL,LABEL,SAFETY ARM .....	1
5	43658GT	DECAL,LABEL,PWR TO CHARGR 230V .....	1
6	44980GT	DECAL,LABEL,PWR TO CHARGR 115V .....	1
7	44981GT	DECAL,LABEL,AIRLINE 110 PSI .....	1
8	52475GT	DECAL,LABEL,TRANSPORT TIEDOWN* .....	3
9	72086GT	DECAL,LABEL,LIFTING EYE .....	1
10	72143GT	DECAL,EMERGENCY STOP,GR .....	1
11	72999GT	DECAL,LABEL,PETRO CANADA*** .....	1
12	82366GT	DECAL,CHEVRON RANDO HD .....	1
13	82561GT	DECAL,DANGER-USE SAFETY ARM .....	1
14	82666GT	DECAL,LABEL,FORKLIFT POCKET .....	2
15	1263543GT	DECAL,COMPARTMENT ACCESS .....	1
16	1265361GT	DECAL, BATTERY CHARGER INDICAT .....	1
17	1272242GT	DECAL,MACHINE REGISTRATION/OWNER TRANSFER .....	1
18	1278704GT	DECAL,CHARGE STATUS IND. ....	1
19	1280819GT	DECAL,WARNING,CANCER AND REPRODUCTIVE HARM, PROP 65 .....	1
20	1283878GT	DECAL,TECH PRO LINK .....	1
21	1284981GT	DECAL,ACCUMULATOR EXPLOSION HAZARD,WORD .....	1
22	1290659GT	DECAL,DANGER,ELECT HAZARD,PLUG, GS-1330m .....	1
23	1290664GT	DECAL,OP INST,GCON, GS-1330m .....	1
24	1291624GT	DECAL COSM,GENIE UFT,CONNECT LEXAN COVER .....	1
25	1292051GT	DECAL,EMERGENCY LOWERING, GS-1330m .....	1
26	1292275GT	DECAL, ELECTRIC DRIVE, E-DRIVE .....	1
27	1292512GT	DECAL COSM,GENIE LIFT CONNECT,ESN,SKU4-1 .....	1
28	1292513GT	DECAL COSM,GENIE LIFT CONNECT,ESN,SKU4-2 .....	1



102.1 Word Decals, GS-2046, Ground Control Side, ANSI and Australia

### Ground Controls Side

NOTE:  
Part numbers with "(FR)" indicates French translation is available



102.1 Word Decals, GS-2046, Ground Control Side, ANSI and Australia

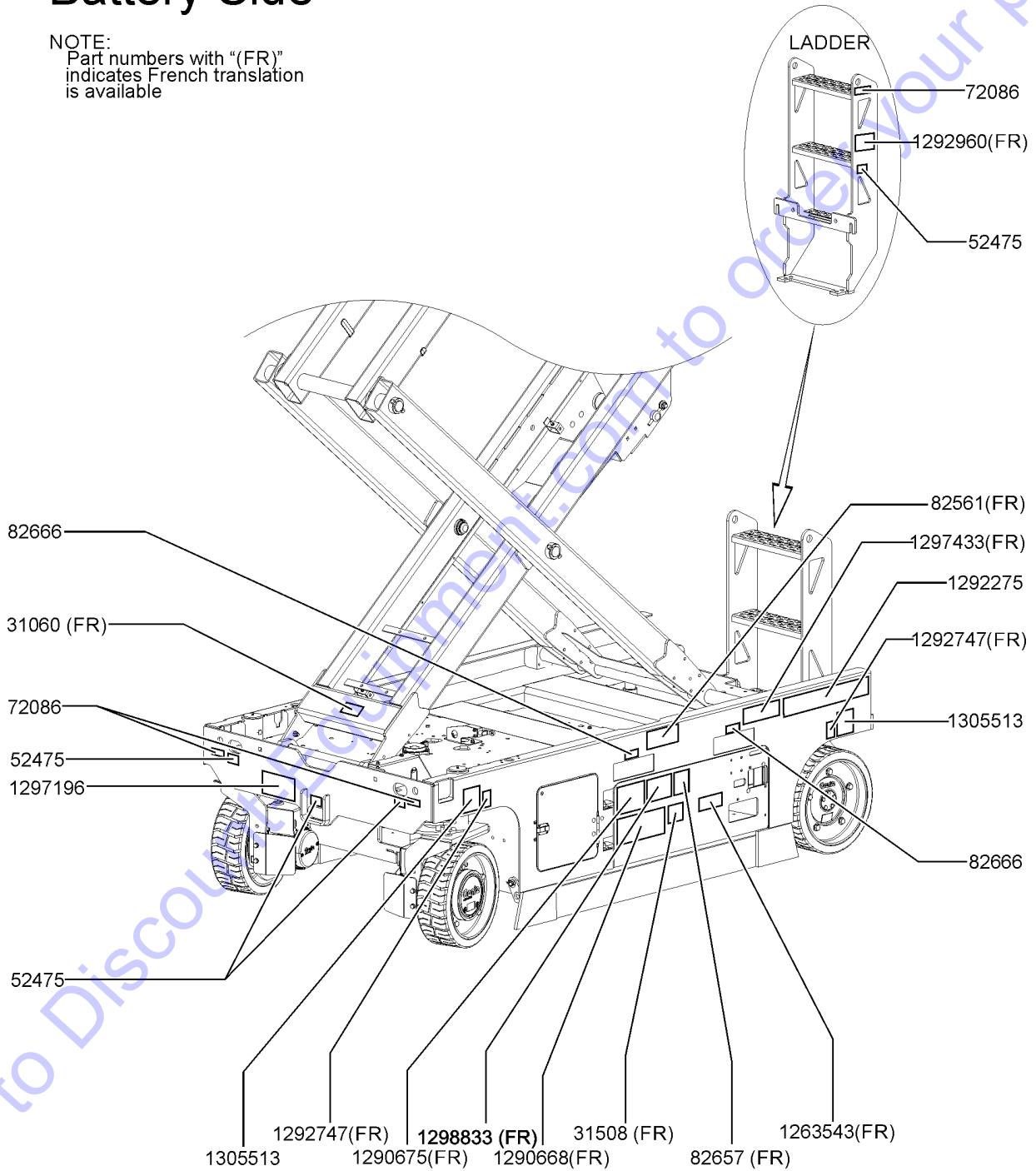
Item	Part No.	Description	Qty.
29	1292514GT	DECAL COSM,GENIE LIFT CONNECT,ESN,SKU4-3 .....	1
30	1292515GT	DECAL COSM,GENIE LIFT CONNECT,ESN,SKU4-4 .....	1
31	1292747GT	DECAL,LABEL-TIRE SPECS .....	2
32	1292990GT	DECAL,RELEASE BRAKE .....	1
33	1293324GT	DECAL, ICES-2/CAN-2 COMPLIANCE .....	1
34	1294685GT	DECAL, DANGER, ELECTRICAL HAZARD, SLAB .....	1
35	1297196GT	DECAL, LABEL-TRANSPORT DIAGRAM .....	1
36	1297433GT	DECAL, DANGER, ELECTRICAL HAZARD, SLAB .....	1
37	1305512GT	DECAL, LABEL, WHEEL LOAD, E-DRIVE, GS-2046 .....	2
38	T112804GT	DECAL,GCON PANEL,GS .....	1

Go to Discount-Equipment.com to order your parts



# Battery Side

NOTE:  
Part numbers with "(FR)"  
indicates French translation  
is available



103.1 Word Decals, GS-2646, Battery Side, ANSI & Australia

Item	Part No.	Description	Qty.
1	31060GT	DECAL,DANGER DO NOT ALTER SWTC .....	1
2	31508GT	DECAL,DANGER,ELECT HAZARD,PLUG .....	1
3	52475GT	DECAL,LABEL,TRANSPORT TIEDOWN* .....	4
4	72086GT	DECAL,LABEL,LIFTING EYE .....	3
5	82561GT	DECAL,DANGER-USE SAFETY ARM .....	1
6	82657GT	DECAL,INSTRUCT,BATTERY CONNECT .....	1
7	82666GT	DECAL,LABEL,FORKLIFT POCKET .....	2
8	1263543GT	DECAL,COMPARTMENT ACCESS .....	1
9	1290668GT	DECAL,INSTRUCTIONS-CHARGER OP, GS-1330m .....	1
10	1290675GT	DECAL,DANGER,BATTERY SAFETY***,GS-1330m .....	1
11	1292275GT	DECAL, ELECTRIC DRIVE, E-DRIVE .....	1
12	1292747GT	DECAL,LABEL-TIRE SPECS .....	2
13	1292960GT	DECAL DANGER BRAKE REL SAFETY, GS-1330m .....	1
14	1297196GT	DECAL, LABEL-TRANSPORT DIAGRAM .....	1
15	1297433GT	DECAL, DANGER, ELECTRICAL HAZARD, SLAB .....	1
16	1298833GT	DECAL, DANGER, TIP-OVER, BATTERY .....	1
17	1305513GT	DECAL, LABEL, WHEEL LOAD, E-DRIVE, GS-2646 .....	2

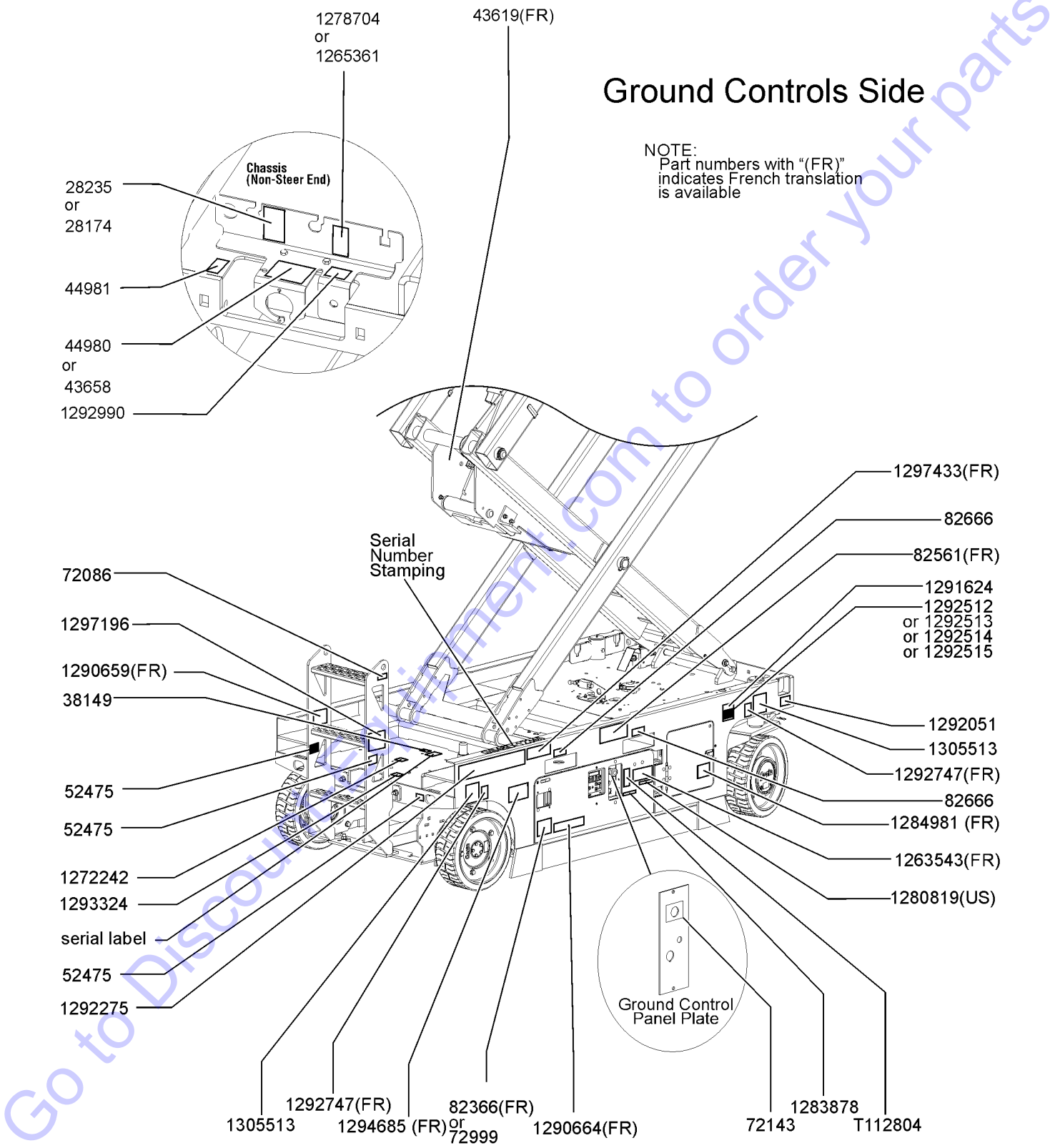
Go to Discount-Equipment.com to order your parts



104.1 Word Decals, GS-2646, Ground Control Side, ANSI and Australia

### Ground Controls Side

NOTE:  
Part numbers with "(FR)" indicates French translation is available





104.1 Word Decals, GS-2646, Ground Control Side, ANSI and Australia

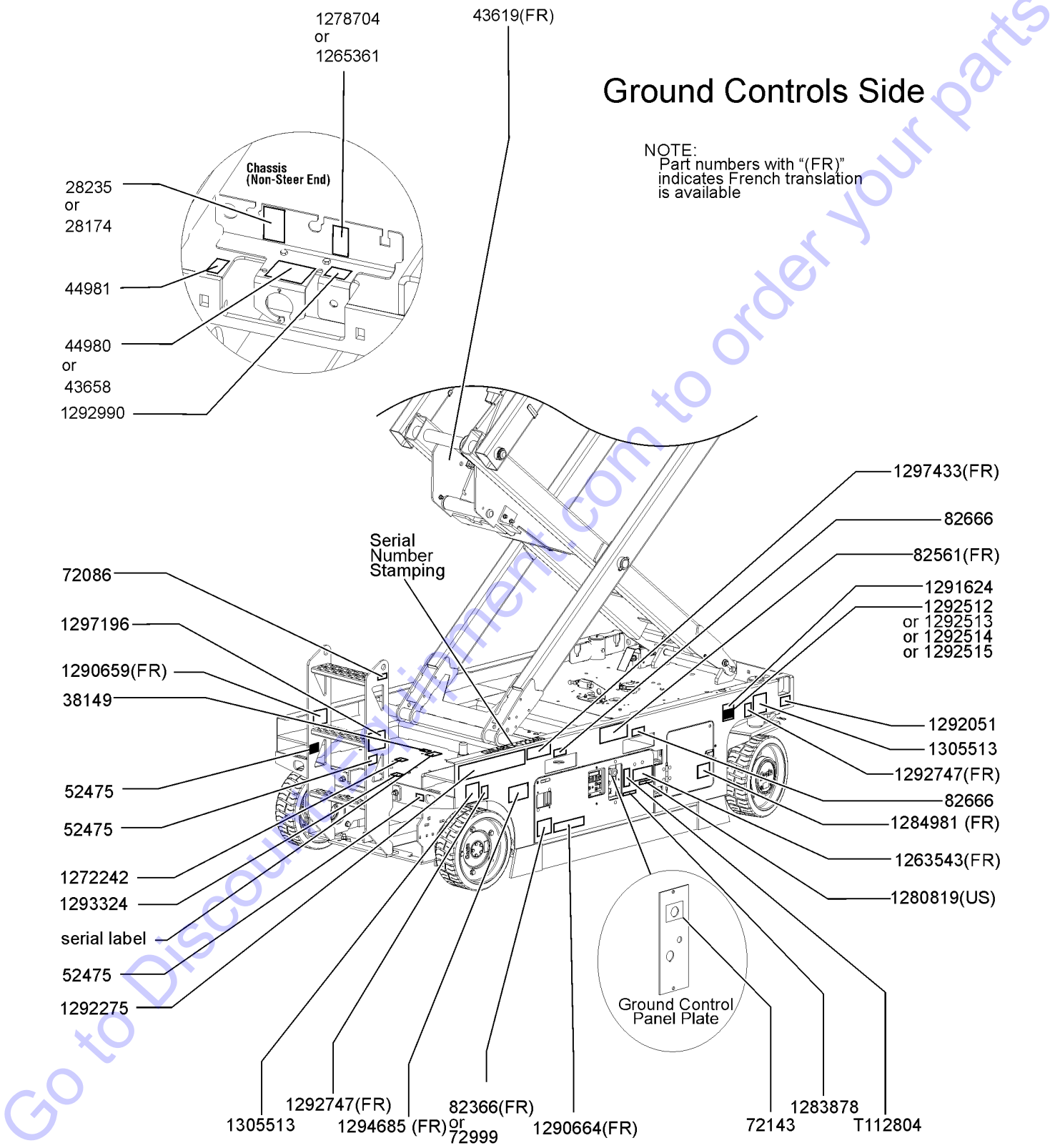
Item	Part No.	Description	Qty.
1	28174GT	DECAL,POWER TO PLATFORM 230V .....	1
2	28235GT	DECAL,POWER TO PLATFORM 115V .....	1
3	38149GT	DECAL,LABEL,PATENTS .....	1
4	43619GT	DECAL,LABEL,SAFETY ARM .....	1
5	43658GT	DECAL,LABEL,PWR TO CHARGR 230V .....	1
6	44980GT	DECAL,LABEL,PWR TO CHARGR 115V .....	1
7	44981GT	DECAL,LABEL,AIRLINE 110 PSI .....	1
8	52475GT	DECAL,LABEL,TRANSPORT TIEDOWN* .....	3
9	72086GT	DECAL,LABEL,LIFTING EYE .....	1
10	72143GT	DECAL,EMERGENCY STOP,GR .....	1
11	72999GT	DECAL,LABEL,PETRO CANADA*** .....	1
12	82366GT	DECAL,CHEVRON RANDO HD .....	1
13	82561GT	DECAL,DANGER-USE SAFETY ARM .....	1
14	82666GT	DECAL,LABEL,FORKLIFT POCKET .....	2
15	1263543GT	DECAL,COMPARTMENT ACCESS .....	1
16	1265361GT	DECAL, BATTERY CHARGER INDICAT .....	1
17	1272242GT	DECAL,MACHINE REGISTRATION/OWNER TRANSFER .....	1
18	1278704GT	DECAL,CHARGE STATUS IND. ....	1
19	1280819GT	DECAL,WARNING,CANCER AND REPRODUCTIVE HARM, PROP 65 .....	1
20	1283878GT	DECAL,TECH PRO LINK .....	1
21	1284981GT	DECAL,ACCUMULATOR EXPLOSION HAZARD,WORD .....	1
22	1290659GT	DECAL,DANGER,ELECT HAZARD,PLUG, GS-1330m .....	1
23	1290664GT	DECAL,OP INST,GCON, GS-1330m .....	1
24	1291624GT	DECAL COSM,GENIE UFT,CONNECT LEXAN COVER .....	1
25	1292051GT	DECAL,EMERGENCY LOWERING, GS-1330m .....	1
26	1292275GT	DECAL, ELECTRIC DRIVE, E-DRIVE .....	1
27	1292512GT	DECAL COSM,GENIE LIFT CONNECT,ESN,SKU4-1 .....	1
28	1292513GT	DECAL COSM,GENIE LIFT CONNECT,ESN,SKU4-2 .....	1



104.1 Word Decals, GS-2646, Ground Control Side, ANSI and Australia

### Ground Controls Side

NOTE:  
Part numbers with "(FR)" indicates French translation is available



104.1 Word Decals, GS-2646, Ground Control Side, ANSI and Australia

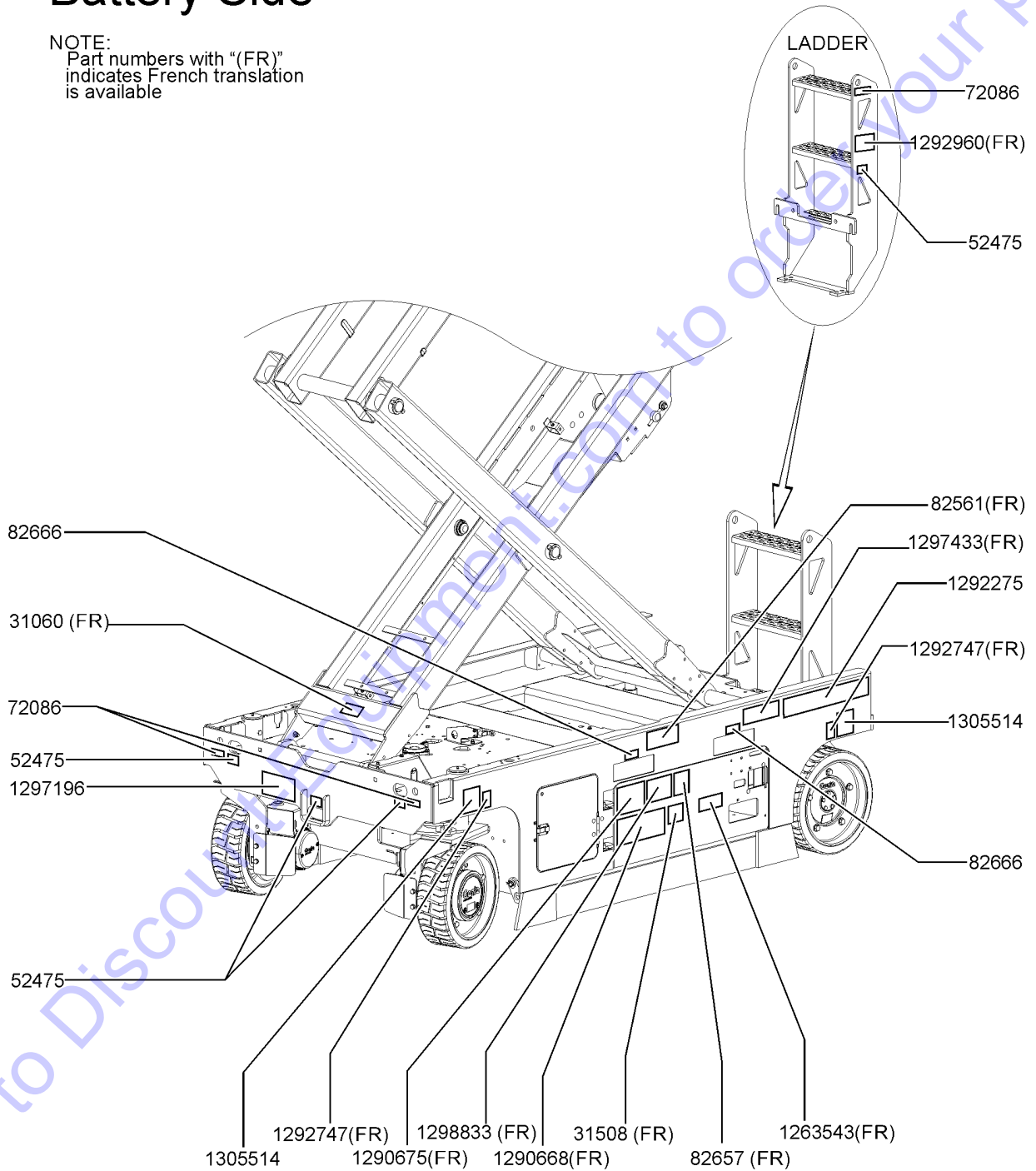
Item	Part No.	Description	Qty.
29	1292514GT	DECAL COSM,GENIE LIFT CONNECT,ESN,SKU4-3 .....	1
30	1292515GT	DECAL COSM,GENIE LIFT CONNECT,ESN,SKU4-4 .....	1
31	1292747GT	DECAL,LABEL-TIRE SPECS .....	2
32	1292990GT	DECAL,RELEASE BRAKE .....	1
33	1293324GT	DECAL, ICES-2/CAN-2 COMPLIANCE .....	1
34	1294685GT	DECAL, DANGER, ELECTRICAL HAZARD, SLAB .....	1
35	1297196GT	DECAL, LABEL-TRANSPORT DIAGRAM .....	1
36	1297433GT	DECAL, DANGER, ELECTRICAL HAZARD, SLAB .....	1
37	1305513GT	DECAL, LABEL, WHEEL LOAD, E-DRIVE, GS-2646 .....	2
38	T112804GT	DECAL,GCON PANEL,GS .....	1

Go to Discount-Equipment.com to order your parts



# Battery Side

NOTE:  
Part numbers with "(FR)"  
indicates French translation  
is available



105.1 Word Decals, GS-3246, Battery Side, ANSI and Australia

Item	Part No.	Description	Qty.
1	31060GT	DECAL,DANGER DO NOT ALTER SWTC .....	1
2	31508GT	DECAL,DANGER,ELECT HAZARD,PLUG .....	1
3	52475GT	DECAL,LABEL,TRANSPORT TIEDOWN* .....	4
4	72086GT	DECAL,LABEL,LIFTING EYE .....	3
5	82561GT	DECAL,DANGER-USE SAFETY ARM .....	1
6	82657GT	DECAL,INSTRUCT,BATTERY CONNECT .....	1
7	82666GT	DECAL,LABEL,FORKLIFT POCKET .....	2
8	1263543GT	DECAL,COMPARTMENT ACCESS .....	1
9	1290668GT	DECAL,INSTRUCTIONS-CHARGER OP, GS-1330m .....	1
10	1290675GT	DECAL,DANGER,BATTERY SAFETY***,GS-1330m .....	1
11	1292275GT	DECAL, ELECTRIC DRIVE, E-DRIVE .....	1
12	1292747GT	DECAL,LABEL-TIRE SPECS .....	2
13	1292960GT	DECAL DANGER BRAKE REL SAFETY, GS-1330m .....	1
14	1297196GT	DECAL, LABEL-TRANSPORT DIAGRAM .....	1
15	1297433GT	DECAL, DANGER, ELECTRICAL HAZARD, SLAB .....	1
16	1298833GT	DECAL, DANGER, TIP-OVER, BATTERY .....	1
17	1305514GT	DECAL, LABEL, WHEEL LOAD, E-DRIVE, GS-3246 .....	2

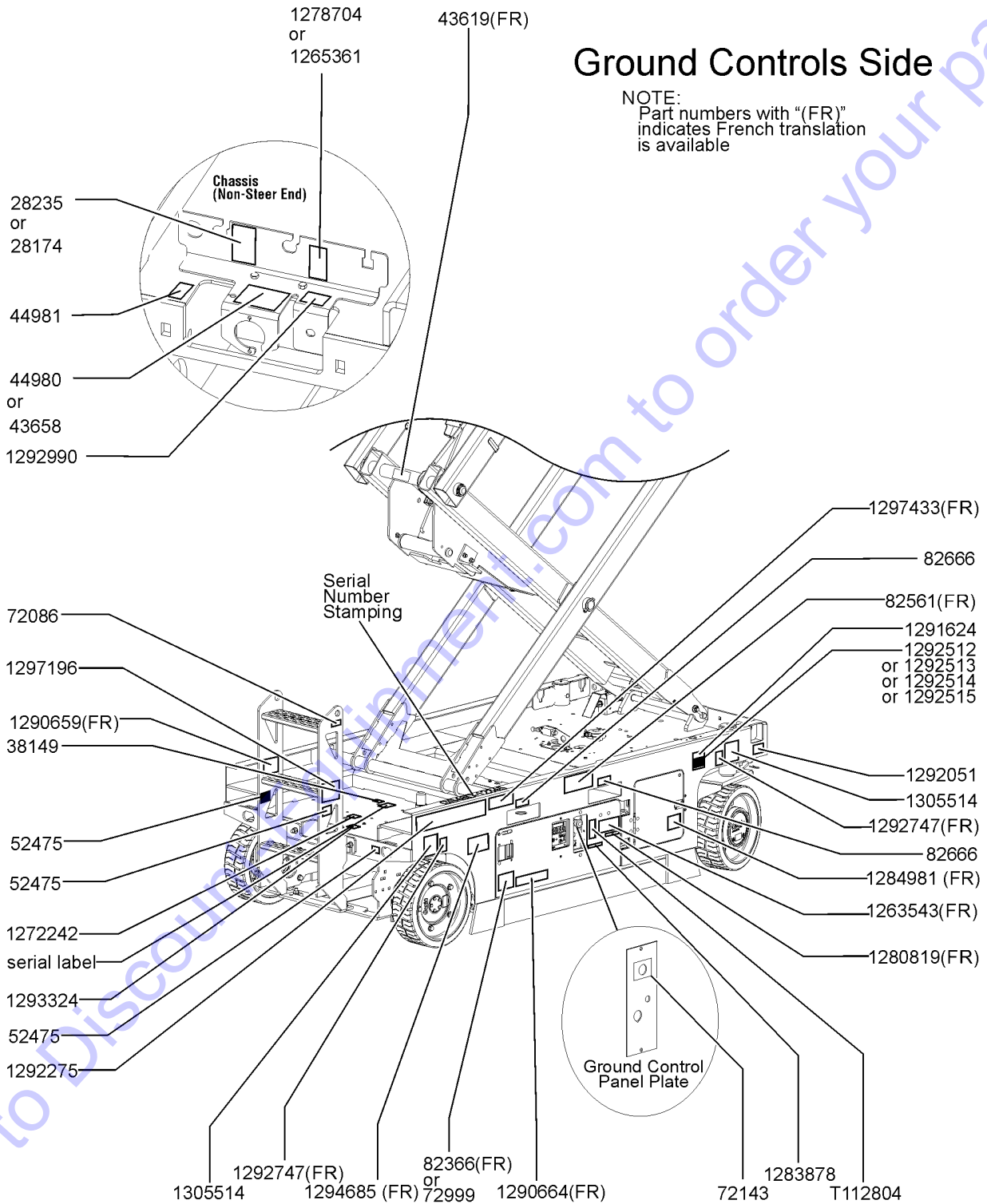
Go to Discount-Equipment.com to order your parts



106.1 Word Decals, GS-3246, Ground Control Side, ANSI and Australia

### Ground Controls Side

NOTE:  
Part numbers with "(FR)" indicates French translation is available



106.1 Word Decals, GS-3246, Ground Control Side, ANSI and Australia

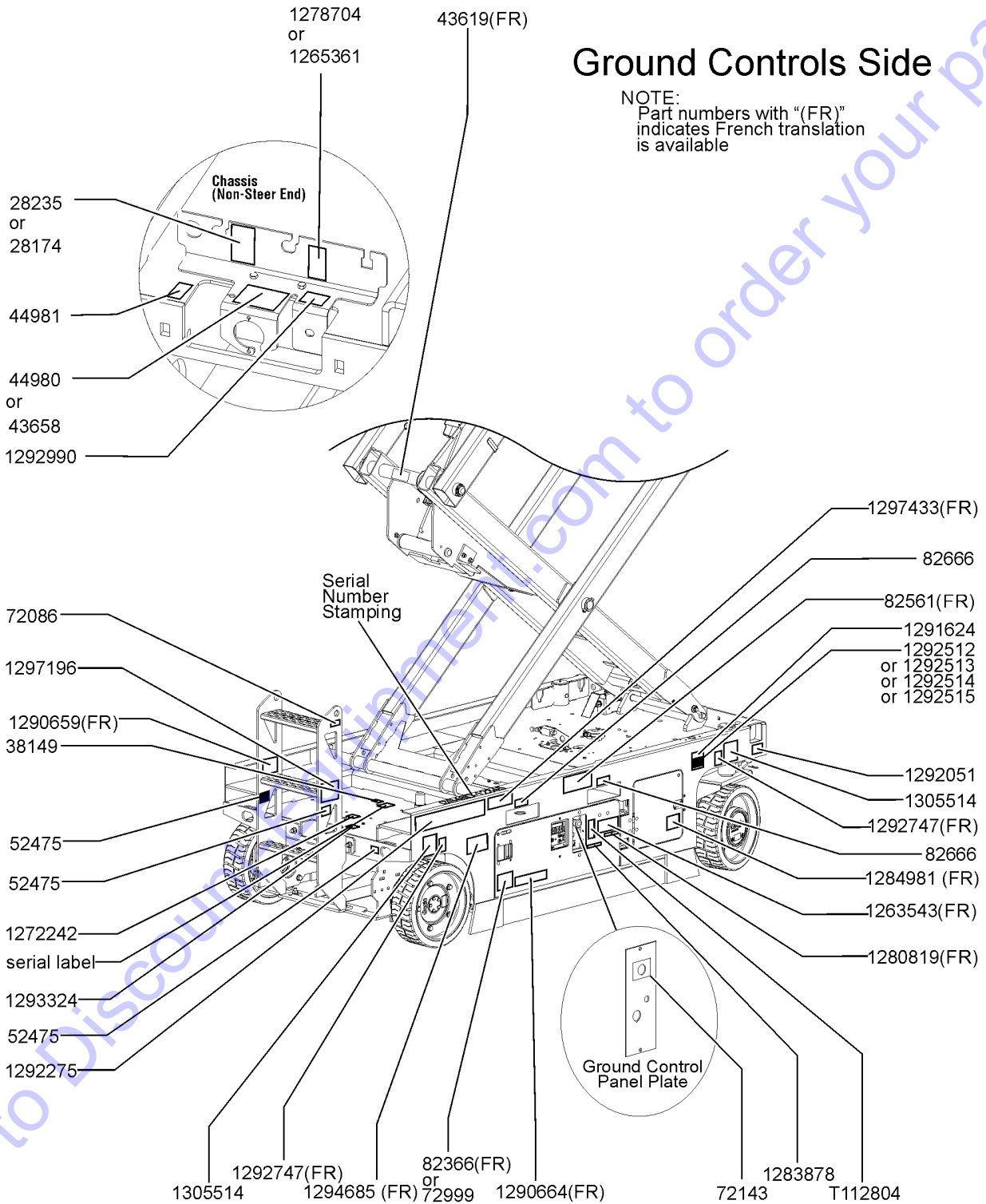
Item	Part No.	Description	Qty.
1	28174GT	DECAL,POWER TO PLATFORM 230V .....	1
2	28235GT	DECAL,POWER TO PLATFORM 115V .....	1
3	38149GT	DECAL,LABEL,PATENTS .....	1
4	43619GT	DECAL,LABEL,SAFETY ARM .....	1
5	43658GT	DECAL,LABEL,PWR TO CHARGR 230V .....	1
6	44980GT	DECAL,LABEL,PWR TO CHARGR 115V .....	1
7	44981GT	DECAL,LABEL,AIRLINE 110 PSI .....	1
8	52475GT	DECAL,LABEL,TRANSPORT TIEDOWN* .....	3
9	72086GT	DECAL,LABEL,LIFTING EYE .....	1
10	72143GT	DECAL,EMERGENCY STOP,GR .....	1
11	72999GT	DECAL,LABEL,PETRO CANADA*** .....	1
12	82366GT	DECAL,CHEVRON RANDO HD .....	1
13	82561GT	DECAL,DANGER-USE SAFETY ARM .....	1
14	82666GT	DECAL,LABEL,FORKLIFT POCKET .....	2
15	1263543GT	DECAL,COMPARTMENT ACCESS .....	1
16	1265361GT	DECAL, BATTERY CHARGER INDICAT .....	1
17	1272242GT	DECAL,MACHINE REGISTRATION/OWNER TRANSFER .....	1
18	1278704GT	DECAL,CHARGE STATUS IND. ....	1
19	1280819GT	DECAL,WARNING,CANCER AND REPRODUCTIVE HARM, PROP 65 .....	1
20	1283878GT	DECAL,TECH PRO LINK .....	1
21	1284981GT	DECAL,ACCUMULATOR EXPLOSION HAZARD,WORD .....	1
22	1290659GT	DECAL,DANGER,ELECT HAZARD,PLUG, GS-1330m .....	1
23	1290664GT	DECAL,OP INST,GCON, GS-1330m .....	1
24	1291624GT	DECAL COSM,GENIE UFT,CONNECT LEXAN COVER .....	1
25	1292051GT	DECAL,EMERGENCY LOWERING, GS-1330m .....	1
26	1292275GT	DECAL, ELECTRIC DRIVE, E-DRIVE .....	1
27	1292512GT	DECAL COSM,GENIE LIFT CONNECT,ESN,SKU4-1 .....	1
28	1292513GT	DECAL COSM,GENIE LIFT CONNECT,ESN,SKU4-2 .....	1



106.1 Word Decals, GS-3246, Ground Control Side, ANSI and Australia

### Ground Controls Side

NOTE:  
Part numbers with "(FR)" indicates French translation is available





106.1 Word Decals, GS-3246, Ground Control Side, ANSI and Australia

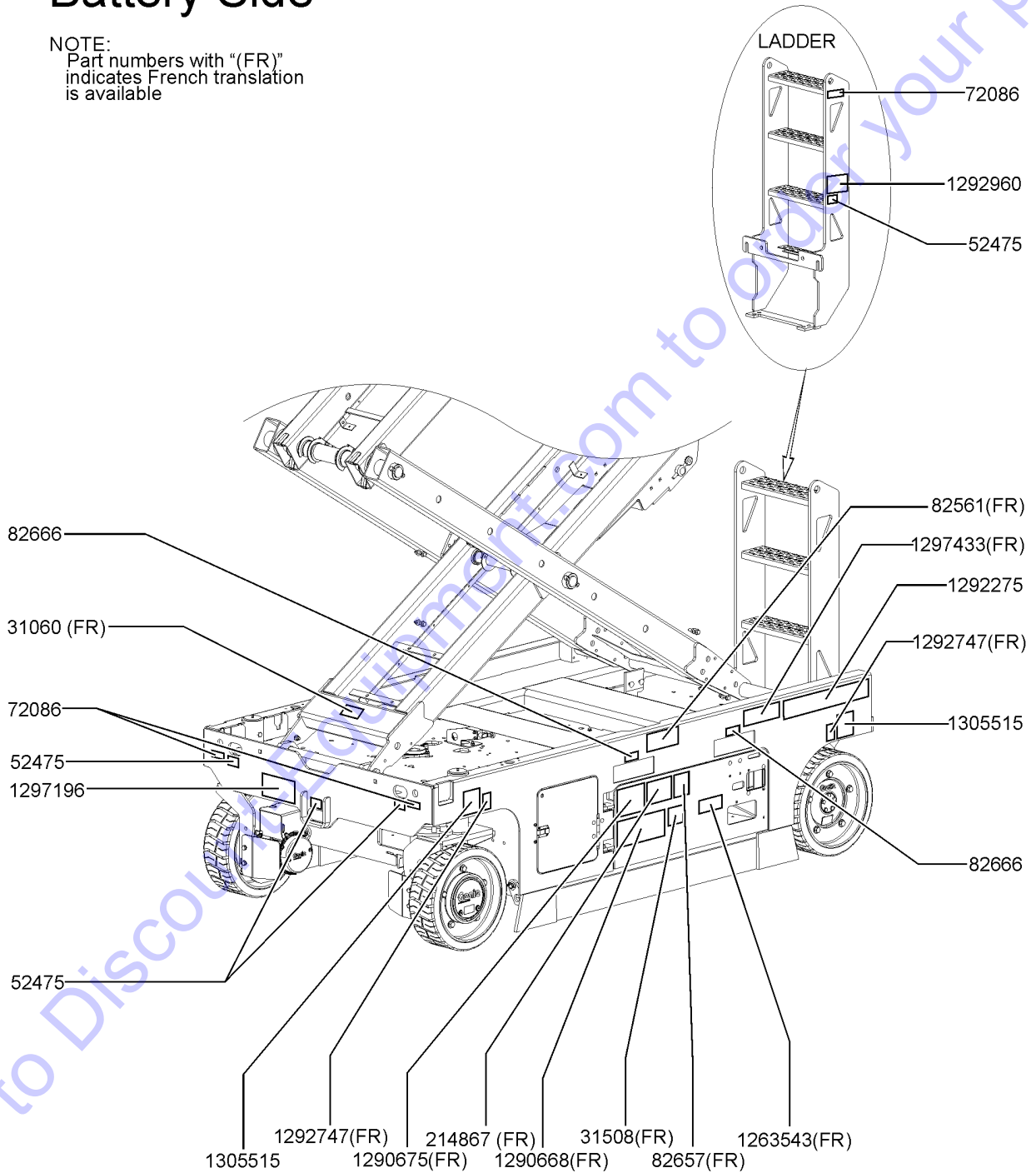
Item	Part No.	Description	Qty.
29	1292514GT	DECAL COSM,GENIE LIFT CONNECT,ESN,SKU4-3 .....	1
30	1292515GT	DECAL COSM,GENIE LIFT CONNECT,ESN,SKU4-4 .....	1
31	1292747GT	DECAL,LABEL-TIRE SPECS .....	2
32	1292990GT	DECAL,RELEASE BRAKE .....	1
33	1293324GT	DECAL, ICES-2/CAN-2 COMPLIANCE .....	1
34	1294685GT	DECAL, DANGER, ELECTRICAL HAZARD, SLAB .....	1
35	1297196GT	DECAL, LABEL-TRANSPORT DIAGRAM .....	1
36	1297433GT	DECAL, DANGER, ELECTRICAL HAZARD, SLAB .....	1
37	1305514GT	DECAL, LABEL, WHEEL LOAD, E-DRIVE, GS-3246 .....	2
38	T112804GT	DECAL,GCON PANEL,GS .....	1

Go to Discount-Equipment.com to order your parts



# Battery Side

NOTE:  
Part numbers with "(FR)"  
indicates French translation  
is available



107.1 Word Decals, GS-4046, Battery Side, ANSI and Australia

Item	Part No.	Description	Qty.
1	31060GT	DECAL,DANGER DO NOT ALTER SWTC .....	1
2	31508GT	DECAL,DANGER,ELECT HAZARD,PLUG .....	1
3	52475GT	DECAL,LABEL,TRANSPORT TIEDOWN* .....	4
4	72086GT	DECAL,LABEL,LIFTING EYE .....	3
5	82561GT	DECAL,DANGER-USE SAFETY ARM .....	1
6	82657GT	DECAL,INSTRUCT,BATTERY CONNECT .....	1
7	82666GT	DECAL,LABEL,FORKLIFT POCKET .....	2
8	214867GT	DECAL,BATT.TRAY/WEIGHT,GS-4047 .....	1
9	1263543GT	DECAL,COMPARTMENT ACCESS .....	1
10	1290668GT	DECAL,INSTRUCTIONS-CHARGER OP, GS-1330m .....	1
11	1290675GT	DECAL,DANGER,BATTERY SAFETY***,GS-1330m .....	1
12	1292275GT	DECAL, ELECTRIC DRIVE, E-DRIVE .....	1
13	1292747GT	DECAL,LABEL-TIRE SPECS .....	2
14	1292960GT	DECAL DANGER BRAKE REL SAFETY, GS-1330m .....	1
15	1297196GT	DECAL, LABEL-TRANSPORT DIAGRAM .....	1
16	1297433GT	DECAL, DANGER, ELECTRICAL HAZARD, SLAB .....	1
17	1305515GT	DECAL, LABEL, WHEEL LOAD, E-DRIVE, GS-4046 .....	2

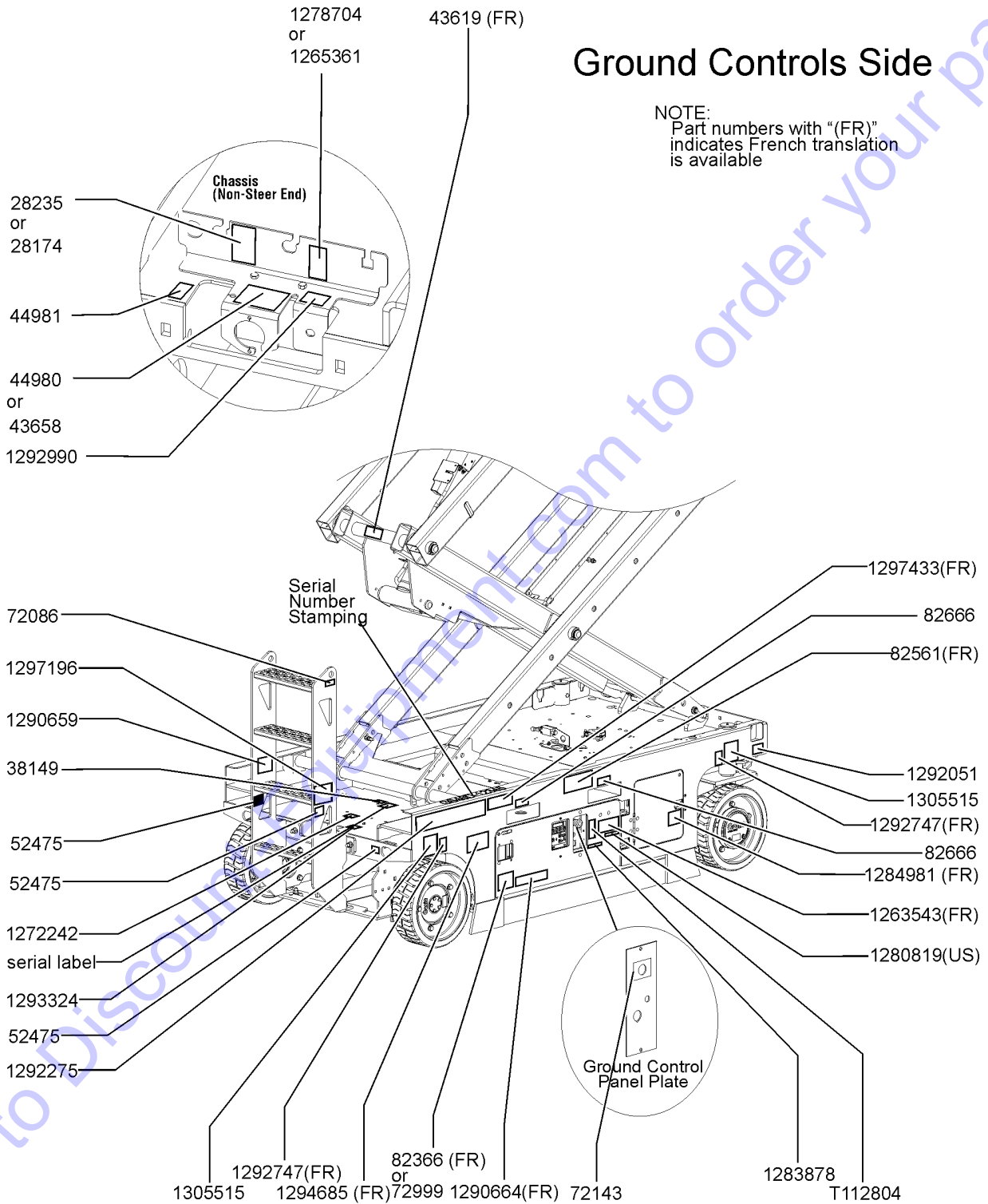
Go to Discount-Equipment.com to order your parts



108.1 Word Decals, GS-4046, Ground Control Side, ANSI and Australia

### Ground Controls Side

NOTE:  
Part numbers with "(FR)"  
indicates French translation  
is available



Go to DiscountPart.com to order your parts



108.1 Word Decals, GS-4046, Ground Control Side, ANSI and Australia

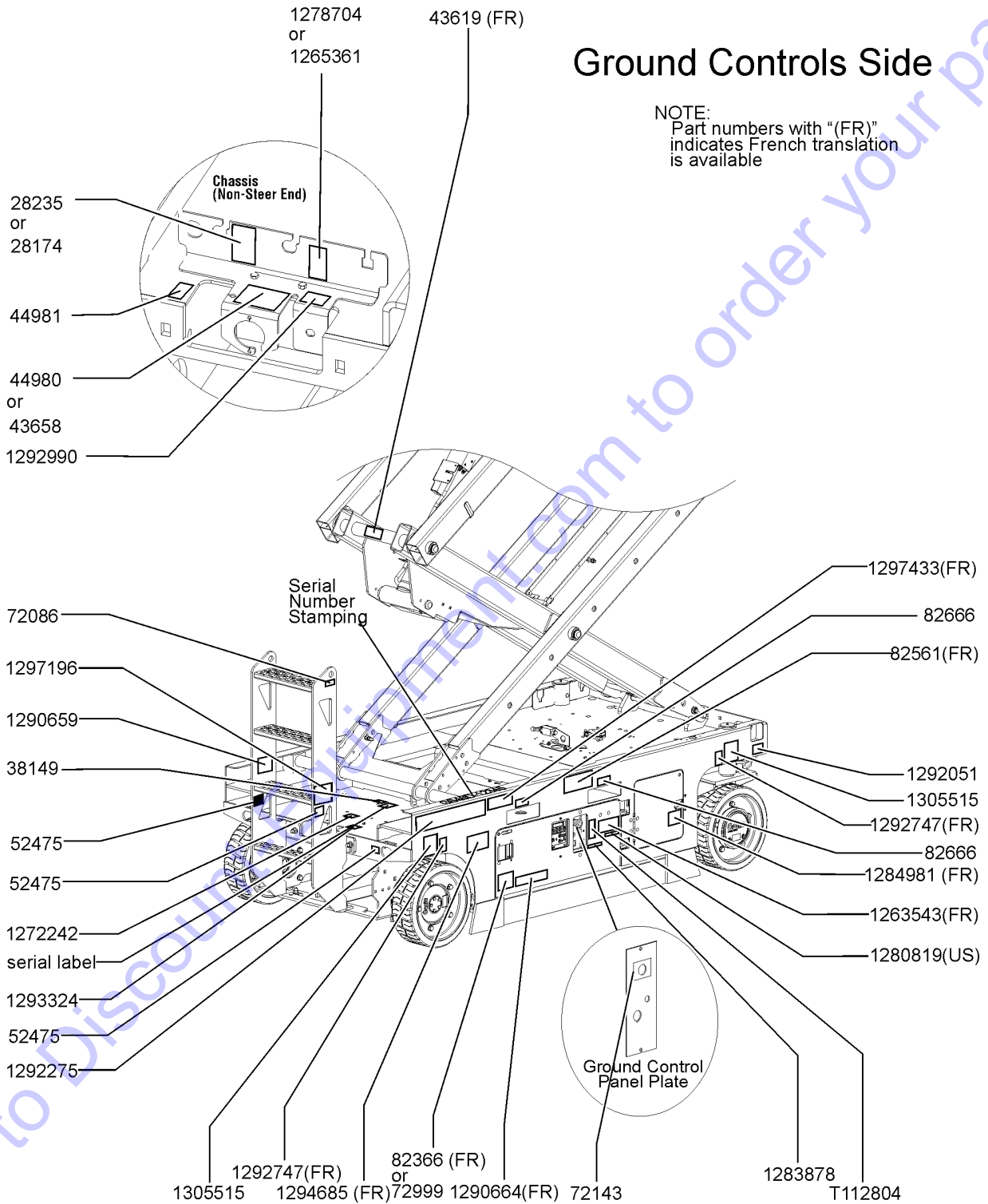
Item	Part No.	Description	Qty.
1	28174GT	DECAL,POWER TO PLATFORM 230V .....	1
2	28235GT	DECAL,POWER TO PLATFORM 115V .....	1
3	38149GT	DECAL,LABEL,PATENTS .....	1
4	43619GT	DECAL,LABEL,SAFETY ARM .....	1
5	43658GT	DECAL,LABEL,PWR TO CHARGR 230V .....	1
6	44980GT	DECAL,LABEL,PWR TO CHARGR 115V .....	1
7	44981GT	DECAL,LABEL,AIRLINE 110 PSI .....	1
8	52475GT	DECAL,LABEL,TRANSPORT TIEDOWN* .....	3
9	72086GT	DECAL,LABEL,LIFTING EYE .....	1
10	72143GT	DECAL,EMERGENCY STOP,GR .....	1
11	72999GT	DECAL,LABEL,PETRO CANADA*** .....	1
12	82366GT	DECAL,CHEVRON RANDO HD .....	1
13	82561GT	DECAL,DANGER-USE SAFETY ARM .....	1
14	82666GT	DECAL,LABEL,FORKLIFT POCKET .....	2
15	1263543GT	DECAL,COMPARTMENT ACCESS .....	1
16	1265361GT	DECAL, BATTERY CHARGER INDICAT .....	1
17	1272242GT	DECAL,MACHINE REGISTRATION/OWNER TRANSFER .....	1
18	1278704GT	DECAL,CHARGE STATUS IND. ....	1
19	1280819GT	DECAL,WARNING,CANCER AND REPRODUCTIVE HARM, PROP 65 .....	1
20	1283878GT	DECAL,TECH PRO LINK .....	1
21	1284981GT	DECAL,ACCUMULATOR EXPLOSION HAZARD,WORD .....	1
22	1290659GT	DECAL,DANGER,ELECT HAZARD,PLUG, GS-1330m .....	1
23	1290664GT	DECAL,OP INST,GCON, GS-1330m .....	1
24	1291624GT	DECAL COSM,GENIE UFT,CONNECT LEXAN COVER .....	1
25	1292051GT	DECAL,EMERGENCY LOWERING, GS-1330m .....	1
26	1292275GT	DECAL, ELECTRIC DRIVE, E-DRIVE .....	1
27	1292512GT	DECAL COSM,GENIE LIFT CONNECT,ESN,SKU4-1 .....	1
28	1292513GT	DECAL COSM,GENIE LIFT CONNECT,ESN,SKU4-2 .....	1



108.1 Word Decals, GS-4046, Ground Control Side, ANSI and Australia

### Ground Controls Side

NOTE:  
Part numbers with "(FR)"  
indicates French translation  
is available



Go to DiscountPart.com to order your parts



108.1 Word Decals, GS-4046, Ground Control Side, ANSI and Australia

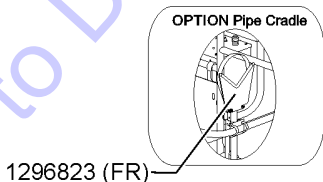
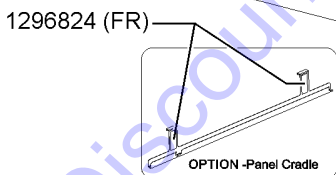
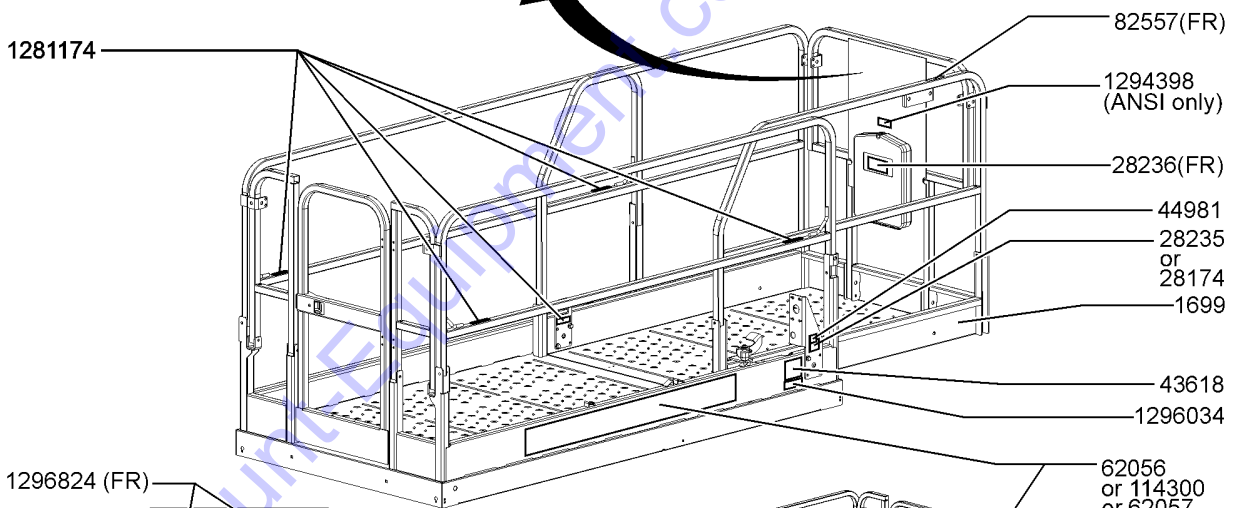
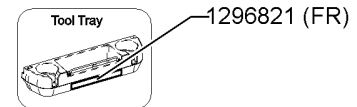
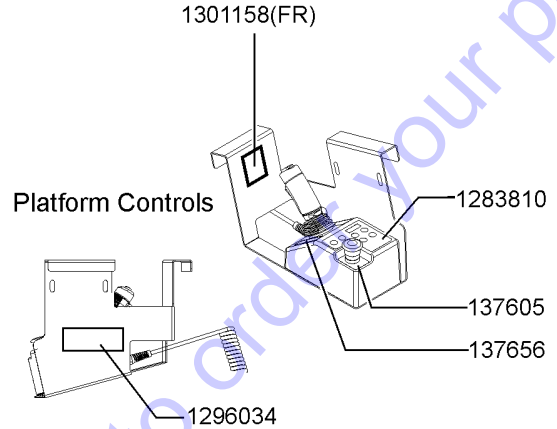
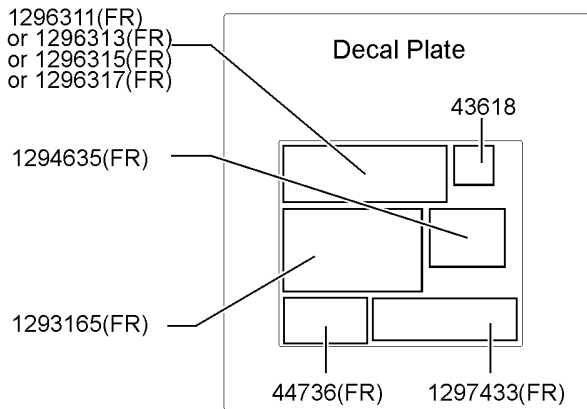
Item	Part No.	Description	Qty.
29	1292514GT	DECAL COSM,GENIE LIFT CONNECT,ESN,SKU4-3 .....	1
30	1292515GT	DECAL COSM,GENIE LIFT CONNECT,ESN,SKU4-4 .....	1
31	1292747GT	DECAL,LABEL-TIRE SPECS .....	2
32	1292990GT	DECAL,RELEASE BRAKE .....	1
33	1293324GT	DECAL, ICES-2/CAN-2 COMPLIANCE .....	1
34	1294685GT	DECAL, DANGER, ELECTRICAL HAZARD, SLAB .....	1
35	1297196GT	DECAL, LABEL-TRANSPORT DIAGRAM .....	1
36	1297433GT	DECAL, DANGER, ELECTRICAL HAZARD, SLAB .....	1
37	1305515GT	DECAL, LABEL, WHEEL LOAD, E-DRIVE, GS-4046 .....	2
38	T112804GT	DECAL,GCON PANEL,GS .....	1

Go to Discount-Equipment.com to order your parts

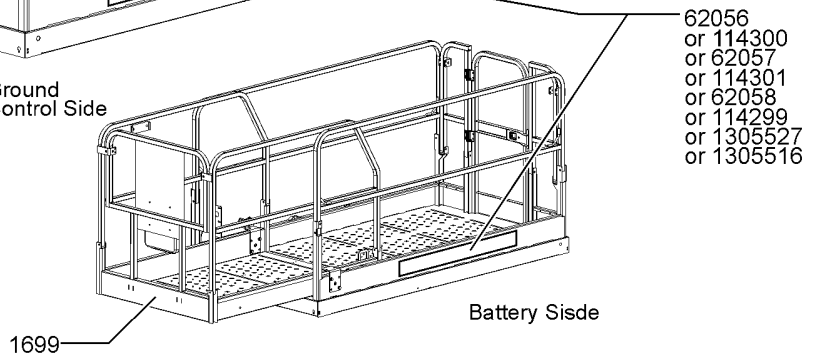


# Platform, ANSI and Australia models

NOTE:  
Part numbers with "(FR)" indicates French translation is available



Ground Control Side



Battery Side





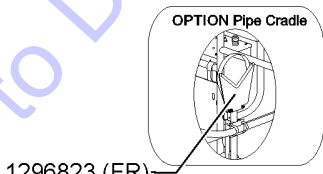
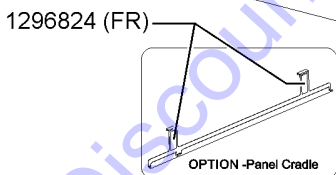
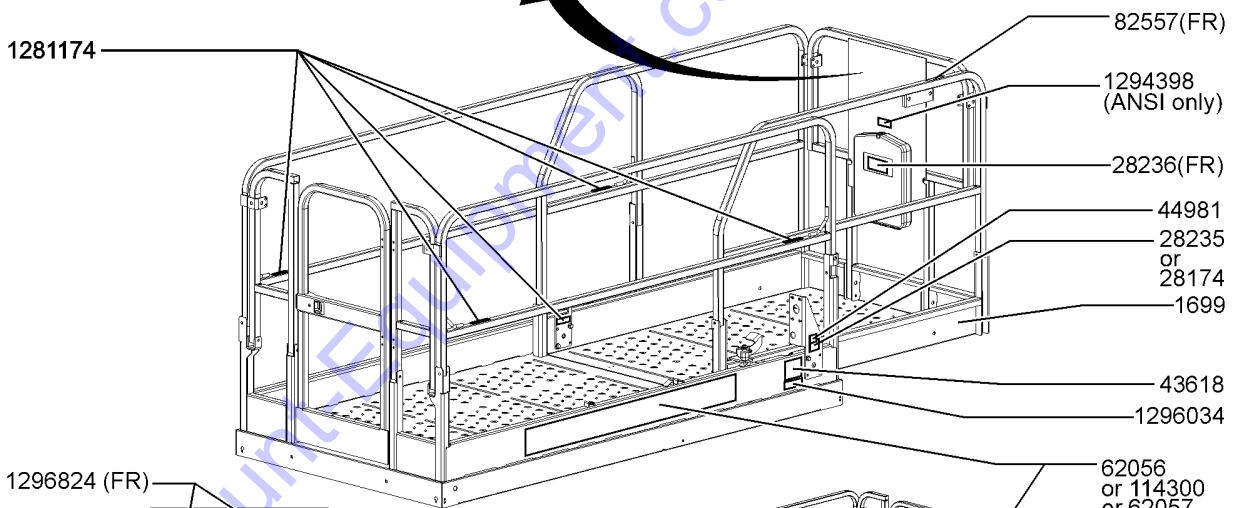
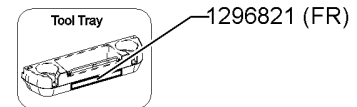
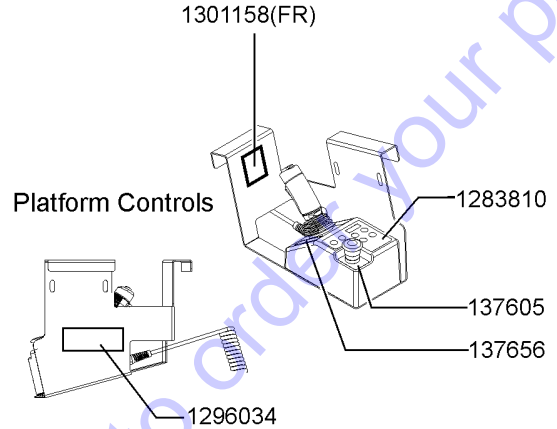
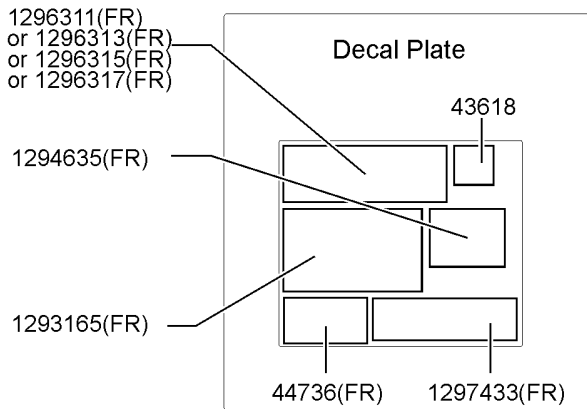
109.1 Word Decals, Platform, ANSI and Australia, All Models

Item	Part No.	Description	Qty.
1	1699GT	TAPE,WARNING,BLK/YEL,108***	139
2	28174GT	DECAL,POWER TO PLATFORM 230V	1
3	28235GT	DECAL,POWER TO PLATFORM 115V	1
4	28236GT	DECAL,WARN,IMPROPER OPERATION	1
5	43618GT	DECAL,LABEL-DIRECTION ARROWS	2
6	44736GT	DECAL,DANGER,TIP-OVER,TILT	1
7	44981GT	DECAL,LABEL,AIRLINE 110 PSI (Option)	1
8	62056GT	DECAL,COSMETIC,GENIE GS-2046**	2
9	62057GT	DECAL,COSMETIC,GENIE GS-2646	2
10	62058GT	DECAL,COSMETIC,GENIE GS-3246	2
11	82557GT	DECAL,LABEL,PLAT CONT LOCATION	1
12	114299GT	DECAL,COSM,3246 BLACK	1
13	114300GT	DECAL,COSM,2046 BLACK	1
14	114301GT	DECAL,COSM,2646 BLACK	1
15	137605GT	DECAL,E-STOP,GR/GRC/GS PCON	1
16	137656GT	DECAL,PROPEL,GR/GRC/GS,PCON	1
17	1281174GT	DECAL,LANYARD,FALL ARREST/FALL RESTRAINED	5
18	1283810GT	DECAL,STD,DUAL ZONE,GR/GS,UI	1
19	1293165GT	DECAL,DANGER/WARNING COMBO, GS-1330m	1
20	1294398GT	NEW ANSI CHECK MASK (ANSI only)	1
21	1294635GT	DECAL, PLATFORM OVERLOAD LED INDICATOR LIGHT	1
22	1296034GT	DECAL,SMARTLINK,DUAL ZONE	2
23	1296311GT	DECAL, DANGER, MAX CAPACITY 1200LBS, SIDE FORCE 45/90LBS	1
24	1296313GT	DECAL, DANGER, MAX CAPACITY 1000LBS, SIDE FORCE 45/90LBS	1
25	1296315GT	DECAL, DANGER, MAX CAPACITY 700LBS, SIDE FORCE 45/90LBS	1
26	1296317GT	DECAL, DANGER, MAX CAPACITY 770LBS, SIDE FORCE 45/90LBS	1
27	1296821GT	DECAL, WARNING, TOOL TRAY	1
28	1296823GT	DECAL, WARNING, PIPE CRADLE	1

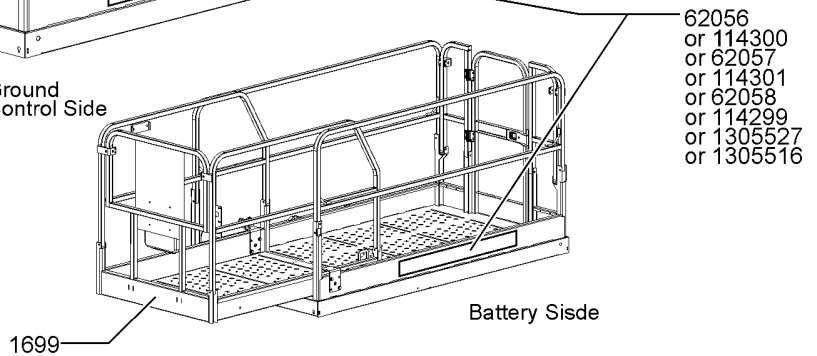


# Platform, ANSI and Australia models

NOTE:  
Part numbers with "(FR)" indicates French translation is available



Ground Control Side



Battery Side



109.1 Word Decals, Platform, ANSI and Australia, All Models

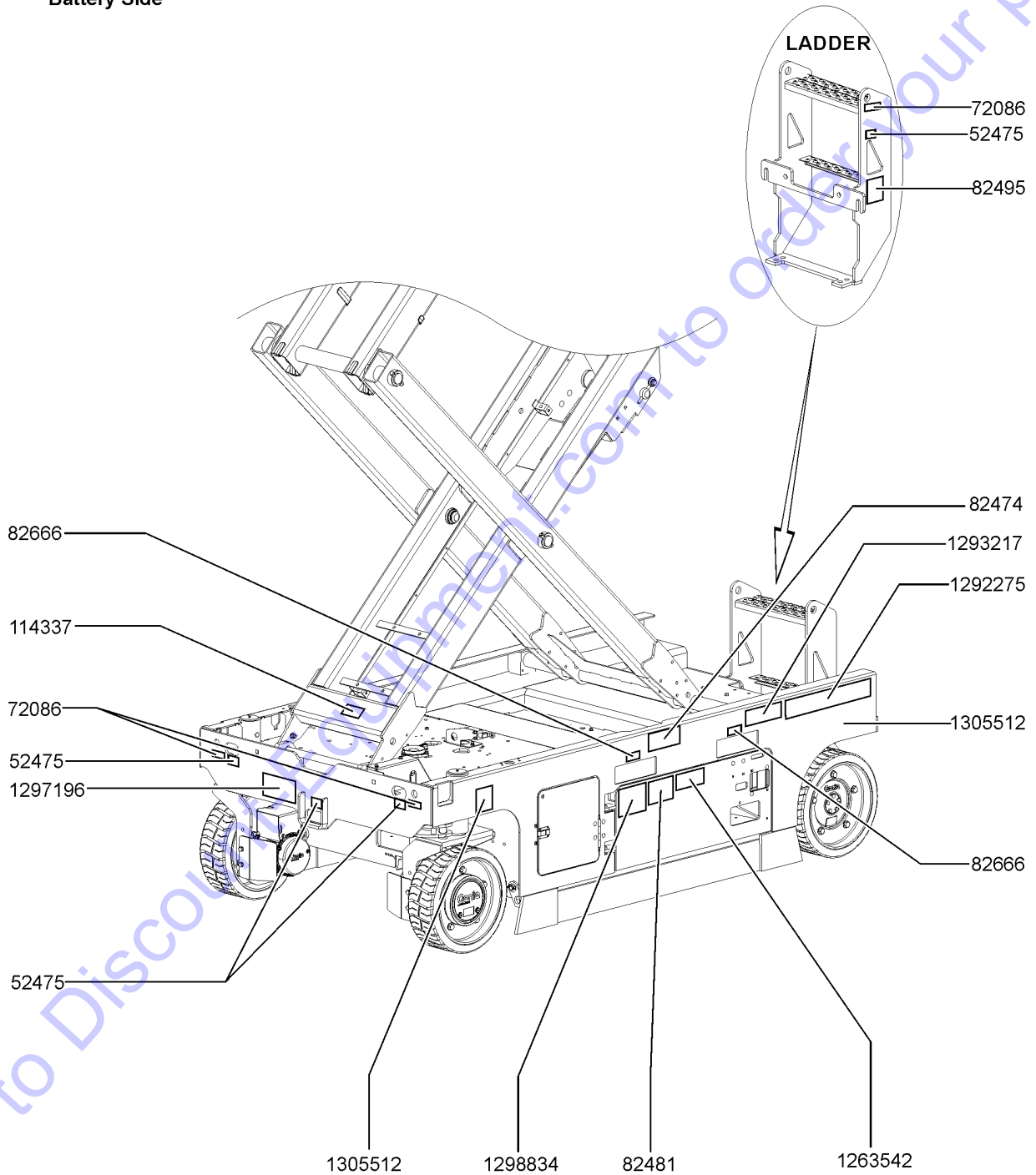
<i>Item</i>	<i>Part No.</i>	<i>Description</i>	<i>Qty.</i>
29	1296824GT	DECAL, WARNING, PANEL CARRIER .....	1
30	1297433GT	DECAL, DANGER, ELECTRICAL HAZARD, SLAB .....	1
31	1301158GT	DECAL,LABLE,FAULT CODES .....	1
32	1305516GT	DECAL,COSMETIC,GS-4046 .....	1
33	1305527GT	DECAL,COSMETIC,GS-4046, BLACK .....	1

Go to Discount-Equipment.com to order your parts



110.1 Symbol Decals, GS-2046, Battery Side, ANSI & CE

Battery Side



110.1 Symbol Decals, GS-2046, Battery Side, ANSI & CE

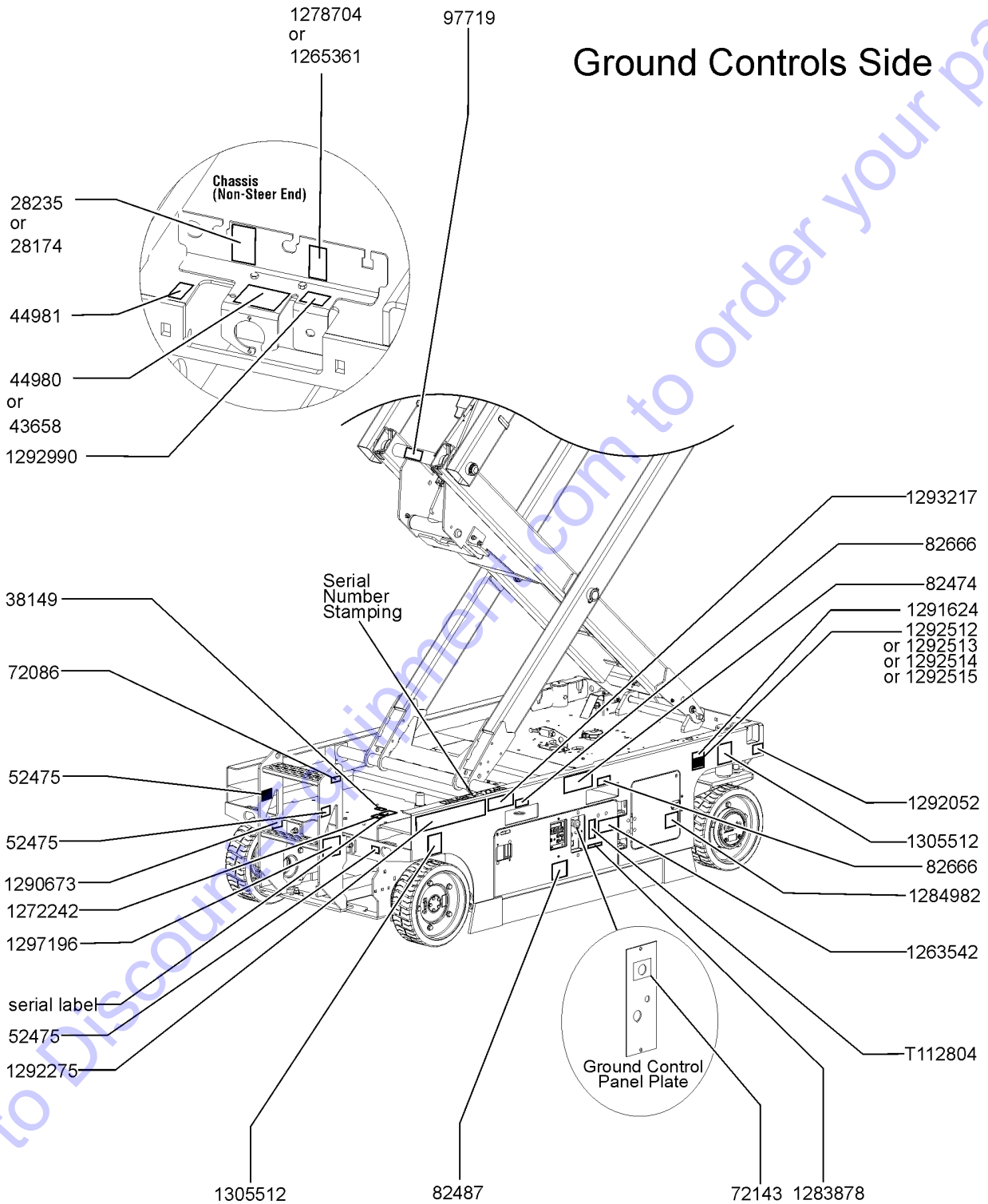
Item	Part No.	Description	Qty.
1	52475GT	DECAL,LABEL,TRANSPORT TIEDOWN* .....	4
2	72086GT	DECAL,LABEL,LIFTING EYE .....	3
3	82474GT	DECAL,SYMBOL-USE SAFETY ARM .....	1
4	82481GT	DECAL,SYMBOL-BATTERY SAFETY .....	1
5	82495GT	DECAL,LABEL,FORKLIFT POCKET .....	1
6	82666GT	DECAL,LABEL,FORKLIFT POCKET .....	2
7	114337GT	DECAL, COMPARTMENT ACCESS .....	1
8	1263542GT	DECAL, COMPARTMENT ACCESS .....	1
9	1292275GT	DECAL, ELECTRIC DRIVE, E-DRIVE .....	1
10	1293217GT	DECAL SYMBOL ELECTRIC HAZARD GS-1330m .....	1
11	1297196GT	DECAL, LABEL-TRANSPORT DIAGRAM .....	1
12	1298834GT	DECAL, DANGER, TIP-OVER, BATTERY .....	1
13	1305512GT	DECAL, LABEL, WHEEL LOAD, E-DRIVE, GS-2046 .....	2

Go to Discount-Equipment.com to order your parts



111.1 Symbol Decals, GS-2046, Ground Control Side, ANSI & CE

Ground Controls Side



Go to DiscountSupply.com to order your parts



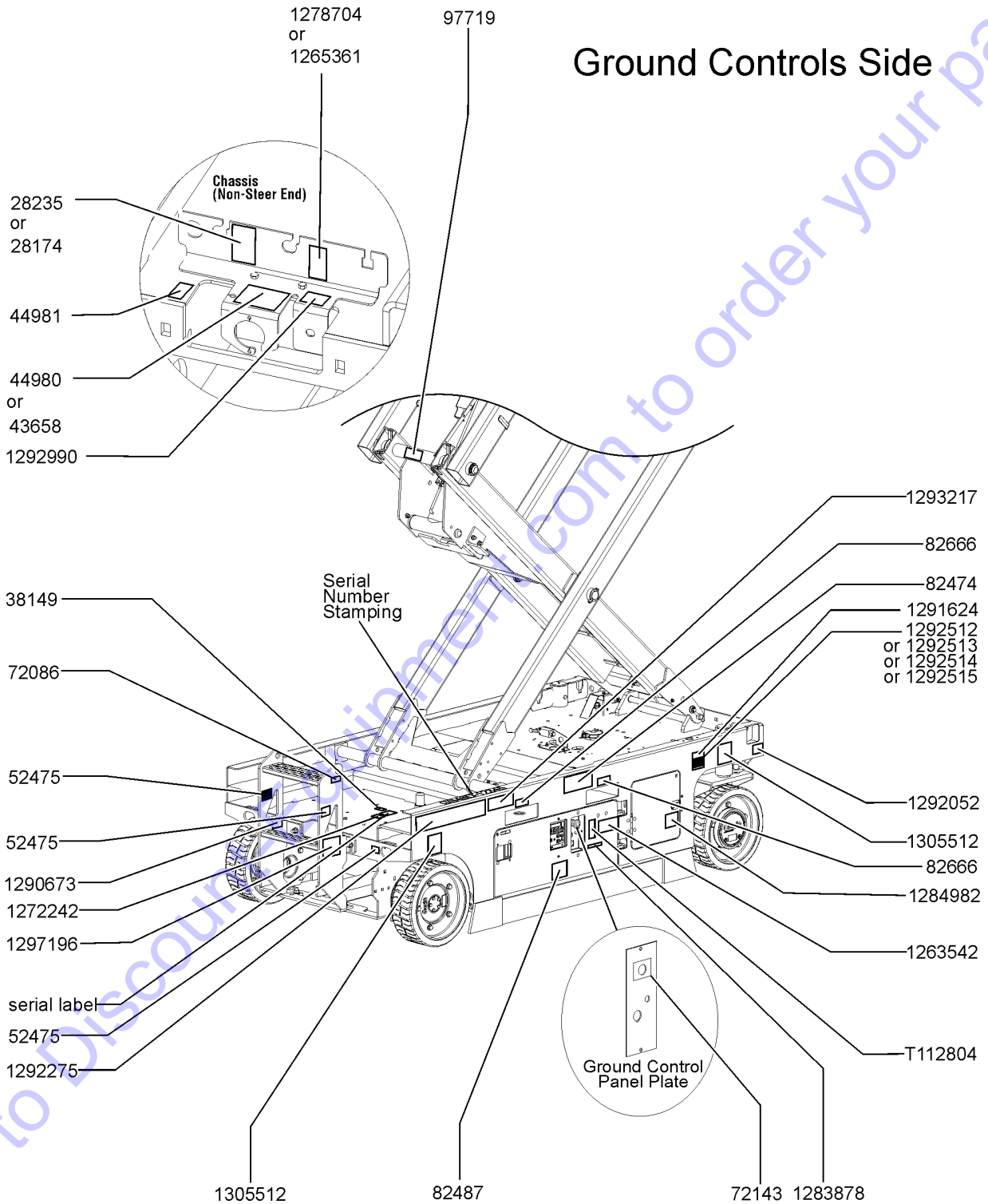
111.1 Symbol Decals, GS-2046, Ground Control Side, ANSI & CE

Item	Part No.	Description	Qty.
1	28174GT	DECAL,POWER TO PLATFORM 230V .....	1
2	28235GT	DECAL,POWER TO PLATFORM 115V .....	1
3	38149GT	DECAL,LABEL,PATENTS .....	1
4	43658GT	DECAL,LABEL,PWR TO CHARGR 230V .....	1
5	44980GT	DECAL,LABEL,PWR TO CHARGR 115V .....	1
6	44981GT	DECAL,LABEL,AIRLINE 110 PSI .....	1
7	52475GT	DECAL,LABEL,TRANSPORT TIEDOWN* .....	3
8	72086GT	DECAL,LABEL,LIFTING EYE .....	1
9	72143GT	DECAL,EMERGENCY STOP,GR .....	1
10	82474GT	DECAL,SYMBOL-USE SAFETY ARM .....	1
11	82487GT	DECAL,SYMBOL-READ THE MANUAL .....	1
12	82666GT	DECAL,LABEL,FORKLIFT POCKET .....	2
13	97719GT	DECAL, LABEL, SAFETY ARM SYMB .....	1
14	1263542GT	DECAL, COMPARTMENT ACCESS .....	1
15	1272242GT	DECAL,MACHINE REGISTRATION/OWNER TRANSFER .....	1
16	1278704GT	DECAL,CHARGE STATUS IND. ....	1
17	1283878GT	DECAL,TECH PRO LINK .....	1
18	1284982GT	DECAL,ACCUMULATOR EXPLOSION HAZARD,SYMBOL .....	1
19	1290673GT	DECAL SYMBOL ELECTRIC HAZARD PLUG, GS-1330m .....	1
20	1291624GT	DECAL COSM,GENIE UFT,CONNECT LEXAN COVER .....	1
21	1292052GT	DECAL LABEL AUX LOWERING .....	1
22	1292275GT	DECAL, ELECTRIC DRIVE, E-DRIVE .....	1
23	1292512GT	DECAL COSM,GENIE LIFT CONNECT,ESN,SKU4-1 .....	1
24	1292513GT	DECAL COSM,GENIE LIFT CONNECT,ESN,SKU4-2 .....	3
25	1292514GT	DECAL COSM,GENIE LIFT CONNECT,ESN,SKU4-3 .....	3
26	1292515GT	DECAL COSM,GENIE LIFT CONNECT,ESN,SKU4-4 .....	3
27	1292990GT	DECAL,RELEASE BRAKE .....	1
28	1293217GT	DECAL SYMBOL ELECTRIC HAZARD GS-1330m .....	1



111.1 Symbol Decals, GS-2046, Ground Control Side, ANSI & CE

Ground Controls Side



Go to DiscountSupply.com to order your parts





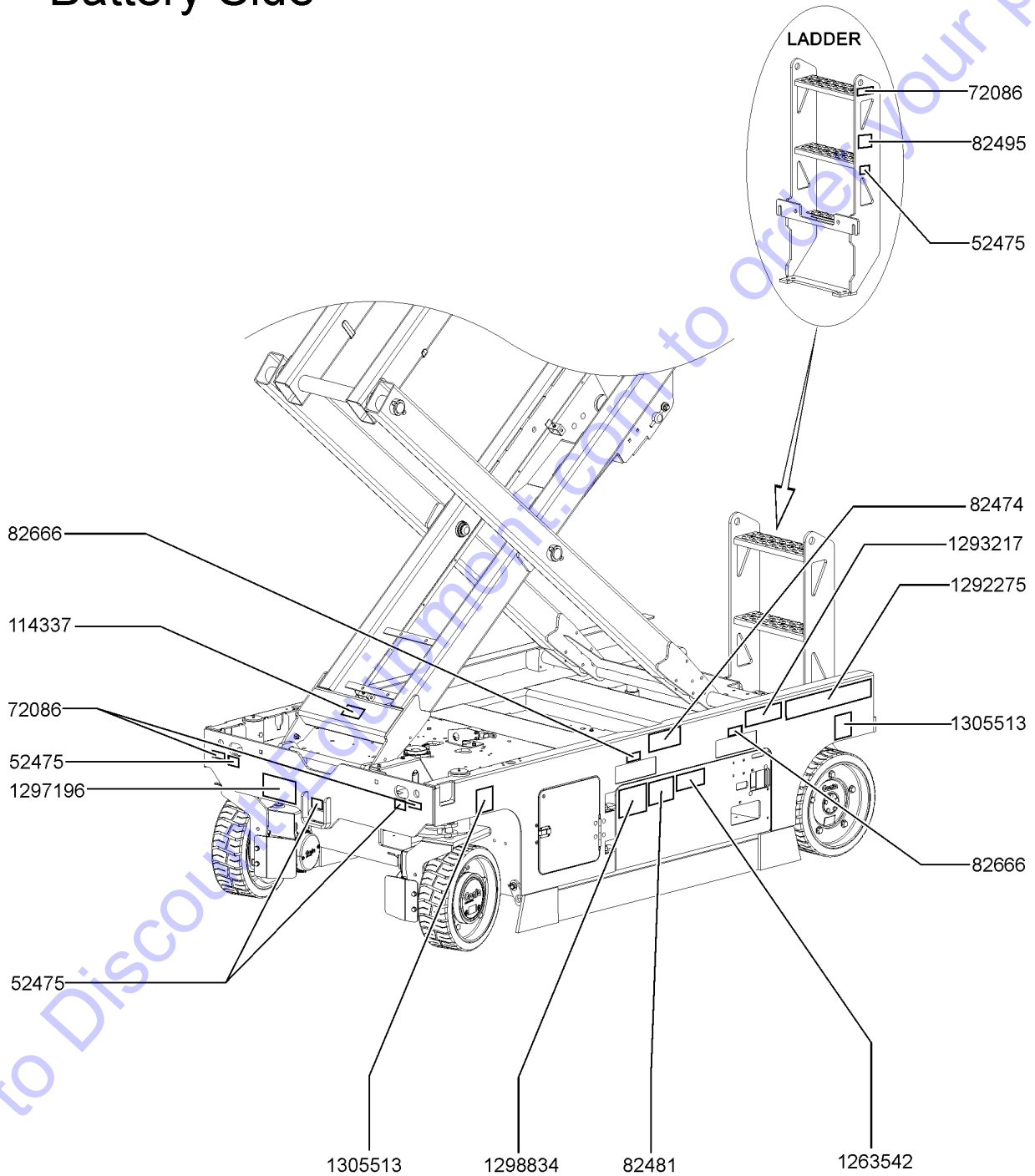
111.1 Symbol Decals, GS-2046, Ground Control Side, ANSI & CE

Item	Part No.	Description	Qty.
29	1297196GT	DECAL, LABEL-TRANSPORT DIAGRAM .....	1
30	1305512GT	DECAL, LABEL, WHEEL LOAD, E-DRIVE, GS-2046 .....	2
31	T112804GT	DECAL,GCON PANEL,GS .....	1

Go to Discount-Equipment.com to order your parts



# Battery Side



112.1 Symbol Decals, GS-2646, Battery Side, ANSI & CE

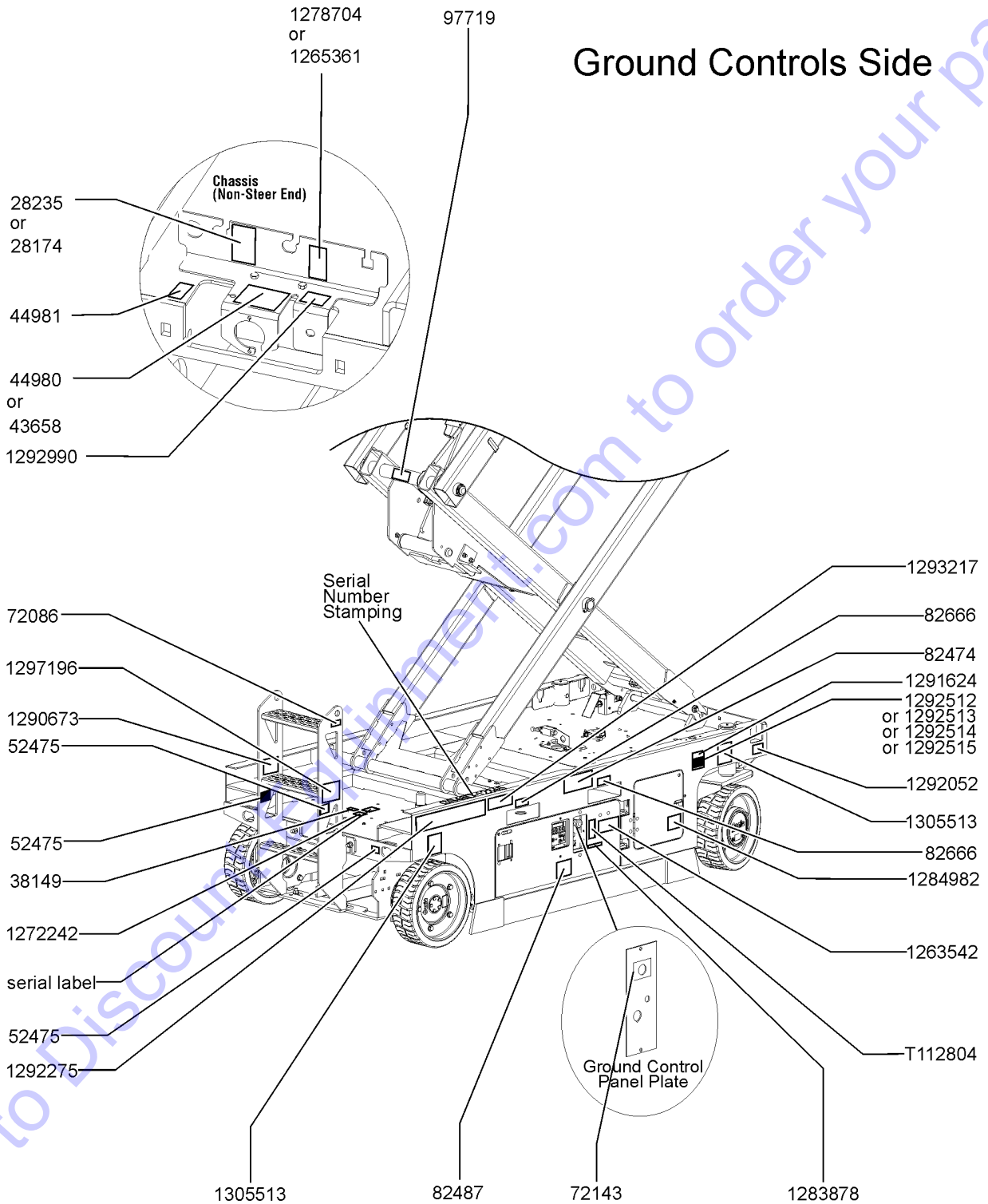
Item	Part No.	Description	Qty.
1	52475GT	DECAL,LABEL,TRANSPORT TIEDOWN* .....	4
2	72086GT	DECAL,LABEL,LIFTING EYE .....	3
3	82474GT	DECAL,SYMBOL-USE SAFETY ARM .....	1
4	82481GT	DECAL,SYMBOL-BATTERY SAFETY .....	1
5	82495GT	DECAL,LABEL,FORKLIFT POCKET .....	1
6	82666GT	DECAL,LABEL,FORKLIFT POCKET .....	2
7	114337GT	DECAL, COMPARTMENT ACCESS .....	1
8	1263542GT	DECAL, COMPARTMENT ACCESS .....	1
9	1292275GT	DECAL, ELECTRIC DRIVE, E-DRIVE .....	1
10	1293217GT	DECAL SYMBOL ELECTRIC HAZARD GS-1330m .....	1
11	1297196GT	DECAL, LABEL-TRANSPORT DIAGRAM .....	1
12	1298834GT	DECAL, DANGER, TIP-OVER, BATTERY .....	1
13	1305513GT	DECAL, LABEL, WHEEL LOAD, E-DRIVE, GS-2646 .....	2

Go to Discount-Equipment.com to order your parts



113.1 Symbol Decals, GS-2646, Ground Control Side, ANSI & CE

Ground Controls Side



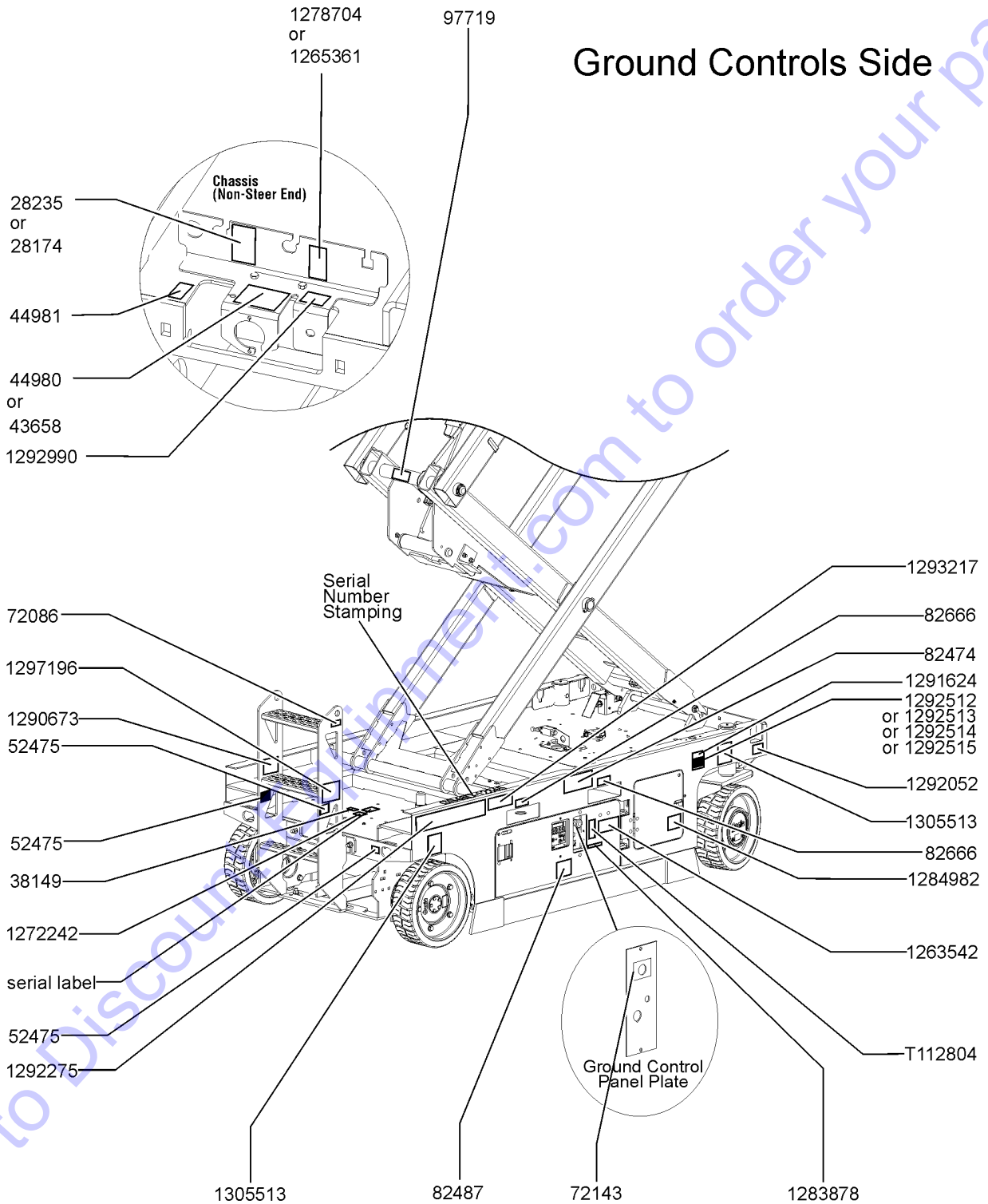
113.1 Symbol Decals, GS-2646, Ground Control Side, ANSI & CE

Item	Part No.	Description	Qty.
1	28174GT	DECAL,POWER TO PLATFORM 230V .....	1
2	28235GT	DECAL,POWER TO PLATFORM 115V .....	1
3	38149GT	DECAL,LABEL,PATENTS .....	1
4	43658GT	DECAL,LABEL,PWR TO CHARGR 230V .....	1
5	44980GT	DECAL,LABEL,PWR TO CHARGR 115V .....	1
6	44981GT	DECAL,LABEL,AIRLINE 110 PSI .....	1
7	52475GT	DECAL,LABEL,TRANSPORT TIEDOWN* .....	3
8	72086GT	DECAL,LABEL,LIFTING EYE .....	1
9	72143GT	DECAL,EMERGENCY STOP,GR .....	1
10	82474GT	DECAL,SYMBOL-USE SAFETY ARM .....	1
11	82487GT	DECAL,SYMBOL-READ THE MANUAL .....	1
12	82666GT	DECAL,LABEL,FORKLIFT POCKET .....	2
13	97719GT	DECAL, LABEL, SAFETY ARM SYMB .....	1
14	1263542GT	DECAL, COMPARTMENT ACCESS .....	1
15	1272242GT	DECAL,MACHINE REGISTRATION/OWNER TRANSFER .....	1
16	1278704GT	DECAL,CHARGE STATUS IND. ....	1
17	1283878GT	DECAL,TECH PRO LINK .....	1
18	1284982GT	DECAL,ACCUMULATOR EXPLOSION HAZARD,SYMBOL .....	1
19	1290673GT	DECAL SYMBOL ELECTRIC HAZARD PLUG, GS-1330m .....	1
20	1291624GT	DECAL COSM,GENIE UFT,CONNECT LEXAN COVER .....	1
21	1292052GT	DECAL LABEL AUX LOWERING .....	1
22	1292275GT	DECAL, ELECTRIC DRIVE, E-DRIVE .....	1
23	1292512GT	DECAL COSM,GENIE LIFT CONNECT,ESN,SKU4-1 .....	1
24	1292513GT	DECAL COSM,GENIE LIFT CONNECT,ESN,SKU4-2 .....	1
25	1292514GT	DECAL COSM,GENIE LIFT CONNECT,ESN,SKU4-3 .....	1
26	1292515GT	DECAL COSM,GENIE LIFT CONNECT,ESN,SKU4-4 .....	1
27	1292990GT	DECAL,RELEASE BRAKE .....	1
28	1293217GT	DECAL SYMBOL ELECTRIC HAZARD GS-1330m .....	1



113.1 Symbol Decals, GS-2646, Ground Control Side, ANSI & CE

Ground Controls Side



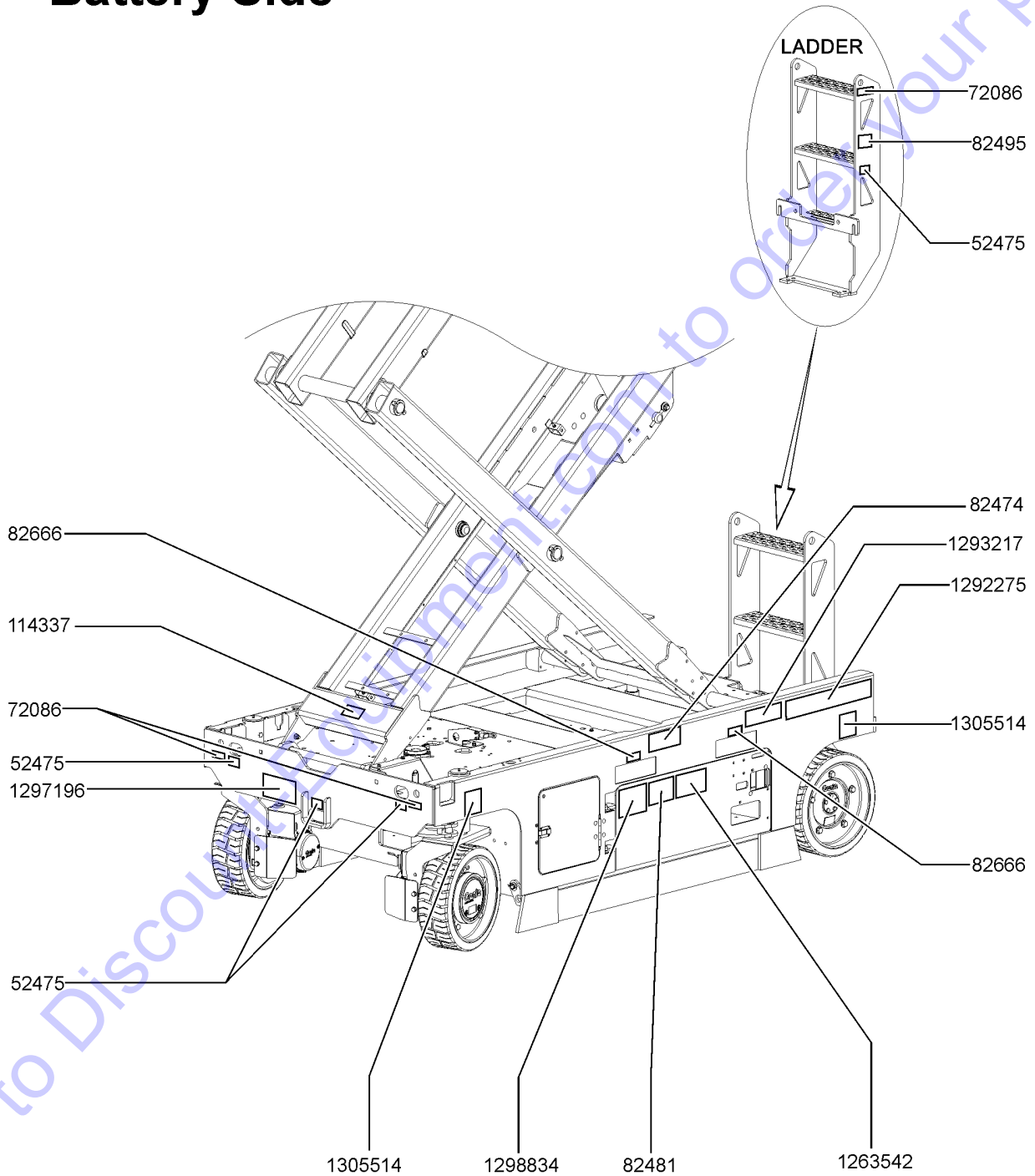
113.1 Symbol Decals, GS-2646, Ground Control Side, ANSI & CE

<i>Item</i>	<i>Part No.</i>	<i>Description</i>	<i>Qty.</i>
29	1297196GT	DECAL, LABEL-TRANSPORT DIAGRAM .....	1
30	1305513GT	DECAL, LABEL, WHEEL LOAD, E-DRIVE, GS-2646 .....	2
31	T112804GT	DECAL,GCON PANEL,GS .....	1

Go to Discount-Equipment.com to order your parts



# Battery Side





114.1 Symbol Decals, GS-3246, Battery Side, ANSI & CE

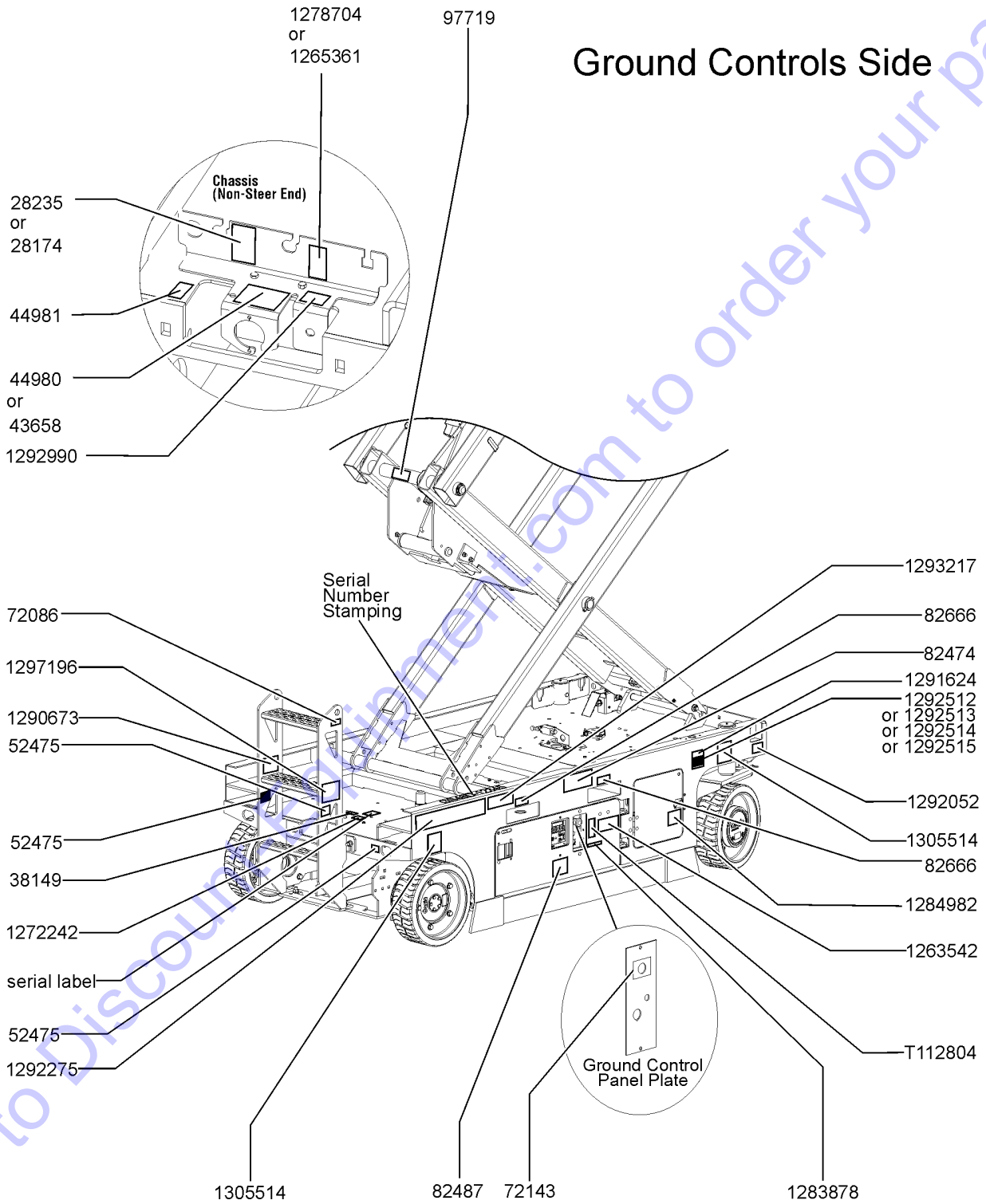
Item	Part No.	Description	Qty.
1	52475GT	DECAL,LABEL,TRANSPORT TIEDOWN* .....	4
2	72086GT	DECAL,LABEL,LIFTING EYE .....	3
3	82474GT	DECAL,SYMBOL-USE SAFETY ARM .....	1
4	82481GT	DECAL,SYMBOL-BATTERY SAFETY .....	1
5	82495GT	DECAL,LABEL,FORKLIFT POCKET .....	1
6	82666GT	DECAL,LABEL,FORKLIFT POCKET .....	2
7	114337GT	DECAL, COMPARTMENT ACCESS .....	1
8	1263542GT	DECAL, COMPARTMENT ACCESS .....	1
9	1292275GT	DECAL, ELECTRIC DRIVE, E-DRIVE .....	1
10	1293217GT	DECAL SYMBOL ELECTRIC HAZARD GS-1330m .....	1
11	1297196GT	DECAL, LABEL-TRANSPORT DIAGRAM .....	1
12	1298834GT	DECAL, DANGER, TIP-OVER, BATTERY .....	1
13	1305514GT	DECAL, LABEL, WHEEL LOAD, E-DRIVE, GS-3246 .....	2

Go to Discount-Equipment.com to order your parts



115.1 Symbol Decals, GS-3246, Ground Control Side, ANSI & CE

Ground Controls Side



Go to DiscountParts.com to order your parts



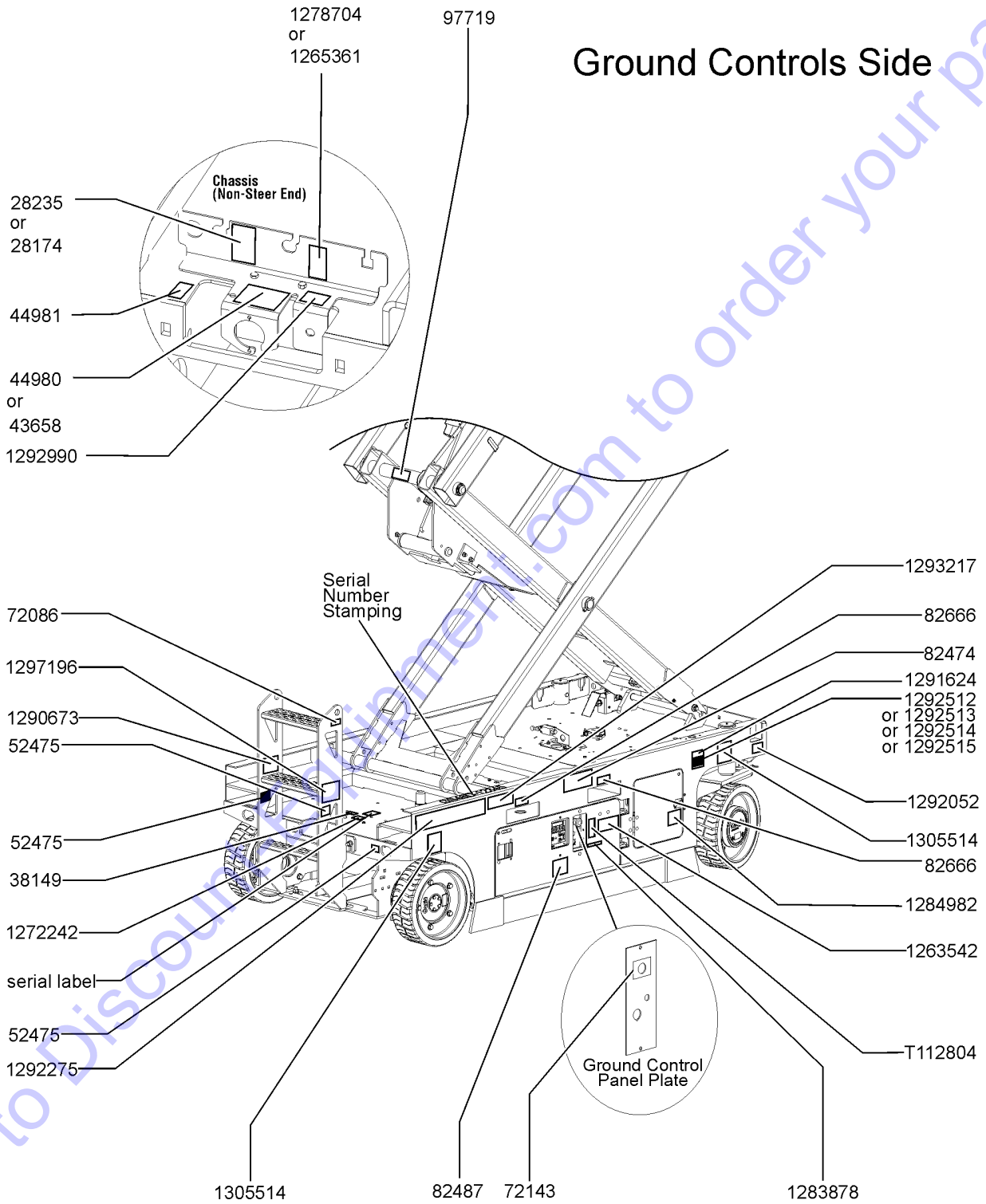
115.1 Symbol Decals, GS-3246, Ground Control Side, ANSI & CE

Item	Part No.	Description	Qty.
1	28174GT	DECAL,POWER TO PLATFORM 230V .....	1
2	28235GT	DECAL,POWER TO PLATFORM 115V .....	1
3	38149GT	DECAL,LABEL,PATENTS .....	1
4	43658GT	DECAL,LABEL,PWR TO CHARGR 230V .....	1
5	44980GT	DECAL,LABEL,PWR TO CHARGR 115V .....	1
6	44981GT	DECAL,LABEL,AIRLINE 110 PSI .....	1
7	52475GT	DECAL,LABEL,TRANSPORT TIEDOWN* .....	3
8	72086GT	DECAL,LABEL,LIFTING EYE .....	1
9	72143GT	DECAL,EMERGENCY STOP,GR .....	1
10	82474GT	DECAL,SYMBOL-USE SAFETY ARM .....	1
11	82487GT	DECAL,SYMBOL-READ THE MANUAL .....	1
12	82666GT	DECAL,LABEL,FORKLIFT POCKET .....	2
13	97719GT	DECAL, LABEL, SAFETY ARM SYMB .....	1
14	1263542GT	DECAL, COMPARTMENT ACCESS .....	1
15	1272242GT	DECAL,MACHINE REGISTRATION/OWNER TRANSFER .....	1
16	1278704GT	DECAL,CHARGE STATUS IND. ....	1
17	1283878GT	DECAL,TECH PRO LINK .....	1
18	1284982GT	DECAL,ACCUMULATOR EXPLOSION HAZARD,SYMBOL .....	1
19	1290673GT	DECAL SYMBOL ELECTRIC HAZARD PLUG, GS-1330m .....	1
20	1291624GT	DECAL COSM,GENIE UFT,CONNECT LEXAN COVER .....	1
21	1292052GT	DECAL LABEL AUX LOWERING .....	1
22	1292275GT	DECAL, ELECTRIC DRIVE, E-DRIVE .....	1
23	1292512GT	DECAL COSM,GENIE LIFT CONNECT,ESN,SKU4-1 .....	1
24	1292513GT	DECAL COSM,GENIE LIFT CONNECT,ESN,SKU4-2 .....	1
25	1292514GT	DECAL COSM,GENIE LIFT CONNECT,ESN,SKU4-3 .....	1
26	1292515GT	DECAL COSM,GENIE LIFT CONNECT,ESN,SKU4-4 .....	1
27	1292990GT	DECAL,RELEASE BRAKE .....	1
28	1293217GT	DECAL SYMBOL ELECTRIC HAZARD GS-1330m .....	1



115.1 Symbol Decals, GS-3246, Ground Control Side, ANSI & CE

Ground Controls Side



Go to DiscountParts.com to order your parts



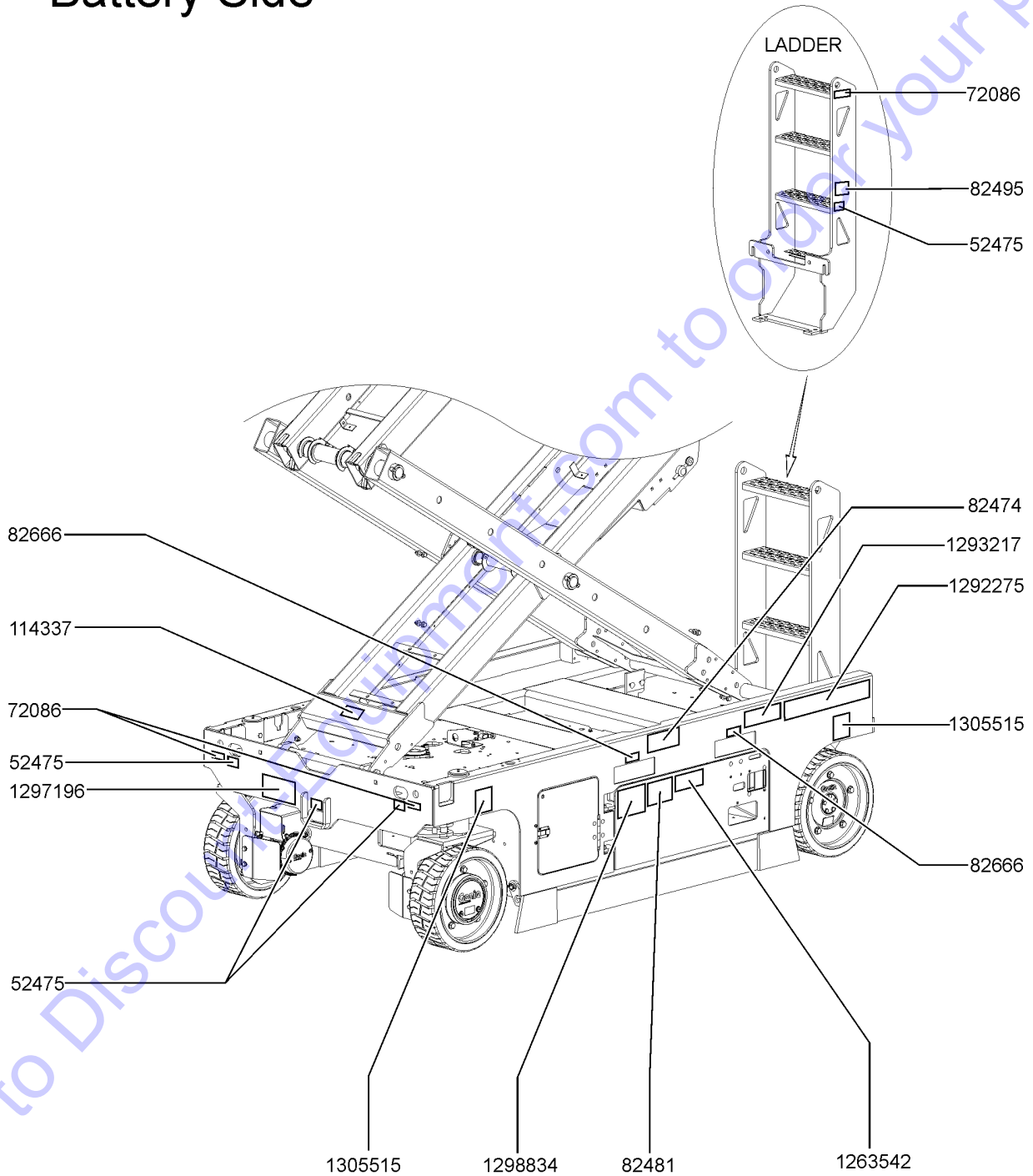
115.1 Symbol Decals, GS-3246, Ground Control Side, ANSI & CE

Item	Part No.	Description	Qty.
29	1297196GT	DECAL, LABEL-TRANSPORT DIAGRAM .....	1
30	1305514GT	DECAL, LABEL, WHEEL LOAD, E-DRIVE, GS-3246 .....	2
31	T112804GT	DECAL,GCON PANEL,GS .....	1

Go to Discount-Equipment.com to order your parts



# Battery Side



116.1 Symbol Decals, GS-4046, Battery Side, ANSI & CE

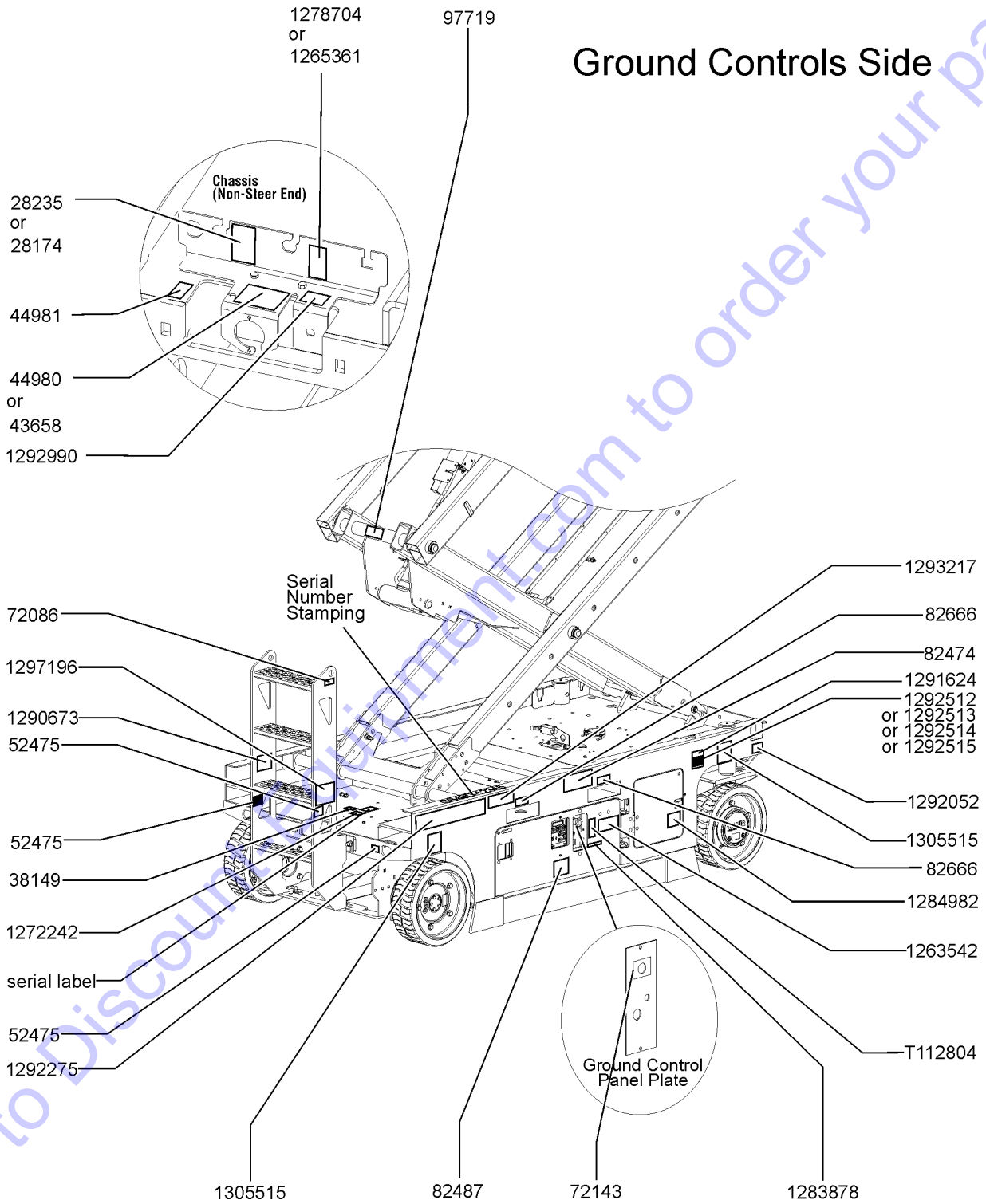
Item	Part No.	Description	Qty.
1	52475GT	DECAL,LABEL,TRANSPORT TIEDOWN* .....	4
2	72086GT	DECAL,LABEL,LIFTING EYE .....	3
3	82474GT	DECAL,SYMBOL-USE SAFETY ARM .....	1
4	82481GT	DECAL,SYMBOL-BATTERY SAFETY .....	1
5	82495GT	DECAL,LABEL,FORKLIFT POCKET .....	1
6	82666GT	DECAL,LABEL,FORKLIFT POCKET .....	2
7	114337GT	DECAL, COMPARTMENT ACCESS .....	1
8	1263542GT	DECAL, COMPARTMENT ACCESS .....	1
9	1292275GT	DECAL, ELECTRIC DRIVE, E-DRIVE .....	1
10	1293217GT	DECAL SYMBOL ELECTRIC HAZARD GS-1330m .....	1
11	1297196GT	DECAL, LABEL-TRANSPORT DIAGRAM .....	1
12	1298834GT	DECAL, DANGER, TIP-OVER, BATTERY .....	1
13	1305515GT	DECAL, LABEL, WHEEL LOAD, E-DRIVE, GS-4046 .....	2

Go to Discount-Equipment.com to order your parts



117.1 Symbol Decals, GS-4046, Ground Control Side, ANSI & CE

Ground Controls Side



Go to DiscountPart.com to order your parts





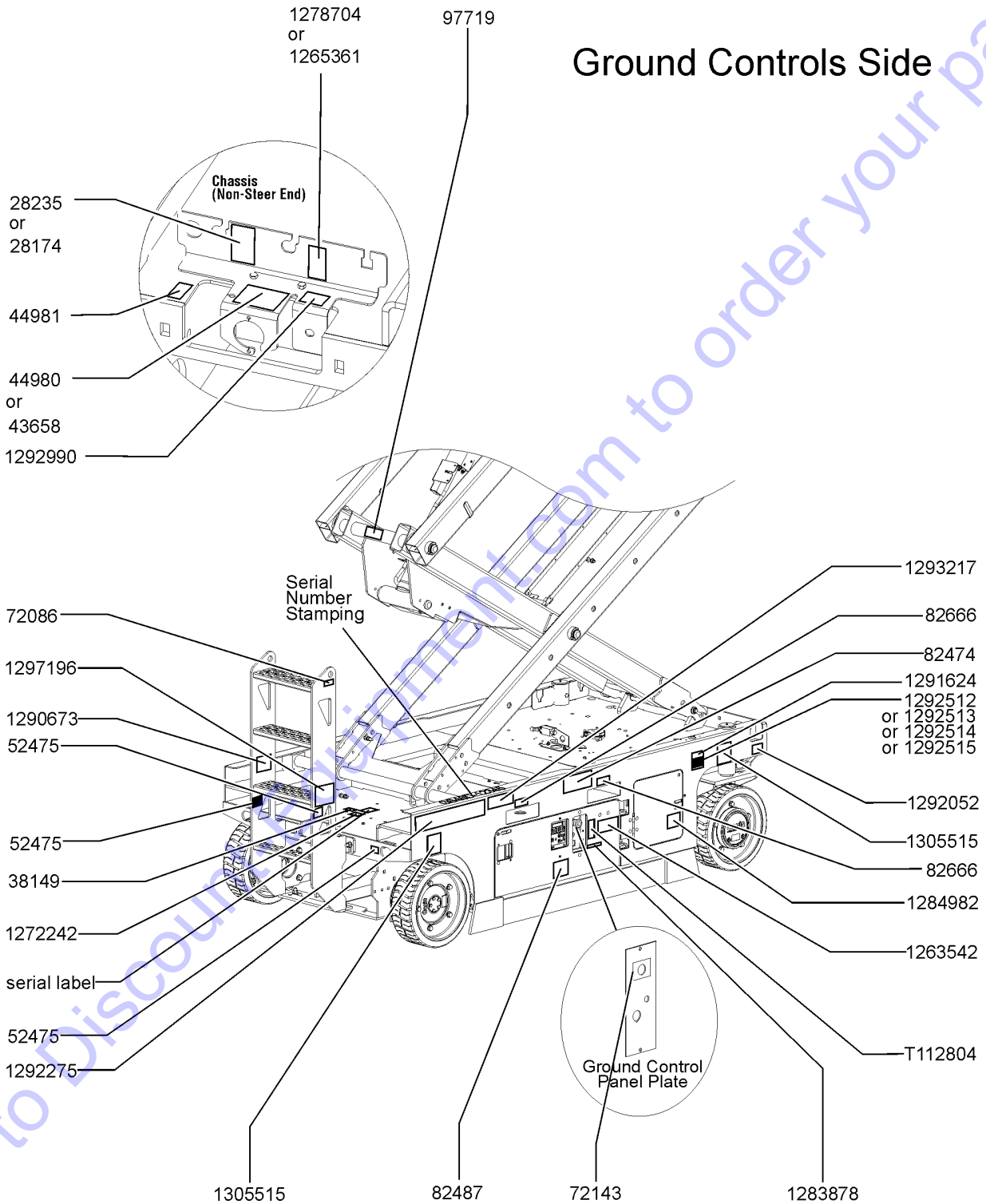
117.1 Symbol Decals, GS-4046, Ground Control Side, ANSI & CE

Item	Part No.	Description	Qty.
1	28174GT	DECAL,POWER TO PLATFORM 230V .....	1
2	28235GT	DECAL,POWER TO PLATFORM 115V .....	1
3	38149GT	DECAL,LABEL,PATENTS .....	1
4	43658GT	DECAL,LABEL,PWR TO CHARGR 230V .....	1
5	44980GT	DECAL,LABEL,PWR TO CHARGR 115V .....	1
6	44981GT	DECAL,LABEL,AIRLINE 110 PSI .....	1
7	52475GT	DECAL,LABEL,TRANSPORT TIEDOWN* .....	3
8	72086GT	DECAL,LABEL,LIFTING EYE .....	1
9	72143GT	DECAL,EMERGENCY STOP,GR .....	1
10	82474GT	DECAL,SYMBOL-USE SAFETY ARM .....	1
11	82487GT	DECAL,SYMBOL-READ THE MANUAL .....	1
12	82666GT	DECAL,LABEL,FORKLIFT POCKET .....	2
13	97719GT	DECAL, LABEL, SAFETY ARM SYMB .....	1
14	1263542GT	DECAL, COMPARTMENT ACCESS .....	1
15	1272242GT	DECAL,MACHINE REGISTRATION/OWNER TRANSFER .....	1
16	1278704GT	DECAL,CHARGE STATUS IND. ....	1
17	1283878GT	DECAL,TECH PRO LINK .....	1
18	1284982GT	DECAL,ACCUMULATOR EXPLOSION HAZARD,SYMBOL .....	1
19	1290673GT	DECAL SYMBOL ELECTRIC HAZARD PLUG, GS-1330m .....	1
20	1291624GT	DECAL COSM,GENIE UFT,CONNECT LEXAN COVER .....	1
21	1292052GT	DECAL LABEL AUX LOWERING .....	1
22	1292275GT	DECAL, ELECTRIC DRIVE, E-DRIVE .....	1
23	1292512GT	DECAL COSM,GENIE LIFT CONNECT,ESN,SKU4-1 .....	1
24	1292513GT	DECAL COSM,GENIE LIFT CONNECT,ESN,SKU4-2 .....	1
25	1292514GT	DECAL COSM,GENIE LIFT CONNECT,ESN,SKU4-3 .....	1
26	1292515GT	DECAL COSM,GENIE LIFT CONNECT,ESN,SKU4-4 .....	1
27	1292990GT	DECAL,RELEASE BRAKE .....	1
28	1293217GT	DECAL SYMBOL ELECTRIC HAZARD GS-1330m .....	1



117.1 Symbol Decals, GS-4046, Ground Control Side, ANSI & CE

Ground Controls Side



Go to DiscountPart.com to order your parts



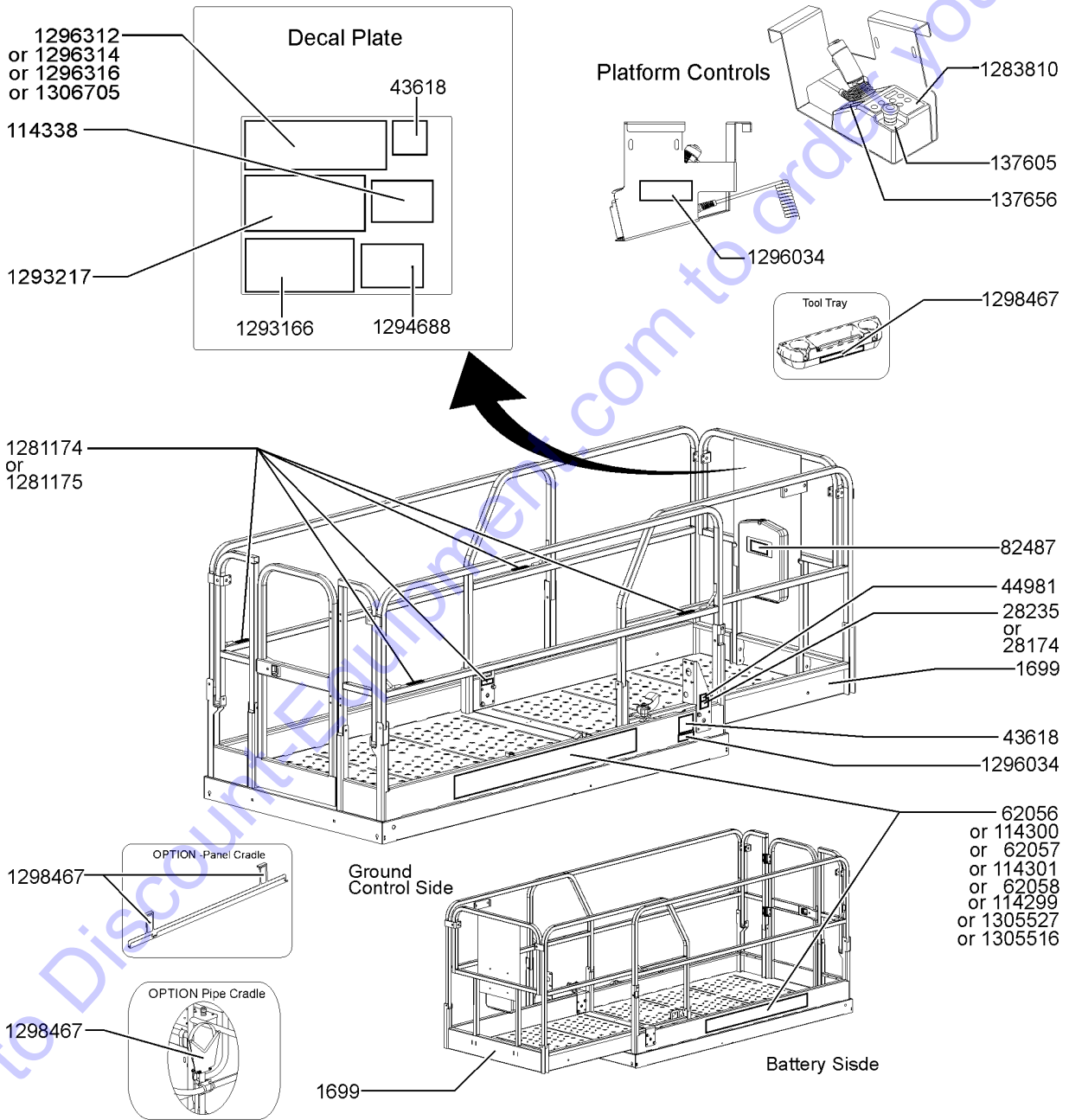
117.1 Symbol Decals, GS-4046, Ground Control Side, ANSI & CE

Item	Part No.	Description	Qty.
29	1297196GT	DECAL, LABEL-TRANSPORT DIAGRAM .....	1
30	1305515GT	DECAL, LABEL, WHEEL LOAD, E-DRIVE, GS-4046 .....	2
31	T112804GT	DECAL,GCON PANEL,GS .....	1

Go to Discount-Equipment.com to order your parts



# Platform, ANSI and CE models

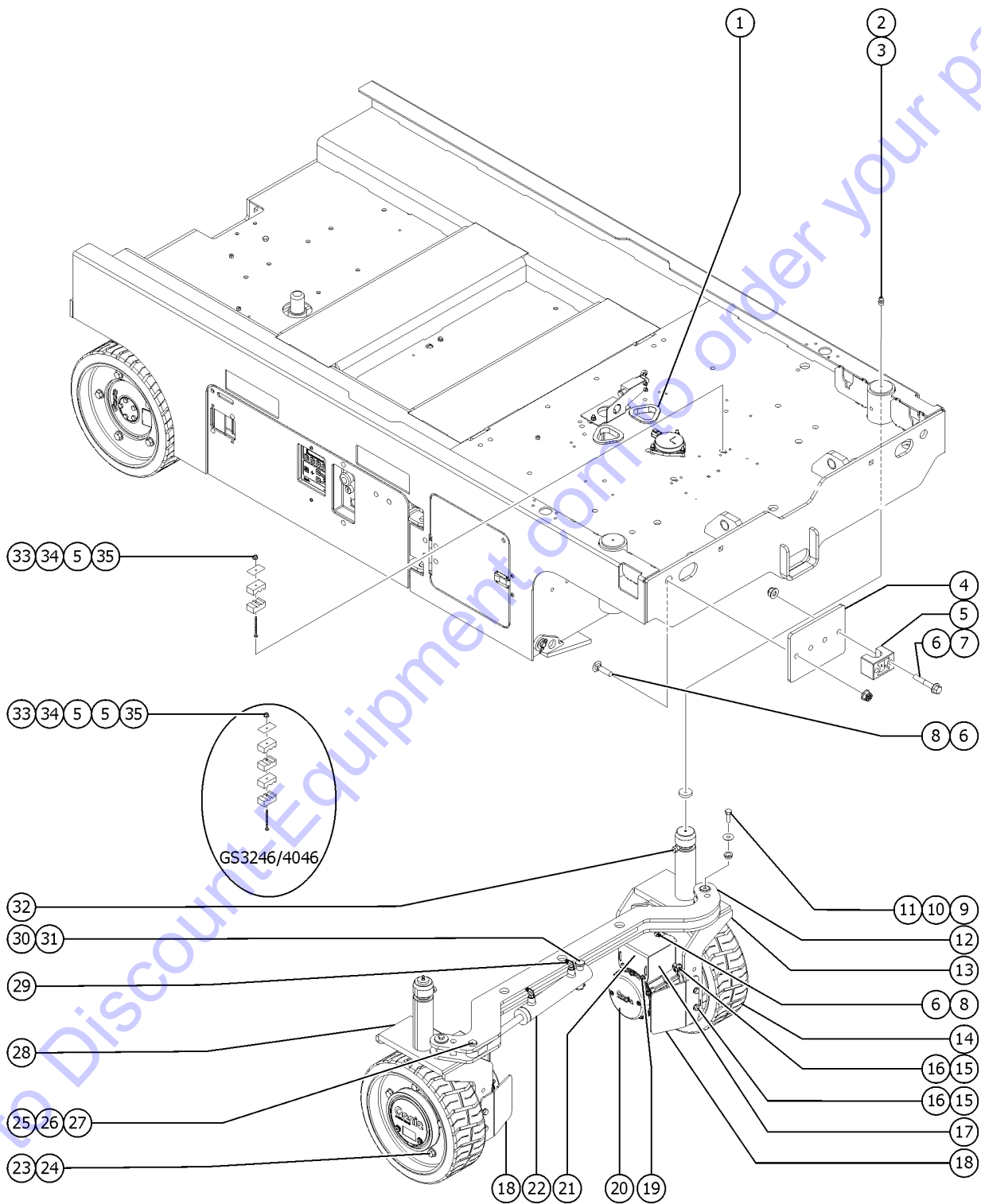


118.1 Symbol Decals, Platform, ANSI and CE, All Models

Item	Part No.	Description	Qty.
1	1699GT	TAPE,WARNING,BLK/YEL,108****	139
2	28174GT	DECAL,POWER TO PLATFORM 230V	1
3	28235GT	DECAL,POWER TO PLATFORM 115V	1
4	43618GT	DECAL,LABEL-DIRECTION ARROWS	2
5	44981GT	DECAL,LABEL,AIRLINE 110 PSI	1
6	62056GT	DECAL,COSMETIC,GENIE GS-2046**	2
7	62057GT	DECAL,COSMETIC,GENIE GS-2646	2
8	62058GT	DECAL,COSMETIC,GENIE GS-3246	2
9	82487GT	DECAL,SYMBOL-READ THE MANUAL	2
10	114299GT	DECAL,COSM,3246 BLACK	2
11	114300GT	DECAL,COSM,2046 BLACK	2
12	114301GT	DECAL,COSM,2646 BLACK	2
13	114338GT	DECAL,SYM-TIP-OVR,TILT ALARM	1
14	137605GT	DECAL,E-STOP,GR/GRC/GS PCON	1
15	137656GT	DECAL,PROPEL,GR/GRC/GS,PCON	1
16	1281174GT	DECAL,LANYARD,FALL ARREST/FALL RESTRAINED	5
17	1283810GT	DECAL,STD,DUAL ZONE,GR/GS,UI	1
18	1293166GT	DECAL,TIP-OVER,CRUSH, GS-1330m	1
19	1293217GT	DECAL SYMBOL ELECTRIC HAZARD GS-1330m	1
20	1294688GT	DECAL,PLATFORM OVERLOAD, MINI	1
21	1296034GT	DECAL,SMARTLINK,DUAL ZONE	2
22	1296312GT	DECAL, SMARTLINK, DUAL ZONE GS2046 ONLY	1
23	1296314GT	DECAL, DANGER, MAX CAPACITY 454KG, SIDE FORCE 200/400N GS2646 ONLY	1
24	1296316GT	DECAL, DANGER, MAX CAPACITY 318KG, SIDE FORCE 200/400N GS3246 ONLY	1
25	1298467GT	DECAL, SYMBOL, READ THE MANUAL, 2.38x1.25	4
26	1305516GT	DECAL,COSMETIC,GS-4046	2
27	1305527GT	DECAL,COSMETIC,GS-4046, BLACK	2
28	1296318GT	DECAL, DANGER, MAX CAPACITY 350KG, SIDE FORCE 200/400N GS4046 ONLY	1



201.1 Steer Linkage and Wheels

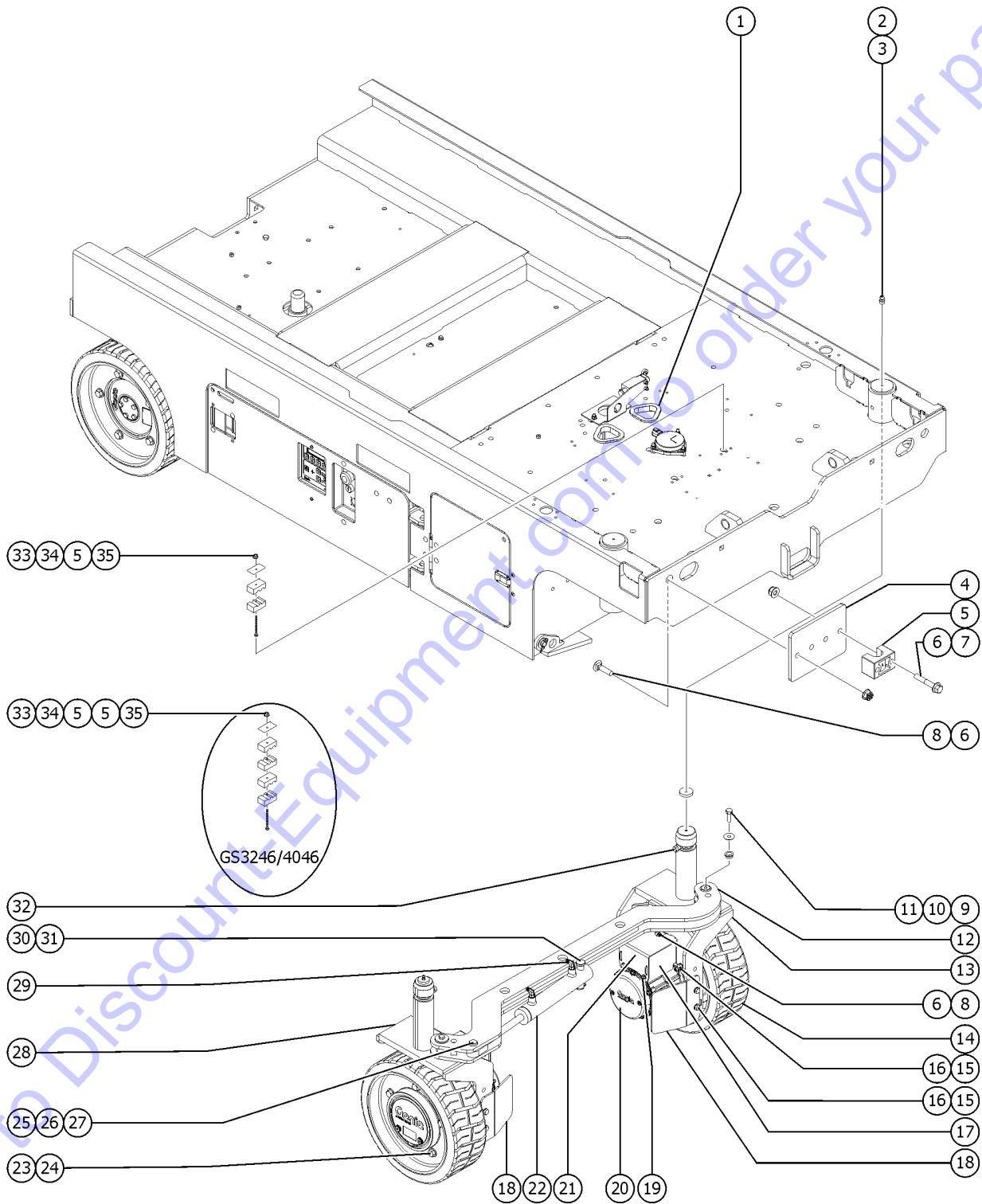


201.1 Steer Linkage and Wheels

Item	Part No.	Description	Qty.
1	105440GT	GROMMET,RUBBER 2.5 X 3.0	2
2	66770GT	FITTING,STRAIGHT DRIVE-IN ZERK	2
3	105565GT	WASHER,THRUST, GS	2
4	1307414GT	PLATE, CABLE CLAMP GS46	1
5	1306358GT	CLAMP, ONE HOLE, 0.65-0.70	2
6	1277924GT	NUT,NYLOCK FLG,1/4-20,F,ZAG	
7	1253485GT	SCREW,HHF,1/4-20X2,8,ZAG	4
8	1256127GT	BOLT,CARRIAGE,1/4-20X1",GR 5,ZAG	
9	1256109GT	SCREW,HHC,3/8-16X.75,8,ZAG	
10	824120GT	WASHER,FLAT,,375X1.50X.125,ZAG	2
11	47946GT	BEARING,1.00IDX1.25ODX0.49L	4
12	96574GT	WLDMT,TIE ROD,GS46	1
12-	47946GT	BEARING,1.00IDX1.25ODX0.49L	
13	1303530GT	WELDMENT, STEER YOKE, GS46, E-DRIVE, L (battery pack side)	1
14	1299494GT	TIRE/WHEEL, NON-MARKING, 5-BOLT, 15x5"	2
15	824068GT	SCREW,HHC,3/8-16X1.25,8,ZAG	
16	1304156GT	WASHER,FLAT,3/8,SAE,HRD,ZAG	
17	1304173GT	FORMING, TERMINAL COVER, CABLE MOUNT	2
18	1304171GT	PLATE MOTOR GUARD, GS	2
19	237238GT	SCREW,HHF,M6-1.0X12,DIN6921,10	
20	1299259GT	DRIVETRAIN, MOTOR, GEARBOX, HS	2
20-	1296211GT	SPEED SENSOR SERVICE KIT (WITH SCREWS & GASKET)	1
20-	1296213GT	BRAKE SERVICE KIT	1
20-	1296210GT	BEARING SERVICE KIT	1
20-	1296215GT	BRAKE COVER SERVICE KIT	1
20-	1308069GT	SEAL KIT, GEARBOX, DRIVETRAIN	1
20-	1308074GT	BEARING KIT, GEARBOX, DRIVETRAIN	1
21	1304172GT	FORMING, TERMINAL COVER	2



201.1 Steer Linkage and Wheels



Go to Discount Equipment.com to order your parts

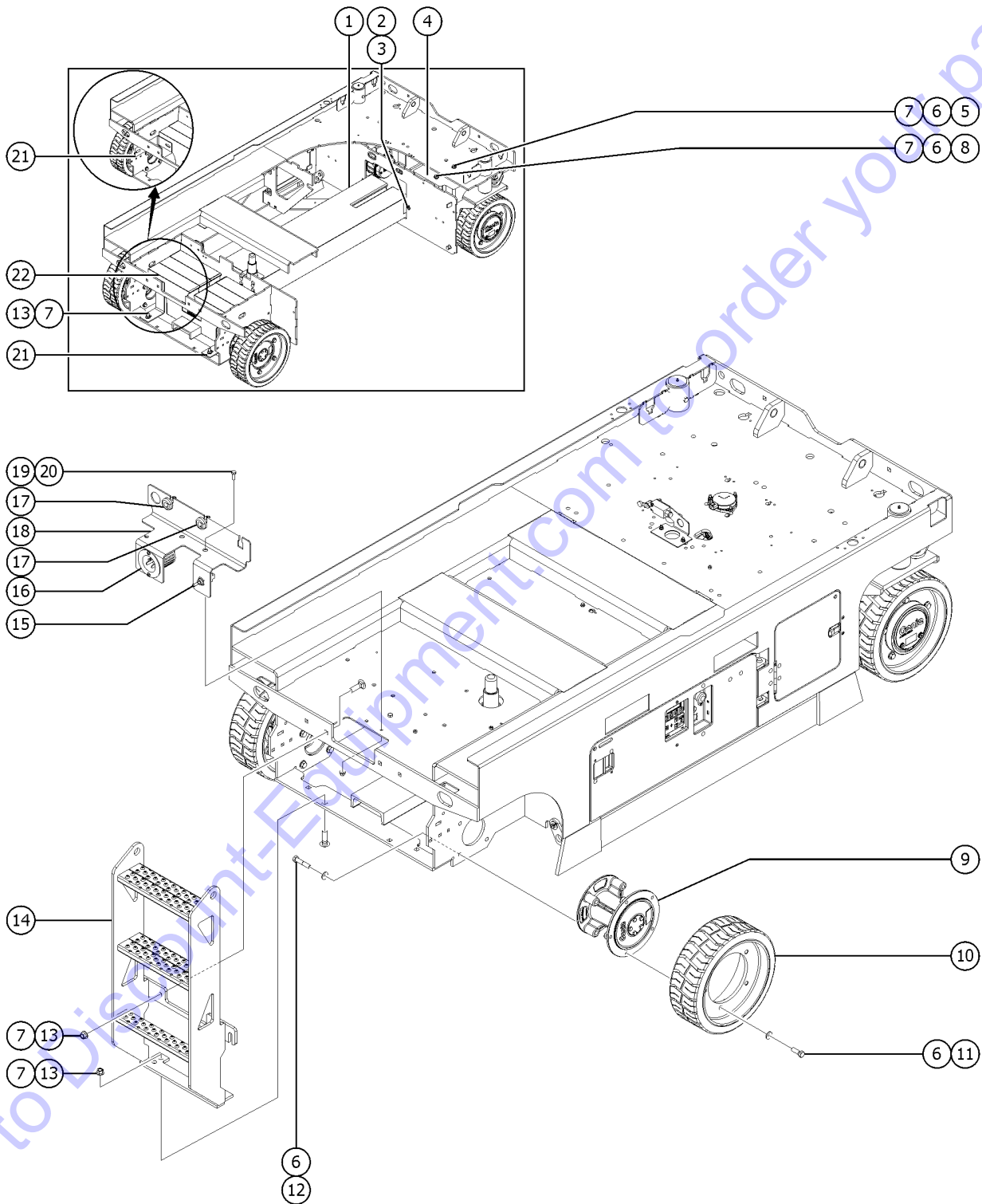


201.1 Steer Linkage and Wheels

Item	Part No.	Description	Qty.
22		Ref. Steer Cylinder ..... (refer to 501.1)	
23	1256844GT	SCREW,HHC,1/2-13X1.5,8,ZAG .....	10
24	825353GT	WASHER,FLAT,1/2,SAE,HRD,ZAG .....	10
25	1259193GT	PIN,CLEVIS,3/4X2,ZAG .....	1
26	1259686GT	WASHER,FLAT,.765X1.312X.093,ZA .....	1
27	1259194GT	CLIP,HAIR PIN,.125X2,.5-.75,ZA .....	1
28	1303529GT	WELDMENT, STEER YOKE, GS46, E-DRIVE, R ..... (ground controls side)	1
29	13921GT	ELBOW,070220-4-4 .....	2
30	1259195GT	PIN,CLEVIS,3/4X3.25,ZAG .....	1
31	824128GT	RUE RING,3/4,ZAG .....	1
32	1259192GT	SCREW, YOKE LOCK, ZAG .....	2
33	1256679GT	NUT,SERRATED,1/4-20,8,ZAG .....	1
34	58592GT	PLATE,HOSE ROUTG,BULKHEAD(PTD) ..... (as required)	
35	1255797GT	BOLT,CARRIAGE,1/4-20X2.5,ZAG ..... (GS2046, 2646 only)	1
35B	1258676GT	BOLT,CARRIAGE,1/4-20X2.5,5,ZAG ..... (GS3246, 4046 only)	1



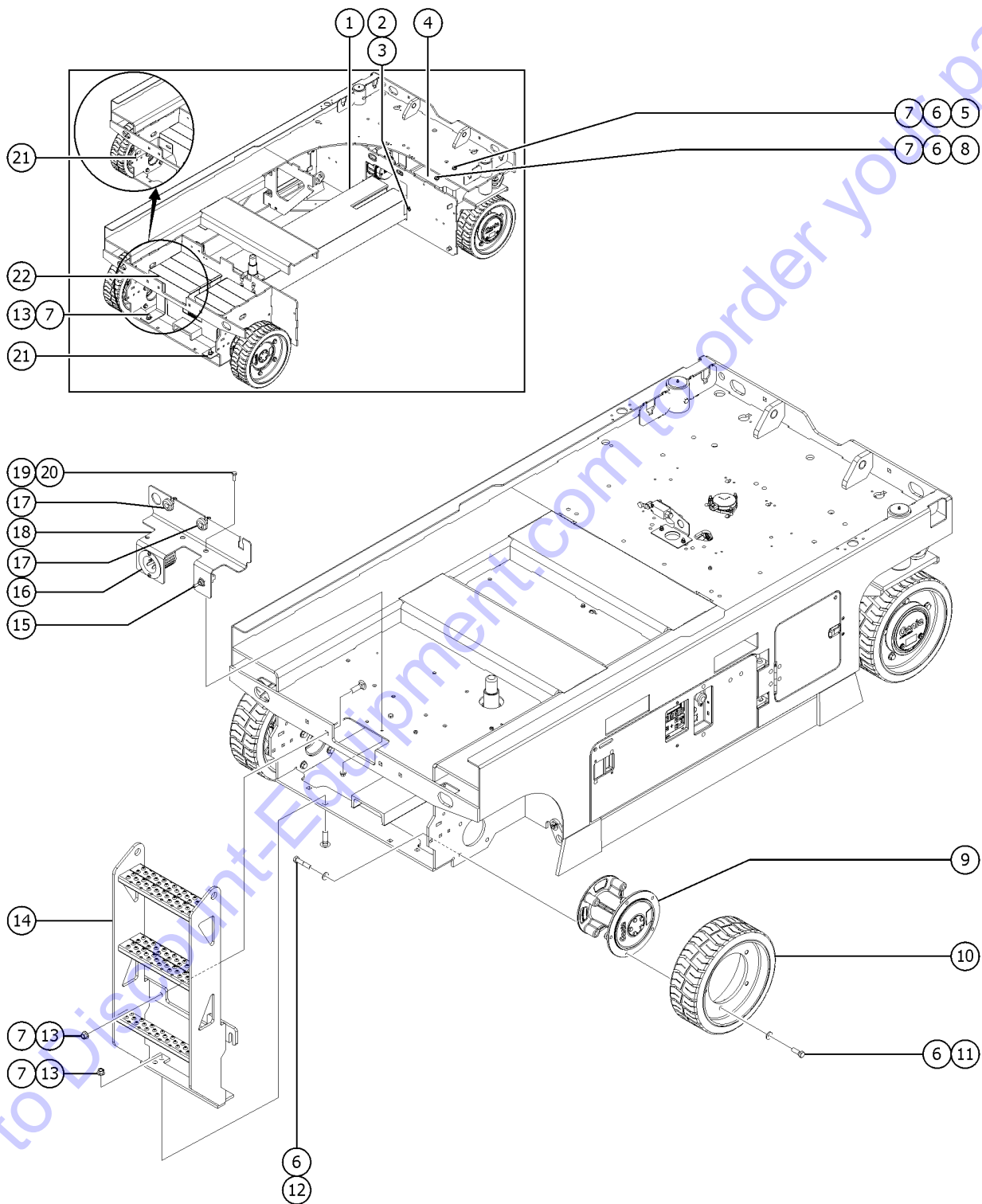
202.1 Non-Steer Axle Installation



Item	Part No.	Description	Qty.
1	1301444GT	LARGE COUNTERWEIGHT, BELLY,GS46 (GS4046, GS3246 XH only)	1
1B	1301445GT	LARGE MEDIUM COUNTERWEIGHT, BELLY (GS3246 New ANSI/CSA/CE only)	1
1B-	1301445GT	LARGE MEDIUM COUNTERWEIGHT, BELLY (GS2646 XH only)	1
2	1256118GT	SCREW,HHC,3/8-16X1.5,8,ZAG	2
3	826793GT	WASHER,FLAT,3/8,SAE,HRD,ZAG	2
4	1301172GT	LARGE COUNTERWEIGHT, FRONT, RIGHT, G32/46 (GS2646,3246,4046 only)	1
5	1256287GT	SCREW,HHC,1/2-13X3.5,8,ZAG	1
6	825353GT	WASHER,FLAT,1/2,SAE,HRD,ZAG	
7	1274172GT	NUT,NYLOCK FLG,1/2-13,G,ZAG	
8	1256112GT	SCREW,HHC,1/2-13X6,8,ZAG	1
9	1300538GT	ASSY,SPINDLE,CHASSIS,LARGE	2
9-	1308089GT	BEARING KIT, SPINDLE, LG SLAB	1
10	1299494GT	TIRE/WHEEL, NON-MARKING, 5-BOLT, 15x5"	2
11	1256844GT	SCREW,HHC,1/2-13X1.5,8,ZAG	10
12	1306174GT	SCREW,HHC,1/2-12X2.75,8,ZAG	8
13	1256115GT	BOLT,CARRIAGE,1/2-13X1.75,5,ZA.	
14	1306366GT	WELDMENT,20XX LADDER (GS2046 only, decals not included refer to section one)	1
14B	132373GT	WLDMT,GS32/46 LADDER*** (GS2646, 3246 only, decals not included refer to section one)	1
14C	228367GT	WELDMENT, LADDER (GS4046 only, decals not included refer to section one)	
15	128584GT	SWITCH TOGGLE SPDT 2P MNT SHDR	1
16		Ref. Electrical Plugs and Cords (refer to 402.1)	1
17	128118GT	BUSHING,STRAIN RELIEF,.875/.40	2
18	1303685GT	FORMING,REAR BRKT,E-DRIVE	1
18B	1303686GT	FORMING,REAR BRKT,E-DRIVE,US PLUG (US Plug option)	1
19	824067GT	SCREW,HHC,3/8-16X1,8,ZAG	2
20	1274322GT	NUT,NYLOCK FLG,3/8-16,F,ZAG	2
21	1299696GT	FORMING BRACKET ,CW,GS46	2
22	1299677GT	LARGE COUNTERWEIGHT, REAR, GS46 (GS2646, 3246 AUS)	2



202.1 Non-Steer Axle Installation

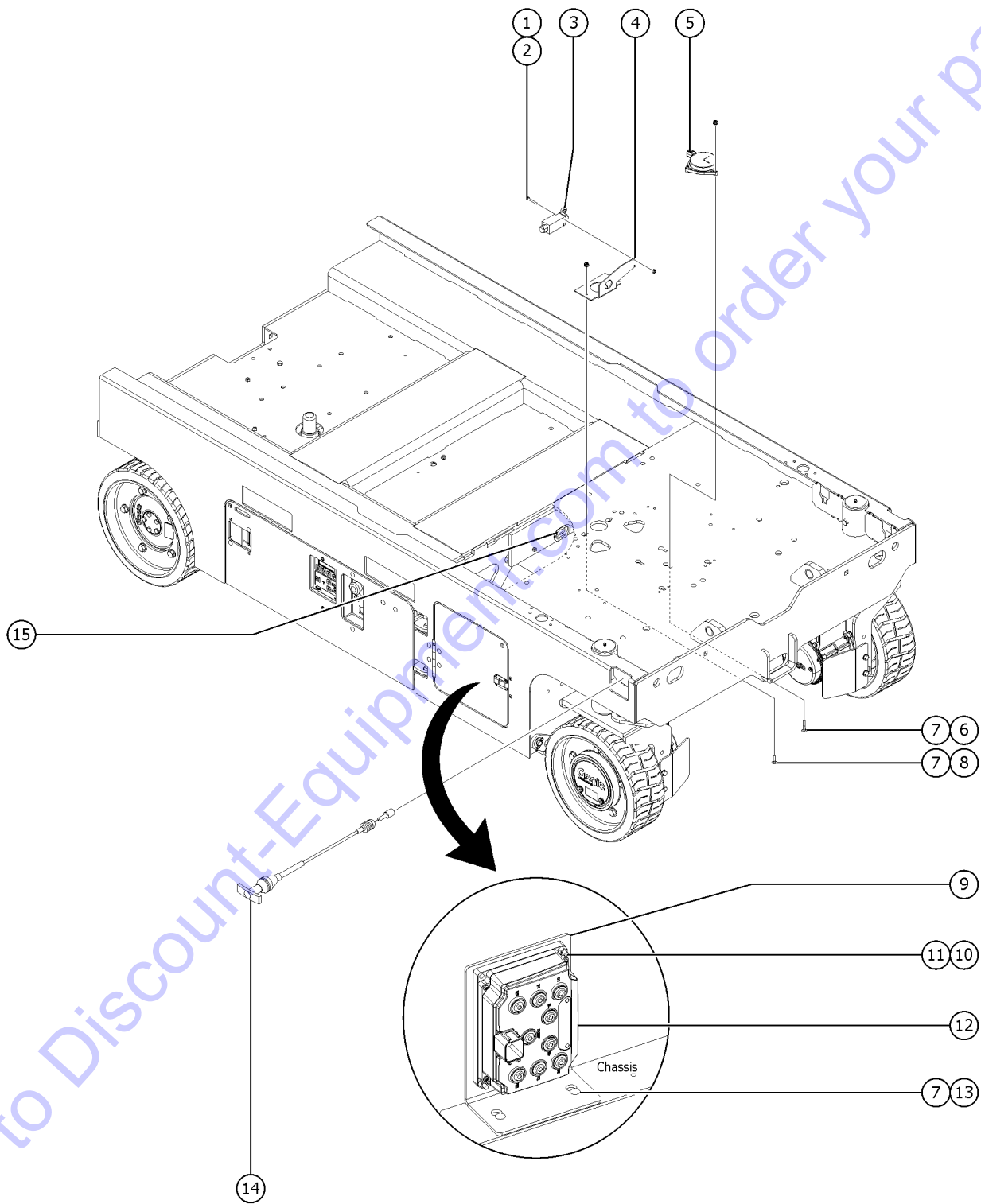


Item	Part No.	Description	Qty.
22B	1299677GT	LARGE COUNTERWEIGHT, REAR, GS46 (GS2646 XH New ANSI/CSA/CE only)	2
22B-	1299677GT	LARGE COUNTERWEIGHT, REAR, GS46 (GS2646 XH AUS only)	3
22B-	1299677GT	LARGE COUNTERWEIGHT, REAR, GS46 (GS4046,3246 XH only)	3
22B-	1258511GT	SCREW,HHC,1/2-13X5.5,8,ZAG	1

Go to Discount-Equipment.com to order your parts



203.1 Level Sensor Installation

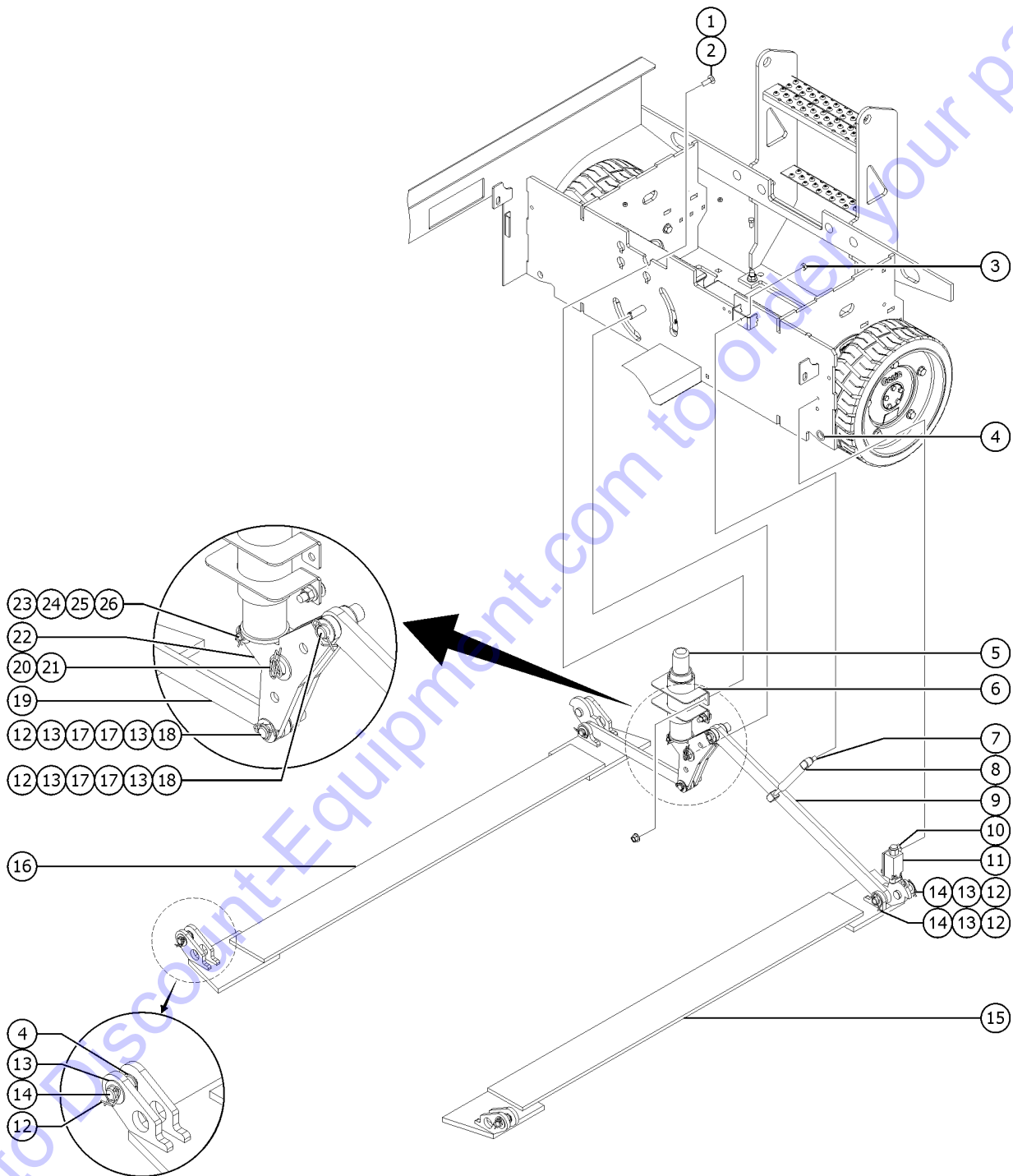


Go to Discount-Equipment.com to order your parts

Item	Part No.	Description	Qty.
1	824216GT	SCREW, PHPM, 10-32 X 1.5, ZAG	2
2	1274168GT	NUT,NYLOCK,10-32,A,ZAG	2
3	T112507GT	ASSEMBLY, DOWN LIMIT, GS (Includes plug)	1
3-	19491GT	CONTACTOR,LIMIT SWITCH	
3-	96948GT	SWITCH,LIMIT,W/ROLLER ARM***	
3-	97128GT	ROLLER ARM,LIMIT SWITCH***	
4	1299642GT	LIMIT SWITCH BRACKET, LARGE	1
5	823368GT	SENSOR,LEVEL,UNIVERSAL	1
6	1255756GT	BOLT,CARRIAGE,1/4-20X1.5,5,ZAG	3
7	1277924GT	NUT,NYLOCK FLG,1/4-20,F,ZAG	5
8	1256127GT	BOLT,CARRIAGE,1/4-20X1",GR 5,ZAG	2
9	1299051GT	FORMING, MC BRACKET GS32/46	1
10	1256463GT	BOLT,CARRIAGE,1/4-20X1.25,5,ZAG	2
11	1274165GT	NUT,NYLOCK,1/4-20,C,ZAG	2
12	1303778GT	MOTOR CONTROLLER,24V,120A DUAL AC,200A PUMP	1
13	824124GT	BOLT,CARRIAGE,1/4-20X.75,5,ZAG	2
14	39232GT	CABLE,EMERGENCY DOWN	1
15	47238GT	GROMMET,RUBBER 1.5 ID	1



204.1 Pothole Protection Assembly



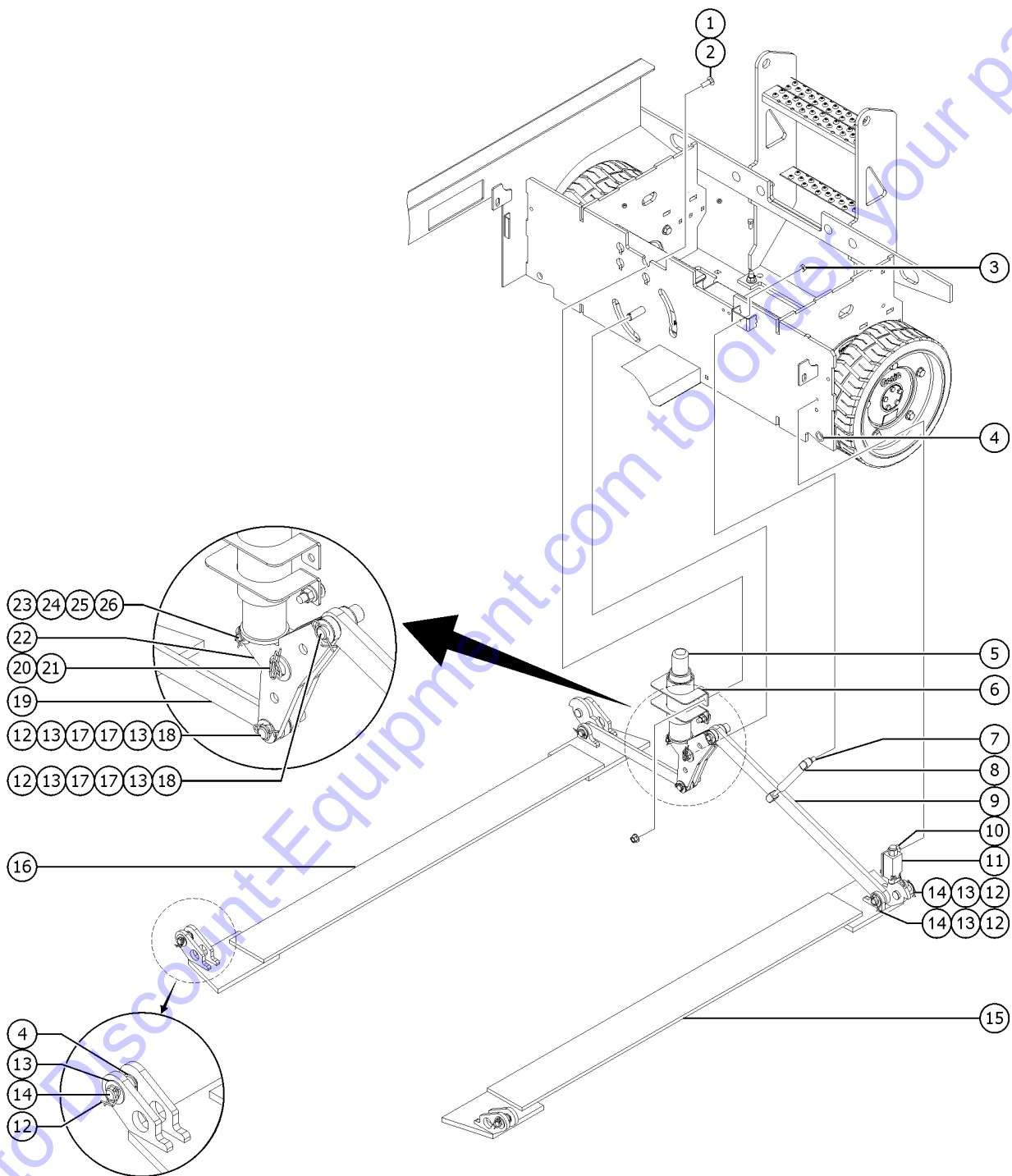


204.1 Pothole Protection Assembly

Item	Part No.	Description	Qty.
--	1307880GT	ASSY, POTHOLE SYSTEM,GS46 .....	1
1	1255757GT	BOLT,CARRIAGE,3/8-16X1.25,5,ZAG .....	4
2	1274322GT	NUT,NYLOCK FLG,3/8-16,F,ZAG .....	4
3	1283028GT	NUT,LP NYLOCK,3/8-16,2,ZAG .....	1
4	105156GT	BUSHING,FLNGD,.63 X .77 X .38 .....	2
5	1300036GT	ASSY,POT HOLE PUSHER .....	1
6	1300053GT	WLDMT/ASSY,PH GUIDE,E-DRIVE .....	1
6-	96408GT	BEARING,1.523IDX1.75ODX0.63L .....	
6-	1300540GT	BEARING,2.03IDX2.25ODX1.00L .....	2
7	78086GT	BALL STUD, GAS STRUT, 3/8-16 .....	2
8	39542GT	GAS SHOCK,SCISSORS*** .....	1
9	1300586GT	PLATE,POTHOLE LINK .....	1
10	1302399GT	PLATE, SWITCH BRACKET .....	1
11	96948GT	SWITCH,LIMIT,W/ROLLER ARM*** (down limit switch) .....	1
11-	1257264GT	SCREW,BHC,10-32X1.5,F835,ZAG .....	
11-	19491GT	CONTACTOR,LIMIT SWITCH .....	
11-	1274168GT	NUT,NYLOCK,10-32,A,ZAG .....	
11-	97128GT	ROLLER ARM,LIMIT SWITCH*** .....	
12	1259177GT	RUE RING,5/8,ZAG .....	8
13	1259180GT	WASHER,SHIM,.625X1.188X.064,ZA .....	10
14	1259197GT	PIN,CLEVIS,.625X1.88,ZAG .....	6
15	1300620GT	WELDMNT,POTHOLE,LEFT SIDE (battery pack side) .....	1
16	1300619GT	WELDMNT,POTHOLE,RIGHT SIDE (ground controls side) .....	1
16-	105156GT	BUSHING,FLNGD,.63 X .77 X .38 .....	4
17	96085GT	WASHER,THRUST,.63 X 1.13 X .06 .....	4
18	1259179GT	PIN,CLEVIS,.625X1.79,ZAG .....	2
19	1300621GT	PLATE,POTHOLE LINK .....	1
20	824128GT	RUE RING,3/4,ZAG .....	1



204.1 Pothole Protection Assembly



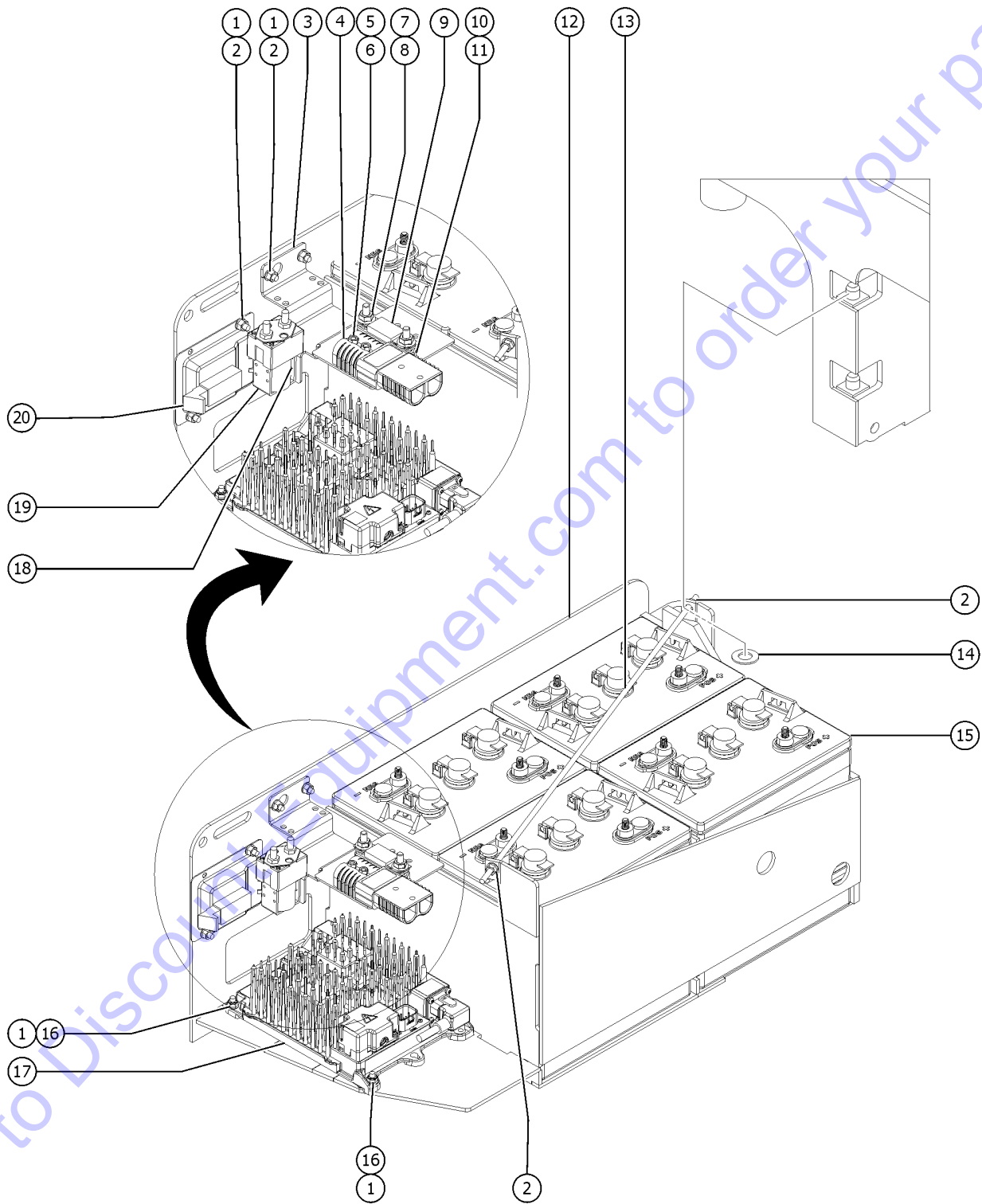
204.1 Pothole Protection Assembly

Item	Part No.	Description	Qty.
21	1259686GT	WASHER,FLAT,.765X1.312X.093,ZA .....	1
22	1300616GT	WLDMT/ASSY,PH BELLCRANK LINK .....	1
22-	105156GT	BUSHING,FLNGD,.63 X .77 X .38 .....	2
22-	105720GT	BUSHING,FLANGE,.75X1X1.38 .....	1
23	12016GT	PIN,COTTER,.125 X .75 .....	1
24	825358GT	WASHER,FLAT,5/16,USS,ZAG .....	1
25	1259178GT	PIN,CLEVIS,.375X1.75,ZAG .....	1
26	96541GT	CAM FOLLOWER,1.125X.375,DELFIN .....	1

Go to Discount-Equipment.com to order your parts



205.1 Battery Pack Module (E-Drive)

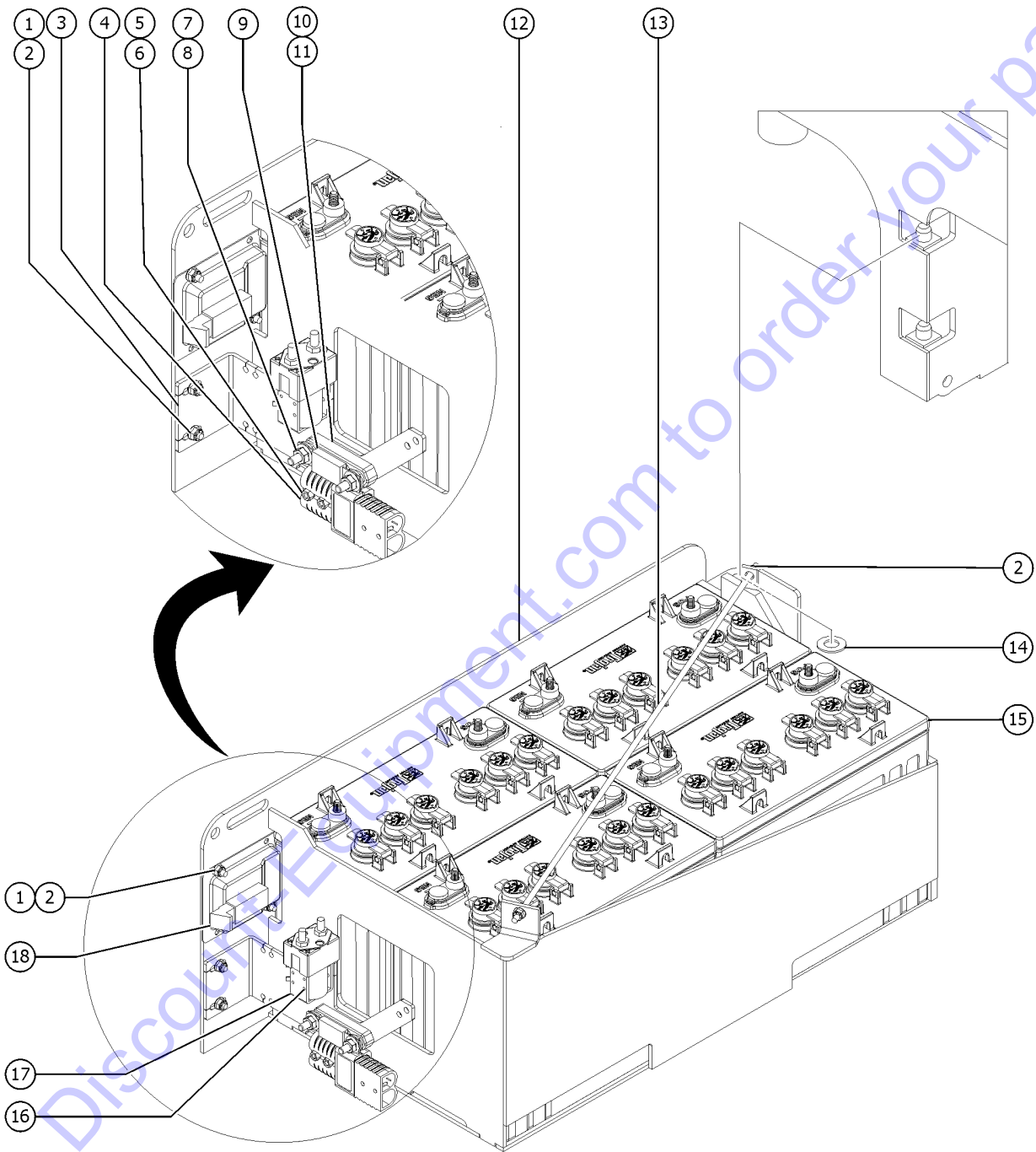


205.1 Battery Pack Module (E-Drive)

Item	Part No.	Description	Qty.
1	824124GT	BOLT,CARRIAGE,1/4-20X.75,5,ZAG .....	
2	1277924GT	NUT,NYLOCK FLG,1/4-20,F,ZAG .....	
3	1290574GT	FORMING,CONTACTOR/FUSE BRACKET .....	1
4	1288481GT	QUICK DISCONNECT CASING, BATT SB120 .....	1
5	826516GT	SCREW, PHPM, 10-32 X 1.0, ZAG .....	2
6	1274168GT	NUT,NYLOCK,10-32,A,ZAG .....	2
7	18503GT	NUT, LOCKING - LG FLANGE 5/16 - 18 .....	
8	825358GT	WASHER,FLAT,5/16,USS,ZAG .....	2
9	40833GT	FUSE, 275AMP, VERY FAST ACTING .....	1
10	66717GT	FUSE BLOCK, ANN & ANL FUSE (includes mounting fasteners) .....	1
11	1259266GT	SCREW,HEX UNSLOTTED,14-10X.5,TYPE C,ZAG .....	2
12	1307960GT	WELDMENT, BATTERY TRAY,GS .....	1
13	30784-2550GT	THREADED ROD,(1/4-20),25.50 .....	1
14	1256863GT	WASHER,FLAT,.75,F436,HRD,ZAG .....	2
15	1299390GT	BATT,6V,210AH T605 LPT3CAP .....	4
15-	1255805GT	NUT,SERRATED,5/16-18,8,ZAG .....	
16	1256127GT	BOLT,CARRIAGE,1/4-20X1",GR 5,ZAG .....	2
17		Ref. Battery Charger .....	1
		(refer to 206.1)	
18	824217GT	SCREW, PHPM SEMS ET, M4-.7 X 8, ZAB .....	3
19	74268GT	CONTACTOR,AUX PUMP 24V,80A*** .....	1
20	55675GT	LATCH, LRG PADDLE HANDLE GS90 .....	1



205.2 Battery Pack Module (GS-4046)



Item	Part No.	Description	Qty.
--		Ref. Battery Charger ..... (refer to 206.1)	1
1	824124GT	BOLT,CARRIAGE,1/4-20X.75,5,ZAG .....	
2	1277924GT	NUT,NYLOCK FLG,1/4-20,F,ZAG .....	
3	1308749GT	FORMING, FUSE BRACKET,E-DRIVE .....	1
4	1288481GT	QUICK DISCONNECT CASING, BATT SB120 .....	2
5	826516GT	SCREW, PHPM, 10-32 X 1.0, ZAG .....	2
6	1274168GT	NUT,NYLOCK,10-32,A,ZAG .....	2
7	18503GT	NUT, LOCKING - LG FLANGE 5/16 - 18 .....	
8	825358GT	WASHER,FLAT,5/16,USS,ZAG .....	2
9	40833GT	FUSE, 275AMP, VERY FAST ACTING .....	1
10	66717GT	FUSE BLOCK, ANN & ANL FUSE ..... (includes mounting fasteners)	1
11	1259266GT	SCREW,HEX UNSLOTTED,14-10X.5,TYPE C,ZAG .....	2
12	1309093GT	WELDMENT, T1275 BATTERY TRAY, GS .....	1
13	237165GT	THREADED ROD, M6 X 736MM .....	1
14	1256863GT	WASHER,FLAT,.75,F436,HRD,ZAG .....	2
15	T113971GT	BATTERY,12V,150AH,T1275 ..... (GS4046 only)	4
15-	1255805GT	NUT,SERRATED,5/16-18,8,ZAG .....	
16	824217GT	SCREW, PHPM SEMS ET, M4-.7 X 8, ZAB .....	4
17	74268GT	CONTACTOR,AUX PUMP 24V,80A*** .....	1
18	55675GT	LATCH, LRG PADDLE HANDLE GS90 .....	1



# PARTS FINDER

**Search Website  
by Part Number**



**Search Manual  
Library For Parts  
Manual & Lookup Part  
Numbers – Purchase  
or Request Quote**

**Search Manuals**

Enter your information to help us find the right parts manual for your machine.

\* Brand:

\* Model:

\* Serial:

\* Part Number:

SEARCH

**Can't Find Part or  
Manual? Request Help  
by Manufacturer,  
Model & Description**

**Parts Order Form**

Please fill in the following information to help us find the right part for your machine.

Manufacturer:	<input type="text"/>
Model:	<input type="text"/>
Description:	<input type="text"/>
Part Number:	<input type="text"/>
Quantity:	<input type="text"/>
Notes:	<input type="text"/>

Discount-Equipment.com is your online resource for quality parts & equipment.

Florida: **561-964-4949** Outside Florida TOLL FREE: **877-690-3101**

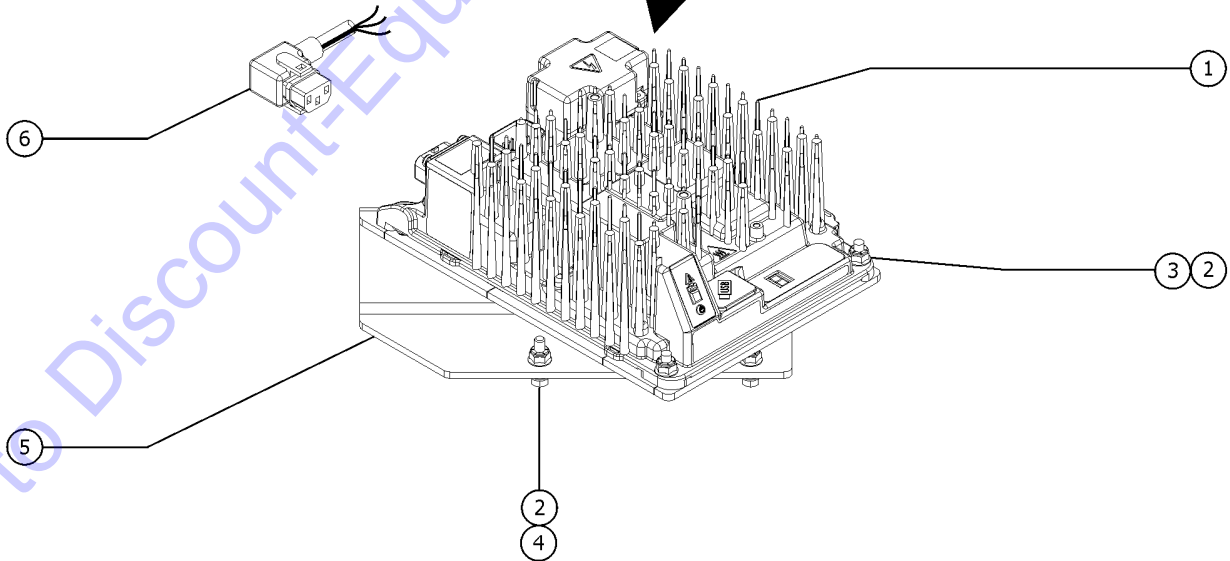
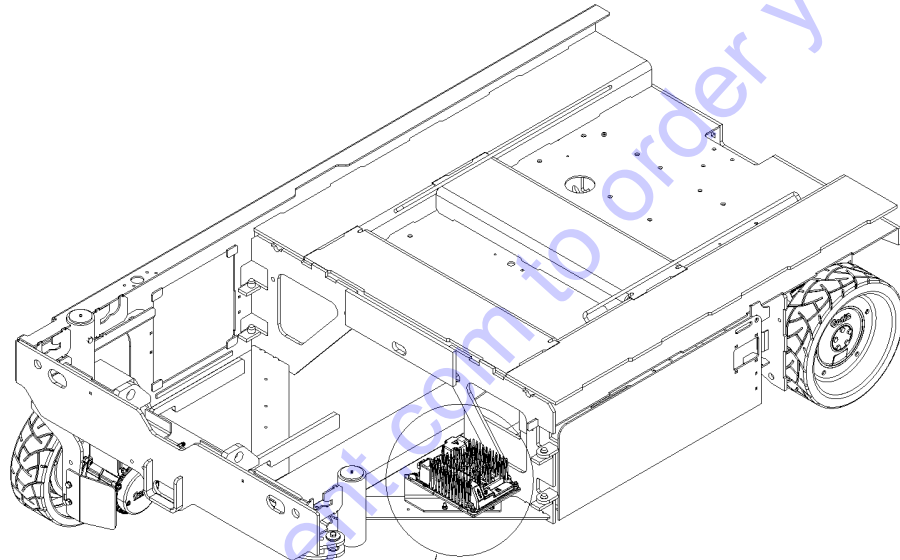
**Need parts?**

Click on this link: <http://www.discount-equipment.com/category/5443-parts/> and choose one of the options to help get the right parts and equipment you are looking for. Please have the machine model and serial number available in order to help us get you the correct parts. If you don't find the part on the website or on one of the online manuals, please fill out the request form and one of our experienced staff members will get back to you with a quote for the right part that your machine needs.

We sell worldwide for the brands: Genie, Terex, JLG, MultiQuip, Mikasa, Essick, Whiteman, Mayco, Toro Stone, Diamond Products, Generac Magnum, Airman, Haulotte, Barreto, Power Blanket, Nifty Lift, Atlas Copco, Chicago Pneumatic, Allmand, Miller Curber, Skyjack, Lull, Skytrak, Tsurumi, Husquvarna Target, Stow, Wacker, Sakai, Mi-T-M, Sullair, Basic, Dynapac, MBW, Weber, Bartell, Bennar Newman, Haulotte, Ditch Runner, Menegotti, Morrison, Contec, Buddy, Crown, Edco, Wyco, Bomag, Laymor, EZ Trench, Bil-Jax, F.S. Curtis, Gehl Pavers, Heli, Honda, ICS/PowerGrit, IHI, Partner, Imer, Clipper, MMD, Koshin, Rice, CH&E, General Equipment, Amida, Coleman, NAC, Gradall, Square Shooter, Kent, Stanley, Tamco, Toku, Hatz, Kohler, Robin, Wisconsin, Northrock, Oztec, Toker TK, Rol-Air, APT, Wylie, Ingersoll Rand / Doosan, Innovatech, Con X, Ammann, Mecalac, Makinex, Smith Surface Prep, Small Line, Wanco, Yanmar



206.1 Battery Charger (GS-4046)



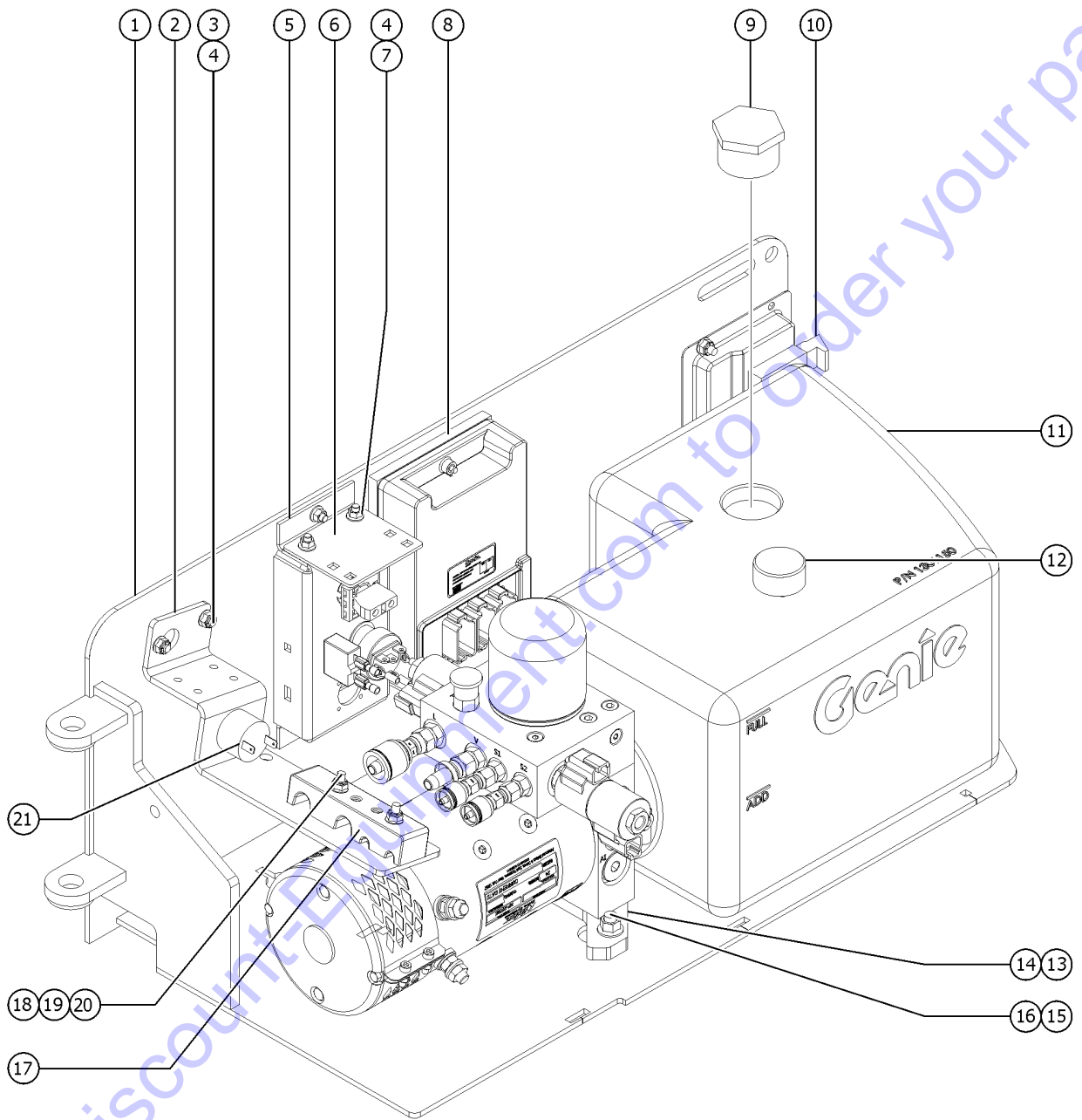
206.1 Battery Charger (GS-4046)

Item	Part No.	Description	Qty.
A		REF. Side Door (refer to 208.1 Ground Controls)	
1	1264372GT	CHARGER,24V,650W,USB	1
1-	1278366GT	CABLE ASSY, CHARGER/BATTERY,4047 for standard 'flooded' batteries	1
1-		ASSEMBLY,CHARGER STATUS LED,2V (refer to 209.1) (for 1264372)	
1-		HARNES,LED CHARGER,GS46 (refer to 209.1) (for 1264372)	
2	1277924GT	NUT,NYLOCK FLG,1/4-20,F,ZAG	
3	1256127GT	BOLT,CARRIAGE,1/4-20X1",GR 5,ZAG	2
4	824079GT	SCREW,HFH,1/4-20X1,8,ZAG	2
5	1272847GT	PLATE,CHARGER MOUNT	1
6	1272557GT	POWER CORD, IEC 320, 90	

Go to Discount-Equipment.com to order your parts

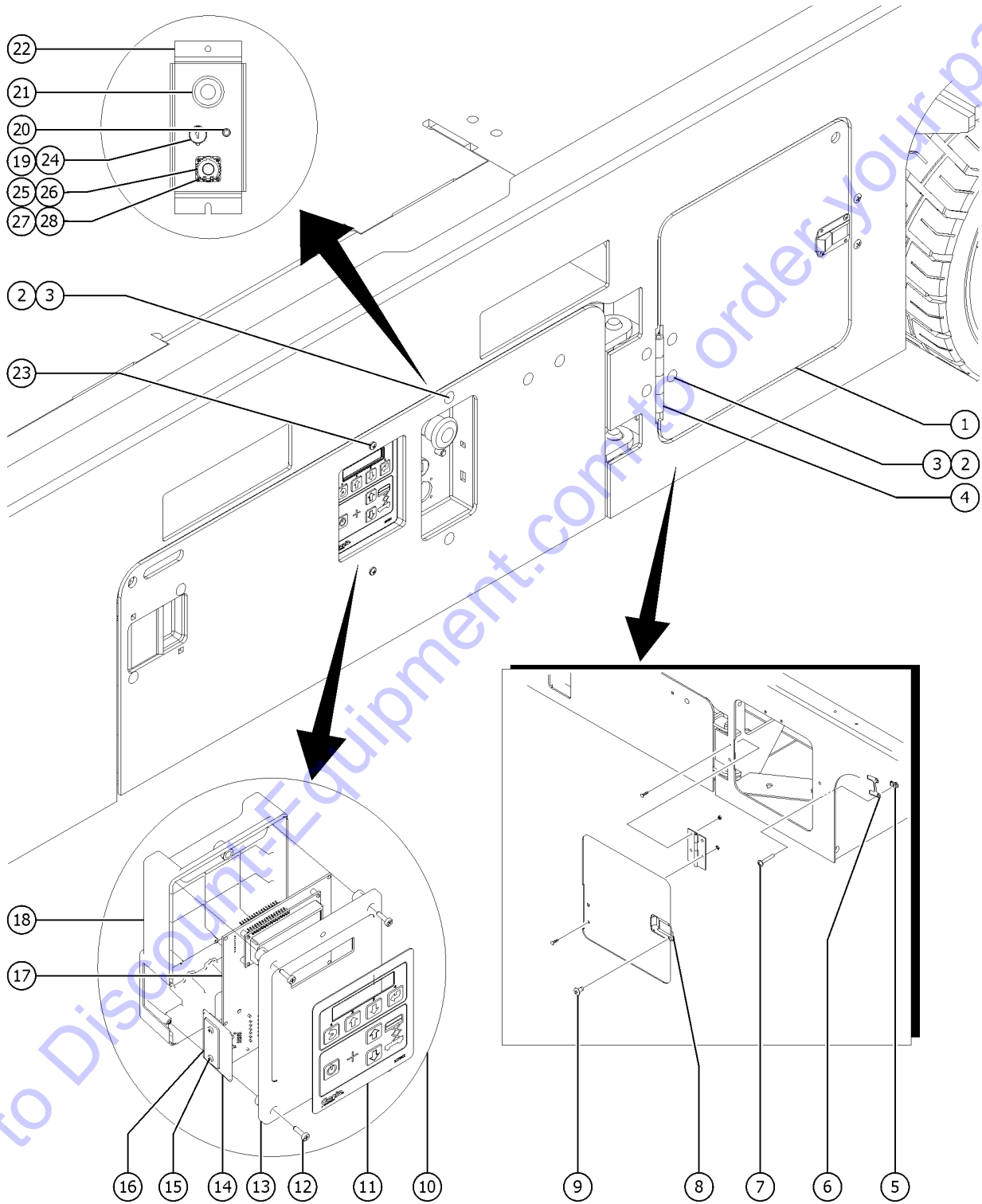


207.1 Power Unit Module



Item	Part No.	Description	Qty.
1	1300908GT	ASSEMBLY, HYDRAULIC TRAY, GS46	1
1-	1298923GT	WELDMENT, HYDRAULIC TRAY, E-DRIVE	1
2	1303364GT	FORMING, BRACKET, HYD HOSE CLAMP	1
3	1268954GT	BOLT, CARRIAGE, 1/4-20X1.75, 5, ZAG	2
4	1277924GT	NUT, NYLOCK FLG, 1/4-20, F, ZAG	
5		Ref. FORMING, CONTROL PANEL (refer to 208.1)	
6	T108326GT	PLATE, HARNESS MOUNT	1
7	824124GT	BOLT, CARRIAGE, 1/4-20X.75, 5, ZAG	2
8		Ref. GCON, GR/GRC/GS (refer to 208.1)	
9	66204GT	FILTER CAP (PLUG 1-1/2" NPT HEX)	1
10	55675GT	LATCH, LRG PADDLE HANDLE GS90	1
11	1299666GT	POWER UNIT, 4046 SLAB (GS-4046)	1
11B	1303255GT	POWER UNIT, GS3246, E-DRIVE (GS-2046, GS-2646, GS-3246)	1
12	78546GT	BREATHER CAP, HYD. TANK, 1/4 NPT	1
13	1287951GT	PLATE, POWER UNIT MOUNT	1
14	1260703GT	SCREW, FHS, 3/8-16X1, F835, ZAG	2
15	1255757GT	BOLT, CARRIAGE, 3/8-16X1.25, 5, ZAG	2
16	1274322GT	NUT, NYLOCK FLG, 3/8-16, F, ZAG	2
17	1304152GT	CLAMP, HOSE, HYD TRAY	1
18	1255797GT	BOLT, CARRIAGE, 1/4-20X2, 5, ZAG	2
19	1277924GT	NUT, NYLOCK FLG, 1/4-20, F, ZAG	2
20	824113GT	WASHER, FLAT, USS, 1/4, ZAG	2
21	39540GT	ALARM, STEADY TONE*** (Standard Alarm Option)	1
21-	72326GT	NUT, PLASTIC, RING FOR ALARMS for 39540	
21B	1313257GT	WHITE NOISE ALARM 24VDC (White Noise Alarm Option)	1

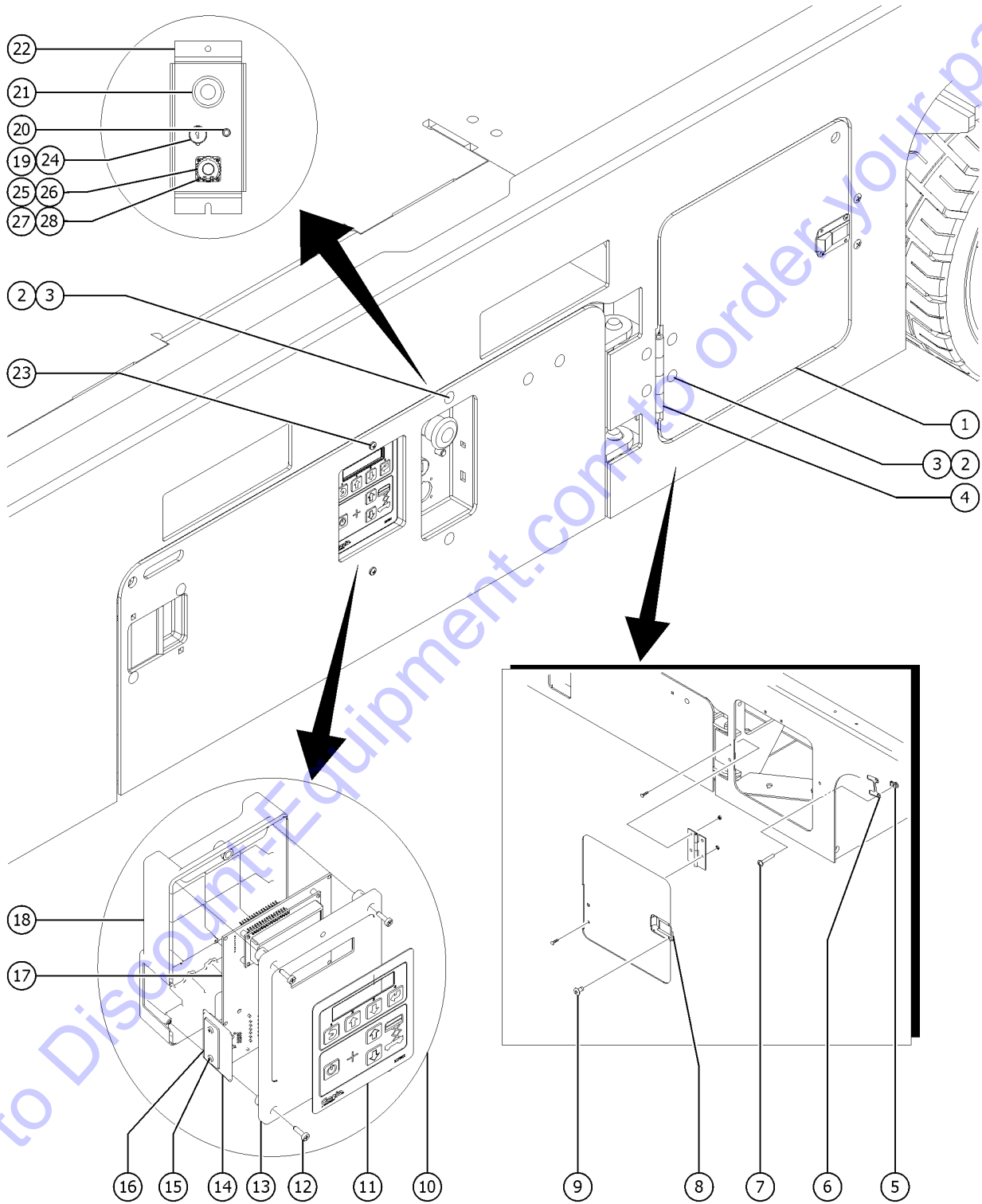
208.1 Ground Controls



Item	Part No.	Description	Qty.
A	1252764GT	SPACER, GROUND CONTROL ECU .....	1
B	824216GT	SCREW, PHPM, 10-32 X 1.5, ZAG .....	
1	1299643GT	PLATE, SIDE DOOR .....	
2	824124GT	BOLT, CARRIAGE, 1/4-20X.75,5,ZAG .....	6
3	1277924GT	NUT, NYLOCK FLG, 1/4-20,F,ZAG .....	4
4	105734GT	HINGE, ACCESS DOOR(13G) .....	1
5	56912GT	SPRING CLIP, 1/4-20,.025-.15X.54,ZAG .....	2
6	132557GT	PLATE, SIDE DOOR STOP*** .....	
7	1260984GT	SCREW, PHPM, 1/4-20X.75,ZAG .....	2
8	105759GT	LATCH, COMPRESSION, SMALL .....	1
9	824206GT	RIVET, STL, STL, DOME, 1/8 X .25, ZAG .....	2
10	1284285GT	GCON, STD, DUAL ZONE .....	
11	137562GT	DECAL, MEMBRANE, GR/GRC/GS GCON .....	1
12	137668GT	SCREW, PHM, 6-19X.75, 48-2 TRI-L .....	4
13	T106366GT	ENCLOSURE, GC27-25/GC21-19, FRNT .....	1
14	T106363GT	ADAPTER, RJ45, GC27-25/GC21-19 .....	1
15	137637GT	SCREW, PHM, 4-20X.5, 48-2 TRI-L .....	2
16	T106362GT	COVER, RJ45, GC27-25/GC21-19 .....	1
17	1284287GT	PCBA, GCON, STD, DUAL ZONE .....	1
18	T106372GT	ENCLOSURE, GC21-19, BK .....	1
19	96008-SGT	KEYSWITCH, 3 POS. W/KEYS*** .....	1
19-	37947GT	KEYS, 10 PACK*** (sold seperately) .....	
19-	83093GT	KEY SINGLE*** (sold seperately) .....	
19-	85239GT	NUT, RETAINER (96008) (sold seperately) .....	
19-	96009GT	WASHER, NITRILE (sold seperately) .....	
19-	96010GT	SCREW, PHILLIPS, PHM, 8-32 X.25** (sold seperately) .....	
20	96452GT	CIRCUIT BREAKER, 7.0 AMP*** .....	1
20-	122994GT	NICKEL PLATED JAM NUT .....	



208.1 Ground Controls



208.1 Ground Controls

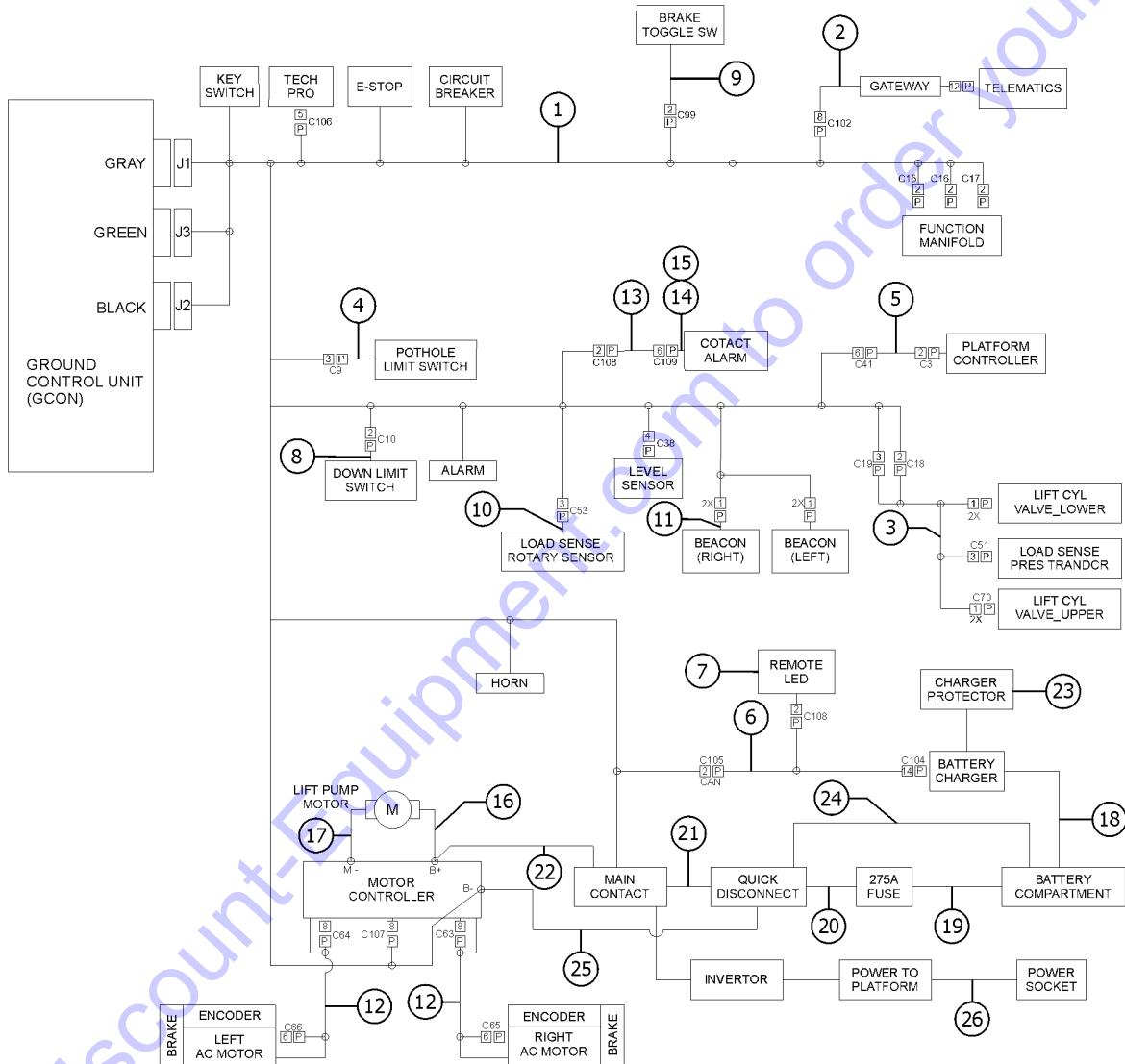
Item	Part No.	Description	Qty.
20-	6700GT	WASHER,STAR,EXTERNAL,,375 .....	1
21	66812GT	BUTTON,PUSH,RED MUSHROOM HEAD .....	1
21-	58627GT	NUT .....	
21-	66817GT	E-STOP NC CONTACT .....	
22	1283213GT	FORMING, CONTROL PANEL, TECH PRO .....	1
23	824216GT	SCREW, PHPM, 10-32 X 1.5, ZAG .....	2
24	96010GT	SCREW,PHILLIPS,PHM,8-32 X.25** .....	3
25	1272122GT	CONN, RECEP, 5 WAY, DEUTSCH, HD10 .....	1
26	1272123GT	DUST CAP, RECEPTACLE, 5 WAY, CIRCULAR .....	1
27	1253477GT	SCREW,PHPM,4-40X.5,ZAG .....	4
28	826854GT	NUT,NYLOCK,4-40 .....	4

Go to Discount-Equipment.com to order your parts





209.1 Electrical Wiring

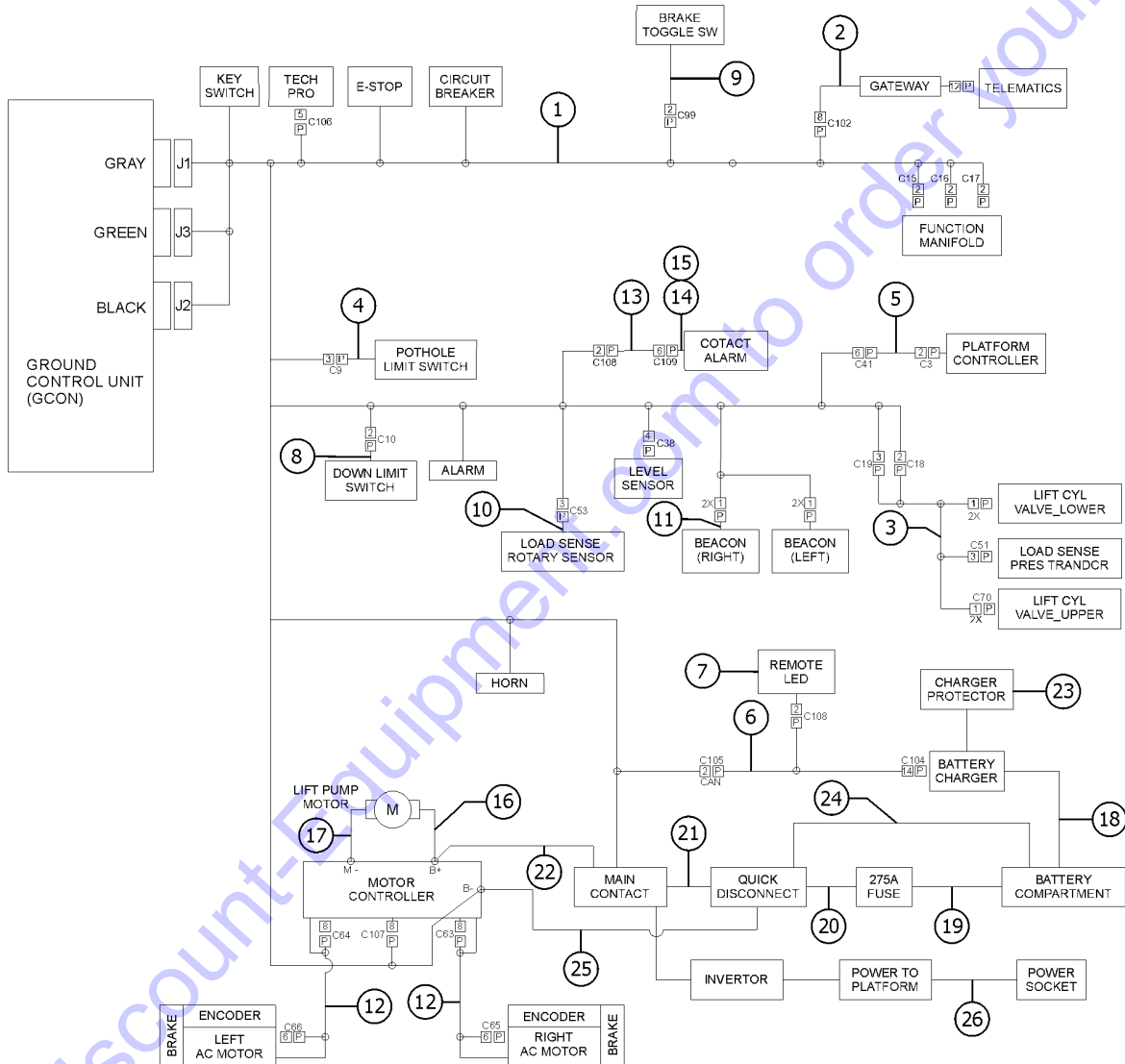


Go to Discount-Equipment.com to order your parts

Item	Part No.	Description	Qty.
1	1307802GT	HARNESS,GS GROUND CONTROLLER,GS32/46	1
2	1289899GT	HARNESS, GATEWAY, GS	1
3	233055GT	CABLE,LIFT CYL DWN, 32XX,W/LS (GS-3246)	1
3B	233053GT	CABLE,LFT CYL DN,20/26XX,W/LS (GS-2046, GS-2646)	1
3C	236781GT	CABLE,LIFT CYL,GS4047 (GS-4046)	1
4	1307876GT	ASSY,POTHOLE HARNESS,GS32/46, E-DRIVE	1
5	233052GT	CABLE, PLATFORM CONTROL, 32XX (GS-3246)	1
5B	238006GT	CABLE,PLAT CNTRL,GS4047 (GS-4046)	1
5C	233050GT	CABLE, PLATFORM CONTROL, 20XX (GS-2046)	1
5D	233051GT	CABLE, PLATFORM CONTROL, 26XX (GS-2646)	1
6	1272121GT	HARNESS,LED CHARGER,GS46	1
7	1270281GT	ASSEMBLY, CHARGER STATUS LED, 2V, BCI	1
8	T112507GT	ASSEMBLY, DOWN LIMIT, GS	1
9	1301854GT	CABLE, BRAKE RELEASE SWITCH	1
10	T113136GT	ASSY,ROT SENSR W/ HARNESS	1
11	1270162GT	ASSEMBLY, BEACON LED, 24V	2
12	1307808GT	COMPOSITE MOTOR CABLE LARGE,E-DRIVE	2
13		CABLE,CONTACT ALARM,CHASSIS TO PLAT,32XX (GS-3246) no longer available	1
14		CABLE,CONTACT ALARM,45IN LINK no longer available	1
15	1291053GT	HARNESS,CONTACT ALARM,GS46 PLATFORM	1
16	1297793GT	CABLE ASSY,MC TO POWER UNIT,RED	1
17	1297796GT	CABLE ASSY,MC TO POWER UNIT,BLK	1
18	1278366GT	CABLE ASSY, CHARGER/BATTERY,4047	1
19	1297791GT	CABLE ASSY,BATT,5.50"RED	3
20	1308210GT	CABLE ASSY,FUSE TO QUIK,RED	1
21	1308219GT	CABLE ASSY,QUIK TO CONT,RED	1
22	1297795GT	CABLE ASSY,CONT TO MC,RED	1
23	1272557GT	POWER CORD, IEC 320, 90	1



209.1 Electrical Wiring



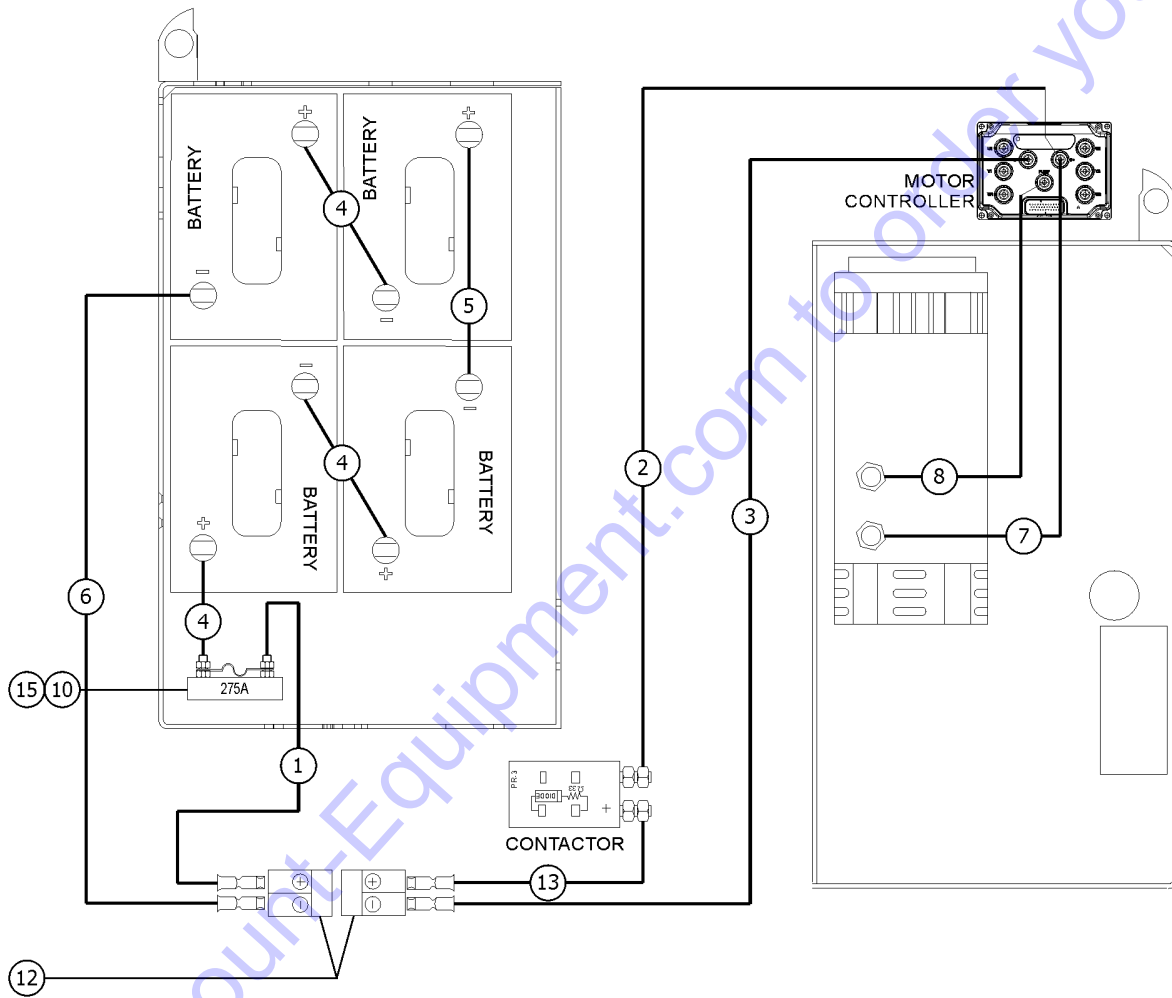
209.1 Electrical Wiring

Item	Part No.	Description	Qty.
24	1308213GT	CABLE ASSY,BATT TO QUIK,BLK .....	1
25	1308212GT	CABLE ASSY,QUIK TO MC,BLK .....	1
26	43956GT	WIRE CABLE,14/3 CON.TPE JKT* (GS-3546 only) .....	604
26A	43956GT	WIRE CABLE,14/3 CON.TPE JKT* (GS-4046 only) .....	724
26B	43956GT	WIRE CABLE,14/3 CON.TPE JKT* (GS-2046 only) .....	415
26C	43956GT	WIRE CABLE,14/3 CON.TPE JKT* (GS-2646 only) .....	510

Go to Discount-Equipment.com to order your parts



210.1 Power Cables (GS-2046, GS-2646 and GS-3246)



Go to Discount Equipment.com to order your parts

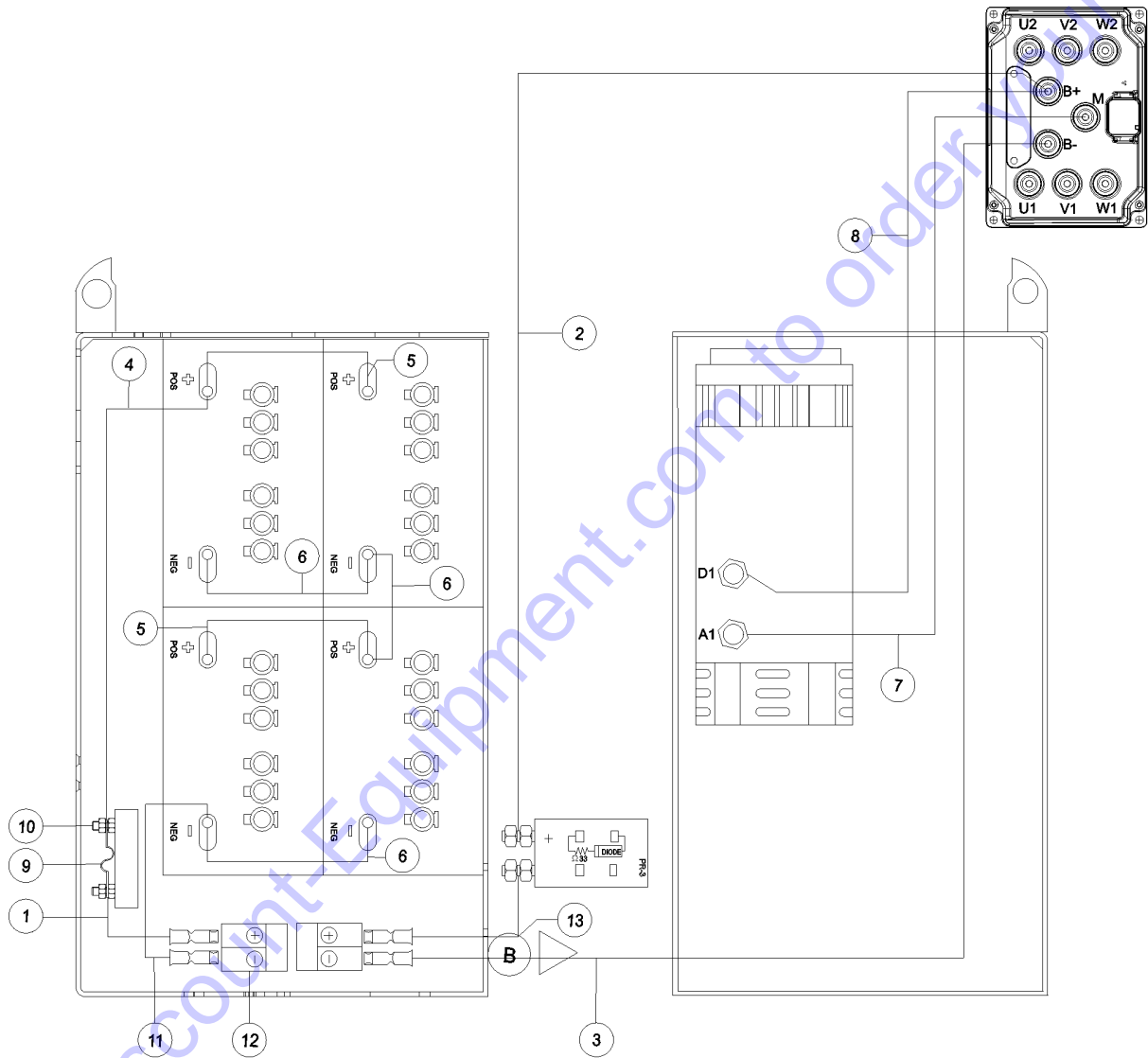
210.1 Power Cables (GS-2046, GS-2646 and GS-3246)

Item	Part No.	Description	Qty.
1	1308210GT	CABLE ASSY,FUSE TO QUIK,RED .....	1
2	1297795GT	CABLE ASSY,CONT TO MC,RED .....	1
3	1308212GT	CABLE ASSY,QUIK TO MC,BLK .....	1
4	1297791GT	CABLE ASSY,BATT,5.50"RED .....	3
5	1297792GT	CABLE ASSY,BATT,9.50"RED .....	1
6	1308213GT	CABLE ASSY,BATT TO QUIK,BLK .....	1
7	1297793GT	CABLE ASSY,MC TO POWER UNIT,RED .....	1
8	1297796GT	CABLE ASSY,MC TO POWER UNIT,BLK .....	1
9	28131GT	WIRE LOOM,1.25 DIA .....	16
		not shown	
10	66717GT	FUSE BLOCK, ANN & ANL FUSE .....	1
11	96110GT	BOOT, CABLE, TERMINAL COVER .....	15
		not shown	
12	1288481GT	QUICK DISCONNECT CASING, BATT SB120 .....	2
13	1308219GT	CABLE ASSY,QUIK TO CONT,RED .....	1
14	79140GT	BOOT,CABLE TERMINAL,RED,XL .....	1
		not shown	
15	40833GT	FUSE, 275AMP, VERY FAST ACTING .....	1

Go to Discount-Equipment.com to order your parts



210.2 Power Cables (GS-4046)



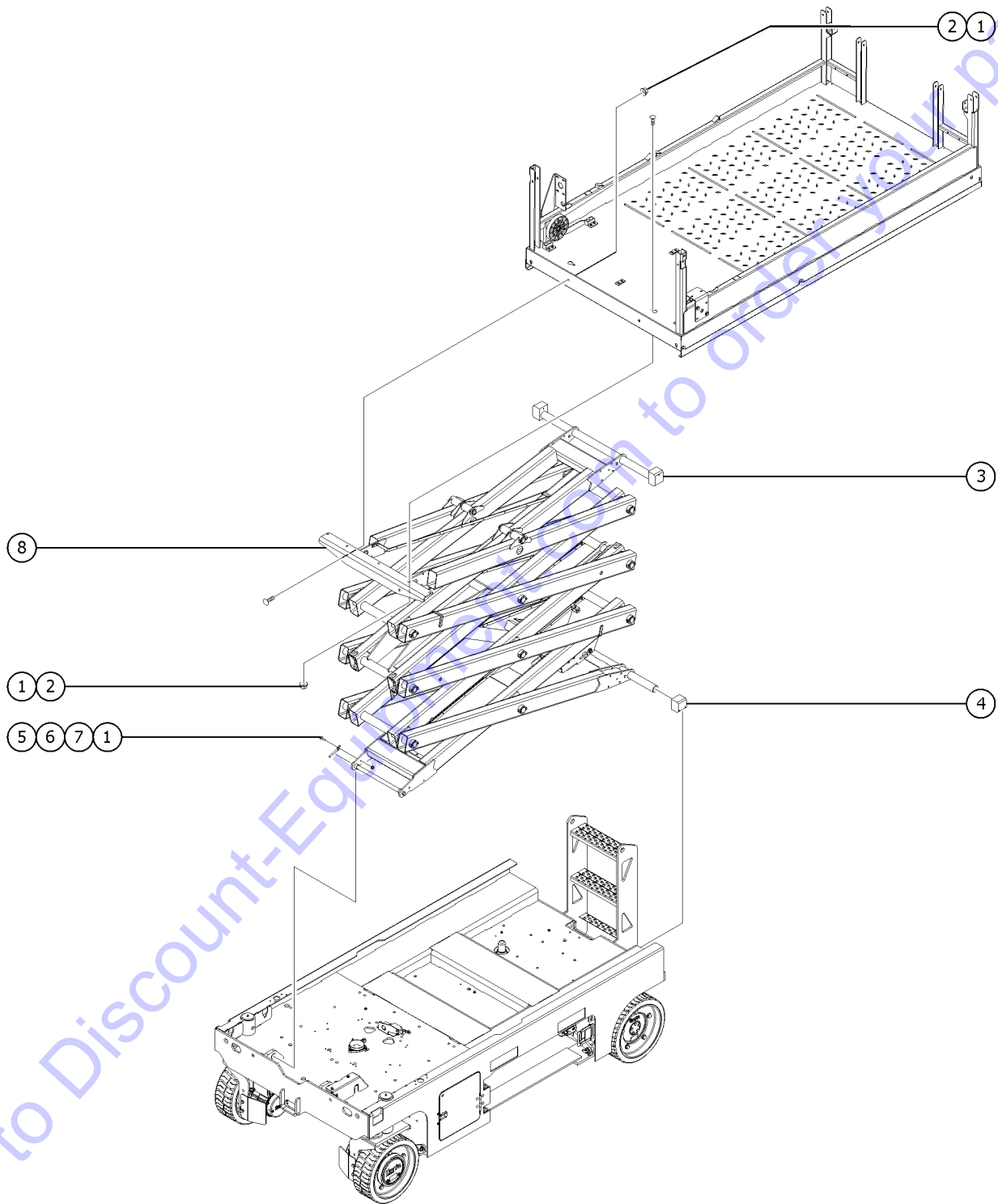
210.2 Power Cables (GS-4046)

Item	Part No.	Description	Qty.
1	1297905GT	CABLE ASSY,FUSE TO QUIK,RED .....	1
2	1297899GT	CABLE ASSY,CONT TO MC,RED .....	1
3	1297904GT	CABLE ASSY,QUIK TO MC,BLK .....	1
4	1297901GT	CABLE ASSY,BATT TO FUSE,RED .....	1
5	1297900GT	CABLE ASSY,JUMP,11"RED .....	2
6	1297902GT	CABLE ASSY,JUMP,11",BLK .....	3
7	1297796GT	CABLE ASSY,MC TO POWER UNIT,BLK .....	1
8	1297793GT	CABLE ASSY,MC TO POWER UNIT,RED .....	1
9	40833GT	FUSE, 275AMP, VERY FAST ACTING .....	1
10	66717GT	FUSE BLOCK, ANN & ANL FUSE .....	1
11	1297907GT	CABLE ASSY,BATT TO QUIK,BLK .....	1
12	1288481GT	QUICK DISCONNECT CASING, BATT SB120 .....	2
13	1297906GT	CABLE ASSY,QUIK TO CONT,RED .....	1
14	96110GT	BOOT, CABLE, TERMINAL COVER .....	13
		not shown	
15	79140GT	BOOT,CABLE TERMINAL,RED,XL .....	1
		not shown	
16	55748GT	BOOT,CABLE TERMINAL,SMALL .....	3
		not shown	
17	28131GT	WIRE LOOM,1.25 DIA .....	16
		not shown	





301.1 Scissor Assembly Installation

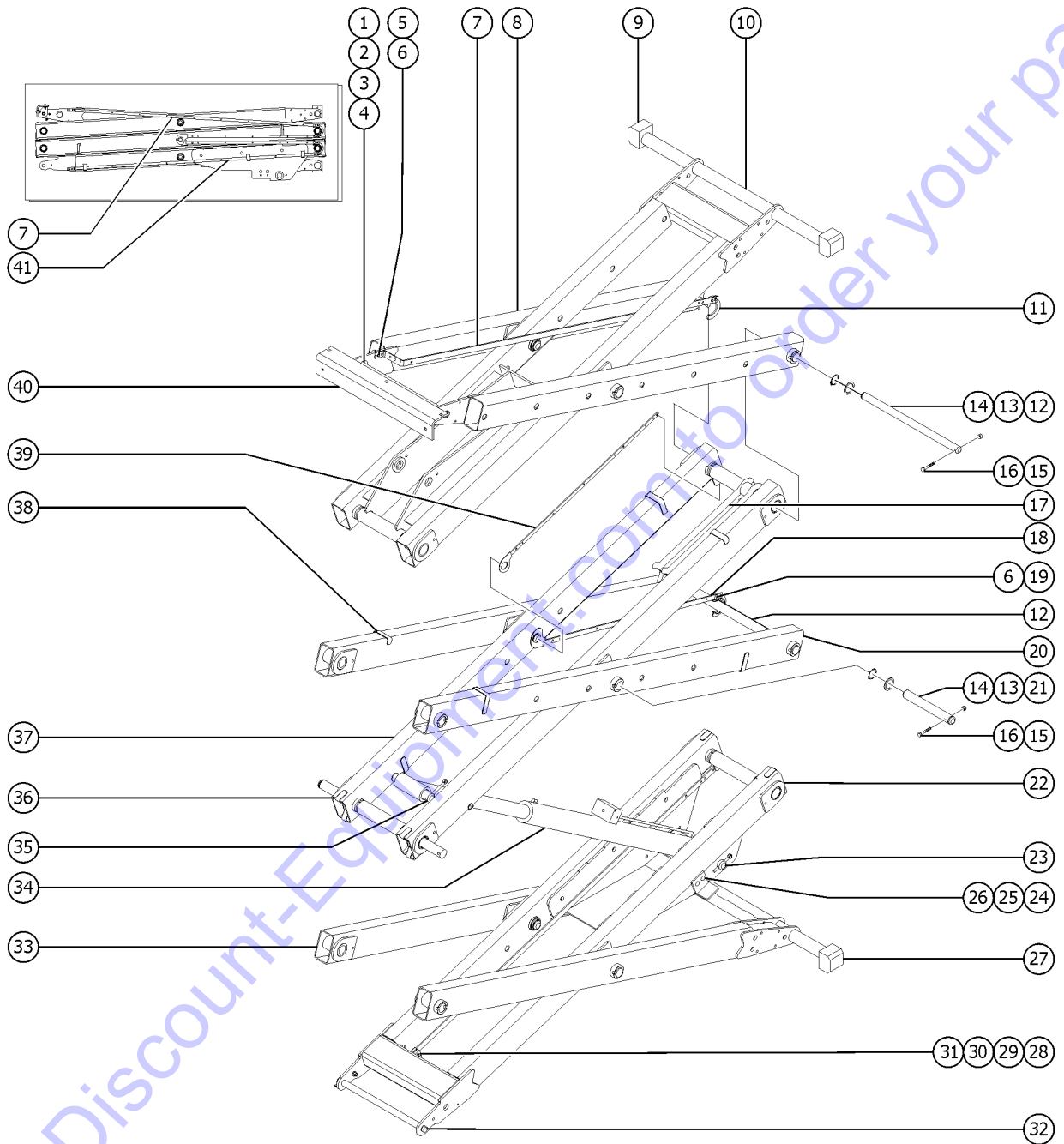


Item	Part No.	Description	Qty.
1	1274322GT	NUT,NYLOCK FLG,3/8-16,F,ZAG .....	5
2	1255757GT	BOLT,CARRIAGE,3/8-16X1.25,5,ZAG .....	4
3	1300939GT	SLIDER, UHMW, GSXX46 PLATFORM .....	2
4	96595GT	SLIDER,UHMW .....	2
5	824092GT	SCREW,HHF,3/8-16X1.5,8,ZAG .....	1
6	825019GT	ROD END,.375X3.69,ZAG .....	1
7	1302259GT	PIN,LINKSET MOUNT .....	1
8	1273417GT	PLATFORM MOUNT ASSEMBLY,GS (GS4046 only) .....	1
8-	36369GT	BEARING,0.75IDX1.00ODX0.75L .....	2
8-	105078GT	WELDMENT,PLATFORM MOUNT (GS4046 only) .....	1
8-	1276908GT	WELDMENT, PLATFORM MOUNT (GS3246, GS2646 & GS2046 only) .....	1

Go to Discount-Equipment.com to order your parts



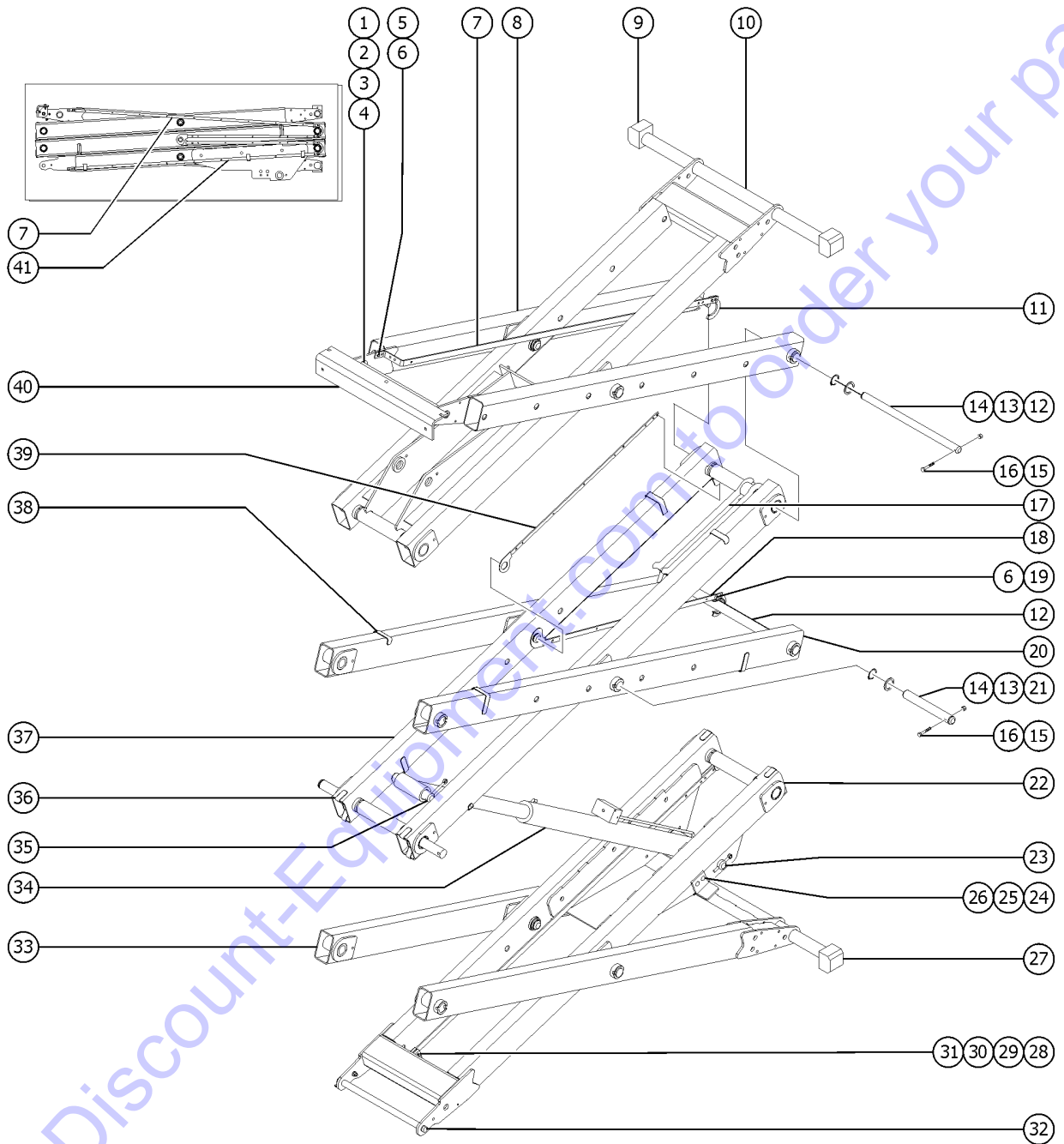
302.1 Scissor Assembly, GS-2046



Item	Part No.	Description	Qty.
1	96932GT	PIN, LINKSET MOUNT, 3/4"	1
2	825020GT	ROD END,.250X2.75,ZAG	2
3	824080GT	SCREW,HHF,1/4-20X1.25,8,ZAG	2
4	1277924GT	NUT,NYLOCK FLG,1/4-20,F,ZAG	2
5	1256127GT	BOLT,CARRIAGE,1/4-20X1",GR 5,ZAG	2
6	1256679GT	NUT,SERRATED,1/4-20,8,ZAG	5
7	105189GT	BAR,CABLE BRIDGE ARM,UPPER	1
8	96611GT	WLDMT,LNK,OUT #3-20XX,#5-32XX	2
9		Ref. Platform Slider (refer to 301.1)	
10	97233GT	INNER ARM ASSY, #3, 2046	1
10-	66055GT	BEARING,1.50IDX1.77ODX1.25L	6
10-	96606GT	WLDMT,LNK,INNER #3,2046	1
11	105193GT	CLIP,CABLEBRIDGE,GS32/46	2
12	96899GT	PIN, LONG, GS46	4
13	1260941GT	WASHER,SHIM,1.54X2.00X.125,ZAG	7
14	825796GT	SNAP RING,EXTERNAL,1.50,ZAG	8
15	1256848GT	SCREW,HHC,3/8-16X2.75,8,ZAG	10
16	1274166GT	NUT,NYLOCK,3/8-16,C,ZAG	10
17	58000GT	SAFETY CHOCK,SCISSOR	1
18	105190GT	WLDMT,CABLE BRIDGE,BOTTOM	1
19	1260963GT	BOLT,CARRIAGE,1/4-20X.63,5,ZAG	2
20	96605GT	WLDMT,LNK,OUTER #2,#3,#4	2
21	96900GT	PIN, SHORT, GS46	6
22	1300079GT	ASSEMBLY, LINK, INNER #1 (decal not included refer to section one)	1
22-	66055GT	BEARING,1.50IDX1.77ODX1.25L	6
22-	1299483GT	WELDMENT, LNK, LOWER1 ,E-DRIVE	1
23	96662GT	PIN, LOWER CYLINDER MOUNT	1
24	1256756GT	BOLT,CARRIAGE,3/8-16X1.5,5,ZAG	4



302.1 Scissor Assembly, GS-2046

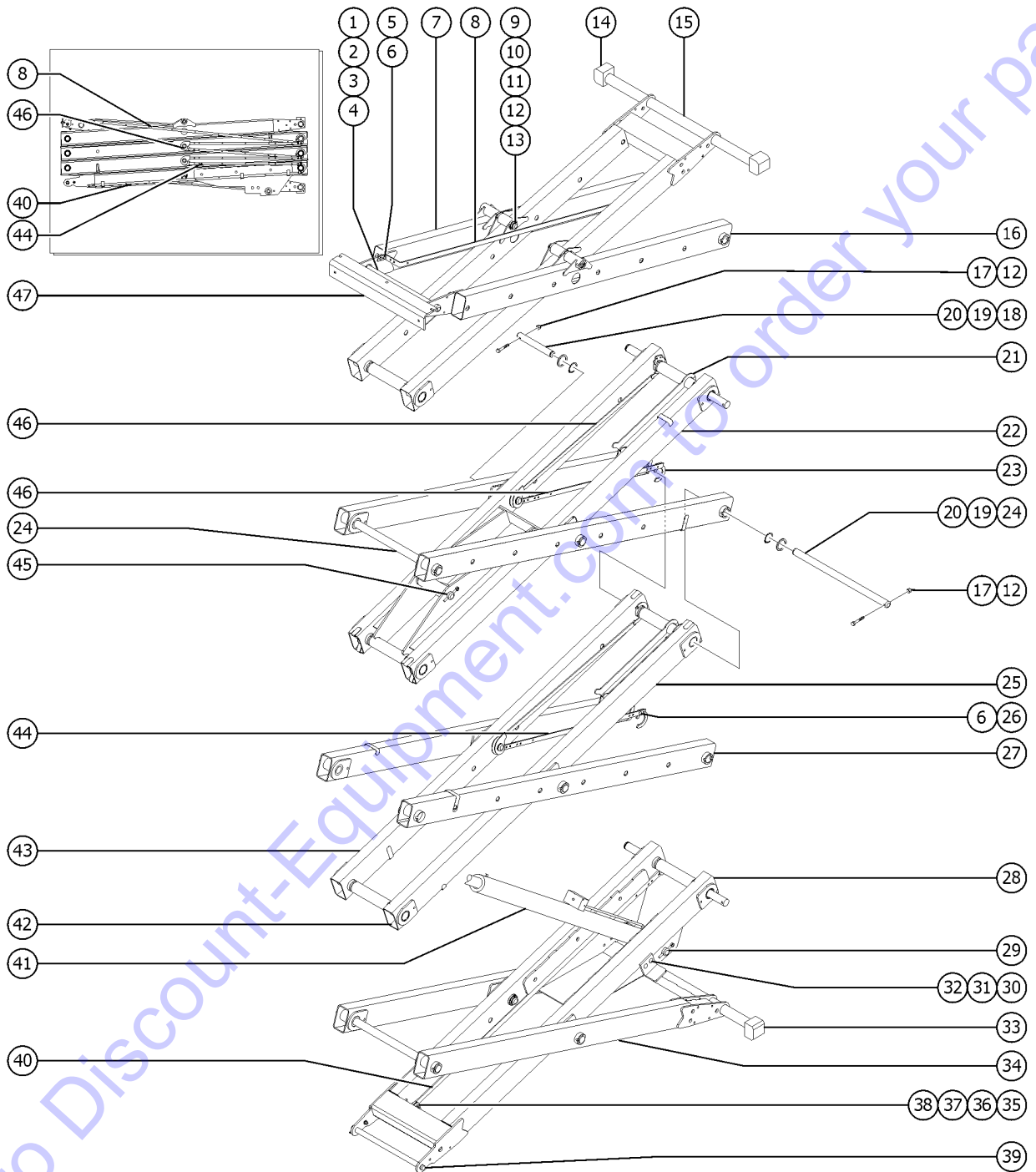


Item	Part No.	Description	Qty.
25	105074GT	FORMING,PH PUSHER, GS46 .....	2
26	1274322GT	NUT,NYLOCK FLG,3/8-16,F,ZAG .....	9
27		Ref. Chassis Slider .....	
		(refer to 301.1)	
28	132119GT	PLATE,HOSE ROUTING,BULKHEAD * .....	2
29	78736GT	CLAMP,2 HOSE,PLASTIC,5/8 .....	4
30	1259201GT	BOLT,CARRIAGE,10-24X2,A,ZAG .....	3
31	1283004GT	NUT,NYLOCK FLG,10-24,A,ZAG .....	3
32		Ref. PIN,LINKSET MOUNT .....	1
		(refer to 301.1)	
33	96603GT	WLDMT,LNK,OUTER #1,XX46 .....	1
34		Ref. Lift Cylinder .....	
		(refer to 503.1)	
35	96661GT	PIN, UPPER CYLINDER MOUNT .....	1
36	96735GT	LINK BUMPER, 5" .....	4
37	96604GT	WLDMT,LNK,INNER #2 .....	1
37-	66055GT	BEARING,1.50IDX1.77ODX1.25L .....	8
38	96836GT	LINK BUMPER, SHORT TUBE .....	8
39	105191GT	WELDMENT.CABLE BRIDGE, TOP .....	1
40		Ref. Platform Mounting Assembly .....	
		(refer to 301.1)	
41	105186GT	WLDMNT,CABLE BRIDGE,LOWER .....	1

Go to Discount-Equipment.com to order your parts



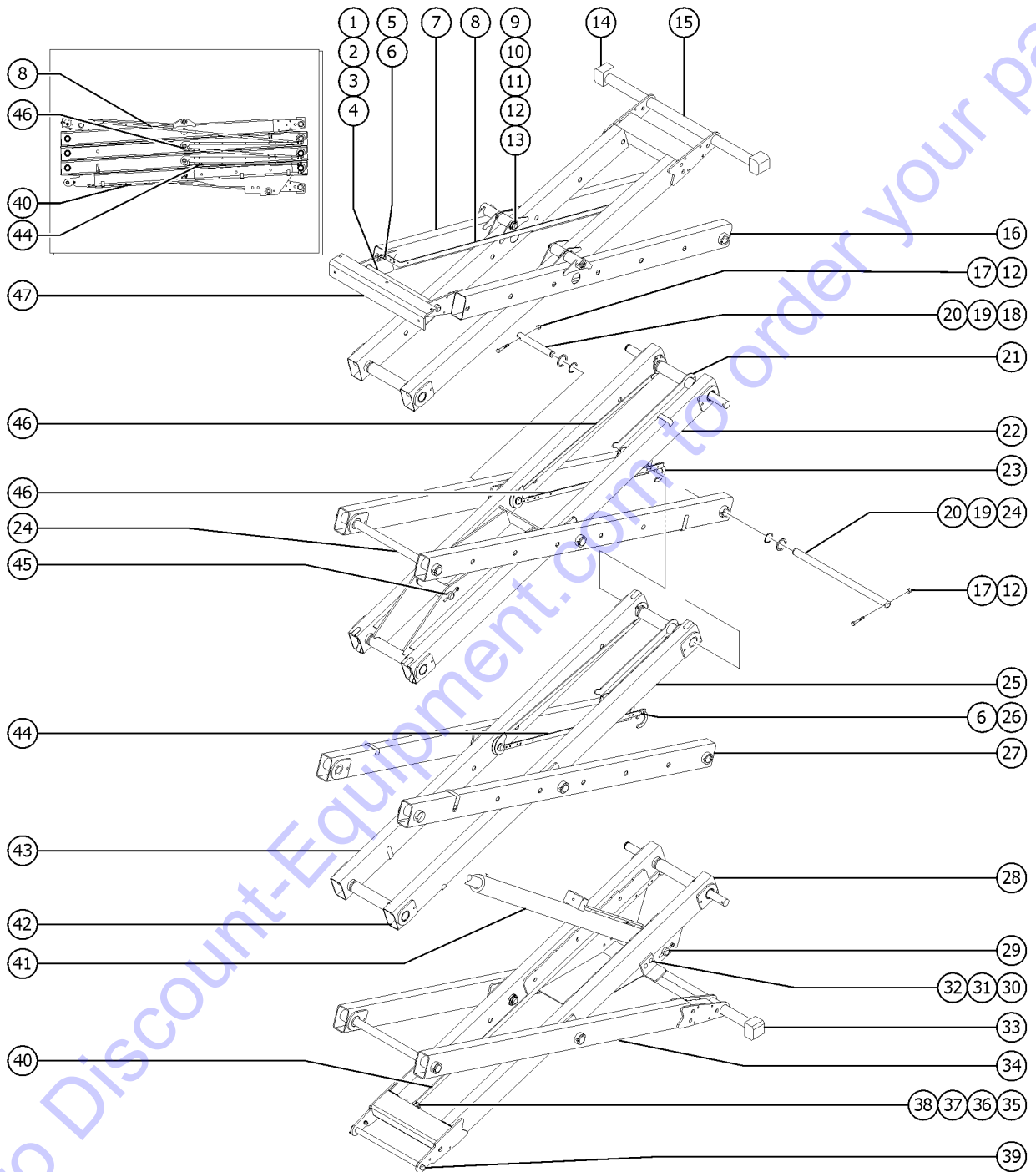
303.1 Scissor Assembly, GS-2646



Item	Part No.	Description	Qty.
1	96932GT	PIN, LINKSET MOUNT, 3/4" .....	1
2	825020GT	ROD END,.250X2.75,ZAG .....	2
3	824080GT	SCREW,HHF,1/4-20X1.25,8,ZAG .....	2
4	1277924GT	NUT,NYLOCK FLG,1/4-20,F,ZAG .....	2
5	1256127GT	BOLT,CARRIAGE,1/4-20X1",GR 5,ZAG .....	2
6	1256679GT	NUT,SERRATED,1/4-20,8,ZAG .....	6
7	96615GT	WLDMT,LNK,OUTER #4,26XX (ground controls side) .....	1
8	105189GT	BAR,CABLE BRIDGE ARM,UPPER .....	1
9	96130GT	PIN, MINI, CENTRE .....	2
10	824164GT	SNAP RING,EXTERNAL,1.25,ZAG .....	2
11	824151GT	WASHER,SHIM,1.270X2.130X.062,Z .....	2
12	1274166GT	NUT,NYLOCK,3/8-16,C,ZAG .....	14
13	1256848GT	SCREW,HHC,3/8-16X2.75,8,ZAG .....	2
14		Ref. Platform Slider (refer to 301.1) .....	
15	96614GT	WLDMT,LNK,INNER #4,2646 .....	1
15-	66055GT	BEARING,1.50IDX1.77ODX1.25L .....	6
16	96616GT	WLDMT,LNK,OUTER #4,26XX,LEFT .....	1
17	1256848GT	SCREW,HHC,3/8-16X2.75,8,ZAG .....	12
18	96900GT	PIN, SHORT, GS46 .....	6
19	1260941GT	WASHER,SHIM,1.54X2.00X.125,ZAG .....	10
20	825796GT	SNAP RING,EXTERNAL,1.50,ZAG .....	12
21	58000GT	SAFETY CHOCK,SCISSOR .....	1
22	96607GT	WLDMT,LNK,INNER #3, 26XX .....	1
22-	66055GT	BEARING,1.50IDX1.77ODX1.25L .....	8
23	105193GT	CLIP,CABLEBRIDGE,GS32/46 .....	3
24	96899GT	PIN, LONG, GS46 .....	6
25	96836GT	LINK BUMPER, SHORT TUBE .....	8
26	1260963GT	BOLT,CARRIAGE,1/4-20X.63,5,ZAG .....	3



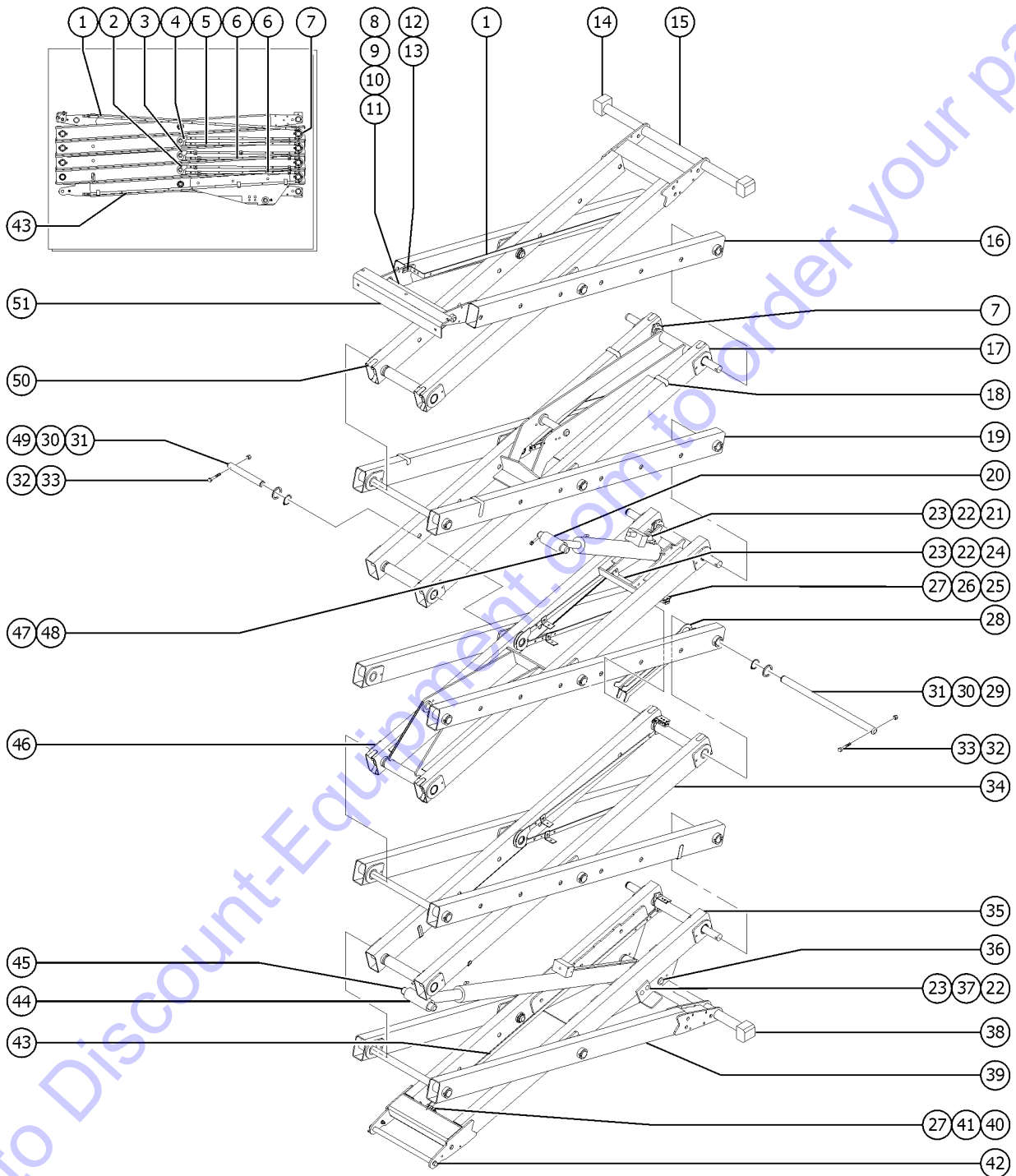
303.1 Scissor Assembly, GS-2646



Item	Part No.	Description	Qty.
27	96605GT	WLDMT,LNK,OUTER #2,#3,#4	4
28	1300079GT	ASSEMBLY, LINK, INNER #1 (decal not included refer to section one)	1
28-	66055GT	BEARING,1.50IDX1.77ODX1.25L	6
28-	1299483GT	WELDMENT, LNK, LOWER1 ,E-DRIVE	1
29	96662GT	PIN, LOWER CYLINDER MOUNT	1
30	1256756GT	BOLT,CARRIAGE,3/8-16X1.5,5,ZAG (GS-2646)	4
31	105074GT	FORMING,PH PUSHER, GS46	2
32	1274322GT	NUT,NYLOCK FLG,3/8-16,F,ZAG	9
33		Ref. Chassis Slider (refer to 301.1)	
34	96603GT	WLDMT,LNK,OUTER #1,XX46 (decal not included refer to section one)	1
35	58592GT	PLATE,HOSE ROUTG,BULKHEAD(PTD)	2
36	78736GT	CLAMP,2 HOSE,PLASTIC,5/8	4
37	1259201GT	BOLT,CARRIAGE,10-24X2,A,ZAG	3
38	1283004GT	NUT,NYLOCK FLG,10-24,A,ZAG	3
39		Ref. PIN,LINKSET MOUNT (refer to 301.1)	1
40	105186GT	WLDMNT,CABLE BRIDGE,LOWER	1
41		Ref. Lift Cylinder (refer to 503.1)	
42	96735GT	LINK BUMPER, 5"	4
43	96604GT	WLDMT,LNK,INNER #2	1
43-	66055GT	BEARING,1.50IDX1.77ODX1.25L	8
44	105190GT	WLDMT,CABLE BRIDGE,BOTTOM	2
45	96812GT	PIN, LOWER CYL, ROD END	1
46	105191GT	WELDMENT.CABLE BRIDGE,TOP	2
47		Ref. Platform Mount Assembly (refer to 301.1)	

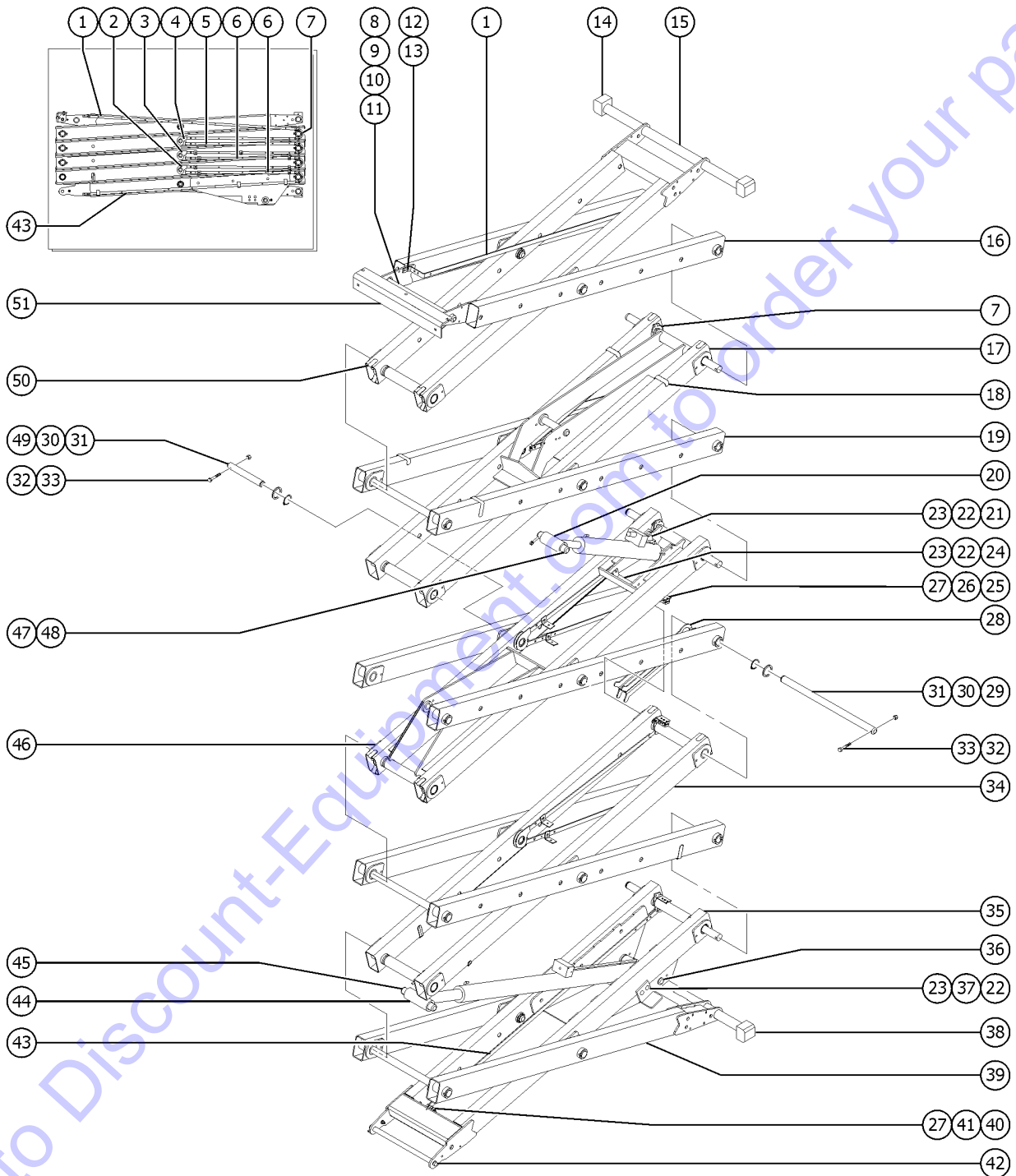


304.1 Scissor Assembly, GS-3246



Item	Part No.	Description	Qty.
1	105189GT	BAR,CABLE BRIDGE ARM,UPPER .....	1
2	105187GT	WELDMENT,CABLE BRIDGE, TOP,32XX .....	1
3	105192GT	WELDMENT,CABLE BRIDGE*** .....	1
4	105191GT	WELDMENT.CABLE BRIDGE, TOP .....	1
5	105190GT	WLDMT,CABLE BRIDGE,BOTTOM .....	1
6	105188GT	WLDMT,CABLE BRIDGE,BOTTOM,3246 .....	2
7	105193GT	CLIP,CABLEBRIDGE,GS32/46 .....	4
8	96932GT	PIN, LINKSET MOUNT, 3/4" .....	1
9	825020GT	ROD END,.250X2.75,ZAG .....	2
10	824080GT	SCREW,HHF,1/4-20X1.25,8,ZAG .....	2
11	1277924GT	NUT,NYLOCK FLG,1/4-20,F,ZAG .....	4
12	1256127GT	BOLT,CARRIAGE,1/4-20X1",GR 5,ZAG .....	2
13	1256679GT	NUT,SERRATED,1/4-20,8,ZAG .....	7
14		Ref. Platform Slider .....	
		(refer to 301.1)	
15	96609GT	WLDMT,LNK,INNER #5,3246*** .....	1
15-	66055GT	BEARING,1.50IDX1.77ODX1.25L .....	8
16	96611GT	WLDMT,LNK,OUT #3-20XX,#5-32XX .....	2
17	96613GT	WLDMT,LNK,INNER #4,32XX .....	1
17-	66055GT	BEARING,1.50IDX1.77ODX1.25L .....	8
18	96836GT	LINK BUMPER, SHORT TUBE .....	8
19	96605GT	WLDMT,LNK,OUTER #2,#3,#4 .....	6
20		Ref. Lift Cylinder, Top .....	
		(refer to 503.2)	
21	96700GT	PLATE, PIN RETAINER .....	2
22	1256756GT	BOLT,CARRIAGE,3/8-16X1.5,5,ZAG .....	6
23	1274322GT	NUT,NYLOCK FLG,3/8-16,F,ZAG .....	10
24	96971GT	FORMING,HOSE CLAMP,UPPER CYL .....	1
25	78736GT	CLAMP,2 HOSE,PLASTIC,5/8 .....	18
26	1259201GT	BOLT,CARRIAGE,10-24X2,A,ZAG .....	9

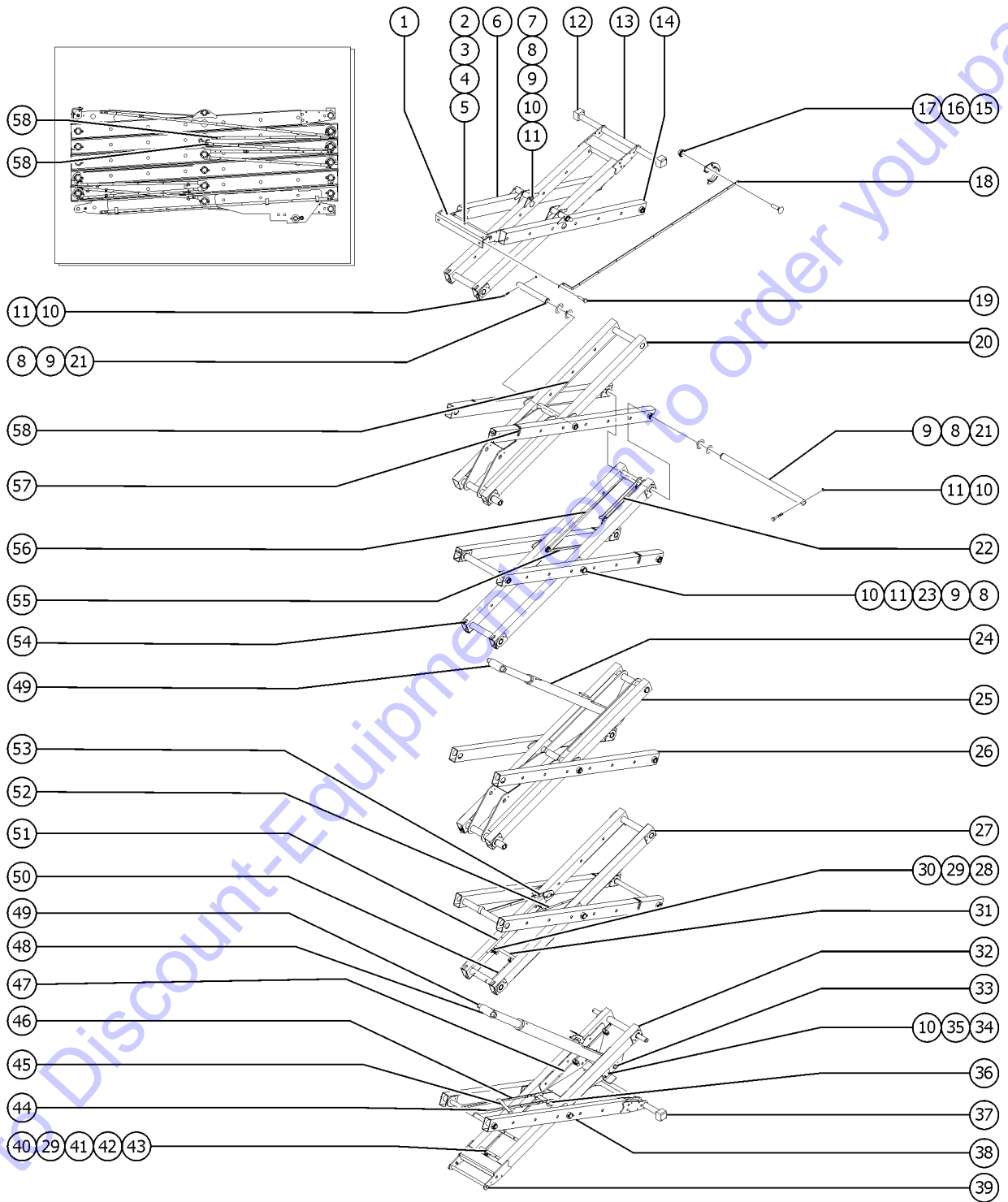
304.1 Scissor Assembly, GS-3246



Item	Part No.	Description	Qty.
27	1283004GT	NUT,NYLOCK FLG,10-24,A,ZAG	11
28	58000GT	SAFETY CHOCK,SCISSOR	1
29	96899GT	PIN, LONG, GS46	8
30	1260941GT	WASHER,SHIM,1.54X2.00X.125,ZAG	15
31	825796GT	SNAP RING,EXTERNAL,1.50,ZAG	18
32	1256848GT	SCREW,HHC,3/8-16X2.75,8,ZAG	12
33	1274166GT	NUT,NYLOCK,3/8-16,C,ZAG	18
34	96604GT	WLDMT,LNK,INNER #2	1
34-	66055GT	BEARING,1.50IDX1.77ODX1.25L	8
35	1300079GT	ASSEMBLY, LINK, INNER #1 (decal not included refer to section one)	1
35-	66055GT	BEARING,1.50IDX1.77ODX1.25L (bearings not included)	6
35-	1299483GT	WELDMNT, LNK, LOWER1 ,E-DRIVE	
36	96662GT	PIN, LOWER CYLINDER MOUNT	1
37	105074GT	FORMING,PH PUSHER, GS46	2
38		Ref. Chassis Slider (refer to 301.1)	
39	96603GT	WLDMT,LNK,OUTER #1,XX46	1
40	132119GT	PLATE,HOSE ROUTING,BULKHEAD *	3
41	1260962GT	BOLT,CARRIAGE,10-24X2.5,A,ZAG	2
42		Ref. PIN,LINKSET MOUNT (refer to 301.1)	1
43	105186GT	WLDMNT,CABLE BRIDGE,LOWER	1
44		Ref. Lift Cylinder, Bottom (refer to 503.2)	
45	96812GT	PIN, LOWER CYL, ROD END	1
46	96608GT	WLDMT,LNK,INNER #3,32XX	1
47	96661GT	PIN, UPPER CYLINDER MOUNT	1
48	96663GT	PIN, SADDLE CYLINDER MOUNT	1
49	96900GT	PIN, SHORT, GS46	6
50	96735GT	LINK BUMPER, 5"	8
51		Ref. Platform Mount Assembly (refer to 301.1)	



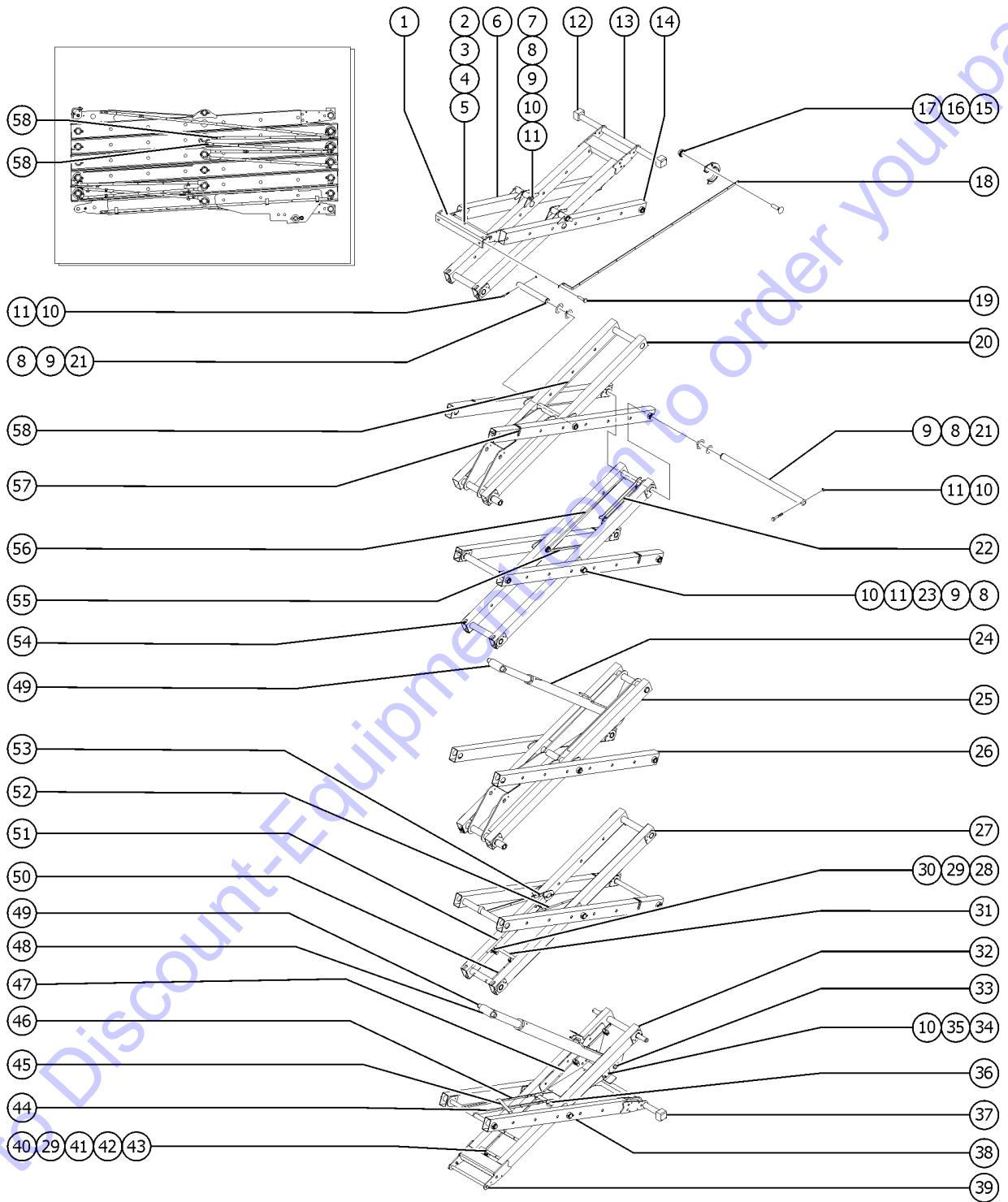
305.1 Scissor Assembly, GS-4046



Item	Part No.	Description	Qty.
1		Ref. Platform Mount Assembly (refer to 301.1)	
2	1302559GT	SEAL KIT	1
3	825020GT	ROD END,.250X2.75,ZAG	2
4	824080GT	SCREW,HHF,1/4-20X1.25,8,ZAG	2
5	1277924GT	NUT,NYLOCK FLG,1/4-20,F,ZAG	2
6	132383GT	WELDMENT,LNK,OUTER#4,RIGHT (ground controls side)	1
7	96130GT	PIN, MINI, CENTRE	2
8	825796GT	SNAP RING,EXTERNAL,1.50,ZAG	
9	1260941GT	WASHER,SHIM,1.54X2.00X.125,ZAG	
10	1274166GT	NUT,NYLOCK,3/8-16,C,ZAG	
11	1256848GT	SCREW,HHC,3/8-16X2.75,8,ZAG	
12		Ref. Platform Slider (refer to 301.1)	
13	1273427GT	ASSEMBLY,LINK,INNER #6	1
13-	132525GT	WLDMT,LNK,INNER #4,2646 (bearings not included)	
13-	66055GT	BEARING,1.50IDX1.77ODX1.25L	
13-	96487GT	BEARING,1.26IDX1.53ODX1.25L	
14	132385GT	WELDMENT,LNK,OUTER#4,LEFT (battery pack side)	1
15	1256679GT	NUT,SERRATED,1/4-20,8,ZAG	22
16	105193GT	CLIP,CABLEBRIDGE,GS32/46	12
17	1260963GT	BOLT,CARRIAGE,1/4-20X.63,5,ZAG	24
18	105189GT	BAR,CABLE BRIDGE ARM,UPPER	1
19	9116GT	BOLT,CARRIAGE,1/4-20 X 1.25,G2	2
20	1273419GT	ASSEMBLY,LINK,INNER #5	1
21	96899GT	PIN, LONG, GS46	13
22	58000GT	SAFETY CHOCK,SCISSOR	1
23	96900GT	PIN, SHORT, GS46	4
24		Ref. Lift Cylinder, Top (refer to 503.2)	
24-	66055GT	BEARING,1.50IDX1.77ODX1.25L	

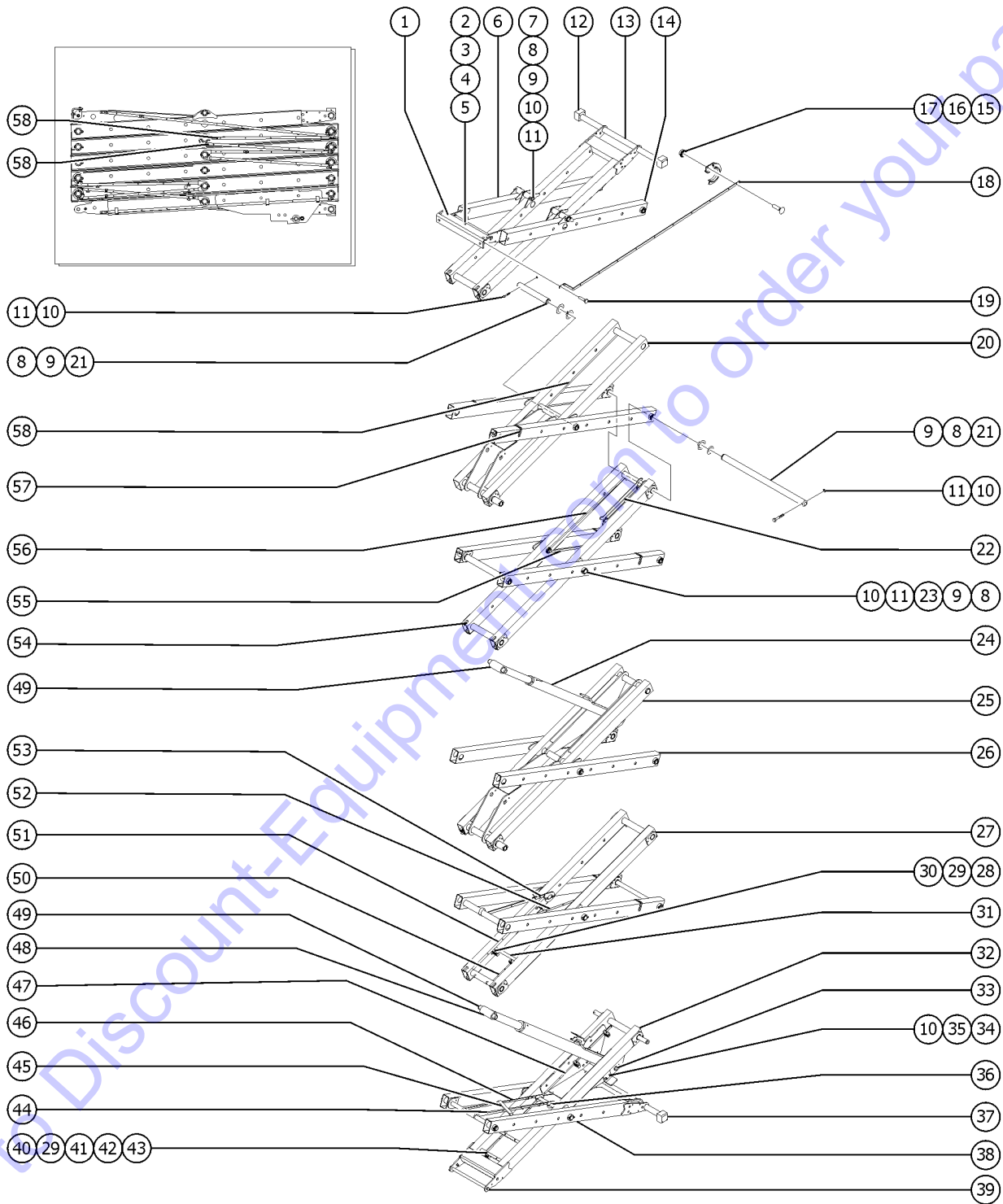


305.1 Scissor Assembly, GS-4046



Item	Part No.	Description	Qty.
25	1273421GT	ASSEMBLY, LINK, INNER #3	1
26	229579GT	WELDMENT, LINK, OUTER, #2,3,4,5	8
26-	66055GT	BEARING, 1.50IDX1.77ODX1.25L	
27	1273420GT	ASSEMBLY, LINK, INNER #2,4	1
28	1261822GT	BOLT, CARRIAGE, 10-24 X 1.5", G2	12
29	105213GT	RUBBER CUSHION, CLAMP, SHORT	
30	105206GT	CLAMP, SHORT	12
31	1273387GT	FORMING, END CONNECTING	1
32	1300079GT	ASSEMBLY, LINK, INNER #1 (decal not included refer to section one)	1
32-	1299483GT	WELDMENT, LNK, LOWER1 ,E-DRIVE	1
32-	66055GT	BEARING, 1.50IDX1.77ODX1.25L	
33	96662GT	PIN, LOWER CYLINDER MOUNT	1
34	1255757GT	BOLT, CARRIAGE, 3/8-16X1.25, 5, ZAG	4
35	105074GT	FORMING, PH PUSHER, GS46	2
36	1261823GT	BEARING, 1.5IDX1.75ODX2.4L	2
37		Ref. Chassis Slider (refer to 301.1)	
38	132517GT	WLDMT, LNK, OUTER #1, XX46 (decal not included refer to section one)	1
39		Ref. PIN, LINKSET MOUNT (refer to 301.1)	
40	105208GT	RUBBER CUSHION, SEPARATOR	5
41	105205GT	CLAMP, LONG	3
42	1283004GT	NUT, NYLOCK FLG, 10-24, A, ZAG	
43	1260962GT	BOLT, CARRIAGE, 10-24X2.5, A, ZAG	
44	1273370GT	WELDMENT, CABLE BRIDGE TOP	1
45	1273385GT	FORMING, END CONNECTING	2
46	1273367GT	WELDMENT, CABLE BRIDGE, TOP	1
47	105186GT	WLDMNT, CABLE BRIDGE, LOWER	1
48		Ref. Lift Cylinder, Bottom (refer to 503.2)	
49	96661GT	PIN, UPPER CYLINDER MOUNT	3

305.1 Scissor Assembly, GS-4046

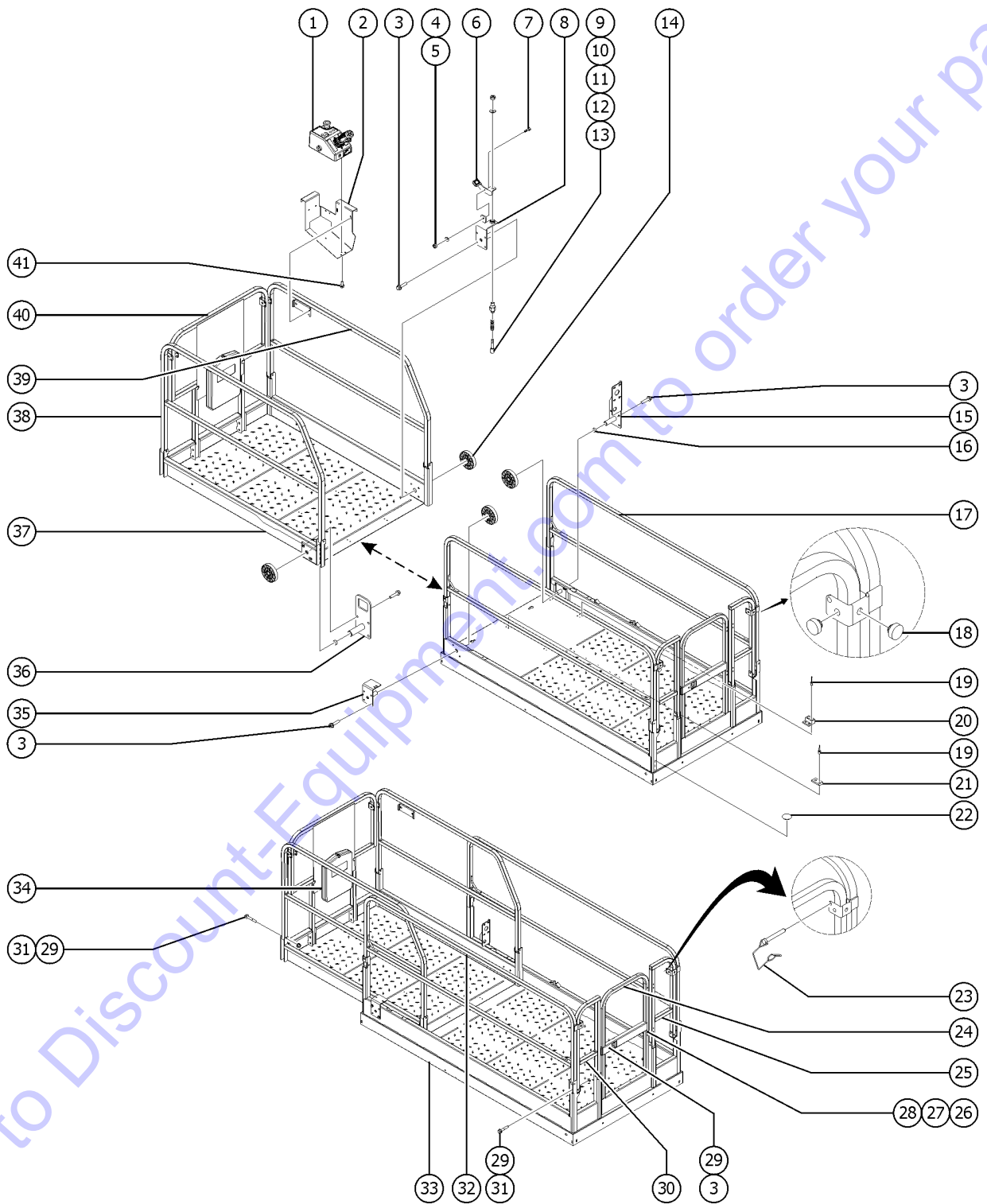


Item	Part No.	Description	Qty.
50	1255939GT	DECAL KIT,S60,PLAT,SYM,ANSI .....	1
51	1273366GT	WELDMENT, CABLE BRIDGE, BOTTOM .....	1
52	1273365GT	WELDMENT, CABLE BRIDGE, TOP .....	1
53	1273364GT	WELDMENT, CABLE BRIDGE, TOP .....	1
54	96735GT	LINK BUMPER, 5" .....	10
55	1273573GT	WLDMT,CABLE BRIDGE,BOTTOM .....	1
56	105191GT	WELDMENT.CABLE BRIDGE, TOP .....	1
57	96836GT	LINK BUMPER, SHORT TUBE .....	8
58	1273386GT	BAR, CABLE BRIDGE ARM .....	1

Go to Discount-Equipment.com to order your parts



401.1 Platform Components

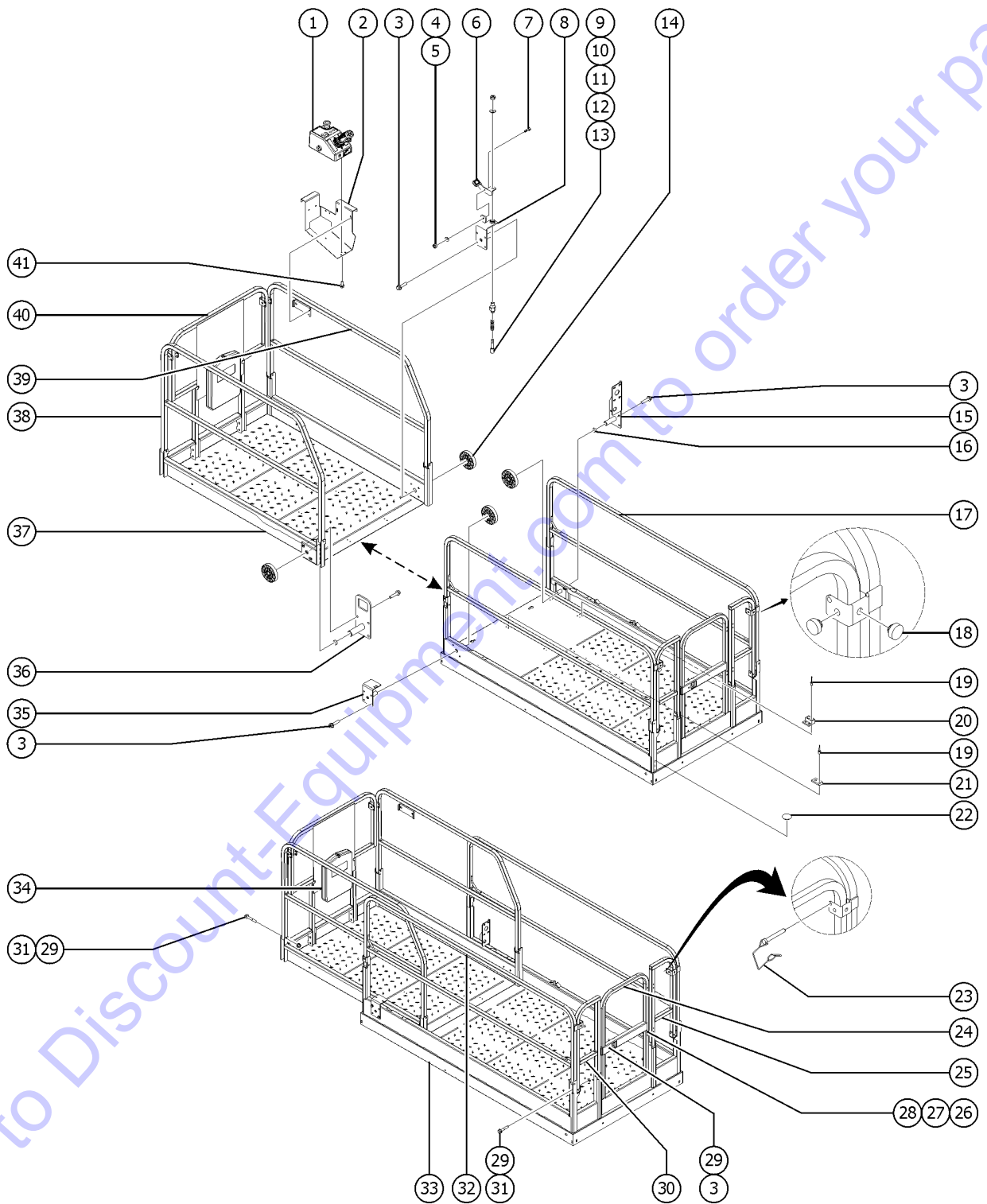


401.1 Platform Components

Item	Part No.	Description	Qty.
1	1280957GT	PCON ASSEMBLY, HARTING CONN OPTION	1
2		Ref. Platform Control Box Mount Bracket (refer to 403.1)	
3	1253478GT	SCREW,HHF,3/8-16X2,8,ZAG	5
4	1283027GT	NUT,LP NYLOCK,5/16-18,2,ZAG	1
5	825358GT	WASHER,FLAT,5/16,USS,ZAG	1
6	46260GT	FOOTPEDAL W/NON-SKID TAPE,GS**	1
6-	47166GT	BRACKET,FOOT PEDAL	1
6-	47225GT	TAPE,NON-SKID,DIE CUT,1.38X1.5 (not included sold separately)	
7	1259223GT	BOLT,SHS,3/8X.375X5/16-18,ZAG	1
8	96413GT	WLDMT,LOCKING ROLLER SUPPORT	1
9	1259181GT	PIN,LOCK,0.5X3.125,ZAG	1
10	39469GT	SPRING,COMPRESSION.485 X1.75**	1
11	41630GT	HOUSING, LOCK PIN	1
12	1255758GT	WASHER,FLAT,3/8,USS,ZAG	2
13	1283028GT	NUT,LP NYLOCK,3/8-16,2,ZAG	1
14	47163GT	ROLLER,PLATFORM EXTENSION	4
15	96247GT	WELDMENT,ROLLER BRACKET,RT*** (ground controls side), to SN GS46P-200619	1
15B	1311033GT	WELDMENT, ROLLER BRACKET RT from SN GS46P-200620	1
16	21279GT	BUTTON, .800 O.D. X .281	3
17	66925GT	WLDMT, MAIN SIDERAIL, RT***	1
18	43392GT	BUMPER,BATTERY BOX & RAILS	12
19	39579GT	RIVET,STL,STL,.188 X .45	1
20	39310GT	WEAR/GUIDE PAD MAIN PLATFORM	4
21	39474GT	WEAR PAD,PLATFORM	6
22	15243GT	PLUG,NYLON .875 BLACK DOMED	2
23	1259182GT	PIN,WIRE LOCK 3/8 X 2 -1/2,ZAG	
23-	78022GT	LANYARD,BLACK NYLON,TYPE 1*** (CE & Australia models)	
24	66512GT	WLDMT, FULL HEIGHT GATE	1



401.1 Platform Components



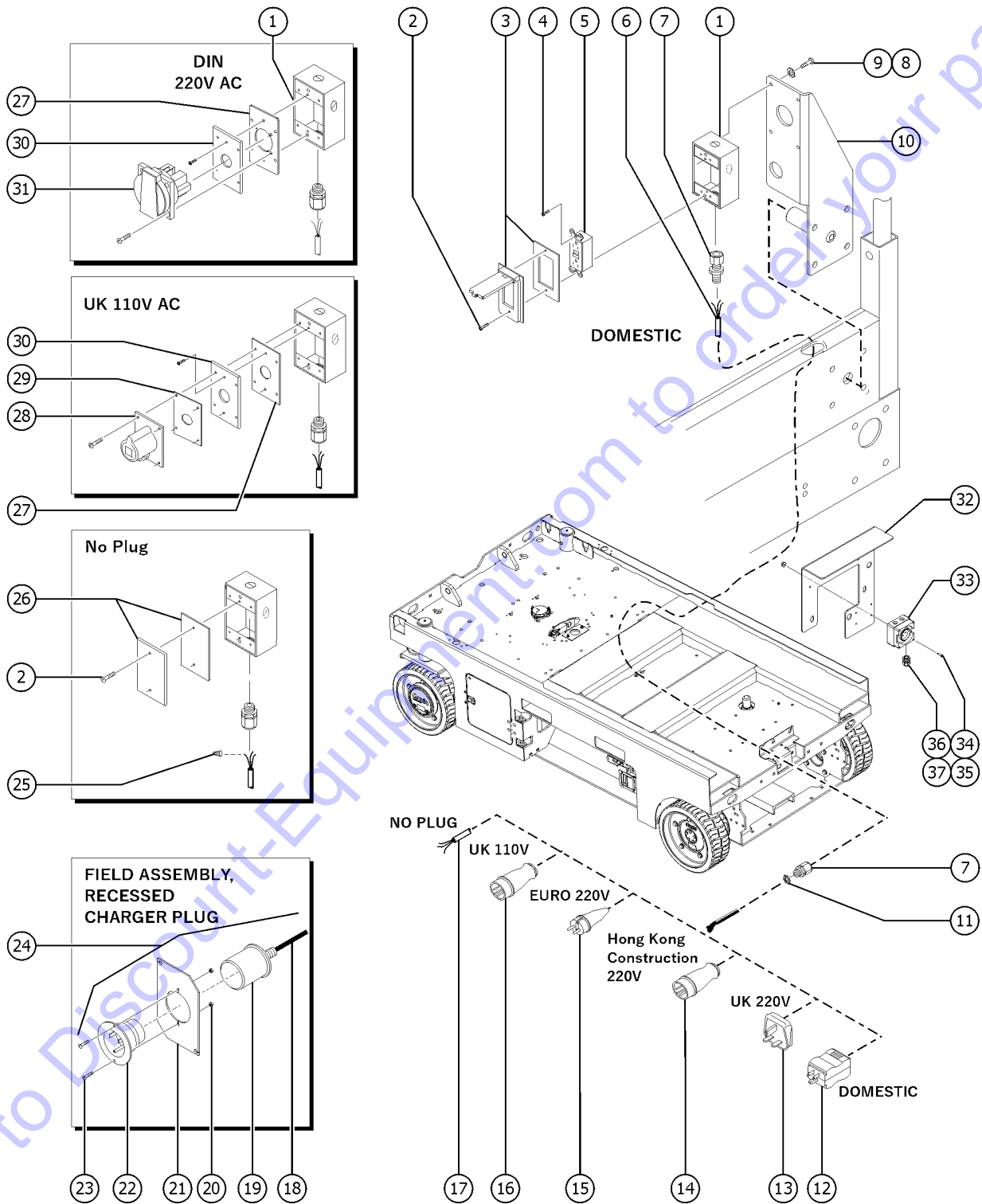
401.1 Platform Components

Item	Part No.	Description	Qty.
24B	65990-SGT	KIT,GATE LATCH (includes items 3 and 33)	
24B-	22446GT	SPRING, COMPRESSION .835 X 2 included in kit 65990-SGT	1
24B-	66544GT	LATCH HANDLE included in kit 65990-SGT	1
25	66923GT	WLDMT, ENTRY SIDERAIL, RT	1
25-	78038GT	CAP, PLASTIC, 1.25 X 0.08"	
26	1253485GT	SCREW,HHF,1/4-20X2,8,ZAG	8
27	104804GT	HINGE, SPRING, LONG LEG	2
28	1277924GT	NUT,NYLOCK FLG,1/4-20,F,ZAG	8
29	1274322GT	NUT,NYLOCK FLG,3/8-16,F,ZAG	
30	66920GT	WLDMT, ENTRY SIDERAIL, LT	1
30-	78038GT	CAP, PLASTIC, 1.25 X 0.08" (not included sold separately)	
31	1256856GT	SCREW,HHF,3/8-16X2.5,8,ZAG	2
32	66919GT	WLDMT, MAIN SIDERAIL, LEFT	1
33	1302134GT	WLDMNT, PLATFORM, LARGE, PUNCHED (decals not included, refer to section one)	1
34	24514GT	BOX,INSTRUCTION STORAGE (decals not included, refer to section one)	1
34-	1256855GT	SCREW,HHF,1/4-20X.625,8,ZAG	4
34-	1277924GT	NUT,NYLOCK FLG,1/4-20,F,ZAG	4
34-	825358GT	WASHER,FLAT,5/16,USS,ZAG	4
35	96246GT	WELDMENT,ROLLER BRACKET,LT***	1
36	96200GT	WLDMT, LANYARD ROLLER BRKT	1
36-	21279GT	BUTTON, .800 O.D. X .281 (sold separately)	1
37	1302140GT	WLDMNT, EXT DECK, LARGE, PUNCHED	1
38	96761GT	WLDMT, EXT. SIDERAIL, LT	1
38-	43392GT	BUMPER,BATTERY BOX & RAILS	3
39	96762GT	WELDMENT,EXT SIDERAIL,RT***	1
39-	43392GT	BUMPER,BATTERY BOX & RAILS	3
40	96794GT	WLDMT, EXTENSION ENDRAIL	1
41	824078GT	SCREW,HHF,1/4-20X.75,8,ZAG	1





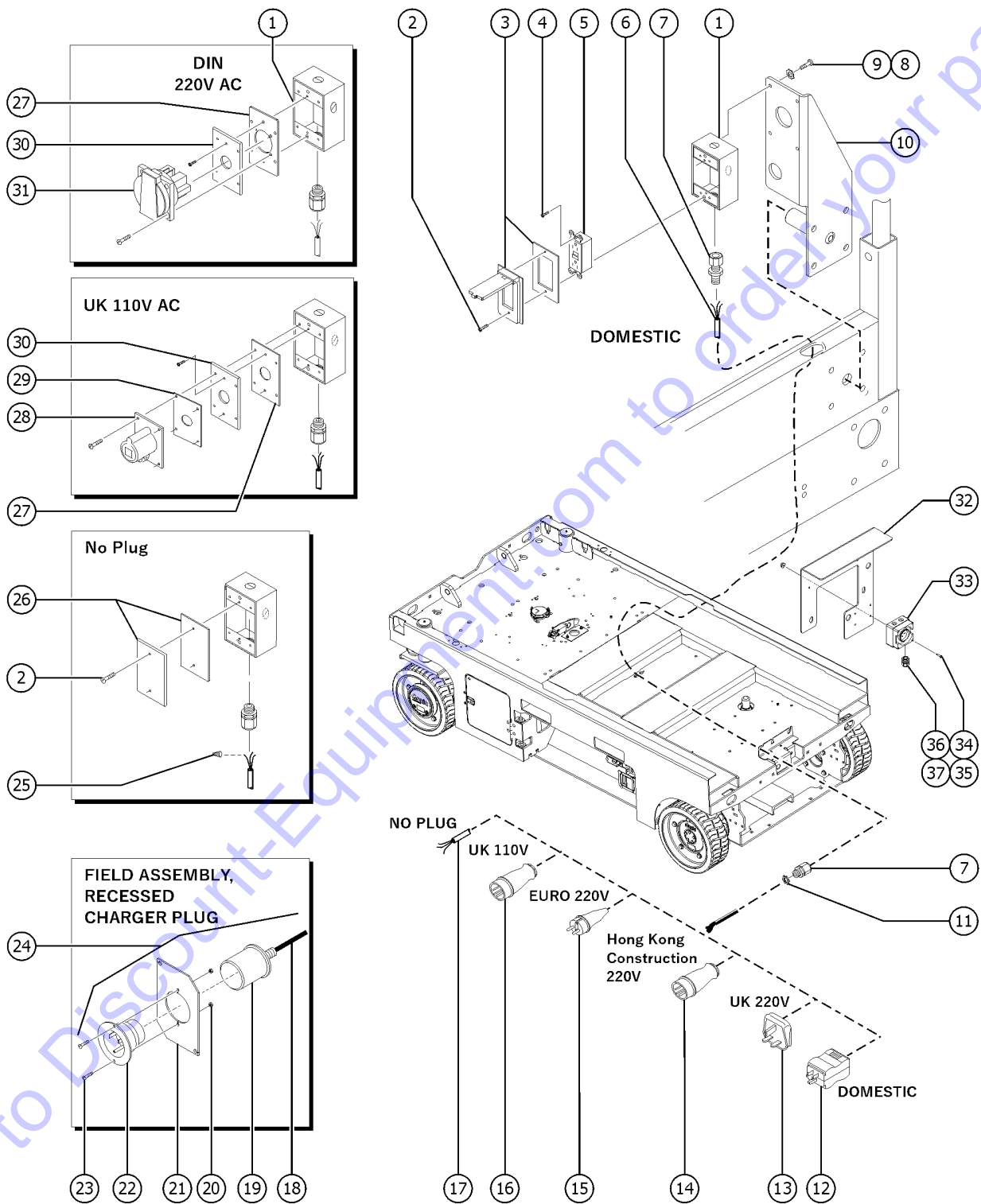
402.1 Power to Platform



Item	Part No.	Description	Qty.
A	33724GT	KIT,GASKET,UK POWER TO PLAT (includes 1 each, items 27 and 29)	1
1	10775GT	T-BOX,2.75 X 4.5 X 2.0 replaced by 1310378GT	1
1B	1310378GT	T-BOX, 2.75 X 4.5 X 2.0** replaced 10775GT	1
2	1259259GT	SCREW,PHPM,6-32X.75,ZAG	1
3	74006GT	COVER,GFCI,HORIZONTAL,WEATHER (ANSI and CSA models) (includes gasket and mounting fasteners)	1
3B	105812GT	COVER,T-BOX LOCKABLE EE rated (not shown)	1
4	45546GT	SCREW,RHM,6-32 X .5	1
5	13585GT	OUTLET, 110V	1
6	43956GT	WIRE CABLE,14/3 CON.TPE JKT* GS-2046	415
6B	43956GT	WIRE CABLE,14/3 CON.TPE JKT* GS-2646	510
6C	43956GT	WIRE CABLE,14/3 CON.TPE JKT* GS-3246	604
6D	43956GT	WIRE CABLE,14/3 CON.TPE JKT*	724
7	7056GT	CONN, SQZ, 1/2NPT, 0.38-0.50,SM	1
8	1257296GT	SCREW,PHPM-ST,8-32X.50,TYPE F,ZAG	1
9	44936GT	WASHER,STAR,EXTERNAL,#8	4
10		Ref. ROLLER BRACKET (refer to 401.1)	
11	6935GT	CONN, SQZ, 1/2NPT, LOCKNUT	1
12	6595GT	PLUG,ELECTRICAL,DOMESTIC	1
13	25388GT	PLUG,FUSED,250V,13AMP,U.K.**	1
14	1263471GT	PLUG,IEC60309 CEE, 3PIN 220-24 (Hong Kong Construction)	1
15	1280665GT	PLUG, TYPE F, 230A, 50HZ, 16A, IP44	1
16	144161GT	PLUG,PWR,UK,16AMP,3PIN,BLK	1
17	105117GT	PLUG,FLG INLET,15A/125V,2PWGD	1
17-	105118GT	GASKET,(BOOT) FLANGE INLET PLG	1
18	48282GT	POWER CORD, IEC 320 BLANK	1
19	105118GT	GASKET,(BOOT) FLANGE INLET PLG	1
20	1258187GT	NUT,TL,8-32,A,ZAG	2
21	105483-SGT	PLATE,AC ADAPTER(ANSI/CSA)	1



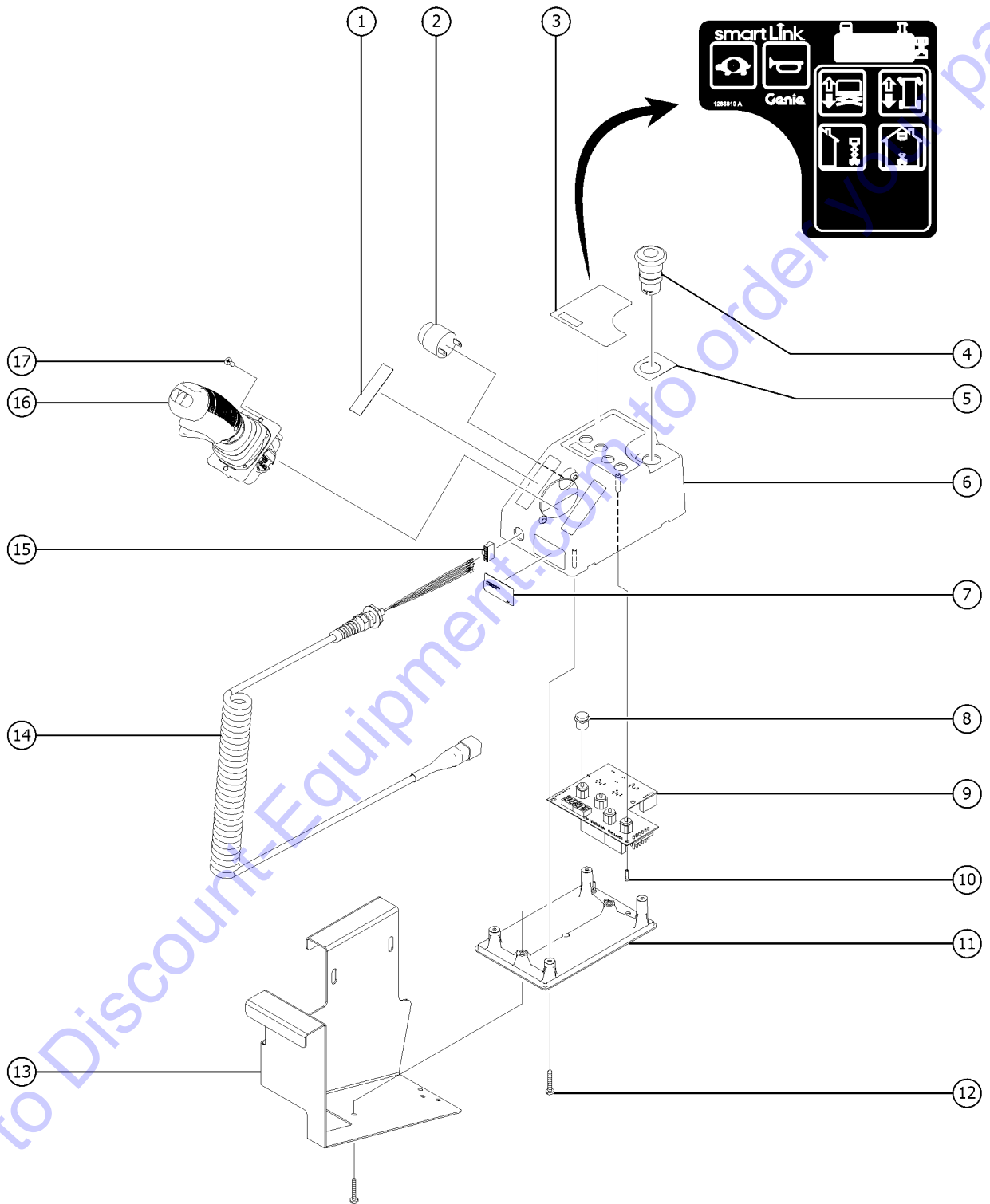
402.1 Power to Platform



Item	Part No.	Description	Qty.
21-	1271081GT	NUT,NYLOCK,8-32,8,ZAG .....	2
21-	6878GT	BOLT,CARRIAGE,1/4-20 X .75,G2 .....	2
22	105117GT	PLUG,FLG INLET,15A/125V,2PWGD .....	1
23	1268950GT	SCREW,PHPM,8-32X.50,ZAG .....	2
24	144129GT	RECESSED SIDE PLUG ASSY, GS .....	1
25	6626GT	WIRE CAP,ORANGE .....	1
26	10777GT	COVER, BLANK .....	1
27	66355GT	GASKET, UK & DIN PWR. TO PLAT 2.9 x 2.9 inches .....	1
28	T112560GT	RECEPTACLE,UK,110 VOLT .....	1
29	66356GT	GASKET, UK RECEPTACLE 2.9 x 2.9 inches .....	1
30	105483-SGT	PLATE,AC ADAPTER(ANSI/CSA) .....	
30B	96236GT	PLATE,AC ADAPTER,DIN/UK*** .....	
30C	T112561GT	PLATE,UK POWER TO PLATFORM .....	
30D	105090GT	PLATE, AC ADAPTER(AUS) .....	
31	66353GT	RECEPTACLE, DIN, 220V 50A .....	1
32	1275425GT	FORMING, AUS RCD BRACKET, GS47 .....	1
33	1284302GT	SCREW, PHPM, 10-32 X .75, ZAG .....	1
34	824215GT	SCREW, PHPM, 10-32 X .75, ZAG .....	8
35	824032GT	NUT,TL FLG,10-32,F,ZAG .....	8
36	160412GT	JOINT;PG13.5;M20x1.5 .....	2
37	96009GT	WASHER,NITRILE .....	1

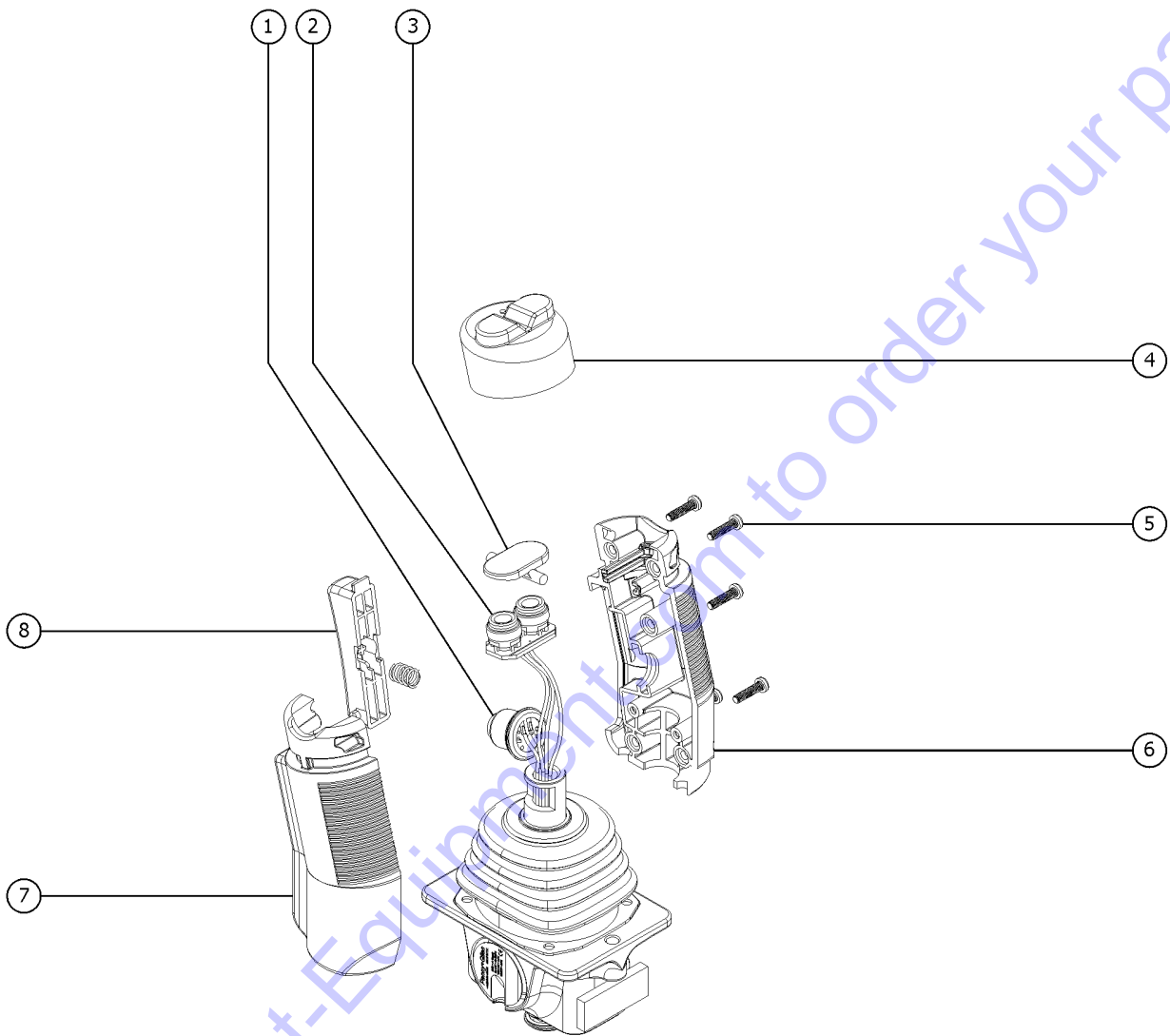


403.1 Platform Controls



Item	Part No.	Description	Qty.
A	1283792GT	PCON,STD,DUAL ZONE,GS/GR .....	
A-	1258731GT	FLASH DRIVE,SL1K2.0 SOFTWARE (For proportional lift or upgrade kits only. Software update available on-line. Flash drive sold separately.)	
A-	137587GT	HARNESS, ESTOP, GR/GRC/GS PCON .....	1
B	1280957GT	PCON ASSEMBLY, HARTING CONN OPTION .....	1
C	1280958GT	CABLE,PLATFORM CONTROL,GS,HARTING CONN OPTION .....	1
1	137656GT	DECAL,PROPEL,GR/GRC/GS,PCON .....	1
2	39540GT	ALARM,STEADY TONE*** order 72326 mounting ring separately	1
3	1283810GT	DECAL,STD,DUAL ZONE,GR/GS,UI .....	1
4	66812GT	BUTTON,PUSH,RED MUSHROOM HEAD .....	1
4-	66817GT	E-STOP NC CONTACT .....	1
5	137605GT	DECAL,E-STOP,GR/GRC/GS PCON .....	1
6	T106368GT	ENCLOSURE, GC14-1, TOP .....	1
7		(component no longer available) refer to 401.1	
8	T106373GT	CAP,BUTTON,K12 .....	6
9	1283790GT	PCBA,PCON,STD,DUAL ZONE .....	1
10	137637GT	SCREW,PHM,4-20X.5, 48-2 TRI-L .....	4
11	T106370GT	ENCLOSURE,GC14-1/GC16-1, BOT .....	1
12	137640GT	SCREW,PHM,8-16X.75, 48-2 TRI-L .....	4
13	T114397GT	FORMING,PLAT CONTROL BOX (decals not included, refer to section one)	
14	137611GT	ASSY, COIL CORD, GR/GRC/GS .....	1
15	137699GT	PLUG, 6POS ECO PWR .....	1
16		Ref., JOYSTICK (refer to 404.1)	1
17	229845GT	SCREW,BHSCS,M5X10,SS apply Loctite 243 or equivalent before installation	2

404.1 Joystick Controller



404.1 Joystick Controller

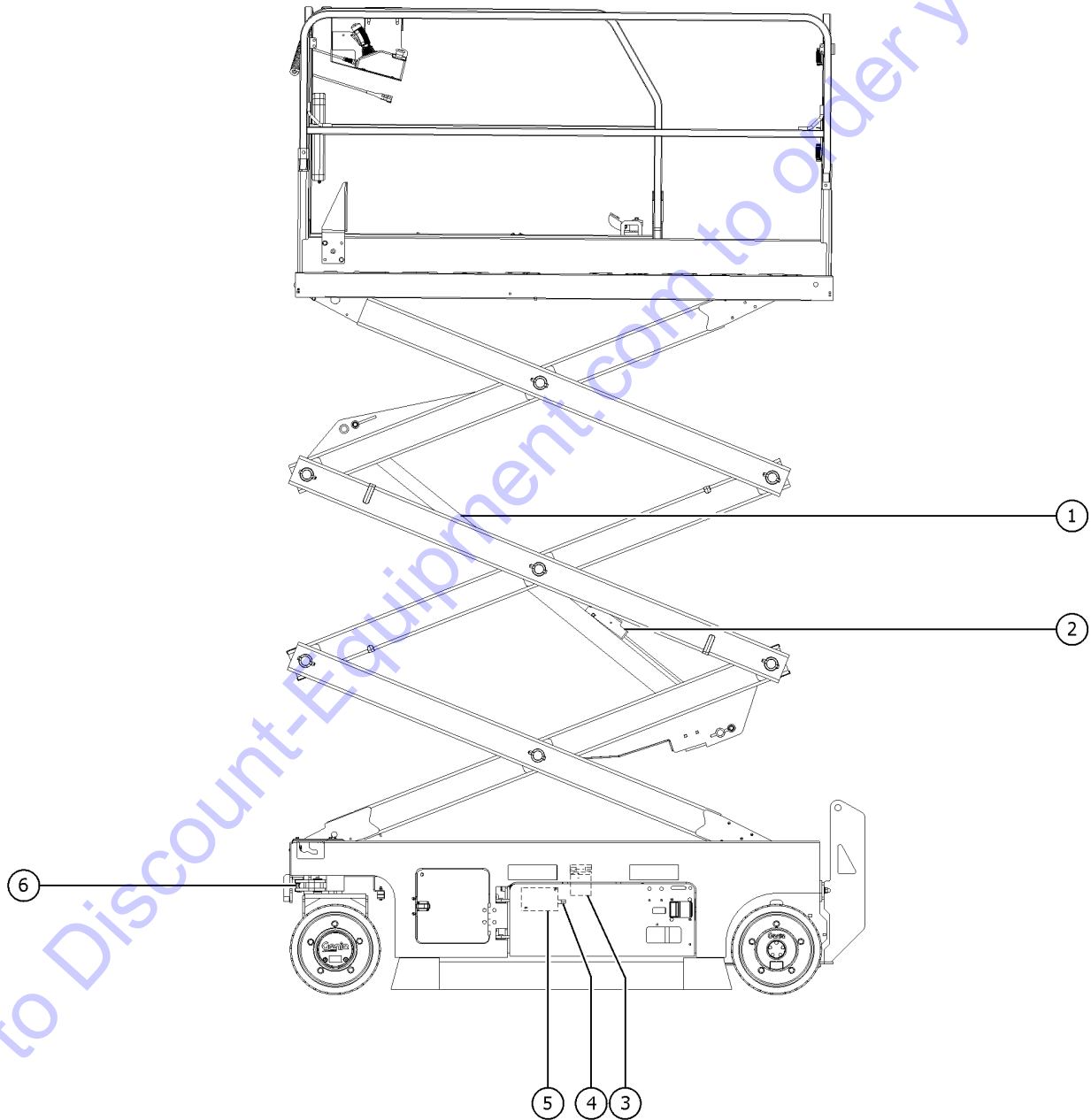
Item	Part No.	Description	Qty.
--	137634GT	JOYSTICK, HALL EFFECT, SINGLE .....	1
--	229097GT	TERMINAL, SPLINE (AMP) .....	5
--	214544GT	KIT,BOOT,JOYSTICK,SL1000 .....	
		joystick boot	
1	235463GT	KIT,SWITCH,JYSTK,SL1000 .....	
		function enable and steer switches	
2	235463GT	KIT,SWITCH,JYSTK,SL1000 .....	
		function enable and steer switches	
3	229092GT	ROCKER,2 SWITCH .....	1
4	229093GT	BOOT, 2 SWITCH, SILICON .....	1
5	229086GT	SCREW, SELF TAP .....	5
6	229087GT	HANDLE HALF,RIGHT,W/TOP SWITCH .....	1
6B	229091GT	SCREW,GRUB,M5X8MM,HLF DOG,BZP .....	1
		for 229087GT	
7	229088GT	HANDLE HALF,LEFT,W/TOP SWITCH .....	1
7B	229090GT	SCREW,GRUB,M5X8MM CUP(BLK) .....	1
		for 229088GT	
8	229089GT	TRIGGER, EXTENDED .....	1
8-	229094GT	SPRING, HANDLE TRIGGER .....	1

Go to Discount-Equipment.com to order your parts





501.1 Hydraulic Components

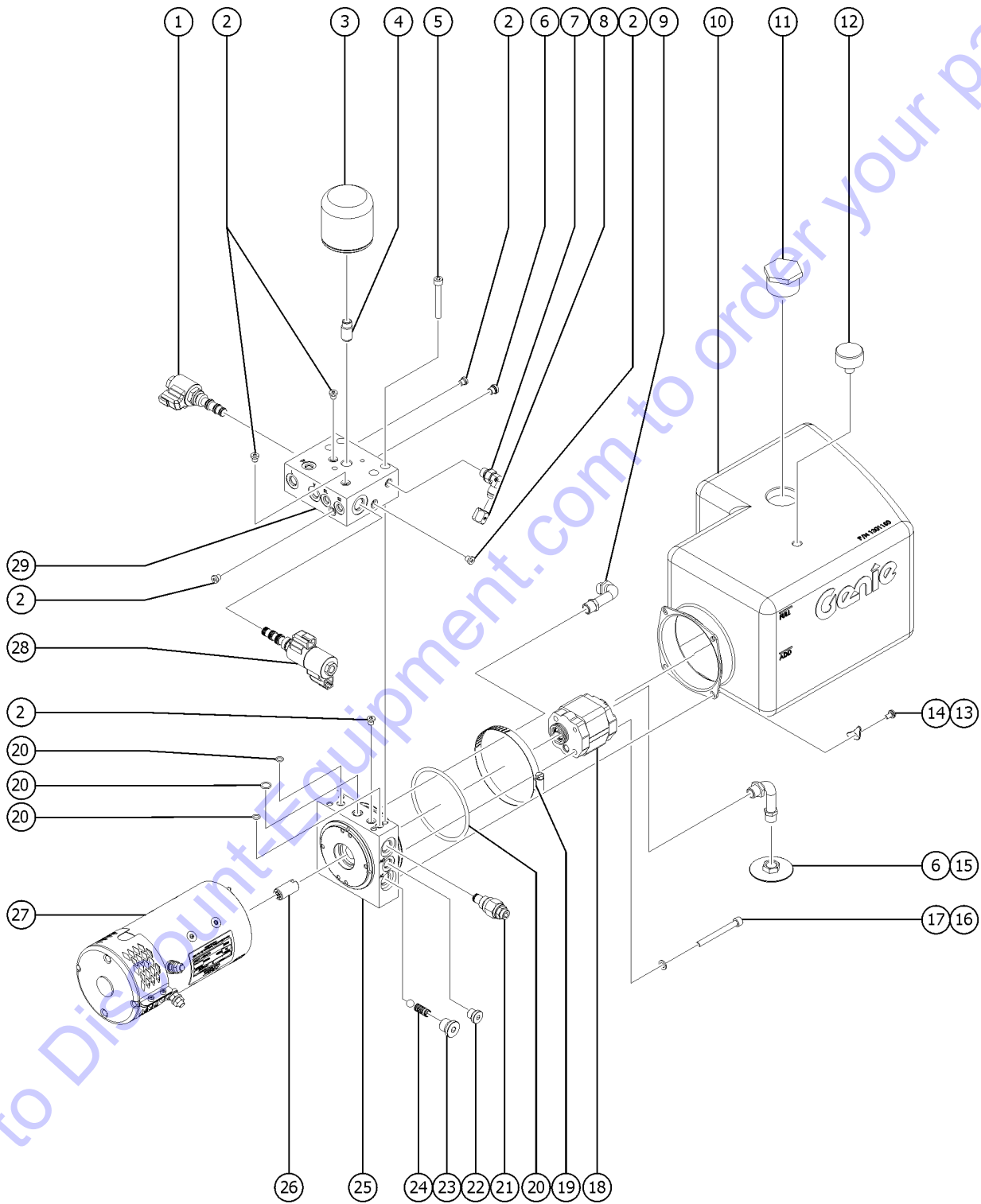


Item	Part No.	Description	Qty.
1		Ref. Lift Cylinder Assembly ..... (refer to 503.1, 503.2)	
2		Ref. Pressure Transducer ..... (refer to 701.1)	
3		Ref. Filter, Element, Spin On ..... (refer to 502.1)	
4		Ref. Check Valve ..... (refer to 502.1)	
5		Ref. Power Unit ..... (refer to 502.1)	
6	105547GT	CYLINDER,GS/GR STEER*** .....	1
6-	105550GT	KIT,STEER CYL SEAL .....	
6-	105553GT	KIT,STEER CYL SEAL,040271P,HDM ..... (for code H408147 and up)	
6-	105554GT	KIT,STEER CYL SEAL,040499P,HDM ..... (for code H41109 and up)	
6-	105555GT	KIT,STEER CYL SEAL,040505P,HDM ..... (for codes H41205, H41255, H51290, H501111, H505109, H509101, H60723 and H60870)	

Go to Discount-Equipment.com to order your parts



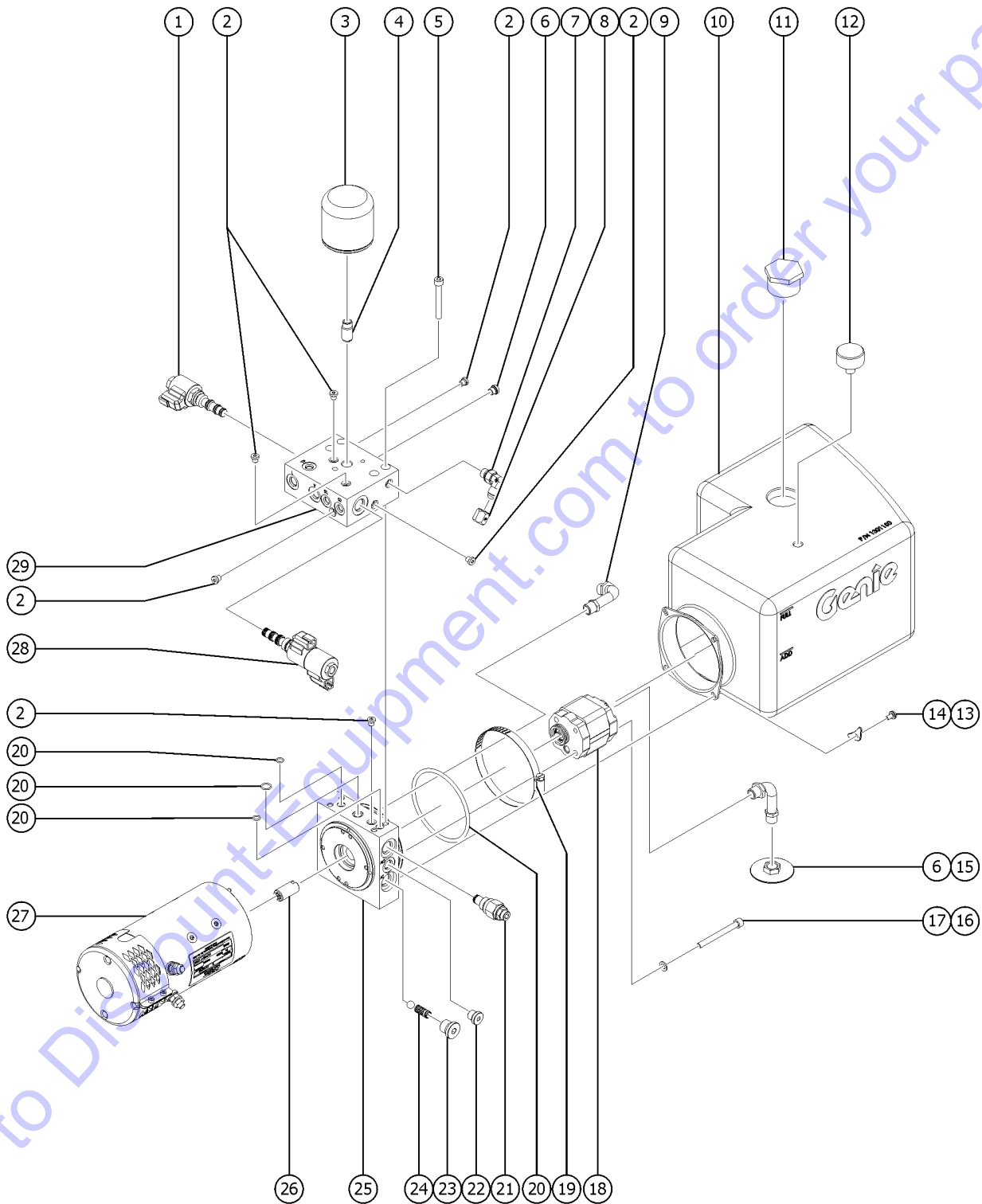
502.1 Power Unit



Item	Part No.	Description	Qty.
1	1303166GT	VALVE-SOLENOID, 2POS 4WAY, SV08-40-0-N-20ERZ .....	1
2	1302837GT	PLUG, M8X1, Y .....	6
3	1300318GT	FILTER, ELEMENT, SPIN ON .....	1
4	1300319GT	INSERT, THREADED, INTERNAL HEX .....	1
5	1302843GT	SCREW, GB/T70.1, M8X55, ZNCR, 12.9 .....	4
6	1302836GT	PLUG, M10X1, Y .....	1
7	1307058GT	ELBOW, POWER UNIT .....	1
8	1307059GT	CAP, POWER UNIT .....	1
9	1302844GT	SUCTION TUBE, NPT3/8 .....	2
10	1301150GT	TANK, HYD. POLYETHYLENE, GS4046 SLAB, E-DRIVE (GS-4046) .....	1
10B	1301149GT	TANK, HYD. POLYETHYLENE, MID/LARGE SLAB, E-DRIVE (GS-2046, GS-2646, GS-3246) .....	1
11	66204GT	FILTER CAP (PLUG 1-1/2" NPT HEX .....	1
12	78546GT	BREATHER CAP, HYD. TANK, 1/4 NPT .....	1
13	1302840GT	SCREW, GB/T5789, M6X8, 8.8 .....	4
14	1302841GT	WASHER, TRIANGULAR, PU-**-04-P .....	4
15	1302845GT	SUCTION FILTER, PU-LW1 .....	1
16	1302838GT	SCREW, GB/T70.1, M8X80, 12.9 .....	2
17	1302839GT	WASHER, GB/T848, 8, BZN, 300HV .....	2
18	1301546GT	GEAR PUMP, 3.8CC, GS4046, E-DRIVE (GS-4046) .....	1
18B	1301545GT	GEAR PUMP, 2.9CC, MID/LARGE SLAB, E-DRIVE (GS-2046, GS-2646, GS-3246) .....	1
19	1302842GT	HOSECLAMP, 118-140MM .....	1
20	1302833GT	SEAL KITS, O-RING, 109X5.3, 12.5X1.8, 8.5X1.8 .....	1
21	1303167GT	RELIEF VALVE, RV08-20H-0-N-33/29 .....	1
22	1302834GT	PLUG, SAE9, 16-18, Y .....	1
23	1302835GT	PLUG, SAE3/4-16, 200Z60680 .....	1
24	1303256GT	MANIFOLD BLOCK, CENTER BLOCK, POWER UNIT, E-DRIVE (GS2046, GS2646 & GS3246 only) .....	1
25	1301547GT	MANIFOLD BLOCK, CENTER BLOCK, POWER UNIT, E-DRIVE .....	1
26	1303167GT	RELIEF VALVE, RV08-20H-0-N-33/29 .....	1



502.1 Power Unit



Go to [Dipoint-Equipment.com](http://Dipoint-Equipment.com) to order your parts

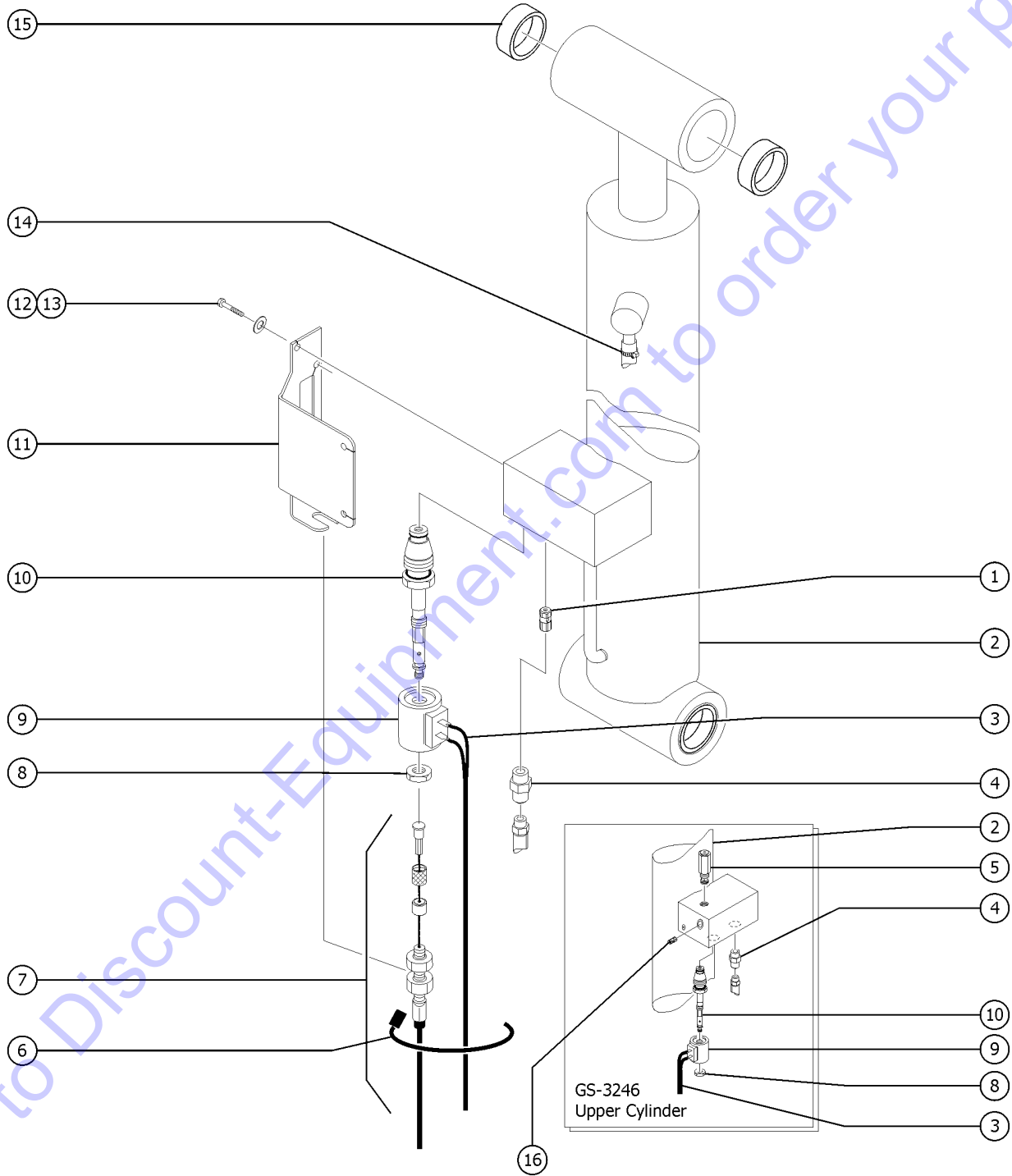


Item	Part No.	Description	Qty.
27	1300180GT	AMD,PUMP MOTOR,XP-2579,4046 E-DRIVE ..... (GS-4046)	1
27B	1300179GT	AMD,PUMP MOTOR,XP-2545,LARGE E-DRIVE ..... (GS-2046, GS-2646, GS-3246)	1
28	1303167GT	RELIEF VALVE, RV08-20H-0-N-33/29 .....	1
29	1301548GT	MANIFOLD BLOCK, DEPUTY BLOCK, POWER UNIT, E-DRIVE .....	1

Go to Discount-Equipment.com to order your parts



503.1 Lift Cylinder Assembly (GS2046, GS2646, GS3246)



Go to Discount-Equipment.com to order your parts



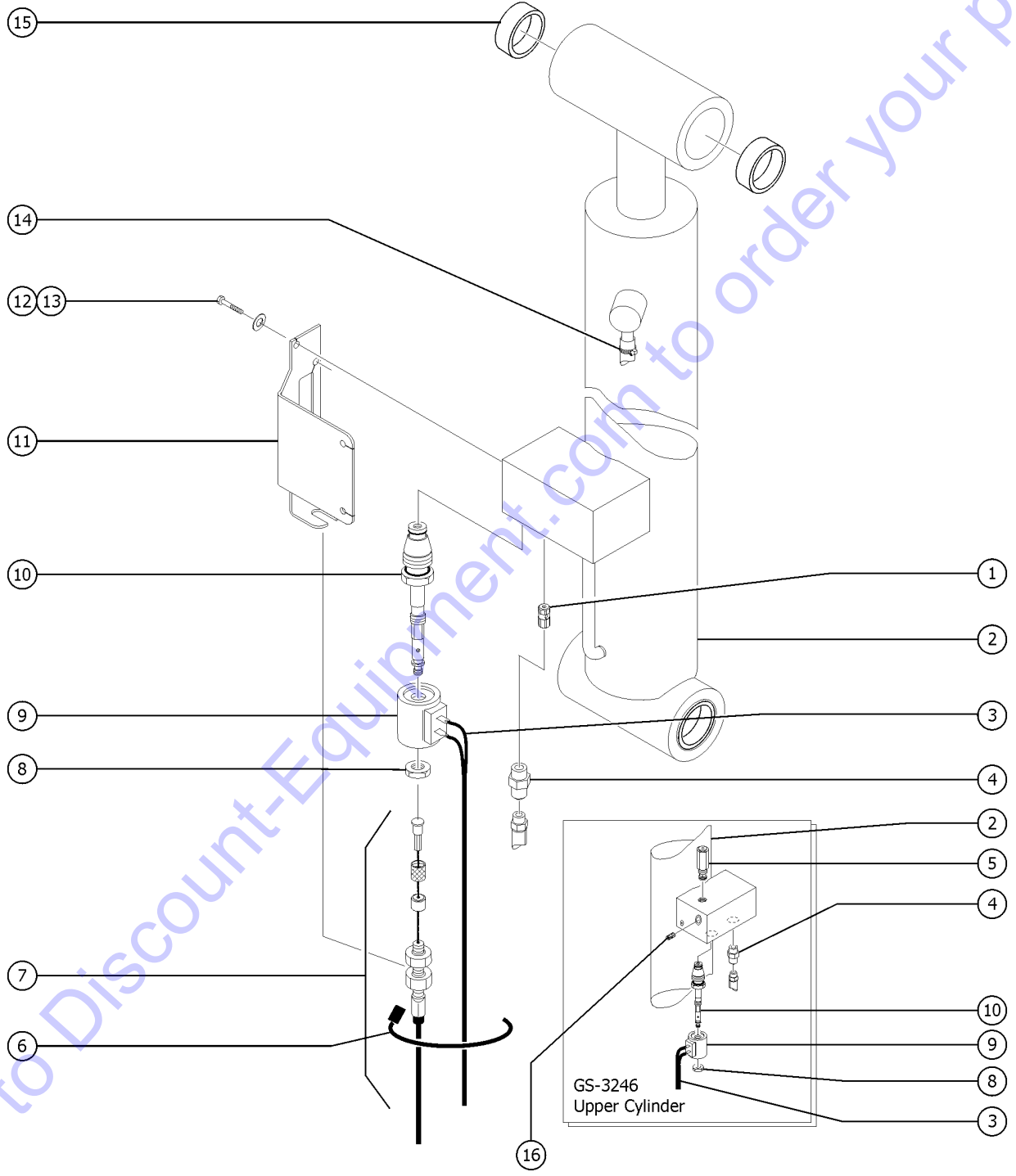
503.1 Lift Cylinder Assembly (GS2046, GS2646, GS3246)

Item	Part No.	Description	Qty.
1	55560GT	ORIFICE, LONG, .059"	
1-	105479GT	KIT, TWO ORIFICE, .059"	
1-	105481GT	KIT, ORIFICE, .059"	
2	105544GT	CYLINDER, 20XX LIFT (GS-2046)	1
2-	105549	SEAL KIT (105545) (for PN 105544GT)	
2B	105545	CYLINDER, 26XX/32XX LIFT (GS-2646)	1
2B-	105549	SEAL KIT (105545) (for PN 105545GT)	
2C	105546	CYLINDER, 32XX UPPER LIFT (GS-3246), (upper cylinder)	1
2C-	105564	SEAL KIT (105546) (for PN 105546GT)	
2D	105545	CYLINDER, 26XX/32XX LIFT (GS-3246), (lower cylinder)	1
2D-	105549	SEAL KIT (105545) (for PN 105545GT)	
3		Ref. Down Coil Wire Harness (refer to 210.1)	1
4	39878GT	CONNECTOR, 070120-6-6	2
5	97130GT	VALVE-RELIEF, 2500PSI	
5-	44227GT	SEAL KIT, VALVE for 97130	
5B	237455GT	VALVE, RELIEF, 2900 PSI, BOSCH	
6	28443GT	CABLE TIE, 11.5" BLACK	3
7		Ref. Emergency Down Cable (refer to 203.1)	
8	44973GT	NUT, COIL (39909)	1
9	84422GT	COIL-SOLENOID VALVE, 20V DC***	1
10	66465GT	VALVE, W/20V NC SOLENOID, MANUAL (includes items 7 and 8)	1
10-	40477GT	VALVE, CARTRIDGE***	
10-	44979GT	SEAL KIT, 39909, PLAT LWR VALVE*	
11	41557	FORMING, VERTICAL CABLE COVER	1
12	7339GT	SCREW, HHC, 1/4-20 X .5	
13	6356GT	WASHER, LOCK, .25	
14	96770GT	CLAMP, HOSE, 1 EAR, 11/16	1
15	105478GT	BEARING, 1.5025IDX1.5075ODX1.5L	4





503.1 Lift Cylinder Assembly (GS2046, GS2646, GS3246)



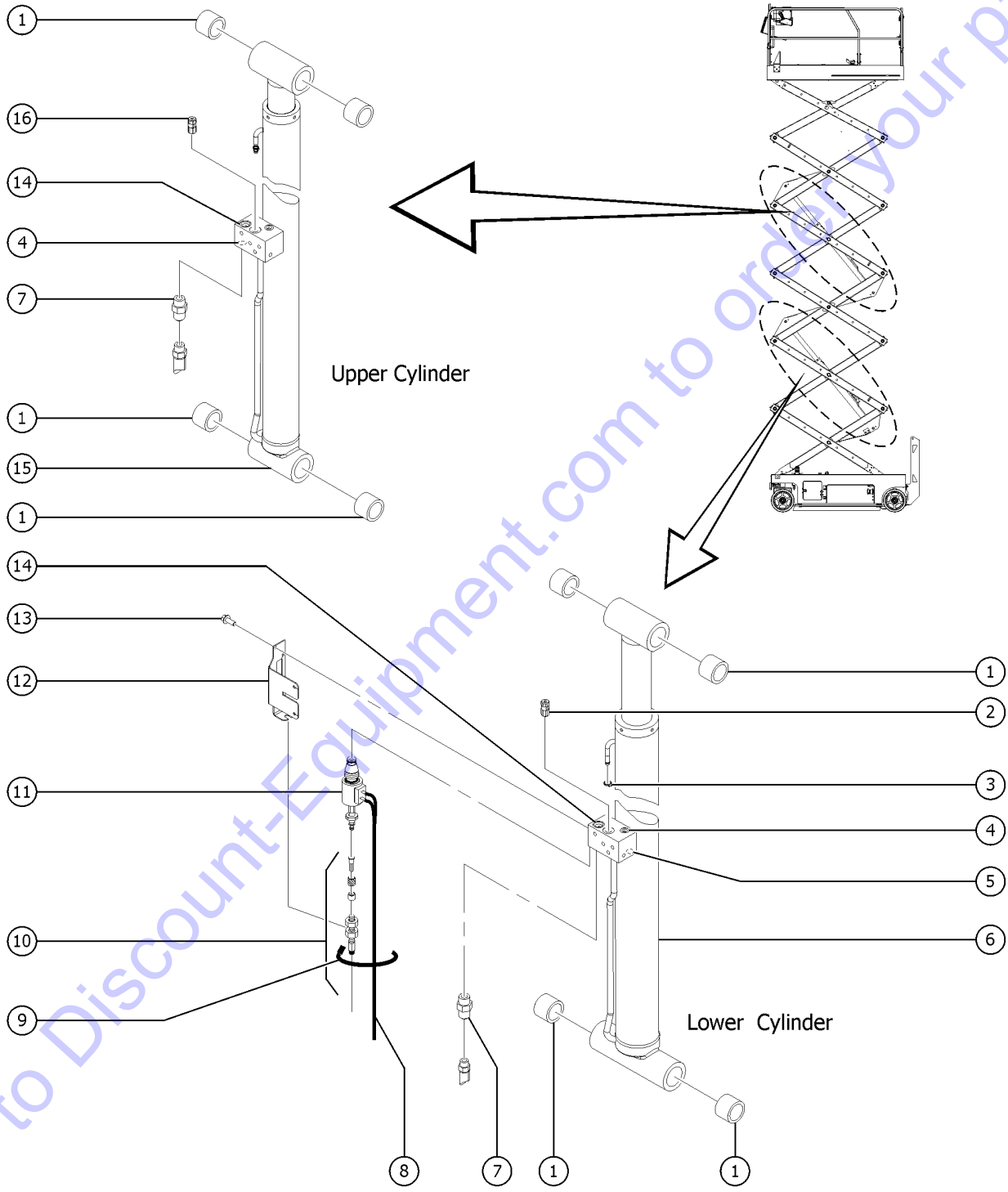
503.1 Lift Cylinder Assembly (GS2046, GS2646, GS3246)

<i>Item</i>	<i>Part No.</i>	<i>Description</i>	<i>Qty.</i>
16	55558GT	ORIFICE, LONG, .037*** GS-3246	1

Go to Discount-Equipment.com to order your parts



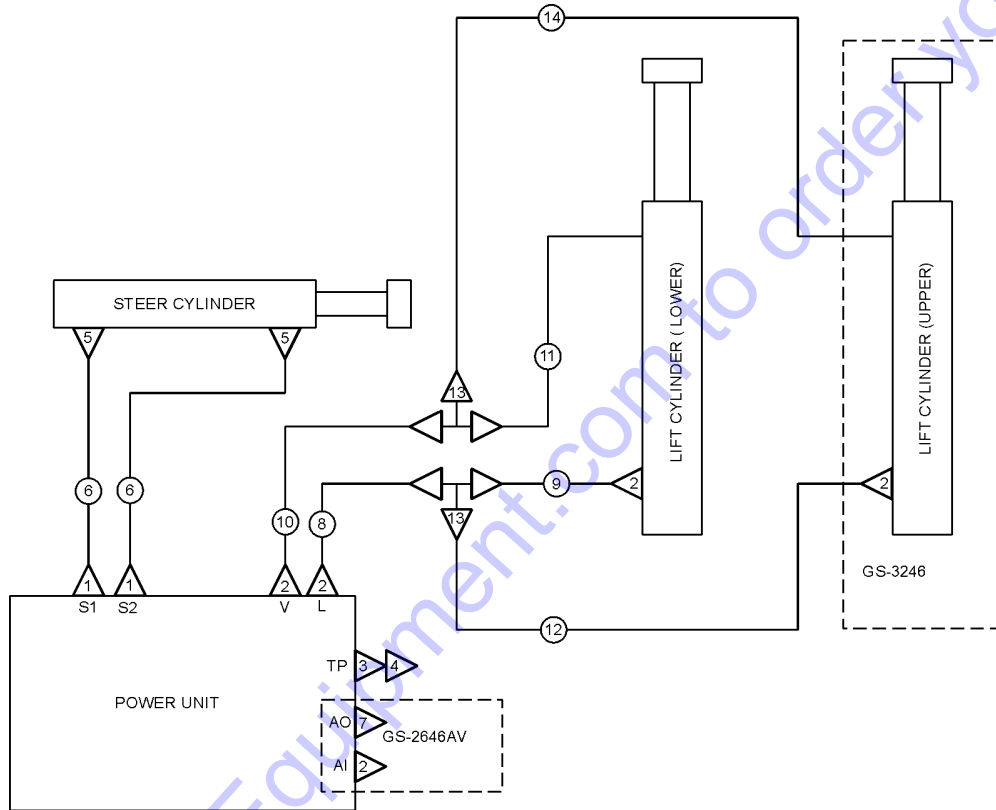
503.2 Lift Cylinder Assembly (GS4046)



Item	Part No.	Description	Qty.
1	66055GT	BEARING,1.50IDX1.77ODX1.25L .....	8
2	214817GT	ORIFICE, LONG, .076" .....	1
3	96770GT	CLAMP, HOSE, 1 EAR, 11/16 .....	1
4	52368GT	VALVE,CHECK,GS68 (SIZE8 8) .....	2
5	237472GT	PRESSURE TRANSDUCER,1K-3K PSI .....	1
6	1264781GT	LOWER CYL,4047 LIFT,3.5" BORE, .....	1
6-	1282019GT	SEAL KIT,LOWER CYLINDER,4047 LIFT for 1264781 .....	
7	39878GT	CONNECTOR, 070120-6-6 .....	4
8		(two per cylinder)	
8		Ref. Down Coil Wire Harness .....	
		(refer to 210.1)	
9	28443GT	CABLE TIE, 11.5" BLACK .....	3
10		Ref. Emergency Down Cable .....	
		(refer to 203.1)	
11	229615GT	VALVE, PROPORTIONAL, SP08-20 .....	1
		(includes p/n 44973)	
12	41557GT	FORMING,VERTICAL CABLE COVER .....	1
13	824077GT	SCREW,HHF,1/4-20X.5,8,ZAG .....	2
14	1299588GT	VALVE, 4047 CYLIDER RELIEF .....	2
		(one per cylinder)	
15	1264780GT	UPPER CYL,4047 LIFT,3" BORE,DO .....	1
15-	1282018GT	SEAL KIT,UPPER CYLINDER,4047 LIFT for 1264780 .....	
16	55560GT	ORIFICE,LONG, .059" .....	1



504.1 Hydraulic Hoses and Fittings (GS2046, GS2646, GS3246)



LEGEND	
	FITTING
	HOSE ASSEMBLY
	TEE-FITTING

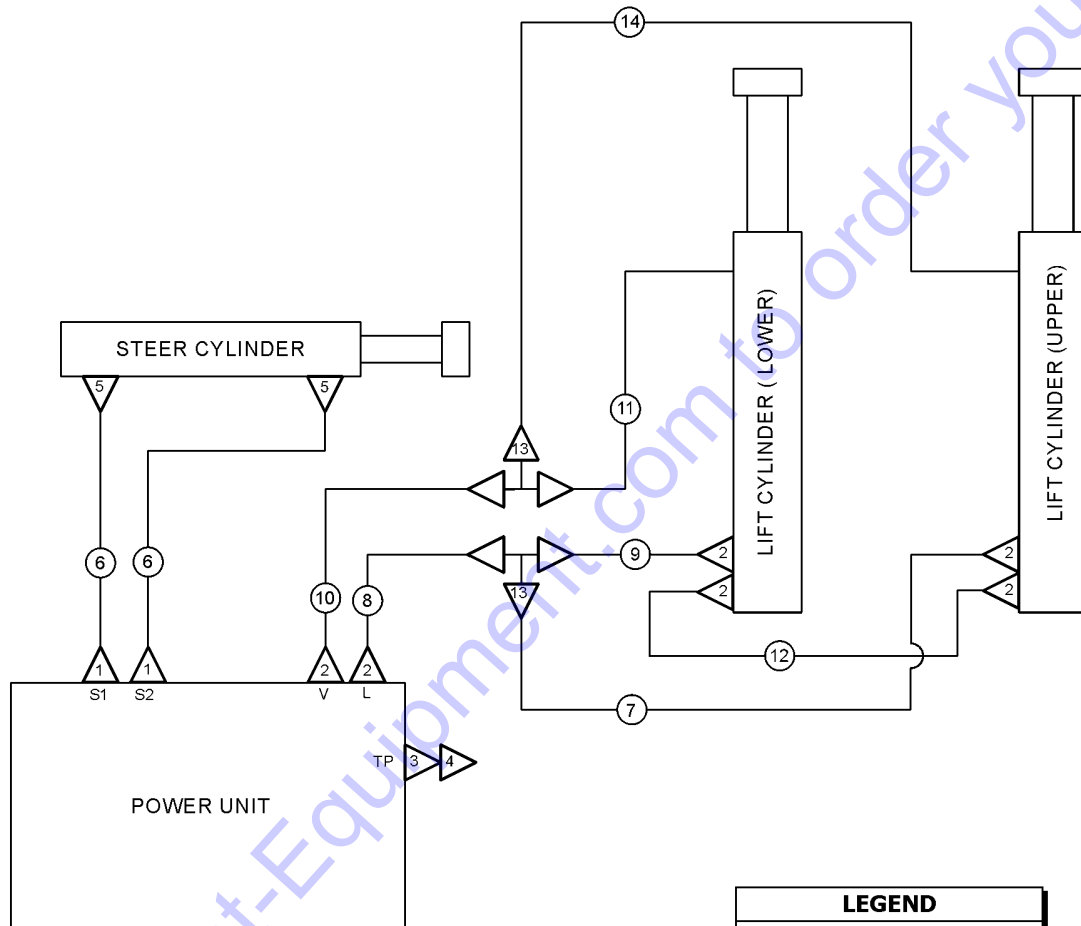
504.1 Hydraulic Hoses and Fittings (GS2046, GS2646, GS3246)

Item	Part No.	Description	Qty.
1	39877GT	CONNECTOR,070120-4-4 .....	2
2	39878GT	CONNECTOR, 070120-6-6 .....	2
3	48997GT	CONN,520120-8-12 .....	1
4	48880GT	CAP,DIAGNOSTIC NIPPLE .....	1
5	13921GT	ELBOW,070220-4-4 .....	2
6	1307652-5750GT	ASSY, HOSE, HYD, -4, 300, STR, STR .....	2
7	237086GT	HOSE,UPPER VENT .....	1
8	1288926-4600GT	HOSE ASSY, LIFT .....	1
9	105046GT	HOSE ASSY,LOWER LIFT .....	1
10	1307651-4400GT	ASSY, HOSE, AIR, -6, 300, STR, STR .....	1
11	1307724-17250GT	ASSY, HOSE, AIR, -6, 300, STR .....	1
12	96880GT	HOSE ASSY,UPPER LIFT .....	1
13	51152GT	TEE,RUN 070432-6***** (GS3246 & 4046 only) .....	2
14	96883GT	HOSE,UPPER VENT .....	1

Go to Discount-Equipment.com to order your parts



504.2 Hydraulic Hoses and Fittings (GS4046)



LEGEND	
	FITTING
	HOSE ASSEMBLY
	TEE-FITTING

504.2 Hydraulic Hoses and Fittings (GS4046)

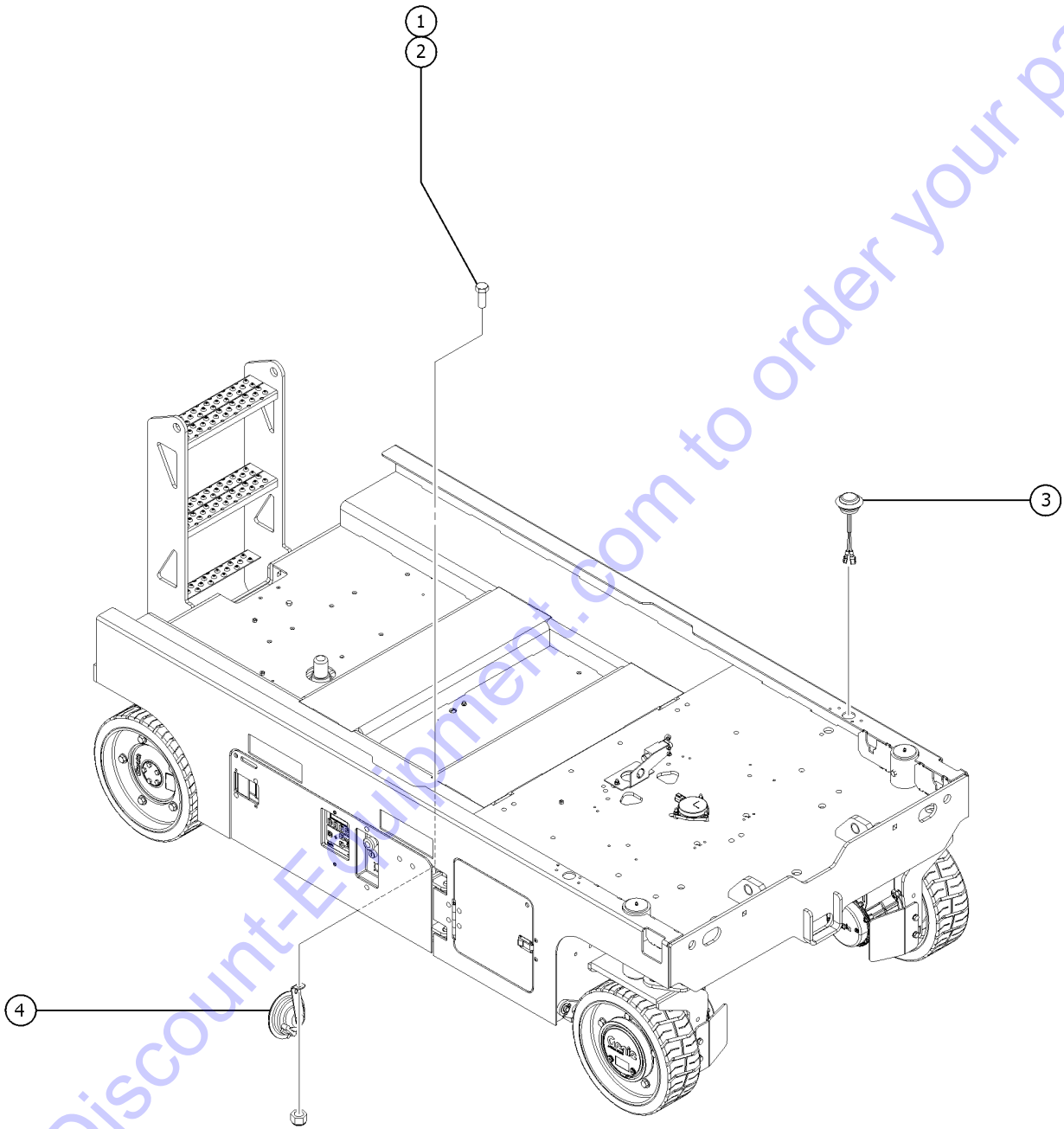
Item	Part No.	Description	Qty.
1	39877GT	CONNECTOR,070120-4-4 .....	2
2	39878GT	CONNECTOR, 070120-6-6 .....	6
3	48997GT	CONN,520120-8-12 .....	1
4	48880GT	CAP,DIAGNOSTIC NIPPLE .....	1
5	13921GT	ELBOW,070220-4-4 .....	2
6	1307652-5750GT	ASSY, HOSE, HYD, -4, 300, STR, STR .....	2
7	1260604GT	HOSE,ASSY,UPPER LIFT .....	1
8	1290538-4450GT	ASSY, HOSE, HYD, -6, 5000, STR, STR .....	1
9	105046GT	HOSE ASSY,LOWER LIFT .....	1
10	1307651-4400GT	ASSY, HOSE, AIR, -6, 300, STR, STR .....	1
11	1307724-17250GT	ASSY, HOSE, AIR, -6, 300, STR .....	1
12	1260603GT	HOSE,ASSY,CYL TO CYL .....	1
13	51152GT	TEE,RUN 070432-6***** .....	2
14	1260605GT	HOSE,VENT,UPPER .....	1

Go to Discount-Equipment.com to order your parts





601.1 Alarm, Horn and Flashing Beacons



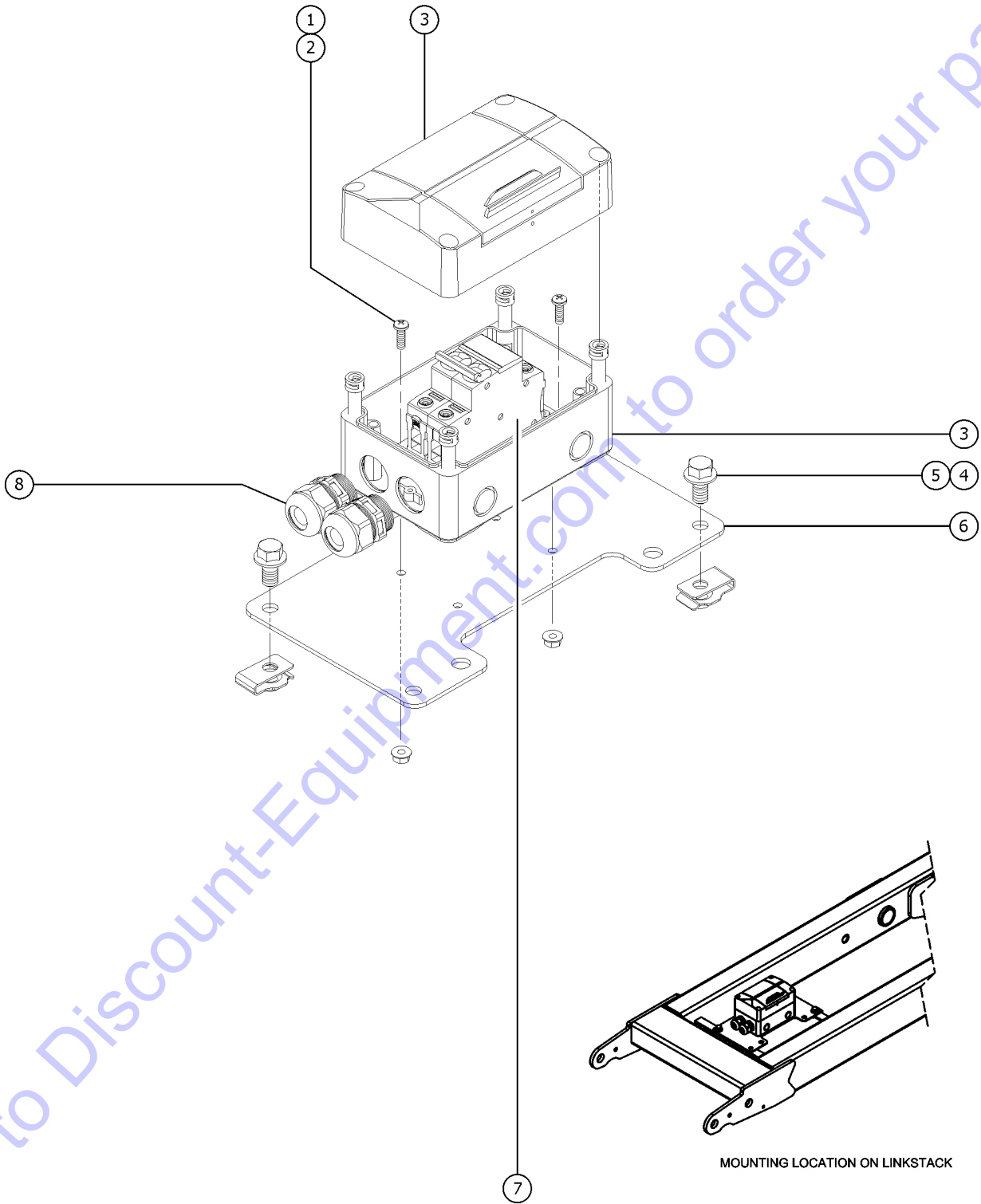
601.1 Alarm, Horn and Flashing Beacons

Item	Part No.	Description	Qty.
1	824124GT	BOLT,CARRIAGE,1/4-20X.75,5,ZAG .....	1
2	1277924GT	NUT,NYLOCK FLG,1/4-20,F,ZAG .....	1
3	1261183GT	ASSEMBLY,VISUAL IND LIGHT .....	2
3-	1254572GT	LIGHT,TURN SIGNAL,1.25" LED,AM .....	2
3-	1270162GT	ASSEMBLY, BEACON LED, 24V for 1261183 .....	2
3-	1271521GT	HARNES, BEACON, LED, MINI for 1261183 .....	1
4	81579GT	HORN, 24VDC, SPADE TERMINALS*** .....	1

Go to Discount-Equipment.com to order your parts



602.1 RCBO



Go to Discount-Equipment.com to order your parts



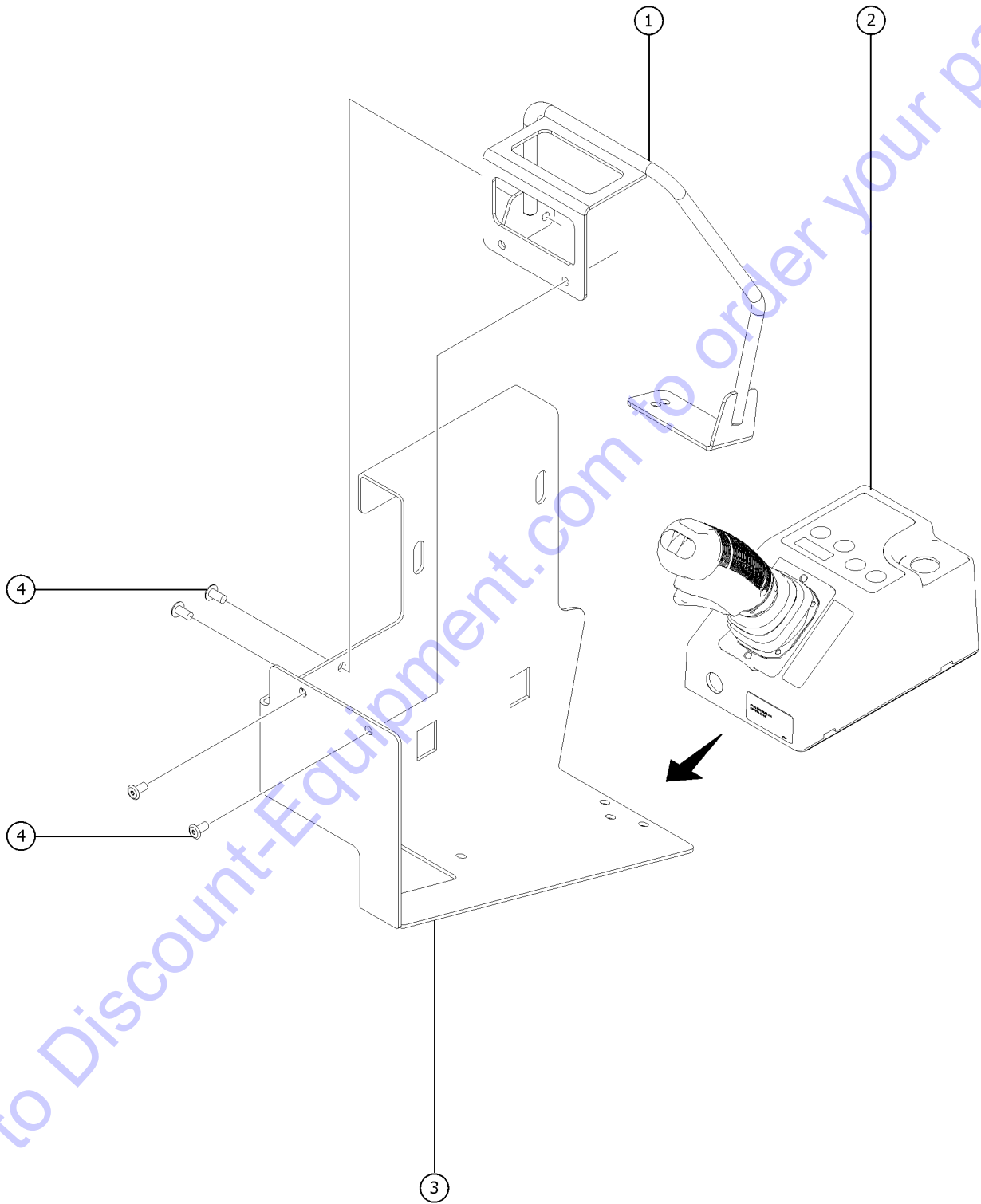
602.1 RCBO

Item	Part No.	Description	Qty.
1	1257227GT	SCREW,PHPM,10-32X.625,ZAG .....	2
2	1283004GT	NUT,NYLOCK FLG,10-24,A,ZAG .....	2
3	1269086GT	ENCLOSURE, FUSE, MODULAR, 100X150X96, IP65 .....	1
4	824089GT	SCREW, HHF, 3/8-16 X .75, 8, ZAG .....	2
5	29868GT	SPRING CLIP,3/8-16,.05-.20X.73,ZAG .....	2
6	1274540GT	PLATE, RCBO, GS .....	1
7	231868GT	RCBO,16A,30MA,6KA 110/230V AC .....	1
8	1280947GT	GLAND ASSY,M25, 6-13MM .....	2
9	43956GT	WIRE CABLE,14/3 CON.TPE JKT* not shown .....	115
10	1280948GT	SLEEVE, CABLE-END, 16AWG, 1.5MM not shown (for 43956) .....	6

Go to Discount-Equipment.com to order your parts



603.1 PCON Guard



Go to Discount-Equipment.com to order your parts



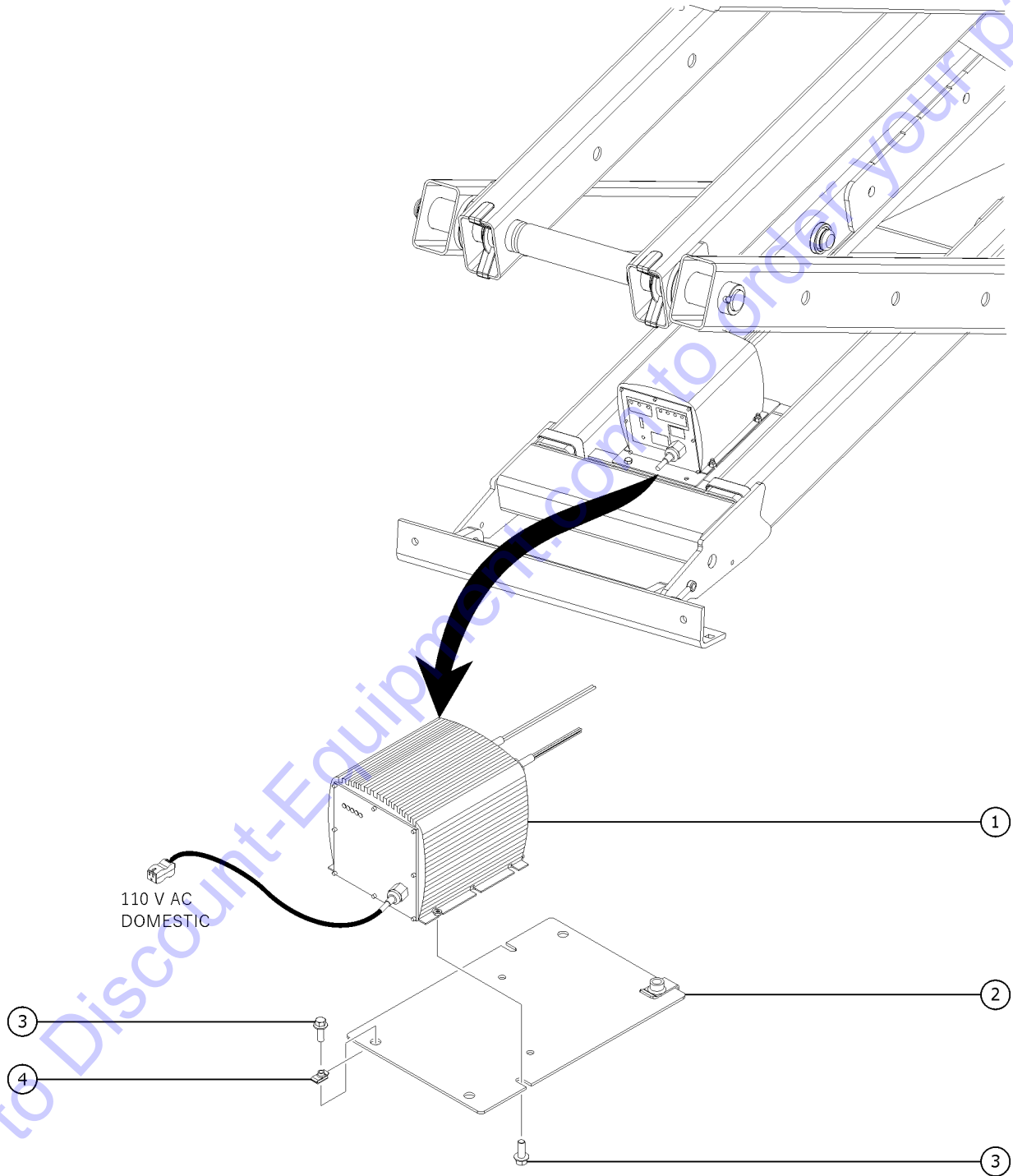
603.1 PCON Guard

Item	Part No.	Description	Qty.
1	1290292GT	WELDMENT, PCON GUARD ASSEMBLY, METRIC .....	1
2		Ref. PCON, GR/GRC/GS .....	
		(refer to 403.1)	
3		Ref. FORMING, PLAT CONTROL, GR/GRC .....	4
		(refer to 403.1), (holes drilled for PCON Guard option)	
4	6271GT	RIVET,STL,STL.MAN,P,.25 X .25 .....	4

Go to Discount-Equipment.com to order your parts



604.1 Voltage Inverter (GS-2046, GS-2646 and GS-3246)



604.1 Voltage Inverter (GS-2046, GS-2646 and GS-3246)

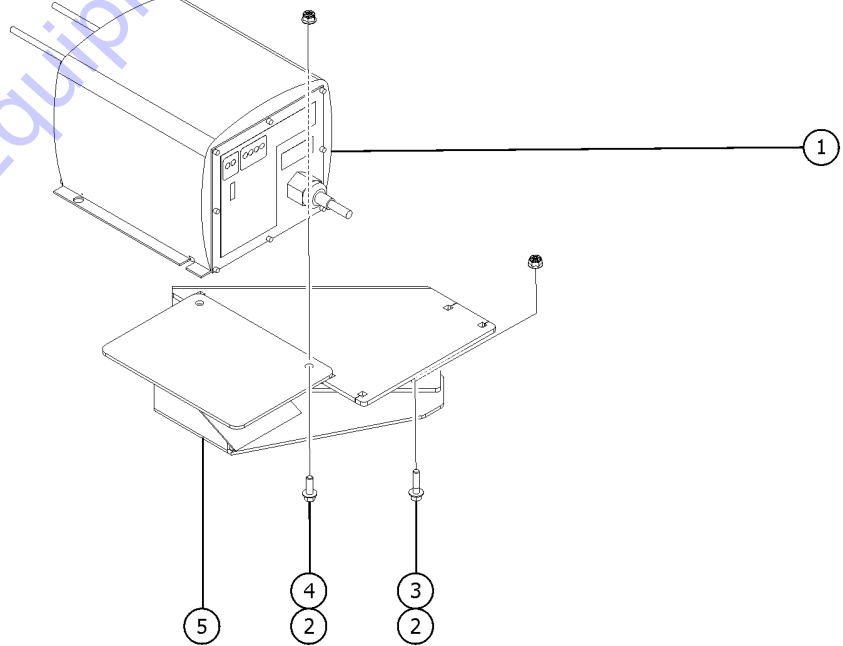
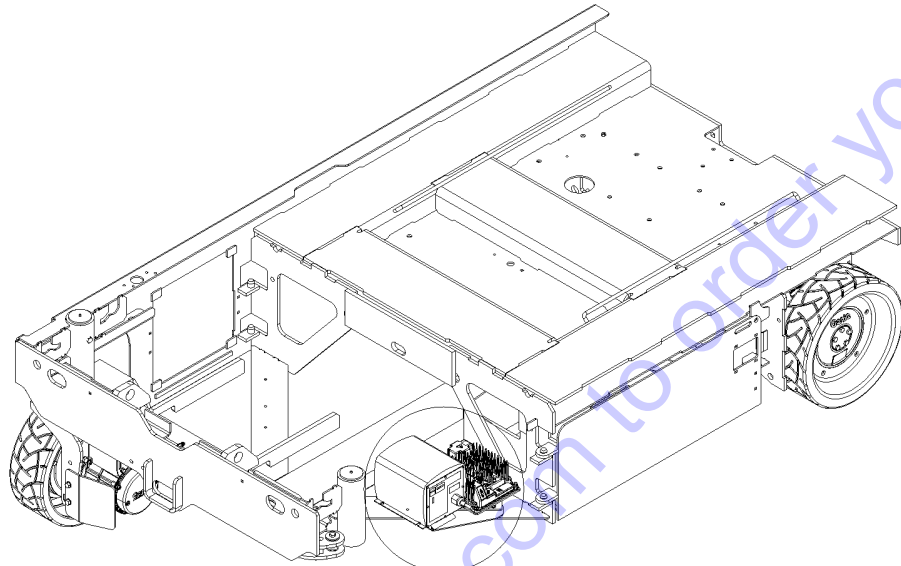
Item	Part No.	Description	Qty.
1	96950GT	INVERTER,24VDC,110/230 VAC*** .....	1
2	105129GT	PLATE, INVERTER MOUNT** .....	1
3	824078GT	SCREW,HHF,1/4-20X.75,8,ZAG .....	4
4	56912GT	SPRING CLIP,1/4-20,.025-.15X.54,ZAG .....	2

Go to Discount-Equipment.com to order your parts





604.2 Voltage Inverter (GS-4046)



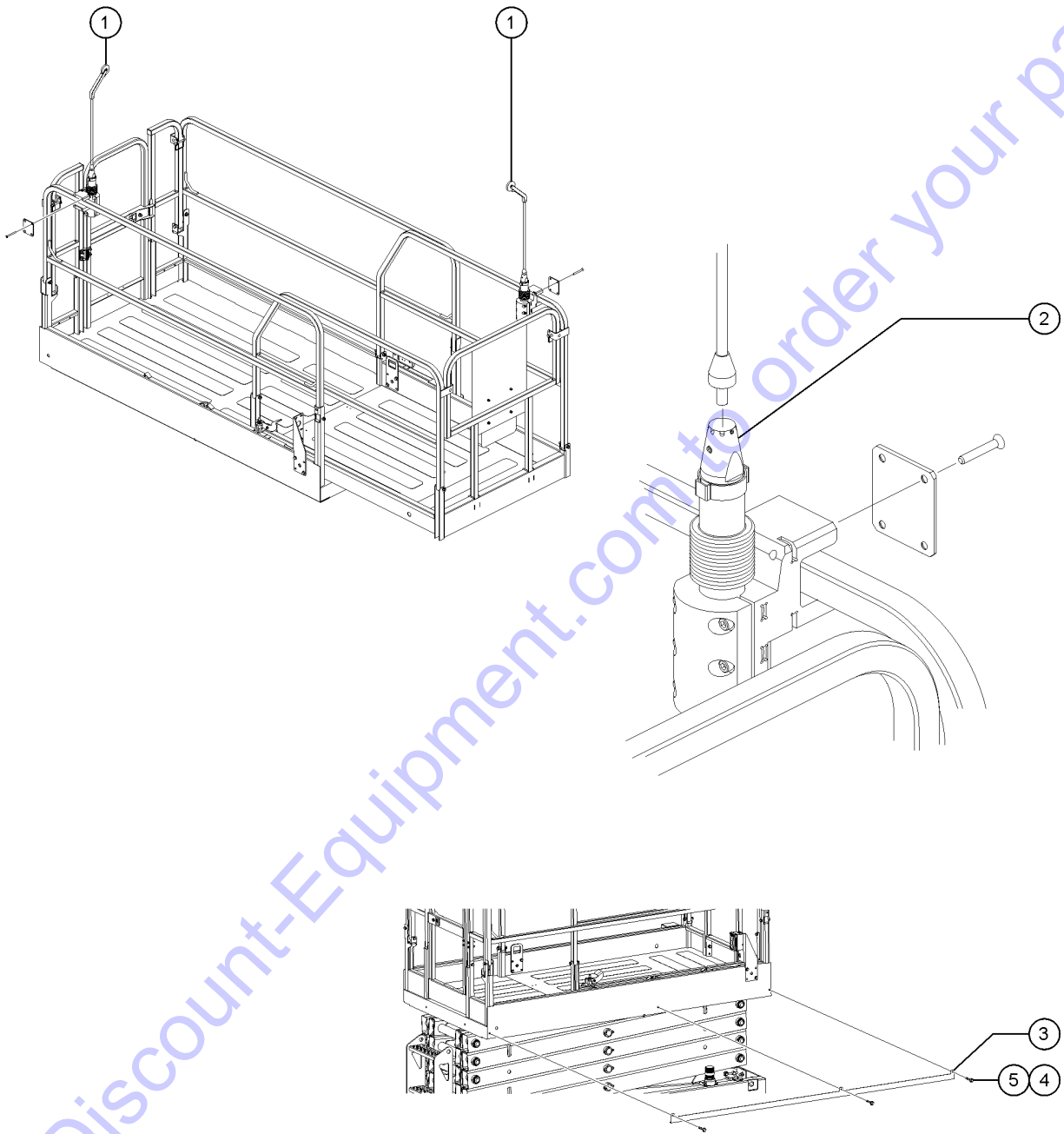
604.2 Voltage Inverter (GS-4046)

Item	Part No.	Description	Qty.
1	96950GT	INVERTER,24VDC,110/230 VAC*** .....	1
2	1277924GT	NUT,NYLOCK FLG,1/4-20,F,ZAG .....	4
4	824079GT	SCREW,HHF,1/4-20X1,8,ZAG .....	2
3	824078GT	SCREW,HHF,1/4-20X.75,8,ZAG .....	2
5	1273456GT	INVERTER BRACKET,GS4047,ANSI .....	1

Go to Discount-Equipment.com to order your parts



605.1 Lift Guard Contact Alarm, View-1



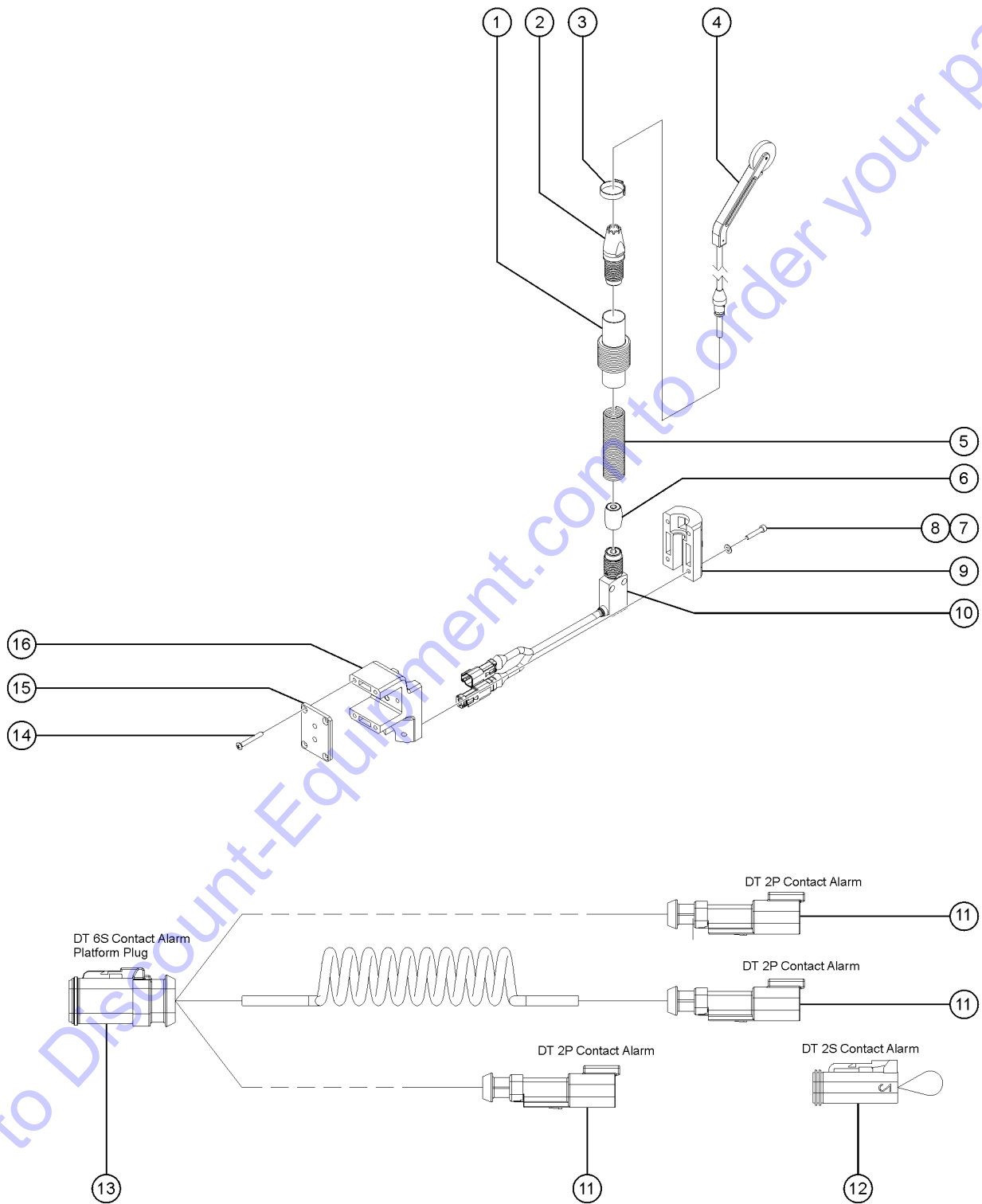
Go to Discount-Equipment.com to order your parts

Item	Part No.	Description	Qty.
1		ASSEMBLY, LIFTGUARD CONTACT ALARM ..... (refer to 604.1) (no longer available)	2
2		ASSEMBLY, LIFTGUARD KNUCKLE ..... OBSOLETE. (refer to 604.1) (No longer available)	1
3		FORMING,CABLE GUIDE,BAT,GS32 ..... (No longer available)	4
3B		FORMING,CABLE GUIDE,CNTRL,GS32 ..... (No longer available)	4
4	824078GT	SCREW,HHF,1/4-20X.75,8,ZAG ..... GS-2046	4
4B	824078GT	SCREW,HHF,1/4-20X.75,8,ZAG ..... GS-2646, GS-3246	6
5	1277924GT	NUT,NYLOCK FLG,1/4-20,F,ZAG ..... GS-2046	4
5B	1277924GT	NUT,NYLOCK FLG,1/4-20,F,ZAG ..... GS-2646, GS-3246	4

Go to Discount-Equipment.com to order your parts



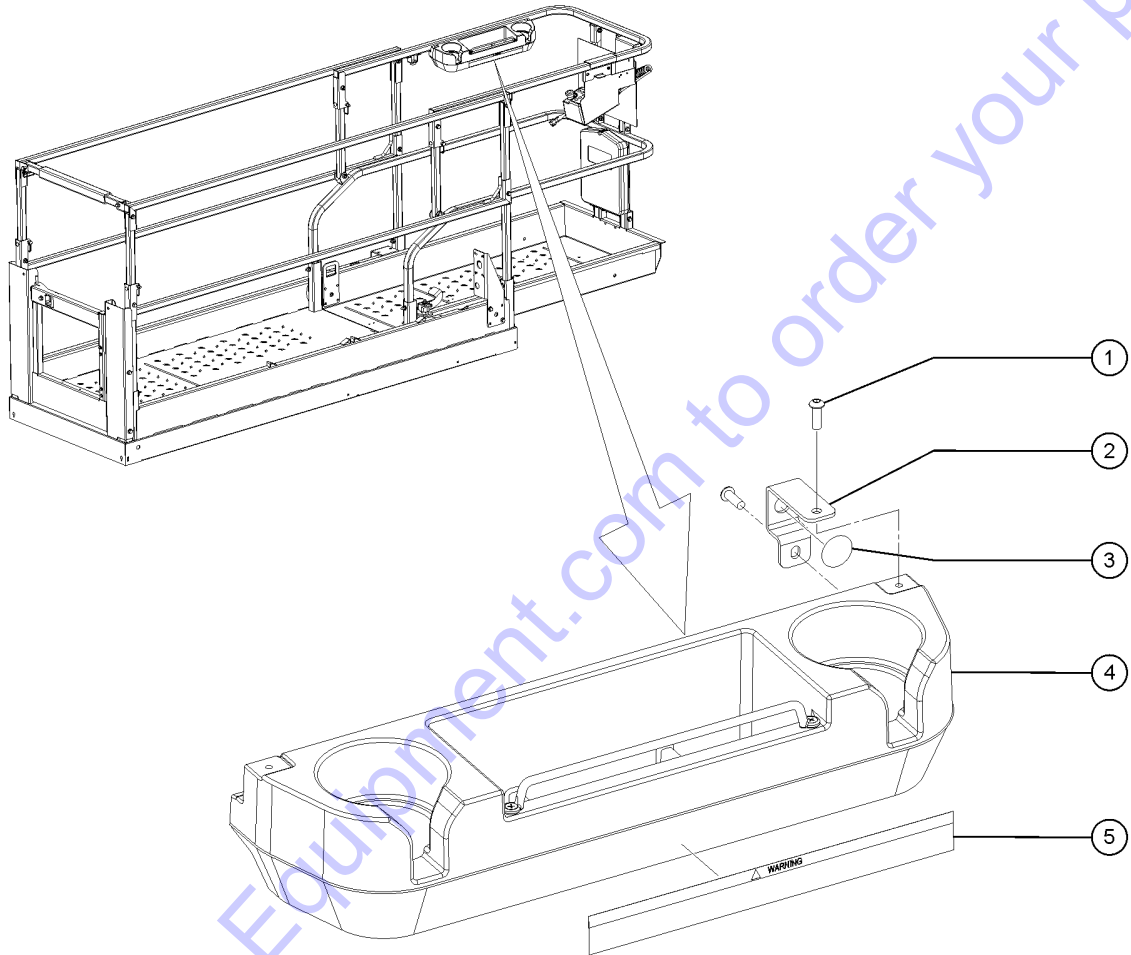
606.1 Lift Guard Contact Alarm, View-1



Item	Part No.	Description	Qty.
-		ASSEMBLY, LIFTGUARD CONTACT ALARM (Includes items 1-10, 14-16) (no longer available)	1
-		ASSEMBLY, LIFTGUARD KNUCKLE OBSOLETE. (part of assy 1287673, includes items 1-3, 5, 6 and 10) (No longer available)	1
1		BELLOW, LIFTGUARD CONTACT ALARM no longer available	1
2		ASSEMBLY, UPPER WHISKER MOUNTING no longer available	1
3	1298716GT	CLAMP, STEPLESS, ONE EAR	1
4		ASSEMBLY, WHISKER no longer available	1
5		SPRING, TENSION, CONTACT ALARM no longer available	1
6		ASSEMBLY, MAGNETIC SNAP BARREL no longer available	1
7		SCREW,SHC,10-24X1,F837,18.8,NYL,SS no longer available	4
8		WASHER,FLAT,0.219X0.437X0.031,SS no longer available	4
9		BRACKET, RT LIFTGUARD, PART 2/2 no longer available	1
10		ASSEMBLY, LIMIT SWITCH MOUNT no longer available	1
11	1288352GT	CONN,RECEP,2 WAY,DT,14-18GA,CE09	3
11-	60439GT	CONN, RECEP, 2 WAY, DEUTSCH, DT, LOCK	
12	119056GT	CONN, PLUG, 2 WAY, DEUTSCH, DT, ENDCAP	1
12-	60425GT	CONN, PLUG, 2 WAY, DEUTSCH, DT, LOCK	
13	1288576GT	CONN,PLUG,6WAY,DT,14-18GA,CE13	1
13-	60431GT	LOCK,PLUG 6 WAY,14-18GA	
14		SCREW,OHPM,10-24X1.5,NYL,SS no longer available	4
15		PLATE, LIFTGUARD BRACKET no longer available	1
16		BRACKET, RT LIFTGUARD, PART 1/2 no longer available	1



607.1 Lift Tools Work Tray



607.1 Lift Tools Work Tray

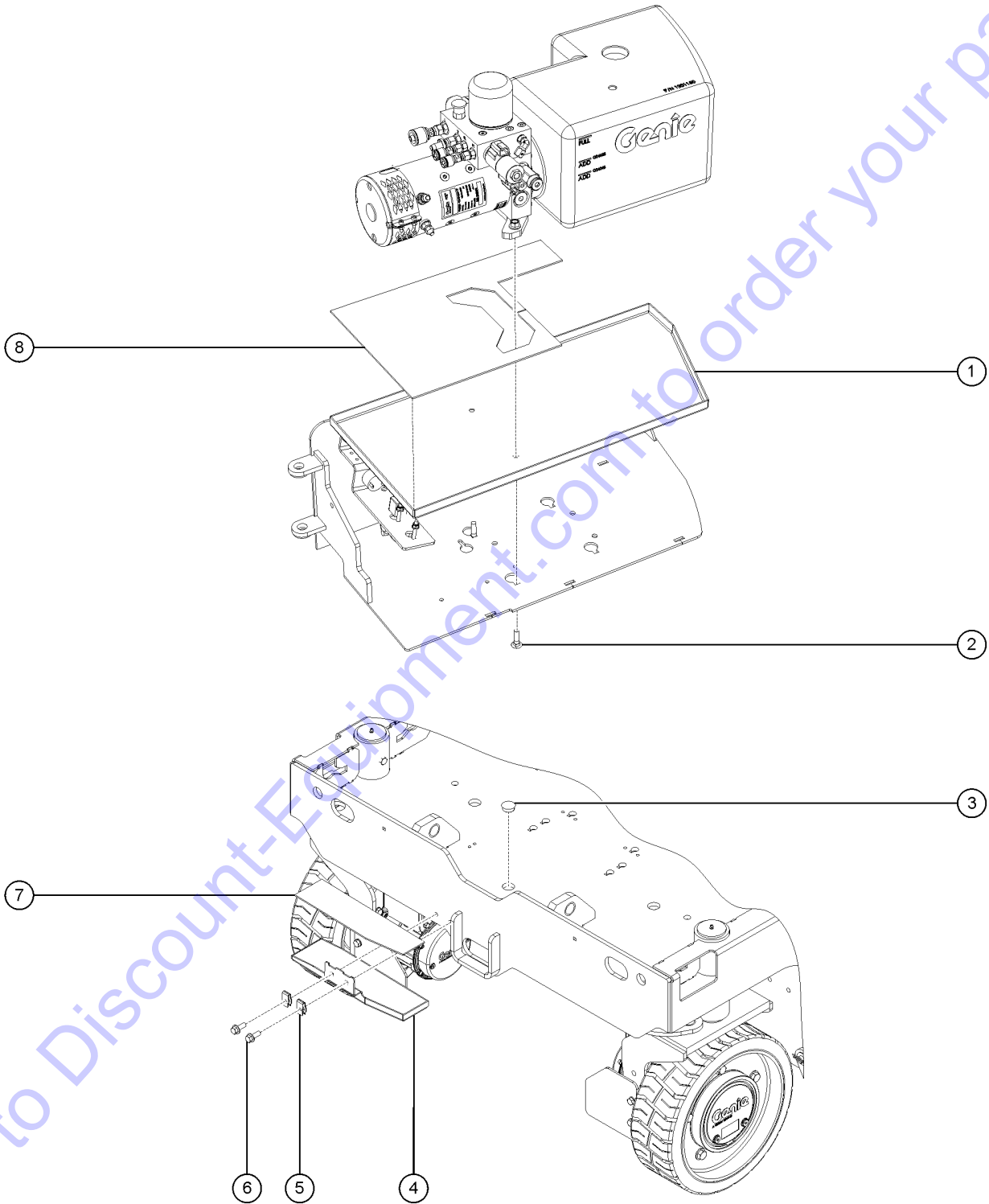
Item	Part No.	Description	Qty.
-	1298461GT	KIT, ANSI/CE TOOL TRAY, GS .....	1
1	824078GT	SCREW,HHF,1/4-20X.75,8,ZAG .....	4
2	1296036GT	FORMING, MOUNT, TOOL TRAY, GS .....	2
3	47478GT	BUMPER,RUBBER,1"OD X .461 H .....	2
4	1292944GT	TOOL TRAY, SLAB SCISSORS, GR .....	1
5A	1296821GT	DECAL, WARNING, TOOL TRAY .....	1
		For ANSI Option	
5B	1298467GT	DECAL, SYMBOL, READ THE MANUAL, 2.38x1.25 .....	
		For CE Option	

Go to Discount-Equipment.com to order your parts





608.1 Lift Tools Spill Guard



Go to Discount-Equipment.com to order your parts



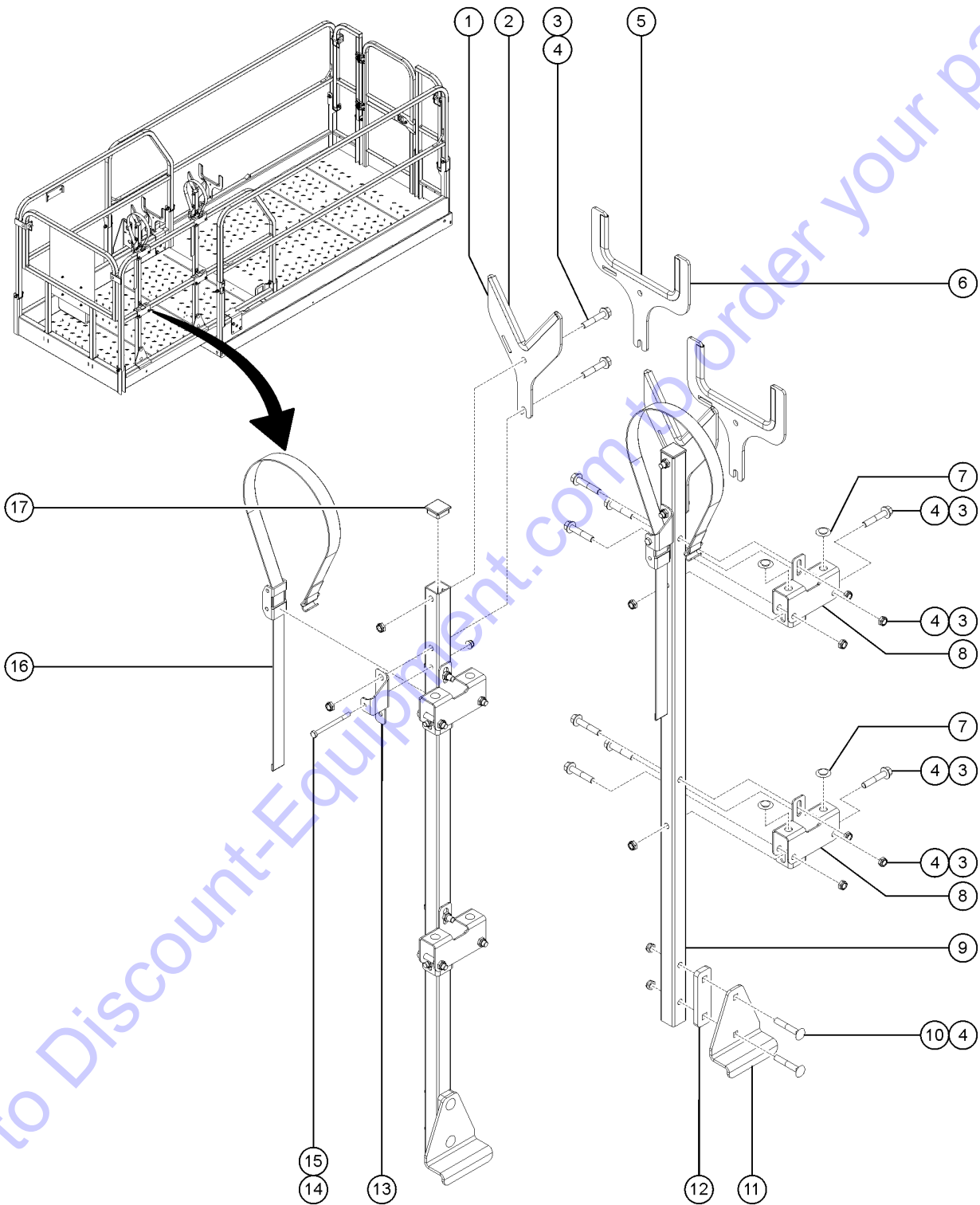
608.1 Lift Tools Spill Guard

Item	Part No.	Description	Qty.
--	1311821GT	KIT, SPILL GUARD HYDRAULIC CONTAINMENT, GS46 .....	1
1	1309900GT	FORMING,SPILL GUARD TRAY, MIDI / LARGE, E-DRIVE .....	1
2	1256756GT	BOLT,CARRIAGE,3/8-16X1.5,5,ZAG .....	2
3	1304165GT	PLUG, NYLON 1 BLACK DOMED .....	1
4	1309772GT	FORMING, TRAY, LARGE, E-DRIVE .....	1
5	29868GT	SPRING CLIP,3/8-16,.05-.20X.73,ZAG .....	2
6	824090GT	SCREW,HHF,3/8-16X1,8,ZAG .....	2
7	1309773GT	PAD, OIL CONTAINMENT, STEER CYLINDER, LARGE, E-DRIVE .....	1
8	1309243GT	PAD, OIL CONTAINMENT, PU, MIDI E-DRIVE .....	1

Go to Discount-Equipment.com to order your parts



609.1 Lift Tools Pipe Cradle



Go to Discount-Equipment.com to order your parts

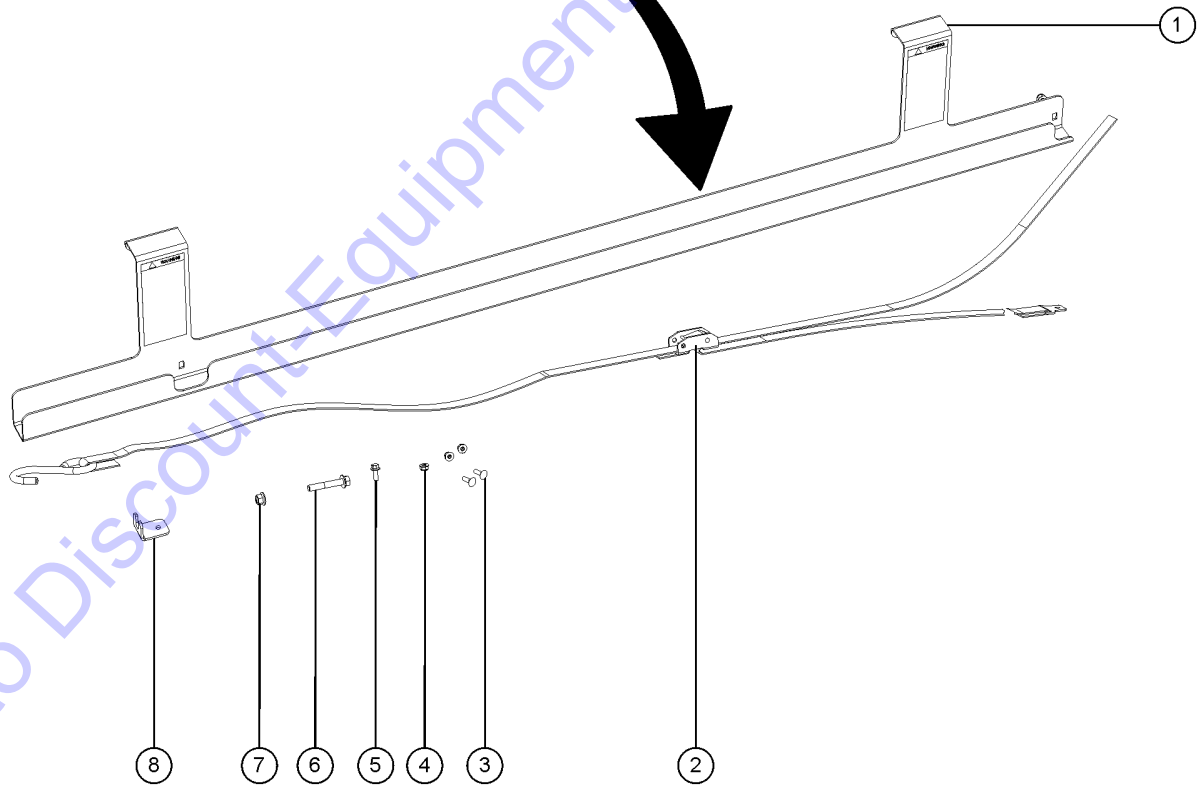
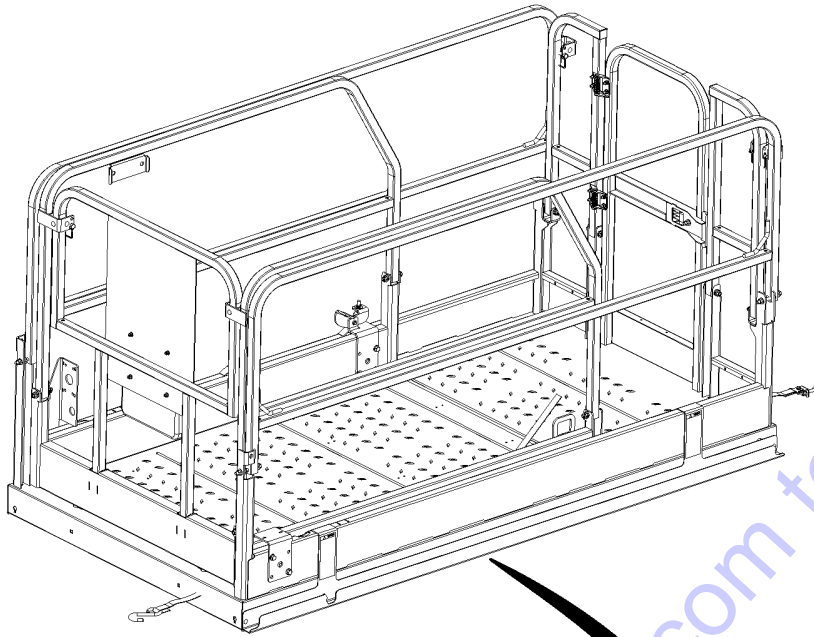


609.1 Lift Tools Pipe Cradle

Item	Part No.	Description	Qty.
--	1298463GT	KIT, ANSI/CE PIPE CRADLE, GS .....	1
1	1292948GT	CRADLE, PIPE CRADLE .....	2
2	46718-1000GT	TRIMLOCK,BLACK,3/16, 10 INCHES .....	2
3	1253478GT	SCREW,HHF,3/8-16X2,8,ZAG .....	20
4	1283028GT	NUT,LP NYLOCK,3/8-16,2,ZAG .....	24
5	46718-1350GT	TRIMLOCK,BLACK,3/16, 13.5 INCHES .....	2
6	1292952GT	CRADLE, LARGE PIPE, GS .....	2
7	47478GT	BUMPER,RUBBER,1"OD X .461 H .....	8
8	1292951GT	FORMING, BRACKET, LOCK PIN, SIDERAIL .....	4
9	1292947GT	UPRIGHT, PIPE CRADLE .....	2
10	1260926GT	BOLT,CARRIAGE,3/8-16X2.25,5,ZAG .....	4
11	1292949GT	LOWER FOOT MOUNT, PIPE CRADLE .....	2
12	1292950GT	LOWER SPACER, PIPE CRADLE .....	2
13	1298555GT	FORMING, BRACE, PIPE CRADLE .....	2
14	1256123GT	SCREW,HHC,1/4-20X3.25,8,ZAG .....	2
15	1277924GT	NUT,NYLOCK FLG,1/4-20,F,ZAG .....	2
16	56570GT	STRAP, CONDUIT HOLDER 60"**** .....	2
17	78038GT	CAP, PLASTIC, 1.25 X 0.08" .....	2



610.1 Lift Tools Panel Carrier



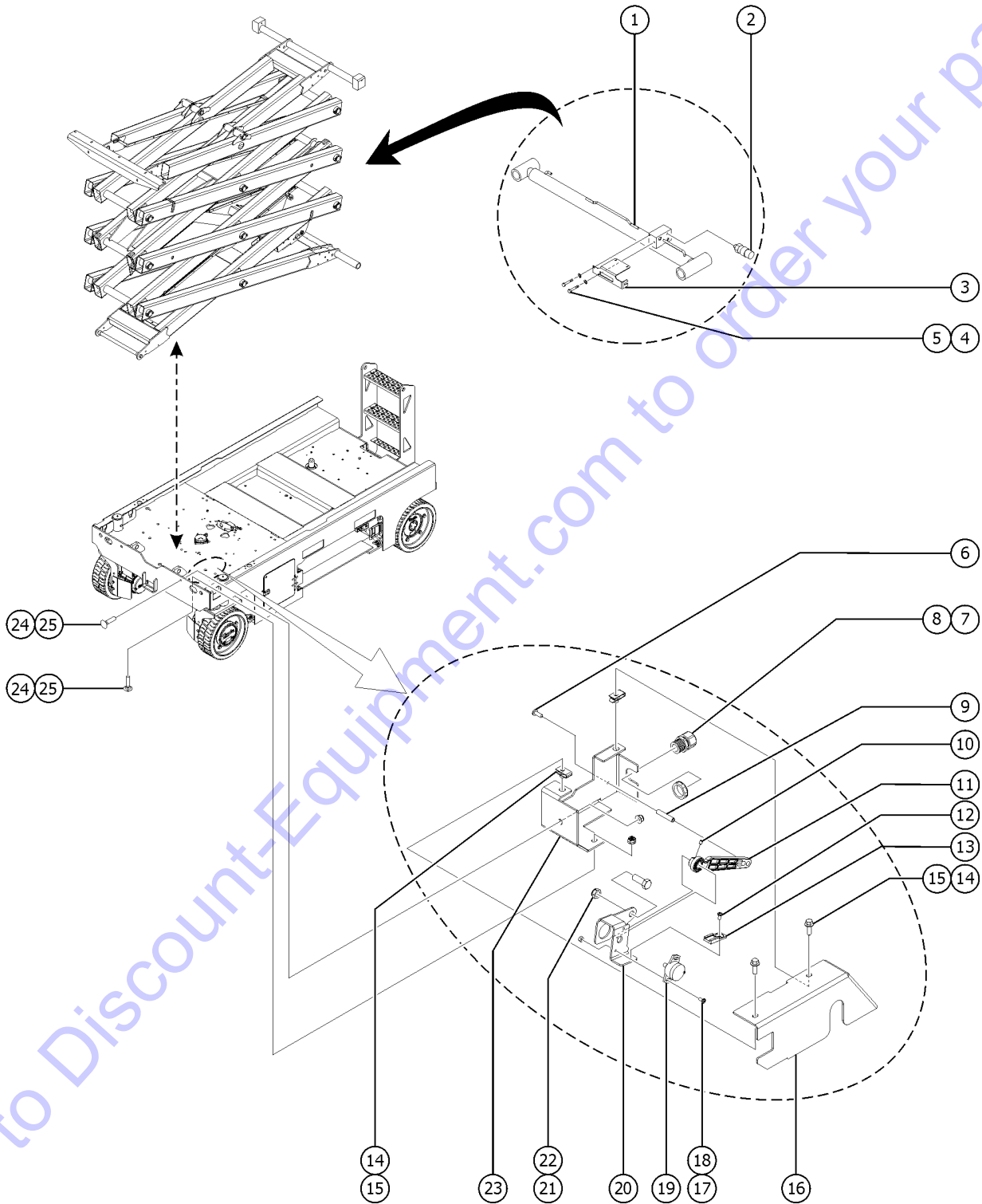
610.1 Lift Tools Panel Carrier

Item	Part No.	Description	Qty.
--	1298464GT	KIT, ANSI/CE PANEL CRADLE, GS .....	1
1	1292954GT	PANEL CRADLE, XX32, XX46 .....	1
2	77664GT	ADJUSTABLE STRAP ASSY .....	1
3	1277924GT	NUT,NYLOCK FLG,1/4-20,F,ZAG .....	3
4	824124GT	BOLT,CARRIAGE,1/4-20X.75,5,ZAG .....	2
5	824078GT	SCREW,HHF,1/4-20X.75,8,ZAG .....	1
6	1256693GT	SCREW,HHF,3/8-16X2.25,8,ZAG .....	1
7	1274322GT	NUT,NYLOCK FLG,3/8-16,F,ZAG .....	1
8	1296819GT	FORMING, ANCHOR, STRAP .....	1

Go to Discount-Equipment.com to order your parts



701.1 Platform Overload



Go to Discount-Equipment.com to order your parts

Item	Part No.	Description	Qty.
1		Ref: Lift Cylinder ..... (refer to 503.1)	1
2	1291577GT	PRESSURE TRANSDUCER,0-5K PSI (includes transducer) (GS3246, GS2646 & GS4046 only)	1
3	41557-SGT	CABLE BRACKET,PAINTED	1
4	7339GT	SCREW,HHC,1/4-20 X .5	1
5	6356GT	WASHER,LOCK,.25	1
6	1251757GT	SCREW,PHPM,10-32X.5,ZAG	1
7	33576GT	CONN,SQZ,BLK,1/2NPT,.38-.50,SM	1
8	T115429GT	NUT,CORDGRIP,1/2 NPT	1
9	T113142GT	OFFSET, RDN, 1/4-1.25,10-32	1
10	229146GT	SCREW,SET,8-32X.25	1
11	T114082GT	LEVER ARM,ANGLE SENSR ACTUATOR	1
12	39579GT	RIVET,STL,STL,.188 X .45	1
13	T113139GT	CLIP,DTM RECEP	1
14	824078GT	SCREW,HHF,1/4-20X.75,8,ZAG	2
15	56912GT	SPRING CLIP,1/4-20,.025-.15X.54,ZAG	2
16	1304102GT	FORMING,SENSOR COVER	1
17	1257296GT	SCREW,PHPM-ST,8-32X.50,TYPE F,ZAG	2
18	1271081GT	NUT,NYLOCK,8-32,8,ZAG	2
19	T113136GT	ASSY,ROT SENSR W/ HARNESS	1
20	161981GT	FRMNG,ARM SENSOR BRCKT,32/46	1
21	1274322GT	NUT,NYLOCK FLG,3/8-16,F,ZAG	1
22	824068GT	SCREW,HHC,3/8-16X1.25,8,ZAG	1
23	1304101GT	FORMING,CHASSIS BRACKET	1
24	1256179GT	BOLT,CARRIAGE,1/2-13X1.5,5,ZAG	2
25	1277924GT	NUT,NYLOCK FLG,1/4-20,F,ZAG	2





# PARTS FINDER

**Search Website  
by Part Number**



**Search Manual  
Library For Parts  
Manual & Lookup Part  
Numbers – Purchase  
or Request Quote**

**Search Manuals**

Enter your information to help us find the right parts manual for your machine.

\* Brand:

\* Model:

\* Serial:

\* Part Number:

SEARCH

**Can't Find Part or  
Manual? Request Help  
by Manufacturer,  
Model & Description**

**Parts Order Form**

Please fill in the following information to help us find the right part for your machine.

Manufacturer:	<input type="text"/>
Model:	<input type="text"/>
Description:	<input type="text"/>
Part Number:	<input type="text"/>
Quantity:	<input type="text"/>
Notes:	<input type="text"/>

Submit

Discount-Equipment.com is your online resource for quality parts & equipment.

Florida: **561-964-4949** Outside Florida TOLL FREE: **877-690-3101**

**Need parts?**

Click on this link: <http://www.discount-equipment.com/category/5443-parts/> and choose one of the options to help get the right parts and equipment you are looking for. Please have the machine model and serial number available in order to help us get you the correct parts. If you don't find the part on the website or on one of the online manuals, please fill out the request form and one of our experienced staff members will get back to you with a quote for the right part that your machine needs.

We sell worldwide for the brands: Genie, Terex, JLG, MultiQuip, Mikasa, Essick, Whiteman, Mayco, Toro Stone, Diamond Products, Generac Magnum, Airman, Haulotte, Barreto, Power Blanket, Nifty Lift, Atlas Copco, Chicago Pneumatic, Allmand, Miller Curber, Skyjack, Lull, Skytrak, Tsurumi, Husquvarna Target, Stow, Wacker, Sakai, Mi-T-M, Sullair, Basic, Dynapac, MBW, Weber, Bartell, Bennar Newman, Haulotte, Ditch Runner, Menegotti, Morrison, Contec, Buddy, Crown, Edco, Wyco, Bomag, Laymor, EZ Trench, Bil-Jax, F.S. Curtis, Gehl Pavers, Heli, Honda, ICS/PowerGrit, IHI, Partner, Imer, Clipper, MMD, Koshin, Rice, CH&E, General Equipment, Amida, Coleman, NAC, Gradall, Square Shooter, Kent, Stanley, Tamco, Toku, Hatz, Kohler, Robin, Wisconsin, Northrock, Oztec, Toker TK, Rol-Air, APT, Wylie, Ingersoll Rand / Doosan, Innovatech, Con X, Ammann, Mecalac, Makinex, Smith Surface Prep, Small Line, Wanco, Yanmar

California Proposition 65

 **WARNING**

Operating, servicing and maintaining this equipment, passenger vehicle or off-highway motor vehicle can expose you to chemicals including engine exhaust, carbon monoxide, phthalates, and lead, which are known to the State of California to cause cancer and birth defects or other reproductive harm. These chemicals can be emitted from or contained in other various parts and systems, fluids and some component wear by-products. To minimize exposure, avoid breathing exhaust, do not idle the engine except as necessary, service your equipment and vehicle in a well-ventilated area and wear gloves or wash your hands frequently when servicing your equipment or vehicle and after operation. For more information go to [www.P65Warnings.ca.gov/passenger-vehicle](http://www.P65Warnings.ca.gov/passenger-vehicle).

Breathing diesel engine exhaust exposes you to chemicals known to the State of California to cause cancer and birth defects or other reproductive harm.

- Always start and operate the engine in a well-ventilated area.
- If in an enclosed area, vent the exhaust to the outside.
- Do not modify or tamper with the exhaust system.
- Do not idle the engine except as necessary.

For more information go to [www.P65warnings.ca.gov/diesel](http://www.P65warnings.ca.gov/diesel).

[www.genielift.com](http://www.genielift.com)

Distributed By:

[www.GenieEquipment.com](http://www.GenieEquipment.com) to order your parts