



A TEREX BRAND

Part 4 of 4

Parts Manual

Serial Number Range

GS-2032

from SN GS3211A-110000 to
GS3215A-140497

GS-2632

from SN GS4611A-110000 to
GS4615A-137426

GS-3232

from SN GS3212C-10000 to
GS3216C-17299

GS-2046

from GS32C-17300 to
GS32C-17527

GS-2646

from SN GS4612C-10000 to
GS4616C-18099

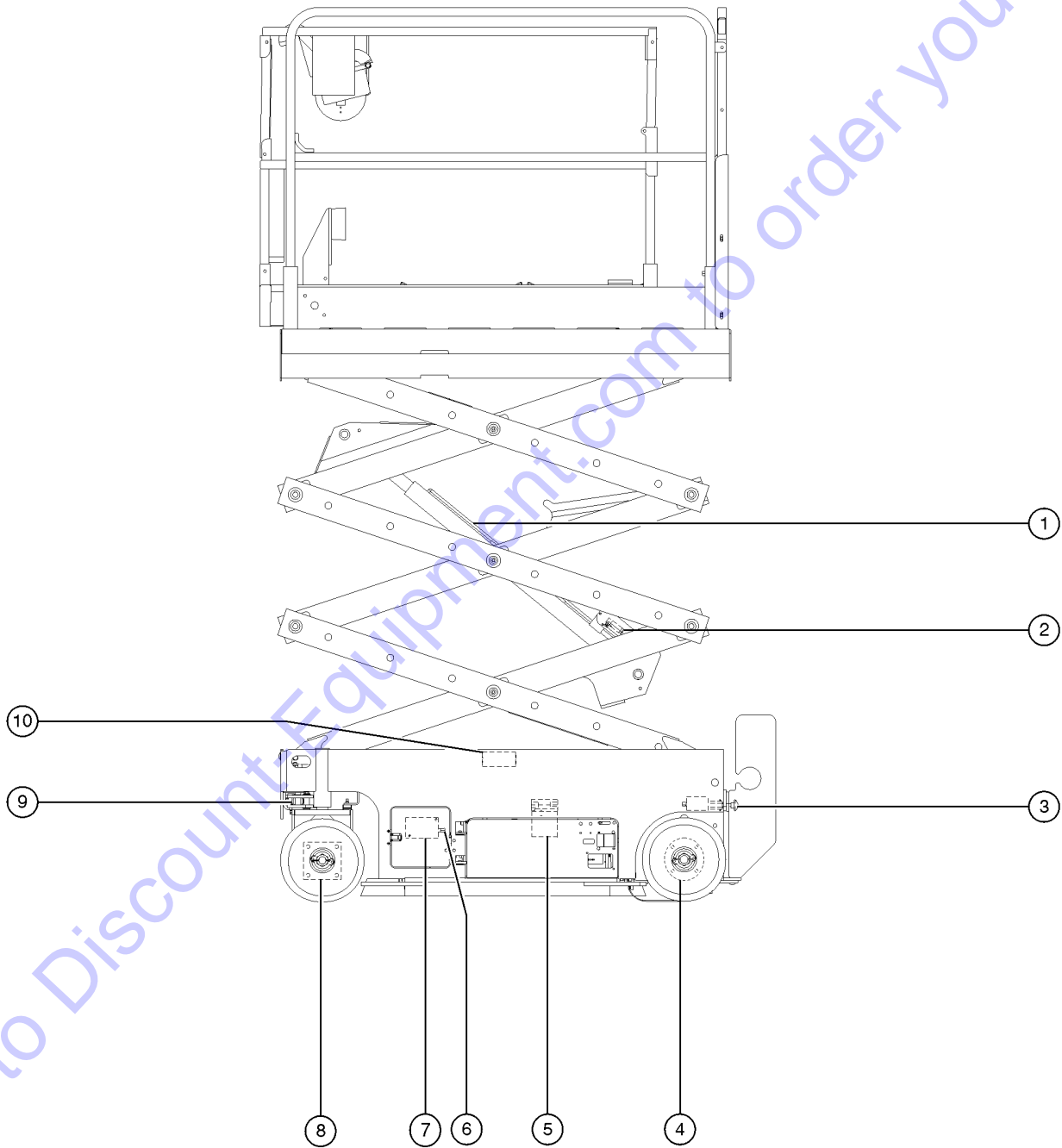
GS-3246

from SN GS46C-18100 to
GS46C-18354

Part No. 236418GT
Rev: D.04
March 2023



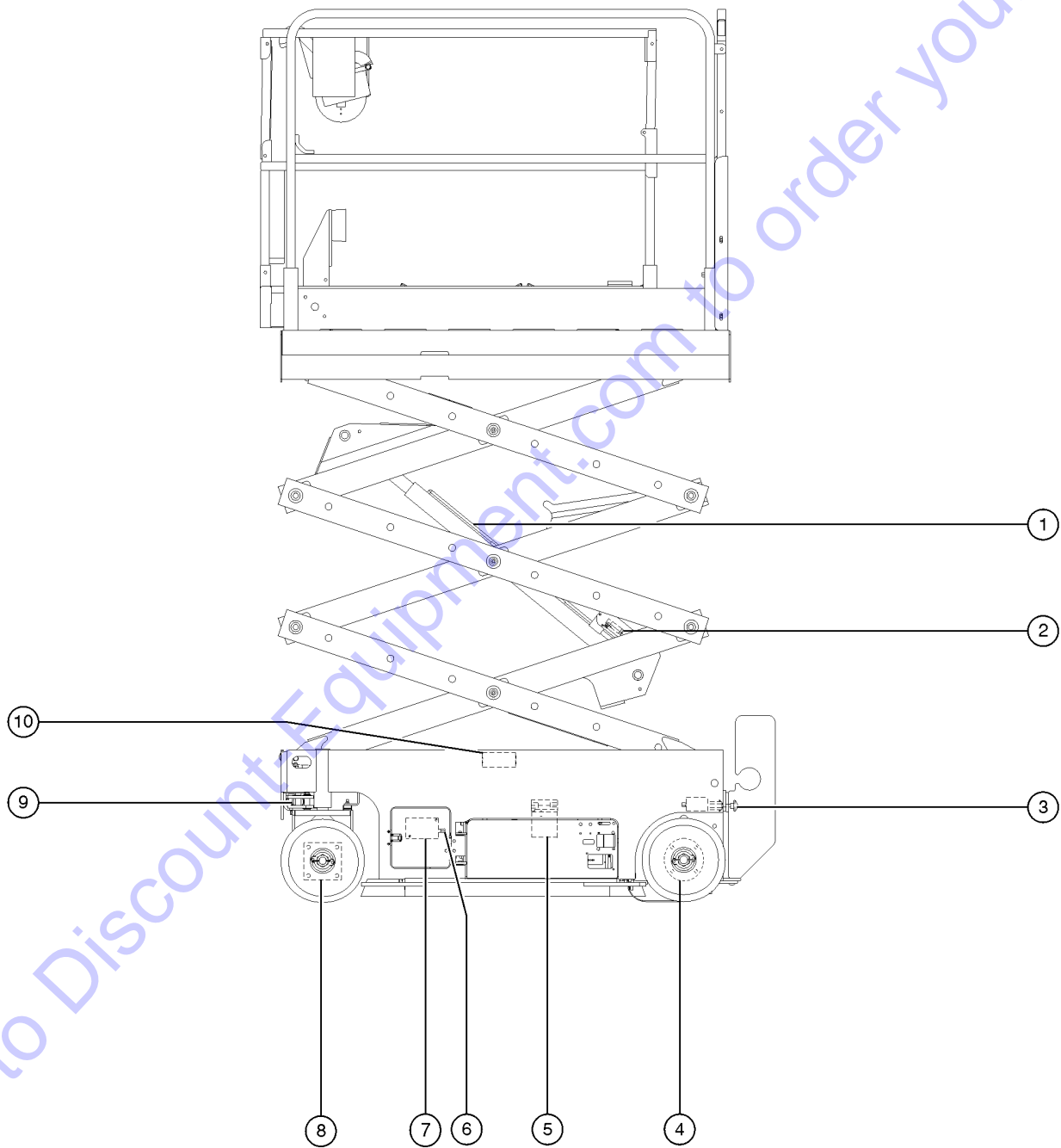
www.discount-equipment.com



Item	Part No.	Description	Qty.
1		Ref. Lift Cylinder Assembly (refer to 505.1)	
2		Ref. Pressure Transducer (refer to 701.1)	
3		Ref. Brake Release Hand Pump Manifold (refer to 503.1)	
4	96257GT	BRAKE, HYDRAULIC***	2
5A	78622GT	FILTER ASSY, SAE8, 10 MIC, PAPER** (paper, standard)	1
5A-	44788GT	FILTER ELEMENT-10MICRON, PAPER* (paper, standard)	
5B	T114321GT	FILTER ASSY, FIBRGLS, #8-#8 (fiberglass, optional upgrade)	1
5B-	44207GT	FILTER ELEMENT, BETA(10)=200 (fiberglass, optional upgrade)	
6		Ref. Check Valve (refer to 502.1)	
7		Ref. Function Manifold (refer to 502.1)	
8A	96417GT	DRIVE MOTOR, 18.3 CU. IN/REV to SN GS3216C-16097, GS4616C-16893	2
8A-	96419GT	SEAL KIT, RC SERIES DR MOTOR*** for 96417	
8B	T108663GT	DRIVE MOTOR, 22.9CI/REV from SN GS3216C-16098, GS4616C-16894	
8B-	96419GT	SEAL KIT, RC SERIES DR MOTOR*** for T108663	
9	105547GT	CYLINDER, GS/GR STEER***	1
9-	105555GT	KIT, STEER CYL SEAL, 040505P, HDM (for codes H41205, H41255, H51290, H501111, H505109, H509101, H60723 and H60870)	
9-	105554GT	KIT, STEER CYL SEAL, 040499P, HDM (for code H41109 and up)	
9-	105553GT	KIT, STEER CYL SEAL, 040271P, HDM (for code H408147 and up)	
9-	105550GT	KIT, STEER CYL SEAL	
10	78422GT	ACCUMULATOR, 180 PSI PRECHARGE*	1

Go to DiscountParts.com to order your parts



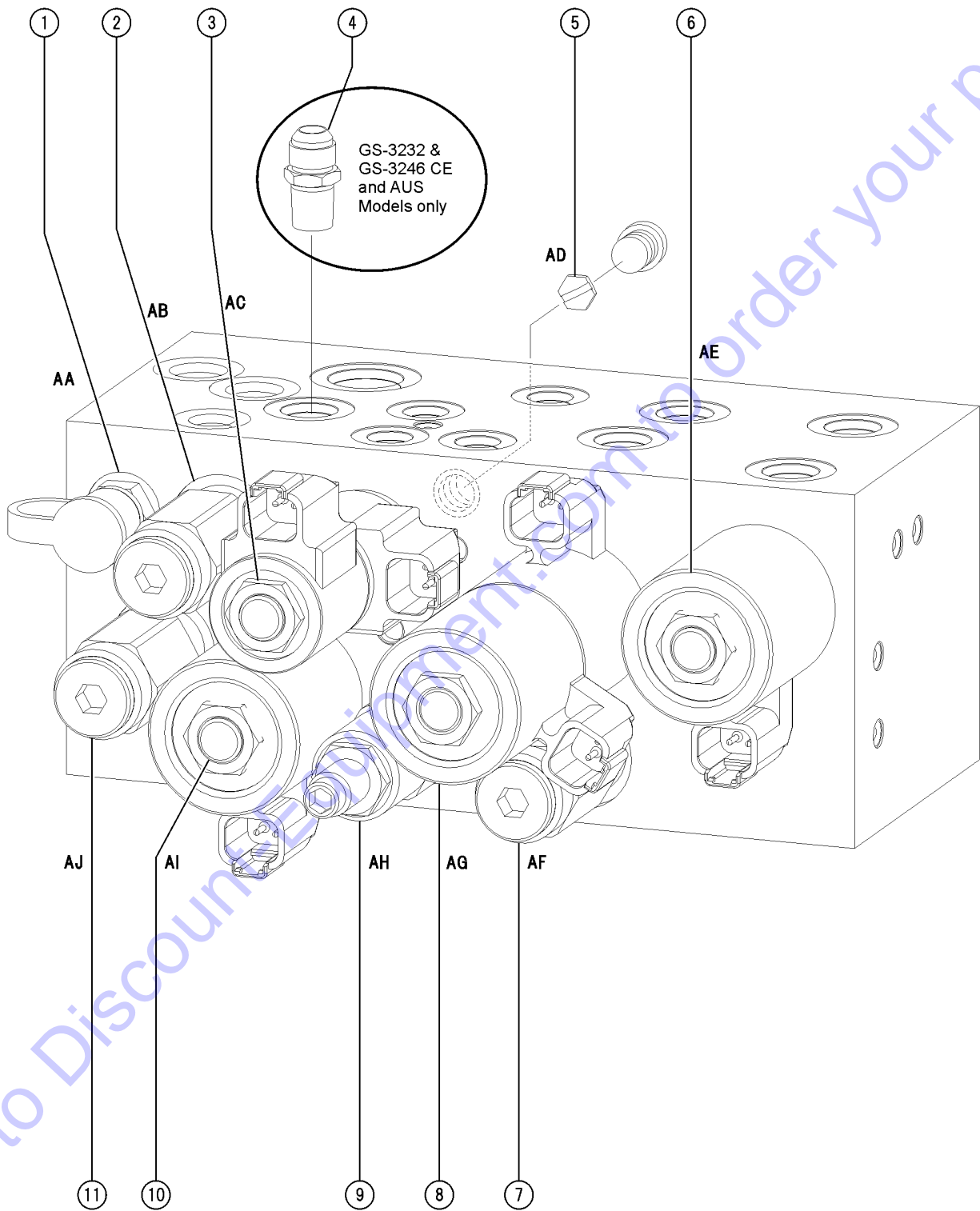


Item	Part No.	Description	Qty.
1		Ref. Lift Cylinder Assembly (refer to 505.1)	
2		Ref. Pressure Transducer (refer to 701.1)	
3		Ref. Brake Release Hand Pump Manifold (refer to 503.1)	
4	96257GT	BRAKE, HYDRAULIC***	2
5A	78622GT	FILTER ASSY, SAE8, 10 MIC, PAPER** (paper, standard)	1
5A-	44788GT	FILTER ELEMENT-10MICRON, PAPER* (paper, standard)	
5B	T114321GT	FILTER ASSY, FIBRGLS, #8-#8 (fiberglass, optional upgrade)	1
5B-	44207GT	FILTER ELEMENT, BETA(10)=200 (fiberglass, optional upgrade)	
6		Ref. Check Valve (refer to 502.1)	
7		Ref. Function Manifold (refer to 502.1)	
8A	96417GT	DRIVE MOTOR, 18.3 CU. IN/REV to SN GS3216C-16097, GS4616C-16893	2
8A-	96419GT	SEAL KIT, RC SERIES DR MOTOR*** for 96417	
8B	T108663GT	DRIVE MOTOR, 22.9CI/REV from SN GS3216C-16098, GS4616C-16894	
8B-	96419GT	SEAL KIT, RC SERIES DR MOTOR*** for T108663	
9	105547GT	CYLINDER, GS/GR STEER***	1
9-	105555GT	KIT, STEER CYL SEAL, 040505P, HDM (for codes H41205, H41255, H51290, H501111, H505109, H509101, H60723 and H60870)	
9-	105554GT	KIT, STEER CYL SEAL, 040499P, HDM (for code H41109 and up)	
9-	105553GT	KIT, STEER CYL SEAL, 040271P, HDM (for code H408147 and up)	
9-	105550GT	KIT, STEER CYL SEAL	
10	78422GT	ACCUMULATOR, 180 PSI PRECHARGE*	1

Go to DiscountParts.com to order your parts



502.1 Function Manifold, GS-2032A, GS-204A6, GS-2632A, GS-2646A

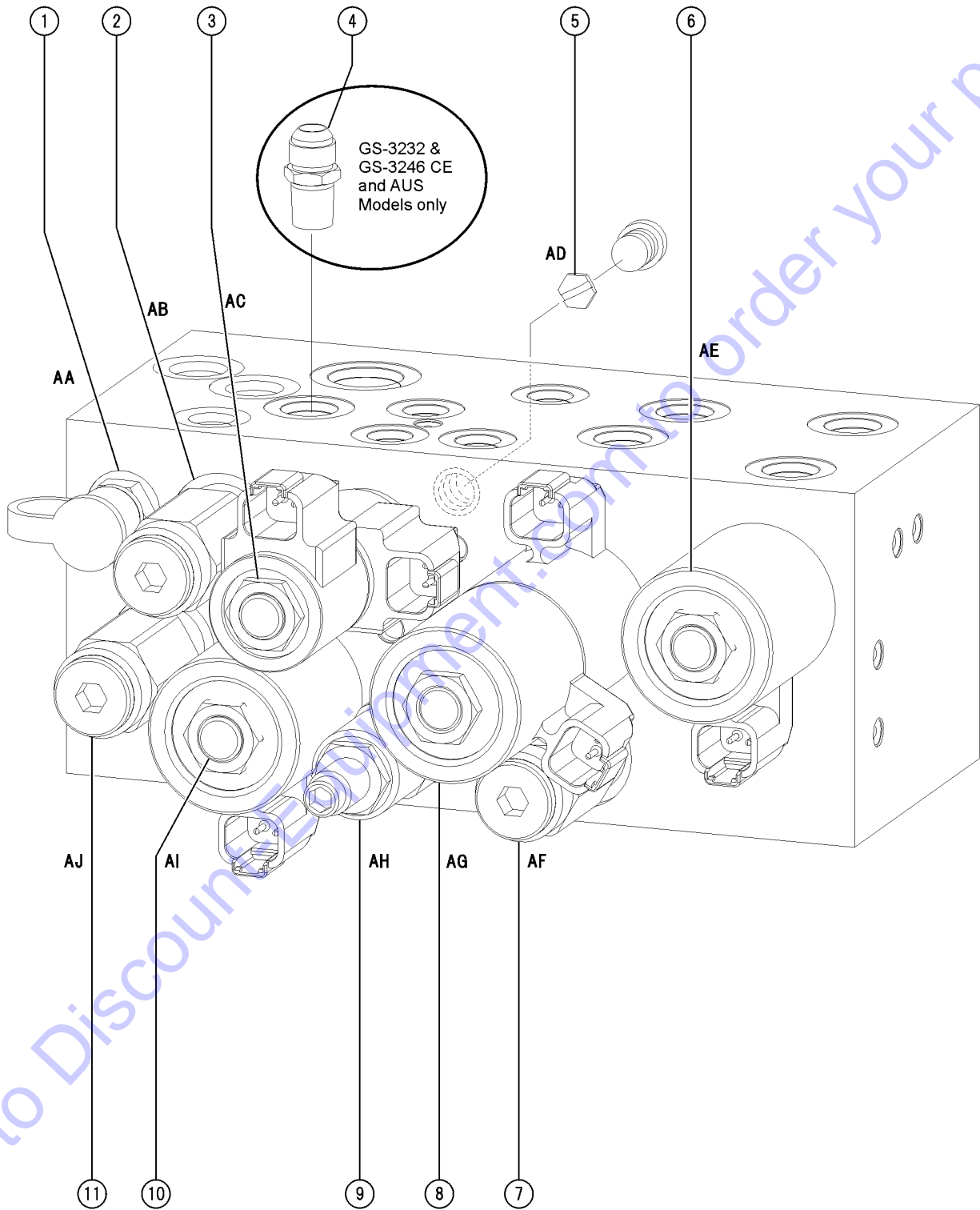


502.1 Function Manifold, GS-2032A, GS-204A6, GS-2632A, GS-2646A

Item	Part No.	Description	Qty.
A-	105463GT	126,DYN.BRAKING,MANIF,32/46	
B-	150105GT	MANIFOLD,FUNCTION,2 SPEED (does not include check valve, item 4)	
C-	49612GT	O-RING KIT (ORFS FITTINGS)	
D-	49613GT	PLUG AND CAP KIT-SERVICE,ORFS*	
1	48997GT	CONN,520120-8-12	
		(AA, Testing)	
1-	20224GT	DIAGNOSTIC FEMALE Q-DSCNT	
1-	48880GT	CAP,DIAGNOSTIC NIPPLE	
2	1299590GT	VALVE, FUNCTION MANIFOLD RELIEF, 3700PSI	
		(AB, System relief).	
2-	44226GT	SEAL KIT-FOR P.N.44167	
3	44168GT	VALVE,SOLENOID,3POS 4WAY	
		(AC, Steer left/right)	
3-	77709GT	COIL,#8 20VDC,DEUTSCH W/DIOD	
		(sold separately)	
3-	44174GT	NUT-COIL SHORT	
		(sold separately)	
3-	44236GT	SPACER-DUAL COIL,#8***	
		(sold separately)	
3-	44229GT	SEAL KIT, VALVE	
5	84386GT	CHECK DISK, NO SPRING	
		(AD, Steer circuit)	
6	44171GT	VALVE-SOLENOID,2POS 4WAY**	
		(AE, Drive speed select circuit)	
6-	44230GT	SEAL KIT-P.N.44169,44172,44171	
6-	84385GT	COIL,20VDC DEUTCSH W/DIODE	
		(sold separately)	
6-	44175GT	SPACER-DUAL COIL,#10, SCISSORS	
		(sold separately)	
7	97409GT	VALVE,DIFF.AREA RELIEF,50PSI	
		(AF, Brake release)	
8	150104GT	VALVE, DYN. BRAKING, GS32/46	
8-	84385GT	COIL,20VDC DEUTCSH W/DIODE	
		(sold separately)	
8-	44175GT	SPACER-DUAL COIL,#10, SCISSORS	
		(sold separately)	
9	84384GT	PRTY,FLOW CNTRL VALVE,.75 GPM	
		(AH, Steer circuit)	
9-	1261888GT	SEAL KIT (84384)	
		for 84384	
9-	44230GT	SEAL KIT-P.N.44169,44172,44171	
10	44169GT	VALVE-SOLENOID, 2POS 4 WAY	
		(AI, Platform up)	
10-	44230GT	SEAL KIT-P.N.44169,44172,44171	



502.1 Function Manifold, GS-2032A, GS-204A6, GS-2632A, GS-2646A



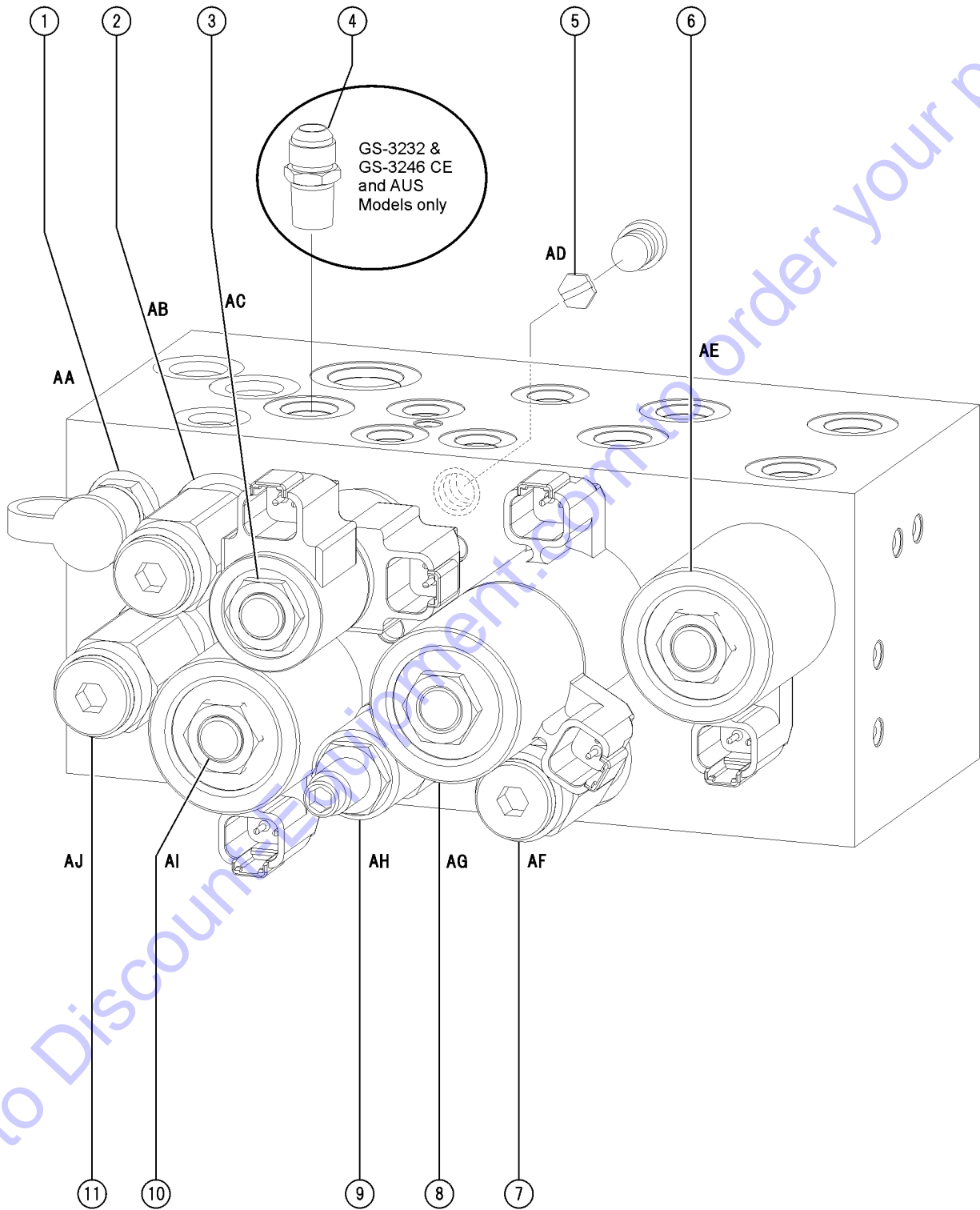
502.1 Function Manifold, GS-2032A, GS-204A6, GS-2632A, GS-2646A

Item	Part No.	Description	Qty.
10-	84385GT	COIL,20VDC DEUTCSH W/DIODE (sold separately)	
10-	44175GT	SPACER-DUAL COIL,#10, SCISSORS (sold separately)	
11	1299590GT	VALVE, FUNCTION MANIFOLD RELIEF, 3700PSI (AJ, Lift relief).	
11-	44226GT	SEAL KIT-FOR P.N.44167	

Go to Discount-Equipment.com to order your parts



502.2 Function Manifold, GS-2032C, GS-2046C, GS-2632C, GS-2646C

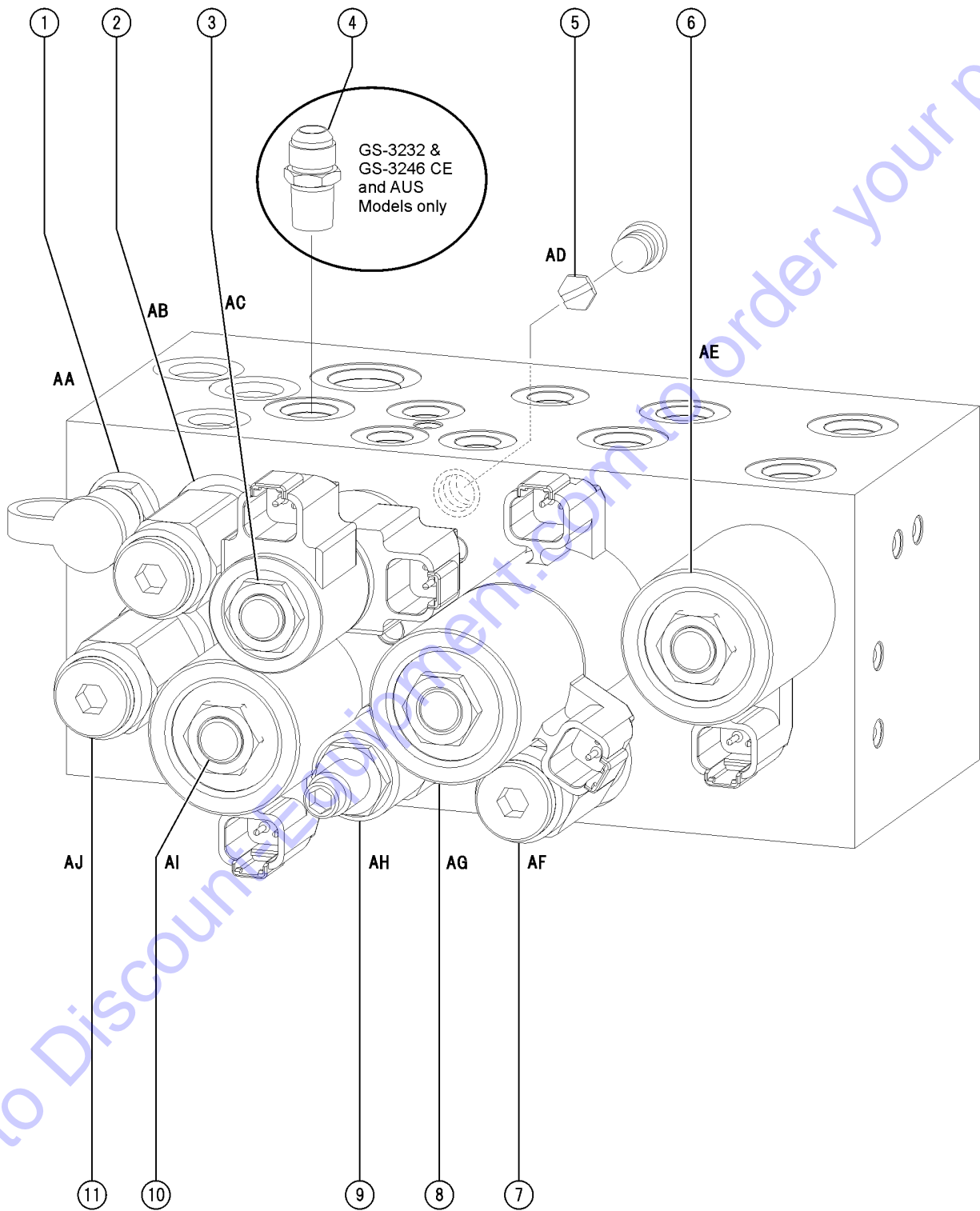


502.2 Function Manifold, GS-2032C, GS-2046C, GS-2632C, GS-2646C

Item	Part No.	Description	Qty.
A-	105463GT	126,DYN.BRAKING,MANIF,32/46	
B-	150105GT	MANIFOLD,FUNCTION,2 SPEED (does not include check valve, item 4)	
C-	49612GT	O-RING KIT (ORFS FITTINGS)	
D-	49613GT	PLUG AND CAP KIT-SERVICE,ORFS*	
1	48997GT	CONN,520120-8-12	
		(AA, Testing)	
1-	20224GT	DIAGNOSTIC FEMALE Q-DSCNT	
1-	48880GT	CAP,DIAGNOSTIC NIPPLE	
2	1299590GT	VALVE, FUNCTION MANIFOLD RELIEF, 3700PSI	
		(AB, System relief)	
2-	44226GT	SEAL KIT-FOR P.N.44167	
3	44168GT	VALVE,SOLENOID,3POS 4WAY	
		(AC, Steer left/right)	
3-	77709GT	COIL,#8 20VDC,DEUTSCH W/DIOD	
		(sold separately)	
3-	44174GT	NUT-COIL SHORT	
		(sold separately)	
3-	44236GT	SPACER-DUAL COIL,#8***	
		(sold separately)	
3-	44229GT	SEAL KIT, VALVE	
5	84386GT	CHECK DISK, NO SPRING	
		(AD, Steer circuit)	
6	44171GT	VALVE-SOLENOID,2POS 4WAY**	
		(AE, Drive speed select circuit)	
6-	44230GT	SEAL KIT-P.N.44169,44172,44171	
6-	84385GT	COIL,20VDC DEUTCSH W/DIODE	
		(sold separately)	
6-	44175GT	SPACER-DUAL COIL,#10, SCISSORS	
		(sold separately)	
7	97409GT	VALVE,DIFF.AREA RELIEF,50PSI	
		(AF, Brake release)	
8	150104GT	VALVE, DYN. BRAKING, GS32/46	
8-	84385GT	COIL,20VDC DEUTCSH W/DIODE	
		(sold separately)	
8-	44175GT	SPACER-DUAL COIL,#10, SCISSORS	
		(sold separately)	
9	84384GT	PRTY,FLOW CNTRL VALVE,.75 GPM	
		(AH, Steer circuit)	
9-	1261888GT	SEAL KIT (84384)	
		for 84384	
9-	44230GT	SEAL KIT-P.N.44169,44172,44171	
10	44169GT	VALVE-SOLENOID, 2POS 4 WAY	
		(AI, Platform up)	
10-	44230GT	SEAL KIT-P.N.44169,44172,44171	



502.2 Function Manifold, GS-2032C, GS-2046C, GS-2632C, GS-2646C



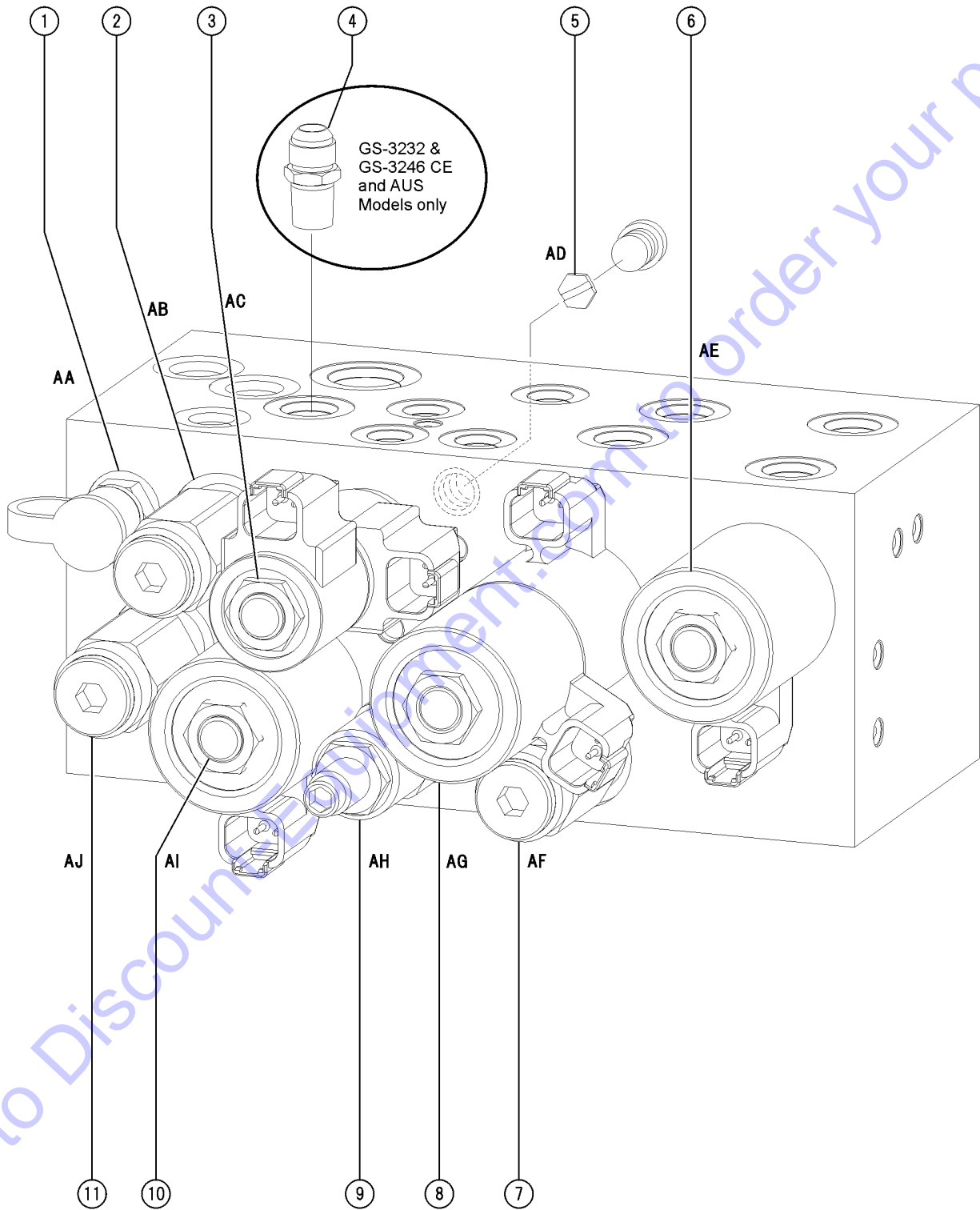
502.2 Function Manifold, GS-2032C, GS-2046C, GS-2632C, GS-2646C

<i>Item</i>	<i>Part No.</i>	<i>Description</i>	<i>Qty.</i>
10-	84385GT	COIL,20VDC DEUTCSH W/DIODE (sold separately)	
10-	44175GT	SPACER-DUAL COIL,#10, SCISSORS (sold separately)	
11	1299590GT	VALVE, FUNCTION MANIFOLD RELIEF, 3700PSI (AJ, Lift relief)	
11-	44226GT	SEAL KIT-FOR P.N.44167	

Go to Discount-Equipment.com to order your parts



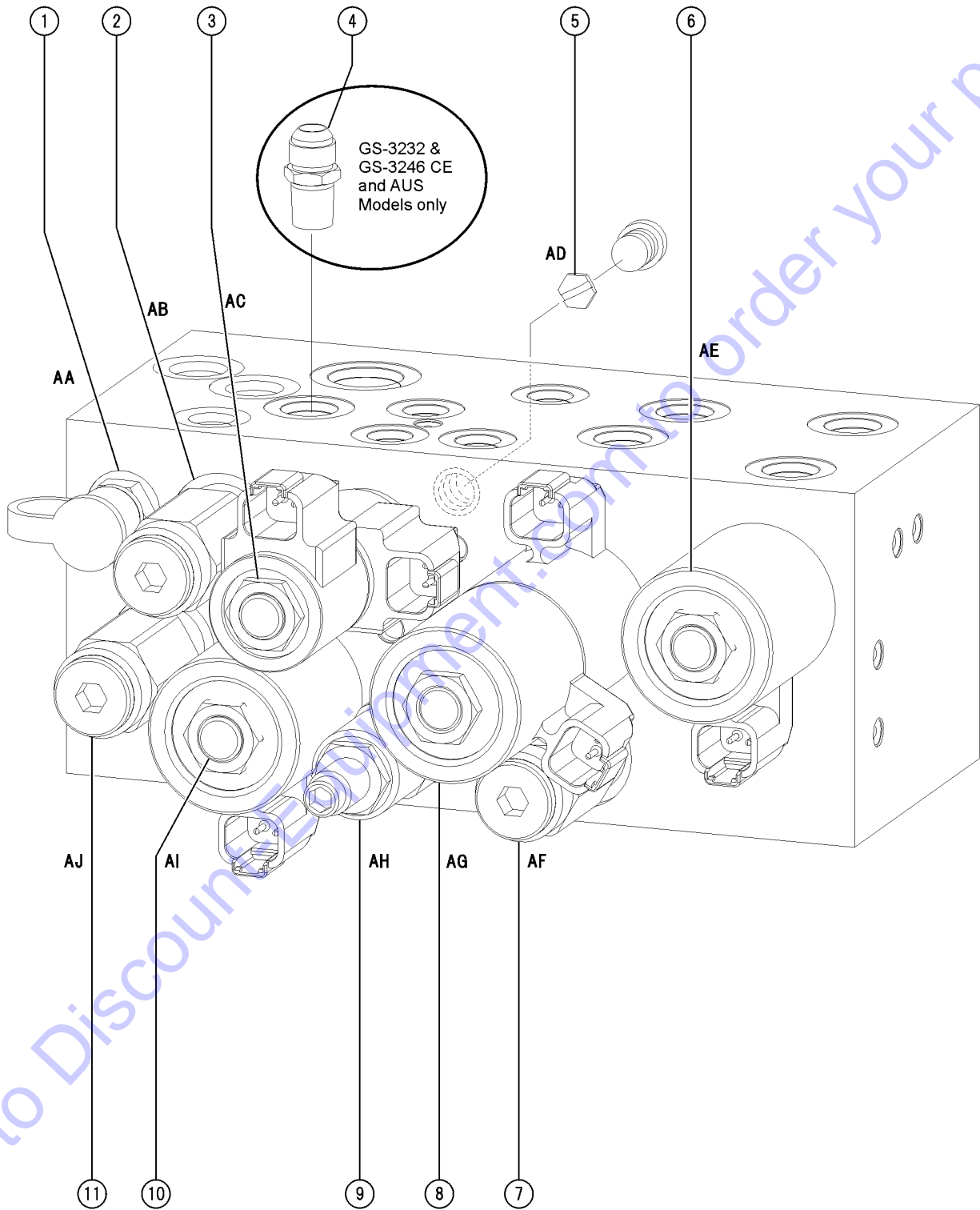
502.3 Function Manifold, GS-3232, GS-3246



Item	Part No.	Description	Qty.
A-	105463GT	126,DYN.BRAKING,MANIF,32/46	
B-	150105GT	MANIFOLD,FUNCTION,2 SPEED (does not include check valve, item 4)	
C-	49612GT	O-RING KIT (ORFS FITTINGS)	
D-	49613GT	PLUG AND CAP KIT-SERVICE,ORFS*	
1	48997GT	CONN,520120-8-12 (AA, Testing)	
1-	20224GT	DIAGNOSTIC FEMALE Q-DSCNT	
1-	48880GT	CAP,DIAGNOSTIC NIPPLE	
2	1299590GT	VALVE, FUNCTION MANIFOLD RELIEF, 3700PSI (AB, System relief)	
2-	44226GT	SEAL KIT-FOR P.N.44167	
3	44168GT	VALVE,SOLENOID,3POS 4WAY (AC, Steer left/right)	
3-	77709GT	COIL,#8 20VDC,DEUTSCH W/DIOD (sold separately)	
3-	44174GT	NUT-COIL SHORT (sold separately)	
3-	44236GT	SPACER-DUAL COIL,#8*** (sold separately)	
3-	44229GT	SEAL KIT, VALVE	
4	237086GT	HOSE,UPPER VENT GS-3232, GS-3246 (Australia & CE) (sold separately)	
5	84386GT	CHECK DISK, NO SPRING (AD, Steer circuit)	
6	44171GT	VALVE-SOLENOID,2POS 4WAY** (AE, Drive speed select circuit)	
6-	44230GT	SEAL KIT-P.N.44169,44172,44171	
6-	84385GT	COIL,20VDC DEUTCSH W/DIODE (sold separately)	
6-	44175GT	SPACER-DUAL COIL,#10, SCISSORS (sold separately)	
7	97409GT	VALVE,DIFF.AREA RELIEF,50PSI (AF, Brake release)	
8	150104GT	VALVE, DYN. BRAKING, GS32/46	
8-	84385GT	COIL,20VDC DEUTCSH W/DIODE (sold separately)	
8-	44175GT	SPACER-DUAL COIL,#10, SCISSORS (sold separately)	
9	84384GT	PRTY,FLOW CNTRL VALVE,.75 GPM (AH, Steer circuit)	
9-	1261888GT	SEAL KIT (84384) for 84384	
9-	44230GT	SEAL KIT-P.N.44169,44172,44171	
10	44169GT	VALVE-SOLENOID, 2POS 4 WAY (AI, Platform up)	



502.3 Function Manifold, GS-3232, GS-3246

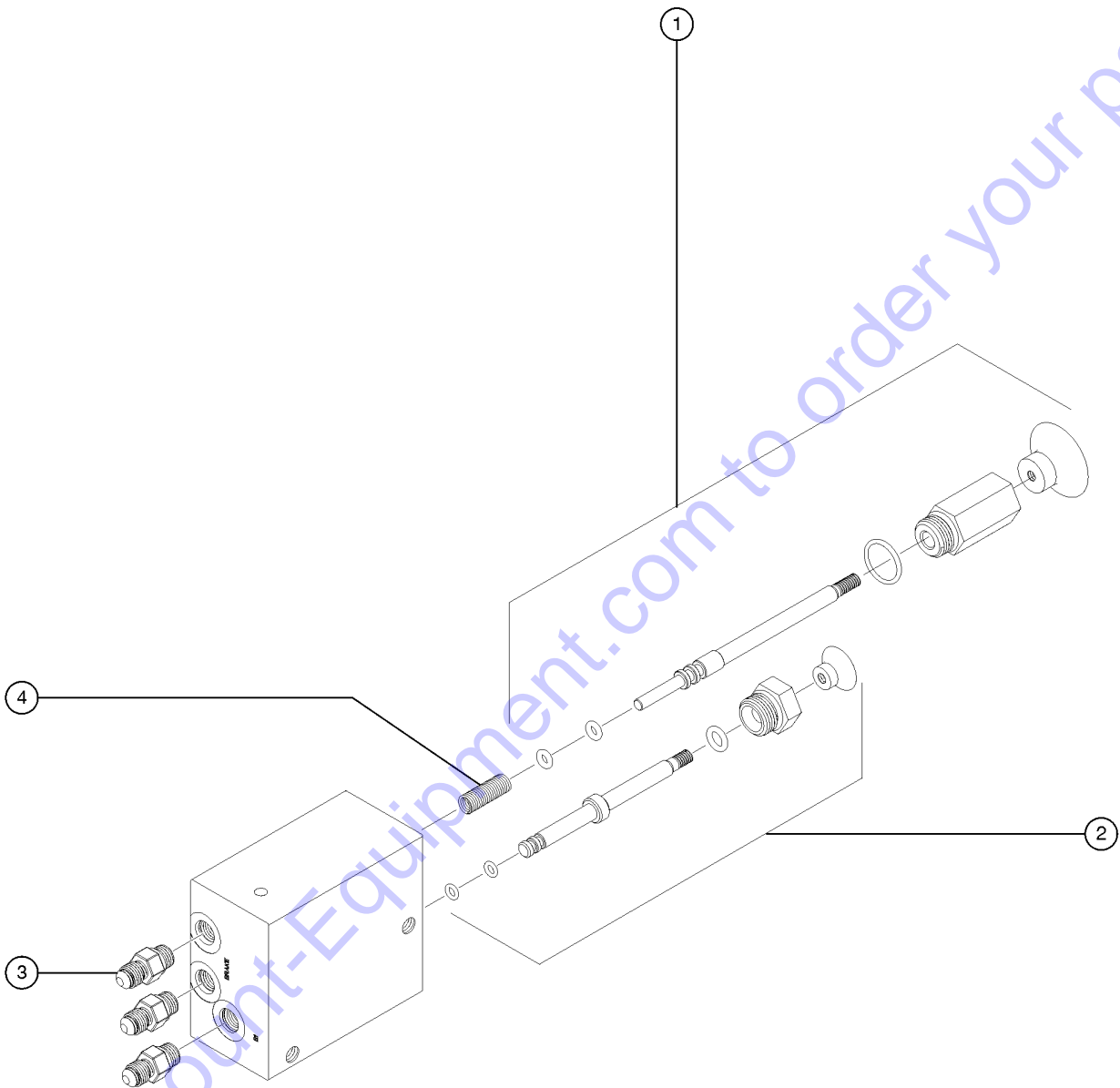


<i>Item</i>	<i>Part No.</i>	<i>Description</i>	<i>Qty.</i>
10-	44230GT	SEAL KIT-P.N.44169,44172,44171	
10-	84385GT	COIL,20VDC DEUTC SH W/DIODE (sold separately)	
10-	44175GT	SPACER-DUAL COIL,#10, SCISSORS (sold separately)	
11	1299590GT	VALVE, FUNCTION MANIFOLD RELIEF, 3700PSI (AJ, Lift relief)	
11-	44226GT	SEAL KIT-FOR P.N.44167	

Go to Discount-Equipment.com to order your parts



503.1 Brake Release Hand Pump Manifold



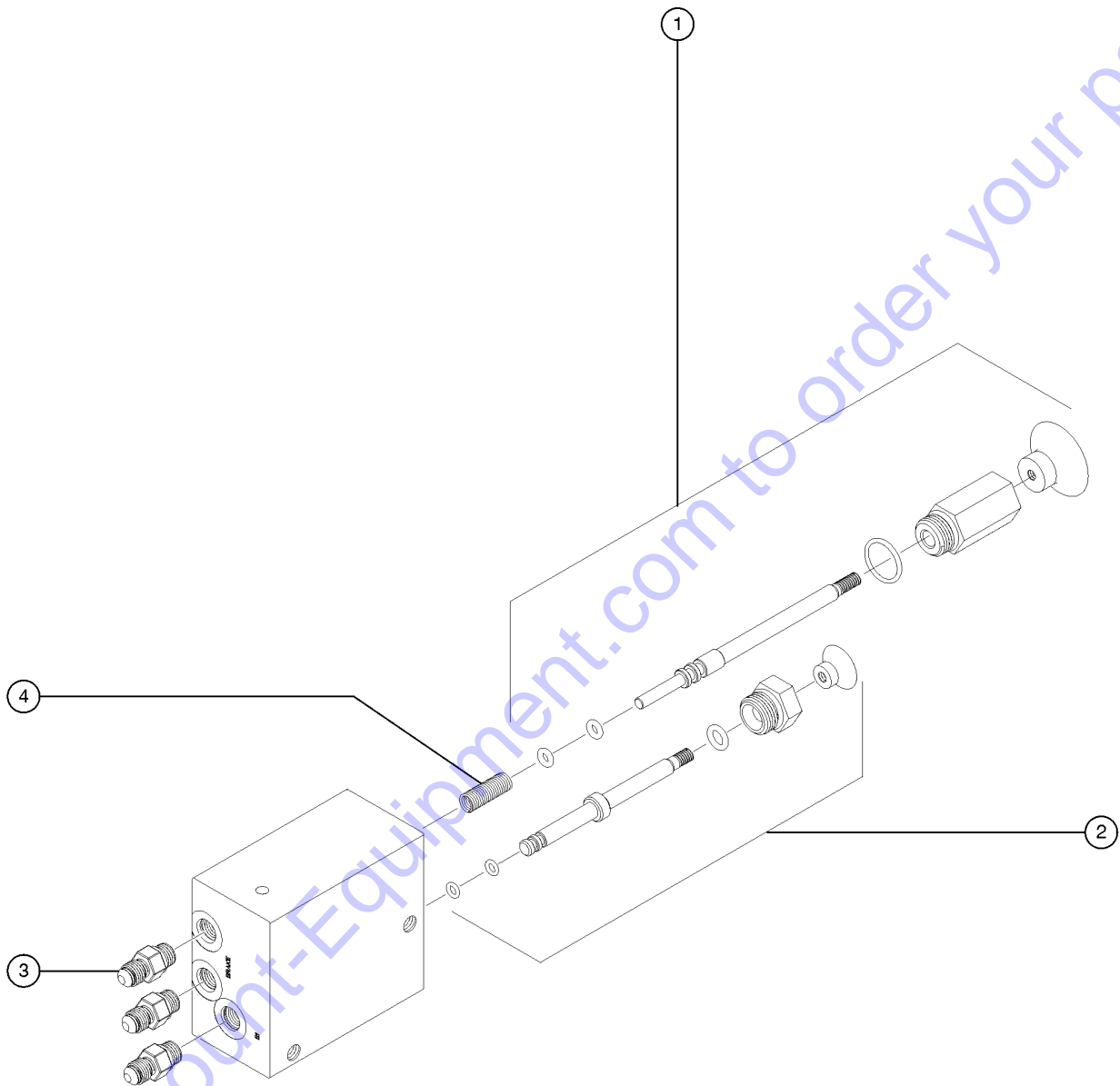
503.1 Brake Release Hand Pump Manifold

Item	Part No.	Description	Qty.
	105067GT	MANIFOLD,BRAKE RELEASE (includes items 1, 2 and 4)	
1	84739GT	VALVE,HAND PUMP ASSEMBLY***	1
1-	84740GT	SEAL KIT,HAND PUMP***	
1-	84742GT	KNOB,HAND PUMP (RED)***	
2	84743GT	VALVE,PILOT OPERATED ASSEMBLY*	1
2-	84740GT	SEAL KIT,HAND PUMP***	
2-	84746GT	KNOB,PILOT OP VALVE (BLACK)***	
3	39877GT	CONNECTOR,070120-4-4	3
4	84748GT	SPRING,HAND PUMP ROD	1

Go to Discount-Equipment.com to order your parts



503.2 Brake Release Hand Pump Manifold



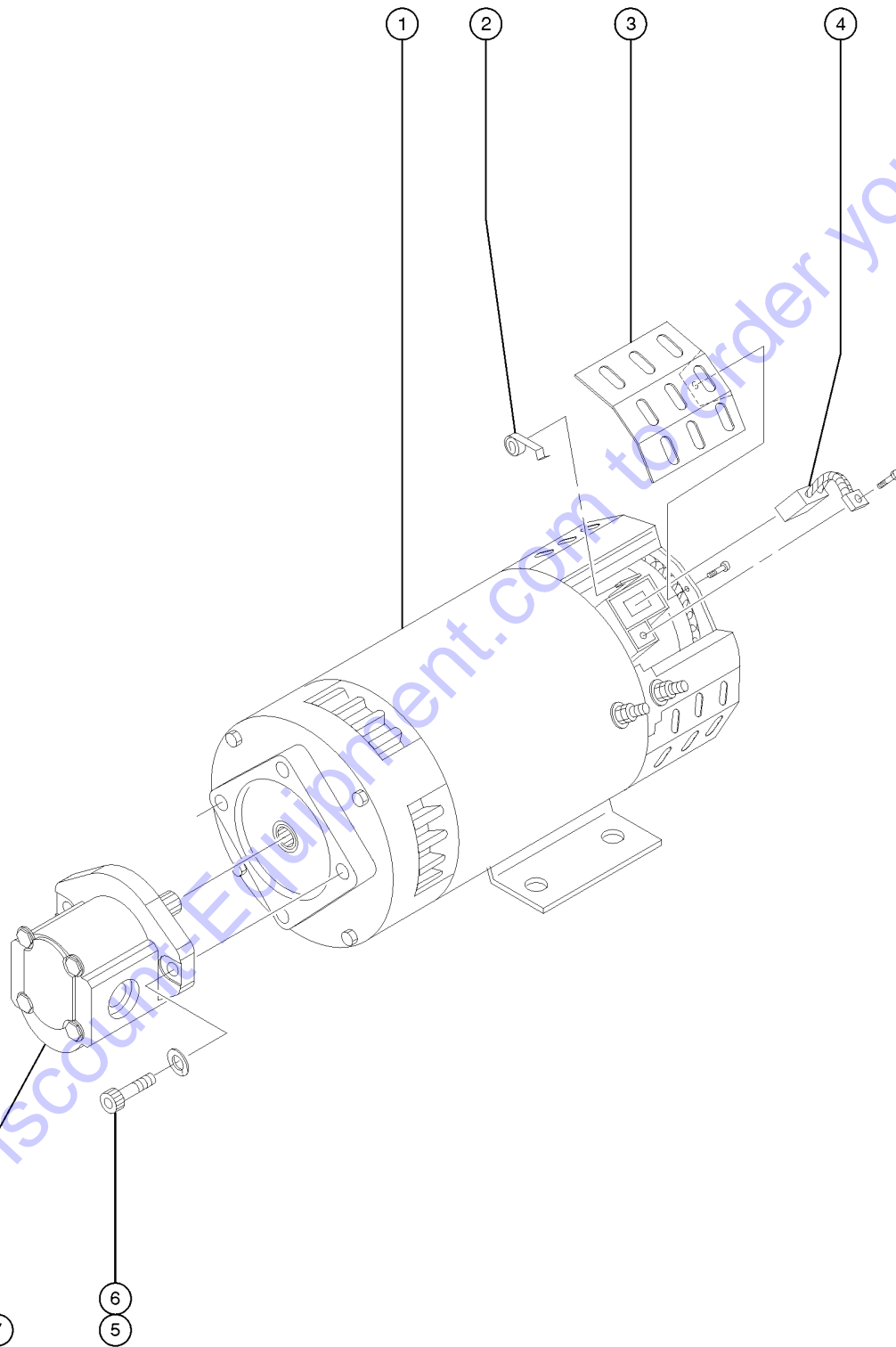
503.2 Brake Release Hand Pump Manifold

Item	Part No.	Description	Qty.
	105067GT	MANIFOLD,BRAKE RELEASE (includes items 1, 2 and 4)	
1	84739GT	VALVE,HAND PUMP ASSEMBLY***	1
1-	84740GT	SEAL KIT,HAND PUMP***	
1-	84742GT	KNOB,HAND PUMP (RED)***	
2	84743GT	VALVE,PILOT OPERATED ASSEMBLY*	1
2-	84740GT	SEAL KIT,HAND PUMP***	
2-	84746GT	KNOB,PILOT OP VALVE (BLACK)***	
3	39877GT	CONNECTOR,070120-4-4	3
4	84748GT	SPRING,HAND PUMP ROD	1

Go to Discount-Equipment.com to order your parts



504.1 Hydraulic Power Unit, All Models



Go to DiscountEquipment.com to order your parts

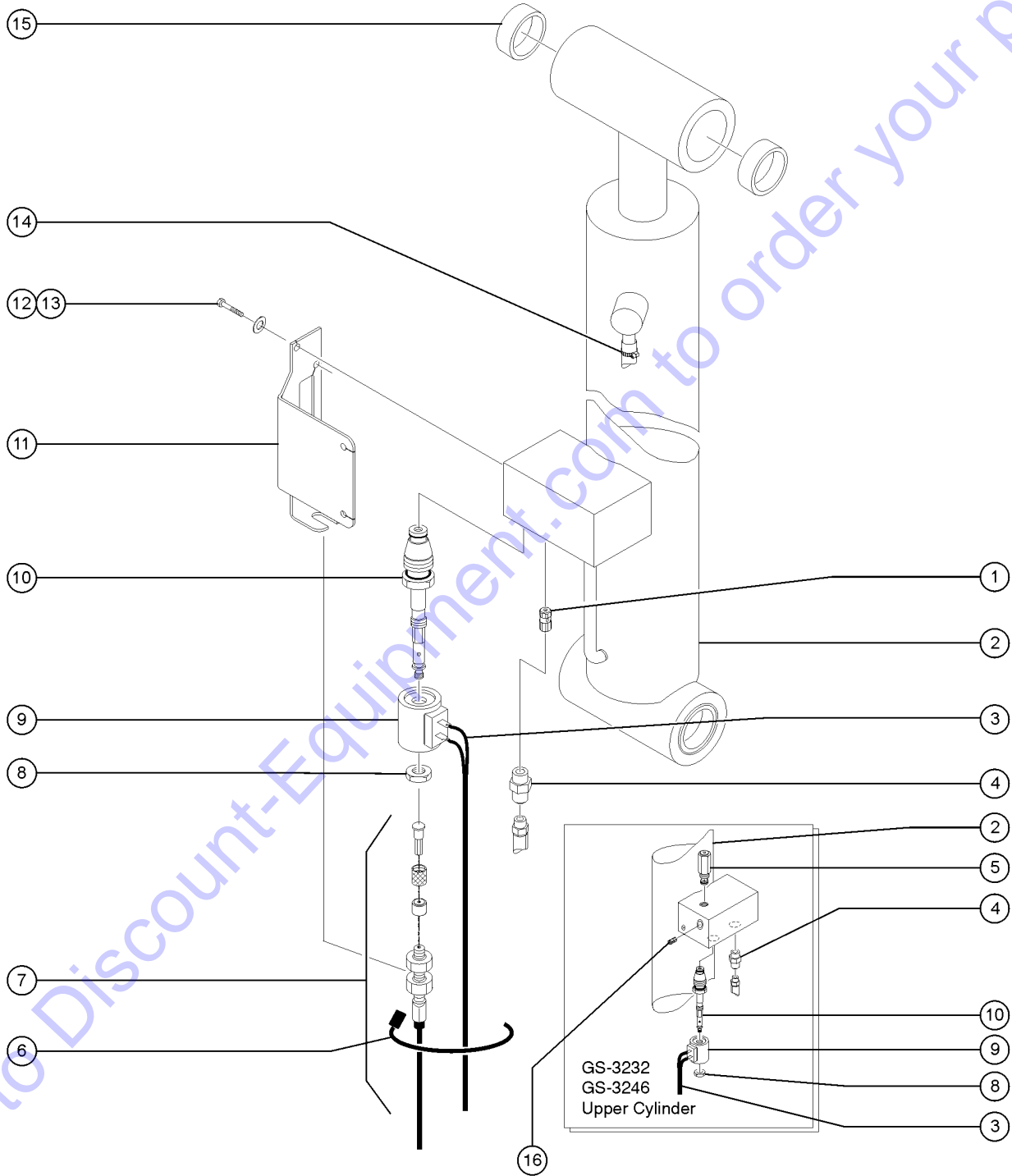


Item	Part No.	Description	Qty.
B-	49812GT	ENCLOSING BAND KIT Band Kit (EE models)	
C-	78006GT	FORMING,PADLOCK BRACKET	
D-	44716GT	HANDLE,ANDERSON CONNECTOR SB	
1	40844GT	MOTOR,ELECTRIC,24VDC 4.5HP	1
1-	43685GT	SEAL KIT,LIFT PUMP,BARNES**	
1-	44777GT	BEARING,MOTOR	
1-	44778GT	BEARING,MOTOR,36843,BRUSH END*	
2	44750GT	SPRING-BRUSH,40844, SCISSORS	4
3	44752GT	COVER-BRUSH INSPEC.40844,SCISS	4
4	44751GT	BRUSH,PWR UNIT (40844)**	4
5	55921GT	SCREW,SHC,3/8-24 X 1.25"	
6	6021GT	WASHER,LOCK,.375	
7A	231572GT	PUMP,4CC,GEAR,CCW	1
7A-	85197GT	SEAL KIT,BOSCH PUMP*** For Bosch PN 9510290001	
7B	1255060GT	KIT, 5CC PUMP UPGRADE For GS-32; Software required - order 219205 shown below (for SN GS3211A-110000 to 119071, for GS4611A-110000 to 117178, for GS4612C-10000 to 12073, for GS3212C-10000 to 11873, for GS4712C-101 to 1459)	
7B-	T108662GT	PUMP,5.6CC GEAR,CCW for 1255060GT	
7C	T108662GT	PUMP,5.6CC GEAR,CCW (from SN GS3214A-119072, GS4614A-117179, GS3214C-11874, GS4614C-12074)	1
7C-	236837GT	SEAL KIT,PUMP,5.6CC GEAR for T108662GT	
7D	219205GT	FLASH DRIVE,SL1K1.0 SOFTWARE required software for 1255060GT	

Go to DiscountSupplyPart.com to order your parts



505.1 Lift Cylinder Assembly, All Models, GS-2032, GS-2046

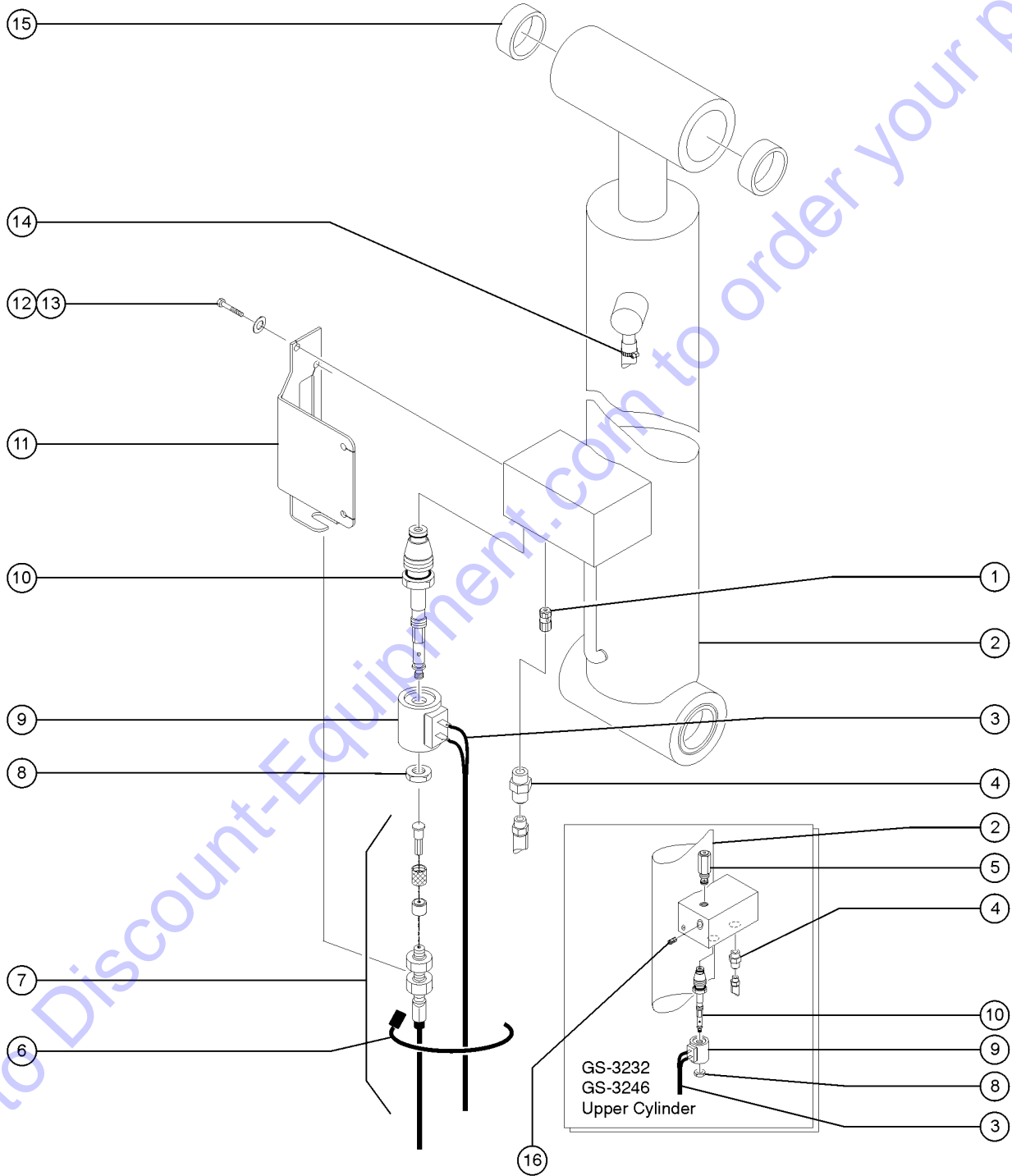


505.1 Lift Cylinder Assembly, All Models, GS-2032, GS-2046

Item	Part No.	Description	Qty.
1A	55560GT	ORIFICE, LONG, .059" GS-2032, GS-2632, GS-2046, GS-2646, GS-3232, GS-3246	
1A-	105481GT	KIT, ORIFICE, .059"	
1A-	105479GT	KIT, TWO ORIFICE, .059"	
2A	105544GT	CYLINDER, 20XX LIFT GS-2032, GS-2046	1
2A-	105549GT	SEAL KIT (105545) (for PN 105544)	
3		Ref. Down Coil Wire Harness (refer to 211.1)	
4	39878GT	CONNECTOR, 070120-6-6	1
5	97130GT	VALVE-RELIEF, 2500PSI	
6	28443GT	CABLE TIE, 11.5" BLACK	3
7		Ref. Emergency Down Cable (refer to 203.1)	
8	44973GT	NUT, COIL (39909)	1
9	84422GT	COIL-SOLENOID VALVE, 20V DC*** (direct replacement for 66467)	1
10	66465GT	VALVE, W/20V NC SOLENOID, MANUAL (includes items 7 and 8)	1
10-	40477GT	VALVE, CARTRIDGE***	
10-	44979GT	SEAL KIT, 39909, PLAT LWR VALVE*	
11	41557-SGT	CABLE BRACKET, PAINTED	1
12	7339GT	SCREW, HHC, 1/4-20 X .5	
13	6356GT	WASHER, LOCK, .25	
14	96770GT	CLAMP, HOSE, 1 EAR, 11/16	1
15	105478GT	BEARING, 1.5025IDX1.5075ODX1.5L	4



505.2 Lift Cylinder Assembly, All Models, GS-2032, GS-2046C



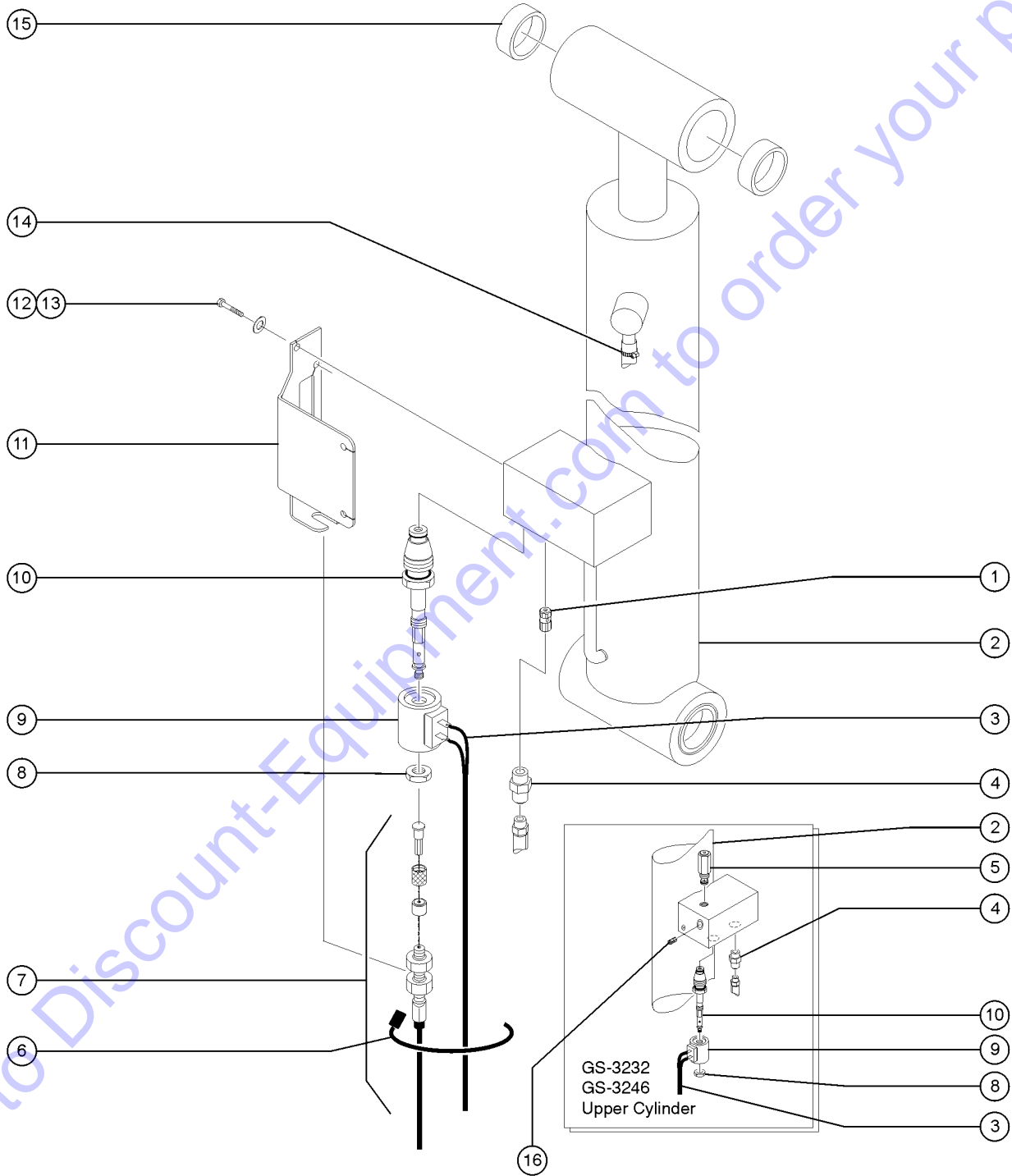
505.2 Lift Cylinder Assembly, All Models, GS-2032, GS-2046C

Item	Part No.	Description	Qty.
1A	55560GT	ORIFICE, LONG, .059" GS-2032, GS-2632, GS-2046, GS-2646, GS-3232, GS-3246	
1A-	105481GT	KIT, ORIFICE, .059"	
1A-	105479GT	KIT, TWO ORIFICE, .059"	
2A	105544GT	CYLINDER, 20XX LIFT GS-2032, GS-2046	1
2A-	105549GT	SEAL KIT (105545) (for PN 105544)	
3		Ref. Down Coil Wire Harness (refer to 211.1)	
4	39878GT	CONNECTOR, 070120-6-6	1
5	97130GT	VALVE-RELIEF, 2500PSI	
6	28443GT	CABLE TIE, 11.5" BLACK	3
7		Ref. Emergency Down Cable (refer to 203.1)	
8	44973GT	NUT, COIL (39909)	1
9	84422GT	COIL-SOLENOID VALVE, 20V DC*** (direct replacement for 66467)	1
10	66465GT	VALVE, W/20V NC SOLENOID, MANUAL (includes items 7 and 8)	1
10-	40477GT	VALVE, CARTRIDGE***	
10-	44979GT	SEAL KIT, 39909, PLAT LWR VALVE*	
11	41557-SGT	CABLE BRACKET, PAINTED	1
12	7339GT	SCREW, HHC, 1/4-20 X .5	
13	6356GT	WASHER, LOCK, .25	
14	96770GT	CLAMP, HOSE, 1 EAR, 11/16	1
15	105478GT	BEARING, 1.5025IDX1.5075ODX1.5L	4

Go to DiscountEquipment.com to order your parts



505.3 Lift Cylinder Assembly, All Models, GS-2632, GS-2646



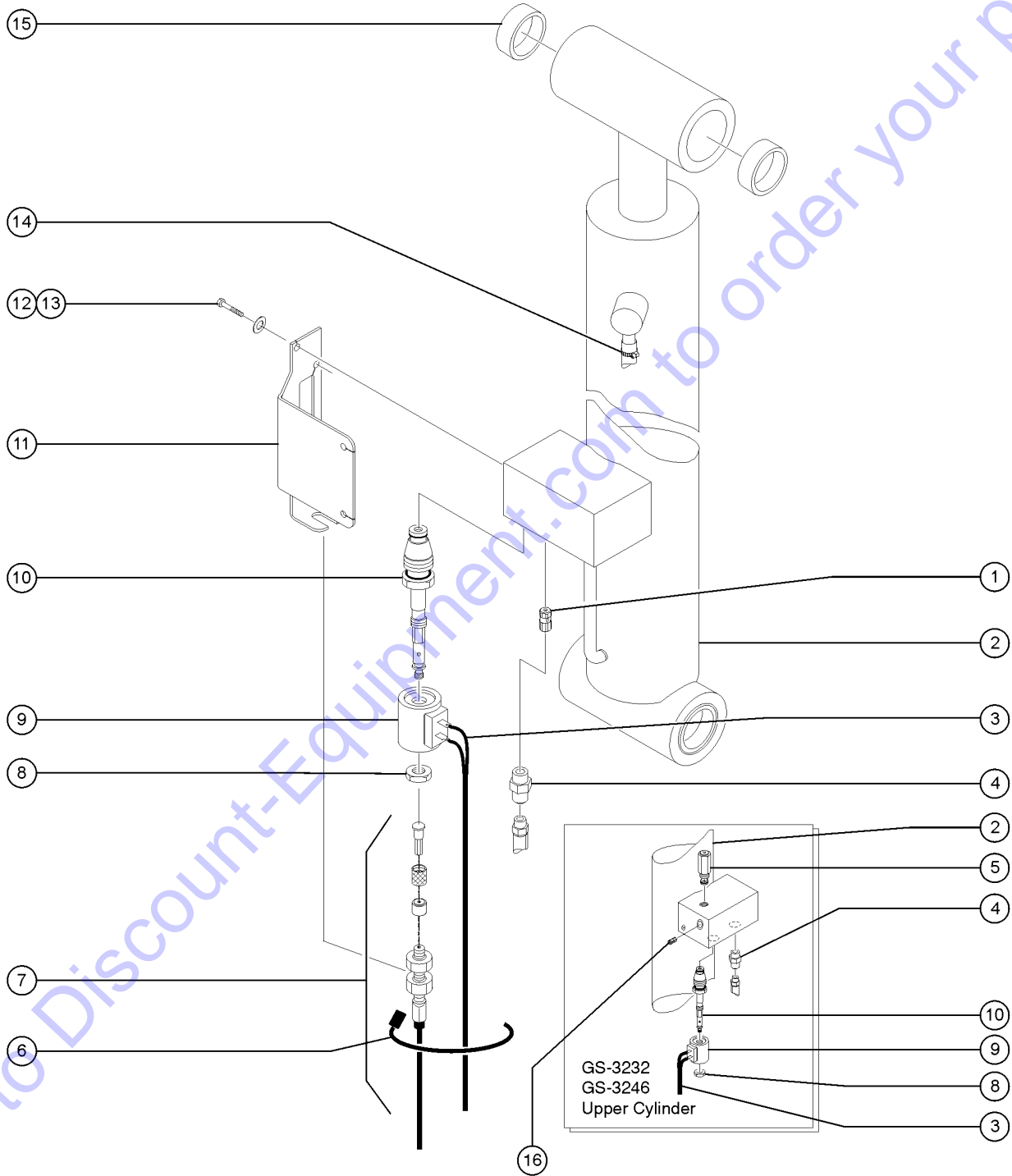
505.3 Lift Cylinder Assembly, All Models, GS-2632, GS-2646

Item	Part No.	Description	Qty.
1A	55560GT	ORIFICE, LONG, .059" GS-2032, GS-2632, GS-2046, GS-2646, GS-3232, GS-3246	
1A-	105481GT	KIT, ORIFICE, .059"	
1A-	105479GT	KIT, TWO ORIFICE, .059"	
2B	105545GT	CYLINDER, 26XX/32XX LIFT GS-2632, GS-2646	1
2B-	105549GT	SEAL KIT (105545) (for PN 105545)	
3		Ref. Down Coil Wire Harness (refer to 211.1)	
4	39878GT	CONNECTOR, 070120-6-6	1
5	97130GT	VALVE-RELIEF, 2500PSI	
6	28443GT	CABLE TIE, 11.5" BLACK	3
7		Ref. Emergency Down Cable (refer to 203.1)	
8	44973GT	NUT, COIL (39909)	1
9	84422GT	COIL-SOLENOID VALVE, 20V DC*** (direct replacement for 66467)	1
10	66465GT	VALVE, W/20V NC SOLENOID, MANUAL (includes items 7 and 8)	1
10-	40477GT	VALVE, CARTRIDGE***	
10-	44979GT	SEAL KIT, 39909, PLAT LWR VALVE*	
11	41557-SGT	CABLE BRACKET, PAINTED	1
12	7339GT	SCREW, HHC, 1/4-20 X .5	
13	6356GT	WASHER, LOCK, .25	
14	96770GT	CLAMP, HOSE, 1 EAR, 11/16	1
15	105478GT	BEARING, 1.5025IDX1.5075ODX1.5L	4

Go to DiscountEquipment.com to order your parts



505.4 Lift Cylinder Assembly, All Models, GS-2632, GS-2646C



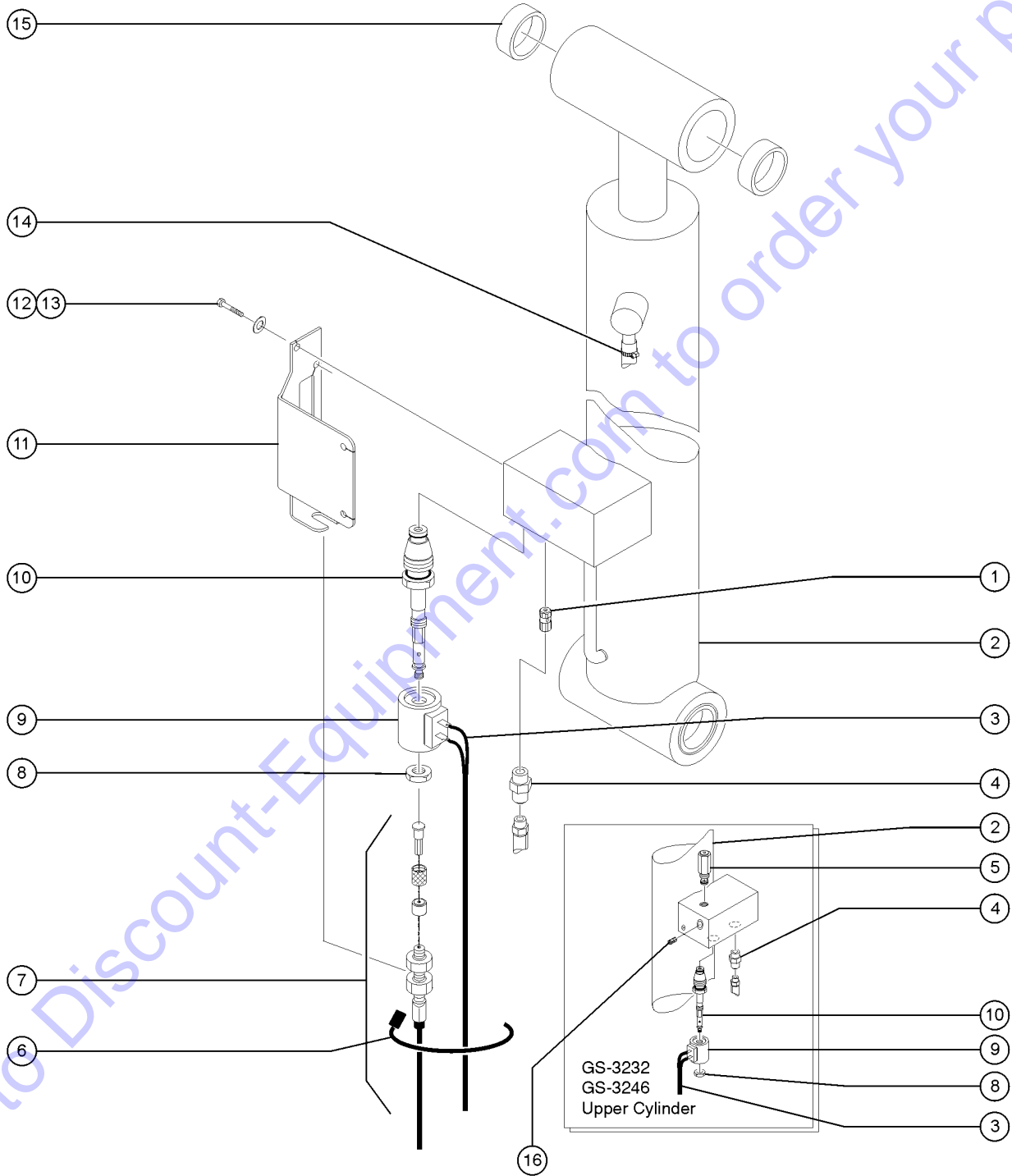
505.4 Lift Cylinder Assembly, All Models, GS-2632, GS-2646C

Item	Part No.	Description	Qty.
1A	55560GT	ORIFICE, LONG, .059" GS-2032, GS-2632, GS-2046, GS-2646, GS-3232, GS-3246	
1A-	105481GT	KIT, ORIFICE, .059"	
1A-	105479GT	KIT, TWO ORIFICE, .059"	
2B	105545GT	CYLINDER, 26XX/32XX LIFT GS-2632, GS-2646	1
2B-	105549GT	SEAL KIT (105545) (for PN 105545)	
3		Ref. Down Coil Wire Harness (refer to 211.1)	
4	39878GT	CONNECTOR, 070120-6-6	1
5	97130GT	VALVE-RELIEF, 2500PSI	
6	28443GT	CABLE TIE, 11.5" BLACK	3
7		Ref. Emergency Down Cable (refer to 203.1)	
8	44973GT	NUT, COIL (39909)	1
9	84422GT	COIL-SOLENOID VALVE, 20V DC*** (direct replacement for 66467)	1
10	66465GT	VALVE, W/20V NC SOLENOID, MANUAL (includes items 7 and 8)	1
10-	40477GT	VALVE, CARTRIDGE***	
10-	44979GT	SEAL KIT, 39909, PLAT LWR VALVE*	
11	41557-SGT	CABLE BRACKET, PAINTED	1
12	7339GT	SCREW, HHC, 1/4-20 X .5	
13	6356GT	WASHER, LOCK, .25	
14	96770GT	CLAMP, HOSE, 1 EAR, 11/16	1
15	105478GT	BEARING, 1.5025IDX1.5075ODX1.5L	4

Go to DiscountEquipment.com to order your parts



505.5 Lift Cylinder Assembly, All Models, GS-3232, GS-3246

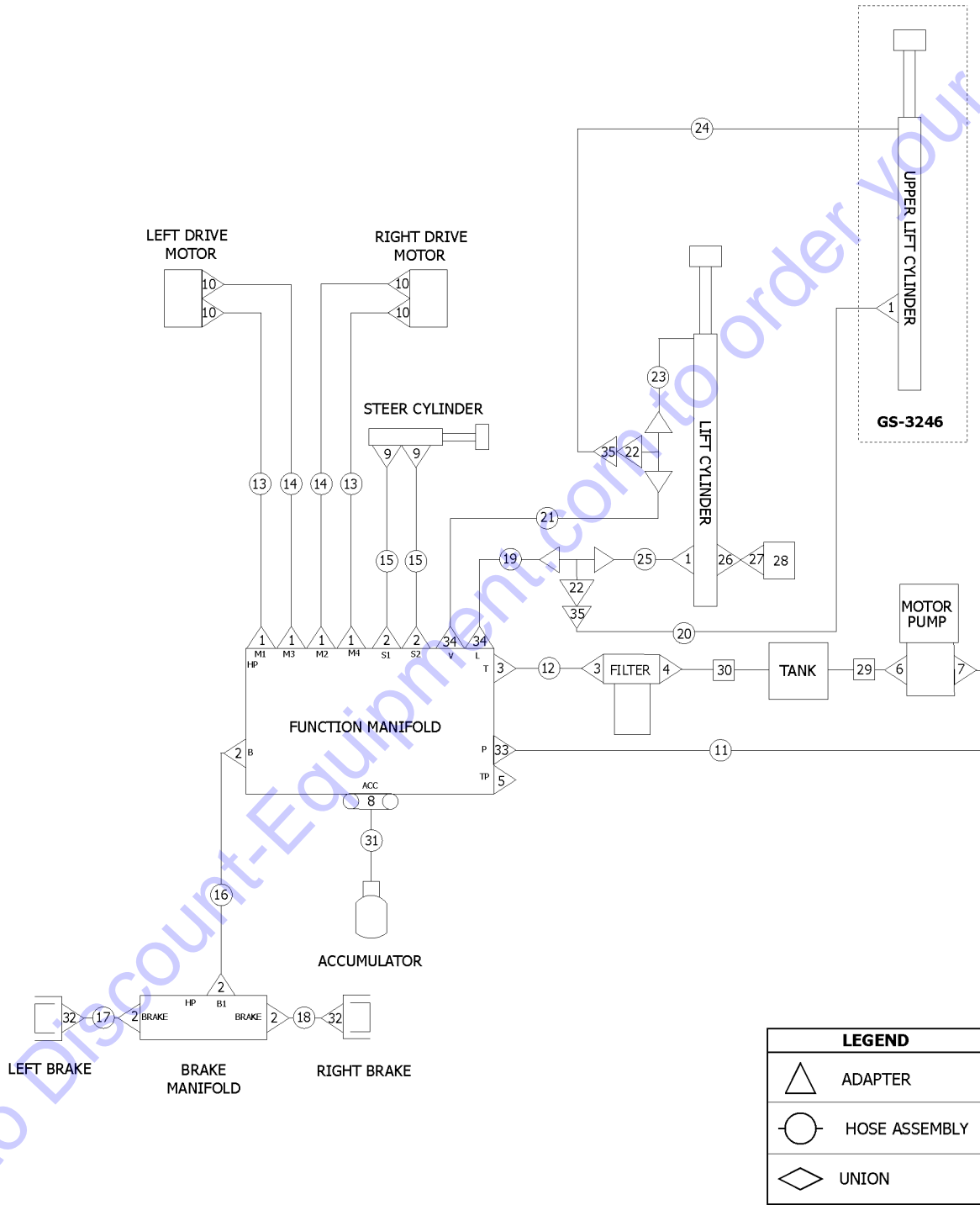


505.5 Lift Cylinder Assembly, All Models, GS-3232, GS-3246

Item	Part No.	Description	Qty.
1A	55560GT	ORIFICE, LONG, .059" GS-2032, GS-2632, GS-2046, GS-2646, GS-3232, GS-3246	
1A-	105481GT	KIT, ORIFICE, .059"	
1A-	105479GT	KIT, TWO ORIFICE, .059"	
2C	105546GT	CYLINDER, 32XX UPPER LIFT GS-3232, GS-3246 (upper cylinder)	1
2C-	105564GT	SEAL KIT (105546) (for PN 105546)	
2D	105545GT	CYLINDER, 26XX/32XX LIFT GS-3232, GS-3246 (lower cylinder)	1
2D-	105549GT	SEAL KIT (105545) (for PN 105545)	
3		Ref. Down Coil Wire Harness (refer to 211.1)	
4	39878GT	CONNECTOR, 070120-6-6	1
5A	97130GT	VALVE-RELIEF, 2500PSI to SN GS3212A-112398; to SN GS3213C-10443 ; to SN GS4612A-111452; to SN GS4613C-10514	
5A-	44227GT	SEAL KIT, VALVE for 97130	
5B	237455GT	VALVE, RELIEF, 2900 PSI, BOSCH from SN GS3212A-112399; from SN GS3213C-10444; from SN GS4612-111453; from SN GS4613C-10515	
6	28443GT	CABLE TIE, 11.5" BLACK	3
7		Ref. Emergency Down Cable (refer to 203.1)	
8	44973GT	NUT, COIL (39909)	1
9	84422GT	COIL-SOLENOID VALVE, 20V DC*** (direct replacement for 66467)	1
10	66465GT	VALVE, W/20V NC SOLENOID, MANUAL (includes items 7 and 8)	1
10-	40477GT	VALVE, CARTRIDGE***	
10-	44979GT	SEAL KIT, 39909, PLAT LWR VALVE*	
11	41557-SGT	CABLE BRACKET, PAINTED	1
12	7339GT	SCREW, HHC, 1/4-20 X .5	
13	6356GT	WASHER, LOCK, .25	
14	96770GT	CLAMP, HOSE, 1 EAR, 11/16	1
15	105478GT	BEARING, 1.5025IDX1.5075ODX1.5L	4
16	55558GT	ORIFICE, LONG, .037*** GS-3232, GS-3246	1



506.1 Hydraulic Hoses and Fittings, GS-2032, GS-2632

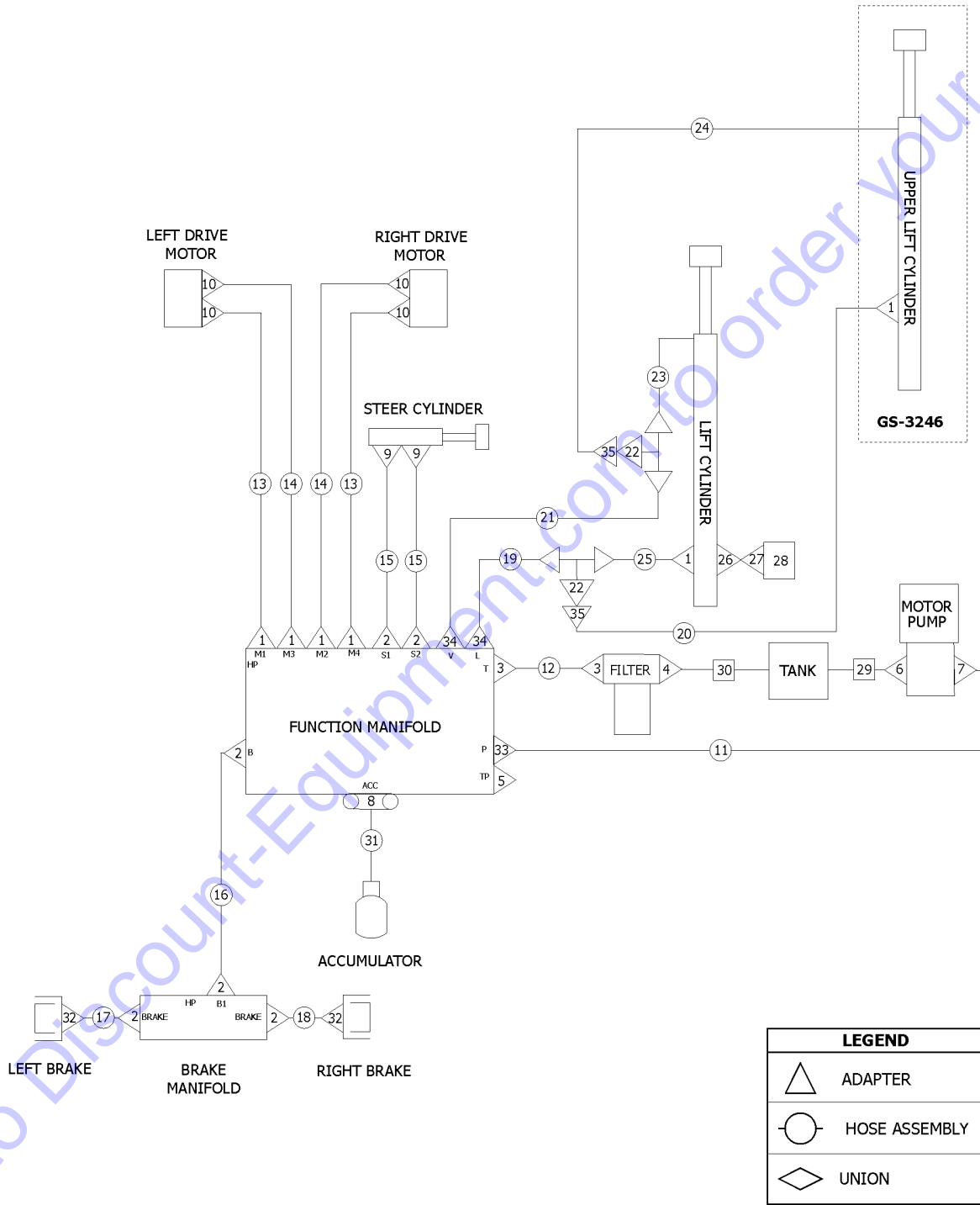


506.1 Hydraulic Hoses and Fittings, GS-2032, GS-2632

Item	Part No.	Description	Qty.
	66765-3000GT	WIRE LOOM, SPIRAL, 1-5/8 ID 30" used as hose protection on 3/8 hoses, sold by the inch	
		The hose lengths below reflect the length of the hose only. Refer to the 'Fittings Cross Reference' to match Genie part numbers to Parker part numbers.	
1	39878GT	CONNECTOR, 070120-6-6	5
2	39877GT	CONNECTOR, 070120-4-4	6
2-	39882GT	PLUG, HEX SOCKET, 090109B-4	1
3	66389GT	CONN, 070120-8-6	2
4	96398GT	CONNECTOR, 070120-12-8	1
5		Ref. Diagnostic Nipple 502.1	
6	22664GT	ELBOW, 070220-12-10	1
7	39876GT	ELBOW, 070220-6-8	1
8	39877GT	CONNECTOR, 070120-4-4	1
9A	13921GT	ELBOW, 070220-4-4 GS-2032, GS-2632, GS-2046, GS-2646	2
10A	39873GT	ELBOW, 070220-6-6 GS32A, GS46A	4
11A	96744GT	HOSE, ASSY, PRESSURE (Components: 39890, 39890, and 56776 @ 50 inches)	1
12A	96348GT	HOSE, ASSY, MAN TO FILTER (Components: 96406, 96406, and 75631 @ 25 inches)	1
13A	105802GT	HOSE ASSY, DRIVE MOTORS, GS32 GS-2032, GS-2632, GS-3232 (Components: 39890, 39890, and 56776 @ 50 inches)	2
14A	105579GT	HOSE ASSY, DRIVE MOTORS, GS32 GS-2032, GS-2632, GS-3232 (Components: 39890, 39890, and 56776 @ 54 inches)	2
15	105578GT	HOSE, ASSY STEER, GS32/46 (Components: 78855, 78855, and 78852 @ 36 inches)	2
16A	105804GT	HOSE ASSY, BRAKE MAN, GS32 GS-2032, GS-2632, GS-3232 (Components: 78855, 78855, and 78852 @ 62 inches)	1
17A	96391GT	HOSE 78852X475 GS-2032, GS-2632, GS-3232 (Components: 78855, 78855, and 78852 @ 17 inches)	2
18A	96391GT	HOSE 78852X475 GS-2032, GS-2632, GS-3232 (Components: 78855, 78855, and 78852 @ 17 inches)	2
19	96750GT	HOSE, ASSY, LIFT (Components: 39890, 39890, and 56776 @ 42 inches)	1
21	96881GT	HOSE, LOWER VENT (Components: 96406, 96407, and 75631 @ 42 inches)	1
23	96882GT	HOSE, LOWER VENT (Components: 75631 @ 161 inches)	1
25	105046GT	HOSE ASSY, LOWER LIFT (Components: 39890, 47223, and 56776 @ 127 inches)	1
26	96885GT	CONN, SWIVEL, STR, THR, 465OX-S	1
27	39881GT	CONNECTOR, 070120-4-6	1
28		Ref. Pressure Switch 701.1	1



506.1 Hydraulic Hoses and Fittings, GS-2032, GS-2632



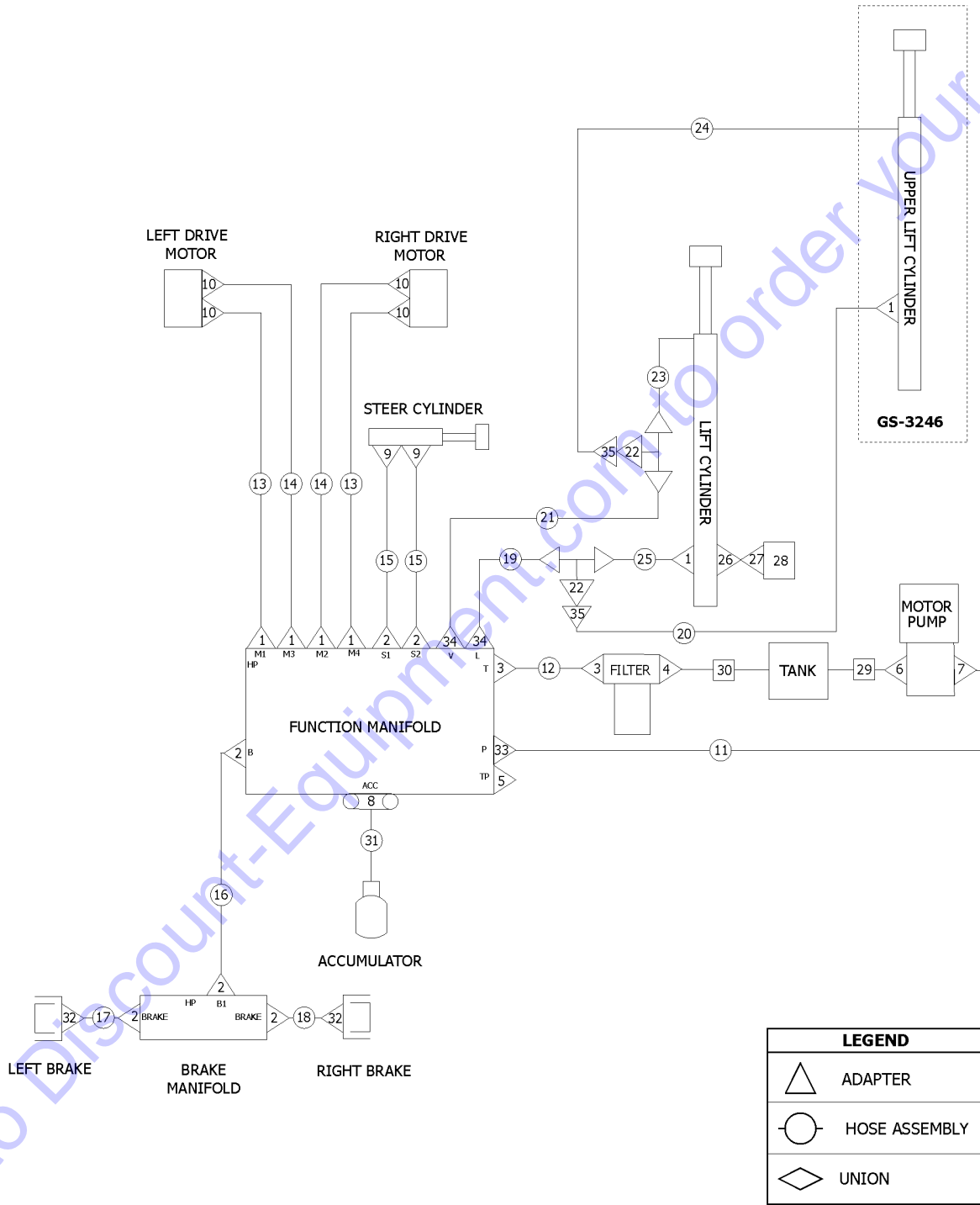
506.1 Hydraulic Hoses and Fittings, GS-2032, GS-2632

Item	Part No.	Description	Qty.
29	96354GT	TUBE, ASSY, DRAW	1
30	96355GT	TUBE, ASSY, RETURN	1
31	105246GT	HOSE ASSY, MAN/ACCUM, GS32/46 (Components: 78855, 78855, and 78852 @ 17 inches)	1
32	39877GT	CONNECTOR,070120-4-4	2
33A	39878GT	CONNECTOR, 070120-6-6	1
34A	42283GT	ELBOW,070320-6-6	2

Go to Discount-Equipment.com to order your parts



506.2 Hydraulic Hoses and Fittings, GS-2032, GS-2632C

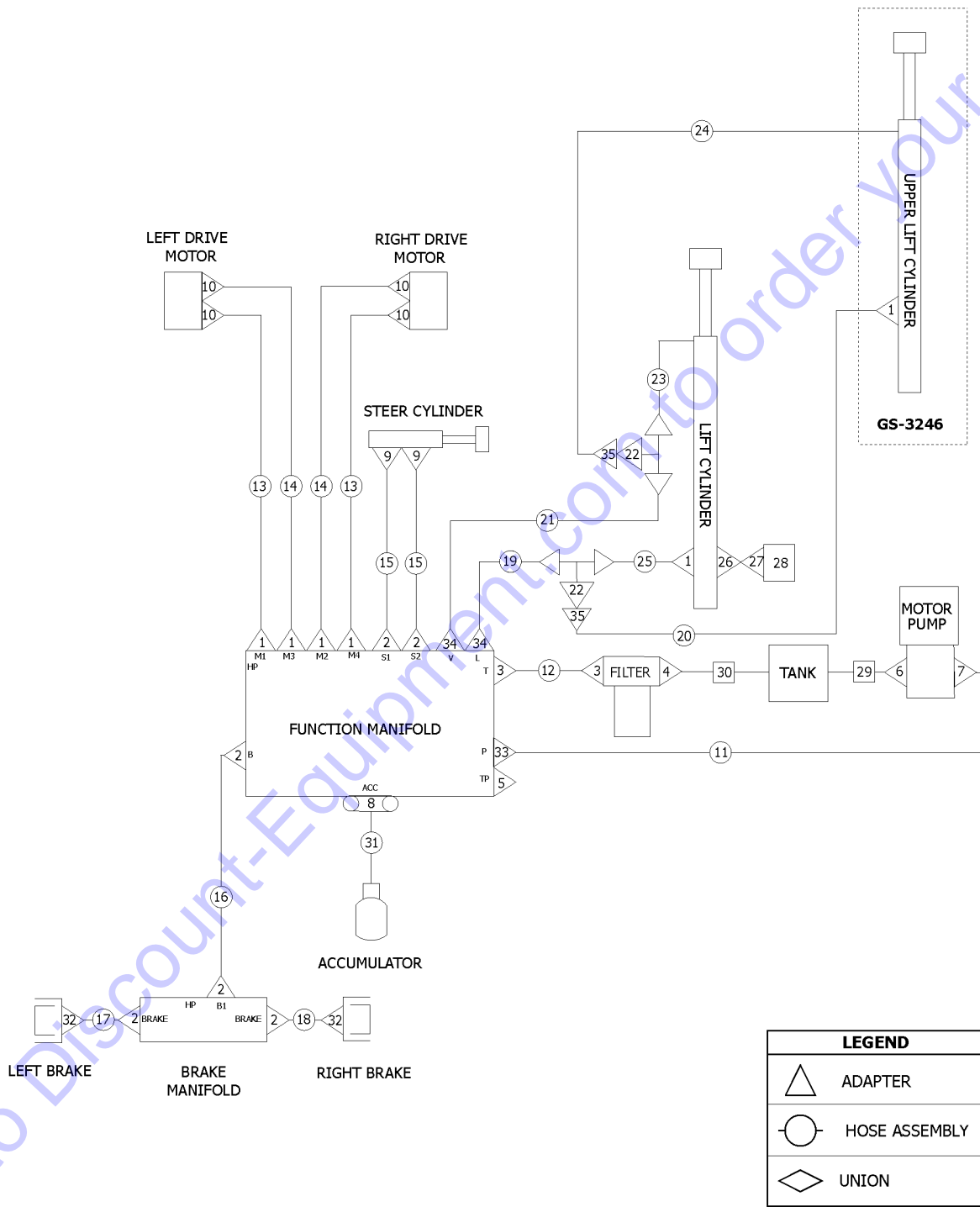


506.2 Hydraulic Hoses and Fittings, GS-2032, GS-2632C

Item	Part No.	Description	Qty.
		The hose lengths below reflect the length of the hose only. Refer to the 'Fittings Cross Reference' to match Genie part numbers to Parker part numbers.	
1	39878GT	CONNECTOR, 070120-6-6	5
2	39877GT	CONNECTOR,070120-4-4	6
2-	39882GT	PLUG,HEX SOCKET,090109B-4	1
3	66389GT	CONN,070120-8-6	2
4	96398GT	CONNECTOR, 070120-12-8	1
5		Ref. Diagnostic Nipple 502.1	
6	22664GT	ELBOW,070220-12-10	1
7	39876GT	ELBOW,070220-6-8	1
8	39877GT	CONNECTOR,070120-4-4	1
9A	13921GT	ELBOW,070220-4-4 GS-2032, GS-2632, GS-2046, GS-2646	2
10B	39873GT	ELBOW,070220-6-6 (to SN GS3212C-15249)	4
10C	42283GT	ELBOW,070320-6-6 (from SN GS3216C-15250)	2
11A	96744GT	HOSE, ASSY, PRESSURE (Components: 39890, 39890, and 56776 @ 50 inches)	1
12A	96348GT	HOSE, ASSY, MAN TO FILTER (Components: 96406, 96406, and 75631 @ 25 inches)	1
13A	105802GT	HOSE ASSY,DRIVE MOTORS,GS32 GS-2032, GS-2632, GS-3232 (Components: 39890, 39890, and 56776 @ 50 inches)	2
14A	105579GT	HOSE ASSY,DRIVE MOTORS,GS32 GS-2032, GS-2632, GS-3232 (Components: 39890, 39890, and 56776 @ 54 inches)	2
15	105578GT	HOSE,ASSY STEER,GS32/46 (Components: 78855, 78855, and 78852 @ 36 inches)	2
16A	105804GT	HOSE ASSY,BRAKE MAN,GS32 GS-2032, GS-2632, GS-3232 (Components: 78855, 78855, and 78852 @ 62 inches)	1
17A	96391GT	HOSE 78852X475 GS-2032, GS-2632, GS-3232 (Components: 78855, 78855, and 78852 @ 17 inches)	2
18A	96391GT	HOSE 78852X475 GS-2032, GS-2632, GS-3232 (Components: 78855, 78855, and 78852 @ 17 inches)	2
19	96750GT	HOSE, ASSY, LIFT (Components: 39890, 39890, and 56776 @ 42 inches)	1
21	96881GT	HOSE,LOWER VENT (Components: 96406, 96407, and 75631 @ 42 inches)	1
23	96882GT	HOSE,LOWER VENT (Components: 75631 @ 161 inches)	1
25	105046GT	HOSE ASSY,LOWER LIFT (Components: 39890, 47223, and 56776 @ 127 inches)	1
26	96885GT	CONN,SWIVEL,STR,THR,465OX-S	1
27	39881GT	CONNECTOR,070120-4-6	1
28		Ref.Pressure Switch 701.1	1



506.2 Hydraulic Hoses and Fittings, GS-2032, GS-2632C



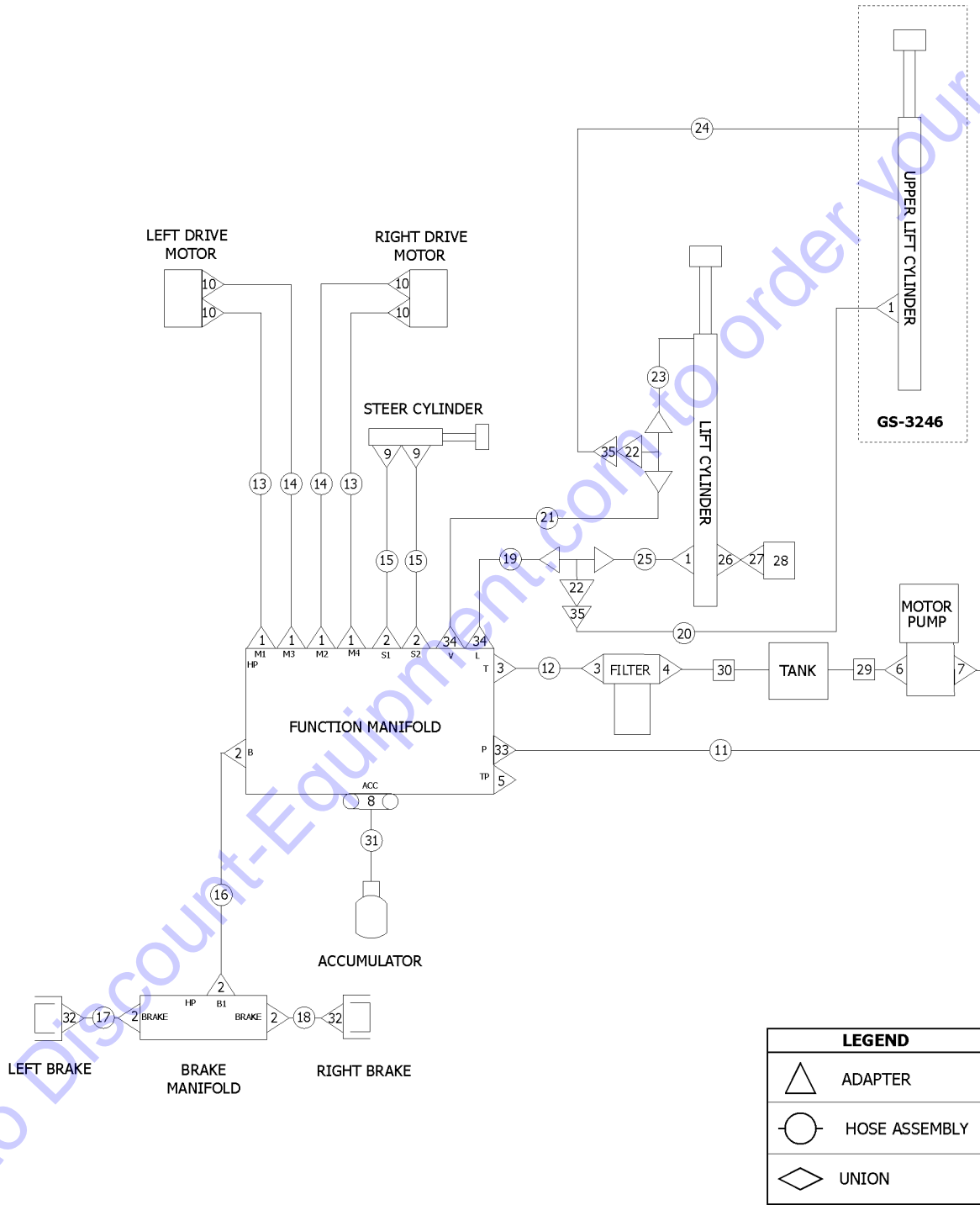
506.2 Hydraulic Hoses and Fittings, GS-2032, GS-2632C

Item	Part No.	Description	Qty.
29	96354GT	TUBE, ASSY, DRAW	1
30	96355GT	TUBE, ASSY, RETURN	1
31	105246GT	HOSE ASSY, MAN/ACCUM, GS32/46 (Components: 78855, 78855, and 78852 @ 17 inches)	1
32	39877GT	CONNECTOR,070120-4-4	2
33A	39878GT	CONNECTOR, 070120-6-6	1
34A	42283GT	ELBOW,070320-6-6	2

Go to Discount-Equipment.com to order your parts



506.3 Hydraulic Hoses and Fittings, GS-2046, GS-2646

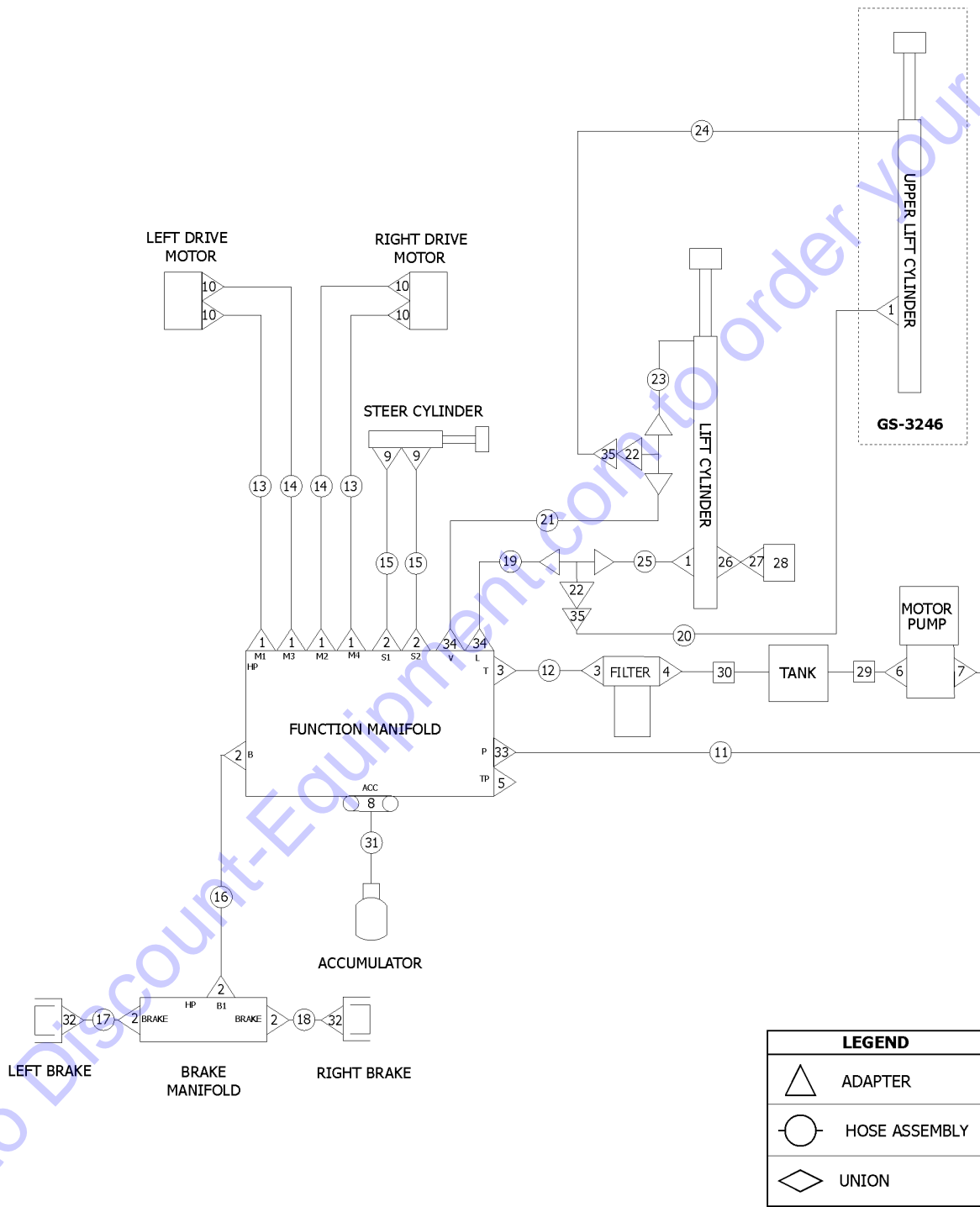


506.3 Hydraulic Hoses and Fittings, GS-2046, GS-2646

Item	Part No.	Description	Qty.
	66765-3000GT	WIRE LOOM, SPIRAL, 1-5/8 ID 30" used as hose protection on 3/8 hoses, sold by the inch	
		The hose lengths below reflect the length of the hose only. Refer to the 'Fittings Cross Reference' to match Genie part numbers to Parker part numbers.	
1	39878GT	CONNECTOR, 070120-6-6	5
2	39877GT	CONNECTOR, 070120-4-4	6
2-	39882GT	PLUG, HEX SOCKET, 090109B-4	1
3	66389GT	CONN, 070120-8-6	2
4	96398GT	CONNECTOR, 070120-12-8	1
5		Ref. Diagnostic Nipple 502.1	
6	22664GT	ELBOW, 070220-12-10	1
7	39876GT	ELBOW, 070220-6-8	1
8	39877GT	CONNECTOR, 070120-4-4	1
9	13921GT	ELBOW, 070220-4-4 GS-2032, GS-2632, GS-2046, GS-2646	2
10	39873GT	ELBOW, 070220-6-6 GS32A, GS46A	4
11	96744GT	HOSE, ASSY, PRESSURE to SN GS4615C-15467 (Components: 39890, 39890, and 56776 @ 50 inches)	1
11B	105801GT	HOSE ASSY, DRIVE MOTORS, GS46	1
12	96348GT	HOSE, ASSY, MAN TO FILTER to SN GS4615C-15467 (Components: 96406, 96406, and 75631 @ 25 inches)	1
12B	236914GT	HOSE, ASSY, MAN TO FILTER from SN GS4615C-15468	1
13B	105801GT	HOSE ASSY, DRIVE MOTORS, GS46 GS-2046, GS-2646, GS-3246 (Components: 39890, 39890, and 56776 @ 60 inches)	2
14B	105580GT	HOSE ASSY, DRIVE MOTORS, GS46 GS-2046, GS-2646, GS-3246 (Components: 39890, 39890, and 56776 @ 64 inches)	4
15	105578GT	HOSE, ASSY, STEER, GS32/46 (Components: 78855, 78855, and 78852 @ 36 inches)	2
16B	105577GT	HOSE, ASSY, BRAKE, GS46 GS-2046, GS-2646, GS-3246 (Components: 78855, 78855, and 78852 @ 65 inches)	1
17B	105803GT	HOSE, ASSY, BRAKE MAN, GS46 GS-2046, GS-2646, GS-3246 (Components: 39890, 39890, and 78852 @ 22 inches)	2
18B	96749GT	HOSE, ASSY, BRAKE MAN, GS46 GS-2046, GS-2646, GS-3246 (Components: 78855, 78855, and 78852 @ 20 inches)	2
19	96750GT	HOSE, ASSY, LIFT (Components: 39890, 39890, and 56776 @ 42 inches)	1
21	96881GT	HOSE, LOWER VENT (Components: 96406, 96407, and 75631 @ 42 inches)	1
23	96882GT	HOSE, LOWER VENT (Components: 75631 @ 161 inches)	1
25	105046GT	HOSE ASSY, LOWER LIFT (Components: 39890, 47223, and 56776 @ 127 inches)	1
26	96885GT	CONN, SWIVEL, STR, THR, 465OX-S	1



506.3 Hydraulic Hoses and Fittings, GS-2046, GS-2646



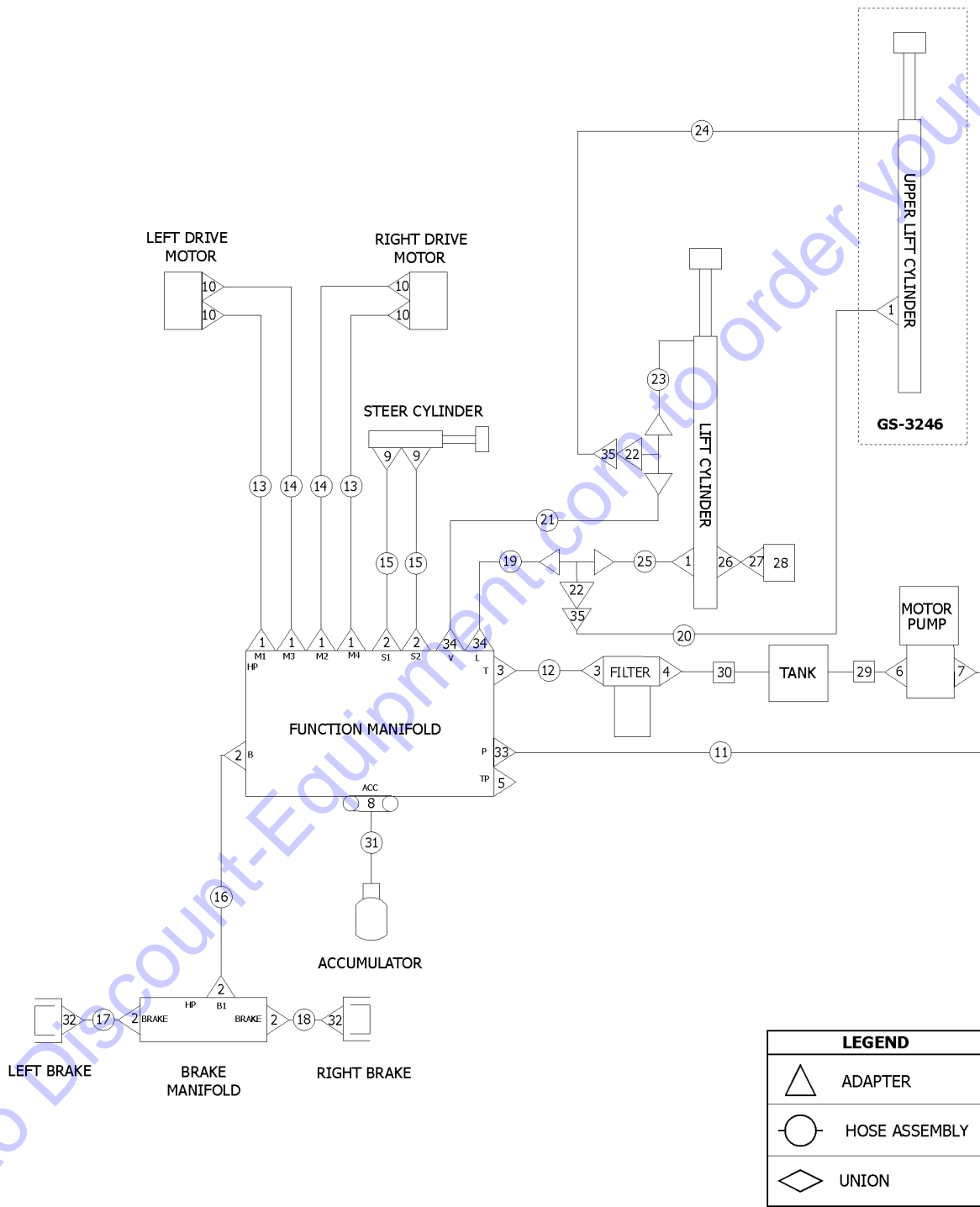
506.3 Hydraulic Hoses and Fittings, GS-2046, GS-2646

Item	Part No.	Description	Qty.
27	39881GT	CONNECTOR,070120-4-6	1
28		Ref.Pressure Switch 701.1	1
29	96354GT	TUBE, ASSY, DRAW	1
30	96355GT	TUBE, ASSY, RETURN	1
31	105246GT	HOSE ASSY, MAN/ACCUM, GS32/46 (Components: 78855, 78855, and 78852 @ 17 inches)	1
32	39877GT	CONNECTOR,070120-4-4	2
33	39878GT	CONNECTOR, 070120-6-6	1
34	42283GT	ELBOW,070320-6-6	2

Go to Discount-Equipment.com to order your parts



506.4 Hydraulic Hoses and Fittings, GS-2046C, GS-2646C

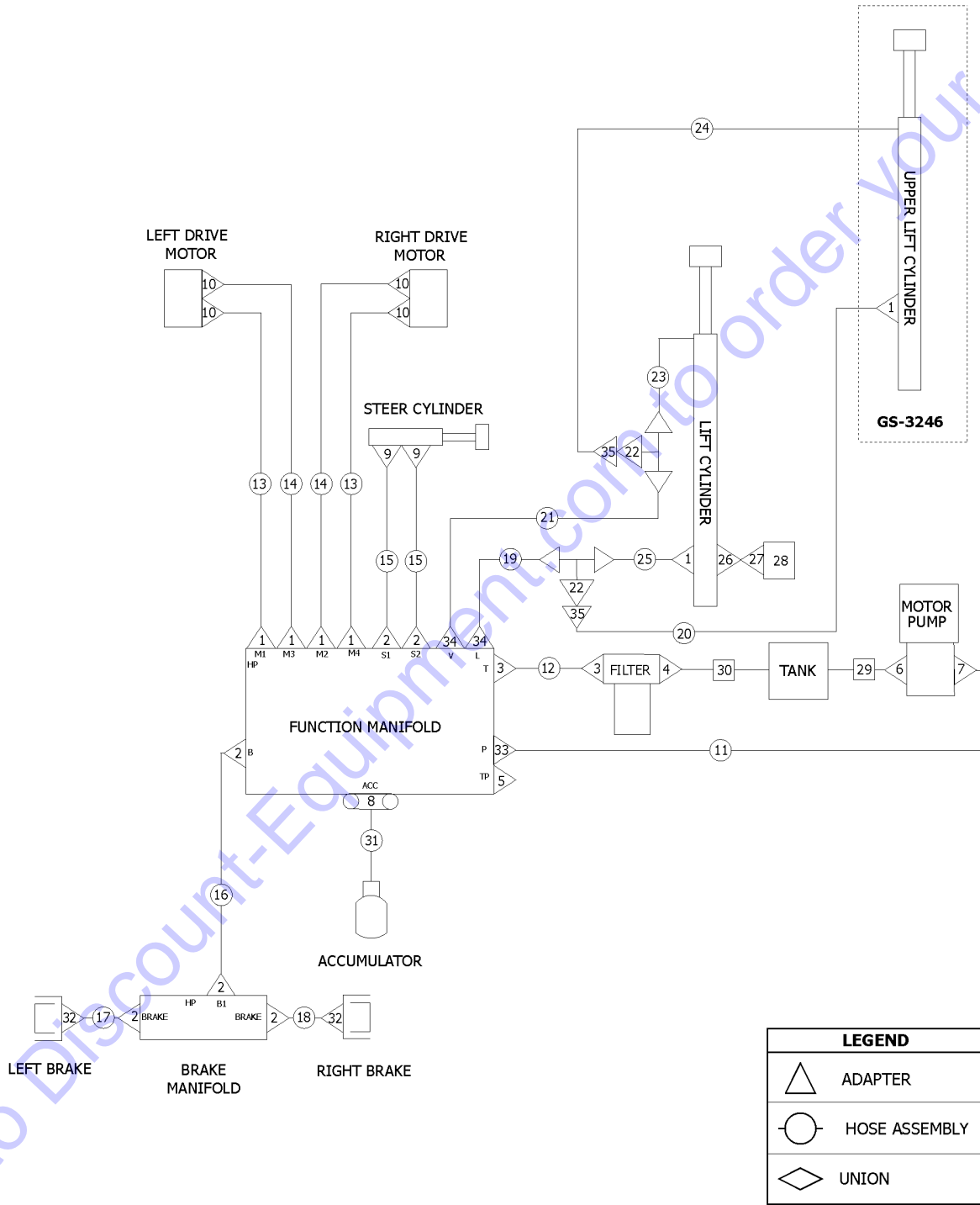


506.4 Hydraulic Hoses and Fittings, GS-2046C, GS-2646C

Item	Part No.	Description	Qty.
		The hose lengths below reflect the length of the hose only. Refer to the 'Fittings Cross Reference' to match Genie part numbers to Parker part numbers.	
1	39878GT	CONNECTOR, 070120-6-6	5
2	39877GT	CONNECTOR,070120-4-4	6
2-	39882GT	PLUG,HEX SOCKET,090109B-4	1
3	66389GT	CONN,070120-8-6	2
4	96398GT	CONNECTOR, 070120-12-8	1
5		Ref. Diagnostic Nipple 502.1	
6	22664GT	ELBOW,070220-12-10	1
7	39876GT	ELBOW,070220-6-8	1
8	39877GT	CONNECTOR,070120-4-4	1
9	13921GT	ELBOW,070220-4-4 GS-2032, GS-2632, GS-2046, GS-2646	2
10	39873GT	ELBOW,070220-6-6 GS32A, GS46A	4
11	96744GT	HOSE, ASSY, PRESSURE to SN GS4615C-15467 (Components: 39890, 39890, and 56776 @ 50 inches)	1
11B	105801GT	HOSE ASSY,DRIVE MOTORS,GS46	1
12	96348GT	HOSE, ASSY, MAN TO FILTER to SN GS4615C-15467 (Components: 96406, 96406, and 75631 @ 25 inches)	1
12B	236914GT	HOSE,ASSY,MAN TO FILTER from SN GS4615C-15468	1
13B	105801GT	HOSE ASSY,DRIVE MOTORS,GS46 GS-2046, GS-2646, GS-3246 (Components: 39890, 39890, and 56776 @ 60 inches)	2
14B	105580GT	HOSE ASSY,DRIVE MOTORS,GS46 GS-2046, GS-2646, GS-3246 (Components: 39890, 39890, and 56776 @ 64 inches)	4
15	105578GT	HOSE,ASSY STEER,GS32/46 (Components: 78855, 78855, and 78852 @ 36 inches)	2
16B	105577GT	HOSE,ASSY,BRAKE,GS46 GS-2046, GS-2646, GS-3246 (Components: 78855, 78855, and 78852 @ 65 inches)	1
17B	105803GT	HOSE,ASSY, BRAKE MAN,GS46 GS-2046, GS-2646, GS-3246 (Components: 39890, 39890, and 78852 @ 22 inches)	2
18B	96749GT	HOSE, ASSY, BRAKE MAN, GS46 GS-2046, GS-2646, GS-3246 (Components: 78855, 78855, and 78852 @ 20 inches)	2
19	96750GT	HOSE, ASSY, LIFT (Components: 39890, 39890, and 56776 @ 42 inches)	1
21	96881GT	HOSE,LOWER VENT (Components: 96406, 96407, and 75631 @ 42 inches)	1
23	96882GT	HOSE,LOWER VENT (Components: 75631 @ 161 inches)	1
25	105046GT	HOSE ASSY,LOWER LIFT (Components: 39890, 47223, and 56776 @ 127 inches)	1
26	96885GT	CONN,SWIVEL,STR,THR,465OX-S	1
27	39881GT	CONNECTOR,070120-4-6	1



506.4 Hydraulic Hoses and Fittings, GS-2046C, GS-2646C

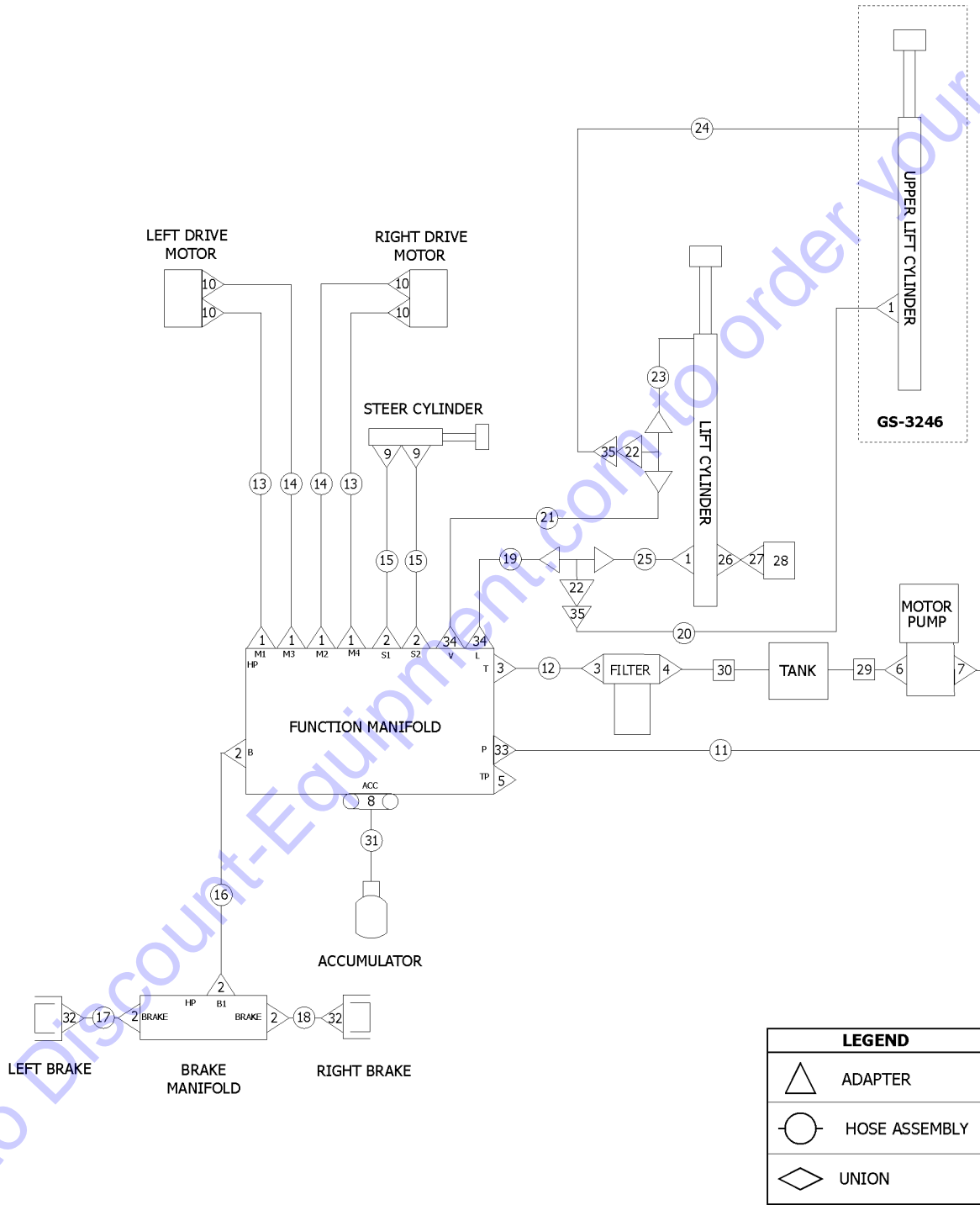


506.4 Hydraulic Hoses and Fittings, GS-2046C, GS-2646C

Item	Part No.	Description	Qty.
28		Ref.Pressure Switch 701.1	1
29	96354GT	TUBE, ASSY, DRAW	1
30	96355GT	TUBE, ASSY, RETURN	1
31	105246GT	HOSE ASSY, MAN/ACCUM, GS32/46 (Components: 78855, 78855, and 78852 @ 17 inches)	1
32	39877GT	CONNECTOR,070120-4-4	2
33	39878GT	CONNECTOR, 070120-6-6	1
34	42283GT	ELBOW,070320-6-6	2

Go to Discount-Equipment.com to order your parts

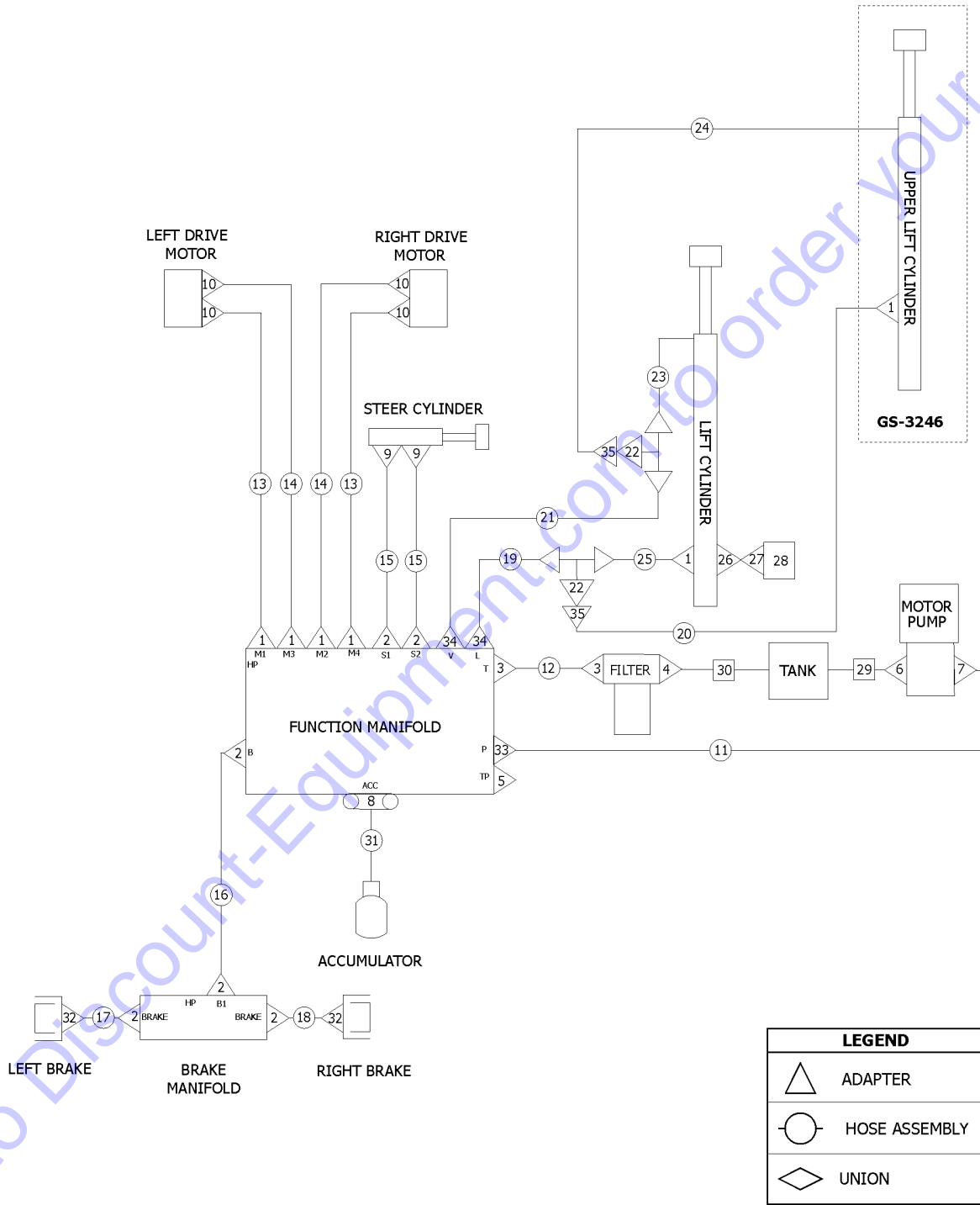




506.5 Hydraulic Hoses and Fittings, GS-3232

Item	Part No.	Description	Qty.
		The hose lengths below reflect the length of the hose only. Refer to the 'Fittings Cross Reference' to match Genie part numbers to Parker part numbers.	
1	39878GT	CONNECTOR, 070120-6-6	4
2	39877GT	CONNECTOR,070120-4-4	6
2-	39882GT	PLUG,HEX SOCKET,090109B-4	1
3	66389GT	CONN,070120-8-6	2
4	96398GT	CONNECTOR, 070120-12-8	1
5		Ref. Diagnostic Nipple 502.1	
6	22664GT	ELBOW,070220-12-10	1
7	39876GT	ELBOW,070220-6-8	1
8	39877GT	CONNECTOR,070120-4-4	1
9B	13921GT	ELBOW,070220-4-4 GS-3232, GS-3246	4
10B	39873GT	ELBOW,070220-6-6 to SN GS3212C-15249	4
10C	42283GT	ELBOW,070320-6-6 from SN GS3212C-15250	
11A	96744GT	HOSE, ASSY, PRESSURE (Components: 39890, 39890, and 56776 @ 50 inches)	1
12A	96348GT	HOSE, ASSY, MAN TO FILTER (Components: 96406, 96406, and 75631 @ 25 inches)	1
13A	105802GT	HOSE ASSY,DRIVE MOTORS,GS32 GS-2032, GS-2632, GS-3232 (Components: 39890, 39890, and 56776 @ 50 inches)	2
14A	105579GT	HOSE ASSY,DRIVE MOTORS,GS32 GS-2032, GS-2632, GS-3232 (Components: 39890, 39890, and 56776 @ 54 inches)	2
15	105578GT	HOSE,ASSY STEER,GS32/46 (Components: 78855, 78855, and 78852 @ 36 inches)	2
16A	105804GT	HOSE ASSY,BRAKE MAN,GS32 GS-2032, GS-2632, GS-3232 (Components: 78855, 78855, and 78852 @ 62 inches)	1
17A	96391GT	HOSE 78852X475 GS-2032, GS-2632, GS-3232 (Components: 78855, 78855, and 78852 @ 17 inches)	2
18A	96391GT	HOSE 78852X475 GS-2032, GS-2632, GS-3232 (Components: 78855, 78855, and 78852 @ 17 inches)	2
19	96750GT	HOSE, ASSY, LIFT (Components: 39890, 39890, and 56776 @ 42 inches)	1
20	96880GT	HOSE ASSY,UPPER LIFT GS-3232, GS-3246 (Components: 39890, 39891, and 56776 @ 297 inches)	1
21	96881GT	HOSE,LOWER VENT (Components: 96406, 96407, and 75631 @ 42 inches)	1
22	51152GT	TEE,RUN 070432-6***** GS-3232, GS-3246	2
23	75631GT	HOSE,AIR 3/8 (for hose ends see items 31 & 34)	161
24	96883GT	HOSE,UPPER VENT GS-3232, GS-3246 (Components: 105045, and 75631 @ 320 inches)	1
25	105046GT	HOSE ASSY,LOWER LIFT (Components: 39890, 47223, and 56776 @ 127 inches)	1





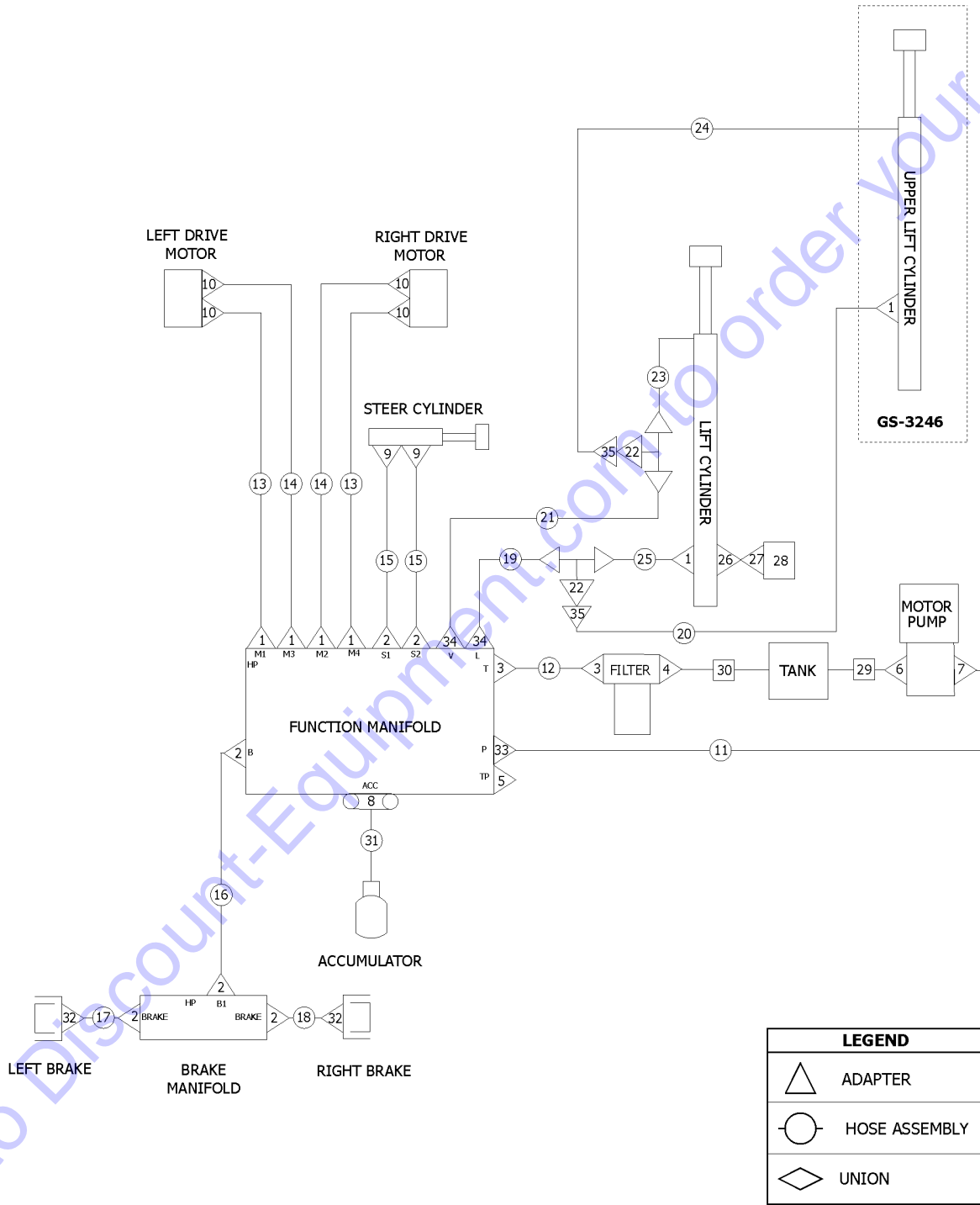
506.5 Hydraulic Hoses and Fittings, GS-3232

Item	Part No.	Description	Qty.
26	96885GT	CONN,SWIVEL,STR,THR,465OX-S	1
27	39881GT	CONNECTOR,070120-4-6	1
28		Ref.Pressure Switch 701.1	1
29	96354GT	TUBE, ASSY, DRAW	1
30	96355GT	TUBE, ASSY, RETURN	1
31	105246GT	HOSE ASSY, MAN/ACCUM, GS32/46 (Components: 78855, 78855, and 78852 @ 17 inches)	1
32	39877GT	CONNECTOR,070120-4-4	2
33A	39878GT	CONNECTOR, 070120-6-6	1
33B	237086GT	HOSE,UPPER VENT GS-3232, GS-3246 (Australia, CE)	1
34B	130011GT	HOSE CLAMP, SAE #6 GS-3232, GS-3246	2

Go to Discount-Equipment.com to order your parts



506.6 Hydraulic Hoses and Fittings, GS-3246

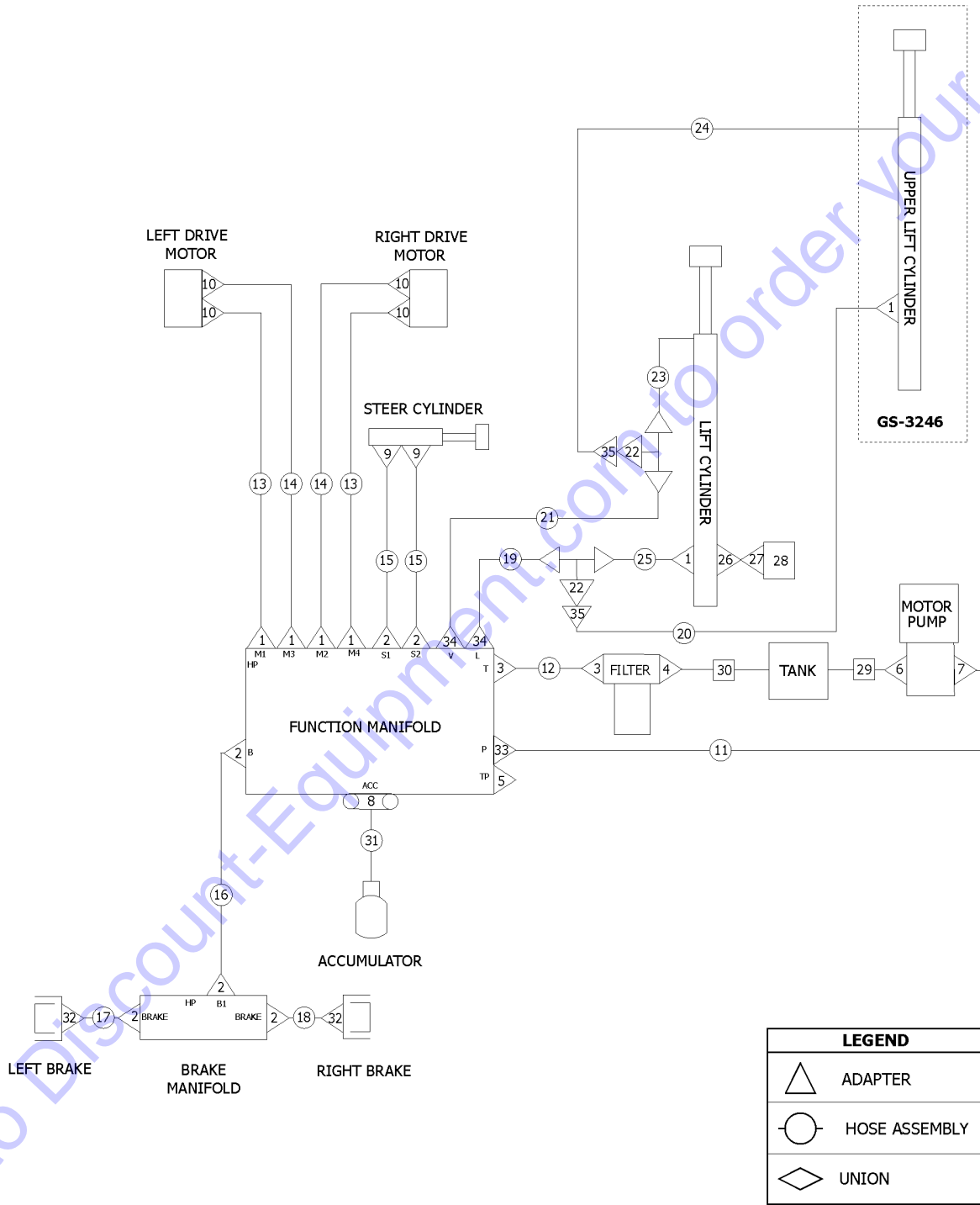


506.6 Hydraulic Hoses and Fittings, GS-3246

Item	Part No.	Description	Qty.
		The hose lengths below reflect the length of the hose only. Refer to the 'Fittings Cross Reference' to match Genie part numbers to Parker part numbers.	
1	39878GT	CONNECTOR, 070120-6-6	4
2	39877GT	CONNECTOR,070120-4-4	6
2-	39882GT	PLUG,HEX SOCKET,090109B-4	1
3	66389GT	CONN,070120-8-6	2
4	96398GT	CONNECTOR, 070120-12-8	1
5		Ref. Diagnostic Nipple 502.1	
6	22664GT	ELBOW,070220-12-10	1
7	39876GT	ELBOW,070220-6-8	1
8	39877GT	CONNECTOR,070120-4-4	1
9B	13921GT	ELBOW,070220-4-4 GS-3232, GS-3246	4
10	39873GT	ELBOW,070220-6-6 GS32A, GS46A	4
11	96744GT	HOSE, ASSY, PRESSURE to SN GS4615C-15467 (Components: 39890, 39890, and 56776 @ 50 inches)	1
11B	105801GT	HOSE ASSY,DRIVE MOTORS,GS46 from SN GS4615C-15468	1
12	96348GT	HOSE, ASSY, MAN TO FILTER to SN GS4615C-15467 (Components: 96406, 96406, and 75631 @ 25 inches)	1
12B	236914GT	HOSE,ASSY,MAN TO FILTER from SN GS4615C-15468	1
13B	105801GT	HOSE ASSY,DRIVE MOTORS,GS46 GS-2046, GS-2646, GS-3246 (Components: 39890, 39890, and 56776 @ 60 inches)	2
14B	105580GT	HOSE ASSY,DRIVE MOTORS,GS46 GS-2046, GS-2646, GS-3246 (Components: 39890, 39890, and 56776 @ 64 inches)	4
15	105578GT	HOSE,ASSY,STEER,GS32/46 (Components: 78855, 78855, and 78852 @ 36 inches)	2
16B	105577GT	HOSE,ASSY,BRAKE,GS46 GS-2046, GS-2646, GS-3246 (Components: 78855, 78855, and 78852 @ 65 inches)	1
17B	105803GT	HOSE,ASSY, BRAKE MAN,GS46 GS-2046, GS-2646, GS-3246 (Components: 39890, 39890, and 78852 @ 22 inches)	2
18B	96749GT	HOSE, ASSY, BRAKE MAN, GS46 GS-2046, GS-2646, GS-3246 (Components: 78855, 78855, and 78852 @ 20 inches)	2
19	96750GT	HOSE, ASSY, LIFT (Components: 39890, 39890, and 56776 @ 42 inches)	1
20	96880GT	HOSE ASSY,UPPER LIFT GS-3232, GS-3246 (Components: 39890, 39891, and 56776 @ 297 inches)	1
20B	96880GT	HOSE ASSY,UPPER LIFT GS-3246 UK models (from SN GS4612C-10000 to 17150)	1
20C	1268105GT	HOSE,ASSY,UPPER LIFT GS-3246 UK models (from SN GS4616C-17151)	1
21	96881GT	HOSE,LOWER VENT (Components: 96406, 96407, and 75631 @ 42 inches)	1
22	51152GT	TEE,RUN 070432-6***** GS-3232, GS-3246	2



506.6 Hydraulic Hoses and Fittings, GS-3246



Go to Discount-Equipment.com to order your parts

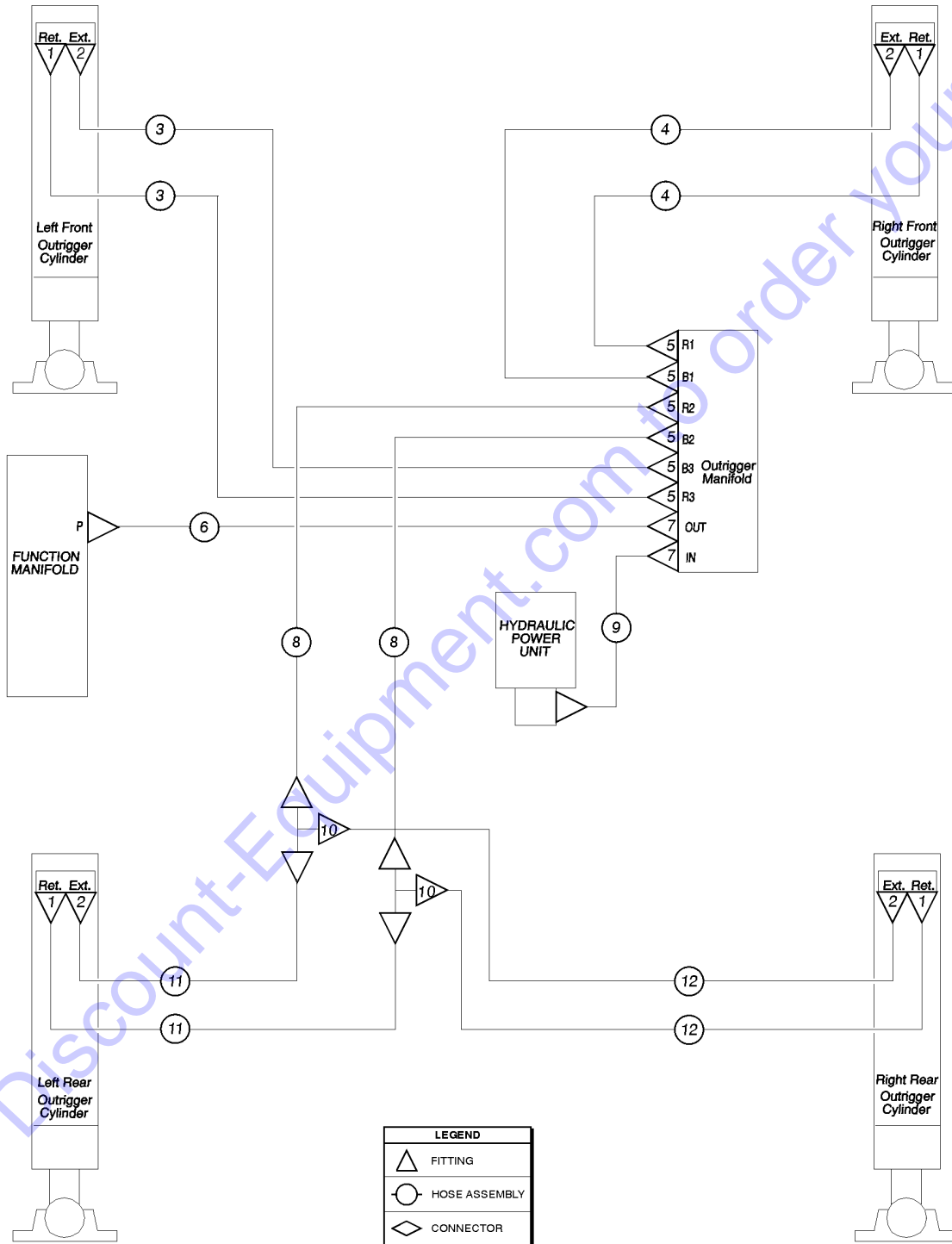
506.6 Hydraulic Hoses and Fittings, GS-3246

Item	Part No.	Description	Qty.
23	96882GT	HOSE,LOWER VENT (Components: 78855, 75631 @ 161 inches)	1
24	96883GT	HOSE,UPPER VENT GS-3232, GS-3246 (Components: 105045, and 75631 @ 320 inches)	1
24B	96883GT	HOSE,UPPER VENT GS-3246 UK models (from SN GS4612C-10000 to 17150)	1
24C	1268107GT	HOSE,UPPER VENT GS-3246 UK models (from SN GS4616C-17151)	1
25	105046GT	HOSE ASSY,LOWER LIFT (Components: 39890, 47223, and 56776 @ 127 inches)	1
26	96885GT	CONN,SWIVEL,STR,THR,465OX-S	1
27	39881GT	CONNECTOR,070120-4-6	1
28		Ref.Pressure Switch 701.1	1
29	96354GT	TUBE, ASSY, DRAW	1
30	96355GT	TUBE, ASSY, RETURN	1
31	105246GT	HOSE ASSY, MAN/ACCUM, GS32/46 (Components: 78855, 78855, and 78852 @ 17 inches)	1
32	39877GT	CONNECTOR,070120-4-4	2
33	39878GT	CONNECTOR, 070120-6-6	1
33B	237086GT	HOSE,UPPER VENT GS-3232, GS-3246 (Australia, CE)	1
34B	130011GT	HOSE CLAMP, SAE #6 GS-3232, GS-3246	2
35	78091GT	ELBOW,SWIVEL NUT 90DEG, -6 GS-3246 (UK models only) (from SN GS4616C-17151)	2

Go to Discount-Equipment.com to order your parts



507.1 Hydraulic Hoses and Fittings, Outriggers, GS-3232



Go to Discount-Equipment.com to order your parts

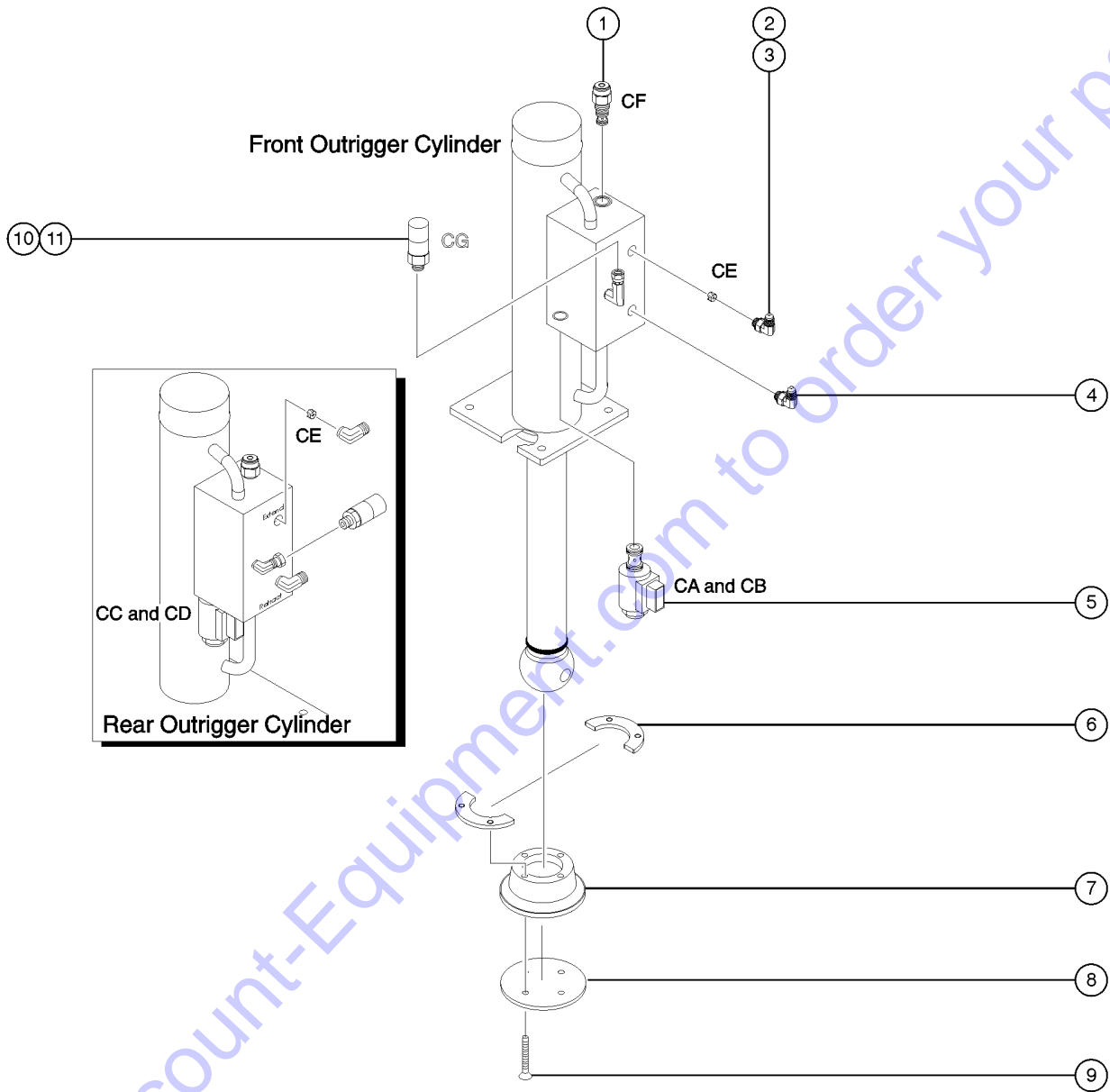
507.1 Hydraulic Hoses and Fittings, Outriggers, GS-3232

Item	Part No.	Description	Qty.
1	13921GT	ELBOW,070220-4-4	4
2	39875GT	ELBOW,070220-4-6	4
3	105645GT	HOSE ASSY,LT FRONTO/R,GS3232 (Components: 78855, 78855, and 78852 @ 12 inches)	2
4	105648GT	HOSE ASSY,RT FRONT O/R,GS3232 (Components: 78855, 78855, and 78852 @ 36 inches)	2
5	39877GT	CONNECTOR,070120-4-4	6
6	105650GT	HOSE ASSY,MANIFOLD, GS3232 (Components: 39890, 39890, and 56776 @ 32 inches)	1
7	39878GT	CONNECTOR, 070120-6-6	2
8	105649GT	HOSE ASSY,O/R MAN-T, GS3232 (Components: 78855, 78855, and 78852 @ 60 inches)	2
9	105651GT	HOSE ASSY,PUMP-O/R MAN, GS3232 (Components: 39890, 39890, and 56776 @ 56 inches)	1
10	8342GT	TEE,UNION,070401-4	4
11	105646GT	HOSE ASSY,LT REAR O/R, GS3232 (Components: 78855, 78855, and 78852 @ 16 inches)	2
12	105647GT	HOSE ASSY,RT REAR O/R, GS3232 (Components: 78855, 78855, and 78852 @ 24 inches)	2

Go to Discount-Equipment.com to order your parts



508.1 Outrigger Cylinders, Front and Rear, GS-3232



Go to Discount-Equipment.com to order your parts

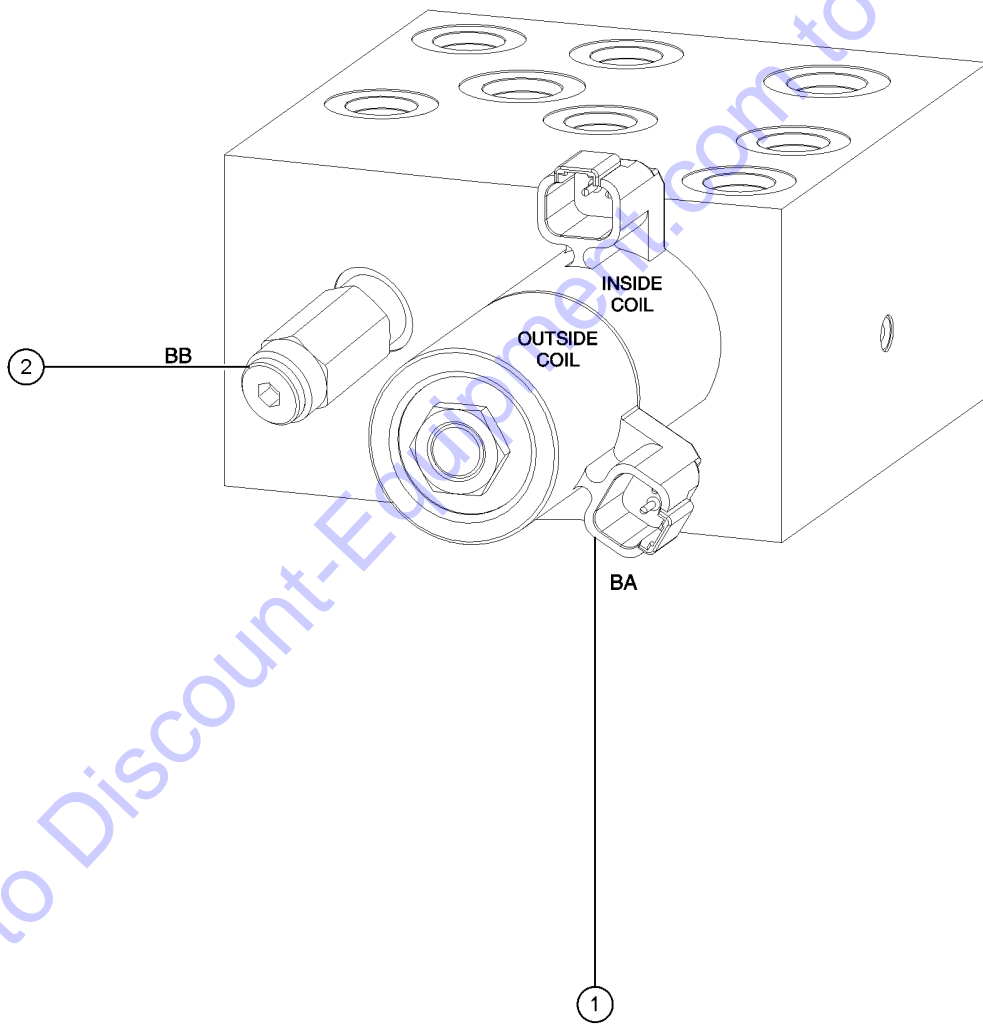
508.1 Outrigger Cylinders, Front and Rear, GS-3232

Item	Part No.	Description	Qty.
-	109878GT	CYLINDER,FRONT OUTRIGGER order valves, orifice and fittings separately	
-	109877GT	CYLINDER,REAR OUTRIGGER order valves, orifice and fittings separately	
-	144655GT	SEAL KIT,O/R CYLINDER*** for 109877GT and 109878GT	
1	105628GT	VALVE,CHECK,PILOT OPERATED (3500 psi, 240 bar)	1
1-	105695GT	SEAL KIT	
2	39875GT	ELBOW,070220-4-6	1
3	67744GT	ORIFICE,SHORT, 0.037 INCH (0.037 inch; 0.94 mm)	1
4	13921GT	ELBOW,070220-4-4	1
5	105629GT	VALVE,SOLENOID 2 POS, 2 WAY	1
5-	44228GT	SEAL KIT, VALVE	
6	109750GT	PLATE,FOOTPAD RING	2
7	109756GT	FOOTPAD,OUTRIGGER,3232	1
8	105575GT	FOOTPAD,NON MARKING	1
9	40945GT	SCREW,FHS,1/4-20 X 2.25	
10	1311101GT	PRESSURE TRANSDUCER,0-5K,1-5V	1
11	105652GT	FITTING,ELBOW 4-4, SAE	1

Go to Discount-Equipment.com to order your parts



509.1 Outrigger Function Manifold, GS-3232



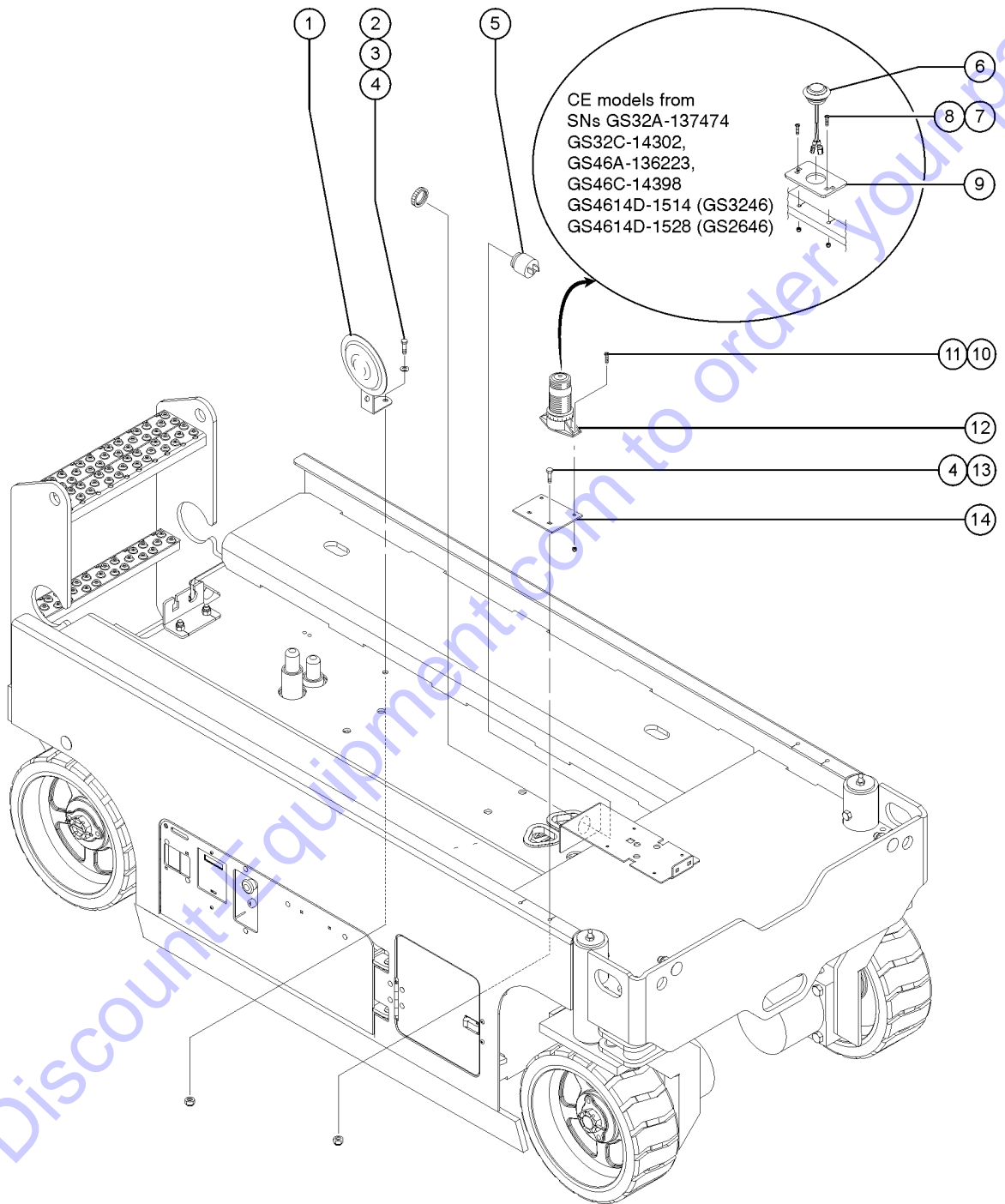
509.1 Outrigger Function Manifold, GS-3232

Item	Part No.	Description	Qty.
	109757GT	MANIFOLD,OUTRIGGER OPTION	
	49612GT	O-RING KIT (ORFS FITTINGS)	
	49613GT	PLUG AND CAP KIT-SERVICE,ORFS*	
1	52376GT	VALVE,RELIEF,3500PSI*** (BB, Outrigger circuit)	
1-	44227GT	SEAL KIT, VALVE	
2	52380GT	VALVE,SOLENOID,3POS4WAY,GS68 (BA, Outrigger extend/retract)	
2-	84385GT	COIL,20VDC DEUTCSH W/DIODE	
2-	44174GT	NUT-COIL SHORT	
2-	44175GT	SPACER-DUAL COIL,#10, SCISSORS	
2-	44230GT	SEAL KIT-P.N.44169,44172,44171	

Go to Discount-Equipment.com to order your parts



601.1 Alarm, Horn and Flashing Beacons



Go to DiscountEquipment.com to order your parts

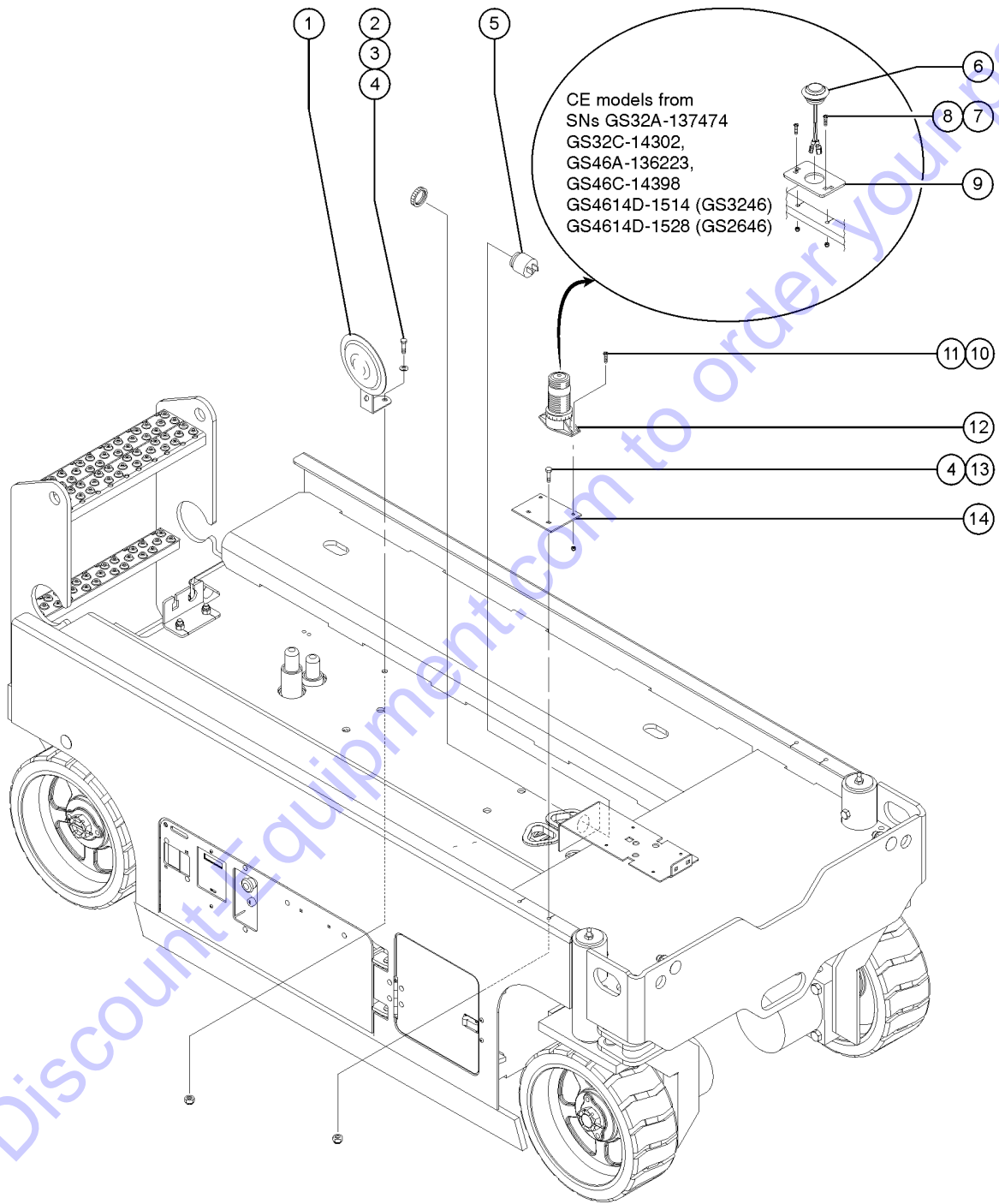


601.1 Alarm, Horn and Flashing Beacons

Item	Part No.	Description	Qty.
A-	144046GT	KIT,BEACON,GENIE SCISSOR	
B-	1260386GT	VISUAL ALARM SUPPLEMENT CE Models, from SN GS3215A-137474, GS4615A-136223, GS3215C-14302, GS4615C-14398, GS4614D-1514 (GS3246), and GS4614D-1528 (GS2646)	
1A	81579GT	HORN, 24VDC, SPADE TERMINALS***	1
1B	96484GT	ASSY,DIODE	
2	8914GT	SCREW,HHC,1/4-20 X .625	
3	6638GT	WASHER,FLAT,USS,1/4"Y	
4	6091GT	NUT, NYLOCK, 1/4-20	
5	39540GT	ALARM,STEADY TONE***	1
		Does not include 72326 nut	
5-	72326GT	NUT,PLASTIC,RING FOR ALARMS	
6	1261183GT	ASSEMBLY,VISUAL IND LIGHT CE Models, from SN GS3215A-137474, GS4615A-136223, GS3215C-14302, GS4615C-14398, GS4614D-1514 (GS3246), and GS4614D-1528 (GS2646)	2
6-	1254572GT	LIGHT,TURN SIGNAL,1.25" LED,AM CE Models, from SN GS3215A-137474, GS4615A-136223, GS3215C-14302, GS4615C-14398, GS4614D-1514 (GS3246), and GS4614D-1528 (GS2646)	2
6-	1261168GT	HARNES,VISUAL IND LIGHTS CE Models, from SN GS3215A-137474, GS4615A-136223, GS3215C-14302, GS4615C-14398, GS4614D-1514 (GS3246), and GS4614D-1528 (GS2646)	1
7	9116GT	BOLT,CARRIAGE,1/4-20 X 1.25,G2 CE Models, from SN GS3215A-137474, GS4615A-136223, GS3215C-14302, GS4615C-14398, GS4614D-1514 (GS3246), and GS4614D-1528 (GS2646)	4
8	6889GT	NUT,LP NYLOCK,1/4-20 CE Models, from SN GS3215A-137474, GS4615A-136223, GS3215C-14302, GS4615C-14398, GS4614D-1514 (GS3246), and GS4614D-1528 (GS2646)	4
9	1261143GT	PLATE,VISUAL IND LIGHT MOUNT CE Models, from SN GS3215A-137474, GS4615A-136223, GS3215C-14302, GS4615C-14398, GS4614D-1514 (GS3246), and GS4614D-1528 (GS2646)	2
10	49816GT	SCREW,PHILLIPS,PHM,10-32 X .75	
11	6178GT	NUT,NYLOCK,10-32	
12	231931GT	STROBE,BEACON, AC COMP 12-80V	2
12-	105556GT	LENS,FLASHING BEACON	
12-	105557GT	BULB,FLASHING BEACON	
13	6878GT	BOLT,CARRIAGE,1/4-20 X .75,G2	
14	96363GT	PLATE,BEACON MOUNT	2



601.2 Alarm, Horn and Flashing Beacons

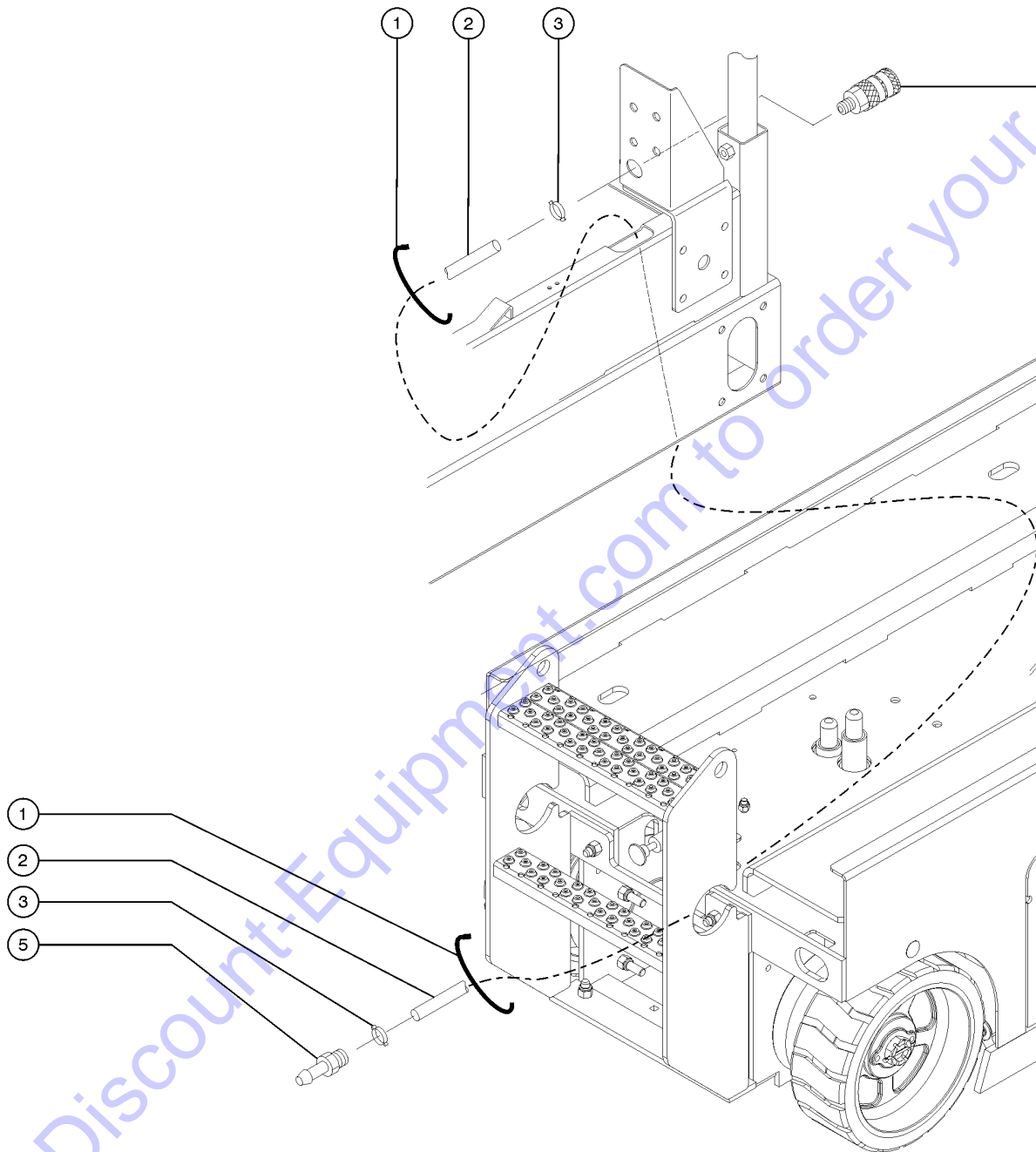


601.2 Alarm, Horn and Flashing Beacons

Item	Part No.	Description	Qty.
A-	144046GT	KIT,BEACON,GENIE SCISSOR	
B-	1260386GT	VISUAL ALARM SUPPLEMENT CE Models, from SN GS3215A-137474, GS4615A-136223, from SN GS3215C-14302, and GS4615C-14398	
1A	81579GT	HORN, 24VDC, SPADE TERMINALS***	1
1B	96484GT	ASSY,DIODE	
		for GS-3232	
2	8914GT	SCREW,HHC,1/4-20 X .625	
3	6638GT	WASHER,FLAT,USS,1/4"Y	
4	6091GT	NUT, NYLOCK, 1/4-20	
5	39540GT	ALARM,STEADY TONE***	1
		Does not include 72326 nut	
5-	72326GT	NUT,PLASTIC,RING FOR ALARMS	
6	1261183GT	ASSEMBLY,VISUAL IND LIGHT CE Models, from SN GS3215A-137474, GS4615A-136223, from SN GS3215C-14302, and GS4615C-14398	2
6-	1254572GT	LIGHT,TURN SIGNAL,1.25" LED,AM CE Models, from SN GS3215A-137474, GS4615A-136223, from SN GS3215C-14302, and GS4615C-14398	2
6-	1261168GT	HARNESS,VISUAL IND LIGHTS CE Models, from SN GS3215A-137474, GS4615A-136223, from SN GS3215C-14302, and GS4615C-14398	1
7	9116GT	BOLT,CARRIAGE,1/4-20 X 1.25,G2 CE Models, from SN GS3215A-137474, GS4615A-136223, from SN GS3215C-14302, and GS4615C-14398	4
8	6889GT	NUT,LP NYLOCK,1/4-20 CE Models, from SN GS3215A-137474, GS4615A-136223, from SN GS3215C-14302, and GS4615C-14398	4
9	1261143GT	PLATE,VISUAL IND LIGHT MOUNT CE Models, from SN GS3215A-137474, GS4615A-136223, from SN GS3215C-14302, and GS4615C-14398	2
10	49816GT	SCREW,PHILLIPS,PHM,10-32 X .75	
11	6178GT	NUT,NYLOCK,10-32	
12	231931GT	STROBE,BEACON, AC COMP 12-80V	2
12-	105556GT	LENS,FLASHING BEACON	
12-	105557GT	BULB,FLASHING BEACON	
13	6878GT	BOLT,CARRIAGE,1/4-20 X .75,G2	
14	96363GT	PLATE,BEACON MOUNT	2



602.1 Air Line to Platform



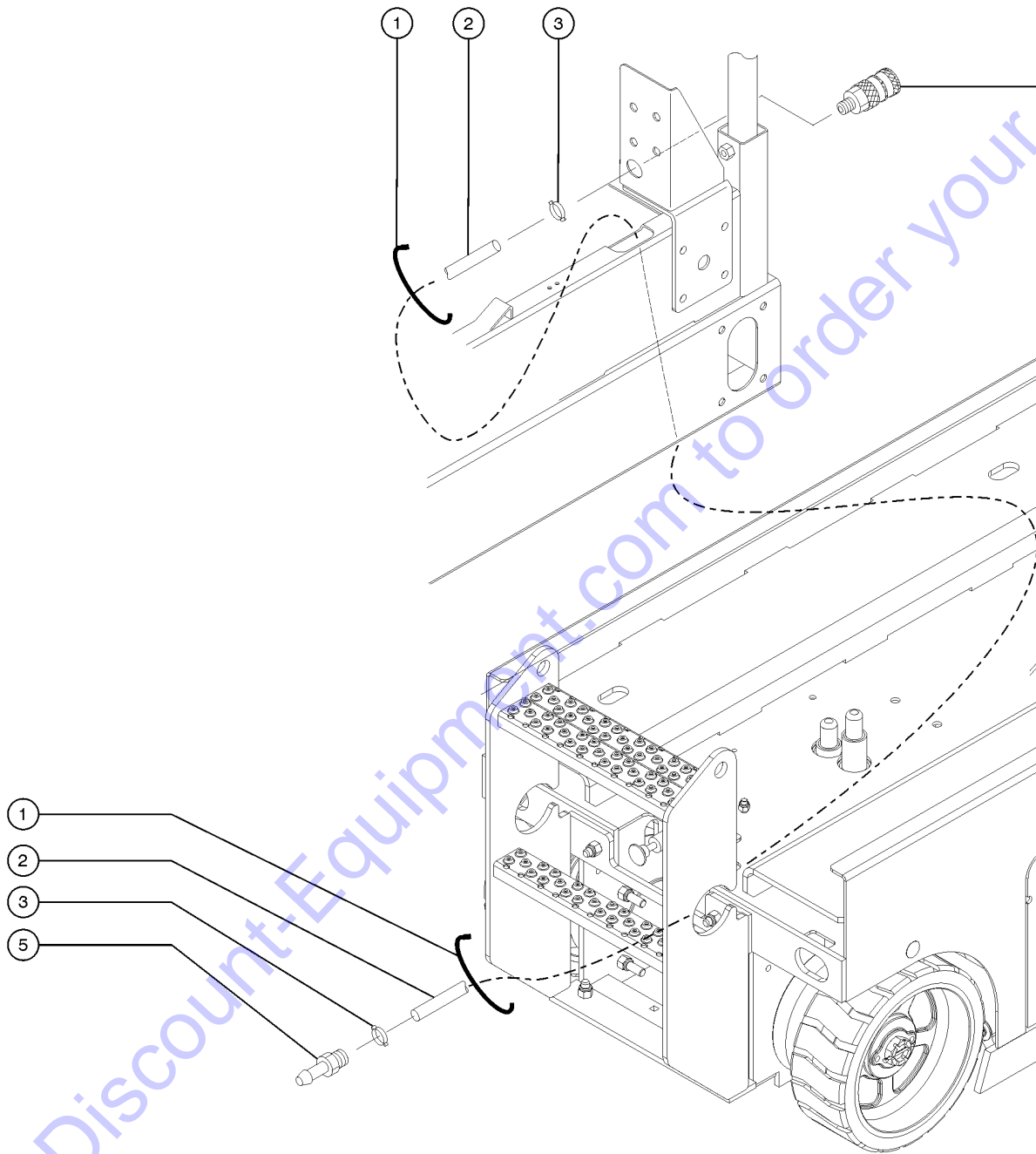
602.1 Air Line to Platform

Item	Part No.	Description	Qty.
	96731-SGT	AIR TO PLAT, GS20XX, ACC GS-2032, GS-2046	
1	28443GT	CABLE TIE, 11.5" BLACK	
2A	27903GT	HOSE,LOW PRESSURE,.375 ID,BLK GS-2032, GS-2046	390
3	45454GT	CLAMP,RUB CUSH,0.75,#12 X 3/8*	1
4	96543GT	COUPLER,1/4"SERIES,3/8 P-LOK	1
5	96542GT	PLUG,1/4"SERIES,3/8 P-LOCK***	1

Go to Discount-Equipment.com to order your parts



602.2 Air Line to Platform



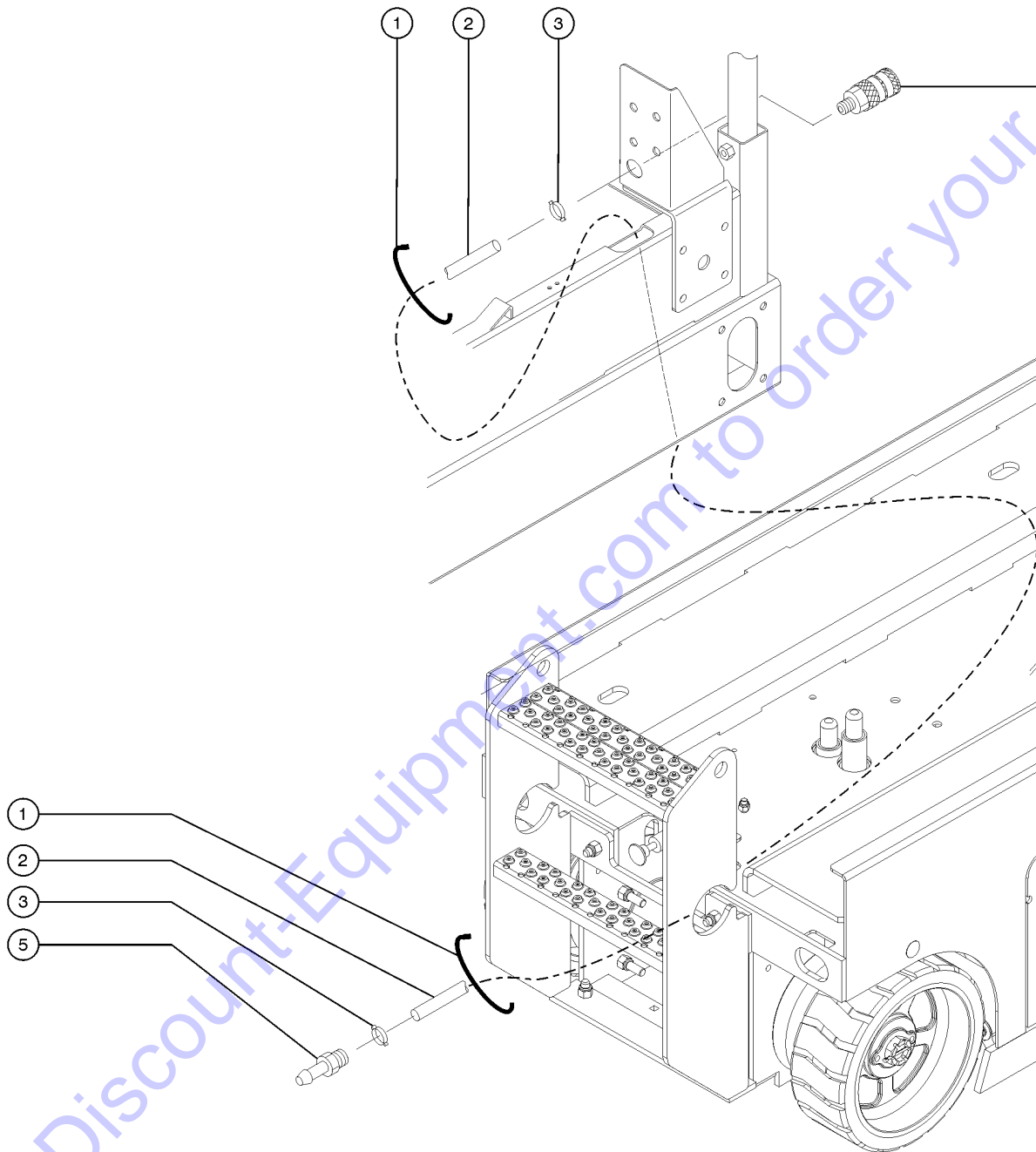
602.2 Air Line to Platform

Item	Part No.	Description	Qty.
	96731-SGT	AIR TO PLAT, GS20XX, ACC GS-2032, GS-2046	
1	28443GT	CABLE TIE, 11.5" BLACK	
2A	27903GT	HOSE,LOW PRESSURE,.375 ID,BLK GS-2032, GS-2046	390
3	45454GT	CLAMP,RUB CUSH,0.75,#12 X 3/8*	1
4	96543GT	COUPLER,1/4"SERIES,3/8 P-LOK	1
5	96542GT	PLUG,1/4"SERIES,3/8 P-LOCK***	1

Go to Discount-Equipment.com to order your parts



602.3 Air Line to Platform



Go to Discount-Equipment.com to order your parts

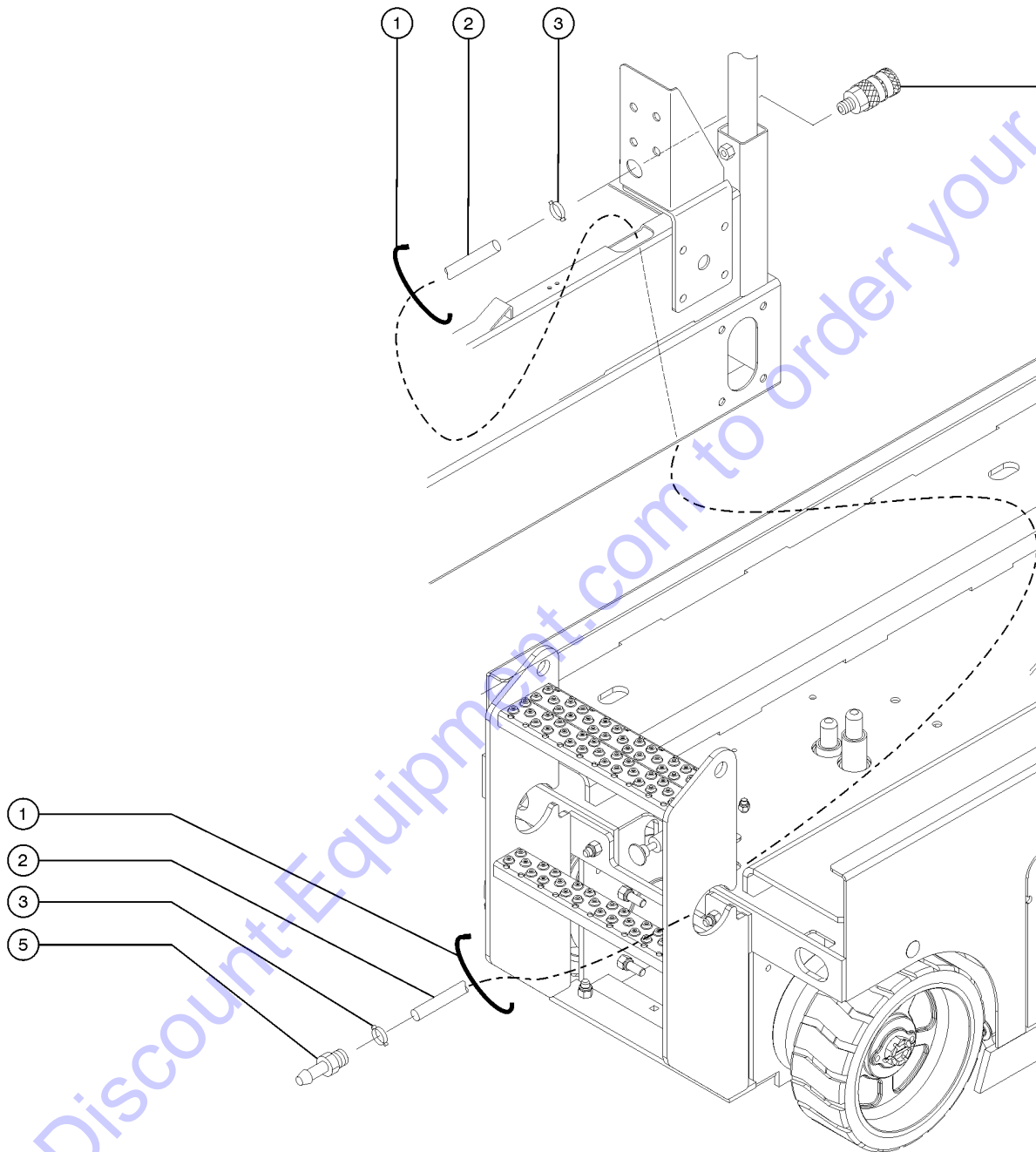
602.3 Air Line to Platform

Item	Part No.	Description	Qty.
	96990-SGT	AIR TO PLAT, GS26XX, ACC GS-2632, GS-2646	
1	28443GT	CABLE TIE, 11.5" BLACK	
2B	27903GT	HOSE,LOW PRESSURE,.375 ID,BLK GS-2632, GS-2646	490
3	45454GT	CLAMP,RUB CUSH,0.75,#12 X 3/8*	1
4	96543GT	COUPLER,1/4"SERIES,3/8 P-LOK	1
5	96542GT	PLUG,1/4"SERIES,3/8 P-LOCK***	1

Go to Discount-Equipment.com to order your parts



602.4 Air Line to Platform



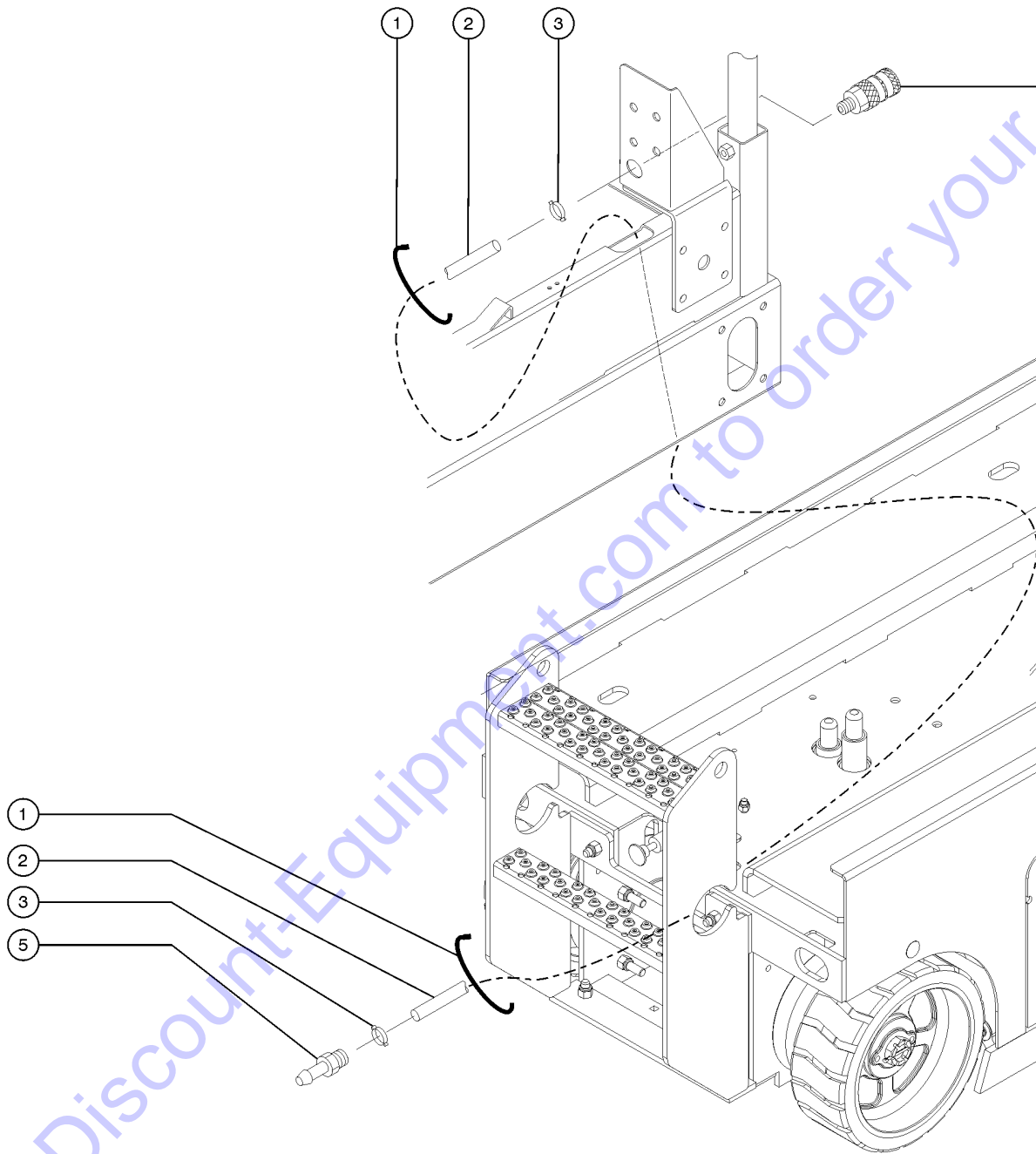
602.4 Air Line to Platform

Item	Part No.	Description	Qty.
	96990-SGT	AIR TO PLAT, GS26XX, ACC GS-2632, GS-2646	
1	28443GT	CABLE TIE, 11.5" BLACK	
2B	27903GT	HOSE,LOW PRESSURE,.375 ID,BLK GS-2632, GS-2646	490
3	45454GT	CLAMP,RUB CUSH,0.75,#12 X 3/8*	1
4	96543GT	COUPLER,1/4"SERIES,3/8 P-LOK	1
5	96542GT	PLUG,1/4"SERIES,3/8 P-LOCK***	1

Go to Discount-Equipment.com to order your parts



602.5 Air Line to Platform



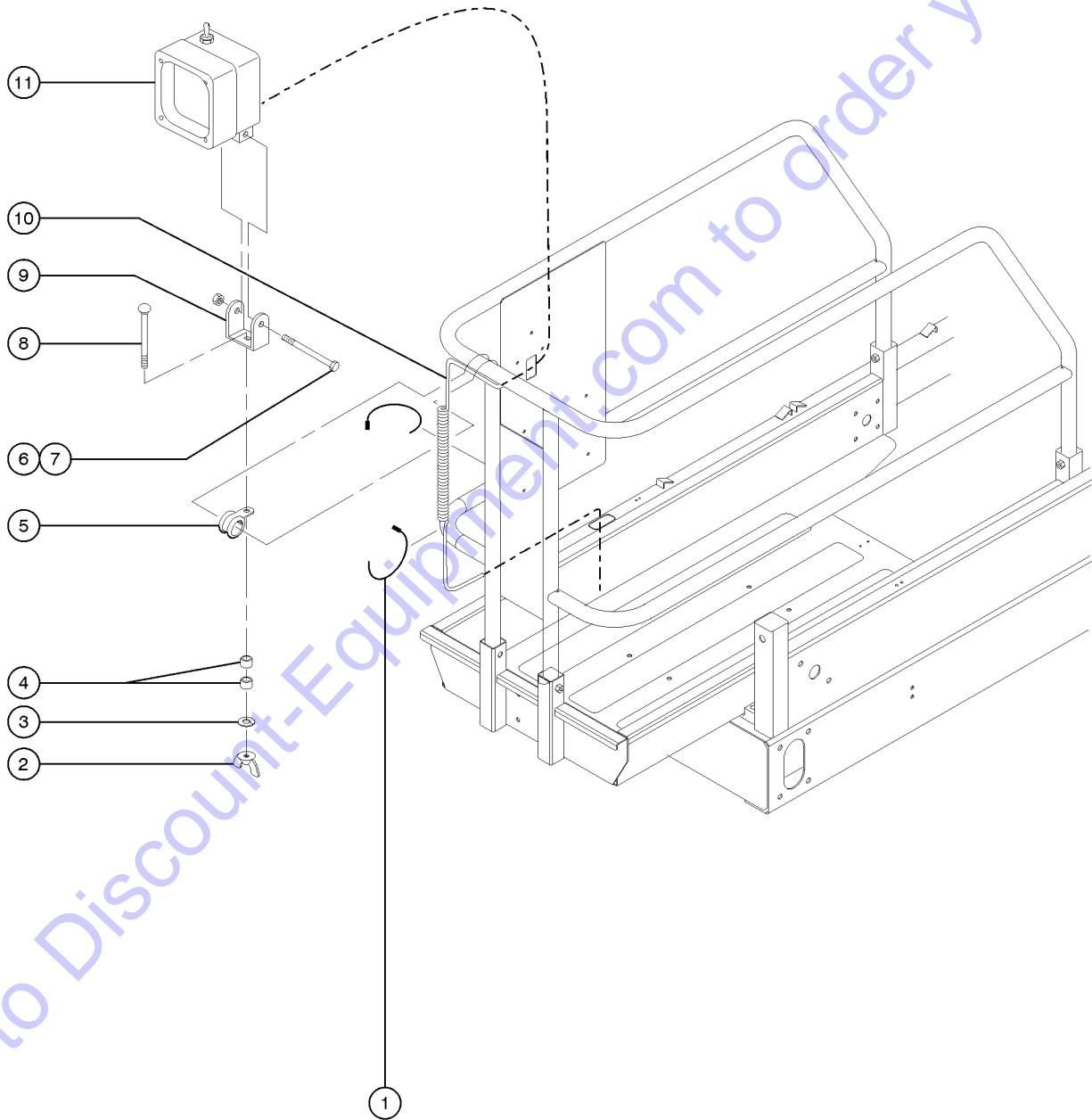
602.5 Air Line to Platform

Item	Part No.	Description	Qty.
	96991-SGT	AIR TO PLAT, GS3246, ACC GS-3232, GS-3246	
1	28443GT	CABLE TIE, 11.5" BLACK	
2C	27903GT	HOSE,LOW PRESSURE,.375 ID,BLK GS-3232, GS-3246	590
3	45454GT	CLAMP,RUB CUSH,0.75,#12 X 3/8*	1
4	96543GT	COUPLER,1/4"SERIES,3/8 P-LOK	1
5	96542GT	PLUG,1/4"SERIES,3/8 P-LOCK***	1

Go to Discount-Equipment.com to order your parts



603.1 Platform Work Light



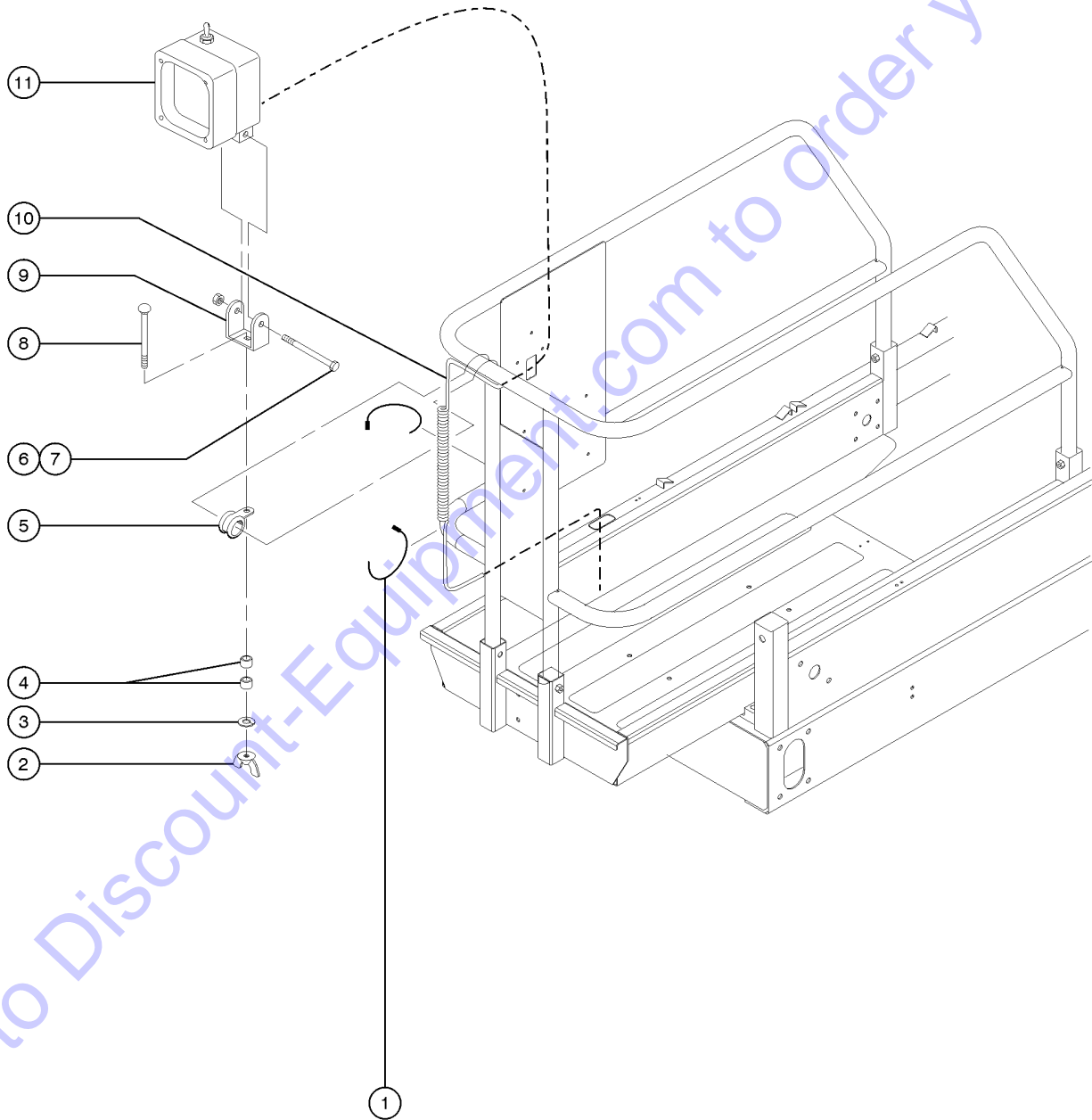
603.1 Platform Work Light

Item	Part No.	Description	Qty.
B-	105973GT	WORKLIGHT CABLE,GS19/20XX (linkset) GS-2032, GS-2046	
A-	105971GT	WORKLIGHT PIGTAIL ASSY (chassis)	
1	28443GT	CABLE TIE, 11.5" BLACK	10
2	69229GT	NUT,WING 5/16-18	1
3	6886GT	WASHER,LOCK,.313	
4	5397GT	WASHER,FLAT,USS,5/16",Y add sufficient washers to equal aproximately 0.435 inch thickness of each spacer	2
5	33784GT	CLAMP,1.31,#21 X 1/4,RUB CUSH	1
6	50793GT	SCREW,HHC,5/16-18 X 2	
7	6782GT	NUT, NYLOCK, 5/16-18	
8	65439GT	BOLT,CARRIAGE,5/16-18 X 2.0,G2	
9	144009GT	WORKLIGHT BRACKET	1
10	65721GT	COIL CORD,WORKLIGHT(144011)	1
11	144011GT	WORKLIGHT,24V,COIL CORD	1

Go to Discount-Equipment.com to order your parts



603.2 Platform Work Light



Go to Discount-Equipment.com to order your parts

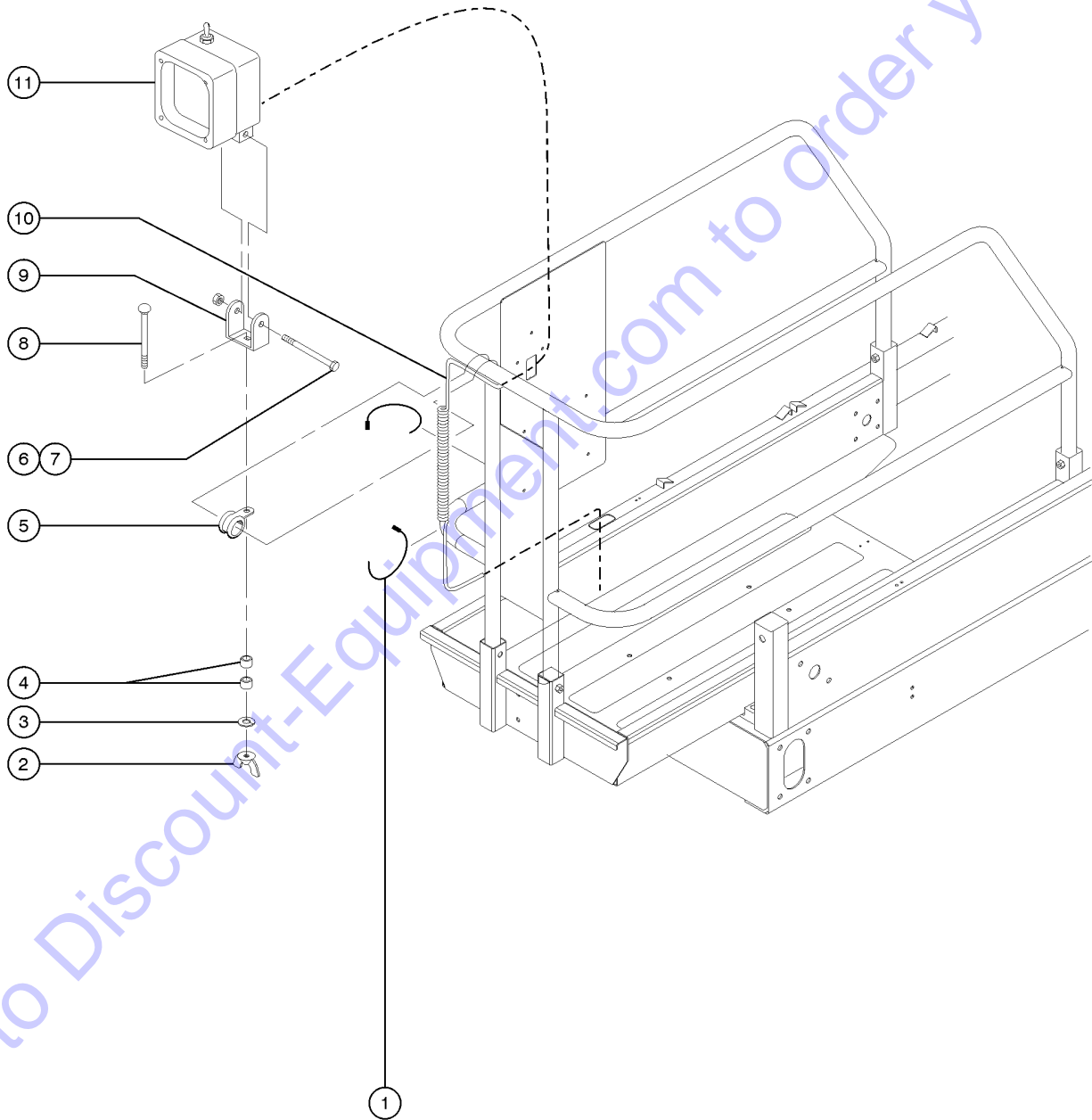
603.2 Platform Work Light

Item	Part No.	Description	Qty.
B-	105973GT	WORKLIGHT CABLE,GS19/20XX (linkset) GS-2032, GS-2046	
A-	105971GT	WORKLIGHT PIGTAIL ASSY (chassis)	
1	28443GT	CABLE TIE, 11.5" BLACK	10
2	69229GT	NUT,WING 5/16-18	1
3	6886GT	WASHER,LOCK,.313	
4	5397GT	WASHER,FLAT,USS,5/16",Y add sufficient washers to equal aproximately 0.435 inch thickness of each spacer	2
5	33784GT	CLAMP,1.31,#21 X 1/4,RUB CUSH	1
6	50793GT	SCREW,HHC,5/16-18 X 2	
7	6782GT	NUT, NYLOCK, 5/16-18	
8	65439GT	BOLT,CARRIAGE,5/16-18 X 2.0,G2	
9	144009GT	WORKLIGHT BRACKET	1
10	65721GT	COIL CORD,WORKLIGHT(144011)	1
11	144011GT	WORKLIGHT,24V,COIL CORD	1

Go to Discount-Equipment.com to order your parts



603.3 Platform Work Light



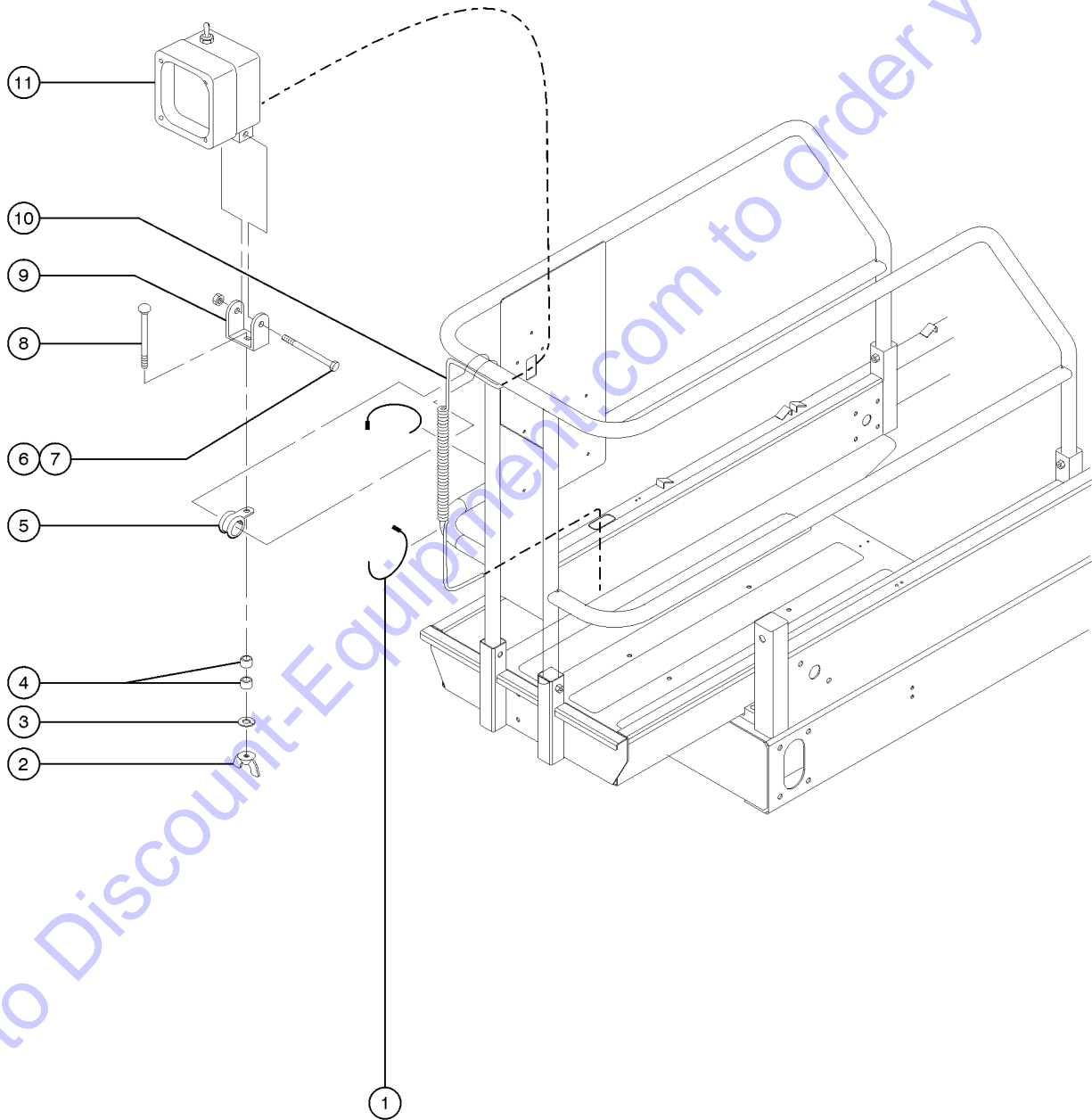
603.3 Platform Work Light

Item	Part No.	Description	Qty.
C-	105974GT	WORKLIGHT CABLE,GS26XX (linkset) GS-2632, GS-2646	
A-	105971GT	WORKLIGHT PIGTAIL ASSY (chassis)	
1	28443GT	CABLE TIE, 11.5" BLACK	10
2	69229GT	NUT,WING 5/16-18	1
3	6886GT	WASHER,LOCK,.313	
4	5397GT	WASHER,FLAT,USS,5/16",Y add sufficient washers to equal aproximately 0.435 inch thickness of each spacer	2
5	33784GT	CLAMP,1.31,#21 X 1/4,RUB CUSH	1
6	50793GT	SCREW,HHC,5/16-18 X 2	
7	6782GT	NUT, NYLOCK, 5/16-18	
8	65439GT	BOLT,CARRIAGE,5/16-18 X 2.0,G2	
9	144009GT	WORKLIGHT BRACKET	1
10	65721GT	COIL CORD,WORKLIGHT(144011)	1
11	144011GT	WORKLIGHT,24V,COIL CORD	1

Go to Discount-Equipment.com to order your parts



603.4 Platform Work Light



Go to Discount-Equipment.com to order your parts

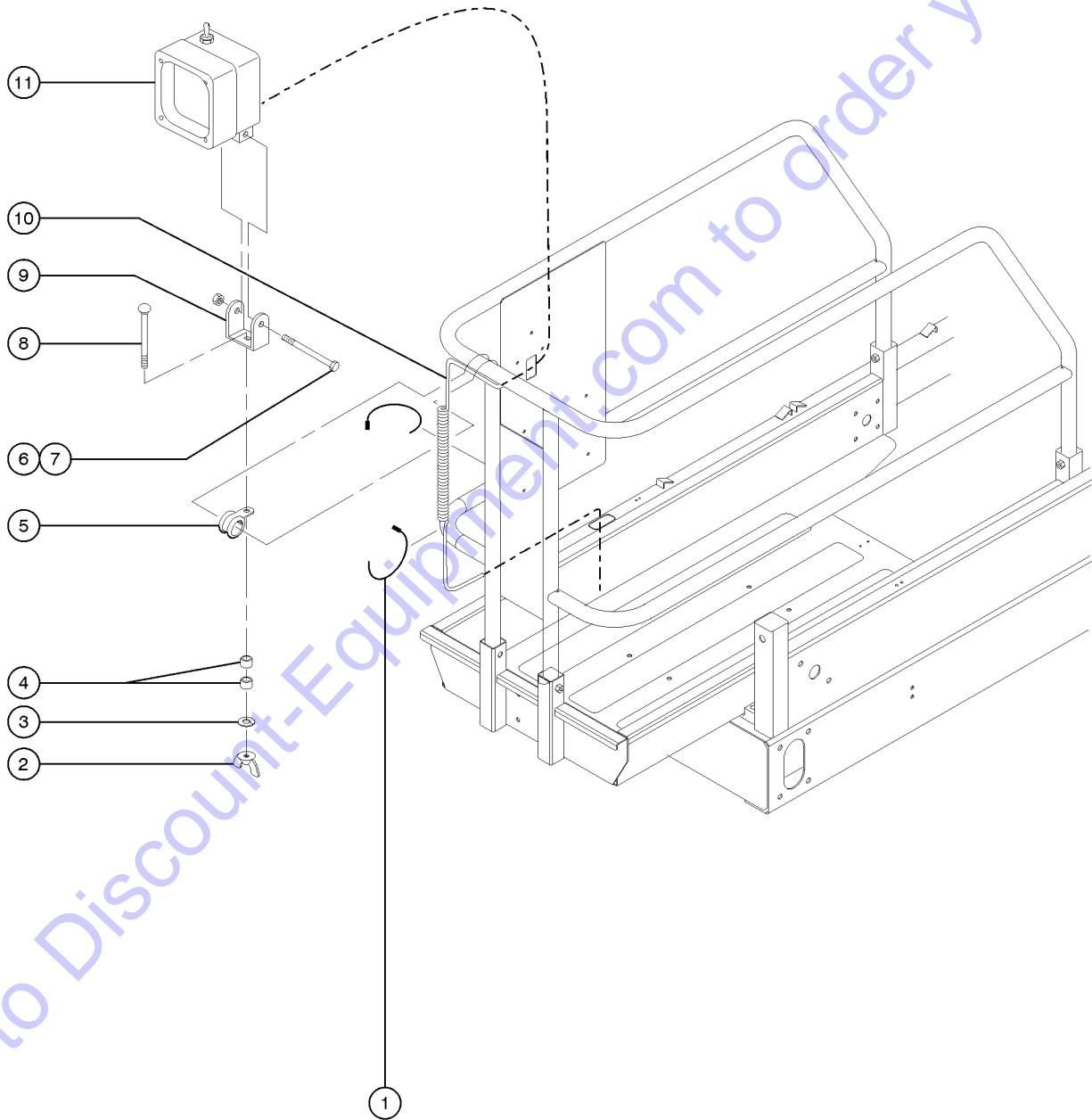
603.4 Platform Work Light

Item	Part No.	Description	Qty.
C-	105974GT	WORKLIGHT CABLE,GS26XX (linkset) GS-2632, GS-2646	
A-	105971GT	WORKLIGHT PIGTAIL ASSY (chassis)	
1	28443GT	CABLE TIE, 11.5" BLACK	10
2	69229GT	NUT,WING 5/16-18	1
3	6886GT	WASHER,LOCK,.313	
4	5397GT	WASHER,FLAT,USS,5/16",Y add sufficient washers to equal aproximately 0.435 inch thickness of each spacer	2
5	33784GT	CLAMP,1.31,#21 X 1/4,RUB CUSH	1
6	50793GT	SCREW,HHC,5/16-18 X 2	
7	6782GT	NUT, NYLOCK, 5/16-18	
8	65439GT	BOLT,CARRIAGE,5/16-18 X 2.0,G2	
9	144009GT	WORKLIGHT BRACKET	1
10	65721GT	COIL CORD,WORKLIGHT(144011)	1
11	144011GT	WORKLIGHT,24V,COIL CORD	1

Go to Discount-Equipment.com to order your parts



603.5 Platform Work Light



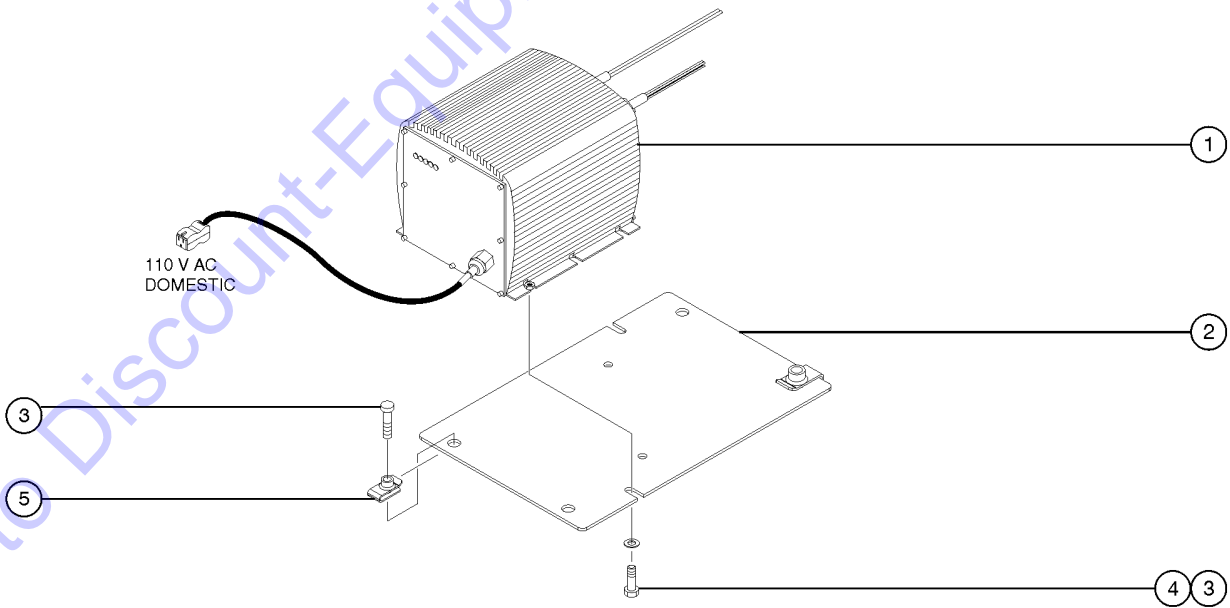
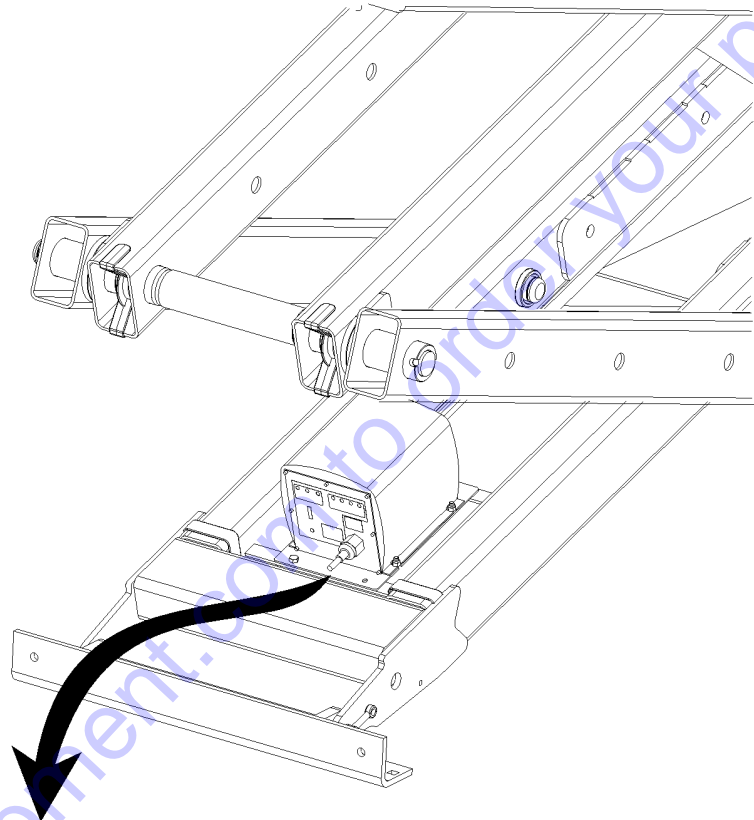
603.5 Platform Work Light

Item	Part No.	Description	Qty.
D-	105975GT	WORKLIGHT CABLE,GS32XX (linkset) GS-3232, GS-3246	
A-	105971GT	WORKLIGHT PIGTAIL ASSY (chassis)	
1	28443GT	CABLE TIE, 11.5" BLACK	10
2	69229GT	NUT,WING 5/16-18	1
3	6886GT	WASHER,LOCK,.313	
4	5397GT	WASHER,FLAT,USS,5/16",Y add sufficient washers to equal aproximately 0.435 inch thickness of each spacer	2
5	33784GT	CLAMP,1.31,#21 X 1/4,RUB CUSH	1
6	50793GT	SCREW,HHC,5/16-18 X 2	
7	6782GT	NUT, NYLOCK, 5/16-18	
8	65439GT	BOLT,CARRIAGE,5/16-18 X 2.0,G2	
9	144009GT	WORKLIGHT BRACKET	1
10	65721GT	COIL CORD,WORKLIGHT(144011)	1
11	144011GT	WORKLIGHT,24V,COIL CORD	1

Go to Discount-Equipment.com to order your parts



604.1 Voltage Inverter



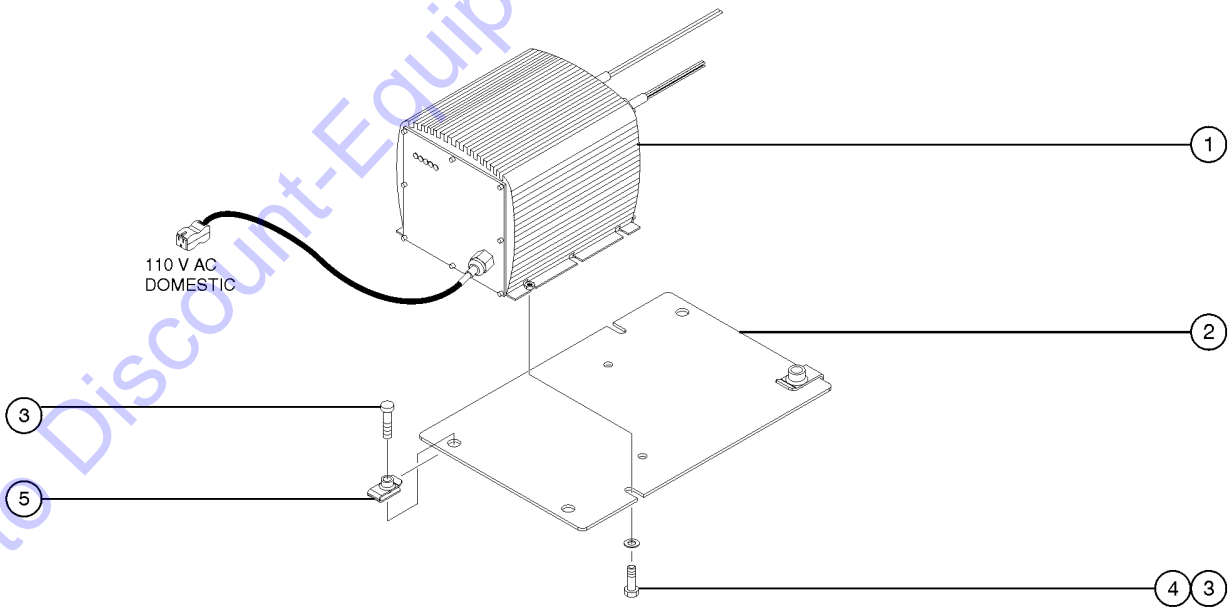
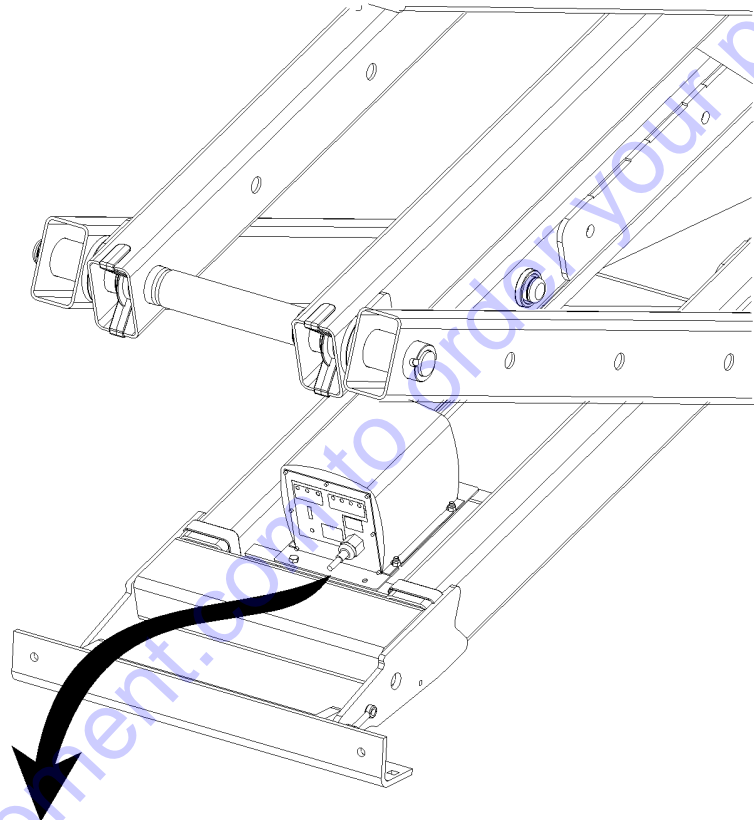
604.1 Voltage Inverter

<i>Item</i>	<i>Part No.</i>	<i>Description</i>	<i>Qty.</i>
1	96950GT	INVERTER,24VDC,110/230 VAC***	1
2	105129GT	PLATE, INVERTER MOUNT**	1
3	6090GT	SCREW,HHC,1/4-20 X .75	
4	6638GT	WASHER,FLAT,USS,1/4"Y	
5	56912GT	SPRING CLIP,1/4-20,.025-.15X.54,ZAG	2

Go to Discount-Equipment.com to order your parts



604.2 Voltage Inverter



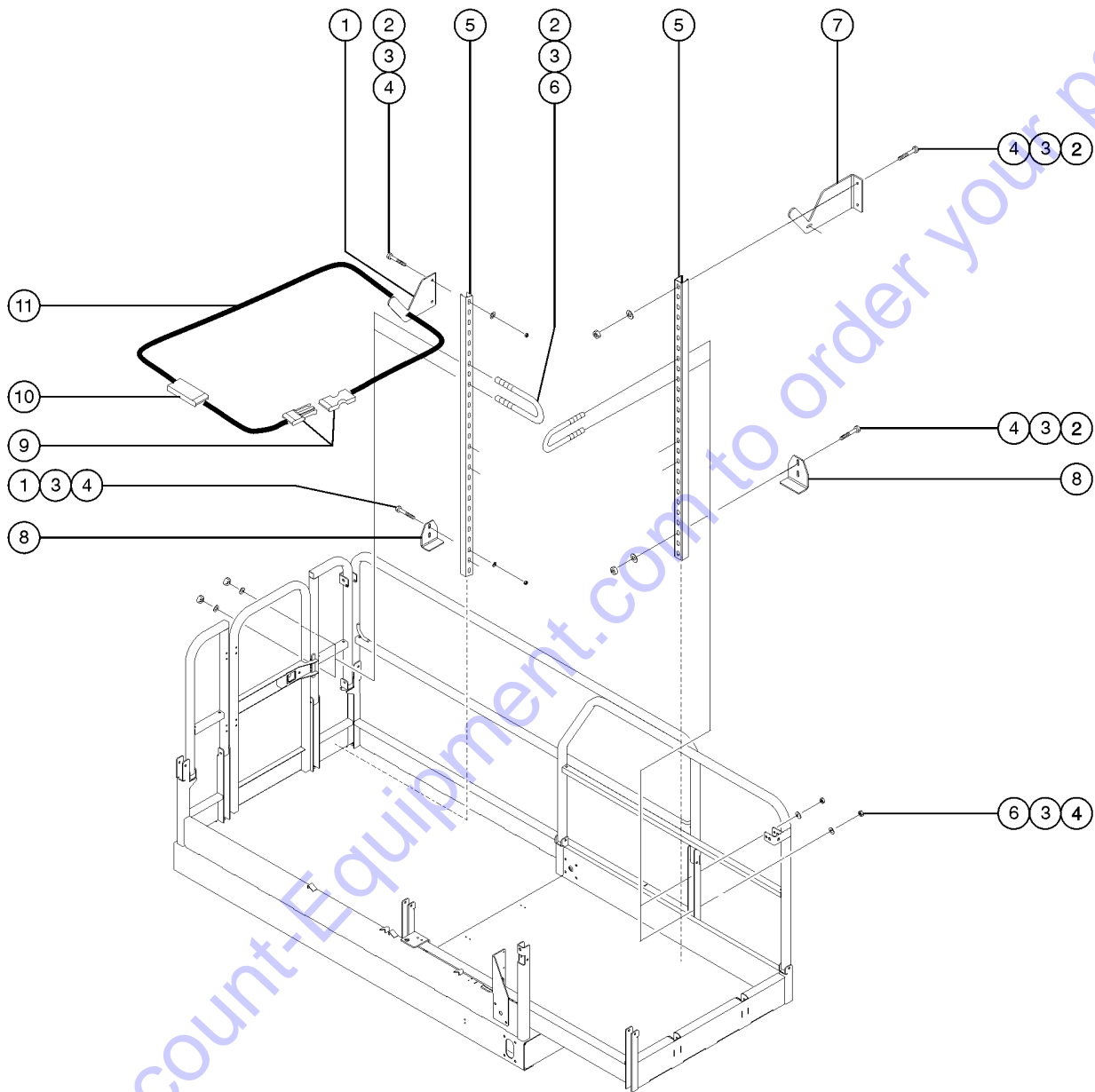
604.2 Voltage Inverter

<i>Item</i>	<i>Part No.</i>	<i>Description</i>	<i>Qty.</i>
1	96950GT	INVERTER,24VDC,110/230 VAC***	1
2	105129GT	PLATE, INVERTER MOUNT**	1
3	6090GT	SCREW,HHC,1/4-20 X .75	
4	6638GT	WASHER,FLAT,USS,1/4"Y	
5	56912GT	SPRING CLIP,1/4-20,.025-.15X.54,ZAG	2

Go to Discount-Equipment.com to order your parts



605.1 Pipe Cradle Assembly, GS-2046, GS-2646, GS-3246



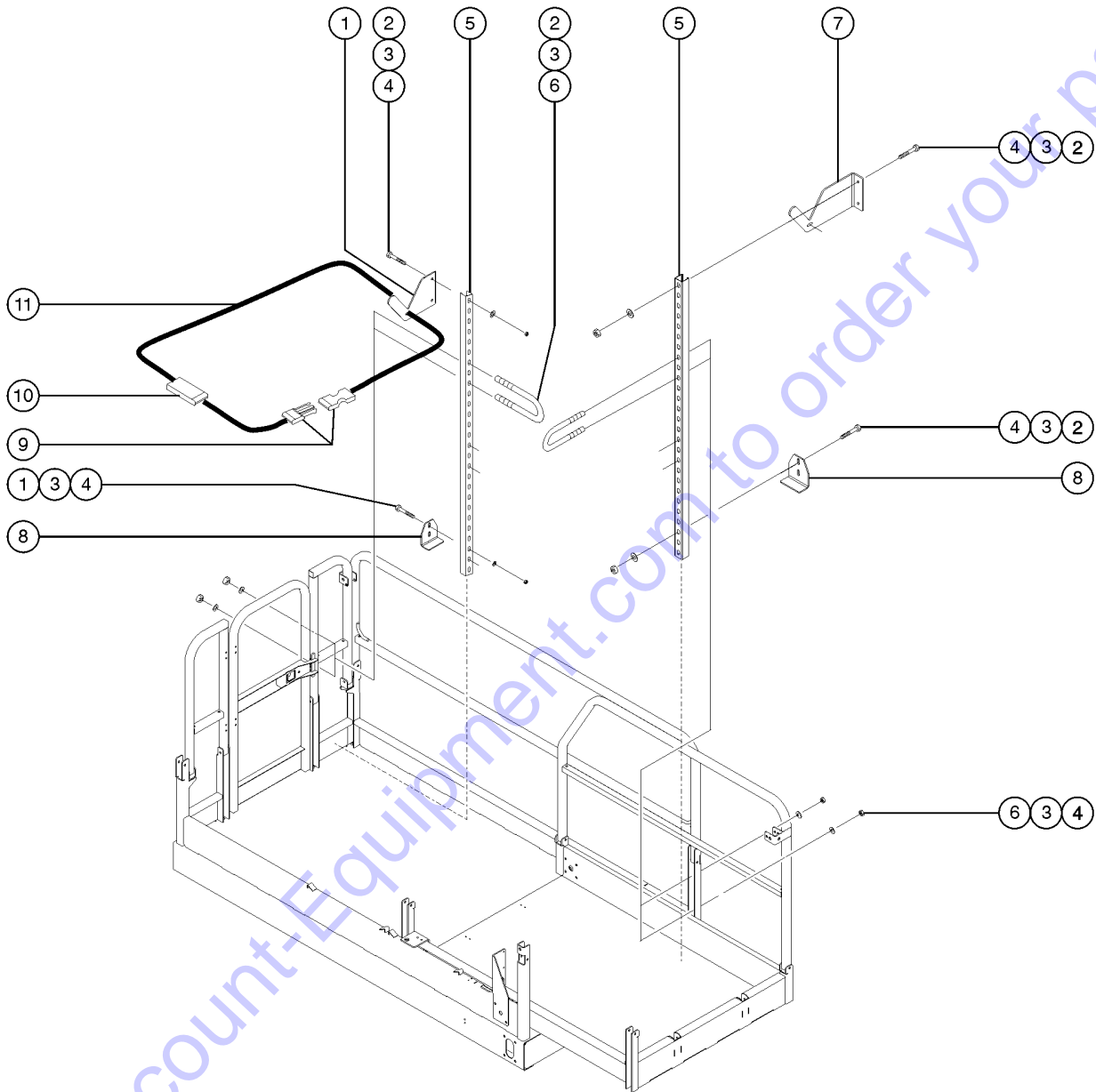
605.1 Pipe Cradle Assembly, GS-2046, GS-2646, GS-3246

Item	Part No.	Description	Qty.
	72878GT	PIPE CRDL,SQ RAILINGS,GS46	
1	79156GT	PLATE,PIPE HOLDER, GS68	1
2	14033GT	SCREW, HHC, 3/8-16 X 2.75	
3	6097GT	WASHER,FLAT,USS,3/8",Y	
4	4828GT	NUT,NYLOCK,3/8-16	
5	66171GT	CHANNEL,PIPE RACK	2
6	66472GT	U-BOLT, SQR, 3/8-16X2X5, PLTD	4
7	66169GT	FORMING, PIPE HOLDER RACK	1
8	66170GT	FORMING, PIPE RACK BASE	2
9	100810GT	BUCKLE & SLIDE STRAP SET	1
10	35643GT	BUCKLE,SIDE RELEASE	2
11	35642GT	STRAP,NYLON,1.0 IN. BLACK	96

Go to Discount-Equipment.com to order your parts



605.2 Pipe Cradle Assembly, GS-2046, GS-2646, GS-3246



Go to Discount-Equipment.com to order your parts



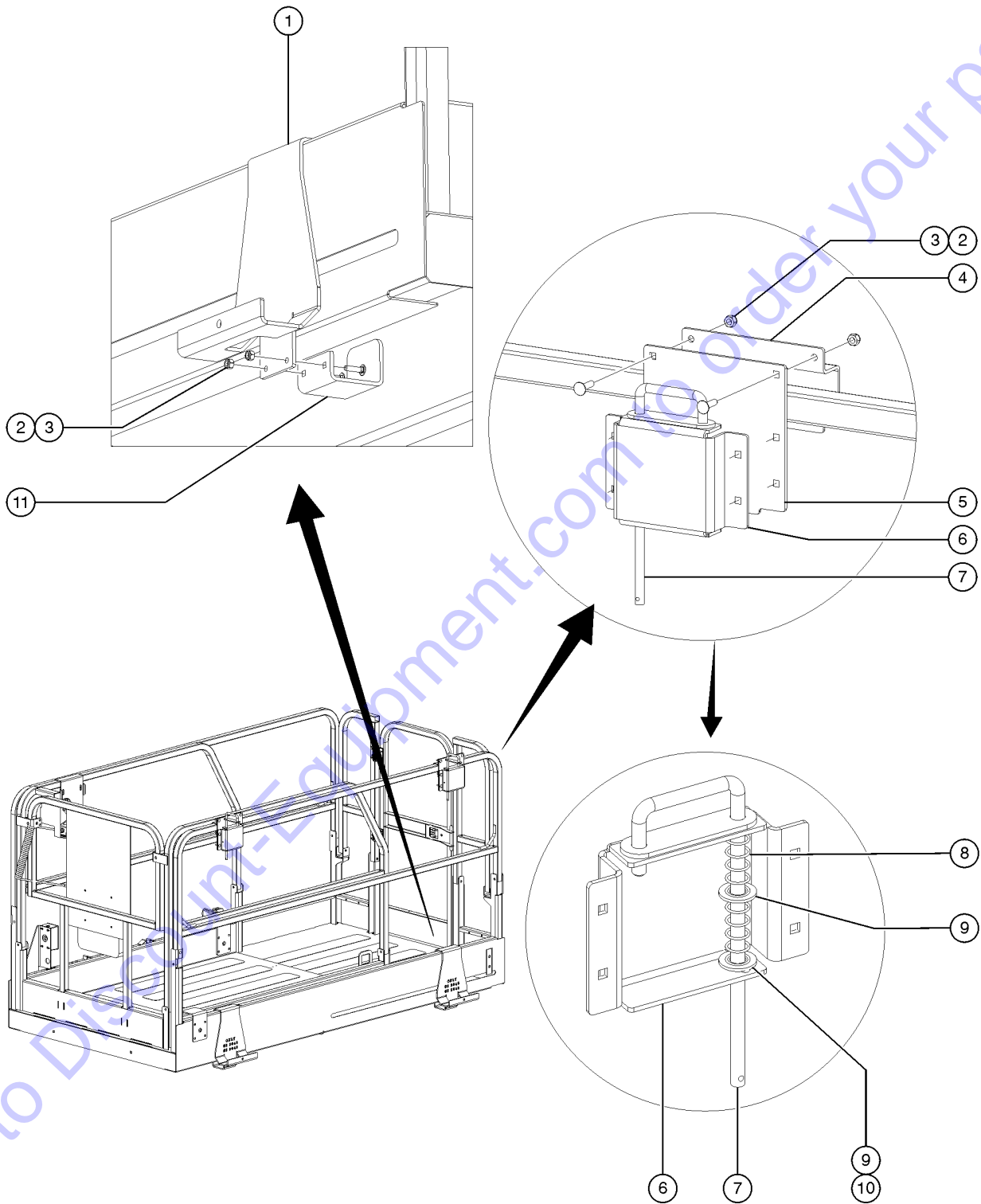
605.2 Pipe Cradle Assembly, GS-2046, GS-2646, GS-3246

Item	Part No.	Description	Qty.
	72878GT	PIPE CRDL,SQ RAILINGS,GS46	
1	79156GT	PLATE,PIPE HOLDER, GS68	1
2	14033GT	SCREW, HHC, 3/8-16 X 2.75	
3	6097GT	WASHER,FLAT,USS,3/8",Y	
4	4828GT	NUT,NYLOCK,3/8-16	
5	66171GT	CHANNEL,PIPE RACK	2
6	66472GT	U-BOLT, SQR, 3/8-16X2X5, PLTD	4
7	66169GT	FORMING, PIPE HOLDER RACK	1
8	66170GT	FORMING, PIPE RACK BASE	2
9	100810GT	BUCKLE & SLIDE STRAP SET	1
10	35643GT	BUCKLE,SIDE RELEASE	2
11	35642GT	STRAP,NYLON,1.0 IN. BLACK	96

Go to Discount-Equipment.com to order your parts



606.1 Panel Carrier Assembly, GS-2046, GS-2646 (ANSI/CSA models)



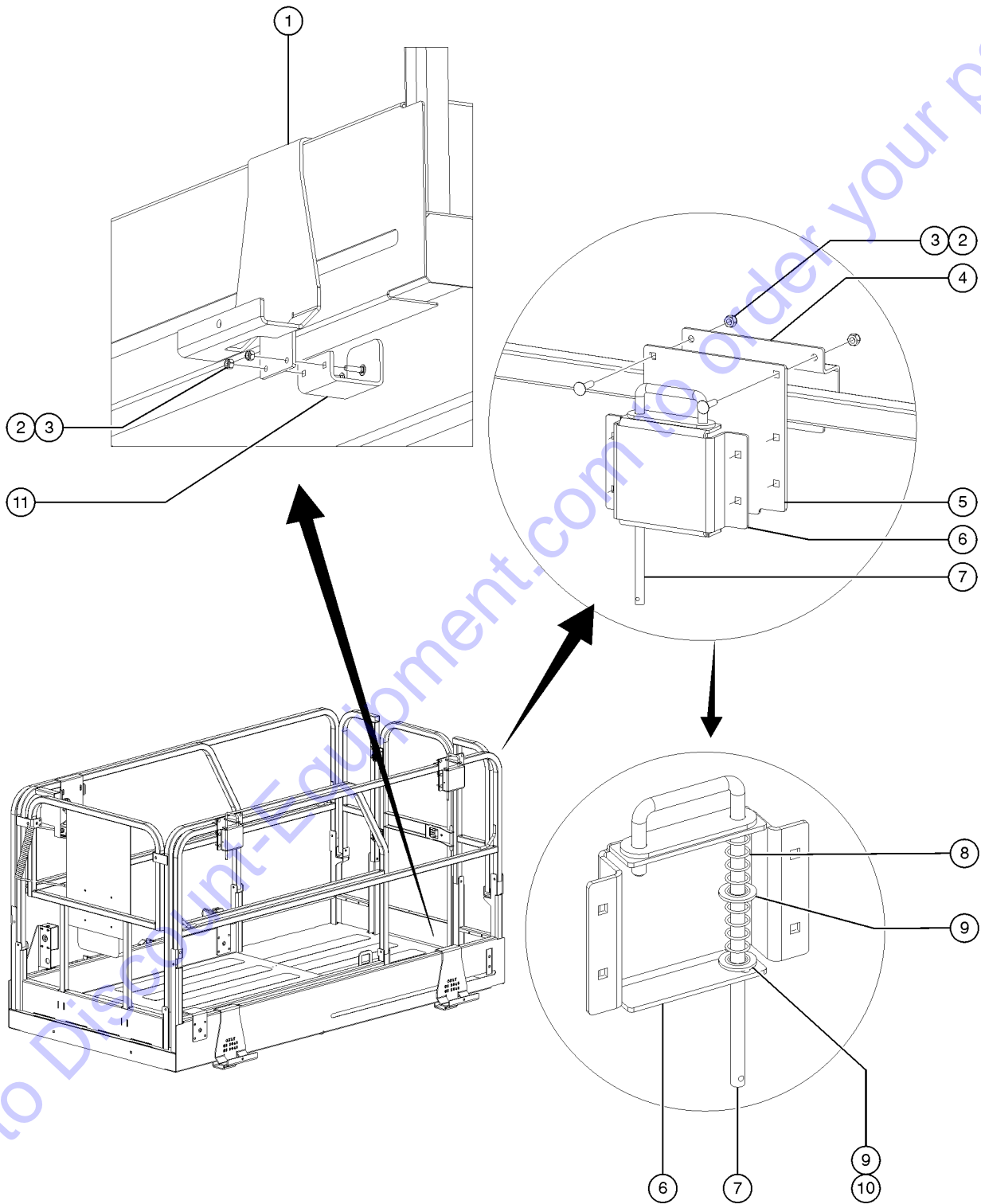
606.1 Panel Carrier Assembly, GS-2046, GS-2646 (ANSI/CSA models)

Item	Part No.	Description	Qty.
A	1251827GT	ACCESSORY, PANEL CARRIER For GS-2046 and GS-2646 only (ANSI/CSA models only) (not approved for use on CE or AUS models)	1
1	1251805GT	FORMING, PANEL HOOK	2
2	6091GT	NUT, NYLOCK, 1/4-20	2
3	124576GT	BOLT, CARRIAGE, 1/4-20X1.00 G5	2
4	1251809GT	FORMING, RAIL CLAMP	2
5	1251808GT	PLATE, COVER	2
6	1251807GT	FORMING, HOUSING, CLAMP	2
7	1251812GT	WELDMENT, CLAMP	2
8	1251813GT	SPRING, .660 X 2.00, 14.8 #/IN	4
9	6097GT	WASHER, FLAT, USS, 3/8", Y	2
10	12016GT	PIN, COTTER, .125 X .75	2
11	1251806GT	FORMING, RETAINER	2

Go to Discount-Equipment.com to order your parts



606.2 Panel Carrier Assembly, GS-2046, GS-2646 (ANSI/CSA models)

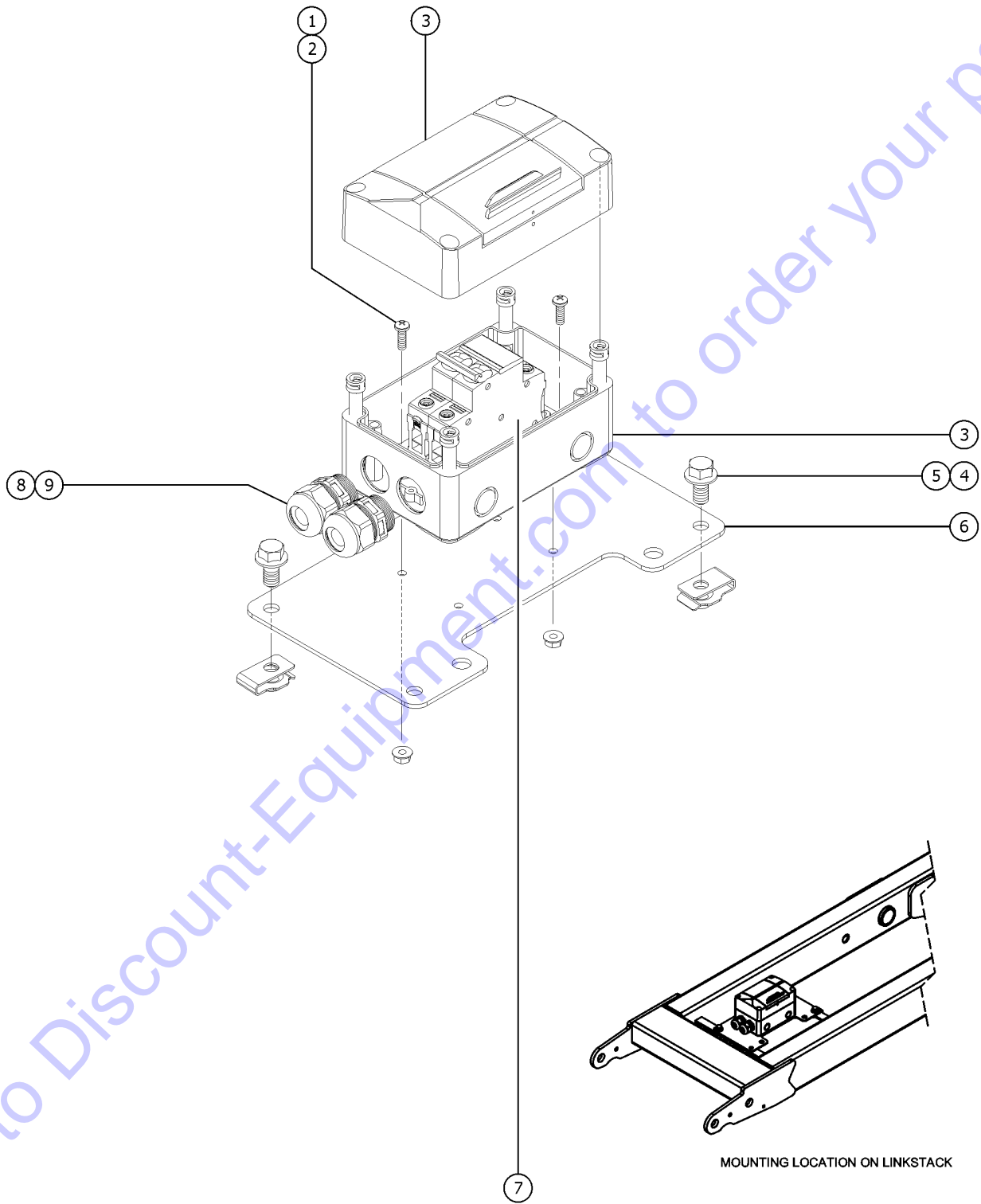


606.2 Panel Carrier Assembly, GS-2046, GS-2646 (ANSI/CSA models)

Item	Part No.	Description	Qty.
A	1251827GT	ACCESSORY, PANEL CARRIER For GS-2046 and GS-2646 only (ANSI/CSA models only) (not approved for use on CE or AUS models)	1
1	1251805GT	FORMING, PANEL HOOK	2
2	6091GT	NUT, NYLOCK, 1/4-20	2
3	124576GT	BOLT, CARRIAGE, 1/4-20X1.00 G5	2
4	1251809GT	FORMING, RAIL CLAMP	2
5	1251808GT	PLATE, COVER	2
6	1251807GT	FORMING, HOUSING, CLAMP	2
7	1251812GT	WELDMENT, CLAMP	2
8	1251813GT	SPRING, .660 X 2.00, 14.8 #/IN	4
9	6097GT	WASHER, FLAT, USS, 3/8", Y	2
10	12016GT	PIN, COTTER, .125 X .75	2
11	1251806GT	FORMING, RETAINER	2

Go to Discount-Equipment.com to order your parts





Go to Discount-Equipment.com to order your parts

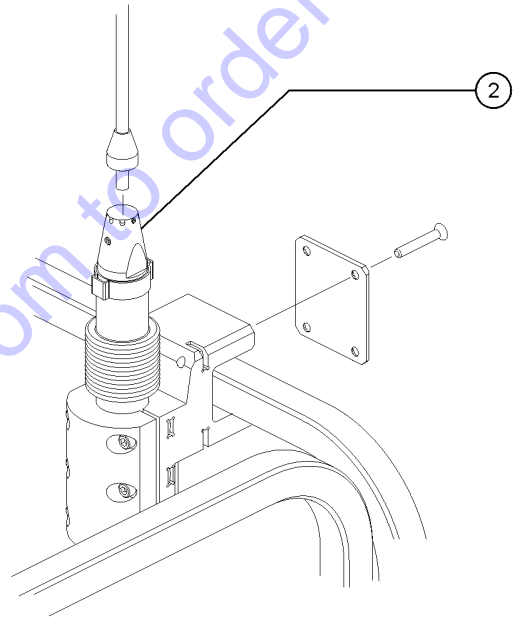
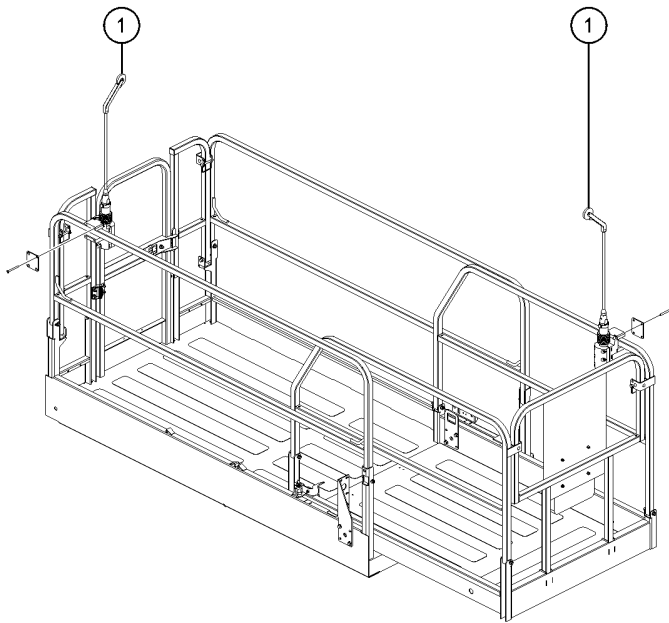
607.1 RCBO

Item	Part No.	Description	Qty.
1	1257227GT	SCREW,PHPM,10-32X.625,ZAG	2
2	1256467GT	NUT,TL FLG,10-24,F,ZAG	2
3	1269086GT	ENCLOSURE, FUSE, MODULAR, 100X150X96, IP65	1
4	824089GT	SCREW, HHF, 3/8-16 X .75, 8, ZAG	2
5	29868GT	SPRING CLIP,3/8-16,.05-.20X.73,ZAG	2
6	1274540GT	PLATE, RCBO, GS	1
7	231868GT	RCBO,16A,30MA,6KA 110/230V AC	1
8	1269087GT	CONNECTOR, SQUEEZE, M25 6-13MM	2
9	1269107GT	NUT, PLASTIC, M25, GREY	2
10	43956GT	WIRE CABLE,14/3 CON.TPE JKT* not shown	115
11	1262911GT	SLEEVE, CABLE-END, 14AWG, 2.5MM for 43956	6

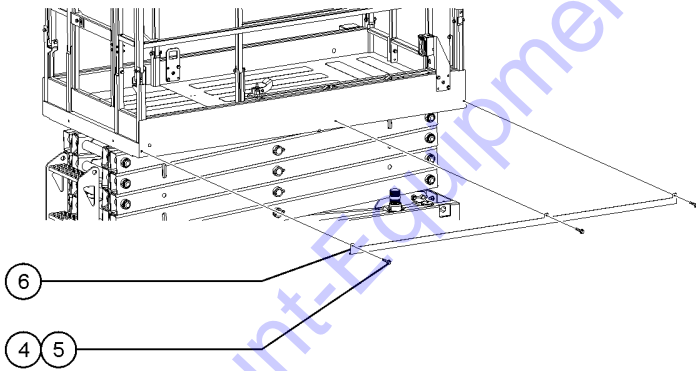
Go to Discount-Equipment.com to order your parts



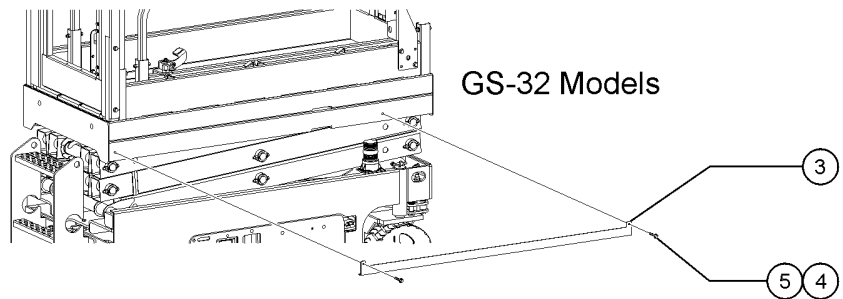
608.1 Lift Guard Contact Alarm, View-1 (from SN GS3214A-135000, SN GS3214C-14000, GS4614C-14000 and SN GS4614A-135000)



GS-46 Models



GS-32 Models



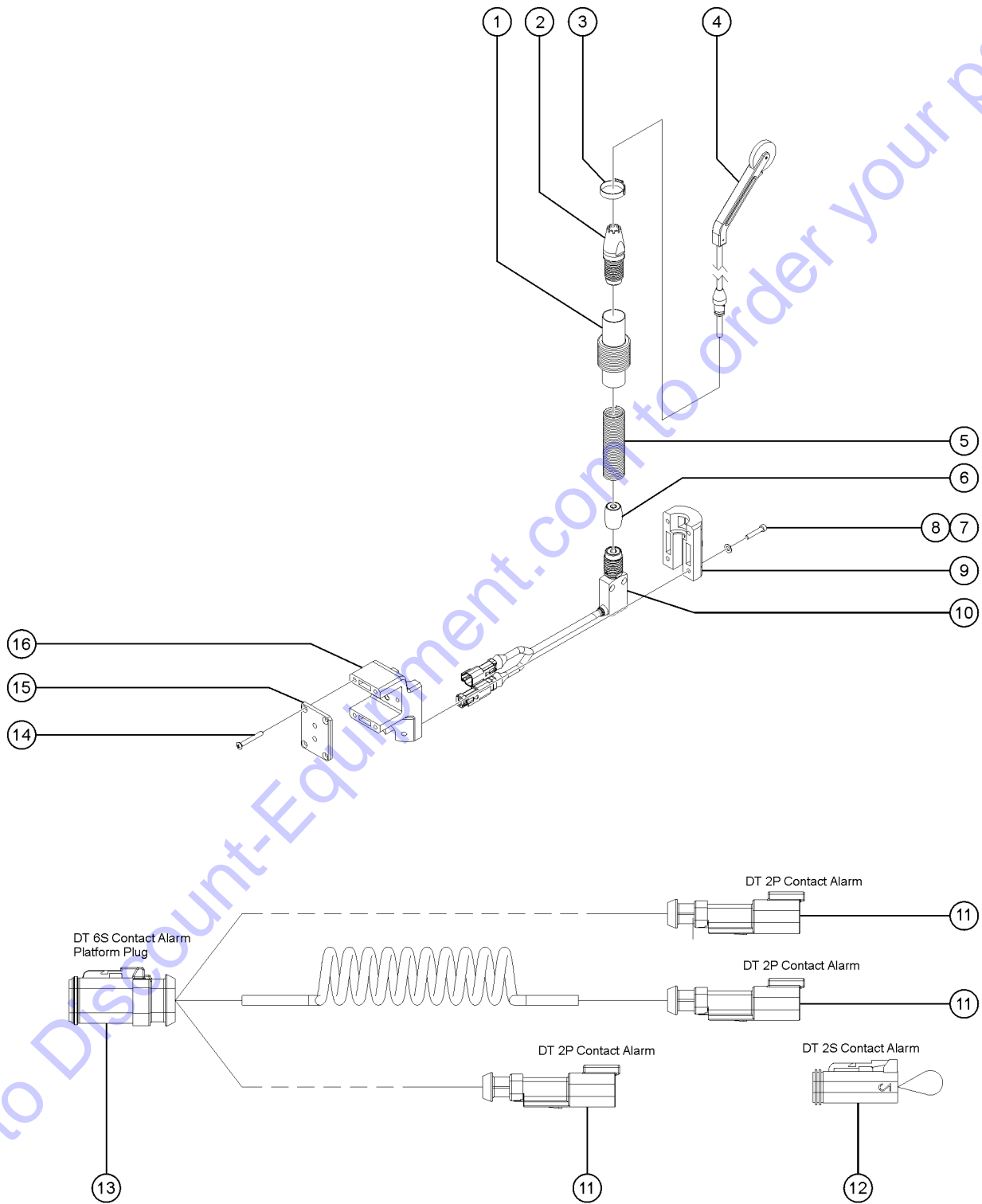
608.1 Lift Guard Contact Alarm, View-1 (from SN GS3214A-135000, SN GS3214C-14000, GS4614C-14000 and SN GS4614A-135000)

Item	Part No.	Description	Qty.
-		CABLE, CONTACT ALARM, 20IN LINK (No longer available)	1
1		ASSEMBLY, LIFTGUARD CONTACT ALARM (refer to 609.1) (no longer available)	2
2		ASSEMBLY, LIFTGUARD KNUCKLE OBSOLETE. (refer to 609.1) (No longer available)	2
3		FORMING, CONTACT ALARM, CABLE GUIDE, GS32 (GS-32 Models Only) No longer available	2
4	824078GT	SCREW, HHF, 1/4-20X.75, 8, ZAG GS-32 Models and GS-2046	4
4B	824078GT	SCREW, HHF, 1/4-20X.75, 8, ZAG GS-2646, GS-3246	6
5	824027GT	NUT, TL FLG, 1/4-20, G, ZAG GS-32 Models and GS-2046	4
5B	824027GT	NUT, TL FLG, 1/4-20, G, ZAG GS-2646, GS-3246	6
6		FORMING, CONTACT ALARM, CABLE GUIDE, BAT, GS46 Battery Side (GS-46 Models Only) No longer available	1

Go to Discount-Equipment.com to order your parts



609.1 Lift Guard Contact Alarm, View-2 (from SN GS3214A-135000, SN GS3214C-14000, GS4614C-14000 and SN GS4614A-135000)

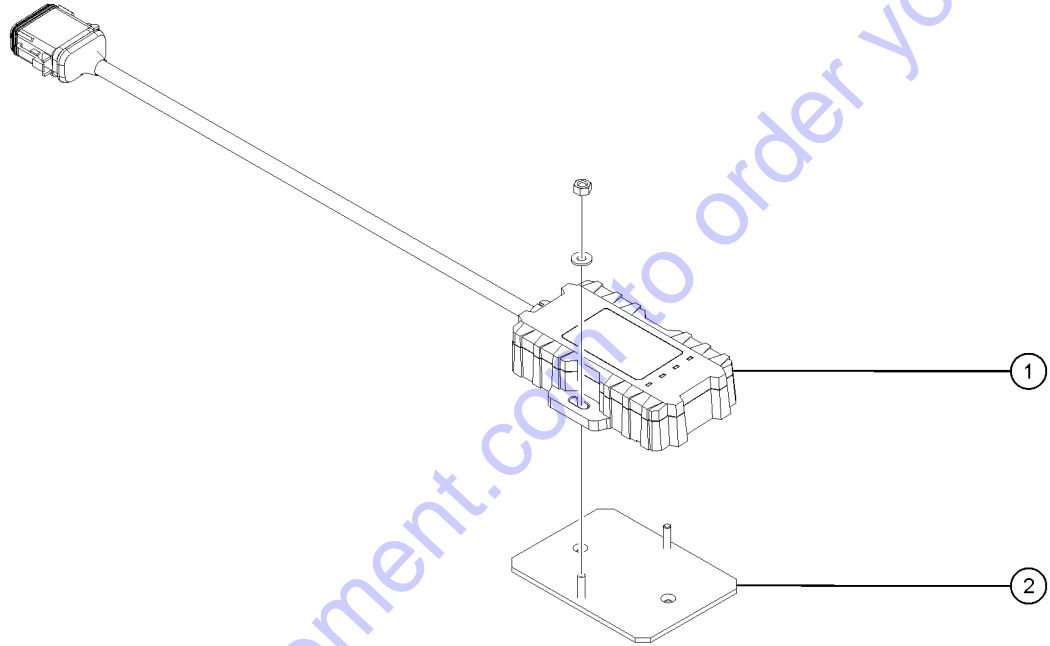


609.1 Lift Guard Contact Alarm, View-2 (from SN GS3214A-135000, SN GS3214C-14000, GS4614C-14000 and SN GS4614A-135000)

Item	Part No.	Description	Qty.
-		ASSEMBLY, LIFTGUARD CONTACT ALARM Includes items 1-10, 14-16 (no longer available)	1
-		ASSEMBLY, LIFTGUARD KNUCKLE OBSOLETE. (part of assy 1287673, includes items 1-3, 5, 6 and 10) (No longer available)	1
1		BELLOW, LIFTGUARD CONTACT ALARM no longer available	1
2		ASSEMBLY, UPPER WHISKER MOUNTING no longer available	1
3	1298716GT	CLAMP, STEPLESS, ONE EAR	1
4		ASSEMBLY, WHISKER no longer available	1
5		SPRING, TENSION, CONTACT ALARM no longer available	1
6		ASSEMBLY, MAGNETIC SNAP BARREL no longer available	1
7		SCREW,SHC,10-24X1,F837,18.8,NYL,SS no longer available	4
8		WASHER,FLAT,0.219X0.437X0.031,SS no longer available	4
9		BRACKET, RT LIFTGUARD, PART 2/2 no longer available	1
10		ASSEMBLY, LIMIT SWITCH MOUNT no longer available	1
11	1288352GT	CONN,RECEP,2 WAY,DT,14-18GA,CE09	3
11-	60439GT	CONN, RECEP, 2 WAY, DEUTSCH, DT, LOCK	
12	119056GT	CONN, PLUG, 2 WAY, DEUTSCH, DT, ENDCAP	1
12-	60425GT	CONN, PLUG, 2 WAY, DEUTSCH, DT, LOCK	
13	1288576GT	CONN,PLUG,6WAY,DT,14-18GA,CE13	1
13-	60431GT	LOCK,PLUG 6 WAY,14-18GA	
14		SCREW,OHPM,10-24X1.5,NYL,SS no longer available	4
15		PLATE, LIFTGUARD BRACKET no longer available	1
16		BRACKET, RT LIFTGUARD, PART 1/2 no longer available	1



610.1 Telematics Option (from SN GS3214A-120635, SN GS3215C-14336, SN GS4614A-118307 and SN GS4615C-14486)



Go to Discount-Equipment.com to order your parts

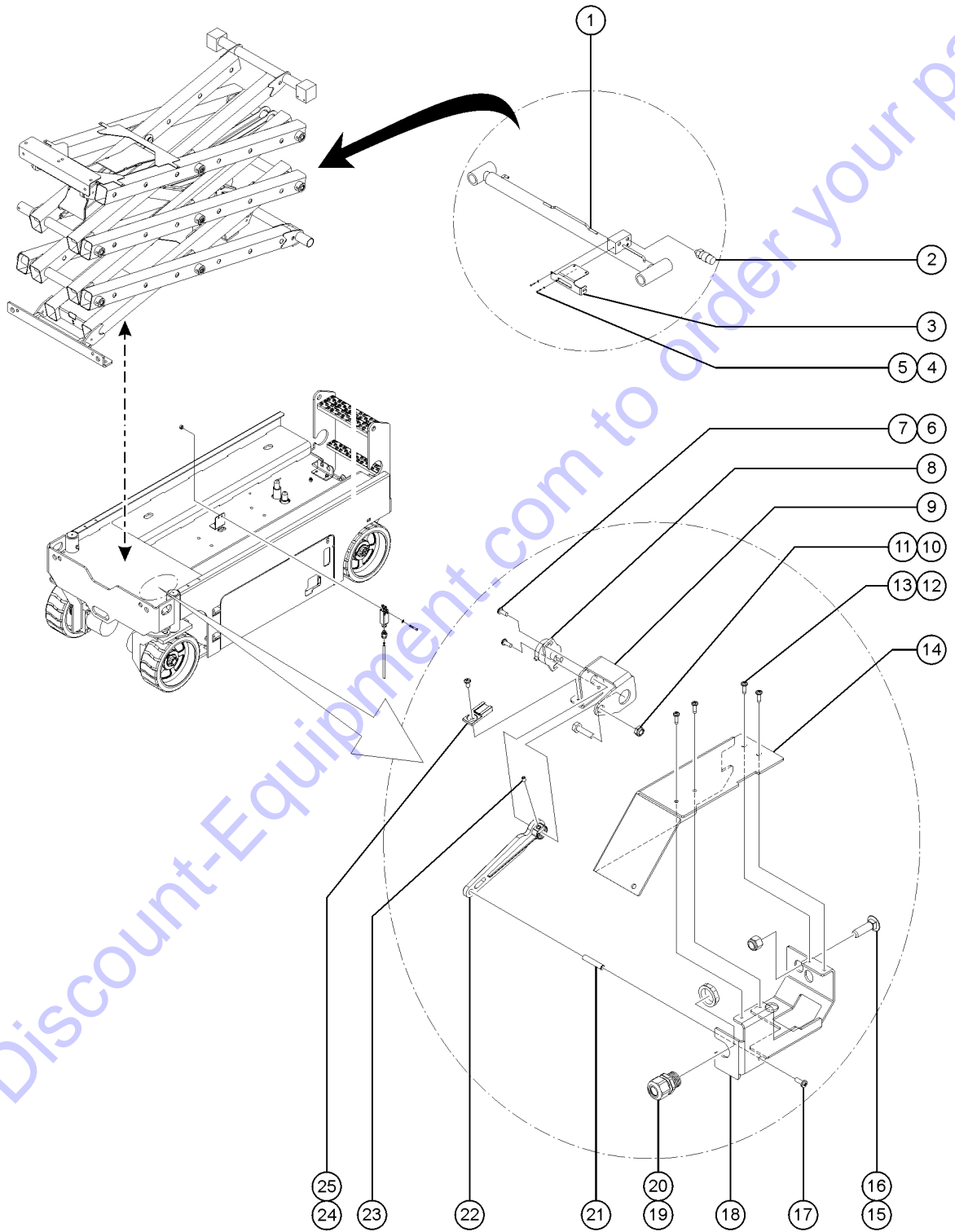
610.1 Telematics Option (from SN GS3214A-120635, SN GS3215C-14336, SN GS4614A-118307 and SN GS4615C-14486)

Item	Part No.	Description	Qty.
-	1289899GT	HARNESS, GATEWAY, GS for units after SN GS3214A-120635, SN GS3215C-14336, SN GS4614A-118307 and SN GS4615C-14486 for first time insulation, must order this Harness with one of the models 1289520GT, 1289521GT, 1289522GT, or 1289523GT	1
1	1289520GT	MODULE, TELEMATICS, ZTR, M7, NORTH AMERICA	1
1B	1289521GT	MODULE, TELEMATICS, ZTR, M7, EMEA/APAC	
1C	1289522GT	MODULE, TELEMATICS, ZTR, M7, APAC/ANZ	
1D	1289523GT	MODULE, TELEMATICS, ZTR, M7, JAPAN	
2	1289561GT	BRACKET, TELEMATICS	1

Go to Discount-Equipment.com to order your parts



701.1 Platform Overload, GS-2032, GS-2046, GS-2632, GS-2646, GS-3246



Go to Discount-Equipment.com to order your parts

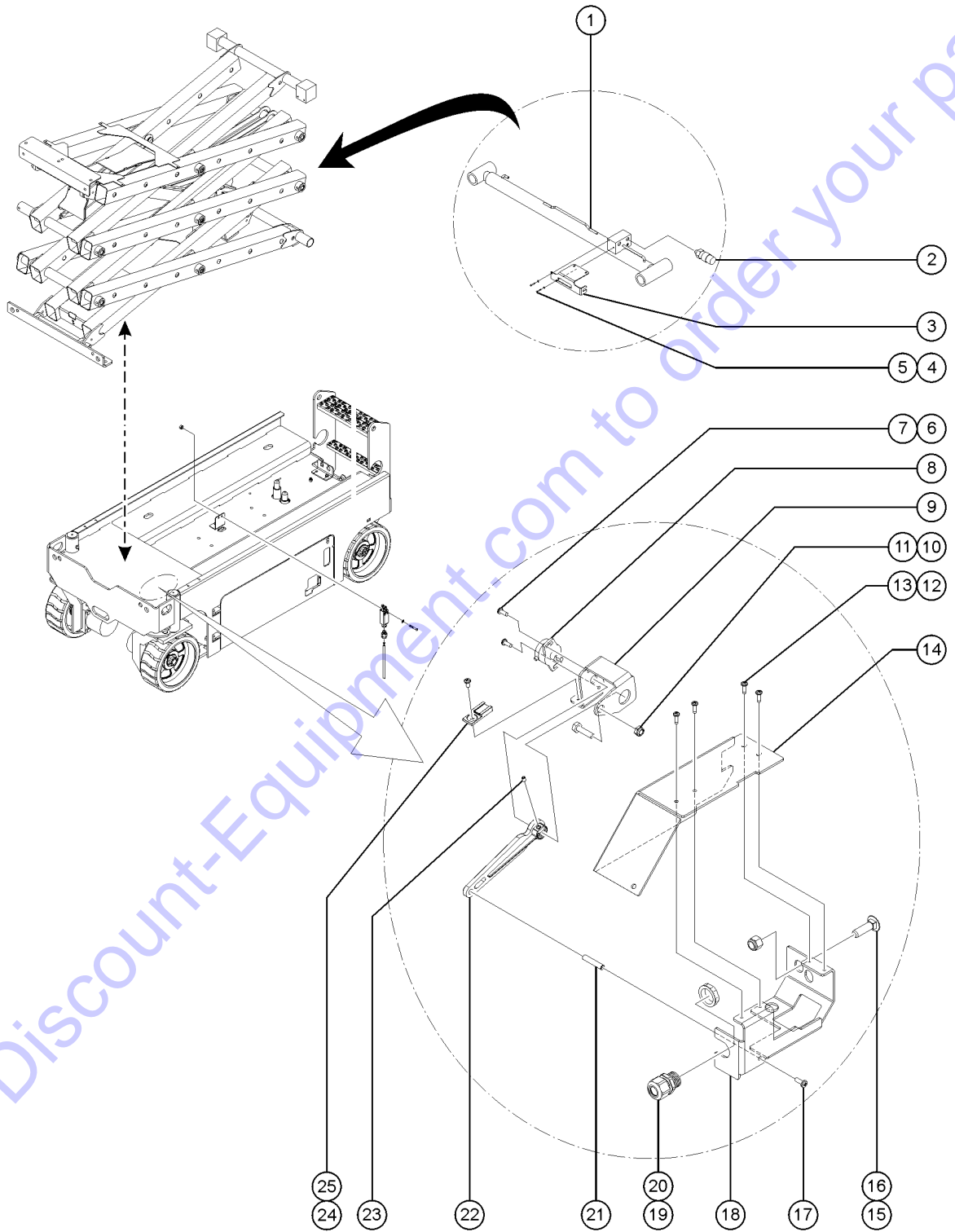


701.1 Platform Overload, GS-2032, GS-2046, GS-2632, GS-2646, GS-3246

Item	Part No.	Description	Qty.
1		Ref: Lift Cylinder (refer to 505.1)	1
2A	1311101GT	PRESSURE TRANSDUCER,0-5K,1-5V GS-2032, GS-2046, GS-2632, GS-2646, GS-3246 (includes transducer)	1
3	41557-SGT	CABLE BRACKET,PAINTED	1
4	7339GT	SCREW,HHC,1/4-20 X .5	1
5	6356GT	WASHER,LOCK,.25	1
6A	57075GT	SCREW,PHIL,8-32X.50,SELF TAP	7
6B	55906GT	SCREW, PHILLIPS, PHM, 8-32 X .5 (used with 161981)	2
7	18605GT	NUT,NYLOCK,8-32 (used with 161981)	2
8	T113136GT	ASSY,ROT SENSR W/ HARNESS	1
9A	227169GT	FRMNG,ARM SENSOR BRCKT,32/46 (to SN GS3214A-136070 and SN GS4614A-135498)	1
9B	161981GT	FRMNG,ARM SENSOR BRCKT,32/46 (from SN GS3214A-136071 and SN GS4614A-135499)	1
10	7713GT	NUT, LP NYLOCK, 3/8-16	1
11	6175GT	SCREW,HHC,3/8-16 X 1	1
12	8914GT	SCREW,HHC,1/4-20 X .625 (used with 161977)	2
13	56912GT	SPRING CLIP,1/4-20,.025-.15X.54,ZAG (used with 161977)	2
14A	227170GT	FRMNG,SENSOR COVER,32/46 (to SN GS3214A-136070 and SN GS4614A-135498)	1
14B	161977GT	FRMG,SENSOR COVERING (from SN GS3214A-136071 and SN GS4614A-135499)	1
15	96203GT	BOLT,CARRIAGE,1/2-13X1.75, G5	1
16	6198GT	NUT,NYLOK,1/2-13	1
17	49819GT	SCREW,PHILLIPS,PHM,10-32 X .5	1
18A	T113141GT	FRMG,CHASSIS BRKT (to SN GS3214A-136070 and SN GS4614A-135498)	1
18B	161975GT	FRMG,CHASSIS BRKTING (from SN GS3214A-136071 and SN GS4614A-135499)	1
19	33576GT	CONN,SQZ,BLK,1/2NPT,.38-.50,SM	1
20	T115429GT	NUT,CORDGRIP,1/2 NPT	1
21	T113142GT	OFFSET, RDN, 1/4-1.25,10-32	1
22	T114082GT	LEVER ARM,ANGLE SENSR ACTUATOR	1
23	229146GT	SCREW,SET,8-32X.25	1
24	T113139GT	CLIP,DTM RECEP	1



701.1 Platform Overload, GS-2032, GS-2046, GS-2632, GS-2646, GS-3246



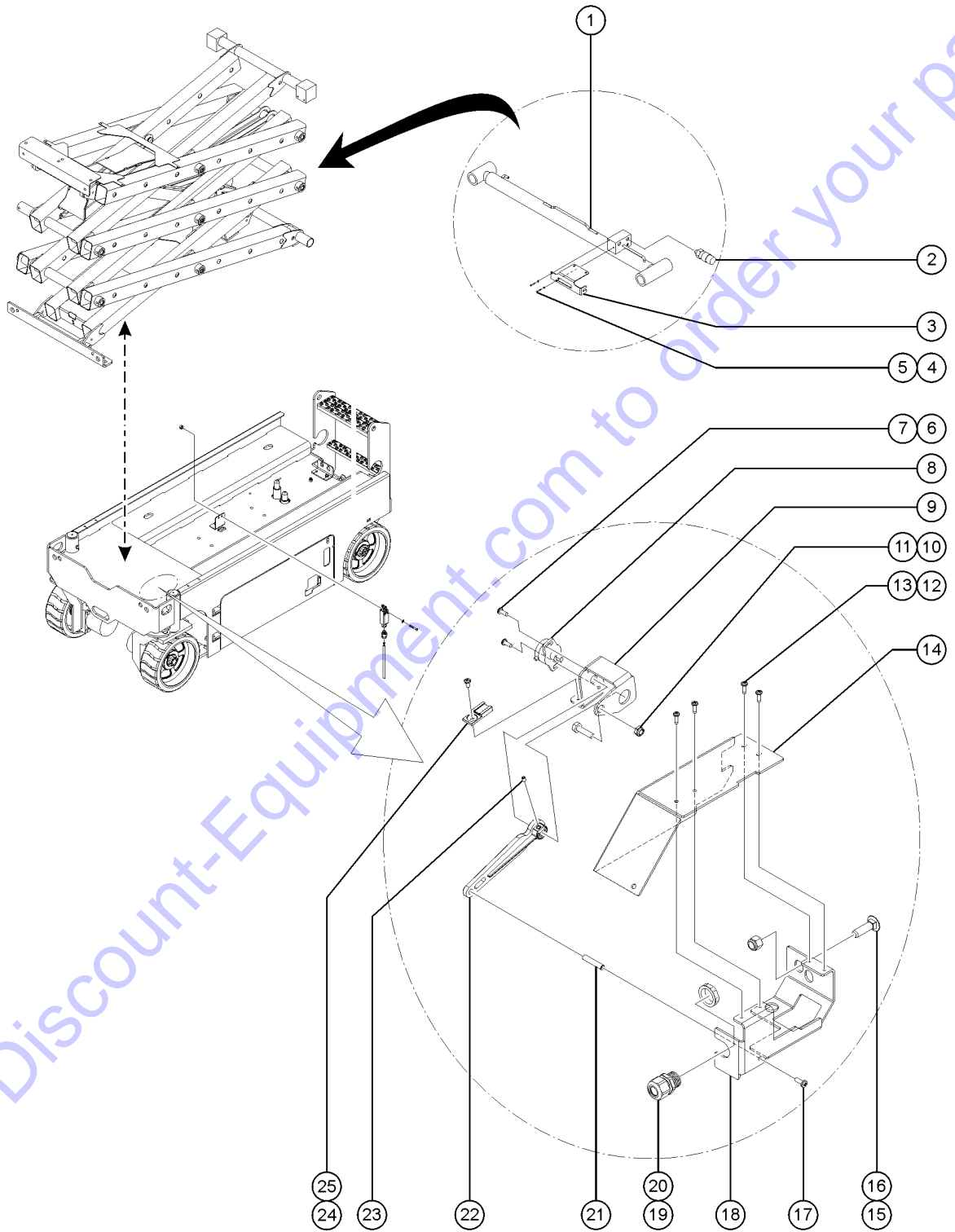
701.1 Platform Overload, GS-2032, GS-2046, GS-2632, GS-2646, GS-3246

<i>Item</i>	<i>Part No.</i>	<i>Description</i>	<i>Qty.</i>
25	39579GT	RIVET,STL,STL,.188 X .45	1

Go to Discount-Equipment.com to order your parts



701.2 Platform Overload, GS-2032, GS-2046, GS-2632, GS-2646, GS-3246C



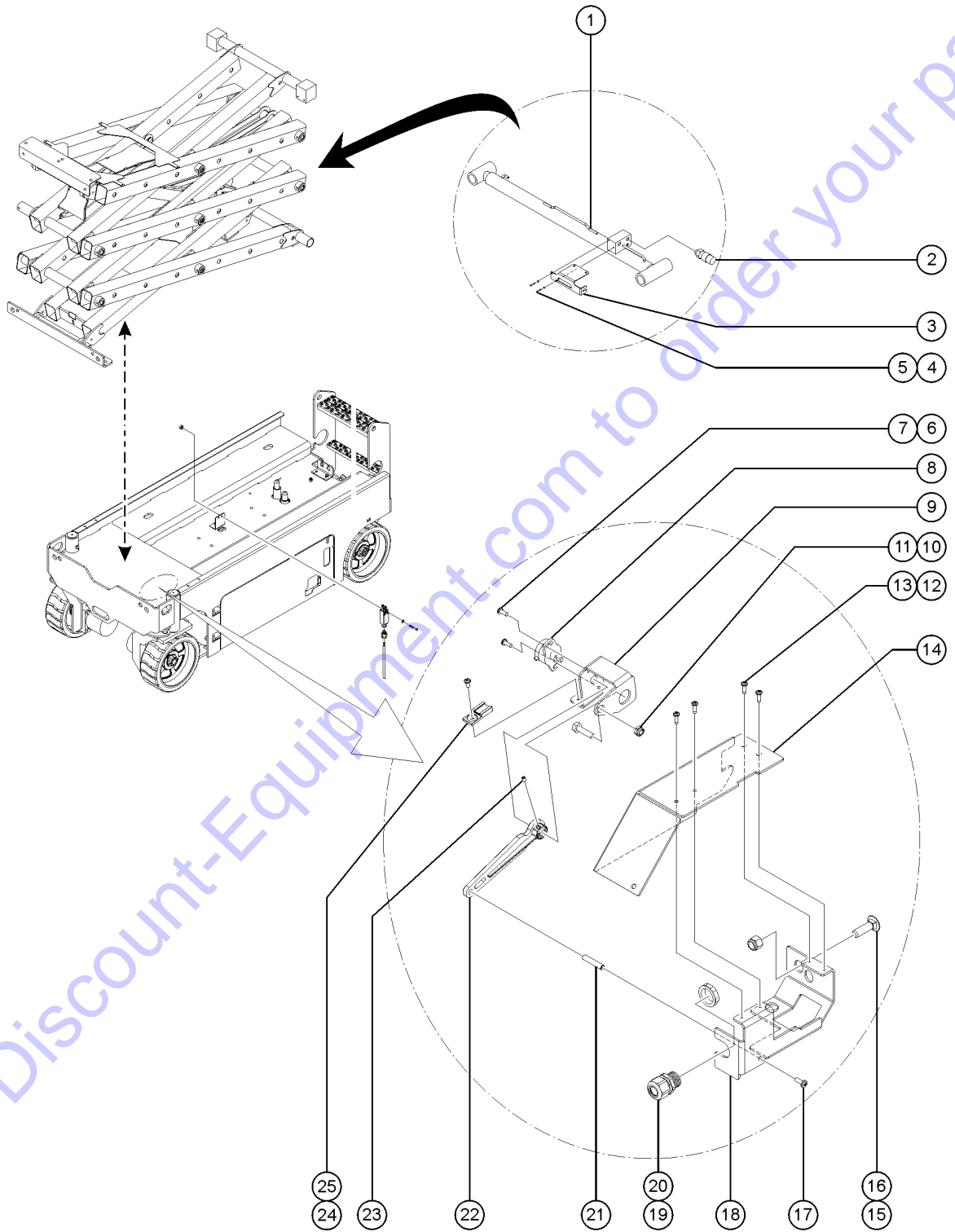
Go to Discount-Equipment.com to order your parts

701.2 Platform Overload, GS-2032, GS-2046, GS-2632, GS-2646, GS-3246C

Item	Part No.	Description	Qty.
1		Ref: Lift Cylinder (refer to 505.1)	1
2A	1311101GT	PRESSURE TRANSDUCER,0-5K,1-5V GS-2032, GS-2046, GS-2632, GS-2646, GS-3246 (includes transducer)	1
3	41557-SGT	CABLE BRACKET,PAINTED	1
4	7339GT	SCREW,HHC,1/4-20 X .5	1
5	6356GT	WASHER,LOCK,.25	1
6A	57075GT	SCREW,PHIL,8-32X.50,SELF TAP	7
6B	55906GT	SCREW, PHILLIPS, PHM, 8-32 X .5 (used with 161981)	2
7	18605GT	NUT,NYLOCK,8-32 (used with 161981)	2
8	T113136GT	ASSY,ROT SENSR W/ HARNESS	1
9A	227169GT	FRMNG,ARM SENSOR BRCKT,32/46 (to SN GS3214A-136070 and SN GS4614A-135498)	1
9B	161981GT	FRMNG,ARM SENSOR BRCKT,32/46 (from SN GS3214A-136071 and SN GS4614A-135499)	1
10	7713GT	NUT, LP NYLOCK, 3/8-16	1
11	6175GT	SCREW,HHC,3/8-16 X 1	1
12	8914GT	SCREW,HHC,1/4-20 X .625 (used with 161977)	2
13	56912GT	SPRING CLIP,1/4-20,.025-.15X.54,ZAG (used with 161977)	2
14A	227170GT	FRMNG,SENSOR COVER,32/46 (to SN GS3214A-136070 and SN GS4614A-135498)	1
14B	161977GT	FRMG,SENSOR COVERING (from SN GS3214A-136071 and SN GS4614A-135499)	1
15	96203GT	BOLT,CARRIAGE,1/2-13X1.75, G5	1
16	6198GT	NUT,NYLOK,1/2-13	1
17	49819GT	SCREW,PHILLIPS,PHM,10-32 X .5	1
18A	T113141GT	FRMG,CHASSIS BRKT (to SN GS3214A-136070 and SN GS4614A-135498)	1
18B	161975GT	FRMG,CHASSIS BRKTING (from SN GS3214A-136071 and SN GS4614A-135499)	1
19	33576GT	CONN,SQZ,BLK,1/2NPT,.38-.50,SM	1
20	T115429GT	NUT,CORDGRIP,1/2 NPT	1
21	T113142GT	OFFSET, RDN, 1/4-1.25,10-32	1
22	T114082GT	LEVER ARM,ANGLE SENSR ACTUATOR	1
23	229146GT	SCREW,SET,8-32X.25	1
24	T113139GT	CLIP,DTM RECEP	1



701.2 Platform Overload, GS-2032, GS-2046, GS-2632, GS-2646, GS-3246C



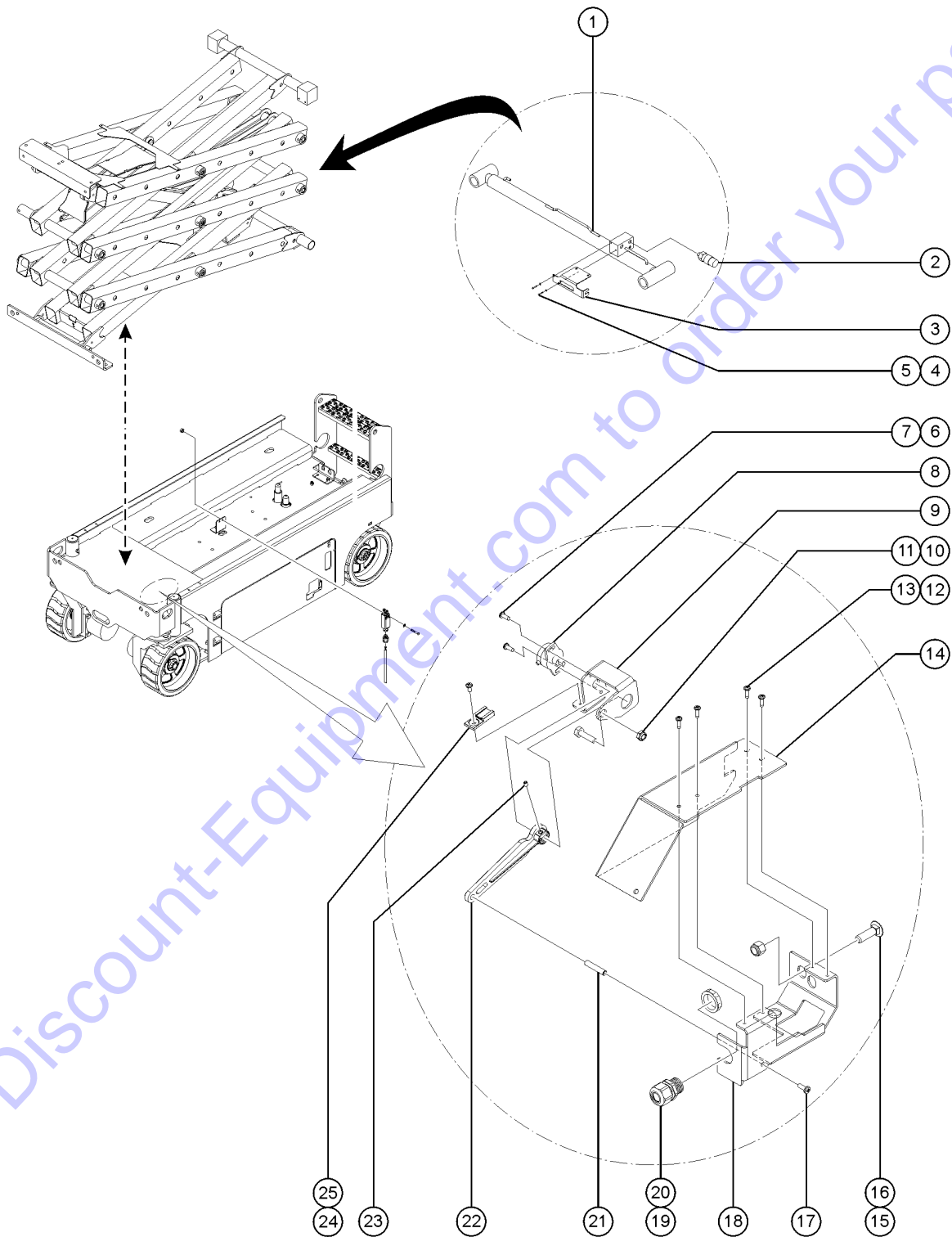
701.2 Platform Overload, GS-2032, GS-2046, GS-2632, GS-2646, GS-3246C

<i>Item</i>	<i>Part No.</i>	<i>Description</i>	<i>Qty.</i>
25	39579GT	RIVET,STL,STL,.188 X .45	1

Go to Discount-Equipment.com to order your parts



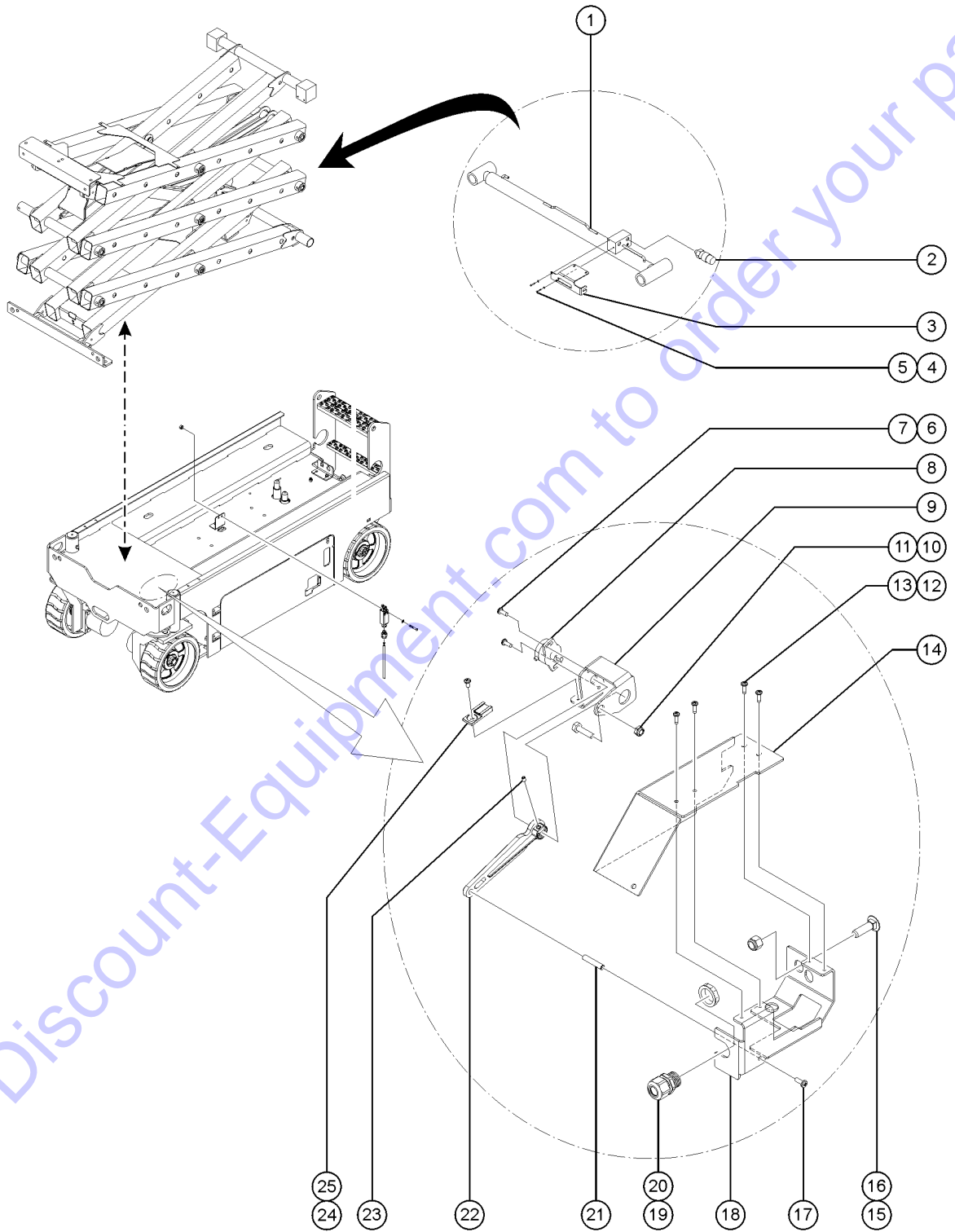
701.3 Platform Overload, GS-3232



Item	Part No.	Description	Qty.
1		Ref: Lift Cylinder (refer to 505.1)	1
2B	237472GT	PRESSURE TRANSDUCER,1K-3K PSI GS-3232 (Australia & CE)	1
3	41557-SGT	CABLE BRACKET,PAINTED	1
4	7339GT	SCREW,HHC,1/4-20 X .5	1
5	6356GT	WASHER,LOCK,.25	1
6A	57075GT	SCREW,PHIL,8-32X.50,SELF TAP	7
6B	55906GT	SCREW, PHILLIPS, PHM, 8-32 X .5 (used with 161981)	2
7	18605GT	NUT,NYLOCK,8-32	2
8	T113136GT	ASSY,ROT SENSR W/ HARNESS	1
9A	227169GT	FRMNG,ARM SENSOR BRCKT,32/46	1
9B	161981GT	FRMNG,ARM SENSOR BRCKT,32/46	1
10	7713GT	NUT, LP NYLOCK, 3/8-16	1
11	6175GT	SCREW,HHC,3/8-16 X 1	1
12	8914GT	SCREW,HHC,1/4-20 X .625 (used with 161977)	2
13	56912GT	SPRING CLIP,1/4-20,.025-.15X.54,ZAG (used with 161977)	2
14A	227170GT	FRMNG,SENSOR COVER,32/46	1
14B	161977GT	FRMG,SENSOR COVERING	1
15	96203GT	BOLT,CARRIAGE,1/2-13X1.75, G5	1
16	6198GT	NUT,NYLOK,1/2-13	1
17	49819GT	SCREW,PHILLIPS,PHM,10-32 X .5	1
18A	T113141GT	FRMG,CHASSIS BRKT	1
18B	161975GT	FRMG,CHASSIS BRKTING	1
19	33576GT	CONN,SQZ,BLK,1/2NPT,.38-.50,SM	1
20	T115429GT	NUT,CORDGRIP,1/2 NPT	1
21	T113142GT	OFFSET, RDN, 1/4-1.25,10-32	1
22	T114082GT	LEVER ARM,ANGLE SENSR ACTUATOR	1
23	229146GT	SCREW,SET,8-32X.25	1
24	T113139GT	CLIP,DTM RECEP	1



701.3 Platform Overload, GS-3232



<i>Item</i>	<i>Part No.</i>	<i>Description</i>	<i>Qty.</i>
25	39579GT	RIVET,STL,STL,.188 X .45	1

Go to Discount-Equipment.com to order your parts



PARTS FINDER

**Search Website
by Part Number**



**Search Manual
Library For Parts
Manual & Lookup Part
Numbers – Purchase
or Request Quote**

**Can't Find Part or
Manual? Request Help
by Manufacturer,
Model & Description**

Discount-Equipment.com is your online resource for quality parts & equipment.

Florida: **561-964-4949** Outside Florida TOLL FREE: **877-690-3101**

Need parts?

Click on this link: <http://www.discount-equipment.com/category/5443-parts/> and choose one of the options to help get the right parts and equipment you are looking for. Please have the machine model and serial number available in order to help us get you the correct parts. If you don't find the part on the website or on one of the online manuals, please fill out the request form and one of our experienced staff members will get back to you with a quote for the right part that your machine needs.

We sell worldwide for the brands: Genie, Terex, JLG, MultiQuip, Mikasa, Essick, Whiteman, Mayco, Toro Stone, Diamond Products, Generac Magnum, Airman, Haulotte, Barreto, Power Blanket, Nifty Lift, Atlas Copco, Chicago Pneumatic, Allmand, Miller Curber, Skyjack, Lull, Skytrak, Tsurumi, Husquvarna Target, Stow, Wacker, Sakai, Mi-T-M, Sullair, Basic, Dynapac, MBW, Weber, Bartell, Bennar Newman, Haulotte, Ditch Runner, Menegotti, Morrison, Contec, Buddy, Crown, Edco, Wyco, Bomag, Laymor, EZ Trench, Bil-Jax, F.S. Curtis, Gehl Pavers, Heli, Honda, ICS/PowerGrit, IHI, Partner, Imer, Clipper, MMD, Koshin, Rice, CH&E, General Equipment, Amida, Coleman, NAC, Gradall, Square Shooter, Kent, Stanley, Tamco, Toku, Hatz, Kohler, Robin, Wisconsin, Northrock, Oztec, Toker TK, Rol-Air, APT, Wylie, Ingersoll Rand / Doosan, Innovatech, Con X, Ammann, Mecalac, Makinex, Smith Surface Prep, Small Line, Wanco, Yanmar

California Proposition 65

 **WARNING**

Operating, servicing and maintaining this equipment, passenger vehicle or off-highway motor vehicle can expose you to chemicals including engine exhaust, carbon monoxide, phthalates, and lead, which are known to the State of California to cause cancer and birth defects or other reproductive harm. These chemicals can be emitted from or contained in other various parts and systems, fluids and some component wear by-products. To minimize exposure, avoid breathing exhaust, do not idle the engine except as necessary, service your equipment and vehicle in a well-ventilated area and wear gloves or wash your hands frequently when servicing your equipment or vehicle and after operation. For more information go to www.P65Warnings.ca.gov/passenger-vehicle.

Breathing diesel engine exhaust exposes you to chemicals known to the State of California to cause cancer and birth defects or other reproductive harm.

- Always start and operate the engine in a well-ventilated area.
- If in an enclosed area, vent the exhaust to the outside.
- Do not modify or tamper with the exhaust system.
- Do not idle the engine except as necessary.

For more information go to www.P65warnings.ca.gov/diesel.

www.genielift.com

Distributed By:

Genie Equipment.com to order your parts