



A TEREX BRAND

# Part 2 of 4

## Parts Manual

### Serial Number Range

**GS-2032**

from SN GS3211A-110000 to  
GS3215A-140497

**GS-2632**

from SN GS4611A-110000 to  
GS4615A-137426

**GS-3232**

from SN GS3212C-10000 to  
GS3216C-17299

**GS-2046**

from GS32C-17300 to  
GS32C-17527

**GS-2646**

from SN GS4612C-10000 to  
GS4616C-18099

**GS-3246**

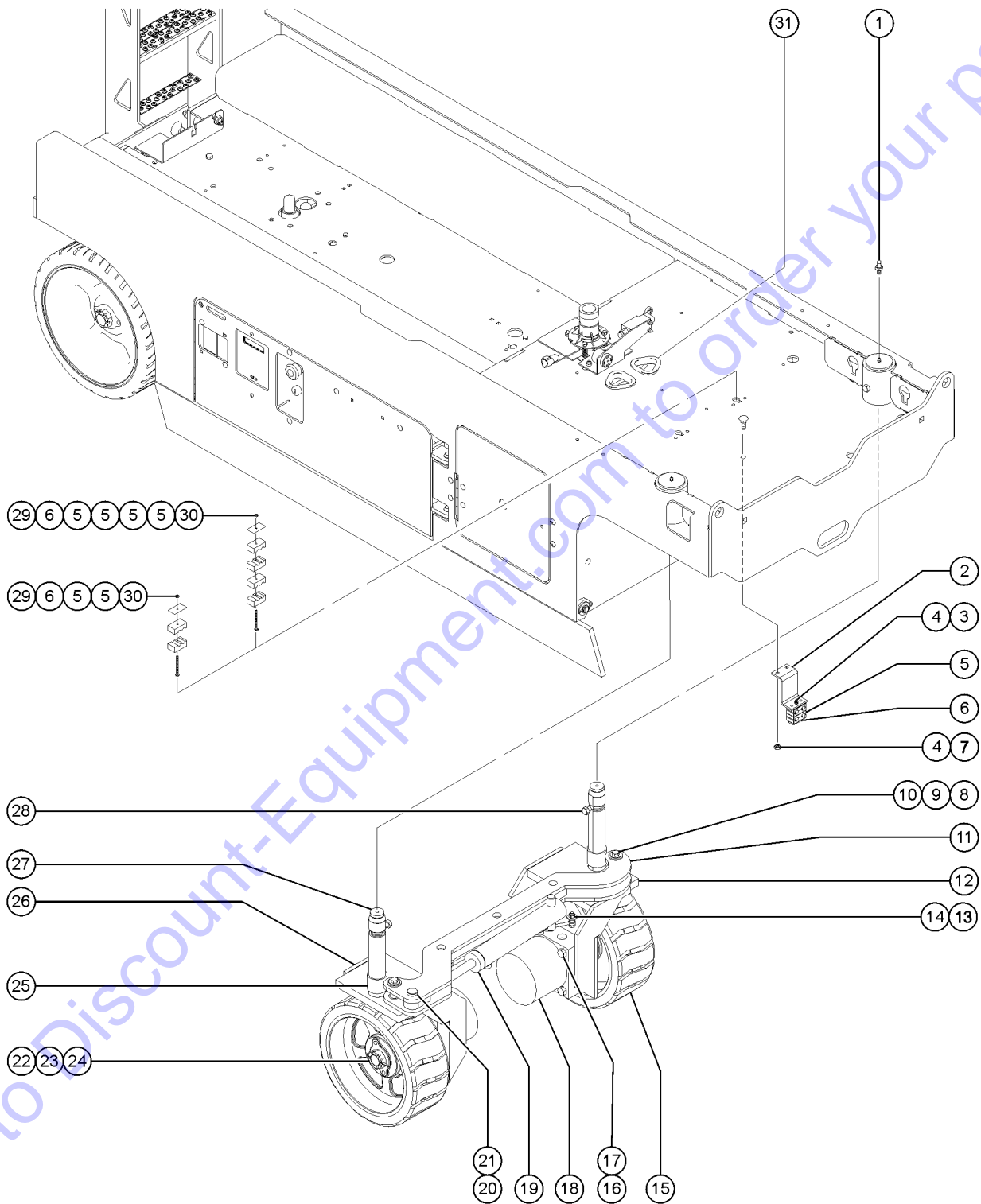
from SN GS46C-18100 to  
GS46C-18354

Part No. 236418GT  
Rev: D.04  
March 2023



[www.discount-equipment.com](http://www.discount-equipment.com)

201.1 Steer Linkage and Wheels, GS-32A

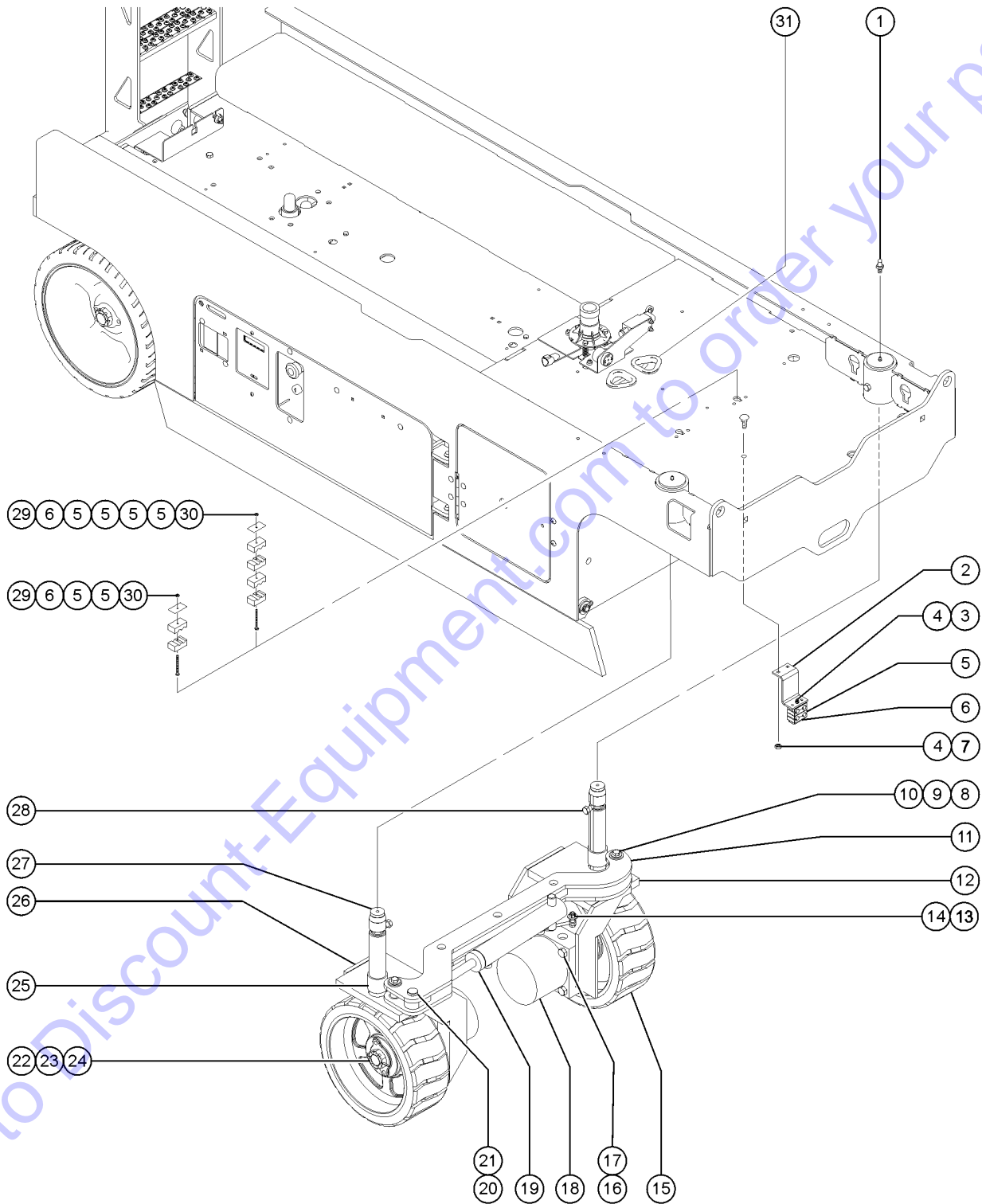




201.1 Steer Linkage and Wheels, GS-32A

Item	Part No.	Description	Qty.
1	66770GT	FITTING,STRAIGHT DRIVE-IN ZERK .....	2
2	105051GT	FORMING,HOSE CLAMP SUPPORT .....	1
3	144374GT	SCREW,HHC,1/4-20X3.25,GR8 (from SN GS3211A-110000; from SN GS4611A-110000; from SN GS4612C-10000; from SN GS3212C-10000 to 15249)	..
4	6091GT	NUT, NYLOCK, 1/4-20 .....	
5	78736GT	CLAMP,2 HOSE,PLASTIC,5/8 .....	
		(as required)	
6	58592GT	PLATE,HOSE ROUTG,BULKHEAD(PTD) (from SN GS3211A-110000; from SN GS4611A-110000; from SN GS4612C-10000; from SN GS3212C-10000 to 15249)	..
7	9116GT	BOLT,CARRIAGE,1/4-20 X 1.25,G2 .....	
8	8255GT	SCREW,HHC,3/8-16 X .75 .....	
9	15086GT	WASHER,FLAT,.375 X 1.5 X .125 .....	
10	47946GT	BEARING,1.00IDX1.25ODX0.49L .....	2
11	84699GT	TIE ROD ASSEMBLY, GS32 .....	1
		GS-32 models	
11-	96831GT	WLDMT,TIE ROD,GS32 .....	1
		(does not include bearings)	
11-	47946GT	BEARING,1.00IDX1.25ODX0.49L .....	4
12	96573GT	WLDMT,STEER YOKE,LT,GS32/46 .....	1
		(battery pack side)	
13	96423GT	RUE RING,3/4 PIN .....	1
14	1259195GT	PIN,CLEVIS,3/4X3.25,ZAG .....	1
15	105454GT	WHEEL & TIRE ASSY LP, 15" .....	2
16	8357GT	SCREW,HHC,1/2-13 X 3.5 .....	
17	6198GT	NUT,NYLOK,1/2-13 .....	
18		Ref. Drive Motor .....	
		(refer to 501.1)	
19		Ref. Steer Cylinder .....	
		(refer to 501.1)	
20	6545GT	PIN,CLEVIS,.75 X 2 .....	1
21	21253GT	CLIP, HAIR PIN, .125 X 2 .....	1
22	44780GT	NUT,CASTLE,1.125-18 UNEF .....	2
23	13635-10GT	PIN,COTTER,.156 X 1.75 .....	2
24	44781GT	KEY,RECTANGULAR,.31X.28X1.25*** .....	2
25	18722GT	BEARING,2.25IDX2.50ODX1.50L*** .....	

201.1 Steer Linkage and Wheels, GS-32A



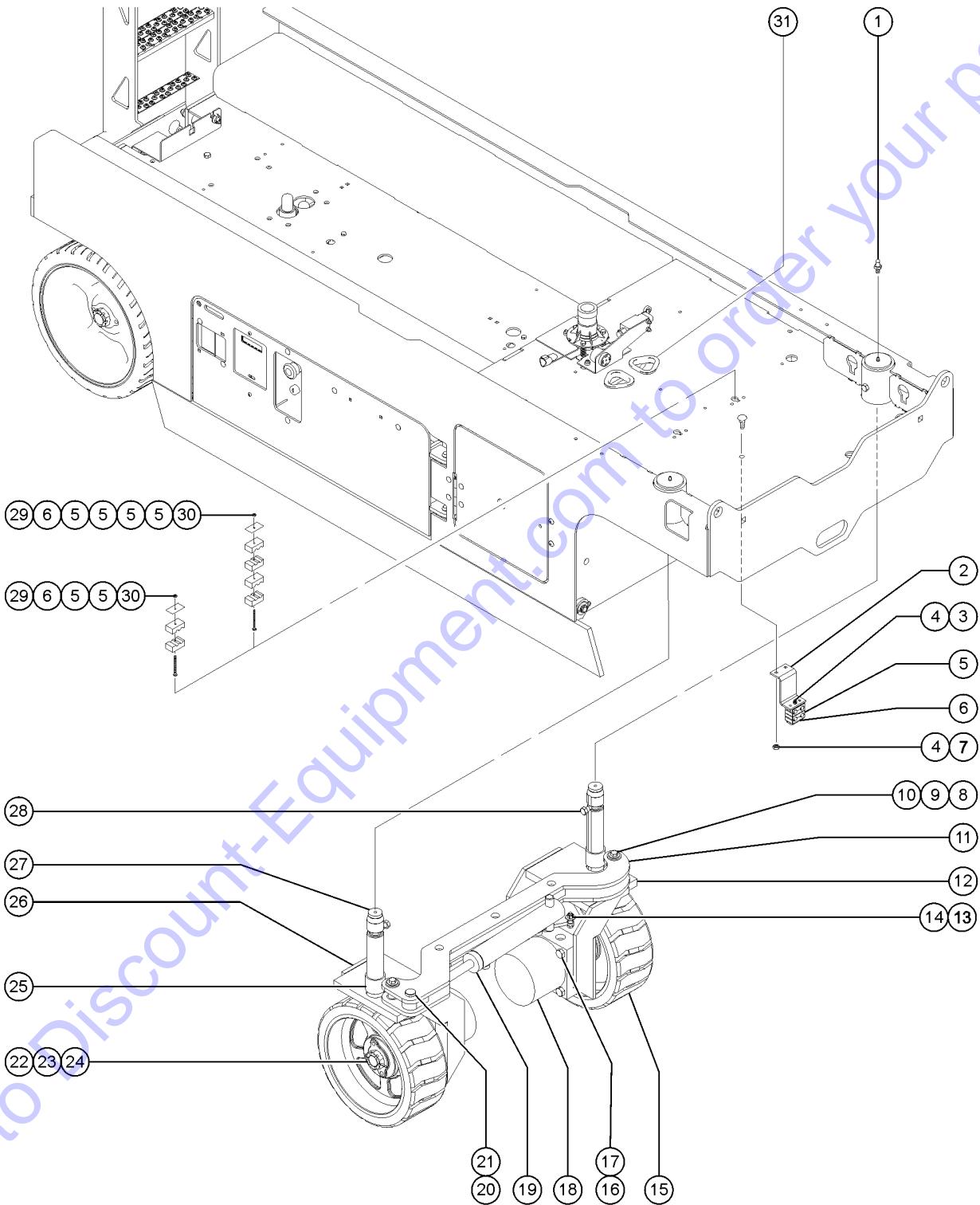
201.1 Steer Linkage and Wheels, GS-32A

Item	Part No.	Description	Qty.
26	96572GT	WLDMT,STEER YOKE,RT,GS32/46 (ground controls side)	1
27	105565GT	WASHER,THRUST, GS	2
28	1259192GT	SCREW, YOKE LOCK, ZAG	
29	18504GT	NUT,LOCKING-LG.FLANGE,1/4-20	
30	96905GT	BOLT,CARRIAGE,1/4-20 X 2.5,G2 GS-2032, GS-2632, GS-2046, GS-2646	
30B	96903GT	BOLT,CARRIAGE,1/4-20 X 3.50,G2 GS-3232, GS-3246	
31	47232GT	GROMMET,RUBBER 2 X 2.75	2

Go to Discount-Equipment.com to order your parts



201.2 Steer Linkage and Wheels, GS-32C

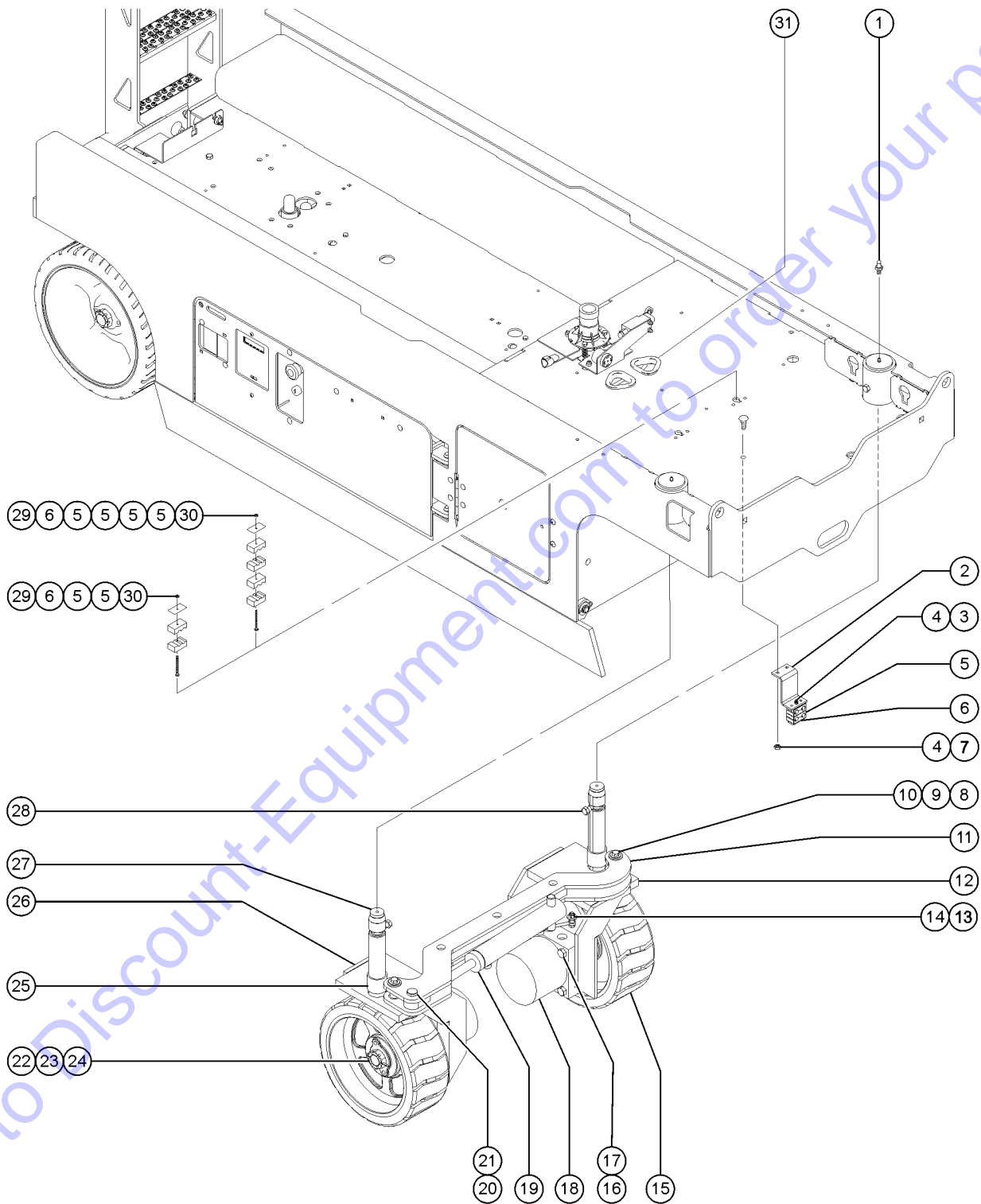


201.2 Steer Linkage and Wheels, GS-32C

Item	Part No.	Description	Qty.
1	66770GT	FITTING,STRAIGHT DRIVE-IN ZERK .....	2
2	105051GT	FORMING,HOSE CLAMP SUPPORT .....	1
3	144374GT	SCREW,HHC,1/4-20X3.25,GR8 (from SN GS3211A-110000; from SN GS4611A-110000; from SN GS4612C-10000; from SN GS3212C-10000 to 15249)	1
3B	50160GT	SCREW,HHC,1/4-20 X 3.75 .....	1
		(from SN GS3216C-15250)	
4	6091GT	NUT, NYLOCK, 1/4-20 .....	1
5	78736GT	CLAMP,2 HOSE,PLASTIC,5/8 .....	1
		(as required)	
6	58592GT	PLATE,HOSE ROUTG,BULKHEAD(PTD) (from SN GS3211A-110000; from SN GS4611A-110000; from SN GS4612C-10000; from SN GS3212C-10000 to 15249)	1
6B	58592GT	PLATE,HOSE ROUTG,BULKHEAD(PTD) ANSI/CSA models (from SN GS3212C-15250 to 17299)	1
6B	96196GT	PLATE,HOSE ROUTING,BULKHEAD CE models (from SN GS3212C-15250 to 17299)	1
7	9116GT	BOLT,CARRIAGE,1/4-20 X 1.25,G2 .....	1
8	8255GT	SCREW,HHC,3/8-16 X .75 .....	1
9	15086GT	WASHER,FLAT, .375 X 1.5 X .125 .....	1
10	47946GT	BEARING,1.00IDX1.25ODX0.49L .....	2
11	84699GT	TIE ROD ASSEMBLY, GS32 .....	1
		GS-32 models	
11-	96831GT	WLDMT,TIE ROD,GS32 .....	1
		(does not include bearings)	
11-	47946GT	BEARING,1.00IDX1.25ODX0.49L .....	4
12	96573GT	WLDMT,STEER YOKE,LT,GS32/46 .....	1
		(battery pack side)	
13	96423GT	RUE RING,3/4 PIN .....	1
14	1259195GT	PIN,CLEVIS,3/4X3.25,ZAG .....	1
15	105454GT	WHEEL & TIRE ASSY LP, 15" .....	2
16	8357GT	SCREW,HHC,1/2-13 X 3.5 .....	1
17	6198GT	NUT,NYLOK,1/2-13 .....	1
18		Ref. Drive Motor .....	1
		(refer to 501.1)	
19		Ref. Steer Cylinder .....	1
		(refer to 501.1)	
20	6545GT	PIN,CLEVIS,.75 X 2 .....	1
21	21253GT	CLIP, HAIR PIN, .125 X 2 .....	1
22	44780GT	NUT,CASTLE,1.125-18 UNEF .....	2



201.2 Steer Linkage and Wheels, GS-32C



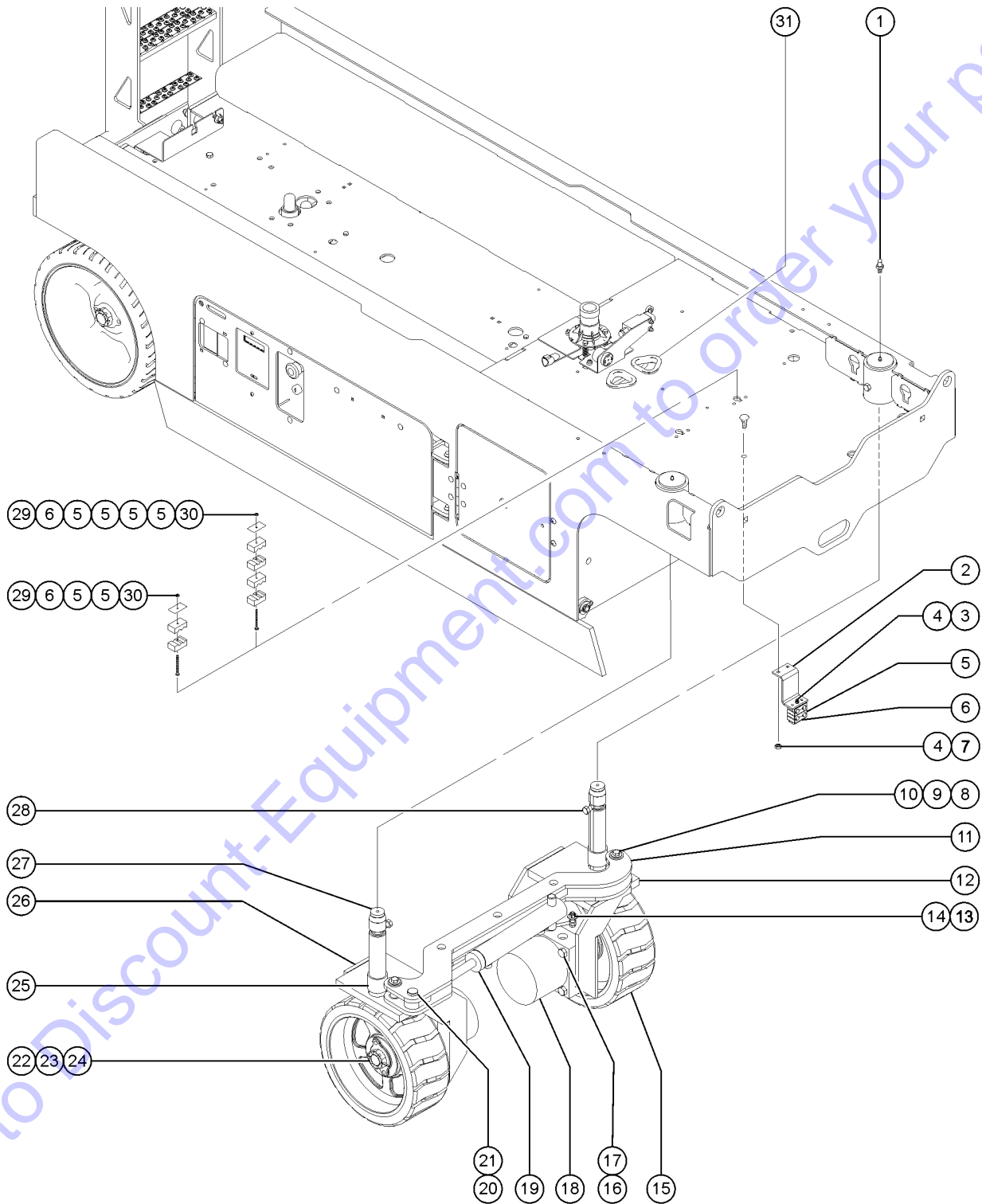
201.2 Steer Linkage and Wheels, GS-32C

Item	Part No.	Description	Qty.
23	13635-10GT	PIN,COTTER,.156 X 1.75 .....	2
24	44781GT	KEY,RECTANGULAR,.31X.28X1.25** .....	2
25	18722GT	BEARING,2.25IDX2.50ODX1.50L *** .....	
26	96572GT	WLDMT,STEER YOKE,RT,GS32/46 .....	1
		(ground controls side)	
27	105565GT	WASHER,THRUST, GS .....	2
28	1259192GT	SCREW, YOKE LOCK, ZAG .....	
29	18504GT	NUT,LOCKING-LG.FLANGE,1/4-20 .....	
30A	96905GT	BOLT,CARRIAGE,1/4-20 X 2.5,G2 .....	
		GS-2032, GS-2632, GS-2046, GS-2646	
30B	96903GT	BOLT,CARRIAGE,1/4-20 X 3.50,G2 .....	
		GS-3232, GS-3246	

Go to Discount-Equipment.com to order your parts



201.3 Steer Linkage and Wheels, GS-46A

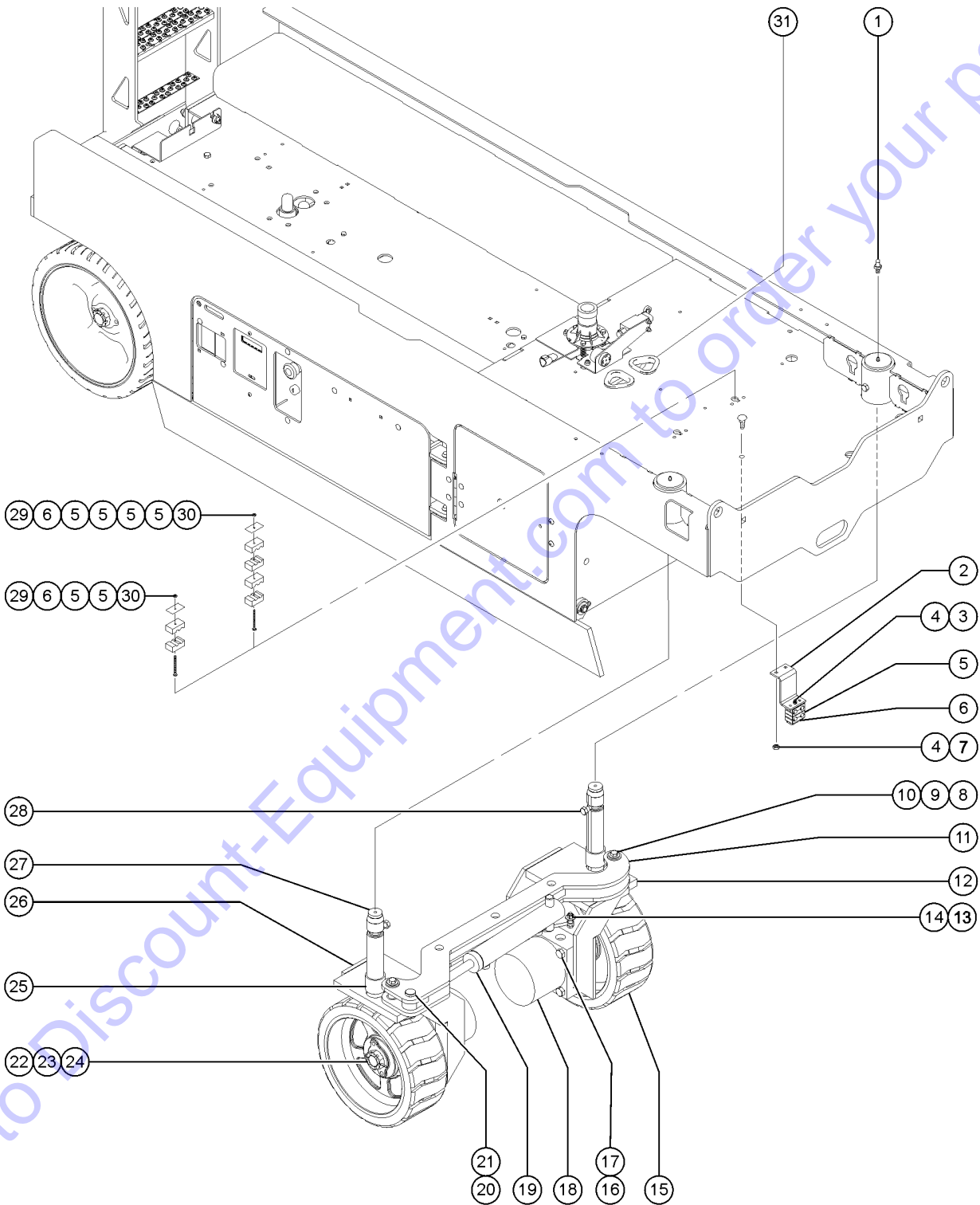




201.3 Steer Linkage and Wheels, GS-46A

Item	Part No.	Description	Qty.
1	66770GT	FITTING,STRAIGHT DRIVE-IN ZERK .....	2
2B	230364GT	FORMING,HOSE CLAMP SPT,PTD,BLU .....	1
3	144374GT	SCREW,HHC,1/4-20X3.25,GR8 (from SN GS3211A-110000; from SN GS4611A-110000; from SN GS4612C-10000; from SN GS3212C-10000 to 15249)	1
4	6091GT	NUT, NYLOCK, 1/4-20 .....	1
5	78736GT	CLAMP,2 HOSE,PLASTIC,5/8 .....	1
6	58592GT	PLATE,HOSE ROUTG,BULKHEAD(PTD) (from SN GS3211A-110000; from SN GS4611A-110000; from SN GS4612C-10000; from SN GS3212C-10000 to 15249)	1
7	9116GT	BOLT,CARRIAGE,1/4-20 X 1.25,G2 .....	1
8	8255GT	SCREW,HHC,3/8-16 X .75 .....	1
9	15086GT	WASHER,FLAT,.375 X 1.5 X .125 .....	1
10	47946GT	BEARING,1.00IDX1.25ODX0.49L .....	2
11B	97267GT	TIE ROD ASSY, GS46 .....	1
11B-	96574GT	WLDMT,TIE ROD,GS46 (does not include bearings)	1
11B-	47946GT	BEARING,1.00IDX1.25ODX0.49L .....	4
12	96573GT	WLDMT,STEER YOKE,LT,GS32/46 (battery pack side)	1
13	96423GT	RUE RING,3/4 PIN .....	1
14	1259195GT	PIN,CLEVIS,3/4X3.25,ZAG .....	1
15	105454GT	WHEEL & TIRE ASSY LP, 15" .....	2
16	8357GT	SCREW,HHC,1/2-13 X 3.5 .....	1
17	6198GT	NUT,NYLOK,1/2-13 .....	1
18		Ref. Drive Motor .....	
		(refer to 501.1)	
19		Ref. Steer Cylinder .....	
		(refer to 501.1)	
20	6545GT	PIN,CLEVIS,.75 X 2 .....	1
21	21253GT	CLIP, HAIR PIN, .125 X 2 .....	1
22	44780GT	NUT,CASTLE,1.125-18 UNEF .....	2
23	13635-10GT	PIN,COTTER,.156 X 1.75 .....	2
24	44781GT	KEY,RECTANGULAR,.31X.28X1.25** .....	2
25	18722GT	BEARING,2.25IDX2.50ODX1.50L*** .....	1

201.3 Steer Linkage and Wheels, GS-46A



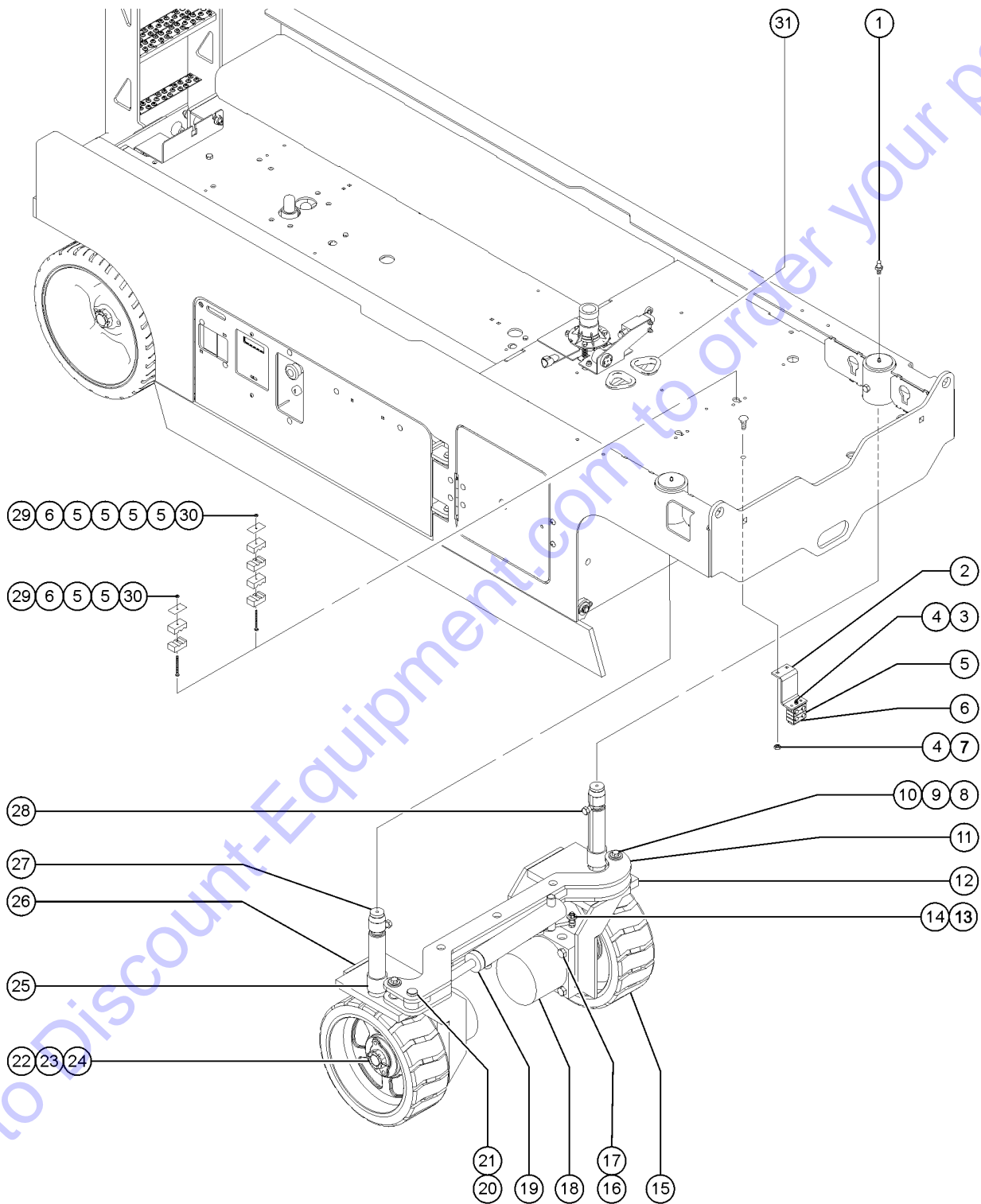
201.3 Steer Linkage and Wheels, GS-46A

Item	Part No.	Description	Qty.
26	96572GT	WLDMT,STEER YOKE,RT,GS32/46 (ground controls side)	1
27	105565GT	WASHER,THRUST, GS	2
28	1259192GT	SCREW, YOKE LOCK, ZAG	
29	18504GT	NUT,LOCKING-LG.FLANGE,1/4-20	1
30	96905GT	BOLT,CARRIAGE,1/4-20 X 2.5,G2 GS-2032, GS-2632, GS-2046, GS-2646	
30B	96903GT	BOLT,CARRIAGE,1/4-20 X 3.50,G2 GS-3232, GS-3246	1

Go to Discount-Equipment.com to order your parts



201.4 Steer Linkage and Wheels, GS-46C

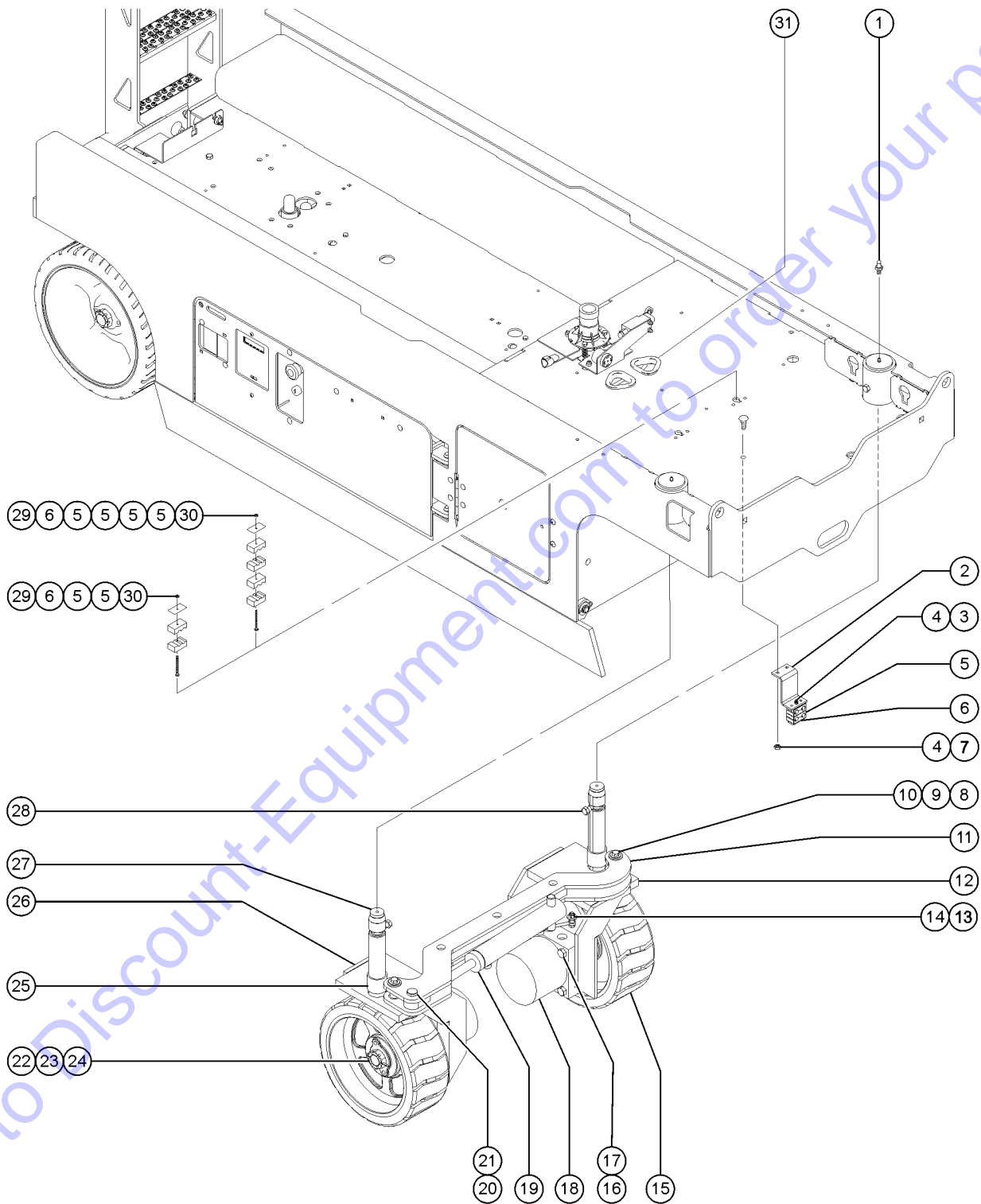


201.4 Steer Linkage and Wheels, GS-46C

Item	Part No.	Description	Qty.
1	66770GT	FITTING,STRAIGHT DRIVE-IN ZERK .....	2
2B	230364GT	FORMING,HOSE CLAMP SPT,PTD,BLU .....	1
3	144374GT	SCREW,HHC,1/4-20X3.25,GR8 (from SN GS3211A-110000; from SN GS4611A-110000; from SN GS4612C-10000; from SN GS3212C-10000 to 15249)	1
4	6091GT	NUT, NYLOCK, 1/4-20 .....	1
5	78736GT	CLAMP,2 HOSE,PLASTIC,5/8 .....	1
6	58592GT	PLATE,HOSE ROUTG,BULKHEAD(PTD) (from SN GS3211A-110000; from SN GS4611A-110000; from SN GS4612C-10000; from SN GS3212C-10000 to 15249)	1
7	9116GT	BOLT,CARRIAGE,1/4-20 X 1.25,G2 .....	1
8	8255GT	SCREW,HHC,3/8-16 X .75 .....	1
9	15086GT	WASHER,FLAT,.375 X 1.5 X .125 .....	1
10	47946GT	BEARING,1.00IDX1.25ODX0.49L .....	2
11B	97267GT	TIE ROD ASSY, GS46 .....	1
11B-	96574GT	WLDMT,TIE ROD,GS46 (does not include bearings)	1
11B-	47946GT	BEARING,1.00IDX1.25ODX0.49L .....	4
12	96573GT	WLDMT,STEER YOKE,LT,GS32/46 (battery pack side)	1
13	96423GT	RUE RING,3/4 PIN .....	1
14	1259195GT	PIN,CLEVIS,3/4X3.25,ZAG .....	1
15	105454GT	WHEEL & TIRE ASSY LP, 15" .....	2
16	8357GT	SCREW,HHC,1/2-13 X 3.5 .....	1
17	6198GT	NUT,NYLOK,1/2-13 .....	1
18		Ref. Drive Motor .....	
		(refer to 501.1)	
19		Ref. Steer Cylinder .....	
		(refer to 501.1)	
20	6545GT	PIN,CLEVIS,.75 X 2 .....	1
21	21253GT	CLIP, HAIR PIN, .125 X 2 .....	1
22	44780GT	NUT,CASTLE,1.125-18 UNEF .....	2
23	13635-10GT	PIN,COTTER,.156 X 1.75 .....	2
24	44781GT	KEY,RECTANGULAR,.31X.28X1.25** .....	2
25	18722GT	BEARING,2.25IDX2.50ODX1.50L*** .....	1



201.4 Steer Linkage and Wheels, GS-46C



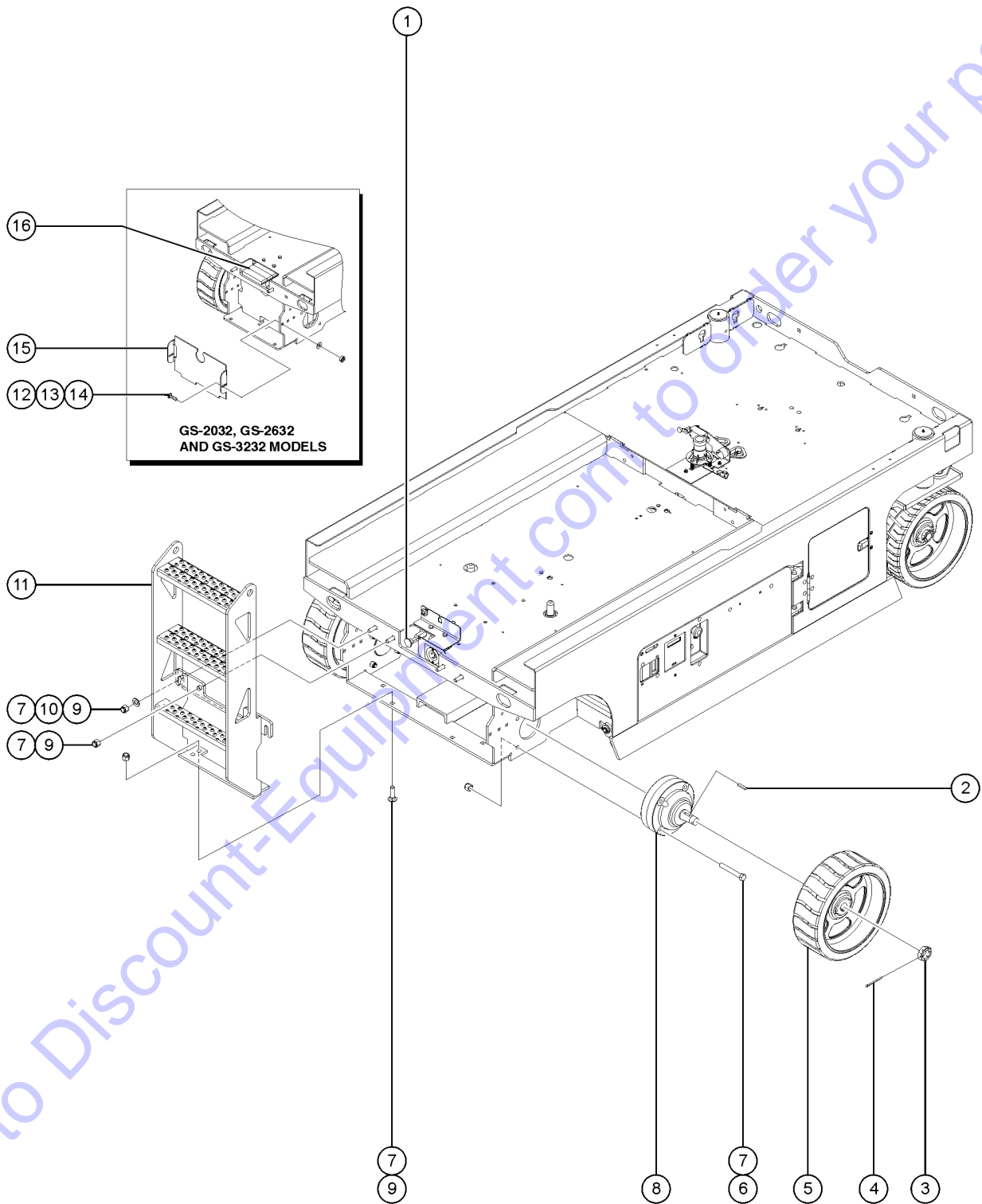
201.4 Steer Linkage and Wheels, GS-46C

Item	Part No.	Description	Qty.
26	96572GT	WLDMT,STEER YOKE,RT,GS32/46 ..... (ground controls side)	1
27	105565GT	WASHER,THRUST, GS .....	2
28	1259192GT	SCREW, YOKE LOCK, ZAG .....	
29	18504GT	NUT,LOCKING-LG.FLANGE,1/4-20 .....	
30	96905GT	BOLT,CARRIAGE,1/4-20 X 2.5,G2 ..... GS-2032, GS-2632, GS-2046, GS-2646	
30B	96903GT	BOLT,CARRIAGE,1/4-20 X 3.50,G2 ..... GS-3232, GS-3246	
31	47232GT	GROMMET,RUBBER 2 X 2.75 .....	2

Go to Discount-Equipment.com to order your parts



202.1 Non-steer Axle Installation, GS-32A





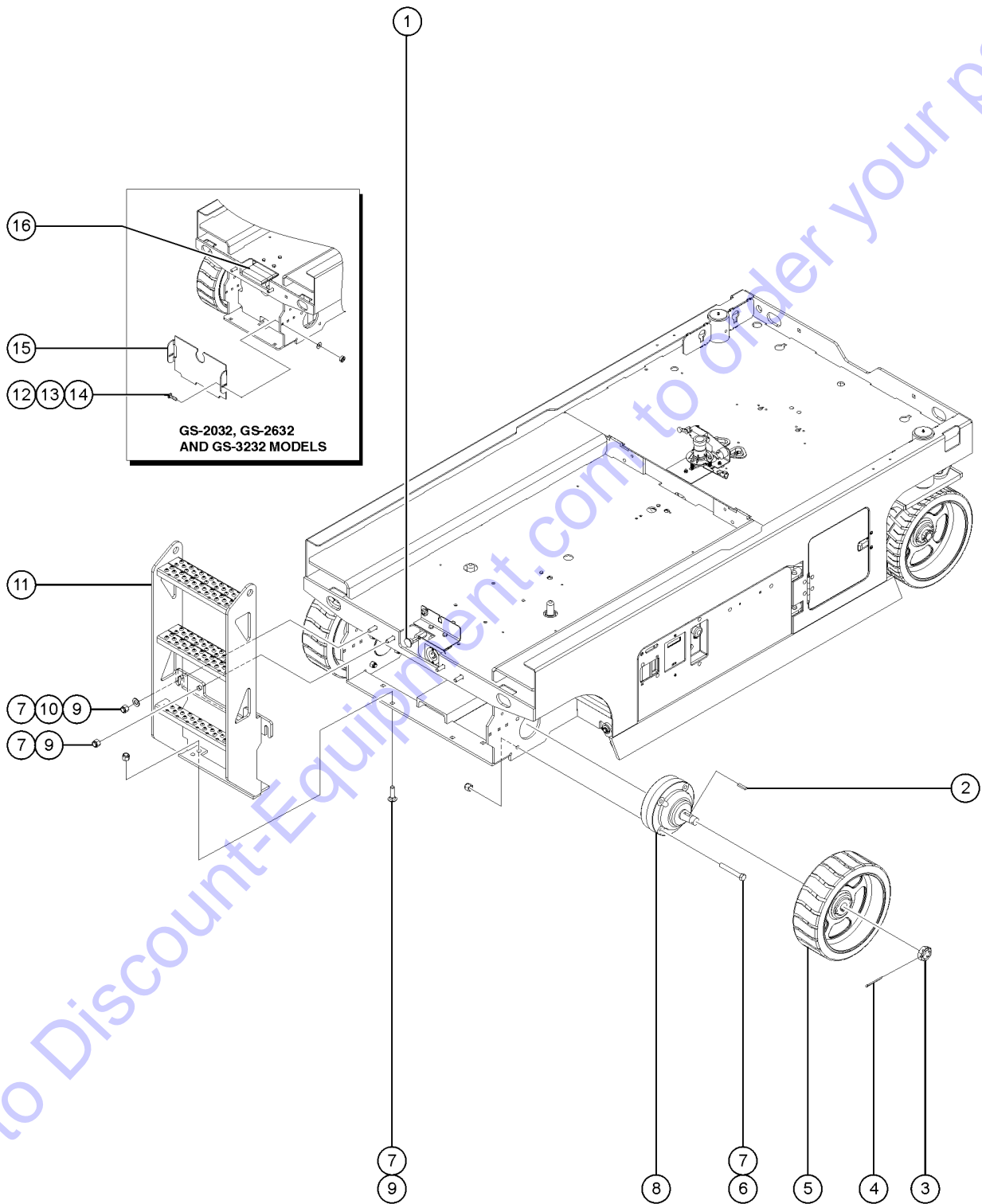
202.1 Non-steer Axle Installation, GS-32A

Item	Part No.	Description	Qty.
1		REF: BRAKE RELEASE MANIFOLD ..... (refer to 503.1)	
2	44781GT	KEY,RECTANGULAR,.31X.28X1.25** .....	2
3	44780GT	NUT,CASTLE,1.125-18 UNEF .....	2
4	42079GT	PIN,COTTER,.156 X 2.5 .....	2
5		REF: WHEEL & TIRE ASSY ..... (refer to 201.1)	
6	8357GT	SCREW,HHC,1/2-13 X 3.5 .....	
7	6198GT	NUT,NYLOK,1/2-13 .....	
8		REF: HYDRAULIC BRAKE ..... (refer to 501.1)	
9	96203GT	BOLT,CARRIAGE,1/2-13X1.75, G5 .....	
10	13066GT	WASHER,FLAT,.5 HARDENED .....	2
11B	96895GT	WELDMENT,20XX LADDER ..... GS-2032, GS-2046 (decals not included refer to section one)	
12A	105092GT	BOLT,CARRIAGE,3/8-16X1.25,GR5 ..... GS-2032, GS-2632	
13	6097GT	WASHER,FLAT,USS,3/8",Y .....	
14A	4828GT	NUT,NYLOCK,3/8-16 ..... GS-2032, GS-2632, GS-3232	
15A	105140GT	FORMING,CWT,COVER,GS32 ..... GS-2032, GS-2632, GS-3232 (shown)	
16A	105080GT	COUNTERWEIGHT,GS32,REAR ..... GS-32, Australia & CE (inside rear chassis)	1

Go to Discount-Equipment.com to order your parts



202.2 Non-steer Axle Installation, GS-32C



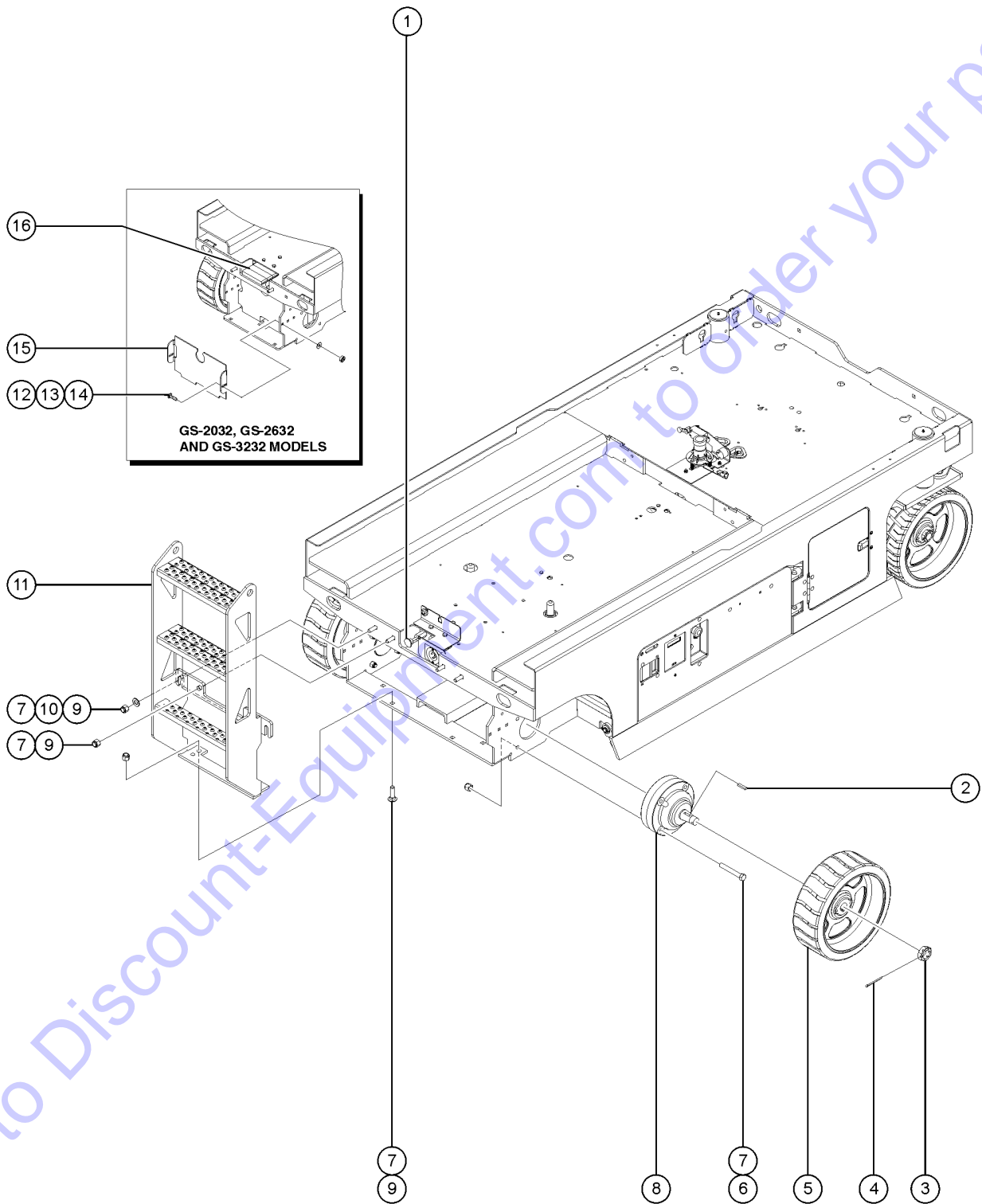
202.2 Non-steer Axle Installation, GS-32C

Item	Part No.	Description	Qty.
1		REF: BRAKE RELEASE MANIFOLD ..... (refer to 503.1)	
2	44781GT	KEY,RECTANGULAR,.31X.28X1.25** .....	2
3	44780GT	NUT,CASTLE,1.125-18 UNEF .....	2
4	42079GT	PIN,COTTER,.156 X 2.5 .....	2
5	105454GT	WHEEL & TIRE ASSY LP, 15" .....	2
6	8357GT	SCREW,HHC,1/2-13 X 3.5 .....	
7	6198GT	NUT,NYLOK,1/2-13 .....	
8		REF: HYDRAULIC BRAKE ..... (refer to 501.1)	
9	96203GT	BOLT,CARRIAGE,1/2-13X1.75, G5 .....	
10	13066GT	WASHER,FLAT,.5 HARDENED .....	2
11A	96570GT	WLDMT,GS32/46 LADDER*** ..... GS-2632, GS-2646, GS-3232, GS-3246 (decals not included refer to section one)	1
12A	105092GT	BOLT,CARRIAGE,3/8-16X1.25,GR5 ..... GS-2032, GS-2632	
13	6097GT	WASHER,FLAT,USS,3/8",Y .....	
14A	4828GT	NUT,NYLOCK,3/8-16 ..... GS-2032, GS-2632, GS-3232	
15A	105140GT	FORMING,CWT,COVER,GS32 ..... GS-2032, GS-2632, GS-3232 (shown)	
16A	105080GT	COUNTERWEIGHT,GS32,REAR ..... GS-32, Australia & CE (inside rear chassis)	1

Go to Discount-Equipment.com to order your parts



202.3 Non-steer Axle Installation, GS-2046A

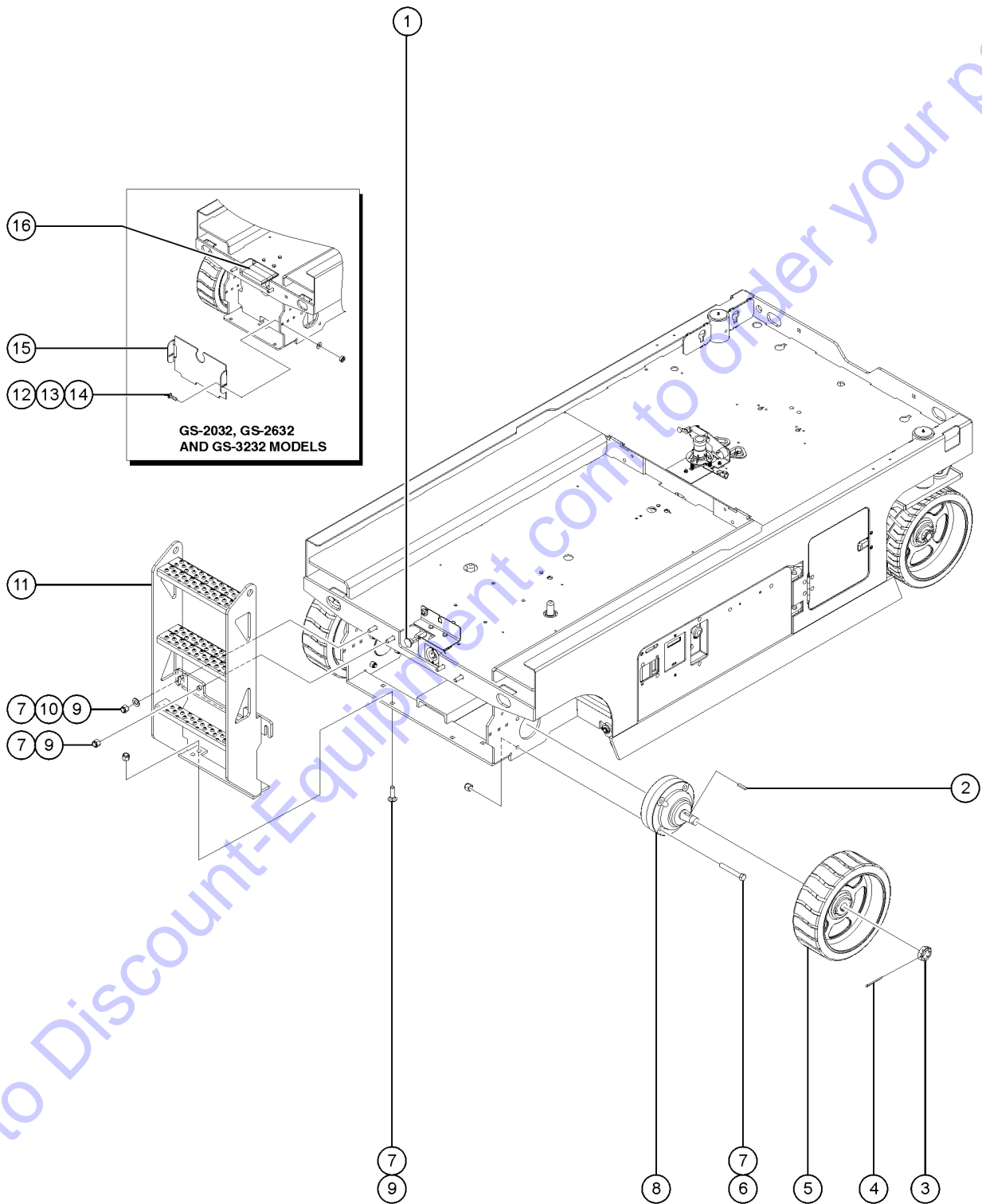


Item	Part No.	Description	Qty.
1		REF: BRAKE RELEASE MANIFOLD ..... (refer to 503.1)	
2	44781GT	KEY,RECTANGULAR,.31X.28X1.25** .....	2
3	44780GT	NUT,CASTLE,1.125-18 UNEF .....	2
4	42079GT	PIN,COTTER,.156 X 2.5 .....	2
5	105454GT	WHEEL & TIRE ASSY LP, 15" .....	2
6	8357GT	SCREW,HHC,1/2-13 X 3.5 .....	
7	6198GT	NUT,NYLOK,1/2-13 .....	
8		REF: HYDRAULIC BRAKE ..... (refer to 501.1)	
9	96203GT	BOLT,CARRIAGE,1/2-13X1.75, G5 .....	
10	13066GT	WASHER,FLAT,.5 HARDENED .....	2
11B	96895GT	WELDMENT,20XX LADDER ..... GS-2032, GS-2046 (decals not included refer to section one)	
12B	96203GT	BOLT,CARRIAGE,1/2-13X1.75, G5 ..... GS-2046, GS-2646, GS-3246	
13	6097GT	WASHER,FLAT,USS,3/8",Y .....	
14B	6198GT	NUT,NYLOK,1/2-13 ..... GS-2046, GS-2646, GS-3246	
15B	96886GT	FORMING, CWT CLAMP ..... GS-2046, GS-2646, GS-3246	
16C	96887GT	CWT, REAR, XX46 ..... GS-46 Australia & CE (inside rear chassis)	

Go to Discount-Equipment.com to order your parts



202.4 Non-steer Axle Installation, GS-2046C

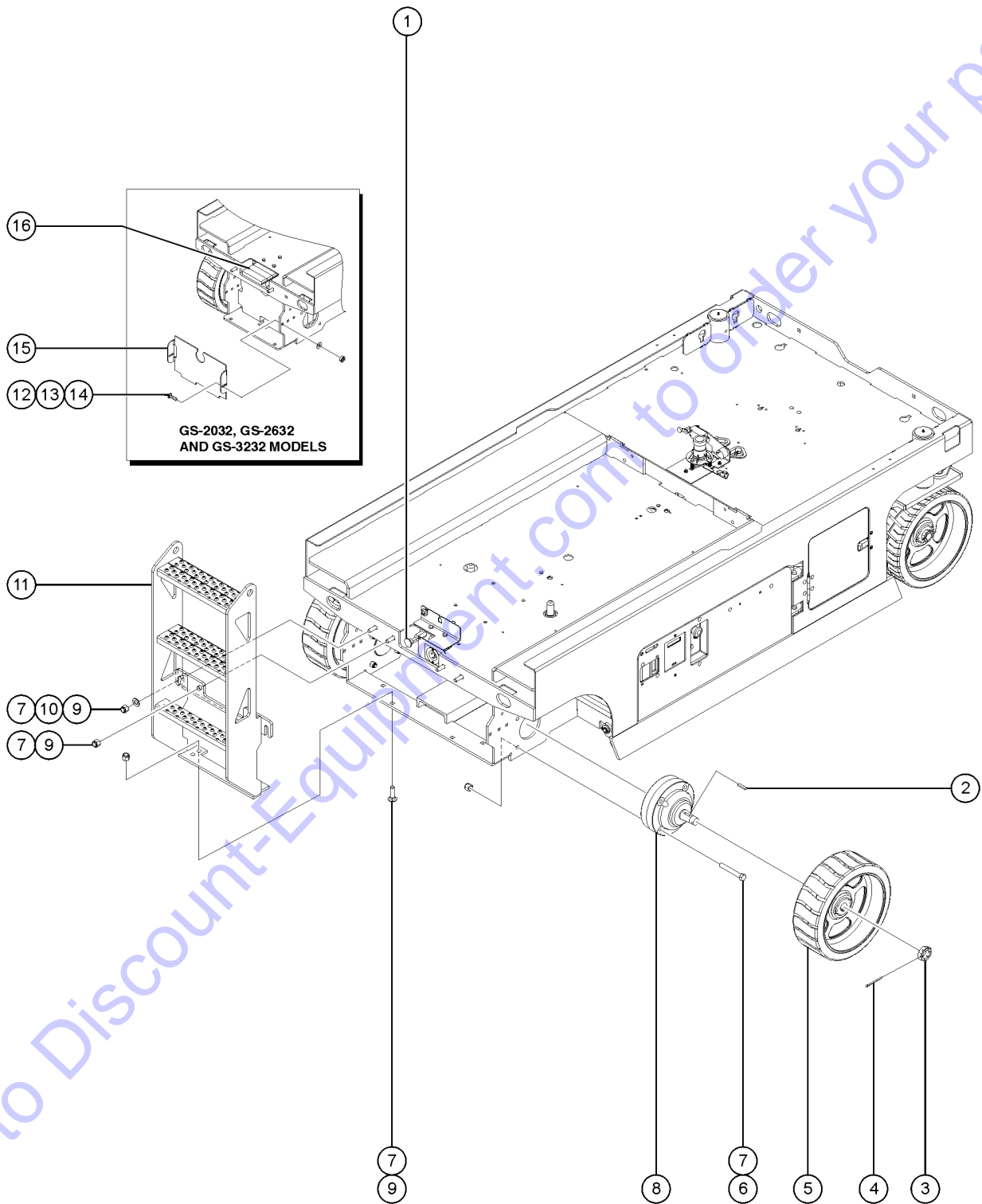


Item	Part No.	Description	Qty.
1		REF: BRAKE RELEASE MANIFOLD ..... (refer to 503.1)	
2	44781GT	KEY,RECTANGULAR,.31X.28X1.25** .....	2
3	44780GT	NUT,CASTLE,1.125-18 UNEF .....	2
4	42079GT	PIN,COTTER,.156 X 2.5 .....	2
5	105454GT	WHEEL & TIRE ASSY LP, 15" .....	2
6	8357GT	SCREW,HHC,1/2-13 X 3.5 .....	
7	6198GT	NUT,NYLOK,1/2-13 .....	
8		REF: HYDRAULIC BRAKE ..... (refer to 501.1)	
9	96203GT	BOLT,CARRIAGE,1/2-13X1.75, G5 .....	
10	13066GT	WASHER,FLAT,.5 HARDENED .....	2
11B	96895GT	WELDMENT,20XX LADDER ..... GS-2032, GS-2046 (decals not included refer to section one)	
12B	96203GT	BOLT,CARRIAGE,1/2-13X1.75, G5 ..... GS-2046, GS-2646, GS-3246	
13	6097GT	WASHER,FLAT,USS,3/8",Y .....	
14B	6198GT	NUT,NYLOK,1/2-13 ..... GS-2046, GS-2646, GS-3246	
15B	96886GT	FORMING, CWT CLAMP ..... GS-2046, GS-2646, GS-3246	
16C	96887GT	CWT, REAR, XX46 ..... GS-46 Australia & CE (inside rear chassis)	

Go to Discount-Equipment.com to order your parts



202.5 Non-steer Axle Installation, GS-2632



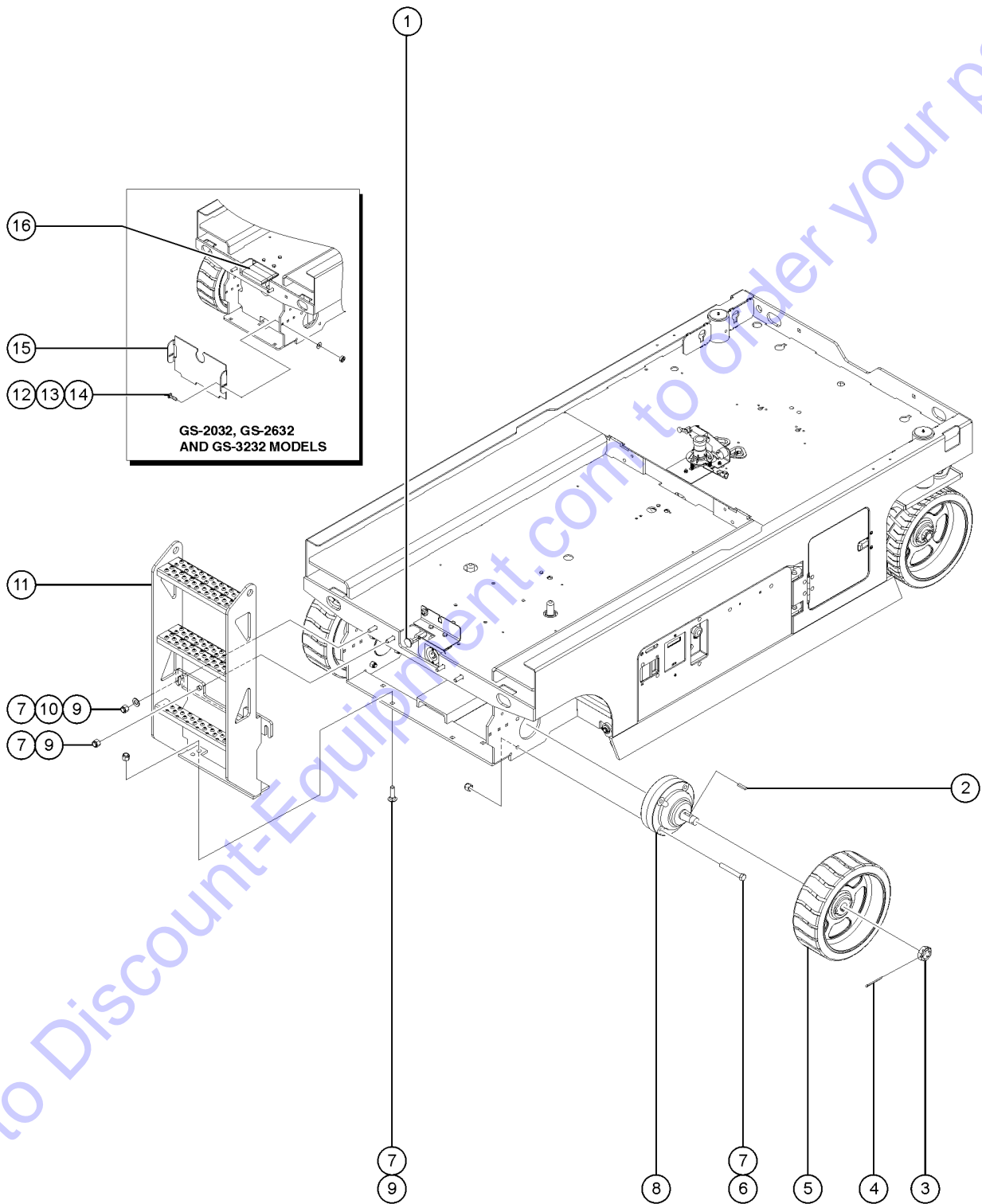


Item	Part No.	Description	Qty.
1		REF: BRAKE RELEASE MANIFOLD ..... (refer to 503.1)	
2	44781GT	KEY,RECTANGULAR,.31X.28X1.25** .....	2
3	44780GT	NUT,CASTLE,1.125-18 UNEF .....	2
4	42079GT	PIN,COTTER,.156 X 2.5 .....	2
5	105454GT	WHEEL & TIRE ASSY LP, 15" .....	2
6	8357GT	SCREW,HHC,1/2-13 X 3.5 .....	
7	6198GT	NUT,NYLOK,1/2-13 .....	
8		REF: HYDRAULIC BRAKE ..... (refer to 501.1)	
9	96203GT	BOLT,CARRIAGE,1/2-13X1.75, G5 .....	
10	13066GT	WASHER,FLAT,.5 HARDENED .....	2
11A	96570GT	WLDMT,GS32/46 LADDER*** ..... GS-2632, GS-2646, GS-3232, GS-3246 (decals not included refer to section one)	1
12A	105092GT	BOLT,CARRIAGE,3/8-16X1.25,GR5 ..... GS-2032, GS-2632	
13	6097GT	WASHER,FLAT,USS,3/8",Y .....	
14A	4828GT	NUT,NYLOCK,3/8-16 ..... GS-2032, GS-2632, GS-3232	
15A	105140GT	FORMING,CWT,COVER,GS32 ..... GS-2032, GS-2632, GS-3232 (shown)	
16A	105080GT	COUNTERWEIGHT,GS32,REAR ..... GS-32, Australia & CE (inside rear chassis)	1
16B	105100GT	PLATE,CWGT,GS32 REAR ..... GS-2632 & GS-3232 (rear stack plate)	1

Go to Discount-Equipment.com to order your parts



202.6 Non-steer Axle Installation, GS-2646A

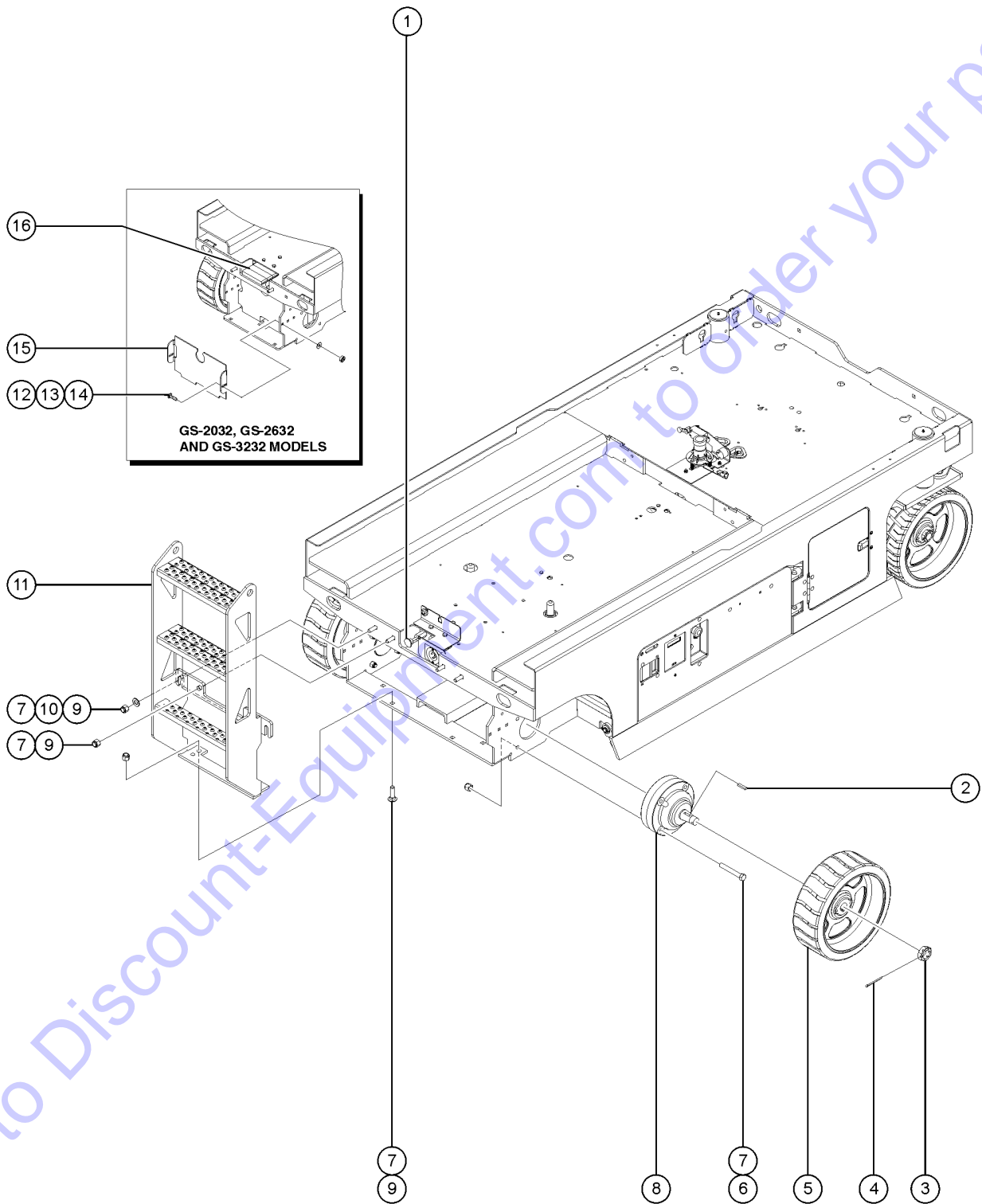


Item	Part No.	Description	Qty.
1		REF: BRAKE RELEASE MANIFOLD ..... (refer to 503.1)	
2	44781GT	KEY,RECTANGULAR,.31X.28X1.25** .....	2
3	44780GT	NUT,CASTLE,1.125-18 UNEF .....	2
4	42079GT	PIN,COTTER,.156 X 2.5 .....	2
5	105454GT	WHEEL & TIRE ASSY LP, 15" .....	2
6	8357GT	SCREW,HHC,1/2-13 X 3.5 .....	
7	6198GT	NUT,NYLOK,1/2-13 .....	
8		REF: HYDRAULIC BRAKE ..... (refer to 501.1)	
9	96203GT	BOLT,CARRIAGE,1/2-13X1.75, G5 .....	
10	13066GT	WASHER,FLAT,.5 HARDENED .....	2
11A	96570GT	WLDMT,GS32/46 LADDER*** ..... GS-2632, GS-2646, GS-3232, GS-3246 (decals not included refer to section one)	1
12B	96203GT	BOLT,CARRIAGE,1/2-13X1.75, G5 ..... GS-2046, GS-2646, GS-3246	
13	6097GT	WASHER,FLAT,USS,3/8",Y .....	
14B	6198GT	NUT,NYLOK,1/2-13 ..... GS-2046, GS-2646, GS-3246	
15B	96886GT	FORMING, CWT CLAMP ..... GS-2046, GS-2646, GS-3246	
16C	96887GT	CWT, REAR, XX46 ..... GS-46 Australia & CE (inside rear chassis)	2
16D	96876GT	COUNTERWEIGHT, BELLY ..... GS-2646, GS-3246 (inside front center of chassis)	1

Go to Discount-Equipment.com to order your parts



202.7 Non-steer Axle Installation, GS-2646C

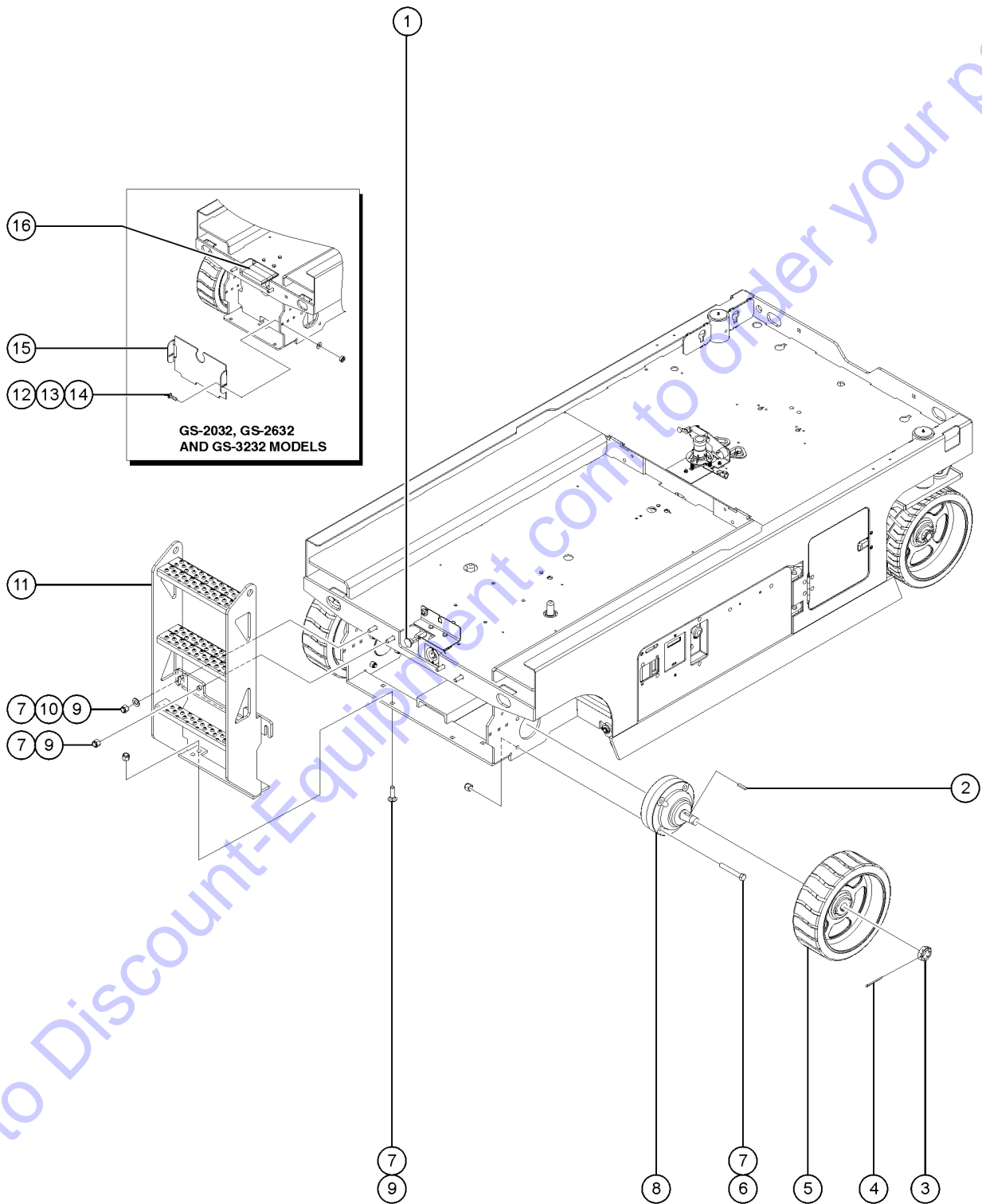


Item	Part No.	Description	Qty.
1		REF: BRAKE RELEASE MANIFOLD ..... (refer to 503.1)	
2	44781GT	KEY,RECTANGULAR,.31X.28X1.25** .....	2
3	44780GT	NUT,CASTLE,1.125-18 UNEF .....	2
4	42079GT	PIN,COTTER,.156 X 2.5 .....	2
5	105454GT	WHEEL & TIRE ASSY LP, 15" .....	2
6	8357GT	SCREW,HHC,1/2-13 X 3.5 .....	
7	6198GT	NUT,NYLOK,1/2-13 .....	
8		REF: HYDRAULIC BRAKE ..... (refer to 501.1)	
9	96203GT	BOLT,CARRIAGE,1/2-13X1.75, G5 .....	
10	13066GT	WASHER,FLAT,.5 HARDENED .....	2
11A	96570GT	WLDMT,GS32/46 LADDER*** ..... GS-2632, GS-2646, GS-3232, GS-3246 (decals not included refer to section one)	1
12B	96203GT	BOLT,CARRIAGE,1/2-13X1.75, G5 ..... GS-2046, GS-2646, GS-3246	
13	6097GT	WASHER,FLAT,USS,3/8",Y .....	
14B	6198GT	NUT,NYLOK,1/2-13 ..... GS-2046, GS-2646, GS-3246	
15B	96886GT	FORMING, CWT CLAMP ..... GS-2046, GS-2646, GS-3246	
16C	96887GT	CWT, REAR, XX46 ..... GS-46 Australia & CE (inside rear chassis)	2
16D	96876GT	COUNTERWEIGHT, BELLY ..... GS-2646, GS-3246 (inside front center of chassis)	1

Go to Discount-Equipment.com to order your parts



202.8 Non-steer Axle Installation, GS-3232

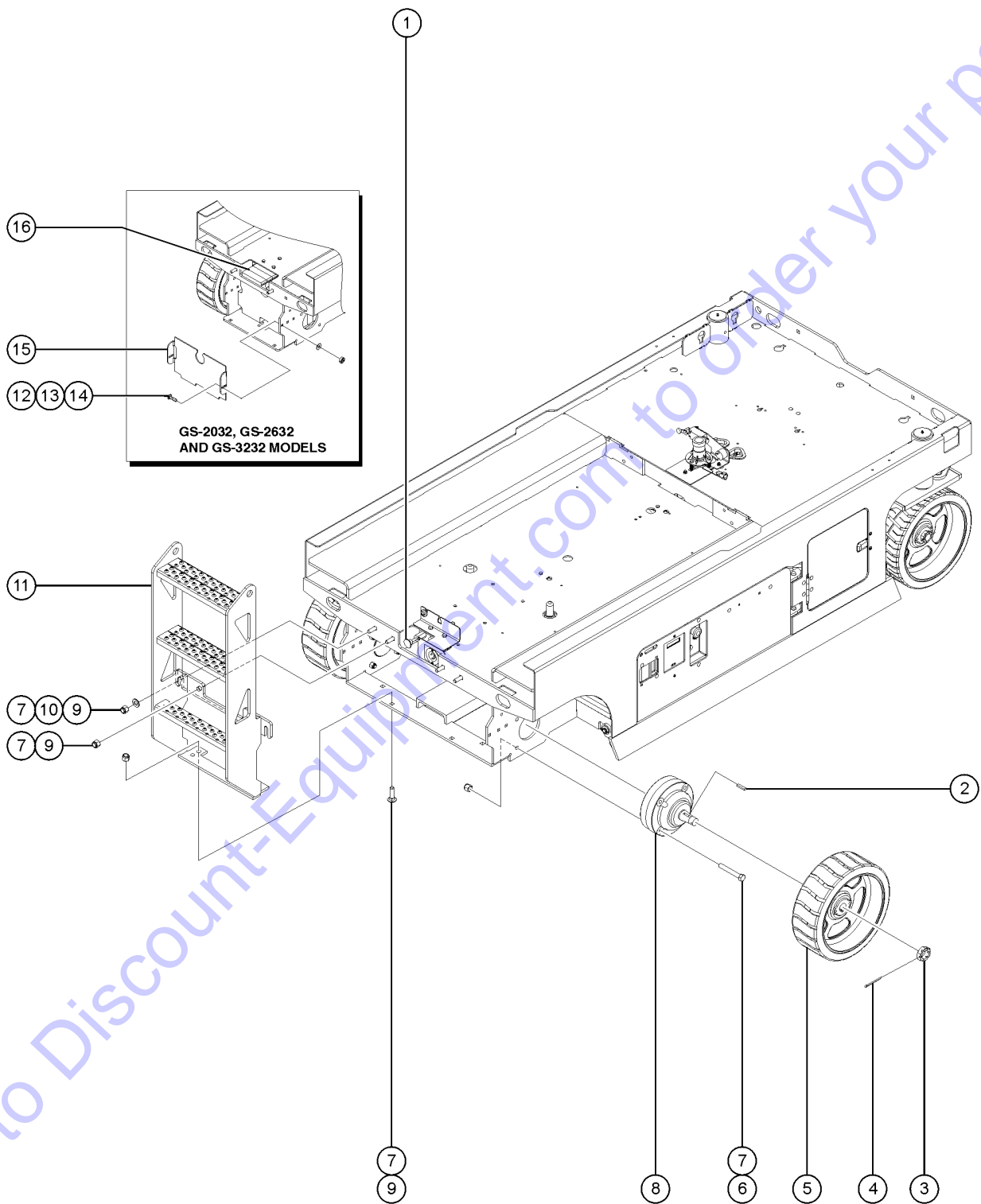


Item	Part No.	Description	Qty.
1		REF: BRAKE RELEASE MANIFOLD ..... (refer to 503.1)	
2	44781GT	KEY,RECTANGULAR,.31X.28X1.25** .....	2
3	44780GT	NUT,CASTLE,1.125-18 UNEF .....	2
4	42079GT	PIN,COTTER,.156 X 2.5 .....	2
5	105454GT	WHEEL & TIRE ASSY LP, 15" .....	2
6	8357GT	SCREW,HHC,1/2-13 X 3.5 .....	
7	6198GT	NUT,NYLOK,1/2-13 .....	
8		REF: HYDRAULIC BRAKE ..... (refer to 501.1)	
9	96203GT	BOLT,CARRIAGE,1/2-13X1.75, G5 .....	
10	13066GT	WASHER,FLAT,.5 HARDENED .....	2
11A	96570GT	WLDMT,GS32/46 LADDER*** ..... GS-2632, GS-2646, GS-3232, GS-3246 (decals not included refer to section one)	1
12C	60790GT	BOLT,CARRIAGE,3/8-16 X1.50,G5 ..... GS-3232	
13	6097GT	WASHER,FLAT,USS,3/8",Y .....	
14A	4828GT	NUT,NYLOCK,3/8-16 ..... GS-2032, GS-2632, GS-3232	
15A	105140GT	FORMING,CWT,COVER,GS32 ..... GS-2032, GS-2632, GS-3232 (shown)	
16A	105080GT	COUNTERWEIGHT,GS32,REAR ..... GS-32, Australia & CE (inside rear chassis)	1
16B	105100GT	PLATE,CWGT,GS32 REAR ..... GS-2632 & GS-3232 (rear stack plate)	1

Go to Discount-Equipment.com to order your parts



202.9 Non-steer Axle Installation, GS-3246



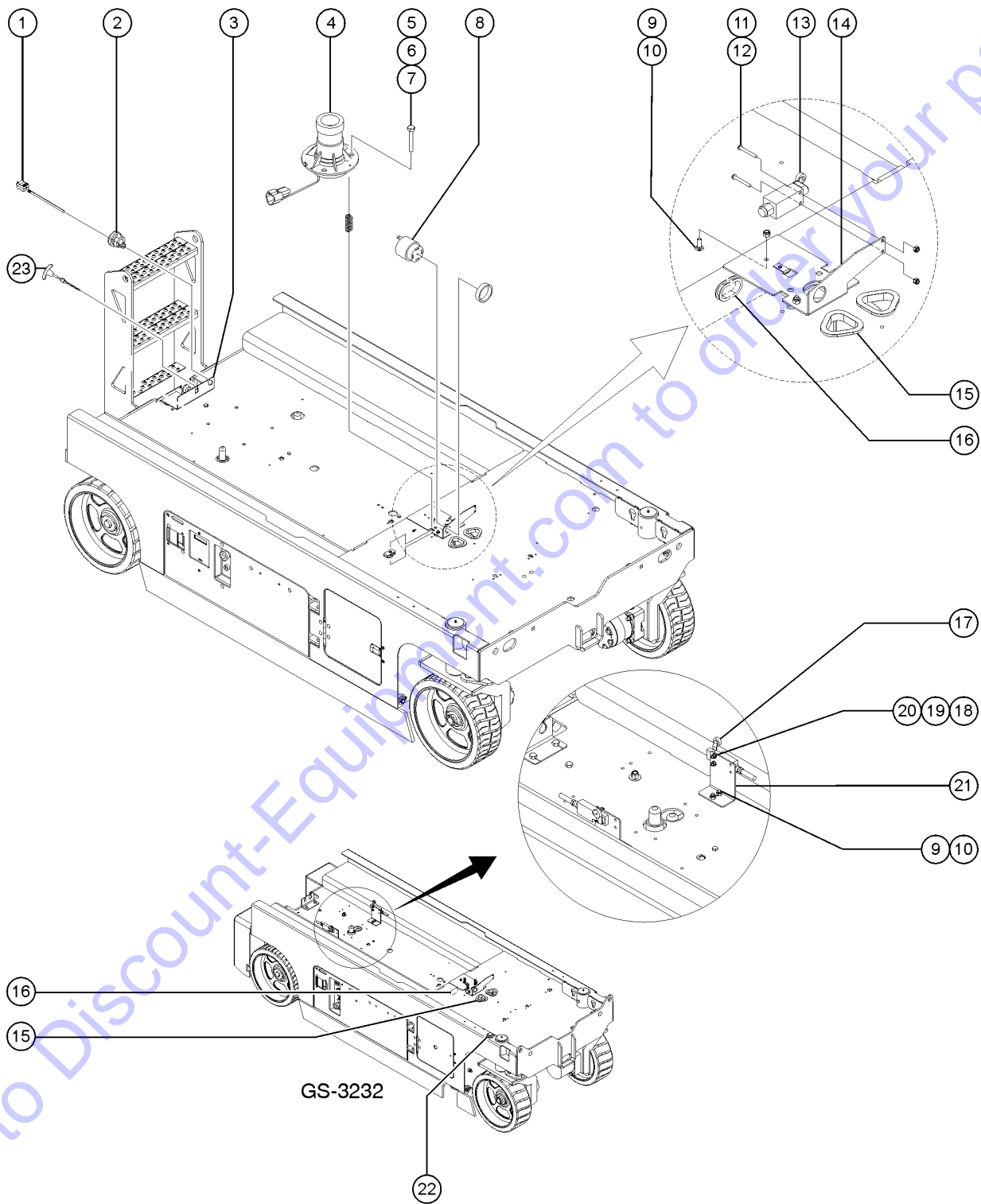


Item	Part No.	Description	Qty.
1		REF: BRAKE RELEASE MANIFOLD ..... (refer to 503.1)	
2	44781GT	KEY,RECTANGULAR,.31X.28X1.25** .....	2
3	44780GT	NUT,CASTLE,1.125-18 UNEF .....	2
4	42079GT	PIN,COTTER,.156 X 2.5 .....	2
5	105454GT	WHEEL & TIRE ASSY LP, 15" .....	2
6	8357GT	SCREW,HHC,1/2-13 X 3.5 .....	
7	6198GT	NUT,NYLOK,1/2-13 .....	
8		REF: HYDRAULIC BRAKE ..... (refer to 501.1)	
9	96203GT	BOLT,CARRIAGE,1/2-13X1.75, G5 .....	
10	13066GT	WASHER,FLAT,.5 HARDENED .....	2
11A	96570GT	WLDMT,GS32/46 LADDER*** ..... GS-2632, GS-2646, GS-3232, GS-3246 (decals not included refer to section one)	1
12B	96203GT	BOLT,CARRIAGE,1/2-13X1.75, G5 ..... GS-2046, GS-2646, GS-3246	
13	6097GT	WASHER,FLAT,USS,3/8",Y .....	
14B	6198GT	NUT,NYLOK,1/2-13 ..... GS-2046, GS-2646, GS-3246	
15B	96886GT	FORMING, CWT CLAMP ..... GS-2046, GS-2646, GS-3246	
16C	96887GT	CWT, REAR, XX46 ..... GS-46, Australia & CE (inside rear chassis)	
16D	96876GT	COUNTERWEIGHT, BELLY ..... GS-2646, GS-3246 (inside front center of chassis)	

Go to Discount-Equipment.com to order your parts



203.1 Level Sensor Installation, GS-2032, GS-2632, & GS-46

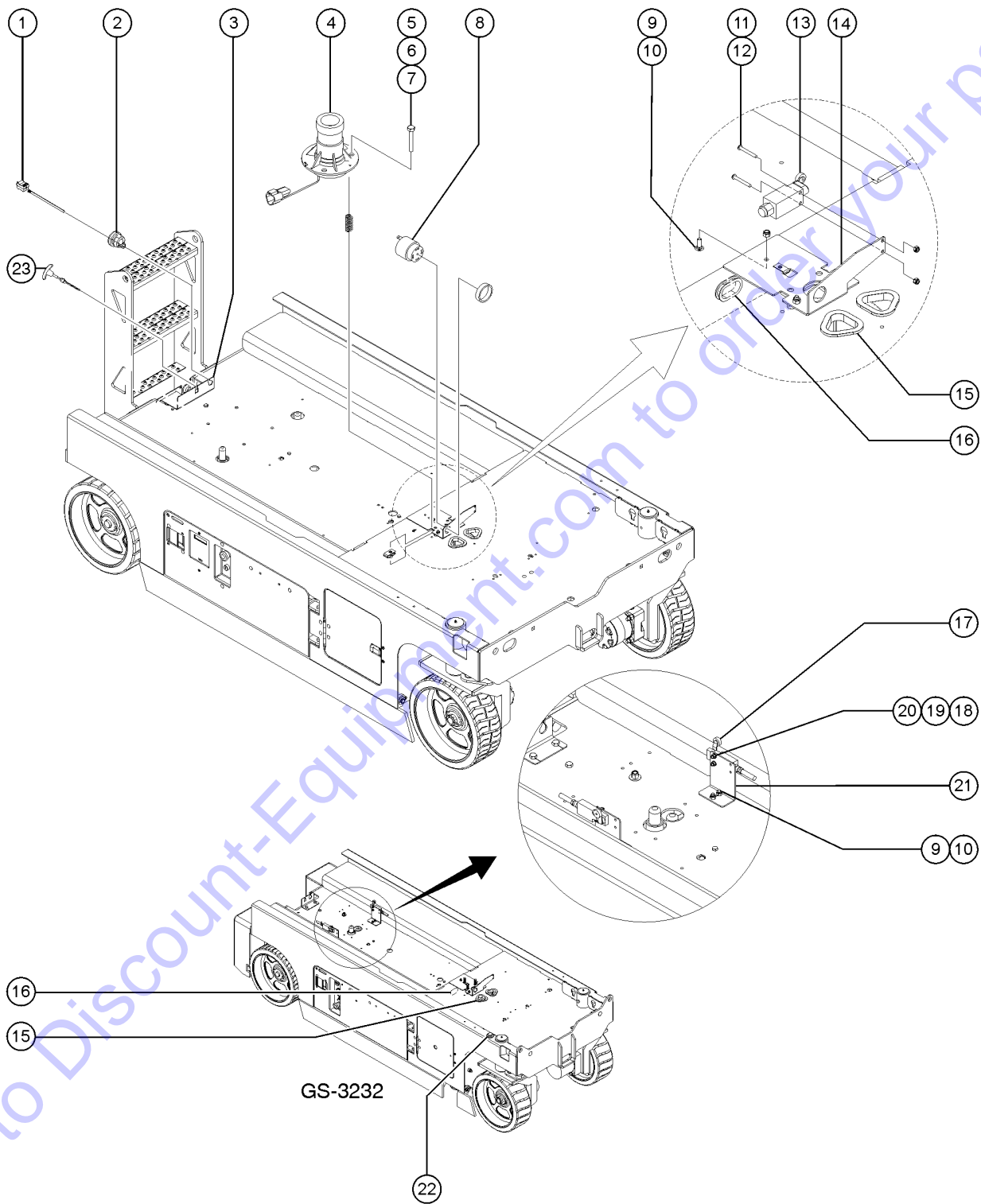


203.1 Level Sensor Installation, GS-2032, GS-2632, & GS-46

Item	Part No.	Description	Qty.
1		Ref. Electrical Plugs and Cords ..... refer to 403.1	
2	128118GT	BUSHING,STRAIN RELIEF ,.875/.40 .....	1
3	144226GT	FORMING, REC. PLUG BRKT .....	1
4A	228406GT	ASSY,LVL SNSR W/ CONNECTOR ..... to GS3215A-141898; to GS4615A-137959 (use with 96870)	1
4B	823368GT	SENSOR,LEVEL,UNIVERSAL ..... (not shown) from SN GS3215A-141899; from GS4615A-137960 (use with 1264843)	1
5A	6637GT	SCREW,HHC,1/4-20 X 1.75 ..... to GS3215A-141898; to GS4615A-137959	
5B	824079GT	SCREW,HHF,1/4-20X1.8,ZAG ..... from SN GS3215A-141899; from GS4615A-137960	
6	39469GT	SPRING,COMPRESSION.485 X1.75** ..... to GS3215A-141898; to GS4615A-137959	3
7	56912GT	SPRING CLIP,1/4-20,.025-.15X.54,ZAG .....	3
8	39540GT	ALARM,STEADY TONE*** ..... plastic nut not included	1
8-	72326GT	NUT,PLASTIC,RING FOR ALARMS .....	
9A	6878GT	BOLT,CARRIAGE,1/4-20 X .75,G2 ..... to GS3215A-141898; to GS4615A-137959	
9B	824124GT	BOLT,CARRIAGE,1/4-20X.75,5,ZAG ..... from SN GS3215A-141899; from GS4615A-137960	
10A	6091GT	NUT, NYLOCK, 1/4-20 ..... to GS3215A-141898; to GS4615A-137959	
10B	824027GT	NUT, TL FLG, 1/4-20, G, ZAG ..... from SN GS3215A-141899; from GS4615A-137960	
11A	16487GT	SCREW,RHM,10-32 X 1.5 ..... to GS3215A-141898; to GS4615A-137959	
11B	824216GT	SCREW, PHPM, 10-32 X 1.5, ZAG ..... from SN GS3215A-141899; from GS4615A-137960	
12A	6178GT	NUT,NYLOCK,10-32 ..... to GS3215A-141898; to GS4615A-137959	
12B	824032GT	NUT,TL FLG,10-32,F,ZAG ..... from SN GS3215A-141899; from GS4615A-137960	
13	T112507GT	ASSEMBLY, DOWN LIMIT, GS ..... includes plug	1
13-	96948GT	SWITCH,LIMIT,W/ROLLER ARM*** .....	
13-	19491GT	CONTACTOR,LIMIT SWITCH .....	
13-	97128GT	ROLLER ARM,LIMIT SWITCH*** .....	
14A	96870GT	FORMING,ALARM BRACKET ..... to GS3215A-141898; to GS4615A-137959 (for use with 228406)	1
14B	1264843GT	FORMING, ALARM BRACKET ..... to GS3215A-141898; to GS4615A-137959 (for use with 823368)	
15	47232GT	GROMMET,RUBBER 2 X 2.75 .....	2
16	47238GT	GROMMET,RUBBER 1.5 ID .....	1
17	105664GT	ASSY,22 FT LIMIT SWITCH,GS3232 .....	1



203.1 Level Sensor Installation, GS-2032, GS-2632, & GS-46



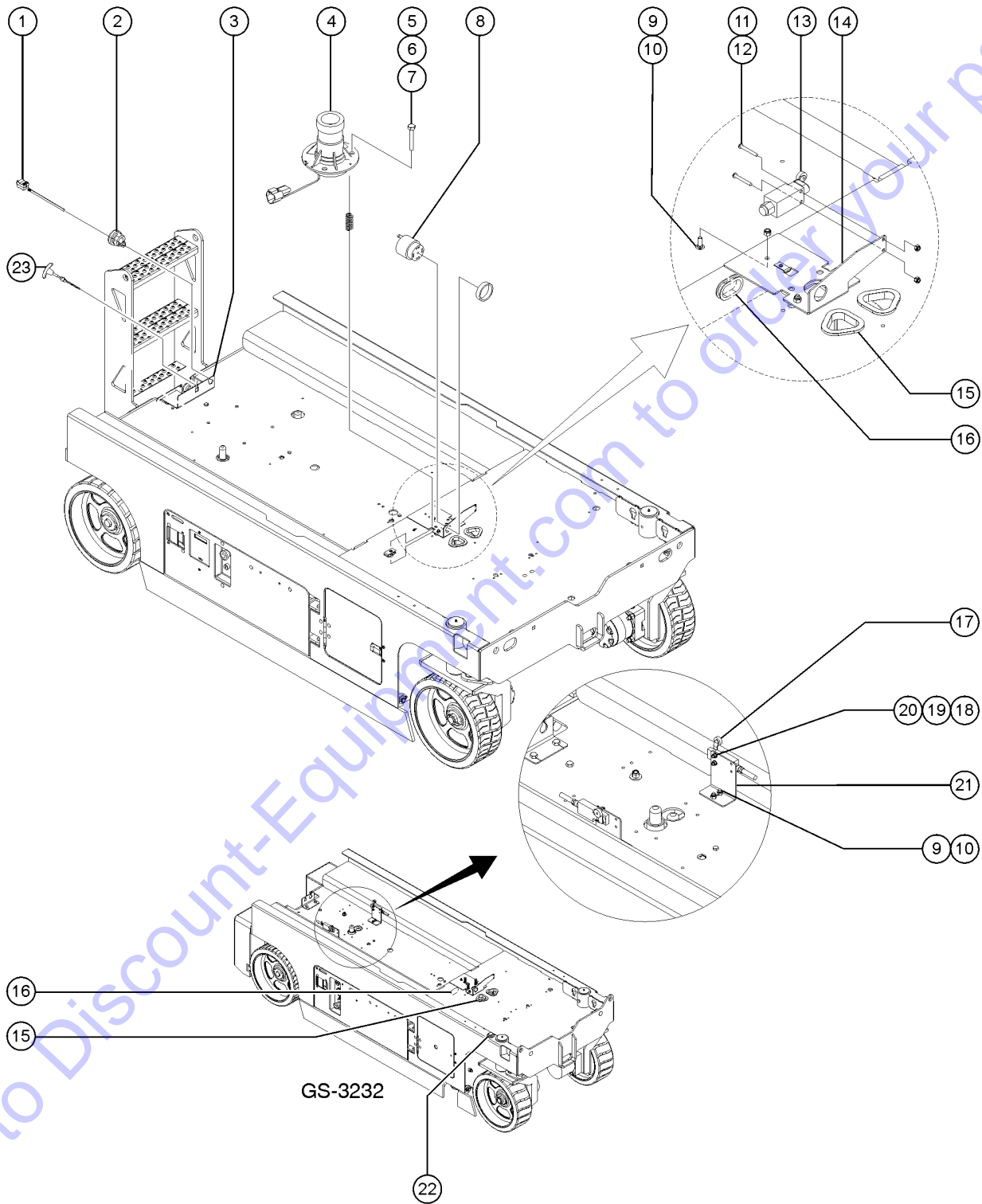
203.1 Level Sensor Installation, GS-2032, GS-2632, & GS-46

Item	Part No.	Description	Qty.
17-		Ref. Wire Harness Assy GS-3232 ..... refer to 210.1	
18	18605GT	NUT,NYLOCK,8-32 .....	
19	35461GT	WASHER,FLAT,MS,#8,Y .....	
20	54380GT	SCREW,PHILLIPS,PHM,8-32 X .875 .....	
21	105736GT	FRMING,LMT SWCH BRKT,3232 .....	
22	6714GT	LEVEL,BUBBLE .....	
23	39232GT	CABLE,EMERGENCY DOWN .....	1

Go to Discount-Equipment.com to order your parts



203.2 Level Sensor Installation, GS-2032A, GS-2632AC, GS-46

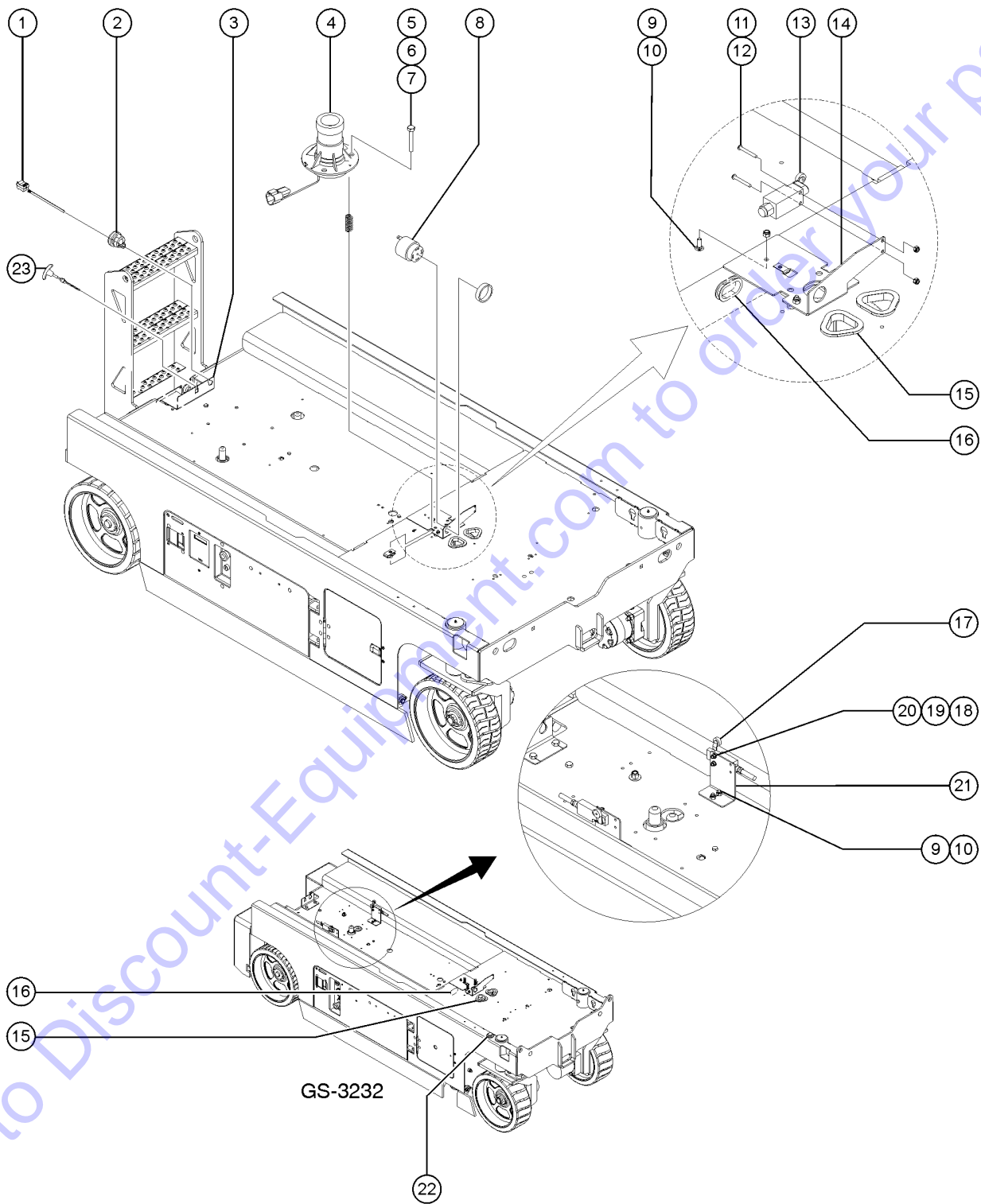


Item	Part No.	Description	Qty.
1		REF. Electrical Plugs and Cords ..... (refer to 403.1)	
2	128118GT	BUSHING,STRAIN RELIEF,.875/.40 .....	1
3	144226GT	FORMING, REC. PLUG BRKT .....	1
4A	228406GT	ASSY,LVL SNSR W/ CONNECTOR ..... to GS3215A-141898; to GS4615A-137959	1
4B	823368GT	SENSOR,LEVEL,UNIVERSAL ..... (not shown) from SN GS3215A-141899; from GS4615A-137960	1
5A	6637GT	SCREW,HHC,1/4-20 X 1.75 .....	
6	39469GT	SPRING,COMPRESSION.485 X1.75** .....	3
7	56912GT	SPRING CLIP,1/4-20,.025-.15X.54,ZAG .....	3
8	39540GT	ALARM,STEADY TONE*** .....	1
		Does not include 72326 nut	
8-	72326GT	NUT,PLASTIC,RING FOR ALARMS .....	
9A	6878GT	BOLT,CARRIAGE,1/4-20 X .75,G2 .....	
10A	6091GT	NUT, NYLOCK, 1/4-20 .....	
11A	16487GT	SCREW,RHM,10-32 X 1.5 .....	
12A	6178GT	NUT,NYLOCK,10-32 .....	
13	T112507GT	ASSEMBLY, DOWN LIMIT, GS ..... (Includes plug)	1
13-	96948GT	SWITCH,LIMIT,W/ROLLER ARM*** .....	
13-	19491GT	CONTACTOR,LIMIT SWITCH .....	
13-	97128GT	ROLLER ARM,LIMIT SWITCH*** .....	
14A	96870GT	FORMING,ALARM BRACKET .....	1
15	47232GT	GROMMET,RUBBER 2 X 2.75 .....	2
16	47238GT	GROMMET,RUBBER 1.5 ID .....	1
23	39232GT	CABLE,EMERGENCY DOWN .....	1

Go to DiscountEquipment.com to order your parts



203.3 Level Sensor Installation, GS-2032AC, GS-2632AC, GS-2046A, GS-2646AC, GS-3246AC





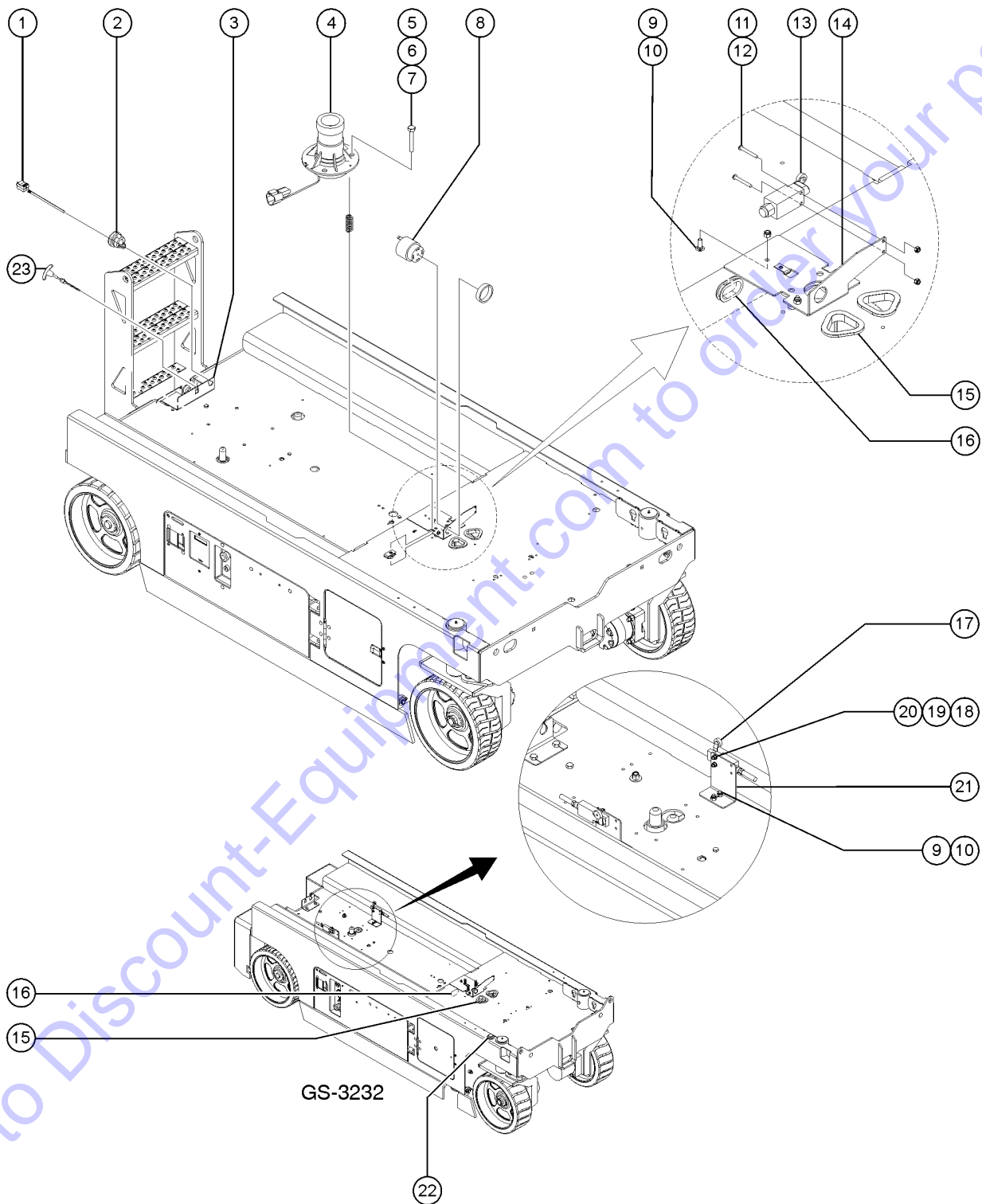
203.3 Level Sensor Installation, GS-2032AC, GS-2632AC, GS-2046A, GS-2646AC, GS-3246AC

Item	Part No.	Description	Qty.
1		REF. Electrical Plugs and Cords ..... (refer to 403.1)	
2	128118GT	BUSHING,STRAIN RELIEF,.875/.40 .....	1
3	144226GT	FORMING, REC. PLUG BRKT .....	1
4A	228406GT	ASSY,LVL SNSR W/ CONNECTOR ..... to GS3215A-141898; to GS4615A-137959; to GS3016C-22328	1
4B	823368GT	SENSOR,LEVEL,UNIVERSAL ..... (not shown) from SN GS3215A-141899; from GS4615A-137960	
5A	6637GT	SCREW,HHC,1/4-20 X 1.75 .....	
6	39469GT	SPRING,COMPRESSION.485 X1.75** .....	3
7	56912GT	SPRING CLIP,1/4-20,.025-.15X.54,ZAG .....	3
8	39540GT	ALARM,STEADY TONE*** .....	1
		Does not include 72326 nut	
8-	72326GT	NUT,PLASTIC,RING FOR ALARMS .....	
9A	6878GT	BOLT,CARRIAGE,1/4-20 X .75,G2 .....	
10A	6091GT	NUT, NYLOCK, 1/4-20 .....	
11A	16487GT	SCREW,RHM,10-32 X 1.5 .....	
12A	6178GT	NUT,NYLOCK,10-32 .....	
13	T112507GT	ASSEMBLY, DOWN LIMIT, GS ..... (Includes plug)	1
13-	96948GT	SWITCH,LIMIT,W/ROLLER ARM*** .....	
13-	19491GT	CONTACTOR,LIMIT SWITCH .....	
13-	97128GT	ROLLER ARM,LIMIT SWITCH*** .....	
14A	96870GT	FORMING,ALARM BRACKET .....	1
15	47232GT	GROMMET,RUBBER 2 X 2.75 .....	2
16	47238GT	GROMMET,RUBBER 1.5 ID .....	1
23	39232GT	CABLE,EMERGENCY DOWN .....	1

Go to DiscountEquipment.com to order your parts



203.4 Level Sensor Installation, GS-2032AC, GS-2632A, GS-2046AC, GS-2646AC, GS-3246AC



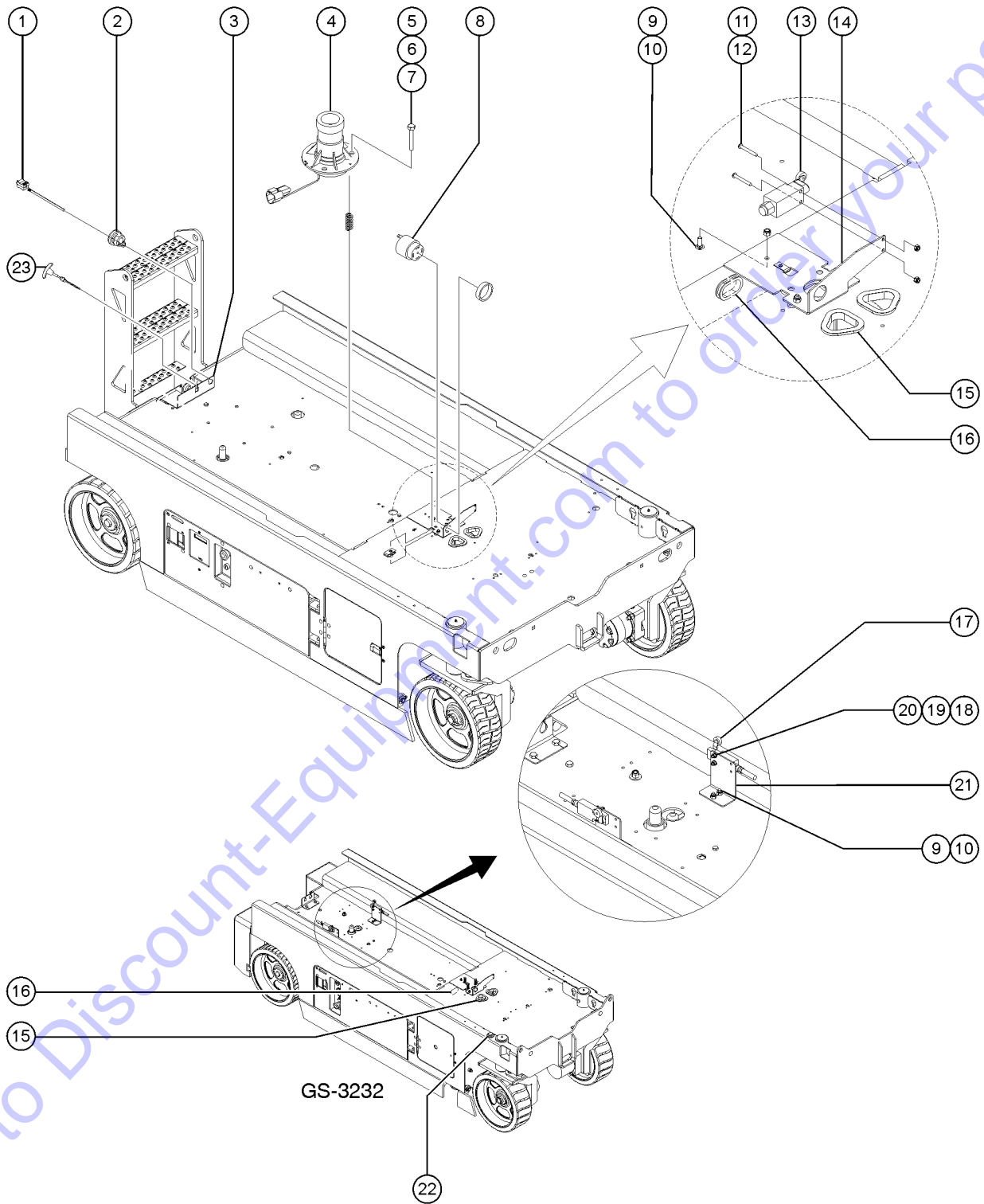
203.4 Level Sensor Installation, GS-2032AC, GS-2632A, GS-2046AC, GS-2646AC, GS-3246AC

Item	Part No.	Description	Qty.
1		REF. Electrical Plugs and Cords ..... (refer to 403.1)	
2	128118GT	BUSHING,STRAIN RELIEF,.875/.40 .....	1
3	144226GT	FORMING, REC. PLUG BRKT .....	1
4A	228406GT	ASSY,LVL SNSR W/ CONNECTOR ..... to GS3215A-141898; to GS4615A-137959	1
4B	823368GT	SENSOR,LEVEL,UNIVERSAL ..... (not shown) from SN GS3215A-141899; from GS4615A-137960	1
5A	6637GT	SCREW,HHC,1/4-20 X 1.75 .....	
6	39469GT	SPRING,COMPRESSION.485 X1.75** .....	3
7	56912GT	SPRING CLIP,1/4-20,.025-.15X.54,ZAG .....	3
8	39540GT	ALARM,STEADY TONE*** ..... Does not include 72326 nut	1
8-	72326GT	NUT,PLASTIC,RING FOR ALARMS .....	
9A	6878GT	BOLT,CARRIAGE,1/4-20 X .75,G2 .....	
10A	6091GT	NUT, NYLOCK, 1/4-20 .....	
11	16487GT	SCREW,RHM,10-32 X 1.5 .....	
12A	6178GT	NUT,NYLOCK,10-32 .....	
13	T112507GT	ASSEMBLY, DOWN LIMIT, GS ..... (Includes plug)	1
13-	96948GT	SWITCH,LIMIT,W/ROLLER ARM*** .....	
13-	19491GT	CONTACTOR,LIMIT SWITCH .....	
13-	97128GT	ROLLER ARM,LIMIT SWITCH*** .....	
14A	96870GT	FORMING,ALARM BRACKET .....	1
15	47232GT	GROMMET,RUBBER 2 X 2.75 .....	2
16	47238GT	GROMMET,RUBBER 1.5 ID .....	1
23	39232GT	CABLE,EMERGENCY DOWN .....	1

Go to DiscountEquipment.com to order your parts



203.5 Level Sensor Installation, GS-2032AC, GS-2632AC, GS-2046AC, GS-2646A, GS-3246AC



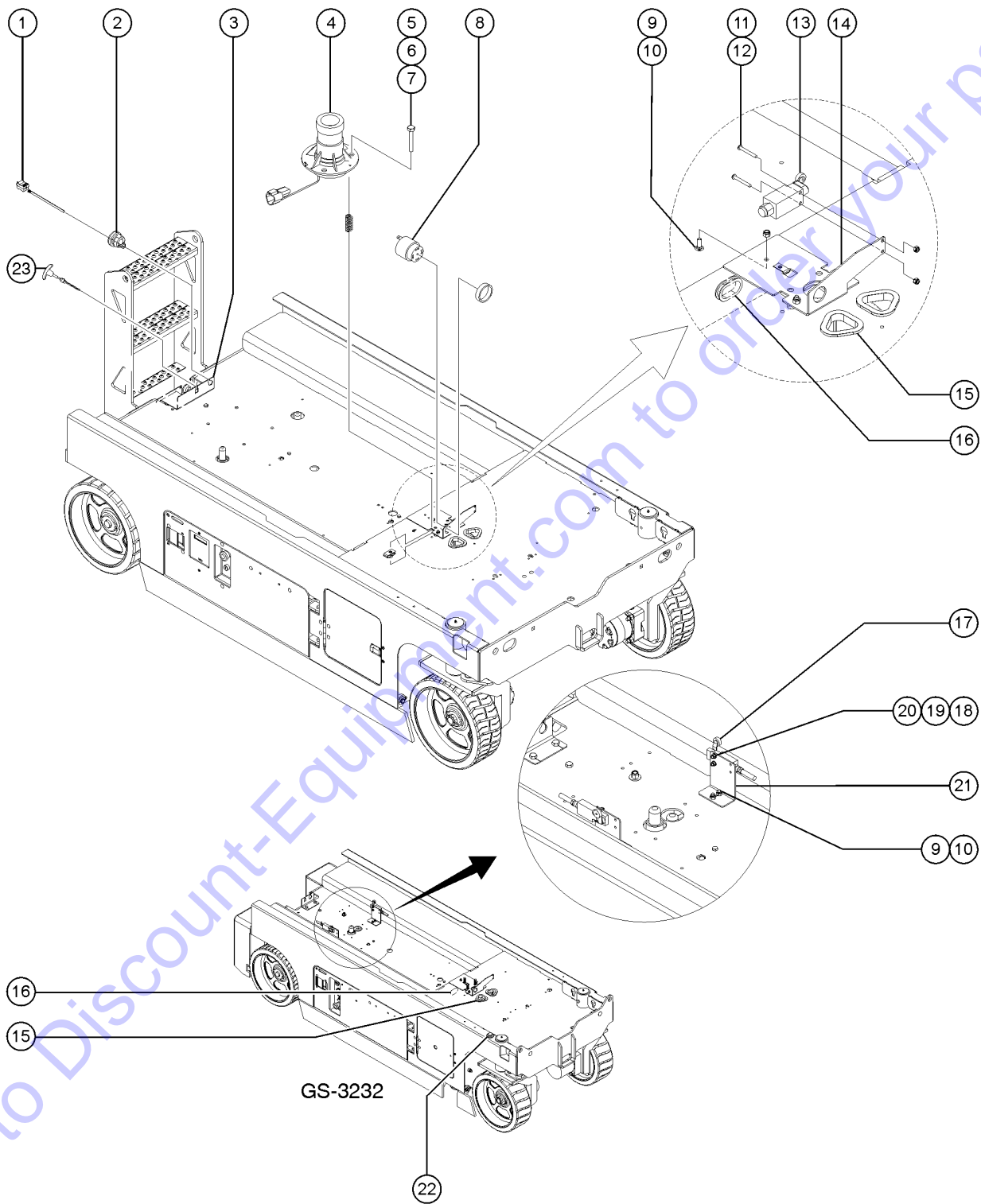
203.5 Level Sensor Installation, GS-2032AC, GS-2632AC, GS-2046AC, GS-2646A, GS-3246AC

Item	Part No.	Description	Qty.
1		REF. Electrical Plugs and Cords ..... (refer to 403.1)	
2	128118GT	BUSHING,STRAIN RELIEF,.875/.40 .....	1
3	144226GT	FORMING, REC. PLUG BRKT .....	1
4A	228406GT	ASSY,LVL SNSR W/ CONNECTOR ..... to GS3215A-141898; to GS4615A-137959	1
4B	823368GT	SENSOR,LEVEL,UNIVERSAL ..... (not shown) from SN GS3215A-141899; from GS4615A-137960	1
5A	6637GT	SCREW,HHC,1/4-20 X 1.75 .....	
6	39469GT	SPRING,COMPRESSION.485 X1.75** .....	3
7	56912GT	SPRING CLIP,1/4-20,.025-.15X.54,ZAG .....	3
8	39540GT	ALARM,STEADY TONE*** .....	1
		Does not include 72326 nut	
8-	72326GT	NUT,PLASTIC,RING FOR ALARMS .....	
9A	6878GT	BOLT,CARRIAGE,1/4-20 X .75,G2 .....	
10A	6091GT	NUT, NYLOCK, 1/4-20 .....	
11	16487GT	SCREW,RHM,10-32 X 1.5 .....	
12A	6178GT	NUT,NYLOCK,10-32 .....	
13	T112507GT	ASSEMBLY, DOWN LIMIT, GS ..... (Includes plug)	1
13-	96948GT	SWITCH,LIMIT,W/ROLLER ARM*** .....	
13-	19491GT	CONTACTOR,LIMIT SWITCH .....	
13-	97128GT	ROLLER ARM,LIMIT SWITCH*** .....	
14A	96870GT	FORMING,ALARM BRACKET .....	1
15	47232GT	GROMMET,RUBBER 2 X 2.75 .....	2
16	47238GT	GROMMET,RUBBER 1.5 ID .....	1
23	39232GT	CABLE,EMERGENCY DOWN .....	1

Go to DiscountEquipment.com to order your parts



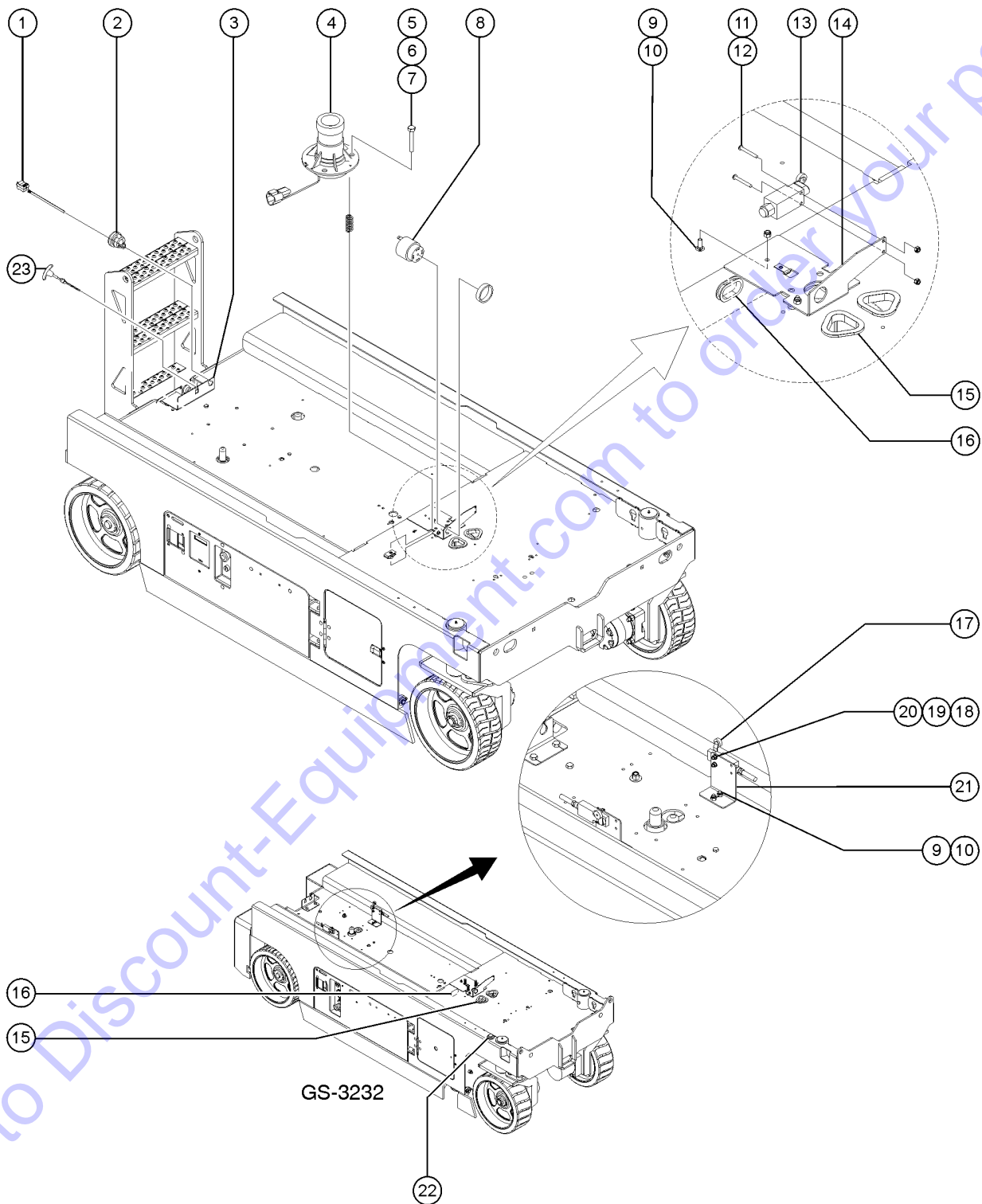
203.6 Level Sensor Installation, GS-3232



Item	Part No.	Description	Qty.
	1284236GT	KIT, UTS LEVEL SENSOR CONVERSION, GS3232 (to convert from uts to analog and digital level sensors)	
	1284414GT	GS3232 LEVEL SENSOR CONVERSION INSTALLATION INSTRUCTIONS (instructions for 1284236)	
1		Ref. Electrical Plugs and Cords refer to 403.1	
2	128118GT	BUSHING, STRAIN RELIEF, .875/.40	1
3	144226GT	FORMING, REC. PLUG BRKT	1
4A	228406GT	ASSY, LVL SNSR W/ CONNECTOR to GS3215A-141898; to GS4615A-137959; to GS3016C-22328 (use with 96870)	1
4B	823368GT	SENSOR, LEVEL, UNIVERSAL (not shown) from GS3215A-141899 (use with 1264843)	1
5A	6637GT	SCREW, HHC, 1/4-20 X 1.75 to SN GS3215A-141898	
5B	824079GT	SCREW, HHF, 1/4-20X1.8, ZAG from SN GS3215A-141899	
6	39469GT	SPRING, COMPRESSION.485 X1.75** to SN GS3215A-141898	3
7	56912GT	SPRING CLIP, 1/4-20, .025-.15X.54, ZAG	3
8	39540GT	ALARM, STEADY TONE*** plastic nut not included	1
8-	72326GT	NUT, PLASTIC, RING FOR ALARMS	
9A	6878GT	BOLT, CARRIAGE, 1/4-20 X .75, G2 to SN GS3215A-141898	
9B	824124GT	BOLT, CARRIAGE, 1/4-20X.75, 5, ZAG from SN GS3215A-141899	
10A	6091GT	NUT, NYLOCK, 1/4-20 to SN GS3215A-141898	
10B	824027GT	NUT, TL FLG, 1/4-20, G, ZAG from SN GS3215A-141899	
11A	16487GT	SCREW, RHM, 10-32 X 1.5 to SN GS3215A-141898	
11B	824216GT	SCREW, PHPM, 10-32 X 1.5, ZAG from SN GS3215A-141899	
12A	6178GT	NUT, NYLOCK, 10-32 to SN GS3215A-141898	
12B	824032GT	NUT, TL FLG, 10-32, F, ZAG from SN GS3215A-141899	
13	T112507GT	ASSEMBLY, DOWN LIMIT, GS includes plug	1
13-	96948GT	SWITCH, LIMIT, W/ROLLER ARM***	
13-	19491GT	CONTACTOR, LIMIT SWITCH	
13-	97128GT	ROLLER ARM, LIMIT SWITCH***	
14A	96870GT	FORMING, ALARM BRACKET to SN GS3215A-141898 (for use with 228406)	1
14B	1264843GT	FORMING, ALARM BRACKET from SN GS3215A-141899 (for use with 823368)	1
15	47232GT	GROMMET, RUBBER 2 X 2.75	2



203.6 Level Sensor Installation, GS-3232



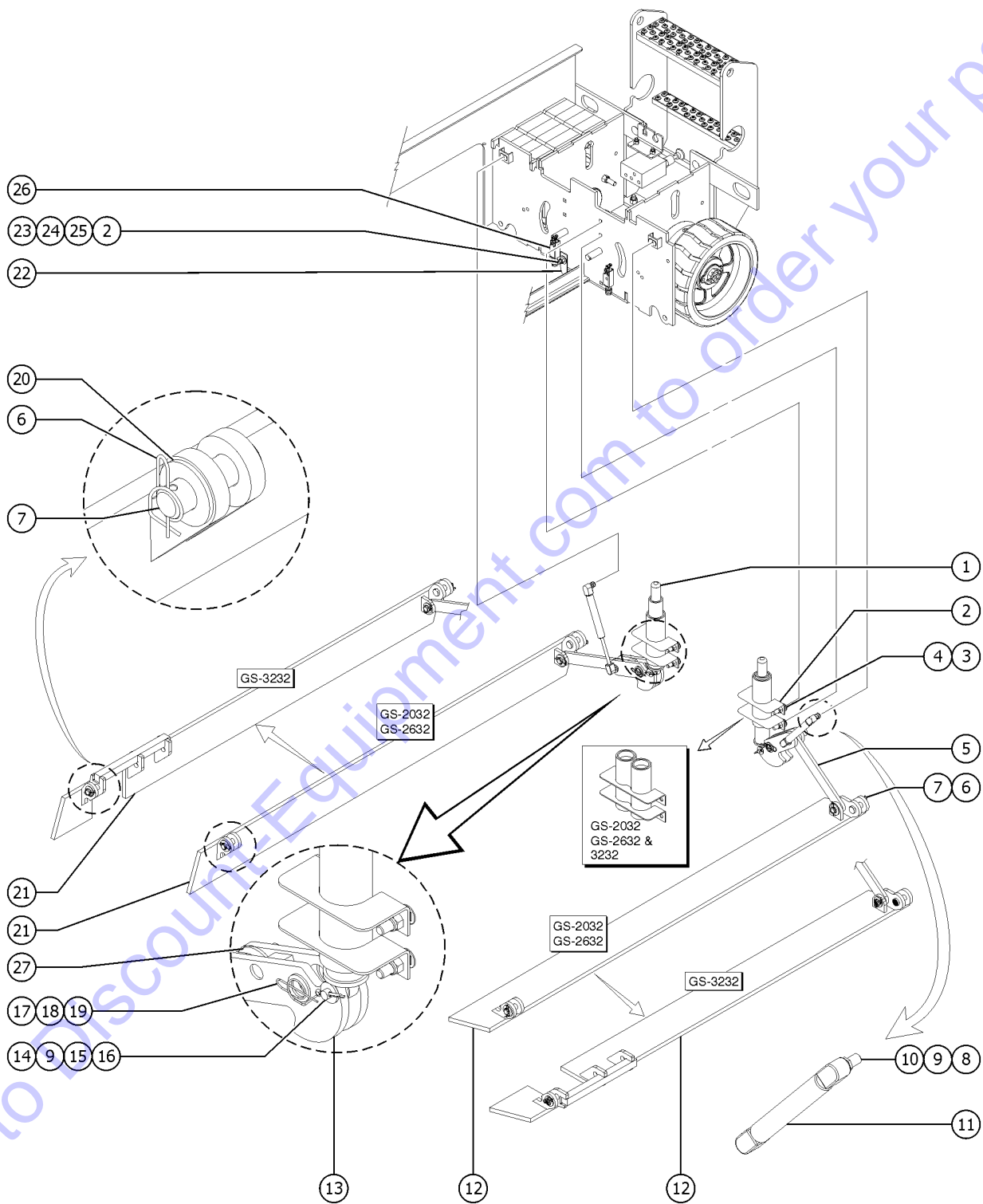


Item	Part No.	Description	Qty.
16	47238GT	GROMMET,RUBBER 1.5 ID .....	1
17	105664GT	ASSY,22 FT LIMIT SWITCH,GS3232 .....	1
17-		Ref. Wire Harness Assy GS-3232 .....	
		refer to 210.1	
18	18605GT	NUT,NYLOCK,8-32 .....	
19	35461GT	WASHER,FLAT,MS,#8,Y .....	
20	54380GT	SCREW,PHILLIPS,PHM,8-32 X .875 .....	
21	105736GT	FRMING,LMT SWCH BRKT,3232 .....	
22	6714GT	LEVEL,BUBBLE .....	
23	39232GT	CABLE,EMERGENCY DOWN .....	1

Go to Discount-Equipment.com to order your parts



204.1 Pothole Protection Assembly, GS-2032A & GS-2632A

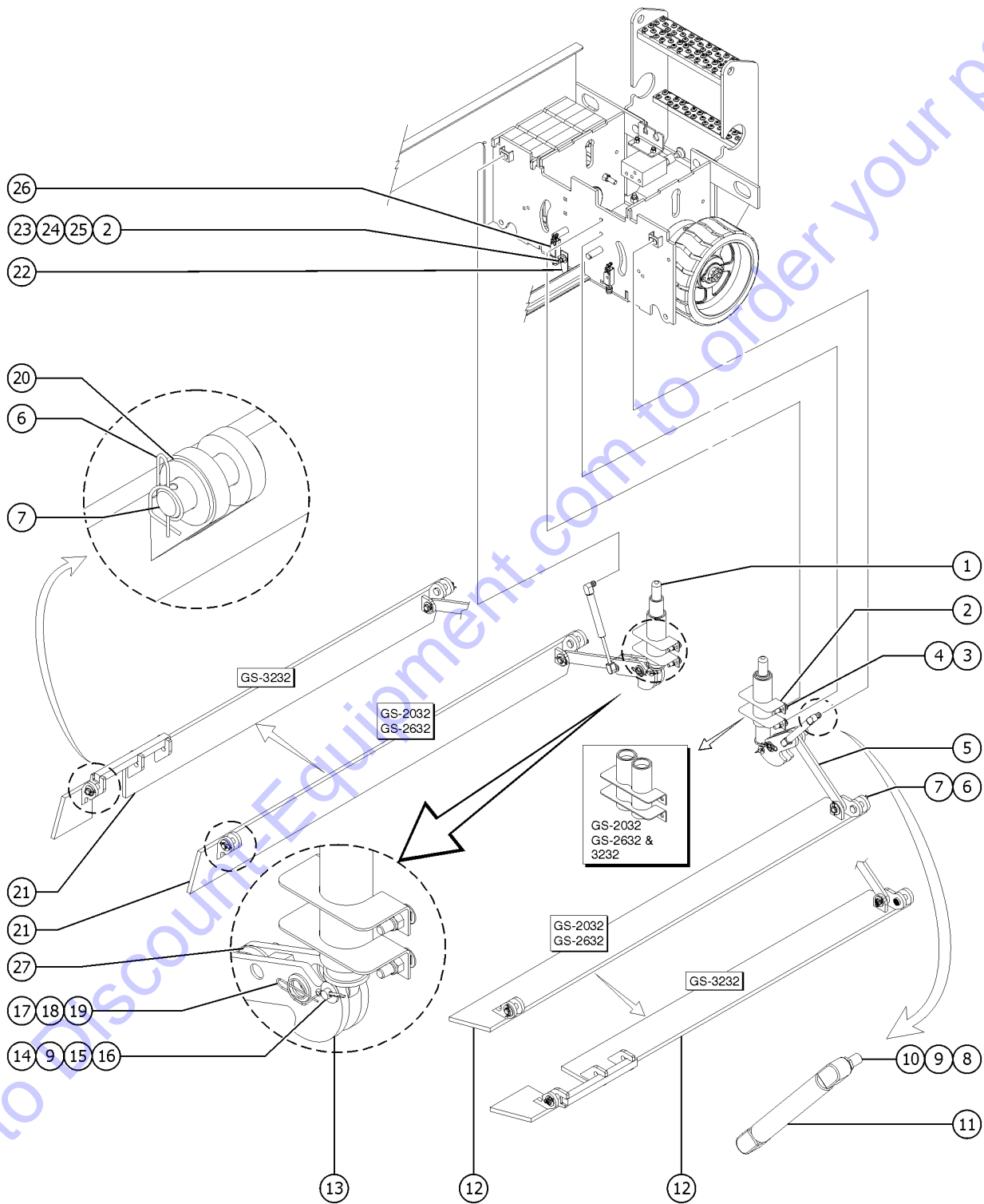


204.1 Pothole Protection Assembly, GS-2032A & GS-2632A

Item	Part No.	Description	Qty.
1	96839GT	ASSY,POT HOLE PUSHER,GS***	
2A	96524GT	WLDMT/ASSY, PH GUIDE,GS30/32 GS-32 models	2
2A-	96408GT	BEARING,1.523IDX1.75ODX0.63L	
3	60790GT	BOLT,CARRIAGE,3/8-16 X1.50,G5	
4	4828GT	NUT,NYLOCK,3/8-16	
5	96637GT	PLATE,POTHOLE LINK	2
6	96422GT	RUE RING,5/8 PIN	
7	96135GT	PIN,CLEVIS,.625 X 1.88,ZINC PL	4
7-	105156GT	BUSHING,FLNGD,.63 X .77 X .38 (sold seperately)	4
8	96643GT	PIN, POTHOLE LINK PIVOT	2
9	5397GT	WASHER,FLAT,USS,5/16",Y	
10	78086GT	BALL STUD, GAS STRUT, 3/8-16	
11	39542GT	GAS SHOCK,SCISSORS***	2
12A	96639GT	WELDMENT, POTHOLE, LEFT SIDE GS-2032, GS-2632, GS-2046, GS-2646, GS-3246 (battery pack side)	1
13	84574GT	POTHLE BELL CRNK LINK ASSYGS30	2
13-	96642GT	BEARING,.75ID X 1.0OD X 1.38LG	
14	12016GT	PIN,COTTER,.125 X .75	
15	34742GT	PIN,CLEVIS,.375 X 1.75 LG.	2
16	96541GT	CAM FOLLOWER,1.125X.375,DELTRIN	2
17	96423GT	RUE RING,3/4 PIN	
18	6564GT	WASHER, SHIM,.765 X 1.312 X .093	
19	55355GT	SPACER,.75ID X 1.5OD X 1/4THK	
20	6898GT	WASHER,SHIM,.625 X 1.188X.064	
21A	96638GT	WELDMENT, POTHOLE, RIGHT SIDE GS-2032, GS-2632, GS-2046, GS-2646, GS-3246 (ground controls side)	1
22	105060GT	GROUND STRAP, 8"LG	1
23	64154GT	BOLT,CARRIAGE,3/8-16 X1.00,G5	
24	6700GT	WASHER,STAR,EXTERNAL,.375	
25	6097GT	WASHER,FLAT,USS,3/8",Y	



204.1 Pothole Protection Assembly, GS-2032A & GS-2632A



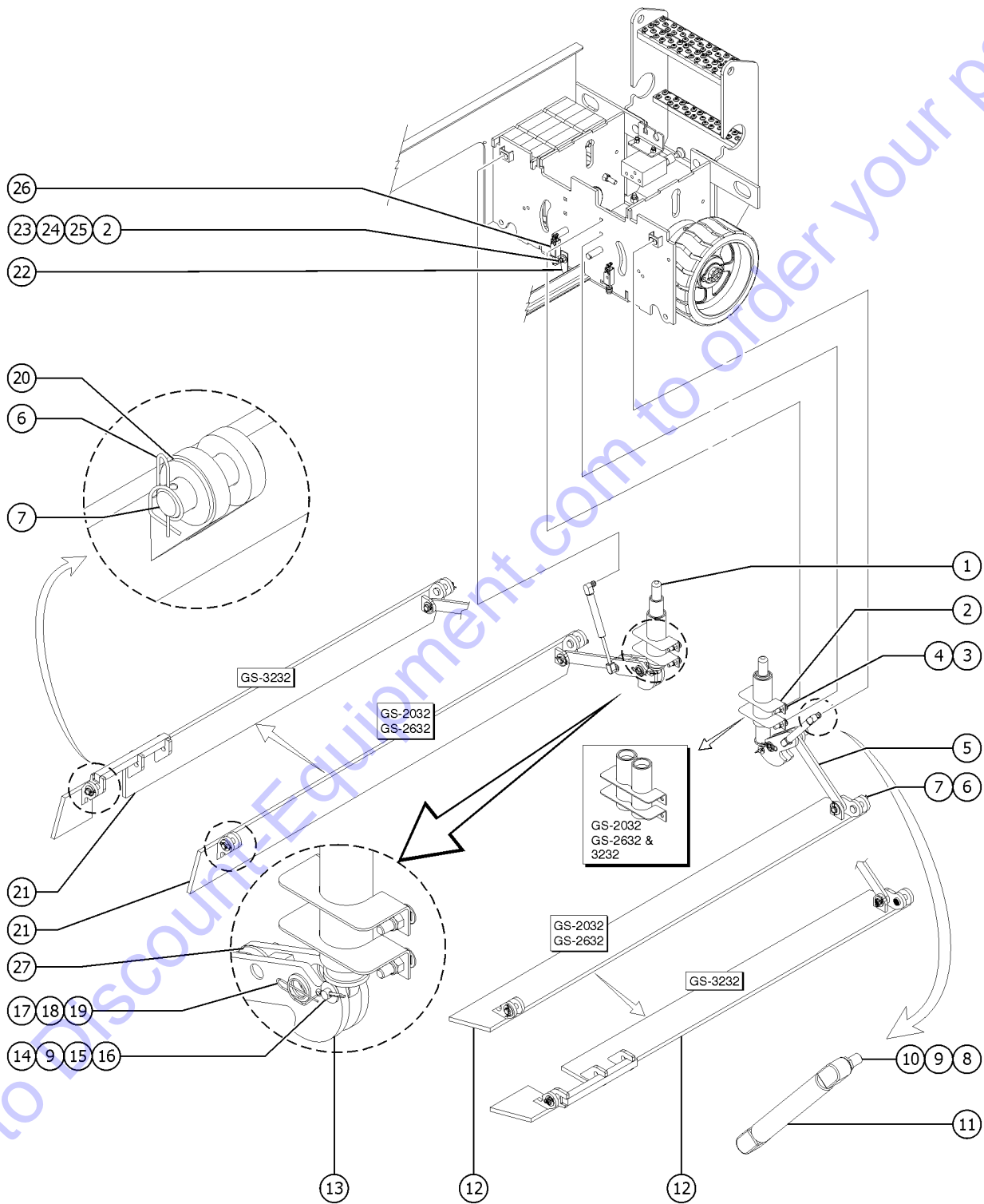
204.1 Pothole Protection Assembly, GS-2032A & GS-2632A

<i>Item</i>	<i>Part No.</i>	<i>Description</i>	<i>Qty.</i>
26	96948GT	SWITCH,LIMIT,W/ROLLER ARM*** .....	2
26-	19491GT	CONTACTOR,LIMIT SWITCH .....	
26-	97128GT	ROLLER ARM,LIMIT SWITCH*** .....	
27	96085GT	WASHER,THRUST,.63 X 1.13 X .06 .....	

Go to Discount-Equipment.com to order your parts



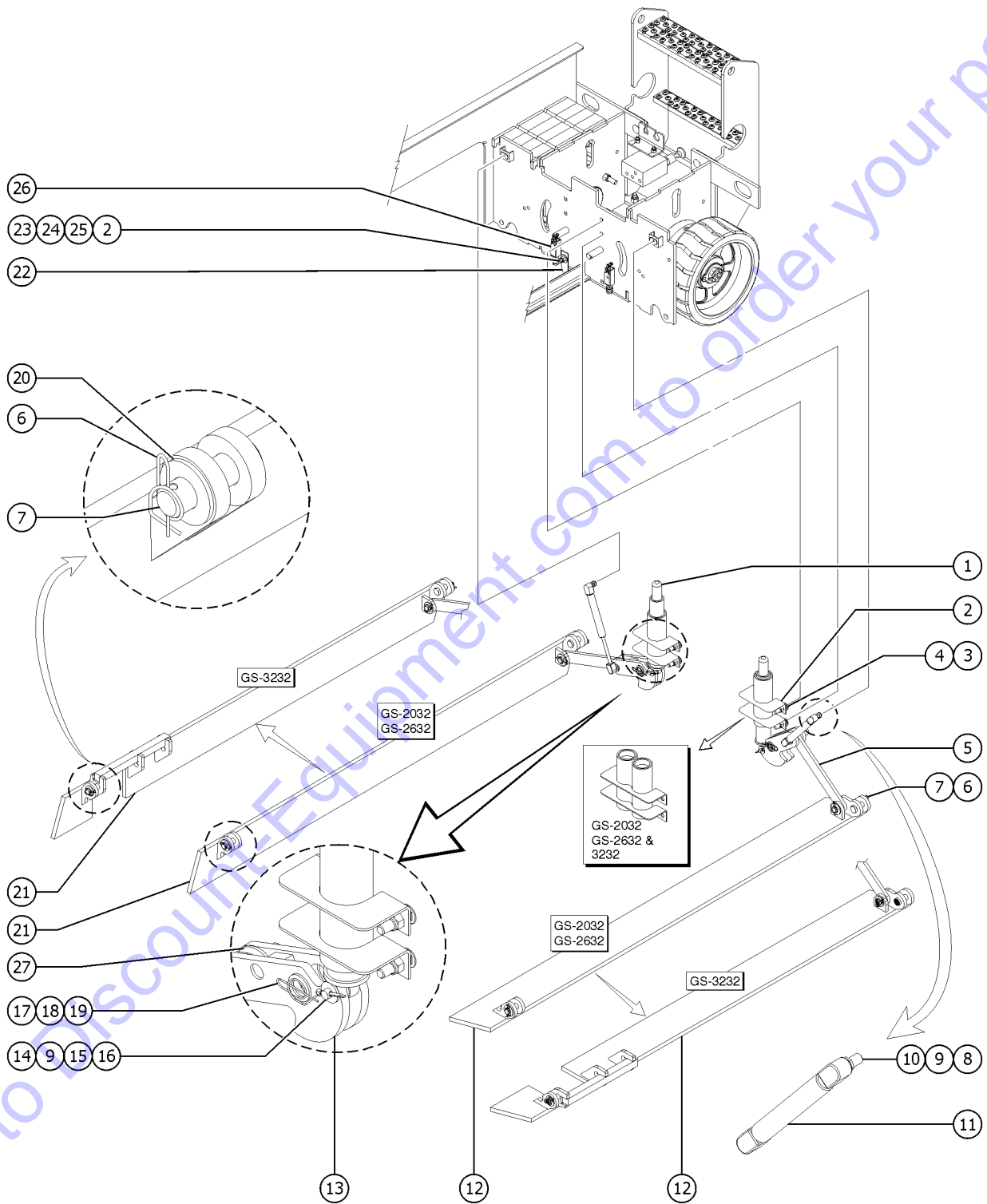
204.2 Pothole Protection Assembly, GS-2032C



Item	Part No.	Description	Qty.
1	96839GT	ASSY,POT HOLE PUSHER,GS***	
2A	96524GT	WLDMT/ASSY, PH GUIDE,GS30/32 GS-32 models	2
2A-	96408GT	BEARING,1.523IDX1.75ODX0.63L	
3	60790GT	BOLT,CARRIAGE,3/8-16 X1.50,G5	
4	4828GT	NUT,NYLOCK,3/8-16	
5	96637GT	PLATE,POTHOLE LINK	2
6	96422GT	RUE RING,5/8 PIN	
7	96135GT	PIN,CLEVIS,.625 X 1.88,ZINC PL	4
7-	105156GT	BUSHING,FLNGD,.63 X .77 X .38 (sold seperately)	4
8	96643GT	PIN, POTHOLE LINK PIVOT	2
9	5397GT	WASHER,FLAT,USS,5/16",Y	
10	78086GT	BALL STUD, GAS STRUT, 3/8-16	
11	39542GT	GAS SHOCK,SCISSORS***	2
12A	96639GT	WELDMENT, POTHOLE, LEFT SIDE GS-2032, GS-2632, GS-2046, GS-2646, GS-3246 (battery pack side)	1
13	84574GT	POTHLE BELL CRNK LINK ASSYGS30	2
13-	96642GT	BEARING,.75ID X 1.0OD X 1.38LG	
14	12016GT	PIN,COTTER,.125 X .75	
15	34742GT	PIN,CLEVIS,.375 X 1.75 LG.	2
16	96541GT	CAM FOLLOWER,1.125X.375,DELTRIN	2
17	96423GT	RUE RING,3/4 PIN	
18	6564GT	WASHER, SHIM,.765 X 1.312 X .093	
19	55355GT	SPACER,.75ID X 1.5OD X 1/4THK	
20	6898GT	WASHER,SHIM,.625 X 1.188X.064	
21A	96638GT	WELDMENT, POTHOLE, RIGHT SIDE GS-2032, GS-2632, GS-2046, GS-2646, GS-3246 (ground controls side)	1
22	105060GT	GROUND STRAP, 8"LG	1
23	64154GT	BOLT,CARRIAGE,3/8-16 X1.00,G5	
24	6700GT	WASHER,STAR,EXTERNAL,.375	
25	6097GT	WASHER,FLAT,USS,3/8",Y	



204.2 Pothole Protection Assembly, GS-2032C



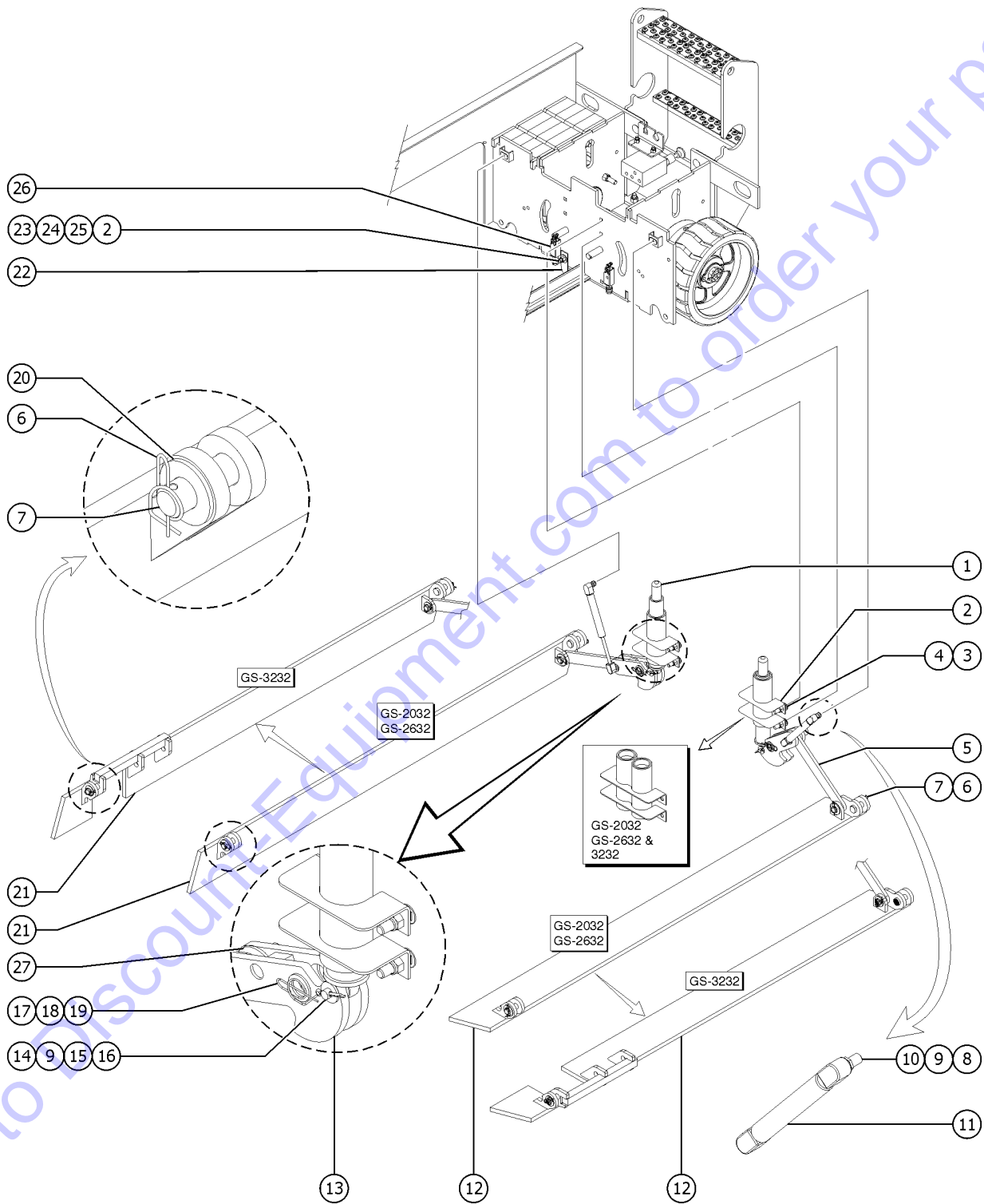


Item	Part No.	Description	Qty.
26	96948GT	SWITCH,LIMIT,W/ROLLER ARM*** .....	1
26-	19491GT	CONTACTOR,LIMIT SWITCH .....	
26-	97128GT	ROLLER ARM,LIMIT SWITCH*** .....	
27	96085GT	WASHER,THRUST,.63 X 1.13 X .06 .....	

Go to Discount-Equipment.com to order your parts



204.3 Pothole Protection Assembly, GS-32 & GS-46

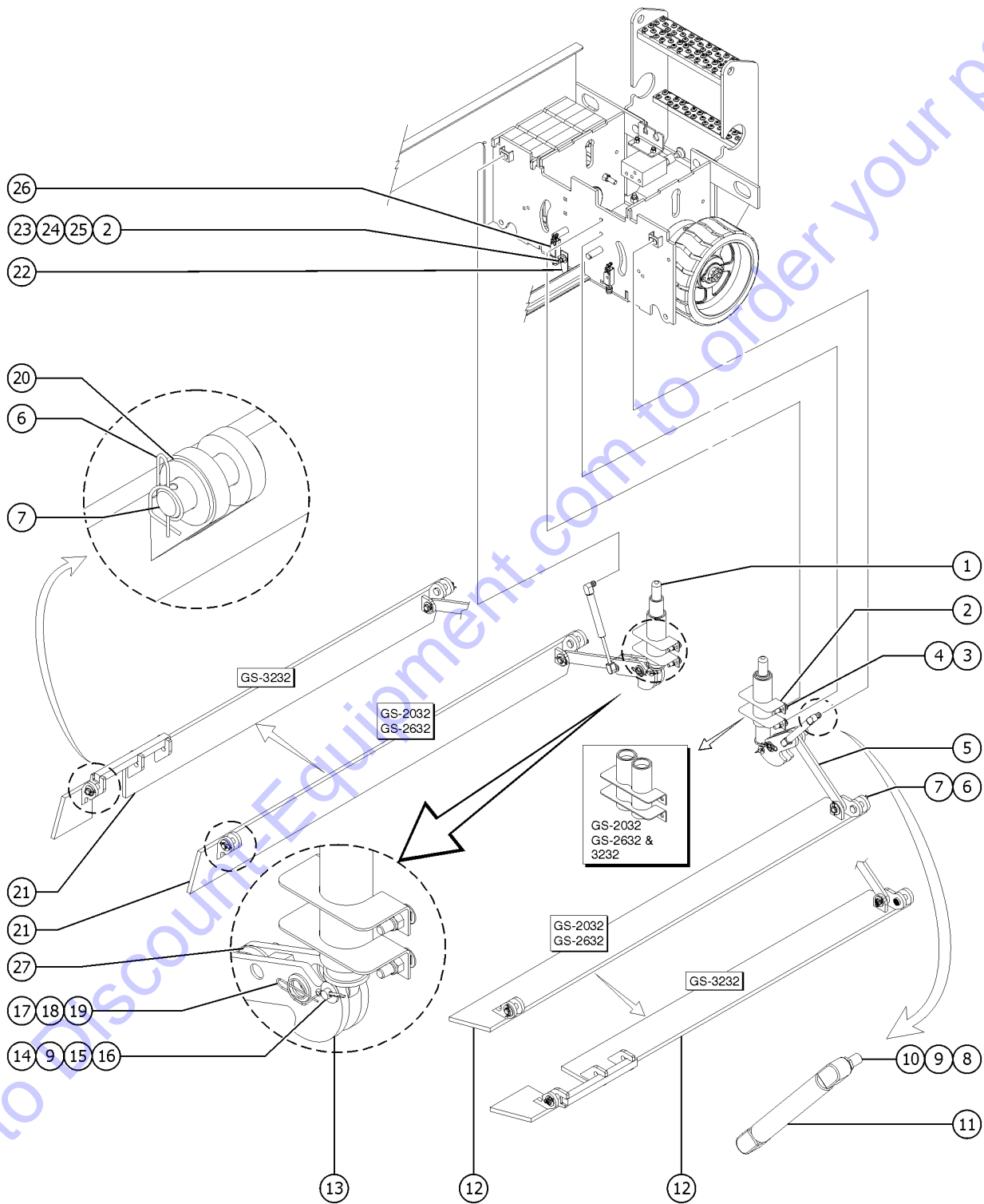


204.3 Pothole Protection Assembly, GS-32 & GS-46

Item	Part No.	Description	Qty.
1	96839GT	ASSY,POT HOLE PUSHER,GS***	
2B	105069GT	WLDMT/ASSY,PH GUIDE,GS46 GS-46 models	2
2B-	96408GT	BEARING,1.523IDX1.75ODX0.63L	
3	60790GT	BOLT,CARRIAGE,3/8-16 X1.50,G5	
4	4828GT	NUT,NYLOCK,3/8-16	
5	96637GT	PLATE,POTHOLE LINK	2
6	96422GT	RUE RING,5/8 PIN	
7	96135GT	PIN,CLEVIS,.625 X 1.88,ZINC PL	4
7-	105156GT	BUSHING,FLNGD,.63 X .77 X .38 (sold seperately)	4
8	96643GT	PIN, POTHOLE LINK PIVOT	2
9	5397GT	WASHER,FLAT,USS,5/16",Y	
10	78086GT	BALL STUD, GAS STRUT, 3/8-16	
11	39542GT	GAS SHOCK,SCISSORS***	2
12A	96639GT	WELDMENT, POTHOLE, LEFT SIDE GS-2032, GS-2632, GS-2046, GS-2646, GS-3246 (battery pack side)	1
13	84574GT	POTHLE BELL CRNK LINK ASSYGS30	2
13-	96642GT	BEARING,.75ID X 1.0OD X 1.38LG	
14	12016GT	PIN,COTTER,.125 X .75	
15	34742GT	PIN,CLEVIS,.375 X 1.75 LG.	2
16	96541GT	CAM FOLLOWER,1.125X.375,DELTRIN	2
17	96423GT	RUE RING,3/4 PIN	
18	6564GT	WASHER, SHIM,.765 X 1.312 X .093	
19	55355GT	SPACER,.75ID X 1.5OD X 1/4THK	
20	6898GT	WASHER,SHIM,.625 X 1.188X.064	
21A	96638GT	WELDMENT, POTHOLE, RIGHT SIDE GS-2032, GS-2632, GS-2046, GS-2646, GS-3246 (ground controls side)	1
22	105060GT	GROUND STRAP, 8"LG	1
23	64154GT	BOLT,CARRIAGE,3/8-16 X1.00,G5	
24	6700GT	WASHER,STAR,EXTERNAL,.375	
25	6097GT	WASHER,FLAT,USS,3/8",Y	



204.3 Pothole Protection Assembly, GS-32 & GS-46

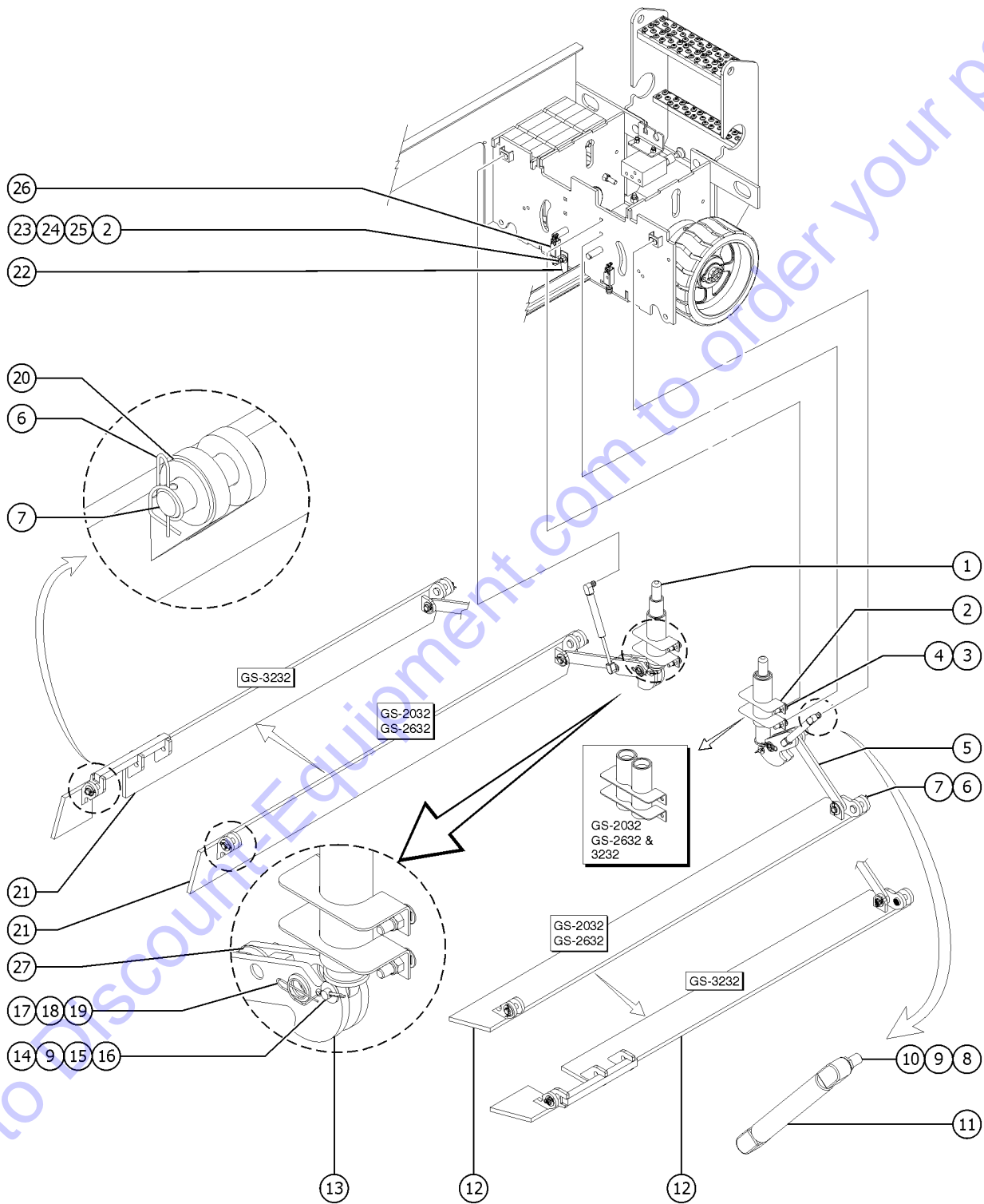


Item	Part No.	Description	Qty.
26	96948GT	SWITCH,LIMIT,W/ROLLER ARM*** (down limit switch)	1
26-	19491GT	CONTACTOR,LIMIT SWITCH	
26-	97128GT	ROLLER ARM,LIMIT SWITCH***	
27	96085GT	WASHER,THRUST,.63 X 1.13 X .06	

Go to Discount-Equipment.com to order your parts



204.4 Pothole Protection Assembly, GS-46C

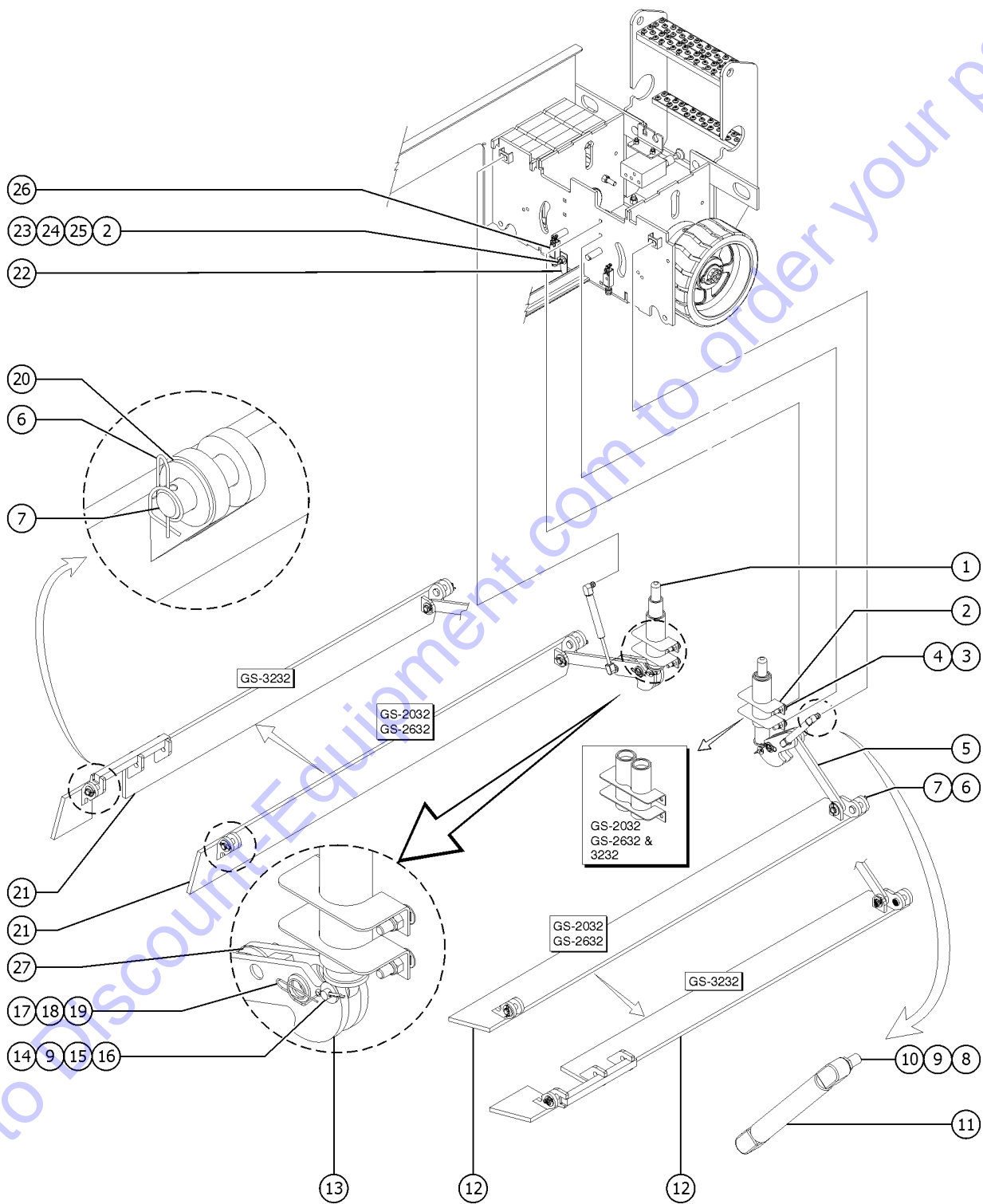


204.4 Pothole Protection Assembly, GS-46C

Item	Part No.	Description	Qty.
1	96839GT	ASSY,POT HOLE PUSHER,GS***	
2B	105069GT	WLDMT/ASSY,PH GUIDE,GS46 GS-46 models	2
2B-	96408GT	BEARING,1.523IDX1.75ODX0.63L	
3	60790GT	BOLT,CARRIAGE,3/8-16 X1.50,G5	
4	4828GT	NUT,NYLOCK,3/8-16	
5	96637GT	PLATE,POTHOLE LINK	2
6	96422GT	RUE RING,5/8 PIN	
7	96135GT	PIN,CLEVIS,.625 X 1.88,ZINC PL	4
7-	105156GT	BUSHING,FLNGD,.63 X .77 X .38 (sold seperately)	4
8	96643GT	PIN, POTHOLE LINK PIVOT	2
9	5397GT	WASHER,FLAT,USS,5/16",Y	
10	78086GT	BALL STUD, GAS STRUT, 3/8-16	
11	39542GT	GAS SHOCK,SCISSORS***	2
12A	96639GT	WELDMENT, POTHOLE, LEFT SIDE GS-2032, GS-2632, GS-2046, GS-2646, GS-3246 (battery pack side)	1
13	84574GT	POTHLE BELL CRNK LINK ASSYGS30	2
13-	96642GT	BEARING,.75ID X 1.0OD X 1.38LG	
14	12016GT	PIN,COTTER,.125 X .75	
15	34742GT	PIN,CLEVIS,.375 X 1.75 LG.	2
16	96541GT	CAM FOLLOWER,1.125X.375,DELTRIN	2
17	96423GT	RUE RING,3/4 PIN	
18	6564GT	WASHER, SHIM,.765 X 1.312 X .093	
19	55355GT	SPACER,.75ID X 1.5OD X 1/4THK	
20	6898GT	WASHER,SHIM,.625 X 1.188X.064	
21A	96638GT	WELDMENT, POTHOLE, RIGHT SIDE GS-2032, GS-2632, GS-2046, GS-2646, GS-3246 (ground controls side)	1
22	105060GT	GROUND STRAP, 8"LG	1
23	64154GT	BOLT,CARRIAGE,3/8-16 X1.00,G5	
24	6700GT	WASHER,STAR,EXTERNAL,.375	
25	6097GT	WASHER,FLAT,USS,3/8",Y	



204.4 Pothole Protection Assembly, GS-46C



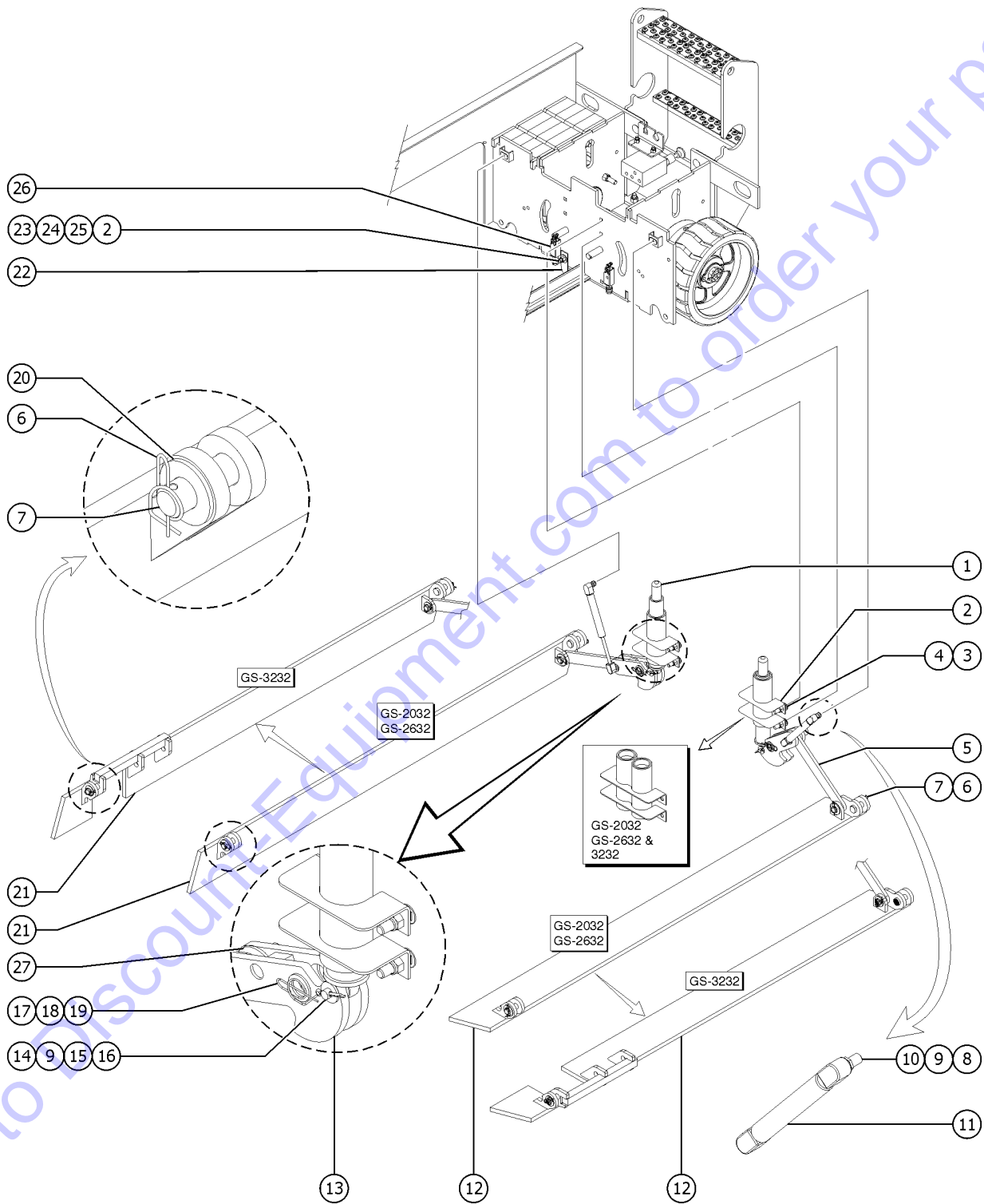


Item	Part No.	Description	Qty.
26	96948GT	SWITCH,LIMIT,W/ROLLER ARM*** (down limit switch)	1
26-	19491GT	CONTACTOR,LIMIT SWITCH	
26-	97128GT	ROLLER ARM,LIMIT SWITCH***	
27	96085GT	WASHER,THRUST,.63 X 1.13 X .06	

Go to Discount-Equipment.com to order your parts



204.5 Pothole Protection Assembly, GS-2632C

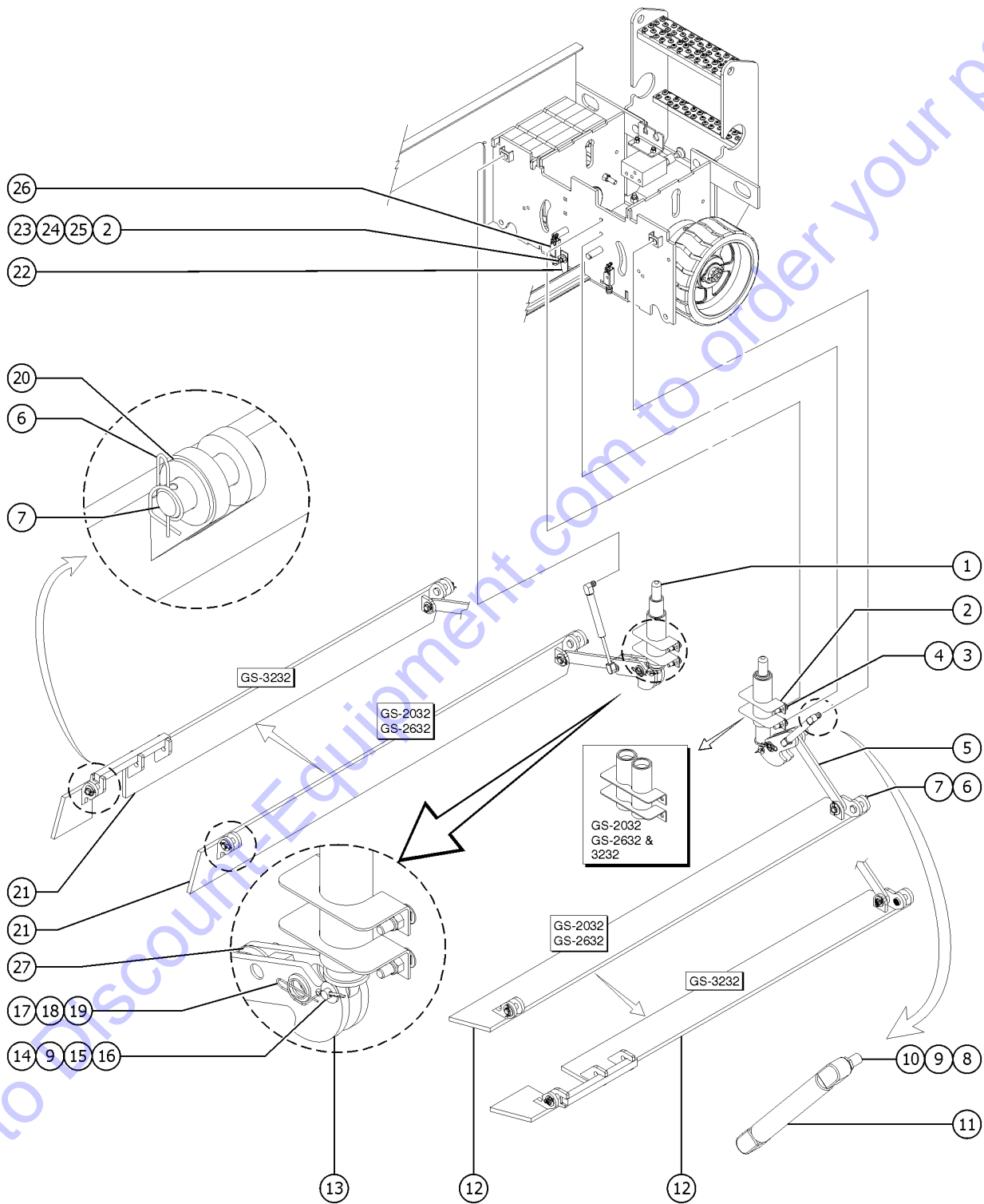


204.5 Pothole Protection Assembly, GS-2632C

Item	Part No.	Description	Qty.
1	96839GT	ASSY,POT HOLE PUSHER,GS***	
2A	96524GT	WLDMT/ASSY, PH GUIDE,GS30/32 GS-32 models	2
2A-	96408GT	BEARING,1.523IDX1.75ODX0.63L	
3	60790GT	BOLT,CARRIAGE,3/8-16 X1.50,G5	
4	4828GT	NUT,NYLOCK,3/8-16	
5	96637GT	PLATE,POTHOLE LINK	2
6	96422GT	RUE RING,5/8 PIN	
7	96135GT	PIN,CLEVIS,.625 X 1.88,ZINC PL	4
7-	105156GT	BUSHING,FLNGD,.63 X .77 X .38 (sold seperately)	4
8	96643GT	PIN, POTHOLE LINK PIVOT	2
9	5397GT	WASHER,FLAT,USS,5/16",Y	
10	78086GT	BALL STUD, GAS STRUT, 3/8-16	
11	39542GT	GAS SHOCK,SCISSORS***	2
12A	96639GT	WELDMENT, POTHOLE, LEFT SIDE GS-2032, GS-2632, GS-2046, GS-2646, GS-3246 (battery pack side)	1
13	84574GT	POTHLE BELL CRNK LINK ASSYGS30	2
13-	96642GT	BEARING,.75ID X 1.0OD X 1.38LG	
14	12016GT	PIN,COTTER,.125 X .75	
15	34742GT	PIN,CLEVIS,.375 X 1.75 LG.	2
16	96541GT	CAM FOLLOWER,1.125X.375,DELTRIN	2
17	96423GT	RUE RING,3/4 PIN	
18	6564GT	WASHER, SHIM,.765 X 1.312 X .093	
19	55355GT	SPACER,.75ID X 1.5OD X 1/4THK	
20	6898GT	WASHER,SHIM,.625 X 1.188X.064	
21A	96638GT	WELDMENT, POTHOLE, RIGHT SIDE GS-2032, GS-2632, GS-2046, GS-2646, GS-3246 (ground controls side)	1
22	105060GT	GROUND STRAP, 8"LG	1
23	64154GT	BOLT,CARRIAGE,3/8-16 X1.00,G5	
24	6700GT	WASHER,STAR,EXTERNAL,.375	
25	6097GT	WASHER,FLAT,USS,3/8",Y	



204.5 Pothole Protection Assembly, GS-2632C

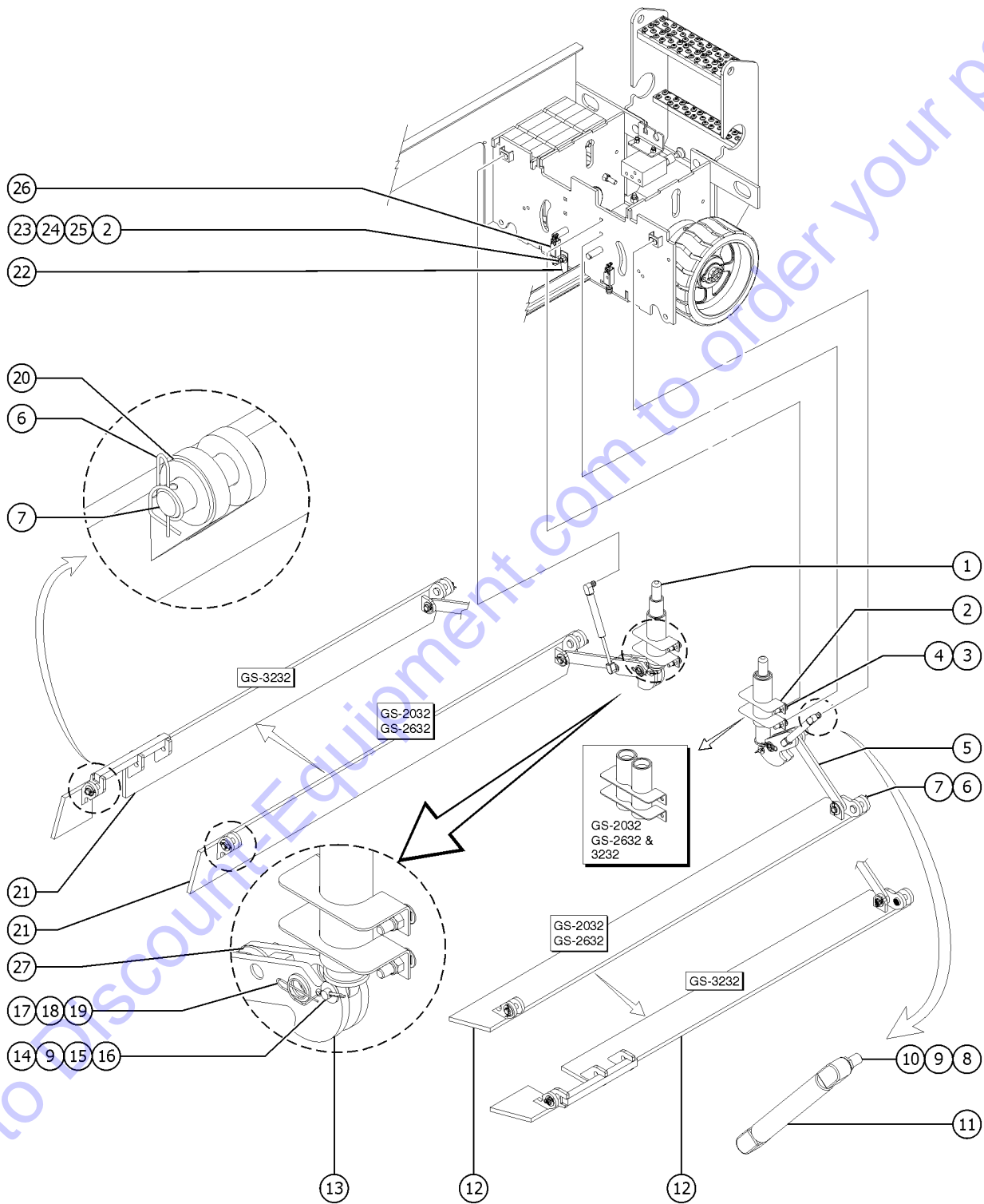


Item	Part No.	Description	Qty.
26	96948GT	SWITCH,LIMIT,W/ROLLER ARM*** (down limit switch)	1
26-	19491GT	CONTACTOR,LIMIT SWITCH	
26-	97128GT	ROLLER ARM,LIMIT SWITCH***	
27	96085GT	WASHER,THRUST,.63 X 1.13 X .06	

Go to Discount-Equipment.com to order your parts



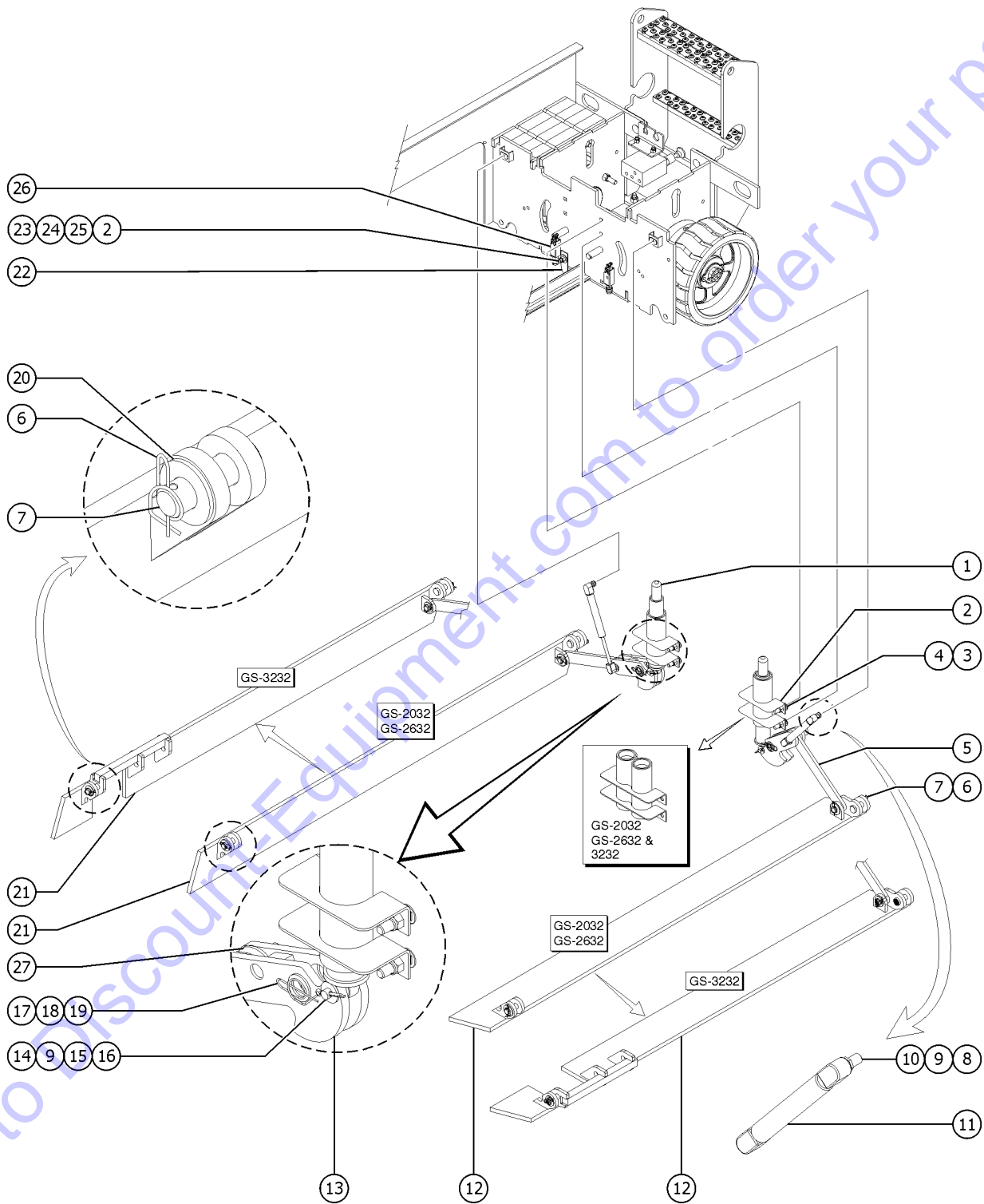
204.6 Pothole Protection Assembly, GS-3232



Item	Part No.	Description	Qty.
1	96839GT	ASSY,POT HOLE PUSHER,GS***	
2	96524GT	WLDMT/ASSY, PH GUIDE,GS30/32 GS-32 models	2
-	96408GT	BEARING,1.523IDX1.75ODX0.63L	
3	60790GT	BOLT,CARRIAGE,3/8-16 X1.50,G5	
4	4828GT	NUT,NYLOCK,3/8-16	
5	96637GT	PLATE,POTHOLE LINK	2
6	96422GT	RUE RING,5/8 PIN	
7	96135GT	PIN,CLEVIS,.625 X 1.88,ZINC PL	4
7-	105156GT	BUSHING,FLNGD,.63 X .77 X .38 (sold seperately)	4
8	96643GT	PIN, POTHOLE LINK PIVOT	2
9	5397GT	WASHER,FLAT,USS,5/16",Y	
10	78086GT	BALL STUD, GAS STRUT, 3/8-16	
11	39542GT	GAS SHOCK,SCISSORS***	2
12	109894GT	WLDMT,POTHOLE,LT,OR GS-3232 (battery pack side)	1
13	84574GT	POTHE BELL CRNK LINK ASSYGS30	2
13-	96642GT	BEARING,.75ID X 1.00D X 1.38LG	
14	12016GT	PIN,COTTER,.125 X .75	
15	34742GT	PIN,CLEVIS,.375 X 1.75 LG.	2
16	96541GT	CAM FOLLOWER,1.125X.375,DELRIN	2
17	96423GT	RUE RING,3/4 PIN	
18	6564GT	WASHER, SHIM,.765 X 1.312 X .093	
19	55355GT	SPACER,.75ID X 1.50D X 1/4THK	
20	6898GT	WASHER,SHIM,.625 X 1.188X.064	
21	109893GT	WLDMT,POTHOLE,RT,OR GS-3232 (ground controls side)	1
22	105060GT	GROUND STRAP, 8"LG	1
23	64154GT	BOLT,CARRIAGE,3/8-16 X1.00,G5	
24	6700GT	WASHER,STAR,EXTERNAL,.375	
25	6097GT	WASHER,FLAT,USS,3/8",Y	



204.6 Pothole Protection Assembly, GS-3232



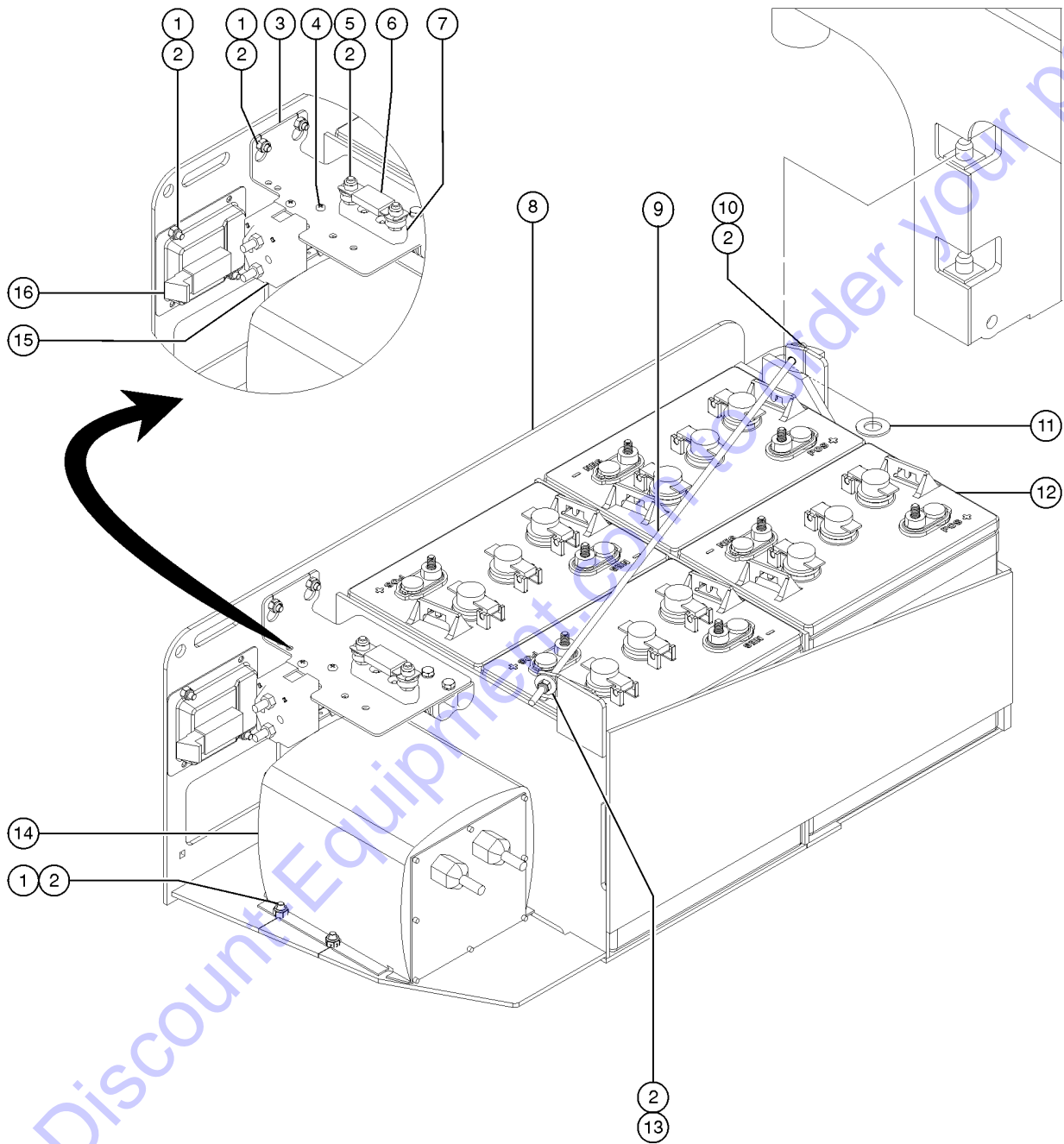


Item	Part No.	Description	Qty.
26	96948GT	SWITCH,LIMIT,W/ROLLER ARM*** (down limit switch)	1
26-	19491GT	CONTACTOR,LIMIT SWITCH	
26-	97128GT	ROLLER ARM,LIMIT SWITCH***	
27	96085GT	WASHER,THRUST,.63 X 1.13 X .06	

Go to Discount-Equipment.com to order your parts



205.1 Battery Pack Module

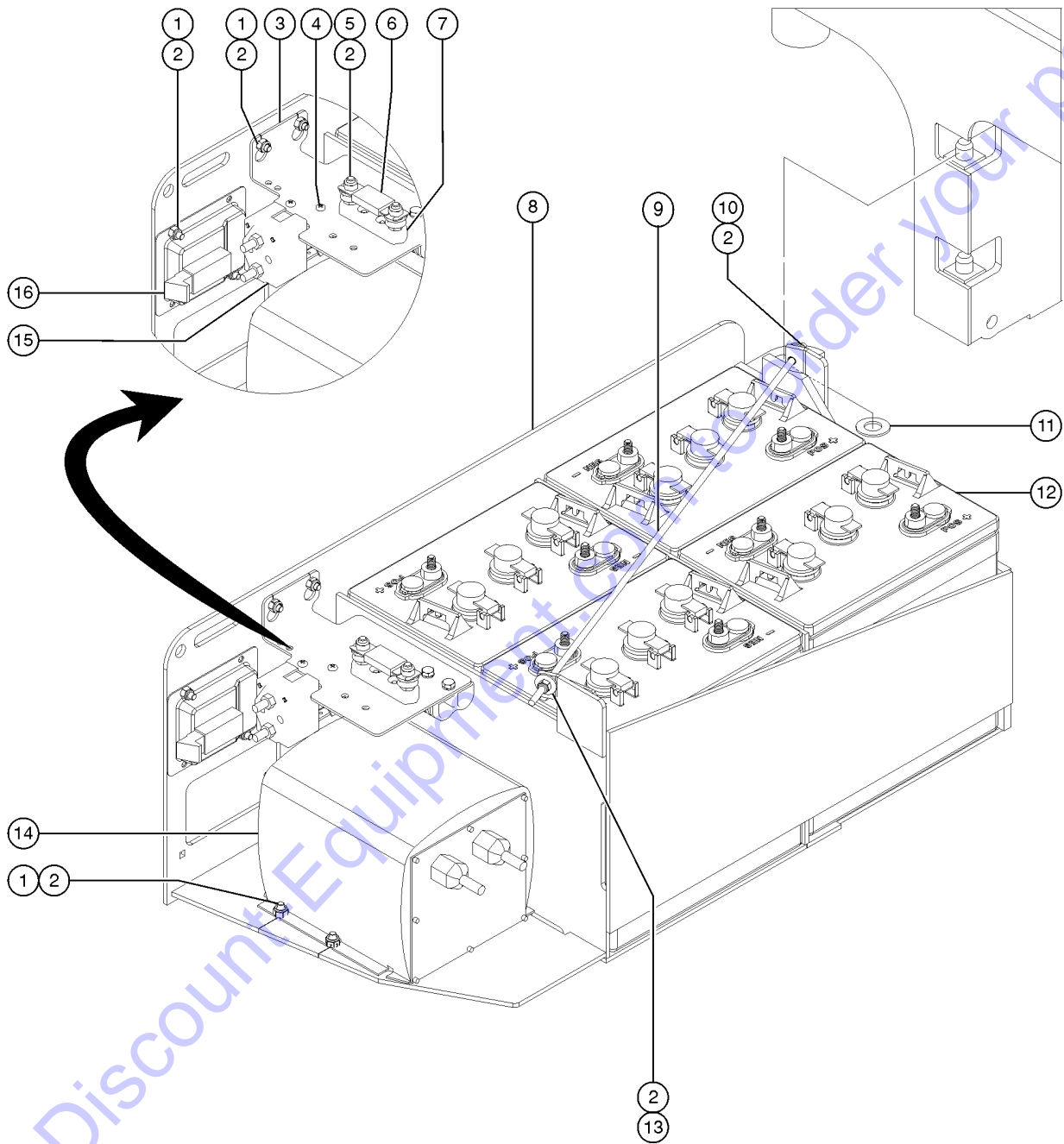


205.1 Battery Pack Module

Item	Part No.	Description	Qty.
1	6878GT	BOLT,CARRIAGE,1/4-20 X .75,G2	
2	6091GT	NUT, NYLOCK, 1/4-20	
3	232531GT	FORMING,CONTACTOR MOUNT,GS	1
4	49818GT	SCREW,PHILLIPS,PHM,10-32 X .38	
5	13000GT	SCREW,HHC,5/16-18 X 1.25	
6	40833GT	FUSE, 275AMP, VERY FAST ACTING	1
7	66717GT	FUSE BLOCK, ANN & ANL FUSE (includes mounting fasteners)	1
8	105467GT	WLDMT,GS BATTERY TRAY	1
9	30784-2550GT	THREADED ROD,(1/4-20),25.50	1
10	6889GT	NUT,LP NYLOCK,1/4-20	
11	33278GT	WASHER,FLAT,.75 HARDENED	
12A	76502GT	BATTERY,T105 W/LPT,3 CAP,DRY** no longer available (contact customer service)	4
12A-	137770GT	BATTERY WATERING KIT,24V UNIV (to watch the installation video, copy and paste this link to your web browser) <a href="https://www.youtube.com/watch?v=13zTfl-hWik">https://www.youtube.com/watch?v=13zTfl-hWik</a>	
12A-	137769GT	BATTERY WATERING HAND PUMP	
12A-	18503GT	NUT, LOCKING - LG FLANGE 5/16 - 18	
12B	105150GT	BATTERY, AGM, 6V, (TROJAN) ***	4
12B-	137770GT	BATTERY WATERING KIT,24V UNIV (to watch the installation video, copy and paste this link to your web browser) <a href="https://www.youtube.com/watch?v=13zTfl-hWik">https://www.youtube.com/watch?v=13zTfl-hWik</a>	
12B-	137769GT	BATTERY WATERING HAND PUMP	
12C	76494GT	BATT,6V,225AH T105 LPT\3CAP	4
13	6638GT	WASHER,FLAT,USS,1/4"Y	
14		Ref. Battery Charger (refer to 206.1)	
15A	74267GT	CONTACTOR,DRIVE,24V,180A*** to SN GS3216C-16139, GS4616C-16933	1
15B	1270456GT	CONTACTOR,DRIVE,24V,180A from SN GS3216C-16140, GS4616C-16934	
16	55675GT	LATCH, LRG PADDLE HANDLE GS90	1

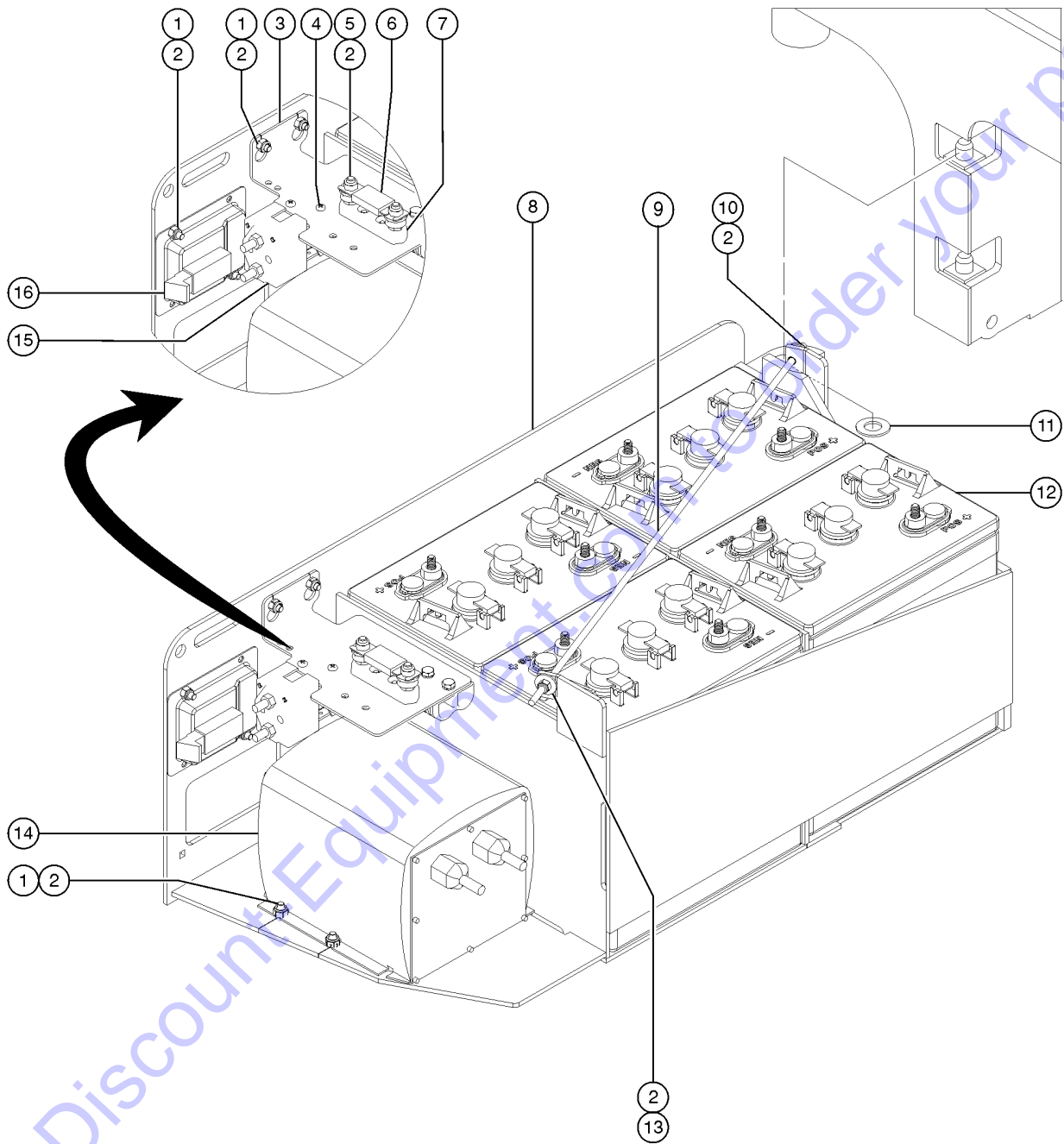


205.2 Battery Pack Module, GS-2032C



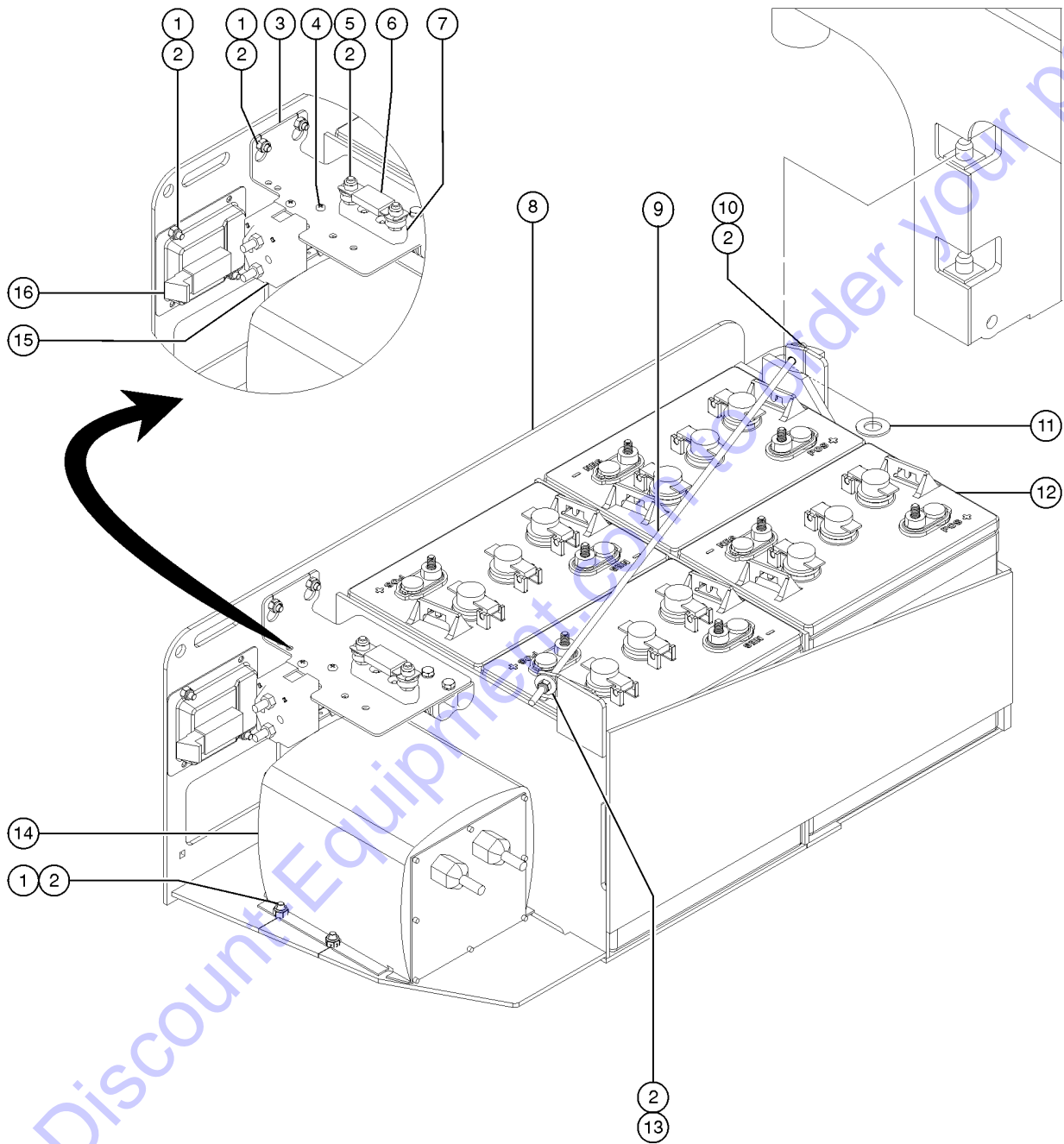
Item	Part No.	Description	Qty.
1	6878GT	BOLT,CARRIAGE,1/4-20 X .75,G2 .....	
2	6091GT	NUT, NYLOCK, 1/4-20 .....	
3	232531GT	FORMING,CONTACTOR MOUNT,GS .....	1
4	49818GT	SCREW,PHILLIPS,PHM,10-32 X .38 .....	
5	13000GT	SCREW,HHC,5/16-18 X 1.25 .....	
6	40833GT	FUSE, 275AMP, VERY FAST ACTING .....	1
7	66717GT	FUSE BLOCK, ANN & ANL FUSE .....	1
		(includes mounting fasteners)	
8	105467GT	WLDMT,GS BATTERY TRAY .....	1
9	30784-2550GT	THREADED ROD,(1/4-20),25.50 .....	1
10	6889GT	NUT,LP NYLOCK,1/4-20 .....	
11	33278GT	WASHER,FLAT,.75 HARDENED .....	
12A	76502GT	BATTERY,T105 W/LPT,3 CAP,DRY** .....	4
		no longer available (contact customer service)	
12A-	137770GT	BATTERY WATERING KIT,24V UNIV .....	
		(to watch the installation video, copy and paste this link to your web browser) https:	
		//www.youtube.com/watch?v=13zTfl-hWik	
12A-	137769GT	BATTERY WATERING HAND PUMP .....	
12A-	18503GT	NUT, LOCKING - LG FLANGE 5/16 - 18 .....	
12B	105150GT	BATTERY, AGM, 6V, (TROJAN) *** .....	4
12B-	137770GT	BATTERY WATERING KIT,24V UNIV .....	
		(to watch the installation video, copy and paste this link to your web browser) https:	
		//www.youtube.com/watch?v=13zTfl-hWik	
12B-	137769GT	BATTERY WATERING HAND PUMP .....	
12C	76494GT	BATT,6V,225AH T105 LPT\3CAP .....	4
13	6638GT	WASHER,FLAT,USS,1/4"Y .....	
14		Ref. Battery Charger .....	
		(refer to 206.1)	
15A	74267GT	CONTACTOR,DRIVE,24V,180A*** .....	1
		to SN GS3216C-16139	
15B	1270456GT	CONTACTOR,DRIVE,24V,180A .....	
		from SN GS3216C-16140	
16	55675GT	LATCH, LRG PADDLE HANDLE GS90 .....	1

205.3 Battery Pack Module, GS-2646C



Item	Part No.	Description	Qty.
1	6878GT	BOLT,CARRIAGE,1/4-20 X .75,G2	
2	6091GT	NUT, NYLOCK, 1/4-20	
3	232531GT	FORMING,CONTACTOR MOUNT,GS	1
4	49818GT	SCREW,PHILLIPS,PHM,10-32 X .38	
5	13000GT	SCREW,HHC,5/16-18 X 1.25	
6	40833GT	FUSE, 275AMP, VERY FAST ACTING	1
7	66717GT	FUSE BLOCK, ANN & ANL FUSE (includes mounting fasteners)	1
8	105467GT	WLDMT,GS BATTERY TRAY	1
9	30784-2550GT	THREADED ROD,(1/4-20),25.50	1
10	6889GT	NUT,LP NYLOCK,1/4-20	
11	33278GT	WASHER,FLAT,.75 HARDENED	
12A	76502GT	BATTERY,T105 W/LPT,3 CAP,DRY** no longer available (contact customer service)	4
12A-	137770GT	BATTERY WATERING KIT,24V UNIV (to watch the installation video, copy and paste this link to your web browser) <a href="https://www.youtube.com/watch?v=13zTfl-hWik">https://www.youtube.com/watch?v=13zTfl-hWik</a>	
12A-	137769GT	BATTERY WATERING HAND PUMP	
12A-	18503GT	NUT, LOCKING - LG FLANGE 5/16 - 18	
12B	105150GT	BATTERY, AGM, 6V, (TROJAN) ***	4
12B-	137770GT	BATTERY WATERING KIT,24V UNIV (to watch the installation video, copy and paste this link to your web browser) <a href="https://www.youtube.com/watch?v=13zTfl-hWik">https://www.youtube.com/watch?v=13zTfl-hWik</a>	
12B-	137769GT	BATTERY WATERING HAND PUMP	
12C	76494GT	BATT,6V,225AH T105 LPT\3CAP	4
13	6638GT	WASHER,FLAT,USS,1/4"Y	
14		Ref. Battery Charger (refer to 206.1)	
15A	74267GT	CONTACTOR,DRIVE,24V,180A*** to SN GS4616C-16933	1
15B	1270456GT	CONTACTOR,DRIVE,24V,180A from SN GS4616C-16934	
16	55675GT	LATCH, LRG PADDLE HANDLE GS90	1

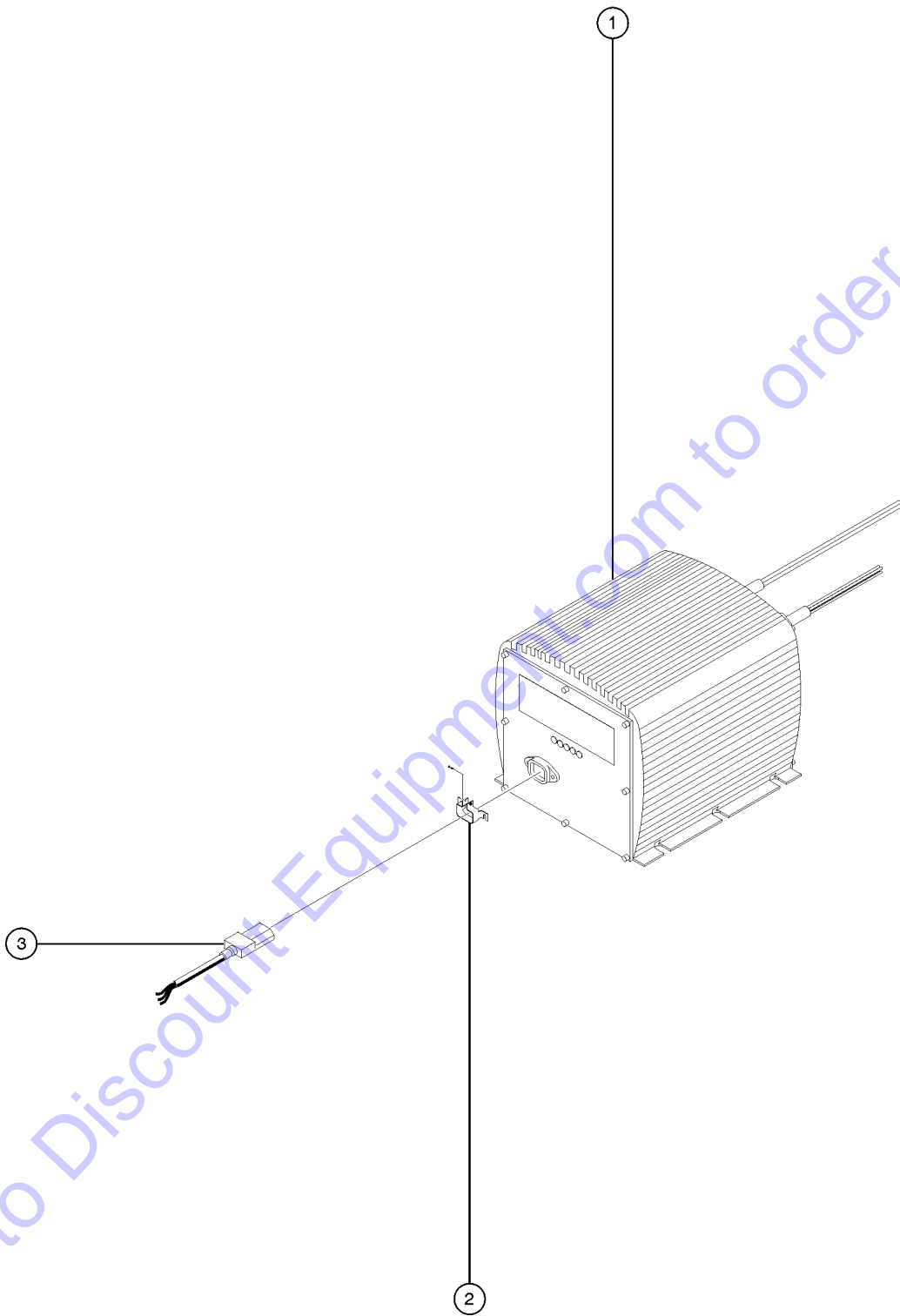
205.4 Battery Pack Module, GS-2632C





Item	Part No.	Description	Qty.
1	6878GT	BOLT,CARRIAGE,1/4-20 X .75,G2 .....	
2	6091GT	NUT, NYLOCK, 1/4-20 .....	
3	232531GT	FORMING,CONTACTOR MOUNT,GS .....	1
4	49818GT	SCREW,PHILLIPS,PHM,10-32 X .38 .....	
5	13000GT	SCREW,HHC,5/16-18 X 1.25 .....	
6	40833GT	FUSE, 275AMP, VERY FAST ACTING .....	1
7	66717GT	FUSE BLOCK, ANN & ANL FUSE .....	1
		(includes mounting fasteners)	
8	105467GT	WLDMT,GS BATTERY TRAY .....	1
9	30784-2550GT	THREADED ROD,(1/4-20),25.50 .....	1
10	6889GT	NUT,LP NYLOCK,1/4-20 .....	
11	33278GT	WASHER,FLAT,.75 HARDENED .....	
12A	76502GT	BATTERY,T105 W/LPT,3 CAP,DRY** .....	4
		no longer available (contact customer service)	
12A-	137770GT	BATTERY WATERING KIT,24V UNIV .....	
		(to watch the installation video, copy and paste this link to your web browser) https:	
		//www.youtube.com/watch?v=13zTfl-hWik	
12A-	137769GT	BATTERY WATERING HAND PUMP .....	
12A-	18503GT	NUT, LOCKING - LG FLANGE 5/16 - 18 .....	
12B	105150GT	BATTERY, AGM, 6V, (TROJAN) *** .....	4
12B-	137770GT	BATTERY WATERING KIT,24V UNIV .....	
		(to watch the installation video, copy and paste this link to your web browser) https:	
		//www.youtube.com/watch?v=13zTfl-hWik	
12B-	137769GT	BATTERY WATERING HAND PUMP .....	
12C	76494GT	BATT,6V,225AH T105 LPT\3CAP .....	4
13	6638GT	WASHER,FLAT,USS,1/4"Y .....	
14		Ref. Battery Charger .....	
		(refer to 206.1)	
15A	74267GT	CONTACTOR,DRIVE,24V,180A*** .....	1
		to SN GS3216C-16139	
15B	1270456GT	CONTACTOR,DRIVE,24V,180A .....	
		from SN GS3216C-16140	
16	55675GT	LATCH, LRG PADDLE HANDLE GS90 .....	1

206.1 Battery Charger, GS-32A, GS-46A, GS3232C

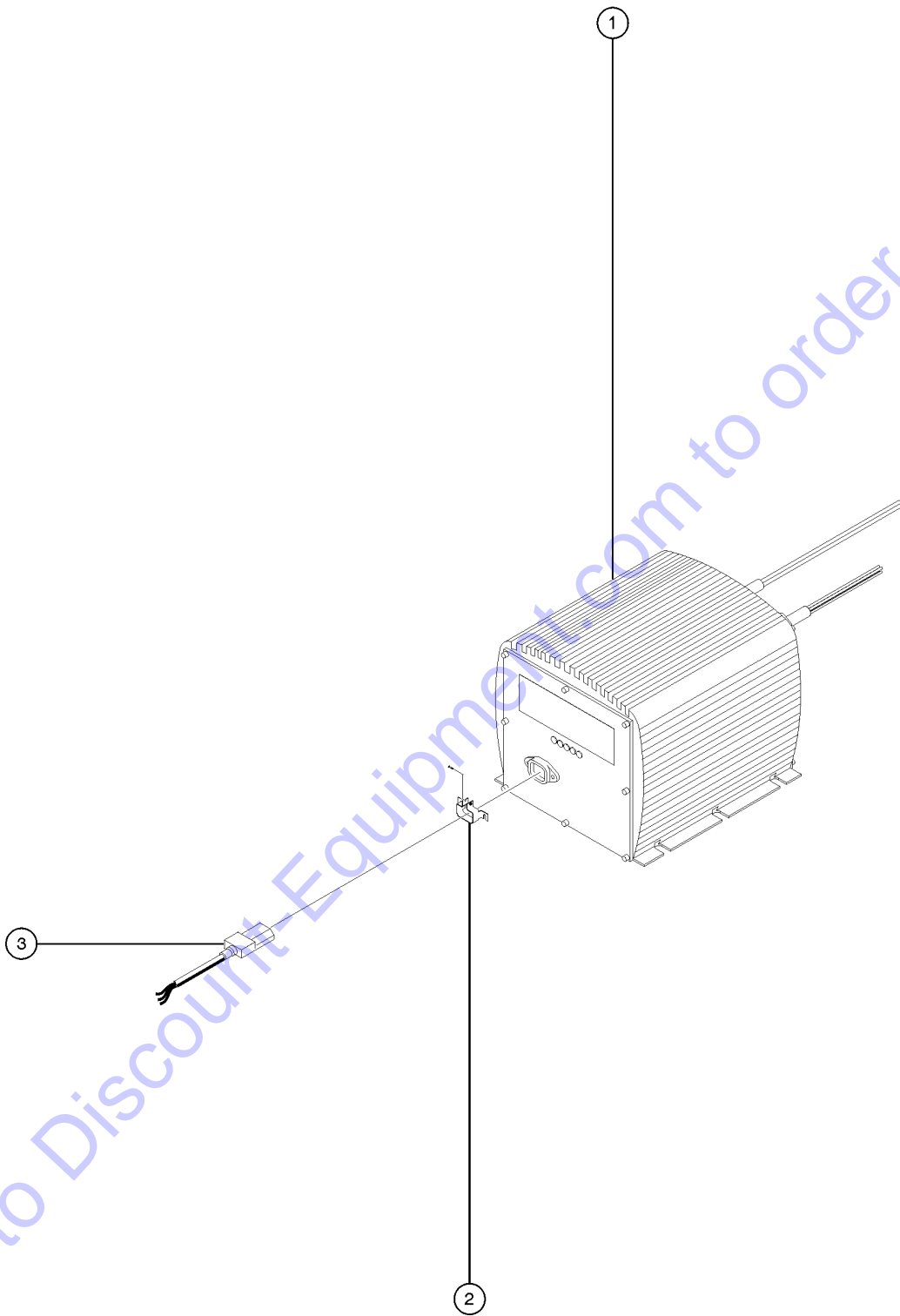


206.1 Battery Charger, GS-32A, GS-46A, GS3232C

Item	Part No.	Description	Qty.
-	97059GT	FUSE,BATTERY CHARGER*** for 5-LED battery charger	
-	105334GT	CONNECTOR, IEC CHARGER CORD for 5-LED battery charger	
1A	105739GT	CHARGER,BAT,24VDC,H/LO GEN2 Signet battery charger. NOTE: Some machines are equipped with an alternative-brand battery charger. Inspect your machine before ordering OR contact Genie Service Parts if needed.	1
1A-	144180GT	MANUAL,OWNERS,CHARGER,105739	
1B		Ref. Field Assembly Recessed Charger Plug (refer to 403.2)	
1C	219480GT	KIT,BATTERY CHARGER,24V (includes 105739 charger, fasteners, ring terminals and instructions for field installation)	
1DA	1277961GT	KIT, 650W BATT CHARGER,FLA newer style charger for GS-32 machines with lead acid batteries to SN 15A-140497, 16C-17299, C-17527	
1DA	1277959GT	KIT, 650W BATT CHARGER,AGM newer style charger for GS-32 machines with AGM batteries to SN 15A-140497, 16C-17299, C-17527	
1DA	1277960GT	KIT, 650W BATT CHARGER,FLA, REC PLUG newer style charger for GS-32 machines with lead acid batteries and Rec plug to SN 15A-140497, 16C-17299, C-17527	
1DA	1277958GT	KIT, 650W BATT CHARGER,AGM, REC PLUG newer style charger for GS-32 machines with AGM batteries and Rec plug to SN 15A-140497, 16C-17299, C-17527	
1DB	1277961GT	KIT, 650W BATT CHARGER,FLA newer style charger for GS-46 machines with lead acid batteries to SN 15A-137426, 16C-18099, C-18354	
1DB	1277959GT	KIT, 650W BATT CHARGER,AGM newer style charger for GS-46 machines with AGM batteries to SN 15A-137426, 16C-18099, C-18354	
1DB	1277960GT	KIT, 650W BATT CHARGER,FLA, REC PLUG newer style charger for GS-46 machines with lead acid batteries and Rec plug to SN 15A-137426, 16C-18099, C-18354	
1DB	1277958GT	KIT, 650W BATT CHARGER,AGM, REC PLUG newer style charger for GS-46 machines with AGM batteries and Rec plug to SN 15A-137426, 16C-18099, C-18354	
2	55010GT	LOCK, CONNECTOR (includes fasteners)	1
3	144130GT	POWER CORD, IEC 320, 115"	1



206.2 Battery Charger, GS-2032C



Go to Discount-Equipment.com to order your parts

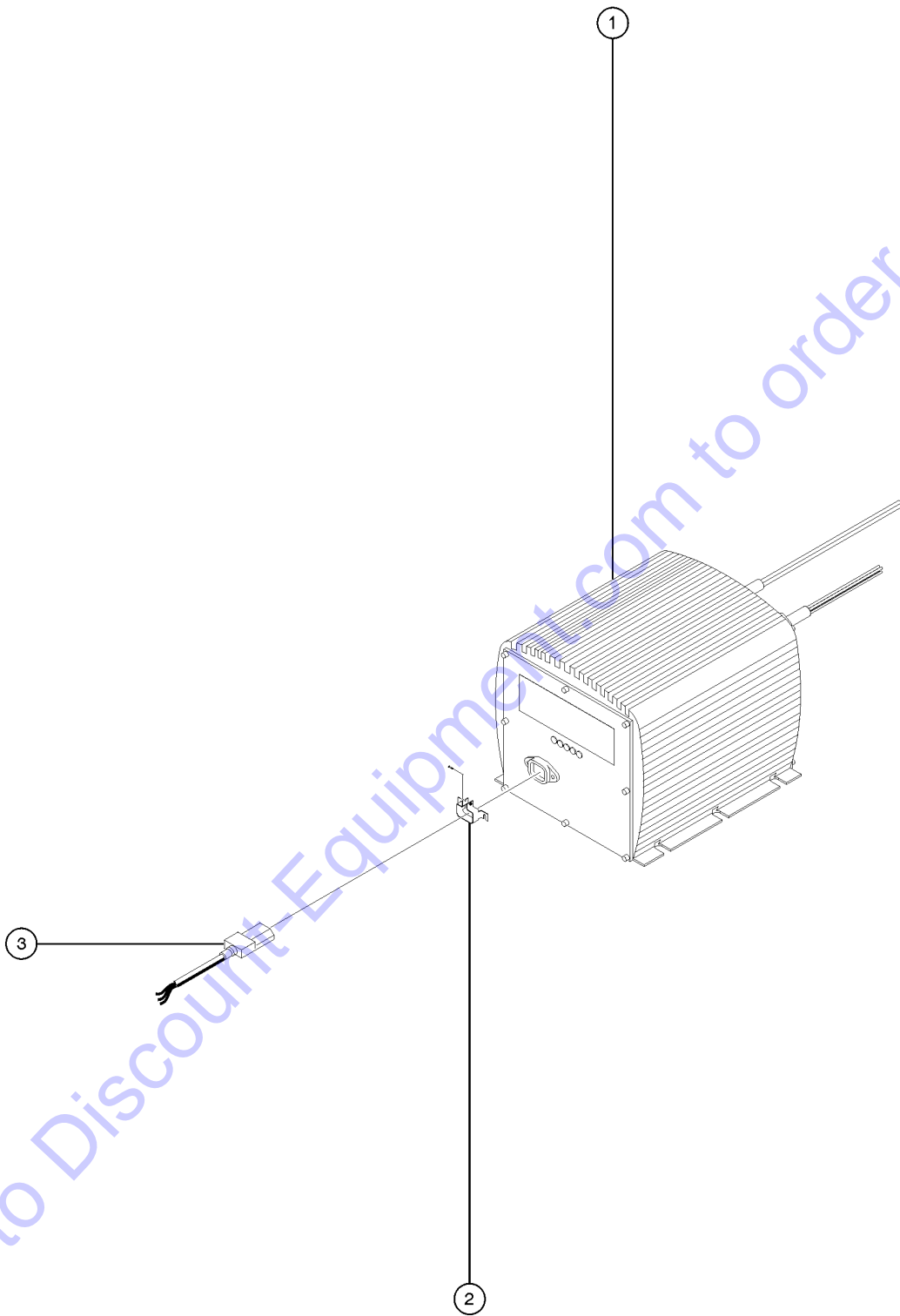


Item	Part No.	Description	Qty.
-	97059GT	FUSE,BATTERY CHARGER*** for 5-LED battery charger	
-	105334GT	CONNECTOR, IEC CHARGER CORD for 5-LED battery charger	
1A	105739GT	CHARGER,BAT,24VDC,H/LO GEN2	1
1A-	144180GT	MANUAL,OWNERS,CHARGER,105739	
1B		Ref. Field Assembly Recessed Charger Plug (refer to 403.1)	
1C	219480GT	KIT,BATTERY CHARGER,24V (includes 105739 charger, fasteners, ring terminals and instructions for field installation)	
1D	1277961GT	KIT, 650W BATT CHARGER,FLA newer style charger for GS-32 machines with lead acid batteries to SN 16C-17299, C-17527	
1D	1277959GT	KIT, 650W BATT CHARGER,AGM newer style charger for GS-32 machines with AGM batteries to SN 16C-17299, C-17527	
1D	1277960GT	KIT, 650W BATT CHARGER,FLA, REC PLUG newer style charger for GS-32 machines with lead acid batteries and Rec plug to SN 16C-17299, C-17527	
1D	1277958GT	KIT, 650W BATT CHARGER,AGM, REC PLUG newer style charger for GS-32 machines with AGM batteries and Rec plug to SN 16C-17299, C-17527	
2	55010GT	LOCK, CONNECTOR (includes fasteners)	1
3	144130GT	POWER CORD, IEC 320, 115"	1

Go to Discount-Equipment.com to order your parts



206.3 Battery Charger, GS-2046C, GS-2646C



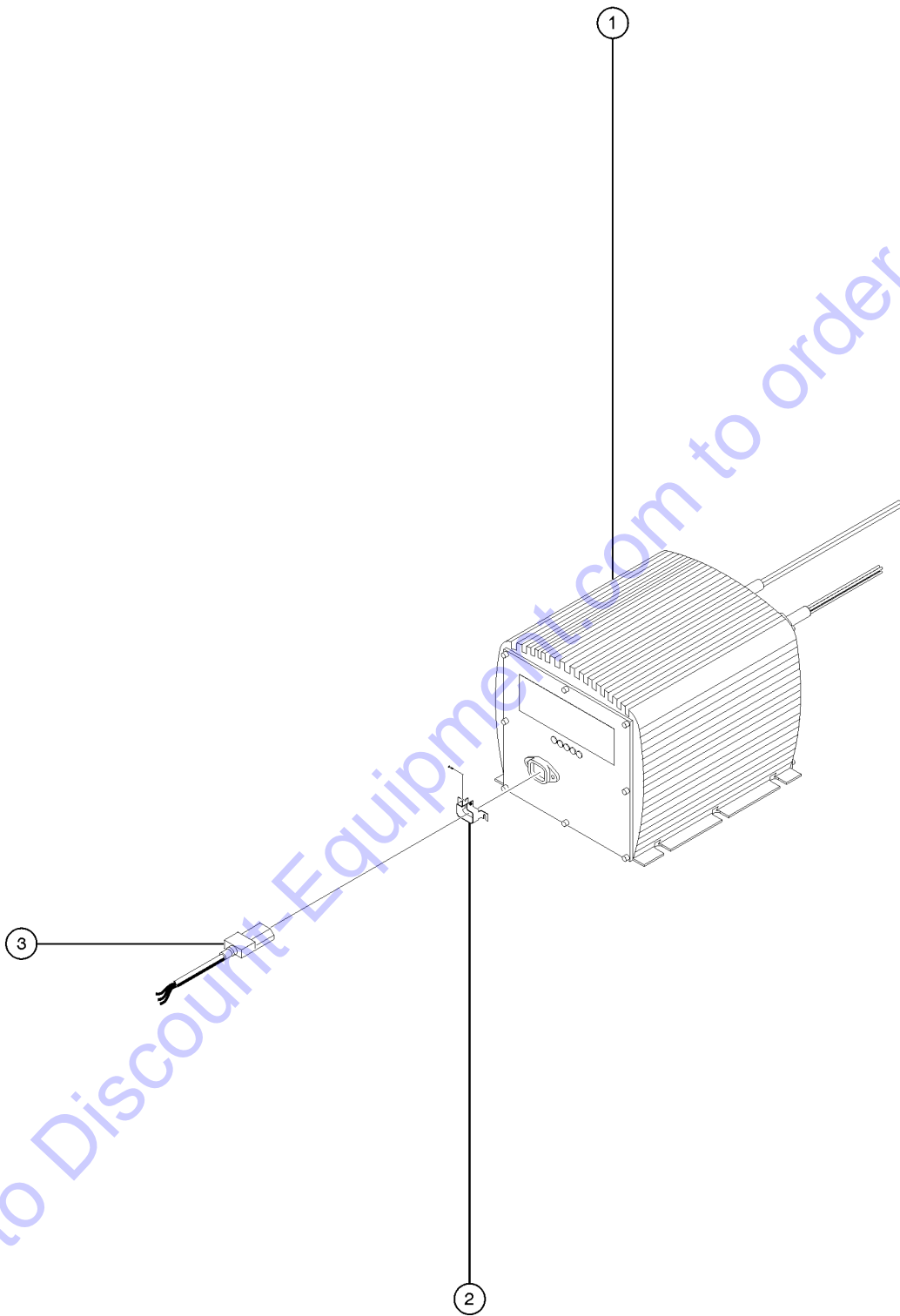
206.3 Battery Charger, GS-2046C, GS-2646C

Item	Part No.	Description	Qty.
-	97059GT	FUSE,BATTERY CHARGER*** for 5-LED battery charger	
-	105334GT	CONNECTOR, IEC CHARGER CORD for 5-LED battery charger	
1	105739GT	CHARGER,BAT,24VDC,H/LO GEN2	1
1-	144180GT	MANUAL,OWNERS,CHARGER,105739	
1A-		Ref. Field Assembly Recessed Charger Plug (refer to 403.1)	
1D	1277961GT	KIT, 650W BATT CHARGER,FLA newer style charger for GS46 machines with lead acid batteries to SN 16C-18099, C-18354	
1D	1277959GT	KIT, 650W BATT CHARGER,AGM newer style charger for GS46 machines with AGM batteries to SN 16C-18099, C-18354	
1D	1277960GT	KIT, 650W BATT CHARGER,FLA, REC PLUG newer style charger for GS46 machines with lead acid batteries and Rec plug to SN 16C-18099, C-18354	
1D	1277958GT	KIT, 650W BATT CHARGER,AGM, REC PLUG newer style charger for GS46 machines with AGM batteries and Rec plug to SN 16C-18099, C-18354	
2	55010GT	LOCK, CONNECTOR (includes fasteners)	1
3	144130GT	POWER CORD, IEC 320, 115"	1

Go to Discount-Equipment.com to Order your parts



206.4 Battery Charger, GS-2632C



Go to Discount-Equipment.com to order your parts





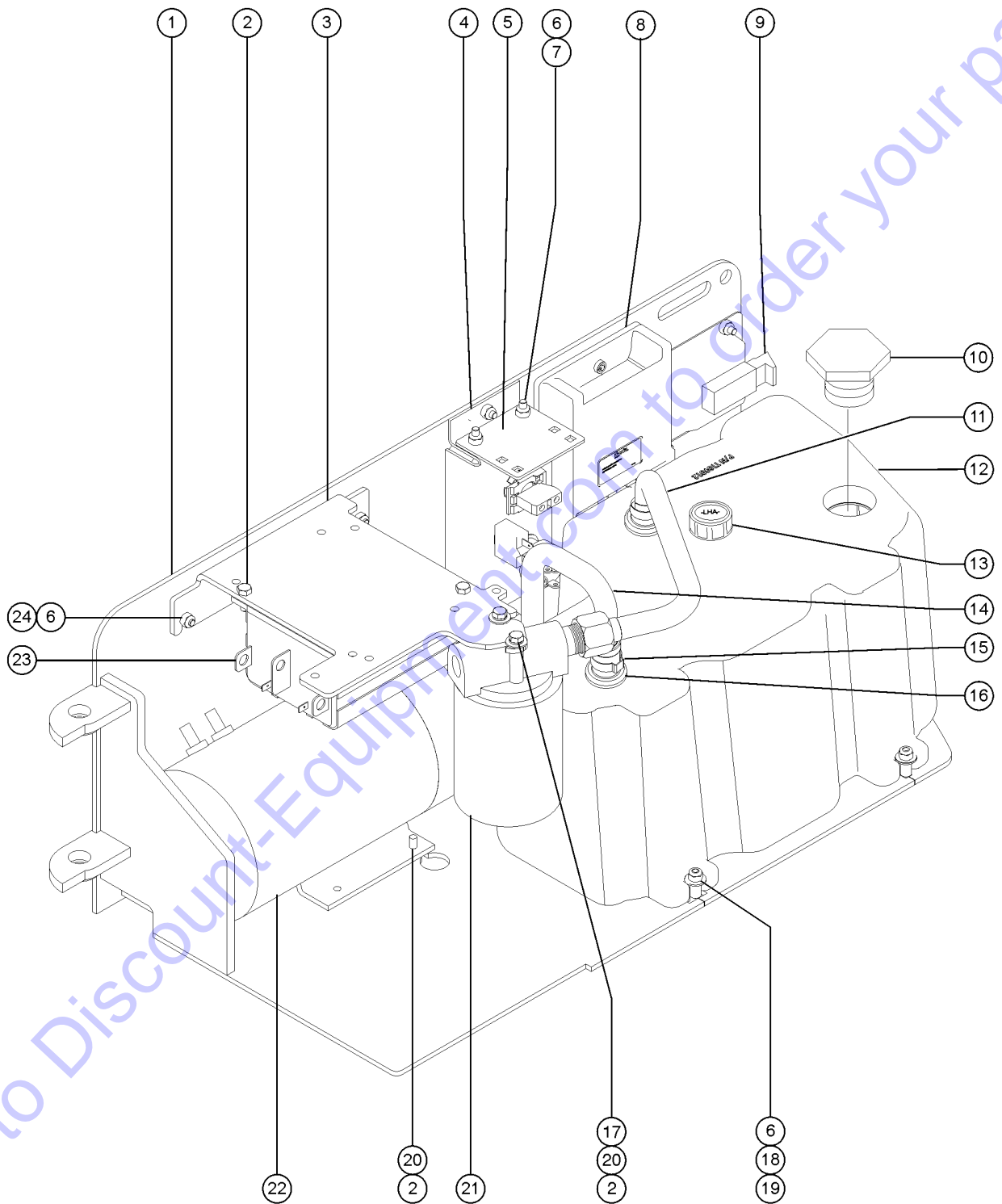
206.4 Battery Charger, GS-2632C

Item	Part No.	Description	Qty.
-	97059GT	FUSE,BATTERY CHARGER*** for 5-LED battery charger	
-	105334GT	CONNECTOR, IEC CHARGER CORD for 5-LED battery charger	
1	105739GT	CHARGER,BAT,24VDC,H/LO GEN2	1
1-	144180GT	MANUAL,OWNERS,CHARGER,105739	
1A-		Ref. Field Assembly Recessed Charger Plug (refer to 403.1)	
1D	1277961GT	KIT, 650W BATT CHARGER,FLA newer style charger for GS-32 machines with lead acid batteries to SN 16C-17299, C-17527	
1D	1277959GT	KIT, 650W BATT CHARGER,AGM newer style charger for GS-32 machines with AGM batteries to SN 16C-17299, C-17527	
1D	1277960GT	KIT, 650W BATT CHARGER,FLA, REC PLUG newer style charger for GS-32 machines with lead acid batteries and Rec plug to SN 16C-17299, C-17527	
1D	1277958GT	KIT, 650W BATT CHARGER,AGM, REC PLUG newer style charger for GS-32 machines with AGM batteries and Rec plug to SN 16C-17299, C-17527	
2	55010GT	LOCK, CONNECTOR (includes fasteners)	1
3	144130GT	POWER CORD, IEC 320, 115"	1

Go to Discount-Equipment.com to order your parts



207.1 Power Unit Module, GS32A, GS46A, GS-3232C, GS-3246C



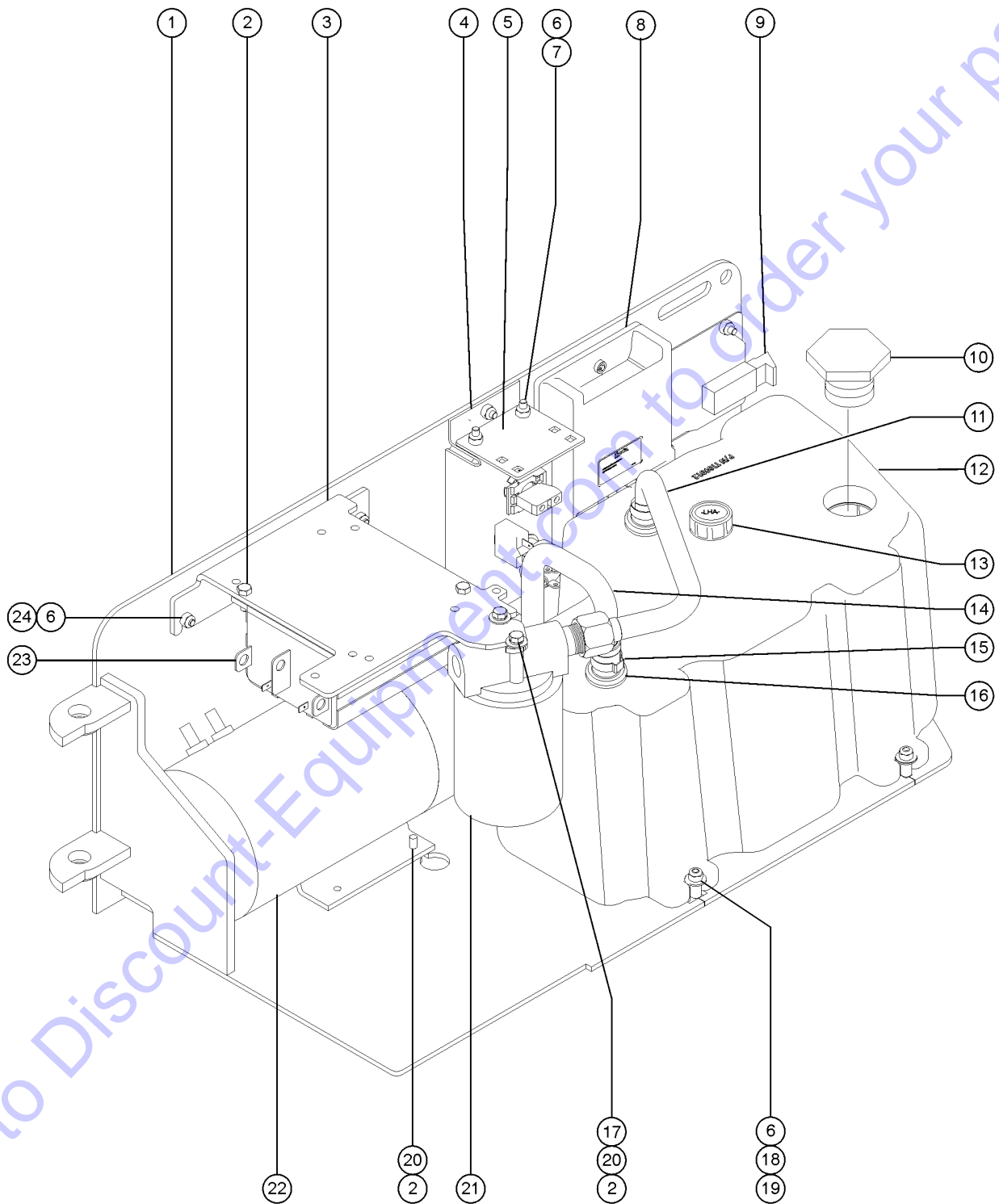
Go to Discount-Equipment.com to order your parts

207.1 Power Unit Module, GS32A, GS46A, GS-3232C, GS-3246C

Item	Part No.	Description	Qty.
1A	231114GT	HYDR TRAY ASSY W/WORDS .....	1
1A-	T113296GT	WELDMENT,GS HYD TRAY decals not included, refer to section one .....	
1B	231167GT	HYDR TRAY ASSY,GS30 W/SYMBOLS .....	1
1B-	T113296GT	WELDMENT,GS HYD TRAY decals not included, refer to section one .....	
2	8915GT	SCREW,HHC,1/4-20 X 1.25 .....	
		replaced 6090	
3	105308GT	FORMING, FILTER-CNTRLR MOUNT .....	1
4		REF. FORMING,CONTROL PANEL .....	
		refer to figure 208.1	
5	T108326GT	PLATE,HARNESS MOUNT .....	1
6	6091GT	NUT, NYLOCK, 1/4-20 .....	
7	6878GT	BOLT,CARRIAGE,1/4-20 X .75,G2 .....	
8		REF. GCON .....	
		refer to figure 208.1	
9	55675GT	LATCH, LRG PADDLE HANDLE GS90 .....	1
10	66204GT	FILTER CAP (PLUG 1-1/2" NPT HEX .....	1
11	96355GT	TUBE, ASSY, RETURN .....	1
12	226163GT	HYD. TANK KIT, GS30,32,46 .....	
		includes items 15 and 16	
12-	T109012GT	TANK,HYD, SLAB SCISSORS .....	1
13	78546GT	BREATHER CAP, HYD. TANK, 1/4 NPT .....	1
14	96354GT	TUBE, ASSY, DRAW .....	1
15	96855GT	CLAMP,HOSE,1 EAR,1-1/16*** .....	2
16	96709GT	GROMMET,SLAB HYD TANK*** .....	2
17	6638GT	WASHER,FLAT,USS,1/4"Y .....	
18	96699GT	SLEEVE,TANK SUPPORT .....	
19	9116GT	BOLT,CARRIAGE,1/4-20 X 1.25,G2 .....	
20	6356GT	WASHER,LOCK,.25 .....	
21		REF. FILTER ASSY .....	
		refer to figure 501.1	
22		REF. ELECTRIC MOTOR/PUMP .....	
		refer to figure 504.1	
23A	1257204GT	KIT,GS30/32 MOTOR CONTROLLER to SN GS32A-135715, from SN GS32C-1 to GS32C-14377 .....	
23B	1257205GT	KIT,GS46 MOTOR CONTROLLER to SN GS46A-135367, from SN GS46C-1 to GS46C-14503 .....	



207.1 Power Unit Module, GS32A, GS46A, GS-3232C, GS-3246C



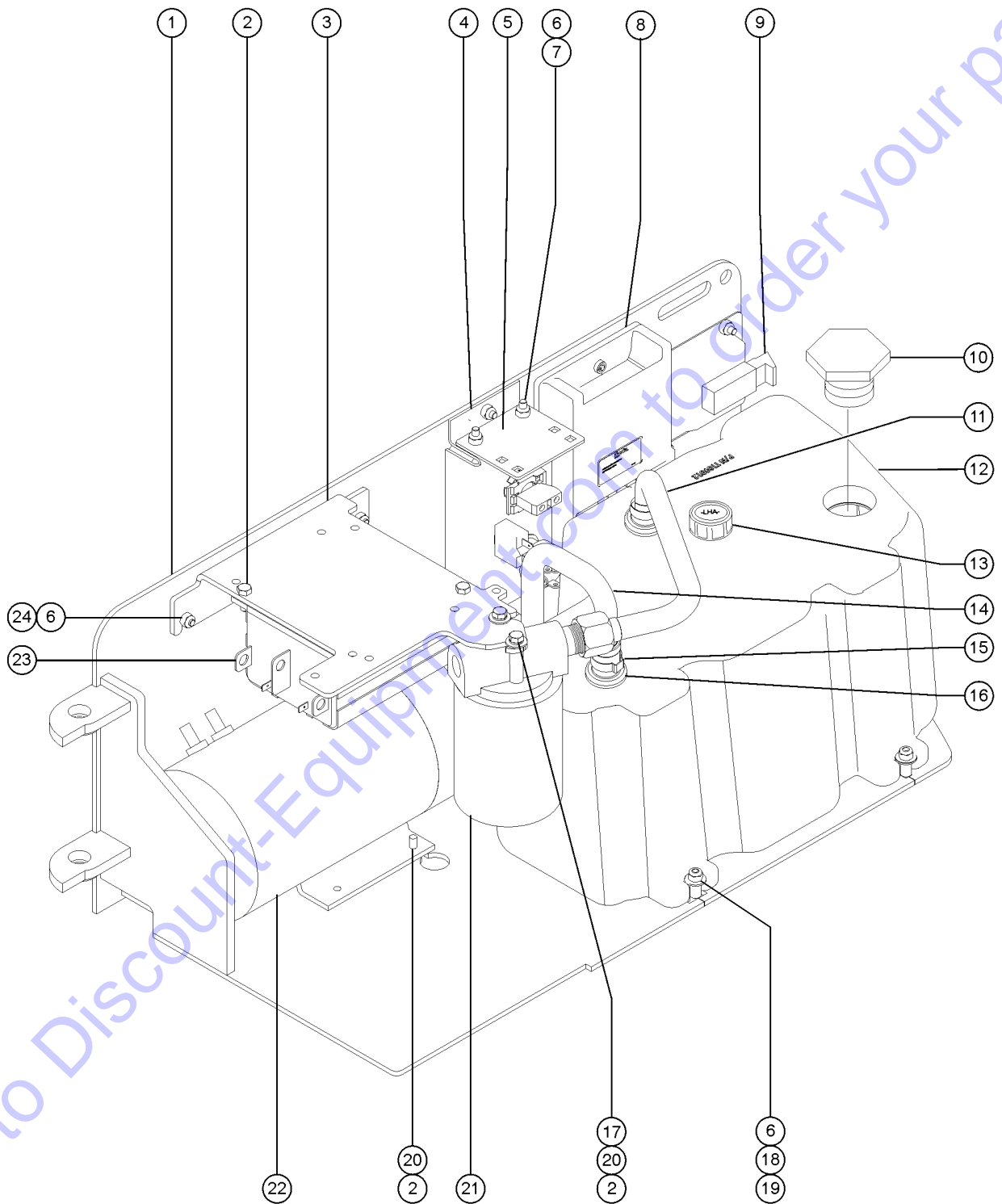
207.1 Power Unit Module, GS32A, GS46A, GS-3232C, GS-3246C

Item	Part No.	Description	Qty.
23C	1257840GT	MOTOR CONTROLLER,DC,24V,360A All SN GS32A and GS46A, from SN GS3216C-14378 to GS32C16-15600, from SN GS4616C-14504 to GS4616C-16204	.....
23D	1257840GT	MOTOR CONTROLLER,DC,24V,360A from SN GS3216C-15601, from SN GS4616C-16205	.....
23E	232534GT	KIT,CONTACTOR,GS from SN GS32A-135716, from SN GS46A-135368, from SN GS3216C-14378, from SN GS4616C-14504	.....
23F	1261335GT	KIT,BATT. CABLE ASSY.,GS30/32 from SN GS32A-135716, from SN GS46A-135368, from SN GS3216C-14378, from SN GS4616C-14504	.....
23G	233379GT	KIT, INVERTER JUMPER, GS GS32A, GS46A with inverter and 823408 installed	.....
24	6878GT	BOLT,CARRIAGE,1/4-20 X .75,G2	.....

Go to Discount-Equipment.com to order your parts



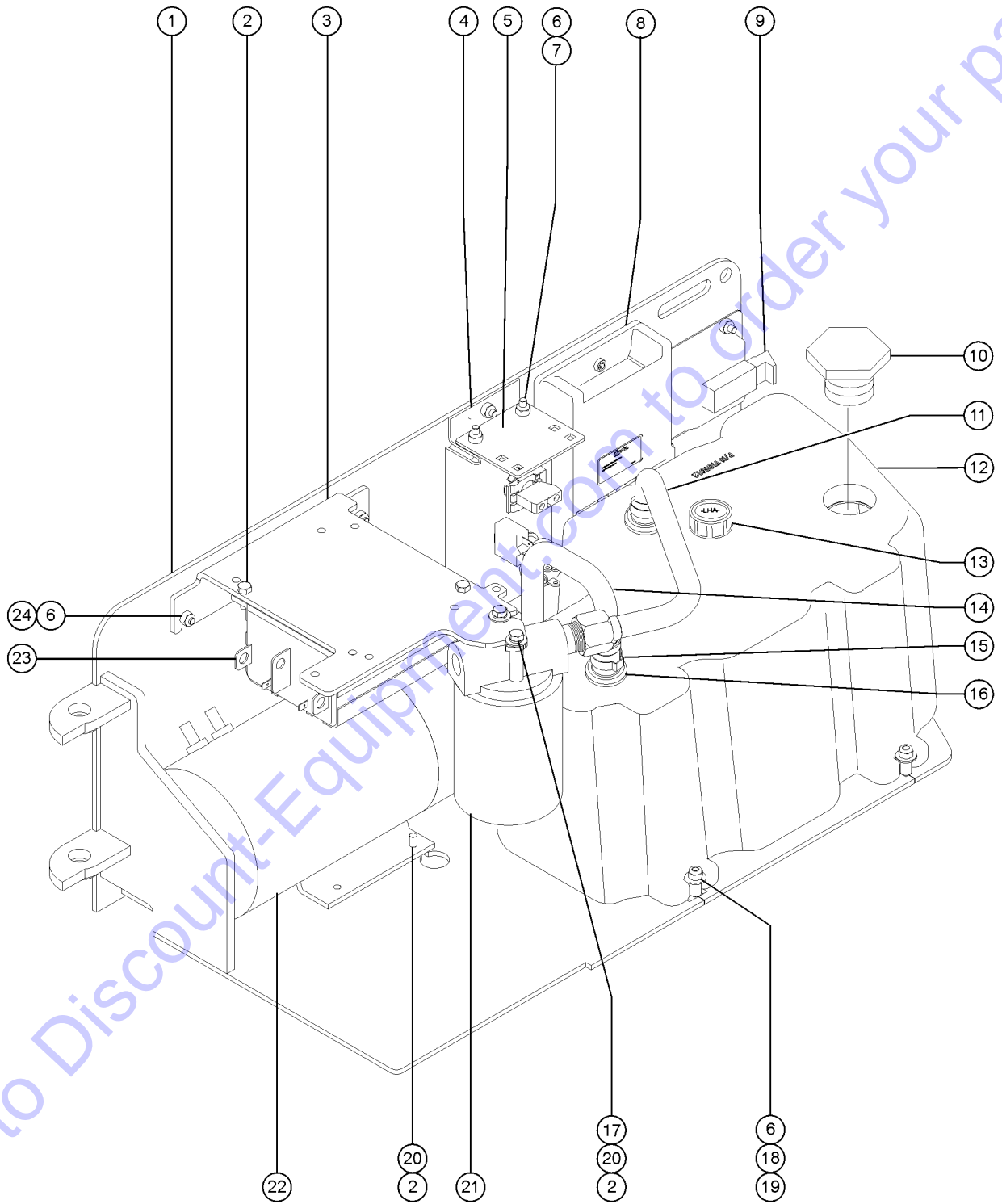
207.2 Power Unit Module, GS-2032C



Item	Part No.	Description	Qty.
1A	231114GT	HYDR TRAY ASSY W/WORDS .....	1
1A-	T113296GT	WELDMENT,GS HYD TRAY (decals not included, refer to section one) .....	
1B	231167GT	HYDR TRAY ASSY,GS30 W/SYMBOLS .....	1
1B-	T113296GT	WELDMENT,GS HYD TRAY (decals not included, refer to section one) .....	
2	8915GT	SCREW,HHC,1/4-20 X 1.25 .....	
		replaced 6090	
3	105308GT	FORMING, FILTER-CNTRLR MOUNT .....	1
4		REF. FORMING,CONTROL PANEL .....	
		(refer to figure 208.1)	
5	T108326GT	PLATE,HARNESS MOUNT .....	1
6	6091GT	NUT, NYLOCK, 1/4-20 .....	
7	6878GT	BOLT,CARRIAGE,1/4-20 X .75,G2 .....	
8		REF. GCON .....	
		(refer to figure 208.1)	
9	55675GT	LATCH, LRG PADDLE HANDLE GS90 .....	1
10	66204GT	FILTER CAP (PLUG 1-1/2" NPT HEX .....	1
11	96355GT	TUBE, ASSY, RETURN .....	1
12-	T109012GT	TANK,HYD, SLAB SCISSORS .....	1
13	78546GT	BREATHER CAP, HYD. TANK, 1/4 NPT .....	1
14	96354GT	TUBE, ASSY, DRAW .....	1
15	96855GT	CLAMP,HOSE,1 EAR,1-1/16*** .....	2
16	96709GT	GROMMET,SLAB HYD TANK*** .....	2
17	6638GT	WASHER,FLAT,USS,1/4"Y .....	
18	96699GT	SLEEVE,TANK SUPPORT .....	
19	9116GT	BOLT,CARRIAGE,1/4-20 X 1.25,G2 .....	
20	6356GT	WASHER,LOCK,.25 .....	
21		REF. FILTER ASSY .....	
		(refer to figure 501.1)	
22		REF. ELECTRIC MOTOR/PUMP .....	
		(refer to figure 504.1)	
23A	1257204GT	KIT,GS30/32 MOTOR CONTROLLER to SN GS32A-135715, from SN GS32C-1 to GS32C-14377 .....	
23B	1257205GT	KIT,GS46 MOTOR CONTROLLER to SN GS46A-135367, from SN GS46C-1 to GS46C-14503 .....	
23C	823408GT	MOTOR CONTROLLER, DC,24V,300A All SN GS32A and GS46A, from SN GS3216C-14378 to GS32C16-15600, from SN GS4616C-14504 to GS4616C-16204 .....	



207.2 Power Unit Module, GS-2032C



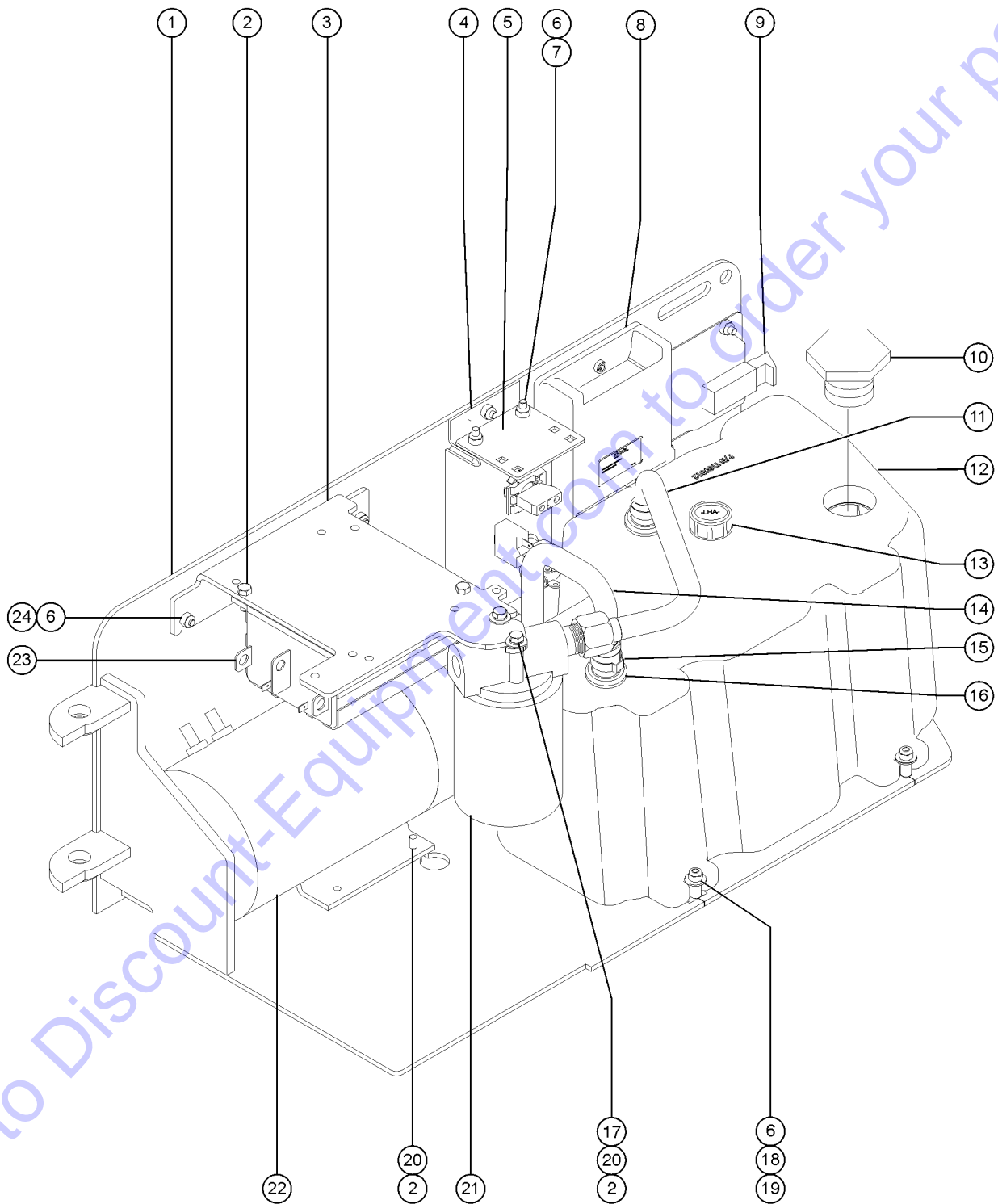


Item	Part No.	Description	Qty.
23D	1257840GT	MOTOR CONTROLLER,DC,24V,360A from SN GS3216C-15601, from SN GS4616C-16205	
23E	232534GT	KIT,CONTACTOR,GS from SN GS32A-135716, from SN GS46A-135368, from SN GS3216C-14378, from SN GS4616C-14504	
23F	1261335GT	KIT,BATT. CABLE ASSY.,GS30/32 from SN GS32A-135716, from SN GS46A-135368, from SN GS3216C-14378, from SN GS4616C-14504	
23G	233379GT	KIT, INVERTER JUMPER, GS GS32A, GS46A with inverter and 823408 installed	
24	6878GT	BOLT,CARRIAGE,1/4-20 X .75,G2	

Go to Discount-Equipment.com to order your parts



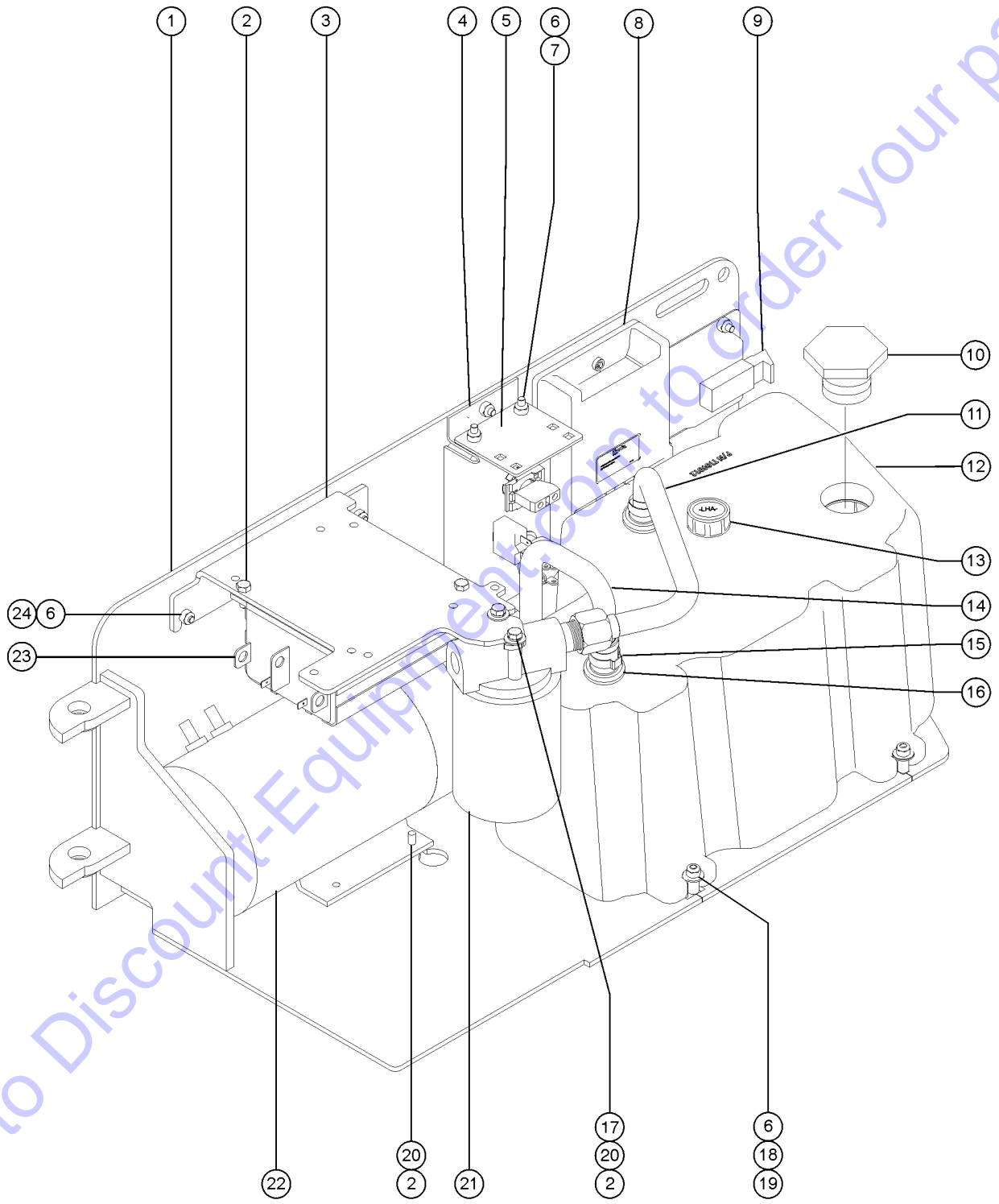
207.3 Power Unit Module, GS-2046C, GS-2646C



Item	Part No.	Description	Qty.
1A	231114GT	HYDR TRAY ASSY W/WORDS .....	1
1A-	T113296GT	WELDMENT,GS HYD TRAY (decals not included, refer to section one) .....	
1B	231167GT	HYDR TRAY ASSY,GS30 W/SYMBOLS .....	1
1B-	T113296GT	WELDMENT,GS HYD TRAY (decals not included, refer to section one) .....	
2	8915GT	SCREW,HHC,1/4-20 X 1.25 .....	
		replaced 6090	
3	105308GT	FORMING, FILTER-CNTRLR MOUNT .....	1
4		REF. FORMING,CONTROL PANEL .....	
		(refer to figure 208.1)	
5	T108326GT	PLATE,HARNESS MOUNT .....	1
6	6091GT	NUT, NYLOCK, 1/4-20 .....	
7	6878GT	BOLT,CARRIAGE,1/4-20 X .75,G2 .....	
8		REF. GCON .....	
		(refer to figure 208.1)	
9	55675GT	LATCH, LRG PADDLE HANDLE GS90 .....	1
10	66204GT	FILTER CAP (PLUG 1-1/2" NPT HEX .....	1
11	96355GT	TUBE, ASSY, RETURN .....	1
12-	T109012GT	TANK,HYD, SLAB SCISSORS .....	1
13	78546GT	BREATHER CAP, HYD. TANK, 1/4 NPT .....	1
14	96354GT	TUBE, ASSY, DRAW .....	1
15	96855GT	CLAMP,HOSE,1 EAR,1-1/16*** .....	2
16	96709GT	GROMMET,SLAB HYD TANK*** .....	2
17	6638GT	WASHER,FLAT,USS,1/4"Y .....	
18	96699GT	SLEEVE,TANK SUPPORT .....	
19	9116GT	BOLT,CARRIAGE,1/4-20 X 1.25,G2 .....	
20	6356GT	WASHER,LOCK,.25 .....	
21		REF. FILTER ASSY .....	
		(refer to figure 501.1)	
22		REF. ELECTRIC MOTOR/PUMP .....	
		(refer to figure 504.1)	
23A	1257204GT	KIT,GS30/32 MOTOR CONTROLLER to SN GS32A-135715, from SN GS32C-1 to GS32C-14377 .....	
23B	1257205GT	KIT,GS46 MOTOR CONTROLLER to SN GS46A-135367, from SN GS46C-1 to GS46C-14503 .....	
23C	823408GT	MOTOR CONTROLLER, DC,24V,300A All SN GS32A and GS46A, from SN GS3216C-14378 to GS32C16-15600, from SN GS4616C-14504 to GS4616C-16204 .....	



207.3 Power Unit Module, GS-2046C, GS-2646C

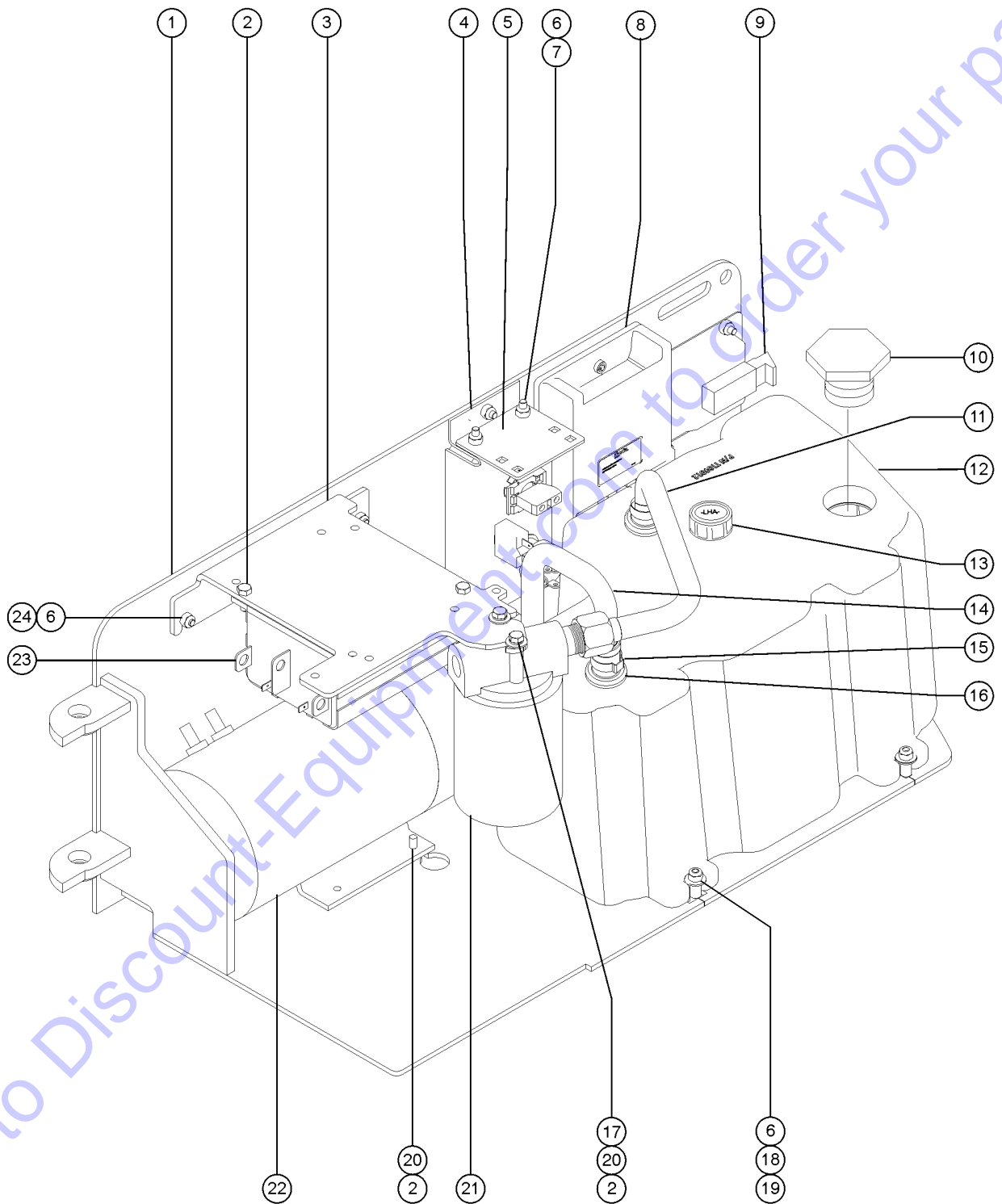


Item	Part No.	Description	Qty.
23D	1257840GT	MOTOR CONTROLLER,DC,24V,360A from SN GS3216C-15601, from SN GS4616C-16205	.....
23E	232534GT	KIT,CONTACTOR,GS from SN GS32A-135716, from SN GS46A-135368, from SN GS3216C-14378, from SN GS4616C-14504	.....
23F	1261335GT	KIT,BATT. CABLE ASSY.,GS30/32 from SN GS32A-135716, from SN GS46A-135368, from SN GS3216C-14378, from SN GS4616C-14504	.....
23G	233379GT	KIT, INVERTER JUMPER, GS GS32A, GS46A with inverter and 823408 installed	.....
24	6878GT	BOLT,CARRIAGE,1/4-20 X .75,G2	.....

Go to Discount-Equipment.com to order your parts



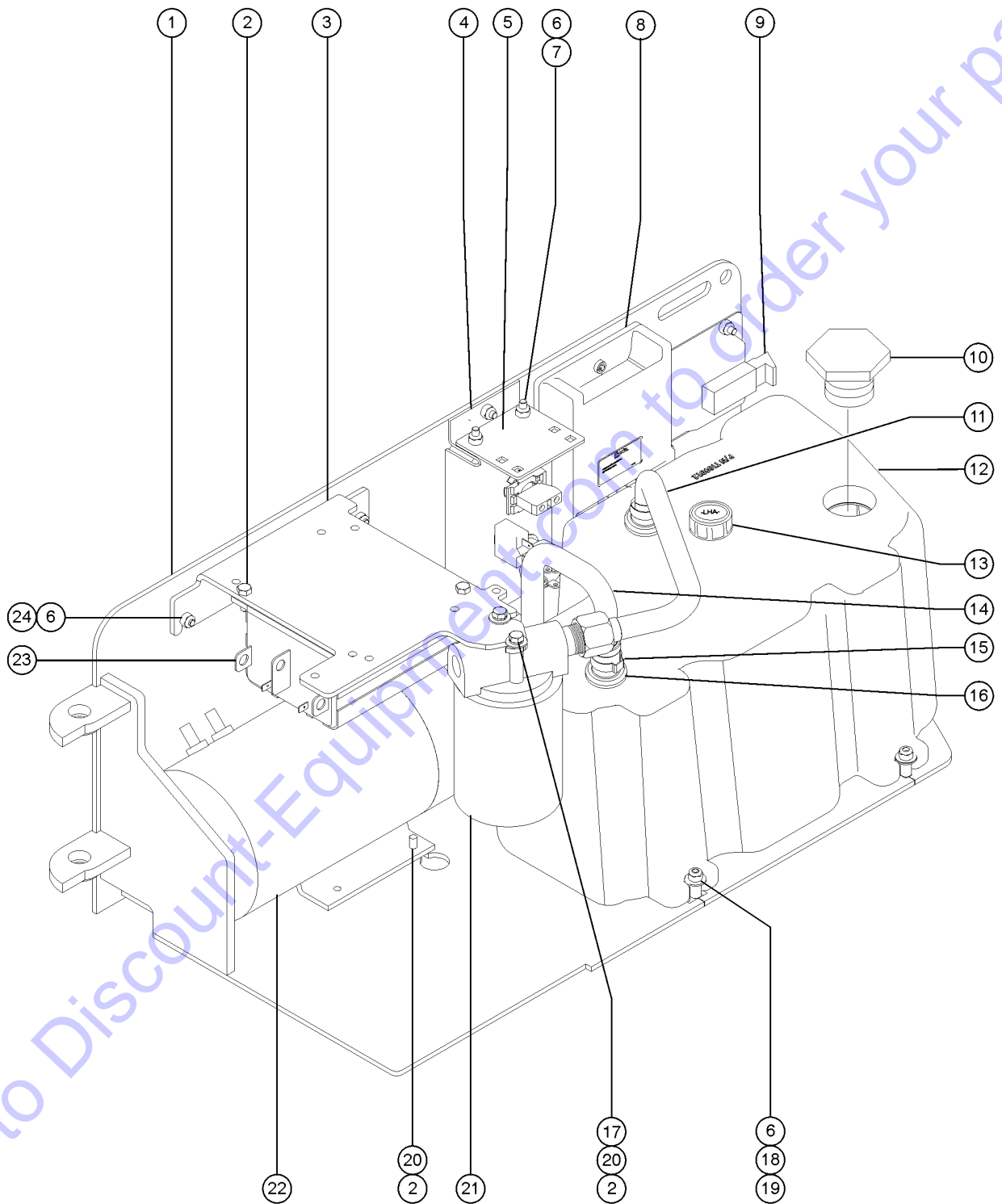
207.4 Power Unit Module, GS-2632C



Item	Part No.	Description	Qty.
1A	231114GT	HYDR TRAY ASSY W/WORDS .....	1
1A-	T113296GT	WELDMENT,GS HYD TRAY decals not included, refer to section one .....	
1B	231167GT	HYDR TRAY ASSY,GS30 W/SYMBOLS .....	1
1B-	T113296GT	WELDMENT,GS HYD TRAY decals not included, refer to section one .....	
2	8915GT	SCREW,HHC,1/4-20 X 1.25 .....	
		replaced 6090 .....	
3	105308GT	FORMING, FILTER-CNTRLR MOUNT .....	1
4		REF. FORMING,CONTROL PANEL .....	
		refer to figure 208.1 .....	
5	T108326GT	PLATE,HARNESS MOUNT .....	1
6	6091GT	NUT, NYLOCK, 1/4-20 .....	
7	6878GT	BOLT,CARRIAGE,1/4-20 X .75,G2 .....	
8		REF. GCON .....	
		refer to figure 208.1 .....	
9	55675GT	LATCH, LRG PADDLE HANDLE GS90 .....	1
10	66204GT	FILTER CAP (PLUG 1-1/2" NPT HEX .....	1
11	96355GT	TUBE, ASSY, RETURN .....	1
12	226163GT	HYD. TANK KIT, GS30,32,46 .....	
		includes items 15 and 16 .....	
12-	T109012GT	TANK,HYD, SLAB SCISSORS .....	1
13	78546GT	BREATHER CAP, HYD. TANK, 1/4 NPT .....	1
14	96354GT	TUBE, ASSY, DRAW .....	1
15	96855GT	CLAMP,HOSE,1 EAR,1-1/16*** .....	2
16	96709GT	GROMMET,SLAB HYD TANK*** .....	2
17	6638GT	WASHER,FLAT,USS,1/4"Y .....	
18	96699GT	SLEEVE,TANK SUPPORT .....	
19	9116GT	BOLT,CARRIAGE,1/4-20 X 1.25,G2 .....	
20	6356GT	WASHER,LOCK,.25 .....	
21		REF. FILTER ASSY .....	
		refer to figure 501.1 .....	
22		REF. ELECTRIC MOTOR/PUMP .....	
		refer to figure 504.1 .....	
23A	1257204GT	KIT,GS30/32 MOTOR CONTROLLER to SN GS32A-135715, from SN GS32C-1 to GS32C-14377 .....	
23B	1257205GT	KIT,GS46 MOTOR CONTROLLER to SN GS46A-135367, from SN GS46C-1 to GS46C-14503 .....	



207.4 Power Unit Module, GS-2632C



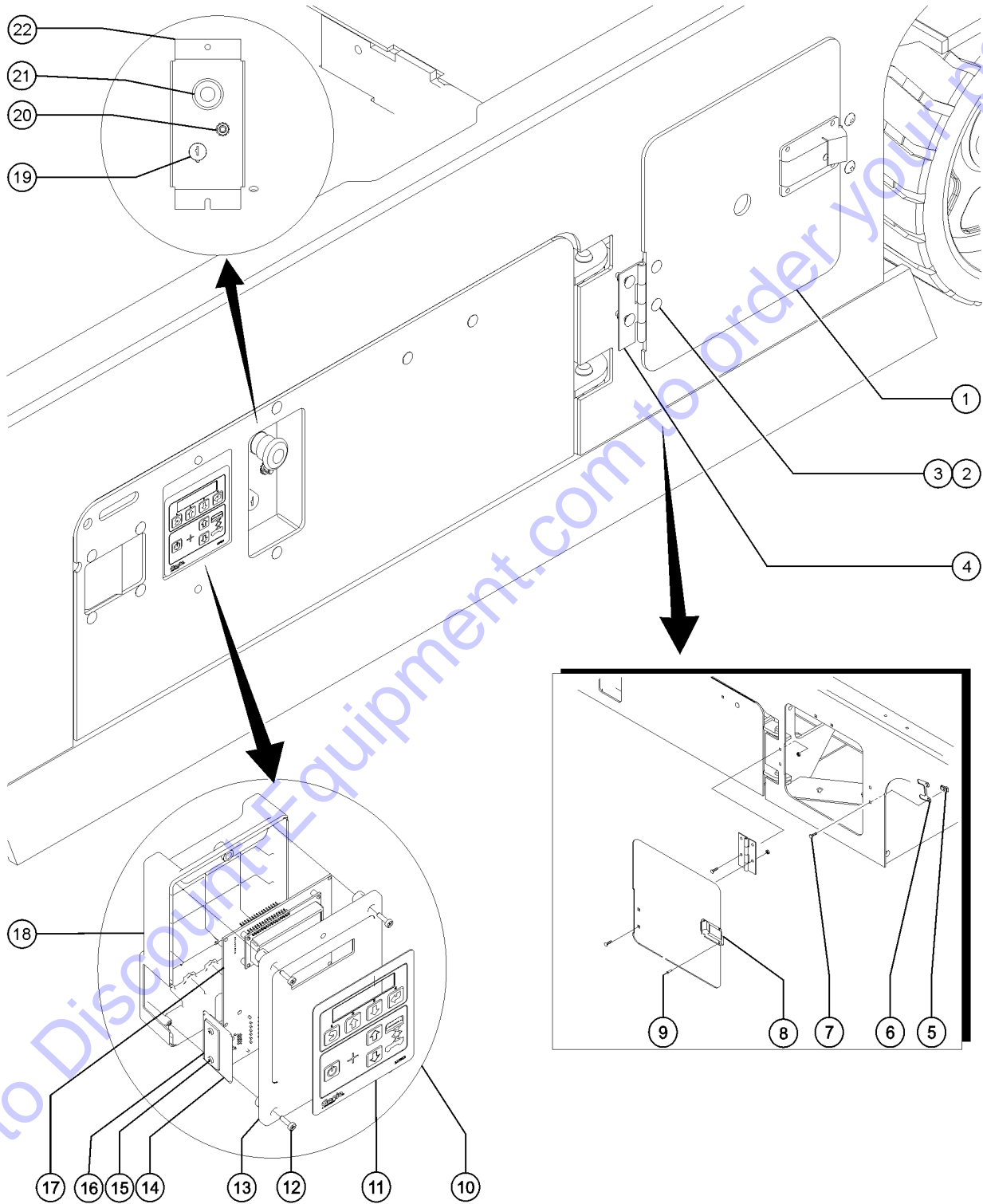


Item	Part No.	Description	Qty.
23C	823408GT	MOTOR CONTROLLER, DC,24V,300A All SN GS32A and GS46A, from SN GS3216C-14378 to GS32C16-15600, from SN GS4616C-14504 to GS4616C-16204	.....
23D	1257840GT	MOTOR CONTROLLER,DC,24V,360A from SN GS3216C-15601, from SN GS4616C-16205	.....
23E	232534GT	KIT,CONTACTOR,GS from SN GS32A-135716, from SN GS46A-135368, from SN GS3216C-14378, from SN GS4616C-14504	.....
23F	1261335GT	KIT,BATT. CABLE ASSY.,GS30/32 from SN GS32A-135716, from SN GS46A-135368, from SN GS3216C-14378, from SN GS4616C-14504	.....
23G	233379GT	KIT, INVERTER JUMPER, GS GS32A, GS46A with inverter and 823408 installed	.....
24	6878GT	BOLT,CARRIAGE,1/4-20 X .75,G2	.....

Go to Discount-Equipment.com to order your parts



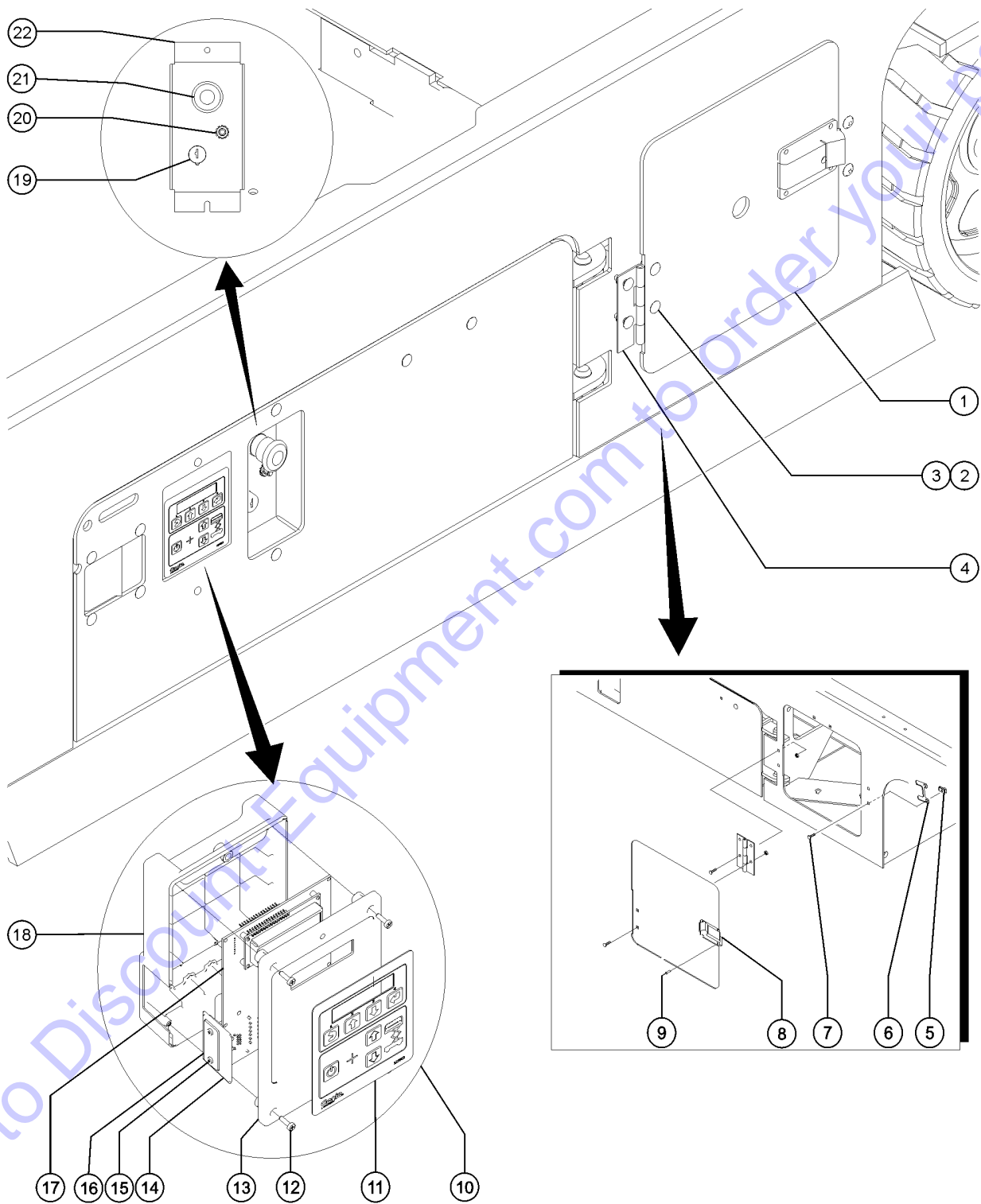
208.1 Ground Controls, GS-2032, GS-2632\_GS-46



Item	Part No.	Description	Qty.
A	1252764GT	SPACER, GROUND CONTROL ECU .....	1
B	824216GT	SCREW, PHPM, 10-32 X 1.5, ZAG .....	
1	105732GT	PLATE,SIDE DOOR*** .....	1
2	6878GT	BOLT,CARRIAGE,1/4-20 X .75,G2 .....	4
3	6091GT	NUT, NYLOCK, 1/4-20 .....	4
4	105734GT	HINGE,ACCESS DOOR(13G) .....	1
5	56912GT	SPRING CLIP,1/4-20,.025-.15X.54,ZAG .....	2
6	105733GT	PLATE,SIDE DOOR STOP*** .....	1
7	43137GT	SCREW,PHM,1/4-20 X .75 .....	2
8	105759GT	LATCH,COMPRESSION,SMALL .....	1
9	6272GT	RIVET,STL,STL,P,.125 X .25 .....	4
10A	137692GT	GCON, GR/GRC/GS GS-2032, GS-2632, GS-2046, GS-2646, GS-3246 (models with 6 button, 2 speed controller) to SN GS14A-134999 and to SN GS14C-13999 .....	1
10A-		LABEL, SERIAL, GC21-19 No longer available .....	1
10C	1256721GT	GCON,STD,PROP LIFT. GS-2032, GS-2632, GS-2046, GS-2646, GS-3246 (models with 4 button, proportional controller) from SN GS14A-135000 and from GS14C-14000 .....	1
11	137562GT	DECAL,MEMBRANE, GR/GRC/GS GCON .....	1
12	137668GT	SCREW,PHM,6-19X.75, 48-2 TRI-L .....	4
13	T106366GT	ENCLOSURE,GC27-25/GC21-19,FRNT .....	1
14	T106363GT	ADAPTER, RJ45, GC27-25/GC21-19 .....	1
15	137637GT	SCREW,PHM,4-20X.5, 48-2 TRI-L .....	2
16	T106362GT	COVER, RJ45, GC27-25/GC21-19 .....	1
17A	137604GT	PCBA, GC21-19 GS-2032, GS-2632, GS-2046, GS-2646, GS-3246 (models with 6 button, 2 speed controller) to SN GS14A-134999 and to SN GS14C-13999 .....	1
17C	1256719GT	PCBA,GCON STD,PROP LIFT GS-2032, GS-2632, GS-2046, GS-2646, GS-3246 (models with 4 button, proportional controller) from SN GS14A-135000 and from GS14C-14000 .....	1
18A	T106372GT	ENCLOSURE, GC21-19, BK GS-2032, GS-2632, GS-2046, GS-2646, GS-3246 .....	1
19	96008-SGT	KEYSWITCH,3 POS. W/KEYS*** .....	1
19-	37947GT	KEYS,10 PACK*** (sold seperately) .....	
19-	83093GT	KEY SINGLE*** (sold seperately) .....	
19-	85239GT	NUT,RETAINER (96008) .....	



208.1 Ground Controls, GS-2032, GS-2632\_GS-46

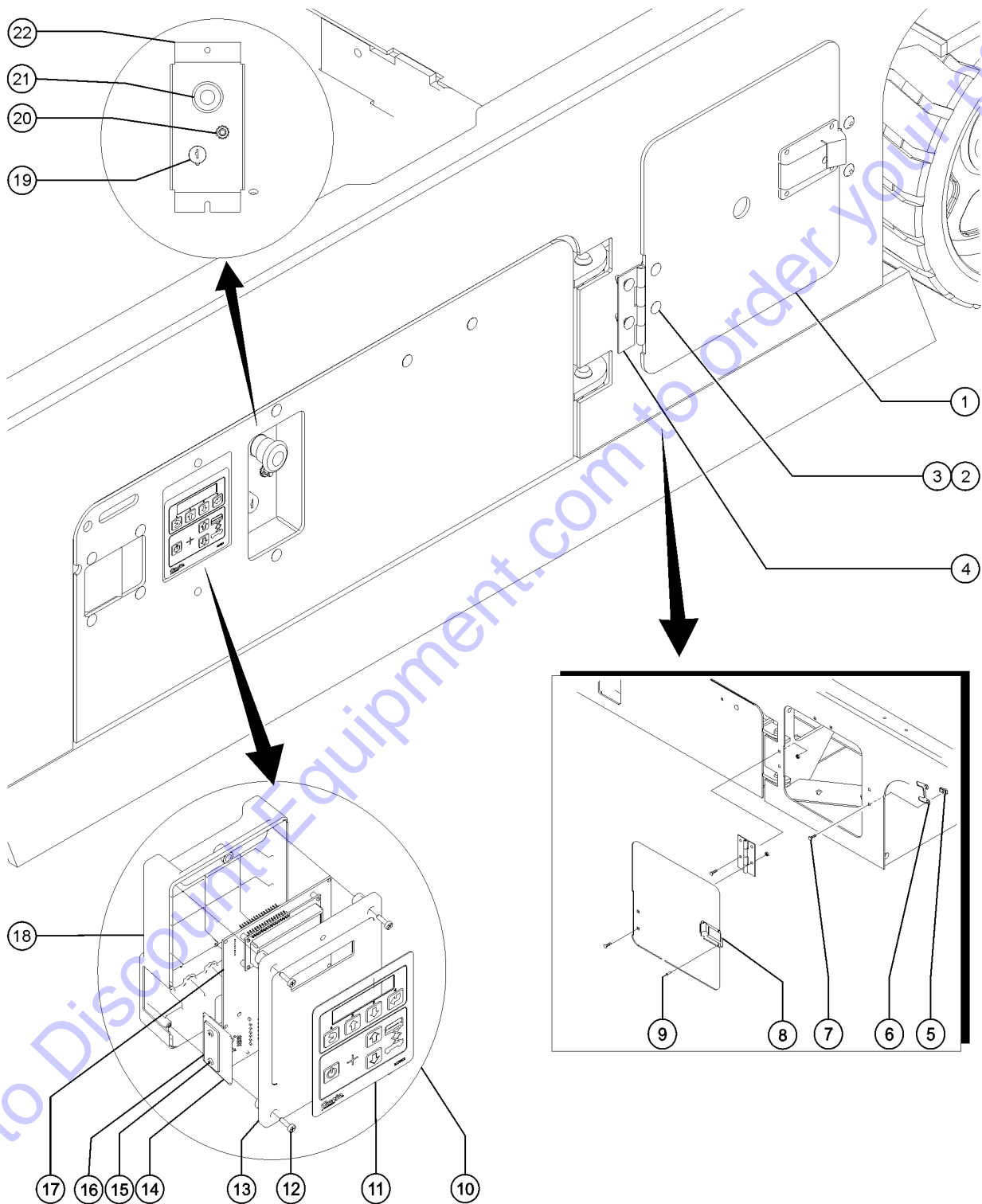


Item	Part No.	Description	Qty.
19-	96010GT	SCREW,PHILLIPS,PHM,8-32 X.25** (sold seperately)	
19-	96009GT	WASHER,NITRILE (sold seperately)	
20	96452GT	CIRCUIT BREAKER, 7.0 AMP***	1
20-	122994GT	NICKEL PLATED JAM NUT	
20-	6700GT	WASHER,STAR,EXTERNAL,,375	
21	66812GT	BUTTON,PUSH,RED MUSHROOM HEAD	1
21-	58627GT	NUT	
21-	66817GT	E-STOP NC CONTACT	
22	T108327GT	FORMING,CONTROL PANEL	1

Go to Discount-Equipment.com to order your parts



208.2 Ground Controls, GS-2032, GS-2632, GS-2032C, GS-46



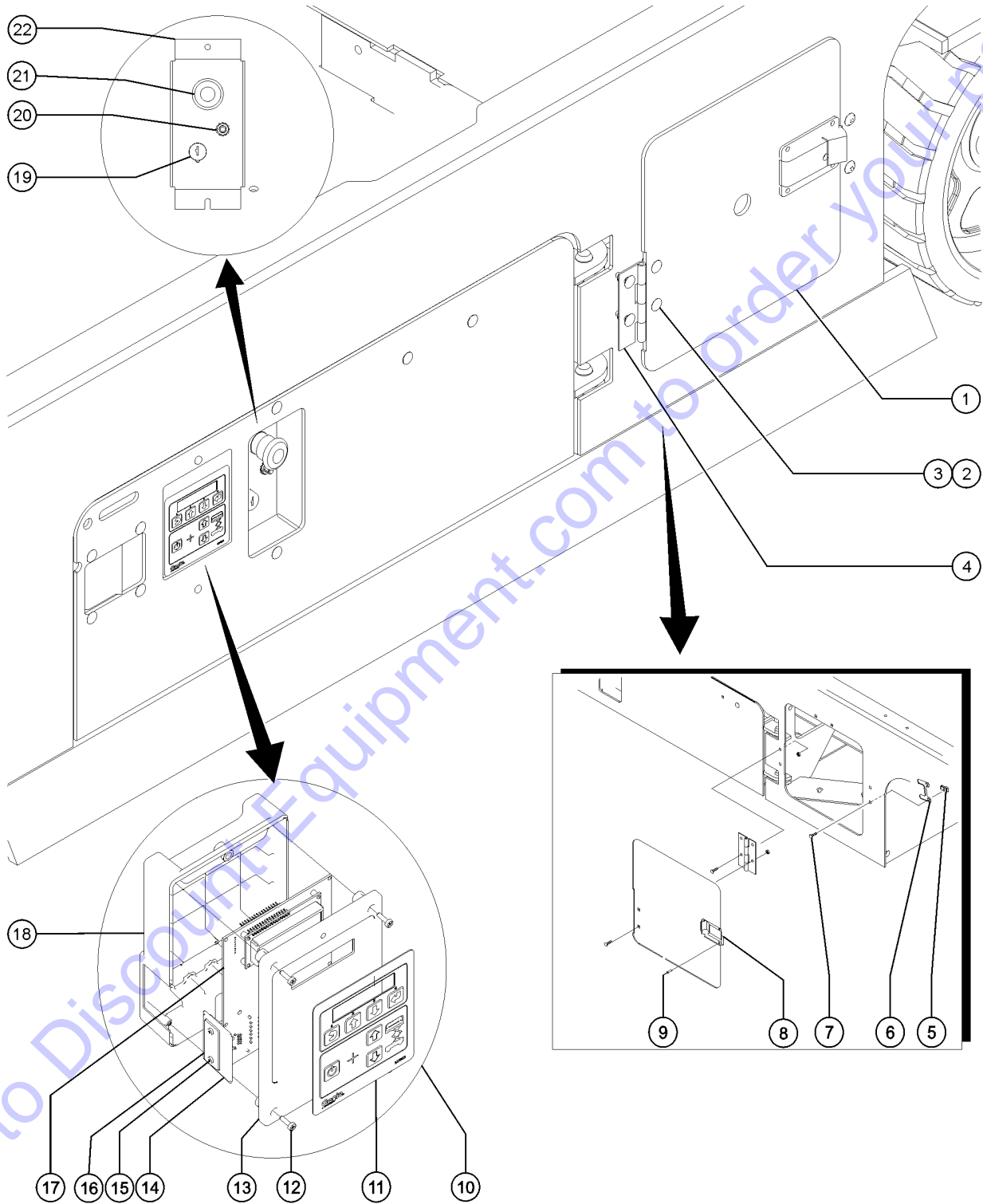
Go to DiscountEquipment.com to order your parts

208.2 Ground Controls, GS-2032, GS-2632, GS-2032C, GS-46

Item	Part No.	Description	Qty.
A	1252764GT	SPACER, GROUND CONTROL ECU .....	1
B	824216GT	SCREW, PHPM, 10-32 X 1.5, ZAG .....	
1	105732GT	PLATE, SIDE DOOR*** .....	1
2	6878GT	BOLT, CARRIAGE, 1/4-20 X .75, G2 .....	4
3	6091GT	NUT, NYLOCK, 1/4-20 .....	4
4	105734GT	HINGE, ACCESS DOOR(13G) .....	1
5	56912GT	SPRING CLIP, 1/4-20, .025-.15X.54, ZAG .....	2
6	105733GT	PLATE, SIDE DOOR STOP*** .....	1
7	43137GT	SCREW, PHM, 1/4-20 X .75 .....	2
8	105759GT	LATCH, COMPRESSION, SMALL .....	1
9	6272GT	RIVET, STL, STL, P., 125 X .25 .....	4
10A	137692GT	GCON, GR/GRC/GS GS-2032, GS-2632, GS-2046, GS-2646, GS-3246 (part is serialized) .....	1
10A-		LABEL, SERIAL, GC21-19 .....	1
		No longer available	
11	137562GT	DECAL, MEMBRANE, GR/GRC/GS GCON .....	1
12	137668GT	SCREW, PHM, 6-19X.75, 48-2 TRI-L .....	4
13	T106366GT	ENCLOSURE, GC27-25/GC21-19, FRNT .....	1
14	T106363GT	ADAPTER, RJ45, GC27-25/GC21-19 .....	1
15	137637GT	SCREW, PHM, 4-20X.5, 48-2 TRI-L .....	2
16	T106362GT	COVER, RJ45, GC27-25/GC21-19 .....	1
17A	137604GT	PCBA, GC21-19 GS-2032, GS-2632, GS-2046, GS-2646, GS-3246 .....	1
18A	T106372GT	ENCLOSURE, GC21-19, BK GS-2032, GS-2632, GS-2046, GS-2646, GS-3246 .....	1
19	96008-SGT	KEYSWITCH, 3 POS. W/KEYS*** .....	1
19-	37947GT	KEYS, 10 PACK*** (sold seperately) .....	
19-	83093GT	KEY SINGLE*** (sold seperately) .....	
19-	85239GT	NUT, RETAINER (96008) (sold seperately) .....	
19-	96010GT	SCREW, PHILLIPS, PHM, 8-32 X.25** (sold seperately) .....	
19-	96009GT	WASHER, NITRILE (sold seperately) .....	
20	96452GT	CIRCUIT BREAKER, 7.0 AMP*** .....	1



208.2 Ground Controls, GS-2032, GS-2632, GS-2032C, GS-46





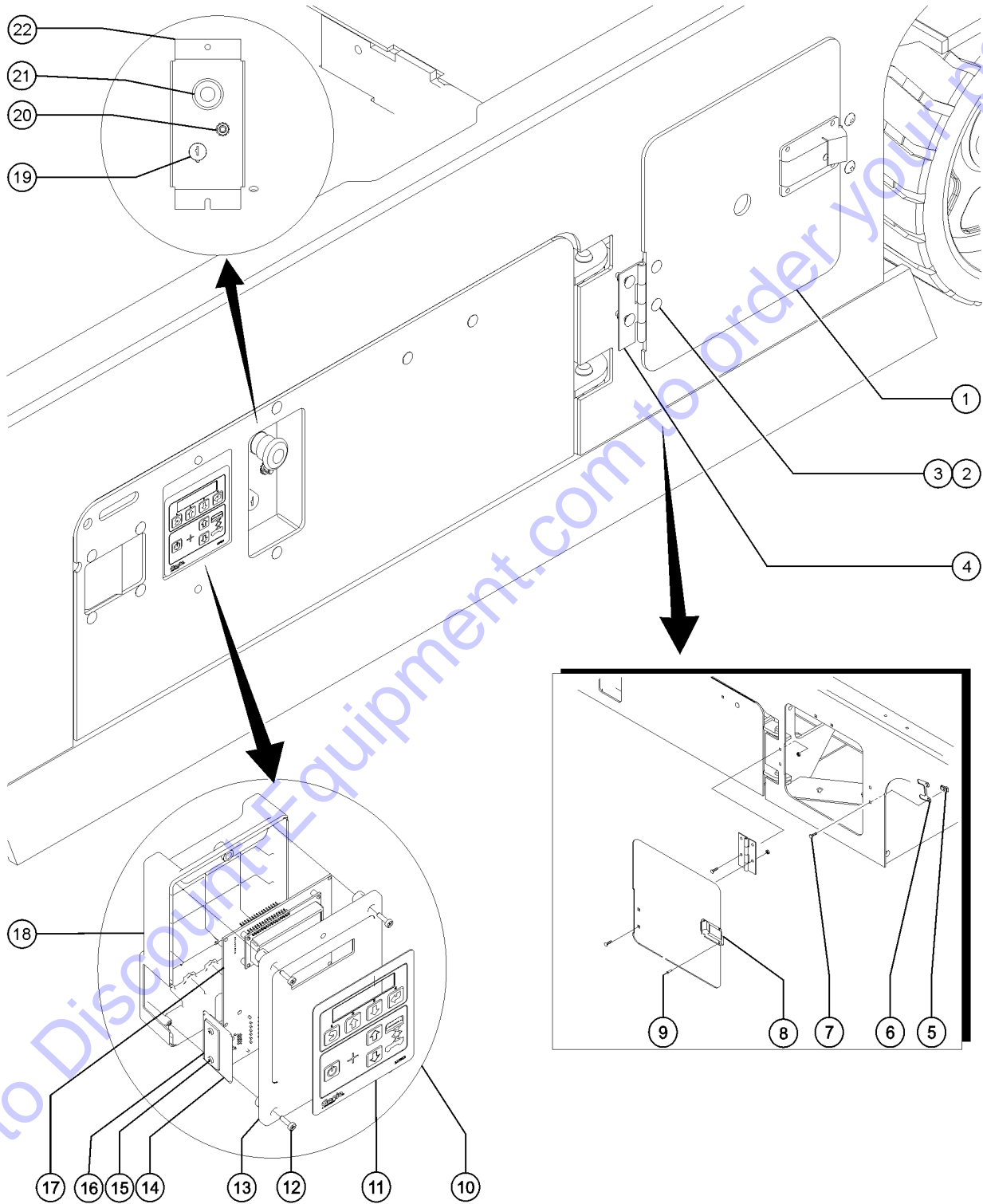
208.2 Ground Controls, GS-2032, GS-2632, GS-2032C, GS-46

<i>Item</i>	<i>Part No.</i>	<i>Description</i>	<i>Qty.</i>
20-	122994GT	NICKEL PLATED JAM NUT .....	
20-	6700GT	WASHER,STAR,EXTERNAL,,375 .....	
21	66812GT	BUTTON,PUSH,RED MUSHROOM HEAD .....	1
21-	58627GT	NUT .....	
21-	66817GT	E-STOP NC CONTACT .....	
22	T108327GT	FORMING,CONTROL PANEL .....	1

Go to Discount-Equipment.com to order your parts



208.3 Ground Controls, GS-2032, GS-2632, GS-46A, GS-3246C

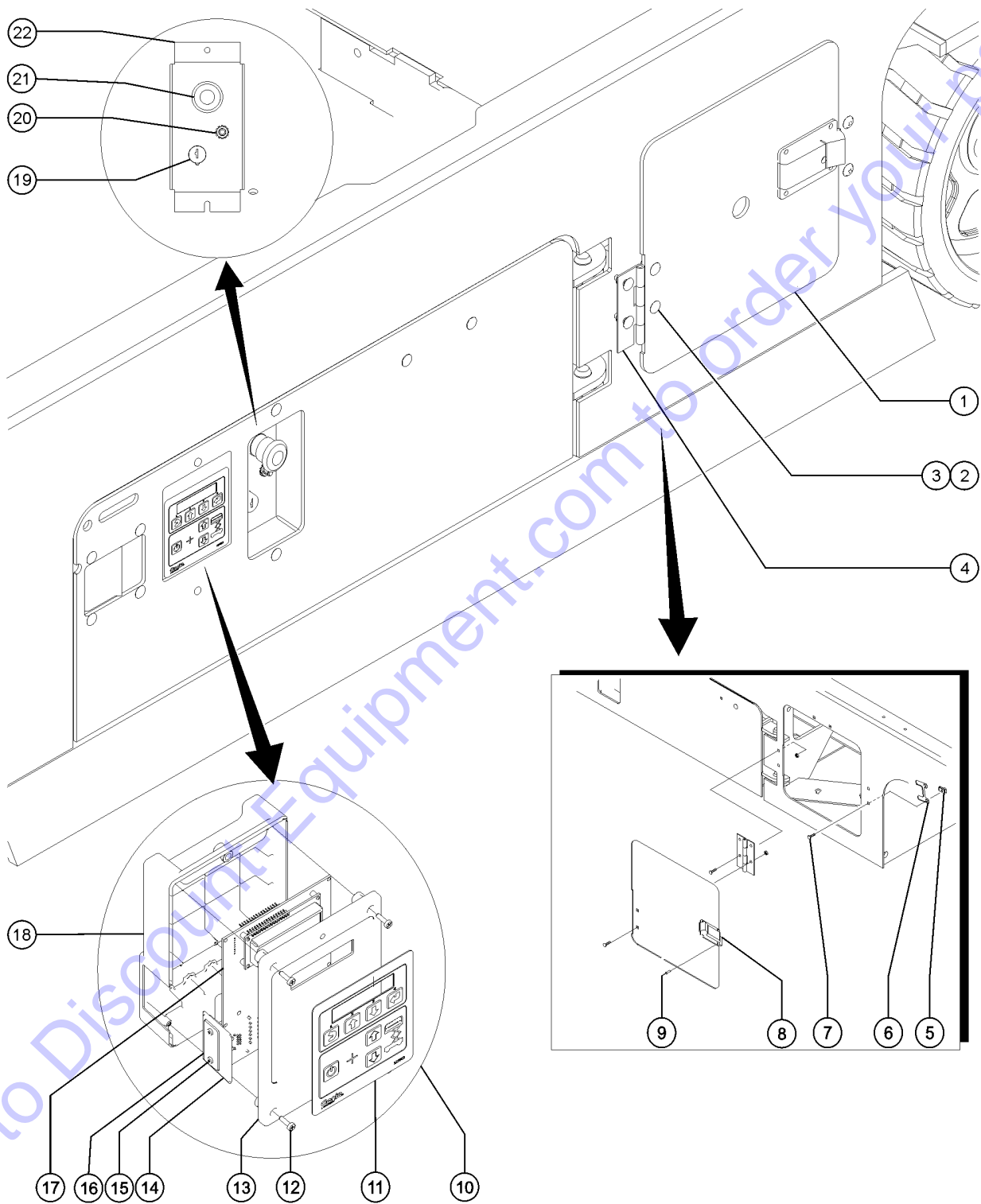


208.3 Ground Controls, GS-2032, GS-2632, GS-46A, GS-3246C

Item	Part No.	Description	Qty.
A	1252764GT	SPACER, GROUND CONTROL ECU .....	1
B	824216GT	SCREW, PHPM, 10-32 X 1.5, ZAG .....	
1	105732GT	PLATE, SIDE DOOR*** .....	1
2	6878GT	BOLT, CARRIAGE, 1/4-20 X .75, G2 .....	4
3	6091GT	NUT, NYLOCK, 1/4-20 .....	4
4	105734GT	HINGE, ACCESS DOOR(13G) .....	1
5	56912GT	SPRING CLIP, 1/4-20, .025-.15X.54, ZAG .....	2
6	105733GT	PLATE, SIDE DOOR STOP*** .....	1
7	43137GT	SCREW, PHM, 1/4-20 X .75 .....	2
8	105759GT	LATCH, COMPRESSION, SMALL .....	1
9	6272GT	RIVET, STL, STL, P., 125 X .25 .....	4
10A	137692GT	GCON, GR/GRC/GS GS-2032, GS-2632, GS-2046, GS-2646, GS-3246 (part is serialized) .....	1
10A-		LABEL, SERIAL, GC21-19 .....	1
		No longer available	
11	137562GT	DECAL, MEMBRANE, GR/GRC/GS GCON .....	1
12	137668GT	SCREW, PHM, 6-19X.75, 48-2 TRI-L .....	4
13	T106366GT	ENCLOSURE, GC27-25/GC21-19, FRNT .....	1
14	T106363GT	ADAPTER, RJ45, GC27-25/GC21-19 .....	1
15	137637GT	SCREW, PHM, 4-20X.5, 48-2 TRI-L .....	2
16	T106362GT	COVER, RJ45, GC27-25/GC21-19 .....	1
17A	137604GT	PCBA, GC21-19 GS-2032, GS-2632, GS-2046, GS-2646, GS-3246 .....	1
18A	T106372GT	ENCLOSURE, GC21-19, BK GS-2032, GS-2632, GS-2046, GS-2646, GS-3246 .....	1
19	96008-SGT	KEYSWITCH, 3 POS. W/KEYS*** .....	1
19-	37947GT	KEYS, 10 PACK*** (sold seperately) .....	
19-	83093GT	KEY SINGLE*** (sold seperately) .....	
19-	85239GT	NUT, RETAINER (96008) .....	
19-	96010GT	SCREW, PHILLIPS, PHM, 8-32 X.25** (sold seperately) .....	
19-	96009GT	WASHER, NITRILE (sold seperately) .....	
20	96452GT	CIRCUIT BREAKER, 7.0 AMP*** .....	1



208.3 Ground Controls, GS-2032, GS-2632, GS-46A, GS-3246C



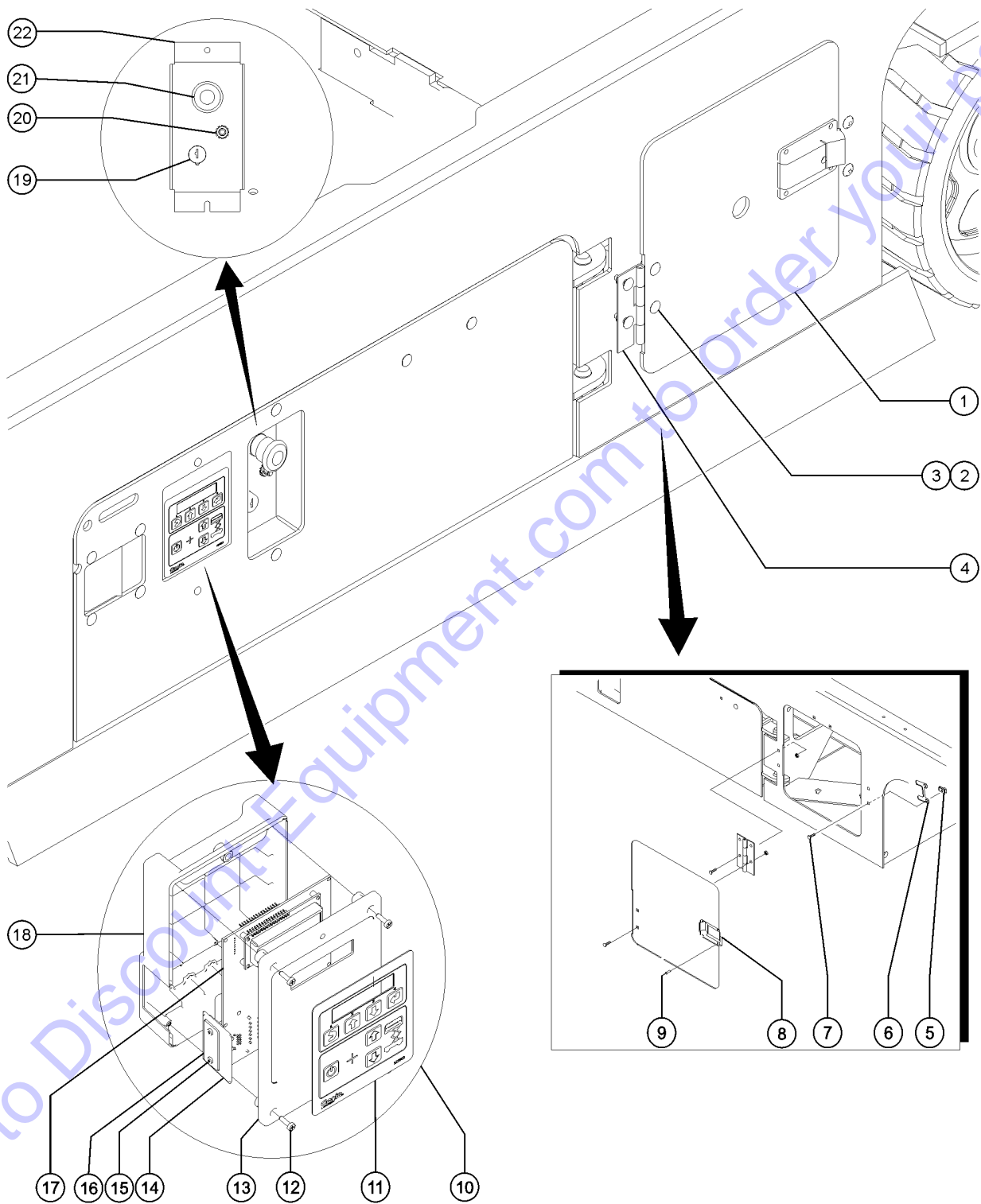
208.3 Ground Controls, GS-2032, GS-2632, GS-46A, GS-3246C

Item	Part No.	Description	Qty.
20-	122994GT	NICKEL PLATED JAM NUT .....	
20-	6700GT	WASHER,STAR,EXTERNAL,,375 .....	
21	66812GT	BUTTON,PUSH,RED MUSHROOM HEAD .....	1
21-	58627GT	NUT .....	
21-	66817GT	E-STOP NC CONTACT .....	
22	T108327GT	FORMING,CONTROL PANEL .....	1

Go to Discount-Equipment.com to order your parts



208.4 Ground Controls, GS-2032, GS-2632, GS-46, GS-2632C

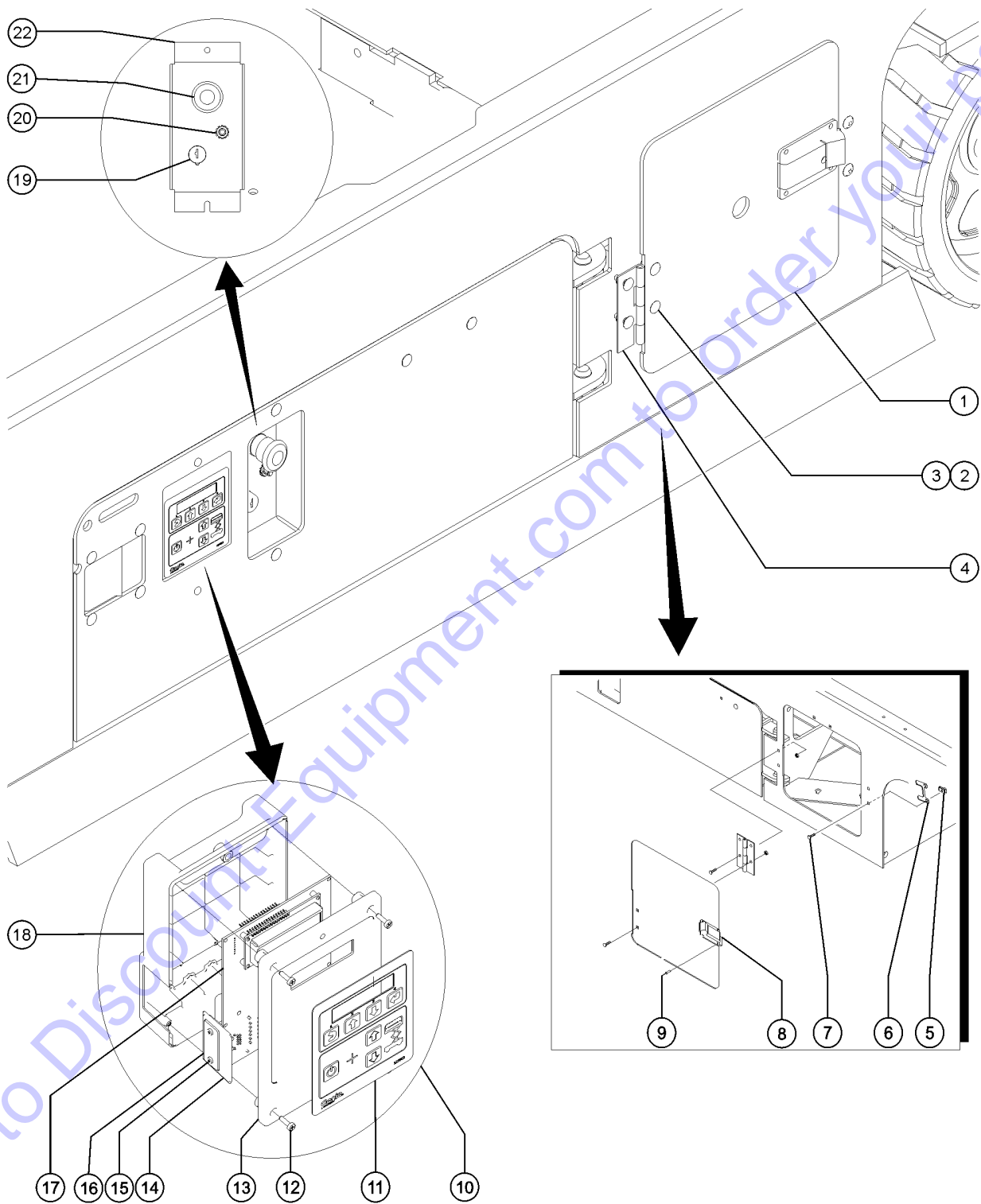


208.4 Ground Controls, GS-2032, GS-2632, GS-46, GS-2632C

Item	Part No.	Description	Qty.
A	1252764GT	SPACER, GROUND CONTROL ECU .....	1
B	824216GT	SCREW, PHPM, 10-32 X 1.5, ZAG .....	
1	105732GT	PLATE, SIDE DOOR*** .....	1
2	6878GT	BOLT, CARRIAGE, 1/4-20 X .75, G2 .....	4
3	6091GT	NUT, NYLOCK, 1/4-20 .....	4
4	105734GT	HINGE, ACCESS DOOR(13G) .....	1
5	56912GT	SPRING CLIP, 1/4-20, .025-.15X.54, ZAG .....	2
6	105733GT	PLATE, SIDE DOOR STOP*** .....	1
7	43137GT	SCREW, PHM, 1/4-20 X .75 .....	2
8	105759GT	LATCH, COMPRESSION, SMALL .....	1
9	6272GT	RIVET, STL, STL, P., 125 X .25 .....	4
10A	137692GT	GCON, GR/GRC/GS GS-2032, GS-2632, GS-2046, GS-2646, GS-3246 (part is serialized) .....	1
10A-		LABEL, SERIAL, GC21-19 .....	1
		No longer available	
11	137562GT	DECAL, MEMBRANE, GR/GRC/GS GCON .....	1
12	137668GT	SCREW, PHM, 6-19X.75, 48-2 TRI-L .....	4
13	T106366GT	ENCLOSURE, GC27-25/GC21-19, FRNT .....	1
14	T106363GT	ADAPTER, RJ45, GC27-25/GC21-19 .....	1
15	137637GT	SCREW, PHM, 4-20X.5, 48-2 TRI-L .....	2
16	T106362GT	COVER, RJ45, GC27-25/GC21-19 .....	1
17A	137604GT	PCBA, GC21-19 GS-2032, GS-2632, GS-2046, GS-2646, GS-3246 .....	1
18A	T106372GT	ENCLOSURE, GC21-19, BK GS-2032, GS-2632, GS-2046, GS-2646, GS-3246 .....	1
19	96008-SGT	KEYSWITCH, 3 POS. W/KEYS*** .....	1
19-	37947GT	KEYS, 10 PACK*** (sold seperately) .....	
19-	83093GT	KEY SINGLE*** (sold seperately) .....	
19-	85239GT	NUT, RETAINER (96008) .....	
19-	96010GT	SCREW, PHILLIPS, PHM, 8-32 X.25** (sold seperately) .....	
19-	96009GT	WASHER, NITRILE (sold seperately) .....	
20	96452GT	CIRCUIT BREAKER, 7.0 AMP*** .....	1



208.4 Ground Controls, GS-2032, GS-2632, GS-46, GS-2632C





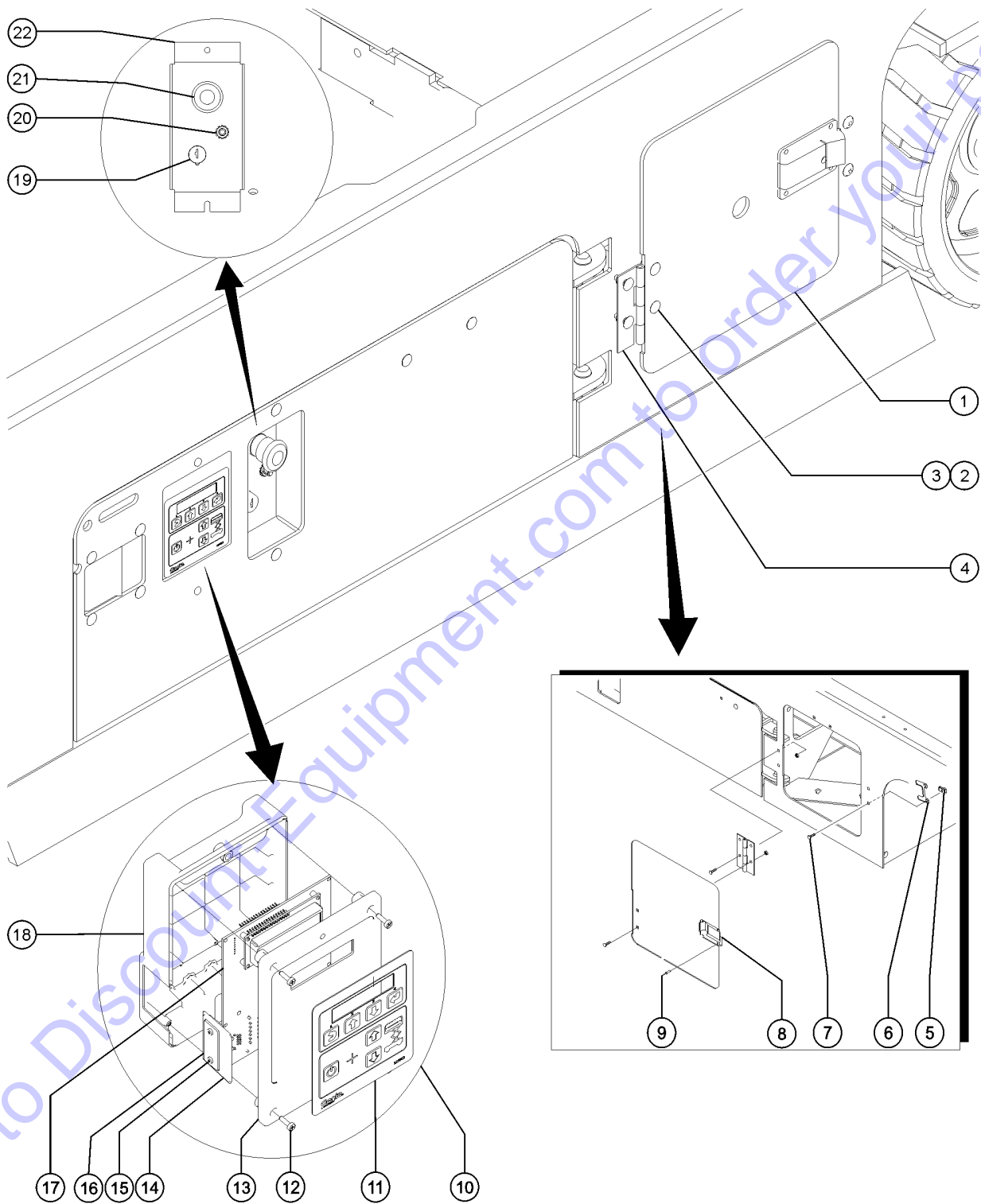
208.4 Ground Controls, GS-2032, GS-2632, GS-46, GS-2632C

<i>Item</i>	<i>Part No.</i>	<i>Description</i>	<i>Qty.</i>
20-	122994GT	NICKEL PLATED JAM NUT .....	
20-	6700GT	WASHER,STAR,EXTERNAL,,375 .....	
21	66812GT	BUTTON,PUSH,RED MUSHROOM HEAD .....	1
21-	58627GT	NUT .....	
21-	66817GT	E-STOP NC CONTACT .....	
22	T108327GT	FORMING,CONTROL PANEL .....	1

Go to Discount-Equipment.com to order your parts



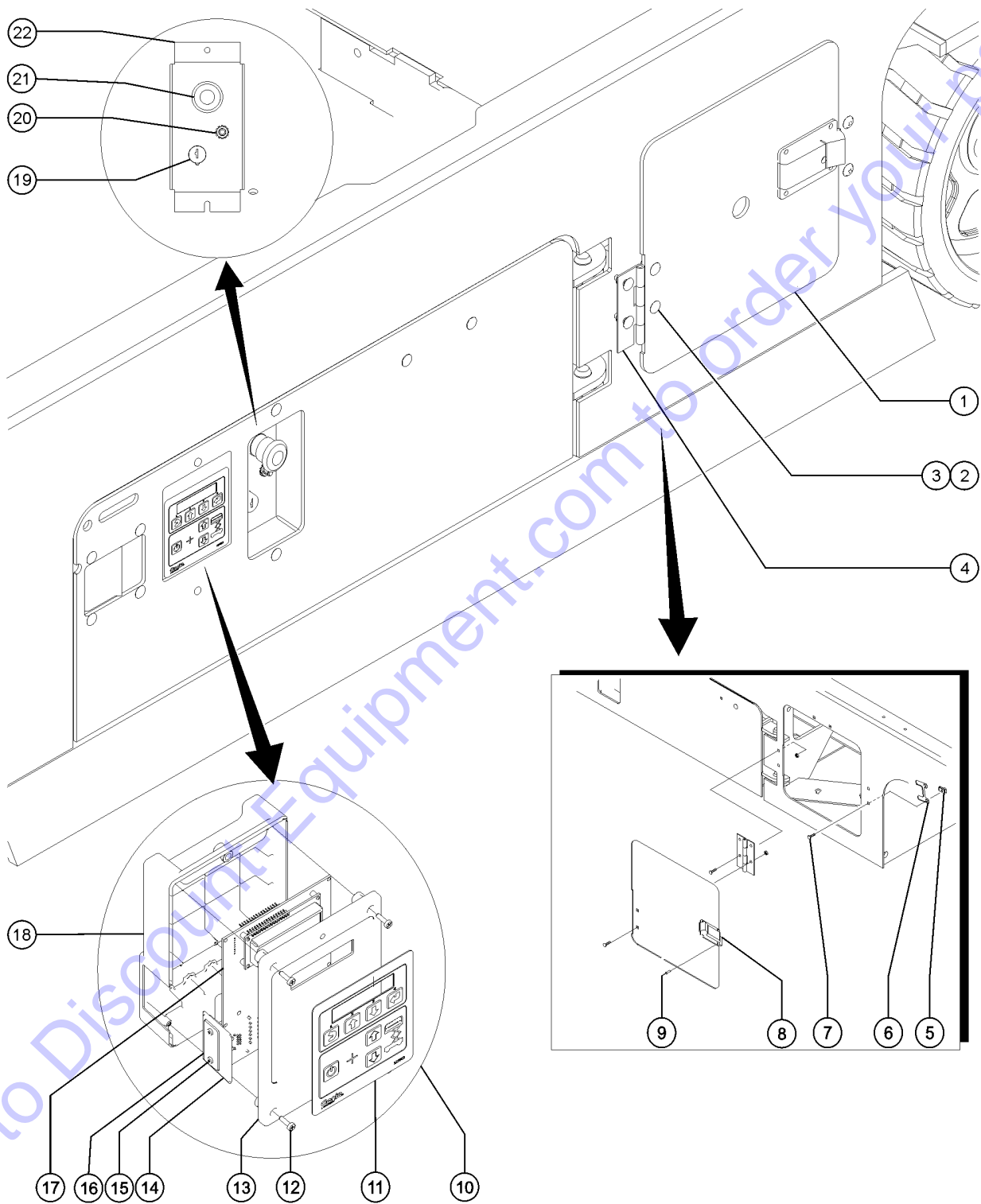
208.5 Ground Controls, GS-3232



Item	Part No.	Description	Qty.
A-	1252764GT	SPACER, GROUND CONTROL ECU .....	1
B-	824216GT	SCREW, PHPM, 10-32 X 1.5, ZAG .....	
1	105732GT	PLATE,SIDE DOOR*** .....	1
2	6878GT	BOLT,CARRIAGE,1/4-20 X .75,G2 .....	4
3	6091GT	NUT, NYLOCK, 1/4-20 .....	4
4	105734GT	HINGE,ACCESS DOOR(13G) .....	1
5	56912GT	SPRING CLIP,1/4-20,.025-.15X.54,ZAG .....	2
6	105733GT	PLATE,SIDE DOOR STOP*** .....	1
7	43137GT	SCREW,PHM,1/4-20 X .75 .....	2
8	105759GT	LATCH,COMPRESSION,SMALL .....	1
9	6272GT	RIVET,STL,STL,P,.125 X .25 .....	4
10B		REF. GCON,GS O/R GS-3232 (models with 2 speed controller refer to 404.1 for upgrade kit ) .....	1
10D	1256722GT	GCON,O/R,PROP LIFT GS-3232 (models with 4 button, proportional controller) .....	1
10D-	1256808GT	LABEL,GCON O/R,SERIAL (GS-3232) .....	1
11	137562GT	DECAL,MEMBRANE, GR/GRC/GS GCON .....	1
12	137668GT	SCREW,PHM,6-19X.75, 48-2 TRI-L .....	4
13	T106366GT	ENCLOSURE,GC27-25/GC21-19,FRNT .....	1
14	T106363GT	ADAPTER, RJ45, GC27-25/GC21-19 .....	1
15	137637GT	SCREW,PHM,4-20X.5, 48-2 TRI-L .....	2
16	T106362GT	COVER, RJ45, GC27-25/GC21-19 .....	1
17B		REF. PCBA, GC27-25 GS-3232 (models with 2 speed controller refer to 404.1 for upgrade kit) .....	1
17D	1256720GT	PCBA,GCON O/R,PROP LIFT GS-3232 (models with 4 button, proportional controller) .....	1
18B	T106371GT	ENCLOSURE, GC27-25, BK (GS-3232) .....	1
19	96008-SGT	KEYSWITCH,3 POS. W/KEYS*** .....	1
19-	37947GT	KEYS,10 PACK*** (sold seperately) .....	
19-	83093GT	KEY SINGLE*** (sold seperately) .....	
19-	85239GT	NUT,RETAINER (96008) .....	
19-	96010GT	SCREW,PHILLIPS,PHM,8-32 X.25** (sold seperately) .....	



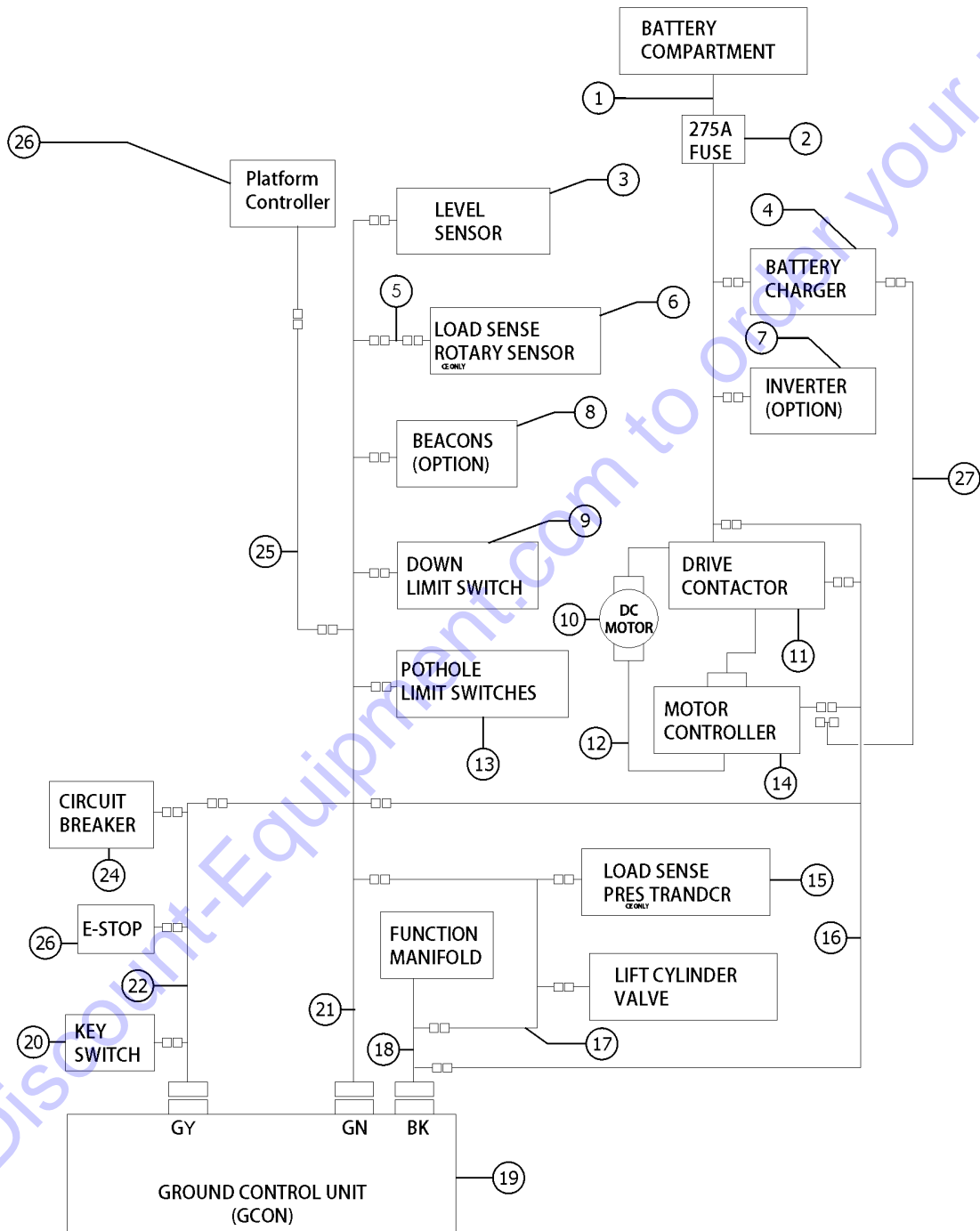
208.5 Ground Controls, GS-3232



Item	Part No.	Description	Qty.
19-	96009GT	WASHER,NITRILE ..... (sold seperately)	
20	96452GT	CIRCUIT BREAKER, 7.0 AMP*** .....	1
20-	122994GT	NICKEL PLATED JAM NUT .....	
20-	6700GT	WASHER,STAR,EXTERNAL,375 .....	
21	66812GT	BUTTON,PUSH,RED MUSHROOM HEAD .....	1
21-	58627GT	NUT .....	
21-	66817GT	E-STOP NC CONTACT .....	
22	T108327GT	FORMING,CONTROL PANEL .....	1

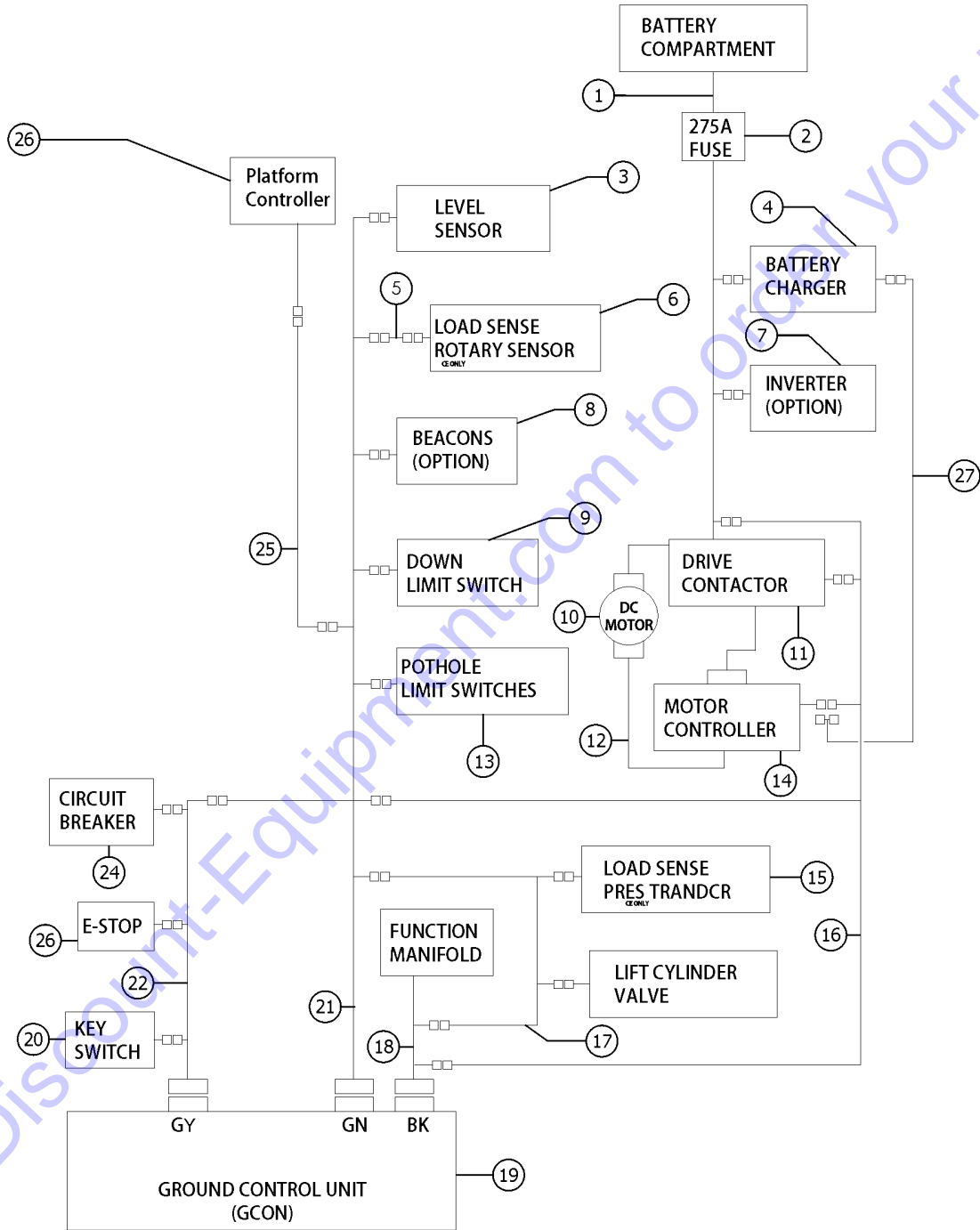
Go to Discount-Equipment.com to order your parts





Item	Part No.	Description	Qty.
A	105214GT	CABLE TIE MOUNT, WINGED not shown	
A	56926GT	CLIP, TIE HARNESS MOUNT*** not shown	
B	1264822GT	KIT, TRC RETROFIT, STNDRD Telematics (includes 1264834)	
B-	1264834GT	INSTRN, TRC RETROFIT, STNDRD	
1		REF. BATTERY CABLE refer to 211.1	
2		REF. FUSE refer to 205.1	
3		REF. LEVEL SENSOR refer to 203.1	
4		REF. CHARGER refer to 206.1	
5	T114031GT	HARNESS, ROTARY ANGLE	1
6	T113136GT	ASSY, ROT SENSR W/ HARNESS	1
7		REF. INVERTER refer to 604.1	
8		REF. STOBE, BEACON refer to 601.1	
9		REF. DOWN LIMIT, GS refer to 203.1	
10		REF. ELECTRIC MOTOR refer to 504.1	
11	74267GT	CONTACTOR, DRIVE, 24V, 180A***	1
12		REF. BATTERY CABLE refer to 211.1	
13	96309GT	POTHOLE HARNESS ASSEMBLY	1
14		REF. MOTOR CONTROLLER refer to 207.1	
15	1311101GT	PRESSURE TRANSDUCER, 0-5K, 1-5V	1
16A	233431GT	HRNS, CONTACTOR SIGNL, GS30/32 GS2032, GS-2632, GS3232	1
17A	233053GT	CABLE, LFT CYL DN, 20/26XX, W/LS GS-2032, GS-2046, GS-2632, GS-2646 (CE, Australia)	1
17B	233054GT	CABLE, LFT CYL DN, 20/26XX, WO/LS GS-2032, GS-2046, GS-2632, GS-2646 (ANSI, CSA)	1
18A	T110889GT	HARNESS, GS FUNC MANIFOLD (to SN GS3214A-135714) (Black connector)	1
18B	1257824GT	HARNESS, FUNCTION MANIFOLD, GS (from SN GS3214A-135715) (Black connector)	1
19		REF. GCON refer to 208.1	
20		REF. KEYSWITCH refer to 208.1	
21A	228786GT	HARNESS, GS SENSORS, ANSI ANSI & CSA; to SN GS3215A-141898 and GS4615A-137959	1
21A-	233711GT	HRNS ASSY, RESISTOR DIODE for 228786GT and T110891GT	



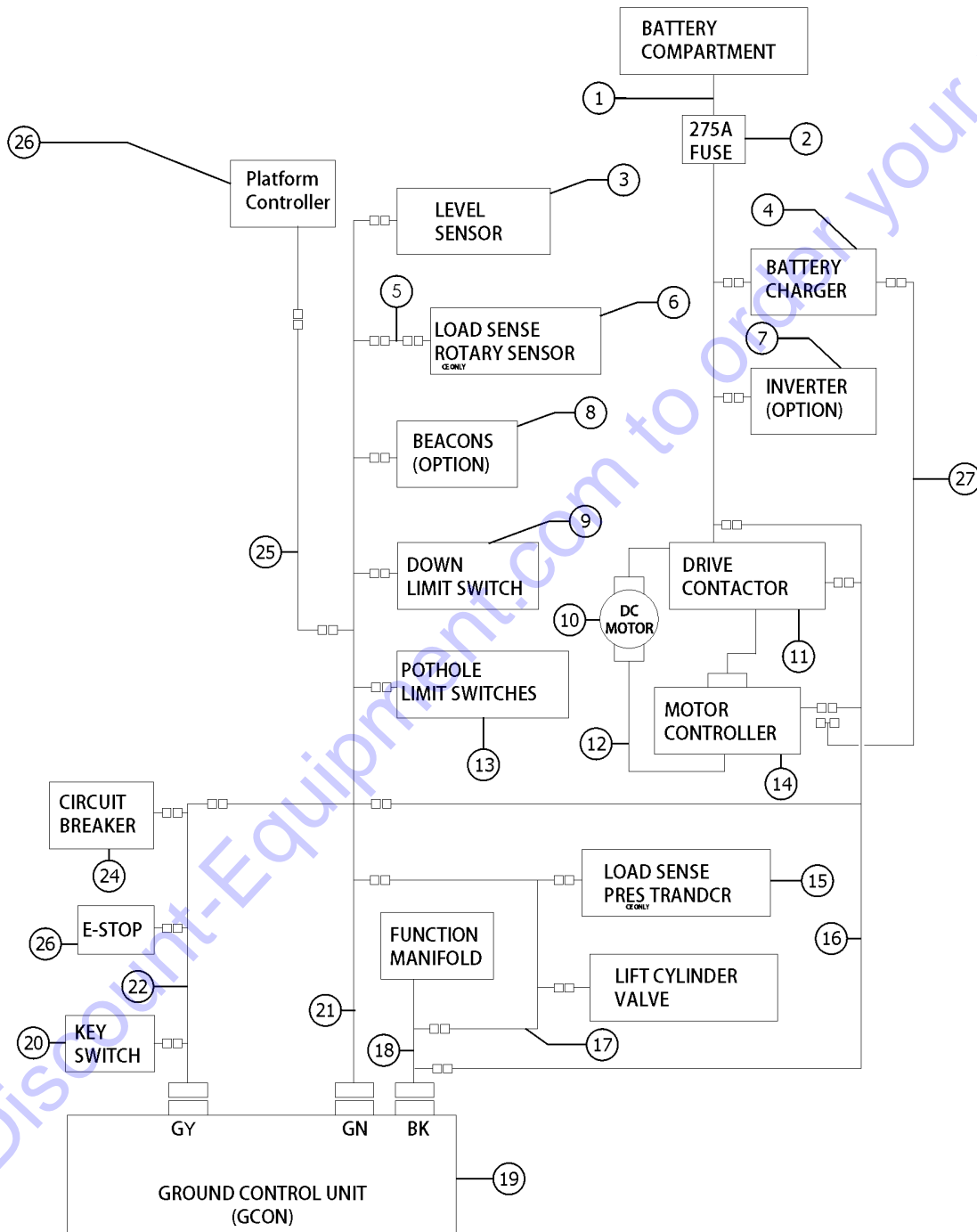




Item	Part No.	Description	Qty.
21B	T110891GT	HARNESS, GS SENSORS, CE CE & AUS; to SN GS3215A-141898 and GS4615A-137959 (Green connector)	1
21B-	233711GT	HRNS ASSY,RESISTOR DIODE for 228786GT and T110891GT	
21B-	233644GT	RESISTOR,200 OHM 10W,CERAMIC for 233711GT	
22A	T110890GT	HARNESS, GS POWER CONTRL to SN 134999 (Grey connector)	1
22B	1258394GT	HARNESS, GS POWER CONTROL from SN 135000 (Grey connector)	
23		REF. E-STOP BUTTON refer to 208.1	
24		REF. CIRCUIT BREAKER refer to 208.1	
25A	233050GT	CABLE, PLATFORM CONTROL, 20XX GS-2032, GS-2046	1
25A-	231921GT	KIT,CONN,RECEPT W/PIN AND LOCK	
25A-	231922GT	KIT,CONN,PLUG W/SCKT AND LOCK	
25A-	218579GT	WIRE CABLE 18/5 - UNSHIELDED GS-2032, GS-2046	324
25B	233051GT	CABLE, PLATFORM CONTROL, 26XX GS-2632, GS-2646	1
25B-	231921GT	KIT,CONN,RECEPT W/PIN AND LOCK	
25B-	231922GT	KIT,CONN,PLUG W/SCKT AND LOCK	
25B-	218579GT	WIRE CABLE 18/5 - UNSHIELDED GS-2632, GS-2646	440
26		REF. PCON refer to 404.1	
27A	144213GT	CHARGER INTERLOCK CBLE,GS30/32	

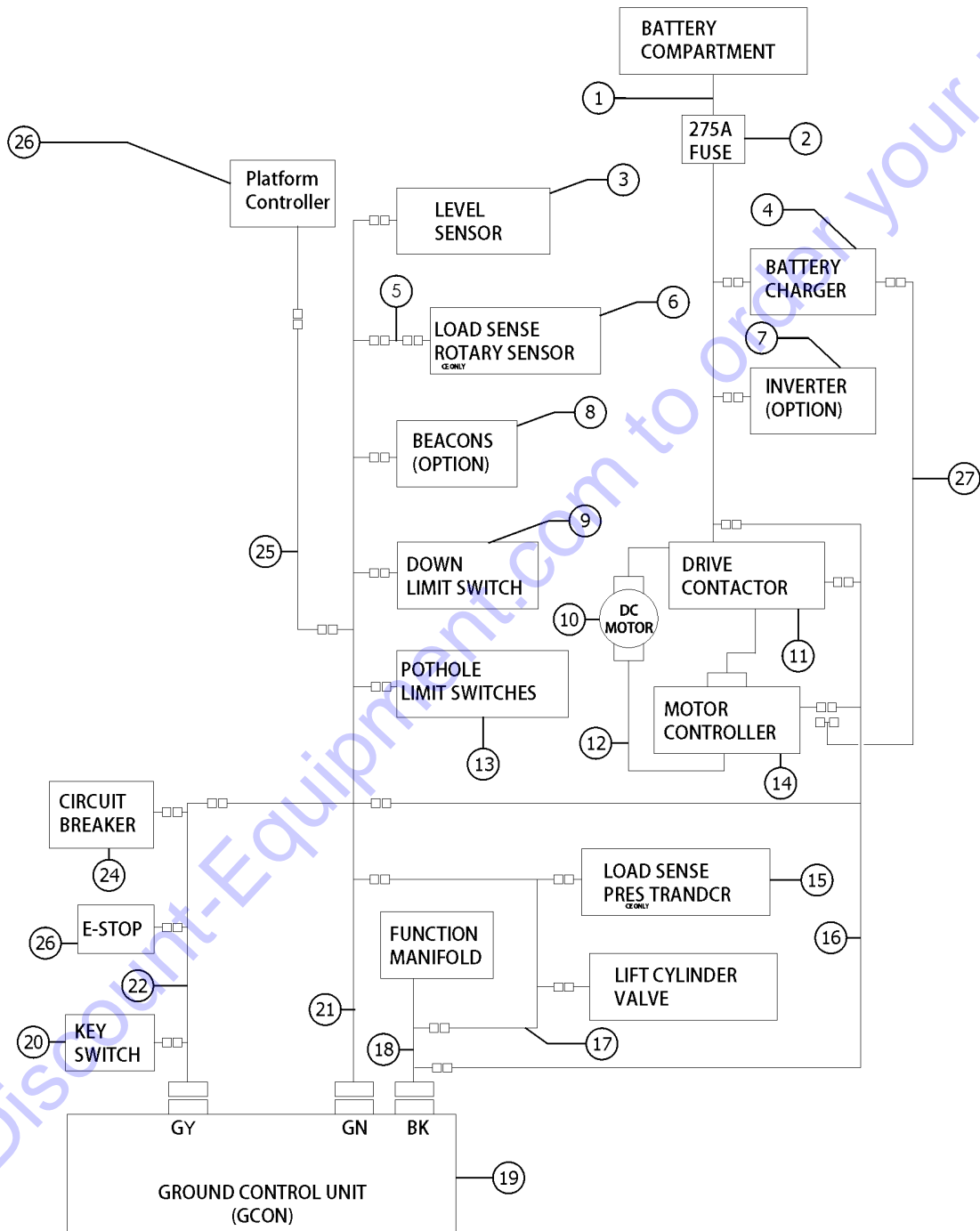
Go to Discount-Equipment.com to order your parts





Item	Part No.	Description	Qty.
A	105214GT	CABLE TIE MOUNT, WINGED ..... not shown	
B	1264822GT	KIT, TRC RETROFIT, STNDRD ..... Telematics (includes 1264834)	
B-	1264834GT	INSTRN, TRC RETROFIT, STNDRD .....	
1		REF. BATTERY CABLE ..... refer to 211.1	
2		REF. FUSE ..... refer to 205.1	
3		REF. LEVEL SENSOR ..... refer to 203.1	
4		REF. CHARGER ..... refer to 206.1	
5	T114031GT	HARNESS, ROTARY ANGLE .....	1
6	T113136GT	ASSY,ROT SENSR W/ HARNESS .....	1
7		REF. INVERTER ..... refer to 604.1	
8		REF. STOBE,BEACON ..... refer to 601.1	
9		REF. DOWN LIMIT, GS ..... refer to 203.1	
10		REF. ELECTRIC MOTOR ..... refer to 504.1	
11	74267GT	CONTACTOR,DRIVE,24V,180A*** .....	1
12		REF. BATTERY CABLE ..... refer to 211.1	
13	96309GT	POTHOLE HARNESS ASSEMBLY .....	1
14		REF. MOTOR CONTROLLER ..... refer to 207.1	
15	1311101GT	PRESSURE TRANSDUCER,0-5K,1-5V .....	1
16A	233431GT	HRNS,CONTACTOR SIGNL,GS30/32 ..... GS2032, GS-2632, GS3232	1
17A	233053GT	CABLE,LFT CYL DN,20/26XX,W/LS ..... GS-2032, GS-2046, GS-2632, GS-2646 (CE, Australia)	1
17B	233054GT	CABLE,LFT CYL DN,20/26XX,WO/LS ..... GS-2032, GS-2046, GS-2632, GS-2646 (ANSI, CSA)	1
18	1257824GT	HARNESS,FUNCTION MANIFOLD,GS ..... replaced T110889 (Black connector)	1
19		REF. GCON ..... refer to 208.1	
20		REF. KEYSWITCH ..... refer to 208.1	
21A	228786GT	HARNESS, GS SENSORS, ANSI ..... ANSI & CSA; to SN GS3215A-141898 and GS4615A-137959 (Green connector)	1
21A-	233711GT	HRNS ASSY,RESISTOR DIODE ..... for 228786GT and T110891GT	
21C	T110891GT	HARNESS, GS SENSORS, CE ..... CE & AUS; to SN GS3215A-141898 and GS4615A-137959 (Green connector)	1
21C-	233711GT	HRNS ASSY,RESISTOR DIODE ..... for 228786GT and T110891GT	

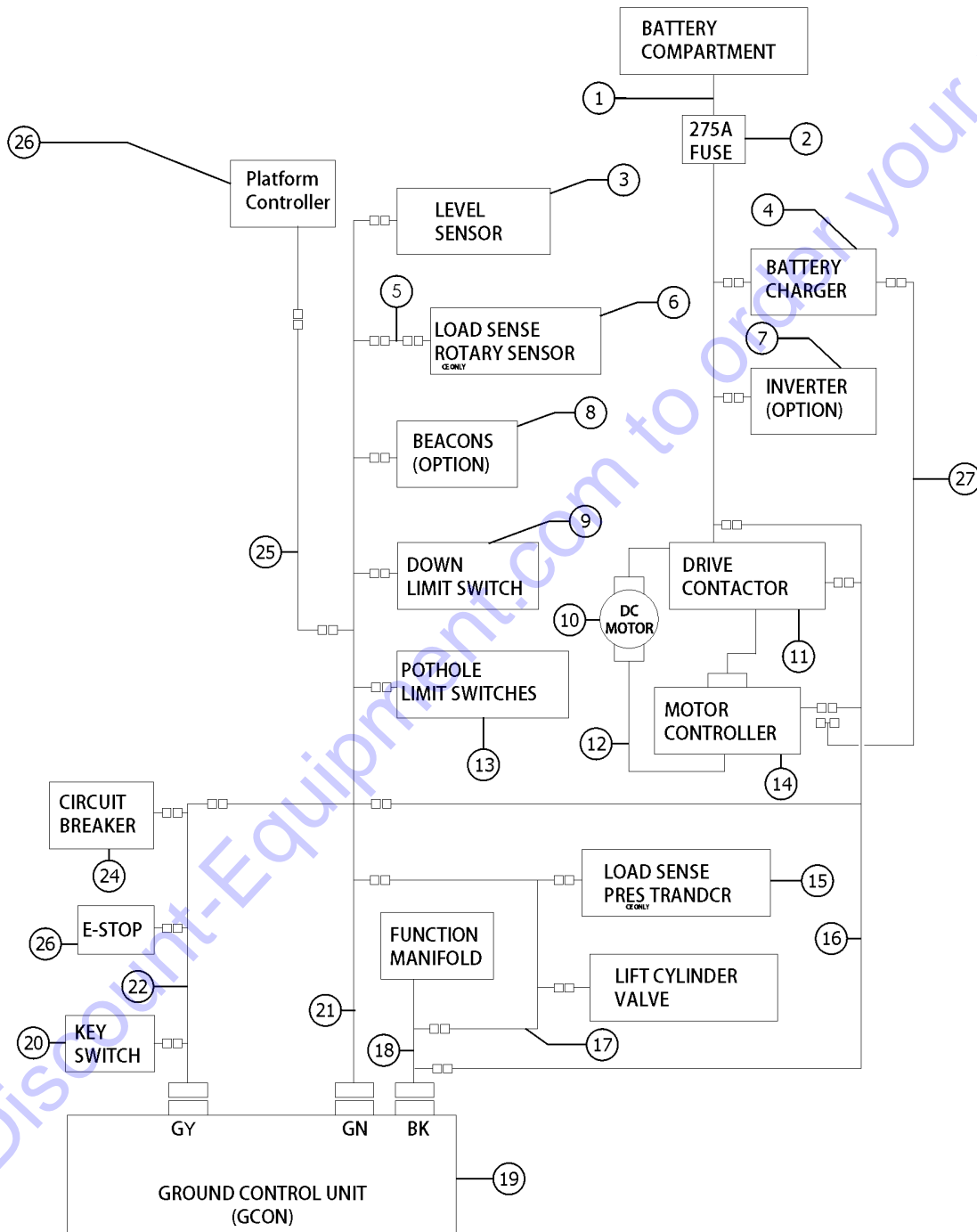




Item	Part No.	Description	Qty.
21C-	233644GT	RESISTOR,200 OHM 10W,CERAMIC ..... for 233711GT	
22A	T110890GT	HARNESS, GS POWER CONTRL ..... to SN 13999 (Grey connector)	1
22B	1258394GT	HARNESS, GS POWER CONTROL ..... from SN 14000 (Grey connector)	
23		REF. E-STOP BUTTON ..... refer to 208.1	
24		REF. CIRCUIT BREAKER ..... refer to 208.1	
25A	233050GT	CABLE, PLATFORM CONTROL, 20XX ..... GS-2032, GS-2046	1
25A-	231921GT	KIT,CONN,RECEPT W/PIN AND LOCK .....	
25A-	231922GT	KIT,CONN,PLUG W/SCKT AND LOCK .....	
25A-	218579GT	WIRE CABLE 18/5 - UNSHIELDED ..... GS-2032, GS-2046	324
25B	233051GT	CABLE, PLATFORM CONTROL, 26XX ..... GS-2632, GS-2646	1
25B-	231921GT	KIT,CONN,RECEPT W/PIN AND LOCK .....	
25B-	231922GT	KIT,CONN,PLUG W/SCKT AND LOCK .....	
25B-	218579GT	WIRE CABLE 18/5 - UNSHIELDED ..... GS-2632, GS-2646	440
26		REF. PCON ..... refer to 404.1	
27A	144213GT	CHARGER INTERLOCK CBLE,GS30/32 .....	

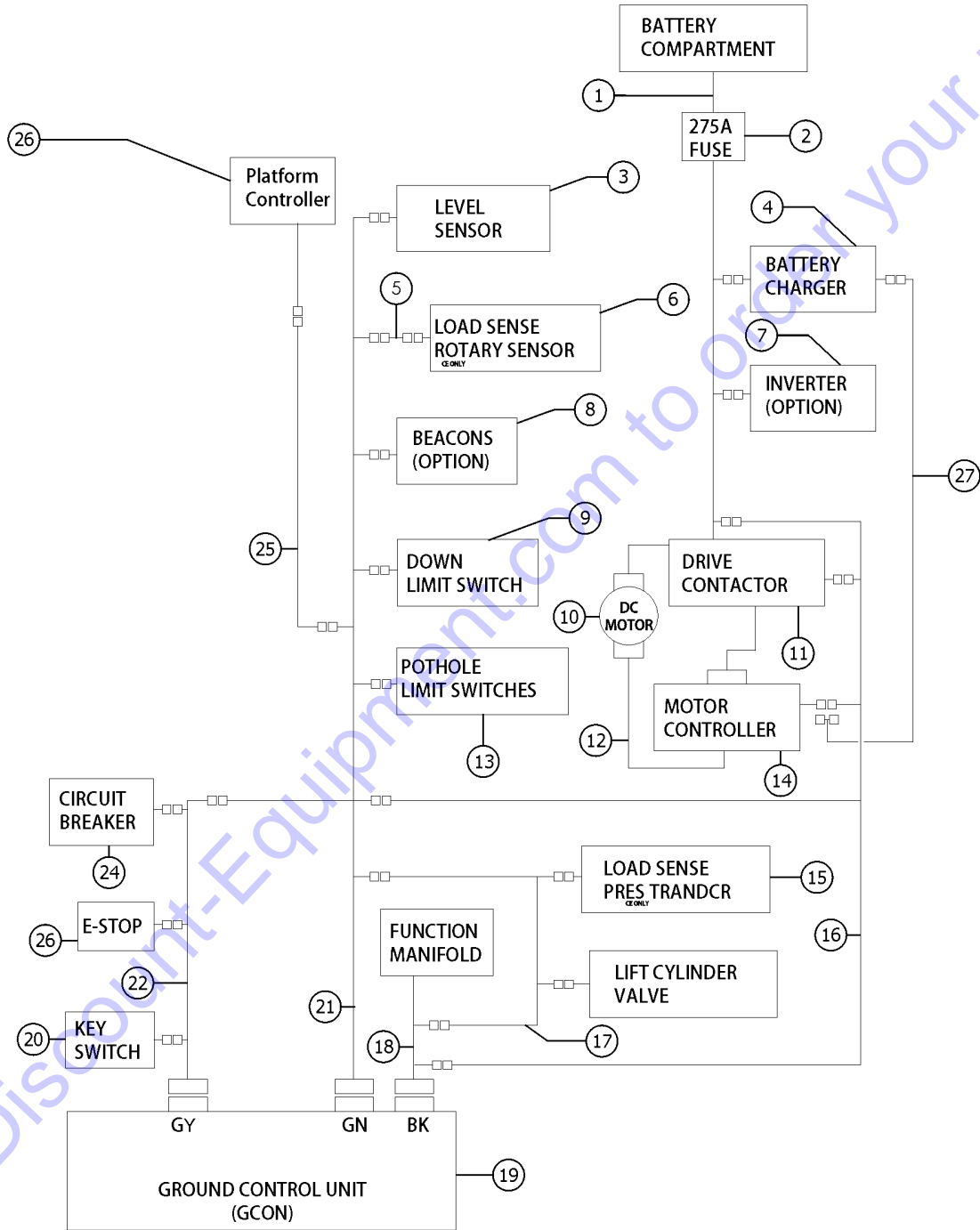
Go to Discount-Equipment.com to order your parts





Item	Part No.	Description	Qty.
A	105214GT	CABLE TIE MOUNT, WINGED not shown	
A	56926GT	CLIP, TIE HARNESS MOUNT*** not shown	
B	1264822GT	KIT, TRC RETROFIT, STNDRD Telematics (includes 1264834)	
B-	1264834GT	INSTRN, TRC RETROFIT, STNDRD	
1		Ref. BATTERY CABLE refer to 211.1	
2		Ref. FUSE refer to 205.1	
3		Ref. LEVEL SENSOR refer to 203.1	
4		Ref. CHARGER refer to 206.1	
5	T114031GT	HARNESS, ROTARY ANGLE	1
6	T113136GT	ASSY, ROT SENS R W/ HARNESS	1
7		Ref. INVERTER refer to 604.1	
8		Ref. STrobe, BEACON refer to 601.1	
9		Ref. DOWN LIMIT, GS refer to 203.1	
10		Ref. ELECTRIC MOTOR refer to 504.1	
11	74267GT	CONTACTOR, DRIVE, 24V, 180A***	1
12		Ref. BATTERY CABLE refer to 211.1	
13	96309GT	POTHOLE HARNESS ASSEMBLY	1
14		REF. MOTOR CONTROLLER refer to 207.1	
15	1311101GT	PRESSURE TRANSDUCER, 0-5K, 1-5V	1
16B	233430GT	HRNS, CONTACTOR SIGNAL, GS46 GS2046, GS-2646, GS-3246	1
17A	233053GT	CABLE, LFT CYL DN, 20/26XX, W/LS GS-2032, GS-2046, GS-2632, GS-2646 (CE, Australia)	1
17B	233054GT	CABLE, LFT CYL DN, 20/26XX, WO/LS GS-2032, GS-2046, GS-2632, GS-2646 (ANSI, CSA)	1
18A	T110889GT	HARNESS, GS FUNC MANIFOLD (to SN GS4614A-135366) (Black connector)	1
18B	1257824GT	HARNESS, FUNCTION MANIFOLD, GS (from SN GS4614A-135367) (Black connector)	1
19		Ref. GCON refer to 208.1	
20		Ref. KEYSWITCH refer to 208.1	
21A	228786GT	HARNESS, GS SENSORS, ANSI ANSI & CSA; to SN GS3215A-141898 and GS4615A-137959 (Green connector)	1
21A-	233711GT	HRNS ASSY, RESISTOR DIODE for 228786GT and T110891GT	



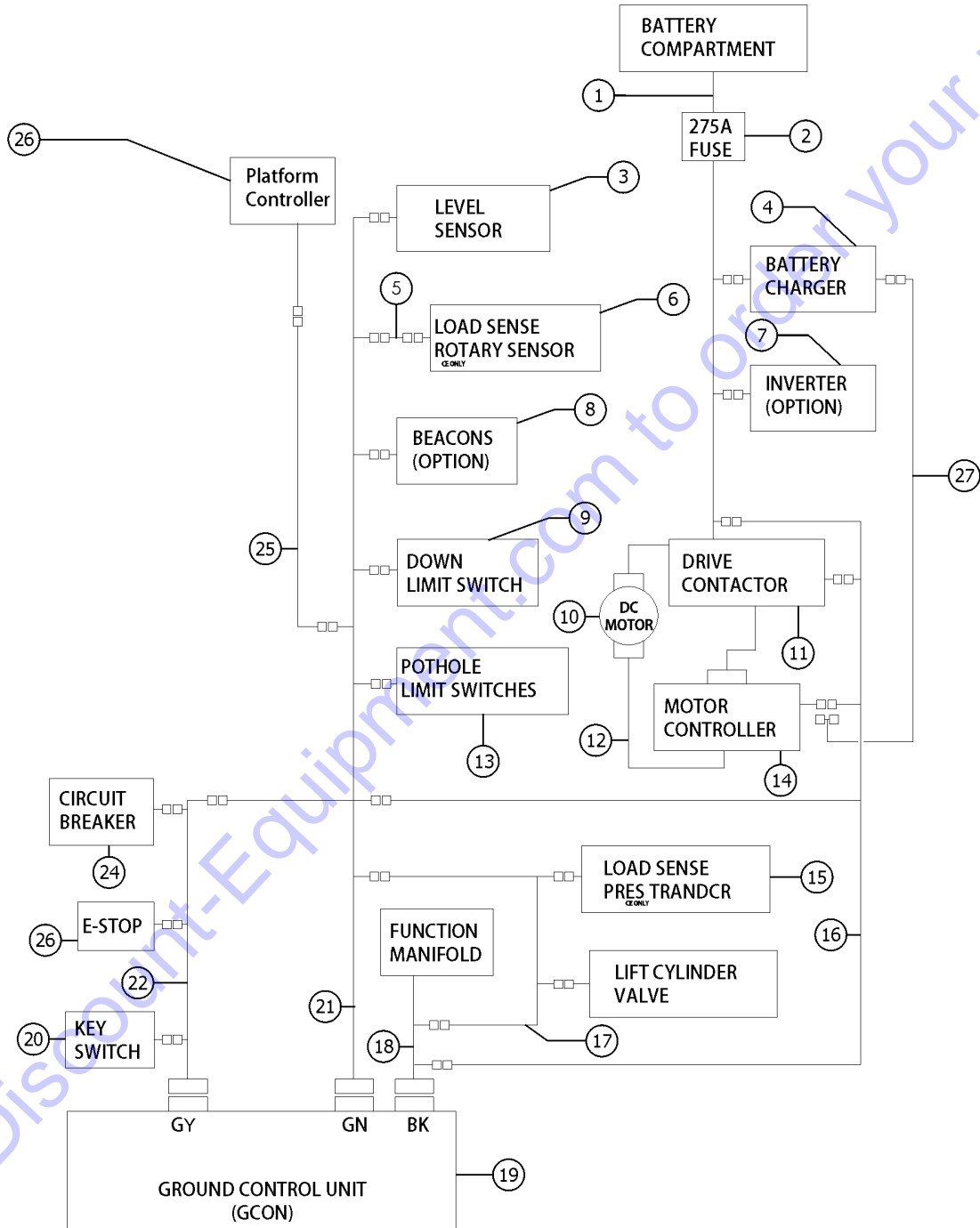




Item	Part No.	Description	Qty.
21B	1263221GT	HARNESS, GS SENSORS, ANSI ANSI & CSA; from GS3215A-141899 and GS4615A-137960	
21C	T110891GT	HARNESS, GS SENSORS, CE CE & AUS; to SN GS3215A-141898 and GS4615A-137959 (Green connector)	1
21C-	233711GT	HRNS ASSY,RESISTOR DIODE for 228786GT and T110891GT	
21C-	233644GT	RESISTOR,200 OHM 10W,CERAMIC for 233711GT	
21D	1263220GT	HARNESS, GS SENSORS, CE CE and AUS; from GS3215A-141899 and GS4615A-137960	
22A	T110890GT	HARNESS, GS POWER CONTRL to SN 134999 (Grey connector)	1
22B	1258394GT	HARNESS, GS POWER CONTROL from SN 135000 (Grey connector)	
23		Ref. E-STOP BUTTON refer to 208.1	
24		Ref. CIRCUIT BREAKER refer to 208.1	
25A	233050GT	CABLE, PLATFORM CONTROL, 20XX GS-2032, GS-2046	1
25A-	231921GT	KIT,CONN,RECEPT W/PIN AND LOCK	
25A-	231922GT	KIT,CONN,PLUG W/SCKT AND LOCK	
25A-	218579GT	WIRE CABLE 18/5 - UNSHIELDED GS-2032, GS-2046	324
25B	233051GT	CABLE, PLATFORM CONTROL, 26XX GS-2632, GS-2646	1
25B-	231921GT	KIT,CONN,RECEPT W/PIN AND LOCK	
25B-	231922GT	KIT,CONN,PLUG W/SCKT AND LOCK	
25B-	218579GT	WIRE CABLE 18/5 - UNSHIELDED GS-2632, GS-2646	440
26		Ref. PCON refer to 404.1	
27B	144215GT	CHARGER INTERLOCK CABLE,GS46	

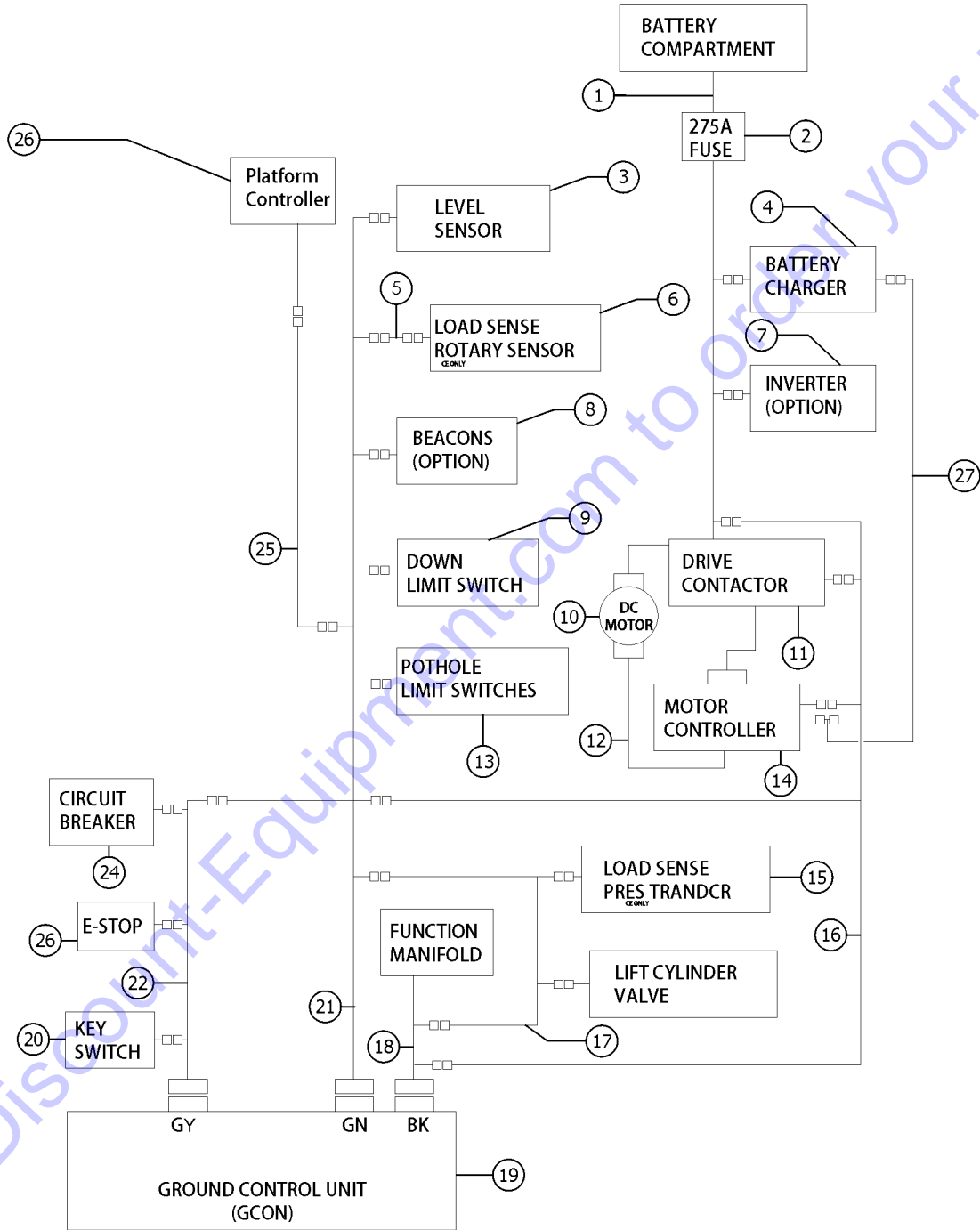
Go to Discount-Equipment.com to order your parts





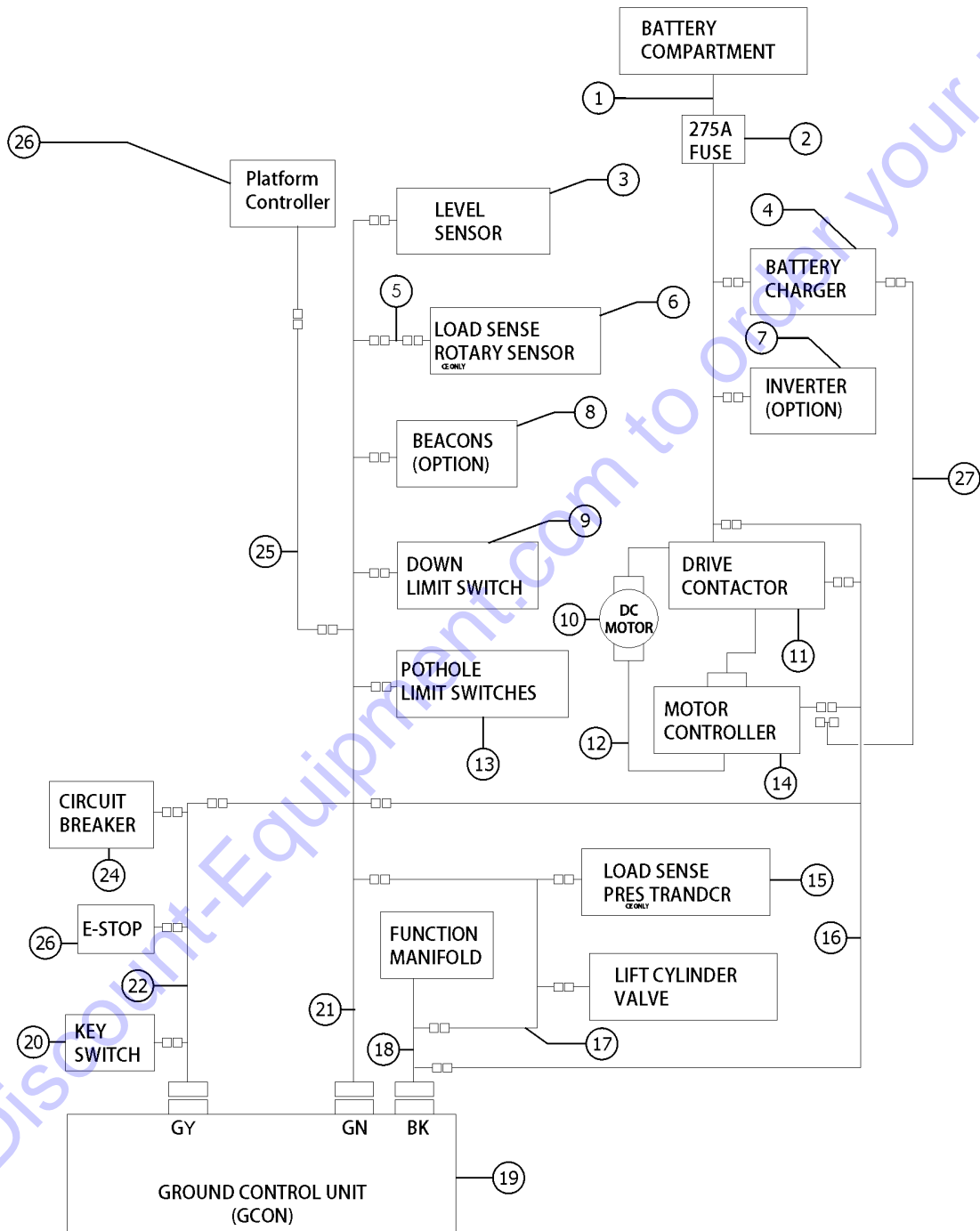
Item	Part No.	Description	Qty.
A	105214GT	CABLE TIE MOUNT, WINGED ..... not shown	
A	56926GT	CLIP, TIE HARNESS MOUNT*** ..... not shown	
B	1264822GT	KIT, TRC RETROFIT, STNDRD ..... Telematics (includes 1264834)	
B-	1264834GT	INSTRN, TRC RETROFIT, STNDRD .....	
1		REF. BATTERY CABLE ..... refer to 211.1	
2		REF. FUSE ..... refer to 205.1	
3		REF. LEVEL SENSOR ..... refer to 203.1	
4		REF. CHARGER ..... refer to 206.1	
5	T114031GT	HARNESS, ROTARY ANGLE .....	1
6	T113136GT	ASSY, ROT SENSR W/ HARNESS .....	1
7		REF. INVERTER ..... refer to 604.1	
8		REF. STOBE, BEACON ..... refer to 601.1	
9		REF. DOWN LIMIT, GS ..... refer to 203.1	
10		REF. ELECTRIC MOTOR ..... refer to 504.1	
11	74267GT	CONTACTOR, DRIVE, 24V, 180A*** .....	1
12		REF. BATTERY CABLE ..... refer to 211.1	
13	96309GT	POTHOLE HARNESS ASSEMBLY .....	1
14		REF. MOTOR CONTROLLER ..... refer to 207.1	
15	1311101GT	PRESSURE TRANSDUCER, 0-5K, 1-5V .....	1
16B	233430GT	HRNS, CONTACTOR SIGNAL, GS46 ..... GS2046, GS-2646, GS-3246	1
17A	233053GT	CABLE, LFT CYL DN, 20/26XX, W/LS ..... GS-2032, GS-2046, GS-2632, GS-2646 (CE, Australia)	1
17B	233054GT	CABLE, LFT CYL DN, 20/26XX, WO/LS ..... GS-2032, GS-2046, GS-2632, GS-2646 (ANSI, CSA)	1
18	1257824GT	HARNESS, FUNCTION MANIFOLD, GS ..... replaced T110889 (Black connector)	1
19		REF. GCON ..... refer to 208.1	
20		REF. KEYSWITCH ..... refer to 208.1	
21A	228786GT	HARNESS, GS SENSORS, ANSI ..... ANSI & CSA; to SN GS3215A-141898 and GS4615A-137959 (Green connector)	1
21A-	233711GT	HRNS ASSY, RESISTOR DIODE ..... for 228786GT and T110891GT	
21C	T110891GT	HARNESS, GS SENSORS, CE ..... CE & AUS; to SN GS3215A-141898 and GS4615A-137959 (Green connector)	1





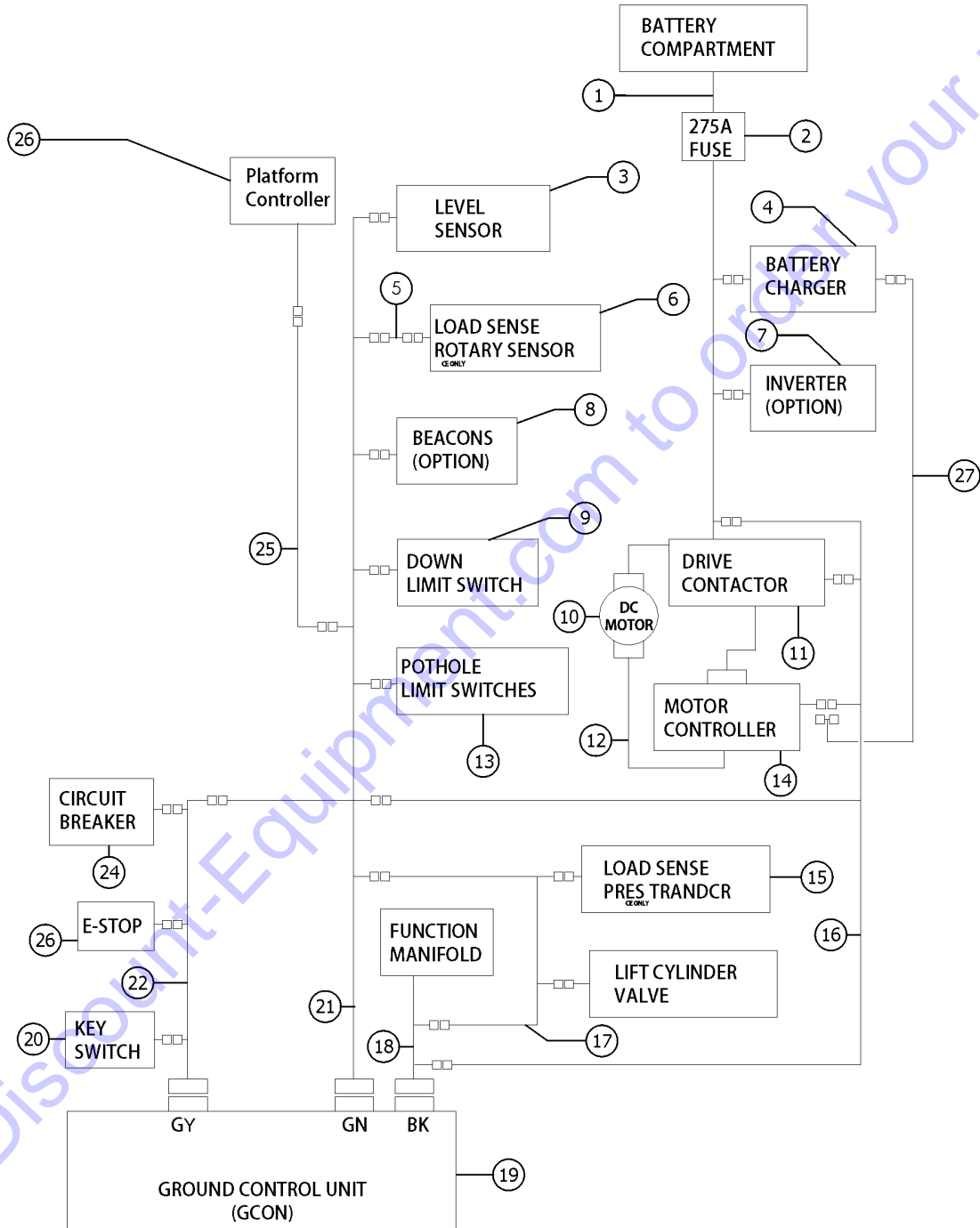
Item	Part No.	Description	Qty.
21C-	233711GT	HRNS ASSY,RESISTOR DIODE ..... for 228786GT and T110891GT	
21C-	233644GT	RESISTOR,200 OHM 10W,CERAMIC ..... for 233711GT	
22A	T110890GT	HARNESS, GS POWER CONTRL ..... to SN 13999 (Grey connector)	1
22B	1258394GT	HARNESS, GS POWER CONTROL ..... from SN 14000 (Grey connector)	
23		REF. E-STOP BUTTON ..... refer to 208.1	
24		REF. CIRCUIT BREAKER ..... refer to 208.1	
25A	233050GT	CABLE, PLATFORM CONTROL, 20XX ..... GS-2032, GS-2046	1
25A-	231921GT	KIT,CONN,RECEPT W/PIN AND LOCK .....	
25A-	231922GT	KIT,CONN,PLUG W/SCKT AND LOCK .....	
25A-	218579GT	WIRE CABLE 18/5 - UNSHIELDED ..... GS-2032, GS-2046	324
25B	233051GT	CABLE, PLATFORM CONTROL, 26XX ..... GS-2632, GS-2646	1
25B-	231921GT	KIT,CONN,RECEPT W/PIN AND LOCK .....	
25B-	231922GT	KIT,CONN,PLUG W/SCKT AND LOCK .....	
25B-	218579GT	WIRE CABLE 18/5 - UNSHIELDED ..... GS-2632, GS-2646	440
26		REF. PCON ..... refer to 404.1	
27B	144215GT	CHARGER INTERLOCK CABLE,GS46 .....	

Go to Discount-Equipment.com to order your parts



Item	Part No.	Description	Qty.
A	105214GT	CABLE TIE MOUNT, WINGED not shown	
A	56926GT	CLIP, TIE HARNESS MOUNT*** not shown	
B	1264822GT	KIT, TRC RETROFIT, STNDRD Telematics (includes 1264834)	
B-	1264834GT	INSTRN, TRC RETROFIT, STNDRD	
1		REF. BATTERY CABLE refer to 211.1	
2		REF. FUSE refer to 205.1	
3		REF. LEVEL SENSOR refer to 203.1	
4		REF. CHARGER refer to 206.1	
5	T114031GT	HARNESS, ROTARY ANGLE	1
6	T113136GT	ASSY, ROT SENSR W/ HARNESS	1
7		REF. INVERTER refer to 604.1	
8		REF. STOBE, BEACON refer to 601.1	
9		REF. DOWN LIMIT, GS refer to 203.1	
10		REF. ELECTRIC MOTOR refer to 504.1	
11	74267GT	CONTACTOR, DRIVE, 24V, 180A***	1
12		REF. BATTERY CABLE refer to 211.1	
13	96309GT	POTHOLE HARNESS ASSEMBLY	1
14		REF. MOTOR CONTROLLER refer to 207.1	
15	1311101GT	PRESSURE TRANSDUCER, 0-5K, 1-5V	1
16A	233431GT	HRNS, CONTACTOR SIGNL, GS30/32 GS2032, GS-2632, GS3232	1
17A	233053GT	CABLE, LFT CYL DN, 20/26XX, W/LS GS-2032, GS-2046, GS-2632, GS-2646 (CE, Australia)	1
17B	233054GT	CABLE, LFT CYL DN, 20/26XX, WO/LS GS-2032, GS-2046, GS-2632, GS-2646 (ANSI, CSA)	1
18	1257824GT	HARNESS, FUNCTION MANIFOLD, GS replaced T110889 (Black connector)	1
19		REF. GCON refer to 208.1	
20		REF. KEYSWITCH refer to 208.1	
21A	228786GT	HARNESS, GS SENSORS, ANSI ANSI & CSA; to SN GS3215A-141898 and GS4615A-137959 (Green connector)	1
21A-	233711GT	HRNS ASSY, RESISTOR DIODE for 228786GT and T110891GT	
21C	T110891GT	HARNESS, GS SENSORS, CE CE & AUS; to SN GS3215A-141898 and GS4615A-137959 (Green connector)	1



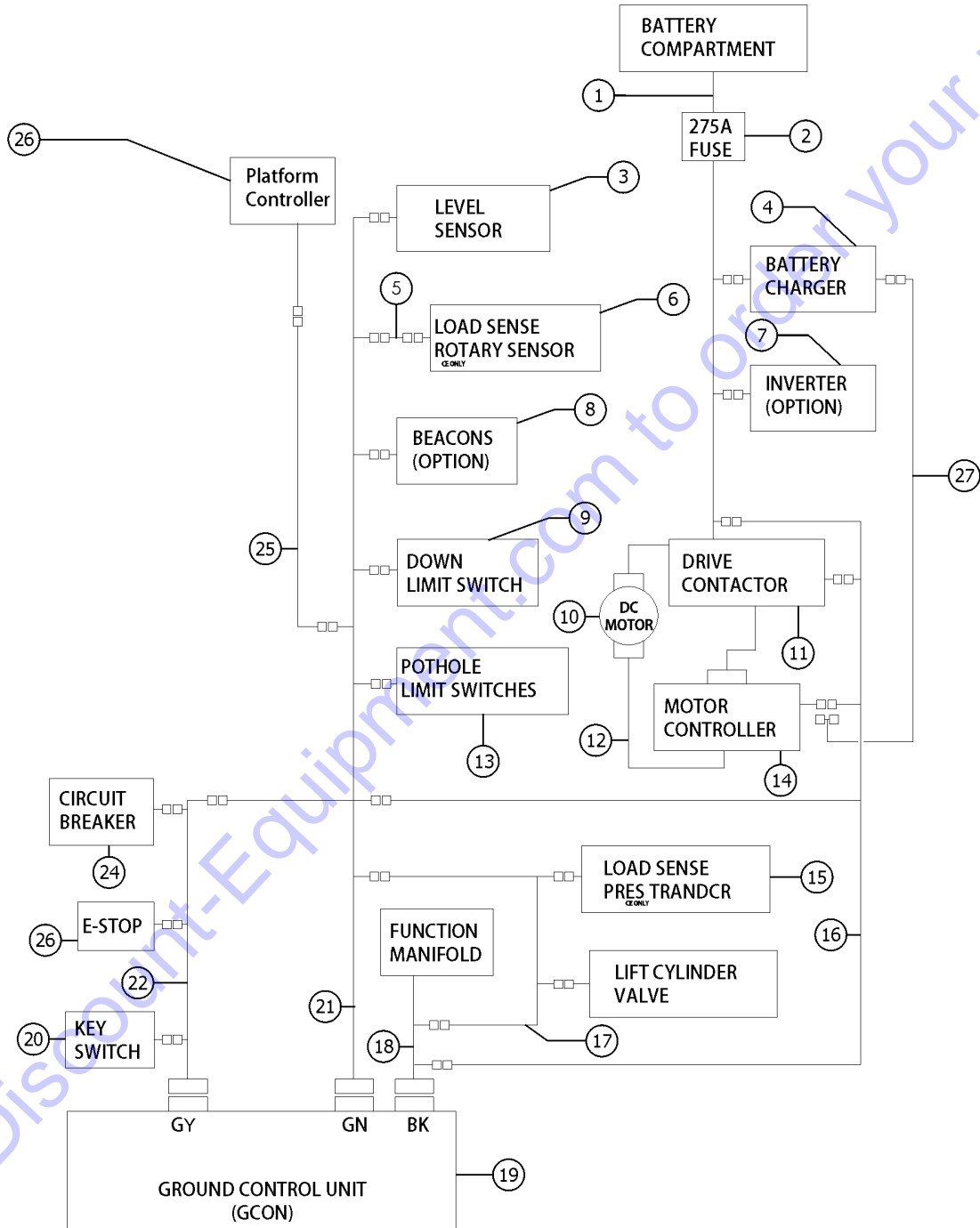




Item	Part No.	Description	Qty.
21C-	233711GT	HRNS ASSY,RESISTOR DIODE ..... for 228786GT and T110891GT	
21C-	233644GT	RESISTOR,200 OHM 10W,CERAMIC ..... for 233711GT	
22A	T110890GT	HARNESS, GS POWER CONTRL ..... to SN 13999 (Grey connector)	1
22B	1258394GT	HARNESS, GS POWER CONTROL ..... from SN 14000 (Grey connector)	
23		REF. E-STOP BUTTON ..... refer to 208.1	
24		REF. CIRCUIT BREAKER ..... refer to 208.1	
25A	233050GT	CABLE, PLATFORM CONTROL, 20XX ..... GS-2032, GS-2046	1
25A-	231921GT	KIT,CONN,RECEPT W/PIN AND LOCK .....	
25A-	231922GT	KIT,CONN,PLUG W/SCKT AND LOCK .....	
25A-	218579GT	WIRE CABLE 18/5 - UNSHIELDED ..... GS-2032, GS-2046	324
25B	233051GT	CABLE, PLATFORM CONTROL, 26XX ..... GS-2632, GS-2646	1
25B-	231921GT	KIT,CONN,RECEPT W/PIN AND LOCK .....	
25B-	231922GT	KIT,CONN,PLUG W/SCKT AND LOCK .....	
25B-	218579GT	WIRE CABLE 18/5 - UNSHIELDED ..... GS-2632, GS-2646	440
26		REF. PCON ..... refer to 404.1	
27A	144213GT	CHARGER INTERLOCK CBLE,GS30/32 .....	

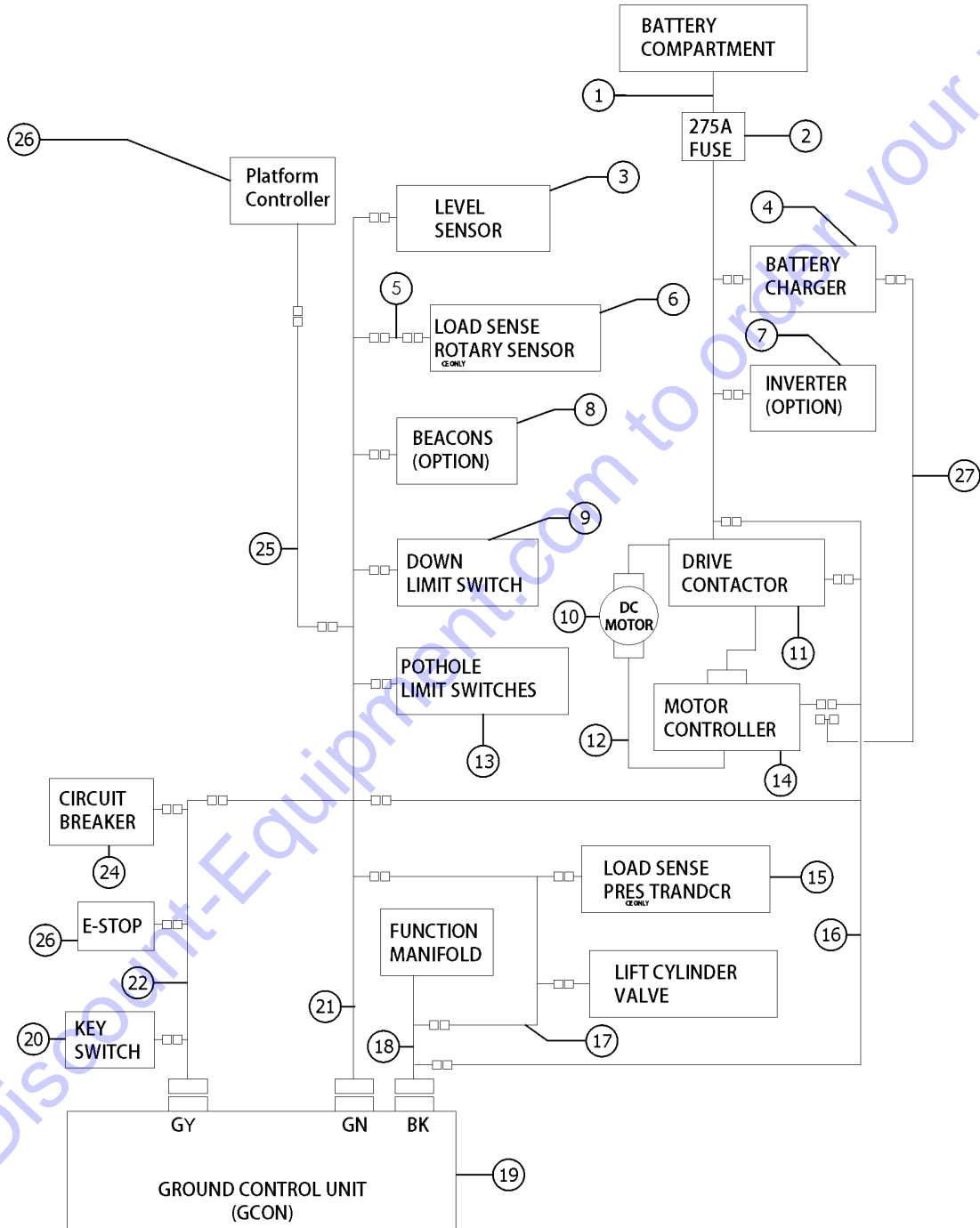
Go to Discount-Equipment.com to order your parts





Item	Part No.	Description	Qty.
B	1264822GT	KIT, TRC RETROFIT, STNDRD ..... Telematics (includes 1264834)	
B-	1264834GT	INSTRN, TRC RETROFIT, STNDRD .....	
1		REF. BATTERY CABLE ..... refer to 211.1	
2		REF. FUSE ..... refer to 205.1	
3		REF. LEVEL SENSOR ..... refer to 203.1	
4		REF. CHARGER ..... refer to 206.1	
5	T114031GT	HARNESS, ROTARY ANGLE .....	1
6	T113136GT	ASSY,ROT SENSR W/ HARNESS .....	1
7		REF. INVERTER ..... refer to 604.1	
8		REF. STOBE,BEACON ..... refer to 601.1	
9		REF. DOWN LIMIT, GS ..... refer to 203.1	
10		REF. ELECTRIC MOTOR ..... refer to 504.1	
11	74267GT	CONTACTOR,DRIVE,24V,180A*** .....	1
12		REF. BATTERY CABLE ..... refer to 211.1	
13	96309GT	POTHOLE HARNESS ASSEMBLY .....	1
14		REF. MOTOR CONTROLLER ..... refer to 207.1	
15	1311101GT	PRESSURE TRANSDUCER,0-5K,1-5V .....	1
16B	233430GT	HRNS,CONTACTOR SIGNAL,GS46 ..... GS2046, GS-2646, GS-3246	1
17C	233055GT	CABLE,LIFT CYL DWN, 32XX,W/LS ..... GS-3232, GS-3246 (CE, Australia)	1
17D	234168GT	CABLE,LIFT CYL DWN, 32XX,WO/LS ..... GS-3232, GS-3246 (ANSI, CSA)	1
18	1257824GT	HARNESS,FUNCTION MANIFOLD,GS ..... replaced T110889 (Black connector)	1
19		REF. GCON ..... refer to 208.1	
20		REF. KEYSWITCH ..... refer to 208.1	
21A	228786GT	HARNESS, GS SENSORS, ANSI ..... ANSI & CSA; to SN GS3215A-141898 and GS4615A-137959 (Green connector)	1
21A-	233711GT	HRNS ASSY,RESISTOR DIODE ..... for 228786GT and T110891GT	
21B	1263221GT	HARNESS, GS SENSORS, ANSI ..... ANSI & CSA; from GS3215A-141899 and GS4615A-137960	
21C	T110891GT	HARNESS, GS SENSORS, CE ..... CE & AUS; to SN GS3215A-141898 and GS4615A-137959 (Green connector)	1
21C-	233711GT	HRNS ASSY,RESISTOR DIODE ..... for 228786GT and T110891GT	





Item	Part No.	Description	Qty.
21C-	233644GT	RESISTOR,200 OHM 10W,CERAMIC ..... for 233711GT	
21D	1263220GT	HARNESS, GS SENSORS, CE ..... CE and AUS; from GS3215A-141899 and GS4615A-137960	
22	T110890GT	HARNESS, GS POWER CONTRL ..... (Grey connector)	1
23		REF. E-STOP BUTTON ..... refer to 208.1	
24		REF. CIRCUIT BREAKER ..... refer to 208.1	
25C	233052GT	CABLE, PLATFORM CONTROL, 32XX ..... GS-3232, GS-3246	1
25C-	231921GT	KIT,CONN,RECEPT W/PIN AND LOCK .....	
25C-	231922GT	KIT,CONN,PLUG W/SCKT AND LOCK .....	
25C-	218579GT	WIRE CABLE 18/5 - UNSHIELDED ..... GS-3232, GS-3246	518
26		REF. PCON ..... refer to 404.1	
27B	144215GT	CHARGER INTERLOCK CABLE,GS46 .....	

Go to Discount-Equipment.com to order your parts

