



A TEREX BRAND

Part 1 of 4

Parts Manual

Serial Number Range

GS-2032

from SN GS3211A-110000 to
GS3215A-140497

GS-2632

from SN GS4611A-110000 to
GS4615A-137426

GS-3232

from SN GS3212C-10000 to
GS3216C-17299

GS-2046

from GS32C-17300 to
GS32C-17527

GS-2646

from SN GS4612C-10000 to
GS4616C-18099

GS-3246

from SN GS46C-18100 to
GS46C-18354

Part No. 236418GT
Rev: D.04
March 2023



www.discount-equipment.com

PARTS FINDER

**Search Website
by Part Number**



**Search Manual
Library For Parts
Manual & Lookup Part
Numbers – Purchase
or Request Quote**

**Can't Find Part or
Manual? Request Help
by Manufacturer,
Model & Description**

Discount-Equipment.com is your online resource for quality parts & equipment.

Florida: **561-964-4949** Outside Florida TOLL FREE: **877-690-3101**

Need parts?

Click on this link: <http://www.discount-equipment.com/category/5443-parts/> and choose one of the options to help get the right parts and equipment you are looking for. Please have the machine model and serial number available in order to help us get you the correct parts. If you don't find the part on the website or on one of the online manuals, please fill out the request form and one of our experienced staff members will get back to you with a quote for the right part that your machine needs.

We sell worldwide for the brands: Genie, Terex, JLG, MultiQuip, Mikasa, Essick, Whiteman, Mayco, Toro Stone, Diamond Products, Generac Magnum, Airman, Haulotte, Barreto, Power Blanket, Nifty Lift, Atlas Copco, Chicago Pneumatic, Allmand, Miller Curber, Skyjack, Lull, Skytrak, Tsurumi, Husquvarna Target, Stow, Wacker, Sakai, Mi-T-M, Sullair, Basic, Dynapac, MBW, Weber, Bartell, Bennar Newman, Haulotte, Ditch Runner, Menegotti, Morrison, Contec, Buddy, Crown, Edco, Wyco, Bomag, Laymor, EZ Trench, Bil-Jax, F.S. Curtis, Gehl Pavers, Heli, Honda, ICS/PowerGrit, IHI, Partner, Imer, Clipper, MMD, Koshin, Rice, CH&E, General Equipment, Amida, Coleman, NAC, Gradall, Square Shooter, Kent, Stanley, Tamco, Toku, Hatz, Kohler, Robin, Wisconsin, Northrock, Oztec, Toker TK, Rol-Air, APT, Wylie, Ingersoll Rand / Doosan, Innovatech, Con X, Ammann, Mecalac, Makinex, Smith Surface Prep, Small Line, Wanco, Yanmar

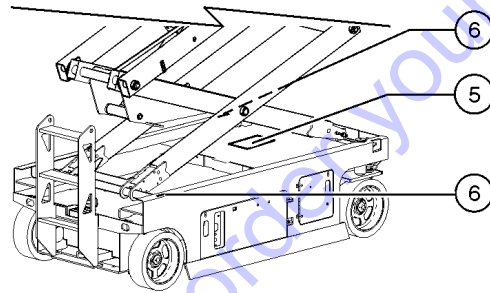
To August 31, 2016

Genie
A TEREX BRAND

Model:
Serial number: GS3216P-123456
Manufacture date: 1/2/16 **Model year:** 2016
Electrical schematic number:
Machine unladen weight:
Rated work load (including occupants):
Maximum number of platform occupants:
Maximum allowable inclination of the chassis:
Outrigger retracted:
Outrigger deployed:

GS32 16 P - 123456

1 2 3 4



- 1 Model
- 2 Model year
- 3 Facility code

- 4 Sequence number
- 5 Serial label (located on chassis)
- 6 Serial number (stamped on chassis)

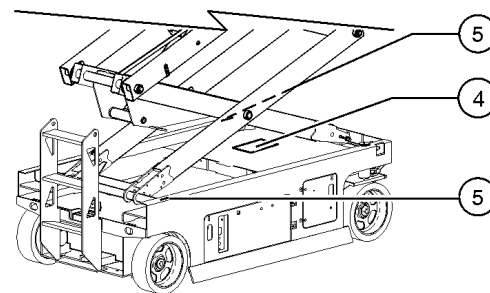
From September 1, 2016

Genie
A TEREX BRAND

Model:
Serial number: GS32P-123456
Year of manufacture: 2016
Electrical schematic number:
Machine unladen weight:
Rated work load (including occupants):
Maximum number of platform occupants:
Maximum allowable inclination of the chassis:
Outrigger retracted:
Outrigger deployed:

GS32 P - 123456

1 2 3



- 1 Model
- 2 Facility code
- 3 Sequence number

- 4 Serial label (located on chassis)
- 5 Serial number (stamped on chassis)

| Description | Page |
|---|-------------|
| 001 Parts Stocking List | 14 |
| 001.1 Parts Stocking List | 14 |
| 100 Decals | 16 |
| 101.1 Word Decals, GS-2032, Battery Side, ANSI & Australia | 16 |
| 102.1 Word Decals, GS-2032, Ground Control Side, ANSI and Australia | 18 |
| 103.1 Word Decals, GS-2032, Platform, ANSI | 22 |
| 104.1 Word Decals, GS-2032, Platform, Australia | 24 |
| 105.1 Word Decals, GS-2632, Battery Side, ANSI & Australia | 26 |
| 106.1 Word Decals, GS-2632, Ground Control Side, ANSI and Australia | 28 |
| 107.1 Word Decals, GS-2632, Platform, ANSI | 32 |
| 108.1 Word Decals, GS-2632, Platform, Australia | 34 |
| 109.1 Word Decals, GS-3232, Battery Side, ANSI & Australia | 36 |
| 110.1 Word Decals, GS-3232, Ground Control Side, ANSI and Australia | 38 |
| 111.1 Word Decals, GS-3232, Platform, ANSI | 42 |
| 112.1 Word Decals, GS-3232, Platform, Australia | 44 |
| 113.1 Word Decals, GS-2046, Battery Side, ANSI & Australia | 46 |
| 114.1 Word Decals, GS-2046, Ground Control Side, ANSI and Australia | 48 |
| 115.1 Word Decals, GS-2046, Platform, ANSI | 52 |
| 116.1 Word Decals, GS-2046, Platform, Australia | 54 |
| 117.1 Word Decals, GS-2646, Battery Side, ANSI & Australia | 56 |
| 118.1 Word Decals, GS-2646, Ground Control Side, ANSI and Australia | 58 |
| 119.1 Word Decals, GS-2646, Platform, ANSI | 62 |
| 120.1 Word Decals, GS-2646, Platform, Australia | 64 |
| 121.1 Word Decals, GS-3246, Battery Side, ANSI & Australia | 66 |
| 122.1 Word Decals, GS-3246, Ground Control Side, ANSI and Australia | 68 |
| 123.1 Word Decals, GS-3246, Platform, ANSI | 72 |
| 124.1 Word Decals, GS-3246, Platform, Australia | 74 |
| 125.1 Symbol Decals, GS-2032, Battery Side, ANSI & CE | 76 |
| 125.2 Symbol Decals, GS-2032C, Battery Side, ANSI & CE | 78 |
| 126.1 Symbol Decals, GS-2032, Ground Control Side, ANSI & CE | 80 |
| 126.2 Symbol Decals, GS-2032C, Ground Control Side, ANSI & CE | 82 |
| 127.1 Symbol Decals, GS-2032, Platform, ANSI | 84 |
| 128.1 Symbol Decals, GS-2032, Platform, CE | 86 |
| 128.2 Symbol Decals, GS-2032C, Platform, CE | 88 |
| 129.1 Symbol Decals, GS-2632, Battery Side, ANSI & CE | 90 |
| 129.2 Symbol Decals, GS-2632C, Battery Side, ANSI & CE | 92 |
| 130.1 Symbol Decals, GS-2632, Ground Control Side, ANSI and CE | 94 |
| 130.2 Symbol Decals, GS-2632C, Ground Control Side, ANSI and CE | 96 |
| 131.1 Symbol Decals, GS-2632, Platform, ANSI | 98 |
| 132.1 Symbol Decals, GS-2632, Platform, CE | 100 |

Table of Contents

| Description | Page |
|---|-------------|
| 132.2 Symbol Decals, GS-2632C, Platform, CE | 102 |
| 133.1 Symbol Decals, GS-3232, Battery Side, ANSI & CE | 104 |
| 133.2 Symbol Decals, GS-3232C, Battery Side, ANSI & CE | 106 |
| 134.1 Symbol Decals, GS-3232, Ground Control Side, ANSI and CE | 108 |
| 134.2 Symbol Decals, GS-3232C, Ground Control Side, ANSI and CE | 110 |
| 135.1 Symbol Decals, GS-3232, Platform, ANSI | 112 |
| 136.1 Symbol Decals, GS-3232, Platform, CE | 114 |
| 136.2 Symbol Decals, GS-3232C, Platform, CE | 116 |
| 137.1 Symbol Decals, GS-2046, Battery Side, ANSI & CE | 118 |
| 137.2 Symbol Decals, GS-2046C, Battery Side, ANSI & CE | 120 |
| 138.1 Symbol Decals, GS-2046, Ground Control Side, ANSI and CE | 122 |
| 138.2 Symbol Decals, GS-2046C, Ground Control Side, ANSI and CE | 124 |
| 139.1 Symbol Decals, GS-2046, Platform, ANSI | 126 |
| 140.1 Symbol Decals, GS-2046, Platform, CE | 128 |
| 140.2 Symbol Decals, GS-2046C, Platform, CE | 130 |
| 141.1 Symbol Decals, GS-2646, Battery Side, ANSI & CE | 132 |
| 141.2 Symbol Decals, GS-2646C, Battery Side, ANSI & CE | 134 |
| 142.1 Symbol Decals, GS-2646, Ground Control Side, ANSI and CE | 136 |
| 142.2 Symbol Decals, GS-2646C, Ground Control Side, ANSI and CE | 138 |
| 143.1 Symbol Decals, GS-2646, Platform, ANSI | 140 |
| 144.1 Symbol Decals, GS-2646, Platform, CE | 142 |
| 144.2 Symbol Decals, GS-2646C, Platform, CE | 144 |
| 145.1 Symbol Decals, GS-3246, Battery Side, ANSI & CE | 146 |
| 146.1 Symbol Decals, GS-3246, Ground Control Side, ANSI and CE | 148 |
| 147.1 Symbol Decals, GS-3246, Platform, ANSI | 150 |
| 148.1 Symbol Decals, GS-3246, Platform, CE | 152 |
| 200 Drive Chassis Components | 154 |
| 201.1 Steer Linkage and Wheels, GS-32A | 154 |
| 201.2 Steer Linkage and Wheels, GS-32C | 158 |
| 201.3 Steer Linkage and Wheels, GS-46A | 162 |
| 201.4 Steer Linkage and Wheels, GS-46C | 166 |
| 202.1 Non-steer Axle Installation, GS-32A | 170 |
| 202.2 Non-steer Axle Installation, GS-32C | 172 |
| 202.3 Non-steer Axle Installation, GS-2046A | 174 |
| 202.4 Non-steer Axle Installation, GS-2046C | 176 |
| 202.5 Non-steer Axle Installation, GS-2632 | 178 |
| 202.6 Non-steer Axle Installation, GS-2646A | 180 |
| 202.7 Non-steer Axle Installation, GS-2646C | 182 |
| 202.8 Non-steer Axle Installation, GS-3232 | 184 |
| 202.9 Non-steer Axle Installation, GS-3246 | 186 |
| 203.1 Level Sensor Installation, GS-2032, GS-2632, & GS-46 | 188 |

| Description | Page |
|---|-------------|
| 203.2 Level Sensor Installation, GS-2032A, GS-2632AC, GS-46 | 192 |
| 203.3 Level Sensor Installation, GS-2032AC, GS-2632AC, GS-2046A, GS-2646AC, GS-3246AC | 194 |
| 203.4 Level Sensor Installation, GS-2032AC, GS-2632A, GS-2046AC, GS-2646AC, GS-3246AC | 196 |
| 203.5 Level Sensor Installation, GS-2032AC, GS-2632AC, GS-2046AC, GS-2646A, GS-3246AC | 198 |
| 203.6 Level Sensor Installation, GS-3232 | 200 |
| 204.1 Pothole Protection Assembly, GS-2032A & GS-2632A | 204 |
| 204.2 Pothole Protection Assembly, GS-2032C | 208 |
| 204.3 Pothole Protection Assembly, GS-32 & GS-46 | 212 |
| 204.4 Pothole Protection Assembly, GS-46C | 216 |
| 204.5 Pothole Protection Assembly, GS-2632C | 220 |
| 204.6 Pothole Protection Assembly, GS-3232 | 224 |
| 205.1 Battery Pack Module | 228 |
| 205.2 Battery Pack Module, GS-2032C | 230 |
| 205.3 Battery Pack Module, GS-2646C | 232 |
| 205.4 Battery Pack Module, GS-2632C | 234 |
| 206.1 Battery Charger, GS-32A, GS-46A, GS3232C | 236 |
| 206.2 Battery Charger, GS-2032C | 238 |
| 206.3 Battery Charger, GS-2046C, GS-2646C | 240 |
| 206.4 Battery Charger, GS-2632C | 242 |
| 207.1 Power Unit Module, GS32A, GS46A, GS-3232C, GS-3246C | 244 |
| 207.2 Power Unit Module, GS-2032C | 248 |
| 207.3 Power Unit Module, GS-2046C, GS-2646C | 252 |
| 207.4 Power Unit Module, GS-2632C | 256 |
| 208.1 Ground Controls, GS-2032, GS-2632, GS-46 | 260 |
| 208.2 Ground Controls, GS-2032, GS-2632, GS-2032C, GS-46 | 264 |
| 208.3 Ground Controls, GS-2032, GS-2632, GS-46A, GS-3246C | 268 |
| 208.4 Ground Controls, GS-2032, GS-2632, GS-46, GS-2632C | 272 |
| 208.5 Ground Controls, GS-3232 | 276 |
| 209.1 Electrical Wiring, GS-2032, GS-2632 | 280 |
| 209.2 Electrical Wiring, GS-2032, GS-2032C | 284 |
| 209.3 Electrical Wiring, GS-2046, GS-2646 | 288 |
| 209.4 Electrical Wiring, GS-2046, GS-2646C | 292 |
| 209.5 Electrical Wiring, GS-2632C | 296 |
| 209.6 Electrical Wiring, GS-3246 | 300 |
| 210.1 Electrical Wiring, GS-3232 | 304 |
| 211.1 Power Cables, GS-2032A (to SN GS32A-135714) | 308 |
| 211.2 Power Cables, GS-2032C (to SN GS32C-14377) | 310 |
| 211.3 Power Cables, GS-46 (to SN GS46A-135366) | 312 |
| 211.4 Power Cables, GS-46C (to GS-4615C-14503) | 314 |
| 211.5 Power Cables, GS-2632C (to SN GS-2632C-14377) | 316 |
| 211.6 Power Cables (from SN GS32A-135715, GS46A-135367, GS32C-14378) | 318 |
| 211.7 Power Cables (from SN GS4615C-14504) | 320 |

Table of Contents

| Description | Page |
|---|-------------|
| 212.1 Outrigger Components, GS-3232 | 322 |
| 213.1 Function Manifold and Accumulator Components, GS-2032A, GS-2632A, GS-2046A, GS-2646A, GS-3246A | 324 |
| 213.2 Function Manifold and Accumulator Components, GS-2032, GS-2632, GS-2046, GS-2646, GS-3246 .. | 326 |
| 214.1 Function Manifold and Accumulator Components, GS-3232 | 328 |
| 300 Scissor Components | 330 |
| 301.1 Scissor Assembly Installation, GS32A, GS46A, GS-3232C, GS-2646C | 330 |
| 301.2 Scissor Assembly Installation, GS-2032C, GS-2046C | 332 |
| 301.3 Scissor Assembly Installation, GS-2632C | 334 |
| 301.4 Scissor Assembly Installation, GS-2646C | 336 |
| 302.1 Scissor Assembly, GS-2032 | 338 |
| 302.2 Scissor Assembly, GS-2032C | 342 |
| 302.3 Scissor Assembly, GS-2046 | 346 |
| 302.4 Scissor Assembly, GS-2046C | 350 |
| 303.1 Scissor Assembly, GS-2632 | 354 |
| 303.2 Scissor Assembly, GS-2632C | 358 |
| 303.3 Scissor Assembly, GS-2646 | 362 |
| 303.4 Scissor Assembly, GS-2646C | 366 |
| 304.1 Scissor Assembly, GS-3232 | 370 |
| 304.2 Scissor Assembly, GS-3246 | 376 |
| 400 Platform Components | 382 |
| 401.1 Platform Components, GS-2032A, GS-2632A, GS-3232A, GS3232C | 382 |
| 401.2 Platform Components, GS-2032C | 388 |
| 401.3 Platform Components, GS-2632C | 394 |
| 402.1 Platform Components, GS-2046A, GS-2646A, GS-3246A | 400 |
| 402.2 Platform Components, GS-2046C, GS-2646C, GS-3246C | 406 |
| 403.1 Power to Platform, GS-2032A, GS-2046A | 412 |
| 403.2 Power to Platform, GS-2032C, GS-46C | 416 |
| 403.3 Power to Platform, GS-2632A, GS-2646A | 420 |
| 403.4 Power to Platform, GS-2632C, GS-2646C | 424 |
| 403.5 Power to Platform, GS-3232A, GS3232C, GS-3246A | 428 |
| 404.1 Platform Controls, 8 and 6 Button (2 Speed Lift), GS-2032A, GS-2046A, GS-2632A, GS-2646A, GS-3246A | 432 |
| 404.2 Platform Controls, 8 and 6 Button (2 Speed Lift), GS-2032C, GS-2046C, GS-2632C, GS-2646C, GS-3246C | 436 |
| 404.3 Platform Controls, 8 and 6 Button (2 Speed Lift), GS-3232 | 440 |
| 405.1 Platform Controls, 6 and 4 Button (Proportional Lift), GS-2032A, GS-2046A, GS-2632A, GS-2646A, GS-3246A | 444 |
| 405.2 Platform Controls, 6 and 4 Button (Proportional Lift), GS-2032C, GS-2046C, GS-2632C, GS-2646C, GS-3246C | 446 |
| 405.3 Platform Controls, 6 and 4 Button (Proportional Lift) GS-3232 | 448 |
| 406.1 Joystick Controller | 450 |

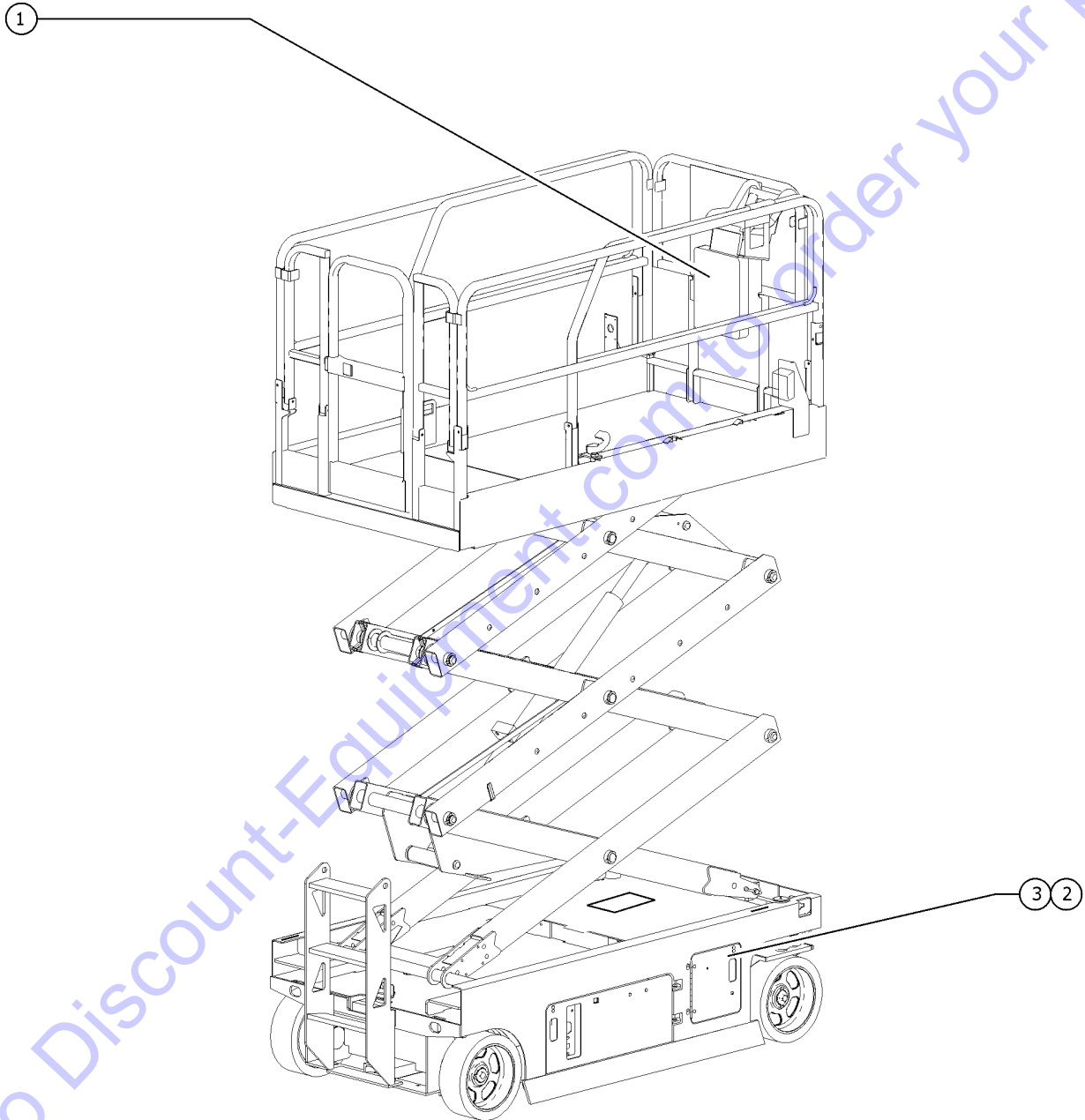
| Description | Page |
|---|-------------|
| 406.2 Joystick Controller | 452 |
| 500 Hydraulic Components | 454 |
| 501.1 Hydraulic Components, GS-32A, GS-46A | 454 |
| 501.2 Hydraulic Components, GS-32C, GS-46C | 456 |
| 502.1 Function Manifold, GS-2032A, GS-204A6, GS-2632A, GS-2646A | 458 |
| 502.2 Function Manifold, GS-2032C, GS-2046C, GS-2632C, GS-2646C | 462 |
| 502.3 Function Manifold, GS-3232, GS-3246 | 466 |
| 503.1 Brake Release Hand Pump Manifold | 470 |
| 503.2 Brake Release Hand Pump Manifold | 472 |
| 504.1 Hydraulic Power Unit, All Models | 474 |
| 505.1 Lift Cylinder Assembly, All Models, GS-2032, GS-2046 | 476 |
| 505.2 Lift Cylinder Assembly, All Models, GS-2032, GS-2046C | 478 |
| 505.3 Lift Cylinder Assembly, All Models, GS-2632, GS-2646 | 480 |
| 505.4 Lift Cylinder Assembly, All Models, GS-2632, GS-2646C | 482 |
| 505.5 Lift Cylinder Assembly, All Models, GS-3232, GS-3246 | 484 |
| 506.1 Hydraulic Hoses and Fittings, GS-2032, GS-2632 | 486 |
| 506.2 Hydraulic Hoses and Fittings, GS-2032, GS-2632C | 490 |
| 506.3 Hydraulic Hoses and Fittings, GS-2046, GS-2646 | 494 |
| 506.4 Hydraulic Hoses and Fittings, GS-2046C, GS-2646C | 498 |
| 506.5 Hydraulic Hoses and Fittings, GS-3232 | 502 |
| 506.6 Hydraulic Hoses and Fittings, GS-3246 | 506 |
| 507.1 Hydraulic Hoses and Fittings, Outriggers, GS-3232 | 510 |
| 508.1 Outrigger Cylinders, Front and Rear, GS-3232 | 512 |
| 509.1 Outrigger Function Manifold, GS-3232 | 514 |
| 600 Accessories | 516 |
| 601.1 Alarm, Horn and Flashing Beacons | 516 |
| 601.2 Alarm, Horn and Flashing Beacons | 518 |
| 602.1 Air Line to Platform | 520 |
| 602.2 Air Line to Platform | 522 |
| 602.3 Air Line to Platform | 524 |
| 602.4 Air Line to Platform | 526 |
| 602.5 Air Line to Platform | 528 |
| 603.1 Platform Work Light | 530 |
| 603.2 Platform Work Light | 532 |
| 603.3 Platform Work Light | 534 |
| 603.4 Platform Work Light | 536 |
| 603.5 Platform Work Light | 538 |
| 604.1 Voltage Inverter | 540 |
| 604.2 Voltage Inverter | 542 |
| 605.1 Pipe Cradle Assembly, GS-2046, GS-2646, GS-3246 | 544 |

Table of Contents

| Description | Page |
|--|-------------|
| 605.2 Pipe Cradle Assembly, GS-2046, GS-2646, GS-3246 | 546 |
| 606.1 Panel Carrier Assembly, GS-2046, GS-2646 (ANSI/CSA models) | 548 |
| 606.2 Panel Carrier Assembly, GS-2046, GS-2646 (ANSI/CSA models) | 550 |
| 607.1 RCBO | 552 |
| 608.1 Lift Guard Contact Alarm, View-1 (from SN GS3214A-135000, SN GS3214C-14000, GS4614C-14000 and SN GS4614A-135000) | 554 |
| 609.1 Lift Guard Contact Alarm, View-2 (from SN GS3214A-135000, SN GS3214C-14000, GS4614C-14000 and SN GS4614A-135000) | 556 |
| 610.1 Telematics Option (from SN GS3214A-120635, SN GS3215C-14336, SN GS4614A-118307 and SN GS4615C-14486) | 558 |
| 700 Platform Overload Components | 560 |
| 701.1 Platform Overload, GS-2032, GS-2046, GS-2632, GS-2646, GS-3246 | 560 |
| 701.2 Platform Overload, GS-2032, GS-2046, GS-2632, GS-2646, GS-3246C | 564 |
| 701.3 Platform Overload, GS-3232 | 568 |
| Part Number Index | 572 |

Go to Discount-Equipment.com to order your parts

001.1 Parts Stocking List



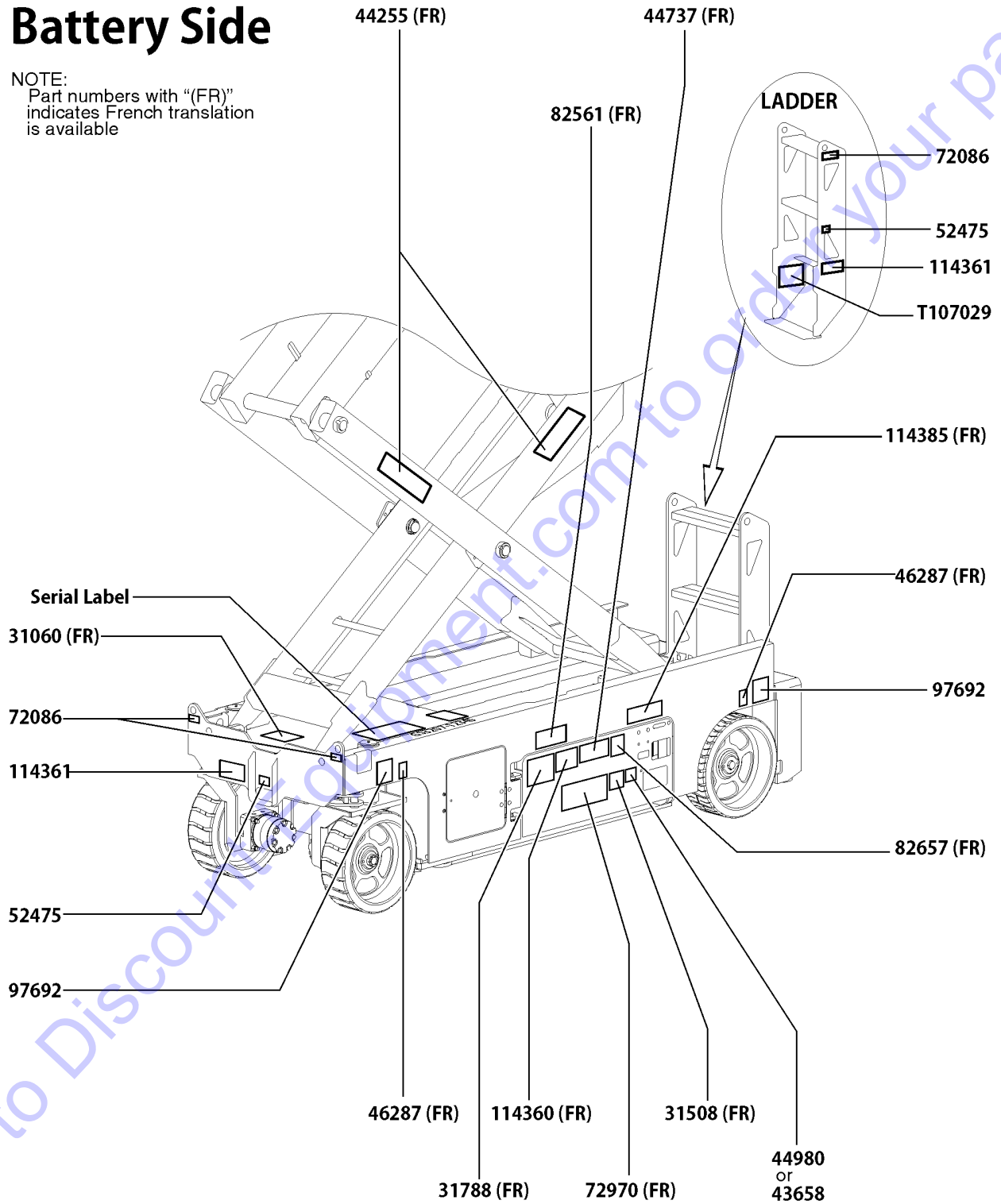
| Item | Part No. | Description | Qty. |
|------|-----------|--|------|
| A- | 66399GT | GREASE,DIELECTRIC 4 OZ** | |
| B- | | Ref. CHEVRON ULTRA-DUTY GREASE (LITHIUM), OR EQUIVALENT, EP NLGI 1 (source locally) | |
| C- | 1484GT | PAINT,AEROSOL,BRIGHT BLUE*** | |
| | | 12-ounce spray paint | |
| C- | 1268GT | PAINT,AEROSOL,GENIE GRAY*** | |
| | | 12-ounce spray paint | |
| C- | 1258567GT | PAINT, AEROSOL, TRAFFIC BLACK | |
| | | 12-ounce spray paint | |
| D- | 32150GT | PAINT, WET, GENIE BLUE (1 GL)** | |
| | | 1-gallon | |
| D- | 32151GT | PAINT, WET, GENIE GRAY (1GL)** | |
| | | 1-gallon | |
| D- | 1257733GT | PAINT, WET, TRAFFIC BLACK(1 GL)** | |
| | | 1-gallon | |
| E- | 49613GT | PLUG AND CAP KIT-SERVICE,ORFS* | |
| 1A | 27581GT | MANUAL, EMI SAFETY | |
| 1B | 1298933GT | MANUAL, SAIA MANUAL OF RESPONSIBILITIES, MEWP | 1 |
| 2 | 44788GT | FILTER ELEMENT-10MICRON, PAPER* | |
| 3 | 78546GT | BREATHER CAP, HYD. TANK, 1/4 NPT | |

Go to Discount-Equipment.com to order your parts



Battery Side

NOTE:
Part numbers with "(FR)"
indicates French translation
is available



101.1 Word Decals, GS-2032, Battery Side, ANSI & Australia

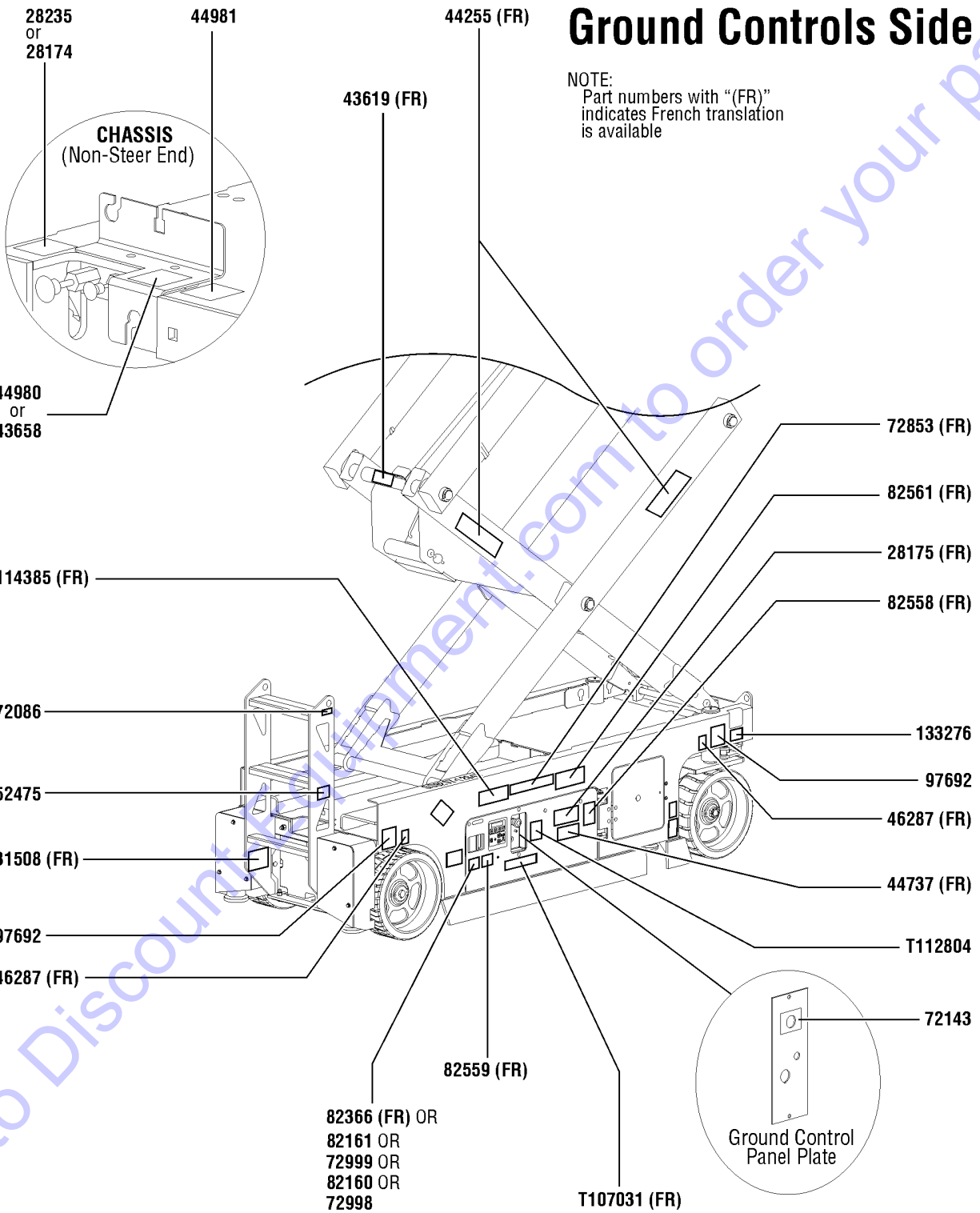
| Item | Part No. | Description | Qty. |
|------|-----------|--|------|
| A | 217251GT | DECAL KIT,2032 PLAT.,WRD,ANSI (ANSI models with 2 speed controller) to SN GS3214A-134999 and to SN GS3214C-13999 | |
| B | 217252GT | DECAL KIT,2032 COMP.,WRD,ANSI (ANSI models with 2 speed controller) to SN GS3214A-134999 and to SN GS3214C-13999 | |
| C | 217263GT | DECAL KIT,2032 PLAT.,WRD,AUST (Australia models with 2 speed controller) to SN GS3214A-134999 and to SN GS3214C-13999 | |
| D | 217264GT | DECAL KIT,2032 COMP.,WRD,AUST (Australia models with 2 speed controller) to SN GS3214A-134999 and to SN GS3214C-13999 | |
| 1 | 31060GT | DECAL,DANGER DO NOT ALTER SWTC | 1 |
| 2 | 31508GT | DECAL,DANGER,ELECT HAZARD,PLUG (Australia models only) | 1 |
| 3 | 31788GT | DECAL,DANGER,BATTERY SAFETY*** | 1 |
| 4 | 43658GT | DECAL,LABEL,PWR TO CHARGR 230V (Australia models only) | 1 |
| 5 | 44255GT | DECAL,DANGER,CRUSHING HAZARD | 2 |
| 6 | 44737GT | DECAL,DANGER,TIP-OVER,TRAYS | 1 |
| 7 | 44980GT | DECAL,LABEL,PWR TO CHARGR 115V (Australia models only) | 1 |
| 8 | 46287GT | DECAL,LABEL-TIRE SPECS | 2 |
| 9 | 52475GT | DECAL,LABEL,TRANSPORT TIEDOWN* | 2 |
| 10 | 72086GT | DECAL,LABEL,LIFTING EYE | 3 |
| 11 | 72970GT | DECAL,INSTRUCTIONS-CHARGER OP | 1 |
| 12 | 82561GT | DECAL,DANGER-USE SAFETY ARM | 1 |
| 13 | 82657GT | DECAL,INSTRUCT,BATTERY CONNECT | 1 |
| 14 | 97692GT | DECAL,LABEL,WHEEL LOAD 2032 | 2 |
| 15 | 114360GT | DECAL,DANGER-TIP-OVER,BATT | 1 |
| 16 | 114361GT | DECAL,SYM-TIP-OVER,LIM SWITCH | 2 |
| 17 | 114385GT | DECAL,DANGER,ELEC HAZARD,GS | 1 |
| 18 | T107029GT | DECAL DANGER BRAKE REL SAFETY | 1 |



102.1 Word Decals, GS-2032, Ground Control Side, ANSI and Australia

Ground Controls Side

NOTE:
Part numbers with "(FR)" indicates French translation is available

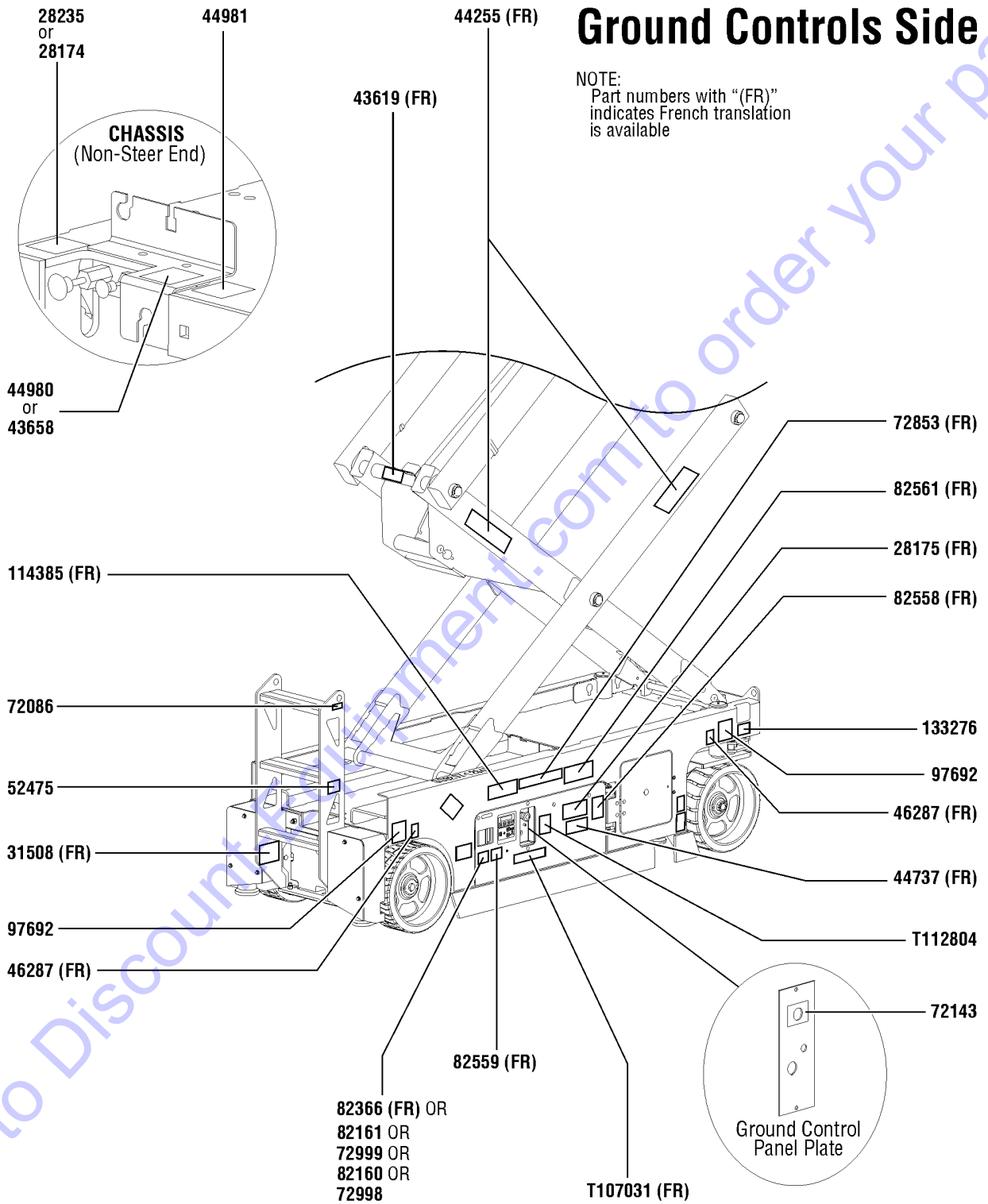


102.1 Word Decals, GS-2032, Ground Control Side, ANSI and Australia

| Item | Part No. | Description | Qty. |
|------|-----------|--|------|
| - | | REF: Word Decal Kits for ANSI and Australia (refer to 101.1) | |
| 1 | 28174GT | DECAL,POWER TO PLATFORM 230V | 1 |
| 2 | 28175GT | DECAL,WARNING-COMPART ACCESS | 1 |
| 3 | 28235GT | DECAL,POWER TO PLATFORM 115V | 1 |
| 4 | 31508GT | DECAL,DANGER,ELECT HAZARD,PLUG (ANSI models) | 1 |
| 5 | 43619GT | DECAL,LABEL,SAFETY ARM | 1 |
| 6 | 43658GT | DECAL,LABEL,PWR TO CHARGR 230V (ANSI models) | 1 |
| 7 | 44255GT | DECAL,DANGER,CRUSHING HAZARD | 2 |
| 8 | 46287GT | DECAL,LABEL-TIRE SPECS | 2 |
| 9 | 44737GT | DECAL,DANGER,TIP-OVER,TRAYS | 1 |
| 10 | 44980GT | DECAL,LABEL,PWR TO CHARGR 115V (ANSI models) | 1 |
| 11 | 44981GT | DECAL,LABEL,AIRLINE 110 PSI (Option) | 1 |
| 12 | 52475GT | DECAL,LABEL,TRANSPORT TIEDOWN* | 1 |
| 13 | 72086GT | DECAL,LABEL,LIFTING EYE | 1 |
| 14 | 72143GT | DECAL,EMERGENCY STOP,GR | 1 |
| 15 | 72853GT | DECAL,DANGER,IMPROPER USE HAZ. | 1 |
| 16 | 72998GT | DECAL, LABEL, QUINTOLUBRIK (models with Quintolub hydraulic oil) | 1 |
| 17 | 72999GT | DECAL,LABEL,PETRO CANADA*** (models with Petro Canada hydraulic oil) | 1 |
| 18 | 82160GT | DECAL, LABEL, STATOIL HYDRAWAY (models with Statoil hydraulic oil) | 1 |
| 19 | 82161GT | DECAL,LABEL,UCON HYDROLUBE (models with UConn Hydrolube hydraulic oil) | 1 |
| 20 | 82366GT | DECAL,CHEVRON RANDO HD (models with Chevron Random hydraulic oil) | 1 |
| 21 | 82558GT | DECAL,SKIN INJECTION | 1 |
| 22 | 82559GT | DECAL,INSTRUCT-ANNUAL INSP REQ | 1 |
| 23 | 82561GT | DECAL,DANGER-USE SAFETY ARM | 1 |
| 24 | 97692GT | DECAL,LABEL,WHEEL LOAD 2032 | 2 |
| 25 | 114385GT | DECAL,DANGER,ELEC HAZARD,GS | 1 |
| 26 | 133276GT | DECAL,EMERGENCY LOWERING | 1 |
| 27 | T107031GT | DECAL,OP INST,GCON | 1 |



102.1 Word Decals, GS-2032, Ground Control Side, ANSI and Australia



102.1 Word Decals, GS-2032, Ground Control Side, ANSI and Australia

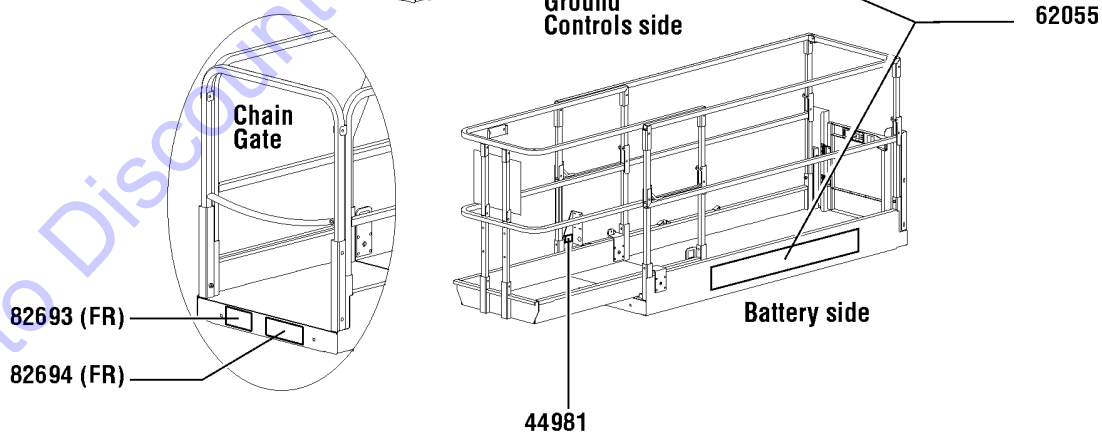
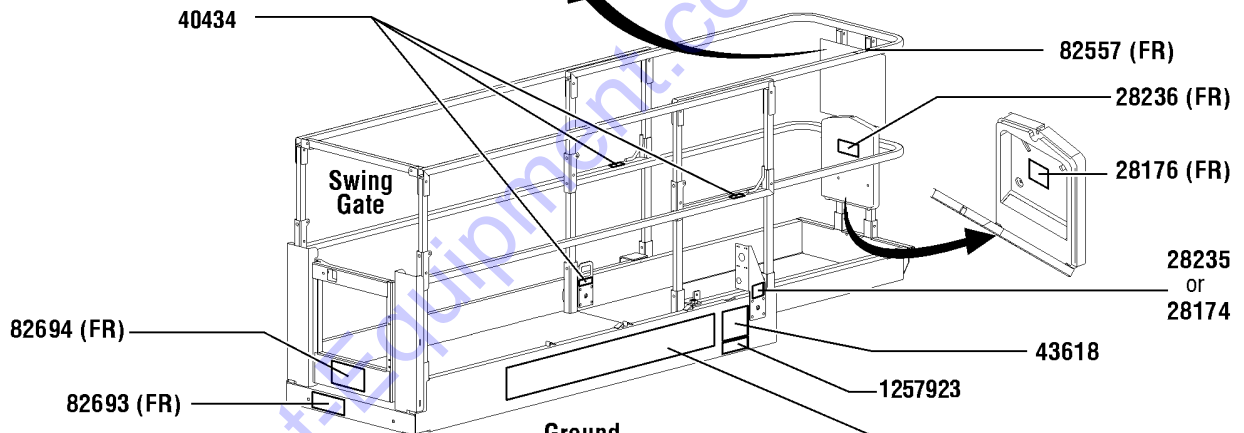
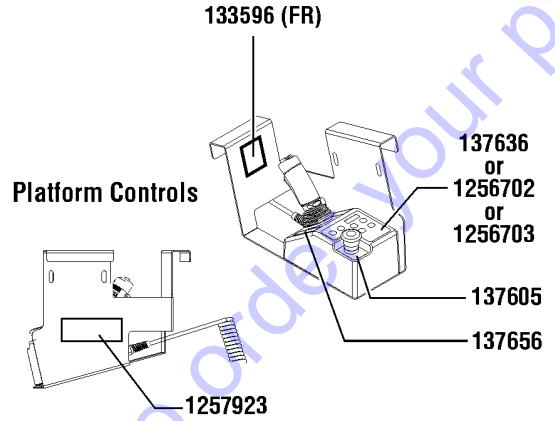
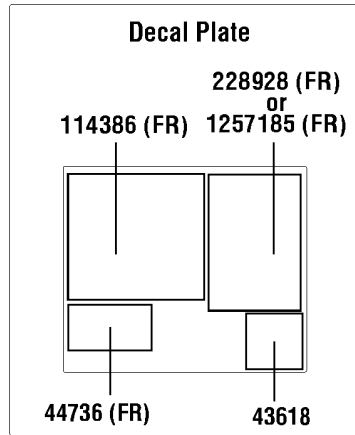
| Item | Part No. | Description | Qty. |
|------|-----------|---------------------------|------|
| 28 | T112804GT | DECAL,GCON PANEL,GS | 1 |

Go to Discount-Equipment.com to order your parts



Platform, ANSI models

NOTE:
Part numbers with "(FR)" indicates French translation is available



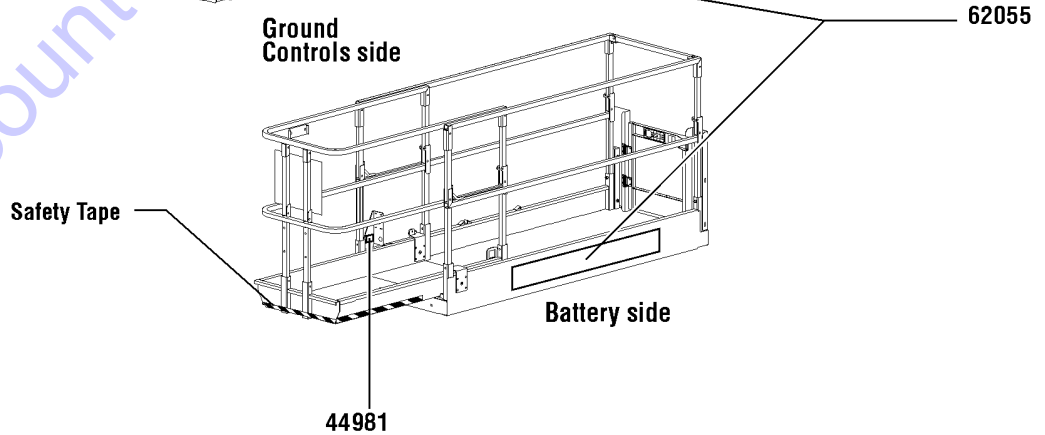
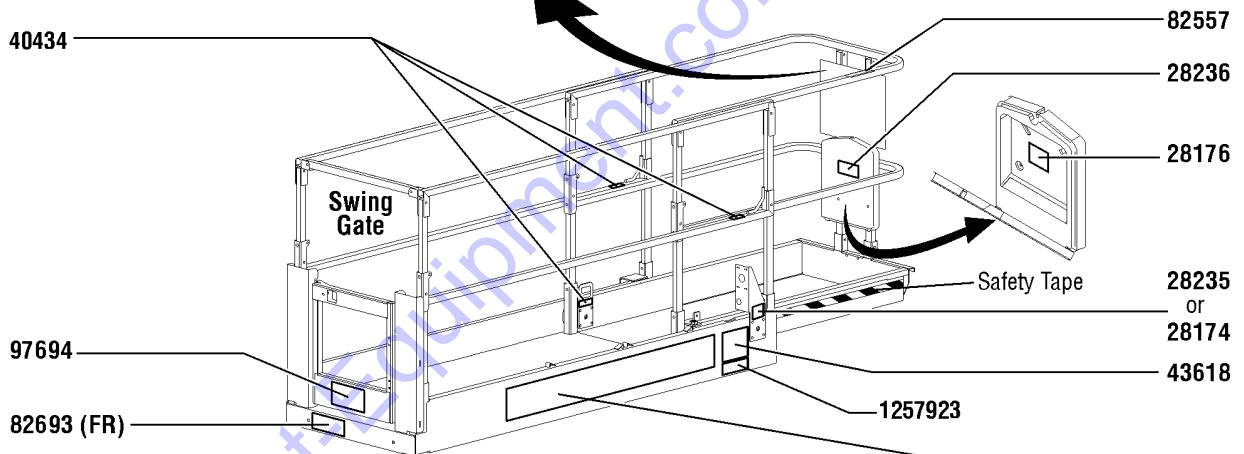
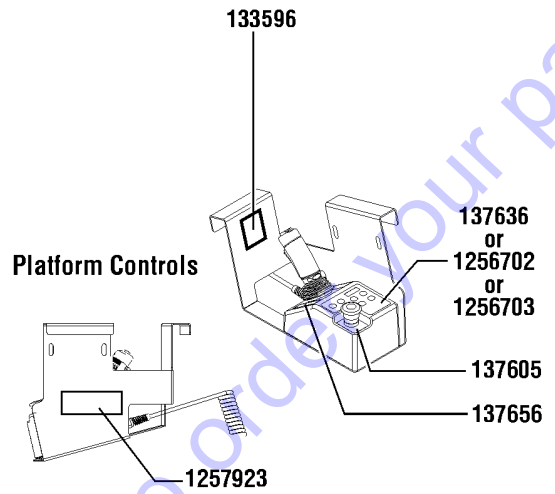
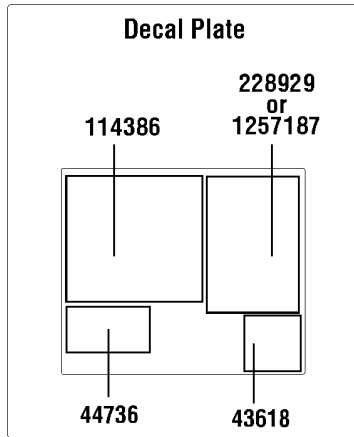
103.1 Word Decals, GS-2032, Platform, ANSI

| Item | Part No. | Description | Qty. |
|------|-----------|---|------|
| | 137605GT | DECAL,E-STOP,GR/GRC/GS PCON | |
| - | | REF: Word Decal Kits for ANSI (refer to 101.1) | |
| 1 | 28174GT | DECAL,POWER TO PLATFORM 230V | 1 |
| 2 | 28176GT | DECAL,LABEL,MANUAL NOT HERE | 1 |
| 3 | 28235GT | DECAL,POWER TO PLATFORM 115V | 1 |
| 4 | 28236GT | DECAL,WARN,IMPROPER OPERATION | 1 |
| 5 | 40434GT | DECAL,LANYARD ANCHORAGE POINT | 3 |
| 6 | 43618GT | DECAL,LABEL-DIRECTION ARROWS | 2 |
| 7 | 44736GT | DECAL,DANGER,TIP-OVER,TILT | 1 |
| 8 | 44981GT | DECAL,LABEL,AIRLINE 110 PSI | 1 |
| 9 | 62055GT | DECAL,COSMETIC,GENIE GS-2032 | 2 |
| 10 | 82557GT | DECAL,LABEL,PLAT CONT LOCATION | 1 |
| 11 | 82693GT | DECAL,INSTR-MAX CAP 800 LBS | 1 |
| 12 | 82694GT | DECAL,INSTR-SIDE FRC,ANSI 2032 | 1 |
| 13 | 114386GT | DECAL,DANGER-GEN SAFETY | 1 |
| 15 | 133596GT | DECAL,LABEL,FAULT CODES | 1 |
| 16 | 137605GT | DECAL,E-STOP,GR/GRC/GS PCON | 1 |
| 17 | 137636GT | DECAL, UI, GR/GRC/GS PCON (models with 6 button, 2 speed controller) to SN GS3214A-134999 and to SN GS3214C-13999 | 1 |
| 18 | 137656GT | DECAL,PROPEL,GR/GRC/GS,PCON | 1 |
| 19 | 228928GT | DECAL,INSTRUCTIONS,OPER,GS32 (models with 6 button, 2 speed controller) to SN GS3214A-134999 and to SN GS3214C-13999 | 1 |
| 20 | 1256702GT | DECAL, UI, GS/GR, PROP LIFT (models with 4 button, proportional controller) | 1 |
| 21 | 1256703GT | DECAL, STD, PROP LIFT, UI, SVC (units converted from 6 button, 2 speed lift to 4 button, proportional controller) | 1 |
| 22 | 1257185GT | DECAL,OP INST,PLAT,GS32 ANSI (models with 4 button, proportional controller) | 1 |
| 23 | 1257923GT | DECAL, SMARTLINK PROPORTIONAL (models with 4 button, proportional controller, and units converted from 6 button, 2 speed lift to 4 button, proportional controller) | 2 |



Platform, Australia models

NOTE:
Part numbers with "(FR)"
indicates French translation
is available



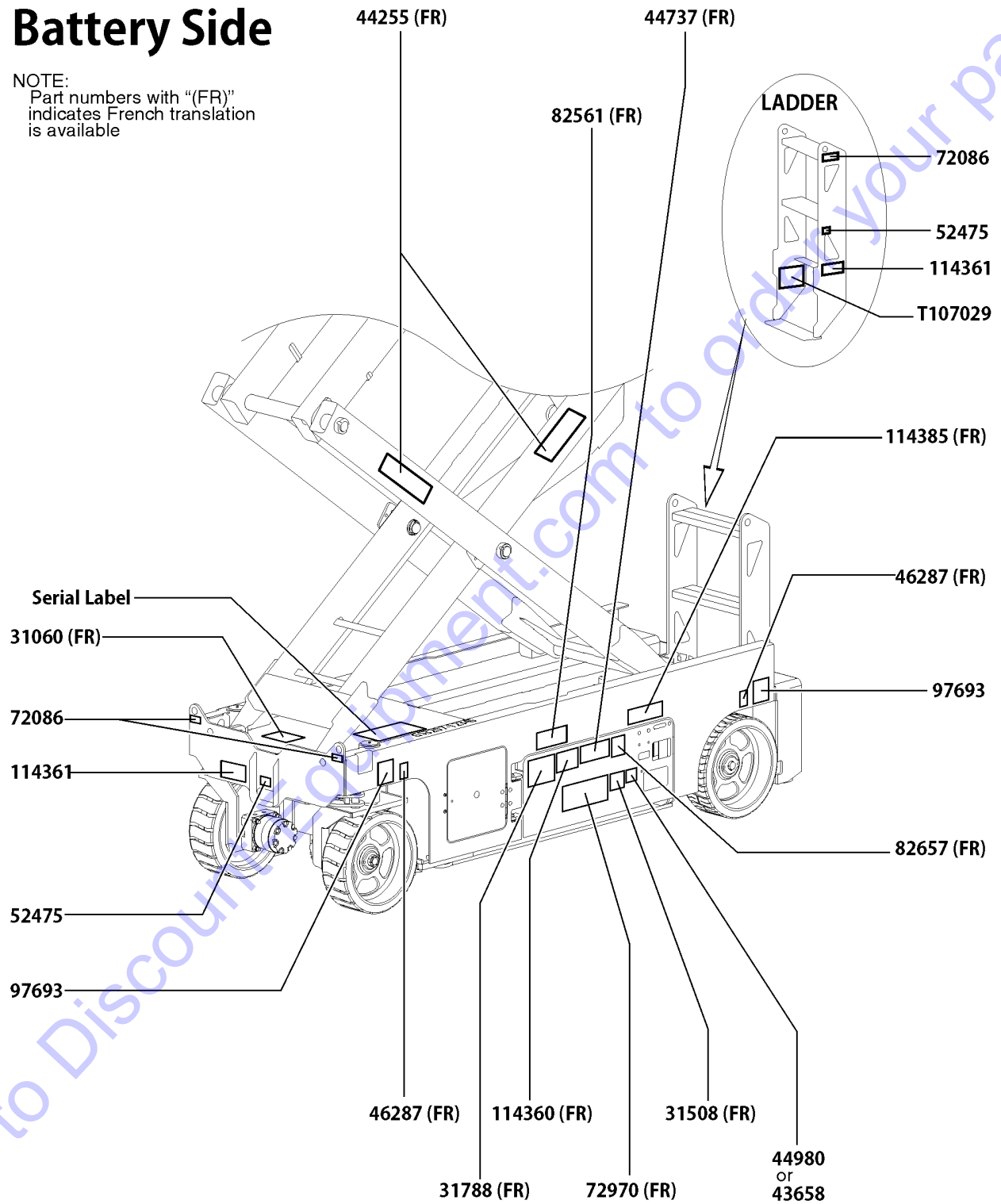
104.1 Word Decals, GS-2032, Platform, Australia

| Item | Part No. | Description | Qty. |
|------|-----------|---|------|
| - | | REF: Word Decal Kits for ANSI and Australia (refer to 101.1) | |
| 1 | 28174GT | DECAL,POWER TO PLATFORM 230V | 1 |
| 2 | 28176GT | DECAL,LABEL,MANUAL NOT HERE | 1 |
| 3 | 28235GT | DECAL,POWER TO PLATFORM 115V | 1 |
| 4 | 28236GT | DECAL,WARN,IMPROPER OPERATION | 1 |
| 5 | 40434GT | DECAL,LANYARD ANCHORAGE POINT | 3 |
| 6 | 43618GT | DECAL,LABEL-DIRECTION ARROWS | 2 |
| 7 | 44736GT | DECAL,DANGER,TIP-OVER,TILT | 1 |
| 8 | 44981GT | DECAL,LABEL,AIRLINE 110 PSI | 1 |
| | | (Option) | |
| 9 | 62055GT | DECAL,COSMETIC,GENIE GS-2032 | 2 |
| 10 | 82557GT | DECAL,LABEL,PLAT CONT LOCATION | 1 |
| 11 | 82693GT | DECAL,INSTR-MAX CAP 800 LBS | 1 |
| 12 | 97694GT | DECAL,INSTR-MANUALFRC,AUS 2032 | 1 |
| 13 | 114386GT | DECAL,DANGER-GEN SAFETY | 1 |
| 14 | 133596GT | DECAL,LABEL,FAULT CODES | 1 |
| 15 | 137605GT | DECAL,E-STOP,GR/GRC/GS PCON | 1 |
| 16 | 137636GT | DECAL, UI, GR/GRC/GS PCON (models with 6 button, 2 speed controller) to SN GS3214A-134999 and to SN GS3214C-13999 | 1 |
| 17 | 137656GT | DECAL,PROPEL,GR/GRC/GS,PCON | 1 |
| 18 | 228929GT | DECAL,OP INST,AUS,GS-32 (models with 6 button, 2 speed controller) to SN GS3214A-134999 and to SN GS3214C-13999 | 1 |
| 19 | 1256702GT | DECAL, UI, GS/GR, PROP LIFT (models with 4 button, proportional controller) | 1 |
| 20 | 1256703GT | DECAL, STD, PROP LIFT, UI, SVC (units converted from 6 button, 2 speed lift to 4 button, proportional controller) | 1 |
| 21 | 1257187GT | DECAL,OP INST,PLAT,GS32,AUS (models with 4 button, proportional controller) | 1 |
| 22 | 1257923GT | DECAL, SMARTLINK PROPORTIONAL (models with 4 button, proportional controller, and units converted from 6 button, 2 speed lift to 4 button, proportional controller) | 2 |



Battery Side

NOTE:
Part numbers with "(FR)"
indicates French translation
is available

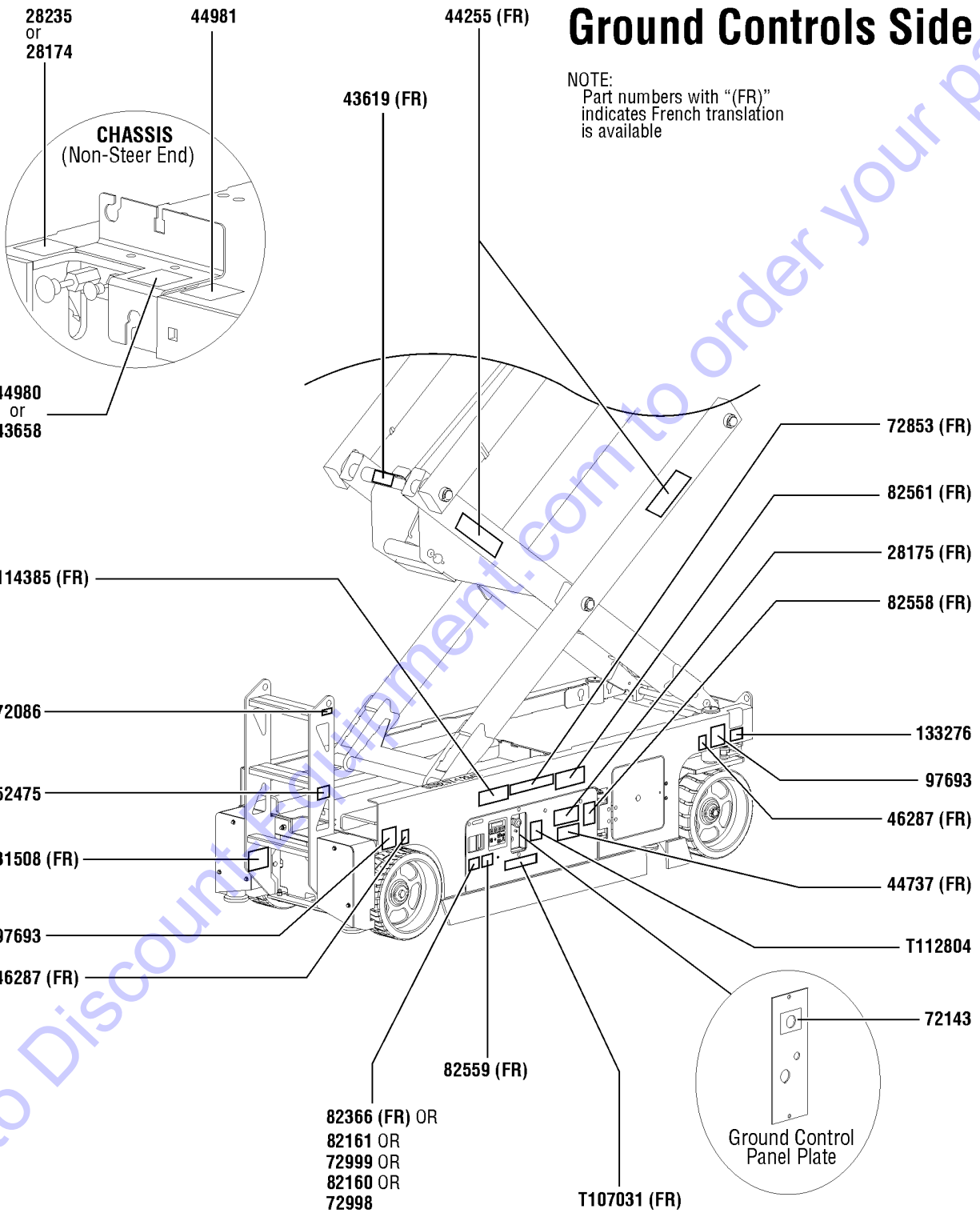


105.1 Word Decals, GS-2632, Battery Side, ANSI & Australia

| Item | Part No. | Description | Qty. |
|------|-----------|--|------|
| A | 217253GT | DECAL KIT,2632 PLAT.,WRD,ANSI (ANSI models with 2 speed controller) to SN GS3214A-134999 and to SN GS3214C-13999 | |
| B | 217254GT | DECAL KIT,2632 COMP.,WRD,ANSI (ANSI models with 2 speed controller) to SN GS3214A-134999 and to SN GS3214C-13999 | |
| C | 217265GT | DECAL KIT,2632 PLAT.,WRD,AUST (Australia models with 2 speed controller) to SN GS3214A-134999 and to SN GS3214C-13999 | |
| D | 217266GT | DECAL KIT,2632 COMP.,WRD,AUST (Australia models with 2 speed controller) to SN GS3214A-134999 and to SN GS3214C-13999 | |
| 1 | 31060GT | DECAL,DANGER DO NOT ALTER SWTC | 1 |
| 2 | 31508GT | DECAL,DANGER,ELECT HAZARD,PLUG (Australia models only) | 1 |
| 3 | 31788GT | DECAL,DANGER,BATTERY SAFETY*** | 1 |
| 4 | 43658GT | DECAL,LABEL,PWR TO CHARGR 230V (Australia models only) | 1 |
| 5 | 44255GT | DECAL,DANGER,CRUSHING HAZARD | 2 |
| 6 | 44737GT | DECAL,DANGER,TIP-OVER,TRAYS | 1 |
| 7 | 44980GT | DECAL,LABEL,PWR TO CHARGR 115V (Australia models only) | 1 |
| 8 | 46287GT | DECAL,LABEL-TIRE SPECS | 2 |
| 9 | 52475GT | DECAL,LABEL,TRANSPORT TIEDOWN* | 2 |
| 10 | 72086GT | DECAL,LABEL,LIFTING EYE | 3 |
| 11 | 72970GT | DECAL,INSTRUCTIONS-CHARGER OP | 1 |
| 12 | 82561GT | DECAL,DANGER-USE SAFETY ARM | 1 |
| 13 | 82657GT | DECAL,INSTRUCT,BATTERY CONNECT | 1 |
| 14 | 97693GT | DECAL,LABEL,WHEEL LOAD 2632 | 2 |
| 15 | 114360GT | DECAL,DANGER-TIP-OVER,BATT | 1 |
| 16 | 114361GT | DECAL,SYM-TIP-OVER,LIM SWITCH | 2 |
| 17 | 114385GT | DECAL,DANGER,ELEC HAZARD,GS | 1 |
| 18 | T107029GT | DECAL DANGER BRAKE REL SAFETY | 1 |



106.1 Word Decals, GS-2632, Ground Control Side, ANSI and Australia



106.1 Word Decals, GS-2632, Ground Control Side, ANSI and Australia

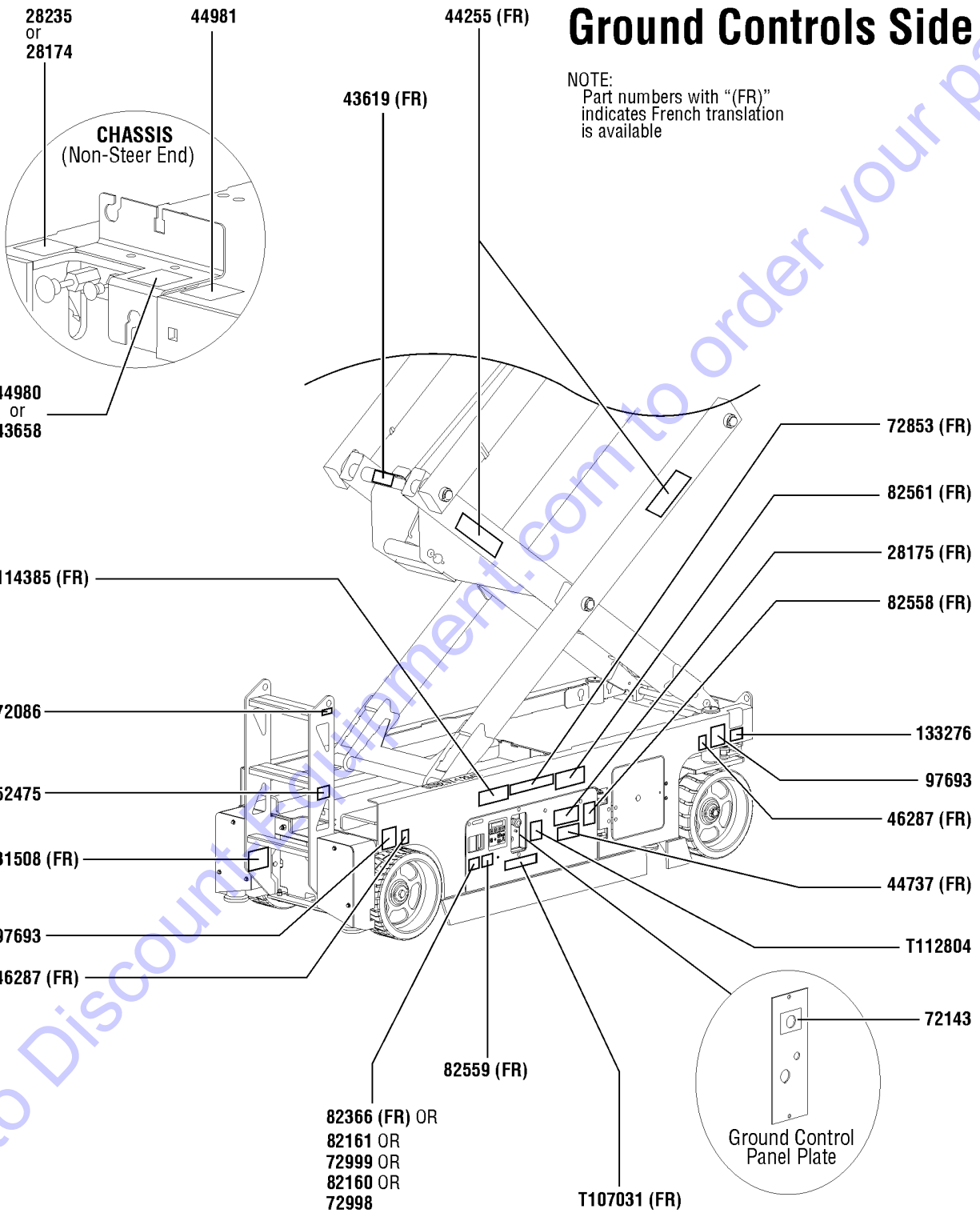
| Item | Part No. | Description | Qty. |
|------|-----------|---|------|
| - | | REF: Word Decal Kits (refer to 105.1) | |
| 1 | 28174GT | DECAL,POWER TO PLATFORM 230V | 1 |
| 2 | 28175GT | DECAL,WARNING-COMPART ACCESS | 1 |
| 3 | 28235GT | DECAL,POWER TO PLATFORM 115V | 1 |
| 4 | 31508GT | DECAL,DANGER,ELECT HAZARD,PLUG (For ANSI models only) | 1 |
| 5 | 43619GT | DECAL,LABEL,SAFETY ARM | 1 |
| 6 | 43658GT | DECAL,LABEL,PWR TO CHARGR 230V (For ANSI models only) | 1 |
| 7 | 44255GT | DECAL,DANGER,CRUSHING HAZARD | 2 |
| 8 | 46287GT | DECAL,LABEL-TIRE SPECS | 2 |
| 9 | 44737GT | DECAL,DANGER,TIP-OVER,TRAYS | 1 |
| 10 | 44980GT | DECAL,LABEL,PWR TO CHARGR 115V (For ANSI models only) | 1 |
| 11 | 44981GT | DECAL,LABEL,AIRLINE 110 PSI (Option) | 1 |
| 12 | 52475GT | DECAL,LABEL,TRANSPORT TIEDOWN* | 1 |
| 13 | 72086GT | DECAL,LABEL,LIFTING EYE | 1 |
| 14 | 72143GT | DECAL,EMERGENCY STOP,GR | 1 |
| 15 | 72853GT | DECAL,DANGER,IMPROPER USE HAZ. | 1 |
| 16 | 72998GT | DECAL, LABEL, QUINTOLUBRIK (models with Quintolub hydraulic oil) | 1 |
| 17 | 72999GT | DECAL,LABEL,PETRO CANADA*** (For models with Petro Canada hydraulic oil only) | 1 |
| 18 | 82160GT | DECAL, LABEL, STATOIL HYDRAWAY (For models with Statoil hydraulic oil only) | 1 |
| 19 | 82161GT | DECAL,LABEL,UCON HYDROLUBE (For models with Ucon Hydrolube hydraulic oil only) | 1 |
| 20 | 82366GT | DECAL,CHEVRON RANDO HD (For models with Chevron Rando hydraulic oil only) | 1 |
| 21 | 82558GT | DECAL,SKIN INJECTION | 1 |
| 22 | 82559GT | DECAL,INSTRUCT-ANNUAL INSP REQ | 1 |
| 23 | 82561GT | DECAL,DANGER-USE SAFETY ARM | 1 |
| 24 | 97693GT | DECAL,LABEL,WHEEL LOAD 2632 | 2 |
| 25 | 114385GT | DECAL,DANGER,ELEC HAZARD,GS | 1 |
| 26 | 133276GT | DECAL,EMERGENCY LOWERING | 1 |
| 27 | T107031GT | DECAL,OP INST,GCON | 1 |



106.1 Word Decals, GS-2632, Ground Control Side, ANSI and Australia

Ground Controls Side

NOTE:
Part numbers with "(FR)" indicates French translation is available



106.1 Word Decals, GS-2632, Ground Control Side, ANSI and Australia

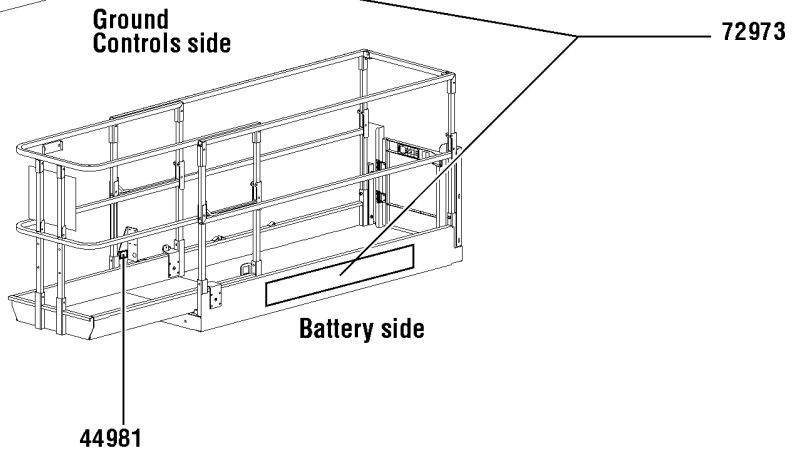
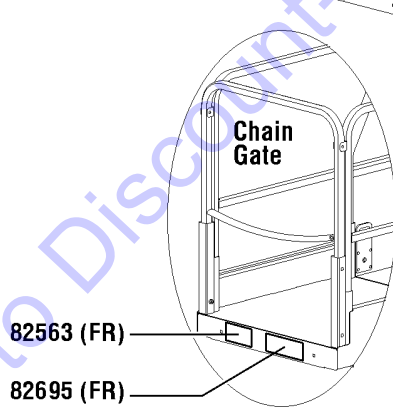
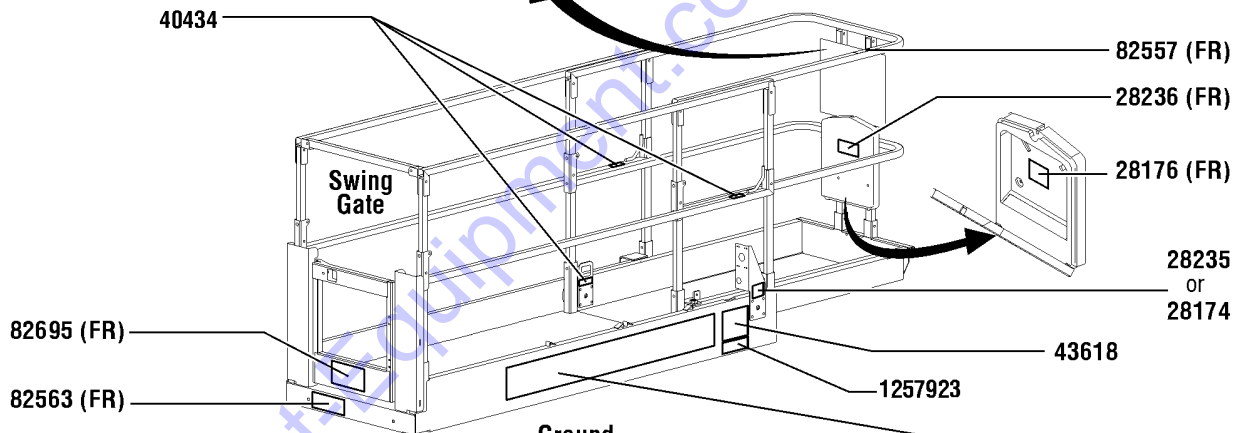
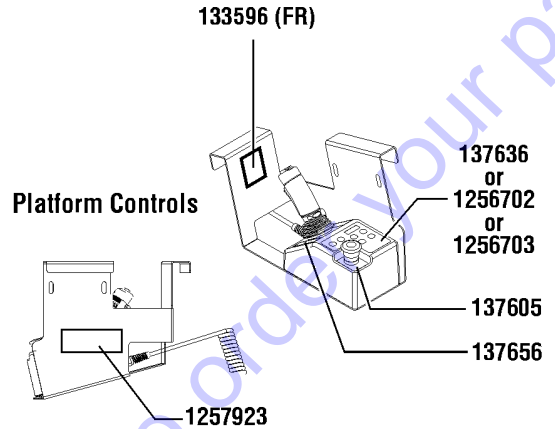
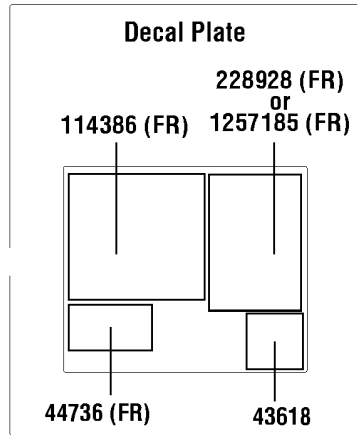
| Item | Part No. | Description | Qty. |
|------|-----------|---------------------------|------|
| 28 | T112804GT | DECAL,GCON PANEL,GS | 1 |

Go to Discount-Equipment.com to order your parts



Platform, ANSI models

NOTE:
Part numbers with "(FR)" indicates French translation is available



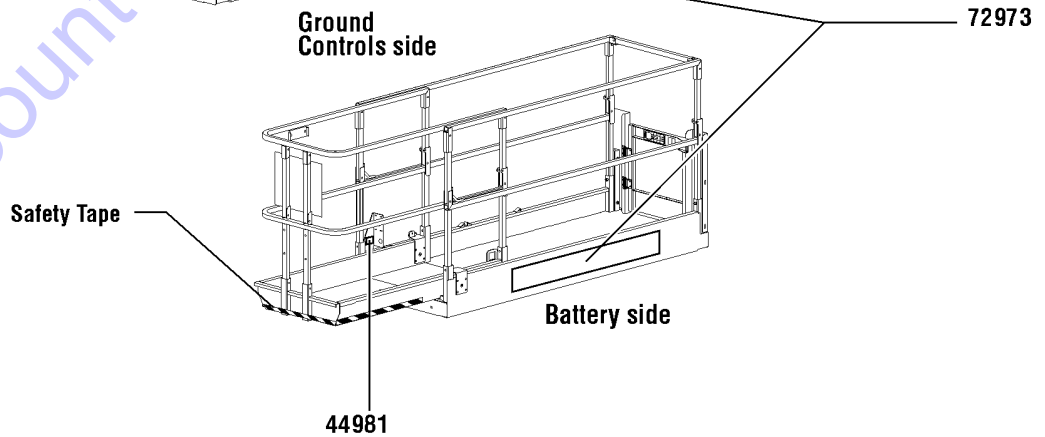
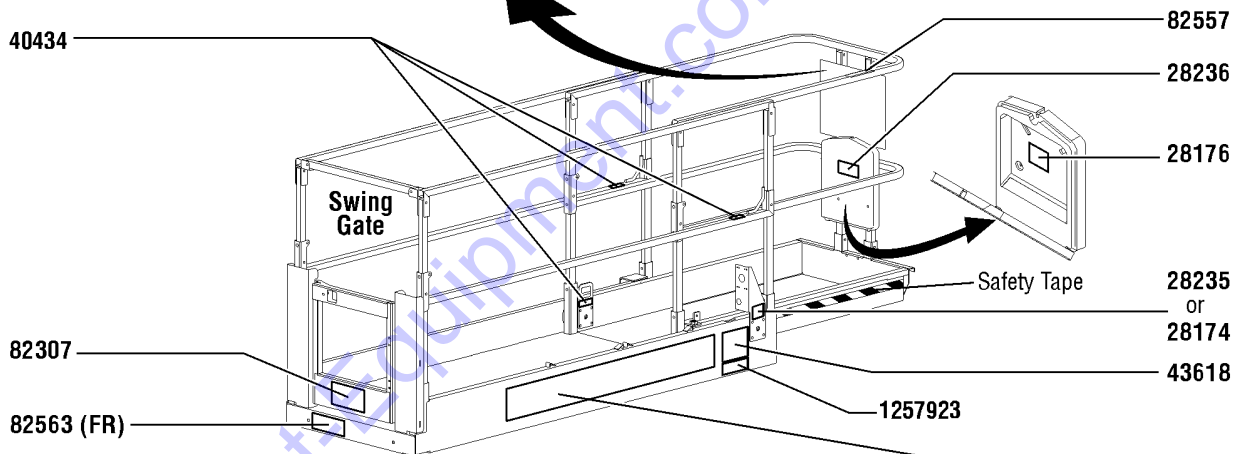
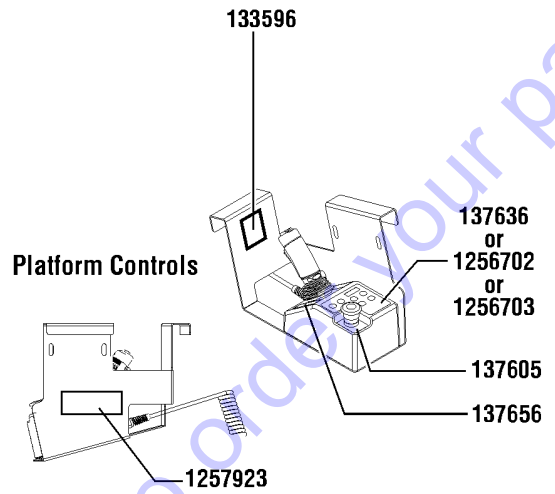
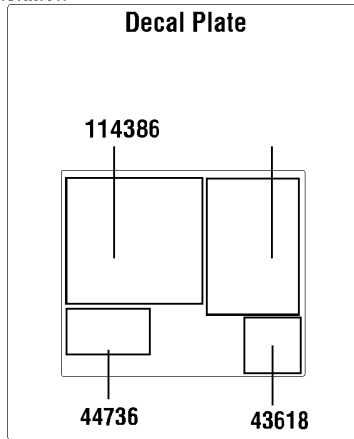
107.1 Word Decals, GS-2632, Platform, ANSI

| Item | Part No. | Description | Qty. |
|------|-----------|---|------|
| - | | REF: Word Decal Kits (refer to 105.1) | |
| 1 | 28174GT | DECAL,POWER TO PLATFORM 230V | 1 |
| 2 | 28176GT | DECAL,LABEL,MANUAL NOT HERE | 1 |
| 3 | 28235GT | DECAL,POWER TO PLATFORM 115V | 1 |
| 4 | 28236GT | DECAL,WARN,IMPROPER OPERATION | 1 |
| 5 | 40434GT | DECAL,LANYARD ANCHORAGE POINT | 3 |
| 6 | 43618GT | DECAL,LABEL-DIRECTION ARROWS | 2 |
| 7 | 44736GT | DECAL,DANGER,TIP-OVER,TILT | 1 |
| 8 | 44981GT | DECAL,LABEL,AIRLINE 110 PSI | 1 |
| 9 | 72973GT | DECAL,COSMETIC,GENIE GS-2632** | 2 |
| 10 | 82557GT | DECAL,LABEL,PLAT CONT LOCATION | 1 |
| 11 | 82563GT | DECAL,INSTR-MAX CAP 500 LBS for GS2632 models | 1 |
| 12 | 82695GT | DECAL,INSTR-SIDE FRC,ANSI | 1 |
| 13 | 114386GT | DECAL,DANGER-GEN SAFETY | 1 |
| 14 | 133596GT | DECAL,LABEL,FAULT CODES | 1 |
| 15 | 137636GT | DECAL, UI, GR/GRC/GS PCON (models with 6 button, 2 speed controller) to SN GS3214A-134999 and to SN GS3214C-13999 | 1 |
| 16 | 137605GT | DECAL,E-STOP,GR/GRC/GS PCON | 1 |
| 17 | 137656GT | DECAL,PROPEL,GR/GRC/GS,PCON | 1 |
| 18 | 228928GT | DECAL,INSTRUCTIONS,OPER,GS32 (models with 6 button, 2 speed controller) to SN GS3214A-134999 and to SN GS3214C-13999 | 1 |
| 19 | 1256702GT | DECAL, UI, GS/GR, PROP LIFT (models with 4 button, proportional controller) | 1 |
| 20 | 1256703GT | DECAL, STD, PROP LIFT, UI, SVC (units converted from 6 button, 2 speed lift to 4 button, proportional controller) | 1 |
| 21 | 1257185GT | DECAL,OP INST,PLAT,GS32 ANSI (models with 4 button, proportional controller) | 1 |
| 22 | 1257923GT | DECAL, SMARTLINK PROPORTIONAL (models with 4 button, proportional controller, and units converted from 6 button, 2 speed lift to 4 button, proportional controller) | 2 |



Platform, Australia models

NOTE:
Part numbers with "(FR)" indicates French translation is available



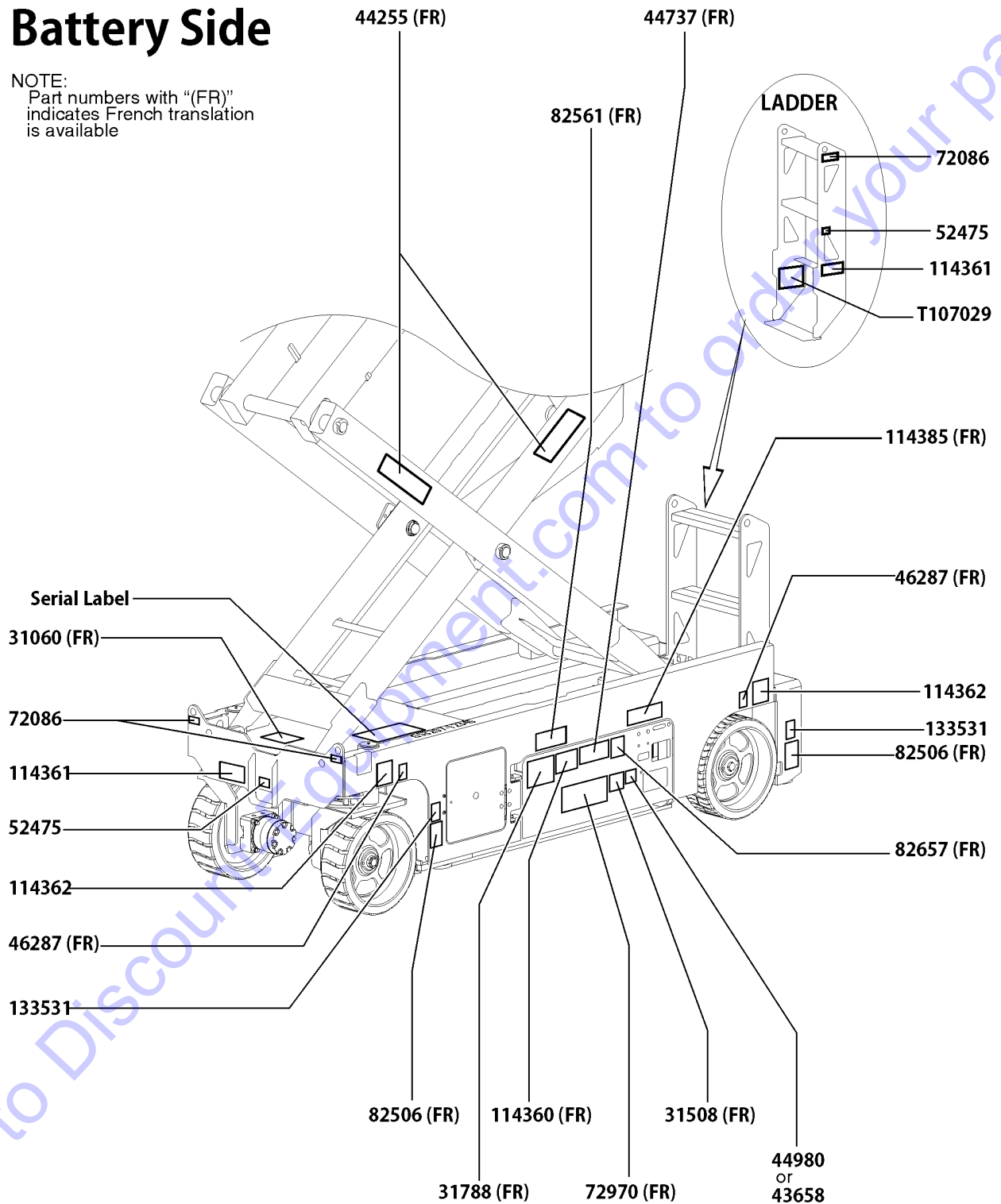
108.1 Word Decals, GS-2632, Platform, Australia

| Item | Part No. | Description | Qty. |
|------|-----------|---|------|
| - | | REF: Word Decal Kits (refer to 105.1) | |
| 1 | 28174GT | DECAL,POWER TO PLATFORM 230V | 1 |
| 2 | 28176GT | DECAL,LABEL,MANUAL NOT HERE | 1 |
| 3 | 28235GT | DECAL,POWER TO PLATFORM 115V | 1 |
| 4 | 28236GT | DECAL,WARN,IMPROPER OPERATION | 1 |
| 5 | 40434GT | DECAL,LANYARD ANCHORAGE POINT | 3 |
| 6 | 43618GT | DECAL,LABEL-DIRECTION ARROWS | 2 |
| 7 | 44736GT | DECAL,DANGER,TIP-OVER,TILT | 1 |
| 8 | 44981GT | DECAL,LABEL,AIRLINE 110 PSI | 1 |
| | | (Option) | |
| 9 | 72973GT | DECAL,COSMETIC,GENIE GS-2632** | 1 |
| 10 | 82307GT | DECAL,INSTR,INDOOR,AUS-26/3232 | 1 |
| 11 | 82557GT | DECAL,LABEL,PLAT CONT LOCATION | 1 |
| 12 | 82563GT | DECAL,INSTR-MAX CAP 500 LBS | 1 |
| | | for GS2632 models | |
| 13 | 114386GT | DECAL,DANGER-GEN SAFETY | 1 |
| 14 | 133596GT | DECAL,LABEL,FAULT CODES | 1 |
| 15 | 137605GT | DECAL,E-STOP,GR/GRC/GS PCON | 1 |
| 16 | 137636GT | DECAL, UI, GR/GRC/GS PCON | 1 |
| | | (models with 6 button, 2 speed controller) to SN GS3214A-134999 and to SN GS3214C-13999 | |
| 17 | 137656GT | DECAL,PROPEL,GR/GRC/GS,PCON | 1 |
| 18 | 228929GT | DECAL,OP INST,AUS,GS-32 | 1 |
| | | (models with 6 button, 2 speed controller) to SN GS3214A-134999 and to SN GS3214C-13999 | |
| 19 | 1256702GT | DECAL, UI, GS/GR, PROP LIFT | 1 |
| | | (models with 4 button, proportional controller) | |
| 20 | 1256703GT | DECAL, STD, PROP LIFT, UI, SVC | 1 |
| | | (units converted from 6 button, 2 speed lift to 4 button, proportional controller) | |
| 21 | 1257187GT | DECAL,OP INST,PLAT,GS32,AUS | 1 |
| | | (models with 4 button, proportional controller) | |
| 22 | 1257923GT | DECAL, SMARTLINK PROPORTIONAL | 2 |
| | | (models with 4 button, proportional controller, and units converted from 6 button, 2 speed lift to 4 button, proportional controller) | |



Battery Side

NOTE:
Part numbers with "(FR)" indicates French translation is available



109.1 Word Decals, GS-3232, Battery Side, ANSI & Australia

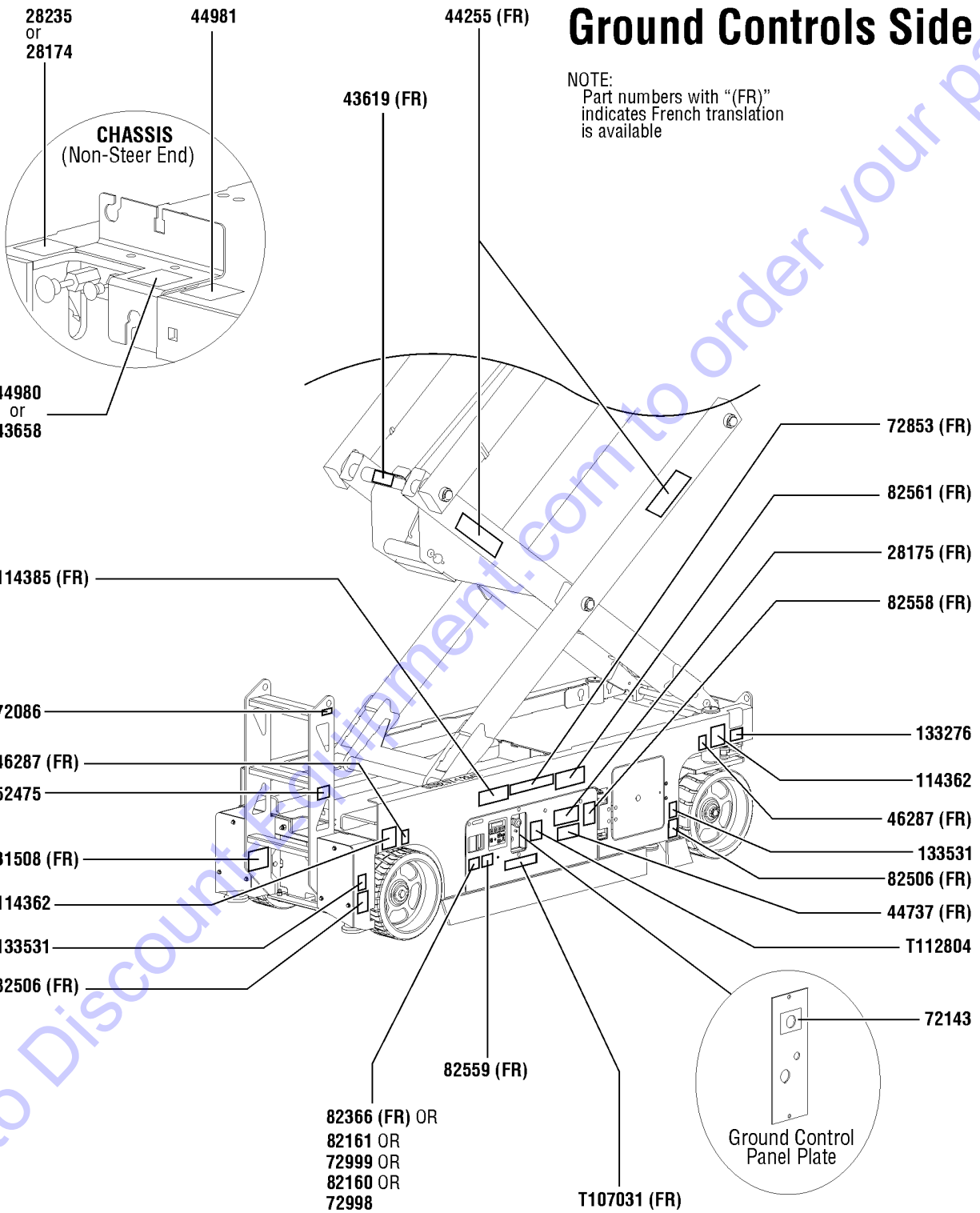
| Item | Part No. | Description | Qty. |
|------|-----------|--|------|
| A | 217255GT | DECAL KIT,3232 PLAT.,WRD,ANSI (ANSI models with 2 speed controller) to SN GS3214A-134999 | |
| B | 217256GT | DECAL KIT,3232 COMP.,WRD,ANSI (ANSI models with 2 speed controller) to SN GS3214A-134999 | |
| C | 217267GT | DECAL KIT,3232 PLAT.,WRD,AUST (Australia models with 2 speed controller) to SN GS3214A-134999 | |
| D | 217268GT | DECAL KIT,3232 COMP.,WRD,AUST (Australia models with 2 speed controller) to SN GS3214A-134999 | |
| 1 | 31060GT | DECAL,DANGER DO NOT ALTER SWTC | 1 |
| 2 | 31508GT | DECAL,DANGER,ELECT HAZARD,PLUG (Australia models only) | 1 |
| 3 | 31788GT | DECAL,DANGER,BATTERY SAFETY*** | 1 |
| 4 | 43658GT | DECAL,LABEL,PWR TO CHARGR 230V (Australia models only) | 1 |
| 5 | 44255GT | DECAL,DANGER,CRUSHING HAZARD | 1 |
| 6 | 44737GT | DECAL,DANGER,TIP-OVER,TRAYS | 1 |
| 7 | 44980GT | DECAL,LABEL,PWR TO CHARGR 115V (Australia models only) | 1 |
| 8 | 46287GT | DECAL,LABEL-TIRE SPECS | 2 |
| 9 | 52475GT | DECAL,LABEL,TRANSPORT TIEDOWN* | 2 |
| 10 | 72086GT | DECAL,LABEL,LIFTING EYE | 3 |
| 11 | 72970GT | DECAL,INSTRUCTIONS-CHARGER OP | 1 |
| 12 | 82506GT | DECAL,WARNING-FOOT CRUSHING | 2 |
| 13 | 82561GT | DECAL,DANGER-USE SAFETY ARM | 1 |
| 14 | 82657GT | DECAL,INSTRUCT,BATTERY CONNECT | 1 |
| 15 | 114360GT | DECAL,DANGER-TIP-OVER,BATT | 1 |
| 16 | 114361GT | DECAL,SYM-TIP-OVER,LIM SWITCH | 2 |
| 17 | 114362GT | DECAL,LABEL-WHEEL LOAD,GS-3232 | 2 |
| 18 | 114385GT | DECAL,DANGER,ELEC HAZARD,GS | 1 |
| 19 | 133531GT | LABEL,OUTRIGGER,LOAD,GS-3232 | 2 |
| 20 | T107029GT | DECAL DANGER BRAKE REL SAFETY | 1 |



110.1 Word Decals, GS-3232, Ground Control Side, ANSI and Australia

Ground Controls Side

NOTE:
Part numbers with "(FR)" indicates French translation is available



110.1 Word Decals, GS-3232, Ground Control Side, ANSI and Australia

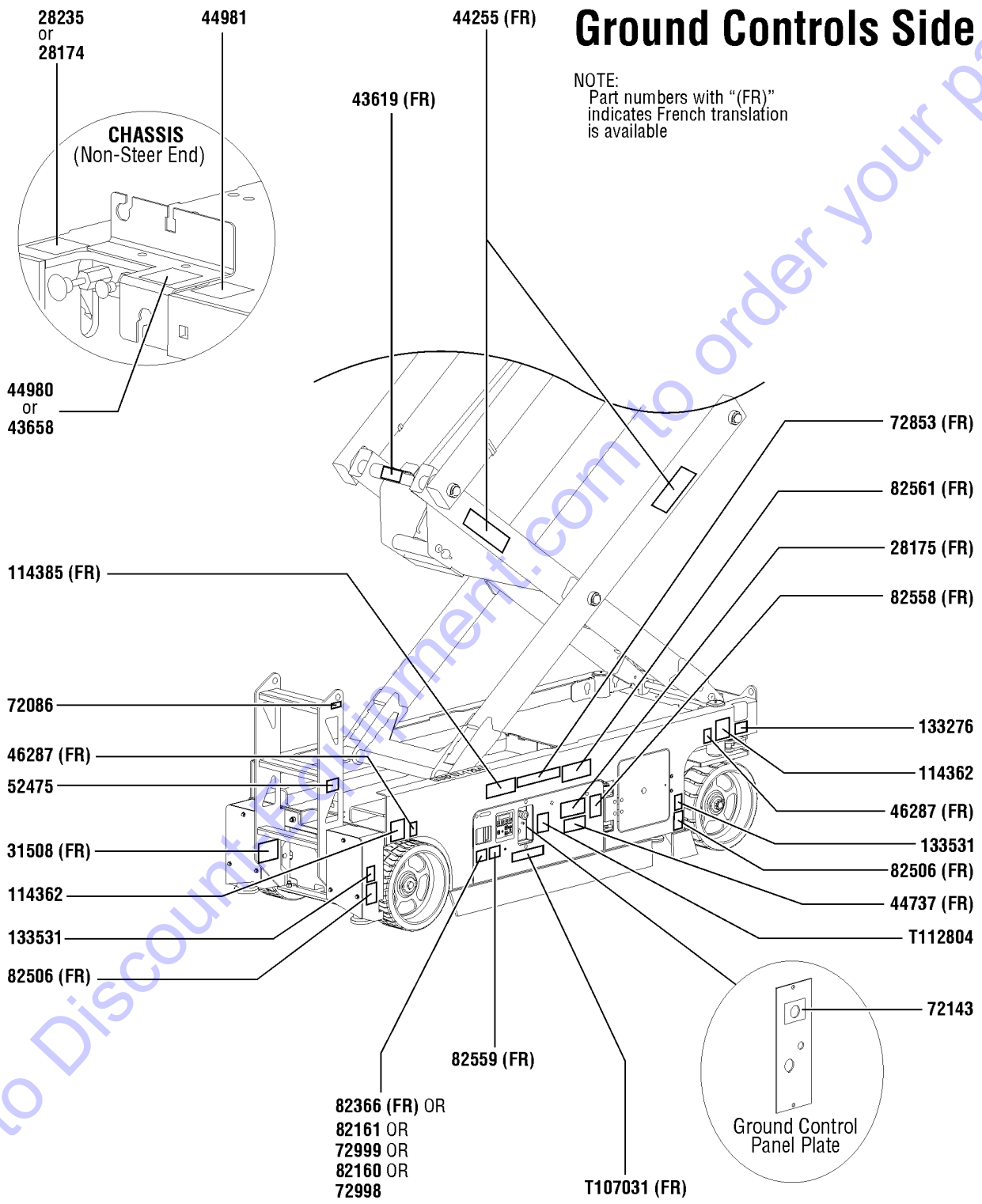
| Item | Part No. | Description | Qty. |
|------|----------|--|------|
| - | | REF: Word Decal Kits for ANSI and Australia (refer to 109.1) | |
| 1 | 28174GT | DECAL,POWER TO PLATFORM 230V | 1 |
| 2 | 28175GT | DECAL,WARNING-COMPART ACCESS | 1 |
| 3 | 28235GT | DECAL,POWER TO PLATFORM 115V | 1 |
| 4 | 31508GT | DECAL,DANGER,ELECT HAZARD,PLUG (For ANSI models only) | 1 |
| 5 | 43619GT | DECAL,LABEL,SAFETY ARM | 1 |
| 6 | 43658GT | DECAL,LABEL,PWR TO CHARGR 230V (For ANSI models only) | 1 |
| 7 | 44255GT | DECAL,DANGER,CRUSHING HAZARD | 2 |
| 8 | 46287GT | DECAL,LABEL-TIRE SPECS | 2 |
| 9 | 44737GT | DECAL,DANGER,TIP-OVER,TRAYS | 1 |
| 10 | 44980GT | DECAL,LABEL,PWR TO CHARGR 115V (For ANSI models only) | 1 |
| 11 | 44981GT | DECAL,LABEL,AIRLINE 110 PSI (Option) | 1 |
| 12 | 52475GT | DECAL,LABEL,TRANSPORT TIEDOWN* | 1 |
| 13 | 72086GT | DECAL,LABEL,LIFTING EYE | 1 |
| 14 | 72143GT | DECAL,EMERGENCY STOP,GR | 1 |
| 15 | 72853GT | DECAL,DANGER,IMPROPER USE HAZ. | 1 |
| 16 | 72998GT | DECAL, LABEL, QUINTOLUBRIK (models with Quintolub hydraulic oil) | 1 |
| 17 | 72999GT | DECAL,LABEL,PETRO CANADA*** (For models with Petro Canada hydraulic oil only) | 1 |
| 18 | 82160GT | DECAL, LABEL, STATOIL HYDRAWAY (For models with Statoil hydraulic oil only) | 1 |
| 19 | 82161GT | DECAL,LABEL,UCON HYDROLUBE (For models with Ucon Hydrolube hydraulic oil only) | 1 |
| 20 | 82366GT | DECAL,CHEVRON RANDO HD (For models with Chevron Rando hydraulic oil only) | 1 |
| 21 | 82506GT | DECAL,WARNING-FOOT CRUSHING | 2 |
| 22 | 82558GT | DECAL,SKIN INJECTION | 1 |
| 23 | 82559GT | DECAL,INSTRUCT-ANNUAL INSP REQ | 1 |
| 24 | 82561GT | DECAL,DANGER-USE SAFETY ARM | 1 |
| 25 | 114362GT | DECAL,LABEL-WHEEL LOAD,GS-3232 | 2 |
| 26 | 114385GT | DECAL,DANGER,ELEC HAZARD,GS | 1 |
| 27 | 133276GT | DECAL,EMERGENCY LOWERING | 1 |



110.1 Word Decals, GS-3232, Ground Control Side, ANSI and Australia

Ground Controls Side

NOTE:
Part numbers with "(FR)" indicates French translation is available



110.1 Word Decals, GS-3232, Ground Control Side, ANSI and Australia

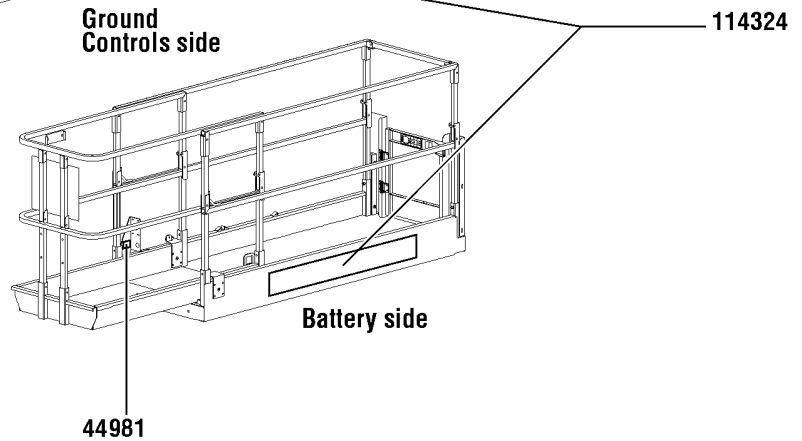
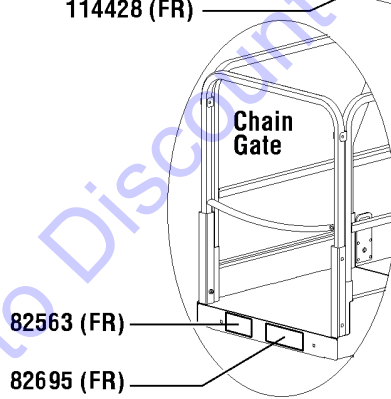
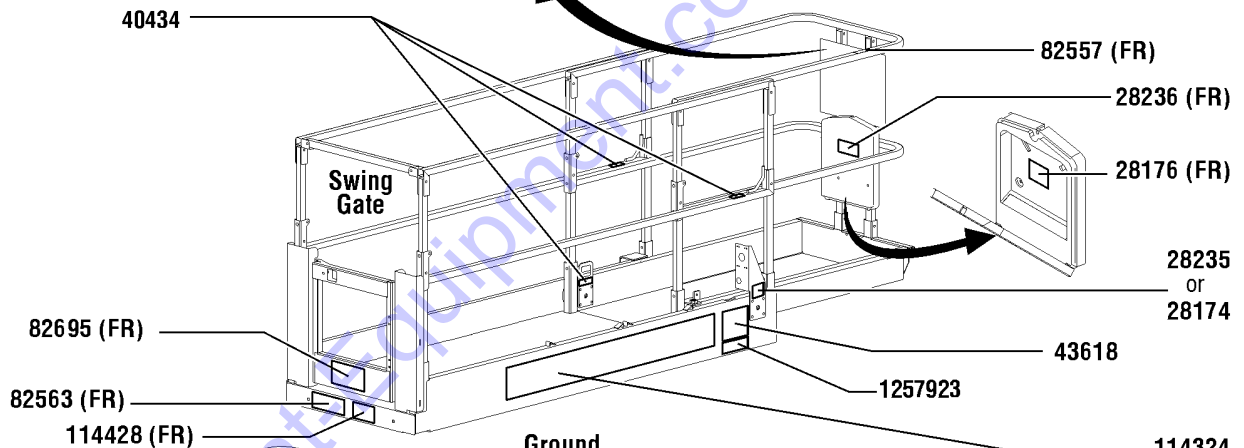
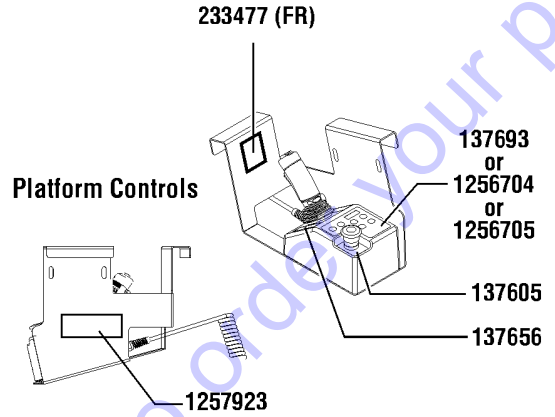
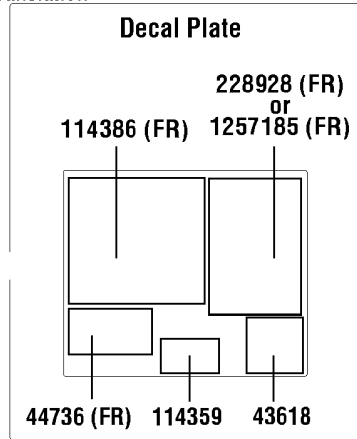
| <i>Item</i> | <i>Part No.</i> | <i>Description</i> | <i>Qty.</i> |
|-------------|-----------------|------------------------------------|-------------|
| 28 | 133531GT | LABEL,OUTRIGGER,LOAD,GS-3232 | 2 |
| 29 | T107031GT | DECAL,OP INST,GCON | 1 |
| 30 | T112804GT | DECAL,GCON PANEL,GS | 1 |

Go to Discount-Equipment.com to order your parts



Platform, ANSI models

NOTE:
Part numbers with "(FR)" indicates French translation is available



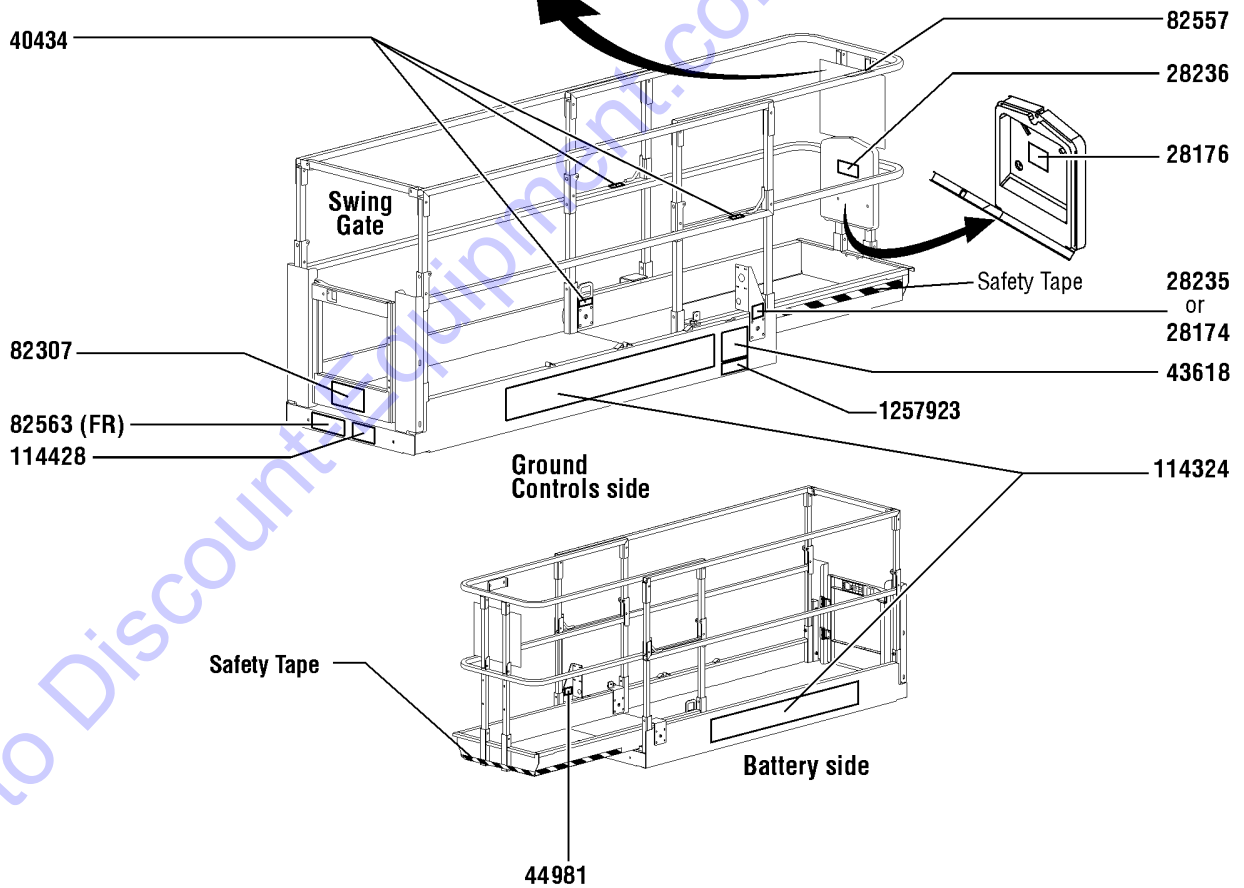
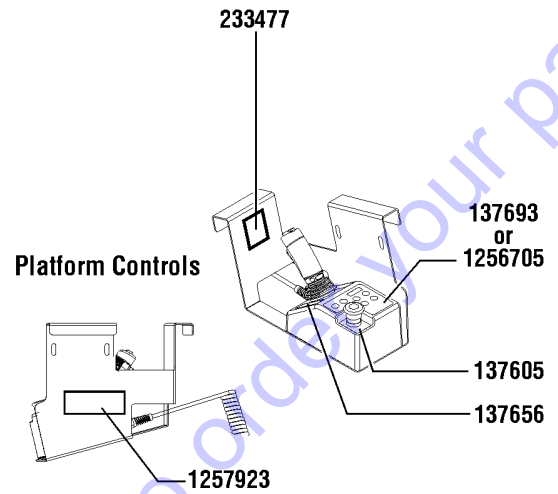
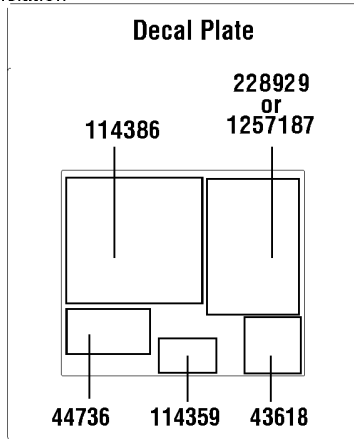
111.1 Word Decals, GS-3232, Platform, ANSI

| Item | Part No. | Description | Qty. |
|------|-----------|--|------|
| - | | REF: Word Decal Kits for ANSI and Australia (refer to 109.1) | |
| 1 | 28174GT | DECAL,POWER TO PLATFORM 230V | 1 |
| 2 | 28176GT | DECAL,LABEL,MANUAL NOT HERE | 1 |
| 3 | 28235GT | DECAL,POWER TO PLATFORM 115V | 1 |
| 4 | 28236GT | DECAL,WARN,IMPROPER OPERATION | 1 |
| 5 | 40434GT | DECAL,LANYARD ANCHORAGE POINT | 3 |
| 6 | 43618GT | DECAL,LABEL-DIRECTION ARROWS | 2 |
| 7 | 44736GT | DECAL,DANGER,TIP-OVER,TILT | 1 |
| 8 | 44981GT | DECAL,LABEL,AIRLINE 110 PSI | 1 |
| 9 | 82557GT | DECAL,LABEL,PLAT CONT LOCATION | 1 |
| 10 | 82563GT | DECAL,INSTR-MAX CAP 500 LBS for GS3232 models | 1 |
| 11 | 82695GT | DECAL,INSTR-SIDE FRC,ANSI | 1 |
| 12 | 114324GT | DECAL,COSMETIC-GENIE GS-3232 | 2 |
| 13 | 114359GT | DANGER/INSTR-OUTRGR OP-GS3232 | 1 |
| 14 | 114386GT | DECAL,DANGER-GEN SAFETY | 1 |
| 15 | 114428GT | DECAL,INSTRUCT,TRAVEL HEIGHT | 1 |
| 16 | 137605GT | DECAL,E-STOP,GR/GRC/GS PCON | 1 |
| 17 | 137656GT | DECAL,PROPEL,GR/GRC/GS,PCON | 1 |
| 18 | 137693GT | DECAL, UI, GS3232, PCON (models with 8 button, 2 speed controller) to SN GS3214A-134999 | 1 |
| 19 | 228928GT | DECAL,INSTRUCTIONS,OPER,GS32 (models with 8 button, 2 speed controller) to SN GS3214A-134999 | 1 |
| 20 | 233477GT | DECAL,LABEL,FAULT CODES | 1 |
| 21 | 1256705GT | DECAL, O/R, PROP LIFT, UI, SVC (models with 6 button, proportional controller) | 1 |
| 22 | 1256705GT | DECAL, O/R, PROP LIFT, UI, SVC (units converted from 8 button, 2 speed lift to 6 button, proportional controller) | 1 |
| 23 | 1257185GT | DECAL,OP INST,PLAT,GS32 ANSI (models with 6 button, proportional controller) | 1 |
| 24 | 1257923GT | DECAL, SMARTLINK PROPORTIONAL (models with 6 button, proportional controller, and units converted from 8 button, 2 speed lift to 6 button, proportional controller) | 2 |



Platform, Australia models

NOTE:
Part numbers with "(FR)"
indicates French translation
is available



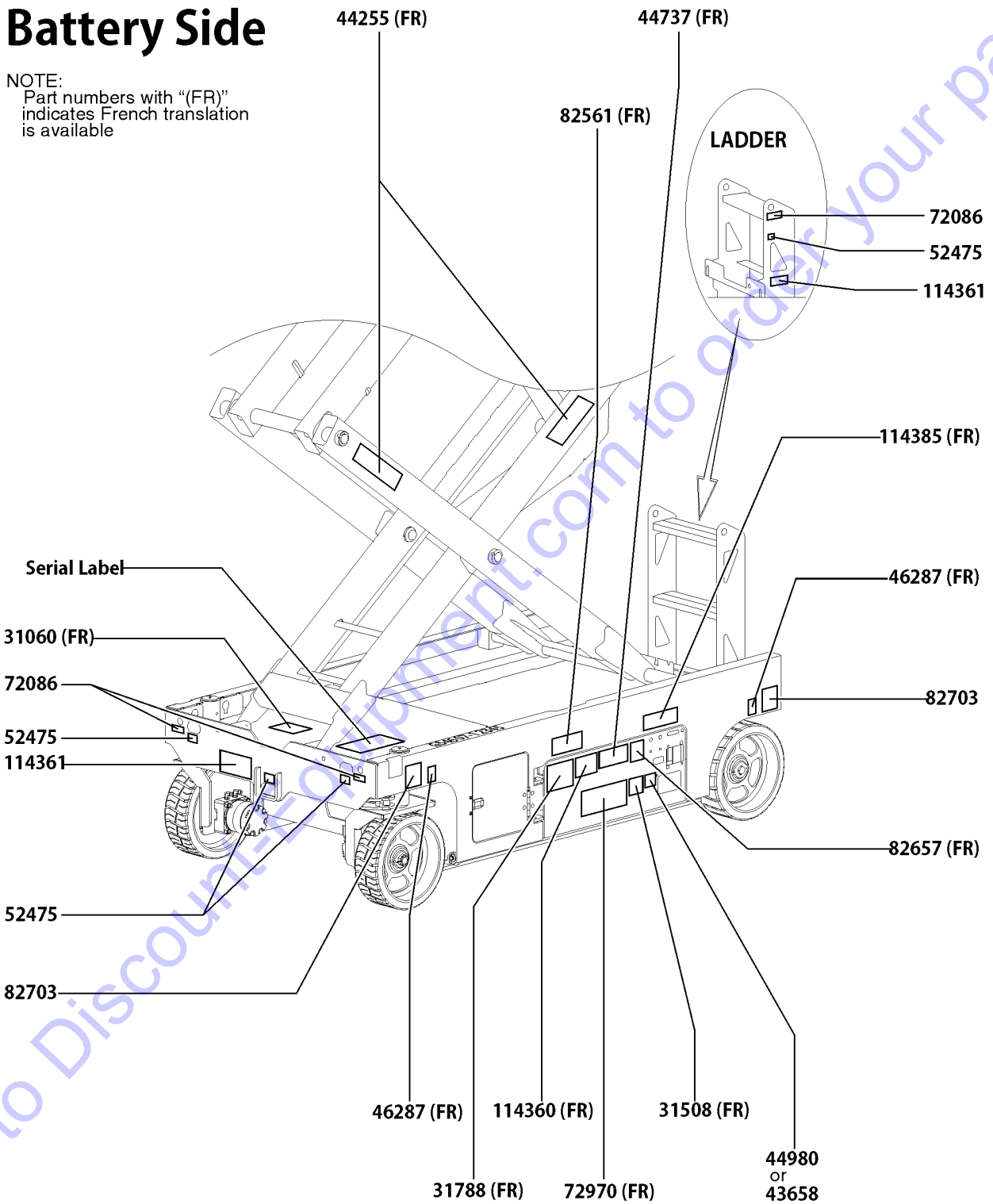
112.1 Word Decals, GS-3232, Platform, Australia

| Item | Part No. | Description | Qty. |
|------|-----------|---|------|
| - | | REF: Word Decal Kits for ANSI and Australia (refer to 109.1) | |
| 1 | 28174GT | DECAL,POWER TO PLATFORM 230V | 1 |
| 2 | 28176GT | DECAL,LABEL,MANUAL NOT HERE | 1 |
| 3 | 28235GT | DECAL,POWER TO PLATFORM 115V | 1 |
| 4 | 28236GT | DECAL,WARN,IMPROPER OPERATION | 1 |
| 5 | 40434GT | DECAL,LANYARD ANCHORAGE POINT | 3 |
| 6 | 43618GT | DECAL,LABEL-DIRECTION ARROWS | 2 |
| 7 | 44736GT | DECAL,DANGER,TIP-OVER,TILT | 1 |
| 8 | 44981GT | DECAL,LABEL,AIRLINE 110 PSI (Option) | 1 |
| 9 | 82307GT | DECAL,INSTR,INDOOR,AUS-26/3232 | 1 |
| 10 | 82557GT | DECAL,LABEL,PLAT CONT LOCATION | 1 |
| 11 | 82563GT | DECAL,INSTR-MAX CAP 500 LBS for GS3232 models | 1 |
| 12 | 114324GT | DECAL,COSMETIC-GENIE GS-3232 | 1 |
| 13 | 114359GT | DANGER/INSTR-OUTRGR OP-GS3232 | 1 |
| 14 | 114386GT | DECAL,DANGER-GEN SAFETY | 1 |
| 15 | 114428GT | DECAL,INSTRUCT,TRAVEL HEIGHT | 1 |
| 16 | 137605GT | DECAL,E-STOP,GR/GRC/GS PCON | 1 |
| 17 | 137656GT | DECAL,PROPEL,GR/GRC/GS,PCON | 1 |
| 18 | 137693GT | DECAL, UI, GS3232, PCON (models with 8 button, 2 speed controller) to SN GS3214A-134999 | |
| 19 | 228929GT | DECAL,OP INST,AUS,GS-32 (models with 8 button, 2 speed controller) to SN GS3214A-134999 | 1 |
| 20 | 233477GT | DECAL,LABEL,FAULT CODES | 1 |
| 21 | 1256705GT | DECAL, O/R, PROP LIFT, UI, SVC (models with 6 button, proportional controller and units converted from 8 button, 2 speed lift to 6 button, proportional controller) | 1 |
| 22 | 1257187GT | DECAL,OP INST,PLAT,GS32,AUS (models with 6 button, proportional controller) | 1 |
| 23 | 1257923GT | DECAL, SMARTLINK PROPORTIONAL (models with 6 button, proportional controller, and units converted from 8 button, 2 speed lift to 6 button, proportional controller) | 2 |



Battery Side

NOTE:
Part numbers with "(FR)" indicates French translation is available



113.1 Word Decals, GS-2046, Battery Side, ANSI & Australia

| Item | Part No. | Description | Qty. |
|------|-----------|--|------|
| A | 217257GT | DECAL KIT,2046 PLAT.,WRD,ANSI (ANSI models with 2 speed controller) to SN GS4614A-134999 and to SN GS4614C-13999 | |
| B | 217258GT | DECAL KIT,2046 COMP.,WRD,ANSI (ANSI models with 2 speed controller) to SN GS4614A-134999 and to SN GS4614C-13999 | |
| C | 217269GT | DECAL KIT,2046 PLAT.,WRD,AUST (Australia models with 2 speed controller) to SN GS4614A-134999 and to SN GS4614C-13999 | |
| D | 217270GT | DECAL KIT,2046 COMP.,WRD,AUST (Australia models with 2 speed controller) to SN GS4614A-134999 and to SN GS4614C-13999 | |
| 1 | 31060GT | DECAL,DANGER DO NOT ALTER SWTC | 1 |
| 2 | 31508GT | DECAL,DANGER,ELECT HAZARD,PLUG (Australia models only) | 1 |
| 3 | 31788GT | DECAL,DANGER,BATTERY SAFETY*** | 1 |
| 4 | 43658GT | DECAL,LABEL,PWR TO CHARGR 230V (Australia models only) | 1 |
| 5 | 44255GT | DECAL,DANGER,CRUSHING HAZARD | 2 |
| 6 | 44737GT | DECAL,DANGER,TIP-OVER,TRAYS | 1 |
| 7 | 44980GT | DECAL,LABEL,PWR TO CHARGR 115V (Australia models only) | 1 |
| 8 | 46287GT | DECAL,LABEL-TIRE SPECS | 2 |
| 9 | 52475GT | DECAL,LABEL,TRANSPORT TIEDOWN* | 4 |
| 10 | 72086GT | DECAL,LABEL,LIFTING EYE | 3 |
| 11 | 72970GT | DECAL,INSTRUCTIONS-CHARGER OP | 1 |
| 12 | 82561GT | DECAL,DANGER-USE SAFETY ARM | 1 |
| 13 | 82657GT | DECAL,INSTRUCT,BATTERY CONNECT | 1 |
| 14 | 82703GT | DECAL,LABEL,WHEEL LOAD 2046 | 2 |
| 15 | 114360GT | DECAL,DANGER-TIP-OVER,BATT | 1 |
| 16 | 114361GT | DECAL,SYM-TIP-OVER,LIM SWITCH | 2 |
| 17 | 114385GT | DECAL,DANGER,ELEC HAZARD,GS | 1 |
| 18 | T107029GT | DECAL DANGER BRAKE REL SAFETY | 1 |

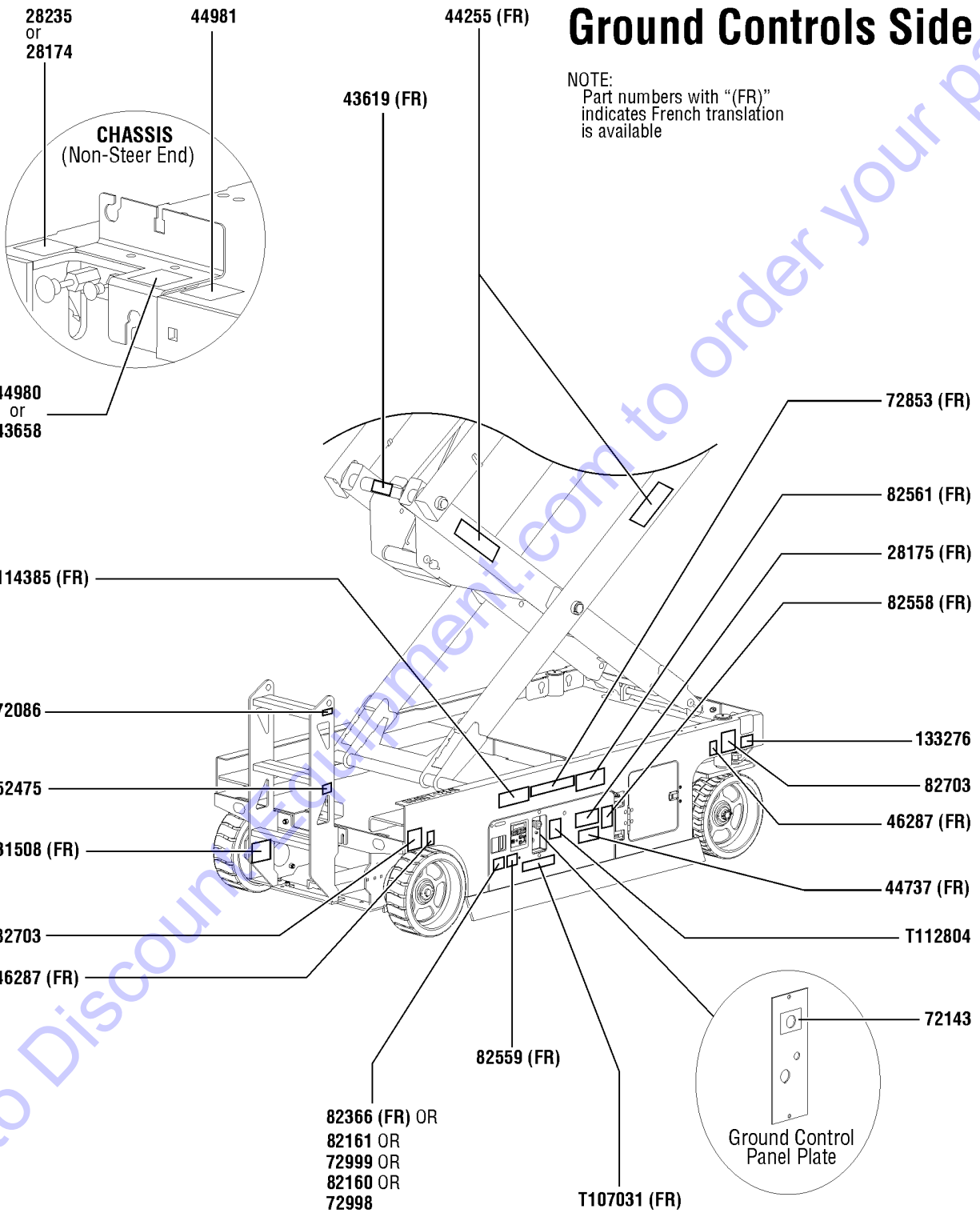
Go to DiscountEquipment.com to order your parts



114.1 Word Decals, GS-2046, Ground Control Side, ANSI and Australia

Ground Controls Side

NOTE:
Part numbers with "(FR)" indicates French translation is available

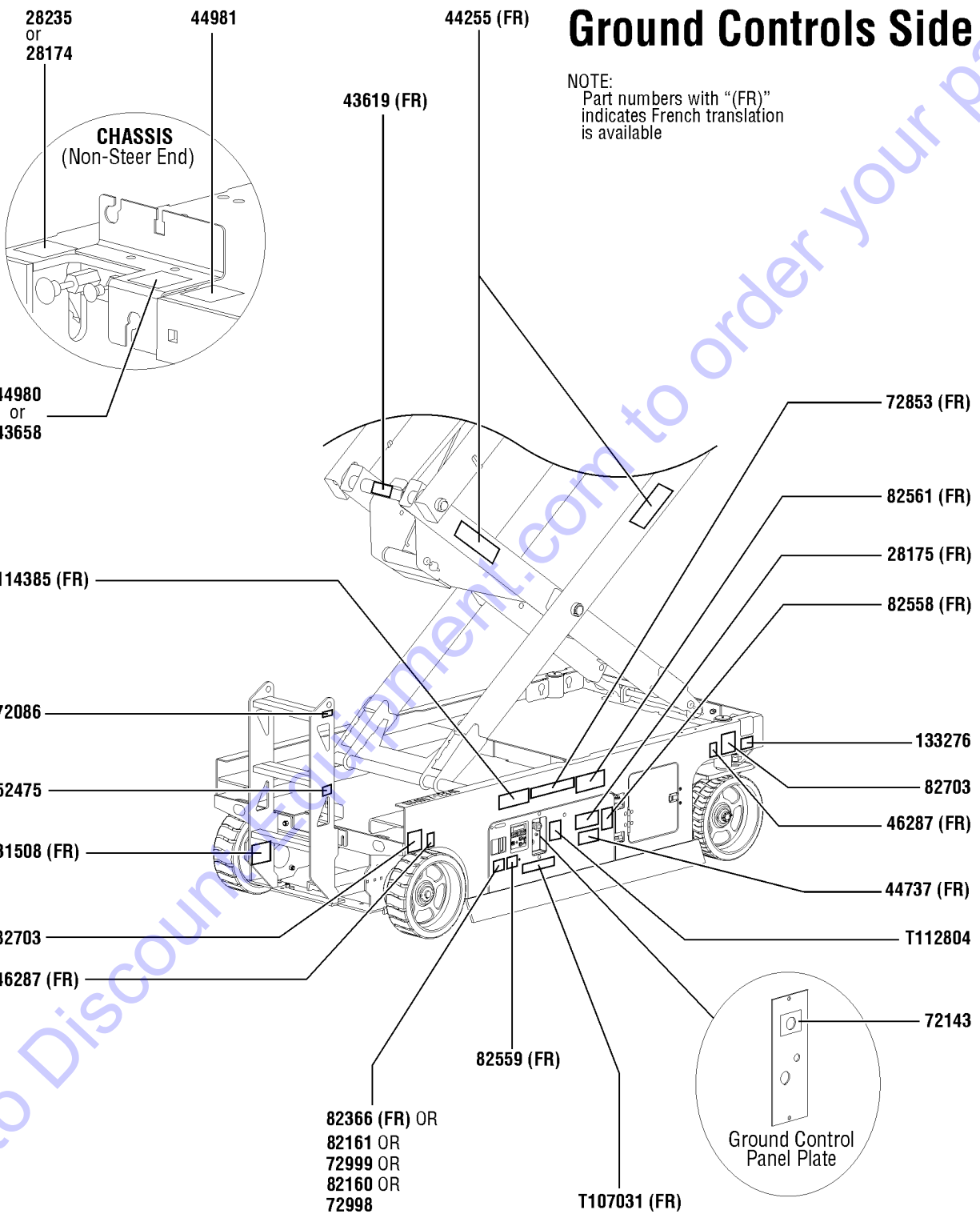


114.1 Word Decals, GS-2046, Ground Control Side, ANSI and Australia

| Item | Part No. | Description | Qty. |
|------|-----------|---|------|
| - | | REF: Word Decal Kits (refer to 113.1) | |
| 1 | 28174GT | DECAL,POWER TO PLATFORM 230V | 1 |
| 2 | 28175GT | DECAL,WARNING-COMPART ACCESS | 1 |
| 3 | 28235GT | DECAL,POWER TO PLATFORM 115V | 1 |
| 4 | 31508GT | DECAL,DANGER,ELECT HAZARD,PLUG (ANSI models) | 1 |
| 5 | 43619GT | DECAL,LABEL,SAFETY ARM | 1 |
| 6 | 43658GT | DECAL,LABEL,PWR TO CHARGR 230V (ANSI models) | 1 |
| 7 | 44255GT | DECAL,DANGER,CRUSHING HAZARD | 2 |
| 8 | 44737GT | DECAL,DANGER,TIP-OVER,TRAYS | 1 |
| 9 | 44980GT | DECAL,LABEL,PWR TO CHARGR 115V (ANSI models) | 1 |
| 10 | 44981GT | DECAL,LABEL,AIRLINE 110 PSI (Option) | 1 |
| 11 | 46287GT | DECAL,LABEL-TIRE SPECS | 2 |
| 12 | 52475GT | DECAL,LABEL,TRANSPORT TIEDOWN* | 1 |
| 13 | 72086GT | DECAL,LABEL,LIFTING EYE | 1 |
| 14 | 72143GT | DECAL,EMERGENCY STOP,GR | 1 |
| 15 | 72853GT | DECAL,DANGER,IMPROPER USE HAZ. | 1 |
| 16 | 72998GT | DECAL, LABEL, QUINTOLUBRIK (models with Quintolub hydraulic oil) | 1 |
| 17 | 72999GT | DECAL,LABEL,PETRO CANADA*** (For models with Petro Canada hydraulic oil only) | 1 |
| 18 | 82160GT | DECAL, LABEL, STATOIL HYDRAWAY (For models with Statoil hydraulic oil only) | 1 |
| 19 | 82161GT | DECAL,LABEL,UCON HYDROLUBE (For models with Ucon Hydrolube hydraulic oil only) | 1 |
| 20 | 82366GT | DECAL,CHEVRON RANDO HD (For models with Chevron Rando hydraulic oil only) | 1 |
| 21 | 82558GT | DECAL,SKIN INJECTION | 1 |
| 22 | 82559GT | DECAL,INSTRUCT-ANNUAL INSP REQ | 1 |
| 23 | 82561GT | DECAL,DANGER-USE SAFETY ARM | 1 |
| 24 | 82703GT | DECAL,LABEL,WHEEL LOAD 2046 | 2 |
| 25 | 114385GT | DECAL,DANGER,ELEC HAZARD,GS | 1 |
| 26 | 133276GT | DECAL,EMERGENCY LOWERING | 1 |
| 27 | T107031GT | DECAL,OP INST,GCON | 1 |



114.1 Word Decals, GS-2046, Ground Control Side, ANSI and Australia



114.1 Word Decals, GS-2046, Ground Control Side, ANSI and Australia

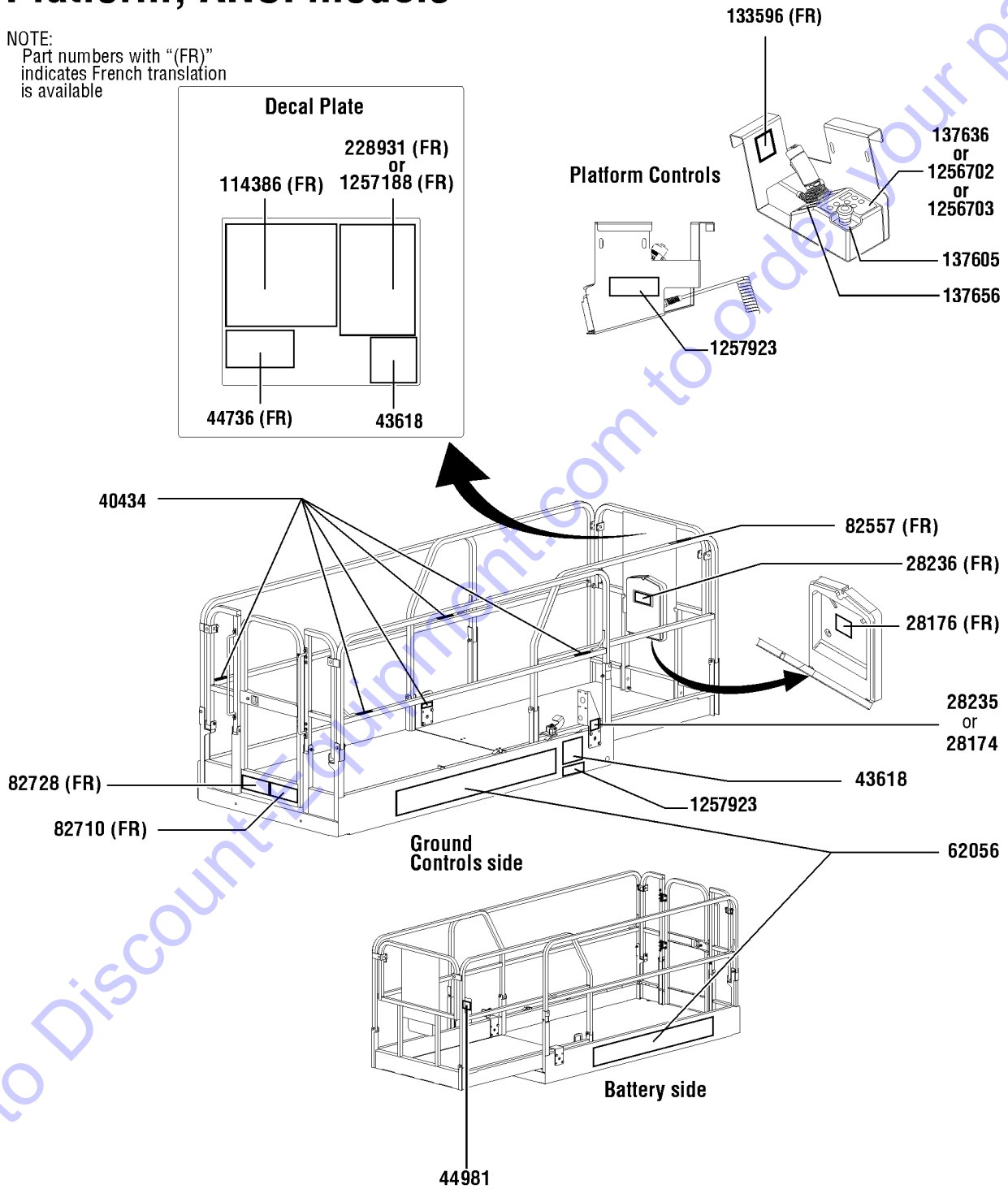
| <i>Item</i> | <i>Part No.</i> | <i>Description</i> | <i>Qty.</i> |
|-------------|-----------------|---------------------------|-------------|
| 28 | T112804GT | DECAL,GCON PANEL,GS | 1 |

Go to Discount-Equipment.com to order your parts



Platform, ANSI models

NOTE:
Part numbers with "(FR)" indicates French translation is available



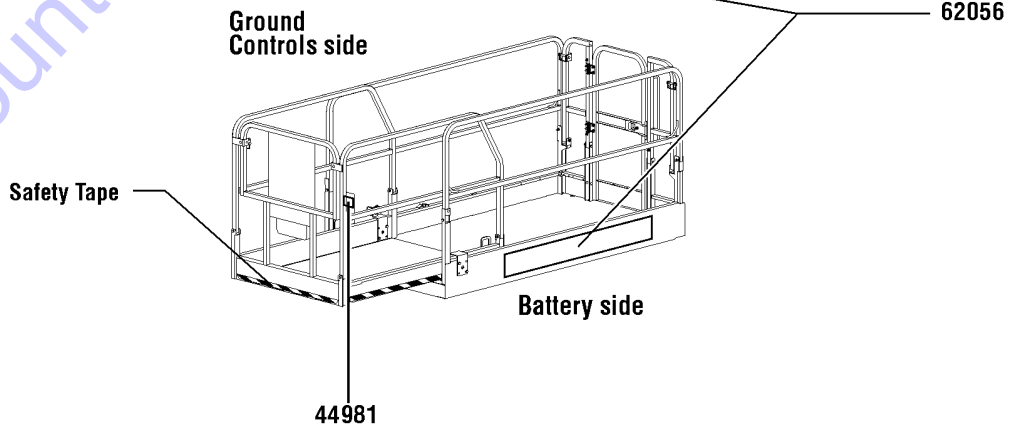
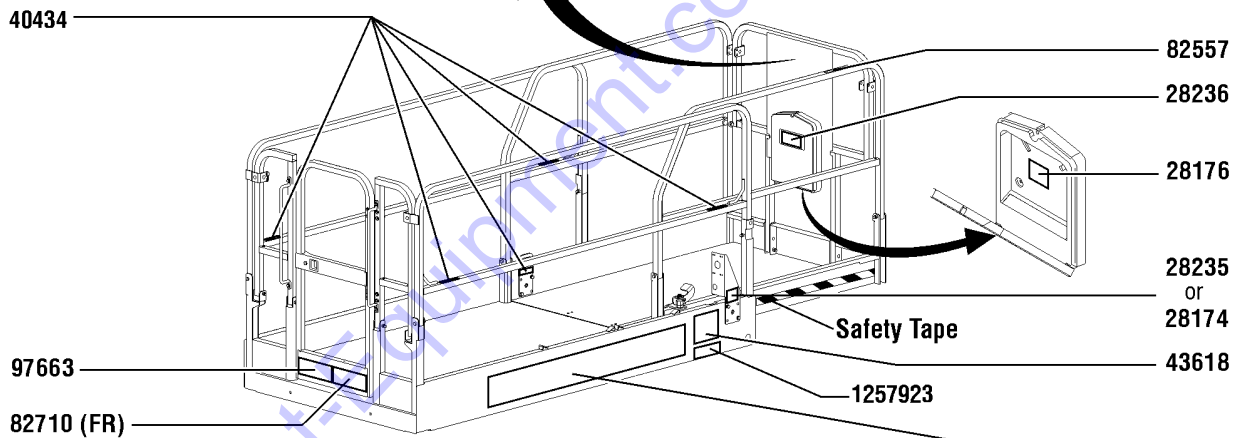
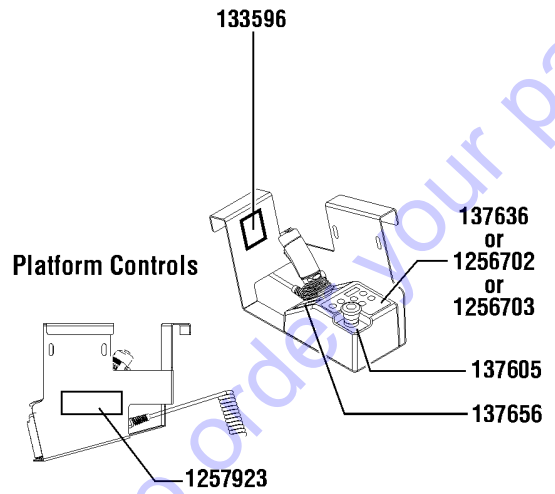
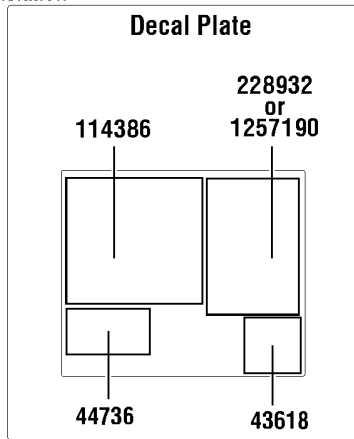
115.1 Word Decals, GS-2046, Platform, ANSI

| Item | Part No. | Description | Qty. |
|------|-----------|---|------|
| - | | REF: Word Decal Kits (refer to 113.1) | |
| 1 | 28174GT | DECAL,POWER TO PLATFORM 230V | 1 |
| 2 | 28176GT | DECAL,LABEL,MANUAL NOT HERE | 1 |
| 3 | 28235GT | DECAL,POWER TO PLATFORM 115V | 1 |
| 4 | 28236GT | DECAL,WARN,IMPROPER OPERATION | 1 |
| 5 | 40434GT | DECAL,LANYARD ANCHORAGE POINT | 5 |
| 6 | 43618GT | DECAL,LABEL-DIRECTION ARROWS | 2 |
| 7 | 44736GT | DECAL,DANGER,TIP-OVER,TILT | 1 |
| 8 | 44981GT | DECAL,LABEL,AIRLINE 110 PSI (Option) | 1 |
| 9 | 62056GT | DECAL,COSMETIC,GENIE GS-2046** | 2 |
| 10 | 82557GT | DECAL,LABEL,PLAT CONT LOCATION | 1 |
| 11 | 82710GT | DECAL,INSTR-MAX CAP 1200LBS GS-2046 | 1 |
| 12 | 82728GT | DECAL,INSTR-SIDE FRC,ANSI 2046 | 1 |
| 13 | 114386GT | DECAL,DANGER-GEN SAFETY | 1 |
| 14 | 133596GT | DECAL,LABEL,FAULT CODES | 1 |
| 15 | 137605GT | DECAL,E-STOP,GR/GRC/GS PCON | 1 |
| 16 | 137636GT | DECAL, UI, GR/GRC/GS PCON (models with 6 button, 2 speed controller) to SN GS4614A-134999 and to SN GS4614C-13999 | 1 |
| 17 | 137656GT | DECAL,PROPEL,GR/GRC/GS,PCON | 1 |
| 18 | 228931GT | DECAL,INSTRUCTIONS,OPER,GS46 (models with 6 button, 2 speed controller) to SN GS4614A-134999 and to SN GS4614C-13999 | 1 |
| 19 | 1256702GT | DECAL, UI, GS/GR, PROP LIFT (models with 4 button, proportional controller) | 1 |
| 20 | 1256703GT | DECAL, STD, PROP LIFT, UI, SVC (units converted from 6 button, 2 speed lift to 4 button, proportional controller) | 1 |
| 21 | 1257188GT | DECAL,OP INST,PLAT,GS46 ANSI (models with 4 button, proportional controller) | 1 |
| 22 | 1257923GT | DECAL, SMARTLINK PROPORTIONAL (models with 4 button, proportional controller, and units converted from 6 button, 2 speed lift to 4 button, proportional controller) | 2 |



Platform, Australia models

NOTE:
Part numbers with "(FR)"
indicates French translation
is available

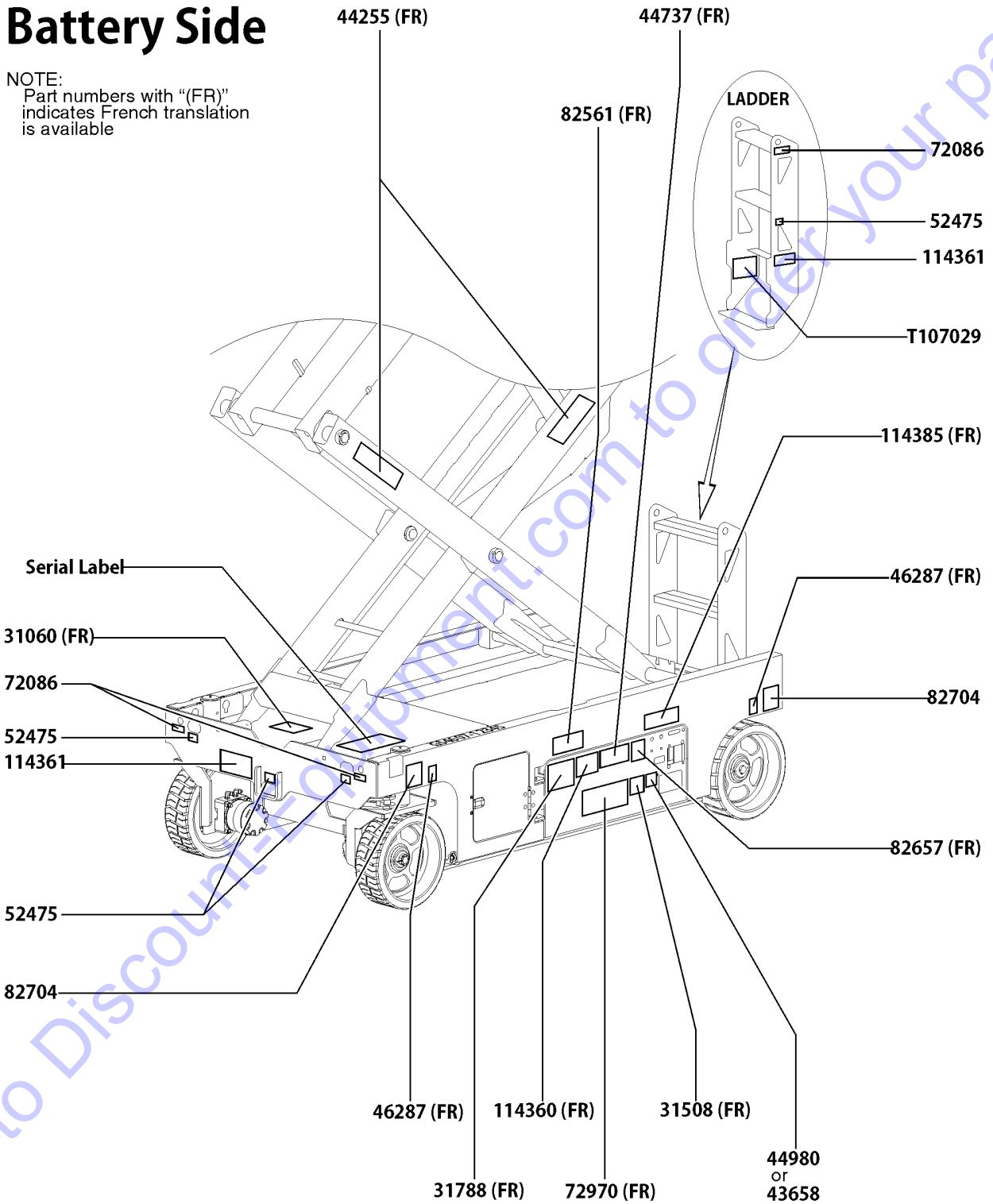


| Item | Part No. | Description | Qty. |
|------|-----------|---|------|
| - | | REF: Word Decal Kits (refer to 113.1) | |
| 1 | 28174GT | DECAL,POWER TO PLATFORM 230V | 1 |
| 2 | 28176GT | DECAL,LABEL,MANUAL NOT HERE | 1 |
| 3 | 28235GT | DECAL,POWER TO PLATFORM 115V | 1 |
| 4 | 28236GT | DECAL,WARN,IMPROPER OPERATION | 1 |
| 5 | 40434GT | DECAL,LANYARD ANCHORAGE POINT | 5 |
| 6 | 43618GT | DECAL,LABEL-DIRECTION ARROWS | 2 |
| 7 | 44736GT | DECAL,DANGER,TIP-OVER,TILT | 1 |
| 8 | 44981GT | DECAL,LABEL,AIRLINE 110 PSI | 1 |
| | | (Option) | |
| 9 | 62056GT | DECAL,COSMETIC,GENIE GS-2046** | 2 |
| 10 | 82557GT | DECAL,LABEL,PLAT CONT LOCATION | 1 |
| 11 | 82710GT | DECAL,INSTR-MAX CAP 1200LBS | 1 |
| | | GS-2046 | |
| 12 | 97663GT | DECAL,INSTR-MANUALFRC,AUS 400N | 1 |
| | | GS-2046 | |
| 13 | 114386GT | DECAL,DANGER-GEN SAFETY | 1 |
| 14 | 133596GT | DECAL,LABEL,FAULT CODES | 1 |
| 15 | 137605GT | DECAL,E-STOP,GR/GRC/GS PCON | 1 |
| 16 | 137636GT | DECAL, UI, GR/GRC/GS PCON | 1 |
| | | (models with 6 button, 2 speed controller) to SN GS4614A-134999 and to SN GS4614C-13999 | |
| 17 | 137656GT | DECAL,PROPEL,GR/GRC/GS,PCON | 1 |
| 18 | 228932GT | DECAL,OP INST,AUS,GS-46 | 1 |
| | | (models with 6 button, 2 speed controller) to SN GS4614A-134999 and to SN GS4614C-13999 | |
| 19 | 1256702GT | DECAL, UI, GS/GR, PROP LIFT | 1 |
| | | (models with 4 button, proportional controller) | |
| 22 | 1256703GT | DECAL, STD, PROP LIFT, UI, SVC | 1 |
| | | (units converted from 6 button, 2 speed lift to 4 button, proportional controller) | |
| 21 | 1257190GT | DECAL,OP INST,PLAT,GS46,AUS | 1 |
| | | (models with 4 button, proportional controller) | |
| 22 | 1257923GT | DECAL, SMARTLINK PROPORTIONAL | 2 |
| | | (models with 4 button, proportional controller, and units converted from 6 button, 2 speed lift to 4 button, proportional controller) | |



Battery Side

NOTE:
Part numbers with "(FR)" indicates French translation is available



117.1 Word Decals, GS-2646, Battery Side, ANSI & Australia

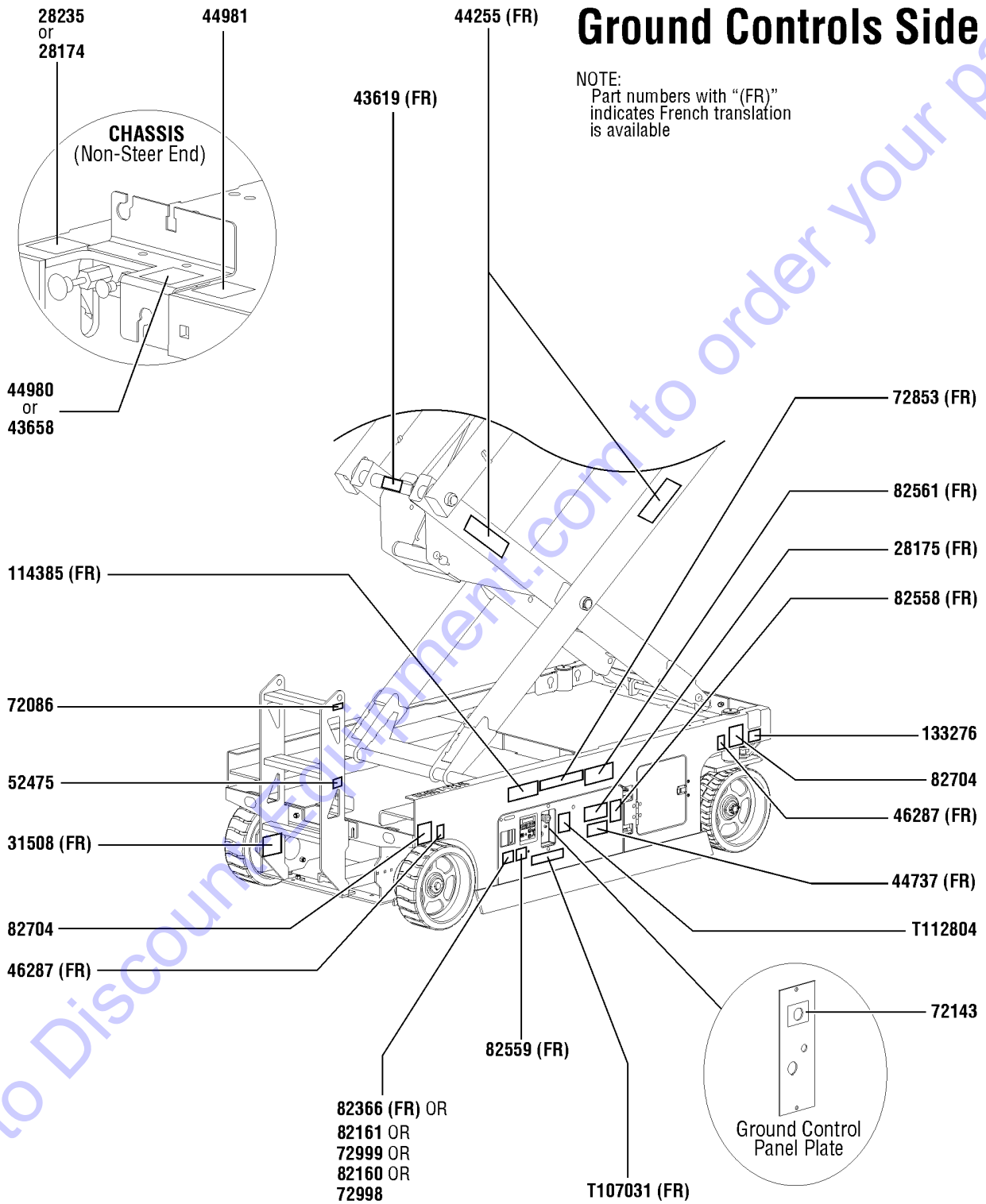
| Item | Part No. | Description | Qty. |
|------|-----------|--|------|
| A | 217259GT | DECAL KIT,2646 PLAT.,WRD,ANSI (ANSI models with 2 speed controller) to SN GS4614A-134999 and to SN GS4614C-13999 | |
| B | 217260GT | DECAL KIT,2646 COMP.,WRD,ANSI (ANSI models with 2 speed controller) to SN GS4614A-134999 and to SN GS4614C-13999 | |
| C | 217271GT | DECAL KIT,2646 PLAT.,WRD,AUST (Australia models with 2 speed controller) to SN GS4614A-134999 and to SN GS4614C-13999 | |
| D | 217272GT | DECAL KIT,2646COMP.,WRD,AUST (Australia models with 2 speed controller) to SN GS4614A-134999 and to SN GS4614C-13999 | |
| 1 | 31060GT | DECAL,DANGER DO NOT ALTER SWTC | 1 |
| 2 | 31508GT | DECAL,DANGER,ELECT HAZARD,PLUG (Australia models only) | 1 |
| 3 | 31788GT | DECAL,DANGER,BATTERY SAFETY*** | 1 |
| 4 | 43658GT | DECAL,LABEL,PWR TO CHARGR 230V (Australia models only) | 1 |
| 5 | 44255GT | DECAL,DANGER,CRUSHING HAZARD | 2 |
| 6 | 44737GT | DECAL,DANGER,TIP-OVER,TRAYS | 1 |
| 7 | 44980GT | DECAL,LABEL,PWR TO CHARGR 115V (Australia models only) | 1 |
| 8 | 46287GT | DECAL,LABEL-TIRE SPECS | 2 |
| 9 | 52475GT | DECAL,LABEL,TRANSPORT TIEDOWN* | 4 |
| 10 | 72086GT | DECAL,LABEL,LIFTING EYE | 3 |
| 11 | 72970GT | DECAL,INSTRUCTIONS-CHARGER OP | 1 |
| 12 | 82561GT | DECAL,DANGER-USE SAFETY ARM | 1 |
| 13 | 82657GT | DECAL,INSTRUCT,BATTERY CONNECT | 1 |
| 14 | 82704GT | DECAL,LABEL,WHEEL LOAD 2646 | 2 |
| 15 | 114360GT | DECAL,DANGER-TIP-OVER,BATT | 1 |
| 16 | 114361GT | DECAL,SYM-TIP-OVER,LIM SWITCH | 2 |
| 17 | 114385GT | DECAL,DANGER,ELEC HAZARD,GS | 1 |
| 18 | T107029GT | DECAL DANGER BRAKE REL SAFETY | 1 |



118.1 Word Decals, GS-2646, Ground Control Side, ANSI and Australia

Ground Controls Side

NOTE:
Part numbers with "(FR)" indicates French translation is available



118.1 Word Decals, GS-2646, Ground Control Side, ANSI and Australia

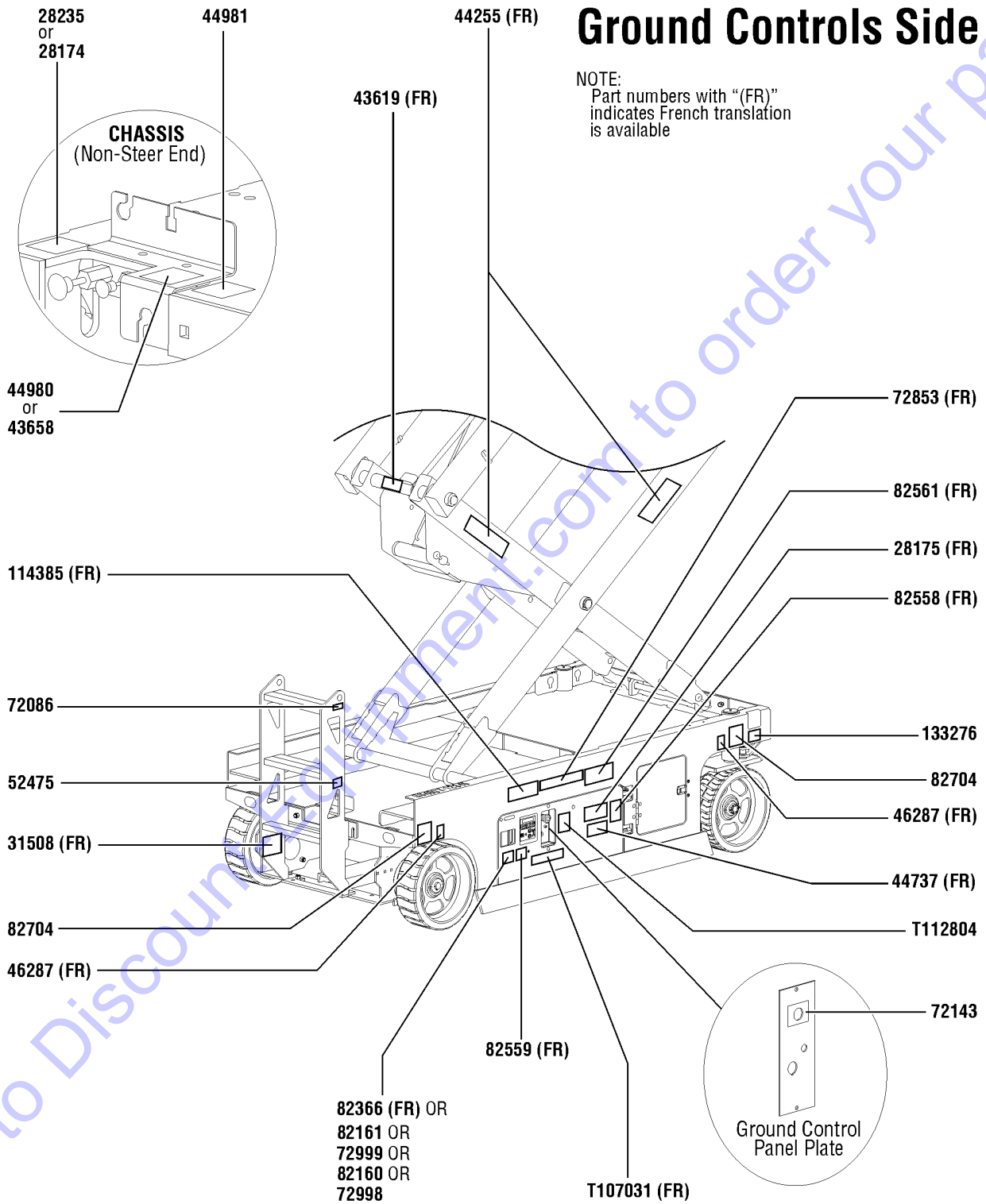
| Item | Part No. | Description | Qty. |
|------|-----------|---|------|
| - | | REF: Word Decal Kits (refer to 117.1) | |
| 1 | 28174GT | DECAL,POWER TO PLATFORM 230V | 1 |
| 2 | 28175GT | DECAL,WARNING-COMPART ACCESS | 1 |
| 3 | 28235GT | DECAL,POWER TO PLATFORM 115V | 1 |
| 4 | 31508GT | DECAL,DANGER,ELECT HAZARD,PLUG (ANSI models only) | 1 |
| 5 | 43619GT | DECAL,LABEL,SAFETY ARM | 1 |
| 6 | 43658GT | DECAL,LABEL,PWR TO CHARGR 230V (ANSI models only) | 1 |
| 7 | 44255GT | DECAL,DANGER,CRUSHING HAZARD | 2 |
| 8 | 44737GT | DECAL,DANGER,TIP-OVER,TRAYS | 1 |
| 9 | 44980GT | DECAL,LABEL,PWR TO CHARGR 115V (ANSI models only) | 1 |
| 10 | 44981GT | DECAL,LABEL,AIRLINE 110 PSI (Option) | 1 |
| 11 | 46287GT | DECAL,LABEL-TIRE SPECS | 2 |
| 12 | 52475GT | DECAL,LABEL,TRANSPORT TIEDOWN* | 1 |
| 13 | 72086GT | DECAL,LABEL,LIFTING EYE | 1 |
| 14 | 72143GT | DECAL,EMERGENCY STOP,GR | 1 |
| 15 | 72853GT | DECAL,DANGER,IMPROPER USE HAZ. | 1 |
| 16 | 72998GT | DECAL, LABEL, QUINTOLUBRIK (models with Quintolub hydraulic oil) | 1 |
| 17 | 72999GT | DECAL,LABEL,PETRO CANADA*** (For models with Petro Canada hydraulic oil only) | 1 |
| 18 | 82160GT | DECAL, LABEL, STATOIL HYDRAWAY (For models with Statoil hydraulic oil only) | 1 |
| 19 | 82161GT | DECAL,LABEL,UCON HYDROLUBE (For models with Ucon Hydrolube hydraulic oil only) | 1 |
| 20 | 82366GT | DECAL,CHEVRON RANDO HD (For models with Chevron Rando hydraulic oil only) | 1 |
| 21 | 82558GT | DECAL,SKIN INJECTION | 1 |
| 22 | 82559GT | DECAL,INSTRUCT-ANNUAL INSP REQ | 1 |
| 23 | 82561GT | DECAL,DANGER-USE SAFETY ARM | 1 |
| 24 | 82704GT | DECAL,LABEL,WHEEL LOAD 2646 | 2 |
| 25 | 114385GT | DECAL,DANGER,ELEC HAZARD,GS | 1 |
| 26 | 133276GT | DECAL,EMERGENCY LOWERING | 1 |
| 27 | T107031GT | DECAL,OP INST,GCON | 1 |



118.1 Word Decals, GS-2646, Ground Control Side, ANSI and Australia

Ground Controls Side

NOTE:
Part numbers with "(FR)" indicates French translation is available



118.1 Word Decals, GS-2646, Ground Control Side, ANSI and Australia

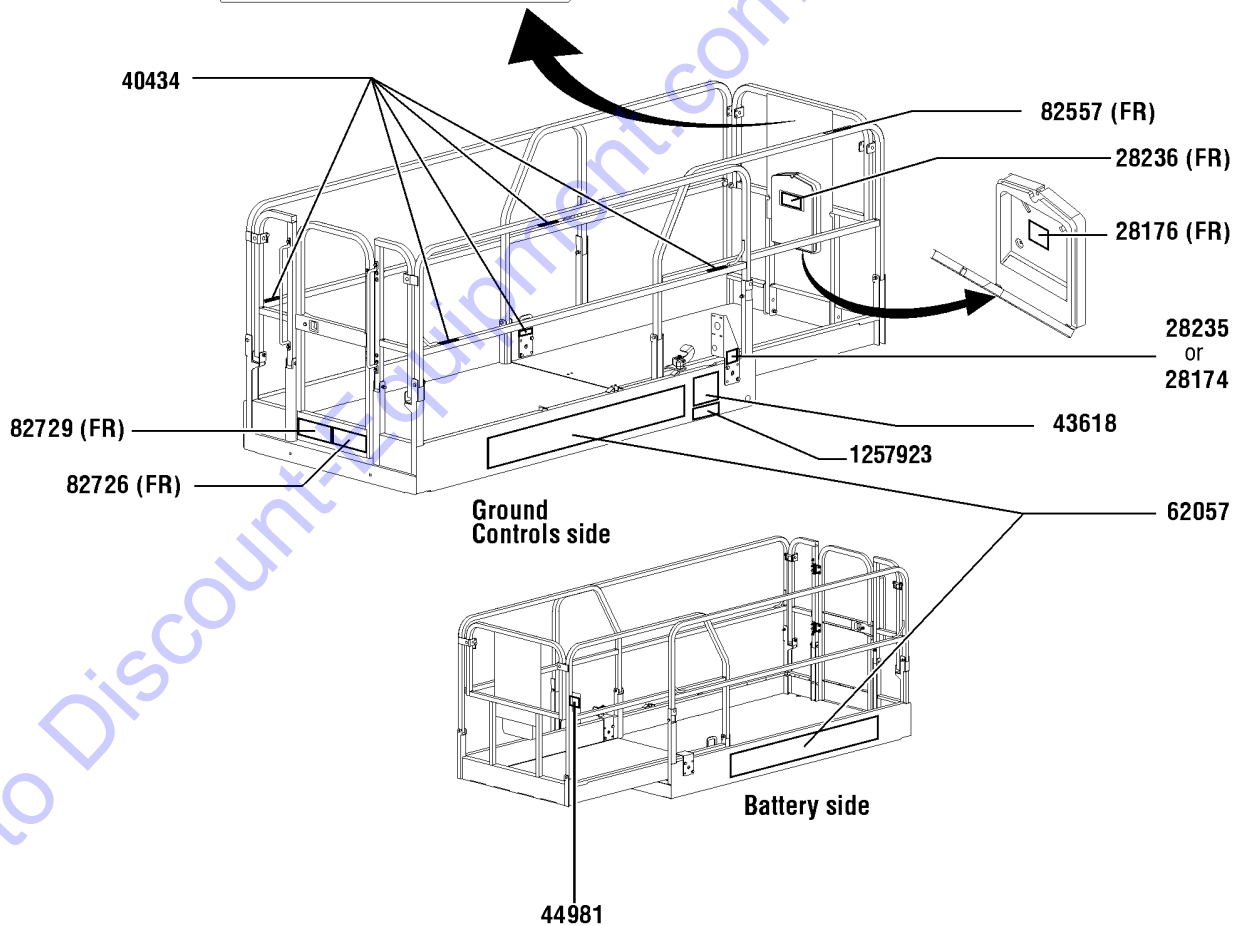
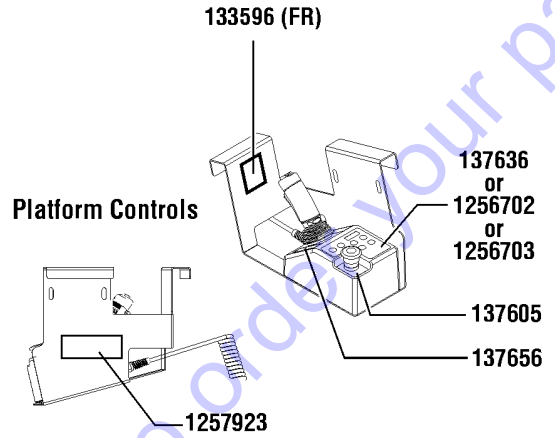
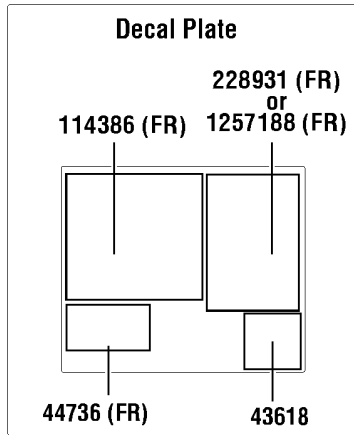
| <i>Item</i> | <i>Part No.</i> | <i>Description</i> | <i>Qty.</i> |
|-------------|-----------------|---------------------------|-------------|
| 28 | T112804GT | DECAL,GCON PANEL,GS | 1 |

Go to Discount-Equipment.com to order your parts



Platform, ANSI models

NOTE:
Part numbers with "(FR)" indicates French translation is available



119.1 Word Decals, GS-2646, Platform, ANSI

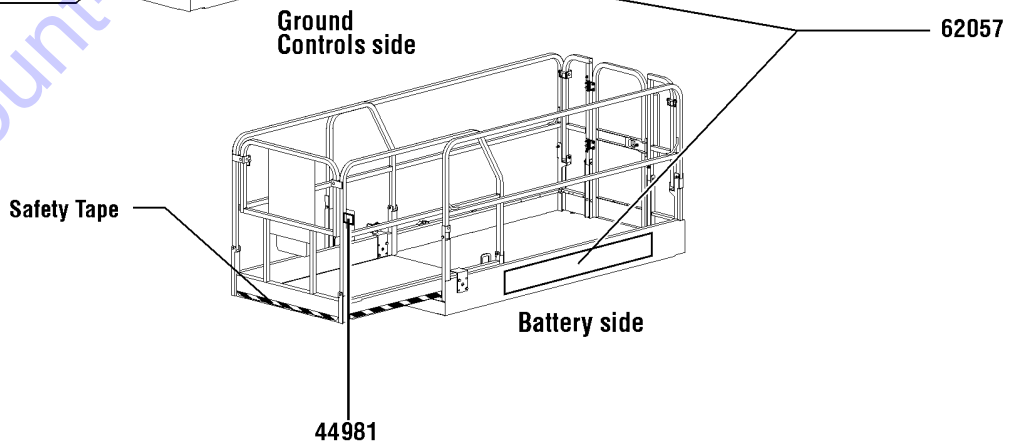
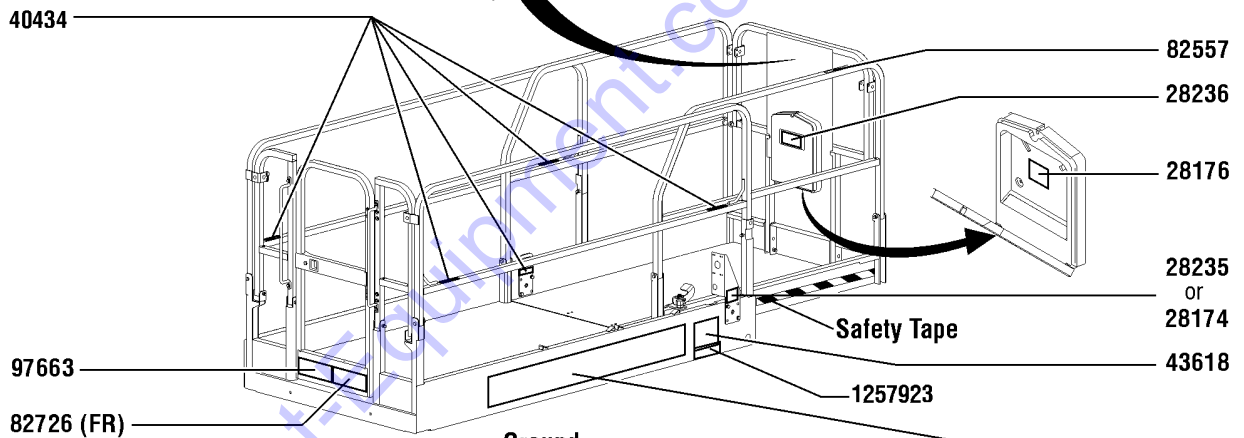
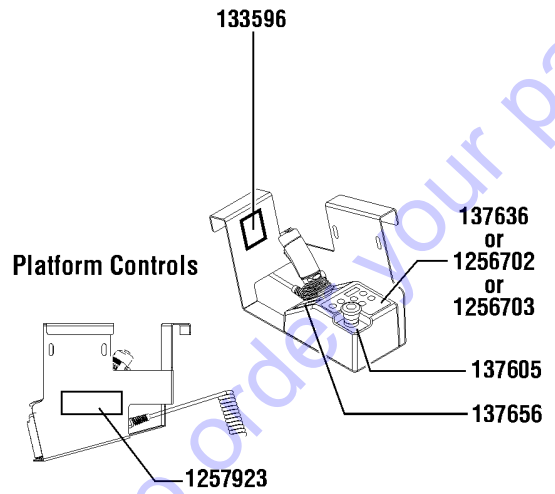
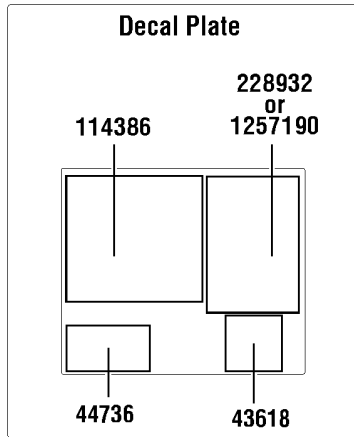
| Item | Part No. | Description | Qty. |
|------|-----------|---|------|
| - | | REF: Word Decal Kits (refer to 117.1) | |
| 1 | 28174GT | DECAL,POWER TO PLATFORM 230V | 1 |
| 2 | 28176GT | DECAL,LABEL,MANUAL NOT HERE | 1 |
| 3 | 28235GT | DECAL,POWER TO PLATFORM 115V | 1 |
| 4 | 28236GT | DECAL,WARN,IMPROPER OPERATION | 1 |
| 5 | 40434GT | DECAL,LANYARD ANCHORAGE POINT | 5 |
| 6 | 43618GT | DECAL,LABEL-DIRECTION ARROWS | 2 |
| 7 | 44736GT | DECAL,DANGER,TIP-OVER,TILT | 1 |
| 8 | 44981GT | DECAL,LABEL,AIRLINE 110 PSI (Option) | 1 |
| 9 | 62057GT | DECAL,COSMETIC,GENIE GS-2646 | 2 |
| 10 | 82557GT | DECAL,LABEL,PLAT CONT LOCATION | 1 |
| 11 | 82726GT | DECAL,INSTRUCT,MAXCAP1000LBS GS-2646 | 1 |
| 12 | 82729GT | NOTICE,SIDE FRC ANSI2646 | 1 |
| 13 | 114386GT | DECAL,DANGER-GEN SAFETY | 1 |
| 14 | 133596GT | DECAL,LABEL,FAULT CODES | 1 |
| 15 | 137605GT | DECAL,E-STOP,GR/GRC/GS PCON | 1 |
| 16 | 137636GT | DECAL, UI, GR/GRC/GS PCON (models with 6 button, 2 speed controller) to SN GS4614A-134999 and to SN GS4614C-13999 | 1 |
| 17 | 137656GT | DECAL,PROPEL,GR/GRC/GS,PCON | 1 |
| 18 | 228931GT | DECAL,INSTRUCTIONS,OPER,GS46 (models with 6 button, 2 speed controller) to SN GS4614A-134999 and to SN GS4614C-13999 | 1 |
| 19 | 1256702GT | DECAL, UI, GS/GR, PROP LIFT (models with 4 button, proportional controller) | 1 |
| 20 | 1256703GT | DECAL, STD, PROP LIFT, UI, SVC (units converted from 6 button, 2 speed lift to 4 button, proportional controller) | 1 |
| 21 | 1257188GT | DECAL,OP INST,PLAT,GS46 ANSI (models with 4 button, proportional controller) | 1 |
| 22 | 1257923GT | DECAL, SMARTLINK PROPORTIONAL (models with 4 button, proportional controller, and units converted from 6 button, 2 speed lift to 4 button, proportional controller) | 2 |

Go to DiscoWorldEquipment.com to order your parts



Platform, Australia models

NOTE:
Part numbers with "(FR)"
indicates French translation
is available



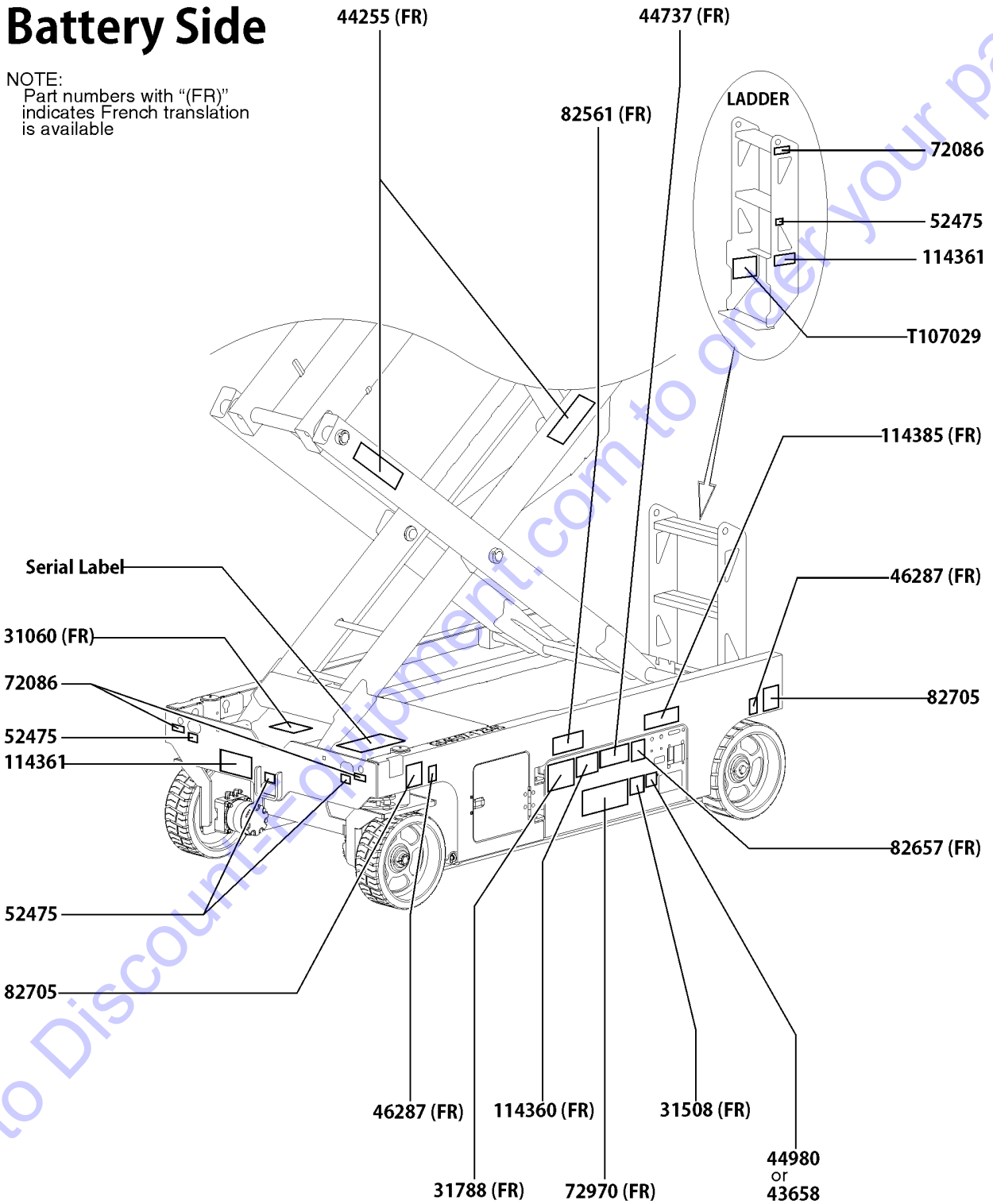
120.1 Word Decals, GS-2646, Platform, Australia

| Item | Part No. | Description | Qty. |
|------|-----------|---|------|
| - | | REF: Word Decal Kits (refer to 117.1) | |
| 1 | 28174GT | DECAL,POWER TO PLATFORM 230V | 1 |
| 2 | 28176GT | DECAL,LABEL,MANUAL NOT HERE | 1 |
| 3 | 28235GT | DECAL,POWER TO PLATFORM 115V | 1 |
| 4 | 28236GT | DECAL,WARN,IMPROPER OPERATION | 1 |
| 5 | 40434GT | DECAL,LANYARD ANCHORAGE POINT | 5 |
| 6 | 43618GT | DECAL,LABEL-DIRECTION ARROWS | 2 |
| 7 | 44736GT | DECAL,DANGER,TIP-OVER,TILT | 1 |
| 8 | 44981GT | DECAL,LABEL,AIRLINE 110 PSI (Option) | 1 |
| 9 | 62057GT | DECAL,COSMETIC,GENIE GS-2646 | 2 |
| 10 | 82557GT | DECAL,LABEL,PLAT CONT LOCATION | 1 |
| 11 | 82726GT | DECAL,INSTRUCT,MAXCAP1000LBS GS-2646 | 1 |
| 12 | 97663GT | DECAL,INSTR-MANUALFRC,AUS 400N GS-2646 | 1 |
| 13 | 114386GT | DECAL,DANGER-GEN SAFETY | 1 |
| 14 | 133596GT | DECAL,LABEL,FAULT CODES | 1 |
| 15 | 137605GT | DECAL,E-STOP,GR/GRC/GS PCON | 1 |
| 16 | 137636GT | DECAL, UI, GR/GRC/GS PCON (models with 6 button, 2 speed controller) to SN GS4614A-134999 and to SN GS4614C-13999 | 1 |
| 17 | 137656GT | DECAL,PROPEL,GR/GRC/GS,PCON | 1 |
| 18 | 228932GT | DECAL,OP INST,AUS,GS-46 (models with 6 button, 2 speed controller) to SN GS4614A-134999 and to SN GS4614C-13999 | 1 |
| 19 | 1256702GT | DECAL, UI, GS/GR, PROP LIFT (models with 4 button, proportional controller) | 1 |
| 20 | 1256703GT | DECAL, STD, PROP LIFT, UI, SVC (units converted from 6 button, 2 speed lift to 4 button, proportional controller) | 1 |
| 21 | 1257190GT | DECAL,OP INST,PLAT,GS46,AUS (models with 4 button, proportional controller) | 1 |
| 22 | 1257923GT | DECAL, SMARTLINK PROPORTIONAL (models with 4 button, proportional controller, and units converted from 6 button, 2 speed lift to 4 button, proportional controller) | 2 |



Battery Side

NOTE:
Part numbers with "(FR)" indicates French translation is available



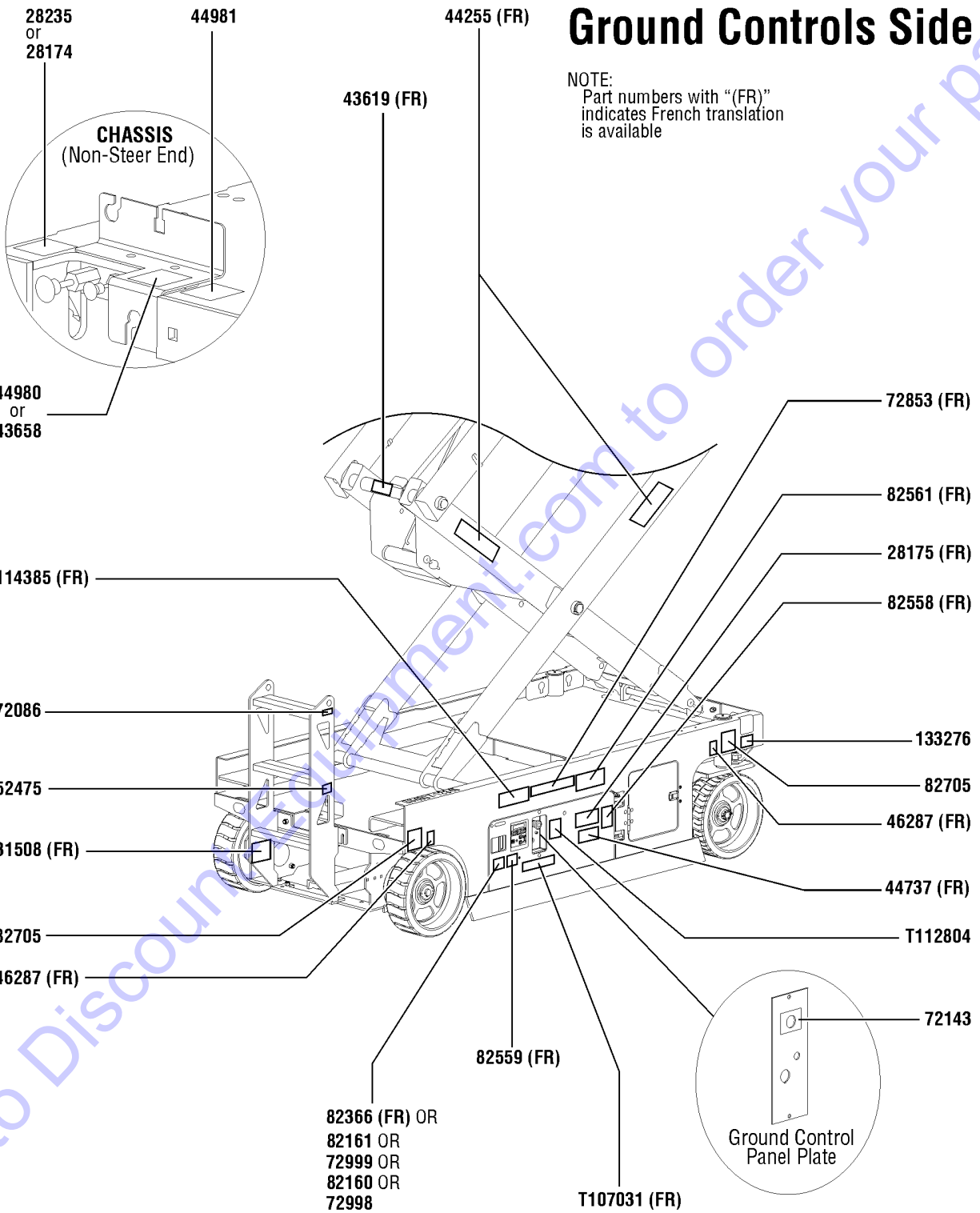
121.1 Word Decals, GS-3246, Battery Side, ANSI & Australia

| Item | Part No. | Description | Qty. |
|------|-----------|--|------|
| A | 217261GT | DECAL KIT,3246 PLAT.,WRD,ANSI (ANSI models with 2 speed controller) to SN GS4614A-134999 and to SN GS4614C-13999 | |
| B | 217262GT | DECAL KIT,3246 COMP.,WRD,ANSI (ANSI models with 2 speed controller) to SN GS4614A-134999 and to SN GS4614C-13999 | |
| C | 217273GT | DECAL KIT,3246 PLAT.,WRD,AUST (Australia models with 2 speed controller) to SN GS4614A-134999 and to SN GS4614C-13999 | |
| D | 217274GT | DECAL KIT,3246 COMP.,WRD,AUST (Australia models with 2 speed controller) to SN GS4614A-134999 and to SN GS4614C-13999 | |
| 1 | 31060GT | DECAL,DANGER DO NOT ALTER SWTC | 1 |
| 2 | 31508GT | DECAL,DANGER,ELECT HAZARD,PLUG (Australia models only) | 1 |
| 3 | 31788GT | DECAL,DANGER,BATTERY SAFETY*** | 1 |
| 4 | 43658GT | DECAL,LABEL,PWR TO CHARGR 230V (Australia models only) | 1 |
| 5 | 44255GT | DECAL,DANGER,CRUSHING HAZARD | 2 |
| 6 | 44737GT | DECAL,DANGER,TIP-OVER,TRAYS | 1 |
| 7 | 44980GT | DECAL,LABEL,PWR TO CHARGR 115V (Australia models only) | 1 |
| 8 | 46287GT | DECAL,LABEL-TIRE SPECS | 2 |
| 9 | 52475GT | DECAL,LABEL,TRANSPORT TIEDOWN* | 4 |
| 10 | 72086GT | DECAL,LABEL,LIFTING EYE | 3 |
| 11 | 72970GT | DECAL,INSTRUCTIONS-CHARGER OP | 1 |
| 12 | 82561GT | DECAL,DANGER-USE SAFETY ARM | 1 |
| 13 | 82657GT | DECAL,INSTRUCT,BATTERY CONNECT | 1 |
| 14 | 82705GT | DECAL,LABEL,WHEEL LOAD 3246 | 2 |
| 15 | 114360GT | DECAL,DANGER-TIP-OVER,BATT | 1 |
| 16 | 114361GT | DECAL,SYM-TIP-OVER,LIM SWITCH | 2 |
| 17 | 114385GT | DECAL,DANGER,ELEC HAZARD,GS | 1 |
| 18 | T107029GT | DECAL DANGER BRAKE REL SAFETY | 1 |

Go to DiscountEquipment.com to order your parts



122.1 Word Decals, GS-3246, Ground Control Side, ANSI and Australia



122.1 Word Decals, GS-3246, Ground Control Side, ANSI and Australia

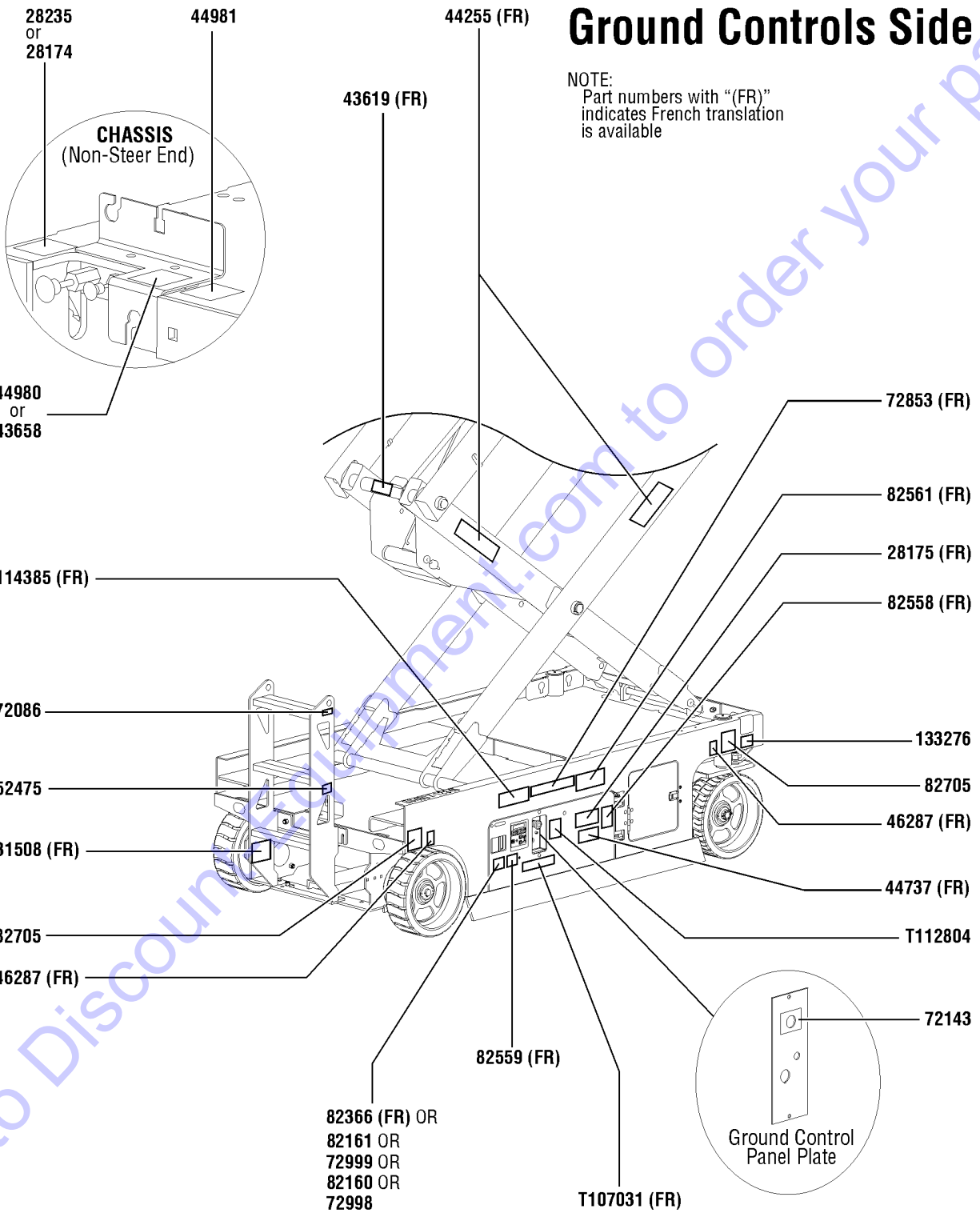
| Item | Part No. | Description | Qty. |
|------|-----------|---|------|
| - | | REF: Word Decal Kits (refer to 121.1) | |
| 1 | 28174GT | DECAL,POWER TO PLATFORM 230V | 1 |
| 2 | 28175GT | DECAL,WARNING-COMPART ACCESS | 1 |
| 3 | 28235GT | DECAL,POWER TO PLATFORM 115V | 1 |
| 4 | 31508GT | DECAL,DANGER,ELECT HAZARD,PLUG (ANSI models) | 1 |
| 5 | 43619GT | DECAL,LABEL,SAFETY ARM | 1 |
| 6 | 43658GT | DECAL,LABEL,PWR TO CHARGR 230V (ANSI models) | 1 |
| 7 | 44255GT | DECAL,DANGER,CRUSHING HAZARD | 2 |
| 8 | 44737GT | DECAL,DANGER,TIP-OVER,TRAYS | 1 |
| 9 | 44980GT | DECAL,LABEL,PWR TO CHARGR 115V (ANSI models) | 1 |
| 10 | 44981GT | DECAL,LABEL,AIRLINE 110 PSI (Option) | 1 |
| 11 | 46287GT | DECAL,LABEL-TIRE SPECS | 2 |
| 12 | 52475GT | DECAL,LABEL,TRANSPORT TIEDOWN* | 1 |
| 13 | 72086GT | DECAL,LABEL,LIFTING EYE | 1 |
| 14 | 72143GT | DECAL,EMERGENCY STOP,GR | 1 |
| 15 | 72853GT | DECAL,DANGER,IMPROPER USE HAZ. | 1 |
| 16 | 72998GT | DECAL, LABEL, QUINTOLUBRIK (models with Quintolub hydraulic oil) | 1 |
| 17 | 72999GT | DECAL,LABEL,PETRO CANADA*** (For models with Petro Canada hydraulic oil only) | 1 |
| 18 | 82160GT | DECAL, LABEL, STATOIL HYDRAWAY (For models with Statoil hydraulic oil only) | 1 |
| 19 | 82161GT | DECAL,LABEL,UCON HYDROLUBE (For models with Ucon Hydrolube hydraulic oil only) | 1 |
| 20 | 82366GT | DECAL,CHEVRON RANDO HD (For models with Chevron Rando hydraulic oil only) | 1 |
| 21 | 82558GT | DECAL,SKIN INJECTION | 1 |
| 22 | 82559GT | DECAL,INSTRUCT-ANNUAL INSP REQ | 1 |
| 23 | 82561GT | DECAL,DANGER-USE SAFETY ARM | 1 |
| 24 | 82705GT | DECAL,LABEL,WHEEL LOAD 3246 | 2 |
| 25 | 114385GT | DECAL,DANGER,ELEC HAZARD,GS | 1 |
| 26 | 133276GT | DECAL,EMERGENCY LOWERING | 1 |
| 27 | T107031GT | DECAL,OP INST,GCON | 1 |



122.1 Word Decals, GS-3246, Ground Control Side, ANSI and Australia

Ground Controls Side

NOTE:
Part numbers with "(FR)" indicates French translation is available



122.1 Word Decals, GS-3246, Ground Control Side, ANSI and Australia

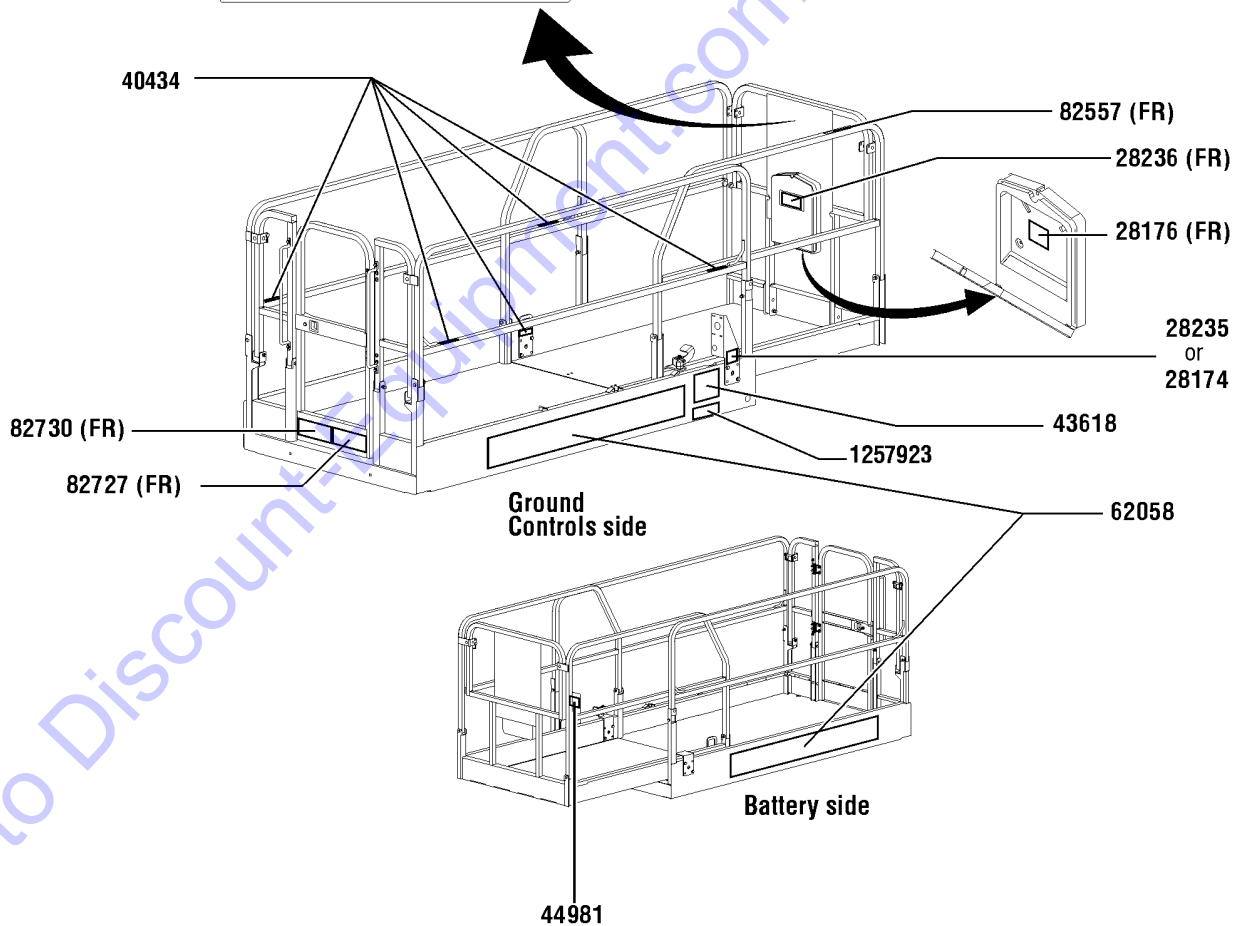
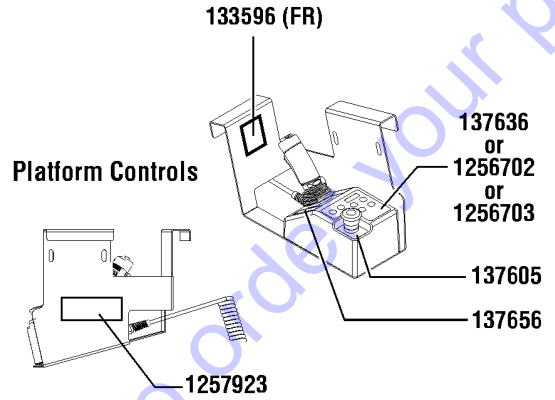
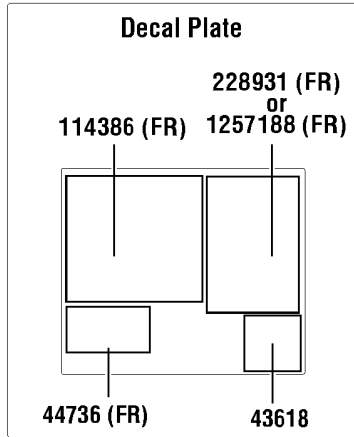
| <i>Item</i> | <i>Part No.</i> | <i>Description</i> | <i>Qty.</i> |
|-------------|-----------------|---------------------------|-------------|
| 28 | T112804GT | DECAL,GCON PANEL,GS | 1 |

Go to Discount-Equipment.com to order your parts



Platform, ANSI models

NOTE:
Part numbers with "(FR)" indicates French translation is available



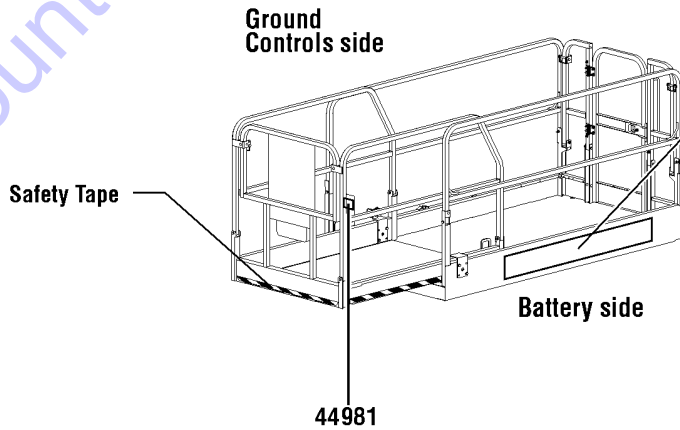
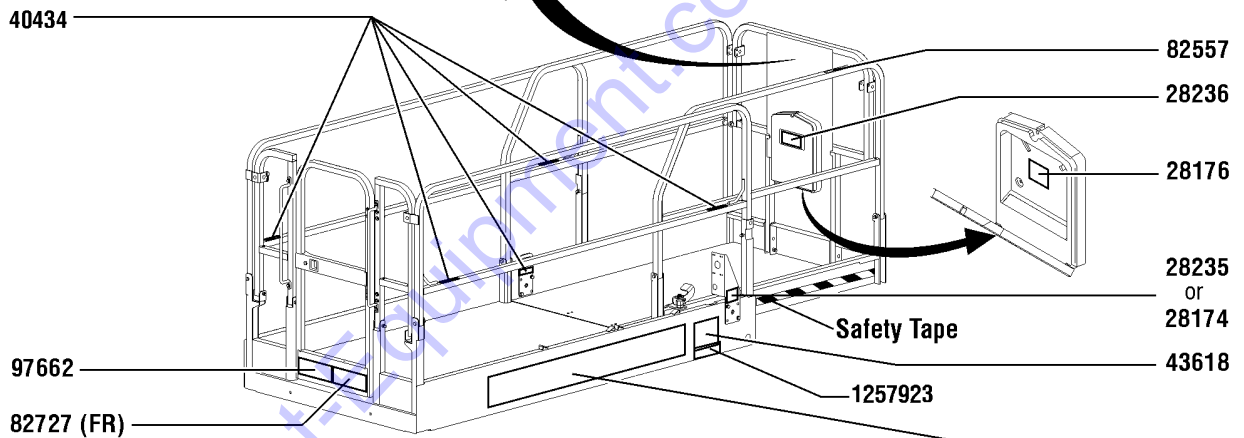
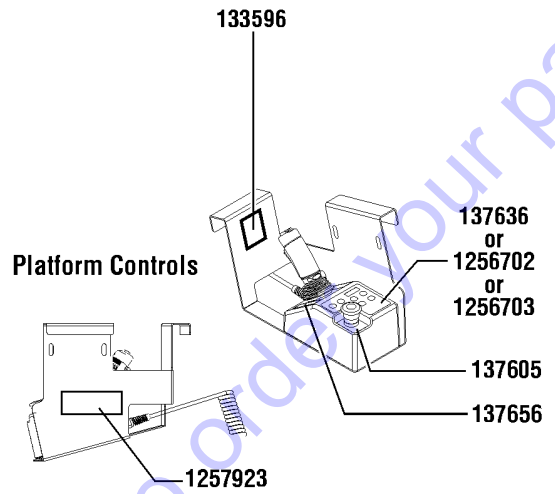
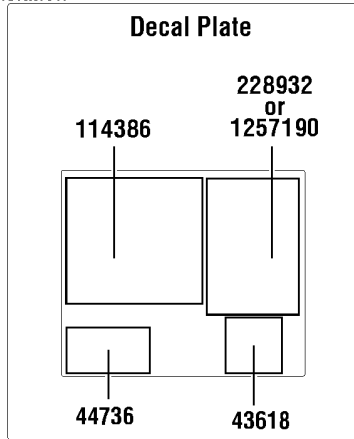
123.1 Word Decals, GS-3246, Platform, ANSI

| Item | Part No. | Description | Qty. |
|------|-----------|---|------|
| - | | REF: Word Decal Kits (refer to 121.1) | |
| 1 | 28174GT | DECAL,POWER TO PLATFORM 230V | 1 |
| 2 | 28176GT | DECAL,LABEL,MANUAL NOT HERE | 1 |
| 3 | 28235GT | DECAL,POWER TO PLATFORM 115V | 1 |
| 4 | 28236GT | DECAL,WARN,IMPROPER OPERATION | 1 |
| 5 | 40434GT | DECAL,LANYARD ANCHORAGE POINT | 5 |
| 6 | 43618GT | DECAL,LABEL-DIRECTION ARROWS | 2 |
| 7 | 44736GT | DECAL,DANGER,TIP-OVER,TILT | 1 |
| 8 | 44981GT | DECAL,LABEL,AIRLINE 110 PSI | 1 |
| | | (Option) | |
| 9 | 62058GT | DECAL,COSMETIC,GENIE GS-3246 | 2 |
| 10 | 82557GT | DECAL,LABEL,PLAT CONT LOCATION | 1 |
| 11 | 82727GT | DECAL,INSTR-MAX CAP 700LBS | 1 |
| | | GS-3246 | |
| 12 | 82730GT | DECAL,INSTR-SIDE FRC,ANSI 3246 | 1 |
| 13 | 114386GT | DECAL,DANGER-GEN SAFETY | 1 |
| 14 | 133596GT | DECAL,LABEL,FAULT CODES | 1 |
| 15 | 137605GT | DECAL,E-STOP,GR/GRC/GS PCON | 1 |
| 16 | 137636GT | DECAL, UI, GR/GRC/GS PCON | 1 |
| | | (models with 6 button, 2 speed controller) to SN GS4614A-134999 and to SN GS4614C-13999 | |
| 17 | 137656GT | DECAL,PROPEL,GR/GRC/GS,PCON | 1 |
| 18 | 228931GT | DECAL,INSTRUCTIONS,OPER,GS46 | 1 |
| | | (models with 6 button, 2 speed controller) to SN GS4614A-134999 and to SN GS4614C-13999 | |
| 19 | 1256702GT | DECAL, UI, GS/GR, PROP LIFT | 1 |
| | | (models with 4 button, proportional controller) | |
| 20 | 1256703GT | DECAL, STD, PROP LIFT, UI, SVC | 1 |
| | | (units converted from 6 button, 2 speed lift to 4 button, proportional controller) | |
| 21 | 1257188GT | DECAL,OP INST,PLAT,GS46 ANSI | 1 |
| | | (models with 4 button, proportional controller) | |
| 22 | 1257923GT | DECAL, SMARTLINK PROPORTIONAL | 2 |
| | | (models with 4 button, proportional controller, and units converted from 6 button, 2 speed lift to 4 button, proportional controller) | |



Platform, Australia models

NOTE:
Part numbers with "(FR)"
indicates French translation
is available



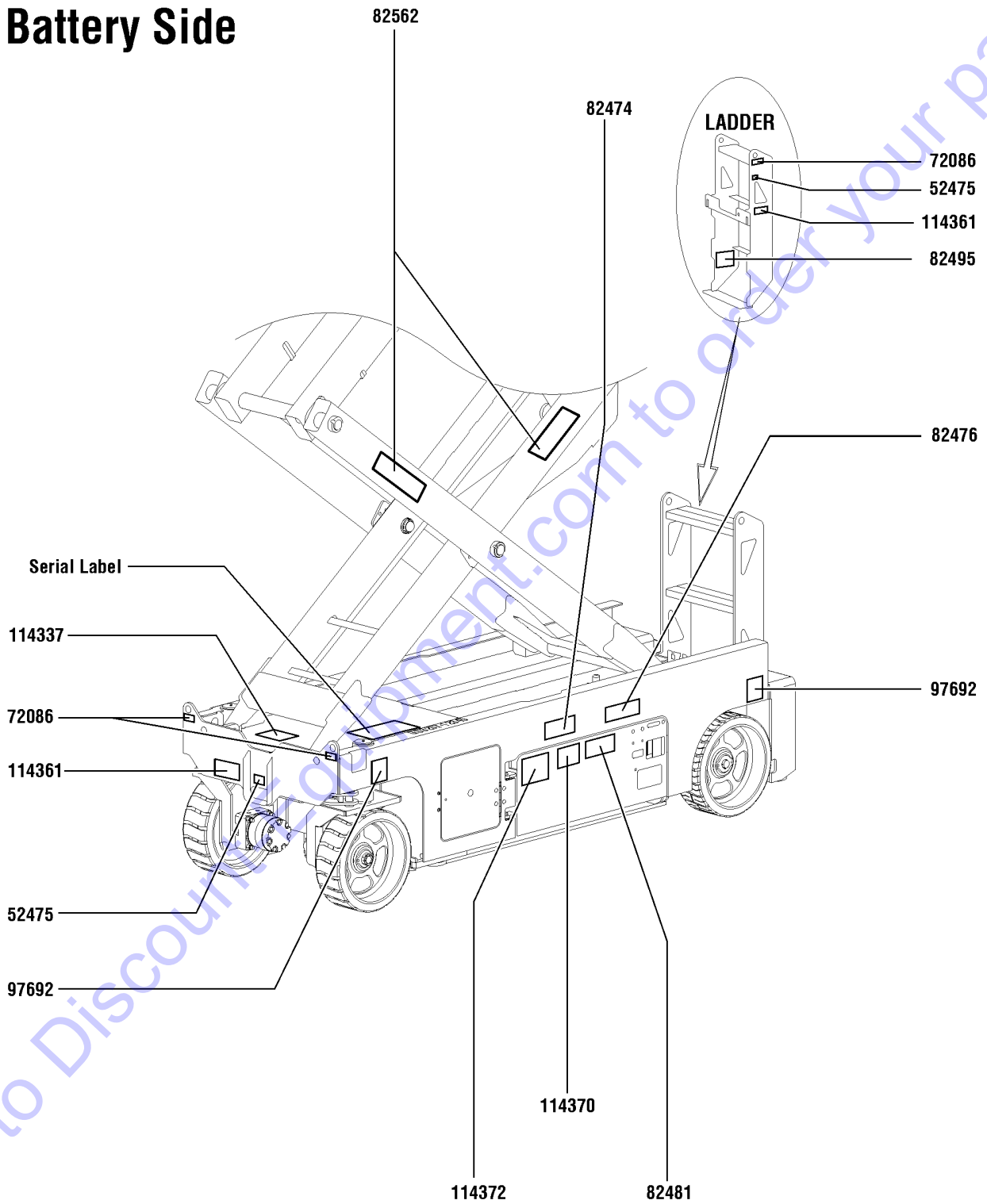
124.1 Word Decals, GS-3246, Platform, Australia

| Item | Part No. | Description | Qty. |
|------|-----------|---|------|
| - | | REF: Word Decal Kits (refer to 121.1) | |
| 1 | 28174GT | DECAL,POWER TO PLATFORM 230V | 1 |
| 2 | 28176GT | DECAL,LABEL,MANUAL NOT HERE | 1 |
| 3 | 28235GT | DECAL,POWER TO PLATFORM 115V | 1 |
| 4 | 28236GT | DECAL,WARN,IMPROPER OPERATION | 1 |
| 5 | 40434GT | DECAL,LANYARD ANCHORAGE POINT | 5 |
| 6 | 43618GT | DECAL,LABEL-DIRECTION ARROWS | 2 |
| 7 | 44736GT | DECAL,DANGER,TIP-OVER,TILT | 1 |
| 8 | 44981GT | DECAL,LABEL,AIRLINE 110 PSI | 1 |
| | | (Option) | |
| 9 | 62058GT | DECAL,COSMETIC,GENIE GS-3246 | 1 |
| 10 | 82557GT | DECAL,LABEL,PLAT CONT LOCATION | 1 |
| 11 | 82727GT | DECAL,INSTR-MAX CAP 700LBS | 1 |
| | | GS-3246 | |
| 12 | 97662GT | DECAL,INSTR-MANUALFRC,AUS 3246 | 1 |
| 13 | 114386GT | DECAL,DANGER-GEN SAFETY | 1 |
| 14 | 133596GT | DECAL,LABEL,FAULT CODES | 1 |
| 15 | 137605GT | DECAL,E-STOP,GR/GRC/GS PCON | 1 |
| 16 | 137636GT | DECAL, UI, GR/GRC/GS PCON | 1 |
| | | (models with 6 button, 2 speed controller) to SN GS4614A-134999 and to SN GS4614C-13999 | |
| 17 | 137656GT | DECAL,PROPEL,GR/GRC/GS,PCON | 1 |
| 18 | 228932GT | DECAL,OP INST,AUS,GS-46 | 1 |
| | | (models with 6 button, 2 speed controller) to SN GS4614A-134999 and to SN GS4614C-13999 | |
| 19 | 1256702GT | DECAL, UI, GS/GR, PROP LIFT | 1 |
| | | (models with 4 button, proportional controller) | |
| 20 | 1256703GT | DECAL, STD, PROP LIFT, UI, SVC | 1 |
| | | (units converted from 6 button, 2 speed lift to 4 button, proportional controller) | |
| 21 | 1257190GT | DECAL,OP INST,PLAT,GS46,AUS | 1 |
| | | (models with 4 button, proportional controller) | |
| 22 | 1257923GT | DECAL, SMARTLINK PROPORTIONAL | 2 |
| | | (models with 4 button, proportional controller, and units converted from 6 button, 2 speed lift to 4 button, proportional controller) | |

Go to DiscoWorldEquipment.com to order your parts



Battery Side



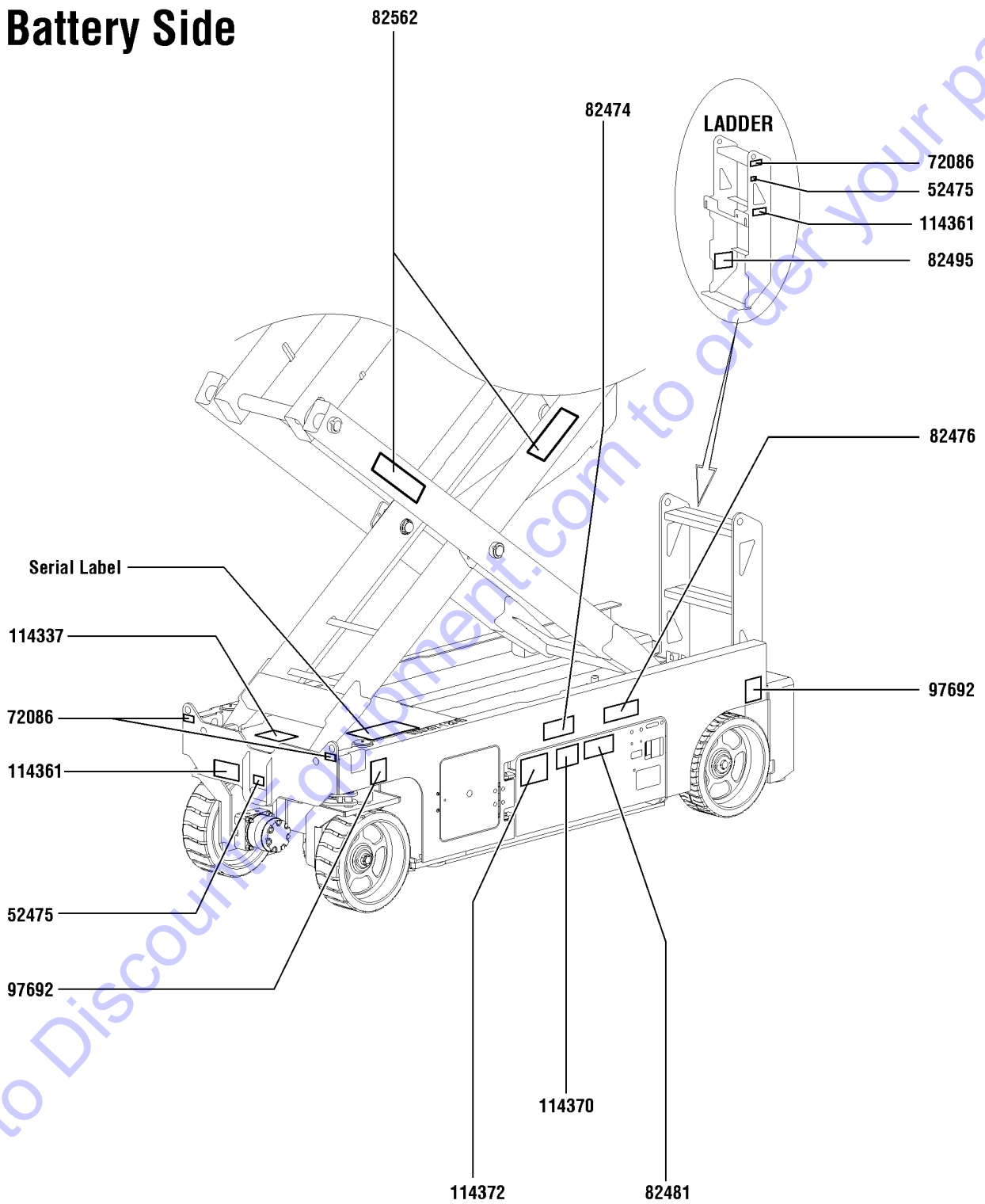
125.1 Symbol Decals, GS-2032, Battery Side, ANSI & CE

| Item | Part No. | Description | Qty. |
|------|----------|---|------|
| A | 217275GT | DECAL KIT,2032 PLAT.,SYM,ANSI (ANSI models with 2 speed controller) to SN GS3214A-134999 and to SN GS3214C-13999 | |
| B | 217276GT | DECAL KIT,2032 COMP.,SYM,ANSI (ANSI models with 2 speed controller) to SN GS3214A-134999 and to SN GS3214C-13999 | |
| C | 217287GT | DECAL KIT,2032 PLAT.,SYM,CE (CE models with 2 speed controller) to SN GS3214A-134999 and to SN GS3214C-13999 | |
| D | 217288GT | DECAL KIT,2032 COMP.,SYM,CE (CE models with 2 speed controller) to SN GS3214A-134999 and to SN GS3214C-13999 | |
| 1 | 52475GT | DECAL,LABEL,TRANSPORT TIEDOWN* | 2 |
| 2 | 72086GT | DECAL,LABEL,LIFTING EYE | 3 |
| 3 | 82474GT | DECAL,SYMBOL-USE SAFETY ARM | 1 |
| 4 | 82476GT | DECAL,SYMBOL-ELEC HAZARD,GS | 1 |
| 5 | 82481GT | DECAL,SYMBOL-BATTERY SAFETY | 1 |
| 6 | 82495GT | DECAL,LABEL,FORKLIFT POCKET | 1 |
| 7 | 82562GT | DECAL,SYMBOL-CRUSHING HAZARD | 2 |
| 8 | 97692GT | DECAL,LABEL,WHEEL LOAD 2032 | 2 |
| 9 | 114337GT | DECAL, COMPARTMENT ACCESS | 1 |
| 10 | 114361GT | DECAL,SYM-TIP-OVER,LIM SWITCH | 2 |
| 11 | 114370GT | DECAL-SYM-TIP-OVR,BATTRIES | 1 |
| 12 | 114372GT | DECAL SYMBOL TIP OVER TRAYS | 1 |

Go to Discount-Equipment.com to order your parts



Battery Side



125.2 Symbol Decals, GS-2032C, Battery Side, ANSI & CE

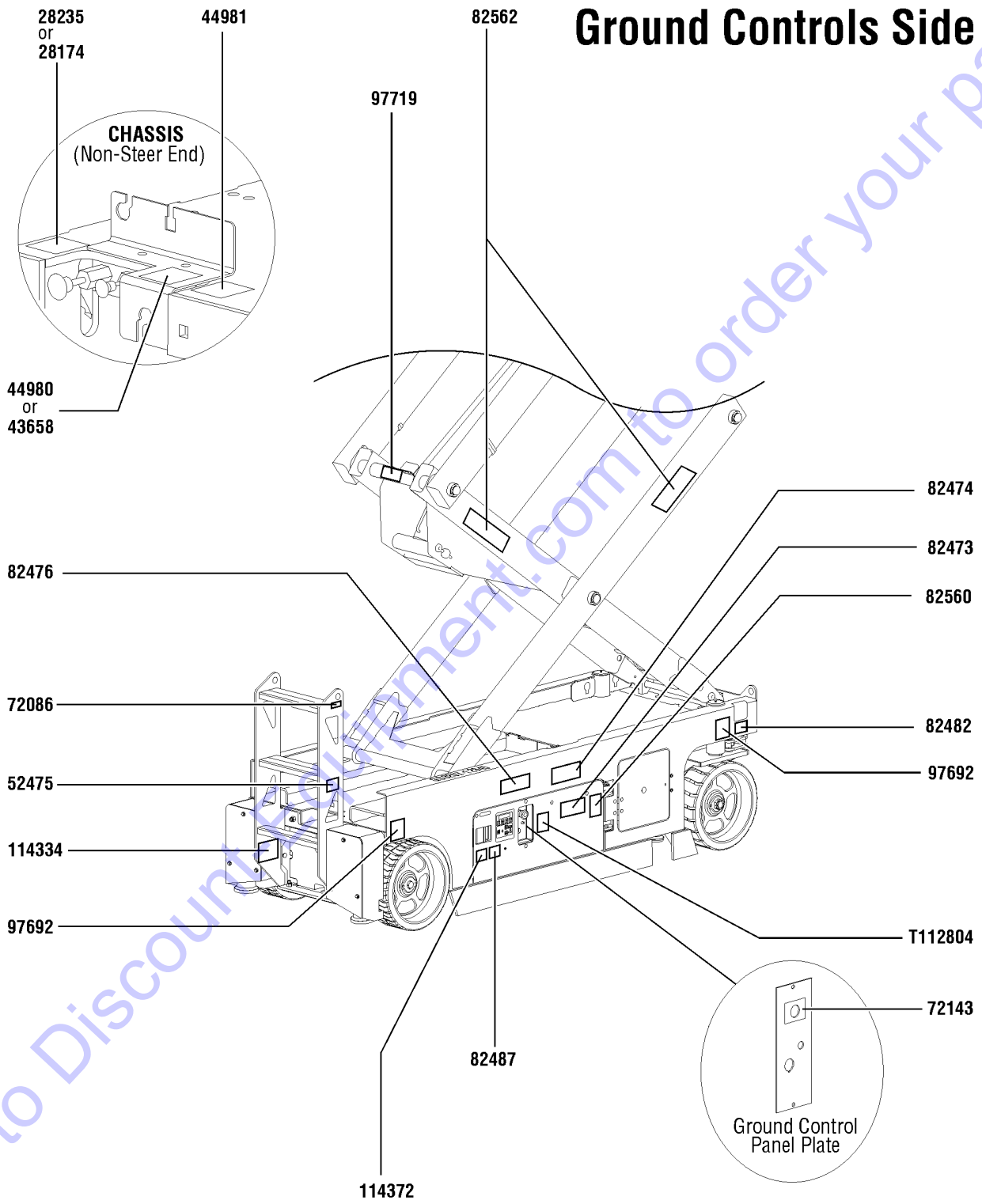
| Item | Part No. | Description | Qty. |
|------|----------|--|------|
| A | 217275GT | DECAL KIT,2032 PLAT.,SYM,ANSI (ANSI models only) (from SN GS4612A-110000 and GS4612C-10000) | |
| B | 217276GT | DECAL KIT,2032 COMP.,SYM,ANSI (ANSI models only) (from SN GS4612A-110000 and GS4612C-10000) | |
| C | 217287GT | DECAL KIT,2032 PLAT.,SYM,CE (CE models only) (from SN GS4612A-110000 and GS4612C-10000) | |
| D | 217288GT | DECAL KIT,2032 COMP.,SYM,CE (CE models only) (from SN GS4612A-110000 and GS4612C-10000) | |
| 1 | 52475GT | DECAL,LABEL,TRANSPORT TIEDOWN* | 2 |
| 2 | 72086GT | DECAL,LABEL,LIFTING EYE | 3 |
| 3 | 82474GT | DECAL,SYMBOL-USE SAFETY ARM | 1 |
| 4 | 82476GT | DECAL,SYMBOL-ELEC HAZARD,GS | 1 |
| 5 | 82481GT | DECAL,SYMBOL-BATTERY SAFETY | 1 |
| 6 | 82495GT | DECAL,LABEL,FORKLIFT POCKET | 1 |
| 7 | 82562GT | DECAL,SYMBOL-CRUSHING HAZARD | 2 |
| 8 | 97692GT | DECAL,LABEL,WHEEL LOAD 2032 | 2 |
| 9 | 114337GT | DECAL, COMPARTMENT ACCESS | 1 |
| 10 | 114361GT | DECAL,SYM-TIP-OVER,LIM SWITCH | 2 |
| 11 | 114370GT | DECAL-SYM-TIP-OVR,BATTRIES | 1 |
| 12 | 114372GT | DECAL SYMBOL TIP OVER TRAYS | 1 |

Go to Discount-Equipment.com to order your parts



126.1 Symbol Decals, GS-2032, Ground Control Side, ANSI & CE

Ground Controls Side



Go to DiscountEquipment.com to order your parts



126.1 Symbol Decals, GS-2032, Ground Control Side, ANSI & CE

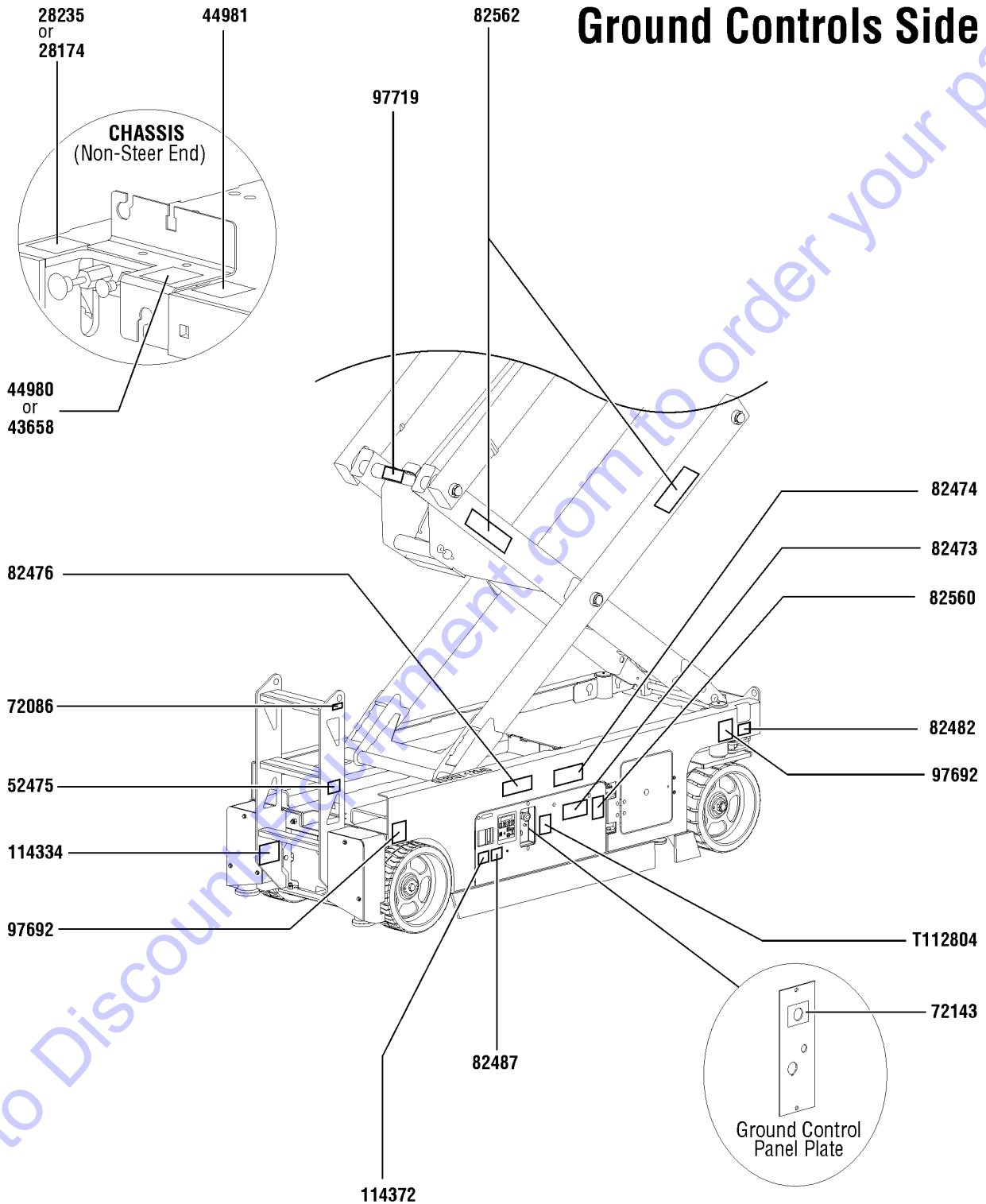
| Item | Part No. | Description | Qty. |
|------|-----------|---|------|
| - | | REF: Symbol Decal Kits for ANSI and CE (refer to 125.1) | |
| 1 | 28174GT | DECAL,POWER TO PLATFORM 230V | 1 |
| 2 | 28235GT | DECAL,POWER TO PLATFORM 115V | 1 |
| 3 | 43658GT | DECAL,LABEL,PWR TO CHARGR 230V | 1 |
| 4 | 44980GT | DECAL,LABEL,PWR TO CHARGR 115V | 1 |
| 5 | 44981GT | DECAL,LABEL,AIRLINE 110 PSI (Option) | 1 |
| 6 | 52475GT | DECAL,LABEL,TRANSPORT TIEDOWN* | 1 |
| 7 | 72086GT | DECAL,LABEL,LIFTING EYE | 1 |
| 8 | 72143GT | DECAL,EMERGENCY STOP,GR | 1 |
| 9 | 82473GT | DECAL,SYMBOL-COMP ACCESS | 1 |
| 10 | 82474GT | DECAL,SYMBOL-USE SAFETY ARM | 1 |
| 11 | 82476GT | DECAL,SYMBOL-ELEC HAZARD,GS | 1 |
| 12 | 82482GT | DECAL,LABEL,AUX LOWERING | 1 |
| 13 | 82487GT | DECAL,SYMBOL-READ THE MANUAL | 1 |
| 14 | 82560GT | DECAL,SYMBOL-SKIN INJECT HAZRD | 1 |
| 15 | 82562GT | DECAL,SYMBOL-CRUSHING HAZARD | 2 |
| 16 | 97692GT | DECAL,LABEL,WHEEL LOAD 2032 | 2 |
| 17 | 97719GT | DECAL, LABEL, SAFETY ARM SYMB | 1 |
| 18 | 114334GT | DECAL SYMBOL ELECTRIC HAZARD PLUG | 1 |
| 19 | 114372GT | DECAL SYMBOL TIP OVER TRAYS | 1 |
| 20 | T112804GT | DECAL,GCON PANEL,GS | 1 |

Go to DiscountEquipment.com to order your parts



126.2 Symbol Decals, GS-2032C, Ground Control Side, ANSI & CE

Ground Controls Side



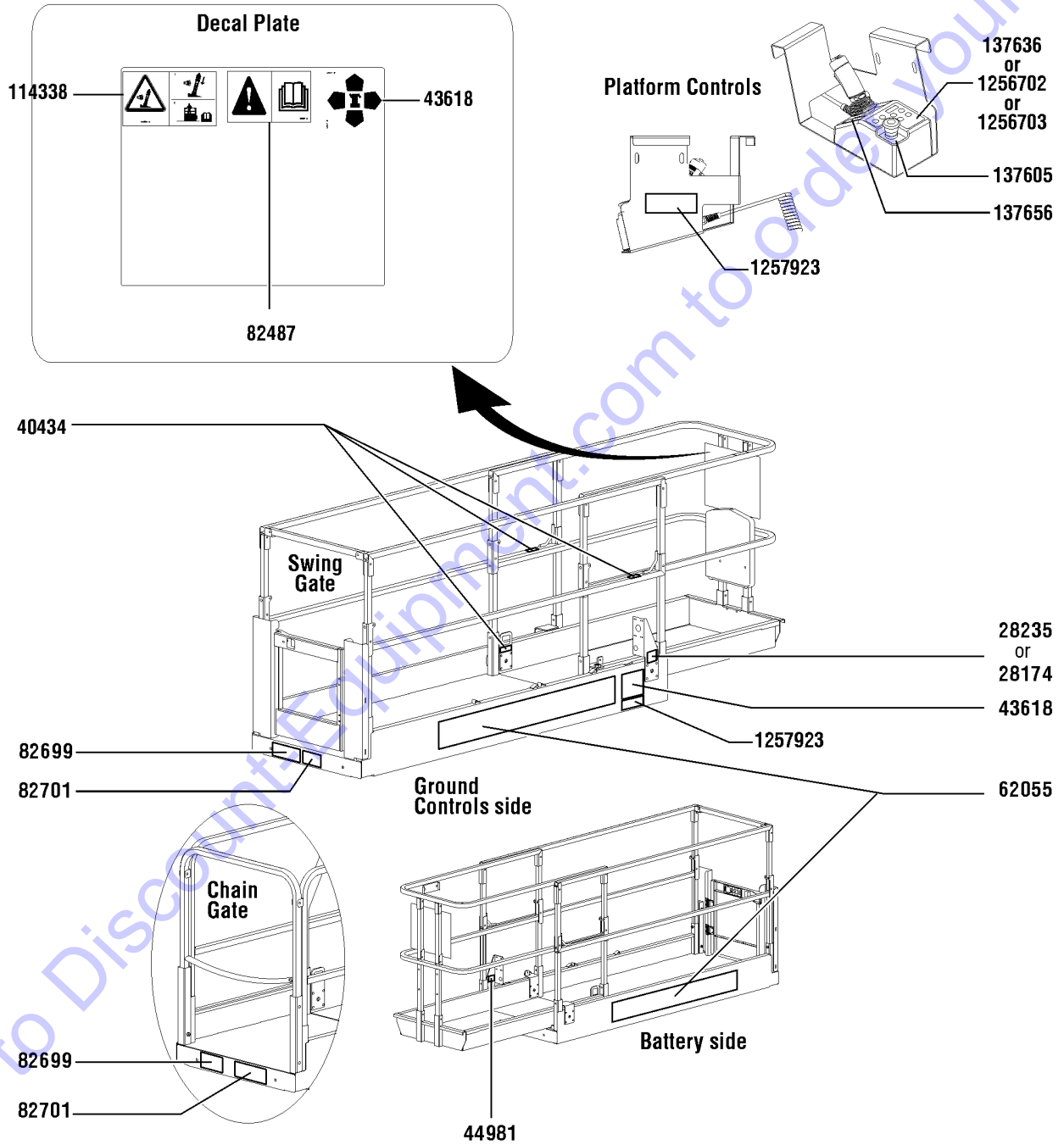
126.2 Symbol Decals, GS-2032C, Ground Control Side, ANSI & CE

| Item | Part No. | Description | Qty. |
|------|-----------|---|------|
| - | | REF: Symbol Decal Kits for CE (refer to 125.1) | |
| 1 | 28174GT | DECAL,POWER TO PLATFORM 230V | 1 |
| 2 | 28235GT | DECAL,POWER TO PLATFORM 115V | 1 |
| 3 | 43658GT | DECAL,LABEL,PWR TO CHARGR 230V | 1 |
| 4 | 44980GT | DECAL,LABEL,PWR TO CHARGR 115V | 1 |
| 5 | 44981GT | DECAL,LABEL,AIRLINE 110 PSI (Option) | 1 |
| 6 | 52475GT | DECAL,LABEL,TRANSPORT TIEDOWN* | 1 |
| 7 | 72086GT | DECAL,LABEL,LIFTING EYE | 1 |
| 8 | 72143GT | DECAL,EMERGENCY STOP,GR | 1 |
| 9 | 82473GT | DECAL,SYMBOL-COMP ACCESS | 1 |
| 10 | 82474GT | DECAL,SYMBOL-USE SAFETY ARM | 1 |
| 11 | 82476GT | DECAL,SYMBOL-ELEC HAZARD,GS | 1 |
| 12 | 82482GT | DECAL,LABEL,AUX LOWERING | 1 |
| 13 | 82487GT | DECAL,SYMBOL-READ THE MANUAL | 1 |
| 14 | 82560GT | DECAL,SYMBOL-SKIN INJECT HAZRD | 1 |
| 15 | 82562GT | DECAL,SYMBOL-CRUSHING HAZARD | 2 |
| 16 | 97692GT | DECAL,LABEL,WHEEL LOAD 2032 | 2 |
| 17 | 97719GT | DECAL, LABEL, SAFETY ARM SYMB | 1 |
| 18 | 114334GT | DECAL SYMBOL ELECTRIC HAZARD PLUG | 1 |
| 19 | 114372GT | DECAL SYMBOL TIP OVER TRAYS | 1 |
| 20 | T112804GT | DECAL,GCON PANEL,GS | 1 |

Go to DiscountEquipment.com to order your parts



Platform, ANSI models

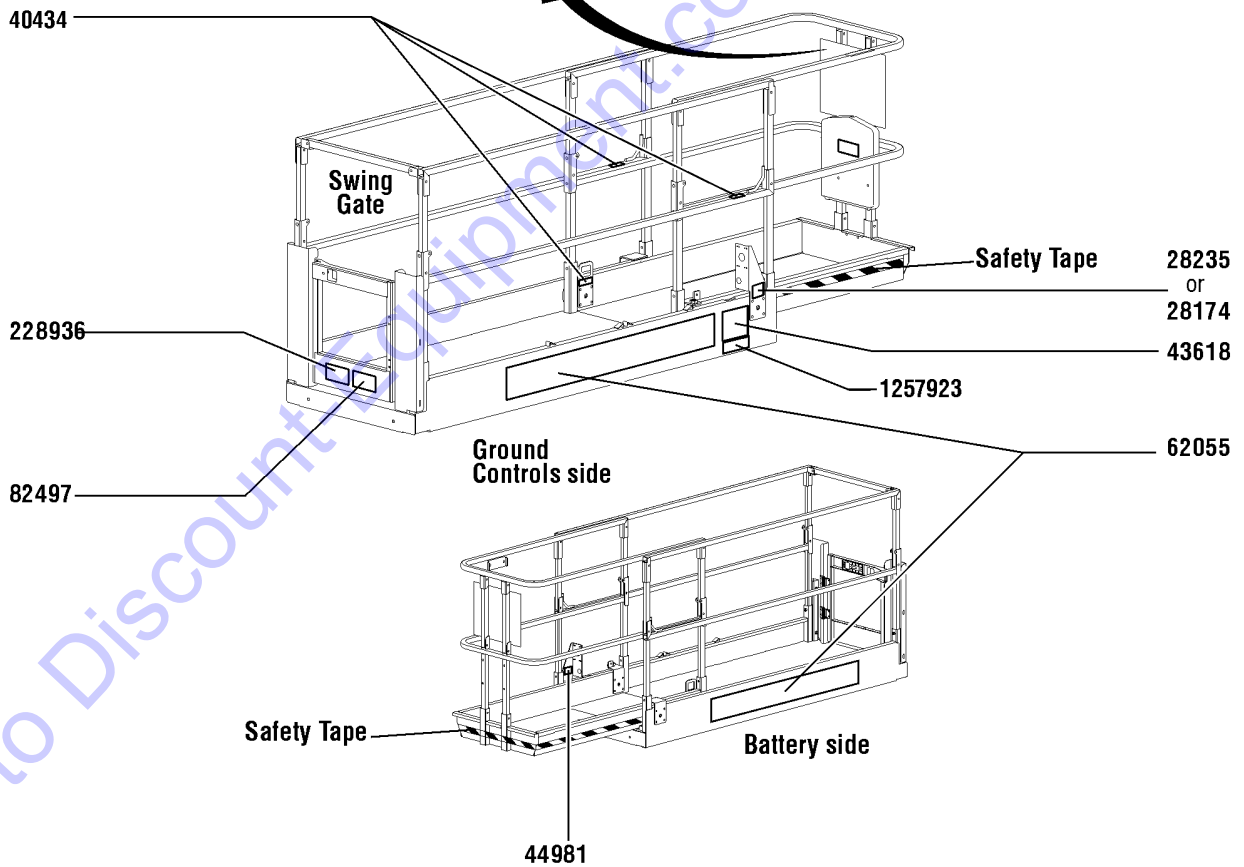
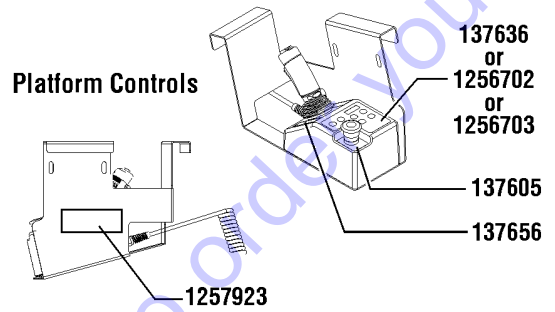
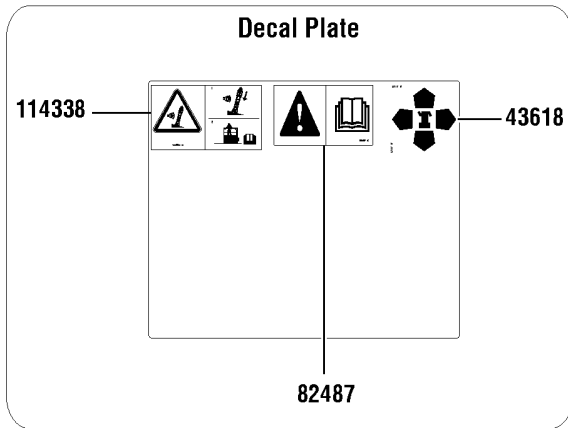


127.1 Symbol Decals, GS-2032, Platform, ANSI

| Item | Part No. | Description | Qty. |
|------|-----------|---|------|
| - | | REF: Symbol Decal Kits for ANSI (refer to 125.1) | |
| 1 | 28174GT | DECAL,POWER TO PLATFORM 230V | 1 |
| 2 | 28235GT | DECAL,POWER TO PLATFORM 115V | 1 |
| 3 | 40434GT | DECAL,LANYARD ANCHORAGE POINT | 3 |
| 4 | 43618GT | DECAL,LABEL-DIRECTION ARROWS | 2 |
| 5 | 44981GT | DECAL,LABEL,AIRLINE 110 PSI (Option) | 1 |
| 6 | 62055GT | DECAL,COSMETIC,GENIE GS-2032 | 2 |
| 7 | 82487GT | DECAL,SYMBOL-READ THE MANUAL | 1 |
| 8 | 82699GT | DECAL,SYM-MAXCAP 800 | 1 |
| 9 | 82701GT | DECAL,SYM-SIDE FORCE 534N | 1 |
| 10 | 114338GT | DECAL,SYM-TIP-OVR,TILT ALARM | 1 |
| 11 | 137605GT | DECAL,E-STOP,GR/GRC/GS PCON | 1 |
| 12 | 137636GT | DECAL, UI, GR/GRC/GS PCON (models with 6 button, 2 speed controller) to SN GS3214A-134999 and to SN GS3214C-13999 | 1 |
| 13 | 137656GT | DECAL,PROPEL,GR/GRC/GS,PCON | 1 |
| 14 | 1256702GT | DECAL, UI, GS/GR, PROP LIFT (models with 4 button, proportional controller) | 1 |
| 15 | 1256703GT | DECAL, STD, PROP LIFT, UI, SVC (units converted from 6 button, 2 speed lift to 4 button, proportional controller) | 1 |
| 16 | 1257923GT | DECAL, SMARTLINK PROPORTIONAL (models with 4 button, proportional controller, and units converted from 6 button, 2 speed lift to 4 button, proportional controller) | 2 |



Platform, CE models



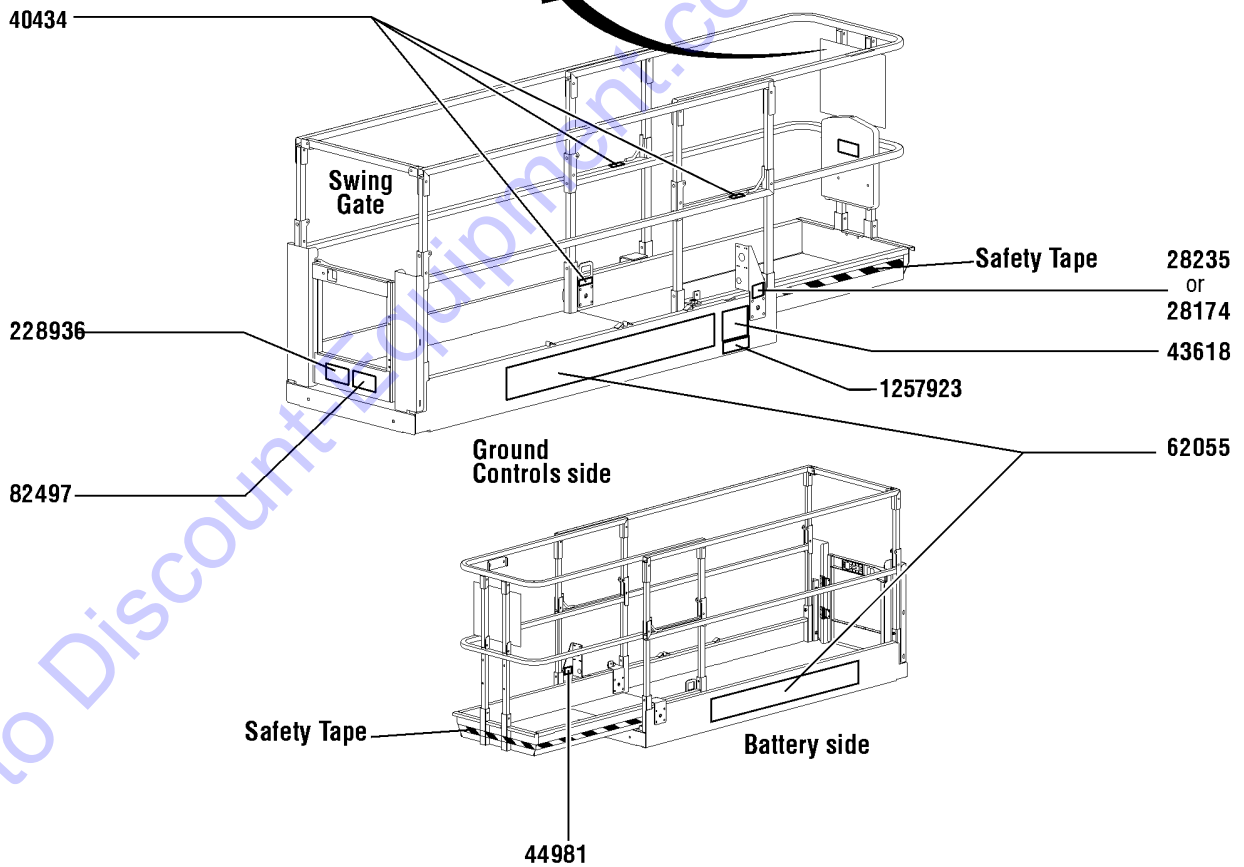
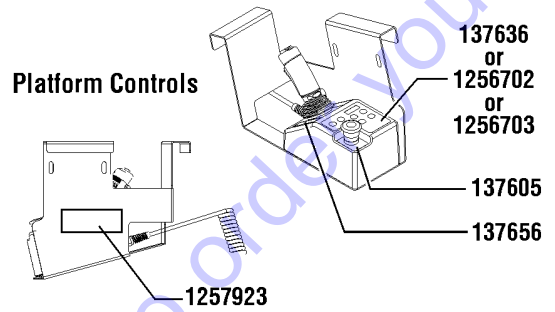
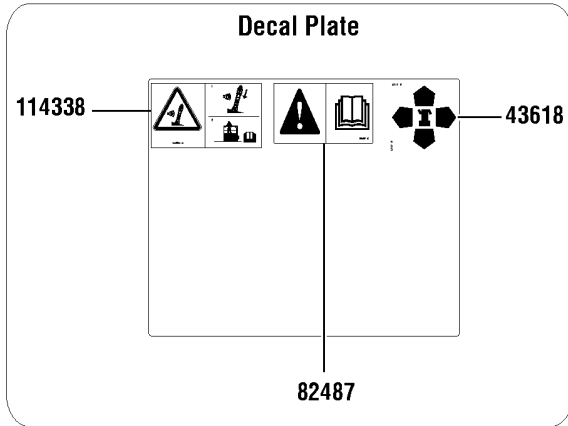
128.1 Symbol Decals, GS-2032, Platform, CE

| Item | Part No. | Description | Qty. |
|------|-----------|--|------|
| - | | REF: Symbol Decal Kits for CE (refer to 125.1) | |
| 1 | 28174GT | DECAL,POWER TO PLATFORM 230V | 1 |
| 2 | 28235GT | DECAL,POWER TO PLATFORM 115V | 1 |
| 3 | 40434GT | DECAL,LANYARD ANCHORAGE POINT | 3 |
| 4 | 43618GT | DECAL,LABEL-DIRECTION ARROWS | 2 |
| 5 | 44981GT | DECAL,LABEL,AIRLINE 110 PSI (Option) | 1 |
| 6 | 62055GT | DECAL,COSMETIC,GENIE GS-2032 | 2 |
| 7 | 82487GT | DECAL,SYMBOL-READ THE MANUAL | 1 |
| 8 | 82497GT | DECAL,SYM-SIDEFORCE 200400 | 1 |
| 9 | 114338GT | DECAL,SYM-TIP-OVR,TILT ALARM | 1 |
| 10 | 137605GT | DECAL,E-STOP,GR/GRC/GS PCON | 1 |
| 11 | 137636GT | DECAL, UI, GR/GRC/GS PCON (models with 6 button, 2 speed controller) to SN GS3214A-134999 and to SN GS3214C-13999 | 1 |
| 12 | 137656GT | DECAL,PROPEL,GR/GRC/GS,PCON | 1 |
| 13 | 228936GT | DECAL,INST MAX CAP 363 KG,SYM | 1 |
| 14 | 1256702GT | DECAL, UI, GS/GR, PROP LIFT (models with 4 button, proportional controller) | 1 |
| 15 | 1256703GT | DECAL, STD, PROP LIFT, UI, SVC (units converted from 6 button, 2 speed lift to 4 button, proportional controller) | 1 |
| 16 | 1257923GT | DECAL, SMARTLINK PROPORTIONAL (models with 4 button, proportional controller, and units converted from 6 button, 2 speed lift to 4 button, proportional controller) | 2 |

Go to Discount-Equipment.com to order your parts



Platform, CE models



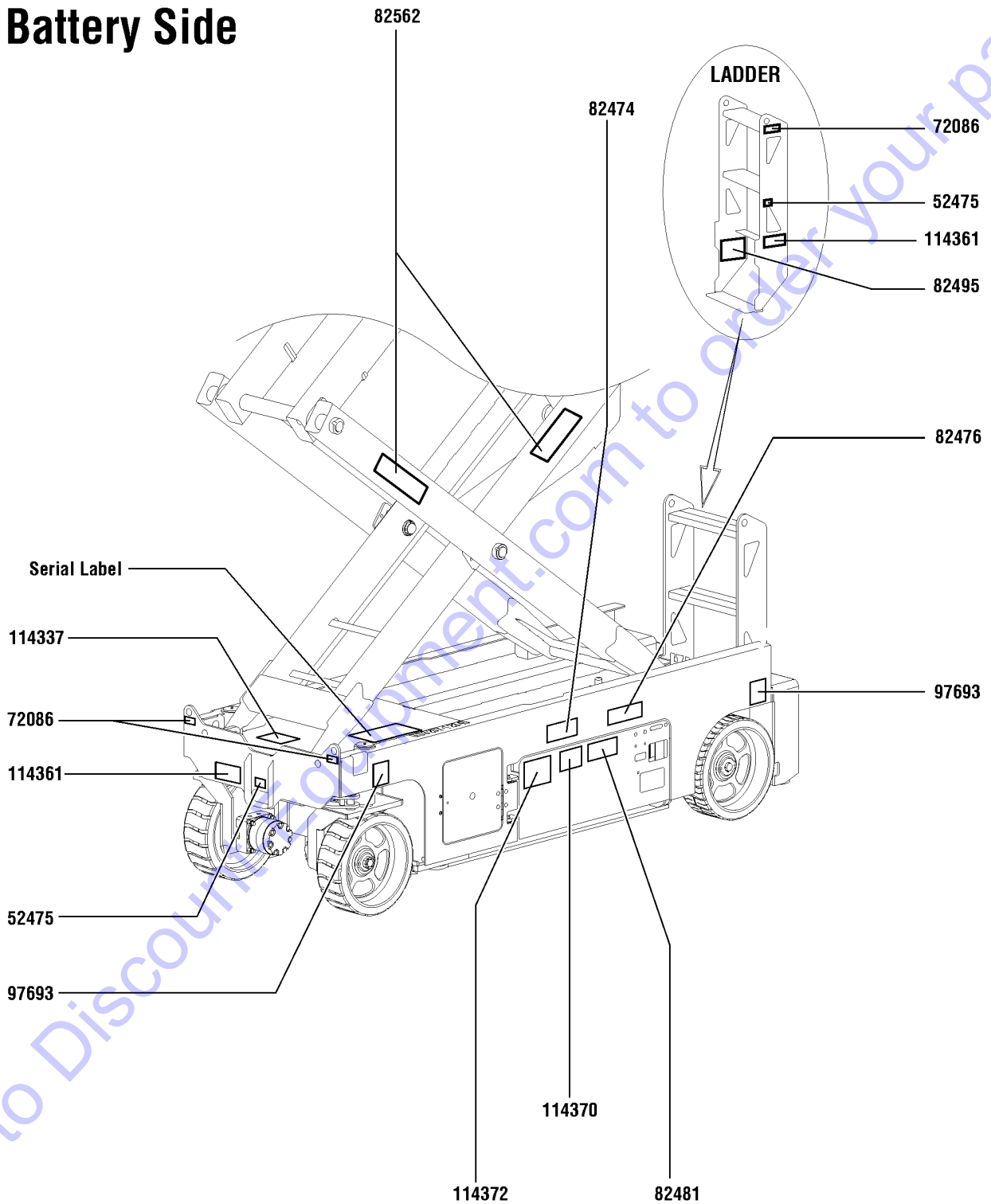
128.2 Symbol Decals, GS-2032C, Platform, CE

| Item | Part No. | Description | Qty. |
|------|-----------|--|------|
| - | | REF: Symbol Decal Kits for CE (refer to 125.1) | |
| 1 | 28174GT | DECAL,POWER TO PLATFORM 230V | 1 |
| 2 | 28235GT | DECAL,POWER TO PLATFORM 115V | 1 |
| 3 | 40434GT | DECAL,LANYARD ANCHORAGE POINT | 3 |
| 4 | 43618GT | DECAL,LABEL-DIRECTION ARROWS | 2 |
| 5 | 44981GT | DECAL,LABEL,AIRLINE 110 PSI (option) | 1 |
| 6 | 62055GT | DECAL,COSMETIC,GENIE GS-2032 | 2 |
| 7 | 82487GT | DECAL,SYMBOL-READ THE MANUAL | 1 |
| 8 | 82497GT | DECAL,SYM-SIDEFORCE 200400 | 1 |
| 9 | 114338GT | DECAL,SYM-TIP-OVR,TILT ALARM | 1 |
| 10 | 137605GT | DECAL,E-STOP,GR/GRC/GS PCON | 1 |
| 11 | 137636GT | DECAL, UI, GR/GRC/GS PCON (models with 6 button, 2 speed controller) to SN GS3214A-134999 and to SN GS3214C-13999 | 1 |
| 12 | 137656GT | DECAL,PROPEL,GR/GRC/GS,PCON | 1 |
| 13 | 228936GT | DECAL,INST MAX CAP 363 KG,SYM | 1 |
| 14 | 1256702GT | DECAL, UI, GS/GR, PROP LIFT (models with 4 button, proportional controller) | 1 |
| 15 | 1256703GT | DECAL, STD, PROP LIFT, UI, SVC (units converted from 6 button, 2 speed lift to 4 button, proportional controller) | 1 |
| 16 | 1257923GT | DECAL, SMARTLINK PROPORTIONAL (models with 4 button, proportional controller, and units converted from 6 button, 2 speed lift to 4 button, proportional controller) | 2 |

Go to Discount-Equipment.com to order your parts



Battery Side



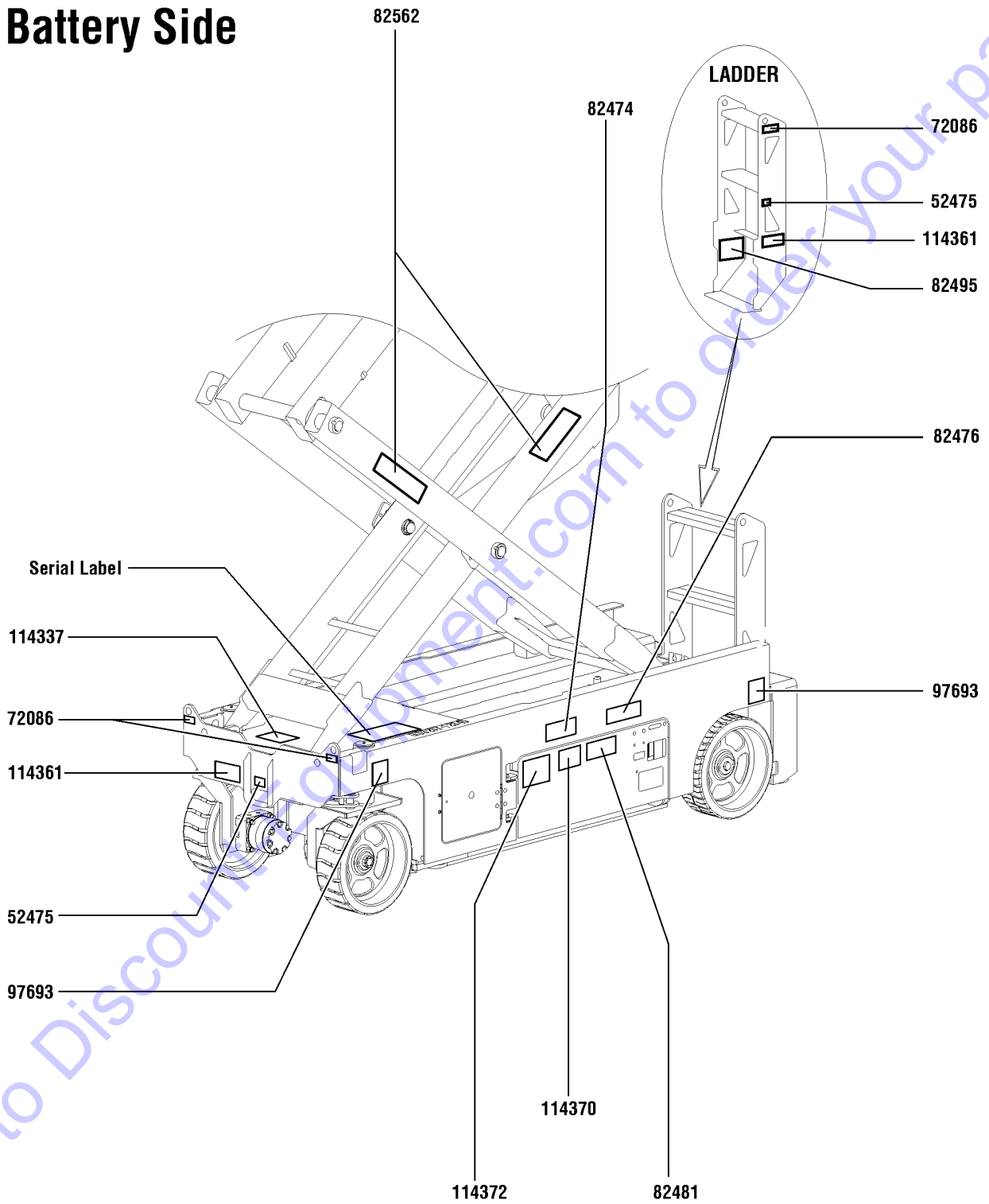
129.1 Symbol Decals, GS-2632, Battery Side, ANSI & CE

| Item | Part No. | Description | Qty. |
|------|----------|---|------|
| A | 217277GT | DECAL KIT,2632 PLAT.,SYM,ANSI (ANSI models with 2 speed controller) to SN GS3214A-134999 and to SN GS3214C-13999 | |
| B | 217278GT | DECAL KIT,2632 COMP.,SYM,ANSI (ANSI models with 2 speed controller) to SN GS3214A-134999 and to SN GS3214C-13999 | |
| C | 217289GT | DECAL KIT,2632 PLAT.,SYM,CE (CE models with 2 speed controller) to SN GS3214A-134999 and to SN GS3214C-13999 | |
| D | 217290GT | DECAL KIT,2632 COMP.,SYM,CE (CE models with 2 speed controller) to SN GS3214A-134999 and to SN GS3214C-13999 | |
| 1 | 52475GT | DECAL,LABEL,TRANSPORT TIEDOWN* | 2 |
| 2 | 72086GT | DECAL,LABEL,LIFTING EYE | 3 |
| 3 | 82474GT | DECAL,SYMBOL-USE SAFETY ARM | 1 |
| 4 | 82476GT | DECAL,SYMBOL-ELEC HAZARD,GS | 1 |
| 5 | 82481GT | DECAL,SYMBOL-BATTERY SAFETY | 1 |
| 6 | 82495GT | DECAL,LABEL,FORKLIFT POCKET | 1 |
| 7 | 82562GT | DECAL,SYMBOL-CRUSHING HAZARD | 2 |
| 8 | 97693GT | DECAL,LABEL,WHEEL LOAD 2632 | 2 |
| 9 | 114337GT | DECAL, COMPARTMENT ACCESS | 1 |
| 10 | 114361GT | DECAL,SYM-TIP-OVER,LIM SWITCH | 2 |
| 11 | 114370GT | DECAL-SYM-TIP-OVR,BATTRIES | 1 |
| 12 | 114372GT | DECAL SYMBOL TIP OVER TRAYS | 1 |

Go to Discount-Equipment.com to order your parts



Battery Side



129.2 Symbol Decals, GS-2632C, Battery Side, ANSI & CE

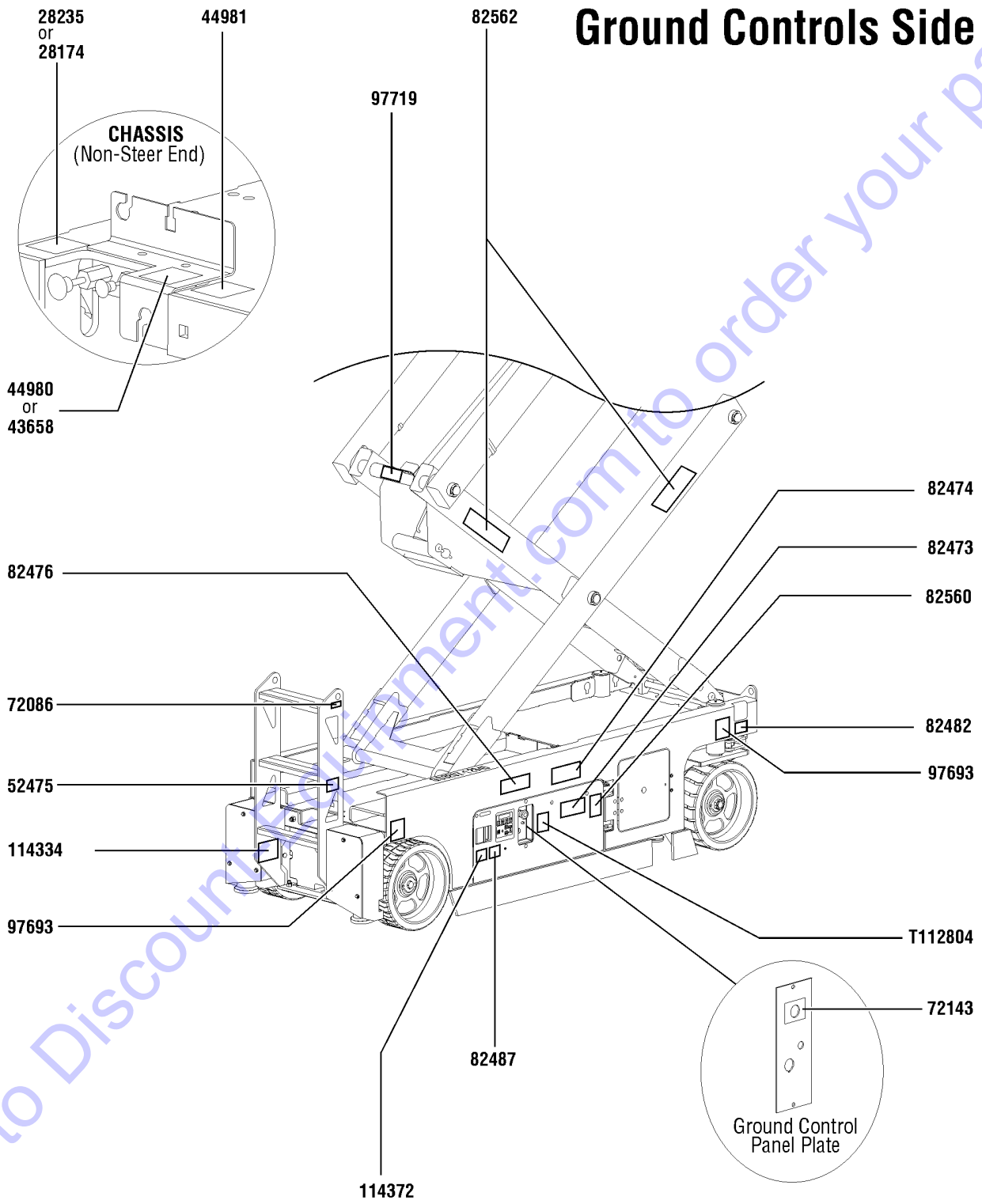
| Item | Part No. | Description | Qty. |
|------|----------|--|------|
| A | 217277GT | DECAL KIT,2632 PLAT.,SYM,ANSI (ANSI models only) (from SN GS4612A-110000 and GS4612C-10000) | |
| B | 217278GT | DECAL KIT,2632 COMP.,SYM,ANSI (ANSI models only) (from SN GS4612A-110000 and GS4612C-10000) | |
| C | 217289GT | DECAL KIT,2632 PLAT.,SYM,CE (CE models only) (from SN GS4612A-110000 and GS4612C-10000) | |
| D | 217290GT | DECAL KIT,2632 COMP.,SYM,CE (CE models only) (from SN GS4612A-110000 and GS4612C-10000) | |
| 1 | 52475GT | DECAL,LABEL,TRANSPORT TIEDOWN* | 2 |
| 2 | 72086GT | DECAL,LABEL,LIFTING EYE | 3 |
| 3 | 82474GT | DECAL,SYMBOL-USE SAFETY ARM | 1 |
| 4 | 82476GT | DECAL,SYMBOL-ELEC HAZARD,GS | 1 |
| 5 | 82481GT | DECAL,SYMBOL-BATTERY SAFETY | 1 |
| 6 | 82495GT | DECAL,LABEL,FORKLIFT POCKET | 1 |
| 7 | 82562GT | DECAL,SYMBOL-CRUSHING HAZARD | 2 |
| 8 | 97693GT | DECAL,LABEL,WHEEL LOAD 2632 | 2 |
| 9 | 114337GT | DECAL, COMPARTMENT ACCESS | 1 |
| 10 | 114361GT | DECAL,SYM-TIP-OVER,LIM SWITCH | 2 |
| 11 | 114370GT | DECAL-SYM-TIP-OVR,BATTRIES | 1 |
| 12 | 114372GT | DECAL SYMBOL TIP OVER TRAYS | 1 |

Go to Discount-Equipment.com to order your parts



130.1 Symbol Decals, GS-2632, Ground Control Side, ANSI and CE

Ground Controls Side



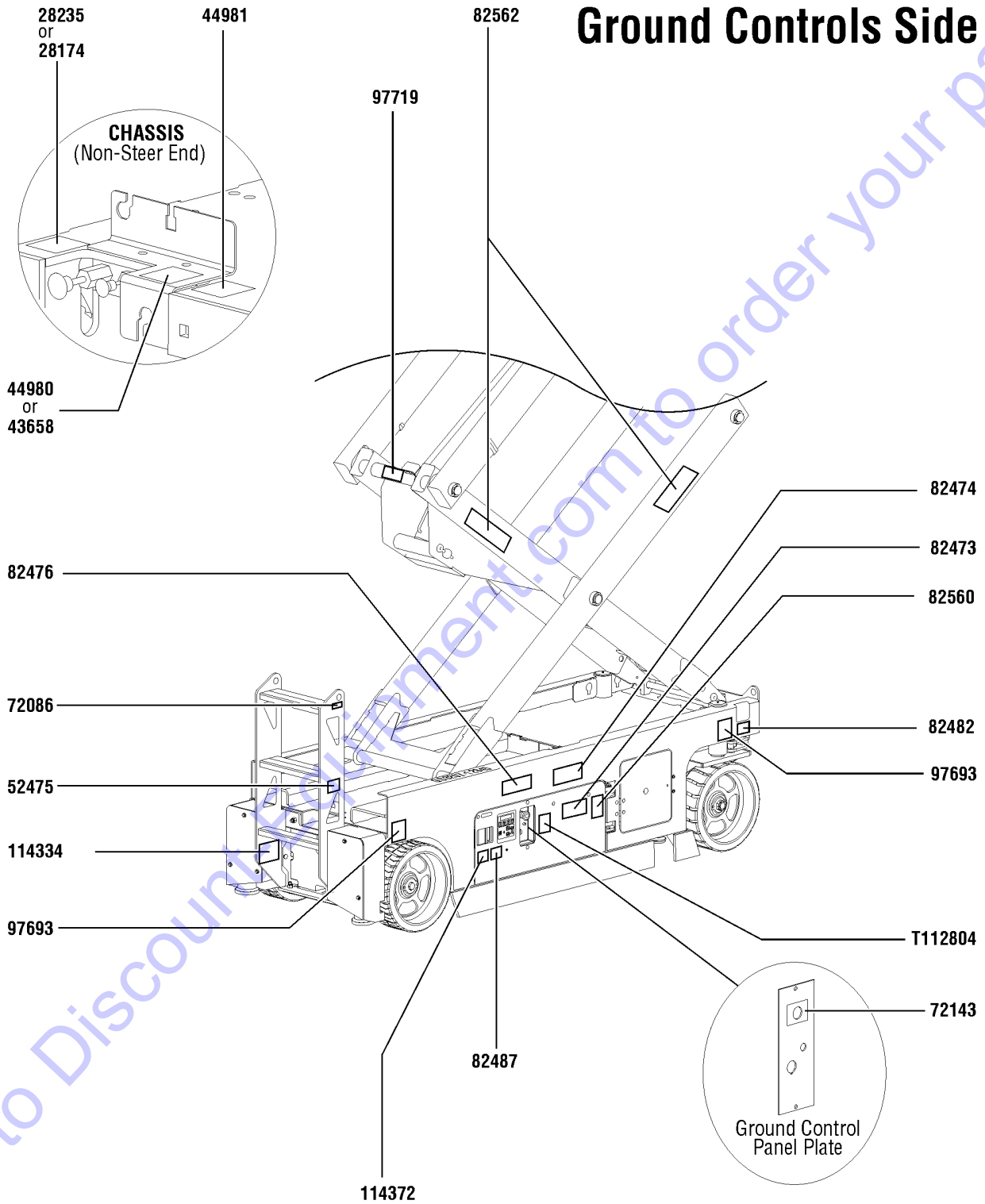
130.1 Symbol Decals, GS-2632, Ground Control Side, ANSI and CE

| Item | Part No. | Description | Qty. |
|------|-----------|--|------|
| - | | REF: Symbol Decal Kits (refer to 129.1) | |
| 1 | 28174GT | DECAL,POWER TO PLATFORM 230V | 1 |
| 2 | 28235GT | DECAL,POWER TO PLATFORM 115V | 1 |
| 3 | 43658GT | DECAL,LABEL,PWR TO CHARGR 230V | 1 |
| 4 | 44980GT | DECAL,LABEL,PWR TO CHARGR 115V | 1 |
| 5 | 44981GT | DECAL,LABEL,AIRLINE 110 PSI (Option) | 1 |
| 6 | 52475GT | DECAL,LABEL,TRANSPORT TIEDOWN* | 1 |
| 7 | 72086GT | DECAL,LABEL,LIFTING EYE | 1 |
| 8 | 72143GT | DECAL,EMERGENCY STOP,GR | 1 |
| 9 | 82473GT | DECAL,SYMBOL-COMP ACCESS | 1 |
| 10 | 82474GT | DECAL,SYMBOL-USE SAFETY ARM | 1 |
| 11 | 82476GT | DECAL,SYMBOL-ELEC HAZARD,GS | 1 |
| 12 | 82482GT | DECAL,LABEL,AUX LOWERING | 1 |
| 13 | 82487GT | DECAL,SYMBOL-READ THE MANUAL | 1 |
| 14 | 82560GT | DECAL,SYMBOL-SKIN INJECT HAZRD | 1 |
| 15 | 82562GT | DECAL,SYMBOL-CRUSHING HAZARD | 2 |
| 16 | 97693GT | DECAL,LABEL,WHEEL LOAD 2632 | 2 |
| 17 | 97719GT | DECAL, LABEL, SAFETY ARM SYMB | 1 |
| 18 | 114334GT | DECAL SYMBOL ELECTRIC HAZARD PLUG | 1 |
| 19 | 114372GT | DECAL SYMBOL TIP OVER TRAYS | 1 |
| 20 | T112804GT | DECAL,GCON PANEL,GS | 1 |

Go to DiscountEquipment.com to order your parts



Ground Controls Side



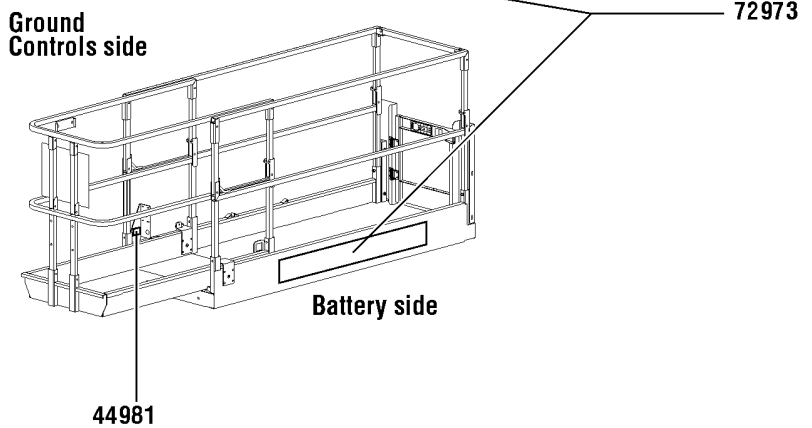
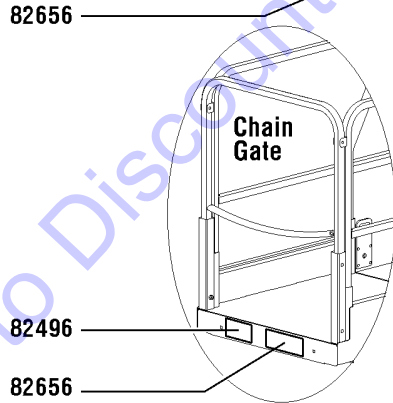
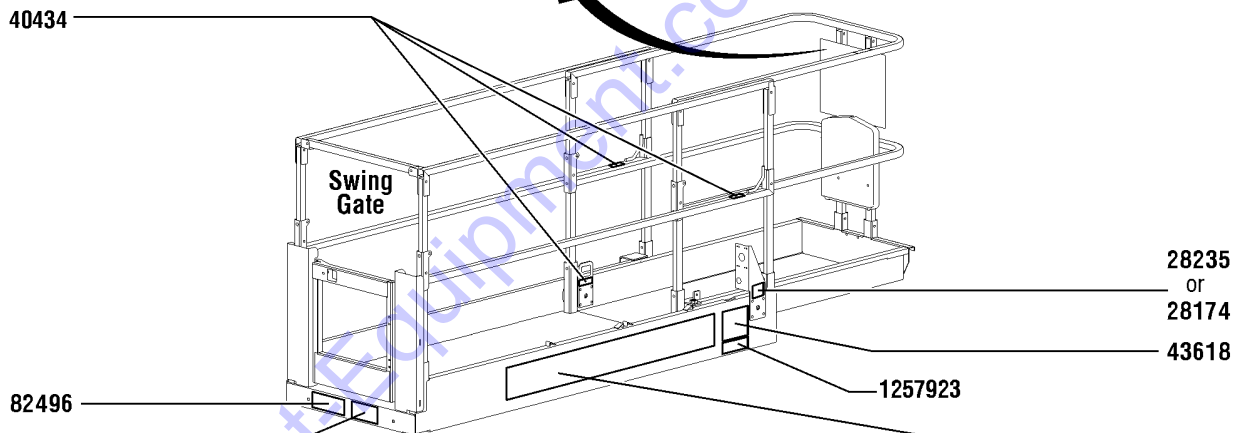
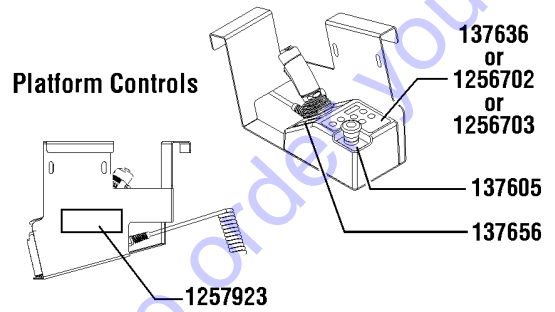
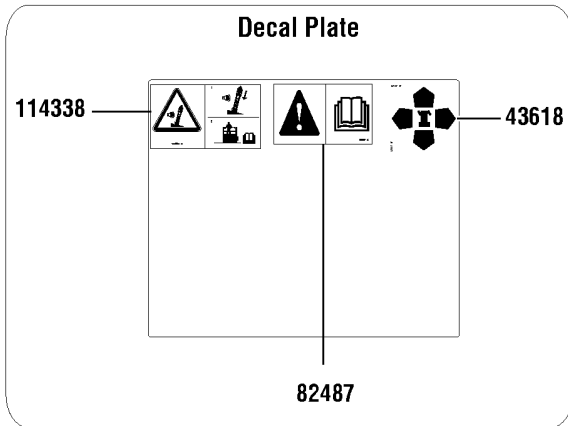
130.2 Symbol Decals, GS-2632C, Ground Control Side, ANSI and CE

| Item | Part No. | Description | Qty. |
|------|-----------|--|------|
| - | | REF: Symbol Decal Kits (refer to 129.1) | |
| 1 | 28174GT | DECAL,POWER TO PLATFORM 230V | 1 |
| 2 | 28235GT | DECAL,POWER TO PLATFORM 115V | 1 |
| 3 | 43658GT | DECAL,LABEL,PWR TO CHARGR 230V | 1 |
| 4 | 44980GT | DECAL,LABEL,PWR TO CHARGR 115V | 1 |
| 5 | 44981GT | DECAL,LABEL,AIRLINE 110 PSI (Option) | 1 |
| 6 | 52475GT | DECAL,LABEL,TRANSPORT TIEDOWN* | 1 |
| 7 | 72086GT | DECAL,LABEL,LIFTING EYE | 1 |
| 8 | 72143GT | DECAL,EMERGENCY STOP,GR | 1 |
| 9 | 82473GT | DECAL,SYMBOL-COMP ACCESS | 1 |
| 10 | 82474GT | DECAL,SYMBOL-USE SAFETY ARM | 1 |
| 11 | 82476GT | DECAL,SYMBOL-ELEC HAZARD,GS | 1 |
| 12 | 82482GT | DECAL,LABEL,AUX LOWERING | 1 |
| 13 | 82487GT | DECAL,SYMBOL-READ THE MANUAL | 1 |
| 14 | 82560GT | DECAL,SYMBOL-SKIN INJECT HAZRD | 1 |
| 15 | 82562GT | DECAL,SYMBOL-CRUSHING HAZARD | 2 |
| 16 | 97693GT | DECAL,LABEL,WHEEL LOAD 2632 | 2 |
| 17 | 97719GT | DECAL, LABEL, SAFETY ARM SYMB | 1 |
| 18 | 114334GT | DECAL SYMBOL ELECTRIC HAZARD PLUG | 1 |
| 19 | 114372GT | DECAL SYMBOL TIP OVER TRAYS | 1 |
| 20 | T112804GT | DECAL,GCON PANEL,GS | 1 |

Go to DiscountEquipment.com to order your parts



Platform, ANSI models



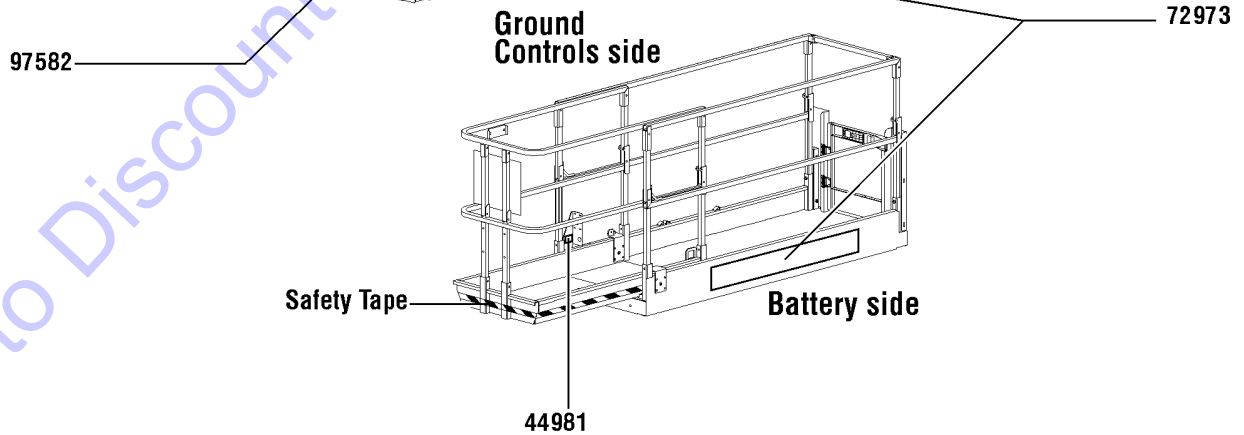
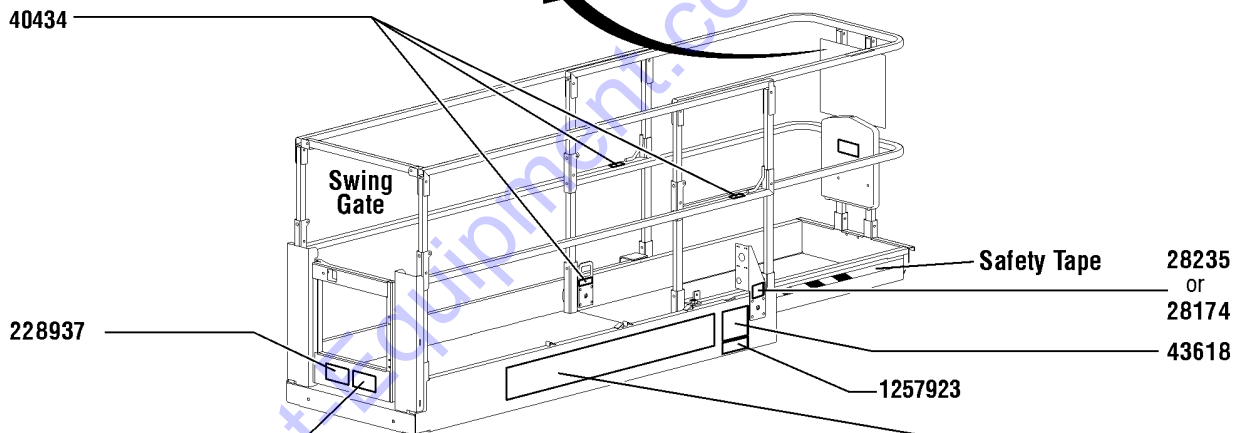
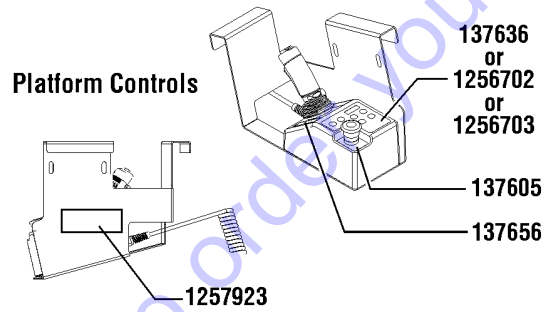
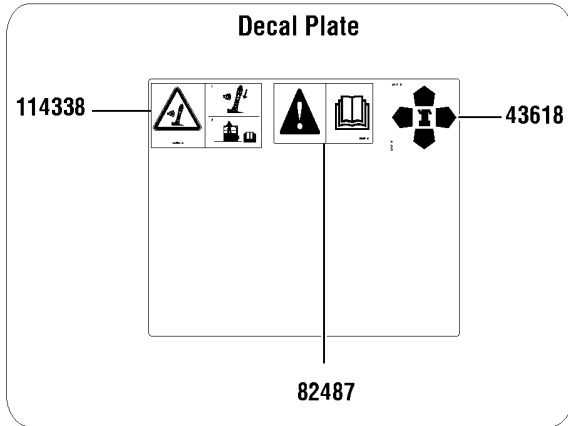
131.1 Symbol Decals, GS-2632, Platform, ANSI

| Item | Part No. | Description | Qty. |
|------|-----------|---|------|
| - | | REF: Symbol Decal Kits (refer to 129.1) | |
| 1 | 28174GT | DECAL,POWER TO PLATFORM 230V | 1 |
| 2 | 28235GT | DECAL,POWER TO PLATFORM 115V | 1 |
| 3 | 40434GT | DECAL,LANYARD ANCHORAGE POINT | 3 |
| 4 | 43618GT | DECAL,LABEL-DIRECTION ARROWS | 2 |
| 5 | 44981GT | DECAL,LABEL,AIRLINE 110 PSI (Option) | 1 |
| 6 | 72973GT | DECAL,COSMETIC,GENIE GS-2632** | 2 |
| 7 | 82487GT | DECAL,SYMBOL-READ THE MANUAL | 1 |
| 8 | 82496GT | DECAL,SYM-MAXCAP 500 | 1 |
| 9 | 82656GT | DECAL,SYM-SIDE FORCE 445N | 1 |
| 10 | 114338GT | DECAL,SYM-TIP-OVR,TILT ALARM | 1 |
| 11 | 137605GT | DECAL,E-STOP,GR/GRC/GS PCON | 1 |
| 12 | 137636GT | DECAL, UI, GR/GRC/GS PCON (models with 6 button, 2 speed controller) to SN GS3214A-134999 and to SN GS3214C-13999 | 1 |
| 13 | 137656GT | DECAL,PROPEL,GR/GRC/GS,PCON | 1 |
| 14 | 1256702GT | DECAL, UI, GS/GR, PROP LIFT (models with 4 button, proportional controller) | 1 |
| 15 | 1256703GT | DECAL, STD, PROP LIFT, UI, SVC (units converted from 6 button, 2 speed lift to 4 button, proportional controller) | 1 |
| 16 | 1257923GT | DECAL, SMARTLINK PROPORTIONAL (models with 4 button, proportional controller, and units converted from 6 button, 2 speed lift to 4 button, proportional controller) | 2 |

Go to Discount-Equipment.com to order your parts



Platform, CE models



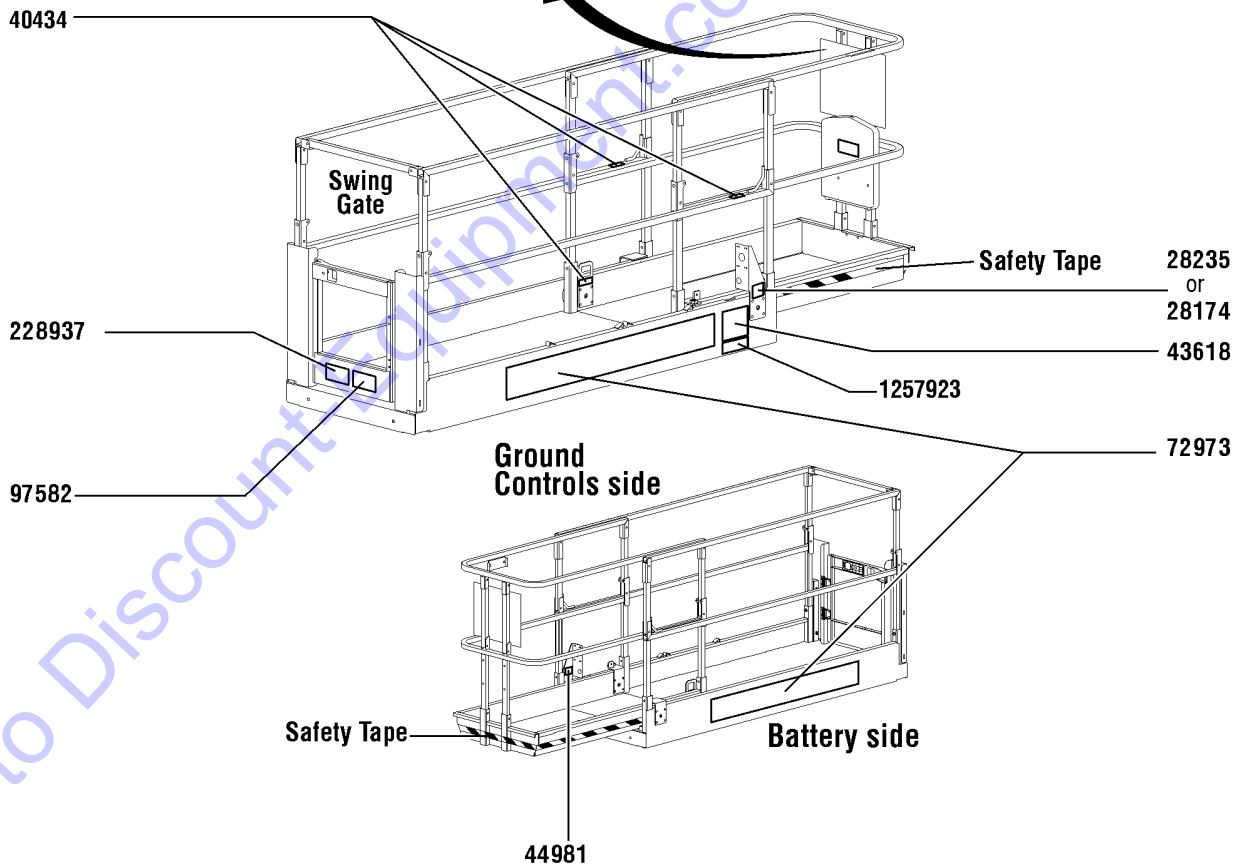
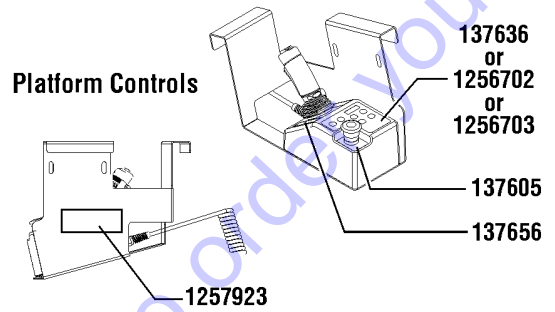
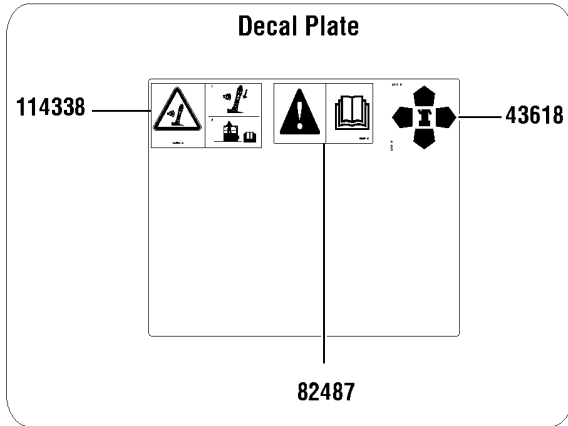
132.1 Symbol Decals, GS-2632, Platform, CE

| Item | Part No. | Description | Qty. |
|------|-----------|--|------|
| - | | REF: Symbol Decal Kits (refer to 129.1) | |
| 1 | 28174GT | DECAL,POWER TO PLATFORM 230V | 1 |
| 2 | 28235GT | DECAL,POWER TO PLATFORM 115V | 1 |
| 3 | 40434GT | DECAL,LANYARD ANCHORAGE POINT | 3 |
| 4 | 43618GT | DECAL,LABEL-DIRECTION ARROWS | 2 |
| 5 | 44981GT | DECAL,LABEL,AIRLINE 110 PSI (Option) | 1 |
| 6 | 72973GT | DECAL,COSMETIC,GENIE GS-2632** | 2 |
| 7 | 82487GT | DECAL,SYMBOL-READ THE MANUAL | 1 |
| 8 | 97582GT | DECAL,SYM-SIDEFORCE 400N ID | 1 |
| 9 | 114338GT | DECAL,SYM-TIP-OVR,TILT ALARM | 1 |
| 10 | 137605GT | DECAL,E-STOP,GR/GRC/GS PCON | 1 |
| 11 | 137636GT | DECAL, UI, GR/GRC/GS PCON (models with 6 button, 2 speed controller) to SN GS3214A-134999 and to SN GS3214C-13999 | 1 |
| 12 | 137656GT | DECAL,PROPEL,GR/GRC/GS,PCON | 1 |
| 13 | 228937GT | DECAL,SYM-MAXCAP CE GS2632 | 1 |
| 14 | 1256702GT | DECAL, UI, GS/GR, PROP LIFT (models with 4 button, proportional controller) | 1 |
| 15 | 1256703GT | DECAL, STD, PROP LIFT, UI, SVC (units converted from 6 button, 2 speed lift to 4 button, proportional controller) | 1 |
| 16 | 1257923GT | DECAL, SMARTLINK PROPORTIONAL (models with 4 button, proportional controller, and units converted from 6 button, 2 speed lift to 4 button, proportional controller) | 2 |

Go to Discount-Equipment.com to order your parts



Platform, CE models



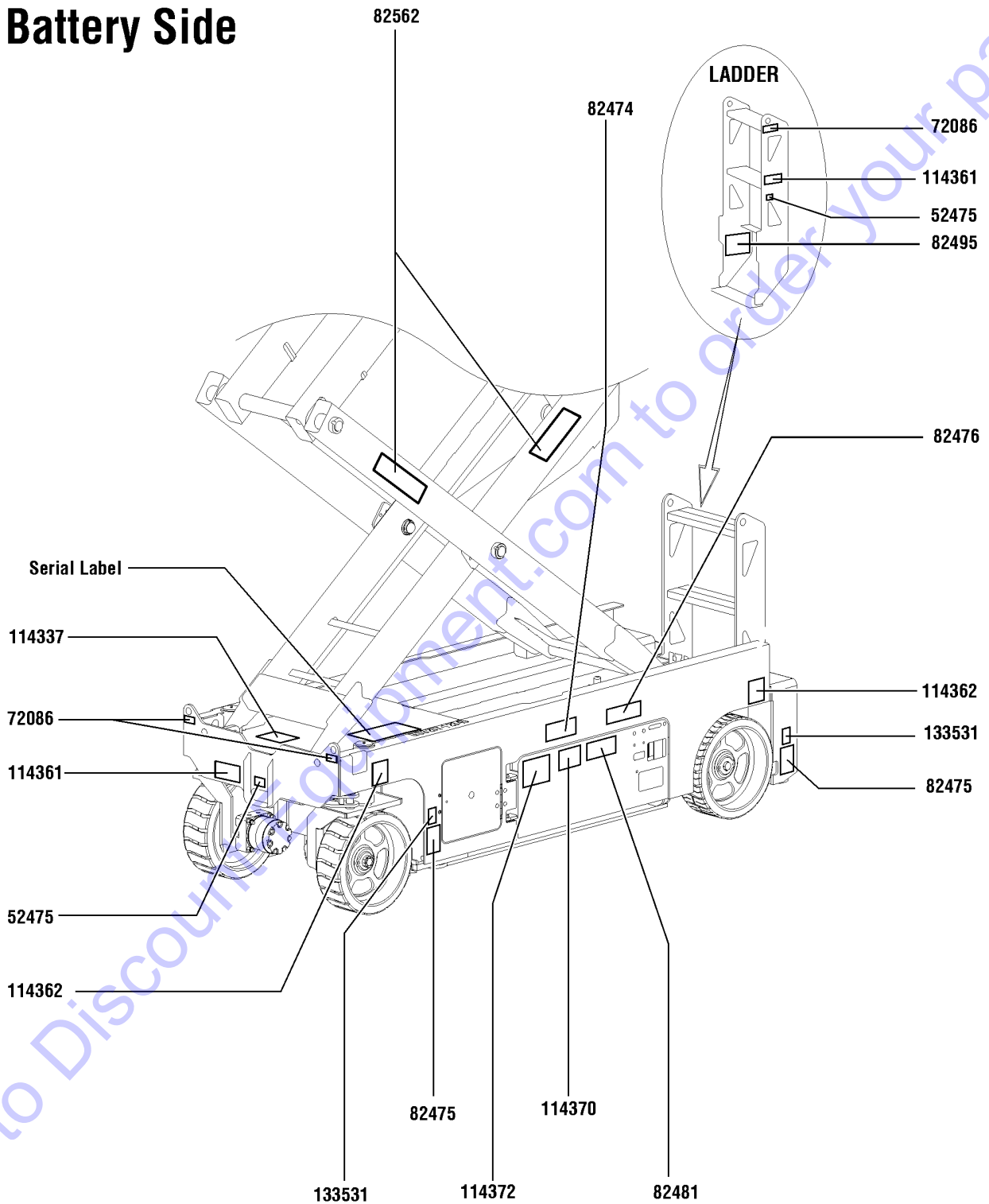
132.2 Symbol Decals, GS-2632C, Platform, CE

| Item | Part No. | Description | Qty. |
|------|-----------|--|------|
| - | | REF: Symbol Decal Kits (refer to 129.1) | |
| 1 | 28174GT | DECAL,POWER TO PLATFORM 230V | 1 |
| 2 | 28235GT | DECAL,POWER TO PLATFORM 115V | 1 |
| 3 | 40434GT | DECAL,LANYARD ANCHORAGE POINT | 3 |
| 4 | 43618GT | DECAL,LABEL-DIRECTION ARROWS | 2 |
| 5 | 44981GT | DECAL,LABEL,AIRLINE 110 PSI (Option) | 1 |
| 6 | 72973GT | DECAL,COSMETIC,GENIE GS-2632** | 2 |
| 7 | 82487GT | DECAL,SYMBOL-READ THE MANUAL | 1 |
| 8 | 97582GT | DECAL,SYM-SIDEFORCE 400N ID | 1 |
| 9 | 114338GT | DECAL,SYM-TIP-OVR,TILT ALARM | 1 |
| 10 | 137605GT | DECAL,E-STOP,GR/GRC/GS PCON | 1 |
| 11 | 137636GT | DECAL, UI, GR/GRC/GS PCON (models with 6 button, 2 speed controller) to SN GS3214A-134999 and to SN GS3214C-13999 | 1 |
| 12 | 137656GT | DECAL,PROPEL,GR/GRC/GS,PCON | 1 |
| 13 | 228937GT | DECAL,SYM-MAXCAP CE GS2632 | 1 |
| 14 | 1256702GT | DECAL, UI, GS/GR, PROP LIFT (models with 4 button, proportional controller) | 1 |
| 15 | 1256703GT | DECAL, STD, PROP LIFT, UI, SVC (units converted from 6 button, 2 speed lift to 4 button, proportional controller) | 1 |
| 16 | 1257923GT | DECAL, SMARTLINK PROPORTIONAL (models with 4 button, proportional controller, and units converted from 6 button, 2 speed lift to 4 button, proportional controller) | 2 |

Go to Discount-Equipment.com to order your parts



Battery Side



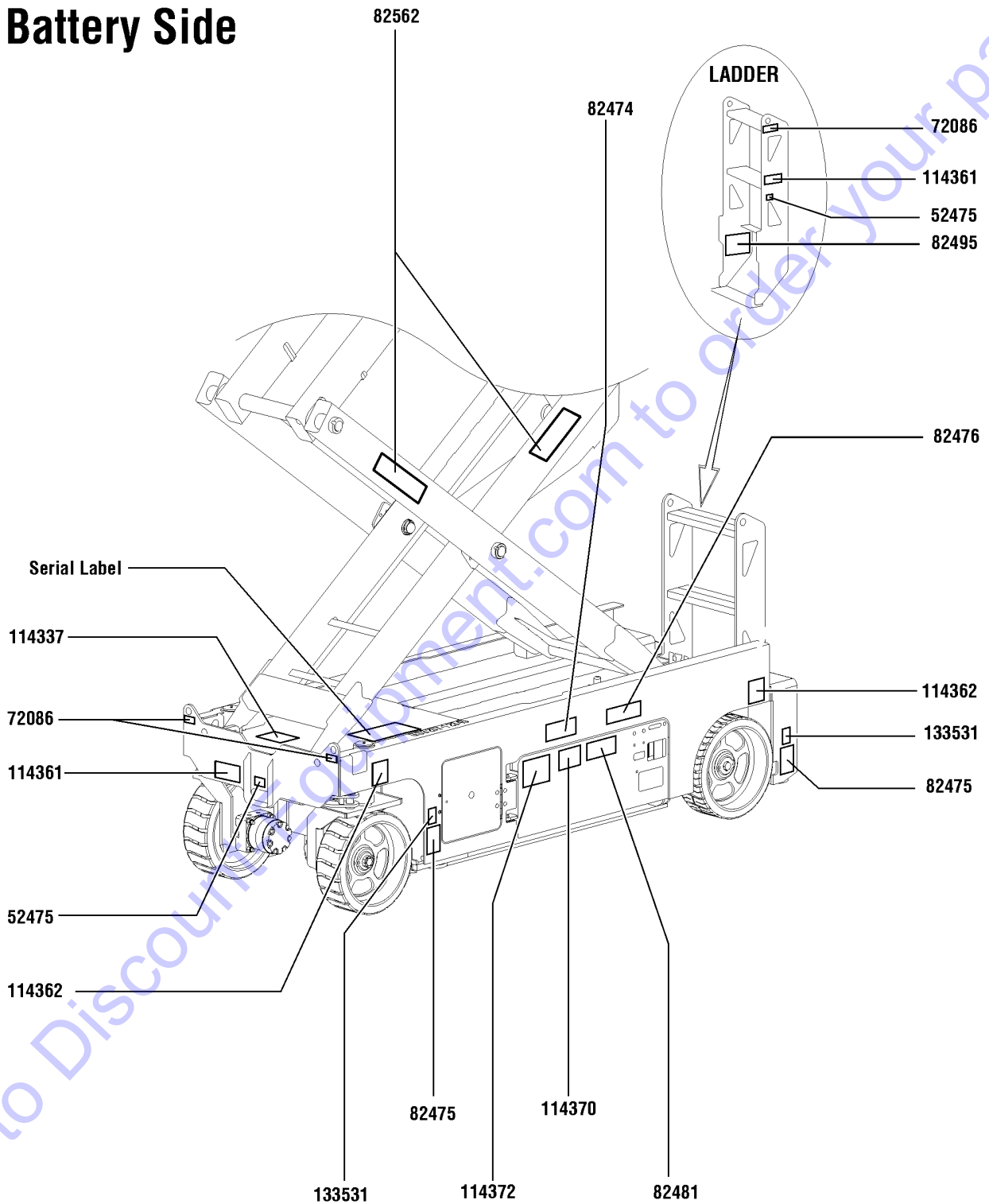
133.1 Symbol Decals, GS-3232, Battery Side, ANSI & CE

| Item | Part No. | Description | Qty. |
|------|----------|---|------|
| A | 217279GT | DECAL KIT,3232 PLAT.,SYM,ANSI (ANSI models with 2 speed controller) to SN GS3214A-134999 | |
| B | 217280GT | DECAL KIT,3232 COMP.,SYM,ANSI (ANSI models with 2 speed controller) to SN GS3214A-134999 | |
| C | 217291GT | DECAL KIT,3232 PLAT.,SYM,CE (CE models with 2 speed controller) to SN GS3214A-134999 | |
| D | 217292GT | DECAL KIT,3232 COMP.,SYM,CE (CE models with 2 speed controller) to SN GS3214A-134999 | |
| 1 | 52475GT | DECAL,LABEL,TRANSPORT TIEDOWN* | 2 |
| 2 | 72086GT | DECAL,LABEL,LIFTING EYE | 3 |
| 3 | 82474GT | DECAL,SYMBOL-USE SAFETY ARM | 1 |
| 4 | 82475GT | DECAL,SYMBOL-FOOT CRUSHING | 2 |
| 5 | 82476GT | DECAL,SYMBOL-ELEC HAZARD,GS | 1 |
| 6 | 82481GT | DECAL,SYMBOL-BATTERY SAFETY | 1 |
| 7 | 82495GT | DECAL,LABEL,FORKLIFT POCKET | 1 |
| 8 | 82562GT | DECAL,SYMBOL-CRUSHING HAZARD | 2 |
| 9 | 114337GT | DECAL, COMPARTMENT ACCESS | 1 |
| 10 | 114361GT | DECAL,SYM-TIP-OVER,LIM SWITCH | 2 |
| 11 | 114362GT | DECAL,LABEL-WHEEL LOAD,GS-3232 | 2 |
| 12 | 114370GT | DECAL-SYM-TIP-OVR,BATTRIES | 1 |
| 13 | 114372GT | DECAL SYMBOL TIP OVER TRAYS | 1 |
| 14 | 133531GT | LABEL,OUTRIGGER,LOAD,GS-3232 | 2 |

Go to Discount-Equipment.com to order your parts



Battery Side



133.2 Symbol Decals, GS-3232C, Battery Side, ANSI & CE

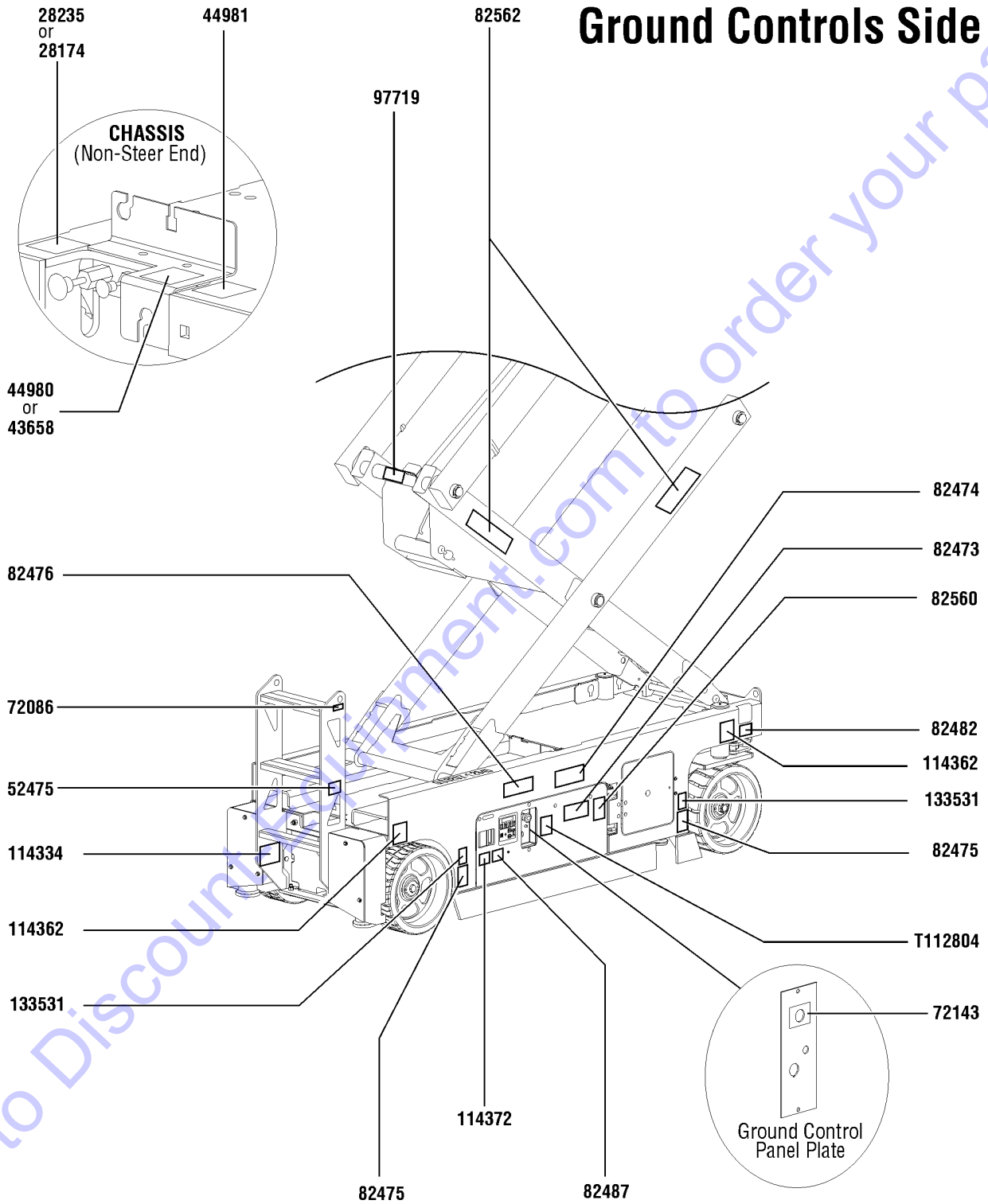
| Item | Part No. | Description | Qty. |
|------|----------|--|------|
| A | 217279GT | DECAL KIT,3232 PLAT.,SYM,ANSI (ANSI models only) (from SN GS4612A-110000 and GS4612C-10000) | |
| B | 217280GT | DECAL KIT,3232 COMP.,SYM,ANSI (ANSI models only) (from SN GS4612A-110000 and GS4612C-10000) | |
| C | 217291GT | DECAL KIT,3232 PLAT.,SYM,CE (CE models only) (from SN GS4612A-110000 and GS4612C-10000) | |
| D | 217292GT | DECAL KIT,3232 COMP.,SYM,CE (CE models only) (from SN GS4612A-110000 and GS4612C-10000) | |
| 1 | 52475GT | DECAL,LABEL,TRANSPORT TIEDOWN* | 2 |
| 2 | 72086GT | DECAL,LABEL,LIFTING EYE | 3 |
| 3 | 82474GT | DECAL,SYMBOL-USE SAFETY ARM | 1 |
| 4 | 82475GT | DECAL,SYMBOL-FOOT CRUSHING | 2 |
| 5 | 82476GT | DECAL,SYMBOL-ELEC HAZARD,GS | 1 |
| 6 | 82481GT | DECAL,SYMBOL-BATTERY SAFETY | 1 |
| 7 | 82495GT | DECAL,LABEL,FORKLIFT POCKET | 1 |
| 8 | 82562GT | DECAL,SYMBOL-CRUSHING HAZARD | 2 |
| 9 | 114337GT | DECAL, COMPARTMENT ACCESS | 1 |
| 10 | 114361GT | DECAL,SYM-TIP-OVER,LIM SWITCH | 2 |
| 11 | 114362GT | DECAL,LABEL-WHEEL LOAD,GS-3232 | 2 |
| 12 | 114370GT | DECAL-SYM-TIP-OVR,BATTRIES | 1 |
| 13 | 114372GT | DECAL SYMBOL TIP OVER TRAYS | 1 |
| 14 | 133531GT | LABEL,OUTRIGGER,LOAD,GS-3232 | 2 |

Go to Discount-Equipment.com to order your parts



134.1 Symbol Decals, GS-3232, Ground Control Side, ANSI and CE

Ground Controls Side



134.1 Symbol Decals, GS-3232, Ground Control Side, ANSI and CE

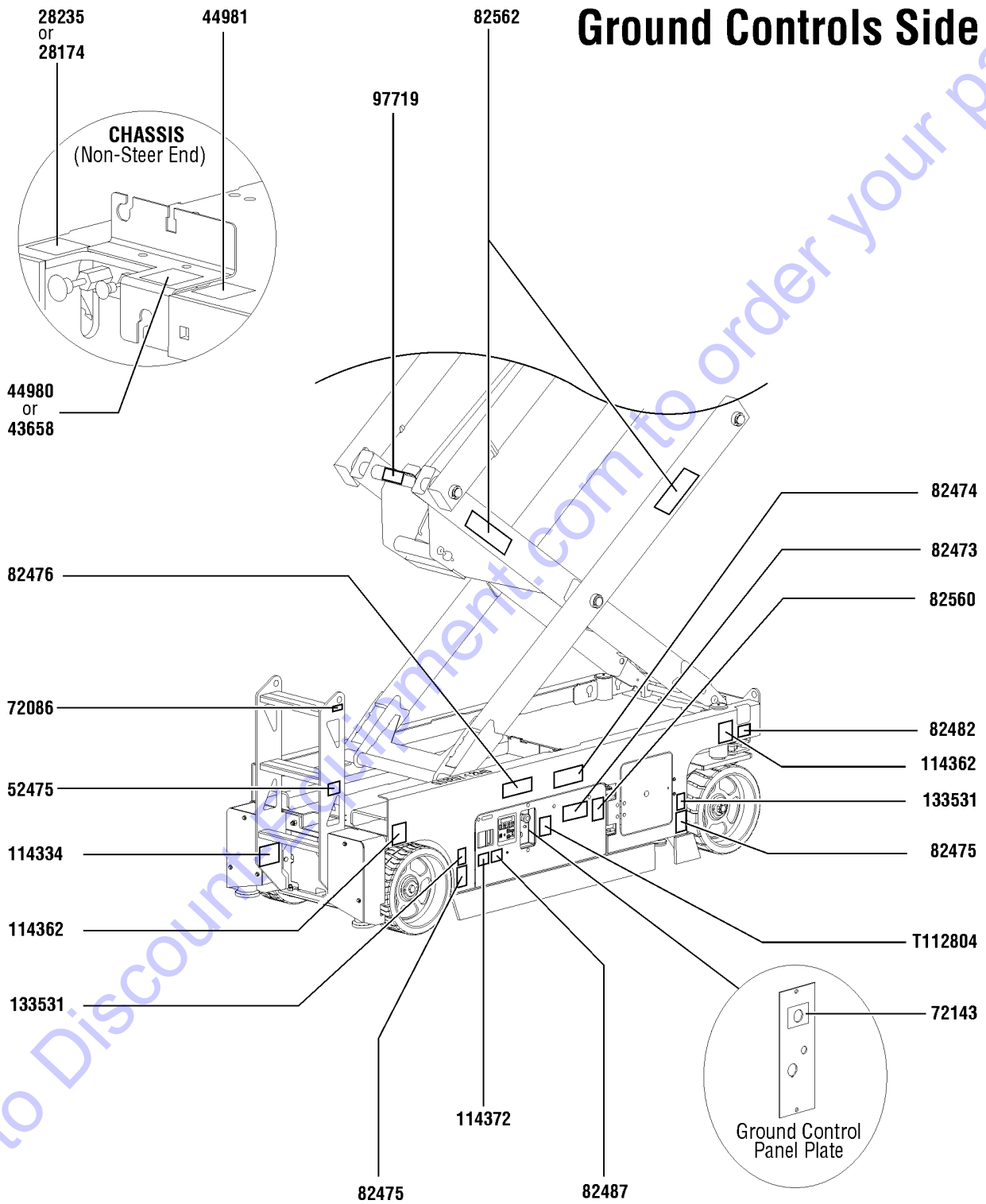
| Item | Part No. | Description | Qty. |
|------|-----------|---|------|
| - | | REF: Symbol Decal Kits for ANSI and CE (refer to 133.1) | |
| 1 | 28174GT | DECAL,POWER TO PLATFORM 230V | 1 |
| 2 | 28235GT | DECAL,POWER TO PLATFORM 115V | 1 |
| 3 | 43658GT | DECAL,LABEL,PWR TO CHARGR 230V | 1 |
| 4 | 44980GT | DECAL,LABEL,PWR TO CHARGR 115V | 1 |
| 5 | 44981GT | DECAL,LABEL,AIRLINE 110 PSI (Option) | 1 |
| 6 | 52475GT | DECAL,LABEL,TRANSPORT TIEDOWN* | 1 |
| 7 | 72086GT | DECAL,LABEL,LIFTING EYE | 1 |
| 8 | 72143GT | DECAL,EMERGENCY STOP,GR | 1 |
| 9 | 82473GT | DECAL,SYMBOL-COMP ACCESS | 1 |
| 10 | 82474GT | DECAL,SYMBOL-USE SAFETY ARM | 1 |
| 11 | 82475GT | DECAL,SYMBOL-FOOT CRUSHING | 2 |
| 12 | 82476GT | DECAL,SYMBOL-ELEC HAZARD,GS | 1 |
| 13 | 82482GT | DECAL,LABEL,AUX LOWERING | 1 |
| 14 | 82487GT | DECAL,SYMBOL-READ THE MANUAL | 1 |
| 15 | 82560GT | DECAL,SYMBOL-SKIN INJECT HAZRD | 1 |
| 16 | 82562GT | DECAL,SYMBOL-CRUSHING HAZARD | 2 |
| 17 | 97719GT | DECAL, LABEL, SAFETY ARM SYMB | 1 |
| 18 | 114334GT | DECAL SYMBOL ELECTRIC HAZARD PLUG | 1 |
| 19 | 114362GT | DECAL,LABEL-WHEEL LOAD,GS-3232 | 2 |
| 20 | 114372GT | DECAL SYMBOL TIP OVER TRAYS | 1 |
| 21 | 133531GT | LABEL,OUTRIGGER,LOAD,GS-3232 | 2 |
| 22 | T112804GT | DECAL,GCON PANEL,GS | 1 |

Go to Discount-Equipment.com to order your parts



134.2 Symbol Decals, GS-3232C, Ground Control Side, ANSI and CE

Ground Controls Side



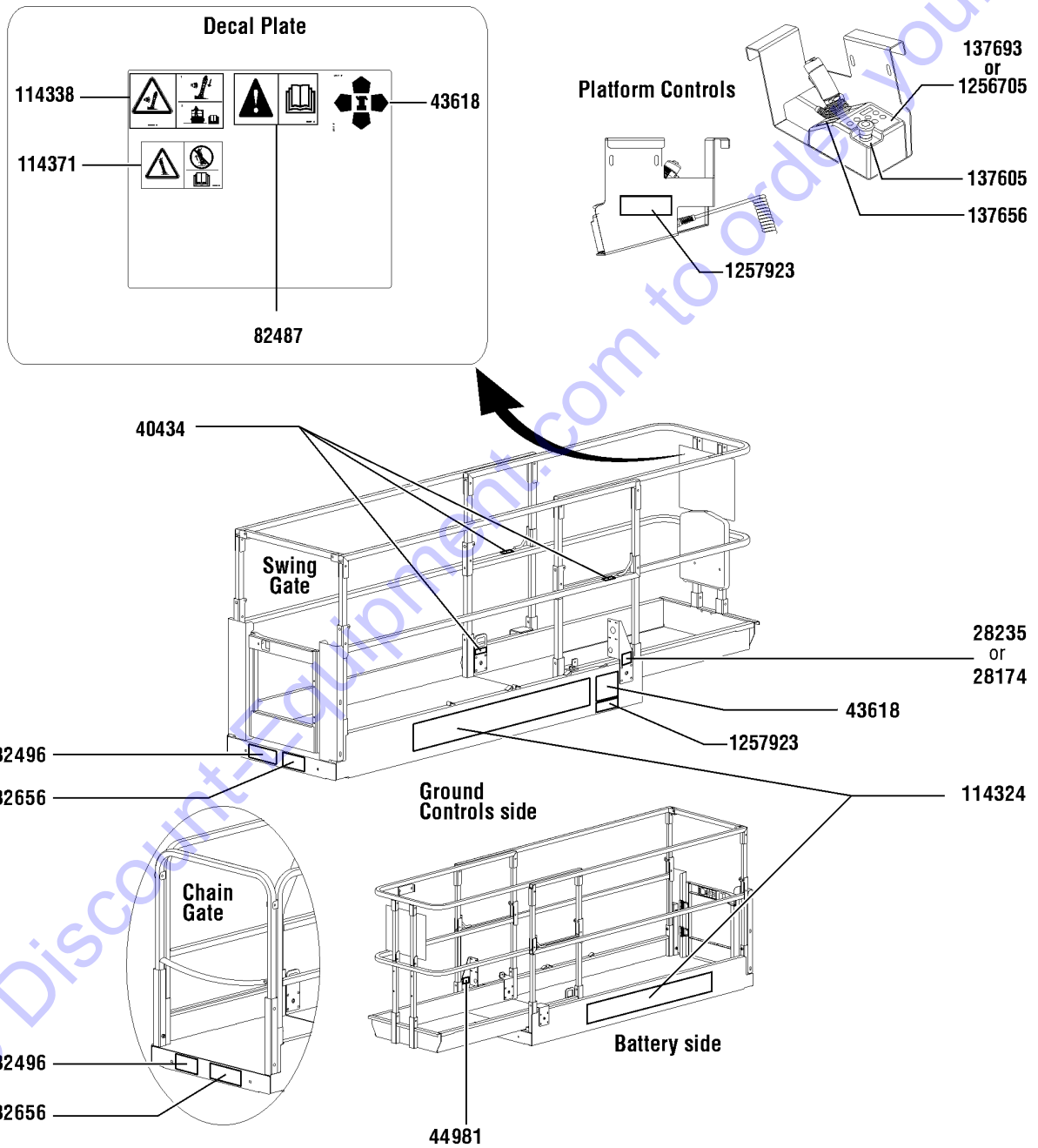
134.2 Symbol Decals, GS-3232C, Ground Control Side, ANSI and CE

| Item | Part No. | Description | Qty. |
|------|-----------|---|------|
| - | | REF: Symbol Decal Kits for CE (refer to 133.1) | |
| 1 | 28174GT | DECAL,POWER TO PLATFORM 230V | 1 |
| 2 | 28235GT | DECAL,POWER TO PLATFORM 115V | 1 |
| 3 | 43658GT | DECAL,LABEL,PWR TO CHARGR 230V | 1 |
| 4 | 44980GT | DECAL,LABEL,PWR TO CHARGR 115V | 1 |
| 5 | 44981GT | DECAL,LABEL,AIRLINE 110 PSI (Option) | 1 |
| 6 | 52475GT | DECAL,LABEL,TRANSPORT TIEDOWN* | 1 |
| 7 | 72086GT | DECAL,LABEL,LIFTING EYE | 1 |
| 8 | 72143GT | DECAL,EMERGENCY STOP,GR | 1 |
| 9 | 82473GT | DECAL,SYMBOL-COMP ACCESS | 1 |
| 10 | 82474GT | DECAL,SYMBOL-USE SAFETY ARM | 1 |
| 11 | 82475GT | DECAL,SYMBOL-FOOT CRUSHING | 2 |
| 12 | 82476GT | DECAL,SYMBOL-ELEC HAZARD,GS | 1 |
| 13 | 82482GT | DECAL,LABEL,AUX LOWERING | 1 |
| 14 | 82487GT | DECAL,SYMBOL-READ THE MANUAL | 1 |
| 15 | 82560GT | DECAL,SYMBOL-SKIN INJECT HAZRD | 1 |
| 16 | 82562GT | DECAL,SYMBOL-CRUSHING HAZARD | 2 |
| 17 | 97719GT | DECAL, LABEL, SAFETY ARM SYMB | 1 |
| 18 | 114334GT | DECAL SYMBOL ELECTRIC HAZARD PLUG | 1 |
| 19 | 114362GT | DECAL,LABEL-WHEEL LOAD,GS-3232 | 2 |
| 20 | 114372GT | DECAL SYMBOL TIP OVER TRAYS | 1 |
| 21 | 133531GT | LABEL,OUTRIGGER,LOAD,GS-3232 | 2 |
| 22 | T112804GT | DECAL,GCON PANEL,GS | 1 |

Go to DiscountEquipment.com to order your parts



Platform, ANSI models



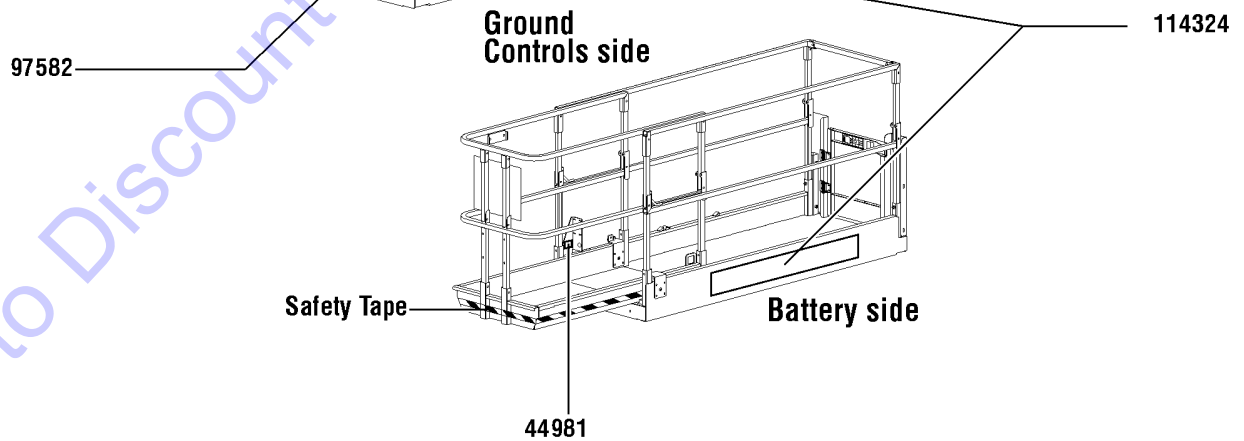
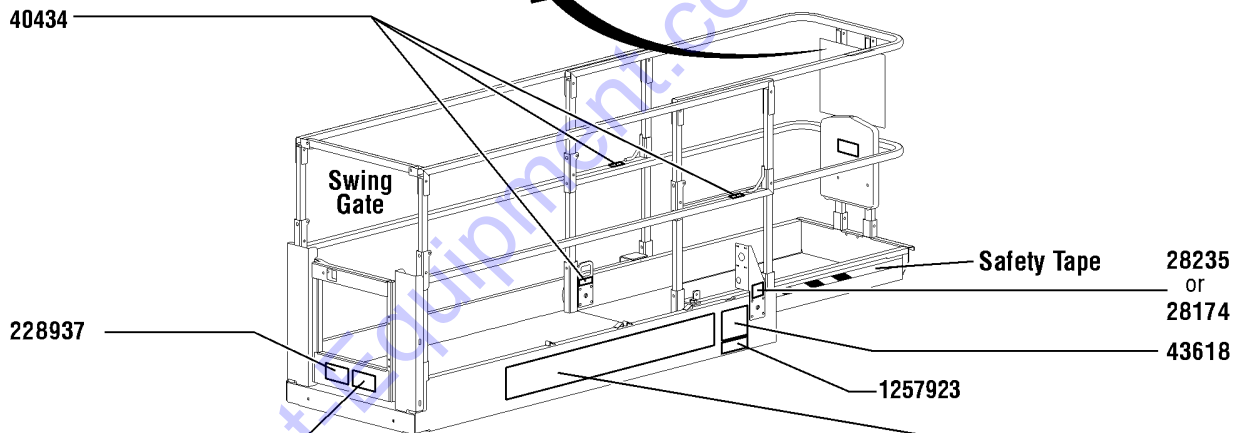
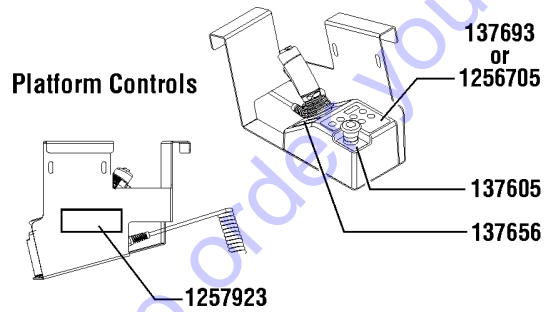
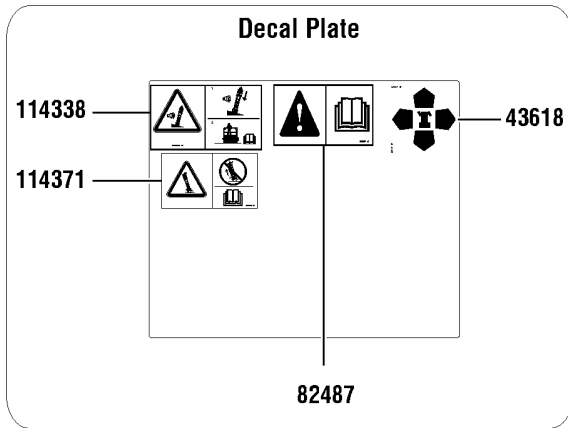
135.1 Symbol Decals, GS-3232, Platform, ANSI

| Item | Part No. | Description | Qty. |
|------|-----------|--|------|
| - | | REF: Symbol Decal Kits for ANSI and CE (refer to 133.1) | |
| 1 | 28174GT | DECAL,POWER TO PLATFORM 230V | 1 |
| 2 | 28235GT | DECAL,POWER TO PLATFORM 115V | 1 |
| 3 | 40434GT | DECAL,LANYARD ANCHORAGE POINT | 3 |
| 4 | 43618GT | DECAL,LABEL-DIRECTION ARROWS | 2 |
| 5 | 44981GT | DECAL,LABEL,AIRLINE 110 PSI (Option) | 1 |
| 6 | 82487GT | DECAL,SYMBOL-READ THE MANUAL | 1 |
| 7 | 82496GT | DECAL,SYM-MAXCAP 500 | 1 |
| 8 | 82656GT | DECAL,SYM-SIDE FORCE 445N | 1 |
| 9 | 114324GT | DECAL,COSMETIC-GENIE GS-3232 | 2 |
| 10 | 114338GT | DECAL,SYM-TIP-OVR,TILT ALARM | 1 |
| 11 | 114371GT | DECAL,SYM-TIP-OVER,OUTRGR | 1 |
| 12 | 137605GT | DECAL,E-STOP,GR/GRC/GS PCON | 1 |
| 13 | 137656GT | DECAL,PROPEL,GR/GRC/GS,PCON | 1 |
| 14 | 137693GT | DECAL, UI, GS3232, PCON (models with 8 button, 2 speed controller) to SN GS3214A-134999 | 1 |
| 15 | 1256705GT | DECAL, O/R, PROP LIFT, UI, SVC (models with 6 button, proportional controller and units converted from 8 button, 2 speed lift to 6 button, proportional controller) | 1 |
| 16 | 1257923GT | DECAL, SMARTLINK PROPORTIONAL (models with 6 button, proportional controller, and units converted from 8 button, 2 speed lift to 6 button, proportional controller) | 2 |

Go to Discount-Equipment.com to order your parts



Platform, CE models



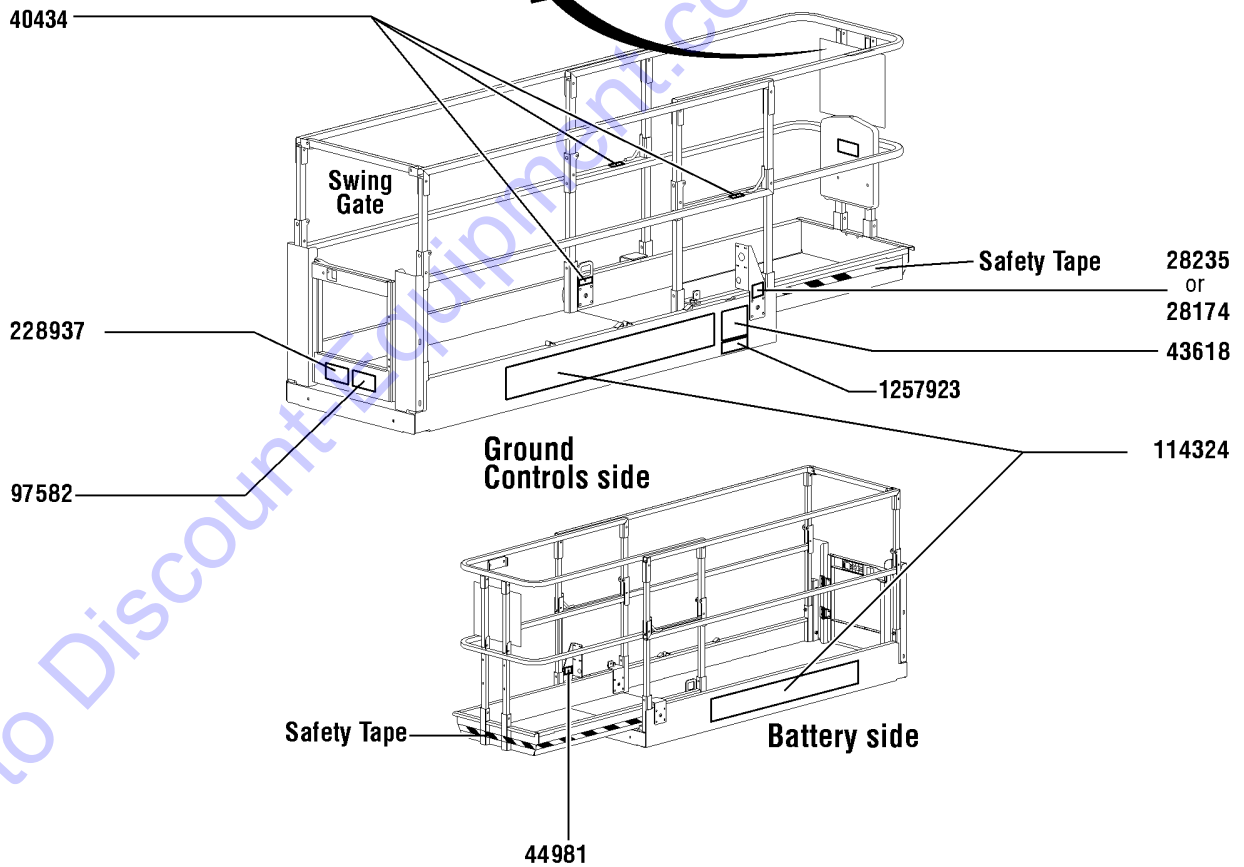
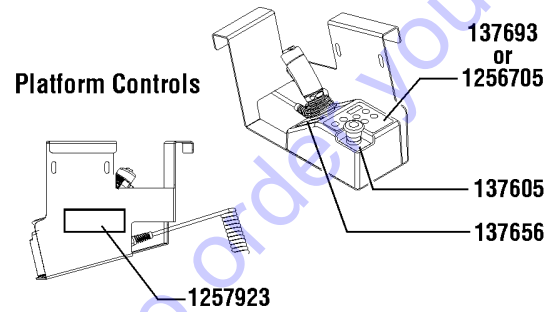
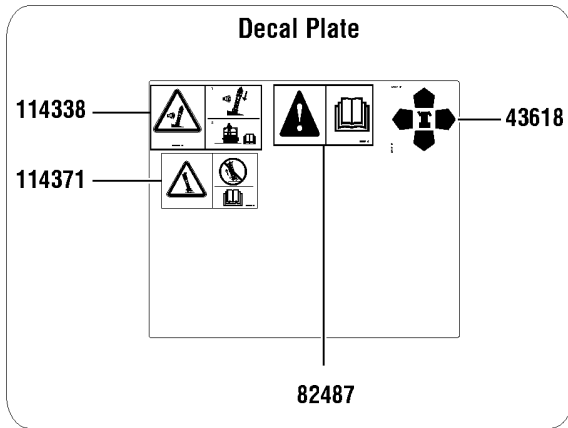
136.1 Symbol Decals, GS-3232, Platform, CE

| Item | Part No. | Description | Qty. |
|------|-----------|--|------|
| - | | REF: Symbol Decal Kits for ANSI and CE (refer to 133.1) | |
| 1 | 28174GT | DECAL,POWER TO PLATFORM 230V | 1 |
| 2 | 28235GT | DECAL,POWER TO PLATFORM 115V | 1 |
| 3 | 40434GT | DECAL,LANYARD ANCHORAGE POINT | 3 |
| 4 | 43618GT | DECAL,LABEL-DIRECTION ARROWS | 2 |
| 5 | 44981GT | DECAL,LABEL,AIRLINE 110 PSI (Option) | 1 |
| 6 | 82487GT | DECAL,SYMBOL-READ THE MANUAL | 1 |
| 7 | 97582GT | DECAL,SYM-SIDEFORCE 400N ID | 1 |
| 8 | 114324GT | DECAL,COSMETIC-GENIE GS-3232 | 2 |
| 9 | 114338GT | DECAL,SYM-TIP-OVR,TILT ALARM | 1 |
| 10 | 114371GT | DECAL,SYM-TIP-OVER,OUTRGR | 1 |
| 11 | 137605GT | DECAL,E-STOP,GR/GRC/GS PCON | 1 |
| 12 | 137656GT | DECAL,PROPEL,GR/GRC/GS,PCON | 1 |
| 13 | 137693GT | DECAL, UI, GS3232, PCON (models with 8 button, 2 speed controller) to SN GS3214A-134999 | 1 |
| 14 | 228937GT | DECAL,SYM-MAXCAP CE GS2632 | 1 |
| 15 | 1256705GT | DECAL, O/R, PROP LIFT, UI, SVC (models with 6 button, proportional controller) | 1 |
| 16 | 1256705GT | DECAL, O/R, PROP LIFT, UI, SVC (units converted from 8 button, 2 speed lift to 6 button, proportional controller) | 1 |
| 17 | 1257923GT | DECAL, SMARTLINK PROPORTIONAL (models with 6 button, proportional controller, and units converted from 8 button, 2 speed lift to 6 button, proportional controller) | 2 |

Go to Discount-Equipment.com to order your parts



Platform, CE models

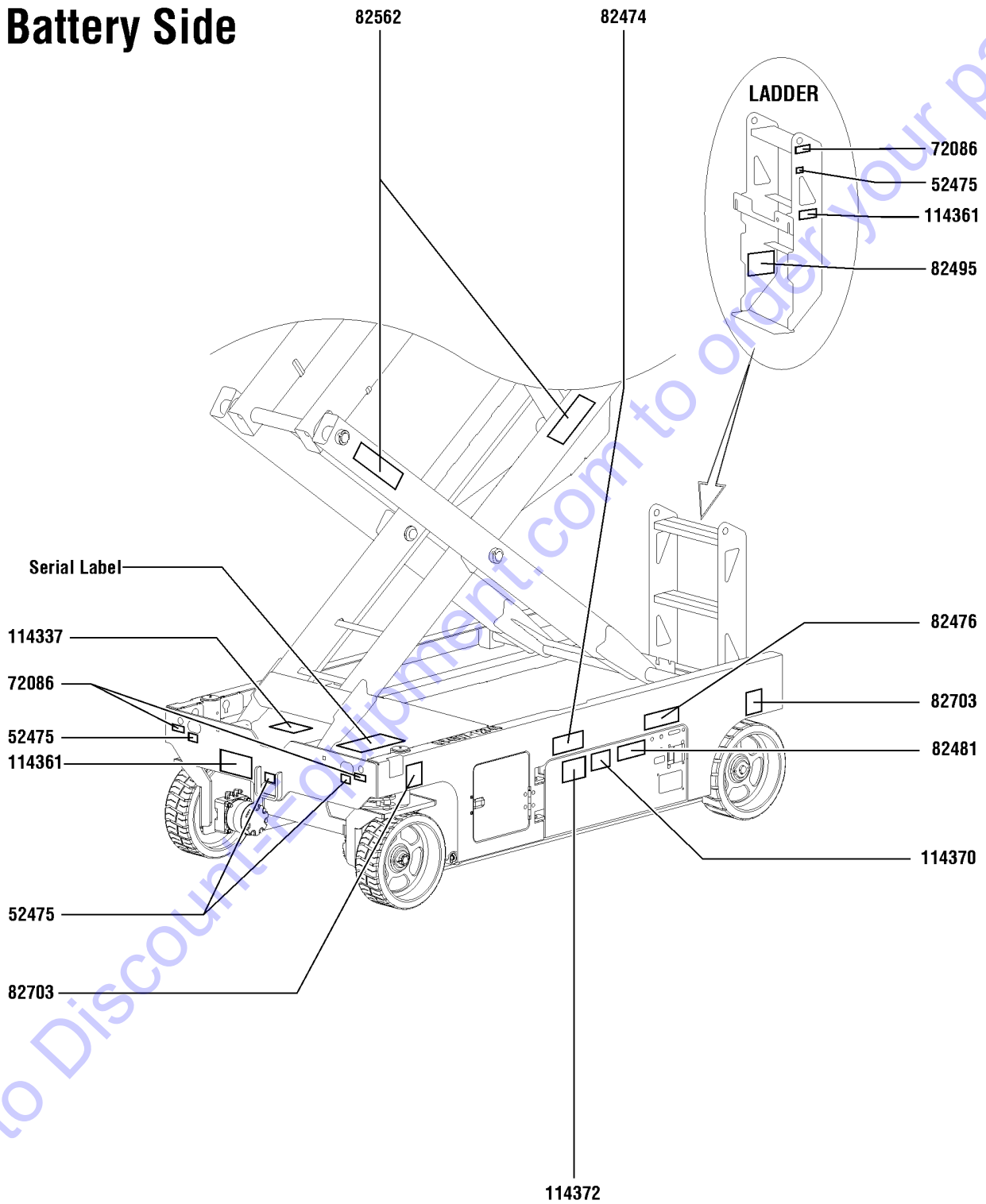


| Item | Part No. | Description | Qty. |
|------|-----------|--|------|
| - | | REF: Symbol Decal Kits for CE (refer to 133.1) | |
| 1 | 28174GT | DECAL,POWER TO PLATFORM 230V | 1 |
| 2 | 28235GT | DECAL,POWER TO PLATFORM 115V | 1 |
| 3 | 40434GT | DECAL,LANYARD ANCHORAGE POINT | 3 |
| 4 | 43618GT | DECAL,LABEL-DIRECTION ARROWS | 2 |
| 5 | 44981GT | DECAL,LABEL,AIRLINE 110 PSI (Option) | 1 |
| 6 | 82487GT | DECAL,SYMBOL-READ THE MANUAL | 1 |
| 7 | 97582GT | DECAL,SYM-SIDEFORCE 400N ID | 1 |
| 8 | 114324GT | DECAL,COSMETIC-GENIE GS-3232 | 2 |
| 9 | 114338GT | DECAL,SYM-TIP-OVR,TILT ALARM | 1 |
| 10 | 114371GT | DECAL,SYM-TIP-OVER,OUTRGR | 1 |
| 11 | 137605GT | DECAL,E-STOP,GR/GRC/GS PCON | 1 |
| 12 | 137656GT | DECAL,PROPEL,GR/GRC/GS,PCON | 1 |
| 13 | 137693GT | DECAL, UI, GS3232, PCON (models with 8 button, 2 speed controller) to SN GS3214A-134999 | 1 |
| 14 | 228937GT | DECAL,SYM-MAXCAP CE GS2632 | 1 |
| 15 | 1256705GT | DECAL, O/R, PROP LIFT, UI, SVC (models with 6 button, proportional controller) | 1 |
| 16 | 1256705GT | DECAL, O/R, PROP LIFT, UI, SVC (units converted from 8 button, 2 speed lift to 6 button, proportional controller) | 1 |
| 17 | 1257923GT | DECAL, SMARTLINK PROPORTIONAL (models with 6 button, proportional controller, and units converted from 8 button, 2 speed lift to 6 button, proportional controller) | 2 |

Go to Discount-Equipment.com to order your parts



Battery Side



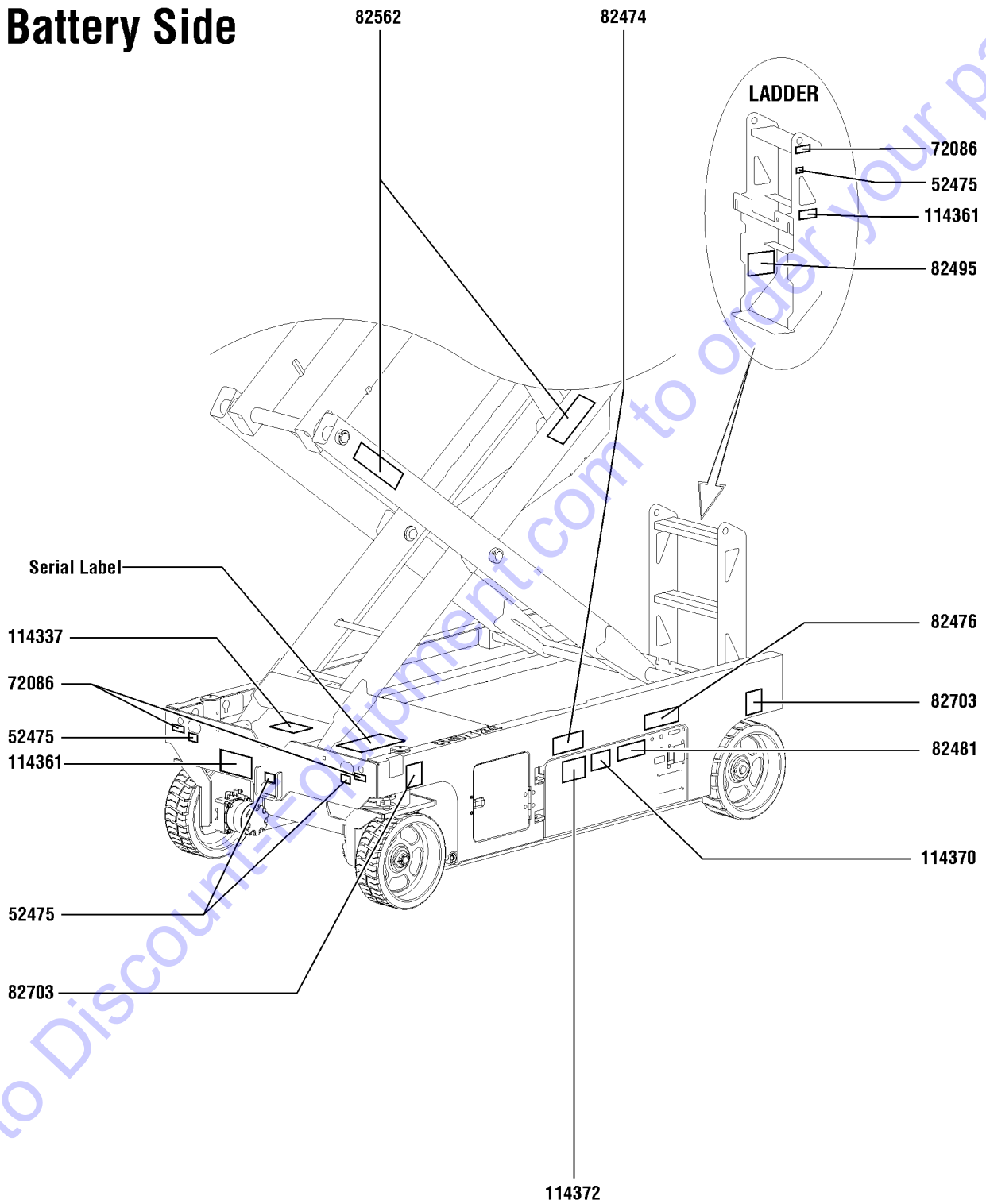
137.1 Symbol Decals, GS-2046, Battery Side, ANSI & CE

| Item | Part No. | Description | Qty. |
|------|----------|---|------|
| A | 217281GT | DECAL KIT,2046 PLAT.,SYM,ANSI (ANSI models with 2 speed controller) to SN GS4614A-134999 and to SN GS4614C-13999 | |
| B | 217282GT | DECAL KIT,2046 COMP.,SYM,ANSI (ANSI models with 2 speed controller) to SN GS4614A-134999 and to SN G46214C-13999 | |
| C | 217294GT | DECAL KIT,2046 PLAT.,SYM,CE (CE models with 2 speed controller) to SN GS4614A-134999 and to SN GS4614C-13999 | |
| D | 217295GT | DECAL KIT,2046 COMP.,SYM,CE (CE models with 2 speed controller) to SN GS4614A-134999 and to SN GS4614C-13999 | |
| 1 | 52475GT | DECAL,LABEL,TRANSPORT TIEDOWN* | 4 |
| 2 | 72086GT | DECAL,LABEL,LIFTING EYE | 3 |
| 3 | 82474GT | DECAL,SYMBOL-USE SAFETY ARM | 1 |
| 4 | 82476GT | DECAL,SYMBOL-ELEC HAZARD,GS | 1 |
| 5 | 82481GT | DECAL,SYMBOL-BATTERY SAFETY | 1 |
| 6 | 82495GT | DECAL,LABEL,FORKLIFT POCKET | 1 |
| 7 | 82562GT | DECAL,SYMBOL-CRUSHING HAZARD | 2 |
| 8 | 82703GT | DECAL,LABEL,WHEEL LOAD 2046 | 2 |
| 9 | 114337GT | DECAL, COMPARTMENT ACCESS | 1 |
| 10 | 114361GT | DECAL,SYM-TIP-OVER,LIM SWITCH | 2 |
| 11 | 114370GT | DECAL-SYM-TIP-OVR,BATTRIES | 1 |
| 12 | 114372GT | DECAL SYMBOL TIP OVER TRAYS | 1 |

Go to Discount-Equipment.com to order your parts



Battery Side



137.2 Symbol Decals, GS-2046C, Battery Side, ANSI & CE

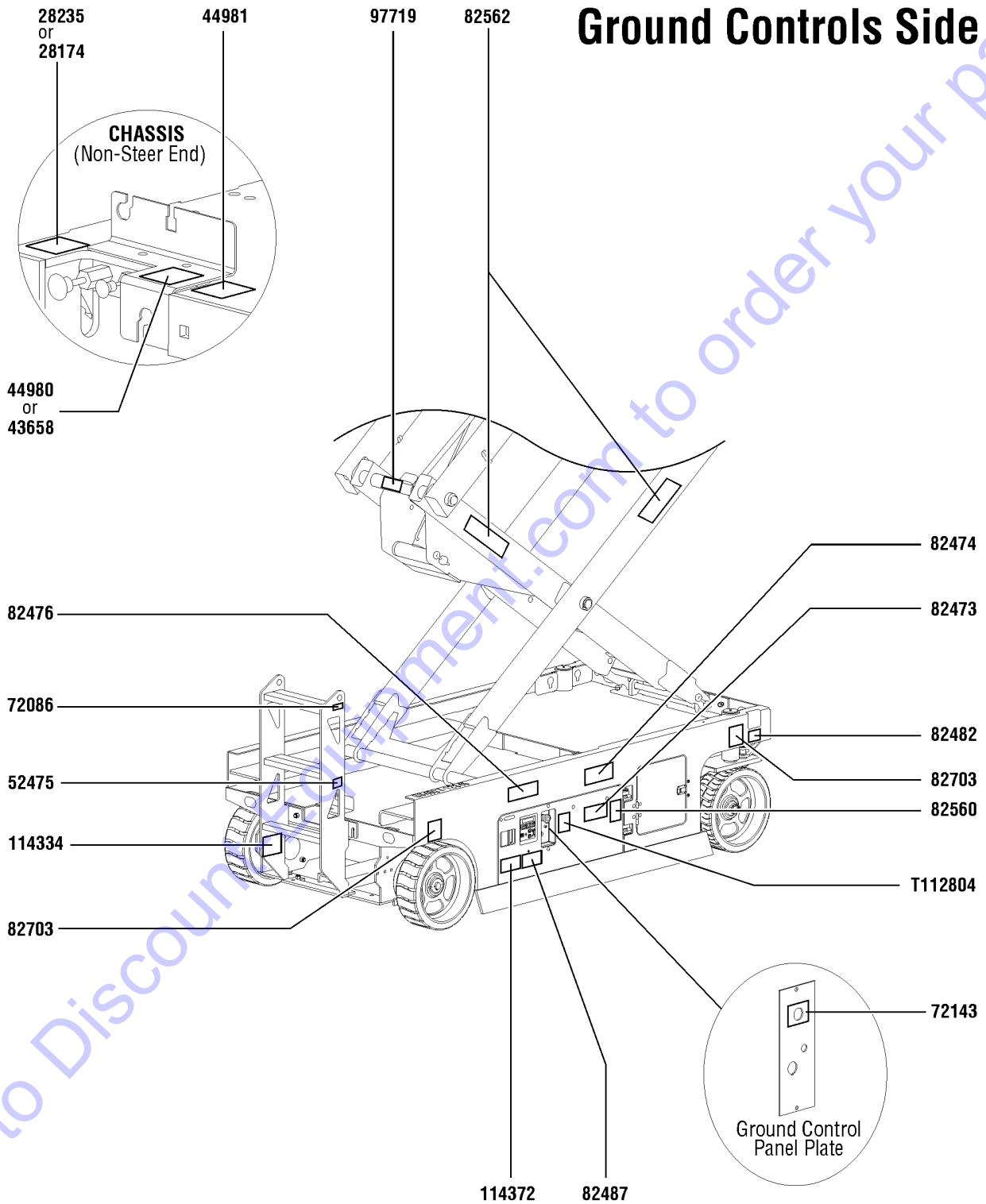
| Item | Part No. | Description | Qty. |
|------|----------|--|------|
| A | 217281GT | DECAL KIT,2046 PLAT.,SYM,ANSI (ANSI models only) (from SN GS4612A-110000 and GS4612C-10000) | |
| B | 217282GT | DECAL KIT,2046 COMP.,SYM,ANSI (ANSI models only) (from SN GS4612A-110000 and GS4612C-10000) | |
| C | 217294GT | DECAL KIT,2046 PLAT.,SYM,CE (CE models only) (from SN GS4612A-110000 and GS4612C-10000) | |
| D | 217295GT | DECAL KIT,2046 COMP.,SYM,CE (CE models only) (from SN GS4612A-110000 and GS4612C-10000) | |
| 1 | 52475GT | DECAL,LABEL,TRANSPORT TIEDOWN* | 4 |
| 2 | 72086GT | DECAL,LABEL,LIFTING EYE | 3 |
| 3 | 82474GT | DECAL,SYMBOL-USE SAFETY ARM | 1 |
| 4 | 82476GT | DECAL,SYMBOL-ELEC HAZARD,GS | 1 |
| 5 | 82481GT | DECAL,SYMBOL-BATTERY SAFETY | 1 |
| 6 | 82495GT | DECAL,LABEL,FORKLIFT POCKET | 1 |
| 7 | 82562GT | DECAL,SYMBOL-CRUSHING HAZARD | 2 |
| 8 | 82703GT | DECAL,LABEL,WHEEL LOAD 2046 | 2 |
| 9 | 114337GT | DECAL, COMPARTMENT ACCESS | 1 |
| 10 | 114361GT | DECAL,SYM-TIP-OVER,LIM SWITCH | 2 |
| 11 | 114370GT | DECAL-SYM-TIP-OVR,BATTRIES | 1 |
| 12 | 114372GT | DECAL SYMBOL TIP OVER TRAYS | 1 |

Go to Discount-Equipment.com to order your parts



138.1 Symbol Decals, GS-2046, Ground Control Side, ANSI and CE

Ground Controls Side



138.1 Symbol Decals, GS-2046, Ground Control Side, ANSI and CE

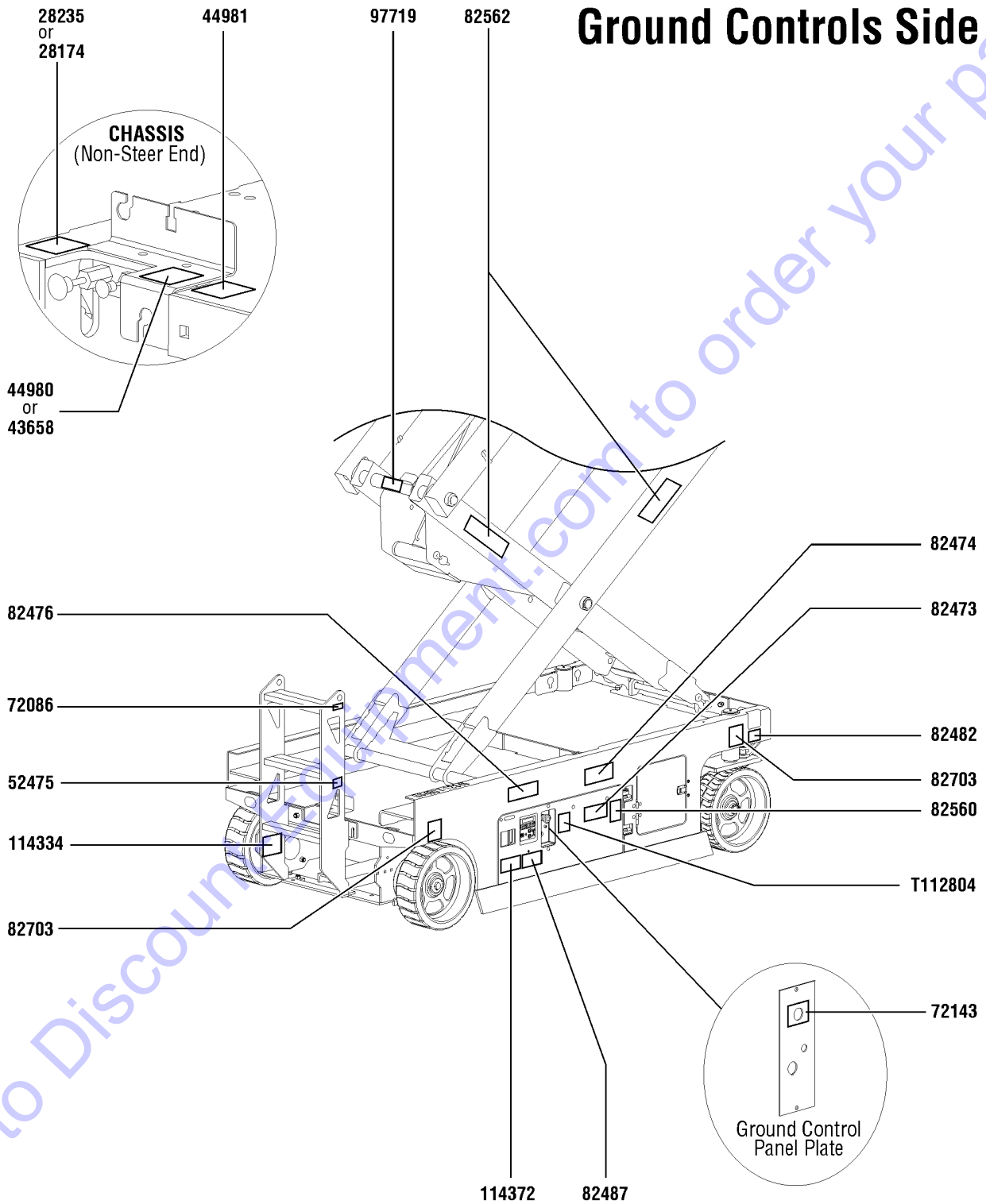
| Item | Part No. | Description | Qty. |
|------|-----------|--|------|
| - | | REF: Symbol Decal Kits (refer to 113.1) | |
| 1 | 28174GT | DECAL,POWER TO PLATFORM 230V | 1 |
| 2 | 28235GT | DECAL,POWER TO PLATFORM 115V | 1 |
| 3 | 43658GT | DECAL,LABEL,PWR TO CHARGR 230V | 1 |
| 4 | 44980GT | DECAL,LABEL,PWR TO CHARGR 115V | 1 |
| 5 | 44981GT | DECAL,LABEL,AIRLINE 110 PSI (Option) | 1 |
| 6 | 52475GT | DECAL,LABEL,TRANSPORT TIEDOWN* | 1 |
| 7 | 72086GT | DECAL,LABEL,LIFTING EYE | 1 |
| 8 | 72143GT | DECAL,EMERGENCY STOP,GR | 1 |
| 9 | 82473GT | DECAL,SYMBOL-COMP ACCESS | 1 |
| 10 | 82474GT | DECAL,SYMBOL-USE SAFETY ARM | 1 |
| 11 | 82476GT | DECAL,SYMBOL-ELEC HAZARD,GS | 1 |
| 12 | 82482GT | DECAL,LABEL,AUX LOWERING | 1 |
| 13 | 82487GT | DECAL,SYMBOL-READ THE MANUAL | 1 |
| 14 | 82560GT | DECAL,SYMBOL-SKIN INJECT HAZRD | 1 |
| 15 | 82562GT | DECAL,SYMBOL-CRUSHING HAZARD | 2 |
| 16 | 82703GT | DECAL,LABEL,WHEEL LOAD 2046 | 2 |
| 17 | 97719GT | DECAL, LABEL, SAFETY ARM SYMB | 1 |
| 18 | 114334GT | DECAL SYMBOL ELECTRIC HAZARD PLUG | 1 |
| 19 | 114372GT | DECAL SYMBOL TIP OVER TRAYS | 1 |
| 20 | T112804GT | DECAL,GCON PANEL,GS | 1 |

Go to DiscountEquipment.com to order your parts



138.2 Symbol Decals, GS-2046C, Ground Control Side, ANSI and CE

Ground Controls Side



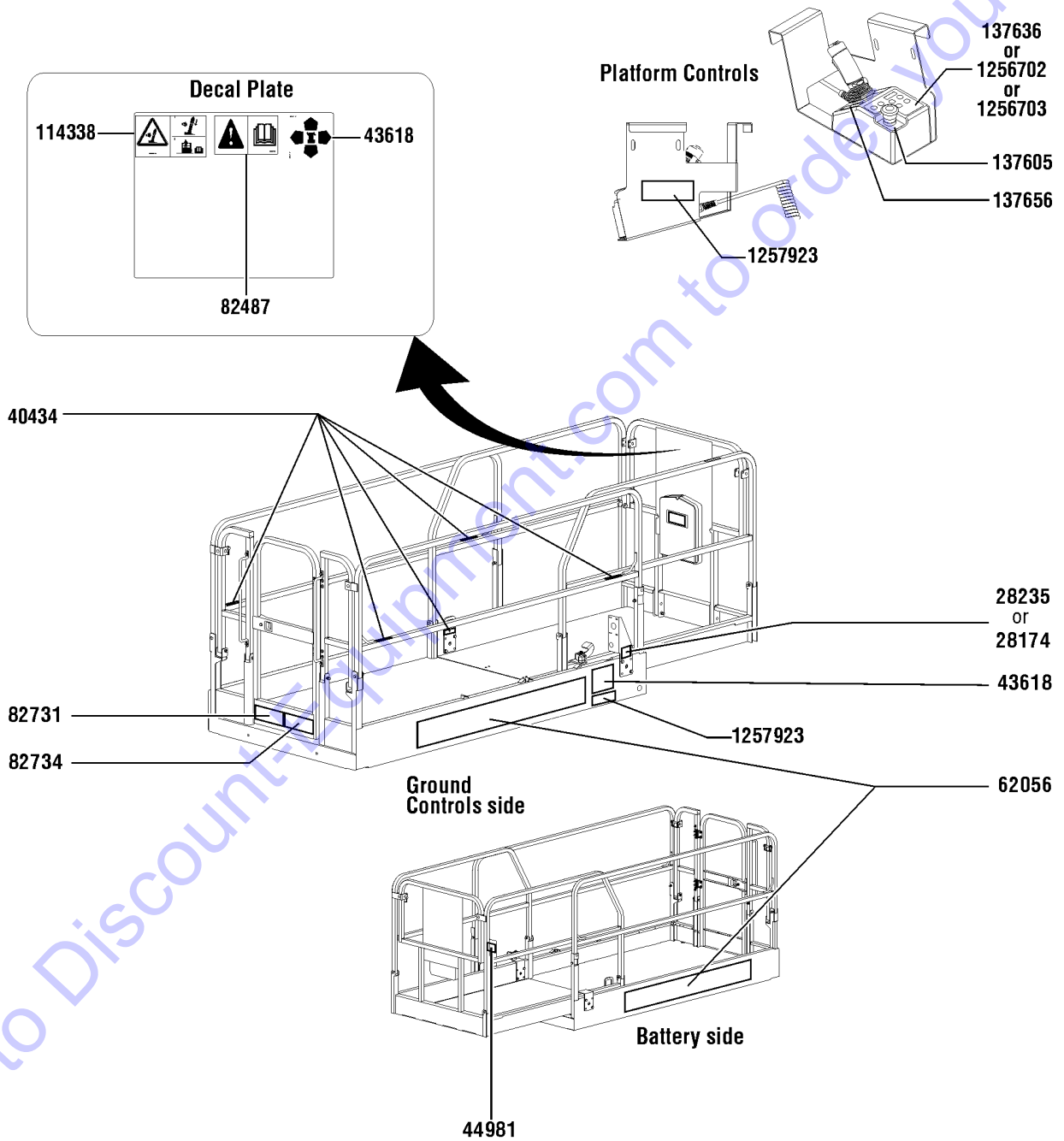
138.2 Symbol Decals, GS-2046C, Ground Control Side, ANSI and CE

| Item | Part No. | Description | Qty. |
|------|-----------|---|------|
| 1 | 28174GT | DECAL,POWER TO PLATFORM 230V | 1 |
| 2 | 28235GT | DECAL,POWER TO PLATFORM 115V | 1 |
| 3 | 43658GT | DECAL,LABEL,PWR TO CHARGR 230V | 1 |
| 4 | 44980GT | DECAL,LABEL,PWR TO CHARGR 115V | 1 |
| 5 | 44981GT | DECAL,LABEL,AIRLINE 110 PSI (Option) | 1 |
| 6 | 52475GT | DECAL,LABEL,TRANSPORT TIEDOWN* | 1 |
| 7 | 72086GT | DECAL,LABEL,LIFTING EYE | 1 |
| 8 | 72143GT | DECAL,EMERGENCY STOP,GR | 1 |
| 9 | 82473GT | DECAL,SYMBOL-COMP ACCESS | 1 |
| 10 | 82474GT | DECAL,SYMBOL-USE SAFETY ARM | 1 |
| 11 | 82476GT | DECAL,SYMBOL-ELEC HAZARD,GS | 1 |
| 12 | 82482GT | DECAL,LABEL,AUX LOWERING | 1 |
| 13 | 82487GT | DECAL,SYMBOL-READ THE MANUAL | 1 |
| 14 | 82560GT | DECAL,SYMBOL-SKIN INJECT HAZRD | 1 |
| 15 | 82562GT | DECAL,SYMBOL-CRUSHING HAZARD | 2 |
| 16 | 82703GT | DECAL,LABEL,WHEEL LOAD 2046 | 2 |
| 17 | 97719GT | DECAL, LABEL, SAFETY ARM SYMB | 1 |
| 18 | 114334GT | DECAL SYMBOL ELECTRIC HAZARD PLUG | 1 |
| 19 | 114372GT | DECAL SYMBOL TIP OVER TRAYS | 1 |
| 20 | T112804GT | DECAL,GCON PANEL,GS | 1 |

Go to DiscountEquipment.com to order your parts



Platform, ANSI models



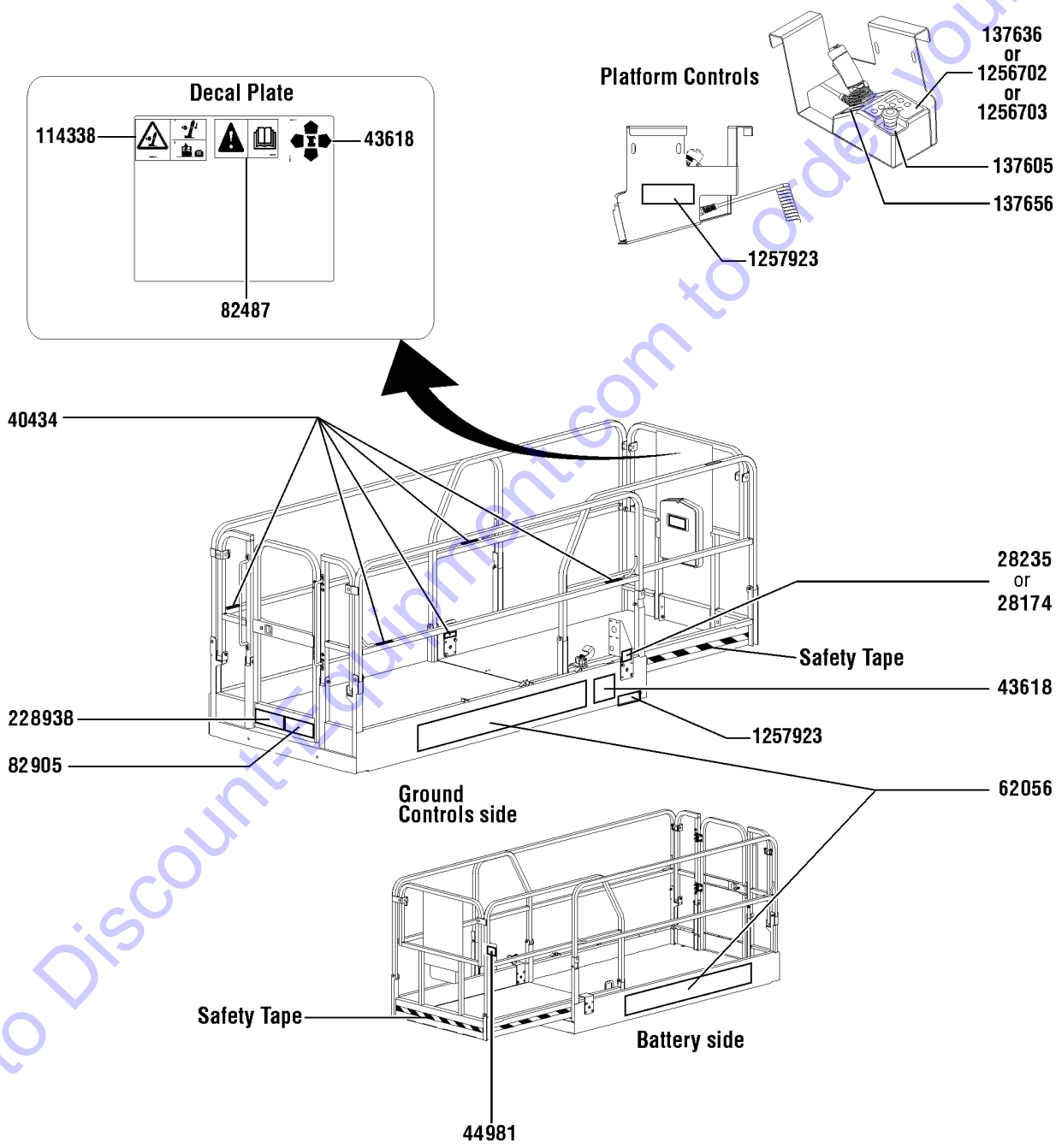
139.1 Symbol Decals, GS-2046, Platform, ANSI

| Item | Part No. | Description | Qty. |
|------|-----------|---|------|
| - | | REF: Symbol Decal Kits (refer to 113.1) | |
| 1 | 28174GT | DECAL,POWER TO PLATFORM 230V | 1 |
| 2 | 28235GT | DECAL,POWER TO PLATFORM 115V | 1 |
| 3 | 40434GT | DECAL,LANYARD ANCHORAGE POINT | 5 |
| 4 | 43618GT | DECAL,LABEL-DIRECTION ARROWS | 2 |
| 5 | 44981GT | DECAL,LABEL,AIRLINE 110 PSI (Option) | 1 |
| 6 | 62056GT | DECAL,COSMETIC,GENIE GS-2046** | 2 |
| 7 | 82487GT | DECAL,SYMBOL-READ THE MANUAL | 1 |
| 8 | 82731GT | DECAL,SYM-MAXCAP 1200 | 1 |
| 9 | 82734GT | DECAL,SYM-SIDE FORCE 2046 | 1 |
| 10 | 114338GT | DECAL,SYM-TIP-OVR,TILT ALARM | 1 |
| 11 | 137605GT | DECAL,E-STOP,GR/GRC/GS PCON | 1 |
| 12 | 137636GT | DECAL, UI, GR/GRC/GS PCON (models with 6 button, 2 speed controller) to SN GS4614A-134999 and to SN GS4614C-13999 | 1 |
| 13 | 137656GT | DECAL,PROPEL,GR/GRC/GS,PCON | 1 |
| 14 | 1256702GT | DECAL, UI, GS/GR, PROP LIFT (models with 4 button, proportional controller) | 1 |
| 15 | 1256703GT | DECAL, STD, PROP LIFT, UI, SVC (units converted from 6 button, 2 speed lift to 4 button, proportional controller) | 1 |
| 16 | 1257923GT | DECAL, SMARTLINK PROPORTIONAL (models with 4 button, proportional controller, and units converted from 6 button, 2 speed lift to 4 button, proportional controller) | 2 |

Go to Discount-Equipment.com to order your parts



Platform, CE models



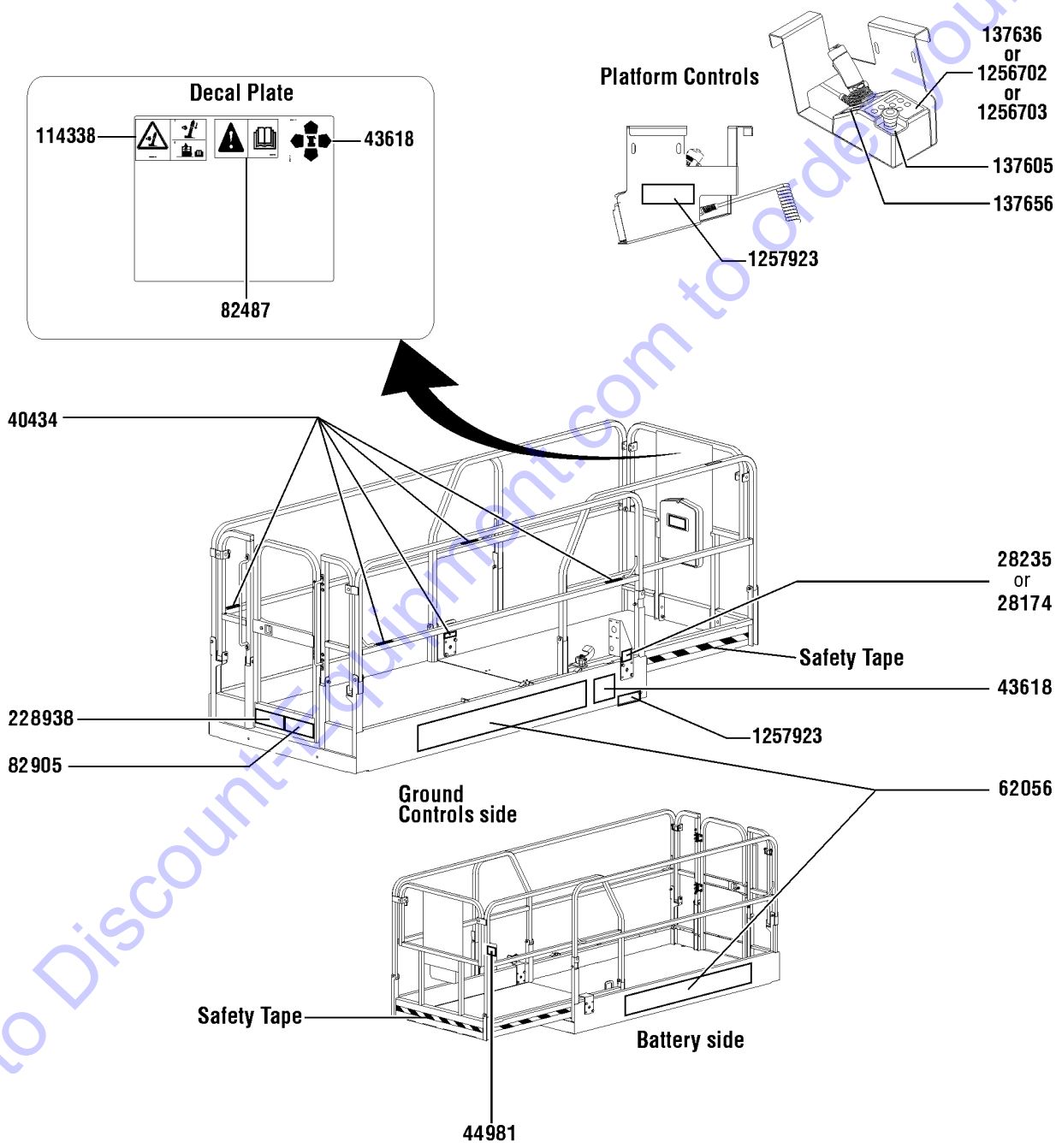
140.1 Symbol Decals, GS-2046, Platform, CE

| Item | Part No. | Description | Qty. |
|------|-----------|---|------|
| - | | REF: Symbol Decal Kits (refer to 113.1) | |
| 1 | 28174GT | DECAL,POWER TO PLATFORM 230V | 1 |
| 2 | 28235GT | DECAL,POWER TO PLATFORM 115V | 1 |
| 3 | 40434GT | DECAL,LANYARD ANCHORAGE POINT | 5 |
| 4 | 43618GT | DECAL,LABEL-DIRECTION ARROWS | 2 |
| 5 | 44981GT | DECAL,LABEL,AIRLINE 110 PSI (Option) | 1 |
| 6 | 62056GT | DECAL,COSMETIC,GENIE GS-2046** | 2 |
| 7 | 82487GT | DECAL,SYMBOL-READ THE MANUAL | 1 |
| 8 | 82905GT | DECAL,SYM-SIDEFORCE 400N | 1 |
| 9 | 114338GT | DECAL,SYM-TIP-OVR,TILT ALARM | 1 |
| 10 | 137605GT | DECAL,E-STOP,GR/GRC/GS PCON | 1 |
| 11 | 137636GT | DECAL, UI, GR/GRC/GS PCON (models with 6 button, 2 speed controller) to SN GS4614A-134999 and to SN GS4614C-13999 | 1 |
| 12 | 137656GT | DECAL,PROPEL,GR/GRC/GS,PCON | 1 |
| 13 | 228938GT | DECAL,SYM,MAXCAP CE,GS2046 | 1 |
| 14 | 1256702GT | DECAL, UI, GS/GR, PROP LIFT (models with 4 button, proportional controller) | 1 |
| 15 | 1256703GT | DECAL, STD, PROP LIFT, UI, SVC (units converted from 6 button, 2 speed lift to 4 button, proportional controller) | 1 |
| 16 | 1257923GT | DECAL, SMARTLINK PROPORTIONAL (models with 4 button, proportional controller, and units converted from 6 button, 2 speed lift to 4 button, proportional controller) | 2 |

Go to Discount-Equipment.com to order your parts



Platform, CE models



140.2 Symbol Decals, GS-2046C, Platform, CE

| Item | Part No. | Description | Qty. |
|------|-----------|---|------|
| 1 | 28174GT | DECAL,POWER TO PLATFORM 230V | 1 |
| 2 | 28235GT | DECAL,POWER TO PLATFORM 115V | 1 |
| 3 | 40434GT | DECAL,LANYARD ANCHORAGE POINT | 5 |
| 4 | 43618GT | DECAL,LABEL-DIRECTION ARROWS | 2 |
| 5 | 44981GT | DECAL,LABEL,AIRLINE 110 PSI | 1 |
| | | (Option) | |
| 6 | 62056GT | DECAL,COSMETIC,GENIE GS-2046** | 2 |
| 7 | 82487GT | DECAL,SYMBOL-READ THE MANUAL | 1 |
| 8 | 82905GT | DECAL,SYM-SIDEFORCE 400N | 1 |
| 9 | 114338GT | DECAL,SYM-TIP-OVR,TILT ALARM | 1 |
| 10 | 137605GT | DECAL,E-STOP,GR/GRC/GS PCON | 1 |
| 11 | 137636GT | DECAL, UI, GR/GRC/GS PCON | 1 |
| | | (models with 6 button, 2 speed controller) to SN GS4614A-134999 and to SN GS4614C-13999 | |
| 12 | 137656GT | DECAL,PROPEL,GR/GRC/GS,PCON | 1 |
| 13 | 228938GT | DECAL,SYM,MAXCAP CE,GS2046 | 1 |
| 14 | 1256702GT | DECAL, UI, GS/GR, PROP LIFT | 1 |
| | | (models with 4 button, proportional controller) | |
| 15 | 1256703GT | DECAL, STD, PROP LIFT, UI, SVC | 1 |
| | | (units converted from 6 button, 2 speed lift to 4 button, proportional controller) | |
| 16 | 1257923GT | DECAL, SMARTLINK PROPORTIONAL | 2 |
| | | (models with 4 button, proportional controller, and units converted from 6 button, 2 speed lift to 4 button, proportional controller) | |

Go to Discount-Equipment.com to order your parts



141.1 Symbol Decals, GS-2646, Battery Side, ANSI & CE

| Item | Part No. | Description | Qty. |
|------|----------|---|------|
| A | 217283GT | DECAL KIT,2646 PLAT.,SYM,ANSI (ANSI models with 2 speed controller) to SN GS4614A-134999 and to SN GS4614C-13999 | |
| B | 217284GT | DECAL KIT,2646 COMP.,SYM,ANSI (ANSI models with 2 speed controller) to SN GS4614A-134999 and to SN GS4614C-13999 | |
| C | 217296GT | DECAL KIT,2646 PLAT.,SYM,CE (CE models with 2 speed controller) to SN GS4614A-134999 and to SN GS4614C-13999 | |
| D | 217297GT | DECAL KIT,2646 COMP.,SYM,CE (CE models with 2 speed controller) to SN GS4614A-134999 and to SN GS4614C-13999 | |
| 1 | 52475GT | DECAL,LABEL,TRANSPORT TIEDOWN* | 4 |
| 2 | 72086GT | DECAL,LABEL,LIFTING EYE | 3 |
| 3 | 82474GT | DECAL,SYMBOL-USE SAFETY ARM | 1 |
| 4 | 82476GT | DECAL,SYMBOL-ELEC HAZARD,GS | 1 |
| 5 | 82481GT | DECAL,SYMBOL-BATTERY SAFETY | 1 |
| 6 | 82495GT | DECAL,LABEL,FORKLIFT POCKET | 1 |
| 7 | 82562GT | DECAL,SYMBOL-CRUSHING HAZARD | 2 |
| 8 | 82704GT | DECAL,LABEL,WHEEL LOAD 2646 | 2 |
| 9 | 114337GT | DECAL, COMPARTMENT ACCESS | 1 |
| 10 | 114361GT | DECAL,SYM-TIP-OVER,LIM SWITCH | 2 |
| 11 | 114370GT | DECAL-SYM-TIP-OVR,BATTRIES | 1 |
| 12 | 114372GT | DECAL SYMBOL TIP OVER TRAYS | 1 |

Go to Discount-Equipment.com to order your parts



PARTS FINDER

**Search Website
by Part Number**



**Search Manual
Library For Parts
Manual & Lookup Part
Numbers – Purchase
or Request Quote**

**Can't Find Part or
Manual? Request Help
by Manufacturer,
Model & Description**

Discount-Equipment.com is your online resource for quality parts & equipment.

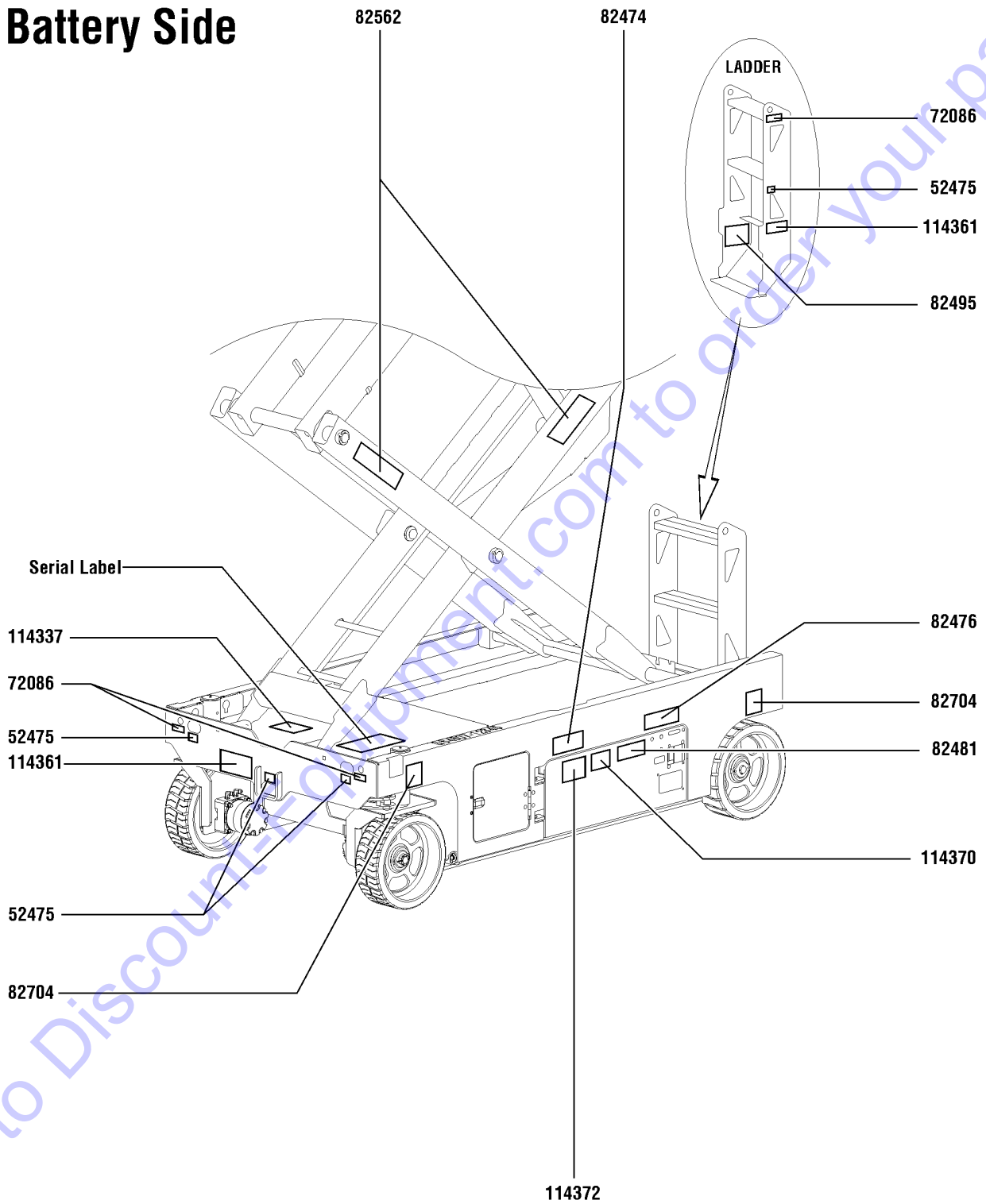
Florida: **561-964-4949** Outside Florida TOLL FREE: **877-690-3101**

Need parts?

Click on this link: <http://www.discount-equipment.com/category/5443-parts/> and choose one of the options to help get the right parts and equipment you are looking for. Please have the machine model and serial number available in order to help us get you the correct parts. If you don't find the part on the website or on one of the online manuals, please fill out the request form and one of our experienced staff members will get back to you with a quote for the right part that your machine needs.

We sell worldwide for the brands: Genie, Terex, JLG, MultiQuip, Mikasa, Essick, Whiteman, Mayco, Toro Stone, Diamond Products, Generac Magnum, Airman, Haulotte, Barreto, Power Blanket, Nifty Lift, Atlas Copco, Chicago Pneumatic, Allmand, Miller Curber, Skyjack, Lull, Skytrak, Tsurumi, Husquvarna Target, Stow, Wacker, Sakai, Mi-T-M, Sullair, Basic, Dynapac, MBW, Weber, Bartell, Bennar Newman, Haulotte, Ditch Runner, Menegotti, Morrison, Contec, Buddy, Crown, Edco, Wyco, Bomag, Laymor, EZ Trench, Bil-Jax, F.S. Curtis, Gehl Pavers, Heli, Honda, ICS/PowerGrit, IHI, Partner, Imer, Clipper, MMD, Koshin, Rice, CH&E, General Equipment, Amida, Coleman, NAC, Gradall, Square Shooter, Kent, Stanley, Tamco, Toku, Hatz, Kohler, Robin, Wisconsin, Northrock, Oztec, Toker TK, Rol-Air, APT, Wylie, Ingersoll Rand / Doosan, Innovatech, Con X, Ammann, Mecalac, Makinex, Smith Surface Prep, Small Line, Wanco, Yanmar

Battery Side



141.2 Symbol Decals, GS-2646C, Battery Side, ANSI & CE

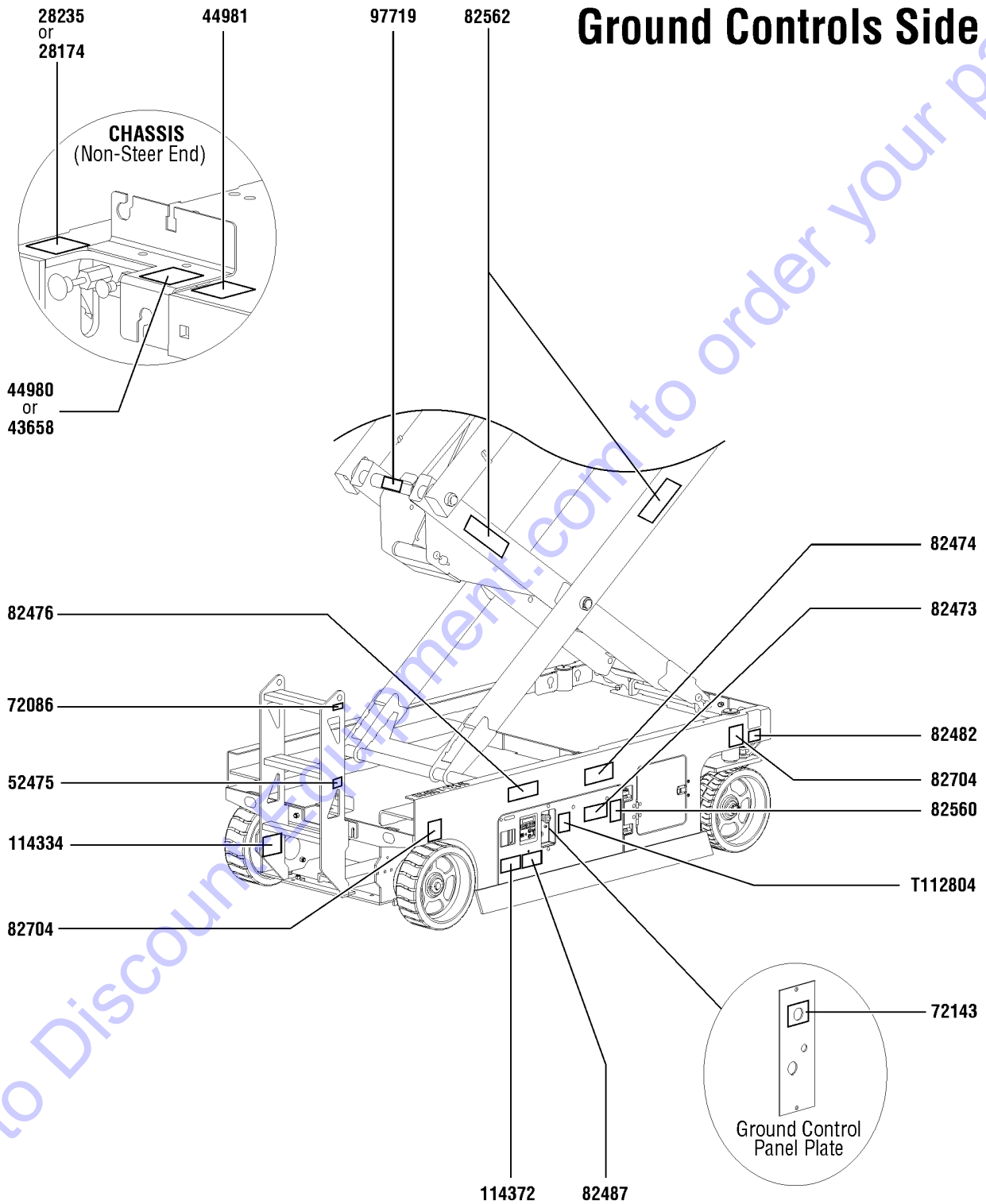
| Item | Part No. | Description | Qty. |
|------|----------|--|------|
| A | 217283GT | DECAL KIT,2646 PLAT.,SYM,ANSI (ANSI models only) (from SN GS4612A-110000 and GS4612C-10000) | |
| B | 217284GT | DECAL KIT,2646 COMP.,SYM,ANSI (ANSI models only) (from SN GS4612A-110000 and GS4612C-10000) | |
| C | 217296GT | DECAL KIT,2646 PLAT.,SYM,CE (CE models only) (from SN GS4612A-110000 and GS4612C-10000) | |
| D | 217297GT | DECAL KIT,2646 COMP.,SYM,CE (CE models only) (from SN GS4612A-110000 and GS4612C-10000) | |
| 1 | 52475GT | DECAL,LABEL,TRANSPORT TIEDOWN* | 4 |
| 2 | 72086GT | DECAL,LABEL,LIFTING EYE | 3 |
| 3 | 82474GT | DECAL,SYMBOL-USE SAFETY ARM | 1 |
| 4 | 82476GT | DECAL,SYMBOL-ELEC HAZARD,GS | 1 |
| 5 | 82481GT | DECAL,SYMBOL-BATTERY SAFETY | 1 |
| 6 | 82495GT | DECAL,LABEL,FORKLIFT POCKET | 1 |
| 7 | 82562GT | DECAL,SYMBOL-CRUSHING HAZARD | 2 |
| 8 | 82704GT | DECAL,LABEL,WHEEL LOAD 2646 | 2 |
| 9 | 114337GT | DECAL, COMPARTMENT ACCESS | 1 |
| 10 | 114361GT | DECAL,SYM-TIP-OVER,LIM SWITCH | 2 |
| 11 | 114370GT | DECAL-SYM-TIP-OVR,BATTRIES | 1 |
| 12 | 114372GT | DECAL SYMBOL TIP OVER TRAYS | 1 |

Go to Discount-Equipment.com to order your parts



142.1 Symbol Decals, GS-2646, Ground Control Side, ANSI and CE

Ground Controls Side



Go to DiscountEquipment.com to order your parts



142.1 Symbol Decals, GS-2646, Ground Control Side, ANSI and CE

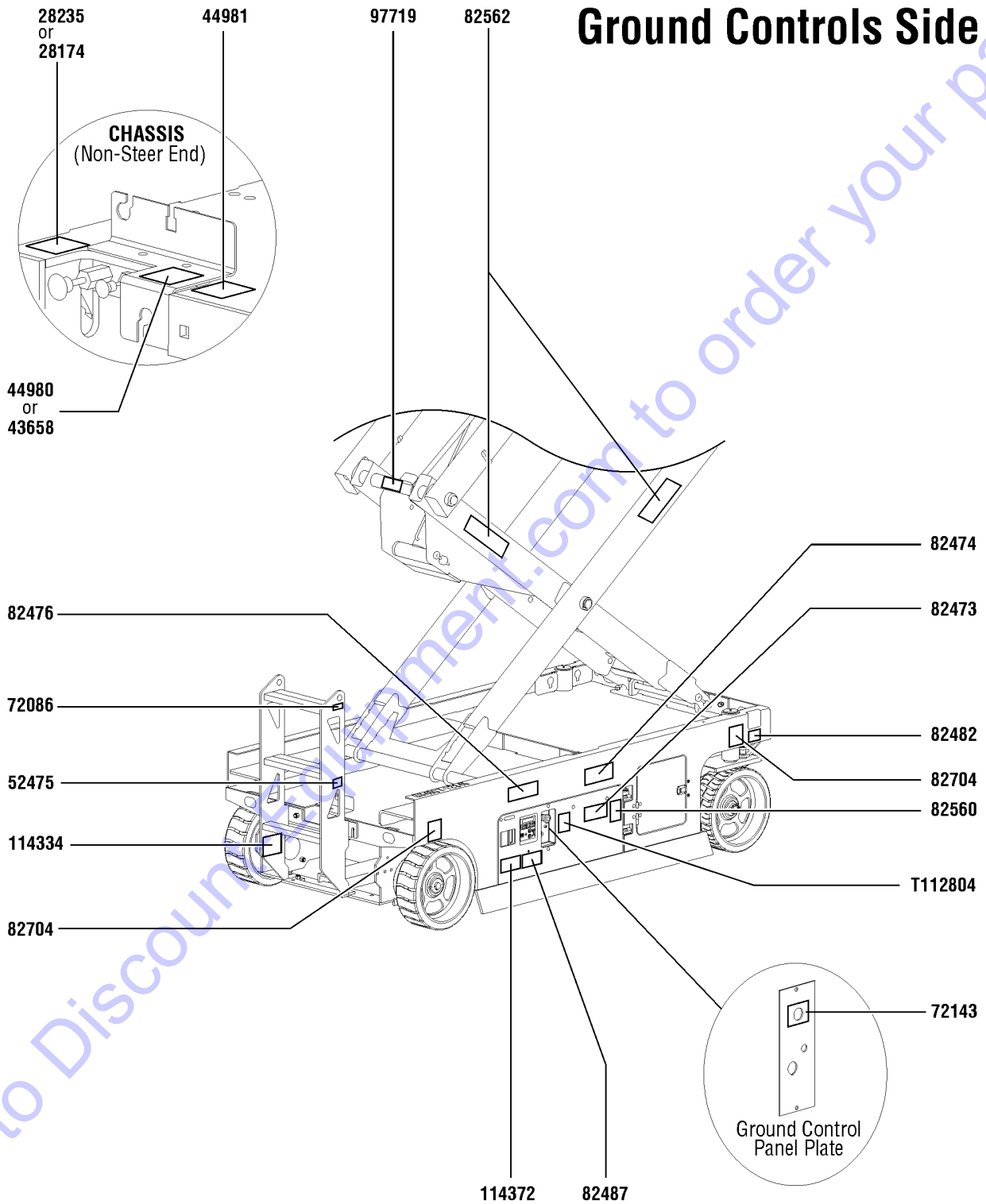
| Item | Part No. | Description | Qty. |
|------|-----------|--|------|
| - | | REF: Symbol Decal Kits (refer to 141.1) | |
| 1 | 28174GT | DECAL,POWER TO PLATFORM 230V | 1 |
| 2 | 28235GT | DECAL,POWER TO PLATFORM 115V | 1 |
| 3 | 43658GT | DECAL,LABEL,PWR TO CHARGR 230V | 1 |
| 4 | 44980GT | DECAL,LABEL,PWR TO CHARGR 115V | 1 |
| 5 | 44981GT | DECAL,LABEL,AIRLINE 110 PSI (Option) | 1 |
| 6 | 52475GT | DECAL,LABEL,TRANSPORT TIEDOWN* | 1 |
| 7 | 72086GT | DECAL,LABEL,LIFTING EYE | 1 |
| 8 | 72143GT | DECAL,EMERGENCY STOP,GR | 1 |
| 9 | 82473GT | DECAL,SYMBOL-COMP ACCESS | 1 |
| 10 | 82474GT | DECAL,SYMBOL-USE SAFETY ARM | 1 |
| 11 | 82476GT | DECAL,SYMBOL-ELEC HAZARD,GS | 1 |
| 12 | 82482GT | DECAL,LABEL,AUX LOWERING | 1 |
| 13 | 82487GT | DECAL,SYMBOL-READ THE MANUAL | 1 |
| 14 | 82560GT | DECAL,SYMBOL-SKIN INJECT HAZRD | 1 |
| 15 | 82562GT | DECAL,SYMBOL-CRUSHING HAZARD | 2 |
| 16 | 82704GT | DECAL,LABEL,WHEEL LOAD 2646 | 2 |
| 17 | 97719GT | DECAL, LABEL, SAFETY ARM SYMB | 1 |
| 18 | 114334GT | DECAL SYMBOL ELECTRIC HAZARD PLUG | 1 |
| 19 | 114372GT | DECAL SYMBOL TIP OVER TRAYS | 1 |
| 20 | T112804GT | DECAL,GCON PANEL,GS | 1 |

Go to DiscountEquipment.com to order your parts



142.2 Symbol Decals, GS-2646C, Ground Control Side, ANSI and CE

Ground Controls Side



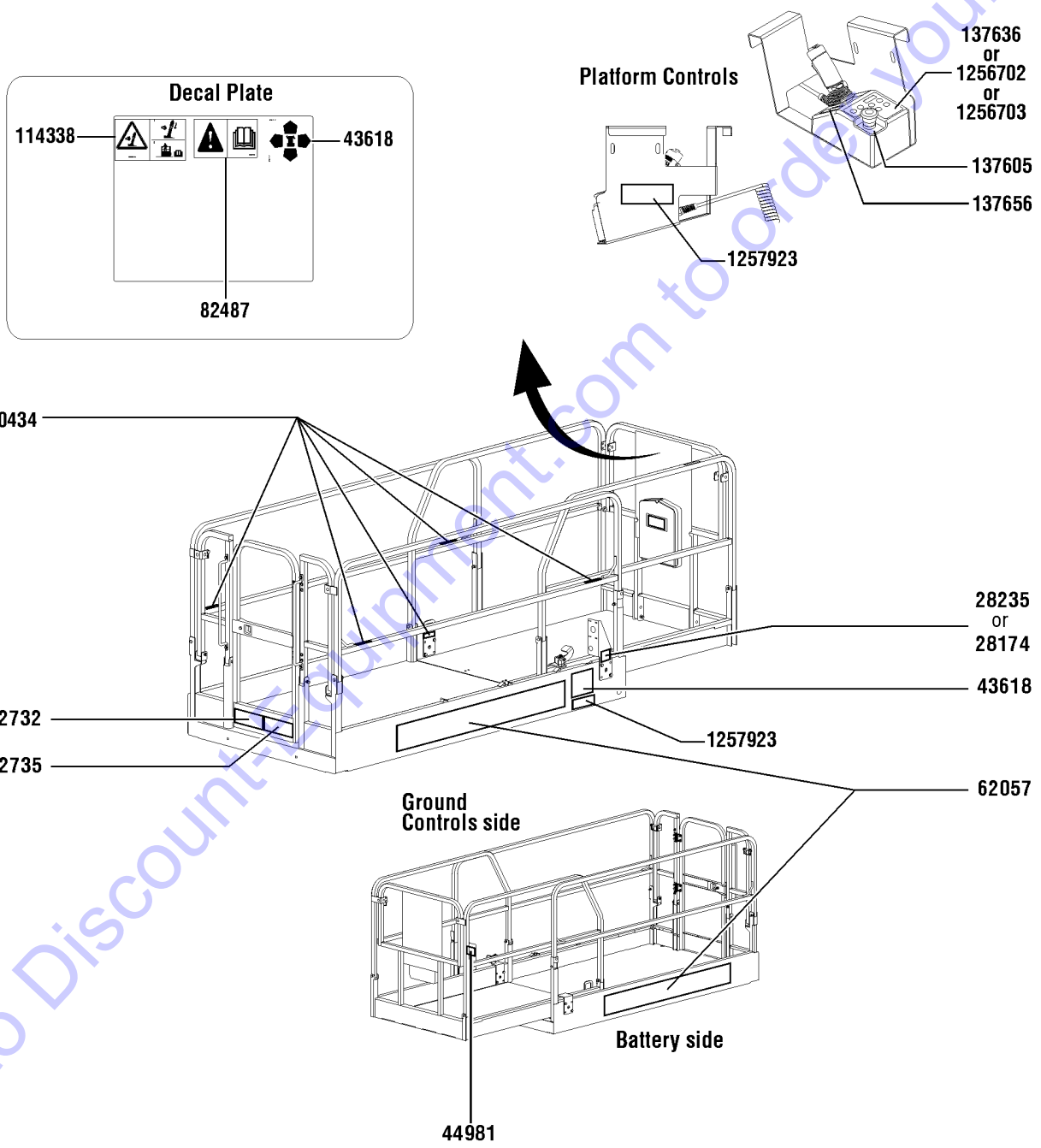
142.2 Symbol Decals, GS-2646C, Ground Control Side, ANSI and CE

| Item | Part No. | Description | Qty. |
|------|-----------|--|------|
| - | | REF: Symbol Decal Kits (refer to 141.1) | |
| 1 | 28174GT | DECAL,POWER TO PLATFORM 230V | 1 |
| 2 | 28235GT | DECAL,POWER TO PLATFORM 115V | 1 |
| 3 | 43658GT | DECAL,LABEL,PWR TO CHARGR 230V | 1 |
| 4 | 44980GT | DECAL,LABEL,PWR TO CHARGR 115V | 1 |
| 5 | 44981GT | DECAL,LABEL,AIRLINE 110 PSI (Option) | 1 |
| 6 | 52475GT | DECAL,LABEL,TRANSPORT TIEDOWN* | 1 |
| 7 | 72086GT | DECAL,LABEL,LIFTING EYE | 1 |
| 8 | 72143GT | DECAL,EMERGENCY STOP,GR | 1 |
| 9 | 82473GT | DECAL,SYMBOL-COMP ACCESS | 1 |
| 10 | 82474GT | DECAL,SYMBOL-USE SAFETY ARM | 1 |
| 11 | 82476GT | DECAL,SYMBOL-ELEC HAZARD,GS | 1 |
| 12 | 82482GT | DECAL,LABEL,AUX LOWERING | 1 |
| 13 | 82487GT | DECAL,SYMBOL-READ THE MANUAL | 1 |
| 14 | 82560GT | DECAL,SYMBOL-SKIN INJECT HAZRD | 1 |
| 15 | 82562GT | DECAL,SYMBOL-CRUSHING HAZARD | 2 |
| 16 | 82704GT | DECAL,LABEL,WHEEL LOAD 2646 | 2 |
| 17 | 97719GT | DECAL, LABEL, SAFETY ARM SYMB | 1 |
| 18 | 114334GT | DECAL SYMBOL ELECTRIC HAZARD PLUG | 1 |
| 19 | 114372GT | DECAL SYMBOL TIP OVER TRAYS | 1 |
| 20 | T112804GT | DECAL,GCON PANEL,GS | 1 |

Go to DiscountEquipment.com to order your parts



Platform, ANSI models



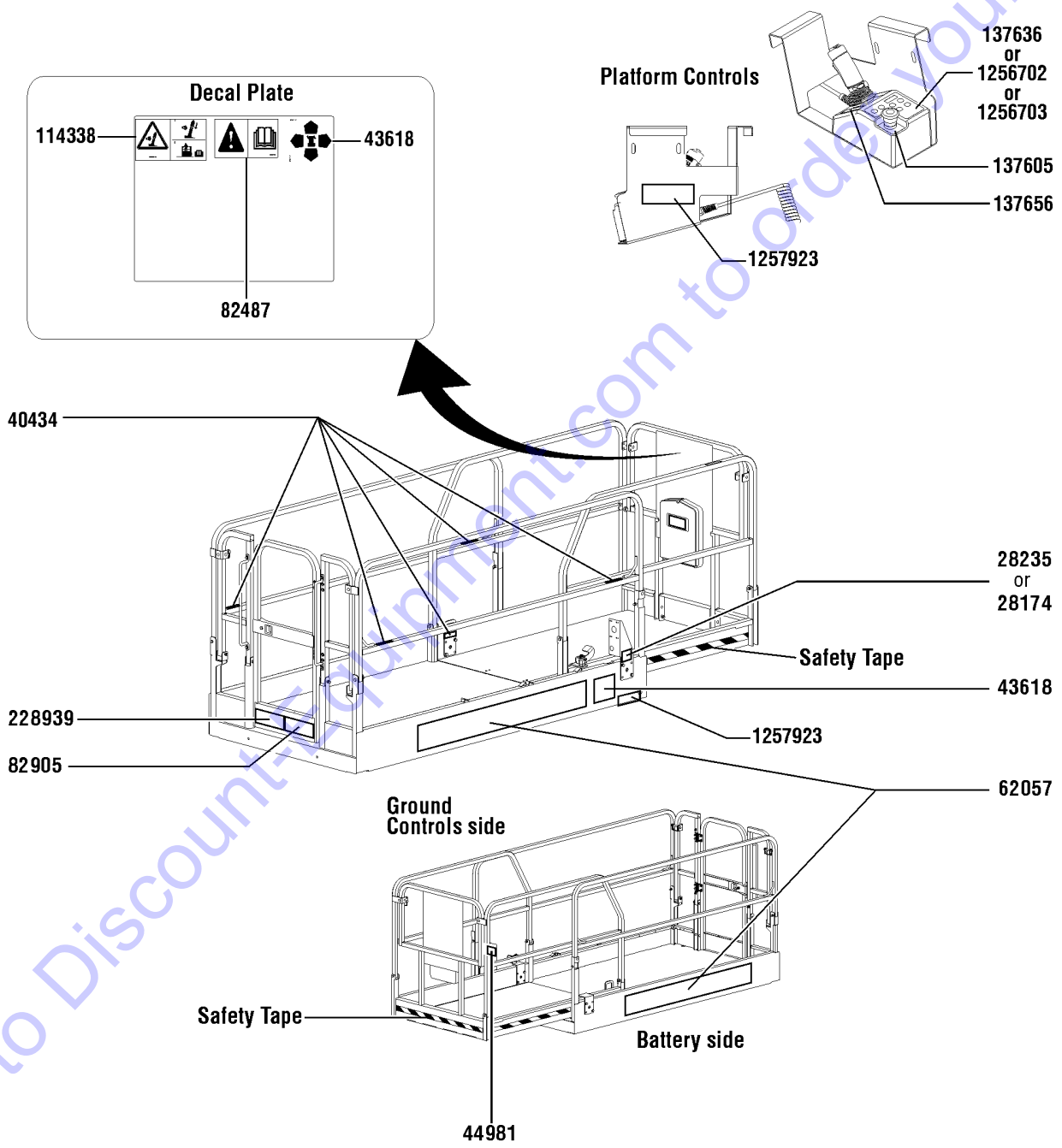
Go to DiscountEquipment.com to order your parts

143.1 Symbol Decals, GS-2646, Platform, ANSI

| Item | Part No. | Description | Qty. |
|------|-----------|---|------|
| - | | REF: Symbol Decal Kits (refer to 141.1) | |
| 1 | 28174GT | DECAL,POWER TO PLATFORM 230V | 1 |
| 2 | 28235GT | DECAL,POWER TO PLATFORM 115V | 1 |
| 3 | 40434GT | DECAL,LANYARD ANCHORAGE POINT | 5 |
| 4 | 43618GT | DECAL,LABEL-DIRECTION ARROWS | 2 |
| 5 | 44981GT | DECAL,LABEL,AIRLINE 110 PSI (Option) | 1 |
| 6 | 62057GT | DECAL,COSMETIC,GENIE GS-2646 | 2 |
| 7 | 82487GT | DECAL,SYMBOL-READ THE MANUAL | 1 |
| 8 | 82732GT | DECAL,SYM-MAXCAP 1000 | 1 |
| 9 | 82735GT | DECAL,SYM-SIDE FORCE 2646 | 1 |
| 10 | 114338GT | DECAL,SYM-TIP-OVR,TILT ALARM | 1 |
| 11 | 137605GT | DECAL,E-STOP,GR/GRC/GS PCON | 1 |
| 12 | 137636GT | DECAL, UI, GR/GRC/GS PCON (models with 6 button, 2 speed controller) to SN GS4614A-134999 and to SN GS4614C-13999 | 1 |
| 13 | 137656GT | DECAL,PROPEL,GR/GRC/GS,PCON | 1 |
| 14 | 1256702GT | DECAL, UI, GS/GR, PROP LIFT (models with 4 button, proportional controller) | 1 |
| 15 | 1256703GT | DECAL, STD, PROP LIFT, UI, SVC (units converted from 6 button, 2 speed lift to 4 button, proportional controller) | 1 |
| 16 | 1257923GT | DECAL, SMARTLINK PROPORTIONAL (models with 4 button, proportional controller, and units converted from 6 button, 2 speed lift to 4 button, proportional controller) | 2 |



Platform, CE models



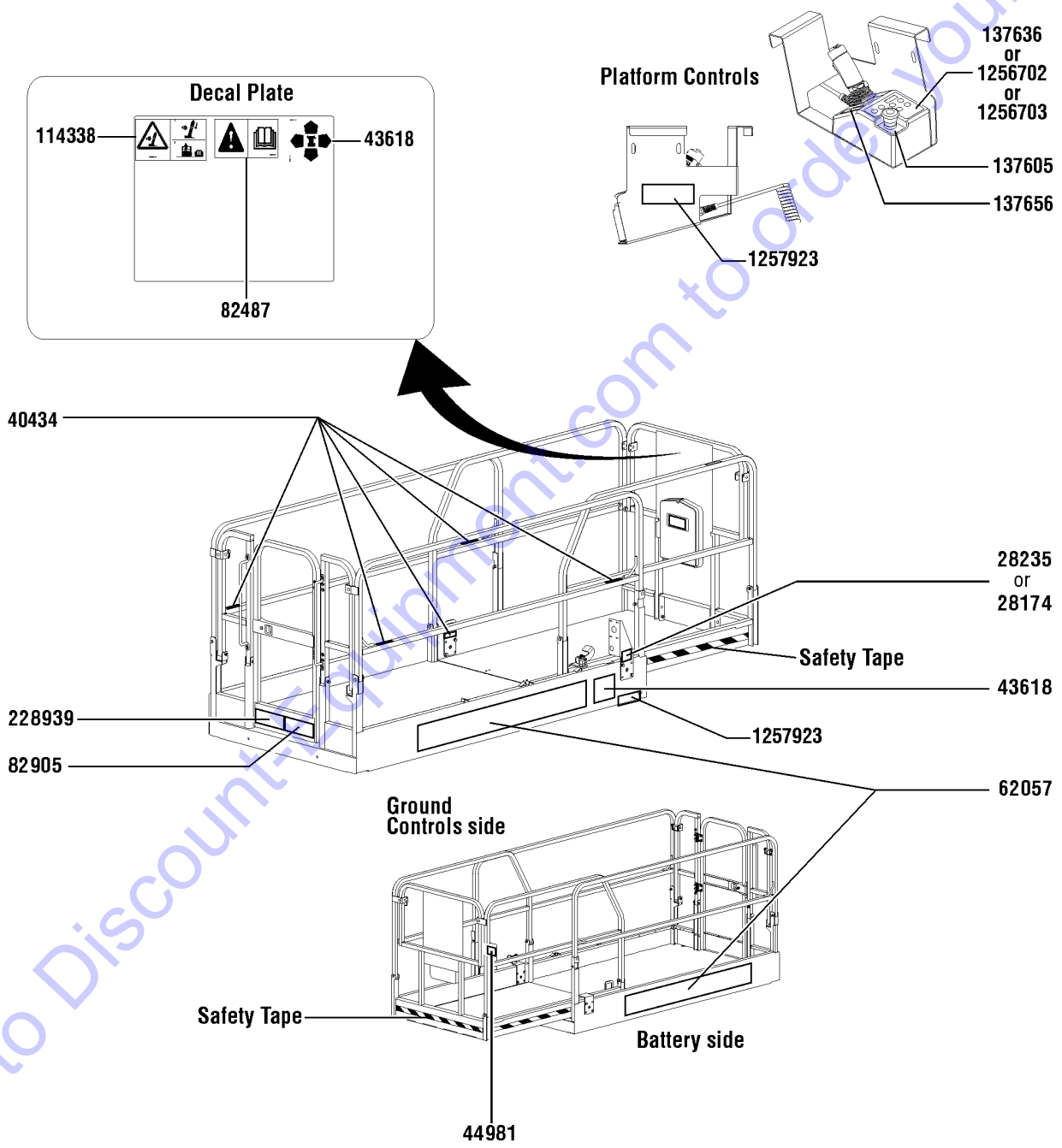
144.1 Symbol Decals, GS-2646, Platform, CE

| Item | Part No. | Description | Qty. |
|------|-----------|---|------|
| - | | REF: Symbol Decal Kits (refer to 141.1) | |
| 1 | 28174GT | DECAL,POWER TO PLATFORM 230V | 1 |
| 2 | 28235GT | DECAL,POWER TO PLATFORM 115V | 1 |
| 3 | 40434GT | DECAL,LANYARD ANCHORAGE POINT | 5 |
| 4 | 43618GT | DECAL,LABEL-DIRECTION ARROWS | 2 |
| 5 | 44981GT | DECAL,LABEL,AIRLINE 110 PSI (Option) | 1 |
| 6 | 62057GT | DECAL,COSMETIC,GENIE GS-2646 | 2 |
| 7 | 82487GT | DECAL,SYMBOL-READ THE MANUAL | 1 |
| 8 | 82905GT | DECAL,SYM-SIDEFORCE 400N | 1 |
| 9 | 114338GT | DECAL,SYM-TIP-OVR,TILT ALARM | 1 |
| 10 | 137605GT | DECAL,E-STOP,GR/GRC/GS PCON | 1 |
| 11 | 137636GT | DECAL, UI, GR/GRC/GS PCON | 1 |
| 12 | 137656GT | DECAL,PROPEL,GR/GRC/GS,PCON (models with 6 button, 2 speed controller) to SN GS4614A-134999 and to SN GS4614C-13999 | 1 |
| 13 | 228939GT | DECAL,SYM,MAX CAP,CE,GS2646 | 1 |
| 14 | 1256702GT | DECAL, UI, GS/GR, PROP LIFT (models with 4 button, proportional controller) | 1 |
| 15 | 1256703GT | DECAL, STD, PROP LIFT, UI, SVC (units converted from 6 button, 2 speed lift to 4 button, proportional controller) | 1 |
| 16 | 1257923GT | DECAL, SMARTLINK PROPORTIONAL (models with 4 button, proportional controller, and units converted from 6 button, 2 speed lift to 4 button, proportional controller) | 2 |

Go to Discount-Equipment.com to order your parts



Platform, CE models

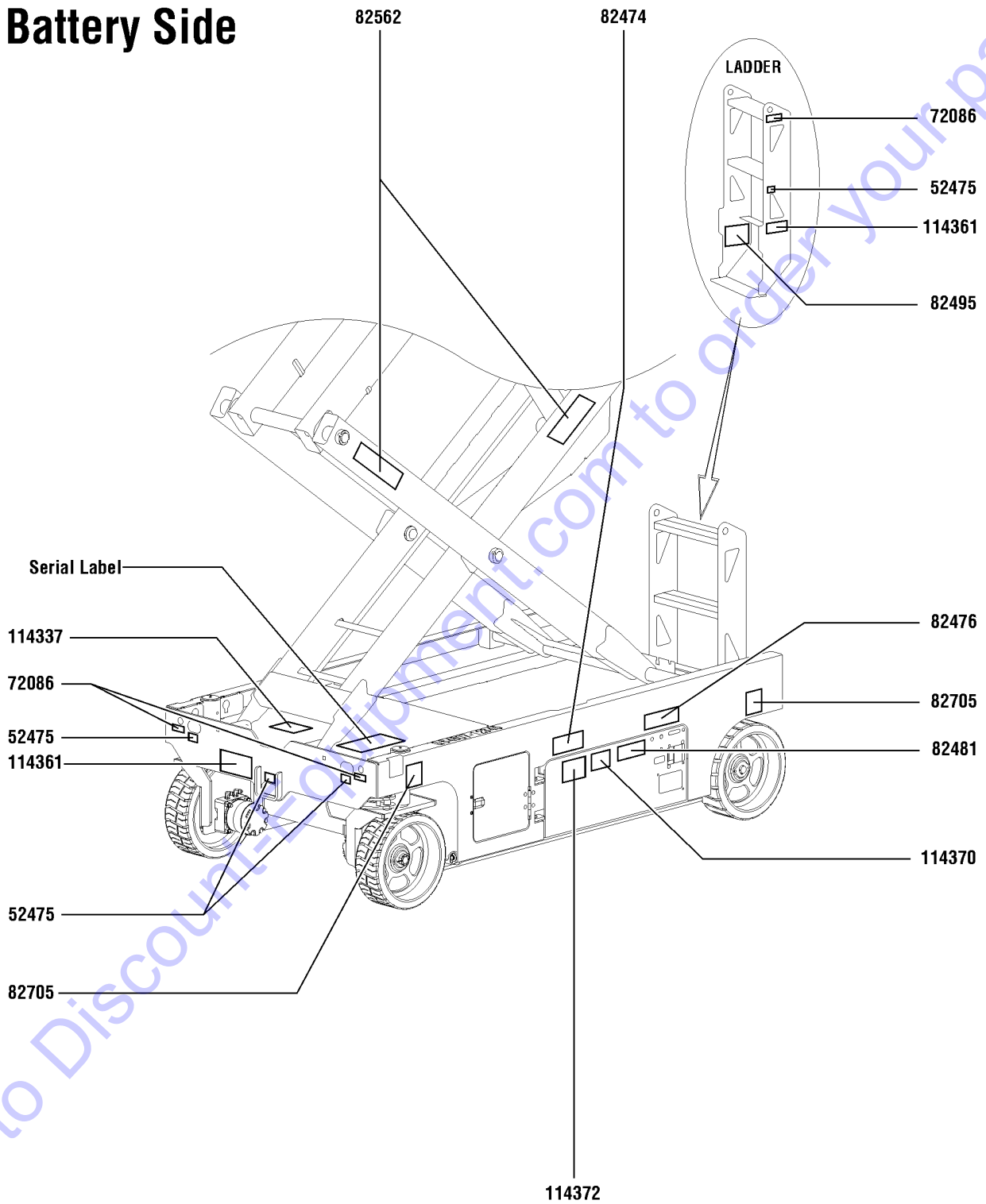


| Item | Part No. | Description | Qty. |
|------|-----------|--|------|
| - | | REF: Symbol Decal Kits (refer to 141.1) | |
| 1 | 28174GT | DECAL,POWER TO PLATFORM 230V | 1 |
| 2 | 28235GT | DECAL,POWER TO PLATFORM 115V | 1 |
| 3 | 40434GT | DECAL,LANYARD ANCHORAGE POINT | 5 |
| 4 | 43618GT | DECAL,LABEL-DIRECTION ARROWS | 2 |
| 5 | 44981GT | DECAL,LABEL,AIRLINE 110 PSI (Option) | 1 |
| 6 | 62057GT | DECAL,COSMETIC,GENIE GS-2646 | 2 |
| 7 | 82487GT | DECAL,SYMBOL-READ THE MANUAL | 1 |
| 8 | 82905GT | DECAL,SYM-SIDEFORCE 400N | 1 |
| 9 | 114338GT | DECAL,SYM-TIP-OVR,TILT ALARM | 1 |
| 10 | 137605GT | DECAL,E-STOP,GR/GRC/GS PCON | 1 |
| 11 | 137636GT | DECAL, UI, GR/GRC/GS PCON | 1 |
| 12 | 137656GT | DECAL,PROPEL,GR/GRC/GS,PCON | 1 |
| 13 | 228939GT | DECAL,SYM,MAX CAP,CE,GS2646 | 1 |
| 14 | 1256702GT | DECAL, UI, GS/GR, PROP LIFT (models with 4 button, proportional controller) | 1 |
| 15 | 1256703GT | DECAL, STD, PROP LIFT, UI, SVC (units converted from 6 button, 2 speed lift to 4 button, proportional controller) | 1 |
| 16 | 1257923GT | DECAL, SMARTLINK PROPORTIONAL (models with 4 button, proportional controller, and units converted from 6 button, 2 speed lift to 4 button, proportional controller) | 2 |

Go to Discount-Equipment.com to order your parts



Battery Side



145.1 Symbol Decals, GS-3246, Battery Side, ANSI & CE

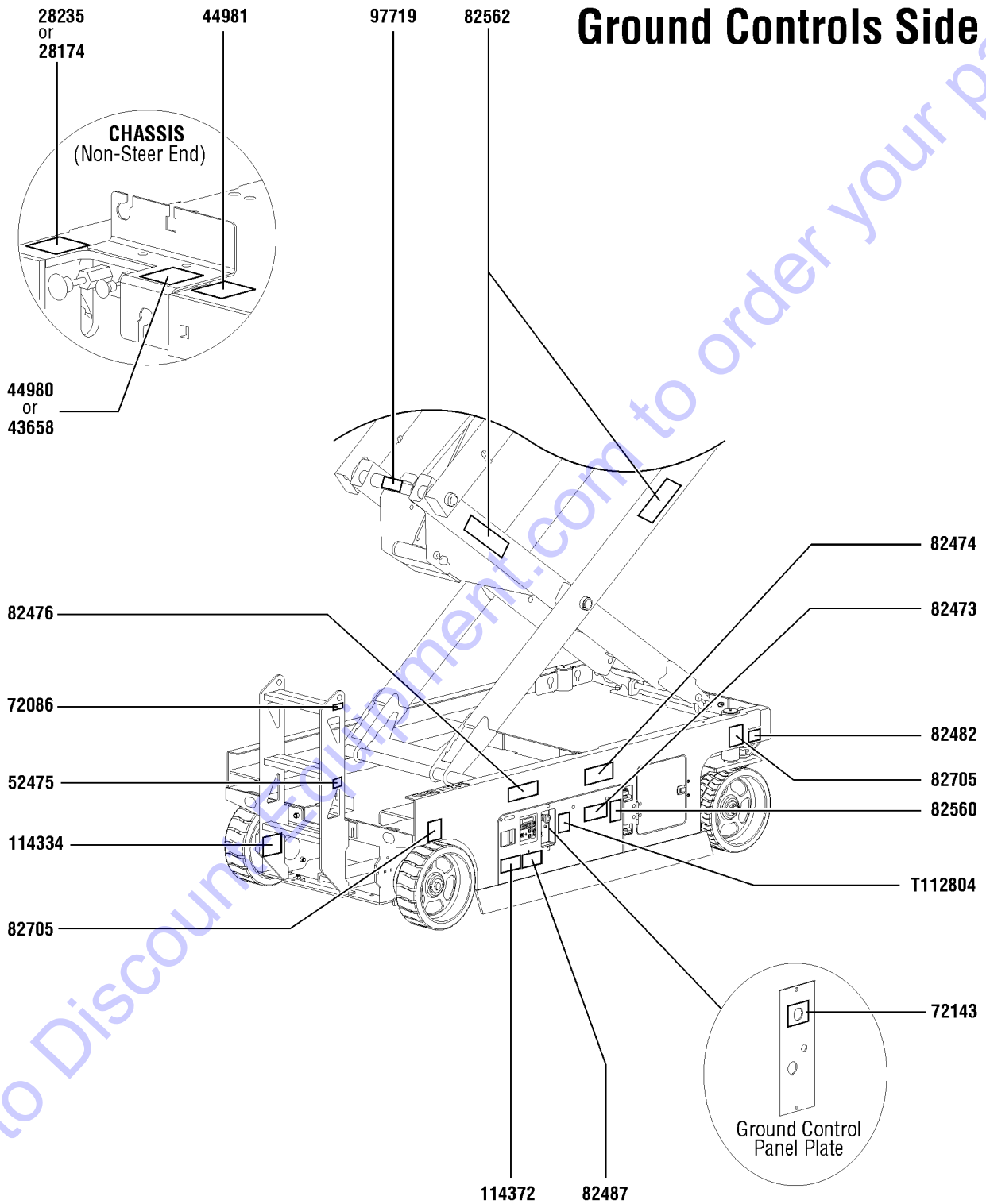
| Item | Part No. | Description | Qty. |
|------|----------|---|------|
| A | 217285GT | DECAL KIT,3246 PLAT.,SYM,ANSI (ANSI models with 2 speed controller) to SN GS4614A-134999 and to SN GS4614C-13999 | |
| B | 217286GT | DECAL KIT,3246 COMP.,SYM,ANSI (ANSI models with 2 speed controller) to SN GS4614A-134999 and to SN GS4614C-13999 | |
| C | 217298GT | DECAL KIT,3246 PLAT.,SYM,CE (CE models with 2 speed controller) to SN GS4614A-134999 and to SN GS4614C-13999 | |
| D | 217299GT | DECAL KIT,3246 COMP.,SYM,CE (CE models with 2 speed controller) to SN GS4614A-134999 and to SN GS4614C-13999 | |
| 1 | 52475GT | DECAL,LABEL,TRANSPORT TIEDOWN* | 4 |
| 2 | 72086GT | DECAL,LABEL,LIFTING EYE | 3 |
| 3 | 82474GT | DECAL,SYMBOL-USE SAFETY ARM | 1 |
| 4 | 82476GT | DECAL,SYMBOL-ELEC HAZARD,GS | 1 |
| 5 | 82481GT | DECAL,SYMBOL-BATTERY SAFETY | 1 |
| 6 | 82495GT | DECAL,LABEL,FORKLIFT POCKET | 1 |
| 7 | 82562GT | DECAL,SYMBOL-CRUSHING HAZARD | 2 |
| 8 | 82705GT | DECAL,LABEL,WHEEL LOAD 3246 | 2 |
| 9 | 114337GT | DECAL, COMPARTMENT ACCESS | 1 |
| 10 | 114361GT | DECAL,SYM-TIP-OVER,LIM SWITCH | 2 |
| 11 | 114370GT | DECAL-SYM-TIP-OVR,BATTRIES | 1 |
| 12 | 114372GT | DECAL SYMBOL TIP OVER TRAYS | 1 |

Go to Discount-Equipment.com to order your parts



146.1 Symbol Decals, GS-3246, Ground Control Side, ANSI and CE

Ground Controls Side



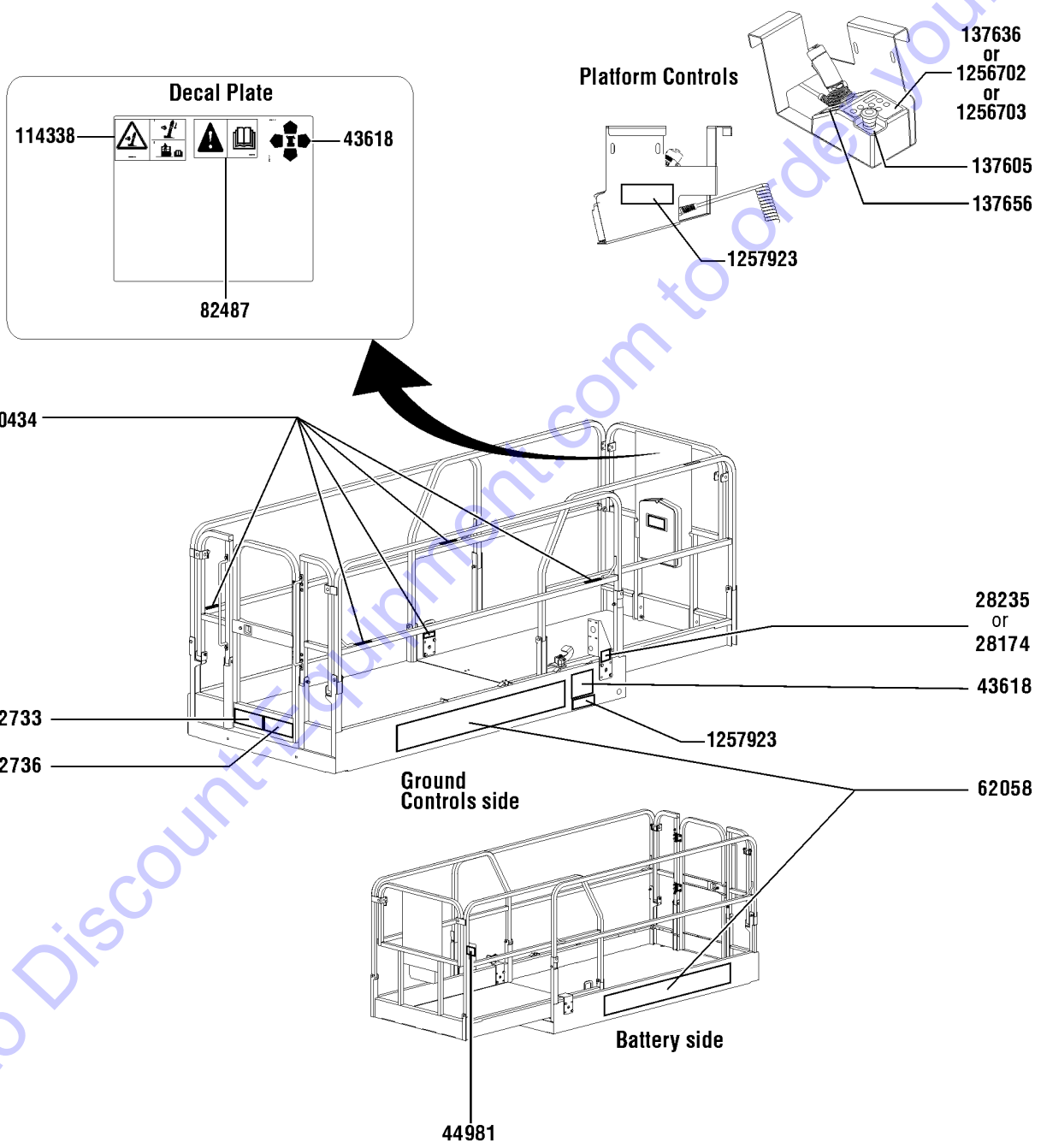
146.1 Symbol Decals, GS-3246, Ground Control Side, ANSI and CE

| Item | Part No. | Description | Qty. |
|------|-----------|---|------|
| 1 | 28174GT | DECAL,POWER TO PLATFORM 230V | 1 |
| 2 | 28235GT | DECAL,POWER TO PLATFORM 115V | 1 |
| 3 | 43658GT | DECAL,LABEL,PWR TO CHARGR 230V | 1 |
| 4 | 44980GT | DECAL,LABEL,PWR TO CHARGR 115V | 1 |
| 5 | 44981GT | DECAL,LABEL,AIRLINE 110 PSI (Option) | 1 |
| 6 | 52475GT | DECAL,LABEL,TRANSPORT TIEDOWN* | 1 |
| 7 | 72086GT | DECAL,LABEL,LIFTING EYE | 1 |
| 8 | 72143GT | DECAL,EMERGENCY STOP,GR | 1 |
| 9 | 82473GT | DECAL,SYMBOL-COMP ACCESS | 1 |
| 10 | 82474GT | DECAL,SYMBOL-USE SAFETY ARM | 1 |
| 11 | 82476GT | DECAL,SYMBOL-ELEC HAZARD,GS | 1 |
| 12 | 82482GT | DECAL,LABEL,AUX LOWERING | 1 |
| 13 | 82487GT | DECAL,SYMBOL-READ THE MANUAL | 1 |
| 14 | 82560GT | DECAL,SYMBOL-SKIN INJECT HAZRD | 1 |
| 15 | 82562GT | DECAL,SYMBOL-CRUSHING HAZARD | 2 |
| 16 | 82705GT | DECAL,LABEL,WHEEL LOAD 3246 | 2 |
| 17 | 97719GT | DECAL, LABEL, SAFETY ARM SYMB | 1 |
| 18 | 114334GT | DECAL SYMBOL ELECTRIC HAZARD PLUG | 1 |
| 19 | 114372GT | DECAL SYMBOL TIP OVER TRAYS | 1 |
| 20 | T112804GT | DECAL,GCON PANEL,GS | 1 |

Go to DiscountEquipment.com to order your parts



Platform, ANSI models



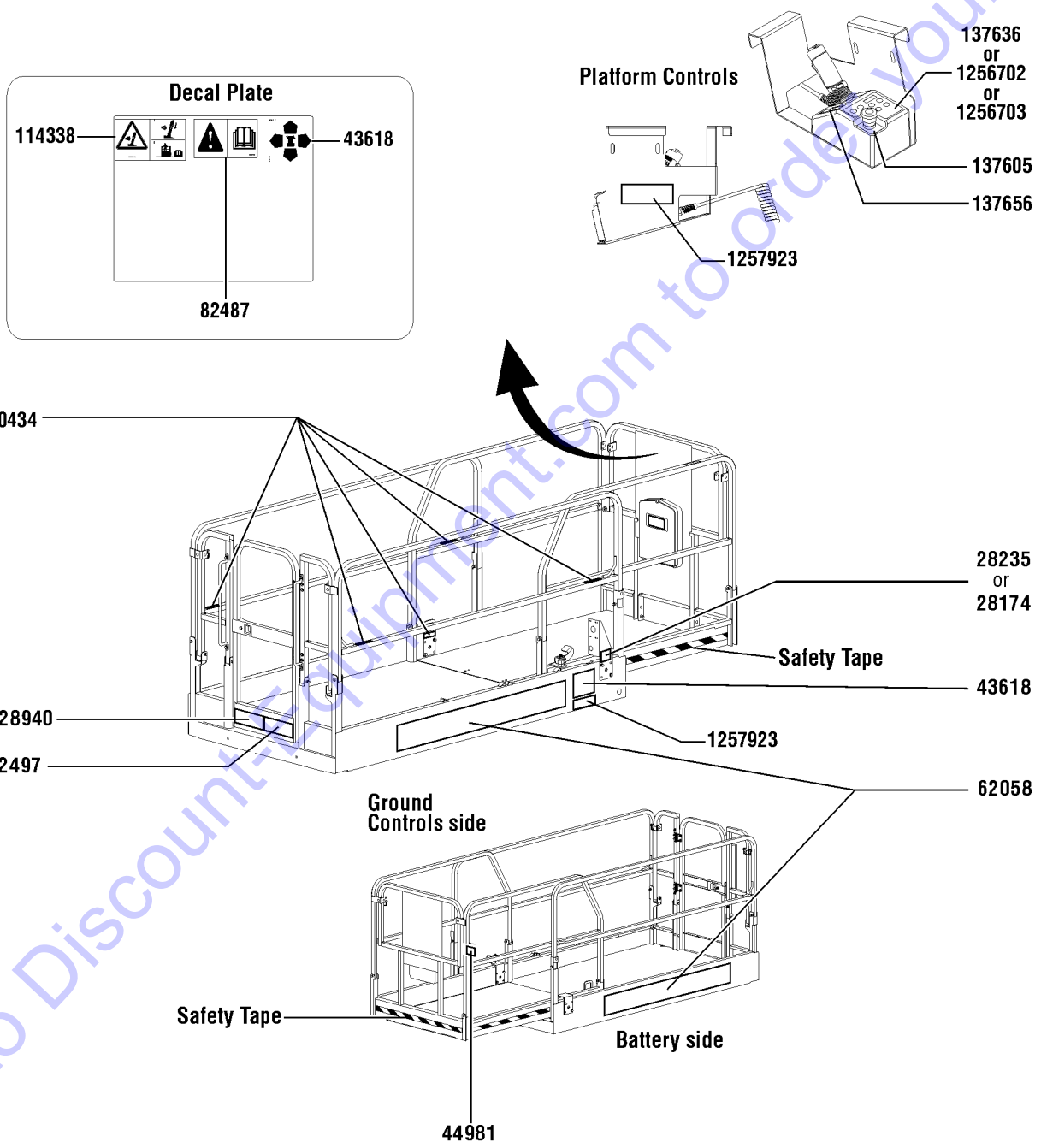
147.1 Symbol Decals, GS-3246, Platform, ANSI

| Item | Part No. | Description | Qty. |
|------|-----------|---|------|
| - | | REF: Symbol Decal Kits for ANSI and CE (refer to 145.1) | |
| 1 | 28174GT | DECAL,POWER TO PLATFORM 230V | 1 |
| 2 | 28235GT | DECAL,POWER TO PLATFORM 115V | 1 |
| 3 | 40434GT | DECAL,LANYARD ANCHORAGE POINT | 5 |
| 4 | 43618GT | DECAL,LABEL-DIRECTION ARROWS | 2 |
| 5 | 44981GT | DECAL,LABEL,AIRLINE 110 PSI (Option) | 1 |
| 6 | 62058GT | DECAL,COSMETIC,GENIE GS-3246 | 2 |
| 7 | 82487GT | DECAL,SYMBOL-READ THE MANUAL | 1 |
| 8 | 82733GT | DECAL,SYM-MAXCAP 700 | 1 |
| 9 | 82736GT | DECAL,SYM-SIDE FORCE | 1 |
| 10 | 114338GT | DECAL,SYM-TIP-OVR,TILT ALARM | 1 |
| 11 | 137605GT | DECAL,E-STOP,GR/GRC/GS PCON | 1 |
| 12 | 137636GT | DECAL, UI, GR/GRC/GS PCON (models with 6 button, 2 speed controller) to SN GS4614A-134999 and to SN GS4614C-13999 | 1 |
| 13 | 137656GT | DECAL,PROPEL,GR/GRC/GS,PCON | 1 |
| 14 | 1256702GT | DECAL, UI, GS/GR, PROP LIFT (models with 4 button, proportional controller) | 1 |
| 15 | 1256703GT | DECAL, STD, PROP LIFT, UI, SVC (units converted from 6 button, 2 speed lift to 4 button, proportional controller) | 1 |
| 16 | 1257923GT | DECAL, SMARTLINK PROPORTIONAL (models with 4 button, proportional controller, and units converted from 6 button, 2 speed lift to 4 button, proportional controller) | 2 |

Go to Discount-Equipment.com to order your parts



Platform, CE models



148.1 Symbol Decals, GS-3246, Platform, CE

| Item | Part No. | Description | Qty. |
|------|-----------|--|------|
| - | | REF: Symbol Decal Kits for ANSI and CE (refer to 145.1) | |
| 1 | 28174GT | DECAL,POWER TO PLATFORM 230V | 1 |
| 2 | 28235GT | DECAL,POWER TO PLATFORM 115V | 1 |
| 3 | 40434GT | DECAL,LANYARD ANCHORAGE POINT | 5 |
| 4 | 43618GT | DECAL,LABEL-DIRECTION ARROWS | 2 |
| 5 | 44981GT | DECAL,LABEL,AIRLINE 110 PSI (Option) | 1 |
| 6 | 62058GT | DECAL,COSMETIC,GENIE GS-3246 | 2 |
| 7 | 82487GT | DECAL,SYMBOL-READ THE MANUAL | 1 |
| 8 | 82497GT | DECAL,SYM-SIDEFORCE 200400 | 1 |
| 9 | 114338GT | DECAL,SYM-TIP-OVR,TILT ALARM | 1 |
| 10 | 137605GT | DECAL,E-STOP,GR/GRC/GS PCON | 1 |
| 11 | 137636GT | DECAL, UI, GR/GRC/GS PCON (models with 6 button, 2 speed controller) to SN GS4614A-134999 and to SN GS4614C-13999 | 1 |
| 12 | 137656GT | DECAL,PROPEL,GR/GRC/GS,PCON | 1 |
| 13 | 228940GT | DECAL,SYM-MAX CAP CE GS3246 | 1 |
| 14 | 1256702GT | DECAL, UI, GS/GR, PROP LIFT (models with 4 button, proportional controller) | 1 |
| 15 | 1256703GT | DECAL, STD, PROP LIFT, UI, SVC (units converted from 6 button, 2 speed lift to 4 button, proportional controller) | 1 |
| 16 | 1257923GT | DECAL, SMARTLINK PROPORTIONAL (models with 4 button, proportional controller, and units converted from 6 button, 2 speed lift to 4 button, proportional controller) | 2 |

Go to Discount-Equipment.com to order your parts

