



A TEREX BRAND

# Part 3 of 4

## Parts Manual

### Serial Number Range

**GS-2032**

from SN GS3211A-110000 to  
GS3215A-140497

**GS-2632**

from SN GS4611A-110000 to  
GS4615A-137426

**GS-3232**

from SN GS3212C-10000 to  
GS3216C-17299

**GS-2046**

from GS32C-17300 to  
GS32C-17527

**GS-2646**

from SN GS4612C-10000 to  
GS4616C-18099

**GS-3246**

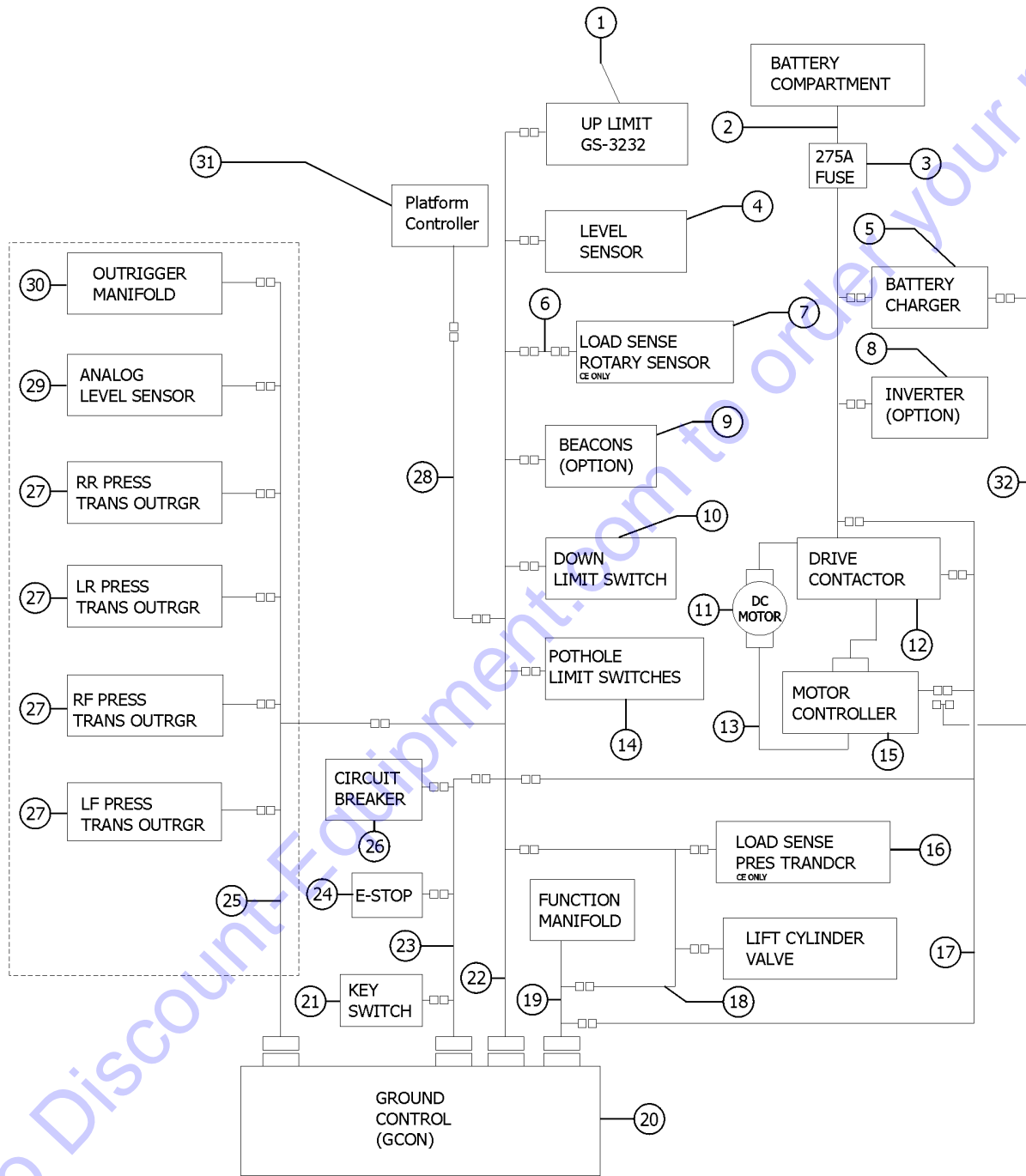
from SN GS46C-18100 to  
GS46C-18354

Part No. 236418GT  
Rev: D.04  
March 2023



[www.discount-equipment.com](http://www.discount-equipment.com)

210.1 Electrical Wiring, GS-3232

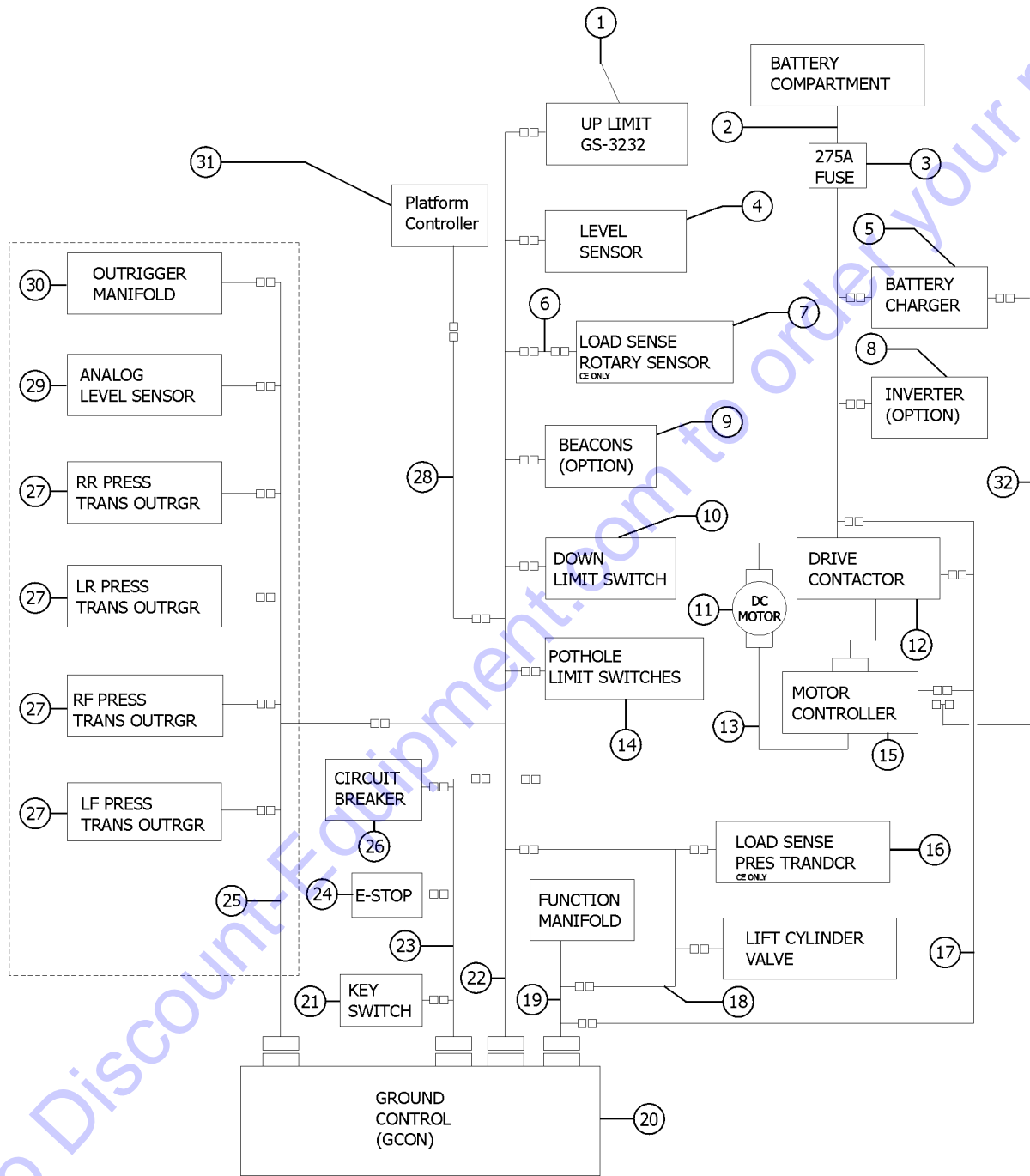


Go to DiscountEquipment.com to order your parts

| Item | Part No.  | Description  | Qty. |
|------|-----------|--|------|
| B    | 1264822GT | KIT, TRC RETROFIT, STNDRD<br>Telematics (includes 1264834)           |      |
| B-   | 1264834GT | INSTRN, TRC RETROFIT, STNDRD   |      |
| 1    | 105664GT  | ASSY,22 FT LIMIT SWITCH,GS3232                                       |      |
| 2    |           | REF. BATTERY CABLE<br>refer to 211.1                                 |      |
| 3    |           | REF. FUSE<br>refer to 205.1  |      |
| 4    |           | REF. LEVEL SENSOR<br>refer to 203.1                                  |      |
| 5    |           | REF. CHARGER<br>refer to 206.1                                       |      |
| 6    | T114031GT | HARNESS, ROTARY ANGLE  | 1    |
| 7    | T113136GT | ASSY,ROT SENSR W/ HARNESS  | 1    |
| 8    |           | REF. INVERTER<br>refer to 604.1                                      |      |
| 9    |           | REF. STOBE,BEACON<br>refer to 601.1                                  |      |
| 10   |           | REF. DOWN LIMIT, GS<br>refer to 203.1                                |      |
| 11   |           | REF. ELECTRIC MOTOR<br>refer to 504.1                                |      |
| 12   | 74267GT   | CONTACTOR,DRIVE,24V,180A***  | 1    |
| 13   |           | REF. BATTERY CABLE<br>refer to 211.1                                 |      |
| 14   | 96309GT   | POTHOLE HARNESS ASSEMBLY   | 1    |
| 15   |           | REF. MOTOR CONTROLLER<br>refer to 207.1                              |      |
| 16   |           | REF. PRESSURE TRANSDUCER HARNESS<br>refer to 701.1                   | 1    |
| 17   | 233431GT  | HRNS,CONTACTOR SIGNL,GS30/32<br>GS3232                               | 1    |
| 18A  | 233055GT  | CABLE,LIFT CYL DWN, 32XX,W/LS<br>GS-3232 (Australia, CE)             | 1    |
| 18B  | 234168GT  | CABLE,LIFT CYL DWN, 32XX,WO/LS<br>GS-3232 (ANSI, CSA)                | 1    |
| 19   | 1257824GT | HARNESS,FUNCTION MANIFOLD,GS<br>replaced T110889GT (Black connector) | 1    |
| 20   |           | REF. GCON<br>refer to 208.1  |      |
| 21   |           | REF. KEYSWITCH<br>refer to 208.1                                     |      |
| 22A  | 233049GT  | HARNESS, GS SENSRs, ANSI, 3232<br>ANSI & CSA; to SN GS3215A-141898   | 1    |
| 22A- | 233711GT  | HRNS ASSY,RESISTOR DIODE<br>for 233049GT and 229672GT                |      |
| 22B  | 229672GT  | HARNESS, GS SENSORS, CE, 3232<br>CE & AUS; to SN GS3215A-141898      | 1    |
| 22B- | 233711GT  | HRNS ASSY,RESISTOR DIODE<br>for 228786GT and T110891GT               |      |



210.1 Electrical Wiring, GS-3232



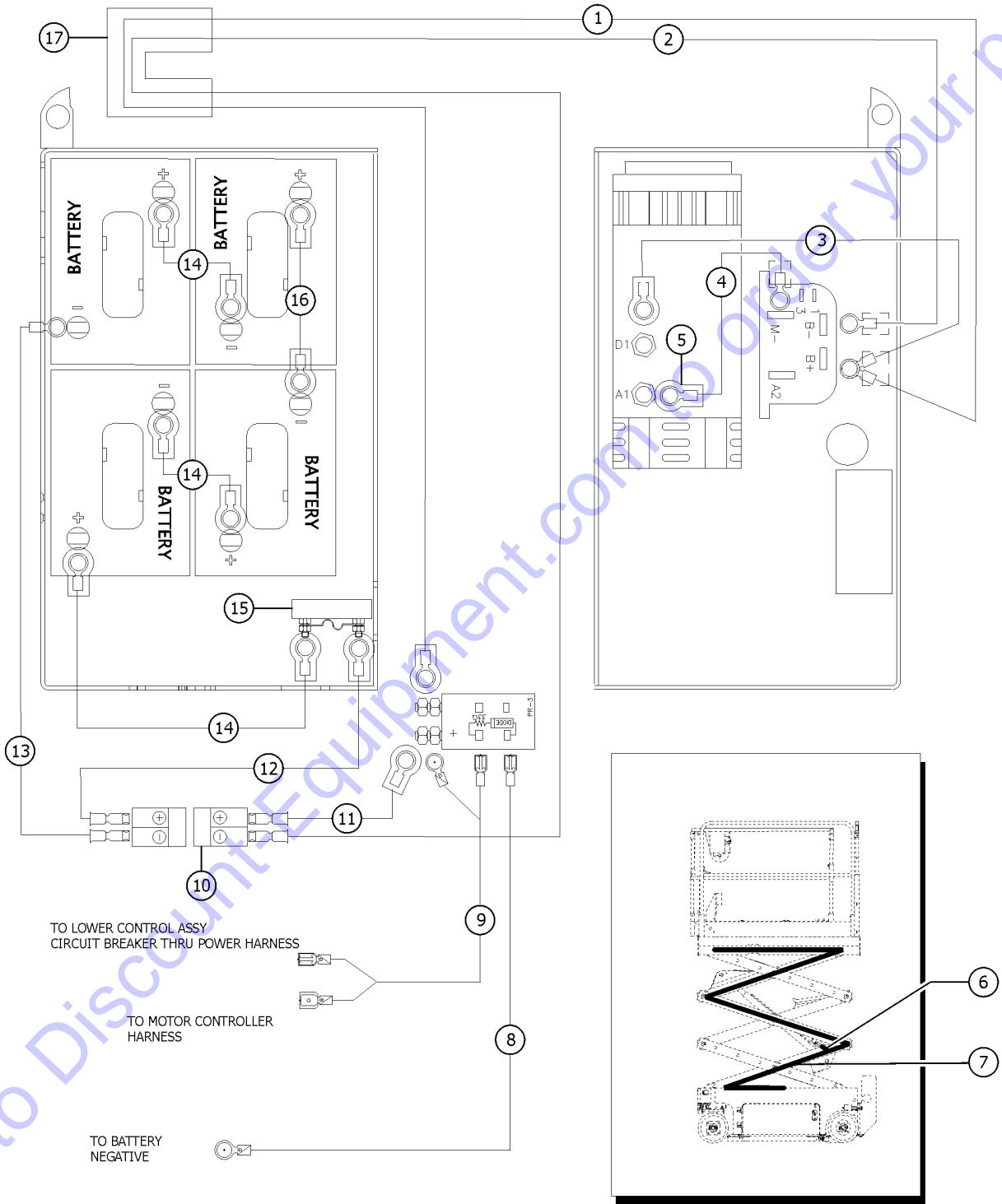
Go to DiscountEquipment.com to order your parts

| Item | Part No.  | Description  | Qty. |
|------|-----------|--|------|
| 22B- | 233644GT  | RESISTOR,200 OHM 10W,CERAMIC .....<br>for 233711GT                         |      |
| 22C  | 1263532GT | HARNESS, GS SENSORS, ANSI, 323 .....<br>ANSI & CSA; FROM SN GS3215A-141899 |      |
| 22D  | 1263533GT | HARNESS, GS SENSORS, CE, 3232 .....<br>CE & AUS; from SN GS3215A-141899    |      |
| 23   | T110890GT | HARNESS, GS POWER CONTRL .....<br>(Grey connector)                         | 1    |
| 24   |           | REF. E-STOP BUTTON .....<br>refer to 208.1                                 |      |
| 25   | 229670GT  | HARNESS, OUTRIGGER, GS3232 .....<br>refer to 208.1                         | 1    |
| 26   |           | REF. CIRCUIT BREAKER .....<br>refer to 208.1                               |      |
| 27   | 1311101GT | PRESSURE TRANSDUCER,0-5K,1-5V .....<br>GS-3232 outriggers                  | 1    |
| 28   | 233052GT  | CABLE, PLATFORM CONTROL, 32XX .....<br>GS-3232                             | 1    |
| 28-  | 231921GT  | KIT,CONN,RECEPT W/PIN AND LOCK .....                                       |      |
| 28-  | 231922GT  | KIT,CONN,PLUG W/SCKT AND LOCK .....  |      |
| 28-  | 218579GT  | WIRE CABLE 18/5 - UNSHIELDED .....   | 518  |
| 29   | 105708GT  | LEVEL SENSOR, ANALOG .....<br>(for use with 228406)                        | 1    |
| 30   |           | REF. OUTRIGGER MANIFOLD .....<br>refer to 214.1                            |      |
| 31   |           | REF. PCON .....<br>refer to 404.1  |      |
| 32   | 144213GT  | CHARGER INTERLOCK CBLE,GS30/32 .....                                       |      |

Go to Discount-Equipment.com to order your parts



211.1 Power Cables, GS-2032A (to SN GS32A-135714)



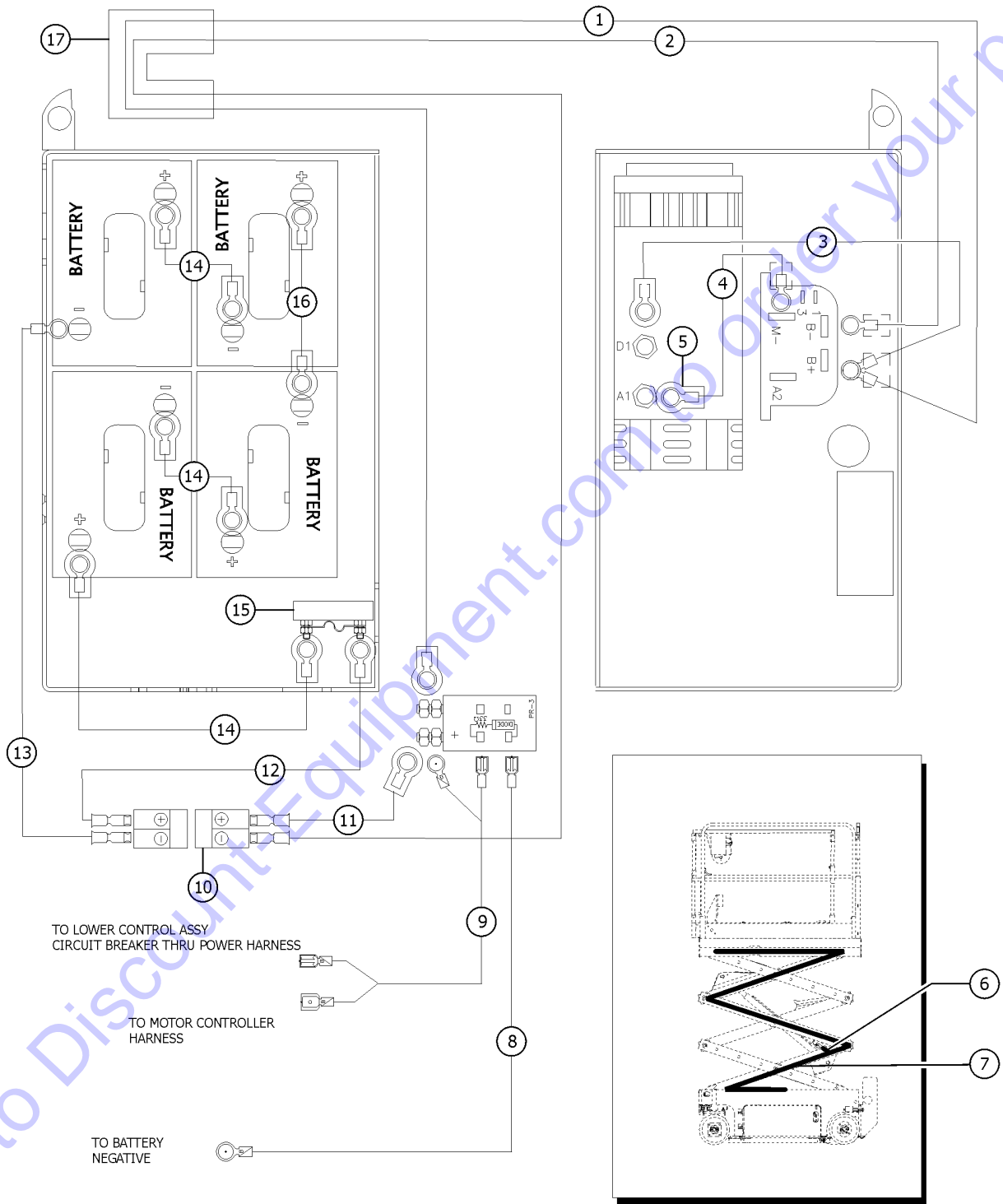
211.1 Power Cables, GS-2032A (to SN GS32A-135714)

| Item | Part No.  | Description   | Qty. |
|------|-----------|---|------|
| A    | 96387GT   | ASSY,MOTOR CONTROL HARNESS .....<br>ANSI, CSA and Australia models  |      |
| B    | 96819GT   | ASSY,MOTOR CONTRL HARN,CE .....<br>CE models  |      |
| C    | 96522GT   | STD CONTROL HARNESS, SLAB<br>(ANSI, CSA and Australia models) (includes wire harnesses 96489, 96387, 96344 and<br>105321) |      |
| D    | 96440GT   | CE CONTROL HARNESS, SLAB<br>(CE models) (includes wire harnesses 96489, 96819, 96520, 105320 and 47124)                   |      |
| E    | 1264822GT | KIT, TRC RETROFIT, STNDRD .....<br>Telematics (includes 1264834)  |      |
| E-   | 1264834GT | INSTRN, TRC RETROFIT, STNDRD .....  |      |
| 1A   | 1257059GT | CABLE ASSY.,BATT. 74.5"RED<br>GS-2032, GS-2632, GS-3232; replaced 233368GT  | 1    |
| 2A   | 1257058GT | CABLE ASSY., BATT. 79" BLACK<br>GS2032, GS-2632, GS3232; replaced 96299GT   | 1    |
| 3    | 1257054GT | CABLE ASSY., BATT. 11.5" RED .....<br>replaced 96302GT  | 1    |
| 4    | 1257055GT | CABLE ASSY., BATT. 9.5" BLACK .....<br>replaced 96303GT   | 1    |
| 5    | 96110GT   | BOOT, CABLE, TERMINAL COVER .....   | 11   |
| 6    |           | REF. LIFT CYLINDER DOWN CABLE .....<br>refer to 209.1 or 210.1  |      |
| 7    |           | REF. PLATFORM CONTROL CABLE .....<br>refer to 209.1 or 210.1  |      |
| 8    | 232582GT  | GROUND WIRE ASSY,GS .....   | 1    |
| 9    | 233430GT  | HRNS,CONTACTOR SIGNAL,GS46 .....  | 1    |
| 10   | 66397GT   | QUICK DISCONNECT CASING,BATT** .....  | 2    |
| 11   | 233371GT  | CABLE ASSY, BATT, 23"RD .....   | 1    |
| 12   | 232576GT  | CABLE ASSY,BATT, 12" RED .....  | 1    |
| 13   | 232578GT  | CABLE ASSY,BATT, 20" BLK .....  | 1    |
| 14   | 96304GT   | CABLE ASSY,BATT,5.50"RED .....  | 3    |
| 15   |           | REF. FUSE BLOCK .....<br>refer to 205.1   |      |
| 16   | 96306GT   | CABLE ASSY,BATT,9.50"RED .....  | 1    |
| 17   | 28131GT   | WIRE LOOM,1.25 DIA .....  | 18   |

Go to Discount-Equipment.com to order your parts



211.2 Power Cables, GS-2032C (to SN GS32C-14377)





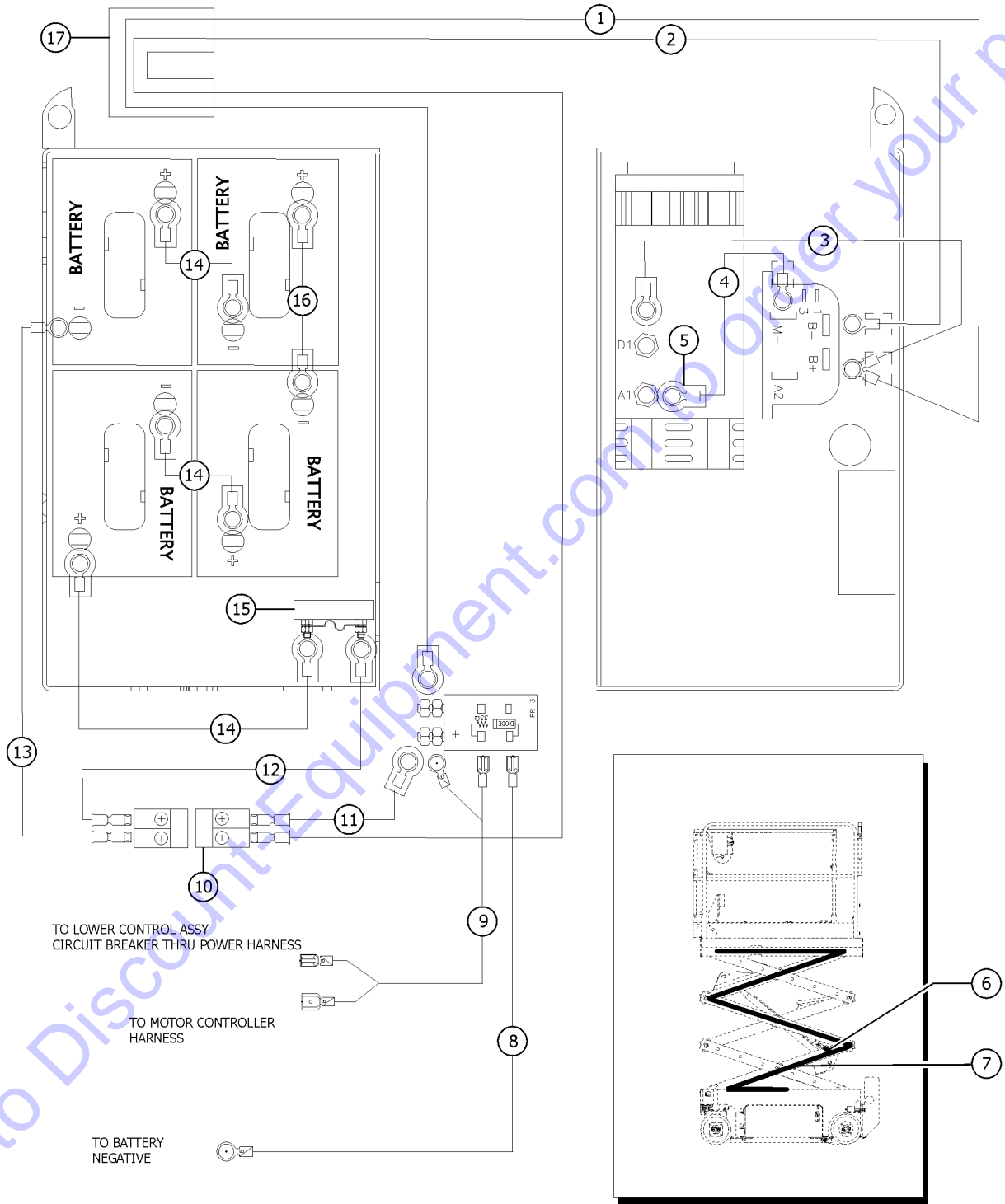
211.2 Power Cables, GS-2032C (to SN GS32C-14377)

| Item | Part No.  | Description   | Qty. |
|------|-----------|---|------|
| A-   | 96387GT   | ASSY,MOTOR CONTROL HARNESS .....<br>ANSI, CSA and Australia models  |      |
| B-   | 96819GT   | ASSY,MOTOR CONTRL HARN,CE .....<br>CE models  |      |
| C-   | 96522GT   | STD CONTROL HARNESS, SLAB<br>(ANSI, CSA and Australia models) (includes wire harnesses 96489, 96387, 96344 and<br>105321) |      |
| D-   | 96440GT   | CE CONTROL HARNESS, SLAB<br>(CE models) (includes wire harnesses 96489, 96819, 96520, 105320 and 47124)                   |      |
| 1A   | 1257059GT | CABLE ASSY.,BATT. 74.5"RED .....<br>GS-2032, GS-2632, GS-3232; replaced 233368GT  | 1    |
| 2A   | 1257058GT | CABLE ASSY., BATT. 79" BLACK .....<br>GS2032, GS-2632, GS3232; replaced 96299GT   | 1    |
| 3    | 1257054GT | CABLE ASSY., BATT. 11.5" RED .....<br>replaced 96302GT  | 1    |
| 4    | 1257055GT | CABLE ASSY., BATT. 9.5" BLACK .....<br>replaced 96303GT   | 1    |
| 5    | 96110GT   | BOOT, CABLE, TERMINAL COVER ..... 11  |      |
| 6    |           | REF. LIFT CYLINDER DOWN CABLE .....<br>refer to 209.1 or 210.1  |      |
| 7    |           | REF. PLATFORM CONTROL CABLE .....<br>refer to 209.1 or 210.1  |      |
| 8    | 232582GT  | GROUND WIRE ASSY,GS ..... 1   |      |
| 9    | 233430GT  | HRNS,CONTACTOR SIGNAL,GS46 ..... 1  |      |
| 10   | 66397GT   | QUICK DISCONNECT CASING,BATT** ..... 2  |      |
| 11   | 233371GT  | CABLE ASSY, BATT, 23"RD ..... 1   |      |
| 12   | 232576GT  | CABLE ASSY,BATT, 12" RED ..... 1  |      |
| 13   | 232578GT  | CABLE ASSY,BATT, 20" BLK ..... 1  |      |
| 14   | 96304GT   | CABLE ASSY,BATT,5.50"RED ..... 3  |      |
| 15   |           | REF. FUSE BLOCK .....<br>refer to 205.1   |      |
| 16   | 96306GT   | CABLE ASSY,BATT,9.50"RED ..... 1  |      |
| 17   | 28131GT   | WIRE LOOM,1.25 DIA ..... 18   |      |

Go to DiscountEquipment.com to order your parts



211.3 Power Cables, GS-46 (to SN GS46A-135366)



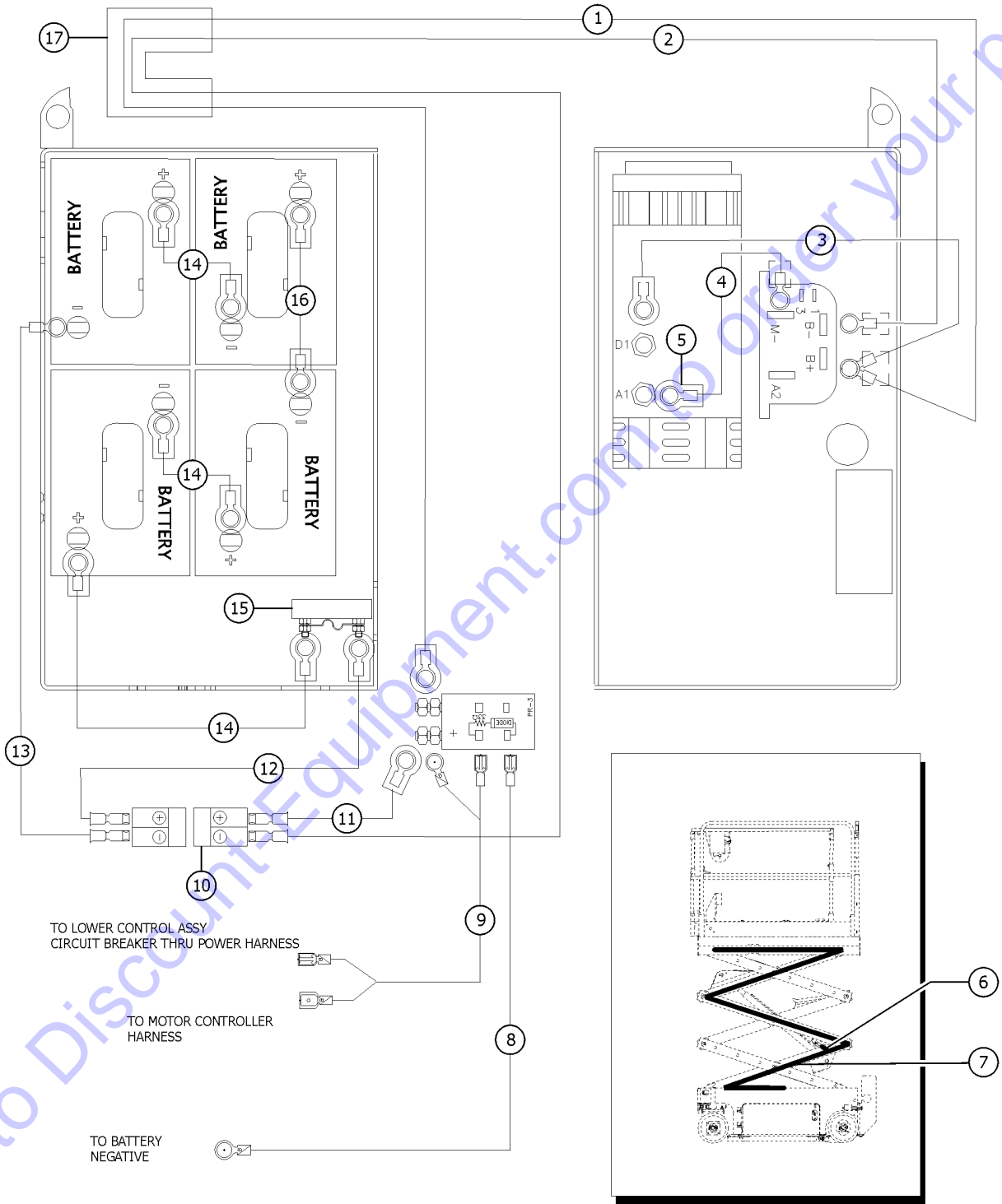
211.3 Power Cables, GS-46 (to SN GS46A-135366)

| Item | Part No.  | Description  | Qty. |
|------|-----------|--|------|
| A-   | 96387GT   | ASSY,MOTOR CONTROL HARNESS .....<br>ANSI, CSA and Australia models   |      |
| B-   | 96819GT   | ASSY,MOTOR CONTRL HARN,CE .....<br>CE models   |      |
| C-   | 96522GT   | STD CONTROL HARNESS, SLAB .....<br>(ANSI, CSA and Australia models) (includes wire harnesses 96489, 96387, 96344 and 105321) |      |
| D-   | 96440GT   | CE CONTROL HARNESS, SLAB .....<br>(CE models) (includes wire harnesses 96489, 96819, 96520, 105320 and 47124)                |      |
| 1B   | 1257057GT | CABLE ASSY., BATT. 88.5" RED .....<br>GS2046, GS-2646, GS-3246; replaced 233370GT  | 1    |
| 2B   | 1257056GT | CABLE ASSY., BATT. 93" BLACK .....<br>GS2046, GS-2646, GS-3246; replaced 96947GT   | 1    |
| 3    | 1257054GT | CABLE ASSY., BATT. 11.5" RED .....<br>replaced 96302GT   | 1    |
| 4    | 1257055GT | CABLE ASSY., BATT. 9.5" BLACK .....<br>replaced 96303GT  | 1    |
| 5    | 96110GT   | BOOT, CABLE, TERMINAL COVER .....<br>11  | 11   |
| 6    |           | REF. LIFT CYLINDER DOWN CABLE .....<br>refer to 209.1 or 210.1   |      |
| 7    |           | REF. PLATFORM CONTROL CABLE .....<br>refer to 209.1 or 210.1   |      |
| 8    | 232582GT  | GROUND WIRE ASSY,GS .....<br>1   | 1    |
| 9    | 233430GT  | HRNS,CONTACTOR SIGNAL,GS46 .....<br>1  | 1    |
| 10   | 66397GT   | QUICK DISCONNECT CASING,BATT** .....<br>2  | 2    |
| 11   | 233371GT  | CABLE ASSY, BATT, 23"RD .....<br>1   | 1    |
| 12   | 232576GT  | CABLE ASSY,BATT, 12" RED .....<br>1  | 1    |
| 13   | 232578GT  | CABLE ASSY,BATT, 20" BLK .....<br>1  | 1    |
| 14   | 96304GT   | CABLE ASSY,BATT,5.50"RED .....<br>3  | 3    |
| 15   |           | REF. FUSE BLOCK .....<br>refer to 205.1  |      |
| 16   | 96306GT   | CABLE ASSY,BATT,9.50"RED .....<br>1  | 1    |
| 17   | 28131GT   | WIRE LOOM,1.25 DIA .....<br>18   | 18   |

Go to DiscountEquipment.com to order your parts



211.4 Power Cables, GS-46C (to GS-4615C-14503)



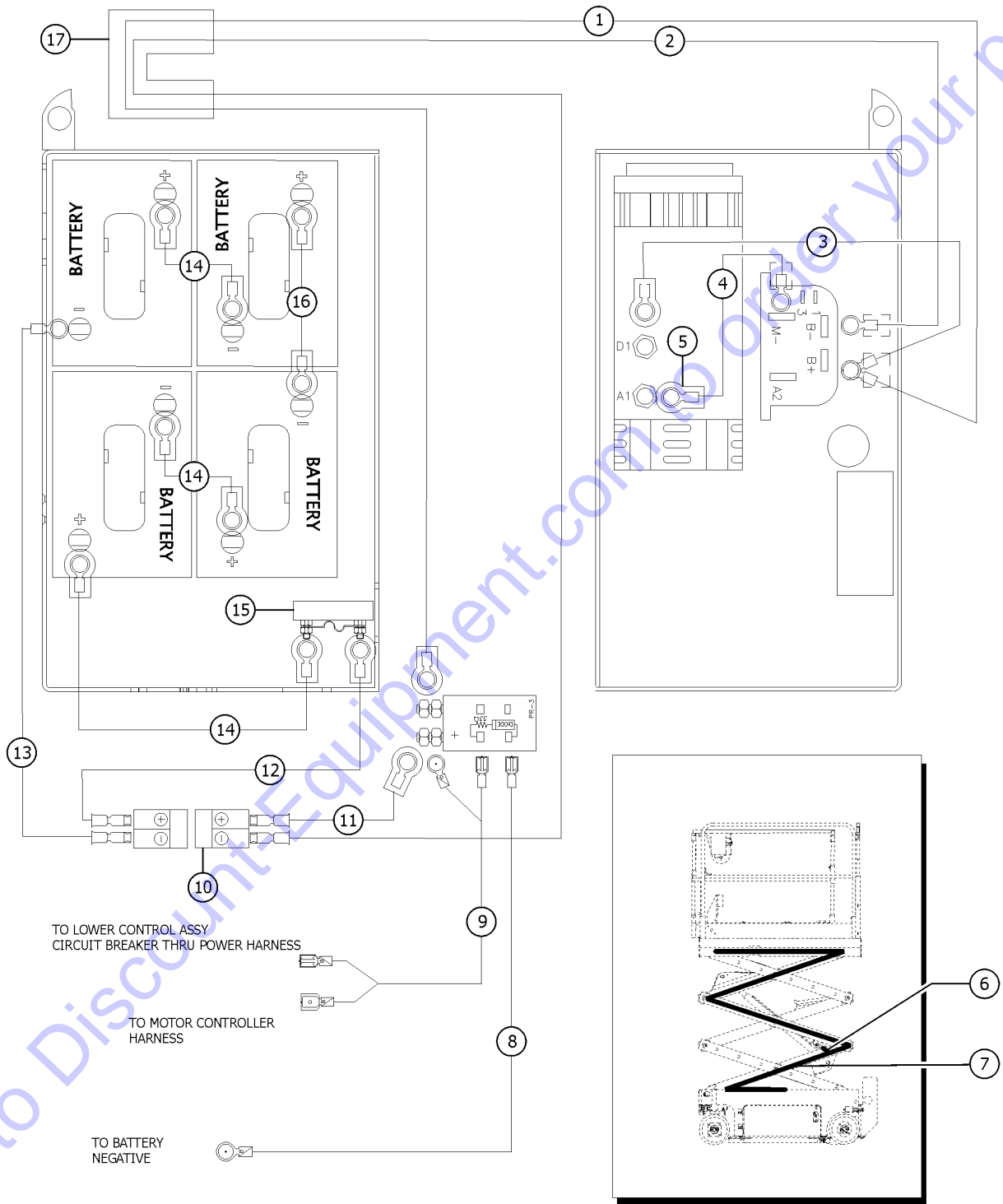
211.4 Power Cables, GS-46C (to GS-4615C-14503)

| Item | Part No.  | Description  | Qty. |
|------|-----------|--|------|
| A-   | 96387GT   | ASSY,MOTOR CONTROL HARNESS .....<br>ANSI, CSA and Australia models   |      |
| B-   | 96819GT   | ASSY,MOTOR CONTRL HARN,CE .....<br>CE models   |      |
| C-   | 96522GT   | STD CONTROL HARNESS, SLAB .....<br>(ANSI, CSA and Australia models) (includes wire harnesses 96489, 96387, 96344 and 105321) |      |
| D-   | 96440GT   | CE CONTROL HARNESS, SLAB .....<br>(CE models) (includes wire harnesses 96489, 96819, 96520, 105320 and 47124)                |      |
| 1B   | 1257057GT | CABLE ASSY., BATT. 88.5" RED .....<br>GS2046, GS-2646, GS-3246; replaced 233370GT  | 1    |
| 2B   | 1257056GT | CABLE ASSY., BATT. 93" BLACK .....<br>GS2046, GS-2646, GS-3246; replaced 96947GT   | 1    |
| 3    | 1257054GT | CABLE ASSY., BATT. 11.5" RED .....<br>replaced 96302GT   | 1    |
| 4    | 1257055GT | CABLE ASSY., BATT. 9.5" BLACK .....<br>replaced 96303GT  | 1    |
| 5    | 96110GT   | BOOT, CABLE, TERMINAL COVER .....<br>11  | 11   |
| 6    |           | REF. LIFT CYLINDER DOWN CABLE .....<br>refer to 209.1 or 210.1   |      |
| 7    |           | REF. PLATFORM CONTROL CABLE .....<br>refer to 209.1 or 210.1   |      |
| 8    | 232582GT  | GROUND WIRE ASSY,GS .....<br>1   | 1    |
| 9    | 233430GT  | HRNS,CONTACTOR SIGNAL,GS46 .....<br>1  | 1    |
| 10   | 66397GT   | QUICK DISCONNECT CASING,BATT** .....<br>2  | 2    |
| 11   | 233371GT  | CABLE ASSY, BATT, 23"RD .....<br>1   | 1    |
| 12   | 232576GT  | CABLE ASSY,BATT, 12" RED .....<br>1  | 1    |
| 13   | 232578GT  | CABLE ASSY,BATT, 20" BLK .....<br>1  | 1    |
| 14   | 96304GT   | CABLE ASSY,BATT,5.50"RED .....<br>3  | 3    |
| 15   |           | REF. FUSE BLOCK .....<br>refer to 205.1  |      |
| 16   | 96306GT   | CABLE ASSY,BATT,9.50"RED .....<br>1  | 1    |
| 17   | 28131GT   | WIRE LOOM,1.25 DIA .....<br>18   | 18   |

Go to DiscountEquipment.com to order your parts



211.5 Power Cables, GS-2632C (to SN GS-2632C-14377)



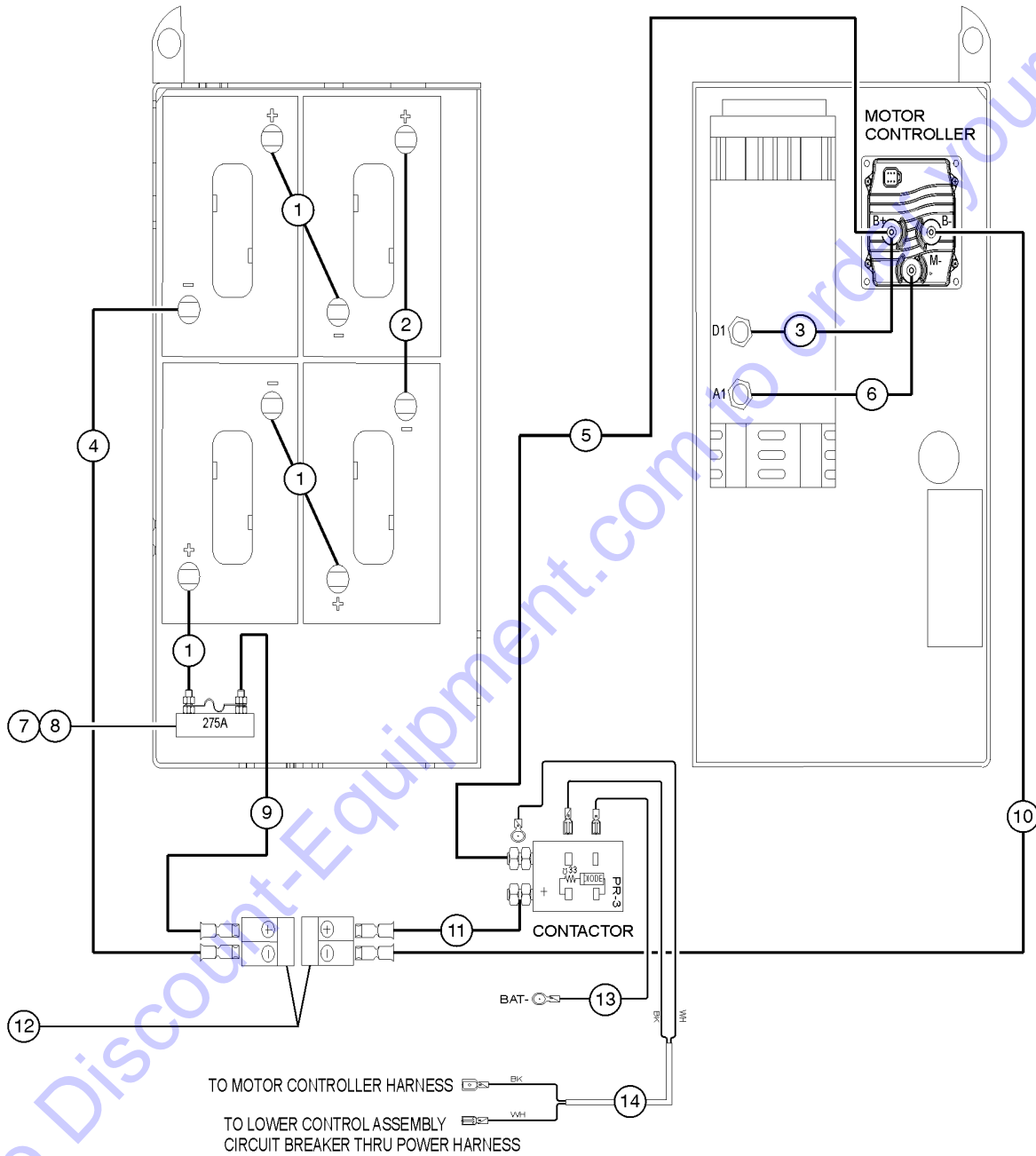
211.5 Power Cables, GS-2632C (to SN GS-2632C-14377)

| Item | Part No.  | Description   | Qty. |
|------|-----------|---|------|
| A-   | 96387GT   | ASSY,MOTOR CONTROL HARNESS .....<br>ANSI, CSA and Australia models  |      |
| B-   | 96819GT   | ASSY,MOTOR CONTRL HARN,CE .....<br>CE models  |      |
| C-   | 96522GT   | STD CONTROL HARNESS, SLAB<br>(ANSI, CSA and Australia models) (includes wire harnesses 96489, 96387, 96344 and<br>105321) |      |
| D-   | 96440GT   | CE CONTROL HARNESS, SLAB<br>(CE models) (includes wire harnesses 96489, 96819, 96520, 105320 and 47124)                   |      |
| 1A   | 1257059GT | CABLE ASSY., BATT. 74.5" RED<br>GS-2032, GS-2632, GS-3232; replaced 233368GT  | 1    |
| 2A   | 1257058GT | CABLE ASSY., BATT. 79" BLACK<br>GS2032, GS-2632, GS3232; replaced 96299GT   | 1    |
| 3    | 1257054GT | CABLE ASSY., BATT. 11.5" RED .....<br>replaced 96302GT  | 1    |
| 4    | 1257055GT | CABLE ASSY., BATT. 9.5" BLACK .....<br>replaced 96303GT   | 1    |
| 5    | 96110GT   | BOOT, CABLE, TERMINAL COVER ..... 11  |      |
| 6    |           | REF. LIFT CYLINDER DOWN CABLE .....<br>refer to 209.1 or 210.1  |      |
| 7    |           | REF. PLATFORM CONTROL CABLE .....<br>refer to 209.1 or 210.1  |      |
| 8    | 232582GT  | GROUND WIRE ASSY,GS ..... 1   |      |
| 9    | 233430GT  | HRNS,CONTACTOR SIGNAL,GS46 ..... 1  |      |
| 10   | 66397GT   | QUICK DISCONNECT CASING,BATT** ..... 2  |      |
| 11   | 233371GT  | CABLE ASSY, BATT, 23"RD ..... 1   |      |
| 12   | 232576GT  | CABLE ASSY,BATT, 12" RED ..... 1  |      |
| 13   | 232578GT  | CABLE ASSY,BATT, 20" BLK ..... 1  |      |
| 14   | 96304GT   | CABLE ASSY,BATT,5.50"RED ..... 3  |      |
| 15   |           | REF. FUSE BLOCK .....<br>refer to 205.1   |      |
| 16   | 96306GT   | CABLE ASSY,BATT,9.50"RED ..... 1  |      |
| 17   | 28131GT   | WIRE LOOM,1.25 DIA ..... 18   |      |

Go to DiscountEquipment.com to order your parts



211.6 Power Cables (from SN GS32A-135715, GS46A-135367, GS32C-14378)





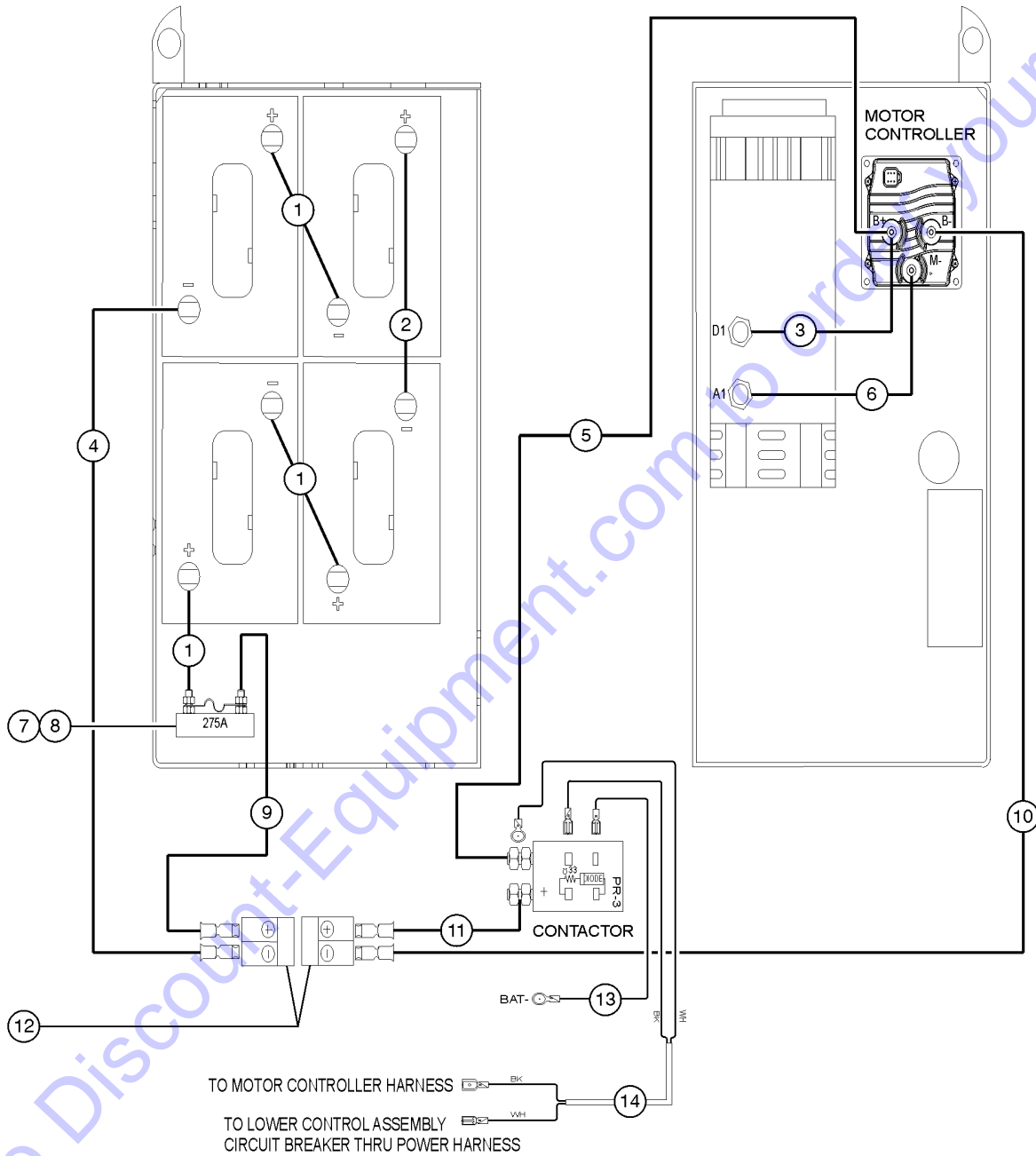
211.6 Power Cables (from SN GS32A-135715, GS46A-135367, GS32C-14378)

| Item | Part No.  | Description                          | Qty. |
|------|-----------|--------------------------------------|------|
| A    | 28131GT   | WIRE LOOM,1.25 DIA .....             | 16   |
| B    | 96110GT   | BOOT, CABLE, TERMINAL COVER .....    | 14   |
| C    | 79140GT   | BOOT,CABLE TERMINAL,RED,XL .....     | 2    |
| D    | 1264822GT | KIT, TRC RETROFIT, STNDRD .....      |      |
|      |           | Telematics (includes 1264834)        |      |
| D-   | 1264834GT | INSTRN, TRC RETROFIT, STNDRD .....   |      |
| 1    | 96304GT   | CABLE ASSY,BATT,5.50"RED .....       | 3    |
| 2    | 96306GT   | CABLE ASSY,BATT,9.50"RED .....       | 1    |
| 3    | 1257054GT | CABLE ASSY., BATT. 11.5" RED .....   | 1    |
| 4    | 232578GT  | CABLE ASSY,BATT, 20" BLK .....       | 1    |
| 5    | 1257059GT | CABLE ASSY.,BATT. 74.5"RED .....     | 1    |
| 6    | 1257055GT | CABLE ASSY., BATT. 9.5" BLACK .....  | 1    |
| 7    | 66717GT   | FUSE BLOCK, ANN & ANL FUSE .....     | 1    |
| 8    | 40833GT   | FUSE, 275AMP, VERY FAST ACTING ..... | 1    |
| 9    | 232576GT  | CABLE ASSY,BATT, 12" RED .....       | 1    |
| 10   | 1257058GT | CABLE ASSY., BATT. 79" BLACK .....   | 1    |
| 11   | 233371GT  | CABLE ASSY, BATT, 23"RD .....        | 1    |
| 12   | 66397GT   | QUICK DISCONNECT CASING,BATT** ..... | 2    |
| 13   | 232582GT  | GROUND WIRE ASSY,GS .....            | 1    |
| 14   | 233431GT  | HRNS,CONTACTOR SIGNL,GS30/32 .....   | 1    |

Go to Discount-Equipment.com to order your parts



211.7 Power Cables (from SN GS4615C-14504)



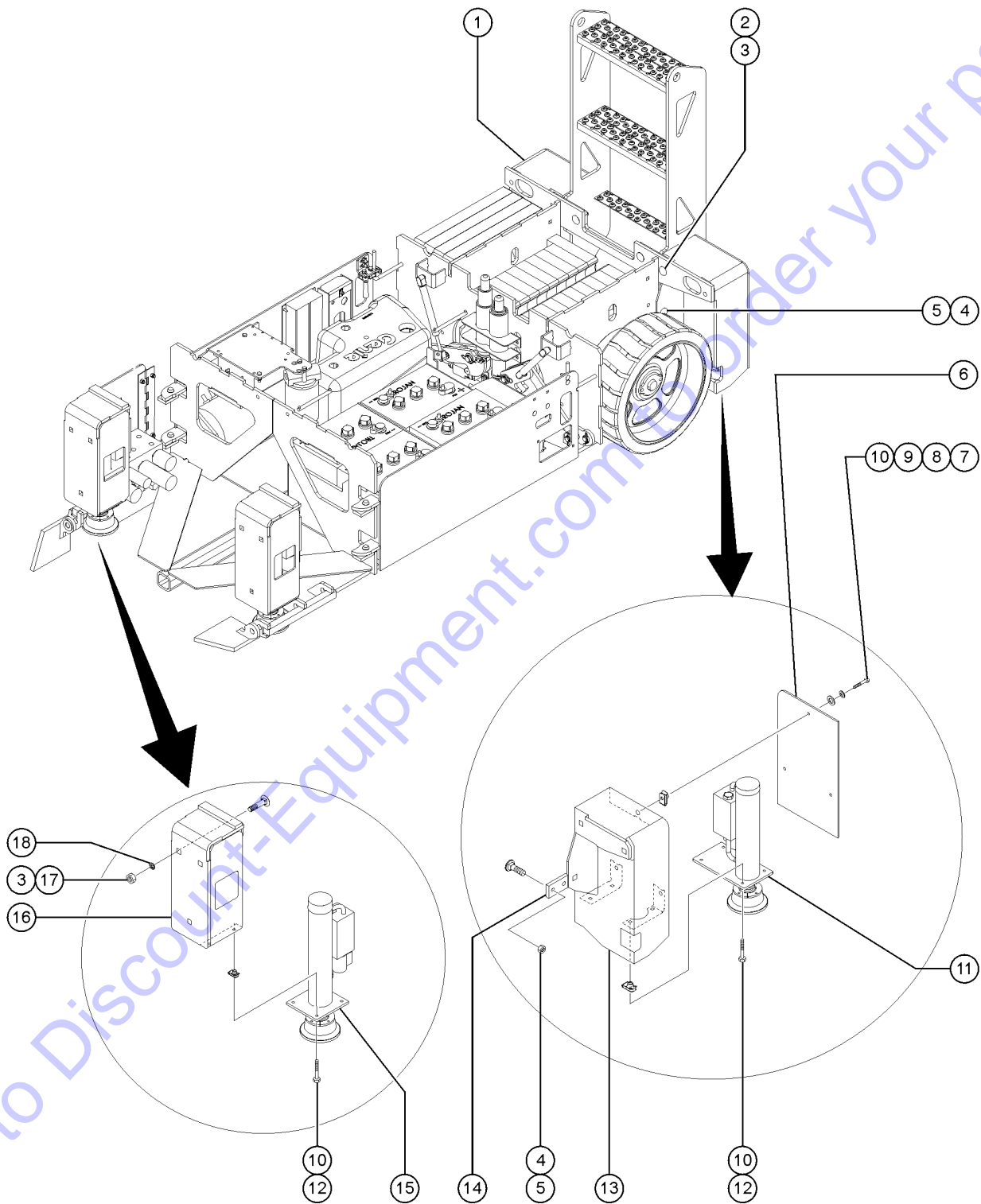
211.7 Power Cables (from SN GS4615C-14504)

| Item | Part No.  | Description                          | Qty. |
|------|-----------|--------------------------------------|------|
| A    | 28131GT   | WIRE LOOM,1.25 DIA .....             | 16   |
| B    | 96110GT   | BOOT, CABLE, TERMINAL COVER .....    | 14   |
| C    | 79140GT   | BOOT,CABLE TERMINAL,RED,XL .....     | 2    |
| 1    | 96304GT   | CABLE ASSY,BATT,5.50"RED .....       | 3    |
| 2    | 96306GT   | CABLE ASSY,BATT,9.50"RED .....       | 1    |
| 3    | 1257054GT | CABLE ASSY., BATT. 11.5" RED .....   | 1    |
| 4    | 232578GT  | CABLE ASSY,BATT, 20" BLK .....       | 1    |
| 5    | 1257057GT | CABLE ASSY., BATT. 88.5" RED .....   | 1    |
| 6    | 1257055GT | CABLE ASSY., BATT. 9.5" BLACK .....  | 1    |
| 7    | 66717GT   | FUSE BLOCK, ANN & ANL FUSE .....     | 1    |
| 8    | 40833GT   | FUSE, 275AMP, VERY FAST ACTING ..... | 1    |
| 9    | 232576GT  | CABLE ASSY,BATT, 12" RED .....       | 1    |
| 10   | 1257056GT | CABLE ASSY., BATT. 93" BLACK .....   | 1    |
| 11   | 233371GT  | CABLE ASSY, BATT, 23"RD .....        | 1    |
| 12   | 66397GT   | QUICK DISCONNECT CASING,BATT** ..... | 2    |
| 13   | 232582GT  | GROUND WIRE ASSY,GS .....            | 1    |
| 14   | 233430GT  | HRNS,CONTACTOR SIGNAL,GS46 .....     | 1    |

Go to Discount-Equipment.com to order your parts



212.1 Outrigger Components, GS-3232

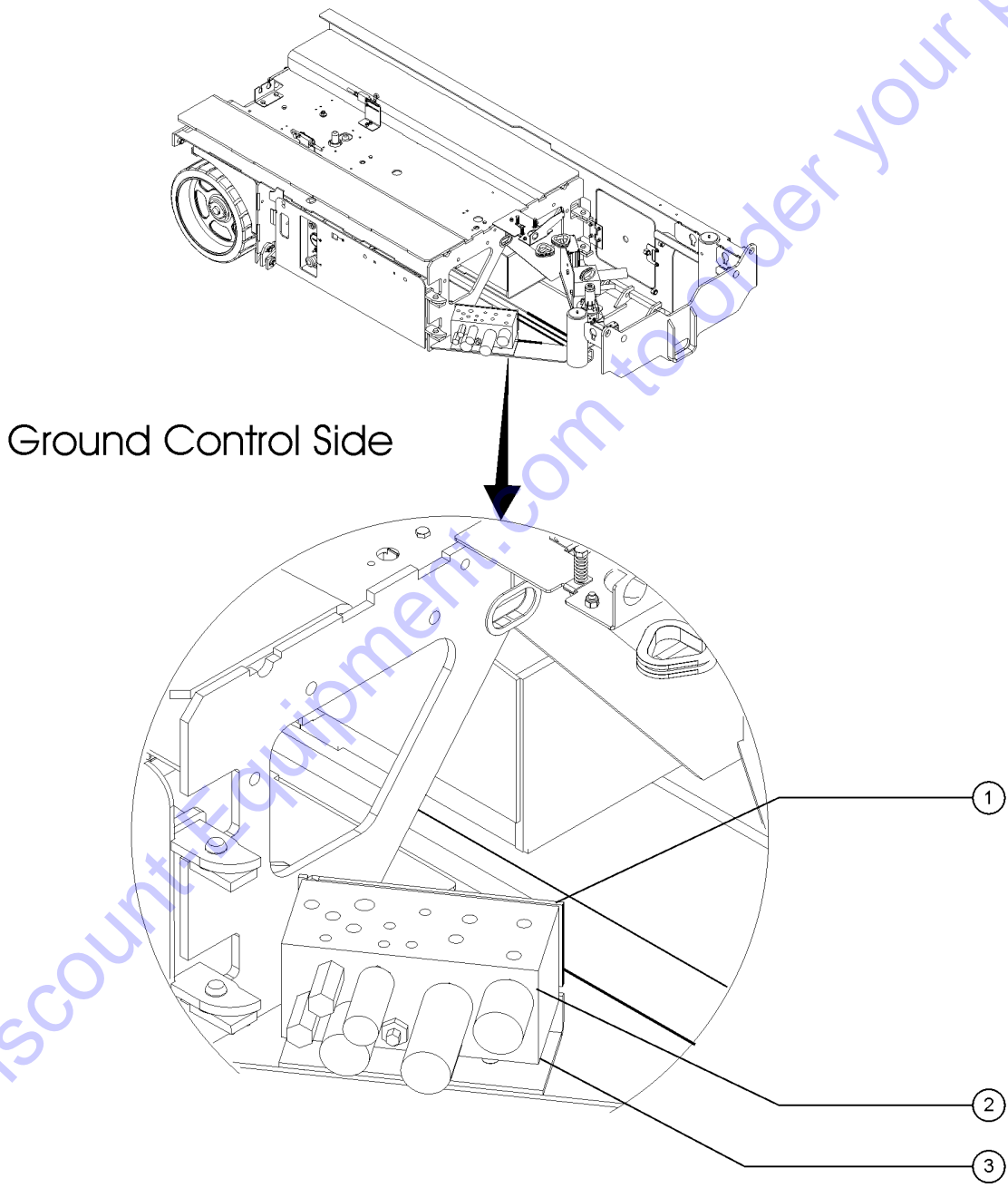


212.1 Outrigger Components, GS-3232

| Item | Part No. | Description  | Qty. |
|------|----------|--|------|
| 1    | 109735GT | WLDMT, OUTRIGGER, RR .....<br>(ground control side)      | 1    |
| 2    | 105688GT | BOLT,CARRIAGE,1/2X2.00,G5 .....                          |      |
| 3    | 6198GT   | NUT,NYLOK,1/2-13 .....                                   |      |
| 4    | 105092GT | BOLT,CARRIAGE,3/8-16X1.25,GR5 .....                      |      |
| 5    | 4828GT   | NUT,NYLOCK,3/8-16 .....                                  |      |
| 6    | 109745GT | PLATE,REAR COVER .....                                   | 2    |
| 7    | 6888GT   | SCREW,HHC,1/4-20 X 1 .....                               |      |
| 8    | 6356GT   | WASHER,LOCK,.25 .....                                    |      |
| 9    | 6638GT   | WASHER,FLAT,USS,1/4"Y .....                              |      |
| 10   | 56912GT  | SPRING CLIP,1/4-20,.025-.15X.54,ZAG .....                |      |
| 11   |          | Ref: Outrigger Cylinder, Rear .....<br>(refer to 508.1)  |      |
| 12   | 105388GT | SCREW,HHC,1/4-20 X 1 W/PATCH .....                       |      |
| 13   | 109737GT | WLDMT, OUTRIGGER, LR .....<br>(battery pack side)        | 2    |
| 14   | 105758GT | PLATE, SHEAR, OUTRIGGER .....                            | 2    |
| 15   |          | Ref: Outrigger Cylinder, Front .....<br>(refer to 508.1) |      |
| 16   | 109749GT | WLDMT, OUTRIGGER, FRONT .....                            | 2    |
| 17   | 96203GT  | BOLT,CARRIAGE,1/2-13X1.75, G5 .....                      |      |
| 18   | 105634GT | WASHER,PUSH ON .75 SHAFT .....                           |      |

Go to Discount-Equipment.com to order your parts



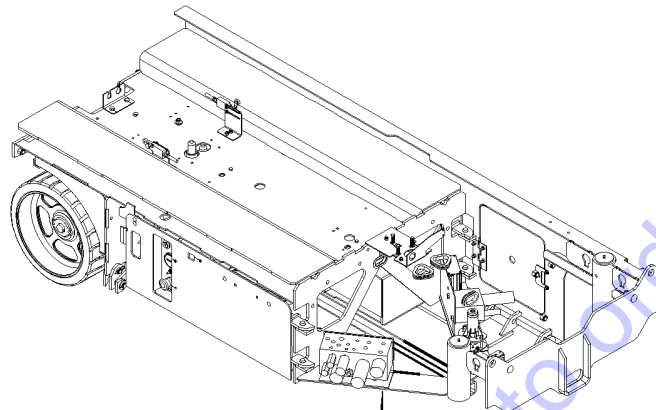


213.1 Function Manifold and Accumulator Components, GS-2032A, GS-2632A, GS-2046A, GS-2646A, GS-3246A

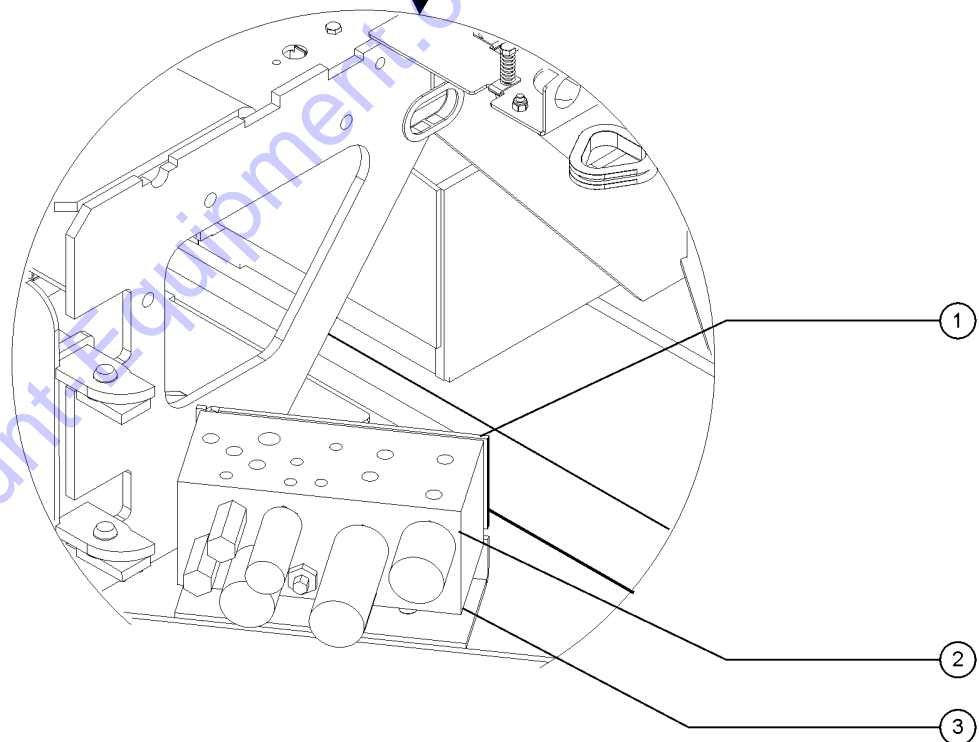
| Item | Part No. | Description                          | Qty. |
|------|----------|--------------------------------------|------|
| 1    | 105574GT | FORMING,MANIFOLD .....               |      |
| 2    |          | Ref. Function Manifold .....         |      |
|      |          | (refer to 502.1)                     |      |
| 3    | 78422GT  | ACCUMULATOR,180 PSI PRECHARGE* ..... |      |
|      |          | (hidden from view)                   |      |
| 3-   | 32339GT  | CLAMP,1.75,#28 X 3/8,RUB CUSH* ..... |      |
| 3-   | 9116GT   | BOLT,CARRIAGE,1/4-20 X 1.25,G2 ..... |      |
| 3-   | 18504GT  | NUT,LOCKING-LG.FLANGE,1/4-20 .....   |      |

Go to Discount-Equipment.com to order your parts





Ground Control Side





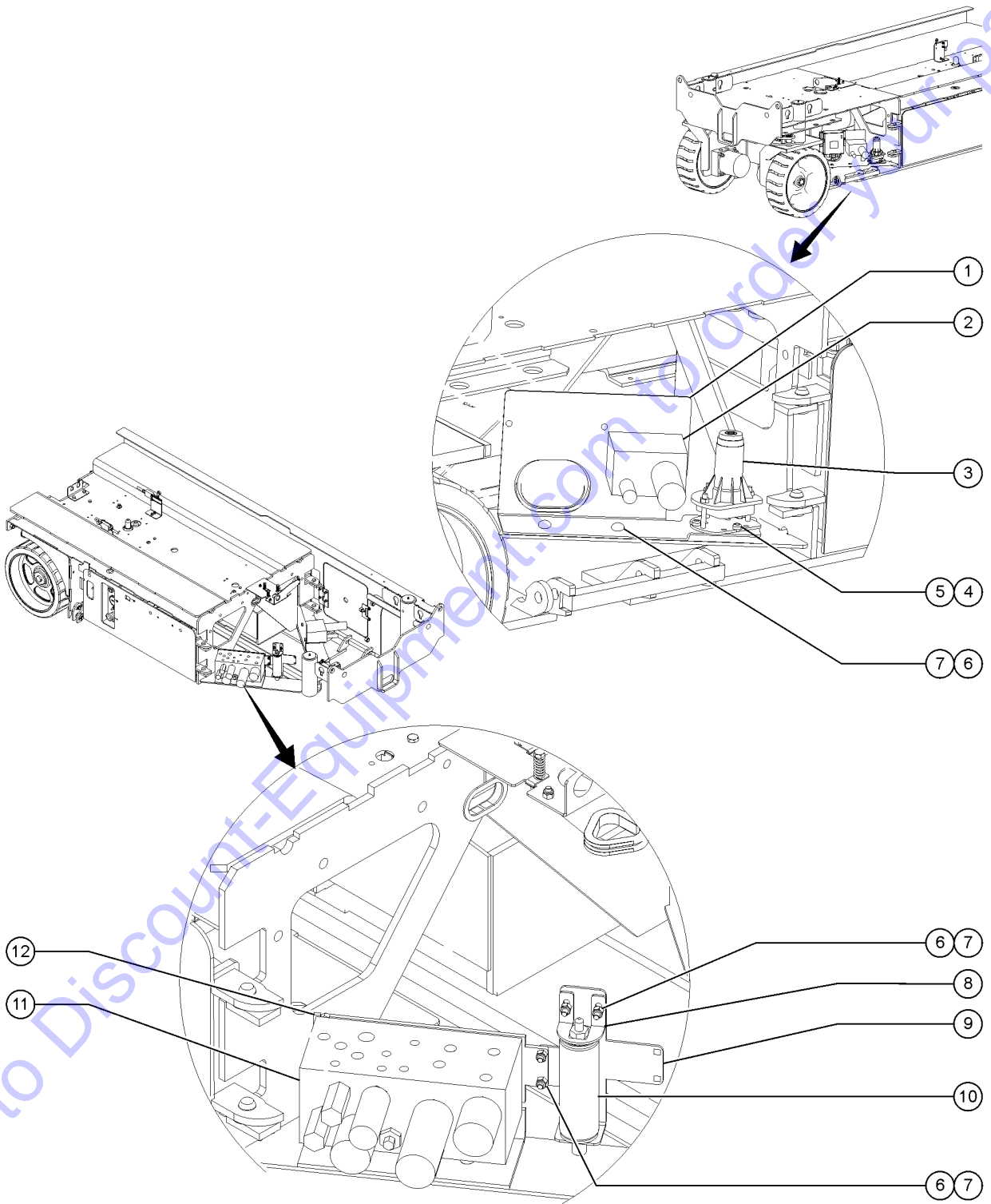
213.2 Function Manifold and Accumulator Components, GS-2032, GS-2632, GS-2046, GS-2646, GS-3246

| Item | Part No. | Description                          | Qty. |
|------|----------|--------------------------------------|------|
| 1    | 105574GT | FORMING,MANIFOLD .....               |      |
| 2    |          | Ref. Function Manifold .....         |      |
|      |          | (refer to 502.1)                     |      |
| 3    | 78422GT  | ACCUMULATOR,180 PSI PRECHARGE* ..... |      |
|      |          | (hidden from view)                   |      |
| 3-   | 32339GT  | CLAMP,1.75,#28 X 3/8,RUB CUSH* ..... |      |
| 3-   | 9116GT   | BOLT,CARRIAGE,1/4-20 X 1.25,G2 ..... |      |
| 3-   | 18504GT  | NUT,LOCKING-LG.FLANGE,1/4-20 .....   |      |

Go to Discount-Equipment.com to order your parts



214.1 Function Manifold and Accumulator Components, GS-3232



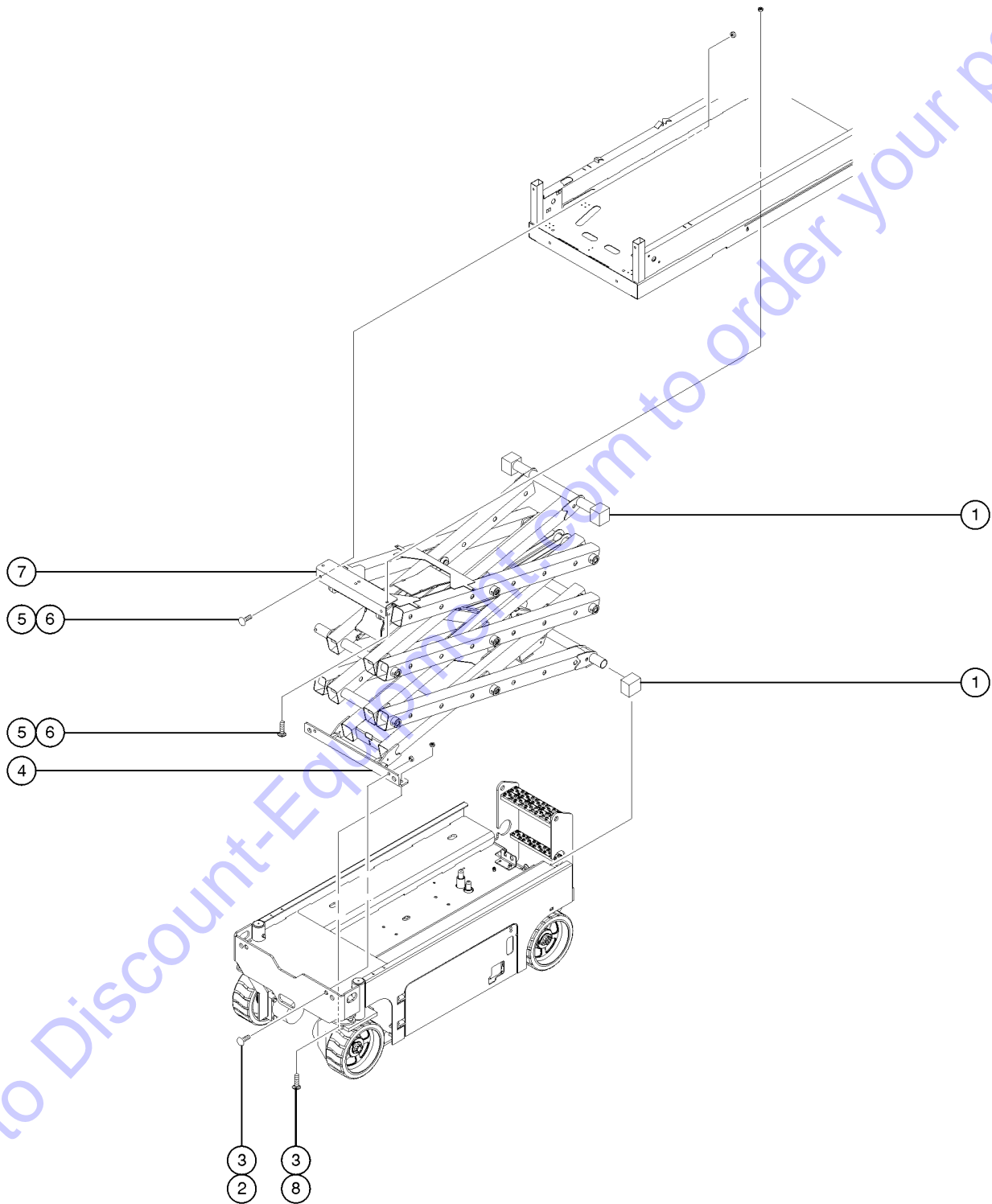
214.1 Function Manifold and Accumulator Components, GS-3232

| Item | Part No. | Description                          | Qty. |
|------|----------|--------------------------------------|------|
| 1A   | 105643GT | FORMING,COMPONENT BRKT, GS3232 ..... |      |
| 2    |          | Ref. Outrigger Manifold .....        |      |
|      |          | (refer to 509.1)                     |      |
| 3    | 71484GT  | SENSOR,LEVEL, ANALOG .....           |      |
| 4    | 6889GT   | NUT,LP NYLOCK,1/4-20 .....           |      |
| 5    | 80149GT  | BOLT,CARRIAGE,1/4-20 X .5,G2 .....   |      |
| 6    | 6878GT   | BOLT,CARRIAGE,1/4-20 X .75,G2 .....  |      |
| 7    | 6091GT   | NUT, NYLOCK, 1/4-20 .....            |      |
| 8    | 105211GT | FORMING, ACCUMULATOR CLAMP .....     |      |
| 9    | 105210GT | FORMING, ACCUMULATOR BRACKET .....   |      |
| 10   | 78422GT  | ACCUMULATOR,180 PSI PRECHARGE* ..... |      |
| 11   |          | Ref. Function Manifold .....         |      |
|      |          | (refer to 502.1)                     |      |
| 12   | 105644GT | FORMING,MANIFOLD BRKT, GS3232 .....  |      |

Go to Discount-Equipment.com to order your parts



301.1 Scissor Assembly Installation, GS32A, GS46A, GS-3232C, GS-2646C



Go to Discount-Equipment.com to order your parts

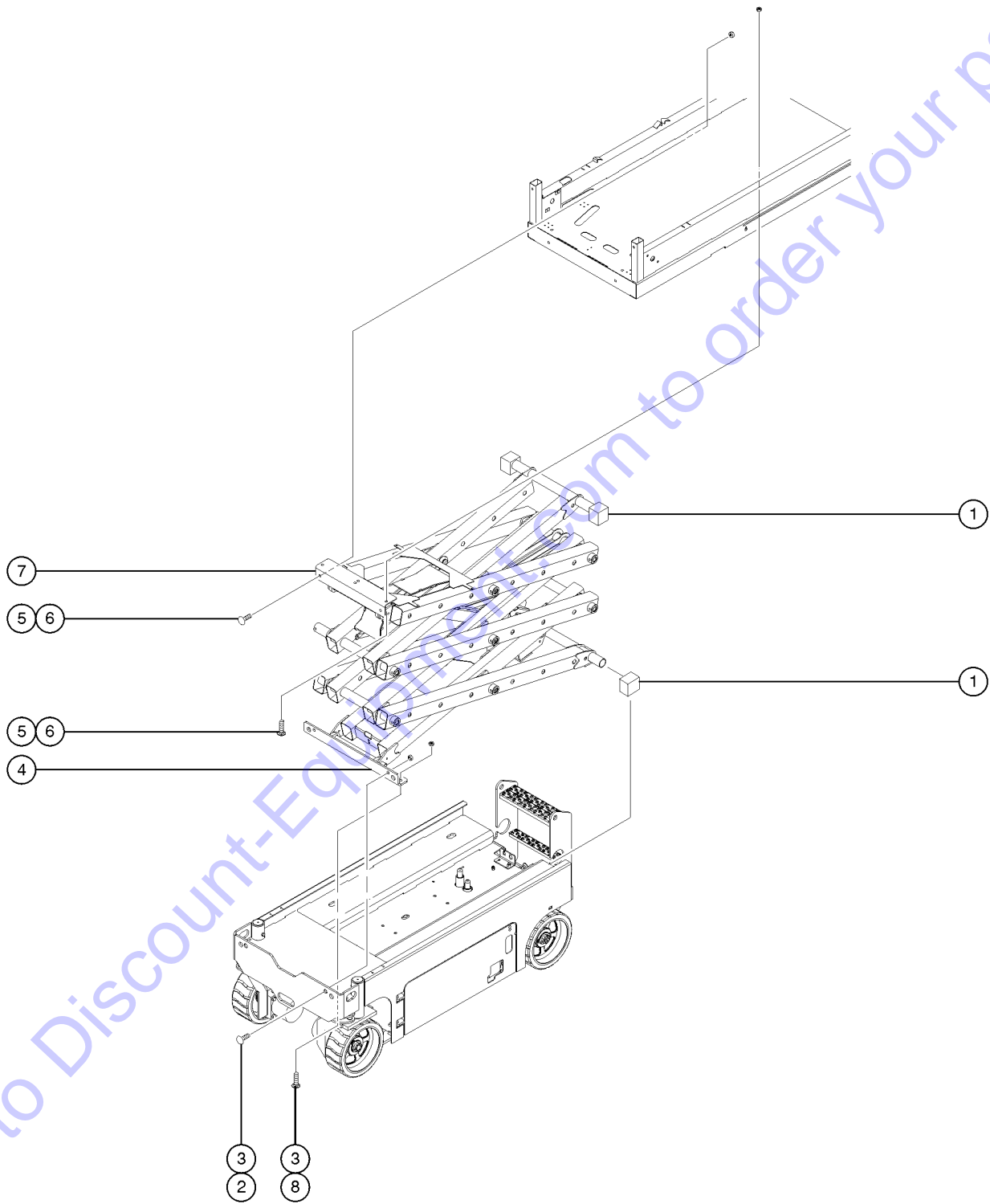
301.1 Scissor Assembly Installation, GS32A, GS46A, GS-3232C, GS-2646C

| Item | Part No. | Description                         | Qty. |
|------|----------|-------------------------------------|------|
| 1    | 96595GT  | SLIDER,UHMW .....                   | 4    |
| 2    | 96977GT  | BOLT,CARRIAGE,1/2-13X1.50,GR5 ..... | 2    |
| 3    | 6198GT   | NUT,NYLOK,1/2-13 .....              | 4    |
| 4    | 97241GT  | CHASSIS MOUNT ASSY, GS32&46 .....   | 1    |
| 4-   | 51474GT  | BEARING,1.00IDX1.25ODX0.75L .....   | 2    |
| 5    | 105092GT | BOLT,CARRIAGE,3/8-16X1.25,GR5 ..... |      |
| 6    | 4828GT   | NUT,NYLOCK,3/8-16 .....             |      |
| 7    | 84747GT  | PLATFORM MOUNT ASSY, GS32&46 .....  | 1    |
| 7-   | 36369GT  | BEARING,0.75IDX1.00ODX0.75L .....   | 2    |
| 8    | 96203GT  | BOLT,CARRIAGE,1/2-13X1.75, G5 ..... | 2    |

Go to Discount-Equipment.com to order your parts



301.2 Scissor Assembly Installation, GS-2032C, GS-2046C



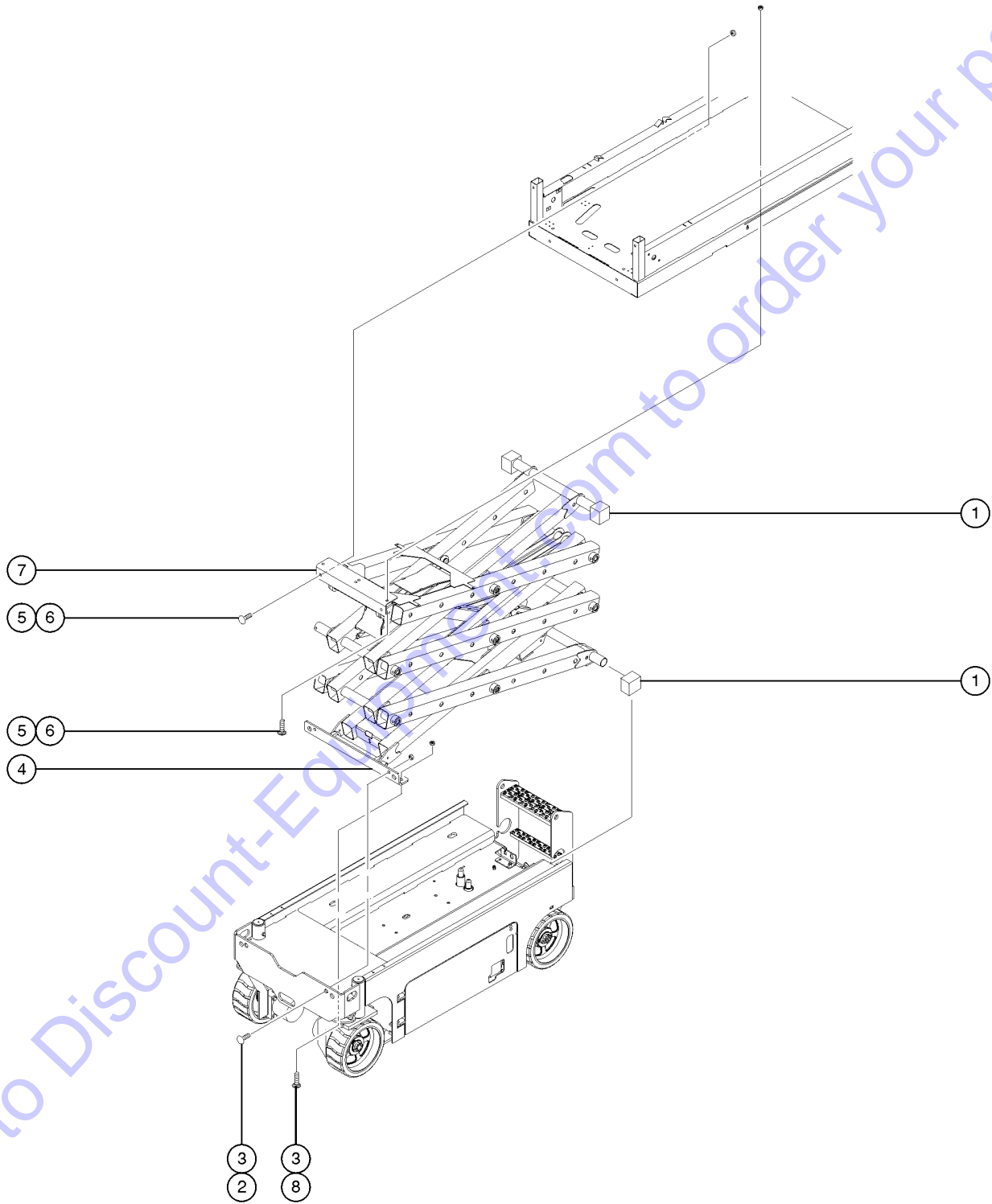
301.2 Scissor Assembly Installation, GS-2032C, GS-2046C

| Item | Part No. | Description                         | Qty. |
|------|----------|-------------------------------------|------|
| 1    | 96595GT  | SLIDER,UHMW .....                   | 4    |
| 2    | 96977GT  | BOLT,CARRIAGE,1/2-13X1.50,GR5 ..... | 2    |
| 3    | 6198GT   | NUT,NYLOK,1/2-13 .....              | 4    |
| 4    | 97241GT  | CHASSIS MOUNT ASSY, GS32&46 .....   | 1    |
| 4-   | 51474GT  | BEARING,1.00IDX1.25ODX0.75L .....   | 2    |
| 5    | 105092GT | BOLT,CARRIAGE,3/8-16X1.25,GR5 ..... |      |
| 6    | 4828GT   | NUT,NYLOCK,3/8-16 .....             |      |
| 7    | 84747GT  | PLATFORM MOUNT ASSY, GS32&46 .....  | 1    |
| 7-   | 36369GT  | BEARING,0.75IDX1.00ODX0.75L .....   | 2    |
| 8    | 96203GT  | BOLT,CARRIAGE,1/2-13X1.75, G5 ..... | 2    |

Go to Discount-Equipment.com to order your parts



301.3 Scissor Assembly Installation, GS-2632C





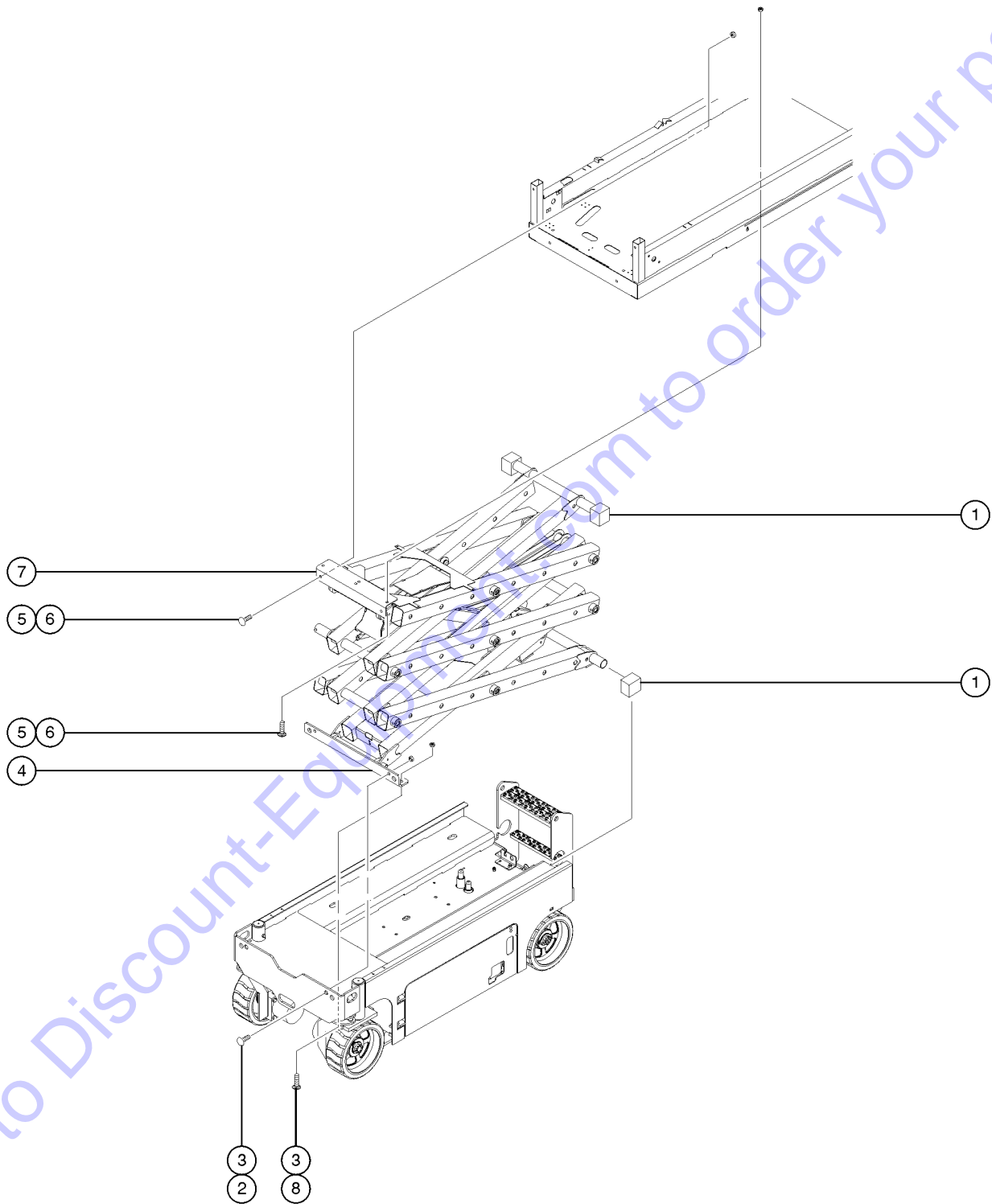
301.3 Scissor Assembly Installation, GS-2632C

| Item | Part No. | Description                         | Qty. |
|------|----------|-------------------------------------|------|
| 1    | 96595GT  | SLIDER,UHMW .....                   | 4    |
| 2    | 96977GT  | BOLT,CARRIAGE,1/2-13X1.50,GR5 ..... | 2    |
| 3    | 6198GT   | NUT,NYLOK,1/2-13 .....              | 4    |
| 4    | 97241GT  | CHASSIS MOUNT ASSY, GS32&46 .....   | 1    |
| 4-   | 51474GT  | BEARING,1.00IDX1.25ODX0.75L .....   | 2    |
| 5    | 105092GT | BOLT,CARRIAGE,3/8-16X1.25,GR5 ..... |      |
| 6    | 4828GT   | NUT,NYLOCK,3/8-16 .....             |      |
| 7    | 84747GT  | PLATFORM MOUNT ASSY, GS32&46 .....  | 1    |
| 7-   | 36369GT  | BEARING,0.75IDX1.00ODX0.75L .....   | 2    |
| 8    | 96203GT  | BOLT,CARRIAGE,1/2-13X1.75, G5 ..... | 2    |

Go to Discount-Equipment.com to order your parts



301.4 Scissor Assembly Installation, GS-2646C



Go to Discount-Equipment.com to order your parts



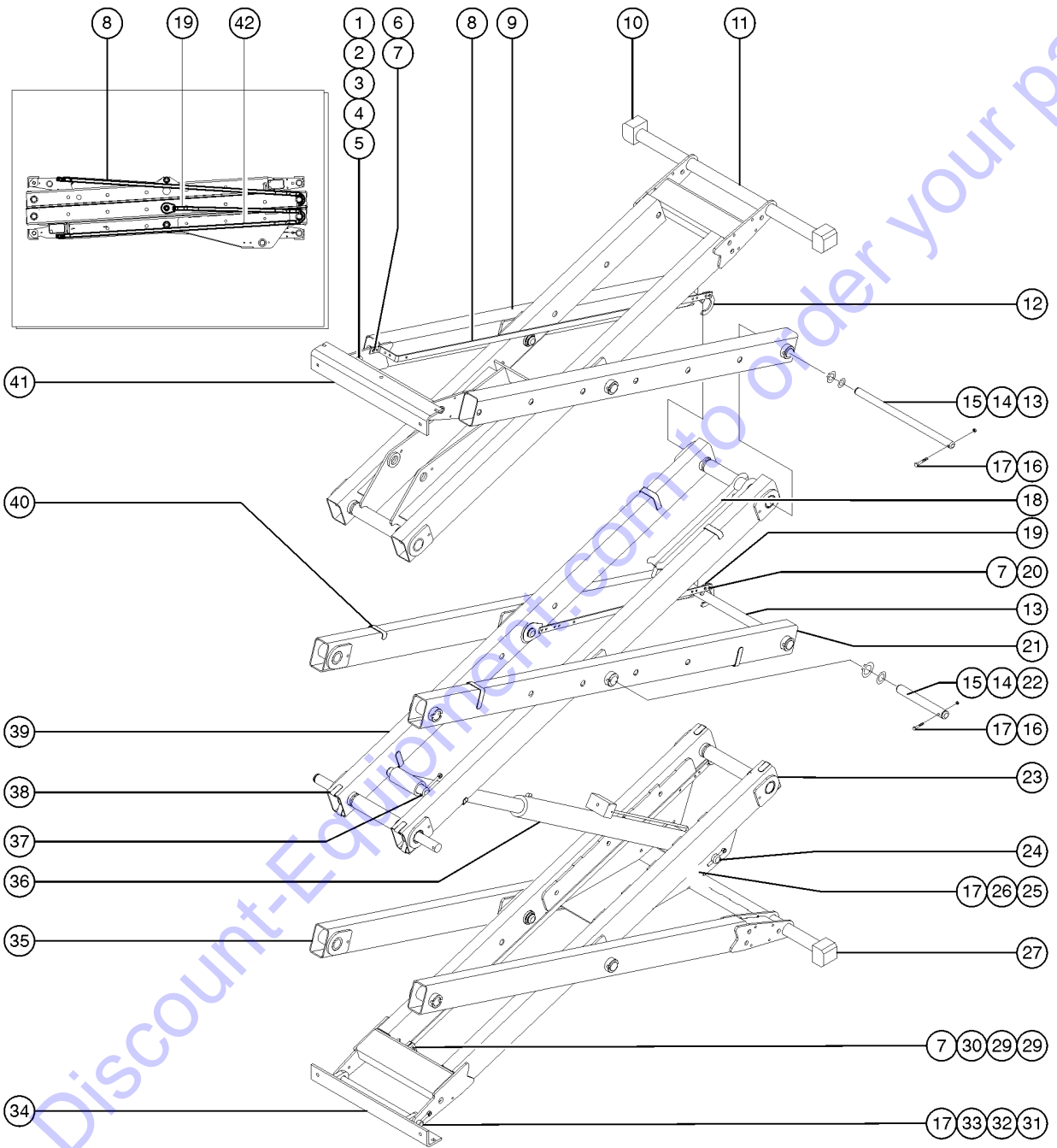
301.4 Scissor Assembly Installation, GS-2646C

| Item | Part No. | Description                         | Qty. |
|------|----------|-------------------------------------|------|
| 1    | 96595GT  | SLIDER,UHMW .....                   | 4    |
| 2    | 96977GT  | BOLT,CARRIAGE,1/2-13X1.50,GR5 ..... | 2    |
| 3    | 6198GT   | NUT,NYLOK,1/2-13 .....              | 4    |
| 4    | 97241GT  | CHASSIS MOUNT ASSY, GS32&46 .....   | 1    |
| 4-   | 51474GT  | BEARING,1.00IDX1.25ODX0.75L .....   | 2    |
| 5    | 105092GT | BOLT,CARRIAGE,3/8-16X1.25,GR5 ..... |      |
| 6    | 4828GT   | NUT,NYLOCK,3/8-16 .....             |      |
| 7    | 84747GT  | PLATFORM MOUNT ASSY, GS32&46 .....  | 1    |
| 7-   | 36369GT  | BEARING,0.75IDX1.00ODX0.75L .....   | 2    |
| 8    | 96203GT  | BOLT,CARRIAGE,1/2-13X1.75, G5 ..... | 2    |

Go to Discount-Equipment.com to order your parts



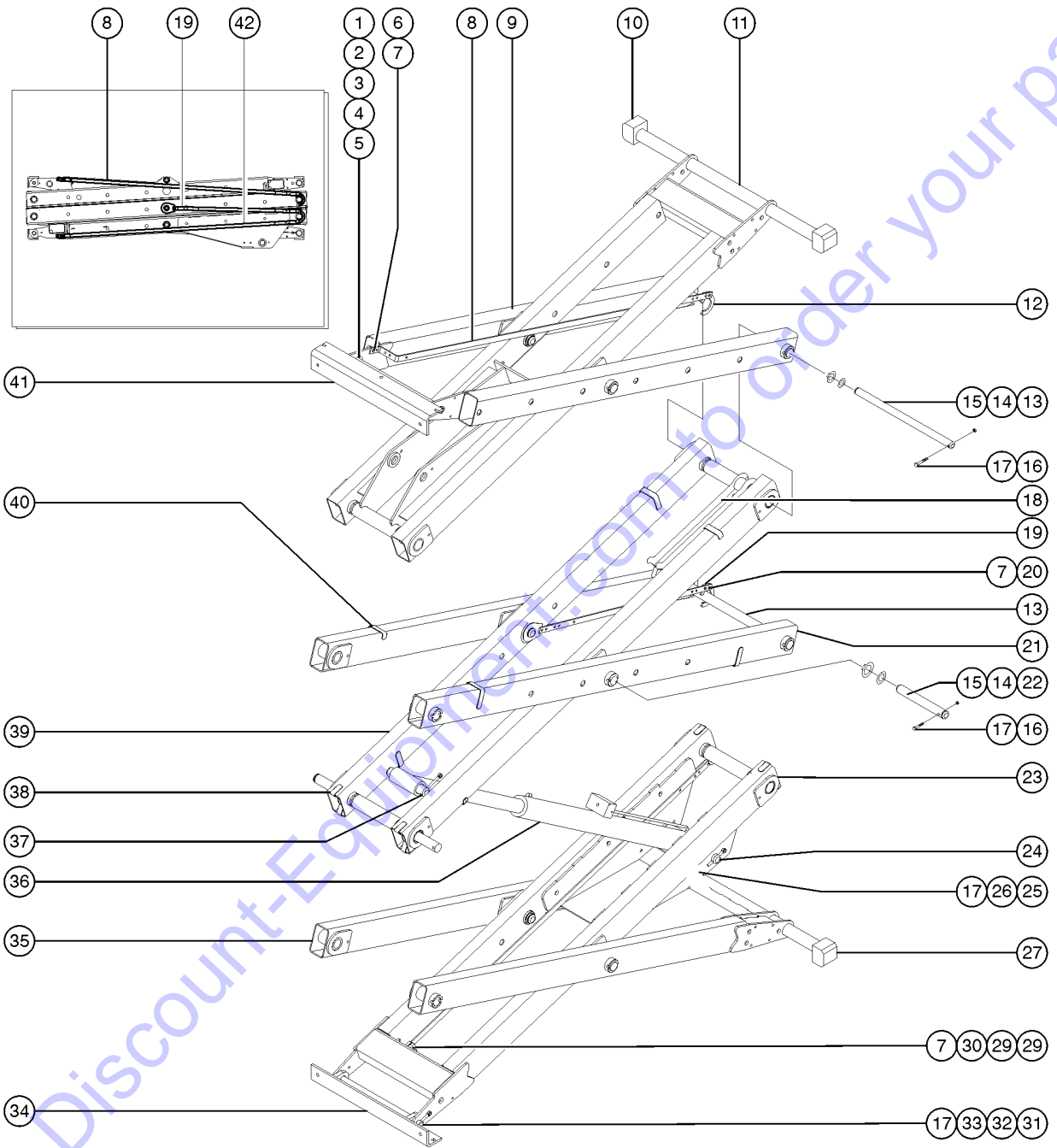
302.1 Scissor Assembly, GS-2032



| Item | Part No.  | Description   | Qty. |
|------|-----------|---|------|
| 1    | 96932GT   | PIN, LINKSET MOUNT, 3/4"  | 1    |
| 2    | 825020GT  | ROD END,.250X2.75,ZAG   | 2    |
| 3    | 8915GT    | SCREW,HHC,1/4-20 X 1.25   |      |
| 4    | 6356GT    | WASHER,LOCK,.25   |      |
| 5    | 6091GT    | NUT, NYLOCK, 1/4-20   |      |
| 6    | 9116GT    | BOLT,CARRIAGE,1/4-20 X 1.25,G2  |      |
| 7    | 18504GT   | NUT,LOCKING-LG.FLANGE,1/4-20  |      |
| 8    | 105189GT  | BAR,CABLE BRIDGE ARM,UPPER  | 1    |
| 9    | 96611GT   | WLDMT,LNK,OUT #3-20XX,#5-32XX   | 2    |
| 10   |           | Ref. Platform Slider<br>(refer to 301.1)                              |      |
| 11A  | 84696GT   | INNER ARM ASSY,#3 GS2032  | 1    |
| 11A- | 105030GT  | WLDMT,LNK,INNER #3,2032<br>(bearings not included)                    | 1    |
| 11A- | 66055GT   | BEARING,1.50IDX1.77ODX1.25L   | 6    |
| 12   | 105193GT  | CLIP,CABLEBRIDGE,GS32/46  | 2    |
| 13   | 96899GT   | PIN, LONG, GS46   | 4    |
| 14   | 1260941GT | WASHER,SHIM,1.54X2.00X.125,ZAG  |      |
| 15   | 18383GT   | SNAP RING,EXTERNAL,1.5 DIA  | 10   |
| 16   | 6326GT    | SCREW,HHC,3/8-16 X 3  |      |
| 17   | 4828GT    | NUT,NYLOCK,3/8-16   |      |
| 18   | 58000GT   | SAFETY CHOCK,SCISSOR  | 1    |
| 19A  | 105191GT  | WELDMENT.CABLE BRIDGE, TOP  | 2    |
| 19B  | 105190GT  | WLDMT,CABLE BRIDGE,BOTTOM   | 2    |
| 20   | 6878GT    | BOLT,CARRIAGE,1/4-20 X .75,G2   |      |
| 21   | 96605GT   | WLDMT,LNK,OUTER #2,#3,#4  | 2    |
| 22   | 96900GT   | PIN, SHORT, GS46  | 6    |
| 23   | 1300079GT | ASSEMBLY, LINK, INNER #1<br>(decal not included refer to section one) | 1    |
| 23-  | 1299483GT | WELDMENT, LNK, LOWER1 ,E-DRIVE<br>(bearings not included)             | 1    |
| 23-  | 66055GT   | BEARING,1.50IDX1.77ODX1.25L   | 6    |



302.1 Scissor Assembly, GS-2032

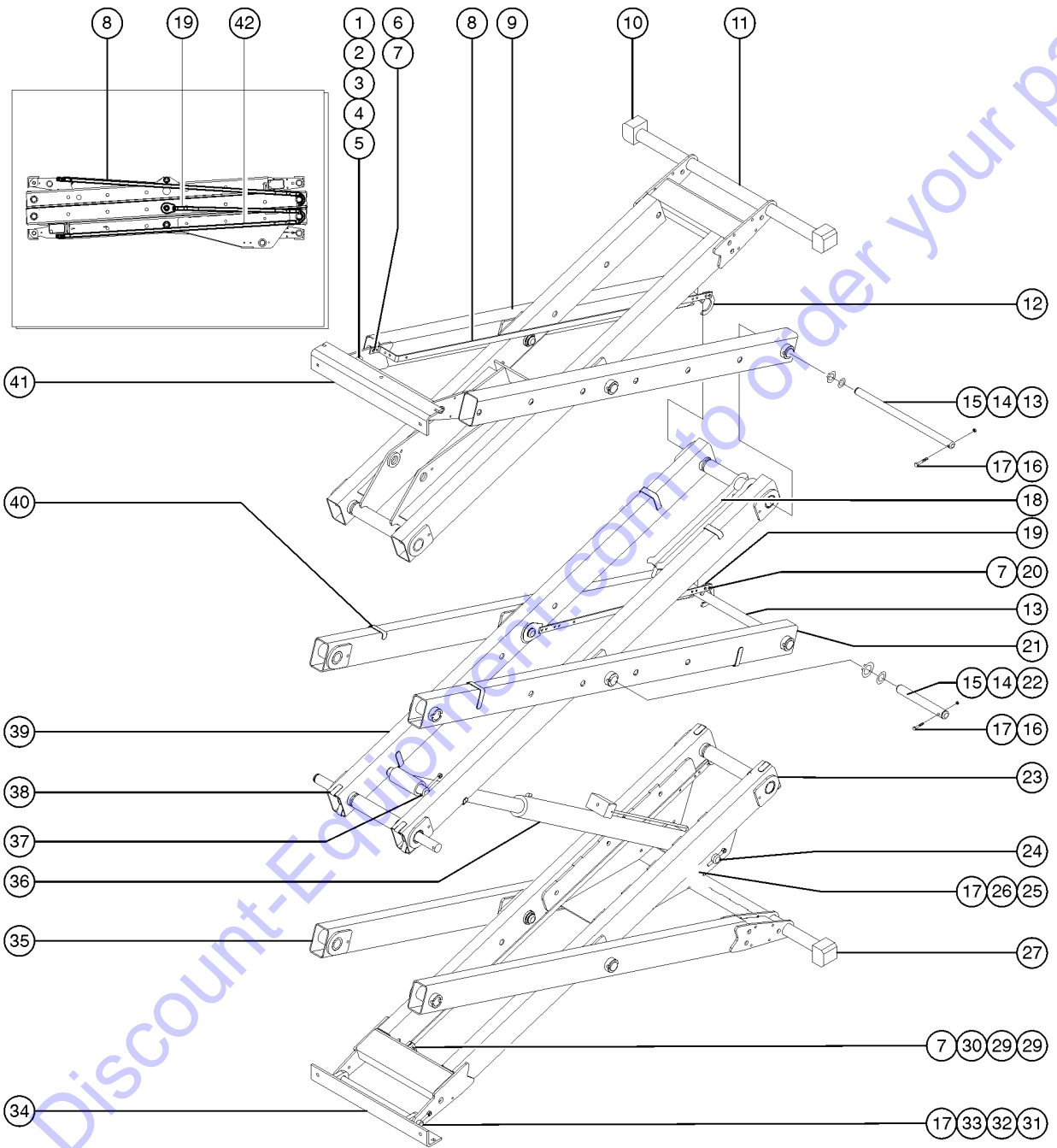


| Item | Part No. | Description                               | Qty. |
|------|----------|---|------|
| 24   | 96662GT  | PIN, LOWER CYLINDER MOUNT .....           | 1    |
| 25   | 105092GT | BOLT,CARRIAGE,3/8-16X1.25,GR5 .....       |      |
| 26   | 105074GT | FORMING,PH PUSHER, GS46 .....             | 1    |
| 27   |          | Ref. Chassis Slider .....                 |      |
|      |          | (refer to 301.1)                          |      |
| 28   | 58592GT  | PLATE,HOSE ROUTG,BULKHEAD(PTD) .....      | 2    |
| 29   | 78736GT  | CLAMP,2 HOSE,PLASTIC,5/8 .....            | 4    |
| 30   | 96905GT  | BOLT,CARRIAGE,1/4-20 X 2.5,G2 .....       |      |
| 31   | 96862GT  | PIN, LINKSET MOUNT, 1" .....              | 1    |
| 32   | 825019GT | ROD END,.375X3.69,ZAG .....               | 3    |
| 33   | 8516GT   | SCREW, HCC, 3/8-16 X 1.50 .....           |      |
| 34   |          | Ref. Chassis Mount Assembly .....         |      |
|      |          | (refer to 301.1)                          |      |
| 35A  | 105029GT | WLDMT,LNK,OUTER #1,GS32 .....             | 1    |
|      |          | (decal not included refer to section one) |      |
| 36   |          | Ref. Lift Cylinder .....                  |      |
|      |          | (refer to 505.1)                          |      |
| 37   | 96661GT  | PIN, UPPER CYLINDER MOUNT .....           | 1    |
| 38   | 96735GT  | LINK BUMPER, 5" .....                     | 4    |
| 39   | 97234GT  | INNER ARM ASSY, #2, GS32&46 .....         | 1    |
| 39-  | 66055GT  | BEARING,1.50IDX1.77ODX1.25L .....         | 8    |
| 40   | 96836GT  | LINK BUMPER, SHORT TUBE .....             | 8    |
| 41   |          | Ref. Platform Mounting Assembly .....     |      |
|      |          | (refer to 301.1)                          |      |
| 42   | 105186GT | WLDMNT,CABLE BRIDGE,LOWER .....           | 1    |

Go to DiscountEquipment.com to order your parts



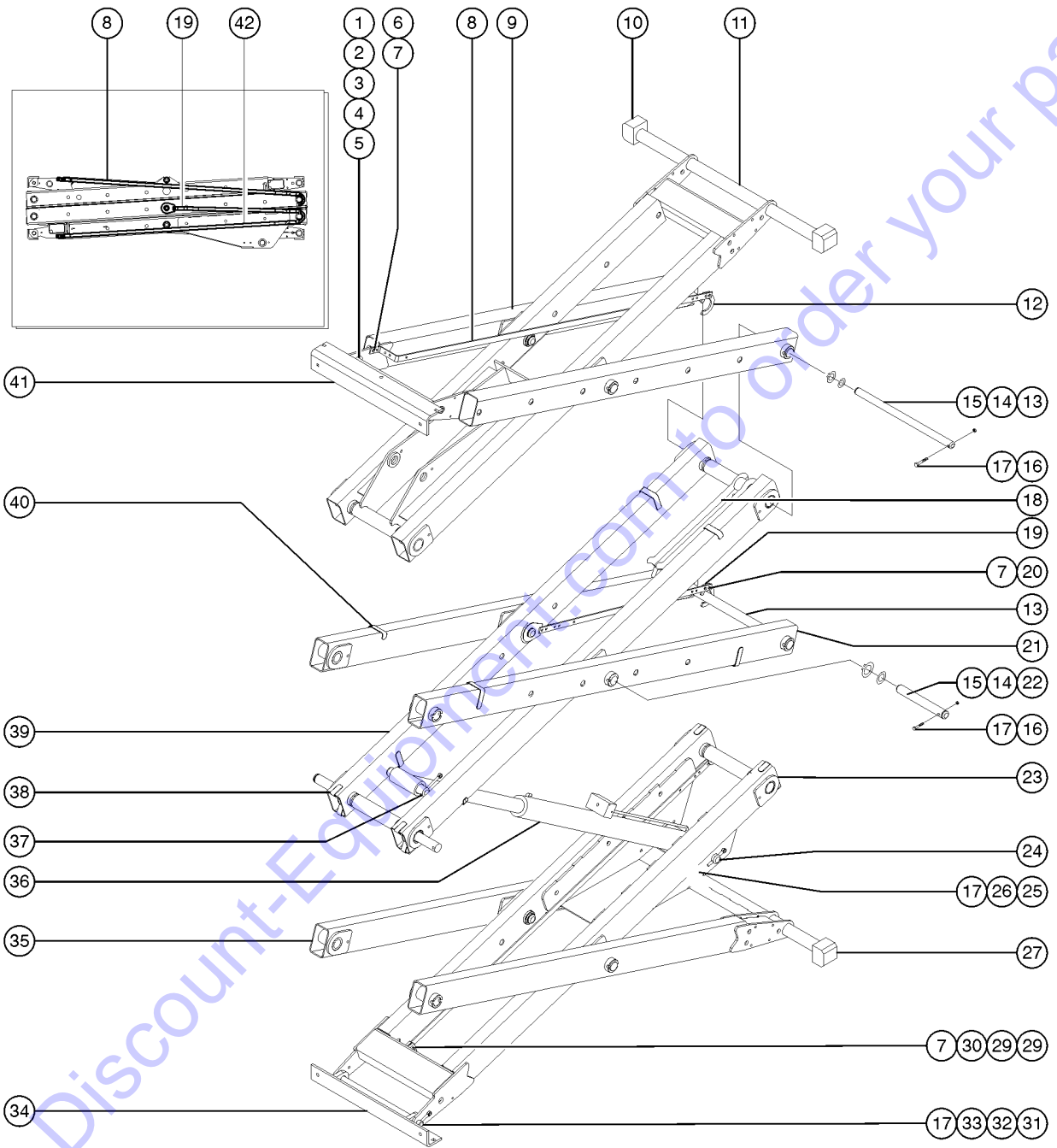
302.2 Scissor Assembly, GS-2032C





| Item | Part No.  | Description   | Qty. |
|------|-----------|---|------|
| 1    | 96932GT   | PIN, LINKSET MOUNT, 3/4"  | 1    |
| 2    | 825020GT  | ROD END,.250X2.75,ZAG   | 2    |
| 3    | 8915GT    | SCREW,HHC,1/4-20 X 1.25   |      |
| 4    | 6356GT    | WASHER,LOCK,.25   |      |
| 5    | 6091GT    | NUT, NYLOCK, 1/4-20   |      |
| 6    | 9116GT    | BOLT,CARRIAGE,1/4-20 X 1.25,G2  |      |
| 7    | 18504GT   | NUT,LOCKING-LG.FLANGE,1/4-20  |      |
| 8    | 105189GT  | BAR,CABLE BRIDGE ARM,UPPER  | 1    |
| 9    | 96611GT   | WLDMT,LNK,OUT #3-20XX,#5-32XX   | 2    |
| 10   |           | Ref. Platform Slider<br>(refer to 301.1)                              |      |
| 11A  | 84696GT   | INNER ARM ASSY,#3 GS2032  | 1    |
| 11A- | 105030GT  | WLDMT,LNK,INNER #3,2032<br>(bearings not included)                    | 1    |
| 11A- | 66055GT   | BEARING,1.50IDX1.77ODX1.25L   | 6    |
| 12   | 105193GT  | CLIP,CABLEBRIDGE,GS32/46  | 2    |
| 13   | 96899GT   | PIN, LONG, GS46   | 4    |
| 14   | 1260941GT | WASHER,SHIM,1.54X2.00X.125,ZAG  |      |
| 15   | 18383GT   | SNAP RING,EXTERNAL,1.5 DIA  | 10   |
| 16   | 6326GT    | SCREW,HHC,3/8-16 X 3  |      |
| 17   | 4828GT    | NUT,NYLOCK,3/8-16   |      |
| 18   | 58000GT   | SAFETY CHOCK,SCISSOR  | 1    |
| 19A  | 105191GT  | WELDMENT.CABLE BRIDGE, TOP  | 2    |
| 19B  | 105190GT  | WLDMT,CABLE BRIDGE,BOTTOM   | 2    |
| 20   | 6878GT    | BOLT,CARRIAGE,1/4-20 X .75,G2   |      |
| 21   | 96605GT   | WLDMT,LNK,OUTER #2,#3,#4  | 2    |
| 22   | 96900GT   | PIN, SHORT, GS46  | 6    |
| 23   | 1300079GT | ASSEMBLY, LINK, INNER #1<br>(decal not included refer to section one) | 1    |
| 23-  | 1299483GT | WELDMENT, LNK, LOWER1 ,E-DRIVE<br>(bearings not included)             | 1    |
| 23-  | 66055GT   | BEARING,1.50IDX1.77ODX1.25L   | 6    |

302.2 Scissor Assembly, GS-2032C

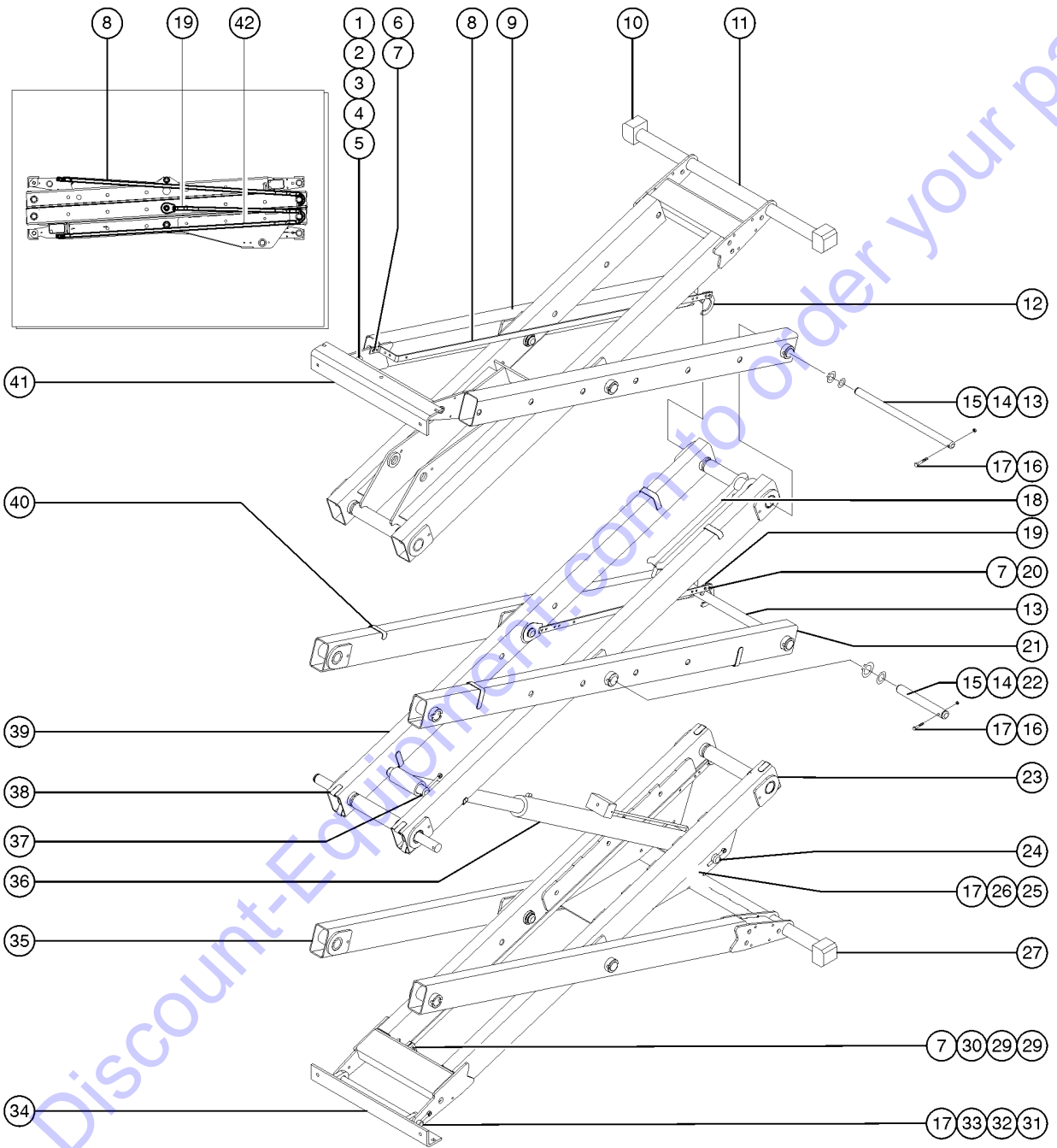


| Item | Part No. | Description                               | Qty. |
|------|----------|---|------|
| 24   | 96662GT  | PIN, LOWER CYLINDER MOUNT .....           | 1    |
| 25   | 105092GT | BOLT,CARRIAGE,3/8-16X1.25,GR5 .....       |      |
| 26   | 105074GT | FORMING,PH PUSHER, GS46 .....             | 1    |
| 27   |          | Ref. Chassis Slider .....                 |      |
|      |          | (refer to 301.1)                          |      |
| 28   | 58592GT  | PLATE,HOSE ROUTG,BULKHEAD(PTD) .....      | 2    |
| 29   | 78736GT  | CLAMP,2 HOSE,PLASTIC,5/8 .....            | 4    |
| 30   | 96905GT  | BOLT,CARRIAGE,1/4-20 X 2.5,G2 .....       |      |
| 31   | 96862GT  | PIN, LINKSET MOUNT, 1" .....              | 1    |
| 32   | 825019GT | ROD END,.375X3.69,ZAG .....               | 3    |
| 33   | 8516GT   | SCREW, HCC, 3/8-16 X 1.50 .....           |      |
| 34   |          | Ref. Chassis Mount Assembly .....         |      |
|      |          | (refer to 301.1)                          |      |
| 35A  | 105029GT | WLDMT,LNK,OUTER #1,GS32 .....             | 1    |
|      |          | (decal not included refer to section one) |      |
| 36   |          | Ref. Lift Cylinder .....                  |      |
|      |          | (refer to 505.1)                          |      |
| 37   | 96661GT  | PIN, UPPER CYLINDER MOUNT .....           | 1    |
| 38   | 96735GT  | LINK BUMPER, 5" .....                     | 4    |
| 39   | 97234GT  | INNER ARM ASSY, #2, GS32&46 .....         | 1    |
| 39-  | 66055GT  | BEARING,1.50IDX1.77ODX1.25L .....         | 8    |
| 40   | 96836GT  | LINK BUMPER, SHORT TUBE .....             | 8    |
| 41   |          | Ref. Platform Mounting Assembly .....     |      |
|      |          | (refer to 301.1)                          |      |
| 42   | 105186GT | WLDMNT,CABLE BRIDGE,LOWER .....           | 1    |

Go to DiscountEquipment.com to order your parts



302.3 Scissor Assembly, GS-2046

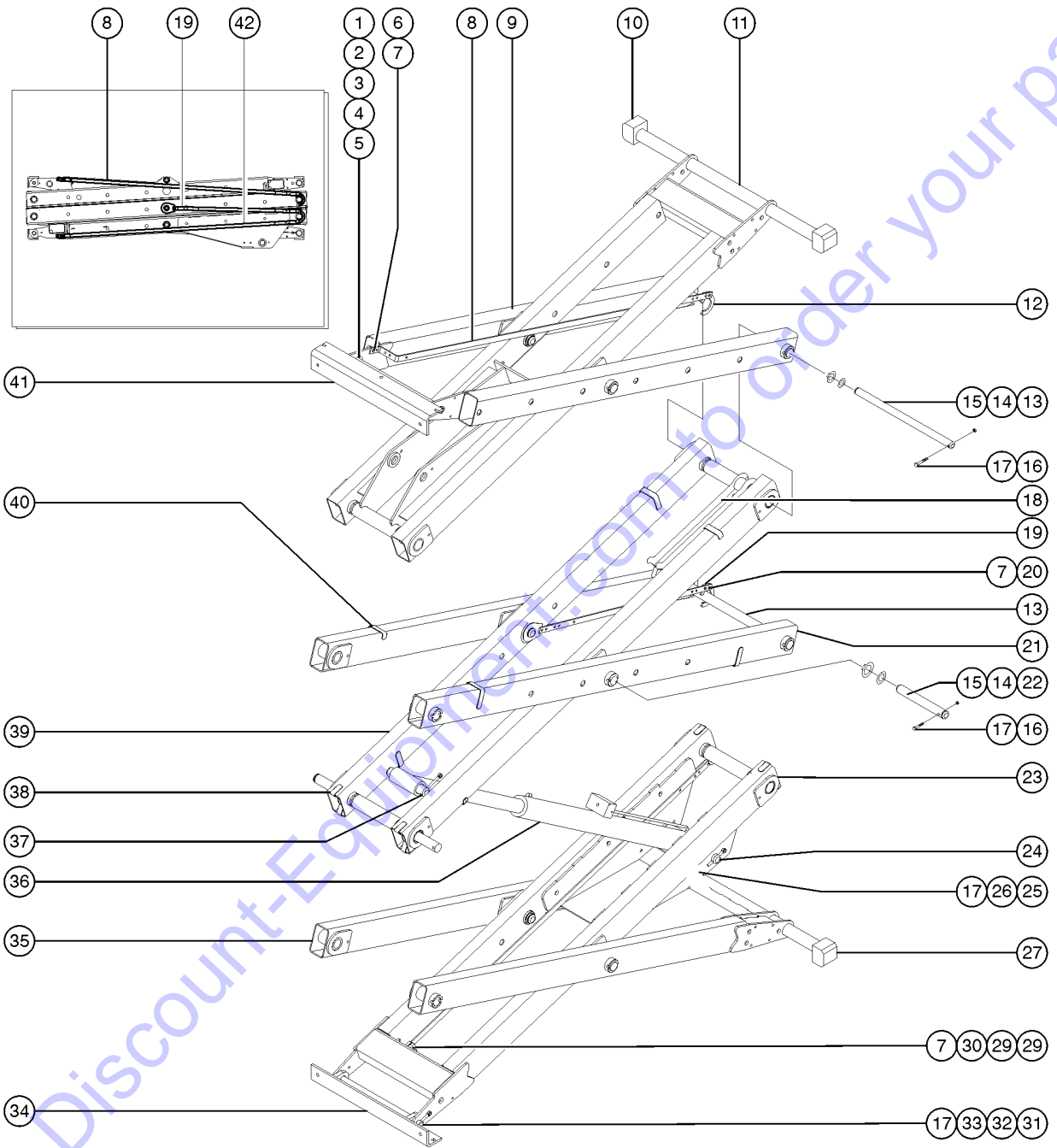


Go to Discount-Equipment.com to order your parts



| Item | Part No.  | Description   | Qty. |
|------|-----------|---|------|
| 1    | 96932GT   | PIN, LINKSET MOUNT, 3/4"  | 1    |
| 2    | 825020GT  | ROD END,.250X2.75,ZAG   | 2    |
| 3    | 8915GT    | SCREW,HHC,1/4-20 X 1.25   |      |
| 4    | 6356GT    | WASHER,LOCK,.25   |      |
| 5    | 6091GT    | NUT, NYLOCK, 1/4-20   |      |
| 6    | 9116GT    | BOLT,CARRIAGE,1/4-20 X 1.25,G2  |      |
| 7    | 18504GT   | NUT,LOCKING-LG.FLANGE,1/4-20  |      |
| 8    | 105189GT  | BAR,CABLE BRIDGE ARM,UPPER  | 1    |
| 9    | 96611GT   | WLDMT,LNK,OUT #3-20XX,#5-32XX   | 2    |
| 10   |           | Ref. Platform Slider<br>(refer to 301.1)                              |      |
| 11B  | 97233GT   | INNER ARM ASSY, #3, 2046  | 1    |
| 11B- | 96606GT   | WLDMT,LNK,INNER #3,2046<br>(bearings not included)                    |      |
| 11B- | 66055GT   | BEARING,1.50IDX1.77ODX1.25L   | 6    |
| 12   | 105193GT  | CLIP,CABLEBRIDGE,GS32/46  | 2    |
| 13   | 96899GT   | PIN, LONG, GS46   | 4    |
| 14   | 1260941GT | WASHER,SHIM,1.54X2.00X.125,ZAG  |      |
| 15   | 18383GT   | SNAP RING,EXTERNAL,1.5 DIA  | 10   |
| 16   | 6326GT    | SCREW,HHC,3/8-16 X 3  |      |
| 17   | 4828GT    | NUT,NYLOCK,3/8-16   |      |
| 18   | 58000GT   | SAFETY CHOCK,SCISSOR  | 1    |
| 19A  | 105191GT  | WELDMENT.CABLE BRIDGE, TOP  | 2    |
| 19B  | 105190GT  | WLDMT,CABLE BRIDGE,BOTTOM   | 2    |
| 20   | 6878GT    | BOLT,CARRIAGE,1/4-20 X .75,G2   |      |
| 21   | 96605GT   | WLDMT,LNK,OUTER #2,#3,#4  | 2    |
| 22   | 96900GT   | PIN, SHORT, GS46  | 6    |
| 23   | 1300079GT | ASSEMBLY, LINK, INNER #1<br>(decal not included refer to section one) | 1    |
| 23-  | 1299483GT | WELDMENT, LNK, LOWER1 ,E-DRIVE<br>(bearings not included)             | 1    |
| 23-  | 66055GT   | BEARING,1.50IDX1.77ODX1.25L   | 6    |

302.3 Scissor Assembly, GS-2046

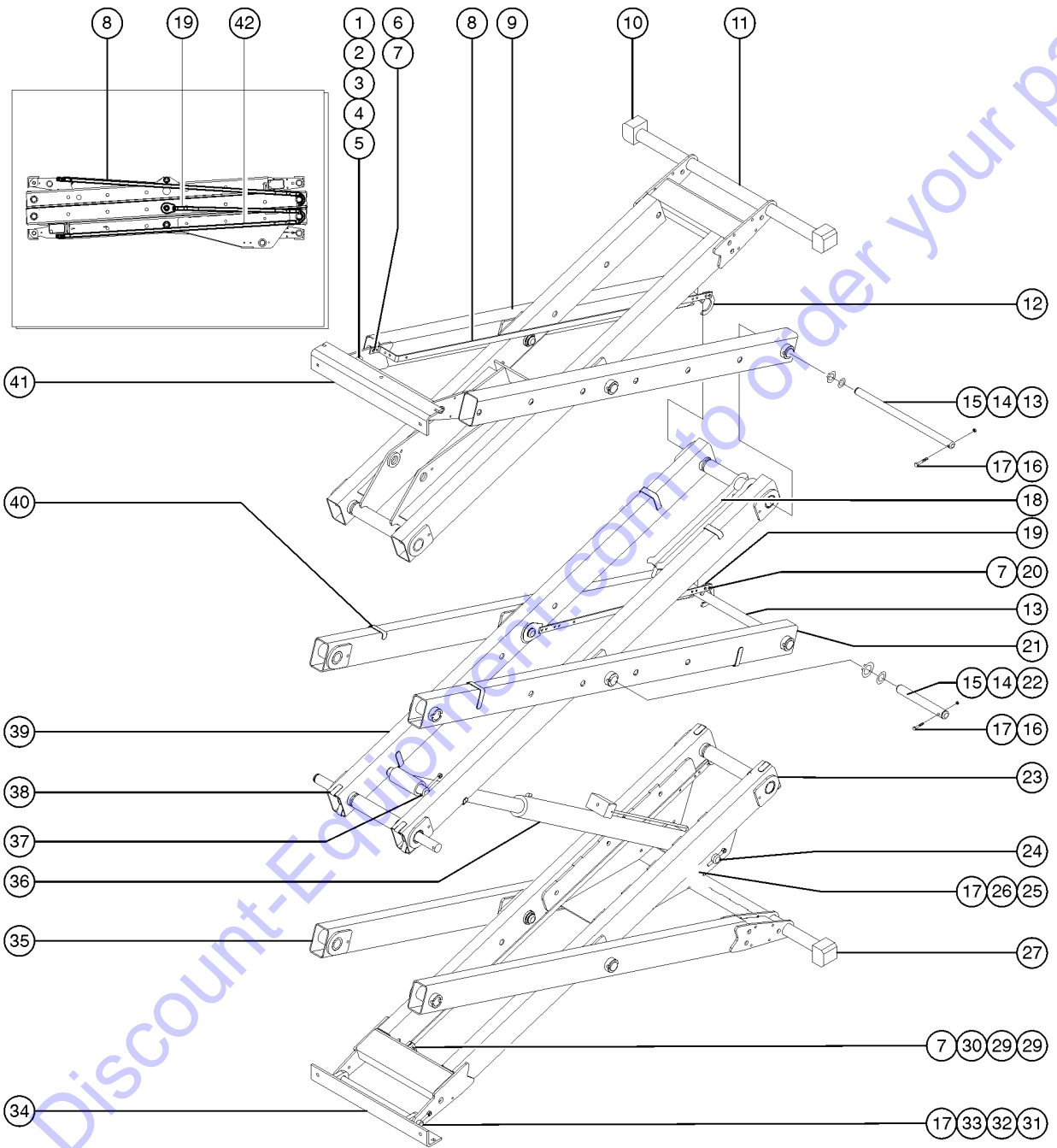


| Item | Part No. | Description                               | Qty. |
|------|----------|---|------|
| 24   | 96662GT  | PIN, LOWER CYLINDER MOUNT .....           | 1    |
| 25   | 105092GT | BOLT,CARRIAGE,3/8-16X1.25,GR5 .....       |      |
| 26   | 105074GT | FORMING,PH PUSHER, GS46 .....             | 1    |
| 27   |          | Ref. Chassis Slider .....                 |      |
|      |          | (refer to 301.1)                          |      |
| 28   | 58592GT  | PLATE,HOSE ROUTG,BULKHEAD(PTD) .....      | 2    |
| 29   | 78736GT  | CLAMP,2 HOSE,PLASTIC,5/8 .....            | 4    |
| 30   | 96905GT  | BOLT,CARRIAGE,1/4-20 X 2.5,G2 .....       |      |
| 31   | 96862GT  | PIN, LINKSET MOUNT, 1" .....              | 1    |
| 32   | 825019GT | ROD END,.375X3.69,ZAG .....               | 3    |
| 33   | 8516GT   | SCREW, HCC, 3/8-16 X 1.50 .....           |      |
| 34   |          | Ref. Chassis Mount Assembly .....         |      |
|      |          | (refer to 301.1)                          |      |
| 35B  | 96603GT  | WLDMT,LNK,OUTER #1,XX46 .....             | 1    |
|      |          | (decal not included refer to section one) |      |
| 36   |          | Ref. Lift Cylinder .....                  |      |
|      |          | (refer to 505.1)                          |      |
| 37   | 96661GT  | PIN, UPPER CYLINDER MOUNT .....           | 1    |
| 38   | 96735GT  | LINK BUMPER, 5" .....                     | 4    |
| 39   | 97234GT  | INNER ARM ASSY, #2, GS32&46 .....         | 1    |
| 39-  | 66055GT  | BEARING,1.50IDX1.77ODX1.25L .....         | 8    |
| 40   | 96836GT  | LINK BUMPER, SHORT TUBE .....             | 8    |
| 41   |          | Ref. Platform Mounting Assembly .....     |      |
|      |          | (refer to 301.1)                          |      |
| 42   | 105186GT | WLDMNT,CABLE BRIDGE,LOWER .....           | 1    |

Go to DiscountEquipment.com to order your parts



302.4 Scissor Assembly, GS-2046C

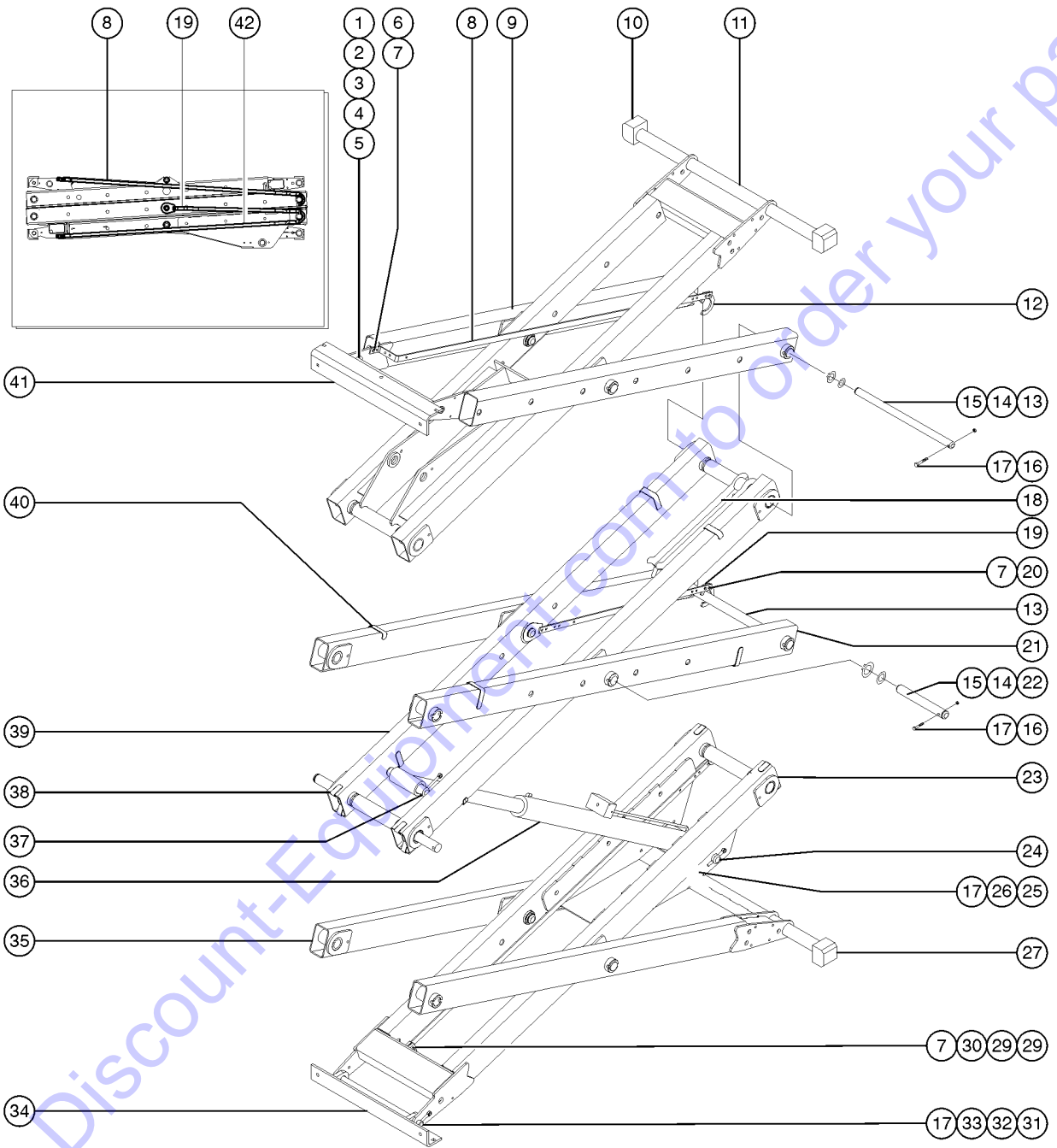




| Item | Part No.  | Description   | Qty. |
|------|-----------|---|------|
| 1    | 96932GT   | PIN, LINKSET MOUNT, 3/4"  | 1    |
| 2    | 825020GT  | ROD END,.250X2.75,ZAG   | 2    |
| 3    | 8915GT    | SCREW,HHC,1/4-20 X 1.25   |      |
| 4    | 6356GT    | WASHER,LOCK,.25   |      |
| 5    | 6091GT    | NUT, NYLOCK, 1/4-20   |      |
| 6    | 9116GT    | BOLT,CARRIAGE,1/4-20 X 1.25,G2  |      |
| 7    | 18504GT   | NUT,LOCKING-LG.FLANGE,1/4-20  |      |
| 8    | 105189GT  | BAR,CABLE BRIDGE ARM,UPPER  | 1    |
| 9    | 96611GT   | WLDMT,LNK,OUT #3-20XX,#5-32XX   | 2    |
| 10   |           | Ref. Platform Slider<br>(refer to 301.1)                              |      |
| 11B  | 97233GT   | INNER ARM ASSY, #3, 2046  | 1    |
| 11B- | 96606GT   | WLDMT,LNK,INNER #3,2046<br>(bearings not included)                    |      |
| 11B- | 66055GT   | BEARING,1.50IDX1.77ODX1.25L   | 6    |
| 12   | 105193GT  | CLIP,CABLEBRIDGE,GS32/46  | 2    |
| 13   | 96899GT   | PIN, LONG, GS46   | 4    |
| 14   | 1260941GT | WASHER,SHIM,1.54X2.00X.125,ZAG  |      |
| 15   | 18383GT   | SNAP RING,EXTERNAL,1.5 DIA  | 10   |
| 16   | 6326GT    | SCREW,HHC,3/8-16 X 3  |      |
| 17   | 4828GT    | NUT,NYLOCK,3/8-16   |      |
| 18   | 58000GT   | SAFETY CHOCK,SCISSOR  | 1    |
| 19A  | 105191GT  | WELDMENT.CABLE BRIDGE, TOP  | 2    |
| 19B  | 105190GT  | WLDMT,CABLE BRIDGE,BOTTOM   | 2    |
| 20   | 6878GT    | BOLT,CARRIAGE,1/4-20 X .75,G2   |      |
| 21   | 96605GT   | WLDMT,LNK,OUTER #2,#3,#4  | 2    |
| 22   | 96900GT   | PIN, SHORT, GS46  | 6    |
| 23   | 1300079GT | ASSEMBLY, LINK, INNER #1<br>(decal not included refer to section one) | 1    |
| 23-  | 1299483GT | WELDMENT, LNK, LOWER1 ,E-DRIVE<br>(bearings not included)             | 1    |
| 23-  | 66055GT   | BEARING,1.50IDX1.77ODX1.25L   | 6    |



302.4 Scissor Assembly, GS-2046C



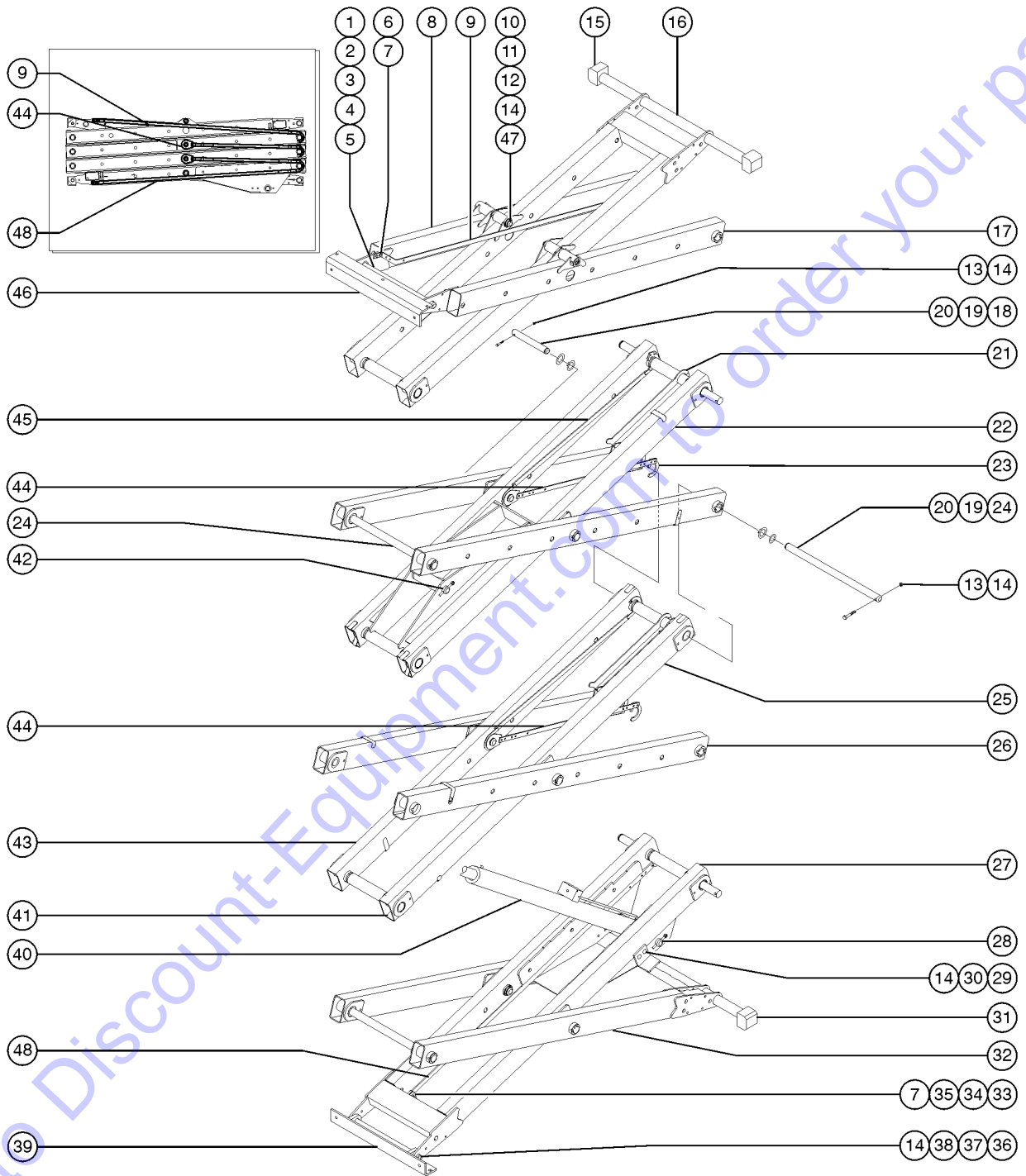
Go to Discount-Equipment.com to order your parts

| Item | Part No. | Description                               | Qty. |
|------|----------|---|------|
| 24   | 96662GT  | PIN, LOWER CYLINDER MOUNT .....           | 1    |
| 25   | 105092GT | BOLT,CARRIAGE,3/8-16X1.25,GR5 .....       |      |
| 26   | 105074GT | FORMING,PH PUSHER, GS46 .....             | 1    |
| 27   |          | Ref. Chassis Slider .....                 |      |
|      |          | (refer to 301.1)                          |      |
| 28   | 58592GT  | PLATE,HOSE ROUTG,BULKHEAD(PTD) .....      | 2    |
| 29   | 78736GT  | CLAMP,2 HOSE,PLASTIC,5/8 .....            | 4    |
| 30   | 96905GT  | BOLT,CARRIAGE,1/4-20 X 2.5,G2 .....       |      |
| 31   | 96862GT  | PIN, LINKSET MOUNT, 1" .....              | 1    |
| 32   | 825019GT | ROD END,.375X3.69,ZAG .....               | 3    |
| 33   | 8516GT   | SCREW, HCC, 3/8-16 X 1.50 .....           |      |
| 34   |          | Ref. Chassis Mount Assembly .....         |      |
|      |          | (refer to 301.1)                          |      |
| 35B  | 96603GT  | WLDMT,LNK,OUTER #1,XX46 .....             | 1    |
|      |          | (decal not included refer to section one) |      |
| 36   |          | Ref. Lift Cylinder .....                  |      |
|      |          | (refer to 505.1)                          |      |
| 37   | 96661GT  | PIN, UPPER CYLINDER MOUNT .....           | 1    |
| 38   | 96735GT  | LINK BUMPER, 5" .....                     | 4    |
| 39   | 97234GT  | INNER ARM ASSY, #2, GS32&46 .....         | 1    |
| 39-  | 66055GT  | BEARING,1.50IDX1.77ODX1.25L .....         | 8    |
| 40   | 96836GT  | LINK BUMPER, SHORT TUBE .....             | 8    |
| 41   |          | Ref. Platform Mounting Assembly .....     |      |
|      |          | (refer to 301.1)                          |      |
| 42   | 105186GT | WLDMNT,CABLE BRIDGE,LOWER .....           | 1    |

Go to DiscountEquipment.com to order your parts



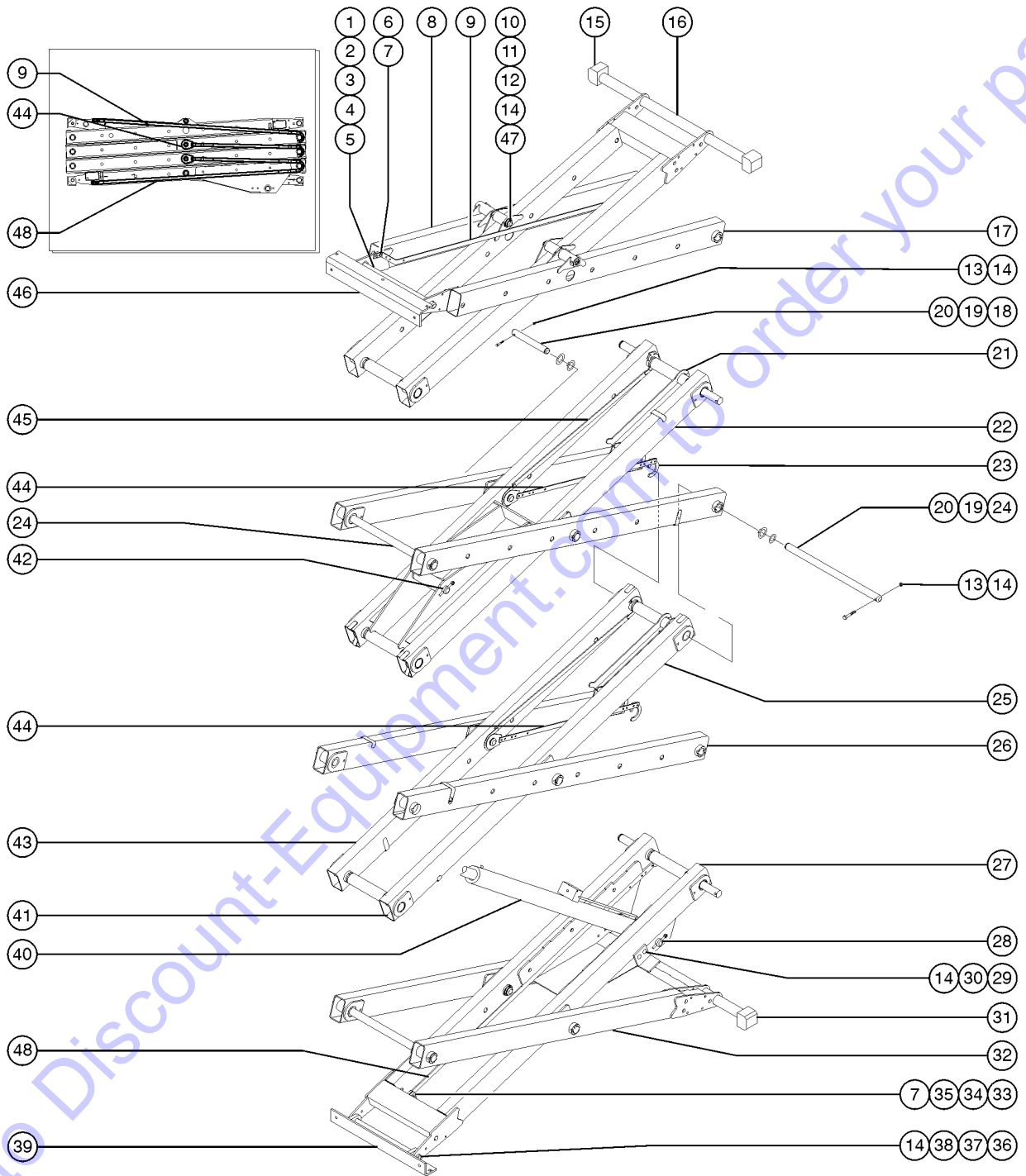
303.1 Scissor Assembly, GS-2632



| Item | Part No.  | Description   | Qty. |
|------|-----------|---|------|
| 1    | 96932GT   | PIN, LINKSET MOUNT, 3/4"                            | 1    |
| 2    | 825020GT  | ROD END,.250X2.75,ZAG                               | 2    |
| 3    | 8915GT    | SCREW,HHC,1/4-20 X 1.25                             |      |
| 4    | 6356GT    | WASHER,LOCK,.25                                     |      |
| 5    | 6091GT    | NUT, NYLOCK, 1/4-20                                 |      |
| 6    | 9116GT    | BOLT,CARRIAGE,1/4-20 X 1.25,G2                      |      |
| 7    | 18504GT   | NUT,LOCKING-LG.FLANGE,1/4-20                        |      |
| 8    | 96615GT   | WLDMT,LNK,OUTER #4,26XX<br>(ground controls side)   | 1    |
| 9    | 105189GT  | BAR,CABLE BRIDGE ARM,UPPER                          |      |
| 10   | 96130GT   | PIN, MINI, CENTRE                                   | 2    |
| 11   | 30217GT   | SNAP RING,EXTERNAL,1.25 DIA.**                      |      |
| 12   | 96390GT   | WASHER,FLAT, 1.27 X 2.13 X .13                      |      |
| 13   | 6326GT    | SCREW,HHC,3/8-16 X 3                                |      |
| 14   | 4828GT    | NUT,NYLOCK,3/8-16                                   |      |
| 15   |           | Ref. Platform Slider<br>(refer to 301.1)            |      |
| 16   | 84698GT   | INNER ARM ASSY,#4 GS2632                            | 1    |
| 16A- | 105031GT  | WLDMT,LNK,INNER #4,2632<br>(bearings not included)  | 1    |
| 16A- | 96487GT   | BEARING,1.26IDX1.53ODX1.25L                         | 8    |
| 17   | 96616GT   | WLDMT,LNK,OUTER #4,26XX,LEFT<br>(battery pack side) | 1    |
| 19   | 1260941GT | WASHER,SHIM,1.54X2.00X.125,ZAG                      |      |
| 20   | 18383GT   | SNAP RING,EXTERNAL,1.5 DIA                          | 12   |
| 21   | 58000GT   | SAFETY CHOCK,SCISSOR                                | 1    |
| 22   | 97244GT   | INNER ARM ASSY #3, 2632/2646                        | 1    |
| 22-  | 66055GT   | BEARING,1.50IDX1.77ODX1.25L                         | 8    |
| 23   | 105193GT  | CLIP,CABLEBRIDGE,GS32/46                            |      |
| 24   | 96899GT   | PIN, LONG, GS46                                     | 6    |
| 25   | 96836GT   | LINK BUMPER, SHORT TUBE                             | 8    |
| 26   | 96605GT   | WLDMT,LNK,OUTER #2,#3,#4                            | 4    |



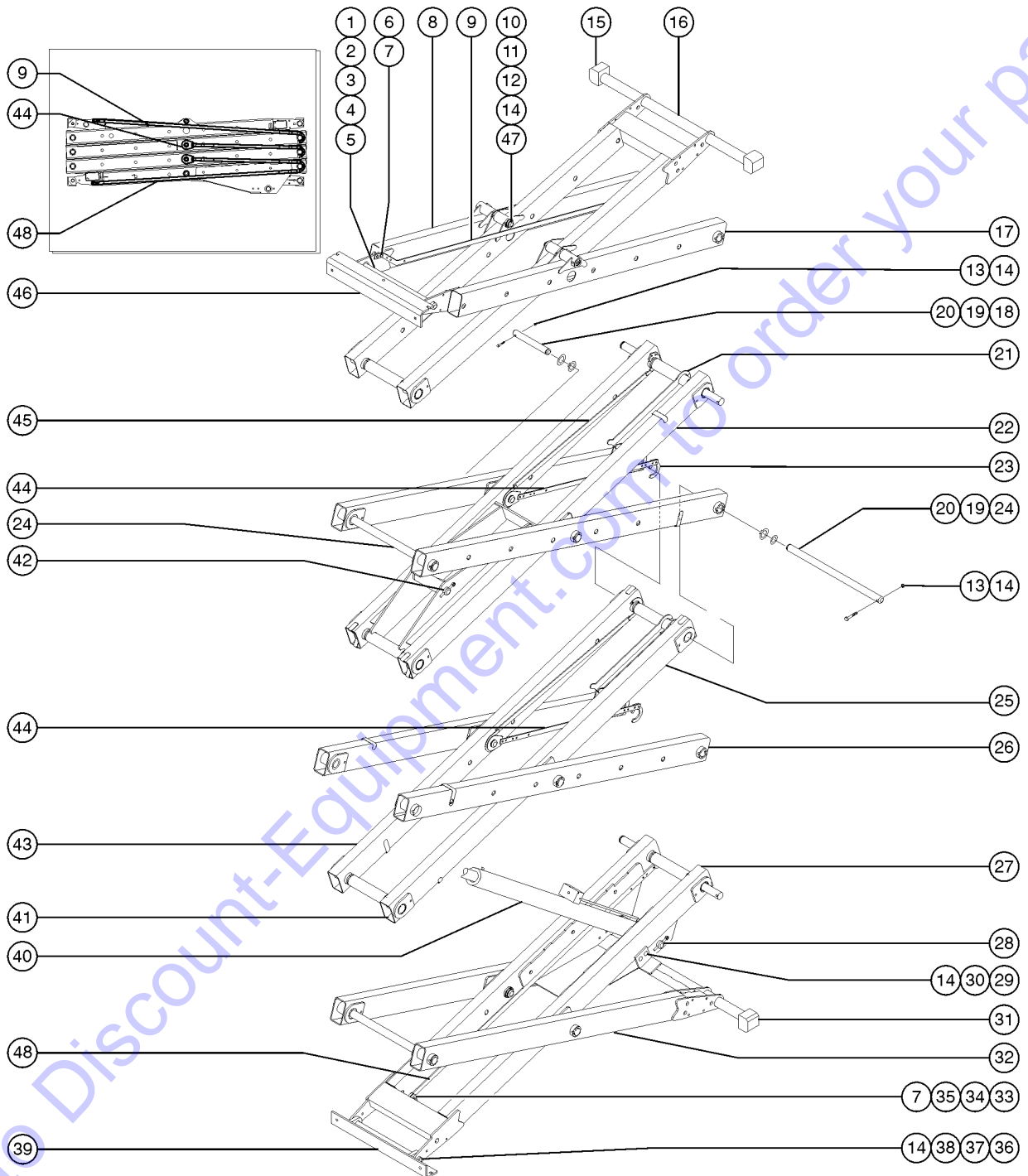
303.1 Scissor Assembly, GS-2632



| Item | Part No.  | Description   | Qty. |
|------|-----------|---|------|
| 27   | 1300079GT | ASSEMBLY, LINK, INNER #1<br>(decal not included refer to section one) | 1    |
| 27-  | 1299483GT | WELDMNT, LNK, LOWER1 ,E-DRIVE<br>(bearings not included)              | 1    |
| 27-  | 66055GT   | BEARING,1.50IDX1.77ODX1.25L   | 6    |
| 28   | 96662GT   | PIN, LOWER CYLINDER MOUNT   | 1    |
| 31   |           | Ref. Chassis Slider<br>(refer to 301.1)                               |      |
| 32A  | 105029GT  | WLDMT,LNK,OUTER #1,GS32<br>(decal not included refer to section one)  | 1    |
| 33   | 58592GT   | PLATE,HOSE ROUTG,BULKHEAD(PTD)  | 2    |
| 34   | 78736GT   | CLAMP,2 HOSE,PLASTIC,5/8  | 4    |
| 35   | 96905GT   | BOLT,CARRIAGE,1/4-20 X 2.5,G2   |      |
| 36   | 96862GT   | PIN, LINKSET MOUNT, 1"  | 1    |
| 37   | 825019GT  | ROD END,.375X3.69,ZAG   | 3    |
| 38   | 8516GT    | SCREW, HCC, 3/8-16 X 1.50   |      |
| 39   |           | Ref. Chassis Mount Assembly<br>(refer to 301.1)                       |      |
| 40   |           | Ref. Lift Cylinder<br>(refer to 505.1)                                |      |
| 41   | 96735GT   | LINK BUMPER, 5"   | 4    |
| 42   | 96812GT   | PIN, LOWER CYL, ROD END   | 1    |
| 43   | 97234GT   | INNER ARM ASSY, #2, GS32&46   | 1    |
| 43-  | 66055GT   | BEARING,1.50IDX1.77ODX1.25L   | 8    |
| 44   | 105191GT  | WELDMNT,CABLE BRIDGE, TOP   |      |
| 45   | 105190GT  | WLDMT,CABLE BRIDGE,BOTTOM   |      |
| 46   |           | Ref. Platform Mount Assembly<br>(refer to 301.1)                      |      |
| 47   | 14033GT   | SCREW, HHC, 3/8-16 X 2.75   |      |
| 48   | 105186GT  | WLDMNT,CABLE BRIDGE,LOWER   | 1    |



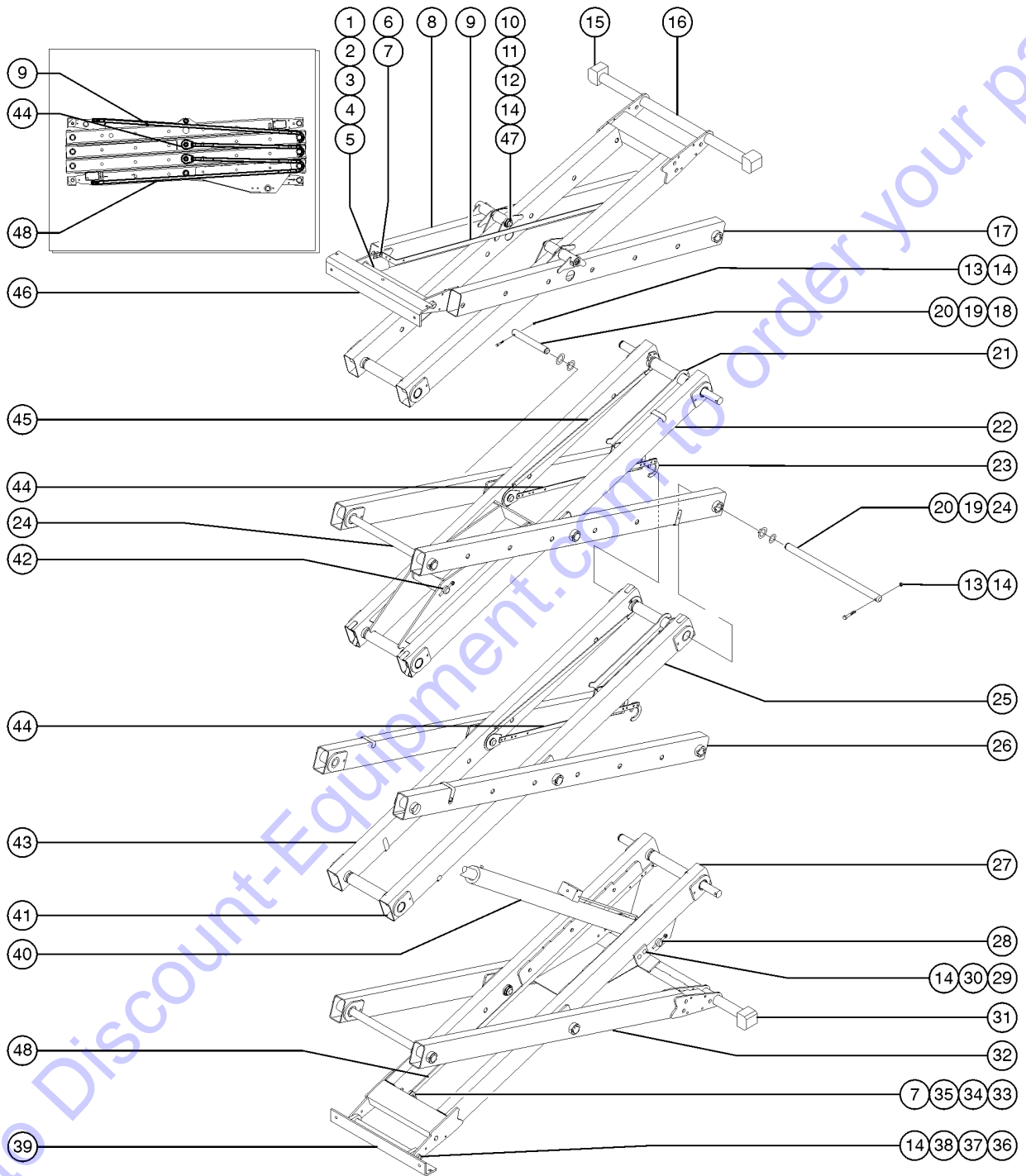
303.2 Scissor Assembly, GS-2632C





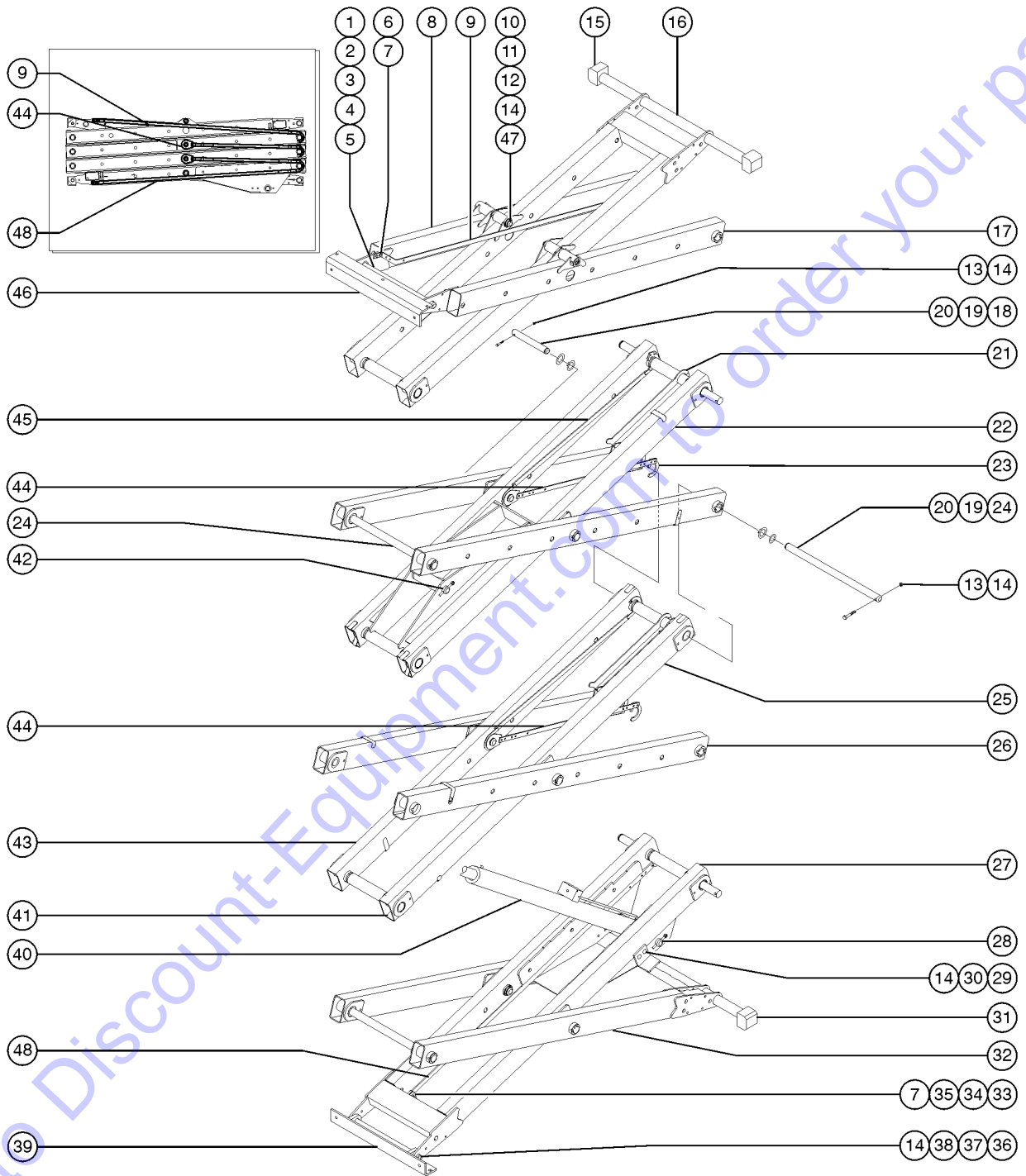
| Item | Part No.  | Description   | Qty. |
|------|-----------|---|------|
| 1    | 96932GT   | PIN, LINKSET MOUNT, 3/4"                            | 1    |
| 2    | 825020GT  | ROD END,.250X2.75,ZAG                               | 2    |
| 3    | 8915GT    | SCREW,HHC,1/4-20 X 1.25                             |      |
| 4    | 6356GT    | WASHER,LOCK,.25                                     |      |
| 5    | 6091GT    | NUT, NYLOCK, 1/4-20                                 |      |
| 6    | 9116GT    | BOLT,CARRIAGE,1/4-20 X 1.25,G2                      |      |
| 7    | 18504GT   | NUT,LOCKING-LG.FLANGE,1/4-20                        |      |
| 8    | 96615GT   | WLDMT,LNK,OUTER #4,26XX<br>(ground controls side)   | 1    |
| 9    | 105189GT  | BAR,CABLE BRIDGE ARM,UPPER                          |      |
| 10   | 96130GT   | PIN, MINI, CENTRE                                   | 2    |
| 11   | 30217GT   | SNAP RING,EXTERNAL,1.25 DIA.**                      |      |
| 12   | 96390GT   | WASHER,FLAT, 1.27 X 2.13 X .13                      |      |
| 13   | 6326GT    | SCREW,HHC,3/8-16 X 3                                |      |
| 14   | 4828GT    | NUT,NYLOCK,3/8-16                                   |      |
| 15   |           | Ref. Platform Slider<br>(refer to 301.1)            |      |
| 16A  | 84698GT   | INNER ARM ASSY,#4 GS2632                            | 1    |
| 16A- | 105031GT  | WLDMT,LNK,INNER #4,2632<br>(bearings not included)  | 1    |
| 16A- | 66055GT   | BEARING,1.50IDX1.77ODX1.25L                         | 8    |
| 17   | 96616GT   | WLDMT,LNK,OUTER #4,26XX,LEFT<br>(battery pack side) | 1    |
| 19   | 1260941GT | WASHER,SHIM,1.54X2.00X.125,ZAG                      |      |
| 20   | 18383GT   | SNAP RING,EXTERNAL,1.5 DIA                          | 12   |
| 21   | 58000GT   | SAFETY CHOCK,SCISSOR                                | 1    |
| 22   | 97244GT   | INNER ARM ASSY #3, 2632/2646                        | 1    |
| 22-  | 66055GT   | BEARING,1.50IDX1.77ODX1.25L                         | 8    |
| 23   | 105193GT  | CLIP,CABLEBRIDGE,GS32/46                            |      |
| 24   | 96899GT   | PIN, LONG, GS46                                     | 6    |
| 25   | 96836GT   | LINK BUMPER, SHORT TUBE                             | 8    |
| 26   | 96605GT   | WLDMT,LNK,OUTER #2,#3,#4                            | 4    |

303.2 Scissor Assembly, GS-2632C



| Item | Part No.  | Description   | Qty. |
|------|-----------|---|------|
| 27   | 1300079GT | ASSEMBLY, LINK, INNER #1<br>(decal not included refer to section one) | 1    |
| 27-  | 1299483GT | WELDMNT, LNK, LOWER1 ,E-DRIVE<br>(bearings not included)              | 1    |
| 27-  | 66055GT   | BEARING,1.50IDX1.77ODX1.25L   | 6    |
| 28   | 96662GT   | PIN, LOWER CYLINDER MOUNT   | 1    |
| 31   |           | Ref. Chassis Slider<br>(refer to 301.1)                               |      |
| 32A  | 105029GT  | WLDMT,LNK,OUTER #1,GS32<br>(decal not included refer to section one)  | 1    |
| 33   | 58592GT   | PLATE,HOSE ROUTG,BULKHEAD(PTD)  | 2    |
| 34   | 78736GT   | CLAMP,2 HOSE,PLASTIC,5/8  | 4    |
| 35   | 96905GT   | BOLT,CARRIAGE,1/4-20 X 2.5,G2   |      |
| 36   | 96862GT   | PIN, LINKSET MOUNT, 1"  | 1    |
| 37   | 825019GT  | ROD END,.375X3.69,ZAG   | 3    |
| 38   | 8516GT    | SCREW, HCC, 3/8-16 X 1.50   |      |
| 39   |           | Ref. Chassis Mount Assembly<br>(refer to 301.1)                       |      |
| 40   |           | Ref. Lift Cylinder<br>(refer to 505.1)                                |      |
| 41   | 96735GT   | LINK BUMPER, 5"   | 4    |
| 42   | 96812GT   | PIN, LOWER CYL, ROD END   | 1    |
| 43   | 97234GT   | INNER ARM ASSY, #2, GS32&46   | 1    |
| 43-  | 66055GT   | BEARING,1.50IDX1.77ODX1.25L   | 8    |
| 44   | 105191GT  | WELDMNT,CABLE BRIDGE, TOP   |      |
| 45   | 105190GT  | WLDMT,CABLE BRIDGE,BOTTOM   |      |
| 46   |           | Ref. Platform Mount Assembly<br>(refer to 301.1)                      |      |
| 47   | 14033GT   | SCREW, HHC, 3/8-16 X 2.75   |      |
| 48   | 105186GT  | WLDMNT,CABLE BRIDGE,LOWER   | 1    |

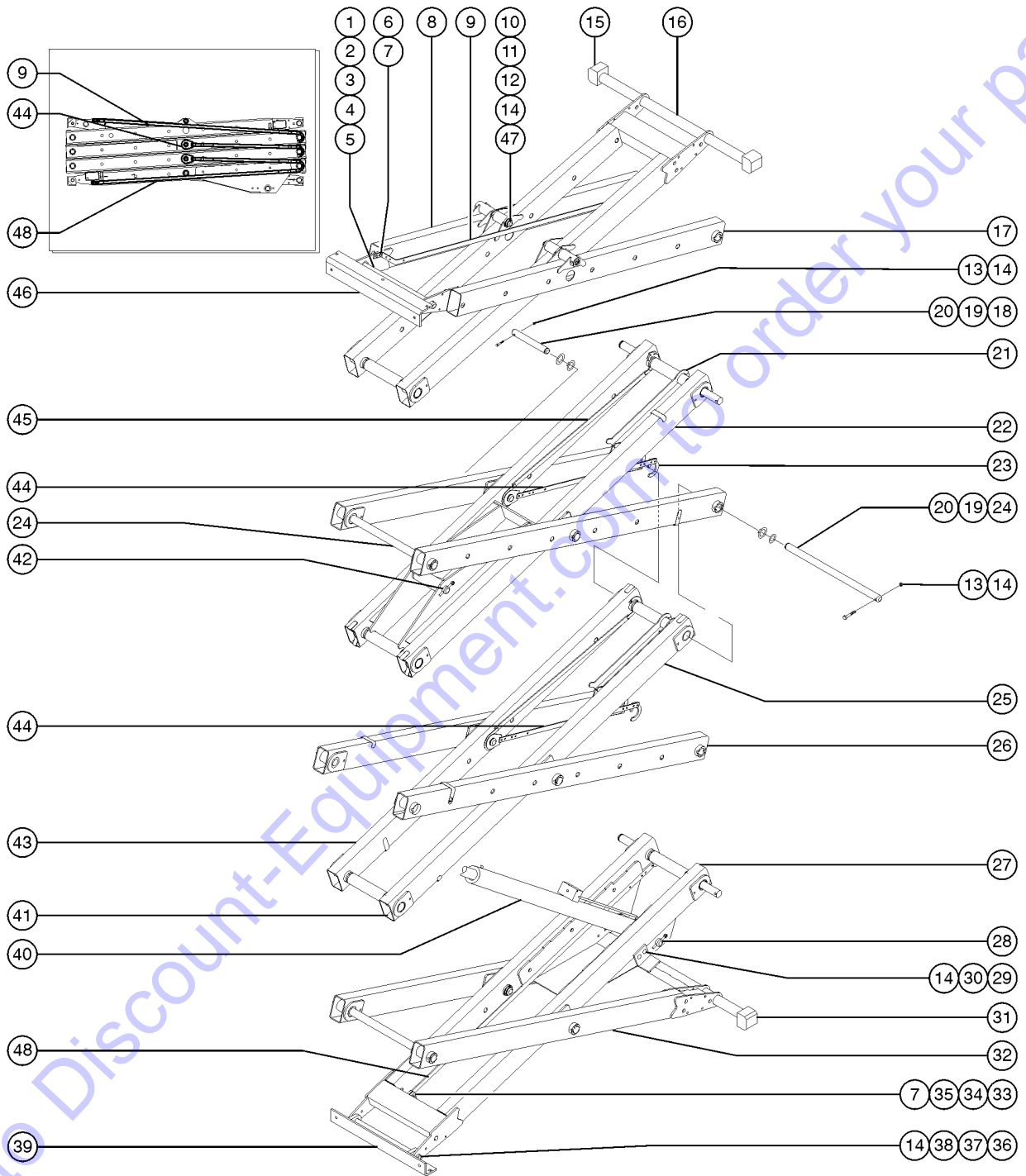
303.3 Scissor Assembly, GS-2646



| Item | Part No.  | Description   | Qty. |
|------|-----------|---|------|
| 1    | 96932GT   | PIN, LINKSET MOUNT, 3/4" .....                            | 1    |
| 2    | 825020GT  | ROD END,.250X2.75,ZAG .....                               | 2    |
| 3    | 8915GT    | SCREW,HHC,1/4-20 X 1.25 .....                             |      |
| 4    | 6356GT    | WASHER,LOCK,.25 .....                                     |      |
| 5    | 6091GT    | NUT, NYLOCK, 1/4-20 .....                                 |      |
| 6    | 9116GT    | BOLT,CARRIAGE,1/4-20 X 1.25,G2 .....                      |      |
| 7    | 18504GT   | NUT,LOCKING-LG.FLANGE,1/4-20 .....                        |      |
| 8    | 96615GT   | WLDMT,LNK,OUTER #4,26XX<br>(ground controls side) .....   | 1    |
| 9    | 105189GT  | BAR,CABLE BRIDGE ARM,UPPER .....                          |      |
| 10   | 96130GT   | PIN, MINI, CENTRE .....                                   | 2    |
| 11   | 30217GT   | SNAP RING,EXTERNAL,1.25 DIA.** .....                      |      |
| 12   | 96390GT   | WASHER,FLAT, 1.27 X 2.13 X .13 .....                      |      |
| 13   | 6326GT    | SCREW,HHC,3/8-16 X 3 .....                                |      |
| 14   | 4828GT    | NUT,NYLOCK,3/8-16 .....                                   |      |
| 15   |           | Ref. Platform Slider<br>(refer to 301.1) .....            |      |
| 16B  | 97243GT   | INNER ARM ASSY #4, 2646 .....                             | 1    |
| 16B- | 66055GT   | BEARING,1.50IDX1.77ODX1.25L .....                         | 6    |
| 17   | 96616GT   | WLDMT,LNK,OUTER #4,26XX,LEFT<br>(battery pack side) ..... | 1    |
| 18   | 96900GT   | PIN, SHORT, GS46 .....                                    | 6    |
| 19   | 1260941GT | WASHER,SHIM,1.54X2.00X.125,ZAG .....                      |      |
| 20   | 18383GT   | SNAP RING,EXTERNAL,1.5 DIA .....                          | 12   |
| 21   | 58000GT   | SAFETY CHOCK,SCISSOR .....                                | 1    |
| 22   | 97244GT   | INNER ARM ASSY #3, 2632/2646 .....                        | 1    |
| 22-  | 66055GT   | BEARING,1.50IDX1.77ODX1.25L .....                         | 8    |
| 23   | 105193GT  | CLIP,CABLEBRIDGE,GS32/46 .....                            |      |
| 24   | 96899GT   | PIN, LONG, GS46 .....                                     | 6    |
| 25   | 96836GT   | LINK BUMPER, SHORT TUBE .....                             | 8    |
| 26   | 96605GT   | WLDMT,LNK,OUTER #2,#3,#4 .....                            | 4    |

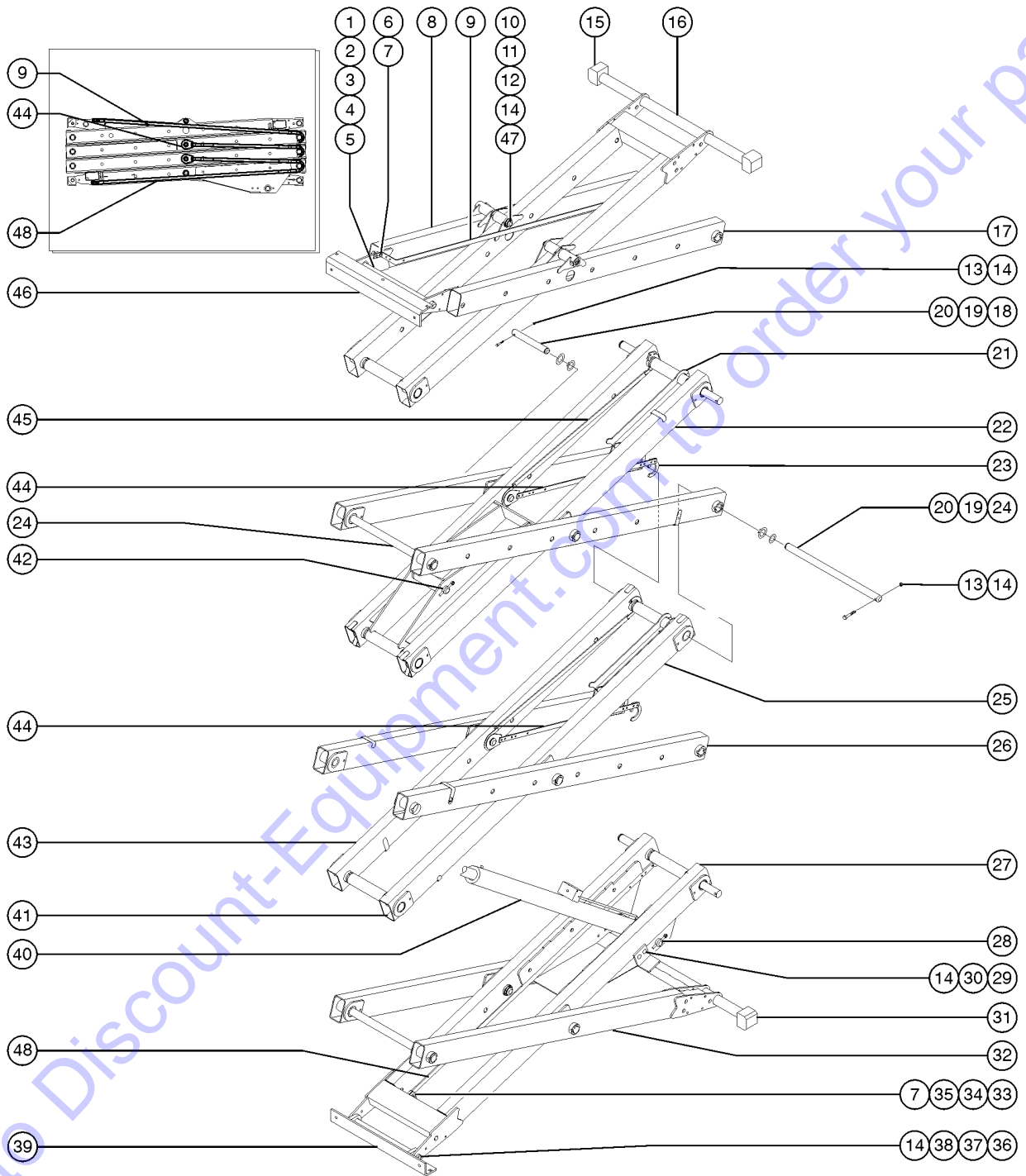


303.3 Scissor Assembly, GS-2646



| Item | Part No.  | Description   | Qty. |
|------|-----------|---|------|
| 27   | 1300079GT | ASSEMBLY, LINK, INNER #1<br>(decal not included refer to section one)   | 1    |
| 27-  | 1299483GT | WELDMNT, LNK, LOWER1 ,E-DRIVE<br>(bearings not included)                | 1    |
| 27-  | 66055GT   | BEARING,1.50IDX1.77ODX1.25L   | 6    |
| 28   | 96662GT   | PIN, LOWER CYLINDER MOUNT   | 1    |
| 29   | 105092GT  | BOLT, CARRIAGE, 3/8-16X1.25, GR5<br>GS-2646                             | 1    |
| 30   | 105074GT  | FORMING, PH PUSHER, GS46  | 1    |
| 31   |           | Ref. Chassis Slider<br>(refer to 301.1)                                 |      |
| 32A  | 105029GT  | WLDMT, LNK, OUTER #1, GS32<br>(decal not included refer to section one) | 1    |
| 33   | 58592GT   | PLATE, HOSE ROUTG, BULKHEAD(PTD)  | 2    |
| 34   | 78736GT   | CLAMP, 2 HOSE, PLASTIC, 5/8   | 4    |
| 35   | 96905GT   | BOLT, CARRIAGE, 1/4-20 X 2.5, G2  |      |
| 36   | 96862GT   | PIN, LINKSET MOUNT, 1"  | 1    |
| 37   | 825019GT  | ROD END, .375X3.69, ZAG   | 3    |
| 38   | 8516GT    | SCREW, HCC, 3/8-16 X 1.50   |      |
| 39   |           | Ref. Chassis Mount Assembly<br>(refer to 301.1)                         |      |
| 40   |           | Ref. Lift Cylinder<br>(refer to 506.1)                                  |      |
| 41   | 96735GT   | LINK BUMPER, 5"   | 4    |
| 42   | 96812GT   | PIN, LOWER CYL, ROD END   | 1    |
| 43   | 97234GT   | INNER ARM ASSY, #2, GS32&46   | 1    |
| 43-  | 66055GT   | BEARING, 1.50IDX1.77ODX1.25L  | 8    |
| 44   | 105191GT  | WELDMNT, CABLE BRIDGE, TOP  |      |
| 45   | 105190GT  | WLDMT, CABLE BRIDGE, BOTTOM   |      |
| 46   |           | Ref. Platform Mount Assembly<br>(refer to 301.1)                        |      |
| 47   | 14033GT   | SCREW, HHC, 3/8-16 X 2.75   |      |
| 48   | 105186GT  | WLDMNT, CABLE BRIDGE, LOWER<br>GS-2646                                  | 1    |

303.4 Scissor Assembly, GS-2646C

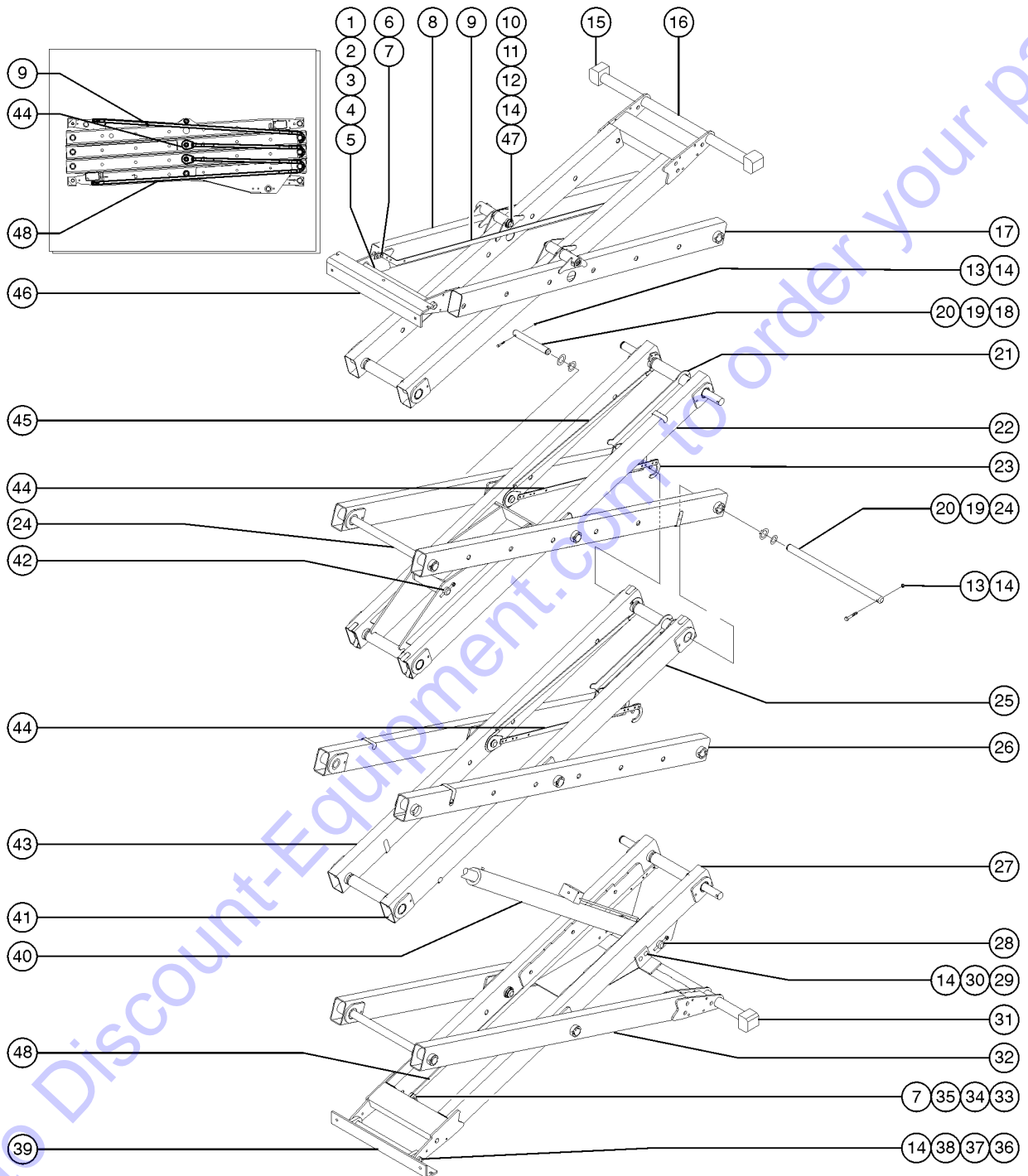




| Item | Part No.  | Description   | Qty. |
|------|-----------|---|------|
| 1    | 96932GT   | PIN, LINKSET MOUNT, 3/4" .....                            | 1    |
| 2    | 825020GT  | ROD END,.250X2.75,ZAG .....                               | 2    |
| 3    | 8915GT    | SCREW,HHC,1/4-20 X 1.25 .....                             |      |
| 4    | 6356GT    | WASHER,LOCK,.25 .....                                     |      |
| 5    | 6091GT    | NUT, NYLOCK, 1/4-20 .....                                 |      |
| 6    | 9116GT    | BOLT,CARRIAGE,1/4-20 X 1.25,G2 .....                      |      |
| 7    | 18504GT   | NUT,LOCKING-LG.FLANGE,1/4-20 .....                        |      |
| 8    | 96615GT   | WLDMT,LNK,OUTER #4,26XX<br>(ground controls side) .....   | 1    |
| 9    | 105189GT  | BAR,CABLE BRIDGE ARM,UPPER .....                          |      |
| 10   | 96130GT   | PIN, MINI, CENTRE .....                                   | 2    |
| 11   | 30217GT   | SNAP RING,EXTERNAL,1.25 DIA.** .....                      |      |
| 12   | 96390GT   | WASHER,FLAT, 1.27 X 2.13 X .13 .....                      |      |
| 13   | 6326GT    | SCREW,HHC,3/8-16 X 3 .....                                |      |
| 14   | 4828GT    | NUT,NYLOCK,3/8-16 .....                                   |      |
| 15   |           | Ref. Platform Slider<br>(refer to 301.1) .....            |      |
| 16B  | 97243GT   | INNER ARM ASSY #4, 2646 .....                             | 1    |
| 16B- | 66055GT   | BEARING,1.50IDX1.77ODX1.25L .....                         | 6    |
| 17   | 96616GT   | WLDMT,LNK,OUTER #4,26XX,LEFT<br>(battery pack side) ..... | 1    |
| 18   | 96900GT   | PIN, SHORT, GS46 .....                                    | 6    |
| 19   | 1260941GT | WASHER,SHIM,1.54X2.00X.125,ZAG .....                      |      |
| 20   | 18383GT   | SNAP RING,EXTERNAL,1.5 DIA .....                          | 12   |
| 21   | 58000GT   | SAFETY CHOCK,SCISSOR .....                                | 1    |
| 22   | 97244GT   | INNER ARM ASSY #3, 2632/2646 .....                        | 1    |
| 22-  | 66055GT   | BEARING,1.50IDX1.77ODX1.25L .....                         | 8    |
| 23   | 105193GT  | CLIP,CABLEBRIDGE,GS32/46 .....                            |      |
| 24   | 96899GT   | PIN, LONG, GS46 .....                                     | 6    |
| 25   | 96836GT   | LINK BUMPER, SHORT TUBE .....                             | 8    |
| 26   | 96605GT   | WLDMT,LNK,OUTER #2,#3,#4 .....                            | 4    |

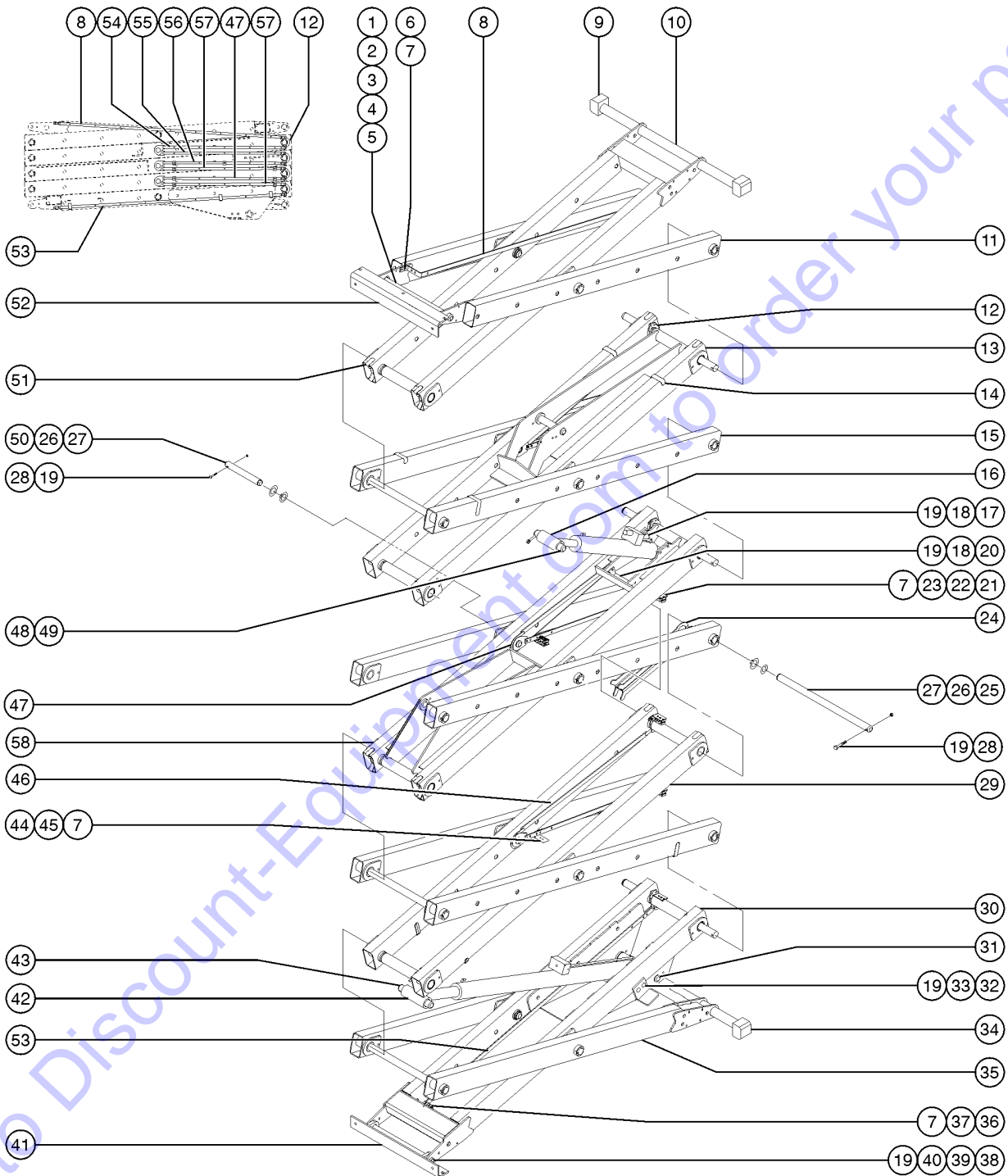


303.4 Scissor Assembly, GS-2646C



| Item | Part No.  | Description   | Qty. |
|------|-----------|---|------|
| 27   | 1300079GT | ASSEMBLY, LINK, INNER #1<br>(decal not included refer to section one) | 1    |
| 27-  | 1299483GT | WELDMNT, LNK, LOWER1 ,E-DRIVE<br>(bearings not included)              | 1    |
| 27-  | 66055GT   | BEARING,1.50IDX1.77ODX1.25L   | 6    |
| 28   | 96662GT   | PIN, LOWER CYLINDER MOUNT   | 1    |
| 29   | 105092GT  | BOLT, CARRIAGE,3/8-16X1.25,GR5<br>GS-2646                             | 1    |
| 30   | 105074GT  | FORMING,PH PUSHER, GS46   | 1    |
| 31   |           | Ref. Chassis Slider<br>(refer to 301.1)                               |      |
| 32B  | 96603GT   | WLDMT,LNK,OUTER #1,XX46<br>(decal not included refer to section one)  | 1    |
| 33   | 58592GT   | PLATE,HOSE ROUTG,BULKHEAD(PTD)  | 2    |
| 34   | 78736GT   | CLAMP,2 HOSE,PLASTIC,5/8  | 4    |
| 35   | 96905GT   | BOLT,CARRIAGE,1/4-20 X 2.5,G2   |      |
| 36   | 96862GT   | PIN, LINKSET MOUNT, 1"  | 1    |
| 37   | 825019GT  | ROD END,.375X3.69,ZAG   | 3    |
| 38   | 8516GT    | SCREW, HCC, 3/8-16 X 1.50   |      |
| 39   |           | Ref. Chassis Mount Assembly<br>(refer to 301.1)                       |      |
| 40   |           | Ref. Lift Cylinder<br>(refer to 506.1)                                |      |
| 41   | 96735GT   | LINK BUMPER, 5"   | 4    |
| 42   | 96812GT   | PIN, LOWER CYL, ROD END   | 1    |
| 43   | 97234GT   | INNER ARM ASSY, #2, GS32&46   | 1    |
| 43-  | 66055GT   | BEARING,1.50IDX1.77ODX1.25L   | 8    |
| 44   | 105191GT  | WELDMNT.CABLE BRIDGE, TOP   |      |
| 45   | 105190GT  | WLDMT,CABLE BRIDGE,BOTTOM   |      |
| 46   |           | Ref. Platform Mount Assembly<br>(refer to 301.1)                      |      |
| 47   | 14033GT   | SCREW, HHC, 3/8-16 X 2.75   |      |
| 48   | 105186GT  | WLDMNT,CABLE BRIDGE,LOWER<br>GS-2646                                  | 1    |

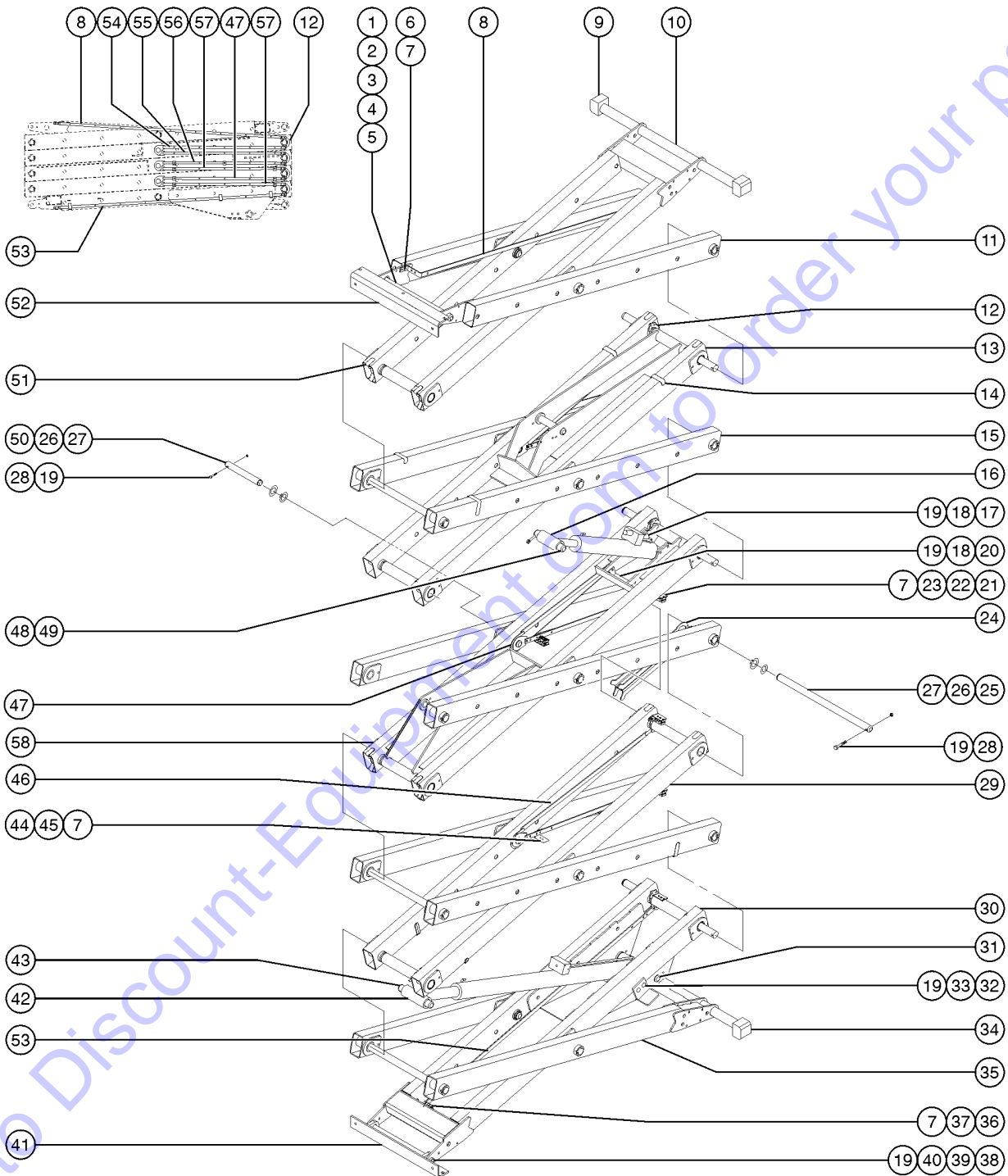
304.1 Scissor Assembly, GS-3232



| Item | Part No.  | Description                                 | Qty. |
|------|-----------|---|------|
| 1    | 96932GT   | PIN, LINKSET MOUNT, 3/4"                    | 1    |
| 2    | 825020GT  | ROD END,.250X2.75,ZAG                       | 2    |
| 3    | 8915GT    | SCREW,HHC,1/4-20 X 1.25                     |      |
| 4    | 6356GT    | WASHER,LOCK,.25                             |      |
| 5    | 6091GT    | NUT, NYLOCK, 1/4-20                         |      |
| 6    | 9116GT    | BOLT,CARRIAGE,1/4-20 X 1.25,G2              |      |
| 7    | 18504GT   | NUT,LOCKING-LG.FLANGE,1/4-20                |      |
| 8    | 105189GT  | BAR,CABLE BRIDGE ARM,UPPER                  |      |
| 9    |           | Ref. Platform Slider<br>(refer to 301.1)    |      |
| 10A  | 115114GT  | INNER ARM ASSY #5, 3232                     | 1    |
| 10A- | 66055GT   | BEARING,1.50IDX1.77ODX1.25L                 | 8    |
| 11   | 96611GT   | WLDMT,LNK,OUT #3-20XX,#5-32XX               | 2    |
| 12   | 105193GT  | CLIP,CABLEBRIDGE,GS32/46                    |      |
| 13   | 97246GT   | INNER ARM ASSY #4, 3246                     | 1    |
| 13-  | 66055GT   | BEARING,1.50IDX1.77ODX1.25L                 | 8    |
| 14   | 96836GT   | LINK BUMPER, SHORT TUBE                     | 8    |
| 15   | 96605GT   | WLDMT,LNK,OUTER #2,#3,#4                    | 6    |
| 16   |           | Ref. Lift Cylinder, Top<br>(refer to 505.1) |      |
| 17   | 96700GT   | PLATE, PIN RETAINER                         | 2    |
| 18   | 60790GT   | BOLT,CARRIAGE,3/8-16 X1.50,G5               |      |
| 19   | 4828GT    | NUT,NYLOCK,3/8-16                           |      |
| 20   | 96971GT   | FORMING,HOSE CLAMP,UPPER CYL                | 1    |
| 21   | 78736GT   | CLAMP,2 HOSE,PLASTIC,5/8                    | 18   |
| 22   | 6145GT    | SCREW,HHC,1/4-20 X 1.5                      |      |
| 23   | 6638GT    | WASHER,FLAT,USS,1/4"Y                       |      |
| 24   | 58001GT   | SAFETY CHOCK-SCISSOR                        | 1    |
| 25   | 96899GT   | PIN, LONG, GS46                             | 8    |
| 26   | 1260941GT | WASHER,SHIM,1.54X2.00X.125,ZAG              |      |

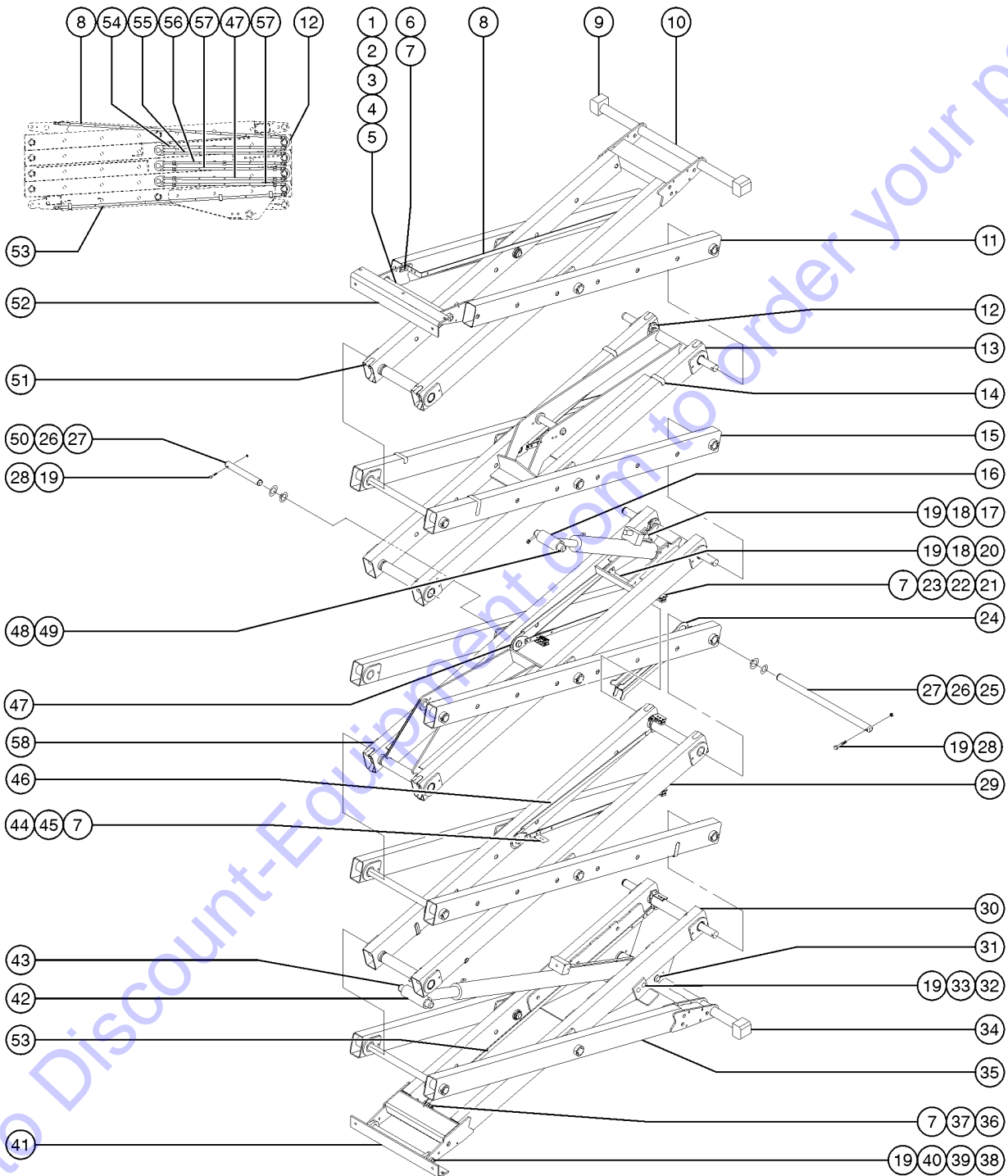


304.1 Scissor Assembly, GS-3232



| Item | Part No.  | Description   | Qty. |
|------|-----------|---|------|
| 27   | 18383GT   | SNAP RING,EXTERNAL,1.5 DIA  | 18   |
| 28   | 6326GT    | SCREW,HHC,3/8-16 X 3  |      |
| 29   | 97234GT   | INNER ARM ASSY, #2, GS32&46   | 1    |
| 29-  | 66055GT   | BEARING,1.50IDX1.77ODX1.25L   | 8    |
| 30   | 1300079GT | ASSEMBLY, LINK, INNER #1<br>(decal not included refer to section one) | 1    |
| 30-  | 1299483GT | WELDMENT, LNK, LOWER1 ,E-DRIVE  |      |
| 30-  | 66055GT   | BEARING,1.50IDX1.77ODX1.25L   | 6    |
| 31   | 96662GT   | PIN, LOWER CYLINDER MOUNT   | 1    |
| 32   | 105092GT  | BOLT,CARRIAGE,3/8-16X1.25,GR5   |      |
| 33   | 105074GT  | FORMING,PH PUSHER, GS46   | 2    |
| 34   |           | Ref. Chassis Slider<br>(refer to 301.1)                               |      |
| 35A  | 105029GT  | WLDMT,LNK,OUTER #1,GS32<br>(decal not included refer to section one)  |      |
| 36   | 58592GT   | PLATE,HOSE ROUTG,BULKHEAD(PTD)  | 3    |
| 37   | 96903GT   | BOLT,CARRIAGE,1/4-20 X 3.50,G2  |      |
| 38   | 96862GT   | PIN, LINKSET MOUNT, 1"  | 1    |
| 39   | 825019GT  | ROD END,.375X3.69,ZAG   | 4    |
| 40   | 8516GT    | SCREW, HCC, 3/8-16 X 1.50   |      |
| 41   |           | Ref. Chassis Mount Assembly<br>(refer to 301.1)                       |      |
| 42   |           | Ref. Lift Cylinder, Bottom<br>(refer to 505.1)                        |      |
| 43   | 96812GT   | PIN, LOWER CYL, ROD END   | 1    |
| 44   | 105021GT  | FORMING,CB HOSE CLAMP<br>GS-3232                                      | 2    |
| 45   | 6878GT    | BOLT,CARRIAGE,1/4-20 X .75,G2   |      |
| 46   | 96978GT   | WELDMENT,CABLEBRIDGE HOOK   | 3    |
| 47   | 105187GT  | WELDMENT,CABLE BRIDGE, TOP,32XX                                       | 6    |
| 48   | 96661GT   | PIN, UPPER CYLINDER MOUNT   | 1    |
| 49   | 96663GT   | PIN, SADDLE CYLINDER MOUNT  | 1    |
| 50   | 96900GT   | PIN, SHORT, GS46  | 6    |
| 51   | 96735GT   | LINK BUMPER, 5"   | 8    |

304.1 Scissor Assembly, GS-3232



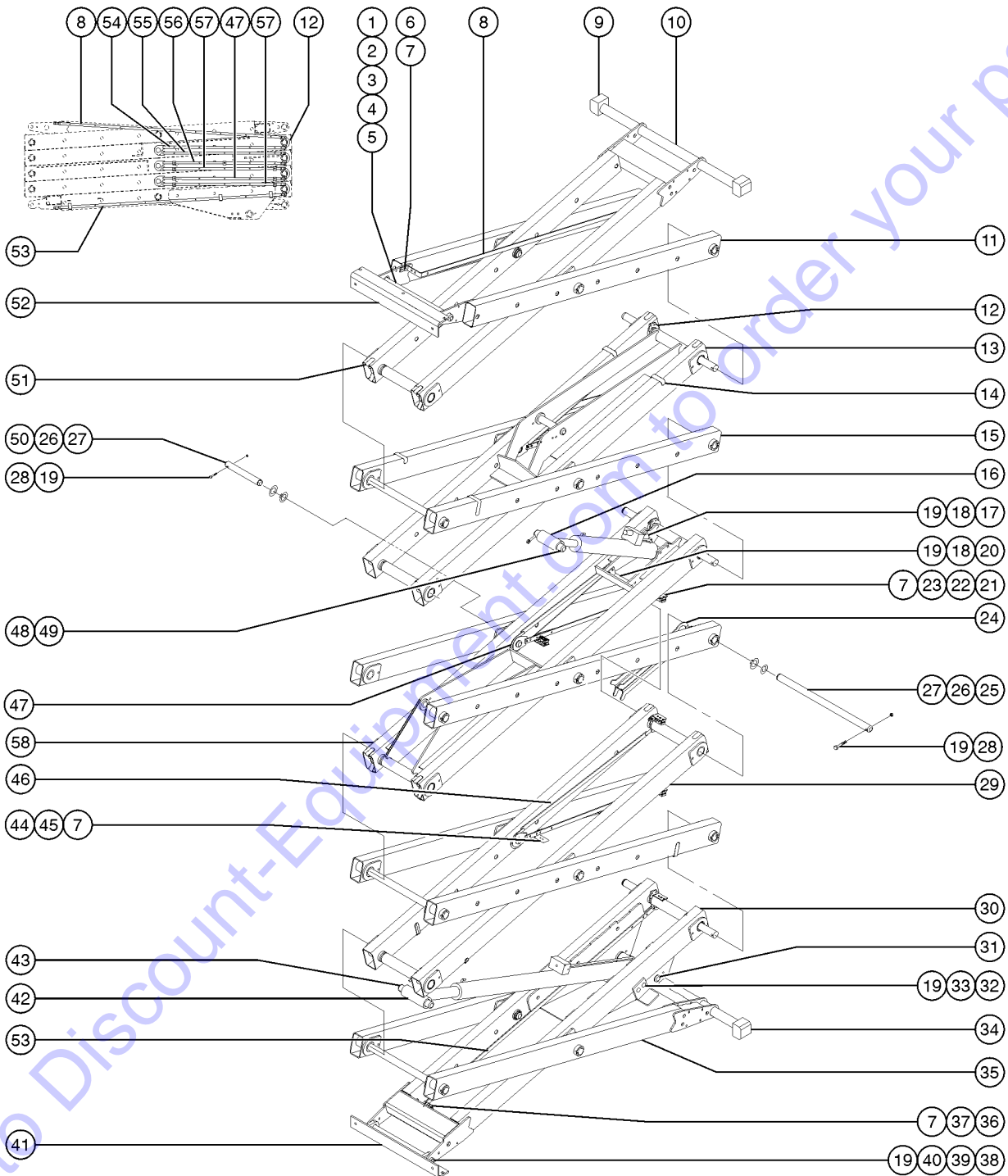


| Item | Part No. | Description  | Qty. |
|------|----------|--|------|
| 52   |          | Ref. Platform Mount Assembly .....<br>(refer to 301.1) |      |
| 53   | 105186GT | WLDMNT,CABLE BRIDGE,LOWER .....                        | 1    |
| 54   | 105191GT | WELDMNT.CABLE BRIDGE,TOP .....                         | 1    |
| 55   | 105190GT | WLDMT,CABLE BRIDGE,BOTTOM .....                        | 1    |
| 56   | 105192GT | WELDMNT,CABLE BRIDGE*** .....                          | 1    |
| 57   | 105188GT | WLDMT,CABLE BRIDGE,BOTTOM,3246 .....                   | 2    |
| 58   | 96608GT  | WLDMT,LNK,INNER #3,32XX .....                          | 1    |
| 58-  | 66055GT  | BEARING,1.50IDX1.77ODX1.25L .....                      | 8    |

Go to Discount-Equipment.com to order your parts



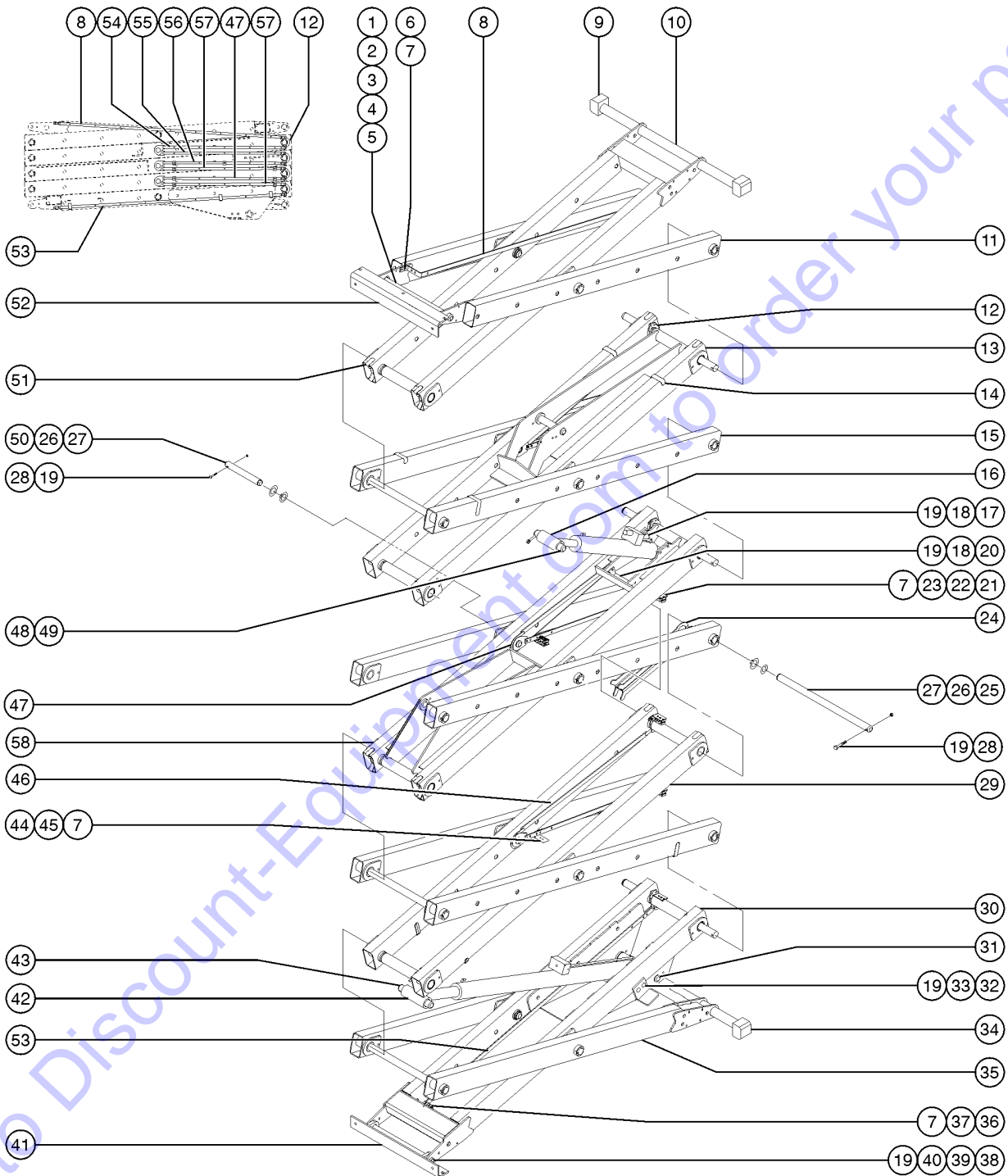
304.2 Scissor Assembly, GS-3246



| Item | Part No.  | Description                          | Qty. |
|------|-----------|--------------------------------------|------|
| 1    | 96932GT   | PIN, LINKSET MOUNT, 3/4" .....       | 1    |
| 2    | 825020GT  | ROD END,.250X2.75,ZAG .....          | 2    |
| 3    | 8915GT    | SCREW,HHC,1/4-20 X 1.25 .....        |      |
| 4    | 6356GT    | WASHER,LOCK,.25 .....                |      |
| 5    | 6091GT    | NUT, NYLOCK, 1/4-20 .....            |      |
| 6    | 9116GT    | BOLT,CARRIAGE,1/4-20 X 1.25,G2 ..... |      |
| 7    | 18504GT   | NUT,LOCKING-LG.FLANGE,1/4-20 .....   |      |
| 8    | 105189GT  | BAR,CABLE BRIDGE ARM,UPPER .....     |      |
| 9    |           | Ref. Platform Slider .....           |      |
|      |           | (refer to 301.1)                     |      |
| 10B  | 97245GT   | INNER ARM ASSY #5, 3246 .....        | 1    |
| 10B- | 66055GT   | BEARING,1.50IDX1.77ODX1.25L .....    | 8    |
| 11   | 96611GT   | WLDMT,LNK,OUT #3-20XX,#5-32XX .....  | 2    |
| 12   | 105193GT  | CLIP,CABLEBRIDGE,GS32/46 .....       |      |
| 13   | 97246GT   | INNER ARM ASSY #4, 3246 .....        | 1    |
| 13-  | 66055GT   | BEARING,1.50IDX1.77ODX1.25L .....    | 8    |
| 14   | 96836GT   | LINK BUMPER, SHORT TUBE .....        | 8    |
| 15   | 96605GT   | WLDMT,LNK,OUTER #2,#3,#4 .....       | 6    |
| 16   |           | Ref. Lift Cylinder, Top .....        |      |
|      |           | (refer to 506.1)                     |      |
| 17   | 96700GT   | PLATE, PIN RETAINER .....            | 2    |
| 18   | 60790GT   | BOLT,CARRIAGE,3/8-16 X1.50,G5 .....  |      |
| 19   | 4828GT    | NUT,NYLOCK,3/8-16 .....              |      |
| 20   | 96971GT   | FORMING,HOSE CLAMP,UPPER CYL .....   | 1    |
| 21   | 78736GT   | CLAMP,2 HOSE,PLASTIC,5/8 .....       | 18   |
| 22   | 6145GT    | SCREW,HHC,1/4-20 X 1.5 .....         |      |
| 23   | 6638GT    | WASHER,FLAT,USS,1/4"Y .....          |      |
| 24   | 58001GT   | SAFETY CHOCK-SCISSOR .....           | 1    |
| 25   | 96899GT   | PIN, LONG, GS46 .....                | 8    |
| 26   | 1260941GT | WASHER,SHIM,1.54X2.00X.125,ZAG ..... |      |

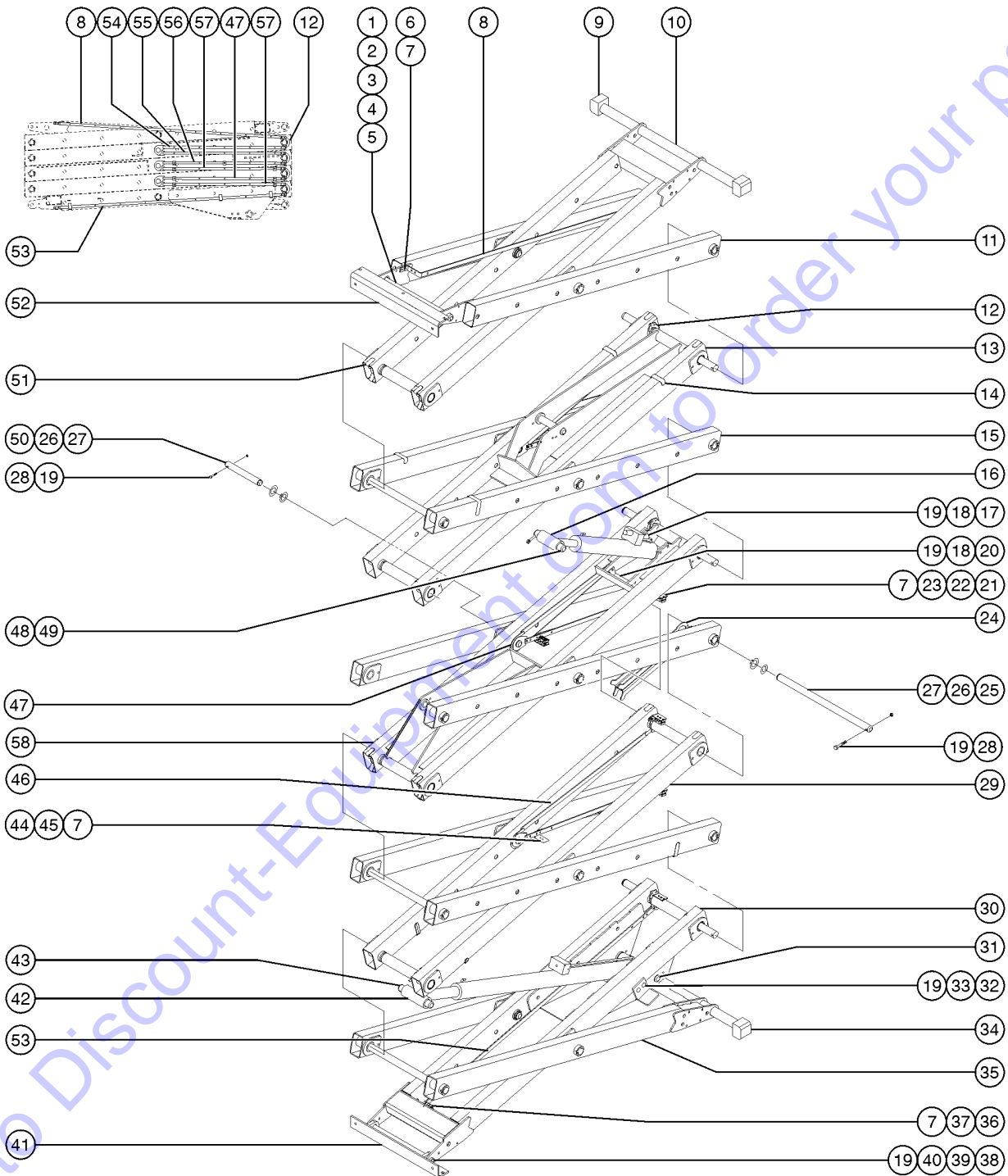


304.2 Scissor Assembly, GS-3246



| Item | Part No.  | Description   | Qty. |
|------|-----------|---|------|
| 27   | 18383GT   | SNAP RING,EXTERNAL,1.5 DIA .....  | 18   |
| 28   | 6326GT    | SCREW,HHC,3/8-16 X 3 .....  |      |
| 29   | 97234GT   | INNER ARM ASSY, #2, GS32&46 .....   | 1    |
| 29-  | 66055GT   | BEARING,1.50IDX1.77ODX1.25L .....   | 8    |
| 30   | 1300079GT | ASSEMBLY, LINK, INNER #1<br>(decal not included refer to section one) ..... | 1    |
| 30-  | 1299483GT | WELDMENT, LNK, LOWER1 ,E-DRIVE .....  |      |
| 30-  | 66055GT   | BEARING,1.50IDX1.77ODX1.25L .....   | 6    |
| 31   | 96662GT   | PIN, LOWER CYLINDER MOUNT .....   | 1    |
| 32   | 105092GT  | BOLT,CARRIAGE,3/8-16X1.25,GR5 .....   |      |
| 33   | 105074GT  | FORMING,PH PUSHER, GS46 .....   | 2    |
| 34   |           | Ref. Chassis Slider<br>(refer to 301.1) .....                               |      |
| 35B  | 96603GT   | WLDMT,LNK,OUTER #1,XX46<br>(decal not included refer to section one) .....  |      |
| 36   | 58592GT   | PLATE,HOSE ROUTG,BULKHEAD(PTD) .....  | 3    |
| 37   | 96903GT   | BOLT,CARRIAGE,1/4-20 X 3.50,G2 .....  |      |
| 38   | 96862GT   | PIN, LINKSET MOUNT, 1" .....  | 1    |
| 39   | 825019GT  | ROD END,.375X3.69,ZAG .....   | 4    |
| 40   | 8516GT    | SCREW, HCC, 3/8-16 X 1.50 .....   |      |
| 41   |           | Ref. Chassis Mount Assembly<br>(refer to 301.1) .....                       |      |
| 42   |           | Ref. Lift Cylinder, Bottom<br>(refer to 506.1) .....                        |      |
| 43   | 96812GT   | PIN, LOWER CYL, ROD END .....   | 1    |
| 44   | 105021GT  | FORMING,CB HOSE CLAMP<br>GS-3232 .....                                      | 2    |
| 45   | 6878GT    | BOLT,CARRIAGE,1/4-20 X .75,G2 .....   |      |
| 46   | 96978GT   | WELDMENT,CABLEBRIDGE HOOK<br>(to SN GS32-86049 and to GS46-85766) .....     | 3    |
| 47   | 105187GT  | WELDMENT,CABLE BRIDGE, TOP,32XX .....                                       | 6    |
| 48   | 96661GT   | PIN, UPPER CYLINDER MOUNT .....   | 1    |
| 49   | 96663GT   | PIN, SADDLE CYLINDER MOUNT .....  | 1    |
| 50   | 96900GT   | PIN, SHORT, GS46 .....  | 6    |
| 51   | 96735GT   | LINK BUMPER, 5" .....   | 8    |

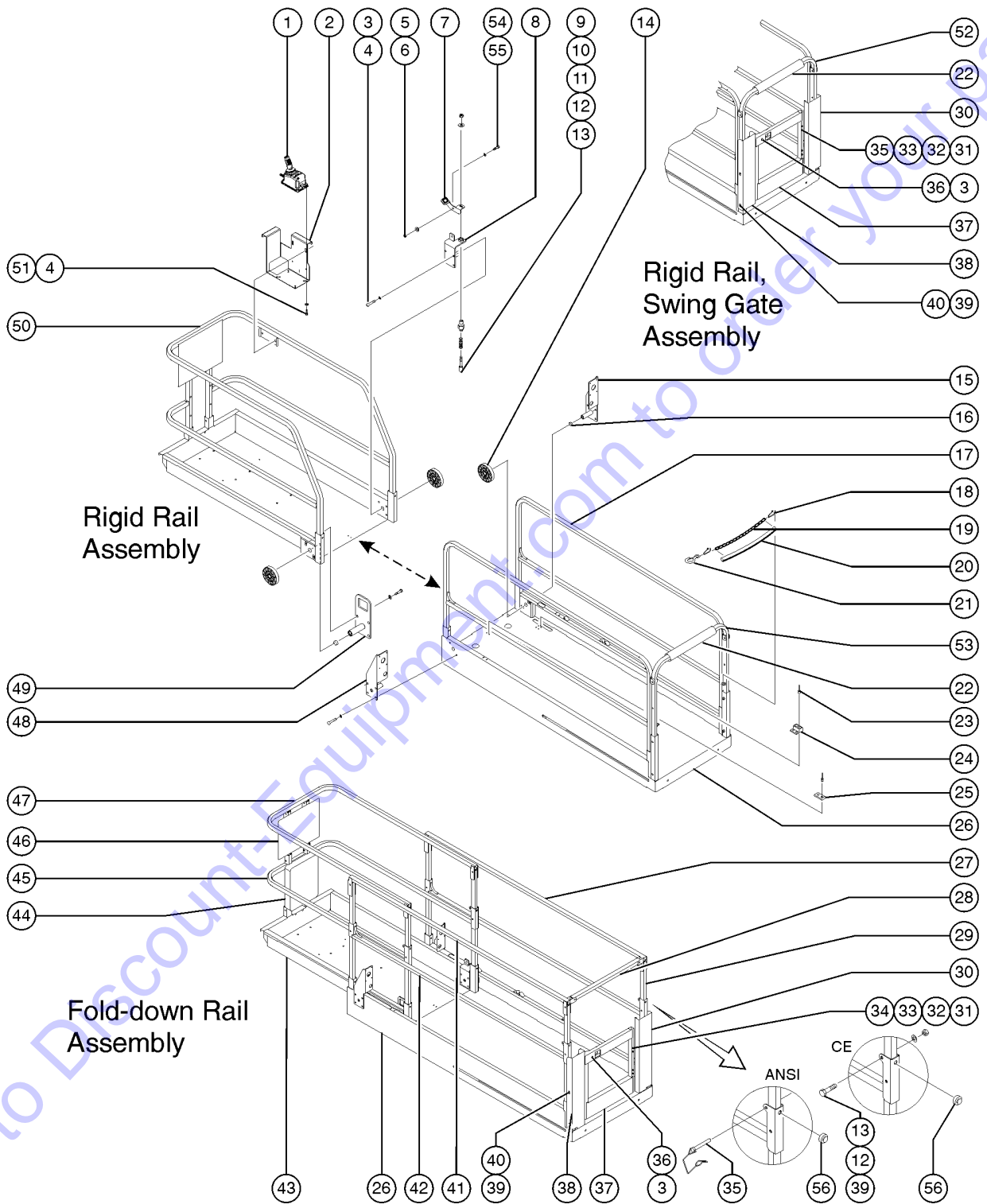
304.2 Scissor Assembly, GS-3246



| Item | Part No. | Description  | Qty. |
|------|----------|--|------|
| 52   |          | Ref. Platform Mount Assembly .....<br>(refer to 301.1)   |      |
| 53   | 105186GT | WLDMNT,CABLE BRIDGE,LOWER .....<br>(from SN GS32-86050, GS3208C-101, GS46-85767, GS4609C-101)      | 1    |
| 54   | 105191GT | WELDMNT,CABLE BRIDGE,TOP .....<br>(from SN GS32-86050, GS3208C-101, GS46-85767, GS4609C-101)       | 1    |
| 55   | 105190GT | WLDMT,CABLE BRIDGE,BOTTOM .....<br>(from SN GS32-86050, GS3208C-101, GS46-85767, GS4609C-101)      | 1    |
| 56   | 105192GT | WELDMNT,CABLE BRIDGE*** .....<br>(from SN GS32-86050, GS3208C-101, GS46-85767, GS4609C-101)        | 1    |
| 57   | 105188GT | WLDMT,CABLE BRIDGE,BOTTOM,3246 .....<br>(from SN GS32-86050, GS3208C-101, GS46-85767, GS4609C-101) | 2    |
| 58   | 96608GT  | WLDMT,LNK,INNER #3,32XX .....  | 1    |
| 58-  | 66055GT  | BEARING,1.50IDX1.77ODX1.25L .....  | 8    |

Go to Discount-Equipment.com to order your parts



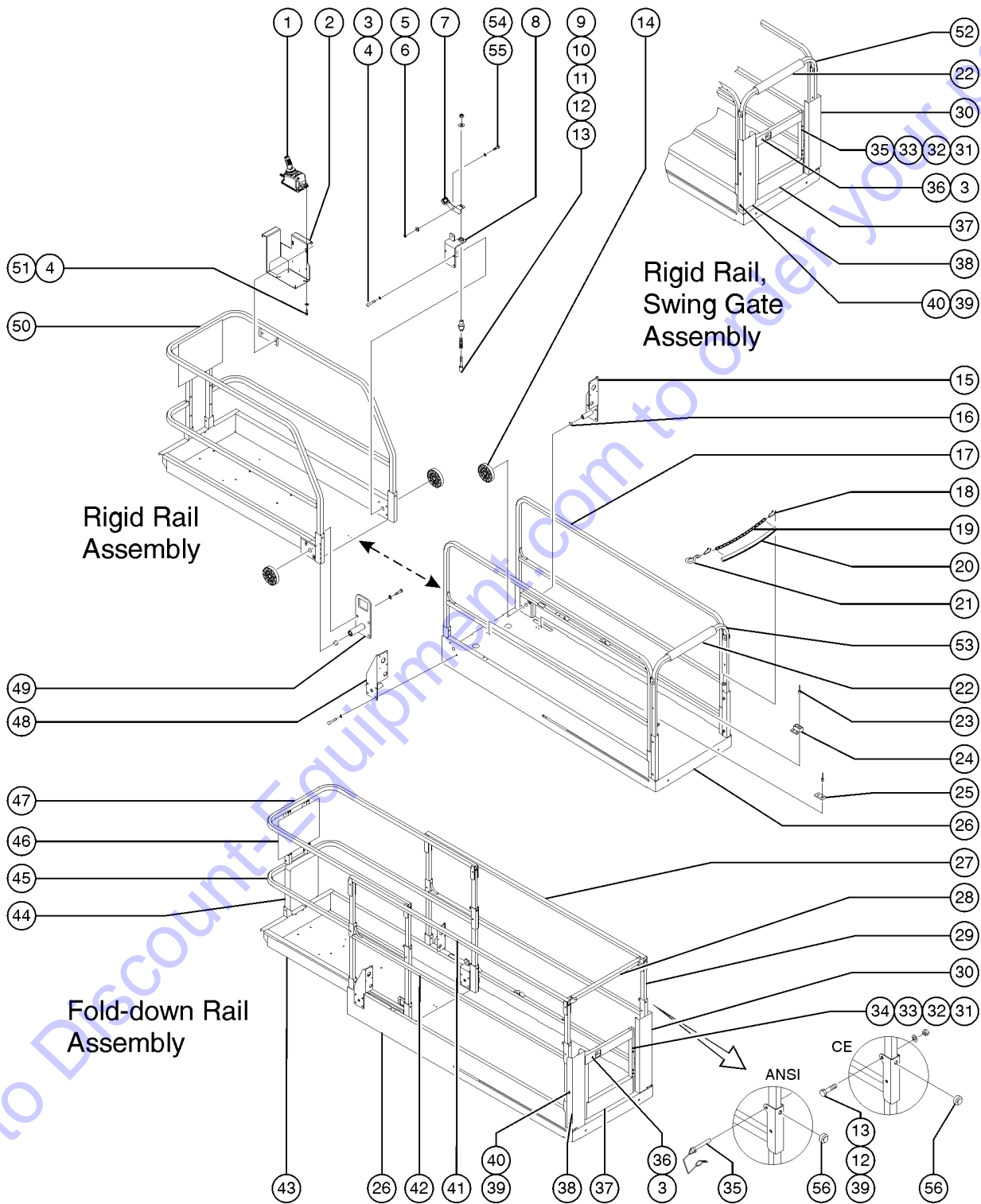




401.1 Platform Components, GS-2032A, GS-2632A, GS-3232A, GS3232C

| Item | Part No. | Description  | Qty. |
|------|----------|--|------|
| 1    |          | Ref. Platform Control Box .....<br>(refer to 404.1)            |      |
| 2    |          | Ref. Platform Control Box Mount .....<br>(refer to 404.1)      |      |
| 3    | 5224GT   | SCREW,HHC,3/8-16 X 2 .....                                     |      |
| 4    | 6356GT   | WASHER,LOCK,.25 .....  |      |
| 5    | 6002GT   | NUT, LP NYLOCK, 5/16-18 .....                                  |      |
| 6    | 47222GT  | WASHER, SHOULDER, NYLON .....                                  | 1    |
| 7    | 46260GT  | FOOTPEDAL W/NON-SKID TAPE,GS** .....                           | 1    |
| 7-   | 47166GT  | BRACKET,FOOT PEDAL .....<br>(non skid tape not included)       | 1    |
| 7-   | 47225GT  | TAPE,NON-SKID,DIE CUT,1.38X1.5 .....<br>(sold separately)      |      |
| 8    | 96413GT  | WLDMT,LOCKING ROLLER SUPPORT .....                             | 1    |
| 9    | 39470GT  | PIN, LOCK .....  | 1    |
| 10   | 39469GT  | SPRING,COMPRESSION.485 X1.75** .....                           | 1    |
| 11   | 41630GT  | HOUSING, LOCK PIN .....  | 1    |
| 12   | 6097GT   | WASHER,FLAT,USS,3/8",Y .....                                   |      |
| 13   | 7713GT   | NUT, LP NYLOCK, 3/8-16 .....                                   |      |
| 14   | 47163GT  | ROLLER,PLATFORM EXTENSION .....                                | 4    |
| 15   | 84587GT  | ROLLER BRACKET ASSY, GRND CNTR .....<br>(ground controls side) | 1    |
| 16   | 21279GT  | BUTTON, .800 O.D. X .281 .....                                 | 3    |
| 17   | 97044GT  | MAIN RAIL RIGID, SQ GS32 .....                                 | 2    |
| 18   | 97305GT  | CHAIN GATE ASSY, COM GS32 .....<br>(GS-2032)                   | 1    |
| 18-  | 96163GT  | LINK,(SPLIT) OPEN-END .....                                    | 2    |
| 19   | 39509GT  | CHAIN,3/16,OPEN LINK 22.5" .....                               | 1    |
| 20   | 47224GT  | TUBING,PVC,1",BLACK*** .....                                   | 21   |
| 21   | 39510GT  | RIGID EYE SNAP .....   | 1    |
| 22   | 47188GT  | FOAM,CLOSED CELL 1.75X.250X18" .....                           |      |
| 22-  | 28443GT  | CABLE TIE, 11.5" BLACK .....                                   |      |
| 23   | 39579GT  | RIVET,STL,STL,.188 X .45 .....                                 | 20   |
| 24   | 39310GT  | WEAR/GUIDE PAD MAIN PLATFORM .....                             | 4    |

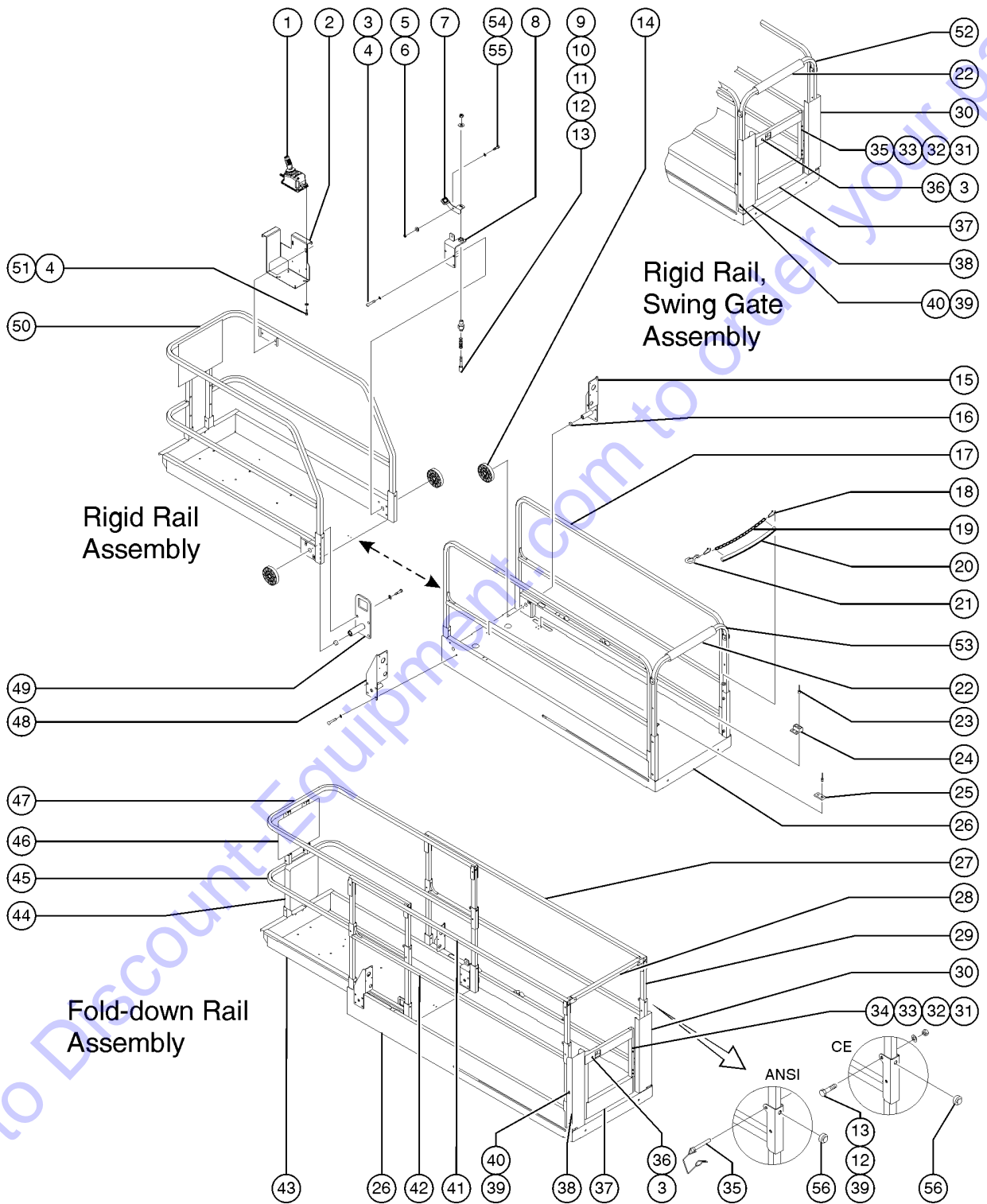




401.1 Platform Components, GS-2032A, GS-2632A, GS-3232A, GS3232C

| Item | Part No.  | Description  | Qty. |
|------|-----------|--|------|
| 25   | 39474GT   | WEAR PAD,PLATFORM .....  | 2    |
| 26   | 1284266GT | WLDMT,MAIN DECK,GS32<br>(decals not included, refer to section one) .....          | 1    |
| 26-  | 47374GT   | TAPE,NON-SKID,DIE CUT,4"X 32"<br>(not included sold separately) .....              |      |
| 26-  | 47098GT   | TAPE,NON-SKID,DIE CUT,4"X 40"<br>(not included sold separately) .....              |      |
| 26-  | 47231GT   | TAPE,NON-SKID,DIE CUT,4"X 16"<br>(not included sold separately) .....              |      |
| 27   | 84685GT   | MAIN FLDG RAIL ASSY,UPR RT,32<br>(ground controls side) .....                      | 1    |
| 27-  | 78038GT   | CAP, PLASTIC, 1.25 X 0.08" .....   |      |
| 28   | 105057GT  | TUBE, ENTRY SWING, GS32 .....  | 1    |
| 29   | 66485GT   | TUBE, VERT, FOLDING .....  | 6    |
| 30   | 105004GT  | FORMING, HALF GATE, HINGE<br>(ground controls side) .....                          | 1    |
| 31   | 4266GT    | SCREW,HHC,1/4-20 X 2 .....   |      |
| 32   | 6638GT    | WASHER,FLAT,USS,1/4"Y .....  |      |
| 33   | 104804GT  | HINGE, SPRING, LONG LEG .....  | 2    |
| 34   | 6091GT    | NUT, NYLOCK, 1/4-20 .....  |      |
| 35   | 66030GT   | PIN, WIRE LOCK 3/8 X 2 -1/2 .....  | 4    |
| 35-  | 78022GT   | LANYARD,BLACK NYLON,TYPE 1***<br>(CE & Australia models) .....                     |      |
| 36   | 4828GT    | NUT,NYLOCK,3/8-16 .....  |      |
| 37A  | 84690GT   | SWING GATE ASSY,GS32,COMPLETE<br>(decals not included, refer to section one) ..... |      |
| 37B  | 97110GT   | SWING GATE ASSY,GS30/32**<br>(decals not included, refer to section one) .....     |      |
| 37C  | 66551GT   | WELDMENT, HALF GATE<br>(decals not included, refer to section one) .....           | 1    |
| 37-  | 65990-SGT | KIT,GATE LATCH<br>(includes latch, spring and hardware) .....                      |      |
| 37D- | 22446GT   | SPRING, COMPRESSION .835 X 2<br>included in kit 65990-SGT .....                    | 1    |
| 37D- | 66544GT   | LATCH HANDLE<br>included in kit 65990-SGT .....                                    | 1    |
| 38   | 105099GT  | WLDT, HALF GATE CATCH, GS32<br>(battery pack side) .....                           | 1    |
| 39   | 8178GT    | SCREW,HHC,3/8-16 X 2.5 .....   |      |
| 40   | 5397GT    | WASHER,FLAT,USS,5/16",Y .....  |      |
| 41   | 84684GT   | MAIN FLDG RAIL ASSY,UPR L,GS32<br>(battery pack side) (fold-down) .....            | 1    |
| 41-  | 78038GT   | CAP, PLASTIC, 1.25 X 0.08" .....   |      |

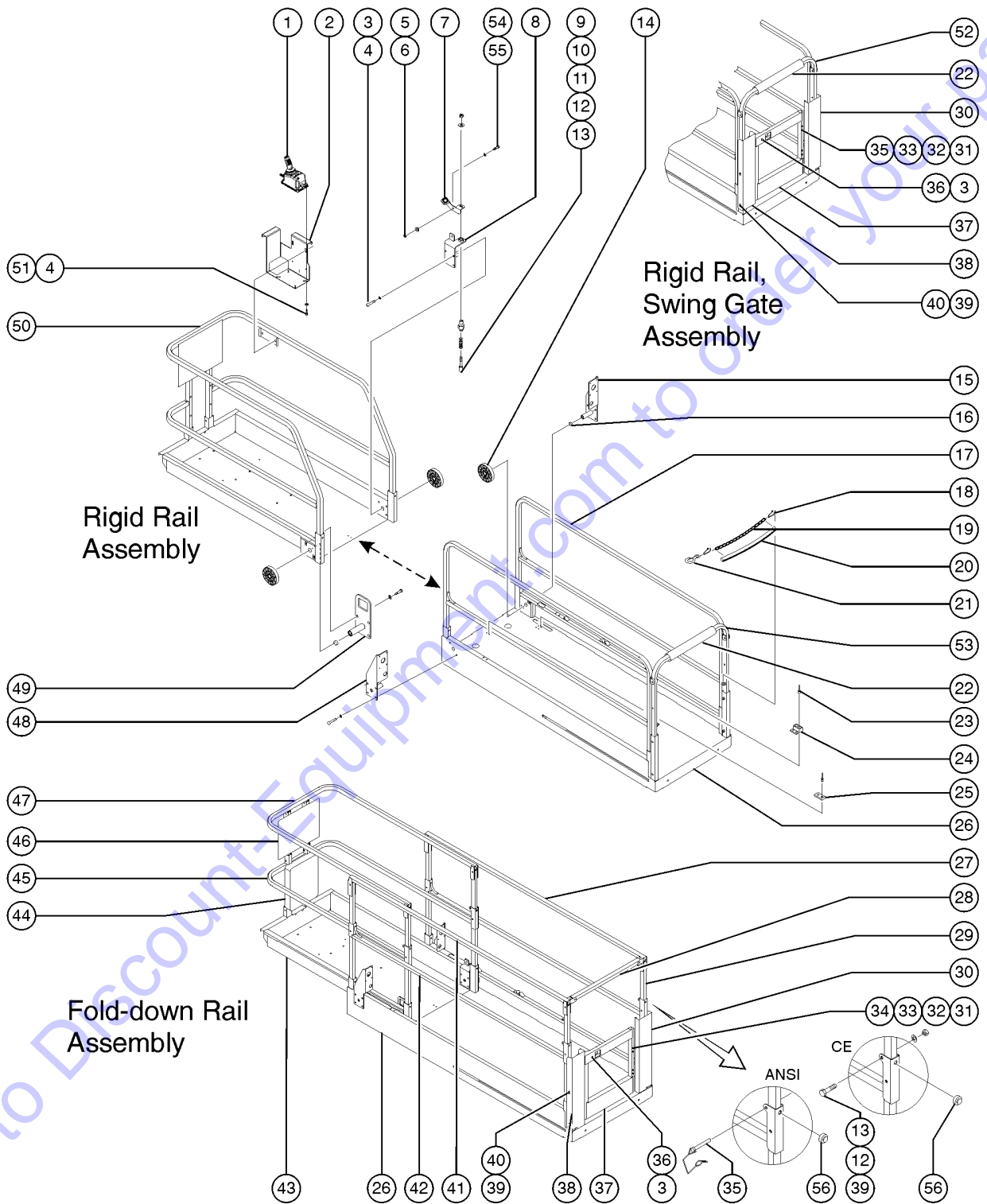




401.1 Platform Components, GS-2032A, GS-2632A, GS-3232A, GS3232C

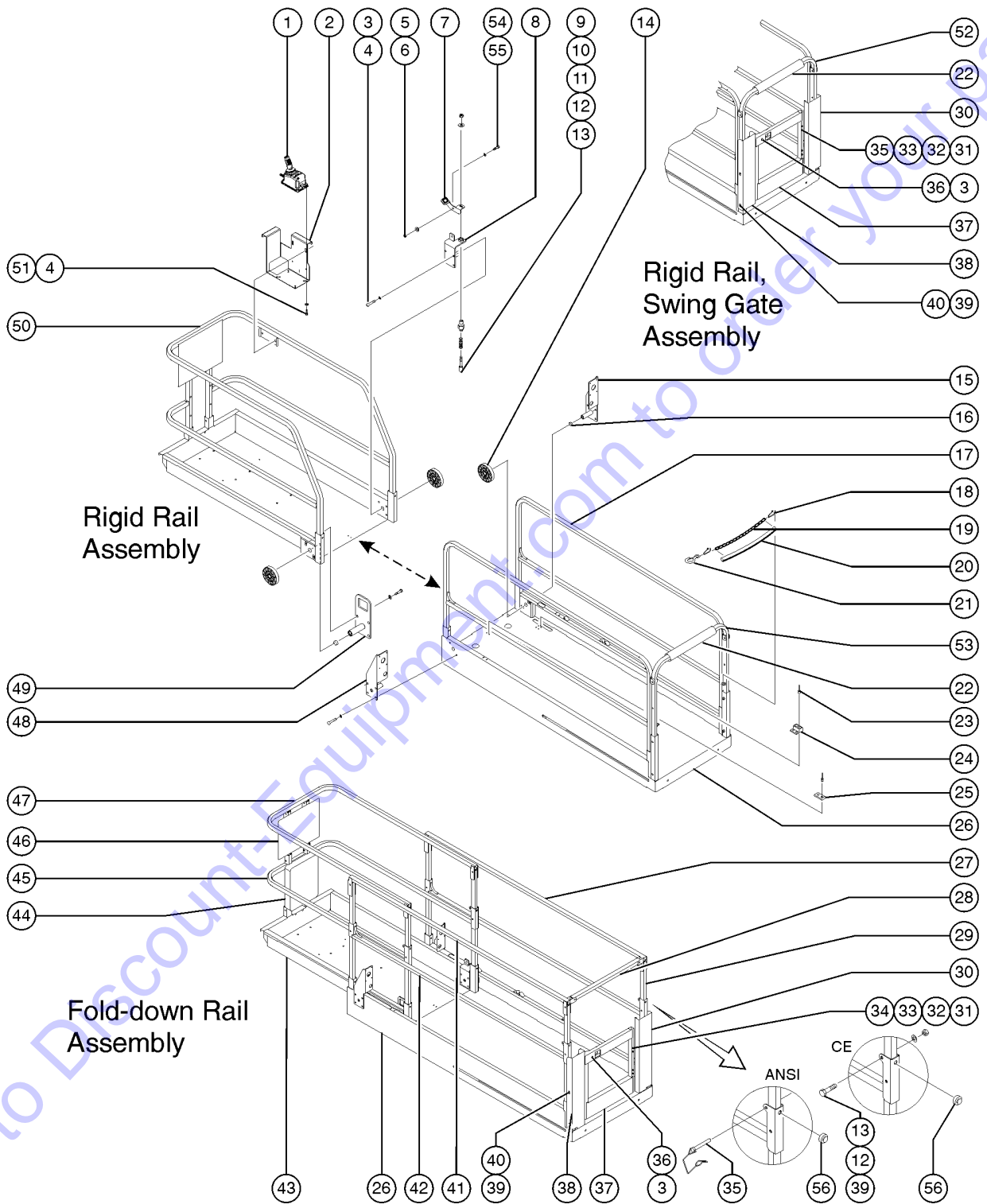
| Item | Part No.  | Description  | Qty. |
|------|-----------|--|------|
| 42   | 84683GT   | MAIN FLDG RAIL ASSY, LWR, GS32 (fold-down)   | 2    |
| 42-  | 78038GT   | CAP, PLASTIC, 1.25 X 0.08"   |      |
| 43A  | 84680GT   | EXT. DECK ASSY, GS32 (ANSI and CSA models)   | 1    |
| 43B  | 84681GT   | EXT. DECK ASSY, GS32 CE (CE models)  |      |
| 43-  | 105024GT  | WLDMT, EXT. DECK, GS32   | 1    |
| 43-  | 47374GT   | TAPE, NON-SKID, DIE CUT, 4" X 32"  | 3    |
| 43-  | 47231GT   | TAPE, NON-SKID, DIE CUT, 4" X 16"  | 1    |
| 43-  | 39474GT   | WEAR PAD, PLATFORM   | 1    |
| 43-  | T113787GT | RIVET, ALUM, STL, .188 X .250 for 39474GT  | 2    |
| 44A  | 44743GT   | MANUAL BOX W/DECALS*** USA/Canada/Australia  | 1    |
| 44B  | 24514GT   | BOX, INSTRUCTION STORAGE Europe/Asia/South America (decals required; refer to Section 100) |      |
| 45   | 105023GT  | WLDMT, LOWER EXT RAIL  | 1    |
| 45-  | 78038GT   | CAP, PLASTIC, 1.25 X 0.08" (not included sold separately)                                  |      |
| 46   | 96849GT   | WLDMT, DECAL PLATE, GS30/32 (decals not included, refer to section one)                    | 1    |
| 47A  | 84686GT   | EXT FLDG RAIL ASSY, UPR, 32, WO** word decals  | 1    |
| 47B  | 84687GT   | EXT FLDG RAIL ASSY, UPR, 32, S symbol decals   |      |
| 47-  | 78038GT   | CAP, PLASTIC, 1.25 X 0.08" (not included sold separately)                                  |      |
| 48   | 96246GT   | WELDMNT, ROLLER BRACKET, LT*** (decals not included, refer to section one)                 | 1    |
| 49   | 96200GT   | WLDMT, LANYARD ROLLER BRKT (decals not included, refer to section one)                     | 1    |
| 49-  | 21279GT   | BUTTON, .800 O.D. X .281 (sold separately)   | 1    |
| 50   | 105091GT  | WELDMNT, EXT SIDERAIL*** (decals not included, refer to section one)                       | 1    |
| 51   | 6090GT    | SCREW, HHC, 1/4-20 X .75   |      |
| 52   | 105146GT  | FORMING, SG HEADER RAIL, GS2032  | 1    |
| 53   | 105093GT  | WELDMNT, CHAIN GATE  | 1    |
| 54   | 1259223GT | BOLT, SHS, 3/8 X .375 X 5/16-18, ZAG   | 1    |
| 55   | 12013GT   | SHIM, .375 X .063  | 1    |
| 56   | 43392GT   | BUMPER, BATTERY BOX & RAILS  | 4    |





| Item | Part No. | Description  | Qty. |
|------|----------|--|------|
| 1    |          | Ref. Platform Control Box<br>(refer to 404.1)            |      |
| 2    |          | Ref. Platform Control Box Mount<br>(refer to 404.1)      |      |
| 3    | 5224GT   | SCREW,HHC,3/8-16 X 2                                     |      |
| 4    | 6356GT   | WASHER,LOCK,.25  |      |
| 5    | 6002GT   | NUT, LP NYLOCK, 5/16-18                                  |      |
| 6    | 47222GT  | WASHER, SHOULDER, NYLON                                  | 1    |
| 7    | 46260GT  | FOOTPEDAL W/NON-SKID TAPE,GS**                           | 1    |
| 7-   | 47166GT  | BRACKET,FOOT PEDAL<br>(non skid tape not included)       | 1    |
| 7-   | 47225GT  | TAPE,NON-SKID,DIE CUT,1.38X1.5<br>(sold separately)      |      |
| 8    | 96413GT  | WLDMT,LOCKING ROLLER SUPPORT                             | 1    |
| 9    | 39470GT  | PIN, LOCK  | 1    |
| 10   | 39469GT  | SPRING,COMPRESSION.485 X1.75**                           | 1    |
| 11   | 41630GT  | HOUSING, LOCK PIN  | 1    |
| 12   | 6097GT   | WASHER,FLAT,USS,3/8",Y                                   |      |
| 13   | 7713GT   | NUT, LP NYLOCK, 3/8-16                                   |      |
| 14   | 47163GT  | ROLLER,PLATFORM EXTENSION                                | 4    |
| 15   | 84587GT  | ROLLER BRACKET ASSY, GRND CNTR<br>(ground controls side) | 1    |
| 16   | 21279GT  | BUTTON, .800 O.D. X .281                                 | 3    |
| 17   | 97044GT  | MAIN RAIL RIGID, SQ GS32                                 | 2    |
| 18   | 97305GT  | CHAIN GATE ASSY, COM GS32<br>(GS-2032)                   | 1    |
| 18-  | 96163GT  | LINK,(SPLIT) OPEN-END                                    | 2    |
| 19   | 39509GT  | CHAIN,3/16,OPEN LINK 22.5"                               | 1    |
| 20   | 47224GT  | TUBING,PVC,1",BLACK***                                   | 21   |
| 21   | 39510GT  | RIGID EYE SNAP   | 1    |
| 22   | 47188GT  | FOAM,CLOSED CELL 1.75X.250X18"                           |      |
| 22-  | 28443GT  | CABLE TIE, 11.5" BLACK                                   |      |
| 23   | 39579GT  | RIVET,STL,STL,.188 X .45                                 | 20   |

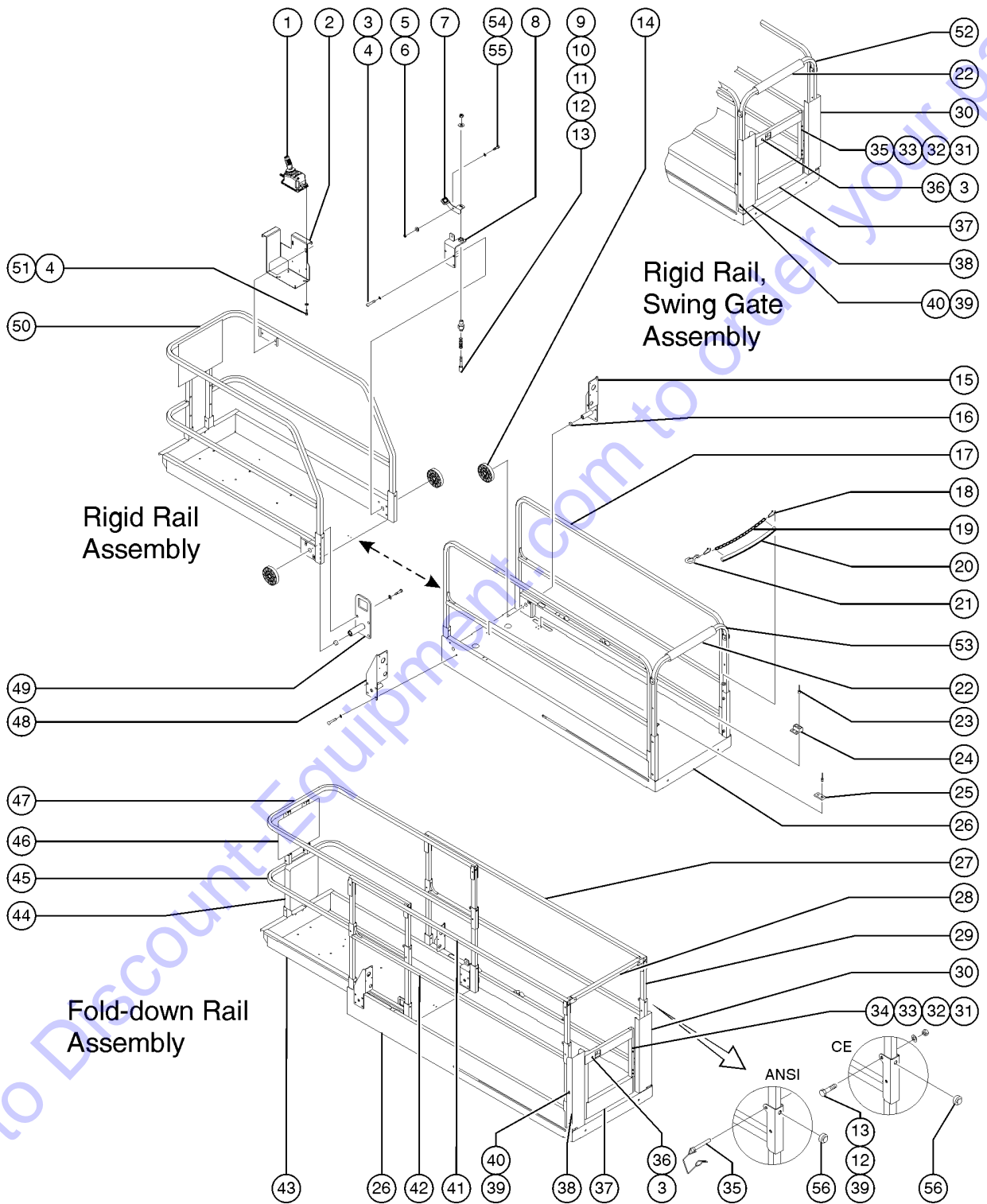






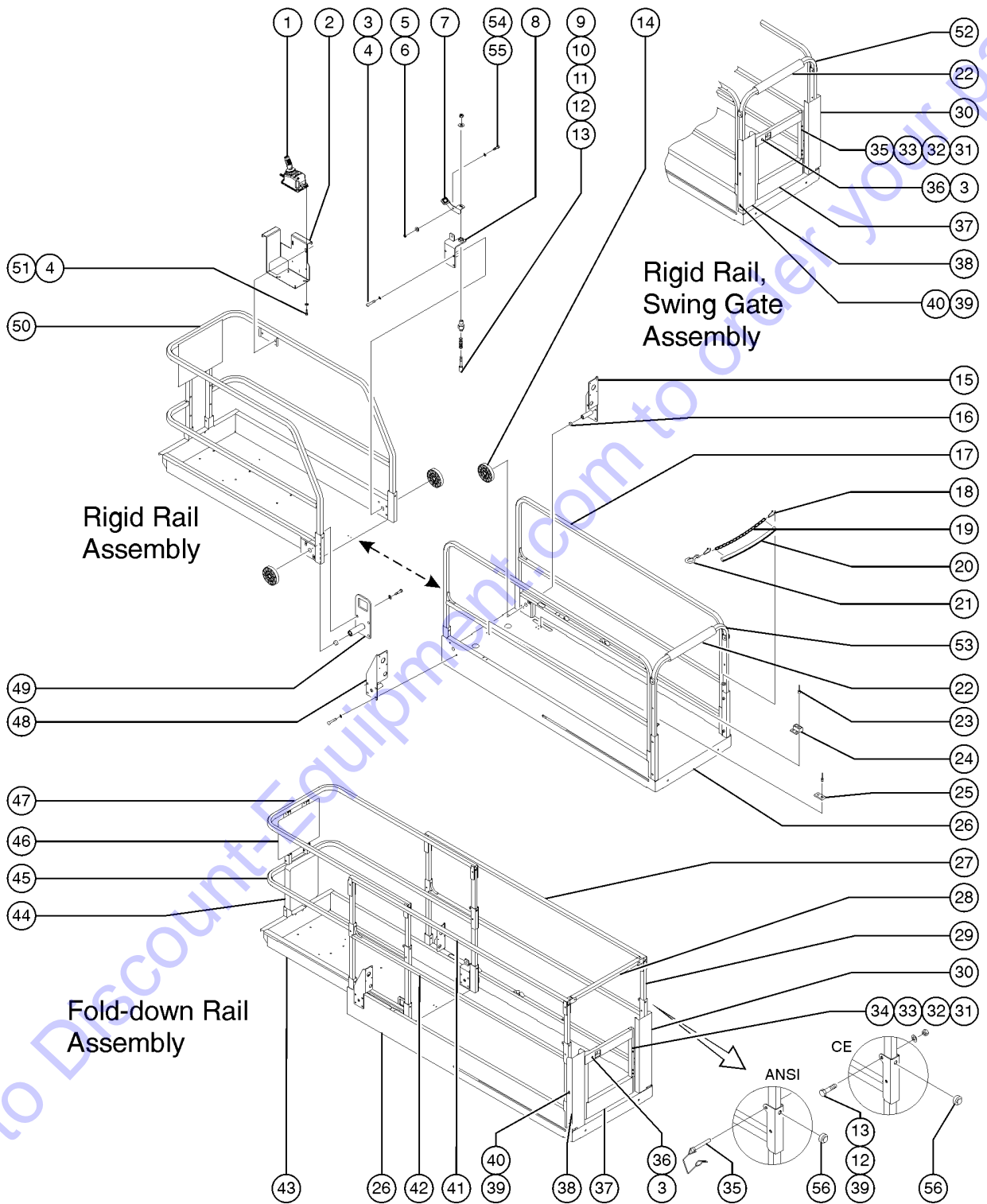
| Item | Part No.  | Description  | Qty. |
|------|-----------|--|------|
| 24   | 39310GT   | WEAR/GUIDE PAD MAIN PLATFORM .....   | 4    |
| 25   | 39474GT   | WEAR PAD,PLATFORM .....  | 2    |
| 26   | 1284266GT | WLDMT,MAIN DECK,GS32<br>(decals not included, refer to section one) .....          | 1    |
| 26-  | 47374GT   | TAPE,NON-SKID,DIE CUT,4"X 32"<br>(not included sold separately) .....              |      |
| 26-  | 47098GT   | TAPE,NON-SKID,DIE CUT,4"X 40"<br>(not included sold separately) .....              |      |
| 26-  | 47231GT   | TAPE,NON-SKID,DIE CUT,4"X 16"<br>(not included sold separately) .....              |      |
| 27   | 84685GT   | MAIN FLDG RAIL ASSY,UPR RT,32<br>(ground controls side) .....                      | 1    |
| 27-  | 78038GT   | CAP, PLASTIC, 1.25 X 0.08" .....   |      |
| 28   | 105057GT  | TUBE, ENTRY SWING, GS32 .....  | 1    |
| 29   | 66485GT   | TUBE, VERT, FOLDING .....  | 6    |
| 30   | 105004GT  | FORMING, HALF GATE, HINGE<br>(ground controls side) .....                          | 1    |
| 31   | 4266GT    | SCREW,HHC,1/4-20 X 2 .....   |      |
| 32   | 6638GT    | WASHER,FLAT,USS,1/4"Y .....  |      |
| 33   | 104804GT  | HINGE, SPRING, LONG LEG .....  | 2    |
| 34   | 6091GT    | NUT, NYLOCK, 1/4-20 .....  |      |
| 35   | 66030GT   | PIN, WIRE LOCK 3/8 X 2 -1/2 .....  | 4    |
| 35-  | 78022GT   | LANYARD,BLACK NYLON,TYPE 1***<br>(CE & Australia models) .....                     |      |
| 36   | 4828GT    | NUT,NYLOCK,3/8-16 .....  |      |
| 37A  | 84690GT   | SWING GATE ASSY,GS32,COMPLETE<br>(decals not included, refer to section one) ..... |      |
| 37B  | 97110GT   | SWING GATE ASSY,GS30/32**<br>(decals not included, refer to section one) .....     |      |
| 37C  | 66551GT   | WELDMENT, HALF GATE<br>(decals not included, refer to section one) .....           | 1    |
| 37D  | 65990-SGT | KIT,GATE LATCH<br>(includes latch, spring and hardware) .....                      |      |
| 37D- | 22446GT   | SPRING, COMPRESSION .835 X 2<br>included in kit 65990-SGT .....                    | 1    |
| 37D- | 66544GT   | LATCH HANDLE<br>included in kit 65990-SGT .....                                    | 1    |
| 38   | 105099GT  | WLDT, HALF GATE CATCH, GS32<br>(battery pack side) .....                           | 1    |
| 39   | 8178GT    | SCREW,HHC,3/8-16 X 2.5 .....   |      |
| 40   | 5397GT    | WASHER,FLAT,USS,5/16",Y .....  |      |
| 41   | 84684GT   | MAIN FLDG RAIL ASSY,UPR L,GS32<br>(battery pack side) (fold-down) .....            | 1    |





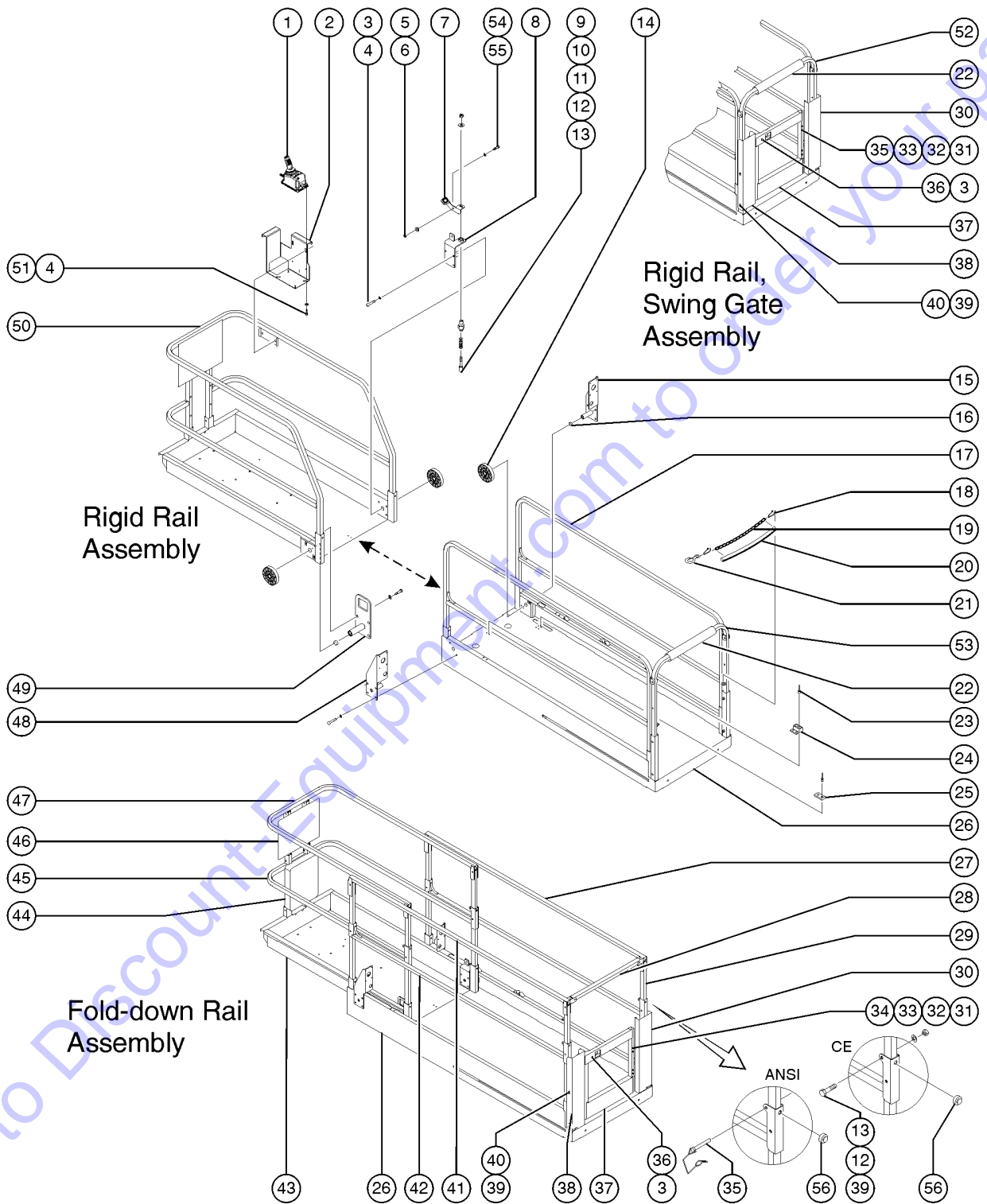
| Item | Part No.  | Description   | Qty. |
|------|-----------|---|------|
| 41-  | 78038GT   | CAP, PLASTIC, 1.25 X 0.08" .....  |      |
| 42   | 84683GT   | MAIN FLDG RAIL ASSY, LWR, GS32<br>(fold-down) .....   | 2    |
| 42-  | 78038GT   | CAP, PLASTIC, 1.25 X 0.08" .....  |      |
| 43A  | 84680GT   | EXT. DECK ASSY, GS32<br>(ANSI and CSA models) .....   | 1    |
| 43B  | 84681GT   | EXT. DECK ASSY, GS32 CE<br>(CE models) .....  |      |
| 43-  | 105024GT  | WLDMT, EXT. DECK, GS32 .....  | 1    |
| 43-  | 47374GT   | TAPE, NON-SKID, DIE CUT, 4" X 32" .....   | 3    |
| 43-  | 47231GT   | TAPE, NON-SKID, DIE CUT, 4" X 16" .....   | 1    |
| 43-  | 39474GT   | WEAR PAD, PLATFORM .....  | 1    |
| 43-  | T113787GT | RIVET, ALUM, STL., 188 X .250<br>for 39474GT .....  | 2    |
| 44A  | 44743GT   | MANUAL BOX W/DECALS***<br>USA/Canada/Australia .....  | 1    |
| 44B  | 24514GT   | BOX, INSTRUCTION STORAGE<br>Europe/Asia/South America (decal required; refer to Section100) ..... |      |
| 45   | 105023GT  | WLDMT, LOWER EXT RAIL .....   | 1    |
| 45-  | 78038GT   | CAP, PLASTIC, 1.25 X 0.08"<br>(not included sold separately) .....                                |      |
| 46   | 96849GT   | WLDMT, DECAL PLATE, GS30/32<br>(decals not included, refer to section one) .....                  | 1    |
| 47A  | 84686GT   | EXT FLDG RAIL ASSY, UPR, 32, WO**<br>word decals .....  | 1    |
| 47B  | 84687GT   | EXT FLDG RAIL ASSY, UPR, 32, S<br>symbol decals .....   |      |
| 47-  | 78038GT   | CAP, PLASTIC, 1.25 X 0.08"<br>(not included sold separately) .....                                |      |
| 48   | 96246GT   | WELDMNT, ROLLER BRACKET, LT***<br>(decals not included, refer to section one) .....               | 1    |
| 49   | 96200GT   | WLDMT, LANYARD ROLLER BRKT<br>(decals not included, refer to section one) .....                   | 1    |
| 49-  | 21279GT   | BUTTON, .800 O.D. X .281<br>(sold separately) .....   | 1    |
| 50   | 105091GT  | WELDMNT, EXT SIDERAIL***<br>(decals not included, refer to section one) .....                     | 1    |
| 51   | 6090GT    | SCREW, HHC, 1/4-20 X .75 .....  |      |
| 52   | 105146GT  | FORMING, SG HEADER RAIL, GS2032 .....   | 1    |
| 53   | 105093GT  | WELDMNT, CHAIN GATE .....   | 1    |
| 54   | 1259223GT | BOLT, SHS, 3/8X.375X5/16-18, ZAG .....  | 1    |
| 55   | 12013GT   | SHIM, .375 X .063 .....   | 1    |
| 56   | 43392GT   | BUMPER, BATTERY BOX & RAILS .....   | 4    |





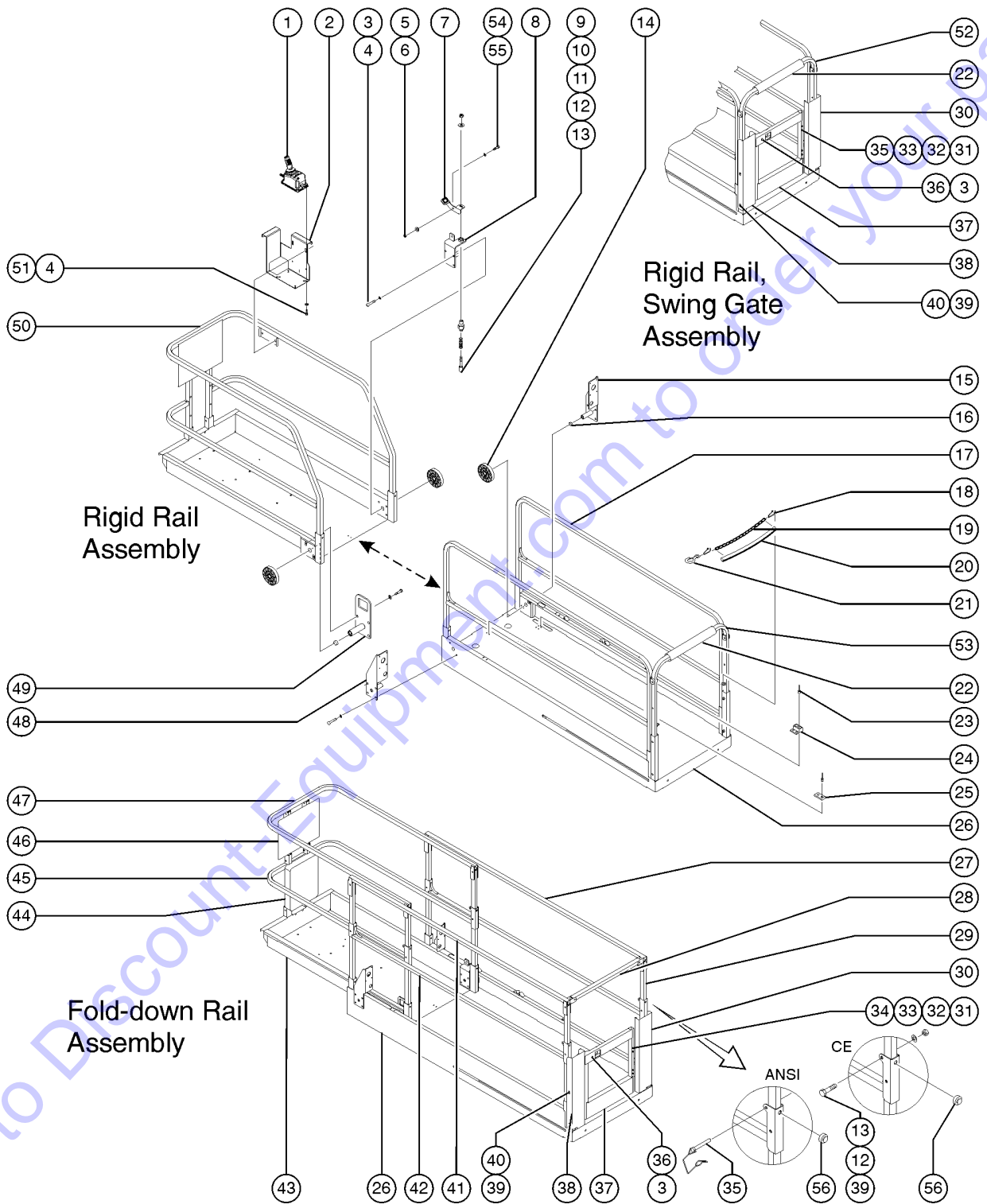
| Item | Part No. | Description  | Qty. |
|------|----------|--|------|
| 1    |          | Ref. Platform Control Box .....<br>(refer to 404.1)            |      |
| 2    |          | Ref. Platform Control Box Mount .....<br>(refer to 404.1)      |      |
| 3    | 5224GT   | SCREW,HHC,3/8-16 X 2 .....                                     |      |
| 4    | 6356GT   | WASHER,LOCK,.25 .....  |      |
| 5    | 6002GT   | NUT, LP NYLOCK, 5/16-18 .....                                  |      |
| 6    | 47222GT  | WASHER, SHOULDER, NYLON .....                                  | 1    |
| 7    | 46260GT  | FOOTPEDAL W/NON-SKID TAPE,GS** .....                           | 1    |
| 7-   | 47166GT  | BRACKET,FOOT PEDAL .....<br>(non skid tape not included)       | 1    |
| 7-   | 47225GT  | TAPE,NON-SKID,DIE CUT,1.38X1.5 .....<br>(sold separately)      |      |
| 8    | 96413GT  | WLDMT,LOCKING ROLLER SUPPORT .....                             | 1    |
| 9    | 39470GT  | PIN, LOCK .....  | 1    |
| 10   | 39469GT  | SPRING,COMPRESSION.485 X1.75** .....                           | 1    |
| 11   | 41630GT  | HOUSING, LOCK PIN .....  | 1    |
| 12   | 6097GT   | WASHER,FLAT,USS,3/8",Y .....                                   |      |
| 13   | 7713GT   | NUT, LP NYLOCK, 3/8-16 .....                                   |      |
| 14   | 47163GT  | ROLLER,PLATFORM EXTENSION .....                                | 4    |
| 15   | 84587GT  | ROLLER BRACKET ASSY, GRND CNTR .....<br>(ground controls side) | 1    |
| 16   | 21279GT  | BUTTON, .800 O.D. X .281 .....                                 | 3    |
| 17   | 97044GT  | MAIN RAIL RIGID, SQ GS32 .....                                 | 2    |
| 18   | 97305GT  | CHAIN GATE ASSY, COM GS32 .....<br>(GS-2032)                   | 1    |
| 18-  | 96163GT  | LINK,(SPLIT) OPEN-END .....                                    | 2    |
| 19   | 39509GT  | CHAIN,3/16,OPEN LINK 22.5" .....                               | 1    |
| 20   | 47224GT  | TUBING,PVC,1",BLACK*** .....                                   | 21   |
| 21   | 39510GT  | RIGID EYE SNAP .....   | 1    |
| 22   | 47188GT  | FOAM,CLOSED CELL 1.75X.250X18" .....                           |      |
| 22-  | 28443GT  | CABLE TIE, 11.5" BLACK .....                                   |      |
| 23   | 39579GT  | RIVET,STL,STL,.188 X .45 .....                                 | 20   |
| 24   | 39310GT  | WEAR/GUIDE PAD MAIN PLATFORM .....                             | 4    |





| Item | Part No.  | Description  | Qty. |
|------|-----------|--|------|
| 25   | 39474GT   | WEAR PAD,PLATFORM .....  | 2    |
| 26   | 1284266GT | WLDMT,MAIN DECK,GS32<br>(decals not included, refer to section one) .....          | 1    |
| 26-  | 47374GT   | TAPE,NON-SKID,DIE CUT,4"X 32"<br>(not included sold separately) .....              |      |
| 26-  | 47098GT   | TAPE,NON-SKID,DIE CUT,4"X 40"<br>(not included sold separately) .....              |      |
| 26-  | 47231GT   | TAPE,NON-SKID,DIE CUT,4"X 16"<br>(not included sold separately) .....              |      |
| 27   | 84685GT   | MAIN FLDG RAIL ASSY,UPR RT,32<br>(ground controls side) .....                      | 1    |
| 27-  | 78038GT   | CAP, PLASTIC, 1.25 X 0.08" .....   |      |
| 28   | 105057GT  | TUBE, ENTRY SWING, GS32 .....  | 1    |
| 29   | 66485GT   | TUBE, VERT, FOLDING .....  | 6    |
| 30   | 105004GT  | FORMING, HALF GATE, HINGE<br>(ground controls side) .....                          | 1    |
| 31   | 4266GT    | SCREW,HHC,1/4-20 X 2 .....   |      |
| 32   | 6638GT    | WASHER,FLAT,USS,1/4"Y .....  |      |
| 33   | 104804GT  | HINGE, SPRING, LONG LEG .....  | 2    |
| 34   | 6091GT    | NUT, NYLOCK, 1/4-20 .....  |      |
| 35   | 66030GT   | PIN, WIRE LOCK 3/8 X 2 -1/2 .....  | 4    |
| 35-  | 78022GT   | LANYARD,BLACK NYLON,TYPE 1***<br>(CE & Australia models) .....                     |      |
| 36   | 4828GT    | NUT,NYLOCK,3/8-16 .....  |      |
| 37A  | 84690GT   | SWING GATE ASSY,GS32,COMPLETE<br>(decals not included, refer to section one) ..... |      |
| 37B  | 97110GT   | SWING GATE ASSY,GS30/32**<br>(decals not included, refer to section one) .....     |      |
| 37C  | 66551GT   | WELDMENT, HALF GATE<br>(decals not included, refer to section one) .....           | 1    |
| 37D  | 65990-SGT | KIT,GATE LATCH<br>(includes latch, spring and hardware) .....                      |      |
| 37D- | 22446GT   | SPRING, COMPRESSION .835 X 2<br>included in kit 65990-SGT .....                    | 1    |
| 37D- | 66544GT   | LATCH HANDLE<br>included in kit 65990-SGT .....                                    | 1    |
| 38   | 105099GT  | WLDT, HALF GATE CATCH, GS32<br>(battery pack side) .....                           | 1    |
| 39   | 8178GT    | SCREW,HHC,3/8-16 X 2.5 .....   |      |
| 40   | 5397GT    | WASHER,FLAT,USS,5/16",Y .....  |      |
| 41   | 84684GT   | MAIN FLDG RAIL ASSY,UPR L,GS32<br>(battery pack side) (fold-down) .....            | 1    |
| 41-  | 78038GT   | CAP, PLASTIC, 1.25 X 0.08" .....   |      |

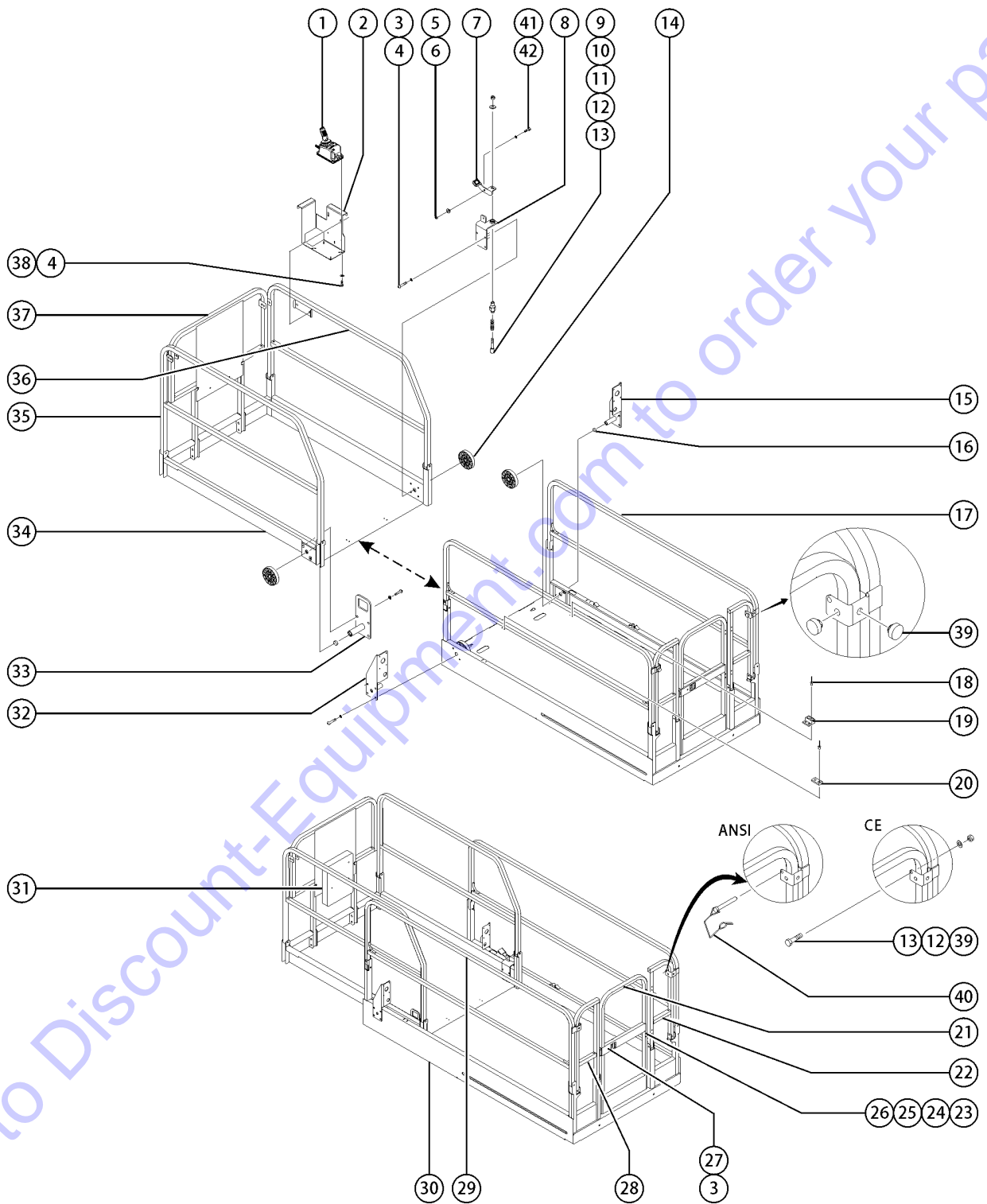






| Item | Part No.  | Description  | Qty. |
|------|-----------|--|------|
| 42   | 84683GT   | MAIN FLDG RAIL ASSY, LWR, GS32 (fold-down)   | 2    |
| 42-  | 78038GT   | CAP, PLASTIC, 1.25 X 0.08"   |      |
| 43A  | 84680GT   | EXT. DECK ASSY, GS32 (ANSI and CSA models)   | 1    |
| 43B  | 84681GT   | EXT. DECK ASSY, GS32 CE (CE models)  |      |
| 43-  | 105024GT  | WLDMT, EXT. DECK, GS32   | 1    |
| 43-  | 47374GT   | TAPE, NON-SKID, DIE CUT, 4" X 32"  | 3    |
| 43-  | 47231GT   | TAPE, NON-SKID, DIE CUT, 4" X 16"  | 1    |
| 43-  | 39474GT   | WEAR PAD, PLATFORM   | 1    |
| 43-  | T113787GT | RIVET, ALUM, STL., 188 X .250 for 39474GT  | 2    |
| 44A  | 44743GT   | MANUAL BOX W/DECALS*** USA/Canada/Australia  | 1    |
| 44B  | 24514GT   | BOX, INSTRUCTION STORAGE Europe/Asia/South America (decals required; refer to Section 100) |      |
| 45   | 105023GT  | WLDMT, LOWER EXT RAIL  | 1    |
| 45-  | 78038GT   | CAP, PLASTIC, 1.25 X 0.08" (not included sold separately)                                  |      |
| 46   | 96849GT   | WLDMT, DECAL PLATE, GS30/32 (decals not included, refer to section one)                    | 1    |
| 47   | 105026GT  | WELDMNT, UPPER EXT RAIL, GS32** (decals not included, refer to section one)                | 1    |
| 47-  | 78038GT   | CAP, PLASTIC, 1.25 X 0.08" (not included sold separately)                                  |      |
| 48   | 96246GT   | WELDMNT, ROLLER BRACKET, LT*** (decals not included, refer to section one)                 | 1    |
| 49   | 96200GT   | WLDMT, LANYARD ROLLER BRKT (decals not included, refer to section one)                     | 1    |
| 49-  | 21279GT   | BUTTON, .800 O.D. X .281 (sold separately)   | 1    |
| 50   | 105091GT  | WELDMNT, EXT SIDERAIL*** (decals not included, refer to section one)                       | 1    |
| 51   | 6090GT    | SCREW, HHC, 1/4-20 X .75   |      |
| 52   | 105146GT  | FORMING, SG HEADER RAIL, GS2032  | 1    |
| 53   | 105093GT  | WELDMNT, CHAIN GATE  | 1    |
| 54   | 1259223GT | BOLT, SHS, 3/8X.375X5/16-18, ZAG   | 1    |
| 55   | 12013GT   | SHIM, .375 X .063  | 1    |
| 56   | 43392GT   | BUMPER, BATTERY BOX & RAILS  | 4    |

402.1 Platform Components, GS-2046A, GS-2646A, GS-3246A

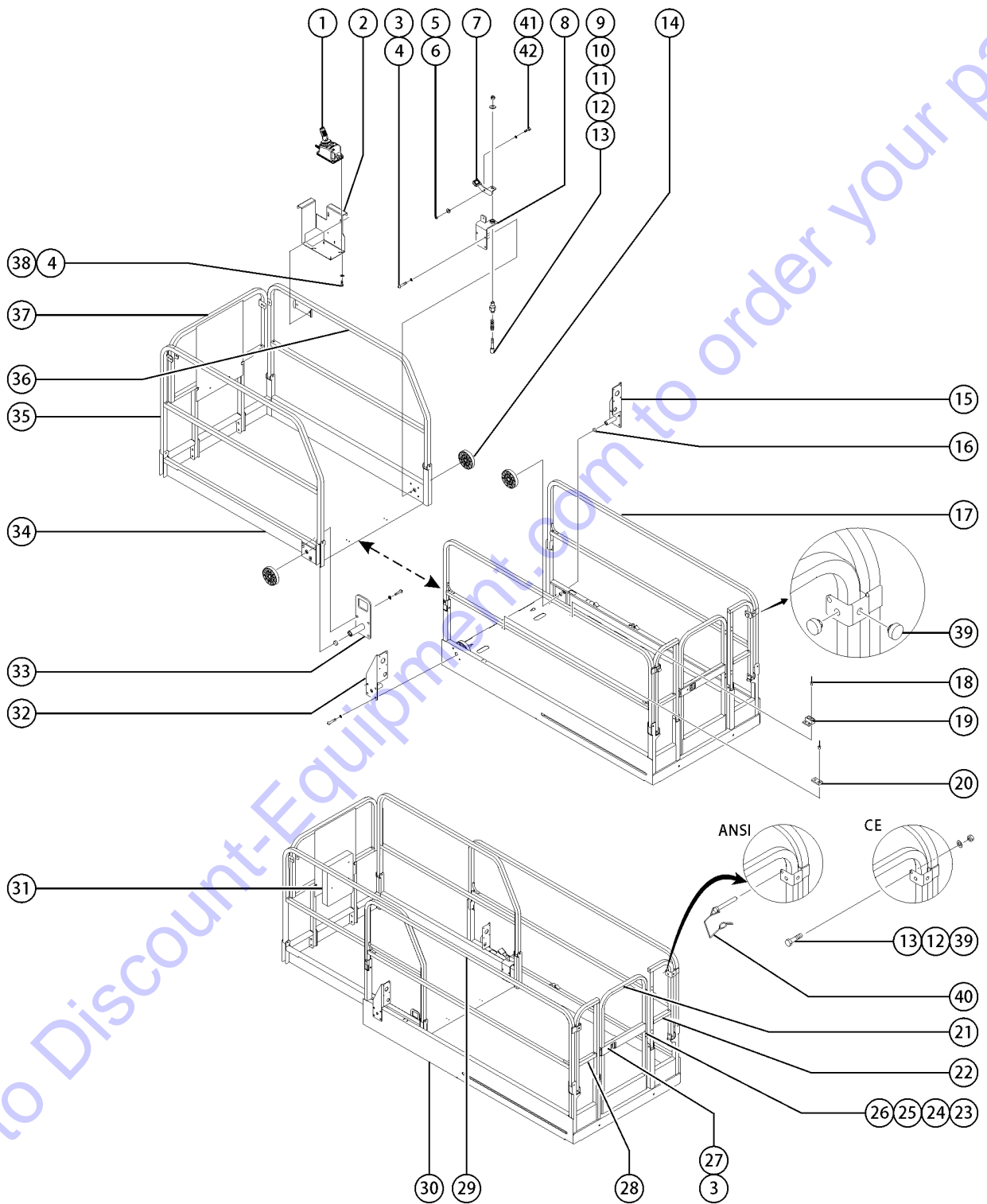


402.1 Platform Components, GS-2046A, GS-2646A, GS-3246A

| Item | Part No.  | Description   | Qty. |
|------|-----------|---|------|
| 1    |           | Ref. Platform Control Box .....<br>(refer to 404.1)                                       |      |
| 2    |           | Ref. Platform Control Box Mount Bracket .....<br>(refer to 404.1)                         |      |
| 3    | 5224GT    | SCREW,HHC,3/8-16 X 2 .....  |      |
| 4    | 6356GT    | WASHER,LOCK,.25 .....   |      |
| 5    | 6002GT    | NUT, LP NYLOCK, 5/16-18 .....   |      |
| 6    | 47222GT   | WASHER, SHOULDER, NYLON .....   | 1    |
| 7    | 46260GT   | FOOTPEDAL W/NON-SKID TAPE,GS** .....  | 1    |
| 7-   | 47166GT   | BRACKET,FOOT PEDAL .....<br>(non skid tape not included)                                  | 1    |
| 7-   | 47225GT   | TAPE,NON-SKID,DIE CUT,1.38X1.5 .....<br>(not included sold separately)                    |      |
| 8    | 96413GT   | WLDMT,LOCKING ROLLER SUPPORT .....  | 1    |
| 9    | 39470GT   | PIN, LOCK .....   | 1    |
| 10   | 39469GT   | SPRING,COMPRESSION.485 X1.75** .....  | 1    |
| 11   | 41630GT   | HOUSING, LOCK PIN .....   | 1    |
| 12   | 6097GT    | WASHER,FLAT,USS,3/8",Y .....  |      |
| 13   | 7713GT    | NUT, LP NYLOCK, 3/8-16 .....  |      |
| 14   | 47163GT   | ROLLER,PLATFORM EXTENSION .....   | 4    |
| 15   | 84587GT   | ROLLER BRACKET ASSY, GRND CNTR .....<br>(ground controls side)                            | 1    |
| 16   | 21279GT   | BUTTON, .800 O.D. X .281 .....  | 3    |
| 17   | 82052-SGT | RAIL-GS46 PLAT,MAINDECK RT**** .....<br>(ground controls side)                            | 1    |
| 18   | 39579GT   | RIVET,STL,STL,.188 X .45 .....  | 20   |
| 19   | 39310GT   | WEAR/GUIDE PAD MAIN PLATFORM .....  | 4    |
| 20   | 39474GT   | WEAR PAD,PLATFORM .....   | 3    |
| 21A  | 96760GT   | ASSY, PLATFORM GATE, GSXX46 .....<br>COMPLETE (decals not included, refer to section one) | 1    |
| 21B  | 97242GT   | SWING GATE ASSY, GS46 WELD .....<br>(decals not included, refer to section one)           | 1    |
| 21C  | 66512GT   | WLDMT, FULL HEIGHT GATE .....   | 1    |
| 21D  | 65990-SGT | KIT,GATE LATCH .....<br>(includes items 3 and 27)   |      |
| 21D- | 22446GT   | SPRING, COMPRESSION .835 X 2 .....<br>included in kit 65990-SGT                           | 1    |
| 21D- | 66544GT   | LATCH HANDLE .....<br>included in kit 65990-SGT   | 1    |



402.1 Platform Components, GS-2046A, GS-2646A, GS-3246A



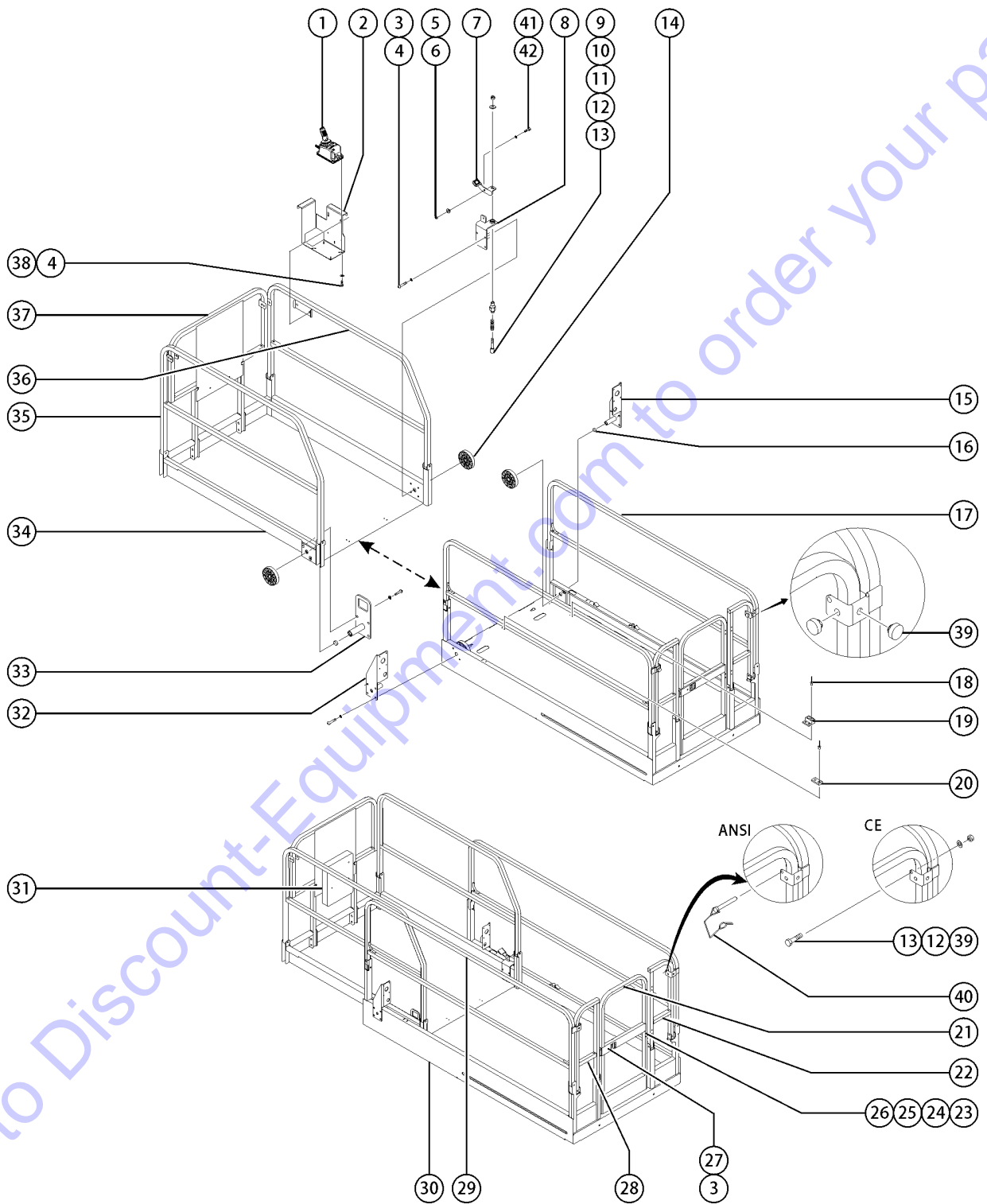
Go to Discount-Equipment.com to order your parts

402.1 Platform Components, GS-2046A, GS-2646A, GS-3246A

| Item | Part No.  | Description   | Qty. |
|------|-----------|---|------|
| 22   | 66923GT   | WLDMT, ENTRY SIDERAIL, RT<br>(ground controls side)   | 1    |
| 22-  | 78038GT   | CAP, PLASTIC, 1.25 X 0.08"  |      |
| 23   | 4266GT    | SCREW,HHC,1/4-20 X 2  |      |
| 24   | 6638GT    | WASHER,FLAT,USS,1/4"Y   |      |
| 25   | 104804GT  | HINGE, SPRING, LONG LEG   | 2    |
| 26   | 6091GT    | NUT, NYLOCK, 1/4-20   |      |
| 27   | 4828GT    | NUT,NYLOCK,3/8-16   |      |
| 28   | 66920GT   | WLDMT, ENTRY SIDERAIL, LT<br>(battery pack side)  | 1    |
| 28-  | 78038GT   | CAP, PLASTIC, 1.25 X 0.08"<br>(not included sold separately)                                |      |
| 29   | 82053-SGT | RAIL-GS46 PLAT,MAINDECK LT****<br>(battery pack side)                                       | 1    |
| 29-  | 43392GT   | BUMPER,BATTERY BOX & RAILS  | 3    |
| 30   | 1284268GT | WLDMT,MAIN DECK,GS46<br>(decals not included, refer to section one)                         | 1    |
| 30-  | 47374GT   | TAPE,NON-SKID,DIE CUT,4"X 32"<br>(not included sold separately)                             |      |
| 30-  | 47098GT   | TAPE,NON-SKID,DIE CUT,4"X 40"<br>(not included sold separately)                             |      |
| 30-  | 47231GT   | TAPE,NON-SKID,DIE CUT,4"X 16"<br>(not included sold separately)                             |      |
| 31A  | 44743GT   | MANUAL BOX W/DECALS***<br>USA/Canada/Australia  | 1    |
| 31B  | 24514GT   | BOX,INSTRUCTION STORAGE<br>Europe/Asia/South America (decals required; refer to Section100) |      |
| 32   | 96246GT   | WELDMENT,ROLLER BRACKET,LT***   | 1    |
| 33   | 96200GT   | WLDMT, LANYARD ROLLER BRKT<br>(decals not included, refer to section one)                   | 1    |
| 33-  | 21279GT   | BUTTON, .800 O.D. X .281<br>(sold separately)   | 1    |
| 34   | 97258GT   | EXT. DECK ASSY, GS46  | 1    |
| 34-  | 96719GT   | WLDMT, EXT. DECK, GSXX46  | 1    |
| 34-  | 39474GT   | WEAR PAD,PLATFORM   | 2    |
| 34-  | T113787GT | RIVET,ALUM,STL.,188 X .250<br>for 39474GT   | 4    |
| 35   | 97263GT   | LEFT EX. RAIL, GS46<br>(battery pack side)  | 1    |
| 35-  | 43392GT   | BUMPER,BATTERY BOX & RAILS  | 3    |
| 36   | 97264GT   | RIGHT EXT RAIL, GS46 (SYMBOL)<br>(decals not included, refer to section one)                | 1    |
| 36-  | 43392GT   | BUMPER,BATTERY BOX & RAILS  | 3    |



402.1 Platform Components, GS-2046A, GS-2646A, GS-3246A



Go to Discount-Equipment.com to order your parts

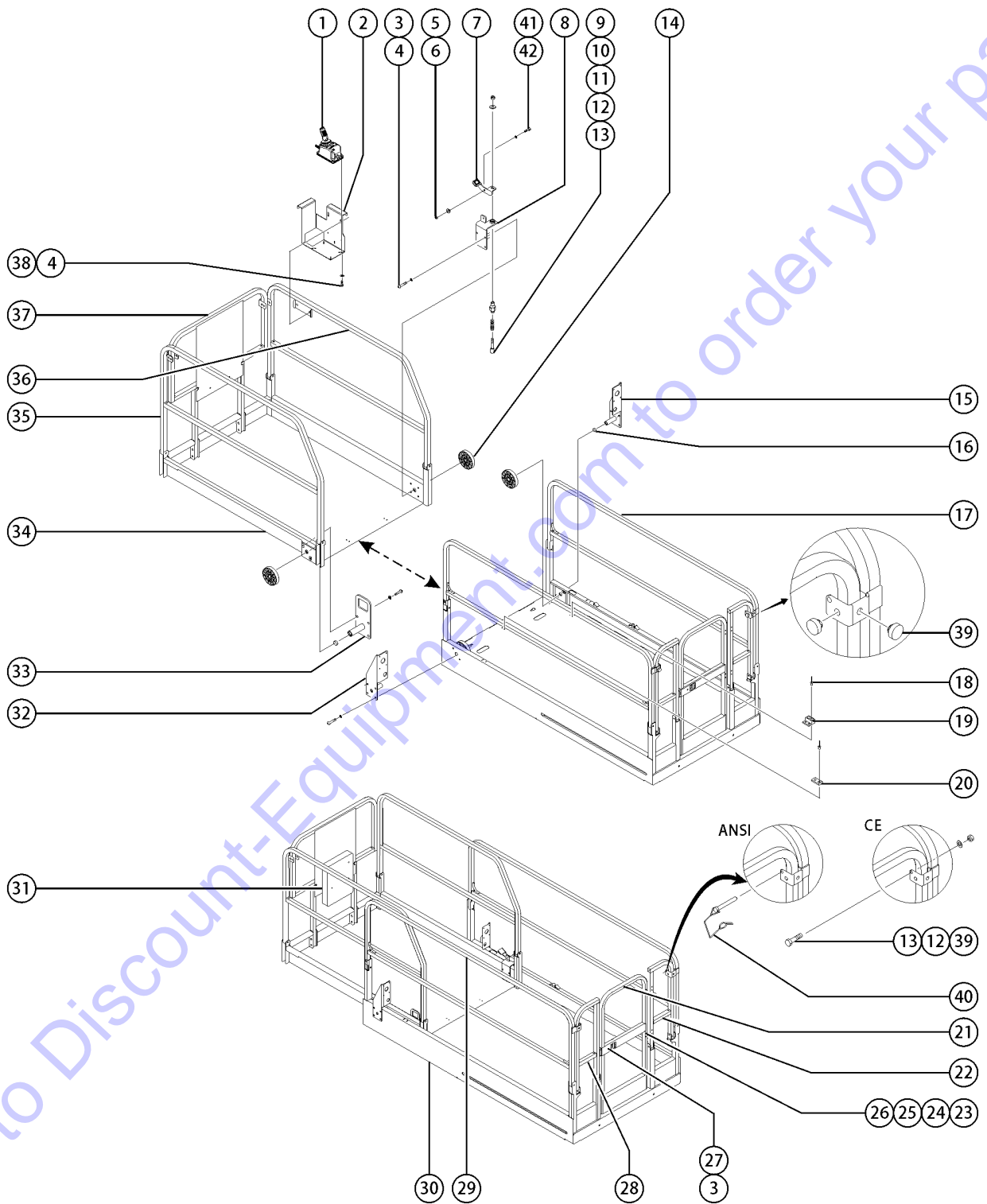


402.1 Platform Components, GS-2046A, GS-2646A, GS-3246A

| Item | Part No.  | Description  | Qty. |
|------|-----------|--|------|
| 37A  | 97259GT   | EXT. ENDRAIL ASSY, GS46 (WORD) .....<br>Word decals            | 1    |
| 37B  | 97260GT   | EXT. ENDRAIL ASSY, GS46 (SYMB) .....<br>Symbol decals          |      |
| 38   | 6090GT    | SCREW,HHC,1/4-20 X .75 .....                                   |      |
| 39   | 43392GT   | BUMPER,BATTERY BOX & RAILS .....                               | 14   |
| 40   | 66030GT   | PIN, WIRE LOCK 3/8 X 2 -1/2 .....                              |      |
| 40-  | 78022GT   | LANYARD,BLACK NYLON,TYPE 1*** .....<br>(CE & Australia models) |      |
| 41   | 1259223GT | BOLT,SHS,3/8X.375X5/16-18,ZAG .....                            | 1    |
| 42   | 12013GT   | SHIM,.375 X .063 .....   | 1    |

Go to Discount-Equipment.com to order your parts



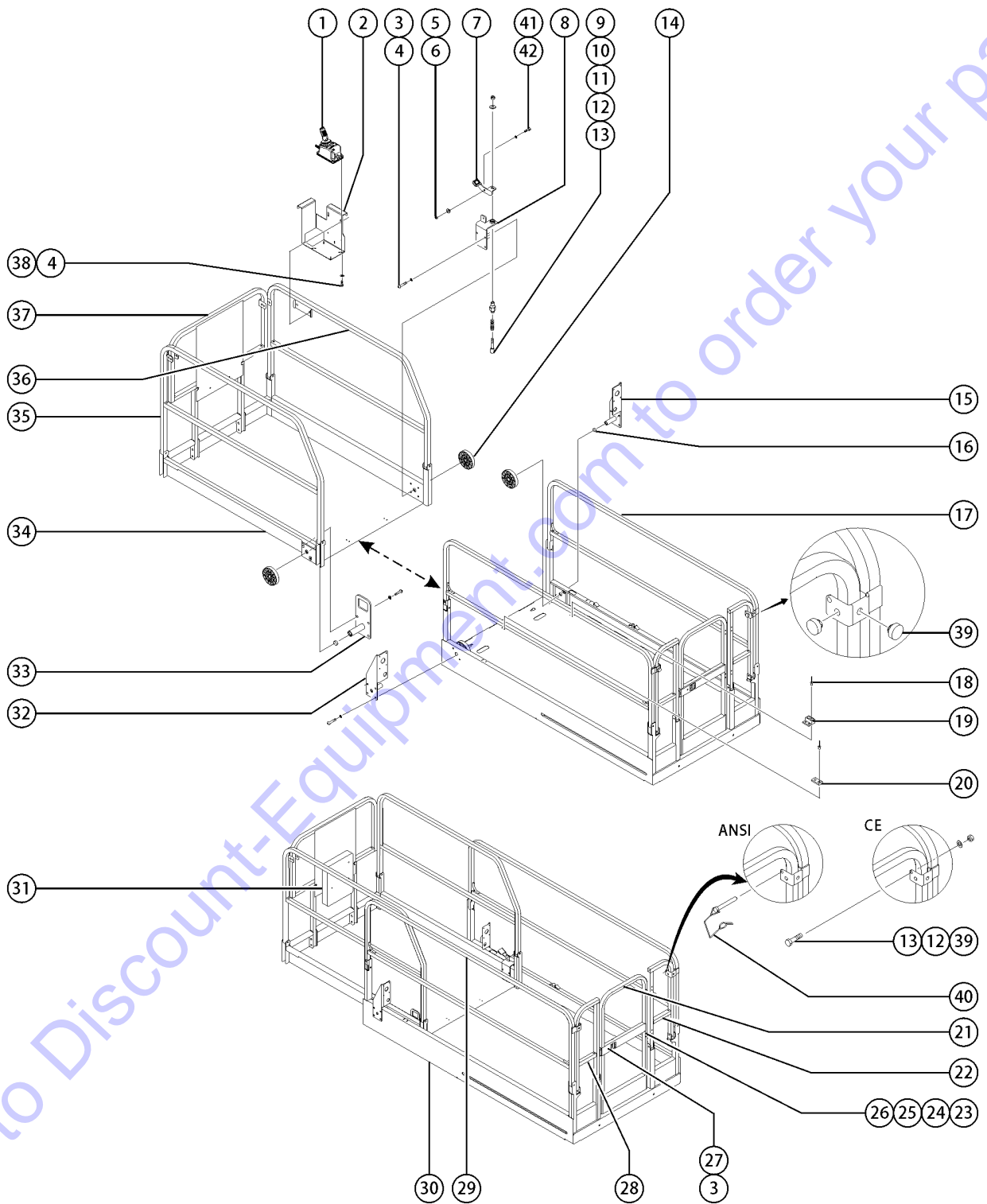




402.2 Platform Components, GS-2046C, GS-2646C, GS-3246C

| Item | Part No.  | Description   | Qty. |
|------|-----------|---|------|
| 1    |           | Ref. Platform Control Box .....<br>(refer to 404.1)                                       |      |
| 2    |           | Ref. Platform Control Box Mount Bracket .....<br>(refer to 404.1)                         |      |
| 3    | 5224GT    | SCREW,HHC,3/8-16 X 2 .....  |      |
| 4    | 6356GT    | WASHER,LOCK,.25 .....   |      |
| 5    | 6002GT    | NUT, LP NYLOCK, 5/16-18 .....   |      |
| 6    | 1259223GT | BOLT,SHS,3/8X.375X5/16-18,ZAG .....   |      |
| 7    | 46260GT   | FOOTPEDAL W/NON-SKID TAPE,GS** .....  | 1    |
| 7-   | 47166GT   | BRACKET,FOOT PEDAL .....<br>(non skid tape not included)                                  | 1    |
| 7-   | 47225GT   | TAPE,NON-SKID,DIE CUT,1.38X1.5 .....<br>(not included sold separately)                    |      |
| 8    | 96413GT   | WLDMT,LOCKING ROLLER SUPPORT .....  | 1    |
| 9    | 39470GT   | PIN, LOCK .....   | 1    |
| 10   | 39469GT   | SPRING,COMPRESSION.485 X1.75** .....  | 1    |
| 11   | 41630GT   | HOUSING, LOCK PIN .....   | 1    |
| 12   | 6097GT    | WASHER,FLAT,USS,3/8",Y .....  |      |
| 13   | 7713GT    | NUT, LP NYLOCK, 3/8-16 .....  |      |
| 14   | 47163GT   | ROLLER,PLATFORM EXTENSION .....   | 4    |
| 15   | 84587GT   | ROLLER BRACKET ASSY, GRND CNTR .....<br>(ground controls side)                            | 1    |
| 16   | 21279GT   | BUTTON, .800 O.D. X .281 .....  | 3    |
| 17   | 82052-SGT | RAIL-GS46 PLAT,MAINDECK RT**** .....<br>(ground controls side)                            | 1    |
| 18   | 39579GT   | RIVET,STL,STL,.188 X .45 .....  | 20   |
| 19   | 39310GT   | WEAR/GUIDE PAD MAIN PLATFORM .....  | 4    |
| 20   | 39474GT   | WEAR PAD,PLATFORM .....   | 3    |
| 21A  | 96760GT   | ASSY, PLATFORM GATE, GSXX46 .....<br>COMPLETE (decals not included, refer to section one) | 1    |
| 21B  | 97242GT   | SWING GATE ASSY, GS46 WELD .....<br>(decals not included, refer to section one)           | 1    |
| 21C  | 66512GT   | WLDMT, FULL HEIGHT GATE .....   | 1    |
| 21D  | 65990-SGT | KIT,GATE LATCH .....<br>(includes items 3 and 27)   |      |
| 21D- | 66544GT   | LATCH HANDLE .....<br>included in kit 65990-SGT   | 1    |
| 22   | 66923GT   | WLDMT, ENTRY SIDERAIL, RT .....<br>(ground controls side)                                 | 1    |

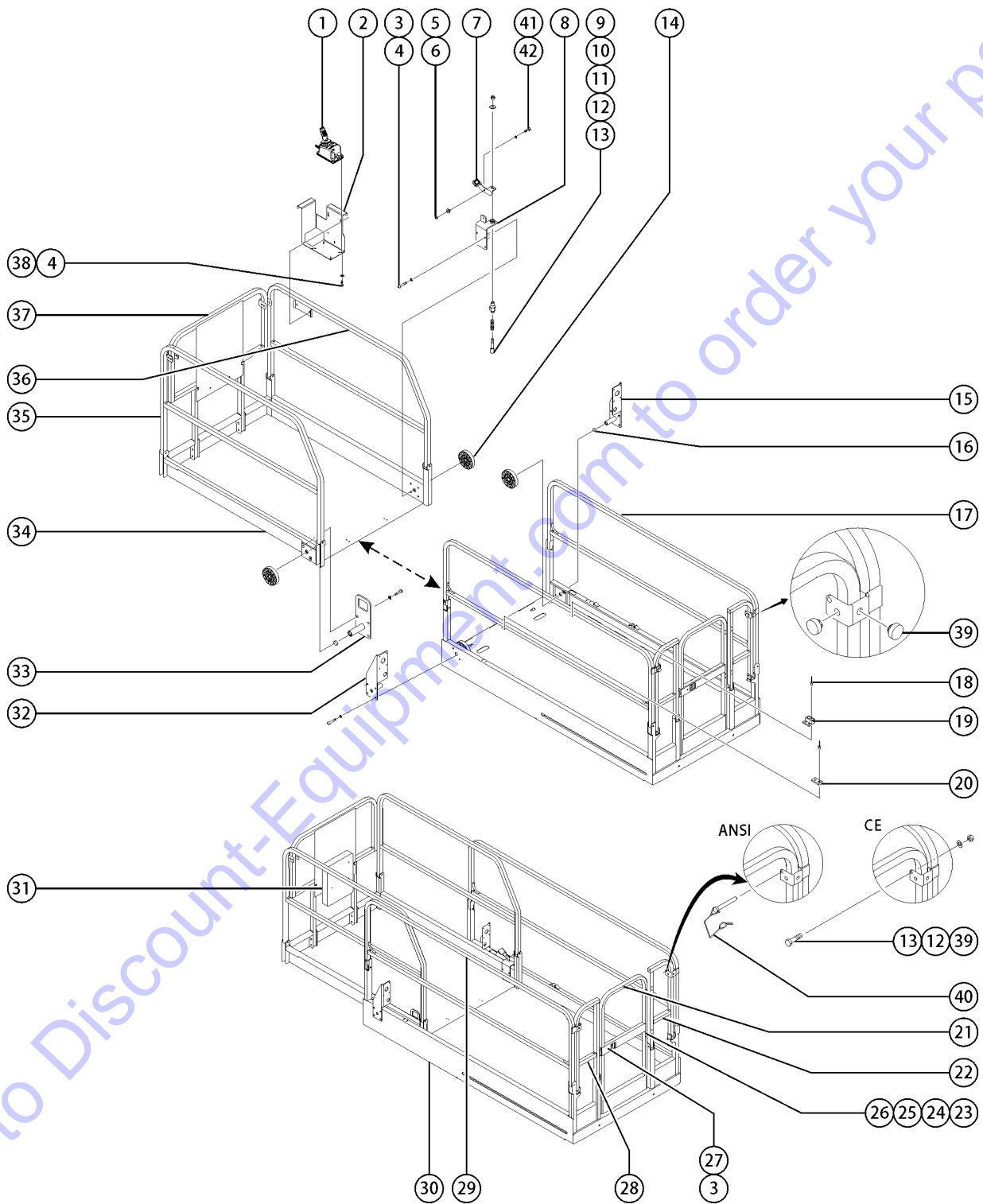




402.2 Platform Components, GS-2046C, GS-2646C, GS-3246C

| Item | Part No.  | Description  | Qty. |
|------|-----------|--|------|
| 22-  | 78038GT   | CAP, PLASTIC, 1.25 X 0.08" .....                                 |      |
| 23   | 4266GT    | SCREW,HHC,1/4-20 X 2 .....                                       |      |
| 24   | 6638GT    | WASHER,FLAT,USS,1/4"Y .....                                      |      |
| 25   | 104804GT  | HINGE, SPRING, LONG LEG .....                                    | 2    |
| 26   | 6091GT    | NUT, NYLOCK, 1/4-20 .....  |      |
| 27   | 4828GT    | NUT,NYLOCK,3/8-16 .....  |      |
| 28   | 66920GT   | WLDMT, ENTRY SIDERAIL, LT .....                                  | 1    |
|      |           | (battery pack side)  |      |
| 28-  | 78038GT   | CAP, PLASTIC, 1.25 X 0.08" .....                                 |      |
|      |           | (not included sold separately)                                   |      |
| 29   | 82053-SGT | RAIL-GS46 PLAT,MAINDECK LT**** .....                             | 1    |
|      |           | (battery pack side)  |      |
| 29-  | 43392GT   | BUMPER,BATTERY BOX & RAILS .....                                 | 3    |
| 30   | 1284268GT | WLDMT,MAIN DECK,GS46 .....                                       | 1    |
|      |           | (decals not included, refer to section one)                      |      |
| 30-  | 47374GT   | TAPE,NON-SKID,DIE CUT,4"X 32" .....                              |      |
|      |           | (not included sold separately)                                   |      |
| 30-  | 47098GT   | TAPE,NON-SKID,DIE CUT,4"X 40" .....                              |      |
|      |           | (not included sold separately)                                   |      |
| 30-  | 47231GT   | TAPE,NON-SKID,DIE CUT,4"X 16" .....                              |      |
|      |           | (not included sold separately)                                   |      |
| 31A  | 44743GT   | MANUAL BOX W/DECALS*** .....                                     | 1    |
|      |           | USA/Canada/Australia   |      |
| 31B  | 24514GT   | BOX,INSTRUCTION STORAGE .....                                    |      |
|      |           | Europe/Asia/South America (decals required; refer to Section100) |      |
| 32   | 96246GT   | WELDMENT,ROLLER BRACKET,LT*** .....                              | 1    |
| 33   | 96200GT   | WLDMT, LANYARD ROLLER BRKT .....                                 | 1    |
|      |           | (decals not included, refer to section one)                      |      |
| 33-  | 21279GT   | BUTTON, .800 O.D. X .281 .....                                   | 1    |
|      |           | (sold separately)  |      |
| 34   | 97258GT   | EXT. DECK ASSY, GS46 .....                                       | 1    |
| 34-  | 96719GT   | WLDMT, EXT. DECK, GSXX46 .....                                   | 1    |
| 34-  | 39474GT   | WEAR PAD,PLATFORM .....  | 2    |
| 34-  | T113787GT | RIVET,ALUM,STL,.188 X .250 .....                                 | 4    |
|      |           | for 39474GT  |      |
| 35   | 97263GT   | LEFT EX. RAIL, GS46 .....  | 1    |
|      |           | (battery pack side)  |      |
| 35-  | 43392GT   | BUMPER,BATTERY BOX & RAILS .....                                 | 3    |
| 36   | 97264GT   | RIGHT EXT RAIL, GS46 (SYMBOL) .....                              | 1    |
|      |           | (decals not included, refer to section one)                      |      |
| 36-  | 43392GT   | BUMPER,BATTERY BOX & RAILS .....                                 | 3    |
| 37A  | 97259GT   | EXT. ENDRAIL ASSY, GS46 (WORD) .....                             | 1    |
|      |           | Word decals  |      |





Go to Discount-Equipment.com to order your parts

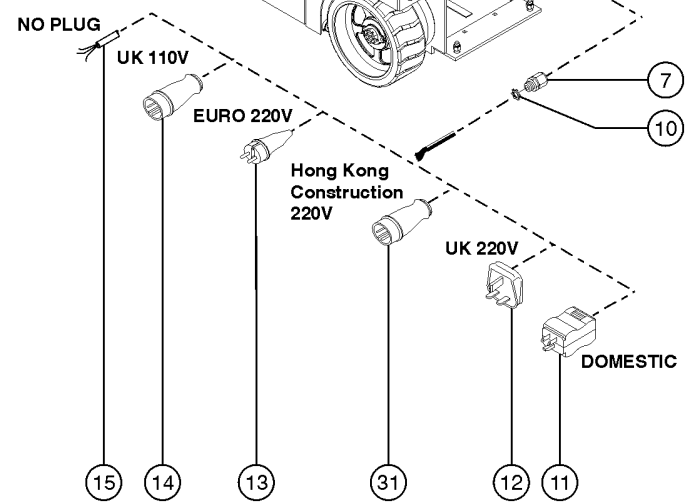
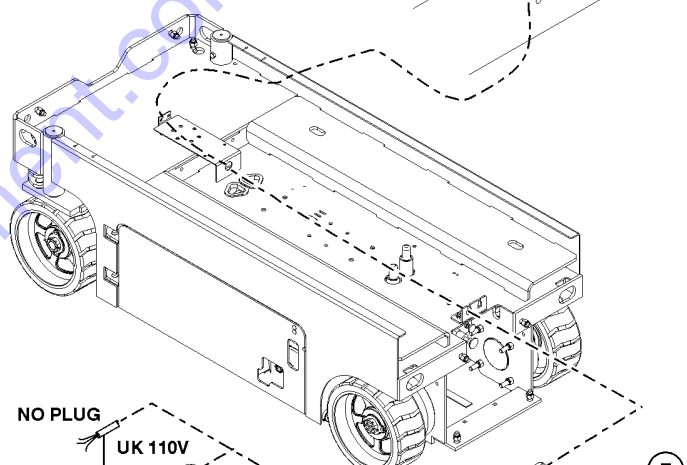
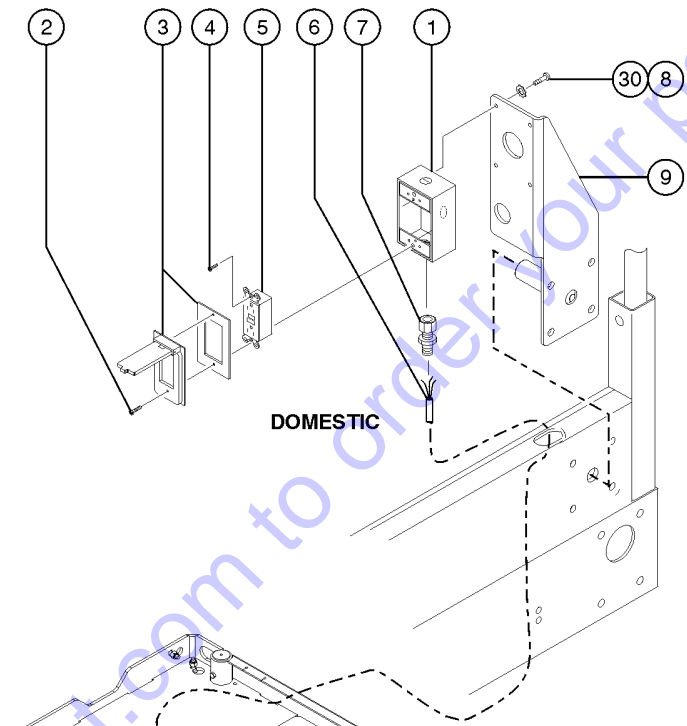
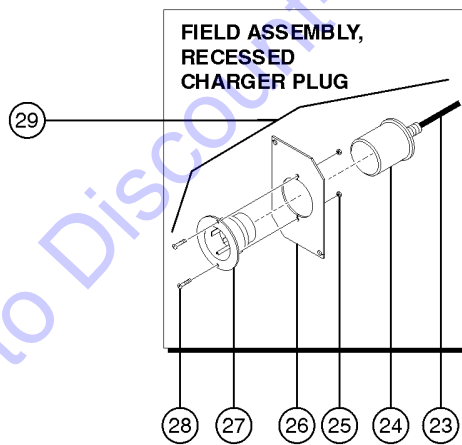
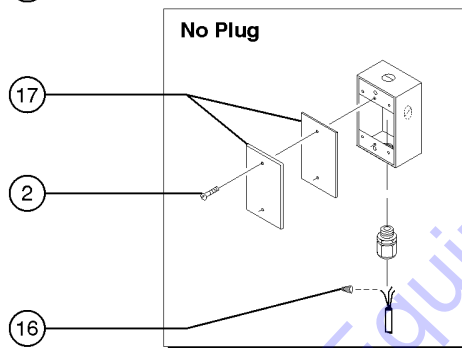
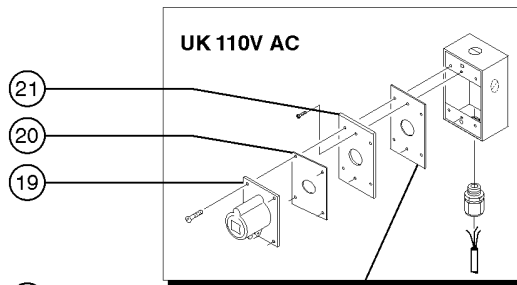
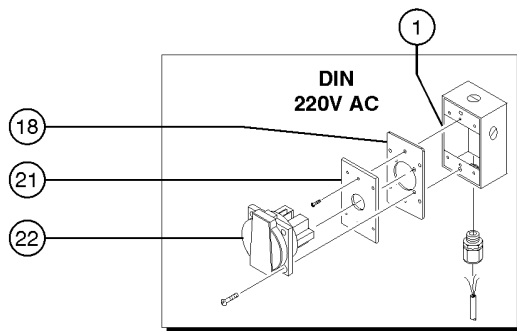
402.2 Platform Components, GS-2046C, GS-2646C, GS-3246C

| Item | Part No.  | Description  | Qty. |
|------|-----------|--|------|
| 37B  | 97260GT   | EXT. ENDRAIL ASSY, GS46 (SYMB) .....<br>Symbol decals          |      |
| 38   | 6090GT    | SCREW,HHC,1/4-20 X .75 .....                                   |      |
| 39   | 43392GT   | BUMPER,BATTERY BOX & RAILS .....                               | 14   |
| 40   | 66030GT   | PIN, WIRE LOCK 3/8 X 2 -1/2 .....                              |      |
| 40-  | 78022GT   | LANYARD,BLACK NYLON,TYPE 1*** .....<br>(CE & Australia models) |      |
| 41   | 1259223GT | BOLT,SHS,3/8X.375X5/16-18,ZAG .....                            | 1    |
| 42   | 12013GT   | SHIM,.375 X .063 .....   | 1    |

Go to Discount-Equipment.com to order your parts



403.1 Power to Platform, GS-2032A, GS-2046A

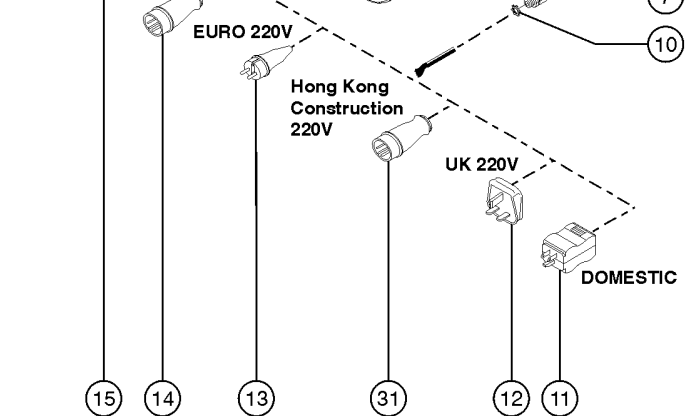
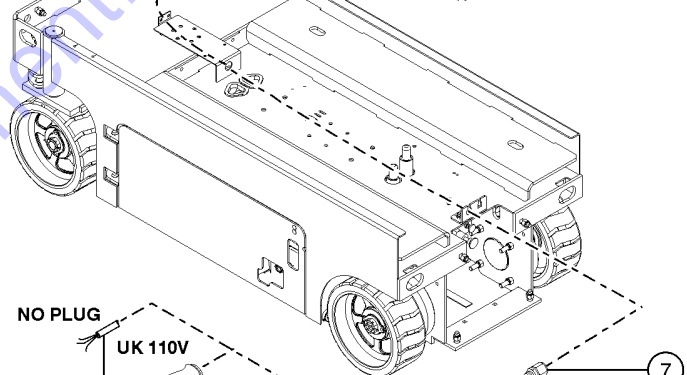
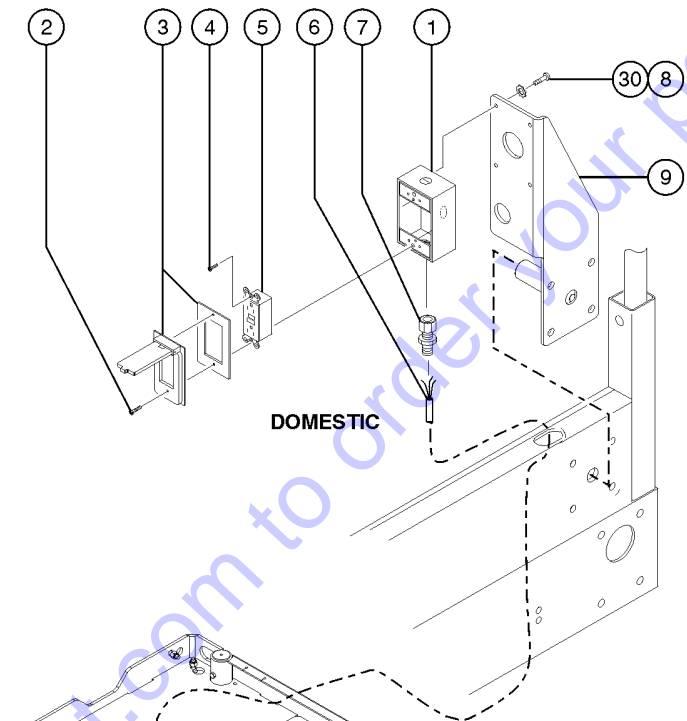
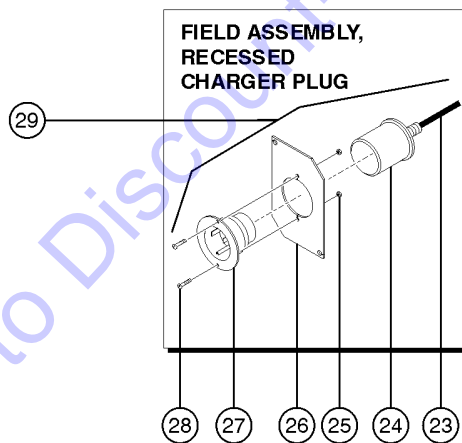
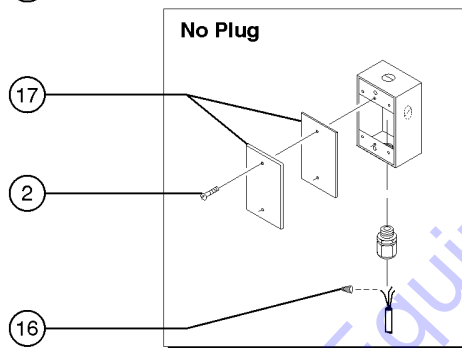
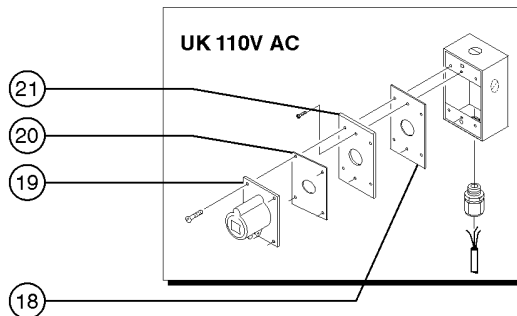
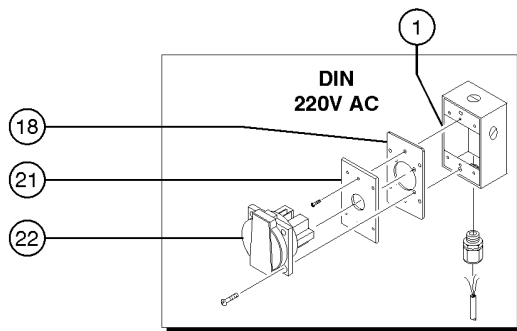


Go to Discount-Equipment.com to order your parts

| Item | Part No.   | Description   | Qty. |
|------|------------|---|------|
|      | 33724GT    | KIT,GASKET,UK POWER TO PLAT .....<br>(includes 1 each, items 18 and 20)                               |      |
| 1    | 10775GT    | T-BOX,2.75 X 4.5 X 2.0 .....  | 1    |
| 2    | 7127GT     | SCREW,PHILLIPS,PHM,6-32 X .75 .....   |      |
| 3A   | 74006GT    | COVER,GFCI,HORIZONTAL,WEATHER .....<br>(ANSI and CSA models) (includes gasket and mounting fasteners) | 1    |
| 3B   | 105812GT   | COVER,T-BOX LOCKABLE .....<br>EE rated (not shown)  | 1    |
| 4    | 45546GT    | SCREW,RHM,6-32 X .5 .....   |      |
| 5    | 13585GT    | OUTLET, 110V .....<br>(ANSI and CSA models)   | 1    |
| 6A   | 43956GT    | WIRE CABLE,14/3 CON.TPE JKT* .....<br>GS-2032, GS-2046  | 456  |
| 7    | 7056GT     | CONN, SQZ, 1/2NPT, 0.38-0.50,SM .....   | 1    |
| 8    | 57075GT    | SCREW,PHIL,8-32X.50,SELF TAP .....  |      |
| 9    |            | Ref. ROLLER BRACKET .....<br>(refer to 401.1 through 402.1)   |      |
| 10   | 6935GT     | CONN, SQZ, 1/2NPT, LOCKNUT .....  | 1    |
| 11   | 6595GT     | PLUG,ELECTRICAL,DOMESTIC .....  | 1    |
| 12   | 25388GT    | PLUG,FUSED,250V,13AMP,U.K.** .....  |      |
| 13   | 1280665GT  | PLUG, TYPE F, 230A, 50HZ, 16A, IP44 .....   |      |
| 14   | 144161GT   | PLUG,PWR,UK,16AMP,3PIN,BLK .....  |      |
| 15   | 105117GT   | PLUG,FLG INLET,15A/125V,2PWGD .....   |      |
| 15-  | 105118GT   | GASKET,(BOOT) FLANGE INLET PLG .....  |      |
| 16   | 6626GT     | WIRE CAP,ORANGE .....   | 1    |
| 17   | 10777GT    | COVER, BLANK .....  | 1    |
| 18   | 66355GT    | GASKET, UK & DIN PWR. TO PLAT .....<br>(2.9 x 2.9 inches)   | 1    |
| 19   | T112563GT  | SVC KIT,UK RECEPT.REPLACEMENT .....   | 1    |
| 20   | 66356GT    | GASKET, UK RECEPTACLE .....<br>(2.9 x 2.9 inches)   | 1    |
| 21A  | 105483-SGT | PLATE,AC ADAPTER(ANSI/CSA) .....<br>(ANSI/CSA)  |      |
| 21B  | 96236GT    | PLATE,AC ADAPTER,DIN/UK*** .....  |      |
| 21C  | 105090GT   | PLATE, AC ADAPTER(AUS) .....  |      |
| 22   | 66353GT    | RECEPTACLE, DIN, 220V 50A .....   | 1    |
| 23   | 48282GT    | POWER CORD, IEC 320 BLANK .....   | 1    |



403.1 Power to Platform, GS-2032A, GS-2046A





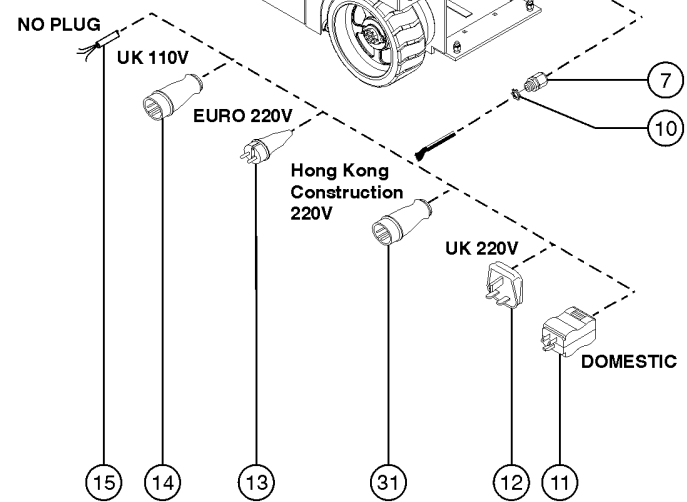
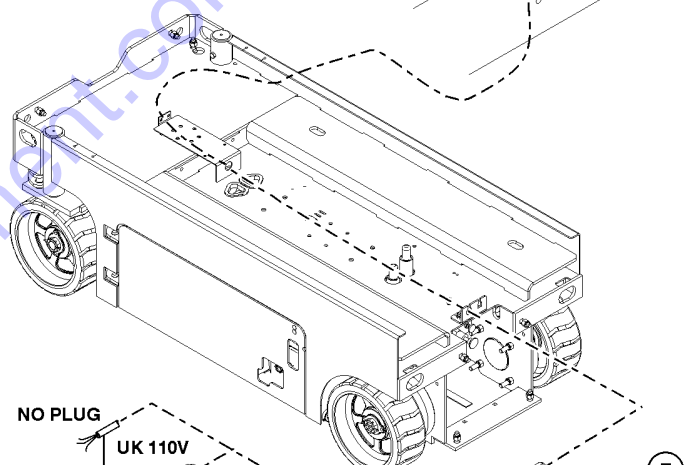
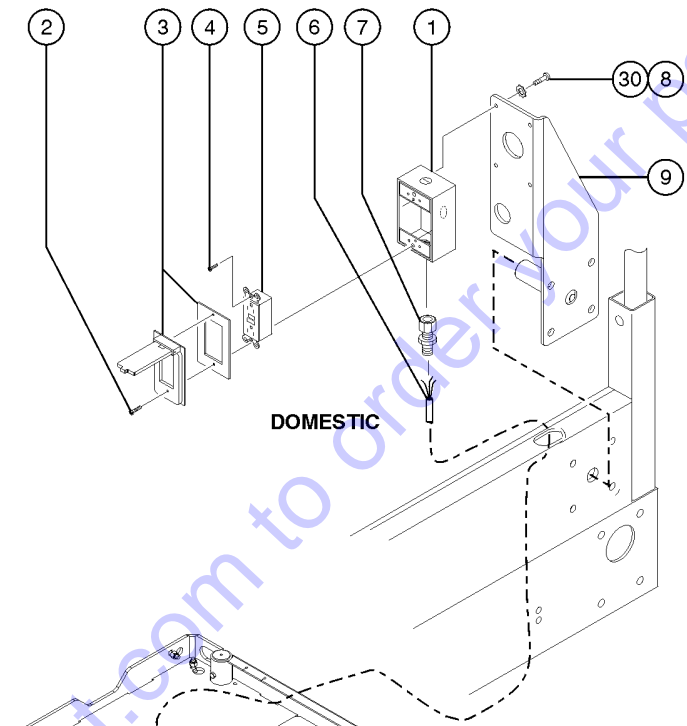
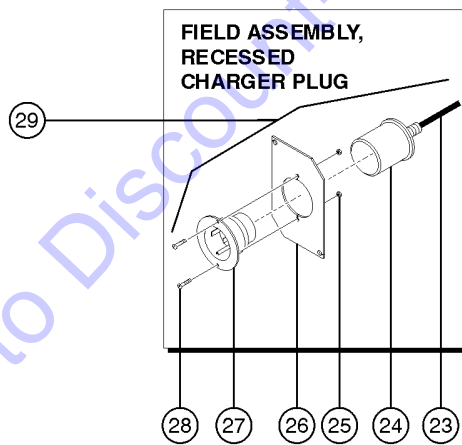
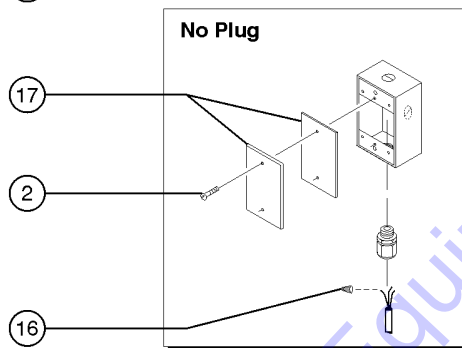
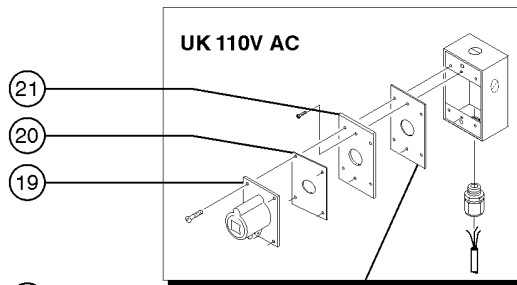
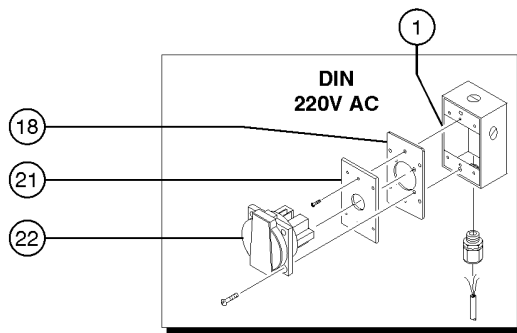
403.1 Power to Platform, GS-2032A, GS-2046A

| Item | Part No.   | Description                           | Qty. |
|------|------------|---------------------------------------|------|
| 24   | 105118GT   | GASKET,(BOOT) FLANGE INLET PLG .....  | 1    |
| 25   | 18605GT    | NUT,NYLOCK,8-32 .....                 | 2    |
| 26   | 105483-SGT | PLATE,AC ADAPTER(ANSI/CSA) .....      | 1    |
| 27   | 105117GT   | PLUG,FLG INLET,15A/125V,2PWGD .....   | 1    |
| 28   | 55906GT    | SCREW, PHILLIPS, PHM, 8-32 X .5 ..... | 2    |
| 29   | 144129GT   | RECESSED SIDE PLUG ASSY, GS .....     | 1    |
|      |            | (includes items 23-28)                |      |
| 30   | 44936GT    | WASHER,STAR,EXTERNAL,#8 .....         | 4    |
| 31   | 1263471GT  | PLUG,IEC60309 CEE, 3PIN 220-24 .....  | 1    |
|      |            | (Hong Kong Construction)              |      |

Go to Discount-Equipment.com to order your parts



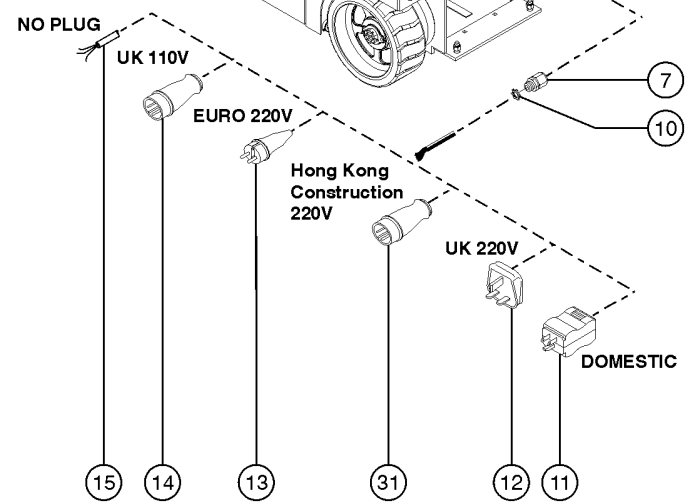
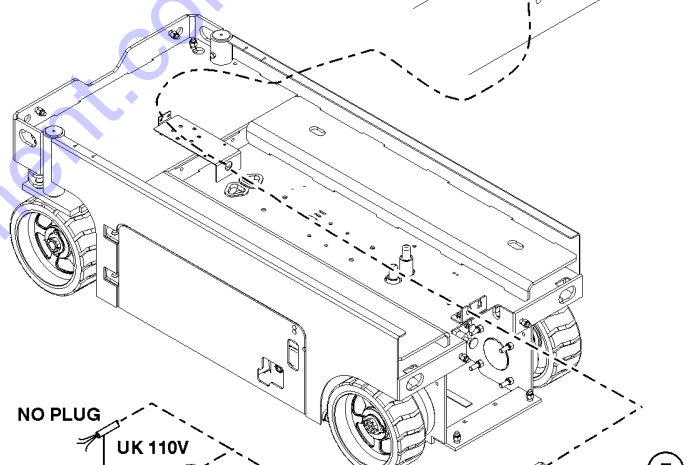
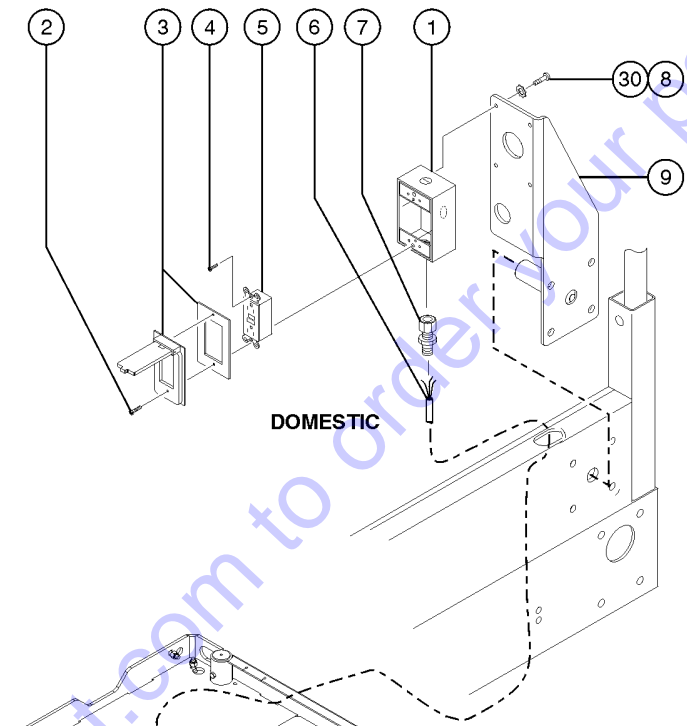
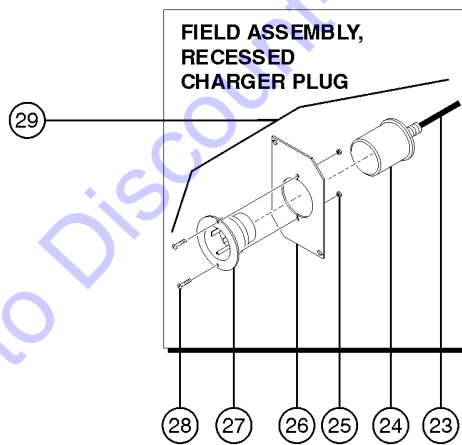
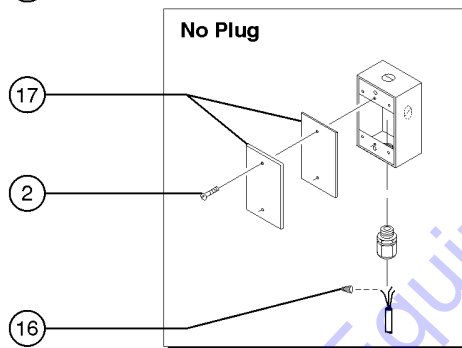
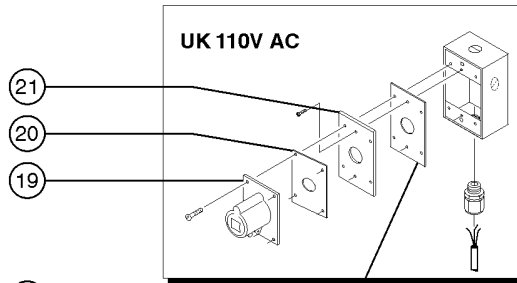
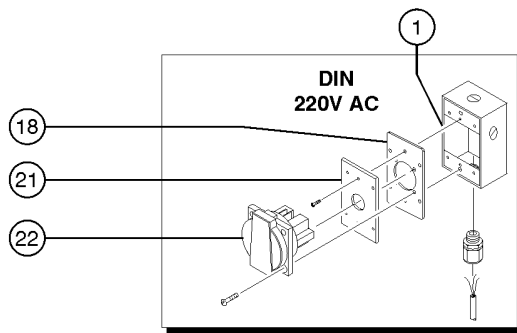
403.2 Power to Platform, GS-2032C, GS-46C



| Item | Part No.   | Description   | Qty. |
|------|------------|---|------|
|      | 33724GT    | KIT,GASKET,UK POWER TO PLAT .....<br>(includes 1 each, items 18 and 20)                               |      |
| 1    | 10775GT    | T-BOX,2.75 X 4.5 X 2.0 .....  | 1    |
| 2    | 7127GT     | SCREW,PHILLIPS,PHM,6-32 X .75 .....   |      |
| 3A   | 74006GT    | COVER,GFCI,HORIZONTAL,WEATHER .....<br>(ANSI and CSA models) (includes gasket and mounting fasteners) | 1    |
| 3B   | 105812GT   | COVER,T-BOX LOCKABLE .....<br>EE rated (not shown)  | 1    |
| 4    | 45546GT    | SCREW,RHM,6-32 X .5 .....   |      |
| 5    | 13585GT    | OUTLET, 110V .....<br>(ANSI and CSA models)   | 1    |
| 6A   | 43956GT    | WIRE CABLE,14/3 CON.TPE JKT* .....<br>GS-2032, GS-2046  | 456  |
| 7    | 7056GT     | CONN, SQZ, 1/2NPT, 0.38-0.50,SM .....   | 1    |
| 8    | 57075GT    | SCREW,PHIL,8-32X.50,SELF TAP .....  |      |
| 9    |            | Ref. ROLLER BRACKET .....<br>(refer to 401.1 through 402.1)   |      |
| 10   | 6935GT     | CONN, SQZ, 1/2NPT, LOCKNUT .....  | 1    |
| 11   | 6595GT     | PLUG,ELECTRICAL,DOMESTIC .....  | 1    |
| 12   | 25388GT    | PLUG,FUSED,250V,13AMP,U.K.** .....  |      |
| 13   | 1280665GT  | PLUG, TYPE F, 230A, 50HZ, 16A, IP44 .....   |      |
| 14   | 144161GT   | PLUG,PWR,UK,16AMP,3PIN,BLK .....  |      |
| 15   | 105117GT   | PLUG,FLG INLET,15A/125V,2PWGD .....   |      |
| 15-  | 105118GT   | GASKET,(BOOT) FLANGE INLET PLG .....  |      |
| 16   | 6626GT     | WIRE CAP,ORANGE .....   | 1    |
| 17   | 10777GT    | COVER, BLANK .....  | 1    |
| 18   | 66355GT    | GASKET, UK & DIN PWR. TO PLAT .....<br>(2.9 x 2.9 inches)   | 1    |
| 19   | T112563GT  | SVC KIT,UK RECEPT.REPLACEMENT .....   | 1    |
| 20   | 66356GT    | GASKET, UK RECEPTACLE .....<br>(2.9 x 2.9 inches)   | 1    |
| 21A  | 105483-SGT | PLATE,AC ADAPTER(ANSI/CSA) .....<br>(ANSI/CSA)  |      |
| 21B  | 96236GT    | PLATE,AC ADAPTER,DIN/UK*** .....  |      |
| 21C  | 105090GT   | PLATE, AC ADAPTER(AUS) .....  |      |
| 22   | 66353GT    | RECEPTACLE, DIN, 220V 50A .....   | 1    |
| 23   | 48282GT    | POWER CORD, IEC 320 BLANK .....   | 1    |



403.2 Power to Platform, GS-2032C, GS-46C

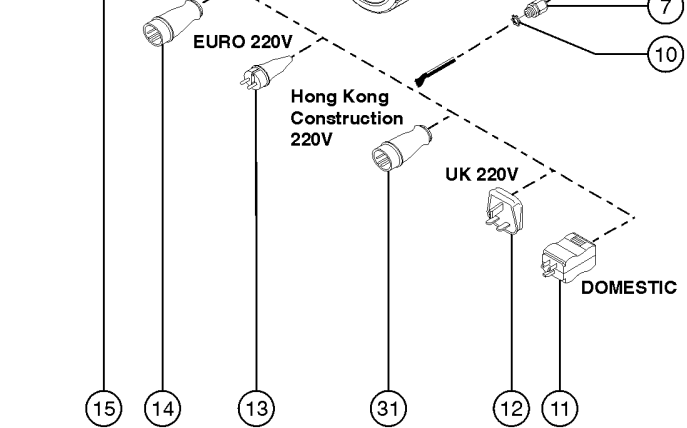
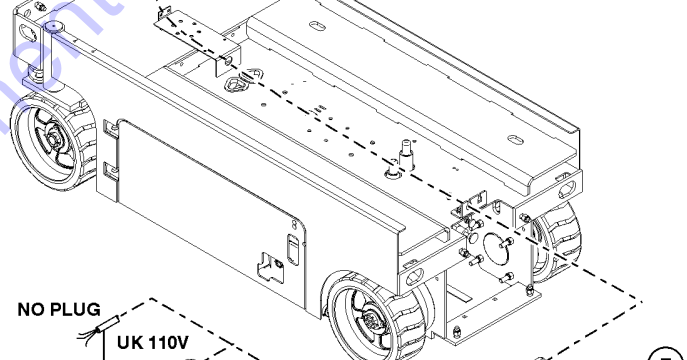
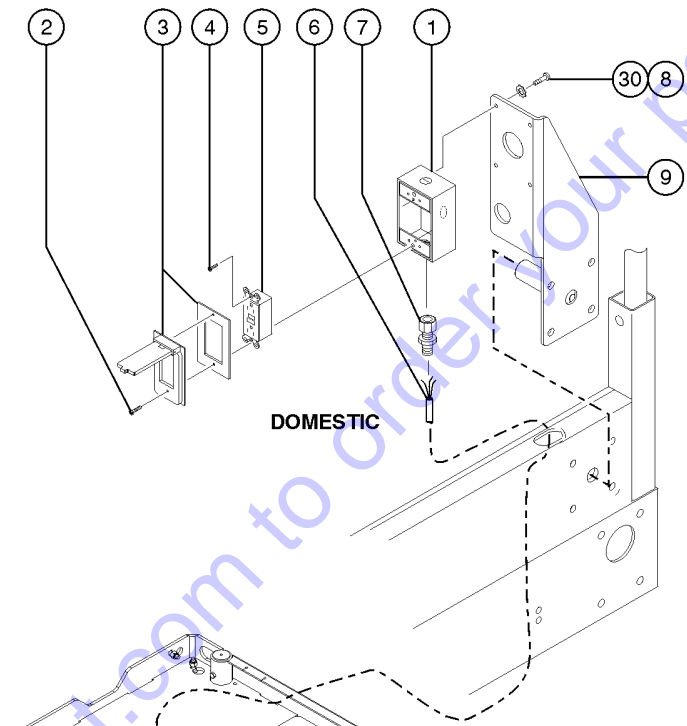
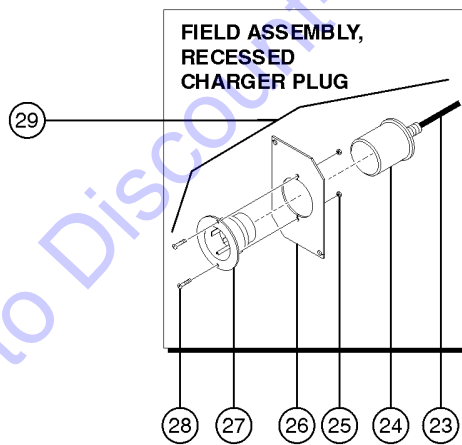
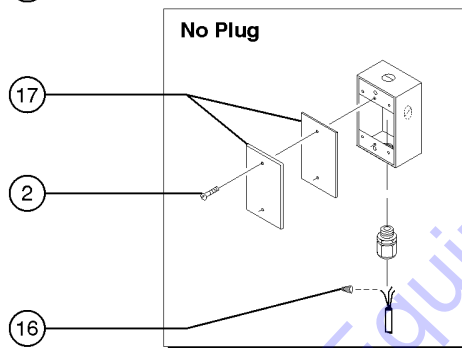
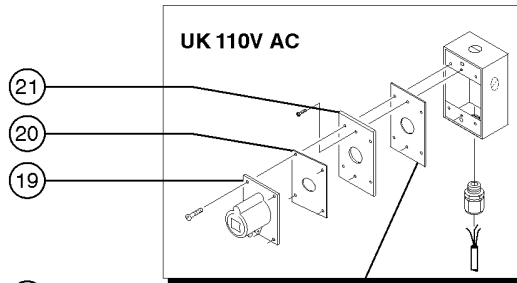
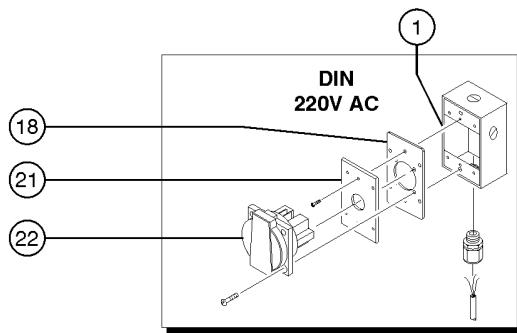


| Item | Part No.   | Description                           | Qty. |
|------|------------|---------------------------------------|------|
| 24   | 105118GT   | GASKET,(BOOT) FLANGE INLET PLG .....  | 1    |
| 25   | 18605GT    | NUT,NYLOCK,8-32 .....                 | 2    |
| 26   | 105483-SGT | PLATE,AC ADAPTER(ANSI/CSA) .....      | 1    |
| 27   | 105117GT   | PLUG,FLG INLET,15A/125V,2PWGD .....   | 1    |
| 28   | 55906GT    | SCREW, PHILLIPS, PHM, 8-32 X .5 ..... | 2    |
| 29   | 144129GT   | RECESSED SIDE PLUG ASSY, GS .....     | 1    |
|      |            | (includes items 23-28)                |      |
| 30   | 44936GT    | WASHER,STAR,EXTERNAL,#8 .....         | 4    |
| 31   | 1263471GT  | PLUG,IEC60309 CEE, 3PIN 220-24 .....  | 1    |
|      |            | (Hong Kong Construction)              |      |

Go to Discount-Equipment.com to order your parts



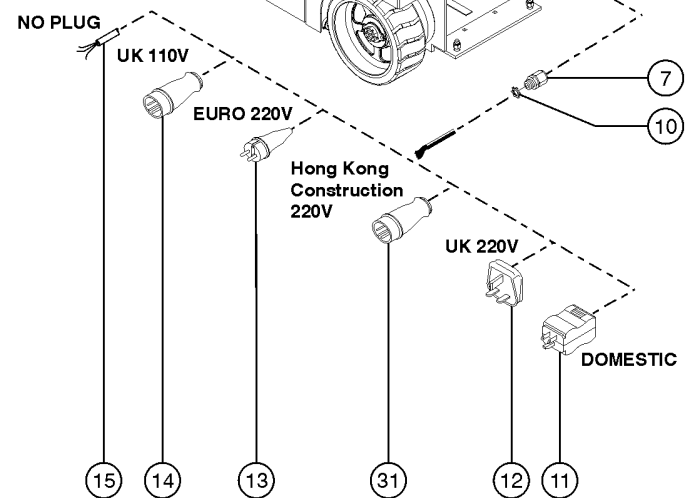
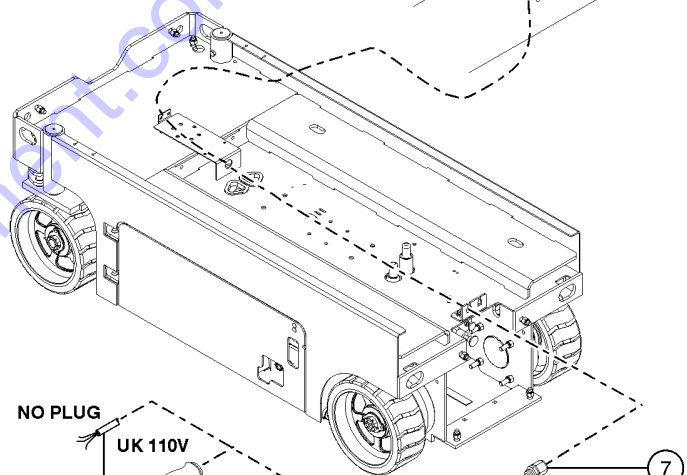
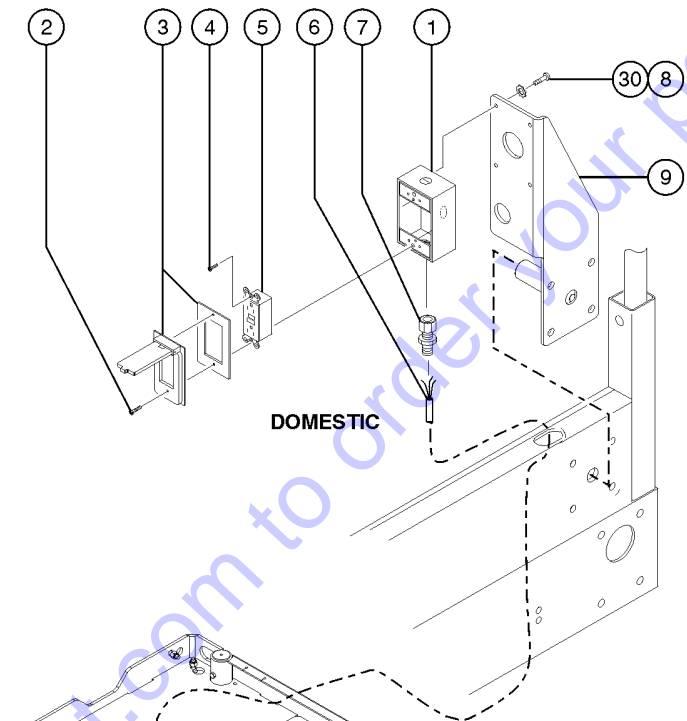
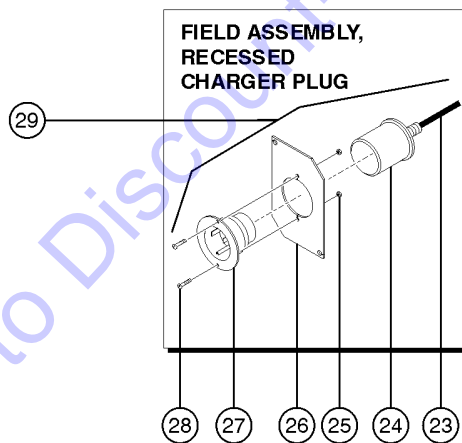
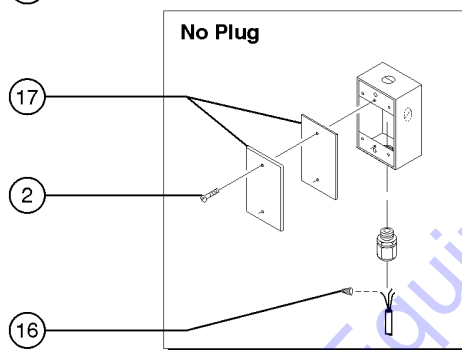
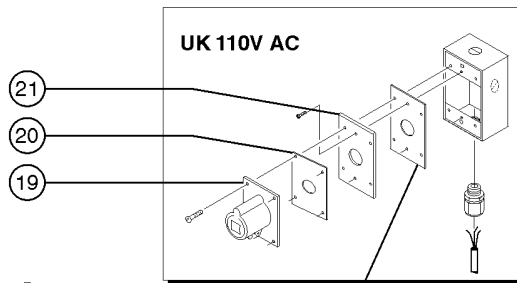
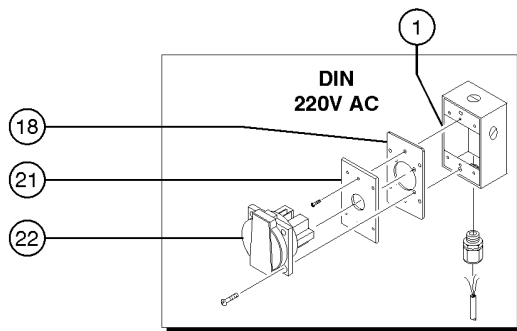
403.3 Power to Platform, GS-2632A, GS-2646A



| Item | Part No.   | Description   | Qty. |
|------|------------|---|------|
|      | 33724GT    | KIT,GASKET,UK POWER TO PLAT .....<br>(includes 1 each, items 18 and 20)                               |      |
| 1    | 10775GT    | T-BOX,2.75 X 4.5 X 2.0 .....  | 1    |
| 2    | 7127GT     | SCREW,PHILLIPS,PHM,6-32 X .75 .....   |      |
| 3A   | 74006GT    | COVER,GFCI,HORIZONTAL,WEATHER .....<br>(ANSI and CSA models) (includes gasket and mounting fasteners) | 1    |
| 3B   | 105812GT   | COVER,T-BOX LOCKABLE .....<br>EE rated (not shown)  | 1    |
| 4    | 45546GT    | SCREW,RHM,6-32 X .5 .....   |      |
| 5    | 13585GT    | OUTLET, 110V .....<br>(ANSI and CSA models)   | 1    |
| 6B   | 43956GT    | WIRE CABLE,14/3 CON.TPE JKT* .....<br>GS-2632, GS-2646  | 516  |
| 7    | 7056GT     | CONN, SQZ, 1/2NPT, 0.38-0.50,SM .....   | 1    |
| 8    | 57075GT    | SCREW,PHIL,8-32X.50,SELF TAP .....  |      |
| 9    |            | Ref. ROLLER BRACKET .....<br>(refer to 401.1 through 402.1)   |      |
| 10   | 6935GT     | CONN, SQZ, 1/2NPT, LOCKNUT .....  | 1    |
| 11   | 6595GT     | PLUG,ELECTRICAL,DOMESTIC .....  | 1    |
| 12   | 25388GT    | PLUG,FUSED,250V,13AMP,U.K.** .....  |      |
| 13   | 1280665GT  | PLUG, TYPE F, 230A, 50HZ, 16A, IP44 .....   |      |
| 14   | 144161GT   | PLUG,PWR,UK,16AMP,3PIN,BLK .....  |      |
| 15   | 105117GT   | PLUG,FLG INLET,15A/125V,2PWGD .....   |      |
| 15-  | 105118GT   | GASKET,(BOOT) FLANGE INLET PLG .....  |      |
| 16   | 6626GT     | WIRE CAP,ORANGE .....   | 1    |
| 17   | 10777GT    | COVER, BLANK .....  | 1    |
| 18   | 66355GT    | GASKET, UK & DIN PWR. TO PLAT .....<br>(2.9 x 2.9 inches)   | 1    |
| 19   | T112563GT  | SVC KIT,UK RECEPT.REPLACEMENT .....   | 1    |
| 20   | 66356GT    | GASKET, UK RECEPTACLE .....<br>(2.9 x 2.9 inches)   | 1    |
| 21A  | 105483-SGT | PLATE,AC ADAPTER(ANSI/CSA) .....<br>(ANSI/CSA)  |      |
| 21B  | 96236GT    | PLATE,AC ADAPTER,DIN/UK*** .....  |      |
| 21C  | 105090GT   | PLATE, AC ADAPTER(AUS) .....  |      |
| 22   | 66353GT    | RECEPTACLE, DIN, 220V 50A .....   | 1    |
| 23   | 48282GT    | POWER CORD, IEC 320 BLANK .....   | 1    |



403.3 Power to Platform, GS-2632A, GS-2646A





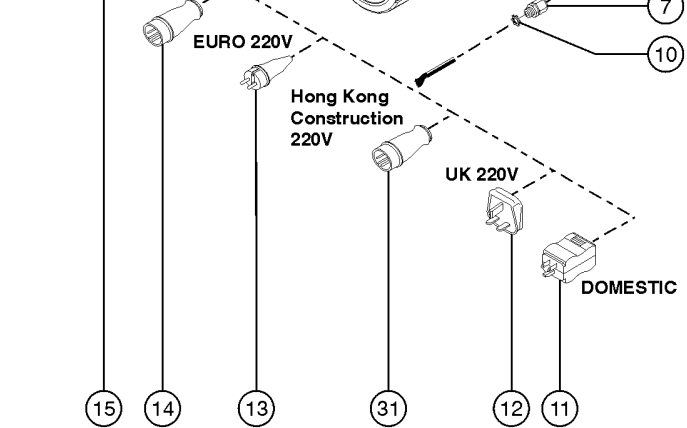
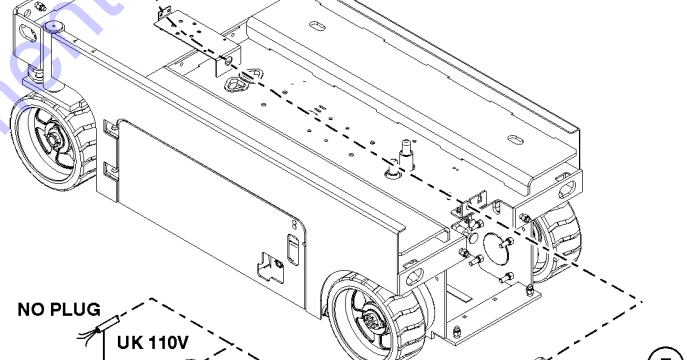
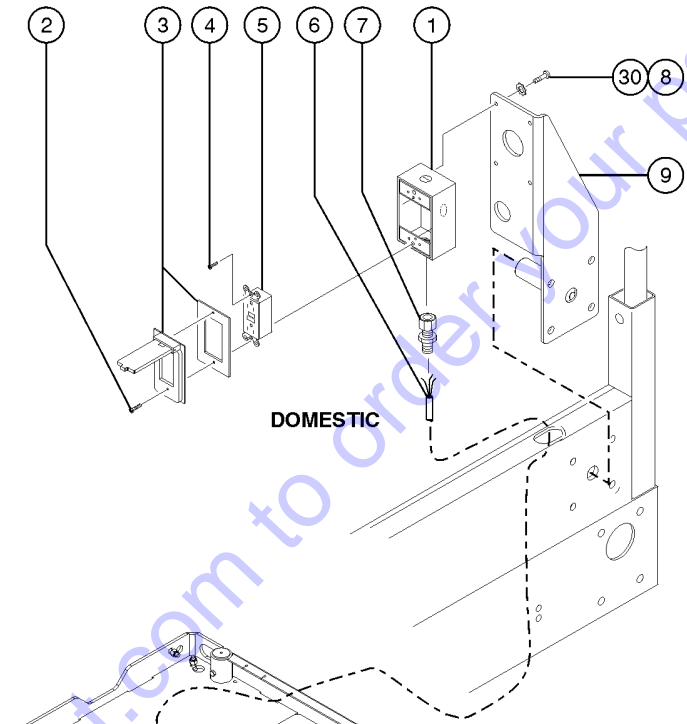
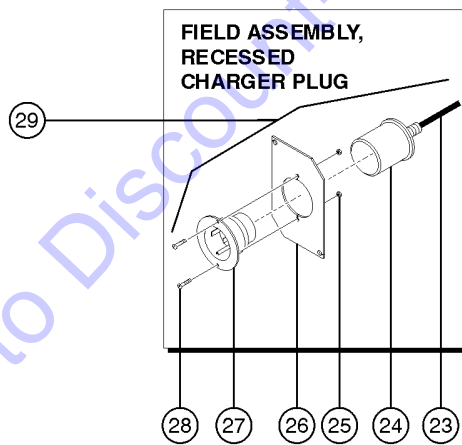
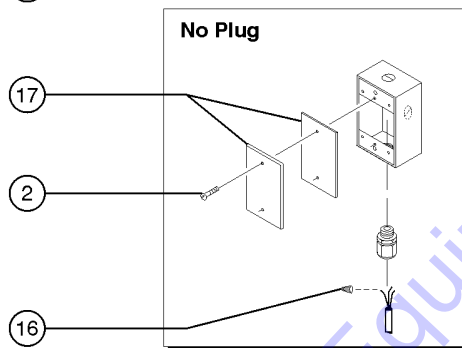
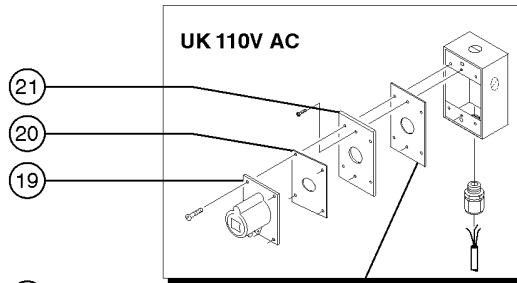
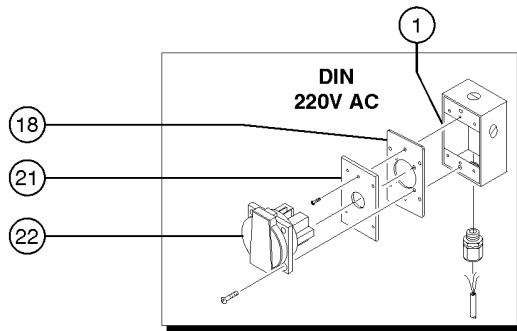
403.3 Power to Platform, GS-2632A, GS-2646A

| Item | Part No.   | Description  | Qty. |
|------|------------|--|------|
| 24   | 105118GT   | GASKET,(BOOT) FLANGE INLET PLG .....                             | 1    |
| 25   | 18605GT    | NUT,NYLOCK,8-32 .....  | 2    |
| 26   | 105483-SGT | PLATE,AC ADAPTER(ANSI/CSA) .....                                 | 1    |
| 27   | 105117GT   | PLUG,FLG INLET,15A/125V,2PWGD .....                              | 1    |
| 28   | 55906GT    | SCREW, PHILLIPS, PHM, 8-32 X .5 .....                            | 2    |
| 29   | 144129GT   | RECESSED SIDE PLUG ASSY, GS<br>(includes items 23-28) .....      | 1    |
| 30   | 44936GT    | WASHER,STAR,EXTERNAL,#8 .....                                    | 4    |
| 31   | 1263471GT  | PLUG,IEC60309 CEE, 3PIN 220-24<br>(Hong Kong Construction) ..... | 1    |

Go to Discount-Equipment.com to order your parts



403.4 Power to Platform, GS-2632C, GS-2646C

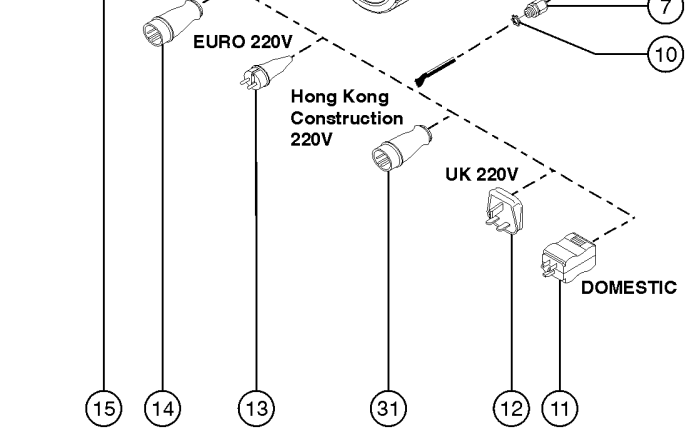
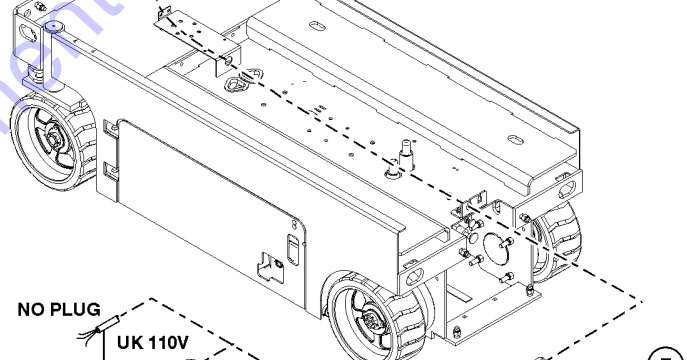
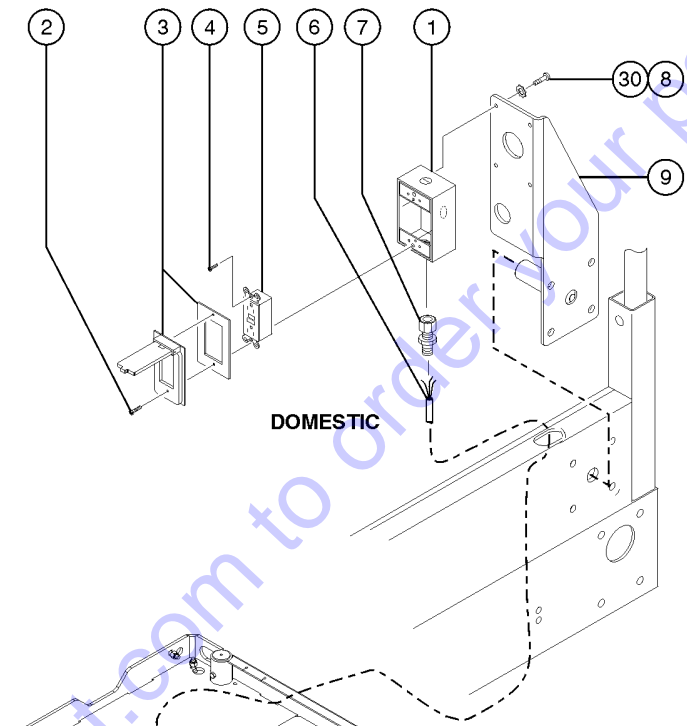
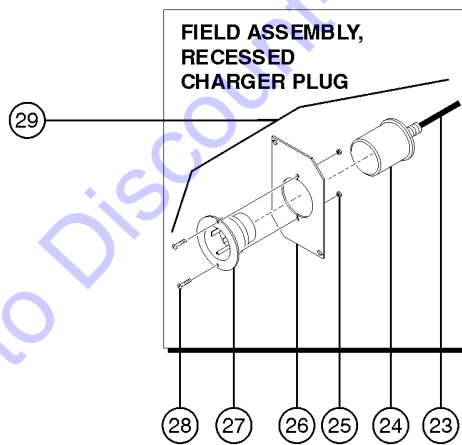
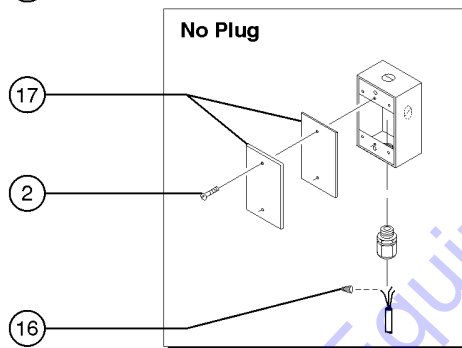
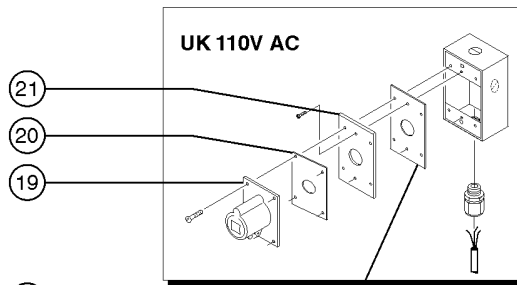
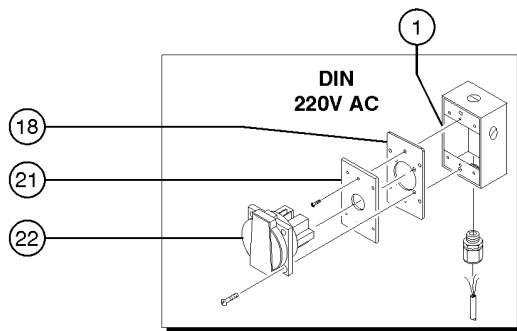


Go to Discount-Equipment.com to order your parts

| Item | Part No.   | Description   | Qty. |
|------|------------|---|------|
|      | 33724GT    | KIT,GASKET,UK POWER TO PLAT .....<br>(includes 1 each, items 18 and 20)                               |      |
| 1    | 10775GT    | T-BOX,2.75 X 4.5 X 2.0 .....  | 1    |
| 2    | 7127GT     | SCREW,PHILLIPS,PHM,6-32 X .75 .....   |      |
| 3A   | 74006GT    | COVER,GFCI,HORIZONTAL,WEATHER .....<br>(ANSI and CSA models) (includes gasket and mounting fasteners) | 1    |
| 3B   | 105812GT   | COVER,T-BOX LOCKABLE .....<br>EE rated (not shown)  | 1    |
| 4    | 45546GT    | SCREW,RHM,6-32 X .5 .....   |      |
| 5    | 13585GT    | OUTLET, 110V .....<br>(ANSI and CSA models)   | 1    |
| 6B   | 43956GT    | WIRE CABLE,14/3 CON.TPE JKT* .....<br>GS-2632, GS-2646  | 516  |
| 7    | 7056GT     | CONN, SQZ, 1/2NPT, 0.38-0.50,SM .....   | 1    |
| 8    | 57075GT    | SCREW,PHIL,8-32X.50,SELF TAP .....  |      |
| 9    |            | Ref. ROLLER BRACKET .....<br>(refer to 401.1 through 402.1)   |      |
| 10   | 6935GT     | CONN, SQZ, 1/2NPT, LOCKNUT .....  | 1    |
| 11   | 6595GT     | PLUG,ELECTRICAL,DOMESTIC .....  | 1    |
| 12   | 25388GT    | PLUG,FUSED,250V,13AMP,U.K.** .....  |      |
| 13   | 1280665GT  | PLUG, TYPE F, 230A, 50HZ, 16A, IP44 .....   |      |
| 14   | 144161GT   | PLUG,PWR,UK,16AMP,3PIN,BLK .....  |      |
| 15   | 105117GT   | PLUG,FLG INLET,15A/125V,2PWGD .....   |      |
| 15-  | 105118GT   | GASKET,(BOOT) FLANGE INLET PLG .....  |      |
| 16   | 6626GT     | WIRE CAP,ORANGE .....   | 1    |
| 17   | 10777GT    | COVER, BLANK .....  | 1    |
| 18   | 66355GT    | GASKET, UK & DIN PWR. TO PLAT .....<br>(2.9 x 2.9 inches)   | 1    |
| 19   | T112563GT  | SVC KIT,UK RECEPT.REPLACEMENT .....   | 1    |
| 20   | 66356GT    | GASKET, UK RECEPTACLE .....<br>(2.9 x 2.9 inches)   | 1    |
| 21A  | 105483-SGT | PLATE,AC ADAPTER(ANSI/CSA) .....<br>(ANSI/CSA)  |      |
| 21B  | 96236GT    | PLATE,AC ADAPTER,DIN/UK*** .....  |      |
| 21C  | 105090GT   | PLATE, AC ADAPTER(AUS) .....  |      |
| 22   | 66353GT    | RECEPTACLE, DIN, 220V 50A .....   | 1    |
| 23   | 48282GT    | POWER CORD, IEC 320 BLANK .....   | 1    |



403.4 Power to Platform, GS-2632C, GS-2646C



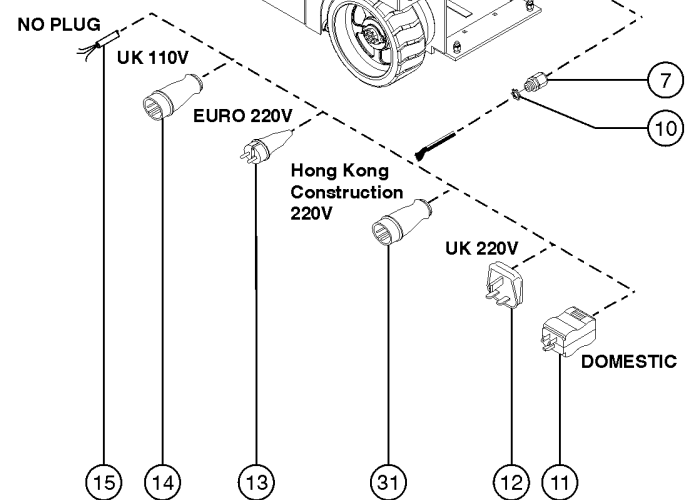
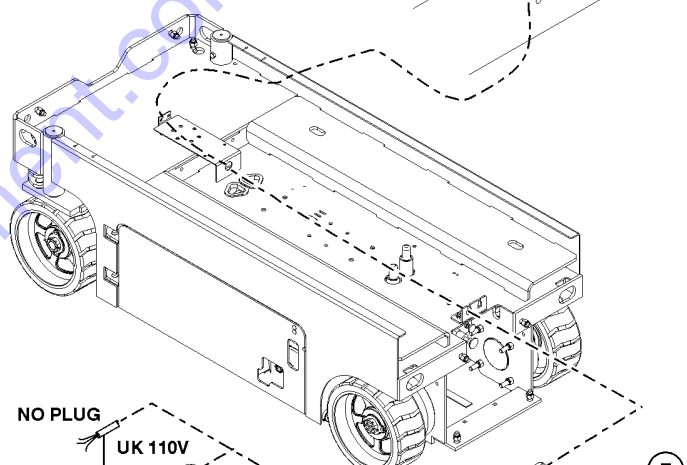
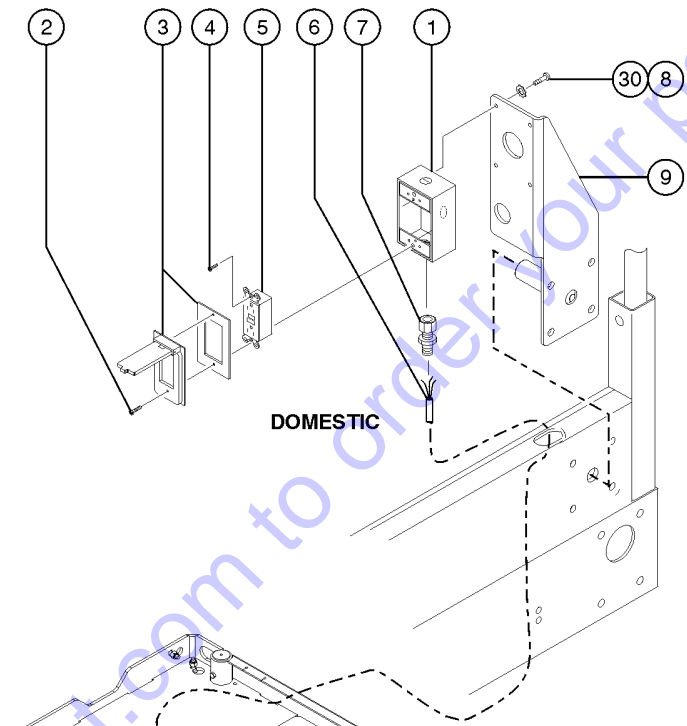
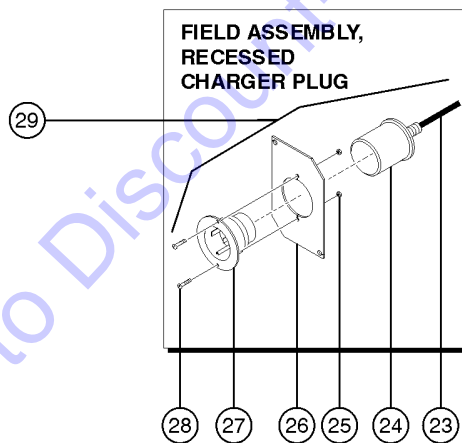
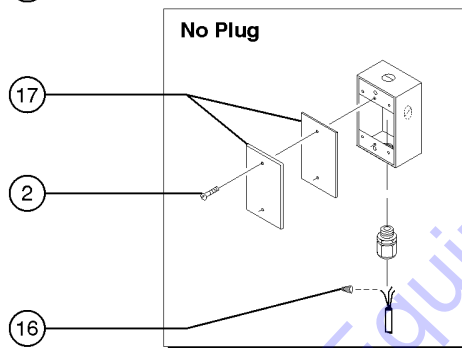
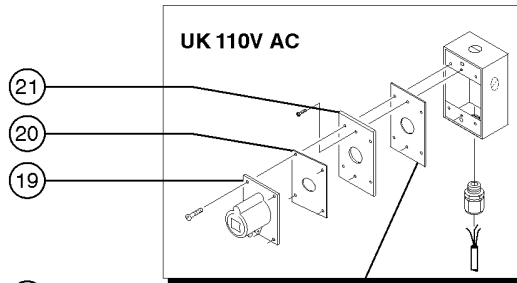
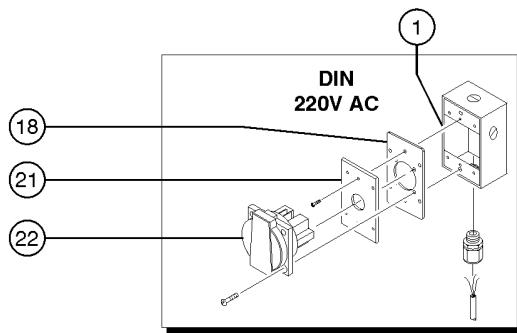
403.4 Power to Platform, GS-2632C, GS-2646C

| Item | Part No.   | Description  | Qty. |
|------|------------|--|------|
| 24   | 105118GT   | GASKET,(BOOT) FLANGE INLET PLG .....                             | 1    |
| 25   | 18605GT    | NUT,NYLOCK,8-32 .....  | 2    |
| 26   | 105483-SGT | PLATE,AC ADAPTER(ANSI/CSA) .....                                 | 1    |
| 27   | 105117GT   | PLUG,FLG INLET,15A/125V,2PWGD .....                              | 1    |
| 28   | 55906GT    | SCREW, PHILLIPS, PHM, 8-32 X .5 .....                            | 2    |
| 29   | 144129GT   | RECESSED SIDE PLUG ASSY, GS<br>(includes items 23-28) .....      | 1    |
| 30   | 44936GT    | WASHER,STAR,EXTERNAL,#8 .....                                    | 4    |
| 31   | 1263471GT  | PLUG,IEC60309 CEE, 3PIN 220-24<br>(Hong Kong Construction) ..... | 1    |

Go to Discount-Equipment.com to order your parts



403.5 Power to Platform, GS-3232A, GS3232C, GS-3246A

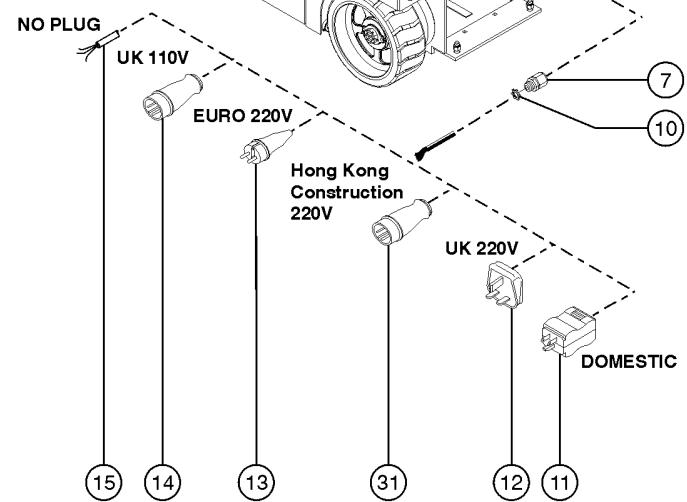
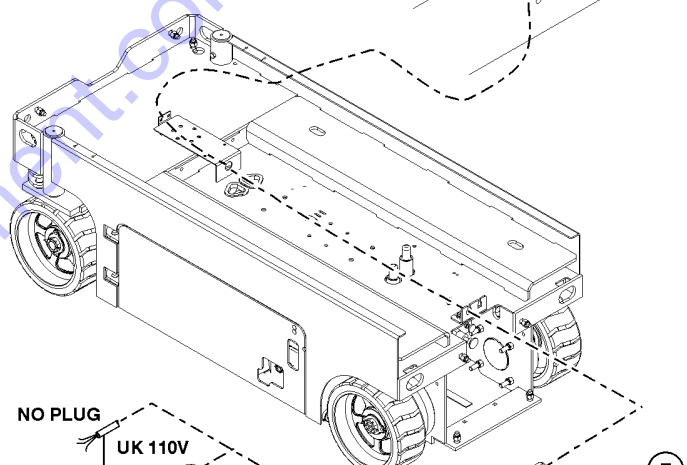
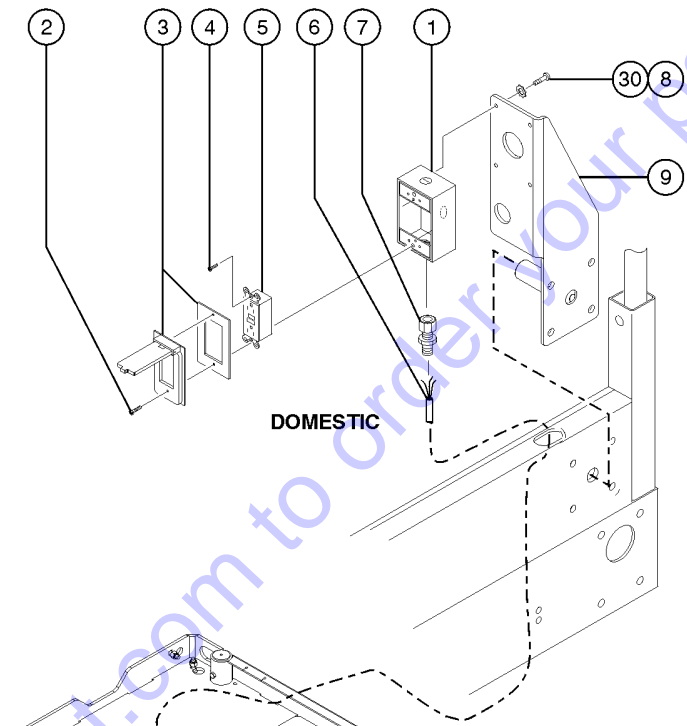
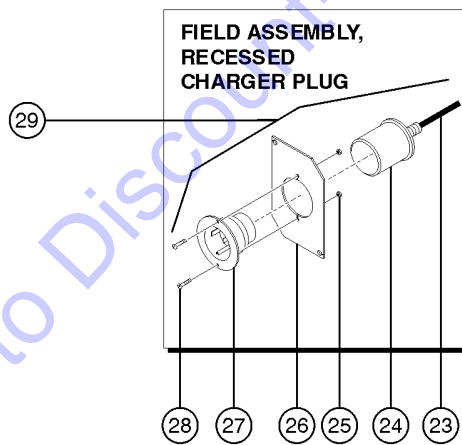
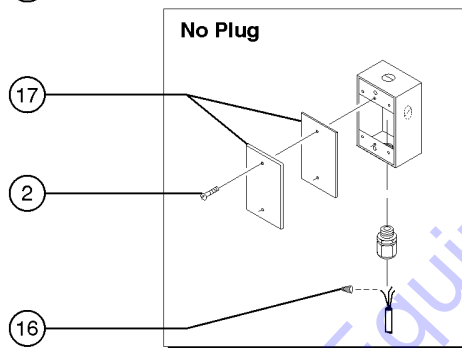
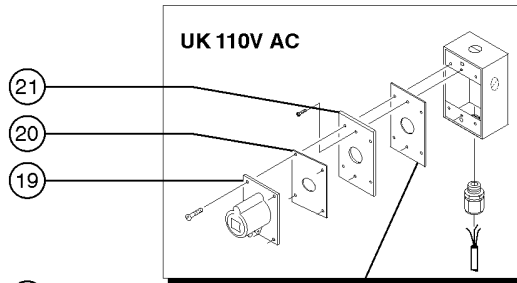
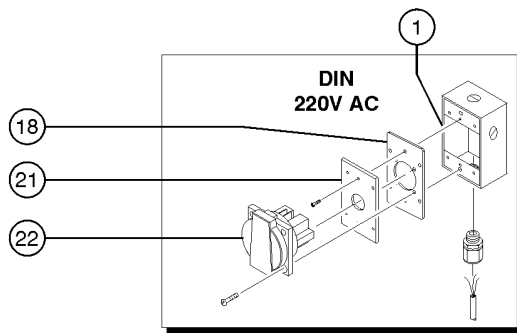


403.5 Power to Platform, GS-3232A, GS3232C, GS-3246A

| Item | Part No.   | Description   | Qty. |
|------|------------|---|------|
|      | 33724GT    | KIT,GASKET,UK POWER TO PLAT .....<br>includes 1 each, items 18 and 20                                 |      |
| 1    | 10775GT    | T-BOX,2.75 X 4.5 X 2.0 .....  | 1    |
| 2    | 7127GT     | SCREW,PHILLIPS,PHM,6-32 X .75 .....   |      |
| 3A   | 74006GT    | COVER,GFCI,HORIZONTAL,WEATHER .....<br>(ANSI and CSA models) (includes gasket and mounting fasteners) | 1    |
| 3B   | 105812GT   | COVER,T-BOX LOCKABLE .....<br>EE rated (not shown)  | 1    |
| 4    | 45546GT    | SCREW,RHM,6-32 X .5 .....   |      |
| 5    | 13585GT    | OUTLET, 110V .....<br>ANSI and CSA models   | 1    |
| 6D   | 43956GT    | WIRE CABLE,14/3 CON.TPE JKT* .....<br>GS-3232, GS-3246  | 624  |
| 7    | 7056GT     | CONN, SQZ, 1/2NPT, 0.38-0.50,SM .....   | 1    |
| 8    | 57075GT    | SCREW,PHIL,8-32X.50,SELF TAP .....  |      |
| 9    |            | Ref. ROLLER BRACKET .....<br>refer to 401.1 through 402.1   |      |
| 10   | 6935GT     | CONN, SQZ, 1/2NPT, LOCKNUT .....  | 1    |
| 11   | 6595GT     | PLUG,ELECTRICAL,DOMESTIC .....  | 1    |
| 12   | 25388GT    | PLUG,FUSED,250V,13AMP,U.K.** .....  |      |
| 13   | 1280665GT  | PLUG, TYPE F, 230A, 50HZ, 16A, IP44 .....   |      |
| 14   | 144161GT   | PLUG,PWR,UK,16AMP,3PIN,BLK .....  |      |
| 15   | 105117GT   | PLUG,FLG INLET,15A/125V,2PWGD .....   |      |
| 15-  | 105118GT   | GASKET,(BOOT) FLANGE INLET PLG .....  |      |
| 16   | 6626GT     | WIRE CAP,ORANGE .....   | 1    |
| 17   | 10777GT    | COVER, BLANK .....  | 1    |
| 18   | 66355GT    | GASKET, UK & DIN PWR. TO PLAT .....<br>2.9 x 2.9 inches   | 1    |
| 19   | T112563GT  | SVC KIT,UK RECEPT.REPLACEMENT .....   | 1    |
| 20   | 66356GT    | GASKET, UK RECEPTACLE .....<br>2.9 x 2.9 inches   | 1    |
| 21A  | 105483-SGT | PLATE,AC ADAPTER(ANSI/CSA) .....<br>ANSI/CSA  |      |
| 21B  | 96236GT    | PLATE,AC ADAPTER,DIN/UK*** .....  |      |
| 21C  | 105090GT   | PLATE, AC ADAPTER(AUS) .....  |      |
| 22   | 66353GT    | RECEPTACLE, DIN, 220V 50A .....   | 1    |
| 23   | 48282GT    | POWER CORD, IEC 320 BLANK .....   | 1    |



403.5 Power to Platform, GS-3232A, GS3232C, GS-3246A





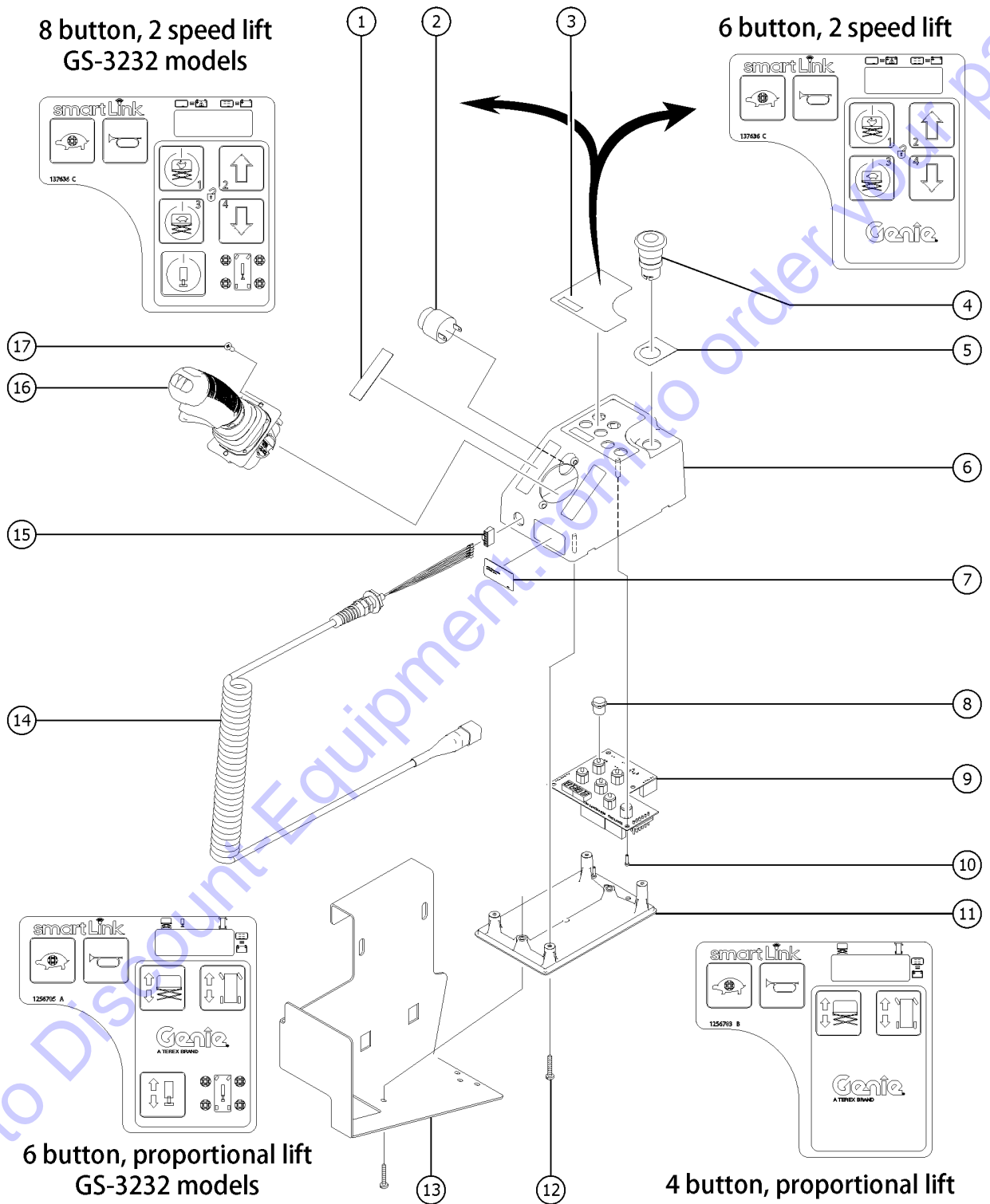
403.5 Power to Platform, GS-3232A, GS3232C, GS-3246A

| Item | Part No.   | Description                           | Qty. |
|------|------------|---------------------------------------|------|
| 24   | 105118GT   | GASKET,(BOOT) FLANGE INLET PLG .....  | 1    |
| 25   | 18605GT    | NUT,NYLOCK,8-32 .....                 | 2    |
| 26   | 105483-SGT | PLATE,AC ADAPTER(ANSI/CSA) .....      | 1    |
| 26-  | 6878GT     | BOLT,CARRIAGE,1/4-20 X .75,G2 .....   | 2    |
|      |            | not included                          |      |
| 26-  | 6091GT     | NUT, NYLOCK, 1/4-20 .....             | 2    |
|      |            | not included                          |      |
| 27   | 105117GT   | PLUG,FLG INLET,15A/125V,2PWGD .....   | 1    |
| 28   | 55906GT    | SCREW, PHILLIPS, PHM, 8-32 X .5 ..... | 2    |
| 29   | 144129GT   | RECESSED SIDE PLUG ASSY, GS .....     | 1    |
|      |            | includes items 23-28                  |      |
| 30   | 44936GT    | WASHER,STAR,EXTERNAL,#8 .....         | 4    |
| 31   | 1263471GT  | PLUG,IEC60309 CEE, 3PIN 220-24 .....  | 1    |
|      |            | (Hong Kong Construction)              |      |

Go to Discount-Equipment.com to order your parts



404.1 Platform Controls, 8 and 6 Button (2 Speed Lift), GS-2032A, GS-2046A, GS-2632A, GS-2646A, GS-3246A

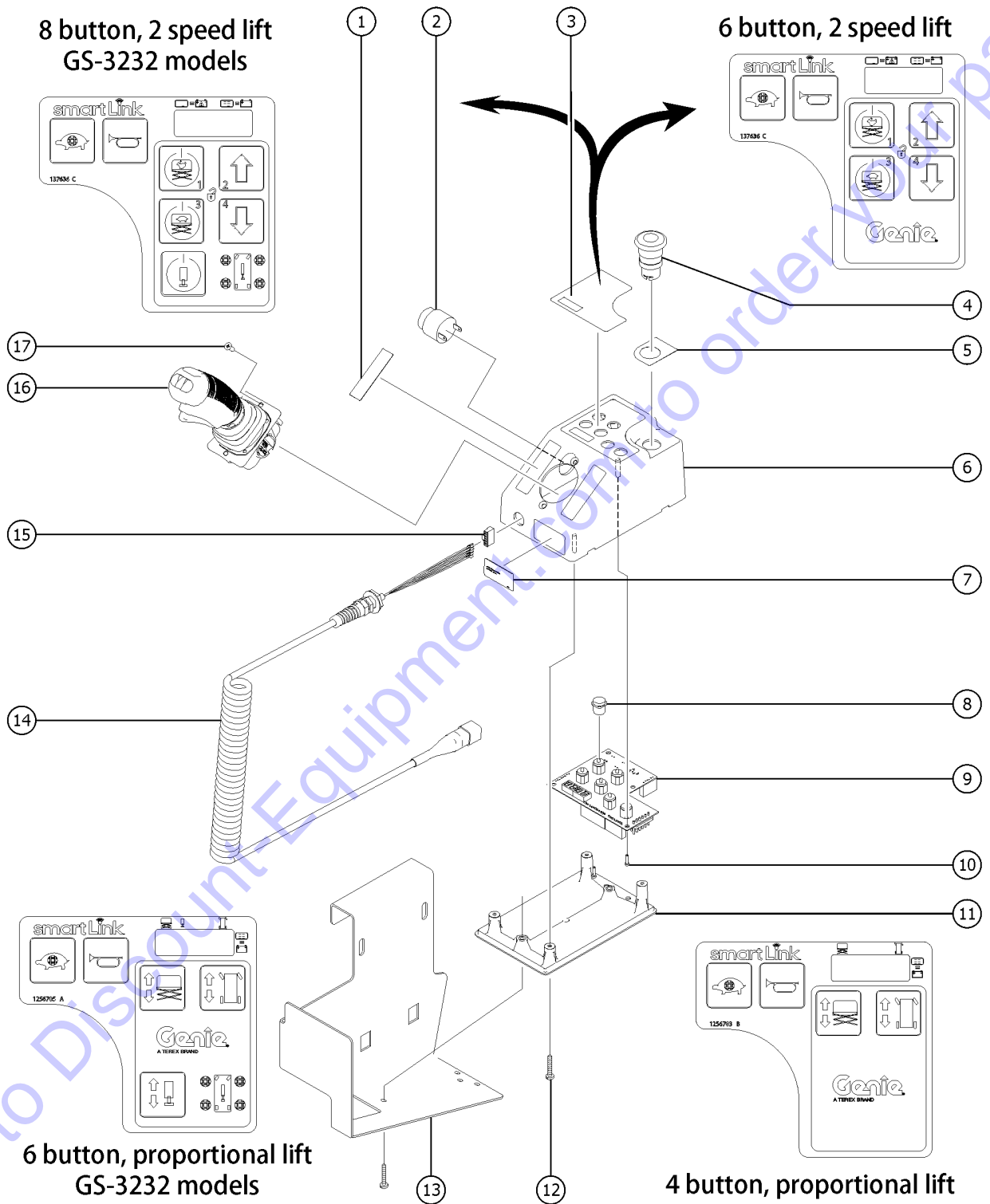


404.1 Platform Controls, 8 and 6 Button (2 Speed Lift), GS-2032A, GS-2046A, GS-2632A, GS-2646A, GS-3246A

| Item | Part No.  | Description   | Qty. |
|------|-----------|---|------|
| A    | 1258334GT | KIT, SL PROP UPGRD, CE, GS<br>GS-2032 & GS-2632, GS-2046, GS-2646, GS-3246 (For 2 speed to proportional lift conversion. Software upgrade is required and available on-line or refer to 405.1 for USB flash drive) to SN GS14A-134999 and to SN GS14C-13999       | ...  |
| E    | 1258361GT | KIT, SL PROP UPGRD, ANSI, GS32<br>GS-2032 & GS-2632 (For 2 speed to proportional lift conversion. Software upgrade is required and available on-line or refer to 405.1 for USB flash drive) to SN GS14A-134999 and to SN GS14C-13999                              | ...  |
| F    | 1258365GT | KIT, SL PROP UPGRD, AUS, GS32<br>GS-2032 & GS-2632 (For 2 speed to proportional lift conversion. Software upgrade is required and available on-line or refer to 405.1 for USB flash drive) to SN GS14A-134999 and to SN GS14C-13999                               | ...  |
| G    | 1258366GT | KIT, SL PROP UPGRD, ANSI, GS46<br>GS-2046, GS-2646, GS-3246 (For 2 speed to proportional lift conversion. Software upgrade is required and available on-line or refer to 405.1 for USB flash drive) to SN GS14A-134999 and to SN GS14C-13999                      | ...  |
| H    | 1258384GT | KIT, SL PROP UPGRD, AUS, GS46<br>GS-2046, GS-2646, GS-3246 (For 2 speed to proportional lift conversion. Software upgrade is required and available on-line or refer to 405.1 for USB flash drive) to SN GS14A-134999 and to SN GS14C-13999                       | ...  |
| I    | 1258515GT | KIT, SL PROP UPGRD, ANSI SYM, GS<br>GS-2032 & GS-2632, GS-2046, GS-2646, GS-3246 (For 2 speed to proportional lift conversion. Software upgrade is required and available on-line or refer to 405.1 for USB flash drive) to SN GS14A-134999 and to SN GS14C-13999 | ...  |
| K    | 137633GT  | PCON, GR/GRC/GS<br>GS-2032, GS-2046, GS-2632, GS-2646, GS-3246 (For models with 6 button, 2 speed lift controller)(complete platform control box with coil cord, bracket not included) to SN GS14A-134999 and to SN GS14C-13999                                   | ...  |
| K-   | 219205GT  | FLASH DRIVE,SL1K1.0 SOFTWARE<br>GS-2032, GS-2046, GS-2632, GS-2646, GS-3246 (For models with 6 button, 2 speed lift controller)(complete platform control box with coil cord, bracket not included) to SN GS14A-134999 and to SN GS14C-13999                      | ...  |
| M    | 137587GT  | HARNES, ESTOP, GR/GRC/GS PCON   | ...  |
| 1    | 137656GT  | DECAL,PROPEL,GR/GRC/GS,PCON   | 1    |
| 2A   | 39540GT   | ALARM,STEADY TONE***<br>order 72326 mounting ring separately  | 1    |
| 2B   | 72326GT   | NUT,PLASTIC,RING FOR ALARMS<br>for 39540  | ...  |
| 3A   | 137636GT  | DECAL, UI, GR/GRC/GS PCON<br>GS-2032, GS-2046, GS-2632, GS-2646, GS-3246 (For models with 6 button, 2 speed lift control to SN GS14A-134999 and to SN GS14C-13999   | 1    |
| 3C   | 1256703GT | DECAL, STD, PROP LIFT, UI, SVC<br>GS-2032, GS-2046, GS-2632, GS-2646, GS-3246(units converted from 6 button, 2 speed lift to 4 button, proportional controller)   | 1    |
| 4    | 66812GT   | BUTTON,PUSH,RED MUSHROOM HEAD   | 1    |
| 4-   | 66817GT   | E-STOP NC CONTACT   | ...  |
| 5    | 137605GT  | DECAL,E-STOP,GR/GRC/GS PCON   | 1    |
| 6A   | T106368GT | ENCLOSURE, GC14-1, TOP<br>GS-2032, GS-2046, GS-2632, GS-2646, GS-3246   | 1    |
| 7A   | 137642GT  | LABEL, GR/GRC/GS PCON<br>GS-2032, GS-2632, GS-2046, GS-2646, GS-3246 (models with 6 button, 2 speed controller) to SN GS14A-134999 and to SN GS14C-13999  | 1    |
| 8    | T106373GT | CAP BUTTON,K12<br>GS-2032, GS-2046, GS-2632, GS-2646, GS-3246   | 6    |
| 9A   | 137522GT  | PCBA, GC14-1<br>GS-2032, GS-2632, GS-2046, GS-2646, GS-3246 (models with 6 button, 2 speed controller) to SN GS14A-134999 and to SN GS14C-13999   | 1    |
| 10   | 137637GT  | SCREW,PHM,4-20X.5, 48-2 TRI-L   | ...  |



404.1 Platform Controls, 8 and 6 Button (2 Speed Lift), GS-2032A, GS-2046A, GS-2632A, GS-2646A, GS-3246A



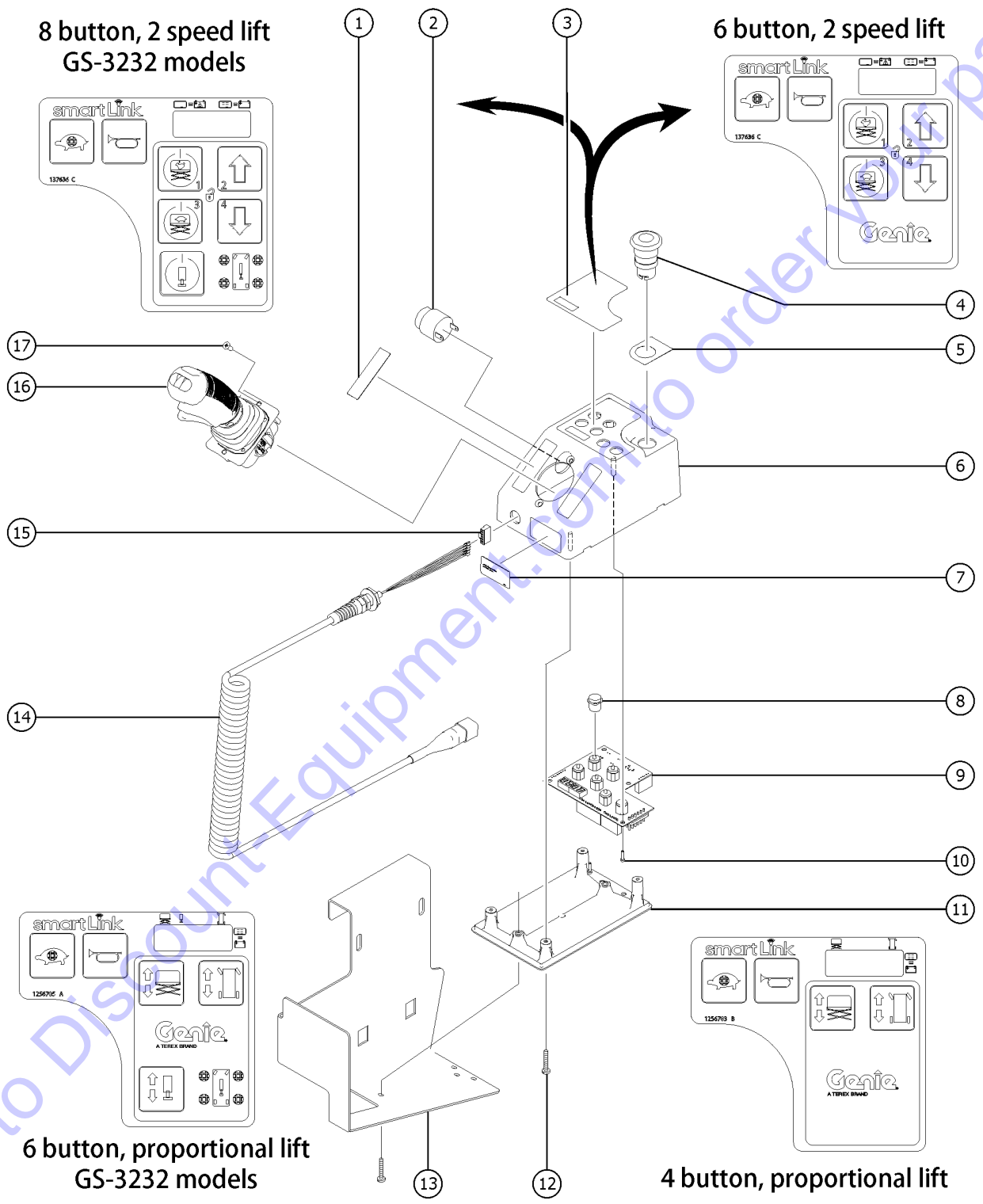
404.1 Platform Controls, 8 and 6 Button (2 Speed Lift), GS-2032A, GS-2046A, GS-2632A, GS-2646A, GS-3246A

| Item | Part No.  | Description   | Qty. |
|------|-----------|---|------|
| 11   | T106370GT | ENCLOSURE,GC14-1/GC16-1, BOT .....  | 1    |
| 12   | 137640GT  | SCREW,PHM,8-16X.75, 48-2 TRI-L .....  |      |
| 13   | T114397GT | FORMING,PLAT CONTROL BOX<br>(decals not included, refer to section one) ..... |      |
| 14   | 235464GT  | KIT,COIL CORD,CONTRLR,SL1000 .....  | 1    |
|      |           | includes item 15  |      |
| 14-  | 231921GT  | KIT,CONN,RECEPT W/PIN AND LOCK .....  |      |
| 14-  | 231922GT  | KIT,CONN,PLUG W/SCKT AND LOCK .....   |      |
| 15   | 137699GT  | PLUG, 6POS ECO PWR .....  | 1    |
| 16   |           | Ref., JOYSTICK .....  | 1    |
|      |           | (refer to 406.1)  |      |
| 17   | 229845GT  | SCREW,BHSCS,M5X10,SS .....  |      |
|      |           | apply Loctite 243 or equivalent before installation                           |      |

Go to Discount-Equipment.com to order your parts



404.2 Platform Controls, 8 and 6 Button (2 Speed Lift), GS-2032C, GS-2046C, GS-2632C, GS-2646C, GS-3246C

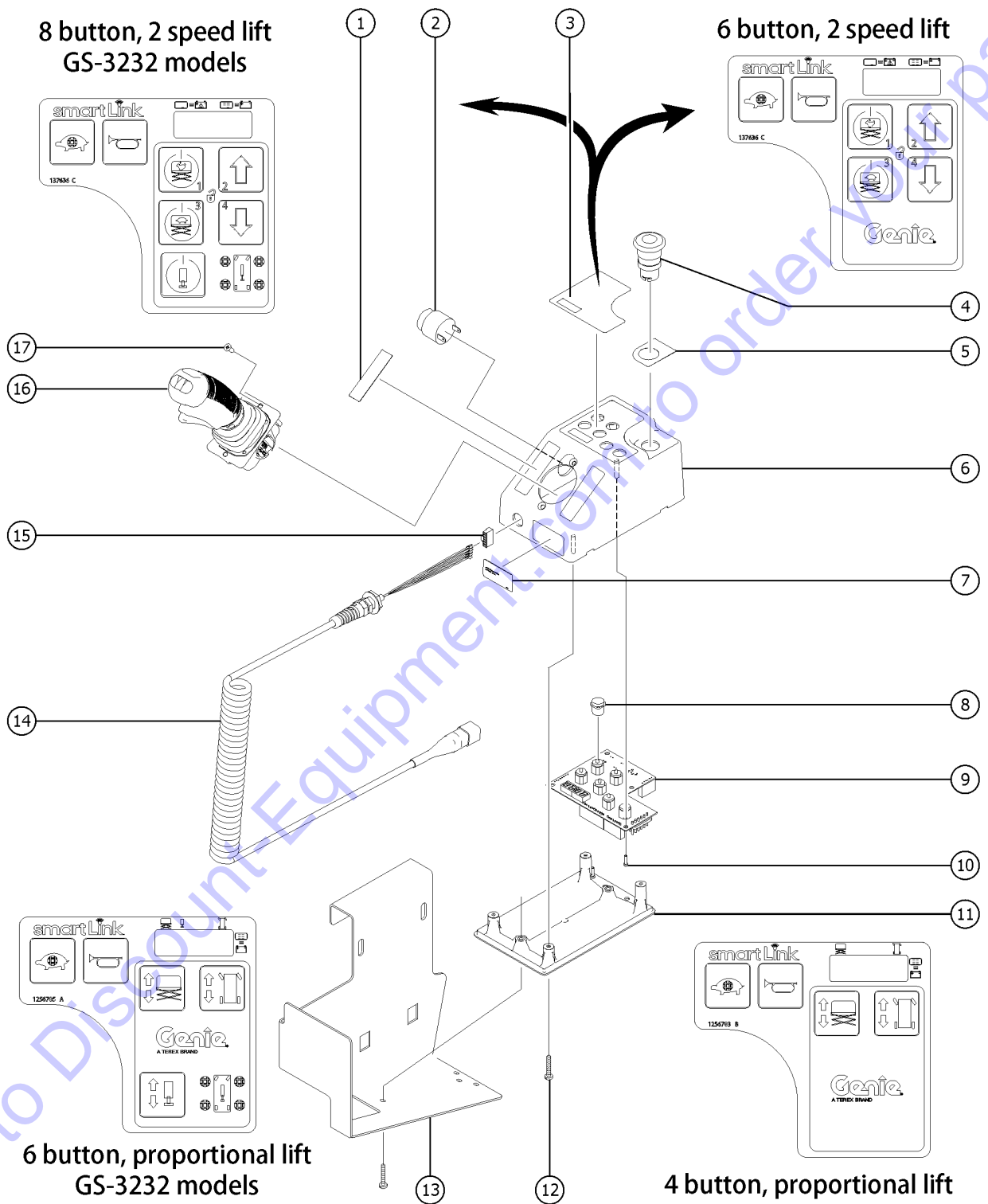


404.2 Platform Controls, 8 and 6 Button (2 Speed Lift), GS-2032C, GS-2046C, GS-2632C, GS-2646C, GS-3246C

| Item | Part No.  | Description   | Qty.    |
|------|-----------|---|---------|
| A    | 1258334GT | KIT, SL PROP UPGRD, CE, GS<br>GS-2032 & GS-2632, GS-2046, GS-2646, GS-3246 (For 2 speed to proportional lift conversion. Software upgrade is required and available on-line or refer to 408.1 for USB flash drive) to SN GS3214A-134999 and to SN GS3214C-13999       | ...     |
| E    | 1258361GT | KIT, SL PROP UPGRD, ANSI, GS32<br>GS-2032 & GS-2632 (For 2 speed to proportional lift conversion. Software upgrade is required and available on-line or refer to 408.1 for USB flash drive) to SN GS3214A-134999 and to SN GS3214C-13999                              |         |
| F    | 1258365GT | KIT, SL PROP UPGRD, AUS, GS32<br>GS-2032 & GS-2632 (For 2 speed to proportional lift conversion. Software upgrade is required and available on-line or refer to 408.1 for USB flash drive) to SN GS3214A-134999 and to SN GS3214C-13999                               |         |
| G    | 1258366GT | KIT, SL PROP UPGRD, ANSI, GS46<br>GS-2046, GS-2646, GS-3246 (For 2 speed to proportional lift conversion. Software upgrade is required and available on-line or refer to 408.1 for USB flash drive) to SN GS3214A-134999 and to SN GS3214C-13999                      |         |
| H    | 1258384GT | KIT, SL PROP UPGRD, AUS, GS46<br>GS-2046, GS-2646, GS-3246 (For 2 speed to proportional lift conversion. Software upgrade is required and available on-line or refer to 408.1 for USB flash drive) to SN GS3214A-134999 and to SN GS3214C-13999                       |         |
| I    | 1258515GT | KIT, SL PROP UPGRD, ANSI SYM, GS<br>GS-2032 & GS-2632, GS-2046, GS-2646, GS-3246 (For 2 speed to proportional lift conversion. Software upgrade is required and available on-line or refer to 408.1 for USB flash drive) to SN GS3214A-134999 and to SN GS3214C-13999 | ...     |
| K    | 137633GT  | PCON, GR/GRC/GS<br>GS-2032, GS-2046, GS-2632, GS-2646, GS-3246 (For models with 6 button, 2 speed lift controller)(complete platform control box with coil cord, bracket not included) to SN GS3214A-134999 and to SN GS3214C-13999                                   | ...     |
| K-   | 137587GT  | HARNESS, ESTOP, GR/GRC/GS PCON  | .....   |
| 1    | 137656GT  | DECAL,PROPEL,GR/GRC/GS,PCON   | ..... 1 |
| 2A   | 39540GT   | ALARM,STEADY TONE***<br>order 72326 mounting ring separately  | ..... 1 |
| 2B   | 72326GT   | NUT,PLASTIC,RING FOR ALARMS<br>for 39540  | .....   |
| 3A   | 137636GT  | DECAL, UI, GR/GRC/GS PCON<br>GS-2032, GS-2046, GS-2632, GS-2646, GS-3246  | ..... 1 |
| 3C   | 1256703GT | DECAL, STD, PROP LIFT, UI, SVC<br>GS-2032, GS-2046, GS-2632, GS-2646, GS-3246(units converted from 6 button, 2 speed lift to 4 button, proportional controller)   | ..... 1 |
| 4    | 66812GT   | BUTTON,PUSH,RED MUSHROOM HEAD   | ..... 1 |
| 4-   | 66817GT   | E-STOP NC CONTACT   | .....   |
| 5    | 137605GT  | DECAL,E-STOP,GR/GRC/GS PCON   | ..... 1 |
| 6A   | T106368GT | ENCLOSURE, GC14-1, TOP<br>GS-2032, GS-2046, GS-2632, GS-2646, GS-3246   | ..... 1 |
| 7A   | 137642GT  | LABEL, GR/GRC/GS PCON<br>GS-2032, GS-2632, GS-2046, GS-2646, GS-3246 (models with 6 button, 2 speed controller) to SN GS3214A-134999 and to SN GS3214C-13999  | ..... 1 |
| 8    | T106373GT | CAP,BUTTON,K12<br>GS-2032, GS-2046, GS-2632, GS-2646, GS-3246   | ..... 6 |
| 9A   | 137522GT  | PCBA, GC14-1<br>GS-2032, GS-2632, GS-2046, GS-2646, GS-3246 (models with 6 button, 2 speed controller) to SN GS3214A-134999 and to SN GS3214C-13999   | ..... 1 |
| 10   | 137637GT  | SCREW,PHM,4-20X.5, 48-2 TRI-L   | .....   |
| 11   | T106370GT | ENCLOSURE,GC14-1/GC16-1, BOT  | ..... 1 |
| 12   | 137640GT  | SCREW,PHM,8-16X.75, 48-2 TRI-L  | .....   |



404.2 Platform Controls, 8 and 6 Button (2 Speed Lift), GS-2032C, GS-2046C, GS-2632C, GS-2646C, GS-3246C





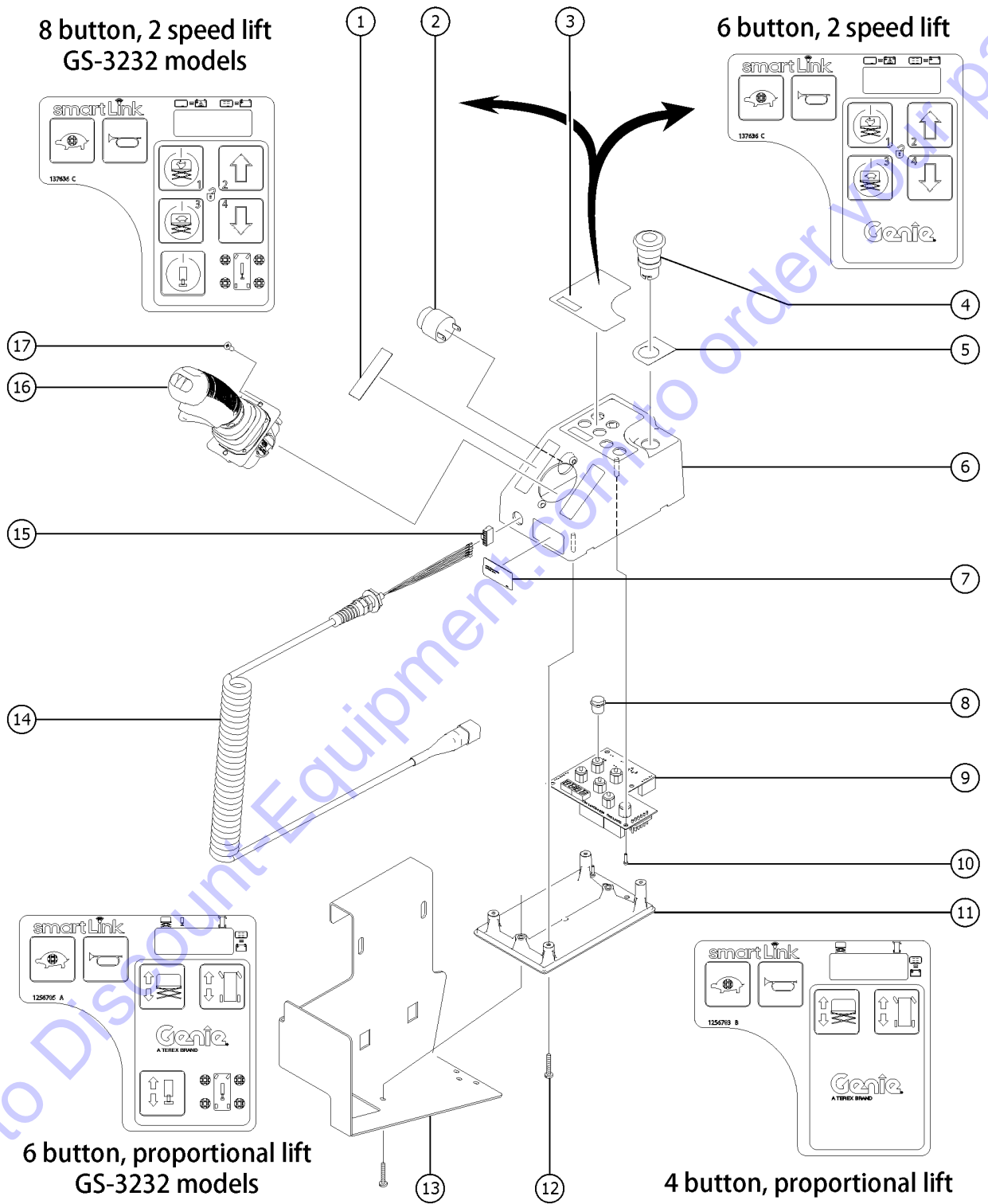
404.2 Platform Controls, 8 and 6 Button (2 Speed Lift), GS-2032C, GS-2046C, GS-2632C, GS-2646C, GS-3246C

| Item | Part No.  | Description   | Qty. |
|------|-----------|---|------|
| 13   | T114397GT | FORMING,PLAT CONTROL BOX<br>(decals not included, refer to section one)     |      |
| 14   | 235464GT  | KIT,COIL CORD,CONTRLR,SL1000<br>includes item 15                            | 1    |
| 14-  | 231921GT  | KIT,CONN,RECEPT W/PIN AND LOCK  |      |
| 14-  | 231922GT  | KIT,CONN,PLUG W/SCKT AND LOCK   |      |
| 15   | 137699GT  | PLUG, 6POS ECO PWR  | 1    |
| 16   |           | Ref., JOYSTICK<br>(refer to 406.1)  | 1    |
| 17   | 229845GT  | SCREW,BHSCS,M5X10,SS<br>apply Loctite 243 or equivalent before installation |      |

Go to Discount-Equipment.com to order your parts



404.3 Platform Controls, 8 and 6 Button (2 Speed Lift), GS-3232

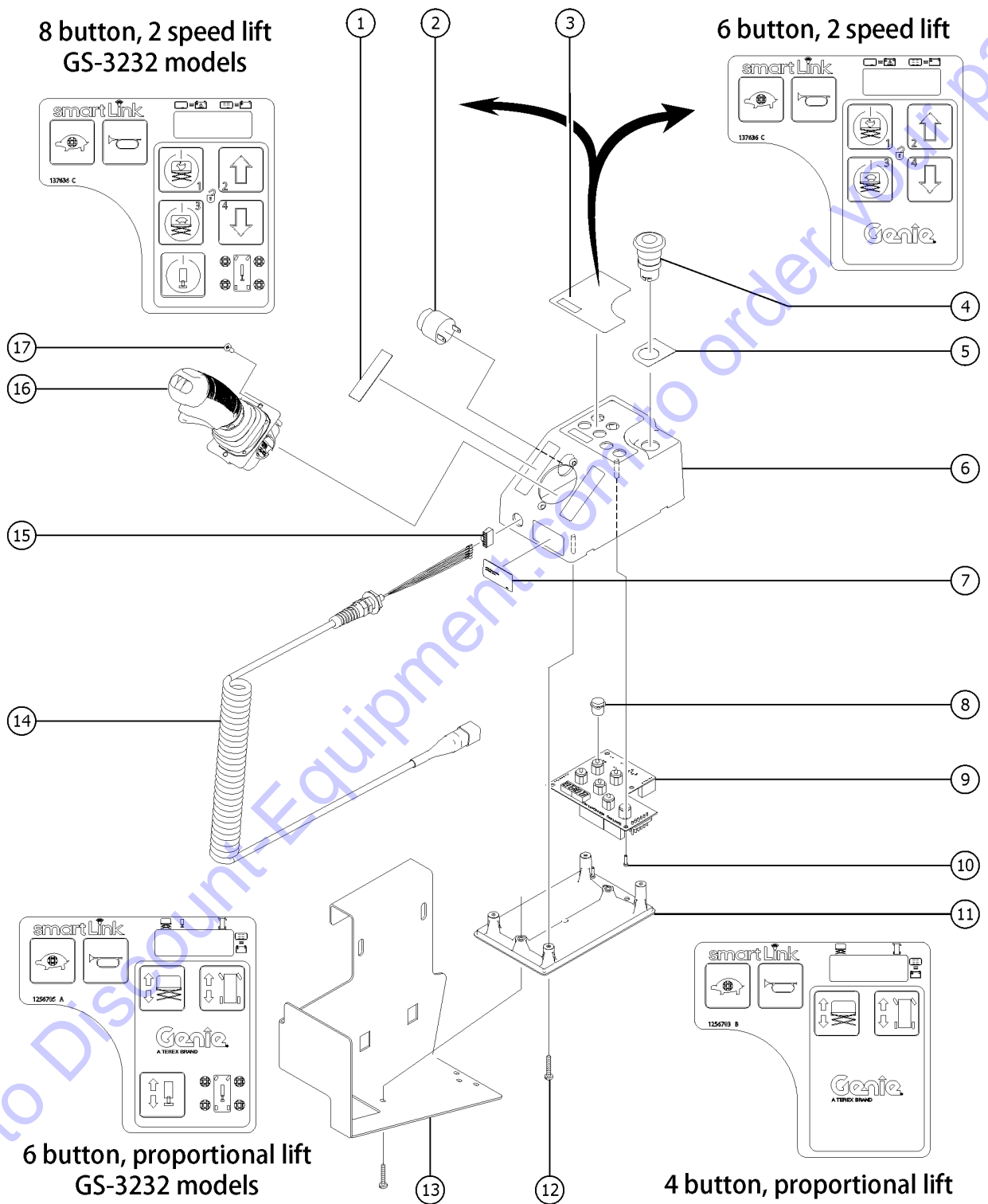


404.3 Platform Controls, 8 and 6 Button (2 Speed Lift), GS-3232

| Item | Part No.  | Description   | Qty.    |
|------|-----------|---|---------|
| B    | 1258337GT | KIT, SL PROP UPGRD, ANSI, 3232<br>GS-3232 (For 2 speed to proportional lift conversion. Software upgrade is required and available on-line or refer to 405.1 for USB flash drive) to SN GS14A-134999  | .....   |
| C    | 1258338GT | KIT, SL PROP UPGRD, AUS, 3232<br>GS-3232 (For 2 speed to proportional lift conversion. Software upgrade is required and available on-line or refer to 405.1 for USB flash drive) to SN GS14A-134999   | .....   |
| D    | 1258339GT | KIT, SL PROP UPGRD, CE, 3232<br>GS-3232 (For 2 speed to proportional lift conversion. Software upgrade is required and available on-line or refer to 405.1 for USB flash drive) to SN GS14A-134999  | .....   |
| L    |           | Ref.<br>Part 137585 is no longer available for the GS-3232; May be replaced by PCON 1256728 and one of the machine-specific upgrade kits (1258337, 1258338, 1258339) to update unit from two speed lift to proportional lift (refer to 405.1) |         |
| L-   | 219205GT  | FLASH DRIVE,SL1K1.0 SOFTWARE<br>GS-3232 (For 2 speed to proportional lift conversion. Software upgrade is required and available on-line or refer to 405.1 for USB flash drive) to SN GS14A-134999  | .....   |
| M    | 137587GT  | HARNESS, ESTOP, GR/GRC/GS PCON  | .....   |
| 1    | 137656GT  | DECAL,PROPEL,GR/GRC/GS,PCON   | ..... 1 |
| 2A   | 39540GT   | ALARM,STEADY TONE***<br>order 72326 mounting ring separately  | ..... 1 |
| 2B   | 72326GT   | NUT,PLASTIC,RING FOR ALARMS<br>for 39540  | .....   |
| 3B   | 137693GT  | DECAL, UI, GS3232, PCON<br>GS-3232 (For models with 8 button, 2 speed lift controller)(complete platform control box with coil cord, bracket not included) to SN GS14A-134999   | .. 1    |
| 3D   | 1256705GT | DECAL, O/R, PROP LIFT, UI, SVC<br>GS-3232 (units converted from 8 button, 2 speed lift to 6 button, proportional controller)  | ... 1   |
| 4    | 66812GT   | BUTTON,PUSH,RED MUSHROOM HEAD   | ..... 1 |
| 4-   | 66817GT   | E-STOP NC CONTACT   | .....   |
| 5    | 137605GT  | DECAL,E-STOP,GR/GRC/GS PCON   | ..... 1 |
| 6B   | T106367GT | ENCLOSURE,GC16-1,TOP<br>GS-3232   | ..... 1 |
| 7B   |           | Ref., LABEL, GS3232 PCON<br>GS-3232 (component no longer available)   | ..... 1 |
| 8    | T106373GT | CAP,BUTTON,K12<br>GS-3232   | ..... 7 |
| 9B   | 137711GT  | PCBA, GC16-1<br>GS-3232   | ..... 1 |
| 10   | 137637GT  | SCREW,PHM,4-20X.5, 48-2 TRI-L   | .....   |
| 11   | T106370GT | ENCLOSURE,GC14-1/GC16-1, BOT  | ..... 1 |
| 12   | 137640GT  | SCREW,PHM,8-16X.75, 48-2 TRI-L  | .....   |
| 13   | T114397GT | FORMING,PLAT CONTROL BOX<br>(decals not included, refer to section one)   | .....   |
| 14   | 235464GT  | KIT,COIL CORD,CONTRLR,SL1000<br>includes item 15  | ..... 1 |
| 14-  | 231921GT  | KIT,CONN,RECEPT W/PIN AND LOCK  | .....   |
| 14-  | 231922GT  | KIT,CONN,PLUG W/SCKT AND LOCK   | .....   |
| 15   | 137699GT  | PLUG, 6POS ECO PWR  | ..... 1 |



404.3 Platform Controls, 8 and 6 Button (2 Speed Lift), GS-3232



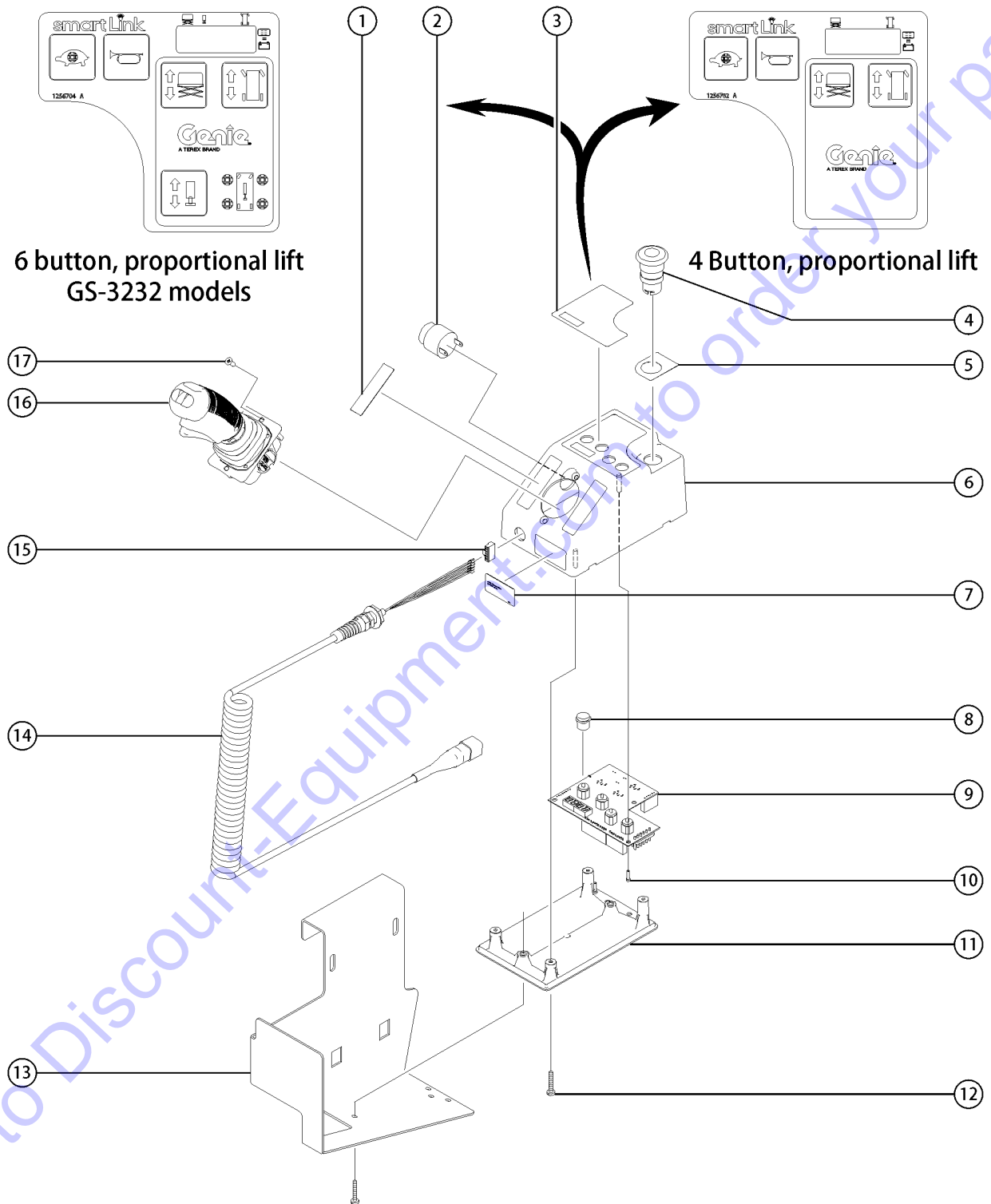
404.3 Platform Controls, 8 and 6 Button (2 Speed Lift), GS-3232

| Item | Part No. | Description   | Qty. |
|------|----------|---|------|
| 16   |          | REF. JOYSTICK .....<br>(refer to 406.1)   | 1    |
| 17   | 229845GT | SCREW,BHSCS,M5X10,SS .....<br>apply Loctite 243 or equivalent before installation |      |

Go to Discount-Equipment.com to order your parts



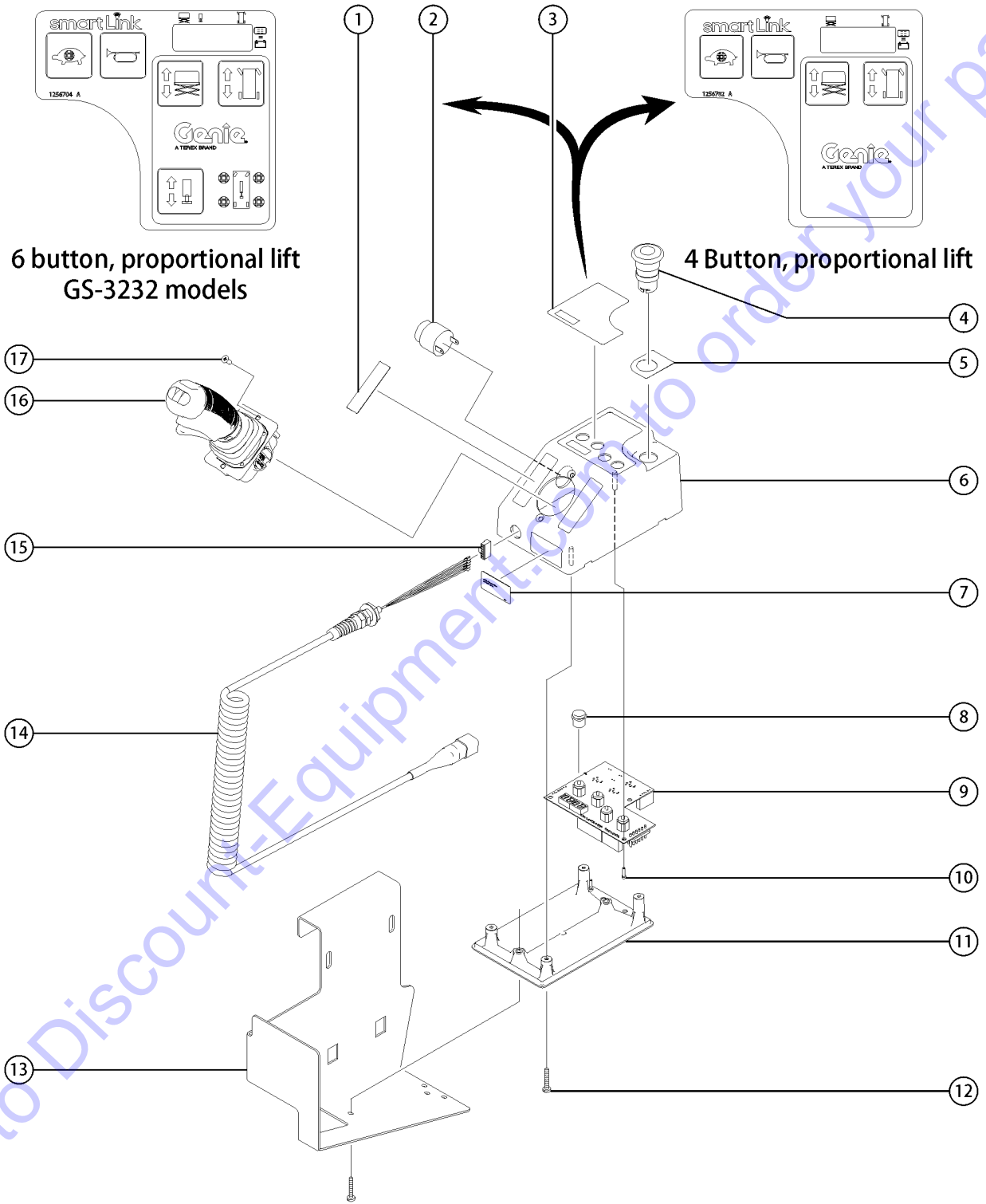
405.1 Platform Controls, 6 and 4 Button (Proportional Lift), GS-2032A, GS-2046A, GS-2632A, GS-2646A, GS-3246A



405.1 Platform Controls, 6 and 4 Button (Proportional Lift), GS-2032A, GS-2046A, GS-2632A, GS-2646A, GS-3246A

| Item | Part No.  | Description   | Qty. |
|------|-----------|---|------|
| A    | 1256727GT | PCON,STD,PROP LIFT,GR/GS<br>GS-2032, GS-2046, GS-2632, GS-2646, GS-3246, complete platform control box with coil cord, bracket not included   |      |
| A-   | 1258731GT | FLASH DRIVE,SL1K2.0 SOFTWARE<br>(For proportional lift or upgrade kits only. Software update available on-line. Flash drive sold separately.) |      |
| A-   | 137587GT  | HARNESS, ESTOP, GR/GRC/GS PCON  |      |
| 1    | 137656GT  | DECAL,PROPEL,GR/GRC/GS,PCON   | 1    |
| 2A   | 39540GT   | ALARM,STEADY TONE***<br>order 72326 mounting ring separately  | 1    |
| 2B   | 72326GT   | NUT,PLASTIC,RING FOR ALARMS<br>for 39540  |      |
| 3A   | 1256702GT | DECAL, UI, GS/GR, PROP LIFT<br>GS-2032, GS-2046, GS-2632, GS-2646, GS-3246 (models with 4 button, proportional controller)                    | 1    |
| 3C   |           | REF: DECAL,STD,PROP LIFT,UI,SVC<br>(units converted from 6 button, 2 speed lift to 4 button, proportional controller, refer to 407.1)         | 1    |
| 4    | 66812GT   | BUTTON,PUSH,RED MUSHROOM HEAD   | 1    |
| 4-   | 66817GT   | E-STOP NC CONTACT   |      |
| 5    | 137605GT  | DECAL,E-STOP,GR/GRC/GS PCON   | 1    |
| 6A   | 1256656GT | ENCLOSURE,STD 4-BUTTON, TOP<br>GS-2032, GS-2046, GS-2632, GS-2646, GS-3246  | 1    |
| 7    |           | (component no longer available)   |      |
| 8    | T106373GT | CAP,BUTTON,K12<br>GS-2032, GS-2046, GS-2632, GS-2646, GS-3246   | 6    |
| 9A   | 1256725GT | PCBA,PCON STD,PROP LIFT<br>GS-2032, GS-2046, GS-2632, GS-2646, GS-3246  | 1    |
| 10   | 137637GT  | SCREW,PHM,4-20X.5, 48-2 TRI-L   |      |
| 11   | T106370GT | ENCLOSURE,GC14-1/GC16-1, BOT  | 1    |
| 12   | 137640GT  | SCREW,PHM,8-16X.75, 48-2 TRI-L  |      |
| 13   | T114397GT | FORMING,PLAT CONTROL BOX<br>(decals not included, refer to section one)   |      |
| 14   | 235464GT  | KIT,COIL CORD,CONTRLR,SL1000<br>includes item 15  | 1    |
| 14-  | 231921GT  | KIT,CONN,RECEPT W/PIN AND LOCK  |      |
| 14-  | 231922GT  | KIT,CONN,PLUG W/SCKT AND LOCK   |      |
| 15   | 137699GT  | PLUG, 6POS ECO PWR  | 1    |
| 16   |           | Ref., JOYSTICK<br>(refer to 406.1)  | 1    |
| 17   | 229845GT  | SCREW,BHSCS,M5X10,SS<br>apply Loctite 243 or equivalent before installation   |      |

405.2 Platform Controls, 6 and 4 Button (Proportional Lift), GS-2032C, GS-2046C, GS-2632C, GS-2646C, GS-3246C

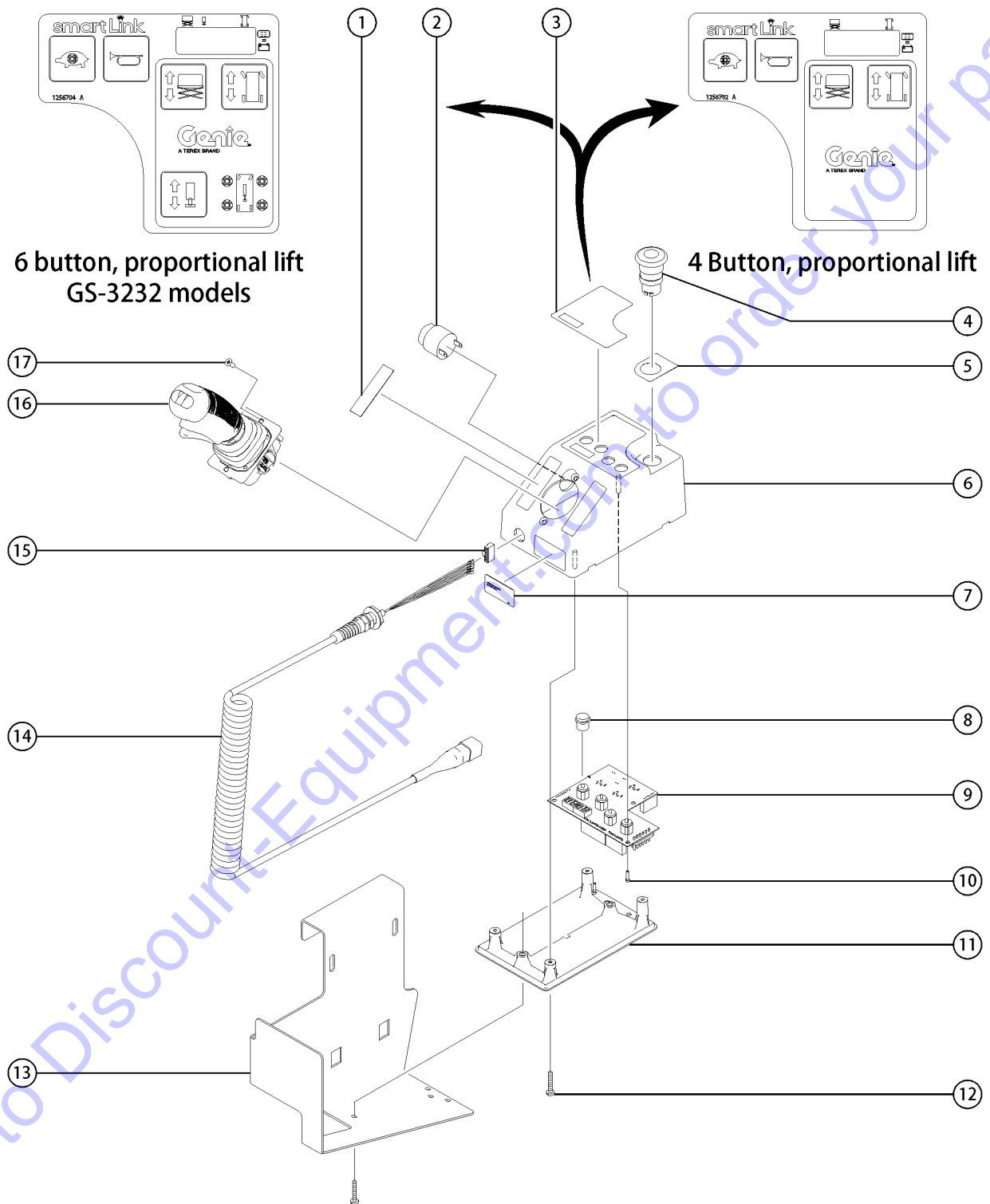




405.2 Platform Controls, 6 and 4 Button (Proportional Lift), GS-2032C, GS-2046C, GS-2632C, GS-2646C, GS-3246C

| Item | Part No.  | Description   | Qty. |
|------|-----------|---|------|
| A    | 1256727GT | PCON,STD,PROP LIFT,GR/GS<br>GS-2032, GS-2046, GS-2632, GS-2646, GS-3246, complete platform control box with coil cord, bracket not included |      |
| A-   | 137587GT  | HARNESS, ESTOP, GR/GRC/GS PCON  |      |
| 1    | 137656GT  | DECAL,PROPEL,GR/GRC/GS,PCON   | 1    |
| 2A   | 39540GT   | ALARM,STEADY TONE***<br>order 72326 mounting ring separately  | 1    |
| 2B   | 72326GT   | NUT,PLASTIC,RING FOR ALARMS<br>for 39540  |      |
| 3A   | 1256702GT | DECAL, UI, GS/GR, PROP LIFT<br>GS-2032, GS-2046, GS-2632, GS-2646, GS-3246  | 1    |
| 3C   |           | REF: DECAL,STD,PROP LIFT,UI,SVC<br>(units converted from 6 button, 2 speed lift to 4 button, proportional controller, refer to 407.1)       | 1    |
| 4    | 66812GT   | BUTTON,PUSH,RED MUSHROOM HEAD   | 1    |
| 4-   | 66817GT   | E-STOP NC CONTACT   |      |
| 5    | 137605GT  | DECAL,E-STOP,GR/GRC/GS PCON   | 1    |
| 6A   | 1256656GT | ENCLOSURE,STD 4-BUTTON,TOP<br>GS-2032, GS-2046, GS-2632, GS-2646, GS-3246   | 1    |
| 7    |           | (component no longer available)   |      |
| 8    | T106373GT | CAP,BUTTON,K12<br>GS-2032, GS-2046, GS-2632, GS-2646, GS-3246   | 6    |
| 9A   | 1256725GT | PCBA,PCON STD,PROP LIFT<br>GS-2032, GS-2046, GS-2632, GS-2646, GS-3246  | 1    |
| 10   | 137637GT  | SCREW,PHM,4-20X.5, 48-2 TRI-L   |      |
| 11   | T106370GT | ENCLOSURE,GC14-1/GC16-1, BOT  | 1    |
| 12   | 137640GT  | SCREW,PHM,8-16X.75, 48-2 TRI-L  |      |
| 13   | T114397GT | FORMING,PLAT CONTROL BOX<br>(decals not included, refer to section one)   |      |
| 14   | 235464GT  | KIT,COIL CORD,CONTRLR,SL1000<br>includes item 15  | 1    |
| 14-  | 231921GT  | KIT,CONN,RECEPT W/PIN AND LOCK  |      |
| 14-  | 231922GT  | KIT,CONN,PLUG W/SCKT AND LOCK   |      |
| 15   | 137699GT  | PLUG, 6POS ECO PWR  | 1    |
| 16   |           | Ref., JOYSTICK<br>(refer to 406.1)  | 1    |
| 17   | 229845GT  | SCREW,BHSCS,M5X10,SS<br>apply Loctite 243 or equivalent before installation   |      |

405.3 Platform Controls, 6 and 4 Button (Proportional Lift) GS-3232



Go to Discount-Equipment.com to order your parts

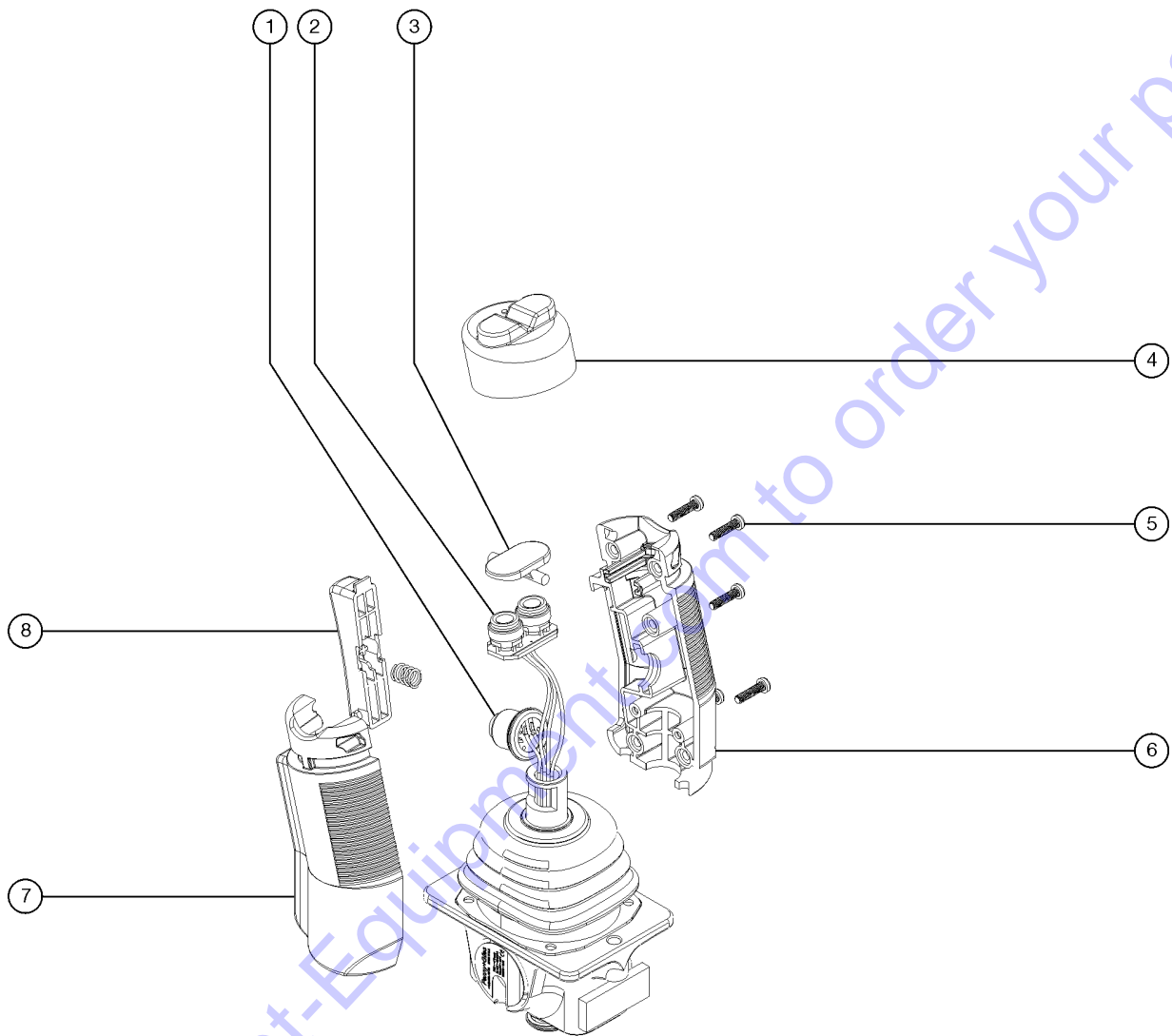


405.3 Platform Controls, 6 and 4 Button (Proportional Lift) GS-3232

| Item | Part No.  | Description   | Qty. |
|------|-----------|---|------|
| B    | 1256728GT | PCON,O/R,PROP LIFT,GS<br>GS-3232, complete platform control box with coil cord, bracket not included  | 1    |
| B-   | 1258731GT | FLASH DRIVE,SL1K2.0 SOFTWARE<br>(For proportional lift or upgrade kits only. Software update available on-line. Flash drive sold separately.) | 1    |
| B-   | 137587GT  | HARNESS, ESTOP, GR/GRC/GS PCON  | 1    |
| 1    | 137656GT  | DECAL,PROPEL,GR/GRC/GS,PCON   | 1    |
| 2A   | 39540GT   | ALARM,STEADY TONE***<br>order 72326 mounting ring separately  | 1    |
| 2B   | 72326GT   | NUT,PLASTIC,RING FOR ALARMS<br>for 39540  | 1    |
| 3B   | 1256705GT | DECAL, O/R, PROP LIFT, UI, SVC<br>GS-3232 (models with 4 button, proportional controller)   | 1    |
| 3C   |           | REF: DECAL,STD,PROP LIFT,UI,SVC<br>(units converted from 6 button, 2 speed lift to 4 button, proportional controller, refer to 407.1)         | 1    |
| 4    | 66812GT   | BUTTON,PUSH,RED MUSHROOM HEAD   | 1    |
| 4-   | 66817GT   | E-STOP NC CONTACT   | 1    |
| 5    | 137605GT  | DECAL,E-STOP,GR/GRC/GS PCON   | 1    |
| 6B   | 1256658GT | ENCLOSURE, O/R 5-BUTTON, TOP<br>GS-3232   | 1    |
| 7    |           | (component no longer available)   | 1    |
| 8    | T106373GT | CAP,BUTTON,K12<br>GS-3232   | 7    |
| 9B   | 1256726GT | PCBA,PCON O/R,PROP LIFT<br>GS-3232  | 1    |
| 10   | 137637GT  | SCREW,PHM,4-20X.5, 48-2 TRI-L   | 1    |
| 11   | T106370GT | ENCLOSURE,GC14-1/GC16-1, BOT  | 1    |
| 12   | 137640GT  | SCREW,PHM,8-16X.75, 48-2 TRI-L  | 1    |
| 13   | T114397GT | FORMING,PLAT CONTROL BOX<br>(decals not included, refer to section one)   | 1    |
| 14   | 235464GT  | KIT,COIL CORD,CONTRLR,SL1000<br>includes item 15  | 1    |
| 14-  | 231921GT  | KIT,CONN,RECEPT W/PIN AND LOCK  | 1    |
| 14-  | 231922GT  | KIT,CONN,PLUG W/SCKT AND LOCK   | 1    |
| 15   | 137699GT  | PLUG, 6POS ECO PWR  | 1    |
| 16   |           | REF. JOYSTICK<br>(refer to 406.1)   | 1    |
| 17   | 229845GT  | SCREW,BHSCS,M5X10,SS<br>apply Loctite 243 or equivalent before installation   | 1    |



406.1 Joystick Controller



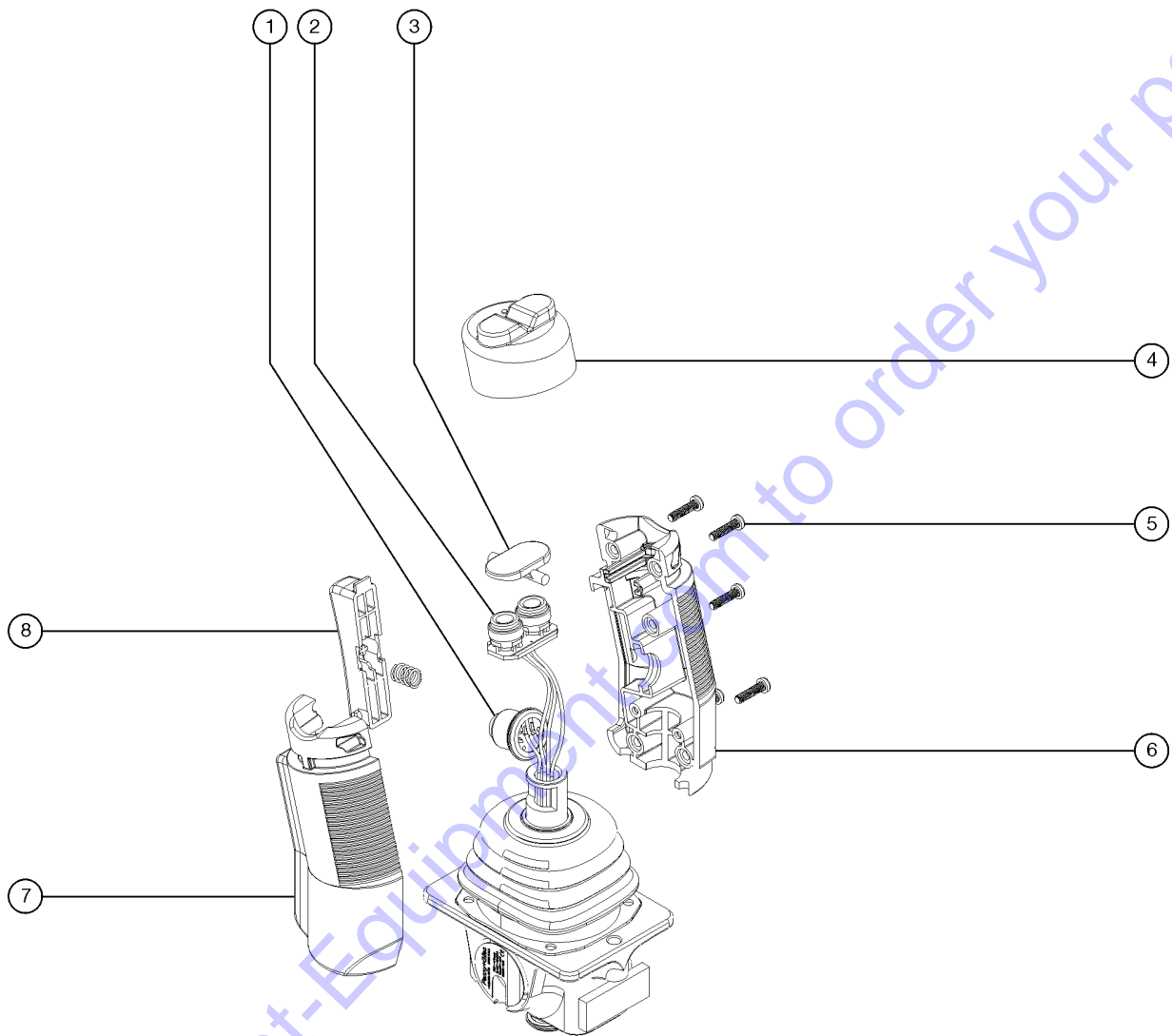
406.1 Joystick Controller

| Item | Part No. | Description                          | Qty. |
|------|----------|--------------------------------------|------|
| A-   | 137634GT | JOYSTICK, HALL EFFECT, SINGLE .....  |      |
| B-   | 229097GT | TERMINAL, SPLINE (AMP) .....         |      |
| C-   | 214544GT | KIT,BOOT,JOYSTICK,SL1000 .....       |      |
|      |          | joystick boot                        |      |
| 1    | 235463GT | KIT,SWITCH,JYSTK,SL1000 .....        |      |
|      |          | function enable and steer switches   |      |
| 2    | 235463GT | KIT,SWITCH,JYSTK,SL1000 .....        |      |
|      |          | function enable and steer switches   |      |
| 3    | 229092GT | ROCKER,2 SWITCH .....                | 1    |
| 4    | 229093GT | BOOT, 2 SWITCH, SILICON .....        | 1    |
| 5    | 229086GT | SCREW, SELF TAP .....                | 2    |
| 6A   | 229087GT | HANDLE HALF,RIGHT,W/TOP SWITCH ..... | 1    |
| 6B   | 229091GT | SCREW,GRUB,M5X8MM,HLF DOG,BZP .....  |      |
|      |          | for 229087GT                         |      |
| 7A   | 229088GT | HANDLE HALF,LEFT,W/TOP SWITCH .....  | 1    |
| 7B   | 229090GT | SCREW,GRUB,M5X8MM CUP(BLK) .....     |      |
|      |          | for 229088GT                         |      |
| 8    | 229089GT | TRIGGER, EXTENDED .....              | 1    |
| 8-   | 229094GT | SPRING, HANDLE TRIGGER .....         | 1    |

Go to Discount-Equipment.com to order your parts



406.2 Joystick Controller



406.2 Joystick Controller

| Item | Part No. | Description                          | Qty. |
|------|----------|--------------------------------------|------|
| A-   | 137634GT | JOYSTICK, HALL EFFECT, SINGLE .....  |      |
| B-   | 229097GT | TERMINAL, SPLINE (AMP) .....         |      |
| C-   | 214544GT | KIT,BOOT,JOYSTICK,SL1000 .....       |      |
|      |          | joystick boot                        |      |
| 1    | 235463GT | KIT,SWITCH,JYSTK,SL1000 .....        |      |
|      |          | function enable and steer switches   |      |
| 2    | 235463GT | KIT,SWITCH,JYSTK,SL1000 .....        |      |
|      |          | function enable and steer switches   |      |
| 3    | 229092GT | ROCKER,2 SWITCH .....                | 1    |
| 4    | 229093GT | BOOT, 2 SWITCH, SILICON .....        | 1    |
| 5    | 229086GT | SCREW, SELF TAP .....                | 2    |
| 6A   | 229087GT | HANDLE HALF,RIGHT,W/TOP SWITCH ..... | 1    |
| 6B   | 229091GT | SCREW,GRUB,M5X8MM,HLF DOG,BZP .....  |      |
|      |          | for 229087GT                         |      |
| 7A   | 229088GT | HANDLE HALF,LEFT,W/TOP SWITCH .....  | 1    |
| 7B   | 229090GT | SCREW,GRUB,M5X8MM CUP(BLK) .....     |      |
|      |          | for 229088GT                         |      |
| 8    | 229089GT | TRIGGER, EXTENDED .....              | 1    |
| 8-   | 229094GT | SPRING, HANDLE TRIGGER .....         | 1    |

Go to Discount-Equipment.com to order your parts

