



A TEREX BRAND

# Parts Manual

### Serial Number Range

**GS-2032**  
**GS-2632**  
**GS-3232**

from SN GS3215A-140498 to  
GS3215A-142676  
from SN GS3216P-142677 to  
GS3216P-148699  
from SN GS32P-148700

Part No.  
1273389GT  
Rev: B.04  
March 2023



[www.discount-equipment.com](http://www.discount-equipment.com)

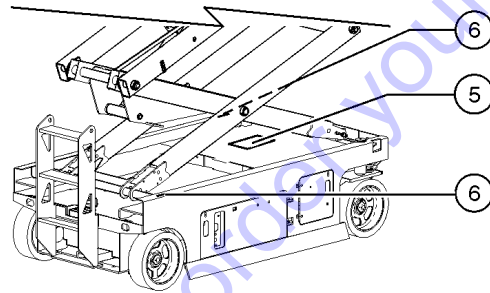
To August 31, 2016

**Genie**  
A TEREX BRAND

Model:  
**Serial number:** GS3216P-123456  
**Manufacture date:** 1/2/16      **Model year:** 2016  
**Electrical schematic number:**  
**Machine unladen weight:**  
**Rated work load (including occupants):**  
**Maximum number of platform occupants:**  
**Maximum allowable inclination of the chassis:**  
**Outrigger retracted:**  
**Outrigger deployed:**

GS32 16 P - 123456

1 2 3 4



- 1 Model
- 2 Model year
- 3 Facility code

- 4 Sequence number
- 5 Serial label (located on chassis)
- 6 Serial number (stamped on chassis)

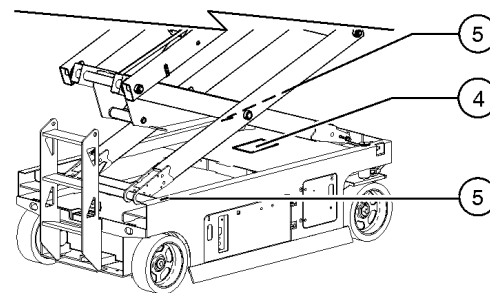
From September 1, 2016

**Genie**  
A TEREX BRAND

Model:  
**Serial number:** GS32P-123456  
**Year of manufacture:** 2016  
**Electrical schematic number:**  
**Machine unladen weight:**  
**Rated work load (including occupants):**  
**Maximum number of platform occupants:**  
**Maximum allowable inclination of the chassis:**  
**Outrigger retracted:**  
**Outrigger deployed:**

GS32 P - 123456

1 2 3



- 1 Model
- 2 Facility code
- 3 Sequence number

- 4 Serial label (located on chassis)
- 5 Serial number (stamped on chassis)

<b>Description</b>	<b>Page</b>
<b>001 Parts Stocking List .....</b>	<b>12</b>
001.1 Parts Stocking List .....	12
<b>100 Decals .....</b>	<b>14</b>
101.1 Word Decals, GS-2032, Battery Side, ANSI & Australia .....	14
102.1 Word Decals, GS-2032, Ground Control Side, ANSI and Australia .....	16
102.2 Word Decals, GS-2032, Ground Control Side, ANSI and Australia .....	20
103.1 Word Decals, GS-2032, Platform, ANSI .....	24
104.1 Word Decals, GS-2032, Platform, Australia .....	26
105.1 Word Decals, GS-2632, Battery Side, ANSI & Australia .....	28
106.1 Word Decals, GS-2632, Ground Control Side, ANSI and Australia .....	30
106.2 Word Decals, GS-2632, Ground Control Side, ANSI and Australia .....	34
107.1 Word Decals, GS-2632, Platform, ANSI .....	38
108.1 Word Decals, GS-2632, Platform, Australia .....	40
109.1 Word Decals, GS-3232, Battery Side, ANSI & Australia .....	42
110.1 Word Decals, GS-3232, Ground Control Side, ANSI and Australia .....	44
110.2 Word Decals, GS-3232, Ground Control Side, ANSI and Australia .....	48
111.1 Word Decals, GS-3232, Platform, ANSI .....	52
112.1 Word Decals, GS-3232, Platform, Australia .....	54
113.1 Symbol Decals, GS-2032, Battery Side, ANSI & CE .....	56
114.1 Symbol Decals, GS-2032, Ground Control Side, ANSI & CE .....	58
114.2 Symbol Decals, GS-2032, Ground Control Side, ANSI & CE .....	60
115.1 Symbol Decals, GS-2032, Platform, ANSI .....	62
116.1 Symbol Decals, GS-2032, Platform, CE .....	64
117.1 Symbol Decals, GS-2632, Battery Side, ANSI & CE .....	66
118.1 Symbol Decals, GS-2632, Ground Control Side, ANSI and CE .....	68
118.2 Symbol Decals, GS-2632, Ground Control Side, ANSI and CE .....	70
119.1 Symbol Decals, GS-2632, Platform, ANSI .....	72
120.1 Symbol Decals, GS-2632, Platform, CE .....	74
120.2 Symbol Decals, GS-2632, Platform, CE .....	76
121.1 Symbol Decals, GS-3232, Battery Side, ANSI & CE .....	78
122.1 Symbol Decals, GS-3232, Ground Control Side, ANSI and CE .....	80
122.2 Symbol Decals, GS-3232, Ground Control Side, ANSI and CE .....	82
123.1 Symbol Decals, GS-3232, Platform, ANSI .....	84
124.1 Symbol Decals, GS-3232, Platform, CE .....	86
124.2 Symbol Decals, GS-3232, Platform, CE .....	88
<b>200 Drive Chassis Components .....</b>	<b>90</b>
201.1 Steer Linkage and Wheels, GS-2032, GS-2632 .....	90
201.1 Steer Linkage and Wheels, GS-3232 .....	94
202.1 Non-steer Axle Installation, GS-2032 .....	98

Table of Contents

<b>Description</b>	<b>Page</b>
202.2 Non-steer Axle Installation, GS-2632 .....	100
202.3 Non-steer Axle Installation, GS-3232 .....	102
203.1 Level Sensor Installation, GS-2032, GS-2632 .....	104
203.2 Level Sensor Installation, GS-2032, GS-2632 .....	106
203.3 Level Sensor Installation, GS-3232 .....	108
203.4 Level Sensor Installation, GS-3232 .....	112
204.1 Pothole Protection Assembly, GS-2032, GS-2632 .....	116
204.2 Pothole Protection Assembly, GS-3232 .....	120
205.1 Battery Pack Module .....	124
205.2 Battery Pack Module .....	126
206.1 Battery Charger .....	128
206.2 Battery Charger .....	130
207.1 Power Unit Module (to SN GS3216P-147310) .....	132
207.2 Power Unit Module (from SN GS3216P-147311) .....	136
207.3 Power Unit Module (from SN GS3216P-147311) .....	140
208.1 Ground Controls, GS-2032, GS-2632 .....	144
208.2 Ground Controls, GS-3232 .....	148
209.1 Electrical Wiring, GS-2032 (SN including model year) .....	152
209.2 Electrical Wiring, GS-2032 (SN including alpha only) .....	156
209.3 Electrical Wiring, GS-2632 (SN including model year) .....	160
209.4 Electrical Wiring, GS-2632 (SN including alpha only) .....	164
210.1 Electrical Wiring, GS-3232 (SN including model year) .....	168
210.2 Electrical Wiring, GS-3232 (SN including alpha only) .....	172
211.1 Power Cables (SN including model year) .....	176
211.2 Power Cables (SN including alpha only) .....	178
212.1 Outrigger Components, GS-3232 .....	180
213.1 Function Manifold and Accumulator Components, GS-2032 and GS-2632 .....	182
214.1 Function Manifold and Accumulator Components, GS-3232 .....	184
<b>300 Scissor Components .....</b>	<b>186</b>
301.1 Scissor Assembly Installation .....	186
302.1 Scissor Assembly, GS-2032 .....	188
303.1 Scissor Assembly, GS-2632 .....	192
304.1 Scissor Assembly, GS-3232 .....	198
304.2 Scissor Assembly - Cable bridge and Cylinders, GS-3232 .....	202
<b>400 Platform Components .....</b>	<b>206</b>
401.1 Platform Components (to SN GS32P-153435) .....	206
401.2 Platform Components (from SN GS32P-153436) .....	214
402.1 Power to Platform, GS-2032 .....	222
402.2 Power to Platform, GS-2032 .....	226
402.3 Power to Platform, GS-2632 .....	230

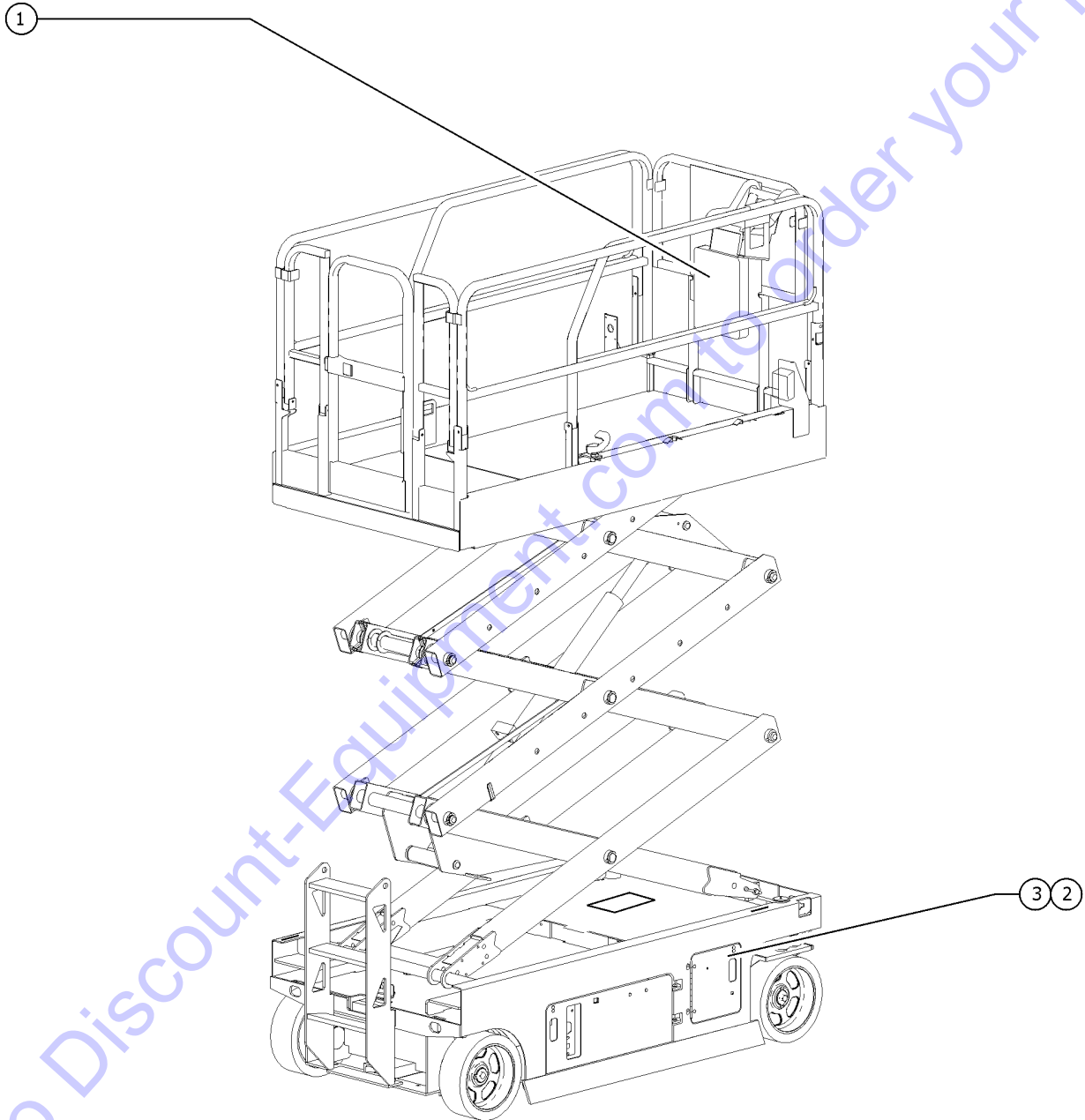
<b>Description</b>	<b>Page</b>
402.4 Power to Platform, GS-2632 .....	234
402.5 Power to Platform, GS-3232 .....	238
402.6 Power to Platform, GS-3232 .....	242
403.1 Platform Controls, 6 and 4 Button (Proportional Lift), GS-2032, GS-2632 .....	246
403.2 Platform Controls, 6 and 4 Button (Proportional Lift), GS-3232 .....	248
404.1 Joystick Controller .....	250
<b>500 Hydraulic Components .....</b>	<b>252</b>
501.1 Hydraulic Components .....	252
502.1 Function Manifold .....	254
503.1 Brake Release Hand Pump Manifold .....	258
504.1 Hydraulic Power Unit, All Models .....	260
505.1 Lift Cylinder Assembly, All Models, GS-2032 .....	262
505.2 Lift Cylinder Assembly, All Models, GS-2632 .....	264
505.3 Lift Cylinder Assembly, All Models, GS-3232 .....	266
506.1 Hydraulic Hoses and Fittings, GS-2032, GS-2632 .....	268
506.2 Hydraulic Hoses and Fittings, GS-3232 .....	272
507.1 Hydraulic Hoses and Fittings, Outriggers, GS-3232 .....	276
508.1 Outrigger Cylinders, Front and Rear, GS-3232 .....	278
509.1 Outrigger Function Manifold, GS-3232 .....	280
<b>600 Accessories .....</b>	<b>282</b>
601.1 Alarm, Horn and Flashing Beacons .....	282
601.2 Alarm, Horn and Flashing Beacons .....	286
602.1 Air Line to Platform, GS-2032 .....	288
602.2 Air Line to Platform, GS-2632 .....	290
602.3 Air Line to Platform, GS-3232 .....	292
603.1 Platform Work Light, GS-2032 .....	294
603.2 Platform Work Light, GS-2632 .....	296
603.3 Platform Work Light, GS-3232 .....	298
604.1 Voltage Inverter .....	300
605.1 RCBO .....	302
606.1 PCON Guard .....	304
607.1 Lift Guard Contact Alarm, View-1 (to SN GS32P-165926) .....	306
607.2 Lift Guard Contact Alarm, View-1 (from SN GS32P-165927) .....	308
608.1 Lift Guard Contact Alarm, View-2 (to SN GS32P-165926) .....	310
608.2 Lift Guard Contact Alarm, View-2 (from SN GS32P-165927) .....	312
609.1 Telematics Option .....	314
<b>700 Platform Overload Components .....</b>	<b>316</b>
701.1 Platform Overload, GS-2032, GS-2632 .....	316
701.2 Platform Overload, GS-3232 .....	318

Table of Contents

Description	Page
Part Number Index .....	320

Go to [Discount-Equipment.com](http://Discount-Equipment.com) to order your parts

001.1 Parts Stocking List



Item	Part No.	Description	Qty.
A-	66399GT	GREASE,DIELECTRIC 4 OZ** .....	
B-		Ref. CHEVRON ULTRA-DUTY GREASE (LITHIUM), OR EQUIVALENT, EP NLGI 1 ..... (source locally)	
C-	1484GT	PAINT,AEROSOL,BRIGHT BLUE*** .....	
		12-ounce spray paint	
C-	1268GT	PAINT,AEROSOL,GENIE GRAY*** .....	
		12-ounce spray paint	
C-	1258567GT	PAINT, AEROSOL, TRAFFIC BLACK .....	
		12-ounce spray paint	
D-	32150GT	PAINT, WET, GENIE BLUE (1 GL)** .....	
		1-gallon	
D-	32151GT	PAINT, WET, GENIE GRAY (1GL)** .....	
		1-gallon	
D-	1257733GT	PAINT, WET, TRAFFIC BLACK(1 GL)** .....	
		1-gallon	
E-	49613GT	PLUG AND CAP KIT-SERVICE,ORFS* .....	
1A	27581GT	MANUAL, EMI SAFETY .....	
1B	1298933GT	MANUAL, SAIA MANUAL OF RESPONSIBILITIES, MEWP .....	
2	44788GT	FILTER ELEMENT-10MICRON, PAPER* .....	
3	78546GT	BREATHER CAP, HYD. TANK, 1/4 NPT .....	

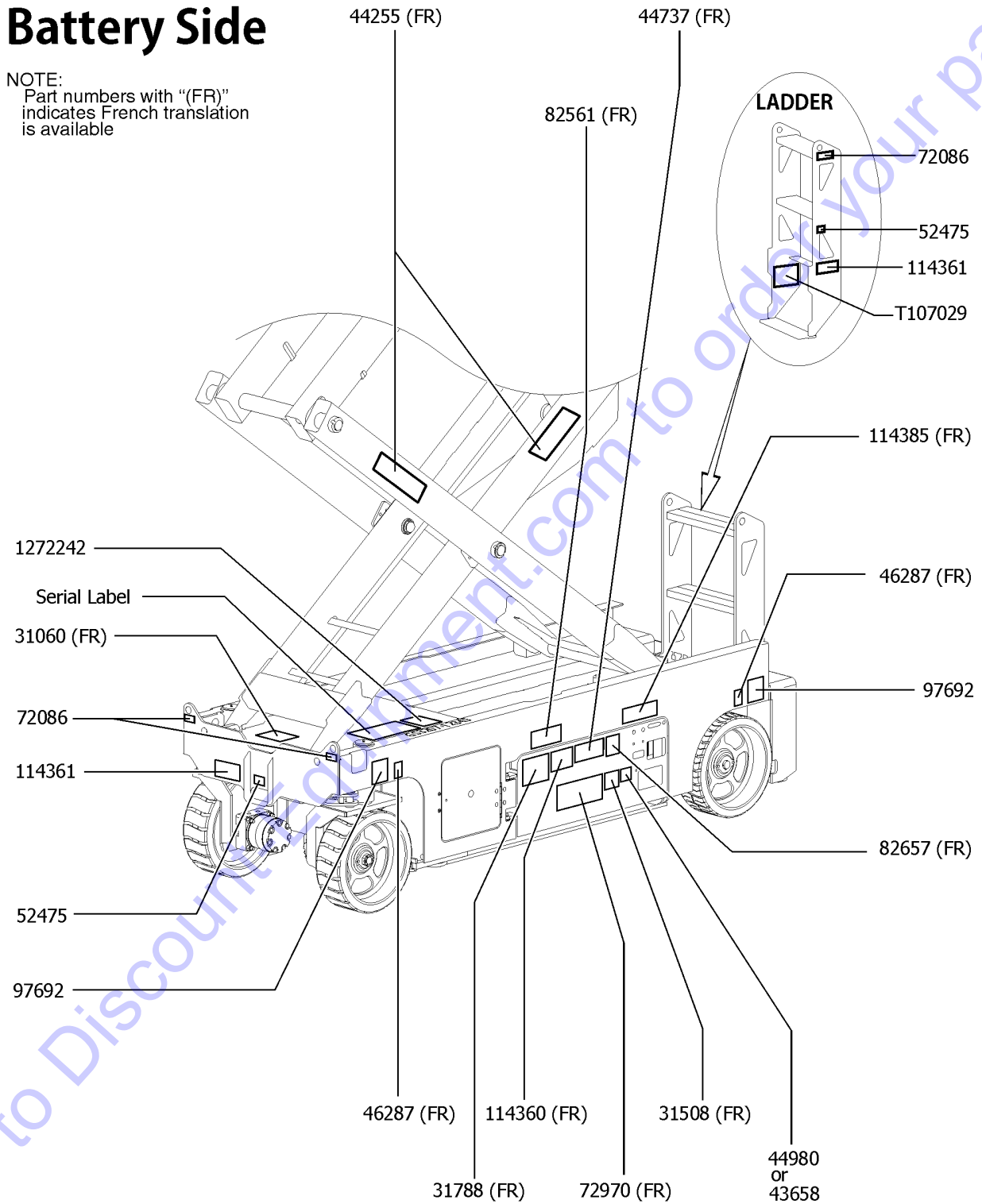
Go to Discount-Equipment.com to order your parts





# Battery Side

NOTE:  
Part numbers with "(FR)"  
indicates French translation  
is available

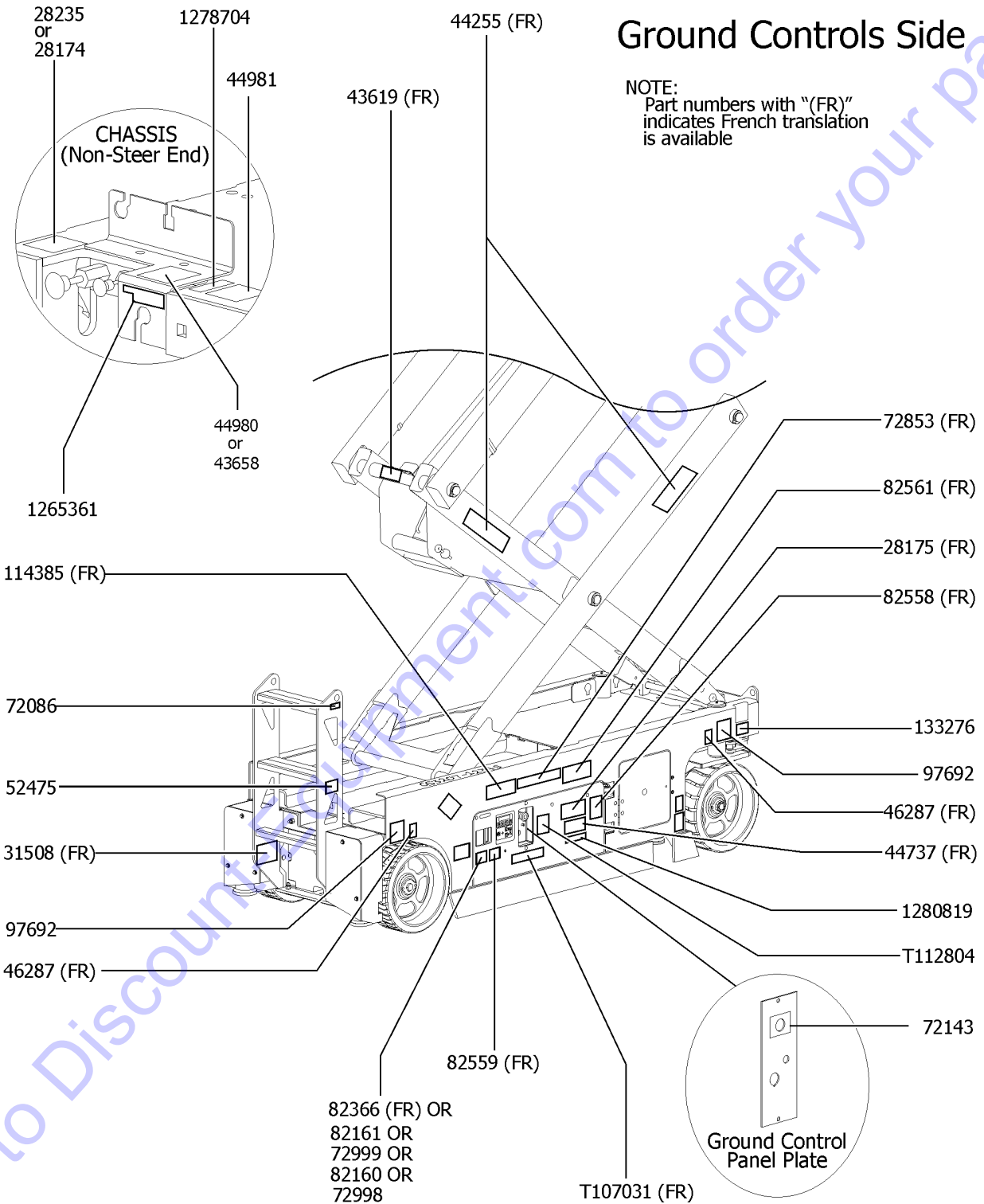


101.1 Word Decals, GS-2032, Battery Side, ANSI & Australia

Item	Part No.	Description	Qty.
1	31060GT	DECAL,DANGER DO NOT ALTER SWTC .....	1
2	31508GT	DECAL,DANGER,ELECT HAZARD,PLUG .....	1
		(Australia models only)	
3	31788GT	DECAL,DANGER,BATTERY SAFETY*** .....	1
4	43658GT	DECAL,LABEL,PWR TO CHARGR 230V .....	1
		(Australia models only)	
5	44255GT	DECAL,DANGER,CRUSHING HAZARD .....	2
6	44737GT	DECAL,DANGER,TIP-OVER,TRAYS .....	1
7	44980GT	DECAL,LABEL,PWR TO CHARGR 115V .....	1
		(Australia models only)	
8	46287GT	DECAL,LABEL-TIRE SPECS .....	2
9	52475GT	DECAL,LABEL,TRANSPORT TIEDOWN* .....	2
10	72086GT	DECAL,LABEL,LIFTING EYE .....	3
11	72970GT	DECAL,INSTRUCTIONS-CHARGER OP .....	1
12	82561GT	DECAL,DANGER-USE SAFETY ARM .....	1
13	82657GT	DECAL,INSTRUCT,BATTERY CONNECT .....	1
14	97692GT	DECAL,LABEL,WHEEL LOAD 2032 .....	2
15	114360GT	DECAL,DANGER-TIP-OVER,BATT .....	1
16	114361GT	DECAL,SYM-TIP-OVER,LIM SWITCH .....	2
17	114385GT	DECAL,DANGER,ELEC HAZARD,GS .....	1
18	1272242GT	DECAL,MACHINE REGISTRATION/OWNER TRANSFER .....	1
19	T107029GT	DECAL DANGER BRAKE REL SAFETY .....	1



102.1 Word Decals, GS-2032, Ground Control Side, ANSI and Australia



Go to DiscountEquipment.com to order your parts

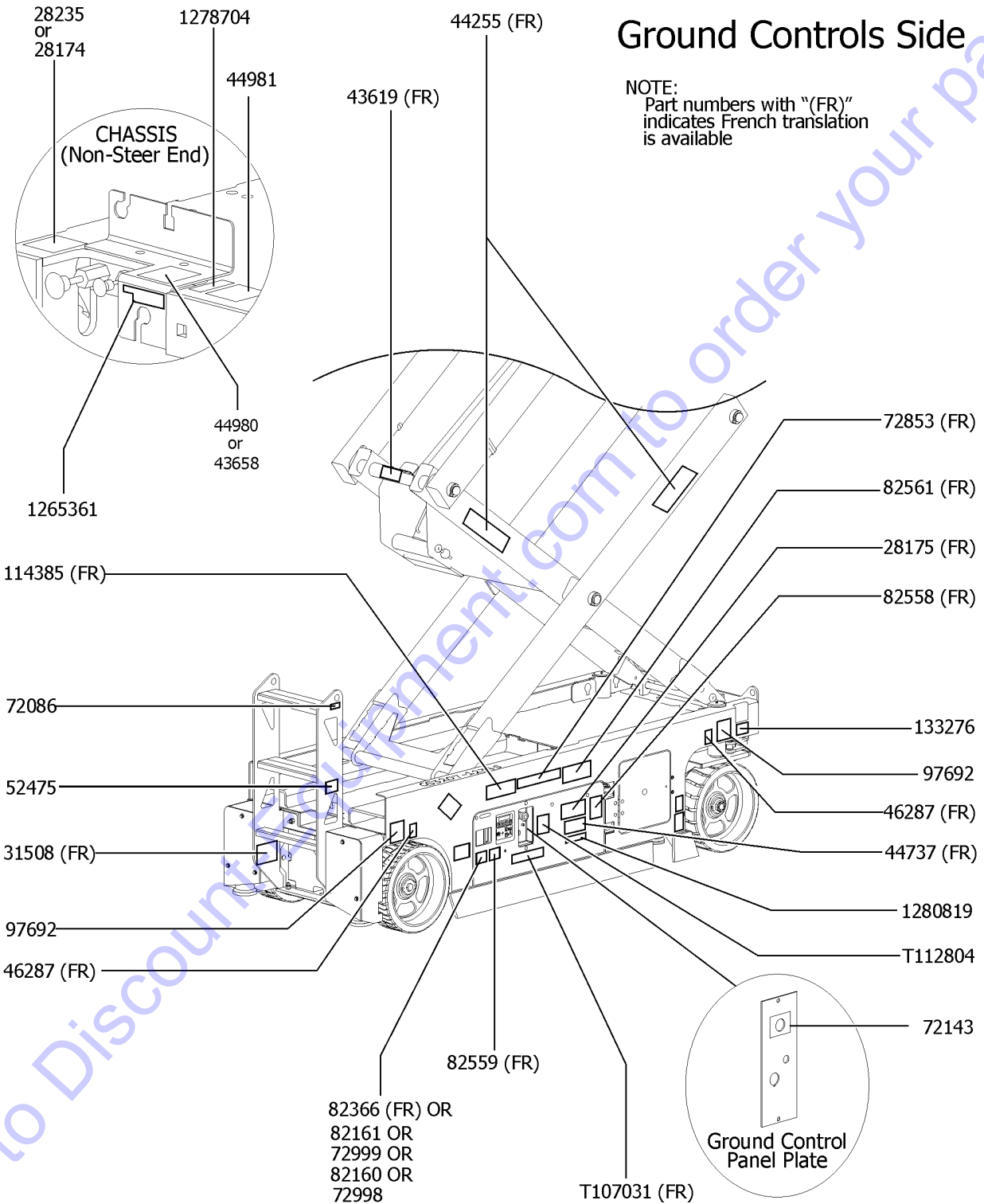


102.1 Word Decals, GS-2032, Ground Control Side, ANSI and Australia

Item	Part No.	Description	Qty.
1	28174GT	DECAL,POWER TO PLATFORM 230V .....	1
2	28175GT	DECAL,WARNING-COMPART ACCESS .....	1
3	28235GT	DECAL,POWER TO PLATFORM 115V .....	1
4	31508GT	DECAL,DANGER,ELECT HAZARD,PLUG (ANSI models) .....	1
5	43619GT	DECAL,LABEL,SAFETY ARM .....	1
6	43658GT	DECAL,LABEL,PWR TO CHARGR 230V (ANSI models) .....	1
7	44255GT	DECAL,DANGER,CRUSHING HAZARD .....	2
8	46287GT	DECAL,LABEL-TIRE SPECS .....	2
9	44737GT	DECAL,DANGER,TIP-OVER,TRAYS .....	1
10	44980GT	DECAL,LABEL,PWR TO CHARGR 115V (ANSI models) .....	1
11	44981GT	DECAL,LABEL,AIRLINE 110 PSI (Option) .....	1
12	52475GT	DECAL,LABEL,TRANSPORT TIEDOWN* .....	1
13	72086GT	DECAL,LABEL,LIFTING EYE .....	1
14	72143GT	DECAL,EMERGENCY STOP,GR .....	1
15	72853GT	DECAL,DANGER,IMPROPER USE HAZ. ....	1
16	72998GT	DECAL, LABEL, QUINTOLUBRIK (models with Quintolub hydraulic oil) .....	1
17	72999GT	DECAL,LABEL,PETRO CANADA*** (models with Petro Canada hydraulic oil) .....	1
18	82160GT	DECAL, LABEL, STATOIL HYDRAWAY (models with Statoil hydraulic oil) .....	1
19	82161GT	DECAL,LABEL,UCON HYDROLUBE (models with UConn Hydrolube hydraulic oil) .....	1
20	82366GT	DECAL,CHEVRON RANDO HD (models with Chevron Random hydraulic oil) .....	1
21	82558GT	DECAL,SKIN INJECTION .....	1
22	82559GT	DECAL,INSTRUCT-ANNUAL INSP REQ .....	1
23	82561GT	DECAL,DANGER-USE SAFETY ARM .....	1
24	97692GT	DECAL,LABEL,WHEEL LOAD 2032 .....	2
25	114385GT	DECAL,DANGER,ELEC HAZARD,GS .....	1
26	133276GT	DECAL,EMERGENCY LOWERING .....	1
27	T107031GT	DECAL,OP INST,GCON .....	1
28	T112804GT	DECAL,GCON PANEL,GS .....	1



102.1 Word Decals, GS-2032, Ground Control Side, ANSI and Australia



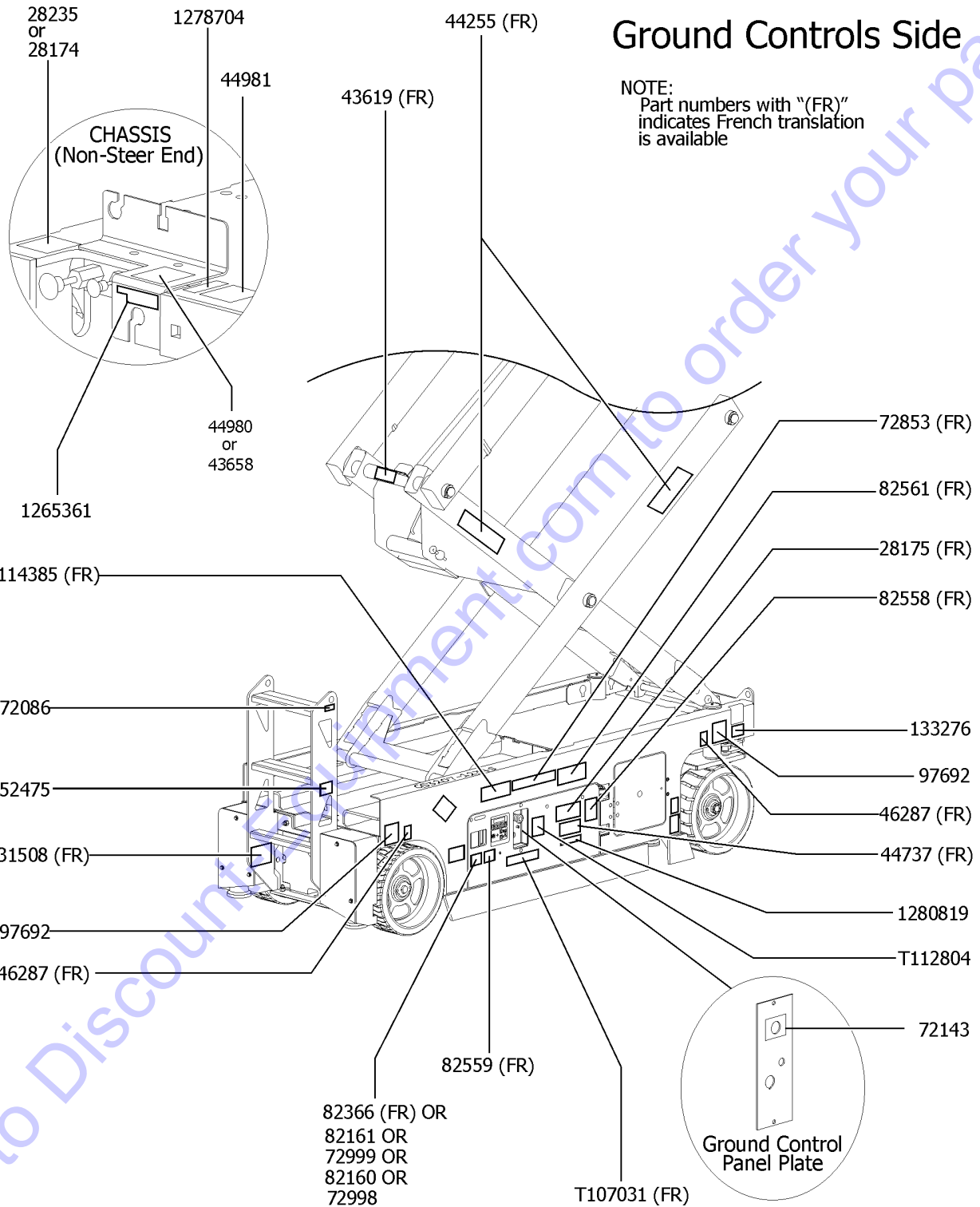
102.1 Word Decals, GS-2032, Ground Control Side, ANSI and Australia

<i>Item</i>	<i>Part No.</i>	<i>Description</i>	<i>Qty.</i>
29	1265361GT	DECAL, BATTERY CHARGER INDICAT (ANSI from SN 146463 to 157195) (AUS from 146463)	1

Go to Discount-Equipment.com to order your parts



102.2 Word Decals, GS-2032, Ground Control Side, ANSI and Australia



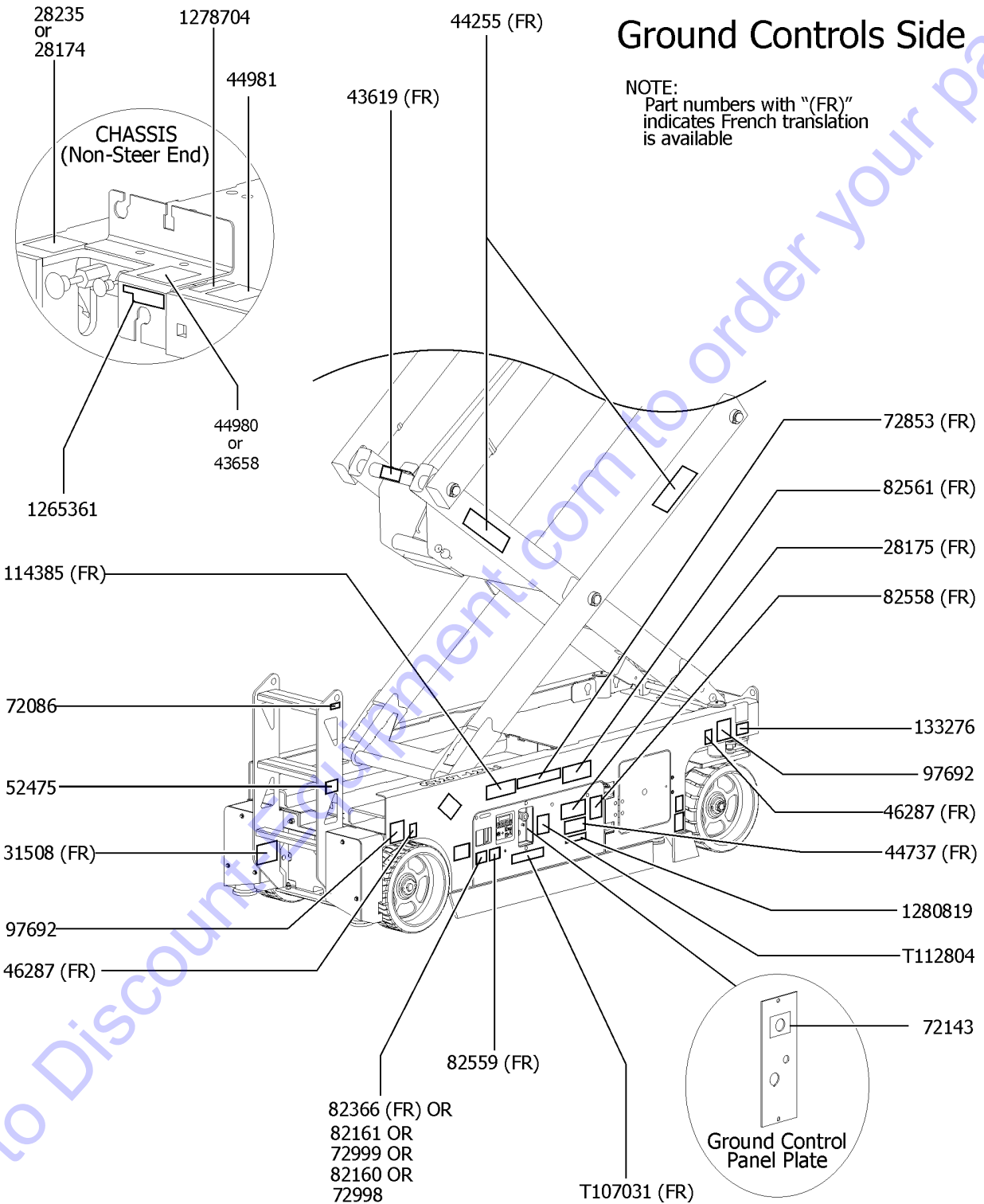
102.2 Word Decals, GS-2032, Ground Control Side, ANSI and Australia

Item	Part No.	Description	Qty.
1	28174GT	DECAL,POWER TO PLATFORM 230V .....	1
2	28175GT	DECAL,WARNING-COMPART ACCESS .....	1
3	28235GT	DECAL,POWER TO PLATFORM 115V .....	1
4	31508GT	DECAL,DANGER,ELECT HAZARD,PLUG (ANSI models) .....	1
5	43619GT	DECAL,LABEL,SAFETY ARM .....	1
6	43658GT	DECAL,LABEL,PWR TO CHARGR 230V (ANSI models) .....	1
7	44255GT	DECAL,DANGER,CRUSHING HAZARD .....	2
8	46287GT	DECAL,LABEL-TIRE SPECS .....	2
9	44737GT	DECAL,DANGER,TIP-OVER,TRAYS .....	1
10	44980GT	DECAL,LABEL,PWR TO CHARGR 115V (ANSI models) .....	1
11	44981GT	DECAL,LABEL,AIRLINE 110 PSI (Option) .....	1
12	52475GT	DECAL,LABEL,TRANSPORT TIEDOWN* .....	1
13	72086GT	DECAL,LABEL,LIFTING EYE .....	1
14	72143GT	DECAL,EMERGENCY STOP,GR .....	1
15	72853GT	DECAL,DANGER,IMPROPER USE HAZ. ....	1
16	72998GT	DECAL, LABEL, QUINTOLUBRIK (models with Quintolub hydraulic oil) .....	1
17	72999GT	DECAL,LABEL,PETRO CANADA*** (models with Petro Canada hydraulic oil) .....	1
18	82160GT	DECAL, LABEL, STATOIL HYDRAWAY (models with Statoil hydraulic oil) .....	1
19	82161GT	DECAL,LABEL,UCON HYDROLUBE (models with UConn Hydrolube hydraulic oil) .....	1
20	82366GT	DECAL,CHEVRON RANDO HD (models with Chevron Random hydraulic oil) .....	1
21	82558GT	DECAL,SKIN INJECTION .....	1
22	82559GT	DECAL,INSTRUCT-ANNUAL INSP REQ .....	1
23	82561GT	DECAL,DANGER-USE SAFETY ARM .....	1
24	97692GT	DECAL,LABEL,WHEEL LOAD 2032 .....	2
25	114385GT	DECAL,DANGER,ELEC HAZARD,GS .....	1
26	133276GT	DECAL,EMERGENCY LOWERING .....	1
27	T107031GT	DECAL,OP INST,GCON .....	1
28	T112804GT	DECAL,GCON PANEL,GS .....	1





102.2 Word Decals, GS-2032, Ground Control Side, ANSI and Australia



102.2 Word Decals, GS-2032, Ground Control Side, ANSI and Australia

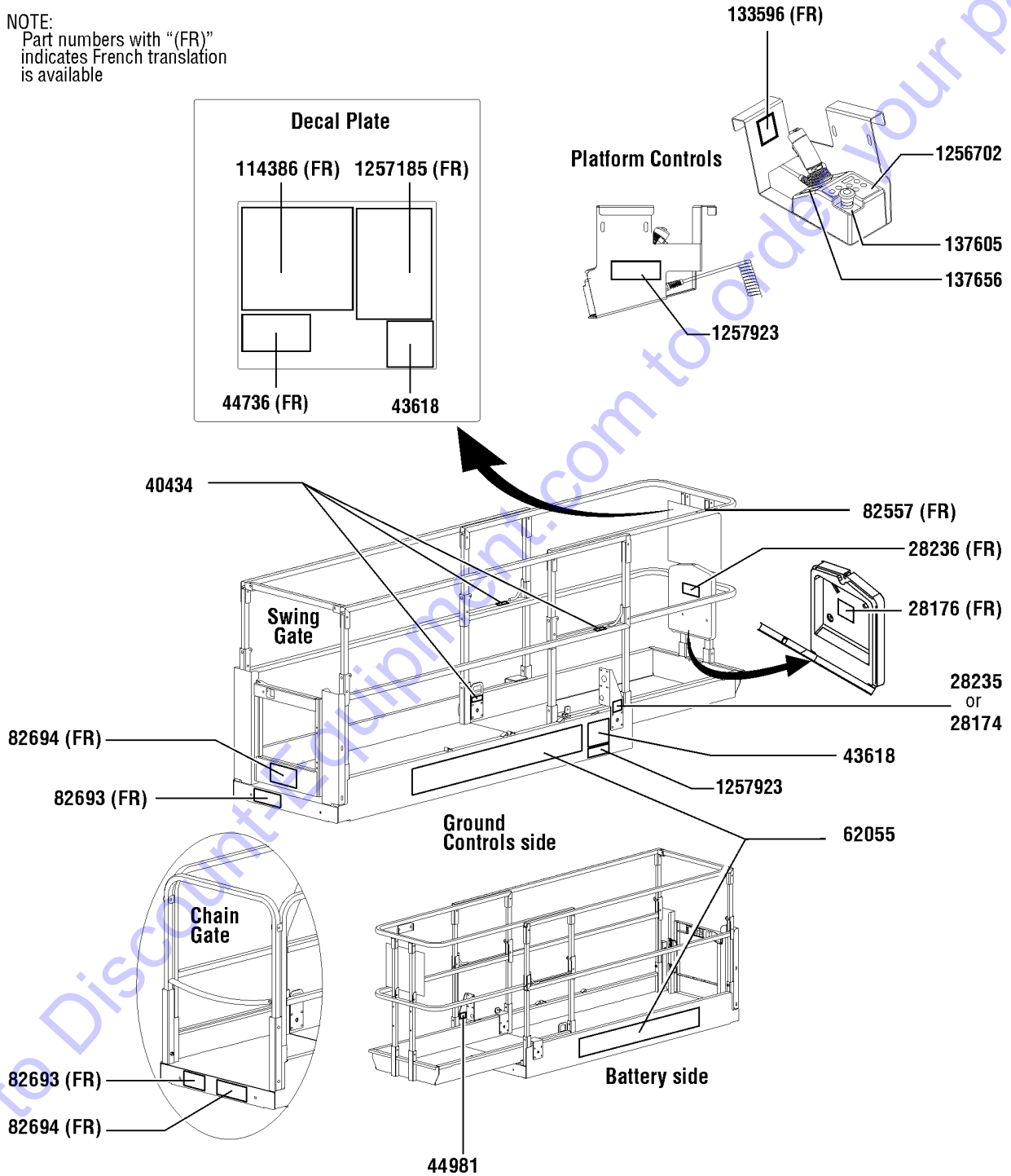
Item	Part No.	Description	Qty.
29	1265361GT	DECAL, BATTERY CHARGER INDICAT (ANSI from SN 146463 to 157195) (AUS from 146463)	1
30	1278704GT	DECAL, CHARGE STATUS IND. (ANSI from SN 157196)	1
31	1280819GT	DECAL, WARNING, CANCER AND REPRODUCTIVE HARM, PROP 65 (ANSI US only from SN 159075)	1

Go to Discount-Equipment.com to order your parts



# Platform, ANSI models

NOTE:  
Part numbers with "(FR)" indicates French translation is available



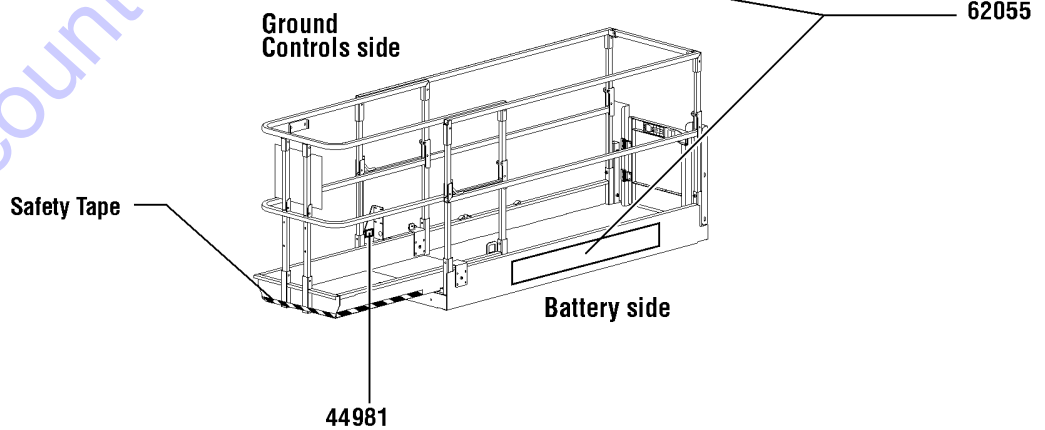
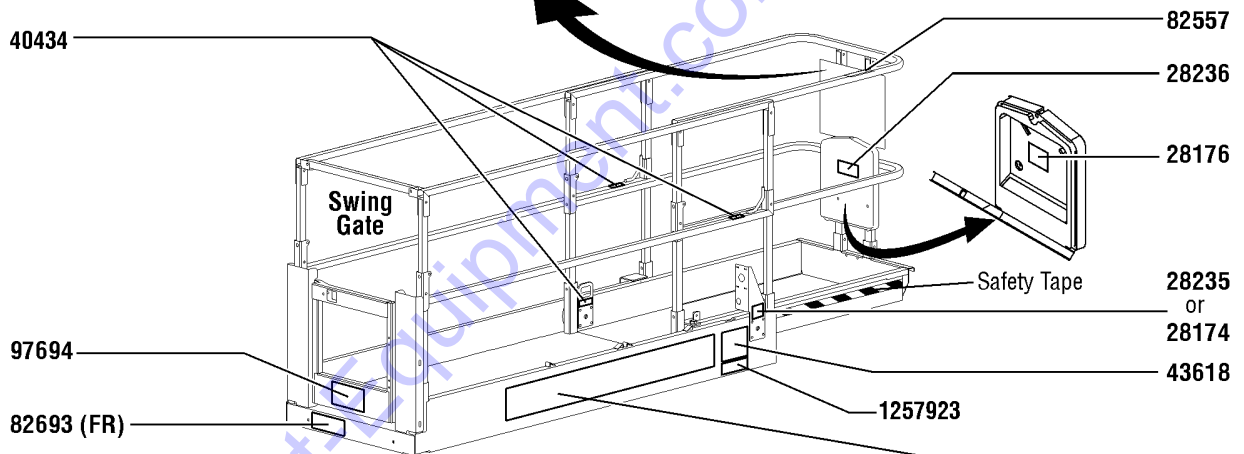
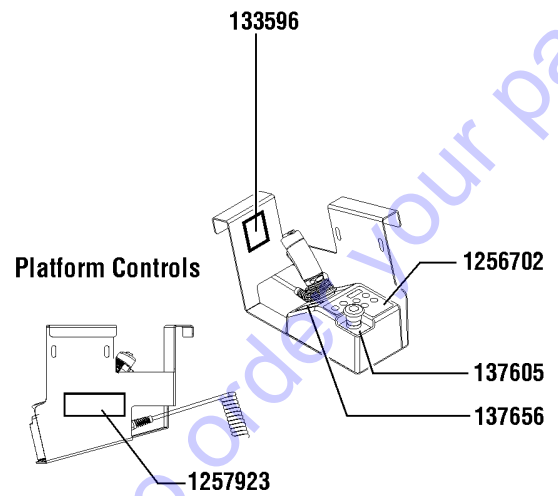
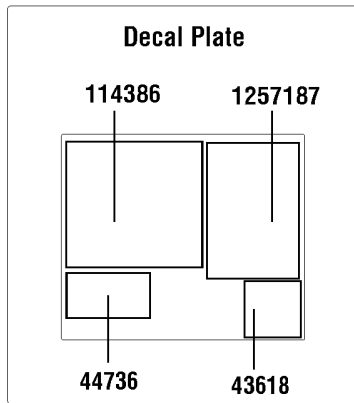
103.1 Word Decals, GS-2032, Platform, ANSI

Item	Part No.	Description	Qty.
	137605GT	DECAL,E-STOP,GR/GRC/GS PCON .....	
1	28174GT	DECAL,POWER TO PLATFORM 230V .....	1
2	28176GT	DECAL,LABEL,MANUAL NOT HERE .....	1
3	28235GT	DECAL,POWER TO PLATFORM 115V .....	1
4	28236GT	DECAL,WARN,IMPROPER OPERATION .....	1
5	40434GT	DECAL,LANYARD ANCHORAGE POINT .....	3
6	43618GT	DECAL,LABEL-DIRECTION ARROWS .....	2
7	44736GT	DECAL,DANGER,TIP-OVER,TILT .....	1
8	44981GT	DECAL,LABEL,AIRLINE 110 PSI .....	1
9	62055GT	DECAL,COSMETIC,GENIE GS-2032 .....	2
10	82557GT	DECAL,LABEL,PLAT CONT LOCATION .....	1
11	82693GT	DECAL,INSTR-MAX CAP 800 LBS .....	1
12	82694GT	DECAL,INSTR-SIDE FRC,ANSI 2032 .....	1
13	114386GT	DECAL,DANGER-GEN SAFETY .....	1
14	133596GT	DECAL,LABEL,FAULT CODES .....	1
15	137605GT	DECAL,E-STOP,GR/GRC/GS PCON .....	1
16	137656GT	DECAL,PROPEL,GR/GRC/GS,PCON .....	1
17	1256702GT	DECAL, UI, GS/GR, PROP LIFT .....	1
18	1257185GT	DECAL,OP INST,PLAT,GS32 ANSI .....	1
19	1257923GT	DECAL, SMARTLINK PROPORTIONAL .....	2



# Platform, Australia models

NOTE:  
Part numbers with "(FR)" indicates French translation is available

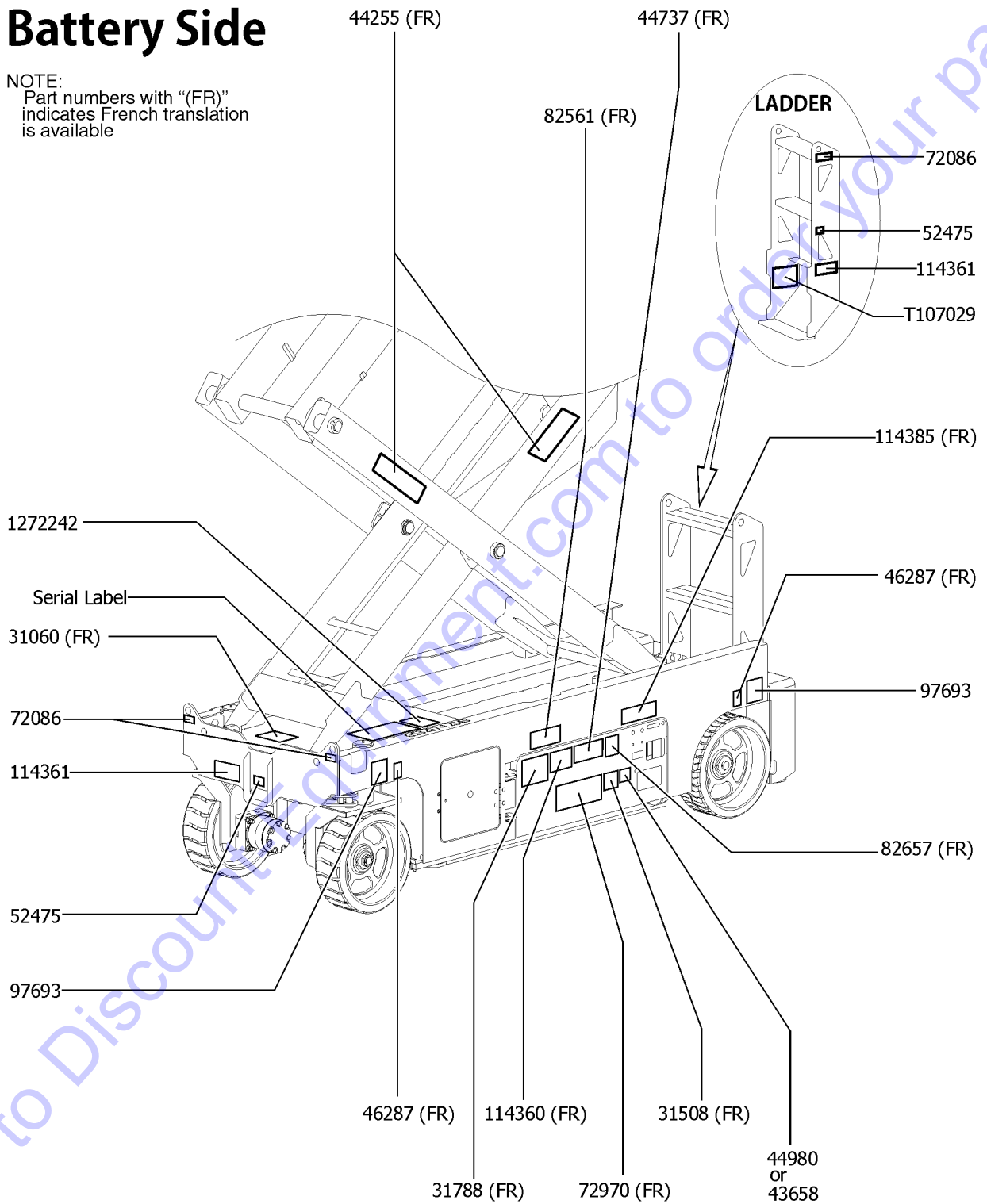


Item	Part No.	Description	Qty.
1	28174GT	DECAL,POWER TO PLATFORM 230V .....	1
2	28176GT	DECAL,LABEL,MANUAL NOT HERE .....	1
3	28235GT	DECAL,POWER TO PLATFORM 115V .....	1
4	28236GT	DECAL,WARN,IMPROPER OPERATION .....	1
5	40434GT	DECAL,LANYARD ANCHORAGE POINT .....	3
6	43618GT	DECAL,LABEL-DIRECTION ARROWS .....	2
7	44736GT	DECAL,DANGER,TIP-OVER,TILT .....	1
8	44981GT	DECAL,LABEL,AIRLINE 110 PSI .....	1
		(Option)	
9	62055GT	DECAL,COSMETIC,GENIE GS-2032 .....	2
10	82557GT	DECAL,LABEL,PLAT CONT LOCATION .....	1
11	82693GT	DECAL,INSTR-MAX CAP 800 LBS .....	1
12	97694GT	DECAL,INSTR-MANUALFRC,AUS 2032 .....	1
13	114386GT	DECAL,DANGER-GEN SAFETY .....	1
14	133596GT	DECAL,LABEL,FAULT CODES .....	1
15	137605GT	DECAL,E-STOP,GR/GRC/GS PCON .....	1
16	137656GT	DECAL,PROPEL,GR/GRC/GS,PCON .....	1
17	1256702GT	DECAL, UI, GS/GR, PROP LIFT .....	1
18	1257187GT	DECAL,OP INST,PLAT,GS32,AUS .....	1
19	1257923GT	DECAL, SMARTLINK PROPORTIONAL .....	2



# Battery Side

NOTE:  
Part numbers with "(FR)"  
indicates French translation  
is available



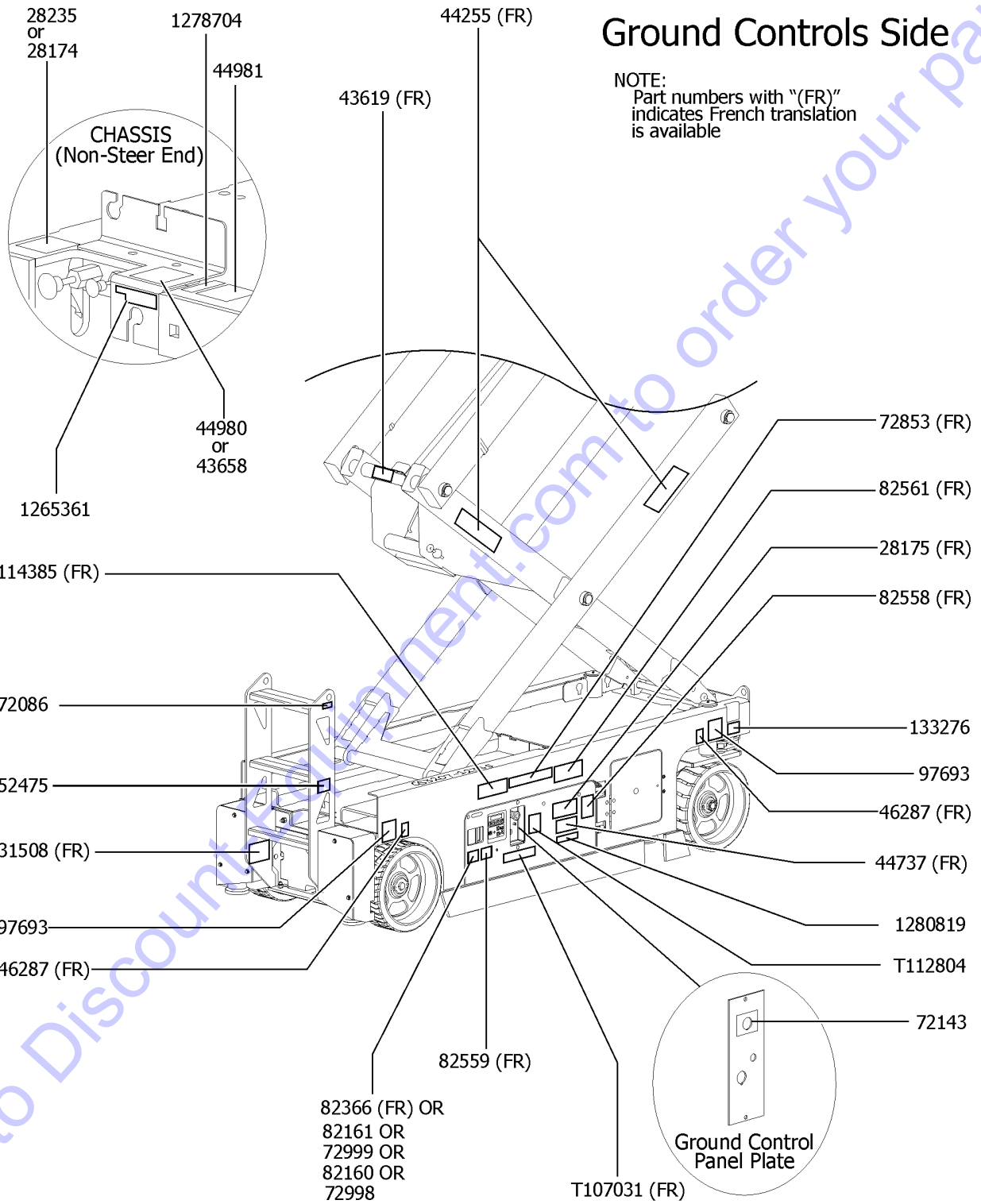
105.1 Word Decals, GS-2632, Battery Side, ANSI & Australia

Item	Part No.	Description	Qty.
1	31060GT	DECAL,DANGER DO NOT ALTER SWTC .....	1
2	31508GT	DECAL,DANGER,ELECT HAZARD,PLUG .....	1
		(Australia models only)	
3	31788GT	DECAL,DANGER,BATTERY SAFETY*** .....	1
4	43658GT	DECAL,LABEL,PWR TO CHARGR 230V .....	1
		(Australia models only)	
5	44255GT	DECAL,DANGER,CRUSHING HAZARD .....	2
6	44737GT	DECAL,DANGER,TIP-OVER,TRAYS .....	1
7	44980GT	DECAL,LABEL,PWR TO CHARGR 115V .....	1
		(Australia models only)	
8	46287GT	DECAL,LABEL-TIRE SPECS .....	2
9	52475GT	DECAL,LABEL,TRANSPORT TIEDOWN* .....	2
10	72086GT	DECAL,LABEL,LIFTING EYE .....	3
11	72970GT	DECAL,INSTRUCTIONS-CHARGER OP .....	1
12	82561GT	DECAL,DANGER-USE SAFETY ARM .....	1
13	82657GT	DECAL,INSTRUCT,BATTERY CONNECT .....	1
14	97693GT	DECAL,LABEL,WHEEL LOAD 2632 .....	2
15	114360GT	DECAL,DANGER-TIP-OVER,BATT .....	1
16	114361GT	DECAL,SYM-TIP-OVER,LIM SWITCH .....	2
17	114385GT	DECAL,DANGER,ELEC HAZARD,GS .....	1
18	1272242GT	DECAL,MACHINE REGISTRATION/OWNER TRANSFER .....	1
19	T107029GT	DECAL DANGER BRAKE REL SAFETY .....	1





106.1 Word Decals, GS-2632, Ground Control Side, ANSI and Australia

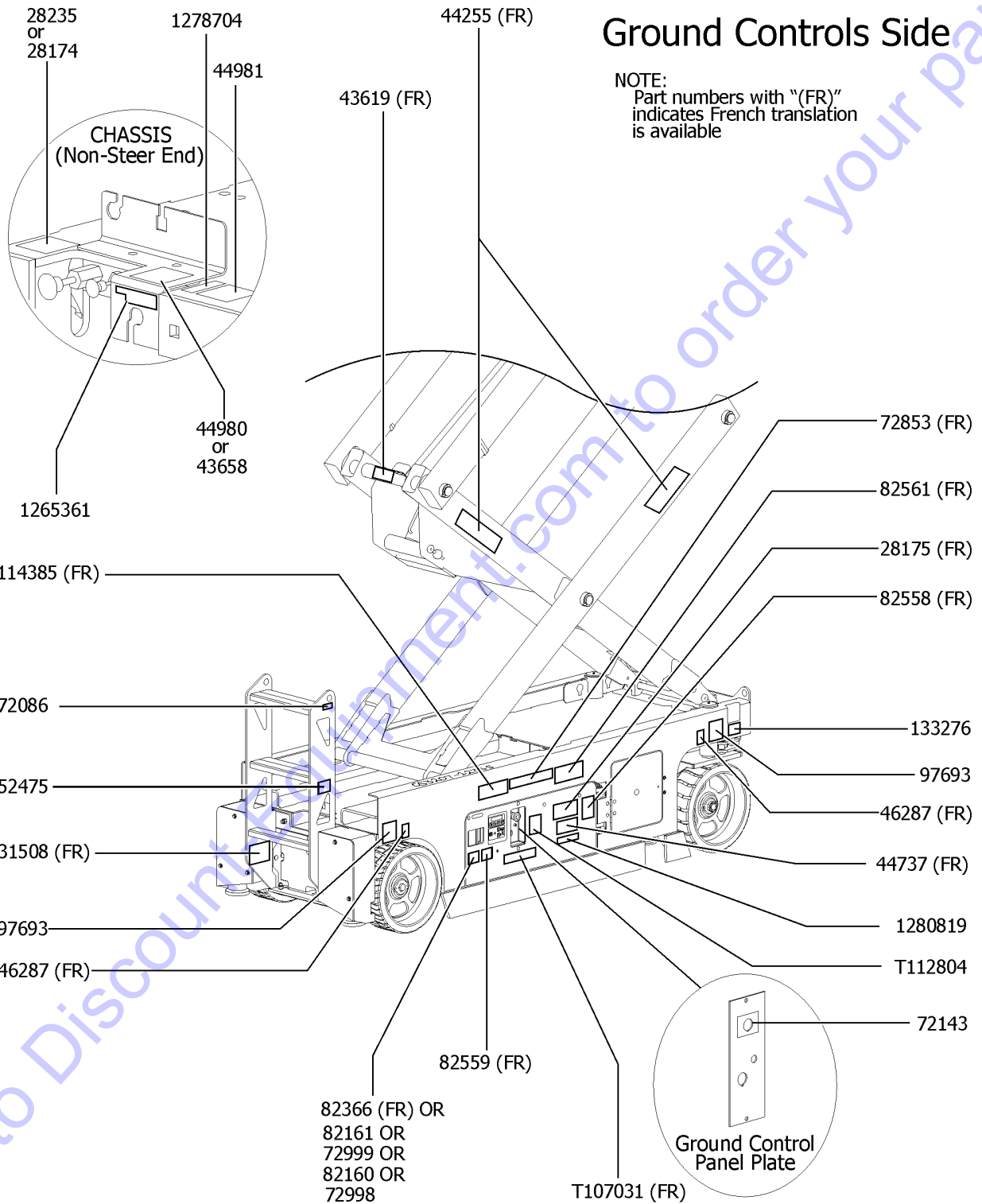


106.1 Word Decals, GS-2632, Ground Control Side, ANSI and Australia

Item	Part No.	Description	Qty.
1	28174GT	DECAL,POWER TO PLATFORM 230V .....	1
2	28175GT	DECAL,WARNING-COMPART ACCESS .....	1
3	28235GT	DECAL,POWER TO PLATFORM 115V .....	1
4	31508GT	DECAL,DANGER,ELECT HAZARD,PLUG (For ANSI models only) .....	1
5	43619GT	DECAL,LABEL,SAFETY ARM .....	1
6	43658GT	DECAL,LABEL,PWR TO CHARGR 230V (For ANSI models only) .....	1
7	44255GT	DECAL,DANGER,CRUSHING HAZARD .....	2
8	46287GT	DECAL,LABEL-TIRE SPECS .....	2
9	44737GT	DECAL,DANGER,TIP-OVER,TRAYS .....	1
10	44980GT	DECAL,LABEL,PWR TO CHARGR 115V (For ANSI models only) .....	1
11	44981GT	DECAL,LABEL,AIRLINE 110 PSI (Option) .....	1
12	52475GT	DECAL,LABEL,TRANSPORT TIEDOWN* .....	1
13	72086GT	DECAL,LABEL,LIFTING EYE .....	1
14	72143GT	DECAL,EMERGENCY STOP,GR .....	1
15	72853GT	DECAL,DANGER,IMPROPER USE HAZ. ....	1
16	72998GT	DECAL, LABEL, QUINTOLUBRIK (models with Quintolub hydraulic oil) .....	1
17	72999GT	DECAL,LABEL,PETRO CANADA*** (For models with Petro Canada hydraulic oil only) .....	1
18	82160GT	DECAL, LABEL, STATOIL HYDRAWAY (For models with Statoil hydraulic oil only) .....	1
19	82161GT	DECAL,LABEL,UCON HYDROLUBE (For models with Ucon Hydrolube hydraulic oil only) .....	1
20	82366GT	DECAL,CHEVRON RANDO HD (For models with Chevron Rando hydraulic oil only) .....	1
21	82558GT	DECAL,SKIN INJECTION .....	1
22	82559GT	DECAL,INSTRUCT-ANNUAL INSP REQ .....	1
23	82561GT	DECAL,DANGER-USE SAFETY ARM .....	1
24	97693GT	DECAL,LABEL,WHEEL LOAD 2632 .....	2
25	114385GT	DECAL,DANGER,ELEC HAZARD,GS .....	1
26	133276GT	DECAL,EMERGENCY LOWERING .....	1
27	T107031GT	DECAL,OP INST,GCON .....	1
28	T112804GT	DECAL,GCON PANEL,GS .....	1



106.1 Word Decals, GS-2632, Ground Control Side, ANSI and Australia



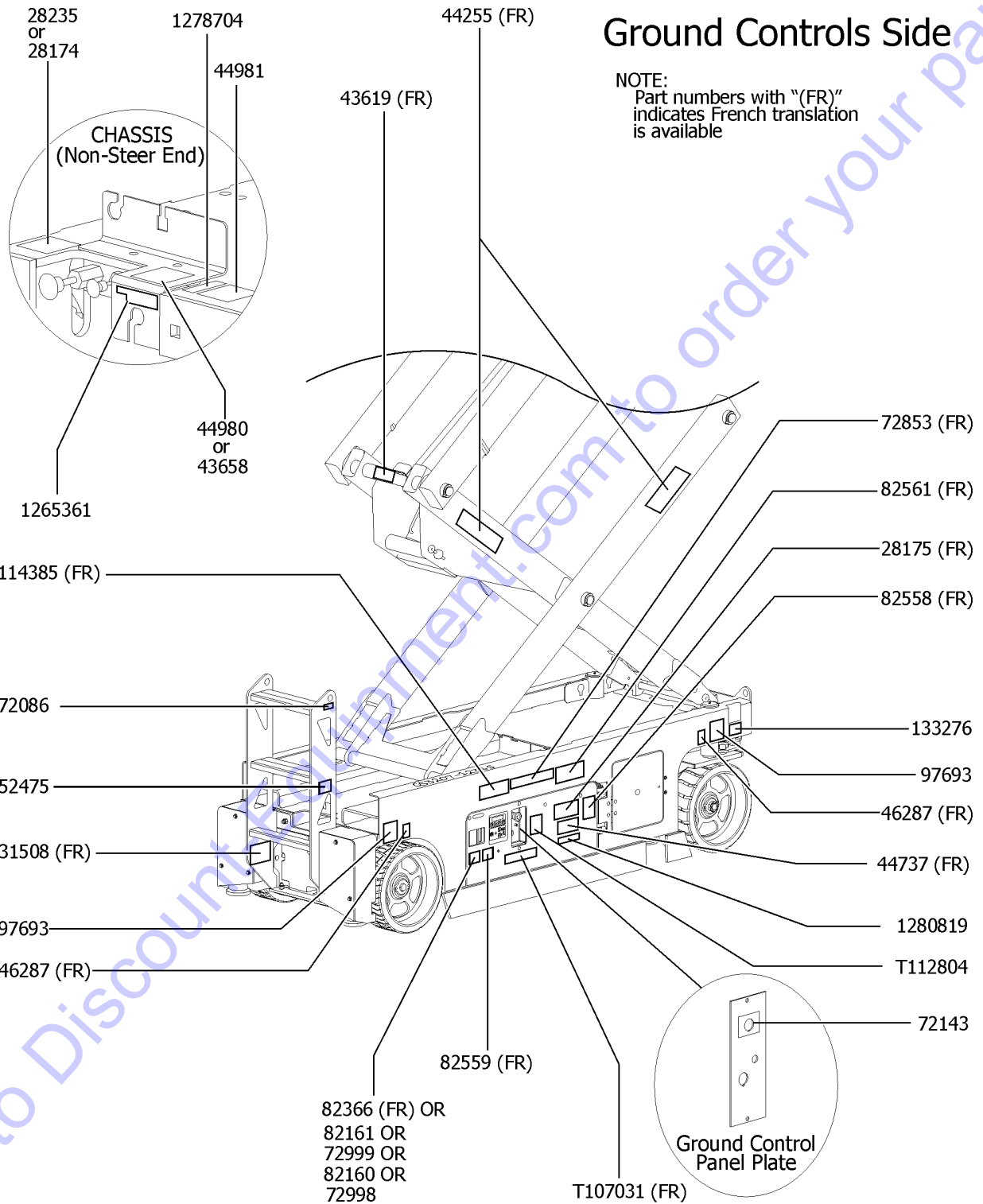
106.1 Word Decals, GS-2632, Ground Control Side, ANSI and Australia

<i>Item</i>	<i>Part No.</i>	<i>Description</i>	<i>Qty.</i>
29	1265361GT	DECAL, BATTERY CHARGER INDICAT (ANSI from SN 146463 to 157195) (AUS from 146463)	1

Go to Discount-Equipment.com to order your parts



106.2 Word Decals, GS-2632, Ground Control Side, ANSI and Australia



106.2 Word Decals, GS-2632, Ground Control Side, ANSI and Australia

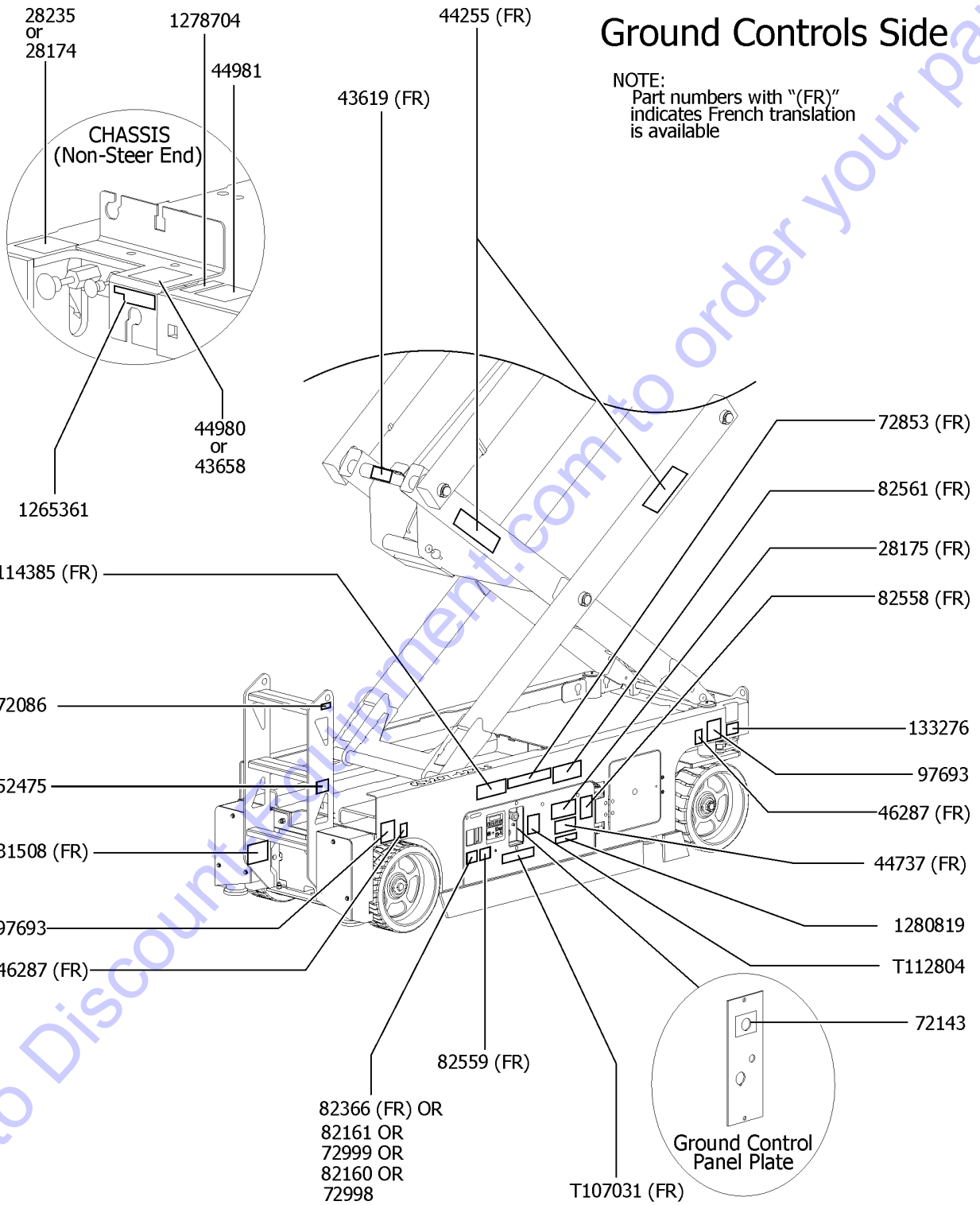
Item	Part No.	Description	Qty.
1	28174GT	DECAL,POWER TO PLATFORM 230V .....	1
2	28175GT	DECAL,WARNING-COMPART ACCESS .....	1
3	28235GT	DECAL,POWER TO PLATFORM 115V .....	1
4	31508GT	DECAL,DANGER,ELECT HAZARD,PLUG (For ANSI models only) .....	1
5	43619GT	DECAL,LABEL,SAFETY ARM .....	1
6	43658GT	DECAL,LABEL,PWR TO CHARGR 230V (For ANSI models only) .....	1
7	44255GT	DECAL,DANGER,CRUSHING HAZARD .....	2
8	46287GT	DECAL,LABEL-TIRE SPECS .....	2
9	44737GT	DECAL,DANGER,TIP-OVER,TRAYS .....	1
10	44980GT	DECAL,LABEL,PWR TO CHARGR 115V (For ANSI models only) .....	1
11	44981GT	DECAL,LABEL,AIRLINE 110 PSI (Option) .....	1
12	52475GT	DECAL,LABEL,TRANSPORT TIEDOWN* .....	1
13	72086GT	DECAL,LABEL,LIFTING EYE .....	1
14	72143GT	DECAL,EMERGENCY STOP,GR .....	1
15	72853GT	DECAL,DANGER,IMPROPER USE HAZ. ....	1
16	72998GT	DECAL, LABEL, QUINTOLUBRIK (models with Quintolub hydraulic oil) .....	1
17	72999GT	DECAL,LABEL,PETRO CANADA*** (For models with Petro Canada hydraulic oil only) .....	1
18	82160GT	DECAL, LABEL, STATOIL HYDRAWAY (For models with Statoil hydraulic oil only) .....	1
19	82161GT	DECAL,LABEL,UCON HYDROLUBE (For models with Ucon Hydrolube hydraulic oil only) .....	1
20	82366GT	DECAL,CHEVRON RANDO HD (For models with Chevron Rando hydraulic oil only) .....	1
21	82558GT	DECAL,SKIN INJECTION .....	1
22	82559GT	DECAL,INSTRUCT-ANNUAL INSP REQ .....	1
23	82561GT	DECAL,DANGER-USE SAFETY ARM .....	1
24	97693GT	DECAL,LABEL,WHEEL LOAD 2632 .....	2
25	114385GT	DECAL,DANGER,ELEC HAZARD,GS .....	1
26	133276GT	DECAL,EMERGENCY LOWERING .....	1
27	T107031GT	DECAL,OP INST,GCON .....	1
28	T112804GT	DECAL,GCON PANEL,GS .....	1



106.2 Word Decals, GS-2632, Ground Control Side, ANSI and Australia

# Ground Controls Side

NOTE:  
Part numbers with "(FR)" indicates French translation is available



106.2 Word Decals, GS-2632, Ground Control Side, ANSI and Australia

Item	Part No.	Description	Qty.
29	1265361GT	DECAL, BATTERY CHARGER INDICAT (ANSI from SN 146463 to 157195) (AUS from 146463)	1
30	1278704GT	DECAL, CHARGE STATUS IND. (ANSI from SN 157196)	1
31	1280819GT	DECAL, WARNING, CANCER AND REPRODUCTIVE HARM, PROP 65 (ANSI US only from SN 159075)	1

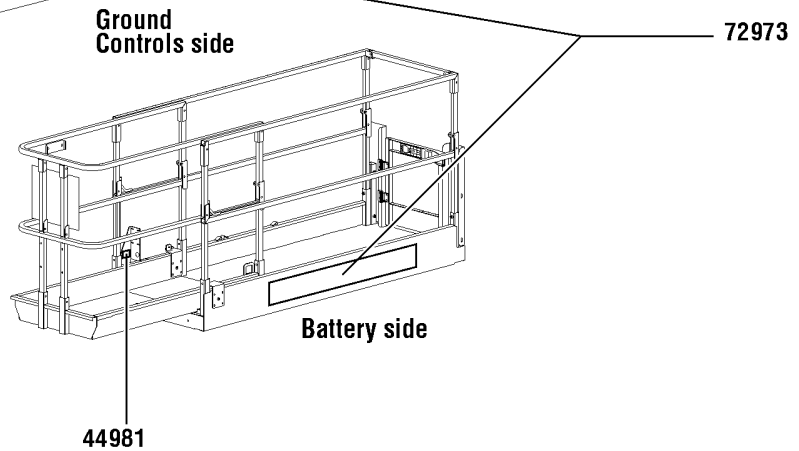
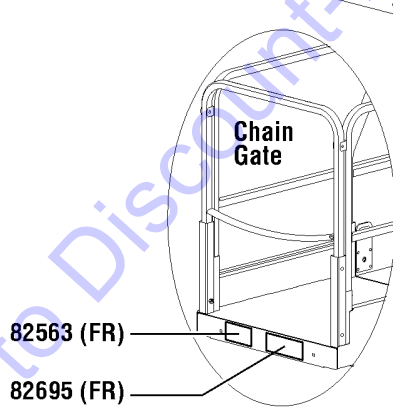
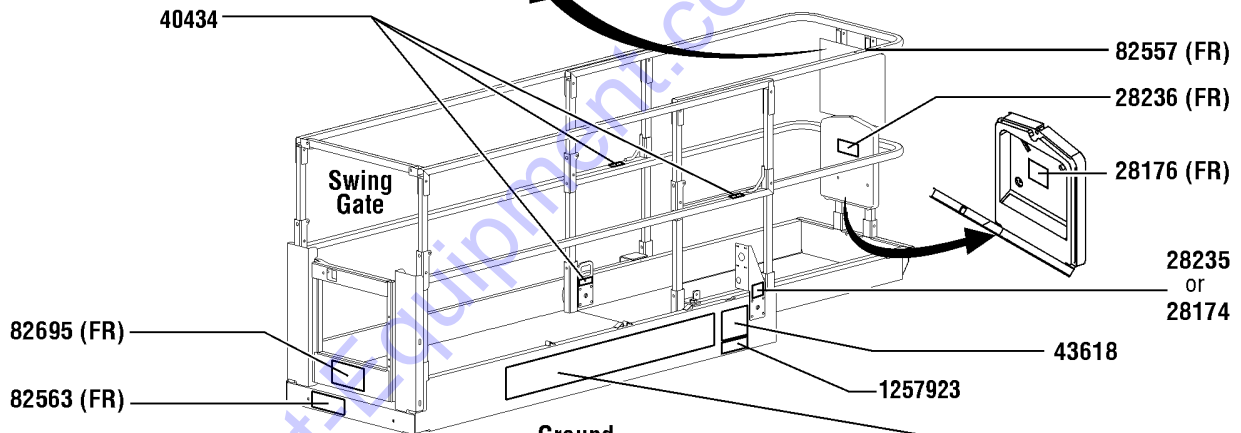
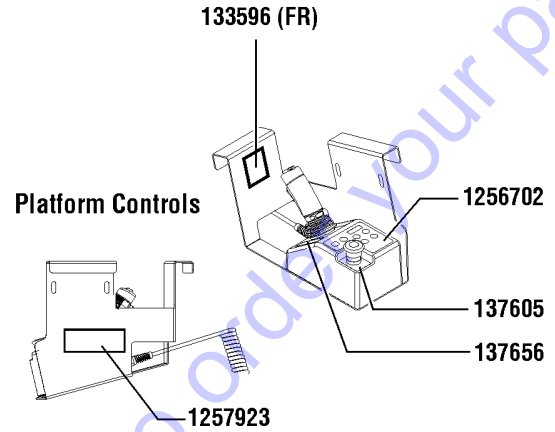
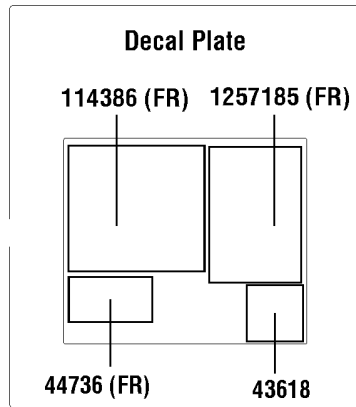
Go to Discount-Equipment.com to order your parts





# Platform, ANSI models

NOTE:  
Part numbers with "(FR)" indicates French translation is available



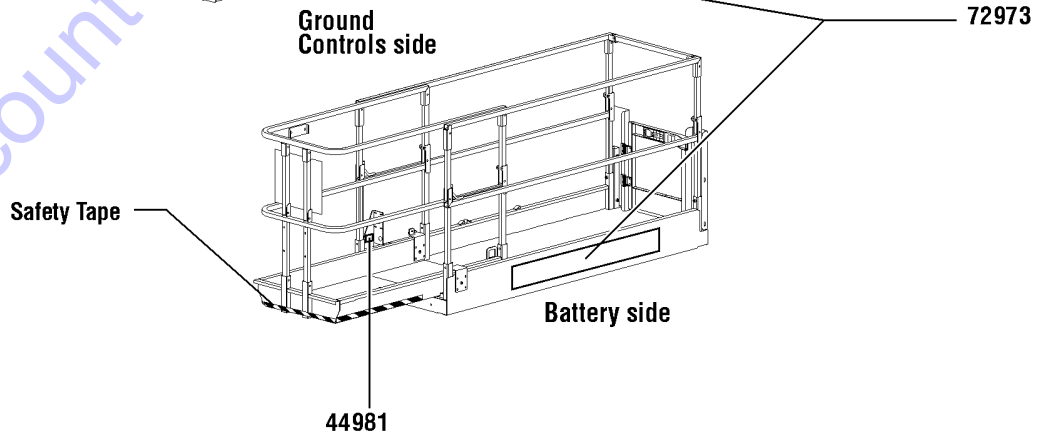
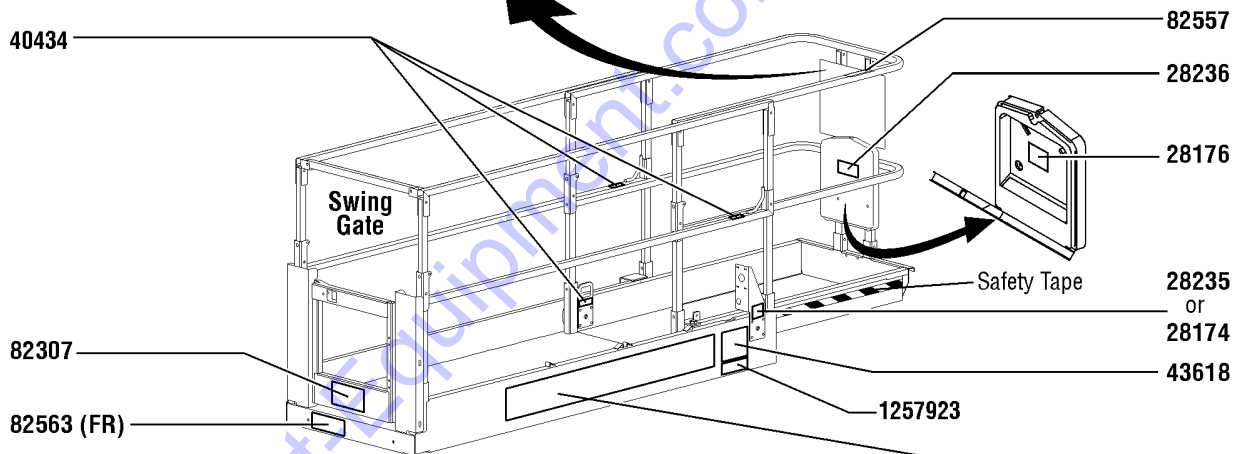
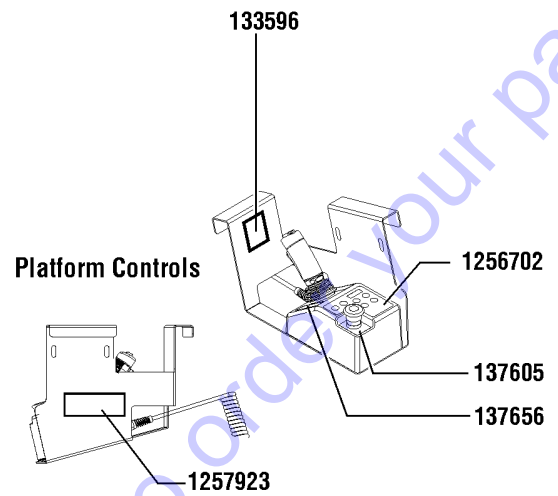
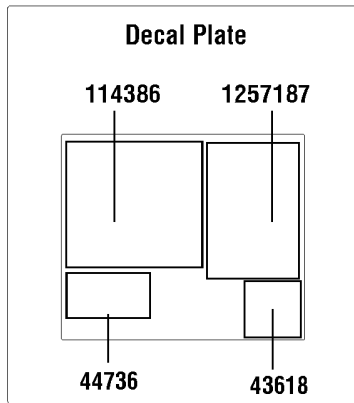
107.1 Word Decals, GS-2632, Platform, ANSI

Item	Part No.	Description	Qty.
1	28174GT	DECAL,POWER TO PLATFORM 230V .....	1
2	28176GT	DECAL,LABEL,MANUAL NOT HERE .....	1
3	28235GT	DECAL,POWER TO PLATFORM 115V .....	1
4	28236GT	DECAL,WARN,IMPROPER OPERATION .....	1
5	40434GT	DECAL,LANYARD ANCHORAGE POINT .....	3
6	43618GT	DECAL,LABEL-DIRECTION ARROWS .....	2
7	44736GT	DECAL,DANGER,TIP-OVER,TILT .....	1
8	44981GT	DECAL,LABEL,AIRLINE 110 PSI .....	1
9	72973GT	DECAL,COSMETIC,GENIE GS-2632** .....	2
10	82557GT	DECAL,LABEL,PLAT CONT LOCATION .....	1
11	82563GT	DECAL,INSTR-MAX CAP 500 LBS for GS2632 models .....	1
12	82695GT	DECAL,INSTR-SIDE FRC,ANSI .....	1
13	114386GT	DECAL,DANGER-GEN SAFETY .....	1
14	133596GT	DECAL,LABEL,FAULT CODES .....	1
15	137605GT	DECAL,E-STOP,GR/GRC/GS PCON .....	1
16	137656GT	DECAL,PROPEL,GR/GRC/GS,PCON .....	1
17	1256702GT	DECAL, UI, GS/GR, PROP LIFT .....	1
18	1257185GT	DECAL,OP INST,PLAT,GS32 ANSI .....	1
19	1257923GT	DECAL, SMARTLINK PROPORTIONAL .....	2



# Platform, Australia models

NOTE:  
Part numbers with "(FR)"  
indicates French translation  
is available

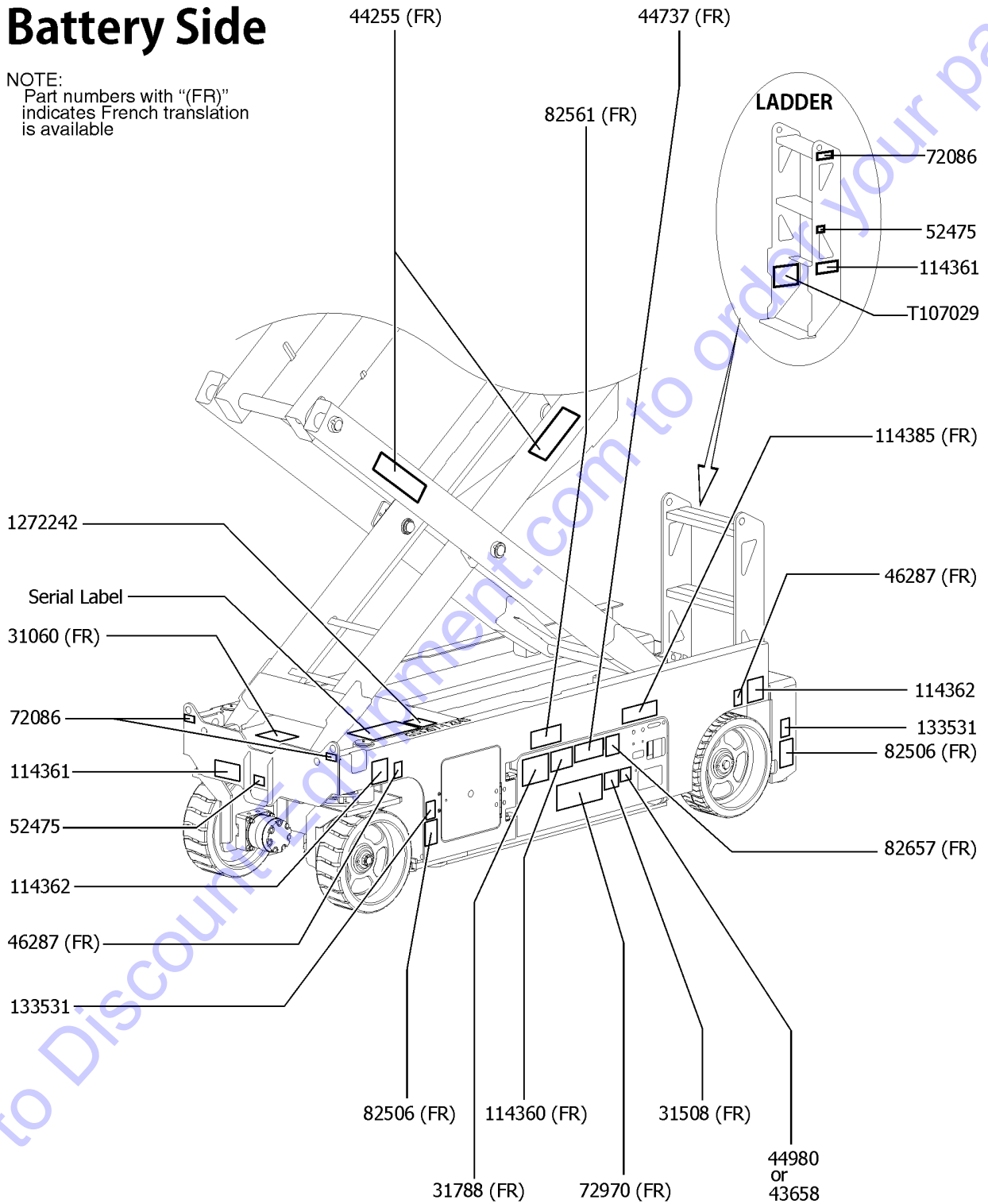


Item	Part No.	Description	Qty.
1	28174GT	DECAL,POWER TO PLATFORM 230V .....	1
2	28176GT	DECAL,LABEL,MANUAL NOT HERE .....	1
3	28235GT	DECAL,POWER TO PLATFORM 115V .....	1
4	28236GT	DECAL,WARN,IMPROPER OPERATION .....	1
5	40434GT	DECAL,LANYARD ANCHORAGE POINT .....	3
6	43618GT	DECAL,LABEL-DIRECTION ARROWS .....	2
7	44736GT	DECAL,DANGER,TIP-OVER,TILT .....	1
8	44981GT	DECAL,LABEL,AIRLINE 110 PSI .....	1
		(Option)	
9	72973GT	DECAL,COSMETIC,GENIE GS-2632** .....	1
10	82307GT	DECAL,INSTR,INDOOR,AUS-26/3232 .....	1
11	82557GT	DECAL,LABEL,PLAT CONT LOCATION .....	1
12	82563GT	DECAL,INSTR-MAX CAP 500 LBS .....	1
		for GS-2632 models	
13	114386GT	DECAL,DANGER-GEN SAFETY .....	1
14	133596GT	DECAL,LABEL,FAULT CODES .....	1
15	137605GT	DECAL,E-STOP,GR/GRC/GS PCON .....	1
16	137656GT	DECAL,PROPEL,GR/GRC/GS,PCON .....	1
17	1256702GT	DECAL, UI, GS/GR, PROP LIFT .....	1
18	1257187GT	DECAL,OP INST,PLAT,GS32,AUS .....	1
19	1257923GT	DECAL, SMARTLINK PROPORTIONAL .....	2



# Battery Side

NOTE:  
Part numbers with "(FR)" indicates French translation is available

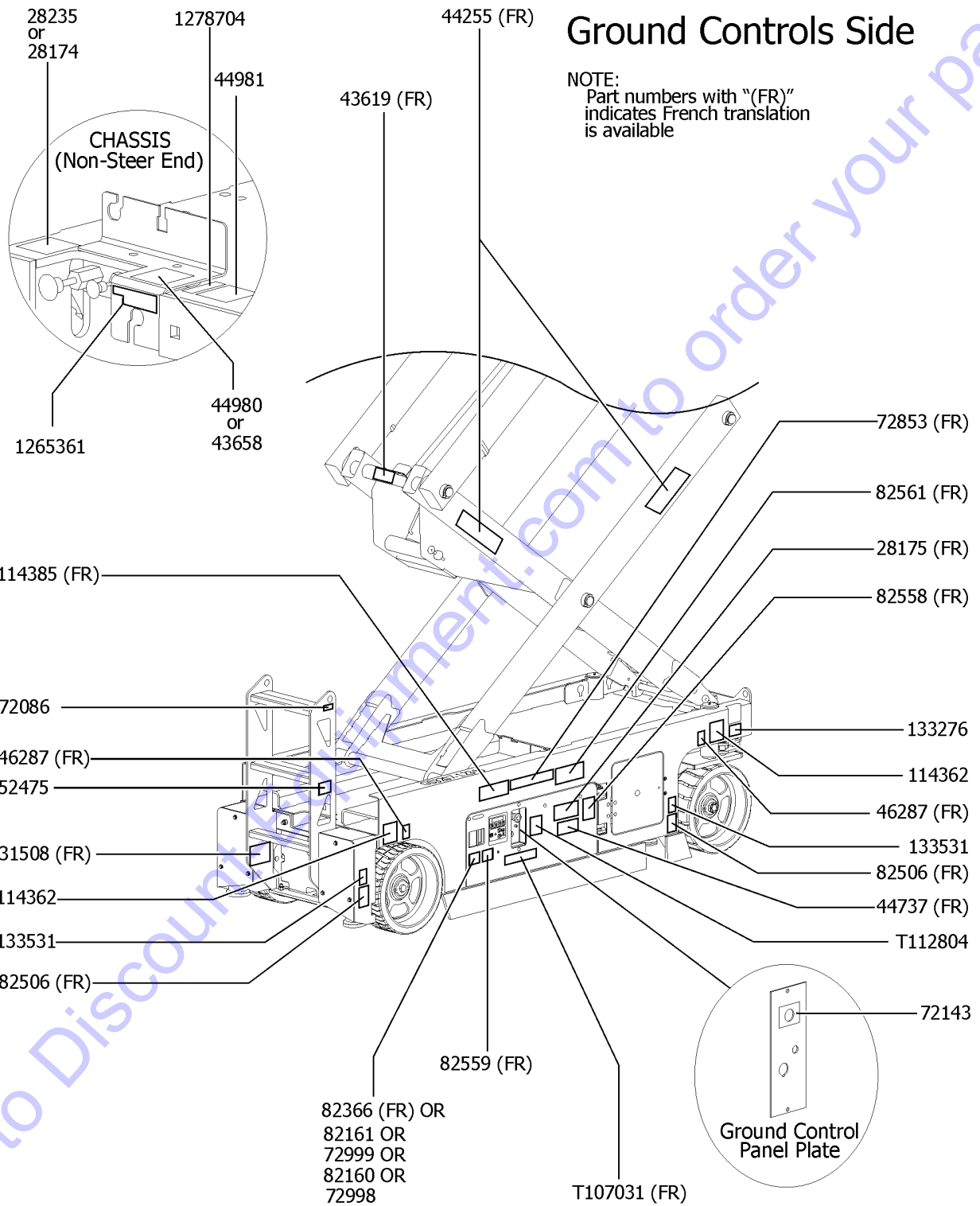


109.1 Word Decals, GS-3232, Battery Side, ANSI & Australia

Item	Part No.	Description	Qty.
1	31060GT	DECAL,DANGER DO NOT ALTER SWTC .....	1
2	31508GT	DECAL,DANGER,ELECT HAZARD,PLUG .....	1
		(Australia models only)	
3	31788GT	DECAL,DANGER,BATTERY SAFETY*** .....	1
4	43658GT	DECAL,LABEL,PWR TO CHARGR 230V .....	1
		(Australia models only)	
5	44255GT	DECAL,DANGER,CRUSHING HAZARD .....	1
6	44737GT	DECAL,DANGER,TIP-OVER,TRAYS .....	1
7	44980GT	DECAL,LABEL,PWR TO CHARGR 115V .....	1
		(Australia models only)	
8	46287GT	DECAL,LABEL-TIRE SPECS .....	2
9	52475GT	DECAL,LABEL,TRANSPORT TIEDOWN* .....	2
10	72086GT	DECAL,LABEL,LIFTING EYE .....	3
11	72970GT	DECAL,INSTRUCTIONS-CHARGER OP .....	1
12	82506GT	DECAL,WARNING-FOOT CRUSHING .....	2
13	82561GT	DECAL,DANGER-USE SAFETY ARM .....	1
14	82657GT	DECAL,INSTRUCT,BATTERY CONNECT .....	1
15	114360GT	DECAL,DANGER-TIP-OVER,BATT .....	1
16	114361GT	DECAL,SYM-TIP-OVER,LIM SWITCH .....	2
17	114362GT	DECAL,LABEL-WHEEL LOAD,GS-3232 .....	2
18	114385GT	DECAL,DANGER,ELEC HAZARD,GS .....	1
19	133531GT	LABEL,OUTRIGGER,LOAD,GS-3232 .....	2
20	1272242GT	DECAL,MACHINE REGISTRATION/OWNER TRANSFER .....	1
21	T107029GT	DECAL DANGER BRAKE REL SAFETY .....	1



110.1 Word Decals, GS-3232, Ground Control Side, ANSI and Australia



110.1 Word Decals, GS-3232, Ground Control Side, ANSI and Australia

Item	Part No.	Description	Qty.
1	28174GT	DECAL,POWER TO PLATFORM 230V .....	1
2	28175GT	DECAL,WARNING-COMPART ACCESS .....	1
3	28235GT	DECAL,POWER TO PLATFORM 115V .....	1
4	31508GT	DECAL,DANGER,ELECT HAZARD,PLUG (For ANSI models only) .....	1
5	43619GT	DECAL,LABEL,SAFETY ARM .....	1
6	43658GT	DECAL,LABEL,PWR TO CHARGR 230V (For ANSI models only) .....	1
7	44255GT	DECAL,DANGER,CRUSHING HAZARD .....	2
8	46287GT	DECAL,LABEL-TIRE SPECS .....	2
9	44737GT	DECAL,DANGER,TIP-OVER,TRAYS .....	1
10	44980GT	DECAL,LABEL,PWR TO CHARGR 115V (For ANSI models only) .....	1
11	44981GT	DECAL,LABEL,AIRLINE 110 PSI (Option) .....	1
12	52475GT	DECAL,LABEL,TRANSPORT TIEDOWN* .....	1
13	72086GT	DECAL,LABEL,LIFTING EYE .....	1
14	72143GT	DECAL,EMERGENCY STOP,GR .....	1
15	72853GT	DECAL,DANGER,IMPROPER USE HAZ. ....	1
16	72998GT	DECAL, LABEL, QUINTOLUBRIK (models with Quintolub hydraulic oil) .....	1
17	72999GT	DECAL,LABEL,PETRO CANADA*** (For models with Petro Canada hydraulic oil only) .....	1
18	82160GT	DECAL, LABEL, STATOIL HYDRAWAY (For models with Statoil hydraulic oil only) .....	1
19	82161GT	DECAL,LABEL,UCON HYDROLUBE (For models with Ucon Hydrolube hydraulic oil only) .....	1
20	82366GT	DECAL,CHEVRON RANDO HD (For models with Chevron Rando hydraulic oil only) .....	1
21	82506GT	DECAL,WARNING-FOOT CRUSHING .....	2
22	82558GT	DECAL,SKIN INJECTION .....	1
23	82559GT	DECAL,INSTRUCT-ANNUAL INSP REQ .....	1
24	82561GT	DECAL,DANGER-USE SAFETY ARM .....	1
25	114362GT	DECAL,LABEL-WHEEL LOAD,GS-3232 .....	2
26	114385GT	DECAL,DANGER,ELEC HAZARD,GS .....	1
27	133276GT	DECAL,EMERGENCY LOWERING .....	1
28	133531GT	LABEL,OUTRIGGER,LOAD,GS-3232 .....	2

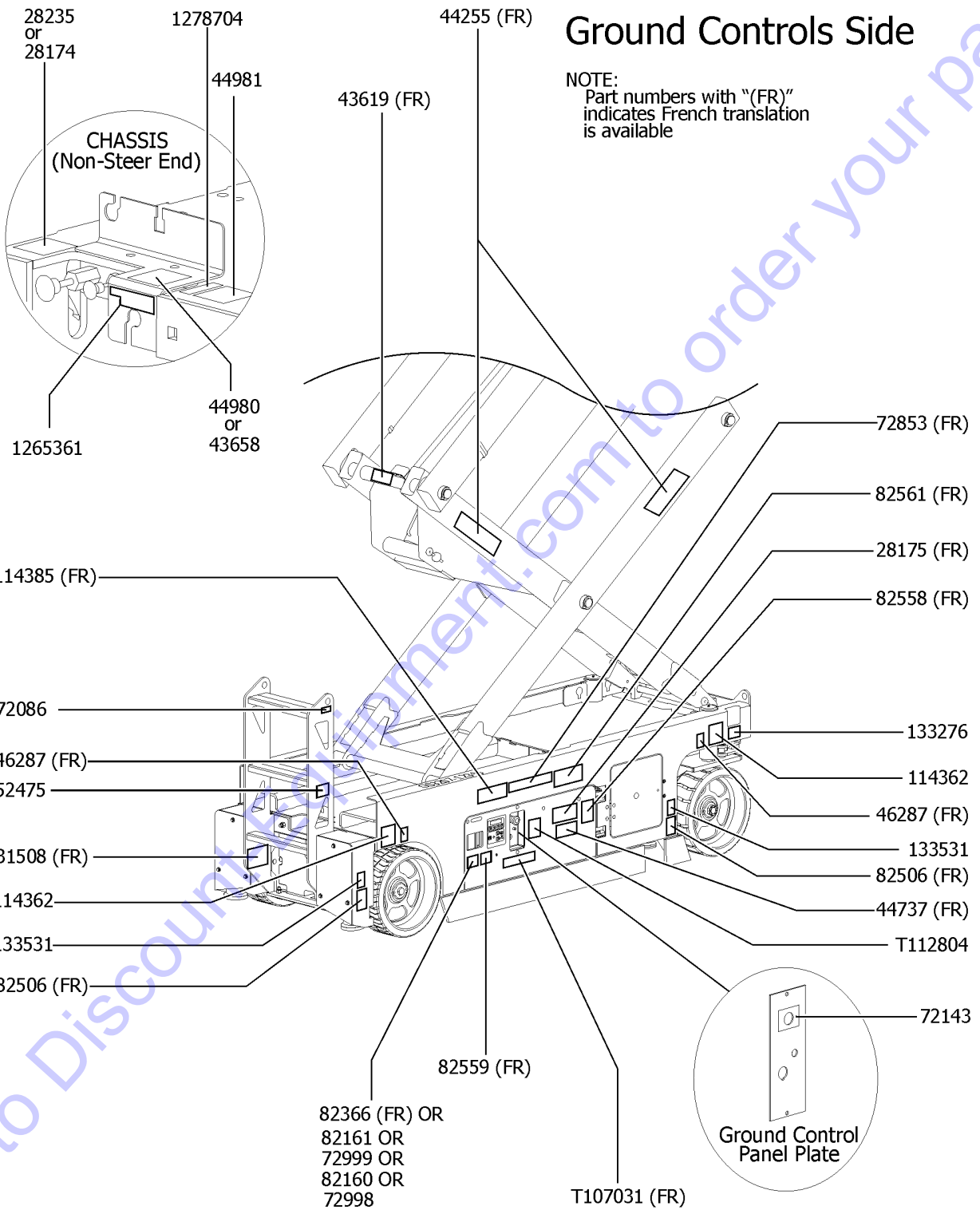




110.1 Word Decals, GS-3232, Ground Control Side, ANSI and Australia

# Ground Controls Side

NOTE:  
Part numbers with "(FR)" indicates French translation is available



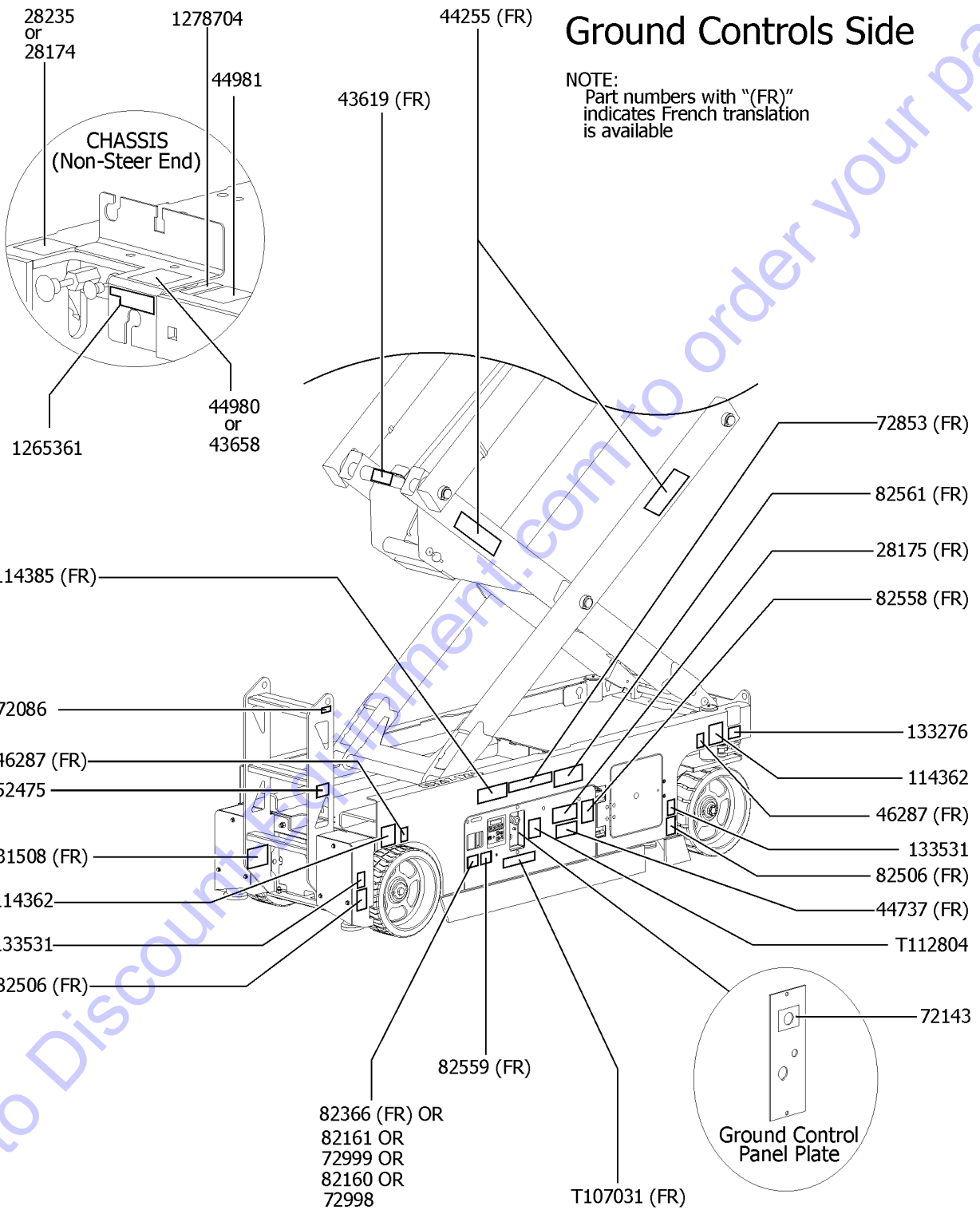
110.1 Word Decals, GS-3232, Ground Control Side, ANSI and Australia

Item	Part No.	Description	Qty.
29	T107031GT	DECAL,OP INST,GCON .....	1
30	T112804GT	DECAL,GCON PANEL,GS .....	1
31	1265361GT	DECAL, BATTERY CHARGER INDICAT (ANSI from SN 146463 to 157195) (AUS from 146463) .....	1

Go to Discount-Equipment.com to order your parts



110.2 Word Decals, GS-3232, Ground Control Side, ANSI and Australia



110.2 Word Decals, GS-3232, Ground Control Side, ANSI and Australia

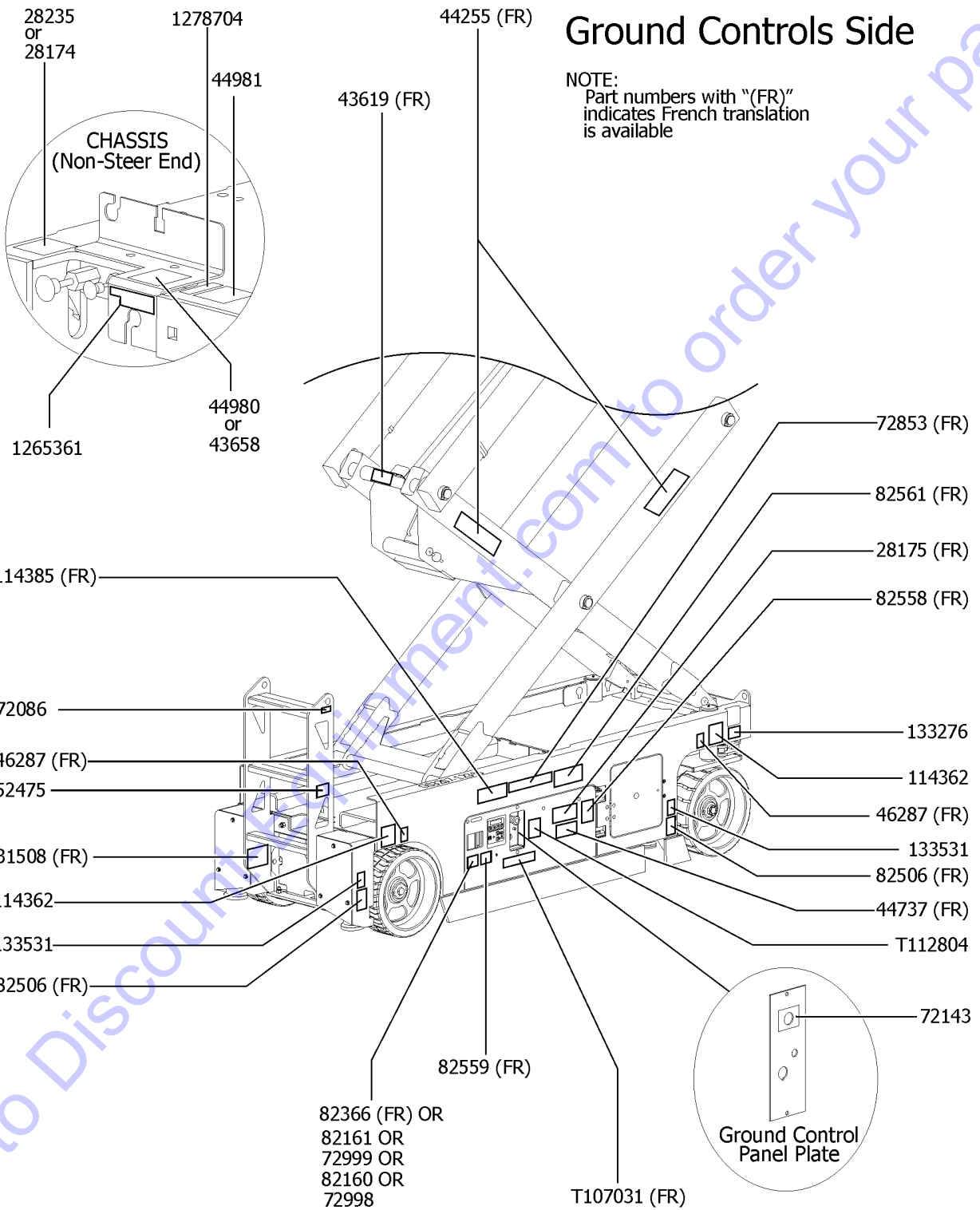
Item	Part No.	Description	Qty.
1	28174GT	DECAL,POWER TO PLATFORM 230V .....	1
2	28175GT	DECAL,WARNING-COMPART ACCESS .....	1
3	28235GT	DECAL,POWER TO PLATFORM 115V .....	1
4	31508GT	DECAL,DANGER,ELECT HAZARD,PLUG (For ANSI models only) .....	1
5	43619GT	DECAL,LABEL,SAFETY ARM .....	1
6	43658GT	DECAL,LABEL,PWR TO CHARGR 230V (For ANSI models only) .....	1
7	44255GT	DECAL,DANGER,CRUSHING HAZARD .....	2
8	46287GT	DECAL,LABEL-TIRE SPECS .....	2
9	44737GT	DECAL,DANGER,TIP-OVER,TRAYS .....	1
10	44980GT	DECAL,LABEL,PWR TO CHARGR 115V (For ANSI models only) .....	1
11	44981GT	DECAL,LABEL,AIRLINE 110 PSI (Option) .....	1
12	52475GT	DECAL,LABEL,TRANSPORT TIEDOWN* .....	1
13	72086GT	DECAL,LABEL,LIFTING EYE .....	1
14	72143GT	DECAL,EMERGENCY STOP,GR .....	1
15	72853GT	DECAL,DANGER,IMPROPER USE HAZ. ....	1
16	72998GT	DECAL, LABEL, QUINTOLUBRIK (models with Quintolub hydraulic oil) .....	1
17	72999GT	DECAL,LABEL,PETRO CANADA*** (For models with Petro Canada hydraulic oil only) .....	1
18	82160GT	DECAL, LABEL, STATOIL HYDRAWAY (For models with Statoil hydraulic oil only) .....	1
19	82161GT	DECAL,LABEL,UCON HYDROLUBE (For models with Ucon Hydrolube hydraulic oil only) .....	1
20	82366GT	DECAL,CHEVRON RANDO HD (For models with Chevron Rando hydraulic oil only) .....	1
21	82506GT	DECAL,WARNING-FOOT CRUSHING .....	2
22	82558GT	DECAL,SKIN INJECTION .....	1
23	82559GT	DECAL,INSTRUCT-ANNUAL INSP REQ .....	1
24	82561GT	DECAL,DANGER-USE SAFETY ARM .....	1
25	114362GT	DECAL,LABEL-WHEEL LOAD,GS-3232 .....	2
26	114385GT	DECAL,DANGER,ELEC HAZARD,GS .....	1
27	133276GT	DECAL,EMERGENCY LOWERING .....	1
28	133531GT	LABEL,OUTRIGGER,LOAD,GS-3232 .....	2



110.2 Word Decals, GS-3232, Ground Control Side, ANSI and Australia

# Ground Controls Side

NOTE:  
Part numbers with "(FR)"  
indicates French translation  
is available



110.2 Word Decals, GS-3232, Ground Control Side, ANSI and Australia

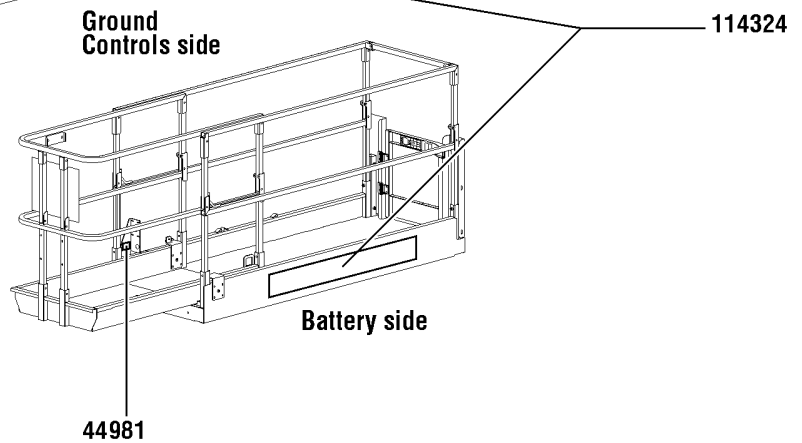
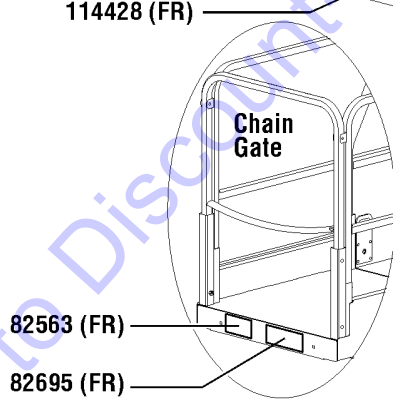
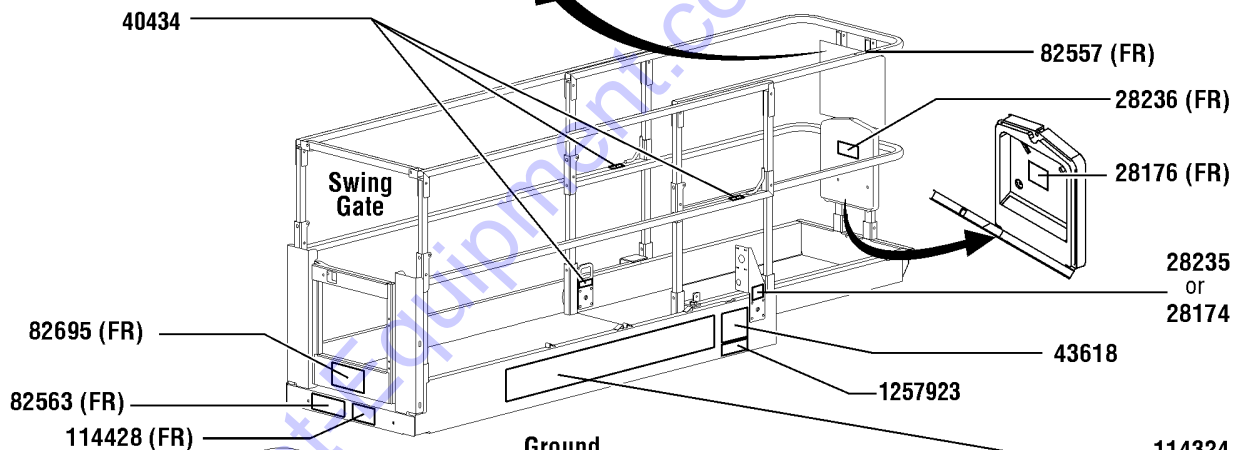
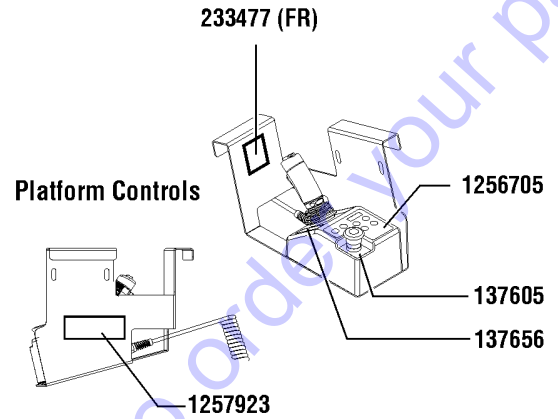
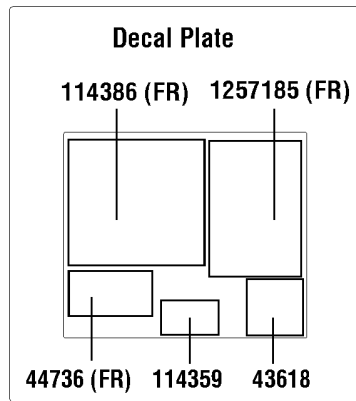
Item	Part No.	Description	Qty.
29	T107031GT	DECAL,OP INST,GCON .....	1
30	T112804GT	DECAL,GCON PANEL,GS .....	1
31	1265361GT	DECAL, BATTERY CHARGER INDICAT (ANSI from SN 146463 to 157195) (AUS from 146463) .....	1
32	1278704GT	DECAL,CHARGE STATUS IND. .... (ANSI from 157196)	1

Go to Discount-Equipment.com to order your parts



# Platform, ANSI models

NOTE:  
Part numbers with "(FR)" indicates French translation is available



111.1 Word Decals, GS-3232, Platform, ANSI

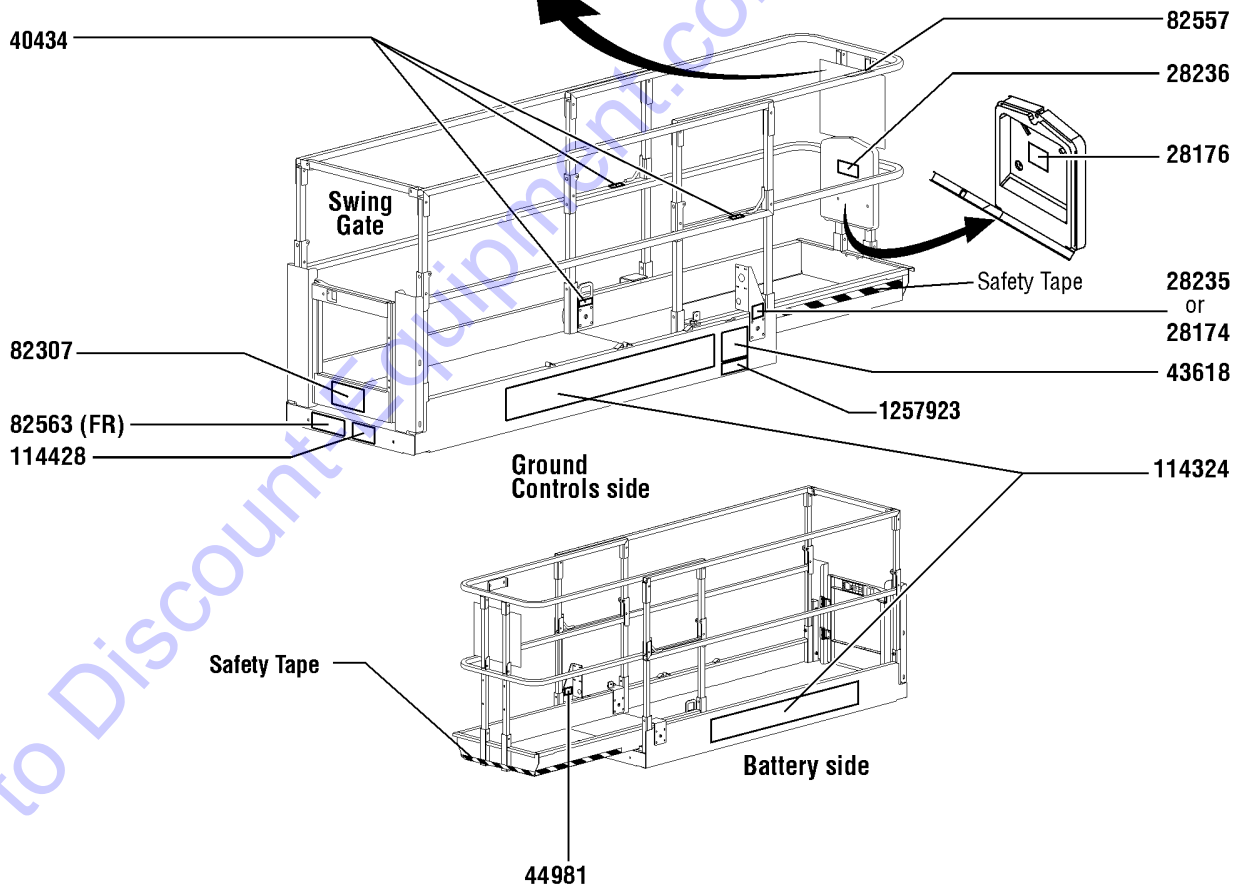
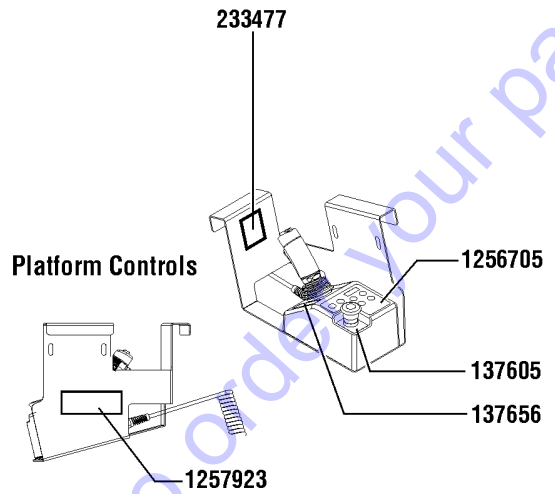
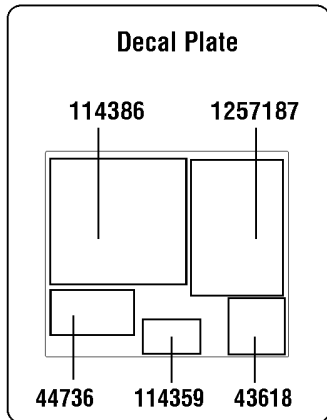
Item	Part No.	Description	Qty.
1	28174GT	DECAL,POWER TO PLATFORM 230V .....	1
2	28176GT	DECAL,LABEL,MANUAL NOT HERE .....	1
3	28235GT	DECAL,POWER TO PLATFORM 115V .....	1
4	28236GT	DECAL,WARN,IMPROPER OPERATION .....	1
5	40434GT	DECAL,LANYARD ANCHORAGE POINT .....	3
6	43618GT	DECAL,LABEL-DIRECTION ARROWS .....	2
7	44736GT	DECAL,DANGER,TIP-OVER,TILT .....	1
8	44981GT	DECAL,LABEL,AIRLINE 110 PSI .....	1
9	82557GT	DECAL,LABEL,PLAT CONT LOCATION .....	1
10	82563GT	DECAL,INSTR-MAX CAP 500 LBS for GS-3232 models .....	1
11	82695GT	DECAL,INSTR-SIDE FRC,ANSI .....	1
12	114324GT	DECAL,COSMETIC-GENIE GS-3232 .....	2
13	114359GT	DANGER/INSTR-OUTRGR OP-GS3232 .....	1
14	114386GT	DECAL,DANGER-GEN SAFETY .....	1
15	114428GT	DECAL,INSTRUCT,TRAVEL HEIGHT .....	1
16	137605GT	DECAL,E-STOP,GR/GRC/GS PCON .....	1
17	137656GT	DECAL,PROPEL,GR/GRC/GS,PCON .....	1
18	233477GT	DECAL,LABEL,FAULT CODES .....	1
19	1256705GT	DECAL, O/R, PROP LIFT, UI, SVC .....	1
20	1257185GT	DECAL,OP INST,PLAT,GS32 ANSI .....	1
21	1257923GT	DECAL, SMARTLINK PROPORTIONAL .....	2





# Platform, Australia models

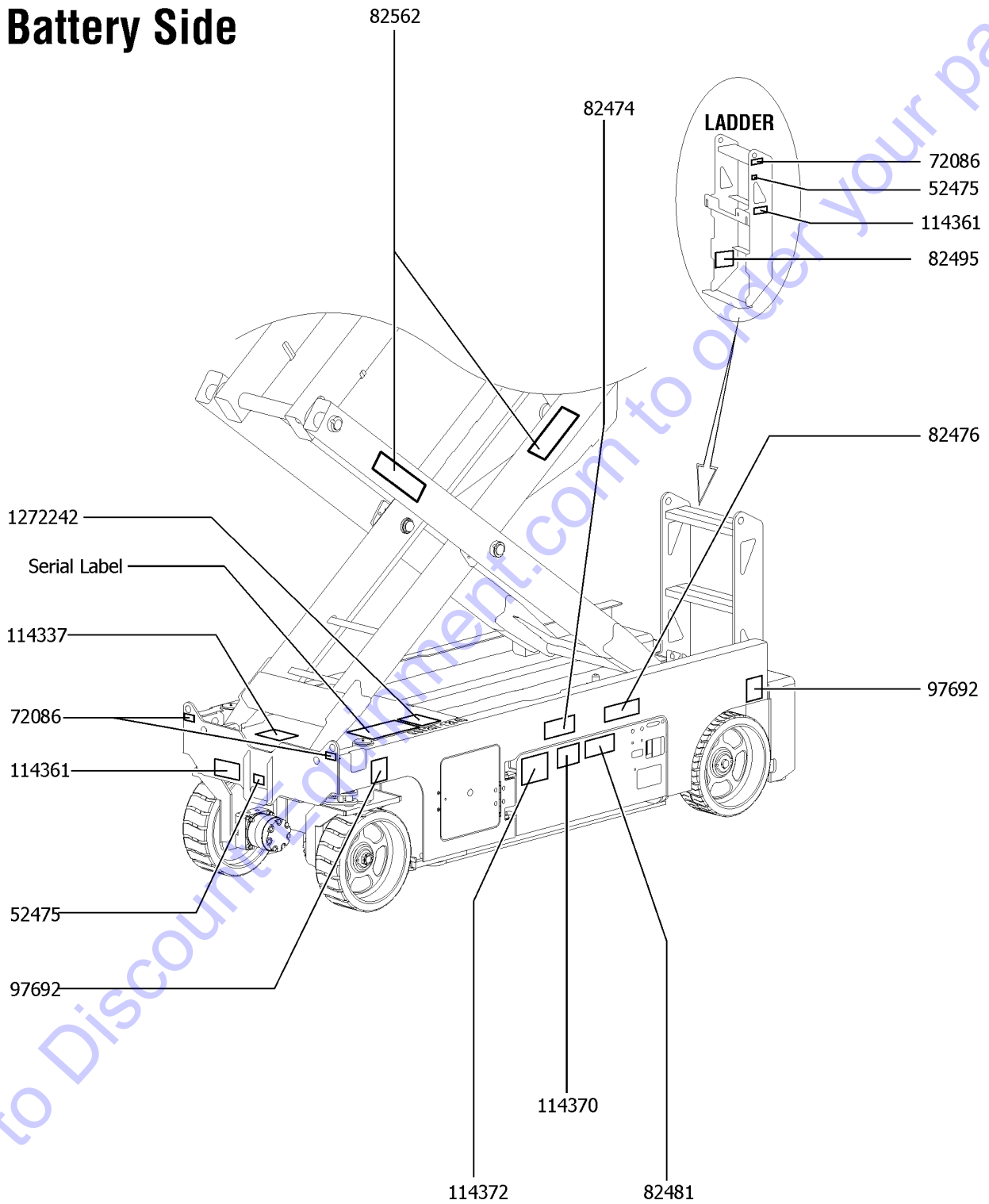
NOTE:  
Part numbers with "(FR)"  
indicates French translation  
is available



Item	Part No.	Description	Qty.
1	28174GT	DECAL,POWER TO PLATFORM 230V .....	1
2	28176GT	DECAL,LABEL,MANUAL NOT HERE .....	1
3	28235GT	DECAL,POWER TO PLATFORM 115V .....	1
4	28236GT	DECAL,WARN,IMPROPER OPERATION .....	1
5	40434GT	DECAL,LANYARD ANCHORAGE POINT .....	3
6	43618GT	DECAL,LABEL-DIRECTION ARROWS .....	2
7	44736GT	DECAL,DANGER,TIP-OVER,TILT .....	1
8	44981GT	DECAL,LABEL,AIRLINE 110 PSI .....	1
		(Option)	
9	82307GT	DECAL,INSTR,INDOOR,AUS-26/3232 .....	1
10	82557GT	DECAL,LABEL,PLAT CONT LOCATION .....	1
11	82563GT	DECAL,INSTR-MAX CAP 500 LBS .....	1
		for GS3232 models	
12	114324GT	DECAL,COSMETIC-GENIE GS-3232 .....	1
13	114359GT	DANGER/INSTR-OUTRGR OP-GS3232 .....	1
14	114386GT	DECAL,DANGER-GEN SAFETY .....	1
15	114428GT	DECAL,INSTRUCT,TRAVEL HEIGHT .....	1
16	137605GT	DECAL,E-STOP,GR/GRC/GS PCON .....	1
17	137656GT	DECAL,PROPEL,GR/GRC/GS,PCON .....	1
18	233477GT	DECAL,LABEL,FAULT CODES .....	1
19	1256705GT	DECAL, O/R, PROP LIFT, UI, SVC .....	1
20	1257187GT	DECAL,OP INST,PLAT,GS32,AUS .....	1
21	1257923GT	DECAL, SMARTLINK PROPORTIONAL .....	2



# Battery Side



113.1 Symbol Decals, GS-2032, Battery Side, ANSI & CE

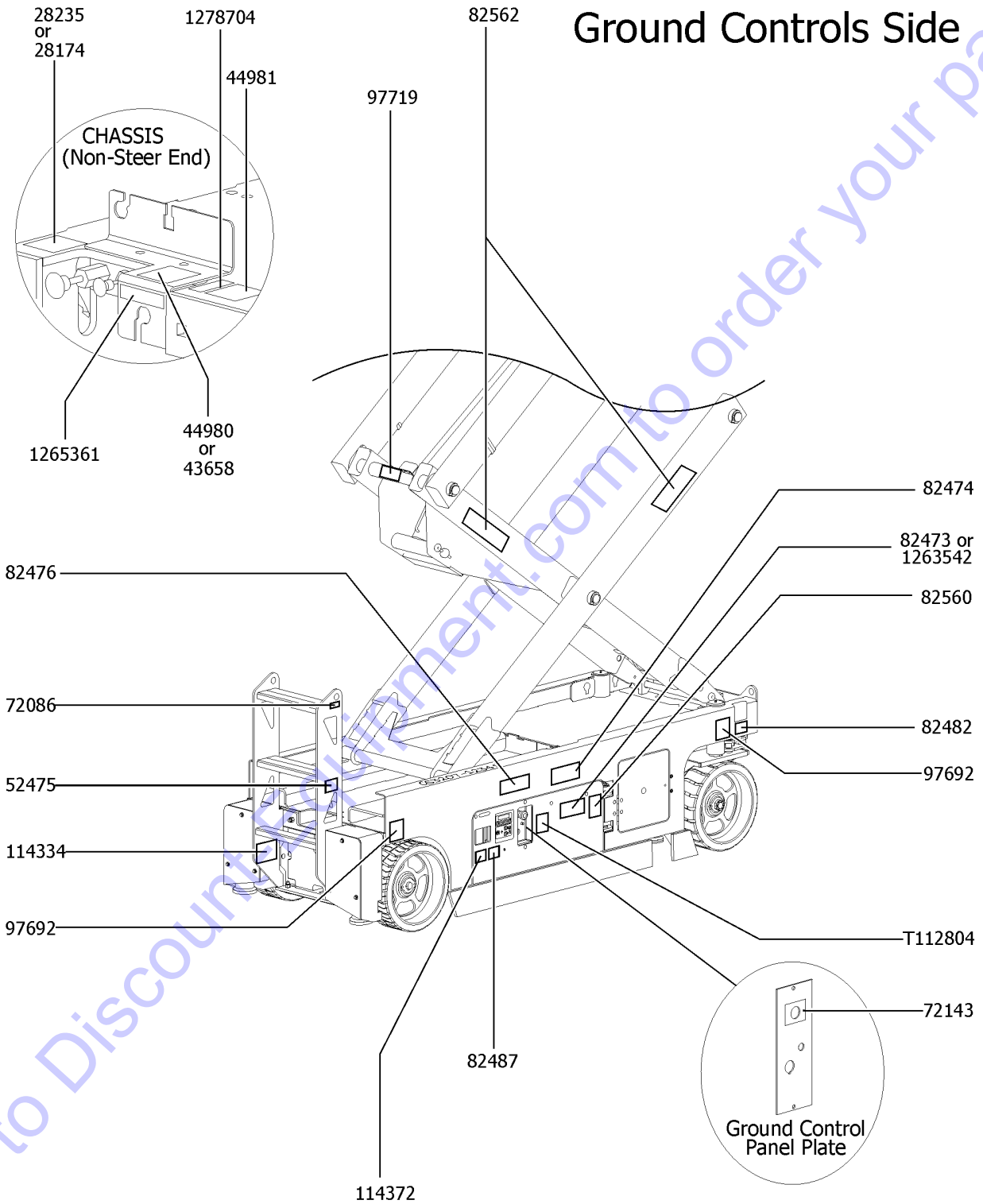
Item	Part No.	Description	Qty.
-	1303054GT	DECAL KIT,COMP SYM,GS2032,ANSI .....	
-	1303057GT	DECAL KIT,COMP SYM,GS2032,CE .....	
1	52475GT	DECAL,LABEL,TRANSPORT TIEDOWN* .....	2
2	72086GT	DECAL,LABEL,LIFTING EYE .....	3
3	82474GT	DECAL,SYMBOL-USE SAFETY ARM .....	1
4	82476GT	DECAL,SYMBOL-ELEC HAZARD,GS .....	1
5	82481GT	DECAL,SYMBOL-BATTERY SAFETY .....	1
6	82495GT	DECAL,LABEL,FORKLIFT POCKET .....	1
7	82562GT	DECAL,SYMBOL-CRUSHING HAZARD .....	2
8	97692GT	DECAL,LABEL,WHEEL LOAD 2032 .....	2
9	114337GT	DECAL, COMPARTMENT ACCESS .....	1
10	114361GT	DECAL,SYM-TIP-OVER,LIM SWITCH .....	2
11	114370GT	DECAL-SYM-TIP-OVR,BATTRIES .....	1
12	114372GT	DECAL SYMBOL TIP OVER TRAYS .....	1
13	1272242GT	DECAL,MACHINE REGISTRATION/OWNER TRANSFER .....	1

Go to Discount-Equipment.com to order your parts



114.1 Symbol Decals, GS-2032, Ground Control Side, ANSI & CE

# Ground Controls Side



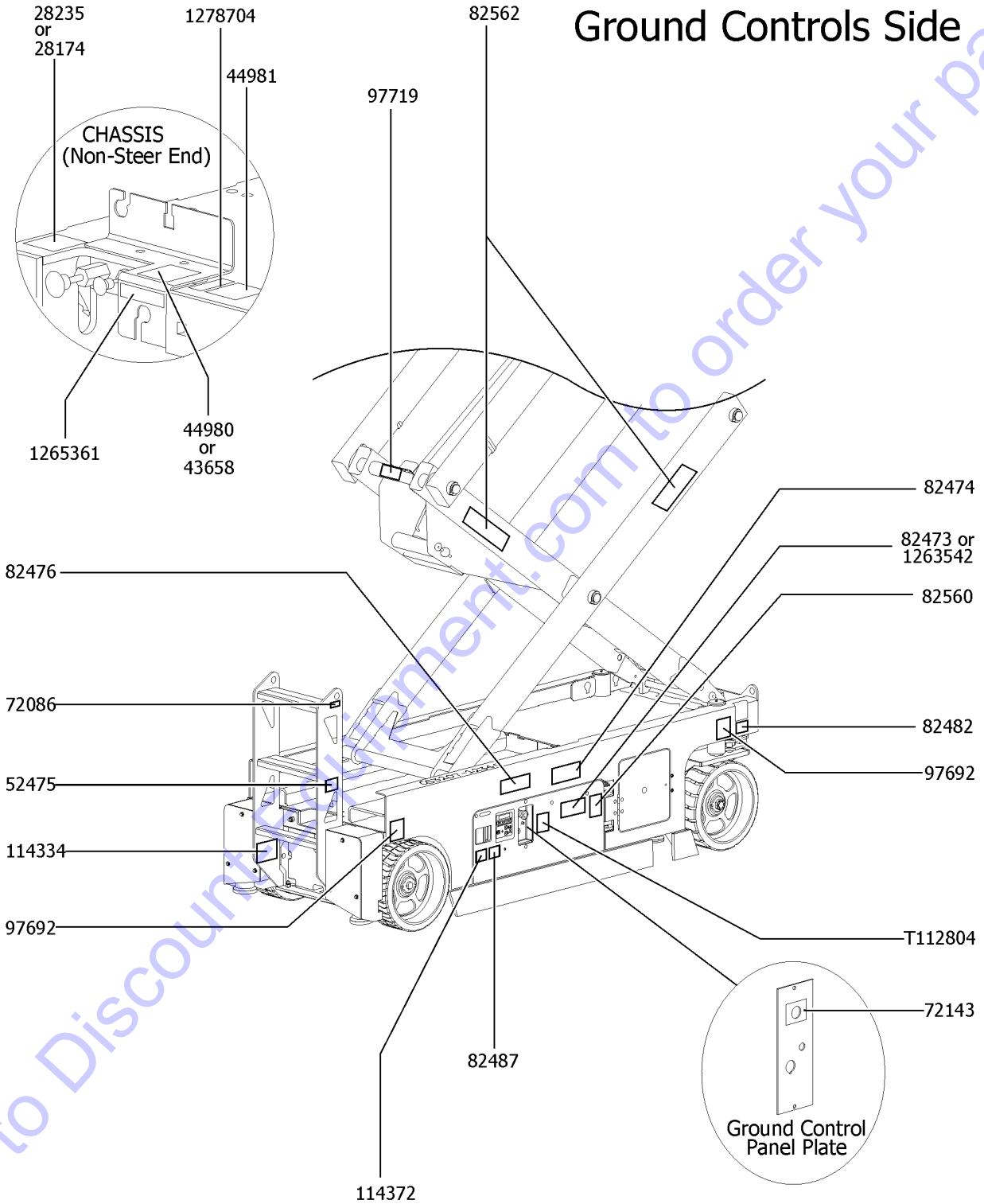
114.1 Symbol Decals, GS-2032, Ground Control Side, ANSI & CE

Item	Part No.	Description	Qty.
1	28174GT	DECAL,POWER TO PLATFORM 230V .....	1
2	28235GT	DECAL,POWER TO PLATFORM 115V .....	1
3	43658GT	DECAL,LABEL,PWR TO CHARGR 230V .....	1
4	44980GT	DECAL,LABEL,PWR TO CHARGR 115V .....	1
5	44981GT	DECAL,LABEL,AIRLINE 110 PSI .....	1
		(Option)	
6	52475GT	DECAL,LABEL,TRANSPORT TIEDOWN* .....	1
7	72086GT	DECAL,LABEL,LIFTING EYE .....	1
8	72143GT	DECAL,EMERGENCY STOP,GR .....	1
9	82473GT	DECAL,SYMBOL-COMP ACCESS .....	1
		to SN GS32P-150574	
10	82474GT	DECAL,SYMBOL-USE SAFETY ARM .....	1
11	82476GT	DECAL,SYMBOL-ELEC HAZARD,GS .....	1
12	82482GT	DECAL,LABEL,AUX LOWERING .....	1
13	82487GT	DECAL,SYMBOL-READ THE MANUAL .....	1
14	82560GT	DECAL,SYMBOL-SKIN INJECT HAZRD .....	1
15	82562GT	DECAL,SYMBOL-CRUSHING HAZARD .....	2
16	97692GT	DECAL,LABEL,WHEEL LOAD 2032 .....	2
17	97719GT	DECAL, LABEL, SAFETY ARM SYMB .....	1
18	114334GT	DECAL SYMBOL ELECTRIC HAZARD PLUG .....	1
19	114372GT	DECAL SYMBOL TIP OVER TRAYS .....	1
20	T112804GT	DECAL,GCON PANEL,GS .....	1
21	1263542GT	DECAL, COMPARTMENT ACCESS .....	1
		from SN GS32P-150575	
22	1265361GT	DECAL, BATTERY CHARGER INDICAT .....	1
		from SN 146463 to 157195	



114.2 Symbol Decals, GS-2032, Ground Control Side, ANSI & CE

# Ground Controls Side



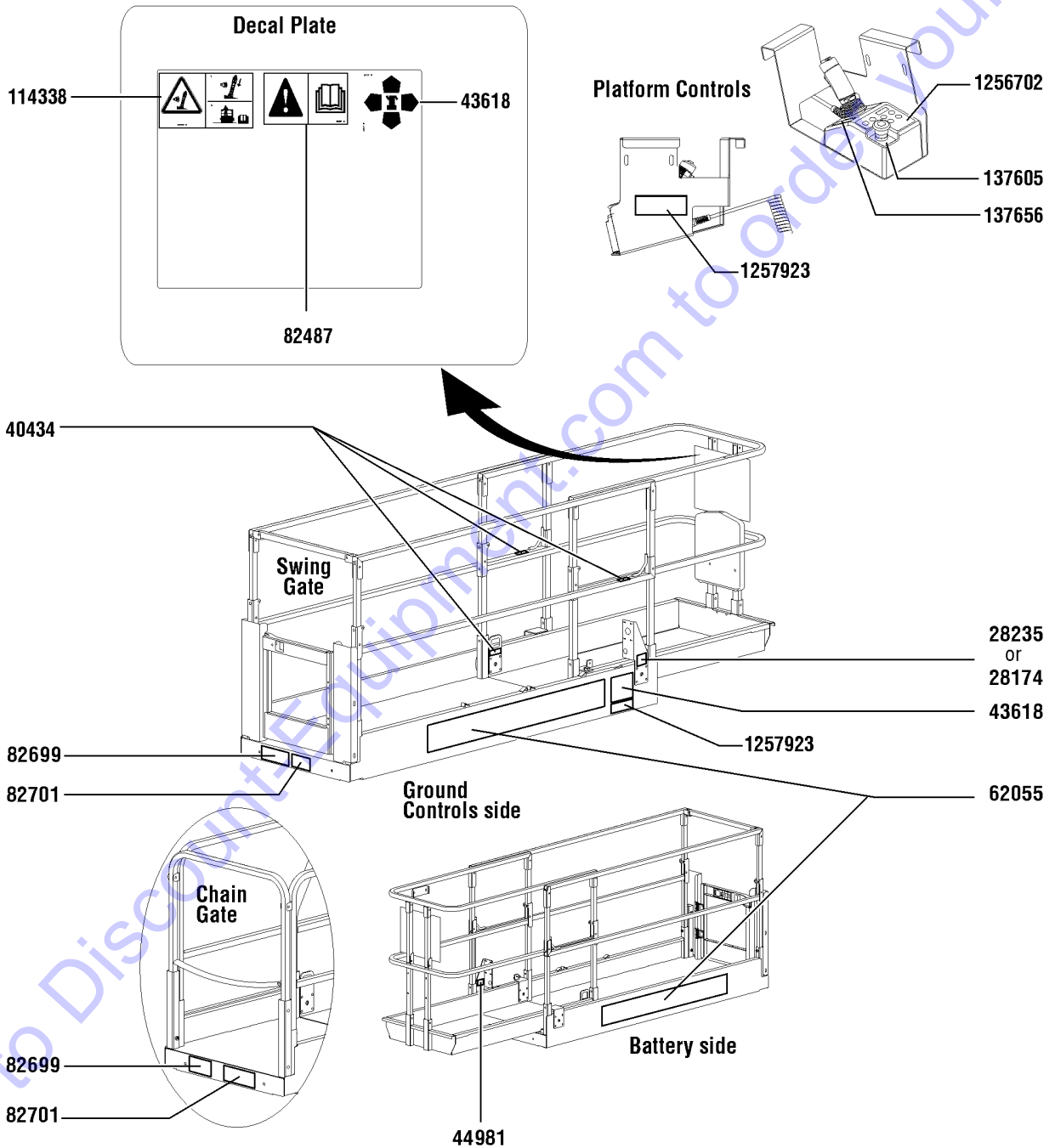
114.2 Symbol Decals, GS-2032, Ground Control Side, ANSI & CE

Item	Part No.	Description	Qty.
1	28174GT	DECAL,POWER TO PLATFORM 230V .....	1
2	28235GT	DECAL,POWER TO PLATFORM 115V .....	1
3	43658GT	DECAL,LABEL,PWR TO CHARGR 230V .....	1
4	44980GT	DECAL,LABEL,PWR TO CHARGR 115V .....	1
5	44981GT	DECAL,LABEL,AIRLINE 110 PSI (Option) .....	1
6	52475GT	DECAL,LABEL,TRANSPORT TIEDOWN* .....	1
7	72086GT	DECAL,LABEL,LIFTING EYE .....	1
8	72143GT	DECAL,EMERGENCY STOP,GR .....	1
9	82473GT	DECAL,SYMBOL-COMP ACCESS to SN GS32P-150574 .....	1
10	82474GT	DECAL,SYMBOL-USE SAFETY ARM .....	1
11	82476GT	DECAL,SYMBOL-ELEC HAZARD,GS .....	1
12	82482GT	DECAL,LABEL,AUX LOWERING .....	1
13	82487GT	DECAL,SYMBOL-READ THE MANUAL .....	1
14	82560GT	DECAL,SYMBOL-SKIN INJECT HAZRD .....	1
15	82562GT	DECAL,SYMBOL-CRUSHING HAZARD .....	2
16	97692GT	DECAL,LABEL,WHEEL LOAD 2032 .....	2
17	97719GT	DECAL, LABEL, SAFETY ARM SYMB .....	1
18	114334GT	DECAL SYMBOL ELECTRIC HAZARD PLUG .....	1
19	114372GT	DECAL SYMBOL TIP OVER TRAYS .....	1
20	T112804GT	DECAL,GCON PANEL,GS .....	1
21	1263542GT	DECAL, COMPARTMENT ACCESS from SN GS32P-150575 .....	1
22	1265361GT	DECAL, BATTERY CHARGER INDICAT from SN 146463 to 157195 .....	1
23	1278704GT	DECAL,CHARGE STATUS IND. from 157196 .....	1





# Platform, ANSI models



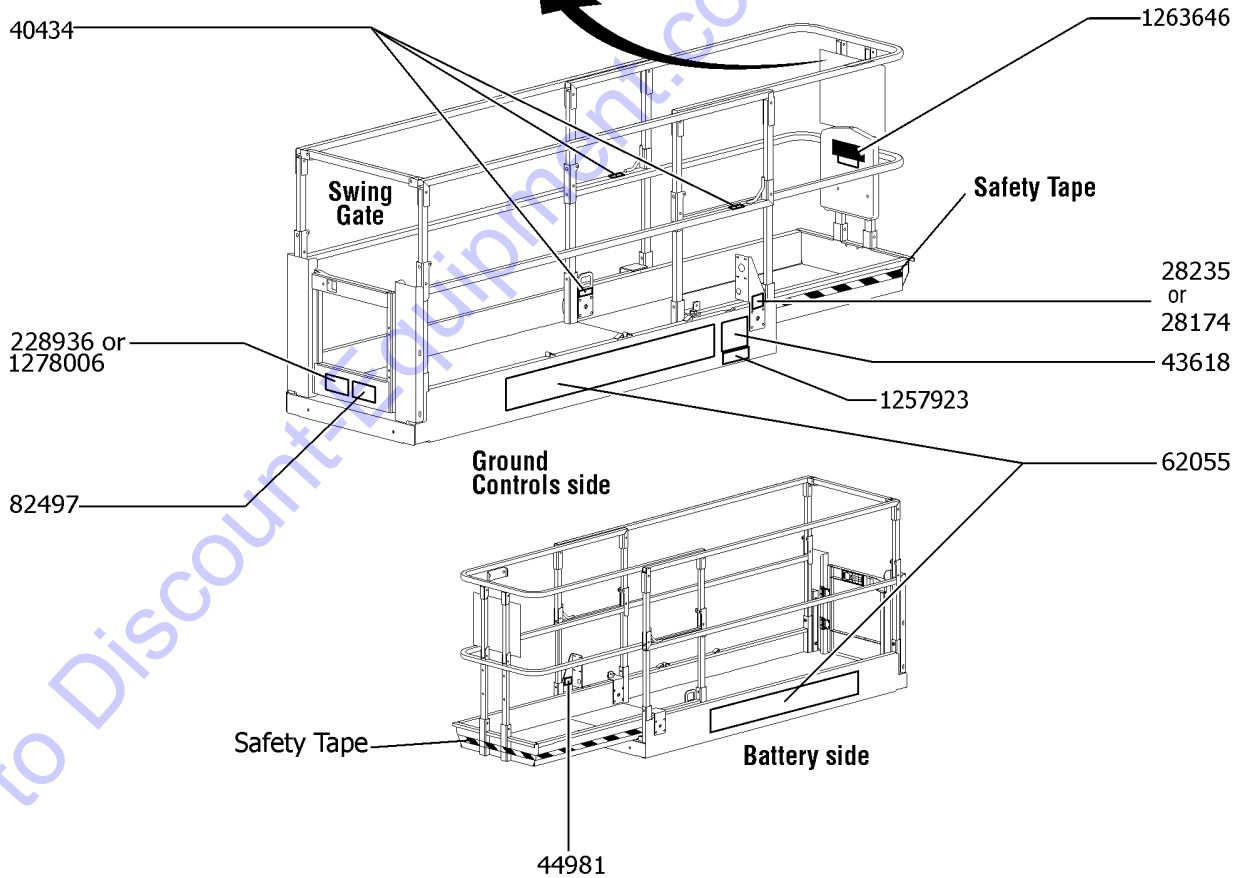
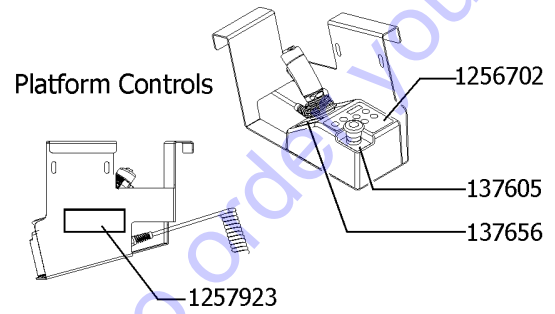
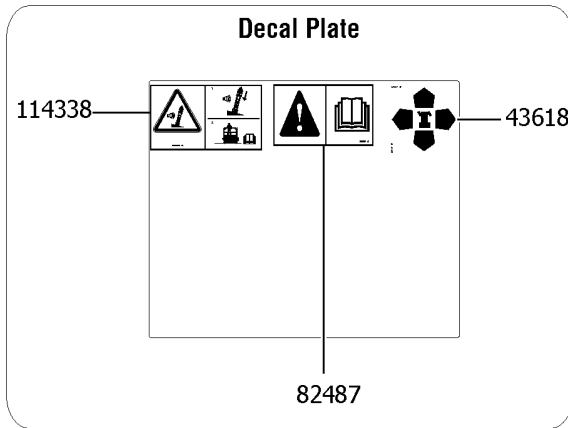
115.1 Symbol Decals, GS-2032, Platform, ANSI

Item	Part No.	Description	Qty.
1	28174GT	DECAL,POWER TO PLATFORM 230V .....	1
2	28235GT	DECAL,POWER TO PLATFORM 115V .....	1
3	40434GT	DECAL,LANYARD ANCHORAGE POINT .....	3
4	43618GT	DECAL,LABEL-DIRECTION ARROWS .....	2
5	44981GT	DECAL,LABEL,AIRLINE 110 PSI .....	1
		(Option)	
6	62055GT	DECAL,COSMETIC,GENIE GS-2032 .....	2
7	82487GT	DECAL,SYMBOL-READ THE MANUAL .....	1
8	82699GT	DECAL,SYM-MAXCAP 800 .....	1
9	82701GT	DECAL,SYM-SIDE FORCE 534N .....	1
10	114338GT	DECAL,SYM-TIP-OVR,TILT ALARM .....	1
11	137605GT	DECAL,E-STOP,GR/GRC/GS PCON .....	1
13	137656GT	DECAL,PROPEL,GR/GRC/GS,PCON .....	1
14	1256702GT	DECAL, UI, GS/GR, PROP LIFT .....	1
15	1257923GT	DECAL, SMARTLINK PROPORTIONAL .....	2

Go to Discount-Equipment.com to order your parts



# Platform, CE models



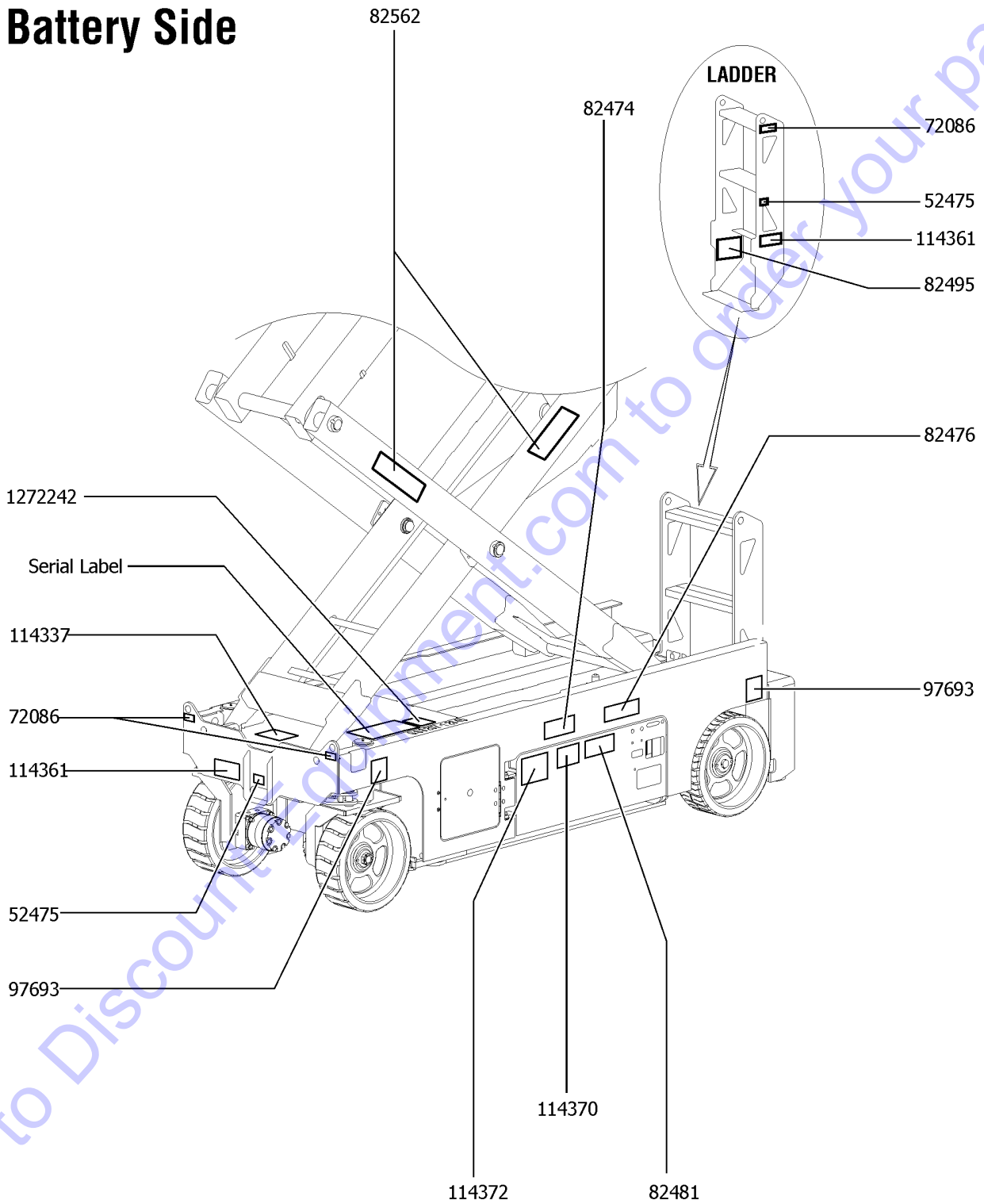
116.1 Symbol Decals, GS-2032, Platform, CE

Item	Part No.	Description	Qty.
1	28174GT	DECAL,POWER TO PLATFORM 230V .....	1
2	28235GT	DECAL,POWER TO PLATFORM 115V .....	1
3	40434GT	DECAL,LANYARD ANCHORAGE POINT .....	3
4	43618GT	DECAL,LABEL-DIRECTION ARROWS .....	2
5	44981GT	DECAL,LABEL,AIRLINE 110 PSI .....	1
		(Option)	
6	62055GT	DECAL,COSMETIC,GENIE GS-2032 .....	2
7	82487GT	DECAL,SYMBOL-READ THE MANUAL .....	1
8	82497GT	DECAL,SYM-SIDEFORCE 200400 .....	1
9	114338GT	DECAL,SYM-TIP-OVR,TILT ALARM .....	1
10	137605GT	DECAL,E-STOP,GR/GRC/GS PCON .....	1
11	137656GT	DECAL,PROPEL,GR/GRC/GS,PCON .....	1
12	228936GT	DECAL,INST MAX CAP 363 KG,SYM .....	1
		to SN GS32P-150574	
13	1256702GT	DECAL, UI, GS/GR, PROP LIFT .....	1
14	1257923GT	DECAL, SMARTLINK PROPORTIONAL .....	2
15	1263646GT	DECAL,QR CODE,PARTS&SERVICE MANUAL .....	1
16	1278006GT	DECAL, SYMBOL, CE, MAXIMUM CAPACITY, 363KG .....	1
		from SN GS32P-150575	

Go to Discount-Equipment.com to order your parts



# Battery Side



117.1 Symbol Decals, GS-2632, Battery Side, ANSI & CE

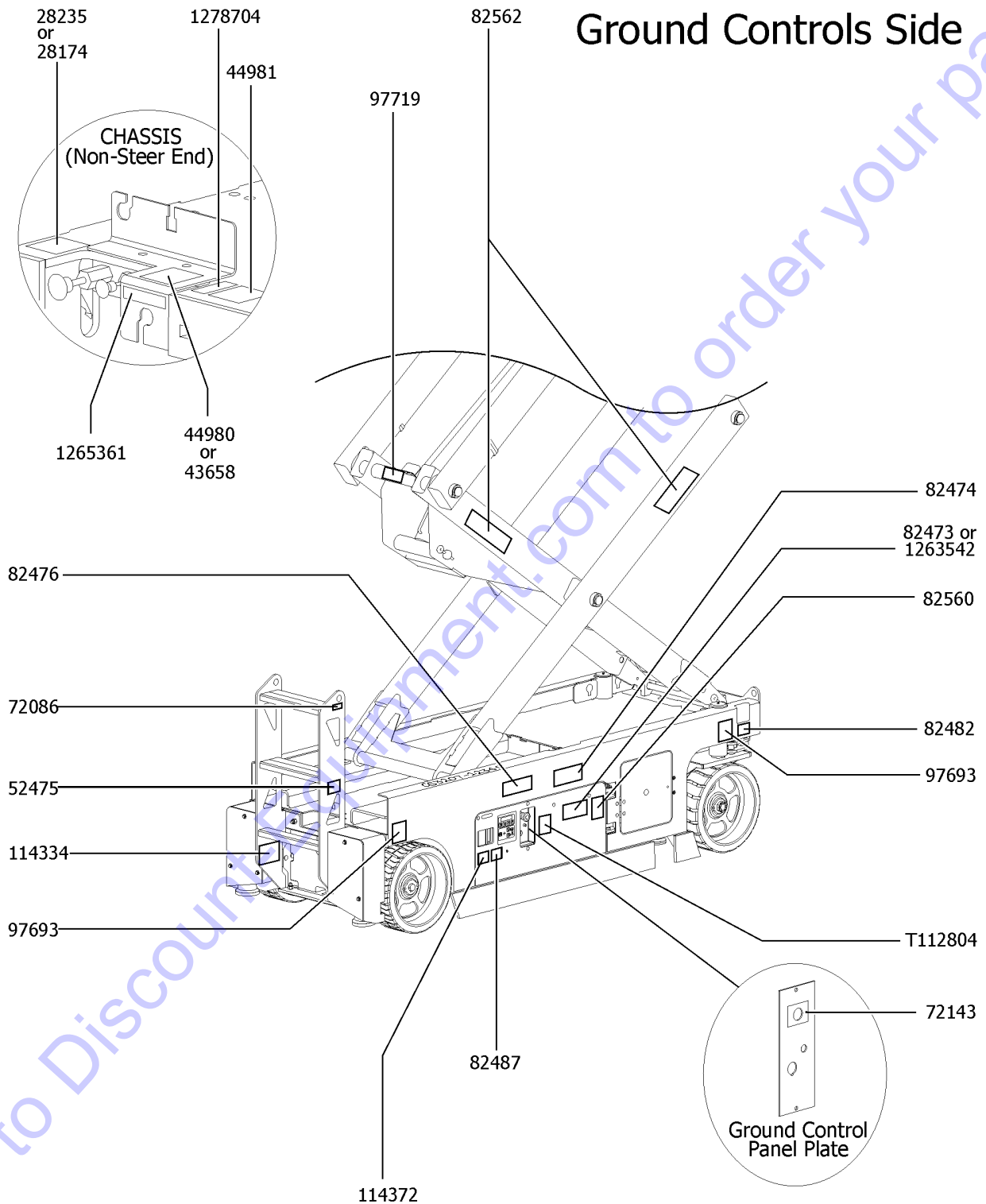
Item	Part No.	Description	Qty.
1	52475GT	DECAL,LABEL,TRANSPORT TIEDOWN* .....	2
2	72086GT	DECAL,LABEL,LIFTING EYE .....	3
3	82474GT	DECAL,SYMBOL-USE SAFETY ARM .....	1
4	82476GT	DECAL,SYMBOL-ELEC HAZARD,GS .....	1
5	82481GT	DECAL,SYMBOL-BATTERY SAFETY .....	1
6	82495GT	DECAL,LABEL,FORKLIFT POCKET .....	1
7	82562GT	DECAL,SYMBOL-CRUSHING HAZARD .....	2
8	97693GT	DECAL,LABEL,WHEEL LOAD 2632 .....	2
9	114337GT	DECAL, COMPARTMENT ACCESS .....	1
10	114361GT	DECAL,SYM-TIP-OVER,LIM SWITCH .....	2
11	114370GT	DECAL-SYM-TIP-OVR,BATTERIES .....	1
12	114372GT	DECAL SYMBOL TIP OVER TRAYS .....	1
13	1272242GT	DECAL,MACHINE REGISTRATION/OWNER TRANSFER .....	1

Go to Discount-Equipment.com to order your parts



118.1 Symbol Decals, GS-2632, Ground Control Side, ANSI and CE

# Ground Controls Side



118.1 Symbol Decals, GS-2632, Ground Control Side, ANSI and CE

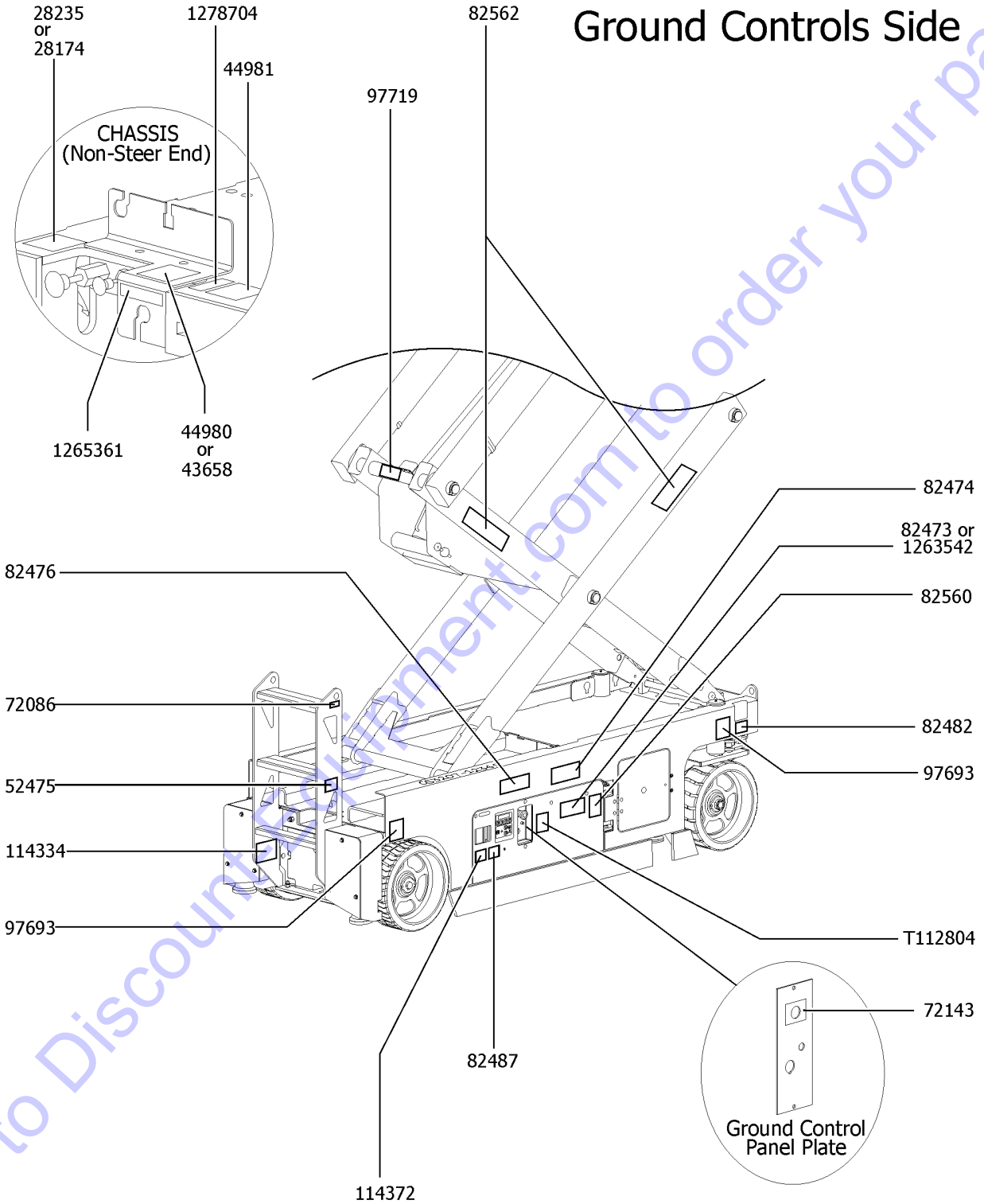
Item	Part No.	Description	Qty.
1	28174GT	DECAL,POWER TO PLATFORM 230V .....	1
2	28235GT	DECAL,POWER TO PLATFORM 115V .....	1
3	43658GT	DECAL,LABEL,PWR TO CHARGR 230V .....	1
4	44980GT	DECAL,LABEL,PWR TO CHARGR 115V .....	1
5	44981GT	DECAL,LABEL,AIRLINE 110 PSI (Option) .....	1
6	52475GT	DECAL,LABEL,TRANSPORT TIEDOWN* .....	1
7	72086GT	DECAL,LABEL,LIFTING EYE .....	1
8	72143GT	DECAL,EMERGENCY STOP,GR .....	1
9	82473GT	DECAL,SYMBOL-COMP ACCESS to SN GS32P-150574 .....	1
10	82474GT	DECAL,SYMBOL-USE SAFETY ARM .....	1
11	82476GT	DECAL,SYMBOL-ELEC HAZARD,GS .....	1
12	82482GT	DECAL,LABEL,AUX LOWERING .....	1
13	82487GT	DECAL,SYMBOL-READ THE MANUAL .....	1
14	82560GT	DECAL,SYMBOL-SKIN INJECT HAZRD .....	1
15	82562GT	DECAL,SYMBOL-CRUSHING HAZARD .....	2
16	97693GT	DECAL,LABEL,WHEEL LOAD 2632 .....	2
17	97719GT	DECAL, LABEL, SAFETY ARM SYMB .....	1
18	114334GT	DECAL SYMBOL ELECTRIC HAZARD PLUG .....	1
19	114372GT	DECAL SYMBOL TIP OVER TRAYS .....	1
20	1263542GT	DECAL, COMPARTMENT ACCESS .....	1
21	T112804GT	DECAL,GCON PANEL,GS from SN GS32P-150575 .....	1
22	1265361GT	DECAL, BATTERY CHARGER INDICAT from SN 146463 to 157195 .....	1





118.2 Symbol Decals, GS-2632, Ground Control Side, ANSI and CE

# Ground Controls Side

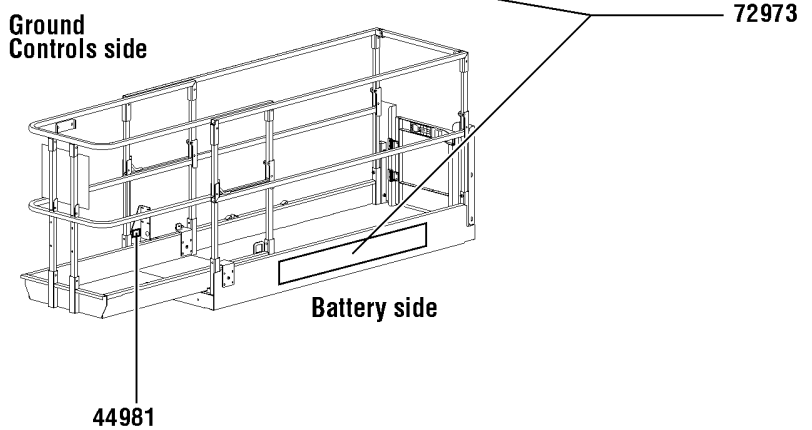
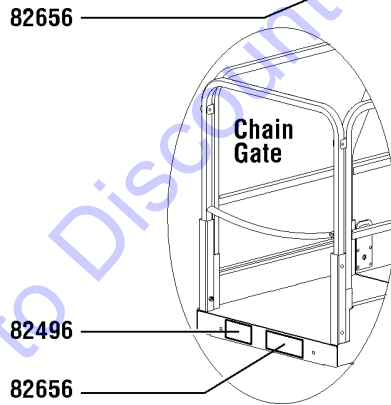
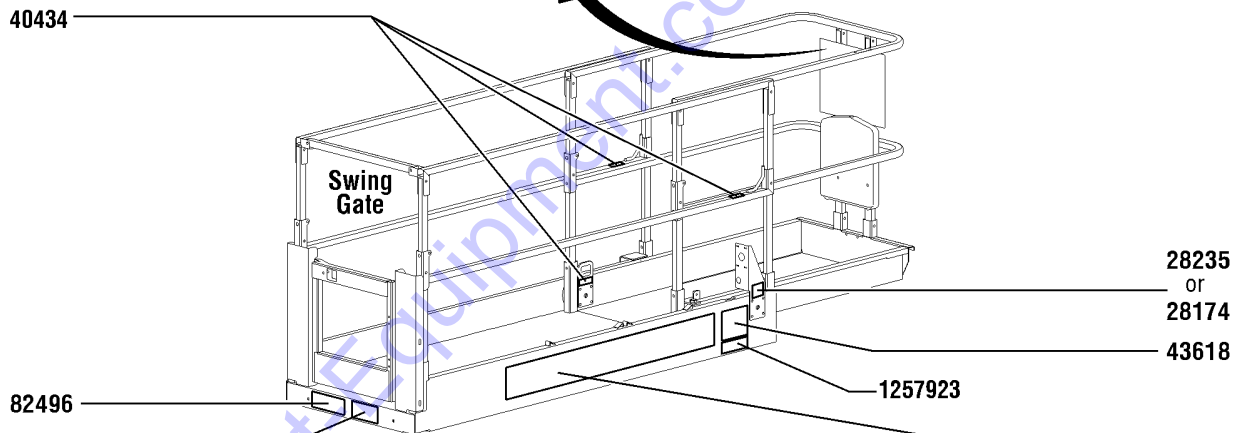
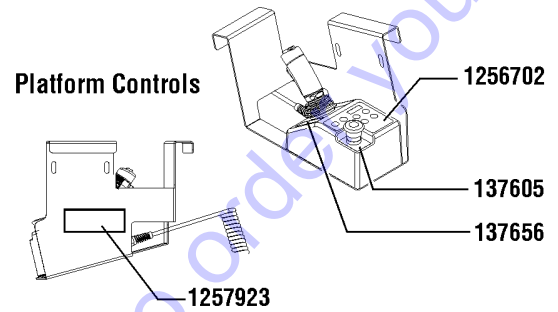
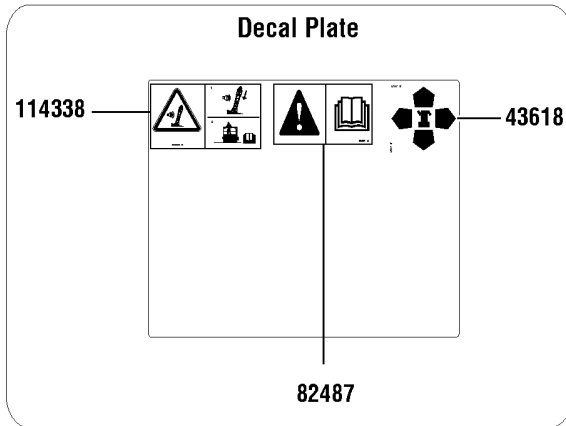


118.2 Symbol Decals, GS-2632, Ground Control Side, ANSI and CE

Item	Part No.	Description	Qty.
1	28174GT	DECAL,POWER TO PLATFORM 230V .....	1
2	28235GT	DECAL,POWER TO PLATFORM 115V .....	1
3	43658GT	DECAL,LABEL,PWR TO CHARGR 230V .....	1
4	44980GT	DECAL,LABEL,PWR TO CHARGR 115V .....	1
5	44981GT	DECAL,LABEL,AIRLINE 110 PSI (Option) .....	1
6	52475GT	DECAL,LABEL,TRANSPORT TIEDOWN* .....	1
7	72086GT	DECAL,LABEL,LIFTING EYE .....	1
8	72143GT	DECAL,EMERGENCY STOP,GR .....	1
9	82473GT	DECAL,SYMBOL-COMP ACCESS to SN GS32P-150574 .....	1
10	82474GT	DECAL,SYMBOL-USE SAFETY ARM .....	1
11	82476GT	DECAL,SYMBOL-ELEC HAZARD,GS .....	1
12	82482GT	DECAL,LABEL,AUX LOWERING .....	1
13	82487GT	DECAL,SYMBOL-READ THE MANUAL .....	1
14	82560GT	DECAL,SYMBOL-SKIN INJECT HAZRD .....	1
15	82562GT	DECAL,SYMBOL-CRUSHING HAZARD .....	2
16	97693GT	DECAL,LABEL,WHEEL LOAD 2632 .....	2
17	97719GT	DECAL, LABEL, SAFETY ARM SYMB .....	1
18	114334GT	DECAL SYMBOL ELECTRIC HAZARD PLUG .....	1
19	114372GT	DECAL SYMBOL TIP OVER TRAYS .....	1
20	1263542GT	DECAL, COMPARTMENT ACCESS .....	1
21	T112804GT	DECAL,GCON PANEL,GS from SN GS32P-150575 .....	1
22	1265361GT	DECAL, BATTERY CHARGER INDICAT from SN 146463 to 157195 .....	1
23	1278704GT	DECAL,CHARGE STATUS IND. from 157196 .....	1



# Platform, ANSI models



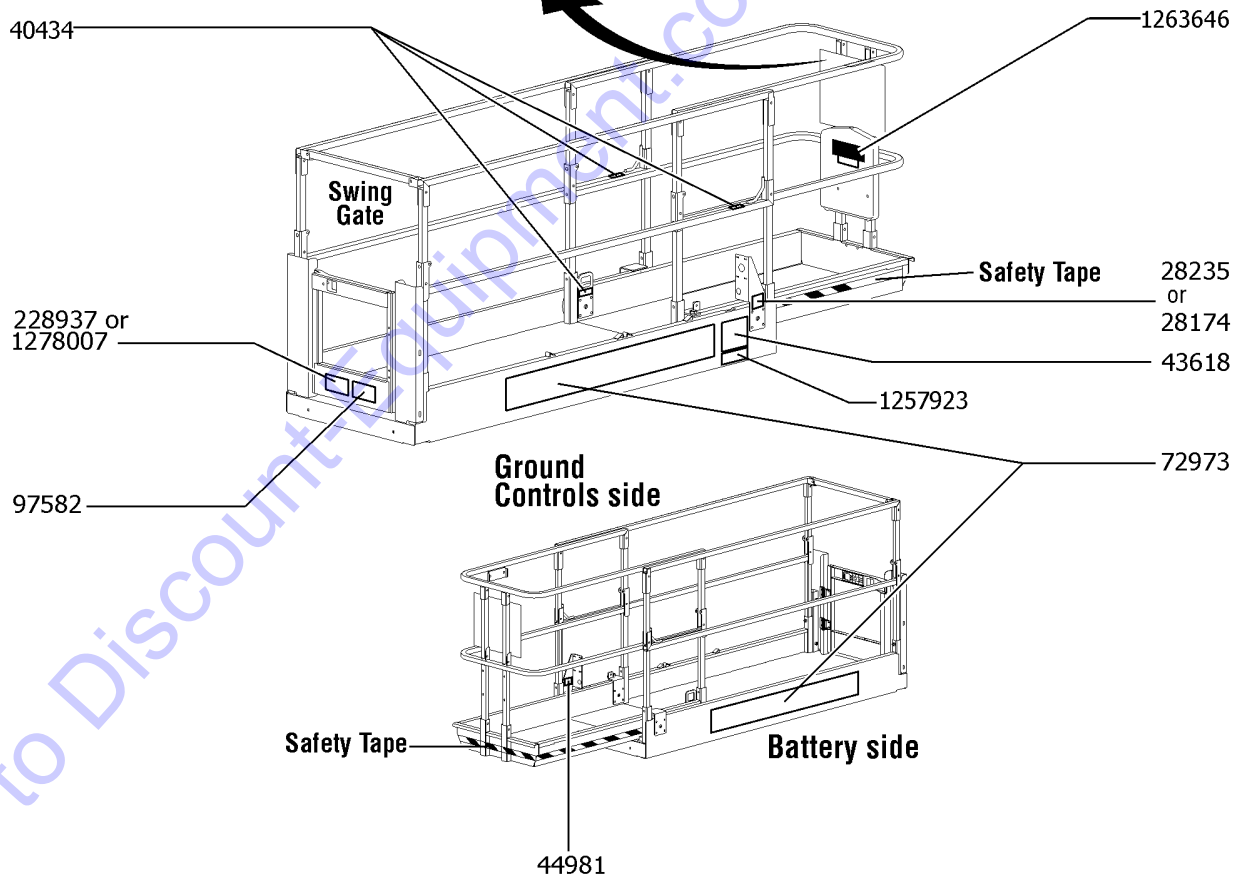
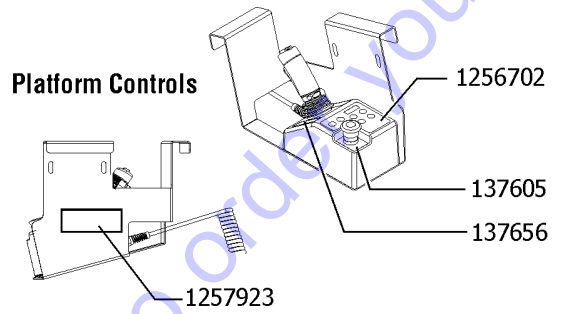
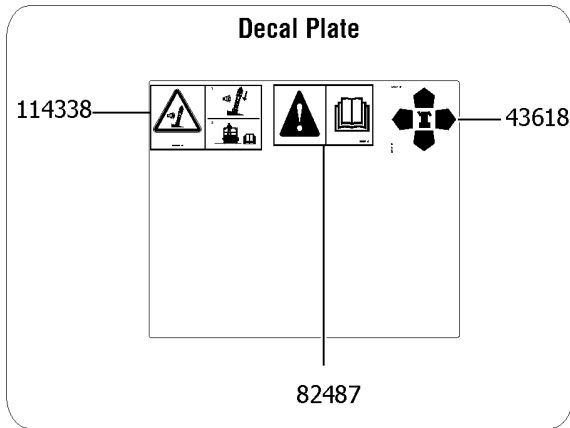
119.1 Symbol Decals, GS-2632, Platform, ANSI

Item	Part No.	Description	Qty.
1	28174GT	DECAL,POWER TO PLATFORM 230V .....	1
2	28235GT	DECAL,POWER TO PLATFORM 115V .....	1
3	40434GT	DECAL,LANYARD ANCHORAGE POINT .....	3
4	43618GT	DECAL,LABEL-DIRECTION ARROWS .....	2
5	44981GT	DECAL,LABEL,AIRLINE 110 PSI .....	1
		(Option)	
6	72973GT	DECAL,COSMETIC,GENIE GS-2632** .....	2
7	82487GT	DECAL,SYMBOL-READ THE MANUAL .....	1
8	82496GT	DECAL,SYM-MAXCAP 500 .....	1
9	82656GT	DECAL,SYM-SIDE FORCE 445N .....	1
10	114338GT	DECAL,SYM-TIP-OVR,TILT ALARM .....	1
11	137605GT	DECAL,E-STOP,GR/GRC/GS PCON .....	1
12	137656GT	DECAL,PROPEL,GR/GRC/GS,PCON .....	1
13	1256702GT	DECAL, UI, GS/GR, PROP LIFT .....	1
14	1257923GT	DECAL, SMARTLINK PROPORTIONAL .....	2

Go to Discount-Equipment.com to order your parts



# Platform, CE models



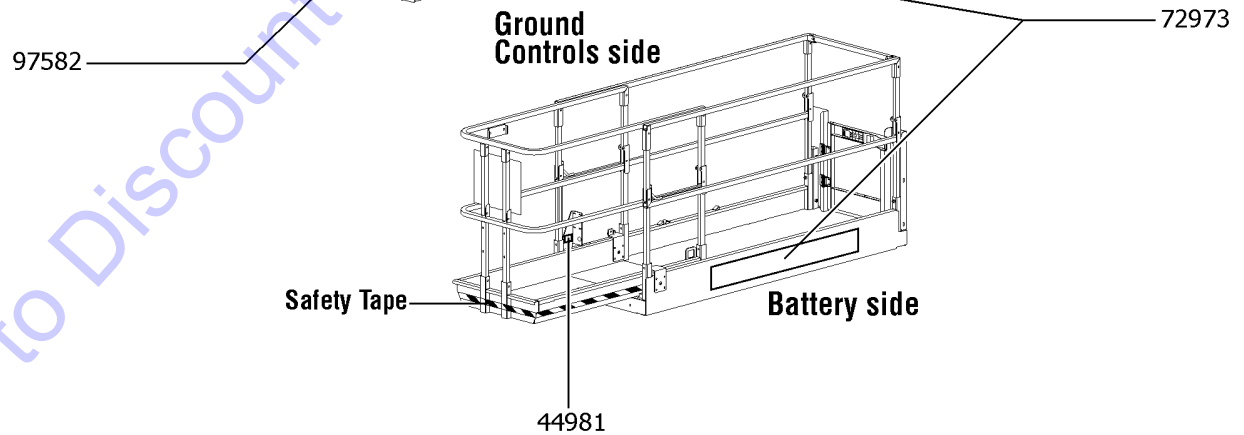
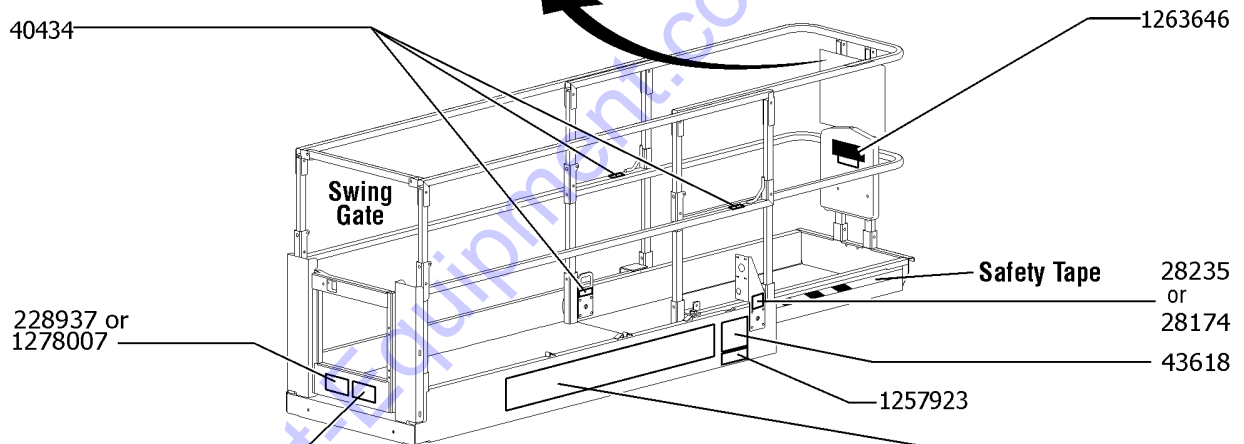
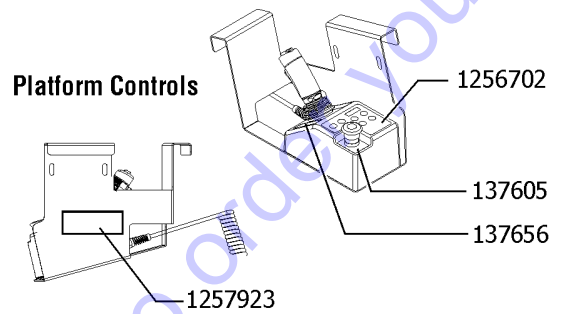
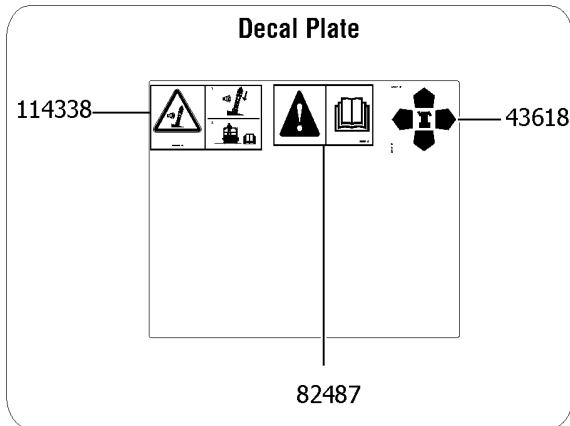
120.1 Symbol Decals, GS-2632, Platform, CE

Item	Part No.	Description	Qty.
1	28174GT	DECAL,POWER TO PLATFORM 230V .....	1
2	28235GT	DECAL,POWER TO PLATFORM 115V .....	1
3	40434GT	DECAL,LANYARD ANCHORAGE POINT .....	3
4	43618GT	DECAL,LABEL-DIRECTION ARROWS .....	2
5	44981GT	DECAL,LABEL,AIRLINE 110 PSI .....	1
		(Option)	
6	72973GT	DECAL,COSMETIC,GENIE GS-2632** .....	2
7	82487GT	DECAL,SYMBOL-READ THE MANUAL .....	1
8	97582GT	DECAL,SYM-SIDEFORCE 400N ID .....	1
9	114338GT	DECAL,SYM-TIP-OVR,TILT ALARM .....	1
10	137605GT	DECAL,E-STOP,GR/GRC/GS PCON .....	1
11	137656GT	DECAL,PROPEL,GR/GRC/GS,PCON .....	1
12	228937GT	DECAL,SYM-MAXCAP CE GS2632 .....	1
		to SN GS32P-150574	
13	1256702GT	DECAL, UI, GS/GR, PROP LIFT .....	1
14	1257923GT	DECAL, SMARTLINK PROPORTIONAL .....	2
15	1263646GT	DECAL,QR CODE,PARTS&SERVICE MANUAL .....	1

Go to Discount-Equipment.com to order your parts



# Platform, CE models



120.2 Symbol Decals, GS-2632, Platform, CE

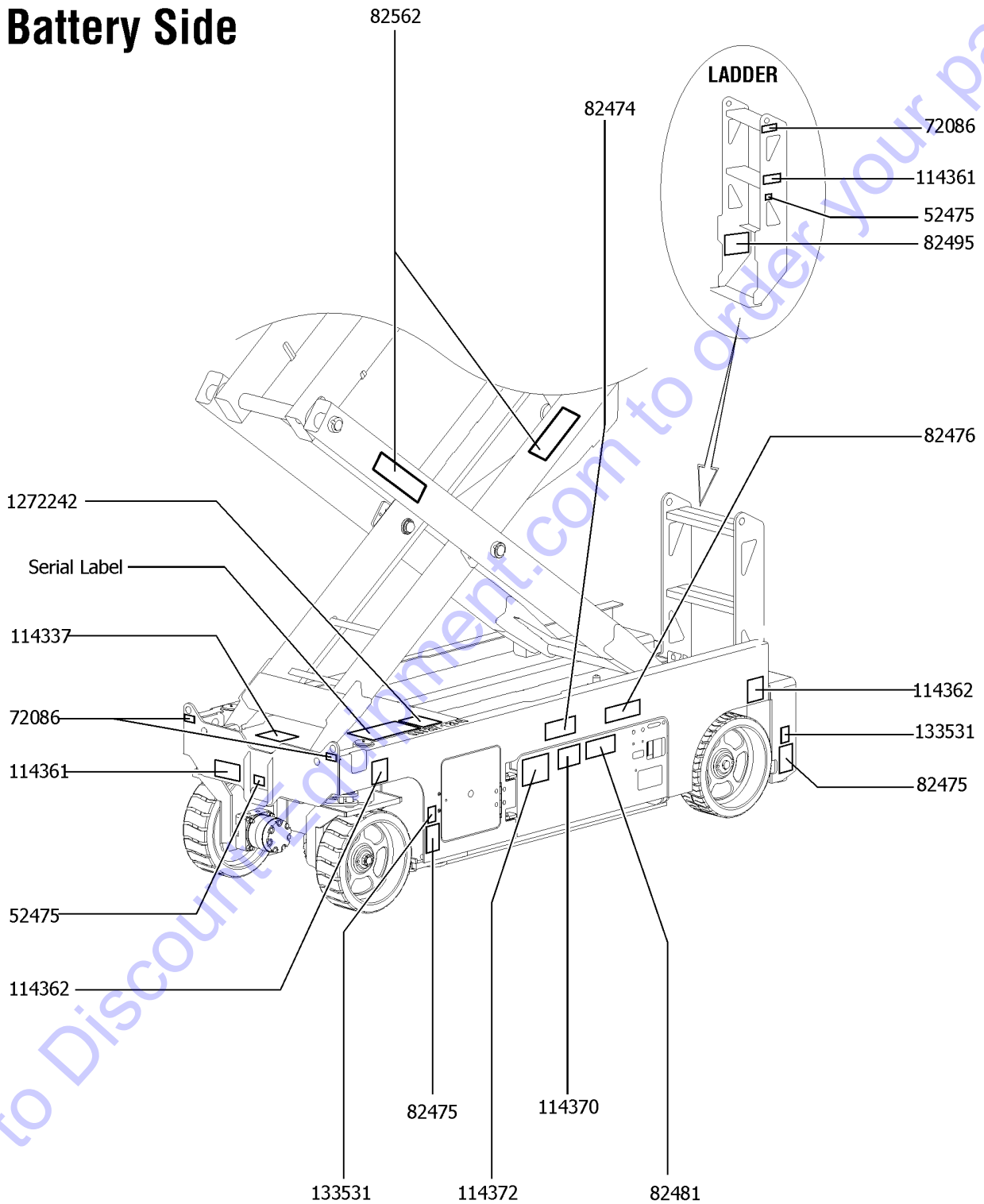
Item	Part No.	Description	Qty.
1	28174GT	DECAL,POWER TO PLATFORM 230V .....	1
2	28235GT	DECAL,POWER TO PLATFORM 115V .....	1
3	40434GT	DECAL,LANYARD ANCHORAGE POINT .....	3
4	43618GT	DECAL,LABEL-DIRECTION ARROWS .....	2
5	44981GT	DECAL,LABEL,AIRLINE 110 PSI .....	1
		(Option)	
6	72973GT	DECAL,COSMETIC,GENIE GS-2632** .....	2
7	82487GT	DECAL,SYMBOL-READ THE MANUAL .....	1
8	97582GT	DECAL,SYM-SIDEFORCE 400N ID .....	1
9	114338GT	DECAL,SYM-TIP-OVR,TILT ALARM .....	1
10	137605GT	DECAL,E-STOP,GR/GRC/GS PCON .....	1
11	137656GT	DECAL,PROPEL,GR/GRC/GS,PCON .....	1
12	228937GT	DECAL,SYM-MAXCAP CE GS2632 .....	1
		to SN GS32P-150574	
13	1256702GT	DECAL, UI, GS/GR, PROP LIFT .....	1
14	1257923GT	DECAL, SMARTLINK PROPORTIONAL .....	2
15	1263646GT	DECAL,QR CODE,PARTS&SERVICE MANUAL .....	1
16	1278007GT	DECAL, SYMBOL, CE, MAXIMUM CAPACITY, 227KG .....	1
		from SN GS32P-150575	

Go to Discount-Equipment.com to order your parts





# Battery Side



121.1 Symbol Decals, GS-3232, Battery Side, ANSI & CE

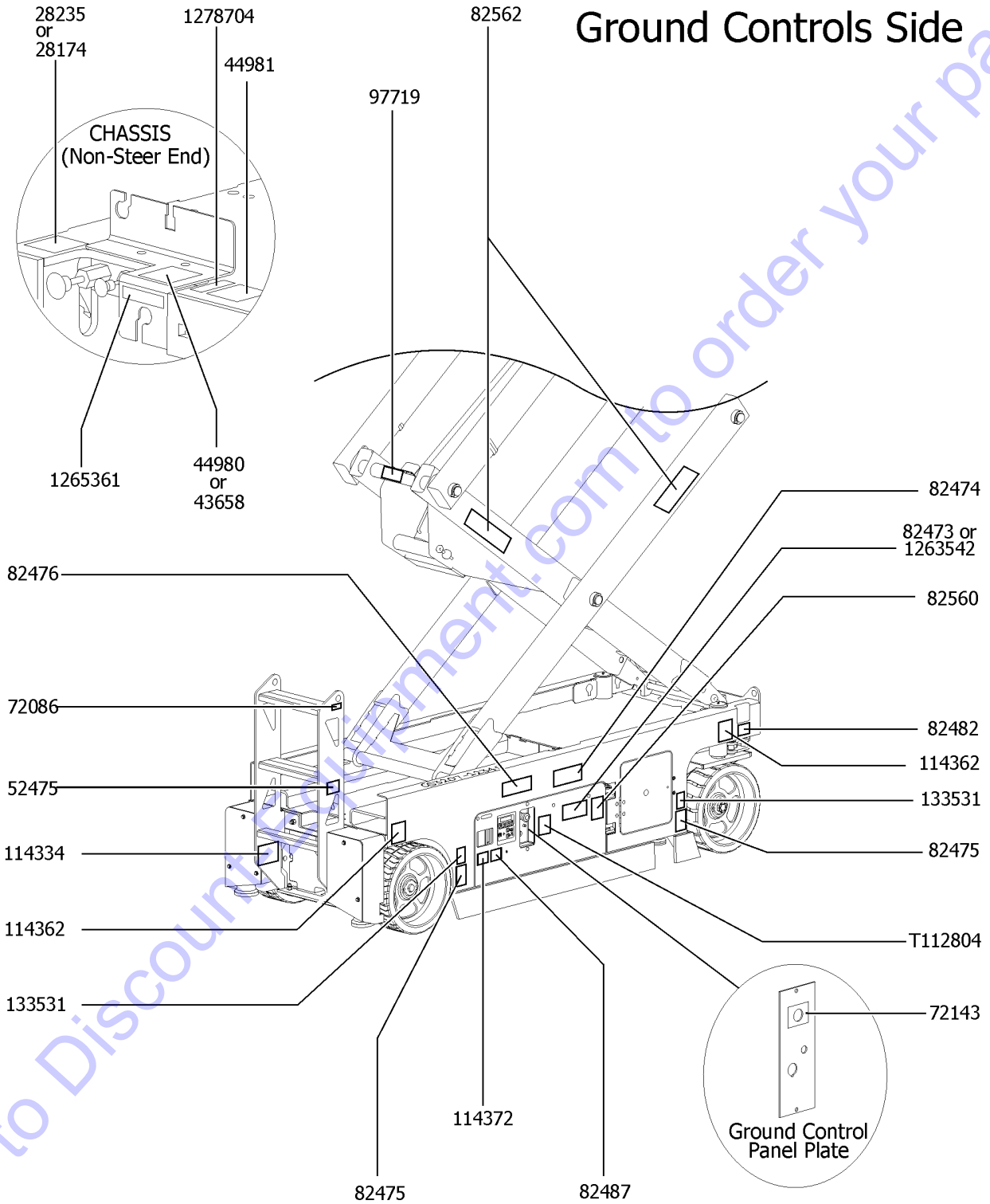
Item	Part No.	Description	Qty.
1	52475GT	DECAL,LABEL,TRANSPORT TIEDOWN* .....	2
2	72086GT	DECAL,LABEL,LIFTING EYE .....	3
3	82474GT	DECAL,SYMBOL-USE SAFETY ARM .....	1
4	82475GT	DECAL,SYMBOL-FOOT CRUSHING .....	2
5	82476GT	DECAL,SYMBOL-ELEC HAZARD,GS .....	1
6	82481GT	DECAL,SYMBOL-BATTERY SAFETY .....	1
7	82495GT	DECAL,LABEL,FORKLIFT POCKET .....	1
8	82562GT	DECAL,SYMBOL-CRUSHING HAZARD .....	2
9	114337GT	DECAL, COMPARTMENT ACCESS .....	1
10	114361GT	DECAL,SYM-TIP-OVER,LIM SWITCH .....	2
11	114362GT	DECAL,LABEL-WHEEL LOAD,GS-3232 .....	2
12	114370GT	DECAL-SYM-TIP-OVR,BATTRIES .....	1
13	114372GT	DECAL SYMBOL TIP OVER TRAYS .....	1
14	133531GT	LABEL,OUTRIGGER,LOAD,GS-3232 .....	2

Go to Discount-Equipment.com to order your parts



122.1 Symbol Decals, GS-3232, Ground Control Side, ANSI and CE

# Ground Controls Side



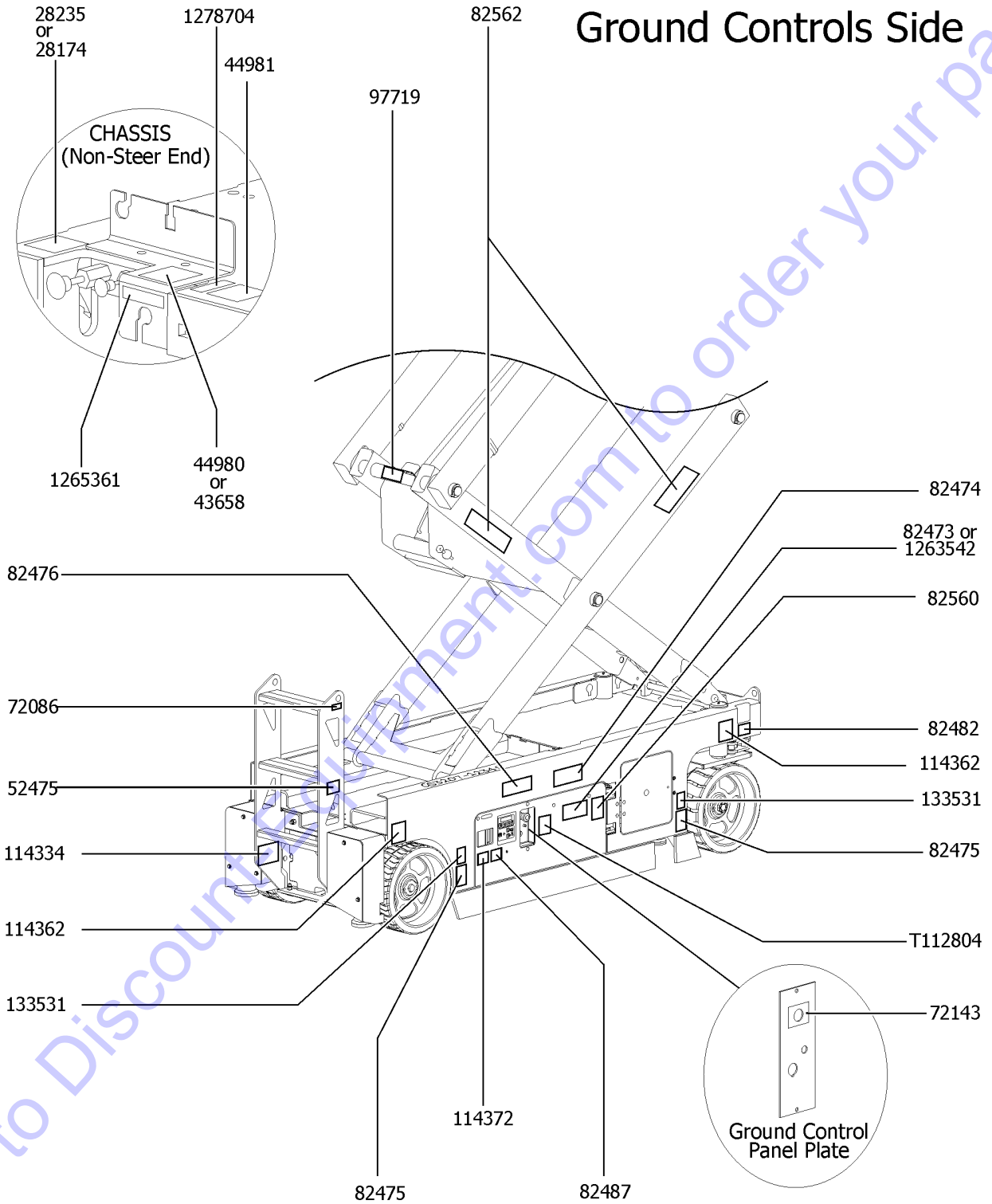
122.1 Symbol Decals, GS-3232, Ground Control Side, ANSI and CE

Item	Part No.	Description	Qty.
1	28174GT	DECAL,POWER TO PLATFORM 230V .....	1
2	28235GT	DECAL,POWER TO PLATFORM 115V .....	1
3	43658GT	DECAL,LABEL,PWR TO CHARGR 230V .....	1
4	44980GT	DECAL,LABEL,PWR TO CHARGR 115V .....	1
5	44981GT	DECAL,LABEL,AIRLINE 110 PSI (Option) .....	1
6	52475GT	DECAL,LABEL,TRANSPORT TIEDOWN* .....	1
7	72086GT	DECAL,LABEL,LIFTING EYE .....	1
8	72143GT	DECAL,EMERGENCY STOP,GR .....	1
9	82473GT	DECAL,SYMBOL-COMP ACCESS to SN GS32P-150574 .....	1
10	82474GT	DECAL,SYMBOL-USE SAFETY ARM .....	1
11	82475GT	DECAL,SYMBOL-FOOT CRUSHING .....	2
12	82476GT	DECAL,SYMBOL-ELEC HAZARD,GS .....	1
13	82482GT	DECAL,LABEL,AUX LOWERING .....	1
14	82487GT	DECAL,SYMBOL-READ THE MANUAL .....	1
15	82560GT	DECAL,SYMBOL-SKIN INJECT HAZRD .....	1
16	82562GT	DECAL,SYMBOL-CRUSHING HAZARD .....	2
17	97719GT	DECAL, LABEL, SAFETY ARM SYMB .....	1
18	114334GT	DECAL SYMBOL ELECTRIC HAZARD PLUG .....	1
19	114362GT	DECAL,LABEL-WHEEL LOAD,GS-3232 .....	2
20	114372GT	DECAL SYMBOL TIP OVER TRAYS .....	1
21	133531GT	LABEL,OUTRIGGER,LOAD,GS-3232 .....	2
23	T112804GT	DECAL,GCON PANEL,GS .....	1
24	1265361GT	DECAL, BATTERY CHARGER INDICAT from SN 146463 to 157195 .....	1



122.2 Symbol Decals, GS-3232, Ground Control Side, ANSI and CE

# Ground Controls Side

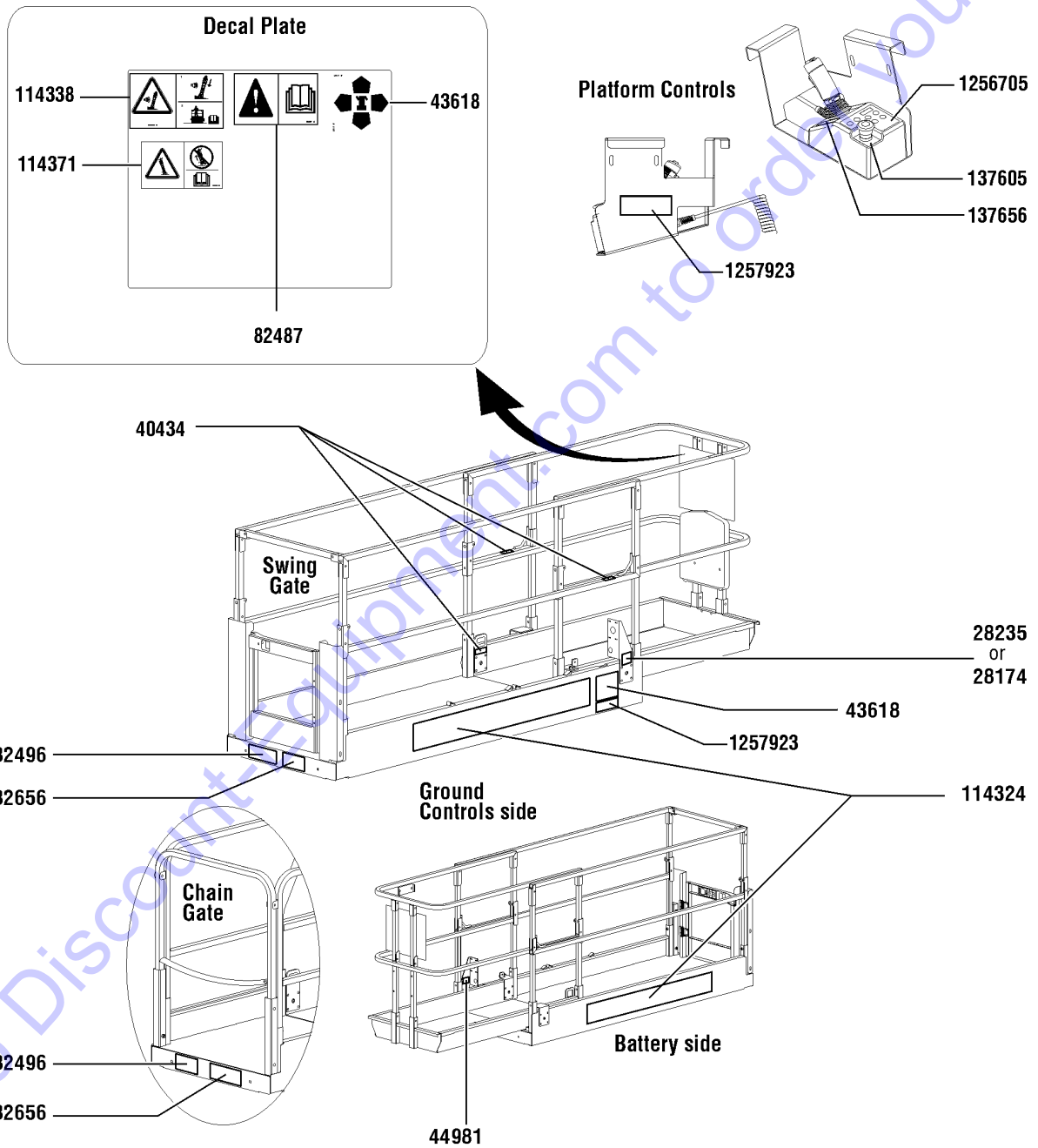


122.2 Symbol Decals, GS-3232, Ground Control Side, ANSI and CE

Item	Part No.	Description	Qty.
1	28174GT	DECAL,POWER TO PLATFORM 230V .....	1
2	28235GT	DECAL,POWER TO PLATFORM 115V .....	1
3	43658GT	DECAL,LABEL,PWR TO CHARGR 230V .....	1
4	44980GT	DECAL,LABEL,PWR TO CHARGR 115V .....	1
5	44981GT	DECAL,LABEL,AIRLINE 110 PSI (Option) .....	1
6	52475GT	DECAL,LABEL,TRANSPORT TIEDOWN* .....	1
7	72086GT	DECAL,LABEL,LIFTING EYE .....	1
8	72143GT	DECAL,EMERGENCY STOP,GR .....	1
9	82473GT	DECAL,SYMBOL-COMP ACCESS to SN GS32P-150574 .....	1
10	82474GT	DECAL,SYMBOL-USE SAFETY ARM .....	1
11	82475GT	DECAL,SYMBOL-FOOT CRUSHING .....	2
12	82476GT	DECAL,SYMBOL-ELEC HAZARD,GS .....	1
13	82482GT	DECAL,LABEL,AUX LOWERING .....	1
14	82487GT	DECAL,SYMBOL-READ THE MANUAL .....	1
15	82560GT	DECAL,SYMBOL-SKIN INJECT HAZRD .....	1
16	82562GT	DECAL,SYMBOL-CRUSHING HAZARD .....	2
17	97719GT	DECAL, LABEL, SAFETY ARM SYMB .....	1
18	114334GT	DECAL SYMBOL ELECTRIC HAZARD PLUG .....	1
19	114362GT	DECAL,LABEL-WHEEL LOAD,GS-3232 .....	2
20	114372GT	DECAL SYMBOL TIP OVER TRAYS .....	1
21	133531GT	LABEL,OUTRIGGER,LOAD,GS-3232 .....	2
22	1263542GT	DECAL, COMPARTMENT ACCESS from SN GS32P-150575 .....	1
23	T112804GT	DECAL,GCON PANEL,GS .....	1
24	1265361GT	DECAL, BATTERY CHARGER INDICAT from SN 146463 to 157195 .....	1
25	1278704GT	DECAL,CHARGE STATUS IND. from 157196 .....	1



# Platform, ANSI models



123.1 Symbol Decals, GS-3232, Platform, ANSI

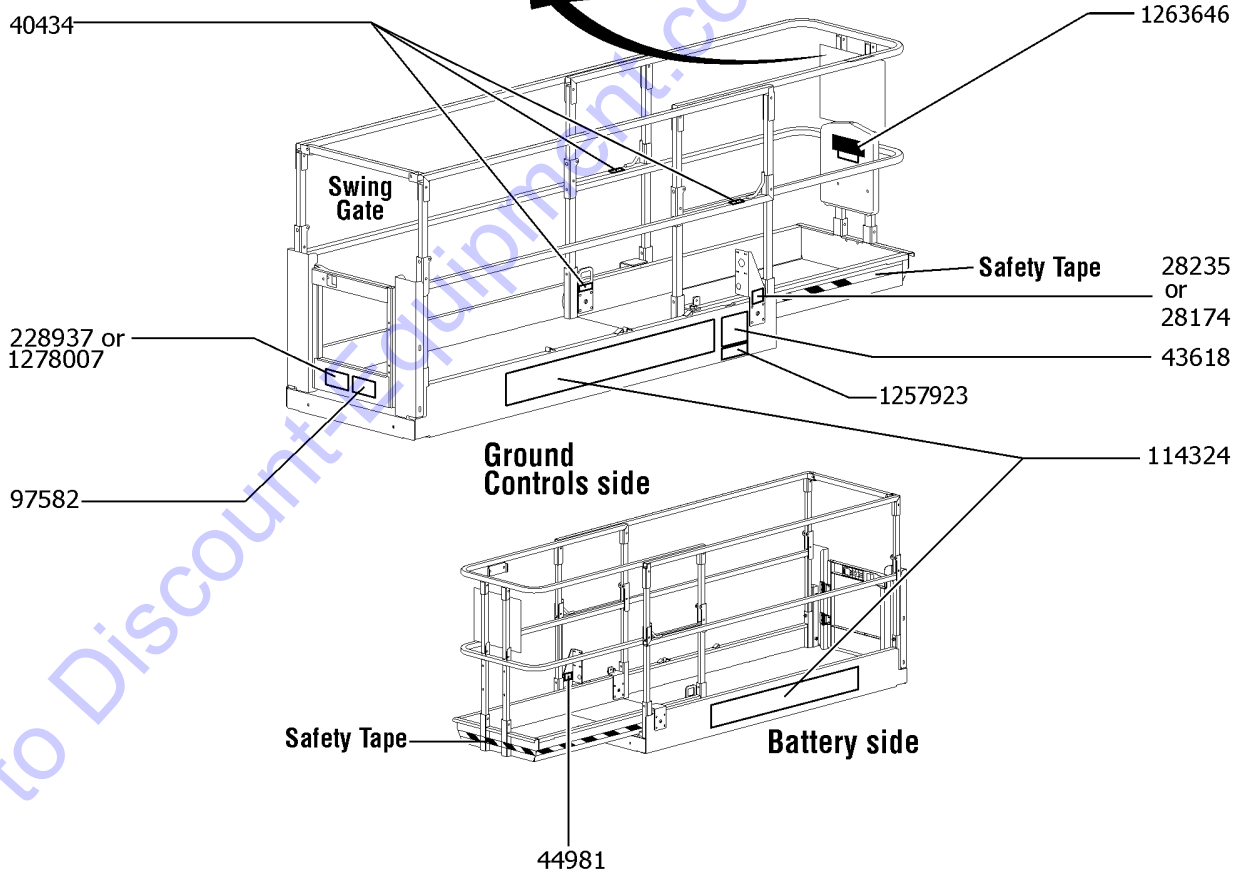
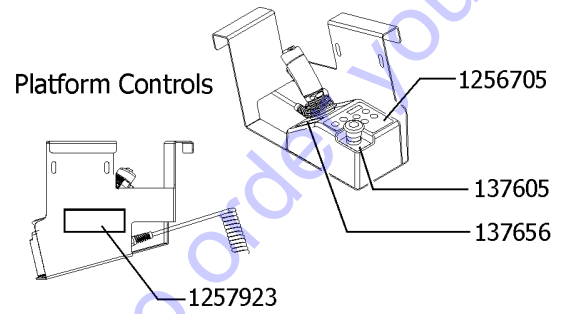
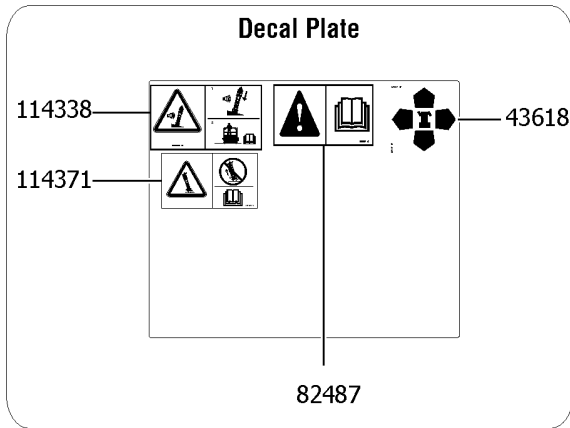
Item	Part No.	Description	Qty.
1	28174GT	DECAL,POWER TO PLATFORM 230V .....	1
2	28235GT	DECAL,POWER TO PLATFORM 115V .....	1
3	40434GT	DECAL,LANYARD ANCHORAGE POINT .....	3
4	43618GT	DECAL,LABEL-DIRECTION ARROWS .....	2
5	44981GT	DECAL,LABEL,AIRLINE 110 PSI .....	1
		(Option)	
6	82487GT	DECAL,SYMBOL-READ THE MANUAL .....	1
7	82496GT	DECAL,SYM-MAXCAP 500 .....	1
8	82656GT	DECAL,SYM-SIDE FORCE 445N .....	1
9	114324GT	DECAL,COSMETIC-GENIE GS-3232 .....	2
10	114338GT	DECAL,SYM-TIP-OVR,TILT ALARM .....	1
11	114371GT	DECAL,SYM-TIP-OVER,OUTRGR .....	1
12	137605GT	DECAL,E-STOP,GR/GRC/GS PCON .....	1
13	137656GT	DECAL,PROPEL,GR/GRC/GS,PCON .....	1
14	1256705GT	DECAL, O/R, PROP LIFT, UI, SVC .....	1
15	1257923GT	DECAL, SMARTLINK PROPORTIONAL .....	2

Go to Discount-Equipment.com to order your parts





# Platform, CE models



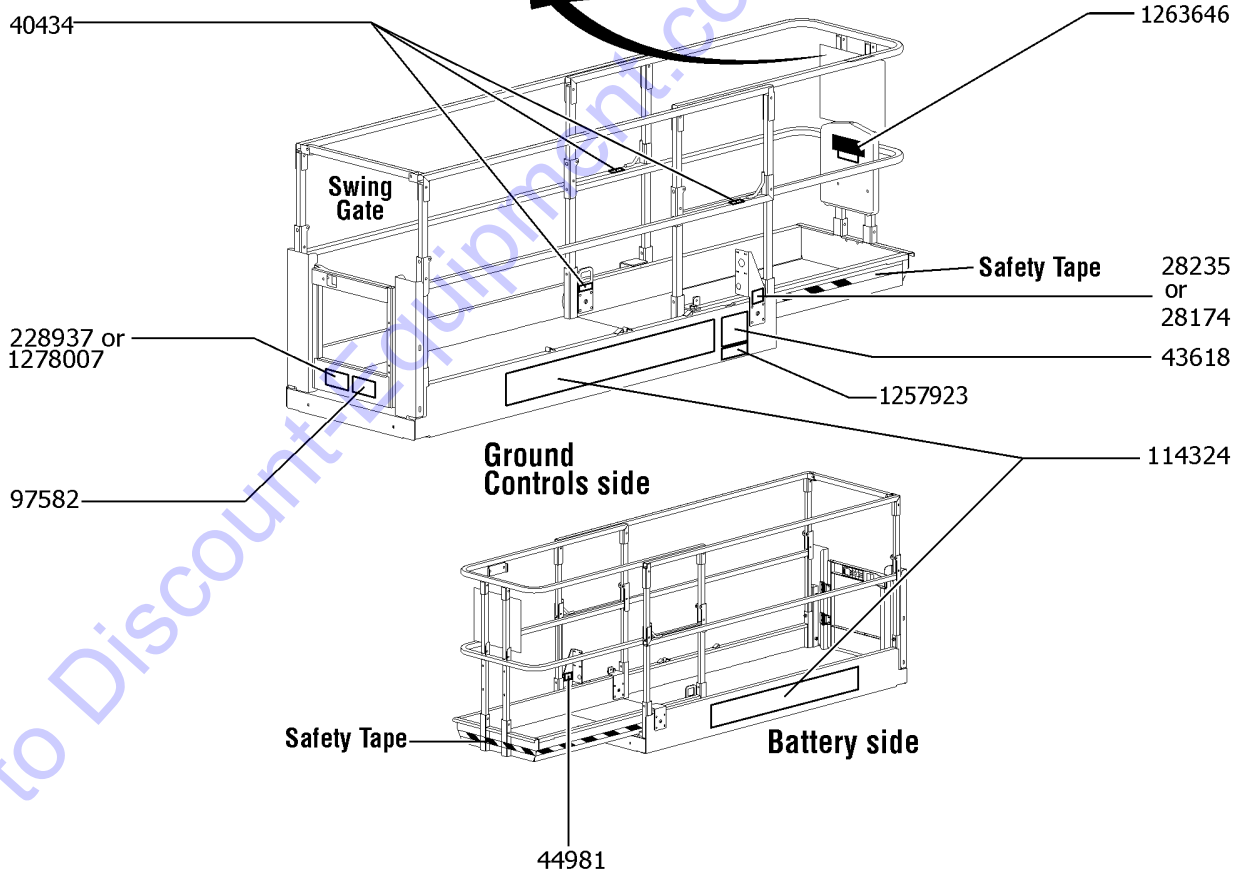
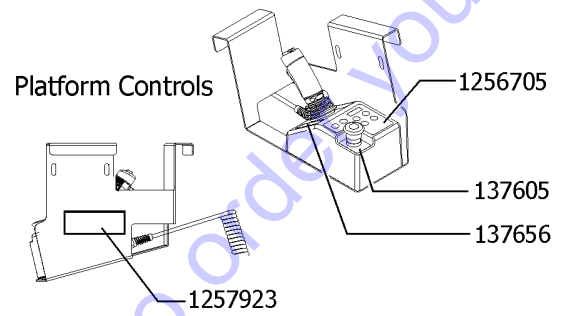
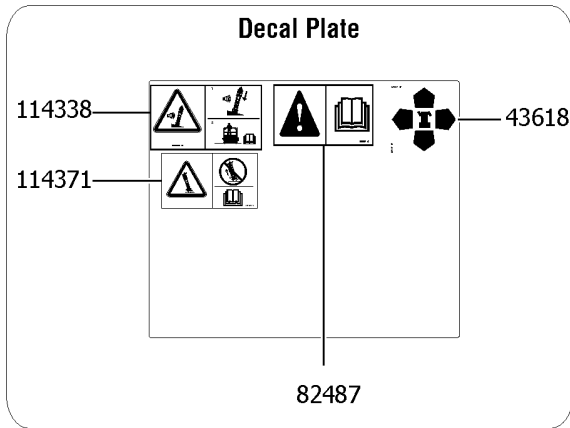
124.1 Symbol Decals, GS-3232, Platform, CE

Item	Part No.	Description	Qty.
1	28174GT	DECAL,POWER TO PLATFORM 230V .....	1
2	28235GT	DECAL,POWER TO PLATFORM 115V .....	1
3	40434GT	DECAL,LANYARD ANCHORAGE POINT .....	3
4	43618GT	DECAL,LABEL-DIRECTION ARROWS .....	2
5	44981GT	DECAL,LABEL,AIRLINE 110 PSI .....	1
		(Option)	
6	82487GT	DECAL,SYMBOL-READ THE MANUAL .....	1
7	97582GT	DECAL,SYM-SIDEFORCE 400N ID .....	1
8	114324GT	DECAL,COSMETIC-GENIE GS-3232 .....	2
9	114338GT	DECAL,SYM-TIP-OVR,TILT ALARM .....	1
10	114371GT	DECAL,SYM-TIP-OVER,OUTRGR .....	1
11	137605GT	DECAL,E-STOP,GR/GRC/GS PCON .....	1
12	137656GT	DECAL,PROPEL,GR/GRC/GS,PCON .....	1
13	228937GT	DECAL,SYM-MAXCAP CE GS2632 .....	1
		to SN GS32P-150574	
14	1256705GT	DECAL, O/R, PROP LIFT, UI, SVC .....	1
15	1257923GT	DECAL, SMARTLINK PROPORTIONAL .....	2
16	1263646GT	DECAL,QR CODE,PARTS&SERVICE MANUAL .....	1

Go to Discount-Equipment.com to order your parts



# Platform, CE models



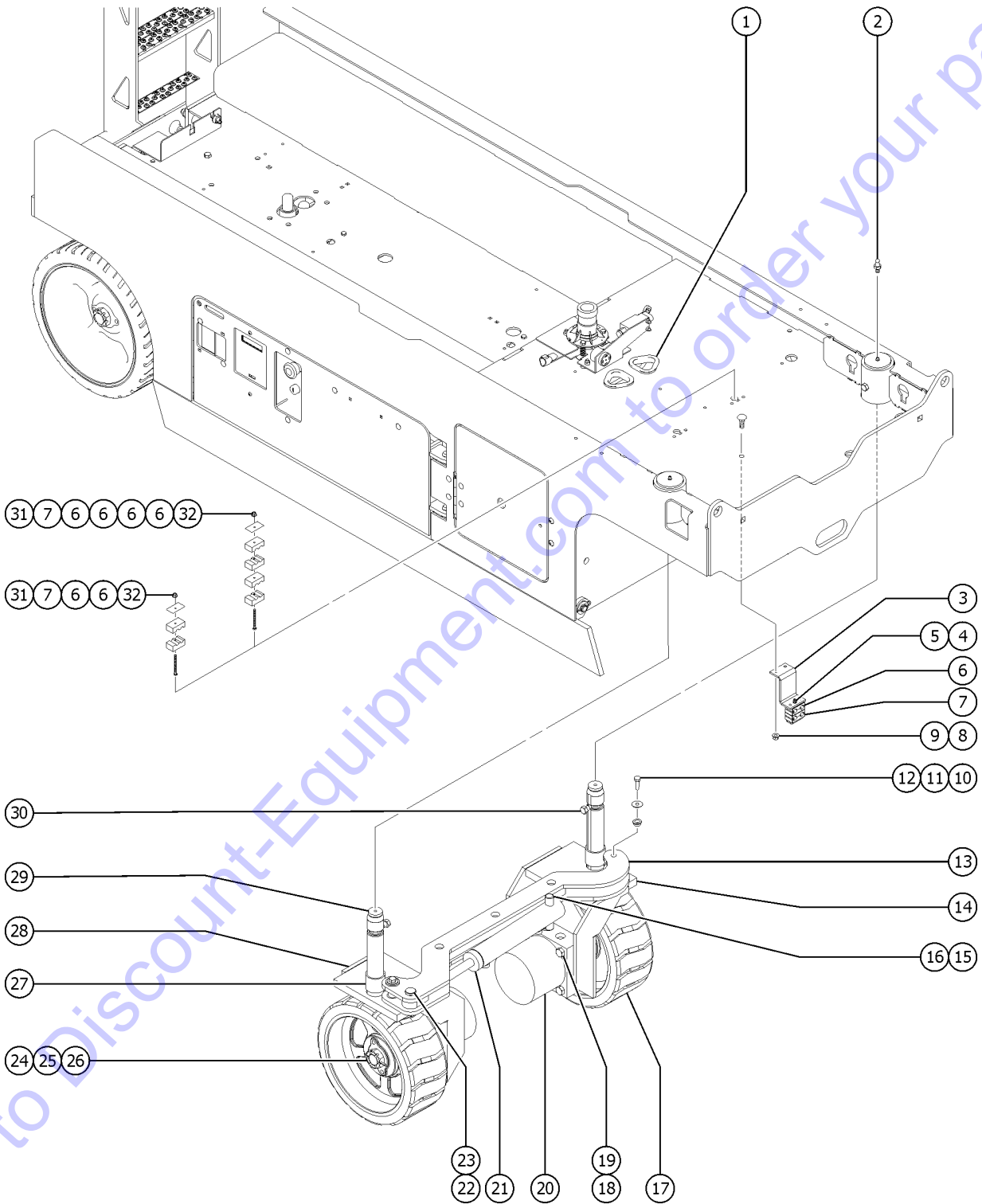
124.2 Symbol Decals, GS-3232, Platform, CE

Item	Part No.	Description	Qty.
1	28174GT	DECAL,POWER TO PLATFORM 230V .....	1
2	28235GT	DECAL,POWER TO PLATFORM 115V .....	1
3	40434GT	DECAL,LANYARD ANCHORAGE POINT .....	3
4	43618GT	DECAL,LABEL-DIRECTION ARROWS .....	2
5	44981GT	DECAL,LABEL,AIRLINE 110 PSI .....	1
		(Option)	
6	82487GT	DECAL,SYMBOL-READ THE MANUAL .....	1
7	97582GT	DECAL,SYM-SIDEFORCE 400N ID .....	1
8	114324GT	DECAL,COSMETIC-GENIE GS-3232 .....	2
9	114338GT	DECAL,SYM-TIP-OVR,TILT ALARM .....	1
10	114371GT	DECAL,SYM-TIP-OVER,OUTRGR .....	1
11	137605GT	DECAL,E-STOP,GR/GRC/GS PCON .....	1
12	137656GT	DECAL,PROPEL,GR/GRC/GS,PCON .....	1
13	228937GT	DECAL,SYM-MAXCAP CE GS2632 .....	1
		to SN GS32P-150574	
14	1256705GT	DECAL, O/R, PROP LIFT, UI, SVC .....	1
15	1257923GT	DECAL, SMARTLINK PROPORTIONAL .....	2
16	1263646GT	DECAL,QR CODE,PARTS&SERVICE MANUAL .....	1
17	1278007GT	DECAL, SYMBOL, CE, MAXIMUM CAPACITY, 227KG .....	1
		from SN GS32P-150575	

Go to Discount-Equipment.com to order your parts



201.1 Steer Linkage and Wheels, GS-2032, GS-2632



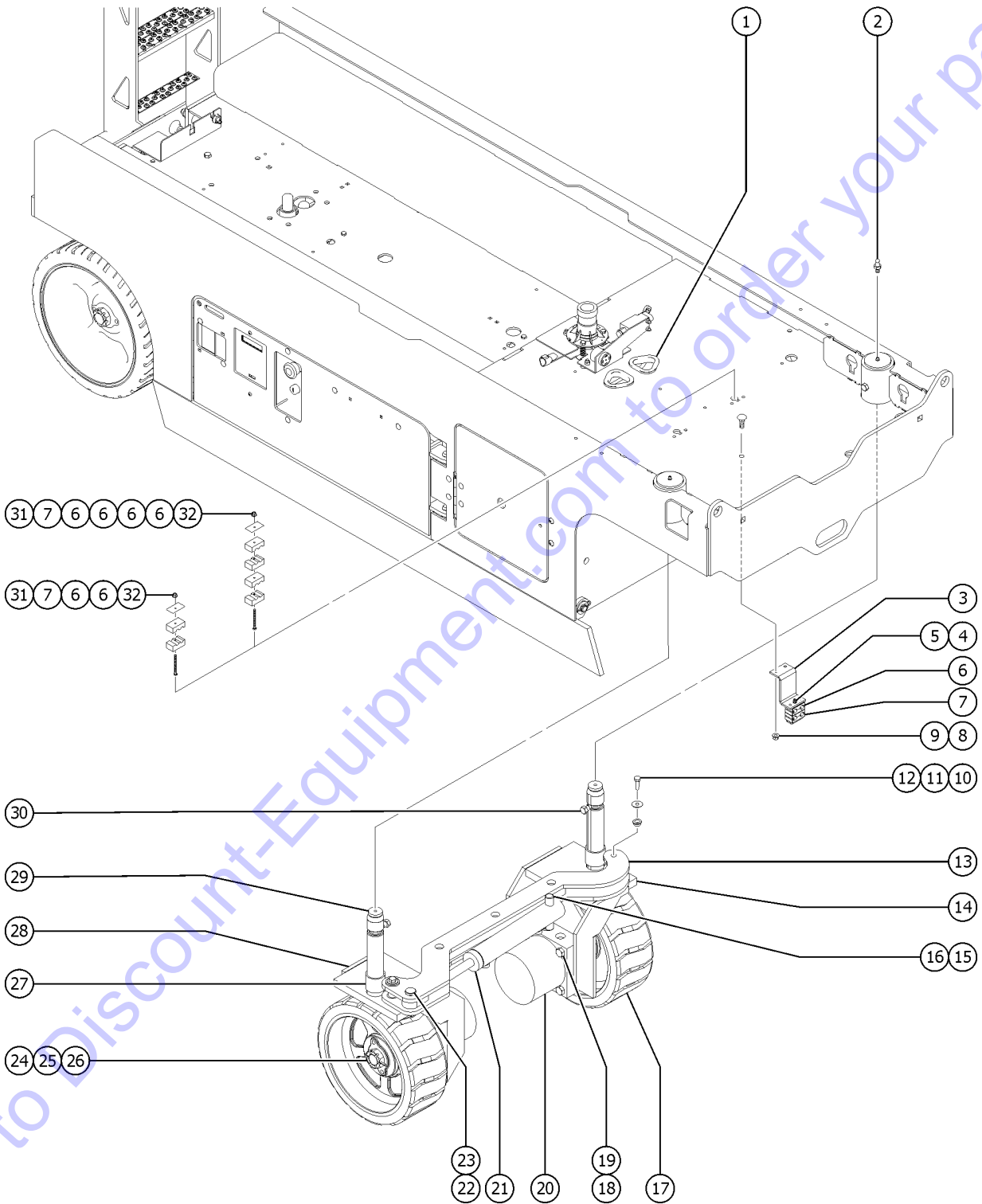
Go to Discount-Equipment.com to order your parts

201.1 Steer Linkage and Wheels, GS-2032, GS-2632

Item	Part No.	Description	Qty.
1	47232GT	GROMMET,RUBBER 2 X 2.75	2
2	66770GT	FITTING,STRAIGHT DRIVE-IN ZERK	2
3	105051GT	FORMING,HOSE CLAMP SUPPORT	1
4	824027GT	NUT, TL FLG, 1/4-20, G, ZAG	
5	1256123GT	SCREW,HHC,1/4-20X3.25,8,ZAG	
6	78736GT	CLAMP,2 HOSE,PLASTIC,5/8 (as required)	
7	58592GT	PLATE,HOSE ROUTG,BULKHEAD(PTD) (as required)	
8	824029GT	NUT,TL FLG,3/8-16,G,ZAG	2
9	1255757GT	BOLT,CARRIAGE,3/8-16X1.25,5,ZAG	
10	1256109GT	SCREW,HHC,3/8-16X.75,8,ZAG	2
11	824120GT	WASHER,FLAT,,.375X1.50X.125,ZAG	2
12	47946GT	BEARING,1.00IDX1.25ODX0.49L	2
13	84699GT	TIE ROD ASSEMBLY, GS32	1
13-	47946GT	BEARING,1.00IDX1.25ODX0.49L	4
13-	96831GT	WLDMT,TIE ROD,GS32 (does not include bearings)	
14	96573GT	WLDMT,STEER YOKE,LT,GS32/46 (battery pack side)	1
15	1259195GT	PIN,CLEVIS,3/4X3.25,ZAG	1
16	824128GT	RUE RING,3/4,ZAG	1
17	105454GT	WHEEL & TIRE ASSY LP, 15"	2
18	1256287GT	SCREW,HHC,1/2-13X3.5,8,ZAG	8
19	1251997GT	NUT,TL,FLG,1/2-13,G,ZAG	8
20		Ref. Drive Motor (refer to 501.1)	
21		Ref. Steer Cylinder (refer to 501.1)	
22	1259193GT	PIN,CLEVIS,3/4X2,ZAG	1
23	1259194GT	CLIP,HAIR PIN,.125X2,.5-.75,ZA	1
24	44780GT	NUT,CASTLE,1.125-18 UNEF	2
25	13635-10GT	PIN,COTTER,.156 X 1.75	2
26	44781GT	KEY,RECTANGULAR,.31X.28X1.25***	2



201.1 Steer Linkage and Wheels, GS-2032, GS-2632



Go to Discount-Equipment.com to order your parts

201.1 Steer Linkage and Wheels, GS-2032, GS-2632

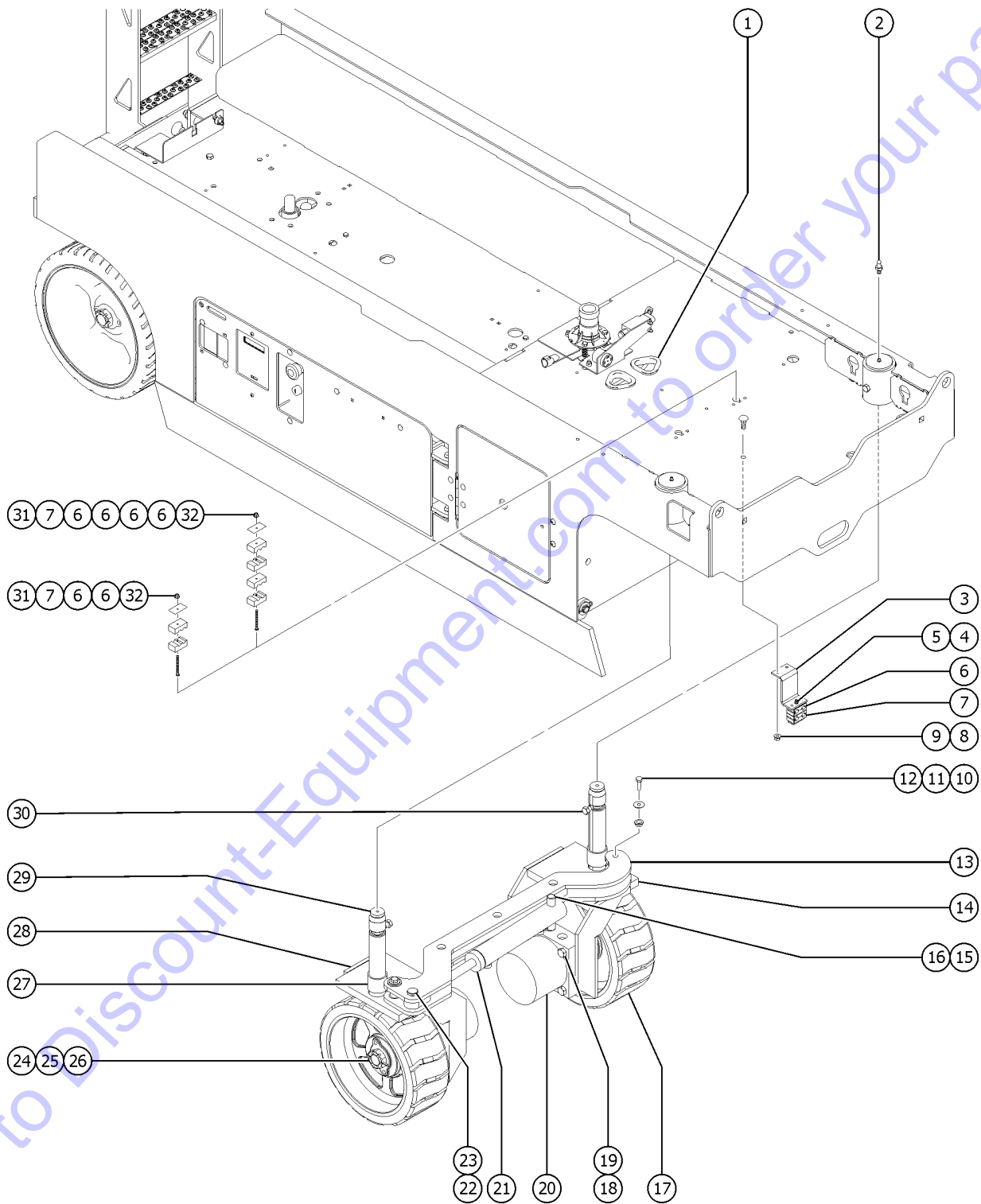
Item	Part No.	Description	Qty.
27	18722GT	BEARING,2.25IDX2.50ODX1.50L*** .....	
28	96572GT	WLDMT,STEER YOKE,RT,GS32/46 (ground controls side) .....	1
29	105565GT	WASHER,THRUST, GS .....	2
30	1259192GT	SCREW, YOKE LOCK, ZAG .....	
31	1256679GT	NUT,SERRATED,1/4-20,8,ZAG .....	1
32A	1255797GT	BOLT,CARRIAGE,1/4-20X2,5,ZAG .....	1
		(GS2032, GS2632 only)	

Go to Discount-Equipment.com to order your parts





201.1 Steer Linkage and Wheels, GS-3232

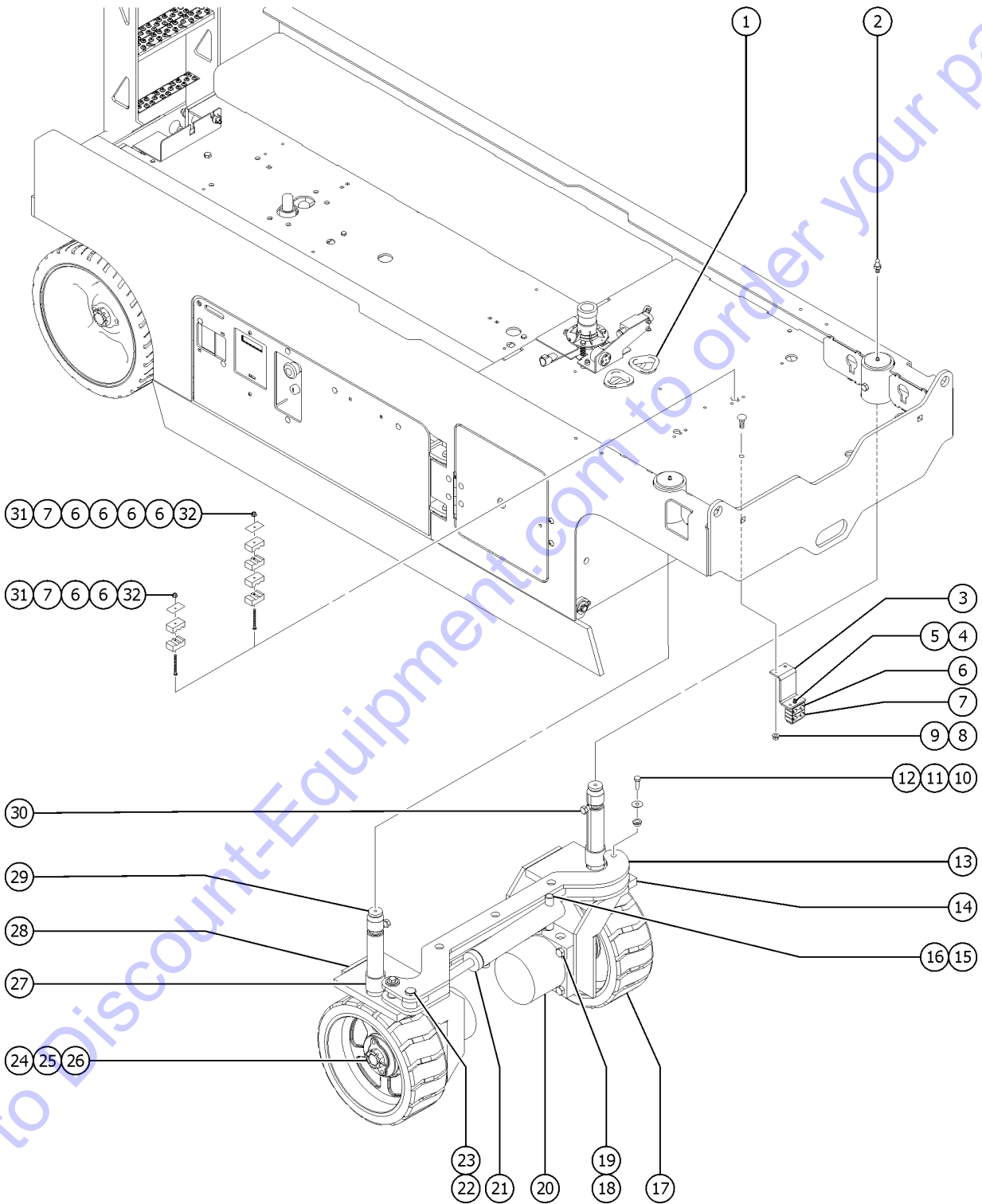


201.1 Steer Linkage and Wheels, GS-3232

Item	Part No.	Description	Qty.
1	47232GT	GROMMET,RUBBER 2 X 2.75	2
2	66770GT	FITTING,STRAIGHT DRIVE-IN ZERK	2
3	105051GT	FORMING,HOSE CLAMP SUPPORT	1
4	824027GT	NUT, TL FLG, 1/4-20, G, ZAG	
5	1256123GT	SCREW,HHC,1/4-20X3.25,8,ZAG	
6	78736GT	CLAMP,2 HOSE,PLASTIC,5/8 (as required)	
7	58592GT	PLATE,HOSE ROUTG,BULKHEAD(PTD) (as required)	
8	824029GT	NUT,TL FLG,3/8-16,G,ZAG	2
9	1255757GT	BOLT,CARRIAGE,3/8-16X1.25,5,ZAG	
10	1256109GT	SCREW,HHC,3/8-16X.75,8,ZAG	2
11	824120GT	WASHER,FLAT,,.375X1.50X.125,ZAG	2
12	47946GT	BEARING,1.00IDX1.25ODX0.49L	2
13	84699GT	TIE ROD ASSEMBLY, GS32	1
13-	47946GT	BEARING,1.00IDX1.25ODX0.49L	4
13-	96831GT	WLDMT,TIE ROD,GS32 (does not include bearings)	
14	96573GT	WLDMT,STEER YOKE,LT,GS32/46 (battery pack side)	1
15	1259195GT	PIN,CLEVIS,3/4X3.25,ZAG	1
16	824128GT	RUE RING,3/4,ZAG	1
17	105454GT	WHEEL & TIRE ASSY LP, 15"	2
18	1256287GT	SCREW,HHC,1/2-13X3.5,8,ZAG	8
19	1251997GT	NUT,TL,FLG,1/2-13,G,ZAG	8
20		Ref. Drive Motor (refer to 501.1)	
21		Ref. Steer Cylinder (refer to 501.1)	
22	1259193GT	PIN,CLEVIS,3/4X2,ZAG	1
23	1259194GT	CLIP,HAIR PIN,.125X2,.5-.75,ZA	1
24	44780GT	NUT,CASTLE,1.125-18 UNEF	2
25	13635-10GT	PIN,COTTER,.156 X 1.75	2
26	44781GT	KEY,RECTANGULAR,.31X.28X1.25***	2



201.1 Steer Linkage and Wheels, GS-3232



Go to Discount-Equipment.com to order your parts

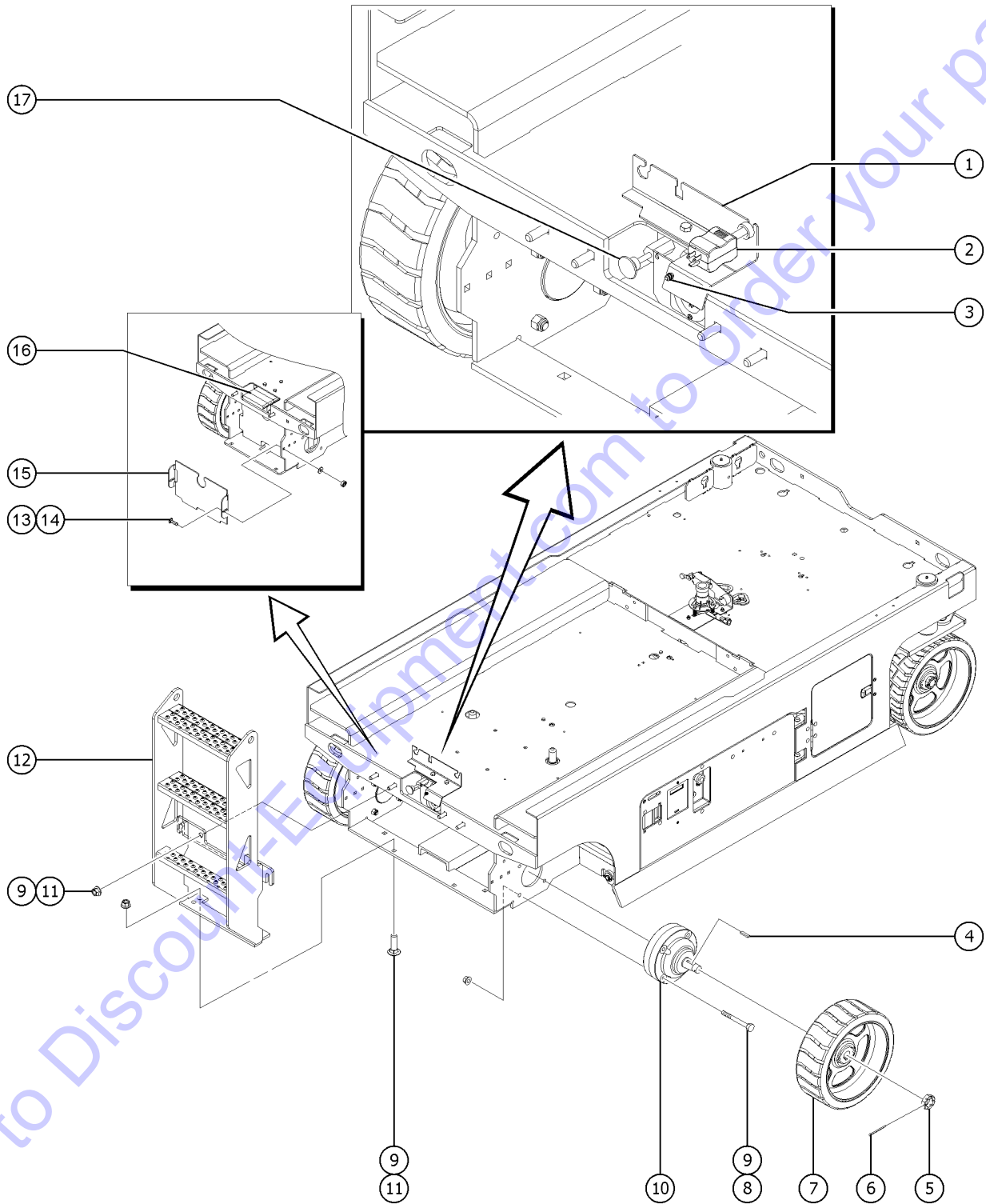
201.1 Steer Linkage and Wheels, GS-3232

Item	Part No.	Description	Qty.
27	18722GT	BEARING,2.25IDX2.50ODX1.50L*** .....	
28	96572GT	WLDMT,STEER YOKE,RT,GS32/46 (ground controls side) .....	1
29	105565GT	WASHER,THRUST, GS .....	2
30	1259192GT	SCREW, YOKE LOCK, ZAG .....	
31	1256679GT	NUT,SERRATED,1/4-20,8,ZAG .....	1
32B	1258676GT	BOLT,CARRIAGE,1/4-20X2.5,5,ZAG (GS3232 only) .....	1

Go to Discount-Equipment.com to order your parts



202.1 Non-steer Axle Installation, GS-2032



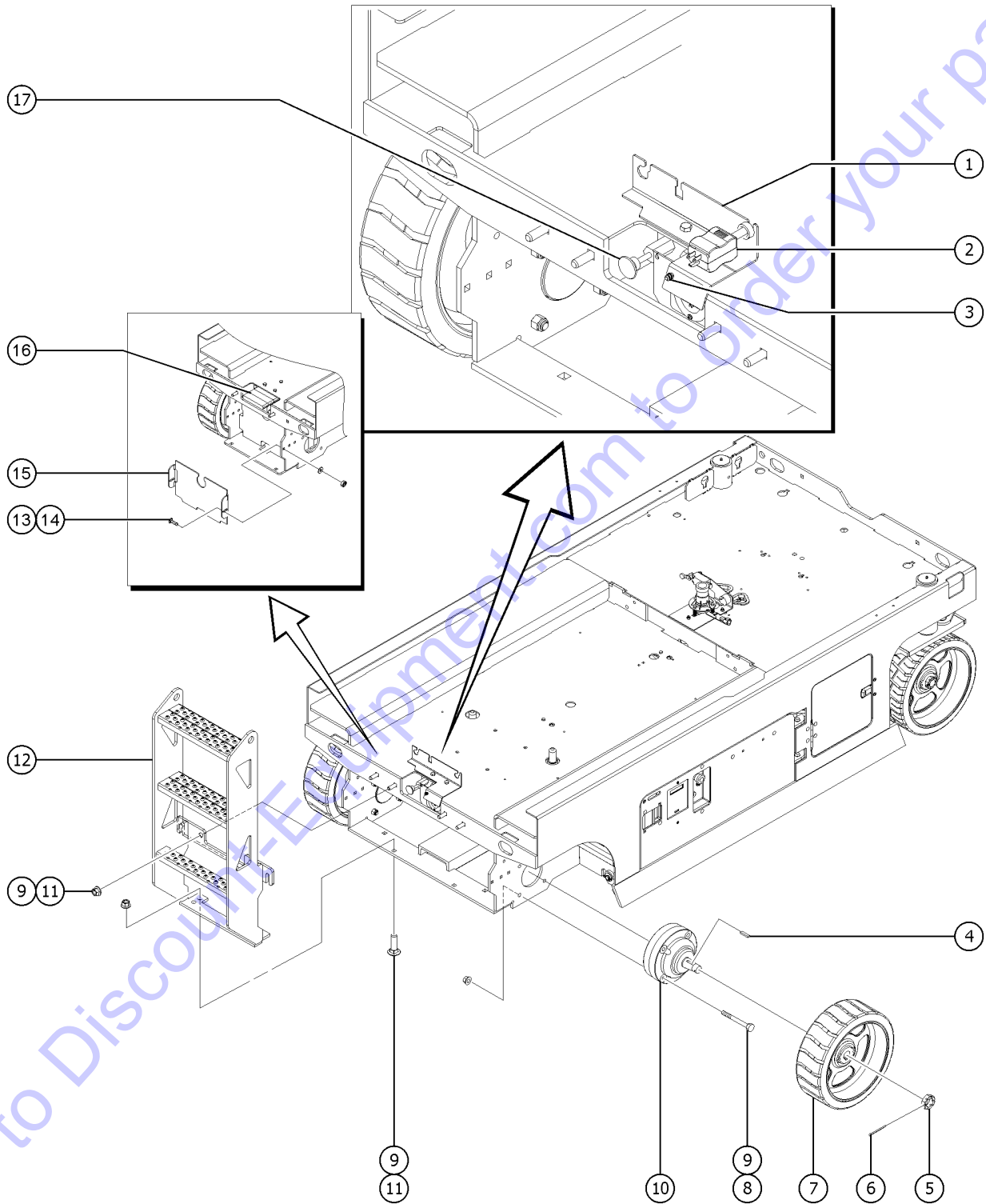
Go to DiscountEquipment.com to Order your parts

202.1 Non-steer Axle Installation, GS-2032

Item	Part No.	Description	Qty.
1	1273055GT	FORMING, PLUG/LED BRACKET .....	
2		PLUG, ELECTRICAL .....	
		refer to 402.1	
3	1270281GT	ASSEMBLY, CHARGER STATUS LED, 2V, BCI .....	
4	44781GT	KEY,RECTANGULAR,.31X.28X1.25** .....	2
5	44780GT	NUT,CASTLE,1.125-18 UNEF .....	2
6	42079GT	PIN,COTTER,.156 X 2.5 .....	2
7	105454GT	WHEEL & TIRE ASSY LP, 15" .....	2
8	1256287GT	SCREW,HHC,1/2-13X3.5,8,ZAG .....	
9	1251997GT	NUT,TL,FLG,1/2-13,G,ZAG .....	
10		Ref: HYDRAULIC BRAKE .....	
		(refer to 501.1)	
11	1256115GT	BOLT,CARRIAGE,1/2-13X1.75,5,ZA. ....	
12B	96895GT	WELDMENT,20XX LADDER .....	1
		GS-2032 (decals not included refer to section one)	
13A	1255757GT	BOLT,CARRIAGE,3/8-16X1.25,5,ZAG .....	
		GS-2032, GS-2632	
14	824029GT	NUT,TL FLG,3/8-16,G,ZAG .....	
15	105140GT	FORMING,CWT,COVER,GS32 .....	
16	1277139GT	WELDMENT, COUNTERWEIGHT, GS32 .....	1
		GS-2032, Australia & CE (inside rear chassis)	
16	1277168GT	PLATE, TAB, CW LOWER .....	1
		for 1277139	
16	1268271GT	SCREW,HHC,1/2-13X2.25,8,ZAG .....	1
		for 1277139	
16	1255760GT	WASHER,FLAT,1/2,USS,ZAG .....	1
		for 1277139	
16	1274320GT	NUT,NYLOCK,1/2-13,C,ZAG .....	1
		for 1277139	
17		Ref: BRAKE RELEASE MANIFOLD .....	
		(refer to 503.1)	



202.2 Non-steer Axle Installation, GS-2632



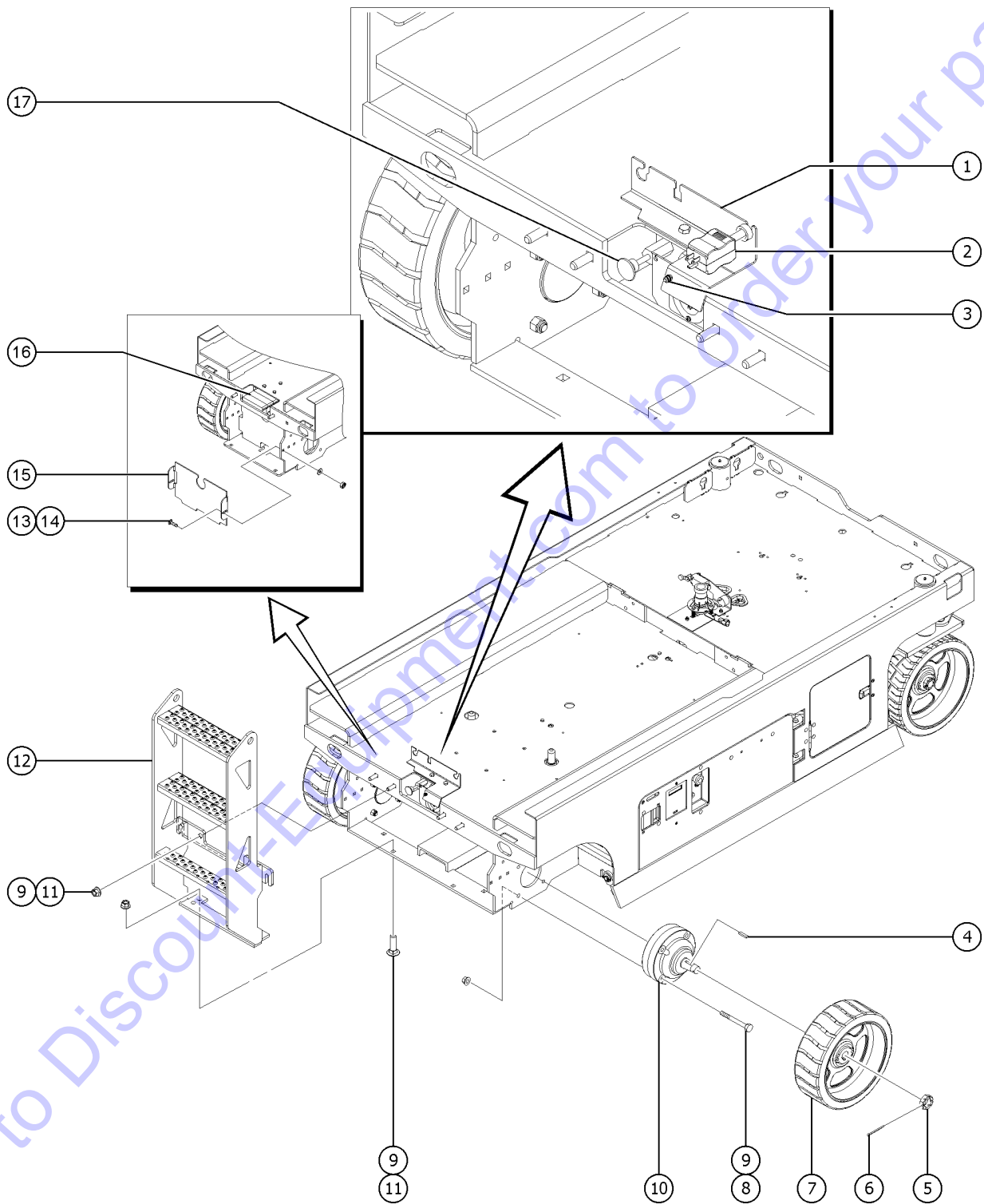
202.2 Non-steer Axle Installation, GS-2632

Item	Part No.	Description	Qty.
1	1273055GT	FORMING, PLUG/LED BRACKET .....	
2		PLUG, ELECTRICAL .....	
		refer to 402.1	
3	1270281GT	ASSEMBLY, CHARGER STATUS LED, 2V, BCI .....	
4	44781GT	KEY,RECTANGULAR,.31X.28X1.25** .....	2
5	44780GT	NUT,CASTLE,1.125-18 UNEF .....	2
6	42079GT	PIN,COTTER,.156 X 2.5 .....	2
7	105454GT	WHEEL & TIRE ASSY LP, 15" .....	2
8	1256287GT	SCREW,HHC,1/2-13X3.5,8,ZAG .....	
9	1251997GT	NUT,TL,FLG,1/2-13,G,ZAG .....	
10		Ref: HYDRAULIC BRAKE .....	
		(refer to 501.1)	
11	1256115GT	BOLT,CARRIAGE,1/2-13X1.75,5,ZA. ....	
12A	96570GT	WLDMT,GS32/46 LADDER*** .....	1
		GS-2632, GS-3232 (decals not included refer to section one)	
13A	1255757GT	BOLT,CARRIAGE,3/8-16X1.25,5,ZAG .....	
		GS-2032, GS-2632	
14	824029GT	NUT,TL FLG,3/8-16,G,ZAG .....	
15	105140GT	FORMING,CWT,COVER,GS32 .....	
16B	105080GT	COUNTERWEIGHT,GS32,REAR .....	1
		GS-2632 ANSI, Australia & CE (inside rear chassis)	
16C	105100GT	PLATE,CWGT,GS32 REAR .....	1
		GS-2632 & GS-3232 (rear stack plate)	
17		Ref: BRAKE RELEASE MANIFOLD .....	
		(refer to 503.1)	





202.3 Non-steer Axle Installation, GS-3232



Go to DiscountEquipment.com to Order your parts

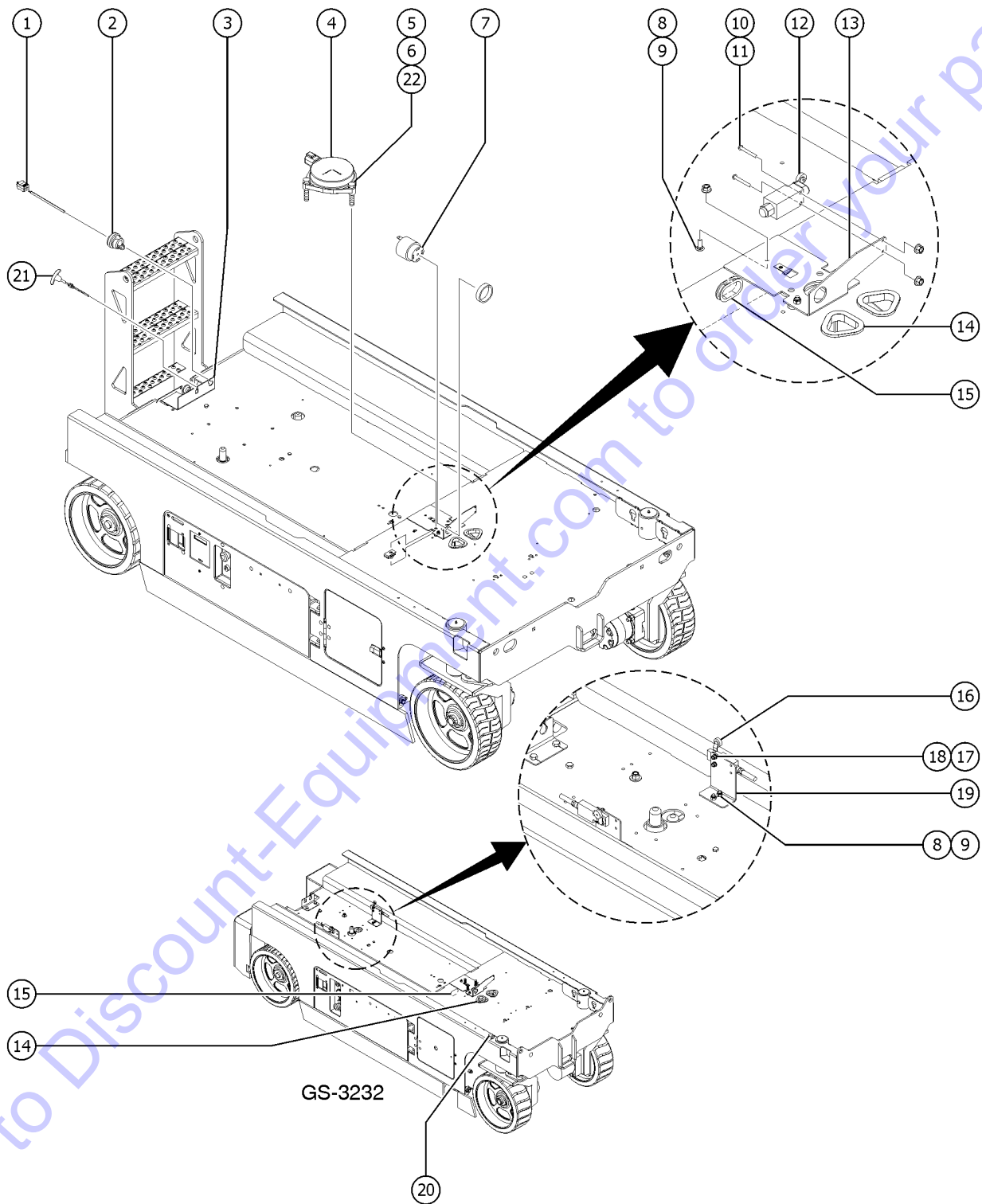


202.3 Non-steer Axle Installation, GS-3232

Item	Part No.	Description	Qty.
1	1273055GT	FORMING, PLUG/LED BRACKET .....	
2		PLUG, ELECTRICAL .....	
		refer to 402.1	
5	44780GT	NUT,CASTLE,1.125-18 UNEF .....	2
6	42079GT	PIN,COTTER,.156 X 2.5 .....	2
7	105454GT	WHEEL & TIRE ASSY LP, 15" .....	2
8	1256287GT	SCREW,HHC,1/2-13X3.5,8,ZAG .....	
9	1251997GT	NUT,TL,FLG,1/2-13,G,ZAG .....	
10		Ref: HYDRAULIC BRAKE .....	
		(refer to 501.1)	
11	1256115GT	BOLT,CARRIAGE,1/2-13X1.75,5,ZA. ....	
12A	96570GT	WLDMT,GS32/46 LADDER*** GS-2632, GS-3232 (decals not included refer to section one); to SN GS32P-59999 .....	1
12A	144387GT	LADDER ASSY,26XX-32XX,WORD,ENG GS-2632, GS-3232; from SN GS32P-60000 .....	
13B	60790GT	BOLT,CARRIAGE,3/8-16 X1.50,G5 GS-3232 .....	
14	824029GT	NUT,TL FLG,3/8-16,G,ZAG .....	
15	105140GT	FORMING,CWT,COVER,GS32 .....	
16C	105100GT	PLATE,CWGT,GS32 REAR GS-2632 & GS-3232 (rear stack plate) .....	1
16D	105080GT	COUNTERWEIGHT,GS32,REAR GS-3232 Australia & CE (inside rear chassis) .....	1
17		Ref: BRAKE RELEASE MANIFOLD .....	
		(refer to 503.1)	



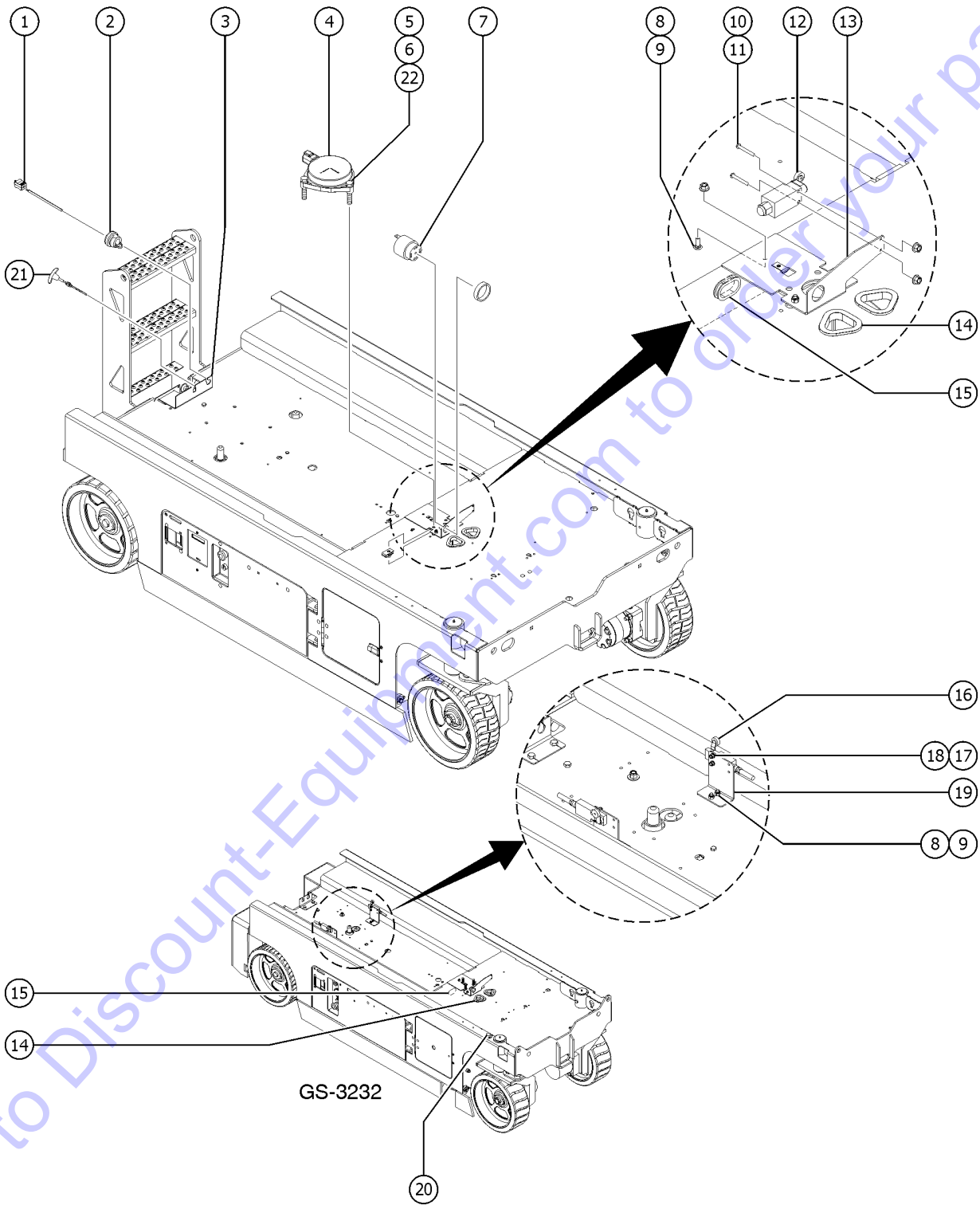
203.1 Level Sensor Installation, GS-2032, GS-2632



Item	Part No.	Description	Qty.
A	1289561GT	BRACKET, TELEMATICS .....	
A	1289520GT	MODULE, TELEMATICS, ZTR, M7, NORTH AMERICA .....	
A	1289521GT	MODULE, TELEMATICS, ZTR, M7, EMEA/APAC .....	
1		Ref. Electrical Plugs and Cords .....	
		(refer to 209.1, 210.1 or 403.1)	
2	128118GT	BUSHING, STRAIN RELIEF, .875/.40 .....	1
3A	144226GT	FORMING, REC. PLUG BRKT .....	1
		to SN GS3216P-146462	
3B	1273055GT	FORMING, PLUG/LED BRACKET .....	1
		from SN GS3216P-146463	
4B	228406GT	ASSY, LVL SNSR W/ CONNECTOR .....	1
		GS-2032, GS-2632 (to SN GS3215A-141898)	
4C	823368GT	SENSOR, LEVEL, UNIVERSAL .....	1
		GS-2032, GS-2632 (shown) (from SN GS3215A-141899)	
5A	824063GT	SCREW, HHC, 1/4-20 X 1.75, 8, ZAG .....	3
		(use with 228406)	
5B	824079GT	SCREW, HHF, 1/4-20X1,8,ZAG .....	3
		(use with 823368)	
6	56912GT	SPRING CLIP, 1/4-20,.025-.15X.54,ZAG .....	3
7	39540GT	ALARM, STEADY TONE*** .....	1
		Does not include 72326GT nut	
7-	72326GT	NUT, PLASTIC, RING FOR ALARMS .....	
8	824124GT	BOLT, CARRIAGE, 1/4-20X.75,5,ZAG .....	3
9	824027GT	NUT, TL FLG, 1/4-20, G, ZAG .....	3
10	824216GT	SCREW, PHPM, 10-32 X 1.5, ZAG .....	2
11	1274168GT	NUT, NYLOCK, 10-32, A, ZAG .....	2
12	T112507GT	ASSEMBLY, DOWN LIMIT, GS .....	1
		(Includes plug)	
12-	19491GT	CONTACTOR, LIMIT SWITCH .....	
12-	96948GT	SWITCH, LIMIT, W/ROLLER ARM*** .....	
12-	97128GT	ROLLER ARM, LIMIT SWITCH*** .....	
13	1264129GT	BRACKET, UTS, LARGE .....	
14	47232GT	GROMMET, RUBBER 2 X 2.75 .....	2
15	47238GT	GROMMET, RUBBER 1.5 ID .....	1
21	39232GT	CABLE, EMERGENCY DOWN .....	1
22	39469GT	SPRING, COMPRESSION.485 X1.75** .....	3
		(for use with 228406)	



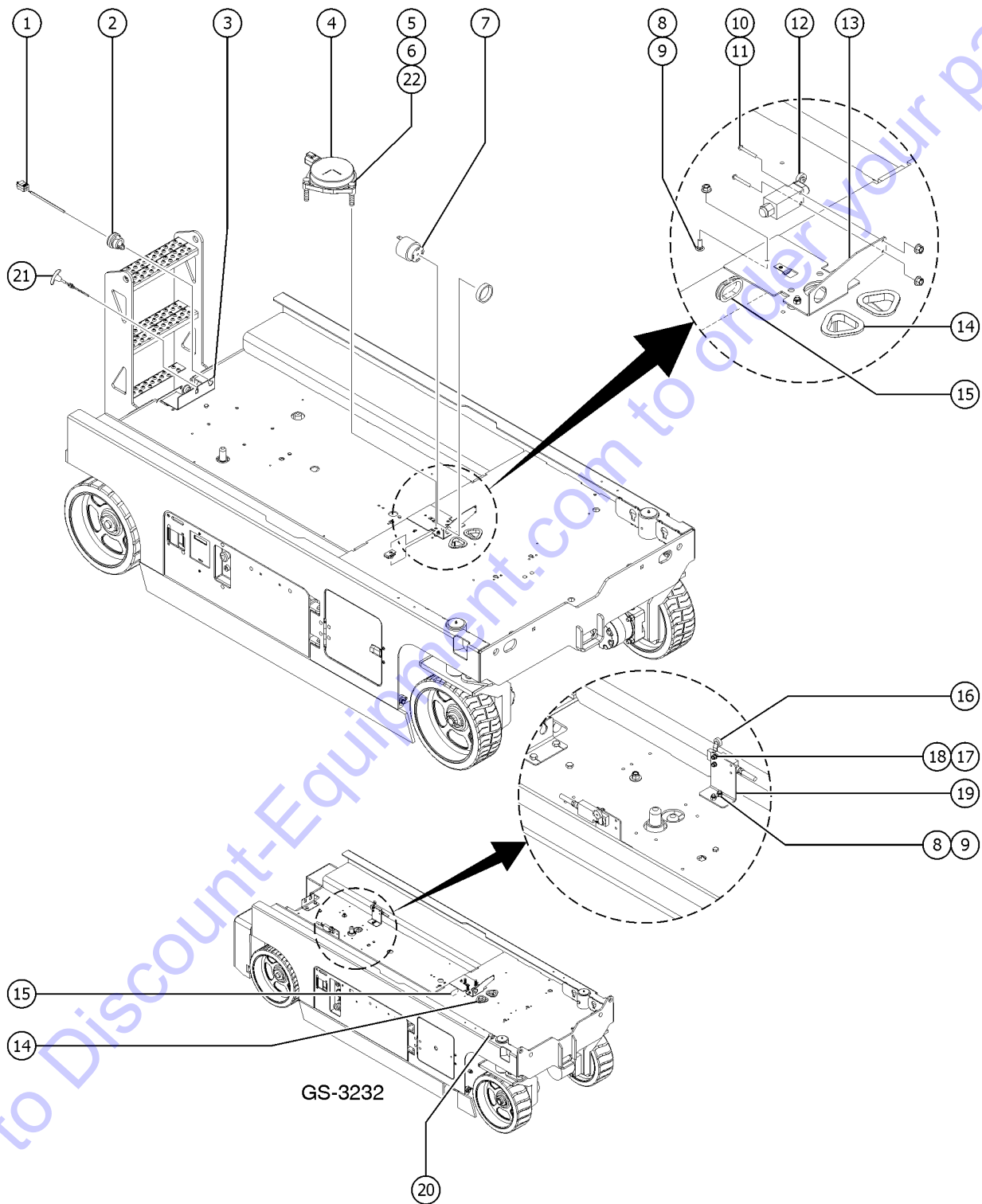
203.2 Level Sensor Installation, GS-2032, GS-2632



Item	Part No.	Description	Qty.
A	1289561GT	BRACKET, TELEMATICS .....	
A	1289520GT	MODULE, TELEMATICS, ZTR, M7, NORTH AMERICA .....	
A	1289521GT	MODULE, TELEMATICS, ZTR, M7, EMEA/APAC .....	
1		Ref. Electrical Plugs and Cords .....	
		(refer to 209.1, 210.1 or 403.1)	
2	128118GT	BUSHING, STRAIN RELIEF, .875/.40 .....	1
3B	1273055GT	FORMING, PLUG/LED BRACKET .....	1
		from SN GS3216P-146463	
4B	228406GT	ASSY, LVL SNSR W/ CONNECTOR .....	1
		GS-2032, GS-2632 (to SN GS3215A-141898)	
4C	823368GT	SENSOR, LEVEL, UNIVERSAL .....	1
		GS-2032, GS-2632 (shown) (from SN GS3215A-141899)	
5A	824063GT	SCREW, HHC, 1/4-20 X 1.75, 8, ZAG .....	3
		(use with 228406)	
5B	824079GT	SCREW, HHF, 1/4-20X1,8,ZAG .....	3
		(use with 823368)	
6	56912GT	SPRING CLIP, 1/4-20, .025-.15X.54, ZAG .....	3
7	39540GT	ALARM, STEADY TONE*** .....	1
		Does not include 72326GT nut	
7-	72326GT	NUT, PLASTIC, RING FOR ALARMS .....	
8	824124GT	BOLT, CARRIAGE, 1/4-20X.75,5,ZAG .....	3
9	824027GT	NUT, TL FLG, 1/4-20, G, ZAG .....	3
10	824216GT	SCREW, PHPM, 10-32 X 1.5, ZAG .....	2
11	1274168GT	NUT, NYLOCK, 10-32, A, ZAG .....	2
12	T112507GT	ASSEMBLY, DOWN LIMIT, GS .....	1
		(Includes plug)	
12-	19491GT	CONTACTOR, LIMIT SWITCH .....	
12-	96948GT	SWITCH, LIMIT, W/ROLLER ARM*** .....	
12-	97128GT	ROLLER ARM, LIMIT SWITCH*** .....	
13	1264129GT	BRACKET, UTS, LARGE .....	
14	47232GT	GROMMET, RUBBER 2 X 2.75 .....	2
15	47238GT	GROMMET, RUBBER 1.5 ID .....	1
21	39232GT	CABLE, EMERGENCY DOWN .....	1
22	39469GT	SPRING, COMPRESSION.485 X1.75** .....	3
		(for use with 228406)	



203.3 Level Sensor Installation, GS-3232

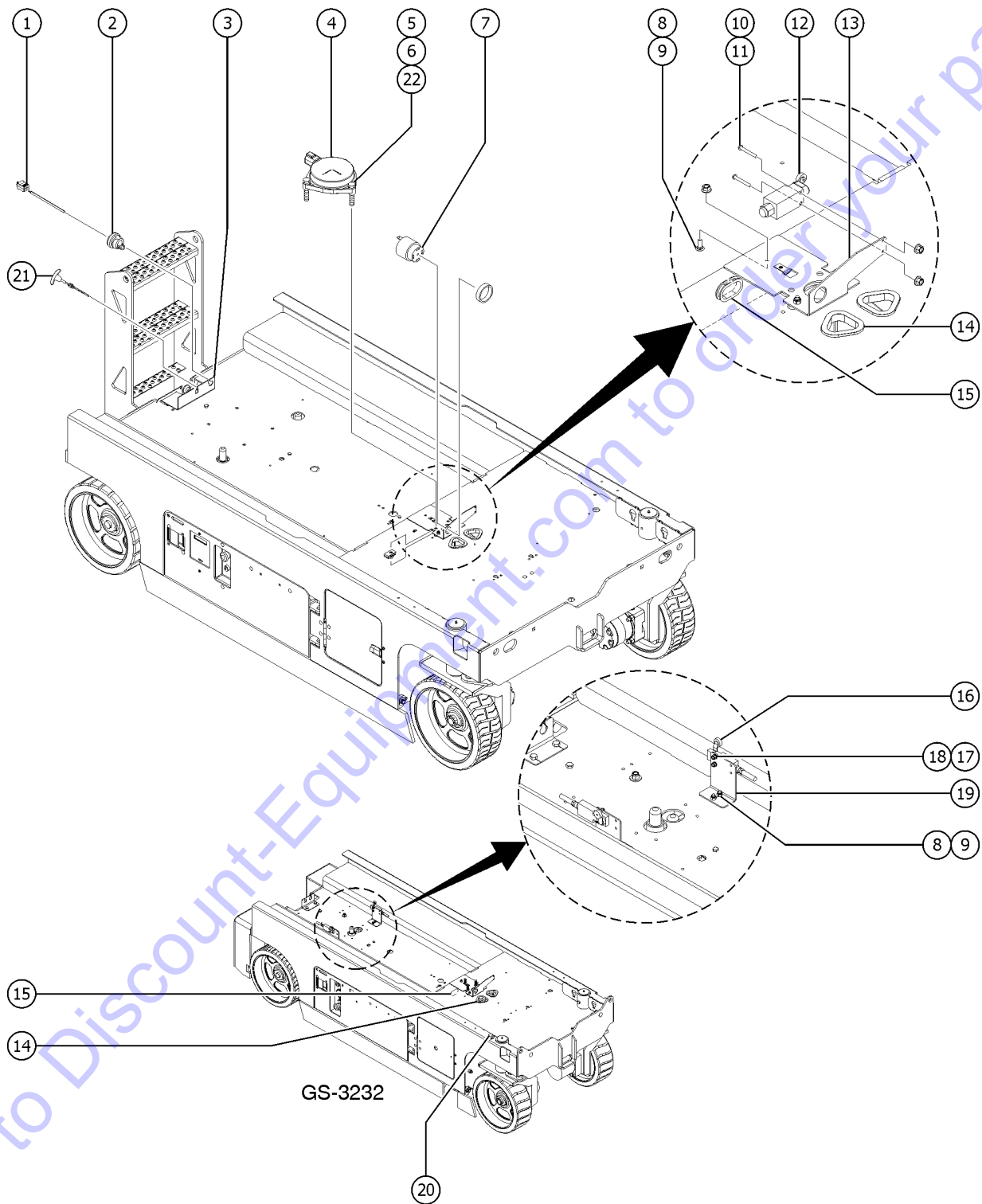


Item	Part No.	Description	Qty.
A	1289561GT	BRACKET, TELEMATICS	
A	1289520GT	MODULE, TELEMATICS, ZTR, M7, NORTH AMERICA	
A	1289521GT	MODULE, TELEMATICS, ZTR, M7, EMEA/APAC	
1		Ref. Electrical Plugs and Cords (refer to 209.1, 210.1 or 403.1)	
2	128118GT	BUSHING, STRAIN RELIEF, .875/.40	1
3A	144226GT	FORMING, REC. PLUG BRKT to SN GS3216P-146462	1
3B	1273055GT	FORMING, PLUG/LED BRACKET from SN GS3216P-146463	1
4A	228406GT	ASSY, LVL SNSR W/ CONNECTOR GS-3232	1
5A	824063GT	SCREW, HHC, 1/4-20 X 1.75, 8, ZAG (use with 228406)	3
5B	824079GT	SCREW, HHF, 1/4-20X1,8,ZAG (use with 823368)	3
6	56912GT	SPRING CLIP, 1/4-20, .025-.15X.54, ZAG	3
7	39540GT	ALARM, STEADY TONE*** Does not include 72326GT nut	1
7-	72326GT	NUT, PLASTIC, RING FOR ALARMS	
8	824124GT	BOLT, CARRIAGE, 1/4-20X.75,5,ZAG	3
9	824027GT	NUT, TL FLG, 1/4-20, G, ZAG	3
10	824216GT	SCREW, PHPM, 10-32 X 1.5, ZAG	2
11	1274168GT	NUT, NYLOCK, 10-32, A, ZAG	2
12	T112507GT	ASSEMBLY, DOWN LIMIT, GS (Includes plug)	1
12-	19491GT	CONTACTOR, LIMIT SWITCH	
12-	96948GT	SWITCH, LIMIT, W/ROLLER ARM***	
12-	97128GT	ROLLER ARM, LIMIT SWITCH***	
13	1264129GT	BRACKET, UTS, LARGE	
14	47232GT	GROMMET, RUBBER 2 X 2.75	2
15	47238GT	GROMMET, RUBBER 1.5 ID	1
16	105664GT	ASSY, 22 FT LIMIT SWITCH, GS3232	1
16-		Ref. Wire Harness Assy GS-3232 (refer to 209.1, 210.1)	
22	39469GT	SPRING, COMPRESSION. 485 X 1.75** (for use with 228406)	3
18	1257909GT	SCREW, PHPM, 8-32 X .875, ZAG	2





203.3 Level Sensor Installation, GS-3232

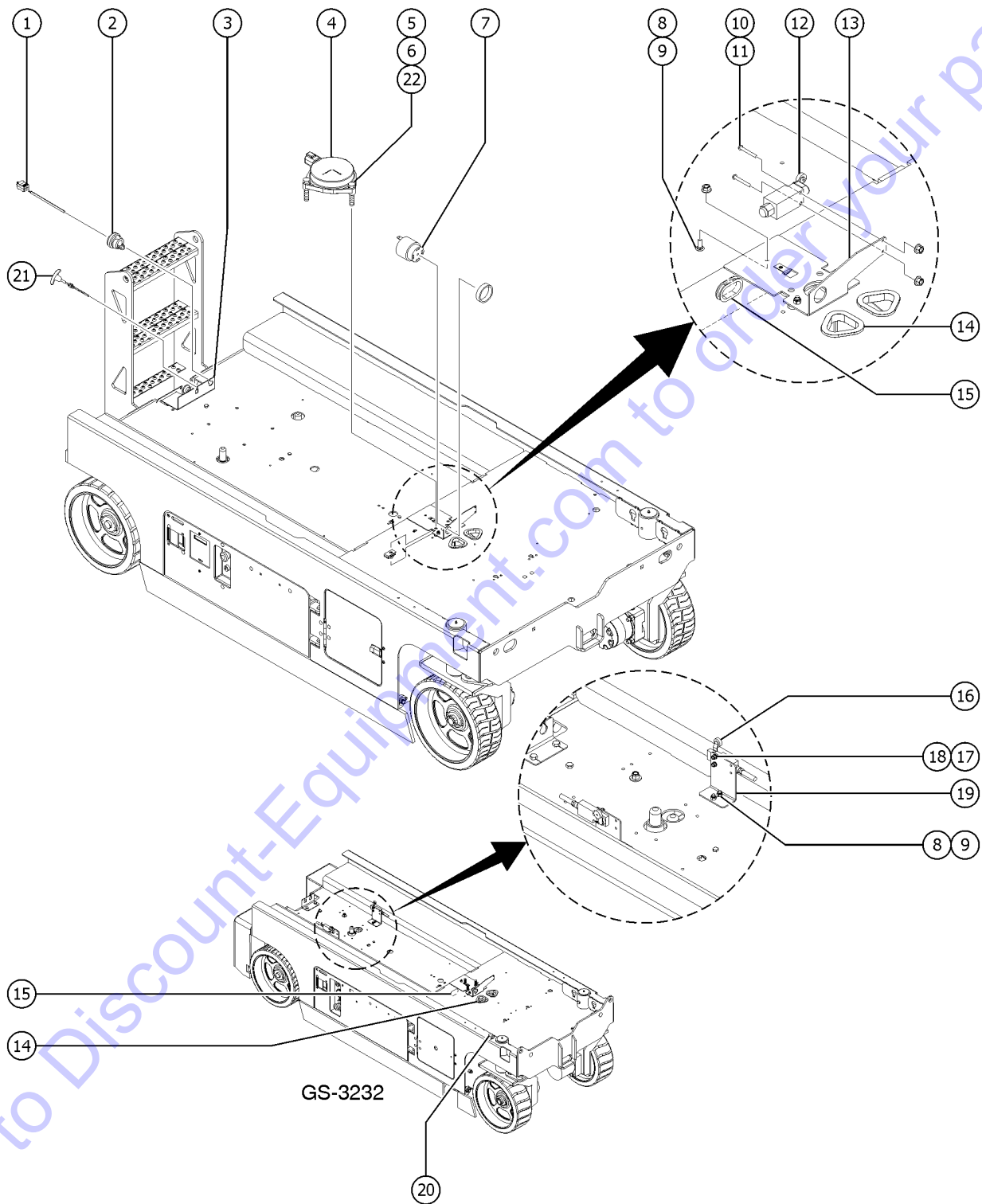


<i>Item</i>	<i>Part No.</i>	<i>Description</i>	<i>Qty.</i>
19	105736GT	FRMING,LMT SWCH BRKT,3232 .....	1
20	6714GT	LEVEL,BUBBLE .....	1
		GS-3232	
21	39232GT	CABLE,EMERGENCY DOWN .....	1

Go to Discount-Equipment.com to order your parts



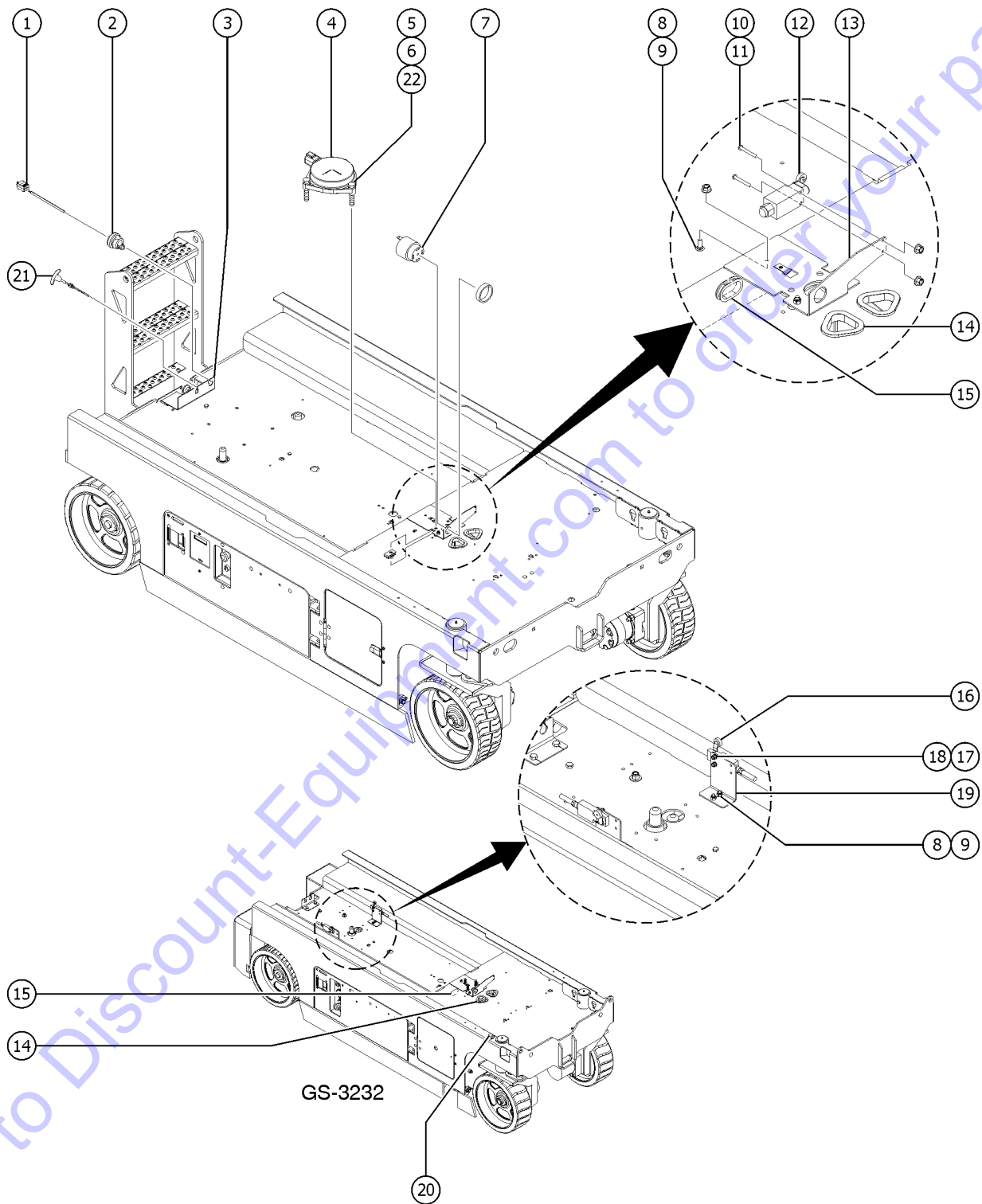
203.4 Level Sensor Installation, GS-3232



Item	Part No.	Description	Qty.
	1284236GT	KIT, UTS LEVEL SENSOR CONVERSION, GS3232 (to convert from uts to analog and digital level sensors)	
	1284414GT	GS3232 LEVEL SENSOR CONVERSION INSTALLATION INSTRUCTIONS (instructions for 1284236)	
B	1289561GT	BRACKET, TELEMATICS	
B	1289520GT	MODULE, TELEMATICS, ZTR, M7, NORTH AMERICA	
B	1289521GT	MODULE, TELEMATICS, ZTR, M7, EMEA/APAC	
1		Ref. Electrical Plugs and Cords (refer to 209.1, 210.1 or 403.1)	
2	128118GT	BUSHING, STRAIN RELIEF, .875/.40	1
3B	1273055GT	FORMING, PLUG/LED BRACKET from SN GS3216P-146463	1
4A	228406GT	ASSY, LVL SNSR W/ CONNECTOR GS-3232	1
4B	823368GT	SENSOR, LEVEL, UNIVERSAL (not shown) for models with kit 1284236 installed	
5A	824063GT	SCREW, HHC, 1/4-20 X 1.75, 8, ZAG (use with 228406)	3
5B	824079GT	SCREW, HHF, 1/4-20X1,8,ZAG (use with 823368)	3
6	56912GT	SPRING CLIP, 1/4-20, .025-.15X.54, ZAG	3
7	39540GT	ALARM, STEADY TONE*** Does not include 72326GT nut	1
7-	72326GT	NUT, PLASTIC, RING FOR ALARMS	
8	824124GT	BOLT, CARRIAGE, 1/4-20X.75,5,ZAG	3
9	824027GT	NUT, TL FLG, 1/4-20, G, ZAG	3
10	824216GT	SCREW, PHPM, 10-32 X 1.5, ZAG	2
11	1274168GT	NUT, NYLOCK, 10-32, A, ZAG	2
12	T112507GT	ASSEMBLY, DOWN LIMIT, GS (Includes plug)	1
12-	19491GT	CONTACTOR, LIMIT SWITCH	
12-	96948GT	SWITCH, LIMIT, W/ROLLER ARM***	
12-	97128GT	ROLLER ARM, LIMIT SWITCH***	
13	1264129GT	BRACKET, UTS, LARGE (universal bracket for uts and digital level sensor)	
14	47232GT	GROMMET, RUBBER 2 X 2.75	2
15	47238GT	GROMMET, RUBBER 1.5 ID	1
16	105664GT	ASSY, 22 FT LIMIT SWITCH, GS3232	1
16-		Ref. Wire Harness Assy GS-3232 (refer to 209.1, 210.1)	



203.4 Level Sensor Installation, GS-3232



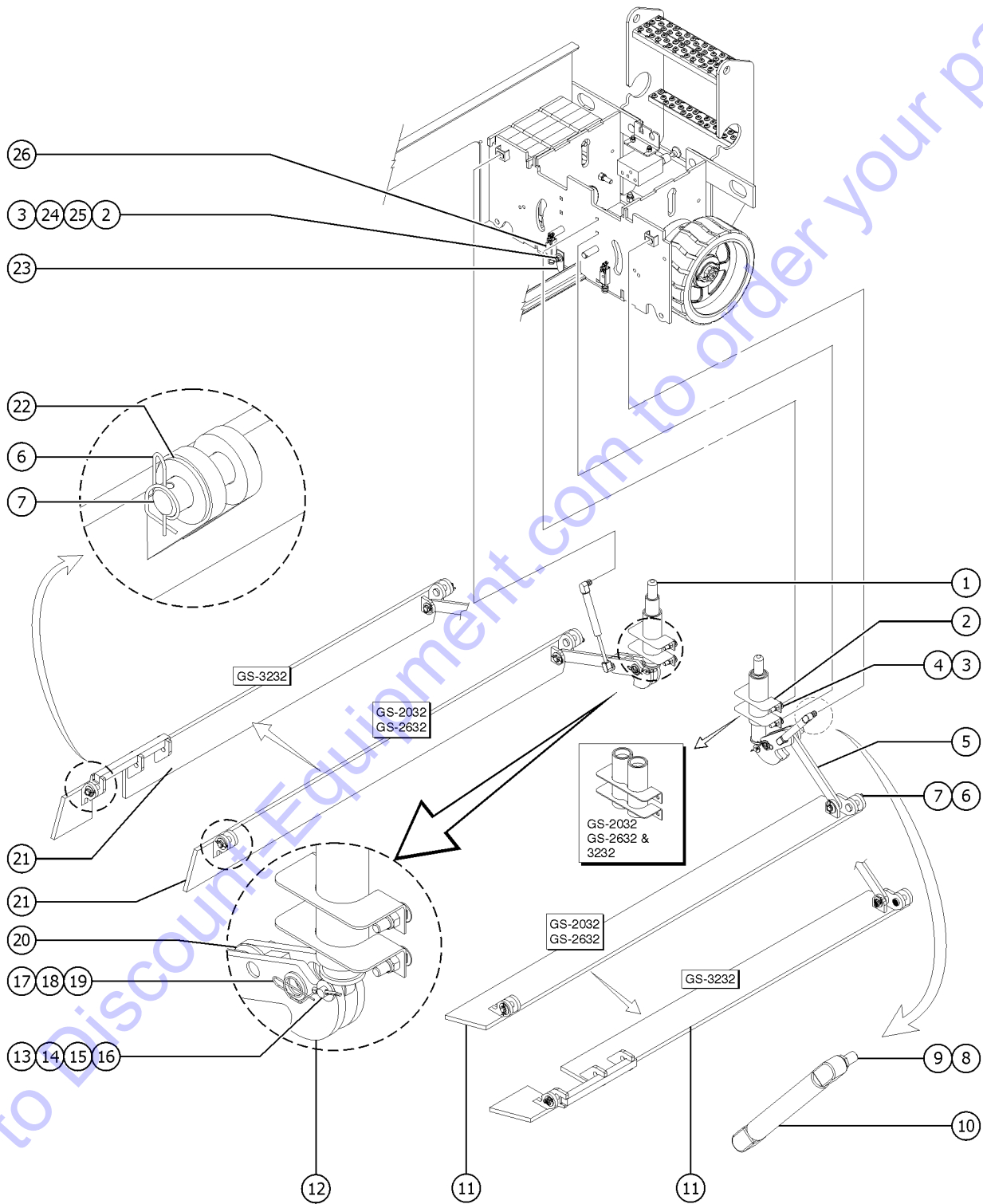
203.4 Level Sensor Installation, GS-3232

<i>Item</i>	<i>Part No.</i>	<i>Description</i>	<i>Qty.</i>
17	1258187GT	NUT,TL,8-32,A,ZAG .....	2
22	39469GT	SPRING,COMPRESSION.485 X1.75** (for use with 228406) .....	3
19	105736GT	FRMING,LMT SWCH BRKT,3232 .....	1
20	6714GT	LEVEL,BUBBLE .....	1
		GS-3232	
21	39232GT	CABLE,EMERGENCY DOWN .....	1

Go to Discount-Equipment.com to order your parts



204.1 Pothole Protection Assembly, GS-2032, GS-2632



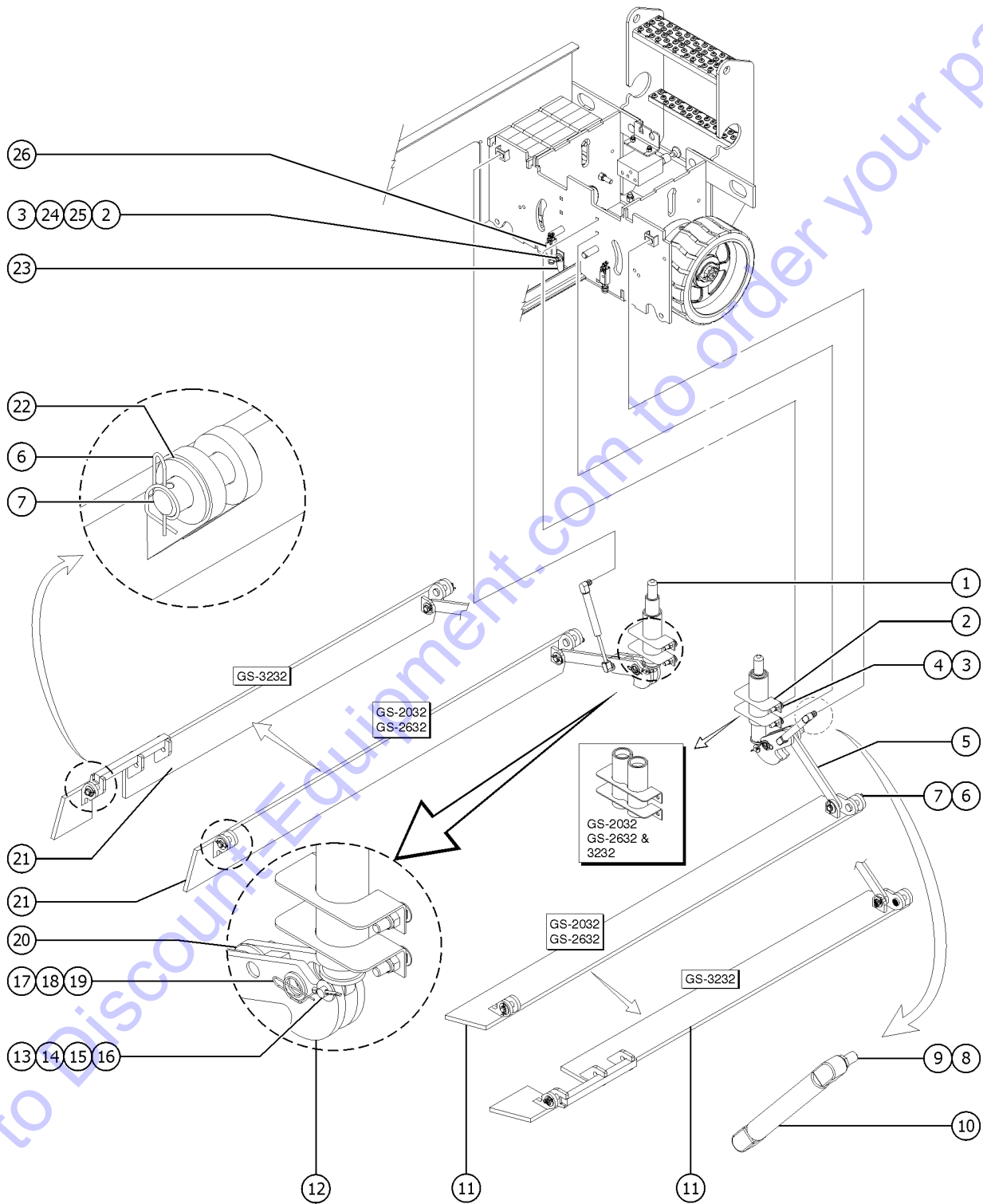
Go to [DiscountEquipment.com](http://DiscountEquipment.com) to order your parts



Item	Part No.	Description	Qty.
1	96839GT	ASSY,POT HOLE PUSHER,GS***	
2	96524GT	WLDMT/ASSY, PH GUIDE,GS30/32	2
2-	96408GT	BEARING,1.523IDX1.75ODX0.63L	
3	1255757GT	BOLT,CARRIAGE,3/8-16X1.25,5,ZAG	10
4	824029GT	NUT,TL FLG,3/8-16,G,ZAG	8
5	96637GT	PLATE,POTHOLE LINK	2
6	1259177GT	RUE RING,5/8,ZAG	6
7	1259197GT	PIN,CLEVIS,.625X1.88,ZAG	6
7B	105156GT	BUSHING,FLNGD,.63 X .77 X .38 (for 84574GT and 96638GT, sold separately)	
8	824038GT	NUT, TL JAM, 3/8-16, A, ZAG	2
9	78086GT	BALL STUD, GAS STRUT, 3/8-16	2
9B	825358GT	WASHER,FLAT,5/16,USS,ZAG	2
9C	96085GT	WASHER,THRUST,.63 X 1.13 X .06	4
9D	96643GT	PIN, POTHOLE LINK PIVOT	2
10	39542GT	GAS SHOCK,SCISSORS***	2
11	96639GT	WELDMENT, POTHOLE, LEFT SIDE GS-2032, GS-2632	1
12	84574GT	POTHLE BELL CRNK LINK ASSYGS30	2
12-	96642GT	BEARING,.75ID X 1.00D X 1.38LG	
13	12016GT	PIN,COTTER,.125 X .75	
14	825358GT	WASHER,FLAT,5/16,USS,ZAG	2
15	1259178GT	PIN,CLEVIS,.375X1.75,ZAG	2
16	96541GT	CAM FOLLOWER,1.125X.375,DELTRIN	2
17	824128GT	RUE RING,3/4,ZAG	2
18	1259686GT	WASHER,FLAT,.765X1.312X.093,ZA	2
19	55355GT	SPACER,.75ID X 1.5OD X 1/4THK	
20	96085GT	WASHER,THRUST,.63 X 1.13 X .06	
21	96638GT	WELDMENT, POTHOLE, RIGHT SIDE GS-2032, GS-2632	1
22	1259180GT	WASHER,SHIM,.625X1.188X.064,ZA	6



204.1 Pothole Protection Assembly, GS-2032, GS-2632



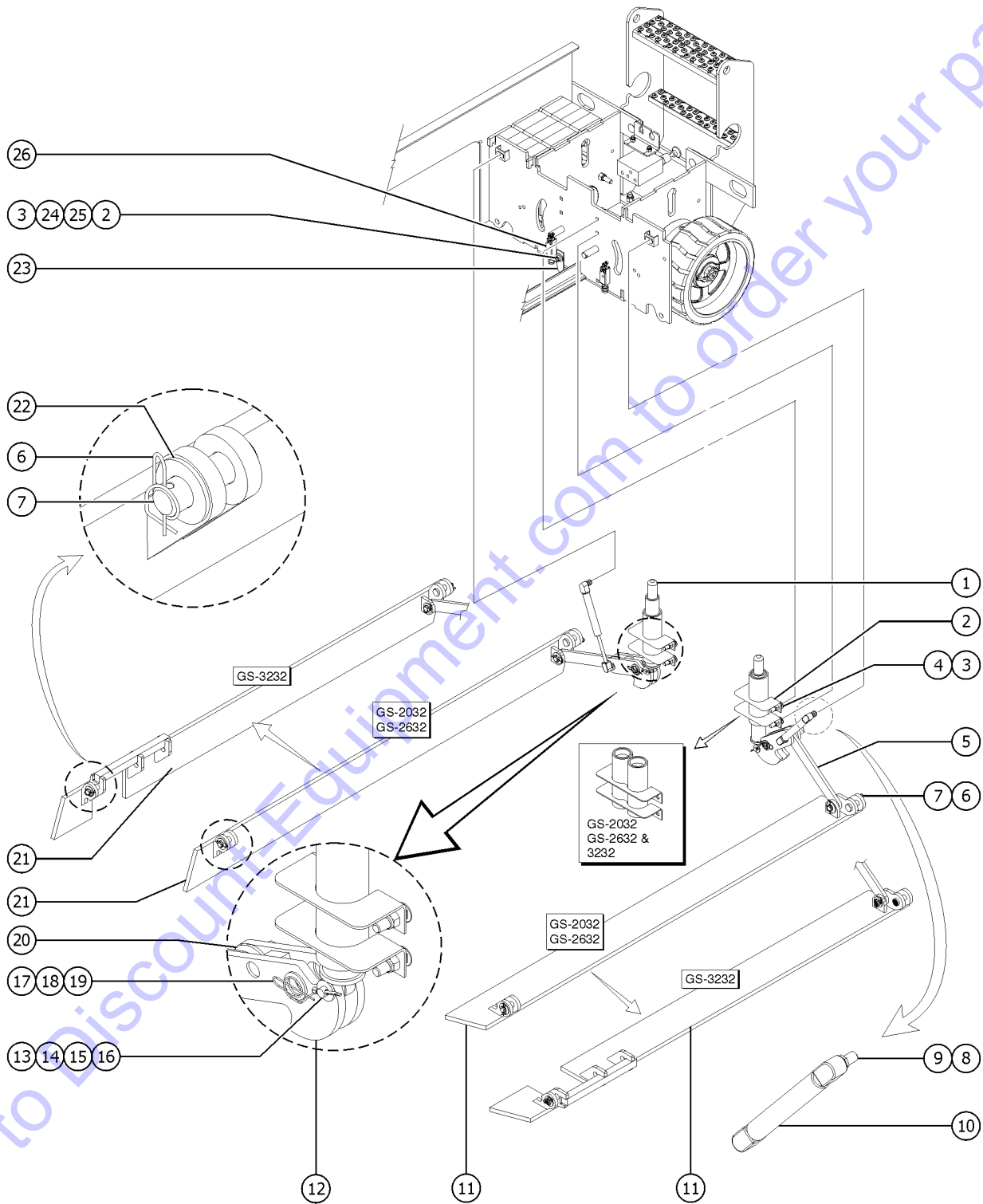
204.1 Pothole Protection Assembly, GS-2032, GS-2632

Item	Part No.	Description	Qty.
23	105060GT	GROUND STRAP, 8"LG .....	1
24	1255758GT	WASHER,FLAT,3/8,USS,ZAG .....	2
25	824025GT	NUT,TL,3/8-16,C,ZAG .....	2
26	96948GT	SWITCH,LIMIT,W/ROLLER ARM*** (down limit switch) .....	2
26-	1256177GT	SCREW,PHPM,10-32X1.75,ZAG .....	
26-	1274168GT	NUT,NYLOCK,10-32,A,ZAG .....	
26-	19491GT	CONTACTOR,LIMIT SWITCH .....	
26-	97128GT	ROLLER ARM,LIMIT SWITCH*** .....	

Go to Discount-Equipment.com to order your parts



204.2 Pothole Protection Assembly, GS-3232

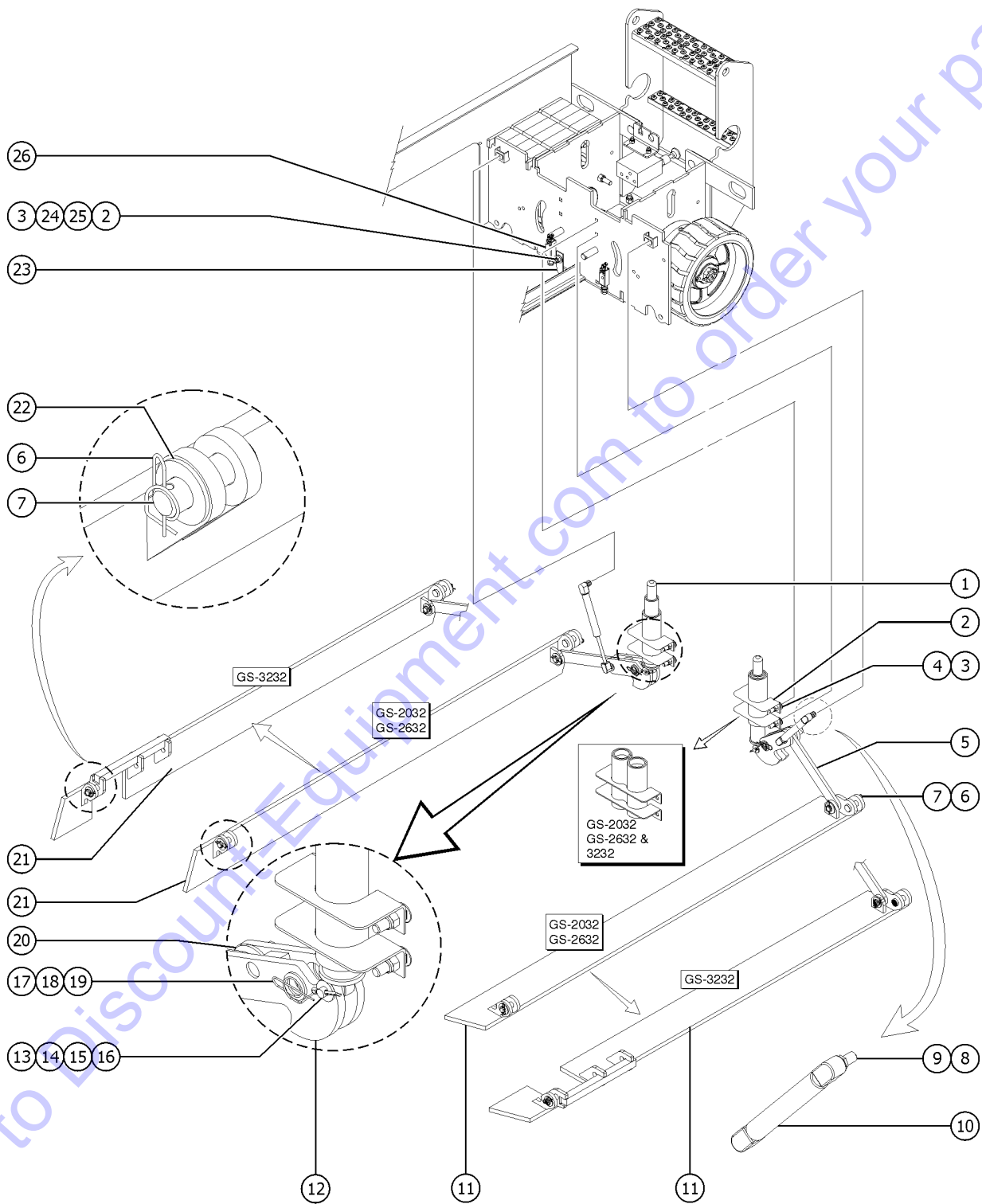


Go to DiscountEquipment.com to order your parts



Item	Part No.	Description	Qty.
1	96839GT	ASSY,POT HOLE PUSHER,GS***	
2	96524GT	WLDMT/ASSY, PH GUIDE,GS30/32	2
2-	96408GT	BEARING,1.523IDX1.75ODX0.63L	
3	1255757GT	BOLT,CARRIAGE,3/8-16X1.25,5,ZAG	10
4	824029GT	NUT,TL FLG,3/8-16,G,ZAG	8
5	96637GT	PLATE,POTHOLE LINK	2
6	1259177GT	RUE RING,5/8,ZAG	6
7A	1259197GT	PIN,CLEVIS,.625X1.88,ZAG	6
7B	105156GT	BUSHING,FLNGD,.63 X .77 X .38 (for 84574GT and 96638GT, sold separately)	
8	824038GT	NUT, TL JAM, 3/8-16, A, ZAG	2
9	78086GT	BALL STUD, GAS STRUT, 3/8-16	2
9B	825358GT	WASHER,FLAT,5/16,USS,ZAG	2
9C	96085GT	WASHER,THRUST,.63 X 1.13 X .06	4
9D	96643GT	PIN, POTHOLE LINK PIVOT	2
10	39542GT	GAS SHOCK,SCISSORS***	2
11	109894GT	WLDMT,POTHOLE,LT,OR GS-3232 (battery pack side)	1
12	84574GT	POTHOLE BELL CRNK LINK ASSYGS30	2
12-	96642GT	BEARING,.75ID X 1.00D X 1.38LG	
13	12016GT	PIN,COTTER,.125 X .75	
14	825358GT	WASHER,FLAT,5/16,USS,ZAG	2
15	1259178GT	PIN,CLEVIS,.375X1.75,ZAG	2
16	96541GT	CAM FOLLOWER,1.125X.375,DELTRIN	2
17	824128GT	RUE RING,3/4,ZAG	2
18	1259686GT	WASHER,FLAT,.765X1.312X.093,ZA	2
19	55355GT	SPACER,.75ID X 1.5OD X 1/4THK	
20	96085GT	WASHER,THRUST,.63 X 1.13 X .06	
21	109893GT	WLDMT,POTHOLE,RT,OR GS-3232 (ground controls side)	1
22	1259180GT	WASHER,SHIM,.625X1.188X.064,ZA	6

204.2 Pothole Protection Assembly, GS-3232

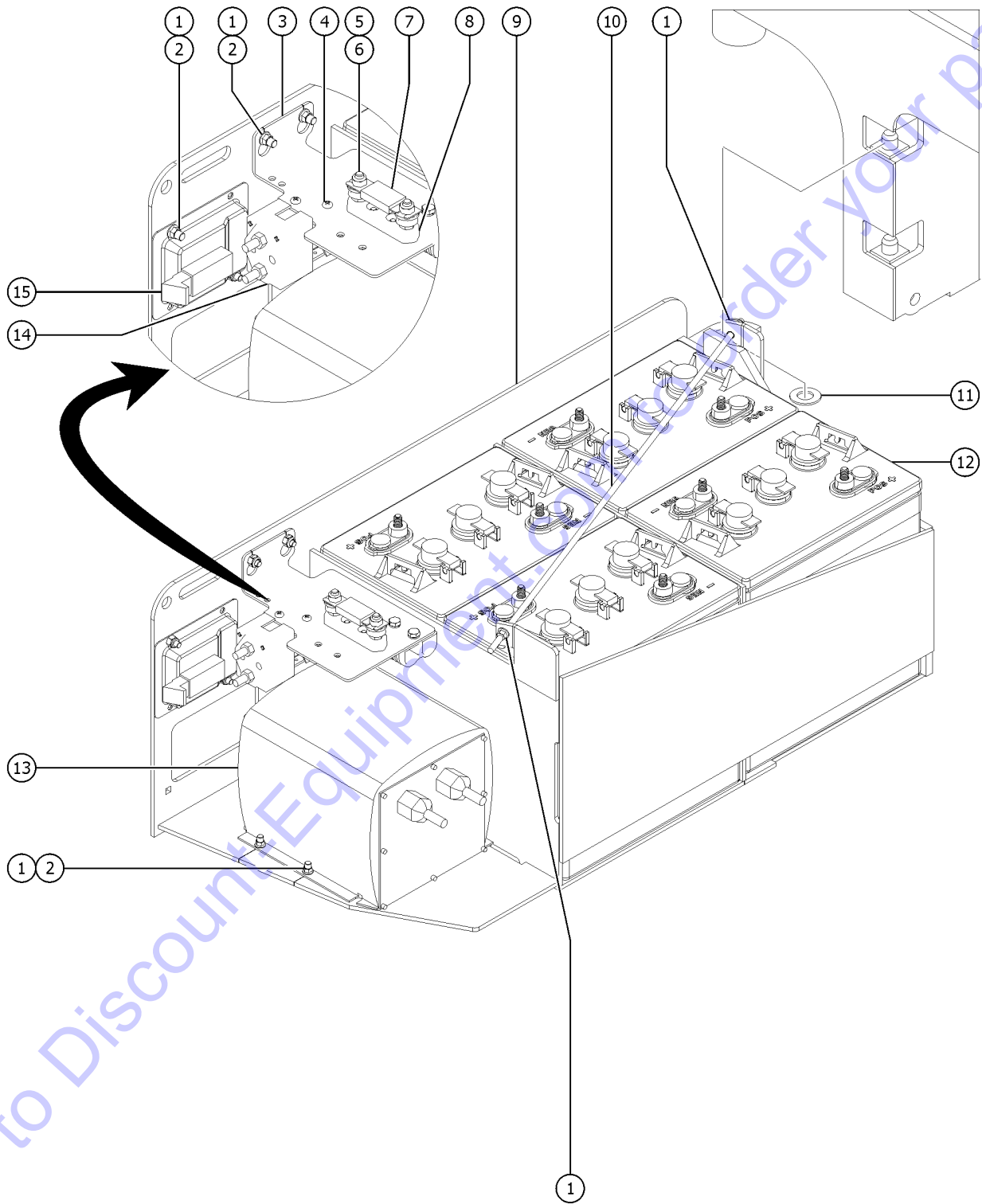


Item	Part No.	Description	Qty.
23	105060GT	GROUND STRAP, 8"LG .....	1
24	1255758GT	WASHER,FLAT,3/8,USS,ZAG .....	2
25	824025GT	NUT,TL,3/8-16,C,ZAG .....	2
26	96948GT	SWITCH,LIMIT,W/ROLLER ARM*** (down limit switch) .....	2
26-	1256177GT	SCREW,PHPM,10-32X1.75,ZAG .....	
26-	1274168GT	NUT,NYLOCK,10-32,A,ZAG .....	
26-	19491GT	CONTACTOR,LIMIT SWITCH .....	
26-	97128GT	ROLLER ARM,LIMIT SWITCH*** .....	

Go to Discount-Equipment.com to order your parts



205.1 Battery Pack Module

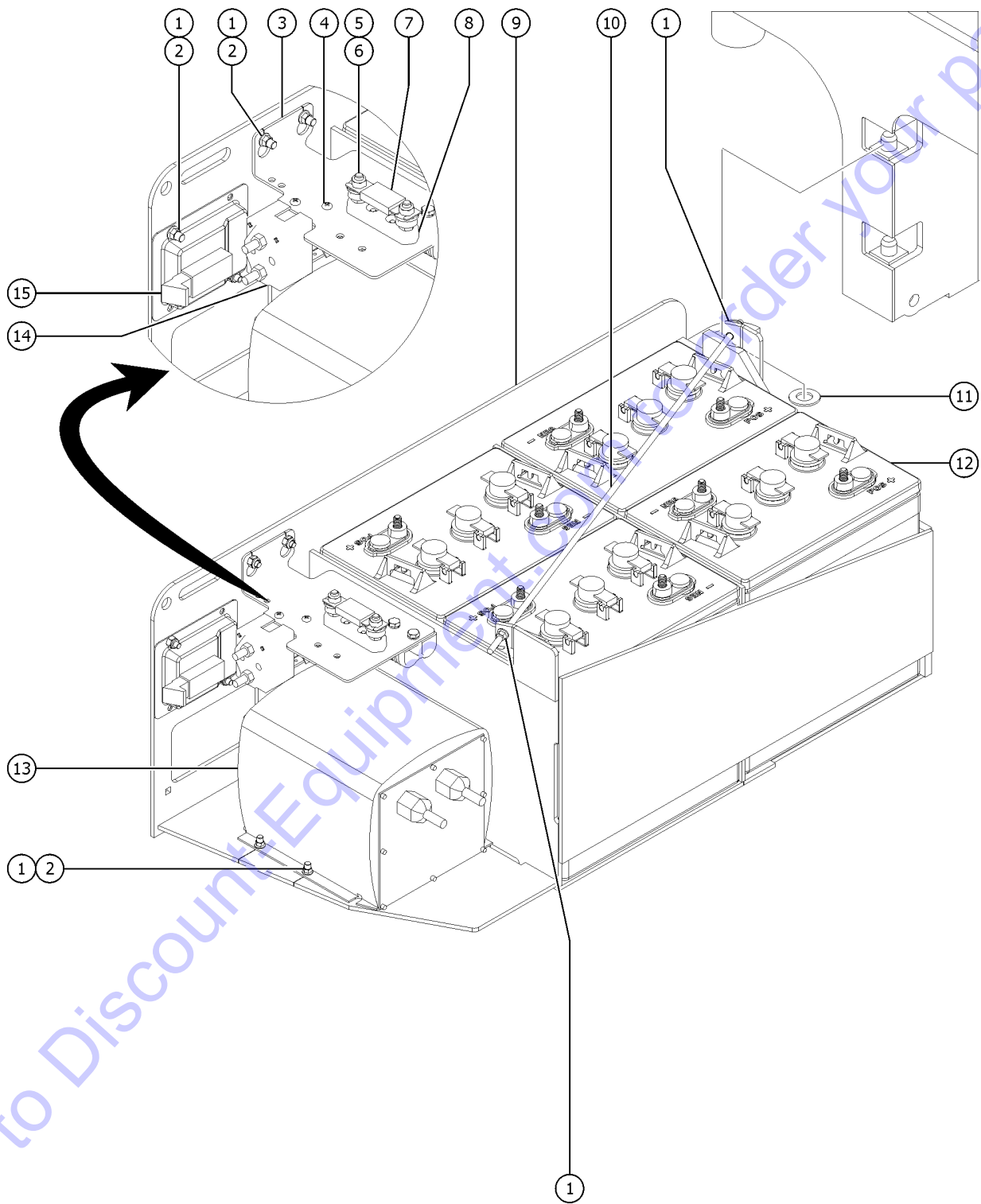


Item	Part No.	Description	Qty.
1	824027GT	NUT, TL FLG, 1/4-20, G, ZAG	10
2	824124GT	BOLT, CARRIAGE, 1/4-20X.75, 5, ZAG	8
3A	232531GT	FORMING, CONTACTOR MOUNT, GS to SN GS3216P-146462	1
3B	1273054GT	FORMING, CONTACTOR/FUSE BRACKET from SN GS3216P-146463	1
4	825349GT	SCREW, PHPM, 10-32X.38, ZAG	2
5	13000GT	SCREW, HHC, 5/16-18 X 1.25	2
6	1255805GT	NUT, SERRATED, 5/16-18, 8, ZAG	2
7	40833GT	FUSE, 275AMP, VERY FAST ACTING	1
8	66717GT	FUSE BLOCK, ANN & ANL FUSE (includes mounting fasteners)	1
9A	105467GT	WLDMT, GS BATTERY TRAY to SN GS3216P-146462	1
9B	1272991GT	WLDMT, BATTERY TRAY, GS from SN GS3216P-146463	1
10	30784-2550GT	THREADED ROD, (1/4-20), 25.50	1
11	1256863GT	WASHER, FLAT, .75, F436, HRD, ZAG	2
12A	76502GT	BATTERY, T105 W/LPT, 3 CAP, DRY** no longer available (contact customer service)	4
12A-	137770GT	BATTERY WATERING KIT, 24V UNIV (to watch the installation video, copy and paste this link to your web browser) <a href="https://www.youtube.com/watch?v=13zTfl-hWik">https://www.youtube.com/watch?v=13zTfl-hWik</a>	
12A-	137769GT	BATTERY WATERING HAND PUMP	
12A-	18503GT	NUT, LOCKING - LG FLANGE 5/16 - 18	
12B	105150GT	BATTERY, AGM, 6V, (TROJAN) ***	4
12B-	137770GT	BATTERY WATERING KIT, 24V UNIV (to watch the installation video, copy and paste this link to your web browser) <a href="https://www.youtube.com/watch?v=13zTfl-hWik">https://www.youtube.com/watch?v=13zTfl-hWik</a>	
12B-	137769GT	BATTERY WATERING HAND PUMP	
12C	76494GT	BATT, 6V, 225AH T105 LPT\3CAP	4
13		Ref. Battery Charger (refer to 206.1)	
14A	74267GT	CONTACTOR, DRIVE, 24V, 180A*** to SN GS3216P-144081	1
14B	1270456GT	CONTACTOR, DRIVE, 24V, 180A from SN GS3216P-144082	1
15	55675GT	LATCH, LRG PADDLE HANDLE GS90	1





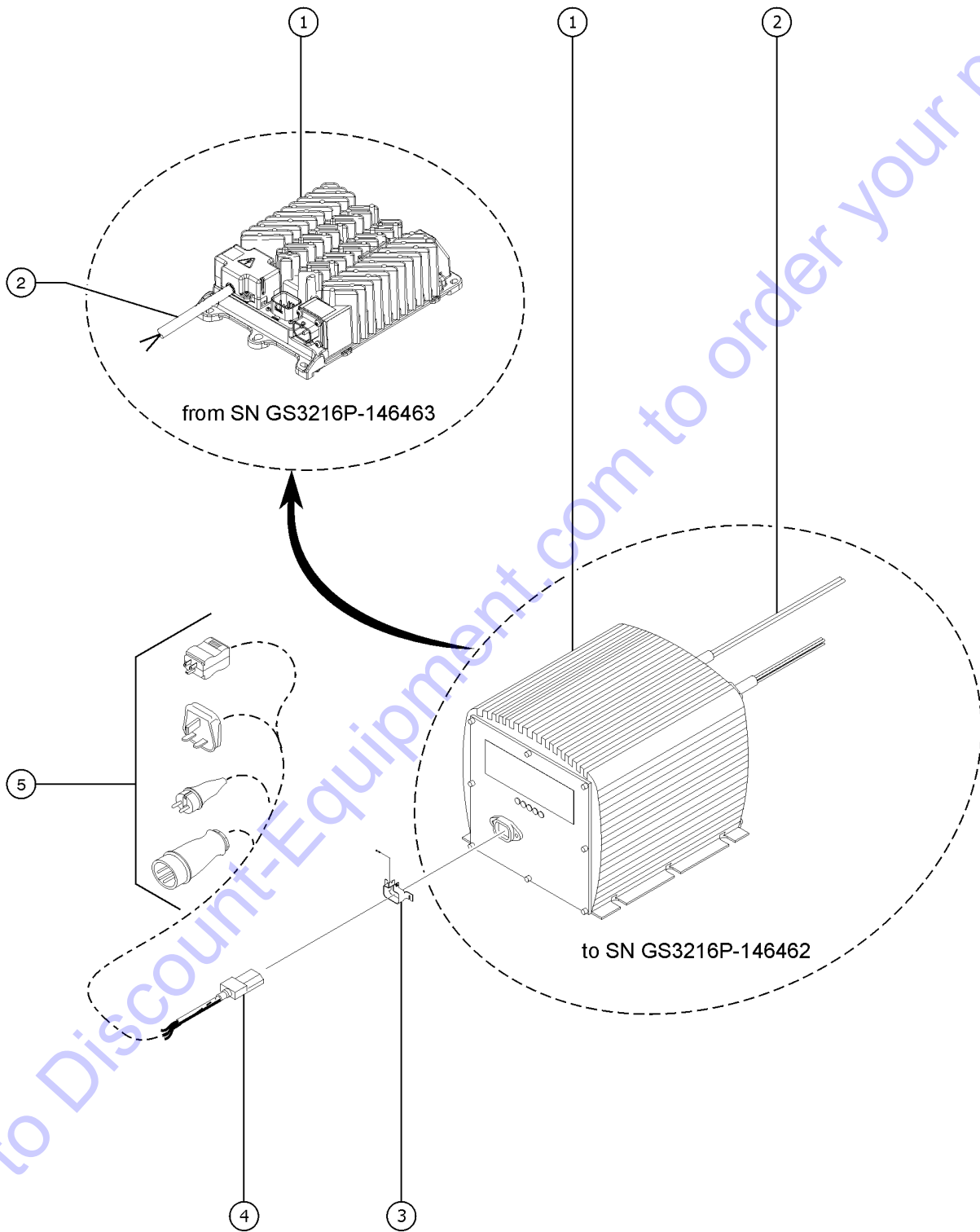
205.2 Battery Pack Module



Item	Part No.	Description	Qty.
1	824027GT	NUT, TL FLG, 1/4-20, G, ZAG .....	10
2	824124GT	BOLT, CARRIAGE, 1/4-20X.75, 5, ZAG .....	8
3B	1273054GT	FORMING, CONTACTOR/FUSE BRACKET from SN GS3216P-146463 .....	1
4	825349GT	SCREW, PHPM, 10-32X.38, ZAG .....	2
5	13000GT	SCREW, HHC, 5/16-18 X 1.25 .....	2
6	1255805GT	NUT, SERRATED, 5/16-18, 8, ZAG .....	2
7	40833GT	FUSE, 275AMP, VERY FAST ACTING .....	1
8	66717GT	FUSE BLOCK, ANN & ANL FUSE (includes mounting fasteners) .....	1
9B	1272991GT	WLDMT, BATTERY TRAY, GS from SN GS3216P-146463 .....	1
10	30784-2550GT	THREADED ROD, (1/4-20), 25.50 .....	1
11	1256863GT	WASHER, FLAT, .75, F436, HRD, ZAG .....	2
12A	76502GT	BATTERY, T105 W/LPT, 3 CAP, DRY** no longer available (contact customer service) .....	4
12A-	137770GT	BATTERY WATERING KIT, 24V UNIV (to watch the installation video, copy and paste this link to your web browser) <a href="https://www.youtube.com/watch?v=13zTfl-hWik">https://www.youtube.com/watch?v=13zTfl-hWik</a> .....	
12A-	137769GT	BATTERY WATERING HAND PUMP .....	
12A-	18503GT	NUT, LOCKING - LG FLANGE 5/16 - 18 .....	
12B	105150GT	BATTERY, AGM, 6V, (TROJAN) *** .....	4
12B-	137770GT	BATTERY WATERING KIT, 24V UNIV (to watch the installation video, copy and paste this link to your web browser) <a href="https://www.youtube.com/watch?v=13zTfl-hWik">https://www.youtube.com/watch?v=13zTfl-hWik</a> .....	
12B-	137769GT	BATTERY WATERING HAND PUMP .....	
12C	76494GT	BATT, 6V, 225AH T105 LPT\3CAP .....	4
13		Ref. Battery Charger (refer to 206.1) .....	
14B	1270456GT	CONTACTOR, DRIVE, 24V, 180A from SN GS3216P-144082 .....	1
15	55675GT	LATCH, LRG PADDLE HANDLE GS90 .....	1



206.1 Battery Charger

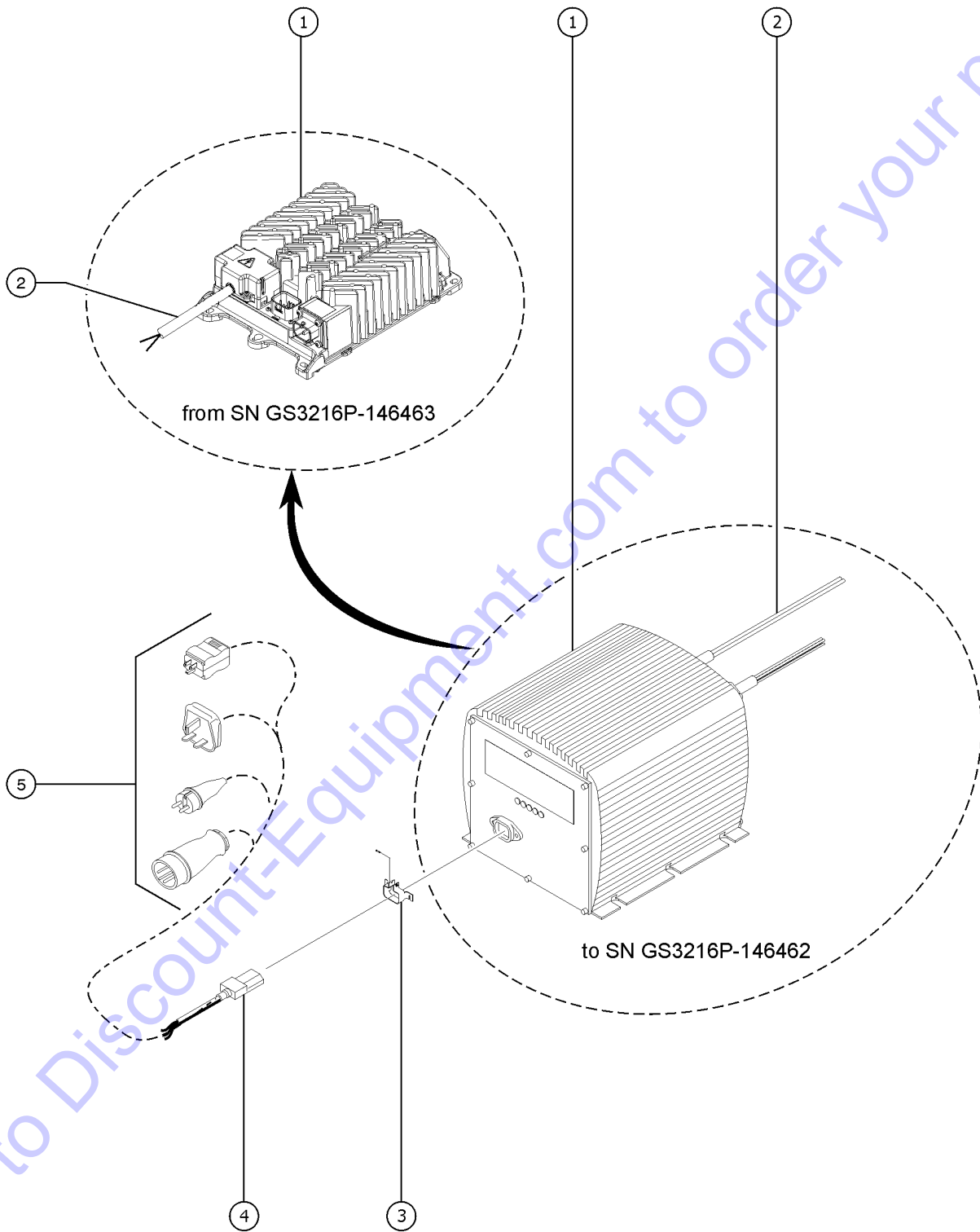


206.1 Battery Charger

Item	Part No.	Description	Qty.
A	105334GT	CONNECTOR, IEC CHARGER CORD ..... for 5-LED battery charger	
B	97059GT	FUSE, BATTERY CHARGER*** ..... for 5-LED battery charger	
C	1273576GT	CABLE ASSY, CHARGER/BATTERY ..... (for 1264372)	
1A	105739GT	CHARGER, BAT, 24VDC, H/LO GEN2 ..... to SN GS3216P-146462. Signet battery charger. NOTE: Some machines are equipped with an alternative-brand battery charger. Inspect your machine before ordering OR contact Genie Service Parts if needed.	1
1A-	144180GT	MANUAL, OWNERS, CHARGER, 105739 .....	
1A-	219480GT	KIT, BATTERY CHARGER, 24V ..... (includes 105739 charger, fasteners, ring terminals and instructions for field installation)	
1B		Ref. Field Assembly Recessed Charger Plug ..... to SN GS3016P-146462 (refer to 406.1)	1
1C	1277961GT	KIT, 650W BATT CHARGER, FLA ..... newer style charger for machines with lead acid batteries to SN 16P-146462	
1C	1277959GT	KIT, 650W BATT CHARGER, AGM ..... newer style charger for machines with AGM batteries to SN 16P-146462	
1C	1277960GT	KIT, 650W BATT CHARGER, FLA, REC PLUG ..... newer style charger for machines with lead acid batteries and Rec plug to SN 16P-146462	
1C	1277958GT	KIT, 650W BATT CHARGER, AGM, REC PLUG ..... newer style charger for machines with AGM batteries and Rec plug to SN 16P-146462	
2		Ref. CABLE ASSY, CHARGER/BATTERY ..... (refer to 211.1)	
3	55010GT	LOCK, CONNECTOR ..... (includes fasteners)	1
4A	144130GT	POWER CORD, IEC 320, 115" ..... to SN GS3016P-146462	1
4B	1272557GT	POWER CORD, IEC 320, 90 ..... from SN GS3016P-146463	1
5		Ref. PLUG, ELECTRICAL ..... (refer to 402.1)	



206.2 Battery Charger



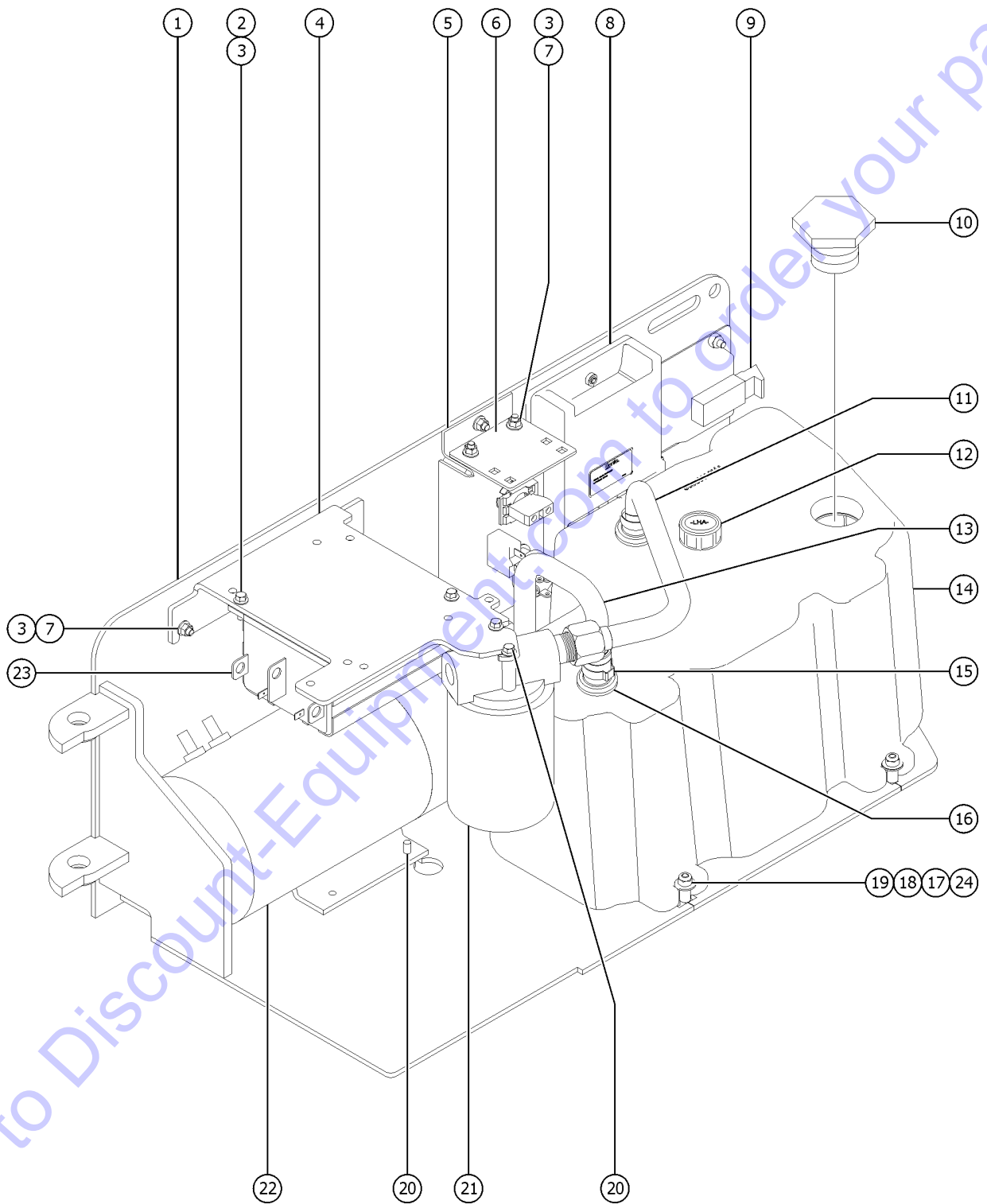
206.2 Battery Charger

Item	Part No.	Description	Qty.
A	105334GT	CONNECTOR, IEC CHARGER CORD ..... for 5-LED battery charger	
B	97059GT	FUSE, BATTERY CHARGER*** ..... for 5-LED battery charger	
C	1273576GT	CABLE ASSY, CHARGER/BATTERY ..... (for 1264372)	
1B		Ref. Field Assembly Recessed Charger Plug ..... (refer to 406.1)	1
1C	1264372GT	CHARGER, 24V, 650W, USB ..... from SN 158209	1
1C-	1273576GT	CABLE ASSY, CHARGER/BATTERY ..... for standard 'flooded' batteries	
1C-	1272844GT	CABLE, CHARGER, DC, W/ BTS ..... for AGM 'maintenance free' batteries	
1C-	1272120GT	HARNESS, LED CHARGER, GS32 ..... wire harness with 15-pin connector	
1C-	1270281GT	ASSEMBLY, CHARGER STATUS LED, 2V, BCI ..... LED harness assembly connects to 1272120GT	1
1C-	1272557GT	POWER CORD, IEC 320, 90 ..... power supply cord (ANSI/CSA models)	
1C-	1279428GT	KIT, DC BLOCK ASSEMBLY .....	
2		Ref. CABLE ASSY, CHARGER/BATTERY ..... (refer to 211.1)	
3	55010GT	LOCK, CONNECTOR ..... (includes fasteners)	1
4B	1272557GT	POWER CORD, IEC 320, 90 ..... from SN GS3016P-146463	1
5		Ref. PLUG, ELECTRICAL ..... (refer to 402.1)	

Go to Discount-Equipment.com to order your parts



207.1 Power Unit Module (to SN GS3216P-147310)

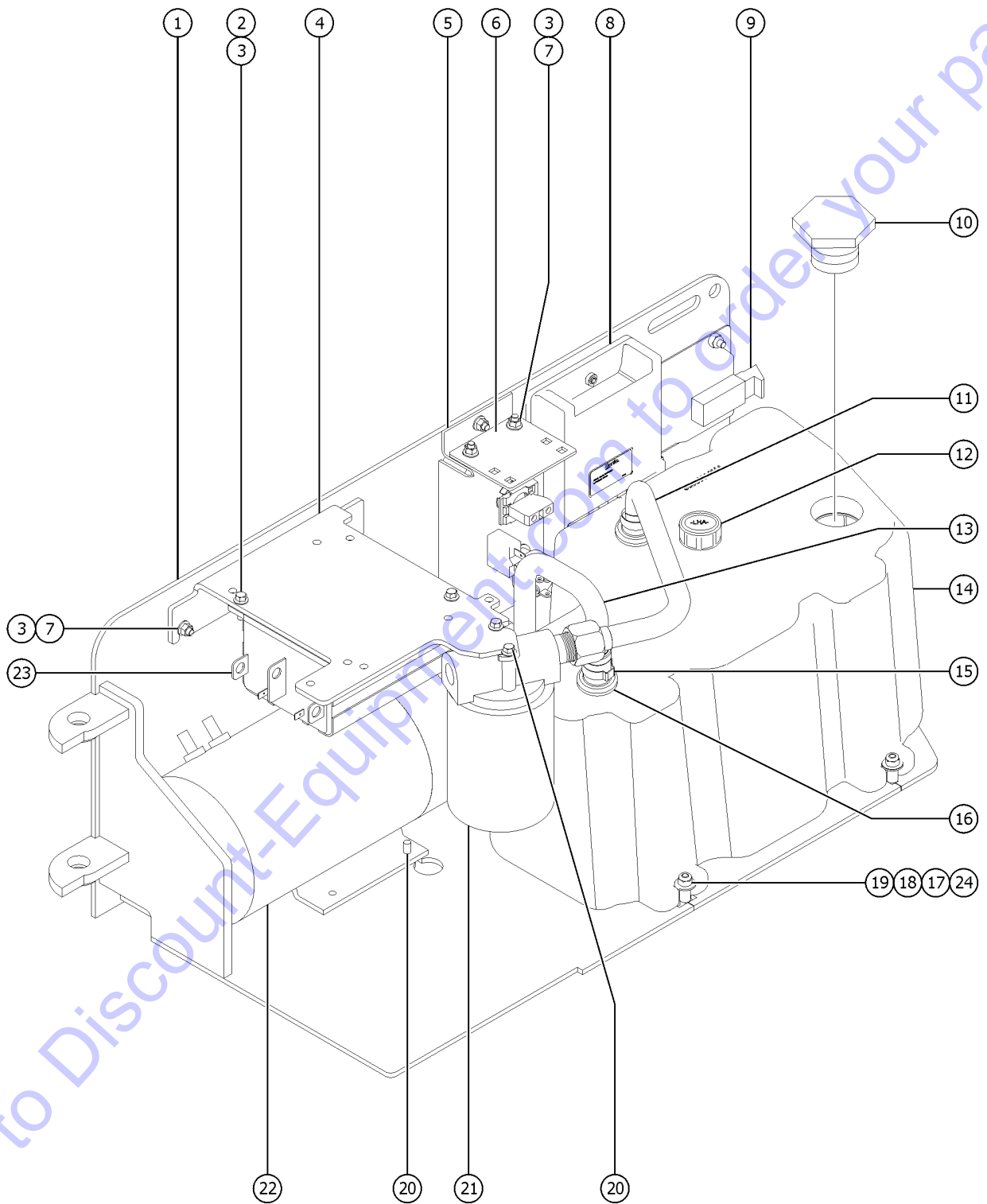


Item	Part No.	Description	Qty.
1A	231114GT	HYDR TRAY ASSY W/WORDS .....	1
1A-	T113296GT	WELDMENT,GS HYD TRAY (decals not included, refer to section one) .....	
1B	231167GT	HYDR TRAY ASSY,GS30 W/SYMBOLS .....	1
1B-	T113296GT	WELDMENT,GS HYD TRAY (decals not included, refer to section one) .....	
2	824080GT	SCREW,HHF,1/4-20X1.25,8,ZAG .....	
3	824027GT	NUT, TL FLG, 1/4-20, G, ZAG .....	
4	105308GT	FORMING, FILTER-CNTRLR MOUNT .....	1
5		Ref. FORMING, CONTROL PANEL (refer to 208.1) .....	
6	T108326GT	PLATE,HARNESS MOUNT .....	1
7	824124GT	BOLT,CARRIAGE,1/4-20X.75,5,ZAG .....	
8		Ref. GCON, GR/GRC/GS (refer to figure 208.1) .....	
9	55675GT	LATCH, LRG PADDLE HANDLE GS90 .....	1
10	66204GT	FILTER CAP (PLUG 1-1/2" NPT HEX .....	1
11	96355GT	TUBE, ASSY, RETURN .....	1
12	78546GT	BREATHER CAP, HYD. TANK, 1/4 NPT .....	1
13	96354GT	TUBE, ASSY, DRAW .....	1
14	226163GT	HYD. TANK KIT, GS30,32,46 (includes items 15 and 16) .....	1
14-	T109012GT	TANK,HYD, SLAB SCISSORS .....	
15	96855GT	CLAMP,HOSE,1 EAR,1-1/16*** .....	2
16	96709GT	GROMMET,SLAB HYD TANK*** .....	2
17	96699GT	SLEEVE,TANK SUPPORT .....	
18	824113GT	WASHER,FLAT,USS,1/4,ZAG .....	
19	1256463GT	BOLT,CARRIAGE,1/4-20X1.25,5,ZAG .....	
20	824078GT	SCREW,HHF,1/4-20X.75,8,ZAG .....	
21		REF. FILTER ASSY (refer to figure 501.1) .....	
22		REF. ELECTRIC MOTOR/PUMP (refer to figure 504.1) .....	
23A	823408GT	MOTOR CONTROLLER, DC,24V,300A to SN P-143602 .....	1
23B	1257840GT	MOTOR CONTROLLER,DC,24V,360A from SN P-143603 .....	





207.1 Power Unit Module (to SN GS3216P-147310)

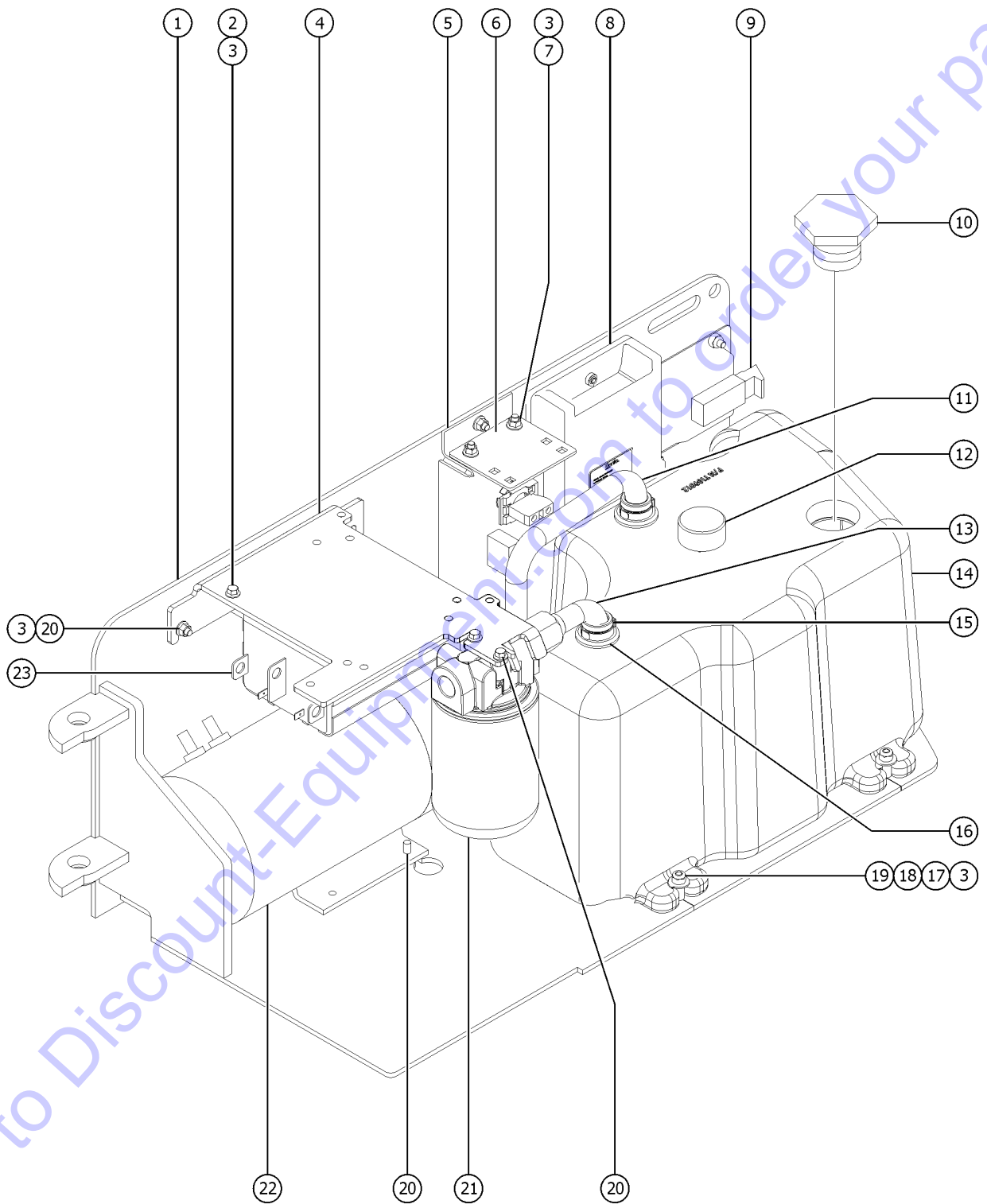


Item	Part No.	Description	Qty.
23C	232534GT	KIT,CONTACTOR,GS .....	
23D	1261335GT	KIT,BATT. CABLE ASSY.,GS30/32 All models with motor controller, 823408GT, installed .....	1
23E	233379GT	KIT, INVERTER JUMPER, GS All models with motor controller, 823408GT, installed .....	1
24	6091GT	NUT, NYLOCK, 1/4-20 .....	3

Go to Discount-Equipment.com to order your parts



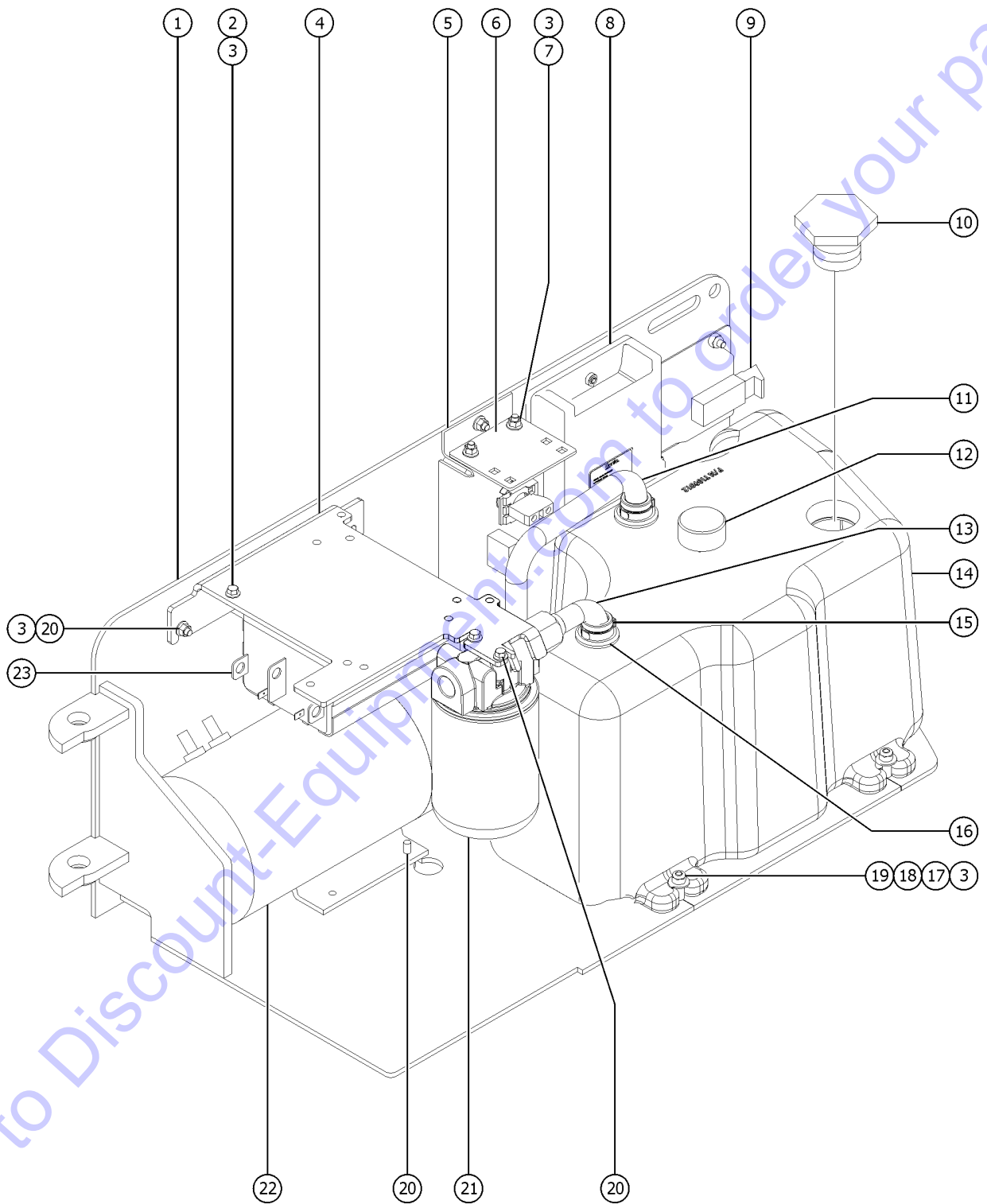
207.2 Power Unit Module (from SN GS3216P-147311)



Item	Part No.	Description	Qty.
1A	231114GT	HYDR TRAY ASSY W/WORDS .....	1
1A-	T113296GT	WELDMENT,GS HYD TRAY (decals not included, refer to section one) .....	
1B	231167GT	HYDR TRAY ASSY,GS30 W/SYMBOLS .....	1
1B-	T113296GT	WELDMENT,GS HYD TRAY (decals not included, refer to section one) .....	
2	824080GT	SCREW,HHF,1/4-20X1.25,8,ZAG .....	
3	824027GT	NUT, TL FLG, 1/4-20, G, ZAG .....	
4A	1280158GT	KIT,SLAB HYD TANK TUBE REPLACEMENT from SN GS3216P-147311 to 149742 (includes draw tube, return tube, and filter control mount) .....	
4A-	1276561GT	TUBE, ASSY, RETURN from SN GS3216P-147311 to 149742 .....	
4A-	1270598GT	TUBE, ASSY, DRAW from SN GS3216P-147311 to 149742 .....	
5		Ref. FORMING, CONTROL PANEL .....	
6	T108326GT	PLATE,HARNESS MOUNT .....	1
7	824124GT	BOLT,CARRIAGE,1/4-20X.75,5,ZAG .....	
8		Ref. GCON, GR/GRC/GS .....	
9	55675GT	LATCH, LRG PADDLE HANDLE GS90 .....	1
10	66204GT	FILTER CAP (PLUG 1-1/2" NPT HEX .....	1
11A	1280158GT	KIT,SLAB HYD TANK TUBE REPLACEMENT from SN GS3216P-147311 to 149742 (includes draw tube, return tube, and filter control mount) .....	
11A-	1276561GT	TUBE, ASSY, RETURN from SN GS3216P-147311 to 149742 .....	
11A-	1276562GT	FORMING,FILTER-CONTROLLER MOUNT from SN GS3216P-147311 to 149742 .....	
12	78546GT	BREATHER CAP, HYD. TANK, 1/4 NPT .....	1
13A	1280158GT	KIT,SLAB HYD TANK TUBE REPLACEMENT from SN GS3216P-147311 to 149742 (includes draw tube, return tube, and filter control mount) .....	
13A-	1270598GT	TUBE, ASSY, DRAW from SN GS3216P-147311 to 149742 .....	
13A-	1276562GT	FORMING,FILTER-CONTROLLER MOUNT from SN GS3216P-147311 to 149742 .....	
14	226163GT	HYD. TANK KIT, GS30,32,46 .....	1
14-	T109012GT	TANK,HYD, SLAB SCISSORS .....	
15	96855GT	CLAMP,HOSE,1 EAR,1-1/16*** .....	2
16	96709GT	GROMMET,SLAB HYD TANK*** .....	2
17	96699GT	SLEEVE,TANK SUPPORT .....	



207.2 Power Unit Module (from SN GS3216P-147311)

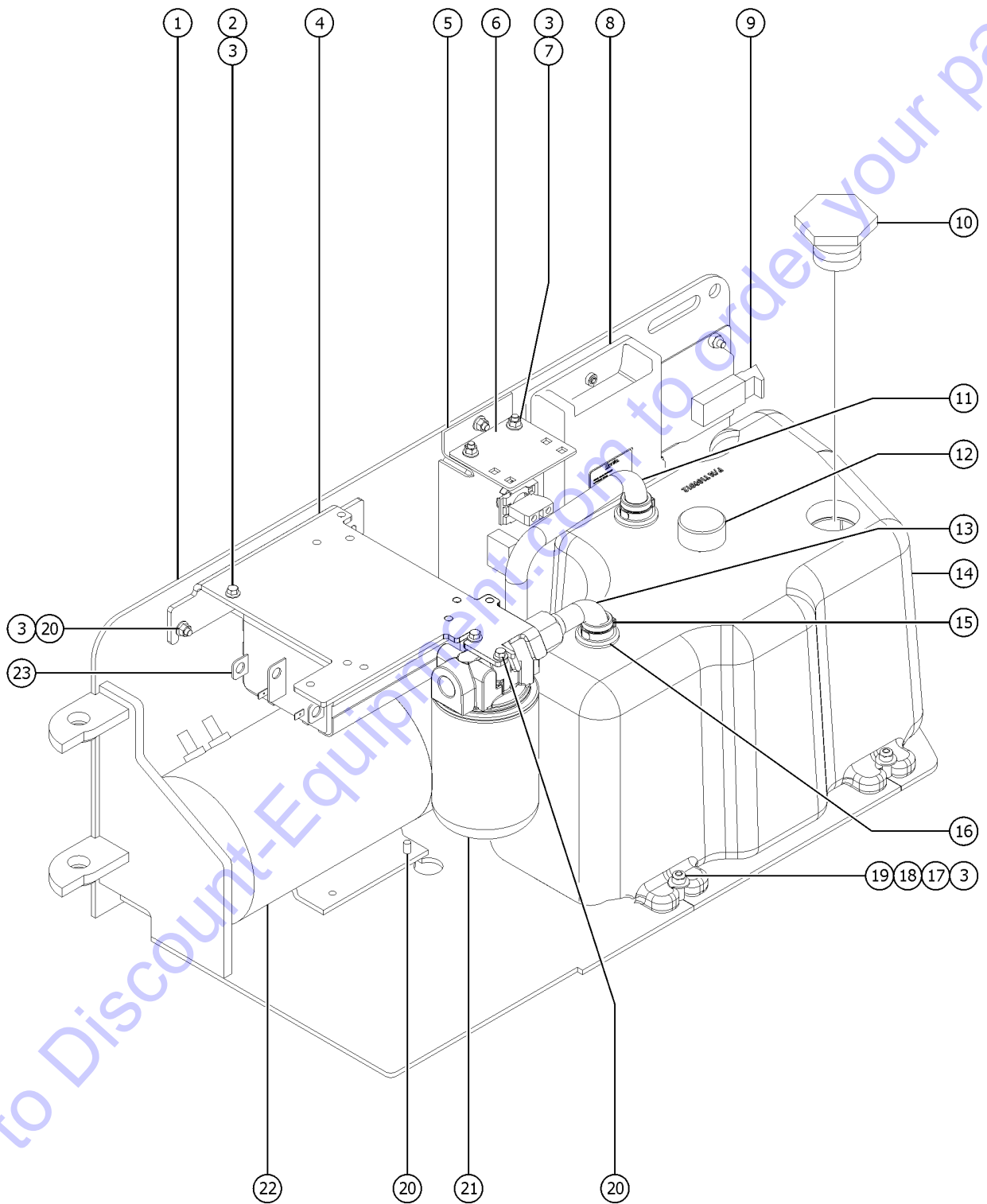


Item	Part No.	Description	Qty.
18	824113GT	WASHER,FLAT,USS,1/4,ZAG .....	
19	1256463GT	BOLT,CARRIAGE,1/4-20X1.25,5,ZAG .....	
20	824078GT	SCREW,HHF,1/4-20X.75,8,ZAG .....	
21		REF. FILTER ASSY .....	
		(refer to figure 501.1)	
22		REF. ELECTRIC MOTOR/PUMP .....	
		(refer to figure 505.1)	
23	1257840GT	MOTOR CONTROLLER,DC,24V,360A .....	

Go to Discount-Equipment.com to order your parts



207.3 Power Unit Module (from SN GS3216P-147311)

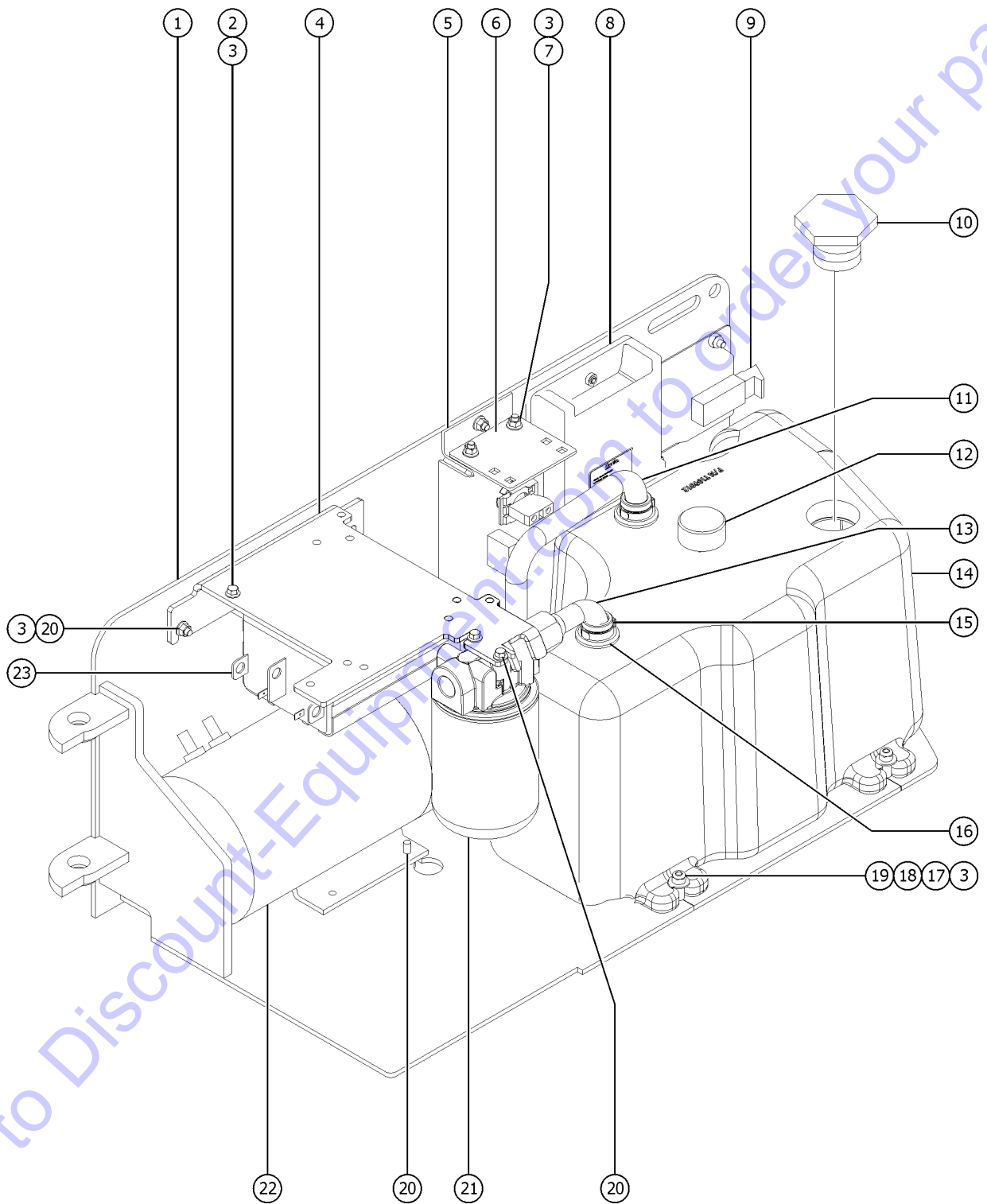


Item	Part No.	Description	Qty.
1A	231114GT	HYDR TRAY ASSY W/WORDS .....	1
1A-	T113296GT	WELDMENT,GS HYD TRAY (decals not included, refer to section one) .....	
1B	231167GT	HYDR TRAY ASSY,GS30 W/SYMBOLS .....	1
1B-	T113296GT	WELDMENT,GS HYD TRAY (decals not included, refer to section one) .....	
2	824080GT	SCREW,HHF,1/4-20X1.25,8,ZAG .....	
3	824027GT	NUT, TL FLG, 1/4-20, G, ZAG .....	
4A	1280158GT	KIT,SLAB HYD TANK TUBE REPLACMENT from SN GS3216P-147311 to 149742 (includes draw tube, return tube, and filter control mount) .....	
4A-	1276561GT	TUBE, ASSY, RETURN from SN GS3216P-147311 to 149742 .....	
4A-	1270598GT	TUBE, ASSY, DRAW from SN GS3216P-147311 to 149742 .....	
4B	1276662GT	FORMING,FILTER-CONTROLLER MOUNT .....	
5		Ref. FORMING, CONTROL PANEL .....	
6	T108326GT	PLATE,HARNESS MOUNT .....	1
7	824124GT	BOLT,CARRIAGE,1/4-20X.75,5,ZAG .....	
8		Ref. GCON, GR/GRC/GS .....	
9	55675GT	LATCH, LRG PADDLE HANDLE GS90 .....	1
10	66204GT	FILTER CAP (PLUG 1-1/2" NPT HEX .....	1
11A	1280158GT	KIT,SLAB HYD TANK TUBE REPLACMENT from SN GS3216P-147311 to 149742 (includes draw tube, return tube, and filter control mount) .....	
11A-	1276561GT	TUBE, ASSY, RETURN from SN GS3216P-147311 to 149742 .....	
11A-	1276562GT	FORMING,FILTER-CONTROLLER MOUNT .....	
11B	1270598GT	TUBE, ASSY, DRAW from SN GS3216P-147311 to 149742 .....	
12	78546GT	BREATHER CAP, HYD. TANK, 1/4 NPT .....	1
13A	1280158GT	KIT,SLAB HYD TANK TUBE REPLACMENT from SN GS3216P-147311 to 149742 (includes draw tube, return tube, and filter control mount) .....	
13A-	1270598GT	TUBE, ASSY, DRAW from SN GS3216P-147311 to 149742 .....	
13A-	1276562GT	FORMING,FILTER-CONTROLLER MOUNT .....	
13B	1276561GT	TUBE, ASSY, RETURN from SN GS3216P-149743 .....	
14	226163GT	HYD. TANK KIT, GS30,32,46 .....	1
14-	T109012GT	TANK,HYD, SLAB SCISSORS .....	





207.3 Power Unit Module (from SN GS3216P-147311)



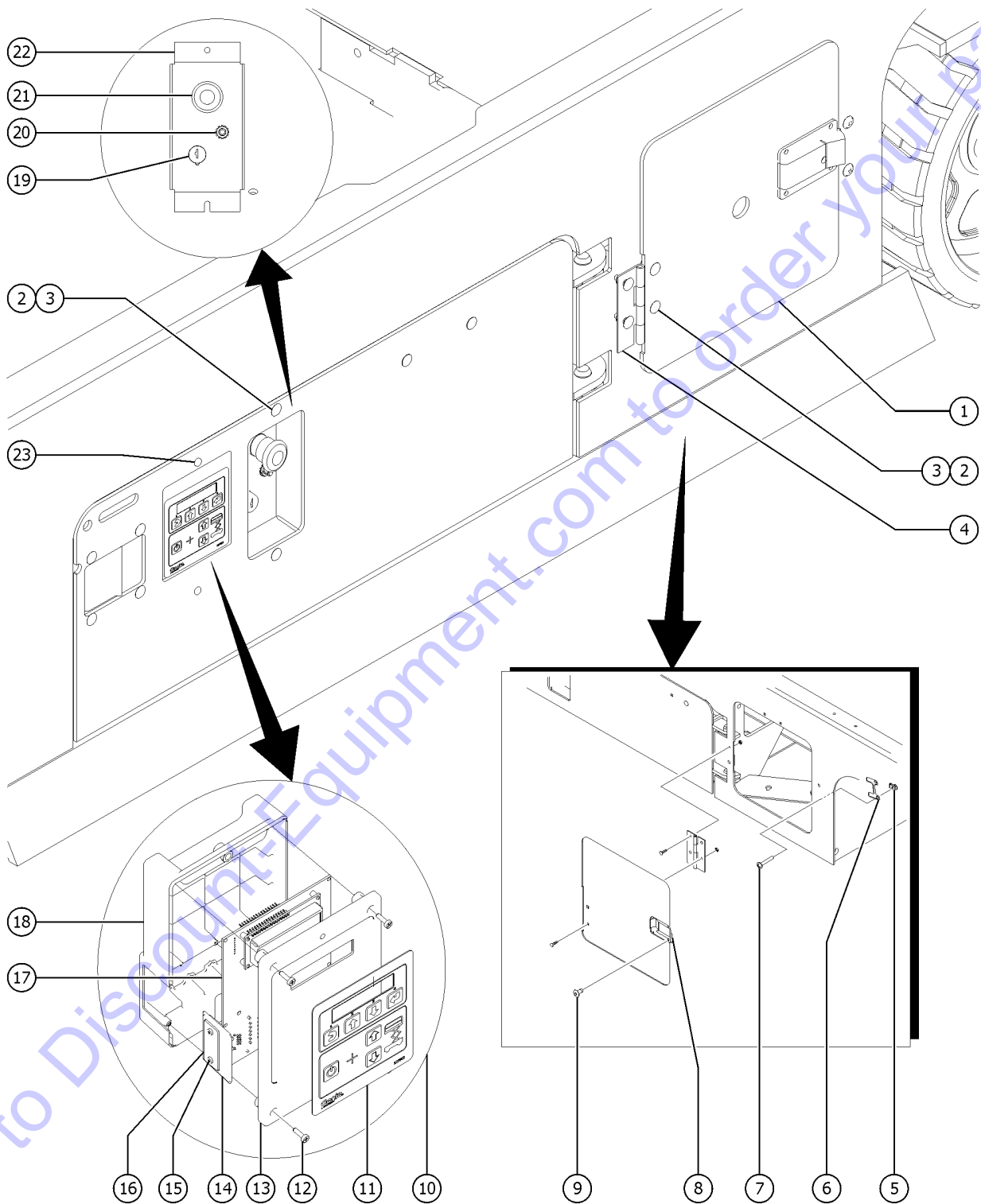
207.3 Power Unit Module (from SN GS3216P-147311)

Item	Part No.	Description	Qty.
15	96855GT	CLAMP,HOSE,1 EAR,1-1/16***	2
16	96709GT	GROMMET,SLAB HYD TANK***	2
17	96699GT	SLEEVE,TANK SUPPORT	
18	824113GT	WASHER,FLAT,USS,1/4,ZAG	
19	1256463GT	BOLT,CARRIAGE,1/4-20X1.25,5,ZAG	
20	824078GT	SCREW,HHF,1/4-20X.75,8,ZAG	
21		REF. FILTER ASSY (refer to figure 501.1)	
22		REF. ELECTRIC MOTOR/PUMP (refer to figure 505.1)	
23	1257840GT	MOTOR CONTROLLER,DC,24V,360A	
24	6091GT	NUT, NYLOCK, 1/4-20	3

Go to Discount-Equipment.com to order your parts



208.1 Ground Controls, GS-2032, GS-2632

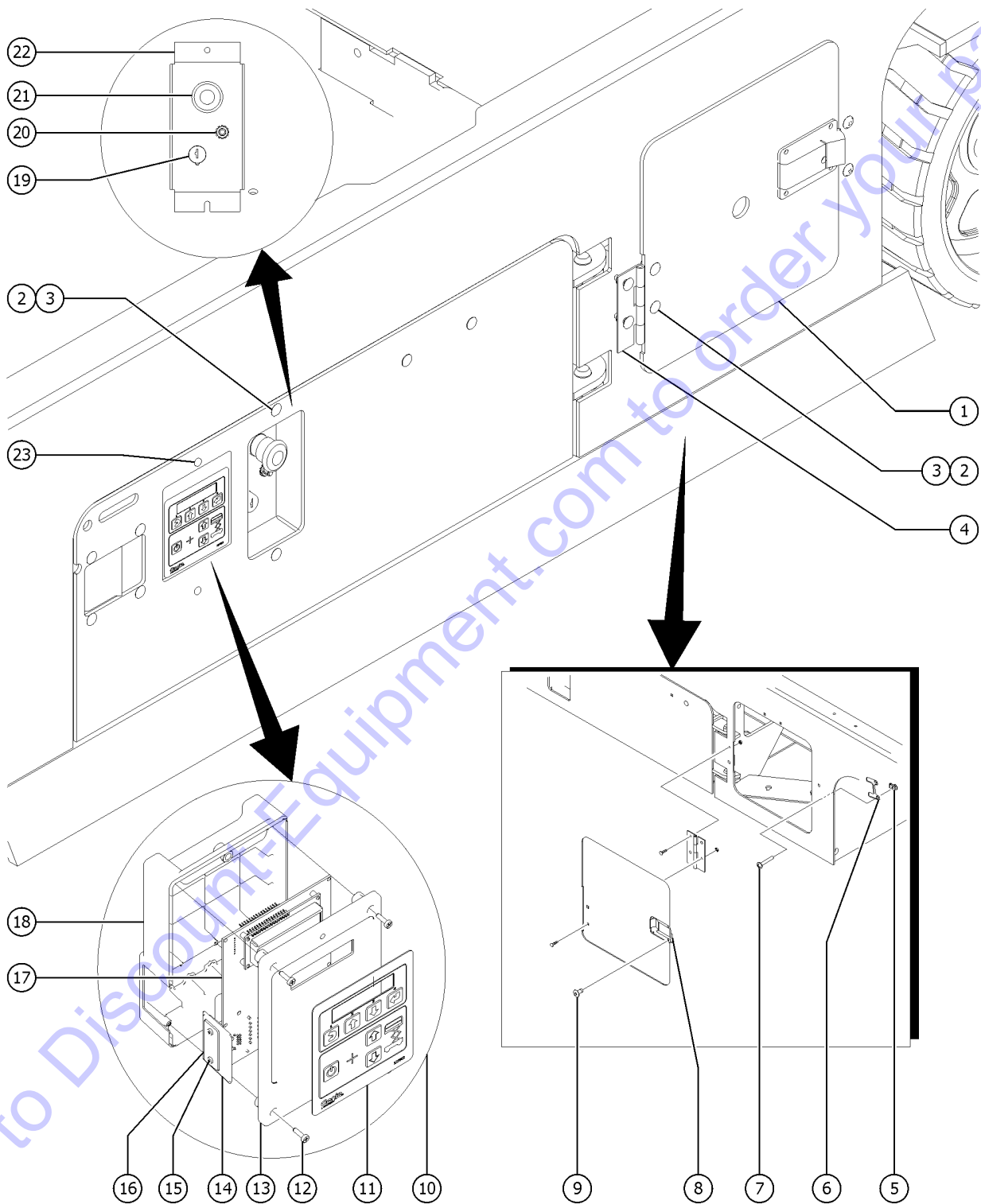


Go to Discount-Equipment.com to order your parts

Item	Part No.	Description	Qty.
A	1252764GT	SPACER, GROUND CONTROL ECU .....	1
B	824216GT	SCREW, PHPM, 10-32 X 1.5, ZAG .....	
1	105732GT	PLATE, SIDE DOOR*** .....	1
2	824124GT	BOLT, CARRIAGE, 1/4-20X.75,5,ZAG .....	6
3	824027GT	NUT, TL FLG, 1/4-20, G, ZAG .....	6
4	105734GT	HINGE, ACCESS DOOR(13G) .....	1
5	56912GT	SPRING CLIP, 1/4-20, .025-.15X.54, ZAG .....	2
6	105733GT	PLATE, SIDE DOOR STOP*** .....	1
7	1260984GT	SCREW, PHPM, 1/4-20X.75, ZAG .....	2
8	105759GT	LATCH, COMPRESSION, SMALL .....	1
9	824206GT	RIVET, STL, STL, DOME, 1/8 X .25, ZAG .....	2
10A	1256721GT	GCON, STD, PROP LIFT .....	1
		GS-2032 and GS-2632	
11	137562GT	DECAL, MEMBRANE, GR/GRC/GS GCON .....	1
12	137668GT	SCREW, PHM, 6-19X.75, 48-2 TRI-L .....	4
13	T106366GT	ENCLOSURE, GC27-25/GC21-19, FRNT .....	1
14	T106363GT	ADAPTER, RJ45, GC27-25/GC21-19 .....	1
15	137637GT	SCREW, PHM, 4-20X.5, 48-2 TRI-L .....	2
16	T106362GT	COVER, RJ45, GC27-25/GC21-19 .....	1
17A	1256719GT	PCBA, GCON STD, PROP LIFT .....	1
		GS-2032 and GS-2632	
18A	T106372GT	ENCLOSURE, GC21-19, BK .....	1
		GS-2032 and GS-2632	
19	96008-SGT	KEYSWITCH, 3 POS. W/KEYS*** .....	1
19-	37947GT	KEYS, 10 PACK*** .....	
		(sold seperately)	
19-	83093GT	KEY SINGLE*** .....	
		(sold seperately)	
19-	85239GT	NUT, RETAINER (96008) .....	
		(sold seperately)	
19-	96009GT	WASHER, NITRILE .....	
		(sold seperately)	
19-	96010GT	SCREW, PHILLIPS, PHM, 8-32 X.25** .....	
		(sold seperately)	
20	96452GT	CIRCUIT BREAKER, 7.0 AMP*** .....	1
20-	122994GT	NICKEL PLATED JAM NUT .....	



208.1 Ground Controls, GS-2032, GS-2632



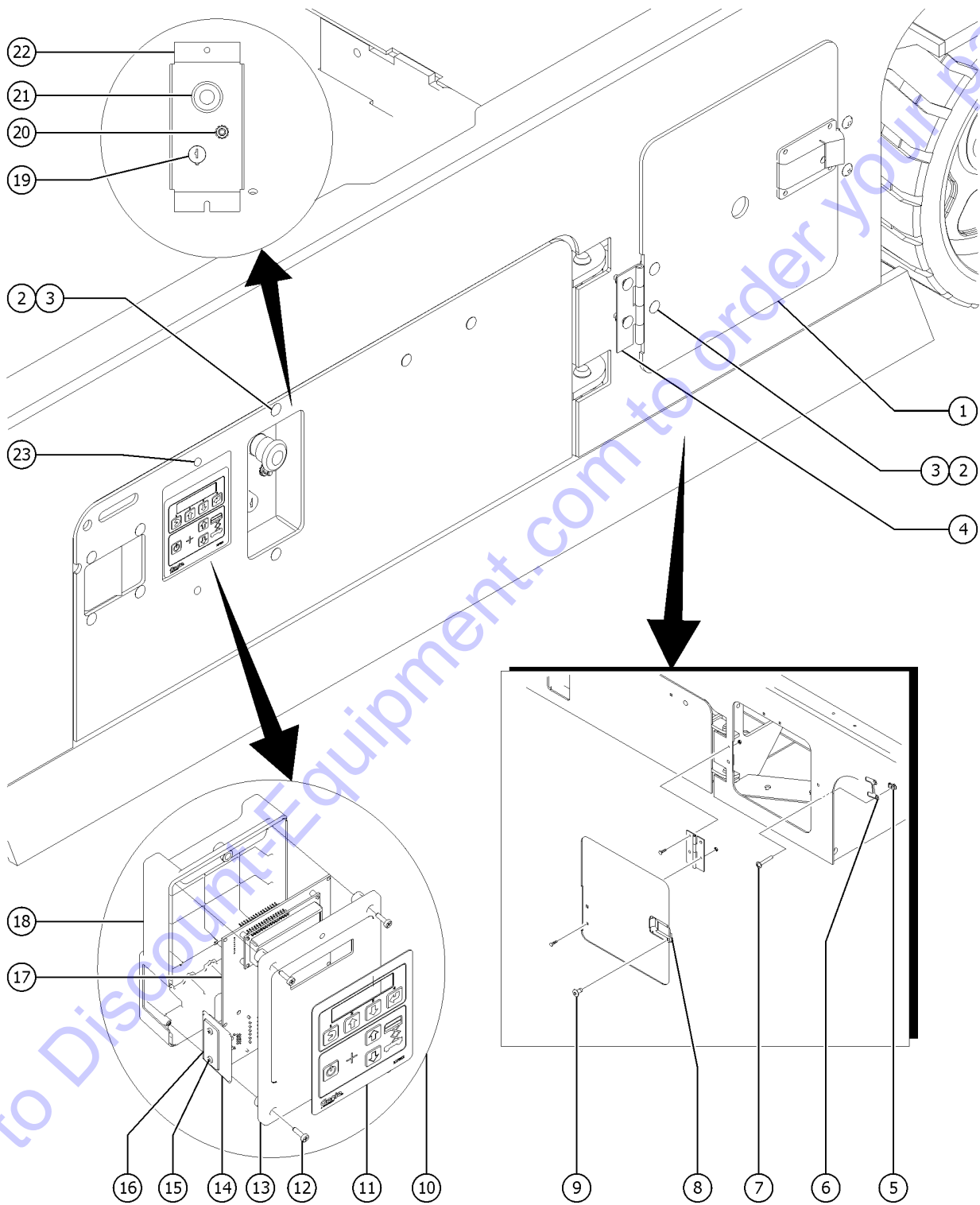
Go to Discount-Equipment.com to order your parts

Item	Part No.	Description	Qty.
20-	6700GT	WASHER,STAR,EXTERNAL,,375 .....	
21	66812GT	BUTTON,PUSH,RED MUSHROOM HEAD .....	1
21-	58627GT	NUT .....	
21-	66817GT	E-STOP NC CONTACT .....	
22	T108327GT	FORMING,CONTROL PANEL .....	1
23	51063GT	SCREW,PHILLIPS,RHM,10-32 X 1.5 .....	2

Go to Discount-Equipment.com to order your parts



208.2 Ground Controls, GS-3232



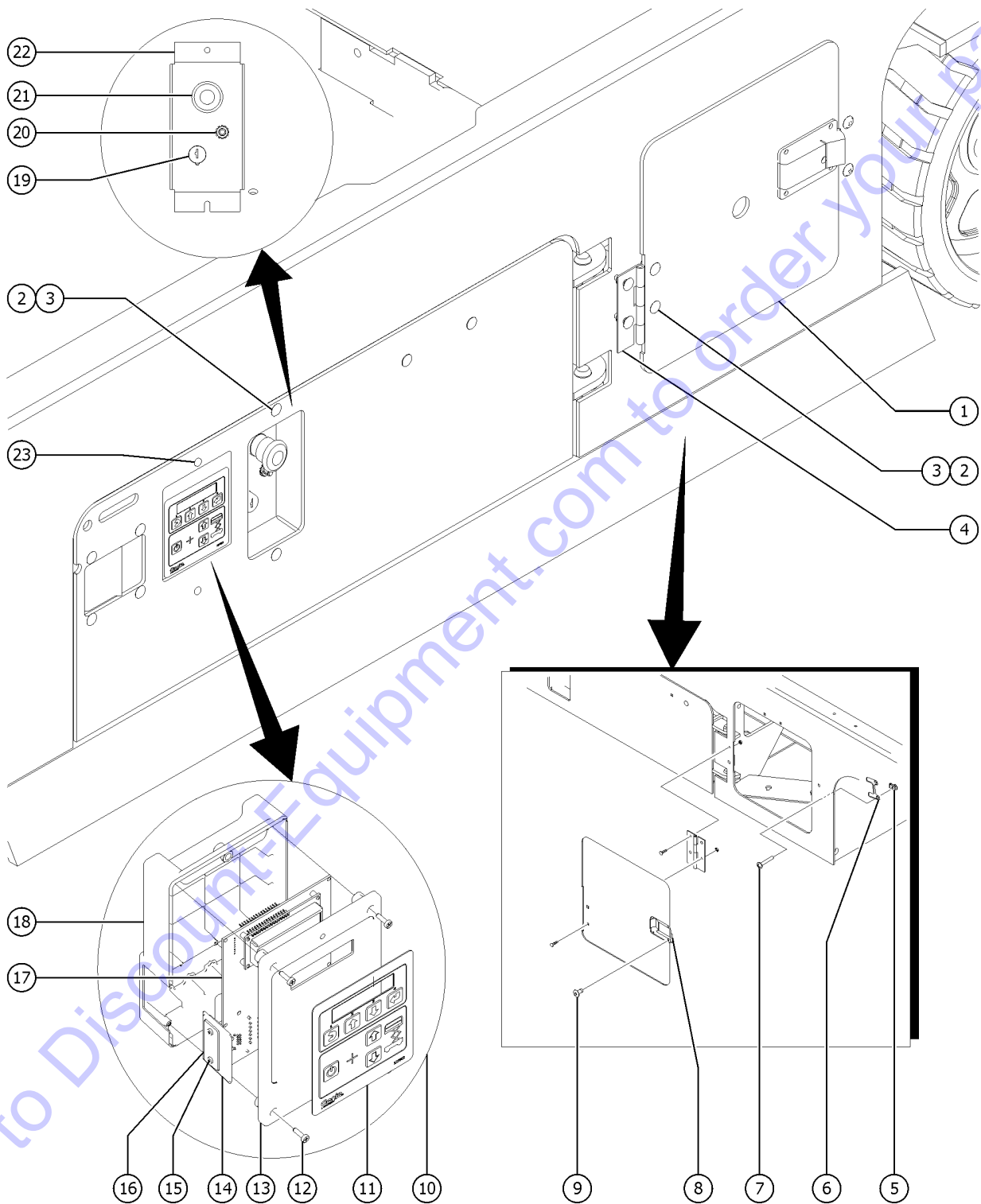
Go to Discount-Equipment.com to order your parts

Item	Part No.	Description	Qty.
A	1252764GT	SPACER, GROUND CONTROL ECU .....	1
B	824216GT	SCREW, PHPM, 10-32 X 1.5, ZAG .....	
1	105732GT	PLATE, SIDE DOOR*** .....	1
2	824124GT	BOLT, CARRIAGE, 1/4-20X.75,5,ZAG .....	6
3	824027GT	NUT, TL FLG, 1/4-20, G, ZAG .....	6
4	105734GT	HINGE, ACCESS DOOR(13G) .....	1
5	56912GT	SPRING CLIP, 1/4-20, .025-.15X.54, ZAG .....	2
6	105733GT	PLATE, SIDE DOOR STOP*** .....	1
7	1260984GT	SCREW, PHPM, 1/4-20X.75, ZAG .....	2
8	105759GT	LATCH, COMPRESSION, SMALL .....	1
9	824206GT	RIVET, STL, STL, DOME, 1/8 X .25, ZAG .....	2
10B	1256722GT	GCON, O/R, PROP LIFT .....	1
		GS-3232	
10B-	1256808GT	LABEL, GCON O/R, SERIAL .....	
		(GS-3232)	
11	137562GT	DECAL, MEMBRANE, GR/GRC/GS GCON .....	1
12	137668GT	SCREW, PHM, 6-19X.75, 48-2 TRI-L .....	4
13	T106366GT	ENCLOSURE, GC27-25/GC21-19, FRNT .....	1
14	T106363GT	ADAPTER, RJ45, GC27-25/GC21-19 .....	1
15	137637GT	SCREW, PHM, 4-20X.5, 48-2 TRI-L .....	2
16	T106362GT	COVER, RJ45, GC27-25/GC21-19 .....	1
17B	1256720GT	PCBA, GCON O/R, PROP LIFT .....	1
		GS-3232	
18B	T106371GT	ENCLOSURE, GC27-25, BK .....	1
		(GS-3232)	
19	96008-SGT	KEYSWITCH, 3 POS. W/KEYS*** .....	1
19-	37947GT	KEYS, 10 PACK*** .....	
		(sold seperately)	
19-	83093GT	KEY SINGLE*** .....	
		(sold seperately)	
19-	85239GT	NUT, RETAINER (96008) .....	
		(sold seperately)	
19-	96009GT	WASHER, NITRILE .....	
		(sold seperately)	
19-	96010GT	SCREW, PHILLIPS, PHM, 8-32 X.25** .....	
		(sold seperately)	
20	96452GT	CIRCUIT BREAKER, 7.0 AMP*** .....	1





208.2 Ground Controls, GS-3232

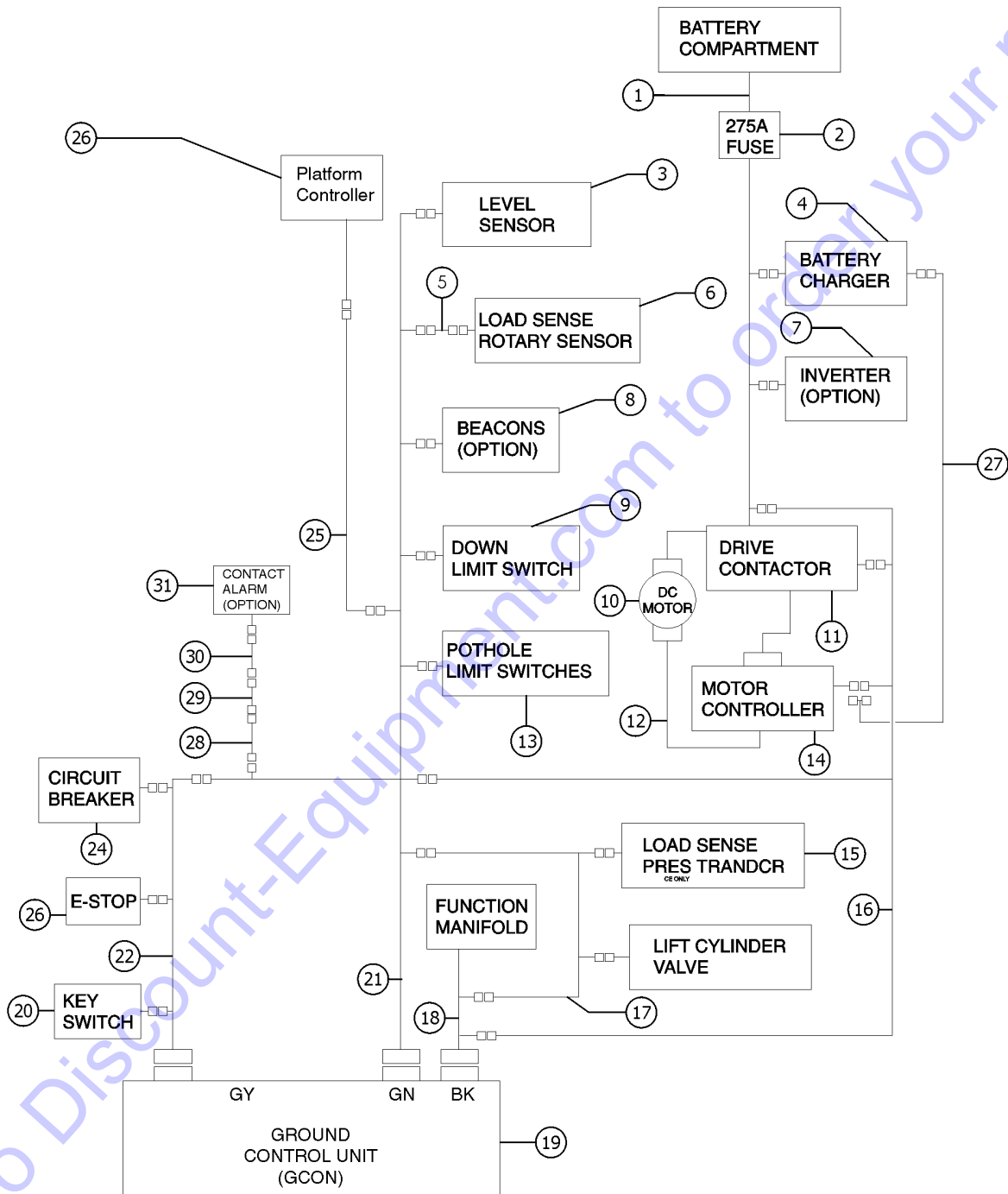


<i>Item</i>	<i>Part No.</i>	<i>Description</i>	<i>Qty.</i>
20-	122994GT	NICKEL PLATED JAM NUT .....	
20-	6700GT	WASHER,STAR,EXTERNAL,,375 .....	
21	66812GT	BUTTON,PUSH,RED MUSHROOM HEAD .....	1
21-	58627GT	NUT .....	
21-	66817GT	E-STOP NC CONTACT .....	
22	T108327GT	FORMING,CONTROL PANEL .....	1
23	51063GT	SCREW,PHILLIPS,RHM,10-32 X 1.5 .....	2

Go to Discount-Equipment.com to order your parts



209.1 Electrical Wiring, GS-2032 (SN including model year)

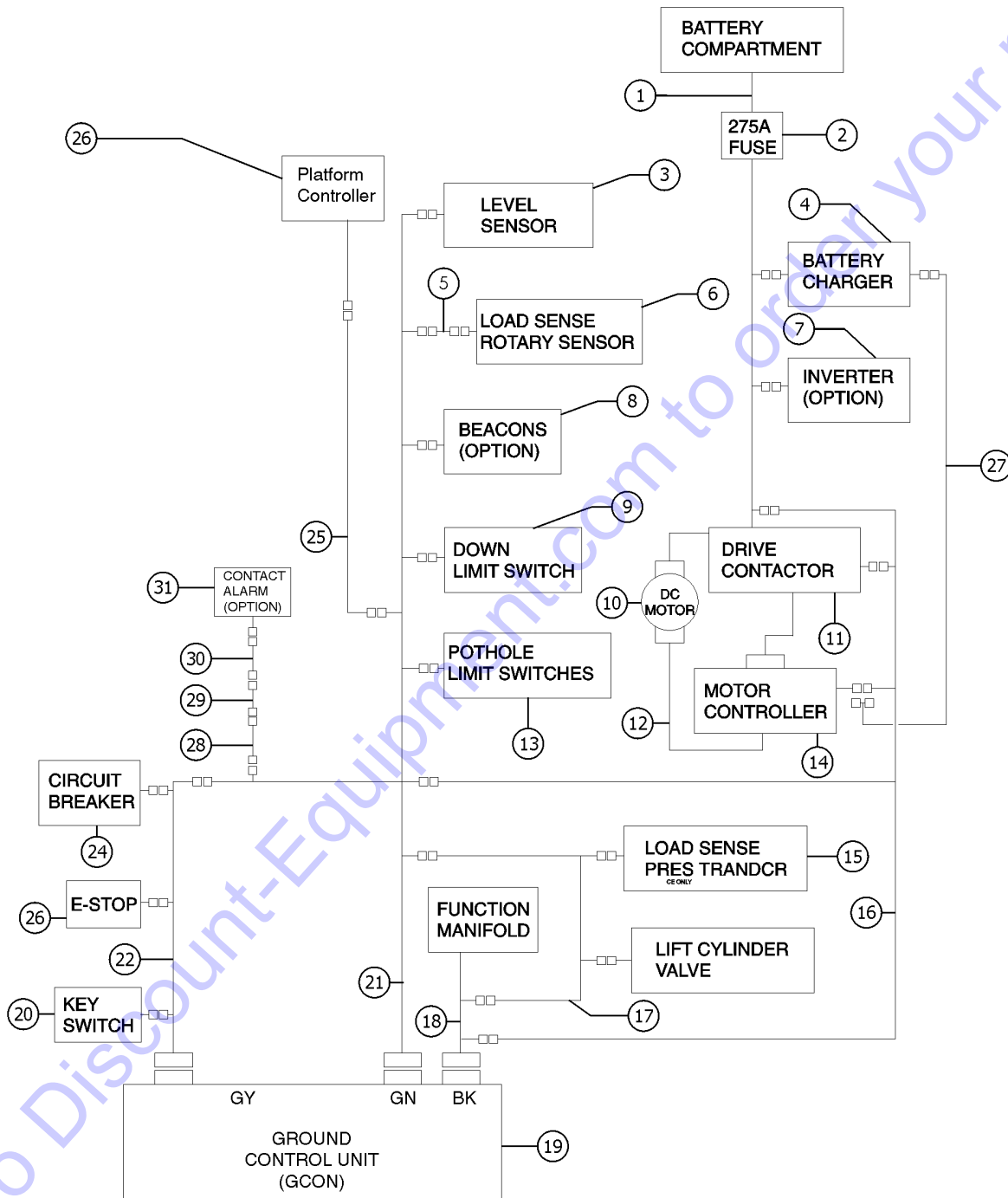


209.1 Electrical Wiring, GS-2032 (SN including model year)

Item	Part No.	Description	Qty.
A	105214GT	CABLE TIE MOUNT, WINGED ..... not shown	
A	56926GT	CLIP, TIE HARNESS MOUNT*** ..... not shown	
B	1264822GT	KIT, TRC RETROFIT, STNDRD ..... Telematics (includes 1264834)	
B-	1264834GT	INSTRN, TRC RETROFIT, STNDRD .....	
1		REF. BATTERY CABLE ..... refer to 211.1	
2		REF. FUSE ..... refer to 205.1	
3		REF. LEVEL SENSOR ..... refer to 203.1	
4		REF. CHARGER ..... refer to 206.1	
5	T114031GT	HARNESS, ROTARY ANGLE .....	1
6	T113136GT	ASSY, ROT SENSR W/ HARNESS .....	1
7		REF. INVERTER ..... refer to 604.1	
8		REF. STOBE, BEACON ..... refer to 601.1	
9		REF. DOWN LIMIT, GS ..... refer to 203.1	
10		REF. ELECTRIC MOTOR ..... refer to 504.1	
11	74267GT	CONTACTOR, DRIVE, 24V, 180A*** ..... to SN GS3216P-143899	1
11B	1270456GT	CONTACTOR, DRIVE, 24V, 180A ..... from SN GS3216P-143900	
12		REF. BATTERY CABLE ..... refer to 211.1	
13	96309GT	POTHOLE HARNESS ASSEMBLY .....	1
14		REF. MOTOR CONTROLLER ..... refer to 207.1	
15	1311101GT	PRESSURE TRANSDUCER, 0-5K, 1-5V .....	1
16	233431GT	HRNS, CONTACTOR SIGNL, GS30/32 .....	1
17	233053GT	CABLE, LFT CYL DN, 20/26XX, W/LS ..... (CE, Australia)	1
17B	233054GT	CABLE, LFT CYL DN, 20/26XX, WO/LS ..... (ANSI, CSA)	1
18	1257824GT	HARNESS, FUNCTION MANIFOLD, GS ..... (Black connector)	1
19		REF. GCON ..... refer to 208.1	
20		REF. KEYSWITCH ..... refer to 208.1	
21	1263221GT	HARNESS, GS SENSORS, ANSI ..... ANSI & CSA	
21B	1263220GT	HARNESS, GS SENSORS, CE ..... CE and AUS	



209.1 Electrical Wiring, GS-2032 (SN including model year)



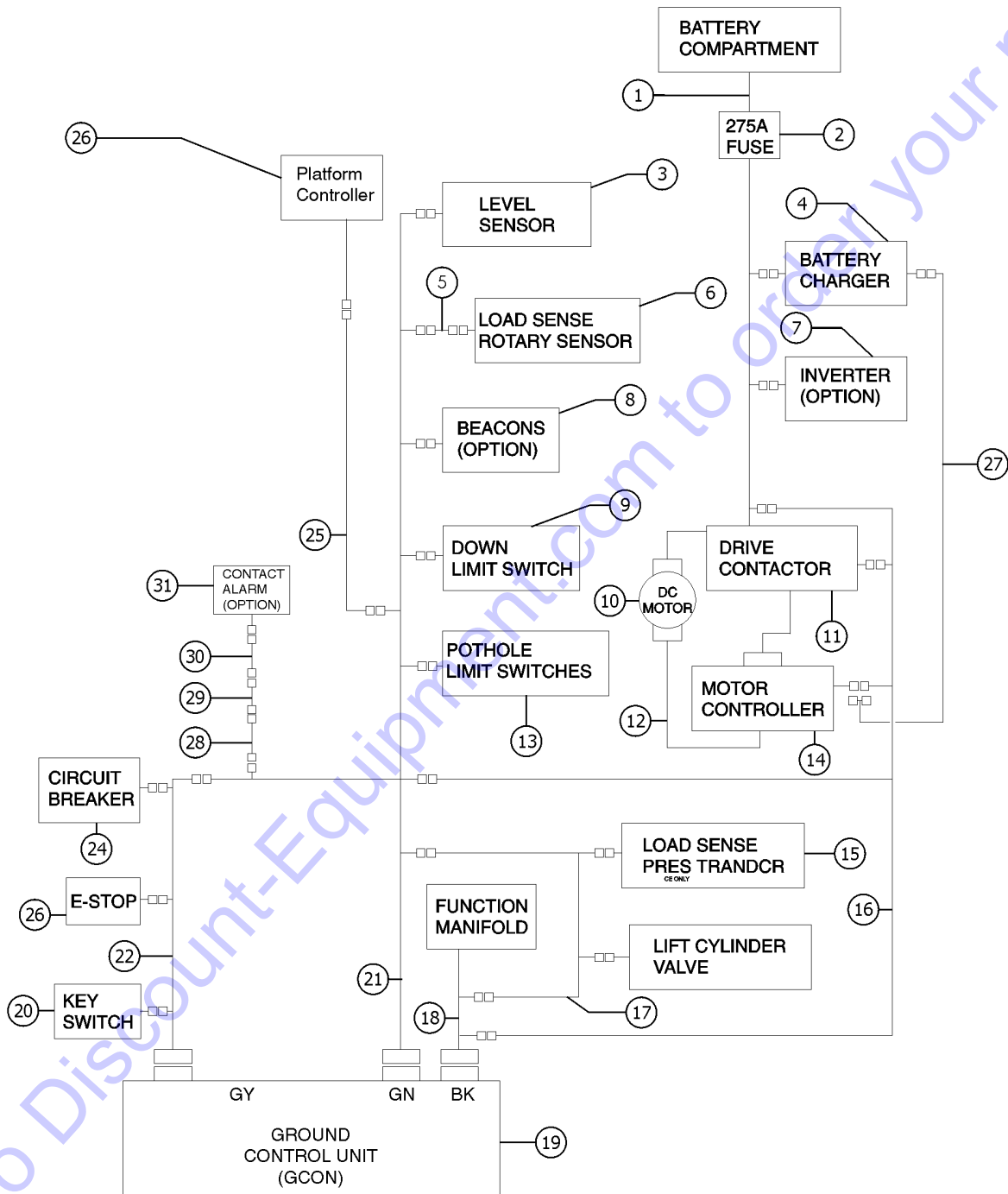
209.1 Electrical Wiring, GS-2032 (SN including model year)

Item	Part No.	Description	Qty.
22	1258394GT	HARNESS, GS POWER CONTROL ..... from SN 135000 (Grey connector)	
23		REF. E-STOP BUTTON ..... refer to 208.1	
24		REF. CIRCUIT BREAKER ..... refer to 208.1	
25	233050GT	CABLE, PLATFORM CONTROL, 20XX ..... GS-2032	1
25A-	231921GT	KIT,CONN,RECEPT W/PIN AND LOCK .....	
25A-	231922GT	KIT,CONN,PLUG W/SCKT AND LOCK .....	
25A-	218579GT	WIRE CABLE 18/5 - UNSHIELDED ..... GS-2032	324
26		REF. PCON ..... refer to 403.1	
27	144213GT	CHARGER INTERLOCK CBLE,GS30/32 .....	
28		CABLE CONTACT ALARM,CHASSIS TO PLAT,20XX ..... (from SN GS32P-165927) no longer available	1
29	1291052GT	HARNESS,CONTACT ALARM,GS32 PLATFORM ..... refer to 608.2 (from SN GS32P-165927)	1
30		CABLE CONTACT ALARM,45IN LINK ..... (from SN GS32P-165927) no longer available	1
31		Ref. LIFTGUARD CONTACT ALARM ASSEMBLY ..... refer to 607.2 and 608.2	2

Go to Discount-Equipment.com to order your parts



209.2 Electrical Wiring, GS-2032 (SN including alpha only)



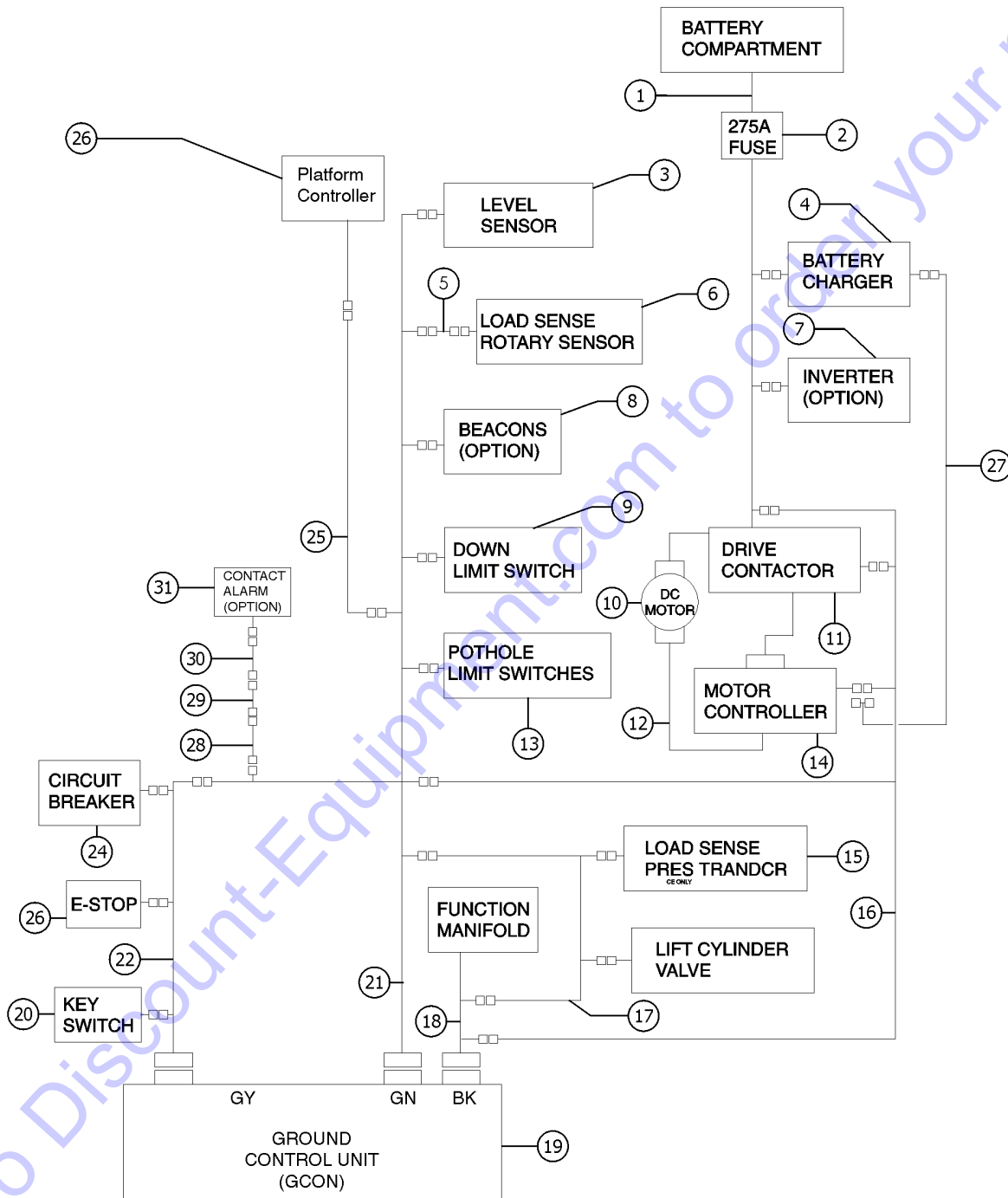
209.2 Electrical Wiring, GS-2032 (SN including alpha only)

Item	Part No.	Description	Qty.
A	105214GT	CABLE TIE MOUNT, WINGED not shown	
A	56926GT	CLIP, TIE HARNESS MOUNT*** not shown	
B	1264822GT	KIT, TRC RETROFIT, STNDRD Telematics (includes 1264834)	
B-	1264834GT	INSTRN, TRC RETROFIT, STNDRD	
1		REF. BATTERY CABLE refer to 211.1	
2		REF. FUSE refer to 205.1	
3		REF. LEVEL SENSOR refer to 203.1	
4		REF. CHARGER refer to 206.1	
5	T114031GT	HARNESS, ROTARY ANGLE	1
6	T113136GT	ASSY, ROT SENS R W/ HARNESS	1
7		REF. INVERTER refer to 604.1	
8		REF. STROBE, BEACON refer to 601.1	
9		REF. DOWN LIMIT, GS refer to 203.1	
10		REF. ELECTRIC MOTOR refer to 504.1	
11	1270456GT	CONTACTOR, DRIVE, 24V, 180A from SN GS3216P-143900	
12		REF. BATTERY CABLE refer to 211.1	
13	96309GT	POTHOLE HARNESS ASSEMBLY	1
14		REF. MOTOR CONTROLLER refer to 207.1	
15	1311101GT	PRESSURE TRANSDUCER, 0-5K, 1-5V	1
16	233431GT	HRNS, CONTACTOR SIGNL, GS30/32	1
17	233053GT	CABLE, LFT CYL DN, 20/26XX, W/LS (CE, Australia)	1
17B	233054GT	CABLE, LFT CYL DN, 20/26XX, WO/LS (ANSI, CSA)	1
18	1257824GT	HARNESS, FUNCTION MANIFOLD, GS (Black connector)	1
19		REF. GCON refer to 208.1	
20		REF. KEYSWITCH refer to 208.1	
21	1263221GT	HARNESS, GS SENSORS, ANSI ANSI & CSA	
21B	1263220GT	HARNESS, GS SENSORS, CE CE and AUS	
22	1258394GT	HARNESS, GS POWER CONTROL from SN 135000 (Grey connector)	





209.2 Electrical Wiring, GS-2032 (SN including alpha only)



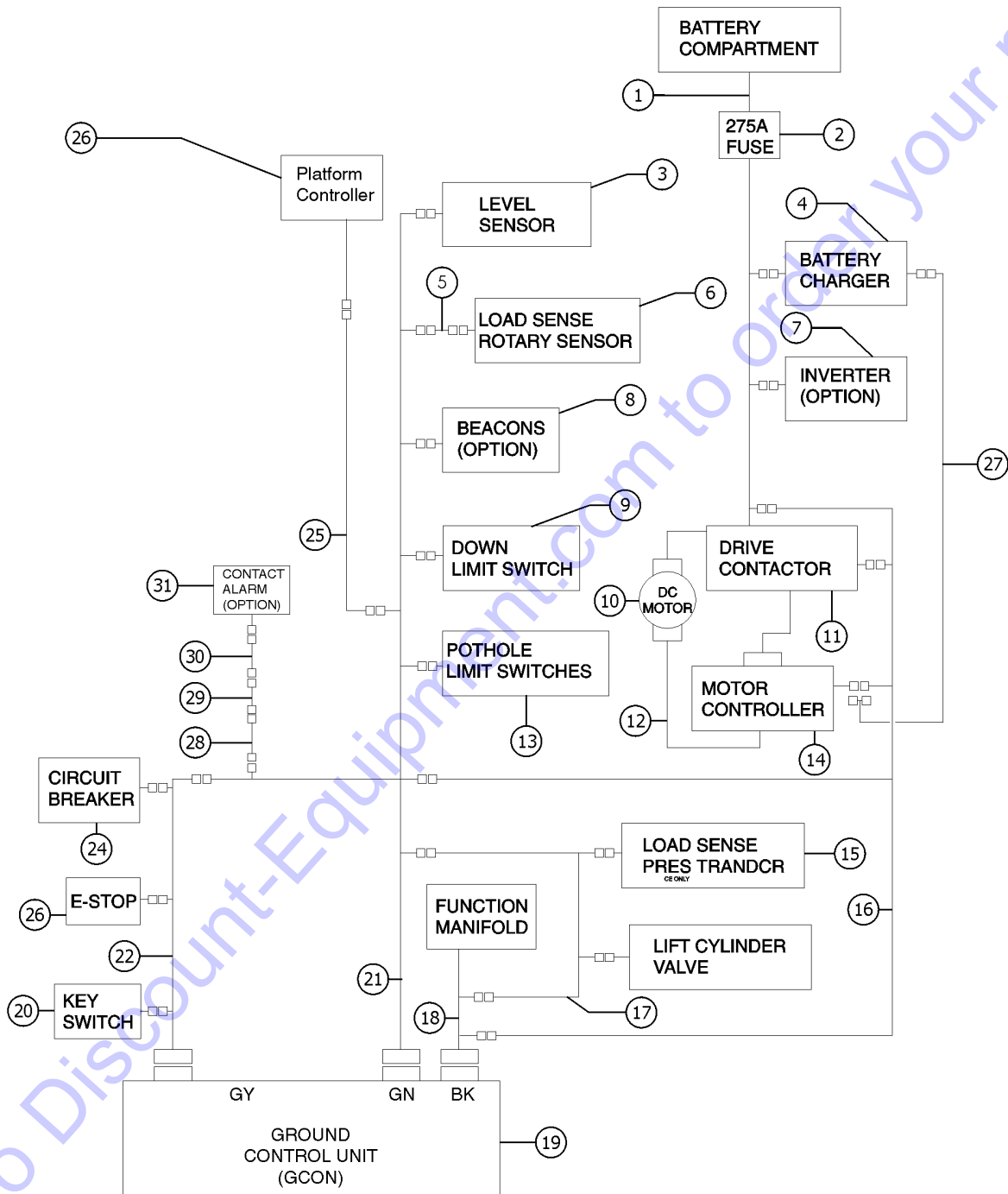
209.2 Electrical Wiring, GS-2032 (SN including alpha only)

Item	Part No.	Description	Qty.
23		REF. E-STOP BUTTON ..... refer to 208.1	
24		REF. CIRCUIT BREAKER ..... refer to 208.1	
25	233050GT	CABLE, PLATFORM CONTROL, 20XX ..... GS-2032	1
25A-	231921GT	KIT,CONN,RECEPT W/PIN AND LOCK .....	
25A-	231922GT	KIT,CONN,PLUG W/SCKT AND LOCK .....	
25A-	218579GT	WIRE CABLE 18/5 - UNSHIELDED ..... GS-2032	324
26		REF. PCON ..... refer to 403.1	
27	144213GT	CHARGER INTERLOCK CBLE,GS30/32 .....	
28		CABLE, CONTACT ALARM, CHASSIS TO PLAT, 20XX ..... (from SN GS32P-165927) no longer available	1
29	1291052GT	HARNESS, CONTACT ALARM, GS32 PLATFORM ..... refer to 608.2 (from SN GS32P-165927)	1
30		CABLE, CONTACT ALARM, 45IN LINK ..... (from SN GS32P-165927) no longer available	1
31		Ref. LIFTGUARD CONTACT ALARM ASSEMBLY ..... refer to 607.2 and 608.2	2

Go to Discount-Equipment.com to order your parts



209.3 Electrical Wiring, GS-2632 (SN including model year)

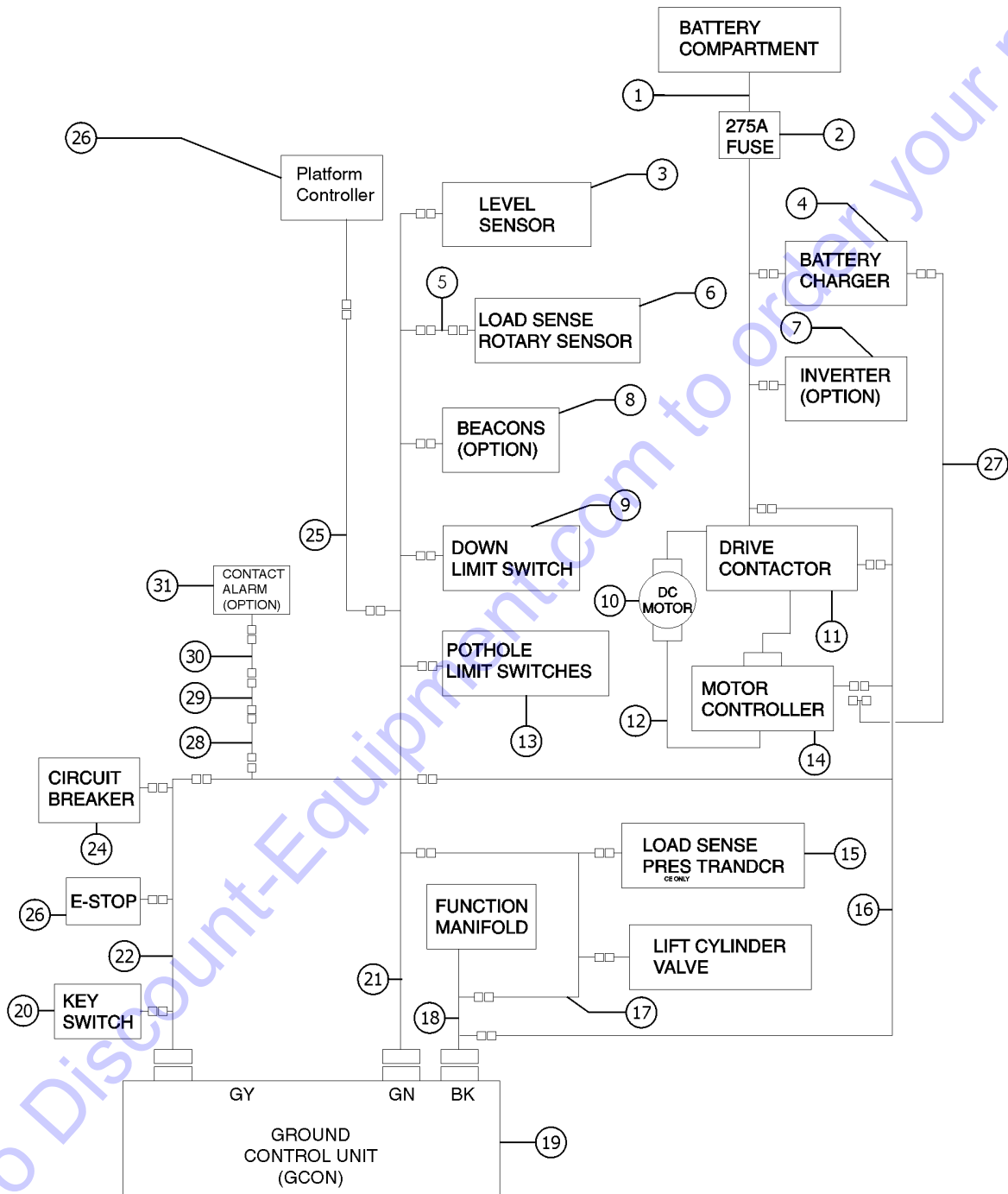


209.3 Electrical Wiring, GS-2632 (SN including model year)

Item	Part No.	Description	Qty.
A	105214GT	CABLE TIE MOUNT, WINGED ..... not shown	
A	56926GT	CLIP, TIE HARNESS MOUNT*** ..... not shown	
B	1264822GT	KIT, TRC RETROFIT, STNDRD ..... Telematics (includes 1264834)	
B-	1264834GT	INSTRN, TRC RETROFIT, STNDRD .....	
1		REF. BATTERY CABLE ..... refer to 211.1	
2		REF. FUSE ..... refer to 205.1	
3		REF. LEVEL SENSOR ..... refer to 203.1	
4		REF. CHARGER ..... refer to 206.1	
5	T114031GT	HARNESS, ROTARY ANGLE .....	1
6	T113136GT	ASSY, ROT SENSR W/ HARNESS .....	1
7		REF. INVERTER ..... refer to 604.1	
8		REF. STOBE, BEACON ..... refer to 601.1	
9		REF. DOWN LIMIT, GS ..... refer to 203.1	
10		REF. ELECTRIC MOTOR ..... refer to 504.1	
11	74267GT	CONTACTOR, DRIVE, 24V, 180A*** ..... to SN GS3216P-143899	1
11B	1270456GT	CONTACTOR, DRIVE, 24V, 180A ..... from SN GS3216P-143900	
12		REF. BATTERY CABLE ..... refer to 211.1	
13	96309GT	POTHOLE HARNESS ASSEMBLY .....	1
14		REF. MOTOR CONTROLLER ..... refer to 207.1	
15	1311101GT	PRESSURE TRANSDUCER, 0-5K, 1-5V .....	1
16	233431GT	HRNS, CONTACTOR SIGNL, GS30/32 .....	1
17	233053GT	CABLE, LFT CYL DN, 20/26XX, W/LS ..... (CE, Australia)	1
17B	233054GT	CABLE, LFT CYL DN, 20/26XX, WO/LS ..... (ANSI, CSA)	1
18	1257824GT	HARNESS, FUNCTION MANIFOLD, GS ..... (Black connector)	1
19		REF. GCON ..... refer to 208.1	
20		REF. KEYSWITCH ..... refer to 208.1	
21	1263221GT	HARNESS, GS SENSORS, ANSI ..... ANSI & CSA	
21B	1263220GT	HARNESS, GS SENSORS, CE ..... CE and AUS	



209.3 Electrical Wiring, GS-2632 (SN including model year)



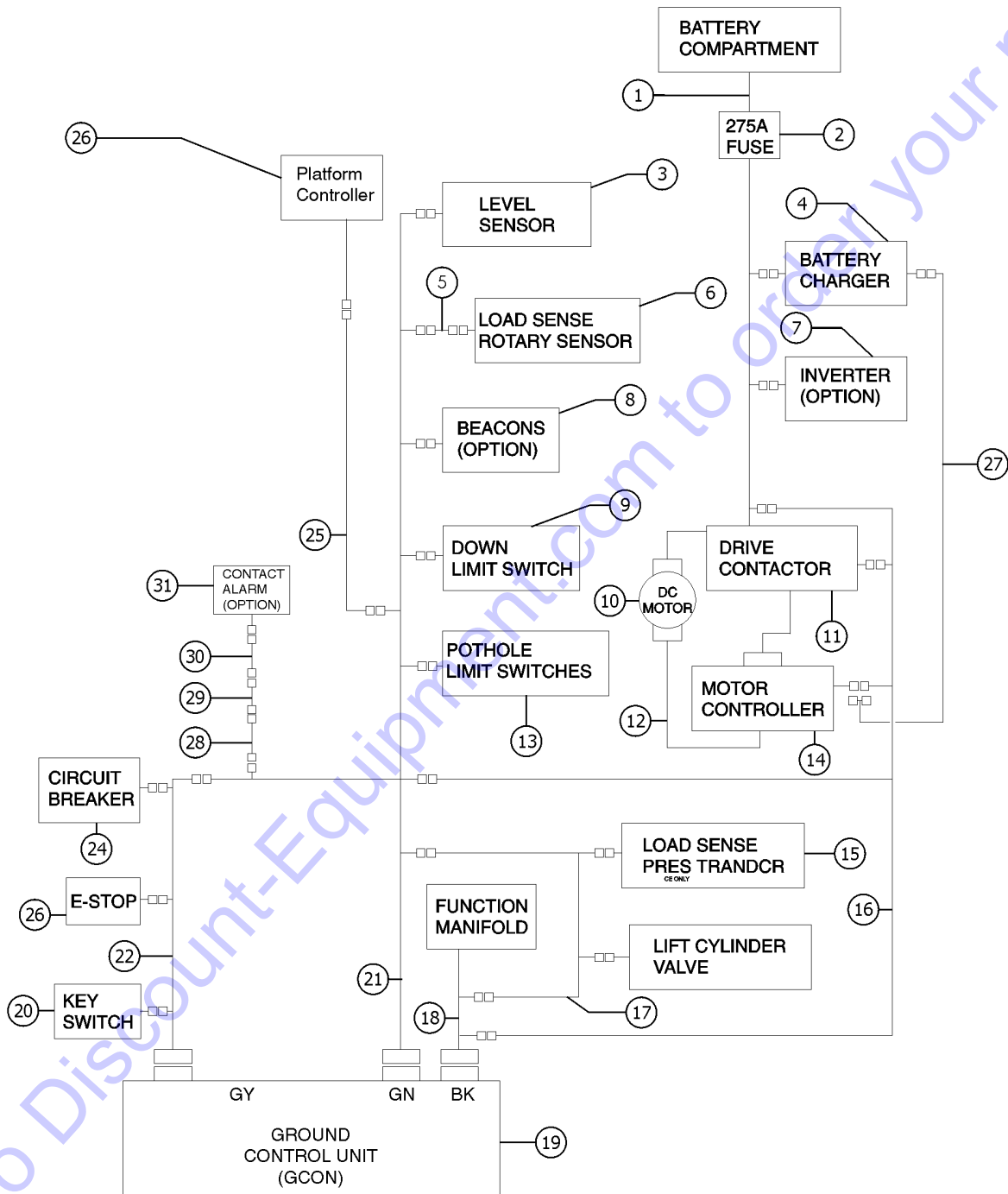
209.3 Electrical Wiring, GS-2632 (SN including model year)

Item	Part No.	Description	Qty.
22	1258394GT	HARNESS, GS POWER CONTROL ..... from SN 135000 (Grey connector)	
23		REF. E-STOP BUTTON ..... refer to 208.1	
24		REF. CIRCUIT BREAKER ..... refer to 208.1	
25	233051GT	CABLE, PLATFORM CONTROL, 26XX ..... GS-2632	1
25B-	231921GT	KIT, CONN, RECEPT W/PIN AND LOCK ..... GS-2632	
25B-	231922GT	KIT, CONN, PLUG W/SCKT AND LOCK ..... GS-2632	
25B-	218579GT	WIRE CABLE 18/5 - UNSHIELDED ..... GS-2632	440
26		REF. PCON ..... refer to 403.1	
27	144213GT	CHARGER INTERLOCK CBLE, GS30/32 .....	
28		CABLE, CONTACT ALARM, CHASSIS TO PLAT, 26XX ..... (from SN GS32P-165927) no longer available	1
29	1291052GT	HARNESS, CONTACT ALARM, GS32 PLATFORM ..... refer to 608.2 (from SN GS32P-165927)	1
30		CABLE CONTACT ALARM, 45IN LINK ..... (from SN GS32P-165927) no longer available	1
31		Ref. LIFTGUARD CONTACT ALARM ASSEMBLY ..... refer to 607.2 and 608.2	2

Go to Discount-Equipment.com to order your parts



209.4 Electrical Wiring, GS-2632 (SN including alpha only)



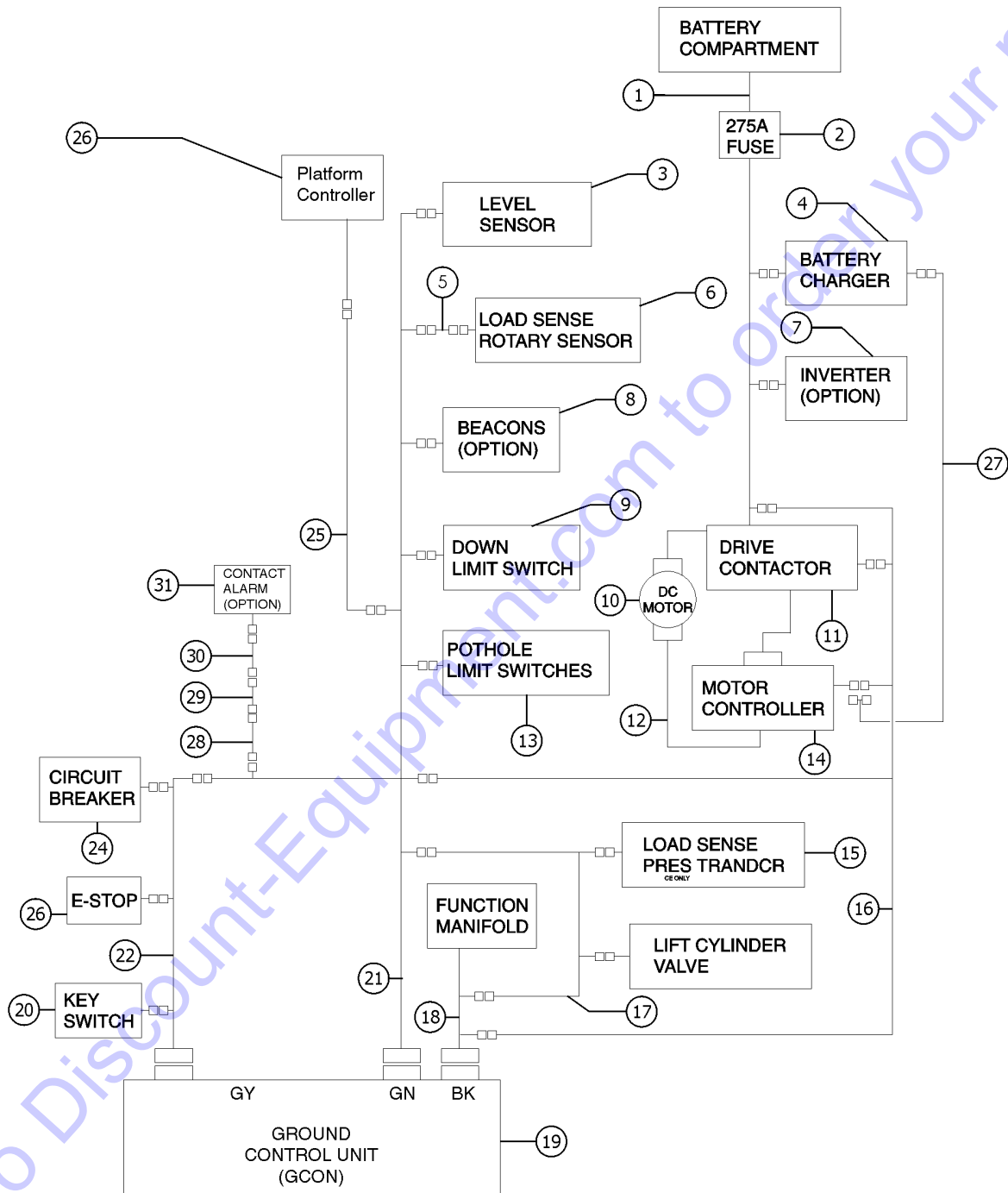
209.4 Electrical Wiring, GS-2632 (SN including alpha only)

Item	Part No.	Description	Qty.
A	105214GT	CABLE TIE MOUNT, WINGED not shown	
A	56926GT	CLIP, TIE HARNESS MOUNT*** not shown	
B	1264822GT	KIT, TRC RETROFIT, STNDRD Telematics (includes 1264834)	
B-	1264834GT	INSTRN, TRC RETROFIT, STNDRD	
1		REF. BATTERY CABLE refer to 211.1	
2		REF. FUSE refer to 205.1	
3		REF. LEVEL SENSOR refer to 203.1	
4		REF. CHARGER refer to 206.1	
5	T114031GT	HARNESS, ROTARY ANGLE	1
6	T113136GT	ASSY, ROT SENSR W/ HARNESS	1
7		REF. INVERTER refer to 604.1	
8		REF. STOBE, BEACON refer to 601.1	
9		REF. DOWN LIMIT, GS refer to 203.1	
10		REF. ELECTRIC MOTOR refer to 504.1	
11	1270456GT	CONTACTOR, DRIVE, 24V, 180A from SN GS3216P-143900	
12		REF. BATTERY CABLE refer to 211.1	
13	96309GT	POTHOLE HARNESS ASSEMBLY	1
14		REF. MOTOR CONTROLLER refer to 207.1	
15	1311101GT	PRESSURE TRANSDUCER, 0-5K, 1-5V	1
16	233431GT	HRNS, CONTACTOR SIGNL, GS30/32	1
17	233053GT	CABLE, LFT CYL DN, 20/26XX, W/LS (CE, Australia)	1
17B	233054GT	CABLE, LFT CYL DN, 20/26XX, WO/LS (ANSI, CSA)	1
18	1257824GT	HARNESS, FUNCTION MANIFOLD, GS (Black connector)	1
19		REF. GCON refer to 208.1	
20		REF. KEYSWITCH refer to 208.1	
21	1263221GT	HARNESS, GS SENSORS, ANSI ANSI & CSA	
21B	1263220GT	HARNESS, GS SENSORS, CE CE and AUS	
22	1258394GT	HARNESS, GS POWER CONTROL from SN 135000 (Grey connector)	





209.4 Electrical Wiring, GS-2632 (SN including alpha only)



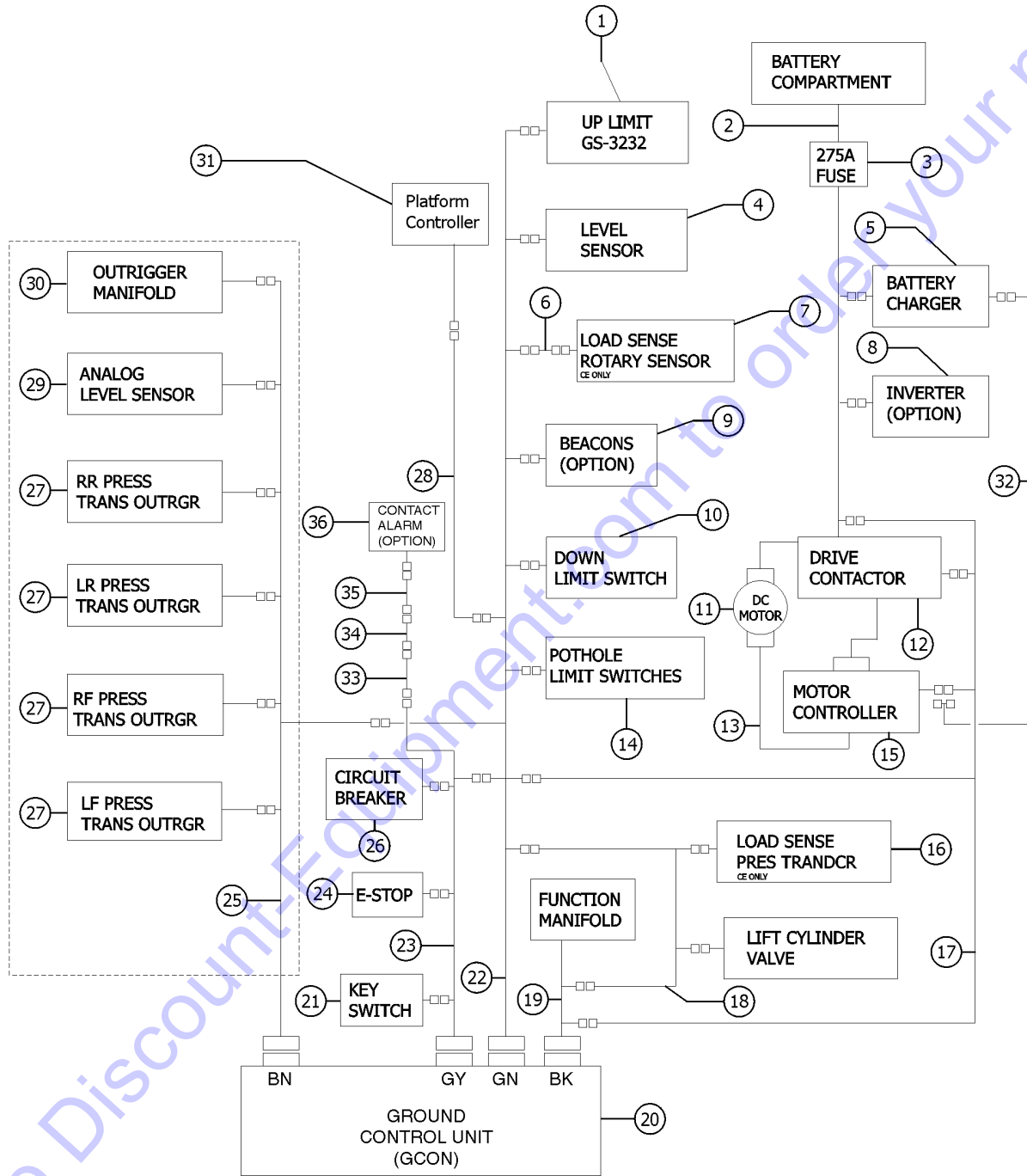
209.4 Electrical Wiring, GS-2632 (SN including alpha only)

Item	Part No.	Description	Qty.
23		REF. E-STOP BUTTON ..... refer to 208.1	
24		REF. CIRCUIT BREAKER ..... refer to 208.1	
25	233051GT	CABLE, PLATFORM CONTROL, 26XX ..... GS-2632	1
25B-	231921GT	KIT,CONN,RECEPT W/PIN AND LOCK ..... GS-2632	
25B-	231922GT	KIT,CONN,PLUG W/SCKT AND LOCK ..... GS-2632	
25B-	218579GT	WIRE CABLE 18/5 - UNSHIELDED ..... GS-2632	440
26		REF. PCON ..... refer to 403.1	
27	144213GT	CHARGER INTERLOCK CBLE,GS30/32 .....	
28		CABLE,CONTACT ALARM,CHASSIS TO PLAT,26XX ..... (from SN GS32P-165927) no longer available	1
29	1291052GT	HARNESS,CONTACT ALARM,GS32 PLATFORM ..... refer to 608.2 (from SN GS32P-165927)	1
30		CABLE,CONTACT ALARM,45IN LINK ..... (from SN GS32P-165927) no longer available	1
31		Ref. LIFTGUARD CONTACT ALARM ASSEMBLY ..... refer to 607.2 and 608.2	2

Go to Discount-Equipment.com to order your parts



210.1 Electrical Wiring, GS-3232 (SN including model year)

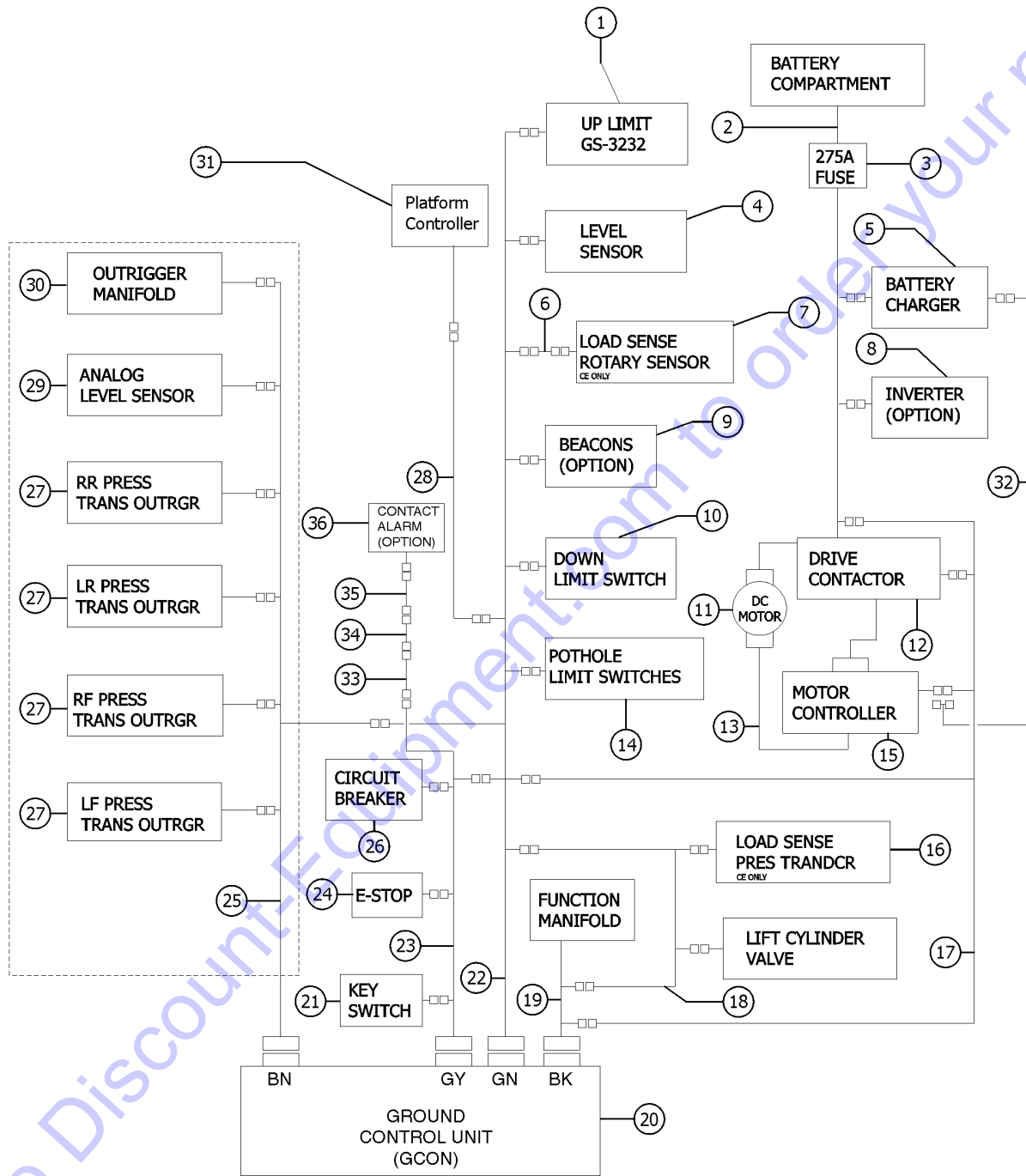


210.1 Electrical Wiring, GS-3232 (SN including model year)

Item	Part No.	Description	Qty.
B	1264822GT	KIT, TRC RETROFIT, STNDRD Telematics (includes 1264834)	
B-	1264834GT	INSTRN, TRC RETROFIT, STNDRD	
1	105664GT	ASSY,22 FT LIMIT SWITCH,GS3232	
2		REF. BATTERY CABLE refer to 211.1	
3		REF. FUSE refer to 205.1	
4		REF. LEVEL SENSOR refer to 203.1	
5		REF. CHARGER refer to 206.1	
6	T114031GT	HARNESS, ROTARY ANGLE	1
7	T113136GT	ASSY,ROT SENSR W/ HARNESS	1
8		REF. INVERTER refer to 604.1	
9		REF. STOBE,BEACON refer to 601.1	
10		REF. DOWN LIMIT, GS refer to 203.1	
11		REF. ELECTRIC MOTOR refer to 504.1	
12A	74267GT	CONTACTOR,DRIVE,24V,180A*** to SN GS3216P-143899	1
12B	1270456GT	CONTACTOR,DRIVE,24V,180A from SN GS3216P-143900	
13		REF. BATTERY CABLE refer to 211.1	
14	96309GT	POTHOLE HARNESS ASSEMBLY	1
15		REF. MOTOR CONTROLLER refer to 207.1	
16		REF. PRESSURE TRANSDUCER HARNESS refer to 701.1	1
17	233431GT	HRNS,CONTACTOR SIGNL,GS30/32	1
18A	233055GT	CABLE,LIFT CYL DWN, 32XX,W/LS (Australia, CE)	1
18B	234168GT	CABLE,LIFT CYL DWN, 32XX,WO/LS (ANSI, CSA)	1
19	1257824GT	HARNESS,FUNCTION MANIFOLD,GS replaced T110889GT (Black connector)	1
20		REF. GCON refer to 208.1	
21		REF. KEYSWITCH refer to 208.1	
22A	1263532GT	HARNESS, GS SENSORS, ANSI, 323 (for use with 823368, to SN GS32P-158568) ANSI & CSA	
22B	1263533GT	HARNESS, GS SENSORS, CE, 3232 (for use with 823368, to SN GS32P-158568) CE & AUS	
22C	1284194GT	HARNESS, GS3232, SENSORS, ANSI (for use with 228406, from SN GS32P-158569) ANSI & CSA	



210.1 Electrical Wiring, GS-3232 (SN including model year)



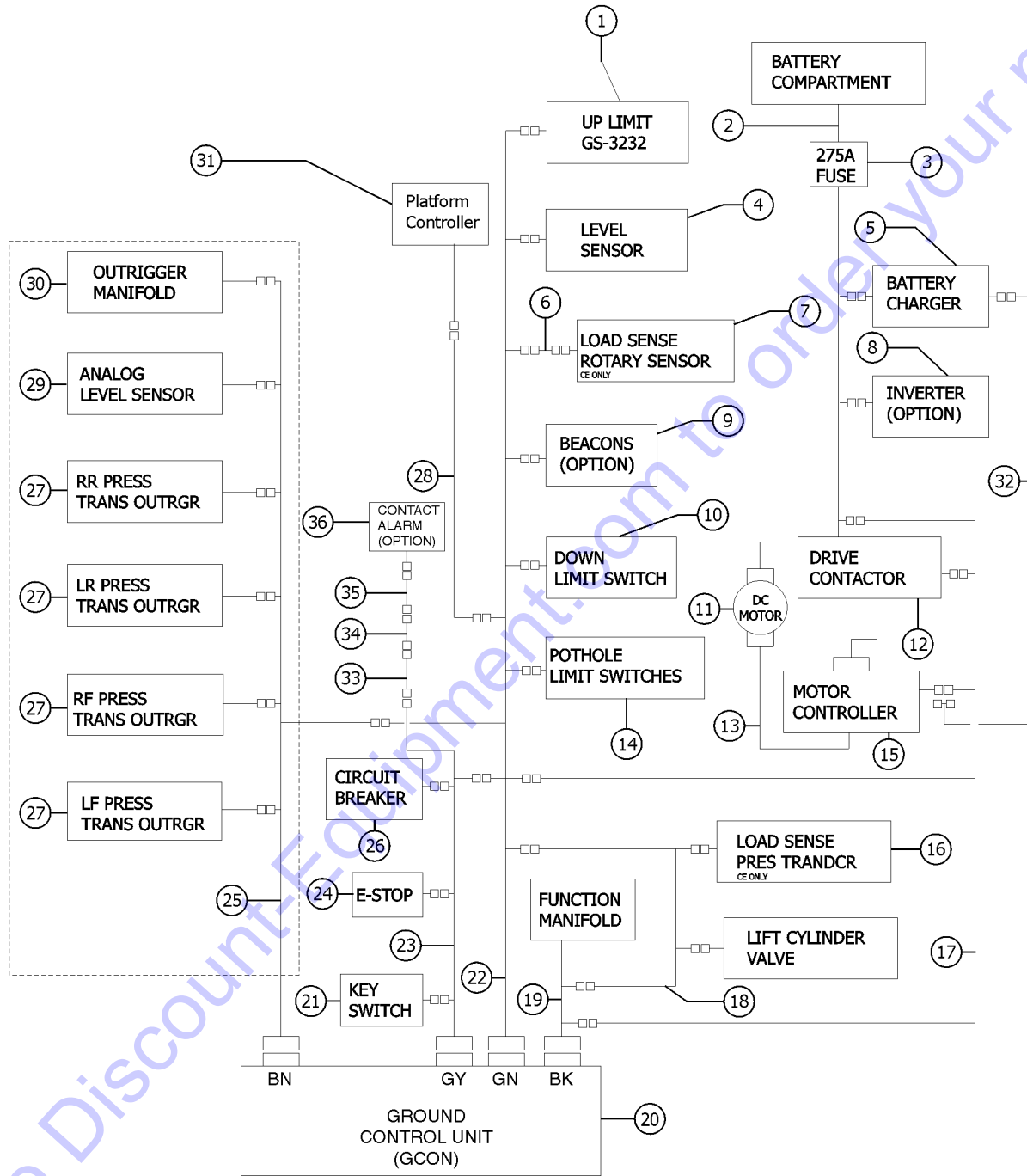
Go to DiscountEquipment.com to order your parts

210.1 Electrical Wiring, GS-3232 (SN including model year)

Item	Part No.	Description	Qty.
22D	1284193GT	HARNESS, GS3232, SENSORS, CE (for use with 228406, from SN GS32P-158569) CE & AUS	
23	T110890GT	HARNESS, GS POWER CONTRL (Grey connector)	1
24		REF. E-STOP BUTTON refer to 208.1	
25A	229670GT	HARNESS, OUTRIGGER, GS3232 (for use with 823368, to SN GS32P-158568)	1
25B	1284195GT	HARNESS, GS3232, OUTRIGGER (for use with 228406, from SN GS32P-158569)	
26		REF. CIRCUIT BREAKER refer to 208.1	
27	1311101GT	PRESSURE TRANSDUCER,0-5K,1-5V outriggers	1
28	233052GT	CABLE, PLATFORM CONTROL, 32XX	1
28-	231921GT	KIT,CONN,RECEPT W/PIN AND LOCK	
28-	231922GT	KIT,CONN,PLUG W/SCKT AND LOCK	
28-	218579GT	WIRE CABLE 18/5 - UNSHIELDED	518
29	105708GT	LEVEL SENSOR, ANALOG	1
30		REF. OUTRIGGER MANIFOLD refer to 214.1	
31		REF. PCON refer to 403.1	
32	144213GT	CHARGER INTERLOCK CBLE,GS30/32	
33		CABLE,CONTACT ALARM,CHASSIS TO PLAT,32XX (from SN GS32P-165927) no longer available	1
34	1291052GT	HARNESS,CONTACT ALARM,GS32 PLATFORM refer to 608.2 (from SN GS32P-165927)	1
35		CABLE,CONTACT ALARM,45IN LINK (from SN GS32P-165927) no longer available	1
36		Ref. LIFTGUARD CONTACT ALARM ASSEMBLY refer to 607.2 and 608.2	2



210.2 Electrical Wiring, GS-3232 (SN including alpha only)



Go to DiscountEquipment.com to order your parts

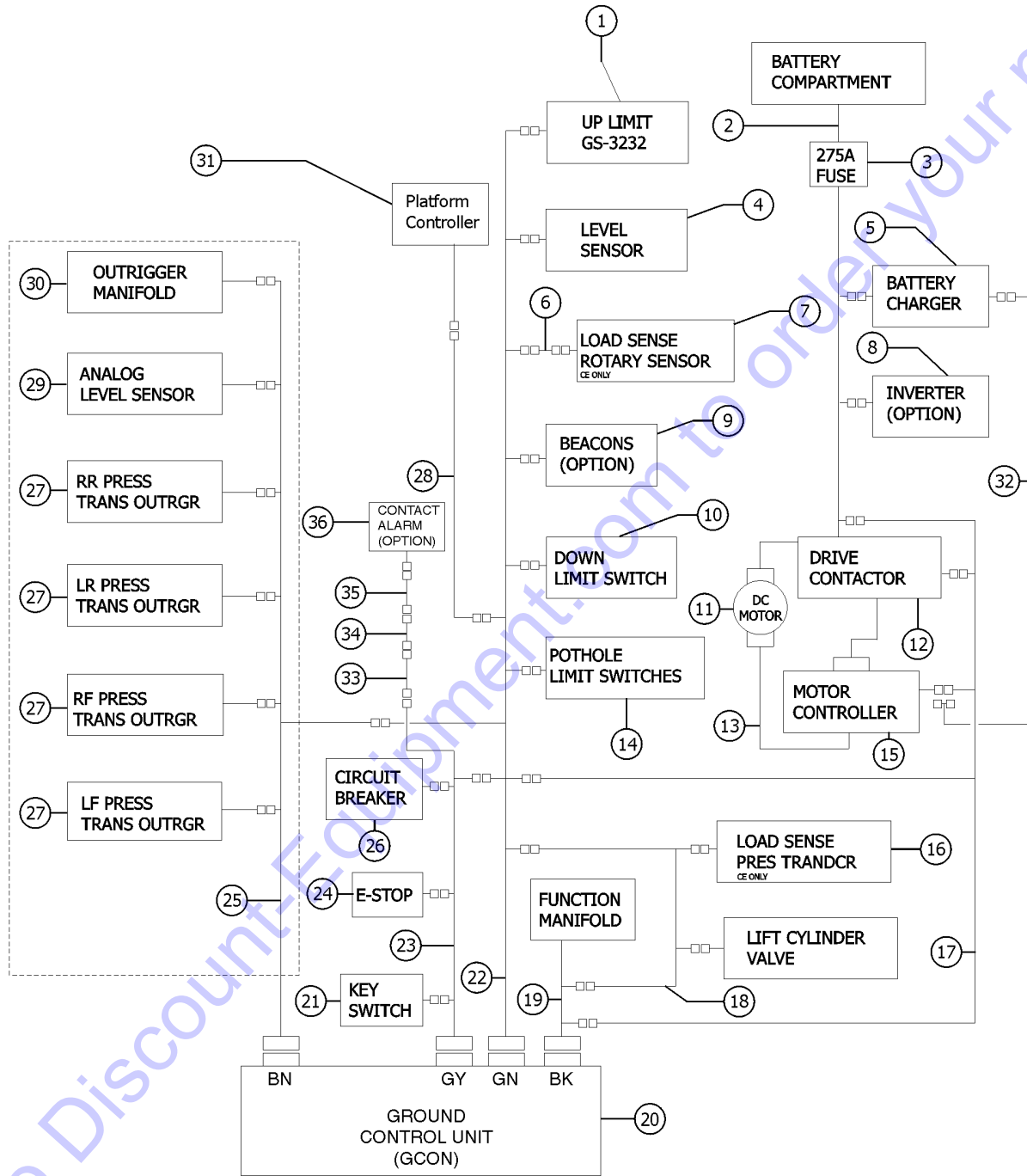
210.2 Electrical Wiring, GS-3232 (SN including alpha only)

Item	Part No.	Description	Qty.
B	1264822GT	KIT, TRC RETROFIT, STNDRD Telematics (includes 1264834)	
B-	1264834GT	INSTRN, TRC RETROFIT, STNDRD	
1	105664GT	ASSY,22 FT LIMIT SWITCH,GS3232	
2		REF. BATTERY CABLE refer to 211.1	
3		REF. FUSE refer to 205.1	
4		REF. LEVEL SENSOR refer to 203.1	
5		REF. CHARGER refer to 206.1	
6	T114031GT	HARNESS, ROTARY ANGLE	1
7	T113136GT	ASSY,ROT SENSR W/ HARNESS	1
8		REF. INVERTER refer to 604.1	
9		REF. STOBE,BEACON refer to 601.1	
10		REF. DOWN LIMIT, GS refer to 203.1	
11		REF. ELECTRIC MOTOR refer to 504.1	
12B	1270456GT	CONTACTOR,DRIVE,24V,180A from SN GS3216P-143900	
13		REF. BATTERY CABLE refer to 211.1	
14	96309GT	POTHOLE HARNESS ASSEMBLY	1
15		REF. MOTOR CONTROLLER refer to 207.1	
16		REF. PRESSURE TRANSDUCER HARNESS refer to 701.1	1
17	233431GT	HRNS,CONTACTOR SIGNL,GS30/32	1
18A	233055GT	CABLE,LIFT CYL DWN, 32XX,W/LS (Australia, CE)	1
18B	234168GT	CABLE,LIFT CYL DWN, 32XX,WO/LS (ANSI, CSA)	1
19	1257824GT	HARNESS,FUNCTION MANIFOLD,GS replaced T110889GT (Black connector)	1
20		REF. GCON refer to 208.1	
21		REF. KEYSWITCH refer to 208.1	
22A	1263532GT	HARNESS, GS SENSORS, ANSI, 323 (for use with 823368, to SN GS32P-158568) ANSI & CSA	
22B	1263533GT	HARNESS, GS SENSORS, CE, 3232 (for use with 823368, to SN GS32P-158568) CE & AUS	
22C	1284194GT	HARNESS, GS3232, SENSORS, ANSI (for use with 228406, from SN GS32P-158569) ANSI & CSA	
22D	1284193GT	HARNESS, GS3232, SENSORS, CE (for use with 228406, from SN GS32P-158569) CE & AUS	





210.2 Electrical Wiring, GS-3232 (SN including alpha only)

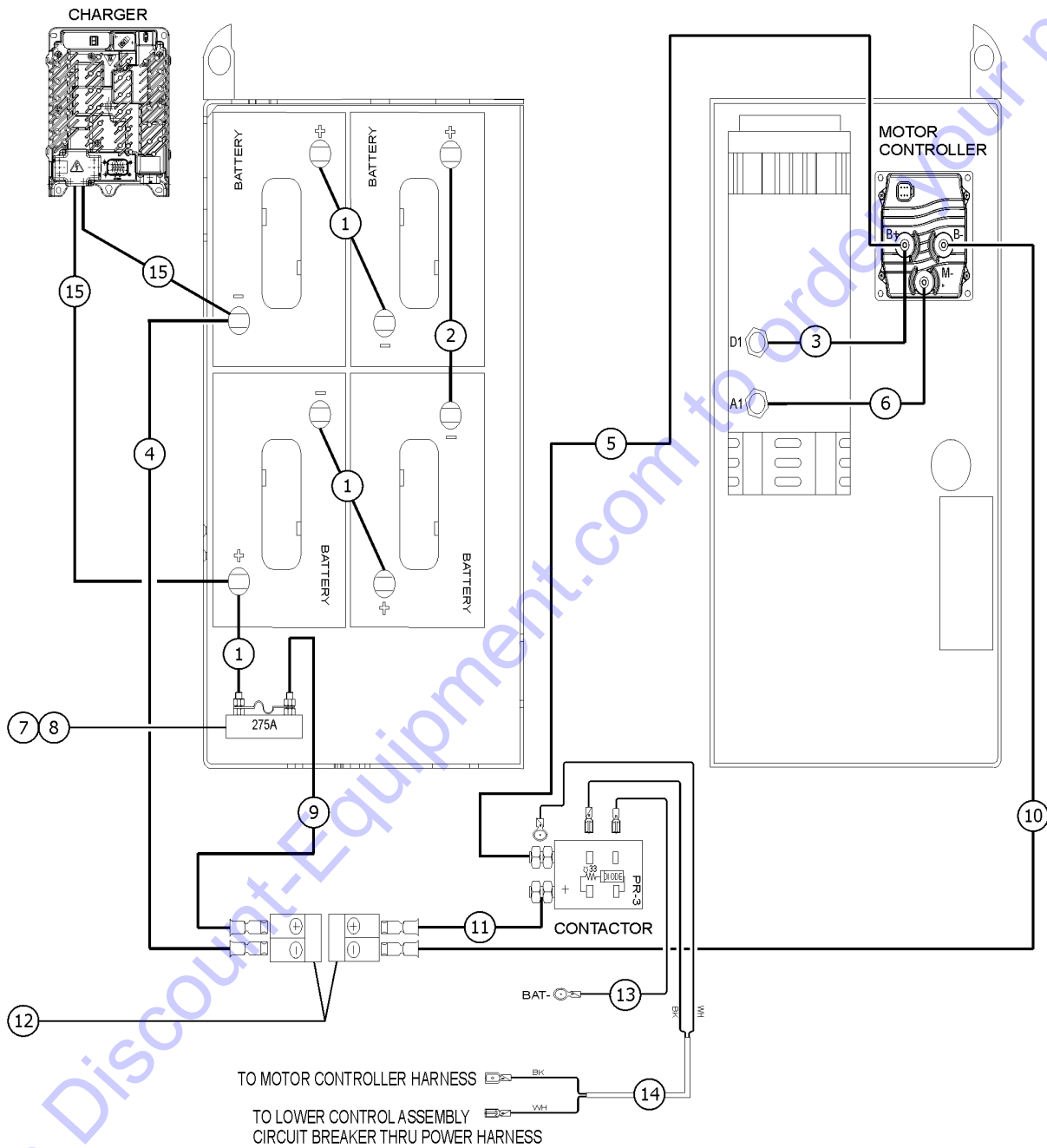


210.2 Electrical Wiring, GS-3232 (SN including alpha only)

Item	Part No.	Description	Qty.
23	T110890GT	HARNESS, GS POWER CONTRL ..... (Grey connector)	1
24		REF. E-STOP BUTTON ..... refer to 208.1	
25A	229670GT	HARNESS, OUTRIGGER, GS3232 ..... (for use with 823368, to SN GS32P-158568)	1
25B	1284195GT	HARNESS, GS3232, OUTRIGGER ..... (for use with 228406, from SN GS32P-158569)	
26		REF. CIRCUIT BREAKER ..... refer to 208.1	
27	1311101GT	PRESSURE TRANSDUCER,0-5K,1-5V ..... outriggers	1
28	233052GT	CABLE, PLATFORM CONTROL, 32XX ..... .....	1
28-	231921GT	KIT,CONN,RECEPT W/PIN AND LOCK ..... .....	
28-	231922GT	KIT,CONN,PLUG W/SCKT AND LOCK ..... .....	
28-	218579GT	WIRE CABLE 18/5 - UNSHIELDED ..... .....	518
29	105708GT	LEVEL SENSOR, ANALOG ..... (for use with 228406)	1
30		REF. OUTRIGGER MANIFOLD ..... refer to 214.1	
31		REF. PCON ..... refer to 403.1	
32	144213GT	CHARGER INTERLOCK CBLE,GS30/32 ..... .....	
33		CABLE,CONTACT ALARM,CHASSIS TO PLAT,32XX ..... (from SN GS32P-165927) no longer available	1
34	1291052GT	HARNESS,CONTACT ALARM,GS32 PLATFORM ..... refer to 608.2 (from SN GS32P-165927)	1
35		CABLE,CONTACT ALARM,45IN LINK ..... (from SN GS32P-165927) no longer available	1
36		Ref. LIFTGUARD CONTACT ALARM ASSEMBLY ..... refer to 607.2 and 608.2	2



211.1 Power Cables (SN including model year)

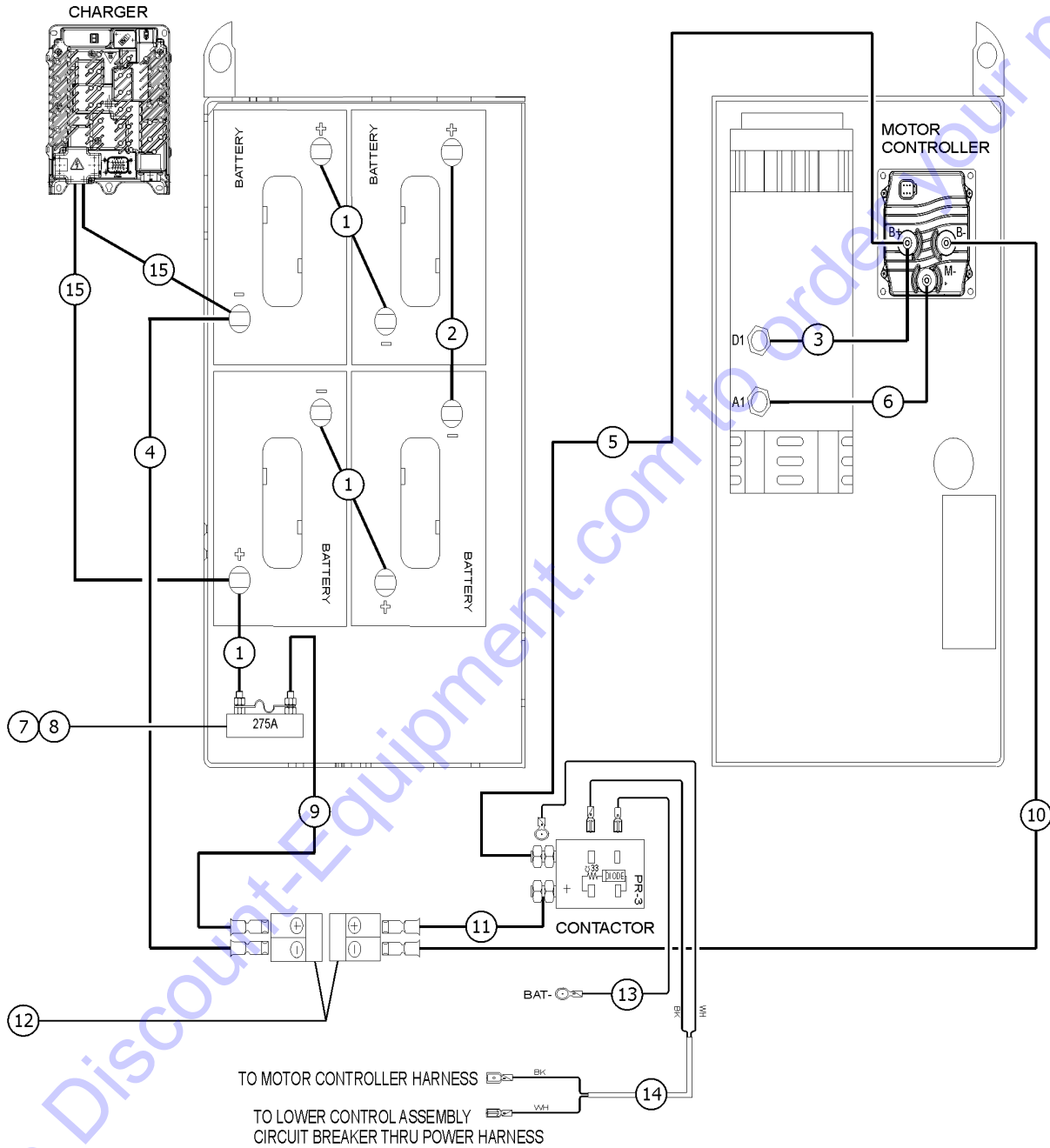


211.1 Power Cables (SN including model year)

Item	Part No.	Description	Qty.
A	28131GT	WIRE LOOM,1.25 DIA .....	16
B	96110GT	BOOT, CABLE, TERMINAL COVER .....	14
C	79140GT	BOOT,CABLE TERMINAL,RED,XL .....	2
1	96304GT	CABLE ASSY,BATT,5.50"RED .....	3
2	96306GT	CABLE ASSY,BATT,9.50"RED .....	1
3	1257054GT	CABLE ASSY., BATT. 11.5" RED .....	1
4	232578GT	CABLE ASSY,BATT, 20" BLK .....	1
5	1257059GT	CABLE ASSY.,BATT. 74.5"RED .....	1
6	1257055GT	CABLE ASSY., BATT. 9.5" BLACK .....	1
7	66717GT	FUSE BLOCK, ANN & ANL FUSE .....	1
8	40833GT	FUSE, 275AMP, VERY FAST ACTING .....	1
9	232576GT	CABLE ASSY,BATT, 12" RED .....	1
10	1257058GT	CABLE ASSY., BATT. 79" BLACK .....	1
11	233371GT	CABLE ASSY, BATT, 23"RD .....	1
12	66397GT	QUICK DISCONNECT CASING,BATT** .....	2
13	232582GT	GROUND WIRE ASSY,GS .....	1
14	233431GT	HRNS,CONTACTOR SIGNL,GS30/32 .....	1
15A	1273576GT	CABLE ASSY,CHARGER/BATTERY (for 1264372) (from SN GS4616P-146463) (standard batteries) .....	
15B	1272844GT	CABLE,CHARGER, DC, W/ BTS (to SN GS4616P-146462) (AGM batteries) .....	1



211.2 Power Cables (SN including alpha only)

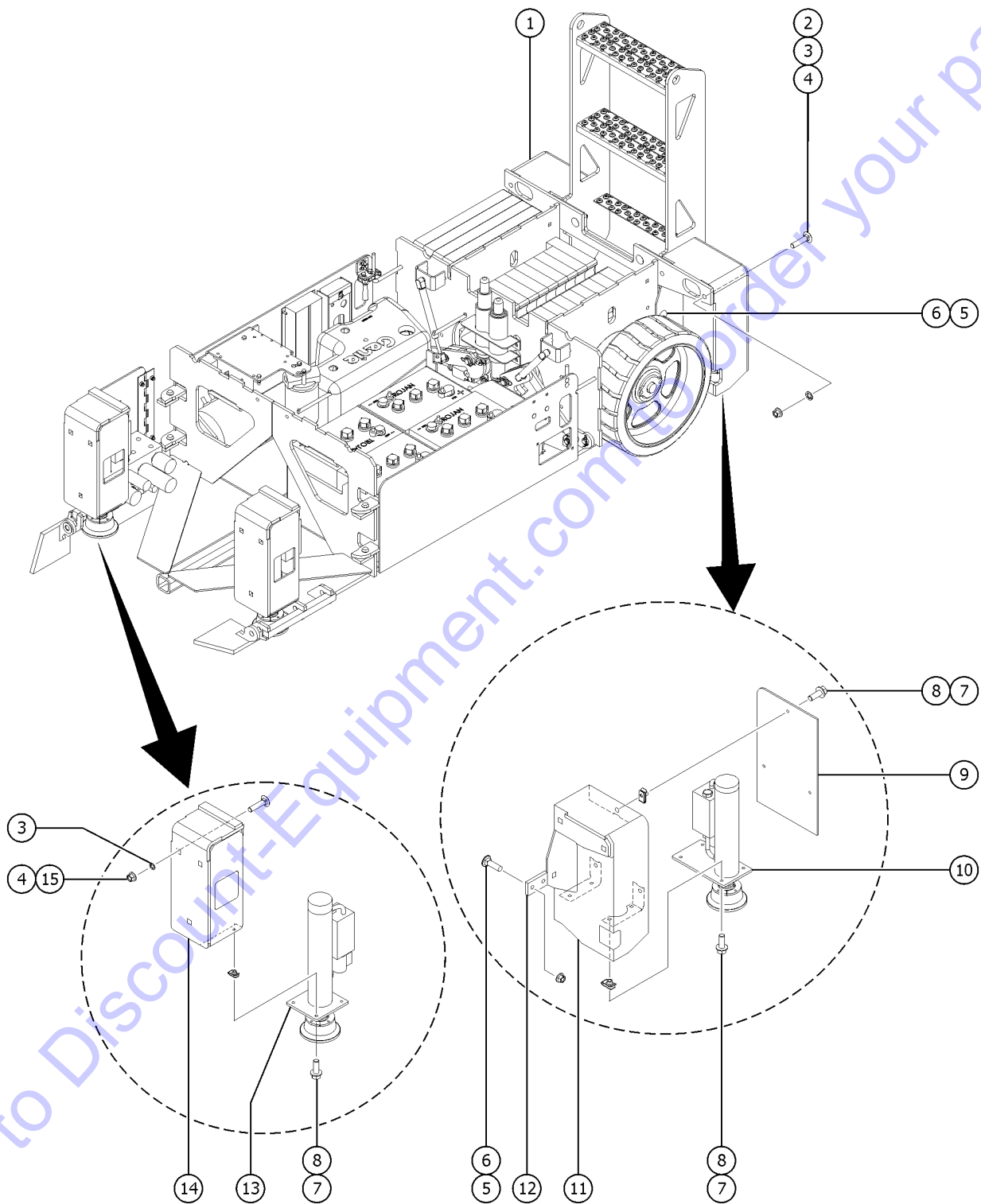


211.2 Power Cables (SN including alpha only)

Item	Part No.	Description	Qty.
A	28131GT	WIRE LOOM,1.25 DIA .....	16
B	96110GT	BOOT, CABLE, TERMINAL COVER .....	14
C	79140GT	BOOT,CABLE TERMINAL,RED,XL .....	2
1	96304GT	CABLE ASSY,BATT,5.50"RED .....	3
2	96306GT	CABLE ASSY,BATT,9.50"RED .....	1
3	1257054GT	CABLE ASSY., BATT. 11.5" RED .....	1
4	232578GT	CABLE ASSY,BATT, 20" BLK .....	1
5	1257059GT	CABLE ASSY.,BATT. 74.5"RED .....	1
6	1257055GT	CABLE ASSY., BATT. 9.5" BLACK .....	1
7	66717GT	FUSE BLOCK, ANN & ANL FUSE .....	1
8	40833GT	FUSE, 275AMP, VERY FAST ACTING .....	1
9	232576GT	CABLE ASSY,BATT, 12" RED .....	1
10	1257058GT	CABLE ASSY., BATT. 79" BLACK .....	1
11	233371GT	CABLE ASSY, BATT, 23"RD .....	1
12	66397GT	QUICK DISCONNECT CASING,BATT** .....	2
13	232582GT	GROUND WIRE ASSY,GS .....	1
14	233431GT	HRNS,CONTACTOR SIGNL,GS30/32 .....	1
15A	1273576GT	CABLE ASSY,CHARGER/BATTERY (for 1264372) (from SN GS4616P-146463) (standard batteries) .....	



212.1 Outrigger Components, GS-3232



212.1 Outrigger Components, GS-3232

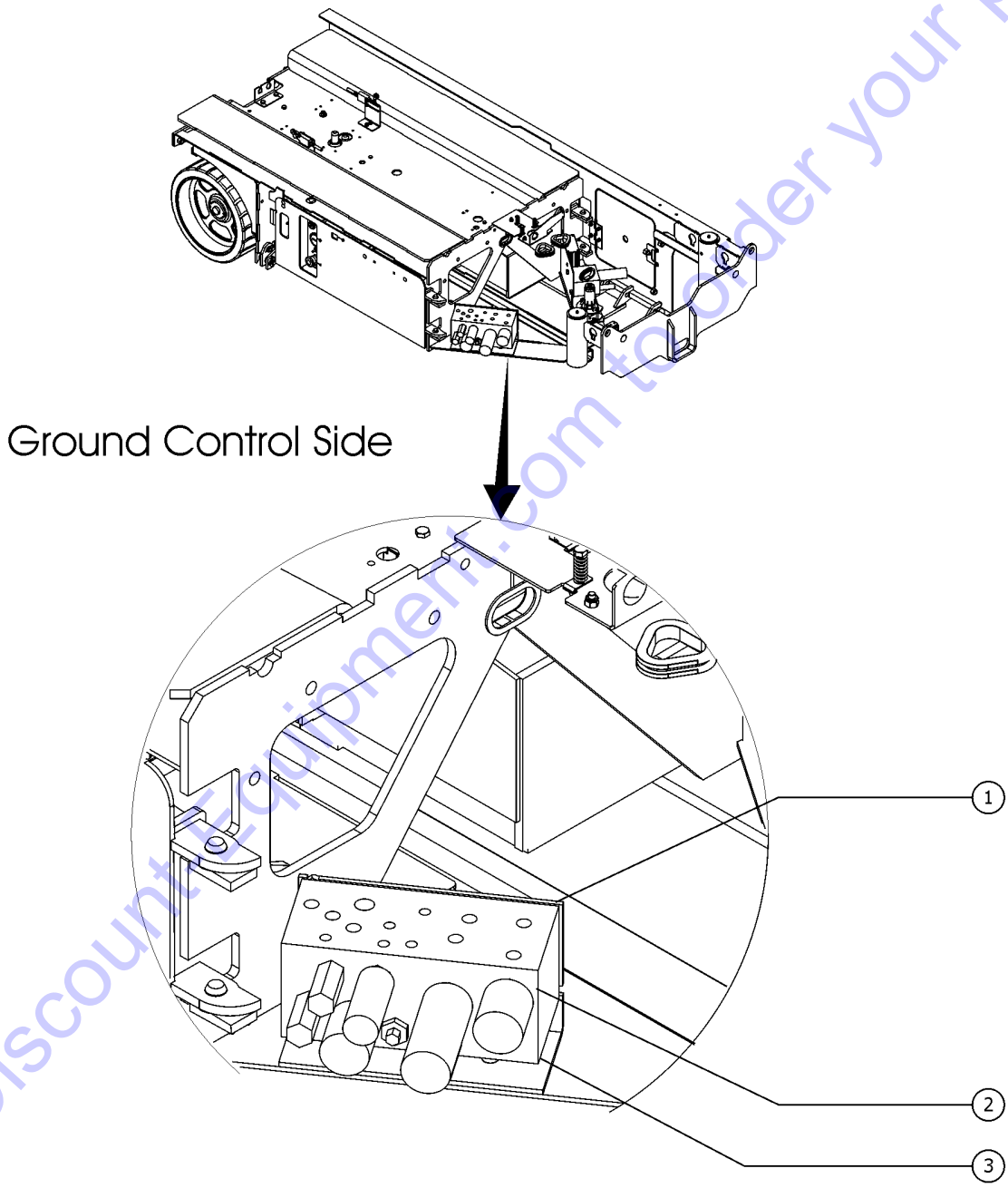
Item	Part No.	Description	Qty.
1	109735GT	WLDMT, OUTRIGGER, RR ..... (ground control side)	1
2	1255759GT	BOLT,CARRIAGE,1/2-13X2,5,ZAG .....	4
3	105634GT	WASHER,PUSH ON .75 SHAFT .....	10
4	1251997GT	NUT,TL,FLG,1/2-13,G,ZAG .....	10
5	1256756GT	BOLT,CARRIAGE,3/8-16X1.5,5,ZAG .....	6
6	824029GT	NUT,TL FLG,3/8-16,G,ZAG .....	6
7	824079GT	SCREW,HHF,1/4-20X1,8,ZAG .....	22
8	56912GT	SPRING CLIP,1/4-20,.025-.15X.54,ZAG .....	22
9	109745GT	PLATE,REAR COVER .....	2
10		Ref: Outrigger Cylinder, Rear ..... (refer to 508.1)	
11	109737GT	WLDMT, OUTRIGGER, LR ..... (battery pack side)	2
12	105758GT	PLATE, SHEAR, OUTRIGGER .....	2
13		Ref: Outrigger Cylinder, Front ..... (refer to 508.1)	
14	109749GT	WLDMT, OUTRIGGER, FRONT .....	2
15	1256115GT	BOLT,CARRIAGE,1/2-13X1.75,5,ZA. ....	6

Go to Discount-Equipment.com to order your parts





213.1 Function Manifold and Accumulator Components, GS-2032 and GS-2632



Go to DiscountEquipment.com to order your parts

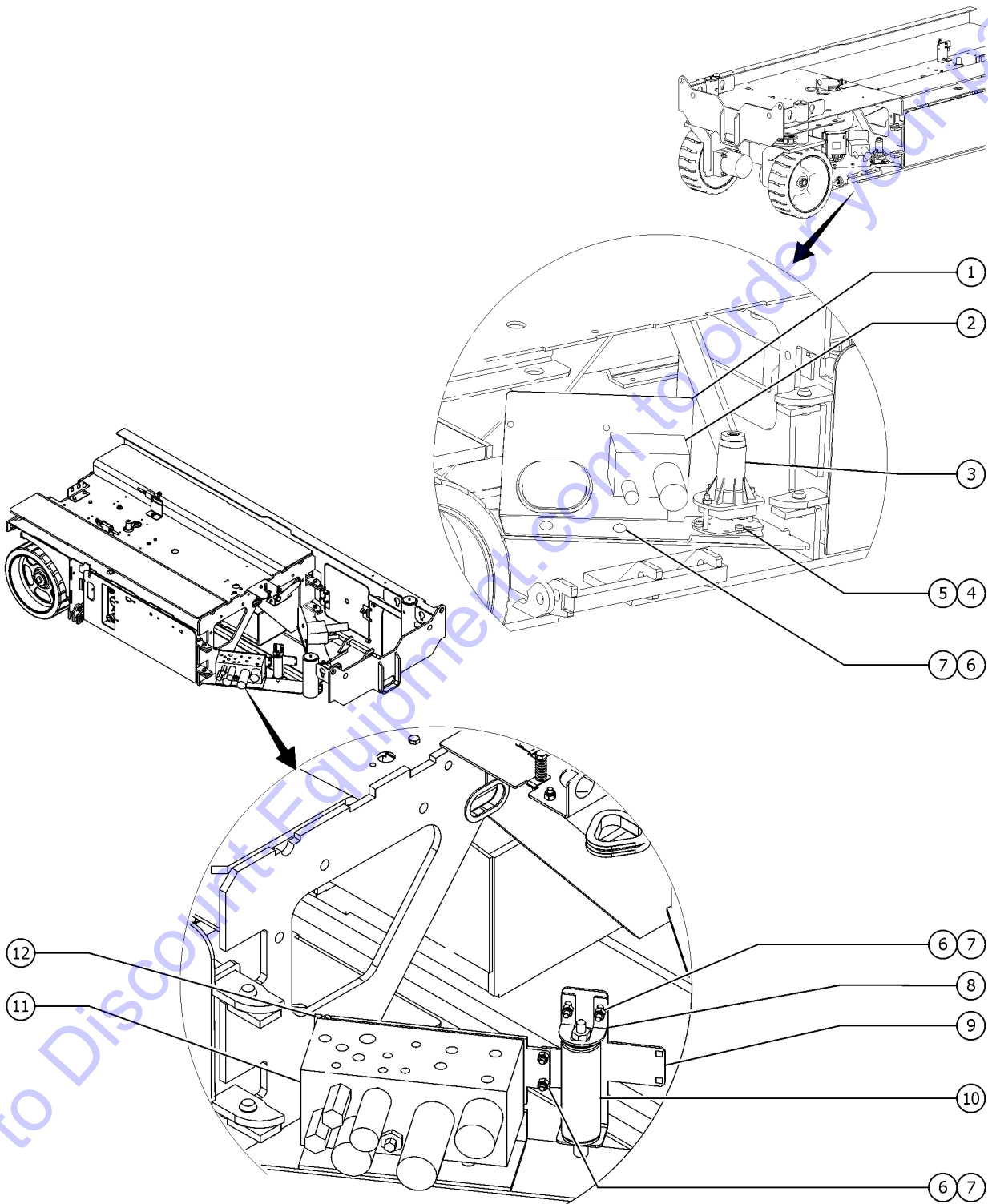
213.1 Function Manifold and Accumulator Components, GS-2032 and GS-2632

Item	Part No.	Description	Qty.
1	105574GT	FORMING,MANIFOLD .....	
2		Ref. Function Manifold .....	
		(refer to 502.1)	
3	78422GT	ACCUMULATOR,180 PSI PRECHARGE* .....	
		(hidden from view)	
3-	32339GT	CLAMP,1.75,#28 X 3/8,RUB CUSH* .....	
3-	9116GT	BOLT,CARRIAGE,1/4-20 X 1.25,G2 .....	
3-	18504GT	NUT,LOCKING-LG.FLANGE,1/4-20 .....	

Go to Discount-Equipment.com to order your parts



214.1 Function Manifold and Accumulator Components, GS-3232



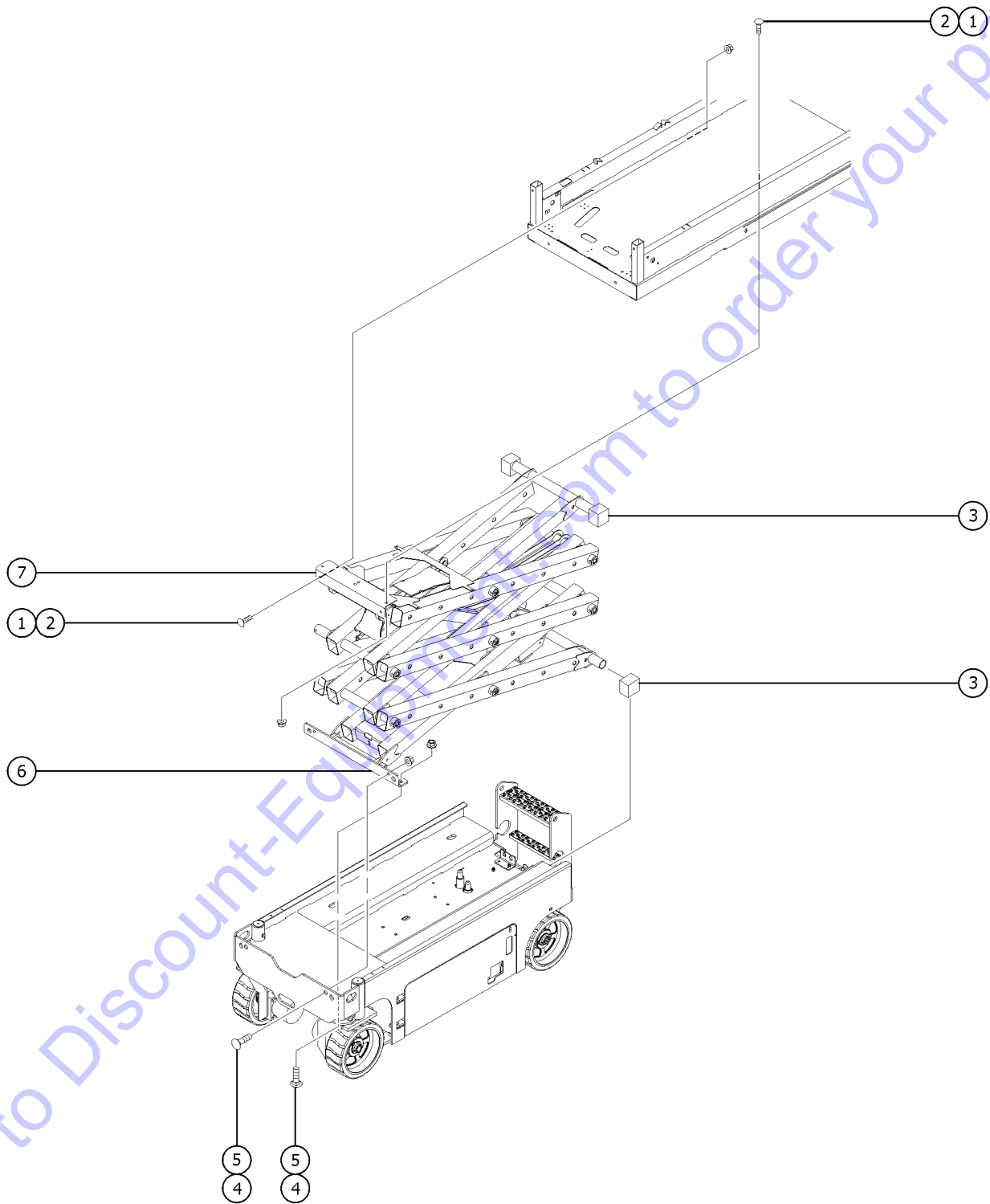
214.1 Function Manifold and Accumulator Components, GS-3232

Item	Part No.	Description	Qty.
1A	105643GT	FORMING,COMPONENT BRKT, GS3232 .....	
2		Ref. Outrigger Manifold .....	
		(refer to 509.1)	
3	105708GT	LEVEL SENSOR, ANALOG .....	
		(for use with 228406)	
4	6889GT	NUT,LP NYLOCK,1/4-20 .....	
5	80149GT	BOLT,CARRIAGE,1/4-20 X .5,G2 .....	
6	6878GT	BOLT,CARRIAGE,1/4-20 X .75,G2 .....	
7	6091GT	NUT, NYLOCK, 1/4-20 .....	
8	105211GT	FORMING, ACCUMULATOR CLAMP .....	
9	105210GT	FORMING, ACCUMULATOR BRACKET .....	
10	78422GT	ACCUMULATOR,180 PSI PRECHARGE* .....	
11		Ref. Function Manifold .....	
		(refer to 502.1)	
12	105644GT	FORMING,MANIFOLD BRKT, GS3232 .....	

Go to Discount-Equipment.com to order your parts



301.1 Scissor Assembly Installation

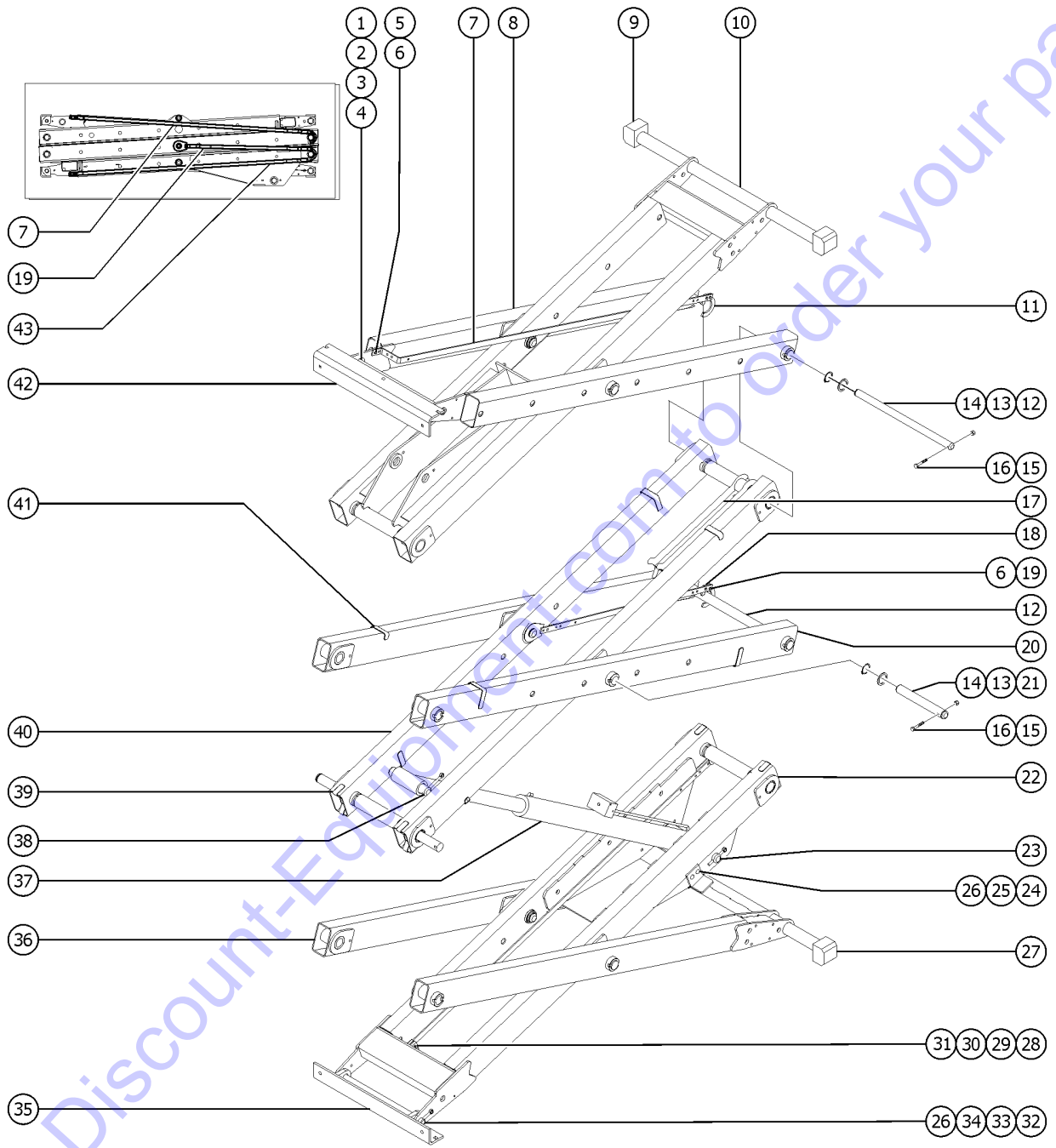


Item	Part No.	Description	Qty.
1	1255757GT	BOLT,CARRIAGE,3/8-16X1.25,5,ZAG .....	4
2	824029GT	NUT,TL FLG,3/8-16,G,ZAG .....	4
3	96595GT	SLIDER,UHMW .....	4
4	1256115GT	BOLT,CARRIAGE,1/2-13X1.75,5,ZA. ....	4
5	1251997GT	NUT,TL,FLG,1/2-13,G,ZAG .....	4
6	97241GT	CHASSIS MOUNT ASSY, GS32&46 .....	1
6-	51474GT	BEARING,1.00IDX1.25ODX0.75L .....	2
7	84747GT	PLATFORM MOUNT ASSY, GS32&46 .....	1
7-	36369GT	BEARING,0.75IDX1.00ODX0.75L .....	2

Go to Discount-Equipment.com to order your parts



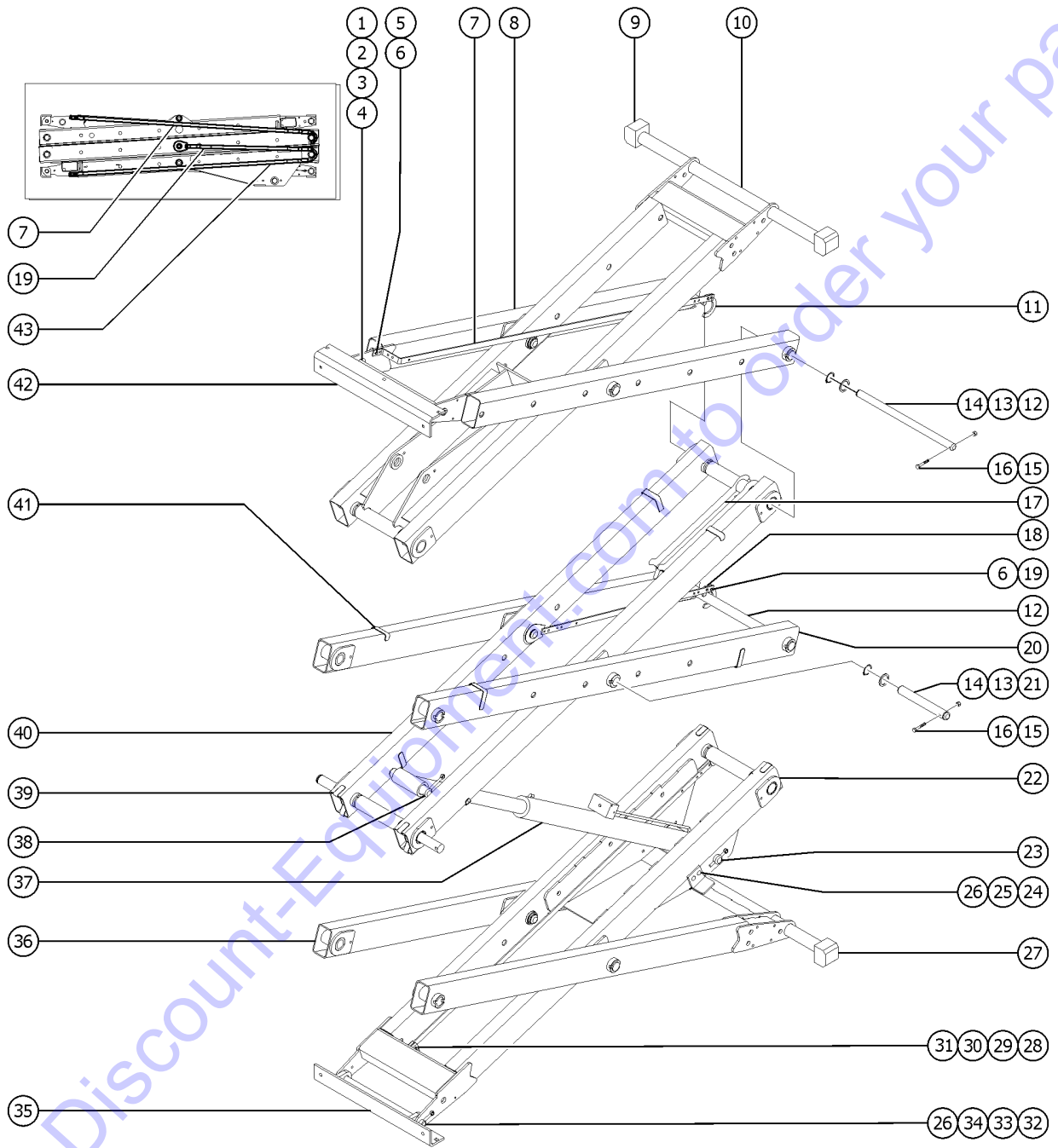
302.1 Scissor Assembly, GS-2032



Item	Part No.	Description	Qty.
1	96932GT	PIN, LINKSET MOUNT, 3/4"	1
2	825020GT	ROD END,.250X2.75,ZAG	2
3	824080GT	SCREW,HHF,1/4-20X1.25,8,ZAG	2
4	824027GT	NUT, TL FLG, 1/4-20, G, ZAG	2
5	1256127GT	BOLT,CARRIAGE,1/4-20X1",GR 5,ZAG	2
6	1256679GT	NUT,SERRATED,1/4-20,8,ZAG	5
7	105189GT	BAR,CABLE BRIDGE ARM,UPPER	1
8	96611GT	WLDMT,LNK,OUT #3-20XX,#5-32XX	2
9		Ref. Platform Slider (refer to 301.1)	
10A	84696GT	INNER ARM ASSY,#3 GS2032	1
10A-	105030GT	WLDMT,LNK,INNER #3,2032 (bearings not included)	1
10A-	66055GT	BEARING,1.50IDX1.77ODX1.25L	6
10B	97233GT	INNER ARM ASSY, #3, 2046	1
10B-	66055GT	BEARING,1.50IDX1.77ODX1.25L	6
10B-	96606GT	WLDMT,LNK,INNER #3,2046 (bearings not included)	
11	105193GT	CLIP,CABLEBRIDGE,GS32/46	2
12	96899GT	PIN, LONG, GS46	4
13	1260941GT	WASHER,SHIM,1.54X2.00X.125,ZAG	10
14	825796GT	SNAP RING,EXTERNAL,1.50,ZAG	8
15	1256848GT	SCREW,HHC,3/8-16X2.75,8,ZAG	12
16	824025GT	NUT,TL,3/8-16,C,ZAG	10
17	58000GT	SAFETY CHOCK,SCISSOR	1
18A	105191GT	WELDMENT.CABLE BRIDGE,TOP	2
18B	105190GT	WLDMT,CABLE BRIDGE,BOTTOM	2
19	1260963GT	BOLT,CARRIAGE,1/4-20X.63,5,ZAG	2
20	96605GT	WLDMT,LNK,OUTER #2,#3,#4	2
21	96900GT	PIN, SHORT, GS46	6
22	1300079GT	ASSEMBLY, LINK, INNER #1 (decal not included refer to section one)	1



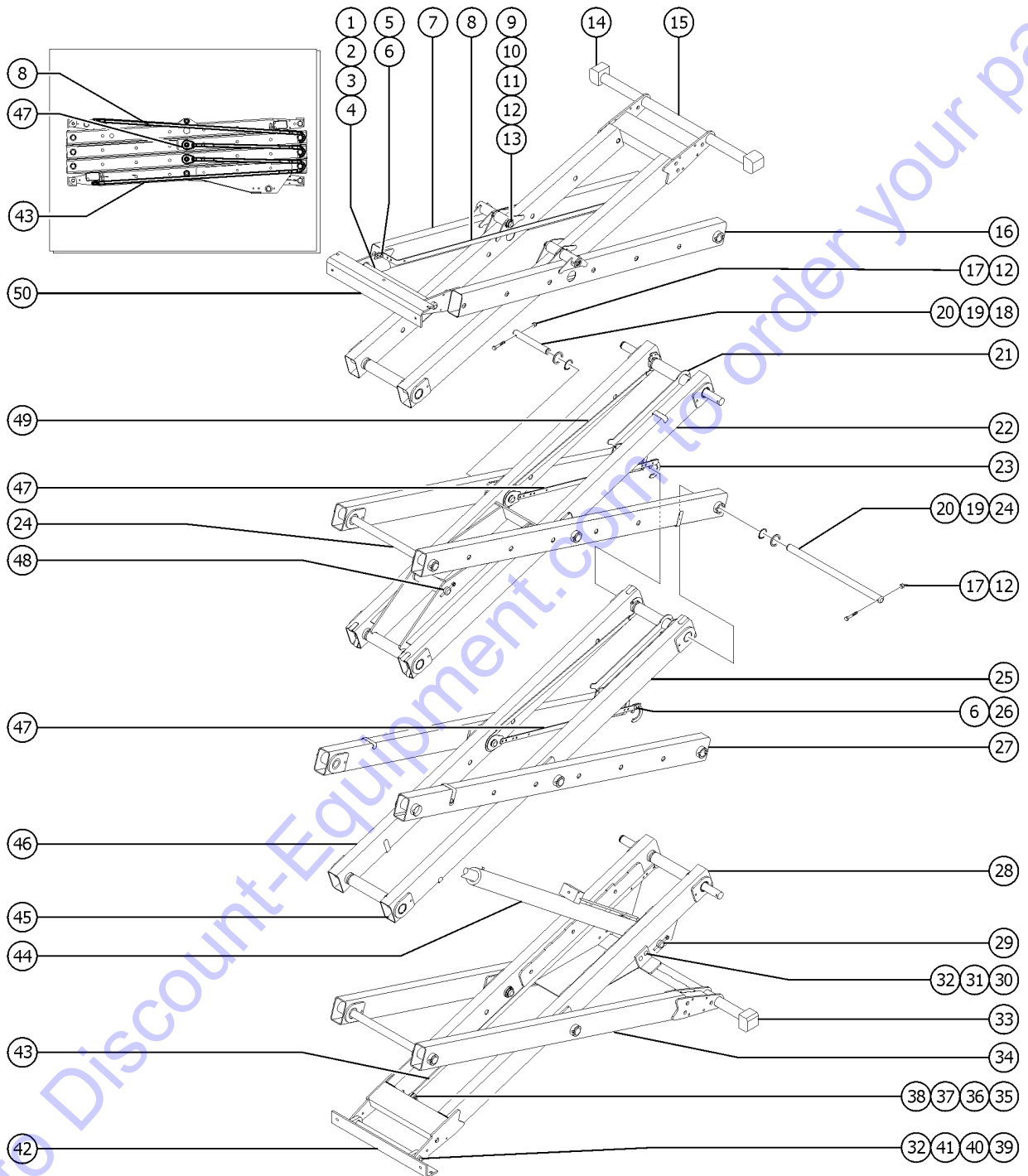
302.1 Scissor Assembly, GS-2032



Item	Part No.	Description	Qty.
22-	66055GT	BEARING,1.50IDX1.77ODX1.25L .....	6
22-	1299483GT	WELDMNT, LNK, LOWER1 ,E-DRIVE (bearings not included) .....	1
23	96662GT	PIN, LOWER CYLINDER MOUNT .....	1
24	1256756GT	BOLT,CARRIAGE,3/8-16X1.5,5,ZAG .....	2
25	105074GT	FORMING,PH PUSHER, GS46 .....	1
26	824029GT	NUT,TL FLG,3/8-16,G,ZAG .....	9
27		Ref. Chassis Slider (refer to 301.1) .....	
28	58592GT	PLATE,HOSE ROUTG,BULKHEAD(PTD) .....	2
29	78736GT	CLAMP,2 HOSE,PLASTIC,5/8 .....	4
30	1259201GT	BOLT,CARRIAGE,10-24X2,A,ZAG .....	3
31	1256467GT	NUT,TL FLG,10-24,F,ZAG .....	3
32	96862GT	PIN, LINKSET MOUNT, 1" .....	1
33	825019GT	ROD END,.375X3.69,ZAG .....	3
34	824092GT	SCREW,HHF,3/8-16X1.5,8,ZAG .....	3
35		Ref. Chassis Mount Assembly (refer to 301.1) .....	
36A	105029GT	WLDMT,LNK,OUTER #1,GS32 (decal not included refer to section one) .....	1
36B	96603GT	WLDMT,LNK,OUTER #1,XX46 (decal not included refer to section one) .....	1
37		Ref. Lift Cylinder (refer to 505.1) .....	
38	96661GT	PIN, UPPER CYLINDER MOUNT .....	1
39	96735GT	LINK BUMPER, 5" .....	4
40	97234GT	INNER ARM ASSY, #2, GS32&46 .....	1
40-	66055GT	BEARING,1.50IDX1.77ODX1.25L .....	8
41	96836GT	LINK BUMPER, SHORT TUBE .....	8
42		Ref. Platform Mounting Assembly (refer to 301.1) .....	
43	105186GT	WLDMNT,CABLE BRIDGE,LOWER .....	1



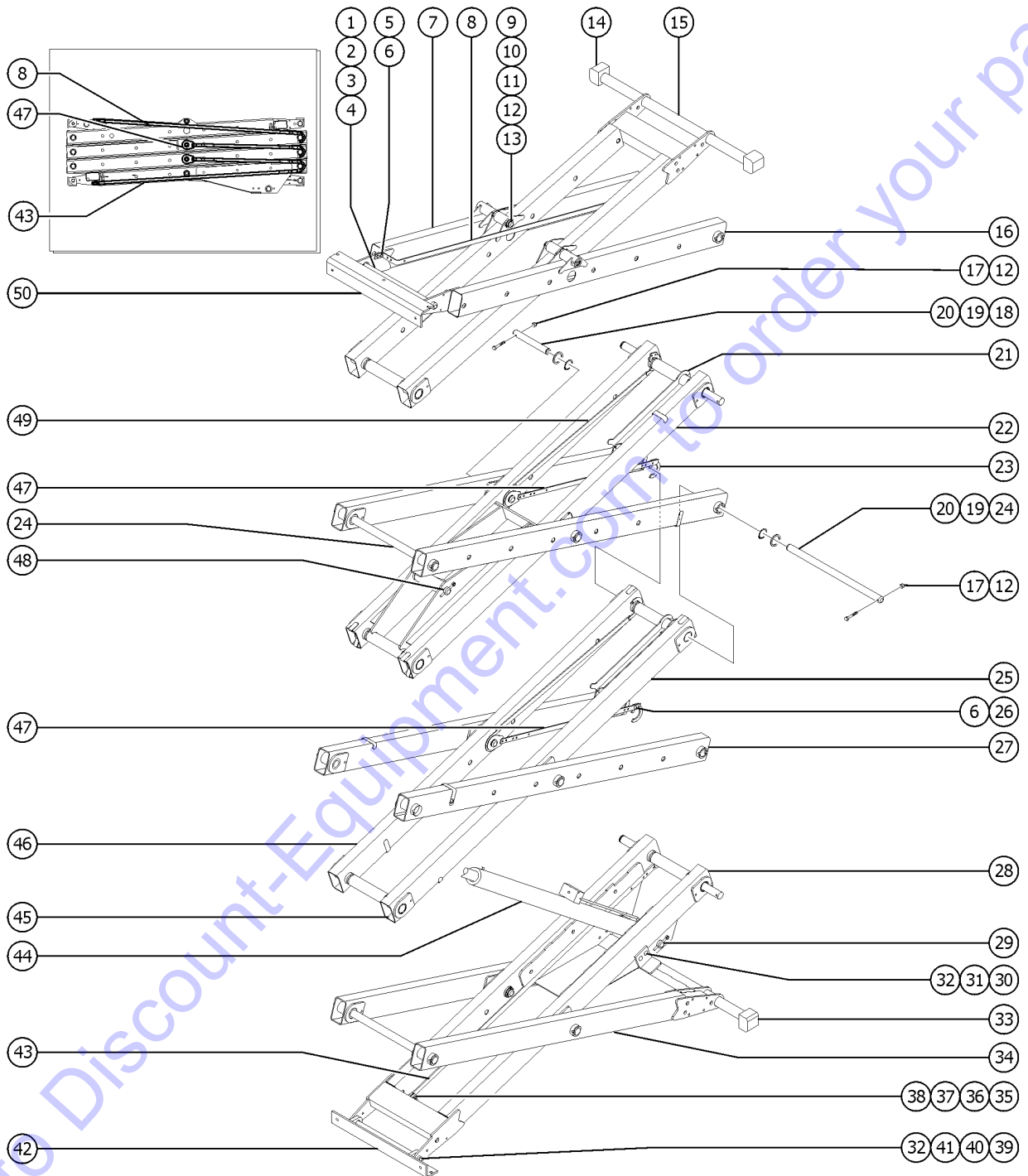
303.1 Scissor Assembly, GS-2632



Item	Part No.	Description	Qty.
1	96932GT	PIN, LINKSET MOUNT, 3/4" .....	1
2	825020GT	ROD END,.250X2.75,ZAG .....	2
3	824080GT	SCREW,HHF,1/4-20X1.25,8,ZAG .....	2
4	824027GT	NUT, TL FLG, 1/4-20, G, ZAG .....	2
5	1256127GT	BOLT,CARRIAGE,1/4-20X1",GR 5,ZAG .....	2
6	1256679GT	NUT,SERRATED,1/4-20,8,ZAG .....	6
7	96615GT	WLDMT,LNK,OUTER #4,26XX (ground controls side) .....	1
8	105189GT	BAR,CABLE BRIDGE ARM,UPPER .....	
9	96130GT	PIN, MINI, CENTRE .....	2
10	824164GT	SNAP RING,EXTERNAL,1.25,ZAG .....	2
11	824151GT	WASHER,SHIM,1.270X2.130X.062,Z .....	2
12	824025GT	NUT,TL,3/8-16,C,ZAG .....	14
13	1256848GT	SCREW,HHC,3/8-16X2.75,8,ZAG .....	2
14		Ref. Platform Slider (refer to 301.1) .....	
15	84698GT	INNER ARM ASSY,#4 GS2632 .....	1
15A-	105031GT	WLDMT,LNK,INNER #4,2632 bearings not included) .....	1
15A-	96487GT	BEARING,1.26IDX1.53ODX1.25L .....	8
15B	97243GT	INNER ARM ASSY #4, 2646 .....	1
15B-	66055GT	BEARING,1.50IDX1.77ODX1.25L .....	6
16	96616GT	WLDMT,LNK,OUTER #4,26XX,LEFT (battery pack side) .....	1
17	1256848GT	SCREW,HHC,3/8-16X2.75,8,ZAG .....	12
18	96900GT	PIN, SHORT, GS46 .....	6
19	1260941GT	WASHER,SHIM,1.54X2.00X.125,ZAG .....	10
20	825796GT	SNAP RING,EXTERNAL,1.50,ZAG .....	12
21	58000GT	SAFETY CHOCK,SCISSOR .....	1
22	97244GT	INNER ARM ASSY #3, 2632/2646 .....	1
22-	66055GT	BEARING,1.50IDX1.77ODX1.25L .....	8
23	105193GT	CLIP,CABLEBRIDGE,GS32/46 .....	



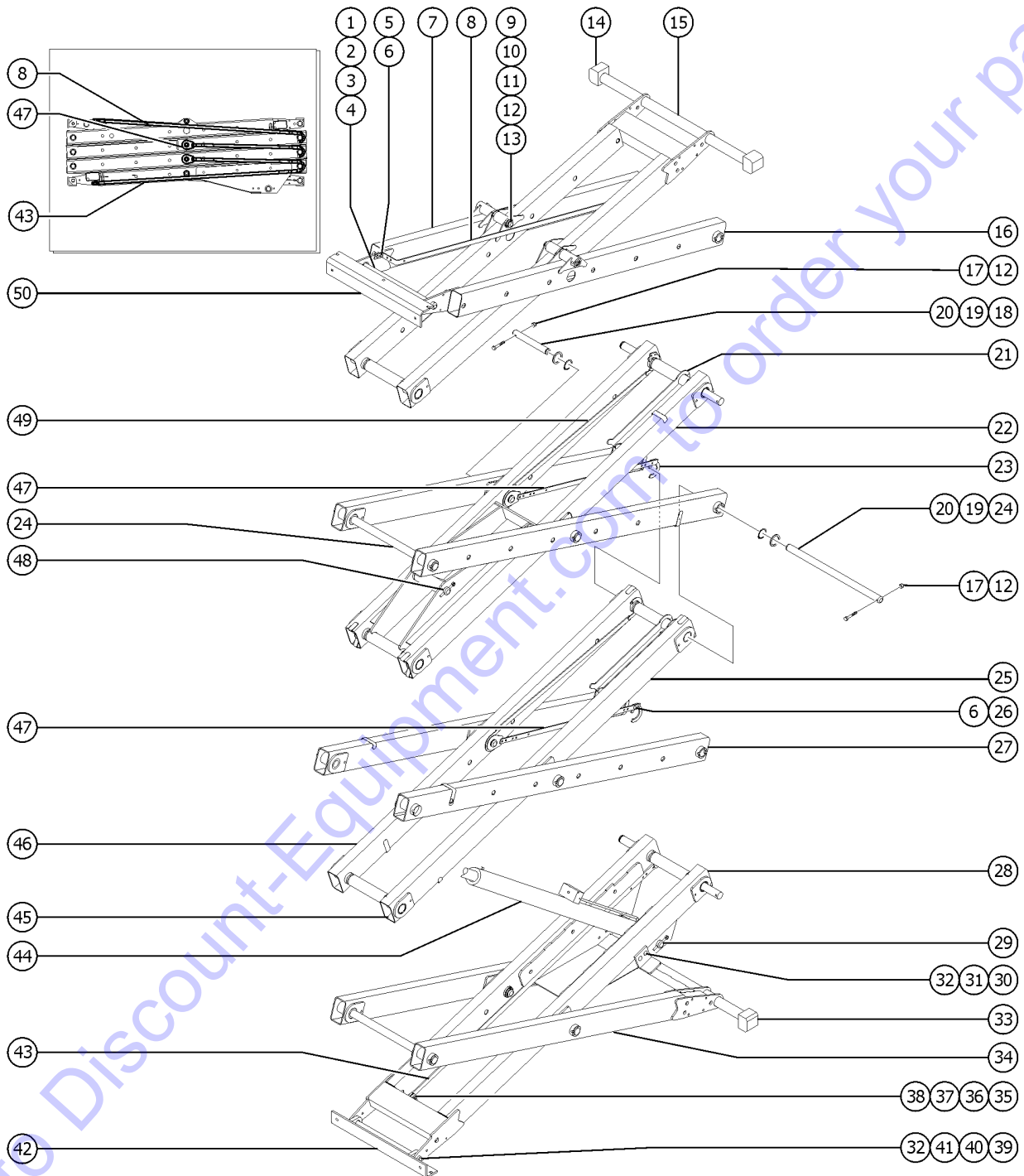
303.1 Scissor Assembly, GS-2632



Item	Part No.	Description	Qty.
24	96899GT	PIN, LONG, GS46	6
25	96836GT	LINK BUMPER, SHORT TUBE	8
26	1260963GT	BOLT,CARRIAGE,1/4-20X.63,5,ZAG	3
27	96605GT	WLDMT,LNK,OUTER #2,#3,#4	4
28	1300079GT	ASSEMBLY, LINK, INNER #1 (decal not included refer to section one)	1
28-	66055GT	BEARING,1.50IDX1.77ODX1.25L	6
28-	1299483GT	WELDMENT, LNK, LOWER1 ,E-DRIVE (bearings not included)	1
29	96662GT	PIN, LOWER CYLINDER MOUNT	1
30	1256756GT	BOLT,CARRIAGE,3/8-16X1.5,5,ZAG	2
31	105074GT	FORMING,PH PUSHER, GS46	1
32	824029GT	NUT,TL FLG,3/8-16,G,ZAG	9
33		Ref. Chassis Slider (refer to 301.1)	
34A	105029GT	WLDMT,LNK,OUTER #1,GS32 (decal not included refer to section one)	1
34B	96603GT	WLDMT,LNK,OUTER #1,XX46 (decal not included refer to section one)	1
35	58592GT	PLATE,HOSE ROUTG,BULKHEAD(PTD)	2
36	78736GT	CLAMP,2 HOSE,PLASTIC,5/8	4
37	1259201GT	BOLT,CARRIAGE,10-24X2,A,ZAG	3
38	1256467GT	NUT,TL FLG,10-24,F,ZAG	3
39	96862GT	PIN, LINKSET MOUNT, 1"	1
40	825019GT	ROD END,.375X3.69,ZAG	3
41	824092GT	SCREW,HHF,3/8-16X1.5,8,ZAG	3
42		Ref. Chassis Mount Assembly (refer to 301.1)	
43	105186GT	WLDMNT,CABLE BRIDGE,LOWER	
44		Ref. Lift Cylinder (refer to 505.1)	
45	96735GT	LINK BUMPER, 5"	4
46	97234GT	INNER ARM ASSY, #2, GS32&46	1
46-	66055GT	BEARING,1.50IDX1.77ODX1.25L	8
47	105191GT	WELDMENT.CABLE BRIDGE,TOP	



303.1 Scissor Assembly, GS-2632



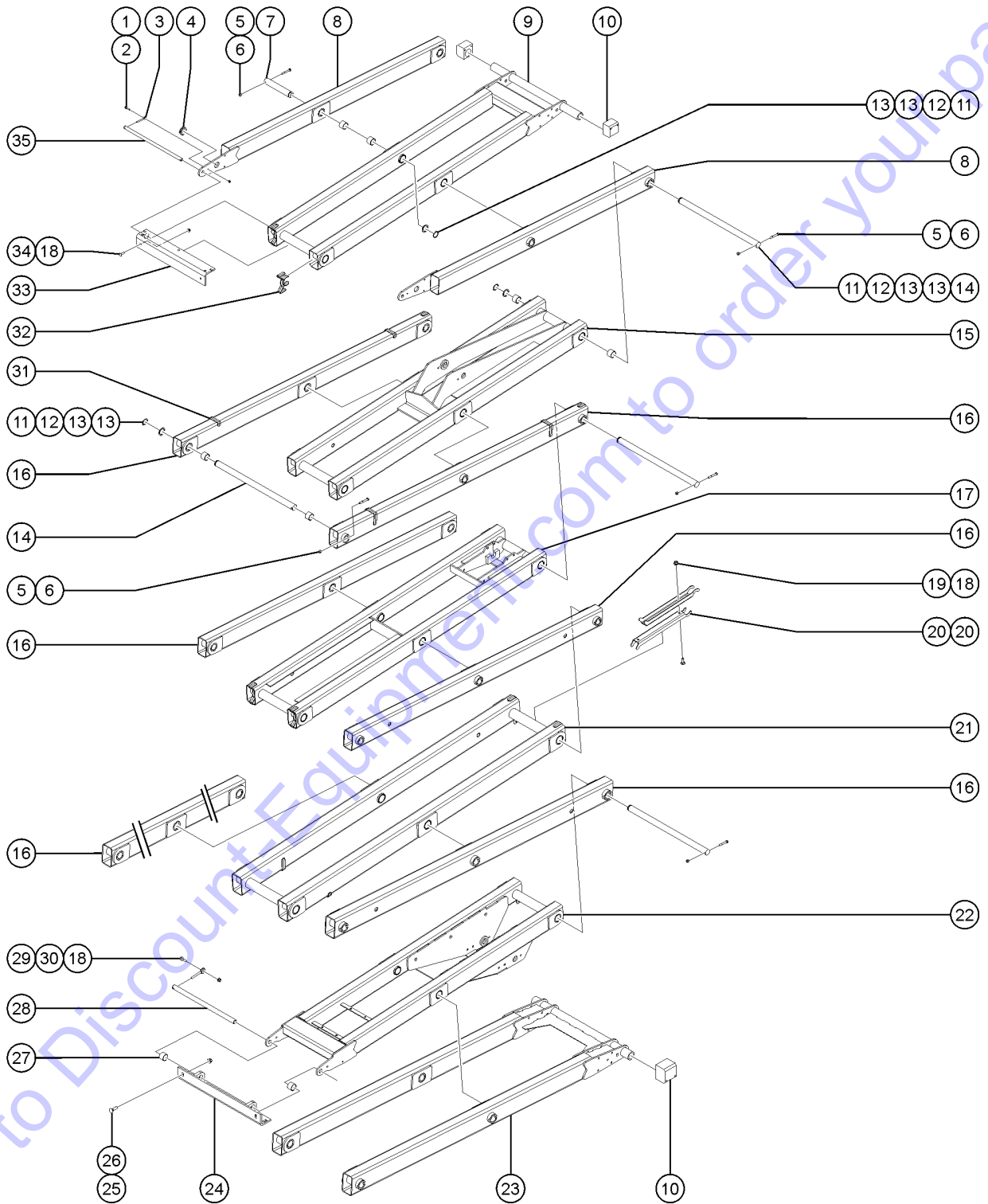
<i>Item</i>	<i>Part No.</i>	<i>Description</i>	<i>Qty.</i>
48	96812GT	PIN, LOWER CYL, ROD END .....	1
49	105190GT	WLDMT,CABLE BRIDGE,BOTTOM .....	
50		Ref. Platform Mount Assembly .....	
		(refer to 301.1)	

Go to Discount-Equipment.com to order your parts





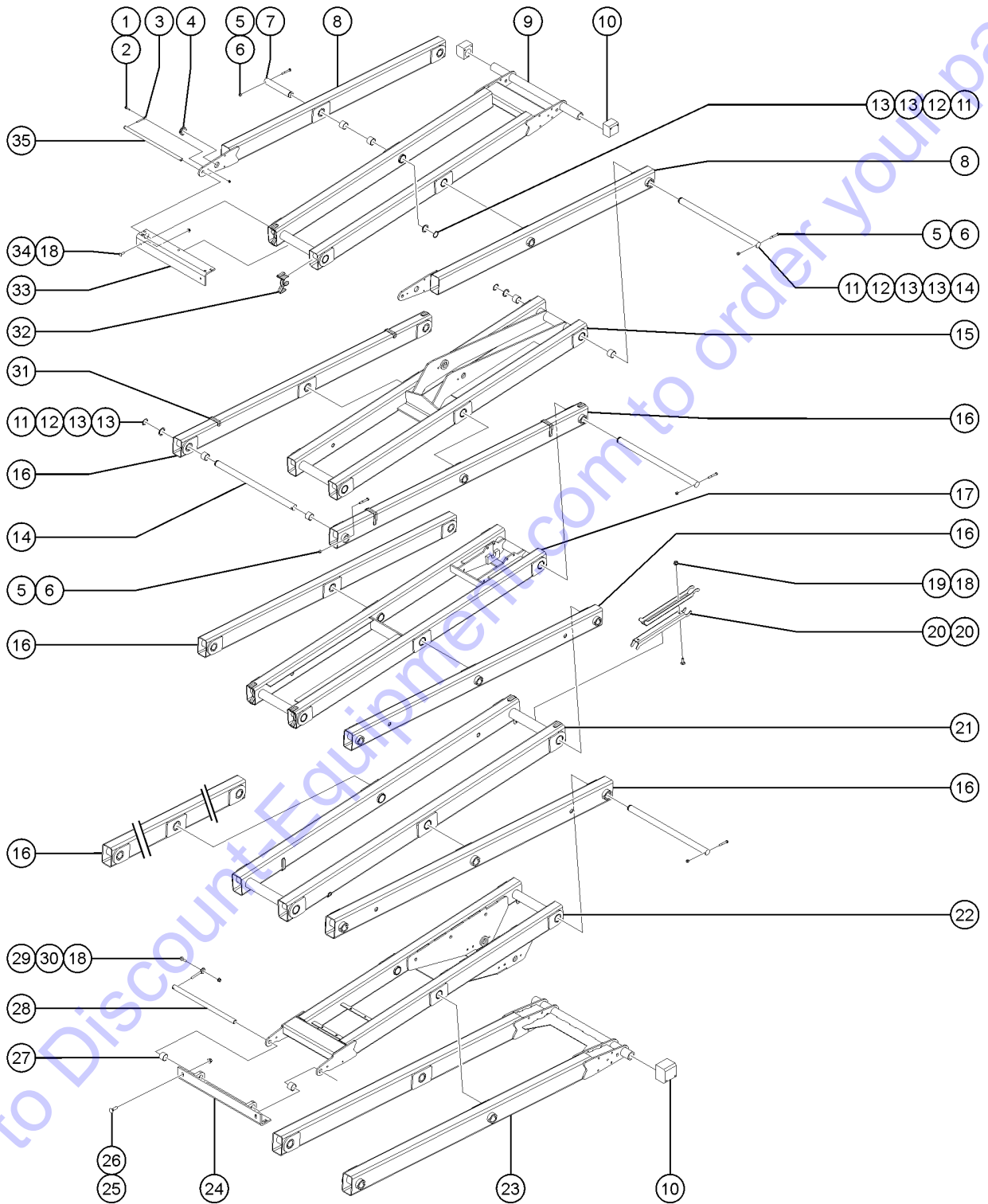
304.1 Scissor Assembly, GS-3232



Item	Part No.	Description	Qty.
1	824080GT	SCREW,HHF,1/4-20X1.25,8,ZAG	2
2	824027GT	NUT, TL FLG, 1/4-20, G, ZAG	2
3	825020GT	ROD END,.250X2.75,ZAG	2
4	47238GT	GROMMET,RUBBER 1.5 ID	1
5	824025GT	NUT,TL,3/8-16,C,ZAG	18
6	1256848GT	SCREW,HHC,3/8-16X2.75,8,ZAG	18
7	96900GT	PIN, SHORT, GS46	10
8	96611GT	WLDMT,LNK,OUT #3-20XX,#5-32XX	2
9	115114GT	INNER ARM ASSY #5, 3232	1
9-	66055GT	BEARING,1.50IDX1.77ODX1.25L	8
10	96595GT	SLIDER,UHMW	4
11	825796GT	SNAP RING,EXTERNAL,1.50,ZAG	18
12	1260941GT	WASHER,SHIM,1.54X2.00X.125,ZAG	14
13	66055GT	BEARING,1.50IDX1.77ODX1.25L	36
14	96899GT	PIN, LONG, GS46	8
15	96613GT	WLDMT,LNK,INNER #4,32XX	1
16	96605GT	WLDMT,LNK,OUTER #2,#3,#4	6
17	96608GT	WLDMT,LNK,INNER #3,32XX	1
18	824029GT	NUT,TL FLG,3/8-16,G,ZAG	7
19	824125GT	BOLT,CARRIAGE,3/8-16X1.5,ZAG	2
20	78901GT	FORMING,SAFETY ARM***	2
21	96604GT	WLDMT,LNK,INNER #2	1
22	1299483GT	WELDMENT, LNK, LOWER1 ,E-DRIVE	1
23	105029GT	WLDMT,LNK,OUTER #1,GS32	1
24	96578GT	WELDMENT,CHASSIS MOUNT	1
25	1256115GT	BOLT,CARRIAGE,1/2-13X1.75,5,ZA.	4
26	1251997GT	NUT,TL,FLG,1/2-13,G,ZAG	4
27	51474GT	BEARING,1.00IDX1.25ODX0.75L	2



304.1 Scissor Assembly, GS-3232

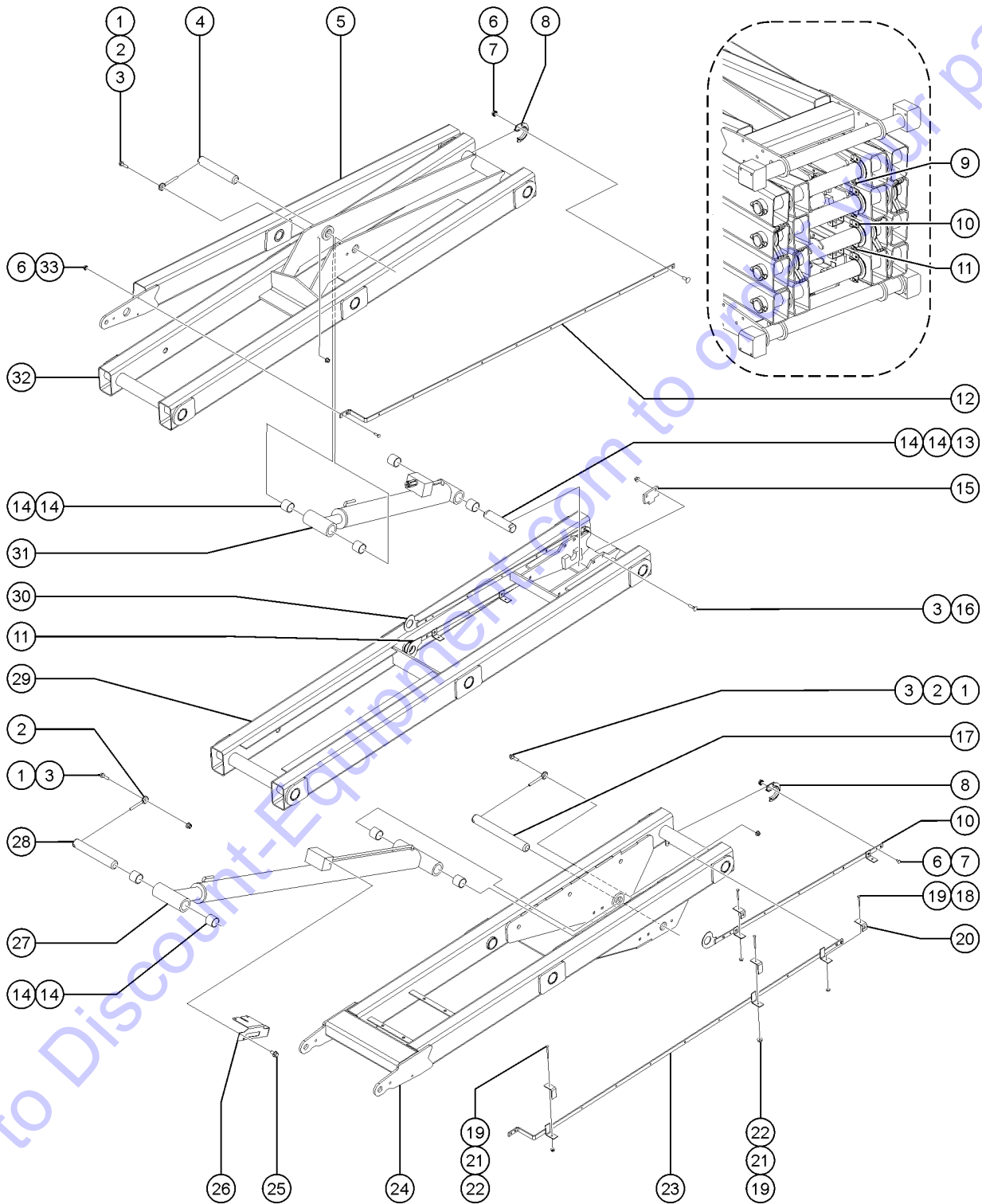


Item	Part No.	Description	Qty.
28	96862GT	PIN, LINKSET MOUNT, 1" .....	1
29	824092GT	SCREW,HHF,3/8-16X1.5,8,ZAG .....	1
30	825019GT	ROD END,.375X3.69,ZAG .....	1
31	96836GT	LINK BUMPER, SHORT TUBE .....	8
32	96735GT	LINK BUMPER, 5" .....	8
33	84747GT	PLATFORM MOUNT ASSY, GS32&46 .....	
33-	36369GT	BEARING,0.75IDX1.00ODX0.75L .....	
34	1255757GT	BOLT,CARRIAGE,3/8-16X1.25,5,ZAG .....	4
35	96932GT	PIN, LINKSET MOUNT, 3/4" .....	1

Go to Discount-Equipment.com to order your parts



304.2 Scissor Assembly - Cable bridge and Cylinders, GS-3232

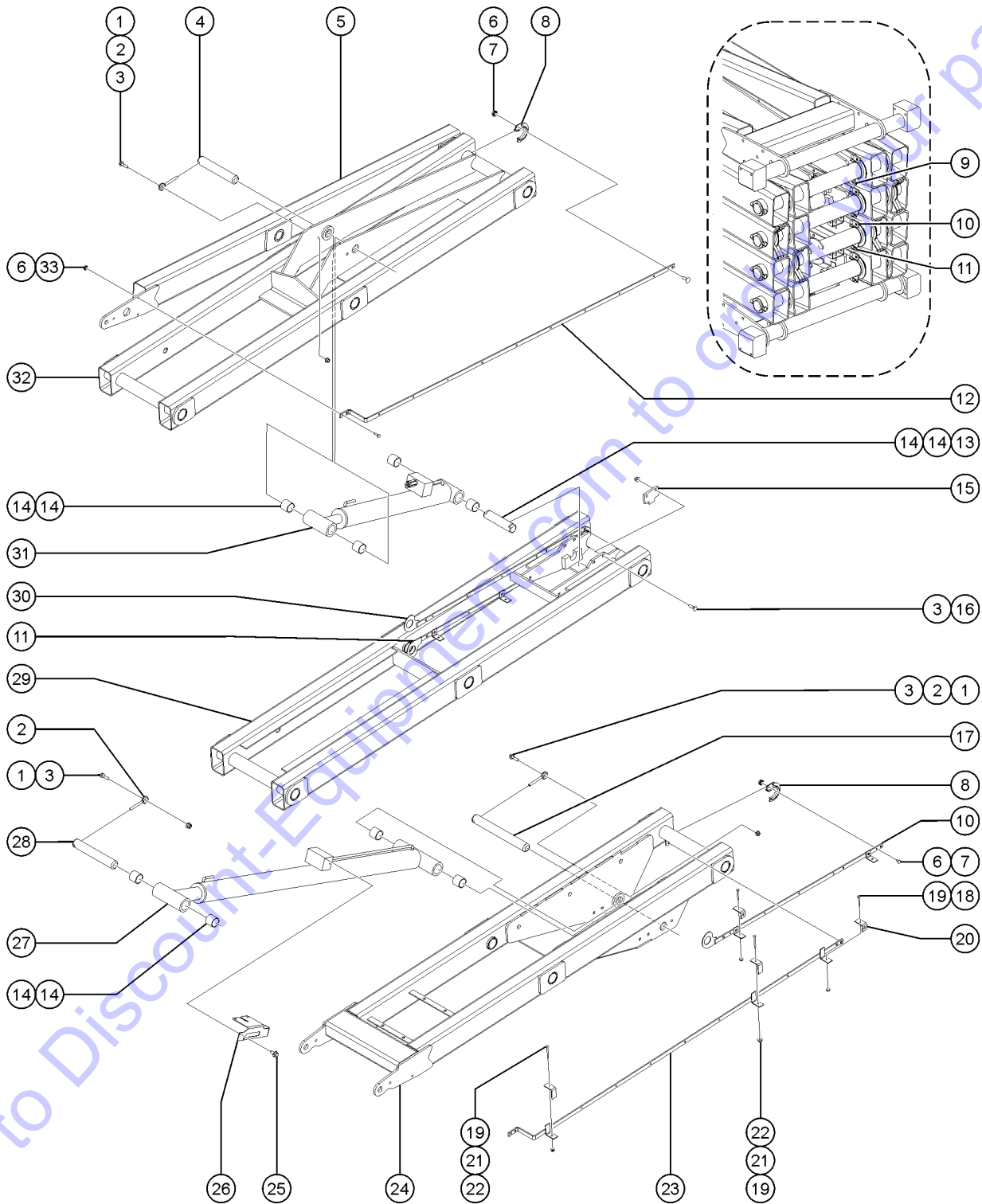


304.2 Scissor Assembly - Cable bridge and Cylinders, GS-3232

Item	Part No.	Description	Qty.
1	824092GT	SCREW,HHF,3/8-16X1.5,8,ZAG	3
2	825019GT	ROD END,.375X3.69,ZAG	3
3	824029GT	NUT,TL FLG,3/8-16,G,ZAG	7
4	96661GT	PIN, UPPER CYLINDER MOUNT	1
5		REF. WLDMT,LNK,OUT #3-20XX,#5-32XX (Refer to 304.1)	1
6	1256679GT	NUT,SERRATED,1/4-20,8,ZAG	6
7	1260963GT	BOLT,CARRIAGE,1/4-20X.63,5,ZAG	4
8	105193GT	CLIP,CABLEBRIDGE,GS32/46	4
9	105191GT	WELDMNT.CABLE BRIDGE, TOP	1
10	105188GT	WLDMT,CABLE BRIDGE,BOTTOM,3246	2
11	105192GT	WELDMNT,CABLE BRIDGE***	2
12	105189GT	BAR,CABLE BRIDGE ARM,UPPER	1
13	96663GT	PIN, SADDLE CYLINDER MOUNT	1
14	45071GT	BEARING,1.5IDX1.75ODX1.5L	8
15	96700GT	PLATE, PIN RETAINER	2
16	1256756GT	BOLT,CARRIAGE,3/8-16X1.5,5,ZAG	4
17	96662GT	PIN, LOWER CYLINDER MOUNT	1
18	1259201GT	BOLT,CARRIAGE,10-24X2,A,ZAG	9
19	1256467GT	NUT,TL FLG,10-24,F,ZAG	11
20	105206GT	CLAMP, SHORT	9
21	105205GT	CLAMP, LONG	2
22	1260962GT	BOLT,CARRIAGE,10-24X2.5,A,ZAG	2
23	105186GT	WLDMNT,CABLE BRIDGE,LOWER	1
24		REF. WLDMT,LNK,INNER #1 (Refer to 304.1)	
25	824077GT	SCREW,HHF,1/4-20X.5,8,ZAG	2
26	41557GT	FORMING,VERTICAL CABLE COVER	1
27	105545GT	CYLINDER, 26XX/32XX LIFT	1
28	96812GT	PIN, LOWER CYL, ROD END	1



304.2 Scissor Assembly - Cable bridge and Cylinders, GS-3232



304.2 Scissor Assembly - Cable bridge and Cylinders, GS-3232

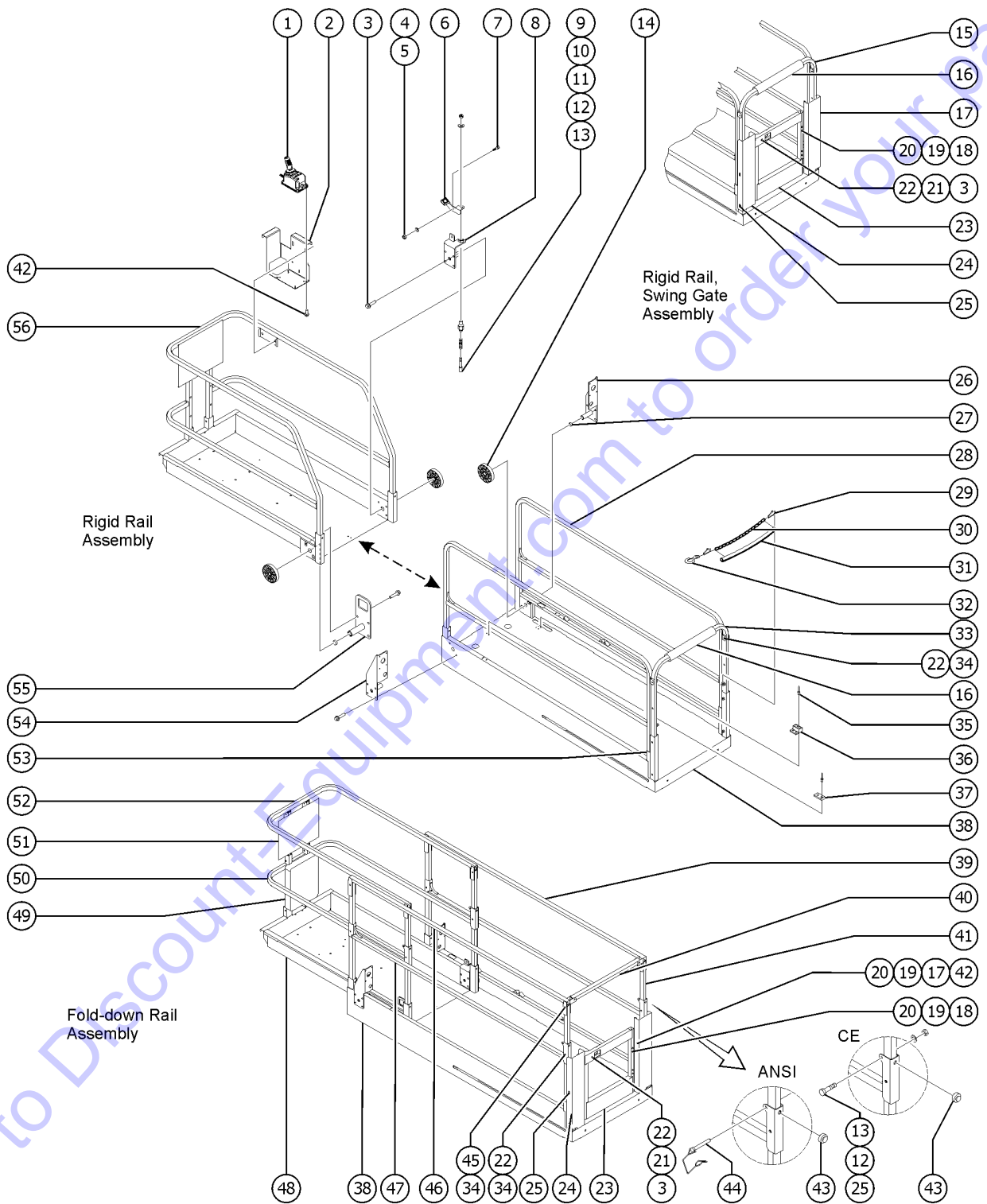
Item	Part No.	Description	Qty.
29		REF. WLDMT,LNK,INNER #3,32XX ..... (Refer to 304.1)	
30	105190GT	WLDMT,CABLE BRIDGE,BOTTOM ..... 1	1
31	105546GT	CYLINDER, 32XX UPPER LIFT ..... 1	1
32		REF.WLDMT,LNK,INNER #4,32XX ..... (Refer to 304.1)	1
33	1256127GT	BOLT,CARRIAGE,1/4-20X1",GR 5,ZAG ..... 2	2

Go to Discount-Equipment.com to order your parts





401.1 Platform Components (to SN GS32P-153435)

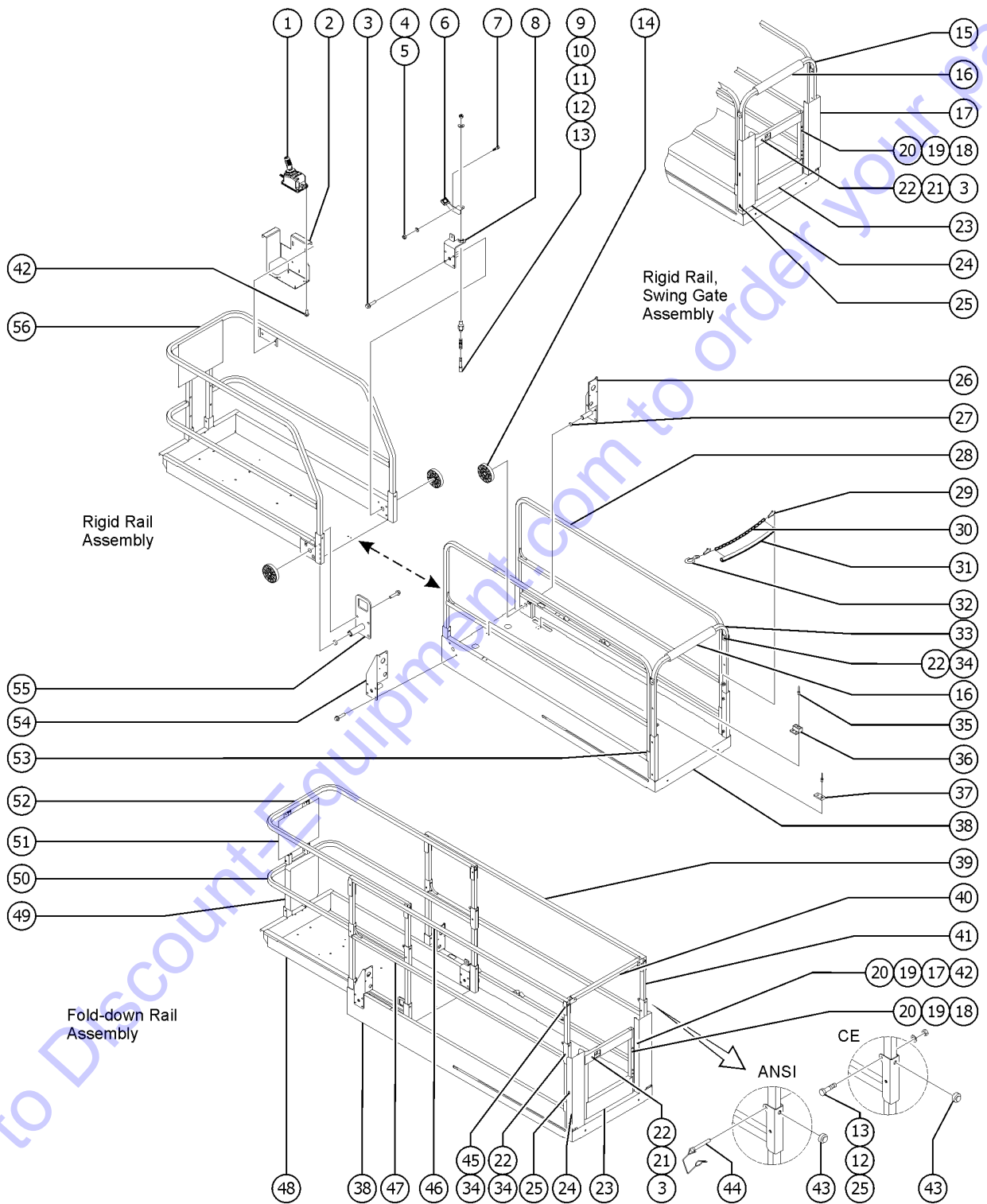


401.1 Platform Components (to SN GS32P-153435)

Item	Part No.	Description	Qty.
1		Ref. Platform Control Box ..... (refer to 403.1)	
2		Ref. Platform Control Box Mount ..... (refer to 403.1)	
3	1253478GT	SCREW,HHF,3/8-16X2,8,ZAG .....	8
4	1252977GT	NUT,TL JAM,5/16-18,A,ZAG .....	1
5	825358GT	WASHER,FLAT,5/16,USS,ZAG .....	1
6	46260GT	FOOTPEDAL W/NON-SKID TAPE,GS** .....	1
6-	47166GT	BRACKET,FOOT PEDAL ..... (non skid tape not included)	1
6-	47225GT	TAPE,NON-SKID,DIE CUT,1.38X1.5 ..... (sold separately)	
7	1259223GT	BOLT,SHS,3/8X.375X5/16-18,ZAG .....	1
8	96413GT	WLDMT,LOCKING ROLLER SUPPORT .....	1
9	1259181GT	PIN,LOCK,0.5X3.125,ZAG .....	1
10	39469GT	SPRING,COMPRESSION.485 X1.75** .....	1
11	41630GT	HOUSING, LOCK PIN .....	1
12	1255758GT	WASHER,FLAT,3/8,USS,ZAG .....	1
13	824038GT	NUT, TL JAM, 3/8-16, A, ZAG .....	1
14	47163GT	ROLLER,PLATFORM EXTENSION .....	4
15	105146GT	FORMING,SG HEADER RAIL,GS2032 .....	1
16	47188GT	FOAM,CLOSED CELL 1.75X.250X18" .....	1
16-	28443GT	CABLE TIE, 11.5" BLACK .....	
17	105004GT	FORMING, HALF GATE, HINGE ..... (ground controls side)	1
18	1253485GT	SCREW,HHF,1/4-20X2,8,ZAG .....	4
19	104804GT	HINGE, SPRING, LONG LEG .....	2
20	824027GT	NUT, TL FLG, 1/4-20, G, ZAG .....	
21	65990-SGT	KIT,GATE LATCH ..... (includes latch, spring and hardware)	1
22	824029GT	NUT,TL FLG,3/8-16,G,ZAG .....	3
23A	84690GT	SWING GATE ASSY,GS32,COMPLETE ..... (decals not included, refer to section one)	1
23B	97110GT	SWING GATE ASSY,GS30/32** ..... (decals not included, refer to section one)	1
23C	66551GT	WELDMENT, HALF GATE ..... (decals not included, refer to section one)	1



401.1 Platform Components (to SN GS32P-153435)

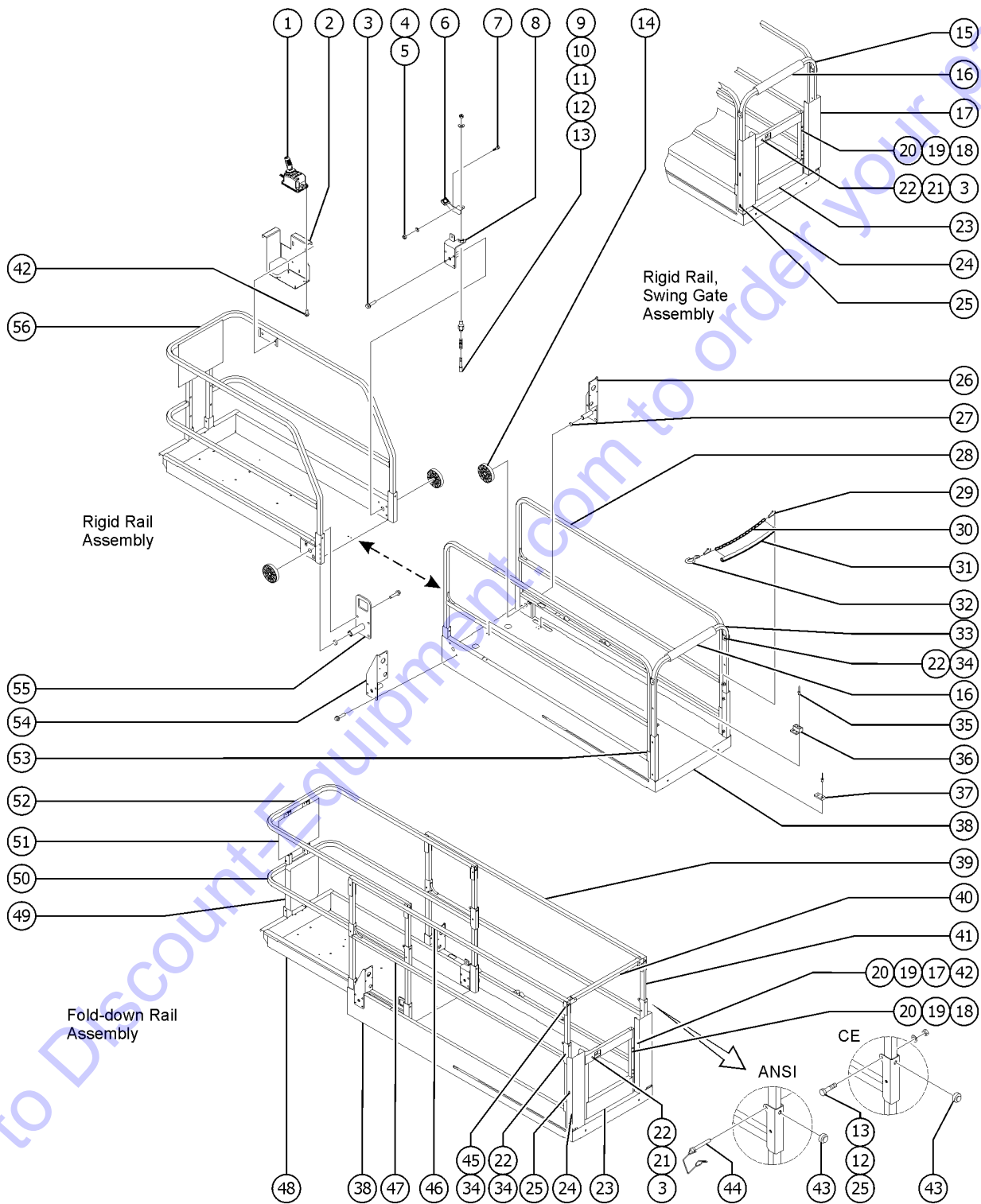


401.1 Platform Components (to SN GS32P-153435)

Item	Part No.	Description	Qty.
23D	65990-SGT	KIT,GATE LATCH (includes latch, spring and hardware)	1
23D-	22446GT	SPRING, COMPRESSION .835 X 2 included in kit 65990-SGT	1
23D-	66544GT	LATCH HANDLE included in kit 65990-SGT	1
24	105099GT	WLDT, HALF GATE CATCH, GS32 (battery pack side)	1
25	824094GT	SCREW,HHF,3/8-16X2.75,8,ZAG	2
26	84587GT	ROLLER BRACKET ASSY, GRND CNTR (ground controls side)	1
27	21279GT	BUTTON, .800 O.D. X .281	3
28	97044GT	MAIN RAIL RIGID, SQ GS32	2
29	97305GT	CHAIN GATE ASSY, COM GS32 (GS-2032)	1
29-	96163GT	LINK,(SPLIT) OPEN-END	2
30	39509GT	CHAIN,3/16,OPEN LINK 22.5"	1
31	47224GT	TUBING,PVC,1",BLACK***	1
32	39510GT	RIGID EYE SNAP	1
33	105093GT	WELDMENT, CHAIN GATE	1
34	1256693GT	SCREW,HHF,3/8-16X2.25,8,ZAG	2
35	39579GT	RIVET,STL,STL,.188 X .45	20
36	39310GT	WEAR/GUIDE PAD MAIN PLATFORM	4
37	39474GT	WEAR PAD,PLATFORM	2
38	1284266GT	WLDMT,MAIN DECK,GS32 (decals not included, refer to section one)	1
38-	47098GT	TAPE,NON-SKID,DIE CUT,4"X 40" (not included sold separately)	1
38-	47231GT	TAPE,NON-SKID,DIE CUT,4"X 16" (not included sold separately)	1
38-	47374GT	TAPE,NON-SKID,DIE CUT,4"X 32" (not included sold separately)	1
39	84685GT	MAIN FLDG RAIL ASSY,UPR RT,32 (ground controls side)	1
39-	78038GT	CAP, PLASTIC, 1.25 X 0.08"	1
40	105057GT	TUBE, ENTRY SWING, GS32	1
41	66485GT	TUBE, VERT, FOLDING	6
42	824078GT	SCREW,HHF,1/4-20X.75,8,ZAG	1
43	43392GT	BUMPER,BATTERY BOX & RAILS	4



401.1 Platform Components (to SN GS32P-153435)

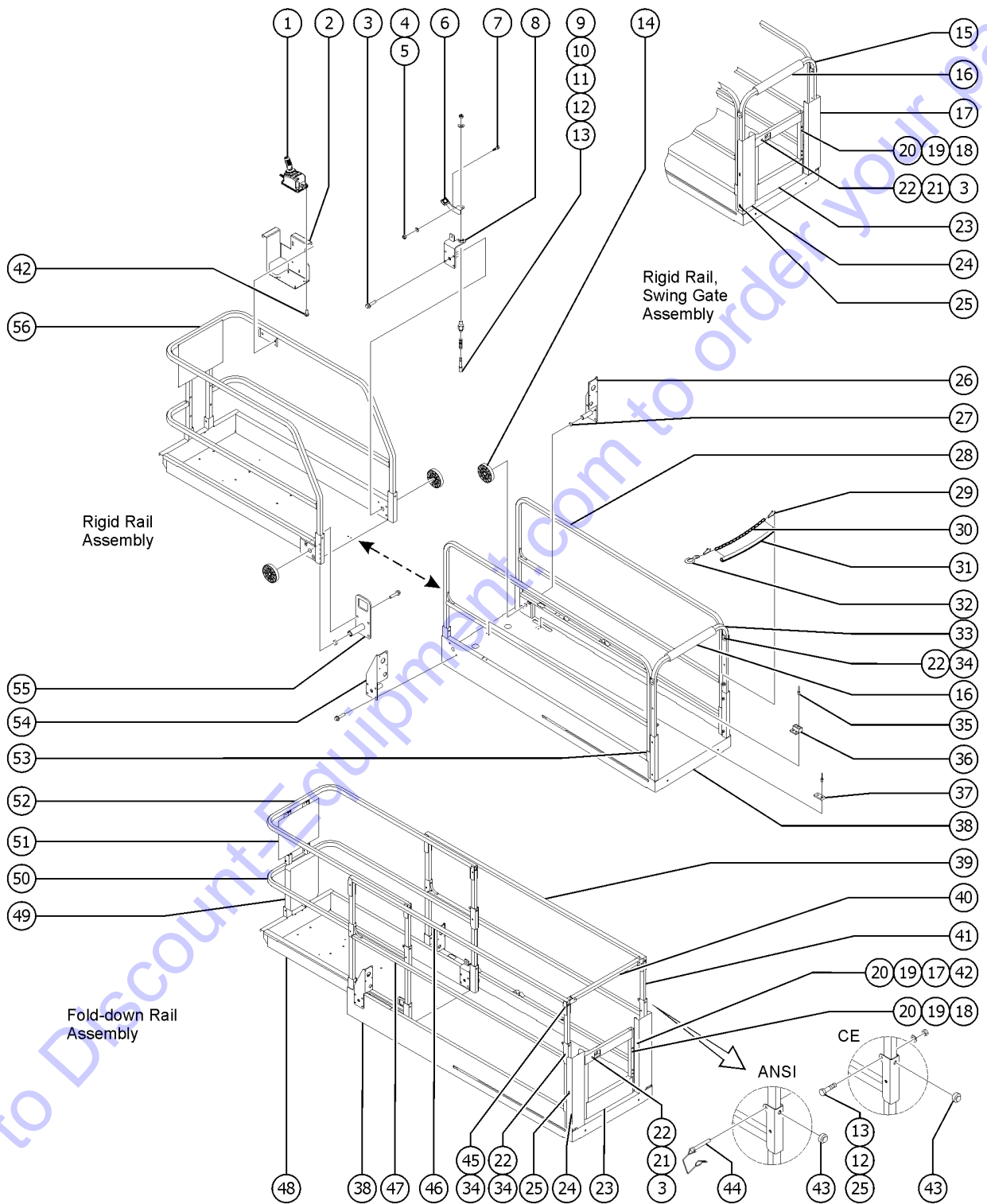


401.1 Platform Components (to SN GS32P-153435)

Item	Part No.	Description	Qty.
44	1259182GT	PIN,WIRE LOCK 3/8 X 2 -1/2,ZAG	5
44-	78022GT	LANYARD,BLACK NYLON,TYPE 1*** (CE & Australia models)	
45	824025GT	NUT,TL,3/8-16,C,ZAG	2
46	84684GT	MAIN FLDG RAIL ASSY,UPR L,GS32 (battery pack side) (fold-down)	1
46-	78038GT	CAP, PLASTIC, 1.25 X 0.08"	
47	84683GT	MAIN FLDG RAIL ASSY, LWR, GS32 (fold-down)	2
47-	78038GT	CAP, PLASTIC, 1.25 X 0.08"	
47-	105024GT	WLDMT, EXT. DECK, GS32	1
47-	39474GT	WEAR PAD,PLATFORM	1
47-	47231GT	TAPE,NON-SKID,DIE CUT,4"X 16"	1
47-	47374GT	TAPE,NON-SKID,DIE CUT,4"X 32"	3
47-	T113787GT	RIVET,ALUM,STL,.188 X .250 for 39474GT	2
48A	84680GT	EXT. DECK ASSY, GS32 (ANSI and CSA models)	1
48B	84681GT	EXT. DECK ASSY, GS32 CE (CE models)	1
49A	44743GT	MANUAL BOX W/DECALS*** USA/Canada/Australia	1
49A-	1256855	SCREW,HHF,1/4-20X.625,8,ZAG	4
49A-	824027GT	NUT, TL FLG, 1/4-20, G, ZAG	4
49A-	824113GT	WASHER,FLAT,USS,1/4,ZAG	4
49B	24514GT	BOX,INSTRUCTION STORAGE Europe/Asia/South America (decals required; refer to Section100)	1
49B-	1256855	SCREW,HHF,1/4-20X.625,8,ZAG	4
49B-	824027GT	NUT, TL FLG, 1/4-20, G, ZAG	4
49B-	824113GT	WASHER,FLAT,USS,1/4,ZAG	4
50	105023GT	WLDMT, LOWER EXT RAIL	1
50-	78038GT	CAP, PLASTIC, 1.25 X 0.08" (not included sold separately)	
51	96849GT	WLDMT,DECAL PLATE, GS30/32 (decals not included, refer to section one)	
52A	105026GT	WELDMENT,UPPER EXT RAIL,GS32** (decals not included, refer to section one)	
52A-	78038GT	CAP, PLASTIC, 1.25 X 0.08" (not included sold separately)	
52B	84686GT	EXT FLDG RAIL ASSY,UPR,32,WO** word decals	



401.1 Platform Components (to SN GS32P-153435)



Go to DiscountEquipment.com to order your parts

401.1 Platform Components (to SN GS32P-153435)

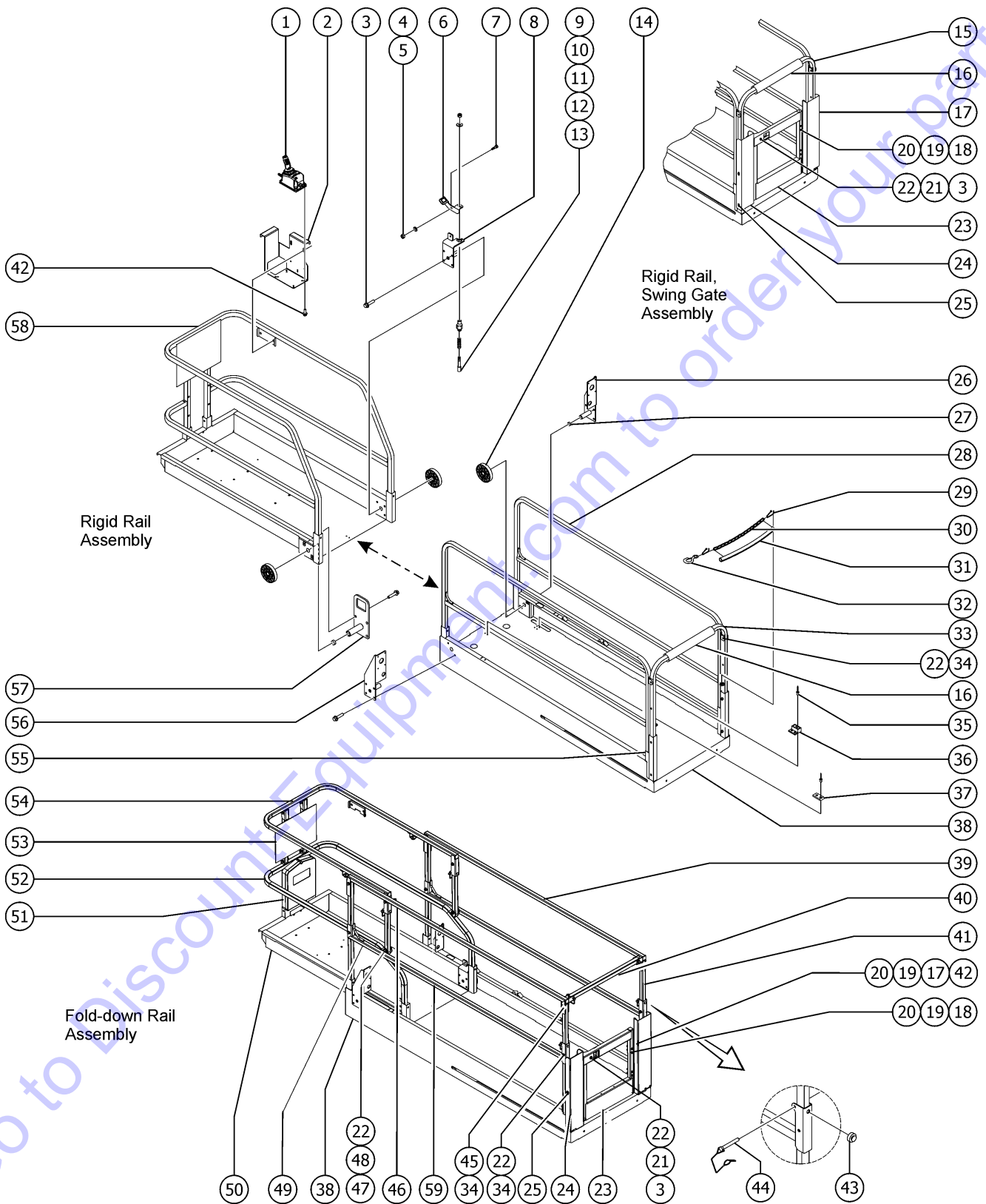
Item	Part No.	Description	Qty.
52C	84687GT	EXT FLDG RAIL ASSY, UPR, 32, S symbol decals	1
53	824067GT	SCREW,HHC,3/8-16X1,8,ZAG	2
54	96246GT	WELDMENT,ROLLER BRACKET,LT*** (decals not included, refer to section one)	1
55	96200GT	WLDMT, LANYARD ROLLER BRKT (decals not included, refer to section one)	1
55-	21279GT	BUTTON, .800 O.D. X .281 (sold separately)	1
56	105091GT	WELDMENT,EXT SIDERAIL*** (decals not included, refer to section one)	1

Go to Discount-Equipment.com to order your parts





401.2 Platform Components (from SN GS32P-153436)

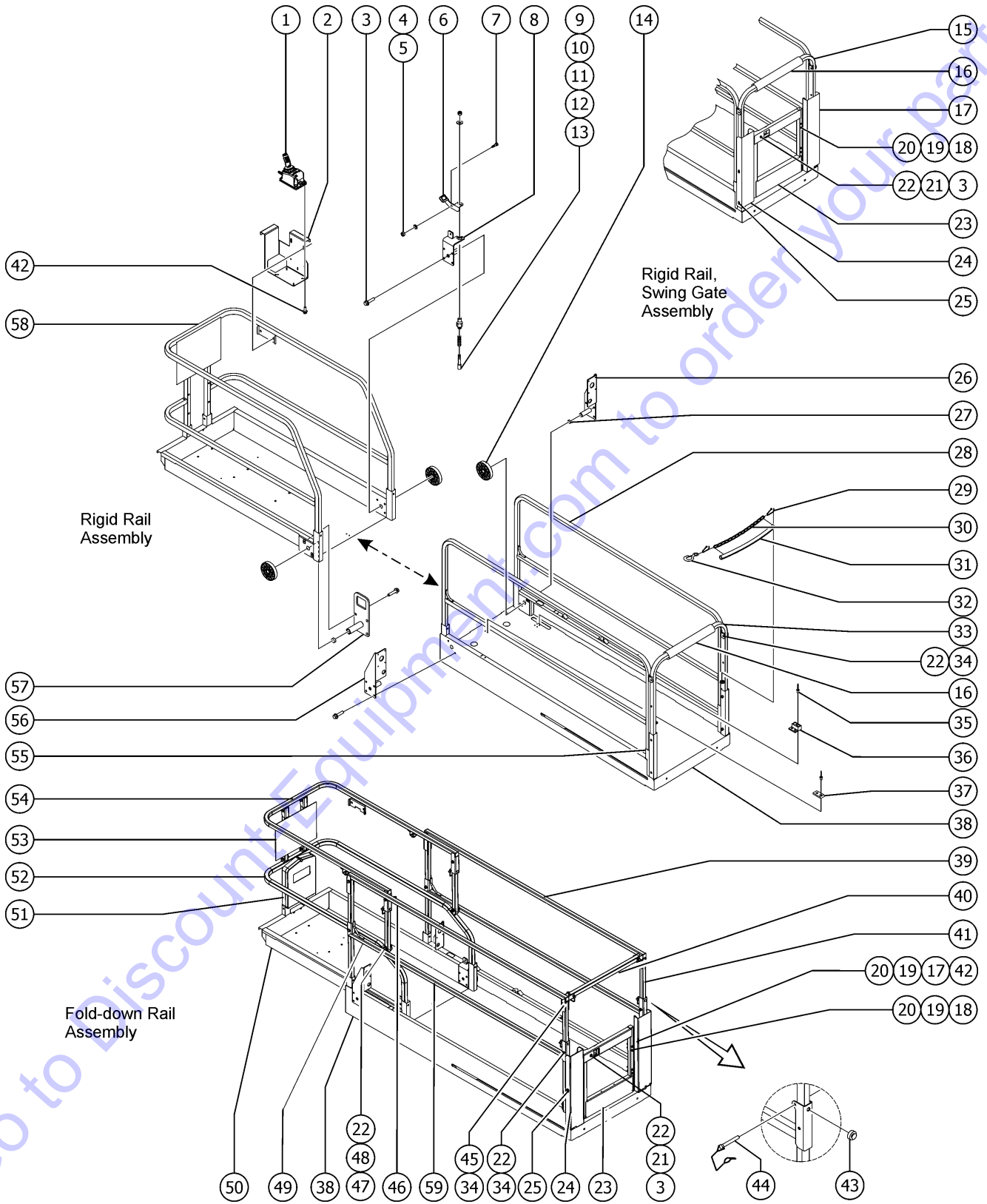


401.2 Platform Components (from SN GS32P-153436)

Item	Part No.	Description	Qty.
1		Ref. Platform Control Box ..... (refer to 403.1)	
2		Ref. Platform Control Box Mount ..... (refer to 403.1)	
3	1253478GT	SCREW,HHF,3/8-16X2,8,ZAG .....	8
4	1252977GT	NUT,TL JAM,5/16-18,A,ZAG .....	1
5	825358GT	WASHER,FLAT,5/16,USS,ZAG .....	1
6	46260GT	FOOTPEDAL W/NON-SKID TAPE,GS** .....	1
6-	47166GT	BRACKET,FOOT PEDAL ..... (non skid tape not included)	1
6-	47225GT	TAPE,NON-SKID,DIE CUT,1.38X1.5 ..... (sold separately)	
7	1259223GT	BOLT,SHS,3/8X.375X5/16-18,ZAG .....	1
8	96413GT	WLDMT,LOCKING ROLLER SUPPORT .....	1
9	1259181GT	PIN,LOCK,0.5X3.125,ZAG .....	1
10	39469GT	SPRING,COMPRESSION.485 X1.75** .....	1
11	41630GT	HOUSING, LOCK PIN .....	1
12	1255758GT	WASHER,FLAT,3/8,USS,ZAG .....	1
13	824038GT	NUT, TL JAM, 3/8-16, A, ZAG .....	1
14	47163GT	ROLLER,PLATFORM EXTENSION .....	4
15	105146GT	FORMING,SG HEADER RAIL,GS2032 .....	1
16	47188GT	FOAM,CLOSED CELL 1.75X.250X18" .....	1
16-	28443GT	CABLE TIE, 11.5" BLACK .....	
17	105004GT	FORMING, HALF GATE, HINGE ..... (ground controls side)	1
18	1253485GT	SCREW,HHF,1/4-20X2,8,ZAG .....	4
19	104804GT	HINGE, SPRING, LONG LEG .....	2
20	824027GT	NUT, TL FLG, 1/4-20, G, ZAG .....	
21	65990-SGT	KIT,GATE LATCH ..... (includes latch, spring and hardware)	1
22	824029GT	NUT,TL FLG,3/8-16,G,ZAG .....	5
23	84690GT	SWING GATE ASSY,GS32,COMPLETE ..... (decals not included, refer to section one)	1
23B	97110GT	SWING GATE ASSY,GS30/32** ..... (decals not included, refer to section one)	1
23C	66551GT	WELDMENT, HALF GATE ..... (decals not included, refer to section one)	1



401.2 Platform Components (from SN GS32P-153436)

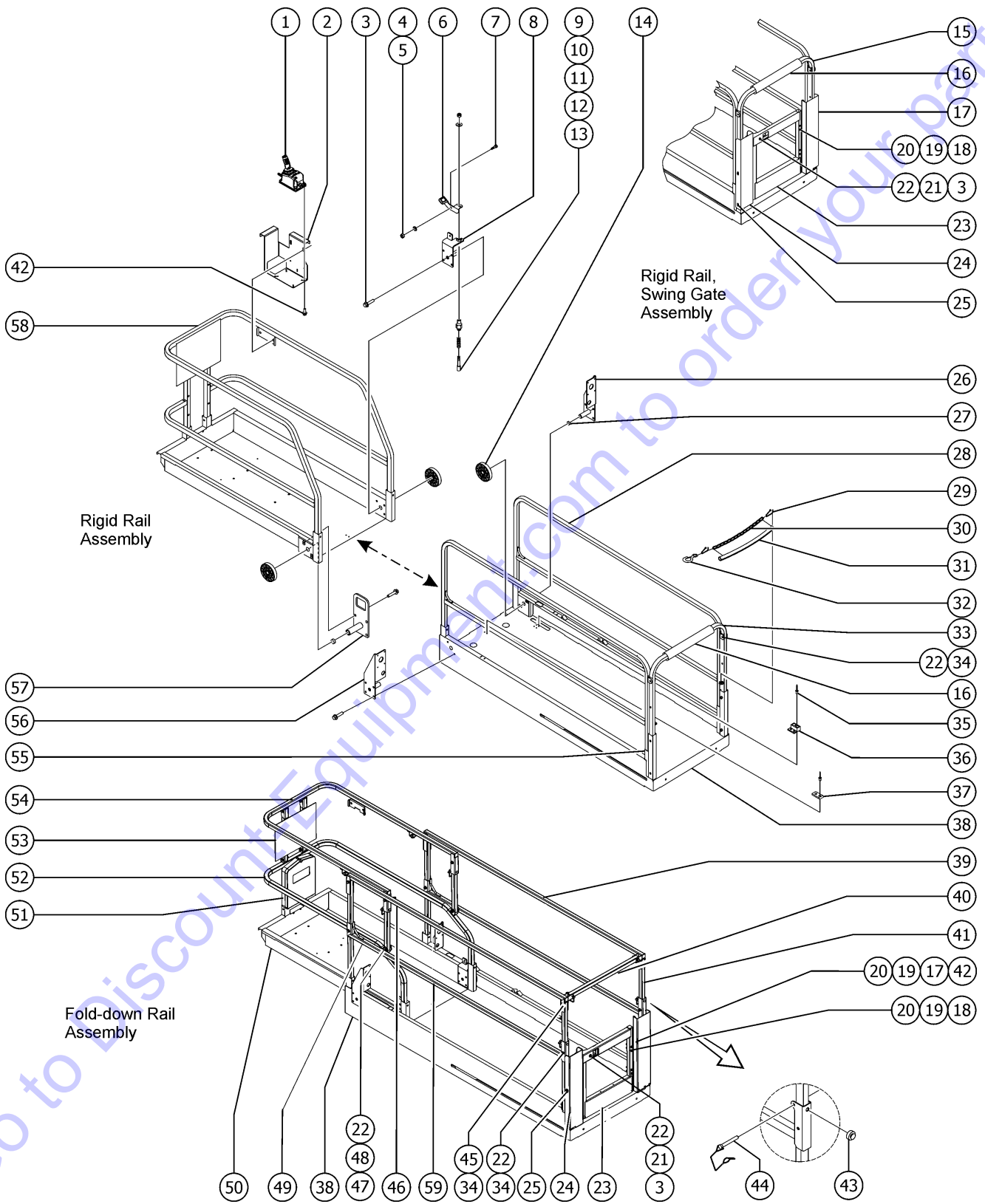


401.2 Platform Components (from SN GS32P-153436)

Item	Part No.	Description	Qty.
23D	65990-SGT	KIT,GATE LATCH (includes latch, spring and hardware)	1
23D-	22446GT	SPRING, COMPRESSION .835 X 2 included in kit 65990-SGT	1
23D-	66544GT	LATCH HANDLE included in kit 65990-SGT	1
24	105099GT	WLDT, HALF GATE CATCH, GS32 (battery pack side)	1
25	824094GT	SCREW,HHF,3/8-16X2.75,8,ZAG	2
26	84587GT	ROLLER BRACKET ASSY, GRND CNTR (ground controls side)	1
27	21279GT	BUTTON, .800 O.D. X .281	3
28	97044GT	MAIN RAIL RIGID, SQ GS32	2
29	97305GT	CHAIN GATE ASSY, COM GS32 (GS-2032)	1
29-	96163GT	LINK,(SPLIT) OPEN-END	2
30	39509GT	CHAIN,3/16,OPEN LINK 22.5"	1
31	47224GT	TUBING,PVC,1",BLACK***	1
32	39510GT	RIGID EYE SNAP	1
33	105093GT	WELDMENT, CHAIN GATE	1
34	1256693GT	SCREW,HHF,3/8-16X2.25,8,ZAG	2
35	39579GT	RIVET,STL,STL,.188 X .45	20
36	39310GT	WEAR/GUIDE PAD MAIN PLATFORM	4
37	39474GT	WEAR PAD,PLATFORM	2
38	1284266GT	WLDMT,MAIN DECK,GS32 (decals not included, refer to section one)	1
38-	47098GT	TAPE,NON-SKID,DIE CUT,4"X 40" (not included sold separately)	1
38-	47231GT	TAPE,NON-SKID,DIE CUT,4"X 16" (not included sold separately)	1
38-	47374GT	TAPE,NON-SKID,DIE CUT,4"X 32" (not included sold separately)	1
39	84685GT	MAIN FLDG RAIL ASSY,UPR RT,32 (ground controls side)	1
39-	78038GT	CAP, PLASTIC, 1.25 X 0.08"	1
40	105057GT	TUBE, ENTRY SWING, GS32	1
41	66485GT	TUBE, VERT, FOLDING	6
42	824078GT	SCREW,HHF,1/4-20X.75,8,ZAG	1
43	43392GT	BUMPER,BATTERY BOX & RAILS	4



401.2 Platform Components (from SN GS32P-153436)



Go to [DiscountEquipment.com](http://DiscountEquipment.com) to order your parts

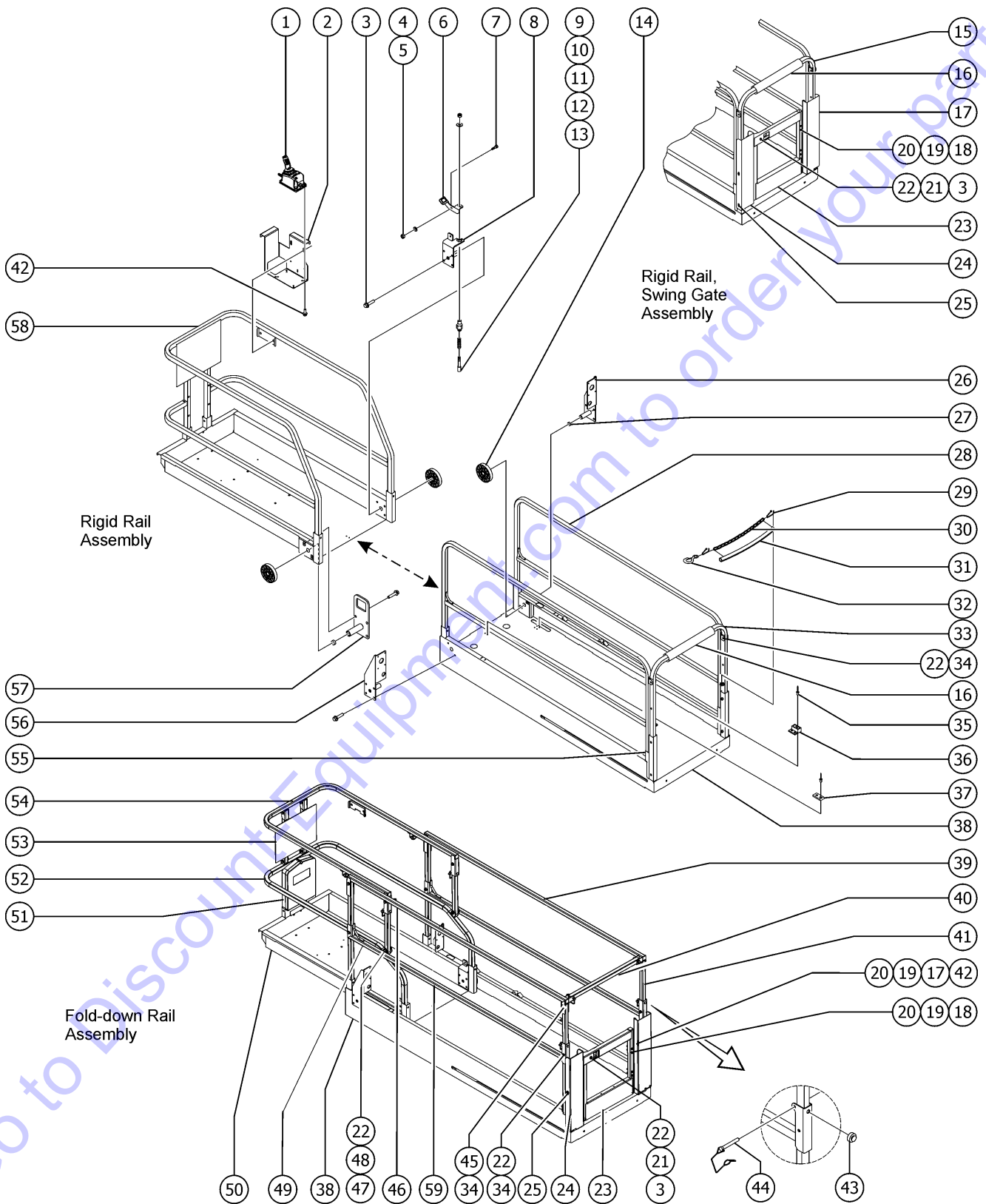


401.2 Platform Components (from SN GS32P-153436)

Item	Part No.	Description	Qty.
44	1259182GT	PIN,WIRE LOCK 3/8 X 2 -1/2,ZAG	5
44-	78022GT	LANYARD,BLACK NYLON,TYPE 1*** (CE & Australia models)	
45	824025GT	NUT,TL,3/8-16,C,ZAG	2
46	84684GT	MAIN FLDG RAIL ASSY,UPR L,GS32 (battery pack side) (fold-down)	1
46-	78038GT	CAP, PLASTIC, 1.25 X 0.08"	
47	1260926GT	BOLT,CARRIAGE,3/8-16X2.25,5,ZAG	4
48	1277860GT	GLIDE BUTTON, FOLDING RAILS	2
49	1274085GT	WELDMENT, FOLDING, SIDE RAIL, MAIN (fold-down)	2
49-	78038GT	CAP, PLASTIC, 1.25 X 0.08"	
49-	105024GT	WLDMT, EXT. DECK, GS32	1
49-	39474GT	WEAR PAD,PLATFORM	1
49-	47231GT	TAPE,NON-SKID,DIE CUT,4"X 16"	1
49-	47374GT	TAPE,NON-SKID,DIE CUT,4"X 32"	3
49-	T113787GT	RIVET,ALUM,STL.,188 X .250 for 39474GT	2
50	84680GT	EXT. DECK ASSY, GS32 (ANSI and CSA models)	1
50B	84681GT	EXT. DECK ASSY, GS32 CE (CE models)	1
51	44743GT	MANUAL BOX W/DECALS*** USA/Canada/Australia	1
51A-	1256855	SCREW,HHF,1/4-20X.625,8,ZAG	4
51A-	824027GT	NUT, TL FLG, 1/4-20, G, ZAG	4
51A-	824113GT	WASHER,FLAT,USS,1/4,ZAG	4
51B	24514GT	BOX,INSTRUCTION STORAGE Europe/Asia/South America (decal required; refer to Section100)	1
51B-	1256855	SCREW,HHF,1/4-20X.625,8,ZAG	4
51B-	824027GT	NUT, TL FLG, 1/4-20, G, ZAG	4
51B-	824113GT	WASHER,FLAT,USS,1/4,ZAG	4
51C	824082GT	SCREW, HHF, 1/4-20 X 1.75, 8, ZAG	4
51C-	824027GT	NUT, TL FLG, 1/4-20, G, ZAG	4
52	1274082GT	WELDMENT, FOLDING, LOWER, EXTENSION	1
52-	78038GT	CAP, PLASTIC, 1.25 X 0.08" (not included sold separately)	



401.2 Platform Components (from SN GS32P-153436)



401.2 Platform Components (from SN GS32P-153436)

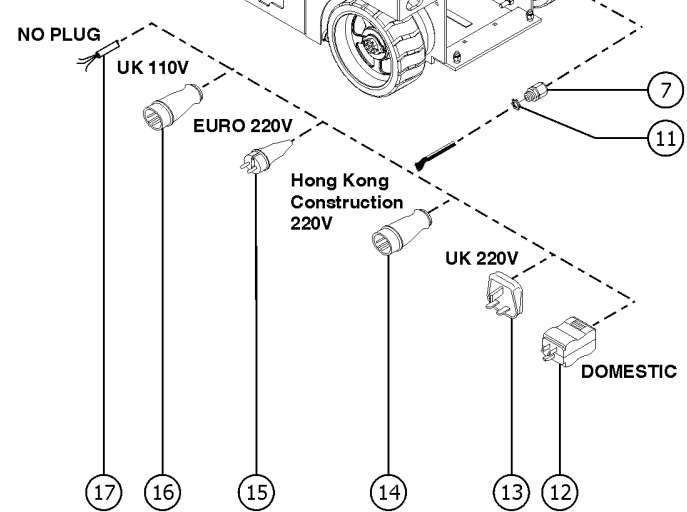
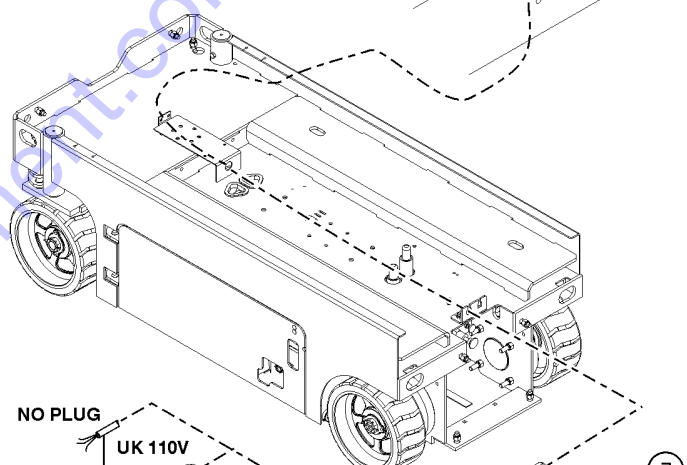
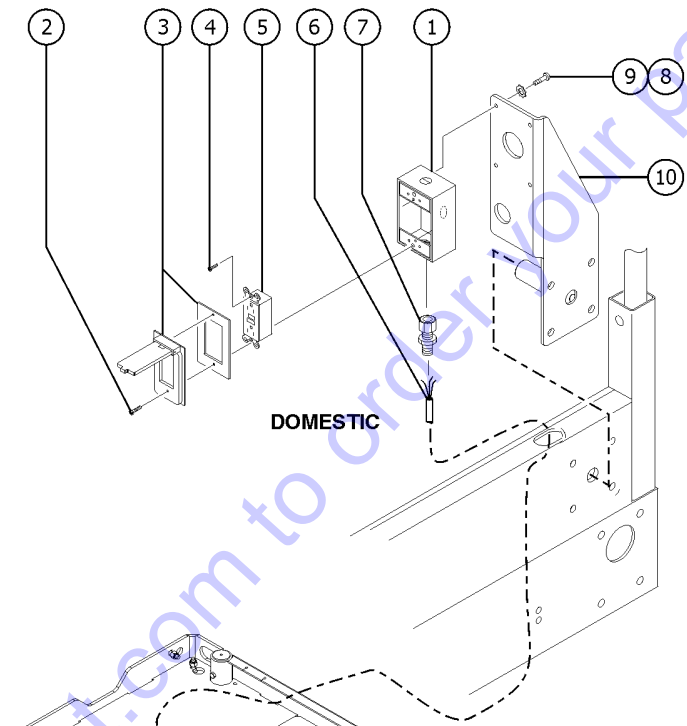
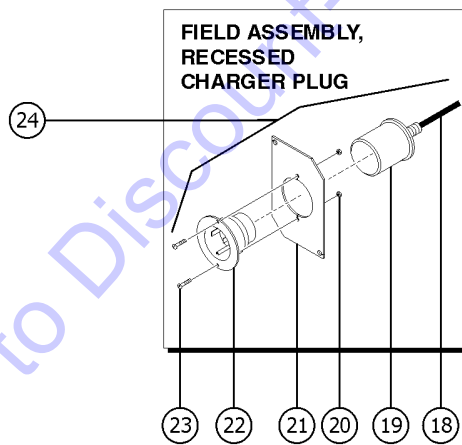
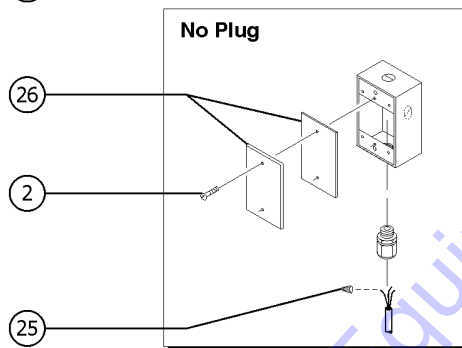
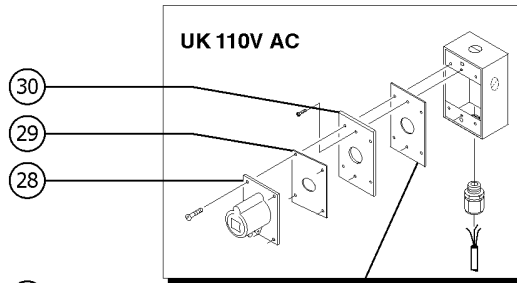
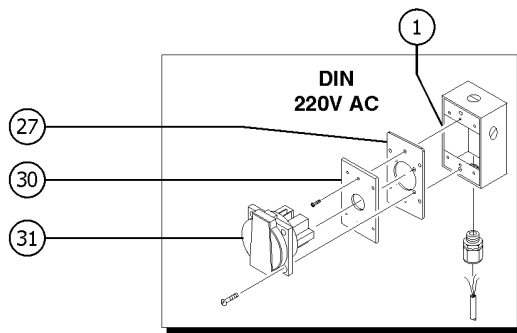
Item	Part No.	Description	Qty.
53	96849GT	WLDMT,DECAL PLATE, GS30/32 (decals not included, refer to section one)	
54	1274083GT	WELDMENT, EXTENSION DECK RAIL, UPPER (decals not included, refer to section one)	
54-	78038GT	CAP, PLASTIC, 1.25 X 0.08" (not included sold separately)	
55	824067GT	SCREW,HHC,3/8-16X1,8,ZAG	2
56	96246GT	WELDMENT,ROLLER BRACKET,LT*** (decals not included, refer to section one)	1
57	96200GT	WLDMT, LANYARD ROLLER BRKT (decals not included, refer to section one)	1
57-	21279GT	BUTTON, .800 O.D. X .281 (sold separately)	1
58	105091GT	WELDMENT,EXT SIDERAIL*** (decals not included, refer to section one)	1
59	84683GT	MAIN FLDG RAIL ASSY, LWR, GS32	2

Go to Discount-Equipment.com to order your parts





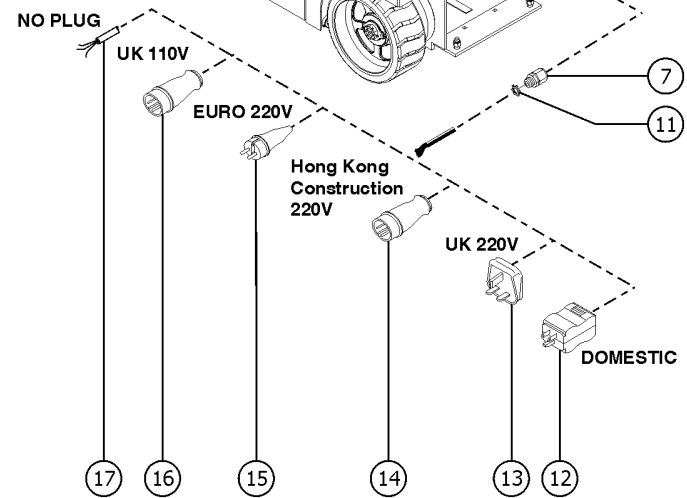
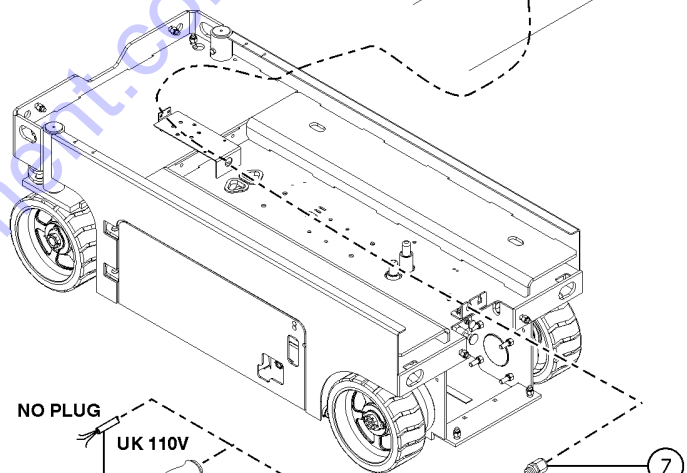
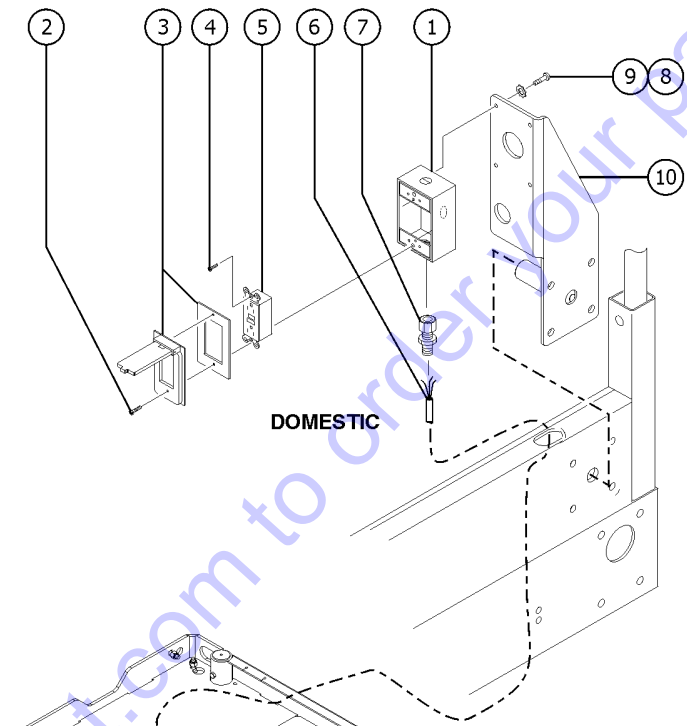
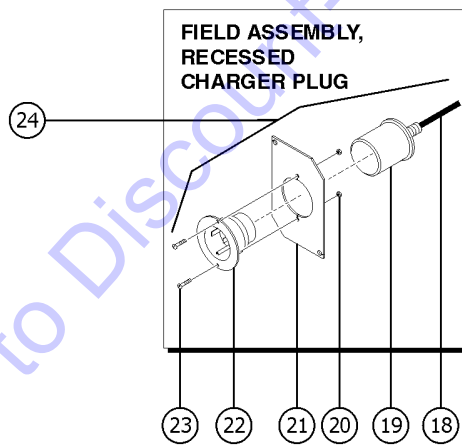
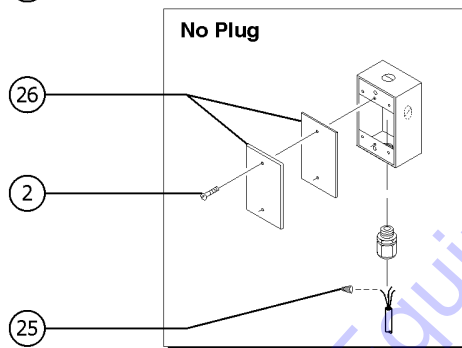
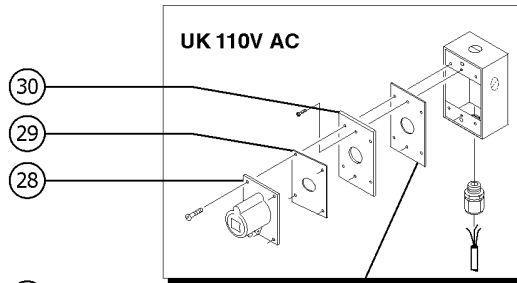
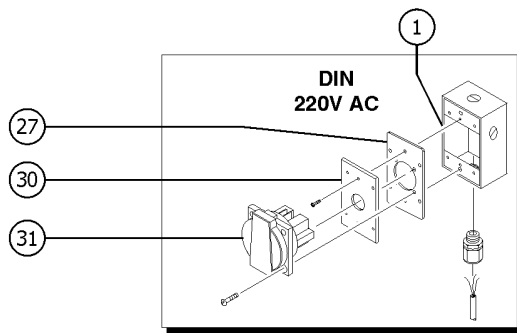
402.1 Power to Platform, GS-2032



Item	Part No.	Description	Qty.
A	33724GT	KIT,GASKET,UK POWER TO PLAT includes 1 each, items 27 and 29	
1	10775GT	T-BOX,2.75 X 4.5 X 2.0	1
2	7127GT	SCREW,PHILLIPS,PHM,6-32 X .75	
3A	74006GT	COVER,GFCI,HORIZONTAL,WEATHER (ANSI and CSA models) (includes gasket and mounting fasteners)	1
3B	105812GT	COVER,T-BOX LOCKABLE EE rated (not shown)	1
4	45546GT	SCREW,RHM,6-32 X .5	
5	13585GT	OUTLET, 110V ANSI and CSA models	1
6A	43956GT	WIRE CABLE,14/3 CON.TPE JKT* GS-2032	456
7	7056GT	CONN, SQZ, 1/2NPT, 0.38-0.50,SM	1
8	57075GT	SCREW,PHIL,8-32X.50,SELF TAP	
9	44936GT	WASHER,STAR,EXTERNAL,#8	4
10		Ref. ROLLER BRACKET refer to 401.1	
11	6935GT	CONN, SQZ, 1/2NPT, LOCKNUT	1
12A	6595GT	PLUG,ELECTRICAL,DOMESTIC to SN GS3216P-146462	1
12B	6595GT	PLUG,ELECTRICAL,DOMESTIC from SN GS3216P-146463	2
13	25388GT	PLUG,FUSED,250V,13AMP,U.K.**	
14	1263471GT	PLUG,IEC60309 CEE, 3PIN 220-24 (Hong Kong Construction)	1
15	1280665GT	PLUG, TYPE F, 230A, 50HZ, 16A, IP44	
16	144161GT	PLUG,PWR,UK,16AMP,3PIN,BLK	
17	105117GT	PLUG,FLG INLET,15A/125V,2PWGD	
17-	105118GT	GASKET,(BOOT) FLANGE INLET PLG	
18	48282GT	POWER CORD, IEC 320 BLANK ANSI models to SN GS3216P-146462	1
19	105118GT	GASKET,(BOOT) FLANGE INLET PLG ANSI models to SN GS3216P-146462	1
20	18605GT	NUT,NYLOCK,8-32 ANSI models to SN GS3216P-146462	2
21	105483-SGT	PLATE,AC ADAPTER(ANSI/CSA) ANSI models to SN GS3216P-146462	1
21-	6091GT	NUT, NYLOCK, 1/4-20 not included	2
21-	6878GT	BOLT,CARRIAGE,1/4-20 X .75,G2 not included	2
22	105117GT	PLUG,FLG INLET,15A/125V,2PWGD ANSI models to SN GS3216P-146462	1



402.1 Power to Platform, GS-2032



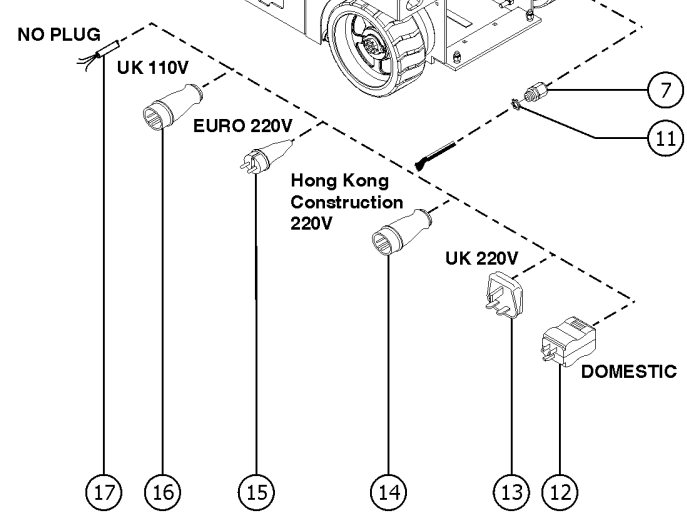
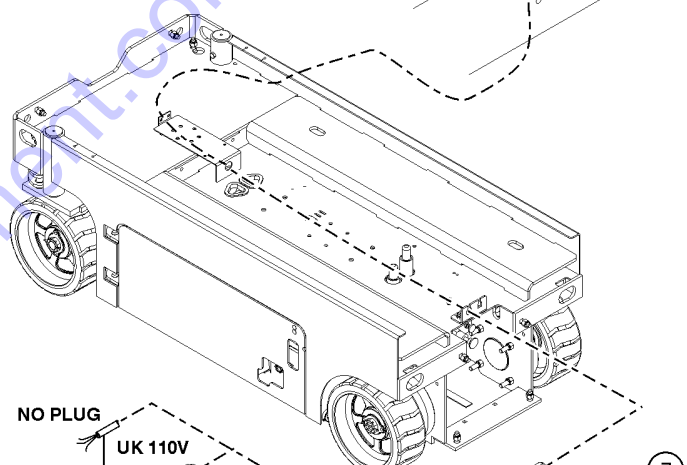
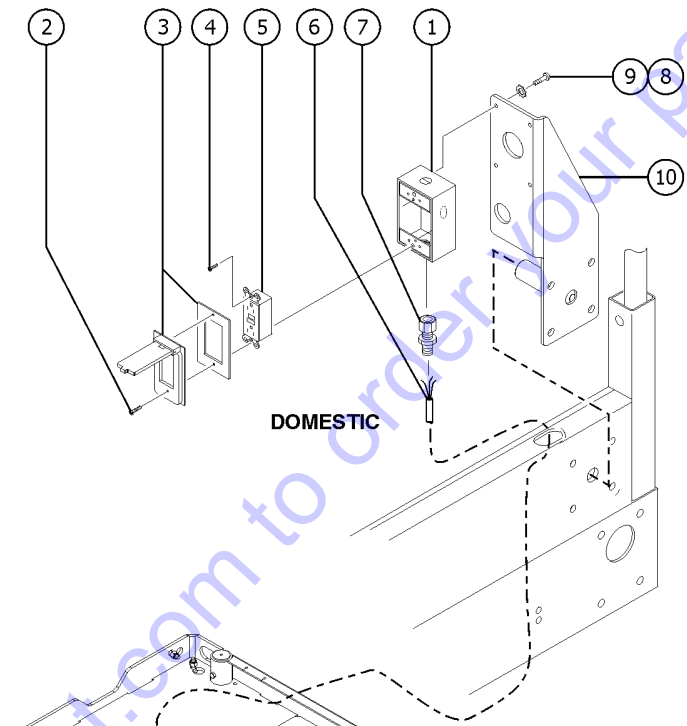
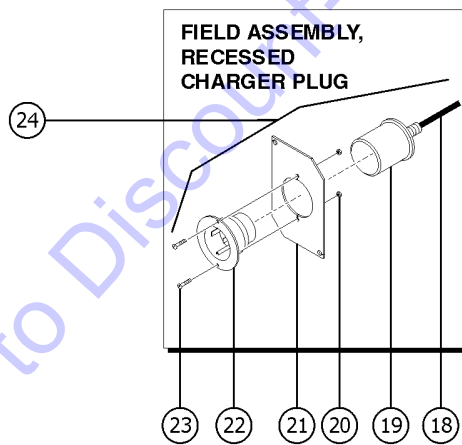
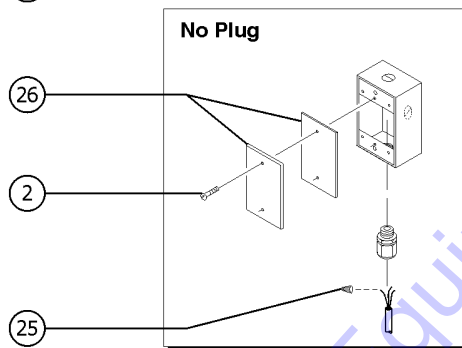
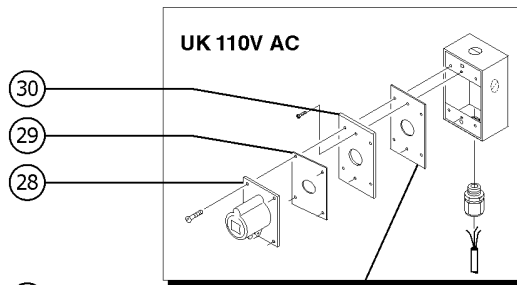
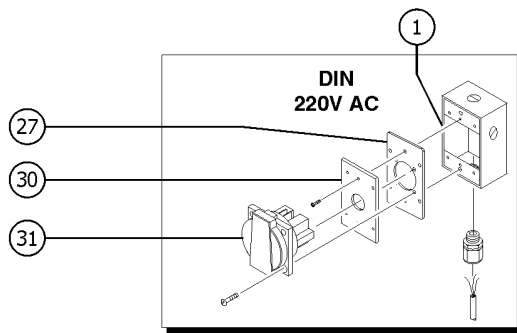
Go to Discount-Equipment.com to order your parts

Item	Part No.	Description	Qty.
23	55906GT	SCREW, PHILLIPS, PHM, 8-32 X .5 ANSI models to SN GS3216P-146462	2
24	144129GT	RECESSED SIDE PLUG ASSY, GS includes items 18-23 to SN GS3216P-146462	1
25	6626GT	WIRE CAP,ORANGE	1
26	10777GT	COVER, BLANK	1
27	66355GT	GASKET, UK & DIN PWR. TO PLAT 2.9 x 2.9 inches	1
28	T112563GT	SVC KIT,UK RECEPT.REPLACEMENT (includes mounting plate, gasket and fasteners) for Europe	1
29	66356GT	GASKET, UK RECEPTACLE 2.9 x 2.9 inches	1
30A	105483-SGT	PLATE,AC ADAPTER(ANSI/CSA) ANSI/CSA	
30B	96236GT	PLATE,AC ADAPTER,DIN/UK***	
30C	105090GT	PLATE, AC ADAPTER(AUS)	
31	66353GT	RECEPTACLE, DIN, 220V 50A	1

Go to Discount-Equipment.com to order your parts



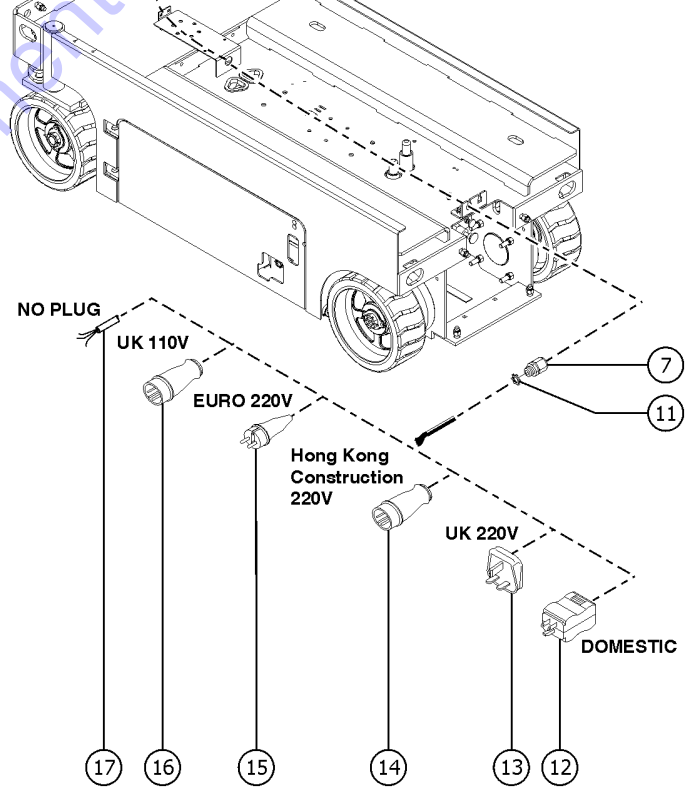
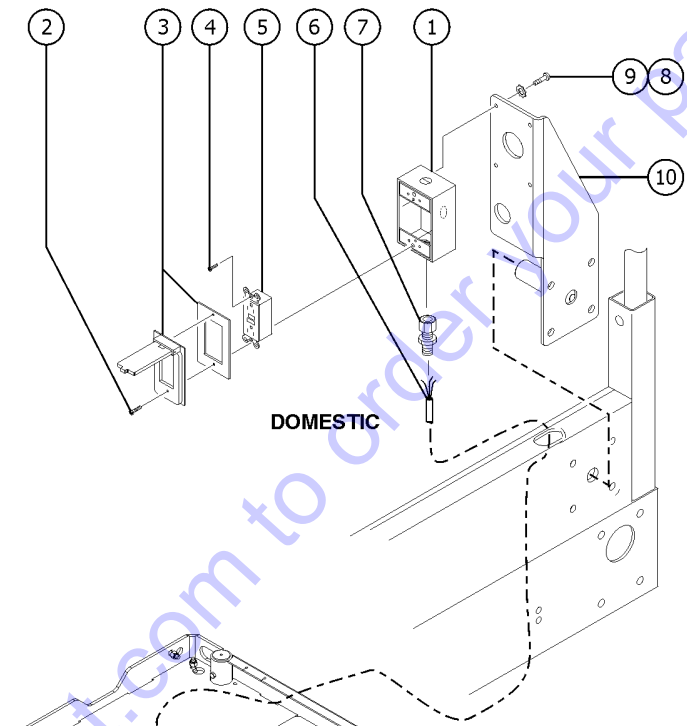
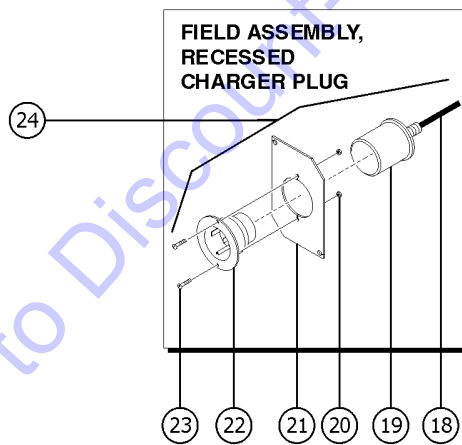
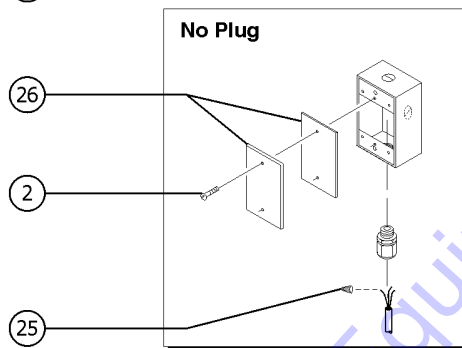
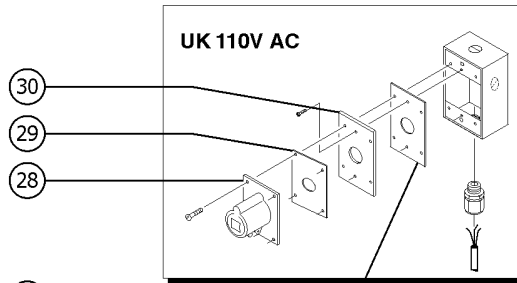
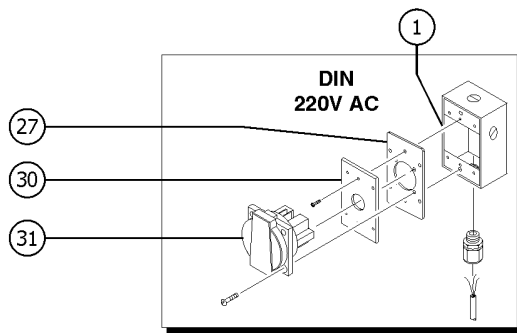
402.2 Power to Platform, GS-2032



Item	Part No.	Description	Qty.
A	33724GT	KIT,GASKET,UK POWER TO PLAT includes 1 each, items 27 and 29	
1	10775GT	T-BOX,2.75 X 4.5 X 2.0	1
2	7127GT	SCREW,PHILLIPS,PHM,6-32 X .75	
3A	74006GT	COVER,GFCI,HORIZONTAL,WEATHER (ANSI and CSA models) (includes gasket and mounting fasteners)	1
3B	105812GT	COVER,T-BOX LOCKABLE EE rated (not shown)	1
4	45546GT	SCREW,RHM,6-32 X .5	
5	13585GT	OUTLET, 110V ANSI and CSA models	1
6A	43956GT	WIRE CABLE,14/3 CON.TPE JKT* GS-2032	456
7	7056GT	CONN, SQZ, 1/2NPT, 0.38-0.50,SM	1
8	57075GT	SCREW,PHIL,8-32X.50,SELF TAP	
9	44936GT	WASHER,STAR,EXTERNAL,#8	4
10		Ref. ROLLER BRACKET refer to 401.1	
11	6935GT	CONN, SQZ, 1/2NPT, LOCKNUT	1
12A	6595GT	PLUG,ELECTRICAL,DOMESTIC to SN GS3216P-146462	1
12B	6595GT	PLUG,ELECTRICAL,DOMESTIC from SN GS3216P-146463	2
13	25388GT	PLUG,FUSED,250V,13AMP,U.K.**	
14	1263471GT	PLUG,IEC60309 CEE, 3PIN 220-24 (Hong Kong Construction)	1
15	1280665GT	PLUG, TYPE F, 230A, 50HZ, 16A, IP44	
16	144161GT	PLUG,PWR,UK,16AMP,3PIN,BLK	
17	105117GT	PLUG,FLG INLET,15A/125V,2PWGD	
17-	105118GT	GASKET,(BOOT) FLANGE INLET PLG	
18	48282GT	POWER CORD, IEC 320 BLANK ANSI models to SN GS3216P-146462, all models from SN 157196	1
19	105118GT	GASKET,(BOOT) FLANGE INLET PLG ANSI models to SN GS3216P-146462, all models from SN 157196	1
20	18605GT	NUT,NYLOCK,8-32 ANSI models to SN GS3216P-146462, all models from SN 157196	2
21	105483-SGT	PLATE,AC ADAPTER(ANSI/CSA) ANSI models to SN GS3216P-146462, all models from SN 157196	1
21-	6091GT	NUT, NYLOCK, 1/4-20 not included	2
21-	6878GT	BOLT,CARRIAGE,1/4-20 X .75,G2 not included	2
22	105117GT	PLUG,FLG INLET,15A/125V,2PWGD ANSI models to SN GS3216P-146462, all models from SN 157196	1



402.2 Power to Platform, GS-2032



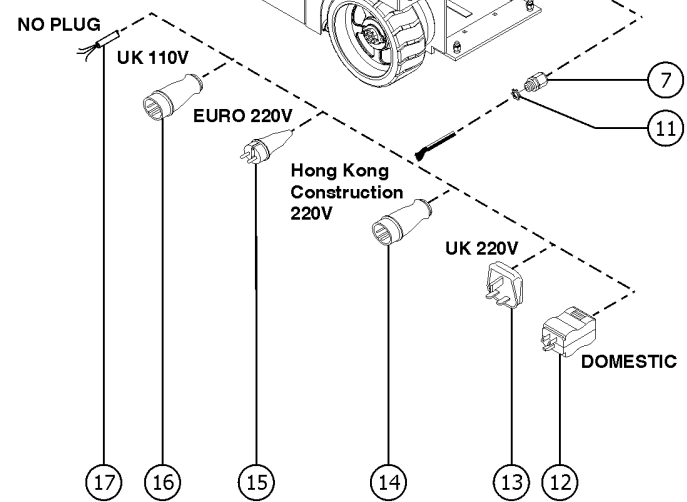
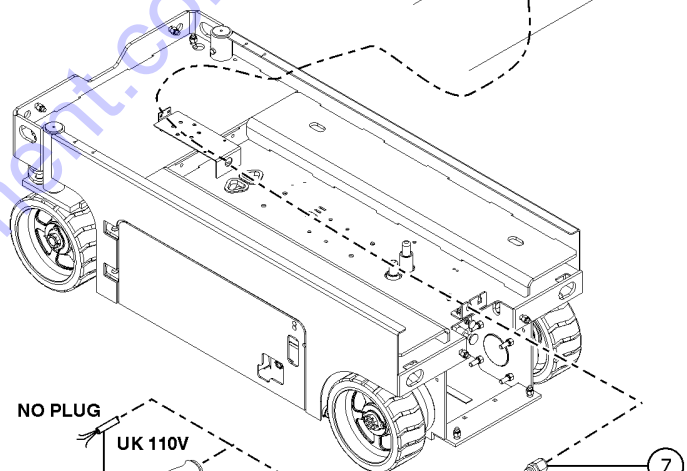
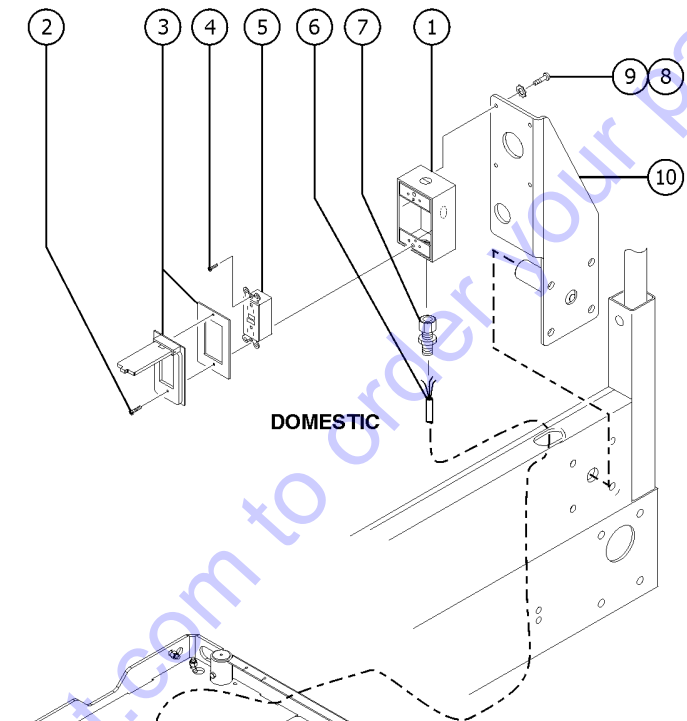
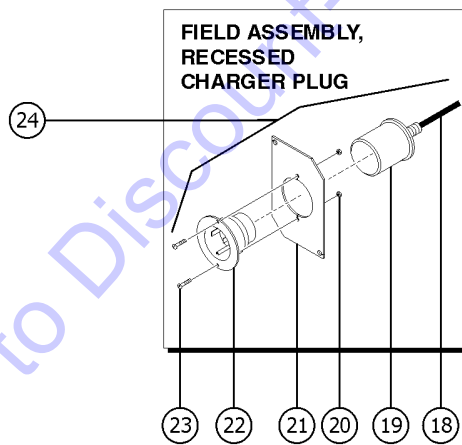
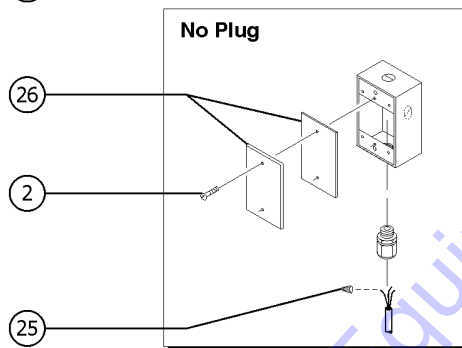
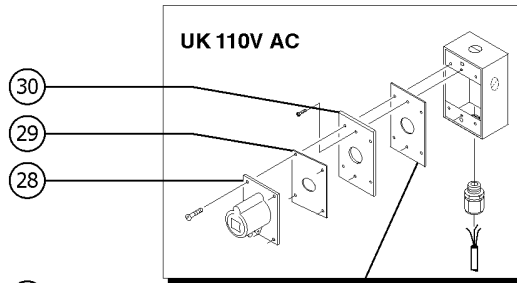
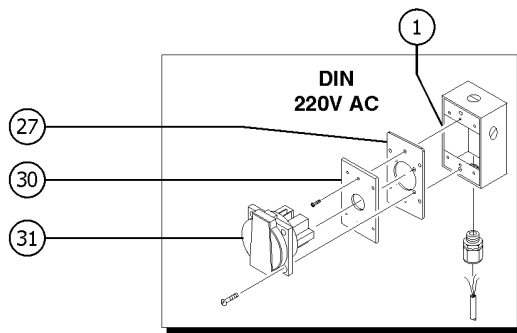
Item	Part No.	Description	Qty.
23	55906GT	SCREW, PHILLIPS, PHM, 8-32 X .5 ANSI models to SN GS3216P-146462, all models from SN 157196	2
24	144129GT	RECESSED SIDE PLUG ASSY, GS includes items 18-23 to SN GS3216P-146462, all models from 157196	1
25	6626GT	WIRE CAP,ORANGE	1
26	10777GT	COVER, BLANK	1
27	66355GT	GASKET, UK & DIN PWR. TO PLAT 2.9 x 2.9 inches	1
28	T112563GT	SVC KIT,UK RECEPT.REPLACEMENT (includes mounting plate, gasket and fasteners) for Europe	1
29	66356GT	GASKET, UK RECEPTACLE 2.9 x 2.9 inches	1
30A	105483-SGT	PLATE,AC ADAPTER(ANSI/CSA) ANSI/CSA	
30B	96236GT	PLATE,AC ADAPTER,DIN/UK***	
30C	105090GT	PLATE, AC ADAPTER(AUS)	
31	66353GT	RECEPTACLE, DIN, 220V 50A	1

Go to Discount-Equipment.com to order your parts





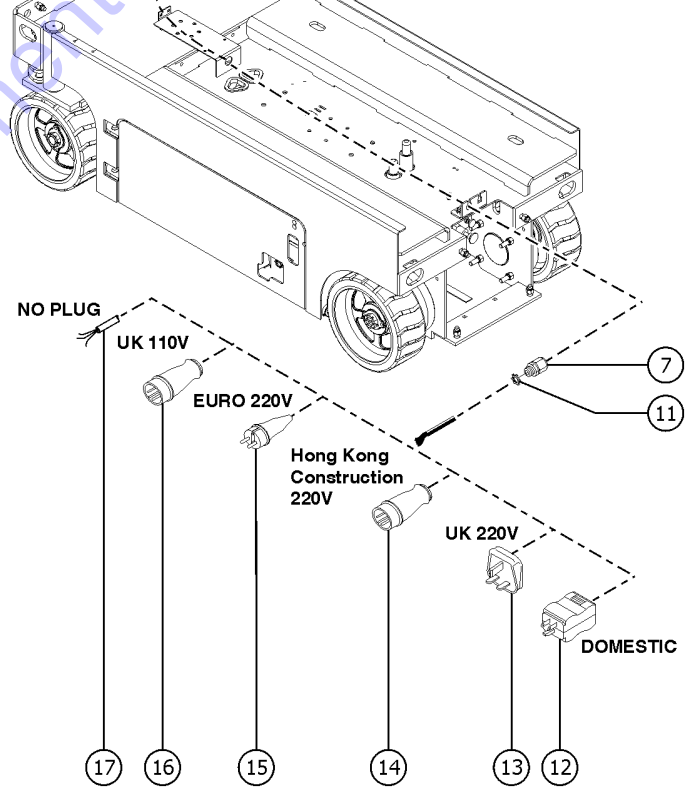
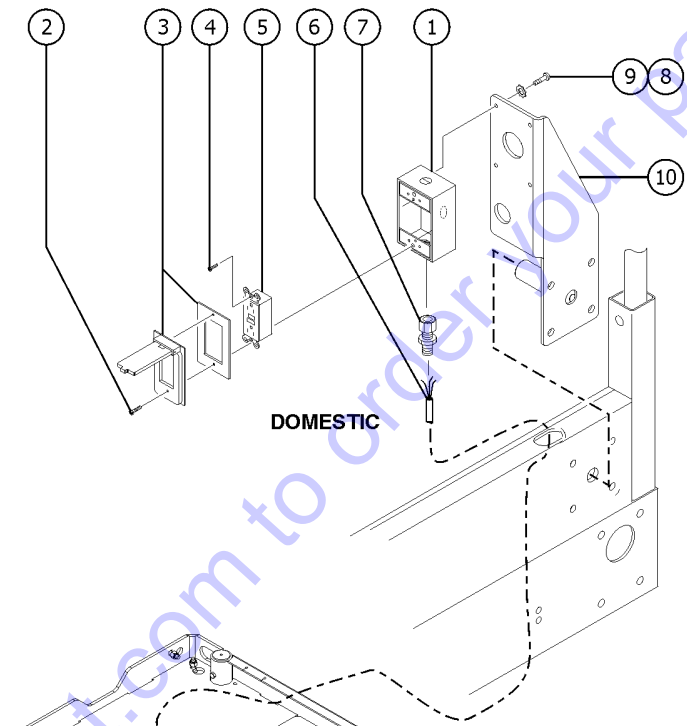
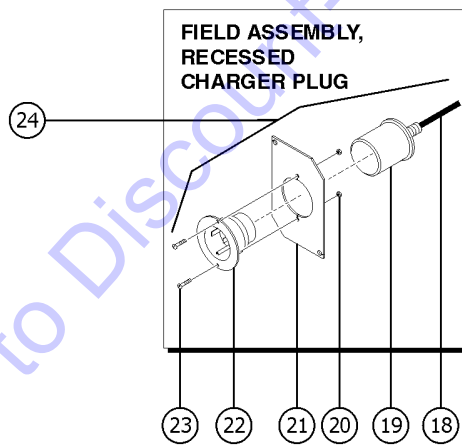
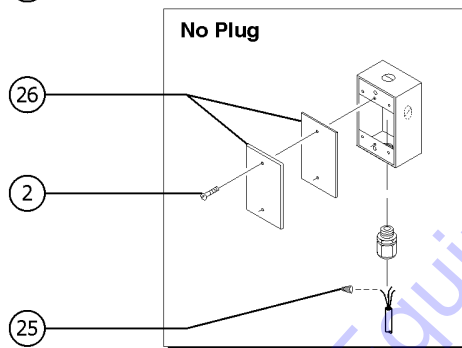
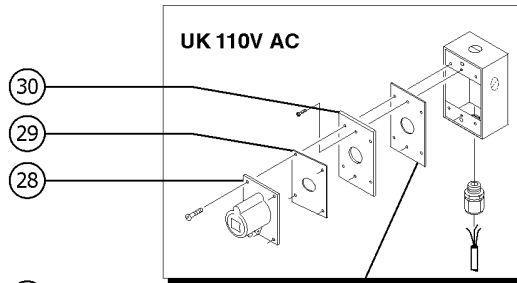
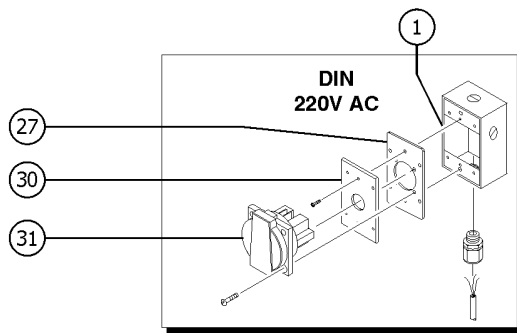
402.3 Power to Platform, GS-2632



Item	Part No.	Description	Qty.
A	33724GT	KIT,GASKET,UK POWER TO PLAT includes 1 each, items 27 and 29	
1	10775GT	T-BOX,2.75 X 4.5 X 2.0	1
2	7127GT	SCREW,PHILLIPS,PHM,6-32 X .75	
3A	74006GT	COVER,GFCI,HORIZONTAL,WEATHER (ANSI and CSA models) (includes gasket and mounting fasteners)	1
3B	105812GT	COVER,T-BOX LOCKABLE EE rated (not shown)	1
4	45546GT	SCREW,RHM,6-32 X .5	
5	13585GT	OUTLET, 110V ANSI and CSA models	1
6B	43956GT	WIRE CABLE,14/3 CON.TPE JKT* GS-2632	516
7	7056GT	CONN, SQZ, 1/2NPT, 0.38-0.50,SM	1
8	57075GT	SCREW,PHIL,8-32X.50,SELF TAP	
9	44936GT	WASHER,STAR,EXTERNAL,#8	4
10		Ref. ROLLER BRACKET refer to 401.1	
11	6935GT	CONN, SQZ, 1/2NPT, LOCKNUT	1
12A	6595GT	PLUG,ELECTRICAL,DOMESTIC to SN GS3216P-146462	1
12B	6595GT	PLUG,ELECTRICAL,DOMESTIC from SN GS3216P-146463	2
13	25388GT	PLUG,FUSED,250V,13AMP,U.K.**	
14	1263471GT	PLUG,IEC60309 CEE, 3PIN 220-24 (Hong Kong Construction)	1
15	1280665GT	PLUG, TYPE F, 230A, 50HZ, 16A, IP44	
16	144161GT	PLUG,PWR,UK,16AMP,3PIN,BLK	
17	105117GT	PLUG,FLG INLET,15A/125V,2PWGD	
17-	105118GT	GASKET,(BOOT) FLANGE INLET PLG	
18	48282GT	POWER CORD, IEC 320 BLANK ANSI models to SN GS3216P-146462, all models from SN 157196	1
19	105118GT	GASKET,(BOOT) FLANGE INLET PLG ANSI models to SN GS3216P-146462, all models from SN 157196	1
20	18605GT	NUT,NYLOCK,8-32 ANSI models to SN GS3216P-146462, all models from SN 157196	2
21	105483-SGT	PLATE,AC ADAPTER(ANSI/CSA) ANSI models to SN GS3216P-146462, all models from SN 157196	1
21-	6091GT	NUT, NYLOCK, 1/4-20 not included	2
21-	6878GT	BOLT,CARRIAGE,1/4-20 X .75,G2 not included	2
22	105117GT	PLUG,FLG INLET,15A/125V,2PWGD ANSI models to SN GS3216P-146462, all models from SN 157196	1



402.3 Power to Platform, GS-2632

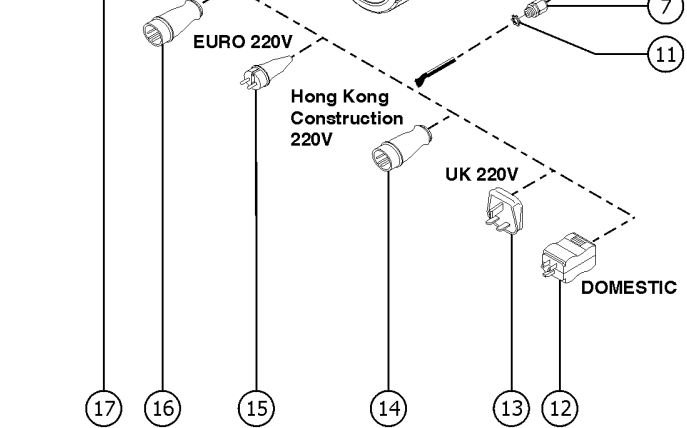
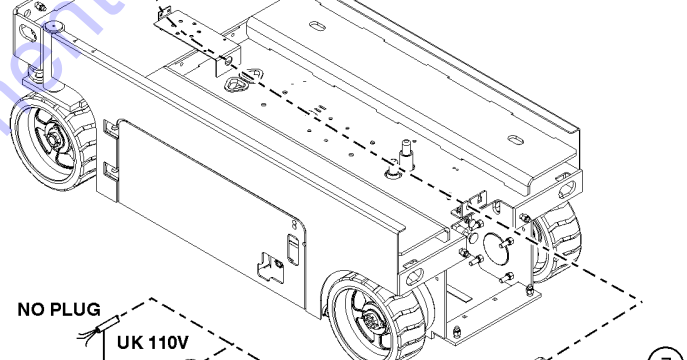
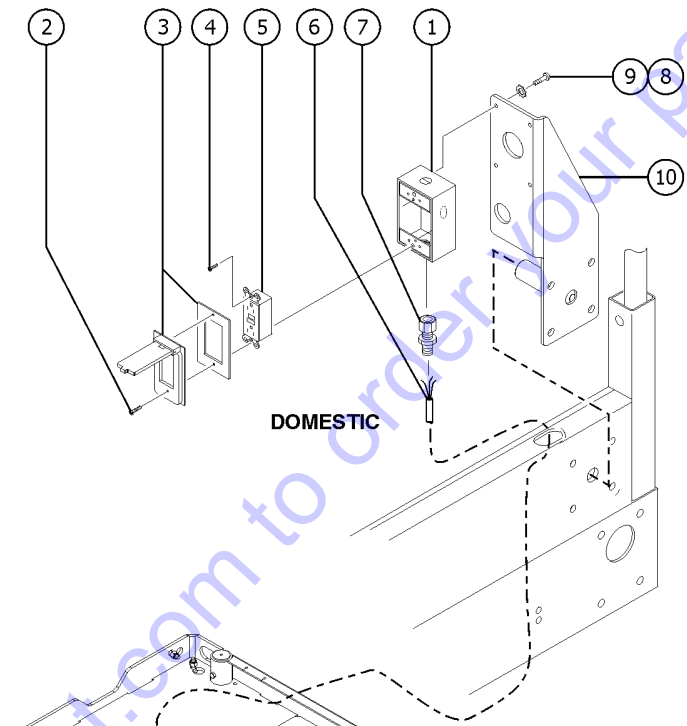
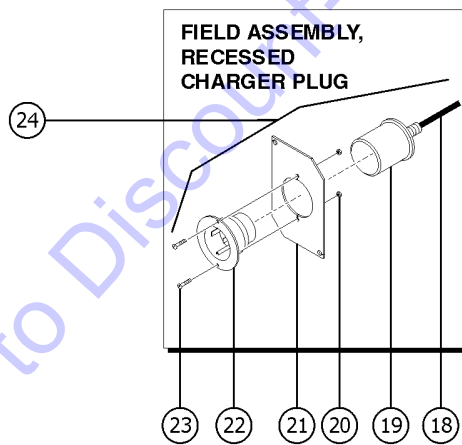
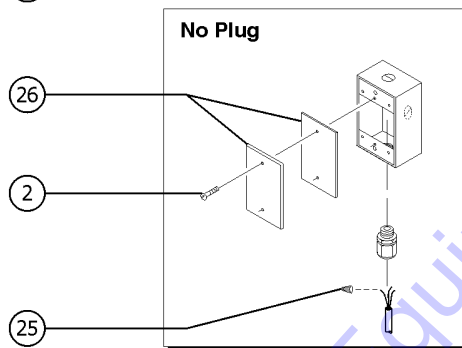
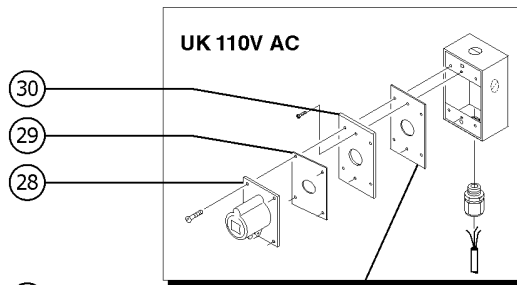
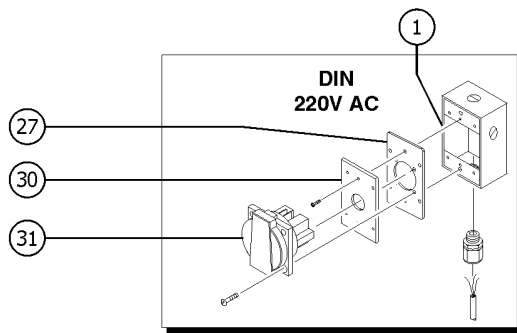


Item	Part No.	Description	Qty.
23	55906GT	SCREW, PHILLIPS, PHM, 8-32 X .5 ANSI models to SN GS3216P-146462, all models from SN 157196	2
24	144129GT	RECESSED SIDE PLUG ASSY, GS includes items 18-23 to SN GS3216P-146462, all models from 157196	1
25	6626GT	WIRE CAP,ORANGE	1
26	10777GT	COVER, BLANK	1
27	66355GT	GASKET, UK & DIN PWR. TO PLAT 2.9 x 2.9 inches	1
28	T112563GT	SVC KIT,UK RECEPT.REPLACEMENT (includes mounting plate, gasket and fasteners) for Europe	1
29	66356GT	GASKET, UK RECEPTACLE 2.9 x 2.9 inches	1
30A	105483-SGT	PLATE,AC ADAPTER(ANSI/CSA) ANSI/CSA	
30B	96236GT	PLATE,AC ADAPTER,DIN/UK***	
30C	105090GT	PLATE, AC ADAPTER(AUS)	
31	66353GT	RECEPTACLE, DIN, 220V 50A	1

Go to Discount-Equipment.com to order your parts



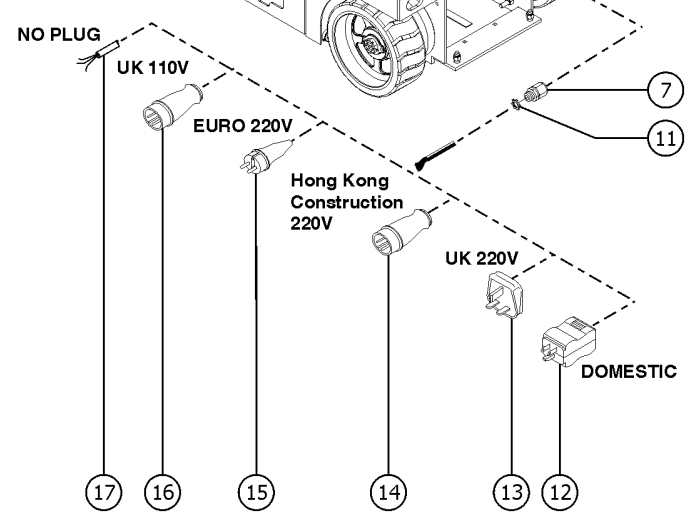
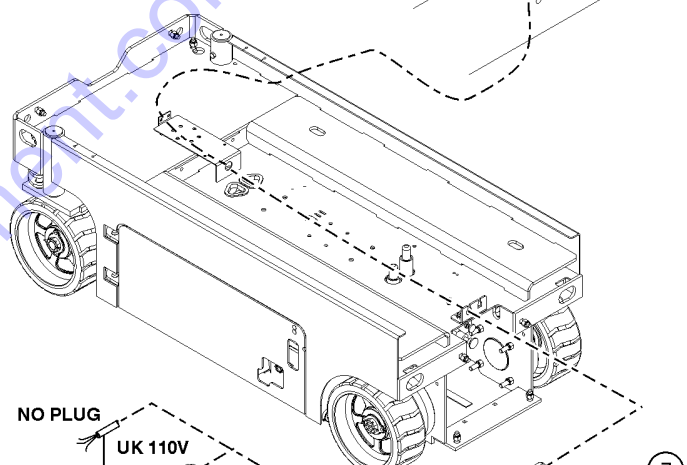
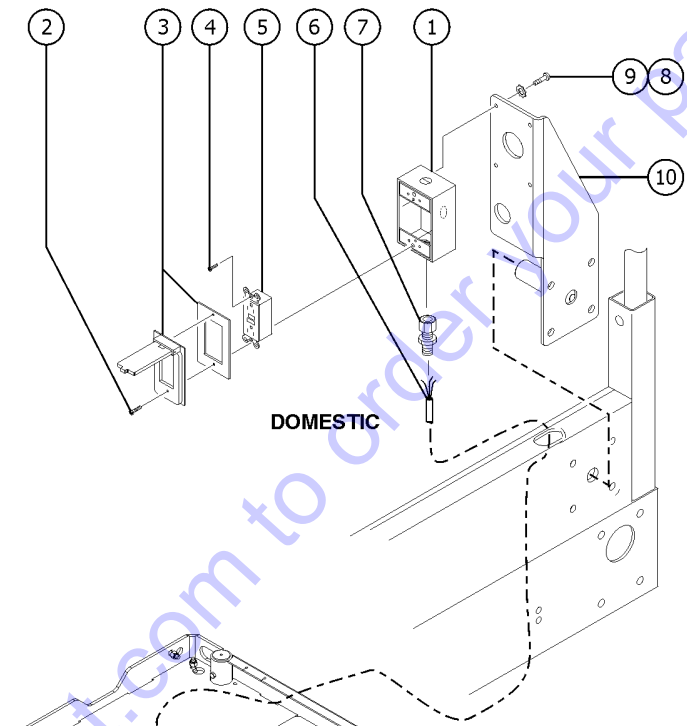
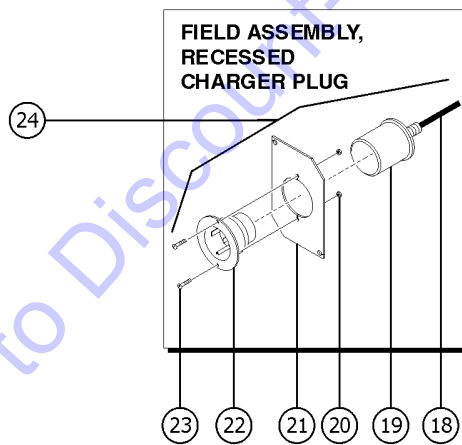
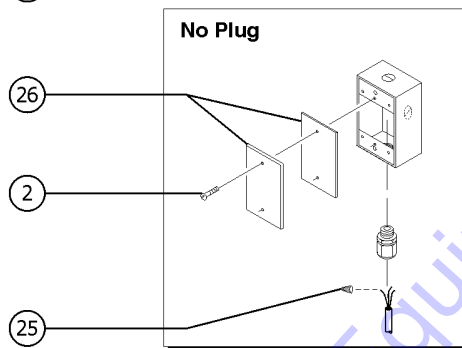
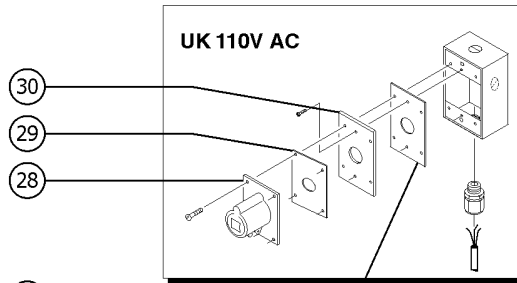
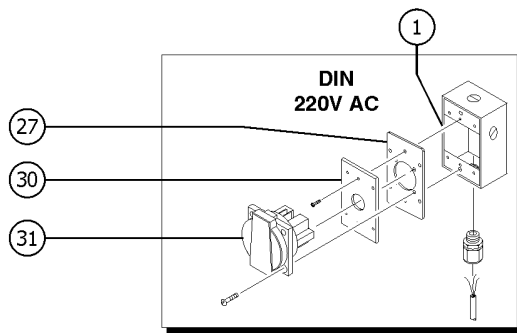
402.4 Power to Platform, GS-2632



Item	Part No.	Description	Qty.
A	33724GT	KIT,GASKET,UK POWER TO PLAT includes 1 each, items 27 and 29	
1	10775GT	T-BOX,2.75 X 4.5 X 2.0	1
2	7127GT	SCREW,PHILLIPS,PHM,6-32 X .75	
3A	74006GT	COVER,GFCI,HORIZONTAL,WEATHER (ANSI and CSA models) (includes gasket and mounting fasteners)	1
3B	105812GT	COVER,T-BOX LOCKABLE EE rated (not shown)	1
4	45546GT	SCREW,RHM,6-32 X .5	
5	13585GT	OUTLET, 110V ANSI and CSA models	1
6B	43956GT	WIRE CABLE,14/3 CON.TPE JKT* GS-2632	516
7	7056GT	CONN, SQZ, 1/2NPT, 0.38-0.50,SM	1
8	57075GT	SCREW,PHIL,8-32X.50,SELF TAP	
9	44936GT	WASHER,STAR,EXTERNAL,#8	4
10		Ref. ROLLER BRACKET refer to 401.1	
11	6935GT	CONN, SQZ, 1/2NPT, LOCKNUT	1
12A	6595GT	PLUG,ELECTRICAL,DOMESTIC to SN GS3216P-146462	1
12B	6595GT	PLUG,ELECTRICAL,DOMESTIC from SN GS3216P-146463	2
13	25388GT	PLUG,FUSED,250V,13AMP,U.K.**	
14	1263471GT	PLUG,IEC60309 CEE, 3PIN 220-24 (Hong Kong Construction)	1
15	1280665GT	PLUG, TYPE F, 230A, 50HZ, 16A, IP44	
16	144161GT	PLUG,PWR,UK,16AMP,3PIN,BLK	
17	105117GT	PLUG,FLG INLET,15A/125V,2PWGD	
17-	105118GT	GASKET,(BOOT) FLANGE INLET PLG	
18	48282GT	POWER CORD, IEC 320 BLANK ANSI models to SN GS3216P-146462, all models from SN 157196	1
19	105118GT	GASKET,(BOOT) FLANGE INLET PLG ANSI models to SN GS3216P-146462, all models from SN 157196	1
20	18605GT	NUT,NYLOCK,8-32 ANSI models to SN GS3216P-146462, all models from SN 157196	2
21	105483-SGT	PLATE,AC ADAPTER(ANSI/CSA) ANSI models to SN GS3216P-146462, all models from SN 157196	1
21-	6091GT	NUT, NYLOCK, 1/4-20 not included	2
21-	6878GT	BOLT,CARRIAGE,1/4-20 X .75,G2 not included	2
22	105117GT	PLUG,FLG INLET,15A/125V,2PWGD ANSI models to SN GS3216P-146462, all models from SN 157196	1



402.4 Power to Platform, GS-2632



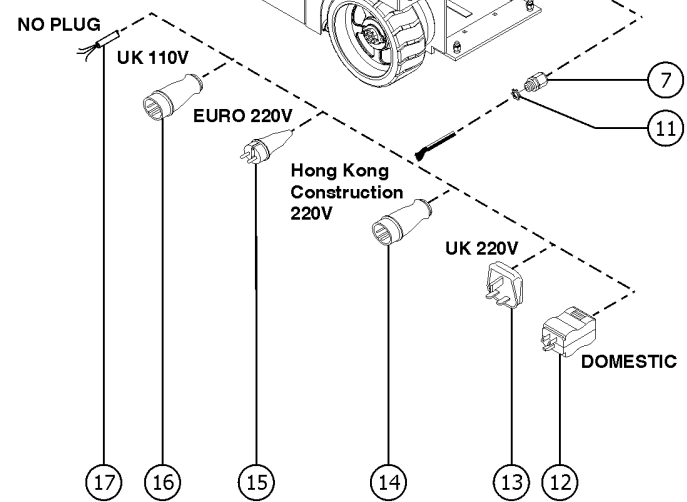
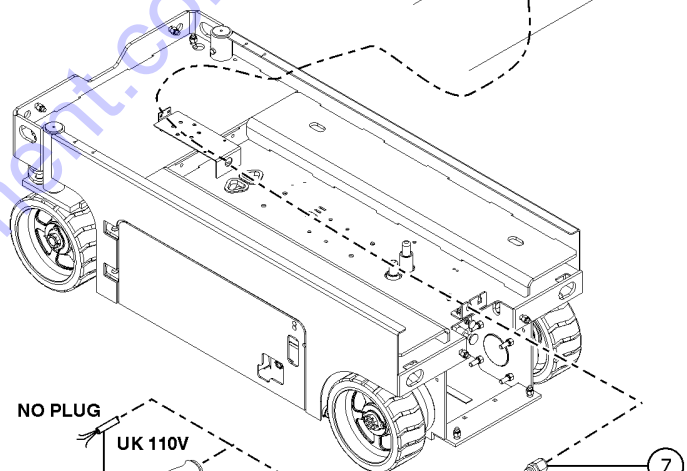
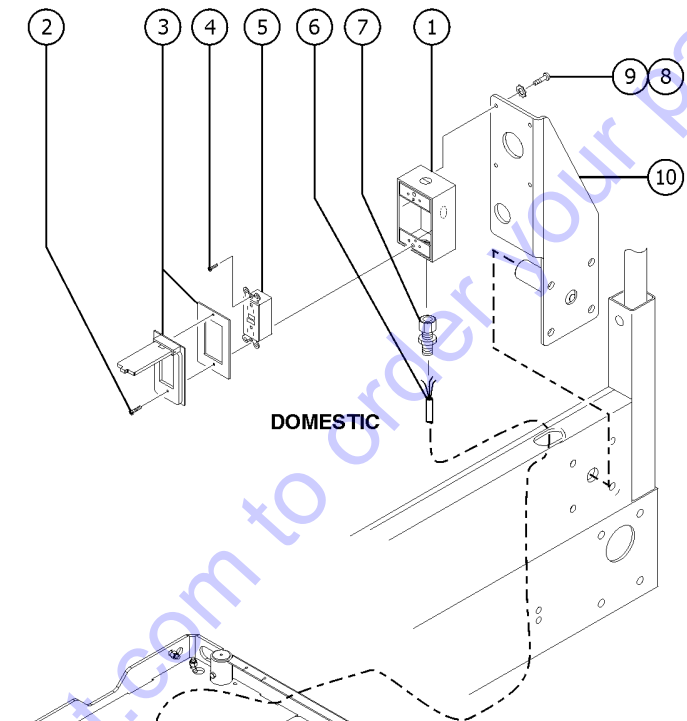
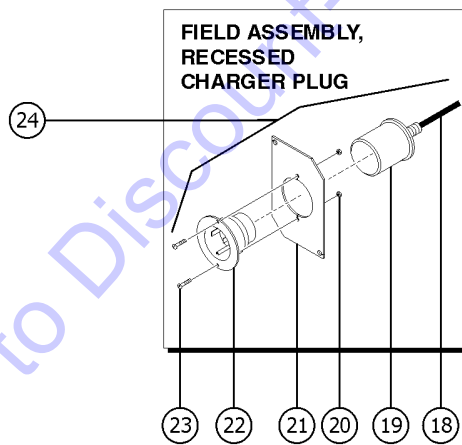
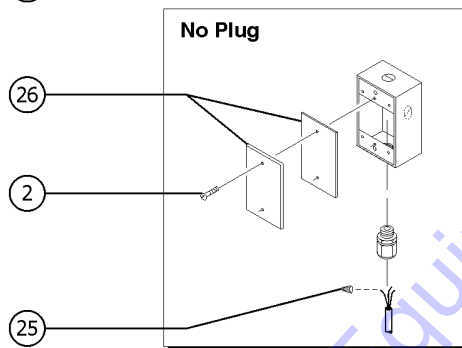
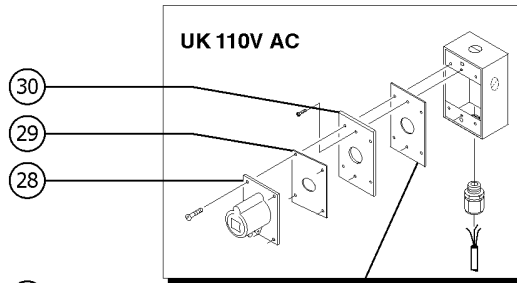
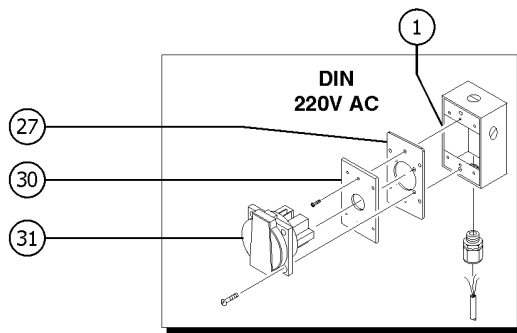
Item	Part No.	Description	Qty.
23	55906GT	SCREW, PHILLIPS, PHM, 8-32 X .5 ANSI models to SN GS3216P-146462, all models from SN 157196	2
24	144129GT	RECESSED SIDE PLUG ASSY, GS includes items 18-23 to SN GS3216P-146462, all models from 157196	1
25	6626GT	WIRE CAP,ORANGE	1
26	10777GT	COVER, BLANK	1
27	66355GT	GASKET, UK & DIN PWR. TO PLAT 2.9 x 2.9 inches	1
28	T112563GT	SVC KIT,UK RECEPT.REPLACEMENT (includes mounting plate, gasket and fasteners) for Europe	1
29	66356GT	GASKET, UK RECEPTACLE 2.9 x 2.9 inches	1
30A	105483-SGT	PLATE,AC ADAPTER(ANSI/CSA) ANSI/CSA	
30B	96236GT	PLATE,AC ADAPTER,DIN/UK***	
30C	105090GT	PLATE, AC ADAPTER(AUS)	
31	66353GT	RECEPTACLE, DIN, 220V 50A	1

Go to Discount-Equipment.com to order your parts





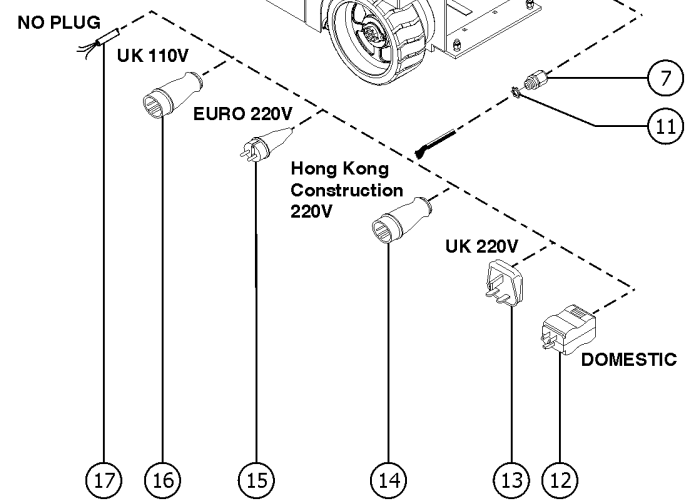
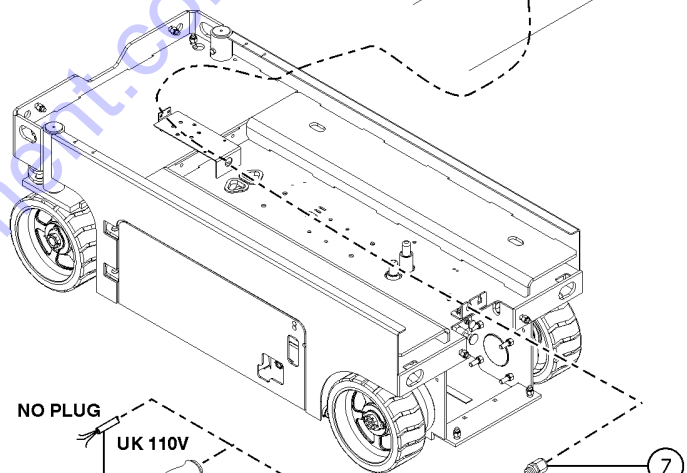
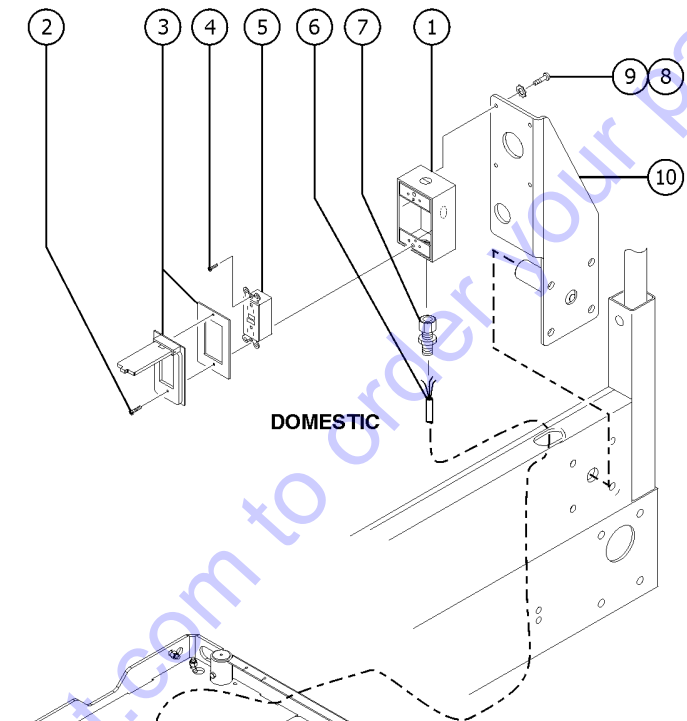
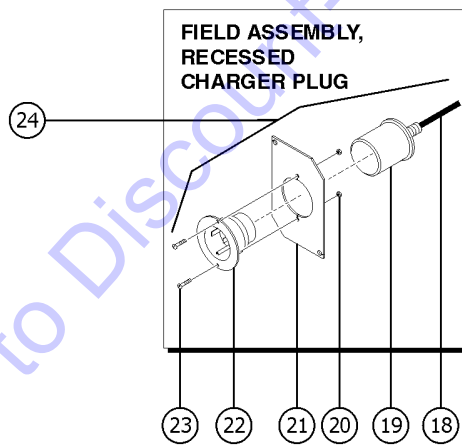
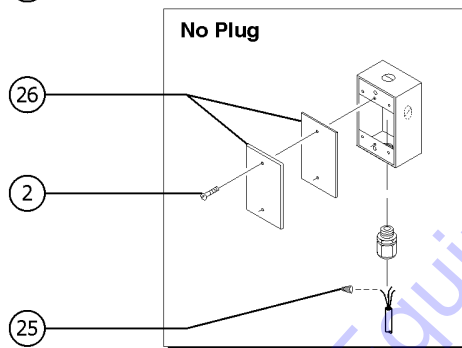
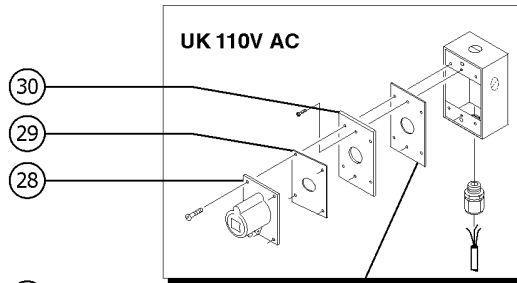
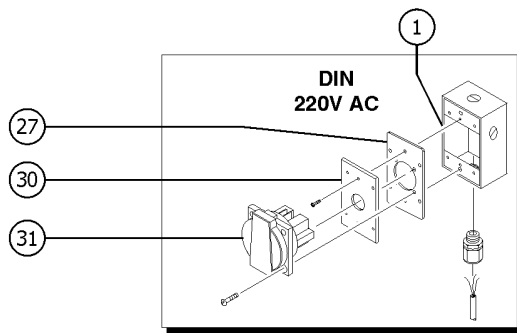
402.5 Power to Platform, GS-3232



Go to DiscountEquipment.com to order your parts

Item	Part No.	Description	Qty.
A	33724GT	KIT,GASKET,UK POWER TO PLAT includes 1 each, items 27 and 29	
1	10775GT	T-BOX,2.75 X 4.5 X 2.0	1
2	7127GT	SCREW,PHILLIPS,PHM,6-32 X .75	
3A	74006GT	COVER,GFCI,HORIZONTAL,WEATHER (ANSI and CSA models) (includes gasket and mounting fasteners)	1
3B	105812GT	COVER,T-BOX LOCKABLE EE rated (not shown)	1
4	45546GT	SCREW,RHM,6-32 X .5	
5	13585GT	OUTLET, 110V ANSI and CSA models	1
6C	43956GT	WIRE CABLE,14/3 CON.TPE JKT* GS-3232	624
7	7056GT	CONN, SQZ, 1/2NPT, 0.38-0.50,SM	1
8	57075GT	SCREW,PHIL,8-32X.50,SELF TAP	
9	44936GT	WASHER,STAR,EXTERNAL,#8	4
10		Ref. ROLLER BRACKET refer to 401.1	
11	6935GT	CONN, SQZ, 1/2NPT, LOCKNUT	1
12A	6595GT	PLUG,ELECTRICAL,DOMESTIC to SN GS3216P-146462	1
12B	6595GT	PLUG,ELECTRICAL,DOMESTIC from SN GS3216P-146463	2
13	25388GT	PLUG,FUSED,250V,13AMP,U.K.**	
14	1263471GT	PLUG,IEC60309 CEE, 3PIN 220-24 (Hong Kong Construction)	1
15	1280665GT	PLUG, TYPE F, 230A, 50HZ, 16A, IP44	
16	144161GT	PLUG,PWR,UK,16AMP,3PIN,BLK	
17	105117GT	PLUG,FLG INLET,15A/125V,2PWGD	
17-	105118GT	GASKET,(BOOT) FLANGE INLET PLG	
18	48282GT	POWER CORD, IEC 320 BLANK ANSI models to SN GS3216P-146462, all models from SN 157196	1
19	105118GT	GASKET,(BOOT) FLANGE INLET PLG ANSI models to SN GS3216P-146462, all models from SN 157196	1
20	18605GT	NUT,NYLOCK,8-32 ANSI models to SN GS3216P-146462, all models from SN 157196	2
21	105483-SGT	PLATE,AC ADAPTER(ANSI/CSA) ANSI models to SN GS3216P-146462, all models from SN 157196	1
21-	6091GT	NUT, NYLOCK, 1/4-20 not included	2
21-	6878GT	BOLT,CARRIAGE,1/4-20 X .75,G2 not included	2
22	105117GT	PLUG,FLG INLET,15A/125V,2PWGD ANSI models to SN GS3216P-146462, all models from SN 157196	1

402.5 Power to Platform, GS-3232

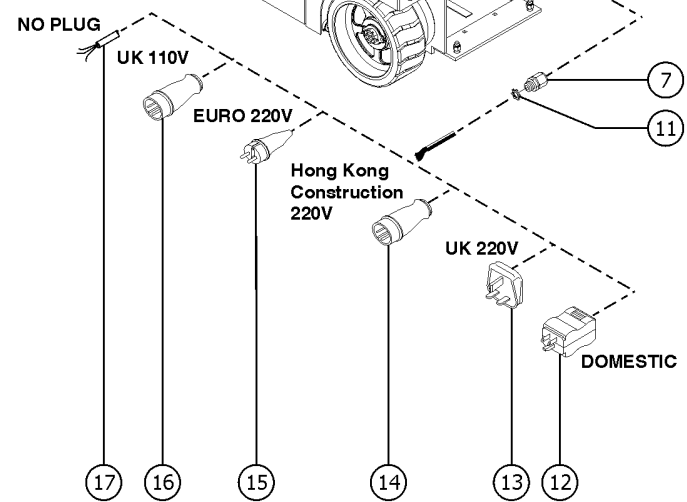
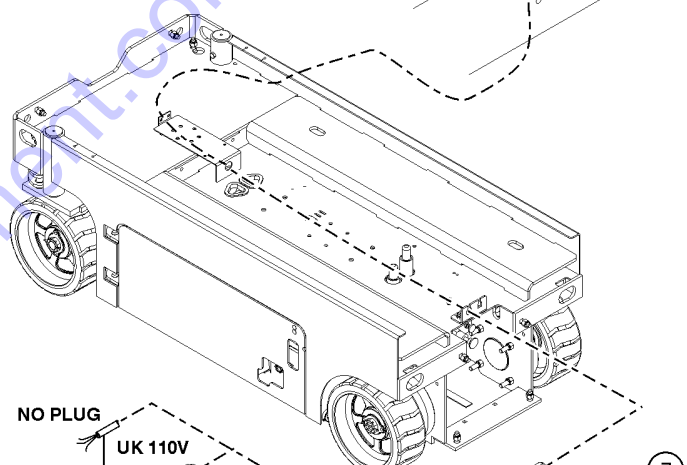
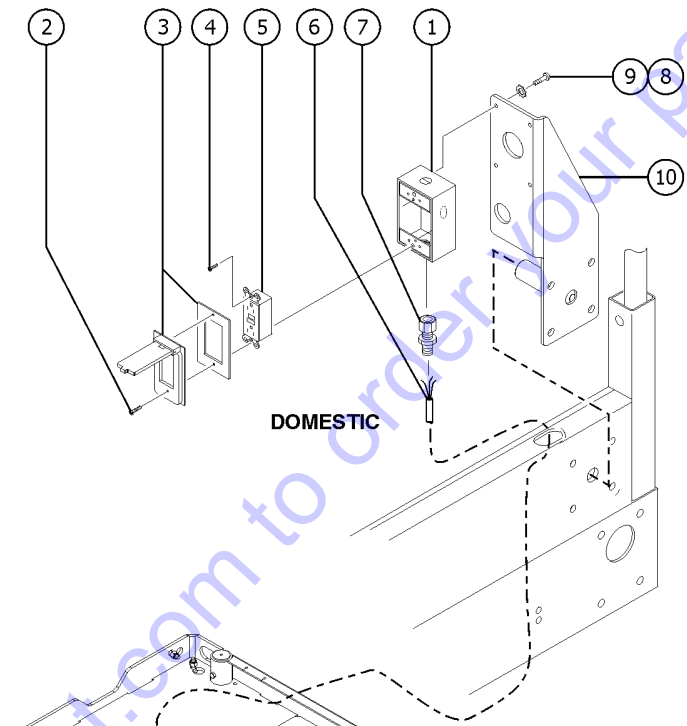
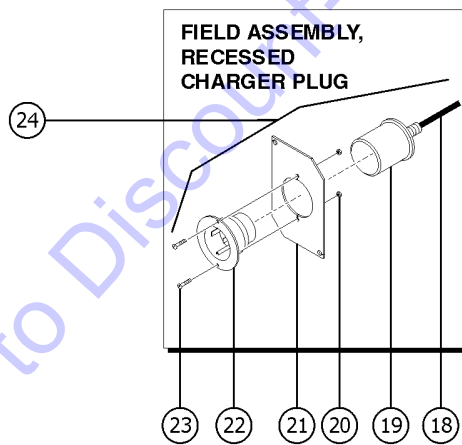
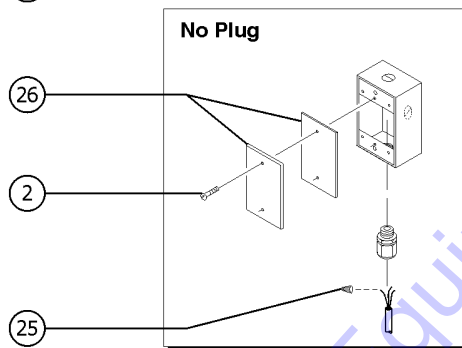
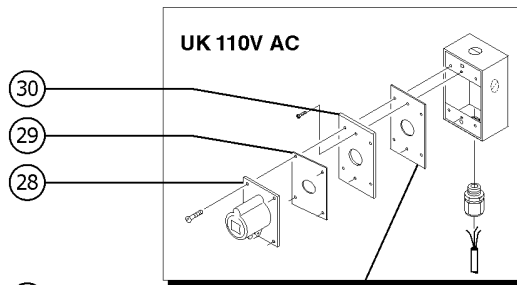
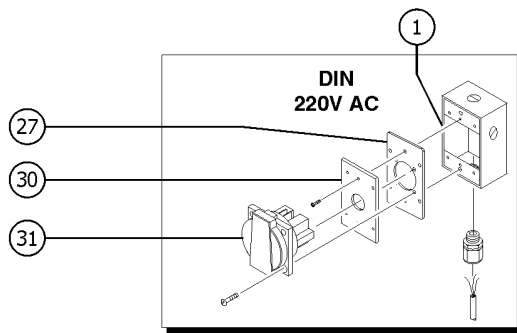


Item	Part No.	Description	Qty.
23	55906GT	SCREW, PHILLIPS, PHM, 8-32 X .5 ANSI models to SN GS3216P-146462, all models from SN 157196	2
24	144129GT	RECESSED SIDE PLUG ASSY, GS includes items 18-23 to SN GS3216P-146462, all models from 157196	1
25	6626GT	WIRE CAP,ORANGE	1
26	10777GT	COVER, BLANK	1
27	66355GT	GASKET, UK & DIN PWR. TO PLAT 2.9 x 2.9 inches	1
28	T112563GT	SVC KIT,UK RECEPT.REPLACEMENT (includes mounting plate, gasket and fasteners) for Europe	1
29	66356GT	GASKET, UK RECEPTACLE 2.9 x 2.9 inches	1
30A	105483-SGT	PLATE,AC ADAPTER(ANSI/CSA) ANSI/CSA	
30B	96236GT	PLATE,AC ADAPTER,DIN/UK***	
30C	105090GT	PLATE, AC ADAPTER(AUS)	
31	66353GT	RECEPTACLE, DIN, 220V 50A	1

Go to Discount-Equipment.com to order your parts



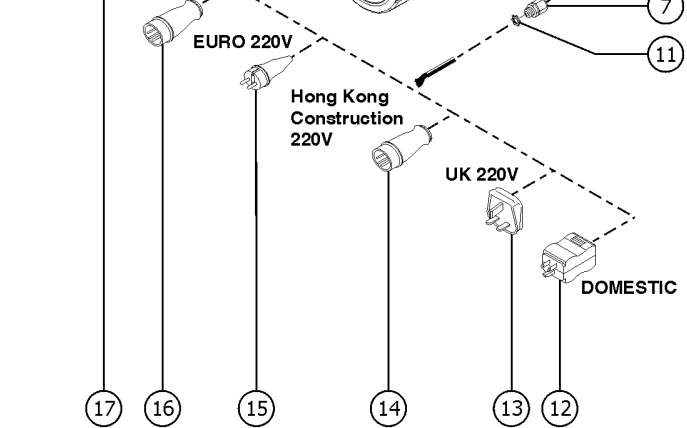
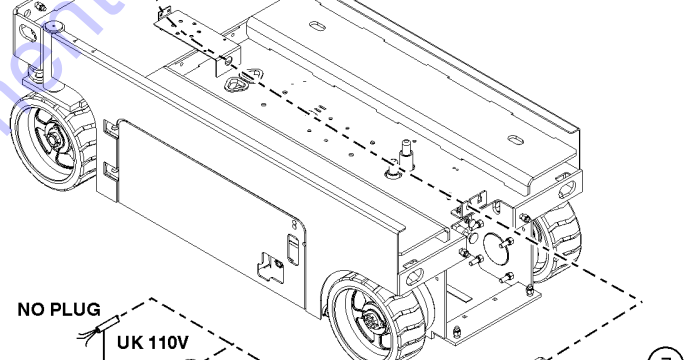
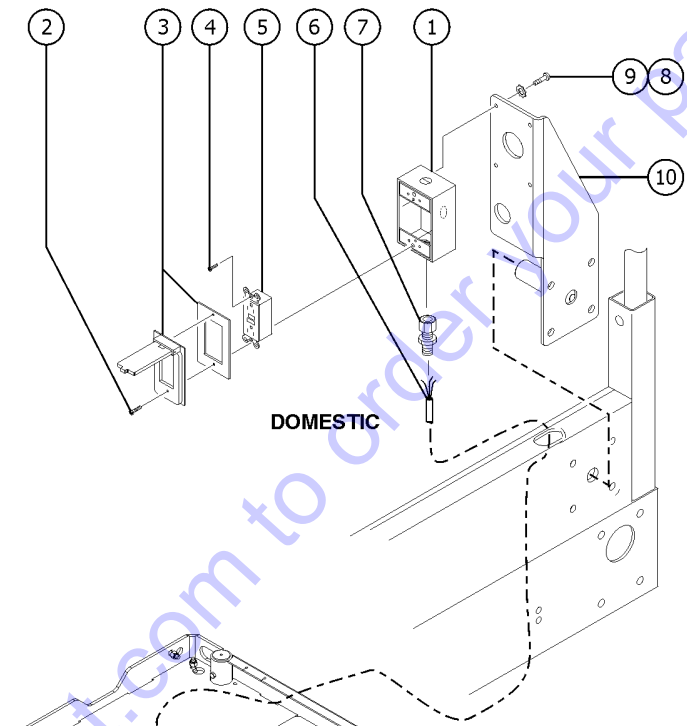
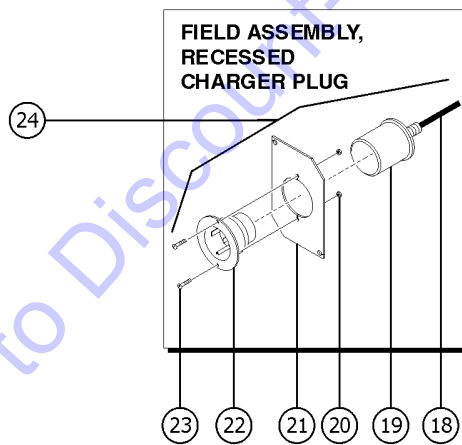
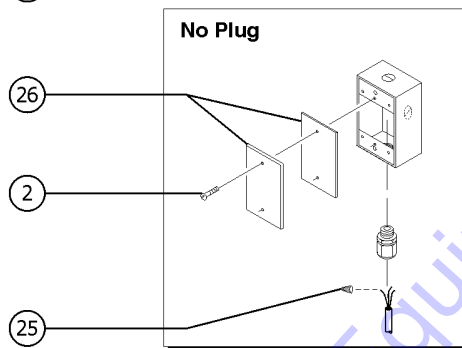
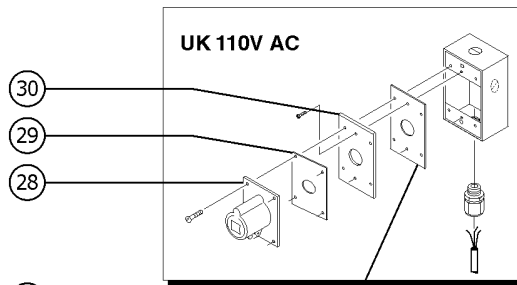
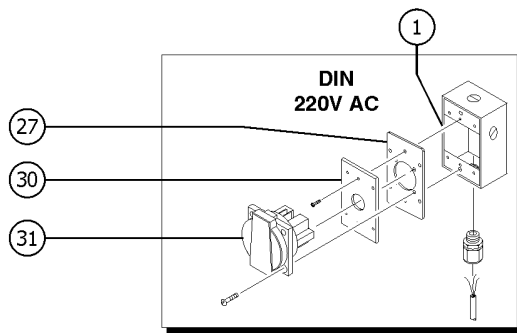
402.6 Power to Platform, GS-3232



Item	Part No.	Description	Qty.
A	33724GT	KIT,GASKET,UK POWER TO PLAT includes 1 each, items 27 and 29	
1	10775GT	T-BOX,2.75 X 4.5 X 2.0	1
2	7127GT	SCREW,PHILLIPS,PHM,6-32 X .75	
3A	74006GT	COVER,GFCI,HORIZONTAL,WEATHER (ANSI and CSA models) (includes gasket and mounting fasteners)	1
3B	105812GT	COVER,T-BOX LOCKABLE EE rated (not shown)	1
4	45546GT	SCREW,RHM,6-32 X .5	
5	13585GT	OUTLET, 110V ANSI and CSA models	1
6C	43956GT	WIRE CABLE,14/3 CON.TPE JKT* GS-3232	624
7	7056GT	CONN, SQZ, 1/2NPT, 0.38-0.50,SM	1
8	57075GT	SCREW,PHIL,8-32X.50,SELF TAP	
9	44936GT	WASHER,STAR,EXTERNAL,#8	4
10		Ref. ROLLER BRACKET refer to 401.1	
11	6935GT	CONN, SQZ, 1/2NPT, LOCKNUT	1
12B	6595GT	PLUG,ELECTRICAL,DOMESTIC from SN GS3216P-146463	2
13	25388GT	PLUG,FUSED,250V,13AMP,U.K.**	
14	1263471GT	PLUG,IEC60309 CEE, 3PIN 220-24 (Hong Kong Construction)	1
15	1280665GT	PLUG, TYPE F, 230A, 50HZ, 16A, IP44	
16	144161GT	PLUG,PWR,UK,16AMP,3PIN,BLK	
17	105117GT	PLUG,FLG INLET,15A/125V,2PWGD	
17-	105118GT	GASKET,(BOOT) FLANGE INLET PLG	
25	6626GT	WIRE CAP,ORANGE	1
26	10777GT	COVER, BLANK	1
27	66355GT	GASKET, UK & DIN PWR. TO PLAT 2.9 x 2.9 inches	1
28	T112563GT	SVC KIT,UK RECEPT.REPLACEMENT (includes mounting plate, gasket and fasteners) for Europe	1
29	66356GT	GASKET, UK RECEPTACLE 2.9 x 2.9 inches	1
30A	105483-SGT	PLATE,AC ADAPTER(ANSI/CSA) ANSI/CSA	
30B	96236GT	PLATE,AC ADAPTER,DIN/UK***	
30C	105090GT	PLATE, AC ADAPTER(AUS)	



402.6 Power to Platform, GS-3232



Go to Discount Equipment.com to order your parts

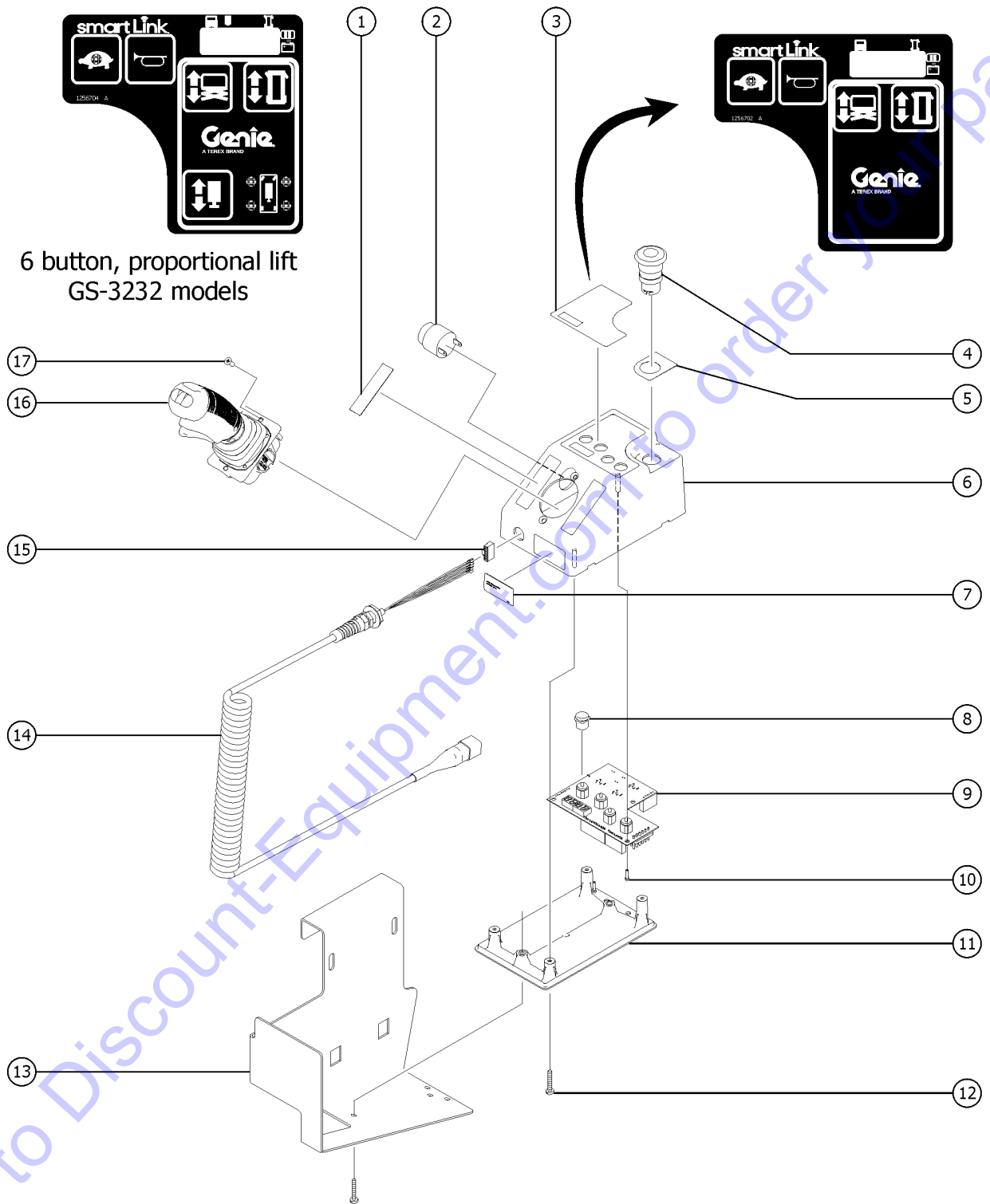
<i>Item</i>	<i>Part No.</i>	<i>Description</i>	<i>Qty.</i>
31	66353GT	RECEPTACLE, DIN, 220V 50A .....	1

Go to Discount-Equipment.com to order your parts





403.1 Platform Controls, 6 and 4 Button (Proportional Lift), GS-2032, GS-2632



Go to Discount-Equipment.com to order parts

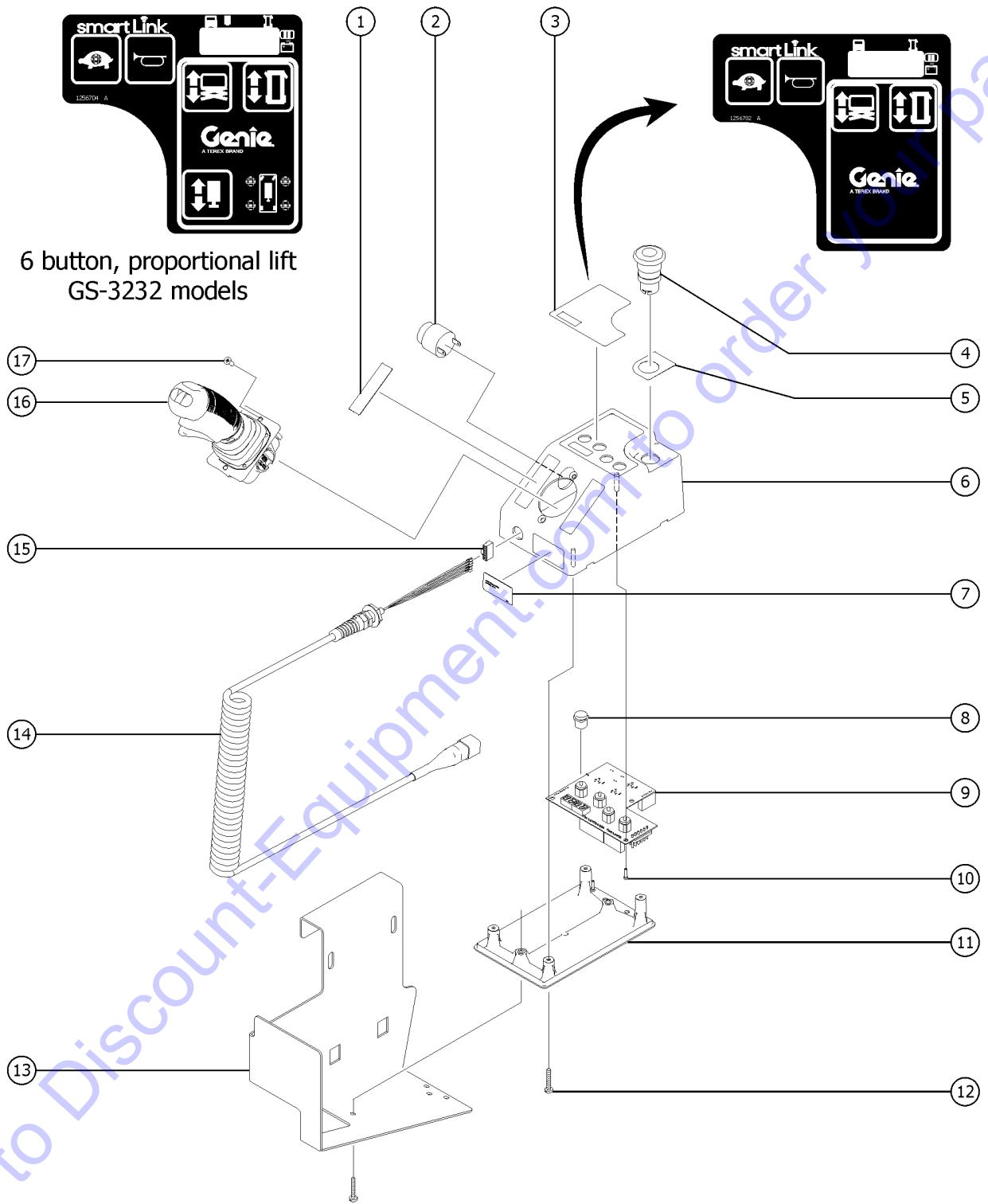


403.1 Platform Controls, 6 and 4 Button (Proportional Lift), GS-2032, GS-2632

Item	Part No.	Description	Qty.
A	1256727GT	PCON,STD,PROP LIFT,GR/GS GS-2032 & GS-2632, complete platform control box with coil cord, bracket not included	1
A-	1258731GT	FLASH DRIVE,SL1K2.0 SOFTWARE (For proportional lift or upgrade kits only. Software update available on-line. Flash drive sold separately.)	1
A-	137587GT	HARNESS, ESTOP, GR/GRC/GS PCON	1
1	137656GT	DECAL,PROPEL,GR/GRC/GS,PCON	1
2	39540GT	ALARM,STEADY TONE***	1
3A	1256702GT	DECAL, UI, GS/GR, PROP LIFT GS-2032 & GS-2632 (models with 4 button, proportional controller)	1
4	66812GT	BUTTON,PUSH,RED MUSHROOM HEAD	1
4-	66817GT	E-STOP NC CONTACT	1
5	137605GT	DECAL,E-STOP,GR/GRC/GS PCON	1
6A	1256656GT	ENCLOSURE,STD 4-BUTTON, TOP GS-2032 & GS-2632	1
7		Ref. Decal not available separately	
8	T106373GT	CAP,BUTTON,K12 GS-2032 & GS-2632	6
9A	1256725GT	PCBA,PCON STD,PROP LIFT GS-2032 & GS-2632	1
10	137637GT	SCREW,PHM,4-20X.5, 48-2 TRI-L	1
11	T106370GT	ENCLOSURE,GC14-1/GC16-1, BOT	1
12	137640GT	SCREW,PHM,8-16X.75, 48-2 TRI-L	1
13	T114397GT	FORMING,PLAT CONTROL BOX (decals not included, refer to section one)	1
14	235464GT	KIT,COIL CORD,CONTRLR,SL1000 includes item 15	1
14-	231921GT	KIT,CONN,RECEPT W/PIN AND LOCK	1
14-	231922GT	KIT,CONN,PLUG W/SCKT AND LOCK	1
15	137699GT	PLUG, 6POS ECO PWR	1
16		Ref., JOYSTICK (refer to 404.1)	1
17	229845GT	SCREW,BHSCS,M5X10,SS apply Loctite 243 or equivalent before installation	1



403.2 Platform Controls, 6 and 4 Button (Proportional Lift), GS-3232



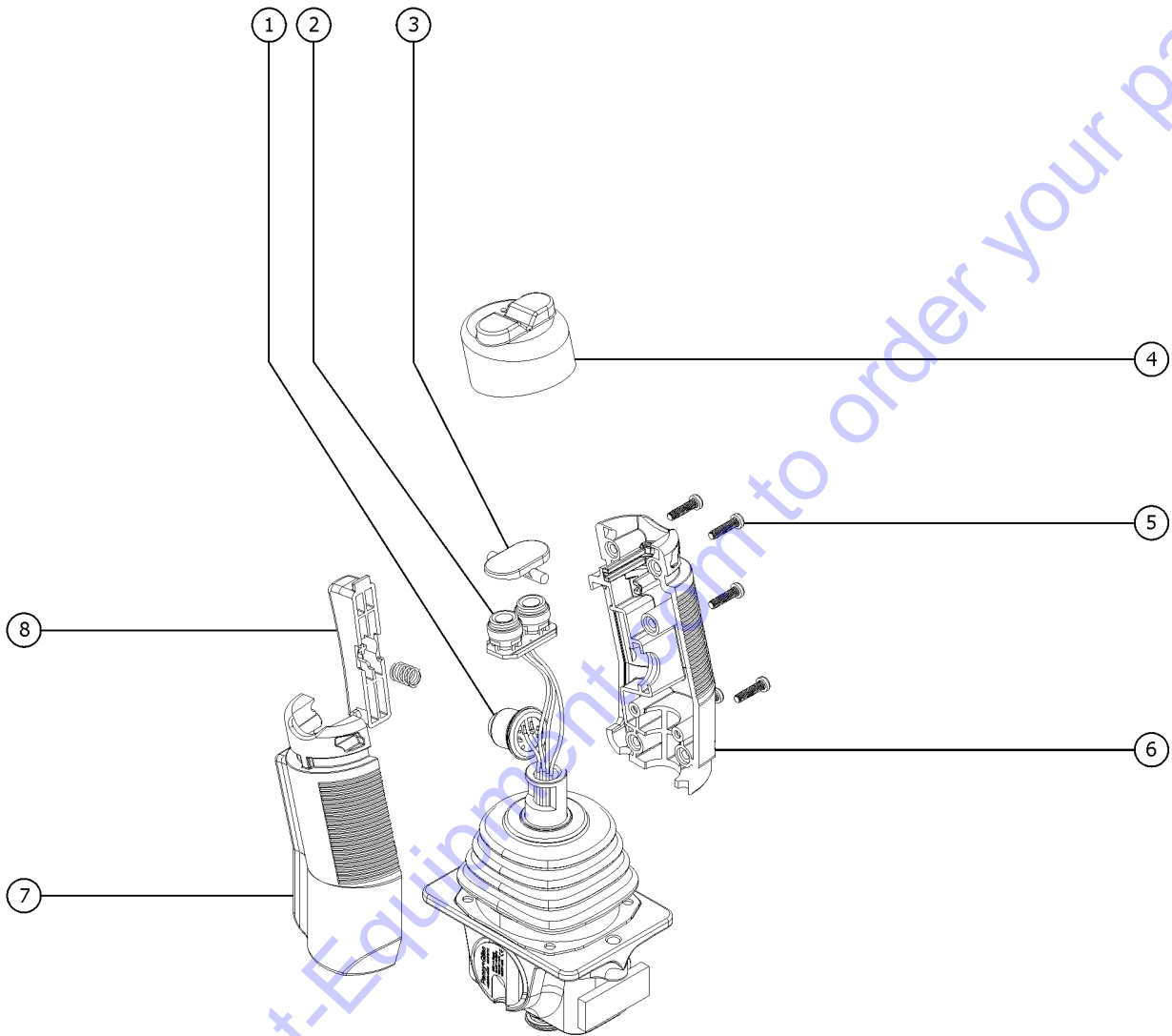
6 button, proportional lift  
GS-3232 models

403.2 Platform Controls, 6 and 4 Button (Proportional Lift), GS-3232

Item	Part No.	Description	Qty.
B	1256728GT	PCON,O/R,PROP LIFT,GS GS-3232, complete platform control box with coil cord, bracket not included	1
B-	1258731GT	FLASH DRIVE,SL1K2.0 SOFTWARE (For proportional lift or upgrade kits only. Software update available on-line. Flash drive sold separately.)	1
B-	137587GT	HARNESS, ESTOP, GR/GRC/GS PCON	1
1	137656GT	DECAL,PROPEL,GR/GRC/GS,PCON	1
2	39540GT	ALARM,STEADY TONE***	1
3B	1256705GT	DECAL, O/R, PROP LIFT, UI, SVC GS-3232 (models with 4 button, proportional controller)	1
4	66812GT	BUTTON,PUSH,RED MUSHROOM HEAD	1
4-	66817GT	E-STOP NC CONTACT	1
5	137605GT	DECAL,E-STOP,GR/GRC/GS PCON	1
6B	1256658GT	ENCLOSURE, O/R 5-BUTTON, TOP GS-3232	1
7		Ref. Decal not available separately	
8	T106373GT	CAP,BUTTON,K12	6
9B	1256726GT	PCBA,PCON O/R,PROP LIFT GS-3232	1
10	137637GT	SCREW,PHM,4-20X.5, 48-2 TRI-L	1
11	T106370GT	ENCLOSURE,GC14-1/GC16-1, BOT	1
12	137640GT	SCREW,PHM,8-16X.75, 48-2 TRI-L	1
13	T114397GT	FORMING,PLAT CONTROL BOX (decals not included, refer to section one)	1
14	235464GT	KIT,COIL CORD,CONTRLR,SL1000 includes item 15	1
14-	231921GT	KIT,CONN,RECEPT W/PIN AND LOCK	1
14-	231922GT	KIT,CONN,PLUG W/SCKT AND LOCK	1
15	137699GT	PLUG, 6POS ECO PWR	1
16		Ref., JOYSTICK (refer to 406.1)	1
17	229845GT	SCREW,BHSCS,M5X10,SS apply Loctite 243 or equivalent before installation	1



404.1 Joystick Controller



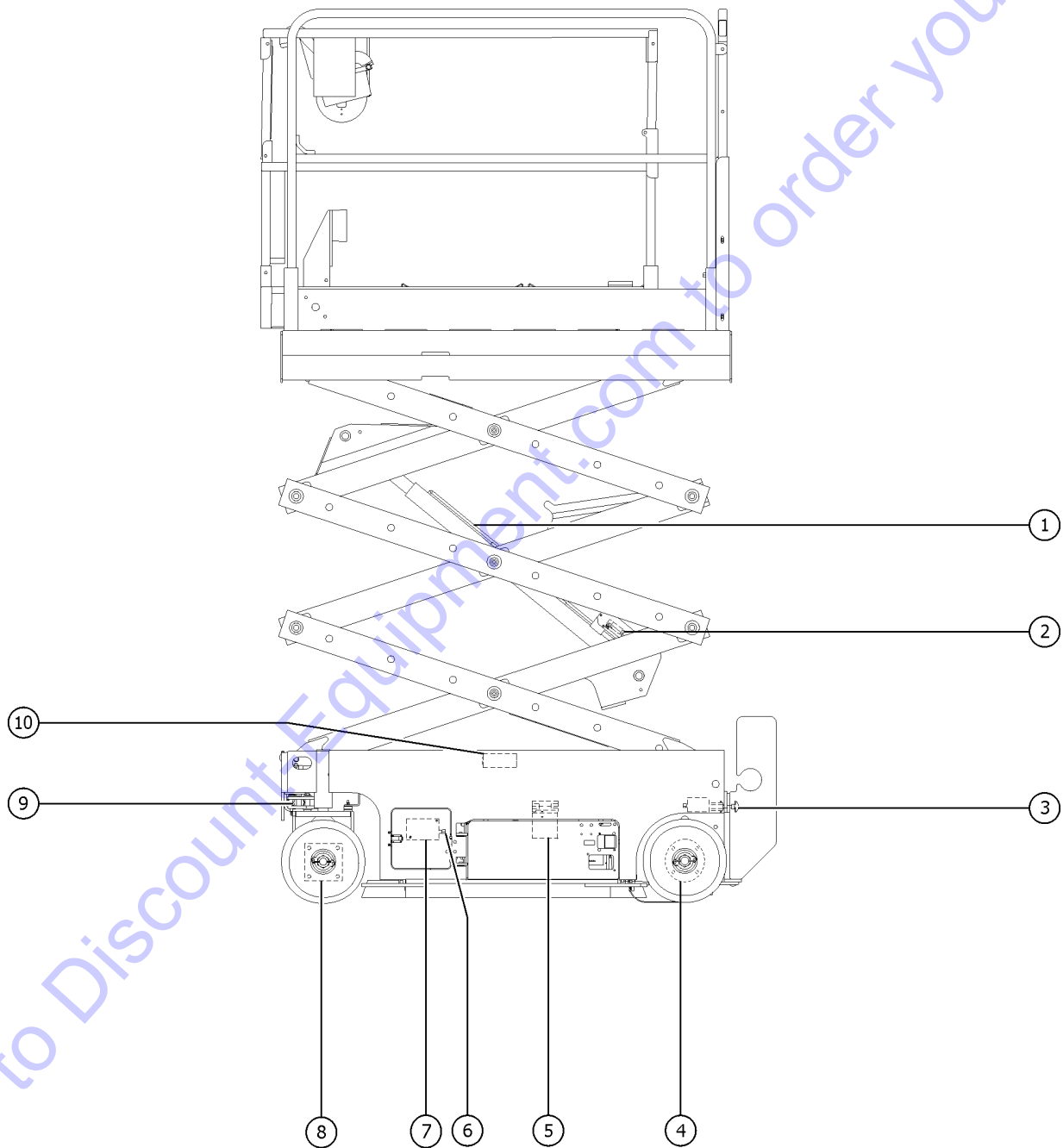
404.1 Joystick Controller

Item	Part No.	Description	Qty.
A-	137634GT	JOYSTICK, HALL EFFECT, SINGLE .....	
B-	229097GT	TERMINAL, SPLINE (AMP) .....	
C-	214544GT	KIT,BOOT,JOYSTICK,SL1000 .....	
		joystick boot	
1	235463GT	KIT,SWITCH,JYSTK,SL1000 .....	
		function enable and steer switches	
2	235463GT	KIT,SWITCH,JYSTK,SL1000 .....	
		function enable and steer switches	
3	229092GT	ROCKER,2 SWITCH .....	1
4	229093GT	BOOT, 2 SWITCH, SILICON .....	1
5	229086GT	SCREW, SELF TAP .....	2
6A	229087GT	HANDLE HALF,RIGHT,W/TOP SWITCH .....	1
		229091GT not included, order separately	
6B	229091GT	SCREW,GRUB,M5X8MM,HLF DOG,BZP .....	
		for 229087GT	
7A	229088GT	HANDLE HALF,LEFT,W/TOP SWITCH .....	1
		229090GT not included, order separately	
7B	229090GT	SCREW,GRUB,M5X8MM CUP(BLK) .....	
		for 229088GT	
8	229089GT	TRIGGER, EXTENDED .....	1
8-	229094GT	SPRING, HANDLE TRIGGER .....	1

Go to Discount-Equipment.com to order your parts



501.1 Hydraulic Components



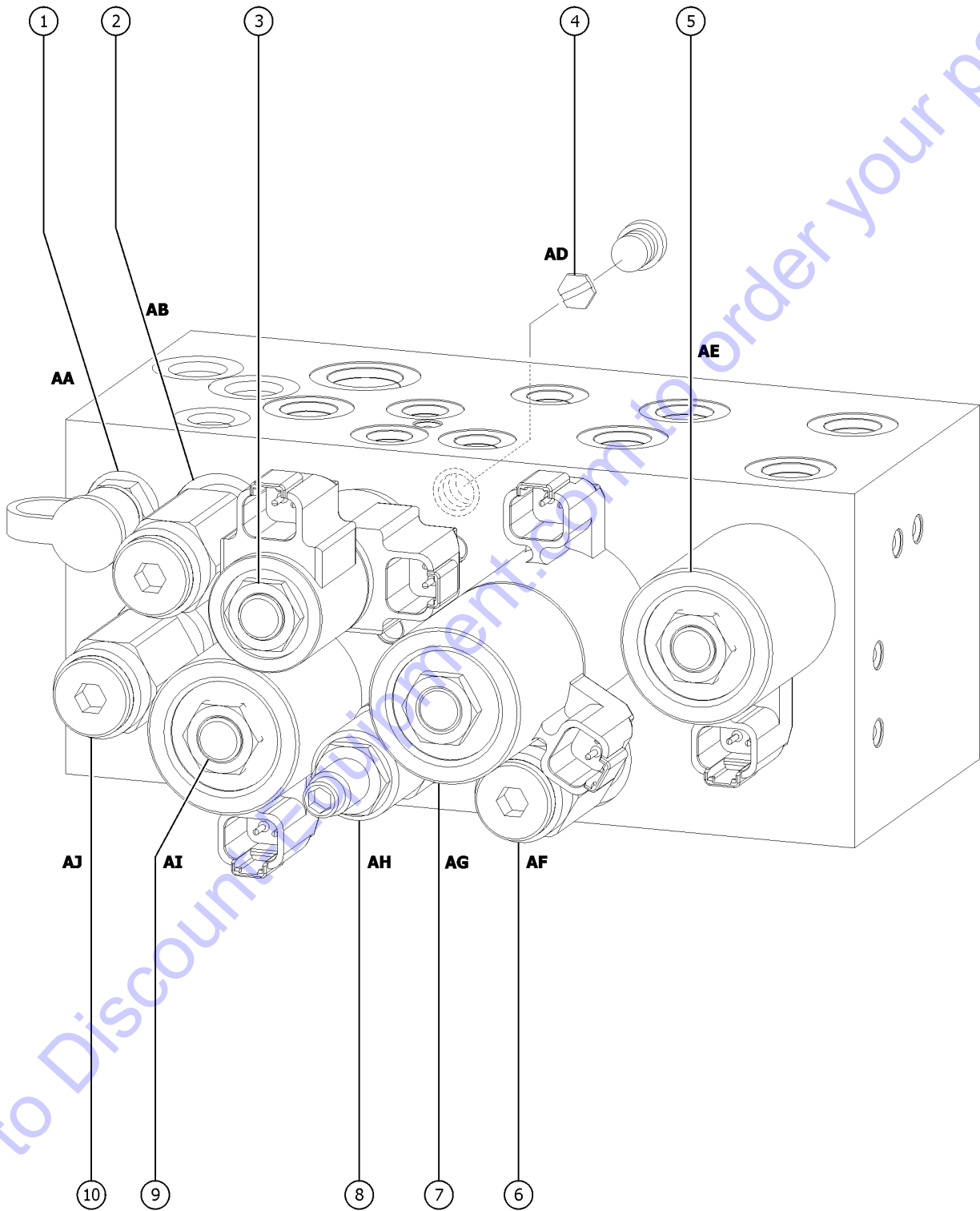
Go to DiscountEquipment.com to order your parts

Item	Part No.	Description	Qty.
1		Ref. Lift Cylinder Assembly ..... (refer to 505.1)	
2		Ref. Pressure Transducer ..... (refer to 701.1)	
3		Ref. Brake Release Hand Pump Manifold ..... (refer to 503.1)	
4	96257GT	BRAKE, HYDRAULIC***	2
5A	78622GT	FILTER ASSY, SAE8, 10 MIC, PAPER** ..... (paper, standard)	1
5A-	44788GT	FILTER ELEMENT-10MICRON, PAPER* ..... (paper, standard)	
5B	T114321GT	FILTER ASSY, FIBRGLS, #8-#8 ..... (fiberglass, optional upgrade)	1
5B-	44207GT	FILTER ELEMENT, BETA(10)=200 ..... (fiberglass, optional upgrade)	
6		Ref. Check Valve ..... (refer to 502.1)	
7		Ref. Function Manifold ..... (refer to 502.1)	
8	96417GT	DRIVE MOTOR, 18.3 CU. IN/REV ..... to SN GS3216P-145830	
-	96419GT	SEAL KIT, RC SERIES DR MOTOR*** ..... for 96417	
8A	T108663GT	DRIVE MOTOR, 22.9CI/REV ..... from SN GS3216P-145831	
-	96419GT	SEAL KIT, RC SERIES DR MOTOR*** ..... for T108663	
9	105547GT	CYLINDER, GS/GR STEER***	1
9-	1298556GT	CYLINDER, GS/GR STEER	1
9-	105555GT	KIT, STEER CYL SEAL, 040505P, HDM ..... (for codes H41205, H41255, H51290, H501111, H505109, H509101, H60723 and H60870)	
9-	105554GT	KIT, STEER CYL SEAL, 040499P, HDM ..... (for code H41109 and up)	
9-	105553GT	KIT, STEER CYL SEAL, 040271P, HDM ..... (for code H408147 and up)	
9-	105550GT	KIT, STEER CYL SEAL ..... engraved near rod end of barrel	
9-	1301219GT	SEAL KIT, CYLINDER, GS/GR STEER ..... First line of engraving near rod end of barrel begins with 27894	
10	78422GT	ACCUMULATOR, 180 PSI PRECHARGE*	1





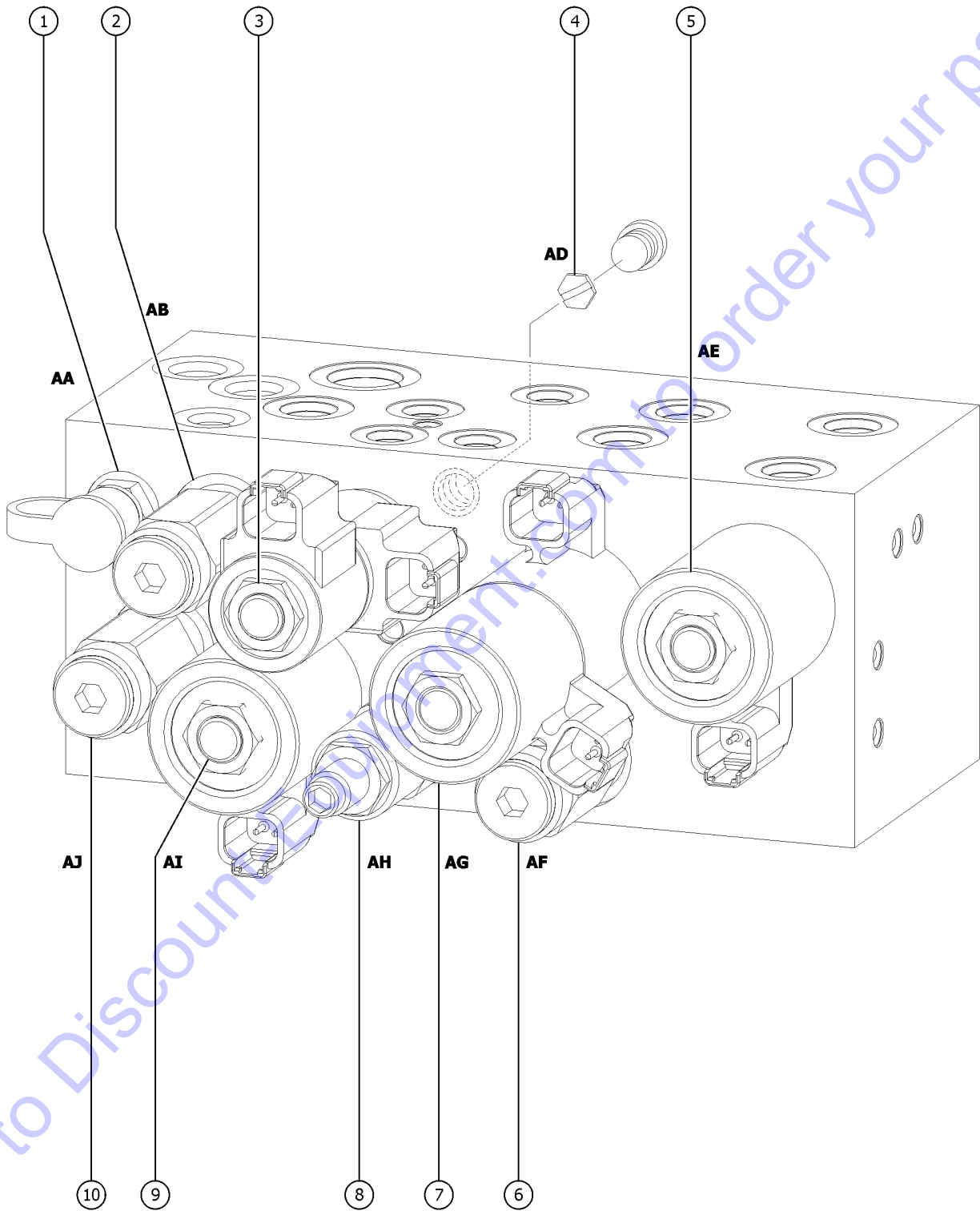
502.1 Function Manifold



Item	Part No.	Description	Qty.
A-	105463GT	126,DYN.BRAKING,MANIF,32/46 .....	
B-	150105GT	MANIFOLD,FUNCTION,2 SPEED (does not include check valve, item 4) .....	
C-	49612GT	O-RING KIT (ORFS FITTINGS) .....	
D-	49613GT	PLUG AND CAP KIT-SERVICE,ORFS* .....	
1	48997GT	CONN,520120-8-12 .....	
		(AA, Testing)	
1-	20224GT	DIAGNOSTIC FEMALE Q-DSCNT .....	
1-	48880GT	CAP,DIAGNOSTIC NIPPLE .....	
2	1299590GT	VALVE, FUNCTION MANIFOLD RELIEF, 3700PSI .....	
		(AB, System relief).	
2-	44226GT	SEAL KIT-FOR P.N.44167 .....	
3	44168GT	VALVE,SOLENOID,3POS 4WAY .....	
		(AC, Steer left/right)	
3-	77709GT	COIL,#8 20VDC,DEUTSCH W/DIOD .....	
		(sold separately)	
3-	44174GT	NUT-COIL SHORT .....	
		(sold separately)	
3-	44236GT	SPACER-DUAL COIL,#8*** .....	
		(sold separately)	
3-	44229GT	SEAL KIT, VALVE .....	
4	84386GT	CHECK DISK, NO SPRING .....	
		(AD, Steer circuit)	
5	44171GT	VALVE-SOLENOID,2POS 4WAY** .....	
		(AE, Drive speed select circuit)	
5-	44230GT	SEAL KIT-P.N.44169,44172,44171 .....	
5-	84385GT	COIL,20VDC DEUTCSH W/DIODE .....	
		(sold separately)	
5-	44175GT	SPACER-DUAL COIL,#10, SCISSORS .....	
		(sold separately)	
6	97409GT	VALVE,DIFF.AREA RELIEF,50PSI .....	
		(AF, Brake release)	
7	150104GT	VALVE, DYN. BRAKING, GS32/46 .....	
7-	84385GT	COIL,20VDC DEUTCSH W/DIODE .....	
		(sold separately)	
7-	44175GT	SPACER-DUAL COIL,#10, SCISSORS .....	
		(sold separately)	
8	84384GT	PRTY,FLOW CNTRL VALVE,.75 GPM .....	
		(AH, Steer circuit)	
8-	1261888GT	SEAL KIT (84384) .....	
		for 84384GT	
8-	44230GT	SEAL KIT-P.N.44169,44172,44171 .....	
9	44169GT	VALVE-SOLENOID, 2POS 4 WAY .....	
		(AI, Platform up)	
9-	44230GT	SEAL KIT-P.N.44169,44172,44171 .....	



502.1 Function Manifold

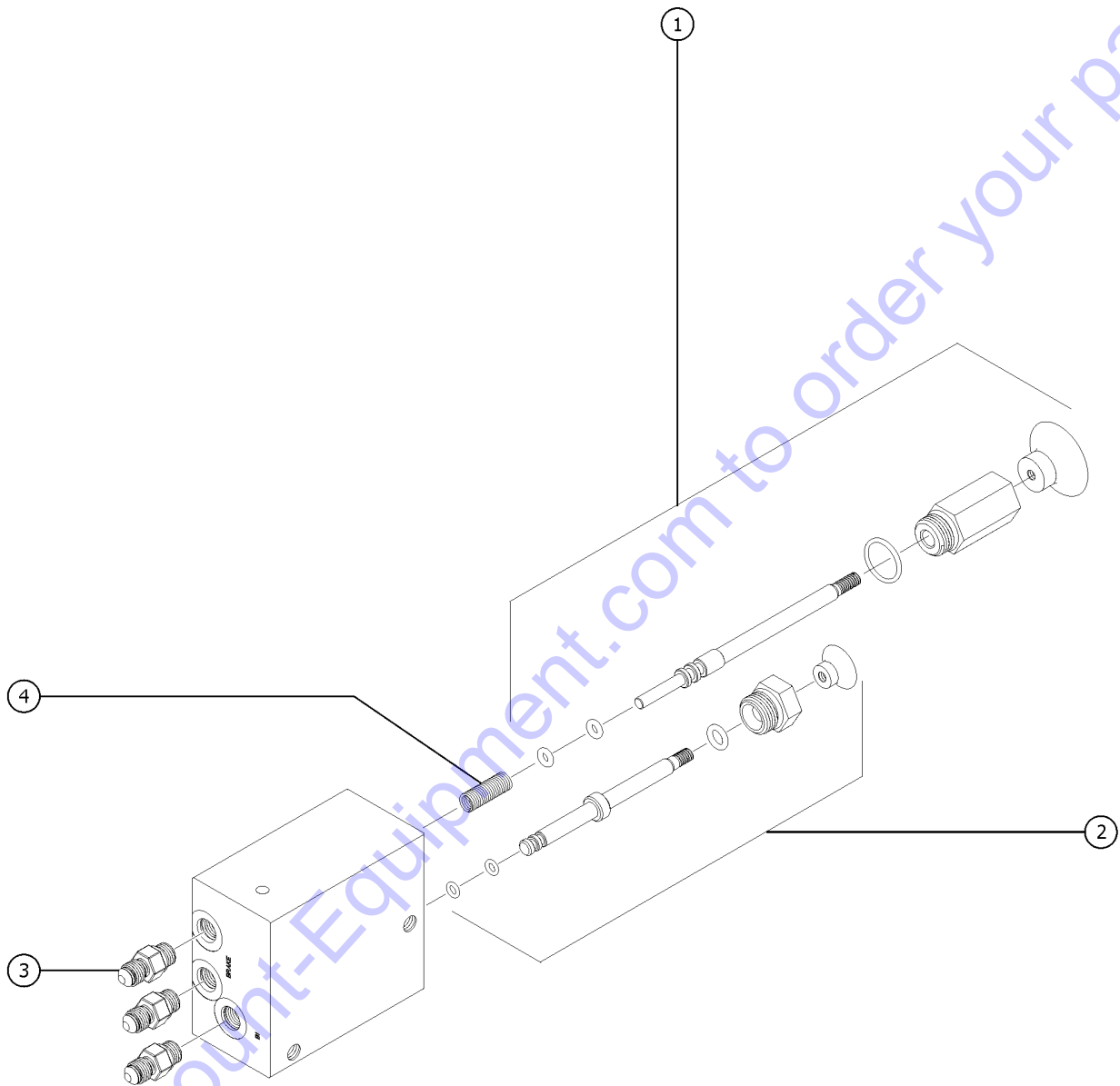


<i>Item</i>	<i>Part No.</i>	<i>Description</i>	<i>Qty.</i>
9-	84385GT	COIL,20VDC DEUTCSH W/DIODE ..... (sold separately)	
9-	44175GT	SPACER-DUAL COIL,#10, SCISSORS ..... (sold separately)	
10	1299590GT	VALVE, FUNCTION MANIFOLD RELIEF, 3700PSI ..... (AJ, Lift relief).	
10-	44226GT	SEAL KIT-FOR P.N.44167 .....	

Go to Discount-Equipment.com to order your parts



503.1 Brake Release Hand Pump Manifold



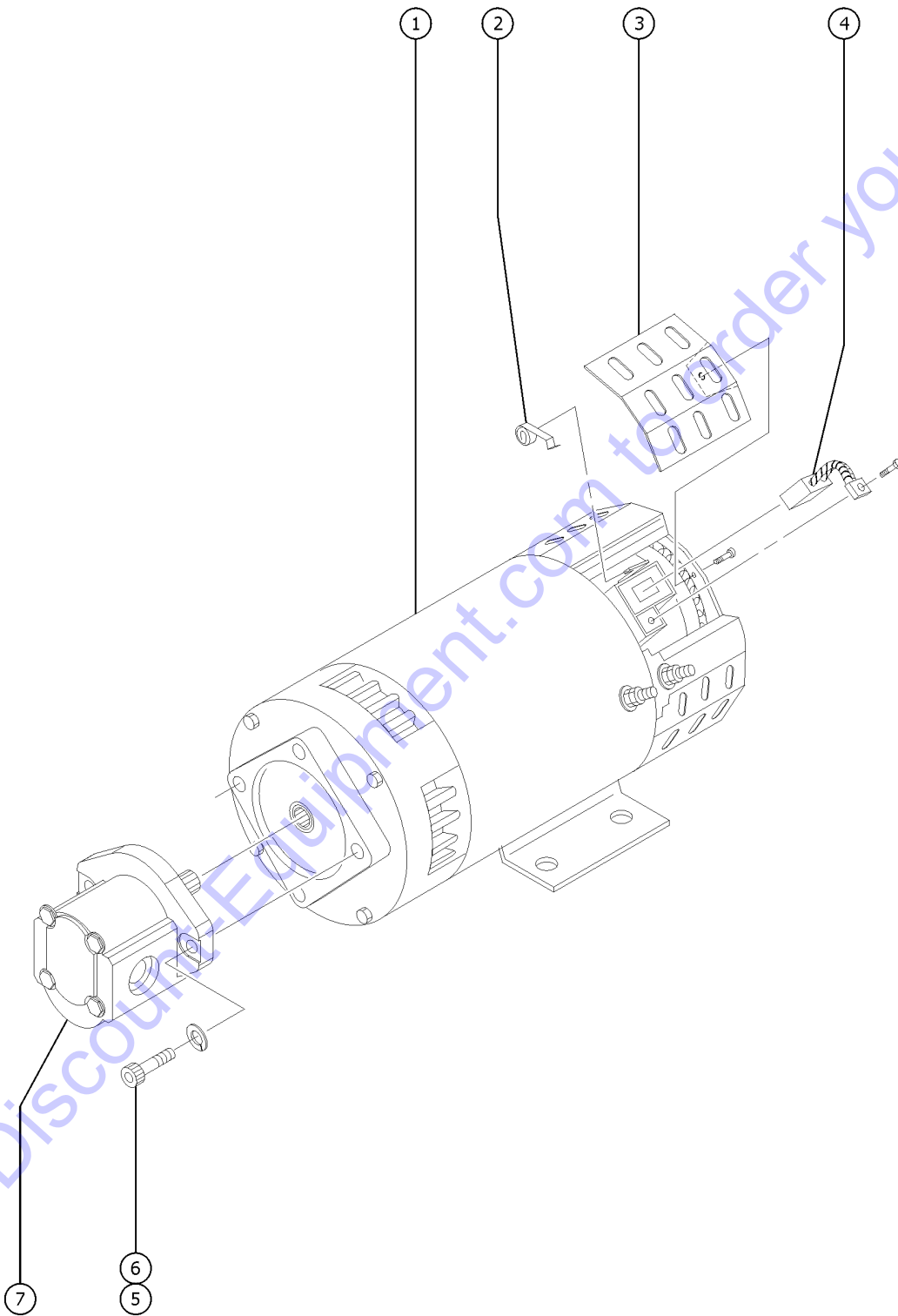
503.1 Brake Release Hand Pump Manifold

Item	Part No.	Description	Qty.
	105067GT	MANIFOLD,BRAKE RELEASE ..... (includes items 1, 2 and 4)	
1	84739GT	VALVE,HAND PUMP ASSEMBLY*** .....	1
1-	84740GT	SEAL KIT,HAND PUMP*** .....	
1-	84742GT	KNOB,HAND PUMP (RED)*** .....	
2	84743GT	VALVE,PILOT OPERATED ASSEMBLY* .....	1
2-	84740GT	SEAL KIT,HAND PUMP*** .....	
2-	84746GT	KNOB,PILOT OP VALVE (BLACK)*** .....	
3	39877GT	CONNECTOR,070120-4-4 .....	3
4	84748GT	SPRING,HAND PUMP ROD .....	1

Go to Discount-Equipment.com to order your parts



504.1 Hydraulic Power Unit, All Models



Go to DiscountEquipment.com to order your parts

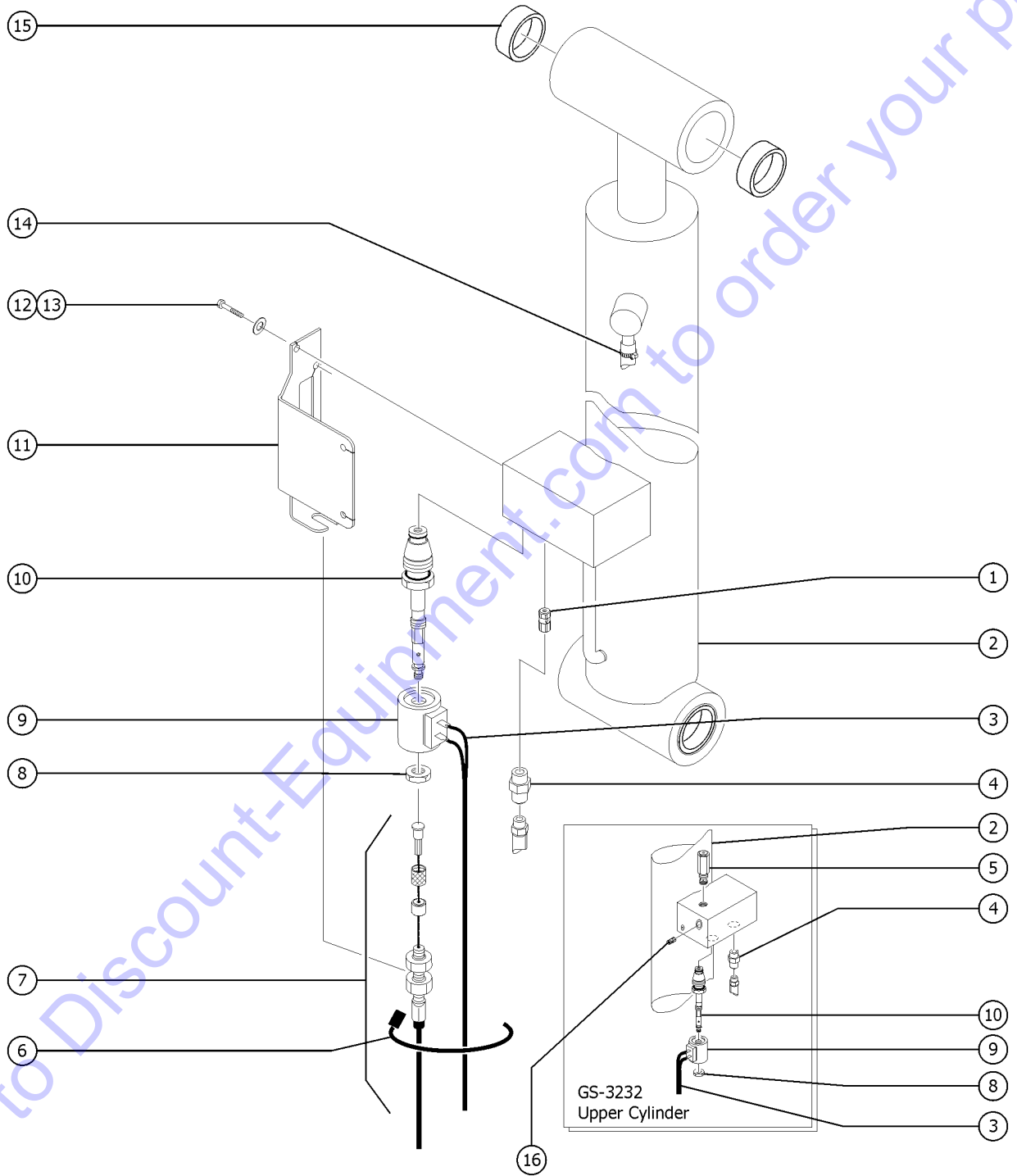
Item	Part No.	Description	Qty.
B-	49812GT	ENCLOSING BAND KIT ..... Band Kit (EE models)	
C-	78006GT	FORMING,PADLOCK BRACKET .....	
D-	44716GT	HANDLE,ANDERSON CONNECTOR SB .....	
1	40844GT	MOTOR,ELECTRIC,24VDC 4.5HP .....	1
1-	43685GT	SEAL KIT,LIFT PUMP,BARNES** .....	
1-	44777GT	BEARING,MOTOR .....	
1-	44778GT	BEARING,MOTOR,36843,BRUSH END* .....	
2	44750GT	SPRING-BRUSH,40844, SCISSORS .....	4
3	44752GT	COVER-BRUSH INSPEC.40844,SCISS .....	4
4	44751GT	BRUSH,PWR UNIT (40844)** .....	4
5	55921GT	SCREW,SHC,3/8-24 X 1.25" .....	
6	6021GT	WASHER,LOCK,.375 .....	
7	T108662GT	PUMP,5.6CC GEAR,CCW .....	1
7-	236837GT	SEAL KIT,PUMP,5.6CC GEAR .....	

Go to Discount-Equipment.com to order your parts





505.1 Lift Cylinder Assembly, All Models, GS-2032



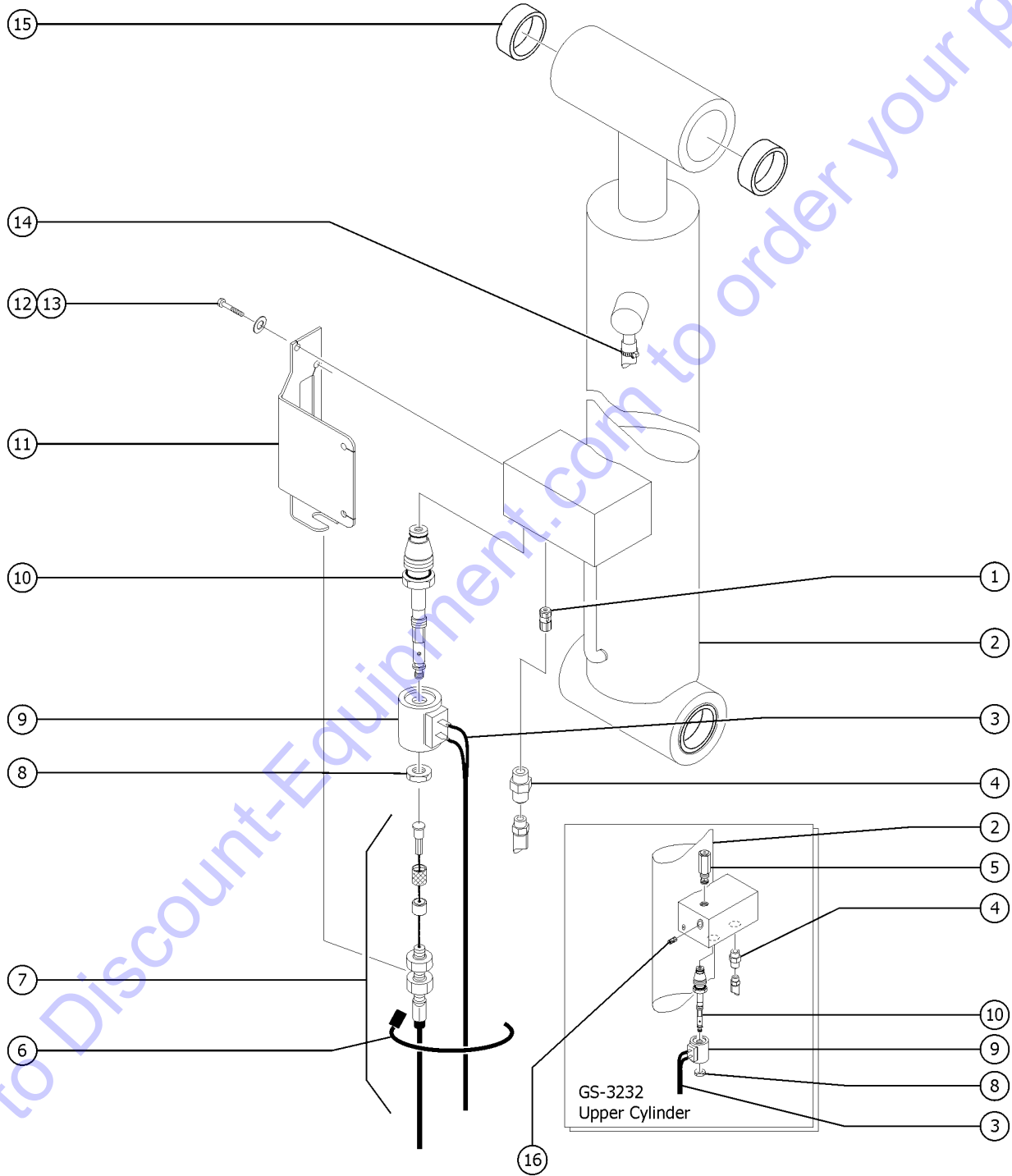
Go to Discount-Equipment.com to order your parts

505.1 Lift Cylinder Assembly, All Models, GS-2032

Item	Part No.	Description	Qty.
1	55560GT	ORIFICE, LONG, .059" .....	
1-	105481GT	KIT, ORIFICE, .059" .....	
1-	105479GT	KIT, TWO ORIFICE, .059" .....	
2A	105544GT	CYLINDER, 20XX LIFT .....	1
		GS-2032	
2A-	105549GT	SEAL KIT (105545) .....	
		(for PN 105544GT)	
3		Ref. Down Coil Wire Harness .....	
		(refer to 211.1)	
4	39878GT	CONNECTOR, 070120-6-6 .....	1
5	237455GT	VALVE, RELIEF, 2900 PSI, BOSCH .....	
6	28443GT	CABLE TIE, 11.5" BLACK .....	3
7		Ref. Emergency Down Cable .....	
		(refer to 203.1)	
8	44973GT	NUT, COIL (39909) .....	1
9	84422GT	COIL-SOLENOID VALVE, 20V DC*** .....	1
		(direct replacement for 66467GT)	
10	66465GT	VALVE, W/20V NC SOLENOID, MANUAL .....	1
		(includes items 7 and 8)	
10-	40477GT	VALVE, CARTRIDGE*** .....	
10-	44979GT	SEAL KIT, 39909, PLAT LWR VALVE* .....	
11	41557-SGT	CABLE BRACKET, PAINTED .....	1
12	7339GT	SCREW, HHC, 1/4-20 X .5 .....	
13	6356GT	WASHER, LOCK, .25 .....	
14	96770GT	CLAMP, HOSE, 1 EAR, 11/16 .....	1
15	105478GT	BEARING, 1.5025IDX1.5075ODX1.5L .....	4



505.2 Lift Cylinder Assembly, All Models, GS-2632



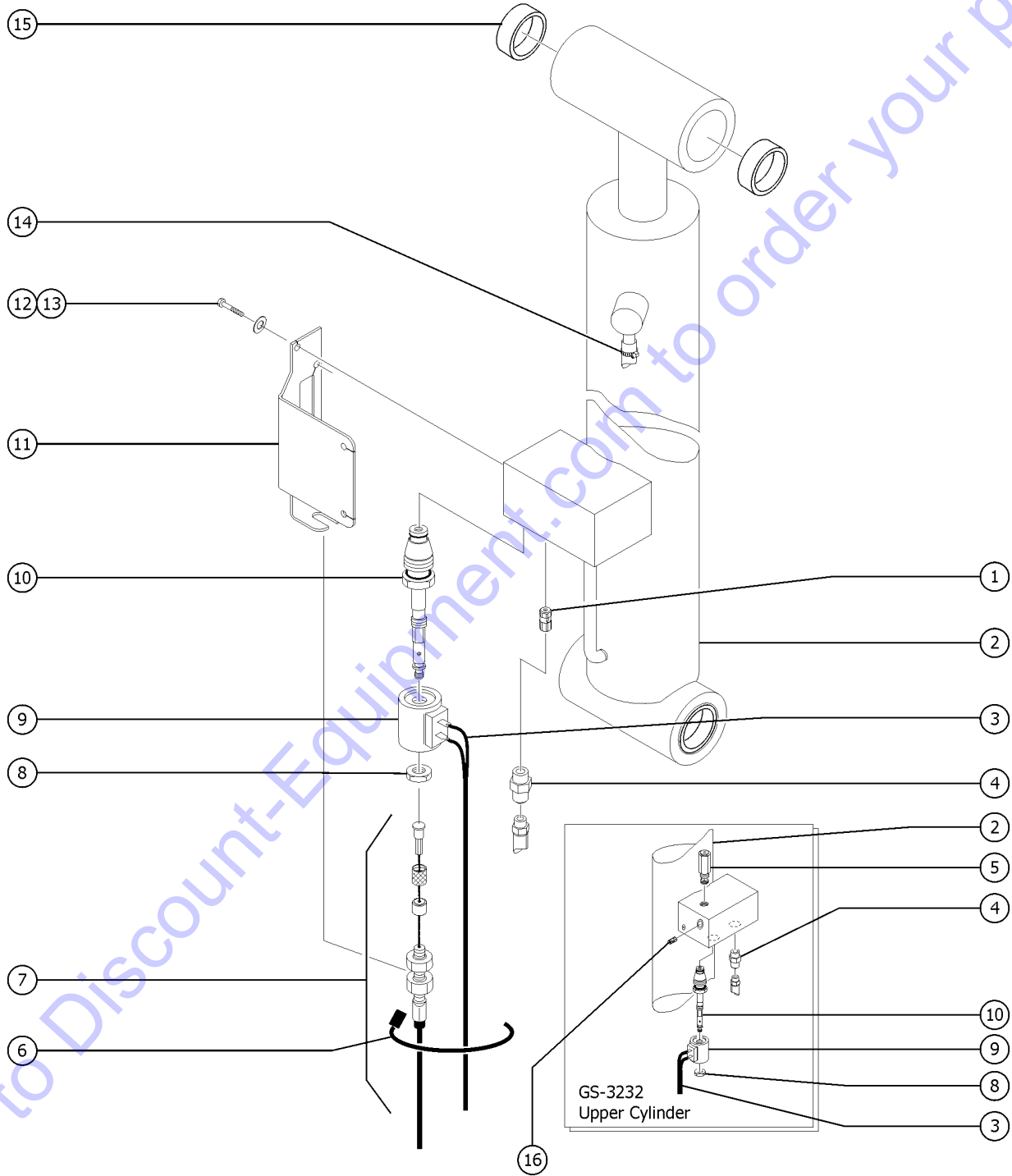
Go to Discount-Equipment.com to order your parts

505.2 Lift Cylinder Assembly, All Models, GS-2632

Item	Part No.	Description	Qty.
1	55560GT	ORIFICE, LONG, .059" .....	
1-	105481GT	KIT, ORIFICE, .059" .....	
1-	105479GT	KIT, TWO ORIFICE, .059" .....	
2B	105545GT	CYLINDER, 26XX/32XX LIFT GS-2632 .....	1
2B-	105549GT	SEAL KIT (105545) (for PN 105545GT) .....	
3		Ref. Down Coil Wire Harness (refer to 211.1) .....	
4	39878GT	CONNECTOR, 070120-6-6 .....	1
5	237455GT	VALVE, RELIEF, 2900 PSI, BOSCH .....	
6	28443GT	CABLE TIE, 11.5" BLACK .....	3
7		Ref. Emergency Down Cable (refer to 203.1) .....	
8	44973GT	NUT, COIL (39909) .....	1
9	84422GT	COIL-SOLENOID VALVE, 20V DC*** (direct replacement for 66467GT) .....	1
10	66465GT	VALVE, W/20V NC SOLENOID, MANUAL (includes items 7 and 8) .....	1
10-	40477GT	VALVE, CARTRIDGE*** .....	
10-	44979GT	SEAL KIT, 39909, PLAT LWR VALVE* .....	
11	41557-SGT	CABLE BRACKET, PAINTED .....	1
12	7339GT	SCREW, HHC, 1/4-20 X .5 .....	
13	6356GT	WASHER, LOCK, .25 .....	
14	96770GT	CLAMP, HOSE, 1 EAR, 11/16 .....	1
15	105478GT	BEARING, 1.5025IDX1.5075ODX1.5L .....	4



505.3 Lift Cylinder Assembly, All Models, GS-3232

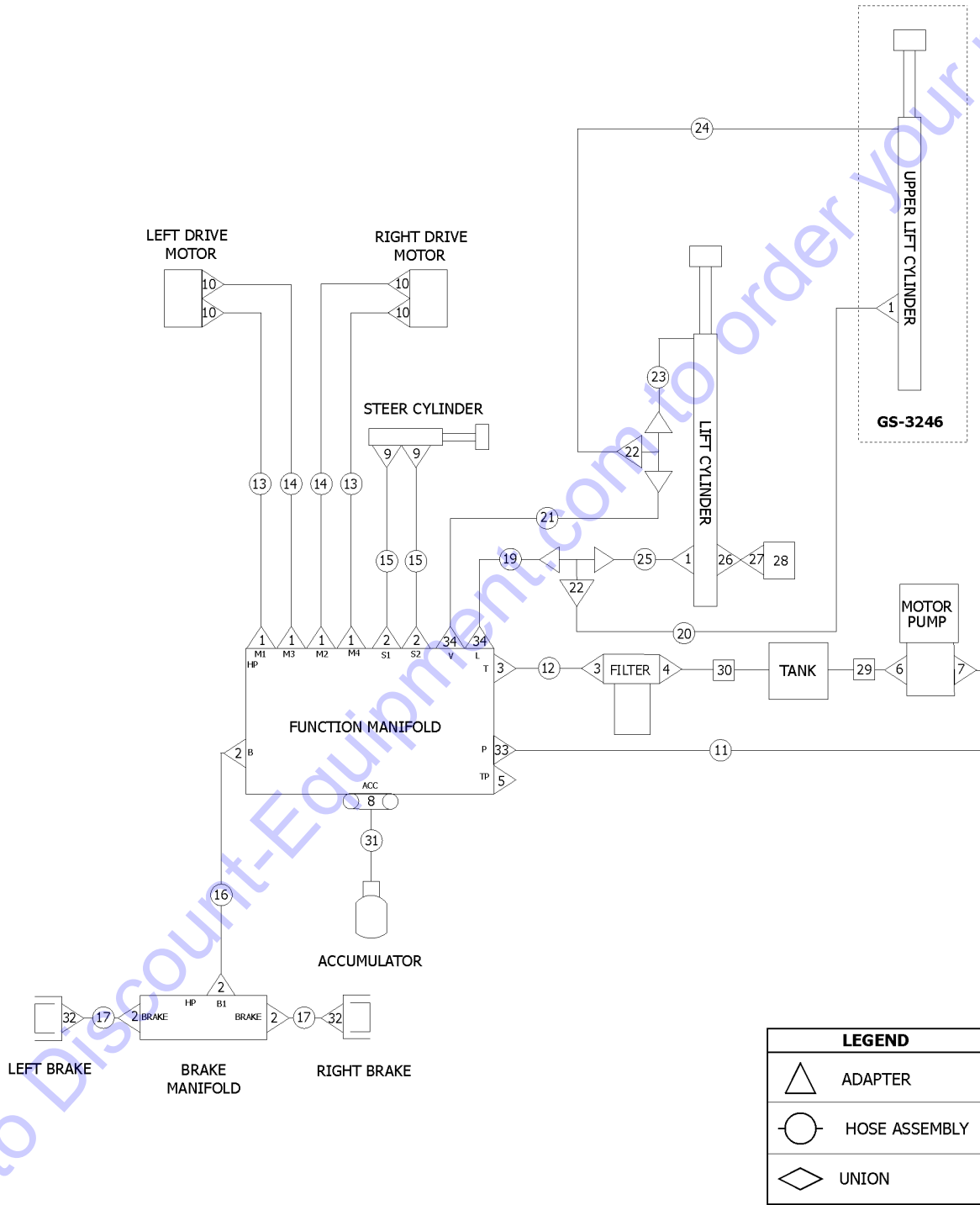


505.3 Lift Cylinder Assembly, All Models, GS-3232

Item	Part No.	Description	Qty.
1	55560GT	ORIFICE, LONG, .059" .....	
1-	105481GT	KIT, ORIFICE, .059" .....	
1-	105479GT	KIT, TWO ORIFICE, .059" .....	
2C	105546GT	CYLINDER, 32XX UPPER LIFT .....	1
		GS-3232 (upper cylinder)	
2C-	105564GT	SEAL KIT (105546) .....	
		(for PN 105546GT)	
2D	105545GT	CYLINDER, 26XX/32XX LIFT .....	1
		GS-3232 (lower cylinder)	
2D-	105549GT	SEAL KIT (105545) .....	
		(for PN 105545GT)	
3		Ref. Down Coil Wire Harness .....	
		(refer to 211.1)	
4	39878GT	CONNECTOR, 070120-6-6 .....	1
5	237455GT	VALVE, RELIEF, 2900 PSI, BOSCH .....	
6	28443GT	CABLE TIE, 11.5" BLACK .....	3
7		Ref. Emergency Down Cable .....	
		(refer to 203.1)	
8	44973GT	NUT, COIL (39909) .....	1
9	84422GT	COIL-SOLENOID VALVE, 20V DC*** .....	1
		(direct replacement for 66467GT)	
10	66465GT	VALVE, W/20V NC SOLENOID, MANUAL .....	1
		(includes items 7 and 8)	
10-	40477GT	VALVE, CARTRIDGE*** .....	
10-	44979GT	SEAL KIT, 39909, PLAT LWR VALVE* .....	
11	41557-SGT	CABLE BRACKET, PAINTED .....	1
12	7339GT	SCREW, HHC, 1/4-20 X .5 .....	
13	6356GT	WASHER, LOCK, .25 .....	
14	96770GT	CLAMP, HOSE, 1 EAR, 11/16 .....	1
15	105478GT	BEARING, 1.5025IDX1.5075ODX1.5L .....	4
16	55558GT	ORIFICE, LONG, .037*** .....	1
		GS-3232	



506.1 Hydraulic Hoses and Fittings, GS-2032, GS-2632



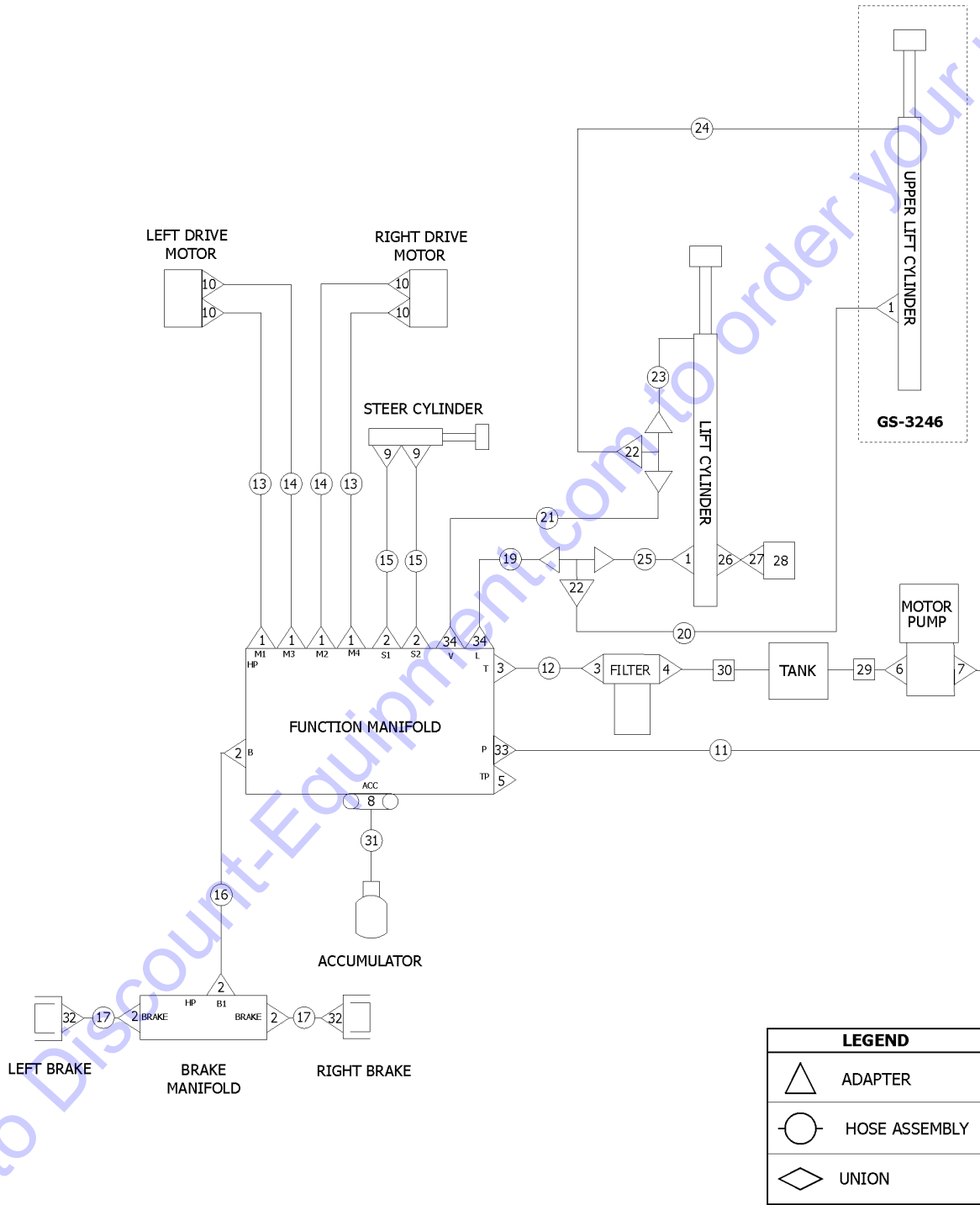
506.1 Hydraulic Hoses and Fittings, GS-2032, GS-2632

Item	Part No.	Description	Qty.
	66765-3000GT	WIRE LOOM, SPIRAL, 1-5/8 ID 30" used as hose protection on 3/8 hoses, sold by the inch	
		The hose lengths below reflect the length of the hose only. Refer to the 'Fittings Cross Reference' to match Genie part numbers to Parker part numbers.	
1A	39878GT	CONNECTOR, 070120-6-6	4
		GS-2032, GS-2632	
2	39877GT	CONNECTOR, 070120-4-4	6
2-	39882GT	PLUG, HEX SOCKET, 090109B-4	1
3	66389GT	CONN, 070120-8-6	2
4	96398GT	CONNECTOR, 070120-12-8	1
5		Ref. Diagnostic Nipple (refer to 502.1)	
6	22664GT	ELBOW, 070220-12-10	1
7	39876GT	ELBOW, 070220-6-8	1
8	39877GT	CONNECTOR, 070120-4-4	1
9A	13921GT	ELBOW, 070220-4-4	2
		GS-2032, GS-2632	
10	39873GT	ELBOW, 070220-6-6	4
11	96744GT	HOSE, ASSY, PRESSURE (Components: 39890, 39890, and 56776 @ 50 inches)	1
12	96348GT	HOSE, ASSY, MAN TO FILTER (Components: 96406, 96406, and 75631 @ 25 inches)	1
13	105802GT	HOSE ASSY, DRIVE MOTORS, GS32 (Components: 39890, 39890, and 56776 @ 50 inches)	2
14	105579GT	HOSE ASSY, DRIVE MOTORS, GS32 (Components: 39890, 39890, and 56776 @ 54 inches)	2
15	105578GT	HOSE, ASSY STEER, GS32/46 (Components: 78855, 78855, and 78852 @ 36 inches)	2
16	105804GT	HOSE, ASSY, BRAKE MAN, GS32 (Components: 78855, 78855, and 78852 @ 62 inches)	1
17	96391GT	HOSE 78852X475 (Components: 78855, 78855, and 78852 @ 17 inches)	2
19	96750GT	HOSE, ASSY, LIFT (Components: 39890, 39890, and 56776 @ 42 inches)	1
21	96881GT	HOSE, LOWER VENT (Components: 96406, 96407, and 75631 @ 42 inches)	1
23B	96882GT	HOSE, LOWER VENT GS-2032, GS-2632 (Components: 75631 @ 161 inches)	1
25	105046GT	HOSE ASSY, LOWER LIFT (Components: 39890, 47223, and 56776 @ 127 inches)	1
26	96885GT	CONN, SWIVEL, STR, THR, 465OX-S	1
27	39881GT	CONNECTOR, 070120-4-6	1
28		Ref. Pressure Switch (refer to 701.1)	1
29	96354GT	TUBE, ASSY, DRAW	1





506.1 Hydraulic Hoses and Fittings, GS-2032, GS-2632



LEGEND	
	ADAPTER
	HOSE ASSEMBLY
	UNION

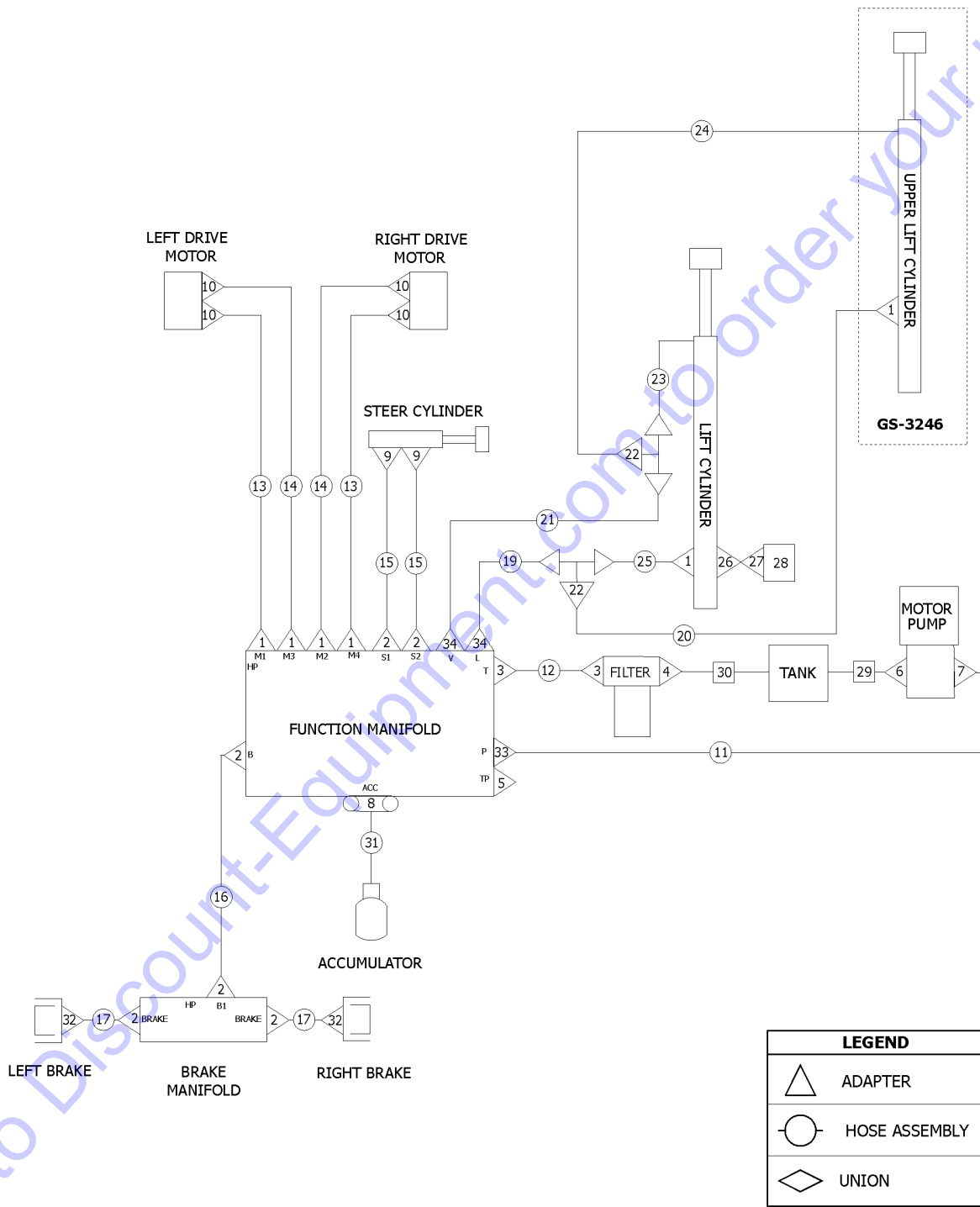
506.1 Hydraulic Hoses and Fittings, GS-2032, GS-2632

Item	Part No.	Description	Qty.
30	96355GT	TUBE, ASSY, RETURN .....	1
31	105246GT	HOSE ASSY, MAN/ACCUM, GS32/46 (Components: 78855, 78855, and 78852 @ 17 inches) .....	1
32	39877GT	CONNECTOR,070120-4-4 .....	2
33A	39878GT	CONNECTOR, 070120-6-6 .....	1
		GS-2032, GS-2632	
34A	42283GT	ELBOW,070320-6-6 .....	2
		GS-2032, GS-2632	

Go to Discount-Equipment.com to order your parts



506.2 Hydraulic Hoses and Fittings, GS-3232



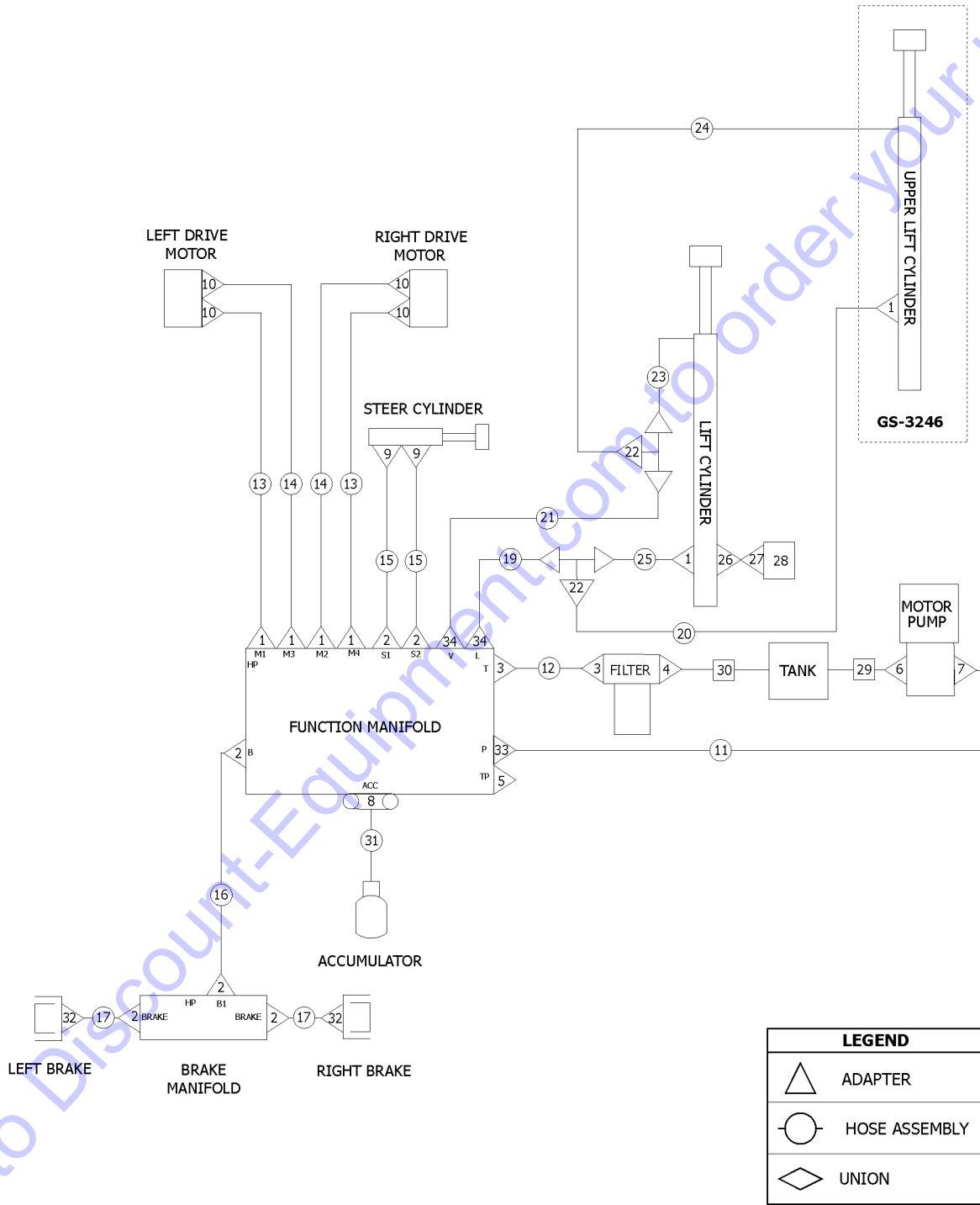
LEGEND	
	ADAPTER
	HOSE ASSEMBLY
	UNION

506.2 Hydraulic Hoses and Fittings, GS-3232

Item	Part No.	Description	Qty.
	66765-3000GT	WIRE LOOM, SPIRAL, 1-5/8 ID 30" used as hose protection on 3/8 hoses, sold by the inch	
		The hose lengths below reflect the length of the hose only. Refer to the 'Fittings Cross Reference' to match Genie part numbers to Parker part numbers.	
1B	39878GT	CONNECTOR, 070120-6-6 GS-3232	5
2	39877GT	CONNECTOR, 070120-4-4	6
2-	39882GT	PLUG, HEX SOCKET, 090109B-4	1
3	66389GT	CONN, 070120-8-6	2
4	96398GT	CONNECTOR, 070120-12-8	1
5		Ref. Diagnostic Nipple (refer to 502.1)	
6	22664GT	ELBOW, 070220-12-10	1
7	39876GT	ELBOW, 070220-6-8	1
8	39877GT	CONNECTOR, 070120-4-4	1
9B	13921GT	ELBOW, 070220-4-4 GS-3232	4
10	39873GT	ELBOW, 070220-6-6	4
11	96744GT	HOSE, ASSY, PRESSURE (Components: 39890, 39890, and 56776 @ 50 inches)	1
12	96348GT	HOSE, ASSY, MAN TO FILTER (Components: 96406, 96406, and 75631 @ 25 inches)	1
13	105802GT	HOSE ASSY, DRIVE MOTORS, GS32 (Components: 39890, 39890, and 56776 @ 50 inches)	2
14	105579GT	HOSE ASSY, DRIVE MOTORS, GS32 (Components: 39890, 39890, and 56776 @ 54 inches)	2
15	105578GT	HOSE, ASSY STEER, GS32/46 (Components: 78855, 78855, and 78852 @ 36 inches)	2
16	105804GT	HOSE, ASSY, BRAKE MAN, GS32 (Components: 78855, 78855, and 78852 @ 62 inches)	1
17	96391GT	HOSE 78852X475 (Components: 78855, 78855, and 78852 @ 17 inches)	2
19	96750GT	HOSE, ASSY, LIFT (Components: 39890, 39890, and 56776 @ 42 inches)	1
20	96880GT	HOSE ASSY, UPPER LIFT GS-3232 (Components: 39890, 39891, and 56776 @ 297 inches)	1
21	96881GT	HOSE, LOWER VENT (Components: 96406, 96407, and 75631 @ 42 inches)	1
22	51152GT	TEE, RUN 070432-6***** GS-3232	2
23A	75631GT	HOSE, AIR 3/8 GS-3232 (for hose ends see items 31 & 34)	161
24	96883GT	HOSE, UPPER VENT GS-3232 (Components: 105045, and 75631 @ 320 inches)	1
25	105046GT	HOSE ASSY, LOWER LIFT (Components: 39890, 47223, and 56776 @ 127 inches)	1
26	96885GT	CONN, SWIVEL, STR, THR, 465OX-S	1



506.2 Hydraulic Hoses and Fittings, GS-3232



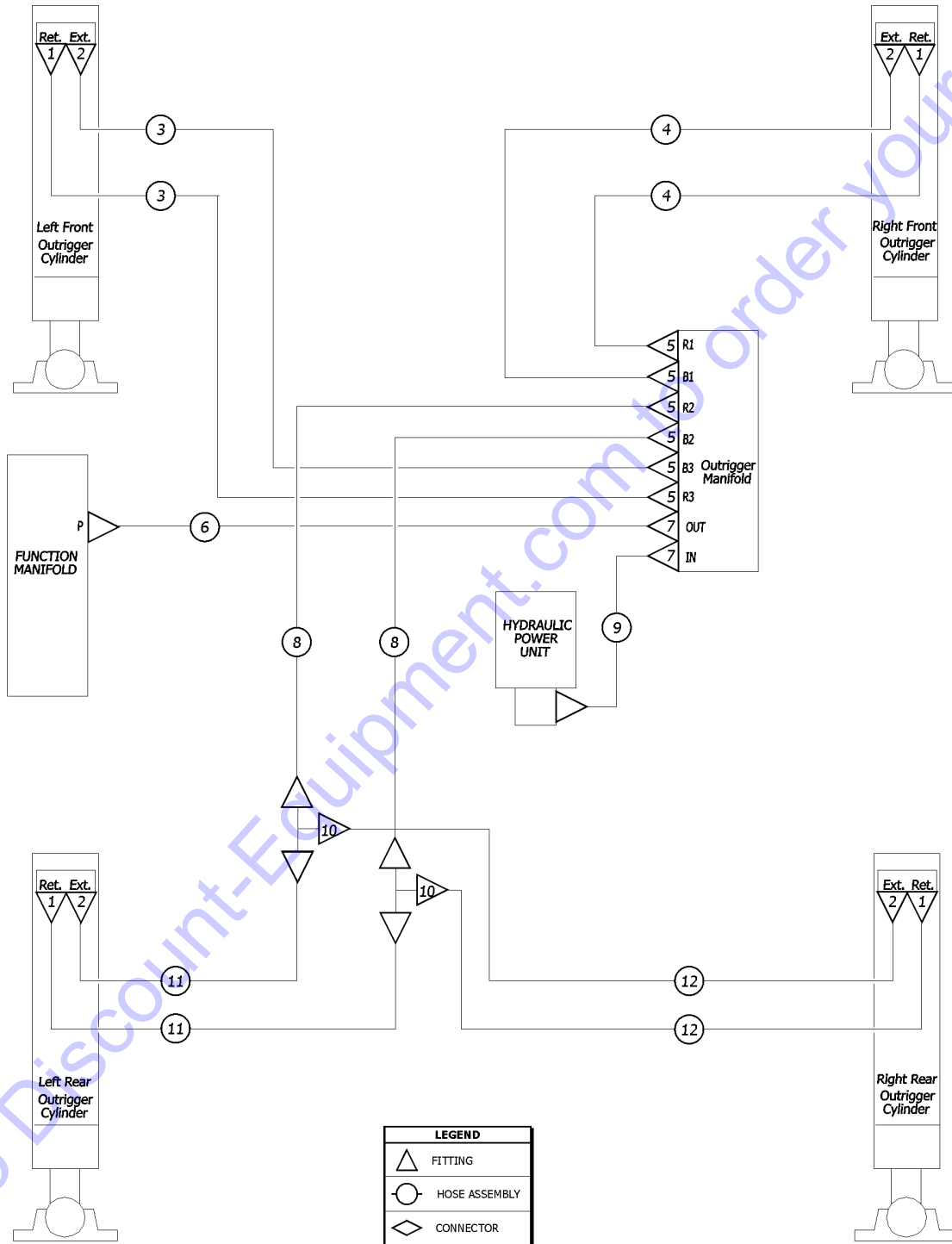
506.2 Hydraulic Hoses and Fittings, GS-3232

Item	Part No.	Description	Qty.
27	39881GT	CONNECTOR,070120-4-6 .....	1
28		Ref.Pressure Switch 701.1 .....	1
29	96354GT	TUBE, ASSY, DRAW .....	1
30	96355GT	TUBE, ASSY, RETURN .....	1
31	105246GT	HOSE ASSY, MAN/ACCUM, GS32/46 (Components: 78855, 78855, and 78852 @ 17 inches) .....	1
32	39877GT	CONNECTOR,070120-4-4 .....	2
33B	237086GT	HOSE, UPPER VENT GS-3232 (Australia, CE) .....	1
34B	130011GT	HOSE CLAMP, SAE #6 GS-3232 .....	2

Go to Discount-Equipment.com to order your parts



507.1 Hydraulic Hoses and Fittings, Outriggers, GS-3232



507.1 Hydraulic Hoses and Fittings, Outriggers, GS-3232

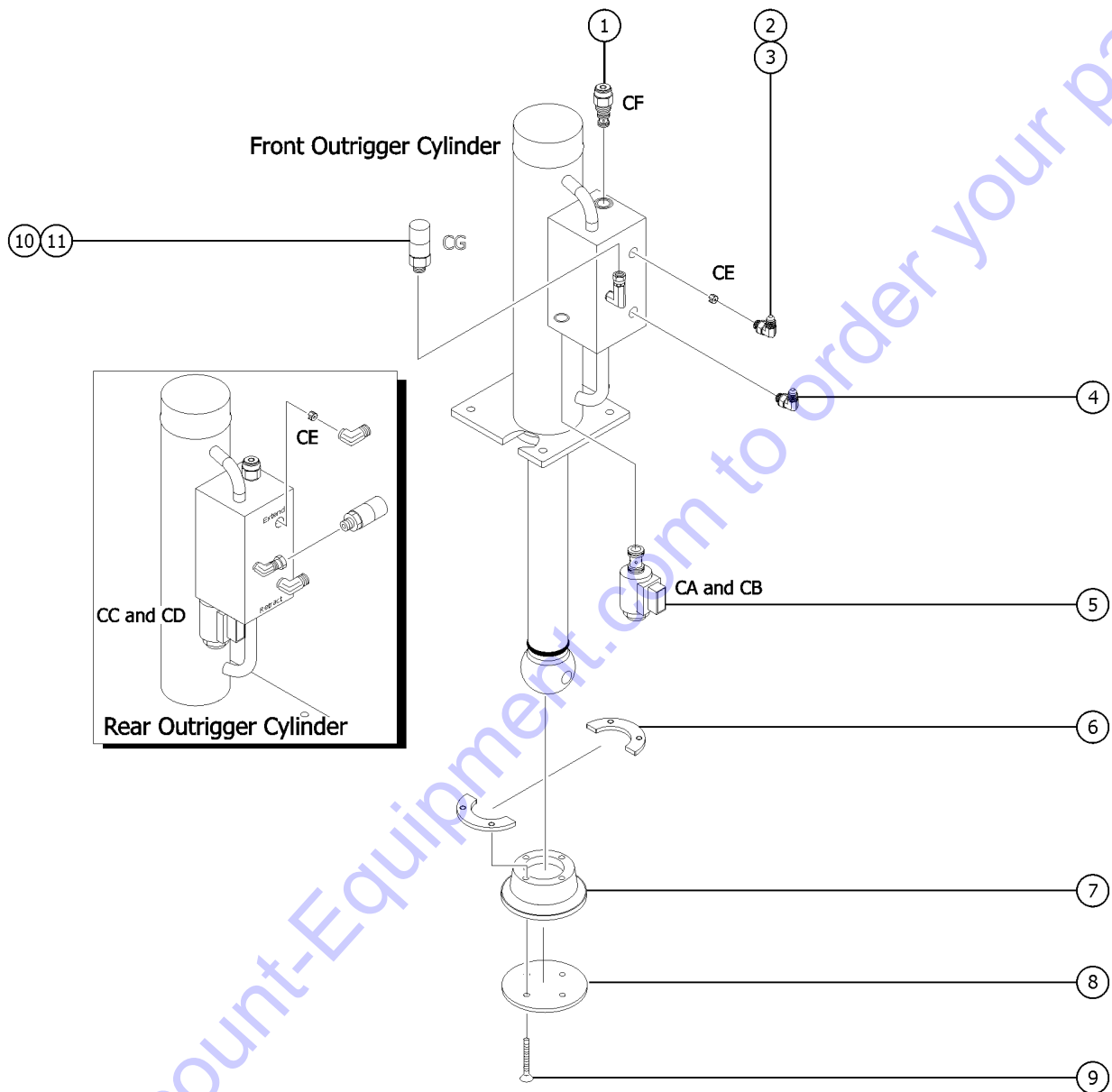
Item	Part No.	Description	Qty.
1	13921GT	ELBOW,070220-4-4 .....	4
2	39875GT	ELBOW,070220-4-6 .....	4
3	105645GT	HOSE ASSY,LT FRONTO/R,GS3232 (Components: 78855, 78855, and 78852 @ 12 inches) .....	2
4	105648GT	HOSE ASSY,RT FRONT O/R,GS3232 (Components: 78855, 78855, and 78852 @ 36 inches) .....	2
5	39877GT	CONNECTOR,070120-4-4 .....	6
6	105650GT	HOSE ASSY,MANIFOLD, GS3232 (Components: 39890, 39890, and 56776 @ 32 inches) .....	1
7	39878GT	CONNECTOR, 070120-6-6 .....	2
8	105649GT	HOSE ASSY,O/R MAN-T, GS3232 (Components: 78855, 78855, and 78852 @ 60 inches) .....	2
9	105651GT	HOSE ASSY,PUMP-O/R MAN, GS3232 (Components: 39890, 39890, and 56776 @ 56 inches) .....	1
10	8342GT	TEE,UNION,070401-4 .....	4
11	105646GT	HOSE ASSY,LT REAR O/R, GS3232 (Components: 78855, 78855, and 78852 @ 16 inches) .....	2
12	105647GT	HOSE ASSY,RT REAR O/R, GS3232 (Components: 78855, 78855, and 78852 @ 24 inches) .....	2

Go to Discount-Equipment.com to order your parts





508.1 Outrigger Cylinders, Front and Rear, GS-3232



Go to Discount-Equipment.com to order your parts

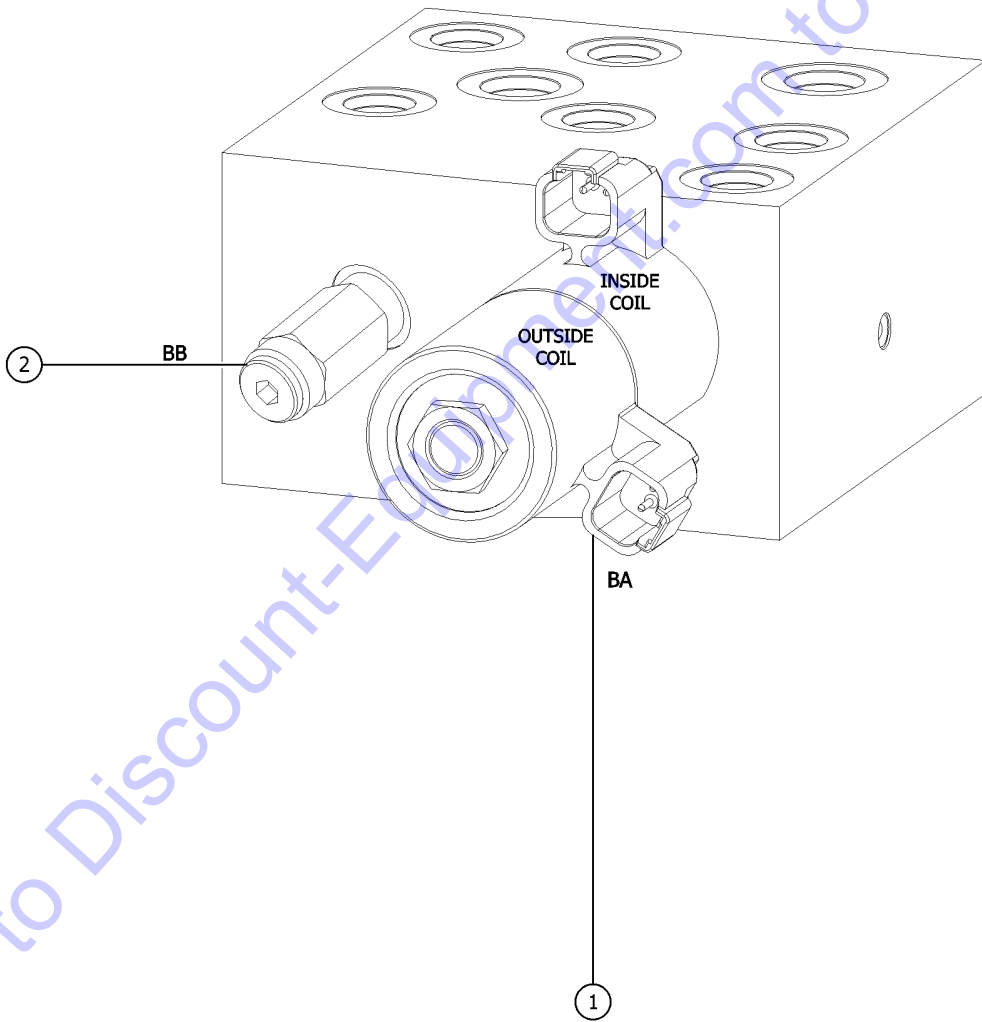
508.1 Outrigger Cylinders, Front and Rear, GS-3232

Item	Part No.	Description	Qty.
-	109878GT	CYLINDER,FRONT OUTRIGGER order valves, orifice and fittings separately	
-	109877GT	CYLINDER,REAR OUTRIGGER order valves, orifice and fittings separately	
-	144655GT	SEAL KIT,O/R CYLINDER*** for 109877GT and 109878GT	
1	105628GT	VALVE,CHECK,PILOT OPERATED (3500 psi, 240 bar)	1
1-	105695GT	SEAL KIT	
2	39875GT	ELBOW,070220-4-6	1
3	67744GT	ORIFICE,SHORT, 0.037 INCH (0.037 inch; 0.94 mm)	1
4	13921GT	ELBOW,070220-4-4	1
5	105629GT	VALVE,SOLENOID 2 POS, 2 WAY	1
5-	44228GT	SEAL KIT, VALVE	
6	109750GT	PLATE,FOOTPAD RING	2
7	109756GT	FOOTPAD,OUTRIGGER,3232	1
8	105575GT	FOOTPAD,NON MARKING	1
9	1260987GT	SCREW,FHS,1/4-20X2.25XF835,ZAG	16
10	1311101GT	PRESSURE TRANSDUCER,0-5K,1-5V	1
11	105652GT	FITTING,ELBOW 4-4, SAE	1

Go to Discount-Equipment.com to order your parts



509.1 Outrigger Function Manifold, GS-3232



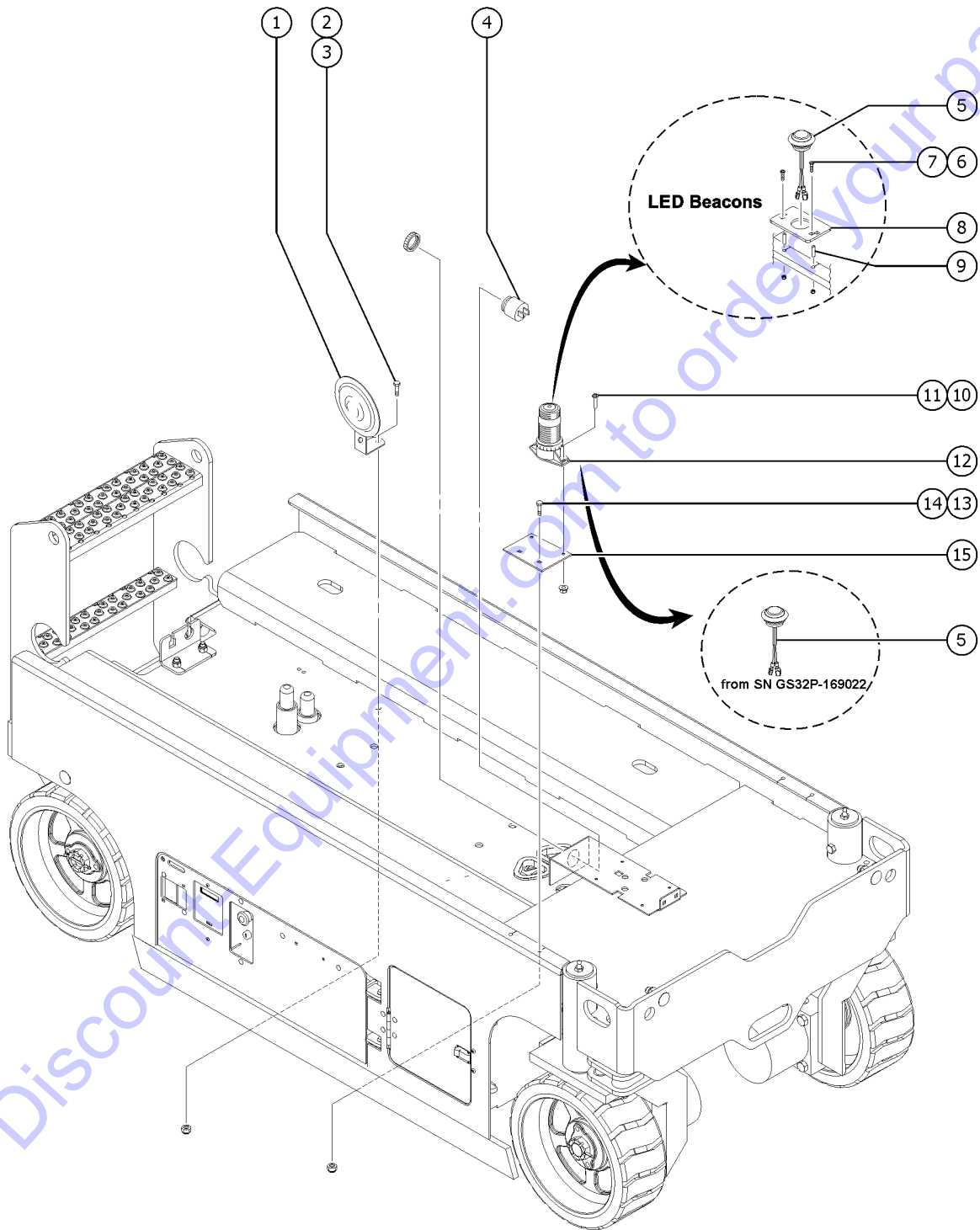
509.1 Outrigger Function Manifold, GS-3232

Item	Part No.	Description	Qty.
	109757GT	MANIFOLD,OUTRIGGER OPTION .....	
	49612GT	O-RING KIT (ORFS FITTINGS) .....	
	49613GT	PLUG AND CAP KIT-SERVICE,ORFS* .....	
1	52376GT	VALVE,RELIEF,3500PSI*** (BB, Outrigger circuit) .....	
1-	44227GT	SEAL KIT, VALVE .....	
2	52380GT	VALVE,SOLENOID,3POS4WAY,GS68 (BA, Outrigger extend/retract) .....	
2-	84385GT	COIL,20VDC DEUTCSH W/DIODE .....	
2-	44174GT	NUT-COIL SHORT .....	
2-	44175GT	SPACER-DUAL COIL,#10, SCISSORS .....	
2-	44230GT	SEAL KIT-P.N.44169,44172,44171 .....	

Go to Discount-Equipment.com to order your parts



601.1 Alarm, Horn and Flashing Beacons

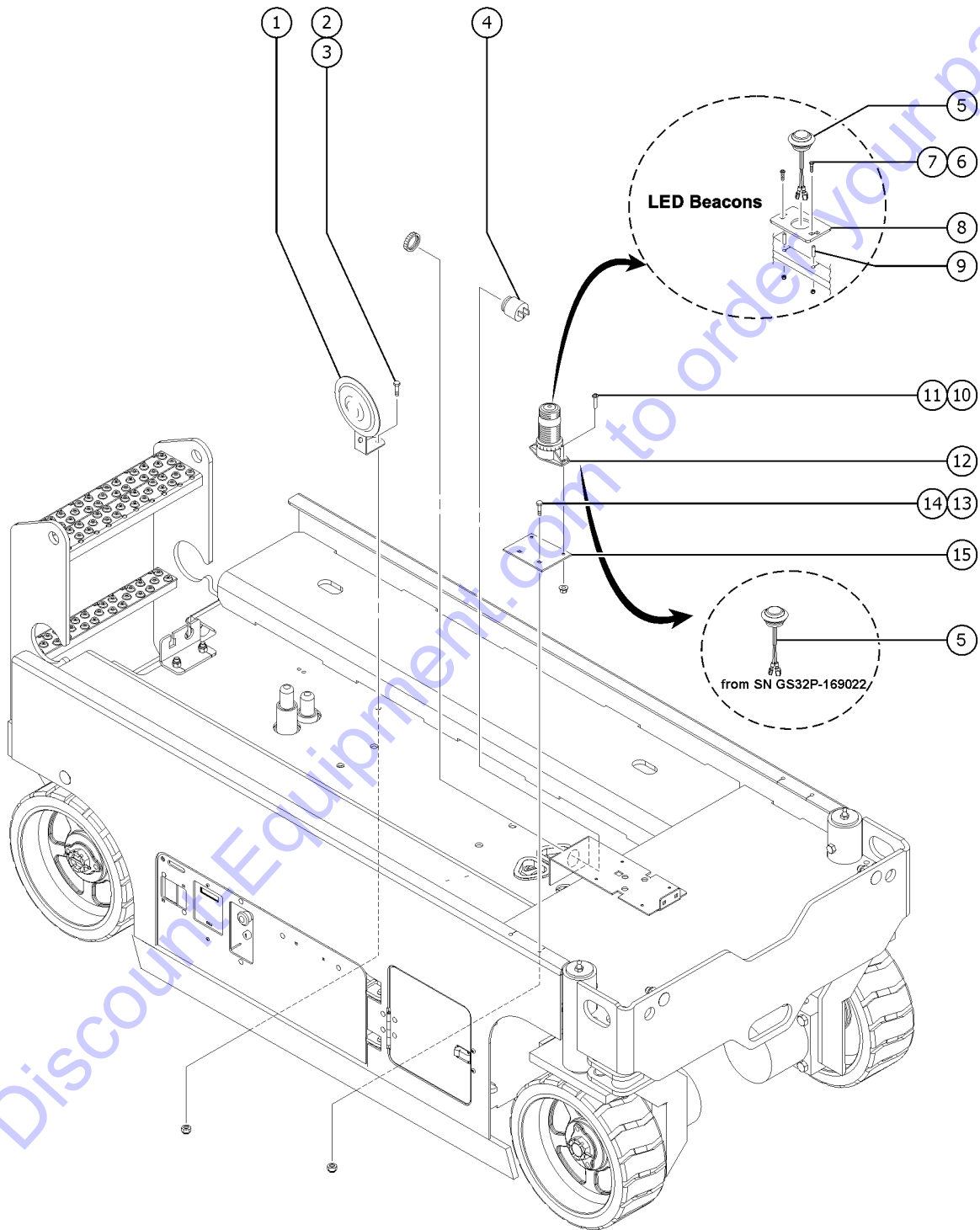


601.1 Alarm, Horn and Flashing Beacons

Item	Part No.	Description	Qty.
-	105797GT	KIT,BEACON,GS32/46 ANSI models to SN GS3216P-144146	
-	1260386GT	VISUAL ALARM SUPPLEMENT CE Models to SN GS3216P-144146	
-	1260386GT	VISUAL ALARM SUPPLEMENT All models from SN GS3216P-144147	
1	81579GT	HORN, 24VDC, SPADE TERMINALS***	1
2	824090GT	SCREW,HHF,3/8-16X1,8,ZAG to SN 163962	2
2B	1275722GT	ISOLATOR,HORN,5/16-18 THRD from SN 163963 (not shown)	1
3	824029GT	NUT,TL FLG,3/8-16,G,ZAG to SN 163962	2
3B	1274167GT	NUT,NYLOCK FLG,5/16-18,F,ZAG from SN 163963	
4	39540GT	ALARM,STEADY TONE*** Does not include 72326 nut; order separately	1
4-	72326GT	NUT,PLASTIC,RING FOR ALARMS for 39540	
5	1261183GT	ASSEMBLY,VISUAL IND LIGHT CE Models to SN GS3216P-144146	2
5-	1270162GT	ASSEMBLY, BEACON LED, 24V for 1261183	2
5-	1270662GT	HARNESS, BEACON, LED, LARGE for 1261183	1
5B	1261183GT	ASSEMBLY,VISUAL IND LIGHT All models from SN GS3216P-144147 to SN GS32P-169021	2
5B-	1270162GT	ASSEMBLY, BEACON LED, 24V for 1261183	2
5B-	1270662GT	HARNESS, BEACON, LED, LARGE for 1261183	1
5C	1270162GT	ASSEMBLY, BEACON LED, 24V from SN GS32P-169022	2
5C-	1270662GT	HARNESS, BEACON, LED, LARGE from SN GS32P-169022	1
6	9116GT	BOLT,CARRIAGE,1/4-20 X 1.25,G2 CE Models to SN GS3216P-144146	4
6B	9116GT	BOLT,CARRIAGE,1/4-20 X 1.25,G2 All models from SN GS3216P-144147 to SN GS32P-169021	4
7	6889GT	NUT,LP NYLOCK,1/4-20 CE Models to SN GS3216P-144146	4
7B	6889GT	NUT,LP NYLOCK,1/4-20 All models from SN GS3216P-144147 to SN GS32P-169021	4
8	1261143GT	PLATE,VISUAL IND LIGHT MOUNT CE Models to SN GS3216P-144146	2
8B	1261143GT	PLATE,VISUAL IND LIGHT MOUNT All models from SN GS3216P-144147 to SN GS32P-169021	2
9	96699GT	SLEEVE,TANK SUPPORT CE Models to SN GS3216P-144146	4
9B	96699GT	SLEEVE,TANK SUPPORT All models from SN GS3216P-144147 to SN GS32P-169021	4
10	824215GT	SCREW, PHPM, 10-32 X .75, ZAG ANSI models to SN GS3216P-144146	4
11	1274168GT	NUT,NYLOCK,10-32,A,ZAG ANSI models to SN GS3216P-144146	2



601.1 Alarm, Horn and Flashing Beacons



601.1 Alarm, Horn and Flashing Beacons

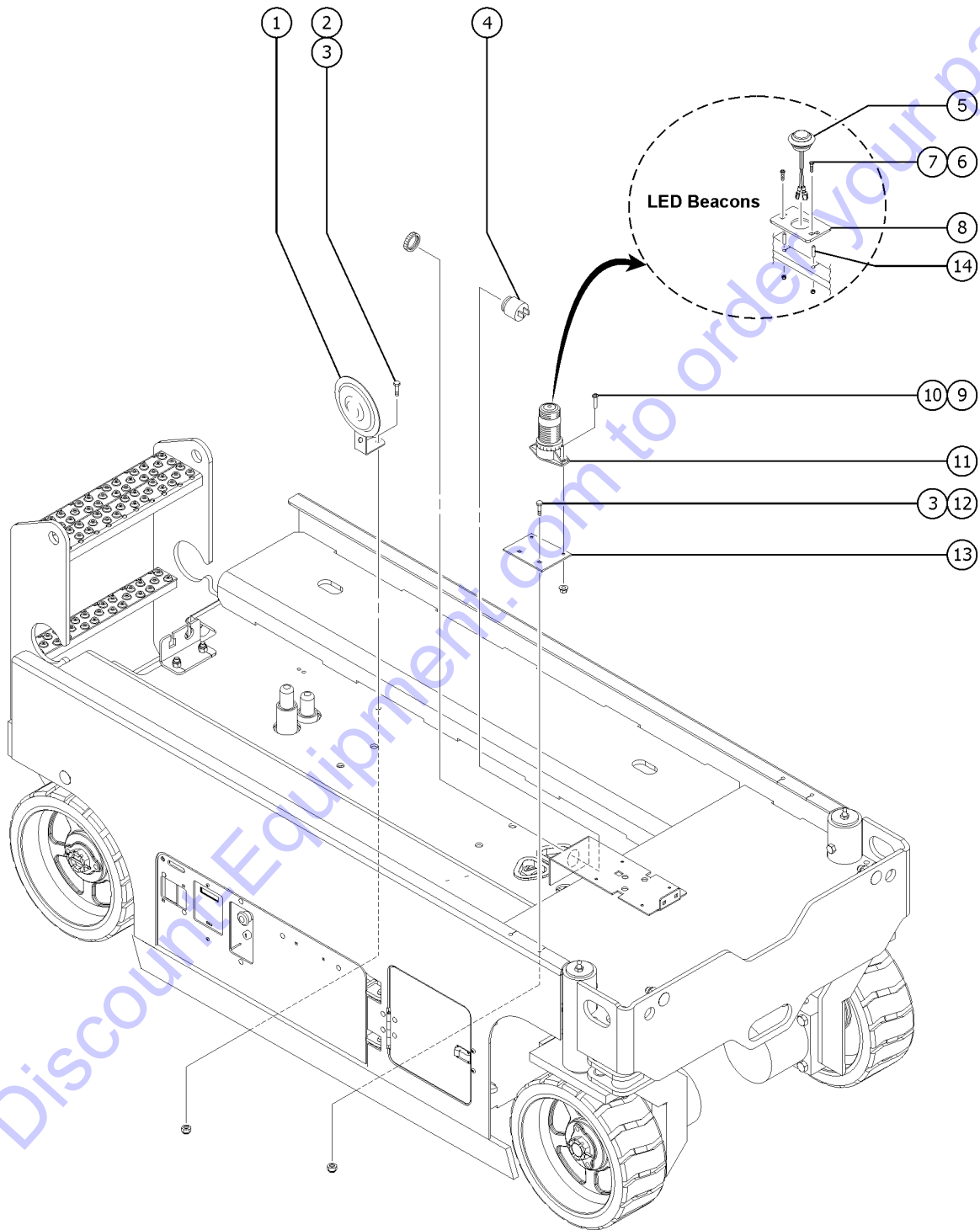
Item	Part No.	Description	Qty.
12	231931GT	STROBE,BEACON, AC COMP 12-80V ..... ANSI models to SN GS3216P-144146	2
12-	105556GT	LENS,FLASHING BEACON ..... for 231931	
12-	105557GT	BULB,FLASHING BEACON ..... for 231931	
13	824124GT	BOLT,CARRIAGE,1/4-20X.75,5,ZAG ..... ANSI models to SN GS3216P-144146	4
14	824029GT	NUT,TL FLG,3/8-16,G,ZAG ..... ANSI models to SN GS3216P-144146	2
15	96363GT	PLATE,BEACON MOUNT ..... ANSI models to SN GS3216P-144146	2

Go to Discount-Equipment.com to order your parts





601.2 Alarm, Horn and Flashing Beacons

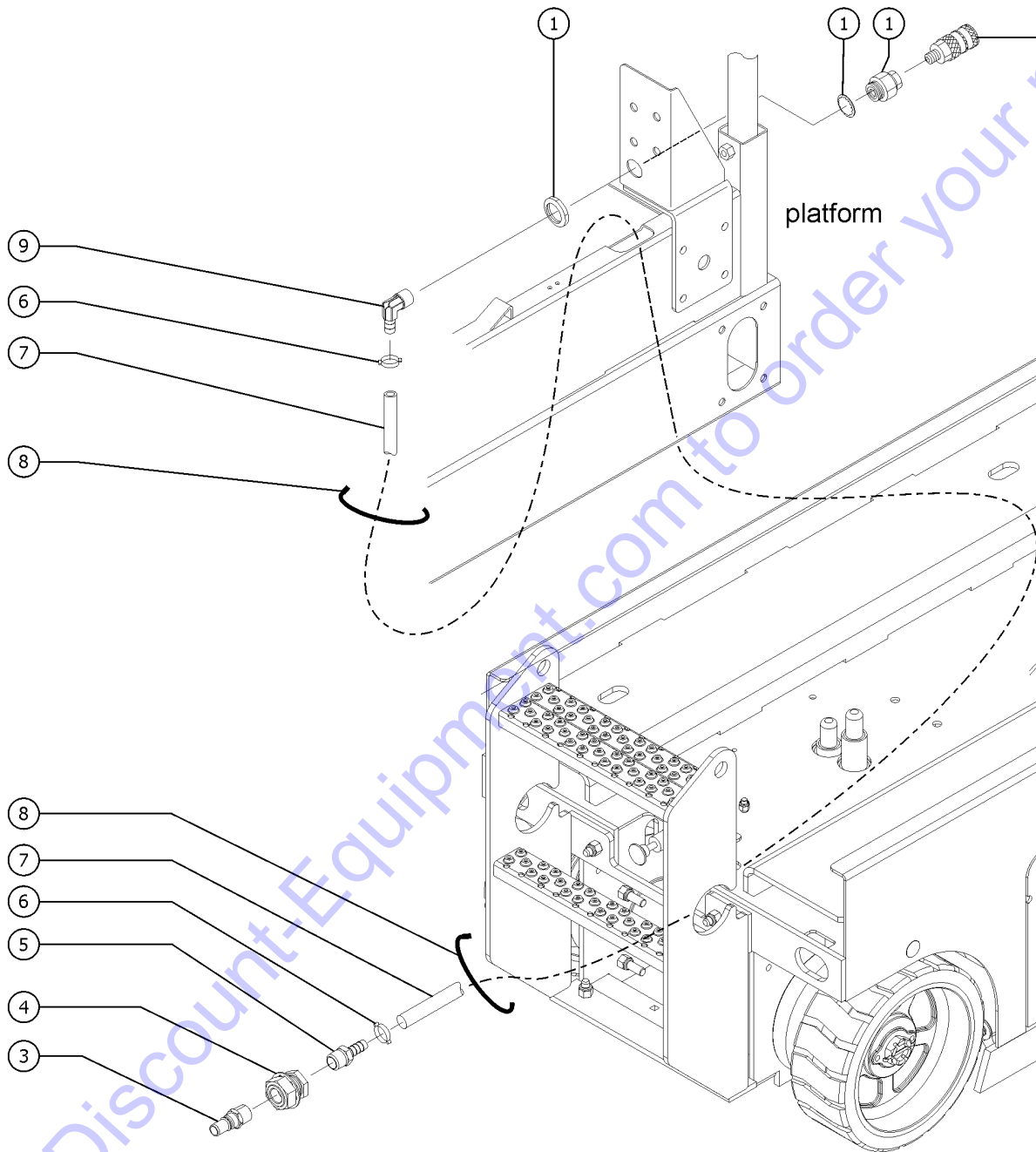


601.2 Alarm, Horn and Flashing Beacons

Item	Part No.	Description	Qty.
C-	1260386GT	VISUAL ALARM SUPPLEMENT All models from SN GS3216P-144147	
1	81579GT	HORN, 24VDC, SPADE TERMINALS***	1
2	824090GT	SCREW,HHF,3/8-16X1,8,ZAG to SN 163962	2
2B	1275722GT	ISOLATOR,HORN,5/16-18 THRD from SN 163963 (not shown)	1
3	824029GT	NUT,TL FLG,3/8-16,G,ZAG to SN 163962	2
3B	1274167GT	NUT,NYLOCK FLG,5/16-18,F,ZAG from SN 163963	1
4	39540GT	ALARM,STEADY TONE*** Does not include 72326 nut; order separately	1
4-	72326GT	NUT,PLASTIC,RING FOR ALARMS for 39540	
5A-	1270162GT	ASSEMBLY, BEACON LED, 24V for 1261183	2
5A-	1270662GT	HARNESS, BEACON, LED, LARGE for 1261183	1
5B	1261183GT	ASSEMBLY,VISUAL IND LIGHT All models from SN GS3216P-144147	2
5B-	1270162GT	ASSEMBLY, BEACON LED, 24V for 1261183	2
5B-	1270662GT	HARNESS, BEACON, LED, LARGE for 1261183	1
6B	9116GT	BOLT,CARRIAGE,1/4-20 X 1.25,G2 All models from SN GS3216P-144147	4
7B	6889GT	NUT,LP NYLOCK,1/4-20 All models from SN GS3216P-144147	4
8B	1261143GT	PLATE,VISUAL IND LIGHT MOUNT All models from SN GS3216P-144147	2
9B	824215GT	SCREW, PHPM, 10-32 X .75, ZAG All models from SN GS3216P-144147	4
11-	105556GT	LENS,FLASHING BEACON for 231931	
11-	105557GT	BULB,FLASHING BEACON for 231931	
14	96699GT	SLEEVE,TANK SUPPORT All models from SN GS3216P-144147	4



602.1 Air Line to Platform, GS-2032

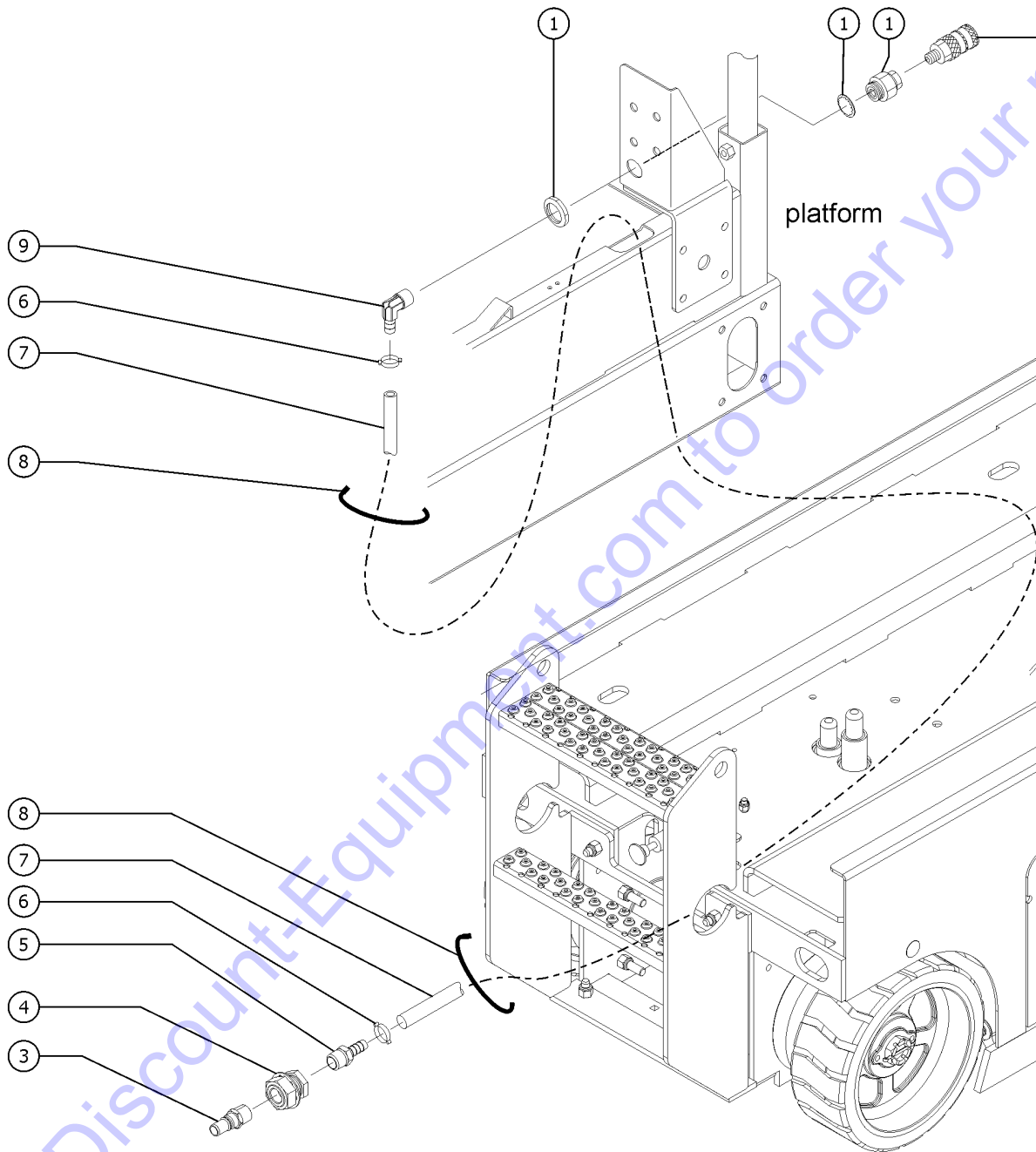


Item	Part No.	Description	Qty.
	96731-SGT	AIR TO PLAT, GS20XX, ACC GS-2032, to SN GS32P-157400	
1	27900GT	BULKHEAD,FEMALE X 6 X 6	1
2	27895GT	COUPLER,1/4"SERIES 3/8 MPT	1
3A	96542GT	PLUG,1/4"SERIES,3/8 P-LOCK*** to SN GS32P-157400	1
3B	27894GT	PLUG,1/4"SERIES,3/8 MPT from SN GS32P-157401	1
4	27900GT	BULKHEAD,FEMALE X 6 X 6 from SN GS32P-157401	1
5	27901GT	HOSE END,BARBED,RIGID,-6-6	1
6	27902GT	CLAMP,HOSE,2 EAR, 5/8	2
7A	27903GT	HOSE,LOW PRESSURE,.375 ID,BLK GS-2032	390
8	28443GT	CABLE TIE, 11.5" BLACK	
9	27904GT	HOSE END,BARBED,RIGID,90DEG6-6	1

Go to Discount-Equipment.com to order your parts



602.2 Air Line to Platform, GS-2632

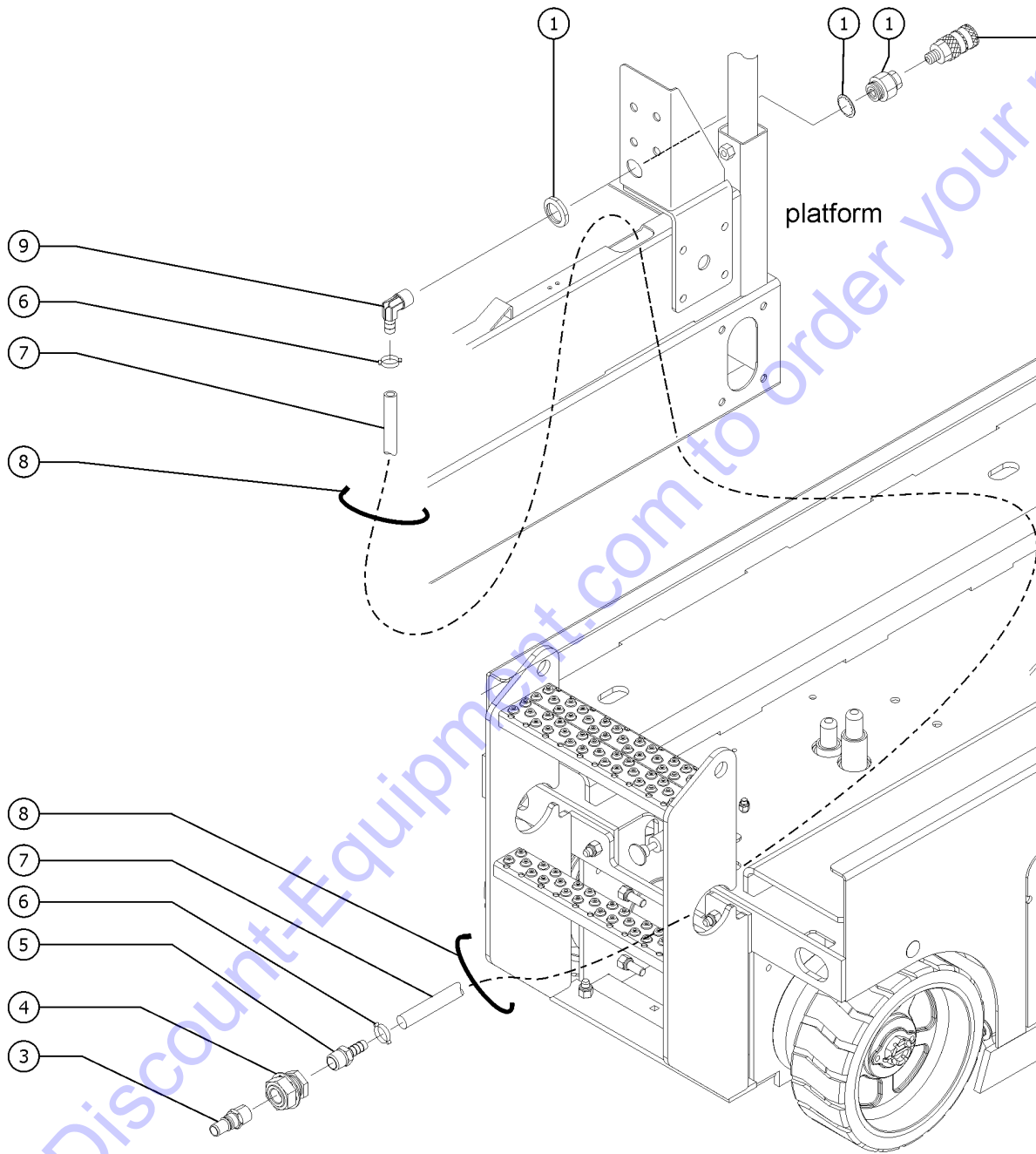


Item	Part No.	Description	Qty.
	96990-SGT	AIR TO PLAT, GS26XX, ACC GS-2632, to SN GS32P-157400	
1	27900GT	BULKHEAD,FEMALE X 6 X 6	1
2	27895GT	COUPLER,1/4"SERIES 3/8 MPT	1
3A	96542GT	PLUG,1/4"SERIES,3/8 P-LOCK*** to SN GS32P-157400	1
3B	27894GT	PLUG,1/4"SERIES,3/8 MPT from SN GS32P-157401	1
4	27900GT	BULKHEAD,FEMALE X 6 X 6 from SN GS32P-157401	1
5	27901GT	HOSE END,BARBED,RIGID,-6-6	1
6	27902GT	CLAMP,HOSE,2 EAR, 5/8	2
7B	27903GT	HOSE,LOW PRESSURE,.375 ID,BLK GS-2632	490
8	28443GT	CABLE TIE, 11.5" BLACK	
9	27904GT	HOSE END,BARBED,RIGID,90DEG6-6	1

Go to Discount-Equipment.com to order your parts



602.3 Air Line to Platform, GS-3232



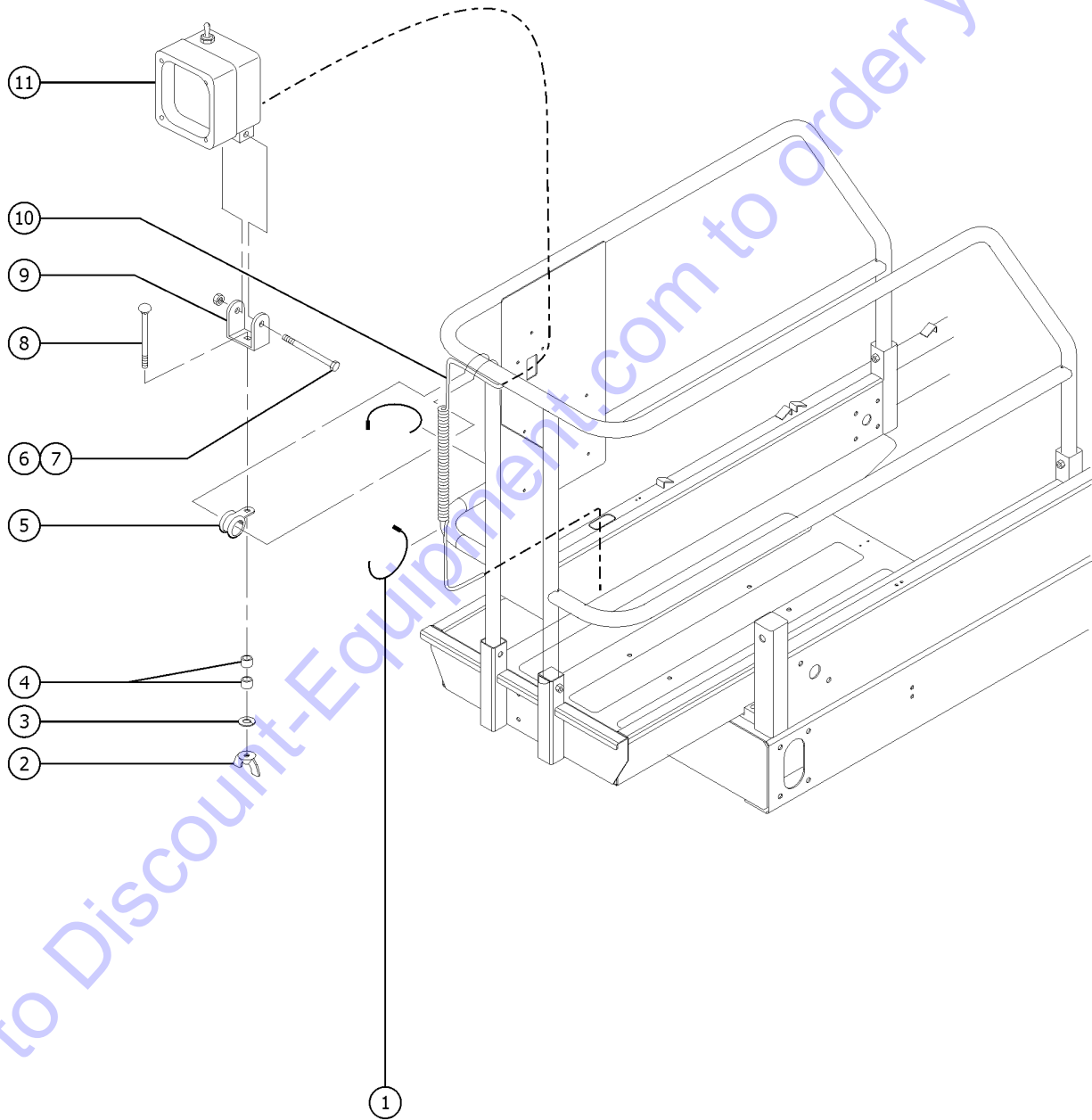
Item	Part No.	Description	Qty.
	96991-SGT	AIR TO PLAT, GS3246, ACC GS-3232, to SN GS32P-157400	
1	27900GT	BULKHEAD,FEMALE X 6 X 6	1
2	27895GT	COUPLER,1/4"SERIES 3/8 MPT	1
3A	96542GT	PLUG,1/4"SERIES,3/8 P-LOCK*** to SN GS32P-157400	1
3B	27894GT	PLUG,1/4"SERIES,3/8 MPT from SN GS32P-157401	1
4	27900GT	BULKHEAD,FEMALE X 6 X 6 from SN GS32P-157401	1
5	27901GT	HOSE END,BARBED,RIGID,-6-6	1
6	27902GT	CLAMP,HOSE,2 EAR, 5/8	2
7C	27903GT	HOSE,LOW PRESSURE,.375 ID,BLK GS-3232	590
8	28443GT	CABLE TIE, 11.5" BLACK	
9	27904GT	HOSE END,BARBED,RIGID,90DEG6-6	1

Go to Discount-Equipment.com to order your parts





603.1 Platform Work Light, GS-2032



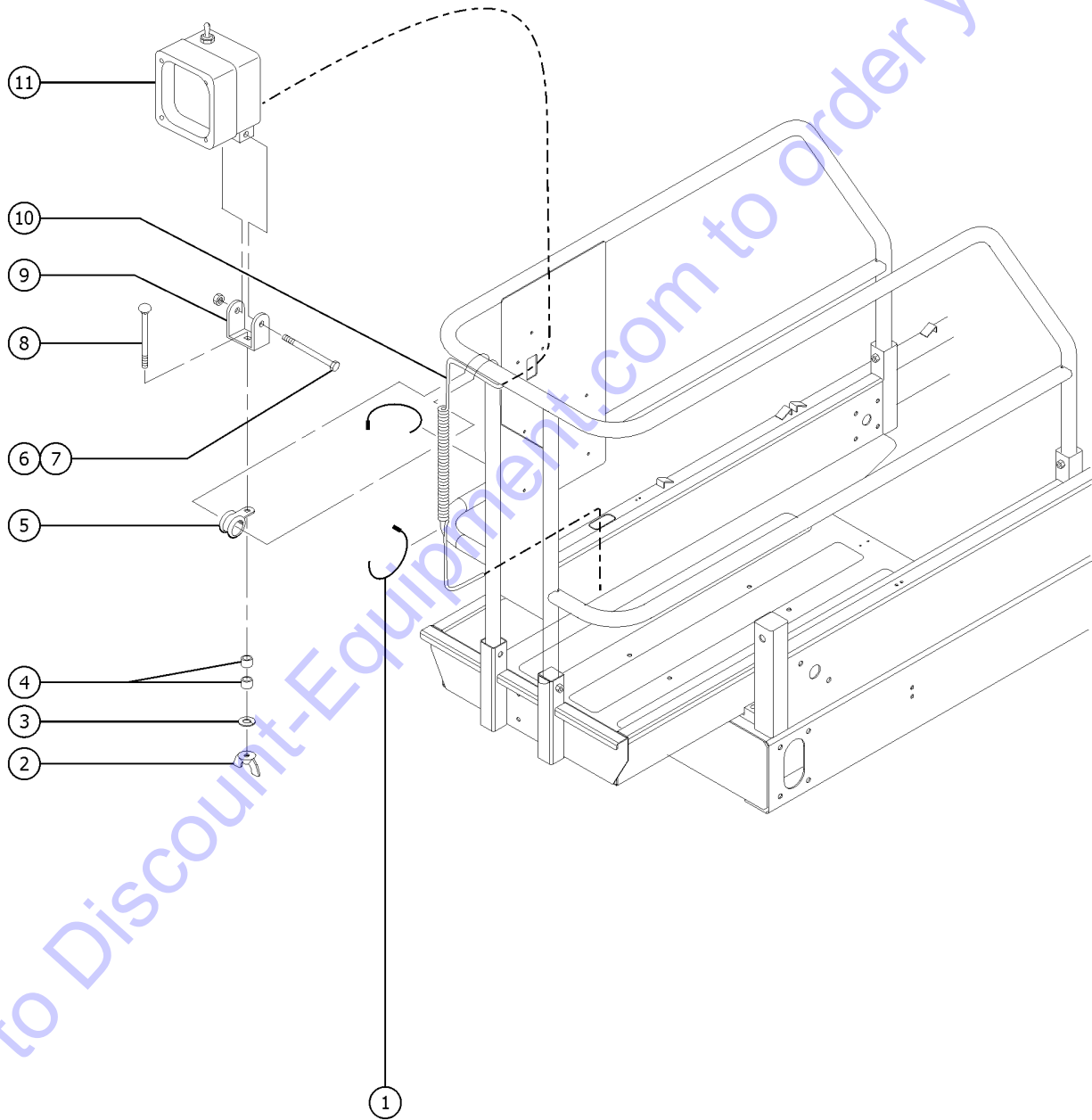
603.1 Platform Work Light, GS-2032

Item	Part No.	Description	Qty.
A-	105973GT	WORKLIGHT CABLE,GS19/20XX ..... (linkset) GS-2032	
B-	105971GT	WORKLIGHT PIGTAIL ASSY ..... (chassis) GS-2032	
1	28443GT	CABLE TIE, 11.5" BLACK ..... 10	
2	69229GT	NUT,WING 5/16-18 ..... 1	
3	6886GT	WASHER,LOCK,.313 ..... 1	
4	5397GT	WASHER,FLAT,USS,5/16",Y ..... 2 add sufficient washers to equal aproximately 0.435 inch thickness of each spacer	
5	33784GT	CLAMP,1.31,#21 X 1/4,RUB CUSH ..... 1	
6	50793GT	SCREW,HHC,5/16-18 X 2 ..... 1	
7	6782GT	NUT, NYLOCK, 5/16-18 ..... 1	
8	65439GT	BOLT,CARRIAGE,5/16-18 X 2.0,G2 ..... 1	
9	144009GT	WORKLIGHT BRACKET ..... 1	
10	65721GT	COIL CORD,WORKLIGHT(144011) ..... 1	
11	144011GT	WORKLIGHT,24V,COIL CORD ..... 1	

Go to Discount-Equipment.com to order your parts



603.2 Platform Work Light, GS-2632



Go to Discount-Equipment.com to order your parts

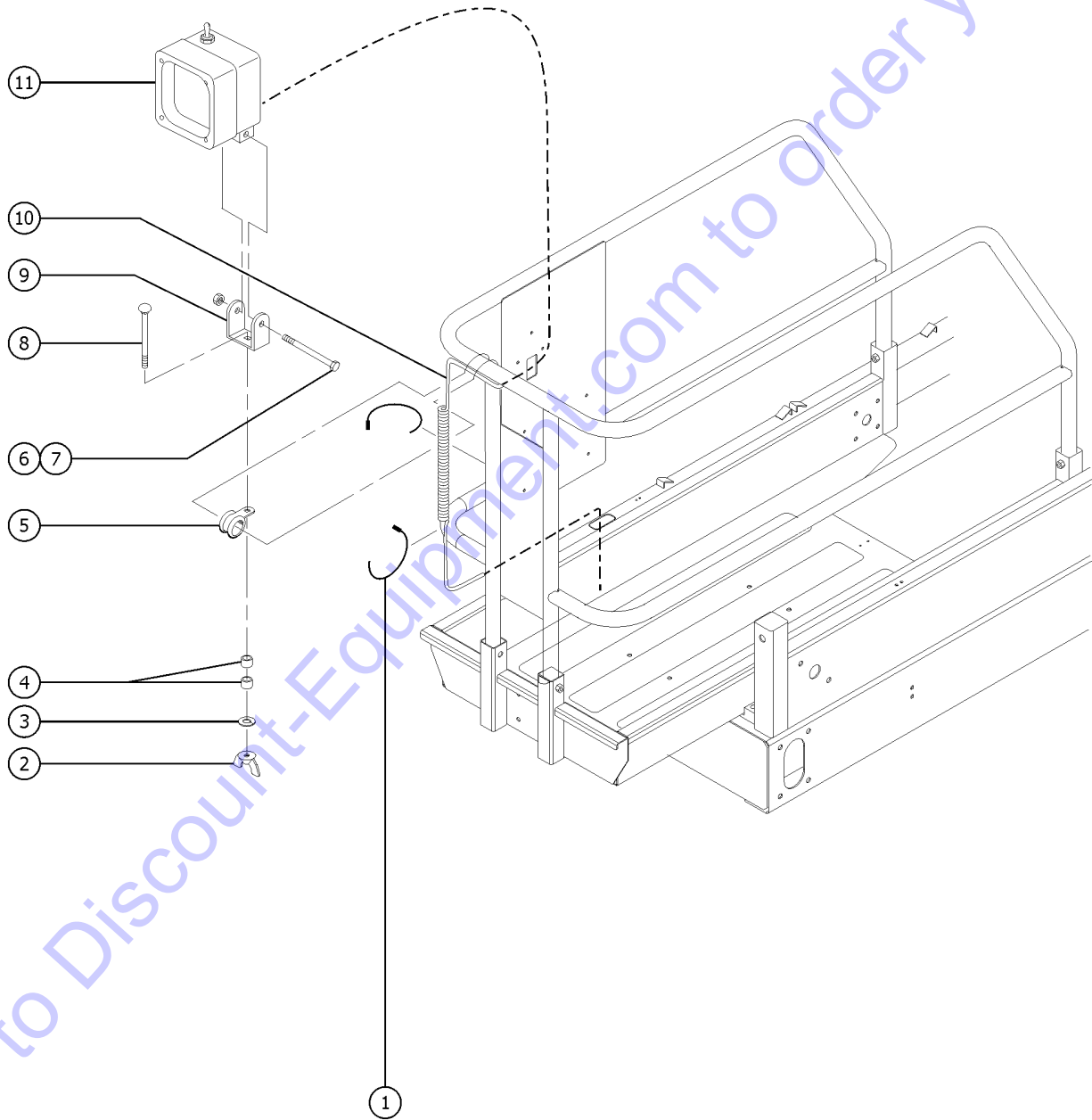
603.2 Platform Work Light, GS-2632

Item	Part No.	Description	Qty.
C-	105974GT	WORKLIGHT CABLE,GS26XX ..... (linkset) GS-2632	
D-	105971GT	WORKLIGHT PIGTAIL ASSY ..... (chassis) GS-2632	
1	28443GT	CABLE TIE, 11.5" BLACK ..... 10	
2	69229GT	NUT,WING 5/16-18 ..... 1	
3	6886GT	WASHER,LOCK,.313 ..... 1	
4	5397GT	WASHER,FLAT,USS,5/16",Y ..... 2 add sufficient washers to equal aproximately 0.435 inch thickness of each spacer	
5	33784GT	CLAMP,1.31,#21 X 1/4,RUB CUSH ..... 1	
6	50793GT	SCREW,HHC,5/16-18 X 2 ..... 1	
7	6782GT	NUT, NYLOCK, 5/16-18 ..... 1	
8	65439GT	BOLT,CARRIAGE,5/16-18 X 2.0,G2 ..... 1	
9	144009GT	WORKLIGHT BRACKET ..... 1	
10	65721GT	COIL CORD,WORKLIGHT(144011) ..... 1	
11	144011GT	WORKLIGHT,24V,COIL CORD ..... 1	

Go to Discount-Equipment.com to order your parts



603.3 Platform Work Light, GS-3232



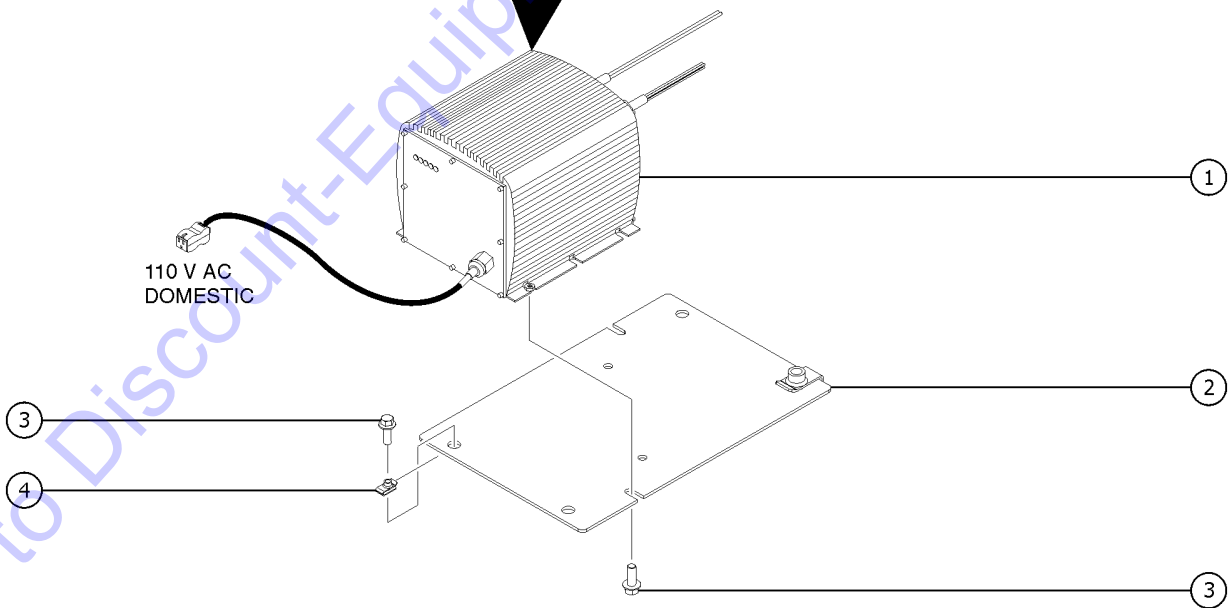
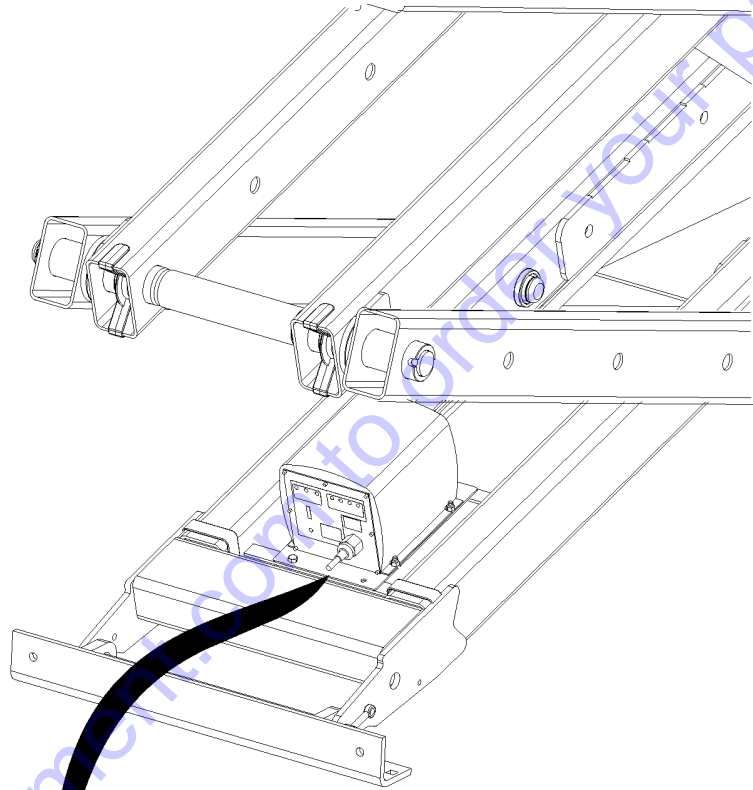
603.3 Platform Work Light, GS-3232

Item	Part No.	Description	Qty.
E-	105975GT	WORKLIGHT CABLE,GS32XX ..... (linkset) GS-3232	
F-	105971GT	WORKLIGHT PIGTAIL ASSY ..... (chassis) GS-3232	
1	28443GT	CABLE TIE, 11.5" BLACK ..... 10	
2	69229GT	NUT,WING 5/16-18 ..... 1	
3	6886GT	WASHER,LOCK,.313 ..... 1	
4	5397GT	WASHER,FLAT,USS,5/16",Y ..... 2 add sufficient washers to equal aproximately 0.435 inch thickness of each spacer	
5	33784GT	CLAMP,1.31,#21 X 1/4,RUB CUSH ..... 1	
6	50793GT	SCREW,HHC,5/16-18 X 2 ..... 1	
7	6782GT	NUT, NYLOCK, 5/16-18 ..... 1	
8	65439GT	BOLT,CARRIAGE,5/16-18 X 2.0,G2 ..... 1	
9	144009GT	WORKLIGHT BRACKET ..... 1	
10	65721GT	COIL CORD,WORKLIGHT(144011) ..... 1	
11	144011GT	WORKLIGHT,24V,COIL CORD ..... 1	

Go to Discount-Equipment.com to order your parts



604.1 Voltage Inverter



604.1 Voltage Inverter

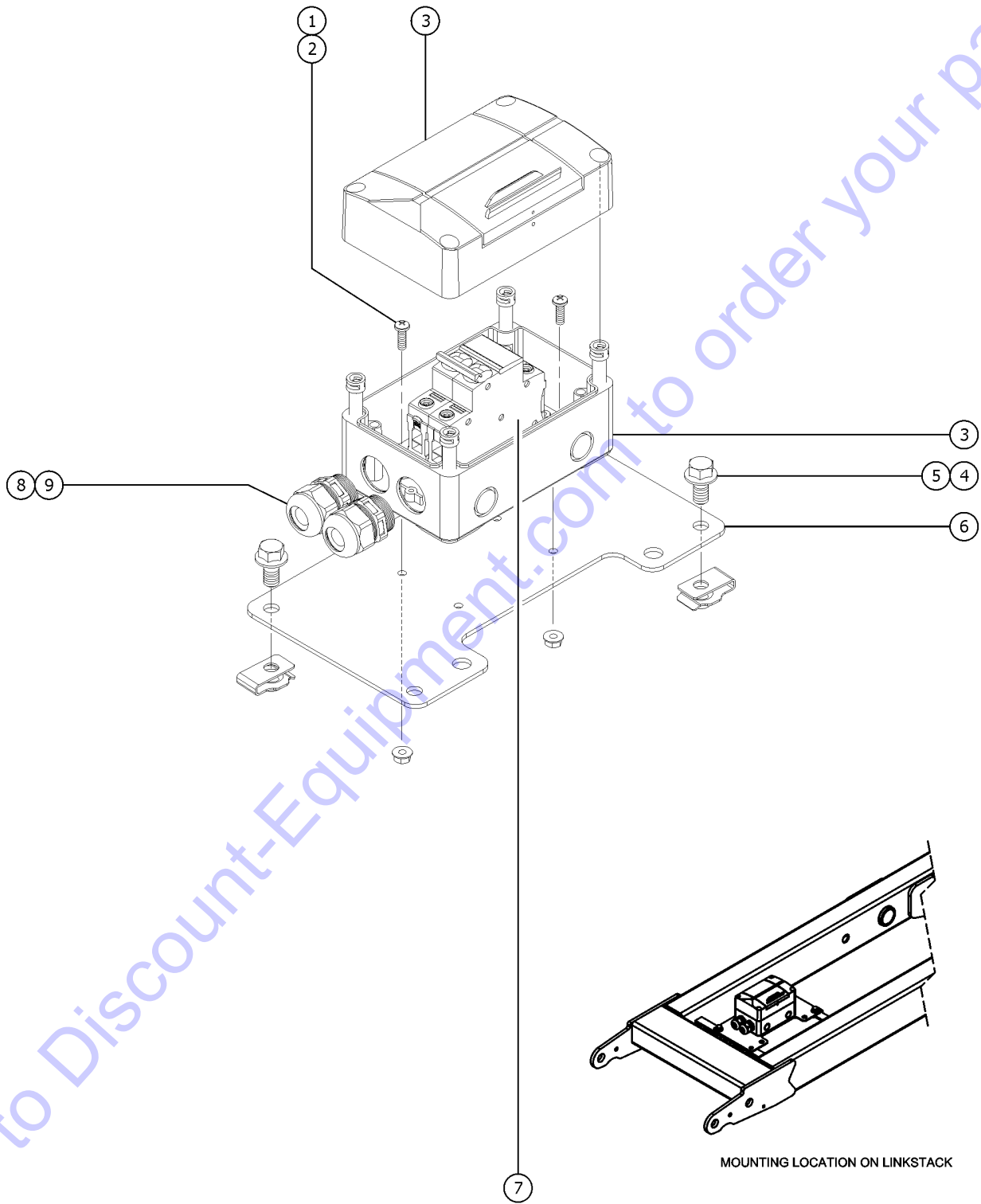
Item	Part No.	Description	Qty.
1	96950GT	INVERTER,24VDC,110/230 VAC*** .....	1
2	105129GT	PLATE, INVERTER MOUNT** .....	1
3	824078GT	SCREW,HHF,1/4-20X.75,8,ZAG .....	4
4	56912GT	SPRING CLIP,1/4-20,.025-.15X.54,ZAG .....	2

Go to Discount-Equipment.com to order your parts





605.1 RCBO



Go to Discount-Equipment.com to order your parts

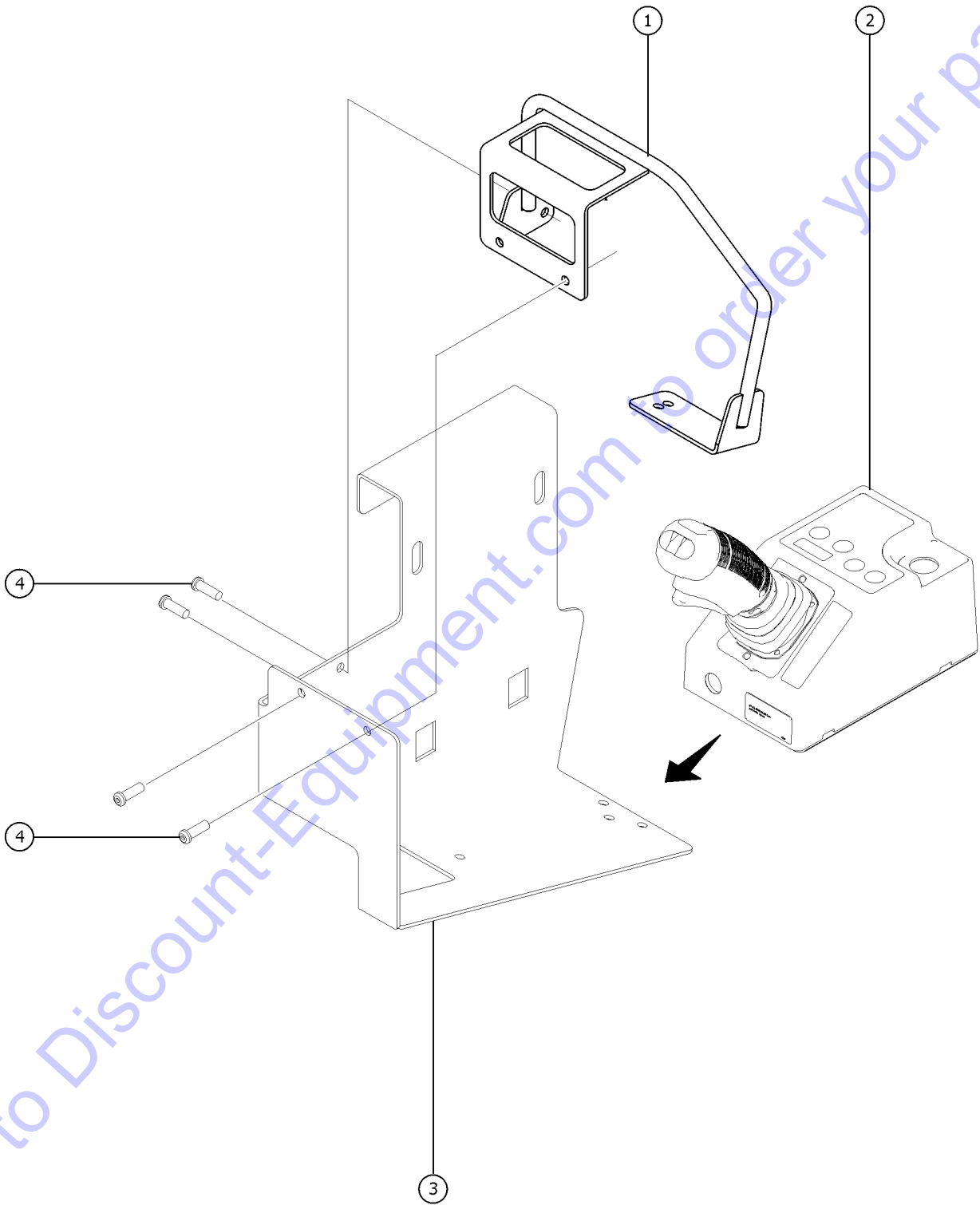


Item	Part No.	Description	Qty.
1	1257227GT	SCREW,PHPM,10-32X.625,ZAG .....	2
2	1256467GT	NUT,TL FLG,10-24,F,ZAG .....	2
3	1269086GT	ENCLOSURE, FUSE, MODULAR, 100X150X96, IP65 .....	1
4	824089GT	SCREW, HHF, 3/8-16 X .75, 8, ZAG .....	2
5	29868GT	SPRING CLIP,3/8-16,.05-.20X.73,ZAG .....	2
6	1274540GT	PLATE, RCBO, GS .....	1
7	231868GT	RCBO,16A,30MA,6KA 110/230V AC .....	1
8	1269087GT	CONNECTOR, SQUEEZE, M25 6-13MM .....	2
9	1269107GT	NUT, PLASTIC, M25, GREY .....	2
10	43956GT	WIRE CABLE,14/3 CON.TPE JKT* not shown .....	115
11	1262911GT	SLEEVE, CABLE-END, 14AWG, 2.5MM for 43956 .....	6

Go to Discount-Equipment.com to order your parts



606.1 PCON Guard



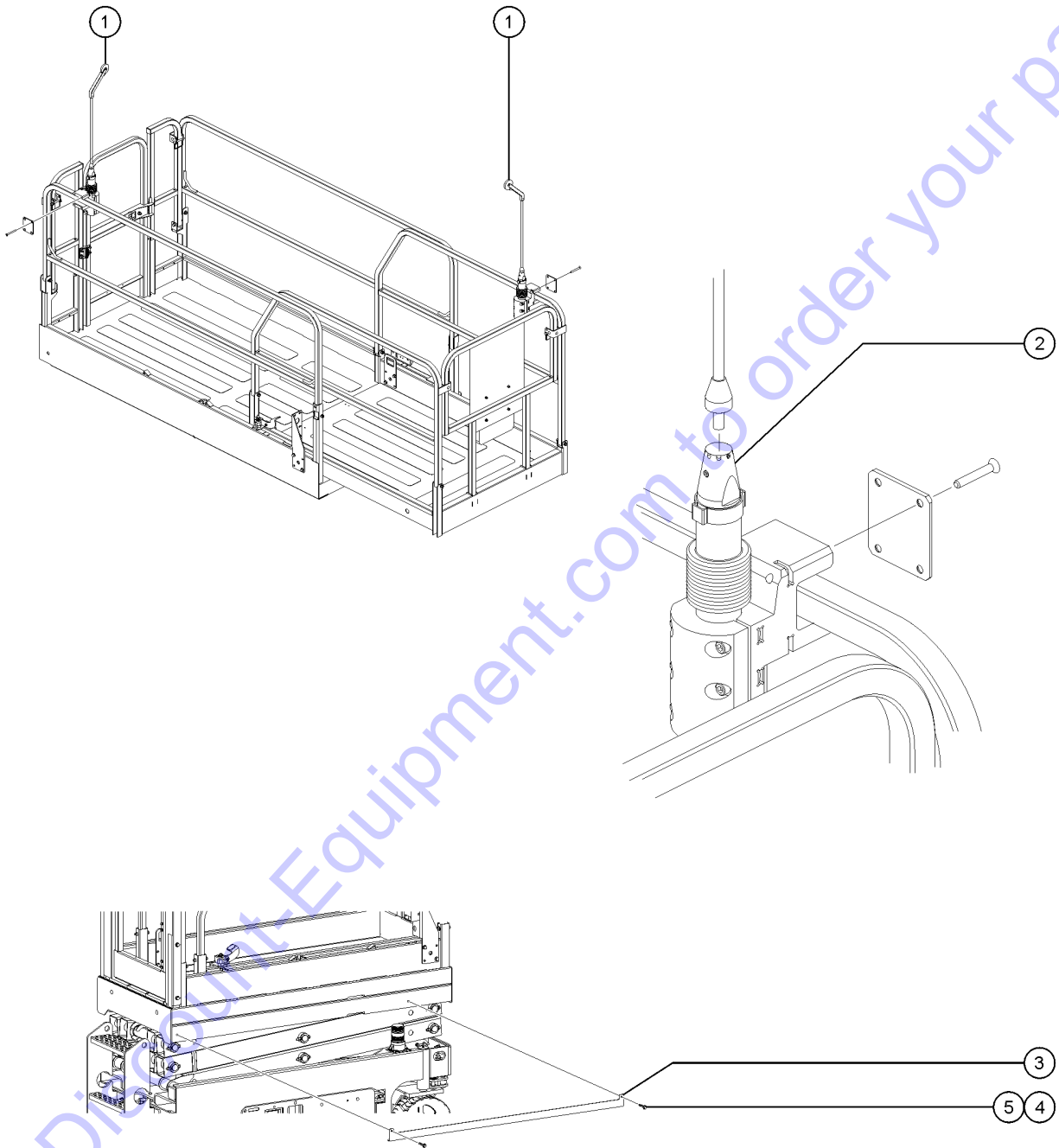
606.1 PCON Guard

Item	Part No.	Description	Qty.
1	1283768GT	KIT,PCON GUARD,SLAB/GR ..... includes installation instructions	1
1-	1279627GT	WELDMENT, PCON GUARD .....	1
2		Ref. PCON, GR/GRC/GS ..... refer to 403.1	1
3		Ref. FORMING, PLAT CONTROL, GR/GRC ..... refer to 403.1 (holes drilled for PCON Guard option from SN 154144)	4
4	7265GT	RIVET,STEEL,P, .25 X .375 .....	4

Go to Discount-Equipment.com to order your parts



607.1 Lift Guard Contact Alarm, View-1 (to SN GS32P-165926)



Go to [DiscountEquipment.com](http://DiscountEquipment.com) to order your parts

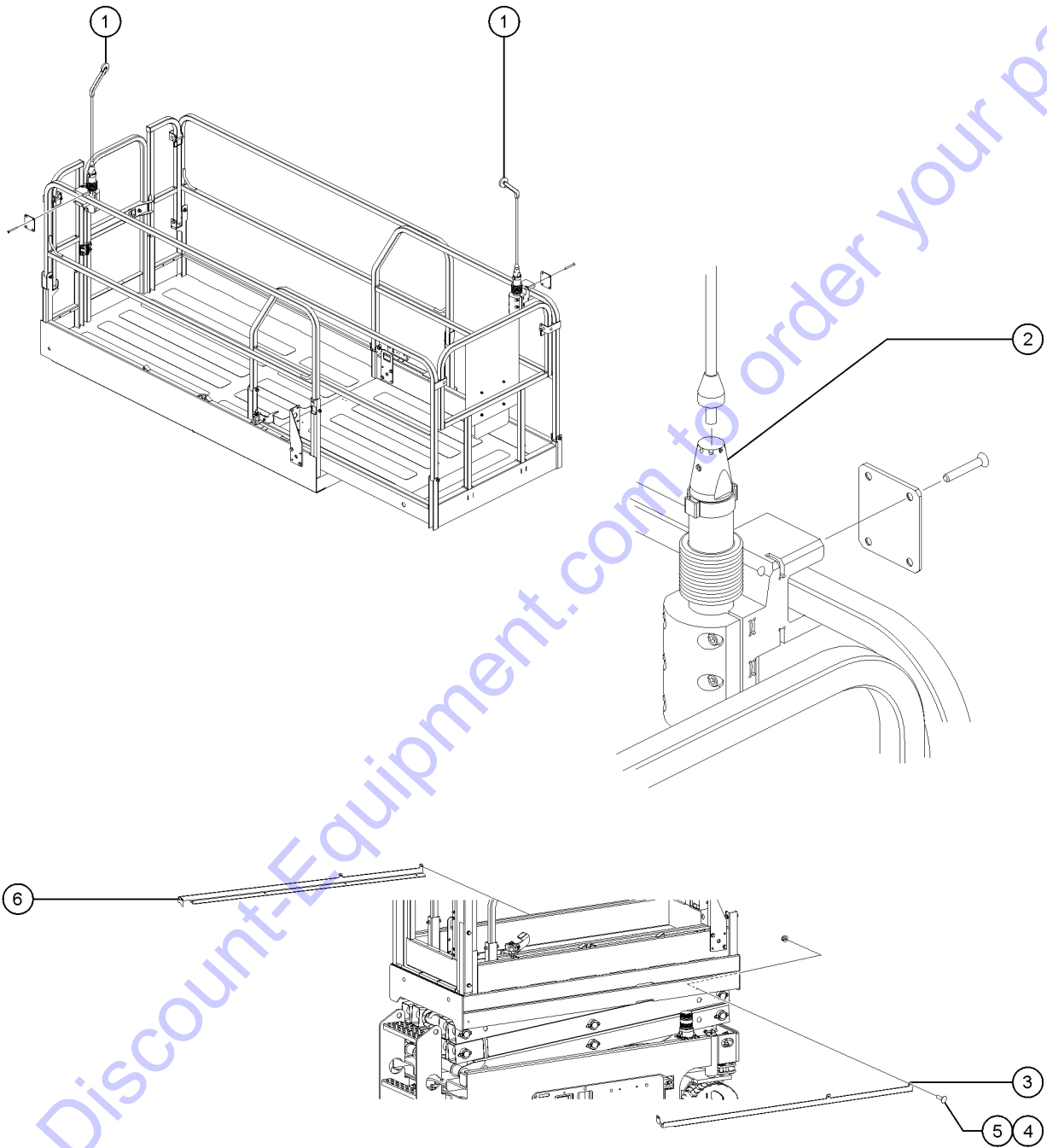
607.1 Lift Guard Contact Alarm, View-1 (to SN GS32P-165926)

Item	Part No.	Description	Qty.
-		CABLE, CONTACT ALARM, 20IN LINK ..... (No longer available)	1
1		ASSEMBLY, LIFTGUARD CONTACT ALARM ..... (refer to 608.1) (no longer available)	2
2		ASSEMBLY, LIFTGUARD KNUCKLE ..... OBSOLETE: (refer to 608.1) (No longer available)	2
3		FORMING, CONTACT ALARM, CABLE GUIDE, GS32 ..... No longer available	2
4	824078GT	SCREW, HHF, 1/4-20X.75, 8, ZAG .....	4
5	824027GT	NUT, TL FLG, 1/4-20, G, ZAG .....	4

Go to Discount-Equipment.com to order your parts



607.2 Lift Guard Contact Alarm, View-1 (from SN GS32P-165927)



607.2 Lift Guard Contact Alarm, View-1 (from SN GS32P-165927)

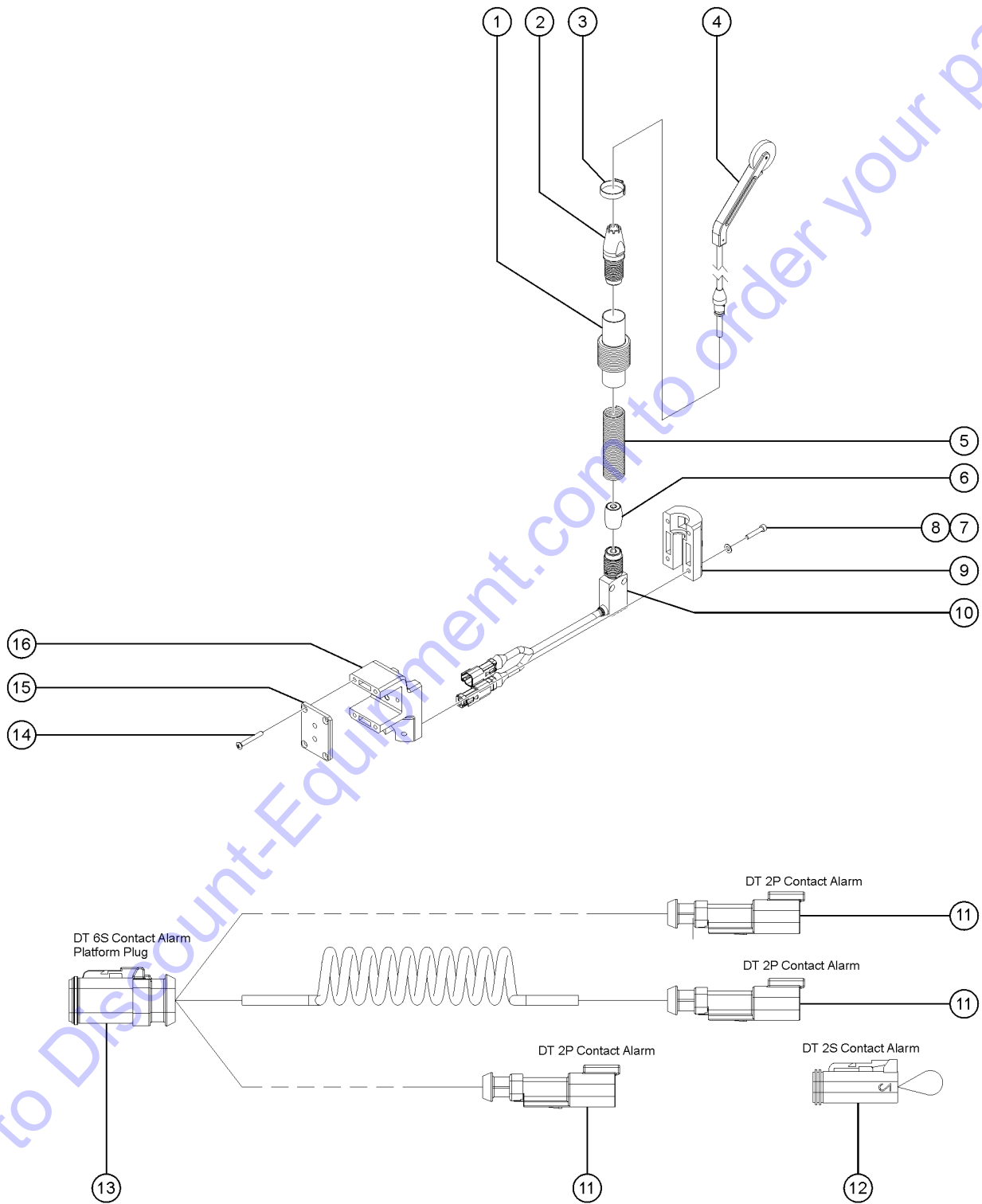
Item	Part No.	Description	Qty.
-	1292194GT	FORMING,CABLE GUIDE,CNTRL,GS32 .....	1
1		ASSEMBLY, LIFTGUARD CONTACT ALARM .....	2
		refer to 608.2 (no longer available)	
2		ASSEMBLY, LIFTGUARD KNUCKLE .....	2
		OBSOLETE. refer to 608.2 (No longer available)	
3		FORMING,CABLE GUIDE,CNTRL,GS32 .....	1
		control side (No longer available)	
4	824124GT	BOLT,CARRIAGE,1/4-20X.75,5,ZAG .....	8
5	1277924GT	NUT,NYLOCK FLG,1/4-20,F,ZAG .....	8
6		FORMING,CABLE GUIDE,BAT,GS32 .....	1
		battery side (No longer available)	

Go to Discount-Equipment.com to order your parts





608.1 Lift Guard Contact Alarm, View-2 (to SN GS32P-165926)



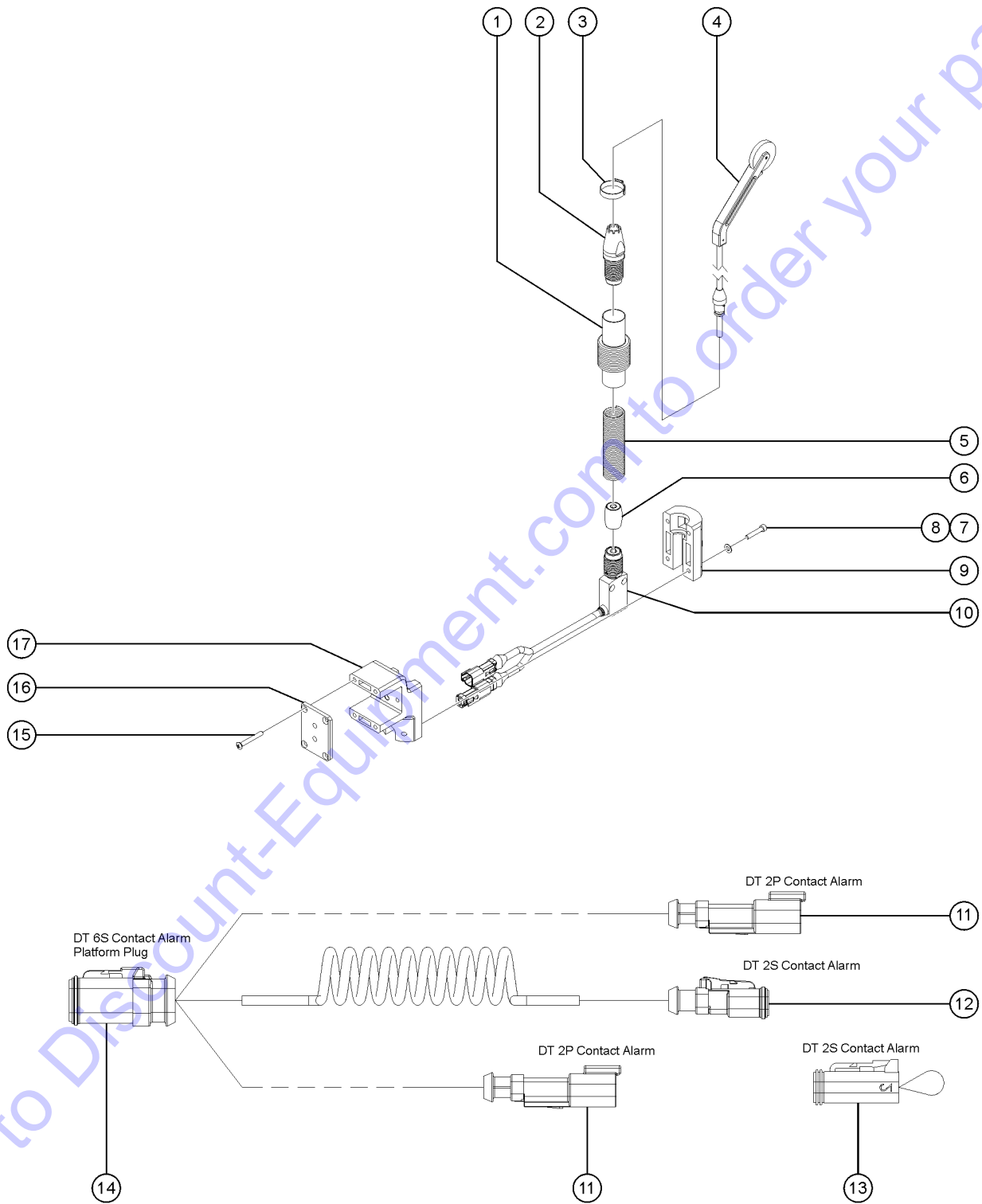
Go to Discount-Equipment.com to order your parts

608.1 Lift Guard Contact Alarm, View-2 (to SN GS32P-165926)

Item	Part No.	Description	Qty.
-		ASSEMBLY, LIFTGUARD CONTACT ALARM ..... Includes items 1-10, 14-16 (no longer available)	1
-		ASSEMBLY, LIFTGUARD KNUCKLE ..... OBSOLETE. (part of assy 1287673, includes items 1-3, 5, 6 and 10) (No longer available)	1
1		BELLOW, LIFTGUARD CONTACT ALARM ..... no longer available	1
2		ASSEMBLY, UPPER WHISKER MOUNTING ..... no longer available	1
3	1298716GT	CLAMP, STEPLESS, ONE EAR .....	1
4		ASSEMBLY, WHISKER ..... no longer available	1
5		SPRING, TENSION, CONTACT ALARM ..... no longer available	1
6		ASSEMBLY, MAGNETIC SNAP BARREL ..... no longer available	1
7		SCREW,SHC,10-24X1,F837,18.8,NYL,SS ..... no longer available	4
8		WASHER,FLAT,0.219X0.437X0.031,SS ..... no longer available	4
9		BRACKET, RT LIFTGUARD, PART 2/2 ..... no longer available	1
10		ASSEMBLY, LIMIT SWITCH MOUNT ..... no longer available	1
11	1288352GT	CONN,RECEP,2 WAY,DT,14-18GA,CE09 .....	3
11-	60439GT	CONN, RECEP, 2 WAY, DEUTSCH, DT, LOCK .....	
12	119056GT	CONN, PLUG, 2 WAY, DEUTSCH, DT, ENDCAP .....	1
12-	60425GT	CONN, PLUG, 2 WAY, DEUTSCH, DT, LOCK .....	
13	1288576GT	CONN,PLUG,6WAY,DT,14-18GA,CE13 .....	1
13-	60431GT	LOCK,PLUG 6 WAY,14-18GA .....	
14		SCREW,OHPM,10-24X1.5,NYL,SS ..... no longer available	4
15		PLATE, LIFTGUARD BRACKET ..... no longer available	1
16		BRACKET, RT LIFTGUARD, PART 1/2 ..... no longer available	1



608.2 Lift Guard Contact Alarm, View-2 (from SN GS32P-165927)



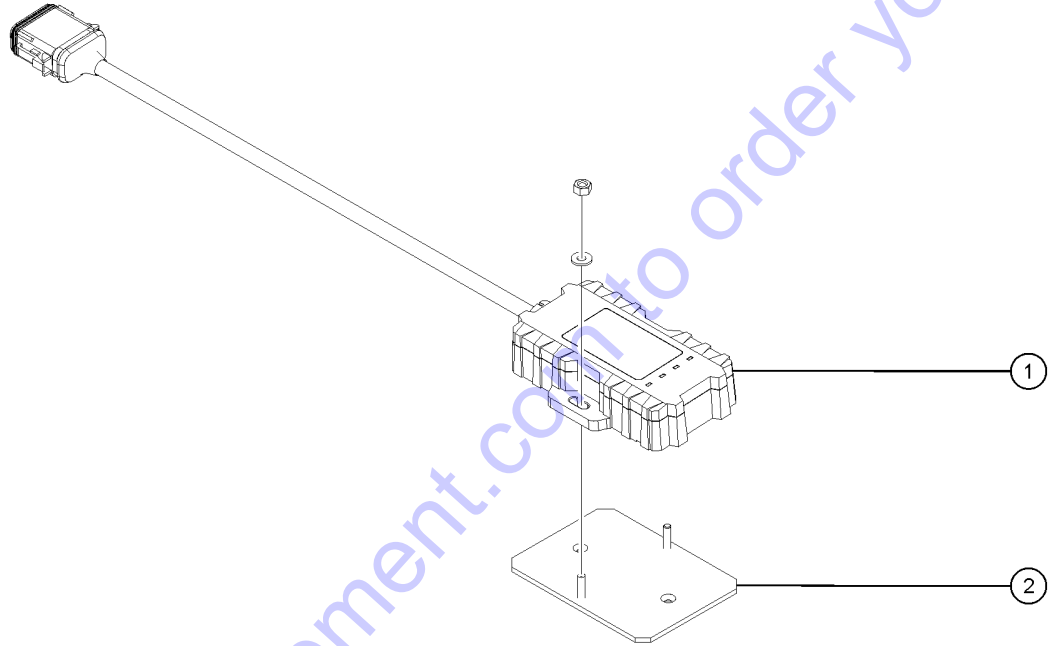
Go to Discount-Equipment.com to order your parts



608.2 Lift Guard Contact Alarm, View-2 (from SN GS32P-165927)

Item	Part No.	Description	Qty.
-		ASSEMBLY, LIFTGUARD CONTACT ALARM ..... Includes items 1-10, 15-17 (no longer available)	1
-		ASSEMBLY, LIFTGUARD KNUCKLE ..... OBSOLETE. (part of assy 1287673, includes items 1-3, 5, 6 and 10) (No longer available)	1
-	1291052GT	HARNES,CONTACT ALARM,GS32 PLATFORM ..... Includes items- 11 - 14	1
1		BELLOW, LIFTGUARD CONTACT ALARM ..... no longer available	1
2		ASSEMBLY, UPPER WHISKER MOUNTING ..... no longer available	1
3	1298716GT	CLAMP, STEPLESS, ONE EAR ..... no longer available	1
4		ASSEMBLY, WHISKER ..... no longer available	1
5		SPRING, TENSION, CONTACT ALARM ..... no longer available	1
6		ASSEMBLY, MAGNETIC SNAP BARREL ..... no longer available	1
7		SCREW,SHC,10-24X1,F837,18.8,NYL,SS ..... no longer available	4
8		WASHER,FLAT,0.219X0.437X0.031,SS ..... no longer available	4
9		BRACKET, RT LIFTGUARD, PART 2/2 ..... no longer available	1
10		ASSEMBLY, LIMIT SWITCH MOUNT ..... no longer available	1
11	1288352GT	CONN,RECEP,2 WAY,DT,14-18GA,CE09 ..... no longer available	2
11-	60439GT	CONN, RECEP, 2 WAY, DEUTSCH, DT, LOCK ..... no longer available	2
12	1288351GT	CONN,PLUG,2 WAY,DT,14-18GA,CE13 ..... no longer available	1
12-	60425GT	CONN, PLUG, 2 WAY, DEUTSCH, DT, LOCK ..... no longer available	1
13	119056GT	CONN, PLUG, 2 WAY, DEUTSCH, DT, ENDCAP ..... no longer available	1
13-	60425GT	CONN, PLUG, 2 WAY, DEUTSCH, DT, LOCK ..... no longer available	1
14	1288576GT	CONN,PLUG,6WAY,DT,14-18GA,CE13 ..... no longer available	1
14-	60431GT	LOCK,PLUG 6 WAY,14-18GA ..... no longer available	1
15		SCREW,OHPM,10-24X1.5,NYL,SS ..... no longer available	4
16		PLATE, LIFTGUARD BRACKET ..... no longer available	1
17		BRACKET, RT LIFTGUARD, PART 1/2 ..... no longer available	1



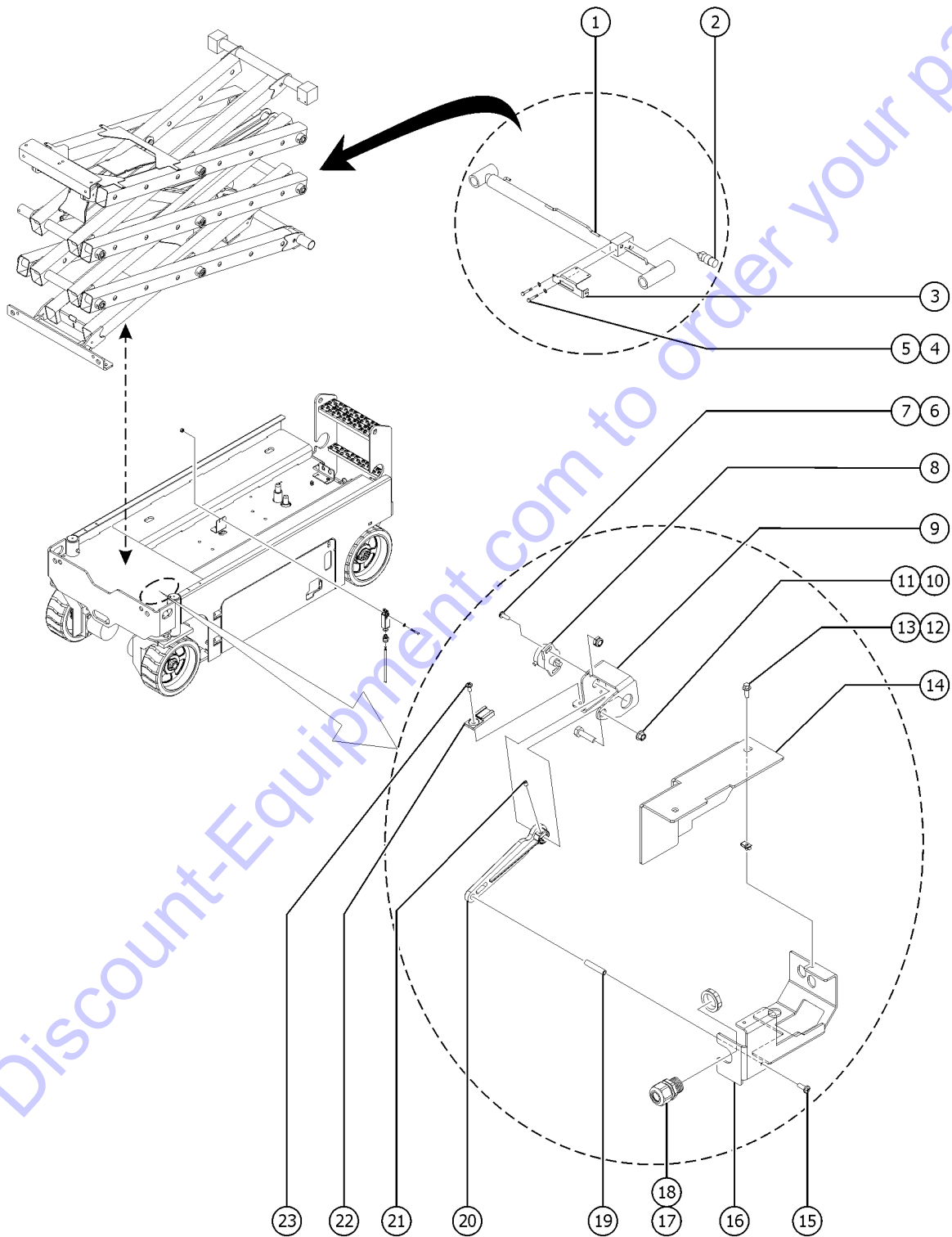


609.1 Telematics Option

Item	Part No.	Description	Qty.
-	1289899GT	HARNESS, GATEWAY, GS .....	1
1	1289520GT	MODULE, TELEMATICS, ZTR, M7, NORTH AMERICA North America .....	1
1B	1289521GT	MODULE, TELEMATICS, ZTR, M7, EMEA/APAC EMEA/APAC .....	
1C	1289522GT	MODULE, TELEMATICS, ZTR, M7, APAC/ANZ APAC/ANZ .....	
1D	1289523GT	MODULE, TELEMATICS, ZTR, M7, JAPAN Japan .....	
2	1289561GT	BRACKET, TELEMATICS .....	1

Go to Discount-Equipment.com to order your parts





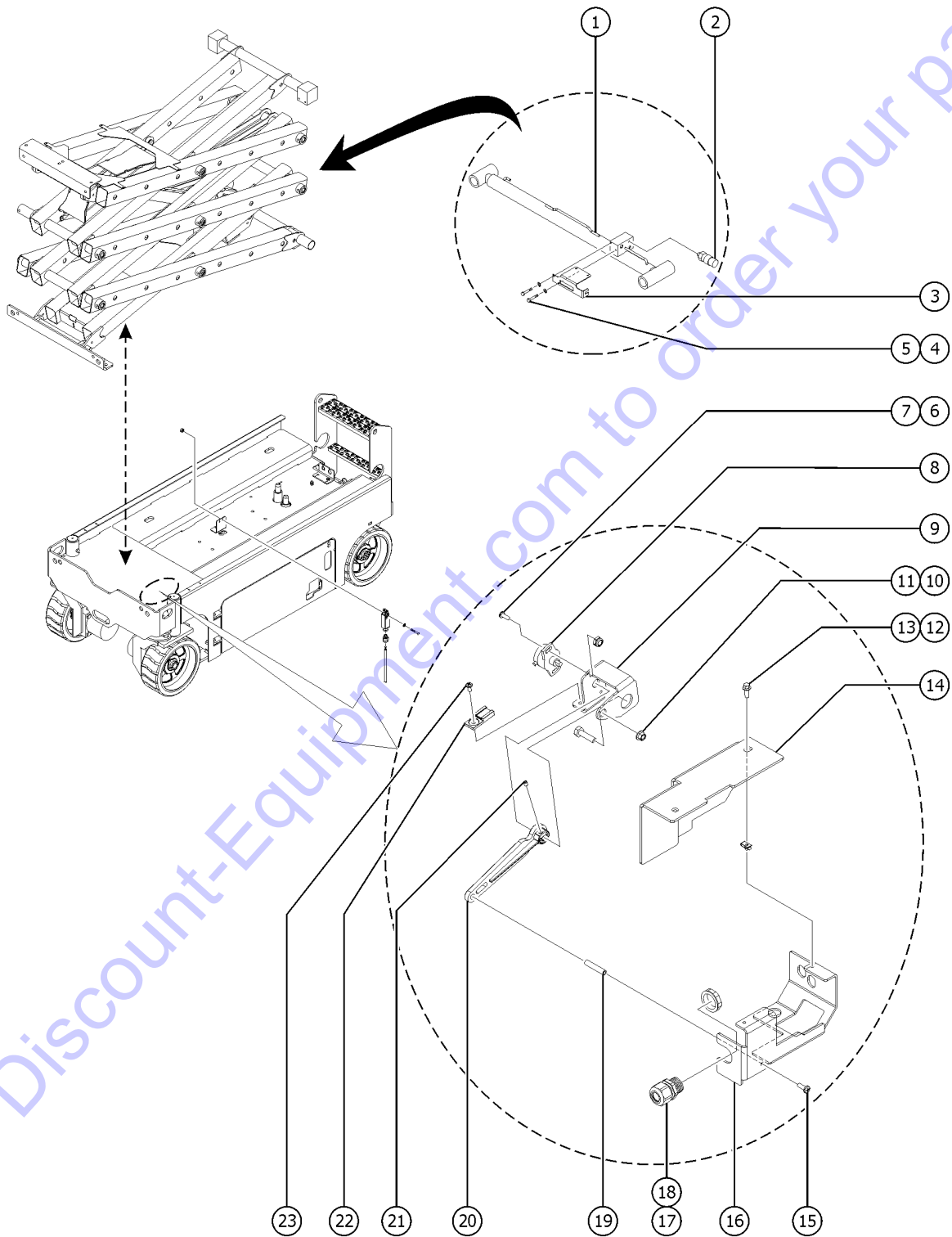
Go to Discount-Equipment.com to order your parts

Item	Part No.	Description	Qty.
1		Ref: Lift Cylinder ..... (refer to 505.1)	1
2A	1311101GT	PRESSURE TRANSDUCER,0-5K,1-5V ..... GS-2032, GS-2632 (includes transducer)	1
3	41557-SGT	CABLE BRACKET,PAINTED .....	1
4	7339GT	SCREW,HHC,1/4-20 X .5 .....	1
5	6356GT	WASHER,LOCK,.25 .....	1
6	1257296GT	SCREW,PHPM-ST,8-32X.50,TYPE F,ZAG .....	2
7	1258187GT	NUT,TL,8-32,A,ZAG .....	2
8	T113136GT	ASSY,ROT SENSR W/ HARNESS .....	1
9	161981GT	FRMNG,ARM SENSOR BRCKT,32/46 .....	1
10	824029GT	NUT,TL FLG,3/8-16,G,ZAG .....	1
11	824068GT	SCREW,HHC,3/8-16X1.25,8,ZAG .....	1
12	824078GT	SCREW,HHF,1/4-20X.75,8,ZAG .....	2
13	56912GT	SPRING CLIP,1/4-20,.025-.15X.54,ZAG .....	2
14	161977GT	FRMG,SENSOR COVERING .....	1
15	1251757GT	SCREW,PHPM,10-32X.5,ZAG .....	1
16	161975GT	FRMG,CHASSIS BRKTING .....	1
17	33576GT	CONN,SQZ,BLK,1/2NPT,.38-50,SM .....	1
18	T115429GT	NUT,CORDGRIP,1/2 NPT .....	1
19	T113142GT	OFFSET, RDN, 1/4-1.25,10-32 .....	1
20	T114082GT	LEVER ARM,ANGLE SENSR ACTUATOR .....	1
21	229146GT	SCREW,SET,8-32X.25 .....	1
22	T113139GT	CLIP,DTM RECEP .....	1
23	39579GT	RIVET,STL,STL,.188 X .45 .....	1





701.2 Platform Overload, GS-3232



Item	Part No.	Description	Qty.
1		Ref: Lift Cylinder ..... (refer to 505.1)	1
2B	237472GT	PRESSURE TRANSDUCER,1K-3K PSI ..... GS-3232 (Australia & CE)	1
3	41557-SGT	CABLE BRACKET,PAINTED .....	1
4	7339GT	SCREW,HHC,1/4-20 X .5 .....	1
5	6356GT	WASHER,LOCK,.25 .....	1
6	1257296GT	SCREW,PHPM-ST,8-32X.50,TYPE F,ZAG .....	2
7	1258187GT	NUT,TL,8-32,A,ZAG .....	2
8	T113136GT	ASSY,ROT SENSR W/ HARNESS .....	1
9	161981GT	FRMNG,ARM SENSOR BRCKT,32/46 .....	1
10	824029GT	NUT,TL FLG,3/8-16,G,ZAG .....	1
11	824068GT	SCREW,HHC,3/8-16X1.25,8,ZAG .....	1
12	824078GT	SCREW,HHF,1/4-20X.75,8,ZAG .....	2
13	56912GT	SPRING CLIP,1/4-20,.025-.15X.54,ZAG .....	2
14	161977GT	FRMG,SENSOR COVERING .....	1
15	1251757GT	SCREW,PHPM,10-32X.5,ZAG .....	1
16	161975GT	FRMG,CHASSIS BRKTING .....	1
17	33576GT	CONN,SQZ,BLK,1/2NPT,.38-50,SM .....	1
18	T115429GT	NUT,CORDGRIP,1/2 NPT .....	1
19	T113142GT	OFFSET, RDN, 1/4-1.25,10-32 .....	1
20	T114082GT	LEVER ARM,ANGLE SENSR ACTUATOR .....	1
21	229146GT	SCREW,SET,8-32X.25 .....	1
22	T113139GT	CLIP,DTM RECEP .....	1
23	39579GT	RIVET,STL,STL,.188 X .45 .....	1



California Proposition 65

 **WARNING**

Operating, servicing and maintaining this equipment, passenger vehicle or off-highway motor vehicle can expose you to chemicals including engine exhaust, carbon monoxide, phthalates, and lead, which are known to the State of California to cause cancer and birth defects or other reproductive harm. These chemicals can be emitted from or contained in other various parts and systems, fluids and some component wear by-products. To minimize exposure, avoid breathing exhaust, do not idle the engine except as necessary, service your equipment and vehicle in a well-ventilated area and wear gloves or wash your hands frequently when servicing your equipment or vehicle and after operation. For more information go to [www.P65Warnings.ca.gov/passenger-vehicle](http://www.P65Warnings.ca.gov/passenger-vehicle).

Breathing diesel engine exhaust exposes you to chemicals known to the State of California to cause cancer and birth defects or other reproductive harm.

- Always start and operate the engine in a well-ventilated area.
- If in an enclosed area, vent the exhaust to the outside.
- Do not modify or tamper with the exhaust system.
- Do not idle the engine except as necessary.

For more information go to [www.P65warnings.ca.gov/diesel](http://www.P65warnings.ca.gov/diesel).

[www.genielift.com](http://www.genielift.com)

Distributed By:

[www.GenieEquipment.com](http://www.GenieEquipment.com) to order your parts