



A TEREX BRAND

Parts Manual

Serial Number Range

GS-2032

GS-2632

GS-3232

from SN GS32D-101

Part No. 1303613GT

Rev: A.02

March 2023



www.discount-equipment.com

PARTS FINDER

**Search Website
by Part Number**



**Search Manual
Library For Parts
Manual & Lookup Part
Numbers – Purchase
or Request Quote**

Search Manuals

Enter your information to help us find the right parts manual for your machine.

* Brand:

* Model:

* Serial:

* Part Number:

SEARCH

**Can't Find Part or
Manual? Request Help
by Manufacturer,
Model & Description**

Parts Order Form

Please fill in the following information to help us find the right part for your machine.

Manufacturer:	<input type="text"/>
Model:	<input type="text"/>
Description:	<input type="text"/>
Part Number:	<input type="text"/>
Quantity:	<input type="text"/>
Notes:	<input type="text"/>

Discount-Equipment.com is your online resource for quality parts & equipment.

Florida: **561-964-4949** Outside Florida TOLL FREE: **877-690-3101**

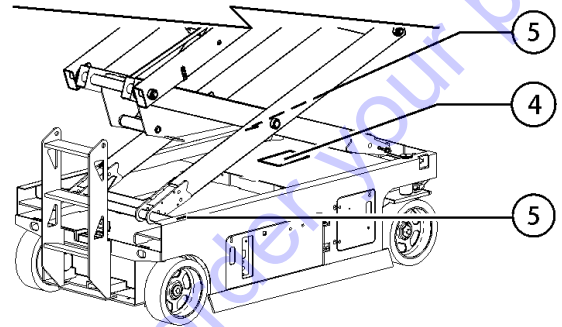
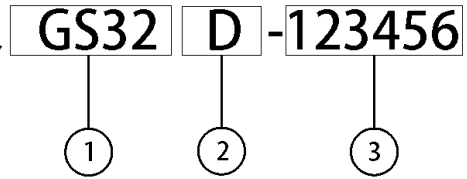
Need parts?

Click on this link: <http://www.discount-equipment.com/category/5443-parts/> and choose one of the options to help get the right parts and equipment you are looking for. Please have the machine model and serial number available in order to help us get you the correct parts. If you don't find the part on the website or on one of the online manuals, please fill out the request form and one of our experienced staff members will get back to you with a quote for the right part that your machine needs.

We sell worldwide for the brands: Genie, Terex, JLG, MultiQuip, Mikasa, Essick, Whiteman, Mayco, Toro Stone, Diamond Products, Generac Magnum, Airman, Haulotte, Barreto, Power Blanket, Nifty Lift, Atlas Copco, Chicago Pneumatic, Allmand, Miller Curber, Skyjack, Lull, Skytrak, Tsurumi, Husquvarna Target, Stow, Wacker, Sakai, Mi-T-M, Sullair, Basic, Dynapac, MBW, Weber, Bartell, Bennar Newman, Haulotte, Ditch Runner, Menegotti, Morrison, Contec, Buddy, Crown, Edco, Wyco, Bomag, Laymor, EZ Trench, Bil-Jax, F.S. Curtis, Gehl Pavers, Heli, Honda, ICS/PowerGrit, IHI, Partner, Imer, Clipper, MMD, Koshin, Rice, CH&E, General Equipment, Amida, Coleman, NAC, Gradall, Square Shooter, Kent, Stanley, Tamco, Toku, Hatz, Kohler, Robin, Wisconsin, Northrock, Oztec, Toker TK, Rol-Air, APT, Wylie, Ingersoll Rand / Doosan, Innovatech, Con X, Ammann, Mecalac, Makinex, Smith Surface Prep, Small Line, Wanco, Yanmar

Genie
A TEREX BRAND

Model:
Serial number: GS32D-123456
Year of manufacture: 2020
Electrical schematic number:
Machine unladen weight:
Rated work load (including occupants):
Maximum number of platform occupants:
Maximum allowable inclination of the chassis:
Outrigger retracted:
Outrigger deployed:



- 1 Model
- 2 Facility code
- 3 Sequence number

- 4 Serial label (located on chassis)
- 5 Serial number (stamped on chassis)

Go to Discount-Equipment.com to order your parts

Description	Page
001 Parts Stocking List	10
001.1 Parts Stocking List	10
100 Decals	12
101.1 Word Decals, GS-2032, Battery Side, ANSI and Australia	12
102.1 Word Decals, GS-2032, Ground Control Side, ANSI and Australia	14
103.1 Word Decals, GS-2032, Platform, ANSI	18
104.1 Word Decals, GS-2032, Platform, Australia	20
105.1 Word Decals, GS-2632, Battery Side, ANSI and Australia	22
106.1 Word Decals, GS-2632, Ground Control Side, ANSI and Australia	24
107.1 Word Decals, GS-2632, Platform, ANSI	28
108.1 Word Decals, GS-2632, Platform, Australia	30
109.1 Word Decals, GS-3232, Battery Side, ANSI and Australia	32
110.1 Word Decals, GS-3232, Ground Control Side, ANSI and Australia	34
111.1 Word Decals, GS-3232, Platform, ANSI	38
112.1 Word Decals, GS-3232, Platform, Australia	40
113.1 Symbol Decals, GS-2032, Battery Side, ANSI and CE	42
114.1 Symbol Decals, GS-2032, Ground Control Side, ANSI and CE	44
115.1 Symbol Decals, GS-2032, Platform, ANSI	46
116.1 Symbol Decals, GS-2032, Platform, CE	48
117.1 Symbol Decals, GS-2632, Battery Side, ANSI and CE	50
118.1 Symbol Decals, GS-2632, Ground Control Side, ANSI and CE	52
119.1 Symbol Decals, GS-2632, Platform, ANSI	54
120.1 Symbol Decals, GS-2632, Platform, CE	56
121.1 Symbol Decals, GS-3232, Battery Side, ANSI and CE	58
122.1 Symbol Decals, GS-3232, Ground Control Side, ANSI and CE	60
123.1 Symbol Decals, GS-3232, Platform, ANSI	62
124.1 Symbol Decals, GS-3232, Platform, CE	64
200 Drive Chassis Components.....	66
201.1 Steer Linkage and Wheels	66
202.1 Non-steer Axle Installation	70
203.1 Level Sensor Installation	74
204.1 Pothole Protection Assembly	78
205.1 Battery Pack Module	82
206.1 Battery Charger	84
207.1 Power Unit Module	86
208.1 Ground Controls	90
209.1 Electrical Wiring, GS-2032 and GS-2632 (to SN GS32D-229)	94
209.2 Electrical Wiring, GS-2032 and GS-2632 (from SN GS32D-230)	98
209.3 Electrical Wiring, GS-2032 and GS-2632 (Korea Market)	102

Table of Contents

Description	Page
210.1 Electrical Wiring, GS-3232 (to SN GS32D-230)	106
210.2 Electrical Wiring, GS-3232 (from SN GS32D-230)	110
211.1 Power Cables	114
212.1 Outrigger Components, GS-3232	116
213.1 Function Manifold and Accumulator Components, GS-2032 and GS-2632	118
214.1 Function Manifold and Accumulator Components, GS-3232	120
300 Scissor Components	122
302.1 Scissor Assembly, GS-2032	122
303.1 Scissor Assembly, GS-2632	126
304.1 Scissor Assembly, GS-3232	130
301.1 Scissor Assembly Installation	134
400 Platform Components	136
401.1 Platform Components	136
402.1 Power to Platform	144
403.1 Platform Controls, 6 and 4 Button (Proportional Lift)	148
404.1 Joystick Controller	152
500 Hydraulic Components	154
501.1 Hydraulic Components	154
502.1 Function Manifold	156
503.1 Brake Release Hand Pump Manifold	160
504.1 Hydraulic Power Unit, All Models	162
505.1 Lift Cylinder Assembly, All Models	164
506.1 Hydraulic Hoses and Fittings	166
507.1 Hydraulic Hoses and Fittings, Outriggers, GS-3232	170
508.1 Outrigger Cylinders, Front and Rear, GS-3232	172
509.1 Outrigger Function Manifold, GS-3232	174
600 Accessories	176
601.1 Alarm, Horn and Flashing Beacons	176
602.1 Air Line to Platform	178
603.1 RCBO	180
604.1 PCON Guard	182
605.1 Lift Guard Contact Alarm, View-1	184
606.1 Lift Guard Contact Alarm, View-2	186
607.1 Bumper Assembly Tray	188
700 Platform Overload Components	190
701.1 Platform Overload	190

Description

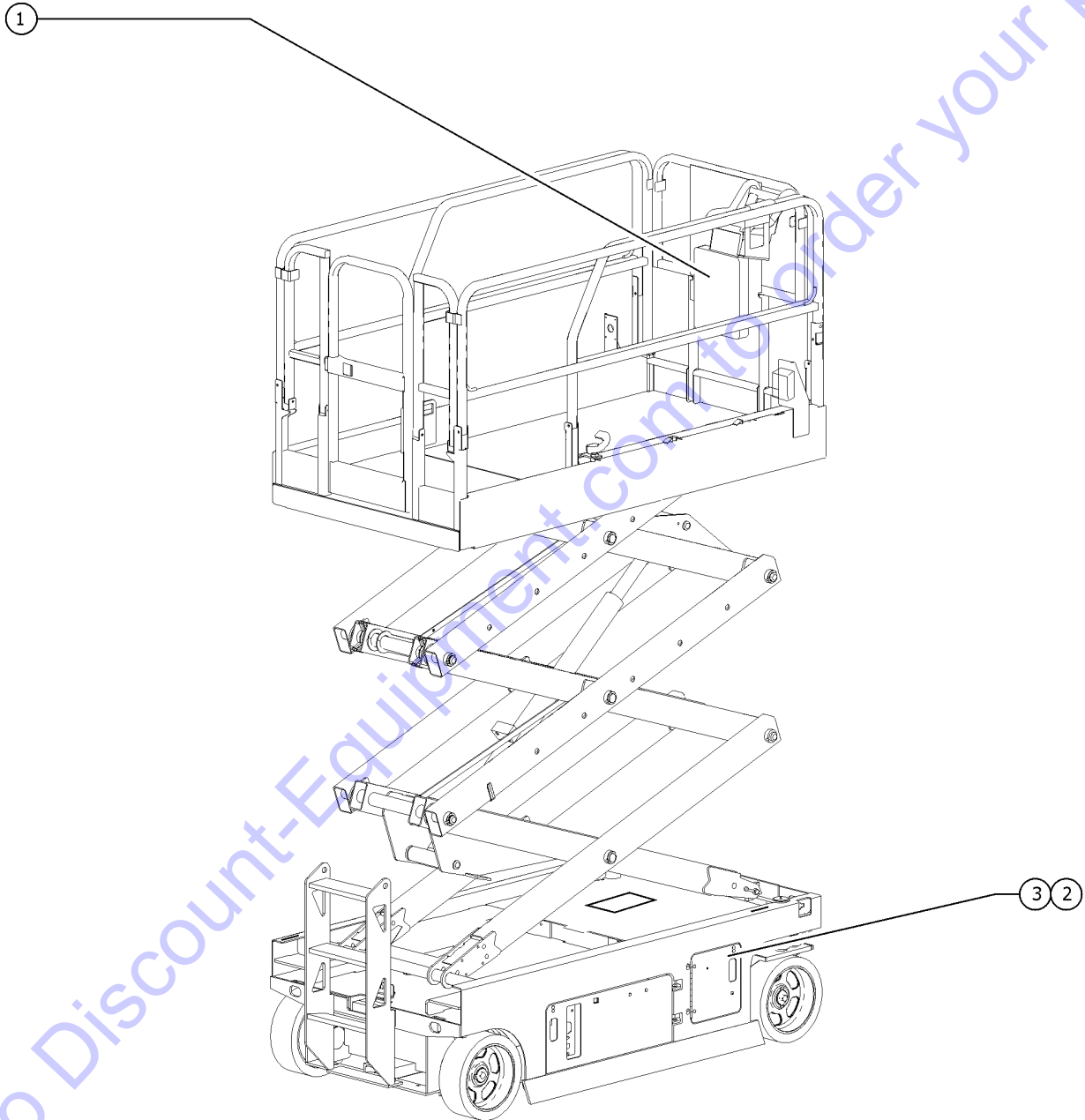
Page

Part Number Index	192
--------------------------------	------------

Go to Discount-Equipment.com to order your parts



001.1 Parts Stocking List



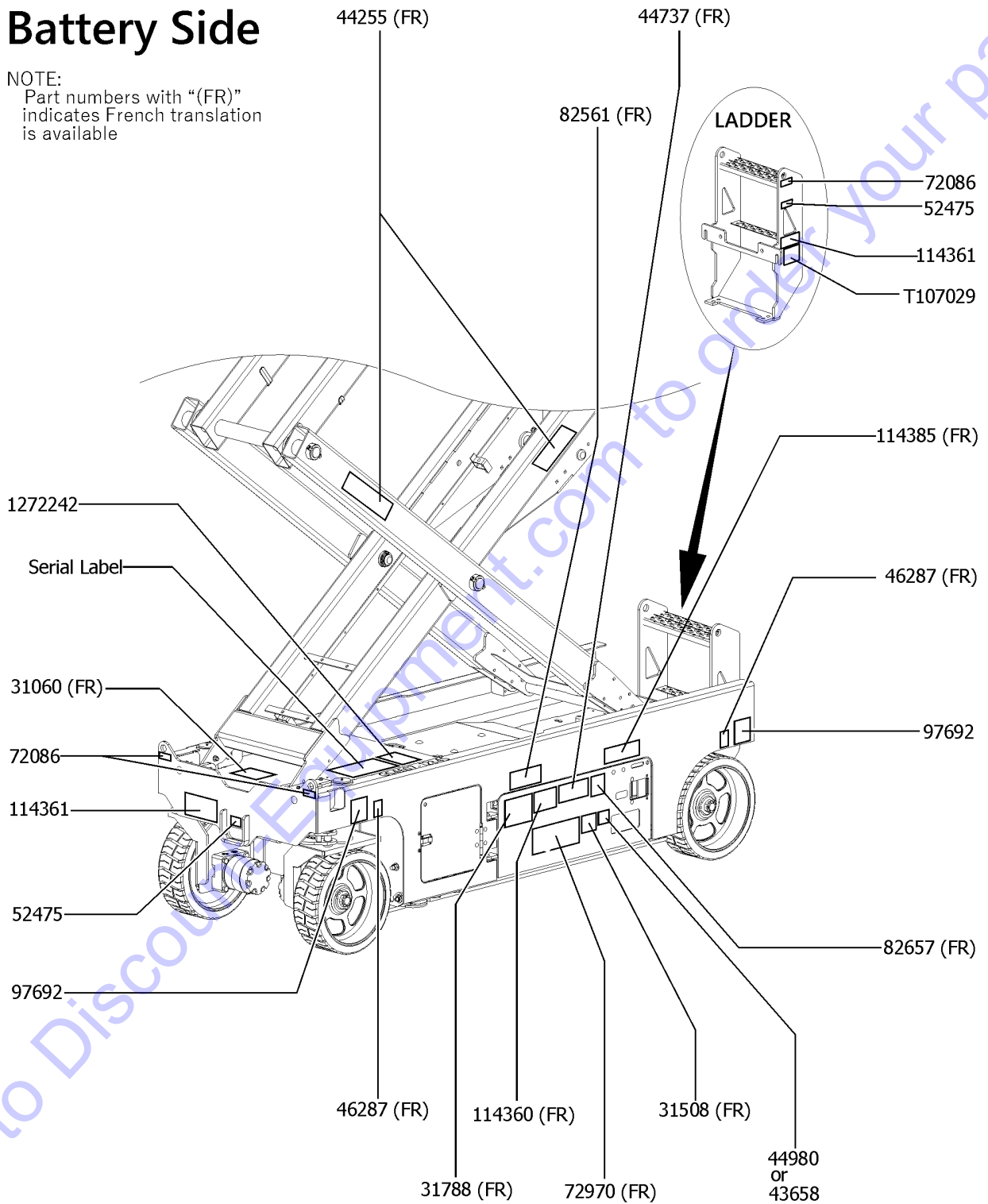
Item	Part No.	Description	Qty.
--	66399GT	GREASE,DIELECTRIC 4 OZ**	
--		Ref. CHEVRON ULTRA-DUTY GREASE (LITHIUM), OR EQUIVALENT, EP NLGI 1	
		(source locally)	
--	1258567GT	PAINT, AEROSOL, TRAFFIC BLACK	
		12-ounce spray paint	
--	1268GT	PAINT,AEROSOL,GENIE GRAY***	
		12-ounce spray paint	
--	1484GT	PAINT,AEROSOL,BRIGHT BLUE***	
		12-ounce spray paint	
--	1257733GT	PAINT, WET, TRAFFIC BLACK(1 GL)**	
		1-gallon	
--	32150GT	PAINT, WET, GENIE BLUE (1 GL)**	
		1-gallon	
--	32151GT	PAINT, WET, GENIE GRAY (1GL)**	
		1-gallon	
--	49613GT	PLUG AND CAP KIT-SERVICE,ORFS*	
1	27581GT	MANUAL, EMI SAFETY	
1B	1298933GT	MANUAL, SAIA MANUAL OF RESPONSIBILITIES, MEWP	
2	44788GT	FILTER ELEMENT-10MICRON, PAPER*	
3	78546GT	BREATHER CAP, HYD. TANK, 1/4 NPT	

Go to Discount-Equipment.com to order your parts



Battery Side

NOTE:
Part numbers with "(FR)" indicates French translation is available



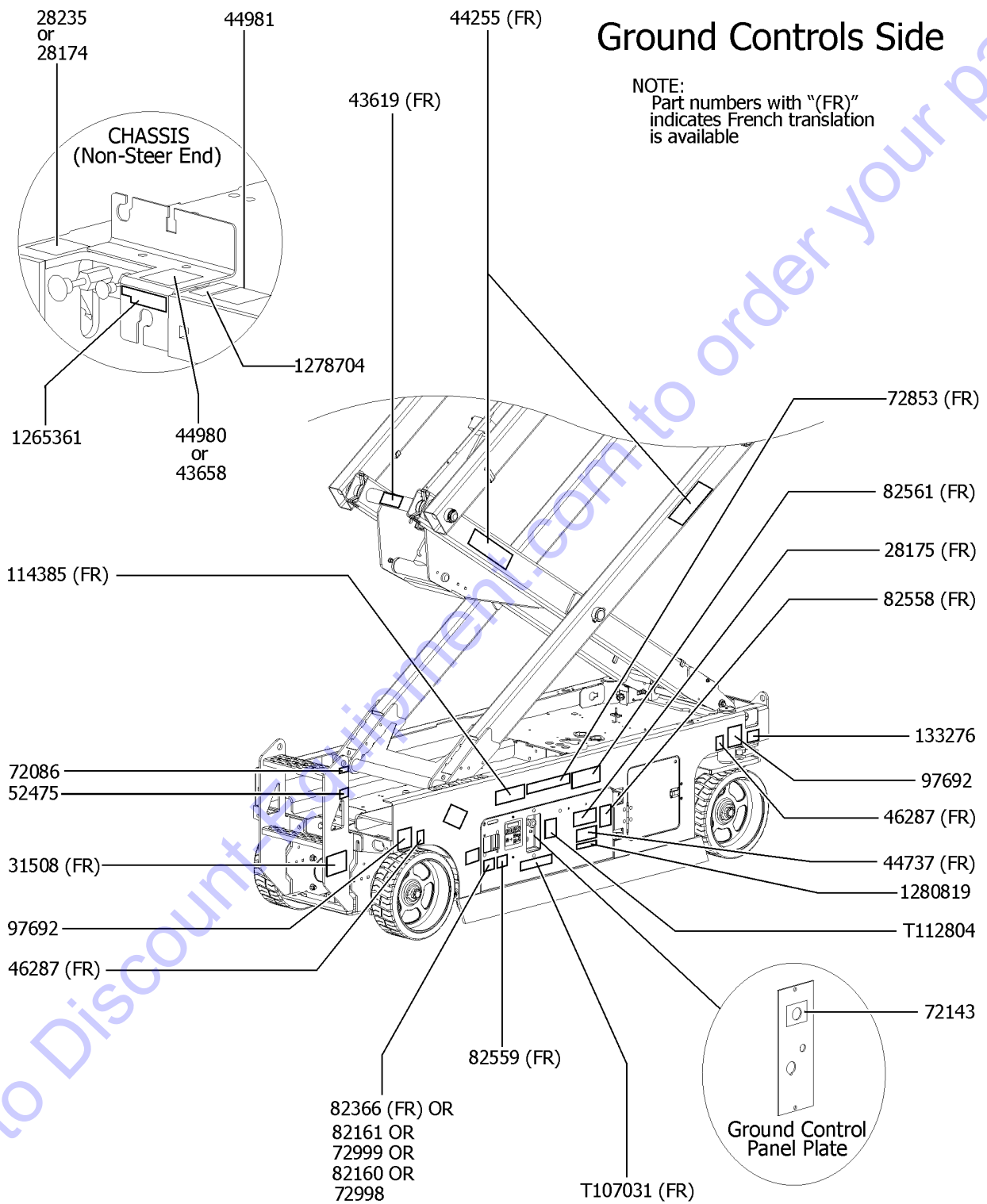
101.1 Word Decals, GS-2032, Battery Side, ANSI and Australia

Item	Part No.	Description	Qty.
1	31060GT	DECAL,DANGER DO NOT ALTER SWTC	1
2	31508GT	DECAL,DANGER,ELECT HAZARD,PLUG	1
3	31788GT	DECAL,DANGER,BATTERY SAFETY***	1
4	43658GT	DECAL,LABEL,PWR TO CHARGR 230V (Australia models only)	1
5	44255GT	DECAL,DANGER,CRUSHING HAZARD	2
6	44737GT	DECAL,DANGER,TIP-OVER,TRAYS	1
7	44980GT	DECAL,LABEL,PWR TO CHARGR 115V (Australia models only)	1
8	46287GT	DECAL,LABEL-TIRE SPECS	2
9	52475GT	DECAL,LABEL,TRANSPORT TIEDOWN*	2
10	72086GT	DECAL,LABEL,LIFTING EYE	3
11	72970GT	DECAL,INSTRUCTIONS-CHARGER OP	1
12	82561GT	DECAL,DANGER-USE SAFETY ARM	1
13	82657GT	DECAL,INSTRUCT,BATTERY CONNECT	1
14	97692GT	DECAL,LABEL,WHEEL LOAD 2032	2
15	114360GT	DECAL,DANGER-TIP-OVER,BATT	1
16	114361GT	DECAL,SYM-TIP-OVER,LIM SWITCH	2
17	114385GT	DECAL,DANGER,ELEC HAZARD,GS	1
18	1272242GT	DECAL,MACHINE REGISTRATION/OWNER TRANSFER	1
19	T107029GT	DECAL DANGER BRAKE REL SAFETY	1

Go to Discount-Equipment.com to order your parts



102.1 Word Decals, GS-2032, Ground Control Side, ANSI and Australia

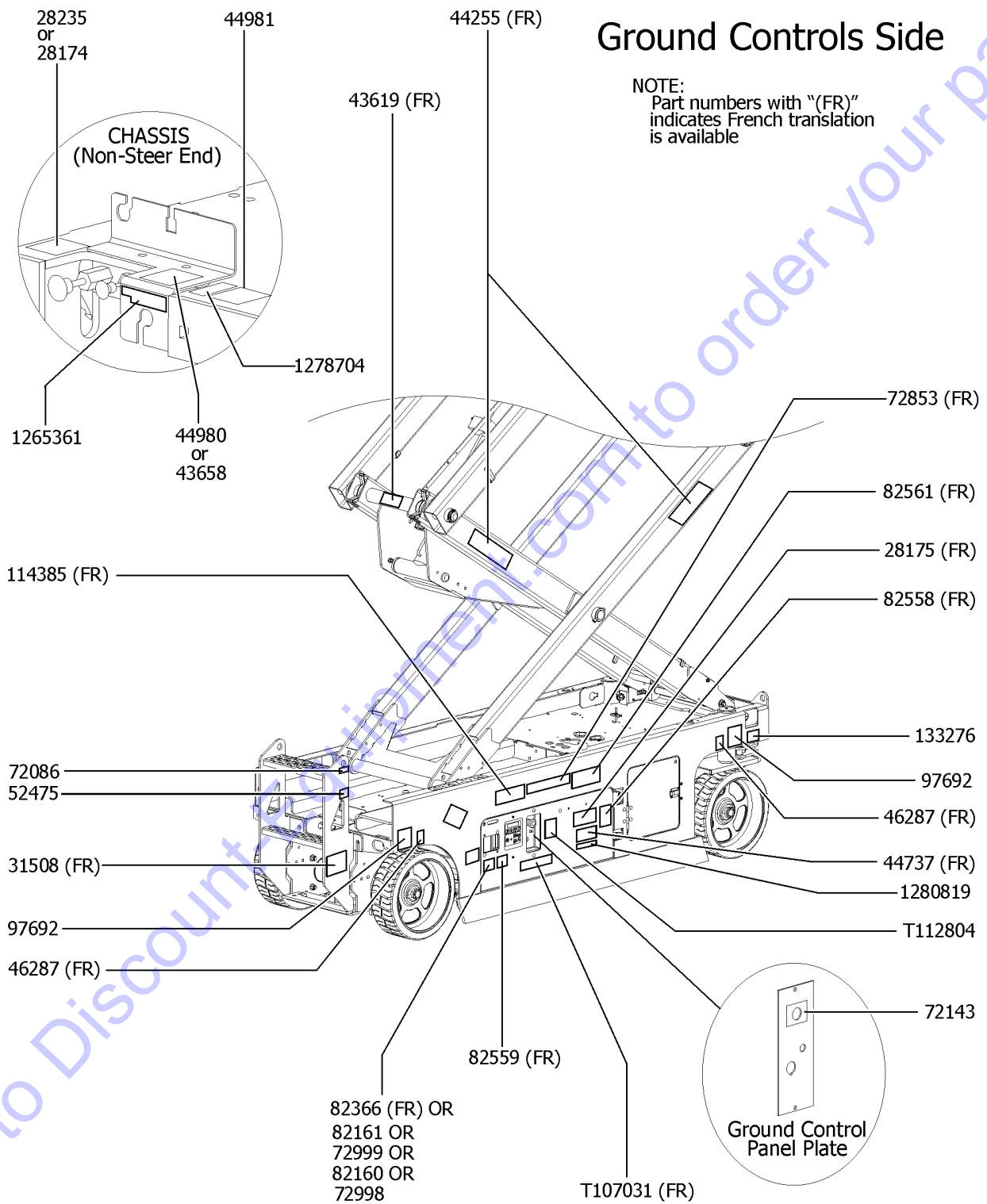


102.1 Word Decals, GS-2032, Ground Control Side, ANSI and Australia

Item	Part No.	Description	Qty.
1	28174GT	DECAL,POWER TO PLATFORM 230V	1
2	28175GT	DECAL,WARNING-COMPART ACCESS	1
3	28235GT	DECAL,POWER TO PLATFORM 115V	1
4	31508GT	DECAL,DANGER,ELECT HAZARD,PLUG	1
5	43619GT	DECAL,LABEL,SAFETY ARM	1
6	43658GT	DECAL,LABEL,PWR TO CHARGR 230V (ANSI models)	1
7	44255GT	DECAL,DANGER,CRUSHING HAZARD	2
8	46287GT	DECAL,LABEL-TIRE SPECS	2
9	44737GT	DECAL,DANGER,TIP-OVER,TRAYS	1
10	44980GT	DECAL,LABEL,PWR TO CHARGR 115V (ANSI models)	1
11	44981GT	DECAL,LABEL,AIRLINE 110 PSI (Option)	1
12	52475GT	DECAL,LABEL,TRANSPORT TIEDOWN*	1
13	72086GT	DECAL,LABEL,LIFTING EYE	1
14	72143GT	DECAL,EMERGENCY STOP,GR	1
15	72853GT	DECAL,DANGER,IMPROPER USE HAZ.	1
16	72998GT	DECAL, LABEL, QUINTOLUBRIK (models with Quintolub hydraulic oil)	1
17	72999GT	DECAL,LABEL,PETRO CANADA*** (models with Petro Canada hydraulic oil)	1
18	82160GT	DECAL, LABEL, STATOIL HYDRAWAY (models with Statoil hydraulic oil)	1
19	82161GT	DECAL,LABEL,UCON HYDROLUBE (models with Uconn Hydrolube hydraulic oil)	1
20	82366GT	DECAL,CHEVRON RANDO HD (models with Chevron Random hydraulic oil)	1
21	82558GT	DECAL,SKIN INJECTION	1
22	82559GT	DECAL,INSTRUCT-ANNUAL INSP REQ	1
23	82561GT	DECAL,DANGER-USE SAFETY ARM	1
24	97692GT	DECAL,LABEL,WHEEL LOAD 2032	2
25	114385GT	DECAL,DANGER,ELEC HAZARD,GS	1
26	133276GT	DECAL,EMERGENCY LOWERING	1
27	T107031GT	DECAL,OP INST,GCON	1
28	T112804GT	DECAL,GCON PANEL,GS	1



102.1 Word Decals, GS-2032, Ground Control Side, ANSI and Australia



102.1 Word Decals, GS-2032, Ground Control Side, ANSI and Australia

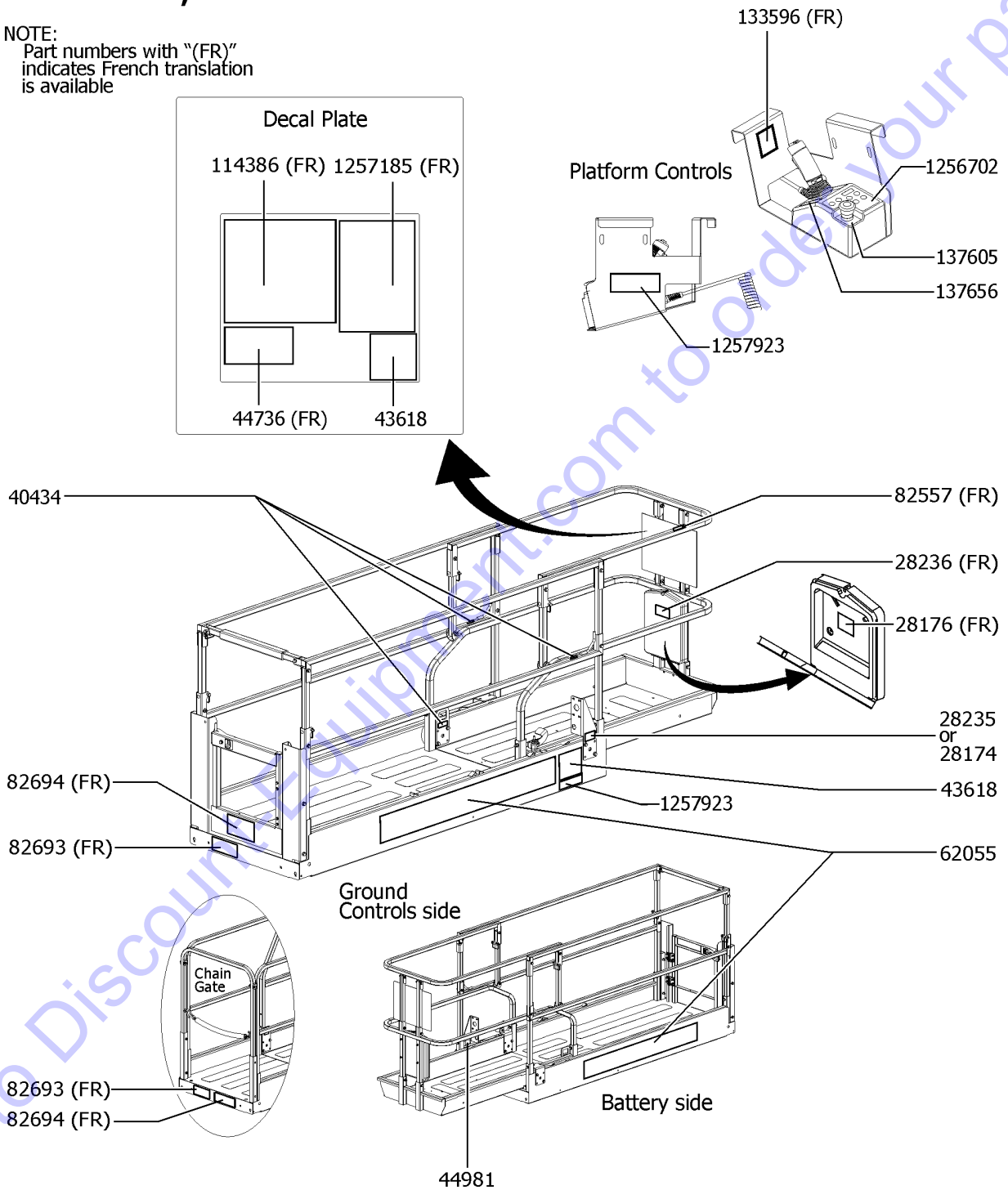
Item	Part No.	Description	Qty.
29	1265361GT	DECAL, BATTERY CHARGER INDICAT	1
30	1278704GT	DECAL,CHARGE STATUS IND.	1
31	1280819GT	DECAL,WARNING,CANCER AND REPRODUCTIVE HARM, PROP 65	1

Go to Discount-Equipment.com to order your parts



Platform, ANSI models

NOTE:
Part numbers with "(FR)"
indicates French translation
is available



103.1 Word Decals, GS-2032, Platform, ANSI

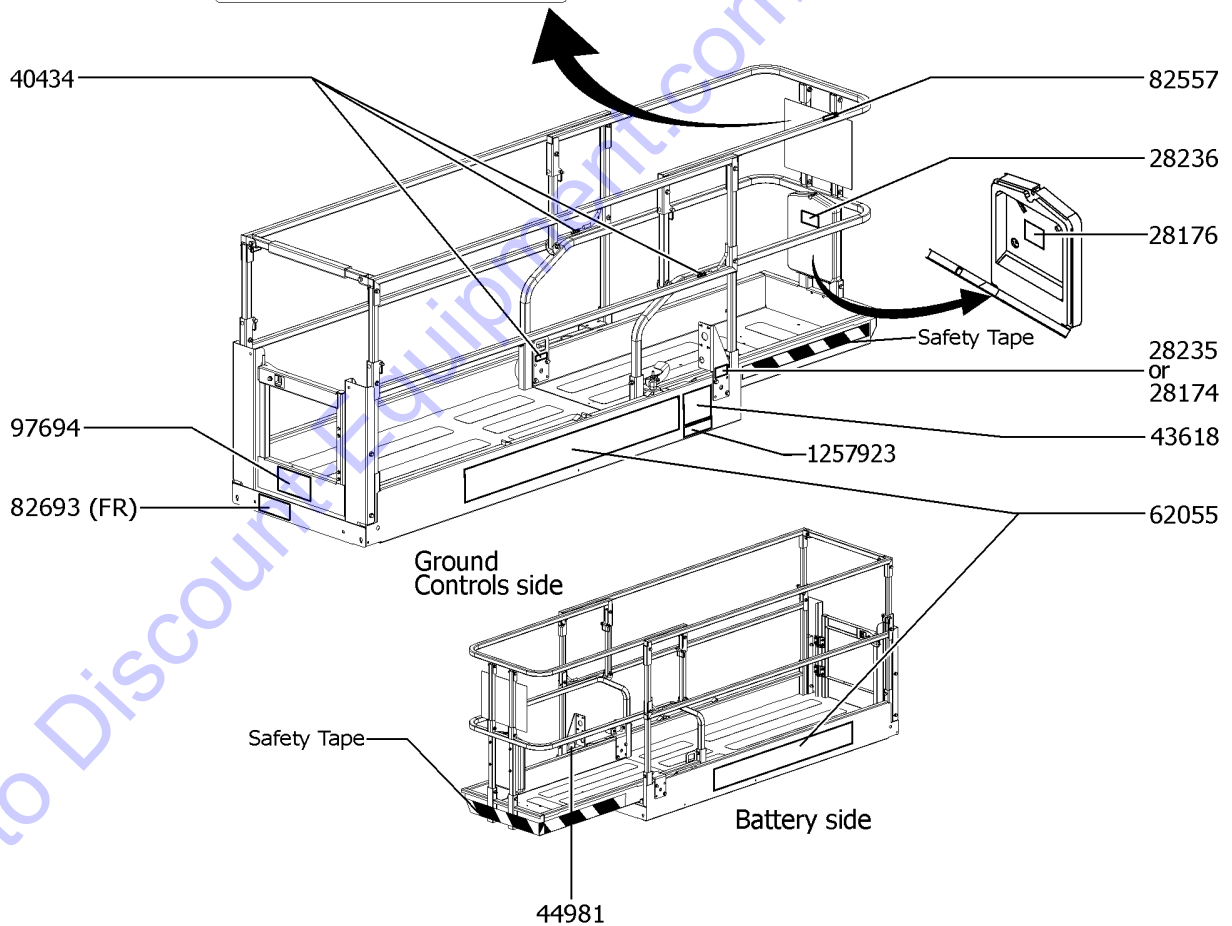
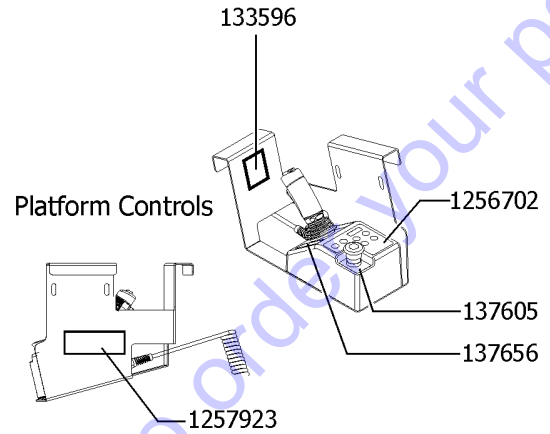
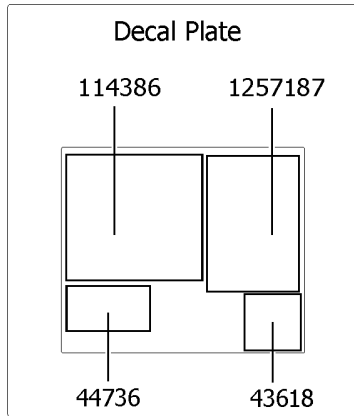
Item	Part No.	Description	Qty.
--	137605GT	DECAL,E-STOP,GR/GRC/GS PCON	
1	28174GT	DECAL,POWER TO PLATFORM 230V	1
2	28176GT	DECAL,LABEL,MANUAL NOT HERE	1
3	28235GT	DECAL,POWER TO PLATFORM 115V	1
4	28236GT	DECAL,WARN,IMPROPER OPERATION	1
5	40434GT	DECAL,LANYARD ANCHORAGE POINT	3
6	43618GT	DECAL,LABEL-DIRECTION ARROWS	2
7	44736GT	DECAL,DANGER,TIP-OVER,TILT	1
8	44981GT	DECAL,LABEL,AIRLINE 110 PSI	1
9	62055GT	DECAL,COSMETIC,GENIE GS-2032	2
10	82557GT	DECAL,LABEL,PLAT CONT LOCATION	1
11	82693GT	DECAL,INSTR-MAX CAP 800 LBS	1
12	82694GT	DECAL,INSTR-SIDE FRC,ANSI 2032	1
13	114386GT	DECAL,DANGER-GEN SAFETY	1
14	133596GT	DECAL,LABEL,FAULT CODES	1
15	137605GT	DECAL,E-STOP,GR/GRC/GS PCON	1
16	137656GT	DECAL,PROPEL,GR/GRC/GS,PCON	1
17	1256702GT	DECAL, UI, GS/GR, PROP LIFT	1
18	1257185GT	DECAL,OP INST,PLAT,GS32 ANSI	1
19	1257923GT	DECAL, SMARTLINK PROPORTIONAL	2

Go to Discount-Equipment.com to order your parts



Platform, Australia models

NOTE:
Part numbers with "(FR)" indicates French translation is available



Go to DiscountParts.com to order your parts

104.1 Word Decals, GS-2032, Platform, Australia

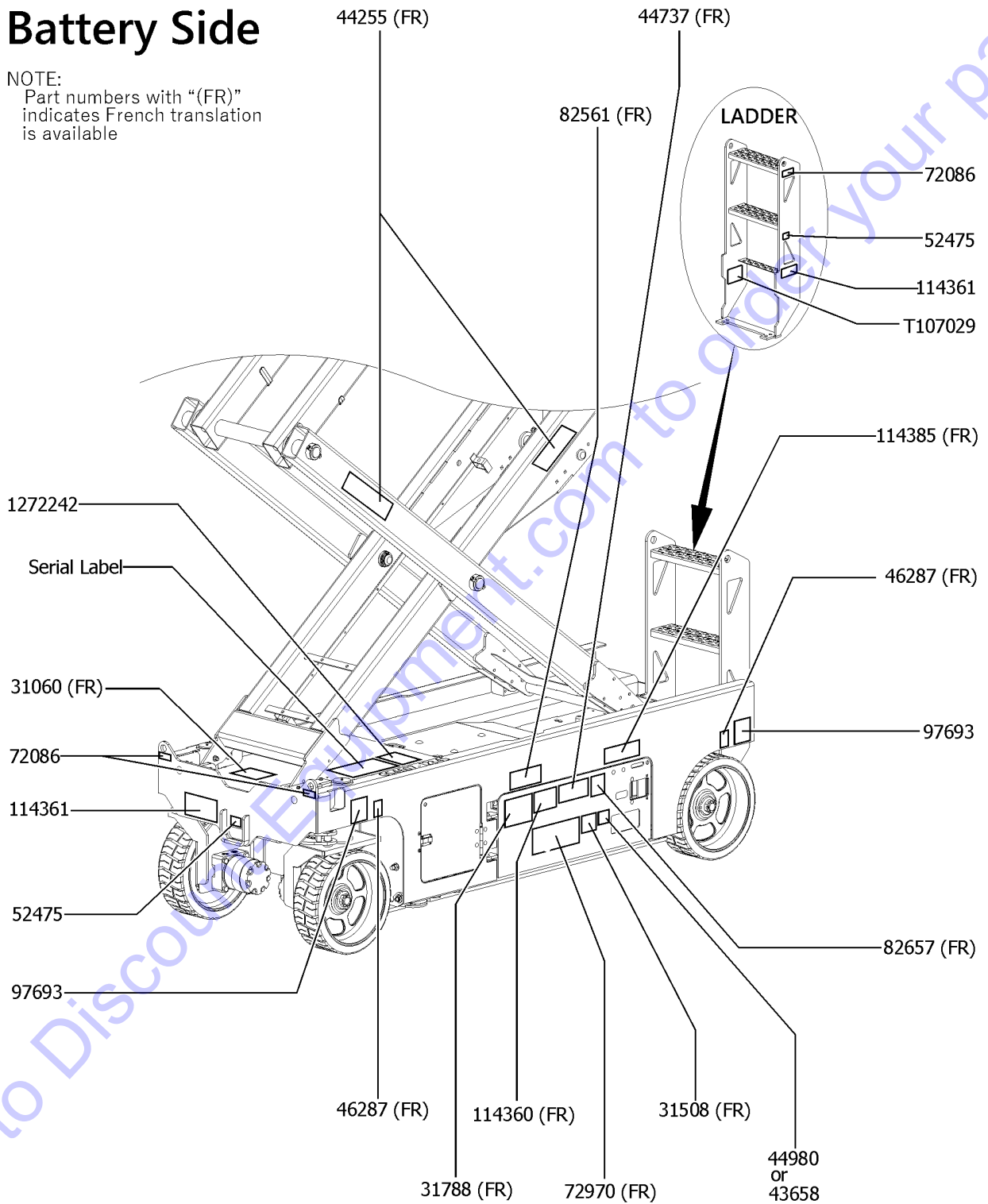
Item	Part No.	Description	Qty.
1	28174GT	DECAL,POWER TO PLATFORM 230V	1
2	28176GT	DECAL,LABEL,MANUAL NOT HERE	1
3	28235GT	DECAL,POWER TO PLATFORM 115V	1
4	28236GT	DECAL,WARN,IMPROPER OPERATION	1
5	40434GT	DECAL,LANYARD ANCHORAGE POINT	3
6	43618GT	DECAL,LABEL-DIRECTION ARROWS	2
7	44736GT	DECAL,DANGER,TIP-OVER,TILT	1
8	44981GT	DECAL,LABEL,AIRLINE 110 PSI	1
9	62055GT	DECAL,COSMETIC,GENIE GS-2032	2
10	82557GT	DECAL,LABEL,PLAT CONT LOCATION	1
11	82693GT	DECAL,INSTR-MAX CAP 800 LBS	1
12	97694GT	DECAL,INSTR-MANUALFRC,AUS 2032	1
13	114386GT	DECAL,DANGER-GEN SAFETY	1
14	133596GT	DECAL,LABEL,FAULT CODES	1
15	137605GT	DECAL,E-STOP,GR/GRC/GS PCON	1
16	137656GT	DECAL,PROPEL,GR/GRC/GS,PCON	1
17	1256702GT	DECAL, UI, GS/GR, PROP LIFT	1
18	1257187GT	DECAL,OP INST,PLAT,GS32,AUS	1
19	1257923GT	DECAL, SMARTLINK PROPORTIONAL	2

Go to Discount-Equipment.com to order your parts



Battery Side

NOTE:
Part numbers with "(FR)"
indicates French translation
is available



105.1 Word Decals, GS-2632, Battery Side, ANSI and Australia

Item	Part No.	Description	Qty.
1	31060GT	DECAL,DANGER DO NOT ALTER SWTC	1
2	31508GT	DECAL,DANGER,ELECT HAZARD,PLUG	1
		(Australia models only)	
3	31788GT	DECAL,DANGER,BATTERY SAFETY***	1
4	43658GT	DECAL,LABEL,PWR TO CHARGR 230V	1
		(Australia models only)	
5	44255GT	DECAL,DANGER,CRUSHING HAZARD	2
6	44737GT	DECAL,DANGER,TIP-OVER,TRAYS	1
7	44980GT	DECAL,LABEL,PWR TO CHARGR 115V	1
		(Australia models only)	
8	46287GT	DECAL,LABEL-TIRE SPECS	2
9	52475GT	DECAL,LABEL,TRANSPORT TIEDOWN*	2
10	72086GT	DECAL,LABEL,LIFTING EYE	3
11	72970GT	DECAL,INSTRUCTIONS-CHARGER OP	1
12	82561GT	DECAL,DANGER-USE SAFETY ARM	1
13	82657GT	DECAL,INSTRUCT,BATTERY CONNECT	1
14	97693GT	DECAL,LABEL,WHEEL LOAD 2632	2
15	114360GT	DECAL,DANGER-TIP-OVER,BATT	1
16	114361GT	DECAL,SYM-TIP-OVER,LIM SWITCH	2
17	114385GT	DECAL,DANGER,ELEC HAZARD,GS	1
18	1272242GT	DECAL,MACHINE REGISTRATION/OWNER TRANSFER	1
19	T107029GT	DECAL DANGER BRAKE REL SAFETY	1

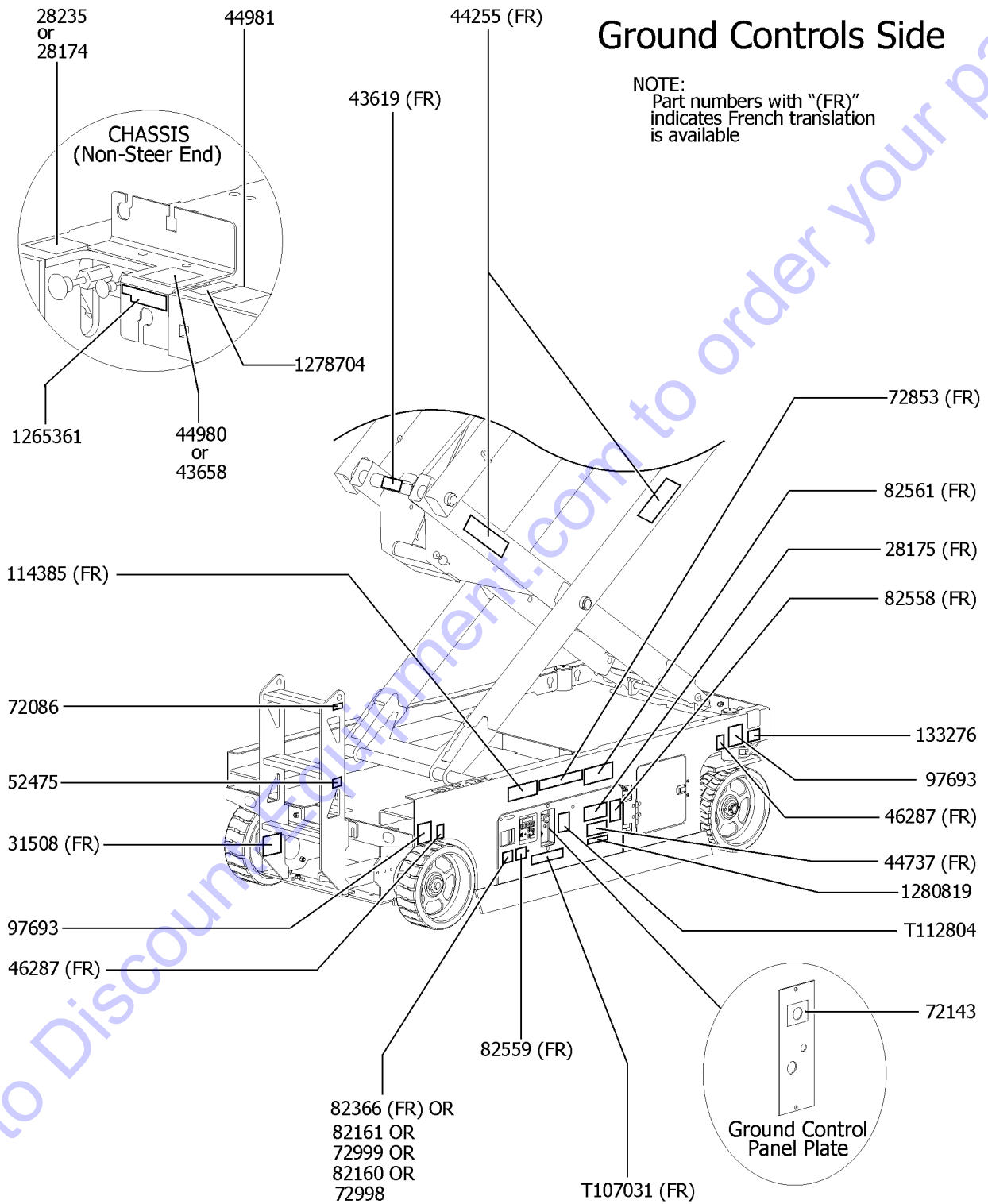
Go to Discount-Equipment.com to order your parts



106.1 Word Decals, GS-2632, Ground Control Side, ANSI and Australia

Ground Controls Side

NOTE:
Part numbers with "(FR)"
indicates French translation
is available



106.1 Word Decals, GS-2632, Ground Control Side, ANSI and Australia

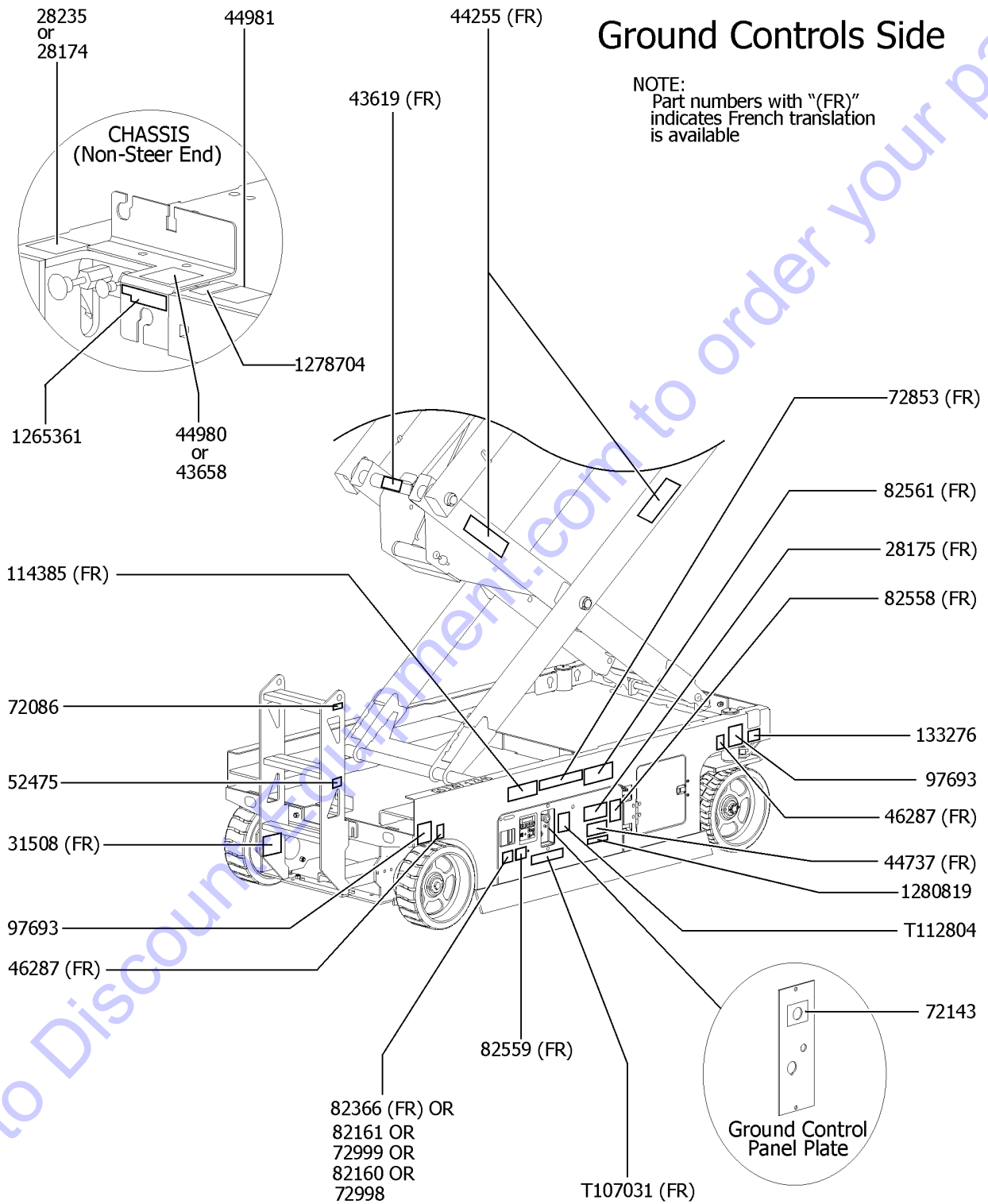
Item	Part No.	Description	Qty.
1	28174GT	DECAL,POWER TO PLATFORM 230V	1
2	28175GT	DECAL,WARNING-COMPART ACCESS	1
3	28235GT	DECAL,POWER TO PLATFORM 115V	1
4	31508GT	DECAL,DANGER,ELECT HAZARD,PLUG (ANSI models)	1
5	43619GT	DECAL,LABEL,SAFETY ARM	1
6	43658GT	DECAL,LABEL,PWR TO CHARGR 230V (ANSI models)	1
7	44255GT	DECAL,DANGER,CRUSHING HAZARD	2
8	46287GT	DECAL,LABEL-TIRE SPECS	2
9	44737GT	DECAL,DANGER,TIP-OVER,TRAYS	1
10	44980GT	DECAL,LABEL,PWR TO CHARGR 115V (ANSI models)	1
11	44981GT	DECAL,LABEL,AIRLINE 110 PSI (Option)	1
12	52475GT	DECAL,LABEL,TRANSPORT TIEDOWN*	1
13	72086GT	DECAL,LABEL,LIFTING EYE	1
14	72143GT	DECAL,EMERGENCY STOP,GR	1
15	72853GT	DECAL,DANGER,IMPROPER USE HAZ.	1
16	72998GT	DECAL, LABEL, QUINTOLUBRIK (models with Quintolub hydraulic oil)	1
17	72999GT	DECAL,LABEL,PETRO CANADA*** (models with Petro Canada hydraulic oil)	1
18	82160GT	DECAL, LABEL, STATOIL HYDRAWAY (models with Statoil hydraulic oil)	1
19	82161GT	DECAL,LABEL,UCON HYDROLUBE (models with Uconn Hydrolube hydraulic oil)	1
20	82366GT	DECAL,CHEVRON RANDO HD (models with Chevron Random hydraulic oil)	1
21	82558GT	DECAL,SKIN INJECTION	1
22	82559GT	DECAL,INSTRUCT-ANNUAL INSP REQ	1
23	82561GT	DECAL,DANGER-USE SAFETY ARM	1
24	97693GT	DECAL,LABEL,WHEEL LOAD 2632	2
25	114385GT	DECAL,DANGER,ELEC HAZARD,GS	1
26	133276GT	DECAL,EMERGENCY LOWERING	1
27	T107031GT	DECAL,OP INST,GCON	1
28	T112804GT	DECAL,GCON PANEL,GS	1



106.1 Word Decals, GS-2632, Ground Control Side, ANSI and Australia

Ground Controls Side

NOTE:
Part numbers with "(FR)"
indicates French translation
is available



106.1 Word Decals, GS-2632, Ground Control Side, ANSI and Australia

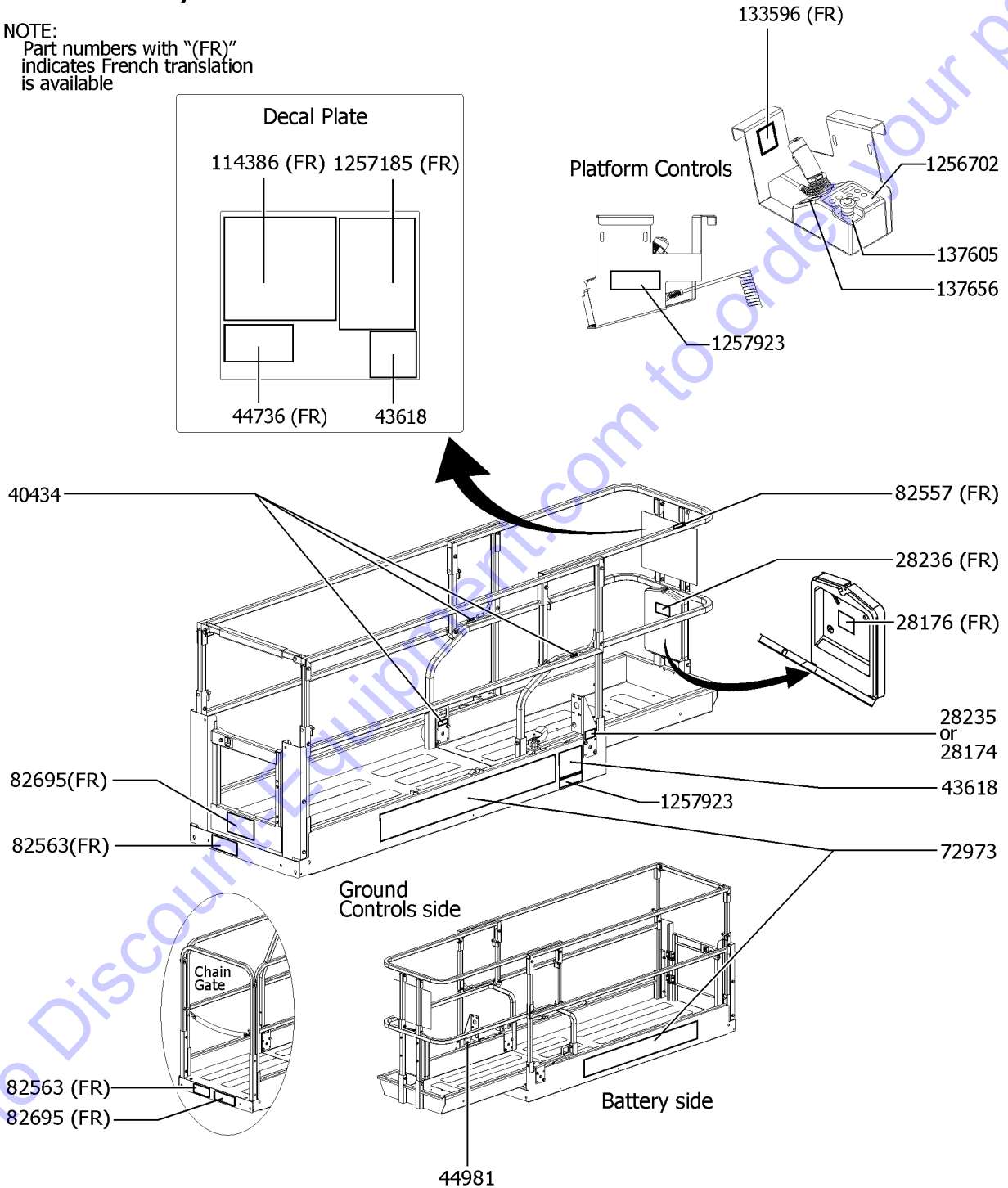
Item	Part No.	Description	Qty.
29	1265361GT	DECAL, BATTERY CHARGER INDICAT	1
30	1278704GT	DECAL,CHARGE STATUS IND.	1
31	1280819GT	DECAL,WARNING,CANCER AND REPRODUCTIVE HARM, PROP 65	1

Go to Discount-Equipment.com to order your parts



Platform, ANSI models

NOTE:
Part numbers with "(FR)"
indicates French translation
is available



107.1 Word Decals, GS-2632, Platform, ANSI

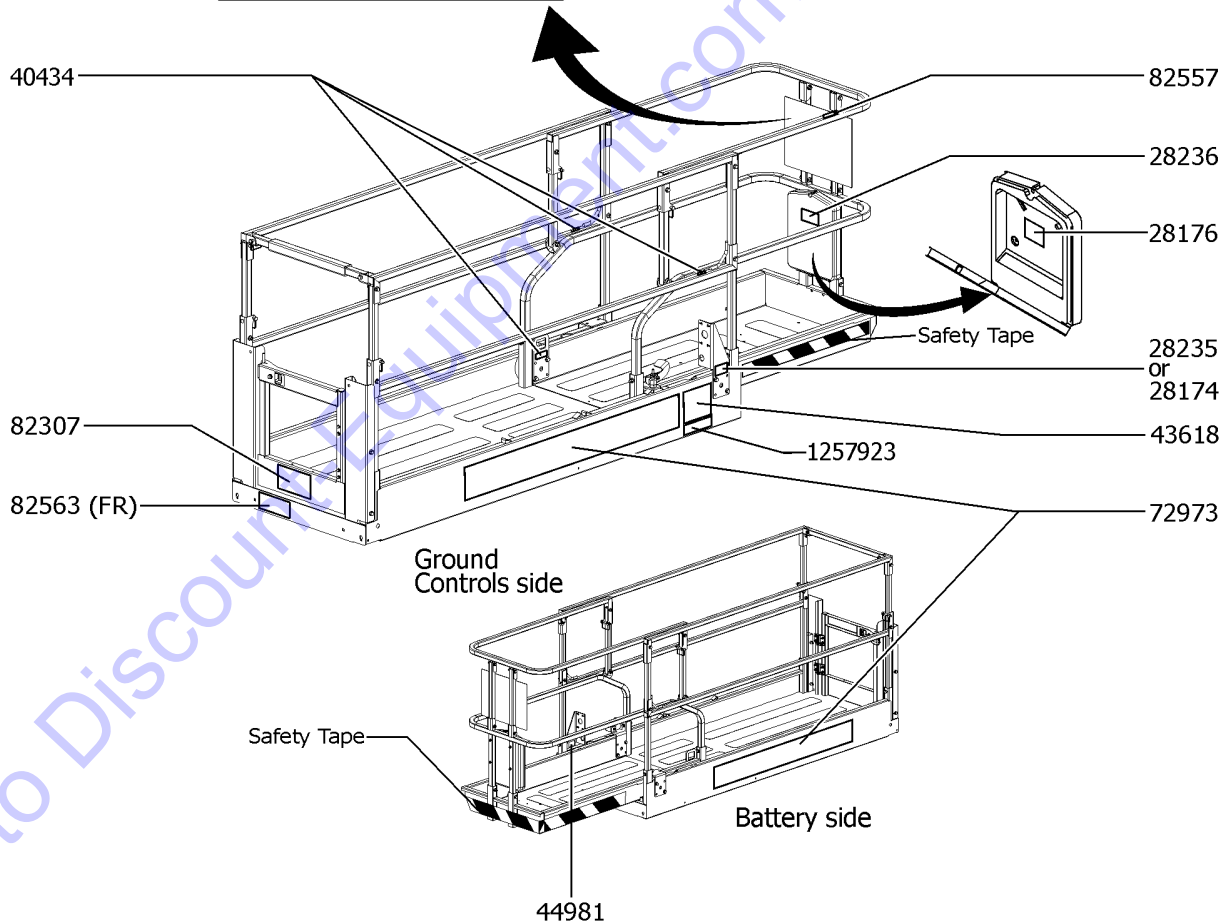
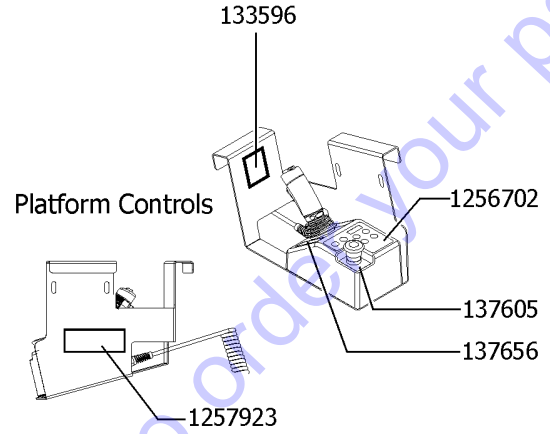
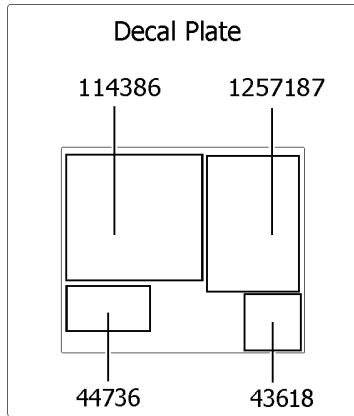
Item	Part No.	Description	Qty.
1	28174GT	DECAL,POWER TO PLATFORM 230V	1
2	28176GT	DECAL,LABEL,MANUAL NOT HERE	1
3	28235GT	DECAL,POWER TO PLATFORM 115V	1
4	28236GT	DECAL,WARN,IMPROPER OPERATION	1
5	40434GT	DECAL,LANYARD ANCHORAGE POINT	3
6	43618GT	DECAL,LABEL-DIRECTION ARROWS	2
7	44736GT	DECAL,DANGER,TIP-OVER,TILT	1
8	44981GT	DECAL,LABEL,AIRLINE 110 PSI	1
9	72973GT	DECAL,COSMETIC,GENIE GS-2632**	2
10	82557GT	DECAL,LABEL,PLAT CONT LOCATION	1
11	82563GT	DECAL,INSTR-MAX CAP 500 LBS for GS2632 models	1
12	82695GT	DECAL,INSTR-SIDE FRC,ANSI	1
13	114386GT	DECAL,DANGER-GEN SAFETY	1
14	133596GT	DECAL,LABEL,FAULT CODES	1
15	137605GT	DECAL,E-STOP,GR/GRC/GS PCON	1
16	137656GT	DECAL,PROPEL,GR/GRC/GS,PCON	1
17	1256702GT	DECAL, UI, GS/GR, PROP LIFT	1
18	1257185GT	DECAL,OP INST,PLAT,GS32 ANSI	1
19	1257923GT	DECAL, SMARTLINK PROPORTIONAL	2

Go to Discount-Equipment.com to order your parts



Platform, Australia models

NOTE:
Part numbers with "(FR)"
indicates French translation
is available



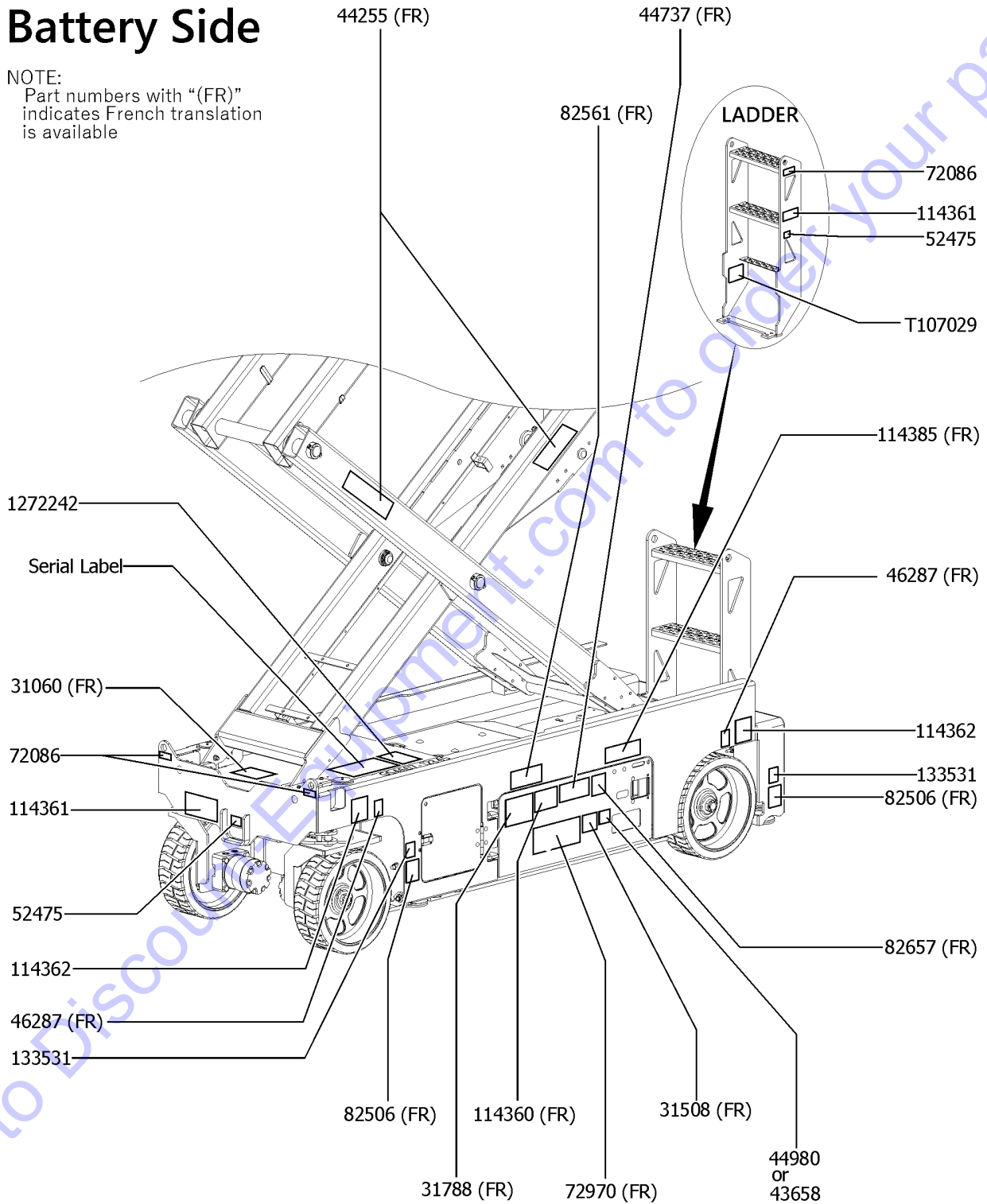
Item	Part No.	Description	Qty.
1	28174GT	DECAL,POWER TO PLATFORM 230V	1
2	28176GT	DECAL,LABEL,MANUAL NOT HERE	1
3	28235GT	DECAL,POWER TO PLATFORM 115V	1
4	28236GT	DECAL,WARN,IMPROPER OPERATION	1
5	40434GT	DECAL,LANYARD ANCHORAGE POINT	3
6	43618GT	DECAL,LABEL-DIRECTION ARROWS	2
7	44736GT	DECAL,DANGER,TIP-OVER,TILT	1
8	44981GT	DECAL,LABEL,AIRLINE 110 PSI	1
9	72973GT	DECAL,COSMETIC,GENIE GS-2632**	2
10	82307GT	DECAL,INSTR,INDOOR,AUS-26/3232	1
11	82557GT	DECAL,LABEL,PLAT CONT LOCATION	1
12	82563GT	DECAL,INSTR-MAX CAP 500 LBS for GS2632 models	1
13	114386GT	DECAL,DANGER-GEN SAFETY	1
14	133596GT	DECAL,LABEL,FAULT CODES	1
15	137605GT	DECAL,E-STOP,GR/GRC/GS PCON	1
16	137656GT	DECAL,PROPEL,GR/GRC/GS,PCON	1
17	1256702GT	DECAL, UI, GS/GR, PROP LIFT	1
18	1257187GT	DECAL,OP INST,PLAT,GS32,AUS	1
19	1257923GT	DECAL, SMARTLINK PROPORTIONAL	2

Go to Discount-Equipment.com to order your parts



Battery Side

NOTE:
Part numbers with "(FR)" indicates French translation is available



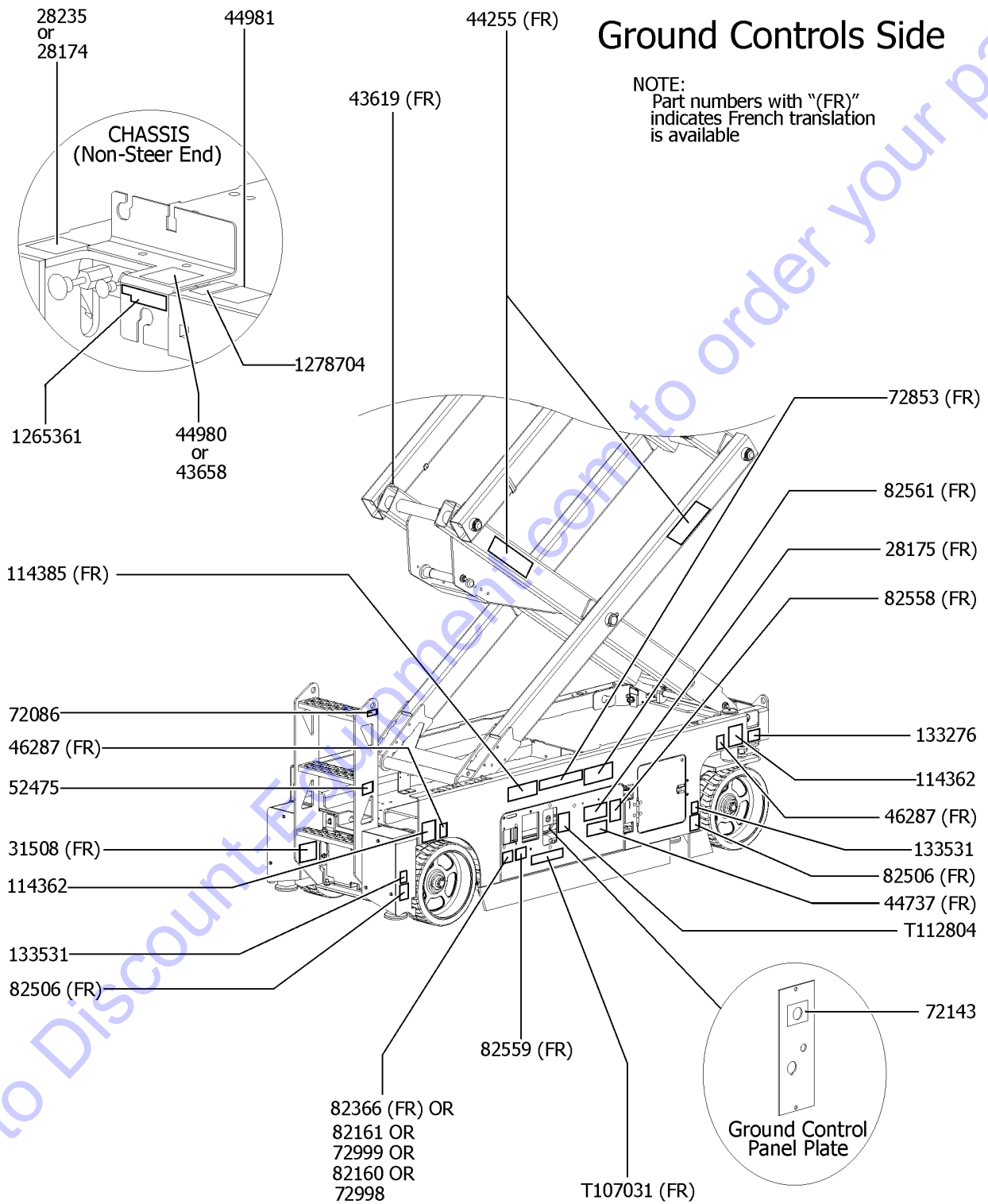
109.1 Word Decals, GS-3232, Battery Side, ANSI and Australia

Item	Part No.	Description	Qty.
1	31060GT	DECAL,DANGER DO NOT ALTER SWTC	1
2	31508GT	DECAL,DANGER,ELECT HAZARD,PLUG	1
		(Australia models only)	
3	31788GT	DECAL,DANGER,BATTERY SAFETY***	1
4	43658GT	DECAL,LABEL,PWR TO CHARGR 230V	1
		(Australia models only)	
5	44255GT	DECAL,DANGER,CRUSHING HAZARD	2
6	44737GT	DECAL,DANGER,TIP-OVER,TRAYS	1
7	44980GT	DECAL,LABEL,PWR TO CHARGR 115V	1
		(Australia models only)	
8	46287GT	DECAL,LABEL-TIRE SPECS	2
9	52475GT	DECAL,LABEL,TRANSPORT TIEDOWN*	2
10	72086GT	DECAL,LABEL,LIFTING EYE	3
11	72970GT	DECAL,INSTRUCTIONS-CHARGER OP	1
12	82506GT	DECAL,WARNING-FOOT CRUSHING	2
13	82561GT	DECAL,DANGER-USE SAFETY ARM	1
14	82657GT	DECAL,INSTRUCT,BATTERY CONNECT	1
15	114360GT	DECAL,DANGER-TIP-OVER,BATT	1
16	114361GT	DECAL,SYM-TIP-OVER,LIM SWITCH	2
17	114362GT	DECAL,LABEL-WHEEL LOAD,GS-3232	2
18	114385GT	DECAL,DANGER,ELEC HAZARD,GS	1
19	133531GT	LABEL,OUTRIGGER,LOAD,GS-3232	2
20	1272242GT	DECAL,MACHINE REGISTRATION/OWNER TRANSFER	1
21	T107029GT	DECAL DANGER BRAKE REL SAFETY	1

Go to DiscountEquipment.com to order your parts



110.1 Word Decals, GS-3232, Ground Control Side, ANSI and Australia

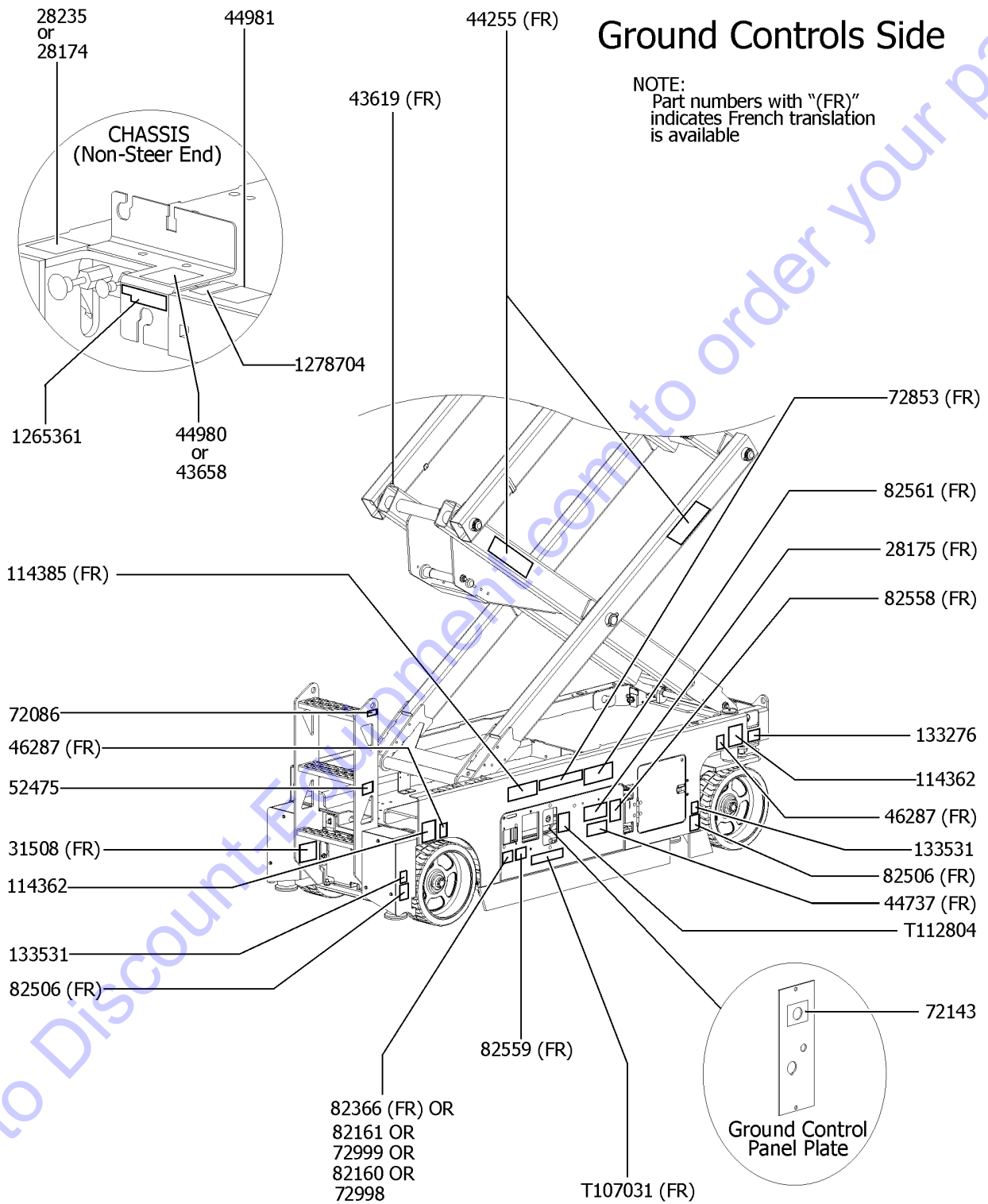


110.1 Word Decals, GS-3232, Ground Control Side, ANSI and Australia

Item	Part No.	Description	Qty.
1	28174GT	DECAL,POWER TO PLATFORM 230V	1
2	28175GT	DECAL,WARNING-COMPART ACCESS	1
3	28235GT	DECAL,POWER TO PLATFORM 115V	1
4	31508GT	DECAL,DANGER,ELECT HAZARD,PLUG	1
5	43619GT	DECAL,LABEL,SAFETY ARM	1
6	43658GT	DECAL,LABEL,PWR TO CHARGR 230V (ANSI models)	1
7	44255GT	DECAL,DANGER,CRUSHING HAZARD	2
8	46287GT	DECAL,LABEL-TIRE SPECS	2
9	44737GT	DECAL,DANGER,TIP-OVER,TRAYS	1
10	44980GT	DECAL,LABEL,PWR TO CHARGR 115V (ANSI models)	1
11	44981GT	DECAL,LABEL,AIRLINE 110 PSI (Option)	1
12	52475GT	DECAL,LABEL,TRANSPORT TIEDOWN*	1
13	72086GT	DECAL,LABEL,LIFTING EYE	1
14	72143GT	DECAL,EMERGENCY STOP,GR	1
15	72853GT	DECAL,DANGER,IMPROPER USE HAZ.	1
16	72998GT	DECAL, LABEL, QUINTOLUBRIK (models with Quintolub hydraulic oil)	1
17	72999GT	DECAL,LABEL,PETRO CANADA*** (models with Petro Canada hydraulic oil)	1
18	82160GT	DECAL, LABEL, STATOIL HYDRAWAY (models with Statoil hydraulic oil)	1
19	82161GT	DECAL,LABEL,UCON HYDROLUBE (models with Uconn Hydrolube hydraulic oil)	1
20	82366GT	DECAL,CHEVRON RANDO HD (models with Chevron Random hydraulic oil)	1
21	82506GT	DECAL,WARNING-FOOT CRUSHING	2
22	82558GT	DECAL,SKIN INJECTION	1
23	82559GT	DECAL,INSTRUCT-ANNUAL INSP REQ	1
24	82561GT	DECAL,DANGER-USE SAFETY ARM	1
25	114362GT	DECAL,LABEL-WHEEL LOAD,GS-3232	2
26	114385GT	DECAL,DANGER,ELEC HAZARD,GS	1
27	133276GT	DECAL,EMERGENCY LOWERING	1
28	133531GT	LABEL,OUTRIGGER,LOAD,GS-3232	2



110.1 Word Decals, GS-3232, Ground Control Side, ANSI and Australia



110.1 Word Decals, GS-3232, Ground Control Side, ANSI and Australia

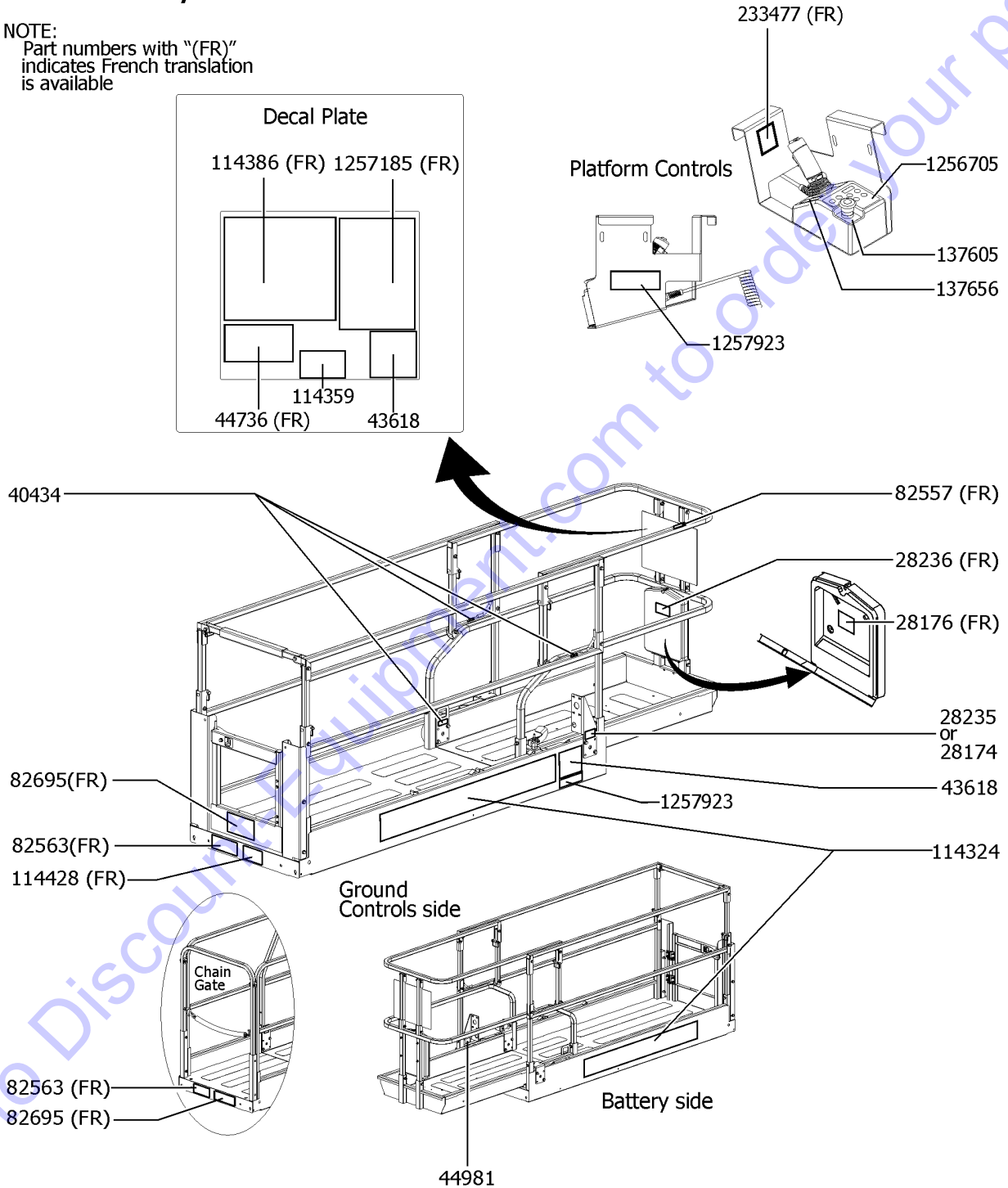
<i>Item</i>	<i>Part No.</i>	<i>Description</i>	<i>Qty.</i>
29	T107031GT	DECAL,OP INST,GCON	1
30	T112804GT	DECAL,GCON PANEL,GS	1
31	1265361GT	DECAL, BATTERY CHARGER INDICAT	1
32	1278704GT	DECAL,CHARGE STATUS IND.	1

Go to Discount-Equipment.com to order your parts



Platform, ANSI models

NOTE:
Part numbers with "(FR)"
indicates French translation
is available



111.1 Word Decals, GS-3232, Platform, ANSI

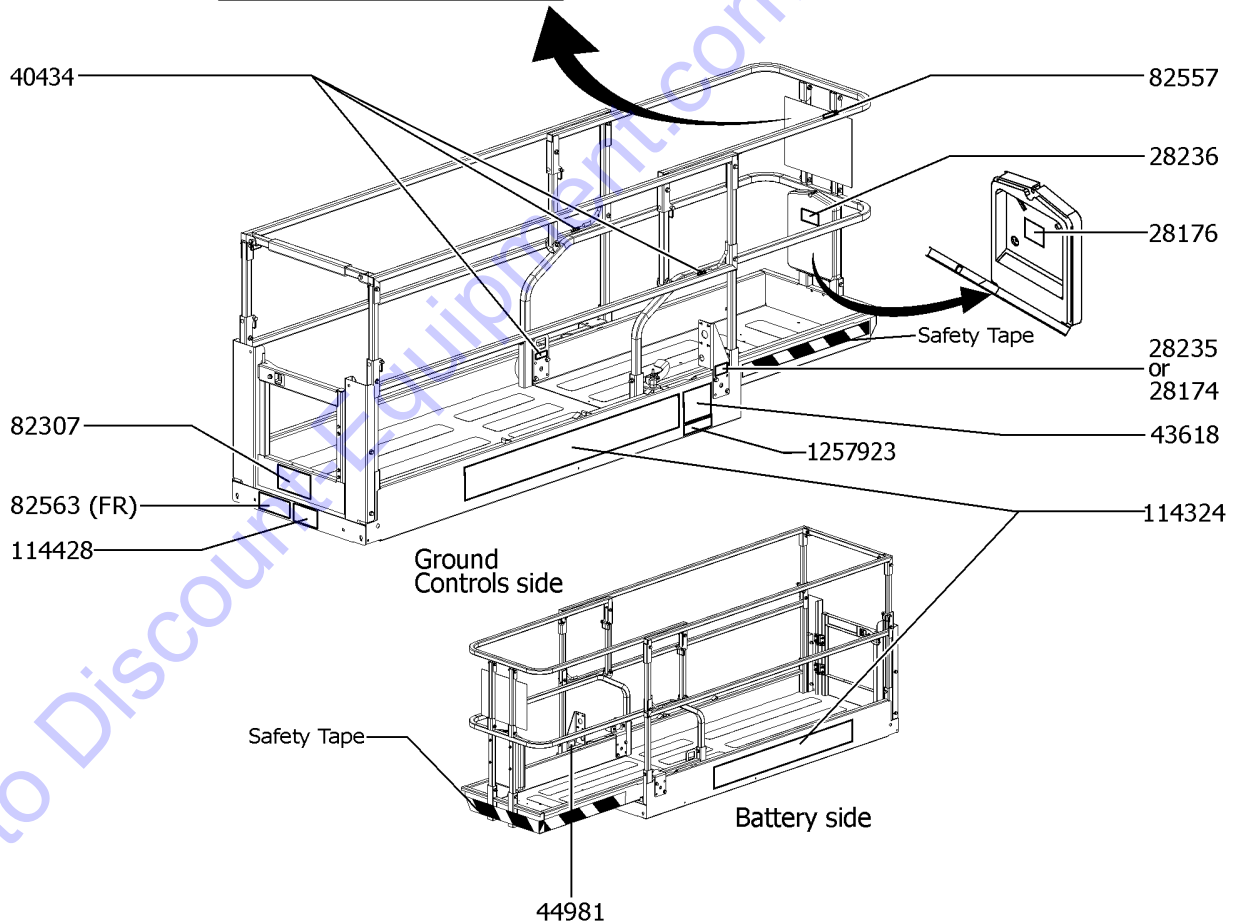
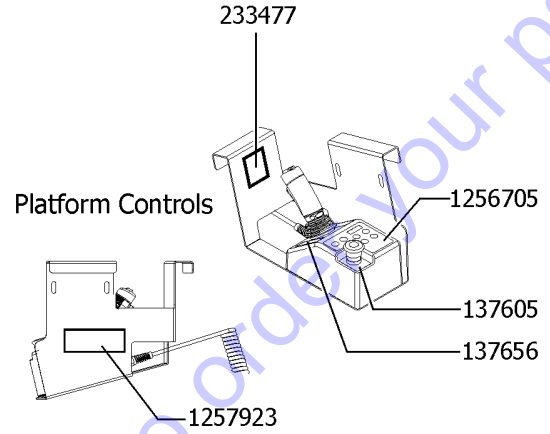
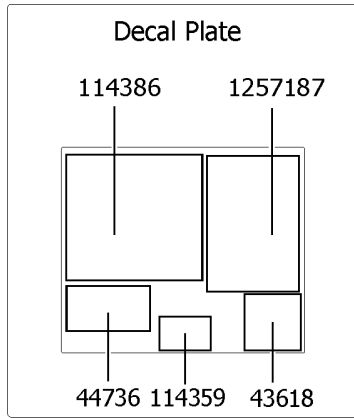
Item	Part No.	Description	Qty.
1	28174GT	DECAL,POWER TO PLATFORM 230V	1
2	28176GT	DECAL,LABEL,MANUAL NOT HERE	1
3	28235GT	DECAL,POWER TO PLATFORM 115V	1
4	28236GT	DECAL,WARN,IMPROPER OPERATION	1
5	40434GT	DECAL,LANYARD ANCHORAGE POINT	3
6	43618GT	DECAL,LABEL-DIRECTION ARROWS	2
7	44736GT	DECAL,DANGER,TIP-OVER,TILT	1
8	44981GT	DECAL,LABEL,AIRLINE 110 PSI	1
9	82557GT	DECAL,LABEL,PLAT CONT LOCATION	1
10	82563GT	DECAL,INSTR-MAX CAP 500 LBS for GS3232 models	1
11	82695GT	DECAL,INSTR-SIDE FRC,ANSI	1
12	114324GT	DECAL,COSMETIC-GENIE GS-3232	2
13	114359GT	DANGER/INSTR-OUTRGR OP-GS3232	1
14	114386GT	DECAL,DANGER-GEN SAFETY	1
15	114428GT	DECAL,INSTRUCT,TRAVEL HEIGHT	1
16	137605GT	DECAL,E-STOP,GR/GRC/GS PCON	1
17	137656GT	DECAL,PROPEL,GR/GRC/GS,PCON	1
18	233477GT	DECAL,LABEL,FAULT CODES	1
19	1256705GT	DECAL, O/R, PROP LIFT, UI, SVC	1
20	1257185GT	DECAL,OP INST,PLAT,GS32 ANSI	1
21	1257923GT	DECAL, SMARTLINK PROPORTIONAL	2

Go to DiscountEquipment.com to order your parts



Platform, Australia models

NOTE:
Part numbers with "(FR)"
indicates French translation
is available

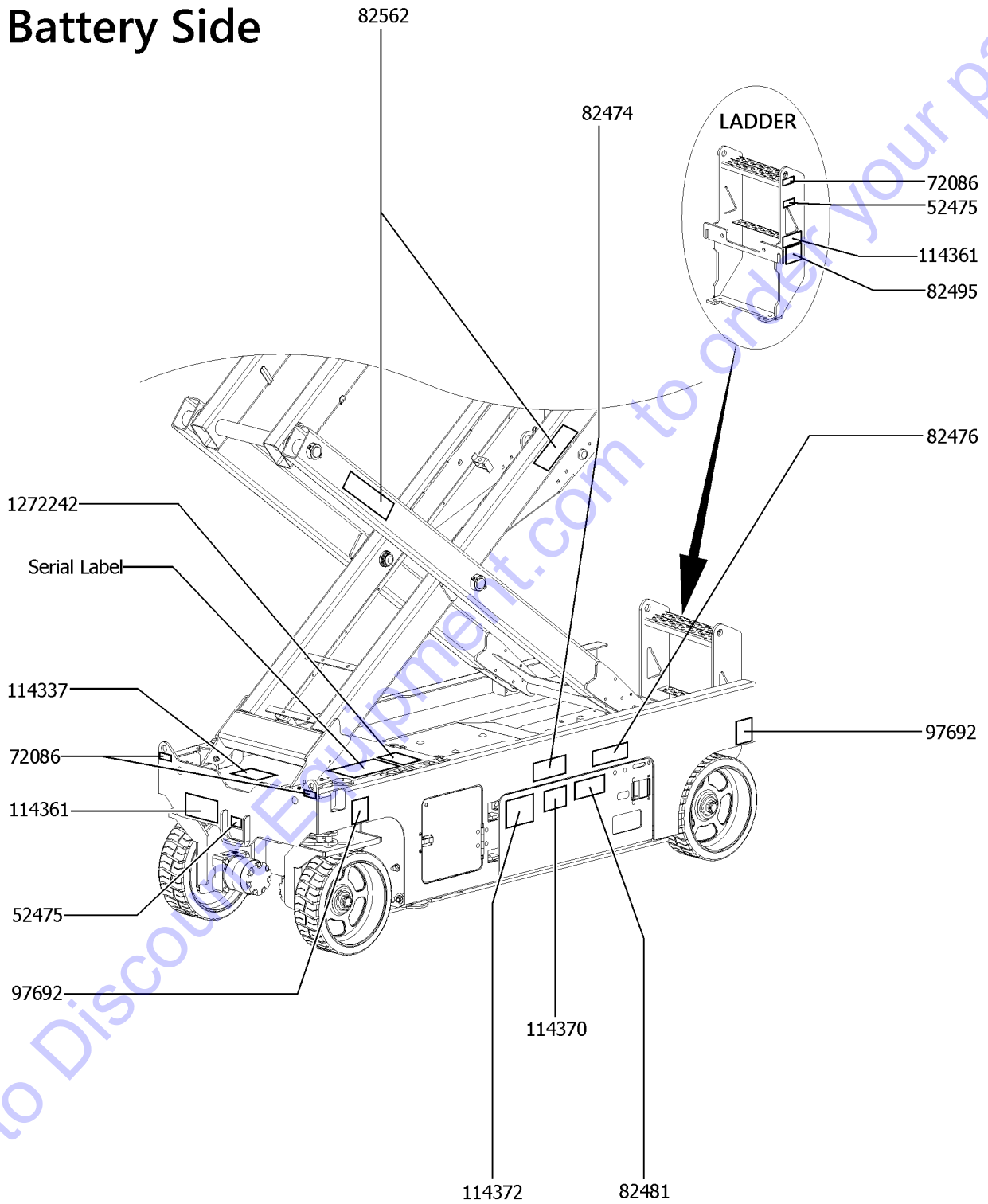


Item	Part No.	Description	Qty.
1	28174GT	DECAL,POWER TO PLATFORM 230V	1
2	28176GT	DECAL,LABEL,MANUAL NOT HERE	1
3	28235GT	DECAL,POWER TO PLATFORM 115V	1
4	28236GT	DECAL,WARN,IMPROPER OPERATION	1
5	40434GT	DECAL,LANYARD ANCHORAGE POINT	3
6	43618GT	DECAL,LABEL-DIRECTION ARROWS	2
7	44736GT	DECAL,DANGER,TIP-OVER,TILT	1
8	44981GT	DECAL,LABEL,AIRLINE 110 PSI	1
		(Option)	
9	82307GT	DECAL,INSTR,INDOOR,AUS-26/3232	1
10	82557GT	DECAL,LABEL,PLAT CONT LOCATION	1
11	82563GT	DECAL,INSTR-MAX CAP 500 LBS	1
		for GS3232 models	
12	114324GT	DECAL,COSMETIC-GENIE GS-3232	1
13	114359GT	DANGER/INSTR-OUTRGR OP-GS3232	1
14	114386GT	DECAL,DANGER-GEN SAFETY	1
15	114428GT	DECAL,INSTRUCT,TRAVEL HEIGHT	1
16	137605GT	DECAL,E-STOP,GR/GRC/GS PCON	1
17	137656GT	DECAL,PROPEL,GR/GRC/GS,PCON	1
18	233477GT	DECAL,LABEL,FAULT CODES	1
19	1256705GT	DECAL, O/R, PROP LIFT, UI, SVC	1
20	1257187GT	DECAL,OP INST,PLAT,GS32,AUS	1
21	1257923GT	DECAL, SMARTLINK PROPORTIONAL	2

Go to DiscountEquipment.com to order your parts



Battery Side



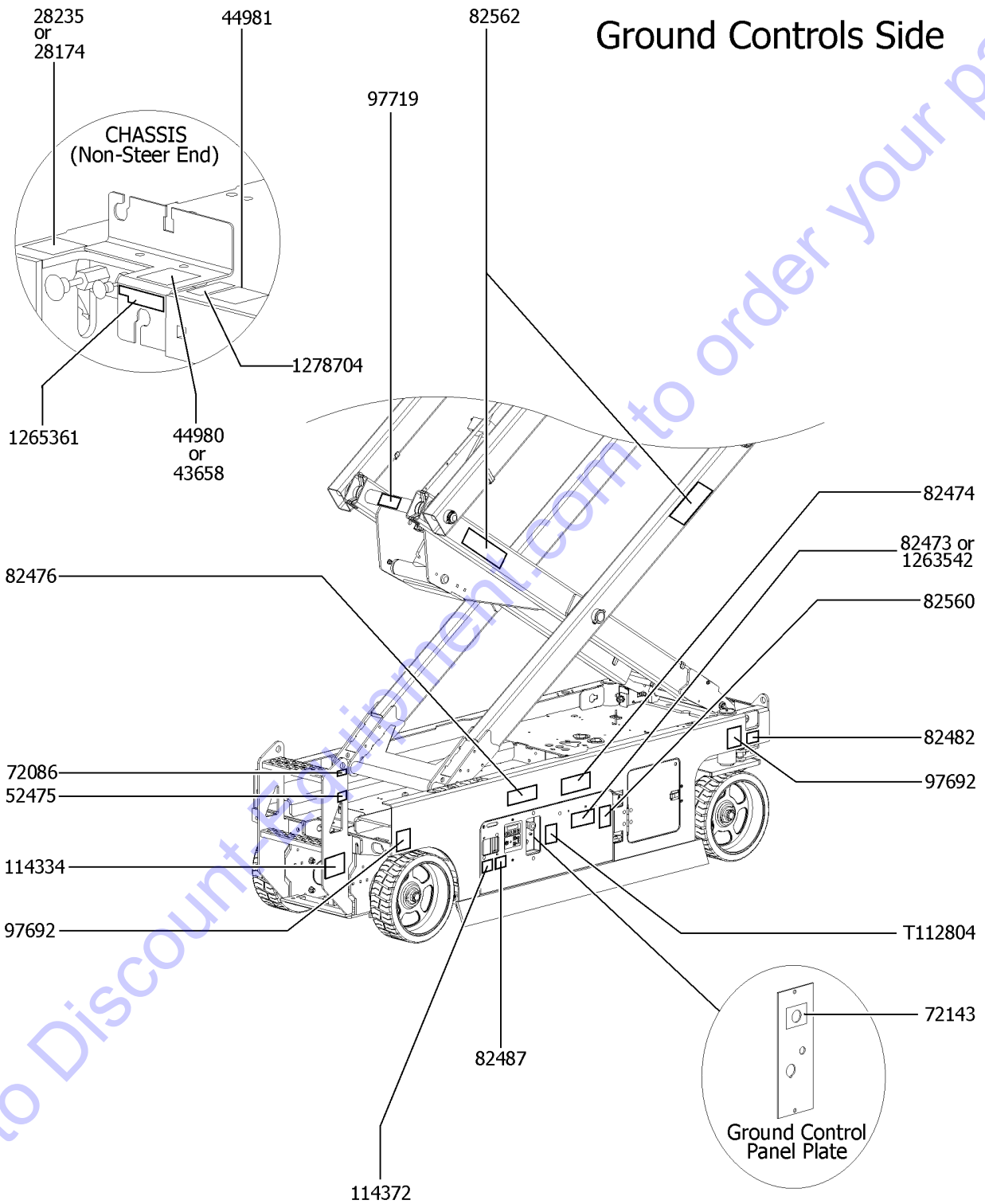
113.1 Symbol Decals, GS-2032, Battery Side, ANSI and CE

Item	Part No.	Description	Qty.
1	52475GT	DECAL,LABEL,TRANSPORT TIEDOWN*	2
2	72086GT	DECAL,LABEL,LIFTING EYE	3
3	82474GT	DECAL,SYMBOL-USE SAFETY ARM	1
4	82476GT	DECAL,SYMBOL-ELEC HAZARD,GS	1
5	82481GT	DECAL,SYMBOL-BATTERY SAFETY	1
6	82495GT	DECAL,LABEL,FORKLIFT POCKET	1
7	82562GT	DECAL,SYMBOL-CRUSHING HAZARD	2
8	97692GT	DECAL,LABEL,WHEEL LOAD 2032	2
9	114337GT	DECAL, COMPARTMENT ACCESS	1
10	114361GT	DECAL,SYM-TIP-OVER,LIM SWITCH	2
11	114370GT	DECAL-SYM-TIP-OVR,BATTRIES	1
12	114372GT	DECAL SYMBOL TIP OVER TRAYS	1
13	1272242GT	DECAL,MACHINE REGISTRATION/OWNER TRANSFER	1

Go to Discount-Equipment.com to order your parts



114.1 Symbol Decals, GS-2032, Ground Control Side, ANSI and CE



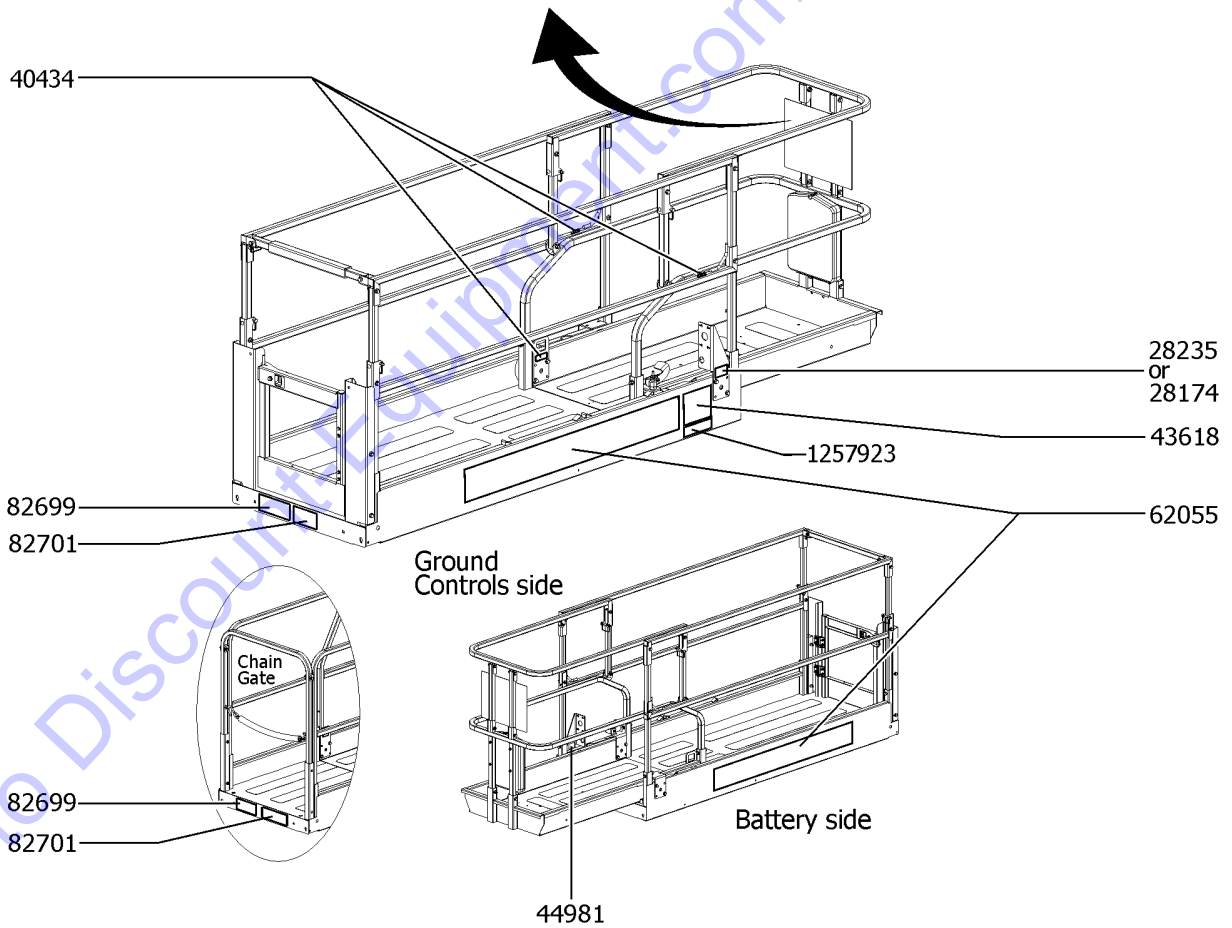
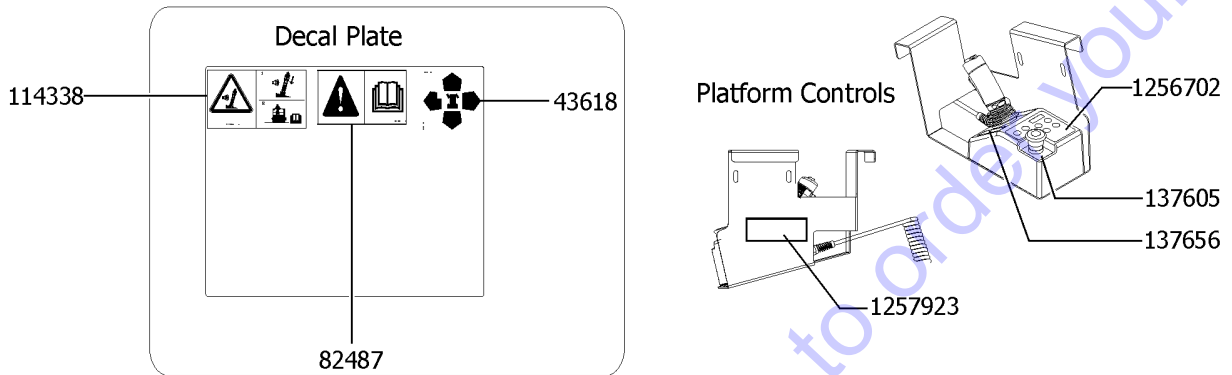
114.1 Symbol Decals, GS-2032, Ground Control Side, ANSI and CE

Item	Part No.	Description	Qty.
1	28174GT	DECAL,POWER TO PLATFORM 230V	1
2	28235GT	DECAL,POWER TO PLATFORM 115V	1
3	43658GT	DECAL,LABEL,PWR TO CHARGR 230V	1
4	44980GT	DECAL,LABEL,PWR TO CHARGR 115V	1
5	44981GT	DECAL,LABEL,AIRLINE 110 PSI (Option)	1
6	52475GT	DECAL,LABEL,TRANSPORT TIEDOWN*	1
7	72086GT	DECAL,LABEL,LIFTING EYE	1
8	72143GT	DECAL,EMERGENCY STOP,GR	1
9	82473GT	DECAL,SYMBOL-COMP ACCESS	1
10	82474GT	DECAL,SYMBOL-USE SAFETY ARM	1
11	82476GT	DECAL,SYMBOL-ELEC HAZARD,GS	1
12	82482GT	DECAL,LABEL,AUX LOWERING	1
13	82487GT	DECAL,SYMBOL-READ THE MANUAL	1
14	82560GT	DECAL,SYMBOL-SKIN INJECT HAZRD	1
15	82562GT	DECAL,SYMBOL-CRUSHING HAZARD	2
16	97692GT	DECAL,LABEL,WHEEL LOAD 2032	2
17	97719GT	DECAL, LABEL, SAFETY ARM SYMB	1
18	114334GT	DECAL SYMBOL ELECTRIC HAZARD PLUG	1
19	114372GT	DECAL SYMBOL TIP OVER TRAYS	1
20	T112804GT	DECAL,GCON PANEL,GS	1
21	1263542GT	DECAL, COMPARTMENT ACCESS	1
22	1265361GT	DECAL, BATTERY CHARGER INDICAT	1
23	1278704GT	DECAL,CHARGE STATUS IND.	1

Go to DiscountEquipment.com to order your parts



Platform, ANSI models



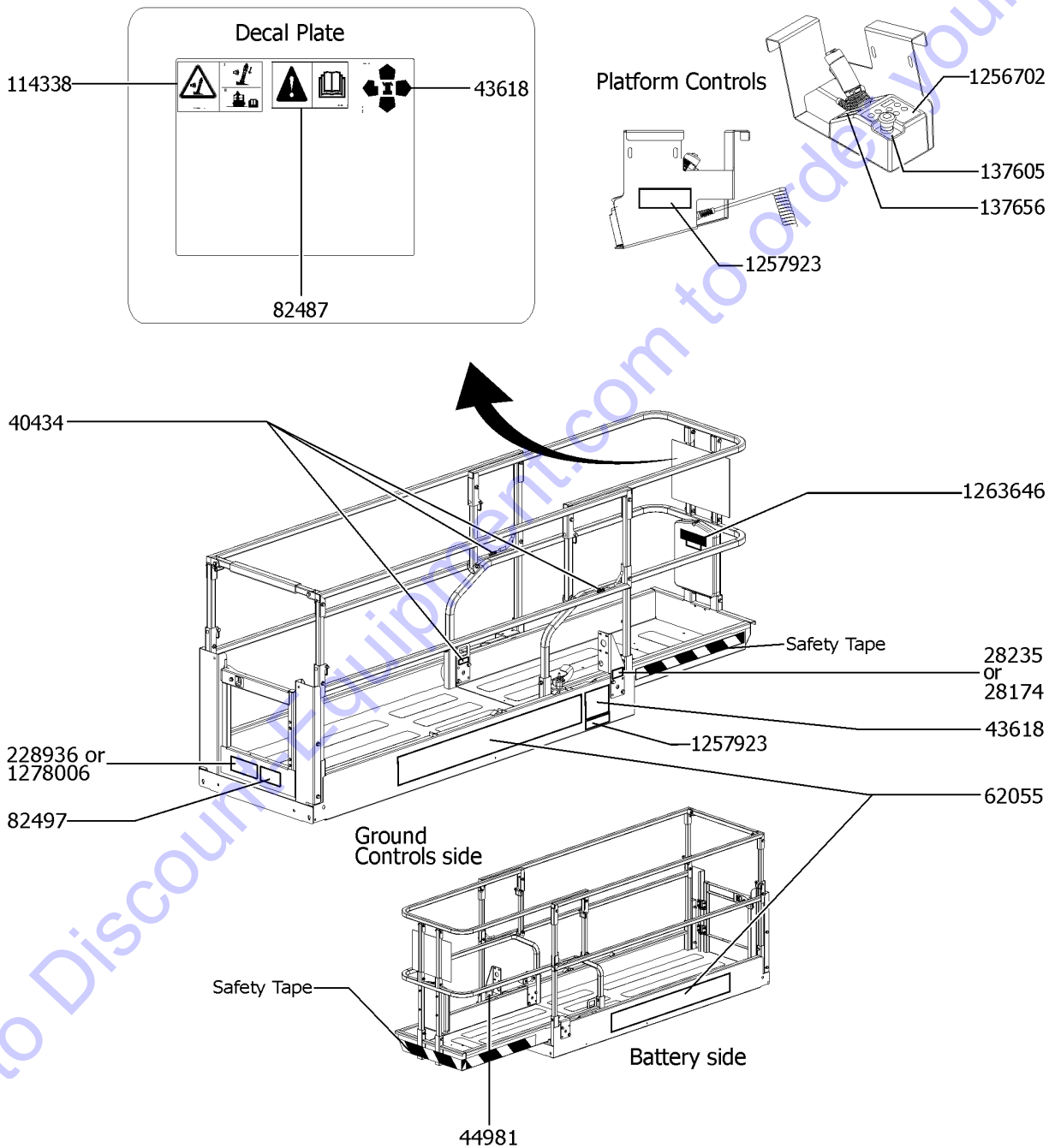
115.1 Symbol Decals, GS-2032, Platform, ANSI

Item	Part No.	Description	Qty.
1	28174GT	DECAL,POWER TO PLATFORM 230V	1
2	28235GT	DECAL,POWER TO PLATFORM 115V	1
3	40434GT	DECAL,LANYARD ANCHORAGE POINT	3
4	43618GT	DECAL,LABEL-DIRECTION ARROWS	2
5	44981GT	DECAL,LABEL,AIRLINE 110 PSI	1
		(Option)	
6	62055GT	DECAL,COSMETIC,GENIE GS-2032	2
7	82487GT	DECAL,SYMBOL-READ THE MANUAL	1
8	82699GT	DECAL,SYM-MAXCAP 800	1
9	82701GT	DECAL,SYM-SIDE FORCE 534N	1
10	114338GT	DECAL,SYM-TIP-OVR,TILT ALARM	1
11	137605GT	DECAL,E-STOP,GR/GRC/GS PCON	1
12	137656GT	DECAL,PROPEL,GR/GRC/GS,PCON	1
13	1256702GT	DECAL, UI, GS/GR, PROP LIFT	1
14	1257923GT	DECAL, SMARTLINK PROPORTIONAL	2

Go to Discount-Equipment.com to order your parts



Platform, CE models



Go to DiscountParts.com to order your parts

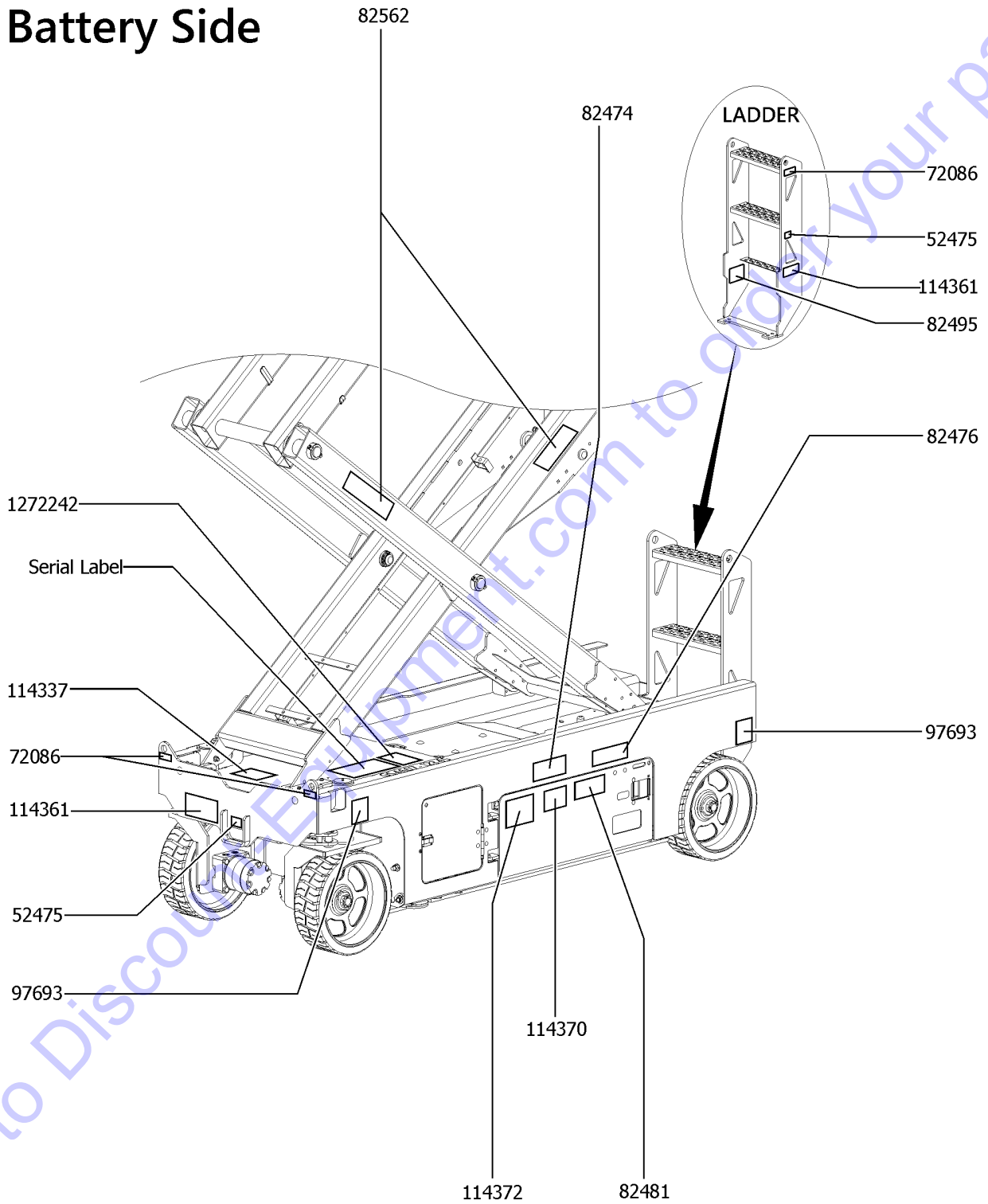
116.1 Symbol Decals, GS-2032, Platform, CE

Item	Part No.	Description	Qty.
1	28174GT	DECAL,POWER TO PLATFORM 230V	1
2	28235GT	DECAL,POWER TO PLATFORM 115V	1
3	40434GT	DECAL,LANYARD ANCHORAGE POINT	3
4	43618GT	DECAL,LABEL-DIRECTION ARROWS	2
5	44981GT	DECAL,LABEL,AIRLINE 110 PSI	1
		(Option)	
6	62055GT	DECAL,COSMETIC,GENIE GS-2032	2
7	82487GT	DECAL,SYMBOL-READ THE MANUAL	1
8	82497GT	DECAL,SYM-SIDEFORCE 200400	1
9	114338GT	DECAL,SYM-TIP-OVR,TILT ALARM	1
10	137605GT	DECAL,E-STOP,GR/GRC/GS PCON	1
11	137656GT	DECAL,PROPEL,GR/GRC/GS,PCON	1
12	228936GT	DECAL,INST MAX CAP 363 KG,SYM	1
13	1256702GT	DECAL, UI, GS/GR, PROP LIFT	1
14	1257923GT	DECAL, SMARTLINK PROPORTIONAL	2
15	1263646GT	DECAL,QR CODE,PARTS&SERVICE MANUAL	1
16	1278006GT	DECAL, SYMBOL, CE, MAXIMUM CAPACITY, 363KG	1

Go to Discount-Equipment.com to order your parts



Battery Side



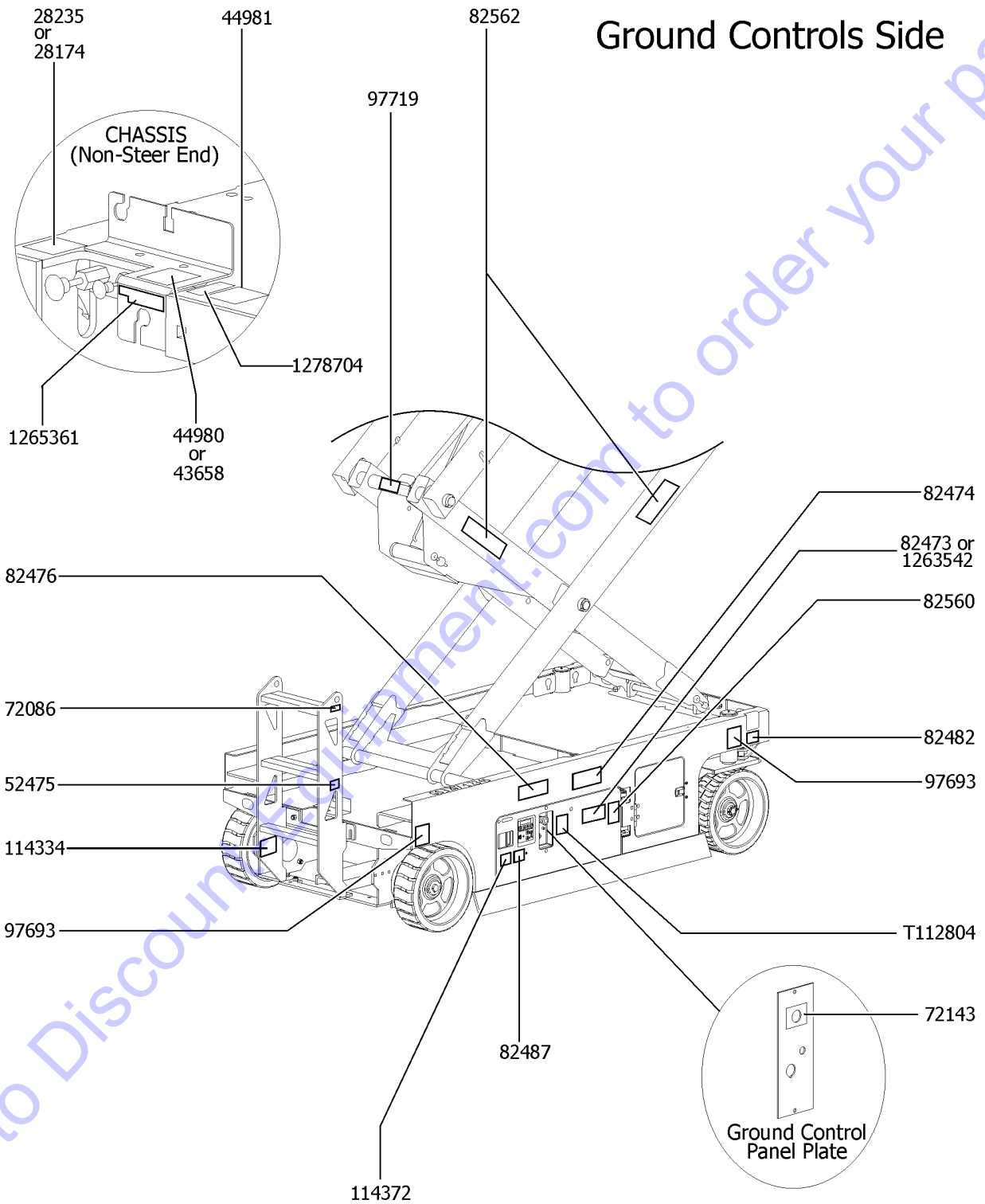
117.1 Symbol Decals, GS-2632, Battery Side, ANSI and CE

Item	Part No.	Description	Qty.
1	52475GT	DECAL,LABEL,TRANSPORT TIEDOWN*	2
2	72086GT	DECAL,LABEL,LIFTING EYE	3
3	82474GT	DECAL,SYMBOL-USE SAFETY ARM	1
4	82476GT	DECAL,SYMBOL-ELEC HAZARD,GS	1
5	82481GT	DECAL,SYMBOL-BATTERY SAFETY	1
6	82495GT	DECAL,LABEL,FORKLIFT POCKET	1
7	82562GT	DECAL,SYMBOL-CRUSHING HAZARD	2
8	97693GT	DECAL,LABEL,WHEEL LOAD 2632	2
9	114337GT	DECAL, COMPARTMENT ACCESS	1
10	114361GT	DECAL,SYM-TIP-OVER,LIM SWITCH	2
11	114370GT	DECAL-SYM-TIP-OVR,BATTRIES	1
12	114372GT	DECAL SYMBOL TIP OVER TRAYS	1
13	1272242GT	DECAL,MACHINE REGISTRATION/OWNER TRANSFER	1

Go to Discount-Equipment.com to order your parts



118.1 Symbol Decals, GS-2632, Ground Control Side, ANSI and CE

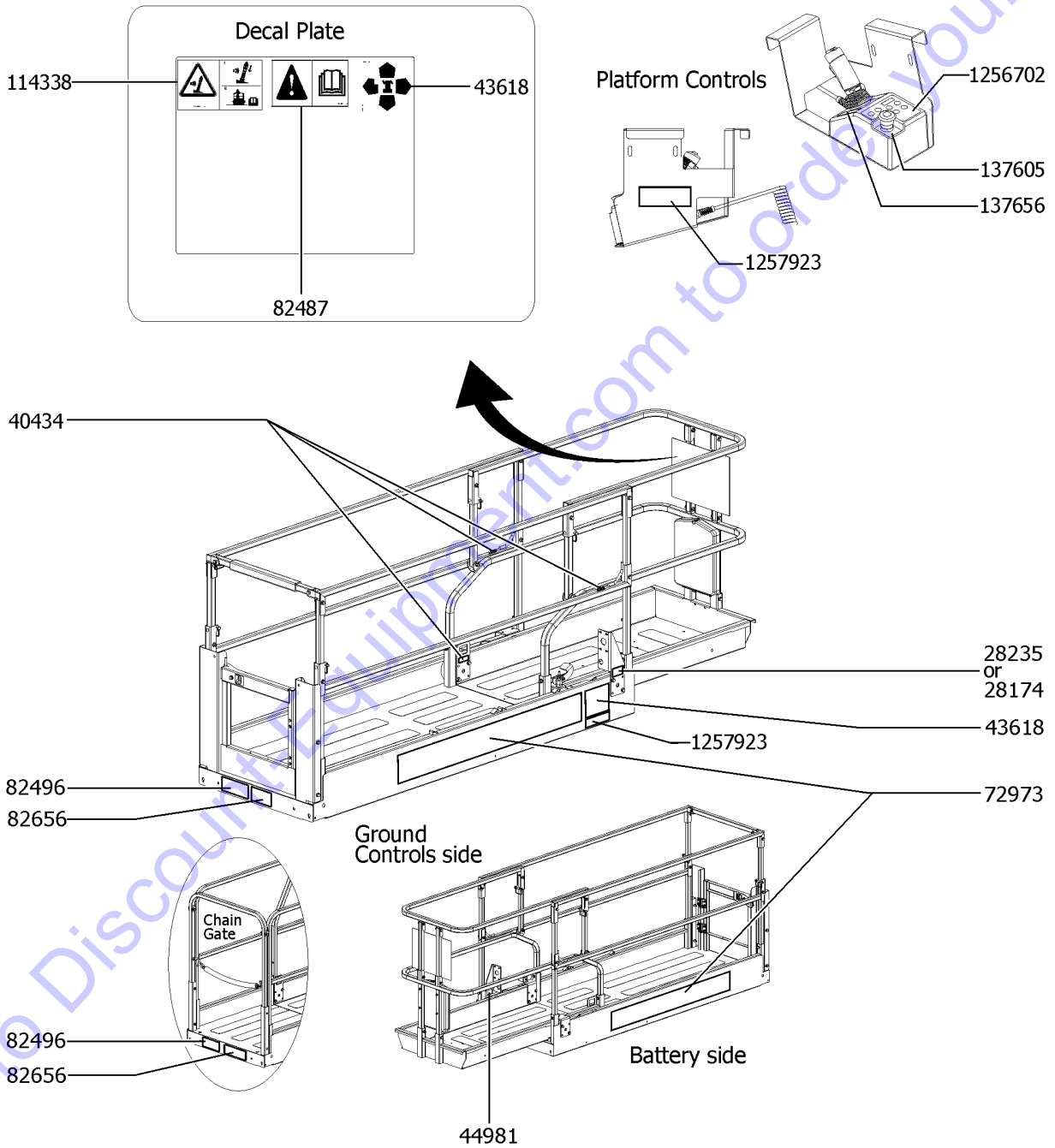


118.1 Symbol Decals, GS-2632, Ground Control Side, ANSI and CE

Item	Part No.	Description	Qty.
1	28174GT	DECAL,POWER TO PLATFORM 230V	1
2	28235GT	DECAL,POWER TO PLATFORM 115V	1
3	43658GT	DECAL,LABEL,PWR TO CHARGR 230V	1
4	44980GT	DECAL,LABEL,PWR TO CHARGR 115V	1
5	44981GT	DECAL,LABEL,AIRLINE 110 PSI (Option)	1
6	52475GT	DECAL,LABEL,TRANSPORT TIEDOWN*	1
7	72086GT	DECAL,LABEL,LIFTING EYE	1
8	72143GT	DECAL,EMERGENCY STOP,GR	1
9	82473GT	DECAL,SYMBOL-COMP ACCESS	1
10	82474GT	DECAL,SYMBOL-USE SAFETY ARM	1
11	82476GT	DECAL,SYMBOL-ELEC HAZARD,GS	1
12	82482GT	DECAL,LABEL,AUX LOWERING	1
13	82487GT	DECAL,SYMBOL-READ THE MANUAL	1
14	82560GT	DECAL,SYMBOL-SKIN INJECT HAZRD	1
15	82562GT	DECAL,SYMBOL-CRUSHING HAZARD	2
16	97693GT	DECAL,LABEL,WHEEL LOAD 2632	2
17	97719GT	DECAL, LABEL, SAFETY ARM SYMB	1
18	114334GT	DECAL SYMBOL ELECTRIC HAZARD PLUG	1
19	114372GT	DECAL SYMBOL TIP OVER TRAYS	1
20	T112804GT	DECAL,GCON PANEL,GS	1
21	1263542GT	DECAL, COMPARTMENT ACCESS	1
22	1265361GT	DECAL, BATTERY CHARGER INDICAT	1
23	1278704GT	DECAL,CHARGE STATUS IND.	1



Platform, ANSI models



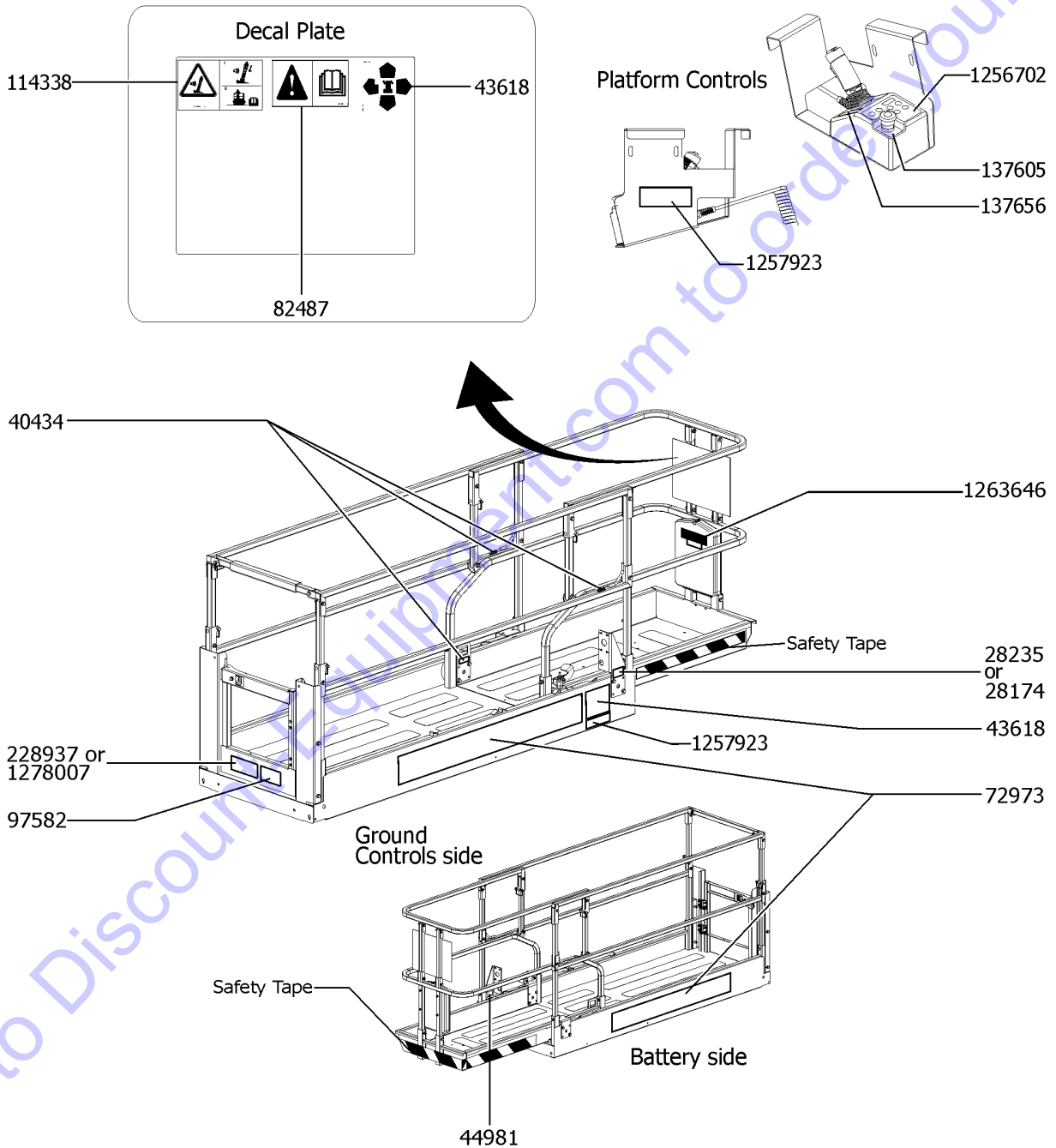
119.1 Symbol Decals, GS-2632, Platform, ANSI

Item	Part No.	Description	Qty.
1	28174GT	DECAL,POWER TO PLATFORM 230V	1
2	28235GT	DECAL,POWER TO PLATFORM 115V	1
3	40434GT	DECAL,LANYARD ANCHORAGE POINT	3
4	43618GT	DECAL,LABEL-DIRECTION ARROWS	2
5	44981GT	DECAL,LABEL,AIRLINE 110 PSI	1
		(Option)	
6	72973GT	DECAL,COSMETIC,GENIE GS-2632**	2
7	82487GT	DECAL,SYMBOL-READ THE MANUAL	1
8	82496GT	DECAL,SYM-MAXCAP 500	1
9	82656GT	DECAL,SYM-SIDE FORCE 445N	1
10	114338GT	DECAL,SYM-TIP-OVR,TILT ALARM	1
11	137605GT	DECAL,E-STOP,GR/GRC/GS PCON	1
12	137656GT	DECAL,PROPEL,GR/GRC/GS,PCON	1
13	1256702GT	DECAL, UI, GS/GR, PROP LIFT	1
14	1257923GT	DECAL, SMARTLINK PROPORTIONAL	2

Go to Discount-Equipment.com to order your parts



Platform, CE models



Go to DiscountParts.com to order your parts

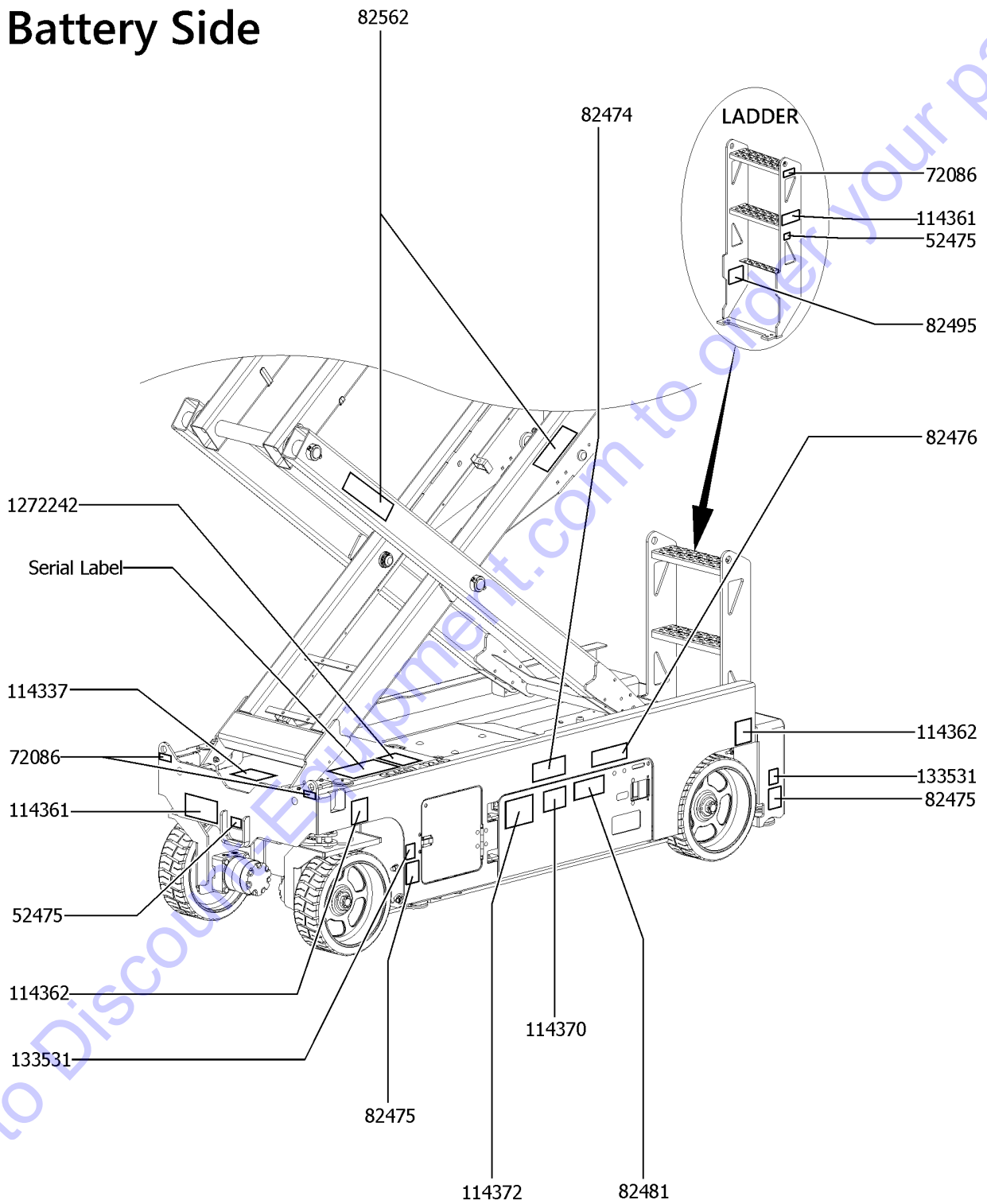
120.1 Symbol Decals, GS-2632, Platform, CE

Item	Part No.	Description	Qty.
1	28174GT	DECAL,POWER TO PLATFORM 230V	1
2	28235GT	DECAL,POWER TO PLATFORM 115V	1
3	40434GT	DECAL,LANYARD ANCHORAGE POINT	3
4	43618GT	DECAL,LABEL-DIRECTION ARROWS	2
5	44981GT	DECAL,LABEL,AIRLINE 110 PSI	1
		(Option)	
6	72973GT	DECAL,COSMETIC,GENIE GS-2632**	2
7	82487GT	DECAL,SYMBOL-READ THE MANUAL	1
8	97582GT	DECAL,SYM-SIDEFORCE 400N ID	1
9	114338GT	DECAL,SYM-TIP-OVR,TILT ALARM	1
10	137605GT	DECAL,E-STOP,GR/GRC/GS PCON	1
11	137656GT	DECAL,PROPEL,GR/GRC/GS,PCON	1
12	228937GT	DECAL,SYM-MAXCAP CE GS2632	1
13	1256702GT	DECAL, UI, GS/GR, PROP LIFT	1
14	1257923GT	DECAL, SMARTLINK PROPORTIONAL	2
15	1263646GT	DECAL,QR CODE,PARTS&SERVICE MANUAL	1
16	1278007GT	DECAL, SYMBOL, CE, MAXIMUM CAPACITY, 227KG	1

Go to Discount-Equipment.com to order your parts



Battery Side



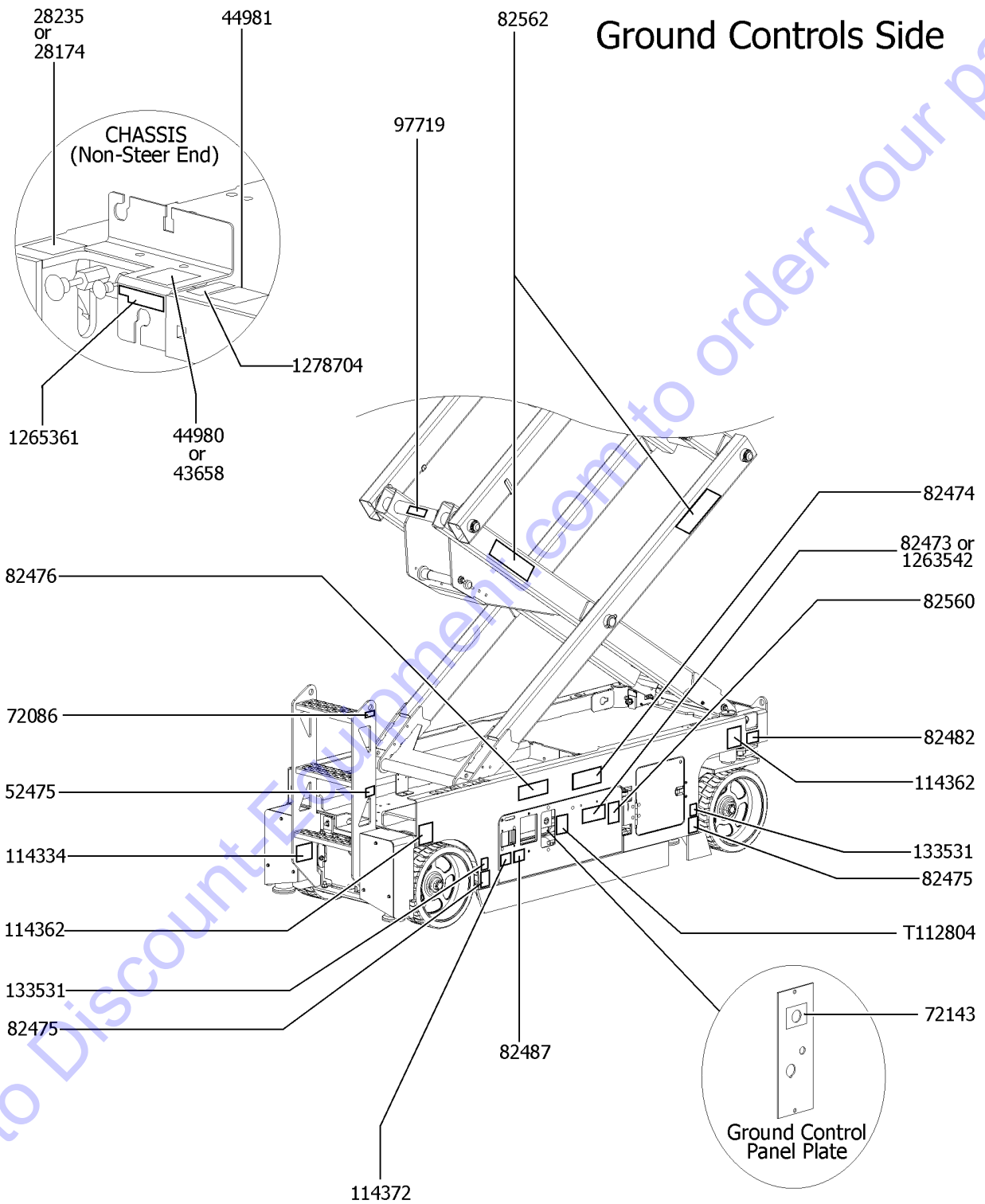
121.1 Symbol Decals, GS-3232, Battery Side, ANSI and CE

Item	Part No.	Description	Qty.
1	52475GT	DECAL,LABEL,TRANSPORT TIEDOWN*	2
2	72086GT	DECAL,LABEL,LIFTING EYE	3
3	82474GT	DECAL,SYMBOL-USE SAFETY ARM	1
4	82475GT	DECAL,SYMBOL-FOOT CRUSHING	2
5	82476GT	DECAL,SYMBOL-ELEC HAZARD,GS	1
6	82481GT	DECAL,SYMBOL-BATTERY SAFETY	1
7	82495GT	DECAL,LABEL,FORKLIFT POCKET	1
8	82562GT	DECAL,SYMBOL-CRUSHING HAZARD	2
9	114337GT	DECAL, COMPARTMENT ACCESS	1
10	114361GT	DECAL,SYM-TIP-OVER,LIM SWITCH	2
11	114362GT	DECAL,LABEL-WHEEL LOAD,GS-3232	2
12	114370GT	DECAL-SYM-TIP-OVR,BATTRIES	1
13	114372GT	DECAL SYMBOL TIP OVER TRAYS	1
14	133531GT	LABEL,OUTRIGGER,LOAD,GS-3232	2
15	1272242GT	DECAL,MACHINE REGISTRATION/OWNER TRANSFER	1

Go to Discount-Equipment.com to order your parts



122.1 Symbol Decals, GS-3232, Ground Control Side, ANSI and CE

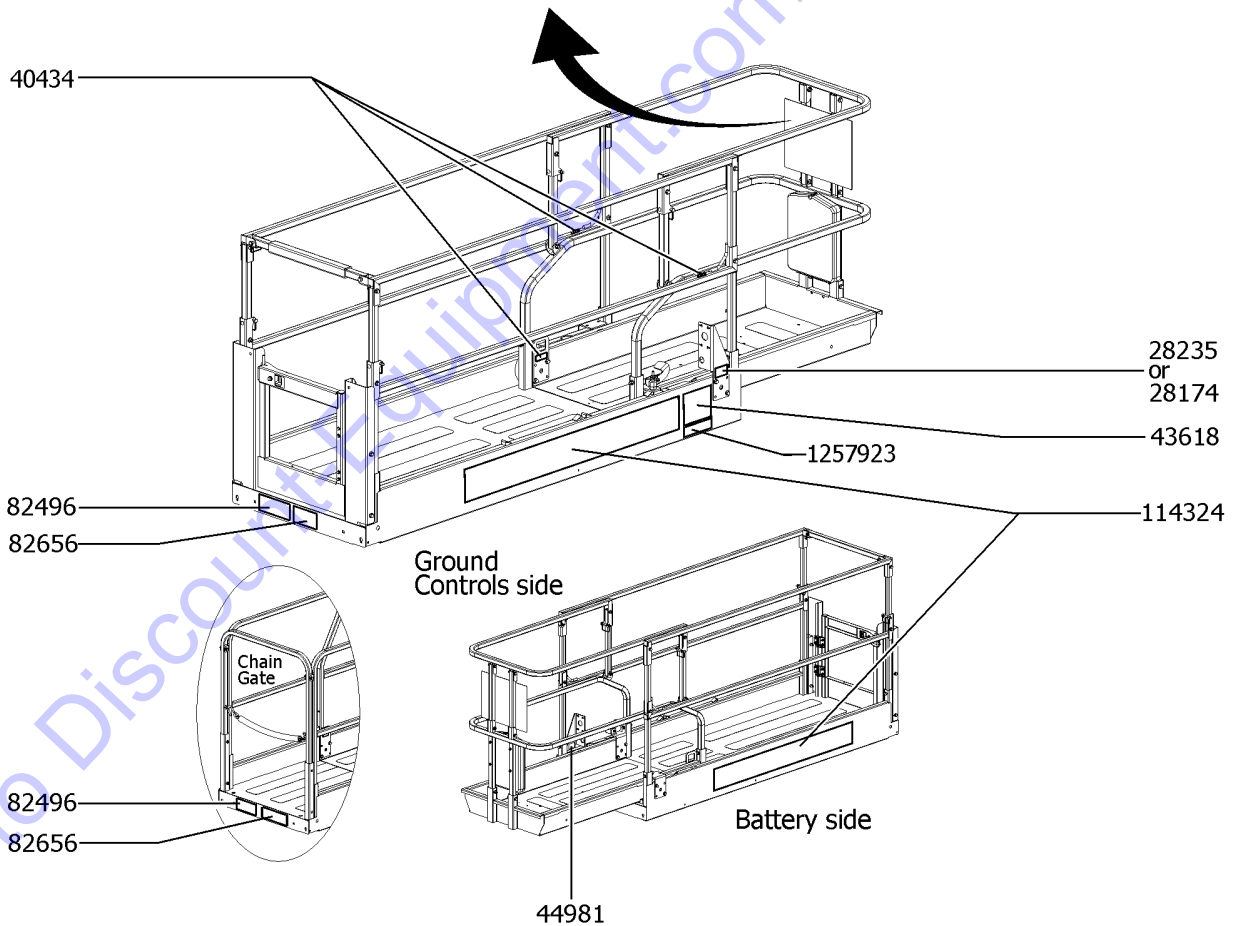
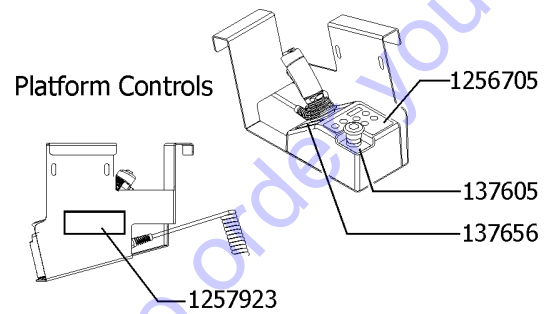
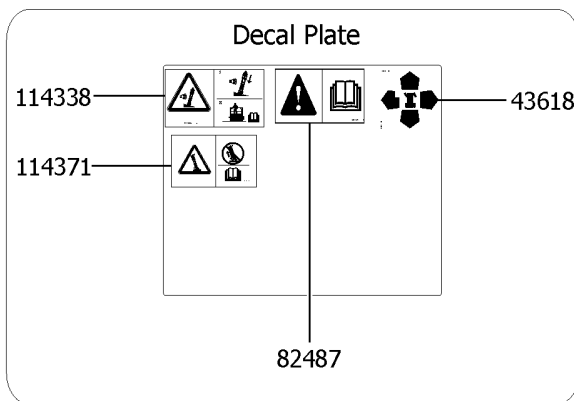


122.1 Symbol Decals, GS-3232, Ground Control Side, ANSI and CE

Item	Part No.	Description	Qty.
1	28174GT	DECAL,POWER TO PLATFORM 230V	1
2	28235GT	DECAL,POWER TO PLATFORM 115V	1
3	43658GT	DECAL,LABEL,PWR TO CHARGR 230V	1
4	44980GT	DECAL,LABEL,PWR TO CHARGR 115V	1
5	44981GT	DECAL,LABEL,AIRLINE 110 PSI (Option)	1
6	52475GT	DECAL,LABEL,TRANSPORT TIEDOWN*	1
7	72086GT	DECAL,LABEL,LIFTING EYE	1
8	72143GT	DECAL,EMERGENCY STOP,GR	1
9	82473GT	DECAL,SYMBOL-COMP ACCESS	1
10	82474GT	DECAL,SYMBOL-USE SAFETY ARM	1
11	82475GT	DECAL,SYMBOL-FOOT CRUSHING	2
12	82476GT	DECAL,SYMBOL-ELEC HAZARD,GS	1
13	82482GT	DECAL,LABEL,AUX LOWERING	1
14	82487GT	DECAL,SYMBOL-READ THE MANUAL	1
15	82560GT	DECAL,SYMBOL-SKIN INJECT HAZRD	1
16	82562GT	DECAL,SYMBOL-CRUSHING HAZARD	2
17	97719GT	DECAL, LABEL, SAFETY ARM SYMB	1
18	114334GT	DECAL SYMBOL ELECTRIC HAZARD PLUG	1
19	114362GT	DECAL,LABEL-WHEEL LOAD,GS-3232	2
20	114372GT	DECAL SYMBOL TIP OVER TRAYS	1
21	133531GT	LABEL,OUTRIGGER,LOAD,GS-3232	2
22	1263542GT	DECAL, COMPARTMENT ACCESS	1
23	T112804GT	DECAL,GCON PANEL,GS	1
24	1265361GT	DECAL, BATTERY CHARGER INDICAT	1
25	1278704GT	DECAL,CHARGE STATUS IND.	1



Platform, ANSI models



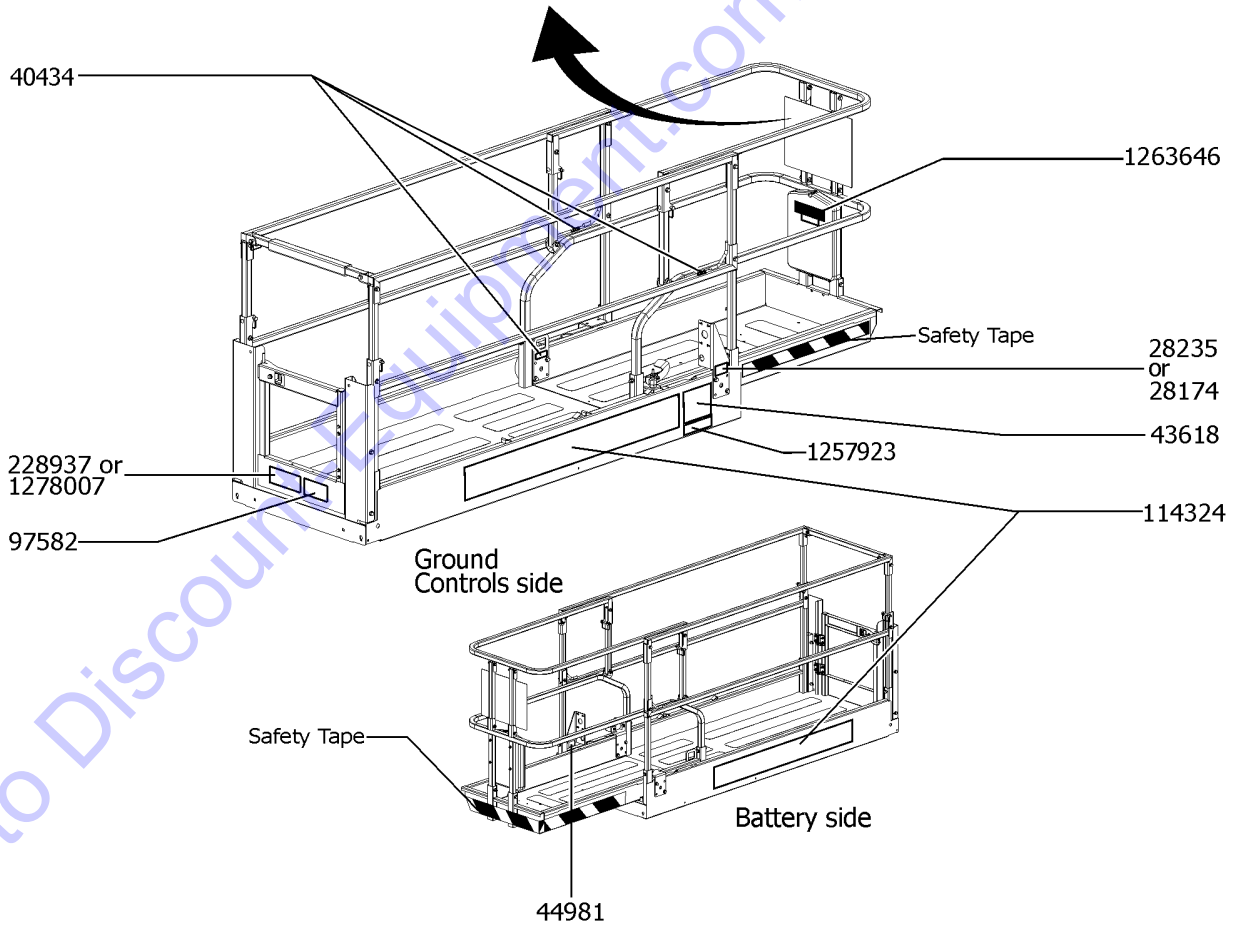
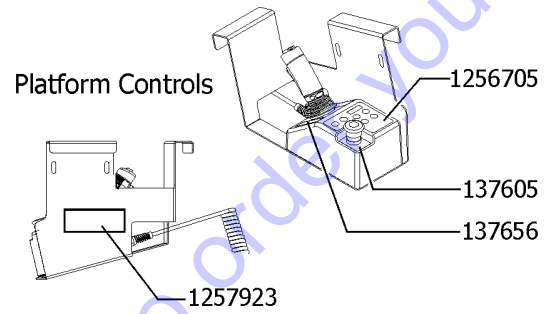
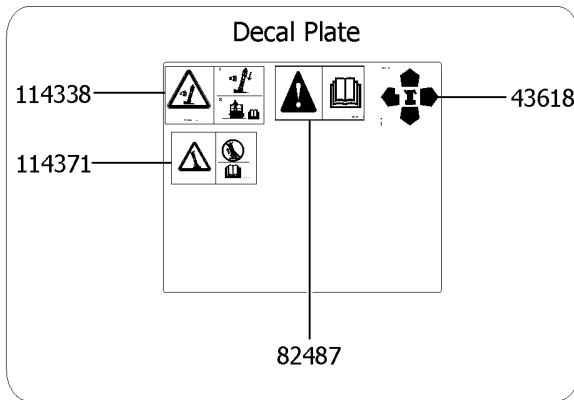
123.1 Symbol Decals, GS-3232, Platform, ANSI

Item	Part No.	Description	Qty.
1	28174GT	DECAL,POWER TO PLATFORM 230V	1
2	28235GT	DECAL,POWER TO PLATFORM 115V	1
3	40434GT	DECAL,LANYARD ANCHORAGE POINT	3
4	43618GT	DECAL,LABEL-DIRECTION ARROWS	2
5	44981GT	DECAL,LABEL,AIRLINE 110 PSI	1
		(Option)	
6	82487GT	DECAL,SYMBOL-READ THE MANUAL	1
7	82496GT	DECAL,SYM-MAXCAP 500	1
8	82656GT	DECAL,SYM-SIDE FORCE 445N	1
9	114324GT	DECAL,COSMETIC-GENIE GS-3232	2
10	114338GT	DECAL,SYM-TIP-OVR,TILT ALARM	1
11	114371GT	DECAL,SYM-TIP-OVER,OUTRGR	1
12	137605GT	DECAL,E-STOP,GR/GRC/GS PCON	1
13	137656GT	DECAL,PROPEL,GR/GRC/GS,PCON	1
14	1256705GT	DECAL, O/R, PROP LIFT, UI, SVC	1
15	1257923GT	DECAL, SMARTLINK PROPORTIONAL	2

Go to Discount-Equipment.com to order your parts



Platform, CE models



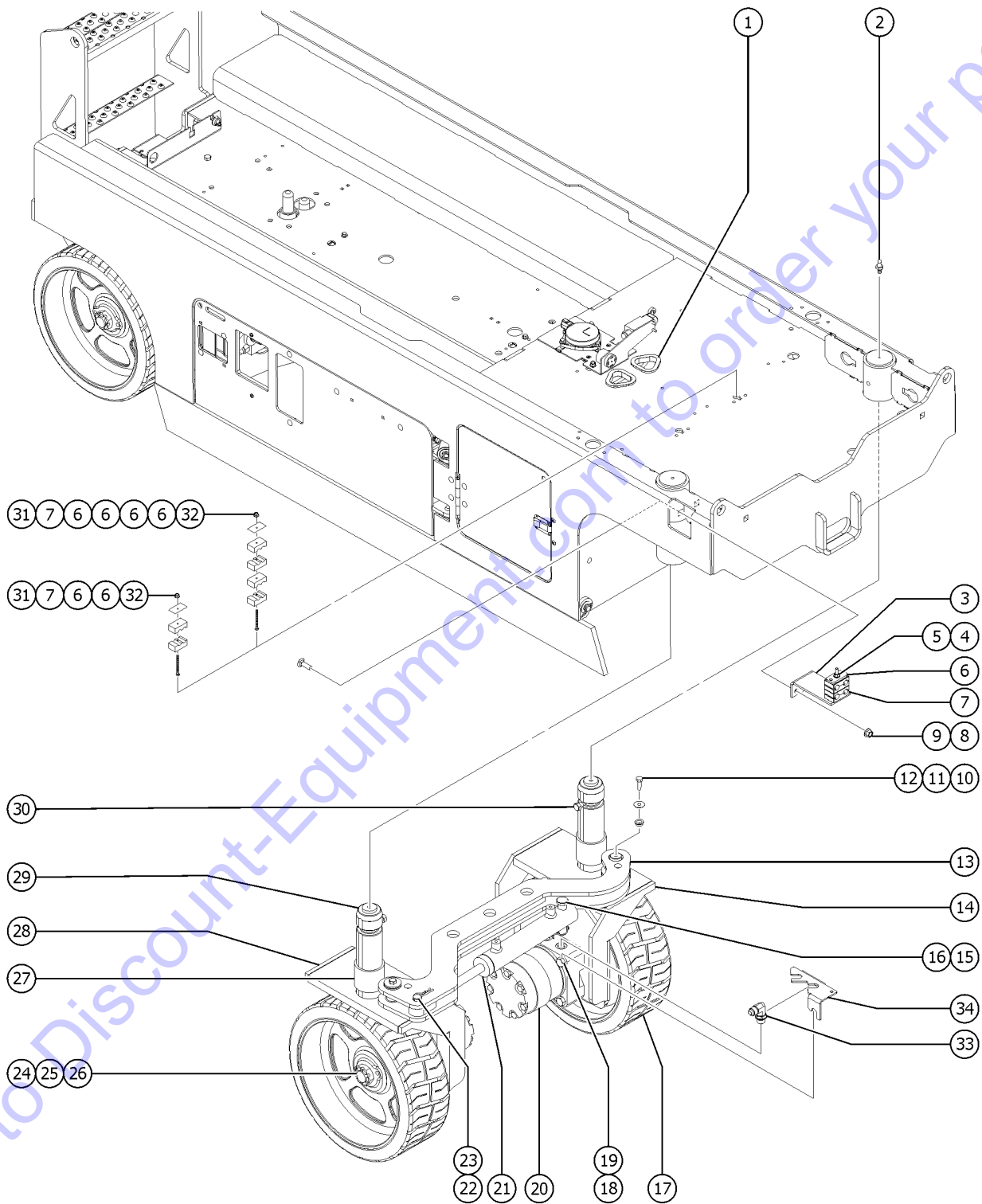
124.1 Symbol Decals, GS-3232, Platform, CE

Item	Part No.	Description	Qty.
1	28174GT	DECAL,POWER TO PLATFORM 230V	1
2	28235GT	DECAL,POWER TO PLATFORM 115V	1
3	40434GT	DECAL,LANYARD ANCHORAGE POINT	3
4	43618GT	DECAL,LABEL-DIRECTION ARROWS	2
5	44981GT	DECAL,LABEL,AIRLINE 110 PSI	1
		(Option)	
6	82487GT	DECAL,SYMBOL-READ THE MANUAL	1
7	97582GT	DECAL,SYM-SIDEFORCE 400N ID	1
8	114324GT	DECAL,COSMETIC-GENIE GS-3232	2
9	114338GT	DECAL,SYM-TIP-OVR,TILT ALARM	1
10	114371GT	DECAL,SYM-TIP-OVER,OUTRGR	1
11	137605GT	DECAL,E-STOP,GR/GRC/GS PCON	1
12	137656GT	DECAL,PROPEL,GR/GRC/GS,PCON	1
13	228937GT	DECAL,SYM-MAXCAP CE GS2632	1
14	1256705GT	DECAL, O/R, PROP LIFT, UI, SVC	1
15	1257923GT	DECAL, SMARTLINK PROPORTIONAL	2
16	1263646GT	DECAL,QR CODE,PARTS&SERVICE MANUAL	1
17	1278007GT	DECAL, SYMBOL, CE, MAXIMUM CAPACITY, 227KG	1

Go to Discount-Equipment.com to order your parts



201.1 Steer Linkage and Wheels

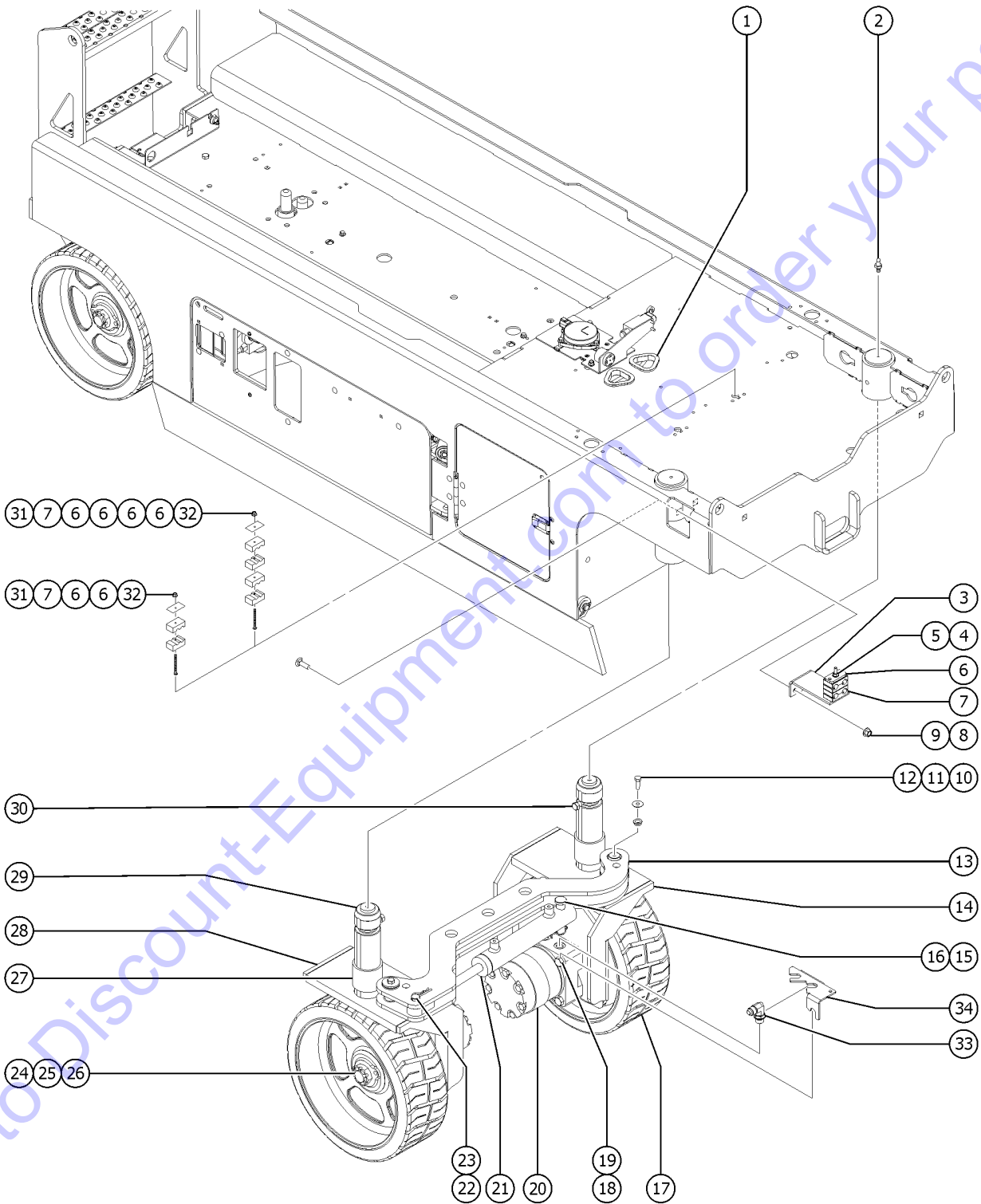


201.1 Steer Linkage and Wheels

Item	Part No.	Description	Qty.
1	47232GT	GROMMET,RUBBER 2 X 2.75	2
2	66770GT	FITTING,STRAIGHT DRIVE-IN ZERK	2
3	1299697GT	FORMING,HOSE CLAMP SUPPORT	1
4	824027GT	NUT, TL FLG, 1/4-20, G, ZAG	
5	1256123GT	SCREW,HHC,1/4-20X3.25,8,ZAG	
6	132119GT	PLATE,HOSE ROUTING,BULKHEAD *	
		(as required)	
7	78736GT	CLAMP,2 HOSE,PLASTIC,5/8	
		(as required)	
8	824029GT	NUT,TL FLG,3/8-16,G,ZAG	2
9	1255757GT	BOLT,CARRIAGE,3/8-16X1.25,5,ZAG	
10	1256109GT	SCREW,HHC,3/8-16X.75,8,ZAG	2
11	824120GT	WASHER,FLAT,,.375X1.50X.125,ZAG	2
12	47946GT	BEARING,1.00IDX1.25ODX0.49L	2
13	84699GT	TIE ROD ASSEMBLY, GS32	1
13-	47946GT	BEARING,1.00IDX1.25ODX0.49L	4
13-	132354GT	WLDMT,TIE ROD,GS32	
		(does not include bearings)	
14	132353GT	WLDMT,STEER YOKE,LT,GS32/46	1
		(battery pack side)	
15	1259195GT	PIN,CLEVIS,3/4X3.25,ZAG	1
16	824128GT	RUE RING,3/4,ZAG	1
17	1256051GT	WHEEL&TIRE ASSY,LP,15",EXMILE	2
18	1256287GT	SCREW,HHC,1/2-13X3.5,8,ZAG	8
19	1251997GT	NUT,TL,FLG,1/2-13,G,ZAG	8
20		Ref. Drive Motor	
		(refer to 501.1)	
21		Ref. Steer Cylinder	
		(refer to 501.1)	
22	1259193GT	PIN,CLEVIS,3/4X2,ZAG	1
23	1259194GT	CLIP,HAIR PIN,.125X2,.5-.75,ZA	1
24	44780GT	NUT,CASTLE,1.125-18 UNEF	2
25	13635-10GT	PIN,COTTER,.156 X 1.75	2
26	44781GT	KEY,RECTANGULAR,.31X.28X1.25***	2



201.1 Steer Linkage and Wheels



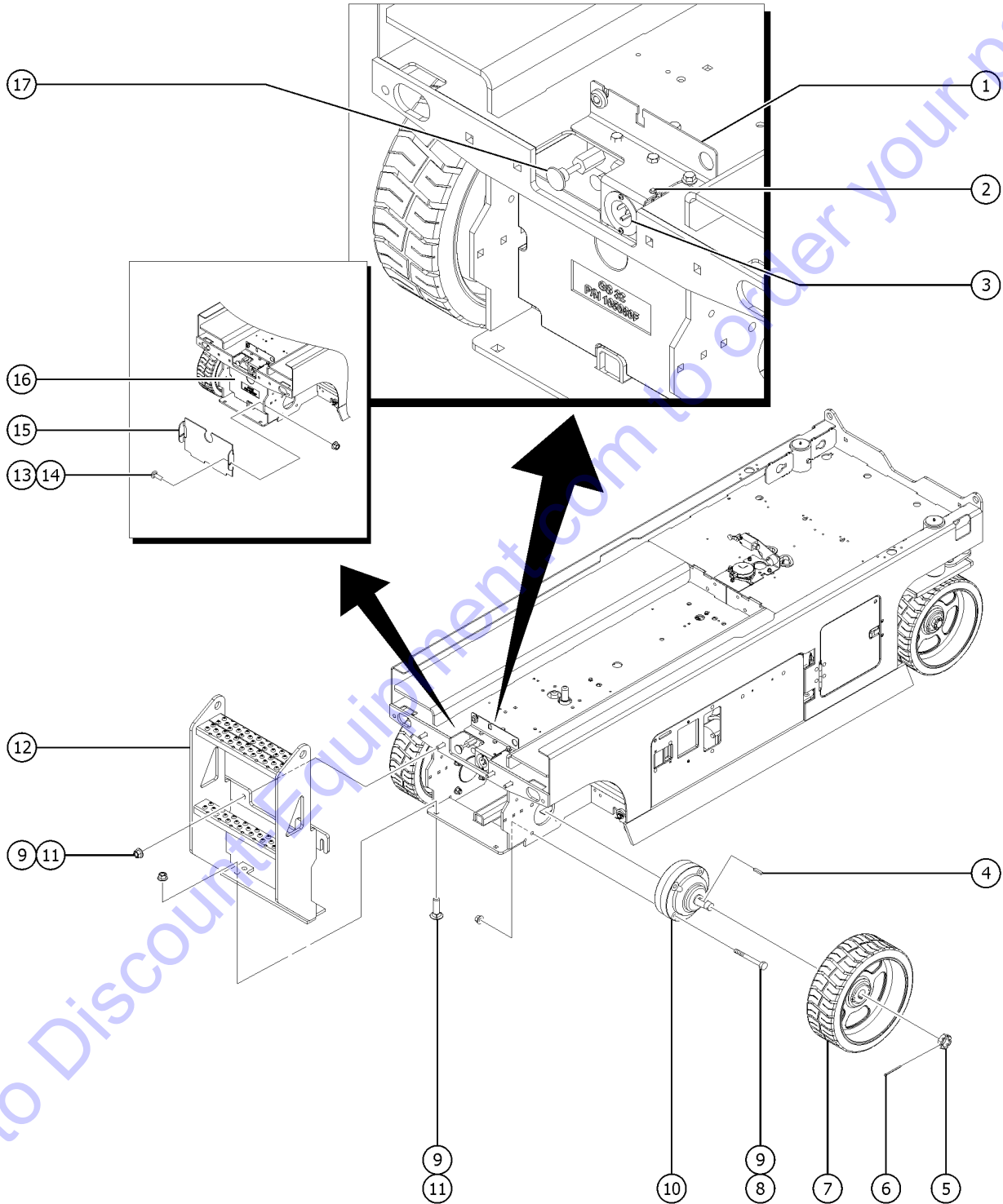
201.1 Steer Linkage and Wheels

Item	Part No.	Description	Qty.
27	18722GT	BEARING,2.25IDX2.50ODX1.50L***	
28	132348GT	WLDMT,STEER YOKE,RT,GS32/46	1
		(ground controls side)	
29	105565GT	WASHER,THRUST, GS	2
30	1259192GT	SCREW, YOKE LOCK, ZAG	
31	1256679GT	NUT,SERRATED,1/4-20,8,ZAG	1
32	1255797GT	BOLT,CARRIAGE,1/4-20X2.5,ZAG	1
		(GS2032, GS2632 only)	
32B	1258676GT	BOLT,CARRIAGE,1/4-20X2.5,5,ZAG	1
		(GS3232 only)	
33	39873GT	ELBOW,070220-6-6	4
34	1266279GT	STEER FIXED PLATE,RIGHT	1
35	1266278GT	STEER FIXED PLATE,LEFT	1
		(not shown)	

Go to Discount-Equipment.com to order your parts



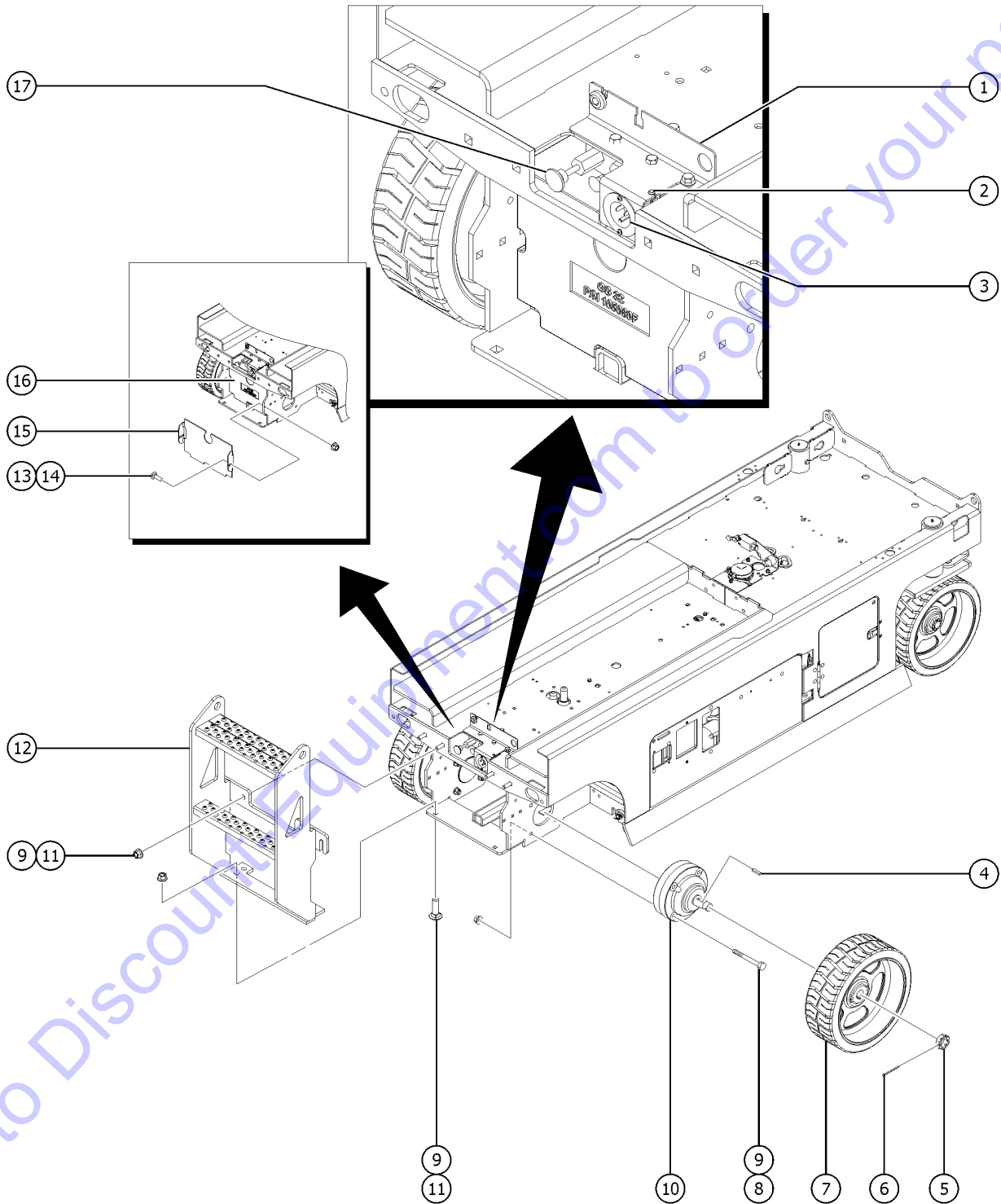
202.1 Non-steer Axle Installation



Item	Part No.	Description	Qty.
1	132614GT	FORMING, ALT. PLUG BRKT	
1B	144227GT	FORMING,ALT.PLUG BRKT	1
		(Air to platform option)	
2	1306190GT	ASSEMBLE,CHARGER STATUS LED,3V	1
3		PLUG, ELECTRICAL	
		(refer to 402.1)	
4	44781GT	KEY,RECTANGULAR,.31X.28X1.25"*	2
5	44780GT	NUT,CASTLE,1.125-18 UNEF	2
6	42079GT	PIN,COTTER,.156 X 2.5	2
7	1256051GT	WHEEL&TIRE ASSY,LP,15",EXMILE	2
8	1256287GT	SCREW,HHC,1/2-13X3.5,8,ZAG	
9	1251997GT	NUT,TL,FLG,1/2-13,G,ZAG	
		(refer to 501.1)	
10		Ref: HYDRAULIC BRAKE	
		(refer to 501.1)	
11	1256115GT	BOLT,CARRIAGE,1/2-13X1.75,5,ZA.	
12	132373GT	WLDMT,GS32/46 LADDER***	1
		GS-2032 (decals not included refer to section one)	
12B	1306366GT	WELDMENT,20XX LADDER	1
		GS-2632, GS-3232 (decals not included refer to section one)	
13	1255757GT	BOLT,CARRIAGE,3/8-16X1.25,5,ZAG	
		GS-2032, GS-2632	
13B	60790GT	BOLT,CARRIAGE,3/8-16 X1.50,G5	
		GS-3232	
14	824029GT	NUT,TL FLG,3/8-16,G,ZAG	
15	105140GT	FORMING,CWT,COVER,GS32	
16	96982GT	STAB PKG,GS32 ROW	1
		GS-2032 (Australia & CE)	
16-	105080GT	COUNTERWEIGHT,GS32,REAR	1
16-	1275336GT	COUNTERWEIGHT,REAR CAST, GS2032	1
16-	1278658GT	COUNTERWEIGHT,FRONT CAST, GS2033	4
16-	1278657GT	FORMING,STOP,COUNTERWEIGHT	1
16-	1255759GT	BOLT,CARRIAGE,1/2-13X2,5,ZAG	2
16-	1251997GT	NUT,TL,FLG,1/2-13,G,ZAG	4
16-	1255760GT	WASHER,FLAT,1/2,USS,ZAG	16
16-	1256112GT	SCREW,HHC,1/2-13X6,8,ZAG	4
16-	1256179GT	BOLT,CARRIAGE,1/2-13X1.5,5,ZAG	2



202.1 Non-steer Axle Installation

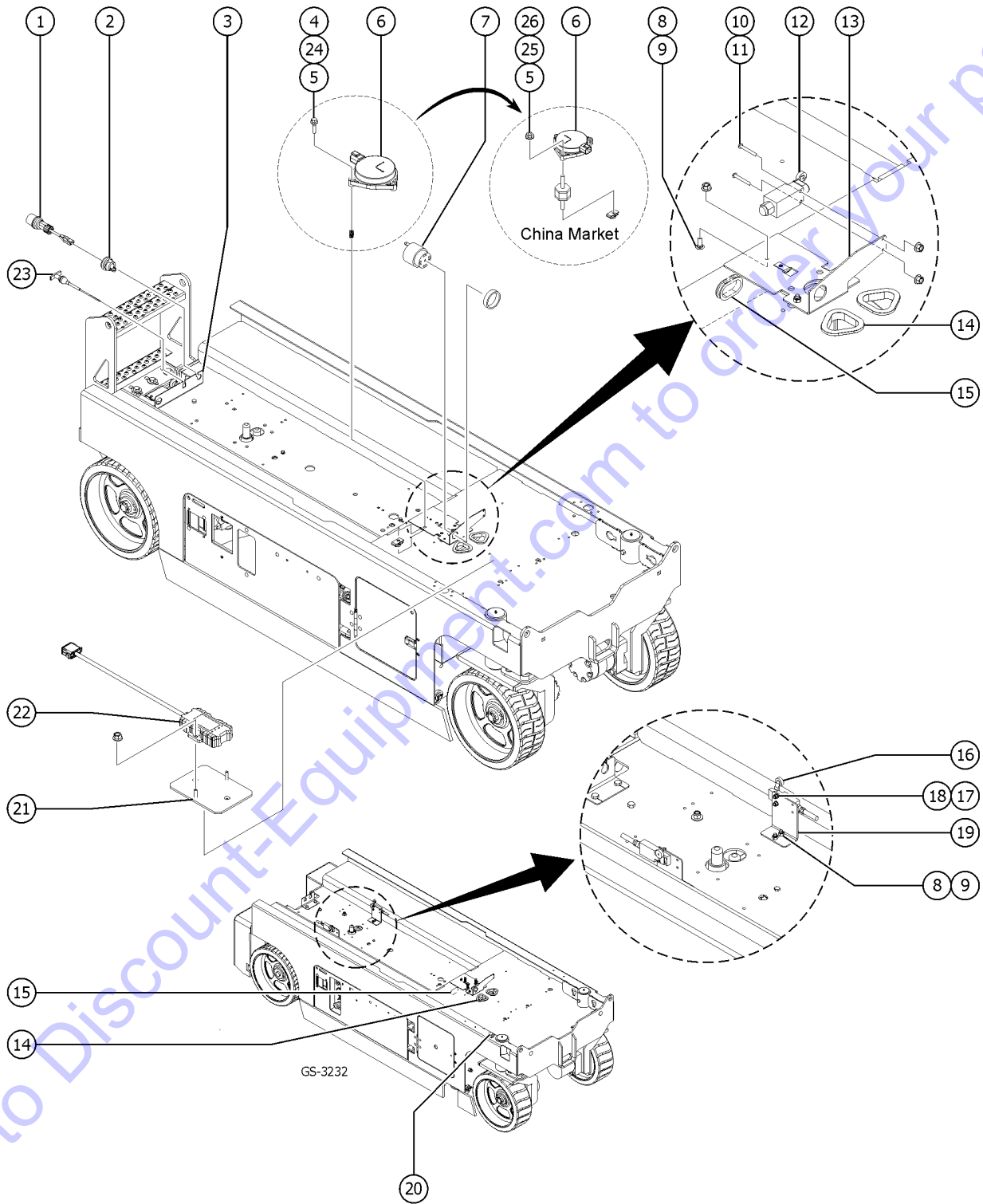


Item	Part No.	Description	Qty.
16-	1256106GT	NUT,TL,1/2-13,C,ZAG	4
16-	1256168GT	SCREW,HHC,1/2-13X1.75,8,ZAG	4
16B	105669GT	STAB PKG 2632 ROW GS-2632 (Australia & CE)	1
16B-	105080GT	COUNTERWEIGHT,GS32,REAR	1
16C	96981GT	STAB PKG,GS32 STD GS-2632 (ANSI), GS-3232 (ANSI & CE & Australia)	1
16C-	105080GT	COUNTERWEIGHT,GS32,REAR	1
16C-	105100GT	PLATE,CWGT,GS32 REAR	1
17		Ref: BRAKE RELEASE MANIFOLD (refer to 503.1)	

Go to Discount-Equipment.com to order your parts



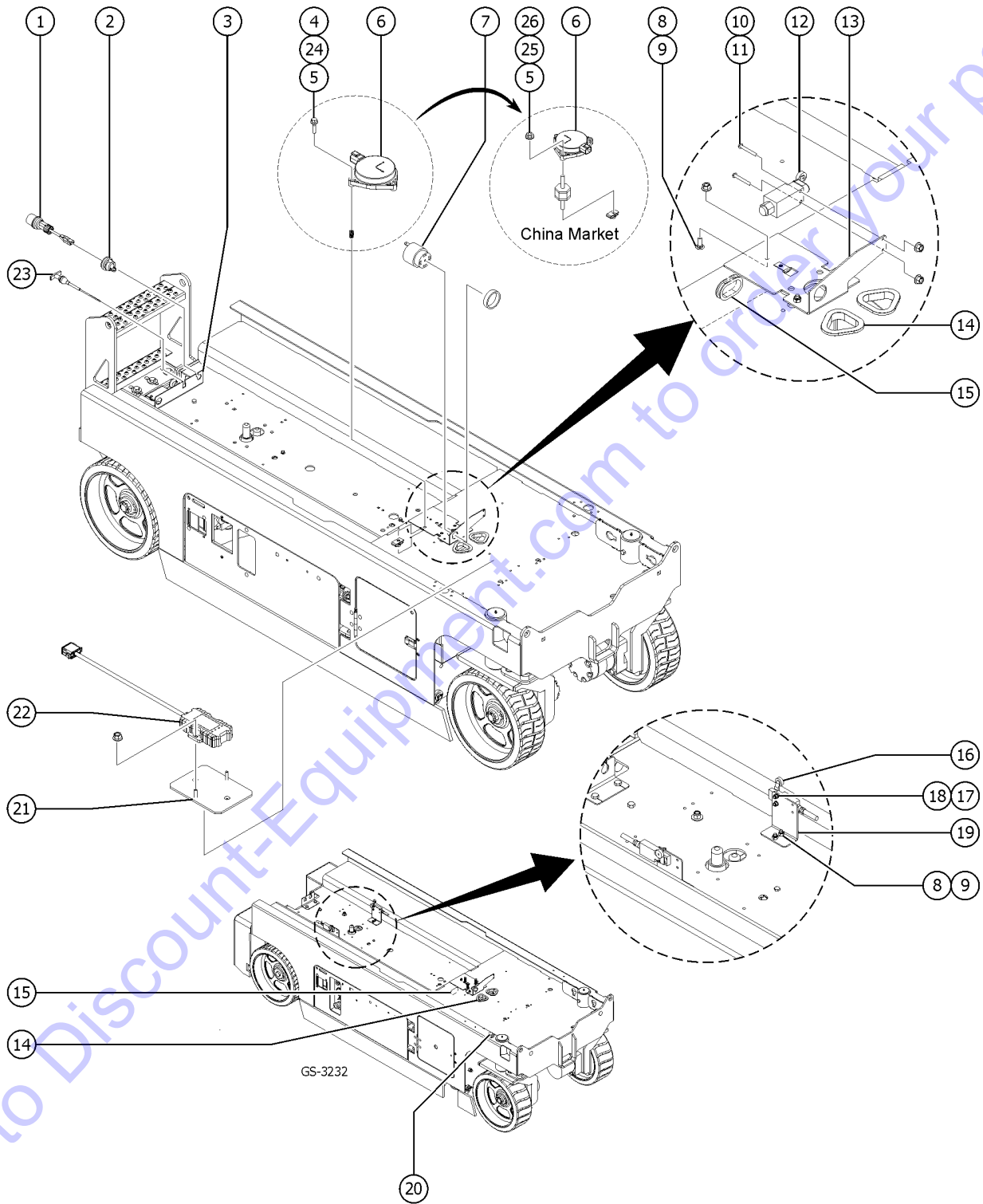
203.1 Level Sensor Installation



Item	Part No.	Description	Qty.
A	1289561GT	BRACKET, TELEMATICS	
A	1289520GT	MODULE, TELEMATICS, ZTR, M7, NORTH AMERICA	
A	1289521GT	MODULE, TELEMATICS, ZTR, M7, EMEA/APAC	
B	1284236GT	KIT, UTS LEVEL SENSOR CONVERSION, GS3232 (to convert from uts to analog and digital level sensors)	
B	1284414GT	GS3232 LEVEL SENSOR CONVERSION INSTALLATION INSTRUCTIONS (instructions for 1284236)	
1		Ref. Electrical Plugs and Cords (refer to 209.1, 210.1 or 403.1)	
2	128118GT	BUSHING, STRAIN RELIEF, .875/.40	1
3	132614GT	FORMING, ALT. PLUG BRKT	1
4	824063GT	SCREW, HHC, 1/4-20 X 1.75, 8, ZAG (use with 1263538)	3
4B	824079GT	SCREW, HHF, 1/4-20X1, 8, ZAG (use with 823368)	3
5	56912GT	SPRING CLIP, 1/4-20, .025-.15X.54, ZAG	3
6	1294727GT	LEVEL SENSOR ASSY, 32/46, METRIC GS-3232	1
6B	1263538GT	LEVEL SENSOR ASSY, 32/46, UTS GS-2032, GS-2632	1
6B-	823368GT	SENSOR, LEVEL, UNIVERSAL (shown), GS-2032, GS-2632	1
7	39540GT	ALARM, STEADY TONE*** Does not include 72326GT nut	1
7-	72326GT	NUT, PLASTIC, RING FOR ALARMS	
8	824124GT	BOLT, CARRIAGE, 1/4-20X.75, 5, ZAG	3
9	824027GT	NUT, TL FLG, 1/4-20, G, ZAG	3
10	824216GT	SCREW, PHPM, 10-32 X 1.5, ZAG	2
11	1274168GT	NUT, NYLOCK, 10-32, A, ZAG	2
12	T112507GT	ASSEMBLY, DOWN LIMIT, GS (Includes plug)	1
12-	19491GT	CONTACTOR, LIMIT SWITCH	
12-	96948GT	SWITCH, LIMIT, W/ROLLER ARM***	
12-	97128GT	ROLLER ARM, LIMIT SWITCH***	
13	1267821GT	FORMING, ALARM BRACKET, METRIC (universal bracket for uts and digital level sensor)	
14	47232GT	GROMMET, RUBBER 2 X 2.75	2
15	47238GT	GROMMET, RUBBER 1.5 ID	1
16	105664GT	ASSY, 22 FT LIMIT SWITCH, GS3232	1



203.1 Level Sensor Installation



Item	Part No.	Description	Qty.
16-		Ref.Wire Harness Assy GS-3232 (refer to 209.1, 210.1)	
17	1271081GT	NUT,NYLOCK,8-32,8,ZAG	2
18	1257909GT	SCREW,PHPM,8-32 X .875,ZAG	2
19	105736GT	FRMING,LMT SWCH BRKT,3232	1
20	6714GT	LEVEL,BUBBLE GS-3232	1
21	1289561GT	BRACKET, TELEMATICS	1
22	1289520GT	MODULE,TELEMATICS,ZTR,M7,NORTH AMERICA	1
23	39232GT	CABLE,EMERGENCY DOWN	1
24	39469GT	SPRING,COMPRESSION.485 X1.75** (for use with 228406)	3
25	1301073GT	ISOLATOR,1/4 THRD,HEX China market	3
26	1256679GT	NUT,SERRATED,1/4-20,8,ZAG China market	3

Go to Discount-Equipment.com to order your parts



PARTS FINDER

**Search Website
by Part Number**



**Search Manual
Library For Parts
Manual & Lookup Part
Numbers – Purchase
or Request Quote**

Search Manuals

Enter your information to help us find the right parts manual for your machine.

* Brand:

* Model:

* Serial:

* Part Number:

SEARCH

**Can't Find Part or
Manual? Request Help
by Manufacturer,
Model & Description**

Parts Order Form

Please fill in the following information to help us find the right part for your machine.

Manufacturer:	<input type="text"/>
Model:	<input type="text"/>
Description:	<input type="text"/>
Part Number:	<input type="text"/>
Quantity:	<input type="text"/>
Notes:	<input type="text"/>

Discount-Equipment.com is your online resource for quality parts & equipment.

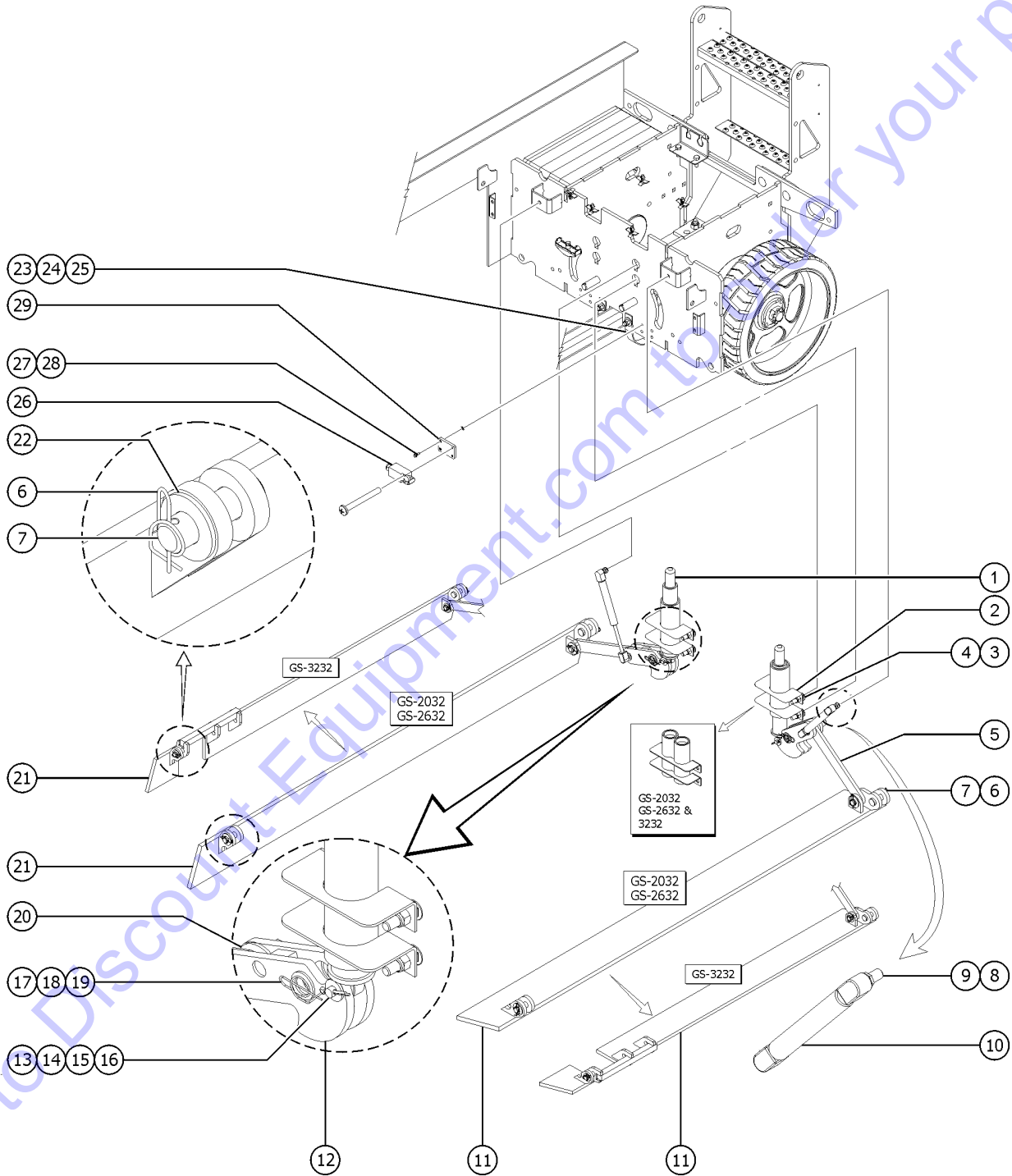
Florida: **561-964-4949** Outside Florida TOLL FREE: **877-690-3101**

Need parts?

Click on this link: <http://www.discount-equipment.com/category/5443-parts/> and choose one of the options to help get the right parts and equipment you are looking for. Please have the machine model and serial number available in order to help us get you the correct parts. If you don't find the part on the website or on one of the online manuals, please fill out the request form and one of our experienced staff members will get back to you with a quote for the right part that your machine needs.

We sell worldwide for the brands: Genie, Terex, JLG, MultiQuip, Mikasa, Essick, Whiteman, Mayco, Toro Stone, Diamond Products, Generac Magnum, Airman, Haulotte, Barreto, Power Blanket, Nifty Lift, Atlas Copco, Chicago Pneumatic, Allmand, Miller Curber, Skyjack, Lull, Skytrak, Tsurumi, Husquvarna Target, Stow, Wacker, Sakai, Mi-T-M, Sullair, Basic, Dynapac, MBW, Weber, Bartell, Bennar Newman, Haulotte, Ditch Runner, Menegotti, Morrison, Contec, Buddy, Crown, Edco, Wyco, Bomag, Laymor, EZ Trench, Bil-Jax, F.S. Curtis, Gehl Pavers, Heli, Honda, ICS/PowerGrit, IHI, Partner, Imer, Clipper, MMD, Koshin, Rice, CH&E, General Equipment, Amida, Coleman, NAC, Gradall, Square Shooter, Kent, Stanley, Tamco, Toku, Hatz, Kohler, Robin, Wisconsin, Northrock, Oztec, Toker TK, Rol-Air, APT, Wylie, Ingersoll Rand / Doosan, Innovatech, Con X, Ammann, Mecalac, Makinex, Smith Surface Prep, Small Line, Wanco, Yanmar

204.1 Pothole Protection Assembly

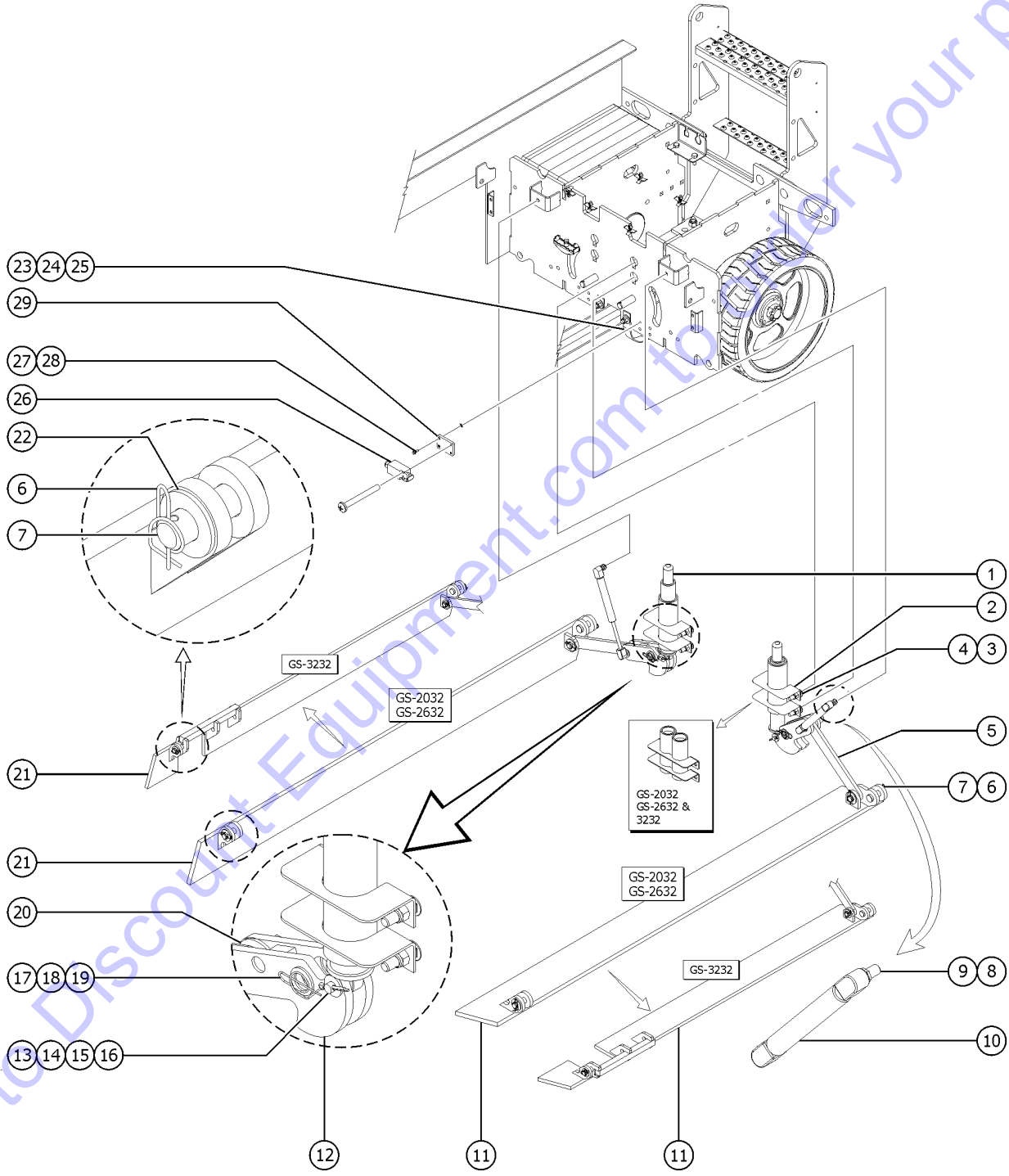


204.1 Pothole Protection Assembly

Item	Part No.	Description	Qty.
1	132994GT	ASSY,POT HOLE PUSHER,METRIC	
2	132163GT	WELDMENT, PH GUIDE,GS30/32	2
2-	96408GT	BEARING,1.523IDX1.75ODX0.63L	
3	1255757GT	BOLT,CARRIAGE,3/8-16X1.25,5,ZAG	10
4	824029GT	NUT,TL FLG,3/8-16,G,ZAG	8
5	132371GT	PLATE, POTHOLE LINK	2
6	1259177GT	RUE RING,5/8,ZAG	6
7	1259197GT	PIN,CLEVIS,.625X1.88,ZAG	6
7B	105156GT	BUSHING,FLNGD,.63 X .77 X .38 (for 84574GT and 96638GT, sold separately)	
8	824038GT	NUT, TL JAM, 3/8-16, A, ZAG	2
9	78086GT	BALL STUD, GAS STRUT, 3/8-16	
10	39542GT	GAS SHOCK,SCISSORS***	2
11	132362GT	WELDMENT, POTHOLE, LEFT SIDE GS-2032, GS-2632 (battery pack side)	1
11B	109894GT	WLDMT,POTHOLE,LT,OR GS-3232 (battery pack side)	1
12	132133GT	WLDMT, POT HOLE BELLCRANK LINK	2
13	12016GT	PIN,COTTER,.125 X .75	
14	825358GT	WASHER,FLAT,5/16,USS,ZAG	2
15	1259178GT	PIN,CLEVIS,.375X1.75,ZAG	2
16	96541GT	CAM FOLLOWER,1.125X.375,DELTRIN	2
17	824128GT	RUE RING,3/4,ZAG	2
18	1259686GT	WASHER,FLAT,.765X1.312X.093,ZA	2
19	55355GT	SPACER,.75ID X 1.5OD X 1/4THK	
20	96085GT	WASHER,THRUST,.63 X 1.13 X .06	
21	132357GT	WELDMENT, POTHOLE, RIGHT SIDE GS-2032, GS-2632 (ground controls side)	1
21B	109893GT	WLDMT,POTHOLE,RT,OR GS-3232 (battery pack side)	1
22	1259180GT	WASHER,SHIM,.625X1.188X.064,ZA	6
23	105060GT	GROUND STRAP, 8"LG	1
24	1255758GT	WASHER,FLAT,3/8,USS,ZAG	2



204.1 Pothole Protection Assembly



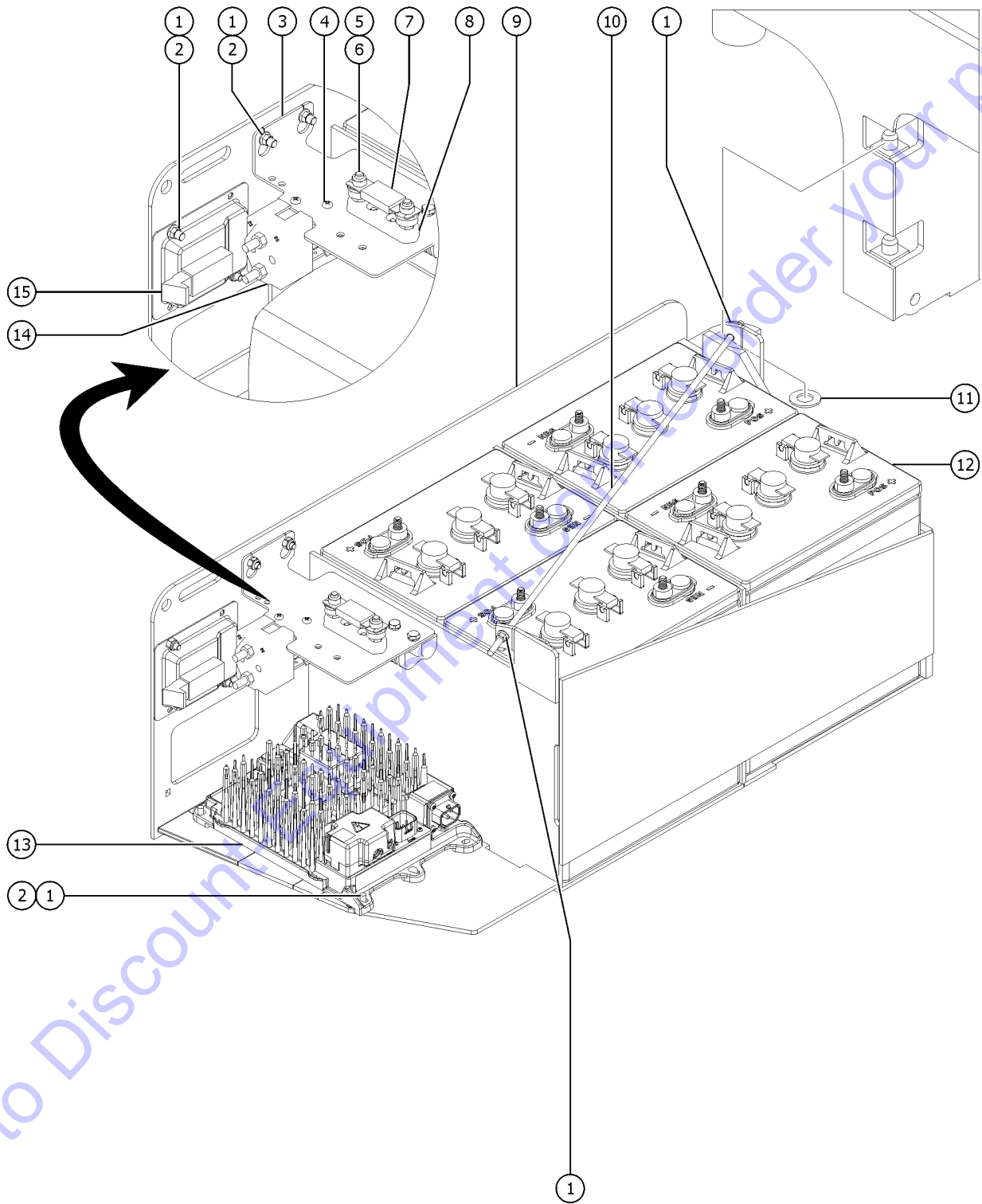
204.1 Pothole Protection Assembly

Item	Part No.	Description	Qty.
25	824025GT	NUT,TL,3/8-16,C,ZAG	2
26	96948GT	SWITCH,LIMIT,W/ROLLER ARM***	2
26-	1256177GT	SCREW,PHPM,10-32X1.75,ZAG	
26-	19491GT	CONTACTOR,LIMIT SWITCH	
26-	274168GT	NUT,NYLOCK,10-32,A,ZAG	
26-	97128GT	ROLLER ARM,LIMIT SWITCH***	
27	1256312GT	WASHER,LOCK,#10,ZAG	4
		China package option	
28	824078GT	SCREW,HHF,1/4-20X.75,8,ZAG	4
		China package option	
29	1290288GT	PLATE,LIMIT SWITCH,LARGE SCISSOR	2
		China package option	

Go to Discount-Equipment.com to order your parts



205.1 Battery Pack Module

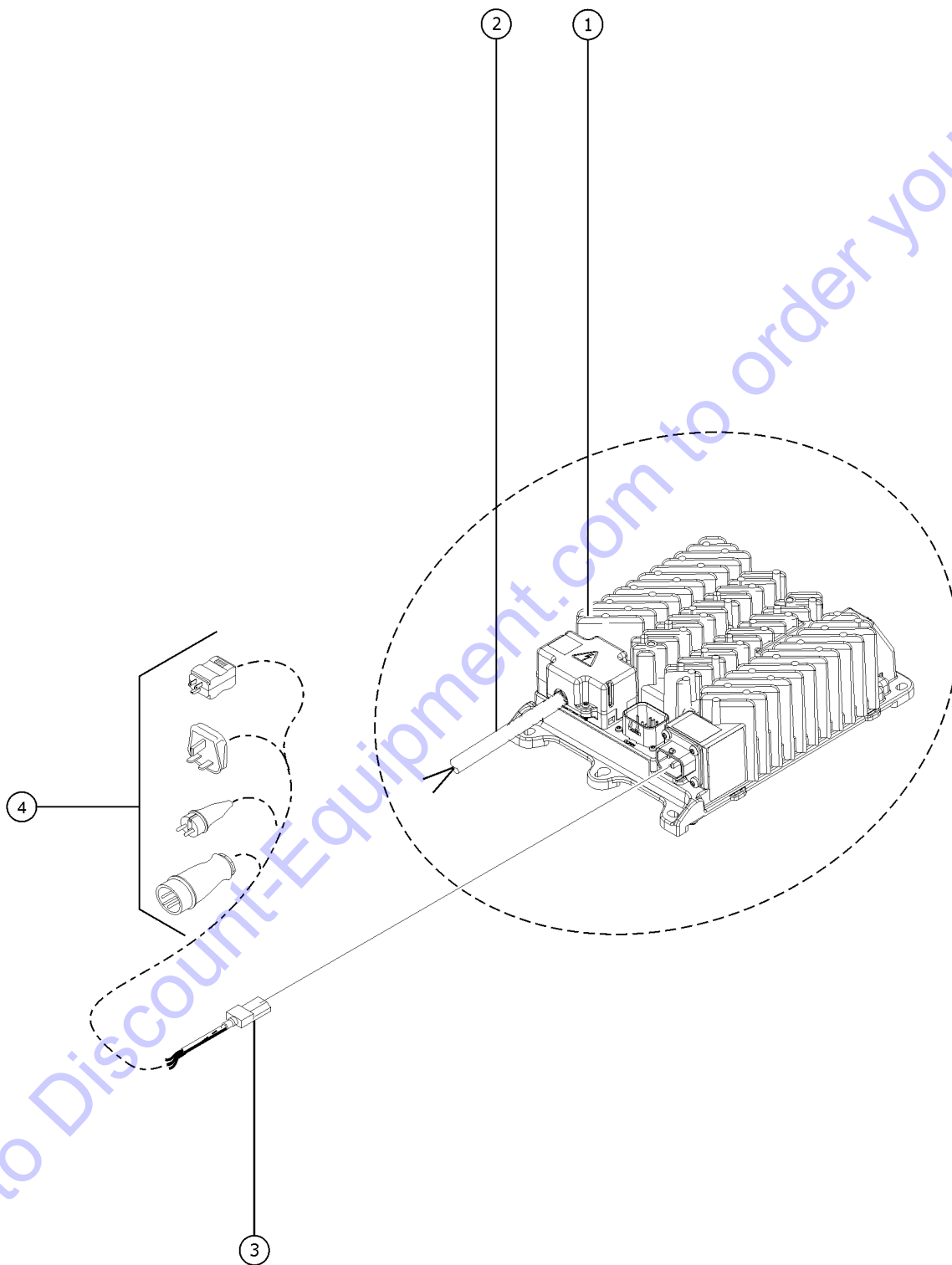


205.1 Battery Pack Module

Item	Part No.	Description	Qty.
1	824027GT	NUT, TL FLG, 1/4-20, G, ZAG	10
2	824124GT	BOLT, CARRIAGE, 1/4-20X.75, 5, ZAG	8
3	1282144GT	FORMING, CONTACTOR/FUSE BRACKET, METRIC	1
4	825349GT	SCREW, PHPM, 10-32X.38, ZAG	2
5	13000GT	SCREW, HHC, 5/16-18 X 1.25	2
6	1255805GT	NUT, SERRATED, 5/16-18, 8, ZAG	2
7	40833GT	FUSE, 275AMP, VERY FAST ACTING	1
8	66717GT	FUSE BLOCK, ANN & ANL FUSE	1
		(includes mounting fasteners)	
9	1304450GT	WLDMT, BATTERY TRAY, GS	1
10	30784-2550GT	THREADED ROD, (1/4-20), 25.50	1
11	1256863GT	WASHER, FLAT, .75, F436, HRD, ZAG	2
12	76494GT	BATT, 6V, 225AH T105 LPT\3CAP	4
12-	1255805GT	NUT, SERRATED, 5/16-18, 8, ZAG	
12-	137769GT	BATTERY WATERING HAND PUMP	
12-	137770GT	BATTERY WATERING KIT, 24V UNIV	
		(to watch the installation video, copy and paste this link to your web browser) https://www.youtube.com/watch?v=13zTfl-hWik	
12B	1263152GT	FULLRIVER BATT, DC224-6, 6V, 224AH, GS3246 AGM	4
12B-	137769GT	BATTERY WATERING HAND PUMP	
12B-	137770GT	BATTERY WATERING KIT, 24V UNIV	
		(to watch the installation video, copy and paste this link to your web browser) https://www.youtube.com/watch?v=13zTfl-hWik	
12C	1257609GT	BATTERY, 6V, 240AH, T125, LPT\3CAP	4
13		Ref. Battery Charger	
		(refer to 206.1)	
14	1270457GT	CONTACTOR, DRIVE, 24V, 180A UNBRANDED	1
15	55675GT	LATCH, LRG PADDLE HANDLE GS90	1



206.1 Battery Charger



Go to Discount-Equipment.com to order your parts

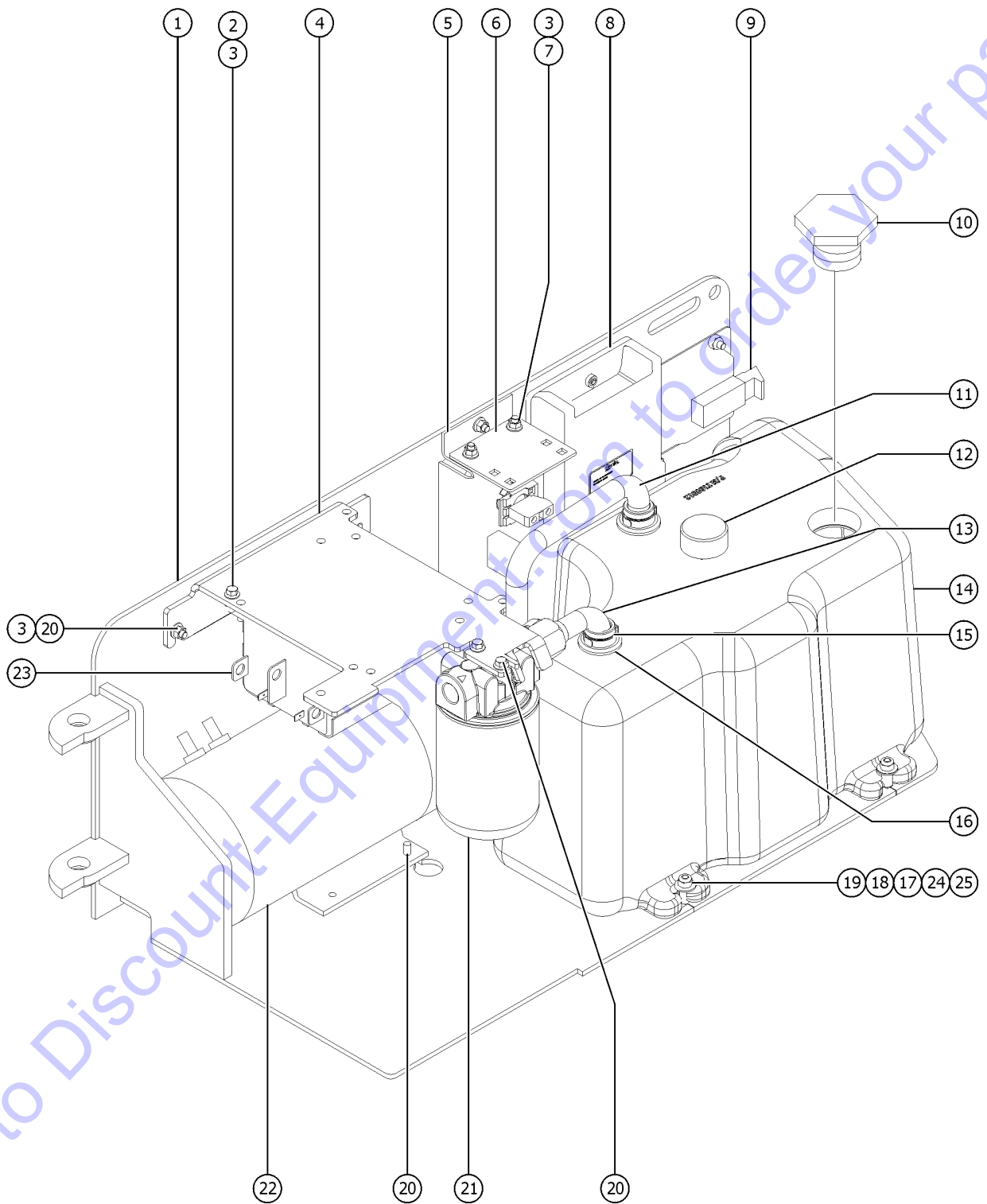
206.1 Battery Charger

Item	Part No.	Description	Qty.
A	105334GT	CONNECTOR, IEC CHARGER CORD for 5-LED battery charger	
B	40833GT	FUSE, 275AMP, VERY FAST ACTING for 5-LED battery charger	
C	1273576GT	CABLE ASSY,CHARGER/BATTERY (for 1264372)	
1	1272232GT	CHARGER, 24V, 650W, USB 1	
2		Ref. CABLE ASSY,CHARGER/BATTERY (refer to 211.1)	
3	1272557GT	POWER CORD, IEC 320, 90 1	
4		Ref. PLUG, ELECTRICAL (refer to 402.1)	

Go to Discount-Equipment.com to order your parts



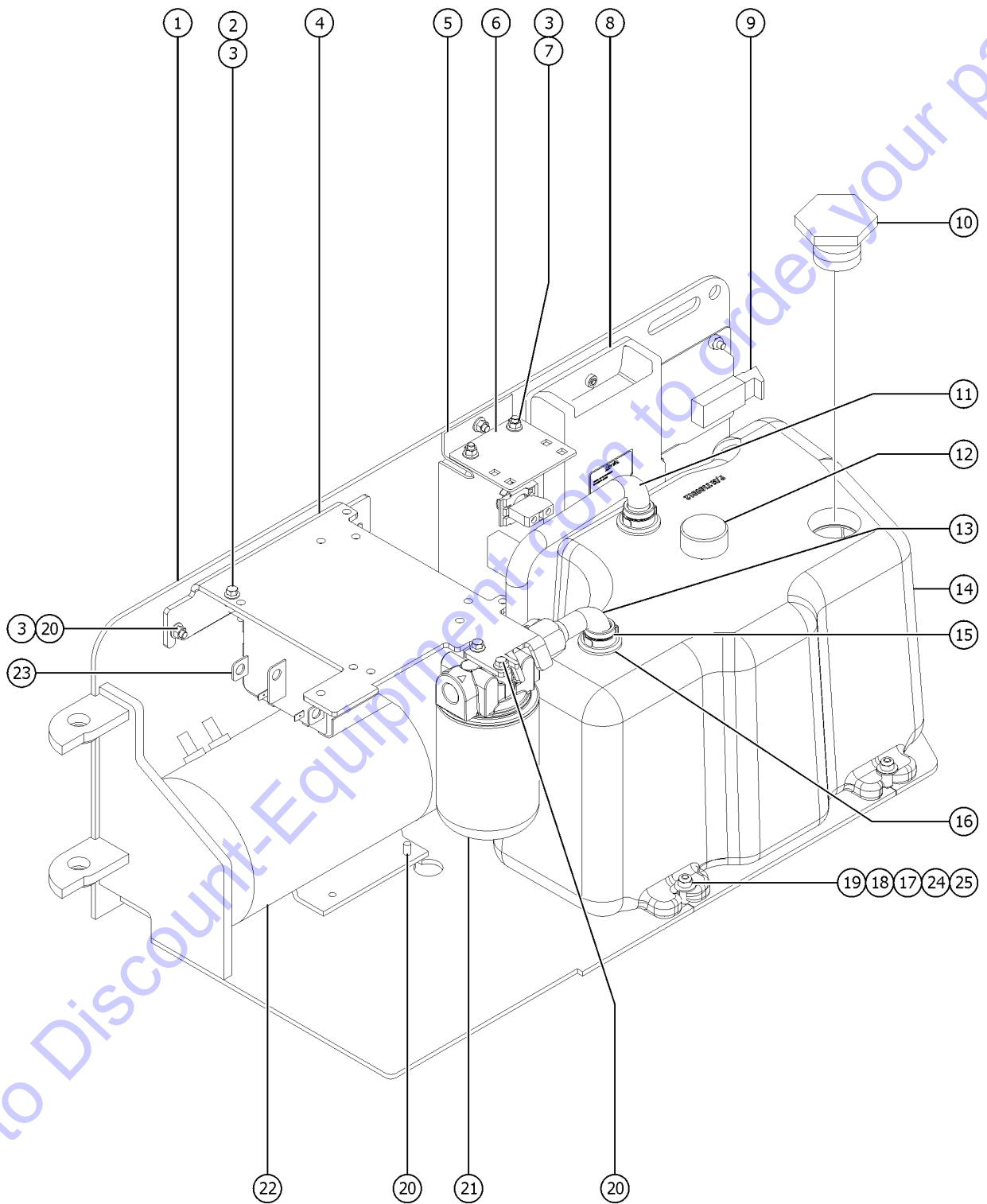
207.1 Power Unit Module



Item	Part No.	Description	Qty.
1	132901GT	ASSY, GS HYDRAULIC TRAY	1
1-	227166GT	WELDMENT, GS HYD TRAY, MET (decals not included, refer to section one)	1
2	824080GT	SCREW,HHF,1/4-20X1.25,8,ZAG	1
3	824027GT	NUT, TL FLG, 1/4-20, G, ZAG	1
4	1273016GT	FORMING, FILTER-CNTRLR MOUNT	1
5		Ref. FORMING, CONTROL PANEL	1
		(refer to figure 208.1)	
6	227164GT	GS3246_PLATE, HARNESS MOUNT, MET	1
7	824124GT	BOLT,CARRIAGE,1/4-20X.75,5,ZAG	1
8		Ref. GCON, GR/GRC/GS	1
		(refer to figure 208.1)	
9	55675GT	LATCH, LRG PADDLE HANDLE GS90	1
10	66204GT	FILTER CAP (PLUG 1-1/2" NPT HEX	1
11	1270598GT	TUBE, ASSY, DRAW	1
11-	1270600GT	TUBE, SLAB RETURN ASSEMBLY	1
11-	1273016GT	FORMING, FILTER-CNTRLR MOUNT	1
12	78546GT	BREATHER CAP, HYD. TANK, 1/4 NPT	1
13	1270600GT	TUBE, SLAB RETURN ASSEMBLY	1
14	226163GT	HYD. TANK KIT, GS30,32,46	1
		(includes items 15 and 16)	
14-	T109012GT	TANK,HYD, SLAB SCISSORS	1
15	96855GT	CLAMP,HOSE,1 EAR,1-1/16***	2
16	96709GT	GROMMET,SLAB HYD TANK***	2
17	96699GT	SLEEVE,TANK SUPPORT	1
		to SN GS32D-664	
17B	1303374GT	SLEEVE,TANK SUPPORT	1
		from SN GS32D-665	
18	824113GT	WASHER,FLAT,USS,1/4,ZAG	1
		to SN GS32D-664	
18B	1303372GT	PLATE, TANK SUPPORT	1
		from SN GS32D-665	
19	1256463GT	BOLT,CARRIAGE,1/4-20X1.25,5,ZAG	1
		to SN GS32D-664	
19B	1255756GT	BOLT,CARRIAGE,1/4-20X1.5,5,ZAG	1
		from SN GS32D-665	
20	824078GT	SCREW,HHF,1/4-20X.75,8,ZAG	1
21		REF. FILTER ASSY	1
		(refer to figure 501.1)	



207.1 Power Unit Module

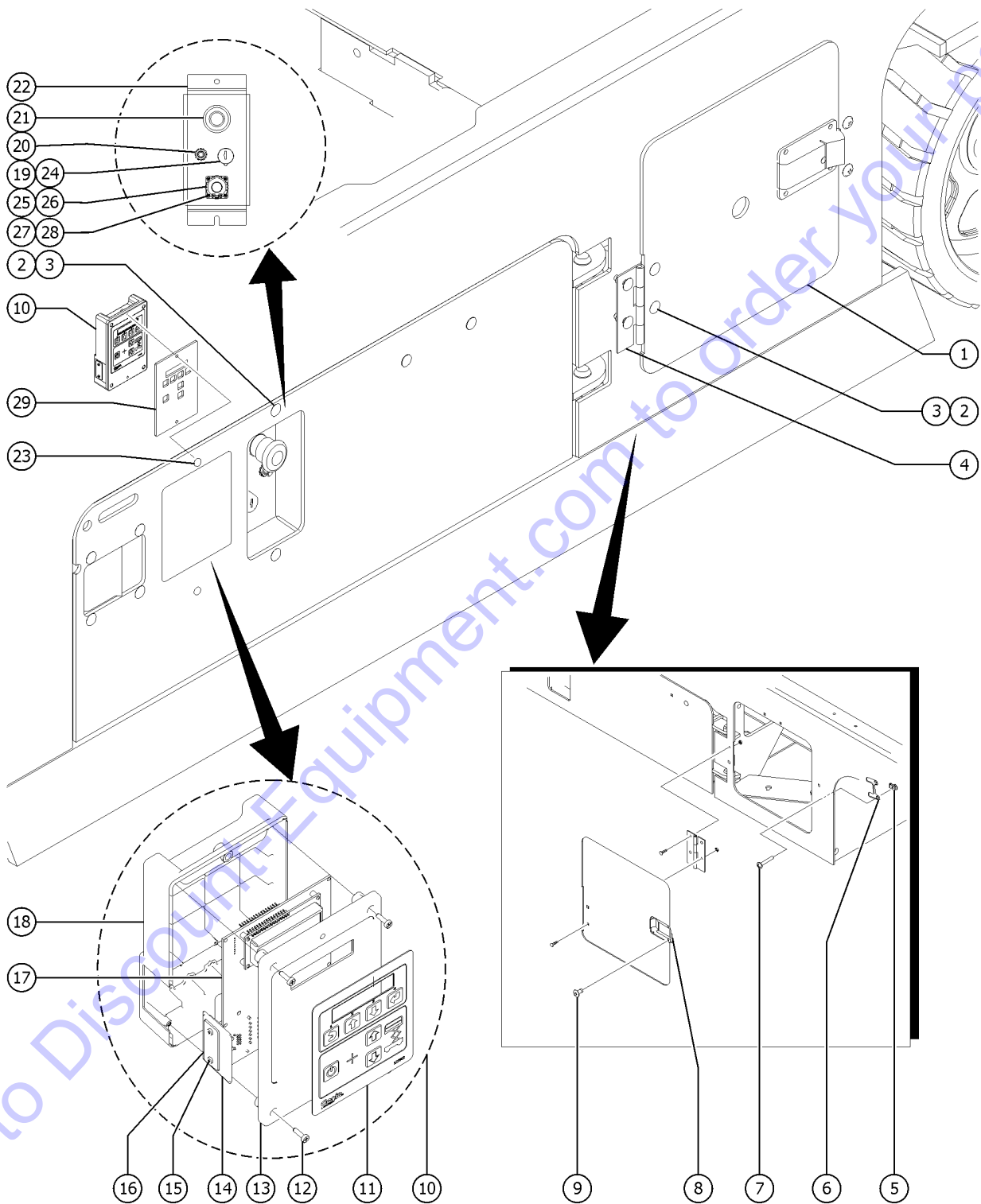


Item	Part No.	Description	Qty.
22		REF. ELECTRIC MOTOR/PUMP (refer to figure 505.1)	
23	1257840GT	MOTOR CONTROLLER,DC,24V,360A	
24	6091GT	NUT, NYLOCK, 1/4-20 to SN GS32D-664	3
24B	1274165GT	NUT,NYLOCK,1/4-20,C,ZAG from SN GS32D-665	3
25	1303373GT	RUBBER CUSHION, TANK SUPPORT from SN GS32D-665	

Go to Discount-Equipment.com to order your parts



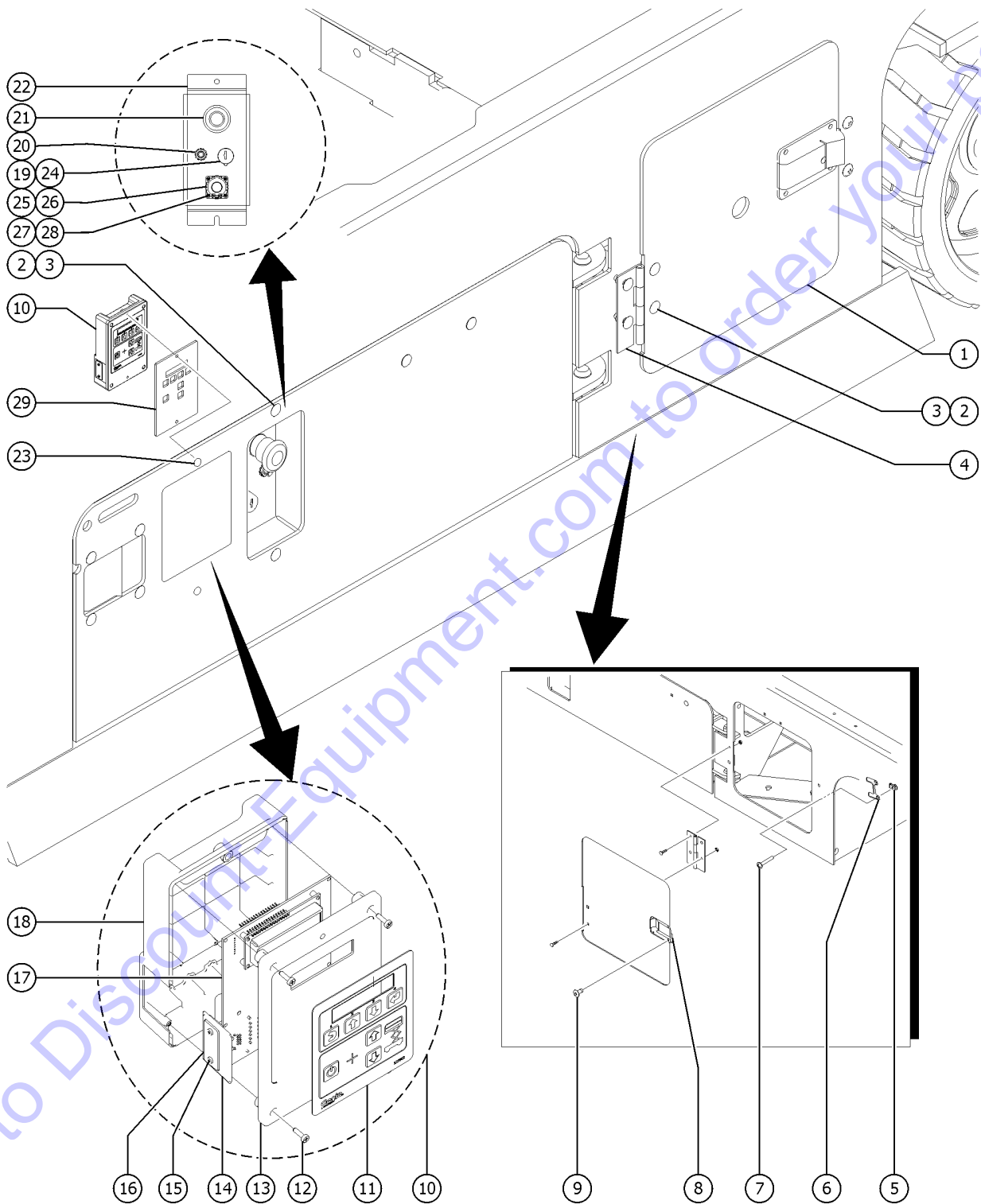
208.1 Ground Controls



Item	Part No.	Description	Qty.
A	1252764GT	SPACER, GROUND CONTROL ECU	1
B	824216GT	SCREW, PHPM, 10-32 X 1.5, ZAG	
1	132556GT	PLATE SIDE DOOR HTA	1
2	824124GT	BOLT,CARRIAGE,1/4-20X.75,5,ZAG	6
3	824027GT	NUT, TL FLG, 1/4-20, G, ZAG	6
4	105734GT	HINGE,ACCESS DOOR(13G)	1
5	56912GT	SPRING CLIP,1/4-20,.025-.15X.54,ZAG	2
6	132557GT	PLATE,SIDE DOOR STOP***	1
7	1260984GT	SCREW,PHPM,1/4-20X.75,ZAG	2
8	105759GT	LATCH,COMPRESSION,SMALL	1
9	824206GT	RIVET, STL, STL, DOME, 1/8 X .25, ZAG	2
10	1256721GT	GCON,STD,PROP LIFT	1
		GS-2032 and GS-2632	
10B	1256722GT	GCON,O/R,PROP LIFT	1
		GS-3232	
10B-	1256808GT	LABEL,GCON O/R,SERIAL	
		(GS-3232)	
11	137562GT	DECAL,MEMBRANE, GR/GRC/GS GCON	1
12	137668GT	SCREW,PHM,6-19X.75, 48-2 TRI-L	4
13	T106366GT	ENCLOSURE,GC27-25/GC21-19,FRNT	1
14	T106363GT	ADAPTER, RJ45, GC27-25/GC21-19	1
15	137637GT	SCREW,PHM,4-20X.5, 48-2 TRI-L	2
16	T106362GT	COVER, RJ45, GC27-25/GC21-19	1
17	1256719GT	PCBA,GCON STD,PROP LIFT	1
		GS-2032 and GS-2632	
17B	1256720GT	PCBA,GCON O/R,PROP LIFT	1
		GS-3232	
18	T106372GT	ENCLOSURE, GC21-19, BK	1
		GS-2032 and GS-2632	
18B	T106371GT	ENCLOSURE, GC27-25, BK	1
		(GS-3232)	
19	96008-SGT	KEYSWITCH,3 POS. W/KEYS***	1
19-	37947GT	KEYS,10 PACK***	
		(sold seperately)	
19-	83093GT	KEY SINGLE***	
		(sold seperately)	
19-	85239GT	NUT,RETAINER (96008)	
		(sold seperately)	



208.1 Ground Controls

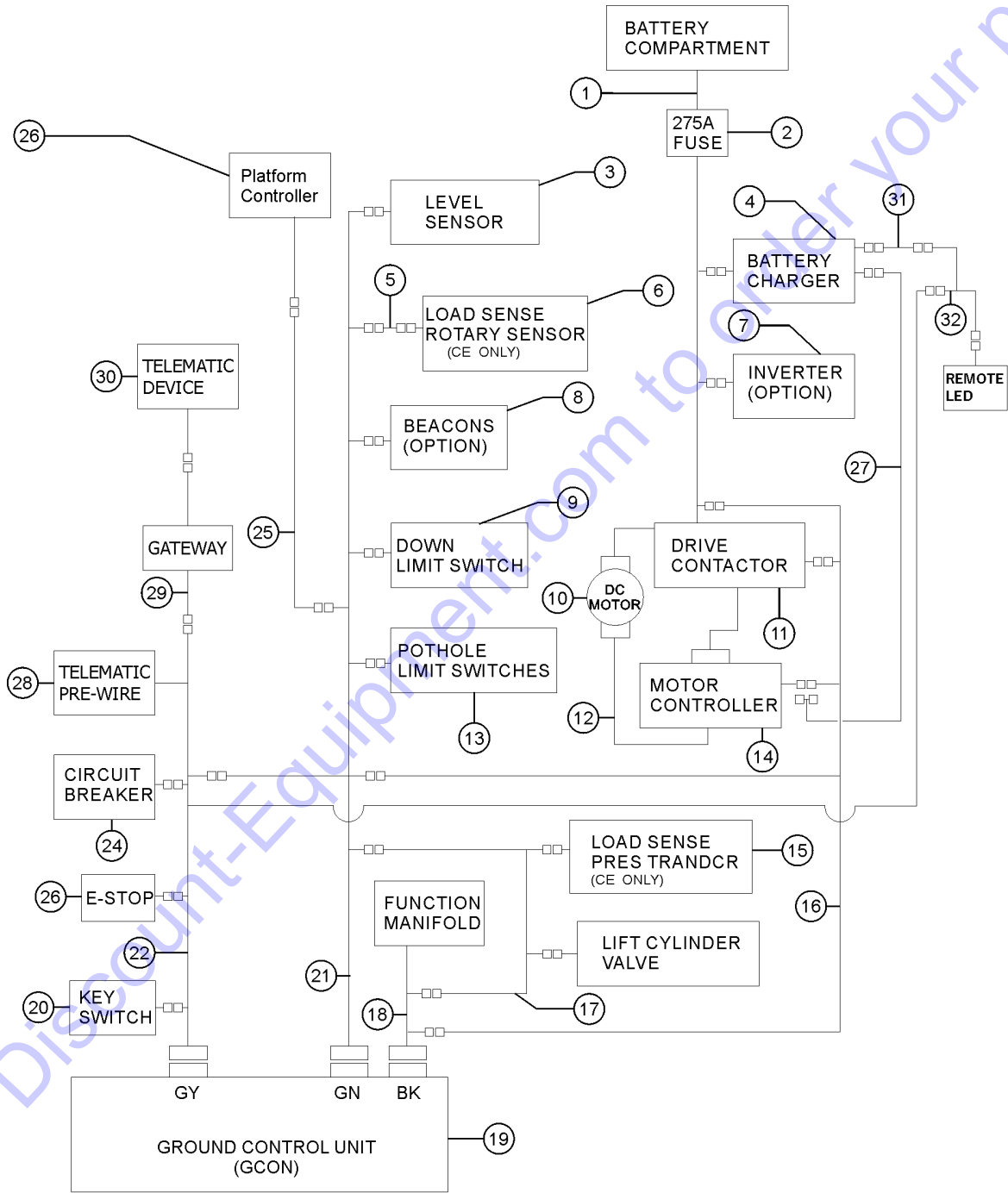


Item	Part No.	Description	Qty.
19-	96009GT	WASHER,NITRILE (sold seperately)	
19-	96010GT	SCREW,PHILLIPS,PHM,8-32 X.25** (sold seperately)	
20	96452GT	CIRCUIT BREAKER, 7.0 AMP***	1
20-	122994GT	NICKEL PLATED JAM NUT	
20-	6700GT	WASHER,STAR,EXTERNAL,,375	
21	66812GT	BUTTON,PUSH,RED MUSHROOM HEAD	1
21-	58627GT	NUT	
21-	66817GT	E-STOP NC CONTACT	
22	1284781GT	FORMING,CONTROL PANEL,TECH PRO,METRIC	1
23	51063GT	SCREW,PHILLIPS,RHM,10-32 X 1.5	2
24	96010GT	SCREW,PHILLIPS,PHM,8-32 X.25**	3
25	1272122GT	CONN, RECEP, 5 WAY, DEUTSCH, HD10	1
26	1272123GT	DUST CAP, RECEPTACLE, 5 WAY, CIRCULAR	1
27	1253477GT	SCREW,PHPM,4-40X.5,ZAG	4
28	826854GT	NUT,NYLOCK,4-40	4
29	1271701GT	PLATE,GCON PROTECTOR	1
		(only Korea Market)	
29-	1271745GT	DECAL GCON, KOREAN	1
		(only Korea Market)	

Go to Discount-Equipment.com to order your parts



209.1 Electrical Wiring, GS-2032 and GS-2632 (to SN GS32D-229)

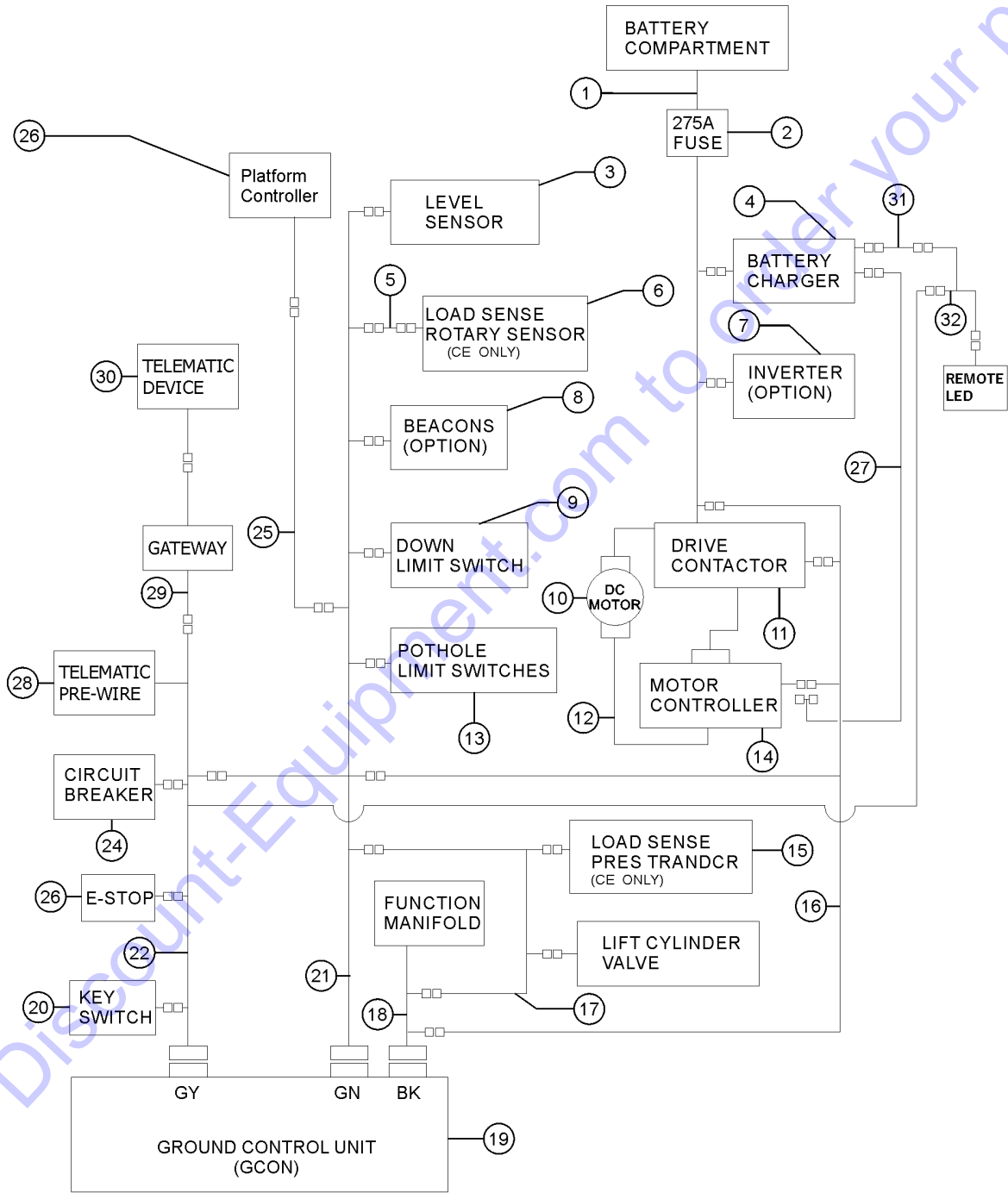


209.1 Electrical Wiring, GS-2032 and GS-2632 (to SN GS32D-229)

Item	Part No.	Description	Qty.
A	105214GT	CABLE TIE MOUNT, WINGED not shown	
A	56926GT	CLIP, TIE HARNESS MOUNT*** not shown	
B	1264822GT	KIT, TRC RETROFIT, STNDRD Telematics (includes 1264834)	
B-	1264834GT	INSTRN, TRC RETROFIT, STNDRD	
1		REF. BATTERY CABLE (refer to 211.1)	
2		REF. FUSE (refer to 205.1)	
3		REF. LEVEL SENSOR (refer to 203.1)	
4		REF. CHARGER (refer to 206.1)	
5	T114031GT	HARNESS, ROTARY ANGLE	1
6	T113136GT	ASSY, ROT SENSR W/ HARNESS	1
7		REF. INVERTER (refer to 604.1)	
8		REF. STOBE BEACON (refer to 601.1)	
9		REF. DOWN LIMIT, GS (refer to 203.1)	
10		REF. ELECTRIC MOTOR (refer to 504.1)	
11	1270457GT	CONTACTOR, DRIVE, 24V, 180A UNBRANDED	1
12		REF. BATTERY CABLE (refer to 211.1)	
13	96853GT	ASSY, POTHOLE HARNESS GS32/GS46	1
14		REF. MOTOR CONTROLLER (refer to 207.1)	
15	1311101GT	PRESSURE TRANSDUCER, 0-5K, 1-5V	1
16	233431GT	HRNS, CONTACTOR SIGNL, GS30/32	1
17	233053GT	CABLE, LFT CYL DN, 20/26XX, W/LS (CE, Australia)	1
17B	233054GT	CABLE, LFT CYL DN, 20/26XX, WO/LS (ANSI, CSA)	1
18	1257824GT	HARNESS, FUNCTION MANIFOLD, GS (Black connector)	1
19		REF. GCON refer to 208.1	
20		REF. KEYSWITCH refer to 208.1	
21	1263221GT	HARNESS, GS SENSORS, ANSI ANSI & CSA	
21B	1263220GT	HARNESS, GS SENSORS, CE CE and AUS	
22	1258394GT	HARNESS, GS POWER CONTROL (Grey connector)	



209.1 Electrical Wiring, GS-2032 and GS-2632 (to SN GS32D-229)

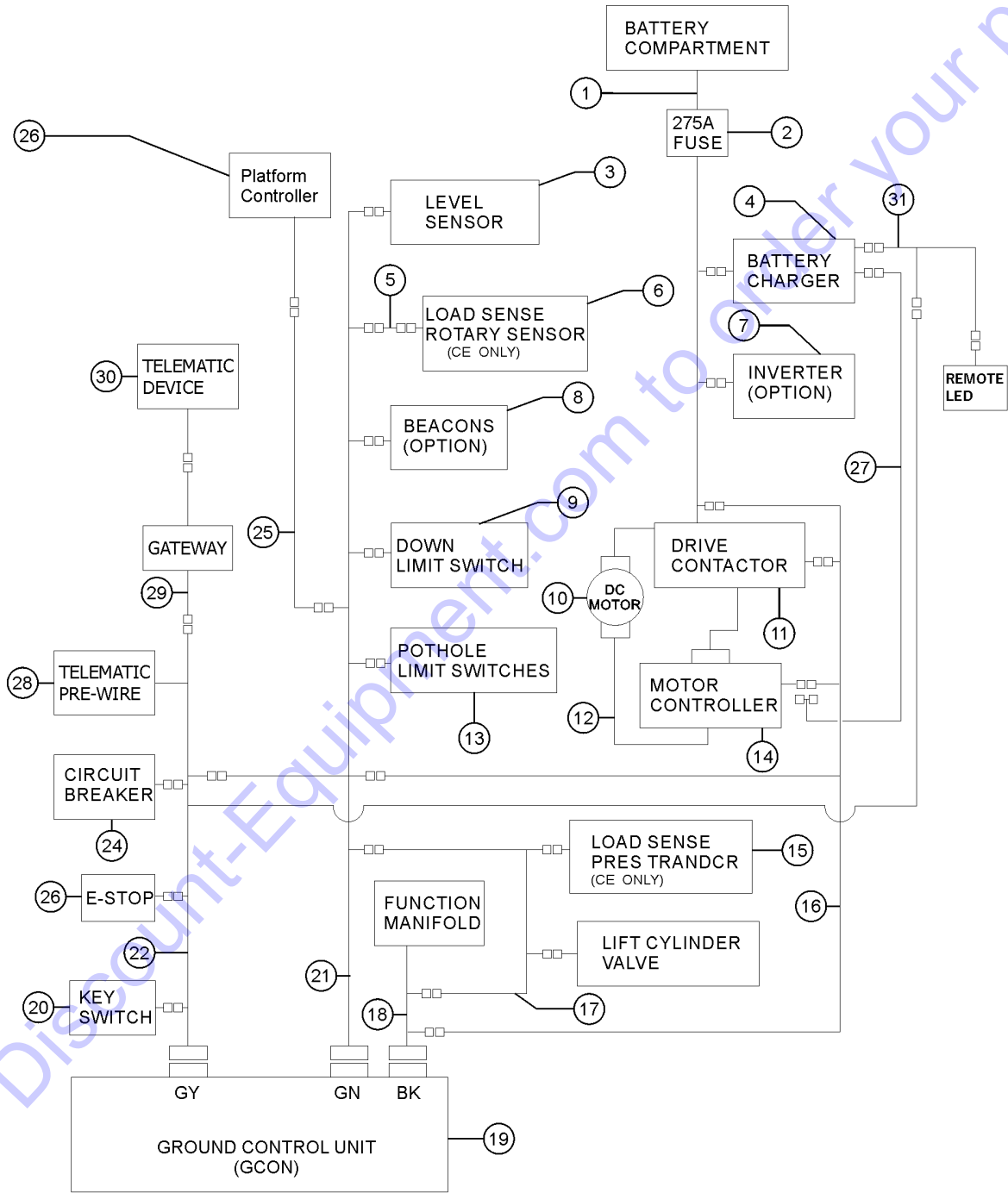


209.1 Electrical Wiring, GS-2032 and GS-2632 (to SN GS32D-229)

Item	Part No.	Description	Qty.
23		REF. E-STOP BUTTON (refer to 208.1)	
24		REF. CIRCUIT BREAKER (refer to 208.1)	
25	233050GT	CABLE, PLATFORM CONTROL, 20XX GS-2032	1
25-	218579GT	WIRE CABLE 18/5 - UNSHIELDED GS-2032	324
25-	231921GT	KIT,CONN,RECEPT W/PIN AND LOCK	
25-	231922GT	KIT,CONN,PLUG W/SCKT AND LOCK	
25B	233051GT	CABLE, PLATFORM CONTROL, 26XX GS-2632	1
25B-	218579GT	WIRE CABLE 18/5 - UNSHIELDED GS-2632	440
25B-	231921GT	KIT,CONN,RECEPT W/PIN AND LOCK GS-2632	
25B-	231922GT	KIT,CONN,PLUG W/SCKT AND LOCK GS-2632	
26		REF. PCON (refer to 403.1)	
27	144213GT	CHARGER INTERLOCK CBLE,GS30/32	
28	1283053GT	HARNESS, TELEMATICS, GS SLAB	1
29	1289899GT	HARNESS, GATEWAY, GS	1
30	1289520GT	MODULE, TELEMATICS, ZTR, M7, NORTH AMERICA North America	1
30B	1289521GT	MODULE, TELEMATICS, ZTR, M7, EMEA/APAC EMEA/APAC	1
30C	1289522GT	MODULE, TELEMATICS, ZTR, M7, APAC/ANZ APAC/ANZ	1
30D	1289523GT	MODULE, TELEMATICS, ZTR, M7, JAPAN Japan	1
31	1265771GT	HARNESS, CHARGER CONTROL	1
32	1273394GT	HARNESS ,CHARGER EXTENSION	1

Go to DiscountEquipment.com to order your parts





Go to Discount-Equipment.com to order your parts

209.2 Electrical Wiring, GS-2032 and GS-2632 (from SN GS32D-230)

Item	Part No.	Description	Qty.
A	105214GT	CABLE TIE MOUNT, WINGED not shown	
A	56926GT	CLIP, TIE HARNESS MOUNT*** not shown	
B	1264822GT	KIT, TRC RETROFIT, STNDRD Telematics (includes 1264834)	
B-	1264834GT	INSTRN, TRC RETROFIT, STNDRD	
1		REF. BATTERY CABLE (refer to 211.1)	
2		REF. FUSE (refer to 205.1)	
3		REF. LEVEL SENSOR (refer to 203.1)	
4		REF. CHARGER (refer to 206.1)	
5	T114031GT	HARNESS, ROTARY ANGLE	1
6	T113136GT	ASSY,ROT SENSR W/ HARNESS	1
7		REF. INVERTER (refer to 604.1)	
8		REF. STOBE BEACON (refer to 601.1)	
9		REF. DOWN LIMIT, GS (refer to 203.1)	
10		REF. ELECTRIC MOTOR (refer to 504.1)	
11	1270457GT	CONTACTOR, DRIVE, 24V, 180A UNBRANDED	1
12		REF. BATTERY CABLE (refer to 211.1)	
13	96853GT	ASSY,POTHOLE HARNESS GS32/GS46	1
14		REF. MOTOR CONTROLLER (refer to 207.1)	
15	1311101GT	PRESSURE TRANSDUCER,0-5K,1-5V	1
16	233431GT	HRNS,CONTACTOR SIGNL,GS30/32	1
17	233053GT	CABLE,LFT CYL DN,20/26XX,W/LS (CE, Australia)	1
17B	233054GT	CABLE,LFT CYL DN,20/26XX,WO/LS (ANSI, CSA)	1
18	1257824GT	HARNESS,FUNCTION MANIFOLD,GS (Black connector)	1
19		REF. GCON refer to 208.1	
20		REF. KEYSWITCH refer to 208.1	
21	1263221GT	HARNESS, GS SENSORS, ANSI ANSI & CSA	
21B	1263220GT	HARNESS, GS SENSORS, CE CE and AUS	
22	1258394GT	HARNESS, GS POWER CONTROL (Grey connector)	



209.2 Electrical Wiring, GS-2032 and GS-2632 (from SN GS32D-230)

Item	Part No.	Description	Qty.
23		REF. E-STOP BUTTON (refer to 208.1)	
24		REF. CIRCUIT BREAKER (refer to 208.1)	
25	233050GT	CABLE, PLATFORM CONTROL, 20XX GS-2032	1
25-	218579GT	WIRE CABLE 18/5 - UNSHIELDED GS-2032	324
25-	231921GT	KIT,CONN,RECEPT W/PIN AND LOCK	
25-	231922GT	KIT,CONN,PLUG W/SCKT AND LOCK	
25B	233051GT	CABLE, PLATFORM CONTROL, 26XX GS-2632	1
25B-	218579GT	WIRE CABLE 18/5 - UNSHIELDED GS-2632	440
25B-	231921GT	KIT,CONN,RECEPT W/PIN AND LOCK GS-2632	
25B-	231922GT	KIT,CONN,PLUG W/SCKT AND LOCK GS-2632	
26		REF. PCON (refer to 403.1)	
27	144213GT	CHARGER INTERLOCK CBLE,GS30/32	
28	1283053GT	HARNESS, TELEMATICS, GS SLAB	1
29	1289899GT	HARNESS, GATEWAY, GS	1
30	1289520GT	MODULE, TELEMATICS, ZTR, M7, NORTH AMERICA North America	1
30B	1289521GT	MODULE, TELEMATICS, ZTR, M7, EMEA/APAC EMEA/APAC	1
30C	1289522GT	MODULE, TELEMATICS, ZTR, M7, APAC/ANZ APAC/ANZ	1
30D	1289523GT	MODULE, TELEMATICS, ZTR, M7, JAPAN Japan	1
31	1272120GT	HARNESS,LED CHARGER,GS32	1

Go to Discount-Equipment.com to order your parts

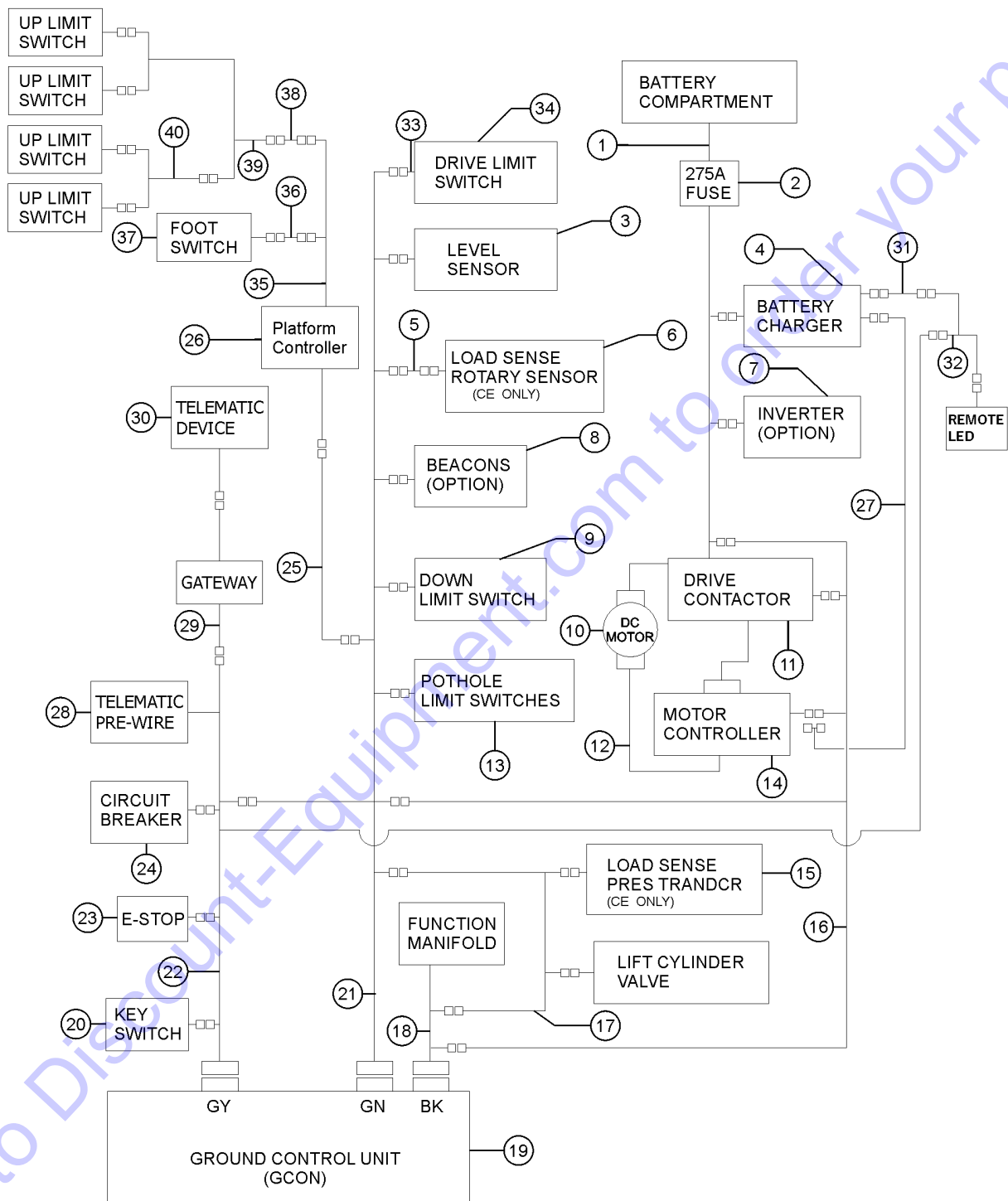


209.3 Electrical Wiring, GS-2032 and GS-2632 (Korea Market)

Item	Part No.	Description	Qty.
A	105214GT	CABLE TIE MOUNT, WINGED not shown	
A	56926GT	CLIP, TIE HARNESS MOUNT*** not shown	
B	1264822GT	KIT, TRC RETROFIT, STNDRD Telematics (includes 1264834)	
B-	1264834GT	INSTRN, TRC RETROFIT, STNDRD	
1		REF. BATTERY CABLE (refer to 211.1)	
2		REF. FUSE (refer to 205.1)	
3		REF. LEVEL SENSOR (refer to 203.1)	
4		REF. CHARGER (refer to 206.1)	
5	T114031GT	HARNESS, ROTARY ANGLE	1
6	T113136GT	ASSY, ROT SENSR W/ HARNESS	1
7		REF. INVERTER (refer to 604.1)	
8		REF. STrobe BEACON (refer to 601.1)	
9	1276572GT	ASSEMBLY, DOWN LIMIT, GS, KO	1
10		REF. ELECTRIC MOTOR (refer to 504.1)	
11	1270457GT	CONTACTOR, DRIVE, 24V, 180A UNBRANDED	1
12		REF. BATTERY CABLE (refer to 211.1)	
13	96853GT	ASSY, POTHOLE HARNESS GS32/GS46	1
14		REF. MOTOR CONTROLLER (refer to 207.1)	
15	1311101GT	PRESSURE TRANSDUCER, 0-5K, 1-5V	1
16	233431GT	HRNS, CONTACTOR SIGNL, GS30/32	1
17	233053GT	CABLE, LFT CYL DN, 20/26XX, W/LS (CE, Australia)	1
17B	233054GT	CABLE, LFT CYL DN, 20/26XX, WO/LS (ANSI, CSA)	1
18	1257824GT	HARNESS, FUNCTION MANIFOLD, GS (Black connector)	1
19		REF. GCON refer to 208.1	
20		REF. KEYSWITCH refer to 208.1	
21	1263221GT	HARNESS, GS SENSORS, ANSI ANSI & CSA	
21B	1263220GT	HARNESS, GS SENSORS, CE CE and AUS	
22	1258394GT	HARNESS, GS POWER CONTROL (Grey connector)	



209.3 Electrical Wiring, GS-2032 and GS-2632 (Korea Market)



209.3 Electrical Wiring, GS-2032 and GS-2632 (Korea Market)

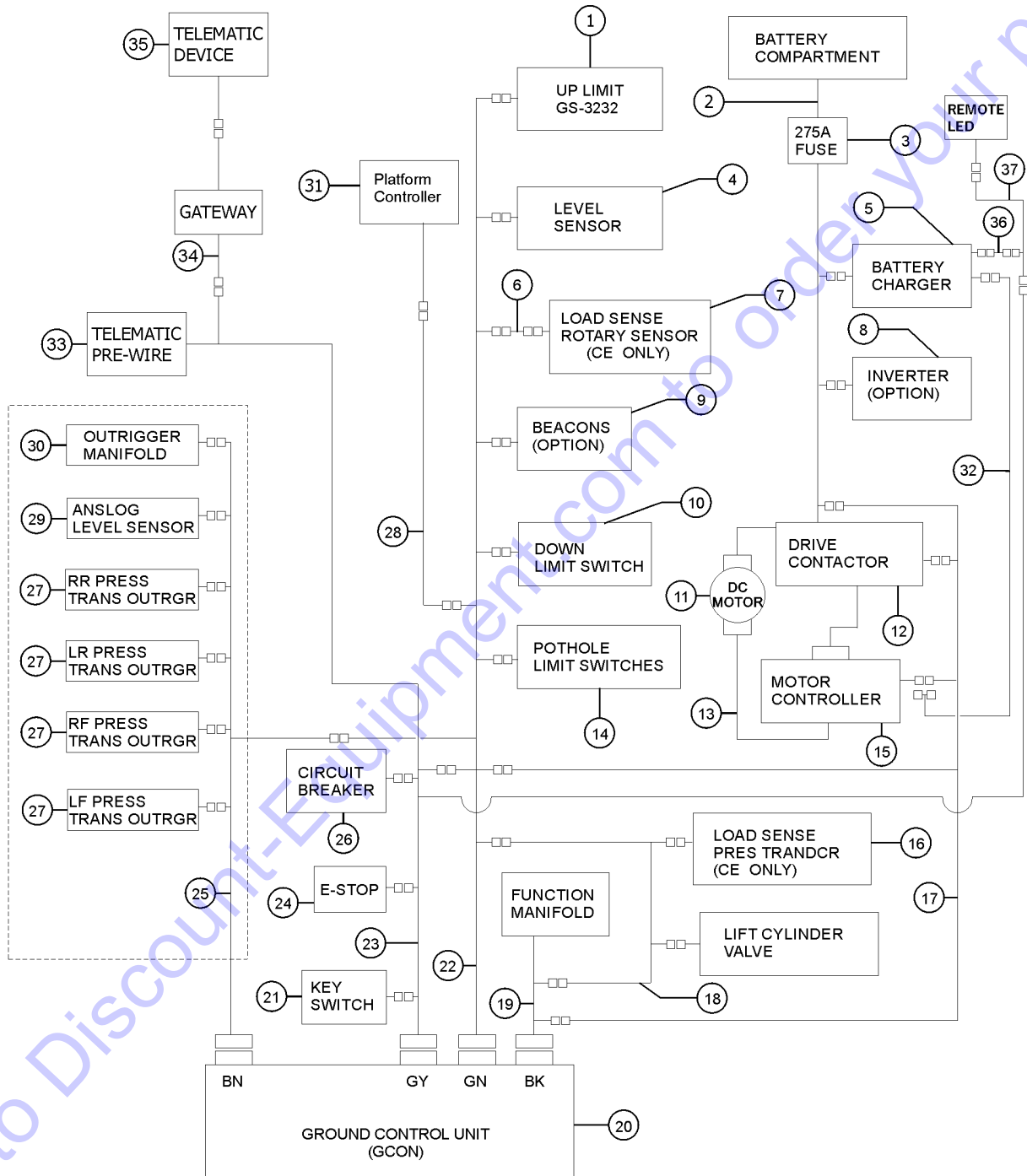
Item	Part No.	Description	Qty.
23		REF. E-STOP BUTTON (refer to 208.1)	
24		REF. CIRCUIT BREAKER (refer to 208.1)	
25	233050GT	CABLE, PLATFORM CONTROL, 20XX GS-2032	1
25-	218579GT	WIRE CABLE 18/5 - UNSHIELDED GS-2032	324
25-	231921GT	KIT,CONN,RECEPT W/PIN AND LOCK	
25-	231922GT	KIT,CONN,PLUG W/SCKT AND LOCK	
25B	233051GT	CABLE, PLATFORM CONTROL, 26XX GS-2632	1
25B-	218579GT	WIRE CABLE 18/5 - UNSHIELDED GS-2632	440
25B-	231921GT	KIT,CONN,RECEPT W/PIN AND LOCK GS-2632	
25B-	231922GT	KIT,CONN,PLUG W/SCKT AND LOCK GS-2632	
26		REF. PCON (refer to 403.1)	
27	144213GT	CHARGER INTERLOCK CBLE,GS30/32	
28	1283053GT	HARNESS, TELEMATICS, GS SLAB	1
29	1289899GT	HARNESS, GATEWAY, GS	1
30	1289520GT	MODULE,TELEMATICS,ZTR,M7,NORTH AMERICA North America	1
30B	1289521GT	MODULE, TELEMATICS, ZTR, M7, EMEA/APAC	1
30C	1289522GT	MODULE, TELEMATICS, ZTR, M7, APAC/ANZ	1
30D	1289523GT	MODULE, TELEMATICS, ZTR, M7, JAPAN Japan	1
31	1265771GT	HARNESS, CHARGER CONTROL	1
32	1273394GT	HARNESS ,CHARGER EXTENSION	1
33	1276571GT	HARNESS,DRIVE DISABLE DOWN LIMIT	1
34	1276929GT	LIMIT SWITCH,DRIVE DISABLE,KO,LARGE	1
35	1275353GT	HARNESS, CONNECT PCON, KO	1
36	1275354GT	HARNESS, CONN FOOTSWITCH, KO	1
37	1276826GT	ASSY, FOOT SWITCH, GS KO	1
38	1275355GT	HARNESS, CONN UPLIMIT SWITCH, KO	1
39	1275254GT	HARNESS,UP LIMIT SWITCH WITH COIL,KOREAN	1
40	1275255GT	HARNESS,UP LIMIT SWITCH,KOREAN	1



Item	Part No.	Description	Qty.
A	1264822GT	KIT, TRC RETROFIT, STNDRD Telematics (includes 1264834)	
A-	1264834GT	INSTRN, TRC RETROFIT, STNDRD	
1	105664GT	ASSY,22 FT LIMIT SWITCH,GS3232	
2		REF. BATTERY CABLE (refer to 211.1)	
3		REF. FUSE (refer to 205.1)	
4		REF. LEVEL SENSOR (refer to 203.1)	
5		REF. CHARGER (refer to 206.1)	
6	T114031GT	HARNESS, ROTARY ANGLE	1
7	T113136GT	ASSY,ROT SENSR W/ HARNESS	1
8		REF. INVERTER (refer to 604.1)	
9		REF. STOBE,BEACON (refer to 601.1)	
10		REF. DOWN LIMIT, GS (refer to 203.1)	
11		REF. ELECTRIC MOTOR (refer to 504.1)	
12	1270457GT	CONTACTOR, DRIVE, 24V, 180A UNBRANDED	1
13		REF. BATTERY CABLE (refer to 211.1)	
14	96853GT	ASSY,POTHOLE HARNESS GS32/GS46	1
15		REF. MOTOR CONTROLLER (refer to 207.1)	
16		REF. PRESSURE TRANSDUCER HARNESS (refer to 701.1)	
17	233431GT	HRNS,CONTACTOR SIGNL,GS30/32	1
18	233055GT	CABLE,LIFT CYL DWN, 32XX,W/LS (Australia, CE)	1
18B	234168GT	CABLE,LIFT CYL DWN, 32XX,WO/LS (ANSI, CSA)	1
19	1257824GT	HARNESS,FUNCTION MANIFOLD,GS replaced T110889GT (Black connector)	1
20		REF. GCON (refer to 208.1)	
21		REF. KEYSWITCH (refer to 208.1)	
22	1284194GT	HARNESS, GS3232, SENSORS, ANSI (for use with 228406), ANSI & CSA	
22B	1284193GT	HARNESS, GS3232, SENSORS, CE (for use with 228406), CE & AUS	
23	1258394GT	HARNESS, GS POWER CONTROL	1
24		REF. E-STOP BUTTON (refer to 208.1)	



210.1 Electrical Wiring, GS-3232 (to SN GS32D-230)



Go to Discount-Equipment.com to order your parts

210.1 Electrical Wiring, GS-3232 (to SN GS32D-230)

Item	Part No.	Description	Qty.
25	1284195GT	HARNESS, GS3232, OUTRIGGER (for use with 228406)	
26		REF. CIRCUIT BREAKER (refer to 208.1)	
27	1291577GT	PRESSURE TRANSDUCER,0-5K PSI outriggers	1
28	233052GT	CABLE, PLATFORM CONTROL, 32XX	1
28-	218579GT	WIRE CABLE 18/5 - UNSHIELDED	518
28-	231921GT	KIT,CONN,RECEPT W/PIN AND LOCK	
28-	231922GT	KIT,CONN,PLUG W/SCKT AND LOCK	
29	105708GT	LEVEL SENSOR, ANALOG (for use with 228406)	1
30		REF. OUTRIGGER MANIFOLD (refer to 214.1)	
31		REF. PCON (refer to 403.1)	
32	144213GT	CHARGER INTERLOCK CBLE,GS30/32	
33	1283053GT	HARNESS, TELEMATICS, GS SLAB	1
34	1289899GT	HARNESS, GATEWAY, GS	1
35	1289520GT	MODULE, TELEMATICS, ZTR, M7, NORTH AMERICA North America	1
35B	1289521GT	MODULE, TELEMATICS, ZTR, M7, EMEA/APAC EAMA/APAC	1
35C	1289522GT	MODULE, TELEMATICS, ZTR, M7, APAC/ANZ APAC/ANZ	1
35D	1289523GT	MODULE, TELEMATICS, ZTR, M7, JAPAN Japan	1
36	1265771GT	HARNESS, CHARGER CONTROL	1
37	1273394GT	HARNESS ,CHARGER EXTENSION	1

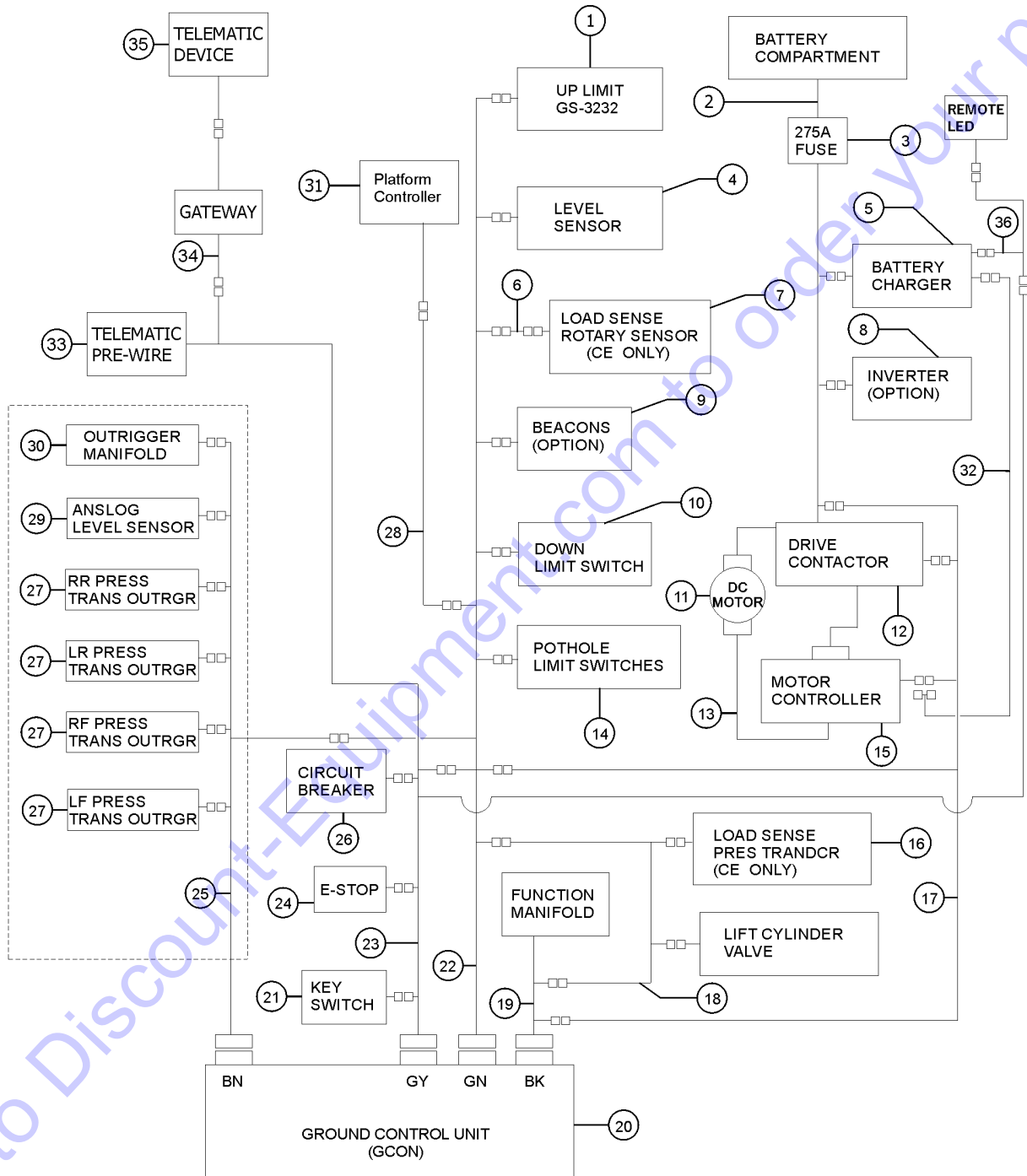
Go to Discount-Equipment.com to order your parts



Item	Part No.	Description	Qty.
A	1264822GT	KIT, TRC RETROFIT, STNDRD Telematics (includes 1264834)	
A-	1264834GT	INSTRN, TRC RETROFIT, STNDRD	
1	105664GT	ASSY,22 FT LIMIT SWITCH,GS3232	
2		REF. BATTERY CABLE (refer to 211.1)	
3		REF. FUSE (refer to 205.1)	
4		REF. LEVEL SENSOR (refer to 203.1)	
5		REF. CHARGER (refer to 206.1)	
6	T114031GT	HARNESS, ROTARY ANGLE	1
7	T113136GT	ASSY,ROT SENSR W/ HARNESS	1
8		REF. INVERTER (refer to 604.1)	
9		REF. STOBE,BEACON (refer to 601.1)	
10		REF. DOWN LIMIT, GS (refer to 203.1)	
11		REF. ELECTRIC MOTOR (refer to 504.1)	
12	1270457GT	CONTACTOR, DRIVE, 24V, 180A UNBRANDED	1
13		REF. BATTERY CABLE (refer to 211.1)	
14	96853GT	ASSY,POTHOLE HARNESS GS32/GS46	1
15		REF. MOTOR CONTROLLER (refer to 207.1)	
16		REF. PRESSURE TRANSDUCER HARNESS (refer to 701.1)	
17	233431GT	HRNS,CONTACTOR SIGNL,GS30/32	1
18	233055GT	CABLE,LIFT CYL DWN, 32XX,W/LS (Australia, CE)	1
18B	234168GT	CABLE,LIFT CYL DWN, 32XX,WO/LS (ANSI, CSA)	1
19	1257824GT	HARNESS,FUNCTION MANIFOLD,GS replaced T110889GT (Black connector)	1
20		REF. GCON (refer to 208.1)	
21		REF. KEYSWITCH (refer to 208.1)	
22	1284194GT	HARNESS, GS3232, SENSORS, ANSI (for use with 228406), ANSI & CSA	
22B	1284193GT	HARNESS, GS3232, SENSORS, CE (for use with 228406), CE & AUS	
23	1258394GT	HARNESS, GS POWER CONTROL	1
24		REF. E-STOP BUTTON (refer to 208.1)	



210.2 Electrical Wiring, GS-3232 (from SN GS32D-230)



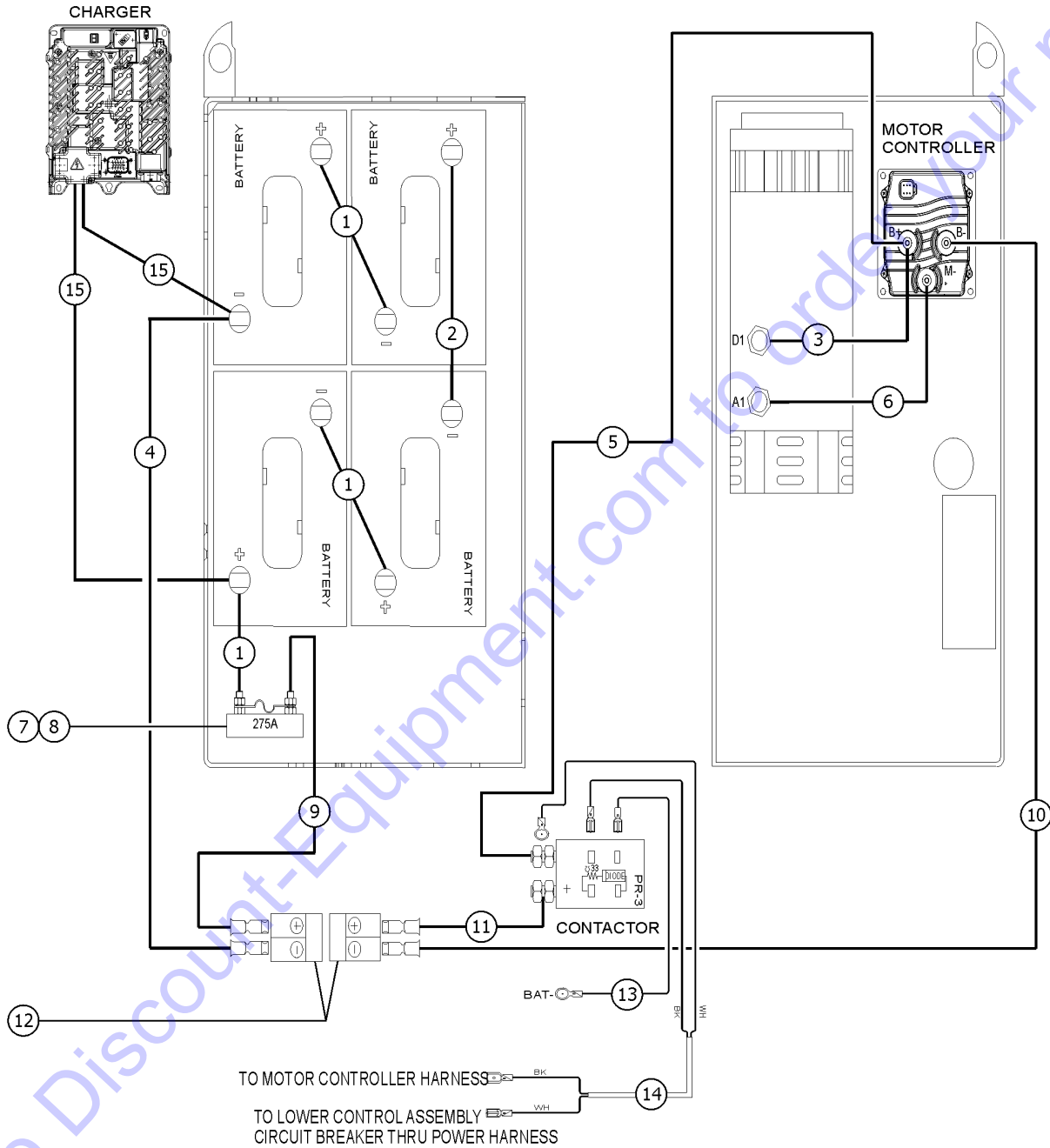
Go to Discount-Equipment.com to order your parts

Item	Part No.	Description	Qty.
25	1284195GT	HARNESS, GS3232, OUTRIGGER (for use with 228406)	
26		REF. CIRCUIT BREAKER (refer to 208.1)	
27	1291577GT	PRESSURE TRANSDUCER,0-5K PSI outriggers	1
28	233052GT	CABLE, PLATFORM CONTROL, 32XX	1
28-	218579GT	WIRE CABLE 18/5 - UNSHIELDED	518
28-	231921GT	KIT,CONN,RECEPT W/PIN AND LOCK	
28-	231922GT	KIT,CONN,PLUG W/SCKT AND LOCK	
29	105708GT	LEVEL SENSOR, ANALOG (for use with 228406)	1
30		REF. OUTRIGGER MANIFOLD (refer to 214.1)	
31		REF. PCON (refer to 403.1)	
32	144213GT	CHARGER INTERLOCK CBLE,GS30/32	
33	1283053GT	HARNESS, TELEMATICS, GS SLAB	1
34	1289899GT	HARNESS, GATEWAY, GS	1
35	1289520GT	MODULE, TELEMATICS, ZTR, M7, NORTH AMERICA North America	1
35B	1289521GT	MODULE, TELEMATICS, ZTR, M7, EMEA/APAC EAMA/APAC	1
35C	1289522GT	MODULE, TELEMATICS, ZTR, M7, APAC/ANZ APAC/ANZ	1
35D	1289523GT	MODULE, TELEMATICS, ZTR, M7, JAPAN Japan	1
36	1272120GT	HARNESS,LED CHARGER,GS32	1

Go to Discount-Equipment.com to order your parts



211.1 Power Cables



Go to Discount-Equipment.com to order your parts

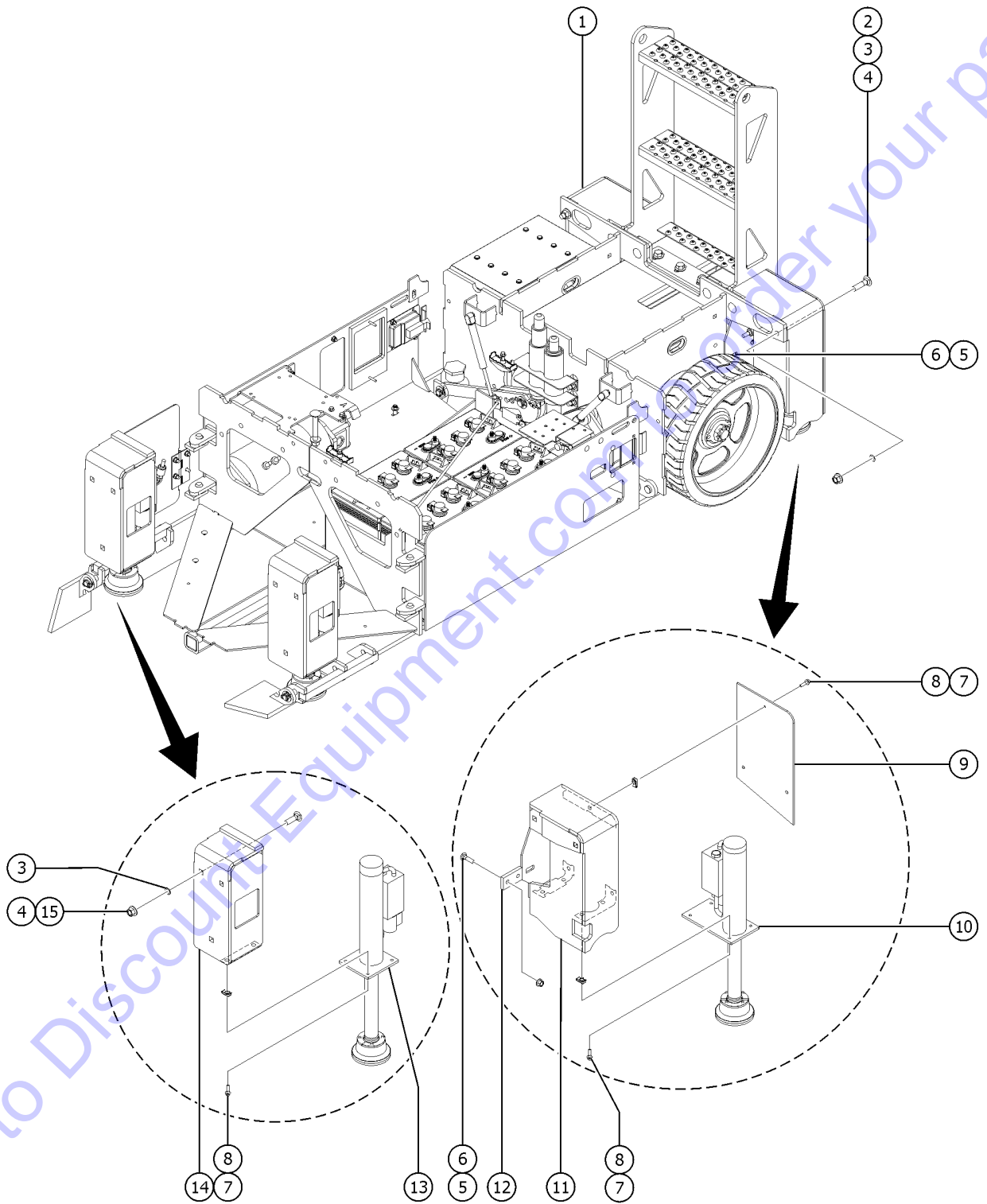
211.1 Power Cables

Item	Part No.	Description	Qty.
A	28131GT	WIRE LOOM,1.25 DIA	16
B	96110GT	BOOT, CABLE, TERMINAL COVER	14
C	79140GT	BOOT,CABLE TERMINAL,RED,XL	2
1	96304GT	CABLE ASSY,BATT,5.50"RED	3
2	96306GT	CABLE ASSY,BATT,9.50"RED	1
3	1257054GT	CABLE ASSY., BATT. 11.5" RED	1
4	232578GT	CABLE ASSY,BATT, 20" BLK	1
5	1257059GT	CABLE ASSY.,BATT. 74.5"RED	1
6	1257055GT	CABLE ASSY., BATT. 9.5" BLACK	1
7	66717GT	FUSE BLOCK, ANN & ANL FUSE	1
8	40833GT	FUSE, 275AMP, VERY FAST ACTING	1
9	232576GT	CABLE ASSY,BATT, 12" RED	1
10	1257058GT	CABLE ASSY., BATT. 79" BLACK	1
11	233371GT	CABLE ASSY, BATT, 23"RD	1
12	66397GT	QUICK DISCONNECT CASING,BATT**	2
13	232582GT	GROUND WIRE ASSY,GS	1
14	233431GT	HRNS,CONTACTOR SIGNL,GS30/32	1
15	1273576GT	CABLE ASSY,CHARGER/BATTERY	
		(for 1264372), (standard batteries)	
15B	1272844GT	CABLE,CHARGER, DC, W/ BTS	1
		(AGM batteries)	

Go to Discount-Equipment.com to order your parts



212.1 Outrigger Components, GS-3232



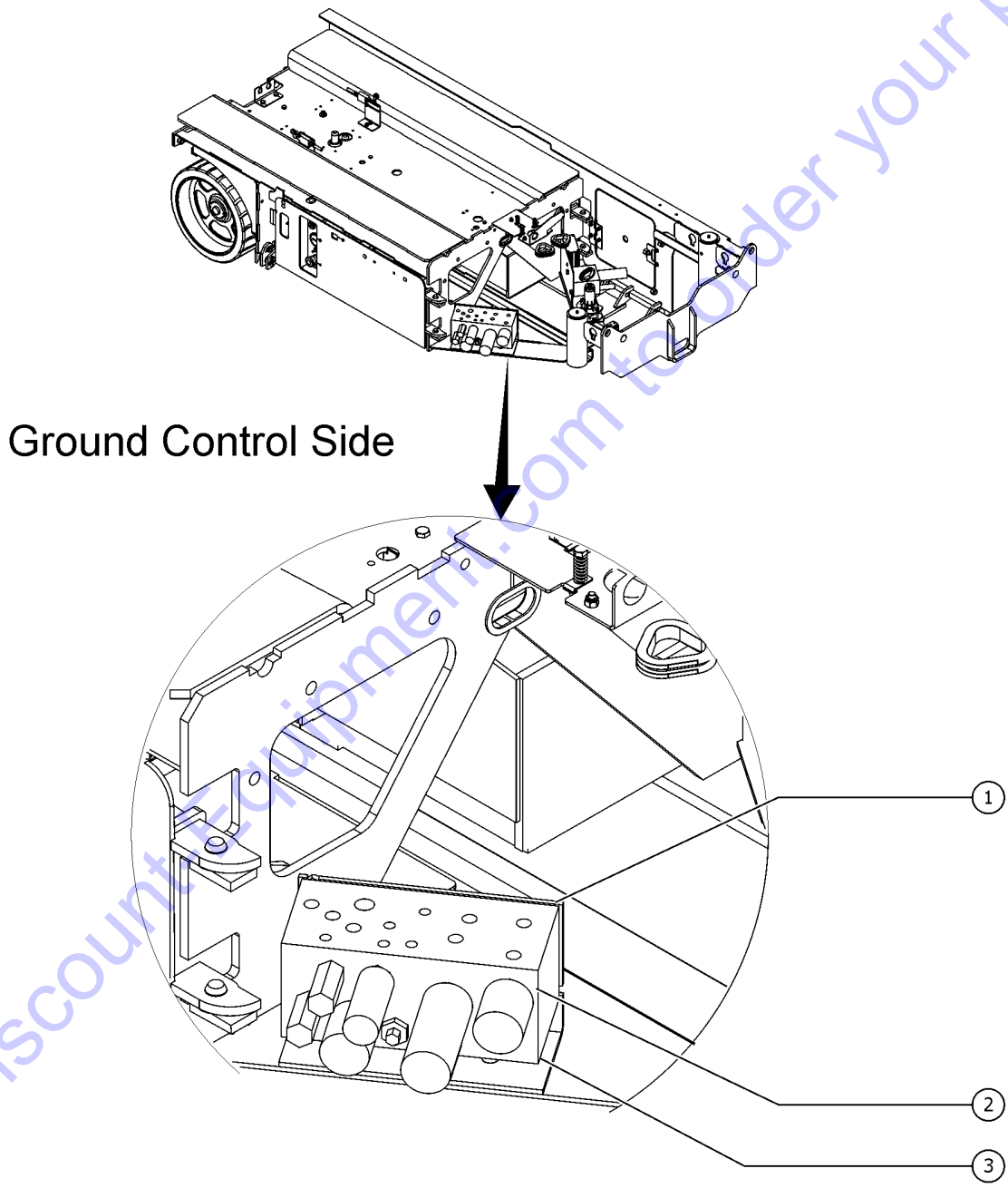
212.1 Outrigger Components, GS-3232

Item	Part No.	Description	Qty.
1	109735GT	WLDMT, OUTRIGGER, RR (ground control side)	1
2		Ref. Outrigger Manifold (refer to 509.1)	
3	105708GT	LEVEL SENSOR, ANALOG (for use with 228406)	
4	6889GT	NUT,LP NYLOCK,1/4-20	
5	80149GT	BOLT,CARRIAGE,1/4-20 X .5,G2	
6	6878GT	BOLT,CARRIAGE,1/4-20 X .75,G2	
7	6091GT	NUT, NYLOCK, 1/4-20	
8	132192GT	FORMING ACCUMULATOR CLAMP	
9	105210GT	FORMING, ACCUMULATOR BRACKET	
10	78422GT	ACCUMULATOR,180 PSI PRECHARGE*	
11		Ref. Function Manifold (refer to 502.1)	
12	105644GT	FORMING,MANIFOLD BRKT, GS3232	
13		Ref: Outrigger Cylinder, Front (refer to 508.1)	
14	109749GT	WLDMT, OUTRIGGER, FRONT	2
15	1256115GT	BOLT,CARRIAGE,1/2-13X1.75,5,ZA.	6

Go to Discount-Equipment.com to order your parts



213.1 Function Manifold and Accumulator Components, GS-2032 and GS-2632



Go to DiscountEquipment.com to order your parts

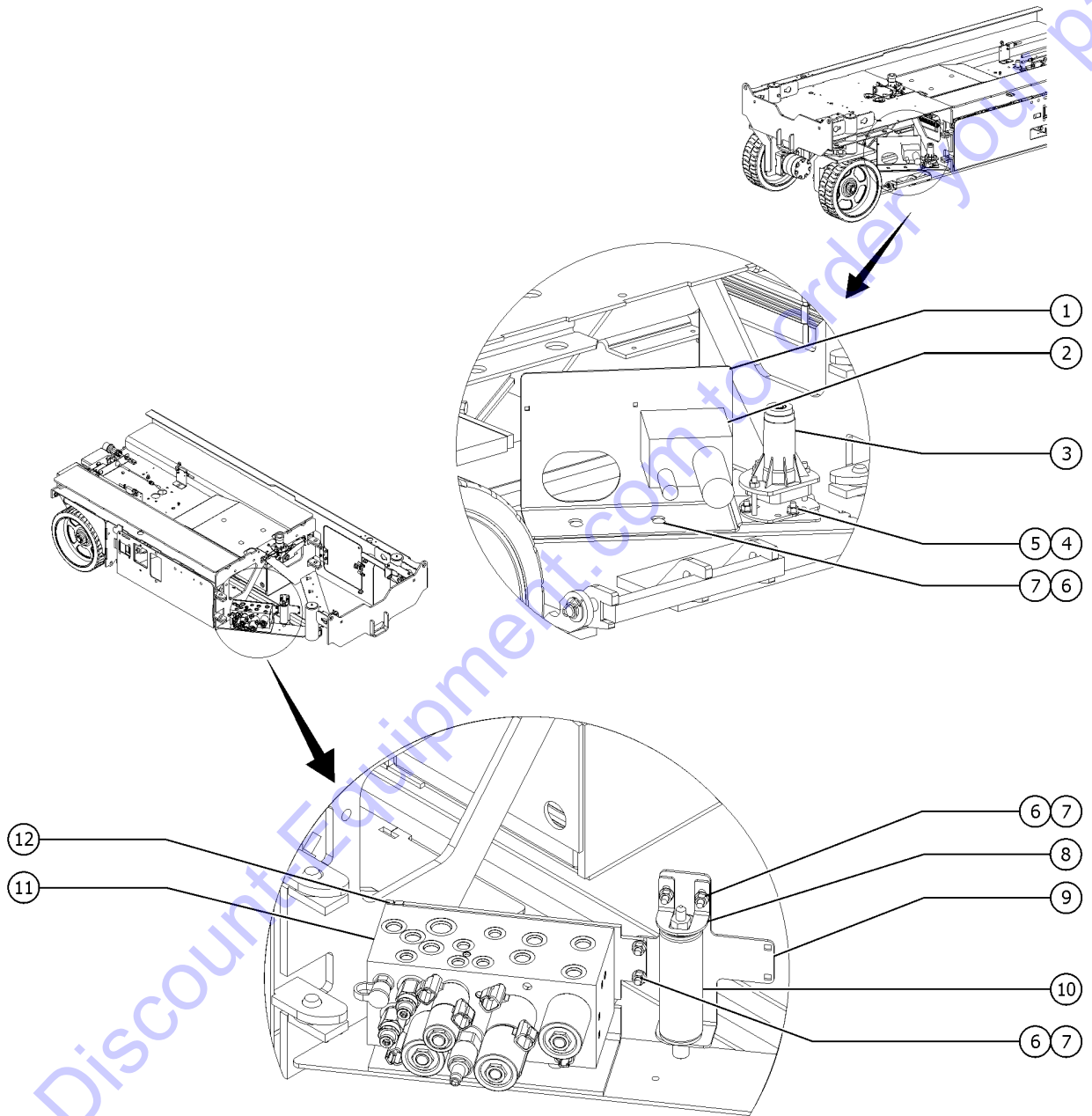
213.1 Function Manifold and Accumulator Components, GS-2032 and GS-2632

Item	Part No.	Description	Qty.
1	132370GT	FORMING MANIFOLD MOUNT	
2		Ref. Function Manifold	
		(refer to 502.1)	
3	78422GT	ACCUMULATOR,180 PSI PRECHARGE*	
		(hidden from view)	
3-	18504GT	NUT,LOCKING-LG.FLANGE,1/4-20	
3-	32339GT	CLAMP,1.75,#28 X 3/8,RUB CUSH*	
3-	9116GT	BOLT,CARRIAGE,1/4-20 X 1.25,G2	

Go to Discount-Equipment.com to order your parts



214.1 Function Manifold and Accumulator Components, GS-3232



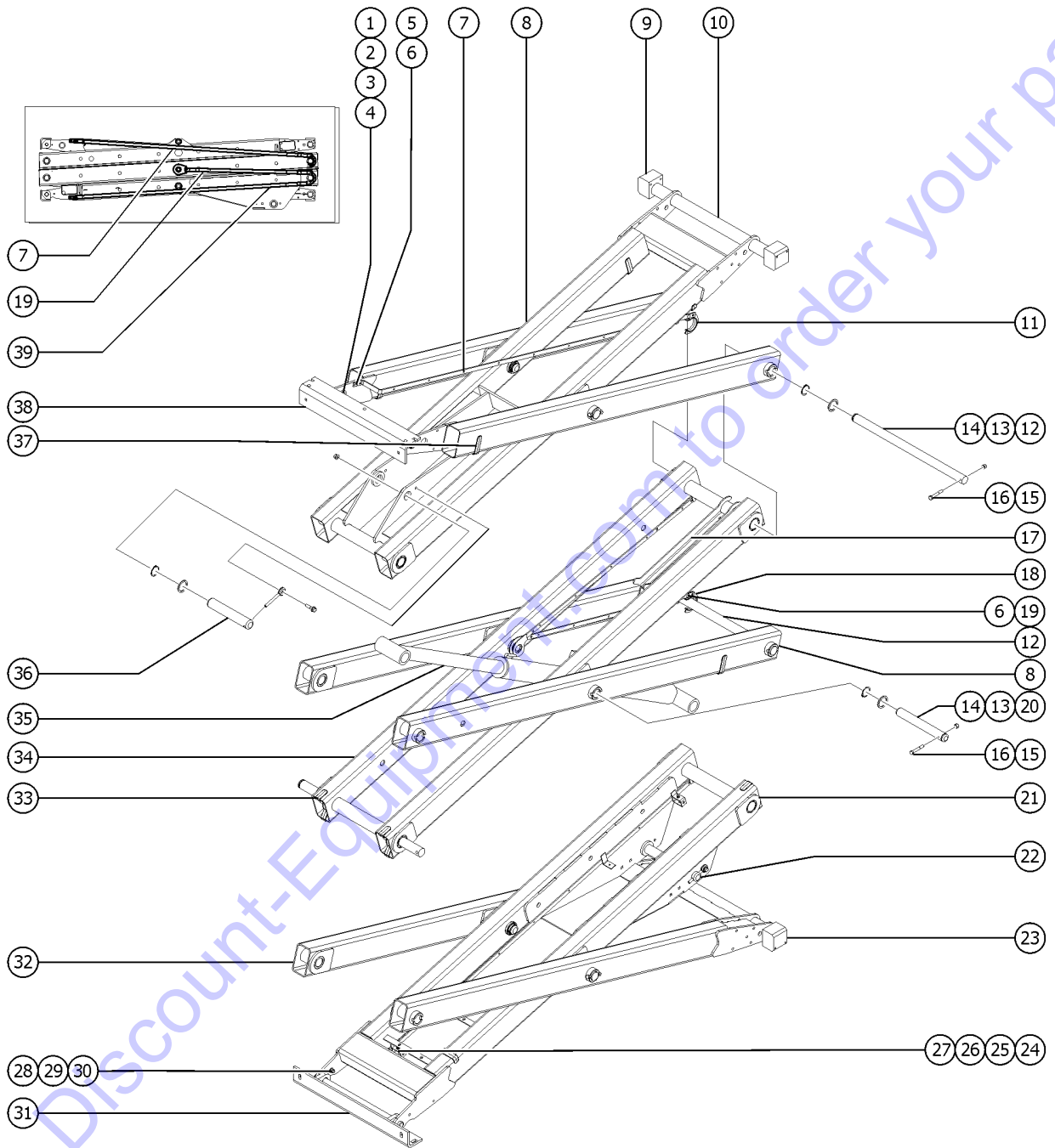
214.1 Function Manifold and Accumulator Components, GS-3232

Item	Part No.	Description	Qty.
1	105805GT	FORMING,COMPONENT BRKT,GS3232	
2		Ref. Outrigger Manifold	
		(refer to 509.1)	
3	105708GT	LEVEL SENSOR, ANALOG	
		(for use with 228406)	
4	6889GT	NUT,LP NYLOCK,1/4-20	
5	80149GT	BOLT,CARRIAGE,1/4-20 X .5,G2	
6	6878GT	BOLT,CARRIAGE,1/4-20 X .75,G2	
7	6091GT	NUT, NYLOCK, 1/4-20	
8	132192GT	FORMING ACCUMULATOR CLAMP	
9	105210GT	FORMING, ACCUMULATOR BRACKET	
10	78422GT	ACCUMULATOR,180 PSI PRECHARGE*	
11		Ref. Function Manifold	
		(refer to 502.1)	
12	105644GT	FORMING,MANIFOLD BRKT, GS3232	

Go to Discount-Equipment.com to order your parts

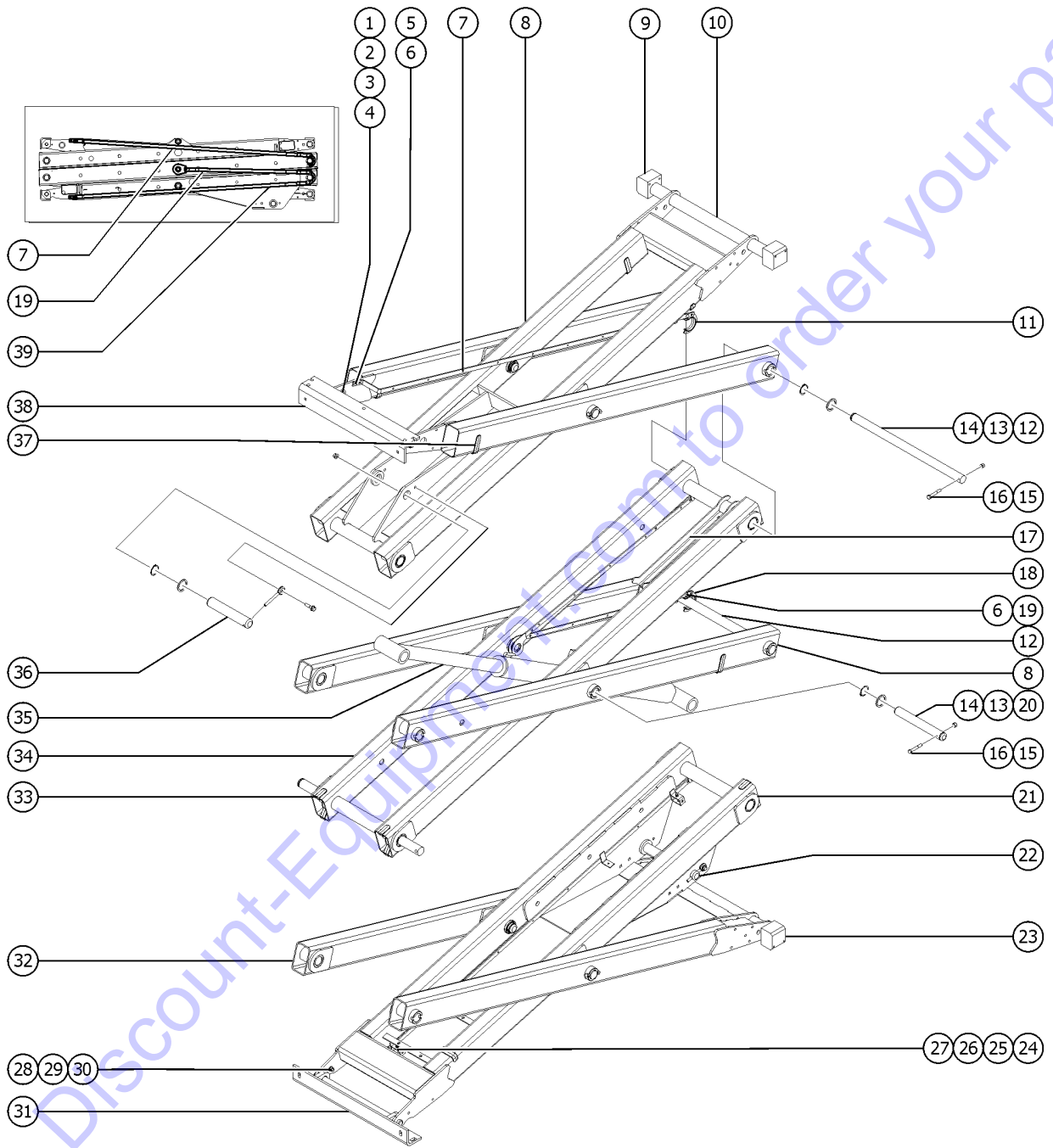


302.1 Scissor Assembly, GS-2032



Item	Part No.	Description	Qty.
1	96932GT	PIN, LINKSET MOUNT, 3/4"	1
2	825020GT	ROD END,.250X2.75,ZAG	2
3	824080GT	SCREW,HHF,1/4-20X1.25,8,ZAG	2
4	824027GT	NUT, TL FLG, 1/4-20, G, ZAG	2
5	1256127GT	BOLT,CARRIAGE,1/4-20X1",GR 5,ZAG	2
6	1256679GT	NUT,SERRATED,1/4-20,8,ZAG	5
7	132267GT	BAR,CABLE BRIDGE ARM,UPPER	1
8	132304GT	WLDMT,LINK,OUTER#3-20XX,#5-32XX	4
9		Ref. Platform Slider (refer to 301.1)	
10	132299GT	WLDMT,LNK,INNER #3,2032	1
11	105193GT	CLIP,CABLEBRIDGE,GS32/46	2
12	96899GT	PIN, LONG, GS46	4
13	1260941GT	WASHER,SHIM,1.54X2.00X.125,ZAG	10
14	825796GT	SNAP RING,EXTERNAL,1.50,ZAG	8
15	1256848GT	SCREW,HHC,3/8-16X2.75,8,ZAG	12
16	824025GT	NUT,TL,3/8-16,C,ZAG	10
17	58000GT	SAFETY CHOCK,SCISSOR	1
18	132273GT	WELDMENT,CABLE BRIDGE,TOP TOP	2
18B	132270GT	WLDMT,CABLE BRIDGE,BOTTOM BOTTOM	2
19	1260963GT	BOLT,CARRIAGE,1/4-20X.63,5,ZAG	2
20	96900GT	PIN, SHORT, GS46	6
21	132274GT	WLDMT,LNK,INNER #1	1
22	96662GT	PIN, LOWER CYLINDER MOUNT	1
23		Ref. Chassis Slider (refer to 301.1)	
24	58592GT	PLATE,HOSE ROUTG,BULKHEAD(PTD)	2
25	78736GT	CLAMP,2 HOSE,PLASTIC,5/8	4
26	1259201GT	BOLT,CARRIAGE,10-24X2,A,ZAG	3
27	1256467GT	NUT,TL FLG,10-24,F,ZAG	3

302.1 Scissor Assembly, GS-2032

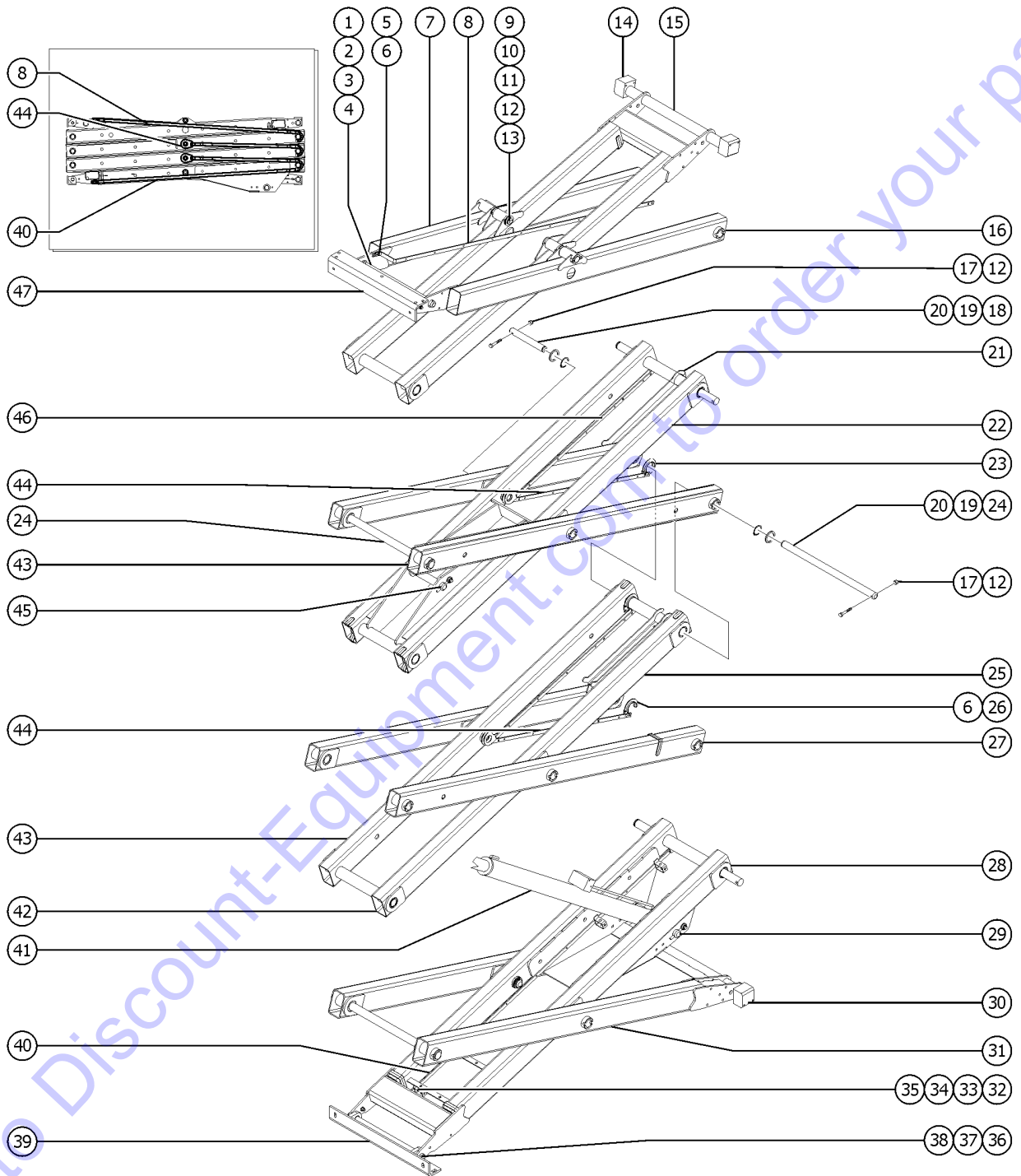


Item	Part No.	Description	Qty.
28	96862GT	PIN, LINKSET MOUNT, 1"	1
29	825019GT	ROD END,.375X3.69,ZAG	3
30	824092GT	SCREW,HHF,3/8-16X1.5,8,ZAG	3
31		Ref. Chassis Mount Assembly	
		(refer to 301.1)	
32	132288GT	WLDMT,LNK,OUTER #1,GS32	1
33	96735GT	LINK BUMPER, 5"	4
34	132294GT	WLDMT,LNK,INNER #2	1
34-	66055GT	BEARING,1.50IDX1.77ODX1.25L	8
34B	1275749GT	WLDMT,LNK,INNER #1,KO	1
		(only Korea Market)	
35		Ref. Lift Cylinder	
		(refer to 505.1)	
36	96661GT	PIN, UPPER CYLINDER MOUNT	1
37	96836GT	LINK BUMPER, SHORT TUBE	8
38		Ref. Platform Mounting Assembly	
		(refer to 301.1)	
39	132266GT	WLDMNT,CABLE BRIDGE,LOWER	1

Go to Discount-Equipment.com to order your parts

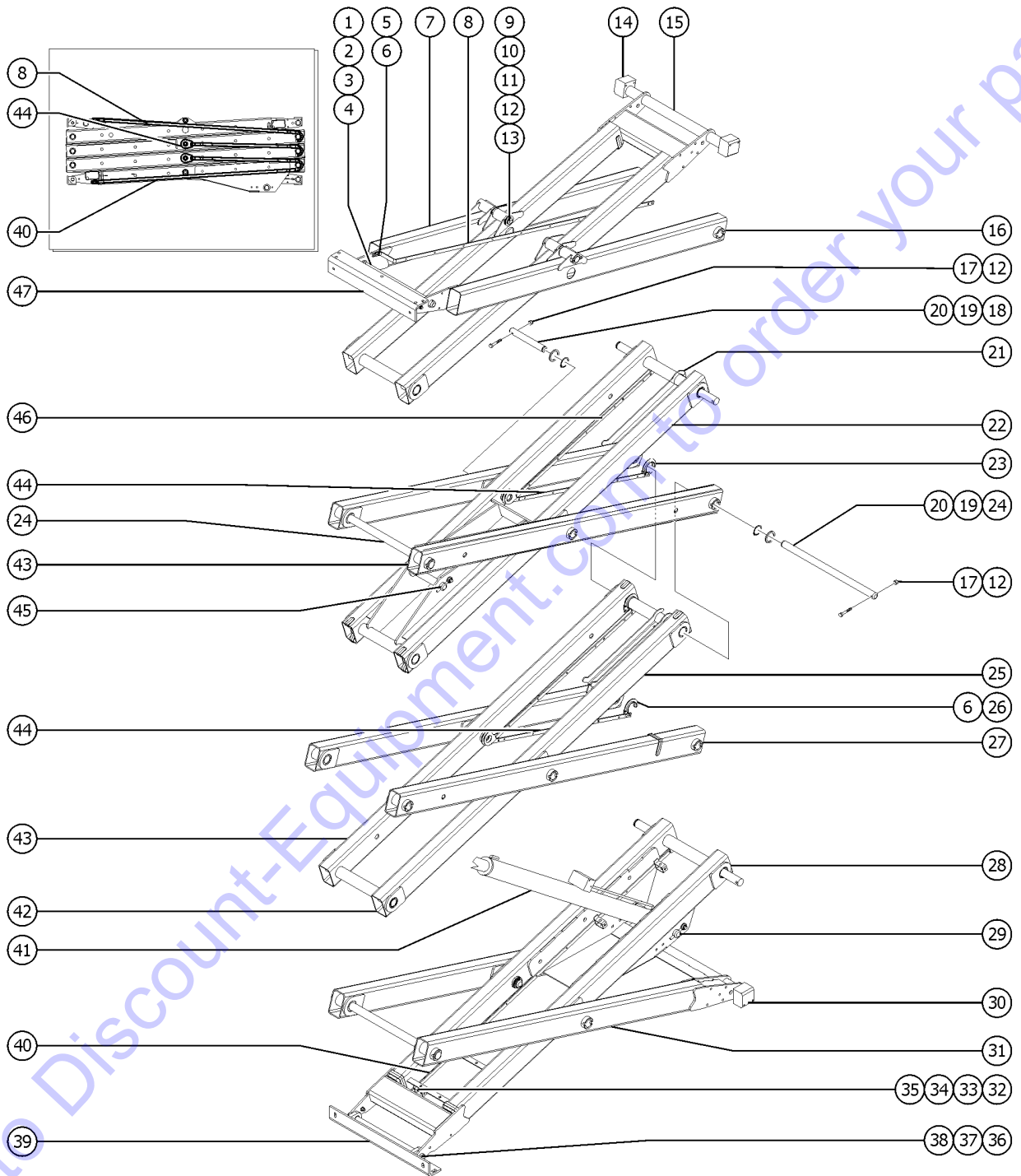


303.1 Scissor Assembly, GS-2632



Item	Part No.	Description	Qty.
1	96932GT	PIN, LINKSET MOUNT, 3/4"	1
2	825020GT	ROD END,.250X2.75,ZAG	2
3	824080GT	SCREW,HHF,1/4-20X1.25,8,ZAG	2
4	824027GT	NUT, TL FLG, 1/4-20, G, ZAG	2
5	1256127GT	BOLT,CARRIAGE,1/4-20X1",GR 5,ZAG	2
6	1256679GT	NUT,SERRATED,1/4-20,8,ZAG	6
7	132383GT	WELDMENT,LNK,OUTER#4,RIGHT	1
8	132267GT	BAR,CABLE BRIDGE ARM,UPPER	
9	96130GT	PIN, MINI, CENTRE	2
10	824164GT	SNAP RING,EXTERNAL,1.25,ZAG	2
11	824151GT	WASHER,SHIM,1.270X2.130X.062,Z	2
12	824025GT	NUT,TL,3/8-16,C,ZAG	14
13	1256848GT	SCREW,HHC,3/8-16X2.75,8,ZAG	2
14		Ref. Platform Slider (refer to 301.1)	
15	132379GT	WLDMT,LNK,INNER #4,2632	1
15-	66055GT	BEARING,1.50IDX1.77ODX1.25L	8
16	132385GT	WELDMENT,LNK,OUTER#4,LEFT	1
17	1256848GT	SCREW,HHC,3/8-16X2.75,8,ZAG	12
18	96900GT	PIN, SHORT, GS46	6
19	1260941GT	WASHER,SHIM,1.54X2.00X.125,ZAG	10
20	825796GT	SNAP RING,EXTERNAL,1.50,ZAG	12
21	58000GT	SAFETY CHOCK,SCISSOR	1
22	132275GT	TUBE,75.0X125.0X4.50X441.0	1
22-	66055GT	BEARING,1.50IDX1.77ODX1.25L	8
23	105193GT	CLIP,CABLEBRIDGE,GS32/46	
24	96899GT	PIN, LONG, GS46	6
25	96836GT	LINK BUMPER, SHORT TUBE	8
26	1260963GT	BOLT,CARRIAGE,1/4-20X.63,5,ZAG	3

303.1 Scissor Assembly, GS-2632

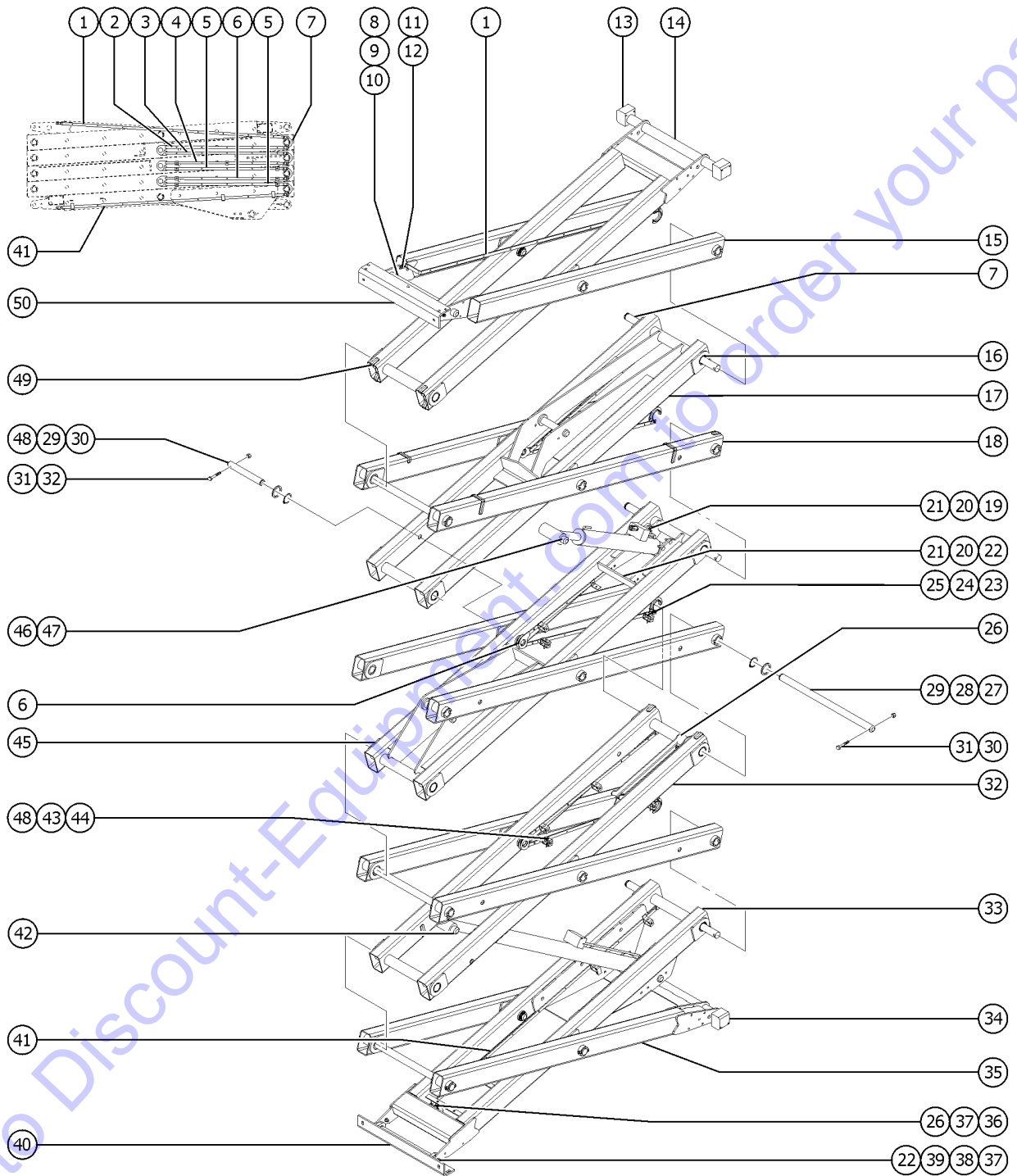


Item	Part No.	Description	Qty.
27	132298GT	WLDMT,LNK,OUTER #2,#3,#4	4
28	132274GT	WLDMT,LNK,INNER #1	1
29	96662GT	PIN, LOWER CYLINDER MOUNT	1
30		Ref. Chassis Slider (refer to 301.1)	
31	132288GT	WLDMT,LNK,OUTER #1,GS32	1
32	132119GT	PLATE,HOSE ROUTING,BULKHEAD *	2
33	78736GT	CLAMP,2 HOSE,PLASTIC,5/8	4
34	1259201GT	BOLT,CARRIAGE,10-24X2,A,ZAG	3
35	1256467GT	NUT,TL FLG,10-24,F,ZAG	3
36	96862GT	PIN, LINKSET MOUNT, 1"	1
37	825019GT	ROD END,.375X3.69,ZAG	3
38	824092GT	SCREW,HHF,3/8-16X1.5,8,ZAG	3
39		Ref. Chassis Mount Assembly (refer to 301.1)	
40	132266GT	WLDMNT,CABLE BRIDGE,LOWER	
41		Ref. Lift Cylinder (refer to 505.1)	
42	96735GT	LINK BUMPER, 5"	4
43	132294GT	WLDMT,LNK,INNER #2	1
43-	66055GT	BEARING,1.50IDX1.77ODX1.25L	8
43B	1275749GT	WLDMT,LNK,INNER #1,KO (only Korea Market)	1
44	132273GT	WELDMNT.CABLE BRIDGE,TOP	
45	96812GT	PIN, LOWER CYL, ROD END	1
46	132270GT	WLDMT,CABLE BRIDGE,BOTTOM	
47		Ref. Platform Mount Assembly (refer to 301.1)	

Go to DiscountEquipment.com to order your parts



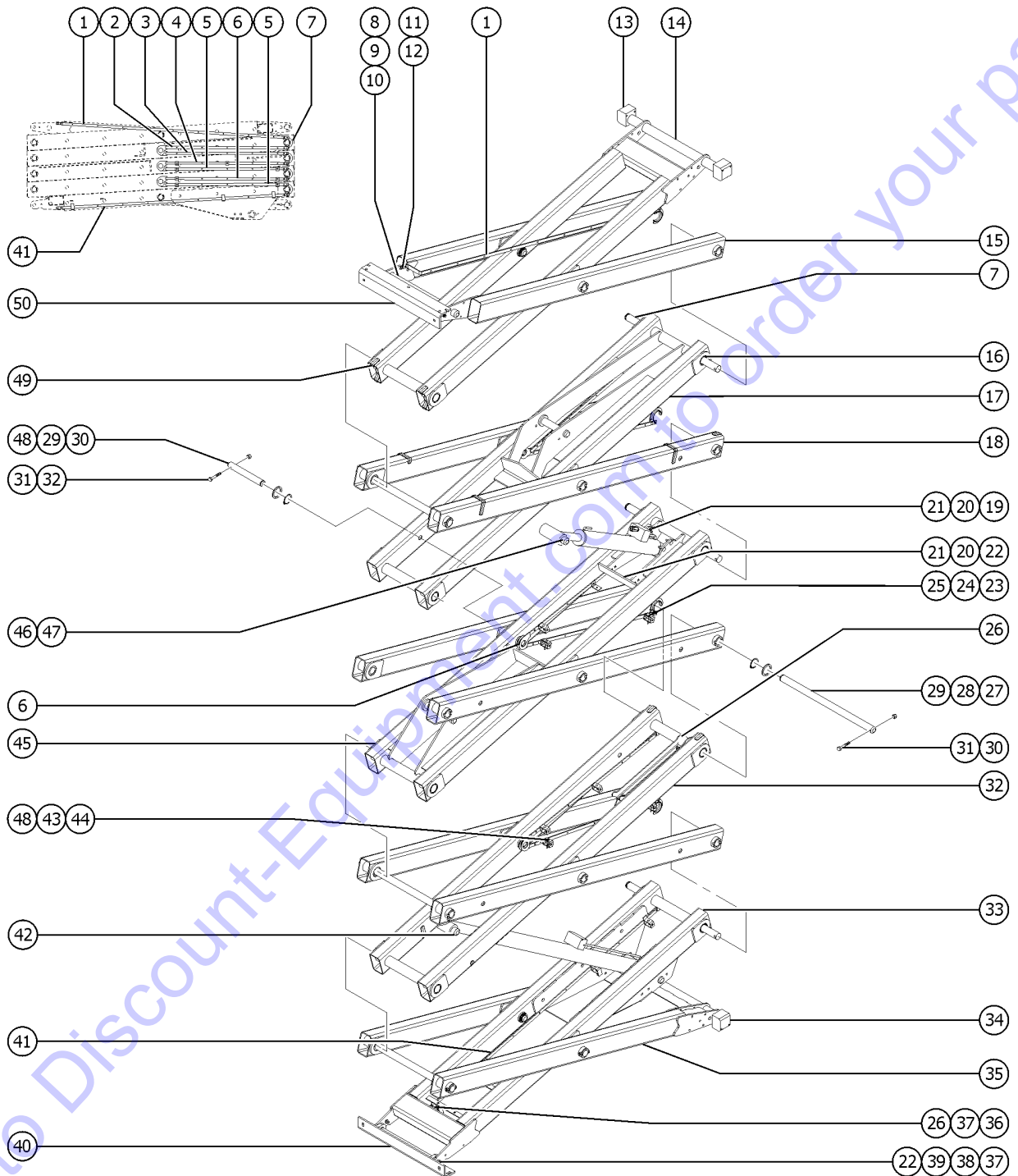
304.1 Scissor Assembly, GS-3232



Item	Part No.	Description	Qty.
1	132273GT	WELDMENT,CABLE BRIDGE, TOP	1
2	132270GT	WLDMT,CABLE BRIDGE,BOTTOM	1
3	132436GT	WLDMNT,CABLE BRIDGE,MID,32XX,M	1
4	132270GT	WLDMT,CABLE BRIDGE,BOTTOM	1
5	132392GT	WLDMNT,CABLE BRIDGE,BTM,32XX,M	2
6	105193GT	CLIP,CABLEBRIDGE,GS32/46	6
7	96932GT	PIN, LINKSET MOUNT, 3/4"	
8	825020GT	ROD END,.250X2.75,ZAG	1
9	824080GT	SCREW,HHF,1/4-20X1.25,8,ZAG	2
10	824027GT	NUT, TL FLG, 1/4-20, G, ZAG	2
11	1256679GT	NUT,SERRATED,1/4-20,8,ZAG	2
12	1256127GT	BOLT,CARRIAGE,1/4-20X1",GR 5,ZAG	7
13	96595GT	SLIDER,UHMW	
14	1294708GT	WLDMT,LNK,INNER #5,3232	1
14-	66055GT	BEARING,1.50IDX1.77ODX1.25L	1
15	132304GT	WLDMT,LINK,OUTER#3-20XX,#5-32XX	2
16	66055GT	BEARING,1.50IDX1.77ODX1.25L	1
16-	96836GT	LINK BUMPER, SHORT TUBE	8
17	132401GT	WLDMT,LINK,INNER#4,32XX	8
18	96735GT	LINK BUMPER, 5"	6
19	96700GT	PLATE, PIN RETAINER	
		(refer to 505.1)	
20	1256756GT	BOLT,CARRIAGE,3/8-16X1.5,5,ZAG	2
21	824029GT	NUT,TL FLG,3/8-16,G,ZAG	6
22	96971GT	FORMING,HOSE CLAMP,UPPER CYL	10
23	78736GT	CLAMP,2 HOSE,PLASTIC,5/8	1
24	1259201GT	BOLT,CARRIAGE,10-24X2,A,ZAG	18
25	1256467GT	NUT,TL FLG,10-24,F,ZAG	9
26	58000GT	SAFETY CHOCK,SCISSOR	11

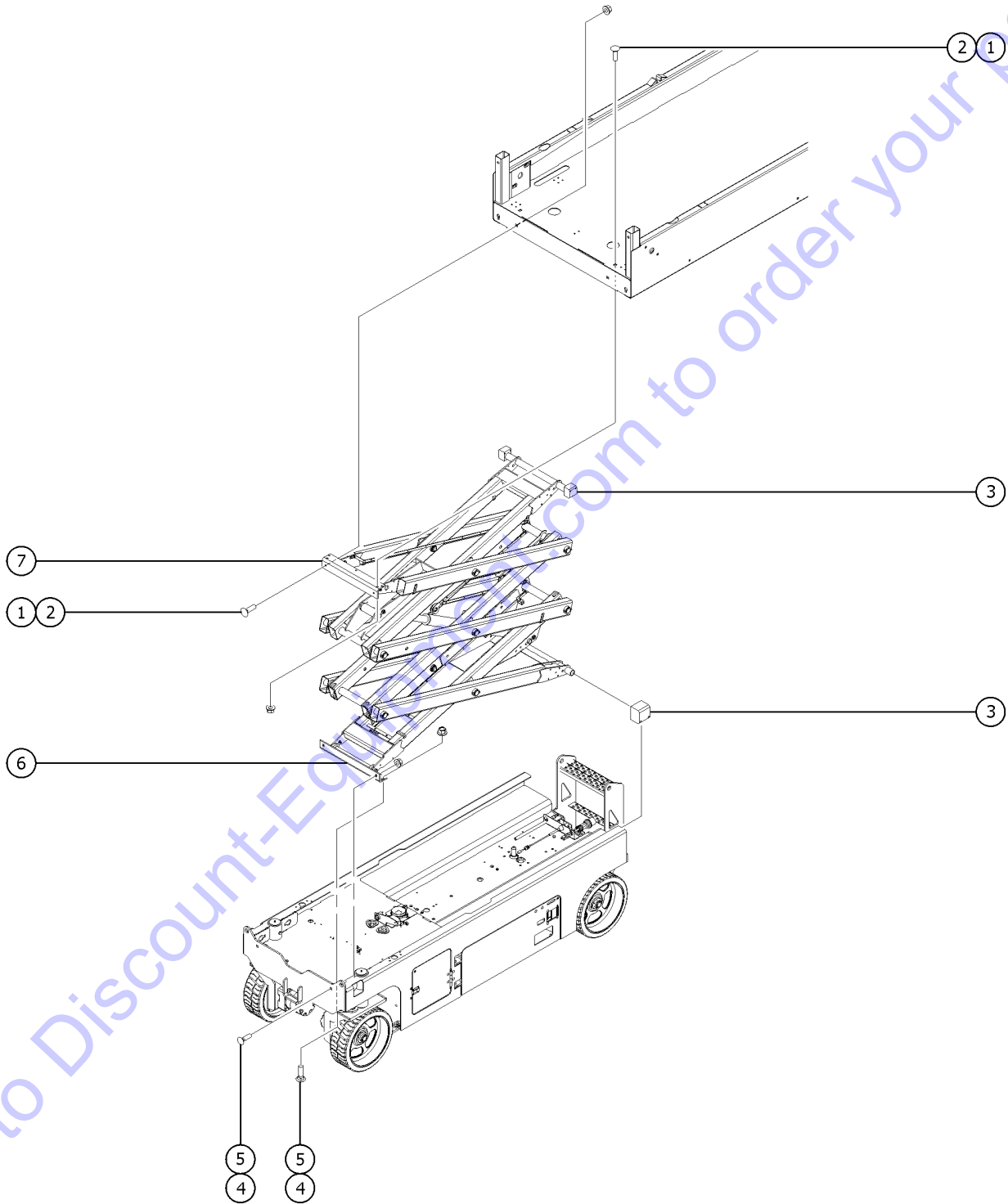


304.1 Scissor Assembly, GS-3232



Item	Part No.	Description	Qty.
27	96899GT	PIN, LONG, GS46	1
28	1260941GT	WASHER,SHIM,1.54X2.00X.125,ZAG	8
29	825796GT	SNAP RING,EXTERNAL,1.50,ZAG	15
30	1256848GT	SCREW,HHC,3/8-16X2.75,8,ZAG	12
31	824025GT	NUT,TL,3/8-16,C,ZAG	18
32	97234GT	INNER ARM ASSY, #2, GS32&46	18
33	132274GT	WLDMT,LNK,INNER #1	1
33-	96662GT	PIN, LOWER CYLINDER MOUNT	
34	96595GT	SLIDER,UHMW	
35	132288GT	WLDMT,LNK,OUTER #1,GS32	1
36	1260962GT	BOLT,CARRIAGE,10-24X2.5,A,ZAG	3
37	96862GT	PIN, LINKSET MOUNT, 1"	2
38	825019GT	ROD END,.375X3.69,ZAG	1
39	824092GT	SCREW,HHF,3/8-16X1.5,8,ZAG	4
40	132307GT	WELDMNT,CHASSIS MOUNT	1
41	132266GT	WLDMNT,CABLE BRIDGE,LOWER	1
42	96812GT	PIN, LOWER CYL, ROD END	
43	1256462GT	BOLT,CARRIAGE,1/4-20X.5,5,ZAG	2
44	132190GT	CLAMP	
45	96608GT	WLDMT,LNK,INNER #3,32XX	4
45-	66055GT	BEARING,1.50IDX1.77ODX1.25L	1
46	96661GT	PIN, UPPER CYLINDER MOUNT	8
47	96663GT	PIN, SADDLE CYLINDER MOUNT	1
48	96900GT	PIN, SHORT, GS46	1
49	96735GT	LINK BUMPER, 5"	6
50		Ref. Platform Mount Assembly (refer to 301.1)	

301.1 Scissor Assembly Installation



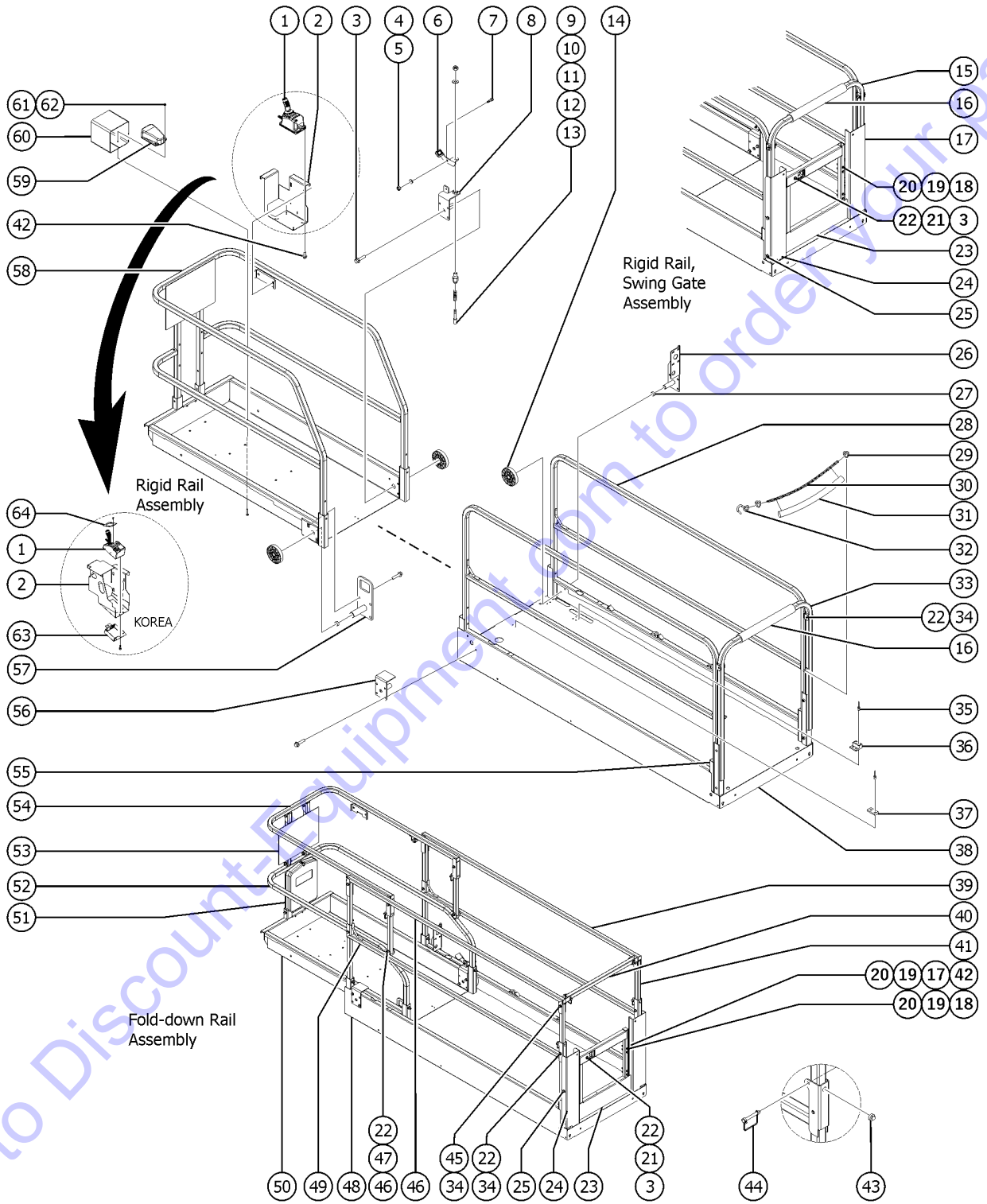
Go to Discount-Equipment.com to order your parts

Item	Part No.	Description	Qty.
1	1255757GT	BOLT,CARRIAGE,3/8-16X1.25,5,ZAG	4
2	824029GT	NUT,TL FLG,3/8-16,G,ZAG	4
3	96595GT	SLIDER,UHMW	4
4	1256115GT	BOLT,CARRIAGE,1/2-13X1.75,5,ZA.	4
5	1251997GT	NUT,TL,FLG,1/2-13,G,ZAG	4
6	132307GT	WELDMENT,CHASSIS MOUNT	1
6-	51474GT	BEARING,1.00IDX1.25ODX0.75L	2
7	132310GT	WELDMENT,PLATFORM MOUNT	1
7-	36369GT	BEARING,0.75IDX1.00ODX0.75L	2

Go to Discount-Equipment.com to order your parts



401.1 Platform Components

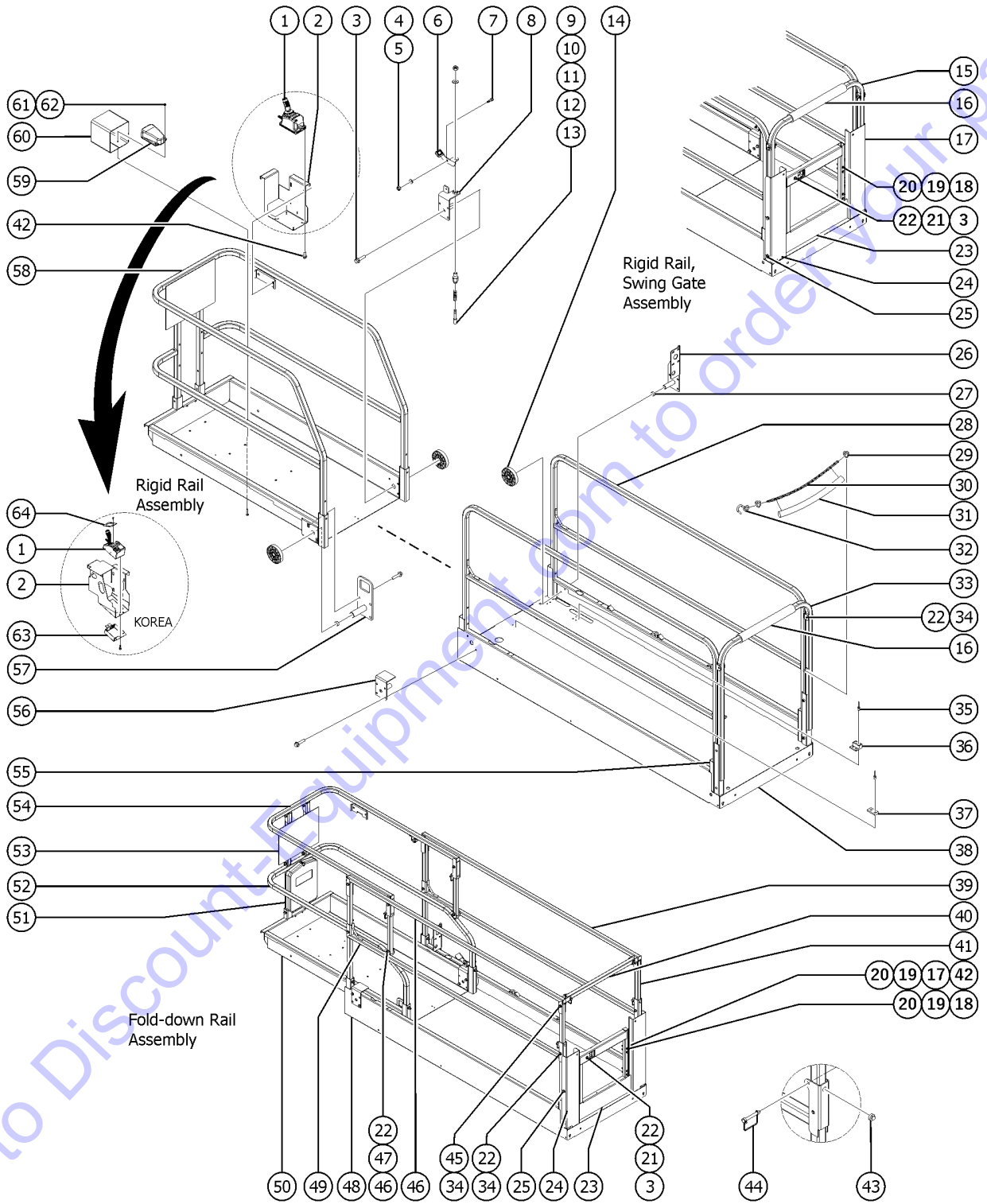


401.1 Platform Components

Item	Part No.	Description	Qty.
1		Ref. Platform Control Box (refer to 403.1)	
2		Ref. Platform Control Box Mount (refer to 403.1)	
3	1253478GT	SCREW,HHF,3/8-16X2,8,ZAG	8
4	1252977GT	NUT,TL JAM,5/16-18,A,ZAG	1
5	825358GT	WASHER,FLAT,5/16,USS,ZAG	1
6	46260GT	FOOTPEDAL W/NON-SKID TAPE,GS**	1
6-	47166GT	BRACKET,FOOT PEDAL (non skid tape not included)	1
6-	47255GT	TAPE,NON-SKID,DIE CUT,1.38X1.5 (sold separately)	
7	1259223GT	BOLT,SHS,3/8X.375X5/16-18,ZAG	1
8	132151GT	ROLLER SUPPORT BRACKET	1
9	1259181GT	PIN,LOCK,0.5X3.125,ZAG	1
10	39469GT	SPRING,COMPRESSION.485 X1.75**	1
11	41630GT	HOUSING, LOCK PIN	1
12	1255758GT	WASHER,FLAT,3/8,USS,ZAG	1
13	824038GT	NUT, TL JAM, 3/8-16, A, ZAG	1
14	47163GT	ROLLER,PLATFORM EXTENSION	4
15	105146GT	FORMING,SG HEADER RAIL,GS2032	1
16	47188GT	FOAM,CLOSED CELL 1.75X.250X18"	1
16-	28443GT	CABLE TIE, 11.5" BLACK	
17	132227GT	FORMING HALF GATE, HINGE (ground controls side)	1
18	1253485GT	SCREW,HHF,1/4-20X2,8,ZAG	4
19	104804GT	HINGE, SPRING, LONG LEG	2
20	1277924GT	NUT,NYLOCK FLG,1/4-20,F,ZAG	
21	65990-SGT	KIT,GATE LATCH (includes latch, spring and hardware)	1
22	824029GT	NUT,TL FLG,3/8-16,G,ZAG	5
23	132021GT	WLDMT, HALF GATE (decals not included, refer to section one)	1
23-	22446GT	SPRING, COMPRESSION .835 X 2 included in kit 65990-SGT	1
23-	66544GT	LATCH HANDLE included in kit 65990-SGT	1



401.1 Platform Components

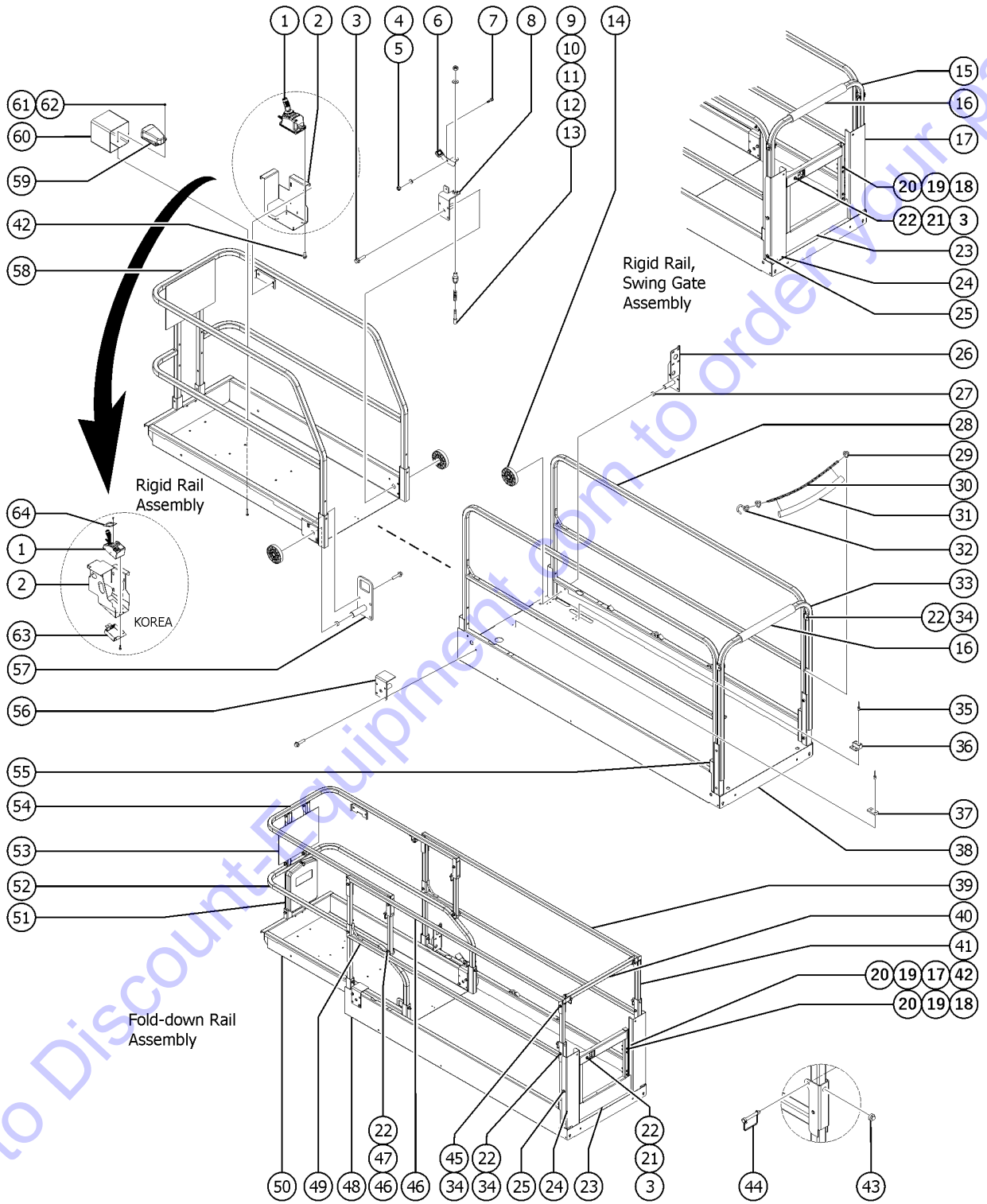


401.1 Platform Components

Item	Part No.	Description	Qty.
24	132237GT	WLDT HALF GATE CATCH (battery pack side)	1
25	824094GT	SCREW,HHF,3/8-16X2.75,8,ZAG	2
26	132128GT	ROLLER BRKT RT (ground controls side)	1
27	21279GT	BUTTON, .800 O.D. X .281	3
28	97044GT	MAIN RAIL RIGID, SQ GS32	2
29	105157GT	FIXED RAIL,CHAIN GATE,GS2032 (GS-2032)	1
29-	96163GT	LINK,(SPLIT) OPEN-END	2
30	39509GT	CHAIN,3/16,OPEN LINK 22.5"	1
31	47224GT	TUBING,PVC,1",BLACK***	
32	39510GT	RIGID EYE SNAP	1
33	105093GT	WELDMENT, CHAIN GATE	1
34	1256693GT	SCREW,HHF,3/8-16X2.25,8,ZAG	2
35	39579GT	RIVET,STL,STL,.188 X .45	20
36	39310GT	WEAR/GUIDE PAD MAIN PLATFORM	4
37	39474GT	WEAR PAD,PLATFORM	2
38	132255GT	WLDMT,MAIN DECK,GS32 (decals not included, refer to section one)	1
38-	47098GT	TAPE,NON-SKID,DIE CUT,4"X 40" (not included sold separately)	
38-	47231GT	TAPE,NON-SKID,DIE CUT,4"X 16" (not included sold separately)	
38-	47374GT	TAPE,NON-SKID,DIE CUT,4"X 32" (not included sold separately)	
38B	1302363GT	WLDMNT, PLATFORM, MIDI, PUNCHED (only Korea Market)	1
39	132248GT	WELDMENT, TOP RAIL,MAIL PLAT,RT (ground controls side)	1
39-	78038GT	CAP, PLASTIC, 1.25 X 0.08"	
40	105057GT	TUBE, ENTRY SWING, GS32	1
41	66485GT	TUBE, VERT, FOLDING	6
42	824078GT	SCREW,HHF,1/4-20X.75,8,ZAG	
43	43392GT	BUMPER,BATTERY BOX & RAILS	4
44	1307198GT	PIN,WIRE LOCK,3/8X2-1/2SQ DW SnPn	
44-	78022GT	LANYARD,BLACK NYLON,TYPE 1*** (CE & Australia models)	



401.1 Platform Components

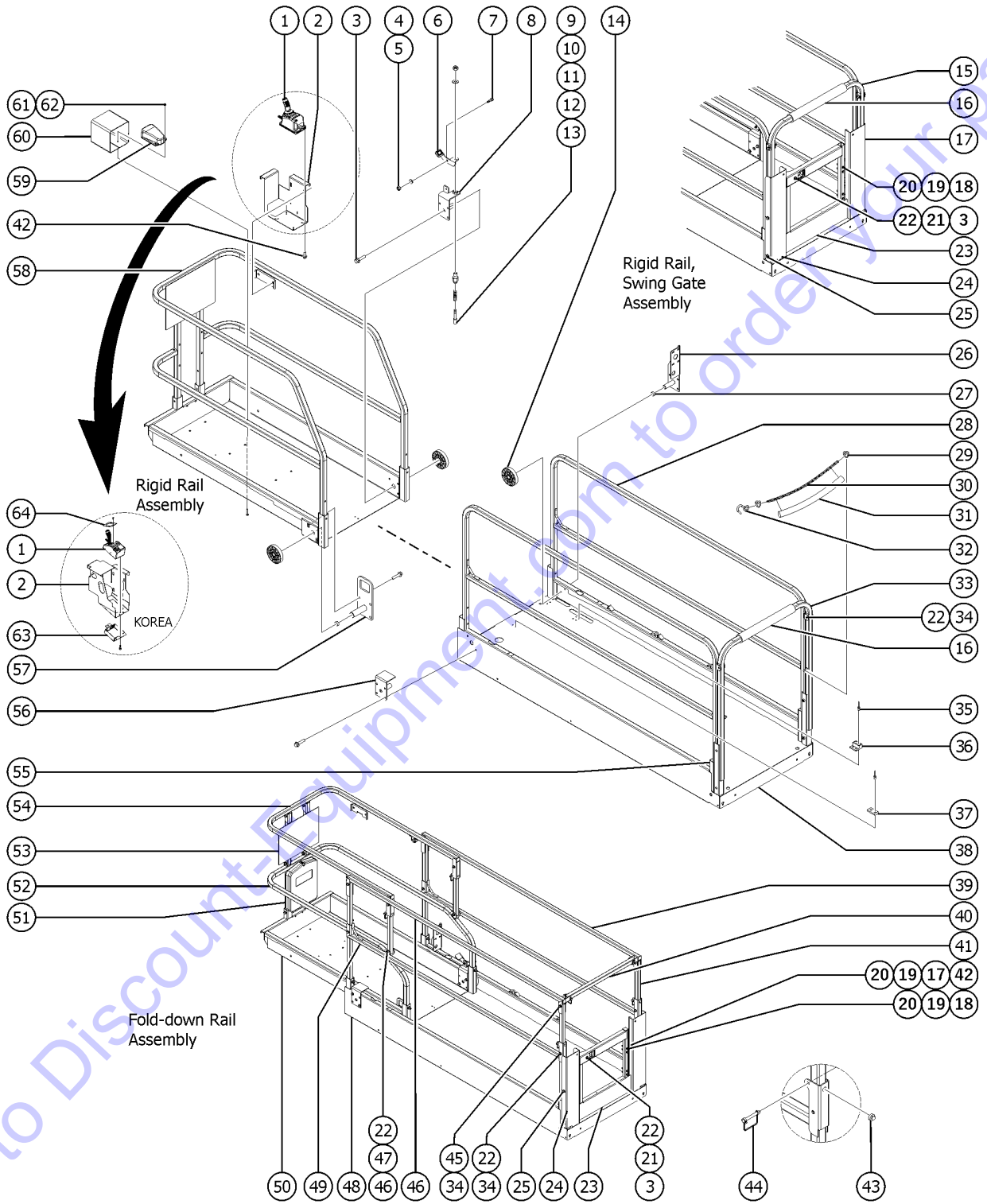


401.1 Platform Components

Item	Part No.	Description	Qty.
45	824025GT	NUT,TL,3/8-16,C,ZAG	2
46	132240GT	WLDMT, TOP RAIL, MAIL PLAT, RT (battery pack side) (fold-down)	1
46-	78038GT	CAP, PLASTIC, 1.25 X 0.08"	
47	1260926GT	BOLT, CARRIAGE, 3/8-16X2.25, 5, ZAG	4
48	1277860GT	GLIDE BUTTON, FOLDING RAILS	2
49	132244GT	WELDMENT, MAIN PLAT, LWR SIDERAIL (fold-down)	2
49-	39474GT	WEAR PAD, PLATFORM	1
49-	47231GT	TAPE, NON-SKID, DIE CUT, 4" X 16"	1
49-	47374GT	TAPE, NON-SKID, DIE CUT, 4" X 32"	3
49-	78038GT	CAP, PLASTIC, 1.25 X 0.08"	
49-	T113787GT	RIVET, ALUM, STL, .188 X .250 for 39474GT	2
50	132249GT	WLDMT EXT DECK GS32	1
51	24514GT	BOX, INSTRUCTION STORAGE Europe/Asia/South America (decals required, refer to Section 100)	1
51-	1256855GT	SCREW, HHF, 1/4-20X.625, 8, ZAG	4
51-	1277924GT	NUT, NYLOCK FLG, 1/4-20, F, ZAG	4
51-	824113GT	WASHER, FLAT, USS, 1/4, ZAG	4
52	1273880GT	WELDMENT, FOLDING, LOWER, EXTENSION	1
52-	78038GT	CAP, PLASTIC, 1.25 X 0.08" (not included sold separately)	
53	132207GT	WLDMT, DECAL PLATE (decals not included, refer to section one)	
54	1273881GT	WELDMENT, EXTENSION DECK RAIL, UPPER (decals not included, refer to section one)	
55	824067GT	SCREW, HHC, 3/8-16X1, 8, ZAG	2
56	132127GT	ROLLER BRKT LEFT (decals not included, refer to section one)	1
57	132121GT	WELDMENT PLATFORM LANYARD (decals not included, refer to section one)	1
57-	21279GT	BUTTON, .800 O.D. X .281 (sold separately)	1
58	105091	WELDMENT, EXT SIDERAIL *** (decals not included, refer to section one)	1
59	227564GT	FOOT SWITCH, 20A IP65	1
60	1282157GT	FOOT SWITCH HOUSING, METRIC	1
61	1283005GT	NUT, NYLOCK FLG, 10-32, A, ZAG	2



401.1 Platform Components



401.1 Platform Components

Item	Part No.	Description	Qty.
62	826516GT	SCREW, PHPM, 10-32 X 1.0, ZAG	2
63		Ref. FORMING,FOOTSWITCH CABLE, KO	1
		(refer to 403.1), (only Korea Market)	
64		Ref. PLATE,JOYSTICK PROTECTOR	1
		(refer to 403.1), (only Korea Market)	

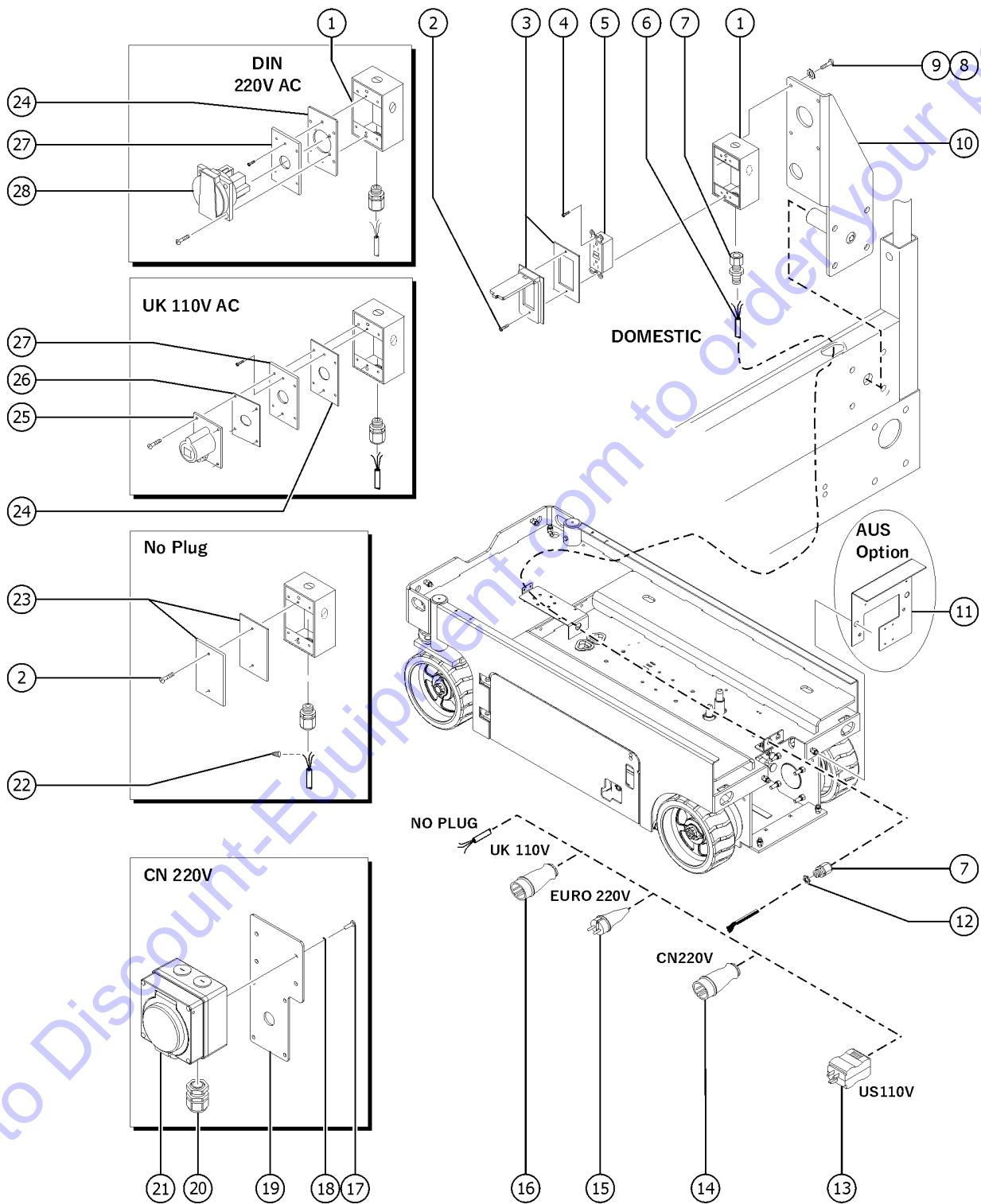
Go to Discount-Equipment.com to order your parts



Item	Part No.	Description	Qty.
A	33724GT	KIT,GASKET,UK POWER TO PLAT includes 1 each, items 24 and 26	
1	10775GT	T-BOX,2.75 X 4.5 X 2.0	1
2	7127GT	SCREW,PHILLIPS,PHM,6-32 X .75	
3	74006GT	COVER,GFCI,HORIZONTAL,WEATHER (ANSI and CSA models) (includes gasket and mounting fasteners)	1
3B	105812GT	COVER,T-BOX LOCKABLE EE rated (not shown)	1
4	45546GT	SCREW,RHM,6-32 X .5	
5	13585GT	OUTLET, 110V ANSI and CSA models	1
6	43956GT	WIRE CABLE,14/3 CON.TPE JKT* GS-2032	456
6B	43956GT	WIRE CABLE,14/3 CON.TPE JKT* GS-2632	516
6C	43956GT	WIRE CABLE,14/3 CON.TPE JKT* GS-3232	624
7	7056GT	CONN, SQZ, 1/2NPT, 0.38-0.50, SM	1
8	57075GT	SCREW,PHIL,8-32X.50,SELF TAP	
9	44936GT	WASHER,STAR,EXTERNAL,#8	4
10		Ref. ROLLER BRACKET (refer to 401.1)	
11	6935GT	CONN, SQZ, 1/2NPT, LOCKNUT	1
12	1276544GT	FORMING,AUS RCD BRACKET,GS32 For GS2632/3232	1
12B	1295030GT	BRACKET APPLIANCE INLET,GS32 For GS2032	1
13	105117GT	PLUG,FLG INLET,15A/125V,2PWGD	1
14	160413GT	PLUG,BULL,250V,10A,3PIN	1
15	6666GT	PLUG, ELECTRICAL, 220/50, NOVON	1
16	144161GT	PLUG,PWR,UK,16AMP,3PIN,BLK	1
17	160415GT	PLUG,PWR,UK,16AMP,3PIN,BL	4
18	160414GT	GS3246_GB/T 93,SPRING WASHER,D5	4
19	160411GT	PLATE;SOCKET ASSEMBLE;GSXX SKT	1
20	160412GT	JOINT;PG13.5;M20×1.5	1
21	160410GT	SOCHET;56MX0313;IP55;MANLAKIS	1
22	6626GT	WIRE CAP,ORANGE	1
23	10777GT	COVER, BLANK	1



402.1 Power to Platform



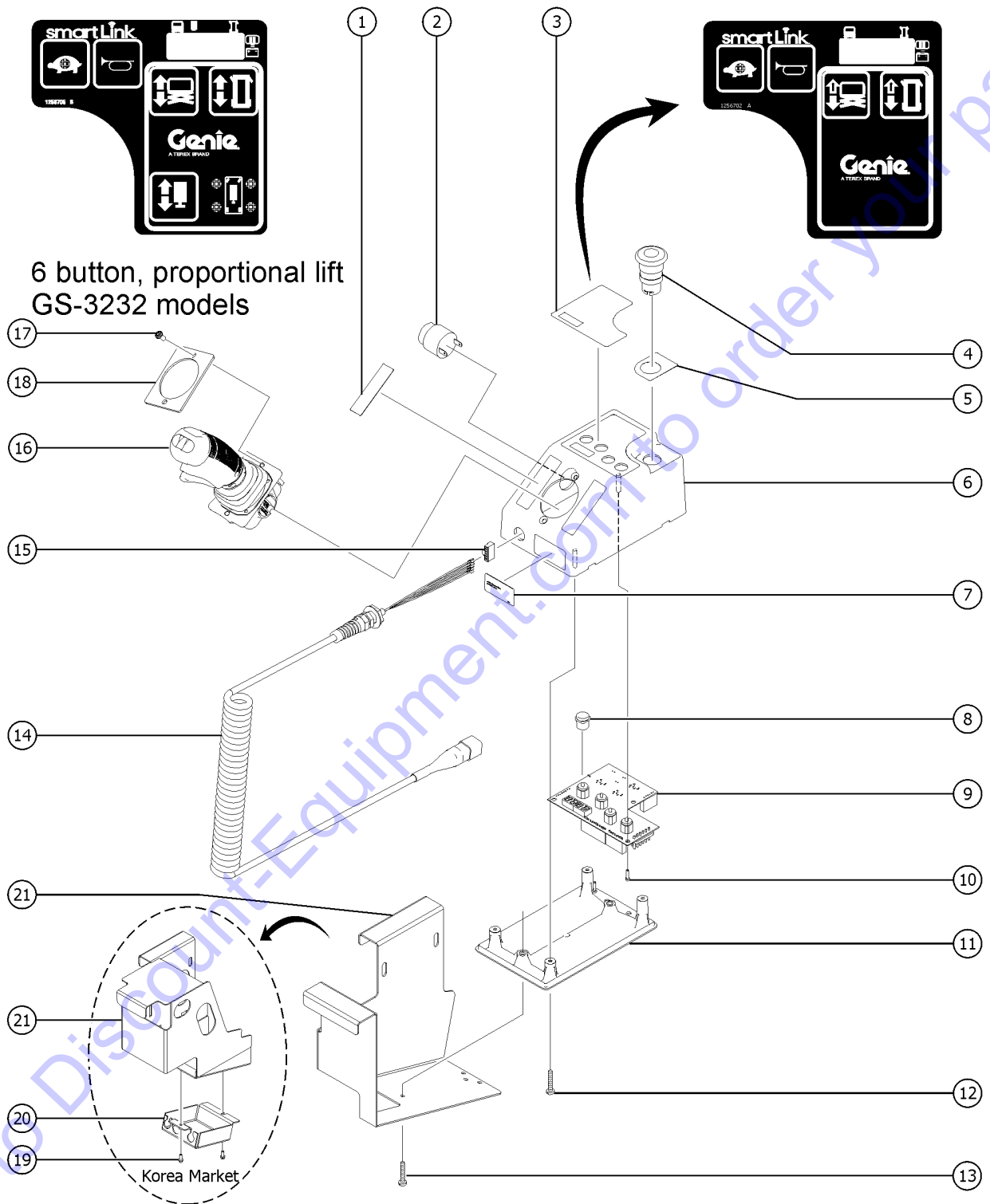
Go to Discount-Equipment.com to order your parts

Item	Part No.	Description	Qty.
24	66355GT	GASKET, UK & DIN PWR. TO PLAT 2.9 x 2.9 inches	1
25	T112563GT	SVC KIT,UK RECEPT.REPLACEMENT	1
26	66356GT	GASKET, UK RECEPTACLE 2.9 x 2.9 inches	1
27	105483-SGT	PLATE,AC ADAPTER(ANSI/CSA)	
27B	96236GT	PLATE,AC ADAPTER,DIN/UK***	
27C	105090GT	PLATE, AC ADAPTER(AUS)	
28	66353GT	RECEPTACLE, DIN, 220V 50A	1

Go to Discount-Equipment.com to order your parts



403.1 Platform Controls, 6 and 4 Button (Proportional Lift)

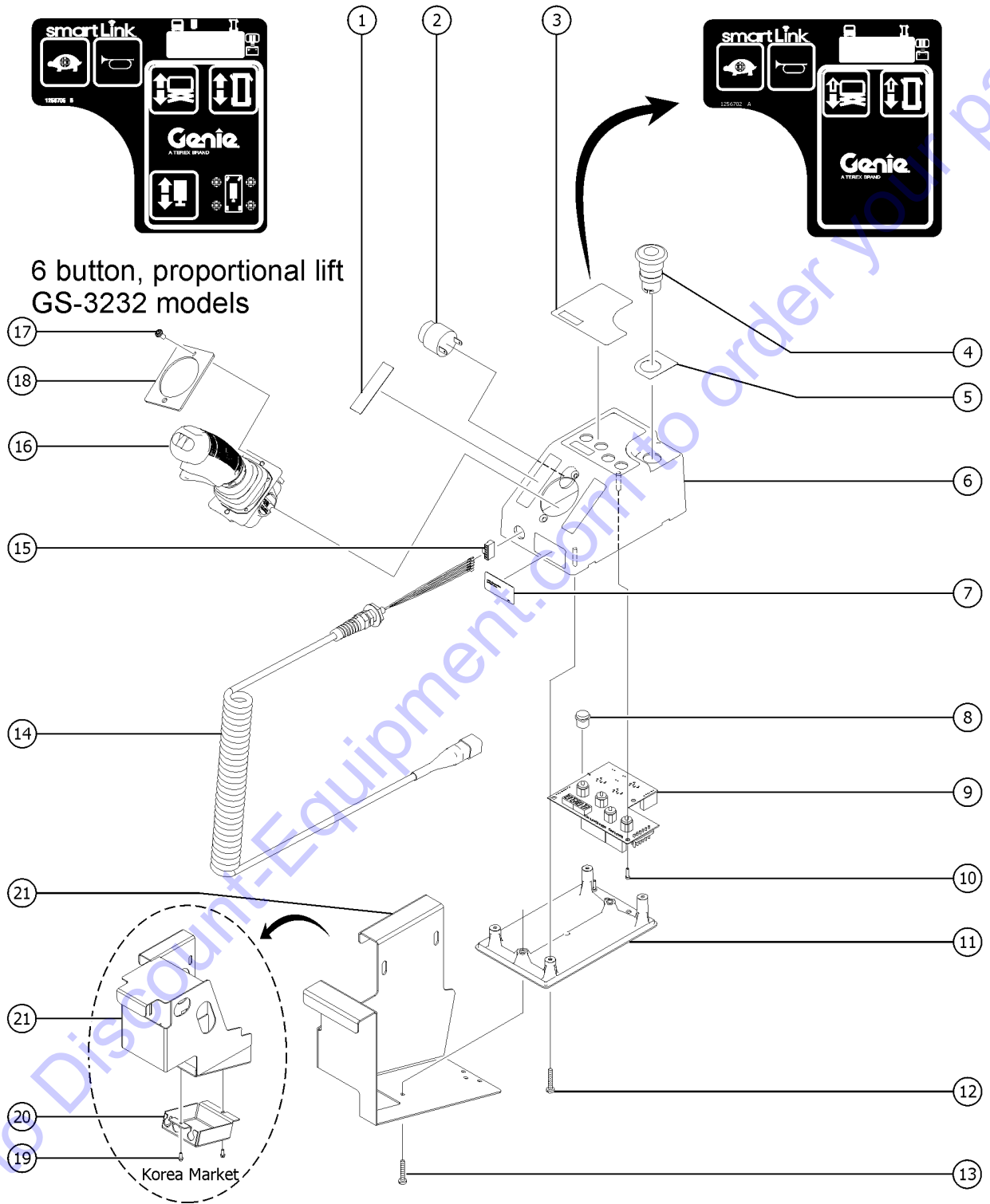


403.1 Platform Controls, 6 and 4 Button (Proportional Lift)

Item	Part No.	Description	Qty.
A	1256727GT	PCON,STD,PROP LIFT,GR/GS GS-2032 & GS-2632, complete platform control box with coil cord, bracket not included	1
A-	1258731GT	FLASH DRIVE,SL1K2.0 SOFTWARE (For proportional lift or upgrade kits only. Software update available on-line. Flash drive sold separately.)	1
A-	137587GT	HARNESS, ESTOP, GR/GRC/GS PCON	1
B	1256728GT	PCON,O/R,PROP LIFT,GS GS-3232, complete platform control box with coil cord, bracket not included	1
B-	1258731GT	FLASH DRIVE,SL1K2.0 SOFTWARE (For proportional lift or upgrade kits only. Software update available on-line. Flash drive sold separately.)	1
B-	137587GT	HARNESS, ESTOP, GR/GRC/GS PCON	1
1	137656GT	DECAL,PROPEL,GR/GRC/GS,PCON	1
2	39540GT	ALARM,STEADY TONE***	1
3	1256702GT	DECAL, UI, GS/GR, PROP LIFT GS-2032 & GS-2632 (models with 4 button, proportional controller)	1
3B	1256705GT	DECAL, O/R, PROP LIFT, UI, SVC GS-3232 (models with 6 button, proportional controller)	1
4	66812GT	BUTTON,PUSH,RED MUSHROOM HEAD	1
4-	66817GT	E-STOP NC CONTACT	1
5	137605GT	DECAL,E-STOP,GR/GRC/GS PCON	1
6	1256656GT	ENCLOSURE,STD 4-BUTTON, TOP GS-2032 & GS-2632	1
6B	1256658GT	ENCLOSURE, O/R 5-BUTTON, TOP GS-3232	1
7		Ref. Decal not available separately	
8	T106373GT	CAP,BUTTON,K12 GS-2032 &, GS-2632	6
9	1256725GT	PCBA,PCON STD,PROP LIFT GS-2032 &, GS-2632	1
9B	1256726GT	PCBA,PCON O/R,PROP LIFT GS-3232	1
10	137637GT	SCREW,PHM,4-20X.5, 48-2 TRI-L	1
11	T106370GT	ENCLOSURE,GC14-1/GC16-1, BOT	1
12	137640GT	SCREW,PHM,8-16X.75, 48-2 TRI-L	1
13	T114397GT	FORMING,PLAT CONTROL BOX (decals not included, refer to section one)	1
14	235464GT	KIT,COIL CORD,CONTRLR,SL1000 includes item 15	1
14-	231921GT	KIT,CONN,RECEPT W/PIN AND LOCK	1
14-	231922GT	KIT,CONN,PLUG W/SCKT AND LOCK	1
15	137699GT	PLUG, 6POS ECO PWR	1



403.1 Platform Controls, 6 and 4 Button (Proportional Lift)



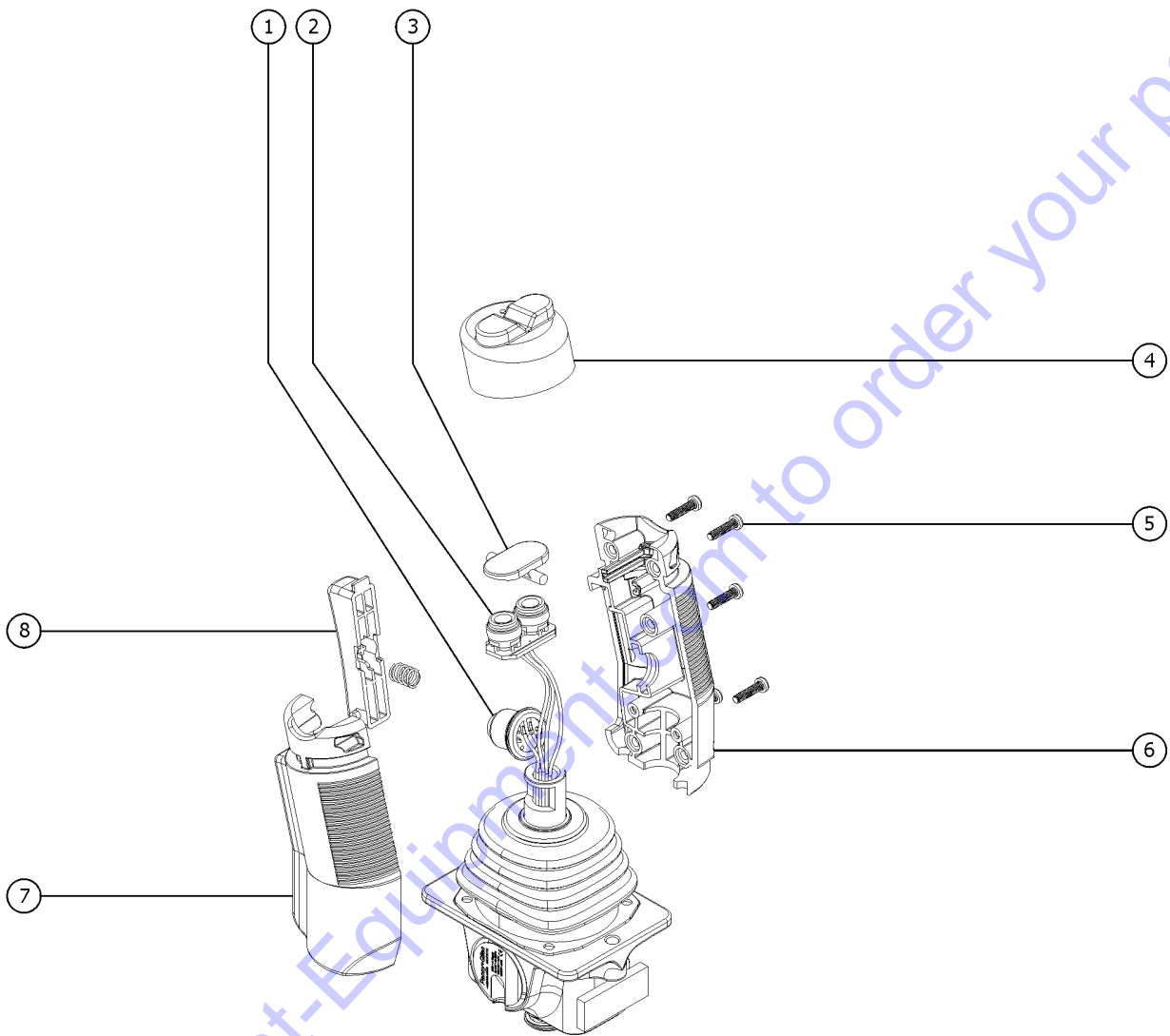
403.1 Platform Controls, 6 and 4 Button (Proportional Lift)

Item	Part No.	Description	Qty.
16		Ref., JOYSTICK	1
17	229845GT	SCREW,BHSCS,M5X10,SS apply Loctite 243 or equivalent before installation	2
17B	1291173GT	SCREW,BHSCS,M5X12,SS	2
		(only Korea Market)	
18	1290297GT	PLATE,JOYSTICK PROTECTOR	1
		(only Korea Market)	
19	824078GT	SCREW,HHF,1/4-20X.75,8,ZAG	2
20	1275356GT	FORMING,FOOTSWITCH CABLE, KO	1
		(only Korea Market)	
21	227167GT	FORMING, PLAT CONTROL BOX,MET	1
21B	1274295GT	WLDMT, PLAT CTRL MOUNT, SLABS	1
		(only Korea Market)	

Go to Discount-Equipment.com to order your parts



404.1 Joystick Controller



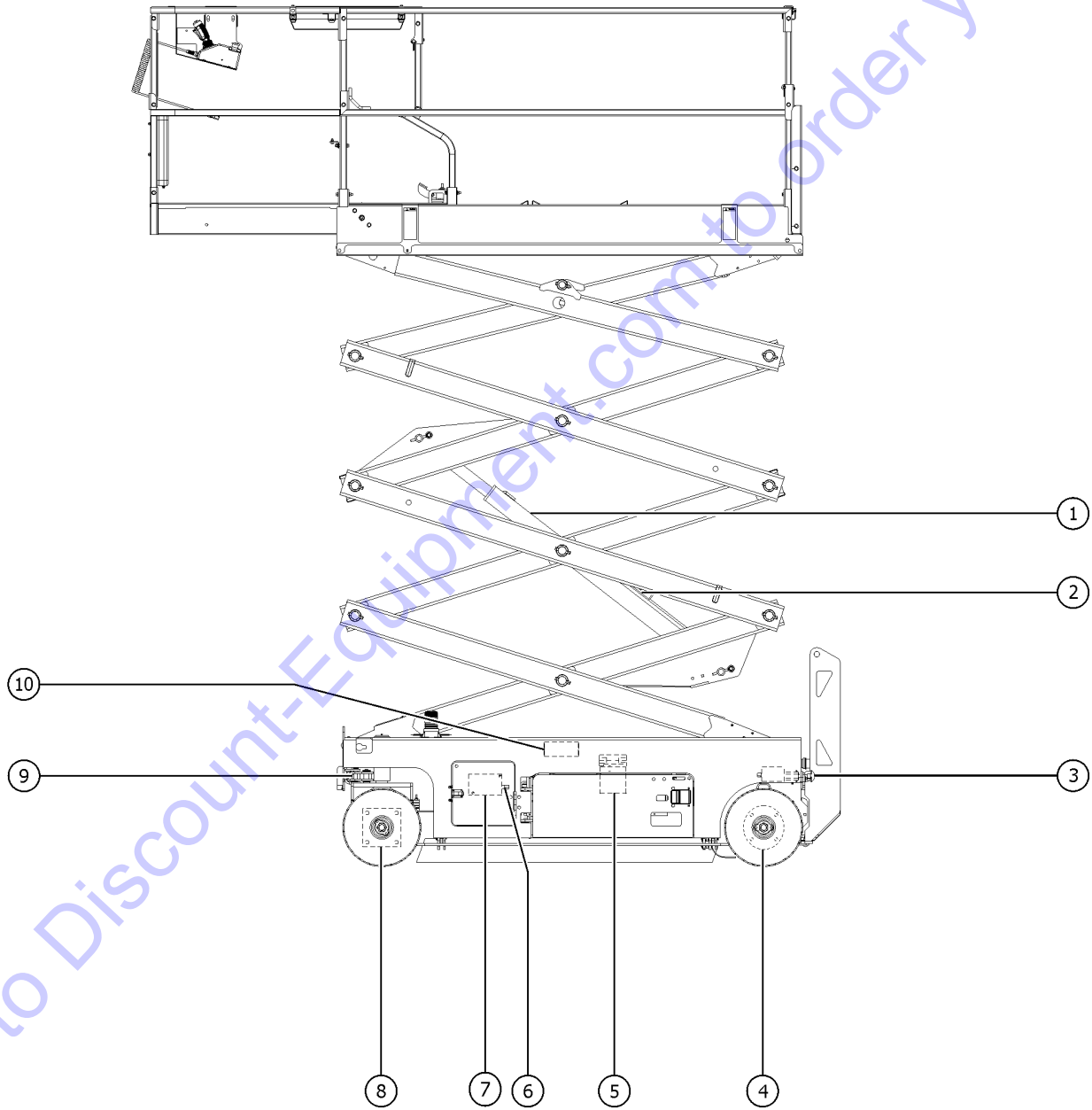
404.1 Joystick Controller

Item	Part No.	Description	Qty.
--	137634GT	JOYSTICK, HALL EFFECT, SINGLE	
--	229097GT	TERMINAL, SPLINE (AMP)	
--	214544GT	KIT,BOOT,JOYSTICK,SL1000	
		joystick boot	
1	235463GT	KIT,SWITCH,JYSTK,SL1000	
		function enable and steer switches	
2	235463GT	KIT,SWITCH,JYSTK,SL1000	
		function enable and steer switches	
3	229092GT	ROCKER,2 SWITCH	1
4	229093GT	BOOT, 2 SWITCH, SILICON	1
5	229086GT	SCREW, SELF TAP	2
6	229087GT	HANDLE HALF,RIGHT,W/TOP SWITCH	1
		229091GT not included, order separately	
6B	229091GT	SCREW,GRUB,M5X8MM,HLF DOG,BZP	
		for 229087GT	
7	229088GT	HANDLE HALF,LEFT,W/TOP SWITCH	1
		229090GT not included, order separately	
7B	229090GT	SCREW,GRUB,M5X8MM CUP(BLK)	
		for 229088GT	
8	229089GT	TRIGGER, EXTENDED	1
8-	229094GT	SPRING, HANDLE TRIGGER	1

Go to Discount-Equipment.com to order your parts



501.1 Hydraulic Components



Go to Discount-Equipment.com to order your parts



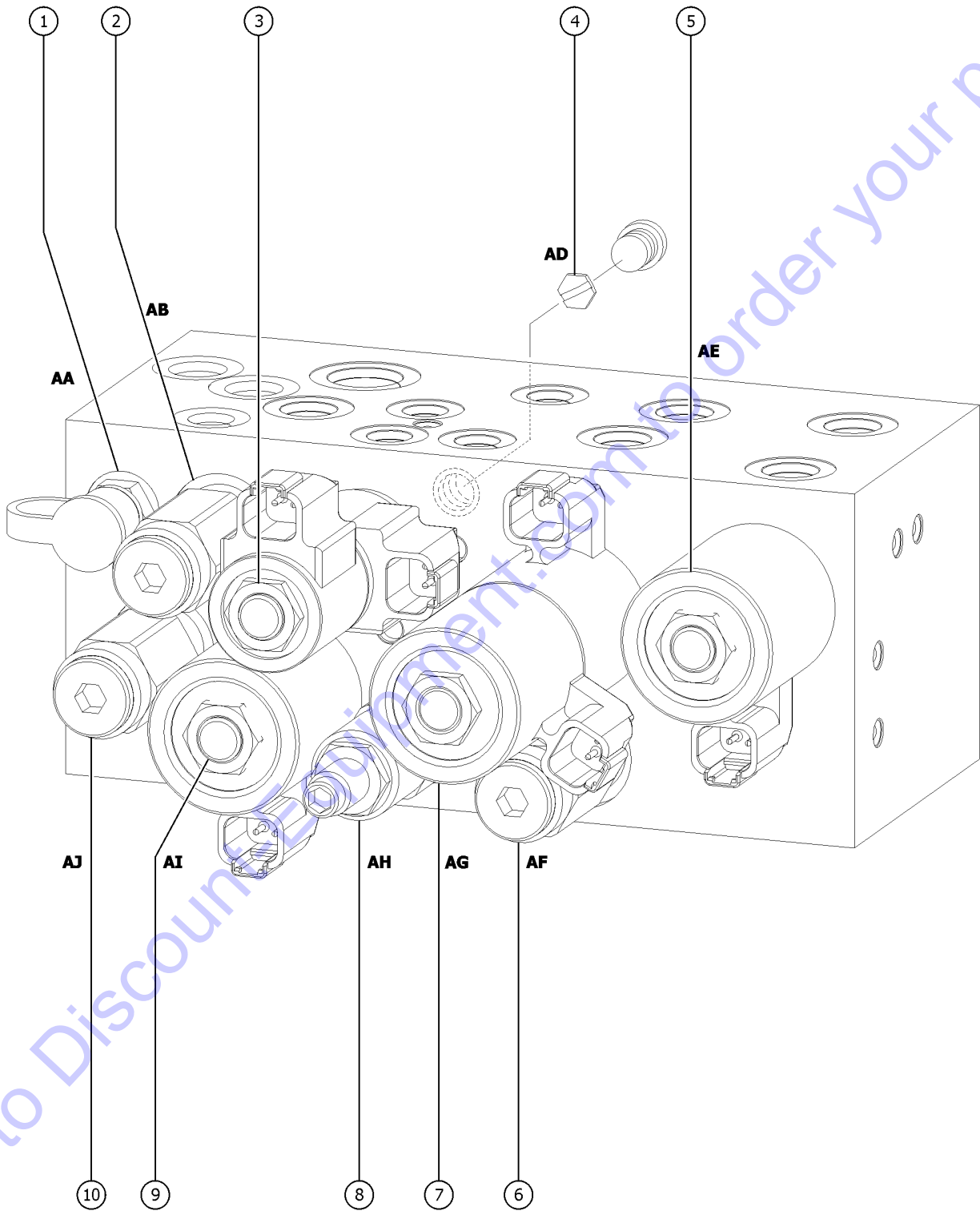
501.1 Hydraulic Components

Item	Part No.	Description	Qty.
1		Ref. Lift Cylinder Assembly (refer to 505.1)	
2		Ref. Pressure Transducer (refer to 701.1)	
3		Ref. Brake Release Hand Pump Manifold (refer to 503.1)	
4	96257GT	BRAKE, HYDRAULIC***	2
5	78622GT	FILTER ASSY, SAE8, 10 MIC, PAPER** (paper, standard)	1
5-	44788GT	FILTER ELEMENT-10MICRON, PAPER* (paper, standard)	
6		Ref. Check Valve (refer to 502.1)	
7		Ref. Function Manifold (refer to 502.1)	
8	T108663GT	DRIVE MOTOR, 22.9CI/REV	
8-	96419GT	SEAL KIT, RC SERIES DR MOTOR*** for T108663	
9	105547GT	CYLINDER, GS/GR STEER***	1
9-	105550GT	KIT, STEER CYL SEAL	
9-	105553GT	KIT, STEER CYL SEAL, 040271P, HDM (for code H408147 and up)	
9-	105554GT	KIT, STEER CYL SEAL, 040499P, HDM (for code H41109 and up)	
9-	105555GT	KIT, STEER CYL SEAL, 040505P, HDM (for codes H41205, H41255, H51290, H501111, H505109, H509101, H60723 and H60870)	
10	78422GT	ACCUMULATOR, 180 PSI PRECHARGE*	1

Go to Discount-Equipment.com to order your parts



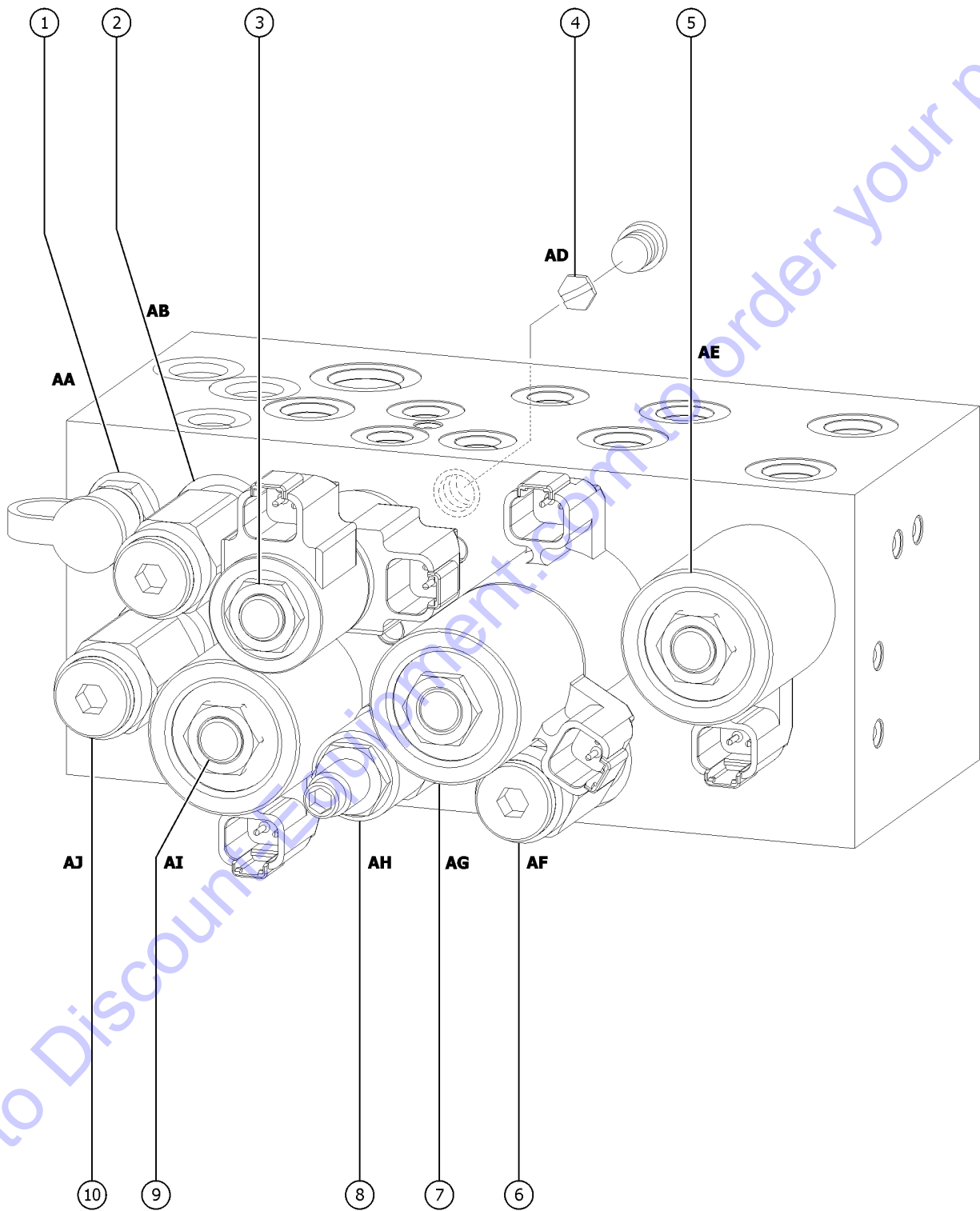
502.1 Function Manifold



Item	Part No.	Description	Qty.
-	150105GT	MANIFOLD,FUNCTION,2 SPEED (does not include check valve, item 4)	
-	49612GT	O-RING KIT (ORFS FITTINGS)	
-	49613GT	PLUG AND CAP KIT-SERVICE,ORFS*	
-	105463GT	126,DYN.BRAKING,MANIF,32/46	
1	48997GT	CONN,520120-8-12 (AA, Testing)	
1-	20224GT	DIAGNOSTIC FEMALE Q-DSCNT	
1-	48880GT	CAP,DIAGNOSTIC NIPPLE	
2	1299590GT	VALVE, FUNCTION MANIFOLD RELIEF, 3700PSI (AB, System relief).	
2-	44226GT	SEAL KIT-FOR P.N.44167	
3	44168GT	VALVE,SOLENOID,3POS 4WAY (AC, Steer left/right)	
3-	44174GT	NUT-COIL SHORT (sold separately)	
3-	44229GT	SEAL KIT, VALVE	
3-	44236GT	SPACER-DUAL COIL,#8*** (sold separately)	
3-	77709GT	COIL,#8 20VDC,DEUTSCH W/DIODE (sold separately)	
4	84386GT	CHECK DISK, NO SPRING (AD, Steer circuit)	
5	44171GT	VALVE-SOLENOID,2POS 4WAY** (AE, Drive speed select circuit)	
5-	44175GT	SPACER-DUAL COIL,#10, SCISSORS (sold separately)	
5-	44230GT	SEAL KIT-P.N.44169,44172,44171	
5-	84385GT	COIL,20VDC DEUTCSH W/DIODE (sold separately)	
6	97409GT	VALVE,DIFF.AREA RELIEF,50PSI (AF, Brake release)	
7	150104GT	VALVE, DYN. BRAKING, GS32/46	
7-	44175GT	SPACER-DUAL COIL,#10, SCISSORS (sold separately)	
7-	84385GT	COIL,20VDC DEUTCSH W/DIODE (sold separately)	
8	84384GT	PRTY,FLOW CNTRL VALVE,.75 GPM (AH, Steer circuit)	
8-	1261888GT	SEAL KIT (84384) for 84384GT	
8-	44230GT	SEAL KIT-P.N.44169,44172,44171	
9	44169GT	VALVE-SOLENOID, 2POS 4 WAY (AI, Platform up)	
9-	44175GT	SPACER-DUAL COIL,#10, SCISSORS (sold separately)	



502.1 Function Manifold



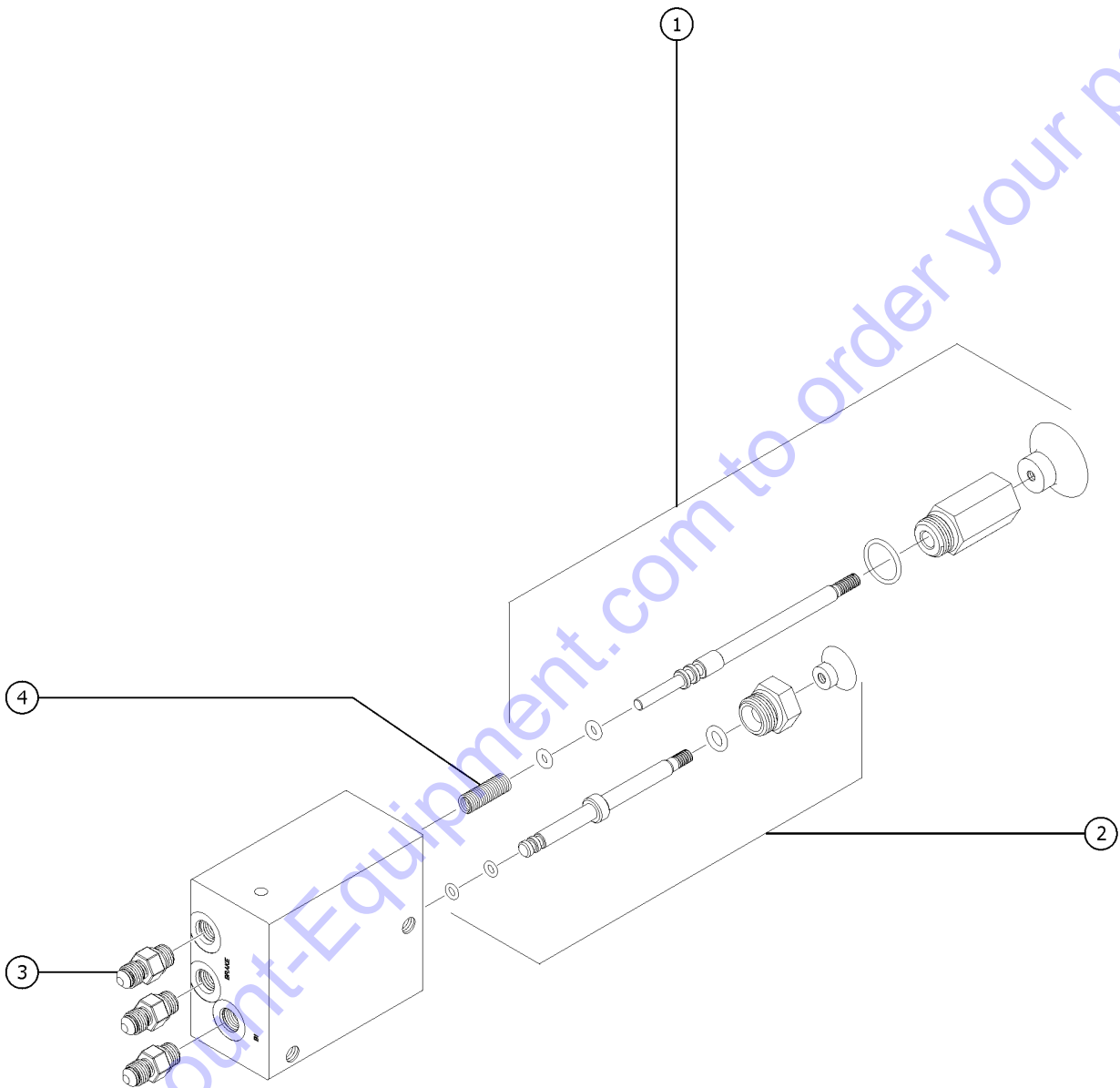
502.1 Function Manifold

<i>Item</i>	<i>Part No.</i>	<i>Description</i>	<i>Qty.</i>
9-	84385GT	COIL,20VDC DEUTCSH W/DIODE (sold separately)	
9-	44230GT	SEAL KIT-P.N.44169,44172,44171	
10	1299590GT	VALVE, FUNCTION MANIFOLD RELIEF, 3700PSI (AJ, Lift relief).	
10-	44226GT	SEAL KIT-FOR P.N.44167	

Go to Discount-Equipment.com to order your parts



503.1 Brake Release Hand Pump Manifold



Go to Discount-Equipment.com to order your parts

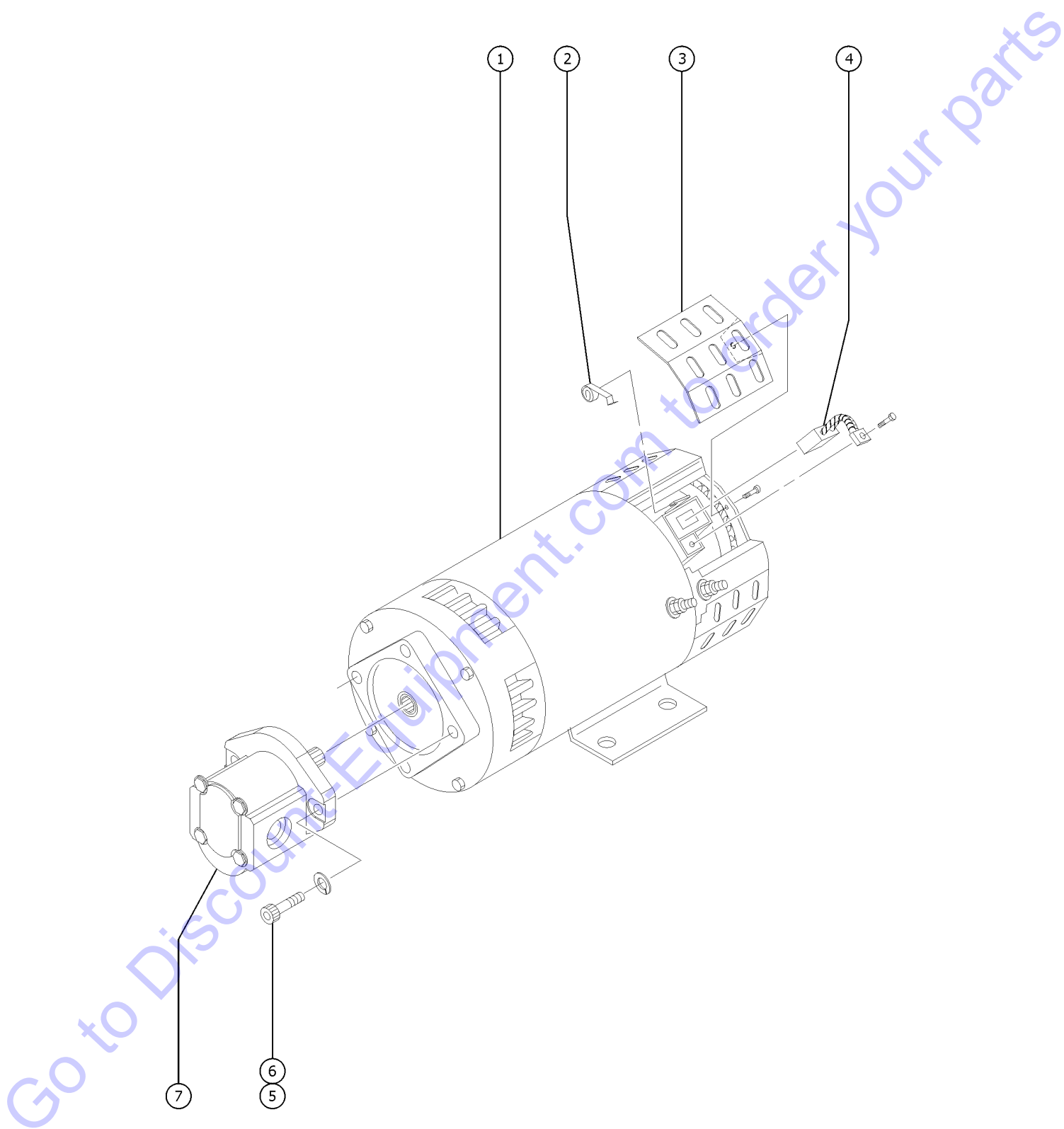
503.1 Brake Release Hand Pump Manifold

Item	Part No.	Description	Qty.
-	105067GT	MANIFOLD,BRAKE RELEASE (includes items 1, 2 and 4)	
1	84739GT	VALVE,HAND PUMP ASSEMBLY***	1
1-	84740GT	SEAL KIT,HAND PUMP***	
1-	84742GT	KNOB,HAND PUMP (RED)***	
2	84743GT	VALVE,PILOT OPERATED ASSEMBLY*	1
2-	84740GT	SEAL KIT,HAND PUMP***	
2-	84746GT	KNOB,PILOT OP VALVE (BLACK)***	
3	39877GT	CONNECTOR,070120-4-4	3
4	84748GT	SPRING,HAND PUMP ROD	1

Go to Discount-Equipment.com to order your parts



504.1 Hydraulic Power Unit, All Models

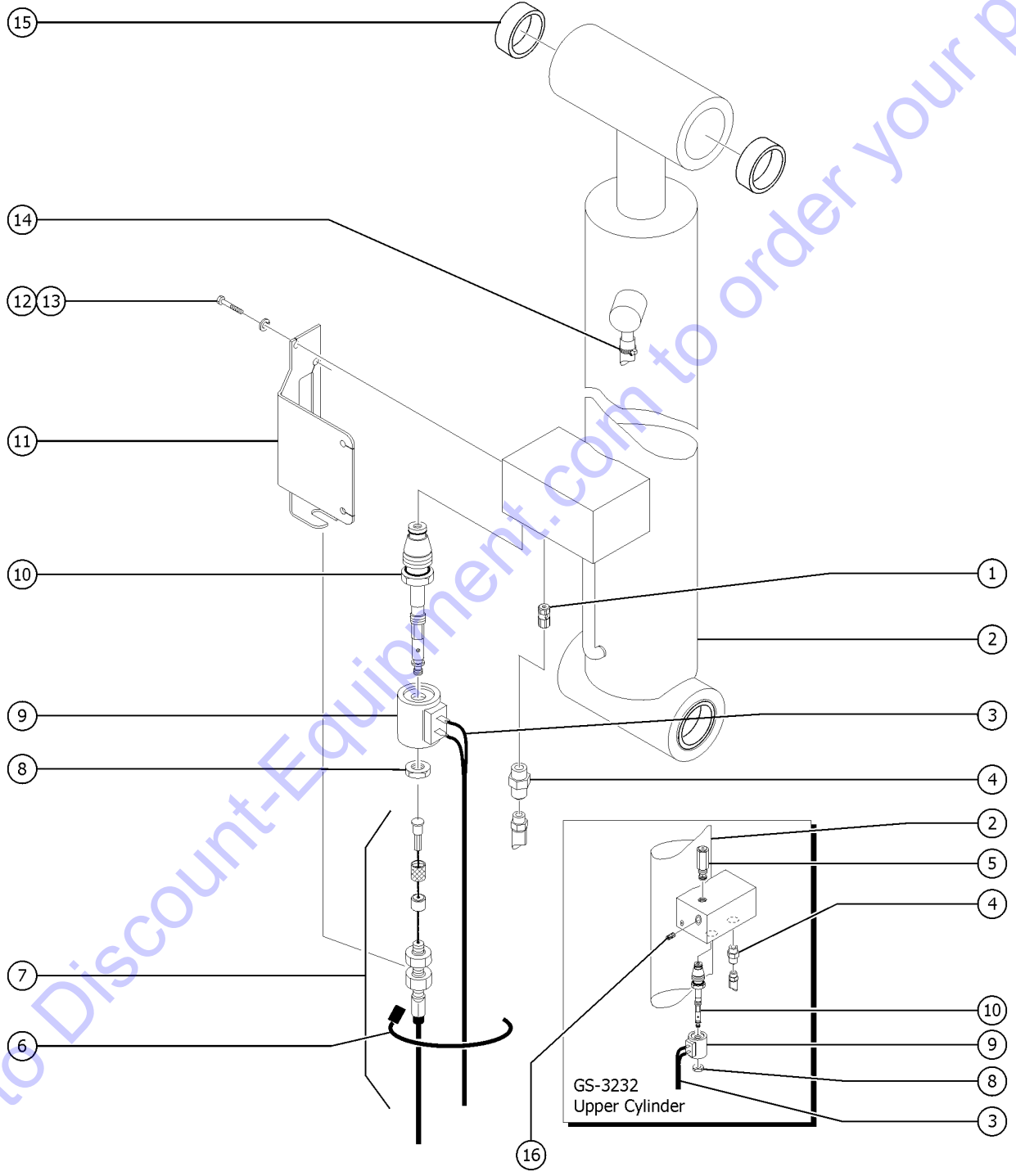


Item	Part No.	Description	Qty.
-	49812GT	ENCLOSING BAND KIT Band Kit (EE models)	
-	78006GT	FORMING,PADLOCK BRACKET	
-	44716GT	HANDLE,ANDERSON CONNECTOR SB	
1	40844GT	MOTOR,ELECTRIC,24VDC 4.5HP US part number	1
1-	43685GT	SEAL KIT,LIFT PUMP,BARNES**	
1-	44777GT	BEARING,MOTOR	
1-	44778GT	BEARING,MOTOR,36843,BRUSH END*	
1B	1256517GT	MOTOR,DC24V,3.3KW,JIANGSU XINYU China part number	1
1B-	1309762GT	SPRING-BRUSH,1256517,SCISSORS	
1B-	1309763GT	COVER-BRUSH INSPEC,1256517,SCISSORS	
1B-	1309764GT	BRUSH PWR,UNIT(1256517)	
2	44750GT	SPRING-BRUSH,40844, SCISSORS	4
3	44752GT	COVER-BRUSH INSPEC.40844,SCISS	4
4	44751GT	BRUSH,PWR UNIT (40844)**	4
5	55921GT	SCREW,SHC,3/8-24 X 1.25"	
6	6021GT	WASHER,LOCK,.375	
7	T108662GT	PUMP,5.6CC GEAR,CCW	1
7-	236837GT	SEAL KIT,PUMP,5.6CC GEAR	

Go to Discount-Equipment.com to order your parts



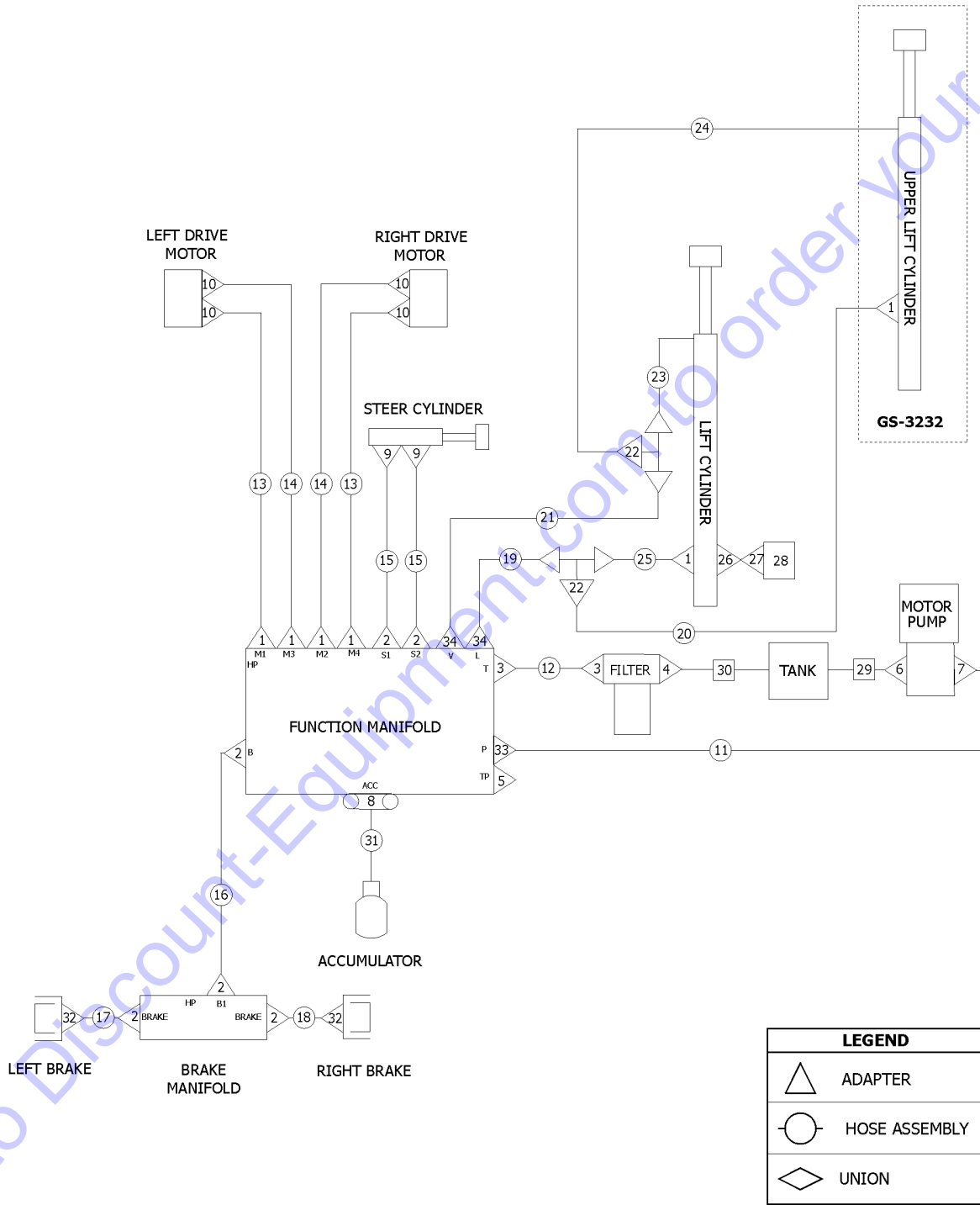
505.1 Lift Cylinder Assembly, All Models



Item	Part No.	Description	Qty.
1	55560GT	ORIFICE, LONG, .059"	
1-	105479GT	KIT, TWO ORIFICE, .059"	
1-	105481GT	KIT, ORIFICE, .059"	
2	105544GT	CYLINDER, 20XX LIFT GS-2032	1
2-	105549GT	SEAL KIT (105545) (for PN 105544GT)	
2B	105545GT	CYLINDER, 26XX/32XX LIFT GS-2632	1
2B-	105549GT	SEAL KIT (105545) (for PN 105545GT)	
2C	105546GT	CYLINDER, 32XX UPPER LIFT GS-3232 (upper cylinder)	1
2C-	105564GT	SEAL KIT (105546) (for PN 105546GT)	
2D	105545GT	CYLINDER, 26XX/32XX LIFT	1
2D-	105549GT	SEAL KIT (105545) (for PN 105545GT)	
3		Ref. Down Coil Wire Harness (refer to 211.1)	
4	39878GT	CONNECTOR, 070120-6-6	1
5	237455GT	VALVE, RELIEF, 2900 PSI, BOSCH	
6	28443GT	CABLE TIE, 11.5" BLACK	3
7		Ref. Emergency Down Cable (refer to 203.1)	
8	44973GT	NUT, COIL (39909)	1
9	84422GT	COIL-SOLENOID VALVE, 20V DC*** (direct replacement for 66467GT)	1
10	66465GT	VALVE, W/20V NC SOLENOID, MANUAL (includes items 7 and 8)	1
10-	40477GT	VALVE, CARTRIDGE***	
10-	44979GT	SEAL KIT, 39909, PLAT LWR VALVE*	
11	41557-SGT	CABLE BRACKET, PAINTED	1
12	7339GT	SCREW, HHC, 1/4-20 X .5	
13	6356GT	WASHER, LOCK, .25	
14	96770GT	CLAMP, HOSE, 1 EAR, 11/16	1
15	105478GT	BEARING, 1.5025IDX1.5075ODX1.5L	4
16	55558GT	ORIFICE, LONG, .037*** GS-3232	1



506.1 Hydraulic Hoses and Fittings

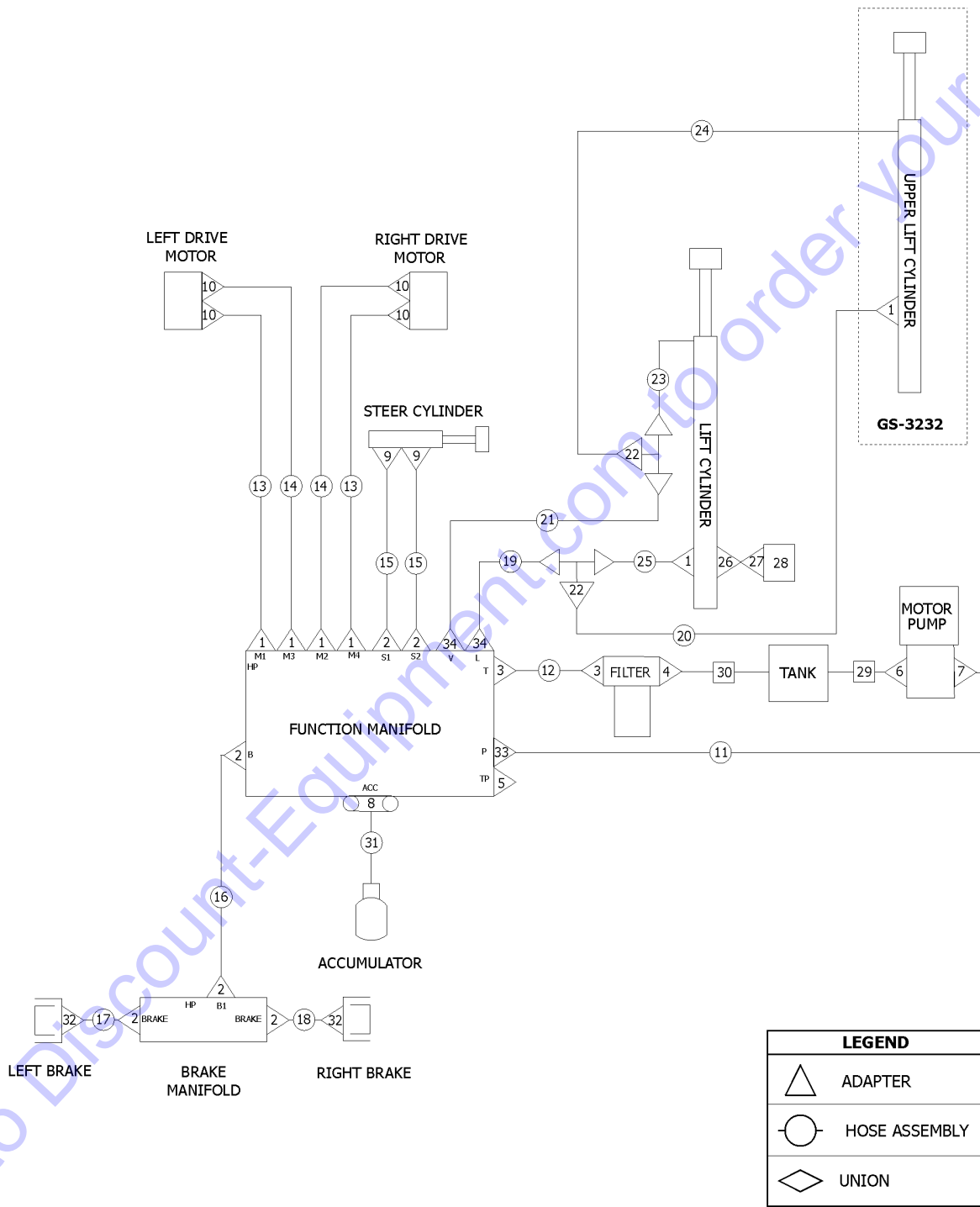


LEGEND	
	ADAPTER
	HOSE ASSEMBLY
	UNION

Item	Part No.	Description	Qty.
-		The hose lengths below reflect the length of the hose only. Refer to the 'Fittings Cross Reference' to match Genie part numbers to Parker part numbers.	
-	66765-3000GT	WIRE LOOM, SPIRAL, 1-5/8 ID 30" used as hose protection on 3/8 hoses, sold by the inch	
1	39878GT	CONNECTOR, 070120-6-6 GS-2032, GS-2632	4
1B	39878GT	CONNECTOR, 070120-6-6 GS-3232	5
2	39877GT	CONNECTOR, 070120-4-4	6
2-	39882GT	PLUG, HEX SOCKET, 090109B-4	1
3	66389GT	CONN, 070120-8-6	2
4	96398GT	CONNECTOR, 070120-12-8	1
5		Ref. Diagnostic Nipple (refer to 502.1)	
6	22664GT	ELBOW, 070220-12-10	1
7	39876GT	ELBOW, 070220-6-8	1
8	39877GT	CONNECTOR, 070120-4-4	1
9	13921GT	ELBOW, 070220-4-4 GS-2032, GS-2632	2
9B	13921GT	ELBOW, 070220-4-4 GS-3232	4
10	39873GT	ELBOW, 070220-6-6	4
11	1259183GT	HOSE, ASSY, PRESS, RYCO (Components: 1259073, 1259073, and 1259076 @ 50 inches)	1
11B	96744GT	HOSE, ASSY, PRESSURE (Components: 39890, 39890, and 56776 @ 50 inches)	1
12	1259184GT	HOSE, ASSY, MAN TO FILTER, RYCO (Components: 96406, 96406, and 1259077 @ 25 inches)	1
12B	96348GT	HOSE, ASSY, MAN TO FILTER (Components: 96406, 96406, and 75631 @ 25 inches)	1
13	105802GT	HOSE ASSY, DRIVE MOTORS, GS32 (Components: 39890, 39890, and 56776 @ 50 inches)	2
14	105579GT	HOSE ASSY, DRIVE MOTORS, GS32 (Components: 39890, 39890, and 56776 @ 54 inches)	2
15	1259062GT	HOSE, ASSY STEER, GS32/46 RYCO (Components: 1259079, 1259079, and 1259078 @ 36 inches)	2
15B	105578GT	HOSE, ASSY STEER, GS32/46 (Components: 78855, 78855, and 78852 @ 36 inches)	2
16	1294831GT	HOSE, ASSY, BRAKE MAN, GS32, RYCO (Components: 1259079, 1259079, and 1259078 @ 62 inches)	1
16B	105804GT	HOSE, ASSY, BRAKE MAN, GS32 (Components: 78855, 78855, and 78852 @ 62 inches)	1
17	1262934GT	HOSE 1259078X475, RYCO (Components: 1259079, 1259079, and 1259078 @ 17 inches)	2
17B	96391GT	HOSE 78852X475 (Components: 78855, 78855, and 78852 @ 17 inches)	2
18	1294831GT	HOSE, ASSY, BRAKE MAN, GS32, RYCO (Components: 1259079, 1259079, and 1259078 @ 62 inches)	1



506.1 Hydraulic Hoses and Fittings

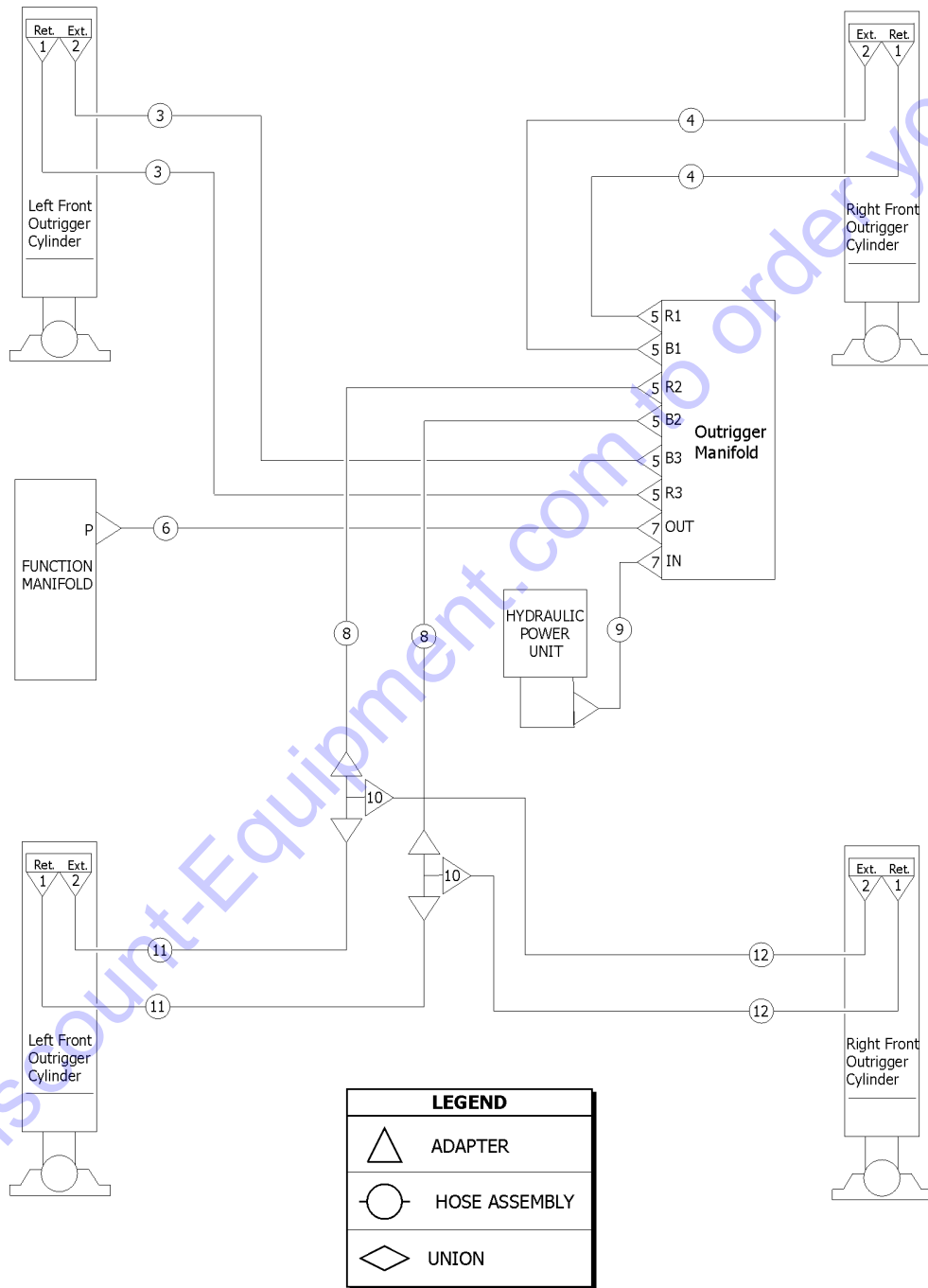


506.1 Hydraulic Hoses and Fittings

Item	Part No.	Description	Qty.
18B	105804GT	HOSE,ASSY,BRAKE MAN,GS32 (Components: 78855, 78855, and 78852 @ 62 inches)	1
19	1259083GT	HOSE, ASSY, LIFT RYCO (Components: 1259073, 1259073, and 1259076 @ 42 inches)	1
19B	96750GT	HOSE, ASSY, LIFT (Components: 39890, 39890, and 56776 @ 42 inches)	1
20	1259186GT	HOSE ASSY,UPPER LIFT,RYCO GS-3232 (Components: 1259073, 1259074, and 1259076 @ 300 inches)	1
20B	96880GT	HOSE ASSY,UPPER LIFT GS-3232 (Components: 39890, 39891, and 56776 @ 297 inches)	1
21	1259084GT	HOSE,ASSY,VENT RYCO (Components: 96406, 96407, and 1259077 @ 42 inches)	1
21B	96881GT	HOSE,LOWER VENT (Components: 96406, 96407, and 75631 @ 42 inches)	1
22	51152GT	TEE,RUN 070432-6**** GS-3232	2
23	75631GT	HOSE,AIR 3/8 GS-3232 (for hose ends see items 31 & 34)	16 1-i nc hes
23B	1259085GT	HOSE,LOWER VENT RYCO GS-2032, GS-2632 (Components: 96406 and 1259077 @ 170.5 inches)	1
23C	96882GT	HOSE,LOWER VENT GS-2032, GS-2632 (Components: 75631 @ 161 inches)	1
24	1259185GT	HOSE, UP VENT, RYCO GS-3232 (Components: 1259058, and 1259077 @ 324 inches)	1
24B	96883GT	HOSE,UPPER VENT GS-3232 (Components: 105045, and 75631 @ 320 inches)	1
25	1259059GT	HOSE,LOWER VENT RYCO (Components: 1259075, 1259073, and 1259076 @ 127 inches)	1
25B	105046GT	HOSE ASSY,LOWER LIFT (Components: 39890, 47223, and 56776 @ 127 inches)	1
26	96885GT	CONN,SWIVEL,STR,THR,465OX-S	1
27	39881GT	CONNECTOR,070120-4-6	1
28		Ref. Pressure Switch (refer to 701.1)	
29	96354GT	TUBE, ASSY, DRAW	1
30	96355GT	TUBE, ASSY, RETURN	1
31	1262934GT	HOSE 1259078X475,RYCO (Components: 1259079, 1259079, and 1259078 @ 17 inches)	1
31B	105246GT	HOSE ASSY, MAN/ACCUM, GS32/46 (Components: 78855, 78855, and 78852 @ 17 inches)	
32	39877GT	CONNECTOR,070120-4-4	2
33	39878GT	CONNECTOR, 070120-6-6 GS-2032, GS-2632	1
33B	237086GT	HOSE,UPPER VENT GS-3232 (Australia, CE)	1
34	42283GT	ELBOW,070320-6-6 GS-2032, GS-2632	2
34B	130011GT	HOSE CLAMP, SAE #6 GS-3232	2



507.1 Hydraulic Hoses and Fittings, Outriggers, GS-3232



Go to Discount-Equipment.com to order your parts

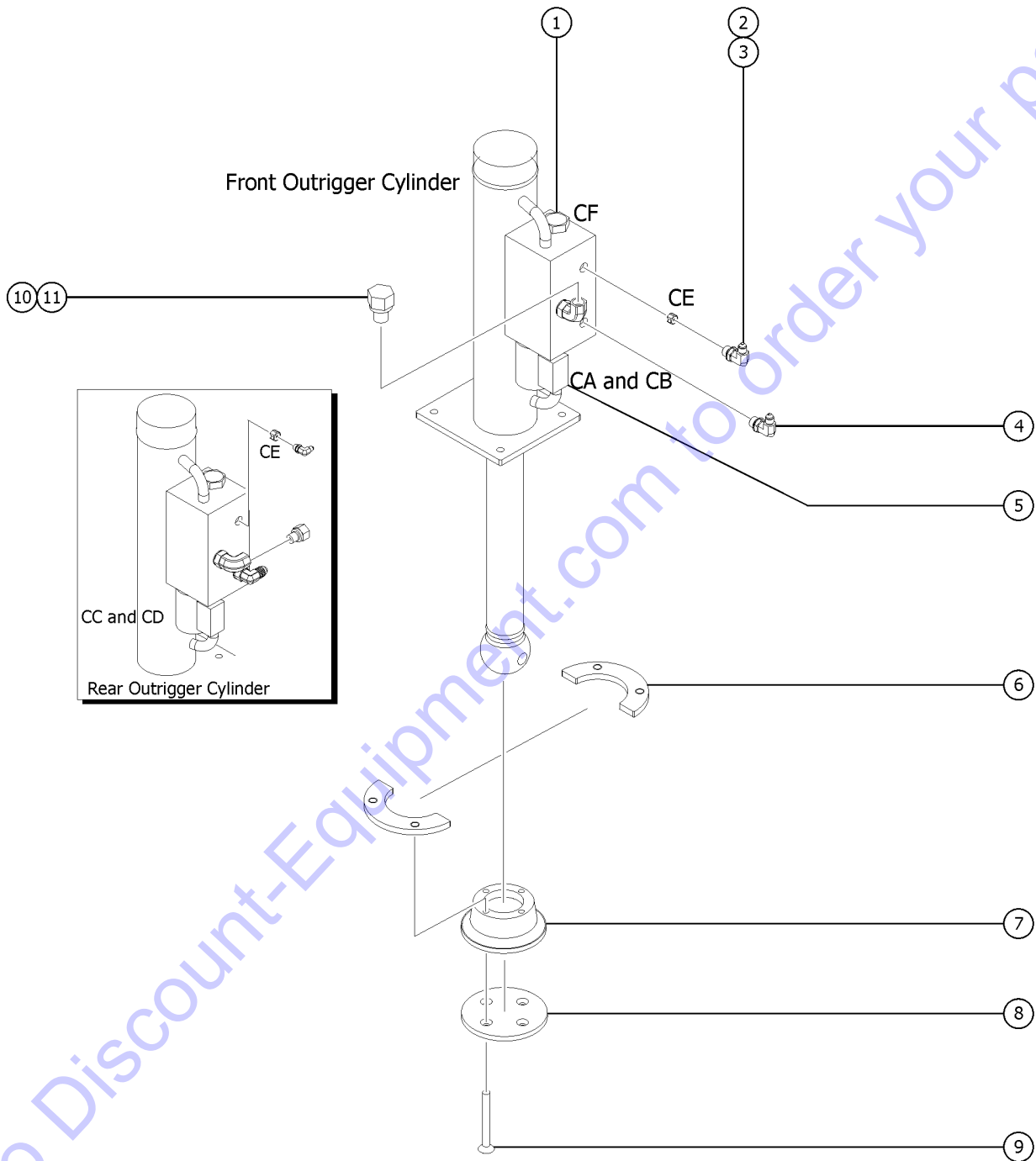
507.1 Hydraulic Hoses and Fittings, Outriggers, GS-3232

Item	Part No.	Description	Qty.
1	13921GT	ELBOW,070220-4-4	4
2	39875GT	ELBOW,070220-4-6	4
3		HOSE ASSY,LT FRONTO/R,GS3232,RYCO (Components: 1259079, 1259079, and 1259078 @ 12 inches) no longer available	2
4		HOSE ASSY,RT FRONT O/R,GS3232,RYCO (Components: 1259079, 1259079, and 1259078 @ 36 inches) no longer available	2
5	39877GT	CONNECTOR,070120-4-4	4
6	1294833GT	HOSE ASSY,MANIFOLD, GS3232,RYCO (Components: 1259073, 1259073, and 1259076 @ 32 inches)	1
7	39878GT	CONNECTOR, 070120-6-6	2
8		HOSE ASSY,O/R MAN-T, GS3232,RYCO (Components: 1259079, 1259079, and 1259078 @ 60 inches)NO longer available	2
9	1294832GT	HOSE ASSY,PUMP-O/R MAN, GS3232,RYCO (Components: 1259073, 1259073, and 1259076 @ 56 inches)	1
10	8342GT	TEE,UNION,070401-4	4
11		HOSE ASSY,LT REAR O/R, GS3232,RYCO (Components: 1259079, 1259079, and 1259078 @ 16 inches) no longer available	2
12		HOSE ASSY,RT REAR O/R, GS3232,RYCO (Components: 1259079, 1259079, and 1259078 @ 24 inches) no longer available	2

Go to Discount-Equipment.com to order your parts



508.1 Outrigger Cylinders, Front and Rear, GS-3232



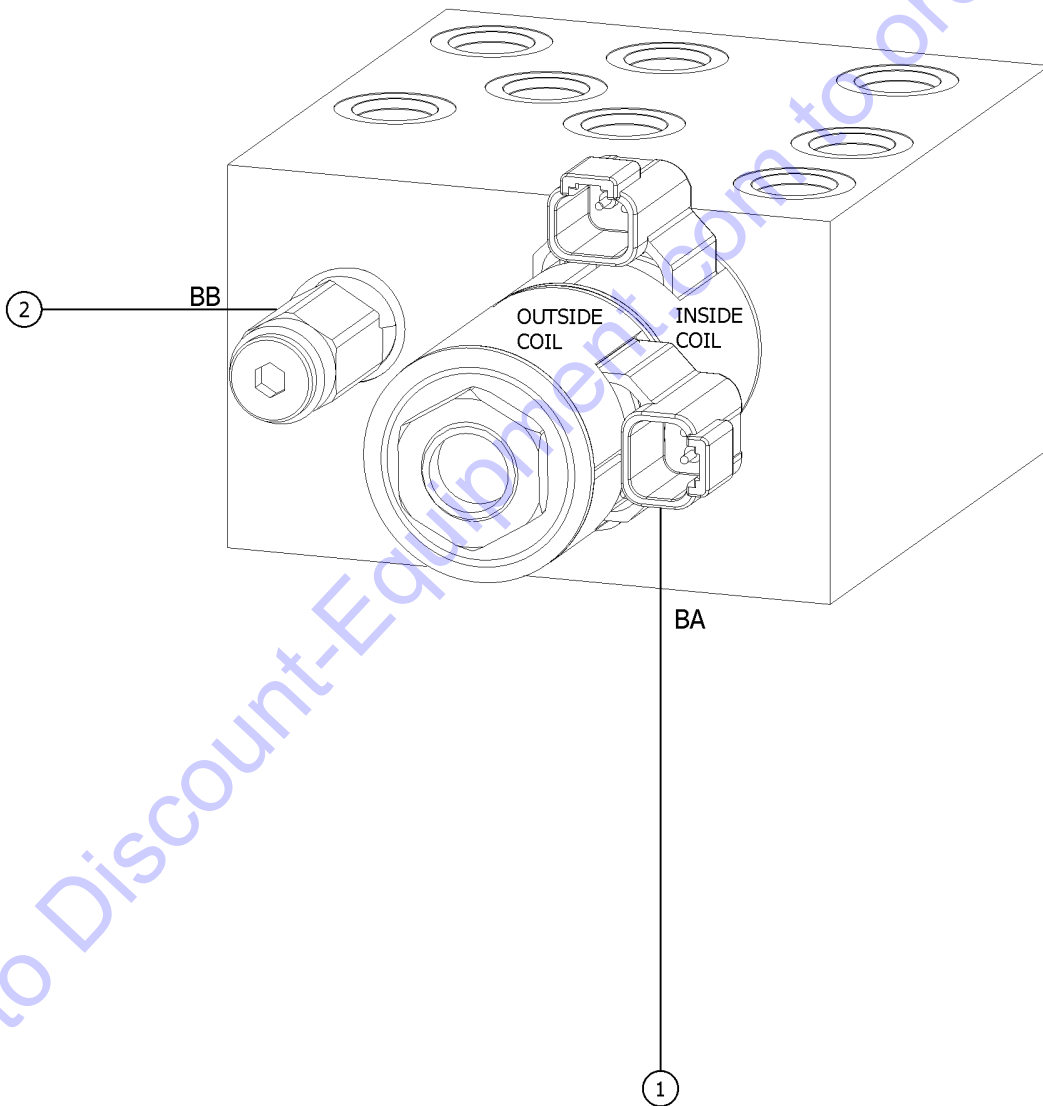
508.1 Outrigger Cylinders, Front and Rear, GS-3232

Item	Part No.	Description	Qty.
-	109877GT	CYLINDER,REAR OUTRIGGER order valves, orifice and fittings separately	
-	109878GT	CYLINDER,FRONT OUTRIGGER order valves, orifice and fittings separately	
-	144655GT	SEAL KIT,O/R CYLINDER*** for 109877GT and 109878GT	
1	105628GT	VALVE,CHECK,PILOT OPERATED (3500 psi, 240 bar)	1
1-	105695GT	SEAL KIT	
2	39875GT	ELBOW,070220-4-6	1
3	67744GT	ORIFICE,SHORT, 0.037 INCH (0.037 inch; 0.94 mm)	1
4	13921GT	ELBOW,070220-4-4	1
5	105629GT	VALVE,SOLENOID 2 POS, 2 WAY	1
5-	44228GT	SEAL KIT, VALVE	
6	109750GT	PLATE,FOOTPAD RING	2
7	109756GT	FOOTPAD,OUTRIGGER,3232	1
8	105575GT	FOOTPAD,NON MARKING	1
9	1260987GT	SCREW,FHS,1/4-20X2.25XF835,ZAG	16
10	1291577GT	PRESSURE TRANSDUCER,0-5K PSI	1
11	105652GT	FITTING,ELBOW 4-4, SAE	1

Go to Discount-Equipment.com to order your parts



509.1 Outrigger Function Manifold, GS-3232



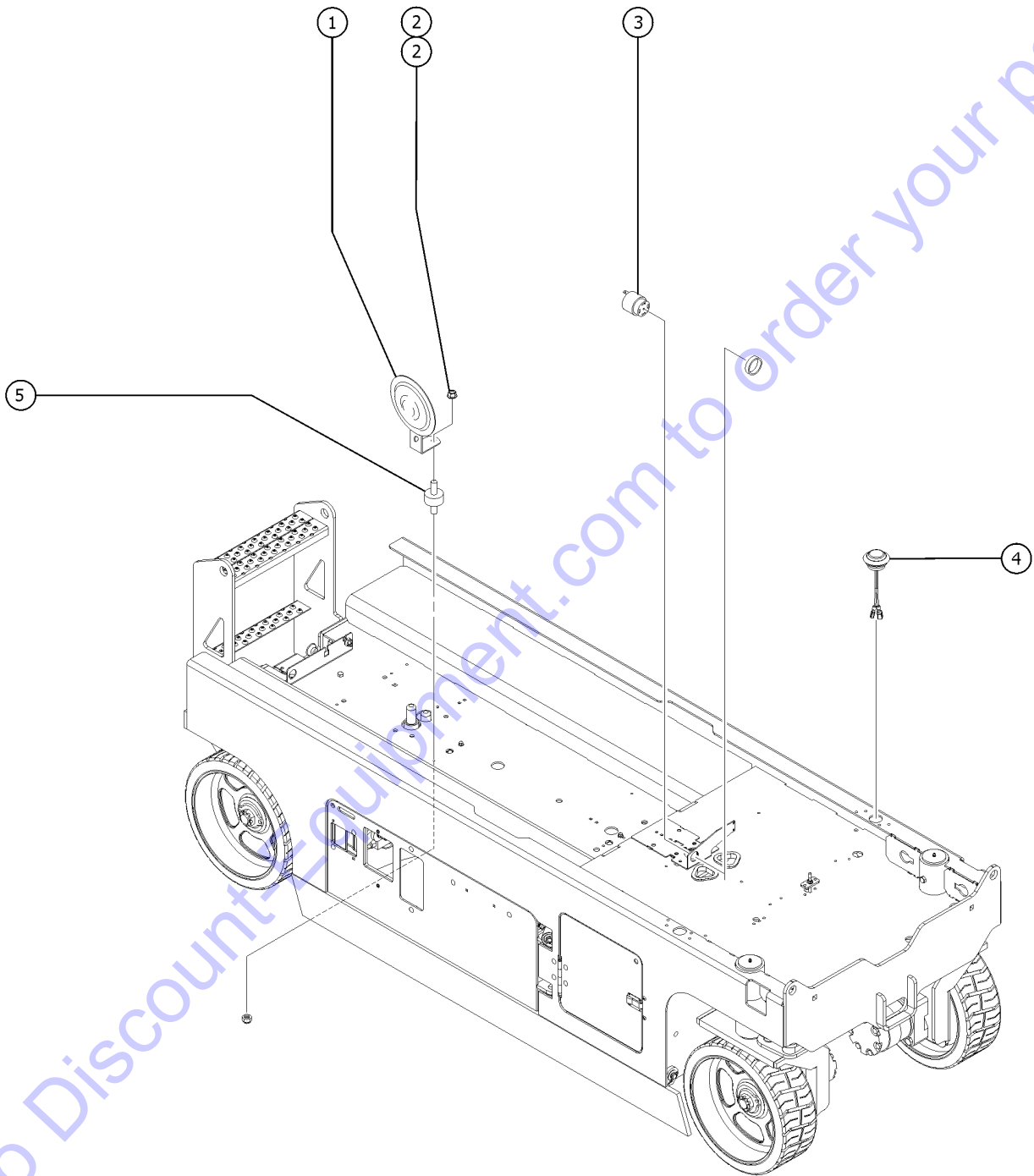
509.1 Outrigger Function Manifold, GS-3232

Item	Part No.	Description	Qty.
-	109757GT	MANIFOLD,OUTRIGGER OPTION	
-	49612GT	O-RING KIT (ORFS FITTINGS)	
-	49613GT	PLUG AND CAP KIT-SERVICE,ORFS*	
1	52376GT	VALVE,RELIEF,3500PSI*** (BB, Outrigger circuit)	
1-	44227GT	SEAL KIT, VALVE	
2	52380GT	VALVE,SOLENOID,3POS4WAY,GS68 (BA, Outrigger extend/retract)	
2-	44174GT	NUT-COIL SHORT	
2-	44175GT	SPACER-DUAL COIL,#10, SCISSORS	
2-	44230GT	SEAL KIT-P.N.44169,44172,44171	
2-	84385GT	COIL,20VDC DEUTCSH W/DIODE	

Go to Discount-Equipment.com to order your parts



601.1 Alarm, Horn and Flashing Beacons



Go to DiscountEquipment.com to order your parts

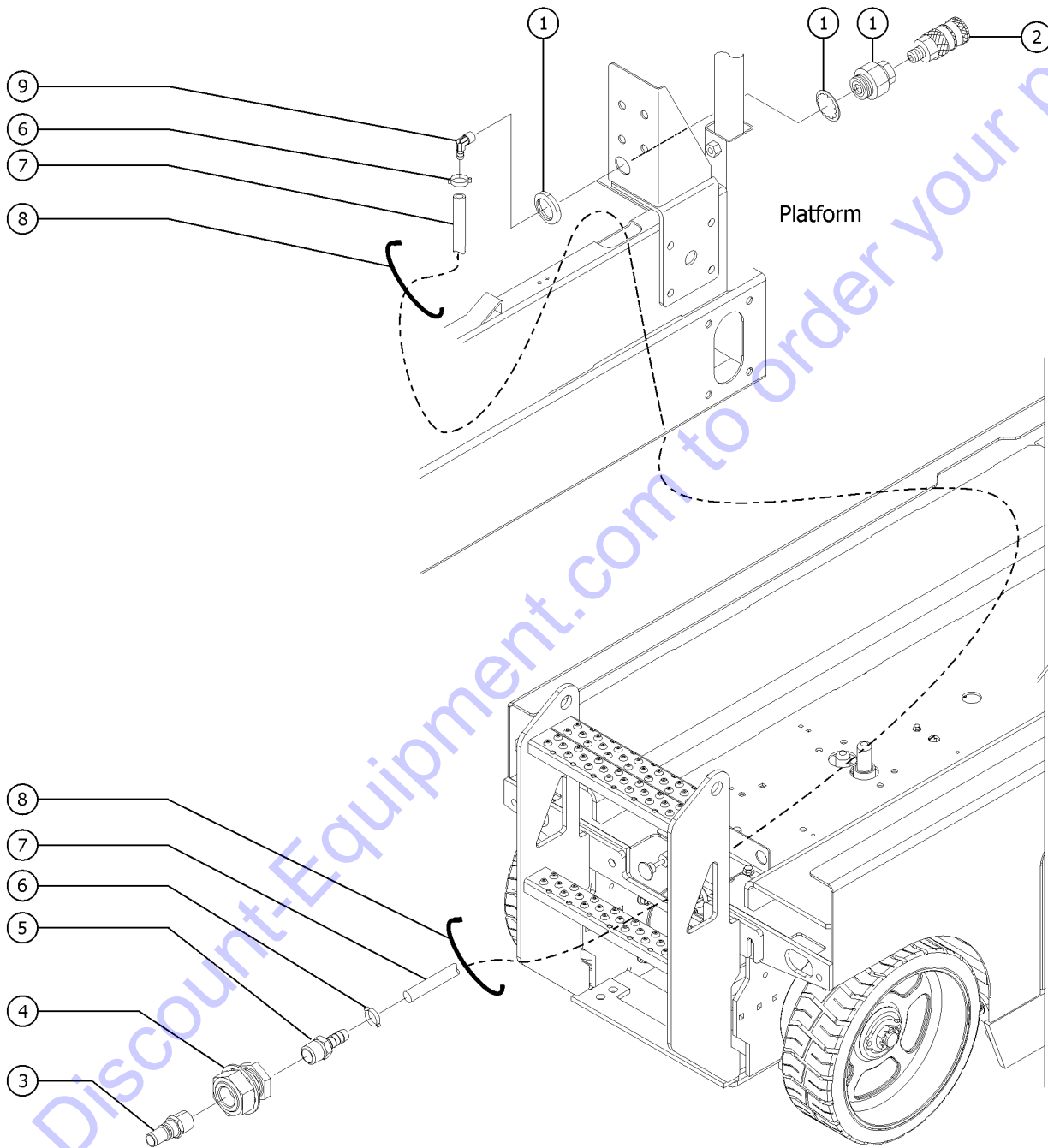
601.1 Alarm, Horn and Flashing Beacons

Item	Part No.	Description	Qty.
1	81579GT	HORN, 24VDC, SPADE TERMINALS***	1
2	1274167GT	NUT,NYLOCK FLG,5/16-18,F,ZAG	2
3	39540GT	ALARM,STEADY TONE*** Does not include 72326 nut; order separately	1
3-	72326GT	NUT,PLASTIC,RING FOR ALARMS	
		for 39540	
4	1261183GT	ASSEMBLY,VISUAL IND LIGHT	2
		All models	
4-	1270162GT	ASSEMBLY, BEACON LED, 24V	2
		for 1261183	
4-	1270662GT	HARNESS, BEACON, LED, LARGE	1
		for 1261183	
5	1275722GT	ISOLATOR,HORN,5/16-18 THRD	1

Go to Discount-Equipment.com to order your parts



602.1 Air Line to Platform

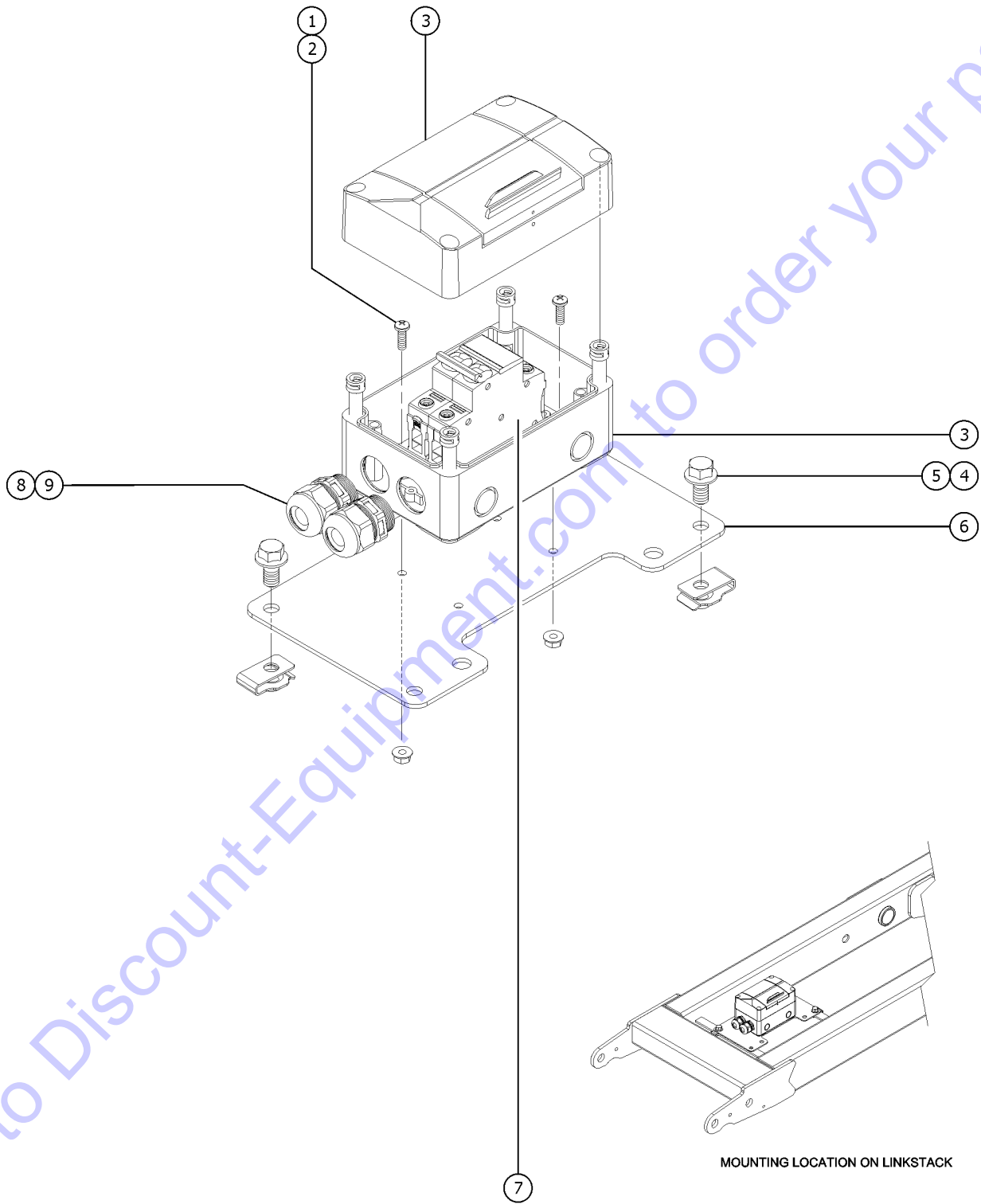


Item	Part No.	Description	Qty.
-	96731-SGT	AIR TO PLAT, GS20XX, ACC GS-2032, to SN GS32P-157400	
-	96990-SGT	AIR TO PLAT, GS26XX, ACC GS-2632, to SN GS32P-157400	
-	96991-SGT	AIR TO PLAT, GS3246, ACC GS-3232, to SN GS32P-157400	
1	27900GT	BULKHEAD,FEMALE X 6 X 6	1
2	27895GT	COUPLER,1/4"SERIES 3/8 MPT	1
3	27894GT	PLUG,1/4"SERIES,3/8 MPT	1
4	27900GT	BULKHEAD,FEMALE X 6 X 6	1
5	27901GT	HOSE END,BARBED,RIGID,-6-6	1
6	27902GT	CLAMP,HOSE,2 EAR, 5/8	2
7	27903GT	HOSE,LOW PRESSURE,.375 ID,BLK GS-2032	390
7B	27903GT	HOSE,LOW PRESSURE,.375 ID,BLK GS-2632	490
7C	27903GT	HOSE,LOW PRESSURE,.375 ID,BLK GS-3232	590
8	28443GT	CABLE TIE, 11.5" BLACK	
9	27904GT	HOSE END,BARBED,RIGID,90DEG6-6	1

Go to Discount-Equipment.com to order your parts



603.1 RCBO



Go to Discount-Equipment.com to order your parts

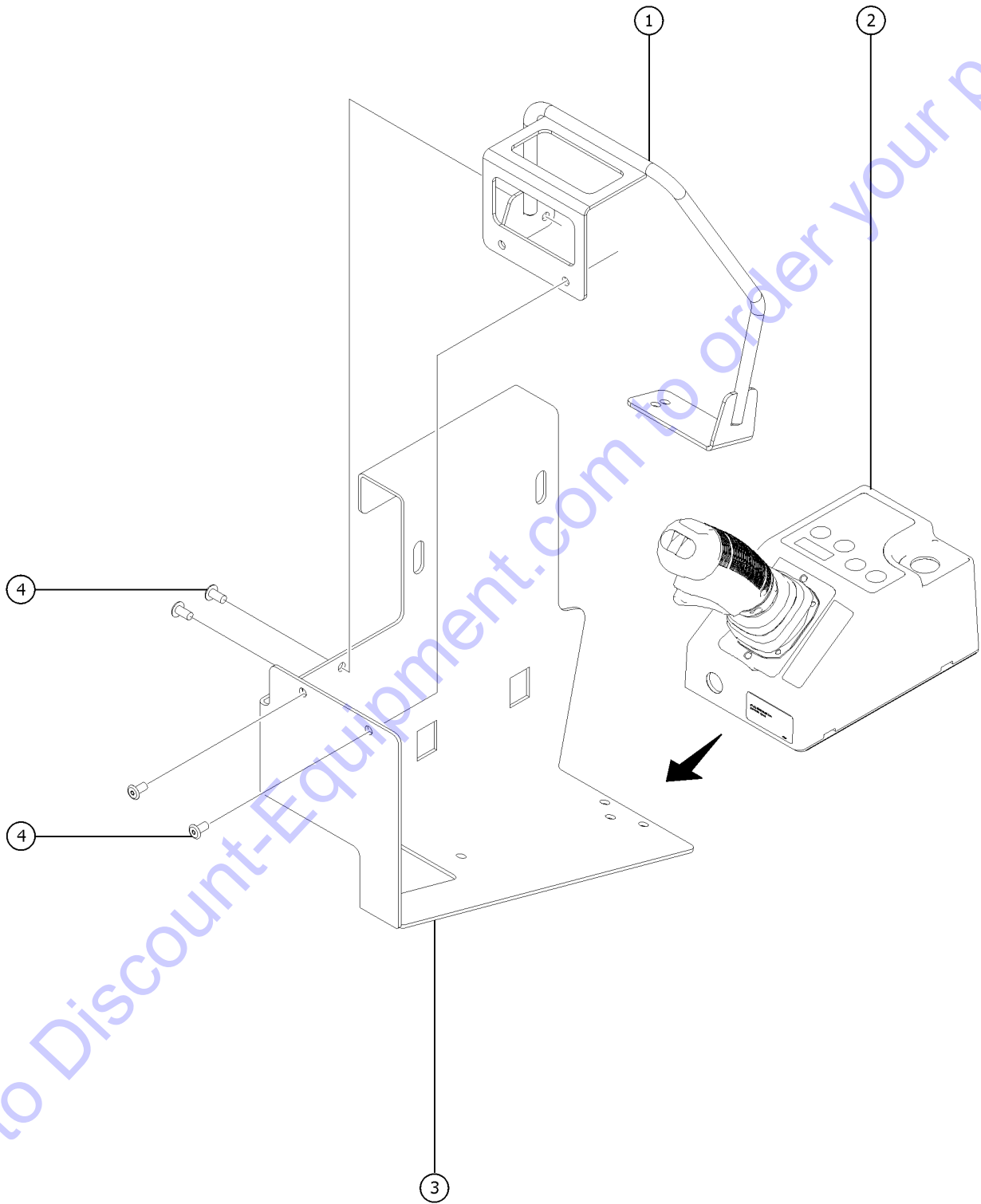
603.1 RCBO

Item	Part No.	Description	Qty.
1	1257227GT	SCREW,PHPM,10-32X.625,ZAG	2
2	1256467GT	NUT,TL FLG,10-24,F,ZAG	2
3	1269086GT	ENCLOSURE, FUSE, MODULAR, 100X150X96, IP65	1
4	824089GT	SCREW, HHF, 3/8-16 X .75, 8, ZAG	2
5	29868GT	SPRING CLIP,3/8-16,.05-.20X.73,ZAG	2
6	1274540GT	PLATE, RCBO, GS	1
7	231868GT	RCBO,16A,30MA,6KA 110/230V AC	1
8	1269087GT	CONNECTOR, SQUEEZE, M25 6-13MM	2
9	1269107GT	NUT, PLASTIC, M25, GREY	2
10	43956GT	WIRE CABLE,14/3 CON.TPE JKT* not shown	115
11	1262911GT	SLEEVE, CABLE-END, 14AWG, 2.5MM for 43956	6

Go to Discount-Equipment.com to order your parts



604.1 PCON Guard



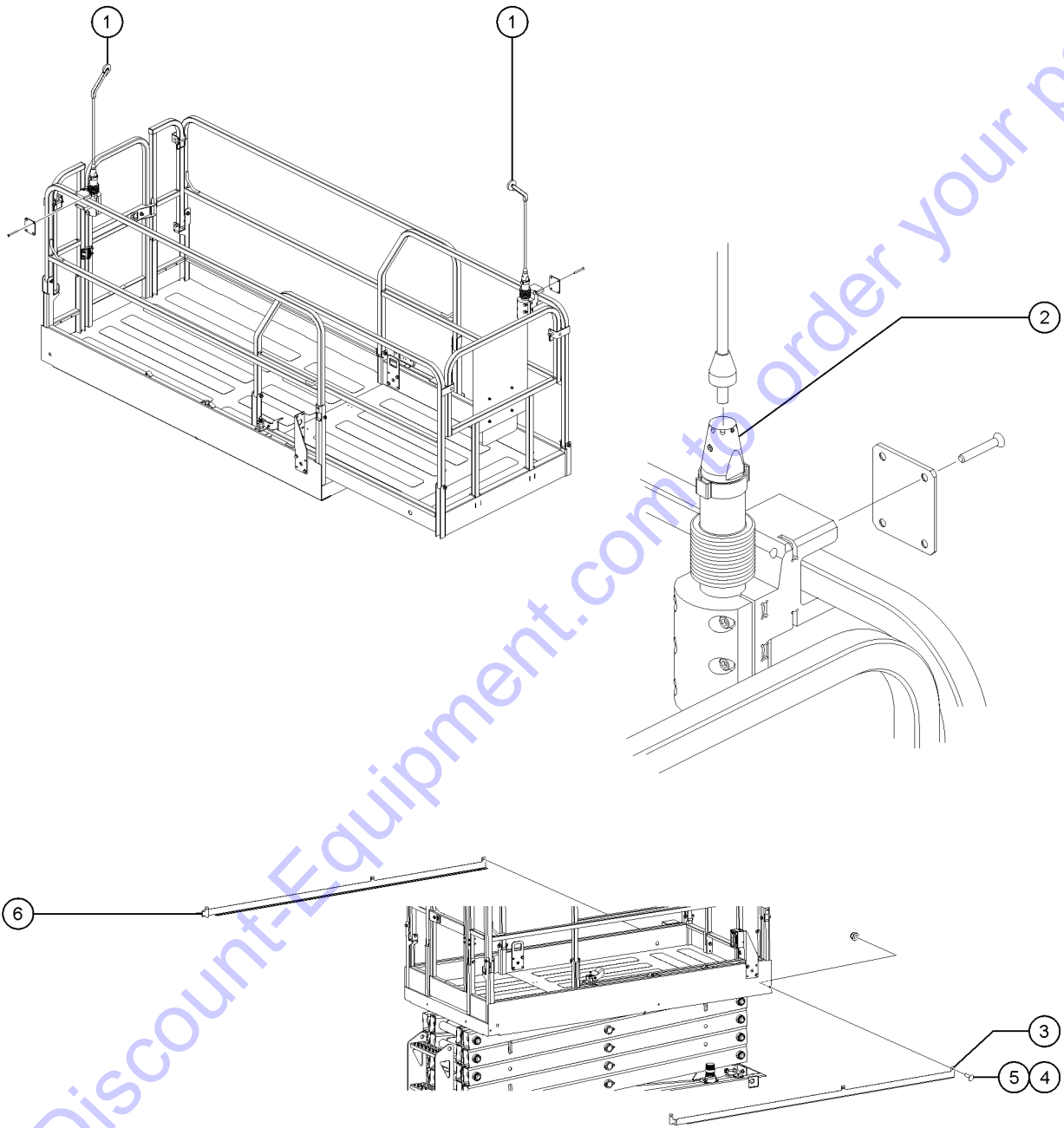
604.1 PCON Guard

Item	Part No.	Description	Qty.
1	1281105GT	OPTION,PCON GUARD ASSYEMBLY,GR-GS	1
1-	1290292GT	WELDMENT, PCON GUARD ASSEMBLY, METRIC	1
2		Ref. PCON, GR/GRC/GS	1
		(refer to 403.1)	
3		Ref. FORMING, PLAT CONTROL, GR/GRC	4
		(refer to 403.1) (holes drilled for PCON Guard option)	
4	7265GT	RIVET,STEEL,P, .25 X .375	4

Go to Discount-Equipment.com to order your parts



605.1 Lift Guard Contact Alarm, View-1



Go to Discount-Equipment.com to order your parts

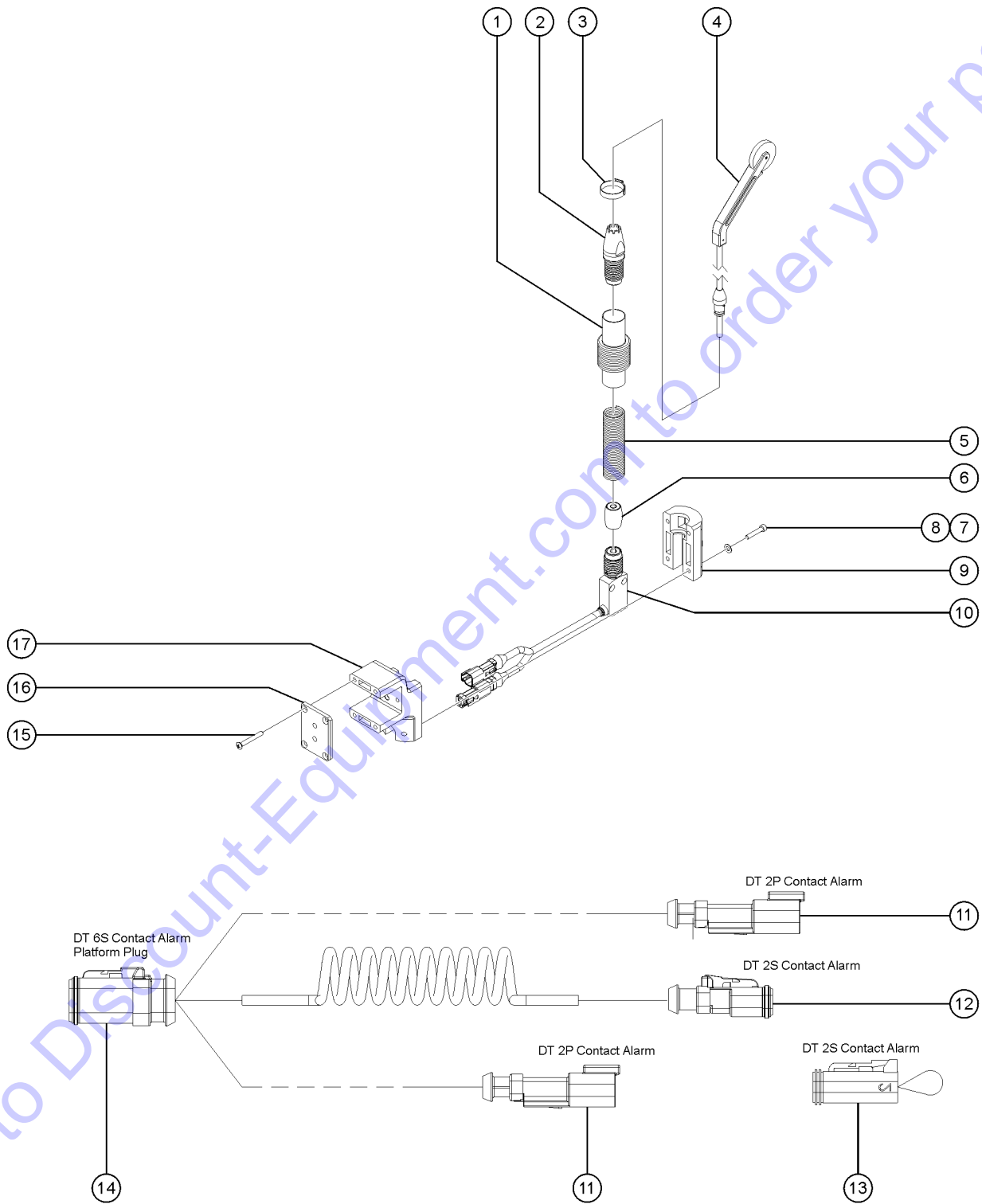
605.1 Lift Guard Contact Alarm, View-1

Item	Part No.	Description	Qty.
-	1291052GT	HARNESS,CONTACT ALARM,GS32 PLATFORM	1
1		ASSEMBLY, LIFTGUARD CONTACT ALARM	2
		refer to 606.1 (no longer available)	
2		ASSEMBLY, LIFTGUARD KNUCKLE	2
		OBSOLETE. refer to 606.1 (No longer available)	
3		FORMING,CABLE GUIDE,BAT,GS32	1
		ground control side (No longer available)	
4	824124GT	BOLT,CARRIAGE,1/4-20X.75,5,ZAG	6
5	1277924GT	NUT,NYLOCK FLG,1/4-20,F,ZAG	6
6		FORMING,CABLE GUIDE,CNTRL,GS32	1
		battery side (No longer available)	

Go to Discount-Equipment.com to order your parts



606.1 Lift Guard Contact Alarm, View-2

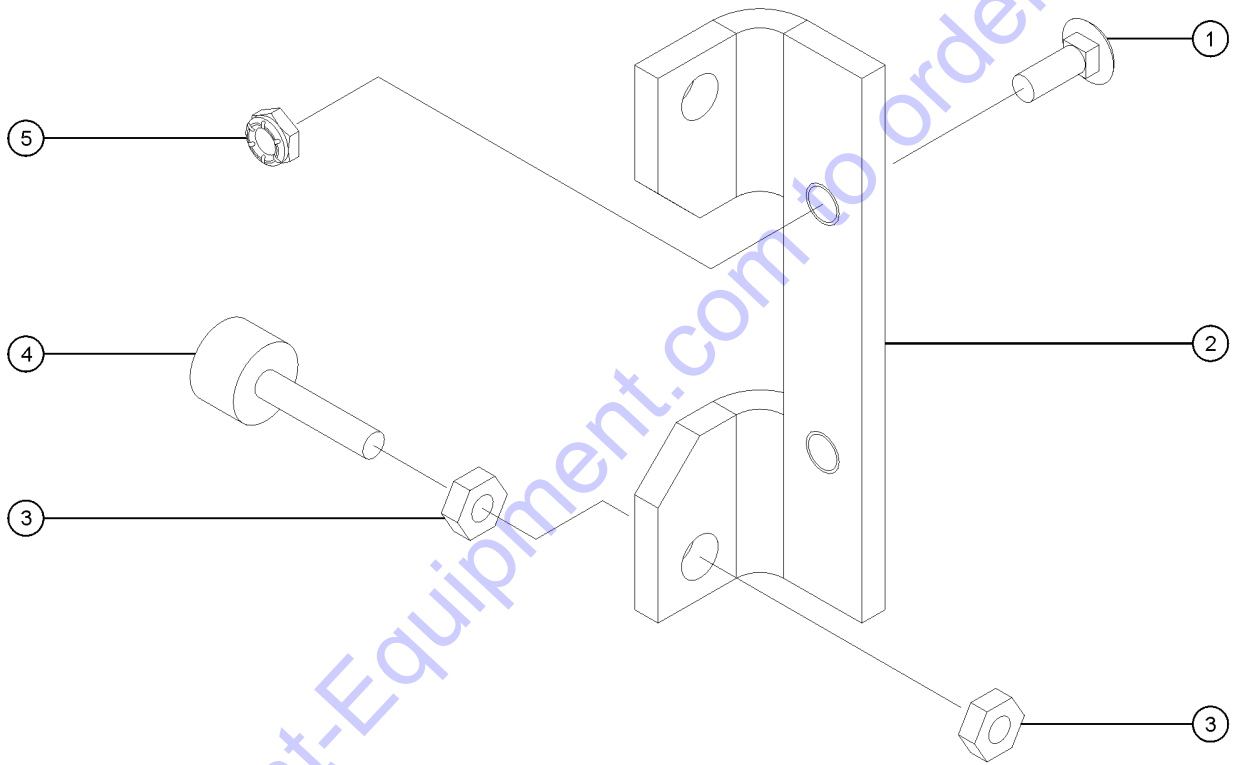


Item	Part No.	Description	Qty.
-		ASSEMBLY, LIFTGUARD CONTACT ALARM Includes items 1-10, 15-17 (no longer available)	1
-		ASSEMBLY, LIFTGUARD KNUCKLE OBSOLETE. (part of assy 1287673, includes items 1-3, 5, 6 and 10) (No longer available)	1
-	1291052GT	HARNES,CONTACT ALARM,GS32 PLATFORM Includes items- 11 - 14	1
1		BELLOW, LIFTGUARD CONTACT ALARM no longer available	1
2		ASSEMBLY, UPPER WHISKER MOUNTING no longer available	1
3	1298716GT	CLAMP, STEPLESS, ONE EAR no longer available	1
4		ASSEMBLY, WHISKER no longer available	1
5		SPRING, TENSION, CONTACT ALARM no longer available	1
6		ASSEMBLY, MAGNETIC SNAP BARREL no longer available	1
7		SCREW,SHC,10-24X1,F837,18.8,NYL,SS no longer available	4
8		WASHER,FLAT,0.219X0.437X0.031,SS no longer available	4
9		BRACKET, RT LIFTGUARD, PART 2/2 no longer available	1
10		ASSEMBLY, LIMIT SWITCH MOUNT no longer available	1
11	1288352GT	CONN,RECEP,2 WAY,DT,14-18GA,CE09 no longer available	2
11-	60439GT	CONN, RECEP, 2 WAY, DEUTSCH, DT, LOCK no longer available	2
12	1288351GT	CONN,PLUG,2 WAY,DT,14-18GA,CE13 no longer available	1
12-	60245GT	WLDMNT,CABLE TRACK GUIDE LONG* no longer available	1
13	119056GT	CONN, PLUG, 2 WAY, DEUTSCH, DT, ENDCAP no longer available	1
13-	60425GT	CONN, PLUG, 2 WAY, DEUTSCH, DT, LOCK no longer available	1
14	1288576GT	CONN,PLUG,6WAY,DT,14-18GA,CE13 no longer available	1
14-	60431GT	LOCK,PLUG 6 WAY,14-18GA no longer available	1
15		SCREW,OHPM,10-24X1.5,NYL,SS no longer available	4
16		PLATE, LIFTGUARD BRACKET no longer available	1
17		BRACKET, RT LIFTGUARD, PART 1/2 no longer available	1

Go to DiscountEquipment.com to order your parts



607.1 Bumper Assembly Tray



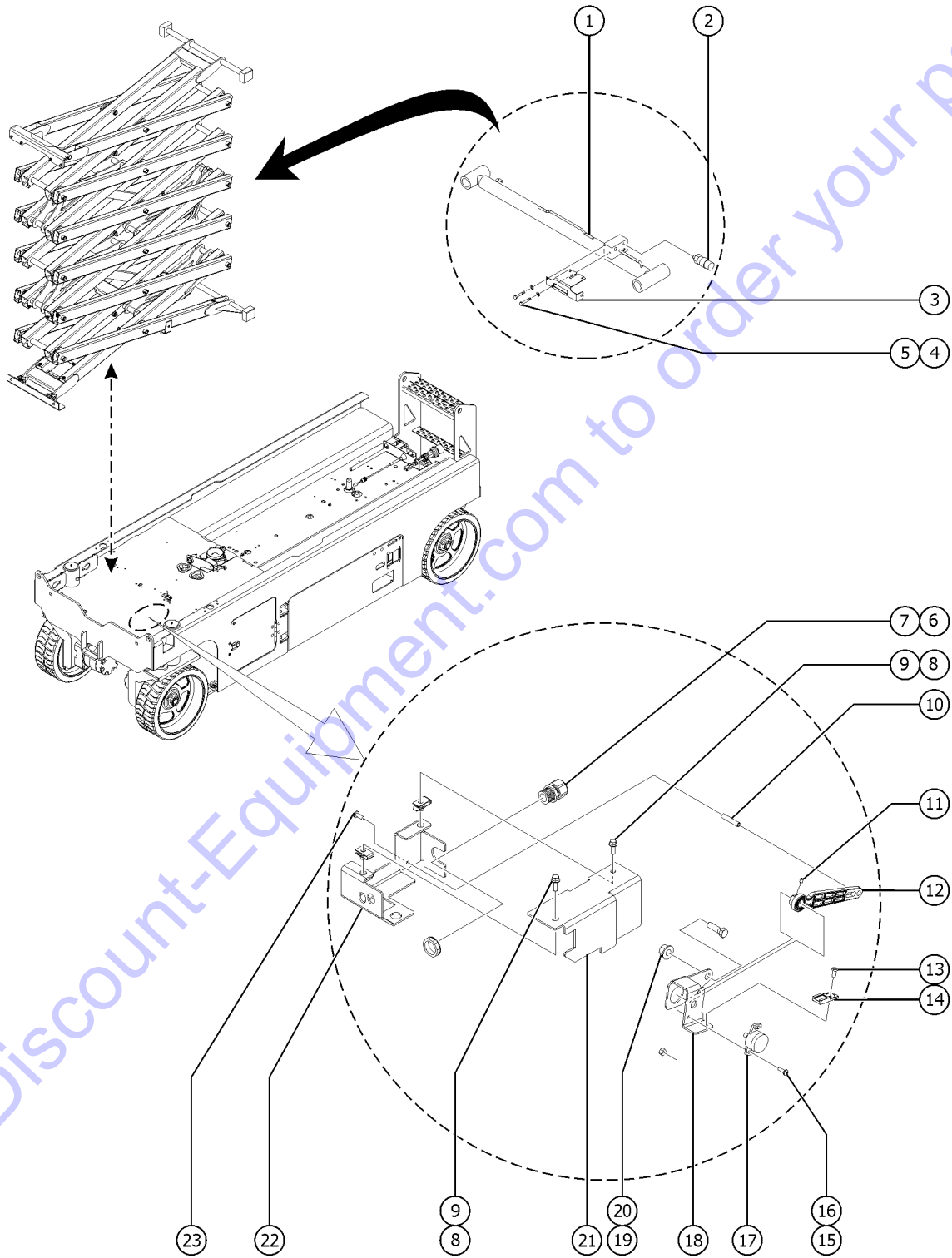
607.1 Bumper Assembly Tray

<i>Item</i>	<i>Part No.</i>	<i>Description</i>	<i>Qty.</i>
1	824124GT	BOLT,CARRIAGE,1/4-20X.75,5,ZAG	2
2	1290291GT	BRACKET,BATTERY TRAY BUMPER	1
3	824037GT	NUT, HH JAM, 1/4-20, A, ZAG	4
4	36388GT	BUMPER,RUBBER,.75 X .50H,STUD	2
5	824027GT	NUT, TL FLG, 1/4-20, G, ZAG	2

Go to Discount-Equipment.com to order your parts



701.1 Platform Overload



Item	Part No.	Description	Qty.
1		Ref: Lift Cylinder (refer to 506.1)	
2	1291577GT	PRESSURE TRANSDUCER,0-5K PSI GS-2032, GS-2632 (includes transducer)	1
2B	237472GT	PRESSURE TRANSDUCER,1K-3K PSI GS-3232 (Australia & CE)	1
3	41557-SGT	CABLE BRACKET,PAINTED	1
4	7339GT	SCREW,HHC,1/4-20 X .5	1
5	6356GT	WASHER,LOCK,.25	1
6	33576GT	CONN,SQZ,BLK,1/2NPT,.38-.50,SM	1
7	T115429GT	NUT,CORDGRIP,1/2 NPT	1
8	824078GT	SCREW,HHF,1/4-20X.75,8,ZAG	2
9	56912GT	SPRING CLIP,1/4-20,.025-.15X.54,ZAG	2
10	T113142GT	OFFSET, RDN, 1/4-1.25,10-32	1
11	229146GT	SCREW,SET,8-32X.25	1
12	T114082GT	LEVER ARM,ANGLE SENSR ACTUATOR	1
13	39579GT	RIVET,STL,STL,.188 X .45	1
		(to SN GS32D-804)	
13B	229655GT	GS3246 SCREW,PHM,8-32X.313,SELF TAP	1
		(from SN GS32D-805)	
14	T113139GT	CLIP,DTM RECEP	1
15	1257296GT	SCREW,PHPM-ST,8-32X.50,TYPE F,ZAG	2
16	1271081GT	NUT,NYLOCK,8-32,8,ZAG	2
17	T113136GT	ASSY,ROT SENSR W/ HARNESS	1
18	161981GT	FRMNG,ARM SENSOR BRCKT,32/46	1
		(to SN GS32D-804)	
18B	227171GT	FRMNG,ARM SENSOR BRCKT,32/46	1
		(from SN GS32D-805)	
19	824029GT	NUT,TL FLG,3/8-16,G,ZAG	1
20	824068GT	SCREW,HHC,3/8-16X1.25,8,ZAG	1
21	161977GT	FRMG,SENSOR COVERING	1
22	227190GT	GS3246_FRMNG,CHASSIS BRCKT,MET	1
23	1251757GT	SCREW,PHPM,10-32X.5,ZAG	1



PARTS FINDER

**Search Website
by Part Number**



**Search Manual
Library For Parts
Manual & Lookup Part
Numbers – Purchase
or Request Quote**

Search Manuals

Enter your information to help us find the right parts manual for your machine.

* Brand:

* Model:

* Serial:

* Part Number:

SEARCH

**Can't Find Part or
Manual? Request Help
by Manufacturer,
Model & Description**

Parts Order Form

Please fill in the following information to help us find the right part for your machine.

Manufacturer:	<input type="text"/>
Model:	<input type="text"/>
Description:	<input type="text"/>
Part Number:	<input type="text"/>
Quantity:	<input type="text"/>
Notes:	<input type="text"/>

Submit

Discount-Equipment.com is your online resource for quality parts & equipment.

Florida: **561-964-4949** Outside Florida TOLL FREE: **877-690-3101**

Need parts?

Click on this link: <http://www.discount-equipment.com/category/5443-parts/> and choose one of the options to help get the right parts and equipment you are looking for. Please have the machine model and serial number available in order to help us get you the correct parts. If you don't find the part on the website or on one of the online manuals, please fill out the request form and one of our experienced staff members will get back to you with a quote for the right part that your machine needs.

We sell worldwide for the brands: Genie, Terex, JLG, MultiQuip, Mikasa, Essick, Whiteman, Mayco, Toro Stone, Diamond Products, Generac Magnum, Airman, Haulotte, Barreto, Power Blanket, Nifty Lift, Atlas Copco, Chicago Pneumatic, Allmand, Miller Curber, Skyjack, Lull, Skytrak, Tsurumi, Husquvarna Target, Stow, Wacker, Sakai, Mi-T-M, Sullair, Basic, Dynapac, MBW, Weber, Bartell, Bennar Newman, Haulotte, Ditch Runner, Menegotti, Morrison, Contec, Buddy, Crown, Edco, Wyco, Bomag, Laymor, EZ Trench, Bil-Jax, F.S. Curtis, Gehl Pavers, Heli, Honda, ICS/PowerGrit, IHI, Partner, Imer, Clipper, MMD, Koshin, Rice, CH&E, General Equipment, Amida, Coleman, NAC, Gradall, Square Shooter, Kent, Stanley, Tamco, Toku, Hatz, Kohler, Robin, Wisconsin, Northrock, Oztec, Toker TK, Rol-Air, APT, Wylie, Ingersoll Rand / Doosan, Innovatech, Con X, Ammann, Mecalac, Makinex, Smith Surface Prep, Small Line, Wanco, Yanmar

California Proposition 65

 **WARNING**

Operating, servicing and maintaining this equipment, passenger vehicle or off-highway motor vehicle can expose you to chemicals including engine exhaust, carbon monoxide, phthalates, and lead, which are known to the State of California to cause cancer and birth defects or other reproductive harm. These chemicals can be emitted from or contained in other various parts and systems, fluids and some component wear by-products. To minimize exposure, avoid breathing exhaust, do not idle the engine except as necessary, service your equipment and vehicle in a well-ventilated area and wear gloves or wash your hands frequently when servicing your equipment or vehicle and after operation. For more information go to www.P65Warnings.ca.gov/passenger-vehicle.

Breathing diesel engine exhaust exposes you to chemicals known to the State of California to cause cancer and birth defects or other reproductive harm.

- Always start and operate the engine in a well-ventilated area.
- If in an enclosed area, vent the exhaust to the outside.
- Do not modify or tamper with the exhaust system.
- Do not idle the engine except as necessary.

For more information go to www.P65warnings.ca.gov/diesel.

www.genielift.com

Distributed By:

www.GenieEquipment.com to order your parts