



A TEREX BRAND

Parts Manual

Serial Number Range

GS-1530
GS-1532
GS-1930
GS-1932

from SN GS3010A-110000 to
GS3015A-141945
from SN GS-3011C-10000 to
GS3016C-23999
from SN GS30C-24000 to
GS30C-24457

Part No. 229145GT
Rev: D.11
March 2023



www.discount-equipment.com

Go to Discount-Equipment.com to order your parts

PARTS FINDER

**Search Website
by Part Number**



**Search Manual
Library For Parts
Manual & Lookup Part
Numbers – Purchase
or Request Quote**

Search Manuals

Enter your information to help us find the right parts manual for your machine.

* Brand:

* Model:

* Serial:

* Part Number:

SEARCH

**Can't Find Part or
Manual? Request Help
by Manufacturer,
Model & Description**

Parts Order Form

Please fill in the following information to help us find the right part for your machine.

MANUFACTURER:

MODEL:

DESCRIPTION:

SEARCH

Discount-Equipment.com is your online resource for quality parts & equipment.

Florida: **561-964-4949** Outside Florida TOLL FREE: **877-690-3101**

Need parts?

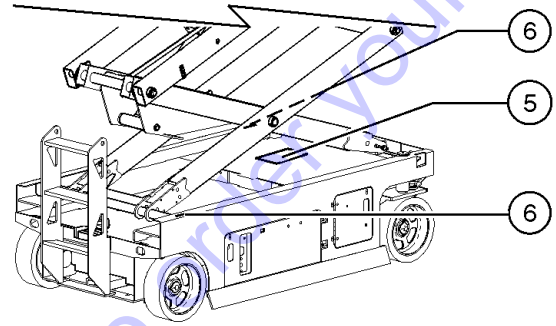
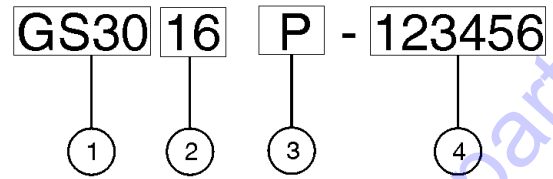
Click on this link: <http://www.discount-equipment.com/category/5443-parts/> and choose one of the options to help get the right parts and equipment you are looking for. Please have the machine model and serial number available in order to help us get you the correct parts. If you don't find the part on the website or on one of the online manuals, please fill out the request form and one of our experienced staff members will get back to you with a quote for the right part that your machine needs.

We sell worldwide for the brands: Genie, Terex, JLG, MultiQuip, Mikasa, Essick, Whiteman, Mayco, Toro Stone, Diamond Products, Generac Magnum, Airman, Haulotte, Barreto, Power Blanket, Nifty Lift, Atlas Copco, Chicago Pneumatic, Allmand, Miller Curber, Skyjack, Lull, Skytrak, Tsurumi, Husquvarna Target, Stow, Wacker, Sakai, Mi-T-M, Sullair, Basic, Dynapac, MBW, Weber, Bartell, Bennar Newman, Haulotte, Ditch Runner, Menegotti, Morrison, Contec, Buddy, Crown, Edco, Wyco, Bomag, Laymor, EZ Trench, Bil-Jax, F.S. Curtis, Gehl Pavers, Heli, Honda, ICS/PowerGrit, IHI, Partner, Imer, Clipper, MMD, Koshin, Rice, CH&E, General Equipment, Amida, Coleman, NAC, Gradall, Square Shooter, Kent, Stanley, Tamco, Toku, Hatz, Kohler, Robin, Wisconsin, Northrock, Oztec, Toker TK, Rol-Air, APT, Wylie, Ingersoll Rand / Doosan, Innovatech, Con X, Ammann, Mecalac, Makinex, Smith Surface Prep, Small Line, Wanco, Yanmar

To August 31, 2016

Genie
A TEREX BRAND

Model:
Serial number: GS3016P-123456
Manufacture date: 1/2/16 Model year: 2016
Electrical schematic number:
Machine unladen weight:
Rated work load (including occupants):
Maximum number of platform occupants:
Maximum allowable inclination of the chassis:
Outrigger retracted:
Outrigger deployed:



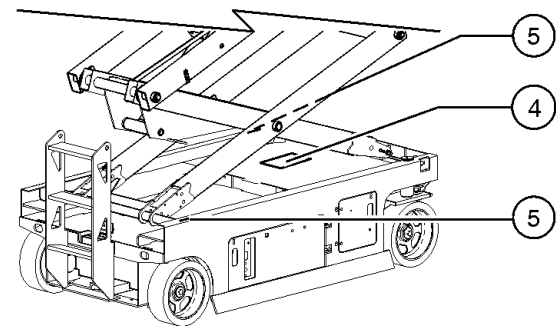
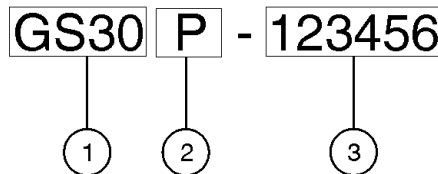
- 1 Model
- 2 Model year
- 3 Facility code

- 4 Sequence number
- 5 Serial label (located on chassis)
- 6 Serial number (stamped on chassis)

From September 1, 2016

Genie
A TEREX BRAND

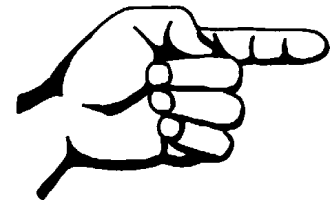
Model:
Serial number: GS30P-123456
Year of manufacture: 2016
Electrical schematic number:
Machine unladen weight:
Rated work load (including occupants):
Maximum number of platform occupants:
Maximum allowable inclination of the chassis:
Outrigger retracted:
Outrigger deployed:



- 1 Model
- 2 Facility code
- 3 Sequence number

- 4 Serial label (located on chassis)
- 5 Serial number (stamped on chassis)

Please refer to section 001 for the Recommended Spare Parts List.



This page intentionally left blank.

Description	Page
001 Parts Stocking List	10
001.1 Parts Stocking List	10
100 Decals	12
101.1 Decals with Words, GS-1530, Battery Side, ANSI & Australia	12
102.1 Decals with Words, GS-1530, Ground Controls Side, ANSI & Australia	14
103.1 Decals with Words, GS-1530, Platform, ANSI	18
104.1 Decals with Words, GS-1530, Platform, Australia	20
105.1 Decals with Symbols, GS-1530 Battery Side, ANSI & CE	22
106.1 Decals with Symbols, GS-1530 Ground Control Side, ANSI & CE	24
107.1 Decals with Symbols, GS-1530 Platform, ANSI	26
108.1 Decals with Symbols, GS-1530 Platform, CE	28
109.1 Decals with Words, GS-1532, Battery Side, Australia	30
110.1 Decals with Words, GS-1532 Ground Controls Side, Australia	32
111.1 Decals with Words, GS-1532 Platform, Australia	34
112.1 Decals with Symbols, GS-1532 Battery Side, CE	36
113.1 Decals with Symbols, GS-1532 Ground Control Side, CE	38
114.1 Decals with Symbols, GS-1532 Platform, CE	40
115.1 Decals with Words, GS-1930 Battery Side, ANSI & Australia	42
116.1 Decals with Words, GS-1930 Ground Controls Side, ANSI & Australia	44
117.1 Decals with Words, GS-1930 Platform, ANSI	48
118.1 Decals with Words, GS-1930 Platform, Australia	50
119.1 Decals with Symbols, GS-1930 Battery Side, ANSI & CE	52
120.1 Decals with Symbols, GS-1930 Ground Control Side, ANSI & CE	54
121.1 Decals with Symbols, GS-1930 Platform ANSI	56
122.1 Decals with Symbols, GS-1930 Platform CE	58
123.1 Decals with Words, GS-1932 Battery Side, Australia	60
124.1 Decals with Words, GS-1932 Ground Controls Side, Australia	62
125.1 Decals with Words, GS-1932 Platform, Australia	64
126.1 Decals with Symbols, GS-1932 Battery Side, CE	66
127.1 Decals with Symbols, GS-1932 Ground Control Side, CE	68
128.1 Decals with Symbols, GS-1932 Platform CE	70
200 Drive Chassis Components.....	72
201.1 Steer Linkage and Wheels, GS-1530, GS-1930	72
201.2 Steer Linkage and Wheels, GS-1532, GS-1932	76
202.1 Non-steer Axle Installation, All Models, GS-1530	80
202.2 Non-steer Axle Installation, All Models, GS-1532	82
202.3 Non-steer Axle Installation, All Models, GS-1930	84
202.4 Non-steer Axle Installation, All Models, GS-1932	86
203.1 Level Sensor Installation, All Models	88

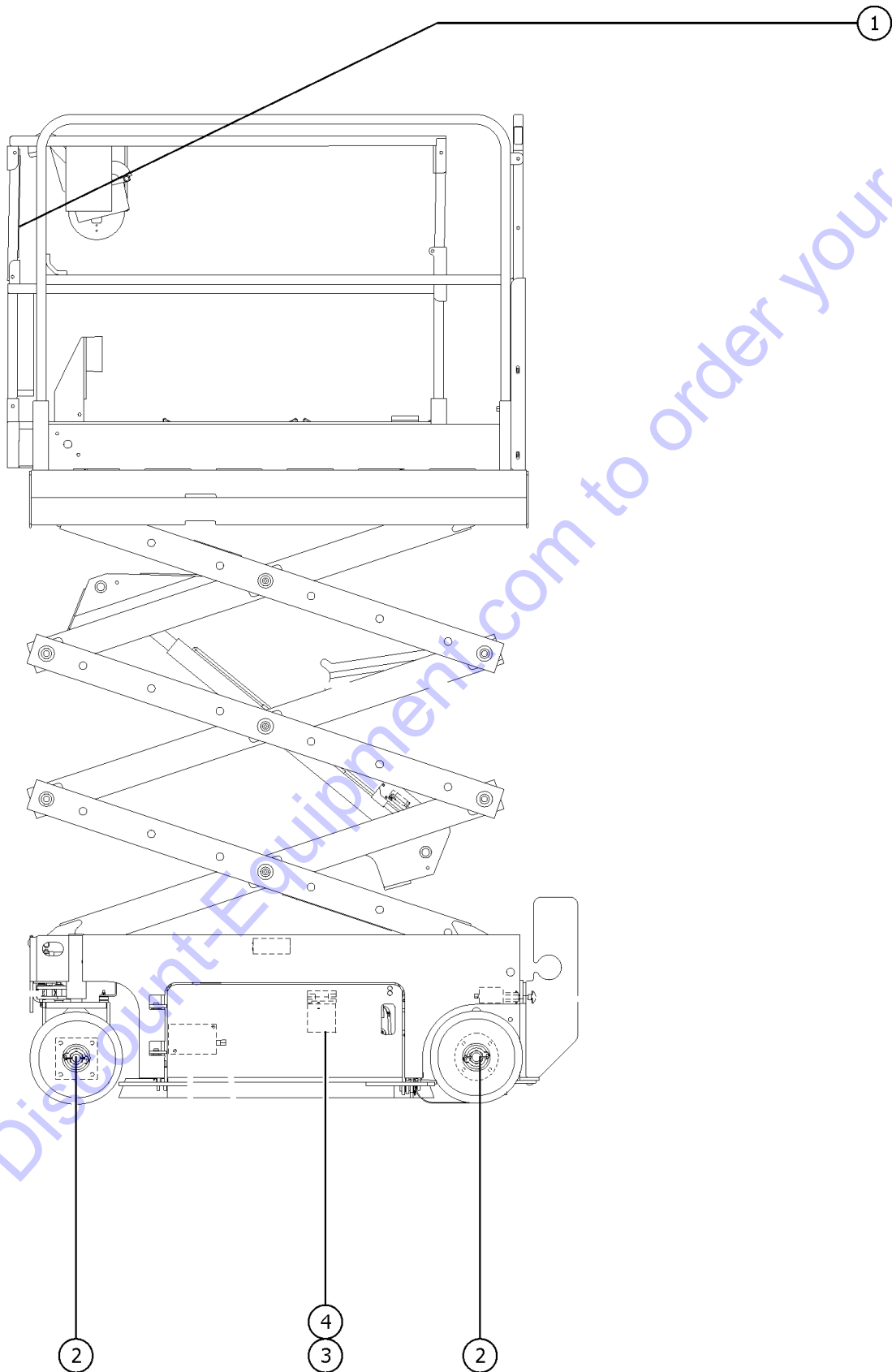
Table of Contents

Description	Page
204.1 Pothole Protection Assembly	90
205.1 Battery Pack Module	94
206.1 Battery Charger	98
207.1 Power Unit Module	100
208.1 Ground Controls, All Models	104
209.1 Electrical Wiring	108
210.1 Power Cables (models without contactor)	112
210.2 Power Cables (models with contactor to SN GS3014A-136972 and to GS3015C-18038)	114
210.3 Power Cables (from SN GS3014A-136973 and from GS3015C-18039)	116
211.1 Function Manifold and Accumulator Components	118
300 Scissor Components	120
301.1 Scissor Assembly Installation, GS-1530/1532	120
301.2 Scissor Assembly Installation, GS-1930/1932	122
302.1 Scissor Assembly, GS-1530/1532	124
303.1 Scissor Assembly, GS-1930/1932	128
400 Platform Components	132
401.1 Platform Components, GS-1530	132
402.1 Platform Components, GS-1532 (to SN GS3016C-22616, GS3015A-141945)	138
402.2 Platform Components, GS-1532 (from SN GS3016C-22617)	144
403.1 Platform Components, GS-1930	150
404.1 Platform Components, GS-1932 (to SN GS3016C-22616, GS3015A-141945)	156
404.2 Platform Components, GS-1932 (from SN GS3016C-22617)	162
405.1 Platform Gates, GS-1530	168
405.2 Platform Gates, GS-1532	172
405.3 Platform Gates, GS-1930	176
405.4 Platform Gates, GS-1932	180
406.1 Power to Platform	184
407.1 Platform Controls, 6 Button (2 Speed Lift)	188
408.1 Platform Controls, 4 Button (Proportional Lift)	192
409.1 Joystick Controller	194
500 Hydraulic Components	196
501.1 Hydraulic Components	196
502.1 Function Manifold	198
503.1 Check Valve Manifold	200
504.1 Brake Release Hand Pump Manifold	202
505.1 Hydraulic Power Unit, All Models	204
506.1 Lift Cylinder Assembly, All Models	206
507.1 Hydraulic Hoses and Fittings	208

Description	Page
600 Accessories	212
601.1 Alarm, Horn and Flashing Beacons	212
602.1 Air Line to Platform, GS-1530, GS-1532	214
602.2 Air Line to Platform, GS-1930, GS-1932	216
603.1 Platform Work Light, GS-1530, GS-1532	218
603.2 Platform Work Light, GS-1930, GS-1932	220
604.1 Voltage Inverter	222
605.1 Padded Auxiliary Rail, GS-1930	224
606.1 Lift Guard Contact Alarm, View-1 (from SN GS3014A-135000 and SN GS3014C-17000)	226
607.1 Lift Guard Contact Alarm, View-2 (from SN GS3014A-135000 and SN GS3014C-17000)	228
608.1 Telematics Option (from SN GS3014A-134509 and SN GS3015C-17993)	230
700 Platform Overload Components	232
701.1 Platform Overload	232
Part Number Index	236

Go to Discount-Equipment.com to order your parts

001.1 Parts Stocking List



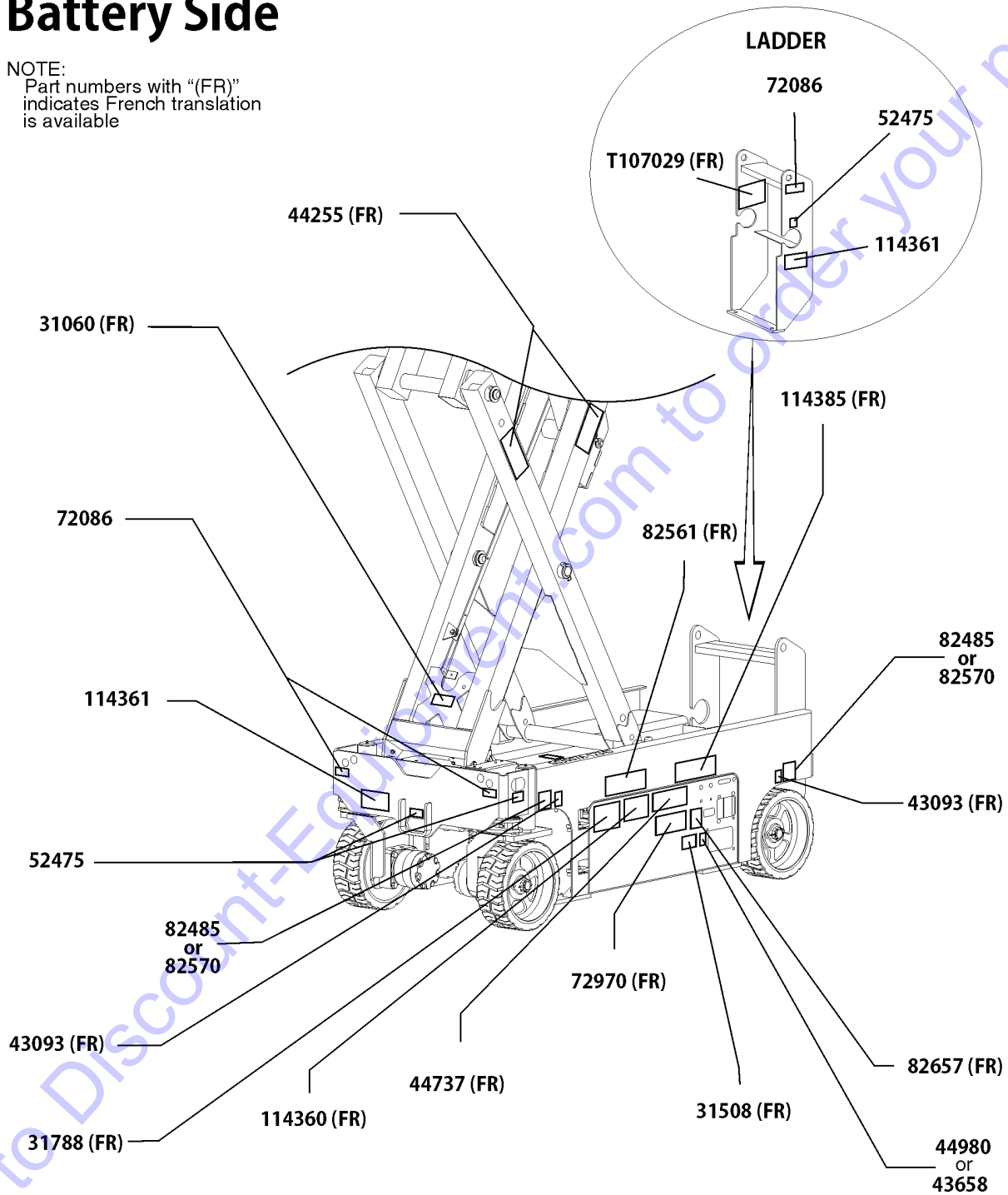
Item	Part No.	Description	Qty.
A-	66399GT	GREASE,DIELECTRIC 4 OZ**	
B-		Ref. CHEVRON ULTRA-DUTY GREASE (LITHIUM), OR EQUIVALENT, EP NLGI 1 (source locally)	
C-	1484GT	PAINT,AEROSOL,BRIGHT BLUE***	
		12-ounce spray paint	
C-	1268GT	PAINT,AEROSOL,GENIE GRAY***	
		12-ounce spray paint	
C-	1258567GT	PAINT, AEROSOL, TRAFFIC BLACK	
		12-ounce spray paint	
D-	32150GT	PAINT, WET, GENIE BLUE (1 GL)**	
		1-gallon	
D-	32151GT	PAINT, WET, GENIE GRAY (1GL)**	
		1-gallon	
D-	1257733GT	PAINT, WET, TRAFFIC BLACK(1 GL)**	
		1-gallon	
E-	49613GT	PLUG AND CAP KIT-SERVICE,ORFS*	
1A	27581GT	MANUAL, EMI SAFETY	
1B	1298933GT	MANUAL, SAIA MANUAL OF RESPONSIBILITIES, MEWP	1
2	42079GT	PIN,COTTER,.156 X 2.5	
3	44788GT	FILTER ELEMENT-10MICRON, PAPER*	
4	78546GT	BREATHER CAP, HYD. TANK, 1/4 NPT	

Go to Discount-Equipment.com to order your parts



Battery Side

NOTE:
Part numbers with "(FR)" indicates French translation is available



101.1 Decals with Words, GS-1530, Battery Side, ANSI & Australia

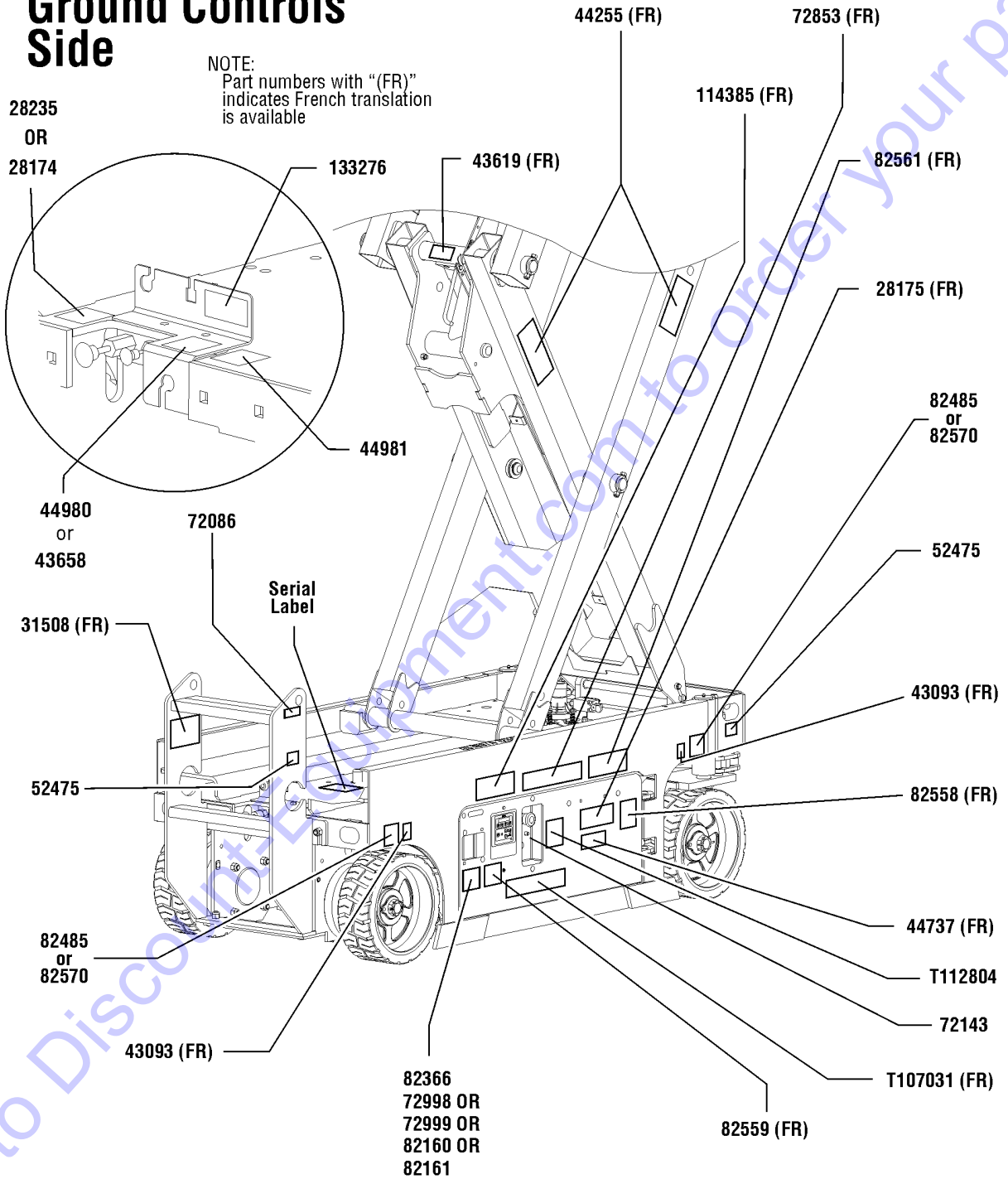
Item	Part No.	Description	Qty.
-	232052GT	DECAL KIT,1530 PLAT.,WRD,ANSI (ANSI models with 2 speed controller) to SN GS3014A-134999 and to SN GS3014C-16999	
-	232053GT	DECAL KIT,1530 COMP.,WRD,ANSI (ANSI models with 2 speed controller) to SN GS3014A-134999 and to SN GS3014C-16999 (order platform controls decal separately)	
-	232060GT	DECAL KIT,1530 PLAT.,WRD,AUST (Australia models with 2 speed controller) to SN GS3014A-134999 and to SN GS3014C-16999	
-	232061GT	DECAL KIT,1530 COMP.,WRD,AUST (Australia models with 2 speed controller) to SN GS3014A-134999 and to SN GS3014C-16999	
1	44255GT	DECAL,DANGER,CRUSHING HAZARD	2
2	31060GT	DECAL,DANGER DO NOT ALTER SWTC	1
3	31508GT	DECAL,DANGER,ELECT HAZARD,PLUG (Australia models)	1
4	31788GT	DECAL,DANGER,BATTERY SAFETY***	1
5	43093GT	DECAL,LABEL,TIRE SPECS	2
6	43658GT	DECAL,LABEL,PWR TO CHARGR 230V (Australia models)	1
7	44737GT	DECAL,DANGER,TIP-OVER,TRAYS	1
8	44980GT	DECAL,LABEL,PWR TO CHARGR 115V (Australia models)	1
9	52475GT	DECAL,LABEL,TRANSPORT TIEDOWN*	3
10	72086GT	DECAL,LABEL,LIFTING EYE	3
11	72970GT	DECAL,INSTRUCTIONS-CHARGER OP	1
12	82485GT	DECAL,LABEL,WHEEL LOAD 1530 (ANSI models)	2
13	82561GT	DECAL,DANGER-USE SAFETY ARM	1
14	82570GT	DECAL,LABEL-WHEEL LOAD 1530/32 (Australia models)	2
15	82657GT	DECAL,INSTRUCT,BATTERY CONNECT	1
16	114360GT	DECAL,DANGER-TIP-OVER,BATT	1
17	114361GT	DECAL,SYM-TIP-OVER,LIM SWITCH	2
18	114385GT	DECAL,DANGER,ELEC HAZARD,GS	1
19	T107029GT	DECAL DANGER BRAKE REL SAFETY	1



102.1 Decals with Words, GS-1530, Ground Controls Side, ANSI & Australia

Ground Controls Side

NOTE:
Part numbers with "(FR)" indicates French translation is available



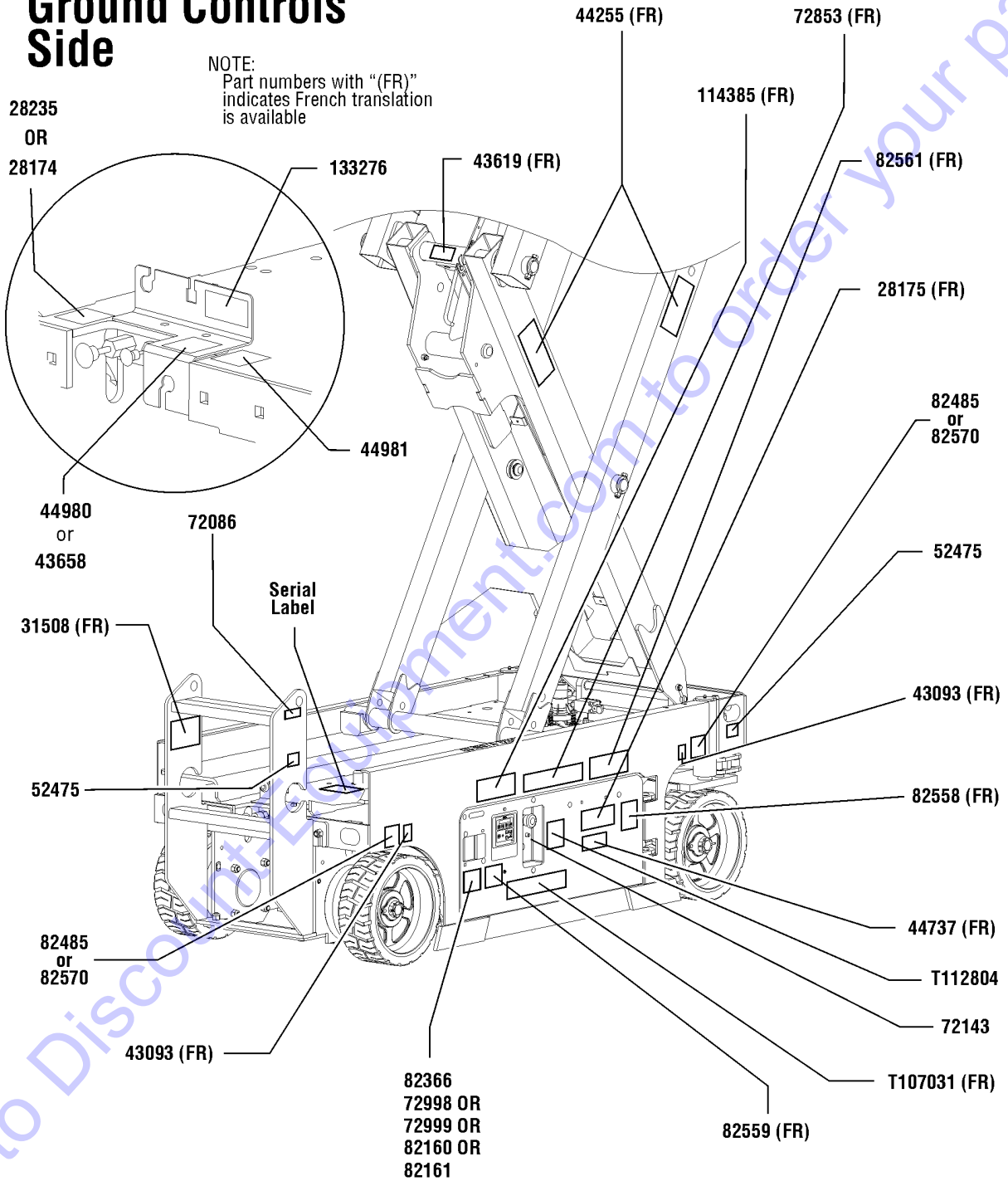
102.1 Decals with Words, GS-1530, Ground Controls Side, ANSI & Australia

Item	Part No.	Description	Qty.
1	28174GT	DECAL,POWER TO PLATFORM 230V	1
2	28175GT	DECAL,WARNING-COMPART ACCESS	1
3	28235GT	DECAL,POWER TO PLATFORM 115V	1
4	31508GT	DECAL,DANGER,ELECT HAZARD,PLUG (ANSI models)	1
5	43093GT	DECAL,LABEL,TIRE SPECS	2
6	43619GT	DECAL,LABEL,SAFETY ARM	1
7	43658GT	DECAL,LABEL,PWR TO CHARGR 230V (ANSI models)	1
8	44255GT	DECAL,DANGER,CRUSHING HAZARD	2
9	44737GT	DECAL,DANGER,TIP-OVER,TRAYS	1
10	44980GT	DECAL,LABEL,PWR TO CHARGR 115V (ANSI models)	1
11	44981GT	DECAL,LABEL,AIRLINE 110 PSI (option)	1
12	52475GT	DECAL,LABEL,TRANSPORT TIEDOWN*	2
13	72086GT	DECAL,LABEL,LIFTING EYE	1
14	72143GT	DECAL,EMERGENCY STOP,GR	1
15	72853GT	DECAL,DANGER,IMPROPER USE HAZ.	1
16	72998GT	DECAL, LABEL, QUINTOLUBRIK (models with Quintolub hydraulic oil)	1
17	72999GT	DECAL,LABEL,PETRO CANADA*** (models with Petro Canada hydraulic oil)	1
18	82160GT	DECAL, LABEL, STATOIL HYDRAWAY (models with Statoil hydraulic oil)	1
19	82161GT	DECAL,LABEL,UCON HYDROLUBE (models with UConn Hydrolube hydraulic oil)	1
20	82366GT	DECAL,CHEVRON RANDO HD (models with Chevron Random hydraulic oil)	1
21	82485GT	DECAL,LABEL,WHEEL LOAD 1530 (ANSI models)	2
22	82558GT	DECAL,SKIN INJECTION	1
23	82559GT	DECAL,INSTRUCT-ANNUAL INSP REQ	1
24	82561GT	DECAL,DANGER-USE SAFETY ARM	1
25	82570GT	DECAL,LABEL-WHEEL LOAD 1530/32 (Australia models)	2
26	114385GT	DECAL,DANGER,ELEC HAZARD,GS	1
27	133276GT	DECAL,EMERGENCY LOWERING	1
28	T107031GT	DECAL,OP INST,GCON	1



Ground Controls Side

NOTE:
Part numbers with "(FR)" indicates French translation is available



102.1 Decals with Words, GS-1530, Ground Controls Side, ANSI & Australia

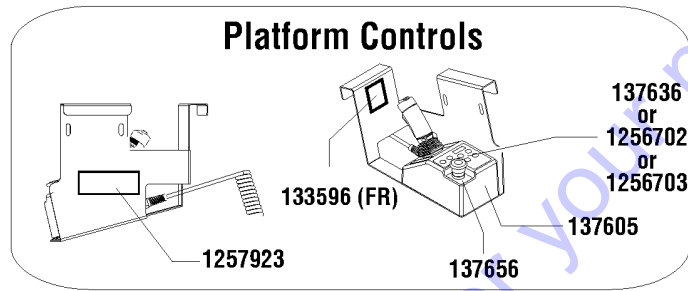
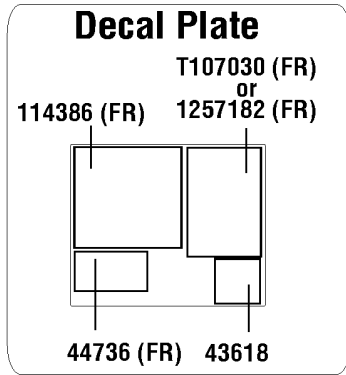
<i>Item</i>	<i>Part No.</i>	<i>Description</i>	<i>Qty.</i>
29	T112804GT	DECAL,GCON PANEL,GS	1

Go to Discount-Equipment.com to order your parts

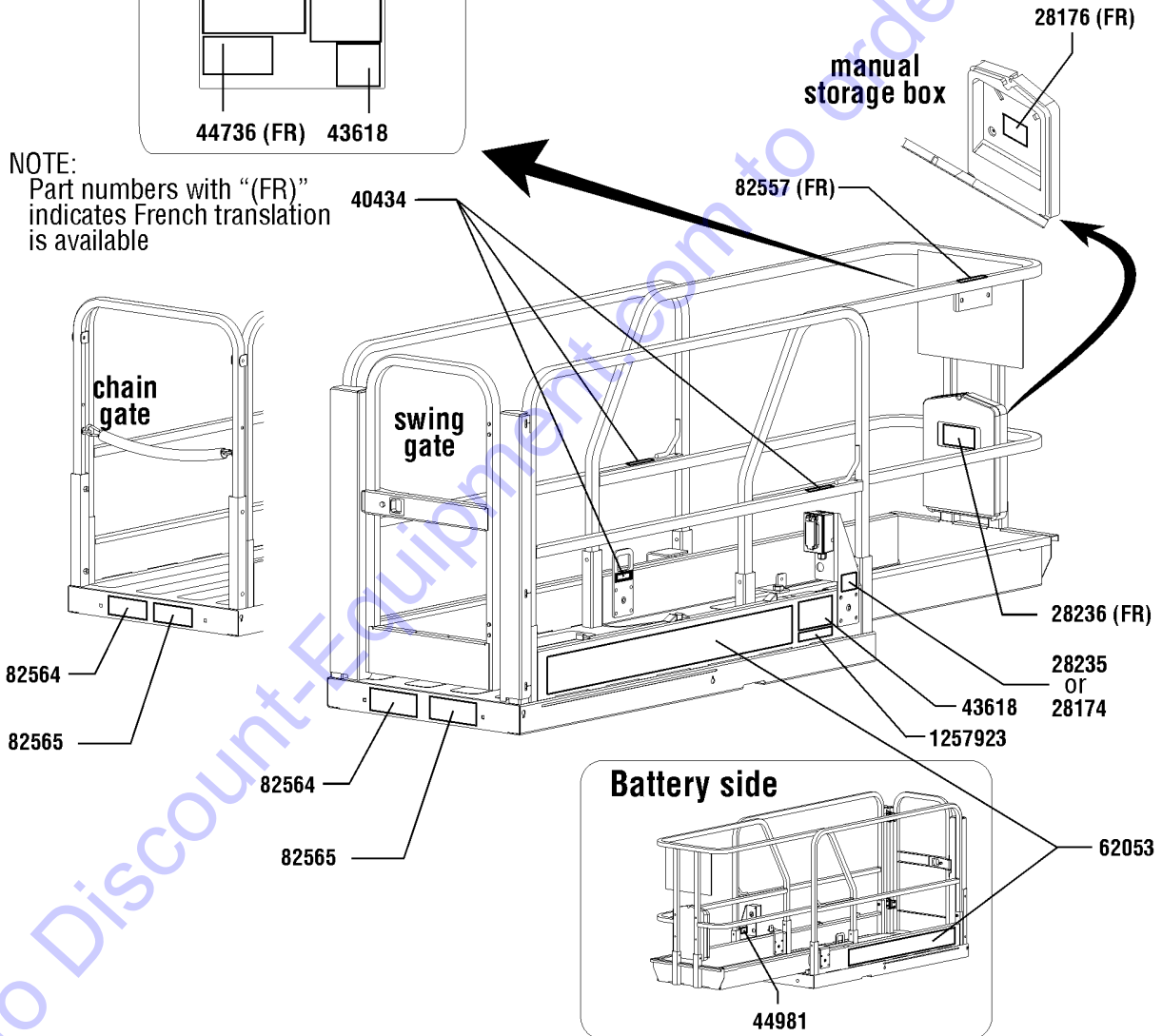


103.1 Decals with Words, GS-1530, Platform, ANSI

Platform, ANSI models



NOTE:
 Part numbers with "(FR)"
 indicates French translation
 is available

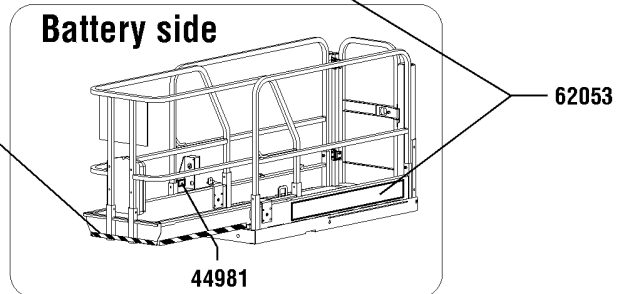
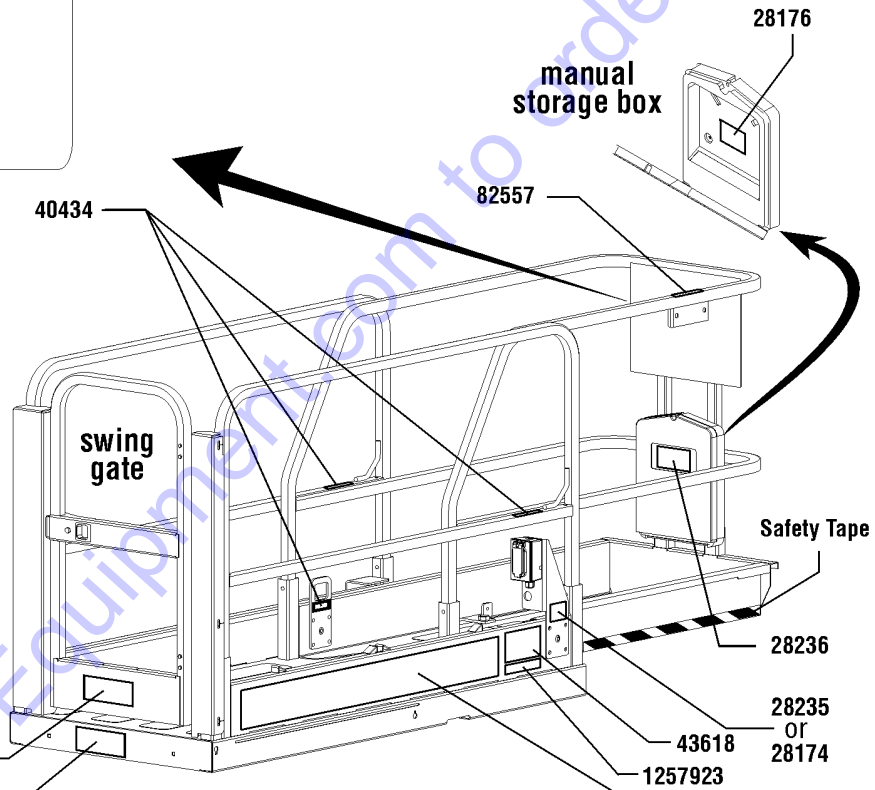
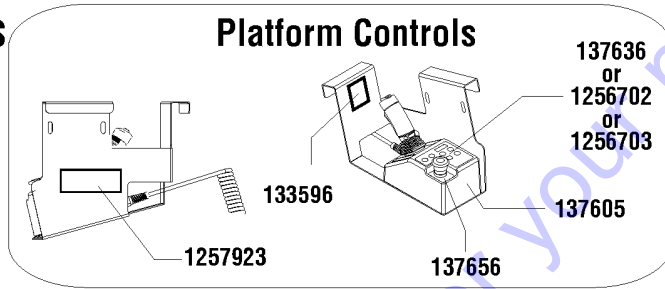
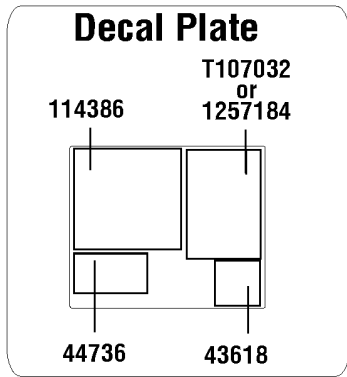


103.1 Decals with Words, GS-1530, Platform, ANSI

Item	Part No.	Description	Qty.
1	28174GT	DECAL,POWER TO PLATFORM 230V	1
2	28176GT	DECAL,LABEL,MANUAL NOT HERE	1
3	28235GT	DECAL,POWER TO PLATFORM 115V	1
4	28236GT	DECAL,WARN,IMPROPER OPERATION	1
5	40434GT	DECAL,LANYARD ANCHORAGE POINT	3
6	43618GT	DECAL,LABEL-DIRECTION ARROWS	2
7	44736GT	DECAL,DANGER,TIP-OVER,TILT	1
8	44981GT	DECAL,LABEL,AIRLINE 110 PSI	1
9	62053GT	DECAL,COSMETIC,GENIE GS-1530**	2
10	82557GT	DECAL,LABEL,PLAT CONT LOCATION	1
11	82564GT	DECAL,INSTR-MAX CAP 600LBS	1
12	82565GT	DECAL,INSTR-SIDE FRC,ANSI	1
13	114386GT	DECAL,DANGER-GEN SAFETY	1
14	133596GT	DECAL,LABEL,FAULT CODES	1
15	137605GT	DECAL,E-STOP,GR/GRC/GS PCON	1
16	137636GT	DECAL, UI, GR/GRC/GS PCON (models with 6 button, 2 speed controller) to SN GS3014A-134999 and to SN GS3014C-16999	1
17	137656GT	DECAL,PROPEL,GR/GRC/GS,PCON	1
18	T107030GT	DECAL,OP INST,PCON,GS-30,ANSI (models with 6 button, 2 speed controller) to SN GS3014A-134999 and to SN GS3014C-16999	1
19	1256702GT	DECAL, UI, GS/GR, PROP LIFT (models with 4 button, proportional controller)	1
20	1256703GT	DECAL, STD, PROP LIFT, UI, SVC (units converted from 6 button, 2 speed lift to 4 button, proportional controller)	1
21	1257182GT	DECAL, OP INST, PLAT, GS30, ANSI (models with proportional controller)	1
22	1257923GT	DECAL, SMARTLINK PROPORTIONAL (models with 4 button, proportional controller, and units converted from 6 button, 2 speed lift to 4 button, proportional controller)	2



Platform, Australia Models

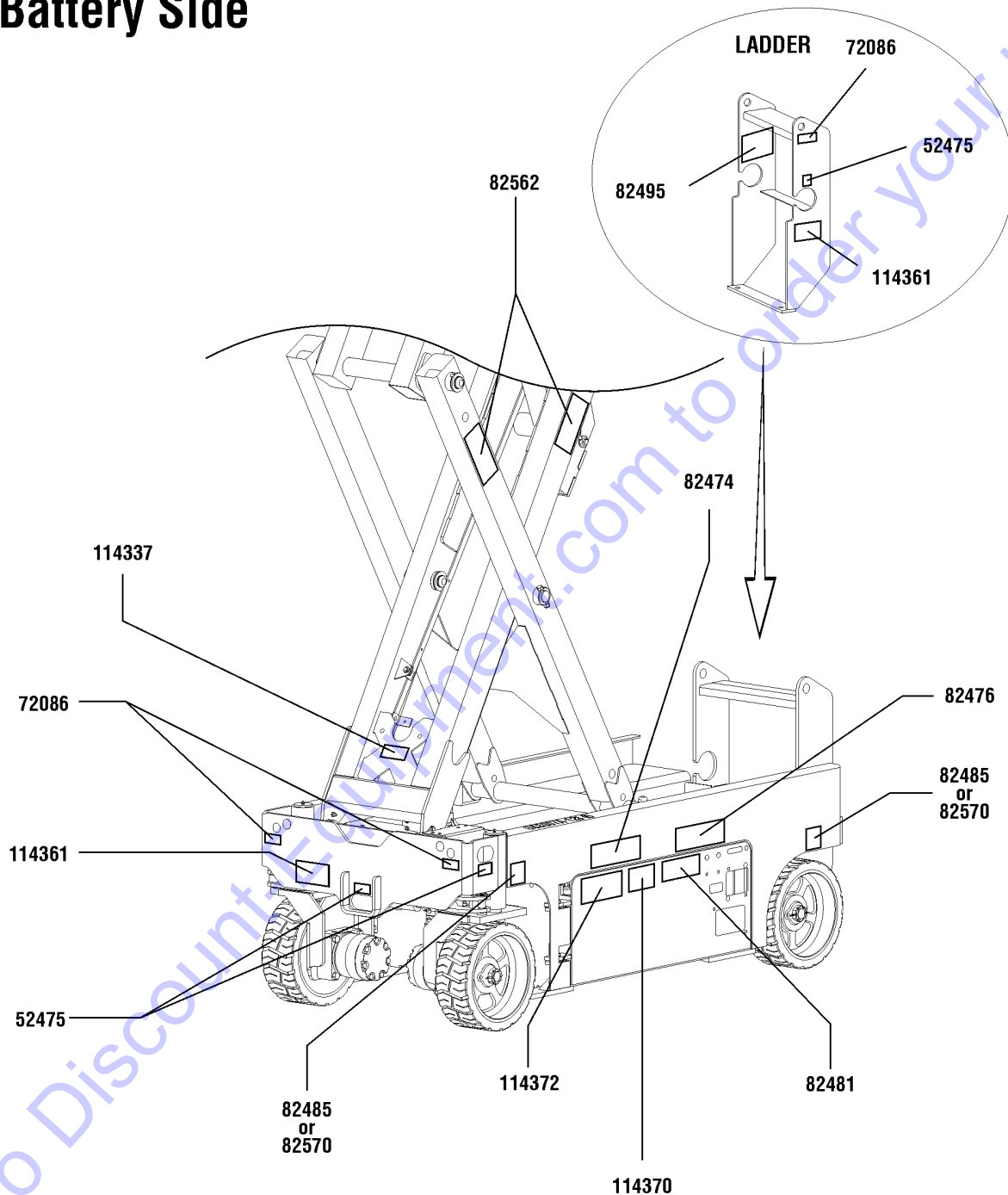


104.1 Decals with Words, GS-1530, Platform, Australia

Item	Part No.	Description	Qty.
1	28174GT	DECAL,POWER TO PLATFORM 230V	1
2	28176GT	DECAL,LABEL,MANUAL NOT HERE	1
3	28235GT	DECAL,POWER TO PLATFORM 115V	1
4	28236GT	DECAL,WARN,IMPROPER OPERATION	1
5	40434GT	DECAL,LANYARD ANCHORAGE POINT	3
6	43618GT	DECAL,LABEL-DIRECTION ARROWS	2
7	44736GT	DECAL,DANGER,TIP-OVER,TILT	1
8	44981GT	DECAL,LABEL,AIRLINE 110 PSI	1
9	62053GT	DECAL,COSMETIC,GENIE GS-1530**	2
10	82557GT	DECAL,LABEL,PLAT CONT LOCATION	1
11	97618GT	DECAL,INSTR-INDOOR USE,AUS	1
12	114386GT	DECAL,DANGER-GEN SAFETY	1
13	133596GT	DECAL,LABEL,FAULT CODES	1
14	137605GT	DECAL,E-STOP,GR/GRC/GS PCON	1
15	137636GT	DECAL, UI, GR/GRC/GS PCON (models with 6 button, 2 speed controller) to SN GS3014A-134999 and to SN GS3014C-16999	1
16	137656GT	DECAL,PROPEL,GR/GRC/GS,PCON	1
17	T107032GT	DECAL,OP INST,PCON,GS-30,AUS (models with 6 button, 2 speed controller) to SN GS3014A-134999 and to SN GS3014C-16999	1
19	1256702GT	DECAL, UI, GS/GR, PROP LIFT (models with 4 button, proportional controller)	1
20	1256703GT	DECAL, STD, PROP LIFT, UI, SVC (units converted from 6 button, 2 speed lift to 4 button, proportional controller)	1
21	1257184GT	DECAL, OP INST, PLAT, GS30, AUS (models with proportional controller)	1
22	1257923GT	DECAL, SMARTLINK PROPORTIONAL (models with 4 button, proportional controller, and units converted from 6 button, 2 speed lift to 4 button, proportional controller)	2



Battery Side



105.1 Decals with Symbols, GS-1530 Battery Side, ANSI & CE

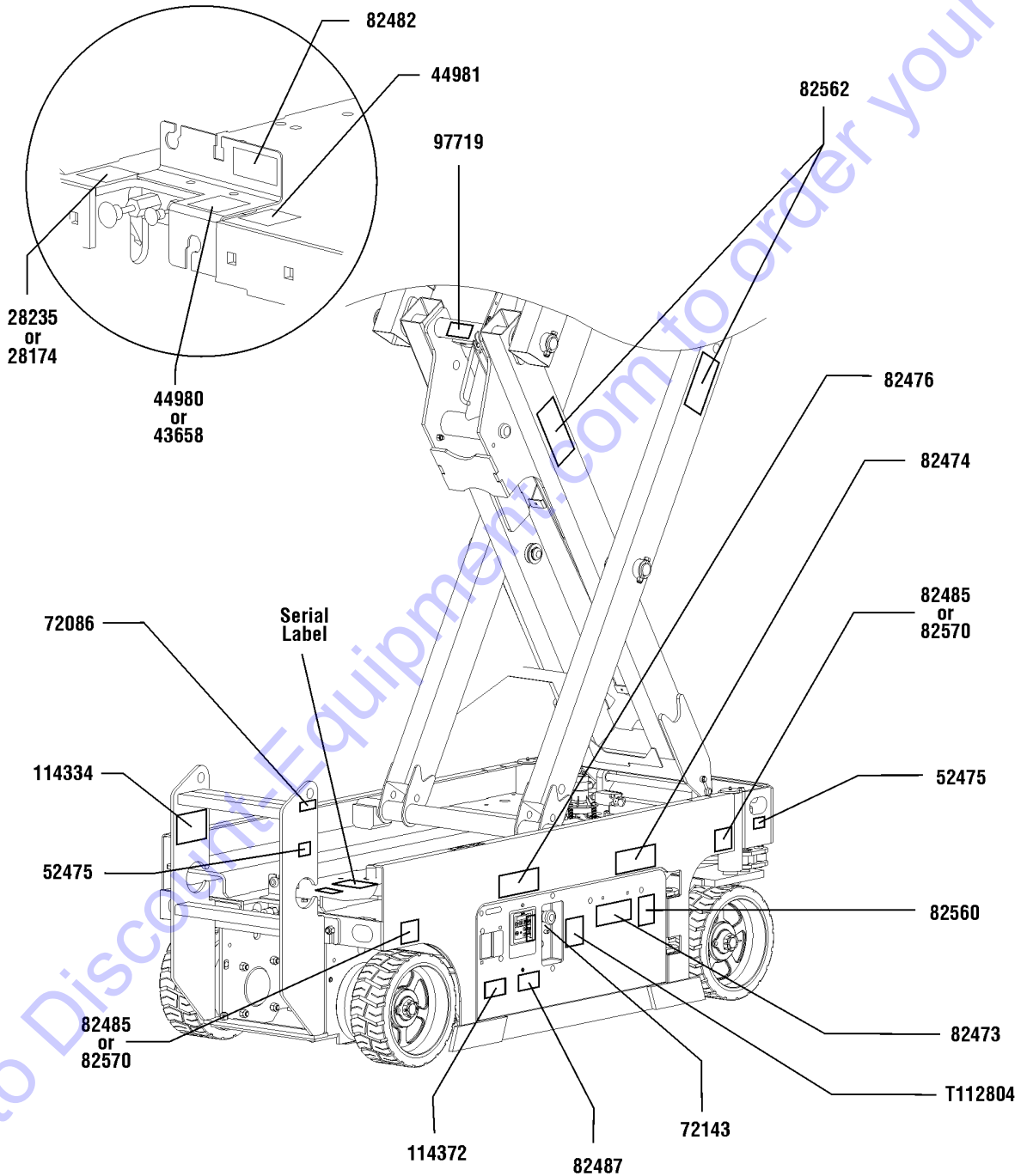
Item	Part No.	Description	Qty.
-	232056GT	DECAL KIT,1530 PLAT.,SYM,ANSI (ANSI models with 2 speed controller) to SN GS3014A-134999 and to SN GS3014C-16999 (order platform controls decal separately)	
-	232057GT	DECAL KIT,1530 COMP.,SYM,ANSI (ANSI models with 2 speed controller) to SN GS3014A-134999 and to SN GS3014C-16999	
-	232068GT	DECAL KIT,1530 PLAT.,SYM,CE (CE models with 2 speed controller) to SN GS3014A-134999 and to SN GS3014C-16999	
-	232069GT	DECAL KIT,1530 COMP.,SYM,CE (CE models with 2 speed controller) to SN GS3014A-134999 and to SN GS3014C-16999 (order platform controls decal separately)	
1	52475GT	DECAL,LABEL,TRANSPORT TIEDOWN*	3
2	72086GT	DECAL,LABEL,LIFTING EYE	3
3	82474GT	DECAL,SYMBOL-USE SAFETY ARM	1
4	82476GT	DECAL,SYMBOL-ELEC HAZARD,GS	1
5	82481GT	DECAL,SYMBOL-BATTERY SAFETY	1
6	82485GT	DECAL,LABEL,WHEEL LOAD 1530	2
		(ANSI models)	
7	82495GT	DECAL,LABEL,FORKLIFT POCKET	1
8	82562GT	DECAL,SYMBOL-CRUSHING HAZARD	2
9	82570GT	DECAL,LABEL-WHEEL LOAD 1530/32	2
		(CE models)	
10	114337GT	DECAL, COMPARTMENT ACCESS	1
11	114361GT	DECAL,SYM-TIP-OVER,LIM SWITCH	2
12	114370GT	DECAL-SYM-TIP-OVR,BATTRIES	1
13	114372GT	DECAL SYMBOL TIP OVER TRAYS	1

Go to Discount-Equipment.com to order your parts



106.1 Decals with Symbols, GS-1530 Ground Control Side, ANSI & CE

Ground Controls Side



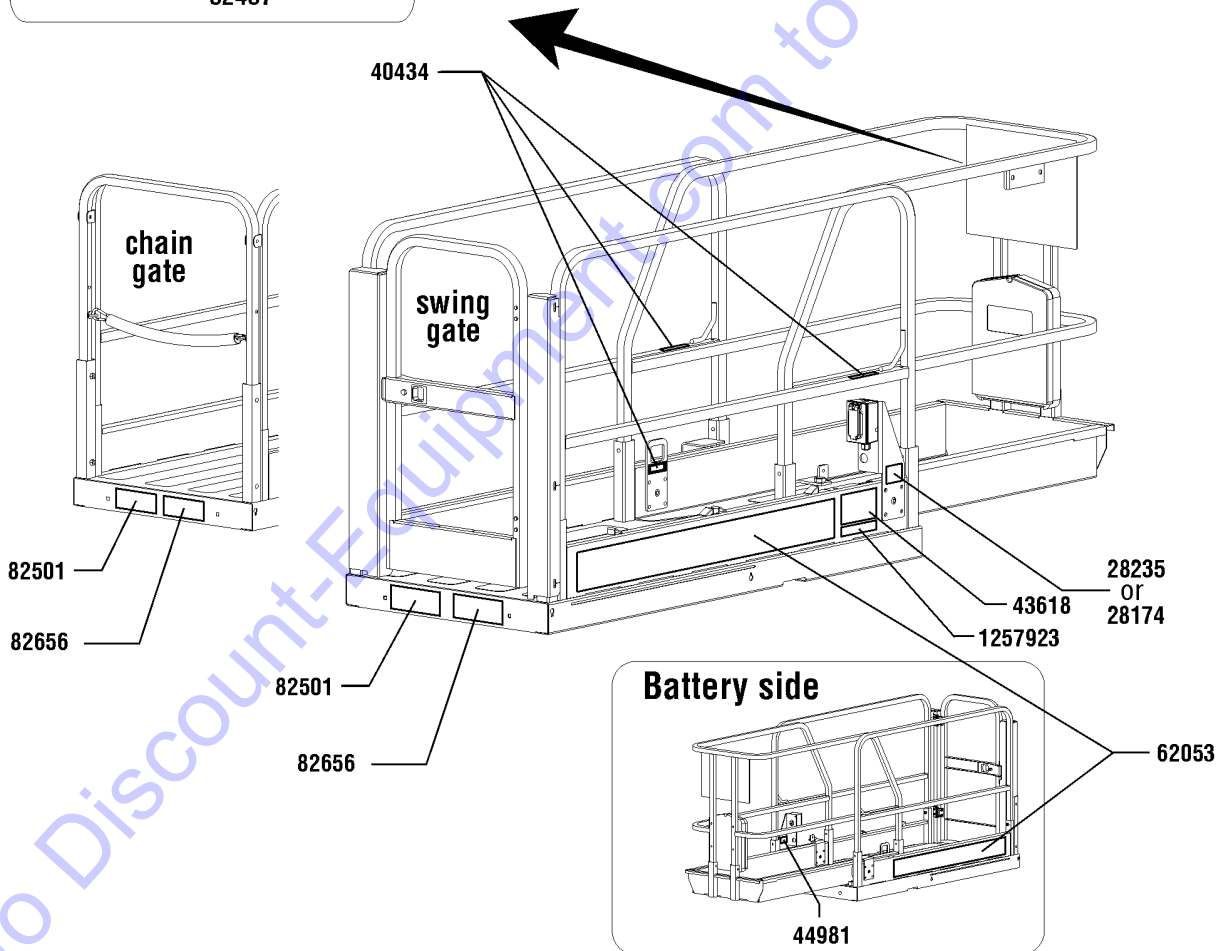
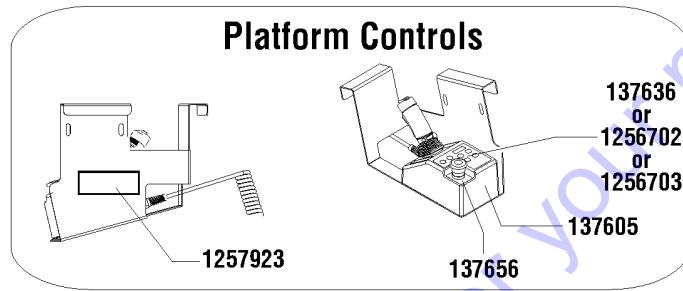
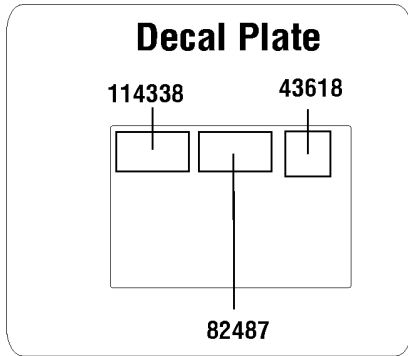
106.1 Decals with Symbols, GS-1530 Ground Control Side, ANSI & CE

Item	Part No.	Description	Qty.
1	28174GT	DECAL,POWER TO PLATFORM 230V	1
2	28235GT	DECAL,POWER TO PLATFORM 115V	1
3	43658GT	DECAL,LABEL,PWR TO CHARGR 230V	1
4	44980GT	DECAL,LABEL,PWR TO CHARGR 115V	1
5	44981GT	DECAL,LABEL,AIRLINE 110 PSI	1
6	52475GT	DECAL,LABEL,TRANSPORT TIEDOWN*	2
7	72086GT	DECAL,LABEL,LIFTING EYE	1
8	72143GT	DECAL,EMERGENCY STOP,GR	1
9	82473GT	DECAL,SYMBOL-COMP ACCESS	1
10	82474GT	DECAL,SYMBOL-USE SAFETY ARM	1
11	82476GT	DECAL,SYMBOL-ELEC HAZARD,GS	1
12	82482GT	DECAL,LABEL,AUX LOWERING	1
13	82485GT	DECAL,LABEL,WHEEL LOAD 1530 (ANSI models)	2
14	82487GT	DECAL,SYMBOL-READ THE MANUAL	1
15	82560GT	DECAL,SYMBOL-SKIN INJECT HAZRD	1
16	82562GT	DECAL,SYMBOL-CRUSHING HAZARD	2
17	82570GT	DECAL,LABEL-WHEEL LOAD 1530/32 (CE models)	2
18	97719GT	DECAL, LABEL, SAFETY ARM SYMB	1
19	114334GT	DECAL SYMBOL ELECTRIC HAZARD PLUG	1
20	114372GT	DECAL SYMBOL TIP OVER TRAYS	1
21	T112804GT	DECAL,GCON PANEL,GS	1



107.1 Decals with Symbols, GS-1530 Platform, ANSI

Platform, ANSI models



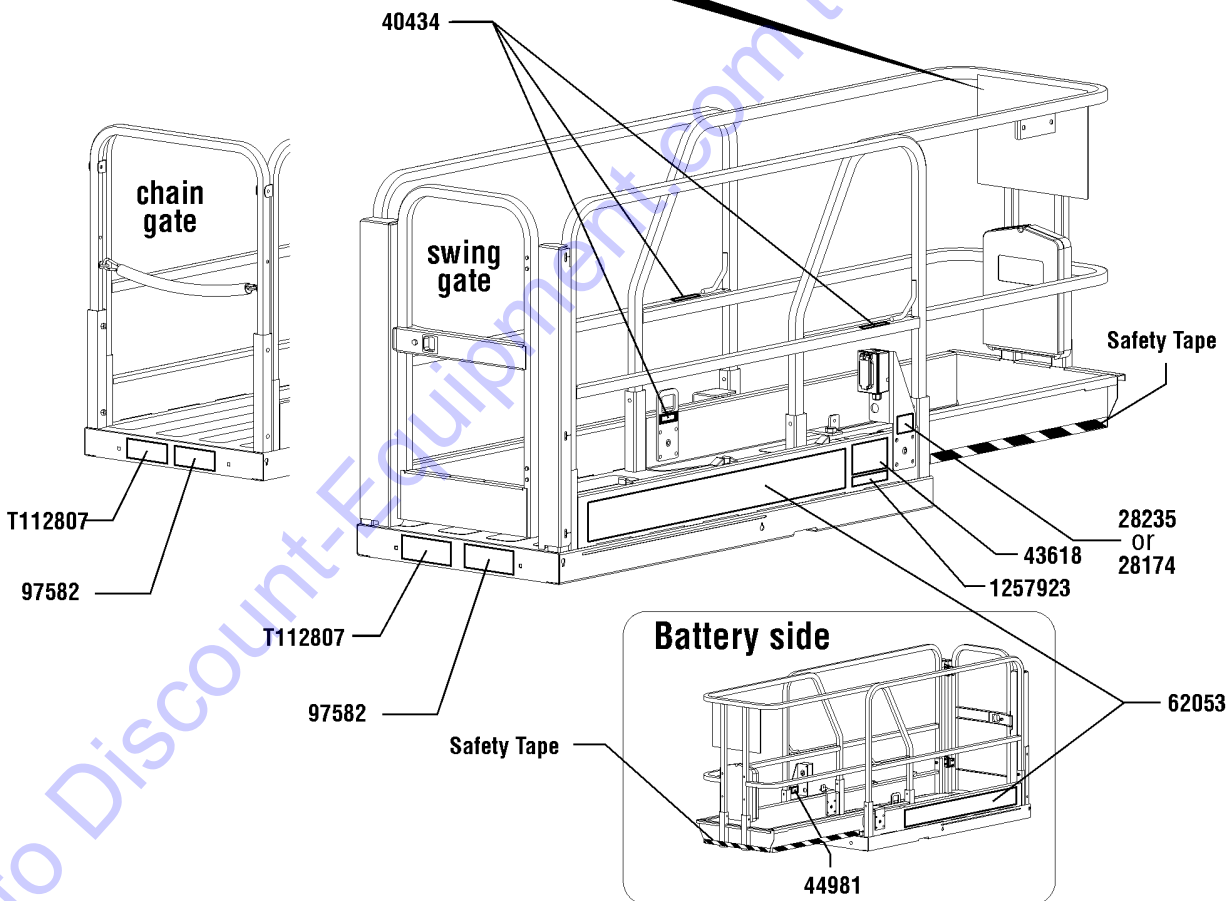
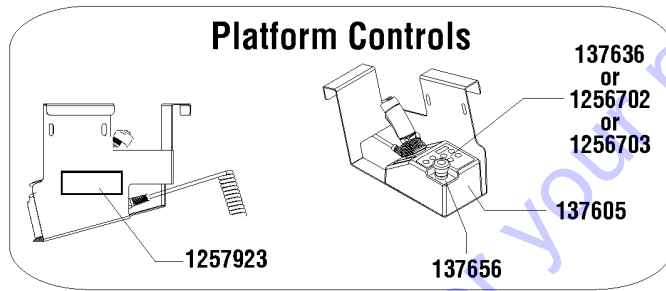
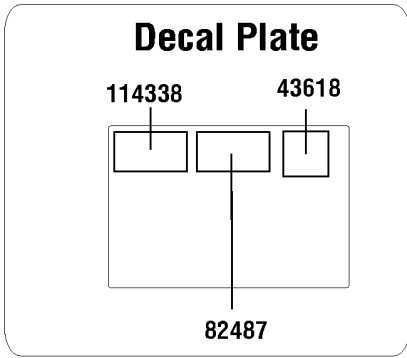
107.1 Decals with Symbols, GS-1530 Platform, ANSI

Item	Part No.	Description	Qty.
1	28174GT	DECAL,POWER TO PLATFORM 230V	1
2	28235GT	DECAL,POWER TO PLATFORM 115V	1
3	40434GT	DECAL,LANYARD ANCHORAGE POINT	3
4	43618GT	DECAL,LABEL-DIRECTION ARROWS	2
5	44981GT	DECAL,LABEL,AIRLINE 110 PSI	1
6	62053GT	DECAL,COSMETIC,GENIE GS-1530**	2
7	82487GT	DECAL,SYMBOL-READ THE MANUAL	1
8	82501GT	DECAL,SYM-MAXCAP 600	1
9	82656GT	DECAL,SYM-SIDE FORCE 445N	1
10	114338GT	DECAL,SYM-TIP-OVR,TILT ALARM	1
11	137605GT	DECAL,E-STOP,GR/GRC/GS PCON	1
12	137636GT	DECAL, UI, GR/GRC/GS PCON (models with 6 button, 2 speed controller) to SN GS3014A-134999 and to SN GS3014C-16999	1
13	137656GT	DECAL,PROPEL,GR/GRC/GS,PCON	1
14	1256702GT	DECAL, UI, GS/GR, PROP LIFT (models with 4 button, proportional controller)	1
15	1256703GT	DECAL, STD, PROP LIFT, UI, SVC (units converted from 6 button, 2 speed lift to 4 button, proportional controller)	1
16	1257923GT	DECAL, SMARTLINK PROPORTIONAL (models with 4 button, proportional controller, and units converted from 6 button, 2 speed lift to 4 button, proportional controller)	2



108.1 Decals with Symbols, GS-1530 Platform, CE

Platform, CE models



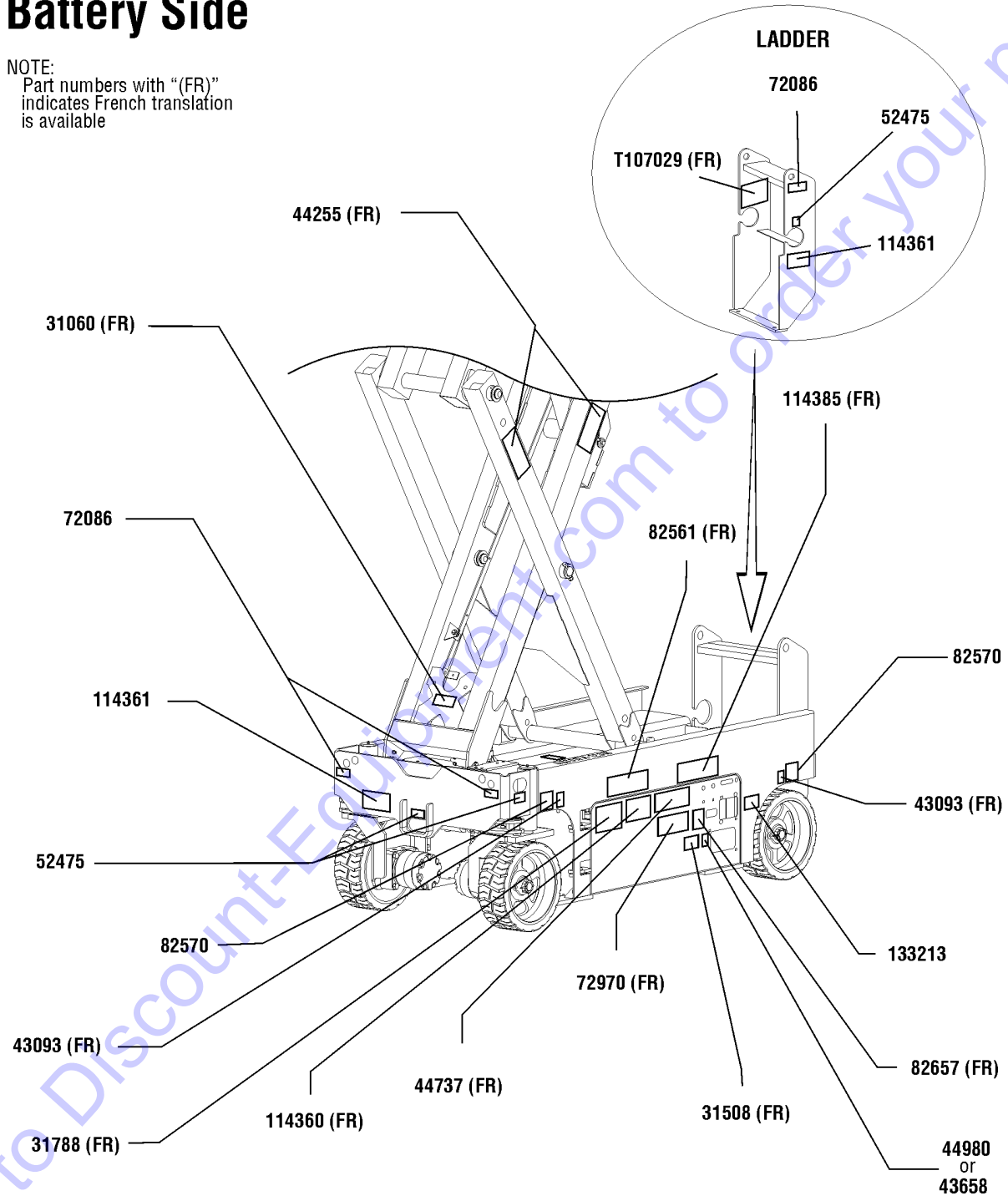
108.1 Decals with Symbols, GS-1530 Platform, CE

Item	Part No.	Description	Qty.
1	28174GT	DECAL,POWER TO PLATFORM 230V	1
2	28235GT	DECAL,POWER TO PLATFORM 115V	1
3	40434GT	DECAL,LANYARD ANCHORAGE POINT	3
4	43618GT	DECAL,LABEL-DIRECTION ARROWS	2
5	44981GT	DECAL,LABEL,AIRLINE 110 PSI	1
6	62053GT	DECAL,COSMETIC,GENIE GS-1530**	2
7	82487GT	DECAL,SYMBOL-READ THE MANUAL	1
8	97582GT	DECAL,SYM-SIDEFORCE 400N ID	1
9	114338GT	DECAL,SYM-TIP-OVR,TILT ALARM	1
10	137605GT	DECAL,E-STOP,GR/GRC/GS PCON	1
11	137636GT	DECAL, UI, GR/GRC/GS PCON (models with 6 button, 2 speed controller) to SN GS3014A-134999 and to SN GS3014C-16999	1
12	137656GT	DECAL,PROPEL,GR/GRC/GS,PCON	1
13	T112807GT	DECAL,SYM MAX CAP 272 KG,CE	1
14	1256702GT	DECAL, UI, GS/GR, PROP LIFT (models with 4 button, proportional controller)	
15	1256703GT	DECAL, STD, PROP LIFT, UI, SVC (units converted from 6 button, 2 speed lift to 4 button, proportional controller)	1
16	1257923GT	DECAL, SMARTLINK PROPORTIONAL (models with 4 button, proportional controller, and units converted from 6 button, 2 speed lift to 4 button, proportional controller)	2



Battery Side

NOTE:
Part numbers with "(FR)"
indicates French translation
is available



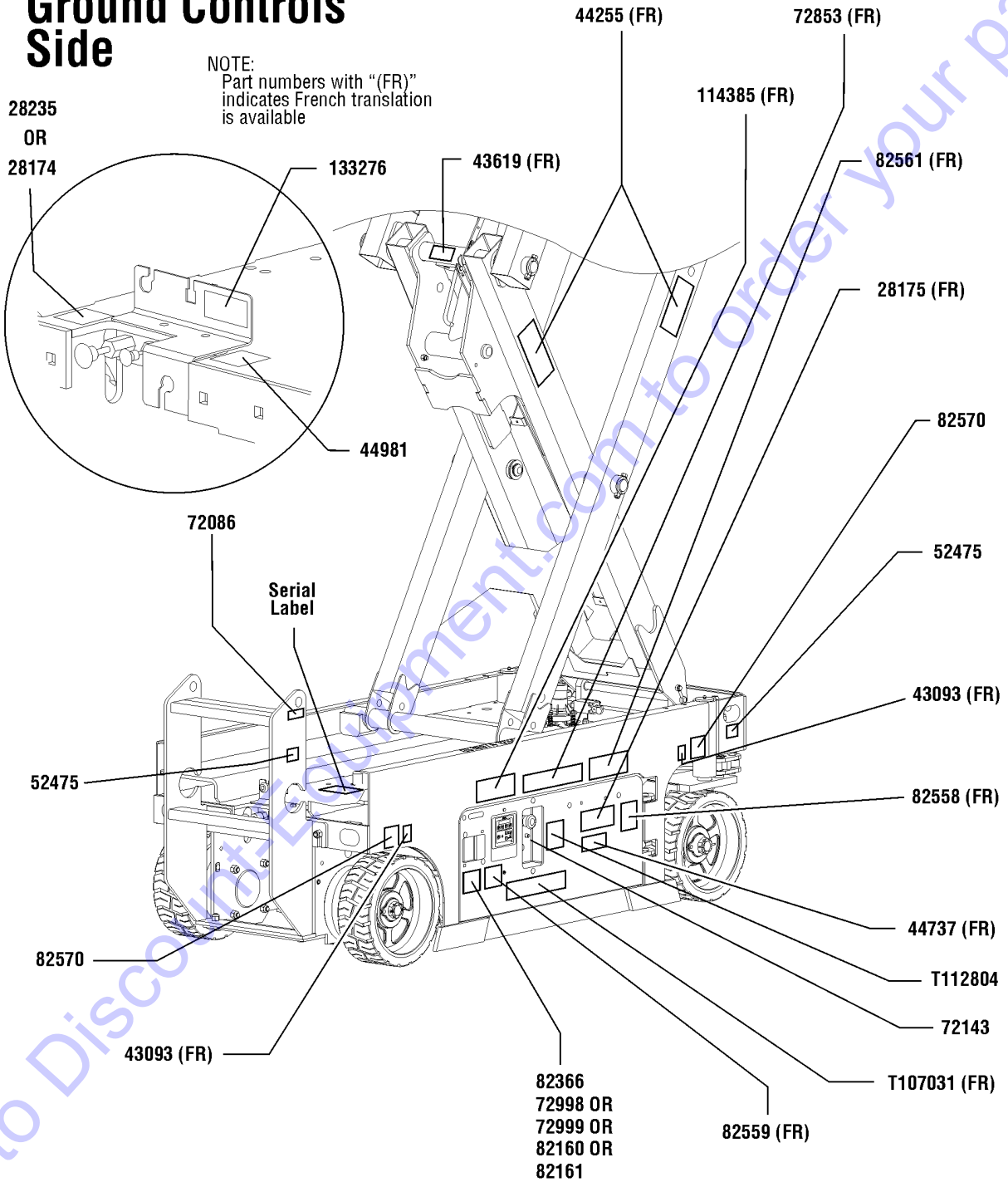
109.1 Decals with Words, GS-1532, Battery Side, Australia

Item	Part No.	Description	Qty.
-	232062GT	DECAL KIT,1532 PLAT.,WRD,AUST (Australia models with 2 speed controller) to SN GS3014A-134999 and to SN GS3014C-16999
-	232063GT	DECAL KIT,1532 COMP.,WRD,AUST (Australia models with 2 speed controller) to SN GS3014A-134999 and to SN GS3014C-16999
1	44255GT	DECAL,DANGER,CRUSHING HAZARD	2
2	31060GT	DECAL,DANGER DO NOT ALTER SWTC	1
3	31508GT	DECAL,DANGER,ELECT HAZARD,PLUG (Australia models)	1
4	31788GT	DECAL,DANGER,BATTERY SAFETY***	1
5	43093GT	DECAL,LABEL,TIRE SPECS	2
6	43658GT	DECAL,LABEL,PWR TO CHARGR 230V (Australia models)	1
7	44737GT	DECAL,DANGER,TIP-OVER,TRAYS	1
8	44980GT	DECAL,LABEL,PWR TO CHARGR 115V (Australia models)	1
9	52475GT	DECAL,LABEL,TRANSPORT TIEDOWN*	3
10	72086GT	DECAL,LABEL,LIFTING EYE	3
11	72970GT	DECAL,INSTRUCTIONS-CHARGER OP	1
12	82561GT	DECAL,DANGER-USE SAFETY ARM	1
13	82570GT	DECAL,LABEL-WHEEL LOAD 1530/32 (Australia models)	2
14	82657GT	DECAL,INSTRUCT,BATTERY CONNECT	1
15	114360GT	DECAL,DANGER-TIP-OVER,BATT	1
16	114361GT	DECAL,SYM-TIP-OVER,LIM SWITCH	2
17	114385GT	DECAL,DANGER,ELEC HAZARD,GS	1
18	133213GT	DECAL,NOTICE-DO NOT OPEN DOOR	1
19	T107029GT	DECAL DANGER BRAKE REL SAFETY	1



Ground Controls Side

NOTE:
Part numbers with "(FR)" indicates French translation is available

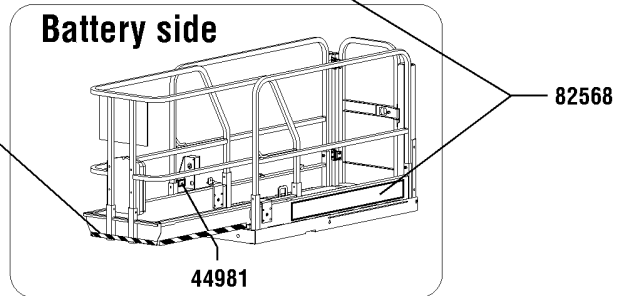
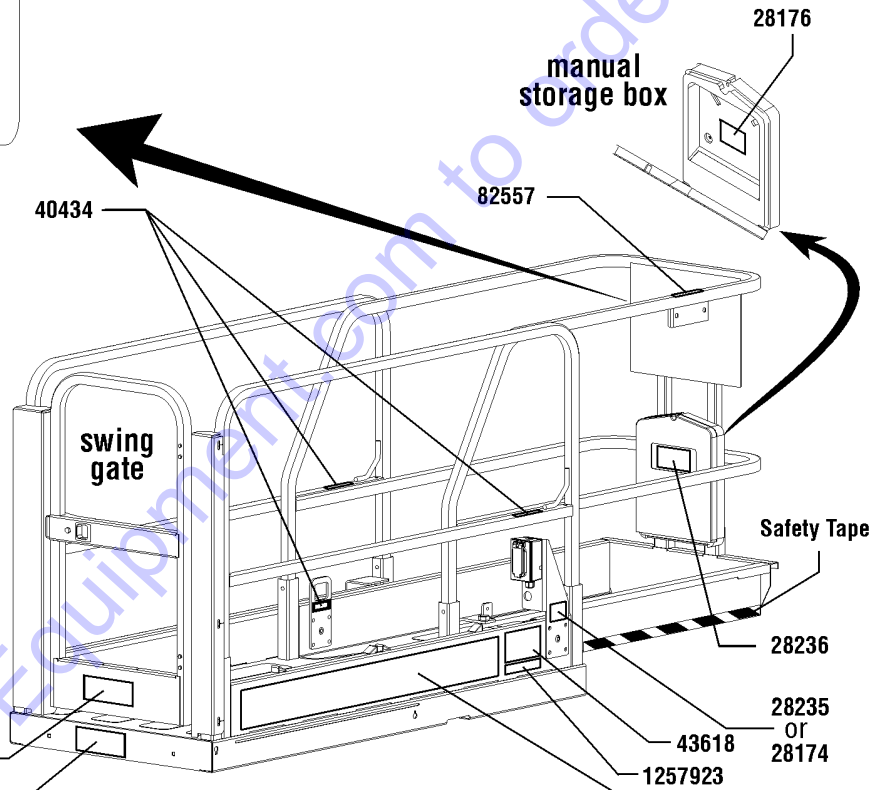
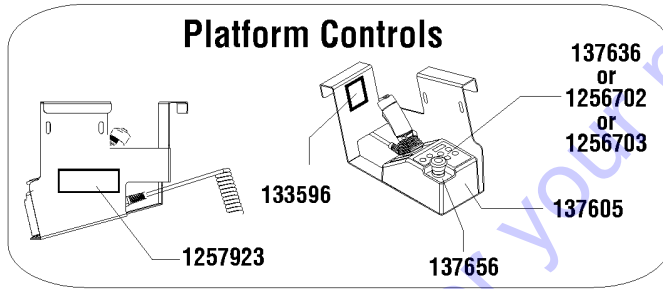
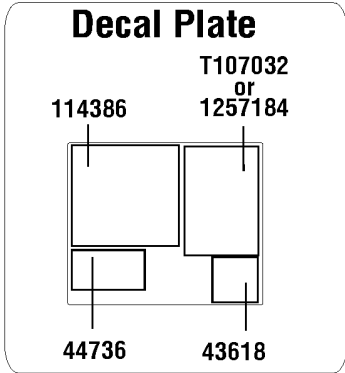


110.1 Decals with Words, GS-1532 Ground Controls Side, Australia

Item	Part No.	Description	Qty.
1	28174GT	DECAL,POWER TO PLATFORM 230V	1
2	28175GT	DECAL,WARNING-COMPART ACCESS	1
3	28235GT	DECAL,POWER TO PLATFORM 115V	1
4	43093GT	DECAL,LABEL,TIRE SPECS	2
5	43619GT	DECAL,LABEL,SAFETY ARM	1
7	44255GT	DECAL,DANGER,CRUSHING HAZARD	2
8	44737GT	DECAL,DANGER,TIP-OVER,TRAYS	1
9	44981GT	DECAL,LABEL,AIRLINE 110 PSI	1
		(option)	
10	52475GT	DECAL,LABEL,TRANSPORT TIEDOWN*	2
11	72086GT	DECAL,LABEL,LIFTING EYE	1
12	72143GT	DECAL,EMERGENCY STOP,GR	1
13	72853GT	DECAL,DANGER,IMPROPER USE HAZ.	1
14	72998GT	DECAL, LABEL, QUINTOLUBRIK	1
		(models with Quintolub hydraulic oil)	
15	72999GT	DECAL,LABEL,PETRO CANADA***	1
		(models with Petro Canada hydraulic oil)	
16	82160GT	DECAL, LABEL, STATOIL HYDRAWAY	1
		(models with Statoil hydraulic oil)	
17	82161GT	DECAL,LABEL,UCON HYDROLUBE	1
		(models with Ucon Hydrolube hydraulic oil)	
18	82366GT	DECAL,CHEVRON RANDO HD	1
		(models with Chevron Random hydraulic oil)	
19	82558GT	DECAL,SKIN INJECTION	1
20	82559GT	DECAL,INSTRUCT-ANNUAL INSP REQ	1
21	82561GT	DECAL,DANGER-USE SAFETY ARM	1
22	82570GT	DECAL,LABEL-WHEEL LOAD 1530/32	2
		(Australia models)	
23	114385GT	DECAL,DANGER,ELEC HAZARD,GS	1
24	133276GT	DECAL,EMERGENCY LOWERING	1
25	T107031GT	DECAL,OP INST,GCON	1
26	T112804GT	DECAL,GCON PANEL,GS	1



Platform, Australia Models

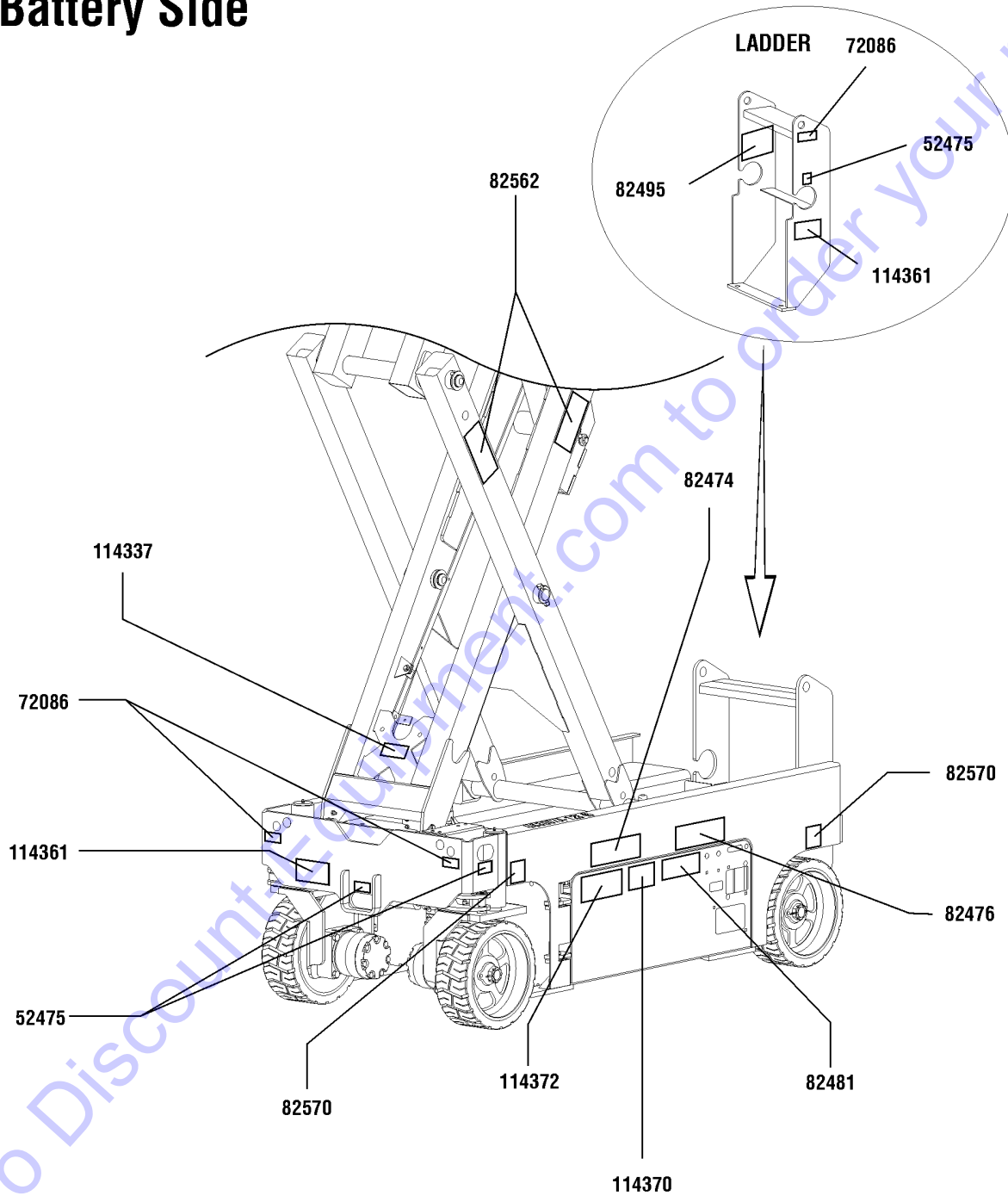


111.1 Decals with Words, GS-1532 Platform, Australia

Item	Part No.	Description	Qty.
1	28174GT	DECAL,POWER TO PLATFORM 230V	1
2	28176GT	DECAL,LABEL,MANUAL NOT HERE	1
3	28235GT	DECAL,POWER TO PLATFORM 115V	1
4	28236GT	DECAL,WARN,IMPROPER OPERATION	1
5	40434GT	DECAL,LANYARD ANCHORAGE POINT	3
6	43618GT	DECAL,LABEL-DIRECTION ARROWS	2
7	44736GT	DECAL,DANGER,TIP-OVER,TILT	1
8	44981GT	DECAL,LABEL,AIRLINE 110 PSI	1
9	82568GT	DECAL,COSMETIC,GENIE GS-1532	2
10	82557GT	DECAL,LABEL,PLAT CONT LOCATION	1
11	82566GT	DECAL,INSTR-MANUAL FRC,AUS	1
12	114386GT	DECAL,DANGER-GEN SAFETY	1
13	133596GT	DECAL,LABEL,FAULT CODES	1
14	137605GT	DECAL,E-STOP,GR/GRC/GS PCON	1
15	137636GT	DECAL, UI, GR/GRC/GS PCON (models with 6 button, 2 speed controller) to SN GS3014A-134999 and to SN GS3014C-16999	1
16	137656GT	DECAL,PROPEL,GR/GRC/GS,PCON	1
17	T107032GT	DECAL,OP INST,PCON,GS-30,AUS (models with 6 button, 2 speed controller) to SN GS3014A-134999 and to SN GS3014C-16999	1
18	82564GT	DECAL,INSTR-MAX CAP 600LBS	1
20	1256703GT	DECAL, STD, PROP LIFT, UI, SVC (units converted from 6 button, 2 speed lift to 4 button, proportional controller)	1
21	1257184GT	DECAL, OP INST, PLAT, GS30, AUS (models with proportional controller)	1
22	1257923GT	DECAL, SMARTLINK PROPORTIONAL (models with 4 button, proportional controller, and units converted from 6 button, 2 speed lift to 4 button, proportional controller)	2



Battery Side



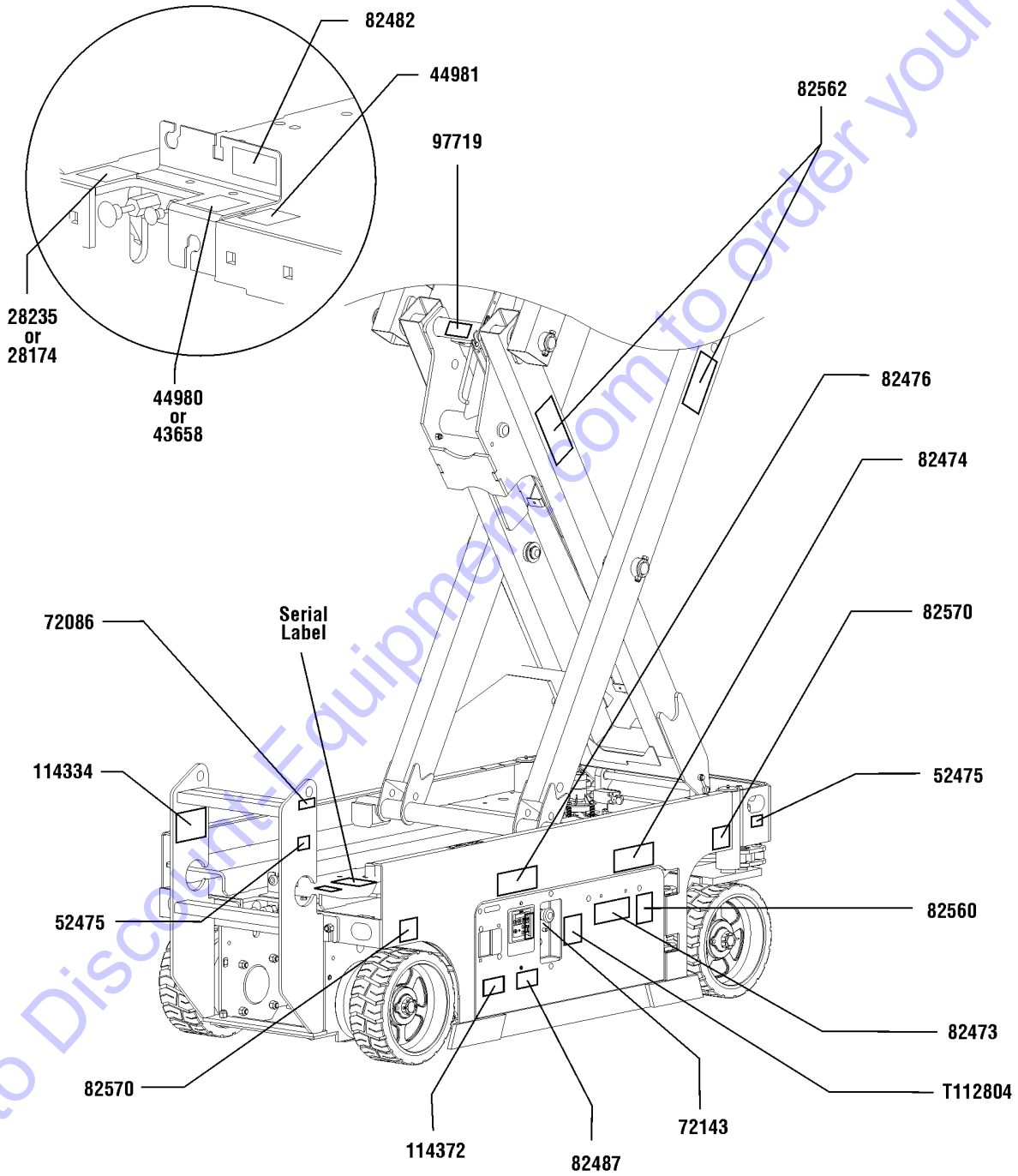
112.1 Decals with Symbols, GS-1532 Battery Side, CE

Item	Part No.	Description	Qty.
-	232070GT	DECAL KIT,1532 PLAT.,SYM,CE (CE models with 2 speed controller) to SN GS3014A-134999 and to SN GS3014C-16999	
-	232071GT	DECAL KIT,1532 COMP.,SYM,CE (CE models with 2 speed controller) to SN GS3014A-134999 and to SN GS3014C-16999	
1	52475GT	DECAL,LABEL,TRANSPORT TIEDOWN*	3
2	72086GT	DECAL,LABEL,LIFTING EYE	3
3	82474GT	DECAL,SYMBOL-USE SAFETY ARM	1
4	82476GT	DECAL,SYMBOL-ELEC HAZARD,GS	1
5	82481GT	DECAL,SYMBOL-BATTERY SAFETY	1
6	82495GT	DECAL,LABEL,FORKLIFT POCKET	1
7	82562GT	DECAL,SYMBOL-CRUSHING HAZARD	2
8	82570GT	DECAL,LABEL-WHEEL LOAD 1530/32	2
		(CE models)	
9	114337GT	DECAL, COMPARTMENT ACCESS	1
10	114361GT	DECAL,SYM-TIP-OVER,LIM SWITCH	2
11	114370GT	DECAL-SYM-TIP-OVR,BATTRIES	1
12	114372GT	DECAL SYMBOL TIP OVER TRAYS	1

Go to Discount-Equipment.com to order your parts



Ground Controls Side



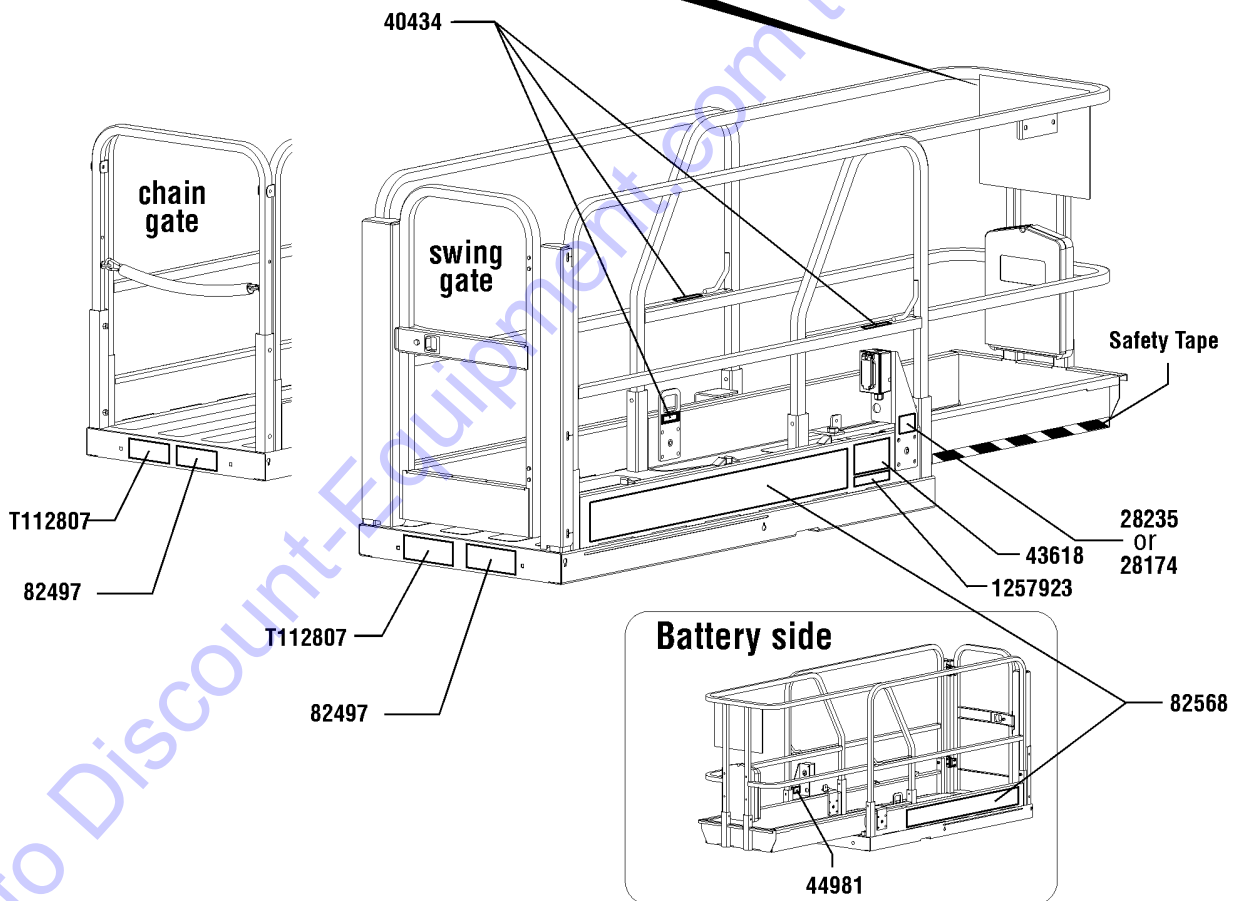
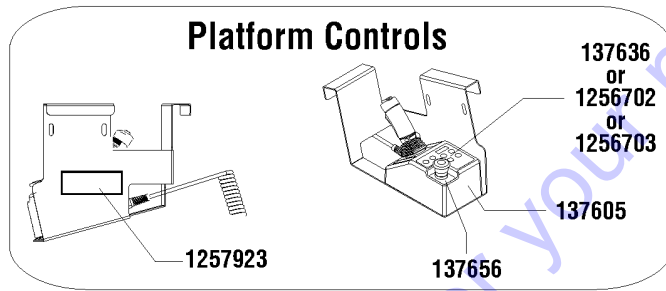
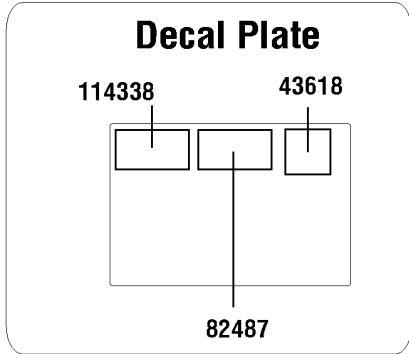
113.1 Decals with Symbols, GS-1532 Ground Control Side, CE

Item	Part No.	Description	Qty.
1	28174GT	DECAL,POWER TO PLATFORM 230V	1
2	28235GT	DECAL,POWER TO PLATFORM 115V	1
3	43658GT	DECAL,LABEL,PWR TO CHARGR 230V	1
4	44980GT	DECAL,LABEL,PWR TO CHARGR 115V	1
5	44981GT	DECAL,LABEL,AIRLINE 110 PSI	1
6	52475GT	DECAL,LABEL,TRANSPORT TIEDOWN*	2
7	72086GT	DECAL,LABEL,LIFTING EYE	1
8	72143GT	DECAL,EMERGENCY STOP,GR	1
9	82473GT	DECAL,SYMBOL-COMP ACCESS	1
10	82474GT	DECAL,SYMBOL-USE SAFETY ARM	1
11	82476GT	DECAL,SYMBOL-ELEC HAZARD,GS	1
12	82482GT	DECAL,LABEL,AUX LOWERING	1
13	82487GT	DECAL,SYMBOL-READ THE MANUAL	1
14	82560GT	DECAL,SYMBOL-SKIN INJECT HAZRD	1
15	82562GT	DECAL,SYMBOL-CRUSHING HAZARD	2
16	82570GT	DECAL,LABEL-WHEEL LOAD 1530/32	2
		(CE models)	
17	97719GT	DECAL, LABEL, SAFETY ARM SYMB	1
18	114334GT	DECAL SYMBOL ELECTRIC HAZARD PLUG	1
19	114372GT	DECAL SYMBOL TIP OVER TRAYS	1
20	T112804GT	DECAL,GCON PANEL,GS	1



114.1 Decals with Symbols, GS-1532 Platform, CE

Platform, CE models



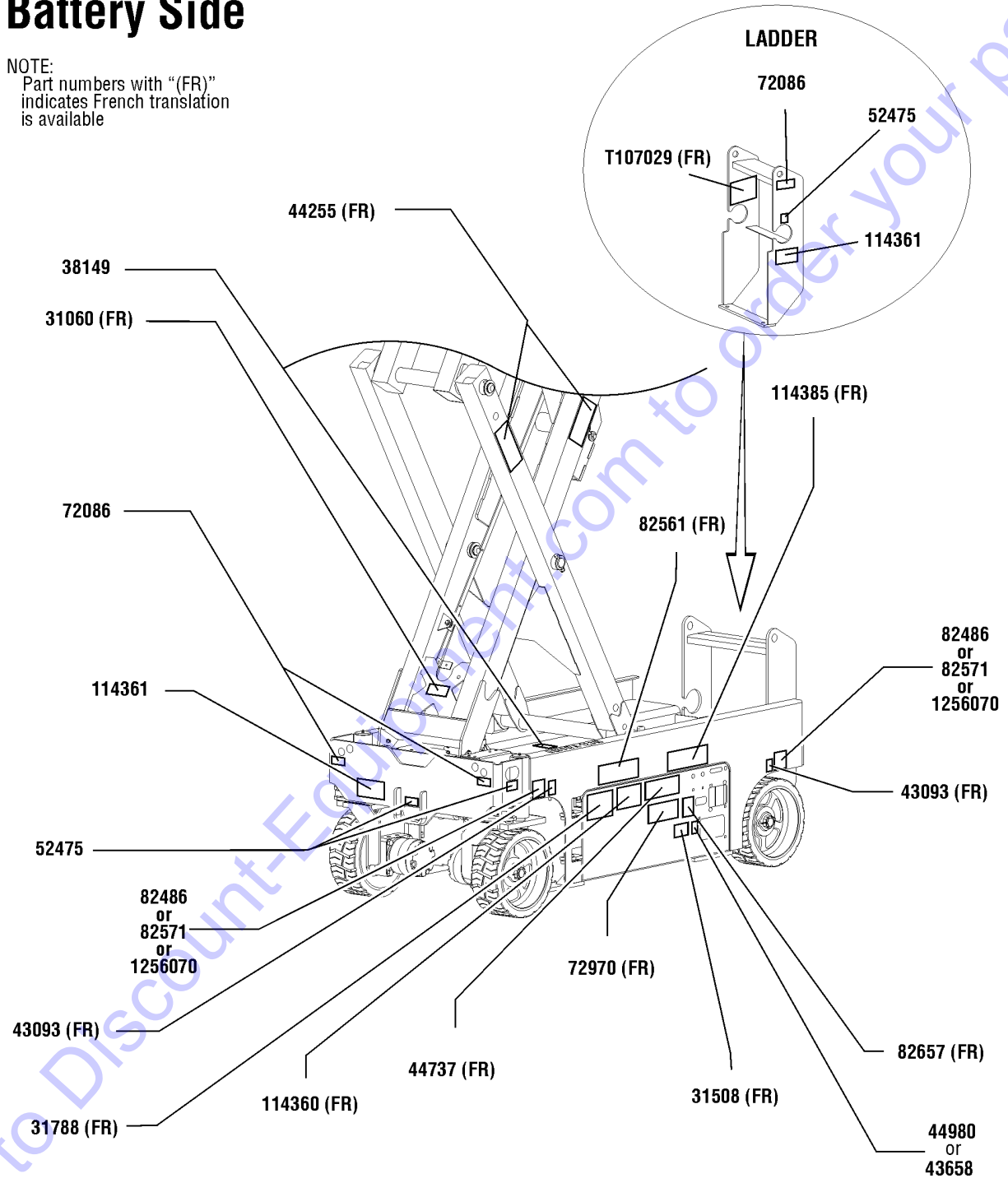
114.1 Decals with Symbols, GS-1532 Platform, CE

Item	Part No.	Description	Qty.
1	28174GT	DECAL,POWER TO PLATFORM 230V	1
2	28235GT	DECAL,POWER TO PLATFORM 115V	1
3	40434GT	DECAL,LANYARD ANCHORAGE POINT	3
4	43618GT	DECAL,LABEL-DIRECTION ARROWS	2
5	44981GT	DECAL,LABEL,AIRLINE 110 PSI	1
6	82487GT	DECAL,SYMBOL-READ THE MANUAL	1
7	82497GT	DECAL,SYM-SIDEFORCE 200400	1
8	82568GT	DECAL,COSMETIC,GENIE GS-1532	2
9	114338GT	DECAL,SYM-TIP-OVR,TILT ALARM	1
10	137605GT	DECAL,E-STOP,GR/GRC/GS PCON	1
11	137636GT	DECAL, UI, GR/GRC/GS PCON (models with 6 button, 2 speed controller) to SN GS3014A-134999 and to SN GS3014C-16999	1
12	137656GT	DECAL,PROPEL,GR/GRC/GS,PCON	1
13	T112807GT	DECAL,SYM MAX CAP 272 KG,CE	1
14	1256702GT	DECAL, UI, GS/GR, PROP LIFT (models with 4 button, proportional controller)	
15	1256703GT	DECAL, STD, PROP LIFT, UI, SVC (units converted from 6 button, 2 speed lift to 4 button, proportional controller)	1
16	1257923GT	DECAL, SMARTLINK PROPORTIONAL (models with 4 button, proportional controller, and units converted from 6 button, 2 speed lift to 4 button, proportional controller)	2



Battery Side

NOTE:
Part numbers with "(FR)" indicates French translation is available



115.1 Decals with Words, GS-1930 Battery Side, ANSI & Australia

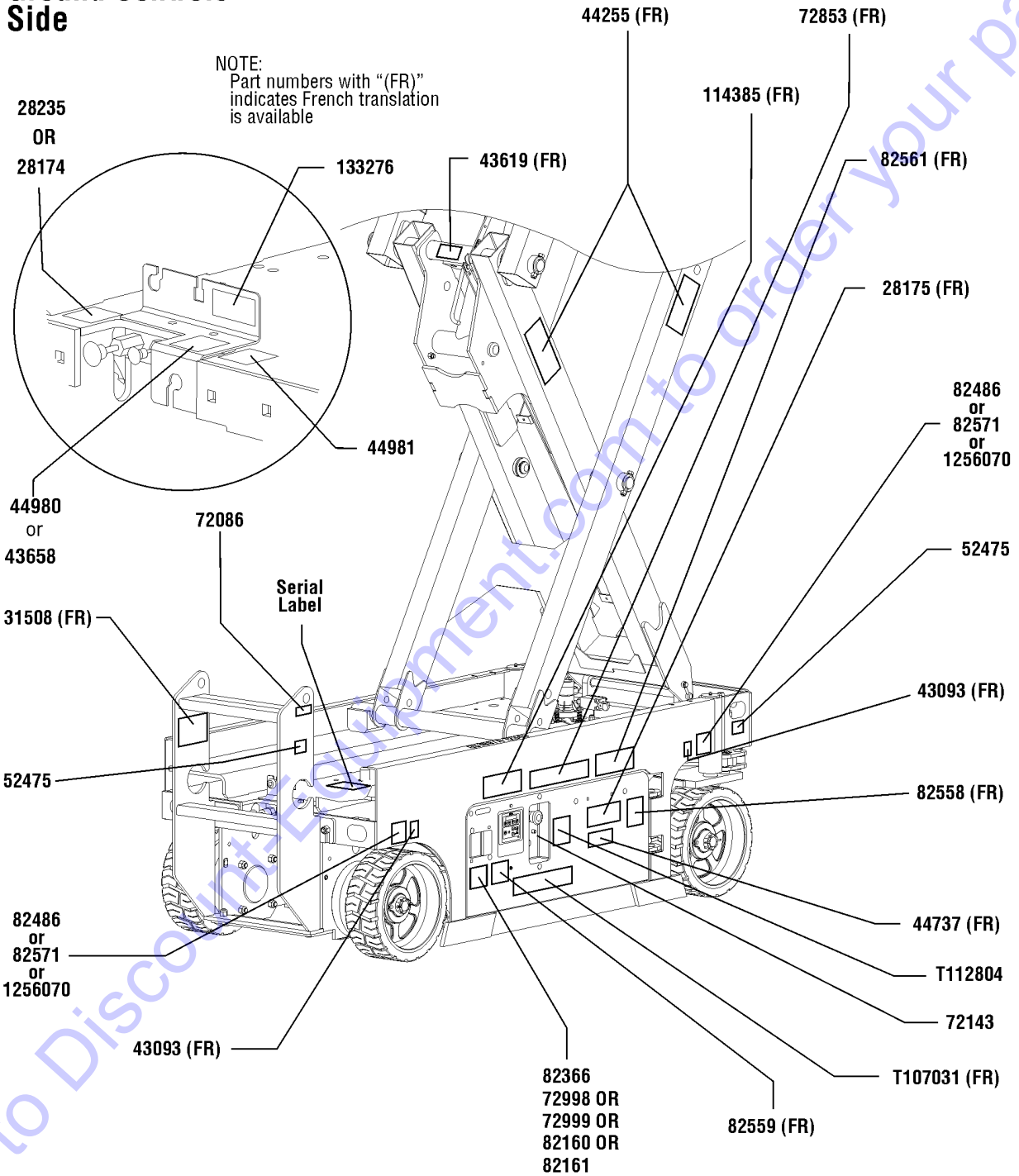
Item	Part No.	Description	Qty.
-	232054GT	DECAL KIT,1930 PLAT.,WRD,ANSI (ANSI models with 2 speed controller) to SN GS3014A-134999 and to SN GS3014C-16999	
-	232055GT	DECAL KIT,1930 COMP.,WRD,ANSI (ANSI models with 2 speed controller) to SN GS3014A-134999 and to SN GS3014C-16999 (order platform controls decal separately)	
-	232064GT	DECAL KIT,1930 PLAT.,WRD,AUST (CE models with 2 speed controller) to SN GS3014A-134999 and to SN GS3014C-16999	
-	232065GT	DECAL KIT,1930 COMP.,WRD,AUST (CE models with 2 speed controller) to SN GS3014A-134999 and to SN GS3014C-16999	
1	44255GT	DECAL,DANGER,CRUSHING HAZARD	2
2	31060GT	DECAL,DANGER DO NOT ALTER SWTC	1
3	31508GT	DECAL,DANGER,ELECT HAZARD,PLUG	1
		(Australia models)	
4	31788GT	DECAL,DANGER,BATTERY SAFETY***	1
5	43093GT	DECAL,LABEL,TIRE SPECS	2
6	43658GT	DECAL,LABEL,PWR TO CHARGR 230V	1
		(Australia models)	
7	44737GT	DECAL,DANGER,TIP-OVER,TRAYS	1
8	44980GT	DECAL,LABEL,PWR TO CHARGR 115V	1
		(Australia models)	
9	52475GT	DECAL,LABEL,TRANSPORT TIEDOWN*	3
10	72086GT	DECAL,LABEL,LIFTING EYE	3
11	72970GT	DECAL,INSTRUCTIONS-CHARGER OP	1
12	82486GT	DECAL,LABEL,WHEEL LOAD 1930	2
		(ANSI models)	
13	82561GT	DECAL,DANGER-USE SAFETY ARM	1
14	82571GT	DECAL,LABEL,WHEEL LOAD 19XX	2
		(Australia models)	
15	82657GT	DECAL,INSTRUCT,BATTERY CONNECT	1
16	114360GT	DECAL,DANGER-TIP-OVER,BATT	1
17	114361GT	DECAL,SYM-TIP-OVER,LIM SWITCH	2
18	114385GT	DECAL,DANGER,ELEC HAZARD,GS	1
19	1256070GT	DECAL,LABEL,WHEEL LOAD,1930PAR	2
		(ANSI models with padded auxiliary rail only)	
20	T107029GT	DECAL DANGER BRAKE REL SAFETY	1



116.1 Decals with Words, GS-1930 Ground Controls Side, ANSI & Australia

Ground Controls Side

NOTE:
Part numbers with "(FR)" indicates French translation is available



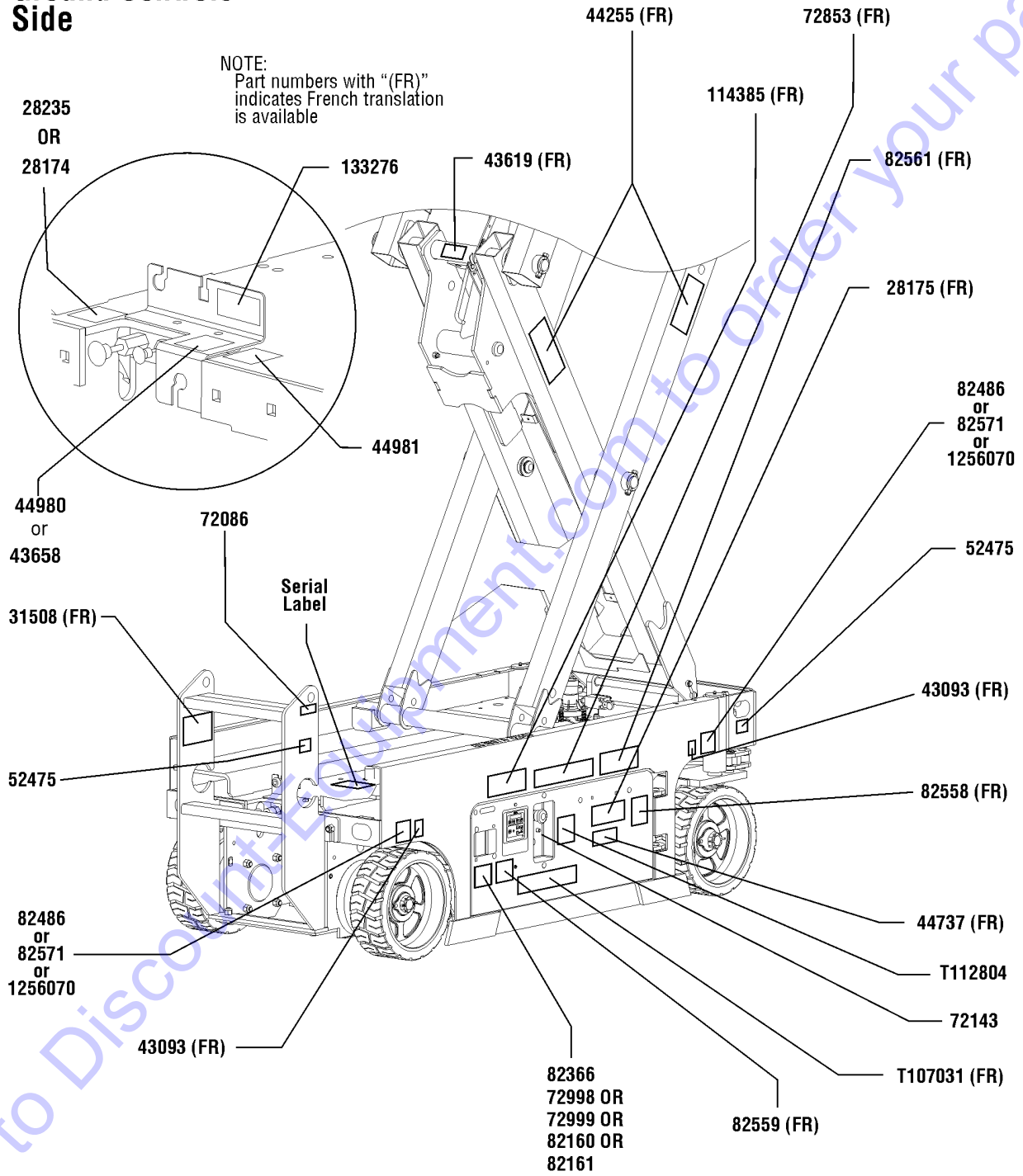
116.1 Decals with Words, GS-1930 Ground Controls Side, ANSI & Australia

Item	Part No.	Description	Qty.
1	28174GT	DECAL,POWER TO PLATFORM 230V	1
2	28175GT	DECAL,WARNING-COMPART ACCESS	1
3	28235GT	DECAL,POWER TO PLATFORM 115V	1
4	31508GT	DECAL,DANGER,ELECT HAZARD,PLUG (ANSI models)	1
5	43093GT	DECAL,LABEL,TIRE SPECS	2
6	43619GT	DECAL,LABEL,SAFETY ARM	1
7	43658GT	DECAL,LABEL,PWR TO CHARGR 230V (ANSI models)	1
8	44255GT	DECAL,DANGER,CRUSHING HAZARD	2
9	44737GT	DECAL,DANGER,TIP-OVER,TRAYS	1
10	44980GT	DECAL,LABEL,PWR TO CHARGR 115V (ANSI models)	1
11	44981GT	DECAL,LABEL,AIRLINE 110 PSI (option)	1
12	52475GT	DECAL,LABEL,TRANSPORT TIEDOWN*	2
13	72086GT	DECAL,LABEL,LIFTING EYE	1
14	72143GT	DECAL,EMERGENCY STOP,GR	1
15	72853GT	DECAL,DANGER,IMPROPER USE HAZ.	1
16	72998GT	DECAL, LABEL, QUINTOLUBRIK (models with Quintolub hydraulic oil)	1
17	72999GT	DECAL,LABEL,PETRO CANADA*** (models with Petro Canada hydraulic oil)	1
18	82160GT	DECAL, LABEL, STATOIL HYDRAWAY (models with Statoil hydraulic oil)	1
19	82161GT	DECAL,LABEL,UCON HYDROLUBE (models with UConn Hydrolube hydraulic oil)	1
20	82366GT	DECAL,CHEVRON RANDO HD (models with Chevron Random hydraulic oil)	1
21	82486GT	DECAL,LABEL,WHEEL LOAD 1930 (ANSI models)	2
22	82558GT	DECAL,SKIN INJECTION	1
23	82559GT	DECAL,INSTRUCT-ANNUAL INSP REQ	1
24	82561GT	DECAL,DANGER-USE SAFETY ARM	1
25	82571GT	DECAL,LABEL,WHEEL LOAD 19XX (Australia models)	2
26	114385GT	DECAL,DANGER,ELEC HAZARD,GS	1
27	133276GT	DECAL,EMERGENCY LOWERING	1
28	1256070GT	DECAL,LABEL,WHEEL LOAD,1930PAR (ANSI models with padded auxilliary rail only)	2



116.1 Decals with Words, GS-1930 Ground Controls Side, ANSI & Australia

Ground Controls Side



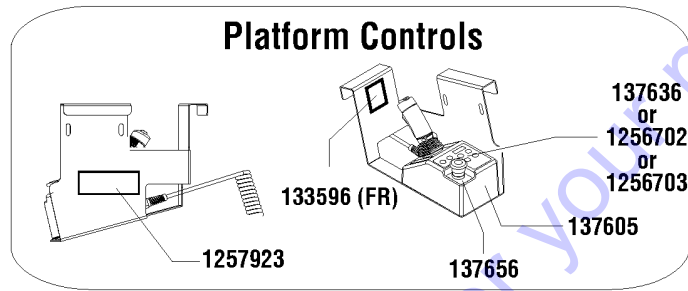
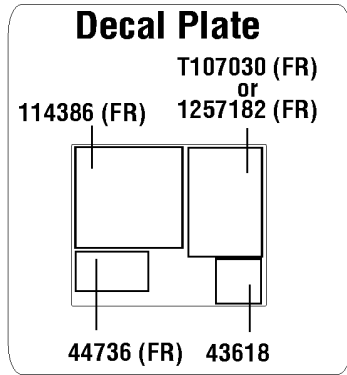
116.1 Decals with Words, GS-1930 Ground Controls Side, ANSI & Australia

Item	Part No.	Description	Qty.
29	T107031GT	DECAL,OP INST,GCON	1
30	T112804GT	DECAL,GCON PANEL,GS	1

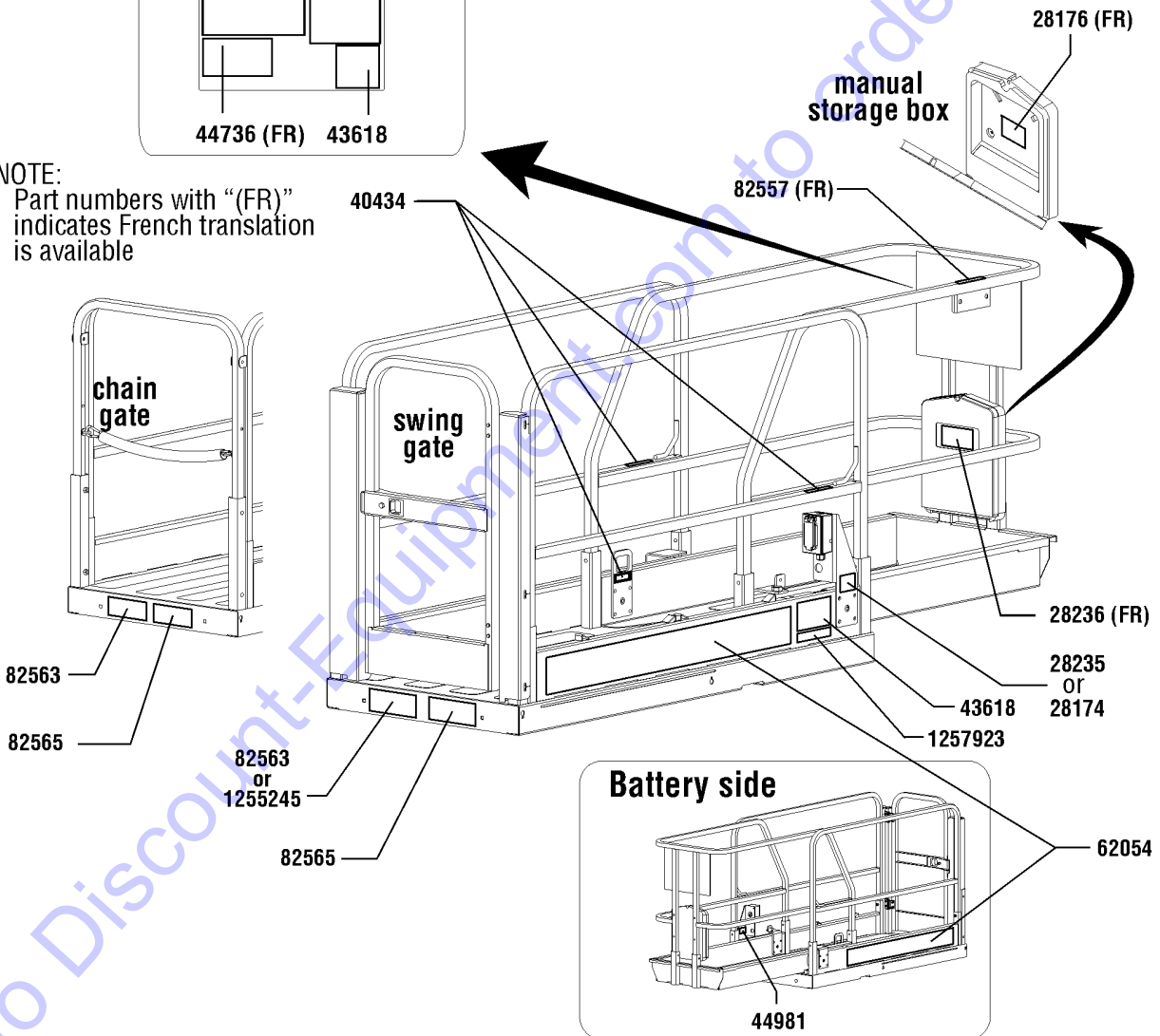
Go to Discount-Equipment.com to order your parts



Platform, ANSI models



NOTE:
 Part numbers with "(FR)" indicates French translation is available



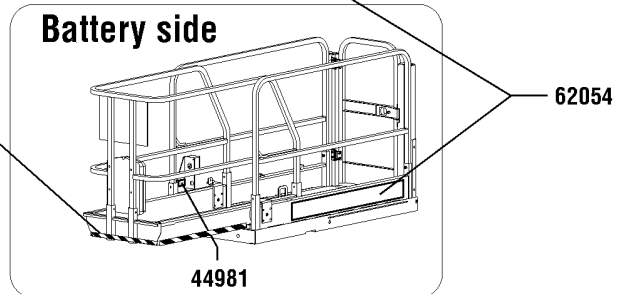
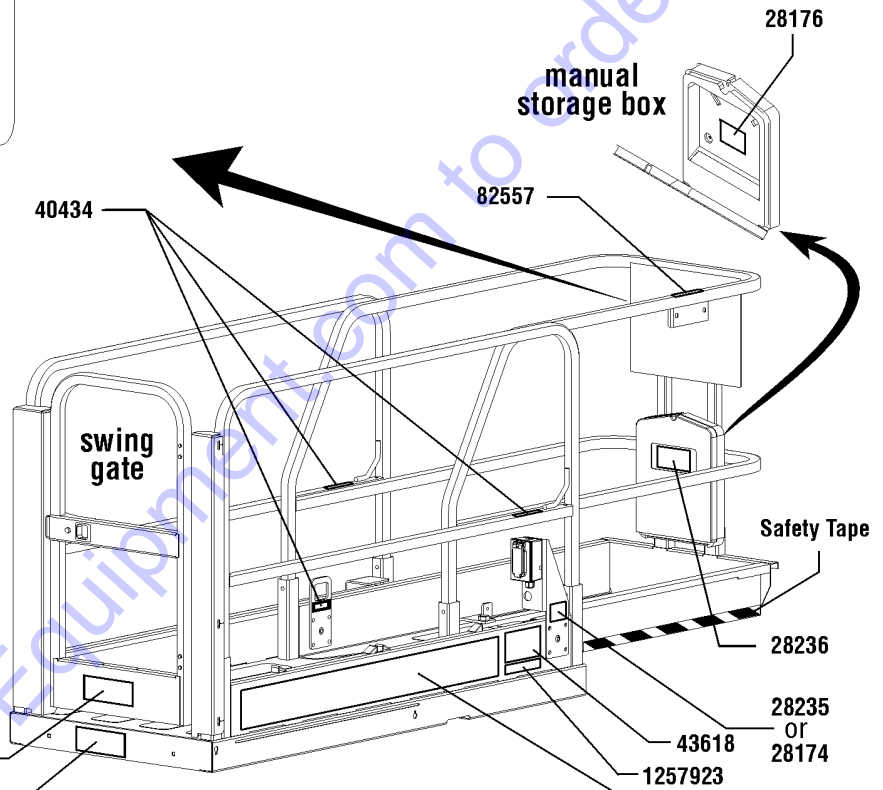
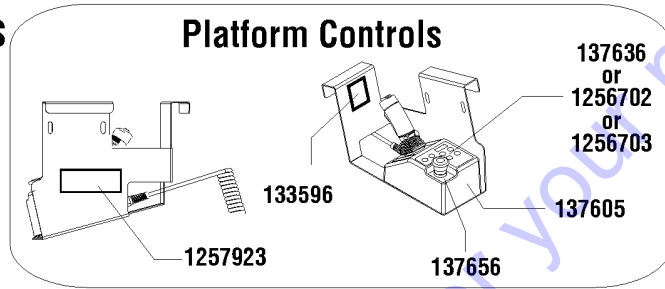
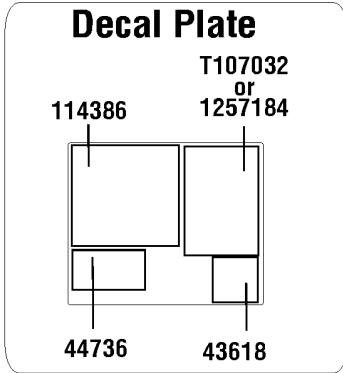
Go to Discount-Equipment.com to order your parts

117.1 Decals with Words, GS-1930 Platform, ANSI

Item	Part No.	Description	Qty.
1	28174GT	DECAL,POWER TO PLATFORM 230V	1
2	28176GT	DECAL,LABEL,MANUAL NOT HERE	1
3	28235GT	DECAL,POWER TO PLATFORM 115V	1
4	28236GT	DECAL,WARN,IMPROPER OPERATION	1
5	40434GT	DECAL,LANYARD ANCHORAGE POINT	3
6	43618GT	DECAL,LABEL-DIRECTION ARROWS	2
7	44736GT	DECAL,DANGER,TIP-OVER,TILT	1
8	44981GT	DECAL,LABEL,AIRLINE 110 PSI	1
9	62054GT	DECAL,COSMETIC,GENIE GS-1930**	2
10	82557GT	DECAL,LABEL,PLAT CONT LOCATION	1
11	82563GT	DECAL,INSTR-MAX CAP 500 LBS (GS1930 and GS1932 models)	1
12	82565GT	DECAL,INSTR-SIDE FRC,ANSI	1
13	114386GT	DECAL,DANGER-GEN SAFETY	1
14	133596GT	DECAL,LABEL,FAULT CODES	1
15	137605GT	DECAL,E-STOP,GR/GRC/GS PCON	1
16	137636GT	DECAL, UI, GR/GRC/GS PCON (models with 6 button, 2 speed controller) to SN GS3014A-134999 and to SN GS3014C-16999	1
17	137656GT	DECAL,PROPEL,GR/GRC/GS,PCON	1
18	1255245GT	DECAL,INSTR-MAX CAP 400 LBS (models with padded auxiliary rail only)	1
19	1256702GT	DECAL, UI, GS/GR, PROP LIFT (models with 4 button, proportional controller)	1
20	1256703GT	DECAL, STD, PROP LIFT, UI, SVC (units converted from 6 button, 2 speed lift to 4 button, proportional controller)	1
21	1257182GT	DECAL, OP INST, PLAT, GS30, ANSI (models with proportional controller)	1
22	1257923GT	DECAL, SMARTLINK PROPORTIONAL (models with 4 button, proportional controller, and units converted from 6 button, 2 speed lift to 4 button, proportional controller)	2
23	T107030GT	DECAL,OP INST,PCON,GS-30,ANSI (models with 6 button, 2 speed controller) to SN GS3014A-134999 and to SN GS3014C-16999	1



Platform, Australia Models

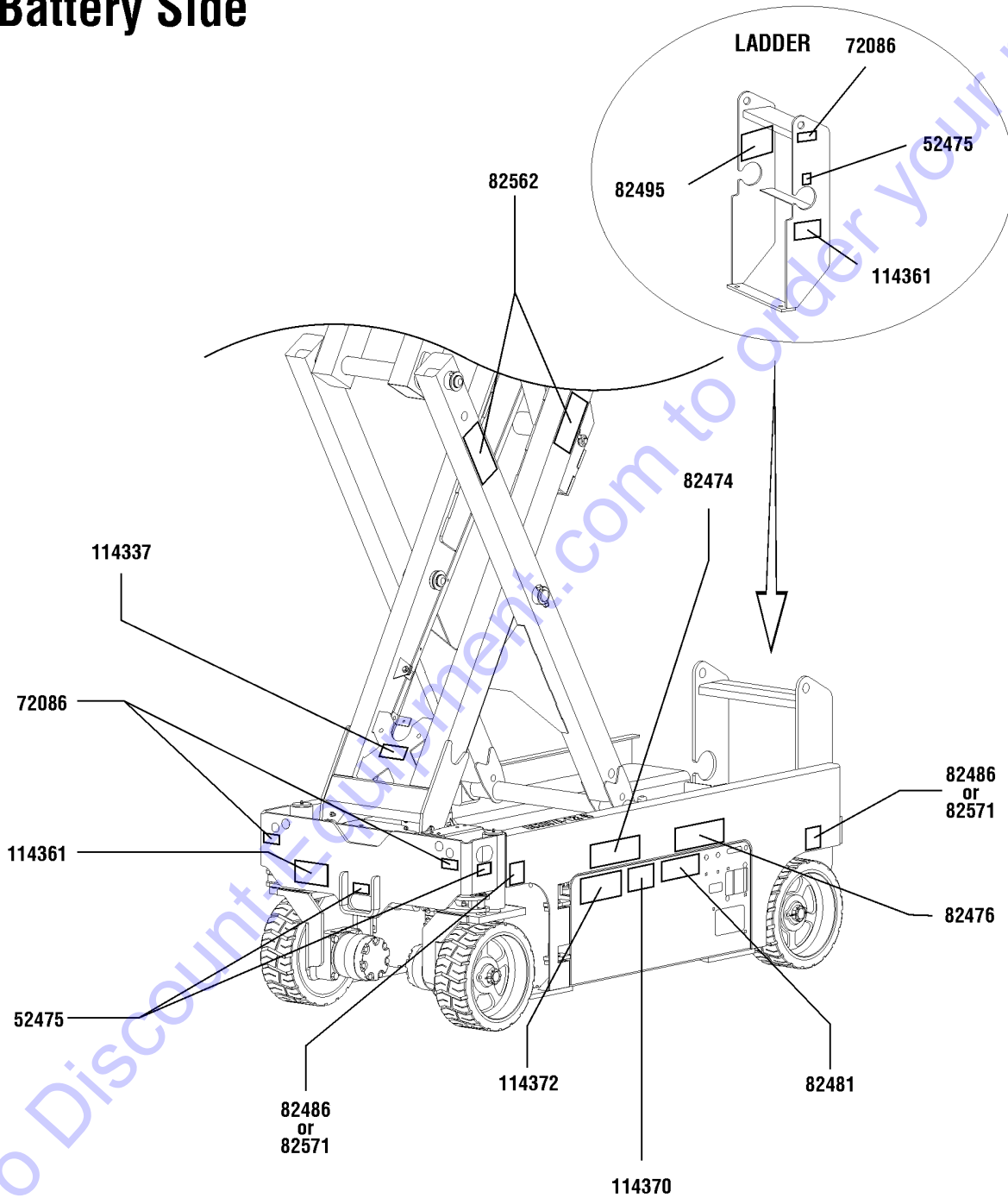


118.1 Decals with Words, GS-1930 Platform, Australia

Item	Part No.	Description	Qty.
1	28174GT	DECAL,POWER TO PLATFORM 230V	1
2	28176GT	DECAL,LABEL,MANUAL NOT HERE	1
3	28235GT	DECAL,POWER TO PLATFORM 115V	1
4	28236GT	DECAL,WARN,IMPROPER OPERATION	1
5	40434GT	DECAL,LANYARD ANCHORAGE POINT	3
6	43618GT	DECAL,LABEL-DIRECTION ARROWS	2
7	44736GT	DECAL,DANGER,TIP-OVER,TILT	1
8	44981GT	DECAL,LABEL,AIRLINE 110 PSI	1
9	62054GT	DECAL,COSMETIC,GENIE GS-1930**	2
10	82557GT	DECAL,LABEL,PLAT CONT LOCATION	1
11	97618GT	DECAL,INSTR-INDOOR USE,AUS	1
12	114386GT	DECAL,DANGER-GEN SAFETY	1
13	133596GT	DECAL,LABEL,FAULT CODES	1
14	137605GT	DECAL,E-STOP,GR/GRC/GS PCON	1
15	137636GT	DECAL, UI, GR/GRC/GS PCON (models with 6 button, 2 speed controller) to SN GS3014A-134999 and to SN GS3014C-16999	1
16	137656GT	DECAL,PROPEL,GR/GRC/GS,PCON	1
17	T107032GT	DECAL,OP INST,PCON,GS-30,AUS (models with 6 button, 2 speed controller) to SN GS3014A-134999 and to SN GS3014C-16999	1
18	82563GT	DECAL,INSTR-MAX CAP 500 LBS	1
		(GS1930 and GS1932 models)	
19	1256702GT	DECAL, UI, GS/GR, PROP LIFT (models with 4 button, proportional controller)	1
20	1256703GT	DECAL, STD, PROP LIFT, UI, SVC (units converted from 6 button, 2 speed lift to 4 button, proportional controller)	1
21	1257184GT	DECAL, OP INST, PLAT, GS30, AUS (models with proportional controller)	1
22	1257923GT	DECAL, SMARTLINK PROPORTIONAL (models with 4 button, proportional controller, and units converted from 6 button, 2 speed lift to 4 button, proportional controller)	2



Battery Side



119.1 Decals with Symbols, GS-1930 Battery Side, ANSI & CE

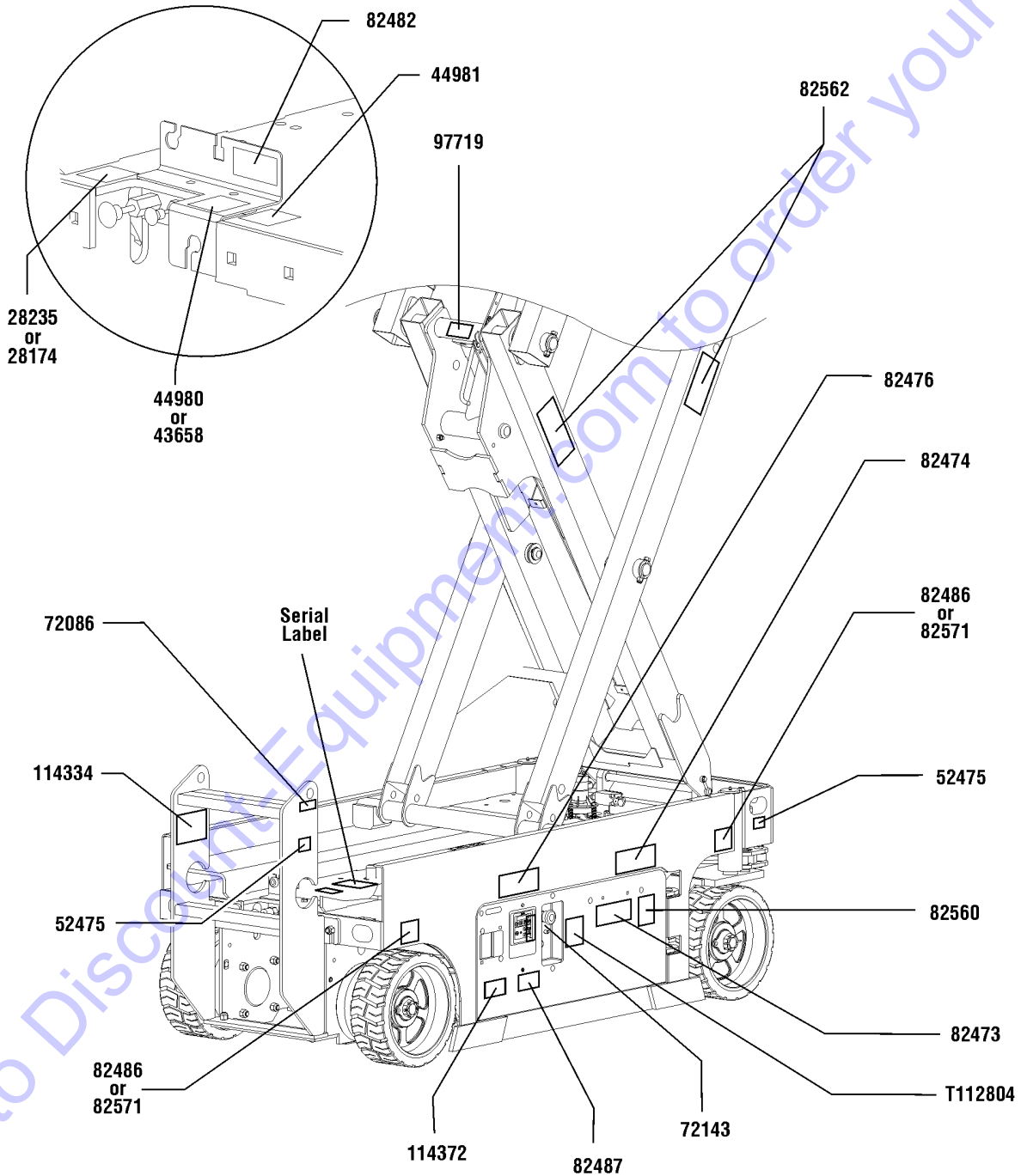
Item	Part No.	Description	Qty.
-	232058GT	DECAL KIT,1930 PLAT.,SYM,ANSI (ANSI models with 2 speed controller) to SN GS3014A-134999 and to SN GS3014C-16999 (order platform controls decal separately)	
-	232059GT	DECAL KIT,1930 COMP.,SYM,ANSI (ANSI models with 2 speed controller) to SN GS3014A-134999 and to SN GS3014C-16999	
-	232072GT	DECAL KIT,1930 PLAT.,SYM,CE (CE models with 2 speed controller) to SN GS3014A-134999 and to SN GS3014C-16999	
-	232073GT	DECAL KIT,1930 COMP.,SYM,CE (CE models with 2 speed controller) to SN GS3014A-134999 and to SN GS3014C-16999 (order platform controls decal separately)	
1	52475GT	DECAL,LABEL,TRANSPORT TIEDOWN*	3
2	72086GT	DECAL,LABEL,LIFTING EYE	3
3	82474GT	DECAL,SYMBOL-USE SAFETY ARM	1
4	82476GT	DECAL,SYMBOL-ELEC HAZARD,GS	1
5	82481GT	DECAL,SYMBOL-BATTERY SAFETY	1
6	82486GT	DECAL,LABEL,WHEEL LOAD 1930	2
		(ANSI models)	
7	82495GT	DECAL,LABEL,FORKLIFT POCKET	1
8	82562GT	DECAL,SYMBOL-CRUSHING HAZARD	2
9	82571GT	DECAL,LABEL,WHEEL LOAD 19XX	2
		(CE models)	
10	114337GT	DECAL, COMPARTMENT ACCESS	1
11	114361GT	DECAL,SYM-TIP-OVER,LIM SWITCH	2
12	114370GT	DECAL-SYM-TIP-OVR,BATTRIES	1
13	114372GT	DECAL SYMBOL TIP OVER TRAYS	1

Go to Discount-Equipment.com to order your parts



120.1 Decals with Symbols, GS-1930 Ground Control Side, ANSI & CE

Ground Controls Side



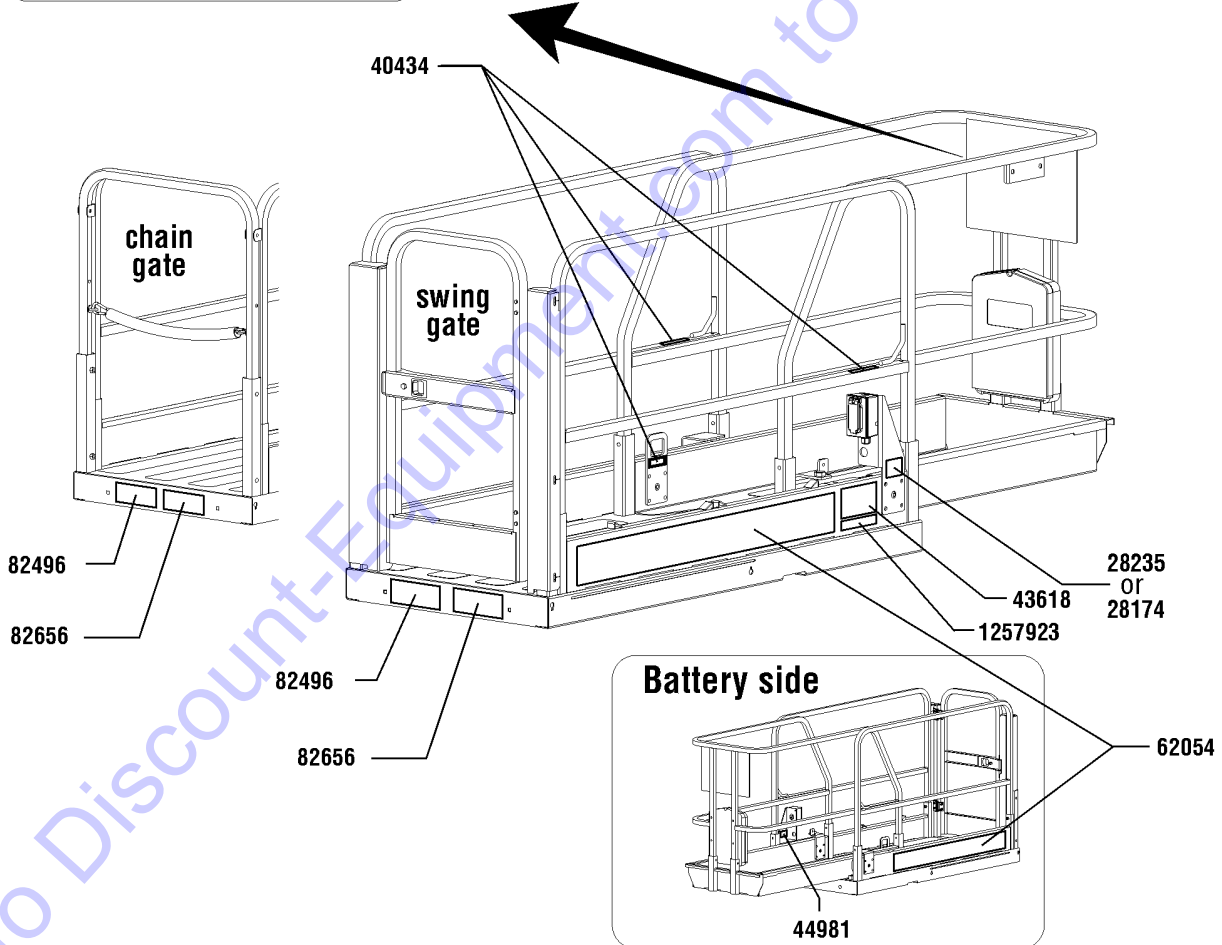
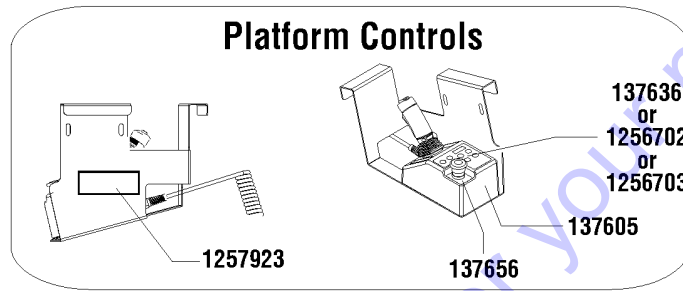
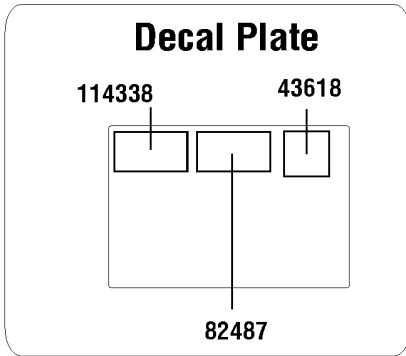
120.1 Decals with Symbols, GS-1930 Ground Control Side, ANSI & CE

Item	Part No.	Description	Qty.
1	28174GT	DECAL,POWER TO PLATFORM 230V	1
2	28235GT	DECAL,POWER TO PLATFORM 115V	1
3	43658GT	DECAL,LABEL,PWR TO CHARGR 230V	1
4	44980GT	DECAL,LABEL,PWR TO CHARGR 115V	1
5	44981GT	DECAL,LABEL,AIRLINE 110 PSI	1
6	52475GT	DECAL,LABEL,TRANSPORT TIEDOWN*	2
7	72086GT	DECAL,LABEL,LIFTING EYE	1
8	72143GT	DECAL,EMERGENCY STOP,GR	1
9	82473GT	DECAL,SYMBOL-COMP ACCESS	1
10	82474GT	DECAL,SYMBOL-USE SAFETY ARM	1
11	82476GT	DECAL,SYMBOL-ELEC HAZARD,GS	1
12	82482GT	DECAL,LABEL,AUX LOWERING	1
13	82486GT	DECAL,LABEL,WHEEL LOAD 1930 (ANSI Models)	2
14	82487GT	DECAL,SYMBOL-READ THE MANUAL	1
15	82560GT	DECAL,SYMBOL-SKIN INJECT HAZRD	1
16	82562GT	DECAL,SYMBOL-CRUSHING HAZARD	2
17	82571GT	DECAL,LABEL,WHEEL LOAD 19XX (CE Models)	2
18	97719GT	DECAL, LABEL, SAFETY ARM SYMB	1
19	114334GT	DECAL SYMBOL ELECTRIC HAZARD PLUG	1
20	114372GT	DECAL SYMBOL TIP OVER TRAYS	1
21	T112804GT	DECAL,GCON PANEL,GS	1



121.1 Decals with Symbols, GS-1930 Platform ANSI

Platform, ANSI models



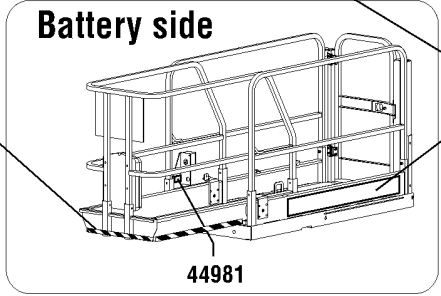
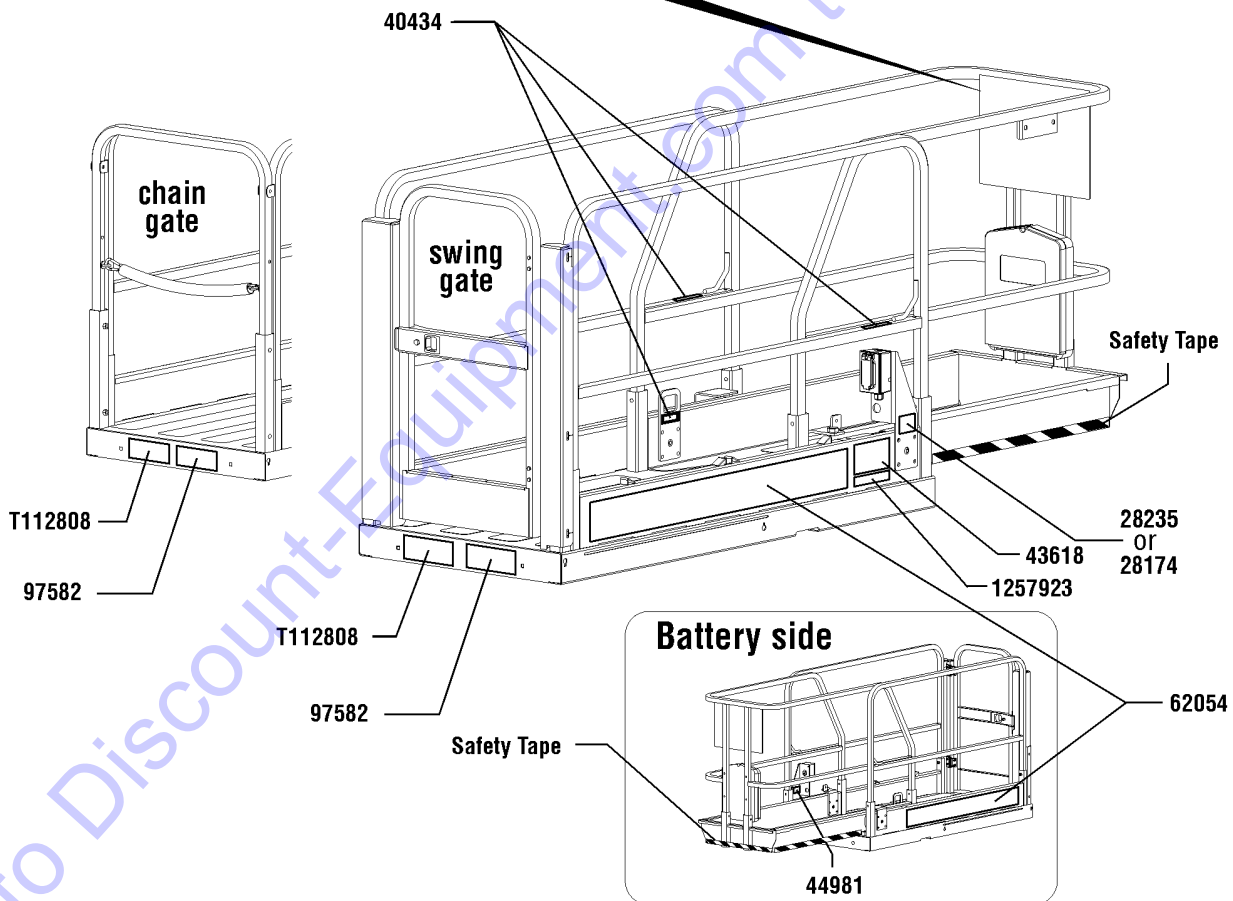
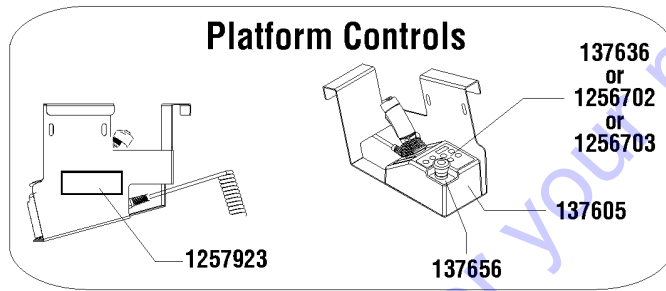
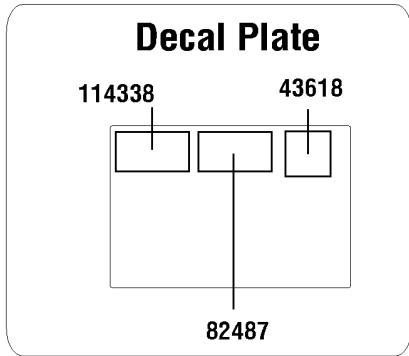
121.1 Decals with Symbols, GS-1930 Platform ANSI

Item	Part No.	Description	Qty.
1	28174GT	DECAL,POWER TO PLATFORM 230V	1
2	28235GT	DECAL,POWER TO PLATFORM 115V	1
3	40434GT	DECAL,LANYARD ANCHORAGE POINT	3
4	43618GT	DECAL,LABEL-DIRECTION ARROWS	2
5	44981GT	DECAL,LABEL,AIRLINE 110 PSI	1
6	62054GT	DECAL,COSMETIC,GENIE GS-1930**	2
7	82487GT	DECAL,SYMBOL-READ THE MANUAL	1
8	82496GT	DECAL,SYM-MAXCAP 500	1
9	82656GT	DECAL,SYM-SIDE FORCE 445N	1
10	114338GT	DECAL,SYM-TIP-OVR,TILT ALARM	1
11	137605GT	DECAL,E-STOP,GR/GRC/GS PCON	1
12	137636GT	DECAL, UI, GR/GRC/GS PCON (models with 6 button, 2 speed controller) to SN GS3014A-134999 and to SN GS3014C-16999	1
13	137656GT	DECAL,PROPEL,GR/GRC/GS,PCON	1
14	1256702GT	DECAL, UI, GS/GR, PROP LIFT (models with 4 button, proportional controller)	1
15	1256703GT	DECAL, STD, PROP LIFT, UI, SVC (units converted from 6 button, 2 speed lift to 4 button, proportional controller)	1
16	1257923GT	DECAL, SMARTLINK PROPORTIONAL (models with 4 button, proportional controller, and units converted from 6 button, 2 speed lift to 4 button, proportional controller)	2



122.1 Decals with Symbols, GS-1930 Platform CE

Platform, CE models



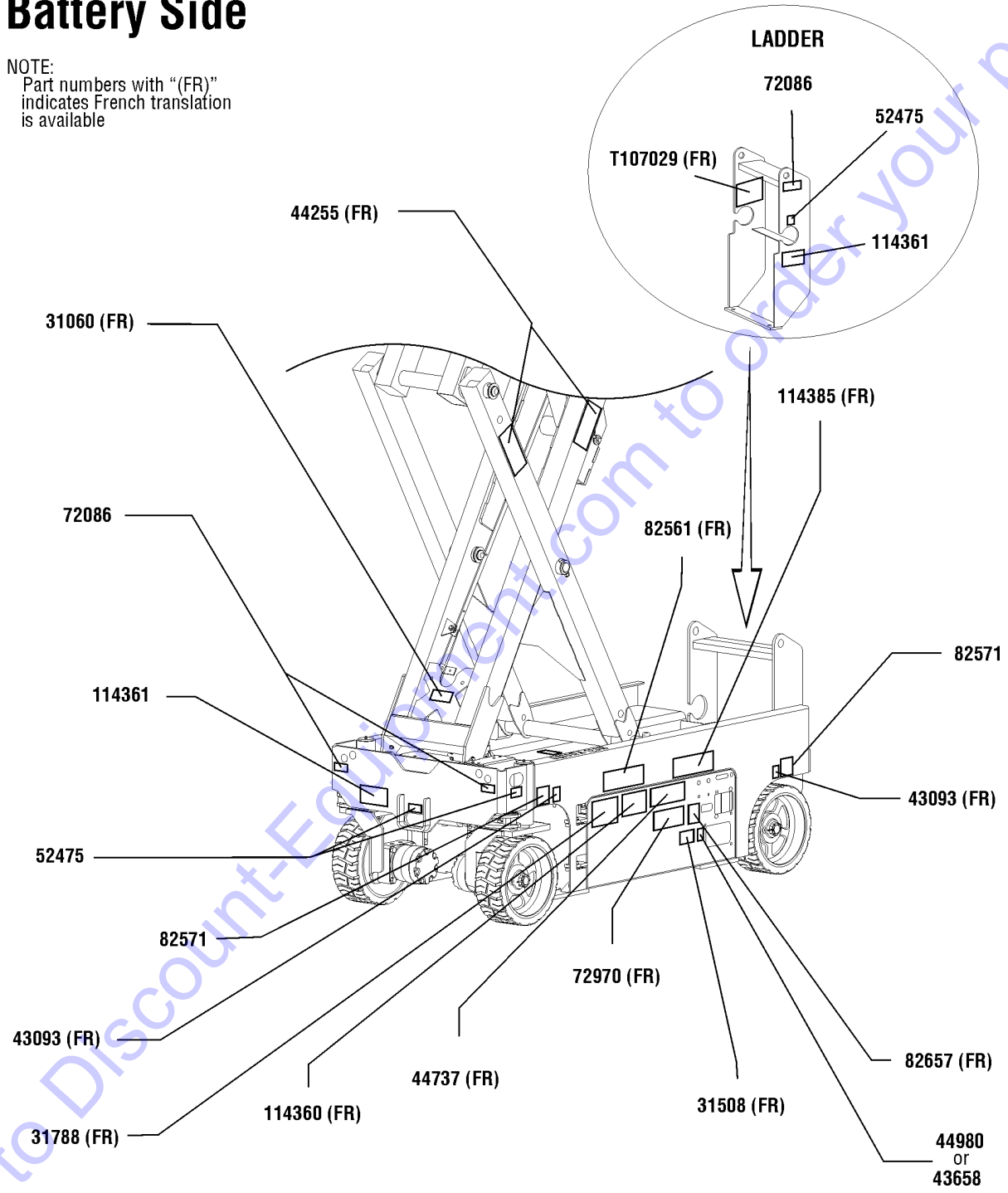
122.1 Decals with Symbols, GS-1930 Platform CE

Item	Part No.	Description	Qty.
1	28174GT	DECAL,POWER TO PLATFORM 230V	1
2	28235GT	DECAL,POWER TO PLATFORM 115V	1
3	40434GT	DECAL,LANYARD ANCHORAGE POINT	3
4	43618GT	DECAL,LABEL-DIRECTION ARROWS	2
5	44981GT	DECAL,LABEL,AIRLINE 110 PSI	1
6	62054GT	DECAL,COSMETIC,GENIE GS-1930**	2
7	82487GT	DECAL,SYMBOL-READ THE MANUAL	1
8	97582GT	DECAL,SYM-SIDEFORCE 400N ID	1
9	114338GT	DECAL,SYM-TIP-OVR,TILT ALARM	1
10	137605GT	DECAL,E-STOP,GR/GRC/GS PCON	1
11	137636GT	DECAL, UI, GR/GRC/GS PCON (models with 6 button, 2 speed controller) to SN GS3014A-134999 and to SN GS3014C-16999	1
12	137656GT	DECAL,PROPEL,GR/GRC/GS,PCON	1
13	T112808GT	DECAL,SYM MAX CAP 227 KG,CE	1
14	1256702GT	DECAL, UI, GS/GR, PROP LIFT (models with 4 button, proportional controller)	
15	1256703GT	DECAL, STD, PROP LIFT, UI, SVC (units converted from 6 button, 2 speed lift to 4 button, proportional controller)	1
16	1257923GT	DECAL, SMARTLINK PROPORTIONAL (models with 4 button, proportional controller, and units converted from 6 button, 2 speed lift to 4 button, proportional controller)	2



Battery Side

NOTE:
Part numbers with "(FR)"
indicates French translation
is available



123.1 Decals with Words, GS-1932 Battery Side, Australia

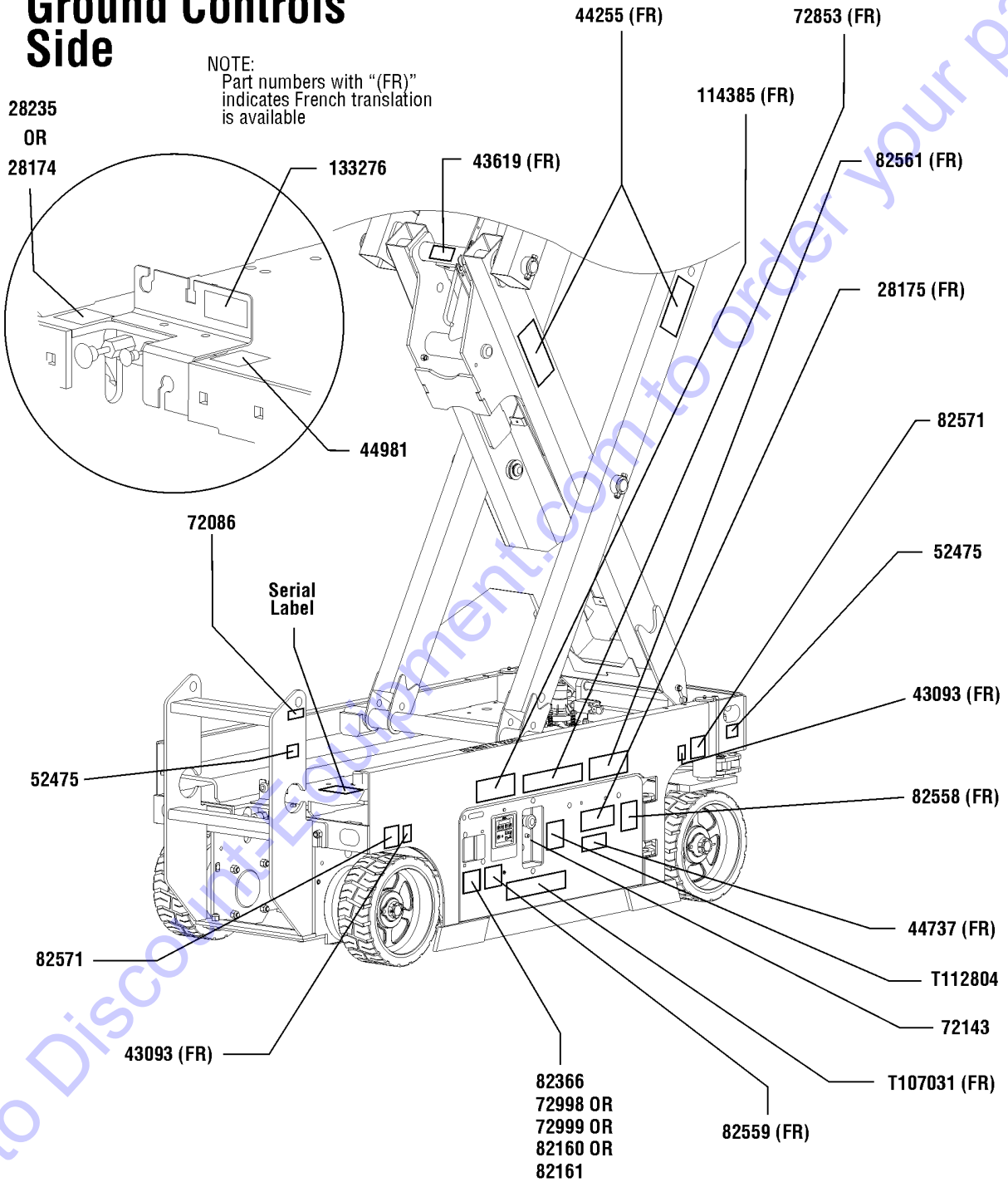
Item	Part No.	Description	Qty.
-	232066GT	DECAL KIT,1932 PLAT.,WRD,AUST (Australia models with 2 speed controller) to SN GS3014A-134999 and to SN GS3014C-16999
-	232067GT	DECAL KIT,1932 COMP.,WRD,AUST (Australia models with 2 speed controller) to SN GS3014A-134999 and to SN GS3014C-16999
1	44255GT	DECAL,DANGER,CRUSHING HAZARD	2
2	31060GT	DECAL,DANGER DO NOT ALTER SWTC	1
3	31508GT	DECAL,DANGER,ELECT HAZARD,PLUG (Australia models)	1
4	31788GT	DECAL,DANGER,BATTERY SAFETY***	1
5	43093GT	DECAL,LABEL,TIRE SPECS	2
6	43658GT	DECAL,LABEL,PWR TO CHARGR 230V (Australia models)	1
7	44737GT	DECAL,DANGER,TIP-OVER,TRAYS	1
8	44980GT	DECAL,LABEL,PWR TO CHARGR 115V (Australia models)	1
9	52475GT	DECAL,LABEL,TRANSPORT TIEDOWN*	3
10	72086GT	DECAL,LABEL,LIFTING EYE	3
11	72970GT	DECAL,INSTRUCTIONS-CHARGER OP	1
12	82561GT	DECAL,DANGER-USE SAFETY ARM	1
13	82571GT	DECAL,LABEL,WHEEL LOAD 19XX (Australia models)	2
14	82657GT	DECAL,INSTRUCT,BATTERY CONNECT	1
15	114360GT	DECAL,DANGER-TIP-OVER,BATT	1
16	114361GT	DECAL,SYM-TIP-OVER,LIM SWITCH	2
17	114385GT	DECAL,DANGER,ELEC HAZARD,GS	1
18	T107029GT	DECAL DANGER BRAKE REL SAFETY	1



124.1 Decals with Words, GS-1932 Ground Controls Side, Australia

Ground Controls Side

NOTE:
Part numbers with "(FR)" indicates French translation is available

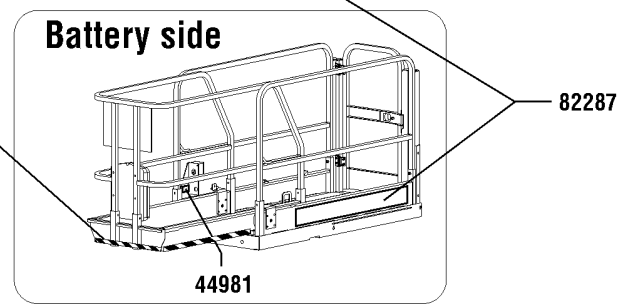
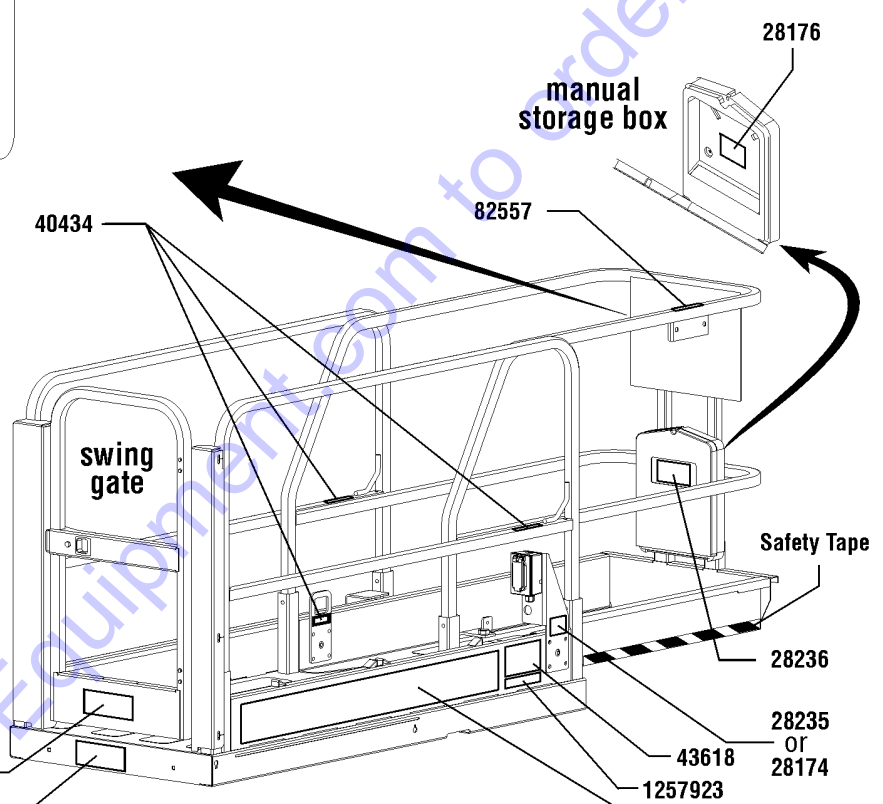
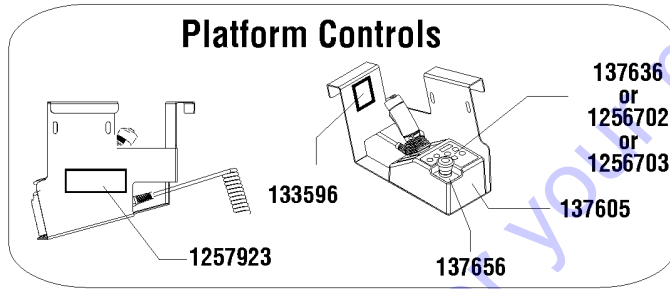
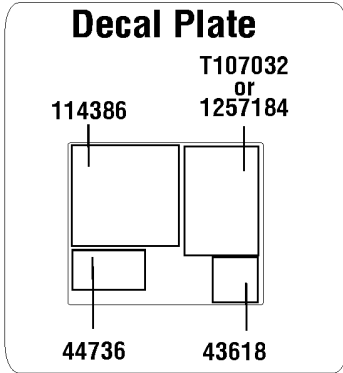


124.1 Decals with Words, GS-1932 Ground Controls Side, Australia

Item	Part No.	Description	Qty.
1	28174GT	DECAL,POWER TO PLATFORM 230V	1
2	28175GT	DECAL,WARNING-COMPART ACCESS	1
3	28235GT	DECAL,POWER TO PLATFORM 115V	1
4	43093GT	DECAL,LABEL,TIRE SPECS	2
5	43619GT	DECAL,LABEL,SAFETY ARM	1
6	44255GT	DECAL,DANGER,CRUSHING HAZARD	2
7	44737GT	DECAL,DANGER,TIP-OVER,TRAYS	1
8	44981GT	DECAL,LABEL,AIRLINE 110 PSI	1
		(option)	
9	52475GT	DECAL,LABEL,TRANSPORT TIEDOWN*	2
10	72086GT	DECAL,LABEL,LIFTING EYE	1
11	72143GT	DECAL,EMERGENCY STOP,GR	1
12	72853GT	DECAL,DANGER,IMPROPER USE HAZ.	1
13	72998GT	DECAL, LABEL, QUINTOLUBRIK	1
		(models with Quintolub hydraulic oil)	
14	72999GT	DECAL,LABEL,PETRO CANADA***	1
		(models with Petro Canada hydraulic oil)	
15	82160GT	DECAL, LABEL, STATOIL HYDRAWAY	1
		(models with Statoil hydraulic oil)	
16	82161GT	DECAL,LABEL,UCON HYDROLUBE	1
		(models with UConn Hydrolube hydraulic oil)	
17	82366GT	DECAL,CHEVRON RANDO HD	1
		(models with Chevron Random hydraulic oil)	
18	82558GT	DECAL,SKIN INJECTION	1
19	82559GT	DECAL,INSTRUCT-ANNUAL INSP REQ	1
20	82561GT	DECAL,DANGER-USE SAFETY ARM	1
21	82571GT	DECAL,LABEL,WHEEL LOAD 19XX	2
		(Australia models)	
22	114385GT	DECAL,DANGER,ELEC HAZARD,GS	1
23	133276GT	DECAL,EMERGENCY LOWERING	1
24	T107031GT	DECAL,OP INST,GCON	1
25	T112804GT	DECAL,GCON PANEL,GS	1



Platform, Australia Models

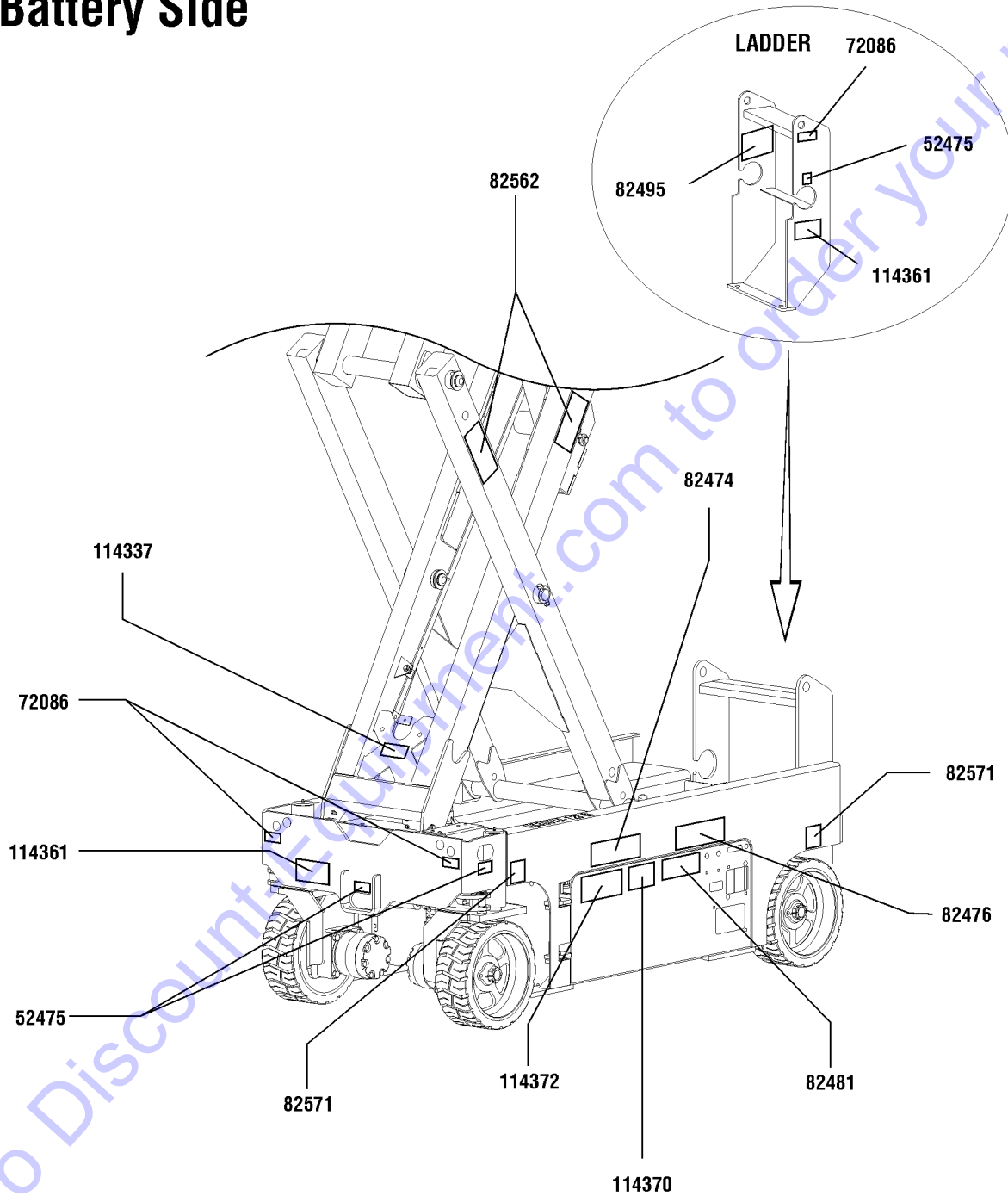


125.1 Decals with Words, GS-1932 Platform, Australia

Item	Part No.	Description	Qty.
1	28174GT	DECAL,POWER TO PLATFORM 230V	1
2	28176GT	DECAL,LABEL,MANUAL NOT HERE	1
3	28235GT	DECAL,POWER TO PLATFORM 115V	1
4	28236GT	DECAL,WARN,IMPROPER OPERATION	1
5	40434GT	DECAL,LANYARD ANCHORAGE POINT	3
6	43618GT	DECAL,LABEL-DIRECTION ARROWS	2
7	44736GT	DECAL,DANGER,TIP-OVER,TILT	1
8	44981GT	DECAL,LABEL,AIRLINE 110 PSI	1
9	82287GT	DECAL,COSMETIC,GENIE GS-1932	2
10	82557GT	DECAL,LABEL,PLAT CONT LOCATION	1
11	82566GT	DECAL,INSTR-MANUAL FRC,AUS	1
12	114386GT	DECAL,DANGER-GEN SAFETY	1
13	133596GT	DECAL,LABEL,FAULT CODES	1
14	137605GT	DECAL,E-STOP,GR/GRC/GS PCON	1
15	137636GT	DECAL, UI, GR/GRC/GS PCON (models with 6 button, 2 speed controller) to SN GS3014A-134999 and to SN GS3014C-16999	1
16	137656GT	DECAL,PROPEL,GR/GRC/GS,PCON	1
17	T107032GT	DECAL,OP INST,PCON,GS-30,AUS (models with 6 button, 2 speed controller) to SN GS3014A-134999 and to SN GS3014C-16999	1
18	82563GT	DECAL,INSTR-MAX CAP 500 LBS	1
19	1256702GT	DECAL, UI, GS/GR, PROP LIFT (models with 4 button, proportional controller)	1
20	1256703GT	DECAL, STD, PROP LIFT, UI, SVC (units converted from 6 button, 2 speed lift to 4 button, proportional controller)	1
21	1257184GT	DECAL, OP INST, PLAT, GS30, AUS (models with 4 button, proportional controller)	1
22	1257923GT	DECAL, SMARTLINK PROPORTIONAL (models with 4 button, proportional controller, and units converted from 6 button, 2 speed lift to 4 button, proportional controller)	2



Battery Side



126.1 Decals with Symbols, GS-1932 Battery Side, CE

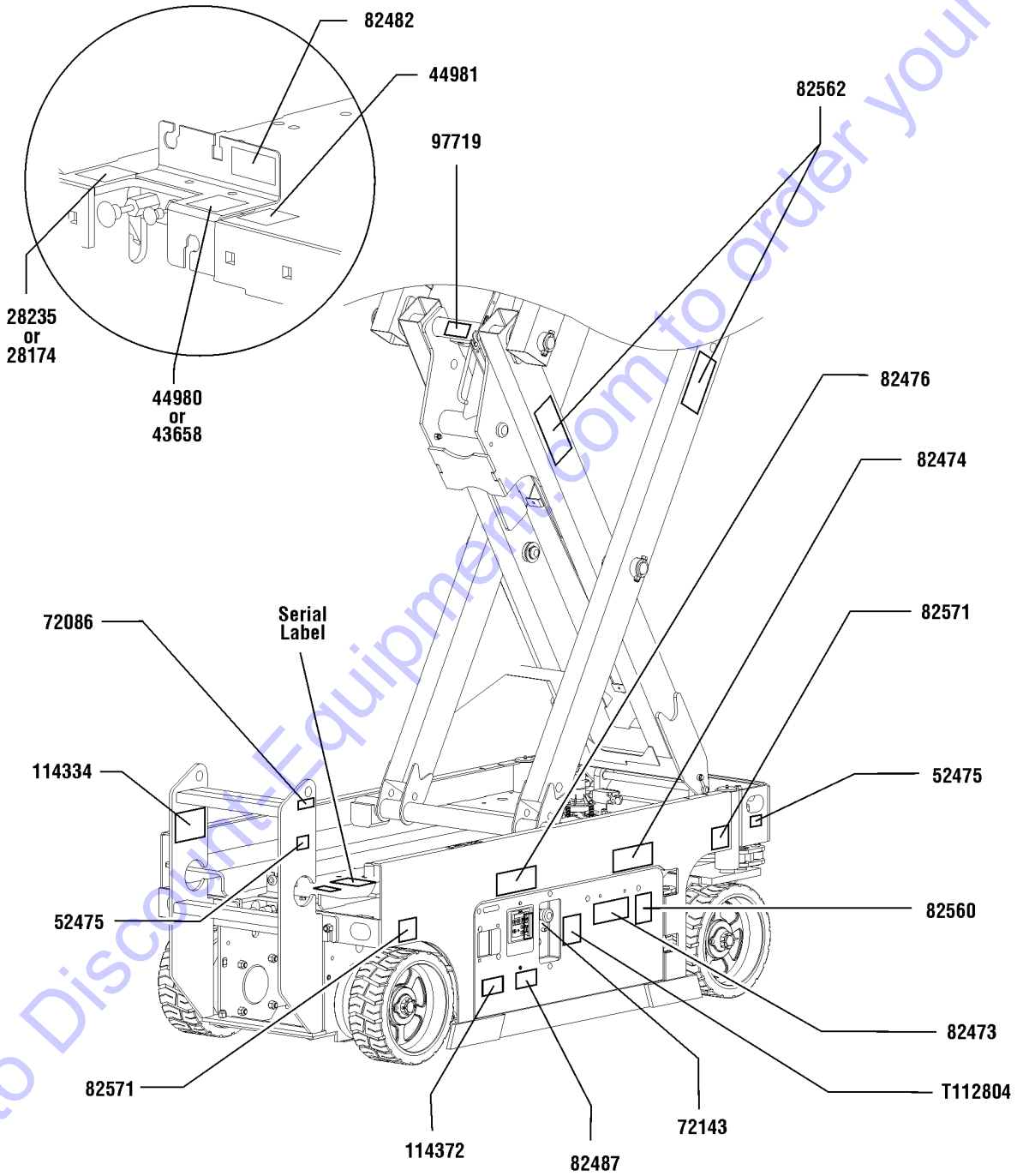
Item	Part No.	Description	Qty.
-	232074GT	DECAL KIT,1932 PLAT.,SYM,CE (CE models with 2 speed controller) to SN GS3014A-134999 and to SN GS3014C-16999	
-	232075GT	DECAL KIT,1932 COMP.,SYM,CE (CE models with 2 speed controller) to SN GS3014A-134999 and to SN GS3014C-16999	
1	52475GT	DECAL,LABEL,TRANSPORT TIEDOWN*	3
2	72086GT	DECAL,LABEL,LIFTING EYE	3
3	82474GT	DECAL,SYMBOL-USE SAFETY ARM	1
4	82476GT	DECAL,SYMBOL-ELEC HAZARD,GS	1
5	82481GT	DECAL,SYMBOL-BATTERY SAFETY	1
6	82495GT	DECAL,LABEL,FORKLIFT POCKET	1
7	82562GT	DECAL,SYMBOL-CRUSHING HAZARD	2
8	82571GT	DECAL,LABEL,WHEEL LOAD 19XX (CE models)	2
9	114337GT	DECAL, COMPARTMENT ACCESS	1
10	114361GT	DECAL,SYM-TIP-OVER,LIM SWITCH	1
11	114370GT	DECAL-SYM-TIP-OVR,BATTRIES	1
12	114372GT	DECAL SYMBOL TIP OVER TRAYS	1

Go to Discount-Equipment.com to order your parts



127.1 Decals with Symbols, GS-1932 Ground Control Side, CE

Ground Controls Side



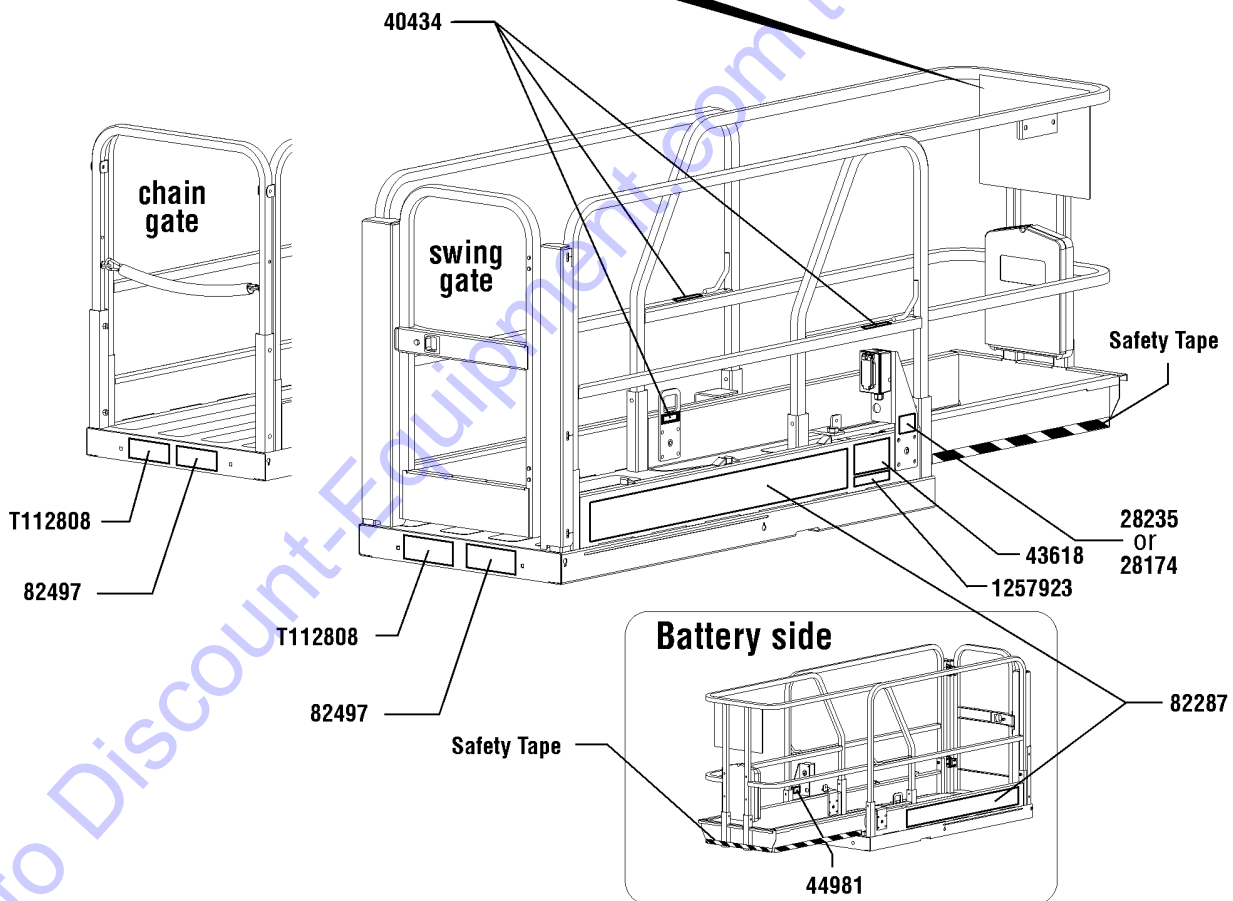
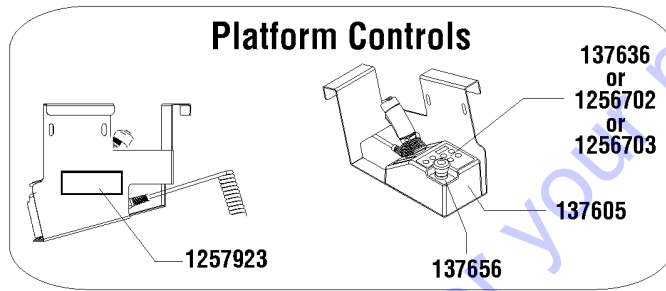
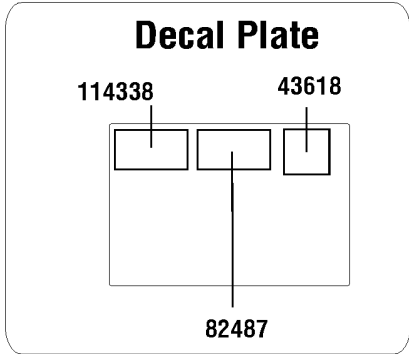
127.1 Decals with Symbols, GS-1932 Ground Control Side, CE

Item	Part No.	Description	Qty.
1	28174GT	DECAL,POWER TO PLATFORM 230V	1
2	28235GT	DECAL,POWER TO PLATFORM 115V	1
3	43658GT	DECAL,LABEL,PWR TO CHARGR 230V	1
4	44980GT	DECAL,LABEL,PWR TO CHARGR 115V	1
5	44981GT	DECAL,LABEL,AIRLINE 110 PSI	1
6	52475GT	DECAL,LABEL,TRANSPORT TIEDOWN*	2
7	72086GT	DECAL,LABEL,LIFTING EYE	1
8	72143GT	DECAL,EMERGENCY STOP,GR	1
9	82473GT	DECAL,SYMBOL-COMP ACCESS	1
10	82474GT	DECAL,SYMBOL-USE SAFETY ARM	1
11	82476GT	DECAL,SYMBOL-ELEC HAZARD,GS	1
12	82482GT	DECAL,LABEL,AUX LOWERING	1
13	82487GT	DECAL,SYMBOL-READ THE MANUAL	1
14	82560GT	DECAL,SYMBOL-SKIN INJECT HAZRD	1
15	82562GT	DECAL,SYMBOL-CRUSHING HAZARD	2
16	82571GT	DECAL,LABEL,WHEEL LOAD 19XX	2
		(CE models)	
17	97719GT	DECAL, LABEL, SAFETY ARM SYMB	1
18	114334GT	DECAL SYMBOL ELECTRIC HAZARD PLUG	1
19	114372GT	DECAL SYMBOL TIP OVER TRAYS	1
20	T112804GT	DECAL,GCON PANEL,GS	1



128.1 Decals with Symbols, GS-1932 Platform CE

Platform, CE models

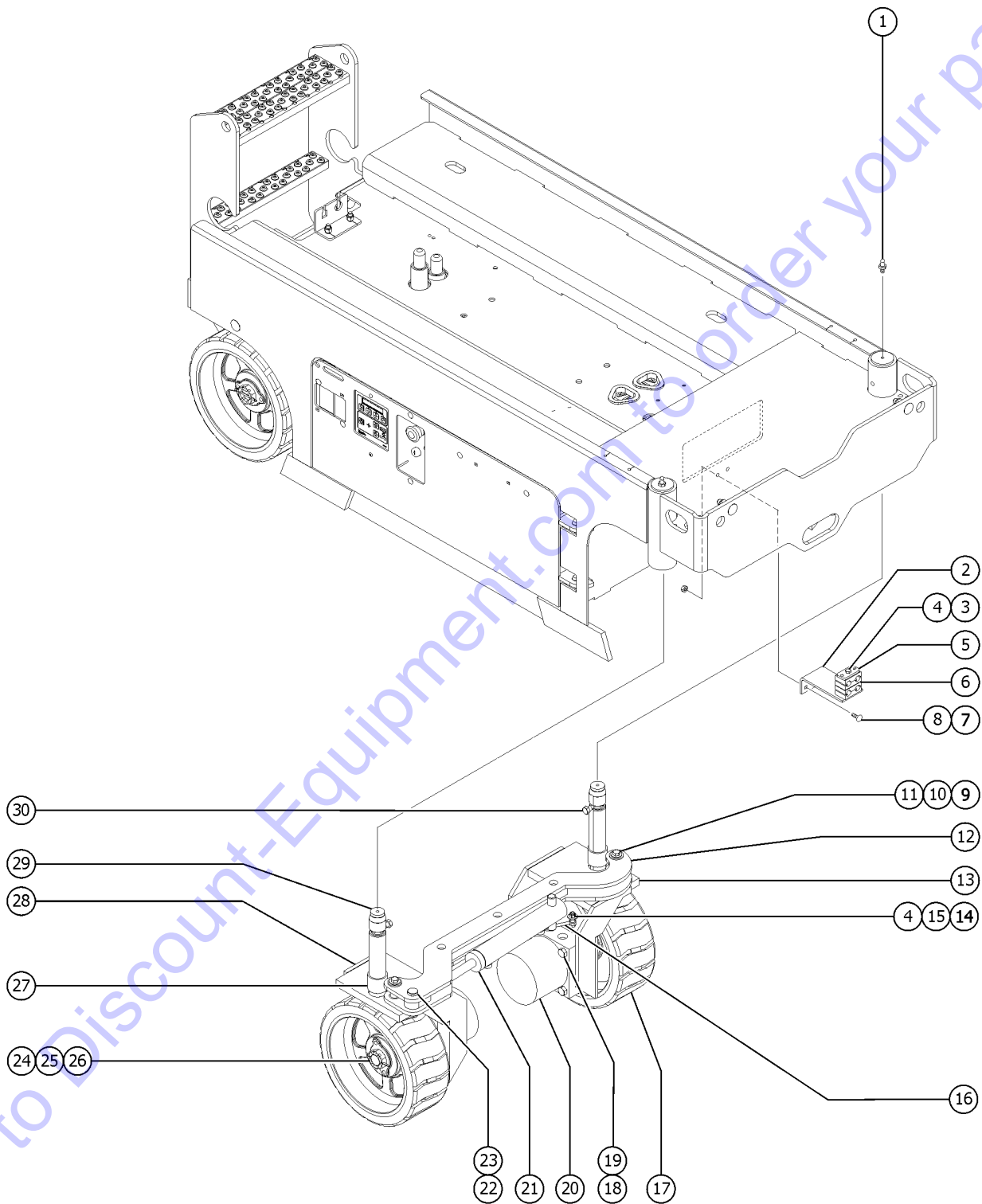


128.1 Decals with Symbols, GS-1932 Platform CE

Item	Part No.	Description	Qty.
1	28174GT	DECAL,POWER TO PLATFORM 230V	1
2	28235GT	DECAL,POWER TO PLATFORM 115V	1
3	40434GT	DECAL,LANYARD ANCHORAGE POINT	3
4	43618GT	DECAL,LABEL-DIRECTION ARROWS	2
5	44981GT	DECAL,LABEL,AIRLINE 110 PSI	1
6	82287GT	DECAL,COSMETIC,GENIE GS-1932	2
7	82487GT	DECAL,SYMBOL-READ THE MANUAL	1
8	82497GT	DECAL,SYM-SIDEFORCE 200400	1
9	114338GT	DECAL,SYM-TIP-OVR,TILT ALARM	1
10	137605GT	DECAL,E-STOP,GR/GRC/GS PCON	1
11	137636GT	DECAL, UI, GR/GRC/GS PCON (models with 6 button, 2 speed controller) to SN GS3014A-134999 and to SN GS3014C-16999	1
12	137656GT	DECAL,PROPEL,GR/GRC/GS,PCON	1
13	T112808GT	DECAL,SYM MAX CAP 227 KG,CE	2
14	1256702GT	DECAL, UI, GS/GR, PROP LIFT (models with 4 button, proportional controller)	
15	1256703GT	DECAL, STD, PROP LIFT, UI, SVC (units converted from 6 button, 2 speed lift to 4 button, proportional controller)	1
16	1257923GT	DECAL, SMARTLINK PROPORTIONAL (models with 4 button, proportional controller, and units converted from 6 button, 2 speed lift to 4 button, proportional controller)	2



201.1 Steer Linkage and Wheels, GS-1530, GS-1930

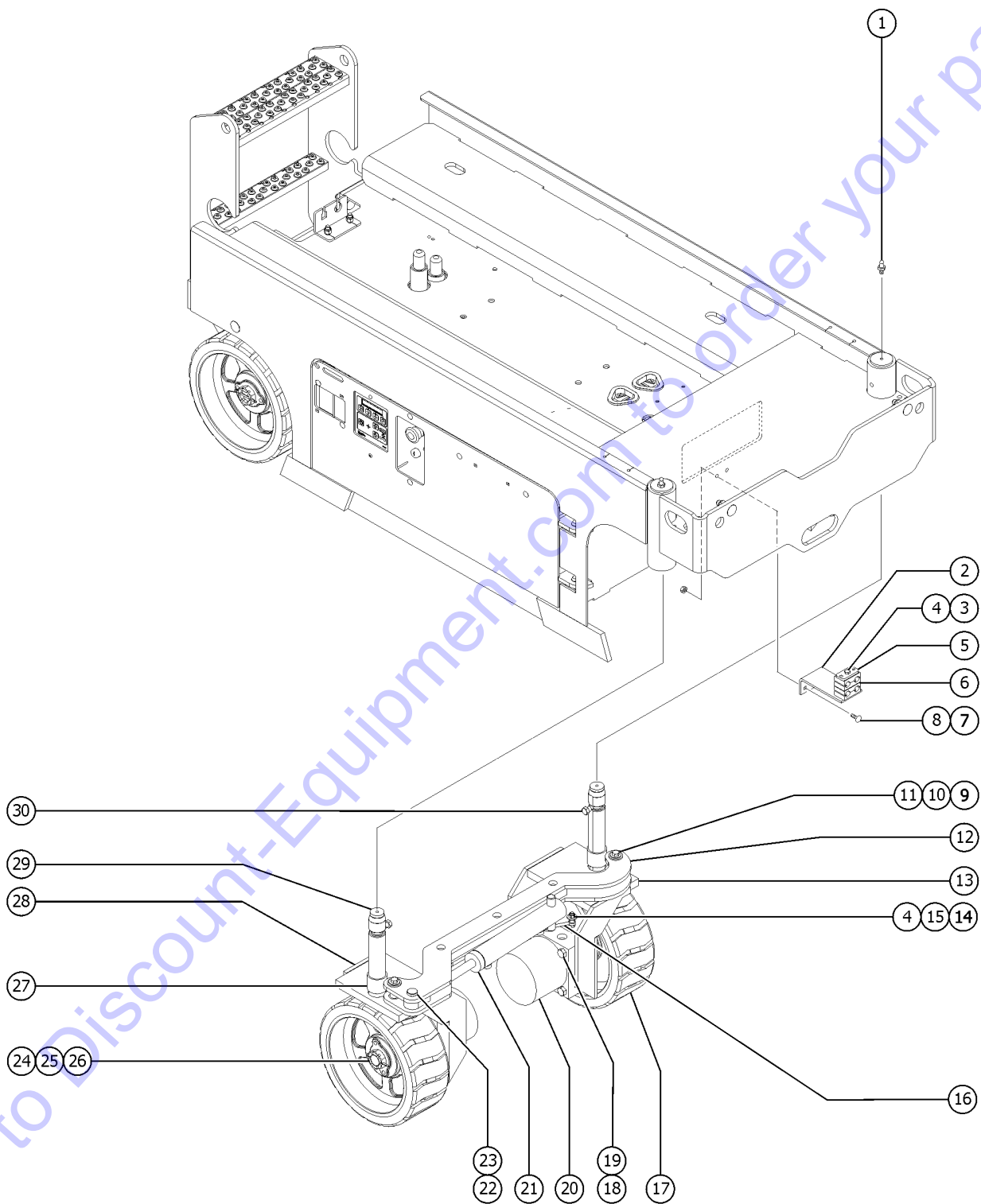


201.1 Steer Linkage and Wheels, GS-1530, GS-1930

Item	Part No.	Description	Qty.
1	66770GT	FITTING,STRAIGHT DRIVE-IN ZERK	2
2	105051GT	FORMING,HOSE CLAMP SUPPORT	1
3	144374GT	SCREW,HHC,1/4-20X3.25,GR8	
4	6091GT	NUT, NYLOCK, 1/4-20	
5	58592GT	PLATE,HOSE ROUTG,BULKHEAD(PTD)	1
6	78736GT	CLAMP,2 HOSE,PLASTIC,5/8	4
7	105092GT	BOLT,CARRIAGE,3/8-16X1.25,GR5	
8	4828GT	NUT,NYLOCK,3/8-16	
9	8255GT	SCREW,HHC,3/8-16 X .75	
10	6097GT	WASHER,FLAT,USS,3/8",Y	
11	47548GT	BEARING,FLANGE,0.75IDX1.00ODX0.49L	4
12	84571GT	TIE ROD ASSEMBLY	1
12-	96074GT	WELDMENT, TIE ROD, GS30	1
		(bearings not included)	
12-	47548GT	BEARING,FLANGE,0.75IDX1.00ODX0.49L	4
13A	96068GT	WELDMENT, STR YOKE, 30 MINI LT	1
		GS-1530, GS-1930 (battery side)	
14	6888GT	SCREW,HHC,1/4-20 X 1	
15	96258GT	PIN,STEER CYLINDER	1
16	825020GT	ROD END,.250X2.75,ZAG	1
17	105122GT	WHEEL & TIRE ASSY,LP,12"*****	2
18	8357GT	SCREW,HHC,1/2-13 X 3.5	
19	6198GT	NUT,NYLOK,1/2-13	
20		Ref. Drive Motor	
		(refer to 501.1)	
21		Ref. Steer Cylinder	
		(refer to 501.1)	
22	6545GT	PIN,CLEVIS,.75 X 2	1
23	21253GT	CLIP, HAIR PIN, .125 X 2	1
24	44780GT	NUT,CASTLE,1.125-18 UNEF	2
25	44781GT	KEY,RECTANGULAR,.31X.28X1.25"*	2
26	42079GT	PIN,COTTER,.156 X 2.5	2



201.1 Steer Linkage and Wheels, GS-1530, GS-1930



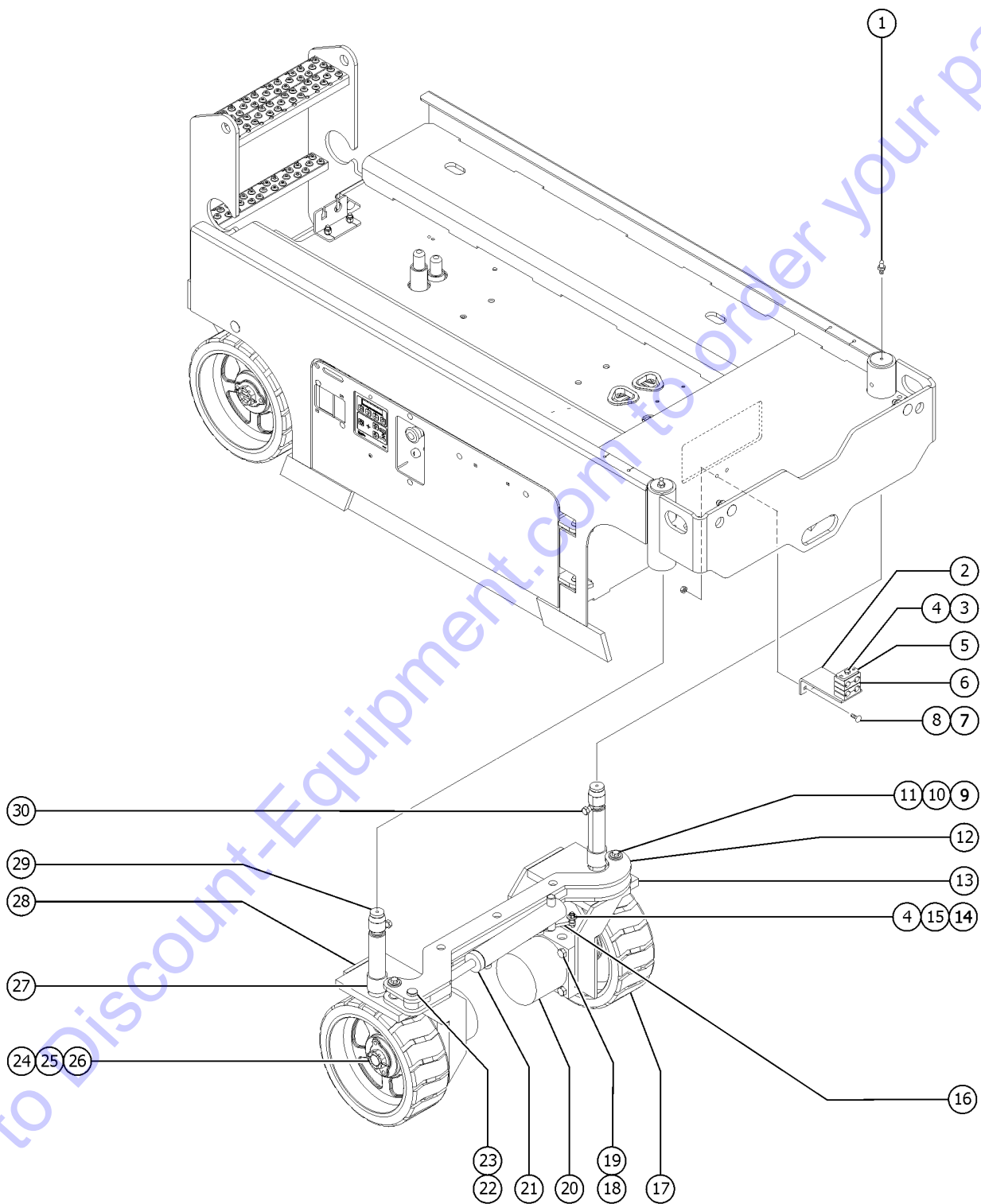
201.1 Steer Linkage and Wheels, GS-1530, GS-1930

Item	Part No.	Description	Qty.
27	119619GT	BEARING,1.5 ID X 1.75 ODX1.5L	2
28A	96069GT	WELDMENT, STR YOKE, 30 MINI RT GS-1530, GS-1930 (ground control side)	1
29	105565GT	WASHER,THRUST, GS	2
30	1259192GT	SCREW, YOKE LOCK, ZAG	

Go to Discount-Equipment.com to order your parts



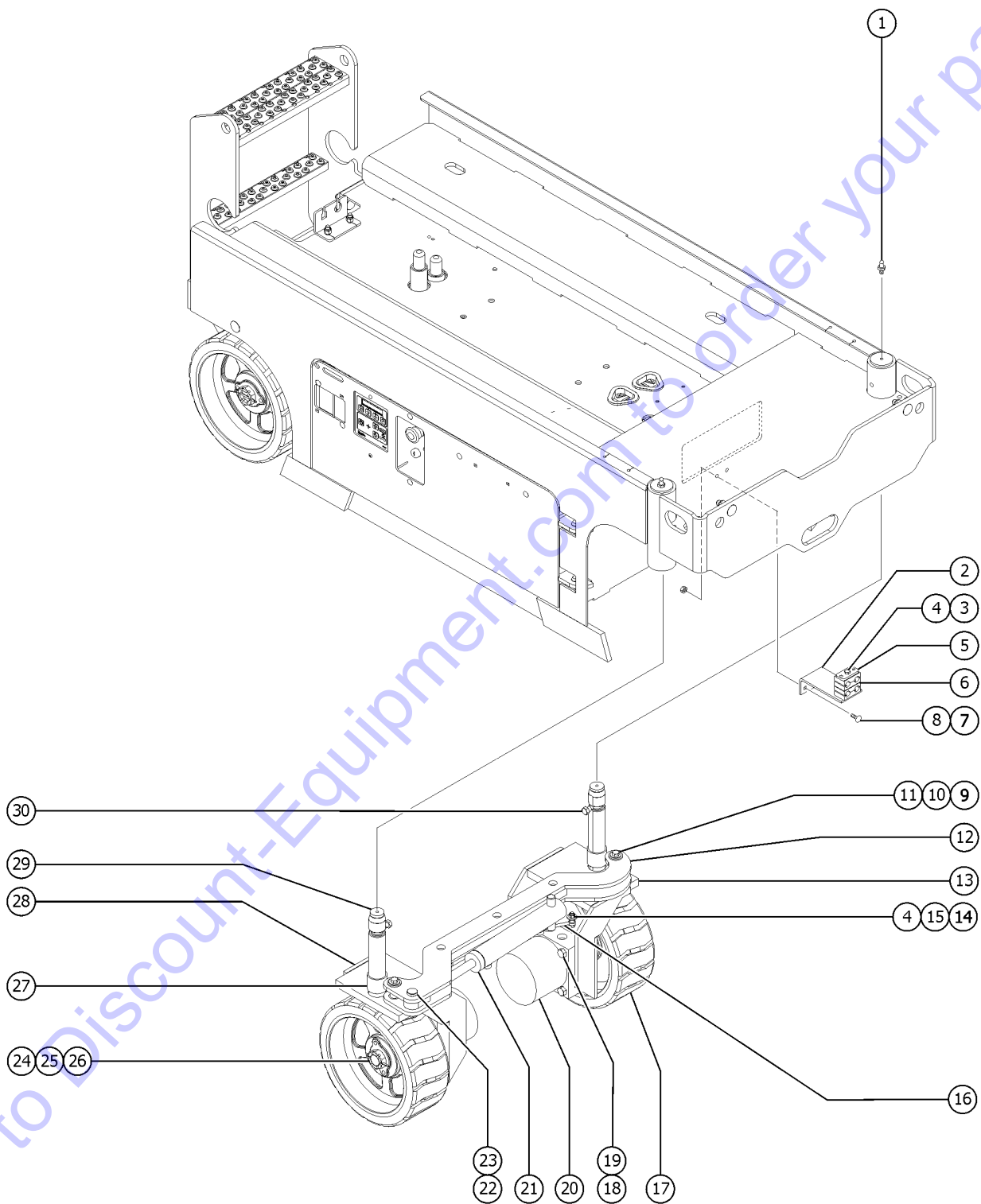
201.2 Steer Linkage and Wheels, GS-1532, GS-1932



Item	Part No.	Description	Qty.
1	66770GT	FITTING,STRAIGHT DRIVE-IN ZERK	2
2	105051GT	FORMING,HOSE CLAMP SUPPORT	1
3A	144374GT	SCREW,HHC,1/4-20X3.25,GR8	
3B	144374GT	SCREW,HHC,1/4-20X3.25,GR8	
		(from SN GS3010A-110000)	
3C	144374GT	SCREW,HHC,1/4-20X3.25,GR8	
		(from SN GS3011C-10000 to 20354)	
3D	50160GT	SCREW,HHC,1/4-20 X 3.75	
		(from SN GS3016C-20355)	
4	6091GT	NUT, NYLOCK, 1/4-20	
5A	58592GT	PLATE,HOSE ROUTG,BULKHEAD(PTD)	1
		(from SN GS3010A-110000)	
5B	58592GT	PLATE,HOSE ROUTG,BULKHEAD(PTD)	1
		(from SN GS3011C-10000 to 20354)	
5C	58592GT	PLATE,HOSE ROUTG,BULKHEAD(PTD)	1
		ANSI/CSA models (from SN 20355 to 23999)	
5C	96196GT	PLATE,HOSE ROUTING,BULKHEAD	1
		CE models (from SN 20355 to 23999)	
6	78736GT	CLAMP,2 HOSE,PLASTIC,5/8	4
7	105092GT	BOLT,CARRIAGE,3/8-16X1.25,GR5	
8	4828GT	NUT,NYLOCK,3/8-16	
9	8255GT	SCREW,HHC,3/8-16 X .75	
10	6097GT	WASHER,FLAT,USS,3/8",Y	
11	47548GT	BEARING,FLANGE,0.75IDX1.00ODX0.49L	4
12	84571GT	TIE ROD ASSEMBLY	1
12-	96074GT	WELDMENT, TIE ROD, GS30	1
		(bearings not included)	
12-	47548GT	BEARING,FLANGE,0.75IDX1.00ODX0.49L	4
13B	96066GT	WELDMENT, STR YOKE, 32 MINI LT	1
		GS-1532, GS-1932 (battery side)	
14	6888GT	SCREW,HHC,1/4-20 X 1	
15	96258GT	PIN,STEER CYLINDER	1
16	825020GT	ROD END,.250X2.75,ZAG	1
17	105122GT	WHEEL & TIRE ASSY,LP,12"*****	2
18	8357GT	SCREW,HHC,1/2-13 X 3.5	
19	6198GT	NUT,NYLOK,1/2-13	
20		Ref. Drive Motor	
		(refer to 501.1)	



201.2 Steer Linkage and Wheels, GS-1532, GS-1932



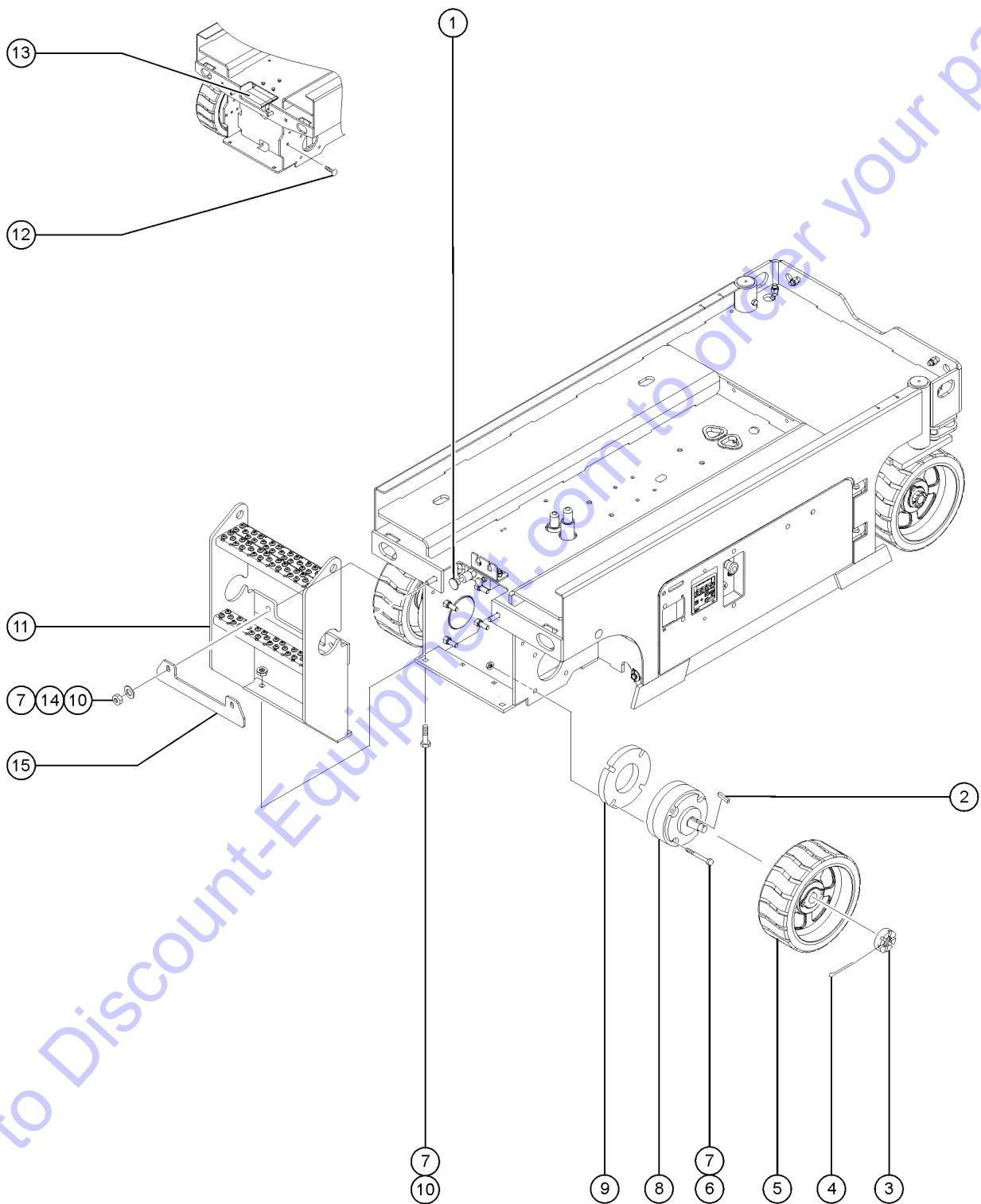
201.2 Steer Linkage and Wheels, GS-1532, GS-1932

Item	Part No.	Description	Qty.
21		Ref. Steer Cylinder (refer to 501.1)	
22	6545GT	PIN,CLEVIS,.75 X 2	1
23	21253GT	CLIP, HAIR PIN, .125 X 2	1
24	44780GT	NUT,CASTLE,1.125-18 UNEF	2
25	44781GT	KEY,RECTANGULAR,.31X.28X1.25**	2
26	42079GT	PIN,COTTER,.156 X 2.5	2
27	119619GT	BEARING,1.5 ID X 1.75 ODX1.5L	2
28B	96067GT	WELDMENT, STR YOKE, 32 MINI RT GS-1532, GS-1932 (ground control side)	1
29	105565GT	WASHER,THRUST, GS	2
30	1259192GT	SCREW, YOKE LOCK, ZAG	

Go to Discount-Equipment.com to order your parts



202.1 Non-steer Axle Installation, All Models, GS-1530



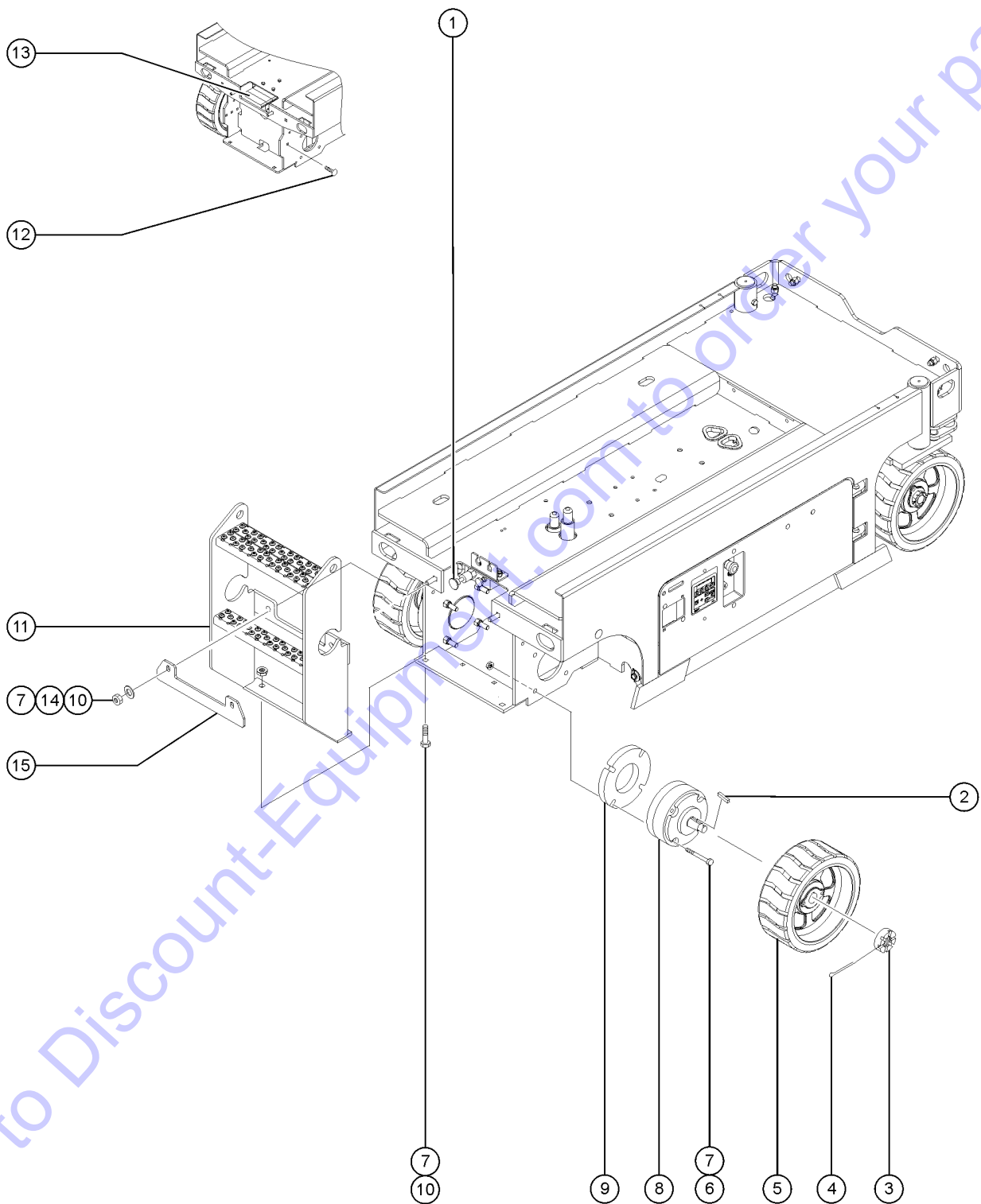
Go to Discount-Equipment.com to order your parts

202.1 Non-steer Axle Installation, All Models, GS-1530

Item	Part No.	Description	Qty.
1		REF. BRAKE RELEASE MANIFOLD (refer to 504.1)	
2	44781GT	KEY,RECTANGULAR,.31X.28X1.25**	2
3	44780GT	NUT,CASTLE,1.125-18 UNEF	2
4	42079GT	PIN,COTTER,.156 X 2.5	2
5	105122GT	WHEEL & TIRE ASSY,LP,12"*****	2
6A	8357GT	SCREW,HHC,1/2-13 X 3.5 GS-1530 & GS1930 models only	
7	6086GT	NUT,LP NYLOCK,1/2-13	
8		REF. HYDRAULIC BRAKE (refer to 501.1)	
10	96977GT	BOLT,CARRIAGE,1/2-13X1.50,GR5	
11A	144375GT	LADDER ASSY,GS30,WORD,ENG (USA, Canada and Austalia)	1
11A-	96102GT	WELDMENT,MINI LADDER (decals not included, refer to section one)	
11B	144379GT	LADDER ASSY,GS30,SYM (Europe, Asia and South America)	1
11B-	96102GT	WELDMENT,MINI LADDER	
12A	105092GT	BOLT,CARRIAGE,3/8-16X1.25,GR5 GS-1530 & GS-1532 CE and Australia Indoor	2
12A-	5397GT	WASHER,FLAT,USS,5/16",Y GS-1530 & GS-1532 CE and Australia Indoor	
12A-	4828GT	NUT,NYLOCK,3/8-16 GS-1530 & GS-1532 CE and Australia Indoor	
13	96465GT	WELDMENT, 1532 COUNTERWT, CE GS-1530 & GS-1532 CE and Australia Indoor	1
14	13066GT	WASHER,FLAT,.5 HARDENED	
15	1258393GT	PLATE, COUNTERWEIGHT LOCK	



202.2 Non-steer Axle Installation, All Models, GS-1532

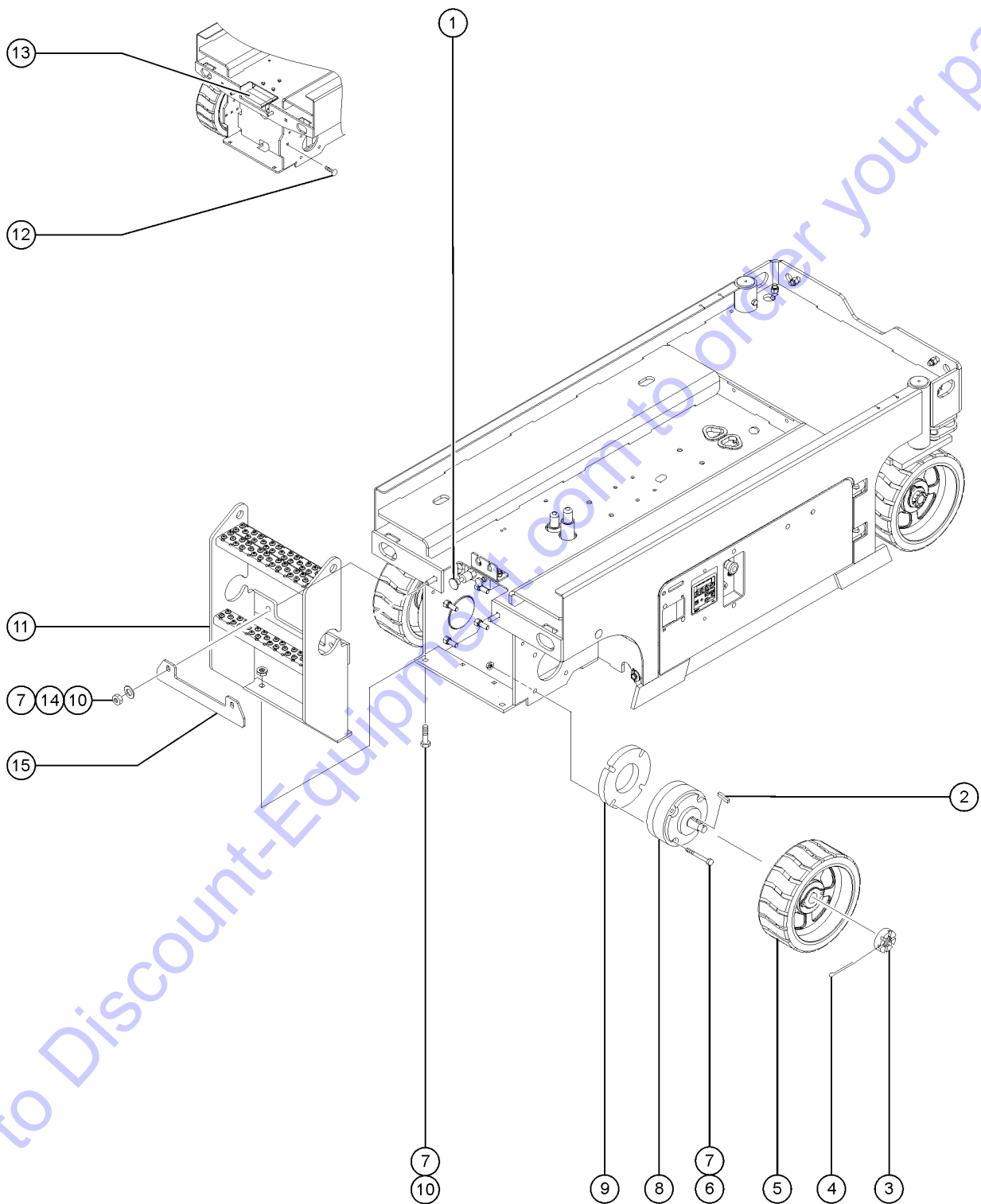


202.2 Non-steer Axle Installation, All Models, GS-1532

Item	Part No.	Description	Qty.
1		REF. Brake Release Manifold (refer to 504.1)	
2	44781GT	KEY,RECTANGULAR,.31X.28X1.25**	2
3	44780GT	NUT,CASTLE,1.125-18 UNEF	2
4	42079GT	PIN,COTTER,.156 X 2.5	2
5	105122GT	WHEEL & TIRE ASSY,LP,12"*****	2
6B	78732GT	SCREW,HHC,1/2-13 X 5 GR5, PLT	
		GS-1532 & GS1932 models only	
7	6086GT	NUT,LP NYLOCK,1/2-13	
8		REF. Hydraulic Brake (refer to 501.1)	
9	78680GT	PLATE, BRAKE SPACER	2
		GS-1532 & GS1932 models only	
10	96977GT	BOLT,CARRIAGE,1/2-13X1.50,GR5	
11A	144375GT	LADDER ASSY,GS30,WORD,ENG	1
		(USA, Canada and Australia)	
11A-	96102GT	WELDMENT,MINI LADDER	
		(decals not included, refer to section one)	
11B	144379GT	LADDER ASSY,GS30,SYM	1
		(Europe, Asia and South America)	
11B-	96102GT	WELDMENT,MINI LADDER	
		(decals not included, refer to section one)	
12A	105092GT	BOLT,CARRIAGE,3/8-16X1.25,GR5	2
		GS-1530 & GS-1532 CE and Australia Indoor	
12A-	5397GT	WASHER,FLAT,USS,5/16",Y	
		GS-1530 & GS-1532 CE and Australia Indoor	
12A-	4828GT	NUT,NYLOCK,3/8-16	
		GS-1530 & GS-1532 CE and Australia Indoor	
13A	96465GT	WELDMENT, 1532 COUNTERWT, CE	1
		GS-1530 & GS-1532 CE and Australia Indoor	
15	1258393GT	PLATE, COUNTERWEIGHT LOCK	



202.3 Non-steer Axle Installation, All Models, GS-1930

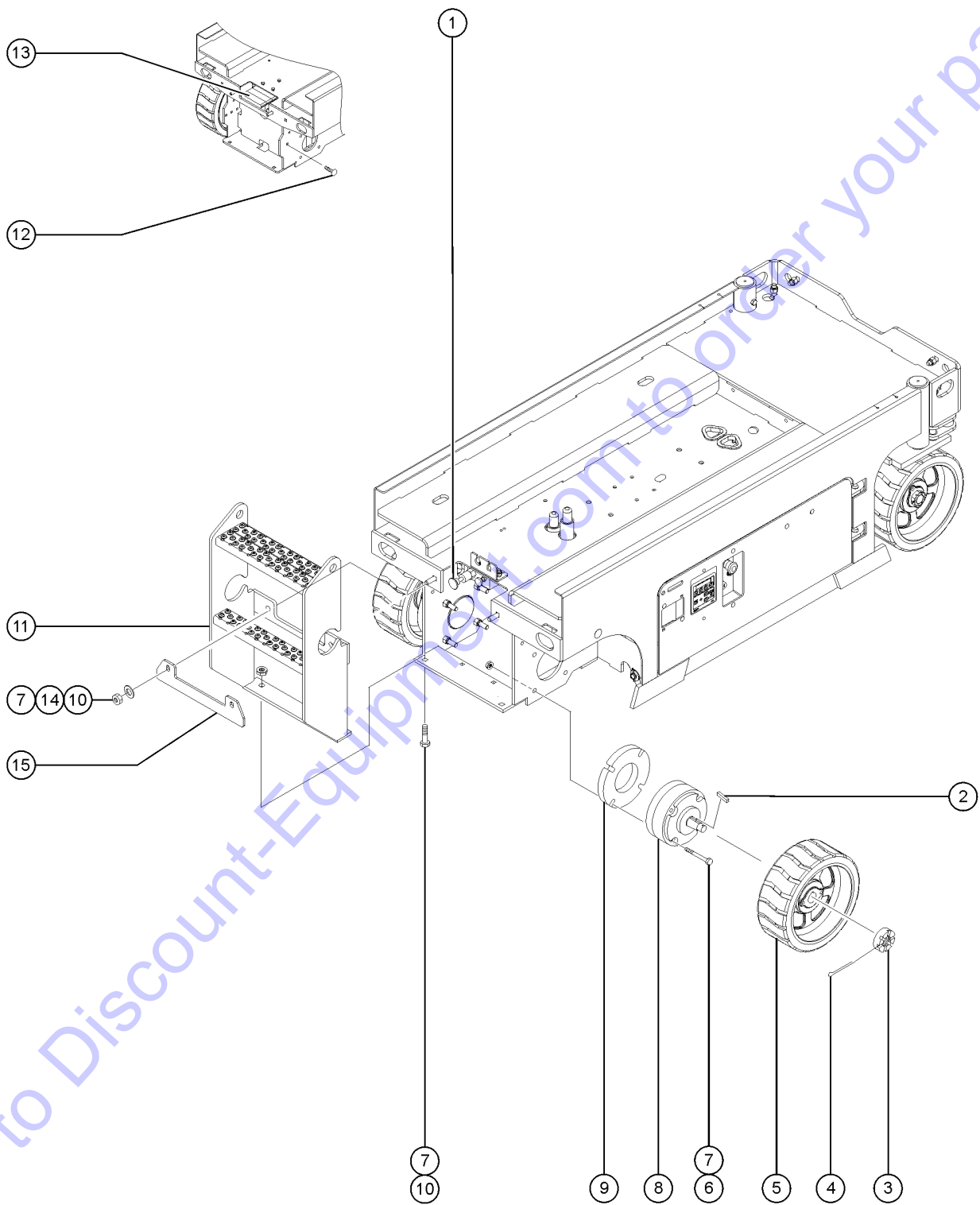


202.3 Non-steer Axle Installation, All Models, GS-1930

Item	Part No.	Description	Qty.
1		REF. BRAKE RELEASE MANIFOLD (refer to 504.1)	
2	44781GT	KEY,RECTANGULAR,.31X.28X1.25**	2
3	44780GT	NUT,CASTLE,1.125-18 UNEF	2
4	42079GT	PIN,COTTER,.156 X 2.5	2
5	105122GT	WHEEL & TIRE ASSY,LP,12"*****	2
6A	8357GT	SCREW,HHC,1/2-13 X 3.5	
		GS-1530 & GS1930 models only	
7	6086GT	NUT,LP NYLOCK,1/2-13	
8		REF. HYDRAULIC BRAKE (refer to 501.1)	
10	96977GT	BOLT,CARRIAGE,1/2-13X1.50,GR5	
11A	144375GT	LADDER ASSY,GS30,WORD,ENG (USA, Canada and Australia)	1
11A-	96102GT	WELDMENT,MINI LADDER (decals not included, refer to section one)	
11B	144379GT	LADDER ASSY,GS30,SYM (Europe, Asia and South America)	1
11B-	96102GT	WELDMENT,MINI LADDER (decals not included, refer to section one)	
12B	39429GT	SCREW,BHHS,3/8-16 X 1.75	2
		GS-1930 & GS-1932 CE and Australia	
13B	96466GT	COUNTERWEIGHT,CAST,CE,1930/32 GS-1930 & GS-1932 CE, Australia and ANSI models with padded aircraft rail option	1
15	1258393GT	PLATE, COUNTERWEIGHT LOCK GS-1930 & GS-1932 CE and Australia	



202.4 Non-steer Axle Installation, All Models, GS-1932

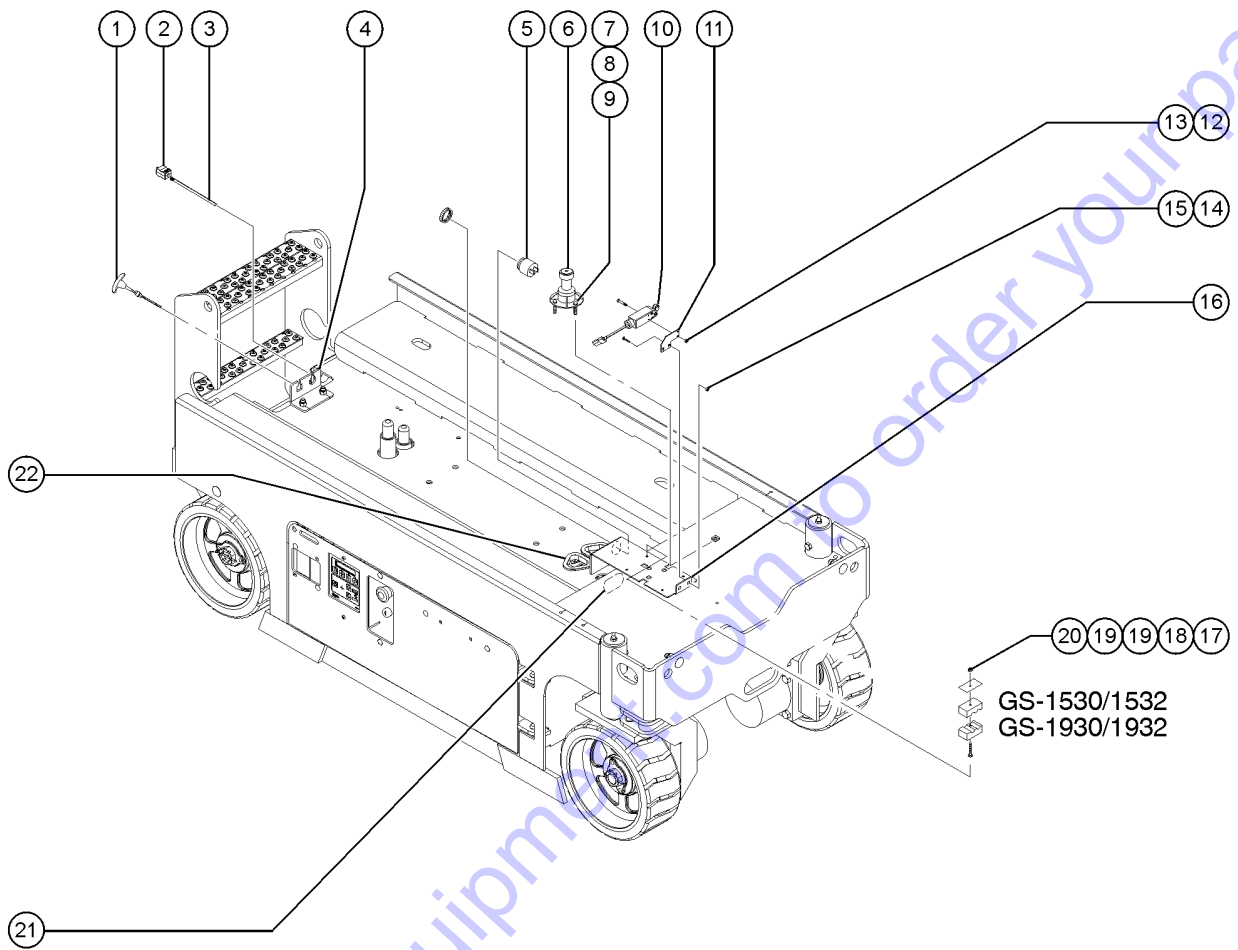


202.4 Non-steer Axle Installation, All Models, GS-1932

Item	Part No.	Description	Qty.
1		REF. BRAKE RELEASE MANIFOLD (refer to 504.1)	
2	44781GT	KEY,RECTANGULAR,.31X.28X1.25**	2
3	44780GT	NUT,CASTLE,1.125-18 UNEF	2
4	42079GT	PIN,COTTER,.156 X 2.5	2
5	105122GT	WHEEL & TIRE ASSY,LP,12"*****	2
6B	78732GT	SCREW,HHC,1/2-13 X 5 GR5, PLT GS-1532 & GS1932 models only	
7	6086GT	NUT,LP NYLOCK,1/2-13	
8		REF. HYDRAULIC BRAKE (refer to 501.1)	
9	78680GT	PLATE, BRAKE SPACER GS-1532 & GS1932 models only	2
10	96977GT	BOLT,CARRIAGE,1/2-13X1.50,GR5	
11A	144375GT	LADDER ASSY,GS30,WORD,ENG (USA, Canada and Austalia)	1
11A-	96102GT	WELDMENT,MINI LADDER (decals not included, refer to section one)	
11B	144379GT	LADDER ASSY,GS30,SYM (Europe, Asia and South America)	1
11B-	96102GT	WELDMENT,MINI LADDER (decals not included, refer to section one)	
12B	39429GT	SCREW,BHHS,3/8-16 X 1.75 GS-1930 & GS-1932 CE and Australia	2
13B	96466GT	COUNTERWEIGHT,CAST,CE,1930/32 GS-1930 & GS-1932 CE and Australia	1
15	1258393GT	PLATE, COUNTERWEIGHT LOCK GS-1930 & GS-1932 CE and Australia	1



203.1 Level Sensor Installation, All Models

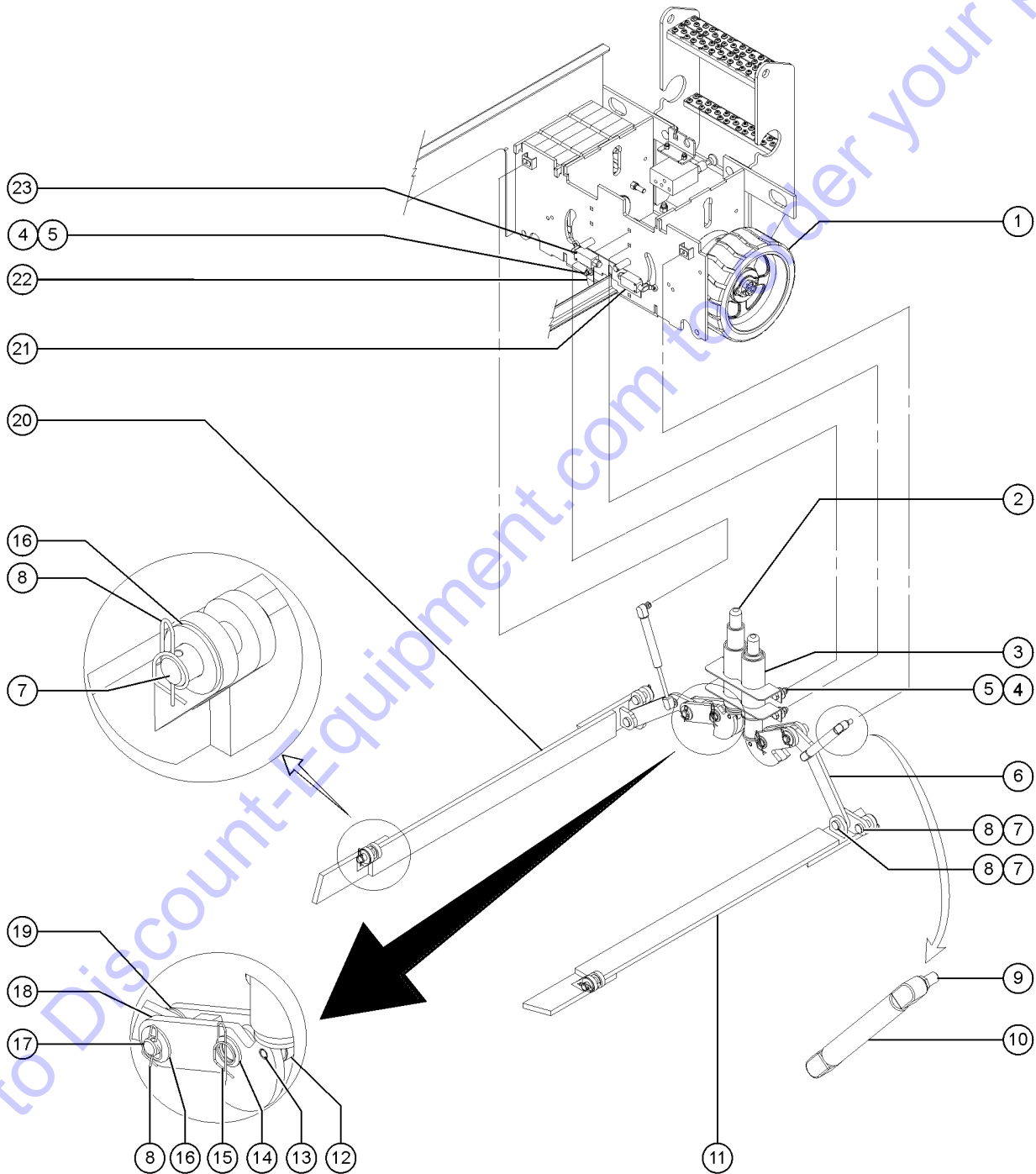


Go to Discount-Equipment.com to order your parts

Item	Part No.	Description	Qty.
1	39232GT	CABLE,EMERGENCY DOWN	1
2		Ref. Electrical Plug (refer to 406.1)	
3		Ref. Electrical Cord (refer to 406.1)	
4	144226GT	FORMING, REC. PLUG BRKT	1
5	39540GT	ALARM,STEADY TONE*** order 72326 mounting ring separately	1
5-	72326GT	NUT,PLASTIC,RING FOR ALARMS for 39540	
6	228406GT	ASSY,LVL SNSR W/ CONNECTOR	1
7	6637GT	SCREW,HHC,1/4-20 X 1.75	
8	39469GT	SPRING,COMPRESSION.485 X1.75**	
9	56912GT	SPRING CLIP,1/4-20,.025-.15X.54,ZAG	5
10	T112507GT	ASSEMBLY, DOWN LIMIT, GS (Includes plug)	1
10-	96948GT	SWITCH,LIMIT,W/ROLLER ARM***	
10-	19491GT	CONTACTOR,LIMIT SWITCH	
10-	97128GT	ROLLER ARM,LIMIT SWITCH***	
11	96493GT	PLATE, LIMIT SWITCH MOUNT	1
12	6178GT	NUT,NYLOCK,10-32	2
13	16487GT	SCREW,RHM,10-32 X 1.5	2
14	6091GT	NUT, NYLOCK, 1/4-20	2
15	6878GT	BOLT,CARRIAGE,1/4-20 X .75,G2	2
16	105310GT	FORMING, ALARM BRACKET,MINI	1
17	18504GT	NUT,LOCKING-LG.FLANGE,1/4-20	1
18	58592GT	PLATE,HOSE ROUTG,BULKHEAD(PTD)	1
19	78736GT	CLAMP,2 HOSE,PLASTIC,5/8	2
20	1255797GT	BOLT,CARRIAGE,1/4-20X2.5,ZAG	1
21	131582GT	GROMMET,RUBBER,1.50IDX.375	1
22	105440GT	GROMMET,RUBBER 2.5 X 3.0	2



204.1 Pothole Protection Assembly

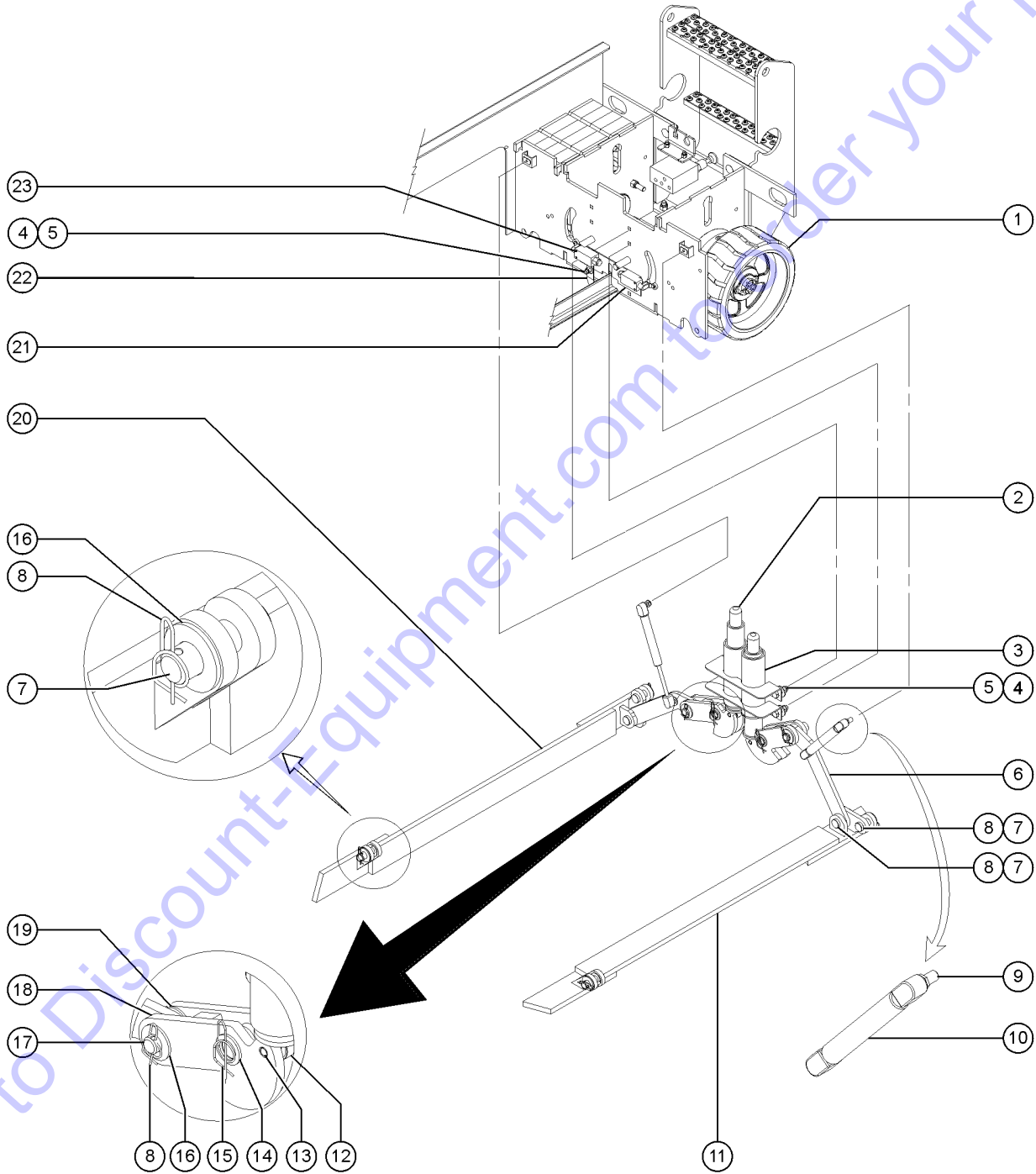


204.1 Pothole Protection Assembly

Item	Part No.	Description	Qty.
1		Ref. Wheel and Tire Assy (refer to 201.1)	
2	96839GT	ASSY,POT HOLE PUSHER,GS***	2
3	96524GT	WLDMT/ASSY, PH GUIDE,GS30/32	1
3-	96408GT	BEARING,1.523IDX1.75ODX0.63L	
4	4828GT	NUT,NYLOCK,3/8-16	
5	105092GT	BOLT,CARRIAGE,3/8-16X1.25,GR5	
6	105055PGT	PLATE,POTHOLE LINK,GS30	2
7	96135GT	PIN,CLEVIS,.625 X 1.88,ZINC PL	6
7-	105156GT	BUSHING,FLNGD,.63 X .77 X .38	4
8	96422GT	RUE RING,5/8 PIN	8
9	78086GT	BALL STUD, GAS STRUT, 3/8-16	2
10	39542GT	GAS SHOCK,SCISSORS***	2
11	96039GT	POT HOLE GUARD,LT,WLDMT (battery pack side)	1
12	96541GT	CAM FOLLOWER,1.125X.375,DELFIN	2
13	34742GT	PIN,CLEVIS,.375 X 1.75 LG.	2
13-	12016GT	PIN,COTTER,.125 X .75	
13-	5397GT	WASHER,FLAT,USS,5/16",Y	
14	6564GT	WASHER, SHIM,.765 X 1.312 X .093	2
15	96423GT	RUE RING,3/4 PIN	2
16	6898GT	WASHER,SHIM,.625 X 1.188X.064	2
17	1259179GT	PIN,CLEVIS,.625X1.79,ZAG	2
18	84574GT	POT HOLE BELL CRNK LINK ASSYGS30	2
18-	96642GT	BEARING,.75ID X 1.00D X 1.38LG	2
19	96085GT	WASHER,THRUST,.63 X 1.13 X .06	4
20	96038GT	POT HOLE GUARD,RT,WLDMT (ground controls side)	1
21	105275GT	BRACKET,LIMIT SWITCH MTG***	
22	96317GT	GROUND STRAP,12"LG***	1
23	96948GT	SWITCH,LIMIT,W/ROLLER ARM***	2



204.1 Pothole Protection Assembly



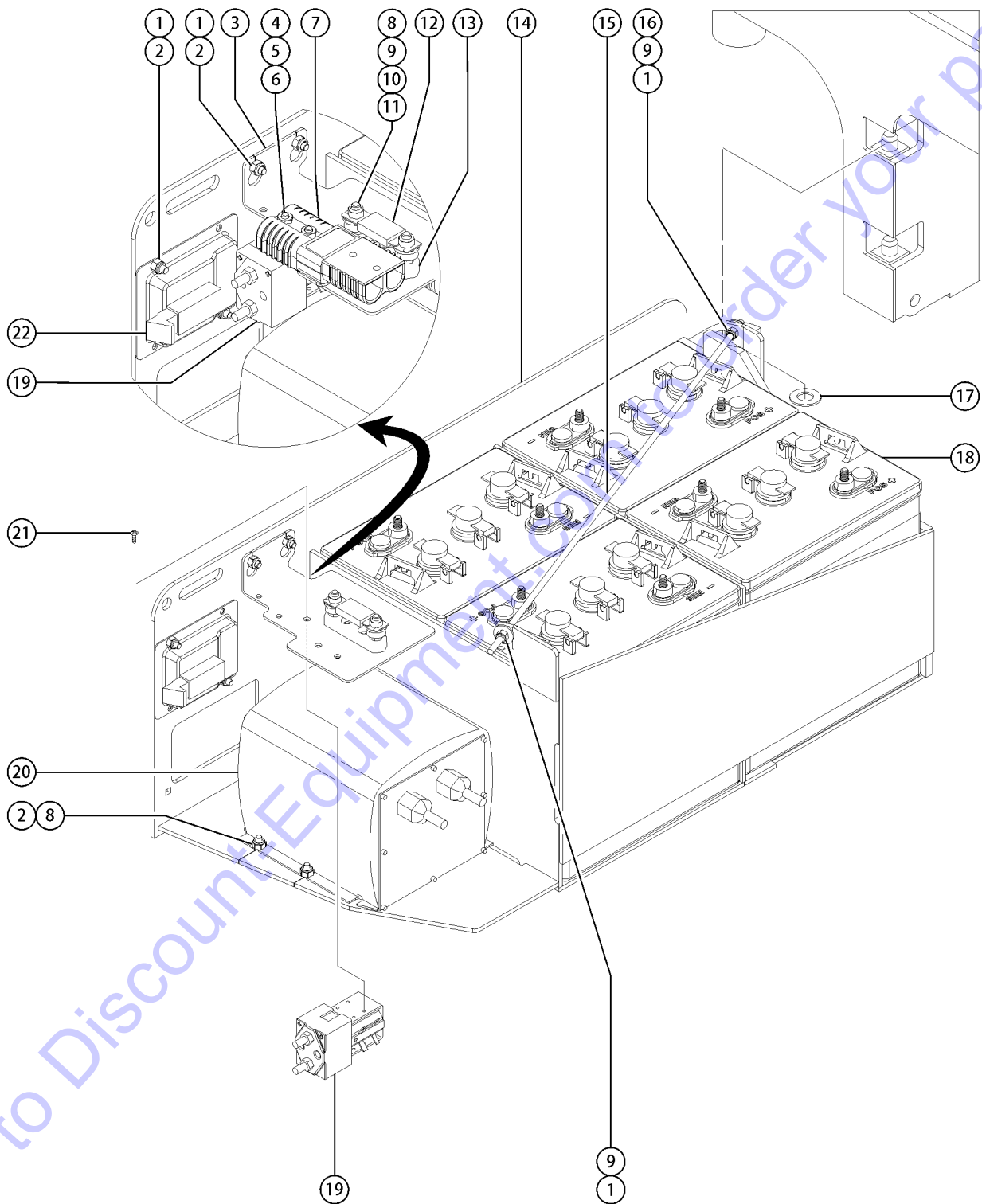
204.1 Pothole Protection Assembly

<i>Item</i>	<i>Part No.</i>	<i>Description</i>	<i>Qty.</i>
23-	19491GT	CONTACTOR,LIMIT SWITCH	
23-	97128GT	ROLLER ARM,LIMIT SWITCH***	

Go to Discount-Equipment.com to order your parts



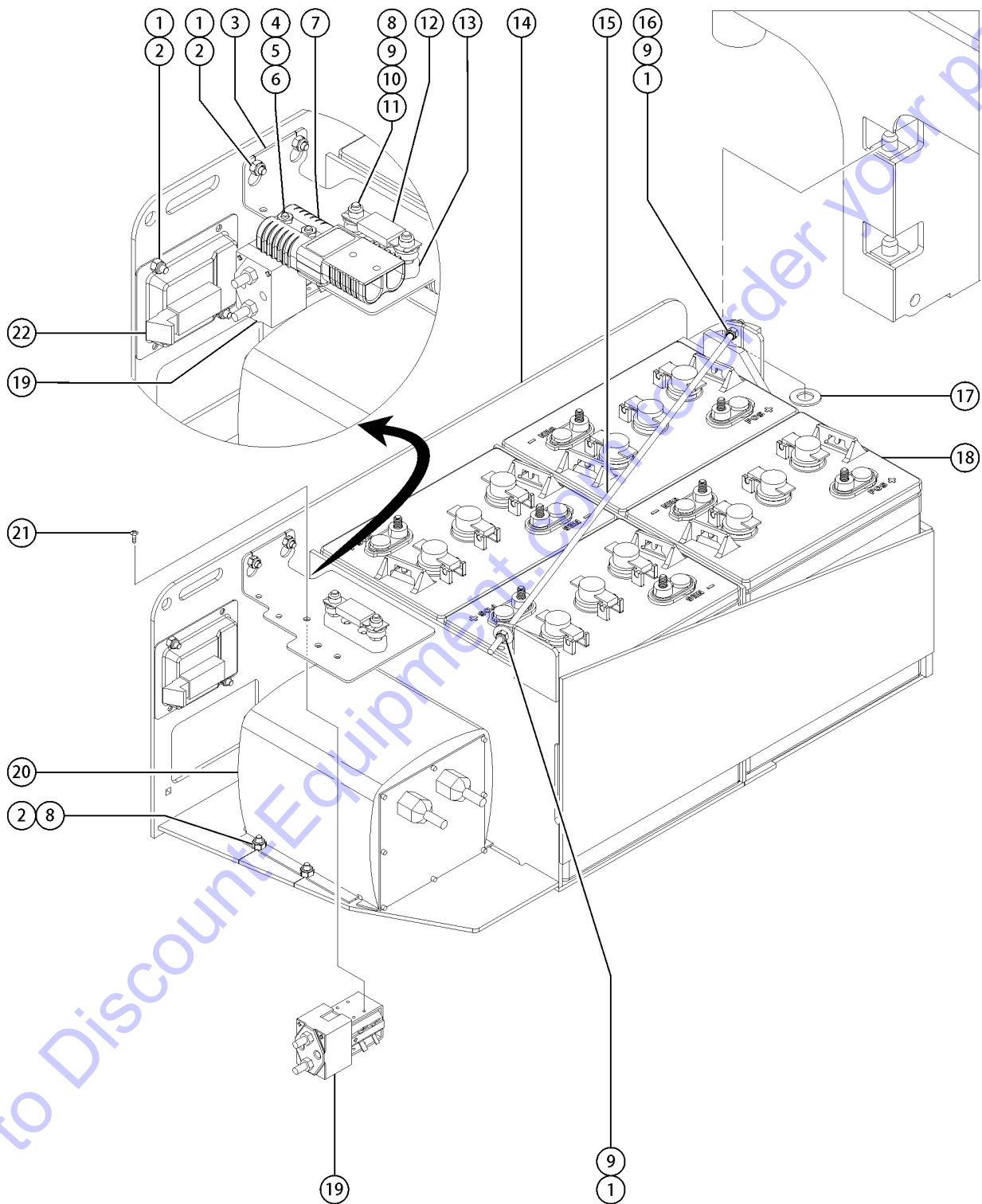
205.1 Battery Pack Module



Item	Part No.	Description	Qty.
1	6091GT	NUT, NYLOCK, 1/4-20	6
2	6878GT	BOLT, CARRIAGE, 1/4-20 X .75, G2	8
3A	232531GT	FORMING, CONTACTOR MOUNT, GS (from SN GS3011A-110828 and from GS3011C-10010)	1
3B	96078GT	FORMING, FUSE BRACKET (to SN GS3011A-110827 and to SN GS3011C-10009)	1
4	66094GT	NUT-THIN HEAVY HEX, 1/4-20	4
5	6356GT	WASHER, LOCK, .25	4
6	8915GT	SCREW, HHC, 1/4-20 X 1.25	4
7	66397GT	QUICK DISCONNECT CASING, BATT**	2
8	18504GT	NUT, LOCKING-LG. FLANGE, 1/4-20	2
9	5397GT	WASHER, FLAT, USS, 5/16", Y	2
10	18503GT	NUT, LOCKING - LG FLANGE 5/16 - 18	2
11	105273GT	SCREW, HEX HD, NO SLOT, #14X.50	2
12	40833GT	FUSE, 275AMP, VERY FAST ACTING	1
13	66717GT	FUSE BLOCK, ANN & ANL FUSE (includes mounting fasteners)	1
14A	233366GT	ASSY, GS BATTERY TRAY (from SN GS3011A-110828 and from GS3011C-10010, does not include decals, please refer to section 1) (includes items 1, 2, 3A, 10, 15, and 22)	1
14B	96060GT	ASSY, GS BATTERY TRAY (to SN GS3011A-110827 and to GS3011C-10009, does not include decals, please refer to section 1) (includes items 1, 2, 3B, 10, 15, and 22)	1
15	30784-2550GT	THREADED ROD, (1/4-20), 25.50	1
16	6889GT	NUT, LP NYLOCK, 1/4-20	1
17	33278GT	WASHER, FLAT, .75 HARDENED	1
18A	76502GT	BATTERY, T105 W/LPT, 3 CAP, DRY** no longer available (contact customer service)	4
18A-	18503GT	NUT, LOCKING - LG FLANGE 5/16 - 18	8
18A-	137770GT	BATTERY WATERING KIT, 24V UNIV (to watch the installation video, copy and paste this link to your web browser) https://www.youtube.com/watch?v=13zTfl-hWik	1
18A-	137769GT	BATTERY WATERING HAND PUMP	1
18B	105150GT	BATTERY, AGM, 6V, (TROJAN) ***	4
18B-	137770GT	BATTERY WATERING KIT, 24V UNIV (to watch the installation video, copy and paste this link to your web browser) https://www.youtube.com/watch?v=13zTfl-hWik	1
18B-	137769GT	BATTERY WATERING HAND PUMP	1
18C	76494GT	BATT, 6V, 225AH T105 LPT\3CAP	4



205.1 Battery Pack Module



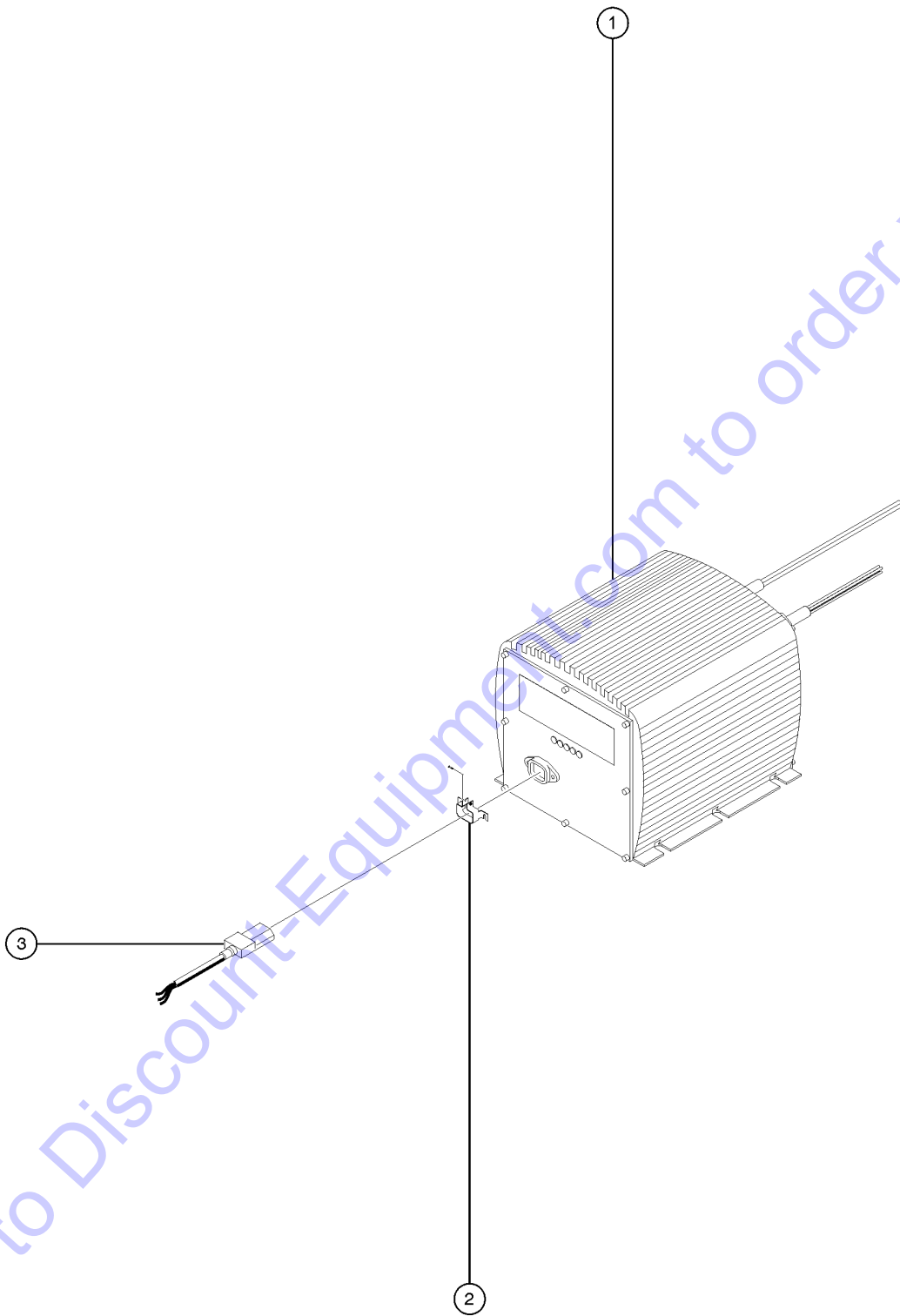
205.1 Battery Pack Module

Item	Part No.	Description	Qty.
19A	74267GT	CONTACTOR,DRIVE,24V,180A*** to SN GS3016C-22671, to GS3016P-154308	1
19B	1270456GT	CONTACTOR,DRIVE,24V,180A from SN GS3016C-22672	
20		Ref. Battery Charger (refer to 206.1)	
21	49818GT	SCREW,PHILLIPS,PHM,10-32 X .38	2
22	55675GT	LATCH, LRG PADDLE HANDLE GS90	1

Go to Discount-Equipment.com to order your parts



206.1 Battery Charger



Go to Discount-Equipment.com to order your parts

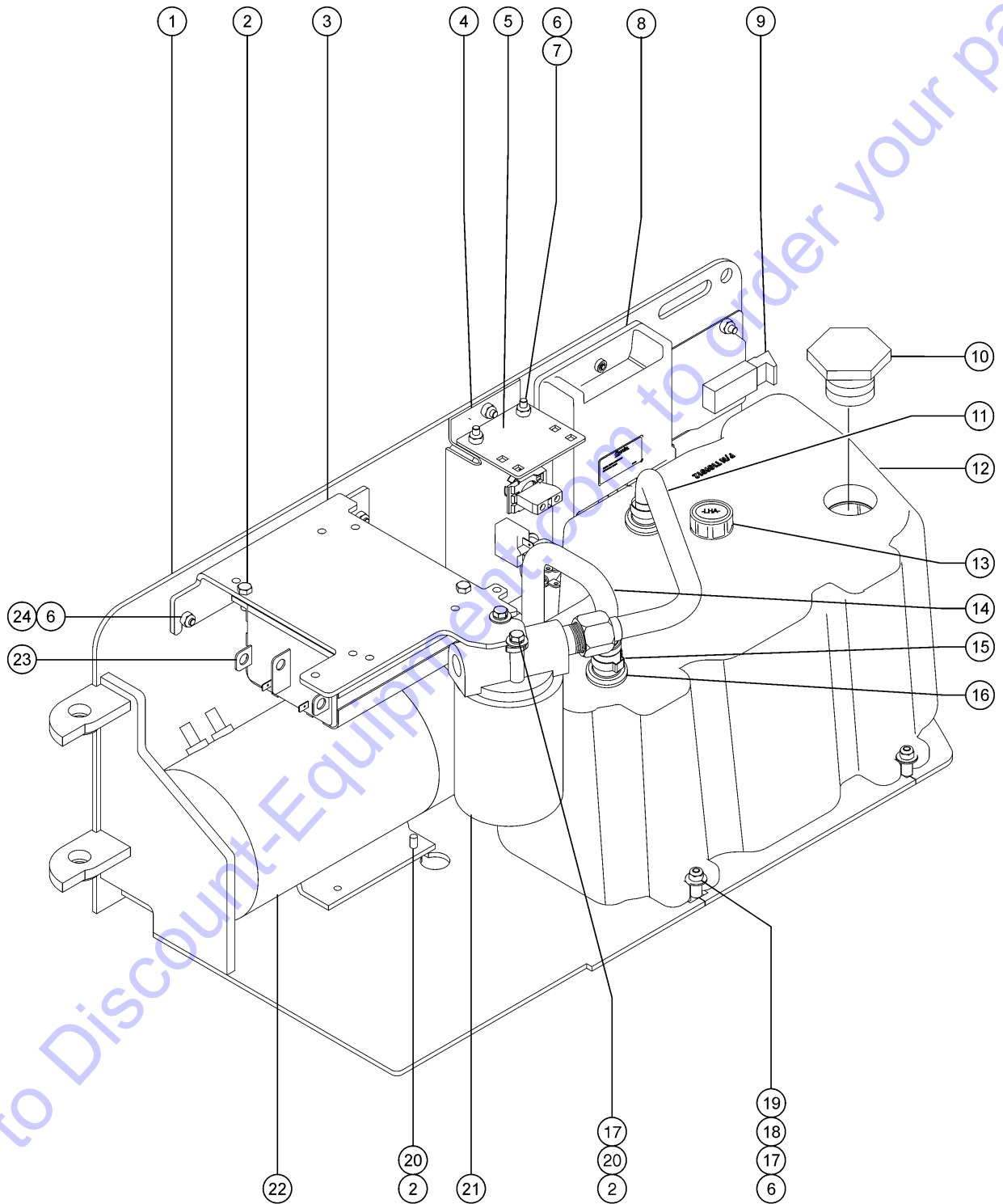


206.1 Battery Charger

Item	Part No.	Description	Qty.
-	97059GT	FUSE,BATTERY CHARGER*** for 5-LED battery charger	
-	105334GT	CONNECTOR, IEC CHARGER CORD for 5-LED battery charger	
1A	105739GT	CHARGER,BAT,24VDC,H/LO GEN2 Signet battery charger. NOTE: Some machines are equipped with an alternative-brand battery charger. Inspect your machine before ordering OR contact Genie Service Parts if needed.	1
1A-	144180GT	MANUAL,OWNERS,CHARGER,105739	
1B		Ref. Field Assembly Recessed Charger Plug (refer to 406.1)	
1C	219480GT	KIT,BATTERY CHARGER,24V (includes 105739 charger, fasteners, ring terminals and instructions for field installation)	
1D	1277961GT	KIT, 650W BATT CHARGER,FLA newer style charger for GS-30 machines with lead acid batteries to SN 15A-141945, 16C-23999, 30C-24457	
1D	1277959GT	KIT, 650W BATT CHARGER,AGM newer style charger for GS-30 machines with AGM batteries to SN 15A-141945, 16C-23999, 30C-24457	
1D	1277960GT	KIT, 650W BATT CHARGER,FLA, REC PLUG newer style charger for GS-30 machines with lead acid batteries and Rec plug to SN 15A-141945, 16C-23999, 30C-24457	
1D	1277958GT	KIT, 650W BATT CHARGER,AGM, REC PLUG newer style charger for GS-30 machines with AGM batteries and Rec plug to SN 15A-141945, 16C-23999, 30C-24457	
2	55010GT	LOCK, CONNECTOR (includes fasteners)	1
3	144130GT	POWER CORD, IEC 320, 115"	1



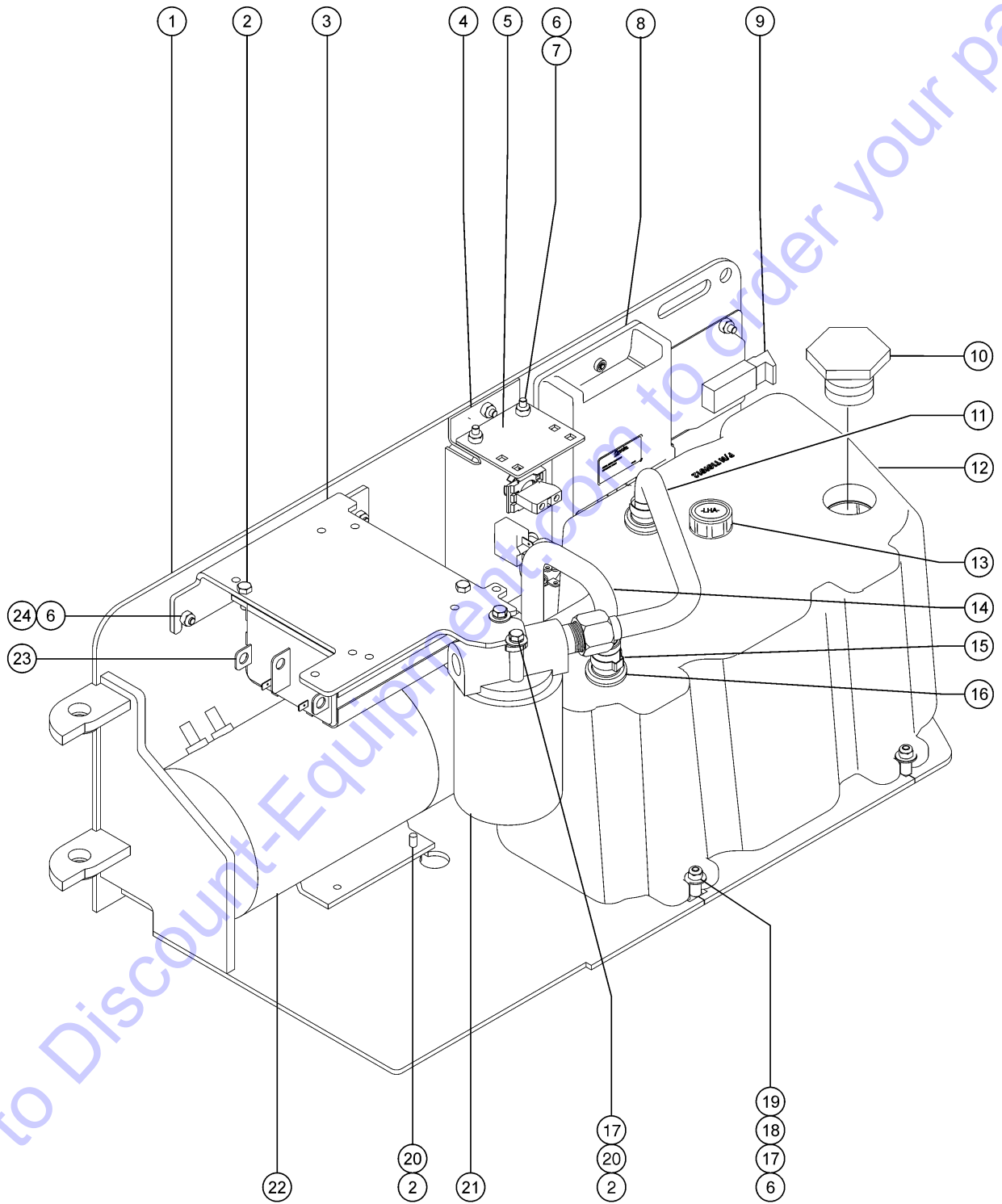
207.1 Power Unit Module



Item	Part No.	Description	Qty.
A	1257204GT	KIT,GS30/32 MOTOR CONTROLLER before SN GS3014A-136973, GS3214A-135715	
1A	231114GT	HYDR TRAY ASSY W/WORDS	1
1A-	T113296GT	WELDMENT,GS HYD TRAY decals not included, refer to section one	
1B	231167GT	HYDR TRAY ASSY,GS30 W/SYMBOLS	1
1B-	T113296GT	WELDMENT,GS HYD TRAY decals not included, refer to section one	
2	8915GT	SCREW,HHC,1/4-20 X 1.25	
3	105308GT	FORMING, FILTER-CNTRLR MOUNT	1
4		REF. FORMING,CONTROL PANEL refer to figure 208.1	
5	T108326GT	PLATE,HARNESS MOUNT	1
6	6091GT	NUT, NYLOCK, 1/4-20	
7	6878GT	BOLT,CARRIAGE,1/4-20 X .75,G2	
8		REF. GCON, GR/GRC/GS refer to figure 208.1	
9	55675GT	LATCH, LRG PADDLE HANDLE GS90	1
10	66204GT	FILTER CAP (PLUG 1-1/2" NPT HEX	1
11	96355GT	TUBE, ASSY, RETURN	1
12	226163GT	HYD. TANK KIT, GS30,32,46 includes items 15 and 16	
12-	T109012GT	TANK,HYD, SLAB SCISSORS	1
13	78546GT	BREATHER CAP, HYD. TANK, 1/4 NPT	1
14	96354GT	TUBE, ASSY, DRAW	1
15	96855GT	CLAMP,HOSE,1 EAR,1-1/16***	2
16	96709GT	GROMMET,SLAB HYD TANK***	2
17	6638GT	WASHER,FLAT,USS,1/4"Y	
18	96699GT	SLEEVE,TANK SUPPORT	
19	9116GT	BOLT,CARRIAGE,1/4-20 X 1.25,G2	
20	6356GT	WASHER,LOCK,.25	
21		REF. FILTER ASSY refer to figure 501.1	
22		REF. ELECTRIC MOTOR/PUMP refer to figure 505.1	
23A	1257204GT	KIT,GS30/32 MOTOR CONTROLLER from SN GS30A-60000 to 62710, GS32A-60000 to 135715, from GS30C-1 to 18038	1



207.1 Power Unit Module

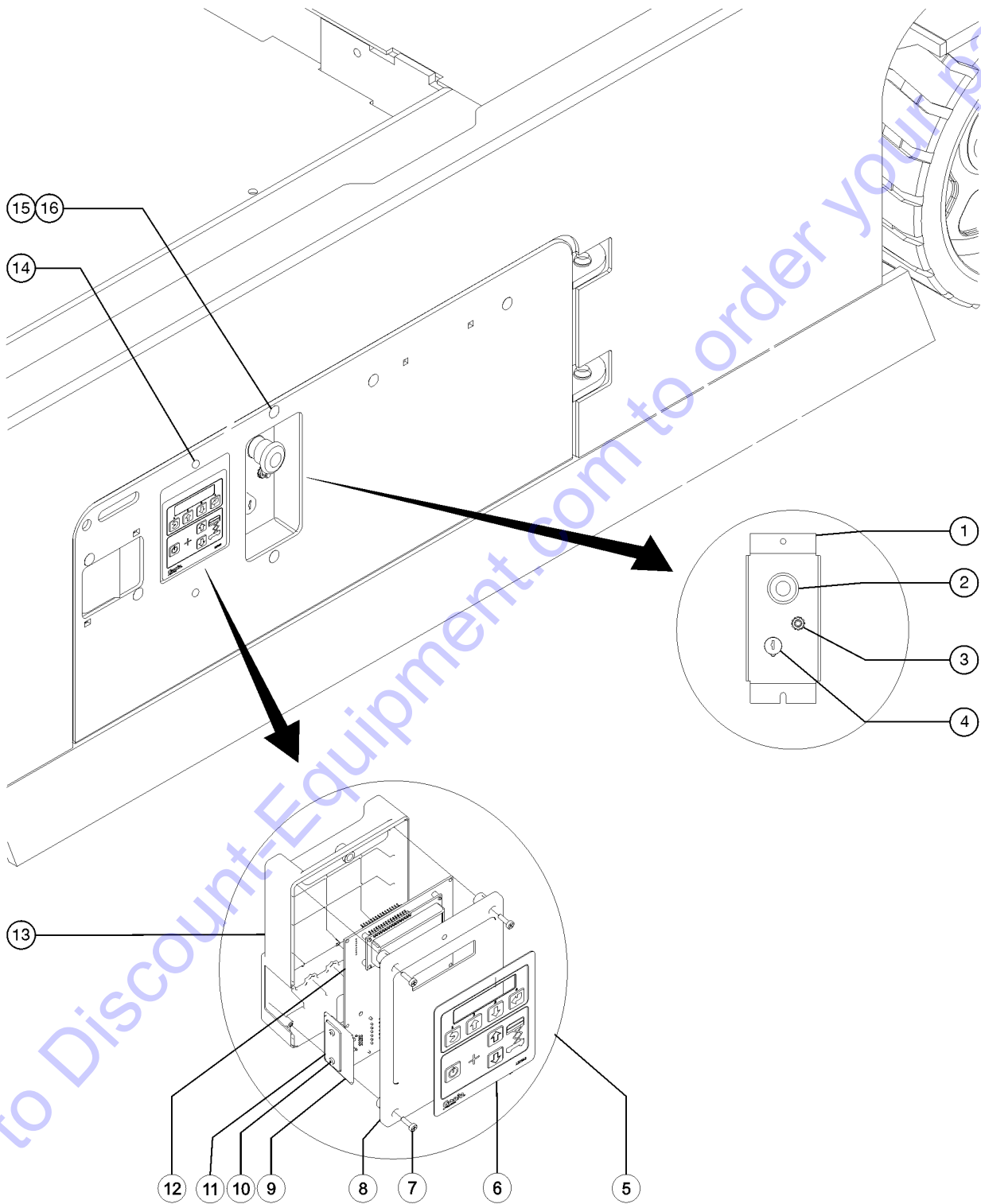


Item	Part No.	Description	Qty.
23-	1257840GT	MOTOR CONTROLLER,DC,24V,360A motor controllers sold separately only in cases where upgrade kits are N/A or an upgrade kit has been previously installed	1
23B	232534GT	KIT, CONTACTOR, GS from SN GS30A-62711, SN GS32A-51481, GS46A-50781, and SN GSXXC-1	
23C	1261335GT	KIT, BATT. CABLE ASSY., GS30/32 All models with motor controller, 823408 installed	
23D	233379GT	KIT, INVERTER JUMPER, GS	

Go to Discount-Equipment.com to order your parts



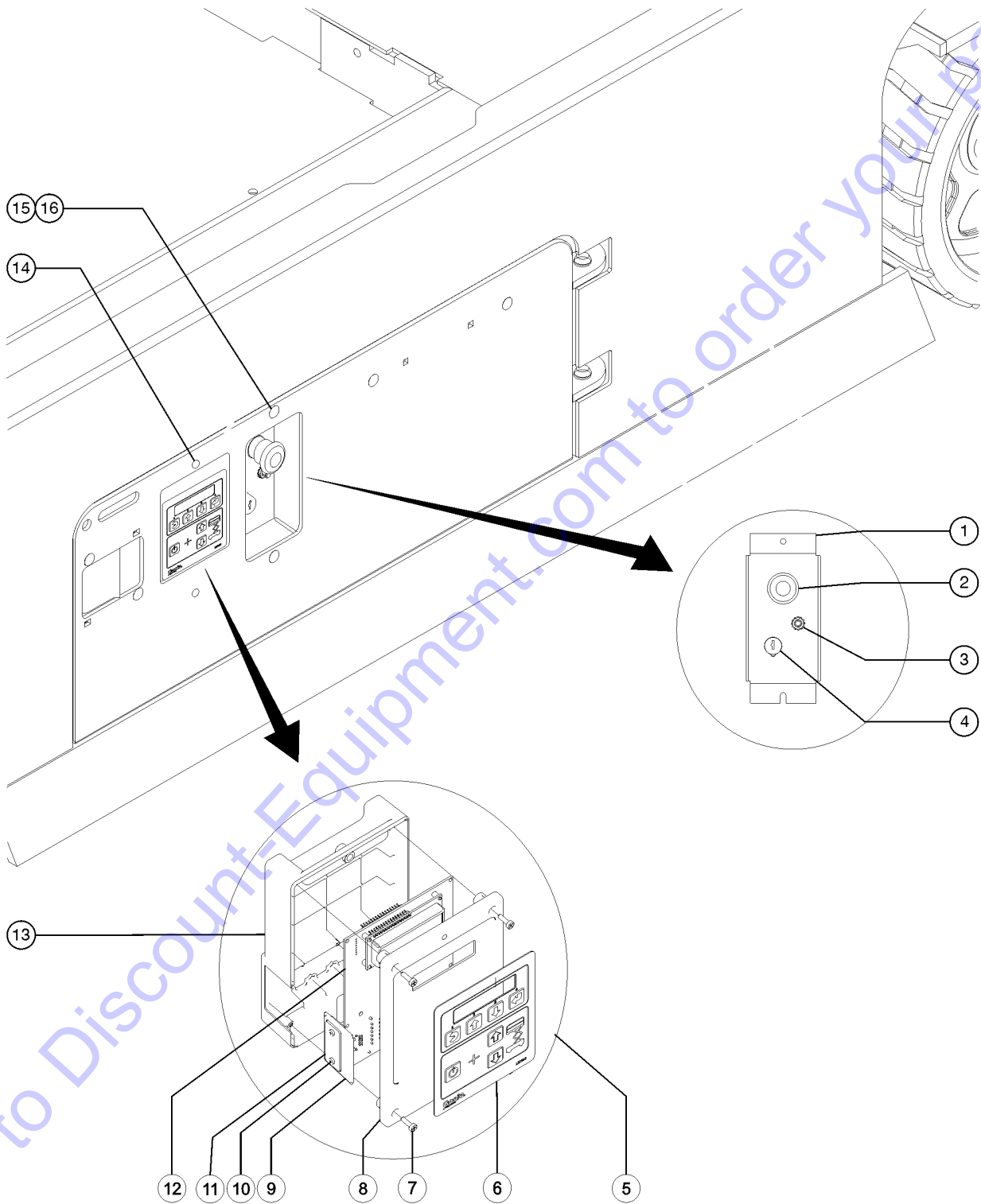
208.1 Ground Controls, All Models



Item	Part No.	Description	Qty.
A	83093GT	KEY SINGLE*** includes rubber boot	
B	21982GT	KEY,SINGLE*** without rubber boot	
C	37947GT	KEYS,10 PACK*** without rubber boots	
D	1252764GT	SPACER, GROUND CONTROL ECU	1
E	824216GT	SCREW, PHPM, 10-32 X 1.5, ZAG	
1	T108327GT	FORMING,CONTROL PANEL	1
2	66812GT	BUTTON,PUSH,RED MUSHROOM HEAD	1
2-	66817GT	E-STOP NC CONTACT	1
2-	66818GT	CONTACT,NC	1
2-	58627GT	NUT	1
3	96452GT	CIRCUIT BREAKER, 7.0 AMP***	1
3-	6700GT	WASHER,STAR,EXTERNAL,,375	1
3-	122994GT	NICKEL PLATED JAM NUT	1
4A	96008-SGT	KEYSWITCH,3 POS. W/KEYS***	1
4A-	85239GT	NUT,RETAINER (96008)	
4A-	96010GT	SCREW,PHILLIPS,PHM,8-32 X.25** (sold seperately)	
4A-	96009GT	WASHER,NITRILE (sold seperately)	
4B	83131GT	KEYSWITCH,3 POS W/KEYS,LOCKING Australia market only; not for CE market	1
4B-	85239GT	NUT,RETAINER (96008)	1
5A	137692GT	GCON, GR/GRC/GS (models with 6 button, 2 speed controller) to SN GS3014A-134999 and to SN GS3014C-16999	1
5A-		LABEL, SERIAL, GC21-19 (for 137692), No longer available	1
5B	1256721GT	GCON,STD,PROP LIFT. (models with 4 button, proportional controller) from SN GS3014A-135000 and from SN GS3014C-17000	1
6	137562GT	DECAL,MEMBRANE, GR/GRC/GS GCON	1
7	137668GT	SCREW,PHM,6-19X.75, 48-2 TRI-L	4
8	T106366GT	ENCLOSURE,GC27-25/GC21-19,FRNT	1
9	T106363GT	ADAPTER, RJ45, GC27-25/GC21-19	1
10	137637GT	SCREW,PHM,4-20X.5, 48-2 TRI-L (Not shown)	2



208.1 Ground Controls, All Models



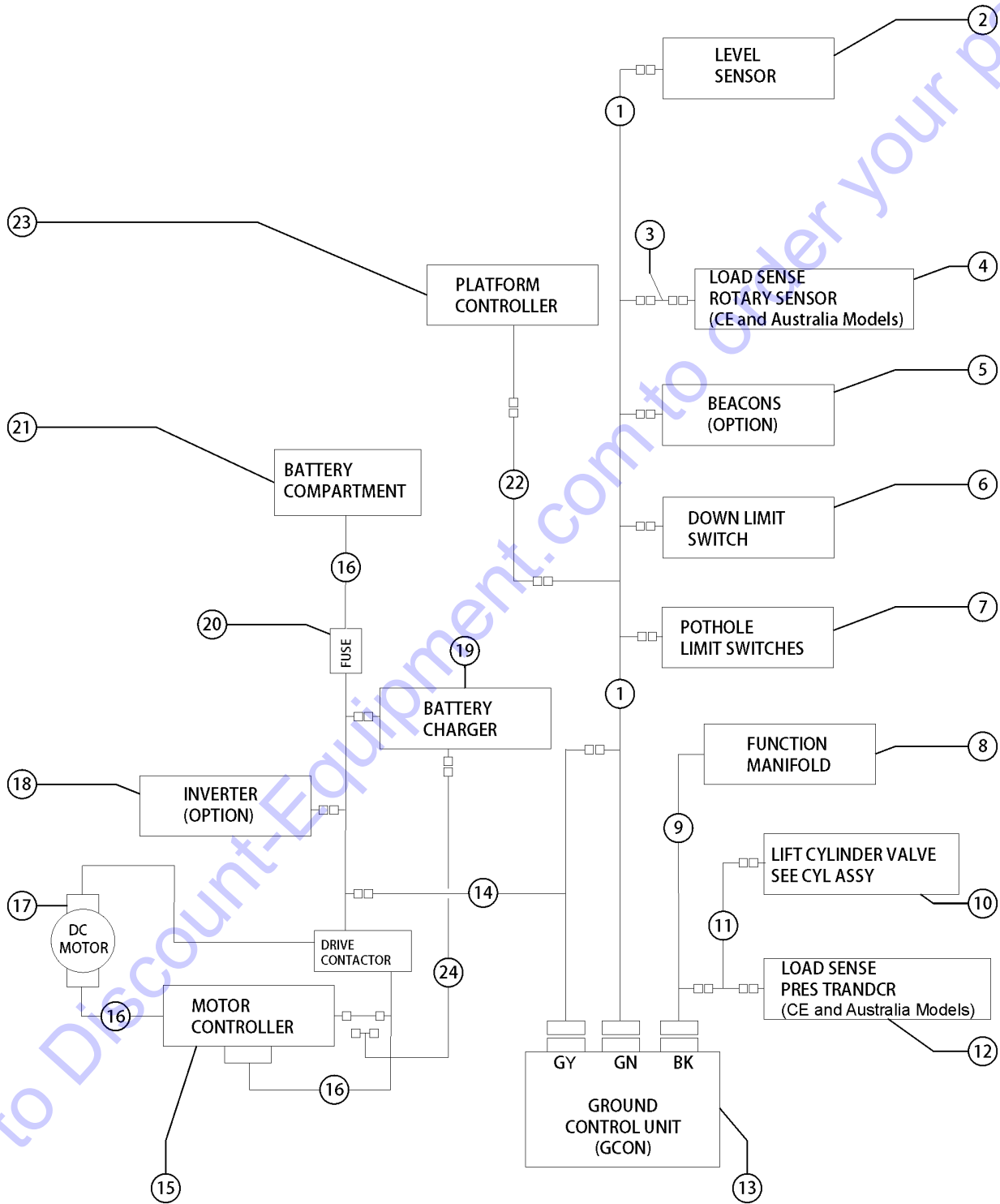
208.1 Ground Controls, All Models

Item	Part No.	Description	Qty.
11	T106362GT	COVER, RJ45, GC27-25/GC21-19	1
12A	137604GT	PCBA, GC21-19 (models with 6 button, 2 speed controller) to SN GS3014A-134999 and to SN GS3014C-16999	1
12B	1256719GT	PCBA, GCON STD, PROP LIFT (models with 4 button, proportional controller) from SN GS3014A-135000 and from SN GS3014C-17000	1
13	T106372GT	ENCLOSURE, GC21-19, BK	1
14	75041GT	SCREW, PHILLIPS, PHM, 10-32 X 1	2
15	6878GT	BOLT, CARRIAGE, 1/4-20 X .75, G2	2
16	6091GT	NUT, NYLOCK, 1/4-20	2

Go to Discount-Equipment.com to order your parts



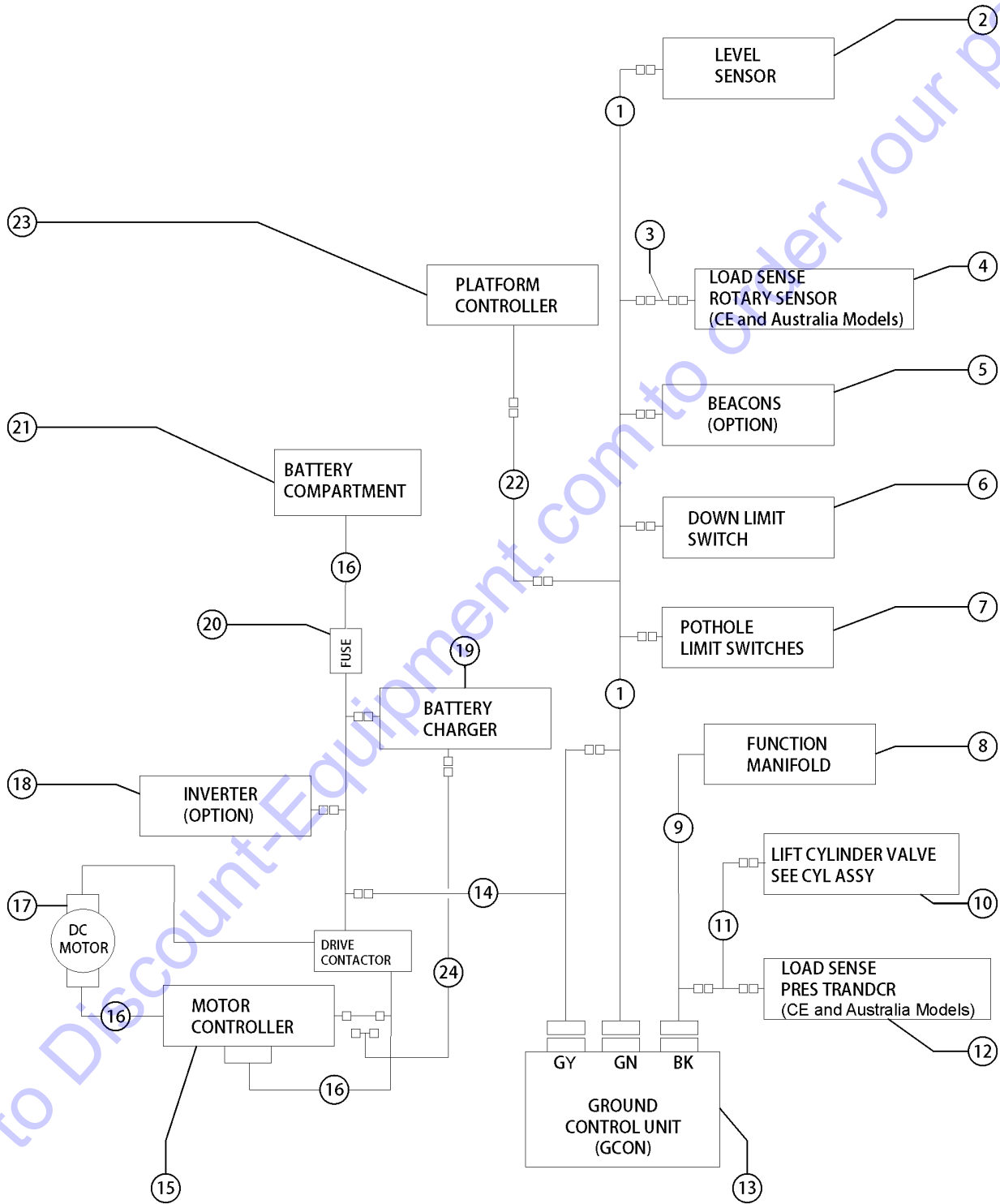
209.1 Electrical Wiring



Item	Part No.	Description	Qty.
-	105214GT	CABLE TIE MOUNT, WINGED not shown	
-	56926GT	CLIP, TIE HARNESS MOUNT*** not shown	
A	88335GT	PLUG,DTM SEAL 20-24GA	
B	1264822GT	KIT, TRC RETROFIT, STNDRD Telematics (includes 1264834)	
B-	1264834GT	INSTRN, TRC RETROFIT, STNDRD	
1A	228786GT	HARNESS, GS SENSORS, ANSI ANSI, CSA, S. America (Green connector)	1
1A-	233711GT	HRNS ASSY,RESISTOR DIODE for 228786 and T110891	
1A-	233644GT	RESISTOR,200 OHM 10W,CERAMIC	
1B	T110891GT	HARNESS, GS SENSORS, CE CE, AUS, Asia (Green connector)	1
1B-	233711GT	HRNS ASSY,RESISTOR DIODE for 228786 and T110891	
2		REF. LEVEL SENSOR refer to 203.1	
3	T114031GT	HARNESS, ROTARY ANGLE CE and AUS	
4	T113136GT	ASSY,ROT SENSR W/ HARNESS CE and AUS	1
5		REF. BEACONS refer to 601.1	
6	T112507GT	ASSEMBLY, DOWN LIMIT, GS	1
7	96309GT	POTHOLE HARNESS ASSEMBLY	1
8		REF. FUNCTION MANIFOLD refer to 502.1	
9A	T110889GT	HARNESS, GS FUNC MANIFOLD (to SN GS3014A-136972) (Black connector)	1
9B	1257824GT	HARNESS,FUNCTION MANIFOLD,GS (from SN GS3014A-136973) (Black connector)	1
10		REF. LIFT CYLINDER VALVE refer to 506.1	
11A	T112508GT	CABLE, LIFT CYL DOWN WO/LS ANSI, CSA, Asia, S. America	1
11B	T112509GT	CABLE,LFT CYL DN,15/19XX, W/LS CE and AUS	1
12	1311101GT	PRESSURE TRANSDUCER,0-5K,1-5V CE and AUS	1
13		REF. GROUND CONTROLS refer to 208.1	
14A	T110890GT	HARNESS, GS POWER CONTRL to SN 134999 (Grey connector)	1
14B	1258394GT	HARNESS, GS POWER CONTROL from SN 135000 (Grey connector)	1
15		REF. MOTOR CONTROLLER refer to 207.1	
16		REF. ELECTRICAL WIRING AND POWER CABLES refer to 210.1	



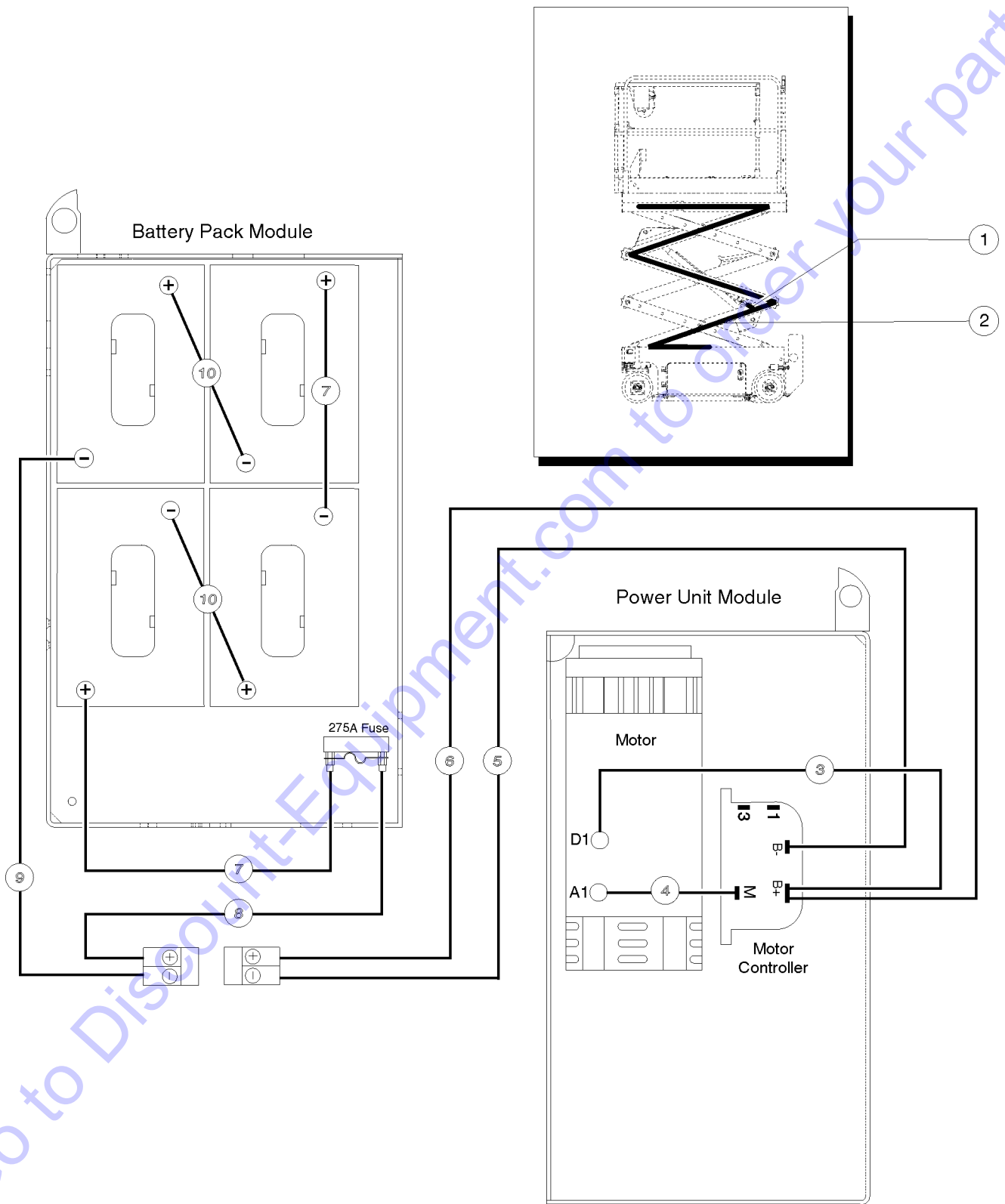
209.1 Electrical Wiring



Item	Part No.	Description	Qty.
17		REF. DC MOTOR refer to 505.1	
18	96459GT	HARNESS ASSEMBLY, INVERTER	
19		REF. BATTERY CHARGER refer to 206.1	
20		REF. FUSE refer to 205.1	
21		REF. BATTERY COMPARTMENT refer to 205.1	
22A	T112510GT	CABLE, PLATFORM CONTROL, 15XX GS-1530 and GS-1532	1
22A-	231921GT	KIT,CONN,RECEPT W/PIN AND LOCK	
22A-	231922GT	KIT,CONN,PLUG W/SCKT AND LOCK	
22A-	218579GT	WIRE CABLE 18/5 - UNSHIELDED GS-1530 and GS-1532	212
22B	T112511GT	CABLE, PLATFORM CONTROL, 19XX GS-1930 and GS-1932	1
22B-	231921GT	KIT,CONN,RECEPT W/PIN AND LOCK	
22B-	231922GT	KIT,CONN,PLUG W/SCKT AND LOCK	
22B-	218579GT	WIRE CABLE 18/5 - UNSHIELDED GS-1930 and GS-1932	278
23		REF. Joystick Controller refer to 407.1	
24	144213GT	CHARGER INTERLOCK CBLE,GS30/32	



210.1 Power Cables (models without contactor)



Go to Discount-Equipment.com to order your parts

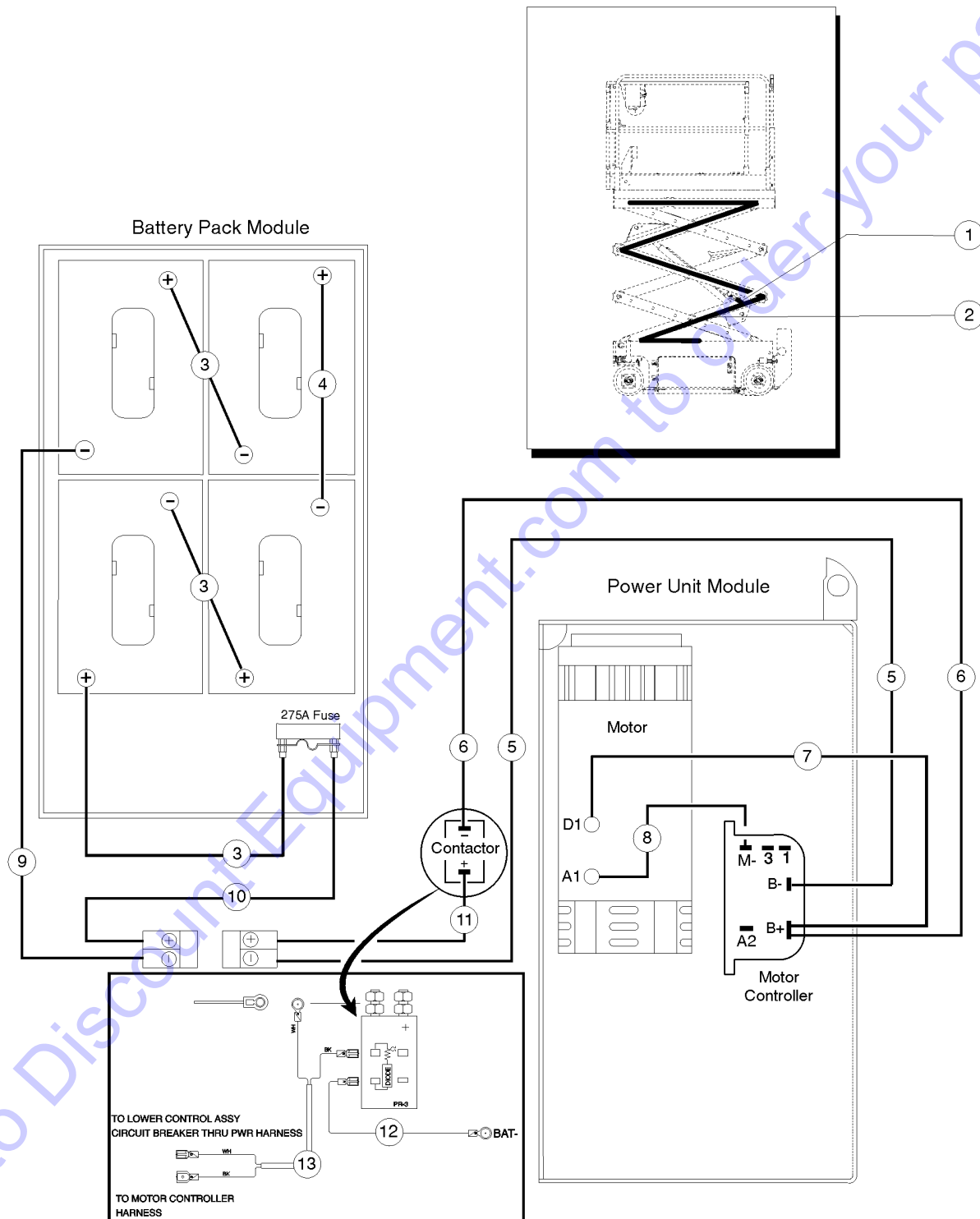
210.1 Power Cables (models without contactor)

Item	Part No.	Description	Qty.
A-	105953GT	BATTERY CABLE ASSY, GS30/32 (includes items 3-10 and fuse)	
B-	96387GT	ASSY,MOTOR CONTROL HARNESS (ANSI, CSA and Australia models)	
C-	96819GT	ASSY,MOTOR CONTRL HARN,CE (CE models)	
D-	96522GT	STD CONTROL HARNESS, SLAB (ANSI, CSA and Australia models) (includes wire harnesses 96489, 96387, 96344 and 105321)	
E-	96440GT	CE CONTROL HARNESS, SLAB (CE models) (includes wire harnesses 96489, 96819, 96520, 105320 and 47124)	
1		REF: Lift Cylinder Down Cable (refer to 209.1)	1
2		REF: Platform Control Cable (refer to 209.1)	1
3	96302GT	CABLE ASSY,BATT, 7.50" RED	1
4	96303GT	CABLE ASSY,BATT, 7.50" BLACK	1
5	96299GT	CABLE ASSY.BATT.75".AND.BLK	1
6	96298GT	CABLE ASSY.BATT.75",AND.RED	1
7	96306GT	CABLE ASSY,BATT,9.50"RED	2
8	96300GT	CABLE ASSY,BATT,7.50",AND. RED	1
9	105071GT	CABLE ASSY, BATT,19"AND.BLK	1
10	96304GT	CABLE ASSY,BATT,5.50"RED	2

Go to Discount-Equipment.com to order your parts



210.2 Power Cables (models with contactor to SN GS3014A-136972 and to GS3015C-18038)



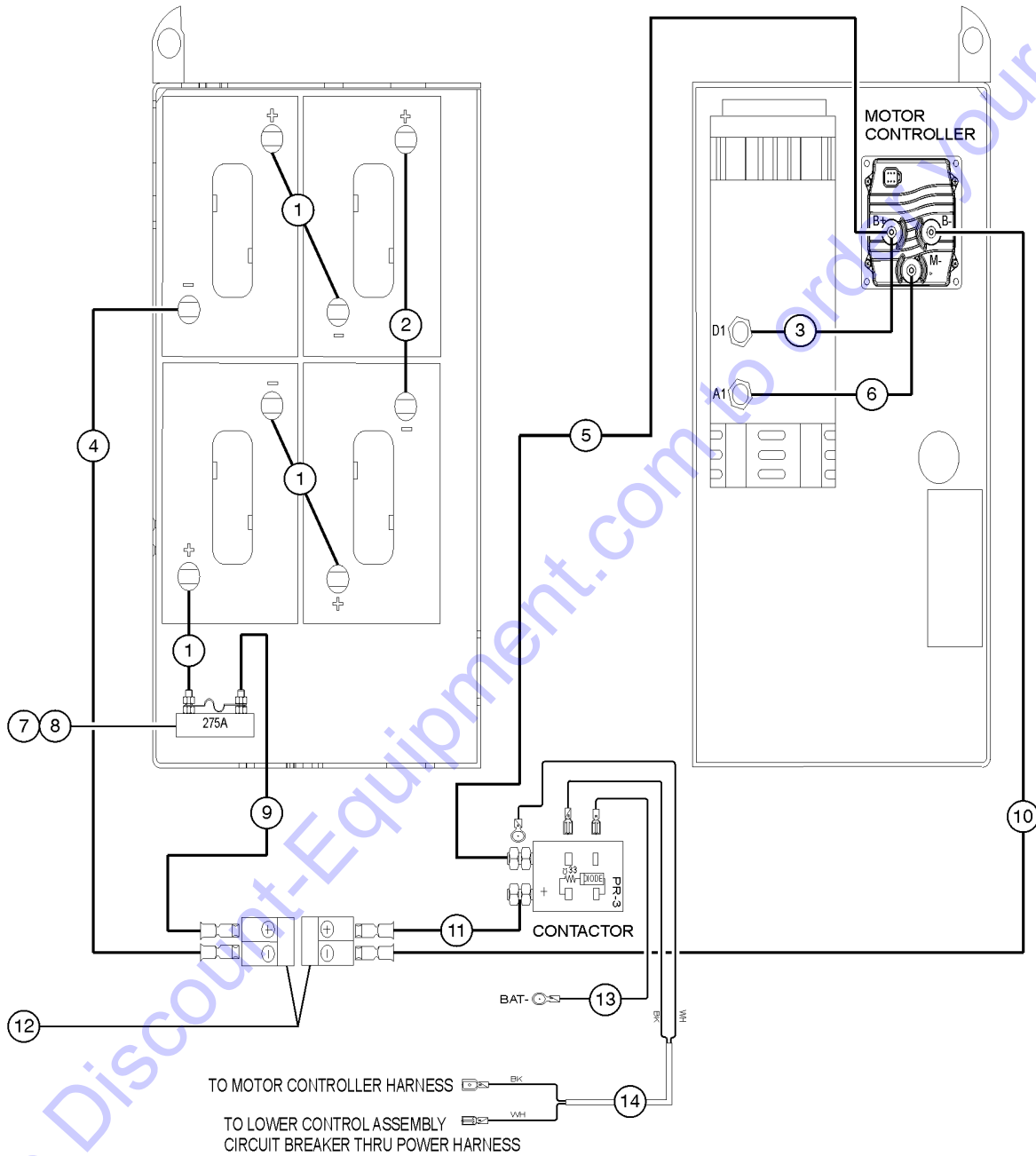
Go to DiscountEquipment.com to order your parts

210.2 Power Cables (models with contactor to SN GS3014A-136972 and to GS3015C-18038)

Item	Part No.	Description	Qty.
A-	1257033GT	BATTERY CABLE ASSEMBLY, GS30/32 includes items 3-13	
B-	233439GT	ASSY,MOTOR CONTROL HARNESS ANSI, CSA and Australia models	
C-	233438GT	ASSY,MOTOR CONTROL HARNESS,CE CE models	
D-	96522GT	STD CONTROL HARNESS, SLAB (ANSI, CSA and Australia models) (includes wire harnesses 96489, 96387, 96344 and 105321)	
E-	96440GT	CE CONTROL HARNESS, SLAB (CE models) (includes wire harnesses 96489, 96819, 96520, 105320 and 47124)	
1		REF: Lift Cylinder Down Cable refer to 209.1	1
2		REF: Platform Control Cable refer to 209.1	1
3	96304GT	CABLE ASSY,BATT,5.50"RED	3
4	96306GT	CABLE ASSY,BATT,9.50"RED	1
5	1257058GT	CABLE ASSY., BATT. 79" BLACK replaced 96299	1
6	1257059GT	CABLE ASSY.,BATT. 74.5"RED replaced 233368	1
7	1257054GT	CABLE ASSY., BATT. 11.5" RED replaced 96302	1
8	1257055GT	CABLE ASSY., BATT. 9.5" BLACK replaced 96303	1
9	232578GT	CABLE ASSY,BATT, 20" BLK	1
10	232576GT	CABLE ASSY,BATT, 12" RED	1
11	233371GT	CABLE ASSY, BATT, 23"RD	1
12	232582GT	GROUND WIRE ASSY,GS	1
13	233431GT	HRNS,CONTACTOR SIGNL,GS30/32	1



210.3 Power Cables (from SN GS3014A-136973 and from GS3015C-18039)



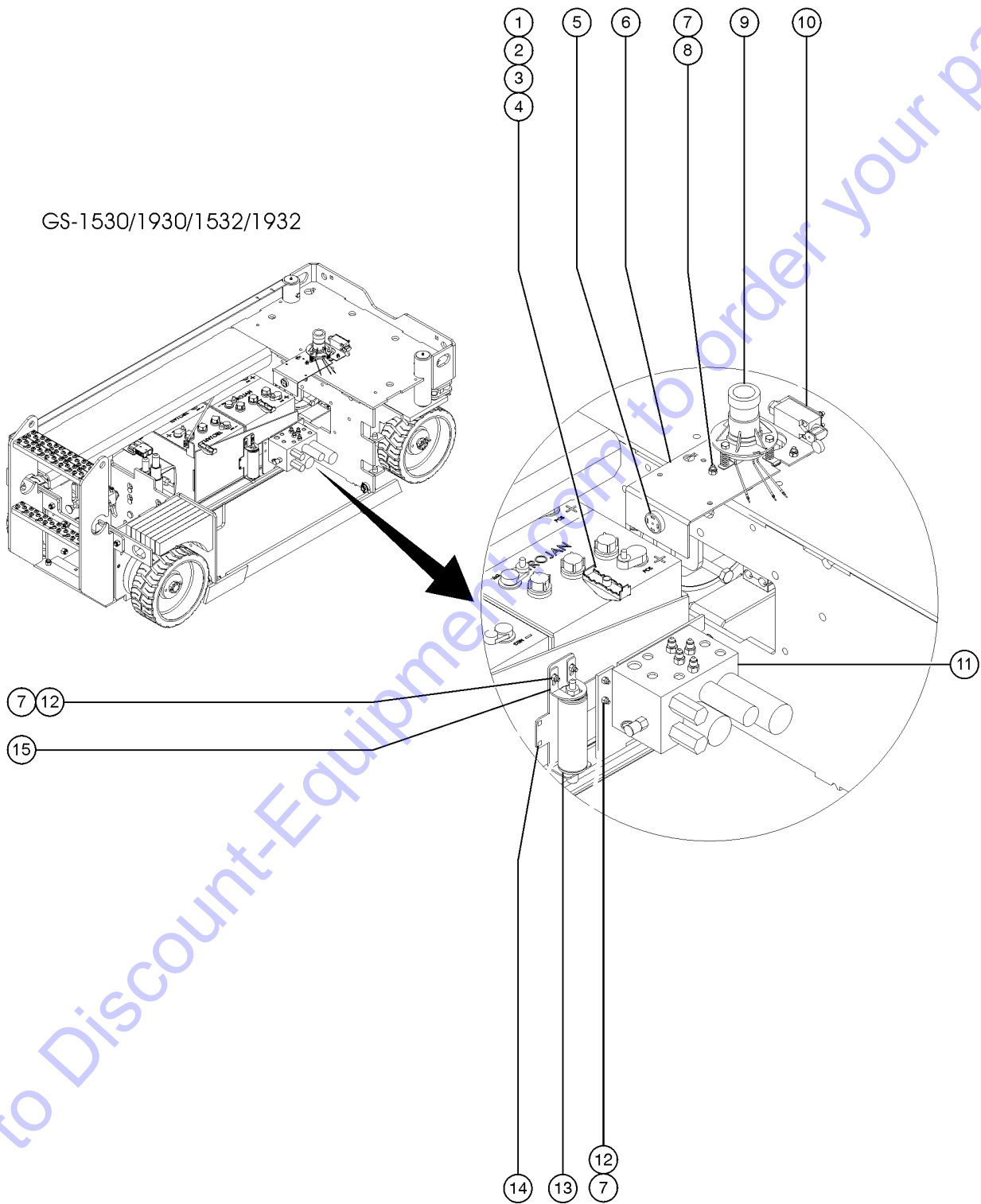
210.3 Power Cables (from SN GS3014A-136973 and from GS3015C-18039)

Item	Part No.	Description	Qty.
A	28131GT	WIRE LOOM,1.25 DIA	16
B	96110GT	BOOT, CABLE, TERMINAL COVER	14
C	79140GT	BOOT,CABLE TERMINAL,RED,XL	2
1	96304GT	CABLE ASSY,BATT,5.50"RED	3
2	96306GT	CABLE ASSY,BATT,9.50"RED	1
3	1257054GT	CABLE ASSY., BATT. 11.5" RED	1
4	232578GT	CABLE ASSY,BATT, 20" BLK	1
5	1257059GT	CABLE ASSY.,BATT. 74.5"RED	1
6	1257055GT	CABLE ASSY., BATT. 9.5" BLACK	1
7	66717GT	FUSE BLOCK, ANN & ANL FUSE	1
8	40833GT	FUSE, 275AMP, VERY FAST ACTING	1
9	232576GT	CABLE ASSY,BATT, 12" RED	1
10	1257058GT	CABLE ASSY., BATT. 79" BLACK	1
11	233371GT	CABLE ASSY, BATT, 23"RD	1
12	66397GT	QUICK DISCONNECT CASING,BATT**	2
13	232582GT	GROUND WIRE ASSY,GS	1
14	233431GT	HRNS,CONTACTOR SIGNL,GS30/32	1

Go to Discount-Equipment.com to order your parts



211.1 Function Manifold and Accumulator Components



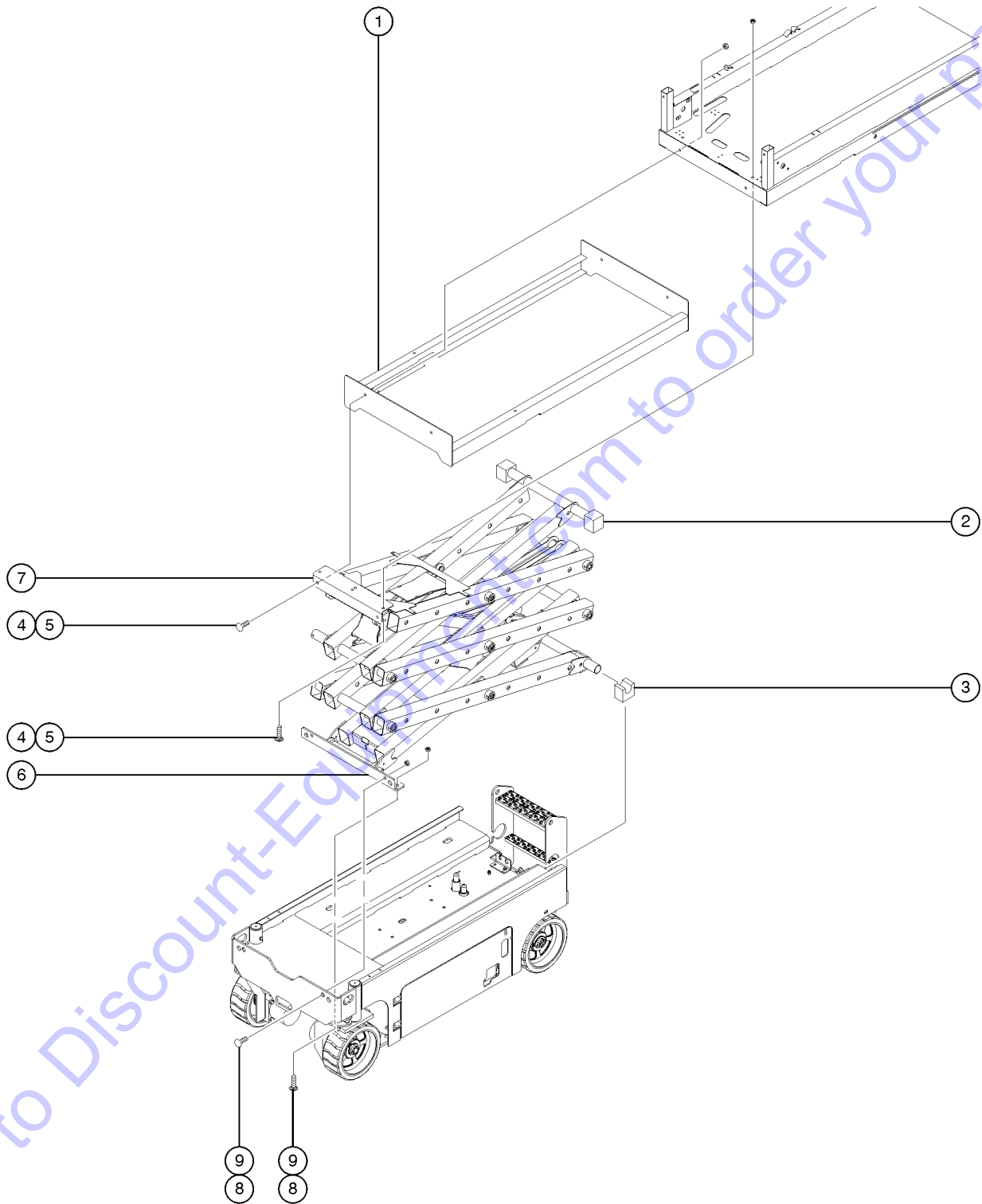
211.1 Function Manifold and Accumulator Components

Item	Part No.	Description	Qty.
		CLAMP,CABLE & HOSE	
1	105209GT	CLAMP,CABLE & HOSE	2
2	6145GT	SCREW,HHC,1/4-20 X 1.5	
3	6638GT	WASHER,FLAT,USS,1/4"Y	
4	18504GT	NUT,LOCKING-LG.FLANGE,1/4-20	
5		Ref. Alarm, Steady Tone (refer to 203.1)	
6		Ref. Alarm Bracket (refer to 203.1)	
7	6091GT	NUT, NYLOCK, 1/4-20	
8	79456GT	BOLT,CARRIAGE,1/4-20 X 1.00,G2	
9		Ref. Level Sensor (refer to 203.1)	
10		Ref. Limit Switch with Roller (refer to 203.1)	
11		Ref. Function Manifold (refer to 502.1)	
12	9116GT	BOLT,CARRIAGE,1/4-20 X 1.25,G2	
13	78422GT	ACCUMULATOR,180 PSI PRECHARGE*	
14	105210GT	FORMING, ACCUMULATOR BRACKET	1
15	105211GT	FORMING, ACCUMULATOR CLAMP	1

Go to Discount-Equipment.com to order your parts



301.1 Scissor Assembly Installation, GS-1530/1532



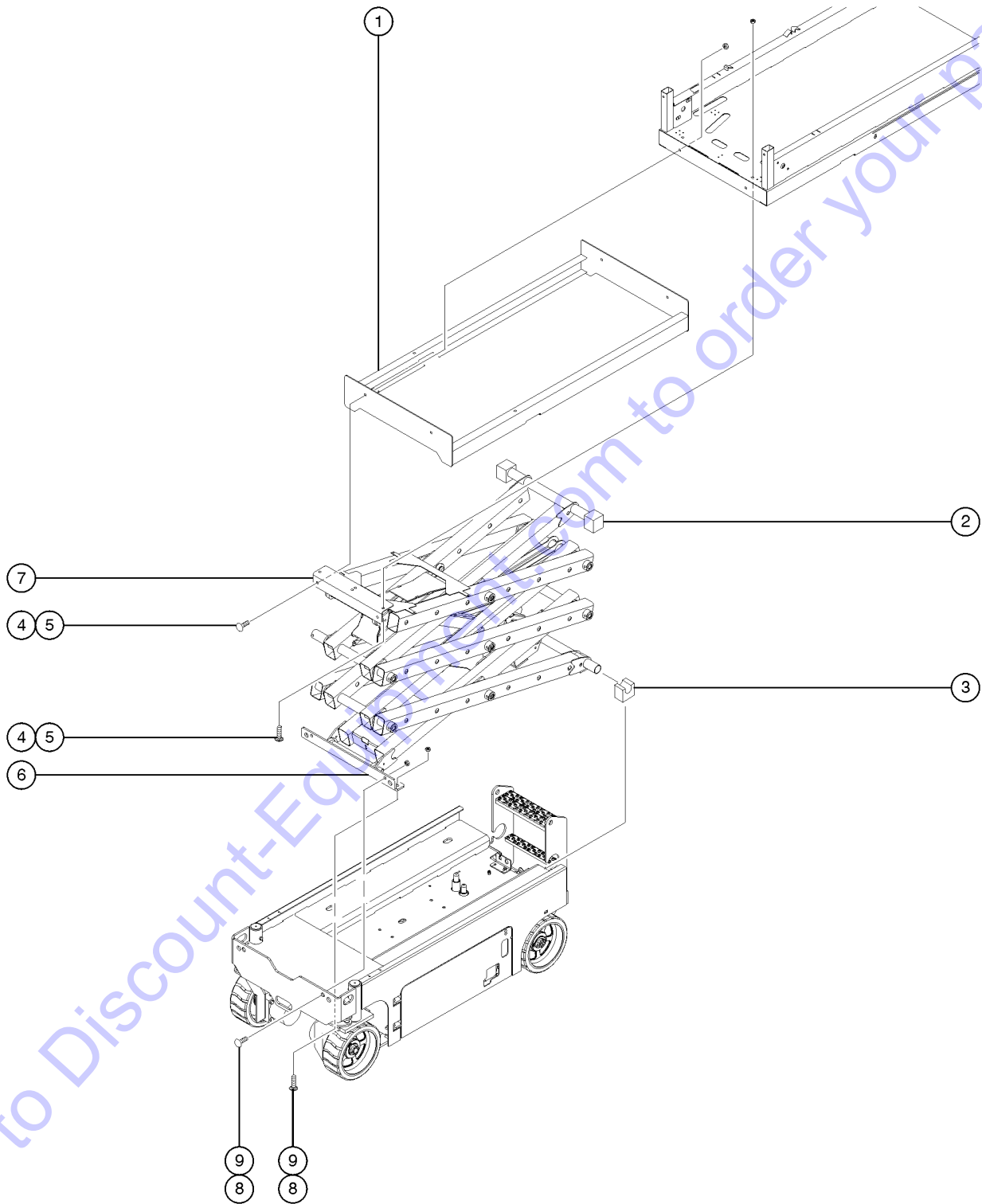
301.1 Scissor Assembly Installation, GS-1530/1532

Item	Part No.	Description	Qty.
1	96415GT	WLDMT,PLATFORM SLIDER GS-1530 & GS-1532 Models Only	1
2	96576GT	SLIDER, MINI PLATORM, DRILLED**	2
3	96126GT	SLIDER, UHMW	2
4	105092GT	BOLT,CARRIAGE,3/8-16X1.25,GR5	
5	4828GT	NUT,NYLOCK,3/8-16	
6	84693GT	CHASSIS MOUNT ASSY, GS30	1
6-	36369GT	BEARING,0.75IDX1.00ODX0.75L	2
7A	84694GT	PLATFORM MOUNT ASSY, 15 FT GS-1530, GS-1532	1
7A-	36369GT	BEARING,0.75IDX1.00ODX0.75L	2
8	96977GT	BOLT,CARRIAGE,1/2-13X1.50,GR5	8
9	6198GT	NUT,NYLOK,1/2-13	8

Go to Discount-Equipment.com to order your parts



301.2 Scissor Assembly Installation, GS-1930/1932



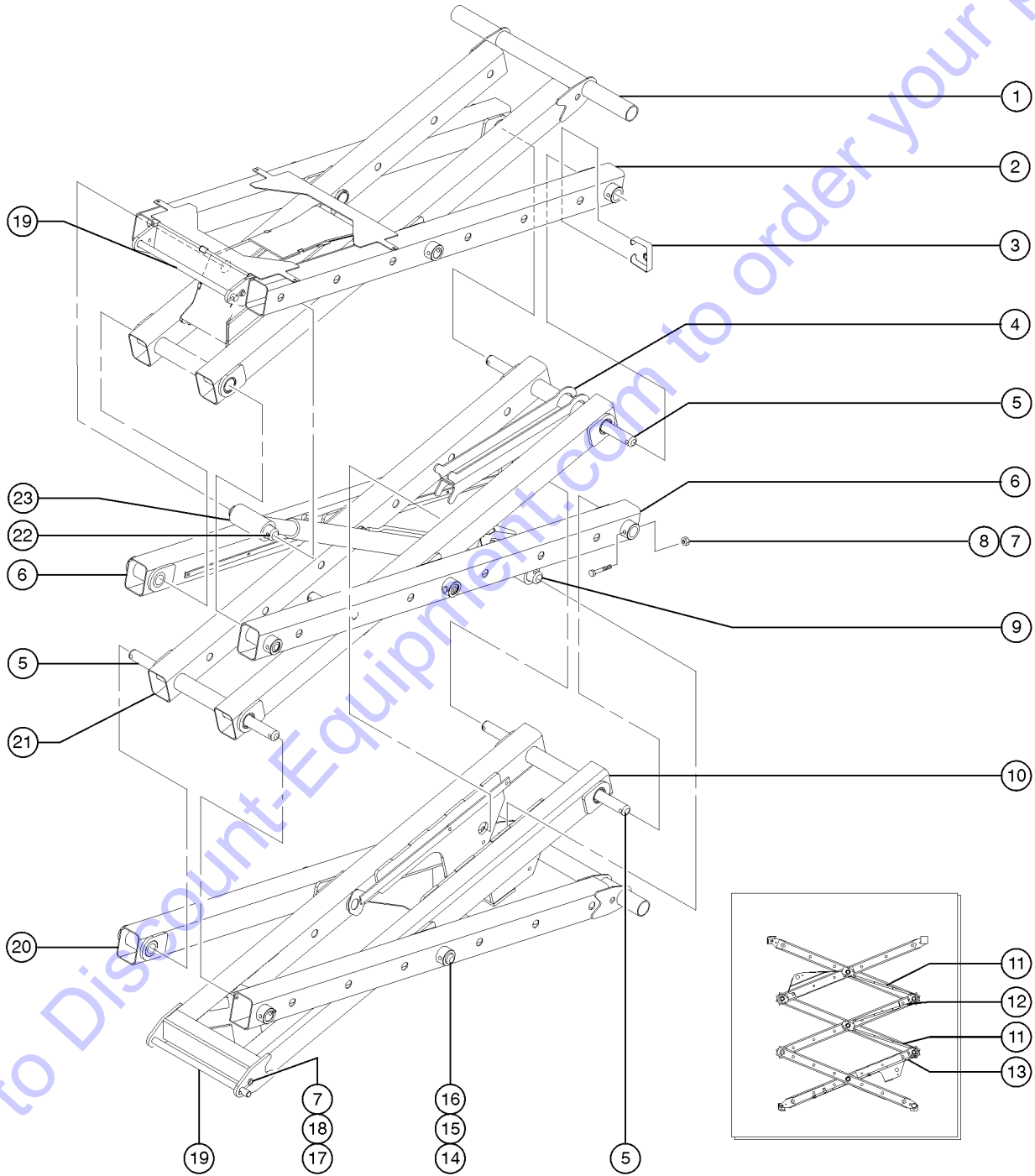
301.2 Scissor Assembly Installation, GS-1930/1932

Item	Part No.	Description	Qty.
2	96576GT	SLIDER, MINI PLATORM, DRILLED**	2
3	96126GT	SLIDER, UHMW	2
4	105092GT	BOLT,CARRIAGE,3/8-16X1.25,GR5	
5	4828GT	NUT,NYLOCK,3/8-16	
6	84693GT	CHASSIS MOUNT ASSY, GS30	1
6-	36369GT	BEARING,0.75IDX1.00ODX0.75L	2
7B	84695GT	PLATFORM MOUNT ASSY, 19 FT	
		GS-1930, GS-1932	
7B-	36369GT	BEARING,0.75IDX1.00ODX0.75L	2
8	96977GT	BOLT,CARRIAGE,1/2-13X1.50,GR5	8
9	6198GT	NUT,NYLOK,1/2-13	8

Go to Discount-Equipment.com to order your parts



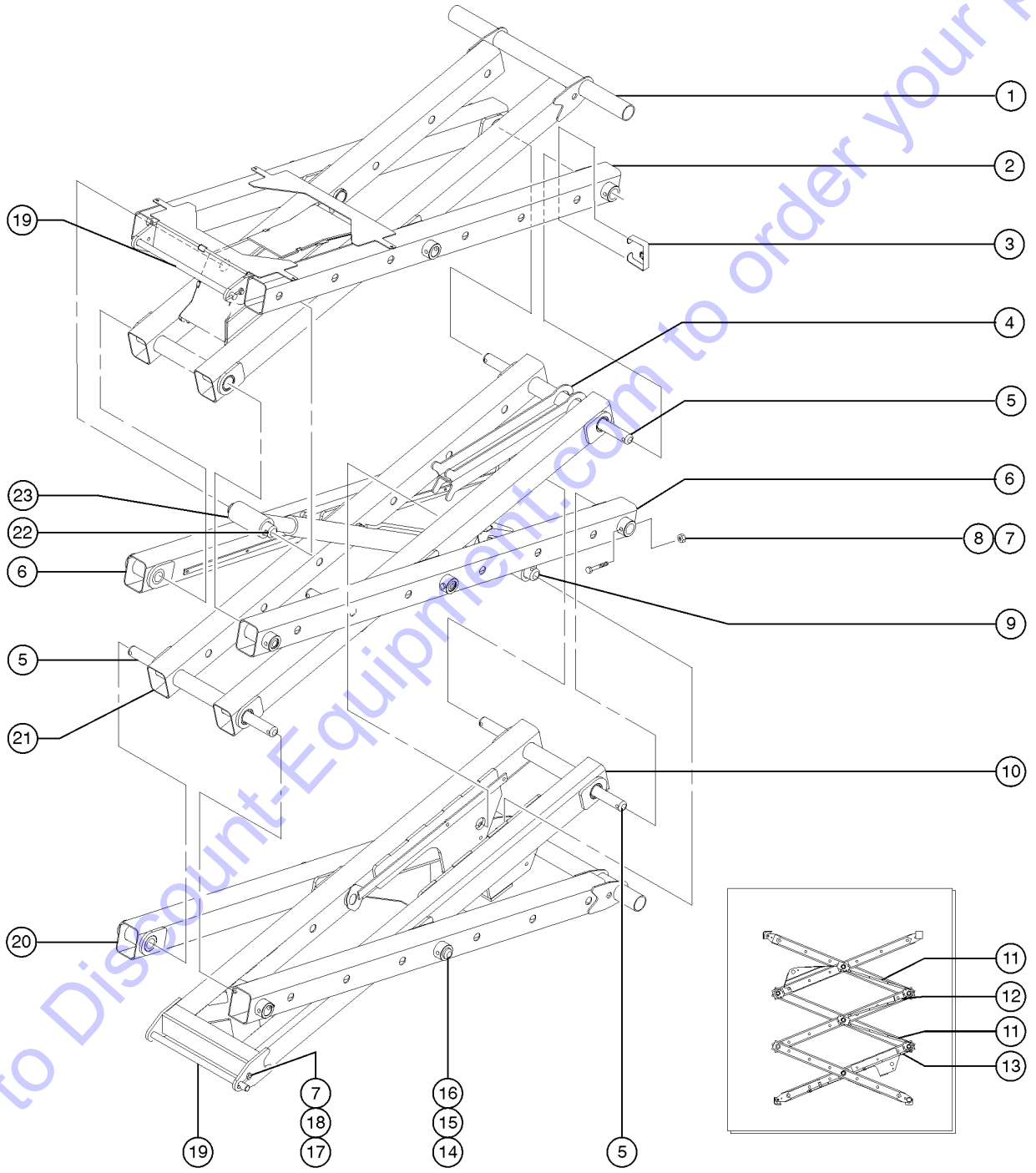
302.1 Scissor Assembly, GS-1530/1532



Item	Part No.	Description	Qty.
1	84578GT	INNER ARM ASSY,#3,15FT	1
1-	96487GT	BEARING,1.26IDX1.53ODX1.25L	6
2	105280GT	WELDMENT,LINK PLATFORM MNT***	2
3	96331GT	LINK BUMPER	8
4	58000GT	SAFETY CHOCK,SCISSOR	1
5	105085GT	PIN,MINI END***	4
6	96121GT	WELDMENT, LINK, SINGLE	2
7	4828GT	NUT,NYLOCK,3/8-16	
8	14033GT	SCREW, HHC, 3/8-16 X 2.75	
9	47666GT	PIN,1.50DIA X 9.13LG,1HOLE	1
10A	105997GT	INNER ARM ASSY#1,15&19FT,WORD (USA, Canada, and Australia)	1
10A-	105818GT	WLDTMT,LINK,#1 INNER,15&19 FT (decals not included, refer to section one)	1
10A-	96487GT	BEARING,1.26IDX1.53ODX1.25L	6
10B	105998GT	INNER ARM ASSY#1,15&19FT,SYMB (Europe, Asia, South America)	1
10B-	105818GT	WLDTMT,LINK,#1 INNER,15&19 FT (decals not included, refer to section one)	1
10B-	96487GT	BEARING,1.26IDX1.53ODX1.25L	6
11	105183GT	WLDMT,CABLE BRIDGE,BOTTOM,MINI	2
12	105184GT	WELDMENT,CABLE BRIDGE,TOP,MINI	1
13	105182GT	WLDMT,CABLE BRIDGE,LOWER,MINI	1
14	30217GT	SNAP RING,EXTERNAL,1.25 DIA.**	6
15	96390GT	WASHER,FLAT, 1.27 X 2.13 X .13	
16	96130GT	PIN, MINI, CENTRE	6
17	8516GT	SCREW, HCC, 3/8-16 X 1.50	
18	825020GT	ROD END,.250X2.75,ZAG	2
19	96131GT	PIN, CHASSIS PIVOT	2
20A	84581GT	OUTER ARM ASSY#1,15&19FT WORD (USA, Canada, and Australia)	1
20B	84583GT	OUTER ARM ASSY,#1,15&19FT SYMB (Europe, Asia, South America)	1
21	84582GT	INNER ARM ASSY,#2,15/19 FT,WRD (decals not included, refer to section one)	1



302.1 Scissor Assembly, GS-1530/1532



Go to Discount-Equipment.com to order your parts

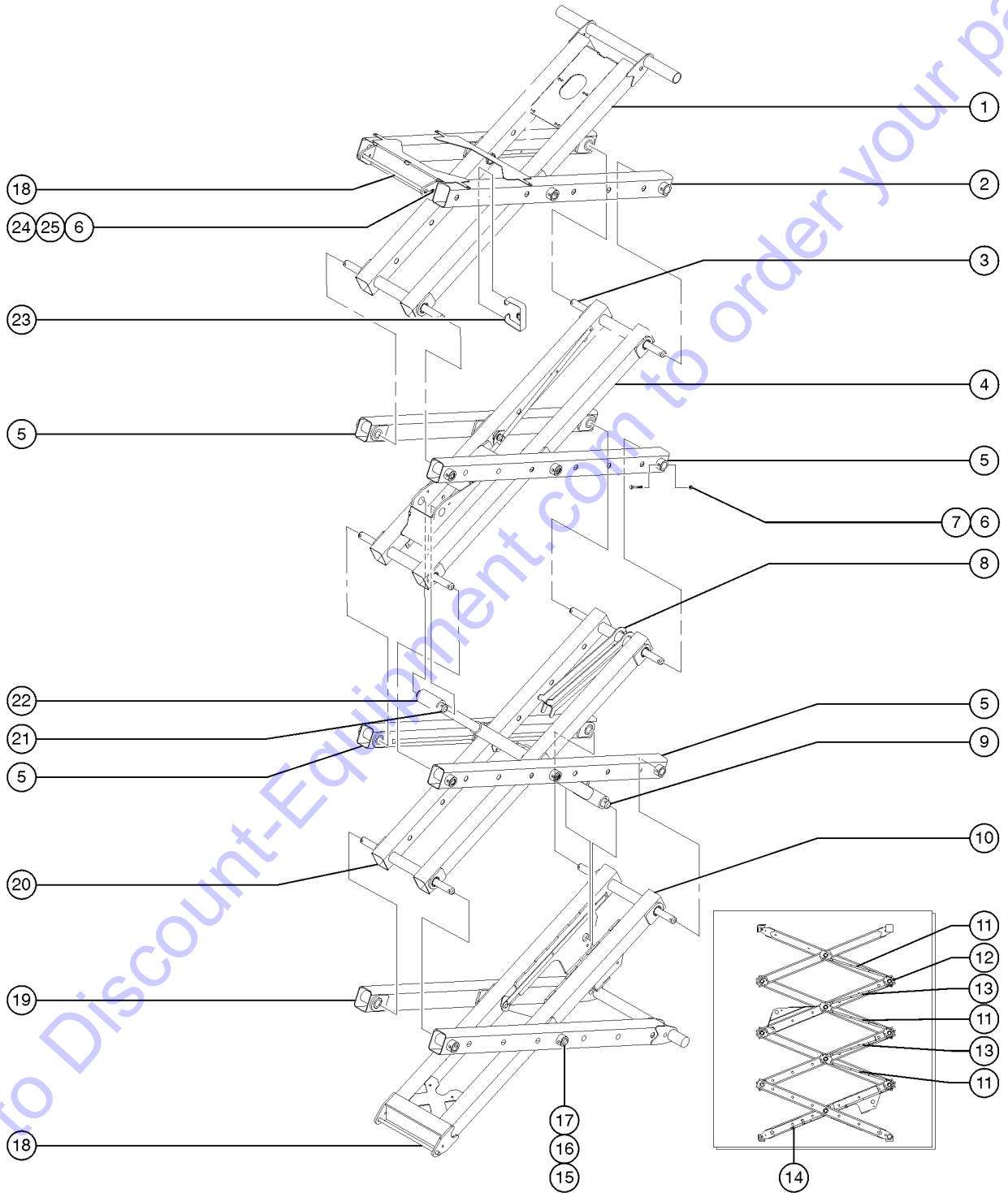


Item	Part No.	Description	Qty.
21-	96487GT	BEARING,1.26IDX1.53ODX1.25L	8
22	96283GT	PIN, CYLINDER, SHORT	1
23		REF. LIFT CYLINDER	
		(refer to 506.1)	

Go to Discount-Equipment.com to order your parts



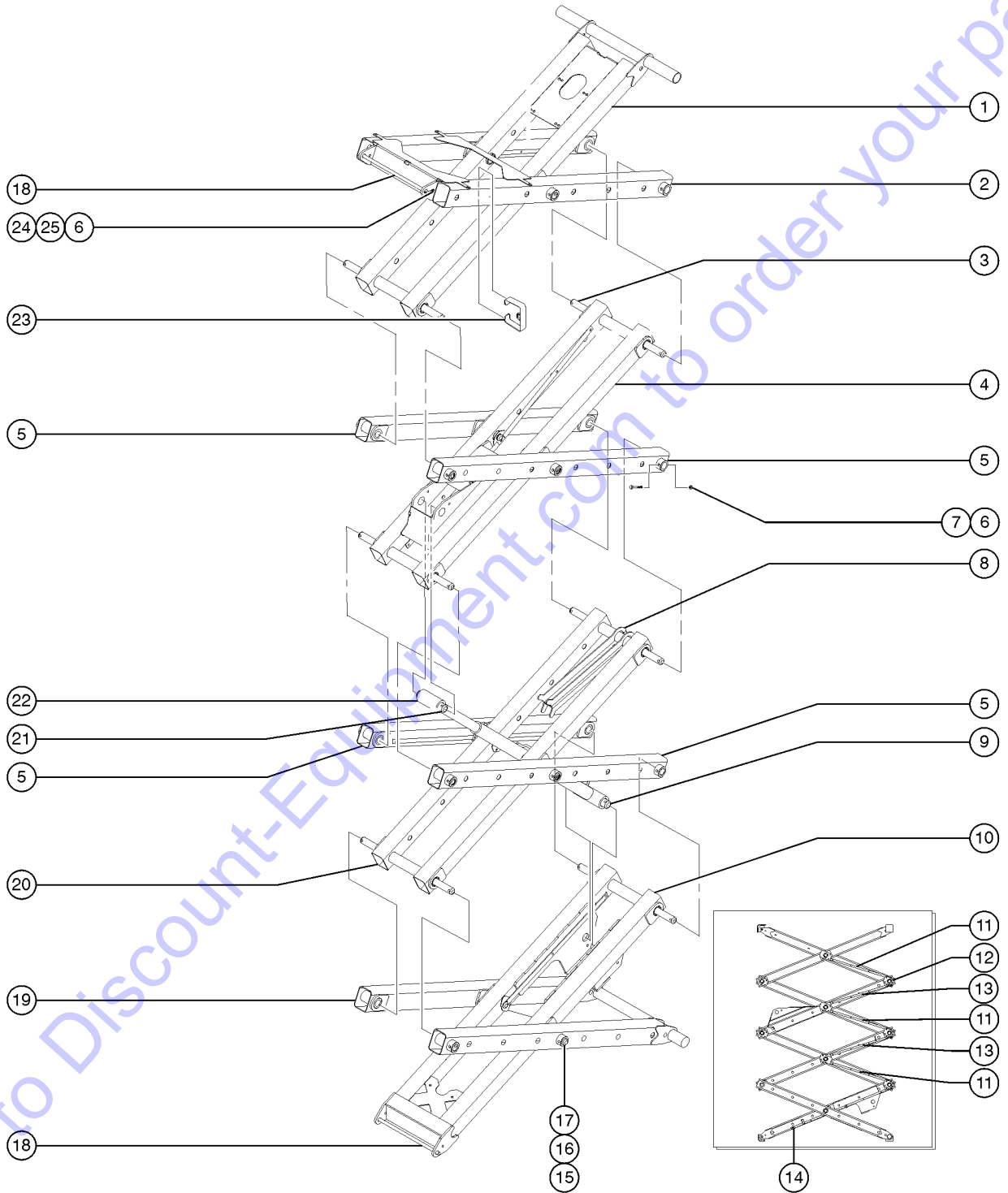
303.1 Scissor Assembly, GS-1930/1932



Item	Part No.	Description	Qty.
	71349GT	BUMPER, LINK (not shown)	16
1	84579GT	INNER ARM ASSY,#4 19FT	1
1-	96487GT	BEARING,1.26IDX1.53ODX1.25L	6
2	105280GT	WELDMENT,LINK PLATFORM MNT***	2
3	105085GT	PIN,MINI END***	6
4	84580GT	INNER ARM ASSY, #3, 19FT	1
4-	96487GT	BEARING,1.26IDX1.53ODX1.25L	8
5	96121GT	WELDMENT, LINK, SINGLE	4
6	4828GT	NUT,NYLOCK,3/8-16	
7	8178GT	SCREW,HHC,3/8-16 X 2.5	
8	58000GT	SAFETY CHOCK,SCISSOR	1
9	47666GT	PIN,1.50DIA X 9.13LG,1HOLE	1
10A	105997GT	INNER ARM ASSY#1,15&19FT,WORD (USA, Canada, Australia)	1
10A-	105818GT	WLDTMT,LINK,#1 INNER,15&19 FT (decals not included, refer to section one)	1
10A-	96487GT	BEARING,1.26IDX1.53ODX1.25L	6
10B	105998GT	INNER ARM ASSY#1,15&19FT,SYMB (Europe, Asia, South America)	1
10B-	105818GT	WLDTMT,LINK,#1 INNER,15&19 FT (decals not included, refer to section one)	1
10B-	96487GT	BEARING,1.26IDX1.53ODX1.25L	6
11	105183GT	WLDMT,CABLE BRIDGE,BOTTOM,MINI	3
12	105185GT	CLIP, CABLEBRIDGE, MINI	3
13	105184GT	WELDMENT,CABLE BRIDGE, TOP,MINI	2
14	105182GT	WLDMT,CABLE BRIDGE,LOWER,MINI	1
15	30217GT	SNAP RING,EXTERNAL,1.25 DIA.**	8
16	96390GT	WASHER,FLAT, 1.27 X 2.13 X .13	
17	96130GT	PIN, MINI, CENTRE	8
18	96131GT	PIN, CHASSIS PIVOT	2
19A	84581GT	OUTER ARM ASSY#1,15&19FT WORD (USA, Canada, Australia)	1
19B	84583GT	OUTER ARM ASSY,#1,15&19FT SYMB (Europe, Asia, South America)	1



303.1 Scissor Assembly, GS-1930/1932



Item	Part No.	Description	Qty.
20	84582GT	INNER ARM ASSY,#2,15/19 FT,WRD	1
21	96283GT	PIN, CYLINDER, SHORT	1
22		Ref. Lift Cylinder	
		(refer to 506.1)	
23	96331GT	LINK BUMPER	8
24	8516GT	SCREW, HCC, 3/8-16 X 1.50	
25	825020GT	ROD END,.250X2.75,ZAG	2

Go to Discount-Equipment.com to order your parts



PARTS FINDER

**Search Website
by Part Number**



**Search Manual
Library For Parts
Manual & Lookup Part
Numbers – Purchase
or Request Quote**

Search Manuals

Enter your information to help us find the right parts manual for your machine.

* Brand:

* Model:

* Serial:

* Part Number:

SEARCH

**Can't Find Part or
Manual? Request Help
by Manufacturer,
Model & Description**

Parts Order Form

Please fill in the following information to help us find the right part for your machine.

MANUFACTURER:

MODEL:

DESCRIPTION:

SEARCH

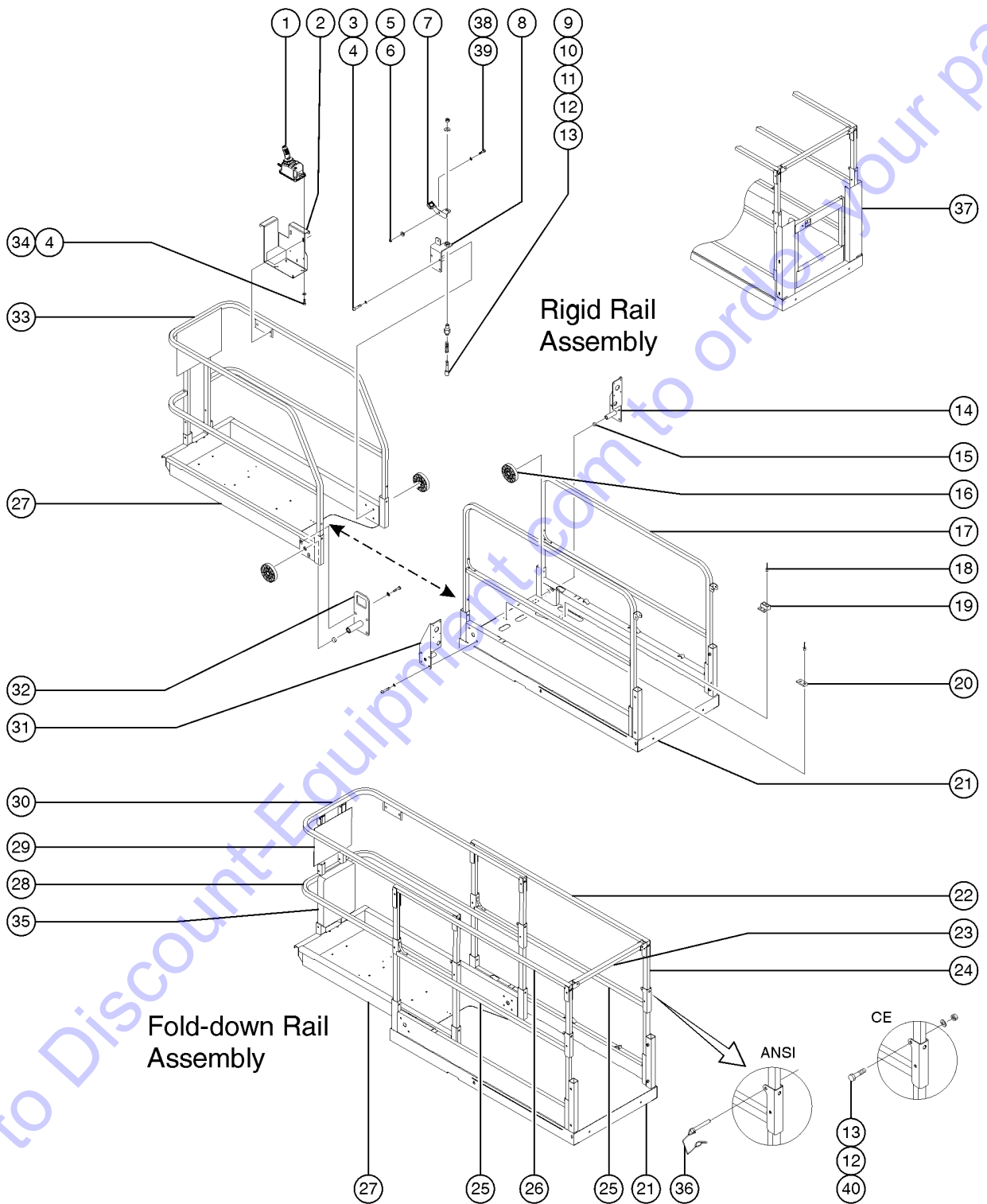
Discount-Equipment.com is your online resource for quality parts & equipment.

Florida: **561-964-4949** Outside Florida TOLL FREE: **877-690-3101**

Need parts?

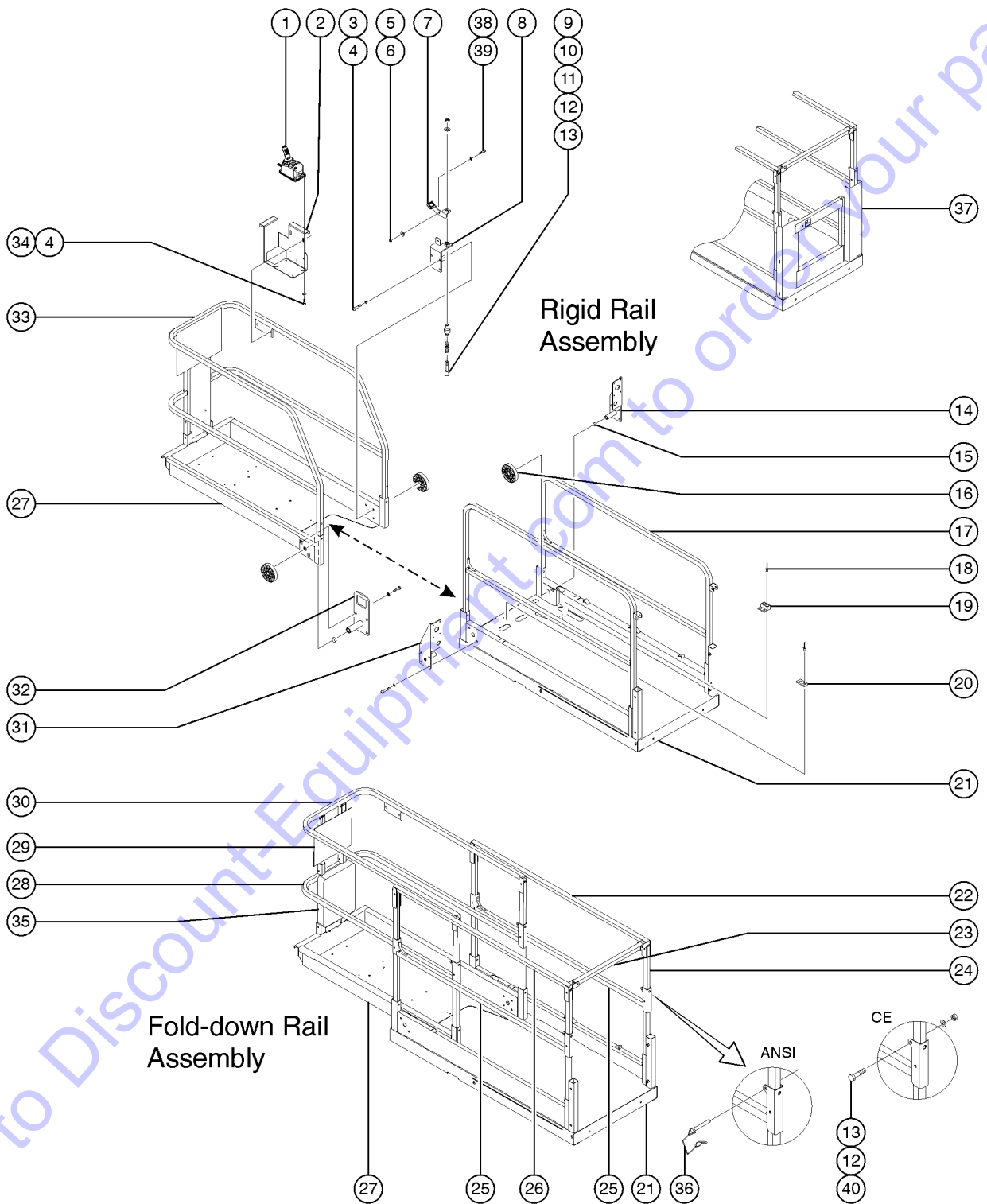
Click on this link: <http://www.discount-equipment.com/category/5443-parts/> and choose one of the options to help get the right parts and equipment you are looking for. Please have the machine model and serial number available in order to help us get you the correct parts. If you don't find the part on the website or on one of the online manuals, please fill out the request form and one of our experienced staff members will get back to you with a quote for the right part that your machine needs.

We sell worldwide for the brands: Genie, Terex, JLG, MultiQuip, Mikasa, Essick, Whiteman, Mayco, Toro Stone, Diamond Products, Generac Magnum, Airman, Haulotte, Barreto, Power Blanket, Nifty Lift, Atlas Copco, Chicago Pneumatic, Allmand, Miller Curber, Skyjack, Lull, Skytrak, Tsurumi, Husquvarna Target, Stow, Wacker, Sakai, Mi-T-M, Sullair, Basic, Dynapac, MBW, Weber, Bartell, Bennar Newman, Haulotte, Ditch Runner, Menegotti, Morrison, Contec, Buddy, Crown, Edco, Wyco, Bomag, Laymor, EZ Trench, Bil-Jax, F.S. Curtis, Gehl Pavers, Heli, Honda, ICS/PowerGrit, IHI, Partner, Imer, Clipper, MMD, Koshin, Rice, CH&E, General Equipment, Amida, Coleman, NAC, Gradall, Square Shooter, Kent, Stanley, Tamco, Toku, Hatz, Kohler, Robin, Wisconsin, Northrock, Oztec, Toker TK, Rol-Air, APT, Wylie, Ingersoll Rand / Doosan, Innovatech, Con X, Ammann, Mecalac, Makinex, Smith Surface Prep, Small Line, Wanco, Yanmar



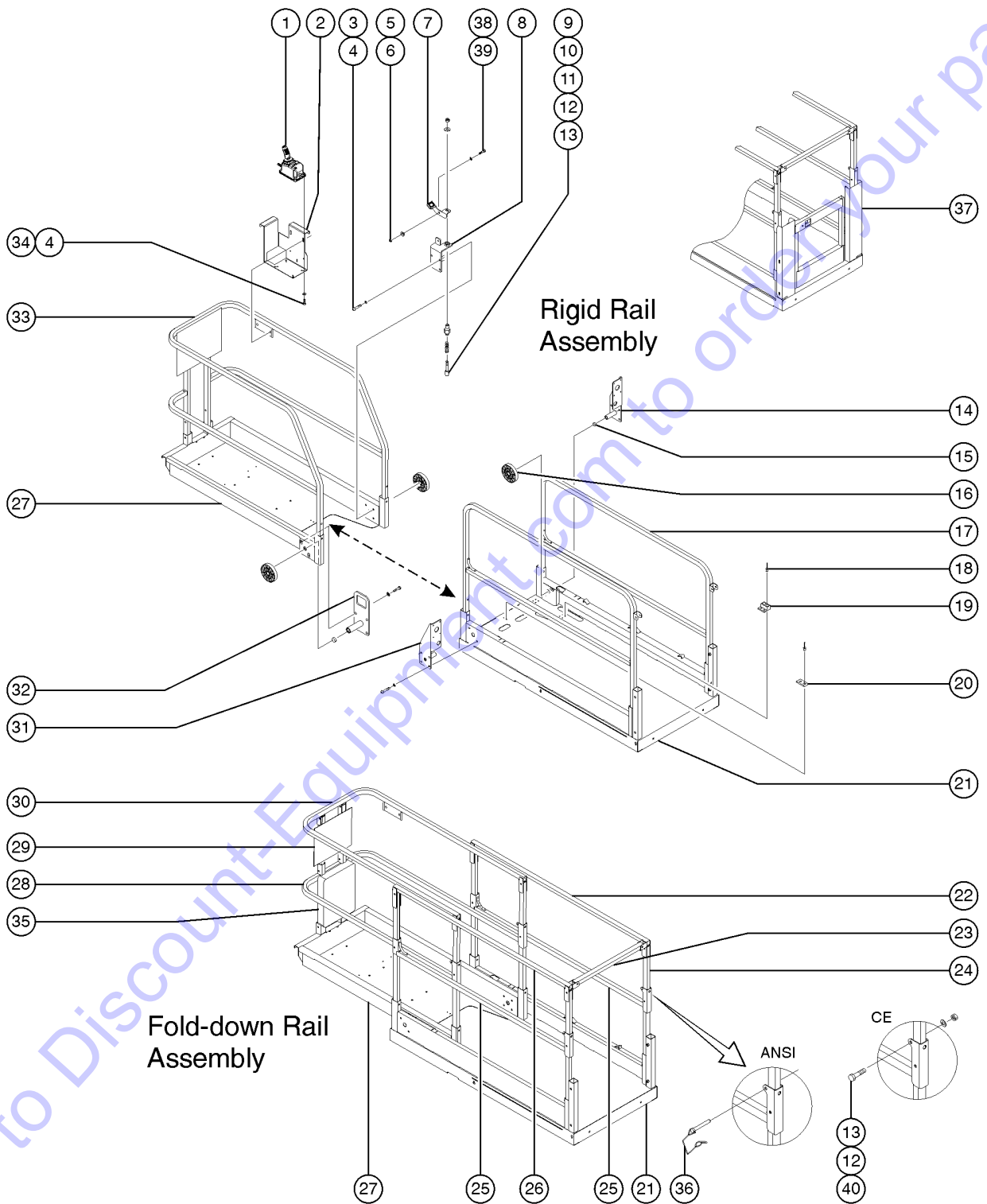
Item	Part No.	Description	Qty.
1		Ref. Platform Control Box (refer to 407.1 or 408.1)	
2		Ref. Platform Control Box Mount Bracket (refer to 407.1 or 408.1)	
3	5224GT	SCREW,HHC,3/8-16 X 2	
4	6021GT	WASHER,LOCK,.375	
5	6002GT	NUT, LP NYLOCK, 5/16-18	1
6	47222GT	WASHER, SHOULDER, NYLON	1
7	46260GT	FOOTPEDAL W/NON-SKID TAPE,GS**	1
7-	47166GT	BRACKET,FOOT PEDAL (does not include non-skid tape)	
7-	47225GT	TAPE,NON-SKID,DIE CUT,1.38X1.5	
8	96413GT	WLDMT,LOCKING ROLLER SUPPORT	1
9	39470GT	PIN, LOCK	1
10	39469GT	SPRING,COMPRESSION.485 X1.75**	1
11	41630GT	HOUSING, LOCK PIN	1
12	6097GT	WASHER,FLAT,USS,3/8",Y	
13	7713GT	NUT, LP NYLOCK, 3/8-16	
14A	84587GT	ROLLER BRACKET ASSY, GRND CNTR (ground controls side)	1
14B	96247GT	WELDMENT,ROLLER BRACKET,RT*** (decals not included, refer to section one)	1
15	21279GT	BUTTON, .800 O.D. X .281	3
16	47163GT	ROLLER,PLATFORM EXTENSION	4
17	97034GT	GS30 RIDGID MAIN SIDE SQ RAIL	2
18	39579GT	RIVET,STL,STL,.188 X .45	20
19	39310GT	WEAR/GUIDE PAD MAIN PLATFORM	4
20	39474GT	WEAR PAD,PLATFORM	2
21A	97115GT	PLAT MAIN DECK ASSY,1530 ANSI GS-1530 (North America) (includes items 18, 19 & 20)	1
21A-	47231GT	TAPE,NON-SKID,DIE CUT,4"X 16"	
21A-	47098GT	TAPE,NON-SKID,DIE CUT,4"X 40"	
21B	231103GT	PLAT MAIN DECK ASSY,1530 AU GS-1530 (Australia) (includes items 18, 19 & 20)	1
21B-	47231GT	TAPE,NON-SKID,DIE CUT,4"X 16"	





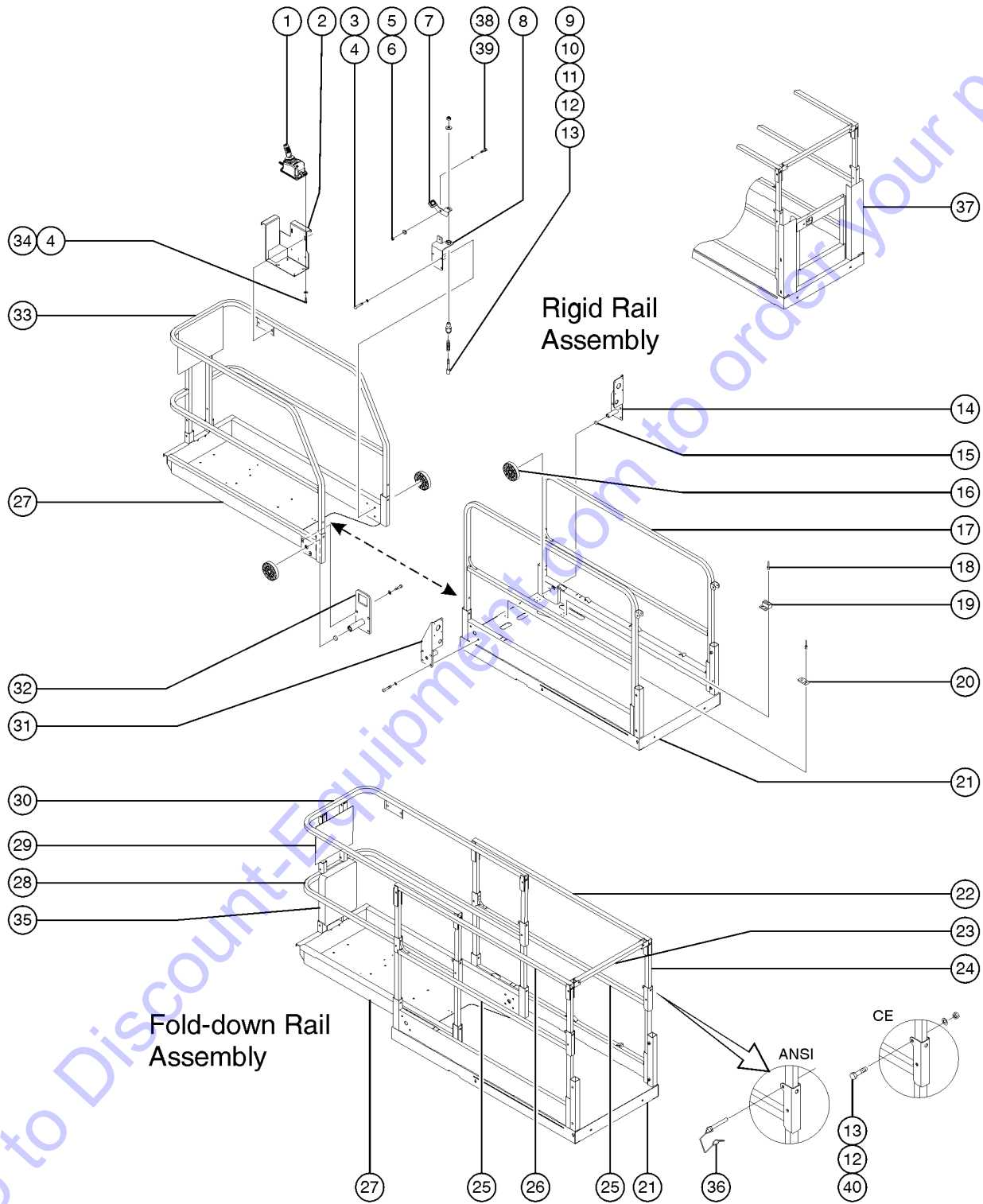
Item	Part No.	Description	Qty.
21B-	47098GT	TAPE,NON-SKID,DIE CUT,4"X 40"	
21C	97118GT	PLAT MAIN DECK ASSY,1530 SMBL GS-1530 (Asia, and South America) (includes items 18, 19 & 20)	1
21C-	47231GT	TAPE,NON-SKID,DIE CUT,4"X 16"	
21C-	47098GT	TAPE,NON-SKID,DIE CUT,4"X 40"	
21D	231104GT	PLAT MAIN DECK ASSY,1530 CE GS-1530 (Europe) (includes items 18, 19 & 20)	1
21D-	47231GT	TAPE,NON-SKID,DIE CUT,4"X 16"	
21D-	47098GT	TAPE,NON-SKID,DIE CUT,4"X 40"	
21E	1259719GT	WLDMNT,PLATFORM, MINI, GS30 replaced 96275 from SN 110000 (weldment only; decals not included, refer to section one)	1
22	66890-SGT	WLDMT, MAIN SIDERAIL,UPP,RT **	1
22-	78038GT	CAP, PLASTIC, 1.25 X 0.08"	
23	66886GT	ENTRY SWING TUBE	1
24	66485GT	TUBE, VERT, FOLDING	6
25	97041GT	MAIN RAIL, FOLDING, GS30	2
25-	78038GT	CAP, PLASTIC, 1.25 X 0.08"	
26	66889-SGT	WLDMT, MAIN SIDERAIL,UPPER,LFT	1
26-	78038GT	CAP, PLASTIC, 1.25 X 0.08"	
27A	97123GT	PLAT EXT DECK ASSY,GS30	1
27-	47374GT	TAPE,NON-SKID,DIE CUT,4"X 32"	3
27-	39474GT	WEAR PAD,PLATFORM	1
27-	T113787GT	RIVET,ALUM,STL,.188 X .250 for 39474	2
27B	96335GT	WELDMENT, EXT PLATFORM (decals not included, refer to section one)	1
28	96336GT	WLDMT, EXT DECK LWR RAIL (fold down)	1
28-	78038GT	CAP, PLASTIC, 1.25 X 0.08"	
29A	231111GT	DECAL PLATE ASSY,GS30,ANSI (North America)	1
29B	231610GT	DECAL PLATE ASSY,GS30,AUSTRAL (Australia)	1
29C	84590GT	DECAL PLATE ASSY W/SYM DECALS (Asia, Europe and South America)	1
29D	96849GT	WLDMT,DECAL PLATE, GS30/32 (decals not included, refer to section one)	1
30A	97213GT	EXT RAIL ASSY, UPPER, GS30	1





Go to Discount-Equipment.com to order your parts

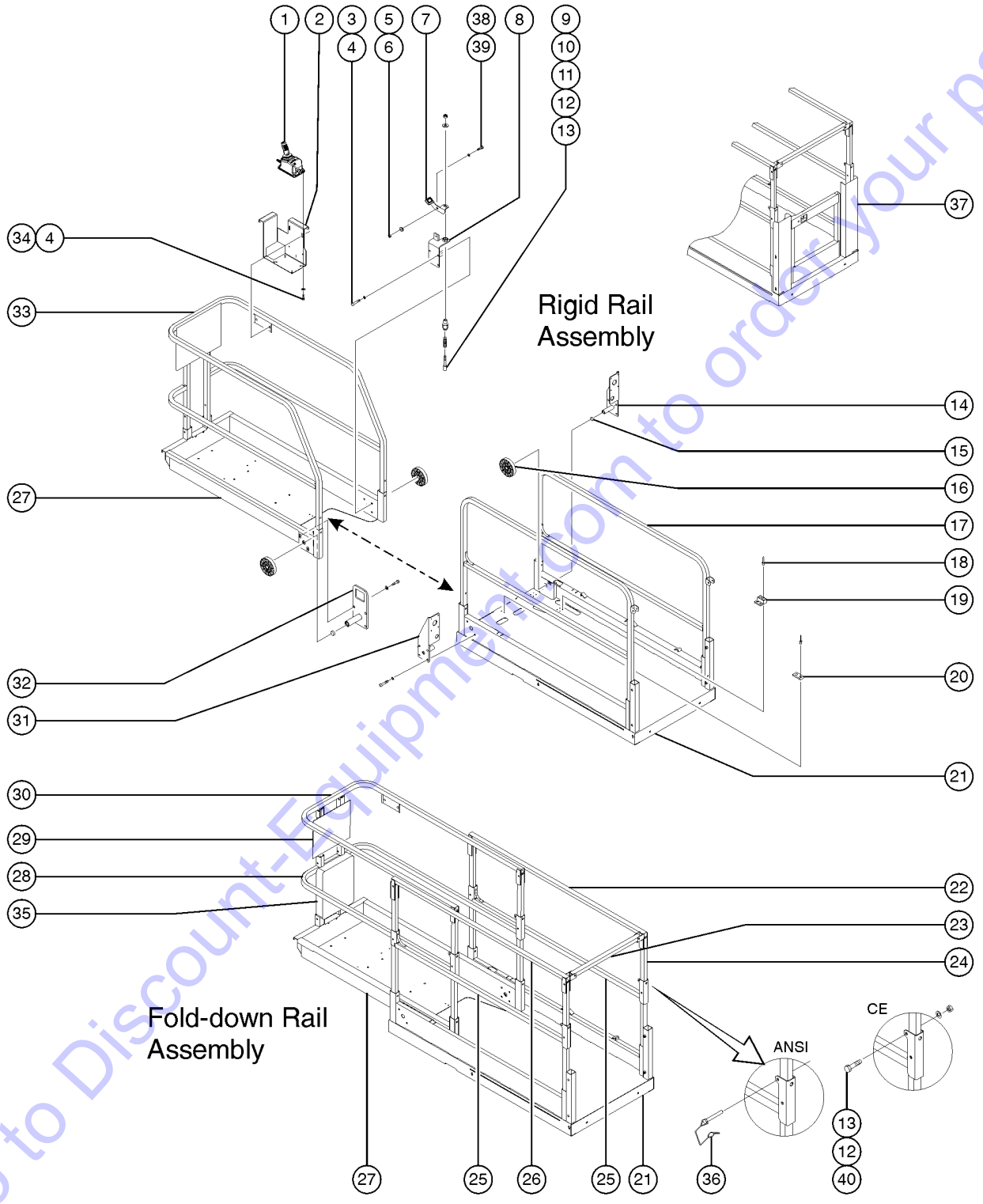
Item	Part No.	Description	Qty.
30-	78038GT	CAP, PLASTIC, 1.25 X 0.08"	
30B	96848GT	WELDMENT,EXT RAIL,UPPER*** (decals not included, refer to section one)	1
31	96246GT	WELDMENT,ROLLER BRACKET,LT***	1
32A	84586GT	LANYARD ROLLER BRKT ASSY W/DEC	1
32-	21279GT	BUTTON, .800 O.D. X .281	
32B	96200GT	WLDMT, LANYARD ROLLER BRKT (decals not included, refer to section one)	1
33A	231112GT	FIXED RAILS ASSY,GS30,ANSI (North America)	1
33B	231611GT	FIXED RAILS ASSY,GS30,AUSTRAL (Australia)	1
33C	97132GT	FIXED RAILS ASSY, GS30 SYMBOL (Asia, Europe and South America)	1
33D	96847GT	WELDMENT,EXT SIDERAIL*** (decals not included, refer to section one)	1
34	8255GT	SCREW,HHC,3/8-16 X .75	
35A	44743GT	MANUAL BOX W/DECALS*** USA/Canada/Australia	1
35B	24514GT	BOX,INSTRUCTION STORAGE Europe/Asia/South America (decal required; refer to Section100)	
36	66030GT	PIN, WIRE LOCK 3/8 X 2 -1/2	4
36-	78022GT	LANYARD,BLACK NYLON,TYPE 1*** (CE & Australia models)	
37		Ref. SWING GATE ASSEMBLY (refer to 405.1)	
38	1259223GT	BOLT,SHS,3/8X.375X5/16-18,ZAG	1
39	12013GT	SHIM,.375 X .063	1
40	14033GT	SCREW, HHC, 3/8-16 X 2.75	5



402.1 Platform Components, GS-1532 (to SN GS3016C-22616, GS3015A-141945)

Item	Part No.	Description	Qty.
1		Ref. Platform Control Box (refer to 407.1 or 408.1)	
2		Ref. Platform Control Box Mount Bracket (refer to 407.1 or 408.1)	
3	5224GT	SCREW,HHC,3/8-16 X 2	
4	6021GT	WASHER,LOCK,.375	
5	6002GT	NUT, LP NYLOCK, 5/16-18	
6	47222GT	WASHER, SHOULDER, NYLON	1
7	46260GT	FOOTPEDAL W/NON-SKID TAPE,GS**	1
7-	47166GT	BRACKET,FOOT PEDAL (does not include non-skid tape)	
7-	47225GT	TAPE,NON-SKID,DIE CUT,1.38X1.5	
8	96413GT	WLDMT,LOCKING ROLLER SUPPORT	1
9	39470GT	PIN, LOCK	1
10	39469GT	SPRING,COMPRESSION.485 X1.75**	1
11	41630GT	HOUSING, LOCK PIN	1
12	6097GT	WASHER,FLAT,USS,3/8",Y	
13	7713GT	NUT, LP NYLOCK, 3/8-16	
14A	84587GT	ROLLER BRACKET ASSY, GRND CNTR (ground controls side)	1
14B	96247GT	WELDMENT,ROLLER BRACKET,RT*** (decals not included, refer to section one)	1
15	21279GT	BUTTON, .800 O.D. X .281	3
16	47163GT	ROLLER,PLATFORM EXTENSION	4
17	97034GT	GS30 RIDGID MAIN SIDE SQ RAIL	2
18	39579GT	RIVET,STL,STL,.188 X .45	20
19	39310GT	WEAR/GUIDE PAD MAIN PLATFORM	4
20	39474GT	WEAR PAD,PLATFORM	2
21A	231105GT	PLAT MAIN DECK ASSY,1532 AU GS-1532 (Australia) (includes items 18, 19 & 20)	1
21A-	47231GT	TAPE,NON-SKID,DIE CUT,4"X 16"	
21A-	47098GT	TAPE,NON-SKID,DIE CUT,4"X 40"	
21B	231106GT	PLAT MAIN DECK ASSY,1532 CE GS-1532 (Europe) (includes items 18, 19, & 20)	1
21B-	47231GT	TAPE,NON-SKID,DIE CUT,4"X 16"	

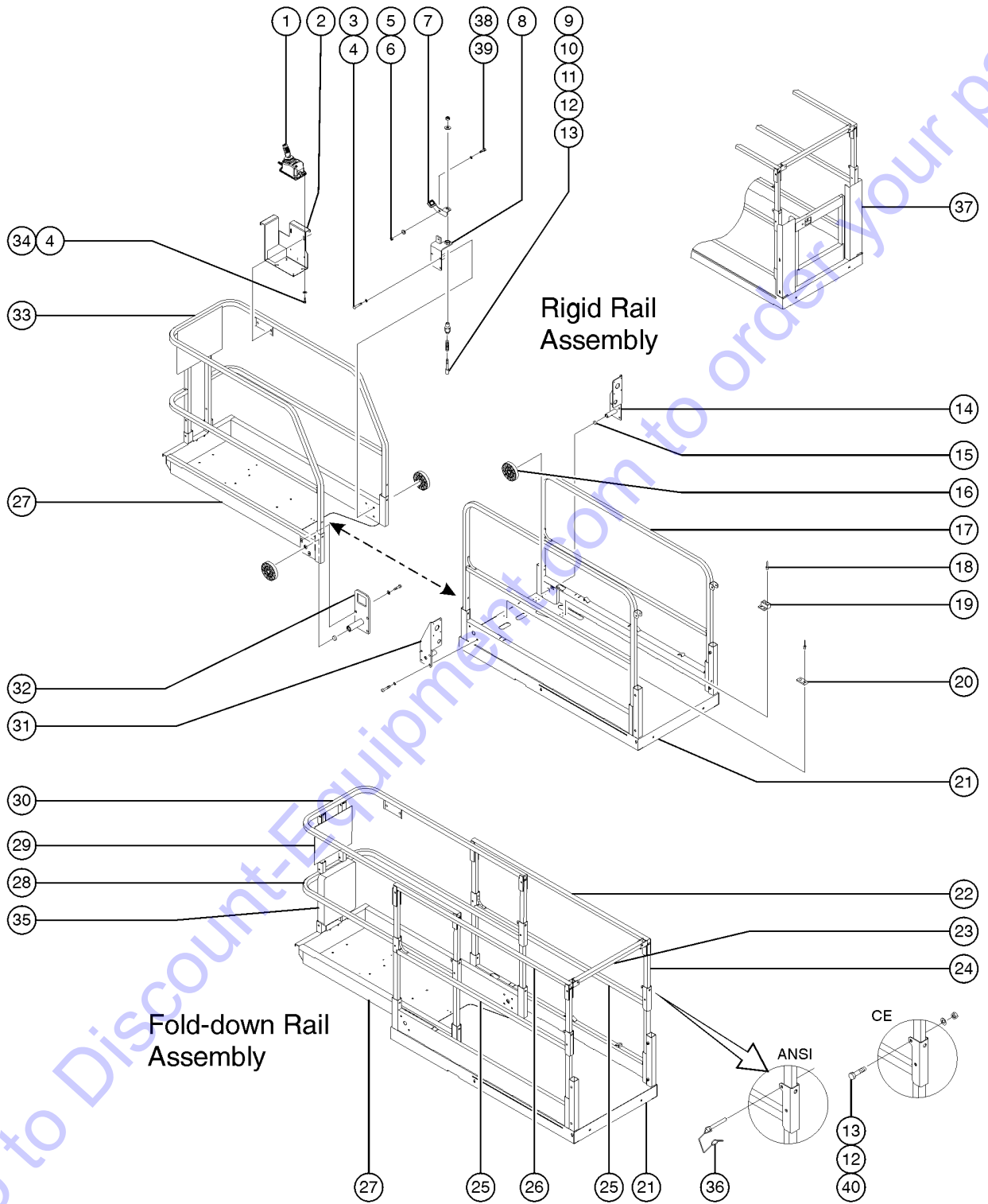




402.1 Platform Components, GS-1532 (to SN GS3016C-22616, GS3015A-141945)

Item	Part No.	Description	Qty.
21B-	47098GT	TAPE, NON-SKID, DIE CUT, 4" X 40"	
21C	1259719GT	WLDMNT, PLATFORM, MINI, GS30 (weldment only; decals not included, refer to section one)	1
22	66890-SGT	WLDMT, MAIN SIDERAIL, UPP, RT **	1
		(ground controls side)	
22-	78038GT	CAP, PLASTIC, 1.25 X 0.08"	
23	66886GT	ENTRY SWING TUBE	1
24	66485GT	TUBE, VERT, FOLDING	6
25	1274596GT	WELDMENT, FOLDING, SIDERAIL, MAIN	2
25-	78038GT	CAP, PLASTIC, 1.25 X 0.08"	
26	66889-SGT	WLDMT, MAIN SIDERAIL, UPPER, LFT	1
		(battery pack side)	
26-	78038GT	CAP, PLASTIC, 1.25 X 0.08"	
27A	97123GT	PLAT EXT DECK ASSY, GS30	1
27-	47374GT	TAPE, NON-SKID, DIE CUT, 4" X 32"	3
27-	39474GT	WEAR PAD, PLATFORM	1
27-	T113787GT	RIVET, ALUM, STL, .188 X .250	2
		for 39474	
27B	96335GT	WELDMENT, EXT PLATFORM	1
		(decals not included, refer to section one)	
28	96336GT	WLDMT, EXT DECK LWR RAIL	1
		(fold down)	
28-	78038GT	CAP, PLASTIC, 1.25 X 0.08"	
29A	231111GT	DECAL PLATE ASSY, GS30, ANSI	1
		(North America)	
29B	231610GT	DECAL PLATE ASSY, GS30, AUSTRAL	1
		(Australia)	
29C	84590GT	DECAL PLATE ASSY W/SYM DECALS	1
		(Asia, Europe and South America)	
29D	96849GT	WLDMT, DECAL PLATE, GS30/32	1
		(decals not included, refer to section one)	
30A	97213GT	EXT RAIL ASSY, UPPER, GS30	1
30-	78038GT	CAP, PLASTIC, 1.25 X 0.08"	
30B	96848GT	WELDMENT, EXT RAIL, UPPER***	1
		(decals not included, refer to section one)	
31	96246GT	WELDMENT, ROLLER BRACKET, LT***	1
32A	84586GT	LANYARD ROLLER BRKT ASSY W/DEC	1
32-	21279GT	BUTTON, .800 O.D. X .281	
32B	96200GT	WLDMT, LANYARD ROLLER BRKT	1
		(decals not included, refer to section one)	



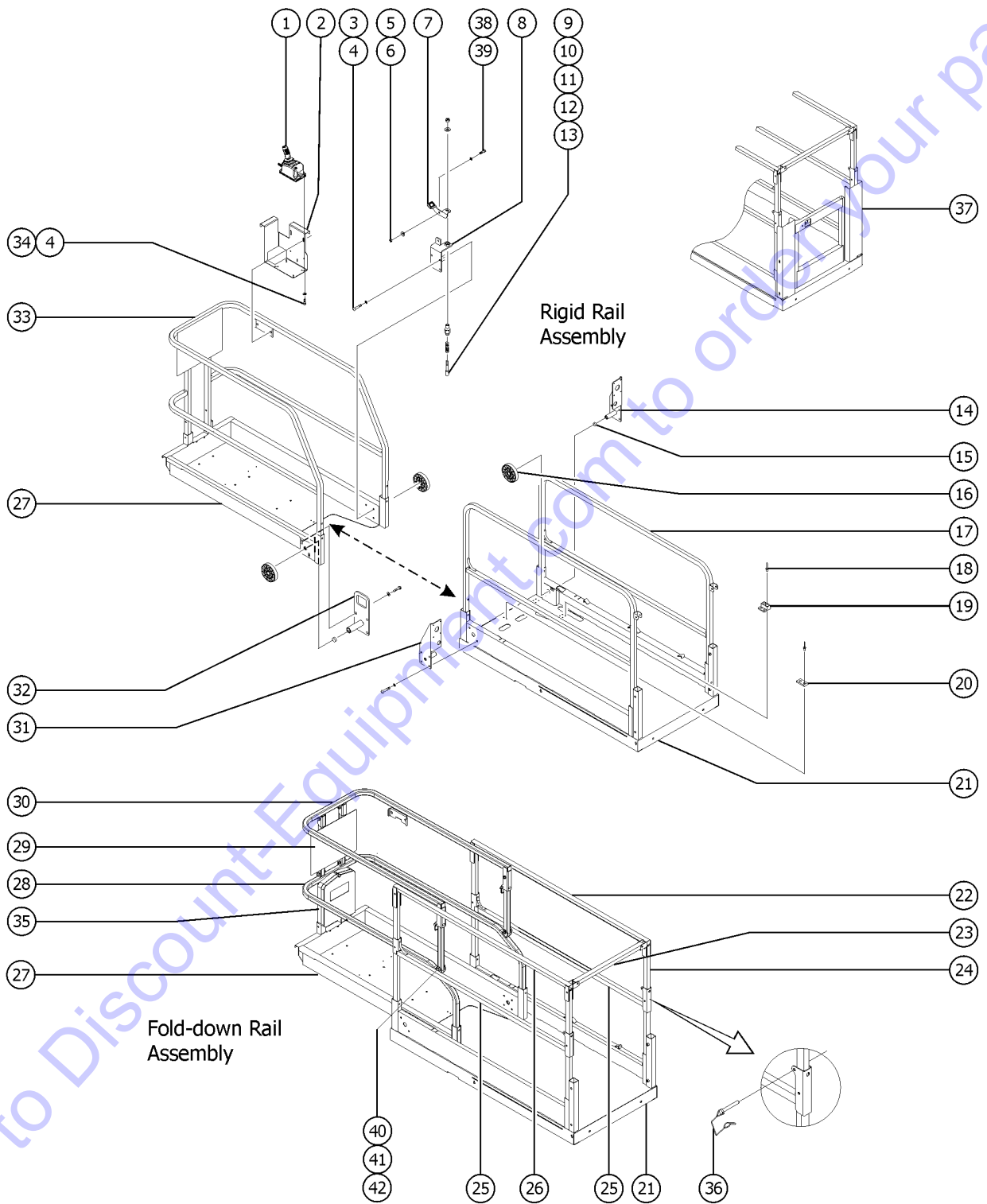


402.1 Platform Components, GS-1532 (to SN GS3016C-22616, GS3015A-141945)

Item	Part No.	Description	Qty.
33A	231112GT	FIXED RAILS ASSY,GS30,ANSI (North America)	1
33B	231611GT	FIXED RAILS ASSY,GS30,AUSTRAL (Australia)	1
33C	97132GT	FIXED RAILS ASSY, GS30 SYMBOL (Asia, Europe and South America)	
33D	96847GT	WELDMENT,EXT SIDERAIL*** (decals not included, refer to section one)	1
34	8255GT	SCREW,HHC,3/8-16 X .75	
35A	44743GT	MANUAL BOX W/DECALS*** USA/Canada/Australia	1
35B	24514GT	BOX,INSTRUCTION STORAGE Europe/Asia/South America (decal required; refer to Section100)	
36	66030GT	PIN, WIRE LOCK 3/8 X 2 -1/2	4
36-	78022GT	LANYARD,BLACK NYLON,TYPE 1*** (CE & Australia models)	
37		Ref. SWING GATE ASSEMBLY (refer to 405.1)	
38	1259223GT	BOLT,SHS,3/8X.375X5/16-18,ZAG	1
39	12013GT	SHIM,.375 X .063	1
40	14033GT	SCREW, HHC, 3/8-16 X 2.75	5

Go to Discount-Equipment.com to order your parts

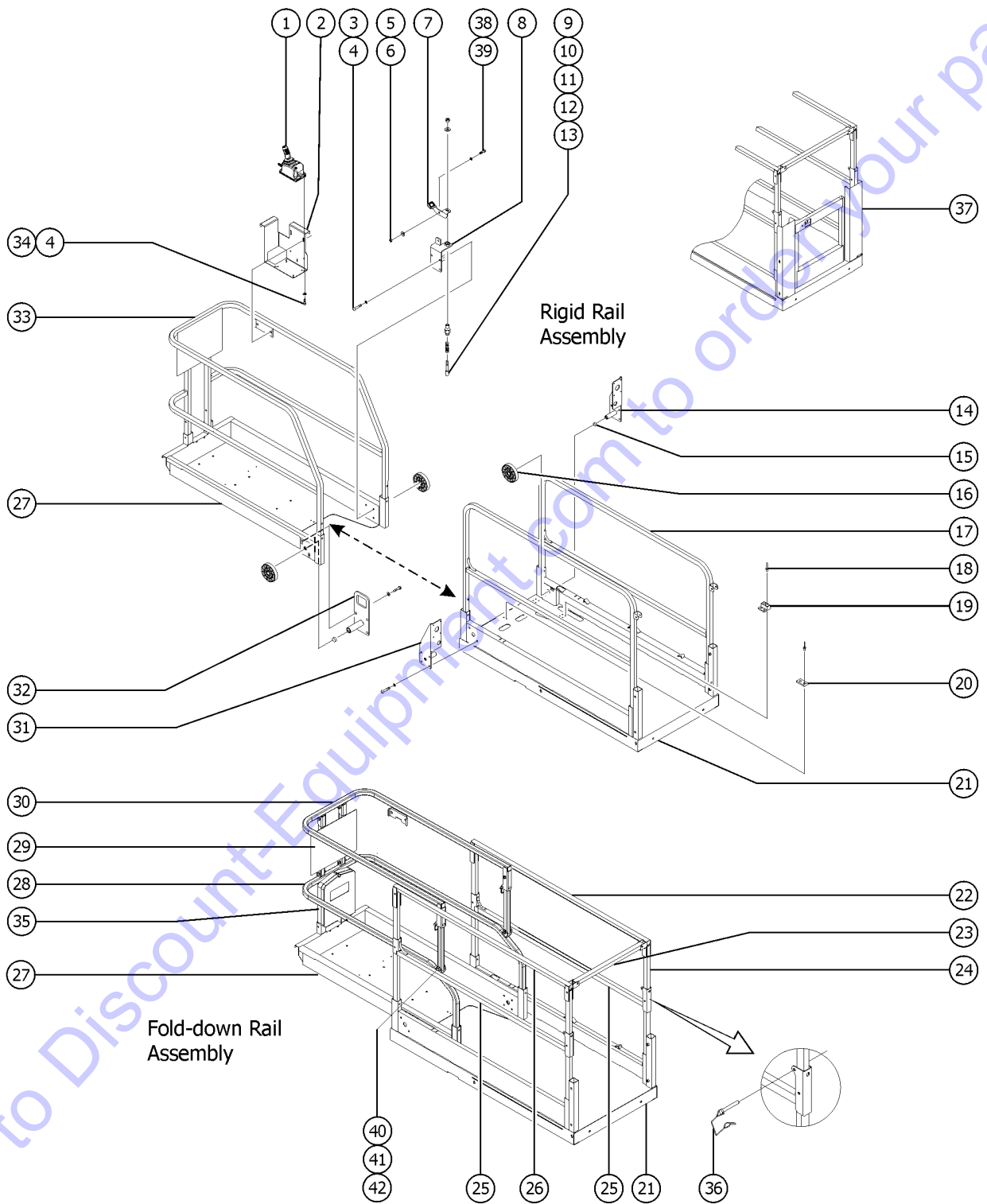




402.2 Platform Components, GS-1532 (from SN GS3016C-22617)

Item	Part No.	Description	Qty.
1		Ref. Platform Control Box (refer to 407.1 or 408.1)	
2		Ref. Platform Control Box Mount Bracket (refer to 407.1 or 408.1)	
3	5224GT	SCREW,HHC,3/8-16 X 2	
4	6021GT	WASHER,LOCK,.375	
5	6002GT	NUT, LP NYLOCK, 5/16-18	
6	47222GT	WASHER, SHOULDER, NYLON	1
7	46260GT	FOOTPEDAL W/NON-SKID TAPE,GS**	1
7-	47166GT	BRACKET,FOOT PEDAL (does not include non-skid tape)	
7-	47225GT	TAPE,NON-SKID,DIE CUT,1.38X1.5	
8	96413GT	WLDMT,LOCKING ROLLER SUPPORT	1
9	39470GT	PIN, LOCK	1
10	39469GT	SPRING,COMPRESSION.485 X1.75**	1
11	41630GT	HOUSING, LOCK PIN	1
12	6097GT	WASHER,FLAT,USS,3/8",Y	
13	7713GT	NUT, LP NYLOCK, 3/8-16	
14A	84587GT	ROLLER BRACKET ASSY, GRND CNTR (ground controls side)	1
14B	96247GT	WELDMENT,ROLLER BRACKET,RT*** (decals not included, refer to section one)	1
15	21279GT	BUTTON, .800 O.D. X .281	3
16	47163GT	ROLLER,PLATFORM EXTENSION	4
17	97034GT	GS30 RIDGID MAIN SIDE SQ RAIL	2
18	39579GT	RIVET,STL,STL,.188 X .45	20
19	39310GT	WEAR/GUIDE PAD MAIN PLATFORM	4
20	39474GT	WEAR PAD,PLATFORM	2
21A	231105GT	PLAT MAIN DECK ASSY,1532 AU GS-1532 (Australia) (includes items 18, 19 & 20)	1
21A-	47231GT	TAPE,NON-SKID,DIE CUT,4"X 16"	
21A-	47098GT	TAPE,NON-SKID,DIE CUT,4"X 40"	
21B	231106GT	PLAT MAIN DECK ASSY,1532 CE GS-1532 (Europe) (includes items 18, 19, & 20)	1
21B-	47231GT	TAPE,NON-SKID,DIE CUT,4"X 16"	

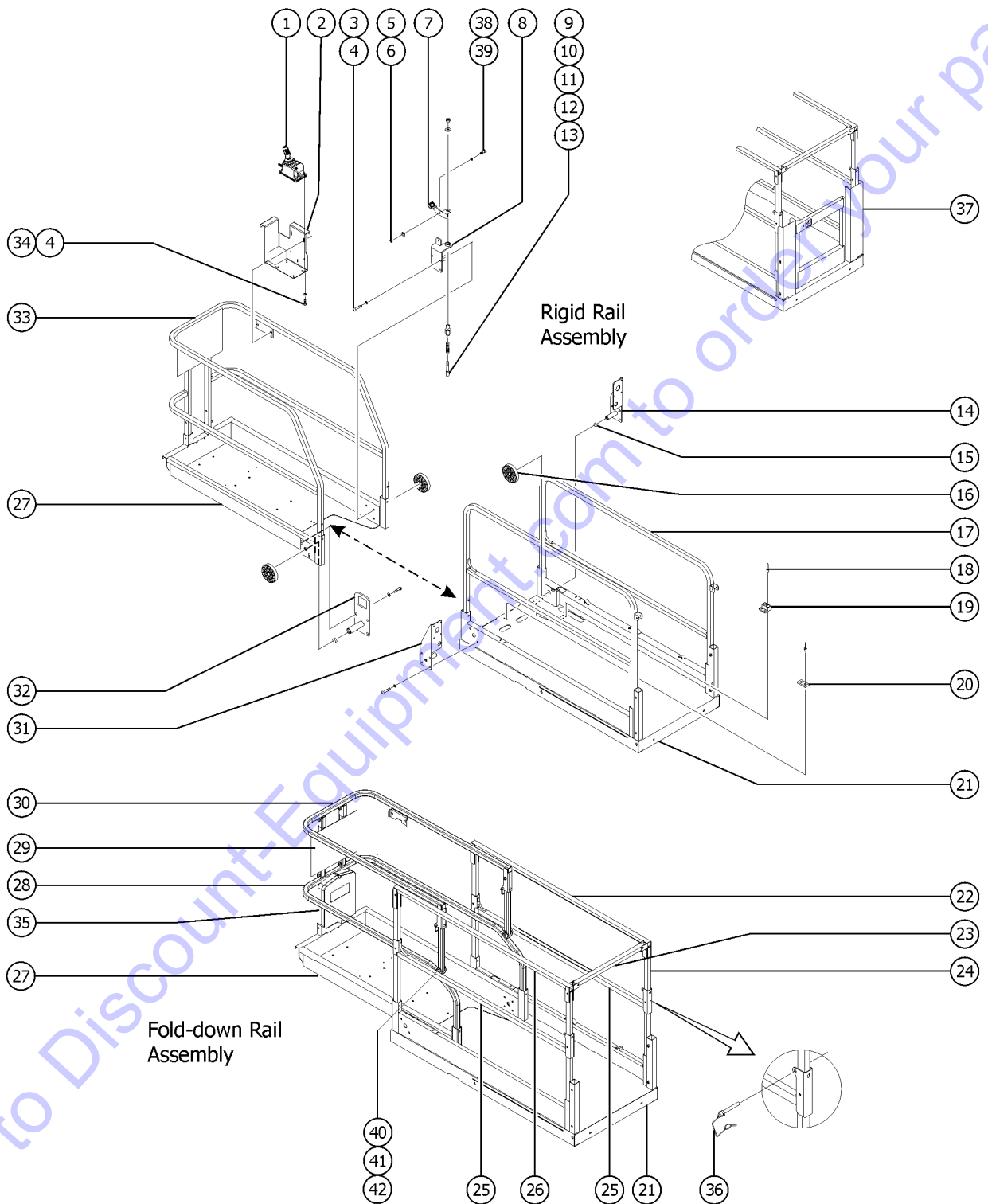




402.2 Platform Components, GS-1532 (from SN GS3016C-22617)

Item	Part No.	Description	Qty.
21B-	47098GT	TAPE, NON-SKID, DIE CUT, 4" X 40"	
21C	1259719GT	WLDMNT, PLATFORM, MINI, GS30 (weldment only; decals not included, refer to section one)	1
22	66890-SGT	WLDMT, MAIN SIDERAIL, UPP, RT **	1
		(ground controls side)	
22-	78038GT	CAP, PLASTIC, 1.25 X 0.08"	
23	66886GT	ENTRY SWING TUBE	1
24	66485GT	TUBE, VERT, FOLDING	6
25	1274596GT	WELDMENT, FOLDING, SIDERAIL, MAIN	2
25-	78038GT	CAP, PLASTIC, 1.25 X 0.08"	
26	66889-SGT	WLDMT, MAIN SIDERAIL, UPPER, LFT	1
		(battery pack side)	
26-	78038GT	CAP, PLASTIC, 1.25 X 0.08"	
27A	97123GT	PLAT EXT DECK ASSY, GS30	1
27-	47374GT	TAPE, NON-SKID, DIE CUT, 4" X 32"	3
27-	39474GT	WEAR PAD, PLATFORM	1
27-	T113787GT	RIVET, ALUM, STL, .188 X .250	2
		for 39474	
27B	96335GT	WELDMENT, EXT PLATFORM	1
		(decals not included, refer to section one)	
28	1274595GT	WELDMENT, EXTENSION DECK RAIL, LOWER	1
		(fold down)	
28-	78038GT	CAP, PLASTIC, 1.25 X 0.08"	
29A	231111GT	DECAL PLATE ASSY, GS30, ANSI	1
		(North America)	
29B	231610GT	DECAL PLATE ASSY, GS30, AUSTRAL	1
		(Australia)	
29C	84590GT	DECAL PLATE ASSY W/SYM DECALS	1
		(Asia, Europe and South America)	
29D	96849GT	WLDMT, DECAL PLATE, GS30/32	1
		(decals not included, refer to section one)	
30	1274594GT	WELDMENT, EXTENSION DECK RAIL, UPPER	1
30-	78038GT	CAP, PLASTIC, 1.25 X 0.08"	
31	96246GT	WELDMENT, ROLLER BRACKET, LT***	1
32A	84586GT	LANYARD ROLLER BRKT ASSY W/DEC	1
32-	21279GT	BUTTON, .800 O.D. X .281	
32B	96200GT	WLDMT, LANYARD ROLLER BRKT	1
		(decals not included, refer to section one)	
33A	231112GT	FIXED RAILS ASSY, GS30, ANSI	1
		(North America)	



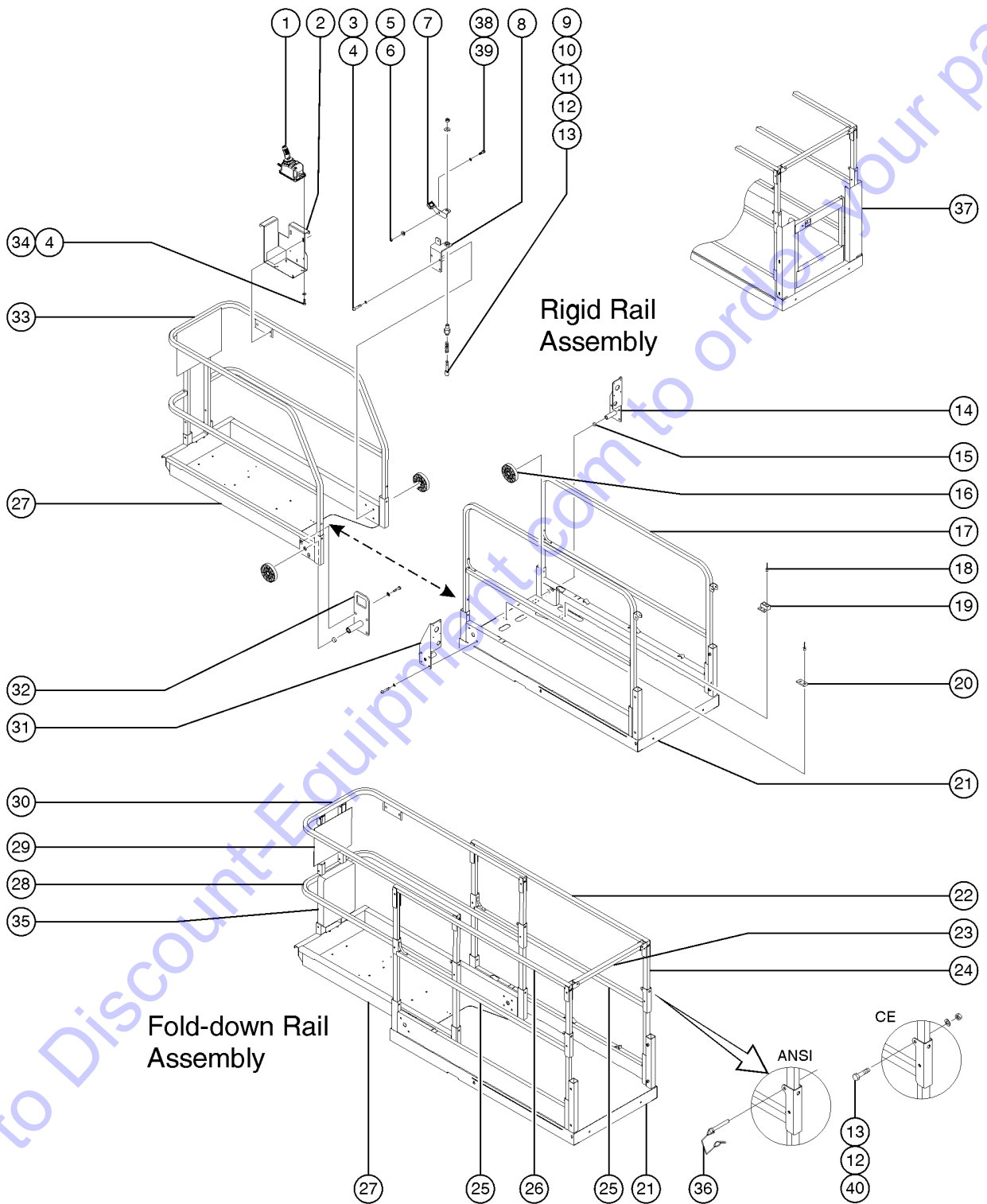


402.2 Platform Components, GS-1532 (from SN GS3016C-22617)

Item	Part No.	Description	Qty.
33B	231611GT	FIXED RAILS ASSY,GS30,AUSTRAL (Australia)	1
33C	97132GT	FIXED RAILS ASSY, GS30 SYMBOL (Asia, Europe and South America)	1
33D	96847GT	WELDMENT,EXT SIDERAIL*** (decals not included, refer to section one)	1
34	8255GT	SCREW,HHC,3/8-16 X .75	1
35A	44743GT	MANUAL BOX W/DECALS*** USA/Canada/Australia	1
35B	24514GT	BOX,INSTRUCTION STORAGE Europe/Asia/South America (decal required; refer to Section100)	1
36	66030GT	PIN, WIRE LOCK 3/8 X 2 -1/2	5
36-	78022GT	LANYARD,BLACK NYLON,TYPE 1*** (CE & Australia models)	1
37		Ref. SWING GATE ASSEMBLY (refer to 405.1)	1
38	1259223GT	BOLT,SHS,3/8X.375X5/16-18,ZAG	1
39	12013GT	SHIM,.375 X .063	1
40	824029GT	NUT,TL FLG,3/8-16,G,ZAG	2
41	1260926GT	BOLT,CARRIAGE,3/8-16X2.25,5,ZAG	2
42	1277860GT	GLIDE BUTTON, FOLDING RAILS	2

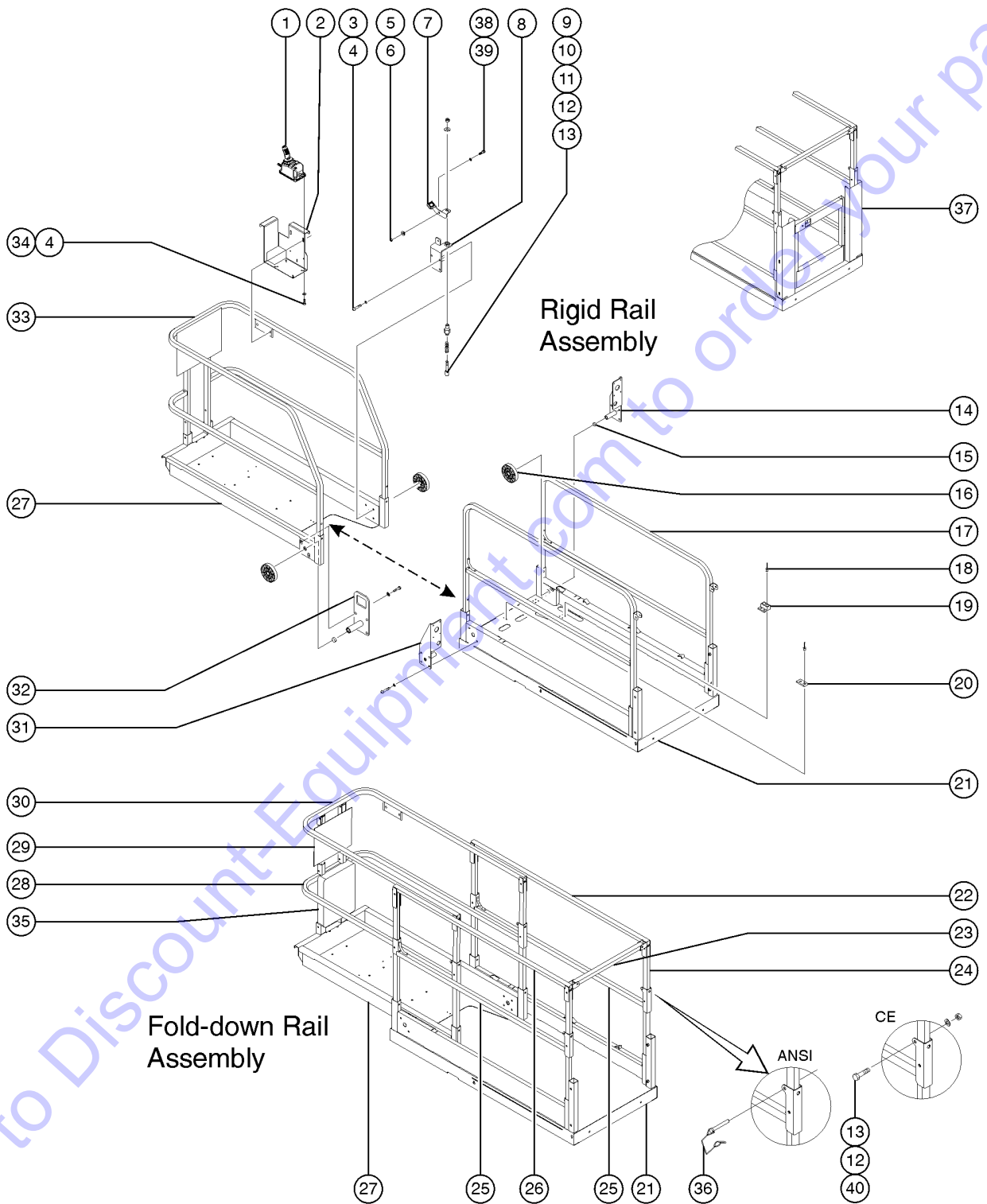
Go to Discount-Equipment.com to order your parts





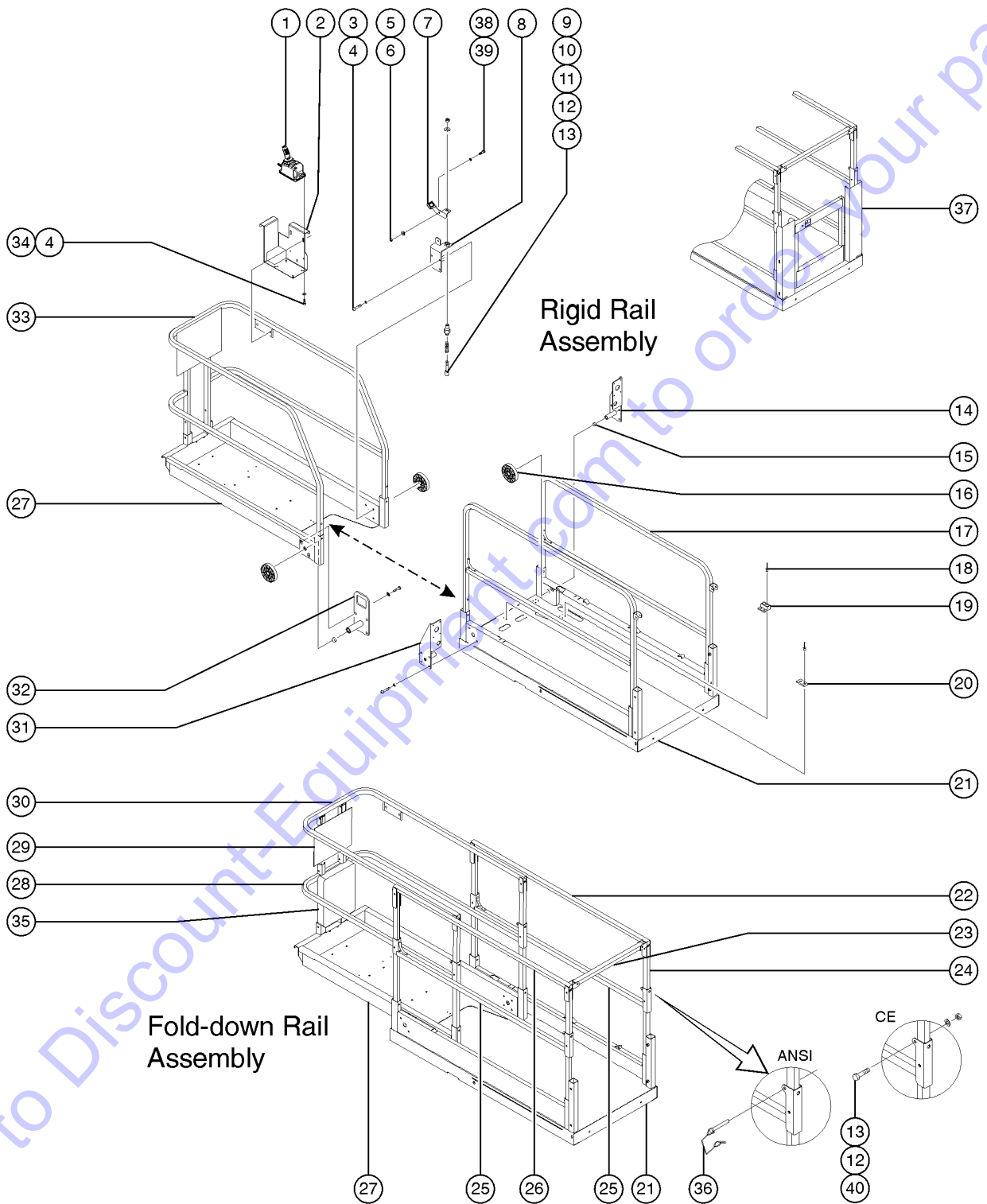
Item	Part No.	Description	Qty.
1		Ref. Platform Control Box (refer to 407.1 or 408.1)	
2		Ref. Platform Control Box Mount Bracket (refer to 407.1 or 408.1)	
3	5224GT	SCREW,HHC,3/8-16 X 2	
4	6021GT	WASHER,LOCK,.375	
5	6002GT	NUT, LP NYLOCK, 5/16-18	
6	47222GT	WASHER, SHOULDER, NYLON	1
7	46260GT	FOOTPEDAL W/NON-SKID TAPE,GS**	1
7-	47166GT	BRACKET,FOOT PEDAL (does not include non-skid tape)	
7-	47225GT	TAPE,NON-SKID,DIE CUT,1.38X1.5	
8	96413GT	WLDMT,LOCKING ROLLER SUPPORT	1
9	39470GT	PIN, LOCK	1
10	39469GT	SPRING,COMPRESSION.485 X1.75**	1
11	41630GT	HOUSING, LOCK PIN	1
12	6097GT	WASHER,FLAT,USS,3/8",Y	
13	7713GT	NUT, LP NYLOCK, 3/8-16	
14A	84587GT	ROLLER BRACKET ASSY, GRND CNTR (ground controls side)	1
14B	96247GT	WELDMENT,ROLLER BRACKET,RT*** (decals not included, refer to section one)	1
15	21279GT	BUTTON, .800 O.D. X .281	3
16	47163GT	ROLLER,PLATFORM EXTENSION	4
17	97034GT	GS30 RIDGID MAIN SIDE SQ RAIL	2
18	39579GT	RIVET,STL,STL,.188 X .45	20
19	39310GT	WEAR/GUIDE PAD MAIN PLATFORM	4
20	39474GT	WEAR PAD,PLATFORM	2
21A	97119GT	PLAT MAIN DECK ASSY,1930 ANSI GS-1930 (North America) (includes items 18, 19 & 20)	1
21A-	47231GT	TAPE,NON-SKID,DIE CUT,4"X 16"	
21A-	47098GT	TAPE,NON-SKID,DIE CUT,4"X 40"	
21B	231107GT	PLAT MAIN DECK ASSY,1930 AU GS-1930 (Australia) (includes items 18, 19 & 20)	1
21B-	47231GT	TAPE,NON-SKID,DIE CUT,4"X 16"	





Item	Part No.	Description	Qty.
21B-	47098GT	TAPE, NON-SKID, DIE CUT, 4" X 40"	
21C	97122GT	PLAT MAIN DECK ASSY, 1930 SMBL GS-1930 (Asia and South America) (includes items 18, 19 & 20)	1
21C-	47231GT	TAPE, NON-SKID, DIE CUT, 4" X 16"	
21C-	47098GT	TAPE, NON-SKID, DIE CUT, 4" X 40"	
21D	231108GT	PLAT MAIN DECK ASSY, 1930 CE GS-1930 (Europe) (includes items 18, 19, & 20)	1
21D-	47231GT	TAPE, NON-SKID, DIE CUT, 4" X 16"	
21D-	47098GT	TAPE, NON-SKID, DIE CUT, 4" X 40"	
21E	1259719GT	WLDMNT, PLATFORM, MINI, GS30 replaced 96275 from SN 110000 (weldment only; decals not included, refer to section one)	1
22	66890-SGT	WLDMT, MAIN SIDERAIL, UPP, RT ** (ground controls side)	1
22-	78038GT	CAP, PLASTIC, 1.25 X 0.08"	
23	66886GT	ENTRY SWING TUBE	1
24	66485GT	TUBE, VERT, FOLDING	6
25	97041GT	MAIN RAIL, FOLDING, GS30	2
25-	78038GT	CAP, PLASTIC, 1.25 X 0.08"	
26	66889-SGT	WLDMT, MAIN SIDERAIL, UPPER, LFT (battery pack side)	1
26-	78038GT	CAP, PLASTIC, 1.25 X 0.08"	
27A	97123GT	PLAT EXT DECK ASSY, GS30	1
27-	47374GT	TAPE, NON-SKID, DIE CUT, 4" X 32"	3
27-	39474GT	WEAR PAD, PLATFORM	1
27-	T113787GT	RIVET, ALUM, STL, .188 X .250 for 39474	2
27B	96335GT	WELDMENT, EXT PLATFORM (decals not included, refer to section one)	1
28	96336GT	WLDMT, EXT DECK LWR RAIL (fold down)	1
28-	78038GT	CAP, PLASTIC, 1.25 X 0.08"	
29A	231111GT	DECAL PLATE ASSY, GS30, ANSI (North America)	1
29B	231610GT	DECAL PLATE ASSY, GS30, AUSTRAL	1
29C	84590GT	DECAL PLATE ASSY W/SYM DECALS	1
29D	96849GT	WLDMT, DECAL PLATE, GS30/32 (decals not included, refer to section one)	1
30A	97213GT	EXT RAIL ASSY, UPPER, GS30	1

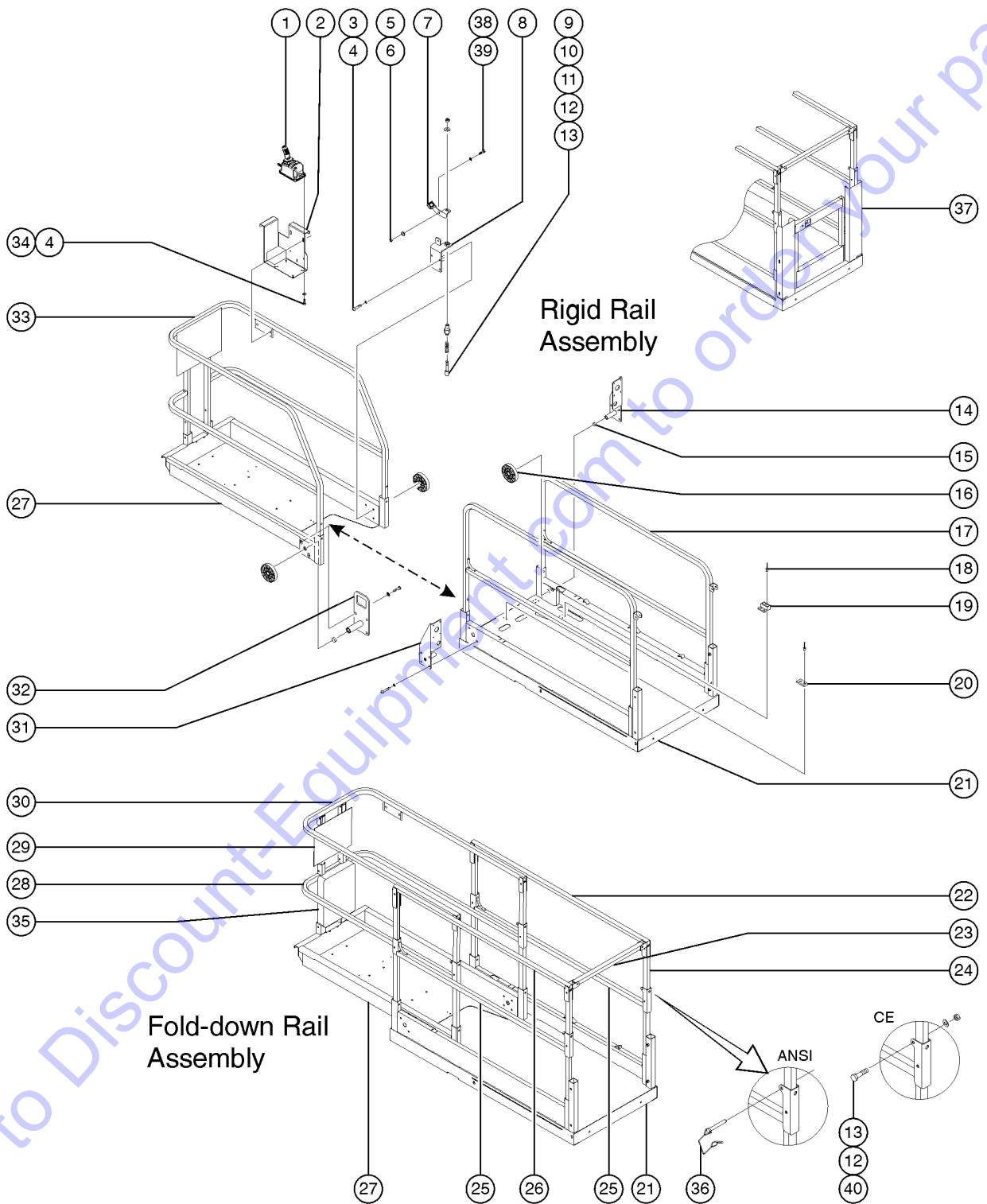




Item	Part No.	Description	Qty.
30-	78038GT	CAP, PLASTIC, 1.25 X 0.08"	
30B	96848GT	WELDMENT,EXT RAIL,UPPER*** (decals not included, refer to section one)	1
31	96246GT	WELDMENT,ROLLER BRACKET,LT***	1
32A	84586GT	LANYARD ROLLER BRKT ASSY W/DEC	1
32-	21279GT	BUTTON, .800 O.D. X .281	
32B	96200GT	WLDMT, LANYARD ROLLER BRKT (decals not included, refer to section one)	1
33A	231112GT	FIXED RAILS ASSY,GS30,ANSI	1
		(North America)	
33B	231611GT	FIXED RAILS ASSY,GS30,AUSTRAL	1
33C	97132GT	FIXED RAILS ASSY, GS30 SYMBOL	1
33D	96847GT	WELDMENT,EXT SIDERAIL*** (decals not included, refer to section one)	1
34	8255GT	SCREW,HHC,3/8-16 X .75	
35A	44743GT	MANUAL BOX W/DECALS*** USA/Canada/Australia	1
35B	24514GT	BOX,INSTRUCTION STORAGE Europe/Asia/South America (decal required; refer to Section100)	
36	66030GT	PIN, WIRE LOCK 3/8 X 2 -1/2	4
36-	78022GT	LANYARD,BLACK NYLON,TYPE 1*** (CE & Australia models)	
37		Ref. SWING GATE ASSEMBLY	
		(refer to 405.1)	
38	1259223GT	BOLT,SHS,3/8X.375X5/16-18,ZAG	1
39	12013GT	SHIM,.375 X .063	1
40	14033GT	SCREW, HHC, 3/8-16 X 2.75	5



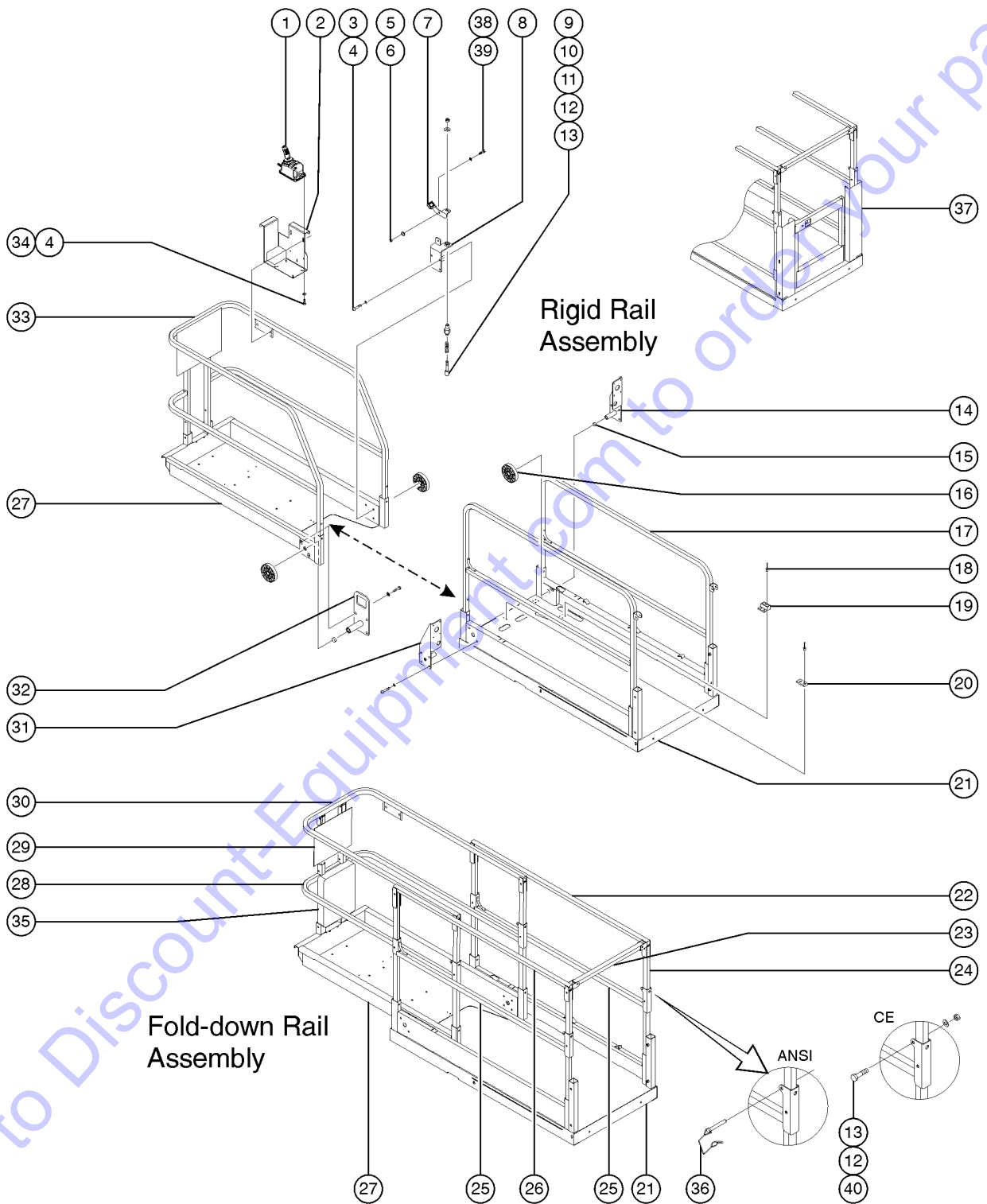
404.1 Platform Components, GS-1932 (to SN GS3016C-22616, GS3015A-141945)



404.1 Platform Components, GS-1932 (to SN GS3016C-22616, GS3015A-141945)

Item	Part No.	Description	Qty.
1		Ref. Platform Control Box (refer to 407.1 or 408.1)	
2		Ref. Platform Control Box Mount Bracket (refer to 407.1 or 408.1)	
3	5224GT	SCREW,HHC,3/8-16 X 2	
4	6021GT	WASHER,LOCK,.375	
5	6002GT	NUT, LP NYLOCK, 5/16-18	
6	47222GT	WASHER, SHOULDER, NYLON	1
7	46260GT	FOOTPEDAL W/NON-SKID TAPE,GS**	1
7-	47166GT	BRACKET,FOOT PEDAL (does not include non-skid tape)	
7-	47225GT	TAPE,NON-SKID,DIE CUT,1.38X1.5	
8	96413GT	WLDMT,LOCKING ROLLER SUPPORT	1
9	39470GT	PIN, LOCK	1
10	39469GT	SPRING,COMPRESSION.485 X1.75**	1
11	41630GT	HOUSING, LOCK PIN	1
12	6097GT	WASHER,FLAT,USS,3/8",Y	
13	7713GT	NUT, LP NYLOCK, 3/8-16	
14A	84587GT	ROLLER BRACKET ASSY, GRND CNTR (ground controls side)	1
14B	96247GT	WELDMENT,ROLLER BRACKET,RT*** (decals not included, refer to section one)	1
15	21279GT	BUTTON, .800 O.D. X .281	3
16	47163GT	ROLLER,PLATFORM EXTENSION	4
17	97034GT	GS30 RIDGID MAIN SIDE SQ RAIL	2
18	39579GT	RIVET,STL,STL,.188 X .45	20
19	39310GT	WEAR/GUIDE PAD MAIN PLATFORM	4
20	39474GT	WEAR PAD,PLATFORM	2
21A	231109GT	PLAT MAIN DECK ASSY,1932 AU GS-1932 (Australia) (includes items 18, 19 & 20)	1
21A-	47098GT	TAPE,NON-SKID,DIE CUT,4"X 40"	4
21A-	47231GT	TAPE,NON-SKID,DIE CUT,4"X 16"	2
21B	231110GT	PLAT MAIN DECK ASSY,1932 CE GS-1932 (Europe) (includes items 18, 19 & 20)	1
21B-	47098GT	TAPE,NON-SKID,DIE CUT,4"X 40"	4

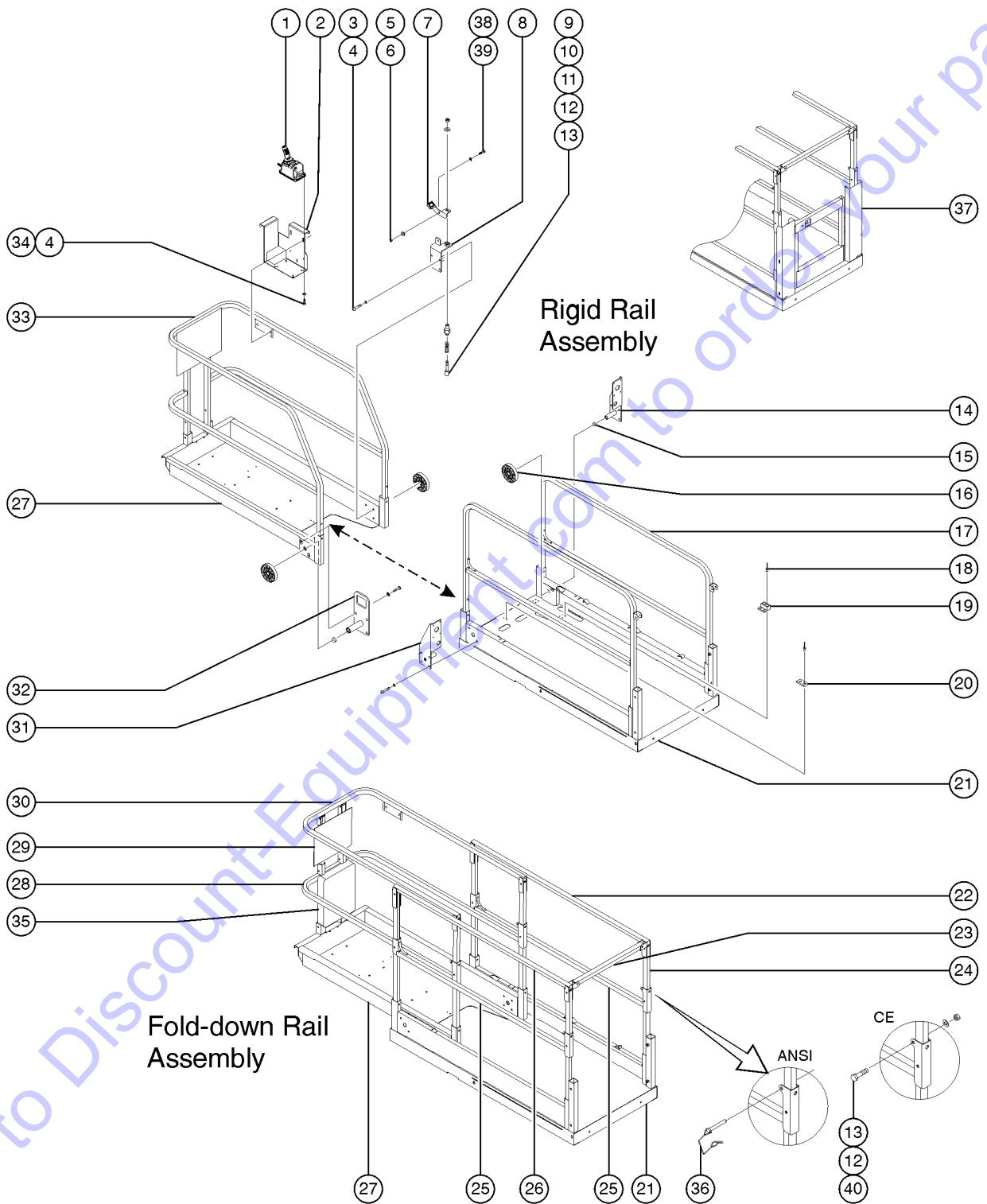




404.1 Platform Components, GS-1932 (to SN GS3016C-22616, GS3015A-141945)

Item	Part No.	Description	Qty.
21B-	47231GT	TAPE,NON-SKID,DIE CUT,4"X 16"	2
21C	96275GT	WELDMENT, PLATFORM, MAIN to SN 109999 (weldment only, decals not included, refer to section one)	
21D	1259719GT	WELDMNT,PLATFORM, MINI, GS30 from SN 110000 (weldment only, decals not included, refer to section one)	
22	66890-SGT	WLDMT, MAIN SIDERAIL,UPP,RT ** (ground controls side)	1
22-	78038GT	CAP, PLASTIC, 1.25 X 0.08"	
23	66886GT	ENTRY SWING TUBE	1
24	66485GT	TUBE, VERT, FOLDING	6
25	97041GT	MAIN RAIL, FOLDING, GS30	2
25-	78038GT	CAP, PLASTIC, 1.25 X 0.08"	
26	66889-SGT	WLDMT, MAIN SIDERAIL,UPPER,LFT (battery pack side)	1
26-	78038GT	CAP, PLASTIC, 1.25 X 0.08"	
27A	97123GT	PLAT EXT DECK ASSY,GS30	1
27-	47374GT	TAPE,NON-SKID,DIE CUT,4"X 32"	3
27-	39474GT	WEAR PAD,PLATFORM	1
27-	T113787GT	RIVET,ALUM,STL,.188 X .250 for 39474	2
27B	96335GT	WELDMENT, EXT PLATFORM (decals not included, refer to section one)	1
28	96336GT	WLDMT, EXT DECK LWR RAIL (fold down)	1
28-	78038GT	CAP, PLASTIC, 1.25 X 0.08"	
29A	231111GT	DECAL PLATE ASSY,GS30,ANSI (North America)	1
29B	231610GT	DECAL PLATE ASSY,GS30,AUSTRAL (Australia)	1
29C	84590GT	DECAL PLATE ASSY W/SYM DECALS (Asia, Europe and South America)	1
29D	96849GT	WLDMT,DECAL PLATE, GS30/32 (decals not included, refer to section one)	1
30A	97213GT	EXT RAIL ASSY, UPPER, GS30	1
30-	78038GT	CAP, PLASTIC, 1.25 X 0.08"	
30B	96848GT	WELDMENT,EXT RAIL,UPPER*** (decals not included, refer to section one)	1
31	96246GT	WELDMENT,ROLLER BRACKET,LT***	1
32A	84586GT	LANYARD ROLLER BRKT ASSY W/DEC	1
32-	21279GT	BUTTON, .800 O.D. X .281	



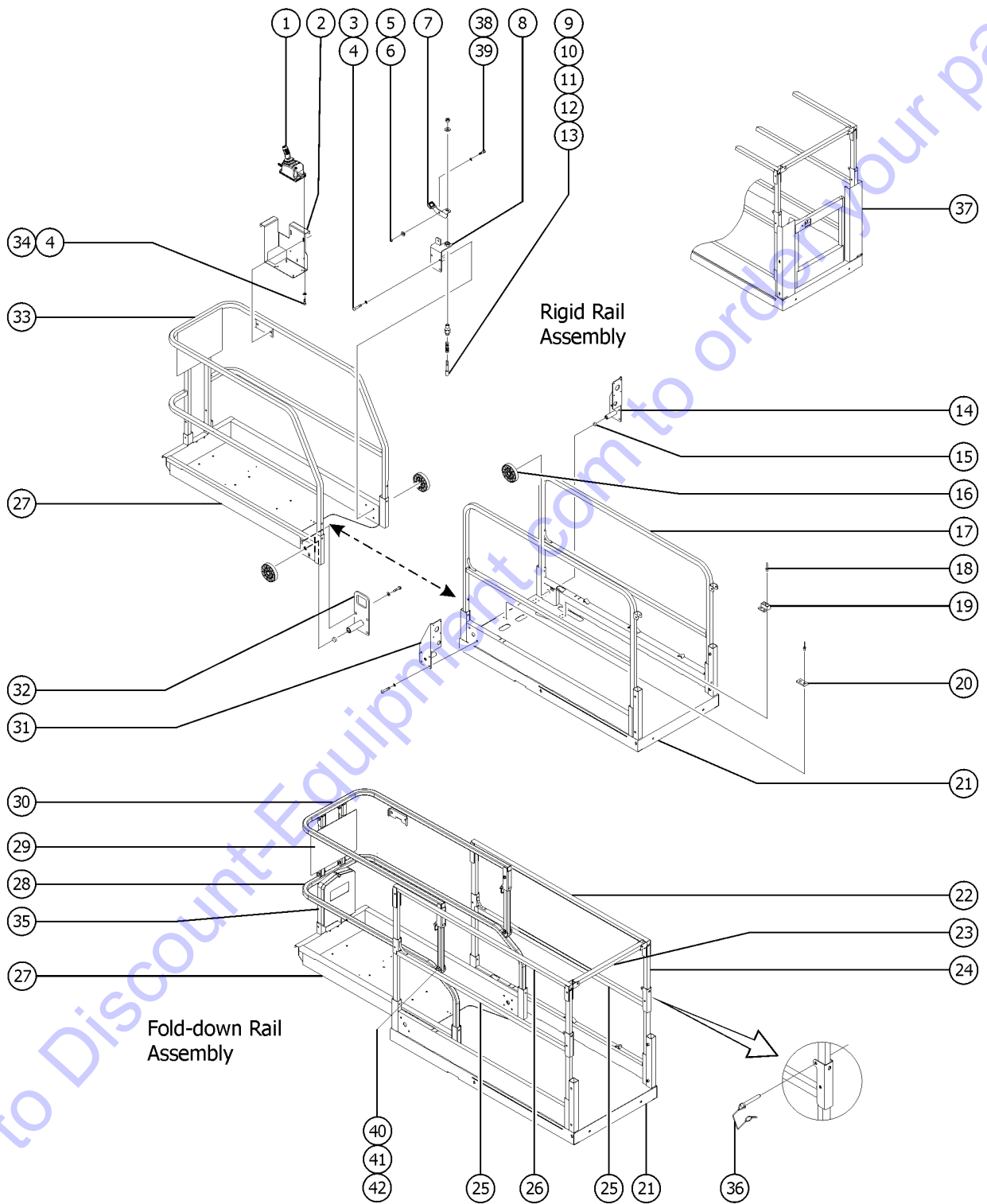


404.1 Platform Components, GS-1932 (to SN GS3016C-22616, GS3015A-141945)

Item	Part No.	Description	Qty.
32B	96200GT	WLDMT, LANYARD ROLLER BRKT (decals not included, refer to section one)	1
33A	231112GT	FIXED RAILS ASSY,GS30,ANSI (North America)	1
33B	231611GT	FIXED RAILS ASSY,GS30,AUSTRAL (Australia)	1
33C	97132GT	FIXED RAILS ASSY, GS30 SYMBOL (Asia, Europe and South America)	1
33D	96847GT	WELDMNT,EXT SIDERAIL*** (decals not included, refer to section one)	1
34	8255GT	SCREW,HHC,3/8-16 X .75	
35A	44743GT	MANUAL BOX W/DECALS*** USA/Canada/Australia	1
35B	24514GT	BOX,INSTRUCTION STORAGE Europe/Asia/South America (decals required; refer to Section100)	
36	66030GT	PIN, WIRE LOCK 3/8 X 2 -1/2	4
36-	78022GT	LANYARD,BLACK NYLON,TYPE 1*** (CE & Australia models)	
37		Ref. SWING GATE ASSEMBLY (refer to 405.1)	
38	1259223GT	BOLT,SHS,3/8X.375X5/16-18,ZAG	1
39	12013GT	SHIM,.375 X .063	1
40	14033GT	SCREW, HHC, 3/8-16 X 2.75	5

Go to Discount-Equipment.com to order your parts

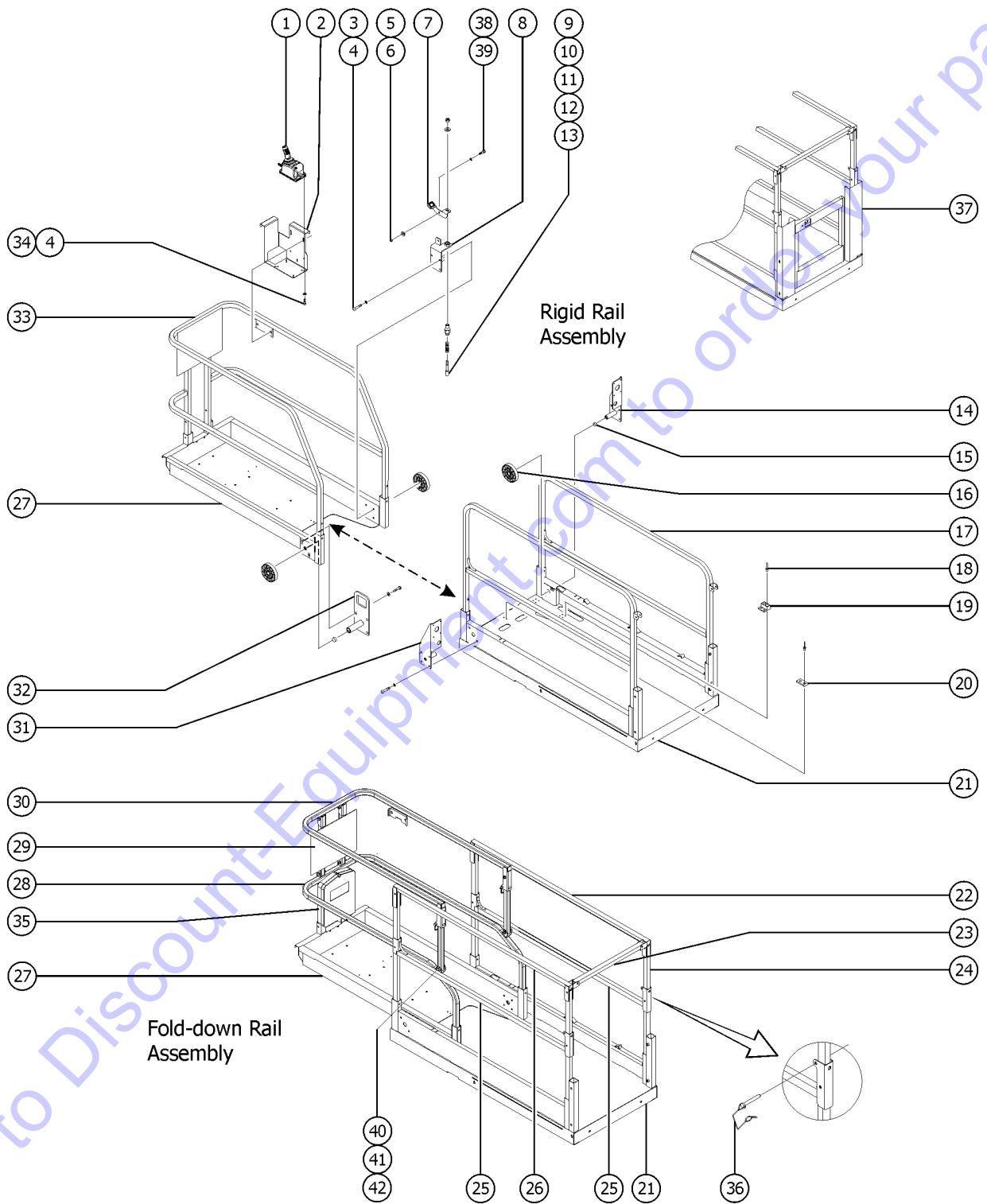




404.2 Platform Components, GS-1932 (from SN GS3016C-22617)

Item	Part No.	Description	Qty.
1		Ref. Platform Control Box (refer to 407.1 or 408.1)	
2		Ref. Platform Control Box Mount Bracket (refer to 407.1 or 408.1)	
3	5224GT	SCREW,HHC,3/8-16 X 2	
4	6021GT	WASHER,LOCK,.375	
5	6002GT	NUT, LP NYLOCK, 5/16-18	
6	47222GT	WASHER, SHOULDER, NYLON	1
7	46260GT	FOOTPEDAL W/NON-SKID TAPE,GS**	1
7-	47166GT	BRACKET,FOOT PEDAL (does not include non-skid tape)	
7-	47225GT	TAPE,NON-SKID,DIE CUT,1.38X1.5	
8	96413GT	WLDMT,LOCKING ROLLER SUPPORT	1
9	39470GT	PIN, LOCK	1
10	39469GT	SPRING,COMPRESSION.485 X1.75**	1
11	41630GT	HOUSING, LOCK PIN	1
12	6097GT	WASHER,FLAT,USS,3/8",Y	
13	7713GT	NUT, LP NYLOCK, 3/8-16	
14A	84587GT	ROLLER BRACKET ASSY, GRND CNTR (ground controls side)	1
14B	96247GT	WELDMENT,ROLLER BRACKET,RT*** (decals not included, refer to section one)	1
15	21279GT	BUTTON, .800 O.D. X .281	3
16	47163GT	ROLLER,PLATFORM EXTENSION	4
17	97034GT	GS30 RIDGID MAIN SIDE SQ RAIL	2
18	39579GT	RIVET,STL,STL,.188 X .45	20
19	39310GT	WEAR/GUIDE PAD MAIN PLATFORM	4
20	39474GT	WEAR PAD,PLATFORM	2
21A	231105GT	PLAT MAIN DECK ASSY,1532 AU GS-1532 (Australia) (includes items 18, 19 & 20)	1
21A-	47231GT	TAPE,NON-SKID,DIE CUT,4"X 16"	
21A-	47098GT	TAPE,NON-SKID,DIE CUT,4"X 40"	
21B	231106GT	PLAT MAIN DECK ASSY,1532 CE GS-1532 (Europe) (includes items 18, 19, & 20)	1
21B-	47231GT	TAPE,NON-SKID,DIE CUT,4"X 16"	

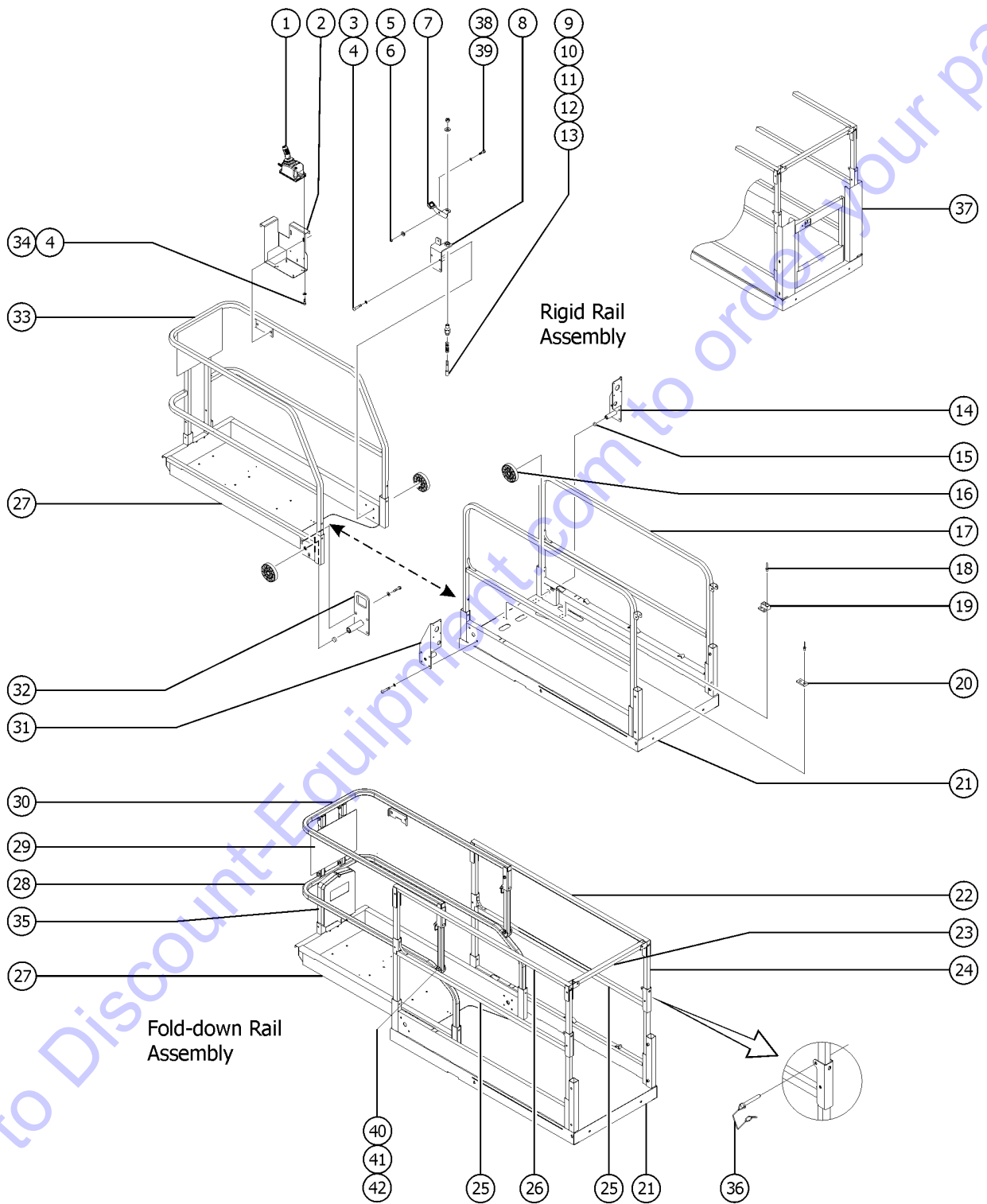




404.2 Platform Components, GS-1932 (from SN GS3016C-22617)

Item	Part No.	Description	Qty.
21B-	47098GT	TAPE, NON-SKID, DIE CUT, 4" X 40"	
21C	1259719GT	WLDMNT, PLATFORM, MINI, GS30 (weldment only; decals not included, refer to section one)	1
22	66890-SGT	WLDMT, MAIN SIDERAIL, UPP, RT **	1
		(ground controls side)	
22-	78038GT	CAP, PLASTIC, 1.25 X 0.08"	
23	66886GT	ENTRY SWING TUBE	1
24	66485GT	TUBE, VERT, FOLDING	6
25	1274596GT	WELDMENT, FOLDING, SIDERAIL, MAIN	2
25-	78038GT	CAP, PLASTIC, 1.25 X 0.08"	
26	66889-SGT	WLDMT, MAIN SIDERAIL, UPPER, LFT	1
		(battery pack side)	
26-	78038GT	CAP, PLASTIC, 1.25 X 0.08"	
27A	97123GT	PLAT EXT DECK ASSY, GS30	1
27-	47374GT	TAPE, NON-SKID, DIE CUT, 4" X 32"	3
27-	39474GT	WEAR PAD, PLATFORM	1
27-	T113787GT	RIVET, ALUM, STL, .188 X .250	2
		for 39474	
27B	96335GT	WELDMENT, EXT PLATFORM	1
		(decals not included, refer to section one)	
28	1274595GT	WELDMENT, EXTENSION DECK RAIL, LOWER	1
		(fold down)	
28-	78038GT	CAP, PLASTIC, 1.25 X 0.08"	
29A	231111GT	DECAL PLATE ASSY, GS30, ANSI	1
		(North America)	
29B	231610GT	DECAL PLATE ASSY, GS30, AUSTRAL	1
		(Australia)	
29C	84590GT	DECAL PLATE ASSY W/SYM DECALS	1
		(Asia, Europe and South America)	
29D	96849GT	WLDMT, DECAL PLATE, GS30/32	1
		(decals not included, refer to section one)	
30	1274594GT	WELDMENT, EXTENSION DECK RAIL, UPPER	1
30-	78038GT	CAP, PLASTIC, 1.25 X 0.08"	
31	96246GT	WELDMENT, ROLLER BRACKET, LT***	1
32A	84586GT	LANYARD ROLLER BRKT ASSY W/DEC	1
32-	21279GT	BUTTON, .800 O.D. X .281	
32B	96200GT	WLDMT, LANYARD ROLLER BRKT	1
		(decals not included, refer to section one)	
33A	231112GT	FIXED RAILS ASSY, GS30, ANSI	1
		(North America)	



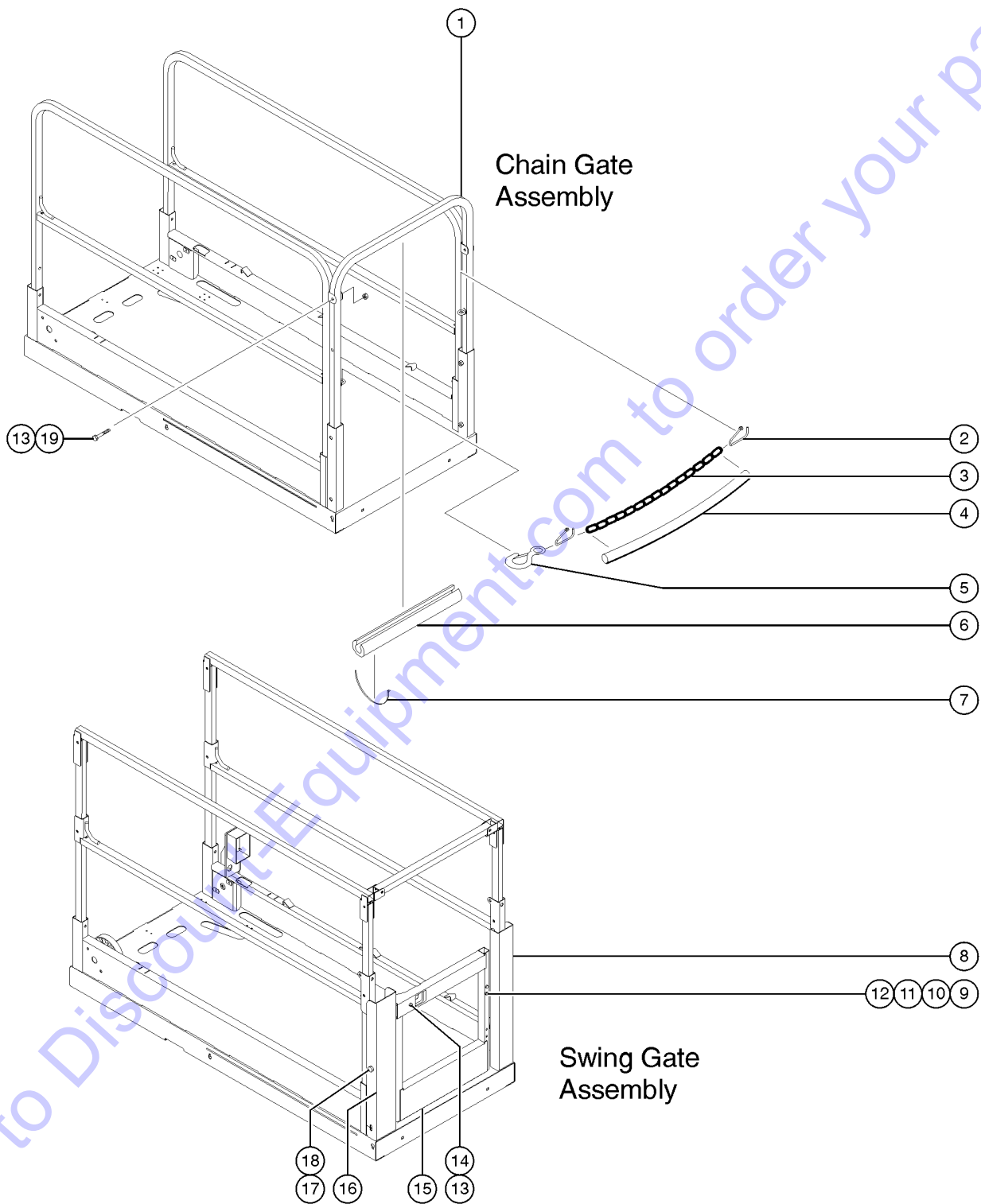


404.2 Platform Components, GS-1932 (from SN GS3016C-22617)

Item	Part No.	Description	Qty.
33B	231611GT	FIXED RAILS ASSY,GS30,AUSTRAL (Australia)	1
33C	97132GT	FIXED RAILS ASSY, GS30 SYMBOL (Asia, Europe and South America)	1
33D	96847GT	WELDMENT,EXT SIDERAIL *** (decals not included, refer to section one)	1
34	8255GT	SCREW,HHC,3/8-16 X .75	1
35A	44743GT	MANUAL BOX W/DECALS*** USA/Canada/Australia	1
35B	24514GT	BOX,INSTRUCTION STORAGE Europe/Asia/South America (decal required; refer to Section100)	1
36	66030GT	PIN, WIRE LOCK 3/8 X 2 -1/2	5
36-	78022GT	LANYARD,BLACK NYLON,TYPE 1*** (CE & Australia models)	1
37		Ref. SWING GATE ASSEMBLY (refer to 405.1)	1
38	1259223GT	BOLT,SHS,3/8X.375X5/16-18,ZAG	1
39	12013GT	SHIM,.375 X .063	1
40	824029GT	NUT,TL FLG,3/8-16,G,ZAG	2
41	1260926GT	BOLT,CARRIAGE,3/8-16X2.25,5,ZAG	2
42	1277860GT	GLIDE BUTTON, FOLDING RAILS	2



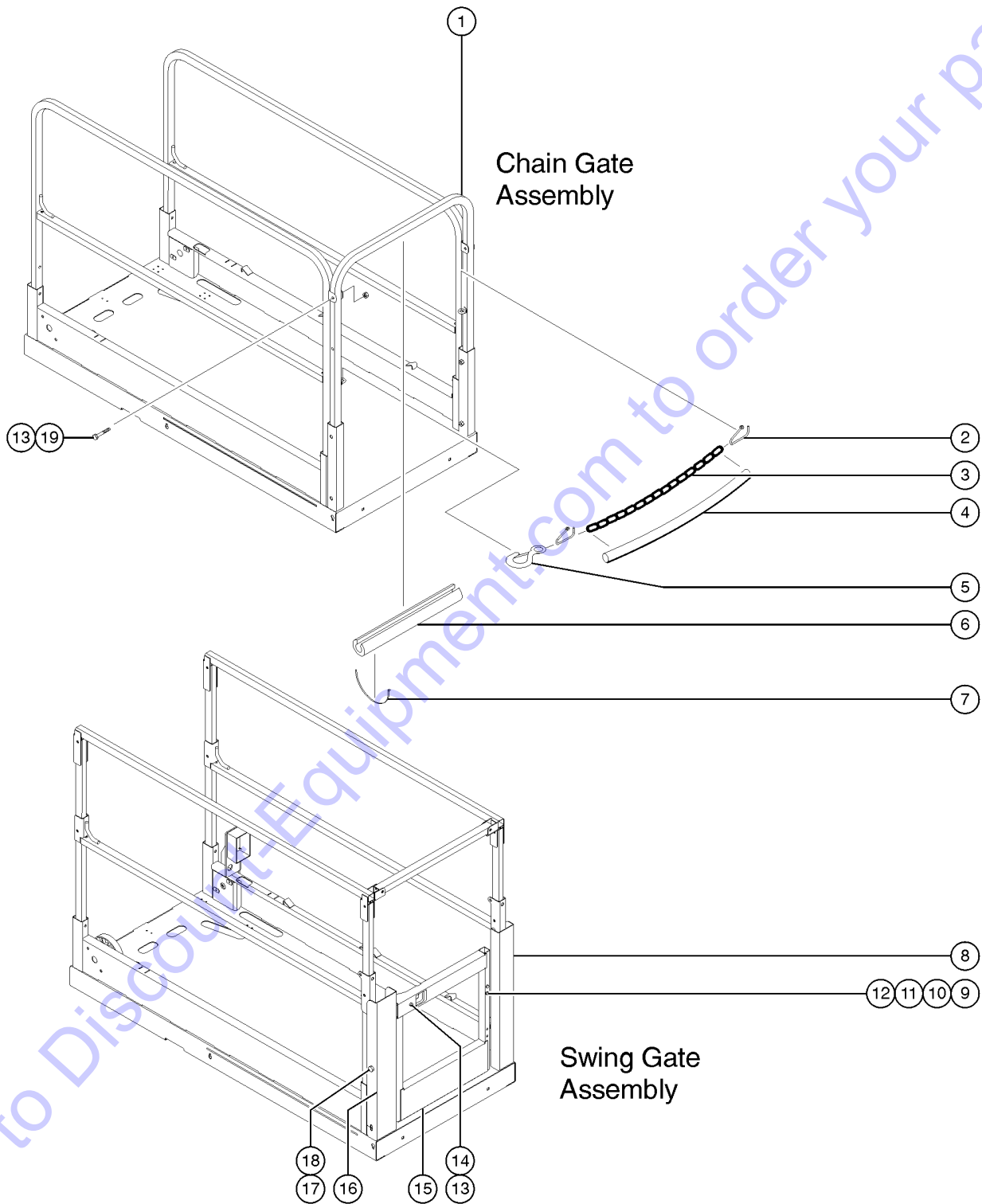
405.1 Platform Gates, GS-1530



Item	Part No.	Description	Qty.
	144175GT	KIT,MINI FULL HT,ANSI GATE (ANSI and CSA models) (includes instructions)	
1A	97280GT	CHAIN GATE KIT,GS30 (includes items 2 through 7)	
1B	97053GT	WELDMENT,CHAIN GATE SQ, GS30 end rail for chain gate option	
1C	97105GT	PLAT ENTRY ASSY,RIGID GS30 (includes items 6 & 7)	1
1D	78029GT	END RAIL,SWING GATE,RIGID	
2	96163GT	LINK,(SPLIT) OPEN-END	2
3	39509GT	CHAIN,3/16,OPEN LINK 22.5"	1
4	47224GT	TUBING,PVC,1",BLACK***	21
5	39510GT	RIGID EYE SNAP	1
6	47188GT	FOAM,CLOSED CELL 1.75X.250X18"	1
7	28443GT	CABLE TIE, 11.5" BLACK	
8	66883GT	FORMING, HALF GATE HINGE	1
9	4266GT	SCREW,HHC,1/4-20 X 2	
10	6638GT	WASHER,FLAT,USS,1/4"Y	
11	6091GT	NUT, NYLOCK, 1/4-20	
12	104804GT	HINGE, SPRING, LONG LEG	2
13	5224GT	SCREW,HHC,3/8-16 X 2	
14	4828GT	NUT,NYLOCK,3/8-16	
15A	97110GT	SWING GATE ASSY,GS30/32** (GS-1530 & GS 1930 ANSI and CSA models)	
15A-	66551GT	WELDMENT, HALF GATE (decals not included, see section one) (for use with items 15A through 15G)	1
15A-	47598GT	WEATHERSTRIP,SWING GATE (for use with items 15A through 15G)	18
15B	231175GT	SWING GATE ASSY,1530/1930 AUS (GS-1530 & GS-1930 Australia models)	1
15B-	66551GT	WELDMENT, HALF GATE (decals not included, see section one) (for use with items 15A through 15G)	1
15B-	47598GT	WEATHERSTRIP,SWING GATE (for use with items 15A through 15G)	18
15D	231177GT	SWING GATE ASSY,GS1530 CE (GS-1530 CE models)	1
15D-	66551GT	WELDMENT, HALF GATE (decals not included, see section one) (for use with items 15A through 15G)	1
15H	65990-SGT	KIT,GATE LATCH (includes items 13, 14, the spring, 22446, and the latch, 66544) (for use with items 15A through 15G)	1
15H-	22446GT	SPRING, COMPRESSION .835 X 2 (for use with items 15A through 15G)	1



405.1 Platform Gates, GS-1530

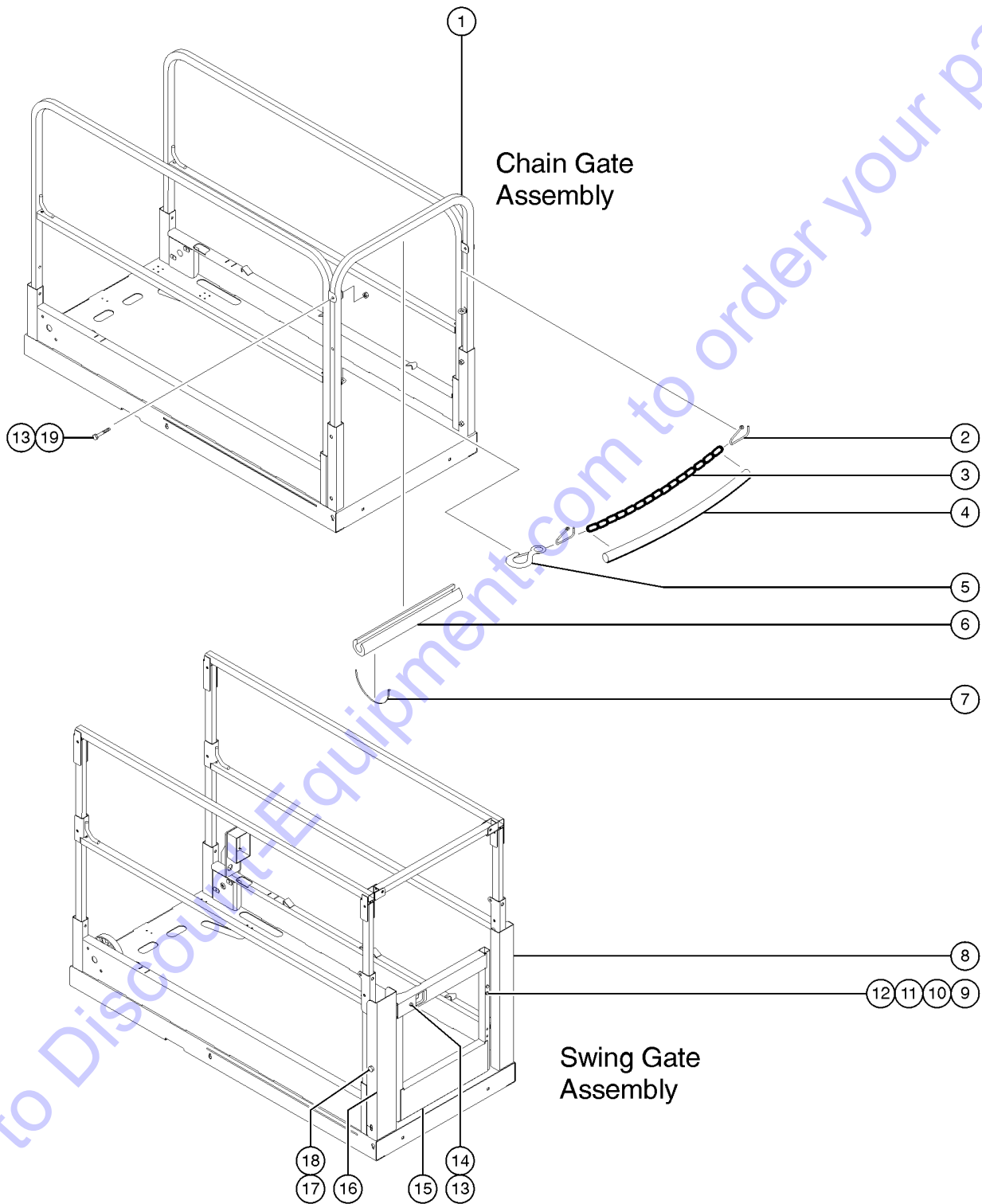


<i>Item</i>	<i>Part No.</i>	<i>Description</i>	<i>Qty.</i>
15H-	66544GT	LATCH HANDLE (for use with items 15A through 15G)	
16	66903-SGT	WLDMT, FORMING, HALFGATE CATCH	1
17	8178GT	SCREW,HHC,3/8-16 X 2.5	
18	5397GT	WASHER,FLAT,USS,5/16",Y	
19	7713GT	NUT, LP NYLOCK, 3/8-16	

Go to Discount-Equipment.com to order your parts



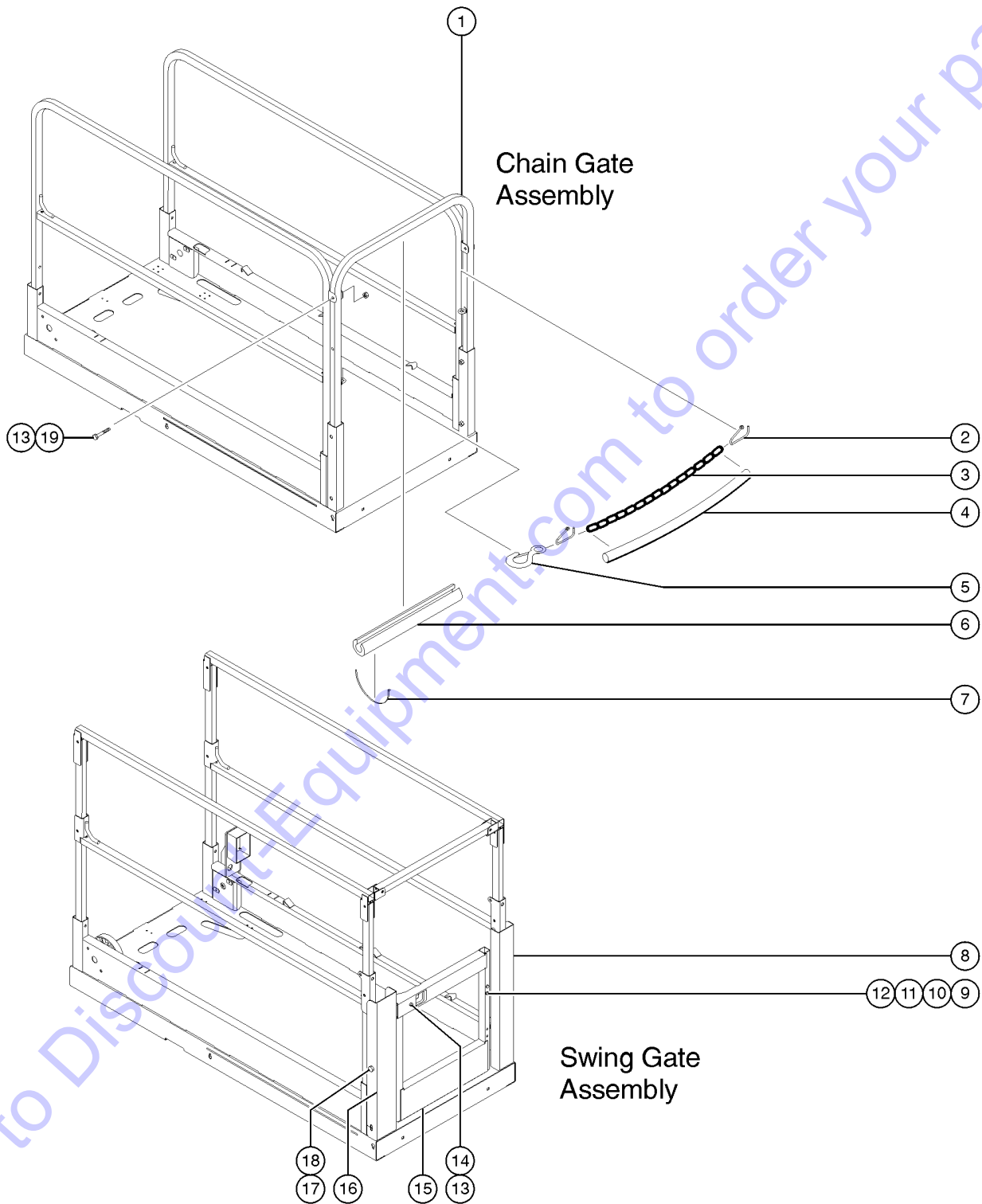
405.2 Platform Gates, GS-1532



Item	Part No.	Description	Qty.
	144175GT	KIT,MINI FULL HT,ANSI GATE	
1A	97280GT	CHAIN GATE KIT,GS30	
1B	97053GT	WELDMENT,CHAIN GATE SQ, GS30 end rail for chain gate option	
1C	97105GT	PLAT ENTRY ASSY,RIGID GS30	1
1D	78029GT	END RAIL,SWING GATE,RIGID	
2	96163GT	LINK,(SPLIT) OPEN-END	2
3	39509GT	CHAIN,3/16,OPEN LINK 22.5"	1
4	47224GT	TUBING,PVC,1",BLACK***	21
5	39510GT	RIGID EYE SNAP	1
6	47188GT	FOAM,CLOSED CELL 1.75X.250X18"	1
7	28443GT	CABLE TIE, 11.5" BLACK	
8A	66883GT	FORMING, HALF GATE HINGE (to SN GS3016C-22616, GS3015A-141945)	1
8B	1274603GT	FORMING, HALF GATE, HINGE SIDE (from SN GS3016C-22617)	
9	4266GT	SCREW,HHC,1/4-20 X 2	
10	6638GT	WASHER,FLAT,USS,1/4"Y	
11	6091GT	NUT, NYLOCK, 1/4-20	
12	104804GT	HINGE, SPRING, LONG LEG	2
13	5224GT	SCREW,HHC,3/8-16 X 2	
14	4828GT	NUT,NYLOCK,3/8-16	
15C	231176GT	SWING GATE ASSY,1532/1932 AUS (GS-1532 & GS-1932 Australia models)	
15C-	66551GT	WELDMENT, HALF GATE (decals not included, see section one) (for use with items 15A through 15G)	
15C-	47598GT	WEATHERSTRIP,SWING GATE	18
15E	231178GT	SWING GATE ASSY,GS1532 CE (GS-1532 CE models)	
15E-	66551GT	WELDMENT, HALF GATE (decals not included, see section one) (for use with items 15A through 15G)	
15H	65990-SGT	KIT,GATE LATCH (includes items 13, 14, the spring, 22446, and the latch, 66544) (for use with items 15A through 15G)	
15H-	22446GT	SPRING, COMPRESSION .835 X 2 (for use with items 15A through 15G)	
15H-	66544GT	LATCH HANDLE (for use with items 15A through 15G)	
16A	66903-SGT	WLDMT, FORMING, HALFGATE CATCH (to SN GS3016C-22616, GS3015A-141945)	1



405.2 Platform Gates, GS-1532

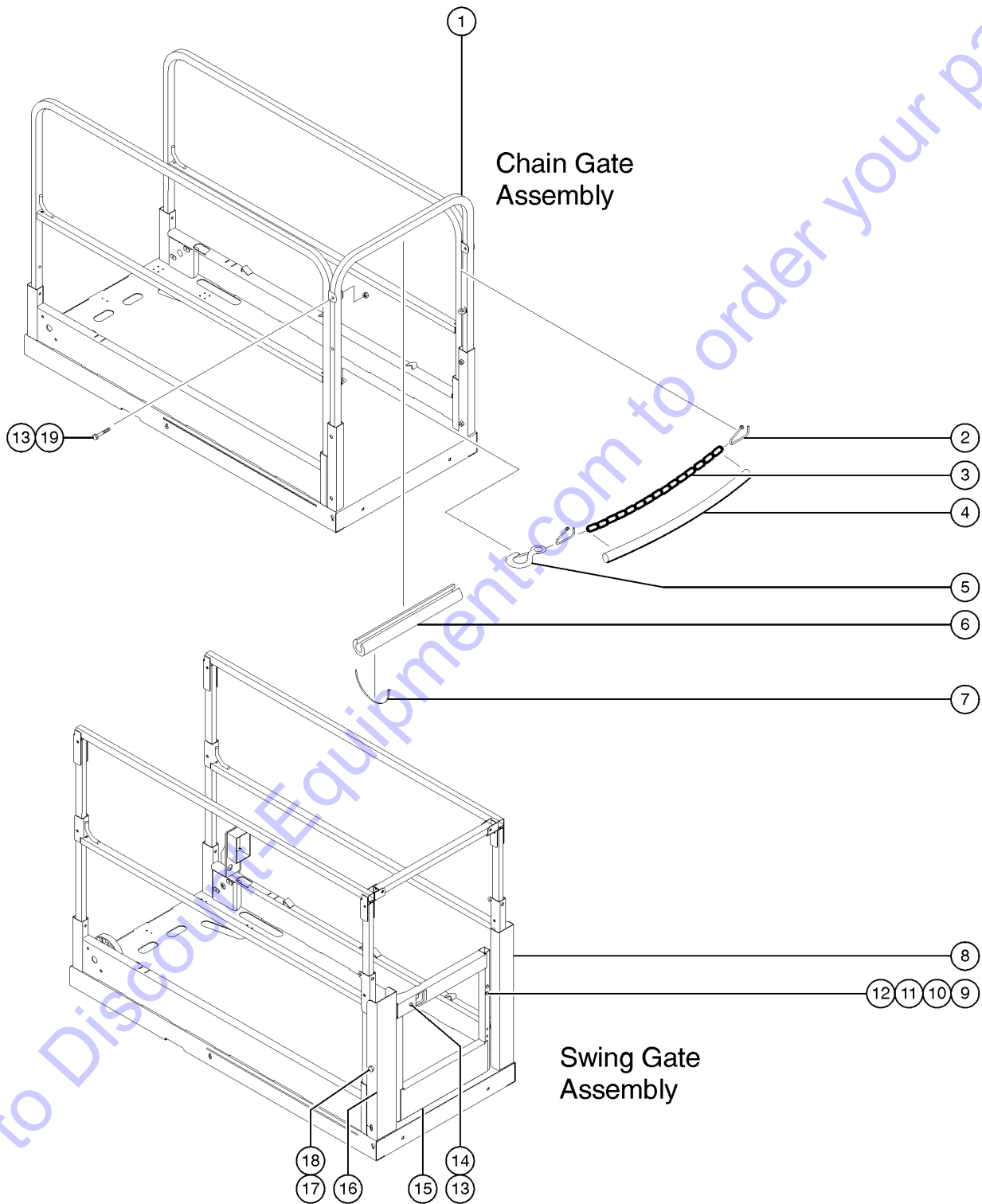


Item	Part No.	Description	Qty.
16B	1274597GT	WELDMENT, FORMING, HALF GATE, CATCH SIDE (from SN GS3016C-22617)	
17	8178GT	SCREW,HHC,3/8-16 X 2.5	
18	5397GT	WASHER,FLAT,USS,5/16",Y	
19	7713GT	NUT, LP NYLOCK, 3/8-16	

Go to Discount-Equipment.com to order your parts



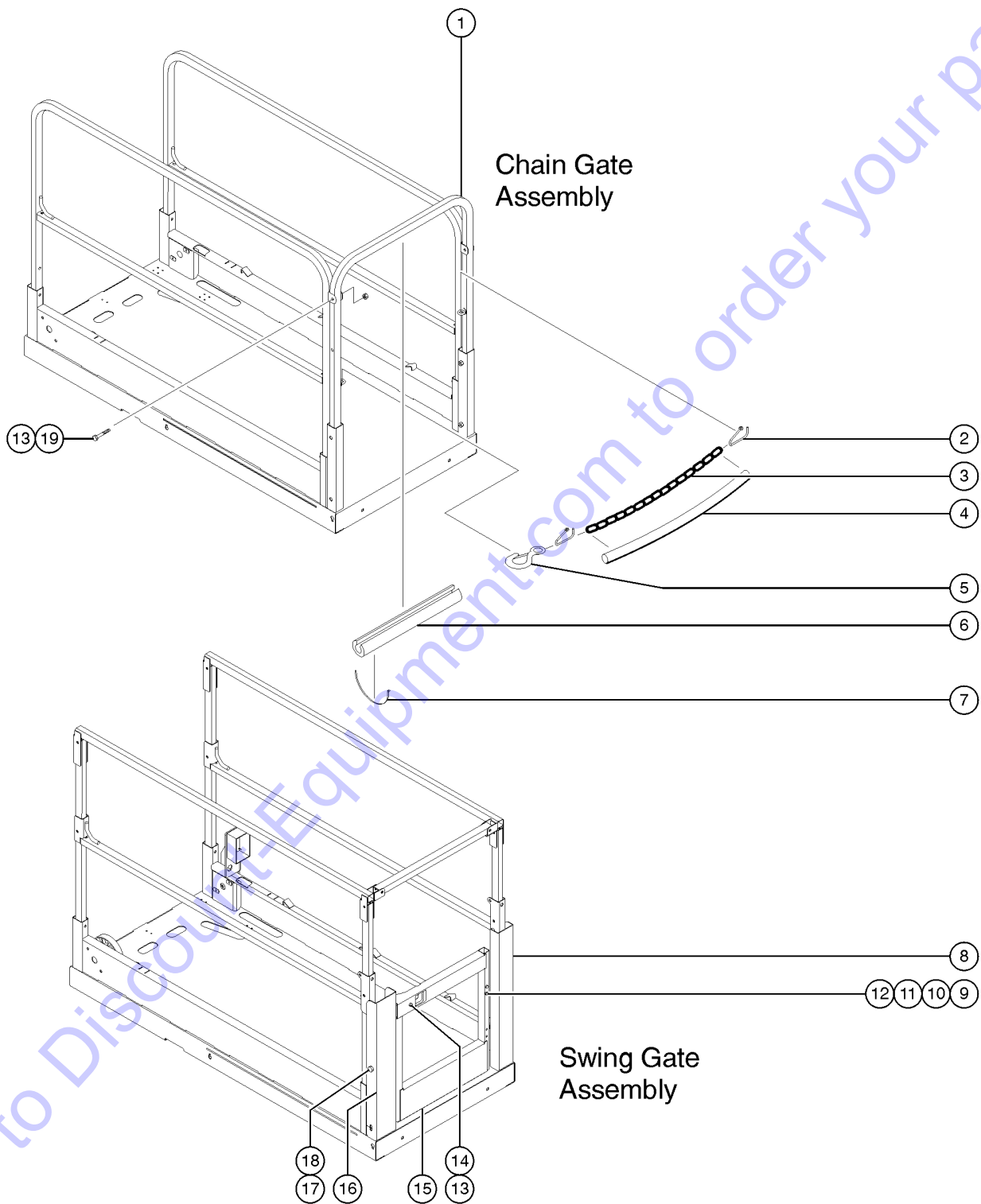
405.3 Platform Gates, GS-1930



Item	Part No.	Description	Qty.
	144175GT	KIT,MINI FULL HT,ANSI GATE (ANSI and CSA models) (includes instructions)	
1A	97280GT	CHAIN GATE KIT,GS30	
1B	97053GT	WELDMENT,CHAIN GATE SQ, GS30 end rail for chain gate option	
1C	97105GT	PLAT ENTRY ASSY,RIGID GS30	1
1D	78029GT	END RAIL,SWING GATE,RIGID	
2	96163GT	LINK,(SPLIT) OPEN-END	2
3	39509GT	CHAIN,3/16,OPEN LINK 22.5"	1
4	47224GT	TUBING,PVC,1",BLACK***	21
5	39510GT	RIGID EYE SNAP	1
6	47188GT	FOAM,CLOSED CELL 1.75X.250X18"	1
7	28443GT	CABLE TIE, 11.5" BLACK	
8	66883GT	FORMING, HALF GATE HINGE	1
9	4266GT	SCREW,HHC,1/4-20 X 2	
10	6638GT	WASHER,FLAT,USS,1/4"Y	
11	6091GT	NUT, NYLOCK, 1/4-20	
12	104804GT	HINGE, SPRING, LONG LEG	2
13	5224GT	SCREW,HHC,3/8-16 X 2	
14	4828GT	NUT,NYLOCK,3/8-16	
15A	97110GT	SWING GATE ASSY,GS30/32** (GS-1530 & GS 1930 ANSI and CSA models)	
15A-	66551GT	WELDMENT, HALF GATE (decals not included, see section one) (for use with items 15A through 15G)	1
15A-	47598GT	WEATHERSTRIP,SWING GATE (for use with items 15A through 15G)	18
15B	231175GT	SWING GATE ASSY,1530/1930 AUS (GS-1530 & GS-1930 Australia models)	1
15B-	66551GT	WELDMENT, HALF GATE (decals not included, see section one) (for use with items 15A through 15G)	1
15B-	47598GT	WEATHERSTRIP,SWING GATE (for use with items 15A through 15G)	18
15F	231179GT	SWING GATE ASSY,GS1930 CE (GS-1930 CE models)	
15F-	66551GT	WELDMENT, HALF GATE (decals not included, see section one) (for use with items 15A through 15G)	
15H	65990-SGT	KIT,GATE LATCH (includes items 13, 14, the spring, 22446, and the latch, 66544) (for use with items 15A through 15G)	
15H-	66544GT	LATCH HANDLE (for use with items 15A through 15G)	



405.3 Platform Gates, GS-1930

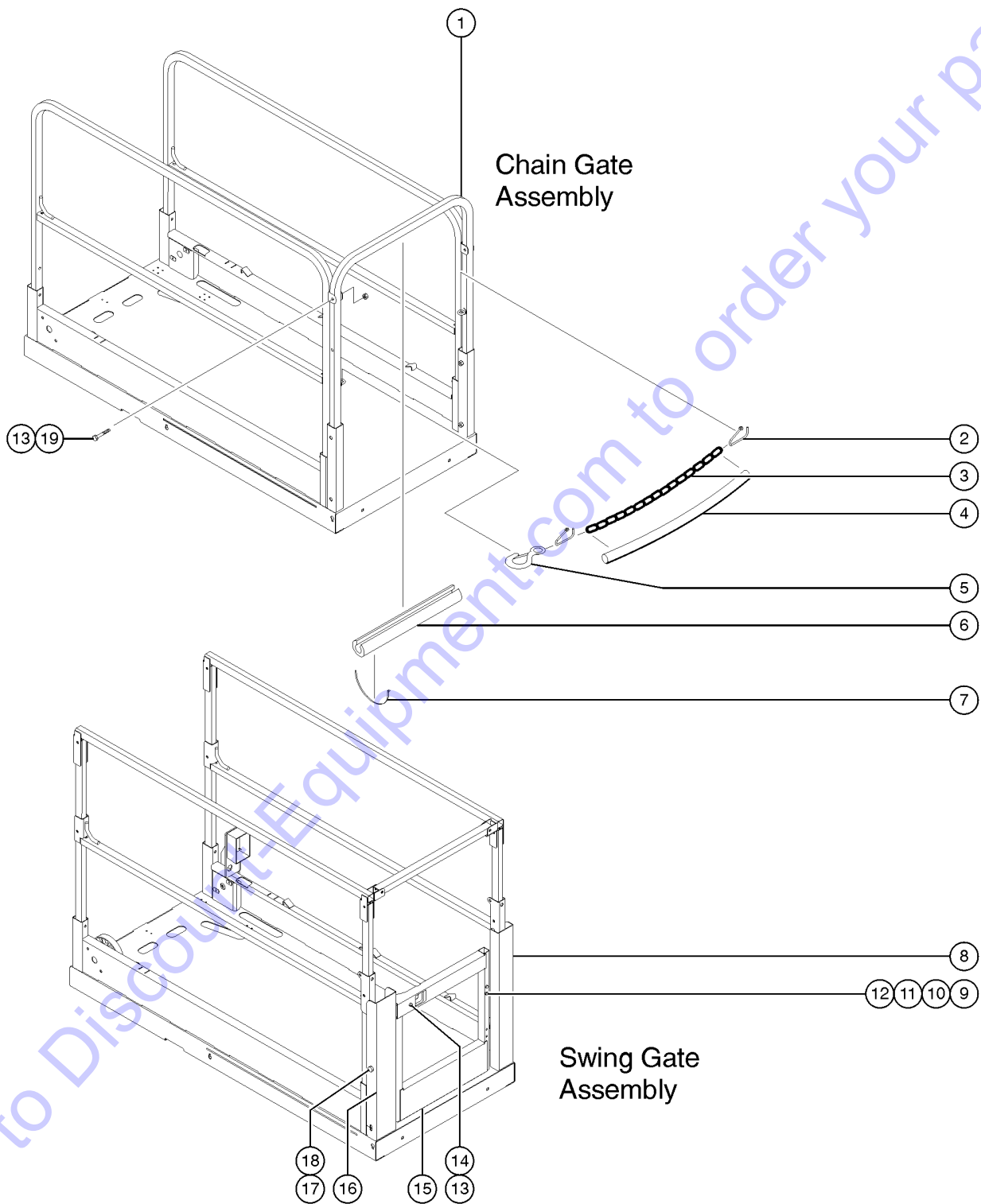


<i>Item</i>	<i>Part No.</i>	<i>Description</i>	<i>Qty.</i>
15H-	22446GT	SPRING, COMPRESSION .835 X 2 (for use with items 15A through 15G)	
16	66903-SGT	WLDMT, FORMING, HALFGATE CATCH	1
17	8178GT	SCREW,HHC,3/8-16 X 2.5	
18	5397GT	WASHER,FLAT,USS,5/16",Y	
19	7713GT	NUT, LP NYLOCK, 3/8-16	

Go to Discount-Equipment.com to order your parts



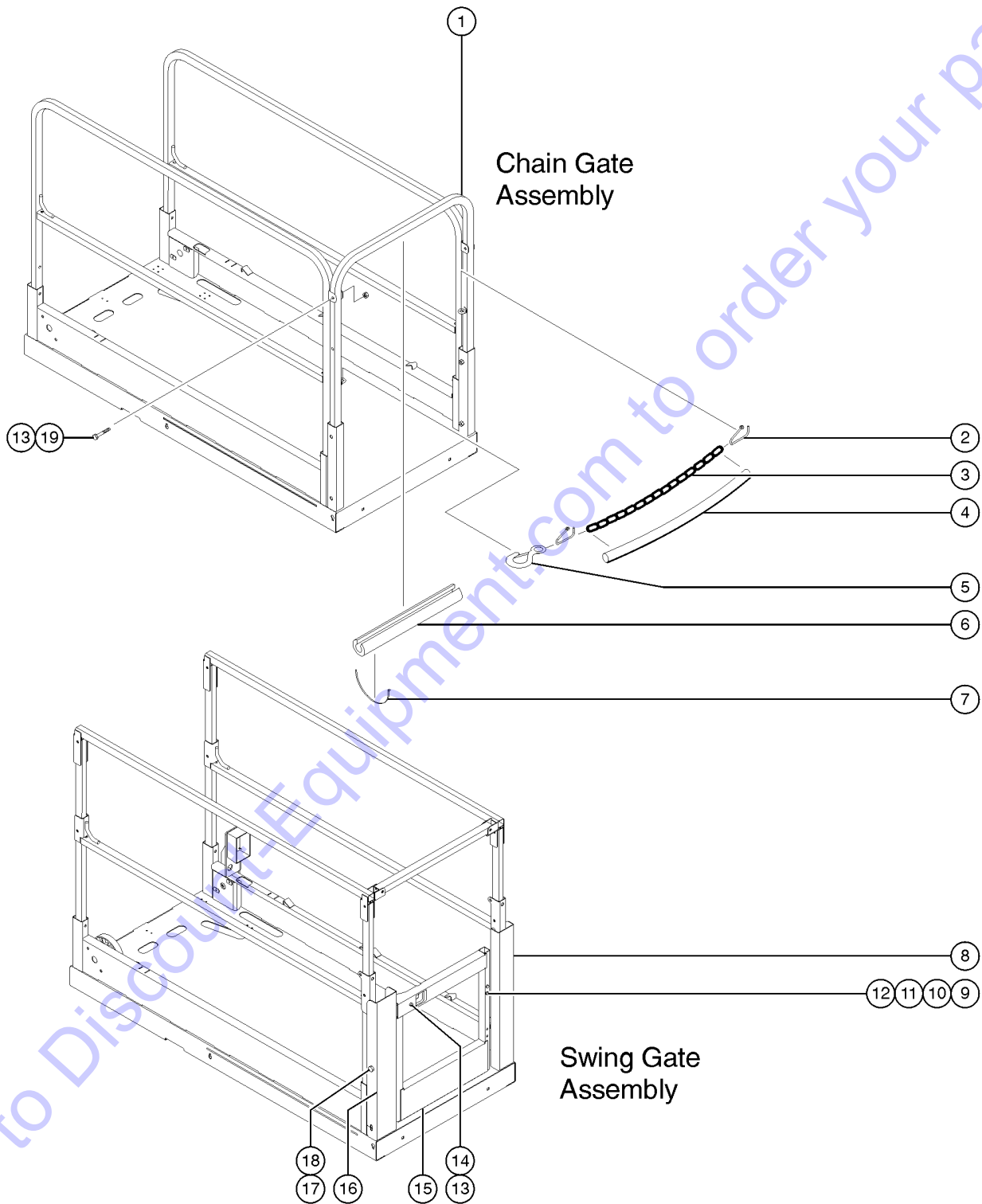
405.4 Platform Gates, GS-1932



Item	Part No.	Description	Qty.
	144175GT	KIT,MINI FULL HT,ANSI GATE (ANSI and CSA models) (includes instructions)	
1A	97280GT	CHAIN GATE KIT,GS30 (includes items 2 through 7)	
1B	97053GT	WELDMENT,CHAIN GATE SQ, GS30 end rail for chain gate option	
1C	97105GT	PLAT ENTRY ASSY,RIGID GS30 (includes items 6 & 7)	1
1D	78029GT	END RAIL,SWING GATE,RIGID	
2	96163GT	LINK,(SPLIT) OPEN-END	2
3	39509GT	CHAIN,3/16,OPEN LINK 22.5"	1
4	47224GT	TUBING,PVC,1",BLACK***	21
5	39510GT	RIGID EYE SNAP	1
6	47188GT	FOAM,CLOSED CELL 1.75X.250X18"	1
7	28443GT	CABLE TIE, 11.5" BLACK	
8	66883GT	FORMING, HALF GATE HINGE	1
9	4266GT	SCREW,HHC,1/4-20 X 2	
10	6638GT	WASHER,FLAT,USS,1/4"Y	
11	6091GT	NUT, NYLOCK, 1/4-20	
12	104804GT	HINGE, SPRING, LONG LEG	2
13	5224GT	SCREW,HHC,3/8-16 X 2	
14	4828GT	NUT,NYLOCK,3/8-16	
15C	231176GT	SWING GATE ASSY,1532/1932 AUS (GS-1532 & GS-1932 Australia models)	
15C-	66551GT	WELDMENT, HALF GATE (decals not included, see section one) (for use with items 15A through 15G)	
15C-	47598GT	WEATHERSTRIP,SWING GATE (for use with items 15A through 15G)	18
15G	231180GT	SWING GATE ASSY,GS1932 CE (GS-1932 CE models)	
15G-	66551GT	WELDMENT, HALF GATE (decals not included, see section one) (for use with items 15A through 15G)	
15H	65990-SGT	KIT,GATE LATCH (includes items 13, 14, the spring, 22446, and the latch, 66544) (for use with items 15A through 15G)	
15H-	22446GT	SPRING, COMPRESSION .835 X 2 (for use with items 15A through 15G)	
15H-	66544GT	LATCH HANDLE (for use with items 15A through 15G)	
16	66903-SGT	WLDMT, FORMING, HALFGATE CATCH	1
17	8178GT	SCREW,HHC,3/8-16 X 2.5	



405.4 Platform Gates, GS-1932

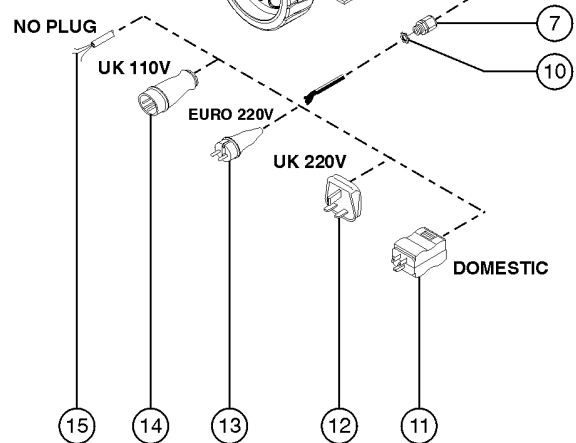
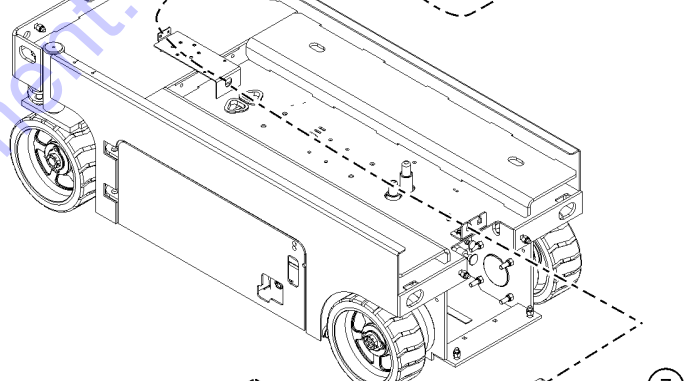
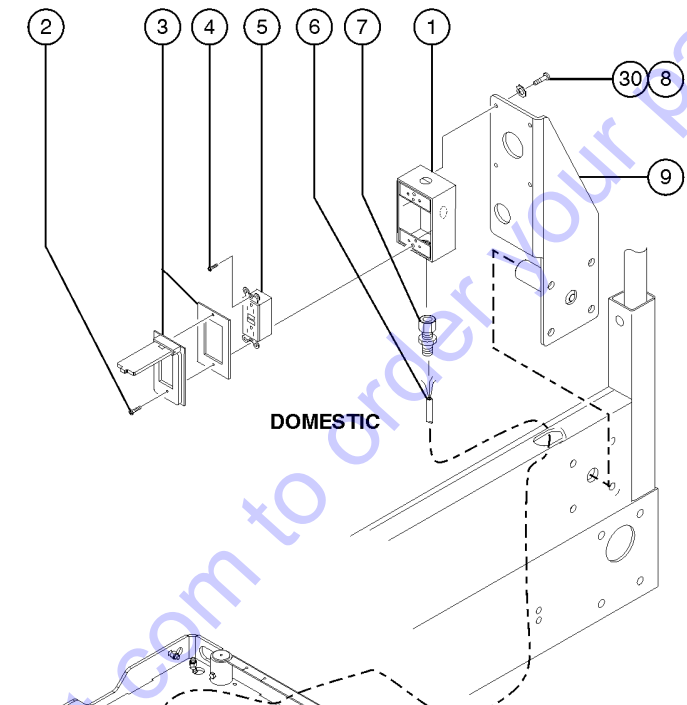
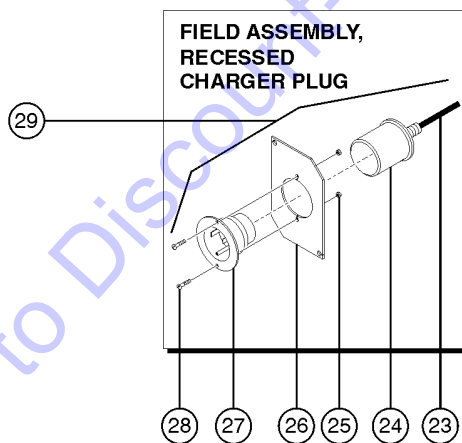
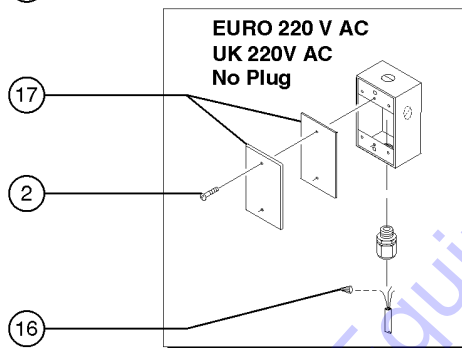
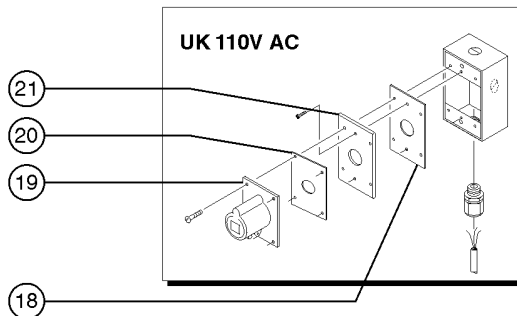
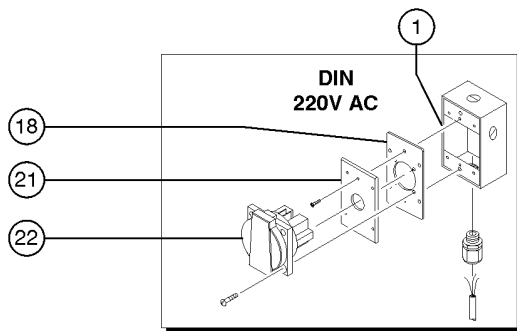


<i>Item</i>	<i>Part No.</i>	<i>Description</i>	<i>Qty.</i>
18	5397GT	WASHER,FLAT,USS,5/16",Y	
19	7713GT	NUT, LP NYLOCK, 3/8-16	

Go to Discount-Equipment.com to order your parts



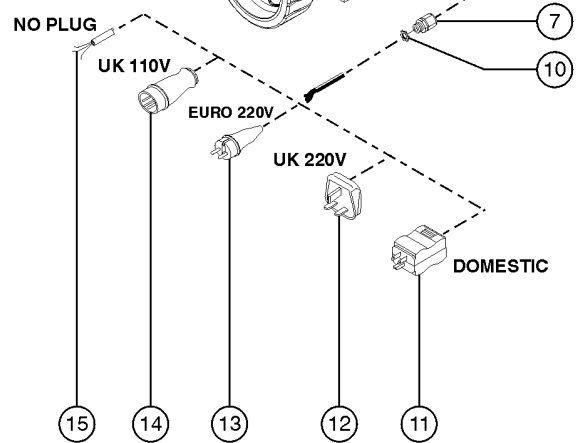
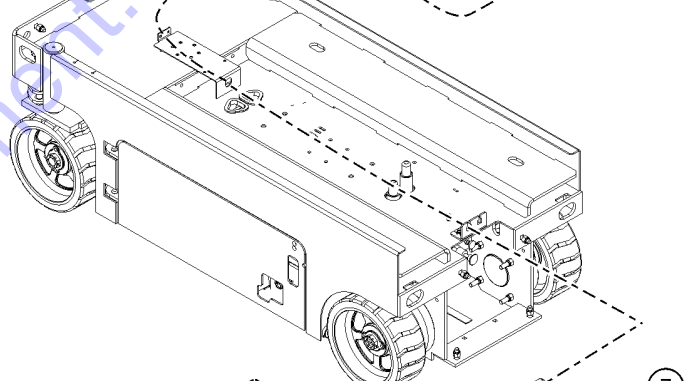
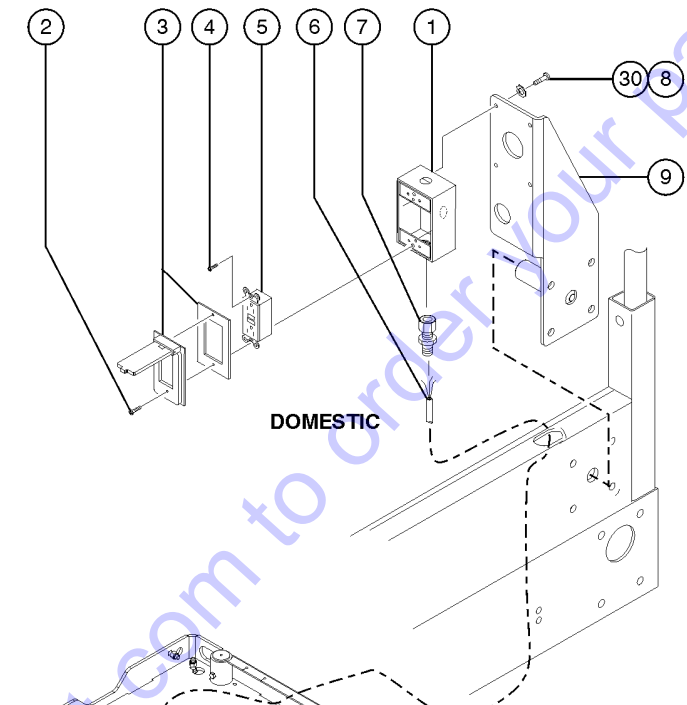
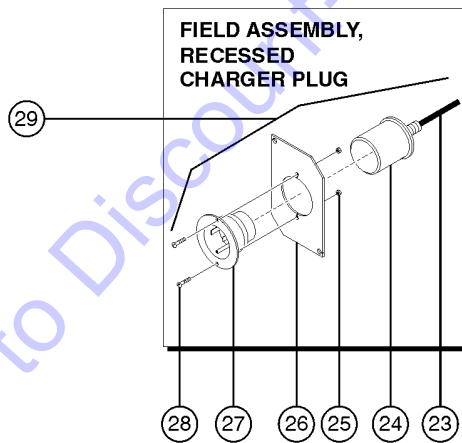
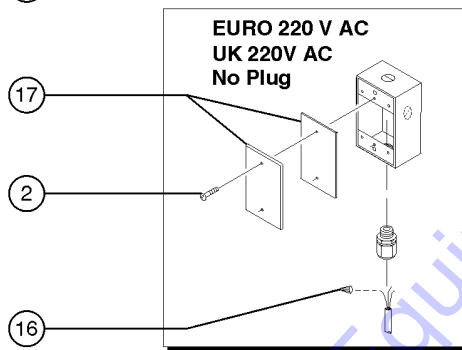
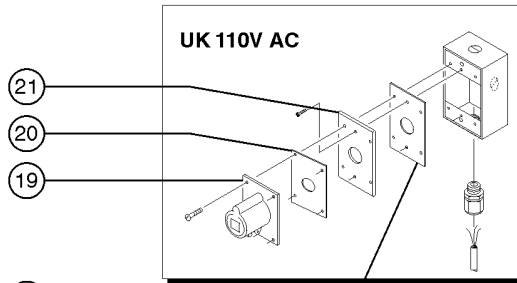
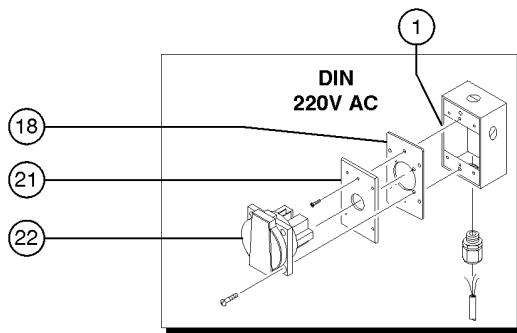
406.1 Power to Platform



Item	Part No.	Description	Qty.
	33724GT	KIT,GASKET,UK POWER TO PLAT (includes 1 each, items 18 and 20)	
1	10775GT	T-BOX,2.75 X 4.5 X 2.0	1
2	7127GT	SCREW,PHILLIPS,PHM,6-32 X .75	
3A	74006GT	COVER,GFCI,HORIZONTAL,WEATHER (ANSI and CSA models) (includes gasket and mounting fasteners)	1
3B	105812GT	COVER,T-BOX LOCKABLE EE rated (not shown)	1
4	45546GT	SCREW,RHM,6-32 X .5	
5	13585GT	OUTLET, 110V (ANSI and CSA models)	1
6A	43956GT	WIRE CABLE,14/3 CON.TPE JKT* GS-1530, GS-1532	264
6B	43956GT	WIRE CABLE,14/3 CON.TPE JKT* GS-1930, GS-1932	364
7	7056GT	CONN, SQZ, 1/2NPT, 0.38-0.50,SM	1
8	57075GT	SCREW,PHIL,8-32X.50,SELF TAP	
9		Ref. ROLLER BRACKET (refer to 401.1 through 404.1)	
10	6935GT	CONN, SQZ, 1/2NPT, LOCKNUT	1
11	6595GT	PLUG,ELECTRICAL,DOMESTIC	1
12	25388GT	PLUG,FUSED,250V,13AMP,U.K.**	
13	1280665GT	PLUG, TYPE F, 230A, 50HZ, 16A, IP44	
14	144161GT	PLUG,PWR,UK,16AMP,3PIN,BLK	
15	105117GT	PLUG,FLG INLET,15A/125V,2PWGD	
15-	105118GT	GASKET,(BOOT) FLANGE INLET PLG	
16	6626GT	WIRE CAP,ORANGE	1
17	10777GT	COVER, BLANK	1
18	66355GT	GASKET, UK & DIN PWR. TO PLAT (2.9 x 2.9 inches)	1
19	T112563GT	SVC KIT,UK RECEPT.REPLACEMENT	1
20	66356GT	GASKET, UK RECEPTACLE (2.9 x 2.9 inches)	1
21A	105483-SGT	PLATE,AC ADAPTER(ANSI/CSA) (ANSI/CSA)	
21B	96236GT	PLATE,AC ADAPTER,DIN/UK***	
21C	105090GT	PLATE, AC ADAPTER(AUS)	
22	66353GT	RECEPTACLE, DIN, 220V 50A	1



406.1 Power to Platform



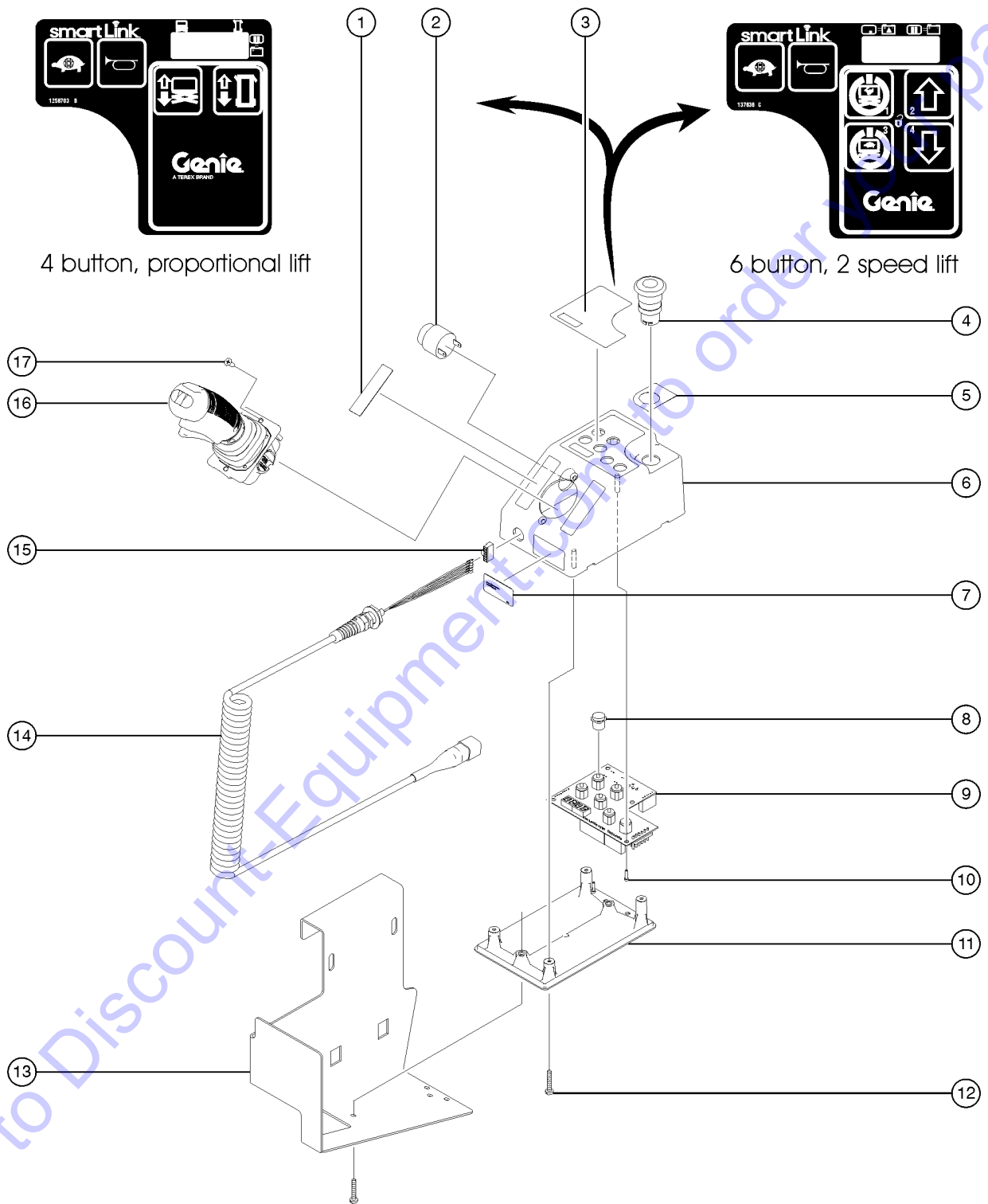
406.1 Power to Platform

Item	Part No.	Description	Qty.
23	48282GT	POWER CORD, IEC 320 BLANK	1
24	105118GT	GASKET,(BOOT) FLANGE INLET PLG	1
25	18605GT	NUT,NYLOCK,8-32	2
26	105483-SGT	PLATE,AC ADAPTER(ANSI/CSA)	1
26-	6878GT	BOLT,CARRIAGE,1/4-20 X .75,G2 not included	2
26-	6091GT	NUT, NYLOCK, 1/4-20	2
		not included	
27	105117GT	PLUG,FLG INLET,15A/125V,2PWGD	1
28	55906GT	SCREW, PHILLIPS, PHM, 8-32 X .5	2
29	144129GT	RECESSED SIDE PLUG ASSY, GS	1
		(includes items 23-28)	
30	44936GT	WASHER,STAR,EXTERNAL,#8	4

Go to Discount-Equipment.com to order your parts



407.1 Platform Controls, 6 Button (2 Speed Lift)

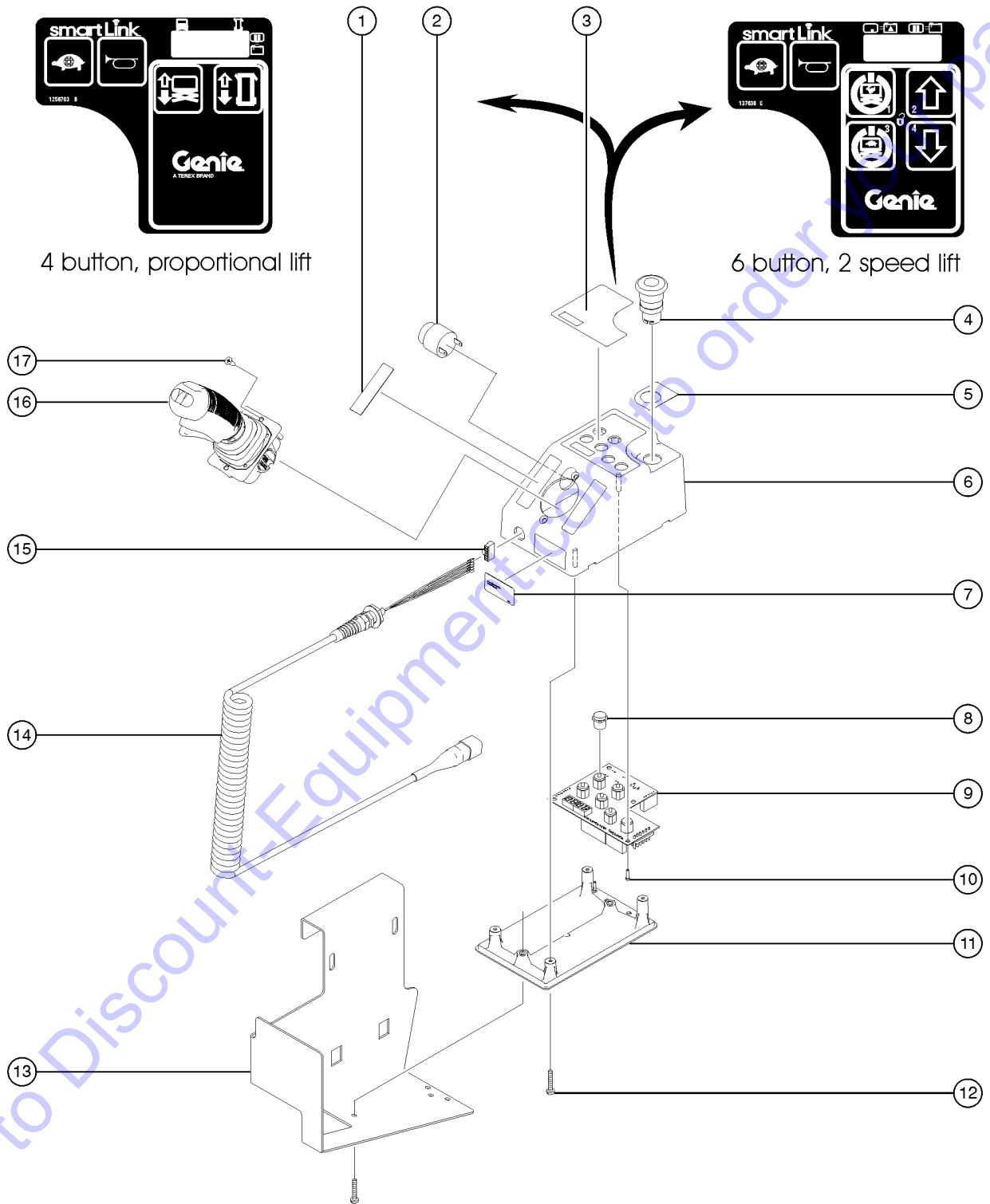


407.1 Platform Controls, 6 Button (2 Speed Lift)

Item	Part No.	Description	Qty.
A	1258332GT	KIT, SL PROP UPGRD, ANSI, GS30 (For 2 speed to proportional lift conversion. Software upgrade is required and available on-line or refer to 408.1 for USB flash drive) to SN GS3014A-134999 and to SN GS3014C-16999
B	1258333GT	KIT, SL PROP UPGRD, AUS, GS30 (For 2 speed to proportional lift conversion. Software upgrade is required and available on-line or refer to 408.1 for USB flash drive) to SN GS3014A-134999 and to SN GS3014C-16999
C	1258334GT	KIT, SL PROP UPGRD, CE, GS (For 2 speed to proportional lift conversion. Software upgrade is required and available on-line or refer to 408.1 for USB flash drive) to SN GS3014A-134999 and to SN GS3014C-16999
D	1258515GT	KIT, SL PROP UPGRD, ANSI SYM, GS (For 2 speed to proportional lift conversion. Software upgrade is required and available on-line or refer to 408.1 for USB flash drive) to SN GS3014A-134999 and to SN GS3014C-16999
E	137633GT	PCON, GR/GRC/GS (models with 6 button, 2 speed controller) (complete platform control box with coil cord, bracket not included) to SN GS3014A-134999 and to SN GS3014C-16999
E-	219205GT	FLASH DRIVE,SL1K1.0 SOFTWARE (models with 6 button, 2 speed controller) (complete platform control box with coil cord, bracket not included) to SN GS3014A-134999 and to SN GS3014C-16999
F	137587GT	HARNESS, ESTOP, GR/GRC/GS PCON
1	137656GT	DECAL,PROPEL,GR/GRC/GS,PCON	1
2A	39540GT	ALARM,STEADY TONE*** order 72326 mounting ring separately	1
2B	72326GT	NUT,PLASTIC,RING FOR ALARMS for 39540
3A	137636GT	DECAL, UI, GR/GRC/GS PCON (models with 6 button, 2 speed controller) to SN GS3014A-134999 and to SN GS3014C-16999	1
3B	1256703GT	DECAL, STD, PROP LIFT, UI, SVC (units converted from 6 button, 2 speed lift to 4 button, proportional controller) (not shown)	1
4	66812GT	BUTTON,PUSH,RED MUSHROOM HEAD	1
4-	66817GT	E-STOP NC CONTACT
5	137605GT	DECAL,E-STOP,GR/GRC/GS PCON	1
6	T106368GT	ENCLOSURE, GC14-1, TOP	1
7	137642GT	LABEL, GR/GRC/GS PCON	1
8	T106373GT	CAP,BUTTON,K12	6
9	137522GT	PCBA, GC14-1	1
10	137637GT	SCREW,PHM,4-20X.5, 48-2 TRI-L
11	T106370GT	ENCLOSURE,GC14-1/GC16-1, BOT	1
12	137640GT	SCREW,PHM,8-16X.75, 48-2 TRI-L
13	231331GT	PLAT CONTROL BRKT ASSY,GS MINI USA, Canada, Australia	1
13-	T114397GT	FORMING,PLAT CONTROL BOX Europe, Asia and S. America
14	235464GT	KIT,COIL CORD,CONTRLR,SL1000 includes item 15	1



407.1 Platform Controls, 6 Button (2 Speed Lift)



Go to Discount Equipment Parts



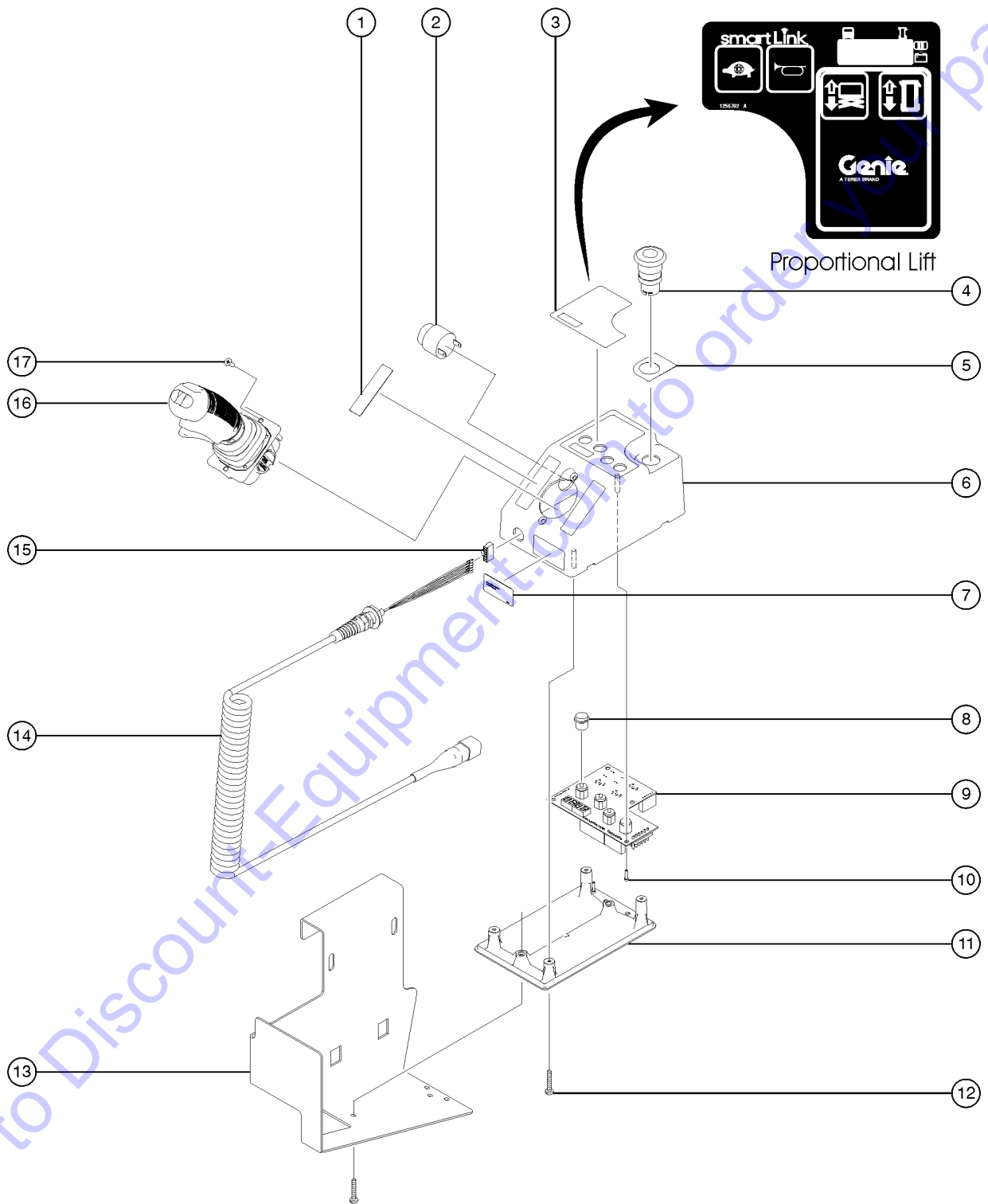
407.1 Platform Controls, 6 Button (2 Speed Lift)

Item	Part No.	Description	Qty.
14-	231921GT	KIT,CONN,RECEPT W/PIN AND LOCK	
14-	231922GT	KIT,CONN,PLUG W/SCKT AND LOCK	
15	137699GT	PLUG, 6POS ECO PWR	1
16		Ref., JOYSTICK	1
		refer to 409.1	
17	229845GT	SCREW,BHSCS,M5X10,SS	
		apply Loctite 243 or equivalent before installation	

Go to Discount-Equipment.com to order your parts



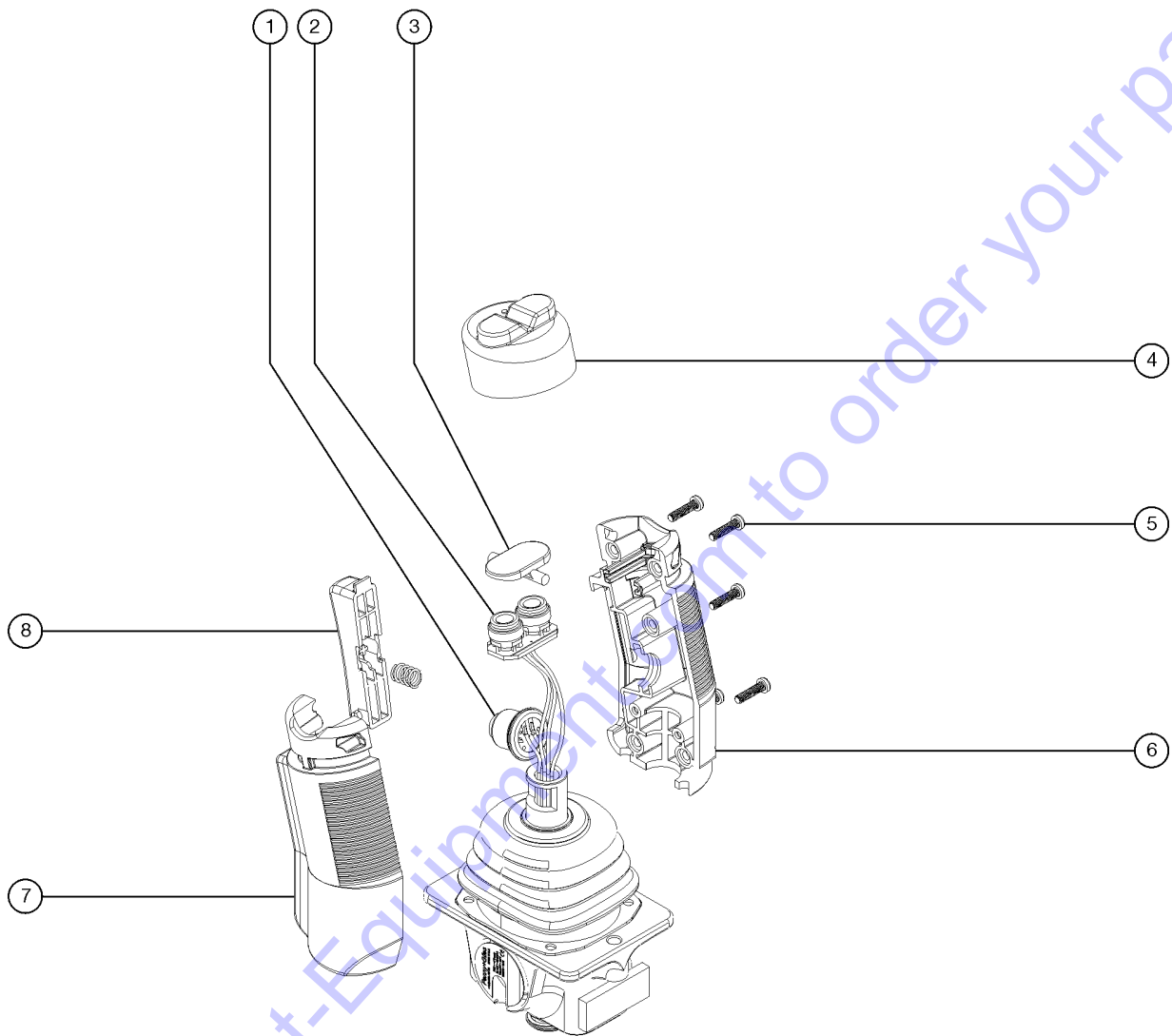
408.1 Platform Controls, 4 Button (Proportional Lift)



408.1 Platform Controls, 4 Button (Proportional Lift)

Item	Part No.	Description	Qty.
A	1256727GT	PCON,STD,PROP LIFT,GR/GS (complete platform control box with coil cord, bracket not included) from SN GS3014A-135000 and from SN GS3014C-17000	1
A-	1258731GT	FLASH DRIVE,SL1K2.0 SOFTWARE (For proportional lift or upgrade kits only. Software update available on-line. Flash drive sold separately.)	
A-	137587GT	HARNESS, ESTOP, GR/GRC/GS PCON	
1	137656GT	DECAL,PROPEL,GR/GRC/GS,PCON	1
2A	39540GT	ALARM,STEADY TONE*** order 72326 mounting ring separately	1
2B	72326GT	NUT,PLASTIC,RING FOR ALARMS for 39540	
3A	1256702GT	DECAL, UI, GS/GR, PROP LIFT (models with 4 button, proportional controller)	1
3B		REF:DECAL,STD,PROP LIFT,UI,SVC (units converted from 6 button, 2 speed lift to 4 button, proportional controller, refer to 407.1)	1
4	66812GT	BUTTON,PUSH,RED MUSHROOM HEAD	1
4-	66817GT	E-STOP NC CONTACT	
5	137605GT	DECAL,E-STOP,GR/GRC/GS PCON	1
6	1256656GT	ENCLOSURE,STD 4-BUTTON,TOP	
7		(component no longer available)	
8	T106373GT	CAP,BUTTON,K12	6
9	1256725GT	PCBA,PCON STD,PROP LIFT	1
10	137637GT	SCREW,PHM,4-20X.5, 48-2 TRI-L	
11	T106370GT	ENCLOSURE,GC14-1/GC16-1, BOT	1
12	137640GT	SCREW,PHM,8-16X.75, 48-2 TRI-L	
13	231331GT	PLAT CONTROL BRKT ASSY,GS MINI USA, Canada, Australia	1
13-	T114397GT	FORMING,PLAT CONTROL BOX Europe, Asia and S. America	
14	235464GT	KIT,COIL CORD,CONTRLR,SL1000 includes item 15	1
14-	231921GT	KIT,CONN,RECEPT W/PIN AND LOCK	
14-	231922GT	KIT,CONN,PLUG W/SCKT AND LOCK	
15	137699GT	PLUG, 6POS ECO PWR	1
16		Ref., JOYSTICK refer to 409.1	1
17	229845GT	SCREW,BHSCS,M5X10,SS apply Loctite 243 or equivalent before installation	

409.1 Joystick Controller



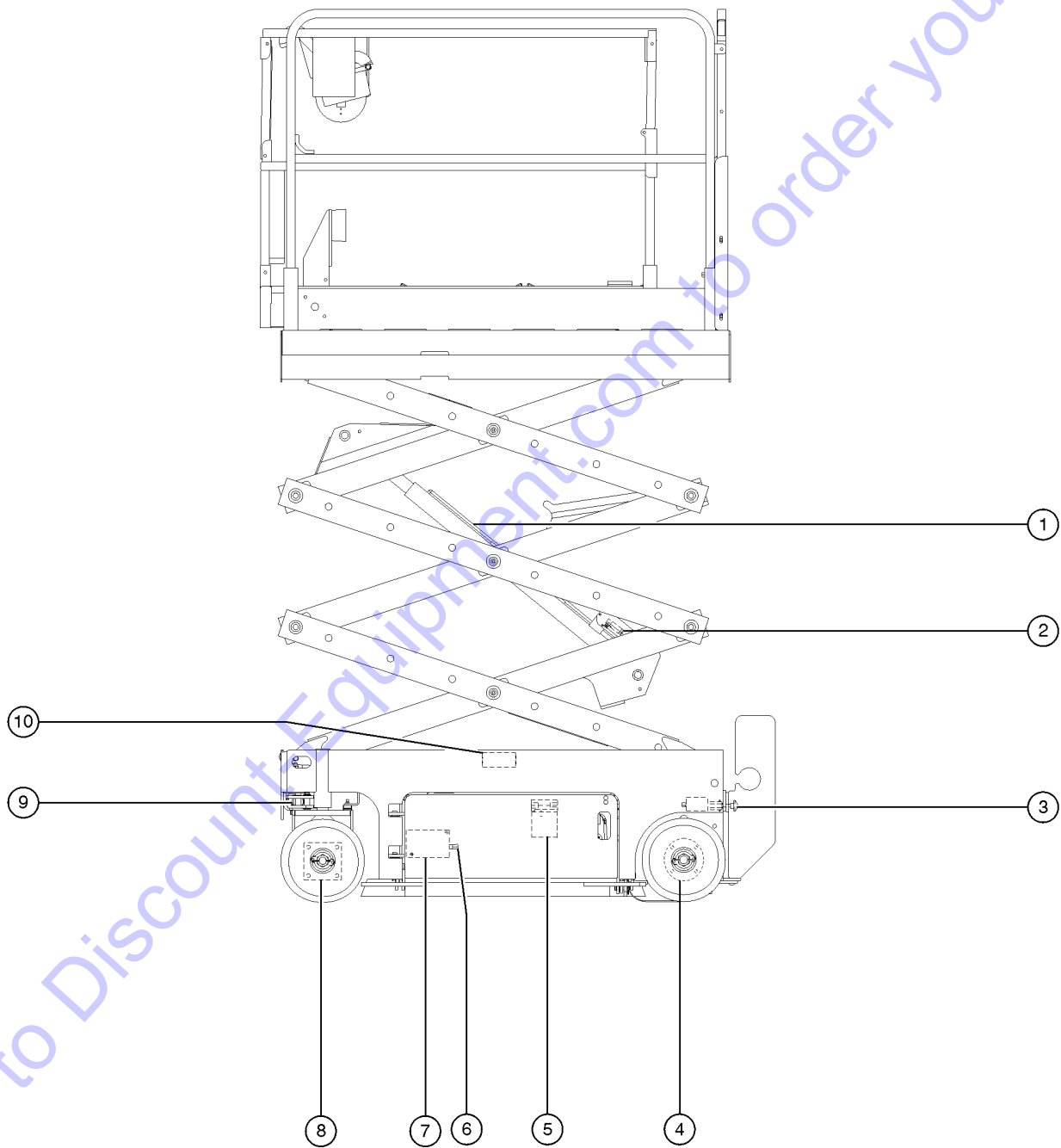
409.1 Joystick Controller

Item	Part No.	Description	Qty.
A-	137634GT	JOYSTICK, HALL EFFECT, SINGLE	
B-	214544GT	KIT,BOOT,JOYSTICK,SL1000	
		joystick boot	
1	235463GT	KIT,SWITCH,JYSTK,SL1000	1
		function enable and steer switches	
2	235463GT	KIT,SWITCH,JYSTK,SL1000	1
		function enable and steer switches	
3	229092GT	ROCKER,2 SWITCH	1
4	229093GT	BOOT, 2 SWITCH, SILICON	1
5	229086GT	SCREW, SELF TAP	5
6	229087GT	HANDLE HALF,RIGHT,W/TOP SWITCH	1
6A	229091GT	SCREW,GRUB,M5X8MM,HLF DOG,BZP	
		for 229087	
7	229088GT	HANDLE HALF,LEFT,W/TOP SWITCH	1
7A	229090GT	SCREW,GRUB,M5X8MM CUP(BLK)	
		for 229088	
8	229089GT	TRIGGER, EXTENDED	1
		squeeze handle	
8-	229094GT	SPRING, HANDLE TRIGGER	1

Go to Discount-Equipment.com to order your parts

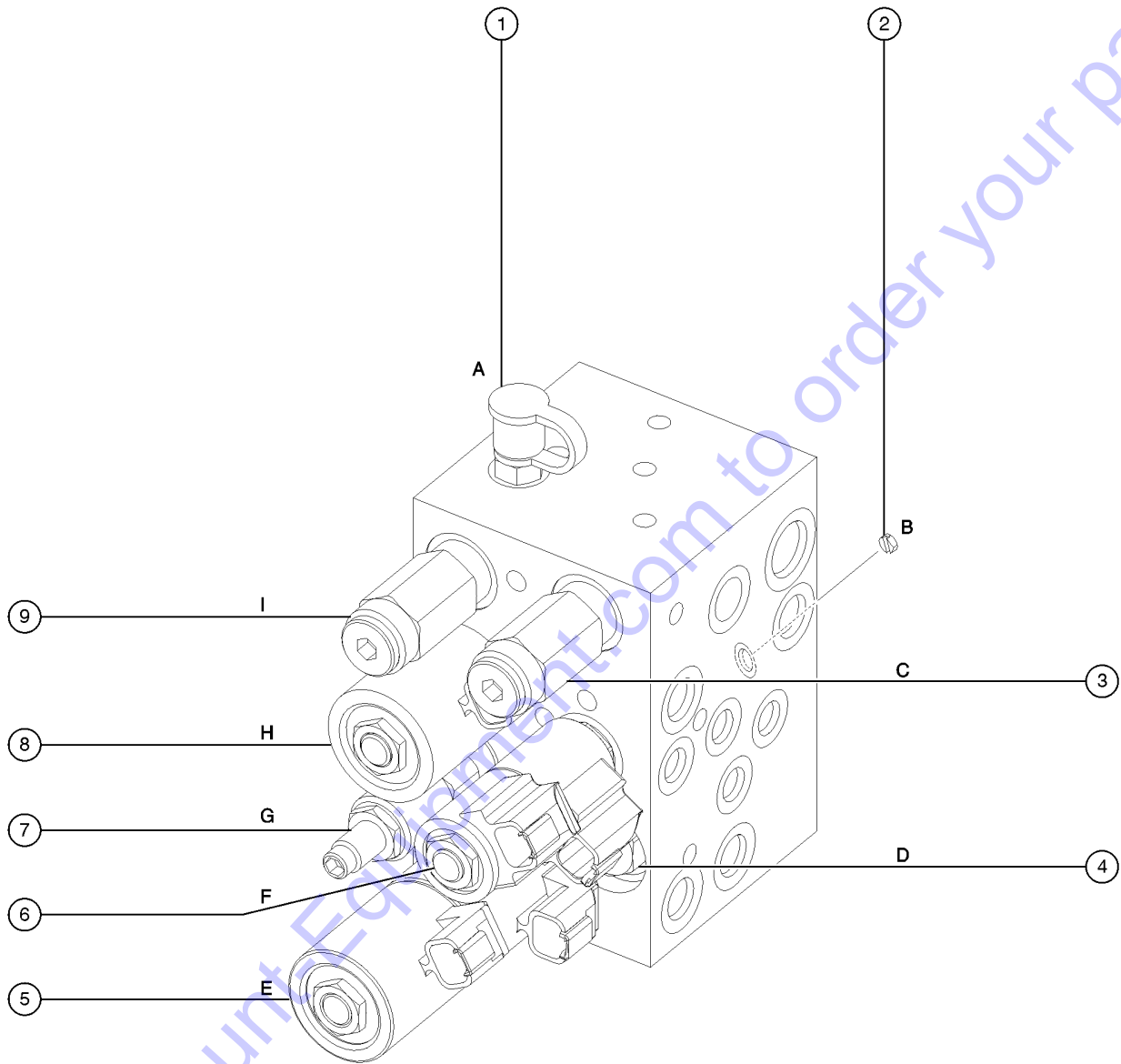


501.1 Hydraulic Components



Item	Part No.	Description	Qty.
1		Ref. Lift Cylinder Assembly (refer to 506.1)	
2		Ref. Pressure Transducer (refer to 701.1)	
3		Ref. Brake Release Hand Pump Manifold (refer to 504.1)	
4	96257GT	BRAKE, HYDRAULIC*** (no seal kits available)	2
5A	78622GT	FILTER ASSY, SAE8, 10 MIC, PAPER** (paper, standard)	1
5A-	44788GT	FILTER ELEMENT-10MICRON, PAPER* (paper, standard)	
5B	T114321GT	FILTER ASSY, FIBRGLS, #8-#8 (fiberglass, optional upgrade)	1
5B-	44207GT	FILTER ELEMENT, BETA(10)=200 (fiberglass, optional upgrade)	
6		Ref. Check Valve Manifold (refer to 502.2)	
7		Ref. Function Manifold (refer to 502.1 or 503.1)	
8	96388GT	MOTOR, HYDRAULIC, 530, 14.0CU.IN* GS-30	2
8-	96419GT	SEAL KIT, RC SERIES DR MOTOR*** (for 96388 and 96417)	
9	105547GT	CYLINDER, GS/GR STEER*** GS-30	1
9-	105550GT	KIT, STEER CYL SEAL (from SN GS3007A-88642, GS3007B-83785, GS3008C-101, GS3207-84485, GS3208C-101, GS4607-83692, and GS4609C-101)	
9-	105553GT	KIT, STEER CYL SEAL, 040271P, HDM (for code H408147 and up)	
9-	105554GT	KIT, STEER CYL SEAL, 040499P, HDM (for code H41109 and up)	
9-	105555GT	KIT, STEER CYL SEAL, 040505P, HDM (for codes H41205, H41255, H51290, H501111, H505109, H509101, H60723 and H60870)	
10	78422GT	ACCUMULATOR, 180 PSI PRECHARGE* GS-30	1

502.1 Function Manifold

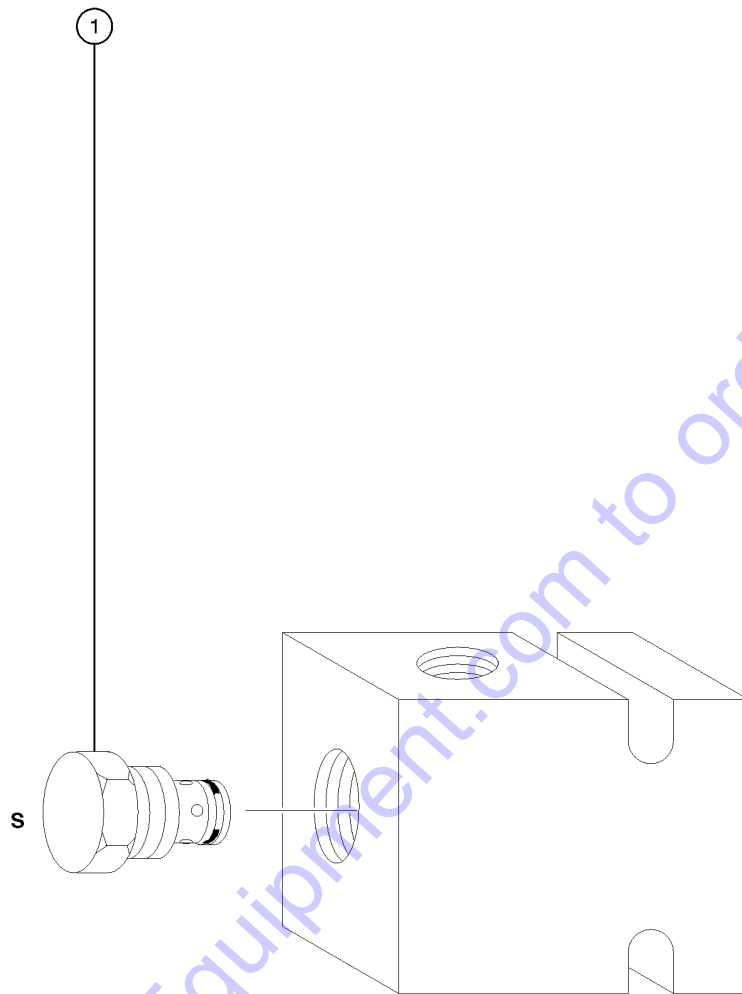


Go to DiscountEquipment.com to order your parts

Item	Part No.	Description	Qty.
A-	105304GT	MANIFOLD,FUNCTION*** (from SN GS3005A-76492, GS3005B-76085 and GS3008C-101) (manifold, complete)
B-	49612GT	O-RING KIT (ORFS FITTINGS)
C-	49613GT	PLUG AND CAP KIT-SERVICE,ORFS*
1	48997GT	CONN,520120-8-12 (A, Testing)
1-	20224GT	DIAGNOSTIC FEMALE Q-DSCNT (pressure gauge not included)
1-	48880GT	CAP,DIAGNOSTIC NIPPLE
2	84386GT	CHECK DISK, NO SPRING (B, Steer circuit)
3	1299590GT	VALVE, FUNCTION MANIFOLD RELIEF, 3700PSI (C, Lift relief).
3-	44226GT	SEAL KIT-FOR P.N.44167
4	46216GT	VALVE,CHECK,IWP-S/CWP PWR ASSI (D, Drive circuit)
4-	44227GT	SEAL KIT, VALVE
5	105457GT	KIT,DYN BRAKING VALVE,MINI (to SN GS3005A-76491 and to GS3005B-76084) (E, Drive forward/reverse)
5-	84385GT	COIL,20VDC DEUTCSH W/DIODE (sold separately)
5-	105303GT	VALVE, DYN. BRAKING, GS30** (from SN GS3005A-76492, GS3005B-76085, and GS3008C-101) (E, Drive forward/reverse)
5-	44174GT	NUT-COIL SHORT
5-	44230GT	SEAL KIT-P.N.44169,44172,44171
6	44168GT	VALVE,SOLENOID,3POS 4WAY (F, Steer left/right)
6-	44174GT	NUT-COIL SHORT
6-	44229GT	SEAL KIT, VALVE
6-	77709GT	COIL,#8 20VDC,DEUTSCH W/DIODE (sold separately)
7	84384GT	PRTY,FLOW CNTRL VALVE,.75 GPM (G, Steer circuit)
7-	1261888GT	SEAL KIT (84384) for 84384
8	44169GT	VALVE-SOLENOID, 2POS 4 WAY (H, Platform up)
8-	84385GT	COIL,20VDC DEUTCSH W/DIODE (sold separately)
8-	44174GT	NUT-COIL SHORT
8-	44230GT	SEAL KIT-P.N.44169,44172,44171
9	1299590GT	VALVE, FUNCTION MANIFOLD RELIEF, 3700PSI (I, System relief).
9-	44226GT	SEAL KIT-FOR P.N.44167



503.1 Check Valve Manifold



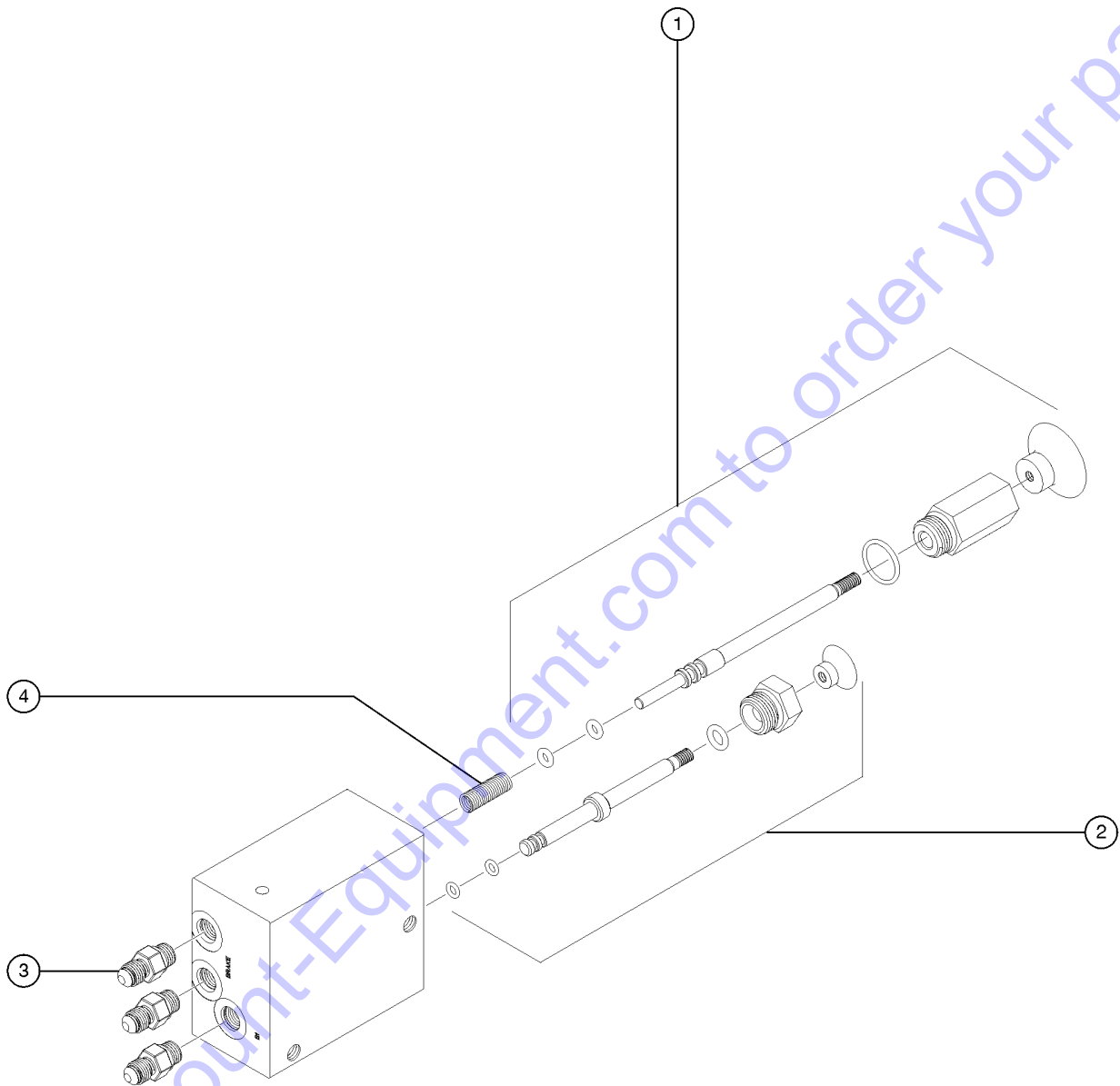
503.1 Check Valve Manifold

Item	Part No.	Description	Qty.
	105164GT	KIT,MANIFOLD,200 PSI CV,MINI**	
		ACCESSORY,MINI CHK VAL MANIF	
		(no longer available)	
1	105165GT	MANIFOLD,200 PSI CHECK VALVE**	
		(S, Drive circuit)	

Go to Discount-Equipment.com to order your parts



504.1 Brake Release Hand Pump Manifold



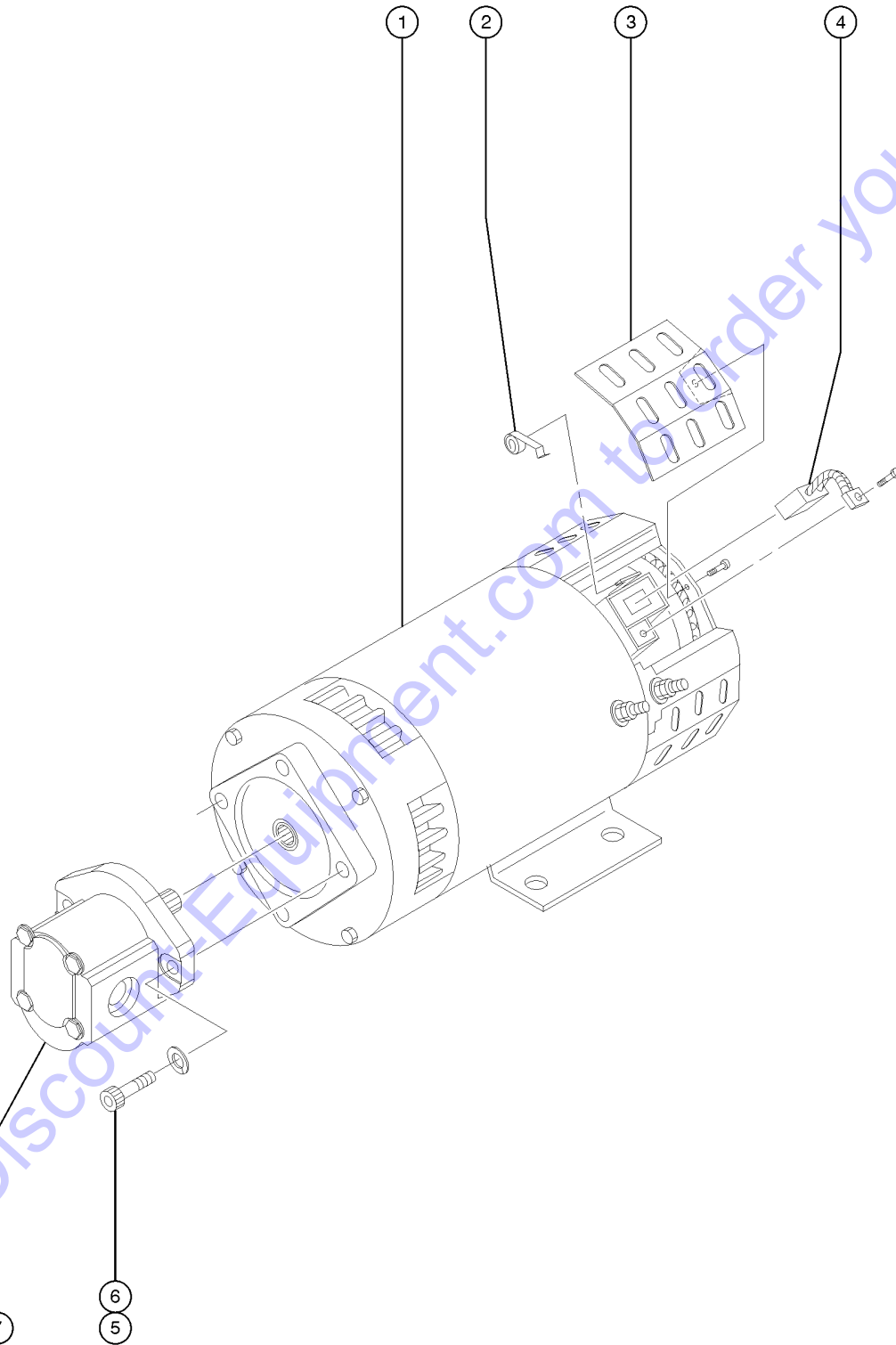
504.1 Brake Release Hand Pump Manifold

Item	Part No.	Description	Qty.
	105067GT	MANIFOLD,BRAKE RELEASE (includes items 1, 2 and 4)	
1	84739GT	VALVE,HAND PUMP ASSEMBLY***	1
1-	84740GT	SEAL KIT,HAND PUMP***	
1-	84742GT	KNOB,HAND PUMP (RED)***	
2	84743GT	VALVE,PILOT OPERATED ASSEMBLY*	1
2-	84740GT	SEAL KIT,HAND PUMP***	
2-	84746GT	KNOB,PILOT OP VALVE (BLACK)***	
3	39877GT	CONNECTOR,070120-4-4	3
4	84748GT	SPRING,HAND PUMP ROD	1

Go to Discount-Equipment.com to order your parts



505.1 Hydraulic Power Unit, All Models



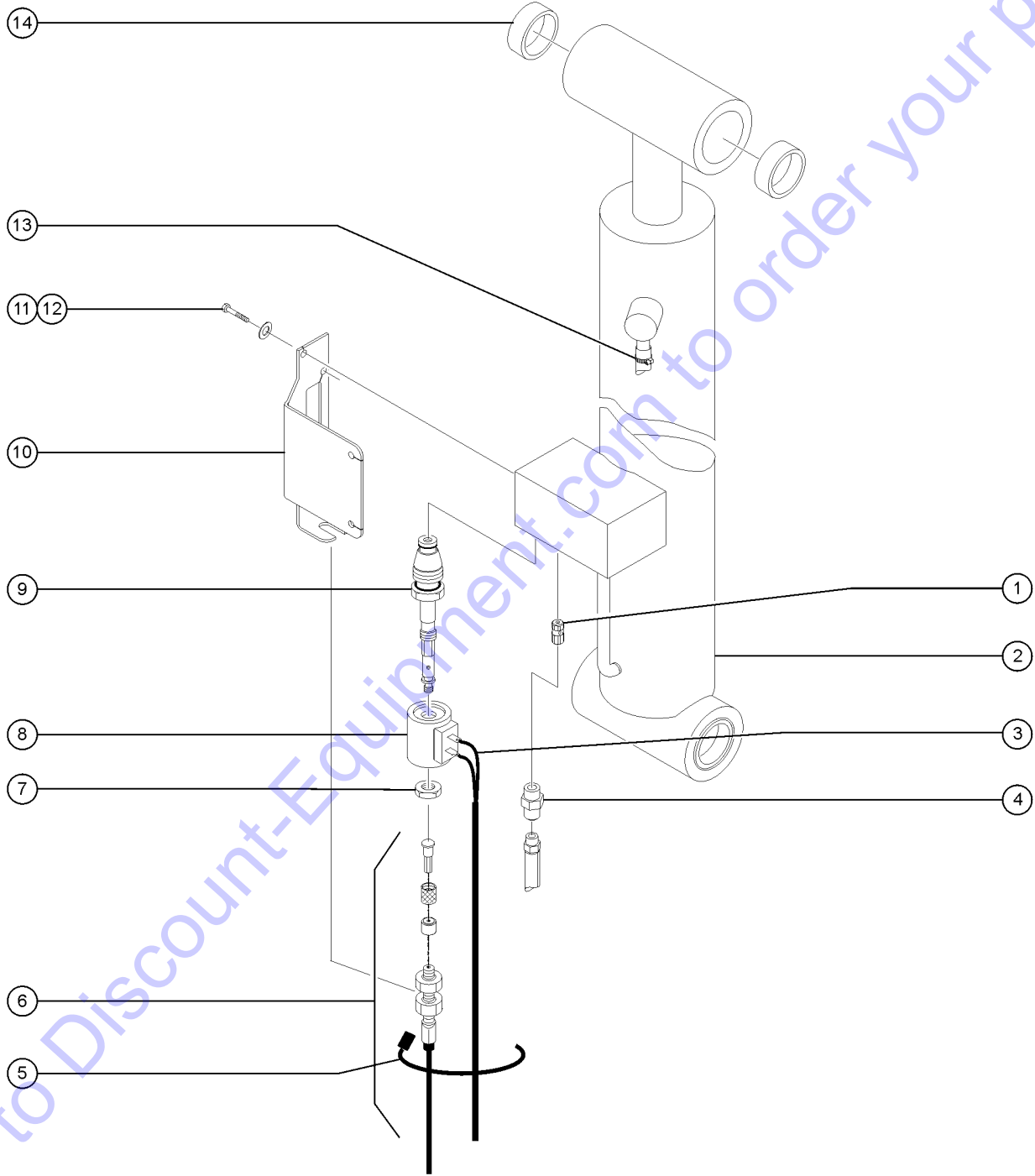
Go to DiscountEquipment.com to order your parts



Item	Part No.	Description	Qty.
B-	49812GT	ENCLOSING BAND KIT Band Kit (EE models)	
C-	78006GT	FORMING,PADLOCK BRACKET	
D-	44716GT	HANDLE,ANDERSON CONNECTOR SB	
1A	40844GT	MOTOR,ELECTRIC,24VDC 4.5HP	1
1A-	43685GT	SEAL KIT,LIFT PUMP,BARNES**	
1A-	44777GT	BEARING,MOTOR	
1A-	44778GT	BEARING,MOTOR,36843,BRUSH END*	
2	44750GT	SPRING-BRUSH,40844, SCISSORS	4
3	44752GT	COVER-BRUSH INSPEC.40844,SCISS	4
4	44751GT	BRUSH,PWR UNIT (40844)**	4
5	55921GT	SCREW,SHC,3/8-24 X 1.25"	
6	6021GT	WASHER,LOCK,.375	
7A		PUMP,4CC GEAR,CCW 228192 Parker (component no longer available)	
7A-	229453GT	SEAL KIT,PUMP,PARKER (228192) for Parker pump 228192	
7B	231572GT	PUMP,4CC,GEAR,CCW	1
7B-	233641GT	SEAL KIT,BOSCH PUMP for Bosch PN 9510090001	1
7B-	85197GT	SEAL KIT,BOSCH PUMP*** for Bosch PN 9510290001	1



506.1 Lift Cylinder Assembly, All Models



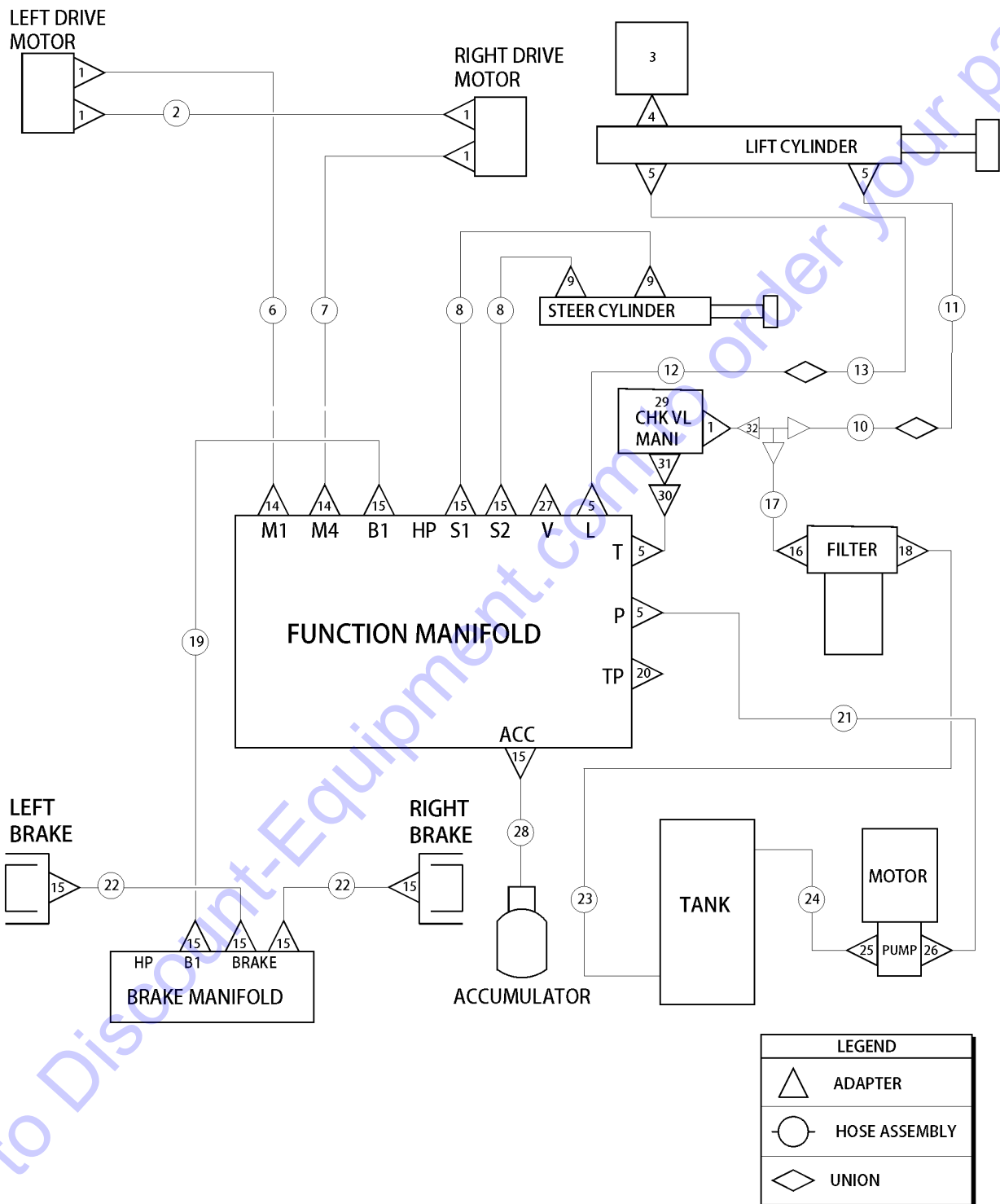
Go to Discount-Equipment.com to order your parts



Item	Part No.	Description	Qty.
1	55558GT	ORIFICE, LONG, .037*** (lift cylinder)	1
2	105543GT	CYLINDER, MINI LIFT	1
2-	105548GT	SEAL KIT, LIFT CYL MINI (from SN GS3007A-88642, GS3007B-83785 and GS3008C-101)	
3		Ref. Down Coil Wire Harness (refer to 210.1)	
4	39878GT	CONNECTOR, 070120-6-6	1
5	28443GT	CABLE TIE, 11.5" BLACK	3
6		Ref. Emergency Down Cable (refer to 203.1)	
7	44973GT	NUT, COIL (39909)	1
8	84422GT	COIL-SOLENOID VALVE, 20V DC***	1
9	66465GT	VALVE, W/20V NC SOLENOID, MANUAL (includes items 7 and 8)	1
9-	40477GT	VALVE, CARTRIDGE***	
9-	44979GT	SEAL KIT, 39909, PLAT LWR VALVE*	
10	41557-SGT	CABLE BRACKET, PAINTED	1
11	7339GT	SCREW, HHC, 1/4-20 X .5	
12	6356GT	WASHER, LOCK, .25	
13	96770GT	CLAMP, HOSE, 1 EAR, 11/16	1
14	105478GT	BEARING, 1.5025IDX1.5075ODX1.5L	4



507.1 Hydraulic Hoses and Fittings

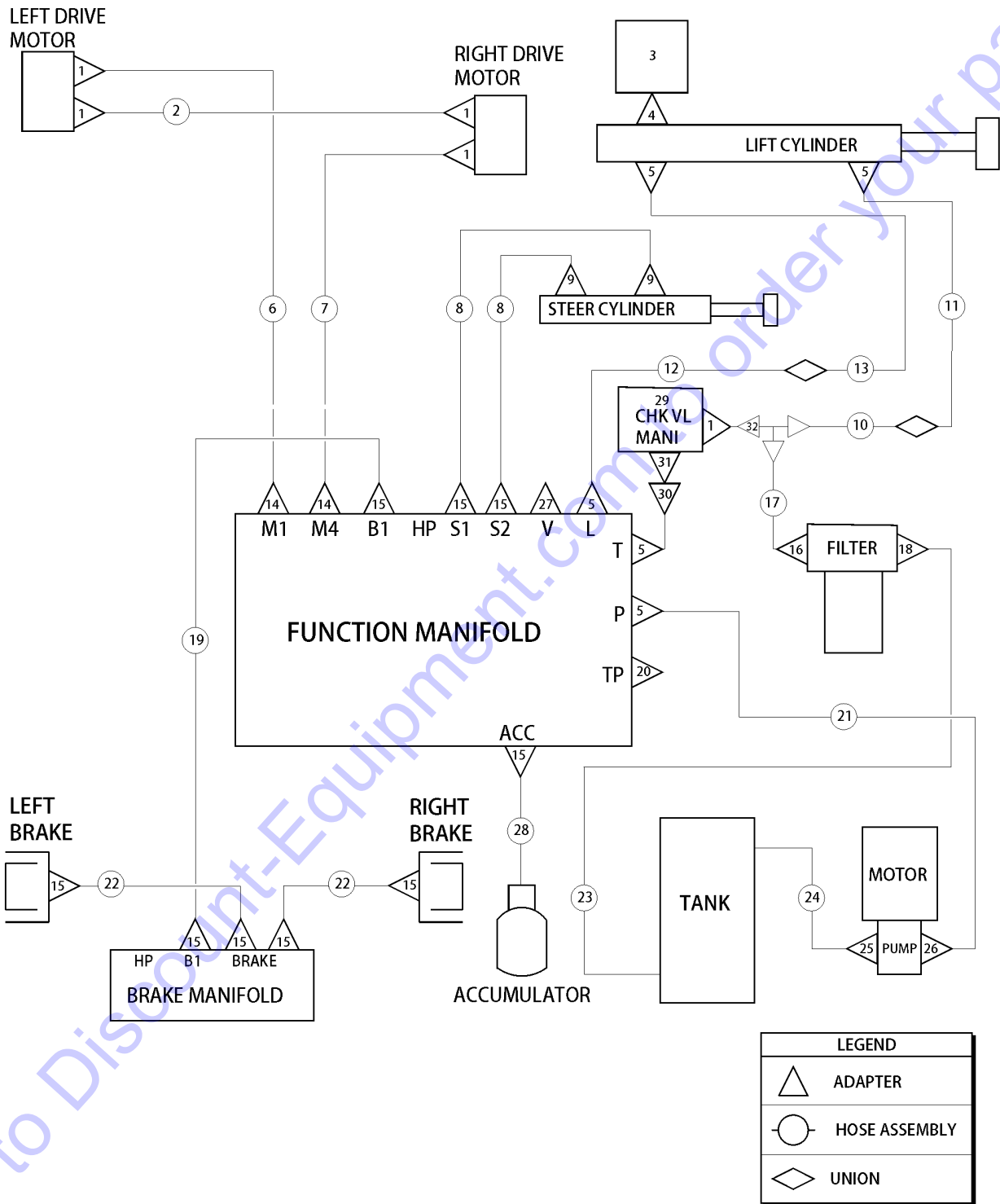


507.1 Hydraulic Hoses and Fittings

Item	Part No.	Description	Qty.
		The hose lengths below reflect the length of the hose only. Refer to the 'Fittings Cross Reference' to match Genie part numbers to Parker part numbers.	
1	39873GT	ELBOW,070220-6-6	5
2	96350GT	HOSE, ASSY, MOTOR CROSSOVER (Components: 39890, 39890, and 56776 @ 53.25 inches)	1
3		Ref. Pressure Transducer Harness (refer to 701.1)	
4	39881GT	CONNECTOR,070120-4-6 (CE models)	1
5	39878GT	CONNECTOR, 070120-6-6	4
6	115166GT	HOSE,ASSY,DRIVE MOTORS,MINI, L (Components: 39890, 39890, and 56776 @ 31 inches)	
7	105653GT	HOSE,ASSY,DRIVE MOTORS,MINI (Components: 39890, 39890, and 56776 @ 31 inches)	1
8	96351GT	HOSE, ASSY, STEER (Components: 78855, 78855, and 78852 @ 22 inches)	2
9	13921GT	ELBOW,070220-4-4	2
10	105263GT	HOSE 75631X420 (Components: 96406, 96406, and 75361 @12 inches)	
11	105261GT	HOSE 75631X2720 (Components: 96407, 96770 and 75631 @ 107 inches)	
12	105264GT	HOSE 56776X400 (Components: 39890, 47223, and 56776 @ 13 inches)	
13	105262GT	HOSE, ASSY, UPPER LIFT (Components: 39890, 39890, and 56776 @ 73 inches)	
14	42283GT	ELBOW,070320-6-6	2
15	39877GT	CONNECTOR,070120-4-4	9
16	20923GT	CONNECTOR,070120-8-6	1
17	105285GT	HOSE 75631X600 (Components: 96406, 96406, and 75631 @ 22 inches)	1
18	96398GT	CONNECTOR, 070120-12-8	1
19	105284GT	HOSE, ASSY, BRAKE (Components: 78855, 78855, and 78852 @ 46 inches)	1
20		Ref. Diagnostic Nipple (refer to 502.1)	
21	96353GT	HOSE, ASSY, PRESSURE (Components: 39890, 39890, and 56776 @ 40 inches)	1
22	96391GT	HOSE 78852X475 (Components: 78855, 78855, and 78852 @ 17 inches)	2
23	96355GT	TUBE, ASSY, RETURN	1
24	96354GT	TUBE, ASSY, DRAW	1
25	22664GT	ELBOW,070220-12-10	1
26	39876GT	ELBOW,070220-6-8	1
27	48923GT	PLUG,090109A-6	1



507.1 Hydraulic Hoses and Fittings



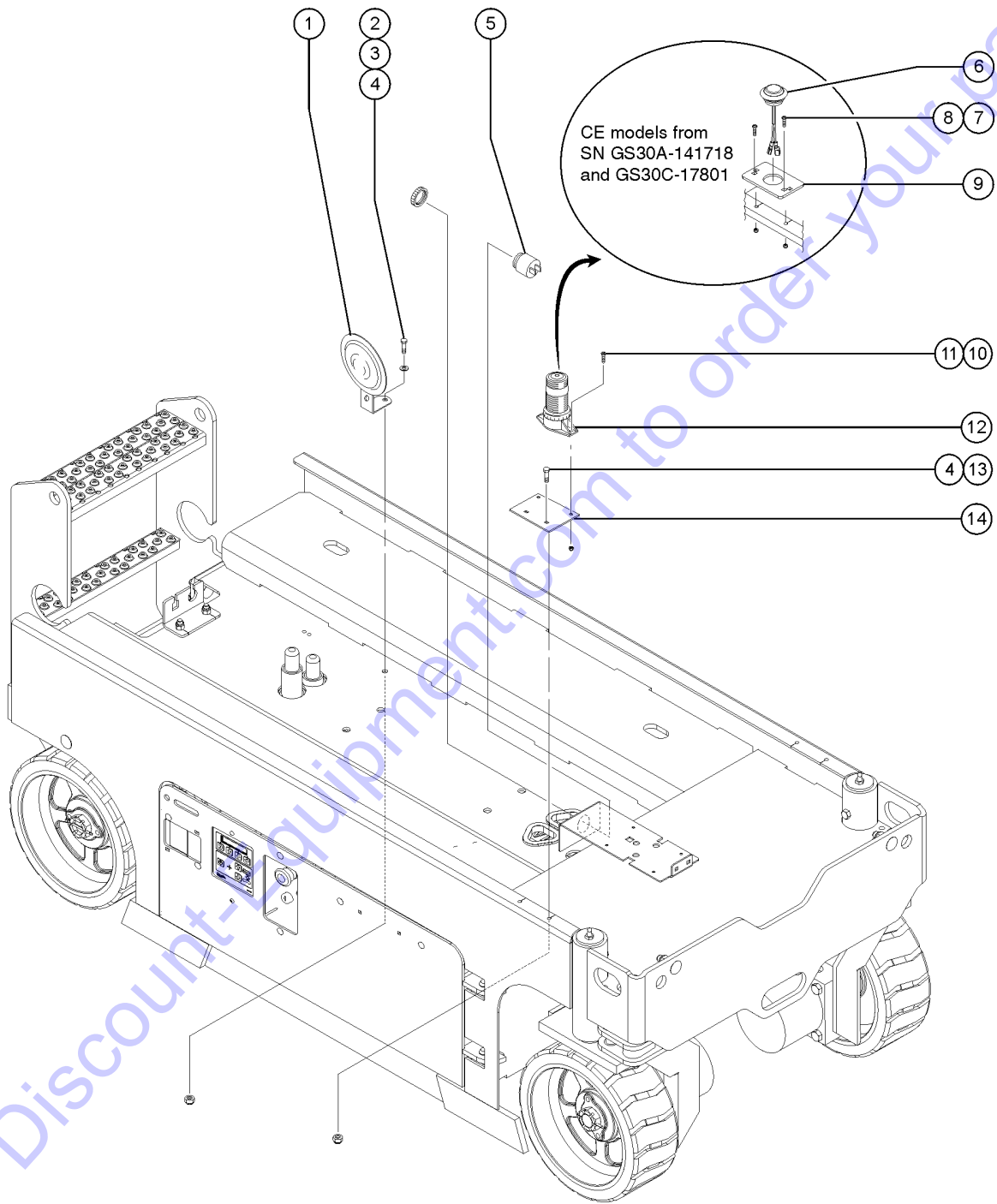
507.1 Hydraulic Hoses and Fittings

Item	Part No.	Description	Qty.
28	105283GT	HOSE ASSY, MAN/ACCUM, MINI (Components: 78855, 78855, and 78852 @ 14 inches)	1
29		Check Valve Manifold (refer to 503.1)	2
30	78091GT	ELBOW,SWIVEL NUT 90DEG, -6	1
31	55839GT	CONN,SWIVEL STR, THR, 6F650X	1
32	51152GT	TEE,RUN 070432-6*****	1

Go to Discount-Equipment.com to order your parts



601.1 Alarm, Horn and Flashing Beacons



Go to Discount-Equipment.com to order your parts

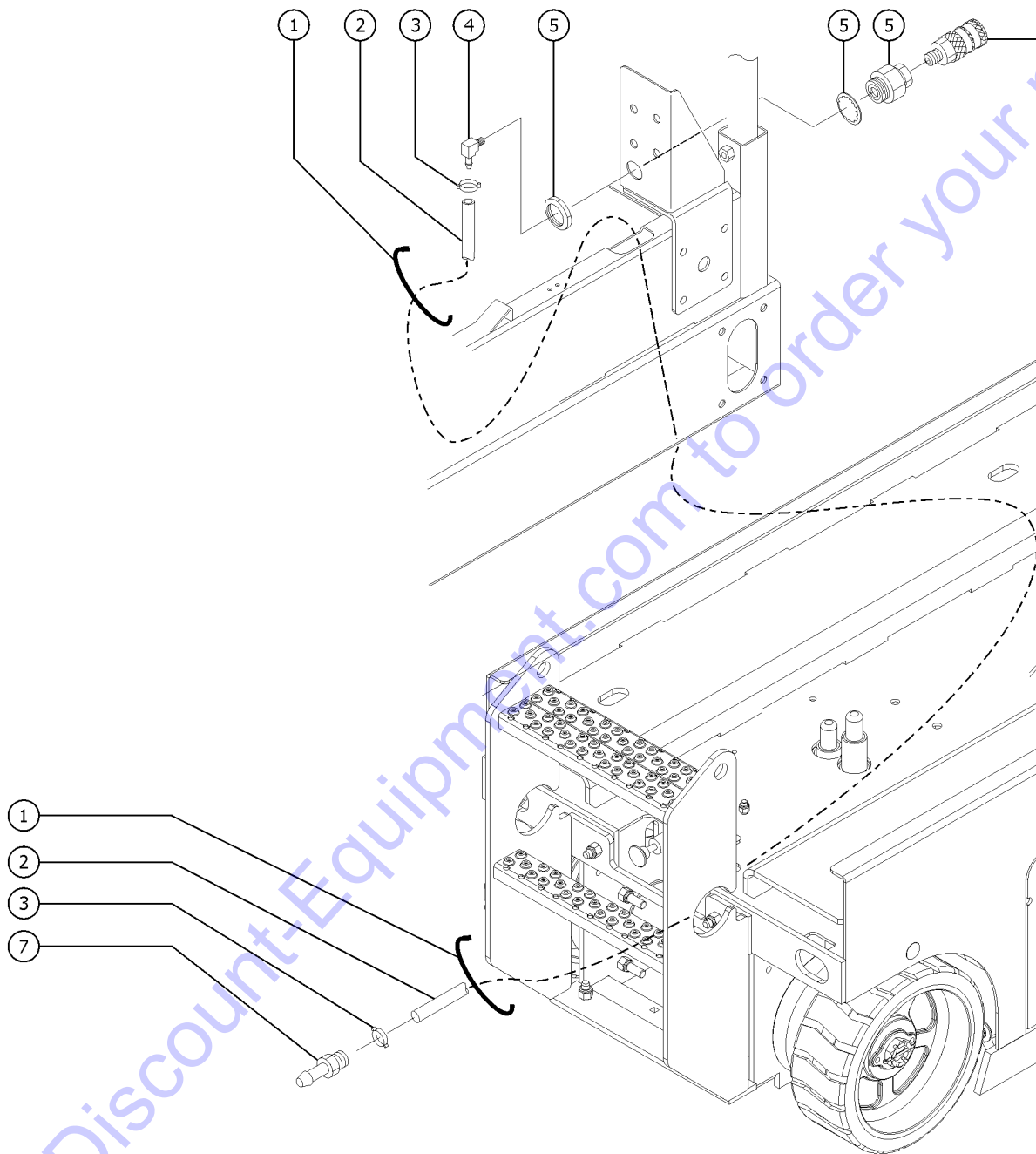


601.1 Alarm, Horn and Flashing Beacons

Item	Part No.	Description	Qty.
A-	105797GT	KIT,BEACON,GS32/46	
B-	1260386GT	VISUAL ALARM SUPPLEMENT CE Models, from SN GS3015A-141718 and SN GS3015C-17801	
1	81579GT	HORN, 24VDC, SPADE TERMINALS***	1
1A	96484GT	ASSY,DIODE	
		for GS-3232	
2	8914GT	SCREW,HHC,1/4-20 X .625	
3	6638GT	WASHER,FLAT,USS,1/4"Y	
4	6091GT	NUT, NYLOCK, 1/4-20	
5	39540GT	ALARM,STEADY TONE***	1
		Does not include 72326 nut	
5-	72326GT	NUT,PLASTIC,RING FOR ALARMS	
6	1261183GT	ASSEMBLY,VISUAL IND LIGHT CE Models, from SN GS3015A-141718 and SN GS3015C-17801	2
6-	1254572GT	LIGHT,TURN SIGNAL,1.25" LED,AM CE Models, from SN GS3015A-141718 and SN GS3015C-17801	2
6-	1261526GT	HARNES,VISUAL IND LIGHTS,MINI CE Models, from SN GS3015A-141718 and SN GS3015C-17801	1
7	9116GT	BOLT,CARRIAGE,1/4-20 X 1.25,G2 CE Models, from SN GS3015A-141718 and SN GS3015C-17801	4
8	6889GT	NUT,LP NYLOCK,1/4-20 CE Models, from SN GS3015A-141718 and SN GS3015C-17801	4
9	1261143GT	PLATE,VISUAL IND LIGHT MOUNT CE Models, from SN GS3015A-141718 and SN GS3015C-17801	2
10	49816GT	SCREW,PHILLIPS,PHM,10-32 X .75	
11	6178GT	NUT,NYLOCK,10-32	
12	231931GT	STROBE,BEACON, AC COMP 12-80V	2
12-	105556GT	LENS,FLASHING BEACON	
		for 231931	
12-	105557GT	BULB,FLASHING BEACON	
		for 231931	
13	6878GT	BOLT,CARRIAGE,1/4-20 X .75,G2	
14	96363GT	PLATE,BEACON MOUNT	2



602.1 Air Line to Platform, GS-1530, GS-1532



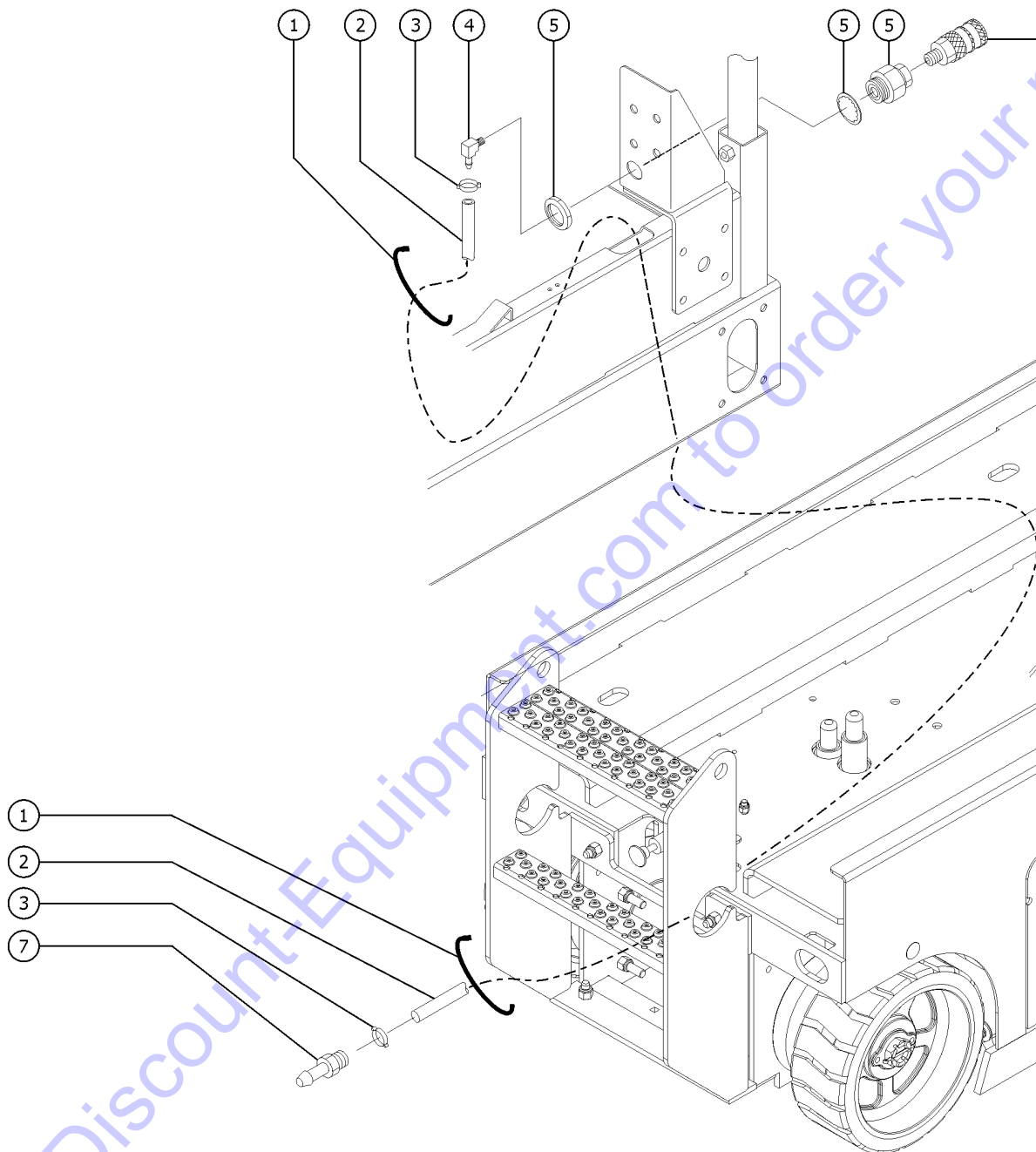
602.1 Air Line to Platform, GS-1530, GS-1532

Item	Part No.	Description	Qty.
A-	96515-SGT	AIR TO PLAT, GS15, ACC GS-1530, GS-1532	
1	28443GT	CABLE TIE, 11.5" BLACK	
2A	27903GT	HOSE,LOW PRESSURE,.375 ID,BLK GS-1530, GS-1532	275
3	27902GT	CLAMP,HOSE,2 EAR, 5/8	2
4	27904GT	HOSE END,BARBED,RIGID,90DEG6-6	1
5	27900GT	BULKHEAD,FEMALE X 6 X 6	1
6	27895GT	COUPLER,1/4"SERIES 3/8 MPT	1
7	96542GT	PLUG,1/4"SERIES,3/8 P-LOCK***	1

Go to Discount-Equipment.com to order your parts



602.2 Air Line to Platform, GS-1930, GS-1932



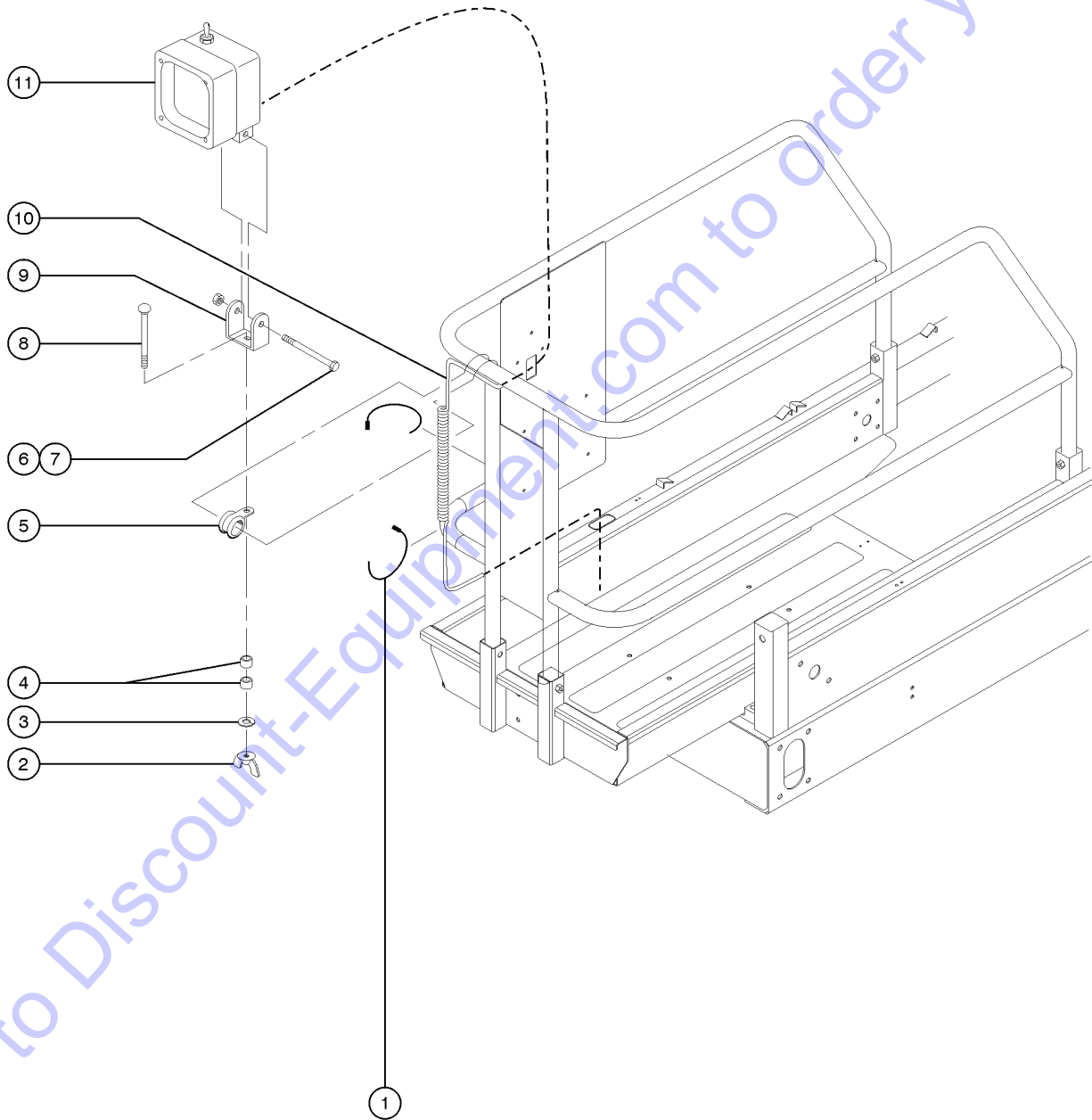
602.2 Air Line to Platform, GS-1930, GS-1932

Item	Part No.	Description	Qty.
B-	96516-SGT	AIR TO PLAT, GS19, ACC GS-1930, GS-1932	
1	28443GT	CABLE TIE, 11.5" BLACK	
2B	27903GT	HOSE,LOW PRESSURE,.375 ID,BLK GS-1930, GS-1932	340
3	27902GT	CLAMP,HOSE,2 EAR, 5/8	2
4	27904GT	HOSE END,BARBED,RIGID,90DEG6-6	1
5	27900GT	BULKHEAD,FEMALE X 6 X 6	1
6	27895GT	COUPLER,1/4"SERIES 3/8 MPT	1
7	96542GT	PLUG,1/4"SERIES,3/8 P-LOCK***	1

Go to Discount-Equipment.com to order your parts



603.1 Platform Work Light, GS-1530, GS-1532



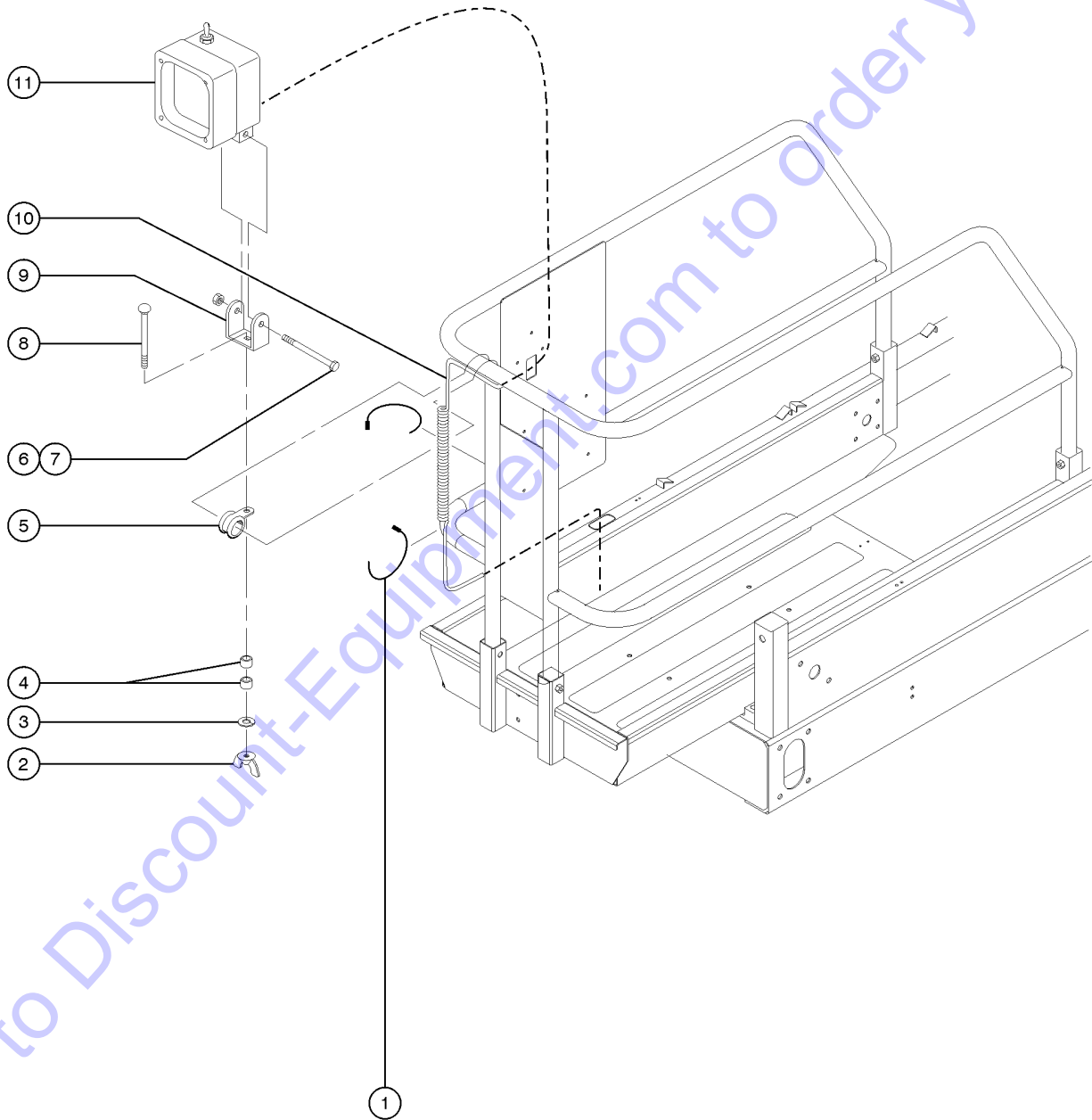
603.1 Platform Work Light, GS-1530, GS-1532

Item	Part No.	Description	Qty.
A-	105972GT	WORKLIGHT CABLE,GS15XX (linkset) GS-1530, GS-1532	
A-	105971GT	WORKLIGHT PIGTAIL ASSY (chassis) GS-1530, GS-1532	
1	28443GT	CABLE TIE, 11.5" BLACK	10
2	69229GT	NUT,WING 5/16-18	1
3	6886GT	WASHER,LOCK,.313	
4	5397GT	WASHER,FLAT,USS,5/16",Y add sufficient washers to equal aproximately 0.435 inch thickness of each spacer	2
5	33784GT	CLAMP,1.31,#21 X 1/4,RUB CUSH	1
6	50793GT	SCREW,HHC,5/16-18 X 2	
7	6782GT	NUT, NYLOCK, 5/16-18	
8	65439GT	BOLT,CARRIAGE,5/16-18 X 2.0,G2	
9	144009GT	WORKLIGHT BRACKET	1
10	65721GT	COIL CORD,WORKLIGHT(144011)	1
11	144011GT	WORKLIGHT,24V,COIL CORD	1

Go to Discount-Equipment.com to order your parts



603.2 Platform Work Light, GS-1930, GS-1932



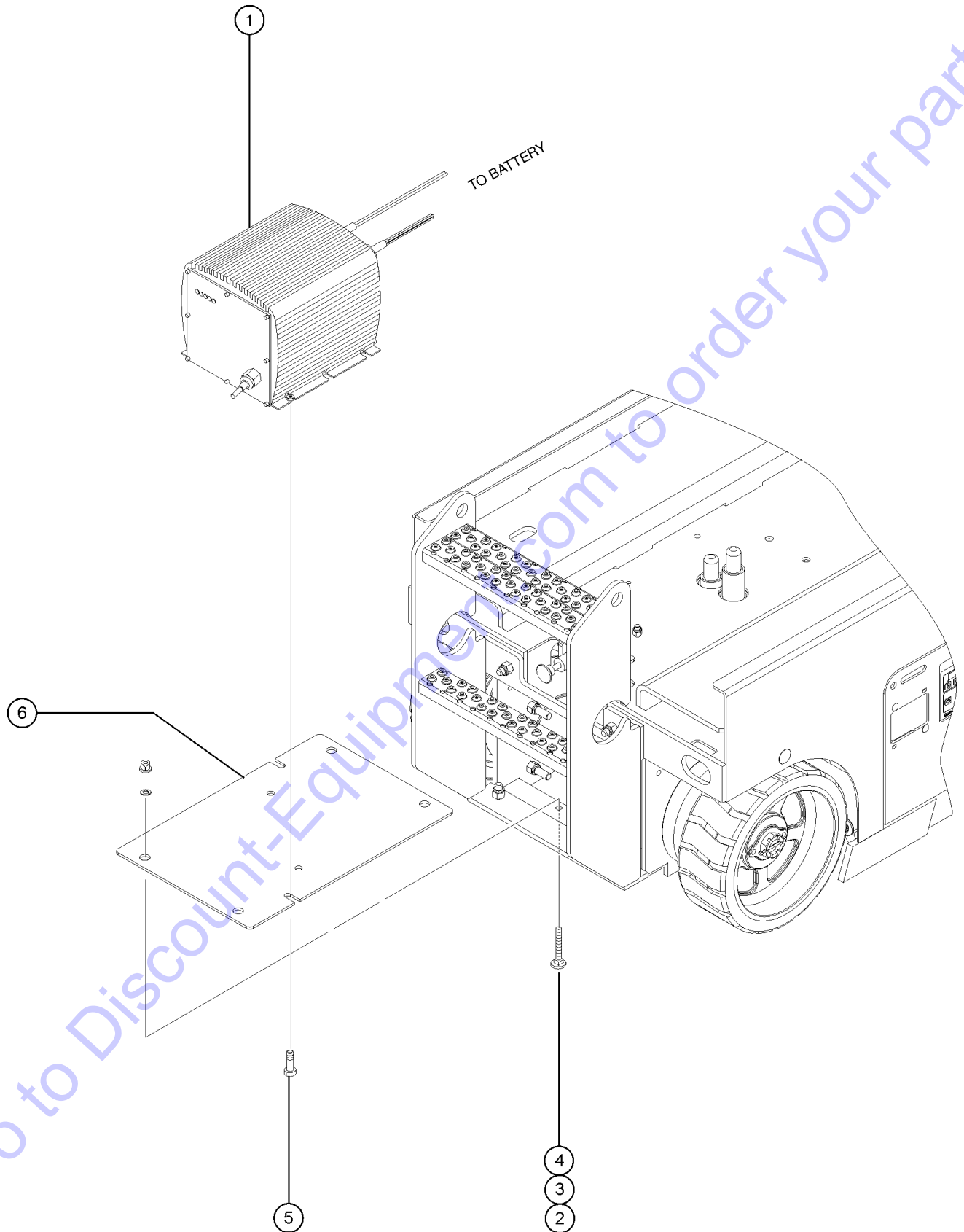
603.2 Platform Work Light, GS-1930, GS-1932

Item	Part No.	Description	Qty.
B-	105973GT	WORKLIGHT CABLE,GS19/20XX (linkset) GS-1930, GS-1932	
B-	105971GT	WORKLIGHT PIGTAIL ASSY (chassis) GS-1930, GS-1932	
1	28443GT	CABLE TIE, 11.5" BLACK	10
2	69229GT	NUT,WING 5/16-18	1
3	6886GT	WASHER,LOCK,.313	
4	5397GT	WASHER,FLAT,USS,5/16",Y add sufficient washers to equal aproximately 0.435 inch thickness of each spacer	2
5	33784GT	CLAMP,1.31,#21 X 1/4,RUB CUSH	1
6	50793GT	SCREW,HHC,5/16-18 X 2	
7	6782GT	NUT, NYLOCK, 5/16-18	
8	65439GT	BOLT,CARRIAGE,5/16-18 X 2.0,G2	
9	144009GT	WORKLIGHT BRACKET	1
10	65721GT	COIL CORD,WORKLIGHT(144011)	1
11	144011GT	WORKLIGHT,24V,COIL CORD	1

Go to Discount-Equipment.com to order your parts



604.1 Voltage Inverter



Go to Discount-Equipment.com to order your parts



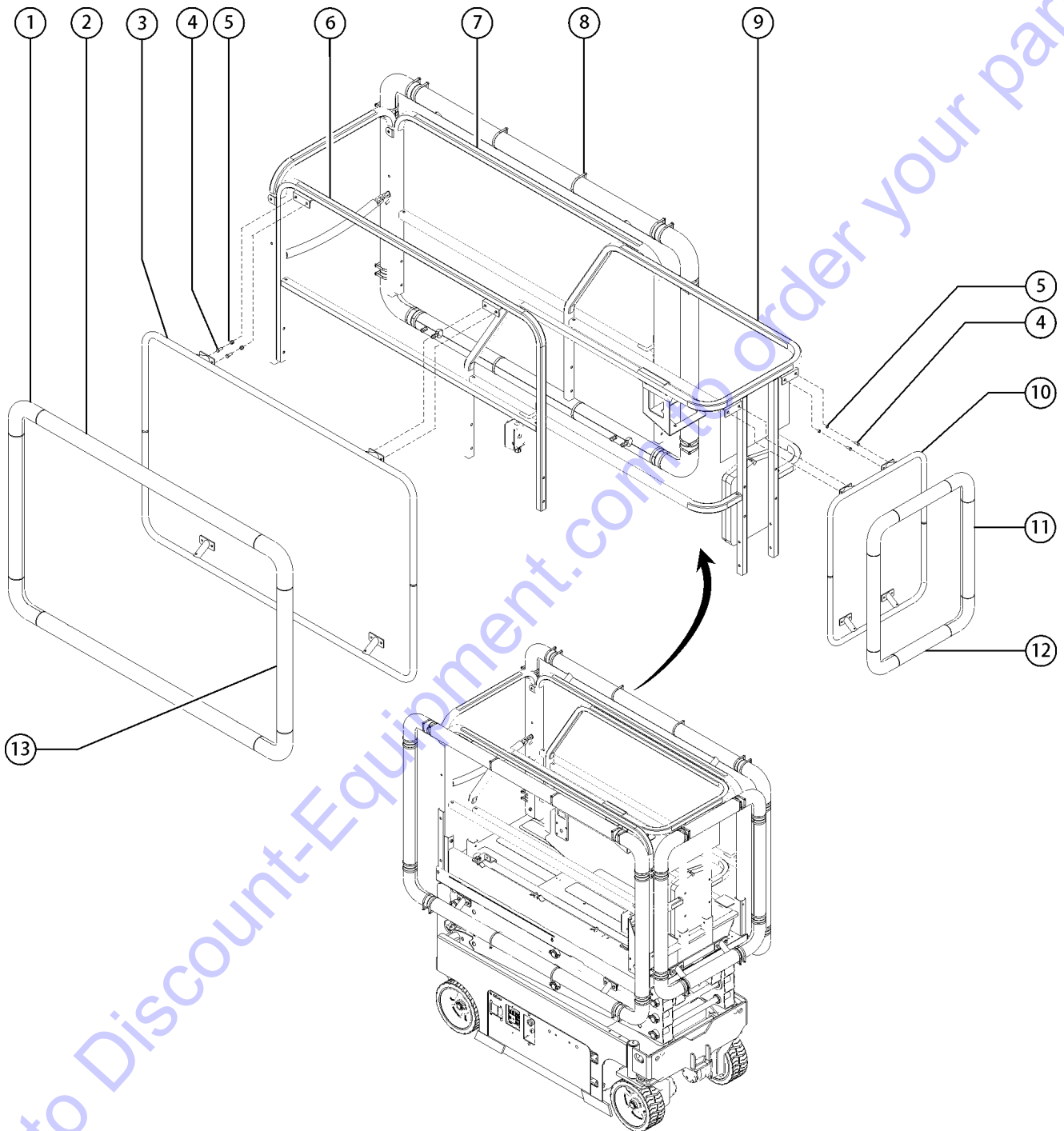
604.1 Voltage Inverter

Item	Part No.	Description	Qty.
	105248GT	SERVICE KIT,INVERTER 800W***	
1	96950GT	INVERTER,24VDC,110/230 VAC***	1
2	105092GT	BOLT,CARRIAGE,3/8-16X1.25,GR5	
3	5397GT	WASHER,FLAT,USS,5/16",Y	
4	4828GT	NUT,NYLOCK,3/8-16	
5	6090GT	SCREW,HHC,1/4-20 X .75	
6	105129GT	PLATE, INVERTER MOUNT**	1

Go to Discount-Equipment.com to order your parts



605.1 Padded Auxiliary Rail, GS-1930



Factory installed option only. After-market kit not available.



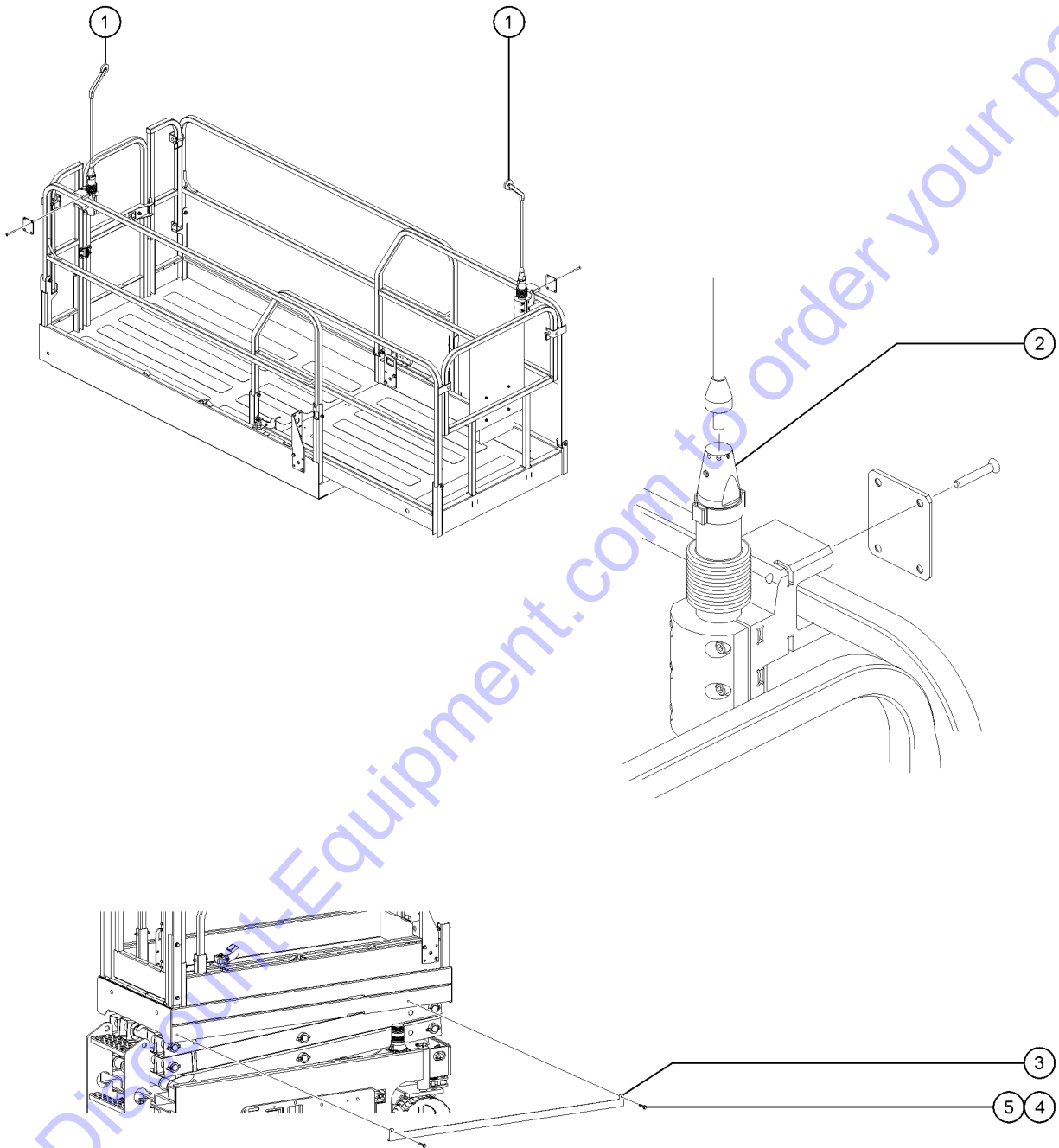
605.1 Padded Auxiliary Rail, GS-1930

Item	Part No.	Description	Qty.
1	238268GT	BUMPER,FOAM,FRONT ELBOW	12
2	825304GT	BUMPER, PAR, SIDE, HORIZONTAL	4
3	825302GT	WELDMENT, PAR, SIDE	2
4	6175GT	SCREW,HHC,3/8-16 X 1	
5	4828GT	NUT,NYLOCK,3/8-16	
6	825313GT	WLDT, MAIN SIDERAIL, PAR, LH	1
7	825312GT	WLDT, MAIN SIDERAIL, PAR, RH	1
8	229903GT	CABLE TIE, 14.5" YELLOW	56
9	825311GT	WLDT, EXT SIDERAIL, PAR	1
10	825307GT	WELDMENT, PAR, FRONT	1
11	825640GT	BUMPER, PAR, FRONT, VERTICAL	2
12	825309GT	BUMPER, PAR, FRONT, HORIZONTAL	2
13	825305GT	BUMPER, PAR, SIDE, VERTICAL	4

Go to Discount-Equipment.com to order your parts



606.1 Lift Guard Contact Alarm, View-1 (from SN GS3014A-135000 and SN GS3014C-17000)



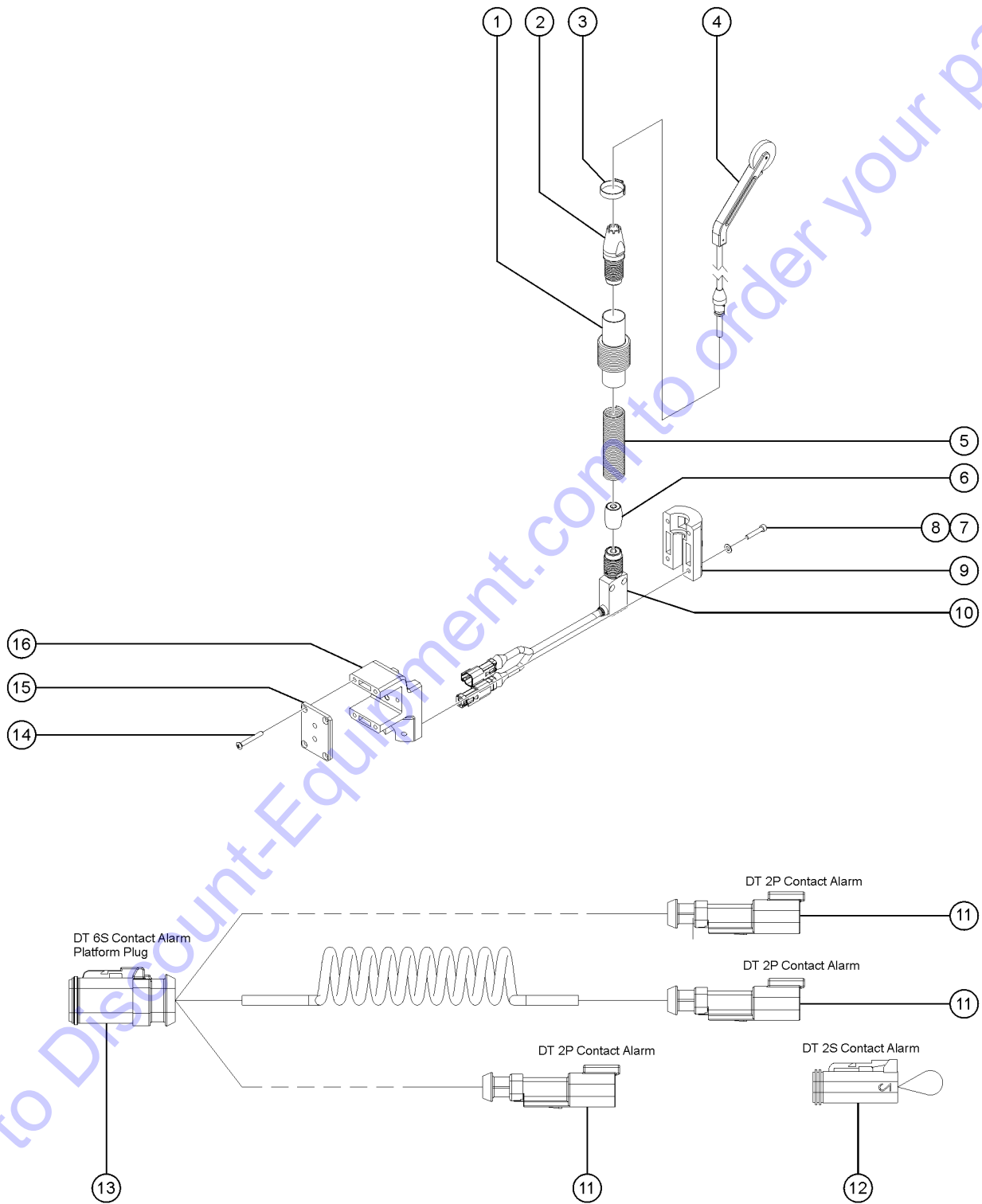
606.1 Lift Guard Contact Alarm, View-1 (from SN GS3014A-135000 and SN GS3014C-17000)

Item	Part No.	Description	Qty.
-		CABLE, CONTACT ALARM, CHASSIS TO PLAT, 15XX for GS-1530 and GS-1532 (No longer available)	1
-		CABLE, CONTACT ALARM, 20IN LINK (No longer available)	1
1		ASSEMBLY, LIFTGUARD CONTACT ALARM refer to 607.1 (no longer available)	2
2		ASSEMBLY, LIFTGUARD KNUCKLE OBSOLETE. refer to 607.1 (No longer available)	2
3		FORMING, CONTACT ALARM, CABLE GUIDE, GS30 No longer available	2
4	824078GT	SCREW, HHF, 1/4-20X.75, 8, ZAG	4
5	824027GT	NUT, TL FLG, 1/4-20, G, ZAG	4

Go to Discount-Equipment.com to order your parts



607.1 Lift Guard Contact Alarm, View-2 (from SN GS3014A-135000 and SN GS3014C-17000)

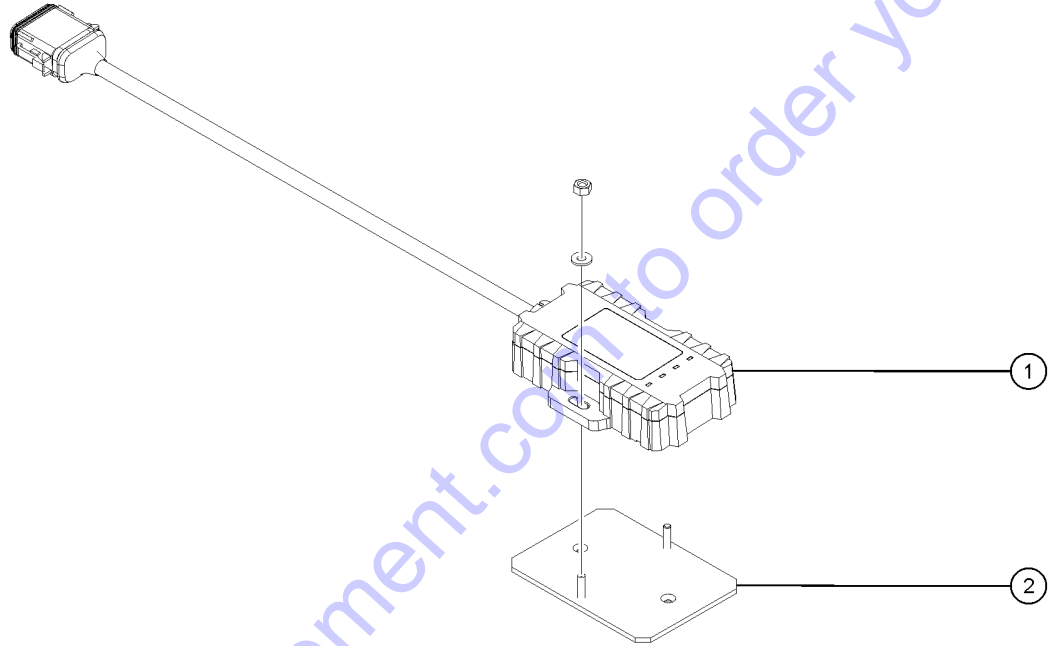


607.1 Lift Guard Contact Alarm, View-2 (from SN GS3014A-135000 and SN GS3014C-17000)

Item	Part No.	Description	Qty.
-		ASSEMBLY, LIFTGUARD CONTACT ALARM Includes items 1-10, 14-16 (no longer available)	1
-		ASSEMBLY, LIFTGUARD KNUCKLE OBSOLETE. (part of assy 1287673, includes items 1-3, 5, 6 and 10) (No longer available)	1
-		HARNES, CONTACT ALARM, GS30 PLATFORM Includes items- 11 - 13.(no longer available)	1
1		BELLOW, LIFTGUARD CONTACT ALARM no longer available	1
2		ASSEMBLY, UPPER WHISKER MOUNTING no longer available	1
3	1298716GT	CLAMP, STEPLESS, ONE EAR	1
4		ASSEMBLY, WHISKER no longer available	1
5		SPRING, TENSION, CONTACT ALARM no longer available	1
6		ASSEMBLY, MAGNETIC SNAP BARREL no longer available	1
7		SCREW, SHC, 10-24X1, F837, 18.8, NYL, SS no longer available	4
8		WASHER, FLAT, 0.219X0.437X0.031, SS no longer available	4
9		BRACKET, RT LIFTGUARD, PART 2/2 no longer available	1
10		ASSEMBLY, LIMIT SWITCH MOUNT no longer available	1
11	1288352GT	CONN, RECEP, 2 WAY, DT, 14-18GA, CE09	3
11-	60439GT	CONN, RECEP, 2 WAY, DEUTSCH, DT, LOCK	
12	119056GT	CONN, PLUG, 2 WAY, DEUTSCH, DT, ENDCAP	1
12-	60425GT	CONN, PLUG, 2 WAY, DEUTSCH, DT, LOCK	
13	1288576GT	CONN, PLUG, 6WAY, DT, 14-18GA, CE13	1
13-	60431GT	LOCK, PLUG 6 WAY, 14-18GA	
14		SCREW, OHPM, 10-24X1.5, NYL, SS no longer available	4
15		PLATE, LIFTGUARD BRACKET no longer available	1
16		BRACKET, RT LIFTGUARD, PART 1/2 no longer available	1



608.1 Telematics Option (from SN GS3014A-134509 and SN GS3015C-17993)



Go to Discount-Equipment.com to order your parts

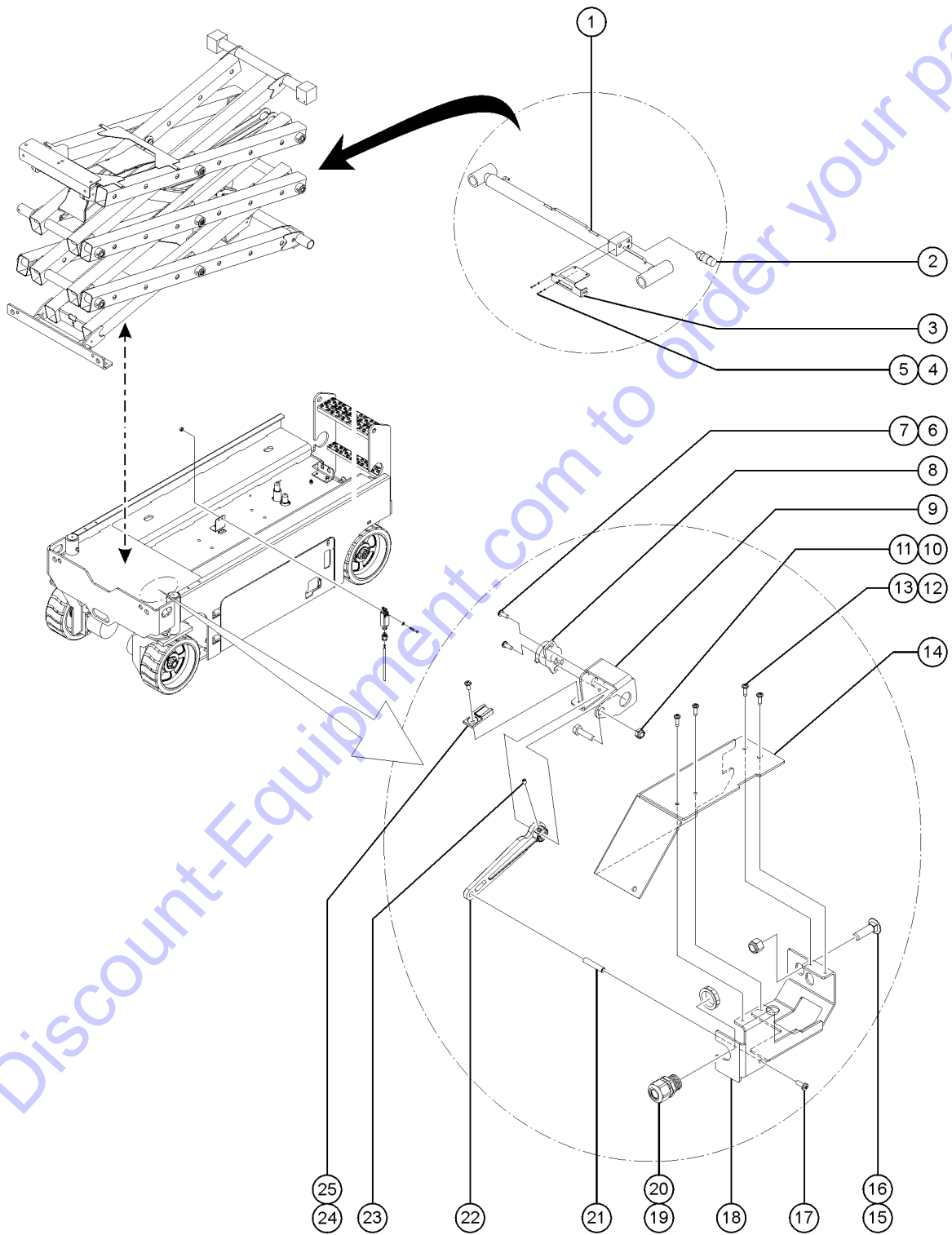
608.1 Telematics Option (from SN GS3014A-134509 and SN GS3015C-17993)

Item	Part No.	Description	Qty.
-	1289899GT	HARNESS, GATEWAY, GS for units after SN GS3014A-134509 and SN GS3015C-17993 for first time insulation, must order this Harness with one of the models 1289520GT, 1289521GT, 1289522GT, or 1289523GT	1
1	1289520GT	MODULE, TELEMATICS, ZTR, M7, NORTH AMERICA North America	1
1B	1289521GT	MODULE, TELEMATICS, ZTR, M7, EMEA/APAC EMEA/APAC	
1C	1289522GT	MODULE, TELEMATICS, ZTR, M7, APAC/ANZ APAC/ANZ	
1D	1289523GT	MODULE, TELEMATICS, ZTR, M7, JAPAN Japan	
2	1289561GT	BRACKET, TELEMATICS	1

Go to Discount-Equipment.com to order your parts



701.1 Platform Overload



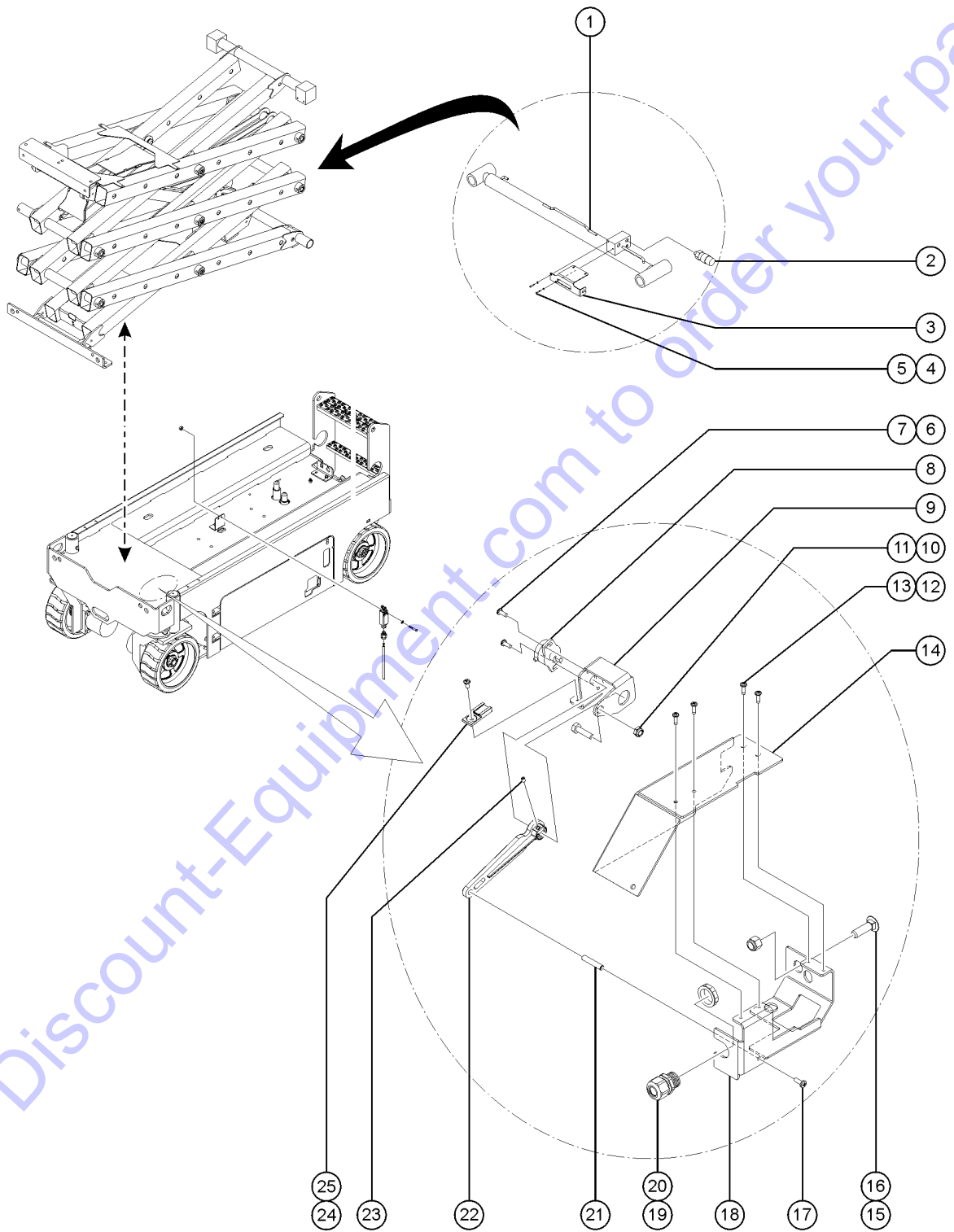
Go to Discount-Equipment.com to order your parts



Item	Part No.	Description	Qty.
1		Ref. Lift Cylinder (refer to 506.1)	1
2	1311101GT	PRESSURE TRANSDUCER,0-5K,1-5V	1
3	41557-SGT	CABLE BRACKET,PAINTED	1
4	7339GT	SCREW,HHC,1/4-20 X .5	1
5	6356GT	WASHER,LOCK,.25	1
6A	229655GT	GS3246_ SCREW,PHM,8-32X.313,SELF TAP	7
6B	55906GT	SCREW, PHILLIPS, PHM, 8-32 X .5 (used on 161979)	2
7	18605GT	NUT,NYLOCK,8-32	2
8	T113136GT	ASSY,ROT SENSR W/ HARNESS	1
9A	T113140GT	FRMNG,ARM SENSOR BRCKT,MINI (to SN GS3014A-137487)	1
9B	161979GT	FRMNG,ARM SENSOR BRCKT,MINI (from SN GS3014A-137488)	1
10	6889GT	NUT,LP NYLOCK,1/4-20	1
11	6888GT	SCREW,HHC,1/4-20 X 1	1
12	8914GT	SCREW,HHC,1/4-20 X .625 (used on 161977)	2
13	56912GT	SPRING CLIP,1/4-20,.025-.15X.54,ZAG (used on 161977)	2
14A	227188GT	FRMNG,SENSOR COVER,MINI (to SN GS3014A-137487 and SN GS3214A-136070)	1
14B	161977GT	FRMNG,SENSOR COVERING (from SN GS3014A-137488 and SN GS3214A-136071)	1
15	96203GT	BOLT,CARRIAGE,1/2-13X1.75, G5	1
16	6198GT	NUT,NYLOK,1/2-13	1
17	49819GT	SCREW,PHILLIPS,PHM,10-32 X .5	1
18A	T113141GT	FRMNG,CHASSIS BRKT (to SN GS3014A-137487)	1
18B	161975GT	FRMNG,CHASSIS BRKTING (from SN GS3014A-137488)	1
19	33576GT	CONN,SQZ,BLK,1/2NPT,.38-.50,SM	1
20	T115429GT	NUT,CORDGRIP,1/2 NPT	1
21	T113142GT	OFFSET, RDN, 1/4-1.25,10-32	1
22	T114082GT	LEVER ARM,ANGLE SENSR ACTUATOR	1
23	229146GT	SCREW,SET,8-32X.25	1
24	T113139GT	CLIP,DTM RECEP	1



701.1 Platform Overload



<i>Item</i>	<i>Part No.</i>	<i>Description</i>	<i>Qty.</i>
25	39579GT	RIVET,STL,STL,.188 X .45	1

Go to Discount-Equipment.com to order your parts



<u>Part no.</u>	<u>Page Number</u>	<u>Part no.</u>	<u>Page Number</u>	<u>Part no.</u>	<u>Page Number</u>
1268GT	11	10775GT	185	33278GT	95
1484GT	11	10777GT	185	33576GT	233
4266GT	169, 173, 177, 181	12013GT	151, 143, 149, 155, 161. 167	33724GT	185
4828GT	13, 11, 81, 83, 91, 131	12016GT	91	33784GT	219, 221
5224GT	157, 159, 145, 151, 81, 83, 91, 95, 111, 175	13066GT	81	34742GT	91
5397GT	133, 135, 145, 151, 157, 163	13585GT	185	36369GT	121, 123
6002GT	133, 135, 145, 151, 157, 163	13921GT	209	37947GT	105
6021GT	157. 163...	14033GT	125, 131, 143, 155, 161	39232GT	89
6086GT	81, 83, 85, 87	16487GT	89	39310GT	133, 139, 145, 151, 157. 163
6090GT	223	18503GT	95	39429GT	85, 87
6091GT	13, 11, 89, 95, 101, 107	18504GT	89, 95, 119	39469GT	89, 133, 139, 145, 151, 157
6097GT	13, 11, 133, 139, 145, 151...	18605GT	187, 233	39470GT	133, 139, 145, 151, 157, 163
6145GT	119	19491GT	89, 93	39474GT	145. 147...
6175GT	225	20224GT	199	39509GT	169, 173, 177, 181
6178GT	89, 213	20923GT	209	39510GT	169, 173, 177, 181
6198GT	73, 77, 121, 123, 233	21253GT	73, 79	39540GT	89, 189, 193, 213
6356GT	95, 101, 207, 233	21279GT	133, 137, 139, 141, 145. 147...	39542GT	91
6545GT	73, 79	21982GT	105	39579GT	133, 139, 145, 151, 157. 163...
6564GT	91	22446GT	169, 173, 179, 181	39873GT	209
6595GT	185	22664GT	209	39876GT	209
6626GT	185	24514GT	131, 143, 149, 155, 161. 167	39877GT	203, 209
6637GT	89	25388GT	185	39878GT	207, 209
6638GT	101, 119, 109, 113, 177. 181...	27581GT	11	39881GT	209
6700GT	105	27895GT	215, 217	40434GT	19, 21, 27, 29, 35, 41...
6782GT	219, 221	27900GT	215, 217	40477GT	207
6878GT	89, 95, 101, 107, 181, 213	27902GT	215, 217	40833GT	95, 117
6886GT	219, 221	27903GT	215, 217	40844GT	205
6888GT	73, 77, 233	27904GT	215, 217	41557-SGT	207, 233
6889GT	95, 213, 233	28131GT	117	41630GT	133, 139, 145, 151, 157. 163
6898GT	91	28174GT	15, 19, 21, 25, 27, 29...	42079GT	11, 73, 79, 81, 83, 85...
6935GT	185	28175GT	15, 33, 45, 63	42283GT	209
7056GT	185	28176GT	19, 21, 35, 49, 51, 65	43093GT	13, 15, 31, 33, 43, 45...
7127GT	185	28235GT	15, 19, 21, 25, 27, 29...	43618GT	19, 21, 27, 29, 35, 41...
7339GT	207, 233	28236GT	19, 21, 35, 49, 51, 65	43619GT	15, 33, 45, 63
7713GT	133, 139, 145, 151, 157, 163	28443GT	109, 113, 117, 181, 207. 215...	43658GT	13, 15, 25, 31, 39, 43...
8178GT	133, 139, 145, 151, 157, 163	30217GT	125, 129	43685GT	205
8255GT	181, 11, 131, 143, 149, 155...	30784-2550GT	95	43956GT	185
8357GT	73, 77, 81, 85	31060GT	13, 31, 43, 61	44168GT	199
8516GT	125, 131	31508GT	13, 15, 31, 43, 45, 61	44169GT	199
8914GT	213, 233	31788GT	13, 31, 43, 61	44174GT	199
8915GT	95, 101	32150GT	11	44207GT	197
9116GT	101, 119, 213	32151GT	11	44226GT	199

<u>Part no.</u>	<u>Page Number</u>	<u>Part no.</u>	<u>Page Number</u>	<u>Part no.</u>	<u>Page Number</u>
44227GT	199	49812GT	205	66812GT	105, 189, 193
44229GT	199	49816GT	213	66817GT	105, 189, 193
44230GT	199	49818GT	97	66818GT	105
44255GT	13, 15, 31, 33, 43, 45...	49819GT	233	66883GT	169, 173, 177, 181
44716GT	205	50160GT	77	66886GT	135, 141, 147, 153, 159, 165, 147, 153,
44736GT	19, 21, 35, 49, 51, 65	50793GT	219, 221	66889-SGT	159, 165, 147, 153,
44737GT	13, 15, 31, 33, 43, 45...	51152GT	211	66890-SGT	159, 165, 147, 153,
44743GT	137, 143, 149, 155, 161, 167	52475GT	13, 15, 23, 25, 31, 33...	66903-SGT	171, 173, 179, 181
44750GT	205	55010GT	99	69229GT	219, 221
44751GT	205	55558GT	207	71349GT	129
44752GT	205	55675GT	97, 101	72086GT	13, 15, 23, 25, 31, 33...
44777GT	205	55839GT	211	72143GT	15, 25, 33, 39, 45, 55...
44778GT	205	55906GT	187, 233	72326GT	89, 189, 193, 213
44780GT	73, 79, 81, 83, 85, 87	55921GT	205	72853GT	15, 33, 45, 63
44781GT	73, 79, 81, 83, 85, 87	56912GT	89, 233	72970GT	13, 31, 43, 61
44788GT	11, 197	56926GT	109	72998GT	15, 33, 45, 63
44936GT	187	57075GT	185	72999GT	15, 33, 45, 63
44973GT	207	58000GT	125, 129	74006GT	185
44979GT	207	58592GT	73, 77, 89	74267GT	97
44980GT	13, 15, 25, 31, 39, 43...	58627GT	105	75041GT	107
44981GT	15, 19, 21, 25, 27, 29...	60425GT	229	76494GT	95
45546GT	185	60431GT	229	76502GT	95
46216GT	199	60439GT	229	77709GT	199
46260GT	133, 139, 145, 151, 157, 163, 139, 141,	62053GT	19, 21, 27, 29	78006GT	205
47098GT	133, 139, 145, 151, 145, 147, 143, 145, 151,	62054GT	49, 51, 57, 59	78022GT	137, 143, 149, 155, 161, 167
47163GT	157, 163, 145, 151, 157, 163	65439GT	219, 221	78029GT	169, 173, 177, 181
47166GT	157, 163	65721GT	219, 221	78038GT	135, 137, 141, 147, 153, 155...
47188GT	169, 173, 177, 181	65990-SGT	169, 173, 177, 181	78086GT	91
47222GT	135, 139, 145, 151, 157, 163	66030GT	137, 143, 149, 155, 161, 167	78091GT	211
47224GT	169, 173, 177, 181	66094GT	95	78422GT	119, 197
47225GT	133, 139, 145, 151, 157, 163, 139, 145,	66204GT	101	78546GT	11, 101
47231GT	133, 139, 145, 151, 157, 163, 141, 147, 153,	66353GT	185	78622GT	197
47374GT	159, 165	66355GT	185	78680GT	83, 87
47548GT	73, 77	66356GT	185	78732GT	83, 87
47598GT	169, 173, 177, 181	66397GT	95, 117	78736GT	73, 77, 89
47666GT	125, 129	66399GT	11	79140GT	117
48282GT	187	66465GT	207	79456GT	119
48880GT	199	66485GT	135, 141, 147, 153, 159, 165	81579GT	213
48923GT	209	66544GT	171, 173, 177, 181	82160GT	15, 33, 45, 63
48997GT	199	66551GT	169, 173, 177, 181	82161GT	15, 33, 45, 63
49612GT	199	66717GT	95, 117	82287GT	65, 71
49613GT	11, 199	66770GT	73, 77	82366GT	15, 33, 45, 63

<u>Part no.</u>	<u>Page Number</u>	<u>Part no.</u>	<u>Page Number</u>	<u>Part no.</u>	<u>Page Number</u>
82473GT	25, 39, 55, 69	84587GT	133, 139, 143, 151, 157, 163	96258GT	73, 77
82474GT	23, 25, 37, 39, 53, 55...	84590GT	159, 165	96275GT	159
82476GT	23, 25, 37, 39, 53, 55...	84693GT	121, 123	96283GT	127, 131
82481GT	23, 37, 53, 67	84694GT	121	96298GT	113
82482GT	25, 39, 55, 69	84695GT	123	96299GT	113
82485GT	13, 15, 23, 25	84739GT	203	96300GT	113
82486GT	43, 45, 53, 55	84740GT	203	96302GT	113
82487GT	25, 27, 29, 39, 41, 55...	84742GT	203	96303GT	113
82495GT	23, 37, 53, 67	84743GT	203	96304GT	113, 115, 117
82496GT	57	84746GT	203	96306GT	113, 115, 117
82497GT	41, 71	84748GT	203	96309GT	109
82501GT	27	85197GT	205	96317GT	91
82557GT	19, 21, 35, 49, 51, 65	85239GT	105	96331GT	125, 131
82558GT	15, 33, 45, 63	88335GT	109	96335GT	133, 141, 147, 153, 159, 165
82559GT	15, 33, 45, 63	96008-SGT	105	96336GT	135, 141, 153, 159
82560GT	25, 39, 55, 69	96009GT	105	96350GT	209
82561GT	13, 15, 31, 33, 43, 45...	96010GT	105	96351GT	209
82562GT	23, 25, 37, 39, 53, 55...	96038GT	91	96353GT	209
82563GT	49, 51, 65	96039GT	91	96354GT	101, 209
82564GT	19, 35	96060GT	95	96355GT	101, 209
82565GT	19, 49	96066GT	77	96363GT	213
82566GT	35, 65	96067GT	79	96387GT	113
82568GT	35, 41	96068GT	73	96388GT	197
82570GT	13, 15, 23, 25, 31, 33...	96069GT	75	96390GT	125, 129
82571GT	43, 45, 53, 55, 61, 63...	96074GT	73, 77	96391GT	209
82656GT	27, 57	96078GT	95	96398GT	209
82657GT	13, 31, 43, 61	96085GT	91	96408GT	91
83093GT	105	96102GT	81, 83, 85, 87	96413GT	133, 139, 143, 151, 157, 163
83131GT	105	96110GT	117	96415GT	121
84384GT	199	96121GT	125, 129	96419GT	197
84385GT	199	96126GT	121, 123	96422GT	91
84386GT	199	96130GT	125, 129	96423GT	91
84422GT	207	96131GT	125, 129	96440GT	113, 115
84571GT	73, 77	96135GT	91	96452GT	105
84574GT	91	96163GT	169, 173, 177, 181	96459GT	111
84578GT	125	96196GT	77	96465GT	81, 83
84579GT	129	96200GT	137, 141, 147, 153, 161, 165	96466GT	85, 87
84580GT	129	96203GT	233	96484GT	213
84581GT	125, 129	96236GT	185	96487GT	125, 127, 129
84582GT	125, 131	96246GT	137, 141, 147, 153, 159, 165	96493GT	89
84583GT	125, 129	96247GT	133, 139, 143, 151, 157, 163	96515-SGT	215
84586GT	137, 141, 147, 153, 159, 165	96257GT	197	96516-SGT	217

<u>Part no.</u>	<u>Page Number</u>	<u>Part no.</u>	<u>Page Number</u>	<u>Part no.</u>	<u>Page Number</u>
96522GT	113, 115	105090GT	185	105553GT	197
96524GT	91	105092GT	13, 11, 81, 83, 91, 121...	105554GT	197
96541GT	91	105117GT	185, 187	105555GT	197
96542GT	215, 217	105118GT	185, 187	105556GT	213
96576GT	121, 123	105122GT	73, 77, 81, 83, 85, 87	105557GT	213
96642GT	91	105129GT	223	105565GT	75, 79
96699GT	101	105150GT	95	105653GT	209
96709GT	101	105156GT	91	105739GT	99
96770GT	207	105164GT	201	105797GT	213
96819GT	113	105165GT	201	105812GT	185
96839GT	91	105182GT	125, 129	105818GT	125, 129
96847GT	131, 143, 149, 153, 161, 167	105183GT	125, 129	105953GT	113
96848GT	137, 141, 155, 159	105184GT	125, 129	105971GT	219, 221
96849GT	133, 141, 147, 153, 159, 165	105185GT	129	105972GT	219
96855GT	101	105209GT	119	105973GT	221
96948GT	89, 91	105210GT	119	105997GT	125, 129
96950GT	223	105211GT	119	105998GT	125, 129
96977GT	81, 83, 85, 87, 121, 123, 139, 143, 151,	105214GT	109	114334GT	25, 39, 55, 69
97034GT	157, 163	105248GT	223	114337GT	23, 37, 53, 67
97041GT	135, 153, 159	105261GT	209	114338GT	27, 29, 41, 57, 59, 71
97053GT	169, 173, 177, 181	105262GT	209	114360GT	13, 31, 43, 61
97059GT	99	105263GT	209	114361GT	13, 23, 31, 37, 43, 53...
97105GT	169, 173, 177, 181	105264GT	209	114370GT	23, 37, 53, 67
97110GT	169, 177	105273GT	95	114372GT	23, 25, 37, 39, 53, 55...
97115GT	133	105275GT	91	114385GT	13, 15, 31, 33, 43, 45...
97118GT	135	105280GT	125, 129	114386GT	19, 21, 35, 49, 51, 65
97119GT	151	105283GT	211	115166GT	209
97122GT	153	105284GT	209	119056GT	229
97123GT	133, 141, 147, 153, 159, 165	105285GT	209	119619GT	75, 79
97128GT	89, 93	105303GT	199	122994GT	105
97132GT	131, 143, 149, 153, 161, 167	105304GT	199	131582GT	89
97213GT	135, 141, 153, 159	105308GT	101	133213GT	31
97280GT	169, 173, 177, 181	105310GT	89	133276GT	15, 33, 45, 63
97582GT	29, 59	105334GT	99	133596GT	19, 21, 35, 49, 51, 65
97618GT	21, 51	105440GT	89	137522GT	189
97719GT	25, 39, 55, 69	105457GT	199	137562GT	105
104804GT	169, 173, 177, 181	105478GT	207	137587GT	189, 193
105051GT	73, 77	105483-SGT	185, 187	137604GT	107
105055PGT	91	105543GT	207	137605GT	19, 21, 27, 29, 35, 41...
105067GT	203	105547GT	197	137633GT	189
105071GT	113	105548GT	207	137634GT	195
105085GT	125, 129	105550GT	197	137636GT	19, 21, 27, 29, 35, 41...

<u>Part no.</u>	<u>Page Number</u>	<u>Part no.</u>	<u>Page Number</u>	<u>Part no.</u>	<u>Page Number</u>
137637GT	105, 189, 193	229453GT	205	232065GT	43
137640GT	189, 193	229655GT	233	232066GT	61
137642GT	189	229845GT	191, 193	232067GT	61
137656GT	19, 21, 27, 29, 35, 41...	229903GT	225	232068GT	23
137668GT	105	231103GT	133	232069GT	23
137692GT	105	231104GT	135	232070GT	37
137699GT	191, 193	231105GT	139, 145, 163	232071GT	37
137769GT	95	231106GT	139, 145, 163	232072GT	53
137770GT	95	231107GT	151	232073GT	53
144009GT	219, 221	231108GT	153	232074GT	67
144011GT	219, 221	231109GT	157	232075GT	67
144129GT	187	231110GT	157	232531GT	95
144130GT	99	231111GT	155, 141, 147, 155, 159, 165	232534GT	103
144161GT	185	231112GT	155, 141, 147, 155, 161, 165	232576GT	115, 117
144175GT	169, 173, 177, 181	231114GT	101	232578GT	115, 117
144180GT	99	231167GT	101	232582GT	115, 117
144213GT	111	231175GT	169, 177	233366GT	95
144226GT	89	231176GT	173, 181	233371GT	115, 117
144374GT	73, 77	231177GT	169	233379GT	103
144375GT	81, 83, 85, 87	231178GT	173	233431GT	115, 117
144379GT	81, 83, 85, 87	231179GT	177	233438GT	115
161975GT	233	231180GT	181	233439GT	115
161977GT	233	231331GT	189, 193	233641GT	205
161979GT	233	231572GT	205	233644GT	109
214544GT	195	231610GT	155, 141, 147, 155, 159, 165	233711GT	109
218579GT	111	231611GT	155, 141, 147, 155, 161, 167	235463GT	195
219205GT	189	231921GT	111, 191, 193	235464GT	189, 193
219480GT	99	231922GT	111, 191, 193	238268GT	225
226163GT	101	231931GT	213	824027GT	227
227188GT	233	232052GT	13	824029GT	149, 167
228406GT	89	232053GT	13	824078GT	227
228786GT	109	232054GT	43	824216GT	105
229086GT	195	232055GT	43	825020GT	73, 77, 125, 131
229087GT	195	232056GT	23	825302GT	225
229088GT	195	232057GT	23	825304GT	225
229089GT	195	232058GT	53	825305GT	225
229090GT	195	232059GT	53	825307GT	225
229091GT	195	232060GT	13	825309GT	225
229092GT	195	232061GT	13	825311GT	225
229093GT	195	232062GT	31	825312GT	225
229094GT	195	232063GT	31	825313GT	225
229146GT	233	232064GT	43	825640GT	225



<u>Part no.</u>	<u>Page Number</u>	<u>Part no.</u>	<u>Page Number</u>	<u>Part no.</u>	<u>Page Number</u>
1252764GT	105	1261888GT	199	T110890GT	109
1254572GT	213	1264822GT	109	T110891GT	109
1255245GT	49	1264834GT	109	T112507GT	89, 109
1255797GT	89	1270456GT	97	T112508GT	109
1256070GT	43, 45	1274594GT	147, 165	T112509GT	109
1256656GT	193	1274595GT	147, 165	T112510GT	111
1256702GT	19, 21, 27, 29, 41, 49...	1274596GT	141, 147, 165	T112511GT	111
1256703GT	19, 21, 27, 29, 35, 41...	1274597GT	175	T112563GT	185
1256719GT	107	1274603GT	173	T112804GT	17, 25, 33, 39, 47, 55...
1256721GT	105	1277860GT	149, 167	T112807GT	29, 41
1256725GT	193	1277958GT	99	T112808GT	59, 71
1256727GT	193	1277959GT	99	T113136GT	109, 233
1257033GT	115	1277960GT	99	T113139GT	233
1257054GT	115, 117	1277961GT	99	T113140GT	233
1257055GT	115, 117	1280665GT	185	T113141GT	233
1257058GT	115, 117	1288352GT	229	T113142GT	233
1257059GT	115, 117	1288576GT	229	T113296GT	101
1257182GT	19, 49	1289520GT	231	T113787GT	133, 141, 147, 153, 159, 165
1257184GT	21, 35, 51, 65	1289521GT	231	T114031GT	109
1257204GT	101	1289522GT	231	T114082GT	233
1257733GT	11	1289523GT	231	T114321GT	197
1257824GT	109	1289561GT	231	T114397GT	189, 193
1257840GT	103	1289899GT	231	T115429GT	233
1257923GT	19, 21, 27, 29, 35, 41...	1298716GT	229		
1258332GT	189	1298933GT	11		
1258333GT	189	1299590GT	199		
1258334GT	189	1311101GT	109, 233		
1258393GT	81, 83, 85, 87	T106362GT	107		
1258394GT	109	T106363GT	105		
1258515GT	189	T106366GT	105		
1258567GT	11	T106368GT	189		
1258731GT	193	T106370GT	189, 193		
1259179GT	91	T106372GT	107		
1259192GT	75, 79	T106373GT	189, 193		
1259223GT	137, 143, 149, 153, 161, 167	T107029GT	13, 31, 43, 61		
1259719GT	159, 165	T107030GT	19, 49		
1260386GT	213	T107031GT	15, 33, 47, 63		
1260926GT	149, 167	T107032GT	21, 35, 51, 65		
1261143GT	213	T108326GT	101		
1261183GT	213	T108327GT	105		
1261335GT	103	T109012GT	101		
1261526GT	213	T110889GT	109		

PARTS FINDER

**Search Website
by Part Number**



**Search Manual
Library For Parts
Manual & Lookup Part
Numbers – Purchase
or Request Quote**

Search Manuals

Enter your information to help us find the right parts manual for your machine.

* Brand:

* Model:

* Serial:

* Part Number:

SEARCH

**Can't Find Part or
Manual? Request Help
by Manufacturer,
Model & Description**

Parts Order Form

Please fill in the following information to help us find the right part for your machine.

Manufacturer:	<input type="text"/>
Model:	<input type="text"/>
Description:	<input type="text"/>
Part Number:	<input type="text"/>
Quantity:	<input type="text"/>
Notes:	<input type="text"/>

Submit

Discount-Equipment.com is your online resource for quality parts & equipment.

Florida: **561-964-4949** Outside Florida TOLL FREE: **877-690-3101**

Need parts?

Click on this link: <http://www.discount-equipment.com/category/5443-parts/> and choose one of the options to help get the right parts and equipment you are looking for. Please have the machine model and serial number available in order to help us get you the correct parts. If you don't find the part on the website or on one of the online manuals, please fill out the request form and one of our experienced staff members will get back to you with a quote for the right part that your machine needs.

We sell worldwide for the brands: Genie, Terex, JLG, MultiQuip, Mikasa, Essick, Whiteman, Mayco, Toro Stone, Diamond Products, Generac Magnum, Airman, Haulotte, Barreto, Power Blanket, Nifty Lift, Atlas Copco, Chicago Pneumatic, Allmand, Miller Curber, Skyjack, Lull, Skytrak, Tsurumi, Husquvarna Target, Stow, Wacker, Sakai, Mi-T-M, Sullair, Basic, Dynapac, MBW, Weber, Bartell, Bennar Newman, Haulotte, Ditch Runner, Menegotti, Morrison, Contec, Buddy, Crown, Edco, Wyco, Bomag, Laymor, EZ Trench, Bil-Jax, F.S. Curtis, Gehl Pavers, Heli, Honda, ICS/PowerGrit, IHI, Partner, Imer, Clipper, MMD, Koshin, Rice, CH&E, General Equipment, Amida, Coleman, NAC, Gradall, Square Shooter, Kent, Stanley, Tamco, Toku, Hatz, Kohler, Robin, Wisconsin, Northrock, Oztec, Toker TK, Rol-Air, APT, Wylie, Ingersoll Rand / Doosan, Innovatech, Con X, Ammann, Mecalac, Makinex, Smith Surface Prep, Small Line, Wanco, Yanmar

California Proposition 65

 **WARNING**

Operating, servicing and maintaining this equipment, passenger vehicle or off-highway motor vehicle can expose you to chemicals including engine exhaust, carbon monoxide, phthalates, and lead, which are known to the State of California to cause cancer and birth defects or other reproductive harm. These chemicals can be emitted from or contained in other various parts and systems, fluids and some component wear by-products. To minimize exposure, avoid breathing exhaust, do not idle the engine except as necessary, service your equipment and vehicle in a well-ventilated area and wear gloves or wash your hands frequently when servicing your equipment or vehicle and after operation. For more information go to www.P65Warnings.ca.gov/passenger-vehicle.

Breathing diesel engine exhaust exposes you to chemicals known to the State of California to cause cancer and birth defects or other reproductive harm.

- Always start and operate the engine in a well-ventilated area.
- If in an enclosed area, vent the exhaust to the outside.
- Do not modify or tamper with the exhaust system.
- Do not idle the engine except as necessary.

For more information go to www.P65warnings.ca.gov/diesel.

www.genielift.com

Distributed By:

www.GenieEquipment.com to order your parts