



A TEREX BRAND

Parts Manual

Serial Number Range

GS-1530

from SN GS3014D-101 to
GS3016D-6079

GS-1532

from GS30D-6080 to
GS30D-16322

GS-1930

GS-1932

Part No. 1264204GT
Rev: A.19
March 2023



www.discount-equipment.com

PARTS FINDER

**Search Website
by Part Number**



**Search Manual
Library For Parts
Manual & Lookup Part
Numbers – Purchase
or Request Quote**

Search Manuals

Enter your information to help us find the right parts manual for your machine.

* Brand:

* Model:

* Serial:

* Part Number:

SEARCH

**Can't Find Part or
Manual? Request Help
by Manufacturer,
Model & Description**

Parts Order Form

Please fill in the following information to help us find the right part for your machine.

Manufacturer:	<input type="text"/>
Model:	<input type="text"/>
Description:	<input type="text"/>
Part Number:	<input type="text"/>
Quantity:	<input type="text"/>
Notes:	<input type="text"/>
Submit	<input type="button" value="Submit"/>

Discount-Equipment.com is your online resource for quality parts & equipment.

Florida: **561-964-4949** Outside Florida TOLL FREE: **877-690-3101**

Need parts?

Click on this link: <http://www.discount-equipment.com/category/5443-parts/> and choose one of the options to help get the right parts and equipment you are looking for. Please have the machine model and serial number available in order to help us get you the correct parts. If you don't find the part on the website or on one of the online manuals, please fill out the request form and one of our experienced staff members will get back to you with a quote for the right part that your machine needs.

We sell worldwide for the brands: Genie, Terex, JLG, MultiQuip, Mikasa, Essick, Whiteman, Mayco, Toro Stone, Diamond Products, Generac Magnum, Airman, Haulotte, Barreto, Power Blanket, Nifty Lift, Atlas Copco, Chicago Pneumatic, Allmand, Miller Curber, Skyjack, Lull, Skytrak, Tsurumi, Husquvarna Target, Stow, Wacker, Sakai, Mi-T-M, Sullair, Basic, Dynapac, MBW, Weber, Bartell, Bennar Newman, Haulotte, Ditch Runner, Menegotti, Morrison, Contec, Buddy, Crown, Edco, Wyco, Bomag, Laymor, EZ Trench, Bil-Jax, F.S. Curtis, Gehl Pavers, Heli, Honda, ICS/PowerGrit, IHI, Partner, Imer, Clipper, MMD, Koshin, Rice, CH&E, General Equipment, Amida, Coleman, NAC, Gradall, Square Shooter, Kent, Stanley, Tamco, Toku, Hatz, Kohler, Robin, Wisconsin, Northrock, Oztec, Toker TK, Rol-Air, APT, Wylie, Ingersoll Rand / Doosan, Innovatech, Con X, Ammann, Mecalac, Makinex, Smith Surface Prep, Small Line, Wanco, Yanmar

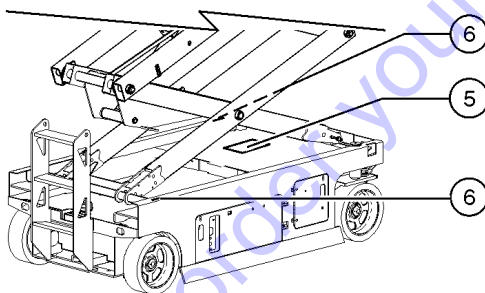
To August 31, 2016

Genie
A TEREX BRAND

Model:
Serial number: GS3016P-123456
Manufacture date: 1/2/16 **Model year:** 2016
Electrical schematic number:
Machine unladen weight:
Rated work load (including occupants):
Maximum number of platform occupants:
Maximum allowable inclination of the chassis:
Outrigger retracted:
Outrigger deployed:

GS30 16 P - 123456

1 2 3 4



- 1 Model
- 2 Model year
- 3 Facility code

- 4 Sequence number
- 5 Serial label (located on chassis)
- 6 Serial number (stamped on chassis)

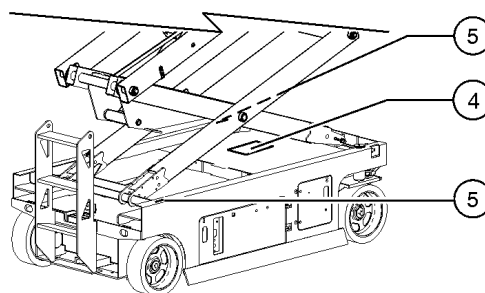
From September 1, 2016

Genie
A TEREX BRAND

Model:
Serial number: GS30P-123456
Year of manufacture: 2016
Electrical schematic number:
Machine unladen weight:
Rated work load (including occupants):
Maximum number of platform occupants:
Maximum allowable inclination of the chassis:
Outrigger retracted:
Outrigger deployed:

GS30 P - 123456

1 2 3



- 1 Model
- 2 Facility code
- 3 Sequence number

- 4 Serial label (located on chassis)
- 5 Serial number (stamped on chassis)

Required Parts

The following parts are required to perform maintenance procedures as outlined in the *Genie GS-30 Service Manual*.

Description	Part No.
Filter Element, 10 Micron.....	44788
Dielectric Grease.....	66399
Chevron Ultra-duty Grease (Lithium) or equivalent, EP NLGI 1.....(source locally)	
Breather Cap, Hydraulic Tank.....	78546
Cotter Pin, Castle Nut, Steer-end Wheels, GS-30 and Non-steer end Wheels, All Models	42079

Recommended Parts

Description	Part No.
Genie Blue Paint, 1 Gallon	32150
Genie Blue Paint, 12 Ounce Aerosol.....	1484
Genie Gray Paint, 1 Gallon	32151
Genie Gray Paint, 12 Ounce Aerosol	1268

Genie also offers the following support documents:

EMI Safety Manual	27581
Manual of Responsibilities ANSI A92.5.....	44163

Go to Discount-Equipment.com to order your parts



Description	Page
100 Decals	10
101.1 Decals with Words, GS-1530, Battery Side, ANSI & Australia	10
102.1 Decals with Words, GS-1530, Ground Controls Side, ANSI & Australia	12
103.1 Decals with Words, GS-1530, Platform, ANSI	16
104.1 Decals with Words, GS-1530, Platform, Australia	18
105.1 Decals with Symbols, GS-1530 Battery Side, ANSI & CE	20
106.1 Decals with Symbols, GS-1530 Ground Control Side, ANSI & CE	22
107.1 Decals with Symbols, GS-1530 Platform, ANSI	24
108.1 Decals with Symbols, GS-1530 Platform, CE	26
109.1 Decals with Words, GS-1532, Battery Side, Australia	28
110.1 Decals with Words, GS-1532 Ground Controls Side, Australia	30
111.1 Decals with Words, GS-1532 Platform, Australia	32
112.1 Decals with Symbols, GS-1532 Battery Side, CE	34
113.1 Decals with Symbols, GS-1532 Ground Control Side, CE	36
114.1 Decals with Symbols, GS-1532 Platform, CE	38
115.1 Decals with Words, GS-1930 Battery Side, ANSI & Australia	40
116.1 Decals with Words, GS-1930 Ground Controls Side, ANSI & Australia	42
117.1 Decals with Words, GS-1930 Platform, ANSI	46
118.1 Decals with Words, GS-1930 Platform, Australia	48
119.1 Decals with Symbols, GS-1930 Battery Side, ANSI & CE	50
120.1 Decals with Symbols, GS-1930 Ground Control Side, ANSI & CE	52
121.1 Decals with Symbols, GS-1930 Platform ANSI	54
122.1 Decals with Symbols, GS-1930 Platform CE	56
123.1 Decals with Words, GS-1932 Battery Side, Australia	58
124.1 Decals with Words, GS-1932 Ground Controls Side, Australia	60
125.1 Decals with Words, GS-1932 Platform, Australia	62
126.1 Decals with Symbols, GS-1932 Battery Side, CE	64
127.1 Decals with Symbols, GS-1932 Ground Control Side, CE	66
128.1 Decals with Symbols, GS-1932 Platform CE	68
200 Drive Chassis Components.....	70
201.1 Steer Linkage and Wheels, GS-1530/1532/1930/1932	70
202.1 Non-steer Axle Installation, All Models	74
203.1 Level Sensor Installation, All Models	76
204.1 Pothole Protection Assembly, GS-1530/1532/1930/1932	80
205.1 Battery Pack Module	84
206.1 Battery Charger	86
207.1 Power Unit Module	88
208.1 Ground Controls, All Models	92
209.1 Electrical Wiring	96
210.1 Power Cables (models without contactor)	100

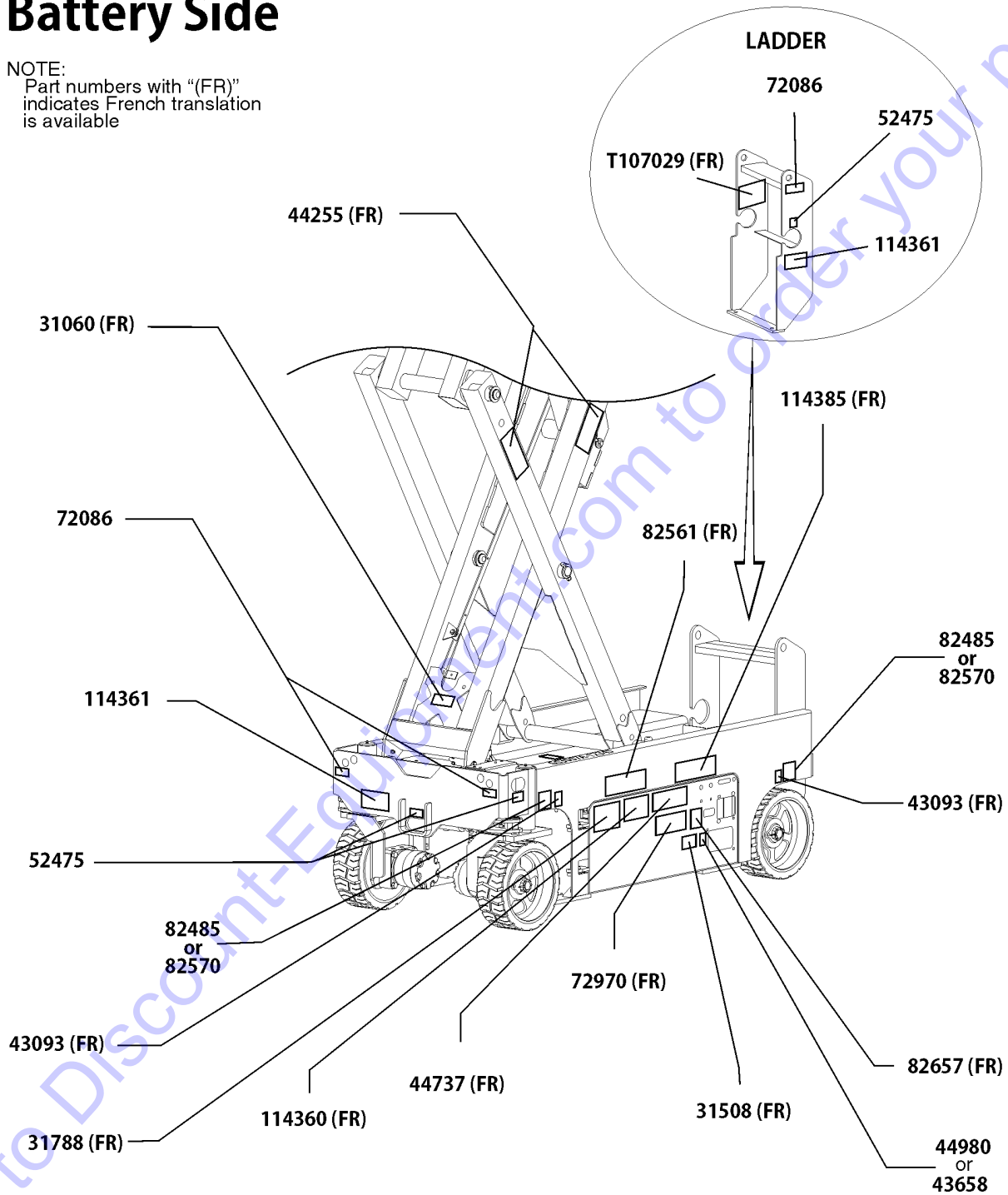
Table of Contents

Description	Page
210.2 Power Cables (models with contactor)	102
211.1 Function Manifold and Accumulator Components, GS-1530/1532/1930/1932	104
300 Scissor Components	106
301.1 Scissor Assembly Installation	106
302.1 Scissor Assembly, GS-1530/1532	108
303.1 Scissor Assembly, GS-1930/1932	112
400 Platform Components	116
401.1 Platform Components, GS-1530	116
402.1 Platform Components, GS-1532	122
403.1 Platform Components, GS-1930	128
404.1 Platform Components, GS-1932	134
405.1 Platform Gates, GS-1530/1532/1930/1932	140
406.1 Power to Platform	144
407.1 Platform Controls, 6 Button (2 Speed Lift)	148
408.1 Platform Controls, 4 Button (Proportional Lift)	152
409.1 Joystick Controller	154
500 Hydraulic Components	156
501.1 Hydraulic Components	156
502.1 Function Manifold, GS-1530, GS-1532, GS-1930, GS-1932	158
503.1 Check Valve Manifold, GS-1530, GS-1532, GS-1930, GS-1932	160
504.1 Brake Release Hand Pump Manifold	162
505.1 Hydraulic Power Unit, All Models	164
506.1 Lift Cylinder Assembly, All Models	166
507.1 Hydraulic Hoses and Fittings, GS-1530, GS-1532, GS-1930, GS-1932	168
600 Accessories	172
601.1 Alarm, Horn and Flashing Beacons	172
602.1 Air Line to Platform	174
603.1 Platform Work Light	176
604.1 Voltage Inverter, GS-1530, GS-1532, GS-1930, GS-1932	178
605.1 Padded Auxiliary Rail, GS-1930	180
606.1 Lift Guard Contact Alarm, View-1 (from SN GS3014D-700)	182
607.1 Lift Guard Contact Alarm, View-2 (from SN GS3014D-700)	184
608.1 Telematics Option (from SN GS3015D-2588)	186
700 Platform Overload Components	188
701.1 Platform Overload, GS-1530, GS-1532, GS-1930, GS-1932	188
Part Number Index	192

Go to Discount-Equipment.com to order your parts

Battery Side

NOTE:
Part numbers with "(FR)" indicates French translation is available



101.1 Decals with Words, GS-1530, Battery Side, ANSI & Australia

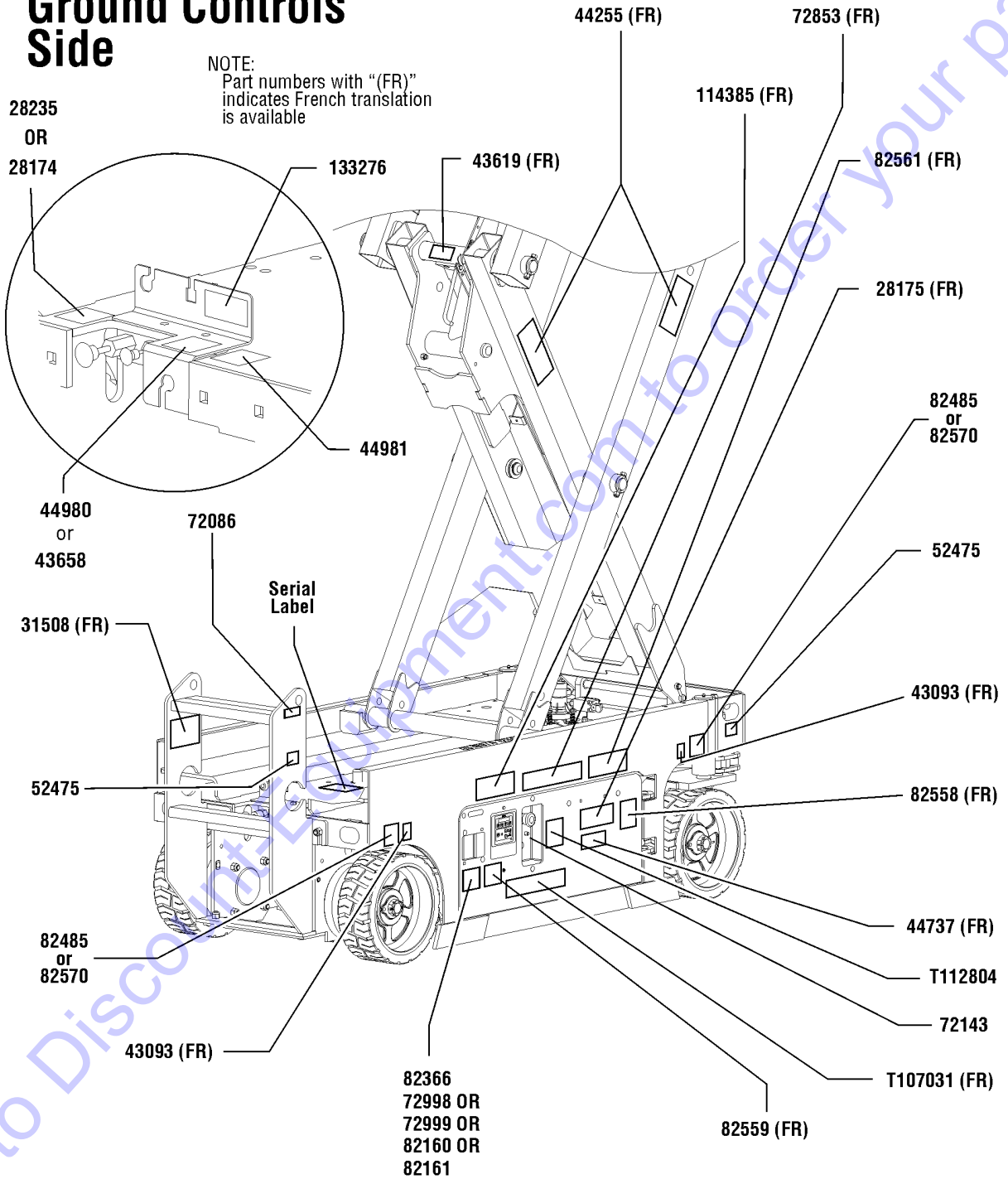
Item	Part No.	Description	Qty.
-	232052GT	DECAL KIT,1530 PLAT.,WRD,ANSI (ANSI models with 2 speed controller) to SN GS3014A-134999 and to SN GS3014C-16999	
-	232053GT	DECAL KIT,1530 COMP.,WRD,ANSI (ANSI models with 2 speed controller) to SN GS3014A-134999 and to SN GS3014C-16999 (order platform controls decal separately)	
-	232060GT	DECAL KIT,1530 PLAT.,WRD,AUST (Australia models with 2 speed controller) to SN GS3014A-134999 and to SN GS3014C-16999	
-	232061GT	DECAL KIT,1530 COMP.,WRD,AUST (Australia models with 2 speed controller) to SN GS3014A-134999 and to SN GS3014C-16999	
1	44255GT	DECAL,DANGER,CRUSHING HAZARD	2
2	31060GT	DECAL,DANGER DO NOT ALTER SWTC	1
3	31508GT	DECAL,DANGER,ELECT HAZARD,PLUG (Australia models)	1
4	31788GT	DECAL,DANGER,BATTERY SAFETY***	1
5	43093GT	DECAL,LABEL,TIRE SPECS	2
6	43658GT	DECAL,LABEL,PWR TO CHARGR 230V (Australia models)	1
7	44737GT	DECAL,DANGER,TIP-OVER,TRAYS	1
8	44980GT	DECAL,LABEL,PWR TO CHARGR 115V (Australia models)	1
9	52475GT	DECAL,LABEL,TRANSPORT TIEDOWN*	3
10	72086GT	DECAL,LABEL,LIFTING EYE	3
11	72970GT	DECAL,INSTRUCTIONS-CHARGER OP	1
12	82485GT	DECAL,LABEL,WHEEL LOAD 1530 (ANSI models)	2
13	82561GT	DECAL,DANGER-USE SAFETY ARM	1
14	82570GT	DECAL,LABEL-WHEEL LOAD 1530/32 (Australia models)	2
15	82657GT	DECAL,INSTRUCT,BATTERY CONNECT	1
16	114360GT	DECAL,DANGER-TIP-OVER,BATT	1
17	114361GT	DECAL,SYM-TIP-OVER,LIM SWITCH	2
18	114385GT	DECAL,DANGER,ELEC HAZARD,GS	1
19	T107029GT	DECAL DANGER BRAKE REL SAFETY	1



102.1 Decals with Words, GS-1530, Ground Controls Side, ANSI & Australia

Ground Controls Side

NOTE:
Part numbers with "(FR)" indicates French translation is available



102.1 Decals with Words, GS-1530, Ground Controls Side, ANSI & Australia

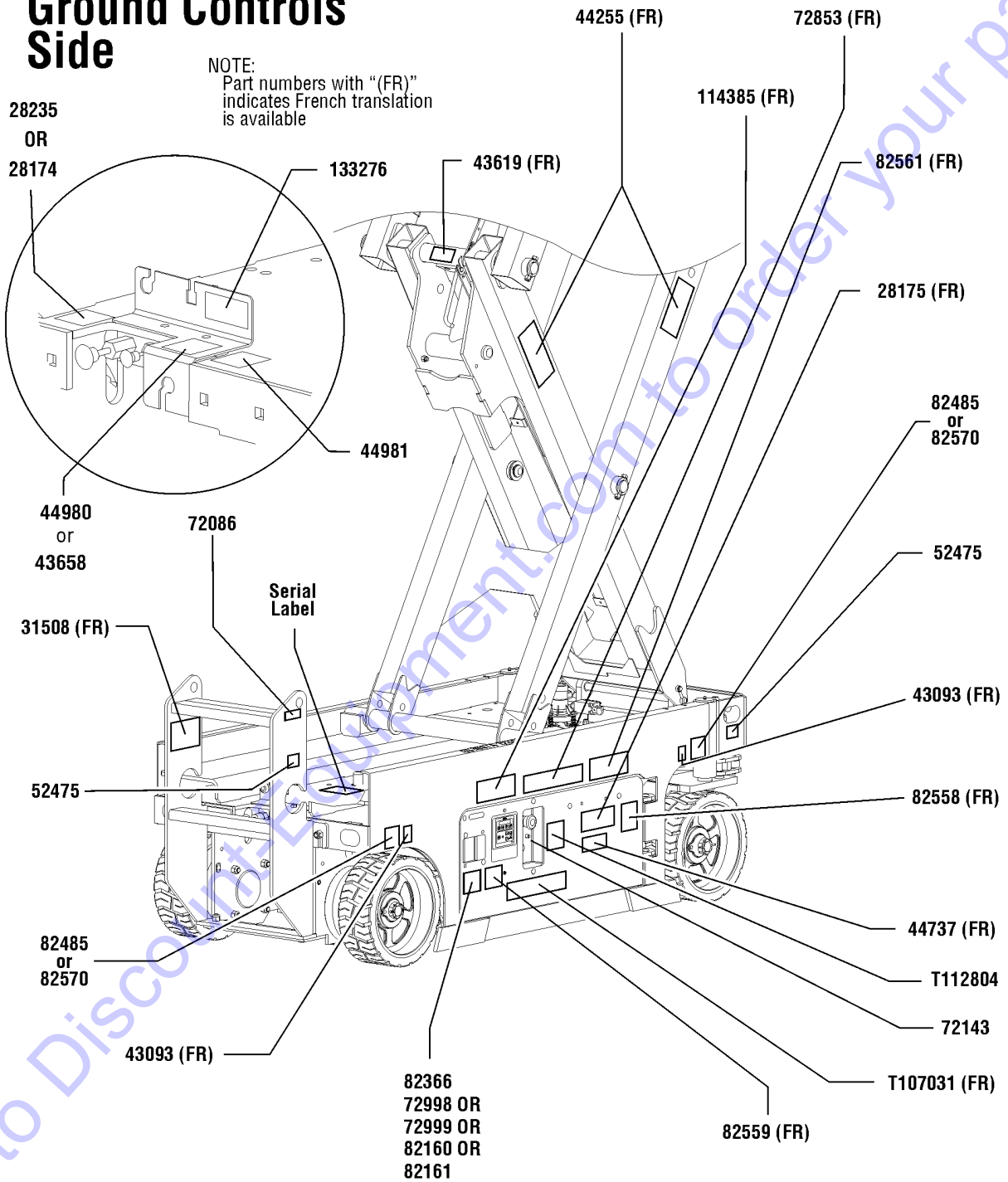
Item	Part No.	Description	Qty.
-		REF. GS-1530 Word Decal Kits (refer to 101.1)	
1	28174GT	DECAL,POWER TO PLATFORM 230V	1
2	28175GT	DECAL,WARNING-COMPART ACCESS	1
3	28235GT	DECAL,POWER TO PLATFORM 115V	1
4	31508GT	DECAL,DANGER,ELECT HAZARD,PLUG (ANSI models)	1
5	43093GT	DECAL,LABEL,TIRE SPECS	2
6	43619GT	DECAL,LABEL,SAFETY ARM	1
7	43658GT	DECAL,LABEL,PWR TO CHARGR 230V (ANSI models)	1
8	44255GT	DECAL,DANGER,CRUSHING HAZARD	2
9	44737GT	DECAL,DANGER,TIP-OVER,TRAYS	1
10	44980GT	DECAL,LABEL,PWR TO CHARGR 115V (ANSI models)	1
11	44981GT	DECAL,LABEL,AIRLINE 110 PSI (option)	1
12	52475GT	DECAL,LABEL,TRANSPORT TIEDOWN*	2
13	72086GT	DECAL,LABEL,LIFTING EYE	1
14	72143GT	DECAL,EMERGENCY STOP,GR	1
15	72853GT	DECAL,DANGER,IMPROPER USE HAZ.	1
16	72998GT	DECAL, LABEL, QUINTOLUBRIK (models with Quintolub hydraulic oil)	1
17	72999GT	DECAL,LABEL,PETRO CANADA*** (models with Petro Canada hydraulic oil)	1
18	82160GT	DECAL, LABEL, STATOIL HYDRAWAY (models with Statoil hydraulic oil)	1
19	82161GT	DECAL,LABEL,UCON HYDROLUBE (models with UConn Hydrolube hydraulic oil)	1
20	82366GT	DECAL,CHEVRON RANDO HD (models with Chevron Random hydraulic oil)	1
21	82485GT	DECAL,LABEL,WHEEL LOAD 1530 (ANSI models)	2
22	82558GT	DECAL,SKIN INJECTION	1
23	82559GT	DECAL,INSTRUCT-ANNUAL INSP REQ	1
24	82561GT	DECAL,DANGER-USE SAFETY ARM	1
25	82570GT	DECAL,LABEL-WHEEL LOAD 1530/32 (Australia models)	2
26	114385GT	DECAL,DANGER,ELEC HAZARD,GS	1
27	133276GT	DECAL,EMERGENCY LOWERING	1



102.1 Decals with Words, GS-1530, Ground Controls Side, ANSI & Australia

Ground Controls Side

NOTE:
Part numbers with "(FR)" indicates French translation is available



102.1 Decals with Words, GS-1530, Ground Controls Side, ANSI & Australia

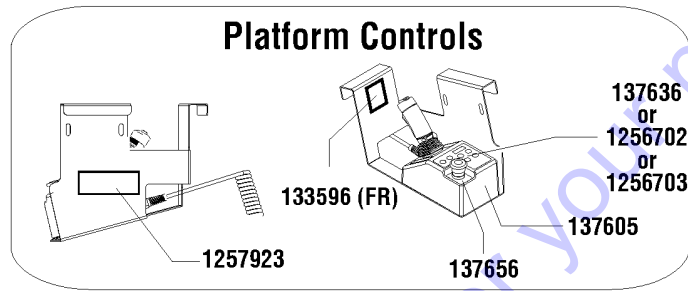
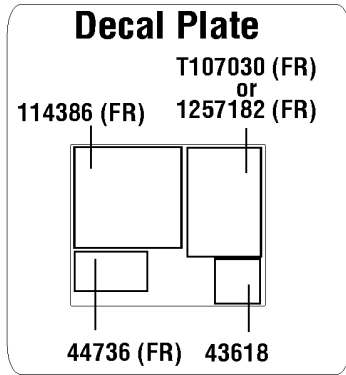
<i>Item</i>	<i>Part No.</i>	<i>Description</i>	<i>Qty.</i>
28	T107031GT	DECAL,OP INST,GCON	1
29	T112804GT	DECAL,GCON PANEL,GS	1

Go to Discount-Equipment.com to order your parts

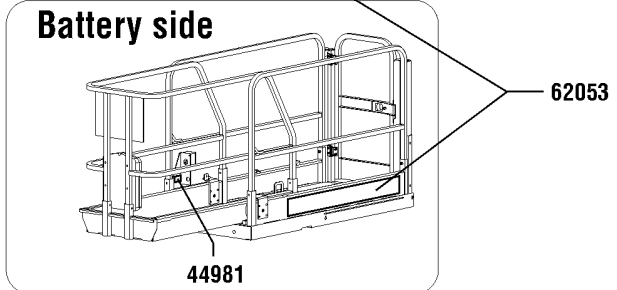
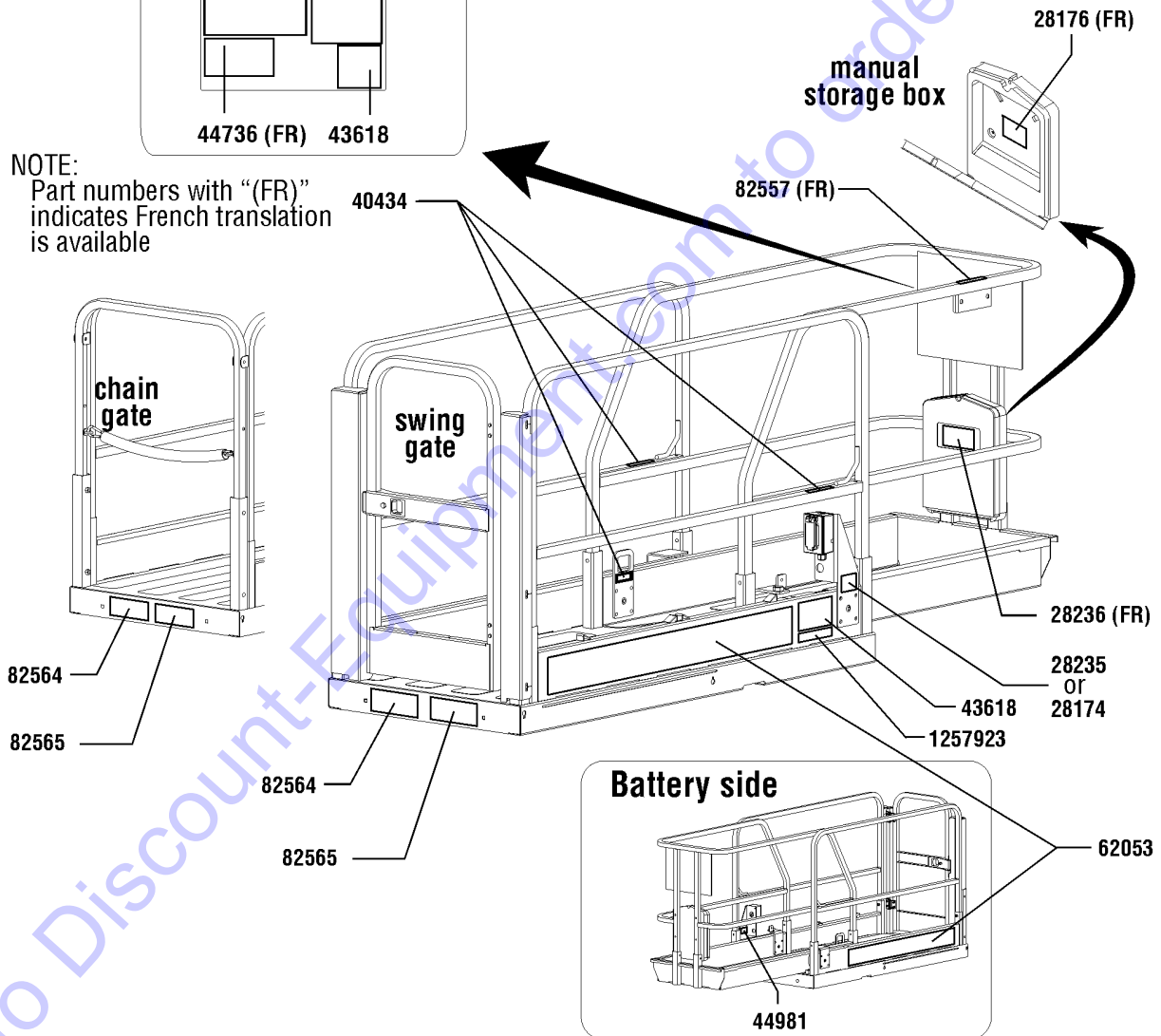


103.1 Decals with Words, GS-1530, Platform, ANSI

Platform, ANSI models



NOTE:
 Part numbers with "(FR)"
 indicates French translation
 is available

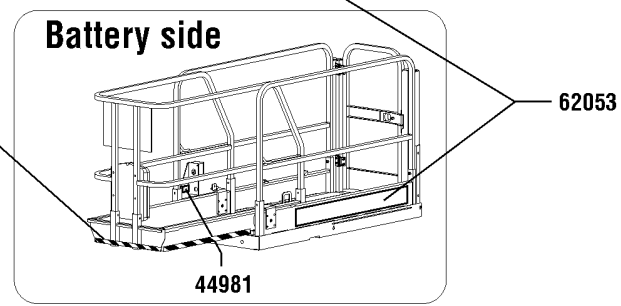
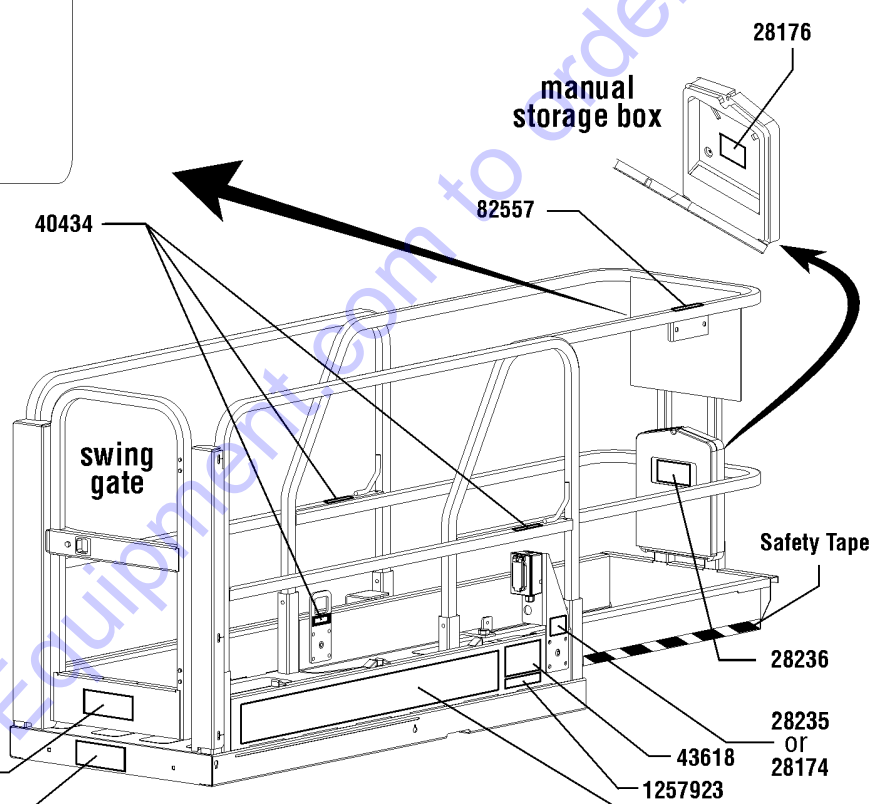
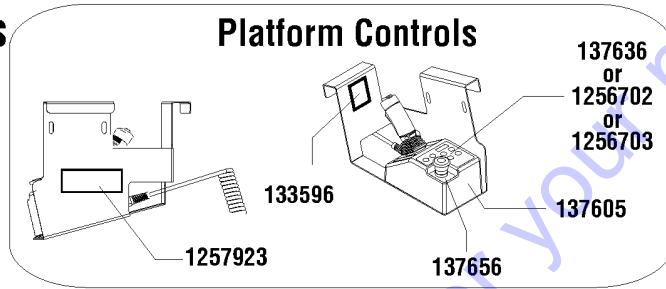
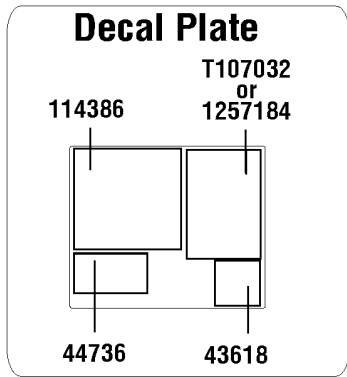


103.1 Decals with Words, GS-1530, Platform, ANSI

Item	Part No.	Description	Qty.
-		REF. GS-1530 Word Decal Kits (refer to 101.1)	
1	28174GT	DECAL,POWER TO PLATFORM 230V	1
2	28176GT	DECAL,LABEL,MANUAL NOT HERE	1
3	28235GT	DECAL,POWER TO PLATFORM 115V	1
4	28236GT	DECAL,WARN,IMPROPER OPERATION	1
5	40434GT	DECAL,LANYARD ANCHORAGE POINT	3
6	43618GT	DECAL,LABEL-DIRECTION ARROWS	2
7	44736GT	DECAL,DANGER,TIP-OVER,TILT	1
8	44981GT	DECAL,LABEL,AIRLINE 110 PSI	1
9	62053GT	DECAL,COSMETIC,GENIE GS-1530**	2
10	82557GT	DECAL,LABEL,PLAT CONT LOCATION	1
11	82564GT	DECAL,INSTR-MAX CAP 600LBS	1
12	82565GT	DECAL,INSTR-SIDE FRC,ANSI	1
13	114386GT	DECAL,DANGER-GEN SAFETY	1
14	133596GT	DECAL,LABEL,FAULT CODES	1
15	137605GT	DECAL,E-STOP,GR/GRC/GS PCON	1
16	137636GT	DECAL, UI, GR/GRC/GS PCON (models with 6 button, 2 speed controller) to SN GS3014A-134999 and to SN GS3014C-16999	1
17	137656GT	DECAL,PROPEL,GR/GRC/GS,PCON	1
18	T107030GT	DECAL,OP INST,PCON,GS-30,ANSI (models with 6 button, 2 speed controller) to SN GS3014A-134999 and to SN GS3014C-16999	1
19	1256702GT	DECAL, UI, GS/GR, PROP LIFT (models with 4 button, proportional controller)	1
20	1256703GT	DECAL, STD, PROP LIFT, UI, SVC (units converted from 6 button, 2 speed lift to 4 button, proportional controller)	1
21	1257182GT	DECAL, OP INST, PLAT, GS30, ANSI (models with proportional controller)	1
22	1257923GT	DECAL, SMARTLINK PROPORTIONAL (models with 4 button, proportional controller, and units converted from 6 button, 2 speed lift to 4 button, proportional controller)	2



Platform, Australia Models

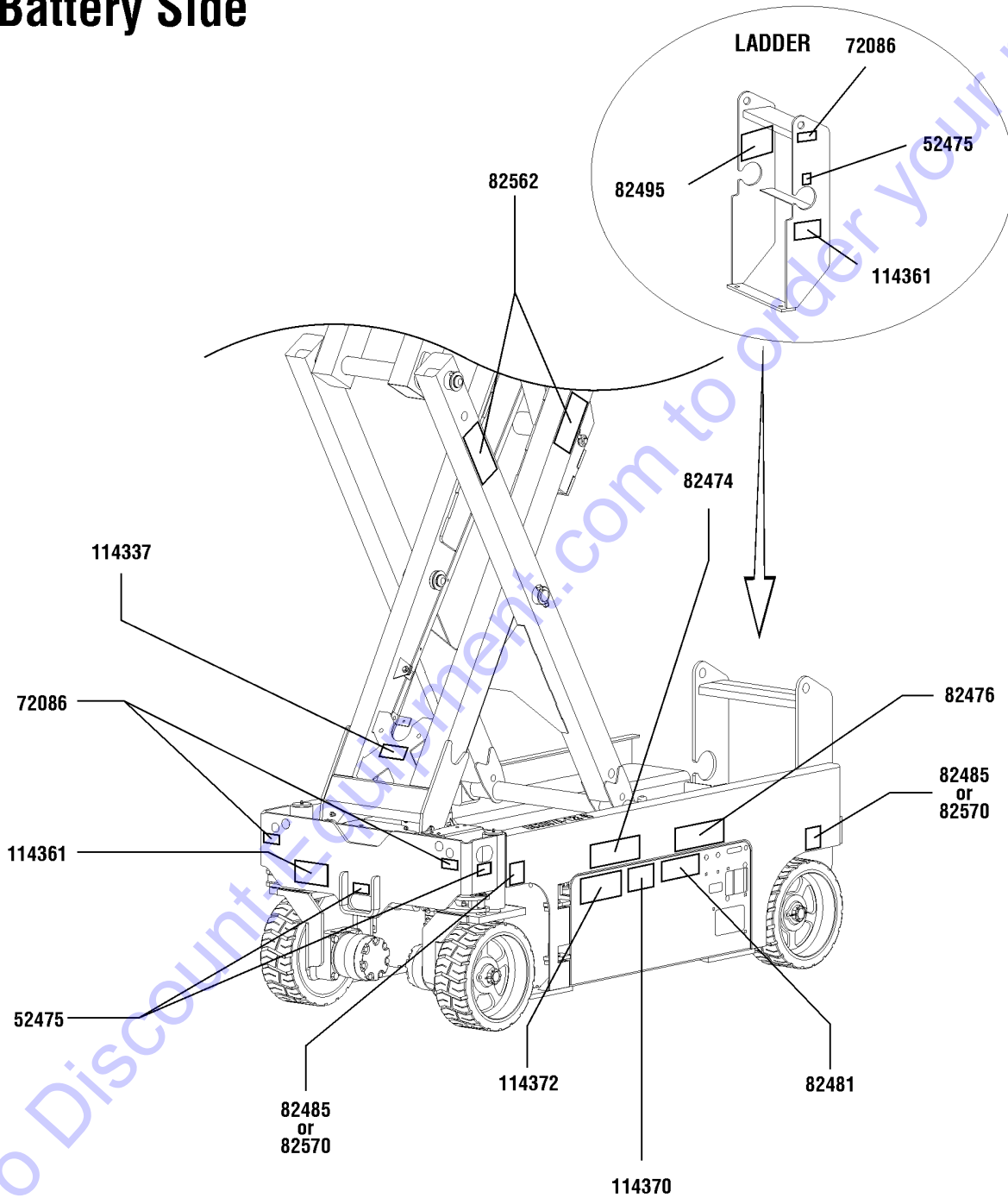


104.1 Decals with Words, GS-1530, Platform, Australia

Item	Part No.	Description	Qty.
-		REF. GS-1530 Word Decal Kits (refer to 101.1)	
1	28174GT	DECAL,POWER TO PLATFORM 230V	1
2	28176GT	DECAL,LABEL,MANUAL NOT HERE	1
3	28235GT	DECAL,POWER TO PLATFORM 115V	1
4	28236GT	DECAL,WARN,IMPROPER OPERATION	1
5	40434GT	DECAL,LANYARD ANCHORAGE POINT	3
6	43618GT	DECAL,LABEL-DIRECTION ARROWS	2
7	44736GT	DECAL,DANGER,TIP-OVER,TILT	1
8	44981GT	DECAL,LABEL,AIRLINE 110 PSI	1
9	62053GT	DECAL,COSMETIC,GENIE GS-1530**	2
10	82557GT	DECAL,LABEL,PLAT CONT LOCATION	1
11	97618GT	DECAL,INSTR-INDOOR USE,AUS	1
12	114386GT	DECAL,DANGER-GEN SAFETY	1
13	133596GT	DECAL,LABEL,FAULT CODES	1
14	137605GT	DECAL,E-STOP,GR/GRC/GS PCON	1
15	137636GT	DECAL, UI, GR/GRC/GS PCON	1
		(models with 6 button, 2 speed controller) to SN GS3014A-134999 and to SN GS3014C-16999	
16	137656GT	DECAL,PROPEL,GR/GRC/GS,PCON	1
17	T107032GT	DECAL,OP INST,PCON,GS-30,AUS	1
		(models with 6 button, 2 speed controller) to SN GS3014A-134999 and to SN GS3014C-16999	
19	1256702GT	DECAL, UI, GS/GR, PROP LIFT	1
		(models with 4 button, proportional controller)	
20	1256703GT	DECAL, STD, PROP LIFT, UI, SVC	1
		(units converted from 6 button, 2 speed lift to 4 button, proportional controller)	
21	1257184GT	DECAL, OP INST, PLAT, GS30, AUS	1
		(models with proportional controller)	
22	1257923GT	DECAL, SMARTLINK PROPORTIONAL	2
		(models with 4 button, proportional controller, and units converted from 6 button, 2 speed lift to 4 button, proportional controller)	



Battery Side

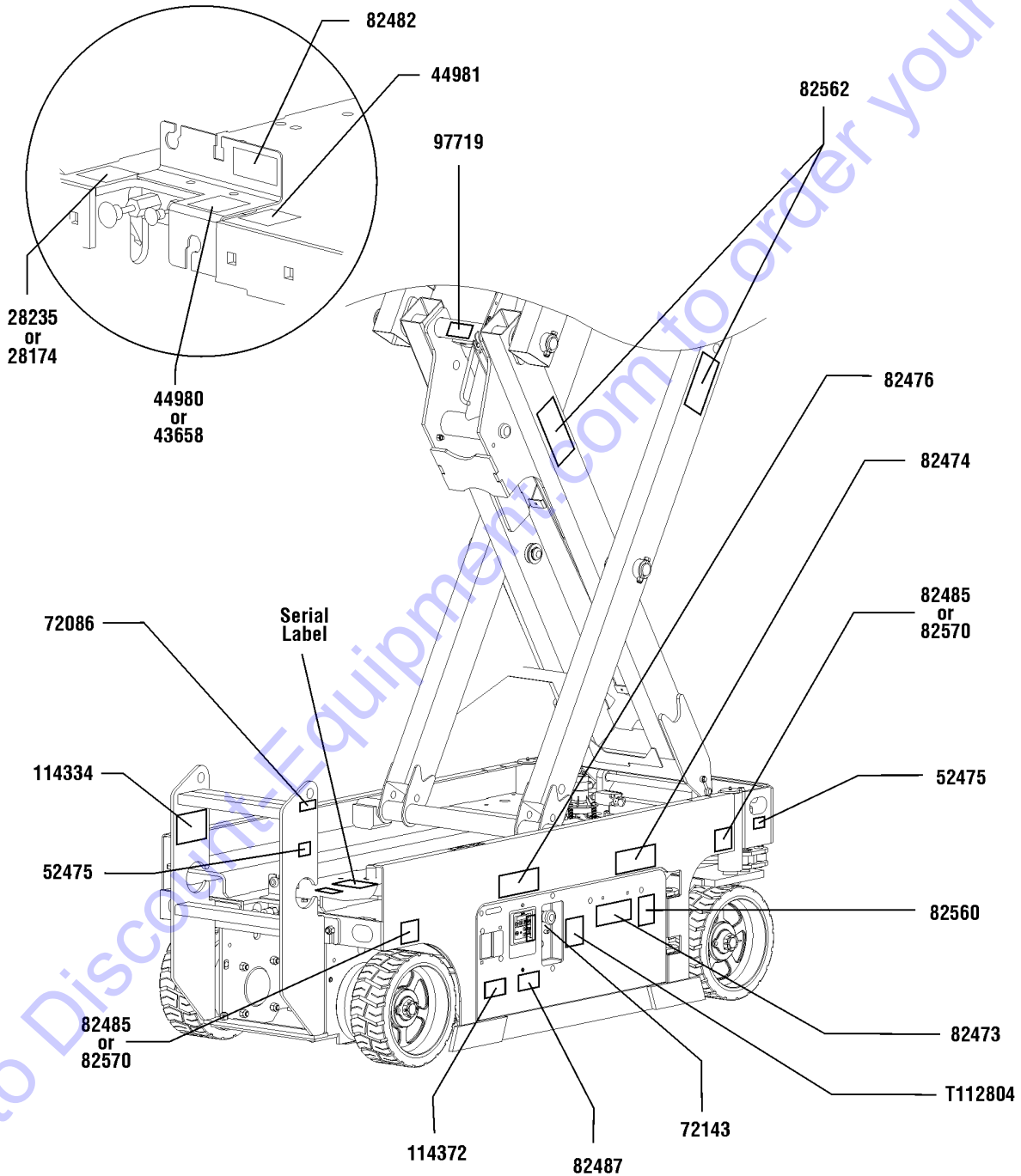


105.1 Decals with Symbols, GS-1530 Battery Side, ANSI & CE

Item	Part No.	Description	Qty.
-	232056GT	DECAL KIT,1530 PLAT.,SYM,ANSI (ANSI models with 2 speed controller) to SN GS3014A-134999 and to SN GS3014C-16999 (order platform controls decal separately)	
-	232057GT	DECAL KIT,1530 COMP.,SYM,ANSI (ANSI models with 2 speed controller) to SN GS3014A-134999 and to SN GS3014C-16999	
-	232068GT	DECAL KIT,1530 PLAT.,SYM,CE (CE models with 2 speed controller) to SN GS3014A-134999 and to SN GS3014C-16999	
-	232069GT	DECAL KIT,1530 COMP.,SYM,CE (CE models with 2 speed controller) to SN GS3014A-134999 and to SN GS3014C-16999 (order platform controls decal separately)	
1	52475GT	DECAL,LABEL,TRANSPORT TIEDOWN*	3
2	72086GT	DECAL,LABEL,LIFTING EYE	3
3	82474GT	DECAL,SYMBOL-USE SAFETY ARM	1
4	82476GT	DECAL,SYMBOL-ELEC HAZARD,GS	1
5	82481GT	DECAL,SYMBOL-BATTERY SAFETY	1
6	82485GT	DECAL,LABEL,WHEEL LOAD 1530	2
		(ANSI models)	
7	82495GT	DECAL,LABEL,FORKLIFT POCKET	1
8	82562GT	DECAL,SYMBOL-CRUSHING HAZARD	2
9	82570GT	DECAL,LABEL-WHEEL LOAD 1530/32	2
		(CE models)	
10	114337GT	DECAL, COMPARTMENT ACCESS	1
11	114361GT	DECAL,SYM-TIP-OVER,LIM SWITCH	2
12	114370GT	DECAL-SYM-TIP-OVR,BATTRIES	1
13	114372GT	DECAL SYMBOL TIP OVER TRAYS	1



Ground Controls Side



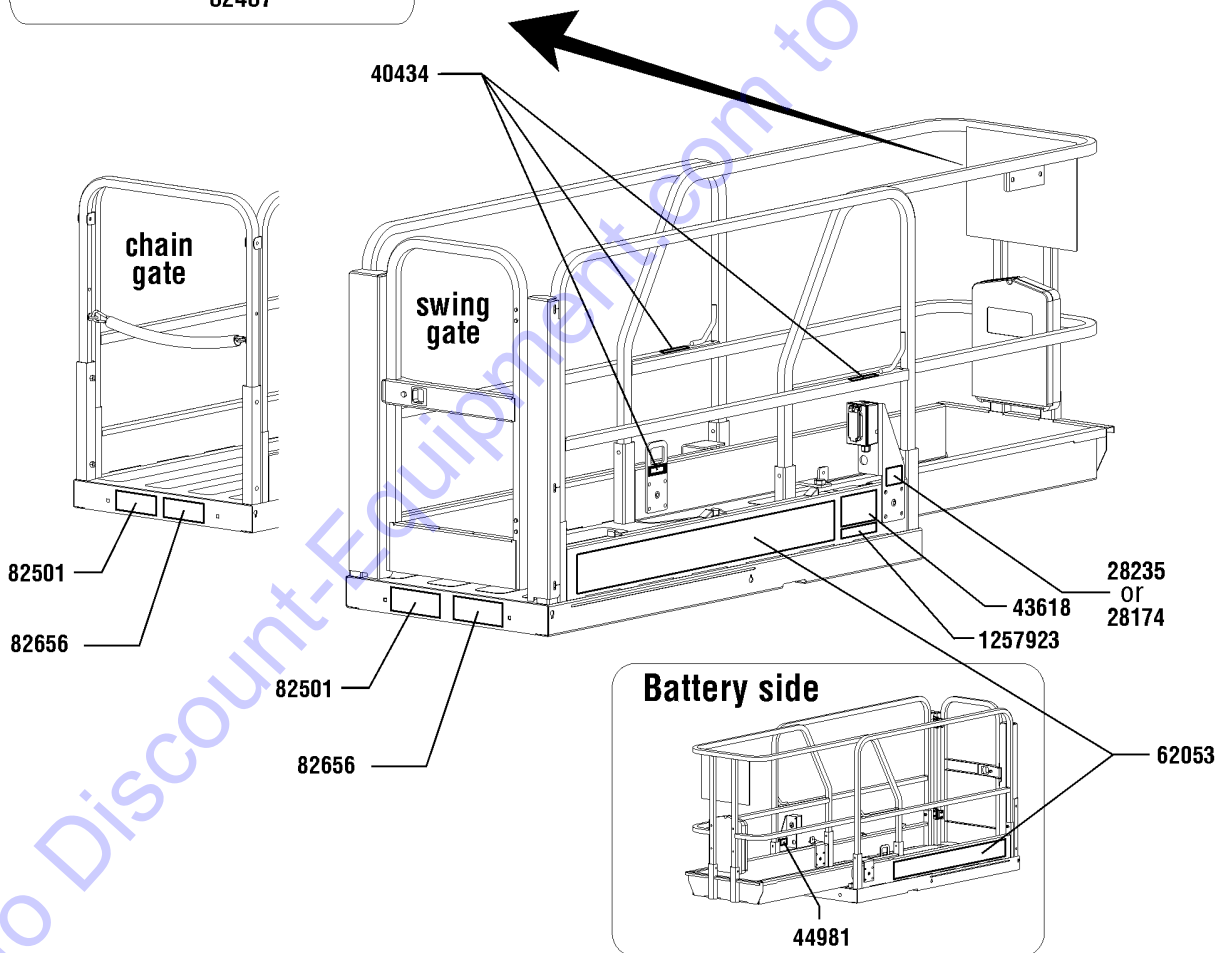
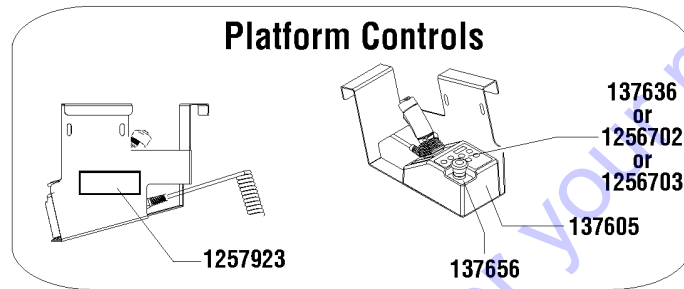
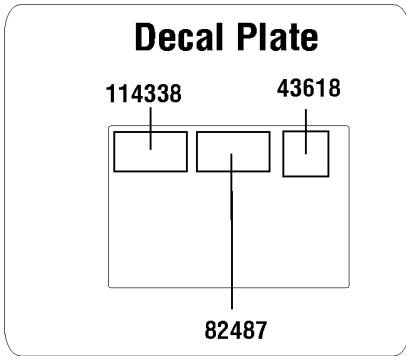
106.1 Decals with Symbols, GS-1530 Ground Control Side, ANSI & CE

Item	Part No.	Description	Qty.
-		REF. GS-1530 Symbol Decal Kits (refer to 105.1)	
1	28174GT	DECAL,POWER TO PLATFORM 230V	1
2	28235GT	DECAL,POWER TO PLATFORM 115V	1
3	43658GT	DECAL,LABEL,PWR TO CHARGR 230V	1
4	44980GT	DECAL,LABEL,PWR TO CHARGR 115V	1
5	44981GT	DECAL,LABEL,AIRLINE 110 PSI	1
6	52475GT	DECAL,LABEL,TRANSPORT TIEDOWN*	2
7	72086GT	DECAL,LABEL,LIFTING EYE	1
8	72143GT	DECAL,EMERGENCY STOP,GR	1
9	82473GT	DECAL,SYMBOL-COMP ACCESS	1
10	82474GT	DECAL,SYMBOL-USE SAFETY ARM	1
11	82476GT	DECAL,SYMBOL-ELEC HAZARD,GS	1
12	82482GT	DECAL,LABEL,AUX LOWERING	1
13	82485GT	DECAL,LABEL,WHEEL LOAD 1530	2
		(ANSI models)	
14	82487GT	DECAL,SYMBOL-READ THE MANUAL	1
15	82560GT	DECAL,SYMBOL-SKIN INJECT HAZRD	1
16	82562GT	DECAL,SYMBOL-CRUSHING HAZARD	2
17	82570GT	DECAL,LABEL-WHEEL LOAD 1530/32	2
		(CE models)	
18	97719GT	DECAL, LABEL, SAFETY ARM SYMB	1
19	114334GT	DECAL SYMBOL ELECTRIC HAZARD PLUG	1
20	114372GT	DECAL SYMBOL TIP OVER TRAYS	1
21	T112804GT	DECAL,GCON PANEL,GS	1



107.1 Decals with Symbols, GS-1530 Platform, ANSI

Platform, ANSI models



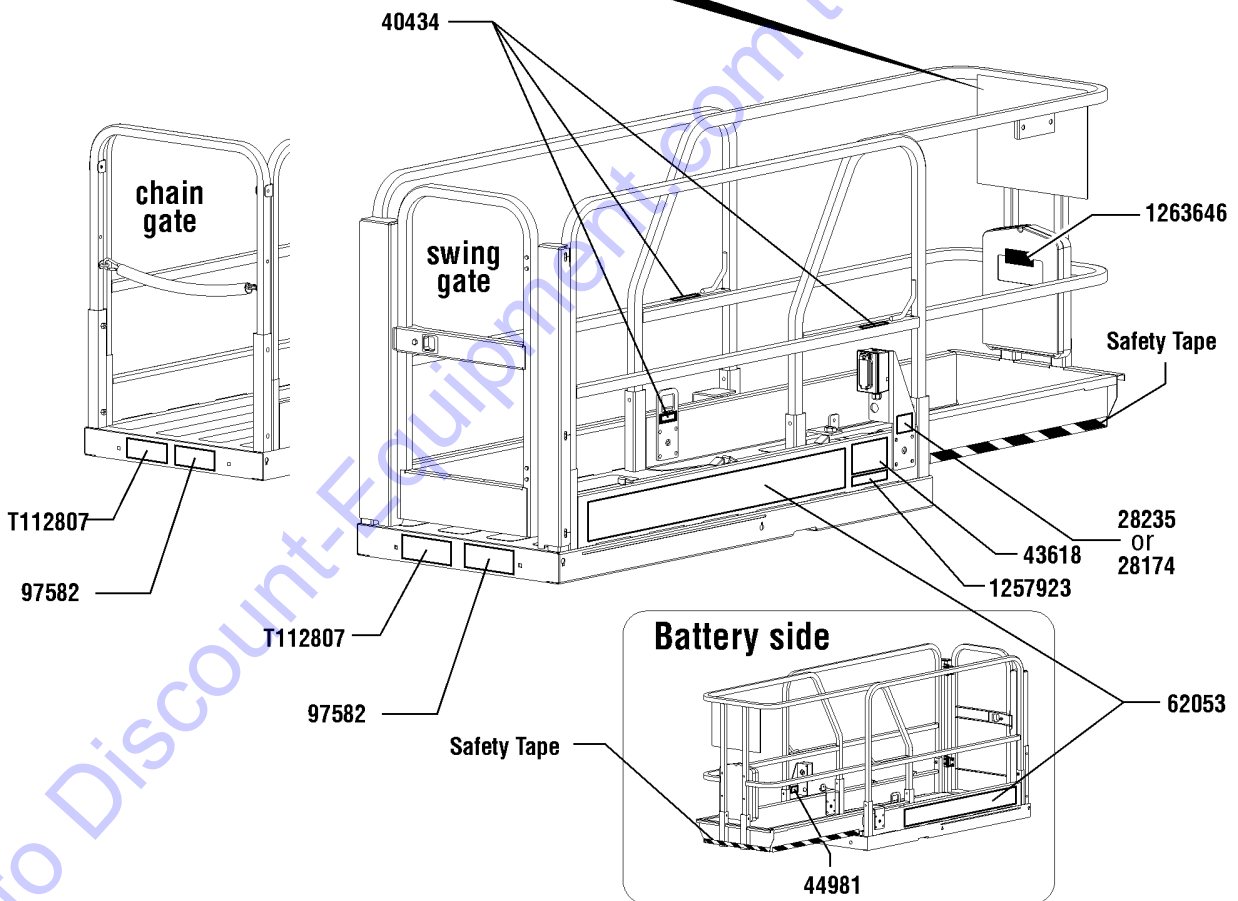
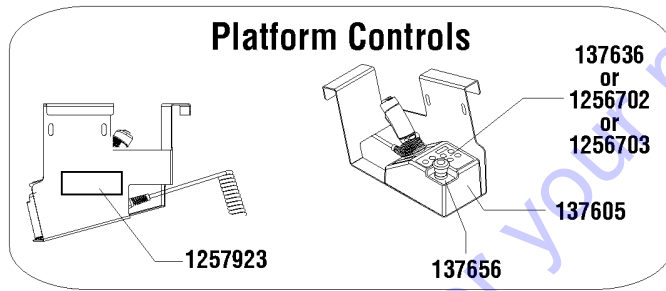
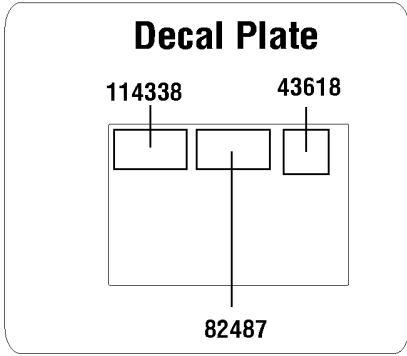
107.1 Decals with Symbols, GS-1530 Platform, ANSI

Item	Part No.	Description	Qty.
-		REF. GS-1530 Symbol Decal Kits (refer to 105.1)	
1	28174GT	DECAL,POWER TO PLATFORM 230V	1
2	28235GT	DECAL,POWER TO PLATFORM 115V	1
3	40434GT	DECAL,LANYARD ANCHORAGE POINT	3
4	43618GT	DECAL,LABEL-DIRECTION ARROWS	2
5	44981GT	DECAL,LABEL,AIRLINE 110 PSI	1
6	62053GT	DECAL,COSMETIC,GENIE GS-1530**	2
7	82487GT	DECAL,SYMBOL-READ THE MANUAL	1
8	82501GT	DECAL,SYM-MAXCAP 600	1
9	82656GT	DECAL,SYM-SIDE FORCE 445N	1
10	114338GT	DECAL,SYM-TIP-OVR,TILT ALARM	1
11	137605GT	DECAL,E-STOP,GR/GRC/GS PCON	1
12	137636GT	DECAL, UI, GR/GRC/GS PCON (models with 6 button, 2 speed controller) to SN GS3014A-134999 and to SN GS3014C-16999	1
13	137656GT	DECAL,PROPEL,GR/GRC/GS,PCON	1
14	1256702GT	DECAL, UI, GS/GR, PROP LIFT (models with 4 button, proportional controller)	1
15	1256703GT	DECAL, STD, PROP LIFT, UI, SVC (units converted from 6 button, 2 speed lift to 4 button, proportional controller)	1
16	1257923GT	DECAL, SMARTLINK PROPORTIONAL (models with 4 button, proportional controller, and units converted from 6 button, 2 speed lift to 4 button, proportional controller)	2



108.1 Decals with Symbols, GS-1530 Platform, CE

Platform, CE models



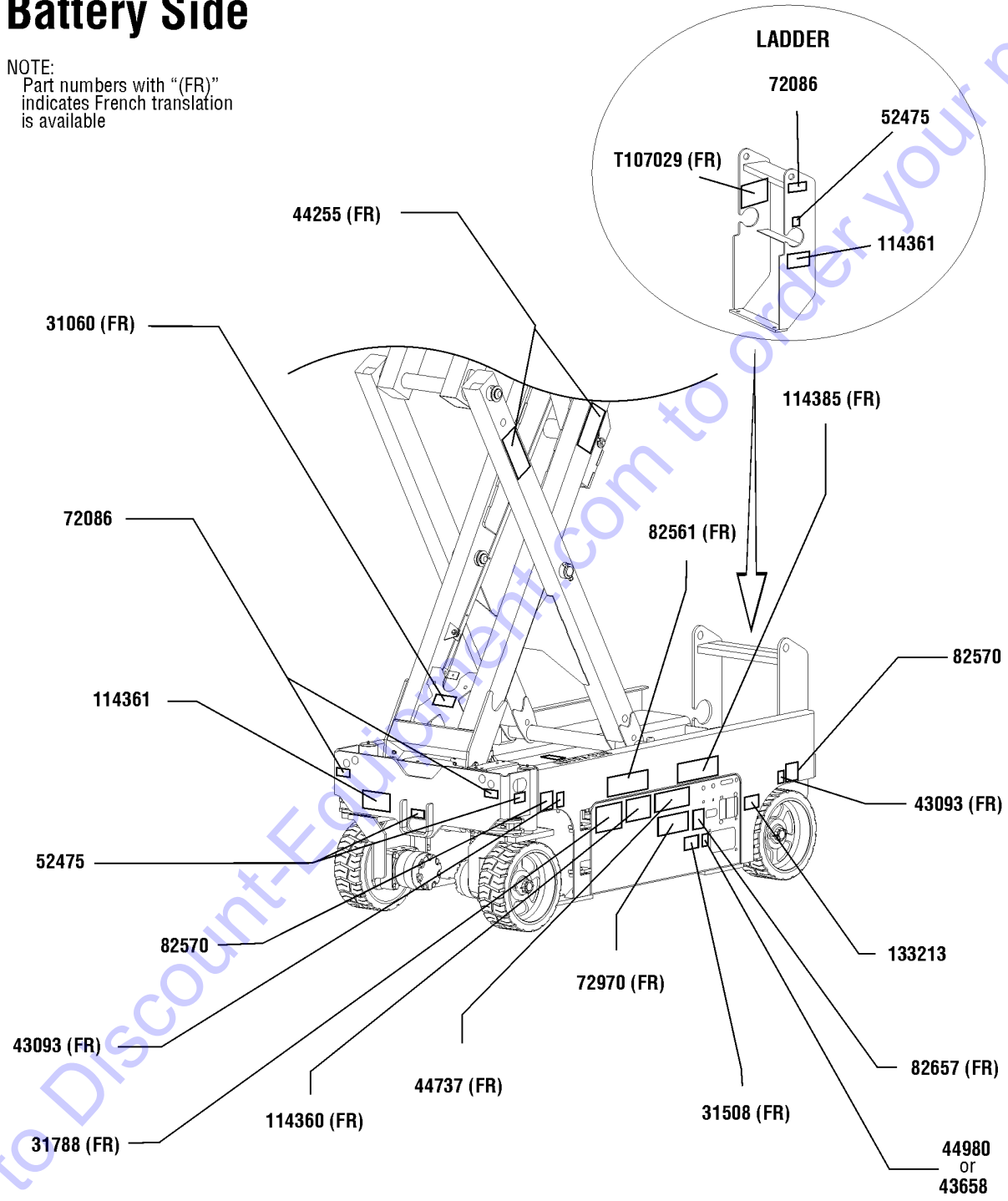
108.1 Decals with Symbols, GS-1530 Platform, CE

Item	Part No.	Description	Qty.
-		REF. GS-1530 Symbol Decal Kits (refer to 105.1)	
1	28174GT	DECAL,POWER TO PLATFORM 230V	1
2	28235GT	DECAL,POWER TO PLATFORM 115V	1
3	40434GT	DECAL,LANYARD ANCHORAGE POINT	3
4	43618GT	DECAL,LABEL-DIRECTION ARROWS	2
5	44981GT	DECAL,LABEL,AIRLINE 110 PSI	1
6	62053GT	DECAL,COSMETIC,GENIE GS-1530**	2
7	82487GT	DECAL,SYMBOL-READ THE MANUAL	1
8	97582GT	DECAL,SYM-SIDEFORCE 400N ID	1
9	114338GT	DECAL,SYM-TIP-OVR,TILT ALARM	1
10	137605GT	DECAL,E-STOP,GR/GRC/GS PCON	1
11	137636GT	DECAL, UI, GR/GRC/GS PCON (models with 6 button, 2 speed controller) to SN GS3014A-134999 and to SN GS3014C-16999	1
12	137656GT	DECAL,PROPEL,GR/GRC/GS,PCON	1
13	T112807GT	DECAL,SYM MAX CAP 272 KG,CE	1
14	1256702GT	DECAL, UI, GS/GR, PROP LIFT (models with 4 button, proportional controller)	
15	1256703GT	DECAL, STD, PROP LIFT, UI, SVC (units converted from 6 button, 2 speed lift to 4 button, proportional controller)	1
16	1257923GT	DECAL, SMARTLINK PROPORTIONAL (models with 4 button, proportional controller, and units converted from 6 button, 2 speed lift to 4 button, proportional controller)	2
17	1257923GT	DECAL, SMARTLINK PROPORTIONAL (models with 4 button, proportional controller, and units converted from 6 button, 2 speed lift to 4 button, proportional controller)	2



Battery Side

NOTE:
Part numbers with "(FR)"
indicates French translation
is available



Go to Discount-Equipment.com to order your parts



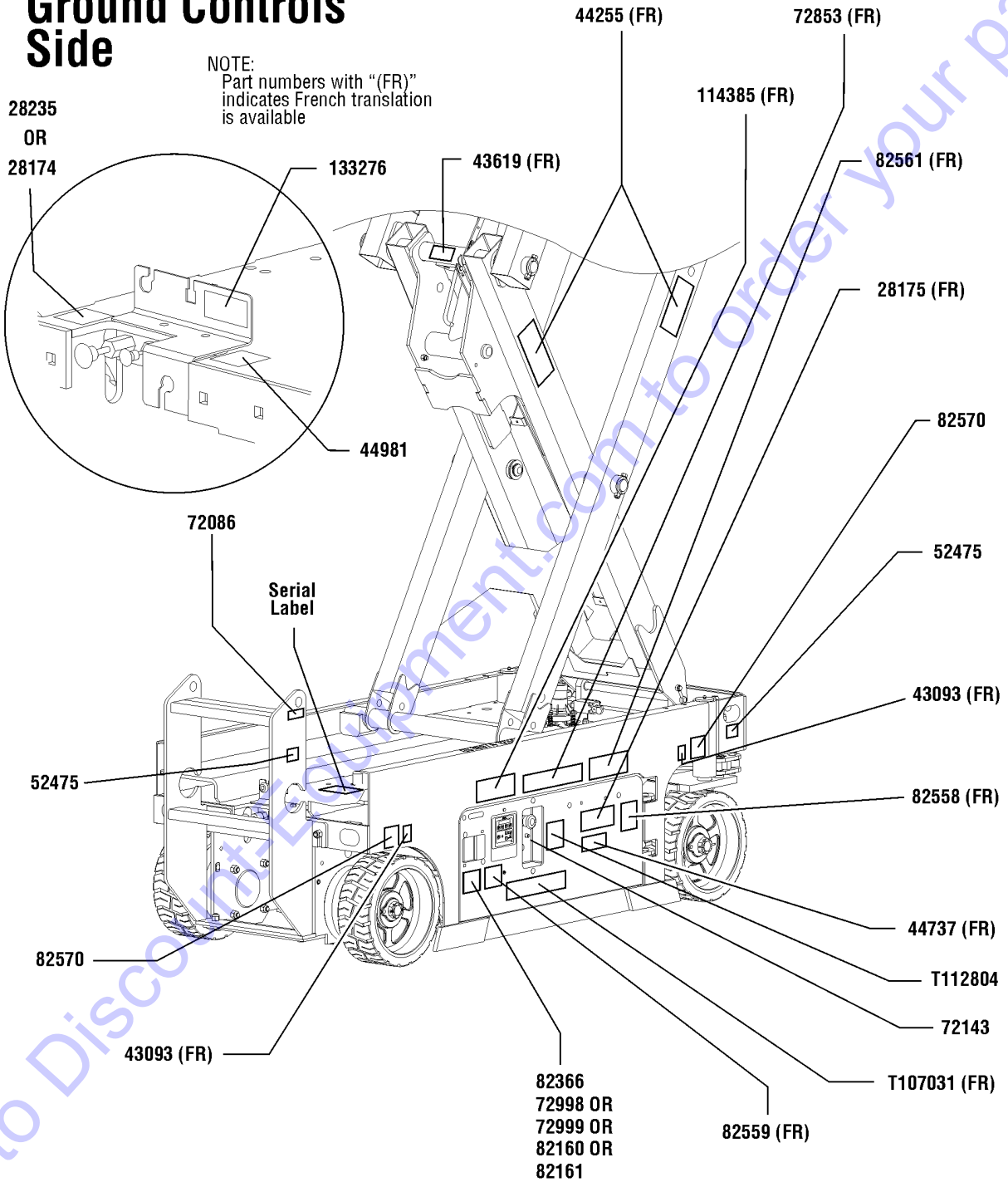
109.1 Decals with Words, GS-1532, Battery Side, Australia

Item	Part No.	Description	Qty.
-	232062GT	DECAL KIT,1532 PLAT.,WRD,AUST (Australia models with 2 speed controller) to SN GS3014A-134999 and to SN GS3014C-16999
-	232063GT	DECAL KIT,1532 COMP.,WRD,AUST (Australia models with 2 speed controller) to SN GS3014A-134999 and to SN GS3014C-16999
1	44255GT	DECAL,DANGER,CRUSHING HAZARD	2
2	31060GT	DECAL,DANGER DO NOT ALTER SWTC	1
3	31508GT	DECAL,DANGER,ELECT HAZARD,PLUG (Australia models)	1
4	31788GT	DECAL,DANGER,BATTERY SAFETY***	1
5	43093GT	DECAL,LABEL,TIRE SPECS	2
6	43658GT	DECAL,LABEL,PWR TO CHARGR 230V (Australia models)	1
7	44737GT	DECAL,DANGER,TIP-OVER,TRAYS	1
8	44980GT	DECAL,LABEL,PWR TO CHARGR 115V (Australia models)	1
9	52475GT	DECAL,LABEL,TRANSPORT TIEDOWN*	3
10	72086GT	DECAL,LABEL,LIFTING EYE	3
11	72970GT	DECAL,INSTRUCTIONS-CHARGER OP	1
12	82561GT	DECAL,DANGER-USE SAFETY ARM	1
13	82570GT	DECAL,LABEL-WHEEL LOAD 1530/32 (Australia models)	2
14	82657GT	DECAL,INSTRUCT,BATTERY CONNECT	1
15	114360GT	DECAL,DANGER-TIP-OVER,BATT	1
16	114361GT	DECAL,SYM-TIP-OVER,LIM SWITCH	2
17	114385GT	DECAL,DANGER,ELEC HAZARD,GS	1
18	133213GT	DECAL,NOTICE-DO NOT OPEN DOOR	1
19	T107029GT	DECAL DANGER BRAKE REL SAFETY	1



Ground Controls Side

NOTE:
Part numbers with "(FR)" indicates French translation is available

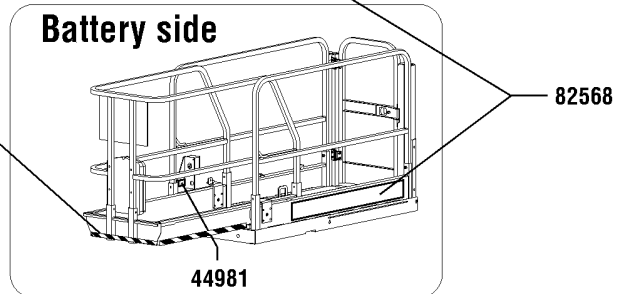
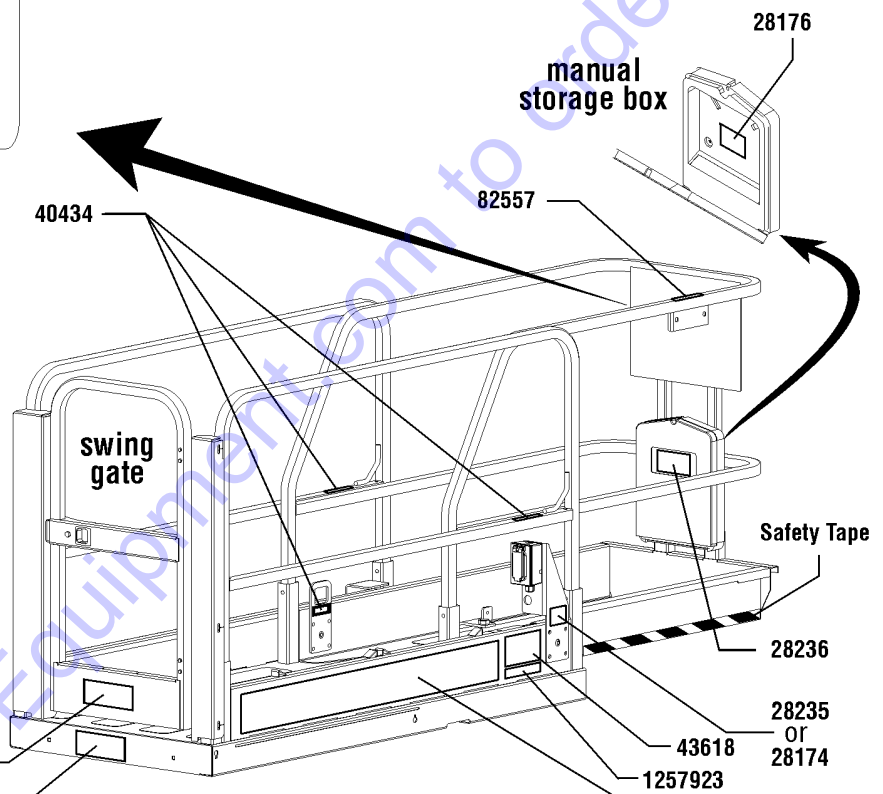
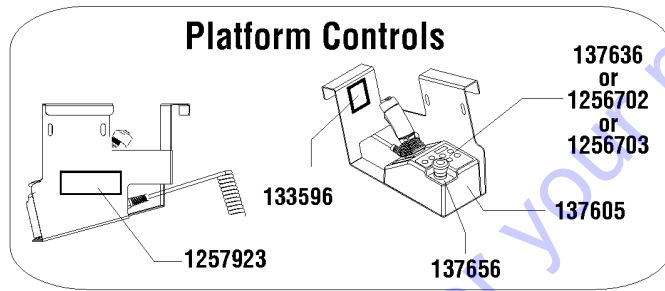
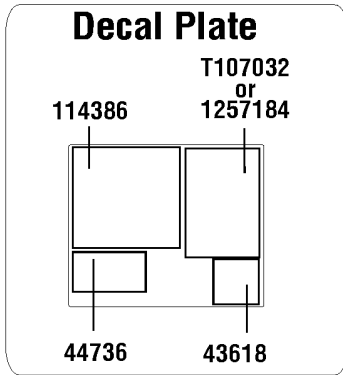


110.1 Decals with Words, GS-1532 Ground Controls Side, Australia

Item	Part No.	Description	Qty.
-		REF. GS-1532 Word Decal Kits (refer to 109.1)	
1	28174GT	DECAL,POWER TO PLATFORM 230V	1
2	28175GT	DECAL,WARNING-COMPART ACCESS	1
3	28235GT	DECAL,POWER TO PLATFORM 115V	1
4	43093GT	DECAL,LABEL,TIRE SPECS	2
5	43619GT	DECAL,LABEL,SAFETY ARM	1
7	44255GT	DECAL,DANGER,CRUSHING HAZARD	2
8	44737GT	DECAL,DANGER,TIP-OVER,TRAYS	1
9	44981GT	DECAL,LABEL,AIRLINE 110 PSI (option)	1
10	52475GT	DECAL,LABEL,TRANSPORT TIEDOWN*	2
11	72086GT	DECAL,LABEL,LIFTING EYE	1
12	72143GT	DECAL,EMERGENCY STOP,GR	1
13	72853GT	DECAL,DANGER,IMPROPER USE HAZ.	1
14	72998GT	DECAL, LABEL, QUINTOLUBRIK (models with Quintolub hydraulic oil)	1
15	72999GT	DECAL,LABEL,PETRO CANADA*** (models with Petro Canada hydraulic oil)	1
16	82160GT	DECAL, LABEL, STATOIL HYDRAWAY (models with Statoil hydraulic oil)	1
17	82161GT	DECAL,LABEL,UCON HYDROLUBE (models with Ucon Hydrolube hydraulic oil)	1
18	82366GT	DECAL,CHEVRON RANDO HD (models with Chevron Random hydraulic oil)	1
19	82558GT	DECAL,SKIN INJECTION	1
20	82559GT	DECAL,INSTRUCT-ANNUAL INSP REQ	1
21	82561GT	DECAL,DANGER-USE SAFETY ARM	1
22	82570GT	DECAL,LABEL-WHEEL LOAD 1530/32 (Australia models)	2
23	114385GT	DECAL,DANGER,ELEC HAZARD,GS	1
24	133276GT	DECAL,EMERGENCY LOWERING	1
25	T107031GT	DECAL,OP INST,GCON	1
26	T112804GT	DECAL,GCON PANEL,GS	1



Platform, Australia Models

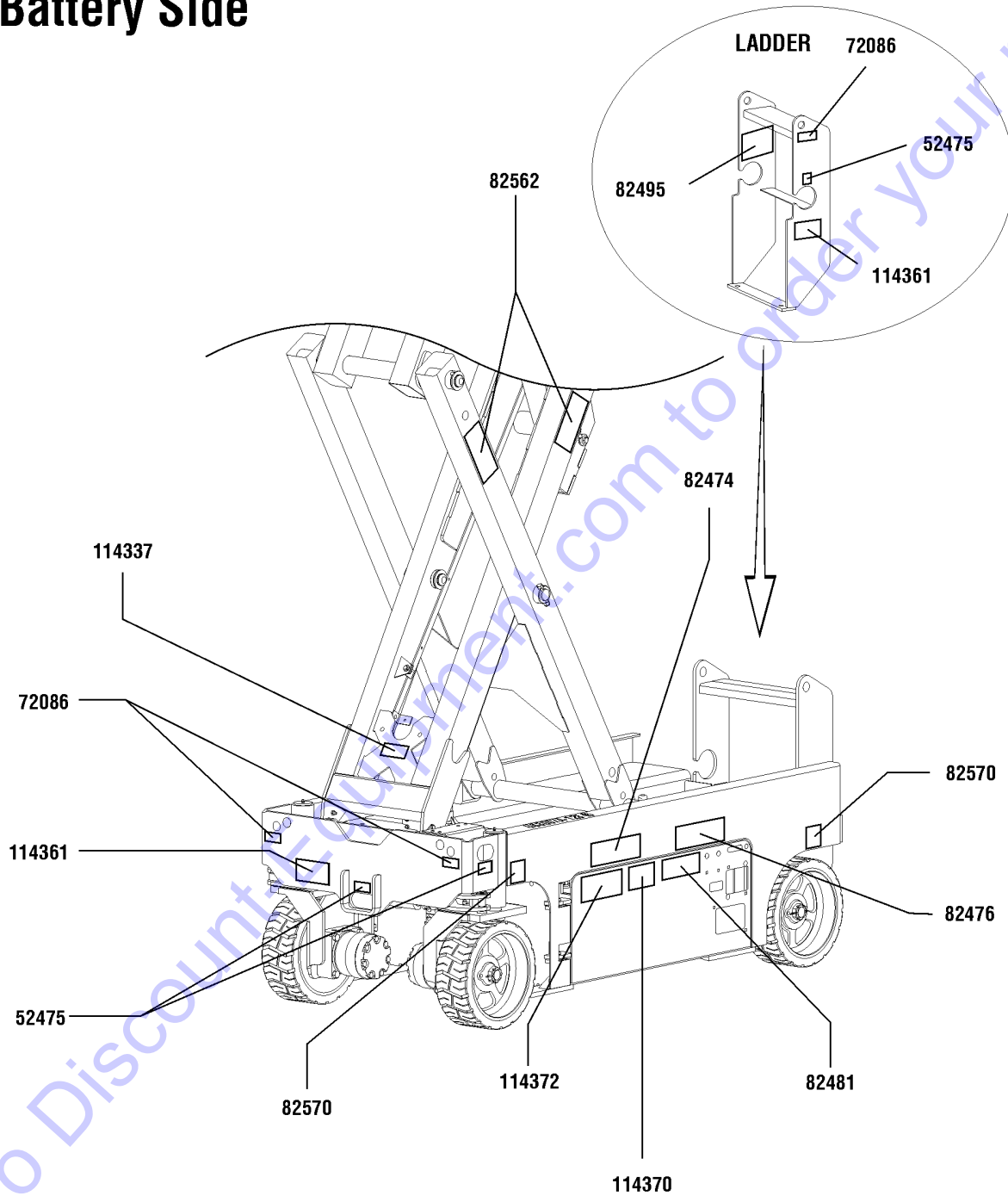


111.1 Decals with Words, GS-1532 Platform, Australia

Item	Part No.	Description	Qty.
-		REF. GS-1532 Word Decal Kits (refer to 109.1)	
1	28174GT	DECAL,POWER TO PLATFORM 230V	1
2	28176GT	DECAL,LABEL,MANUAL NOT HERE	1
3	28235GT	DECAL,POWER TO PLATFORM 115V	1
4	28236GT	DECAL,WARN,IMPROPER OPERATION	1
5	40434GT	DECAL,LANYARD ANCHORAGE POINT	3
6	43618GT	DECAL,LABEL-DIRECTION ARROWS	2
7	44736GT	DECAL,DANGER,TIP-OVER,TILT	1
8	44981GT	DECAL,LABEL,AIRLINE 110 PSI	1
9	82568GT	DECAL,COSMETIC,GENIE GS-1532	2
10	82557GT	DECAL,LABEL,PLAT CONT LOCATION	1
11	82566GT	DECAL,INSTR-MANUAL FRC,AUS	1
12	114386GT	DECAL,DANGER-GEN SAFETY	1
13	133596GT	DECAL,LABEL,FAULT CODES	1
14	137605GT	DECAL,E-STOP,GR/GRC/GS PCON	1
15	137636GT	DECAL, UI, GR/GRC/GS PCON	1
		(models with 6 button, 2 speed controller) to SN GS3014A-134999 and to SN GS3014C-16999	
16	137656GT	DECAL,PROPEL,GR/GRC/GS,PCON	1
17	T107032GT	DECAL,OP INST,PCON,GS-30,AUS	1
		(models with 6 button, 2 speed controller) to SN GS3014A-134999 and to SN GS3014C-16999	
18	82564GT	DECAL,INSTR-MAX CAP 600LBS	1
20	1256703GT	DECAL, STD, PROP LIFT, UI, SVC	1
		(units converted from 6 button, 2 speed lift to 4 button, proportional controller)	
21	1257184GT	DECAL, OP INST, PLAT, GS30, AUS	1
		(models with proportional controller)	
22	1257923GT	DECAL, SMARTLINK PROPORTIONAL	2
		(models with 4 button, proportional controller, and units converted from 6 button, 2 speed lift to 4 button, proportional controller)	



Battery Side



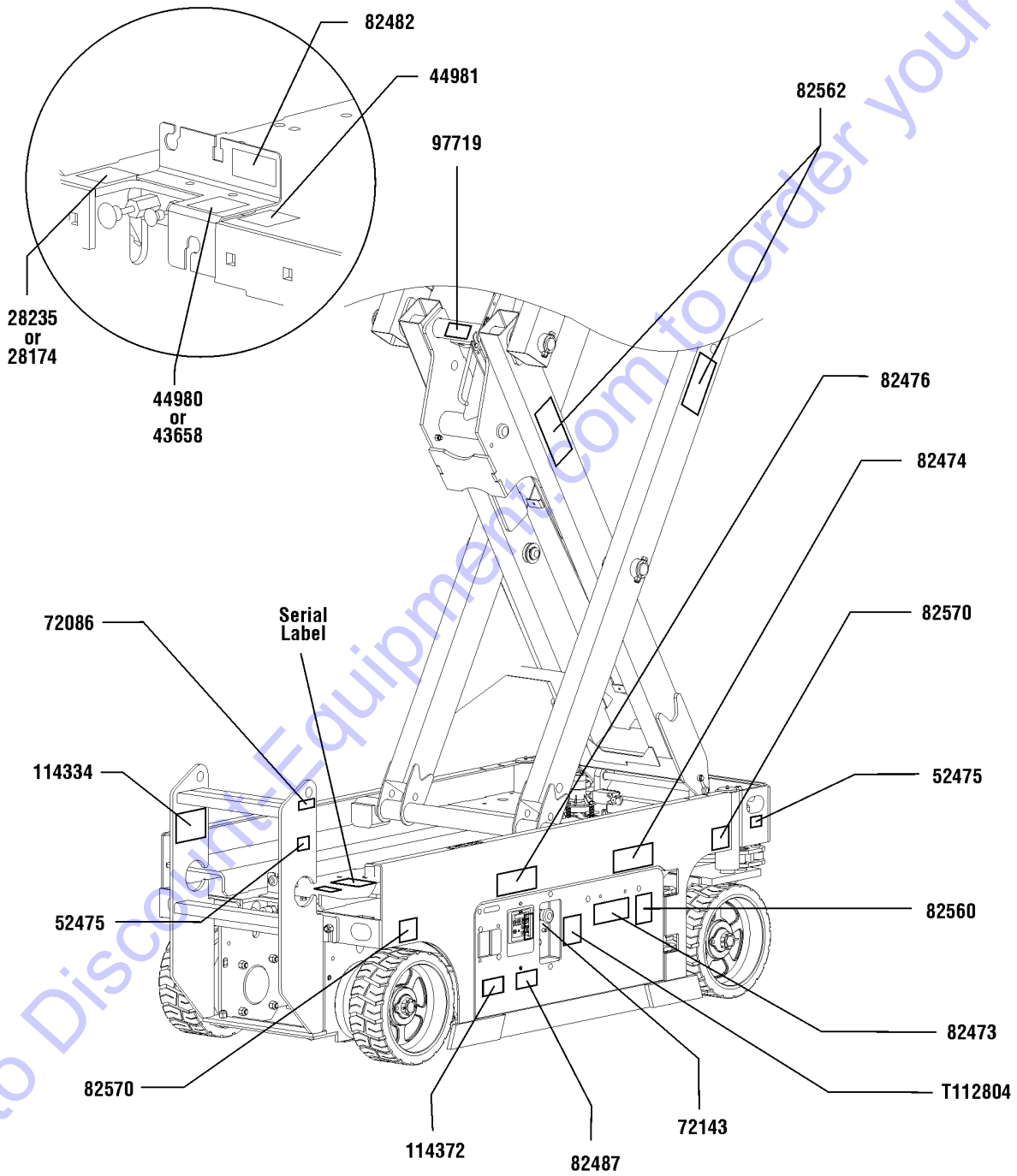
112.1 Decals with Symbols, GS-1532 Battery Side, CE

Item	Part No.	Description	Qty.
-	232070GT	DECAL KIT,1532 PLAT.,SYM,CE (CE models with 2 speed controller) to SN GS3014A-134999 and to SN GS3014C-16999	
-	232071GT	DECAL KIT,1532 COMP.,SYM,CE (CE models with 2 speed controller) to SN GS3014A-134999 and to SN GS3014C-16999	
1	52475GT	DECAL,LABEL,TRANSPORT TIEDOWN*	3
2	72086GT	DECAL,LABEL,LIFTING EYE	3
3	82474GT	DECAL,SYMBOL-USE SAFETY ARM	1
4	82476GT	DECAL,SYMBOL-ELEC HAZARD,GS	1
5	82481GT	DECAL,SYMBOL-BATTERY SAFETY	1
6	82495GT	DECAL,LABEL,FORKLIFT POCKET	1
7	82562GT	DECAL,SYMBOL-CRUSHING HAZARD	2
8	82570GT	DECAL,LABEL-WHEEL LOAD 1530/32	2
		(CE models)	
9	114337GT	DECAL, COMPARTMENT ACCESS	1
10	114361GT	DECAL,SYM-TIP-OVER,LIM SWITCH	2
11	114370GT	DECAL-SYM-TIP-OVR,BATTRIES	1
12	114372GT	DECAL SYMBOL TIP OVER TRAYS	1

Go to Discount-Equipment.com to order your parts



Ground Controls Side



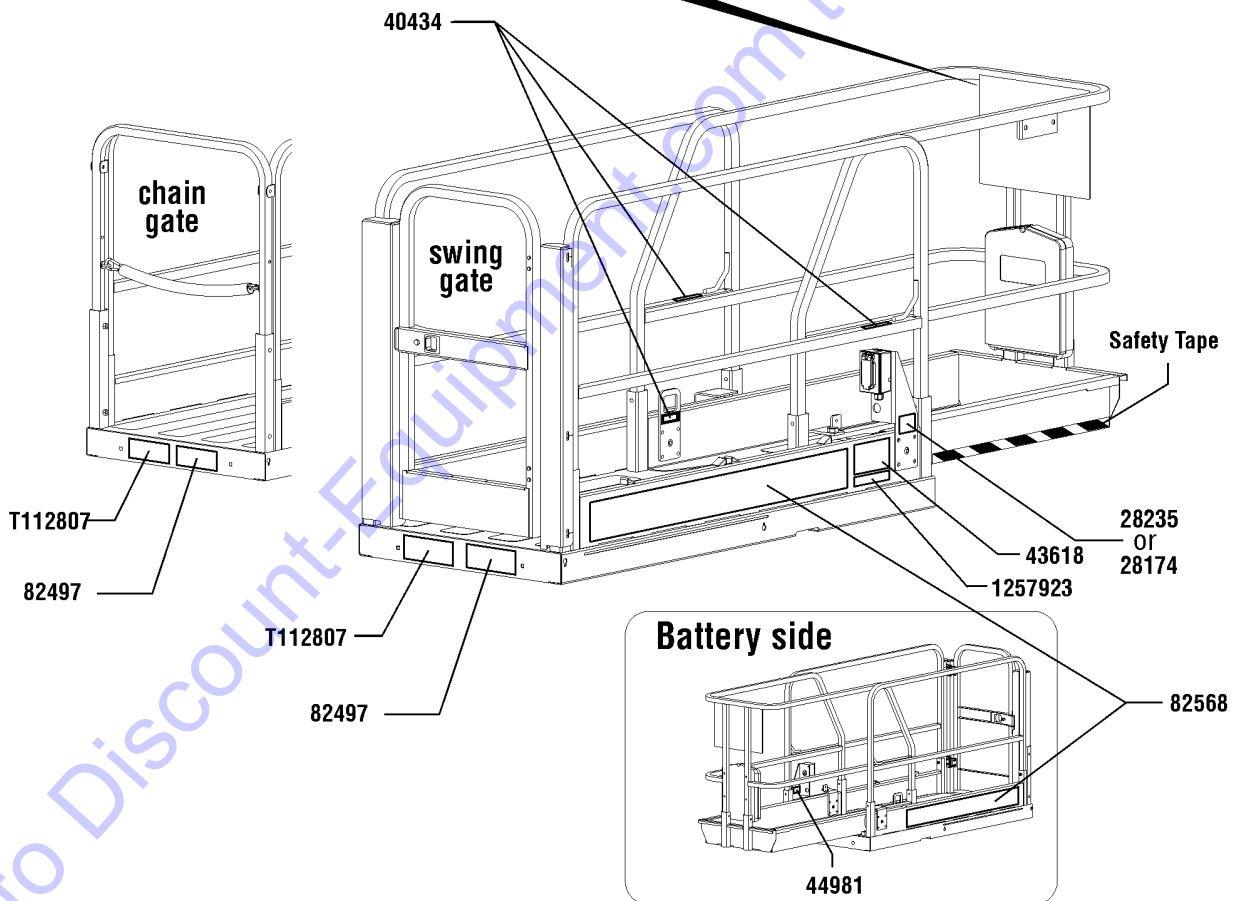
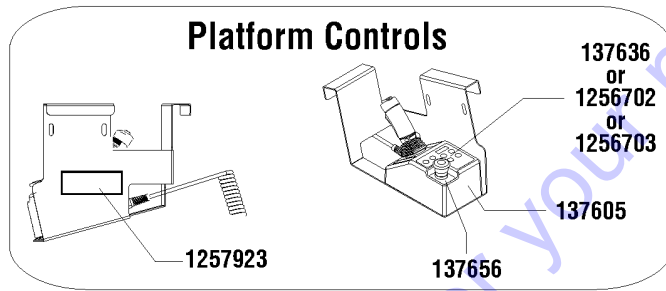
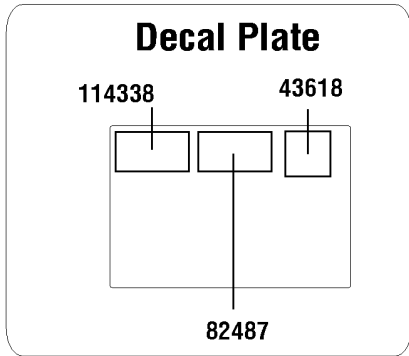
113.1 Decals with Symbols, GS-1532 Ground Control Side, CE

Item	Part No.	Description	Qty.
-		REF. GS-1532 Symbol Decal Kits (refer to 112.1)	
1	28174GT	DECAL,POWER TO PLATFORM 230V	1
2	28235GT	DECAL,POWER TO PLATFORM 115V	1
3	43658GT	DECAL,LABEL,PWR TO CHARGR 230V	1
4	44980GT	DECAL,LABEL,PWR TO CHARGR 115V	1
5	44981GT	DECAL,LABEL,AIRLINE 110 PSI	1
6	52475GT	DECAL,LABEL,TRANSPORT TIEDOWN*	2
7	72086GT	DECAL,LABEL,LIFTING EYE	1
8	72143GT	DECAL,EMERGENCY STOP,GR	1
9	82473GT	DECAL,SYMBOL-COMP ACCESS	1
10	82474GT	DECAL,SYMBOL-USE SAFETY ARM	1
11	82476GT	DECAL,SYMBOL-ELEC HAZARD,GS	1
12	82482GT	DECAL,LABEL,AUX LOWERING	1
13	82487GT	DECAL,SYMBOL-READ THE MANUAL	1
14	82560GT	DECAL,SYMBOL-SKIN INJECT HAZRD	1
15	82562GT	DECAL,SYMBOL-CRUSHING HAZARD	2
16	82570GT	DECAL,LABEL-WHEEL LOAD 1530/32 (CE models)	2
17	97719GT	DECAL, LABEL, SAFETY ARM SYMB	1
18	114334GT	DECAL SYMBOL ELECTRIC HAZARD PLUG	1
19	114372GT	DECAL SYMBOL TIP OVER TRAYS	1
20	T112804GT	DECAL,GCON PANEL,GS	1



114.1 Decals with Symbols, GS-1532 Platform, CE

Platform, CE models



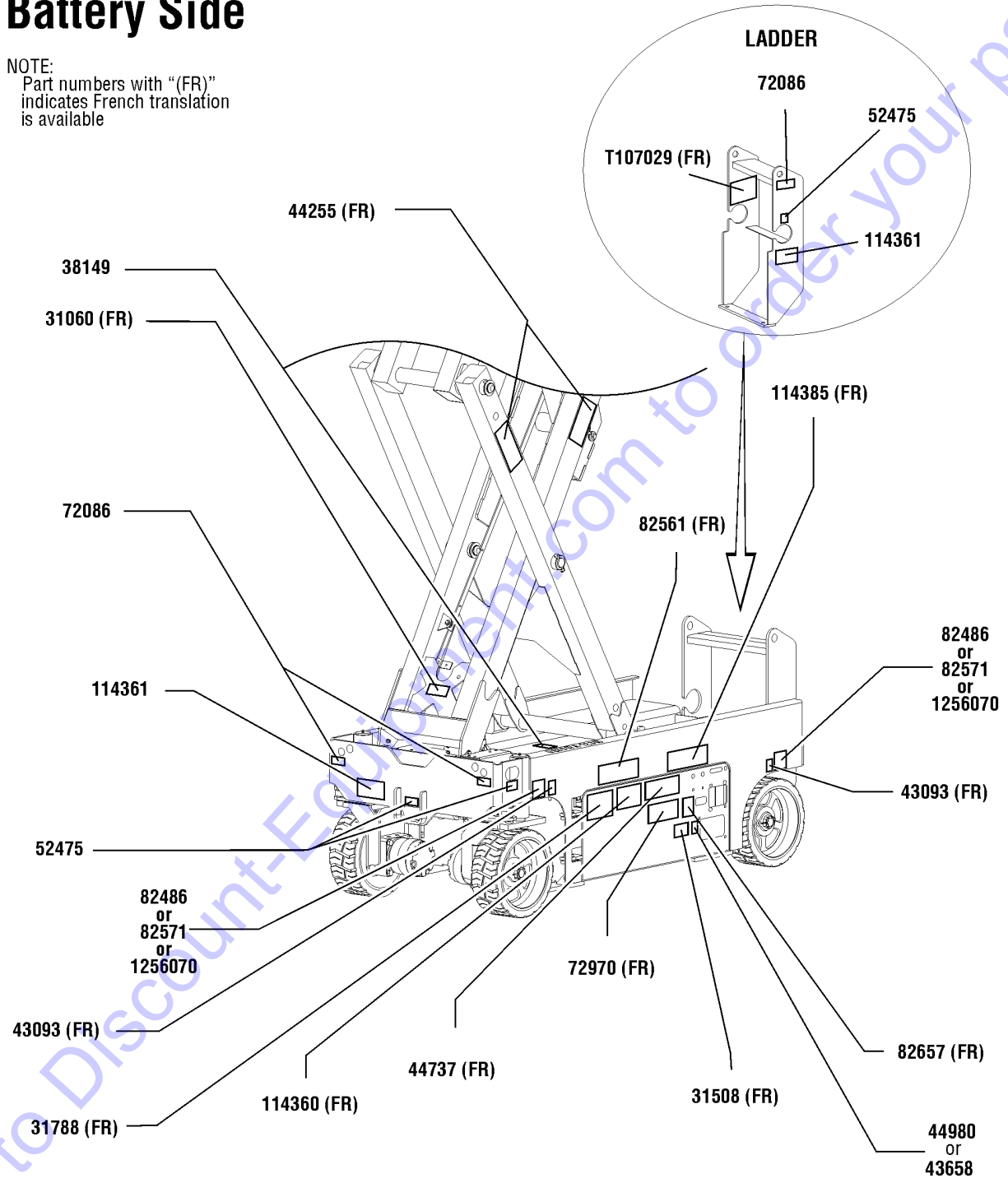
114.1 Decals with Symbols, GS-1532 Platform, CE

Item	Part No.	Description	Qty.
-		REF. GS-1532 Symbol Decal Kits (refer to 112.1)	
1	28174GT	DECAL,POWER TO PLATFORM 230V	1
2	28235GT	DECAL,POWER TO PLATFORM 115V	1
3	40434GT	DECAL,LANYARD ANCHORAGE POINT	3
4	43618GT	DECAL,LABEL-DIRECTION ARROWS	2
5	44981GT	DECAL,LABEL,AIRLINE 110 PSI	1
6	82487GT	DECAL,SYMBOL-READ THE MANUAL	1
7	82497GT	DECAL,SYM-SIDEFORCE 200400	1
8	82568GT	DECAL,COSMETIC,GENIE GS-1532	2
9	114338GT	DECAL,SYM-TIP-OVR,TILT ALARM	1
10	137605GT	DECAL,E-STOP,GR/GRC/GS PCON	1
11	137636GT	DECAL, UI, GR/GRC/GS PCON (models with 6 button, 2 speed controller) to SN GS3014A-134999 and to SN GS3014C-16999	1
12	137656GT	DECAL,PROPEL,GR/GRC/GS,PCON	1
13	T112807GT	DECAL,SYM MAX CAP 272 KG,CE	1
14	1256702GT	DECAL, UI, GS/GR, PROP LIFT (models with 4 button, proportional controller)	
15	1256703GT	DECAL, STD, PROP LIFT, UI, SVC (units converted from 6 button, 2 speed lift to 4 button, proportional controller)	1
16	1257923GT	DECAL, SMARTLINK PROPORTIONAL (models with 4 button, proportional controller, and units converted from 6 button, 2 speed lift to 4 button, proportional controller)	2



Battery Side

NOTE:
Part numbers with "(FR)" indicates French translation is available



115.1 Decals with Words, GS-1930 Battery Side, ANSI & Australia

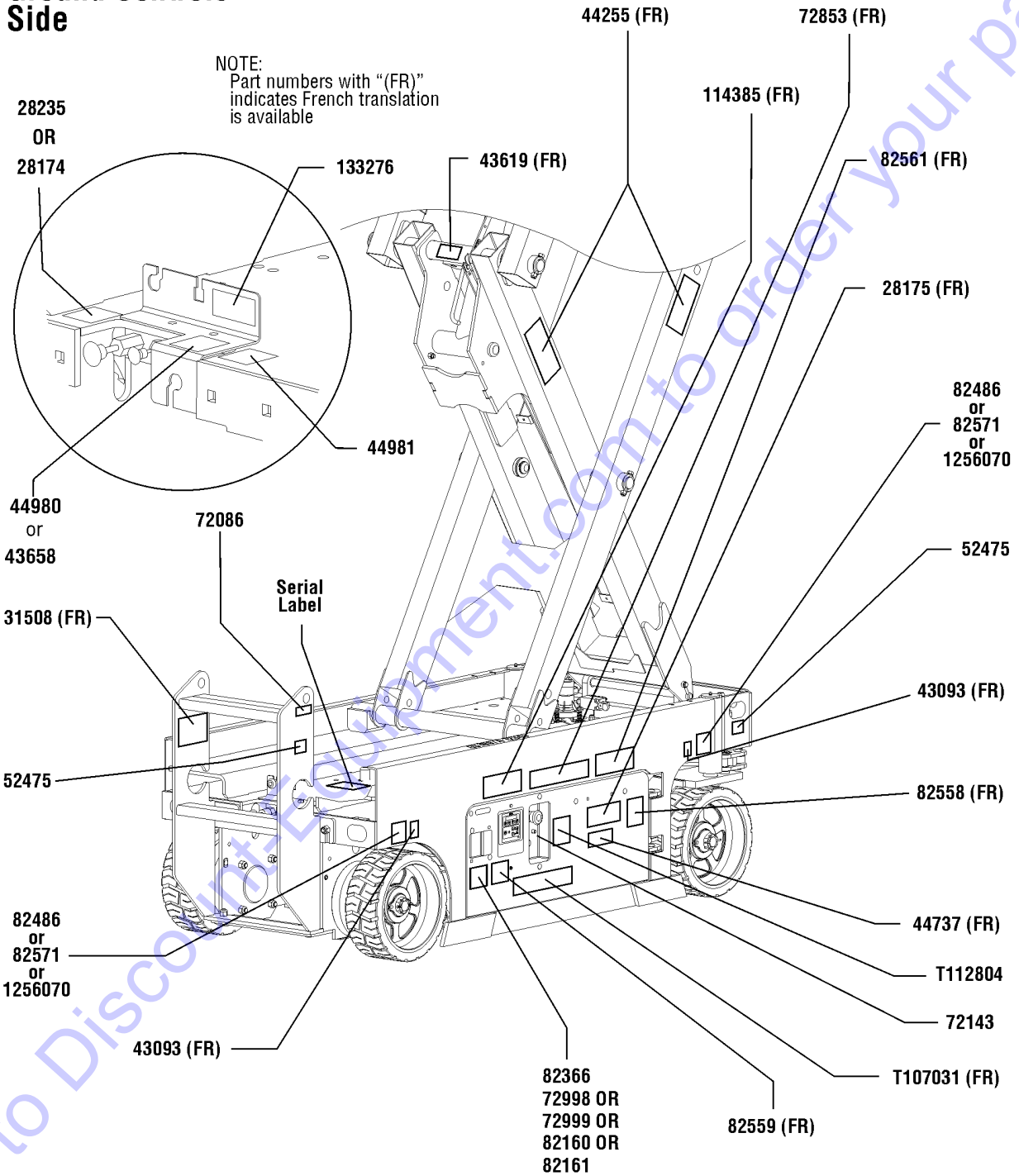
Item	Part No.	Description	Qty.
-	232054GT	DECAL KIT,1930 PLAT.,WRD,ANSI (ANSI models with 2 speed controller) to SN GS3014A-134999 and to SN GS3014C-16999	
-	232055GT	DECAL KIT,1930 COMP.,WRD,ANSI (ANSI models with 2 speed controller) to SN GS3014A-134999 and to SN GS3014C-16999 (order platform controls decal separately)	
-	232064GT	DECAL KIT,1930 PLAT.,WRD,AUST (CE models with 2 speed controller) to SN GS3014A-134999 and to SN GS3014C-16999	
-	232065GT	DECAL KIT,1930 COMP.,WRD,AUST (CE models with 2 speed controller) to SN GS3014A-134999 and to SN GS3014C-16999	
1	44255GT	DECAL,DANGER,CRUSHING HAZARD	2
2	31060GT	DECAL,DANGER DO NOT ALTER SWTC	1
3	31508GT	DECAL,DANGER,ELECT HAZARD,PLUG	1
		(Australia models)	
4	31788GT	DECAL,DANGER,BATTERY SAFETY***	1
5	43093GT	DECAL,LABEL,TIRE SPECS	2
6	43658GT	DECAL,LABEL,PWR TO CHARGR 230V	1
		(Australia models)	
7	44737GT	DECAL,DANGER,TIP-OVER,TRAYS	1
8	44980GT	DECAL,LABEL,PWR TO CHARGR 115V	1
		(Australia models)	
9	52475GT	DECAL,LABEL,TRANSPORT TIEDOWN*	3
10	72086GT	DECAL,LABEL,LIFTING EYE	3
11	72970GT	DECAL,INSTRUCTIONS-CHARGER OP	1
12	82486GT	DECAL,LABEL,WHEEL LOAD 1930	2
		(ANSI models)	
13	82561GT	DECAL,DANGER-USE SAFETY ARM	1
14	82571GT	DECAL,LABEL,WHEEL LOAD 19XX	2
		(Australia models)	
15	82657GT	DECAL,INSTRUCT,BATTERY CONNECT	1
16	114360GT	DECAL,DANGER-TIP-OVER,BATT	1
17	114361GT	DECAL,SYM-TIP-OVER,LIM SWITCH	2
18	114385GT	DECAL,DANGER,ELEC HAZARD,GS	1
19	1256070GT	DECAL,LABEL,WHEEL LOAD,1930PAR	2
		(ANSI models with padded auxiliary rail only)	
20	T107029GT	DECAL DANGER BRAKE REL SAFETY	1



116.1 Decals with Words, GS-1930 Ground Controls Side, ANSI & Australia

Ground Controls Side

NOTE:
Part numbers with "(FR)" indicates French translation is available



116.1 Decals with Words, GS-1930 Ground Controls Side, ANSI & Australia

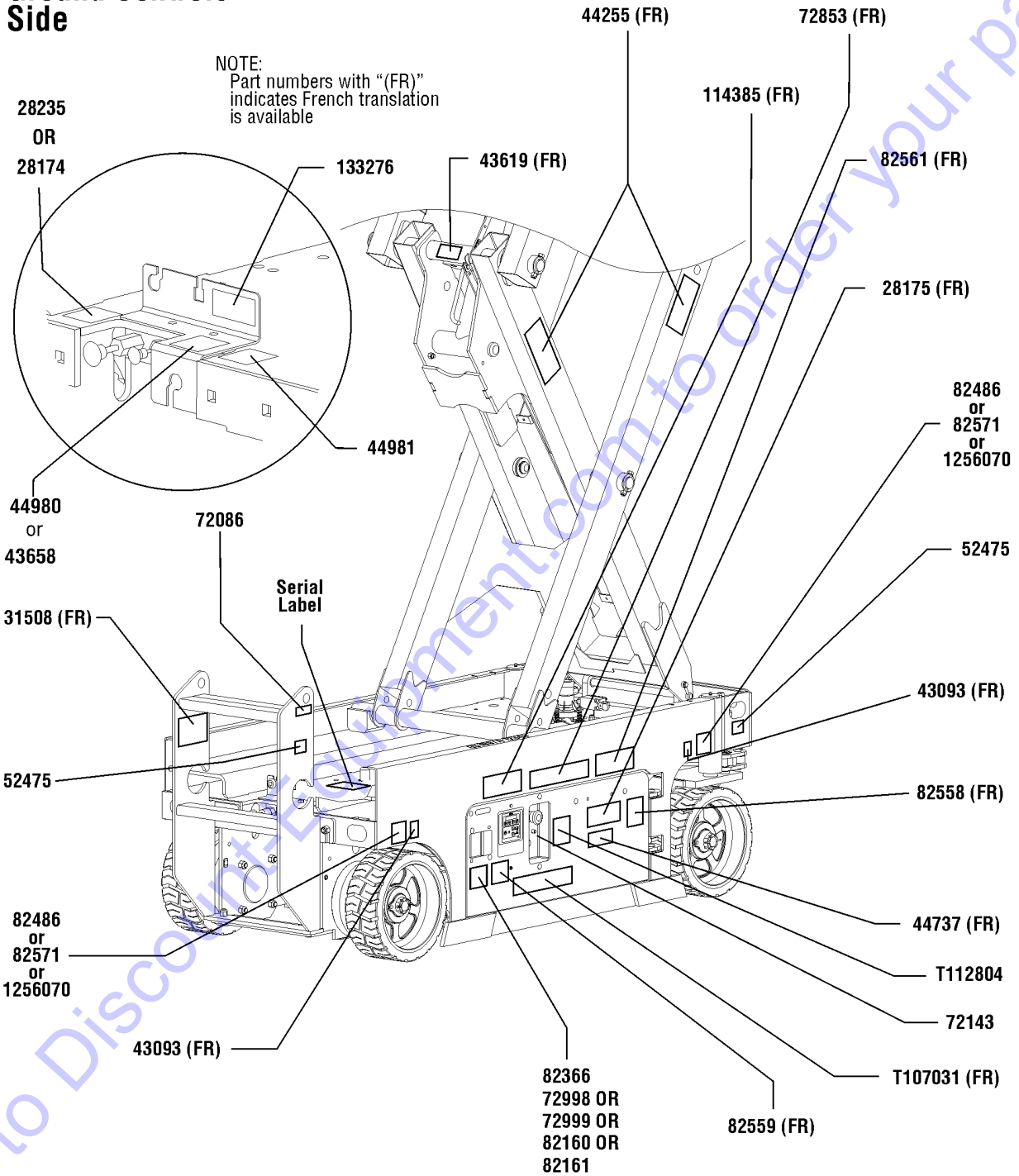
Item	Part No.	Description	Qty.
-		REF. GS-1930 Word Decal Kits (refer to 115.1)	
1	28174GT	DECAL,POWER TO PLATFORM 230V	1
2	28175GT	DECAL,WARNING-COMPART ACCESS	1
3	28235GT	DECAL,POWER TO PLATFORM 115V	1
4	31508GT	DECAL,DANGER,ELECT HAZARD,PLUG (ANSI models)	1
5	43093GT	DECAL,LABEL,TIRE SPECS	2
6	43619GT	DECAL,LABEL,SAFETY ARM	1
7	43658GT	DECAL,LABEL,PWR TO CHARGR 230V (ANSI models)	1
8	44255GT	DECAL,DANGER,CRUSHING HAZARD	2
9	44737GT	DECAL,DANGER,TIP-OVER,TRAYS	1
10	44980GT	DECAL,LABEL,PWR TO CHARGR 115V (ANSI models)	1
11	44981GT	DECAL,LABEL,AIRLINE 110 PSI (option)	1
12	52475GT	DECAL,LABEL,TRANSPORT TIEDOWN*	2
13	72086GT	DECAL,LABEL,LIFTING EYE	1
14	72143GT	DECAL,EMERGENCY STOP,GR	1
15	72853GT	DECAL,DANGER,IMPROPER USE HAZ.	1
16	72998GT	DECAL, LABEL, QUINTOLUBRIK (models with Quintolub hydraulic oil)	1
17	72999GT	DECAL,LABEL,PETRO CANADA*** (models with Petro Canada hydraulic oil)	1
18	82160GT	DECAL, LABEL, STATOIL HYDRAWAY (models with Statoil hydraulic oil)	1
19	82161GT	DECAL,LABEL,UCON HYDROLUBE (models with UConn Hydrolube hydraulic oil)	1
20	82366GT	DECAL,CHEVRON RANDO HD (models with Chevron Random hydraulic oil)	1
21	82486GT	DECAL,LABEL,WHEEL LOAD 1930 (ANSI models)	2
22	82558GT	DECAL,SKIN INJECTION	1
23	82559GT	DECAL,INSTRUCT-ANNUAL INSP REQ	1
24	82561GT	DECAL,DANGER-USE SAFETY ARM	1
25	82571GT	DECAL,LABEL,WHEEL LOAD 19XX (Australia models)	2
26	114385GT	DECAL,DANGER,ELEC HAZARD,GS	1
27	133276GT	DECAL,EMERGENCY LOWERING	1



116.1 Decals with Words, GS-1930 Ground Controls Side, ANSI & Australia

Ground Controls Side

NOTE:
Part numbers with "(FR)" indicates French translation is available



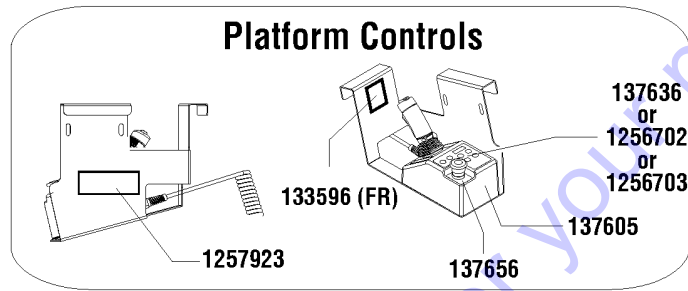
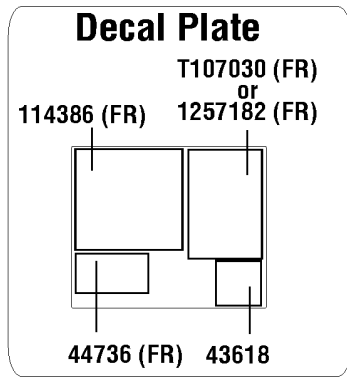
116.1 Decals with Words, GS-1930 Ground Controls Side, ANSI & Australia

Item	Part No.	Description	Qty.
28	1256070GT	DECAL,LABEL,WHEEL LOAD,1930PAR (ANSI models with padded auxiliary rail only)	2
29	T107031GT	DECAL,OP INST,GCON	1
30	T112804GT	DECAL,GCON PANEL,GS	1

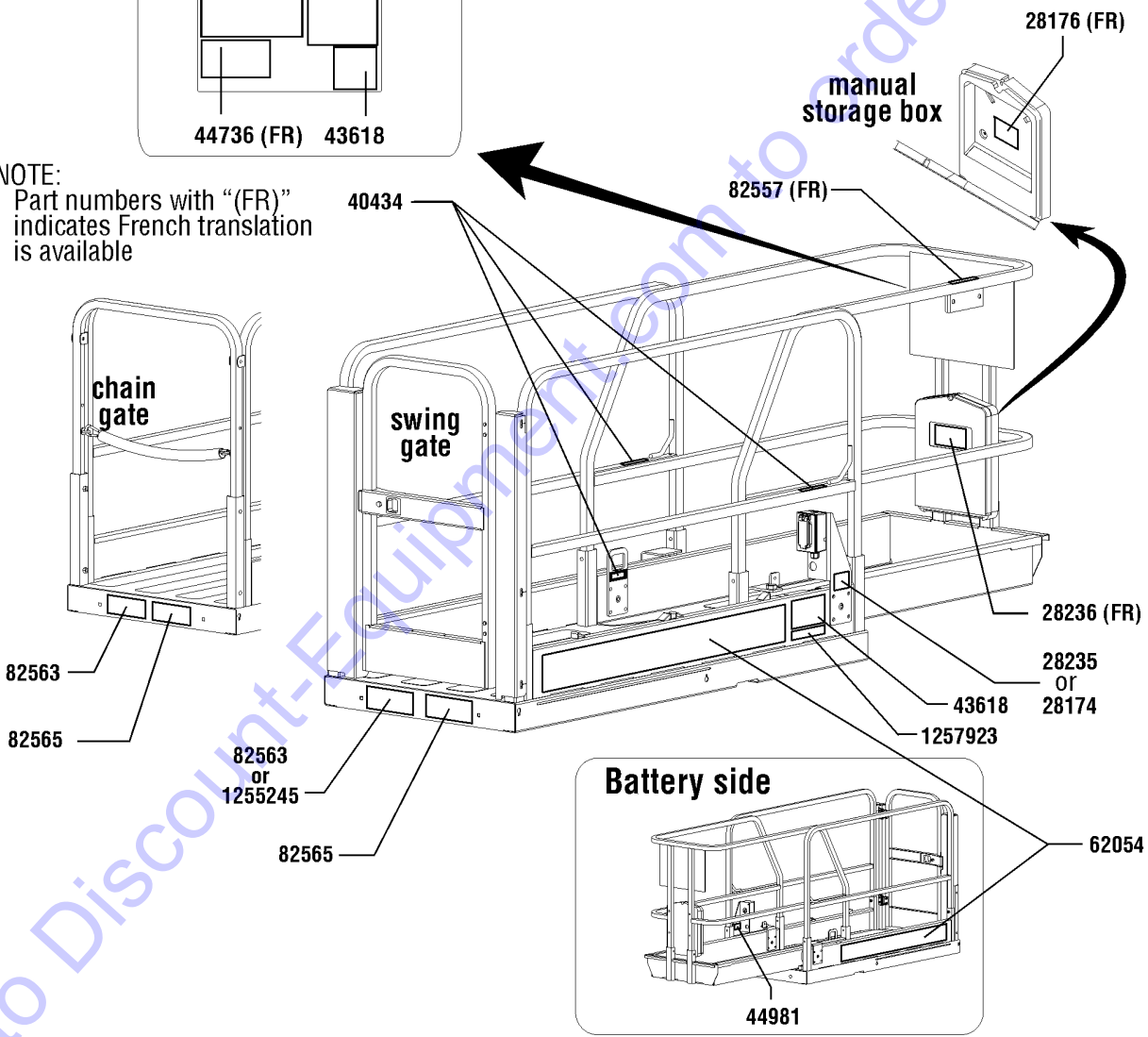
Go to Discount-Equipment.com to order your parts



Platform, ANSI models



NOTE: Part numbers with "(FR)" indicates French translation is available

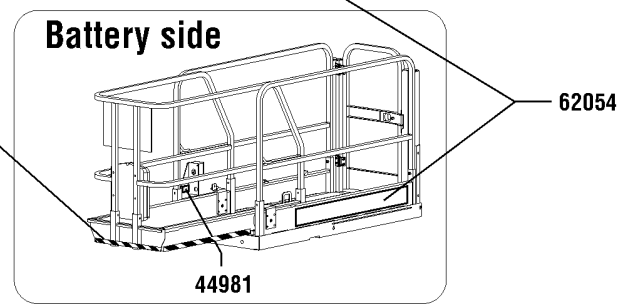
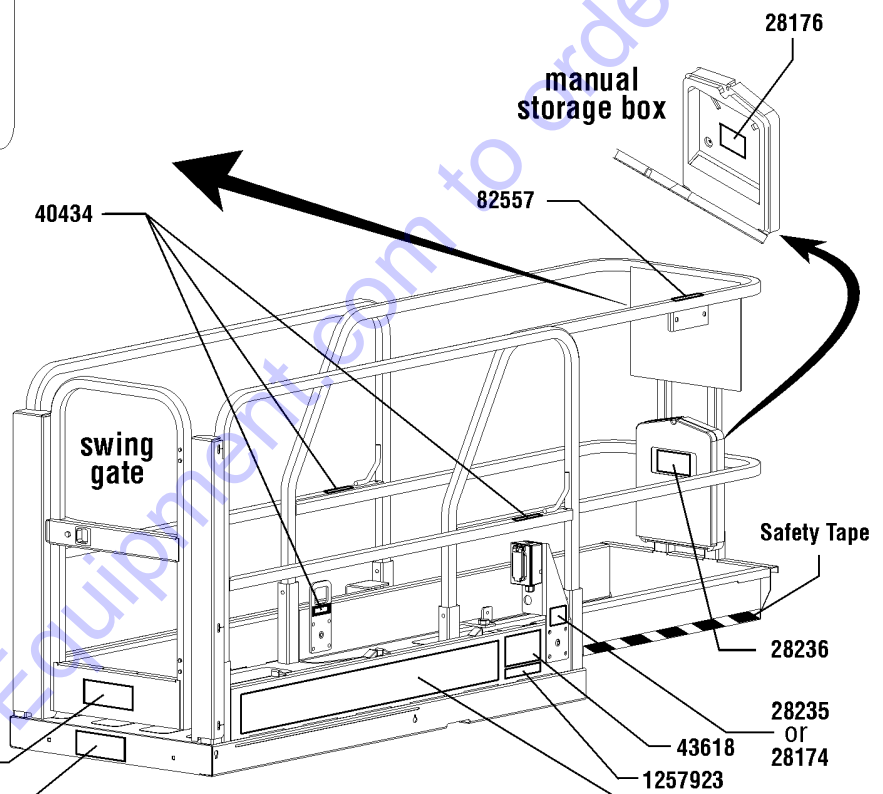
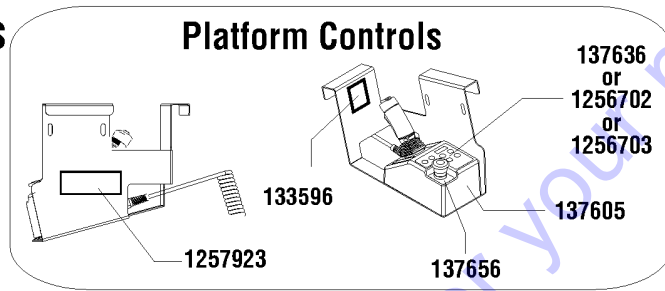
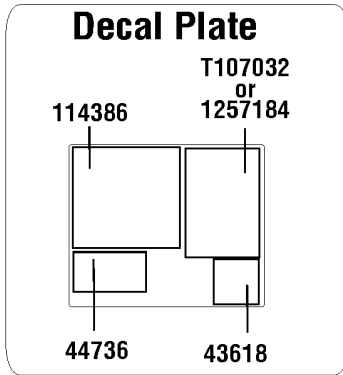


117.1 Decals with Words, GS-1930 Platform, ANSI

Item	Part No.	Description	Qty.
-		REF. GS-1930 Word Decal Kits (refer to 115.1)	
1	28174GT	DECAL,POWER TO PLATFORM 230V	1
2	28176GT	DECAL,LABEL,MANUAL NOT HERE	1
3	28235GT	DECAL,POWER TO PLATFORM 115V	1
4	28236GT	DECAL,WARN,IMPROPER OPERATION	1
5	40434GT	DECAL,LANYARD ANCHORAGE POINT	3
6	43618GT	DECAL,LABEL-DIRECTION ARROWS	2
7	44736GT	DECAL,DANGER,TIP-OVER,TILT	1
8	44981GT	DECAL,LABEL,AIRLINE 110 PSI	1
9	62054GT	DECAL,COSMETIC,GENIE GS-1930**	2
10	82557GT	DECAL,LABEL,PLAT CONT LOCATION	1
11	82563GT	DECAL,INSTR-MAX CAP 500 LBS (GS1930 and GS1932 models)	1
12	82565GT	DECAL,INSTR-SIDE FRC,ANSI	1
13	114386GT	DECAL,DANGER-GEN SAFETY	1
14	133596GT	DECAL,LABEL,FAULT CODES	1
15	137605GT	DECAL,E-STOP,GR/GRC/GS PCON	1
16	137636GT	DECAL, UI, GR/GRC/GS PCON (models with 6 button, 2 speed controller) to SN GS3014A-134999 and to SN GS3014C-16999	1
17	137656GT	DECAL,PROPEL,GR/GRC/GS,PCON	1
18	1255245GT	DECAL,INSTR-MAX CAP 400 LBS (models with padded auxiliary rail only)	1
19	1256702GT	DECAL, UI, GS/GR, PROP LIFT (models with 4 button, proportional controller)	1
20	1256703GT	DECAL, STD, PROP LIFT, UI, SVC (units converted from 6 button, 2 speed lift to 4 button, proportional controller)	1
21	1257182GT	DECAL, OP INST, PLAT, GS30, ANSI (models with proportional controller)	1
22	1257923GT	DECAL, SMARTLINK PROPORTIONAL (models with 4 button, proportional controller, and units converted from 6 button, 2 speed lift to 4 button, proportional controller)	2
23	T107030GT	DECAL,OP INST,PCON,GS-30,ANSI (models with 6 button, 2 speed controller) to SN GS3014A-134999 and to SN GS3014C-16999	1



Platform, Australia Models

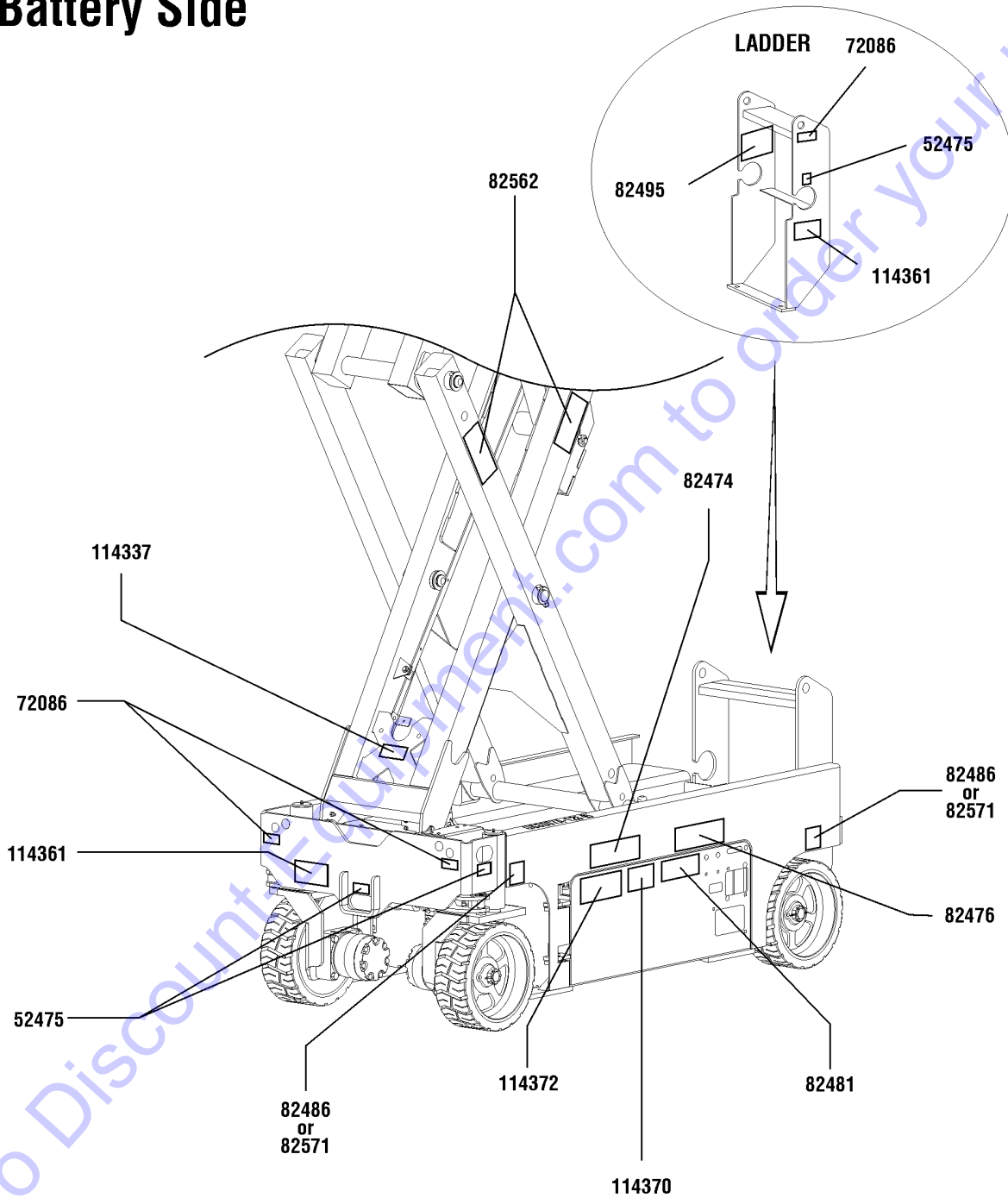


118.1 Decals with Words, GS-1930 Platform, Australia

Item	Part No.	Description	Qty.
-		REF. GS-1930 Word Decal Kits (refer to 115.1)	
1	28174GT	DECAL,POWER TO PLATFORM 230V	1
2	28176GT	DECAL,LABEL,MANUAL NOT HERE	1
3	28235GT	DECAL,POWER TO PLATFORM 115V	1
4	28236GT	DECAL,WARN,IMPROPER OPERATION	1
5	40434GT	DECAL,LANYARD ANCHORAGE POINT	3
6	43618GT	DECAL,LABEL-DIRECTION ARROWS	2
7	44736GT	DECAL,DANGER,TIP-OVER,TILT	1
8	44981GT	DECAL,LABEL,AIRLINE 110 PSI	1
9	62054GT	DECAL,COSMETIC,GENIE GS-1930**	2
10	82557GT	DECAL,LABEL,PLAT CONT LOCATION	1
11	97618GT	DECAL,INSTR-INDOOR USE,AUS	1
12	114386GT	DECAL,DANGER-GEN SAFETY	1
13	133596GT	DECAL,LABEL,FAULT CODES	1
14	137605GT	DECAL,E-STOP,GR/GRC/GS PCON	1
15	137636GT	DECAL, UI, GR/GRC/GS PCON (models with 6 button, 2 speed controller) to SN GS3014A-134999 and to SN GS3014C-16999	1
16	137656GT	DECAL,PROPEL,GR/GRC/GS,PCON	1
17	T107032GT	DECAL,OP INST,PCON,GS-30,AUS (models with 6 button, 2 speed controller) to SN GS3014A-134999 and to SN GS3014C-16999	1
18	82563GT	DECAL,INSTR-MAX CAP 500 LBS	1
		(GS1930 and GS1932 models)	
19	1256702GT	DECAL, UI, GS/GR, PROP LIFT (models with 4 button, proportional controller)	1
20	1256703GT	DECAL, STD, PROP LIFT, UI, SVC (units converted from 6 button, 2 speed lift to 4 button, proportional controller)	1
21	1257184GT	DECAL, OP INST, PLAT, GS30, AUS (models with proportional controller)	1
22	1257923GT	DECAL, SMARTLINK PROPORTIONAL (models with 4 button, proportional controller, and units converted from 6 button, 2 speed lift to 4 button, proportional controller)	2



Battery Side



119.1 Decals with Symbols, GS-1930 Battery Side, ANSI & CE

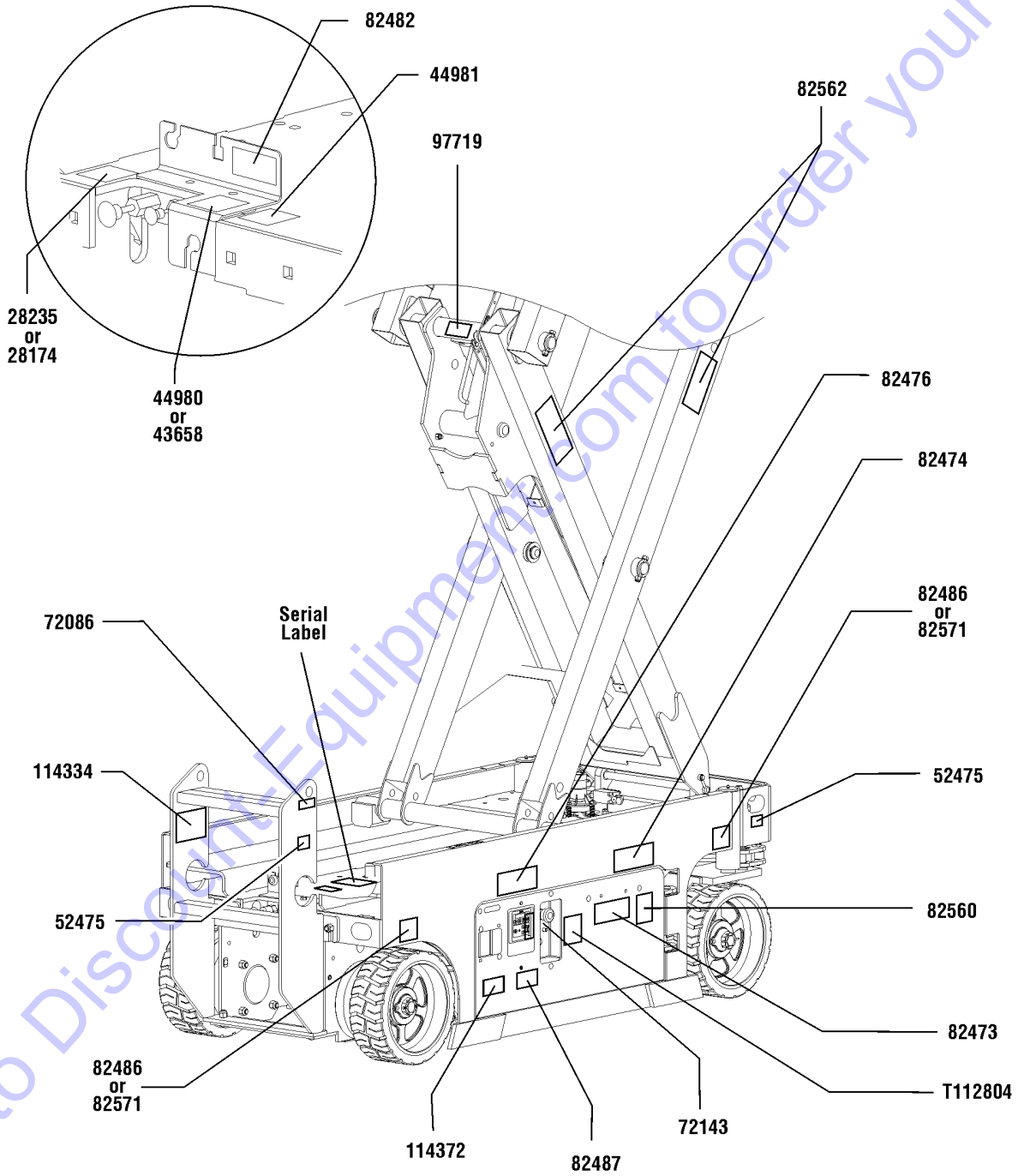
Item	Part No.	Description	Qty.
-	232058GT	DECAL KIT,1930 PLAT.,SYM,ANSI (ANSI models with 2 speed controller) to SN GS3014A-134999 and to SN GS3014C-16999 (order platform controls decal separately)	
-	232059GT	DECAL KIT,1930 COMP.,SYM,ANSI (ANSI models with 2 speed controller) to SN GS3014A-134999 and to SN GS3014C-16999	
-	232072GT	DECAL KIT,1930 PLAT.,SYM,CE (CE models with 2 speed controller) to SN GS3014A-134999 and to SN GS3014C-16999	
-	232073GT	DECAL KIT,1930 COMP.,SYM,CE (CE models with 2 speed controller) to SN GS3014A-134999 and to SN GS3014C-16999 (order platform controls decal separately)	
1	52475GT	DECAL,LABEL,TRANSPORT TIEDOWN*	3
2	72086GT	DECAL,LABEL,LIFTING EYE	3
3	82474GT	DECAL,SYMBOL-USE SAFETY ARM	1
4	82476GT	DECAL,SYMBOL-ELEC HAZARD,GS	1
5	82481GT	DECAL,SYMBOL-BATTERY SAFETY	1
6	82486GT	DECAL,LABEL,WHEEL LOAD 1930	2
		(ANSI models)	
7	82495GT	DECAL,LABEL,FORKLIFT POCKET	1
8	82562GT	DECAL,SYMBOL-CRUSHING HAZARD	2
9	82571GT	DECAL,LABEL,WHEEL LOAD 19XX	2
		(CE models)	
10	114337GT	DECAL, COMPARTMENT ACCESS	1
11	114361GT	DECAL,SYM-TIP-OVER,LIM SWITCH	2
12	114370GT	DECAL-SYM-TIP-OVR,BATTRIES	1
13	114372GT	DECAL SYMBOL TIP OVER TRAYS	1

Go to Discount-Equipment.com to order your parts



120.1 Decals with Symbols, GS-1930 Ground Control Side, ANSI & CE

Ground Controls Side



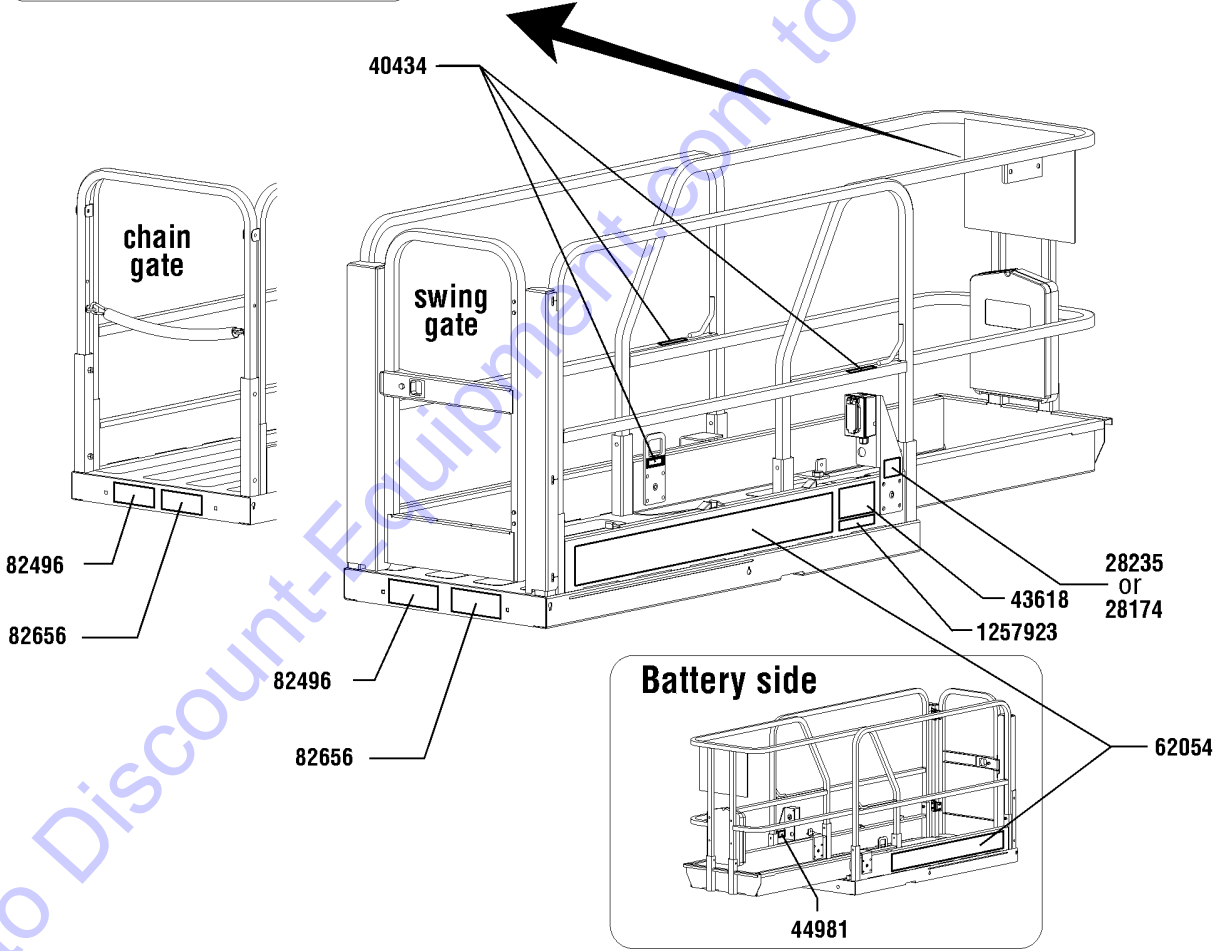
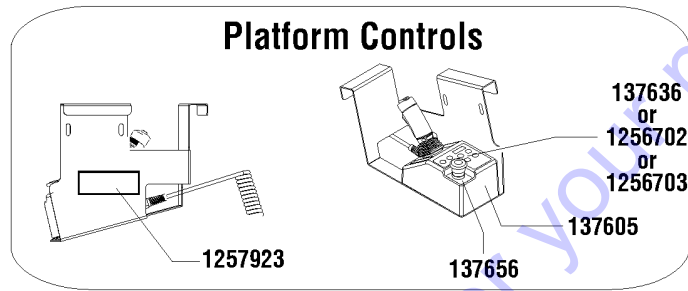
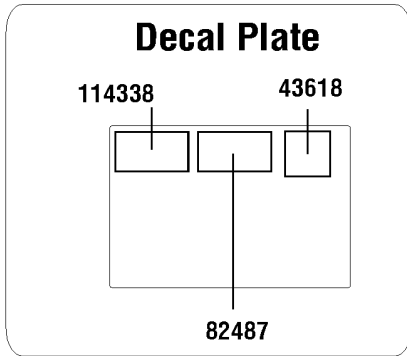
120.1 Decals with Symbols, GS-1930 Ground Control Side, ANSI & CE

Item	Part No.	Description	Qty.
-		REF. GS-1930 Symbol Decal Kits (refer to 119.1)	
1	28174GT	DECAL,POWER TO PLATFORM 230V	1
2	28235GT	DECAL,POWER TO PLATFORM 115V	1
3	43658GT	DECAL,LABEL,PWR TO CHARGR 230V	1
4	44980GT	DECAL,LABEL,PWR TO CHARGR 115V	1
5	44981GT	DECAL,LABEL,AIRLINE 110 PSI	1
6	52475GT	DECAL,LABEL,TRANSPORT TIEDOWN*	2
7	72086GT	DECAL,LABEL,LIFTING EYE	1
8	72143GT	DECAL,EMERGENCY STOP,GR	1
9	82473GT	DECAL,SYMBOL-COMP ACCESS	1
10	82474GT	DECAL,SYMBOL-USE SAFETY ARM	1
11	82476GT	DECAL,SYMBOL-ELEC HAZARD,GS	1
12	82482GT	DECAL,LABEL,AUX LOWERING	1
13	82486GT	DECAL,LABEL,WHEEL LOAD 1930	2
		(ANSI Models)	
14	82487GT	DECAL,SYMBOL-READ THE MANUAL	1
15	82560GT	DECAL,SYMBOL-SKIN INJECT HAZRD	1
16	82562GT	DECAL,SYMBOL-CRUSHING HAZARD	2
17	82571GT	DECAL,LABEL,WHEEL LOAD 19XX	2
		(CE Models)	
18	97719GT	DECAL, LABEL, SAFETY ARM SYMB	1
19	114334GT	DECAL SYMBOL ELECTRIC HAZARD PLUG	1
20	114372GT	DECAL SYMBOL TIP OVER TRAYS	1
21	T112804GT	DECAL,GCON PANEL,GS	1



121.1 Decals with Symbols, GS-1930 Platform ANSI

Platform, ANSI models



Go to Discount-Equipment.com to order your parts

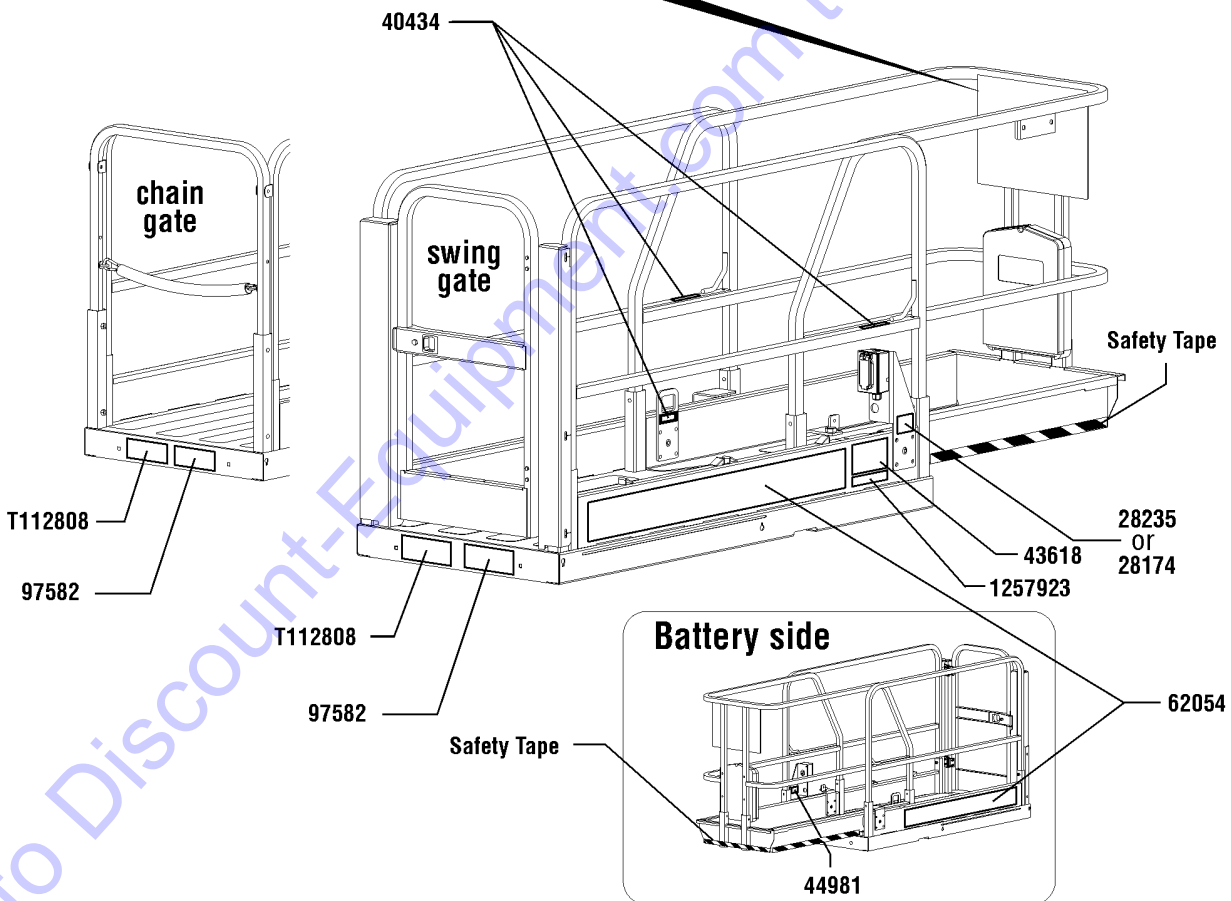
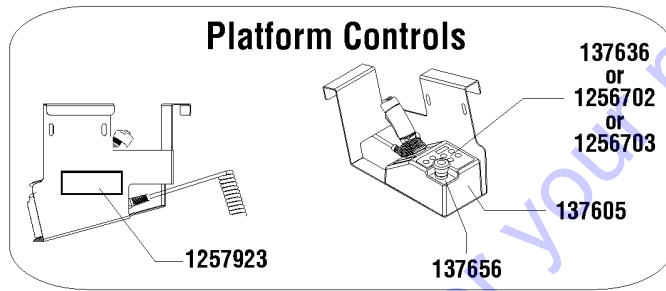
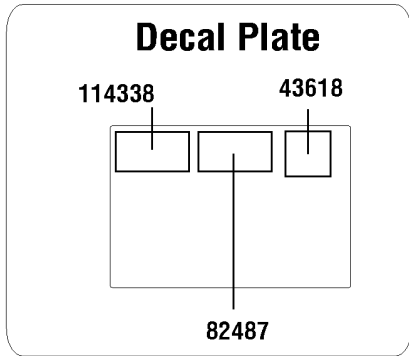
121.1 Decals with Symbols, GS-1930 Platform ANSI

Item	Part No.	Description	Qty.
-		REF. GS-1930 Symbol Decal Kits (refer to 119.1)	
1	28174GT	DECAL,POWER TO PLATFORM 230V	1
2	28235GT	DECAL,POWER TO PLATFORM 115V	1
3	40434GT	DECAL,LANYARD ANCHORAGE POINT	3
4	43618GT	DECAL,LABEL-DIRECTION ARROWS	2
5	44981GT	DECAL,LABEL,AIRLINE 110 PSI	1
6	62054GT	DECAL,COSMETIC,GENIE GS-1930**	2
7	82487GT	DECAL,SYMBOL-READ THE MANUAL	1
8	82496GT	DECAL,SYM-MAXCAP 500	1
9	82656GT	DECAL,SYM-SIDE FORCE 445N	1
10	114338GT	DECAL,SYM-TIP-OVR,TILT ALARM	1
11	137605GT	DECAL,E-STOP,GR/GRC/GS PCON	1
12	137636GT	DECAL, UI, GR/GRC/GS PCON (models with 6 button, 2 speed controller) to SN GS3014A-134999 and to SN GS3014C-16999	1
13	137656GT	DECAL,PROPEL,GR/GRC/GS,PCON	1
14	1256702GT	DECAL, UI, GS/GR, PROP LIFT (models with 4 button, proportional controller)	1
15	1256703GT	DECAL, STD, PROP LIFT, UI, SVC (units converted from 6 button, 2 speed lift to 4 button, proportional controller)	1
16	1257923GT	DECAL, SMARTLINK PROPORTIONAL (models with 4 button, proportional controller, and units converted from 6 button, 2 speed lift to 4 button, proportional controller)	2



122.1 Decals with Symbols, GS-1930 Platform CE

Platform, CE models



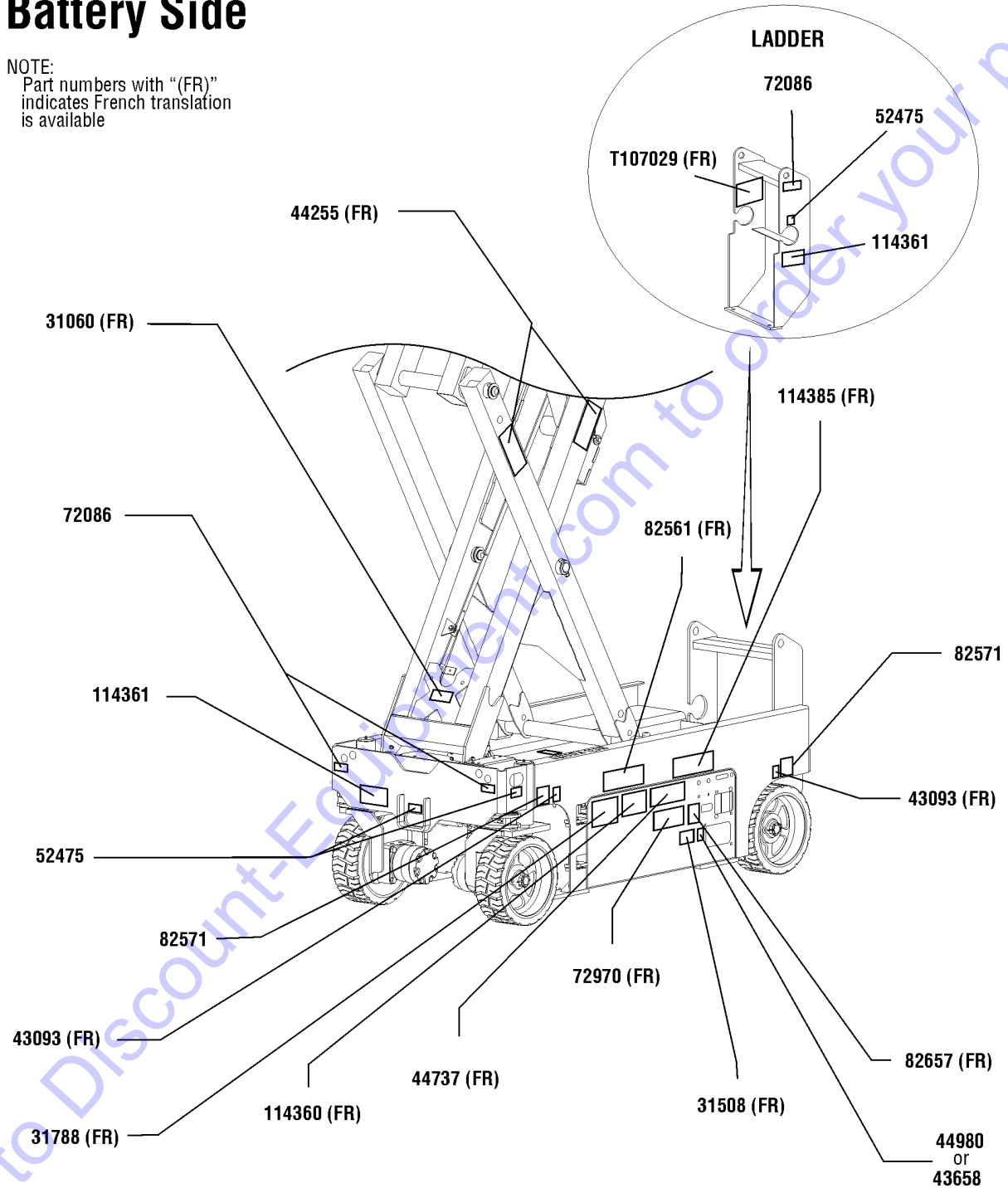
122.1 Decals with Symbols, GS-1930 Platform CE

Item	Part No.	Description	Qty.
-		REF. GS-1930 Symbol Decal Kits (refer to 119.1)	
1	28174GT	DECAL,POWER TO PLATFORM 230V	1
2	28235GT	DECAL,POWER TO PLATFORM 115V	1
3	40434GT	DECAL,LANYARD ANCHORAGE POINT	3
4	43618GT	DECAL,LABEL-DIRECTION ARROWS	2
5	44981GT	DECAL,LABEL,AIRLINE 110 PSI	1
6	62054GT	DECAL,COSMETIC,GENIE GS-1930**	2
7	82487GT	DECAL,SYMBOL-READ THE MANUAL	1
8	97582GT	DECAL,SYM-SIDEFORCE 400N ID	1
9	114338GT	DECAL,SYM-TIP-OVR,TILT ALARM	1
10	137605GT	DECAL,E-STOP,GR/GRC/GS PCON	1
11	137636GT	DECAL, UI, GR/GRC/GS PCON (models with 6 button, 2 speed controller) to SN GS3014A-134999 and to SN GS3014C-16999	1
12	137656GT	DECAL,PROPEL,GR/GRC/GS,PCON	1
13	T112808GT	DECAL,SYM MAX CAP 227 KG,CE	1
14	1256702GT	DECAL, UI, GS/GR, PROP LIFT (models with 4 button, proportional controller)	
15	1256703GT	DECAL, STD, PROP LIFT, UI, SVC (units converted from 6 button, 2 speed lift to 4 button, proportional controller)	1
16	1257923GT	DECAL, SMARTLINK PROPORTIONAL (models with 4 button, proportional controller, and units converted from 6 button, 2 speed lift to 4 button, proportional controller)	2



Battery Side

NOTE:
Part numbers with "(FR)" indicates French translation is available



123.1 Decals with Words, GS-1932 Battery Side, Australia

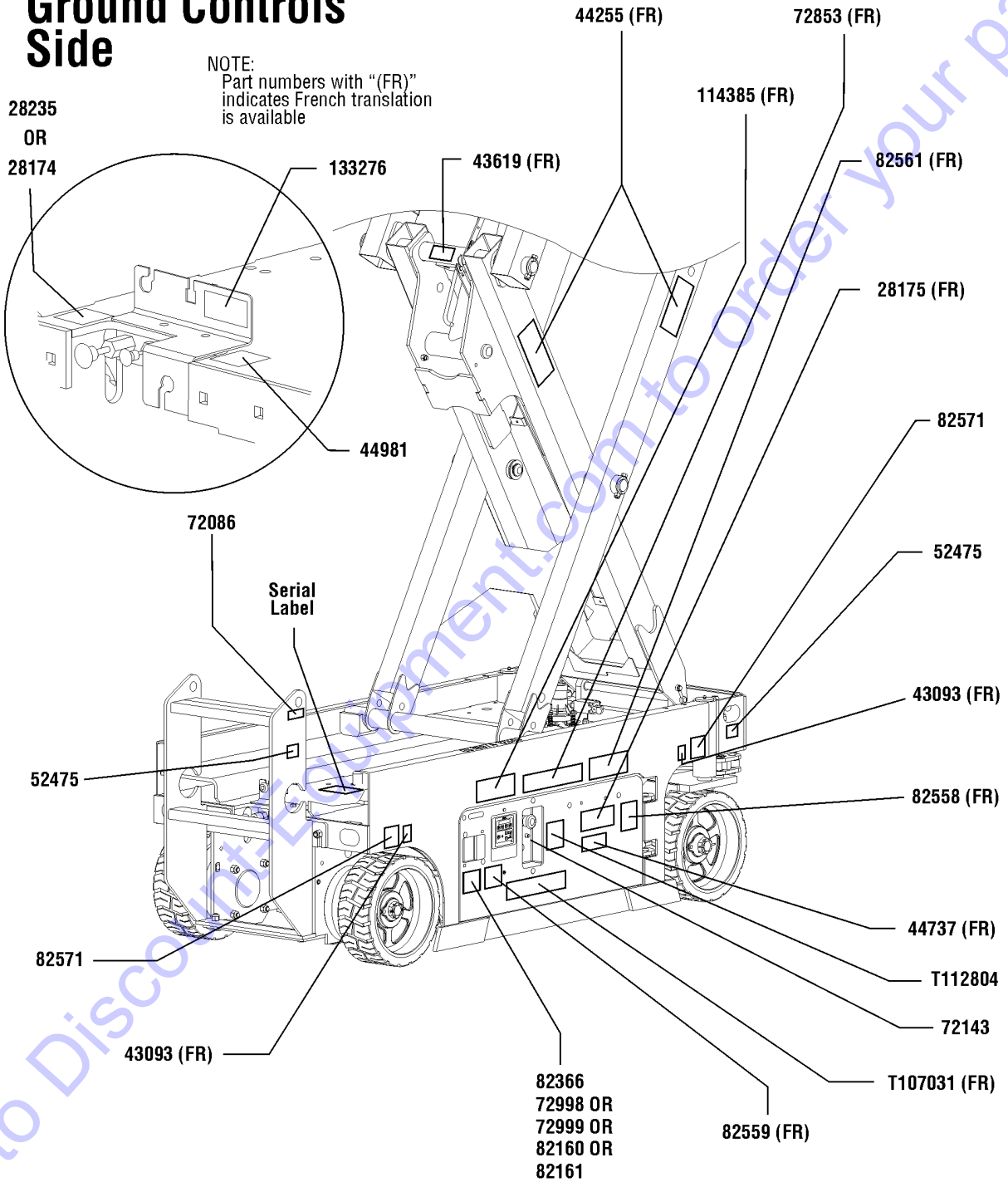
Item	Part No.	Description	Qty.
-	232066GT	DECAL KIT,1932 PLAT.,WRD,AUST (Australia models with 2 speed controller) to SN GS3014A-134999 and to SN GS3014C-16999
-	232067GT	DECAL KIT,1932 COMP.,WRD,AUST (Australia models with 2 speed controller) to SN GS3014A-134999 and to SN GS3014C-16999
1	44255GT	DECAL,DANGER,CRUSHING HAZARD	2
2	31060GT	DECAL,DANGER DO NOT ALTER SWTC	1
3	31508GT	DECAL,DANGER,ELECT HAZARD,PLUG (Australia models)	1
4	31788GT	DECAL,DANGER,BATTERY SAFETY***	1
5	43093GT	DECAL,LABEL,TIRE SPECS	2
6	43658GT	DECAL,LABEL,PWR TO CHARGR 230V (Australia models)	1
7	44737GT	DECAL,DANGER,TIP-OVER,TRAYS	1
8	44980GT	DECAL,LABEL,PWR TO CHARGR 115V (Australia models)	1
9	52475GT	DECAL,LABEL,TRANSPORT TIEDOWN*	3
10	72086GT	DECAL,LABEL,LIFTING EYE	4
11	72970GT	DECAL,INSTRUCTIONS-CHARGER OP	1
12	82561GT	DECAL,DANGER-USE SAFETY ARM	1
13	82571GT	DECAL,LABEL,WHEEL LOAD 19XX (Australia models)	4
14	82657GT	DECAL,INSTRUCT,BATTERY CONNECT	1
15	114360GT	DECAL,DANGER-TIP-OVER,BATT	1
16	114361GT	DECAL,SYM-TIP-OVER,LIM SWITCH	2
17	114385GT	DECAL,DANGER,ELEC HAZARD,GS	1
18	T107029GT	DECAL DANGER BRAKE REL SAFETY	1



124.1 Decals with Words, GS-1932 Ground Controls Side, Australia

Ground Controls Side

NOTE:
Part numbers with "(FR)" indicates French translation is available

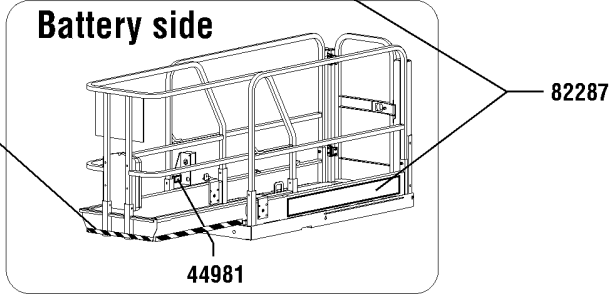
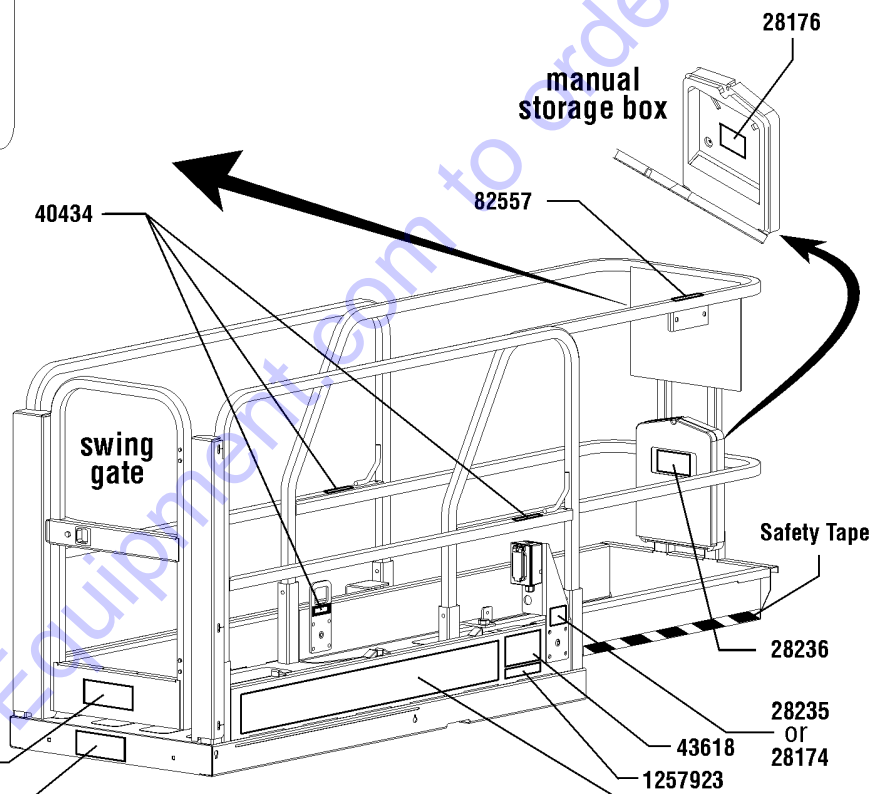
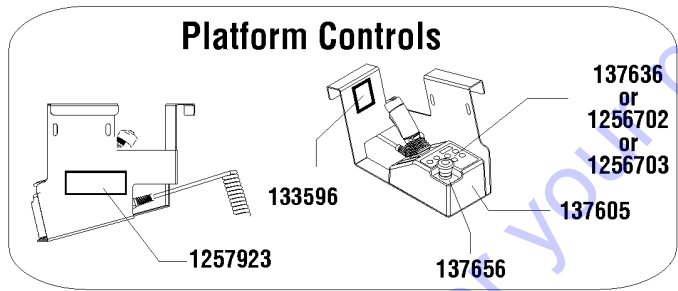
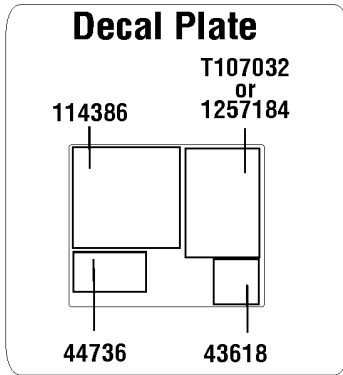


124.1 Decals with Words, GS-1932 Ground Controls Side, Australia

Item	Part No.	Description	Qty.
-		REF. GS-1932 Word Decal Kits (refer to 123.1)	
1	28174GT	DECAL,POWER TO PLATFORM 230V	1
2	28175GT	DECAL,WARNING-COMPART ACCESS	1
3	28235GT	DECAL,POWER TO PLATFORM 115V	1
4	43093GT	DECAL,LABEL,TIRE SPECS	2
5	43619GT	DECAL,LABEL,SAFETY ARM	1
6	44255GT	DECAL,DANGER,CRUSHING HAZARD	2
7	44737GT	DECAL,DANGER,TIP-OVER,TRAYS	1
8	44981GT	DECAL,LABEL,AIRLINE 110 PSI (option)	1
9	52475GT	DECAL,LABEL,TRANSPORT TIEDOWN*	2
10	72086GT	DECAL,LABEL,LIFTING EYE	1
11	72143GT	DECAL,EMERGENCY STOP,GR	1
12	72853GT	DECAL,DANGER,IMPROPER USE HAZ.	1
13	72998GT	DECAL, LABEL, QUINTOLUBRIK (models with Quintolub hydraulic oil)	1
14	72999GT	DECAL,LABEL,PETRO CANADA*** (models with Petro Canada hydraulic oil)	1
15	82160GT	DECAL, LABEL, STATOIL HYDRAWAY (models with Statoil hydraulic oil)	1
16	82161GT	DECAL,LABEL,UCON HYDROLUBE (models with UConn Hydrolube hydraulic oil)	1
17	82366GT	DECAL,CHEVRON RANDO HD (models with Chevron Random hydraulic oil)	1
18	82558GT	DECAL,SKIN INJECTION	1
19	82559GT	DECAL,INSTRUCT-ANNUAL INSP REQ	1
20	82561GT	DECAL,DANGER-USE SAFETY ARM	1
21	82571GT	DECAL,LABEL,WHEEL LOAD 19XX (Australia models)	4
22	114385GT	DECAL,DANGER,ELEC HAZARD,GS	1
23	133276GT	DECAL,EMERGENCY LOWERING	1
24	T107031GT	DECAL,OP INST,GCON	1
25	T112804GT	DECAL,GCON PANEL,GS	1



Platform, Australia Models

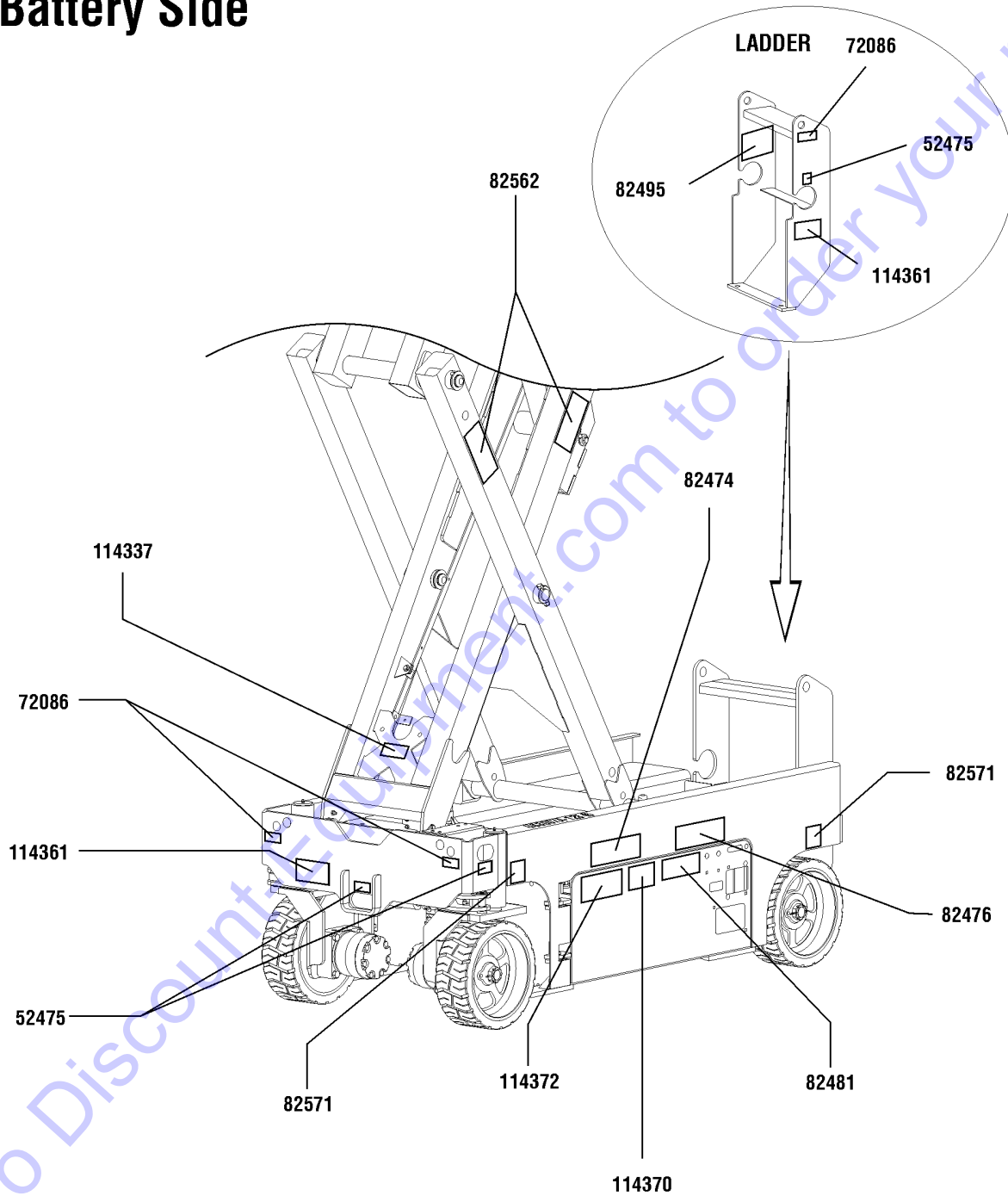


125.1 Decals with Words, GS-1932 Platform, Australia

Item	Part No.	Description	Qty.
-		REF. GS-1932 Word Decal Kits (refer to 123.1)	
1	28174GT	DECAL,POWER TO PLATFORM 230V	1
2	28176GT	DECAL,LABEL,MANUAL NOT HERE	1
3	28235GT	DECAL,POWER TO PLATFORM 115V	1
4	28236GT	DECAL,WARN,IMPROPER OPERATION	1
5	40434GT	DECAL,LANYARD ANCHORAGE POINT	3
6	43618GT	DECAL,LABEL-DIRECTION ARROWS	2
7	44736GT	DECAL,DANGER,TIP-OVER,TILT	1
8	44981GT	DECAL,LABEL,AIRLINE 110 PSI	1
9	82287GT	DECAL,COSMETIC,GENIE GS-1932	2
10	82557GT	DECAL,LABEL,PLAT CONT LOCATION	1
11	82566GT	DECAL,INSTR-MANUAL FRC,AUS	1
12	114386GT	DECAL,DANGER-GEN SAFETY	1
13	133596GT	DECAL,LABEL,FAULT CODES	1
14	137605GT	DECAL,E-STOP,GR/GRC/GS PCON	1
15	137636GT	DECAL, UI, GR/GRC/GS PCON (models with 6 button, 2 speed controller) to SN GS3014A-134999 and to SN GS3014C-16999	1
16	137656GT	DECAL,PROPEL,GR/GRC/GS,PCON	1
17	T107032GT	DECAL,OP INST,PCON,GS-30,AUS (models with 6 button, 2 speed controller) to SN GS3014A-134999 and to SN GS3014C-16999	1
18	82563GT	DECAL,INSTR-MAX CAP 500 LBS	1
19	1256702GT	DECAL, UI, GS/GR, PROP LIFT (models with 4 button, proportional controller)	1
20	1256703GT	DECAL, STD, PROP LIFT, UI, SVC (units converted from 6 button, 2 speed lift to 4 button, proportional controller)	1
21	1257184GT	DECAL, OP INST, PLAT, GS30, AUS (models with 4 button, proportional controller)	1
22	1257923GT	DECAL, SMARTLINK PROPORTIONAL (models with 4 button, proportional controller, and units converted from 6 button, 2 speed lift to 4 button, proportional controller)	2



Battery Side



126.1 Decals with Symbols, GS-1932 Battery Side, CE

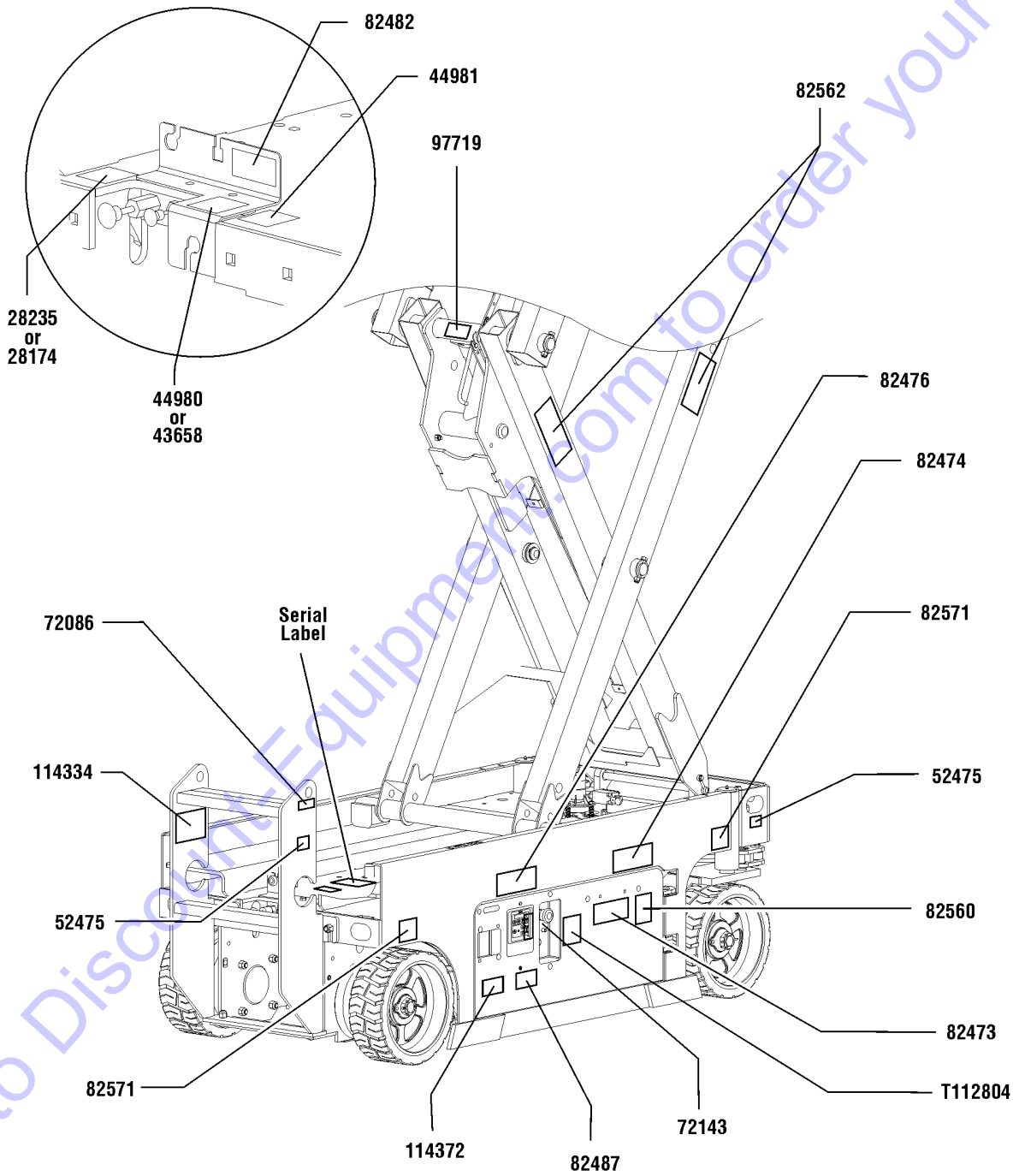
Item	Part No.	Description	Qty.
-	232074GT	DECAL KIT,1932 PLAT.,SYM,CE (CE models with 2 speed controller) to SN GS3014A-134999 and to SN GS3014C-16999	
-	232075GT	DECAL KIT,1932 COMP.,SYM,CE (CE models with 2 speed controller) to SN GS3014A-134999 and to SN GS3014C-16999	
1	52475GT	DECAL,LABEL,TRANSPORT TIEDOWN*	3
2	72086GT	DECAL,LABEL,LIFTING EYE	3
3	82474GT	DECAL,SYMBOL-USE SAFETY ARM	1
4	82476GT	DECAL,SYMBOL-ELEC HAZARD,GS	1
5	82481GT	DECAL,SYMBOL-BATTERY SAFETY	1
6	82495GT	DECAL,LABEL,FORKLIFT POCKET	1
7	82562GT	DECAL,SYMBOL-CRUSHING HAZARD	2
8	82571GT	DECAL,LABEL,WHEEL LOAD 19XX (CE models)	2
9	114337GT	DECAL, COMPARTMENT ACCESS	1
10	114361GT	DECAL,SYM-TIP-OVER,LIM SWITCH	1
11	114370GT	DECAL-SYM-TIP-OVR,BATTRIES	1
12	114372GT	DECAL SYMBOL TIP OVER TRAYS	1

Go to Discount-Equipment.com to order your parts



127.1 Decals with Symbols, GS-1932 Ground Control Side, CE

Ground Controls Side



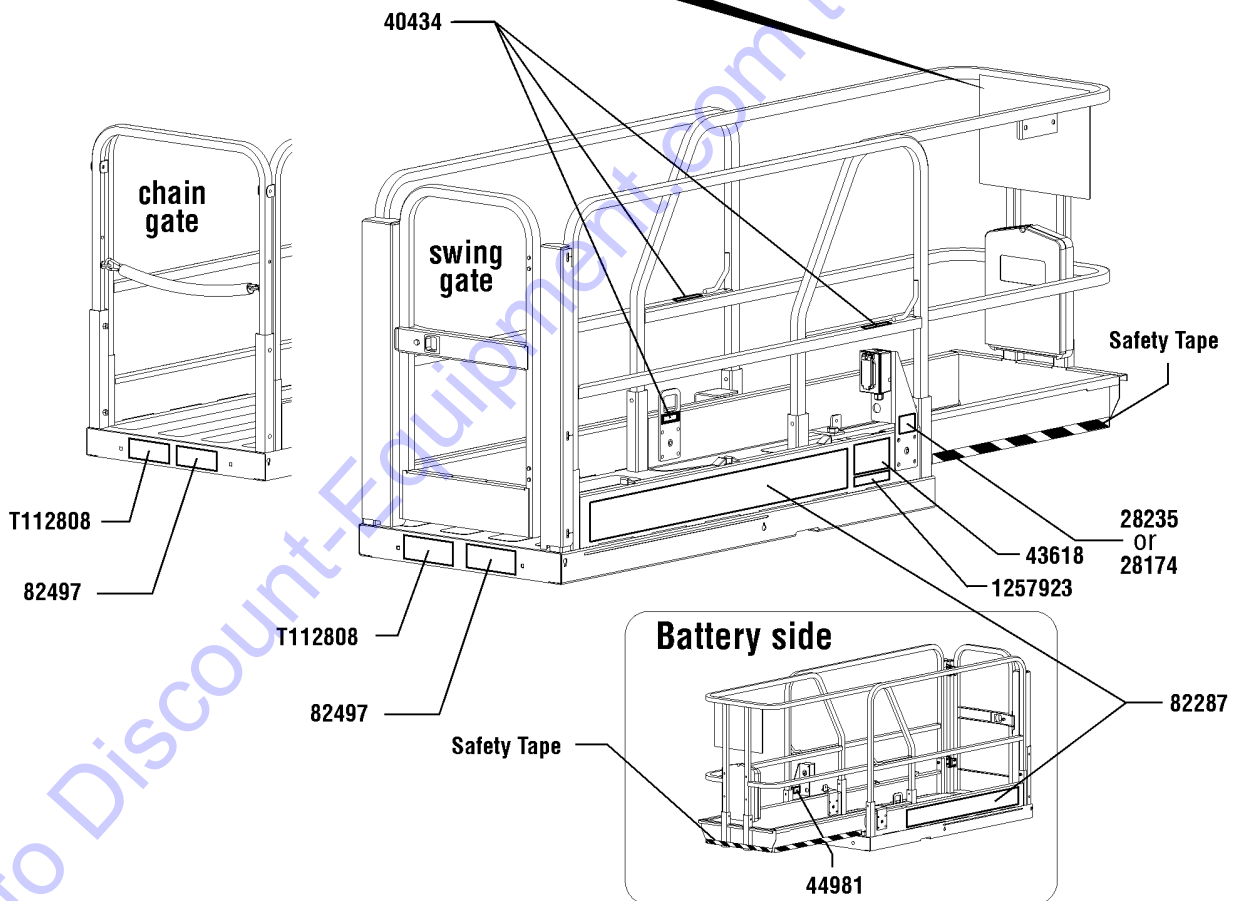
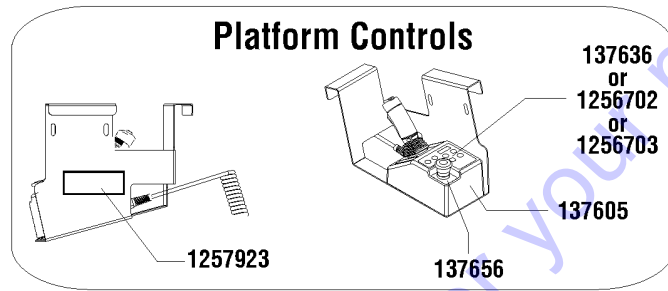
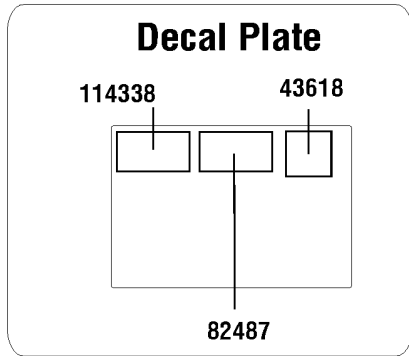
127.1 Decals with Symbols, GS-1932 Ground Control Side, CE

Item	Part No.	Description	Qty.
-		REF. GS-1932 Symbol Decal Kits (refer to 126.1)	
1	28174GT	DECAL,POWER TO PLATFORM 230V	1
2	28235GT	DECAL,POWER TO PLATFORM 115V	1
3	43658GT	DECAL,LABEL,PWR TO CHARGR 230V	1
4	44980GT	DECAL,LABEL,PWR TO CHARGR 115V	1
5	44981GT	DECAL,LABEL,AIRLINE 110 PSI	1
6	52475GT	DECAL,LABEL,TRANSPORT TIEDOWN*	2
7	72086GT	DECAL,LABEL,LIFTING EYE	1
8	72143GT	DECAL,EMERGENCY STOP,GR	1
9	82473GT	DECAL,SYMBOL-COMP ACCESS	1
10	82474GT	DECAL,SYMBOL-USE SAFETY ARM	1
11	82476GT	DECAL,SYMBOL-ELEC HAZARD,GS	1
12	82482GT	DECAL,LABEL,AUX LOWERING	1
13	82487GT	DECAL,SYMBOL-READ THE MANUAL	1
14	82560GT	DECAL,SYMBOL-SKIN INJECT HAZRD	1
15	82562GT	DECAL,SYMBOL-CRUSHING HAZARD	2
16	82571GT	DECAL,LABEL,WHEEL LOAD 19XX (CE models)	2
17	97719GT	DECAL, LABEL, SAFETY ARM SYMB	1
18	114334GT	DECAL SYMBOL ELECTRIC HAZARD PLUG	1
19	114372GT	DECAL SYMBOL TIP OVER TRAYS	1
20	T112804GT	DECAL,GCON PANEL,GS	1



128.1 Decals with Symbols, GS-1932 Platform CE

Platform, CE models

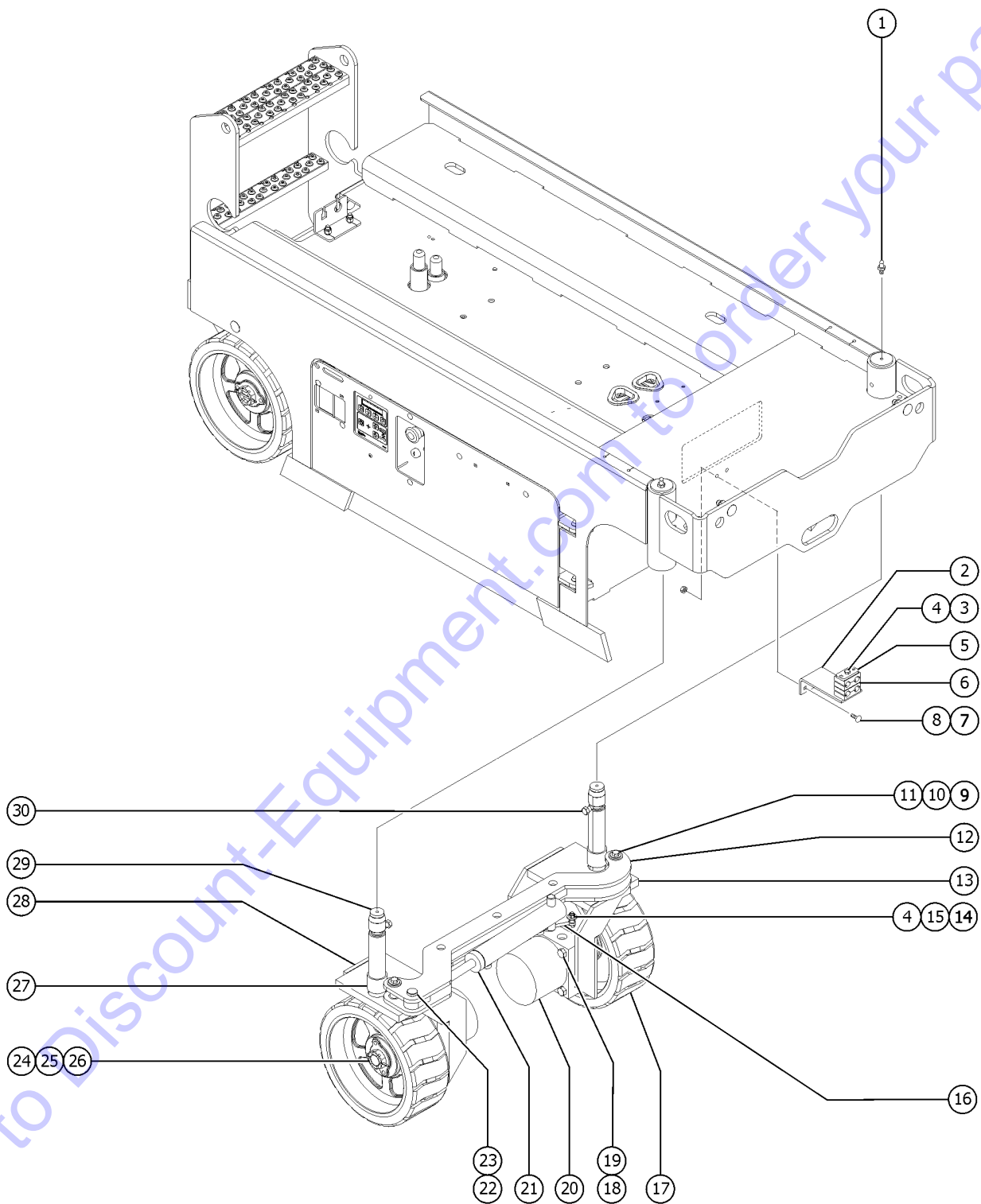


128.1 Decals with Symbols, GS-1932 Platform CE

Item	Part No.	Description	Qty.
-		REF. GS-1932 Symbol Decal Kits (refer to 126.1)	
1	28174GT	DECAL,POWER TO PLATFORM 230V	1
2	28235GT	DECAL,POWER TO PLATFORM 115V	1
3	40434GT	DECAL,LANYARD ANCHORAGE POINT	3
4	43618GT	DECAL,LABEL-DIRECTION ARROWS	2
5	44981GT	DECAL,LABEL,AIRLINE 110 PSI	1
6	82287GT	DECAL,COSMETIC,GENIE GS-1932	2
7	82487GT	DECAL,SYMBOL-READ THE MANUAL	1
8	82497GT	DECAL,SYM-SIDEFORCE 200400	1
9	114338GT	DECAL,SYM-TIP-OVR,TILT ALARM	1
10	137605GT	DECAL,E-STOP,GR/GRC/GS PCON	1
11	137636GT	DECAL, UI, GR/GRC/GS PCON (models with 6 button, 2 speed controller) to SN GS3014A-134999 and to SN GS3014C-16999	1
12	137656GT	DECAL,PROPEL,GR/GRC/GS,PCON	1
13	T112808GT	DECAL,SYM MAX CAP 227 KG,CE	2
14	1256702GT	DECAL, UI, GS/GR, PROP LIFT (models with 4 button, proportional controller)	
15	1256703GT	DECAL, STD, PROP LIFT, UI, SVC (units converted from 6 button, 2 speed lift to 4 button, proportional controller)	1
16	1257923GT	DECAL, SMARTLINK PROPORTIONAL (models with 4 button, proportional controller, and units converted from 6 button, 2 speed lift to 4 button, proportional controller)	2



201.1 Steer Linkage and Wheels, GS-1530/1532/1930/1932



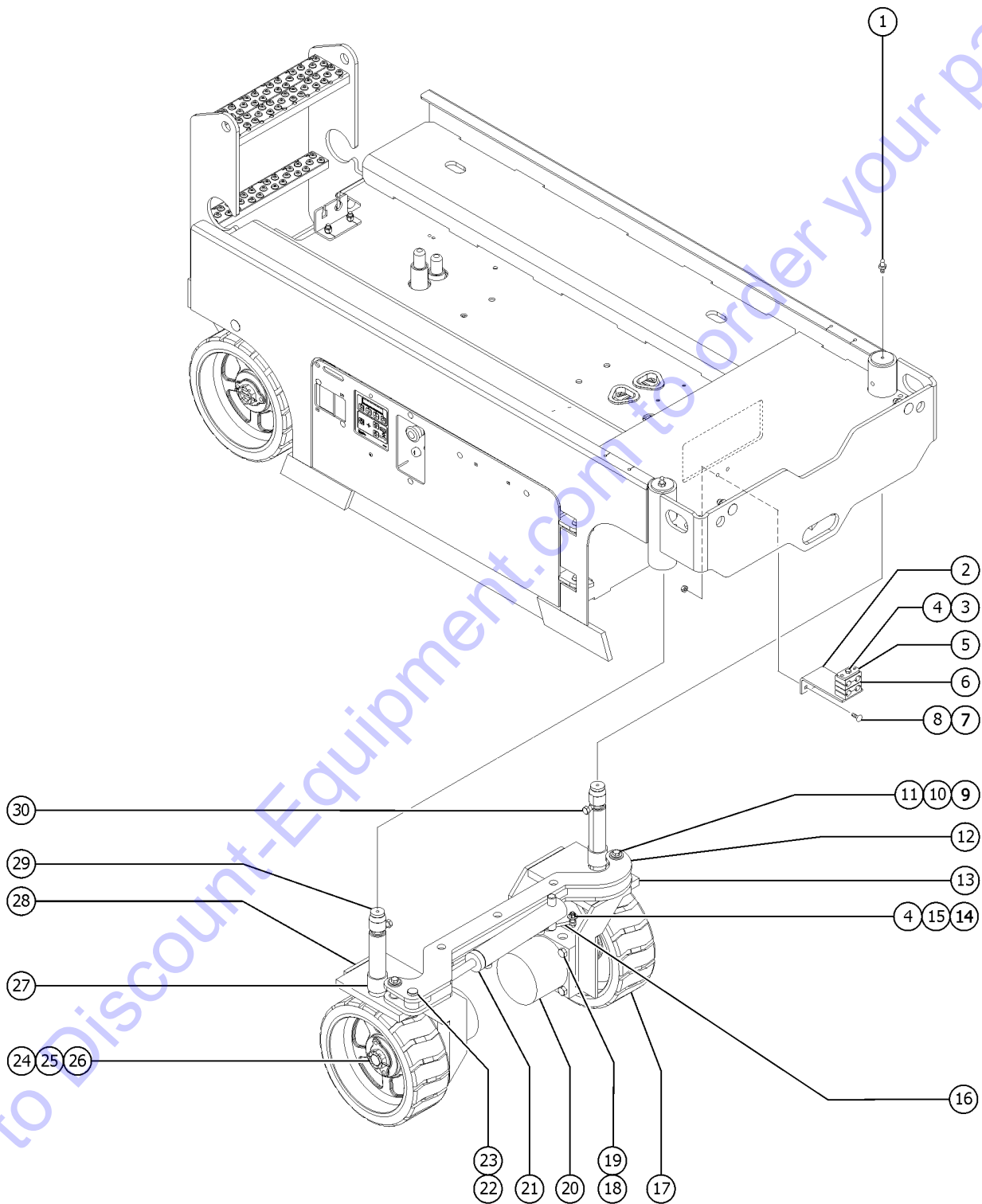
Go to Discount-Equipment.com to order your parts

201.1 Steer Linkage and Wheels, GS-1530/1532/1930/1932

Item	Part No.	Description	Qty.
1	66770GT	FITTING,STRAIGHT DRIVE-IN ZERK	2
2	105051GT	FORMING,HOSE CLAMP SUPPORT	1
3	144374GT	SCREW,HHC,1/4-20X3.25,GR8	
4	6091GT	NUT, NYLOCK, 1/4-20	
5	58592GT	PLATE,HOSE ROUTG,BULKHEAD(PTD)	1
		ANSI/CSA models	
5	96196GT	PLATE,HOSE ROUTING,BULKHEAD	1
		CE models	
6	78736GT	CLAMP,2 HOSE,PLASTIC,5/8	4
7	105092GT	BOLT,CARRIAGE,3/8-16X1.25,GR5	
8	4828GT	NUT,NYLOCK,3/8-16	
9	8255GT	SCREW,HHC,3/8-16 X .75	
10	6097GT	WASHER,FLAT,USS,3/8",Y	
11	47548GT	BEARING,FLANGE,0.75IDX1.00ODX0.49L	4
12	84571GT	TIE ROD ASSEMBLY	1
12-	96074GT	WELDMENT, TIE ROD, GS30	1
		(bearings not included)	
12-	47548GT	BEARING,FLANGE,0.75IDX1.00ODX0.49L	4
13A	96068GT	WELDMENT, STR YOKE, 30 MINI LT	1
		GS-1530, GS-1930 (battery side)	
13B	96066GT	WELDMENT, STR YOKE, 32 MINI LT	1
		GS-1532, GS-1932 (battery side)	
14	6888GT	SCREW,HHC,1/4-20 X 1	
15	96258GT	PIN,STEER CYLINDER	1
16	825020GT	ROD END,.250X2.75,ZAG	1
17	105122GT	WHEEL & TIRE ASSY,LP,12"*****	2
18	8357GT	SCREW,HHC,1/2-13 X 3.5	
19	6198GT	NUT,NYLOK,1/2-13	
20		Ref. Drive Motor	
		(refer to 501.1)	
21		Ref. Steer Cylinder	
		(refer to 501.1)	
22	6545GT	PIN,CLEVIS,.75 X 2	1
23	21253GT	CLIP, HAIR PIN, .125 X 2	1
24	44780GT	NUT,CASTLE,1.125-18 UNEF	2



201.1 Steer Linkage and Wheels, GS-1530/1532/1930/1932



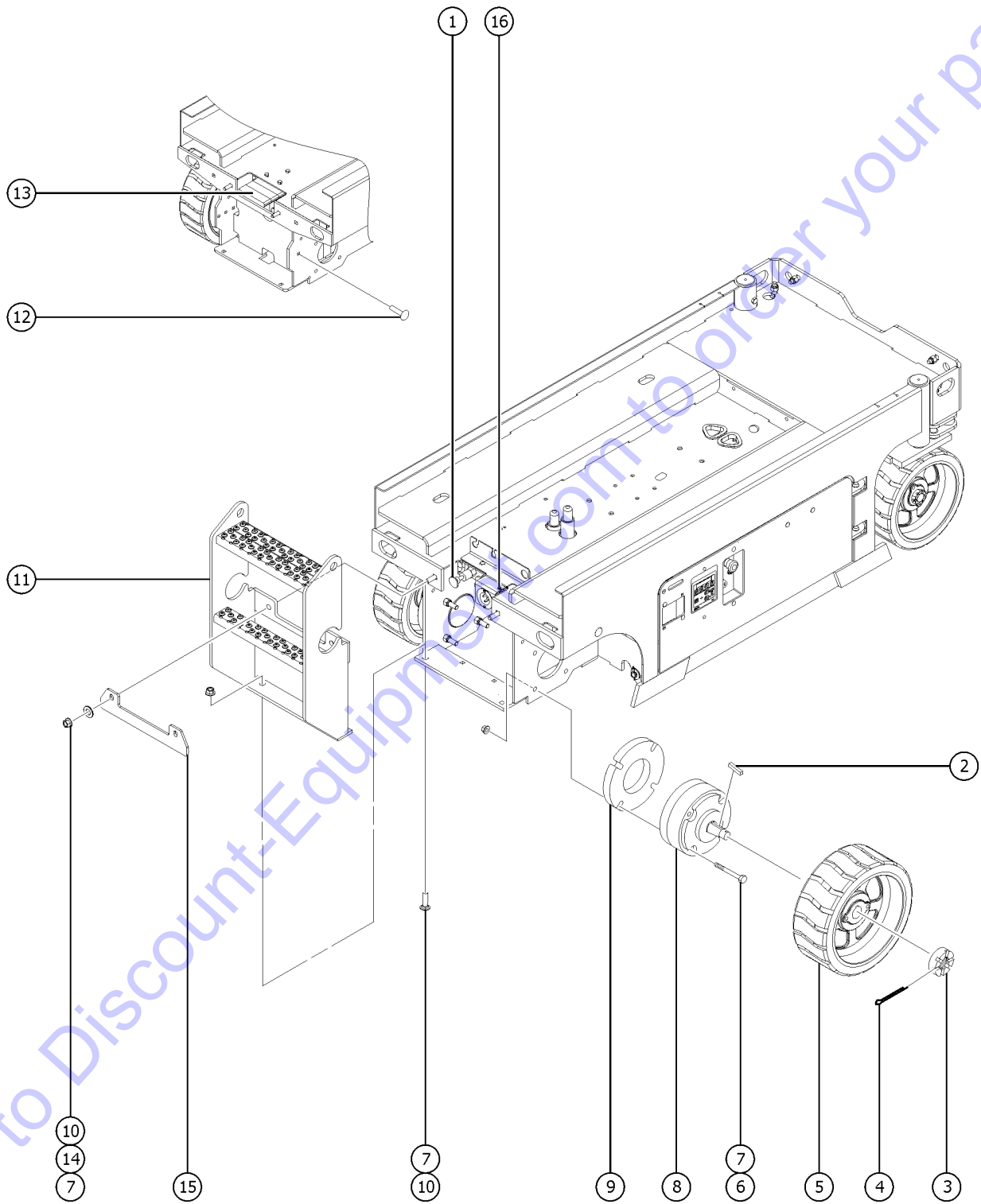
201.1 Steer Linkage and Wheels, GS-1530/1532/1930/1932

Item	Part No.	Description	Qty.
25	44781GT	KEY,RECTANGULAR,.31X.28X1.25**	2
26	42079GT	PIN,COTTER,.156 X 2.5	2
27	119619GT	BEARING,1.5 ID X 1.75 ODX1.5L	2
28A	96069GT	WELDMENT, STR YOKE, 30 MINI RT GS-1530, GS-1930 (ground control side)	1
28B	96067GT	WELDMENT, STR YOKE, 32 MINI RT GS-1532, GS-1932 (ground control side)	1
29	105565GT	WASHER,THRUST, GS	2
30	1259192GT	SCREW, YOKE LOCK, ZAG	

Go to Discount-Equipment.com to order your parts

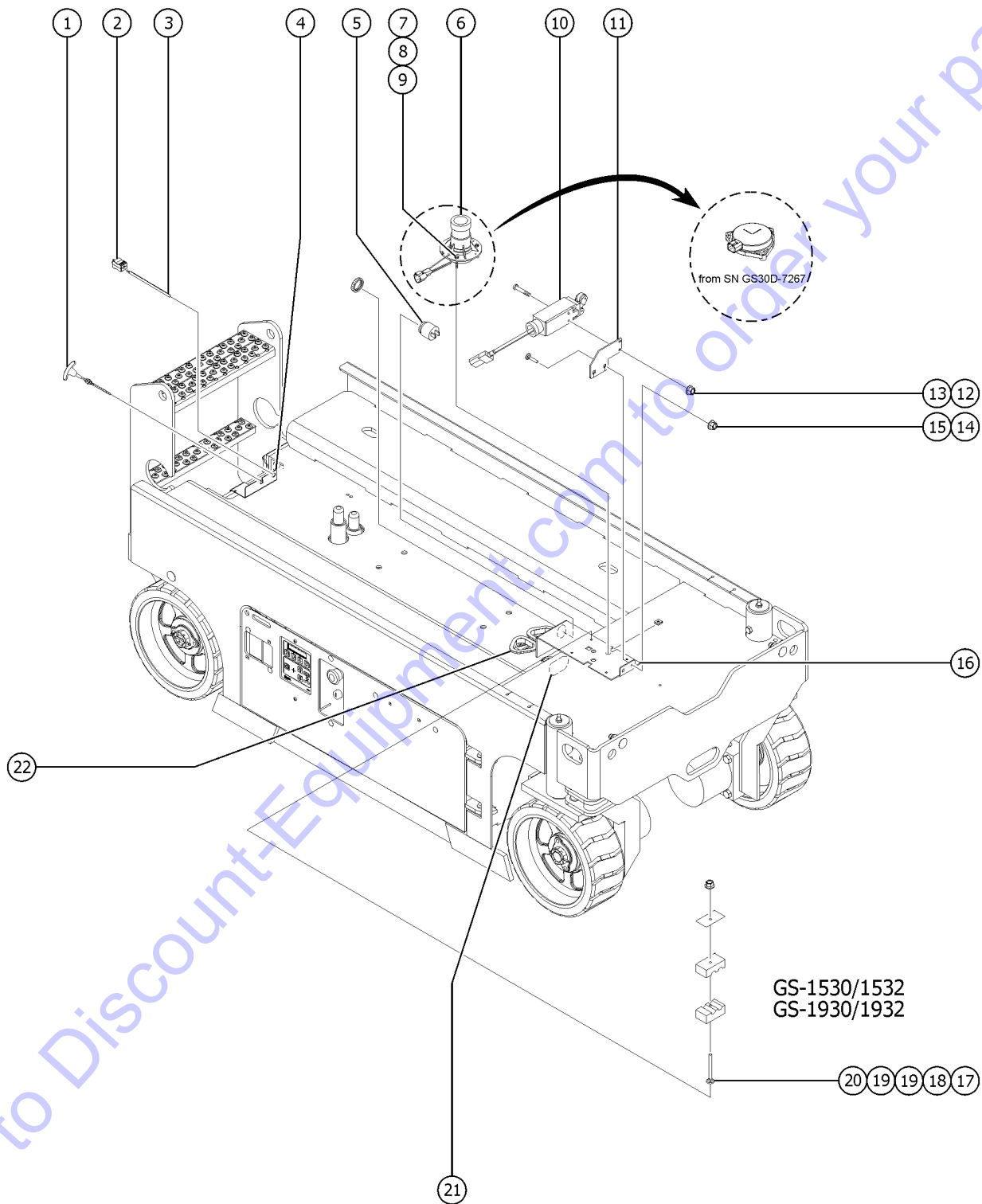


202.1 Non-steer Axle Installation, All Models



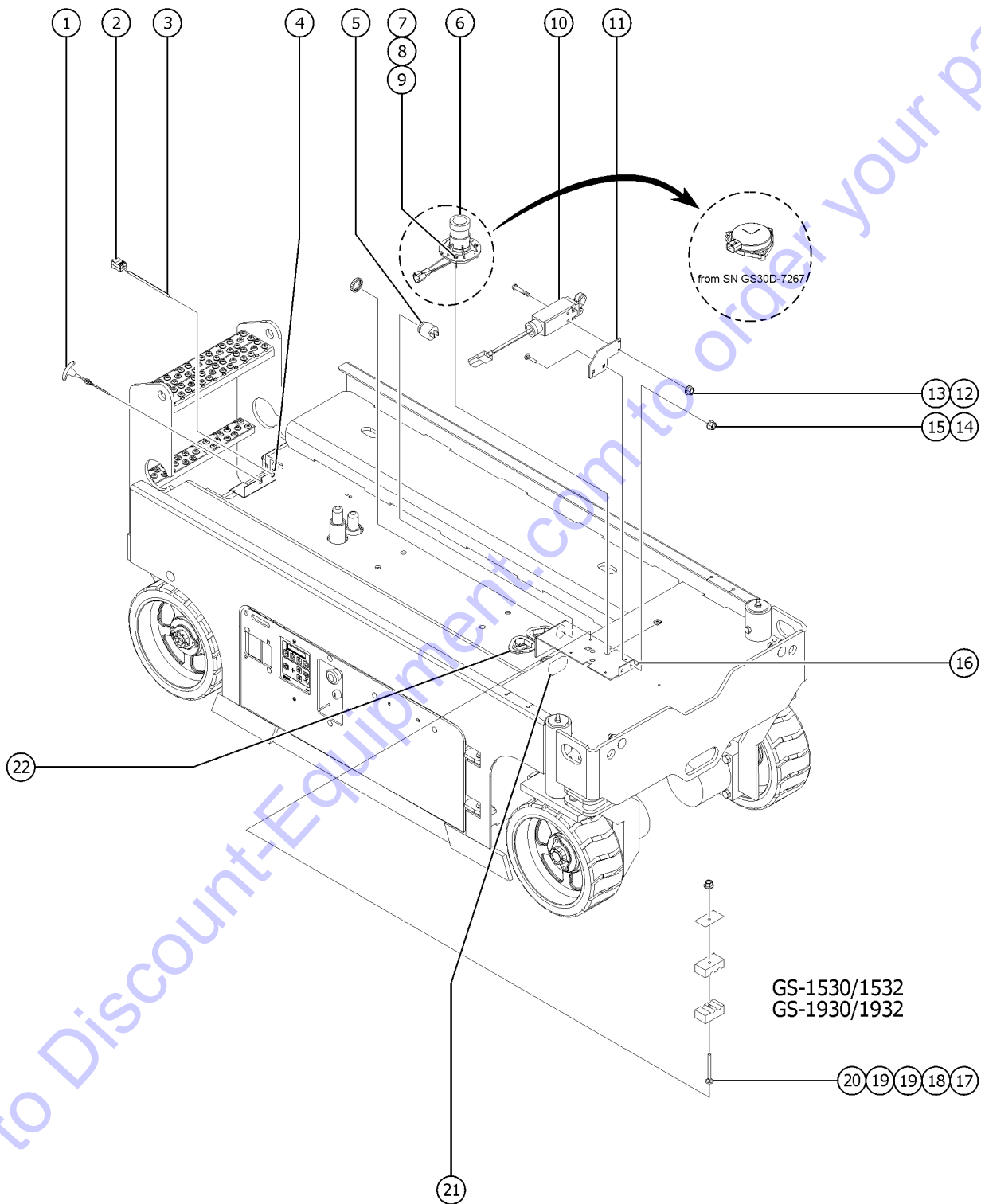
Item	Part No.	Description	Qty.
		LADDER ASSY,GS30,WORD,ENG	
1		REF. BRAKE RELEASE MANIFOLD	
		(refer to 504.1)	
2	44781GT	KEY,RECTANGULAR,.31X.28X1.25"*	2
3	44780GT	NUT,CASTLE,1.125-18 UNEF	2
4	42079GT	PIN,COTTER,.156 X 2.5	2
5	105122GT	WHEEL & TIRE ASSY,LP,12"*****	2
6	8357GT	SCREW,HHC,1/2-13 X 3.5	
		GS-1530 & GS1930 models only	
6B	78732GT	SCREW,HHC,1/2-13 X 5 GR5, PLT	
		GS-1532 & GS1932 models only	
7	6086GT	NUT,LP NYLOCK,1/2-13	
8		REF. HYDRAULIC BRAKE	
		(refer to 501.1)	
9	1282140GT	PLATE, BRAKE SPACER,METRIC	2
		GS-1532 & GS1932 models only	
10	96977GT	BOLT,CARRIAGE,1/2-13X1.50,GR5	
11	144375GT	LADDER ASSY,GS30,WORD,ENG	1
		(USA, Canada and Australia)	
11A-	96102GT	WELDMENT,MINI LADDER	
		(decals not included, refer to section one)	
11B	144379GT	LADDER ASSY,GS30,SYM	1
		(Europe, Asia and South America)	
11B-	96102GT	WELDMENT,MINI LADDER	
12	105092GT	BOLT,CARRIAGE,3/8-16X1.25,GR5	2
		GS-1530 & GS-1532 CE and Australia Indoor	
12A-	5397GT	WASHER,FLAT,USS,5/16",Y	
		GS-1530 & GS-1532 CE and Australia Indoor	
12A-	4828GT	NUT,NYLOCK,3/8-16	
		GS-1530 & GS-1532 CE and Australia Indoor	
12B	39429GT	SCREW,BHHS,3/8-16 X 1.75	2
		GS-1930 & GS-1932 CE and Australia	
13	96465GT	WELDMENT, 1532 COUNTERWT, CE	1
		GS-1530 & GS-1532 CE and Australia Indoor	
13B	96466GT	COUNTERWEIGHT,CAST,CE,1930/32	1
		GS-1930 & GS-1932 CE and Australia	
14	13066GT	WASHER,FLAT,.5 HARDENED	
15	1258406GT	PLATE,COUNTERWEIGHT LOCK	
		CE and Australia	
16	1270281GT	ASSEMBLY, CHARGER STATUS LED, 2V, BCI	

203.1 Level Sensor Installation, All Models



Item	Part No.	Description	Qty.
1	39232GT	CABLE,EMERGENCY DOWN	1
2		Ref. Electrical Plug (refer to 406.1)	
3		Ref. Electrical Cord (refer to 406.1)	
4	144226GT	FORMING, REC. PLUG BRKT CE	1
4B	1282153GT	FORMING,REC.PLUG BRKT,METRIC North US and Japan	1
4C	1282145GT	FORMING, PLUG/LED BRACKET,METRIC AUS Market	1
5	39540GT	ALARM,STEADY TONE*** Does not include 72326 nut	1
5-	72326GT	NUT,PLASTIC,RING FOR ALARMS	
6	228406GT	ASSY,LVL SNSR W/ CONNECTOR to SN GS30D-7266	1
6B	823368GT	SENSOR,LEVEL,UNIVERSAL from SN GS30D-7267	1
7	6637GT	SCREW,HHC,1/4-20 X 1.75	
8	39469GT	SPRING,COMPRESSION.485 X1.75**	
9	56912GT	SPRING CLIP,1/4-20,.025-.15X.54,ZAG	5
10	T112507GT	ASSEMBLY, DOWN LIMIT, GS (Includes plug)	1
10-	96948GT	SWITCH,LIMIT,W/ROLLER ARM***	
10-	19491GT	CONTACTOR,LIMIT SWITCH	
10-	97128GT	ROLLER ARM,LIMIT SWITCH***	
11	96493GT	PLATE, LIMIT SWITCH MOUNT	1
12	6178GT	NUT,NYLOCK,10-32	2
13	16487GT	SCREW,RHM,10-32 X 1.5	2
14	6091GT	NUT, NYLOCK, 1/4-20	2
15	6878GT	BOLT,CARRIAGE,1/4-20 X .75,G2	2
16	105310GT	FORMING, ALARM BRACKET,MINI	1
17	18504GT	NUT,LOCKING-LG.FLANGE,1/4-20	1
18	58592GT	PLATE,HOSE ROUTG,BULKHEAD(PTD) ANSI/CSA models	1
18	96196GT	PLATE,HOSE ROUTING,BULKHEAD CE models	1
19	78736GT	CLAMP,2 HOSE,PLASTIC,5/8	2
20	1255797GT	BOLT,CARRIAGE,1/4-20X2,5,ZAG	1

203.1 Level Sensor Installation, All Models



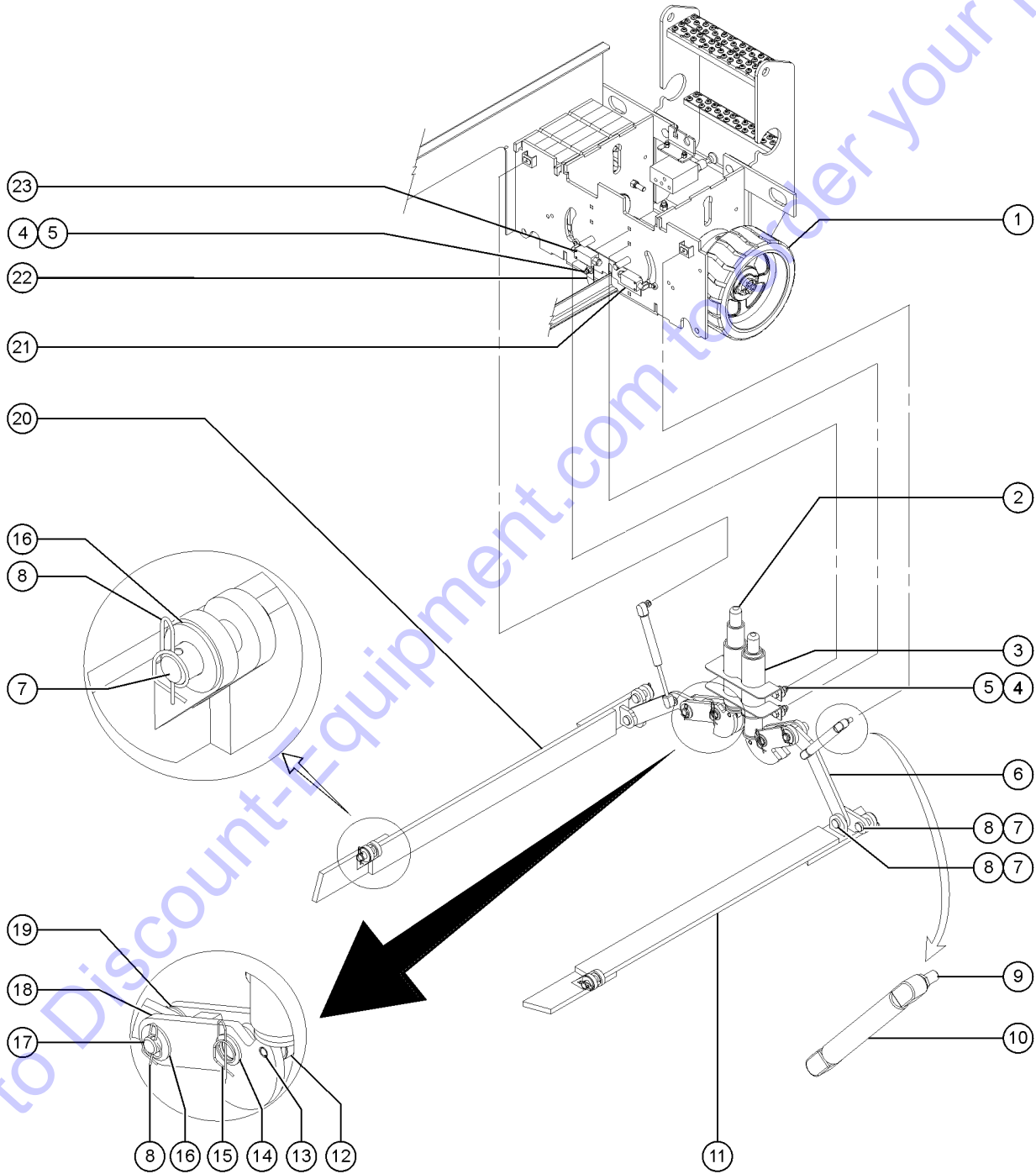
203.1 Level Sensor Installation, All Models

<i>Item</i>	<i>Part No.</i>	<i>Description</i>	<i>Qty.</i>
21	131582GT	GROMMET,RUBBER,1.50IDX.375	1
22	105440GT	GROMMET,RUBBER 2.5 X 3.0	2

Go to Discount-Equipment.com to order your parts



204.1 Pothole Protection Assembly, GS-1530/1532/1930/1932

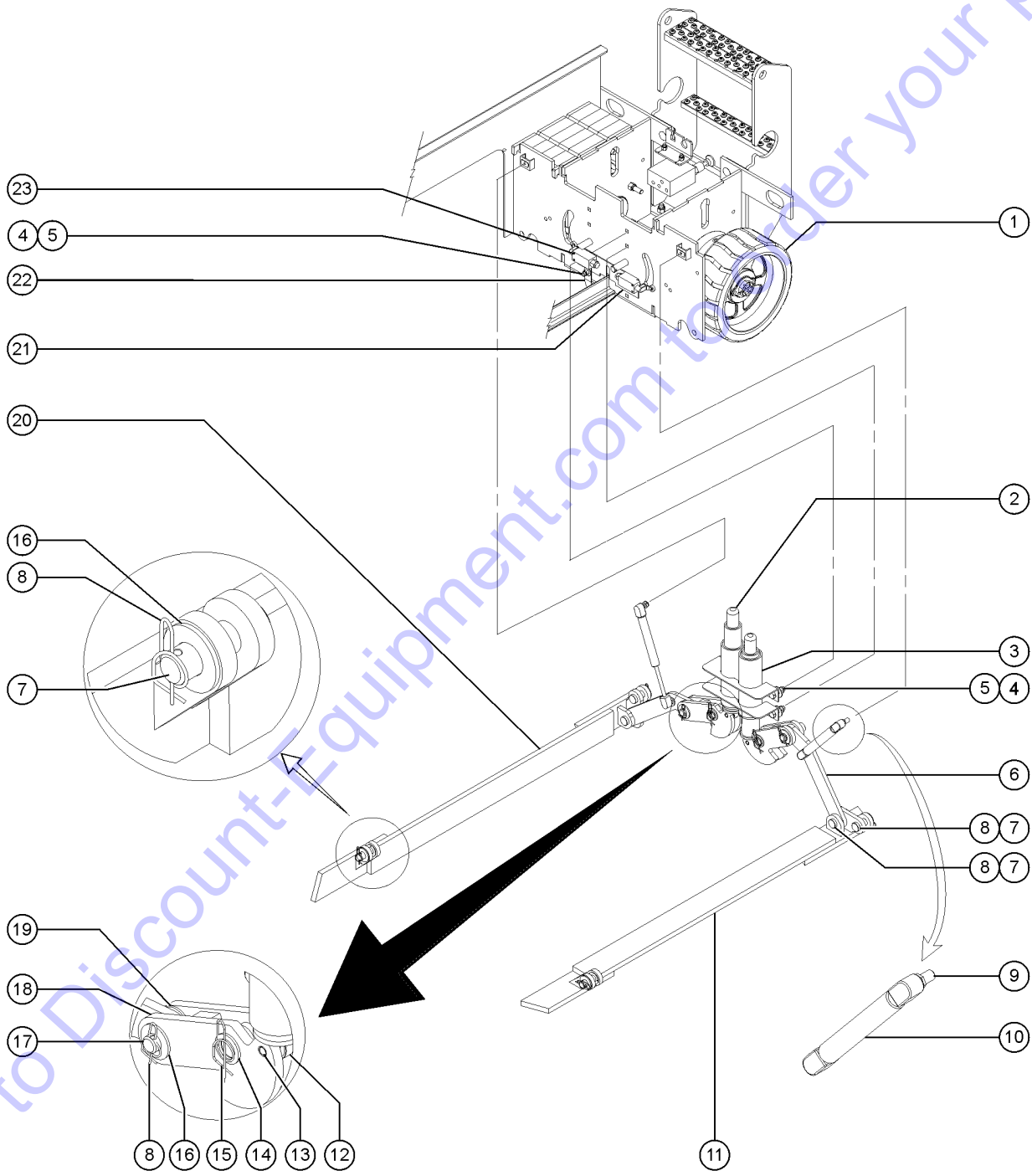


204.1 Pothole Protection Assembly, GS-1530/1532/1930/1932

Item	Part No.	Description	Qty.
1		Ref. Wheel and Tire Assy (refer to 201.1)	
2	96839GT	ASSY,POT HOLE PUSHER,GS***	2
3	96524GT	WLDMT/ASSY, PH GUIDE,GS30/32	1
3-	96408GT	BEARING,1.523ID X 1.75OD X 0.63L	
4	4828GT	NUT,NYLOCK,3/8-16	
5	105092GT	BOLT,CARRIAGE,3/8-16 X 1.25,GR5	
6	105055GT	PLATE, POTHOLE LINK, GS30	2
7	96135GT	PIN,CLEVIS,.625 X 1.88,ZINC PL	6
7-	105156GT	BUSHING,FLNGD,.63 X .77 X .38	4
8	96422GT	RUE RING,5/8 PIN	8
9	78086GT	BALL STUD, GAS STRUT, 3/8-16	2
10	39542GT	GAS SHOCK,SCISSORS***	2
11	96039GT	POT HOLE GUARD,LT,WLDMT (battery pack side)	1
12	96541GT	CAM FOLLOWER,1.125 X .375,DEL RIN	2
13	34742GT	PIN,CLEVIS,.375 X 1.75 LG.	2
13-	12016GT	PIN,COTTER,.125 X .75	
13-	5397GT	WASHER,FLAT,USS,5/16",Y	
14	6564GT	WASHER, SHIM,.765 X 1.312 X .093	2
15	96423GT	RUE RING,3/4 PIN	2
16	6898GT	WASHER,SHIM,.625 X 1.188 X .064	2
17	1259179GT	PIN,CLEVIS,.625 X 1.79,ZAG	2
18	96281GT	PH BELLCRANK LINK	2
18-	96642GT	BEARING,.75ID X 1.00D X 1.38LG	2
19	96085GT	WASHER,THRUST,.63 X 1.13 X .06	4
20	96038GT	POT HOLE GUARD,RT,WLDMT (ground controls side)	1
21	105275GT	BRACKET,LIMIT SWITCH MTG***	
22	105060GT	GROUND STRAP, 8"LG	1
23	96948GT	SWITCH,LIMIT,W/ROLLER ARM***	2



204.1 Pothole Protection Assembly, GS-1530/1532/1930/1932



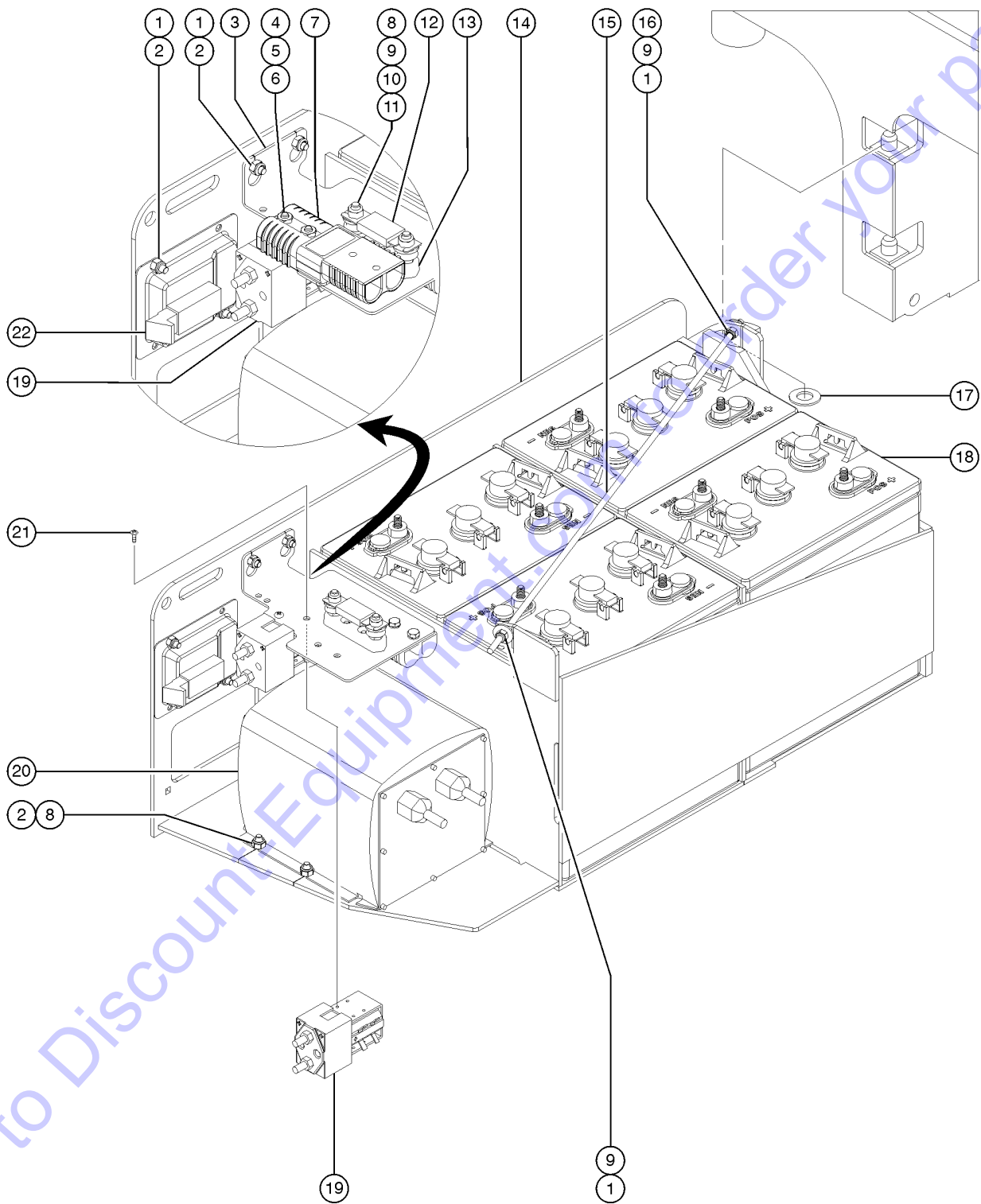
204.1 Pothole Protection Assembly, GS-1530/1532/1930/1932

<i>Item</i>	<i>Part No.</i>	<i>Description</i>	<i>Qty.</i>
23-	19491GT	CONTACTOR,LIMIT SWITCH	
23-	97128GT	ROLLER ARM,LIMIT SWITCH***	

Go to Discount-Equipment.com to order your parts



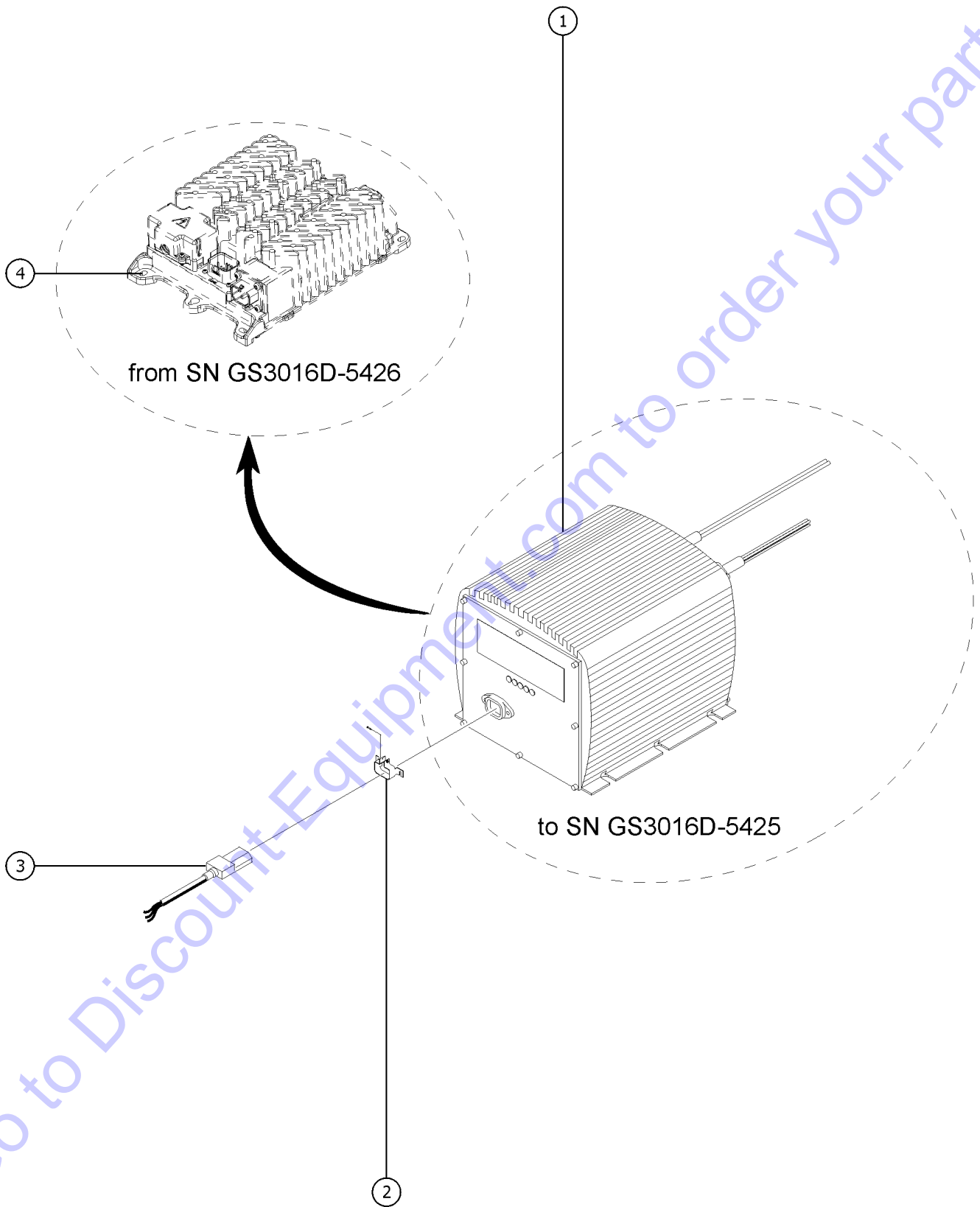
205.1 Battery Pack Module



Item	Part No.	Description	Qty.
1	6091GT	NUT, NYLOCK, 1/4-20	6
2	6878GT	BOLT, CARRIAGE, 1/4-20 X .75, G2	8
3A	1282144GT	FORMING, CONTACTOR/FUSE BRACKET, METRIC (to SN GS3011A-110827 and to SN GS3011C-10009)	1
3B	232531GT	FORMING, CONTACTOR MOUNT, GS (from SN GS3011A-110828 and from GS3011C-10010)	1
4	66094GT	NUT-THIN HEAVY HEX, 1/4-20	4
5	6356GT	WASHER, LOCK, .25	4
6	8915GT	SCREW, HHC, 1/4-20 X 1.25	4
7	66397GT	QUICK DISCONNECT CASING, BATT**	2
8	18504GT	NUT, LOCKING-LG. FLANGE, 1/4-20	2
9	5397GT	WASHER, FLAT, USS, 5/16", Y	2
10	18503GT	NUT, LOCKING - LG FLANGE 5/16 - 18	2
11	105273GT	SCREW, HEX HD, NO SLOT, #14X.50	2
12	40833GT	FUSE, 275AMP, VERY FAST ACTING	1
13	66717GT	FUSE BLOCK, ANN & ANL FUSE (includes mounting fasteners)	1
14A	105467GT	WLDMT, GS BATTERY TRAY (to SN GS3011A-110827 and to GS3011C-10009, does not include decals, please refer to section 1) (includes items 1, 2, 3B, 10, 15, and 22)	1
14B	233366GT	ASSY, GS BATTERY TRAY (from SN GS3011A-110828 and from GS3011C-10010, does not include decals, please refer to section 1) (includes items 1, 2, 3A, 10, 15, and 22)	1
15	30784-2550GT	THREADED ROD, (1/4-20), 25.50	1
16	6889GT	NUT, LP NYLOCK, 1/4-20	1
17	33278GT	WASHER, FLAT, .75 HARDENED	1
18A	76494GT	BATT, 6V, 225AH T105 LPT\3CAP	4
18B	1263152GT	FULLRIVER BATT, DC224-6, 6V, 224AH, GS3246 AGM	4
19	74267GT	CONTACTOR, DRIVE, 24V, 180A***	1
20		Ref. Battery Charger (Refer to 206.1)	1
21	49818GT	SCREW, PHILLIPS, PHM, 10-32 X .38	2
22	55675GT	LATCH, LRG PADDLE HANDLE GS90	1



206.1 Battery Charger



Go to Discount-Equipment.com to order your parts

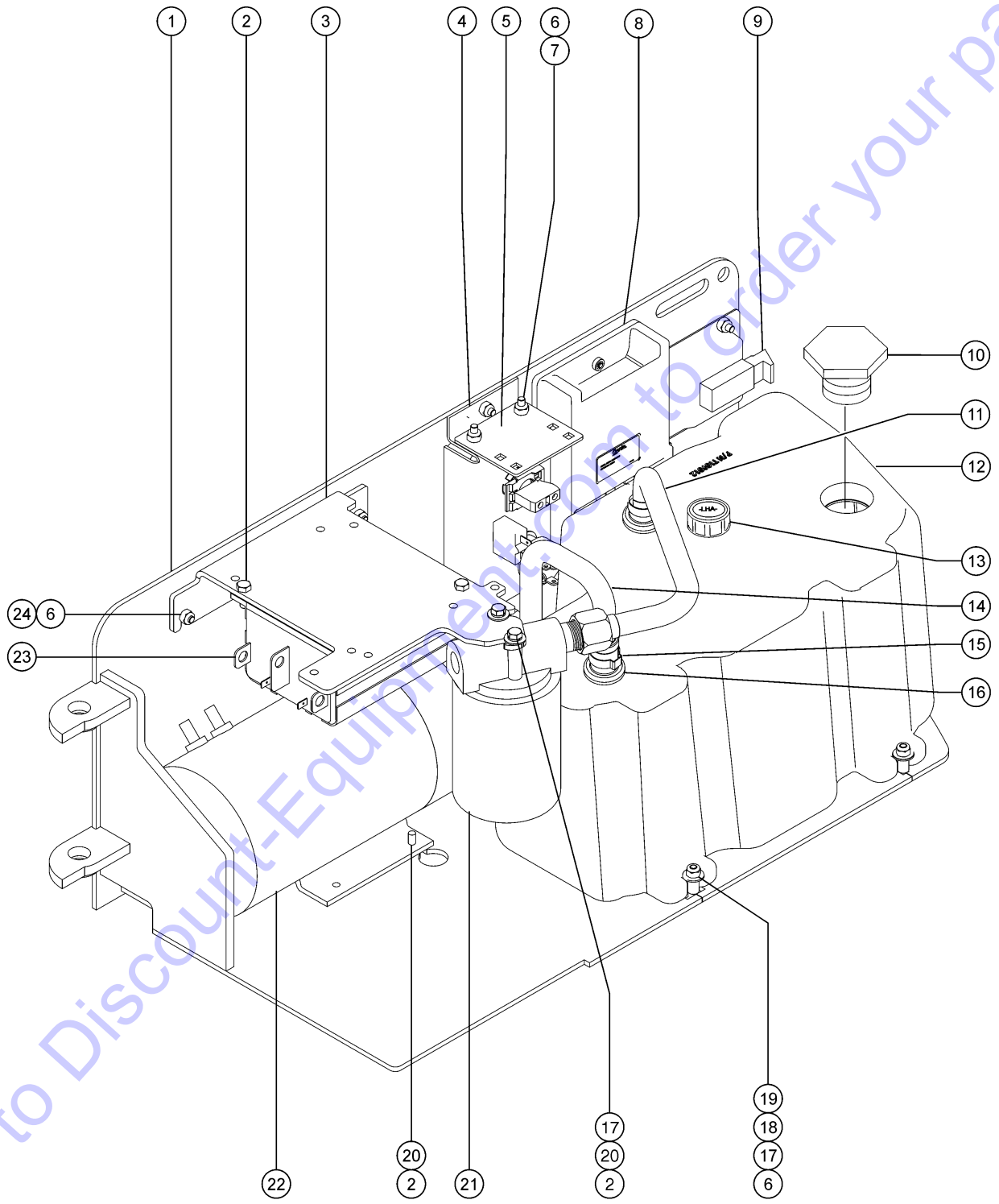
206.1 Battery Charger

Item	Part No.	Description	Qty.
-	97059GT	FUSE,BATTERY CHARGER*** for 5-LED battery charger	
-	105334GT	CONNECTOR, IEC CHARGER CORD for 5-LED battery charger	
1	105739GT	CHARGER,BAT,24VDC,H/LO GEN2 Signet battery charger. NOTE: Some machines are equipped with an alternative-brand battery charger. Inspect your machine before ordering OR contact Genie Service Parts if needed.	1
1A-	144180GT	MANUAL,OWNERS,CHARGER,105739	
1B		Ref. Field Assembly Recessed Charger Plug (refer to 406.1)	
1C	219480GT	KIT,BATTERY CHARGER,24V (includes 105739 charger, fasteners, ring terminals and instructions for field installation)	
1D	1272232GT	CHARGER, 24V, 650W, USB from SN GS3016D-5426	1
1D-	1279428GT	KIT, DC BLOCK ASSEMBLY for 1279428	
2	55010GT	LOCK, CONNECTOR (includes fasteners)	1
3	144130GT	POWER CORD, IEC 320, 115" to SN GS3016D-5425	1
3B	1272557GT	POWER CORD, IEC 320, 90 from SN GS3016D-5426	1
4	1272292GT	OPT,SUNBELT MOVIE PAINT,S100	1

Go to Discount-Equipment.com to order your parts



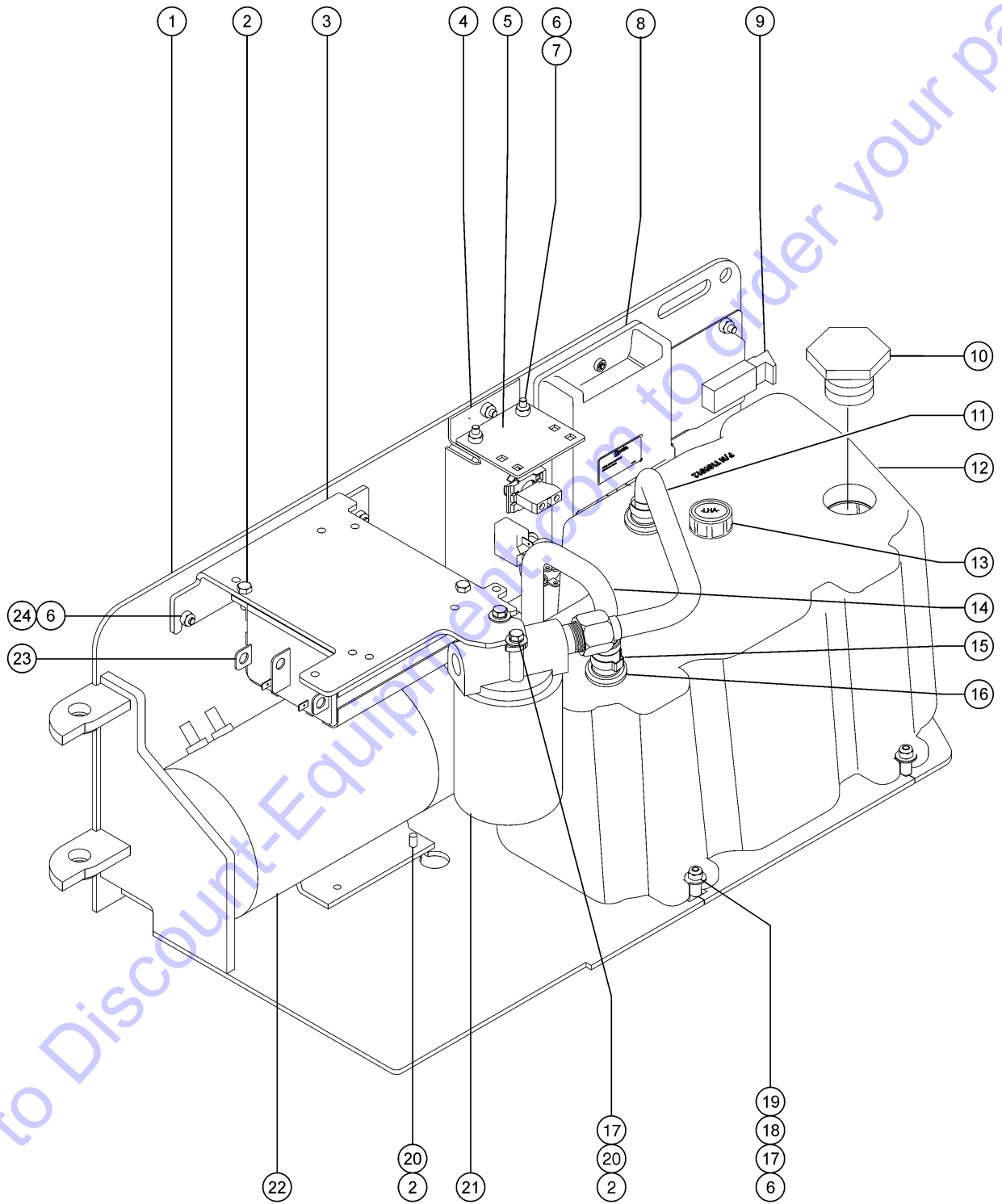
207.1 Power Unit Module



Item	Part No.	Description	Qty.
1	229195GT	ASSY,GS HYDRAULIC TRAY,MET	1
1-	227166GT	WELDMENT, GS HYD TRAY, MET	
		decals not included	
2	8915GT	SCREW,HHC,1/4-20 X 1.25	
3	105308GT	FORMING, FILTER-CNTRLR MOUNT	1
4		REF. FORMING,CONTROL PANEL	
		refer to figure 208.1	
5	227164GT	GS3246_PLATE, HARNESS MOUNT, MET	1
6	6091GT	NUT, NYLOCK, 1/4-20	
7	6878GT	BOLT,CARRIAGE,1/4-20 X .75,G2	
8		REF. GCON, GR/GRC/GS	
		refer to figure 208.1	
9	55675GT	LATCH, LRG PADDLE HANDLE GS90	1
10	66204GT	FILTER CAP (PLUG 1-1/2" NPT HEX	1
11	96355GT	TUBE, ASSY, RETURN	1
12	226163GT	HYD. TANK KIT, GS30,32,46	
		includes items 15 and 16	
12-	T109012GT	TANK,HYD, SLAB SCISSORS	1
13	78546GT	BREATHER CAP, HYD. TANK, 1/4 NPT	1
14	96354GT	TUBE, ASSY, DRAW	1
15	96855GT	CLAMP,HOSE,1 EAR,1-1/16***	2
16	96709GT	GROMMET,SLAB HYD TANK***	2
17	6638GT	WASHER,FLAT,USS,1/4"Y	
18	96699GT	SLEEVE,TANK SUPPORT	
19	9116GT	BOLT,CARRIAGE,1/4-20 X 1.25,G2	
20	6356GT	WASHER,LOCK,.25	
21		REF. FILTER ASSY	
		refer to figure 501.1	
22		REF. ELECTRIC MOTOR/PUMP	
		refer to figure 505.1	
23A	1257204GT	KIT,GS30/32 MOTOR CONTROLLER	1
23-	823408GT	MOTOR CONTROLLER, DC,24V,300A	1
		motor controllers sold separately only in cases where upgrade kits are N/A or an upgrade kit has been previously installed	
23B	232534GT	KIT,CONTACTOR,GS	
		all machines must have a contactor installed regardless of serial number. If no contactor is present order the appropriate contactor kit.	



207.1 Power Unit Module



<i>Item</i>	<i>Part No.</i>	<i>Description</i>	<i>Qty.</i>
24	6878GT	BOLT,CARRIAGE,1/4-20 X .75,G2	

Go to Discount-Equipment.com to order your parts



PARTS FINDER

**Search Website
by Part Number**



**Search Manual
Library For Parts
Manual & Lookup Part
Numbers – Purchase
or Request Quote**

Search Manuals

Enter your information to help us find the right parts manual for your machine.

* Brand:

* Model:

* Serial:

* Part Number:

SEARCH

**Can't Find Part or
Manual? Request Help
by Manufacturer,
Model & Description**

Parts Order Form

Please fill in the following information to help us find the right part for your machine.

Manufacturer:	<input type="text"/>
Model:	<input type="text"/>
Description:	<input type="text"/>
Part Number:	<input type="text"/>
Quantity:	<input type="text"/>
Notes:	<input type="text"/>
Submit	<input type="button" value="Submit"/>

Discount-Equipment.com is your online resource for quality parts & equipment.

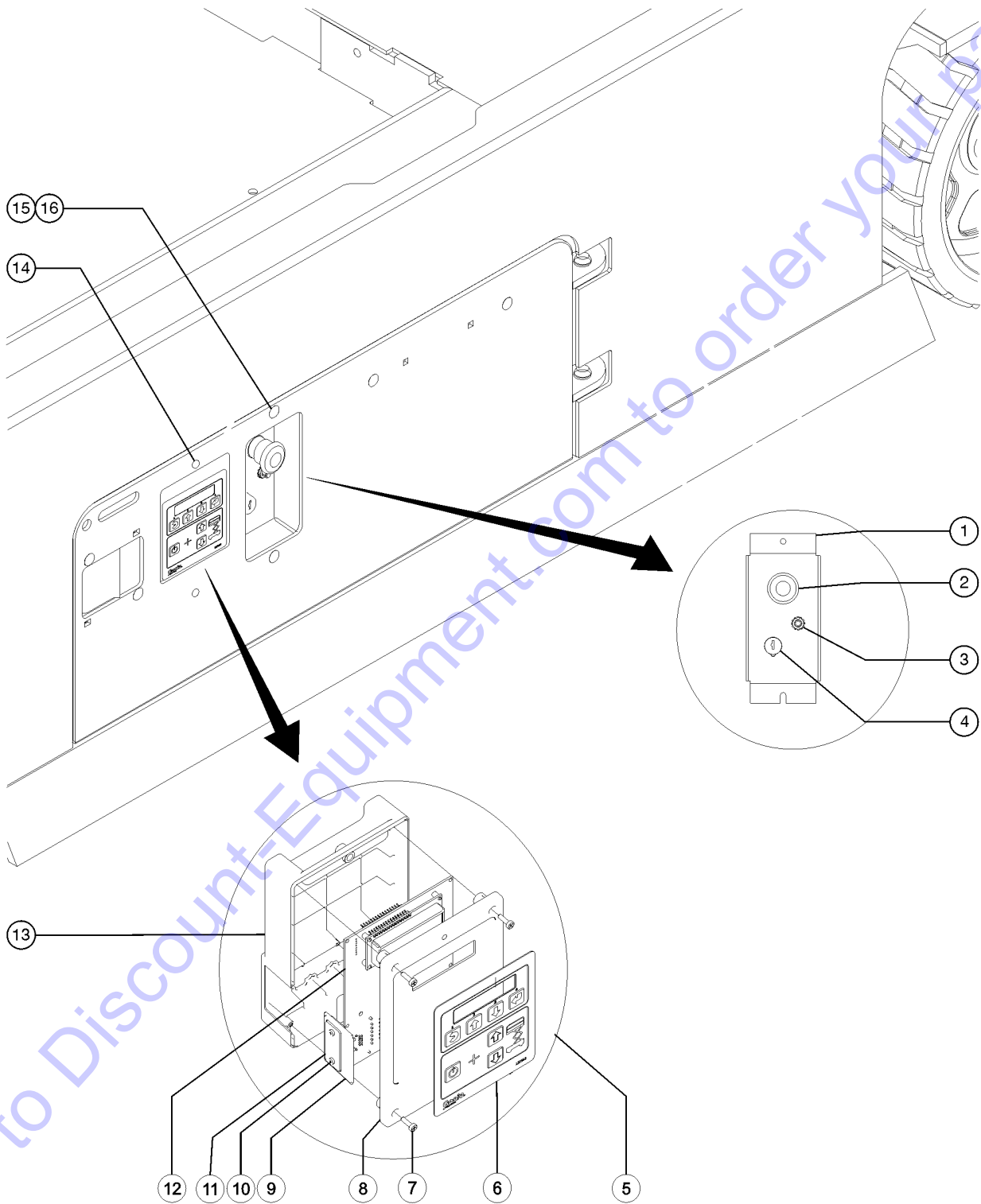
Florida: **561-964-4949** Outside Florida TOLL FREE: **877-690-3101**

Need parts?

Click on this link: <http://www.discount-equipment.com/category/5443-parts/> and choose one of the options to help get the right parts and equipment you are looking for. Please have the machine model and serial number available in order to help us get you the correct parts. If you don't find the part on the website or on one of the online manuals, please fill out the request form and one of our experienced staff members will get back to you with a quote for the right part that your machine needs.

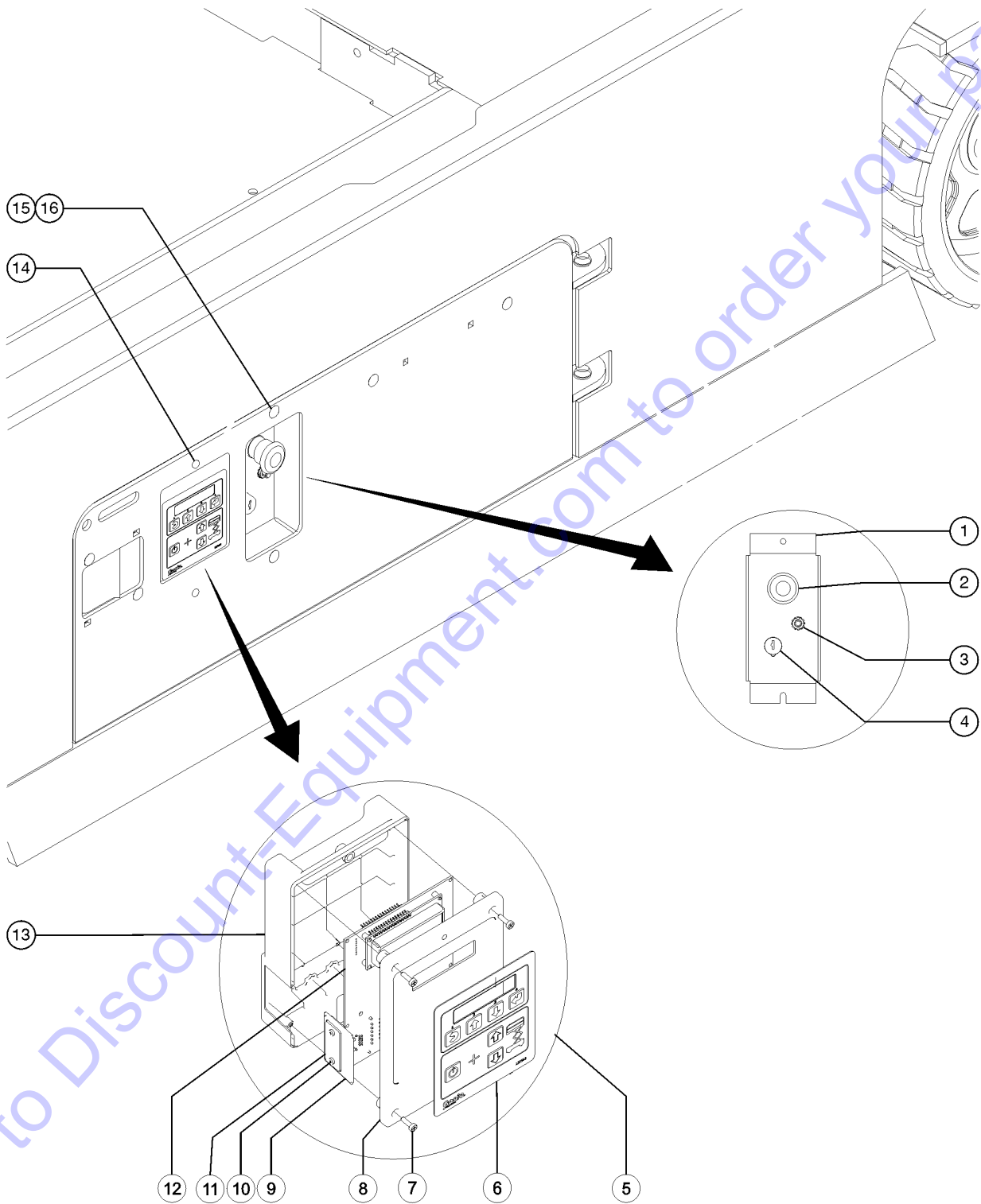
We sell worldwide for the brands: Genie, Terex, JLG, MultiQuip, Mikasa, Essick, Whiteman, Mayco, Toro Stone, Diamond Products, Generac Magnum, Airman, Haulotte, Barreto, Power Blanket, Nifty Lift, Atlas Copco, Chicago Pneumatic, Allmand, Miller Curber, Skyjack, Lull, Skytrak, Tsurumi, Husquvarna Target, Stow, Wacker, Sakai, Mi-T-M, Sullair, Basic, Dynapac, MBW, Weber, Bartell, Bennar Newman, Haulotte, Ditch Runner, Menegotti, Morrison, Contec, Buddy, Crown, Edco, Wyco, Bomag, Laymor, EZ Trench, Bil-Jax, F.S. Curtis, Gehl Pavers, Heli, Honda, ICS/PowerGrit, IHI, Partner, Imer, Clipper, MMD, Koshin, Rice, CH&E, General Equipment, Amida, Coleman, NAC, Gradall, Square Shooter, Kent, Stanley, Tamco, Toku, Hatz, Kohler, Robin, Wisconsin, Northrock, Oztec, Toker TK, Rol-Air, APT, Wylie, Ingersoll Rand / Doosan, Innovatech, Con X, Ammann, Mecalac, Makinex, Smith Surface Prep, Small Line, Wanco, Yanmar

208.1 Ground Controls, All Models



Item	Part No.	Description	Qty.
A	83093GT	KEY SINGLE*** includes rubber boot	
B	21982GT	KEY,SINGLE*** without rubber boot	
C	37947GT	KEYS,10 PACK*** without rubber boots	
D	1252764GT	SPACER, GROUND CONTROL ECU	1
E	824216GT	SCREW, PHPM, 10-32 X 1.5, ZAG	
1	227165GT	FORMING,CONTROL PANEL,MET	1
2	66812GT	BUTTON,PUSH,RED MUSHROOM HEAD	1
2-	66817GT	E-STOP NC CONTACT	1
2-	66818GT	CONTACT,NC	1
2-	58627GT	NUT	1
3	96452GT	CIRCUIT BREAKER, 7.0 AMP***	1
3-	6700GT	WASHER,STAR,EXTERNAL,,375	1
3-	122994GT	NICKEL PLATED JAM NUT	1
4A	96008-SGT	KEYSWITCH,3 POS. W/KEYS***	1
4A-	85239GT	NUT,RETAINER (96008)	
4A-	96010GT	SCREW,PHILLIPS,PHM,8-32 X.25** (sold seperately)	
4A-	96009GT	WASHER,NITRILE (sold seperately)	
4B	83131GT	KEYSWITCH,3 POS W/KEYS,LOCKING Australia market only; not for CE market	1
4B-	85239GT	NUT,RETAINER (96008)	1
5A	137692GT	GCON, GR/GRC/GS (models with 6 button, 2 speed controller) to SN GS3014A-134999 and to SN GS3014C-16999	1
5A-		LABEL, SERIAL, GC21-19 (for 137692), No longer available	1
5B	1256721GT	GCON,STD,PROP LIFT. (models with 4 button, proportional controller) from SN GS3014A-13500 and from SN GS3014C-17000	1
6	137562GT	DECAL,MEMBRANE, GR/GRC/GS GCON	1
7	137668GT	SCREW,PHM,6-19X.75, 48-2 TRI-L	4
8	T106366GT	ENCLOSURE,GC27-25/GC21-19,FRNT	1
9	T106363GT	ADAPTER, RJ45, GC27-25/GC21-19	1
10	137637GT	SCREW,PHM,4-20X.5, 48-2 TRI-L (Not shown)	2

208.1 Ground Controls, All Models



Go to Discount-Equipment.com to order your parts



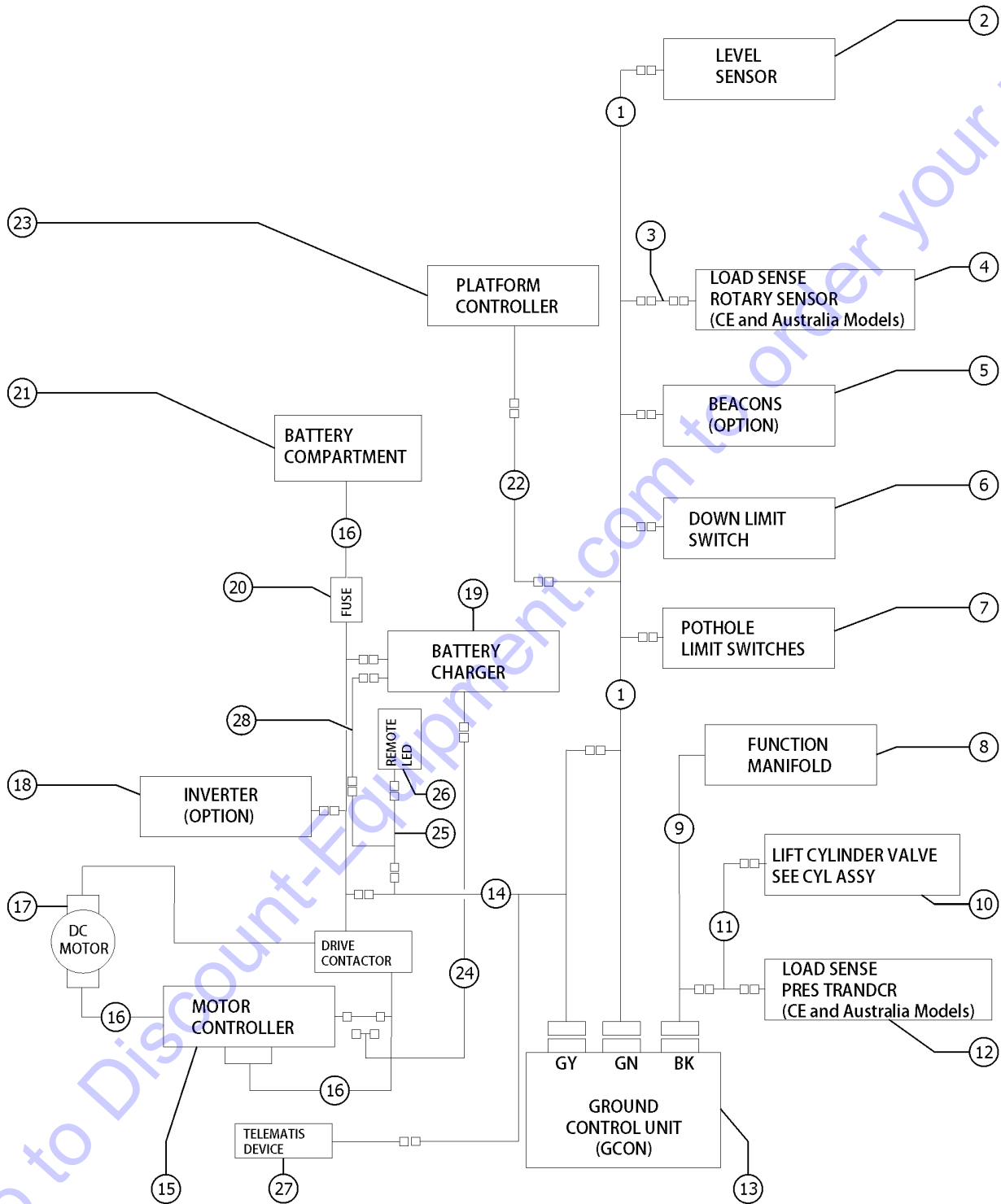
208.1 Ground Controls, All Models

Item	Part No.	Description	Qty.
11	T106362GT	COVER, RJ45, GC27-25/GC21-19	1
12A	137604GT	PCBA, GC21-19 (models with 6 button, 2 speed controller) to SN GS3014A-134999 and to SN GS3014C-16999	1
12B	1256719GT	PCBA, GCON STD, PROP LIFT (models with 4 button, proportional controller) from SN GS3014A-13500 and from SN GS3014C-17000	1
13	T106372GT	ENCLOSURE, GC21-19, BK	1
14	75041GT	SCREW, PHILLIPS, PHM, 10-32 X 1	2
15	6878GT	BOLT, CARRIAGE, 1/4-20 X .75, G2	2
16	6091GT	NUT, NYLOCK, 1/4-20	2

Go to Discount-Equipment.com to order your parts



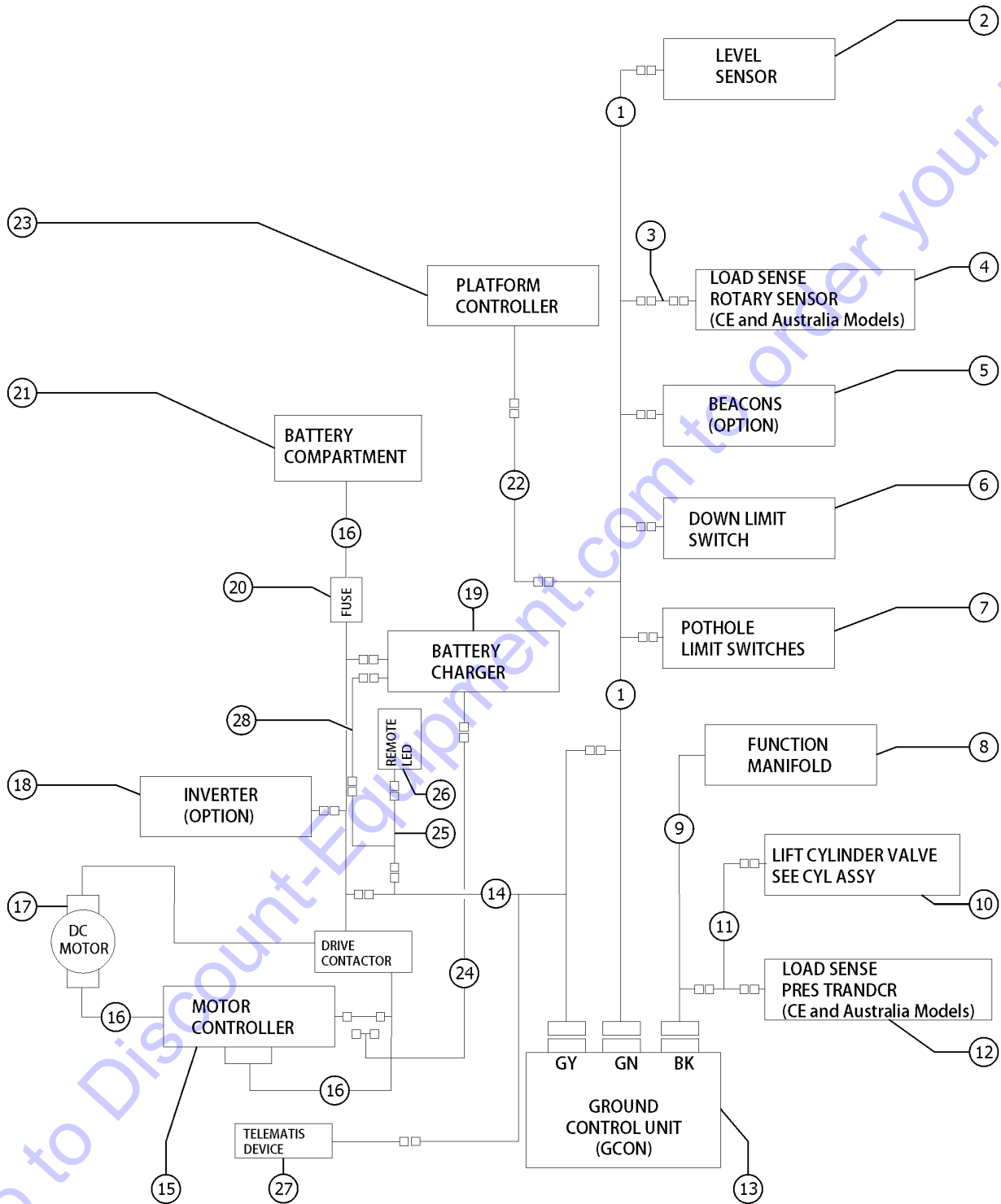
209.1 Electrical Wiring



Item	Part No.	Description	Qty.
A	88335GT	PLUG,DTM SEAL 20-24GA	
B	1264822GT	KIT, TRC RETROFIT, STNDRD Telematics (includes 1264834)	
B-	1264834GT	INSTRN, TRC RETROFIT, STNDRD	
1A	228786GT	HARNESS, GS SENSORS, ANSI USA, Canada, South America (Green connector)	1
1A-	233711GT	HRNS ASSY,RESISTOR DIODE for 228786 and T110891	
1A-	233644GT	RESISTOR,200 OHM 10W,CERAMIC	
1B	T110891GT	HARNESS, GS SENSORS, CE Europe, Asia, Australia (Green connector)	1
1B-	233711GT	HRNS ASSY,RESISTOR DIODE for 228786 and T110891	
2		REF. LEVEL SENSOR	
		refer to 203.1	
3	T114031GT	HARNESS, ROTARY ANGLE	
		Europe, Australia only	
4	T113136GT	ASSY,ROT SENSR W/ HARNESS	1
		Europe, Australia only	
5		REF. BEACONS	
		refer to 601.1	
6	T112507GT	ASSEMBLY, DOWN LIMIT, GS	1
7	96309GT	POTHOLE HARNESS ASSEMBLY	1
8		REF. FUNCTION MANIFOLD	
		refer to 502.1	
9A	T110889GT	HARNESS, GS FUNC MANIFOLD (to SN GS3014A-136972) (Black connector)	1
9B	1257824GT	HARNESS,FUNCTION MANIFOLD,GS (from SN GS3014A-136973) (Black connector)	1
10		REF. LIFT CYLINDER VALVE	
		refer to 506.1	
11A	T112508GT	CABLE, LIFT CYL DOWN WO/LS	1
		North America, Asia, South America	
11B	T112509GT	CABLE,LFT CYL DN,15/19XX, W/LS	1
		Europe, Australia	
12	1311101GT	PRESSURE TRANSDUCER,0-5K,1-5V	1
		Europe, Australia only	
13		REF. GROUND CONTROLS	
		refer to 208.1	
14	T110890GT	HARNESS, GS POWER CONTRL	1
		(Grey connector)	
15		REF. MOTOR CONTROLLER	
		refer to 207.1	
16		REF. ELECTRICAL WIRING AND POWER CABLES	
		refer to 210.1	
17		REF. DC MOTOR	
		refer to 505.1	
18	96459GT	HARNESS ASSEMBLY, INVERTER	
19		REF. BATTERY CHARGER	
		refer to 206.1	

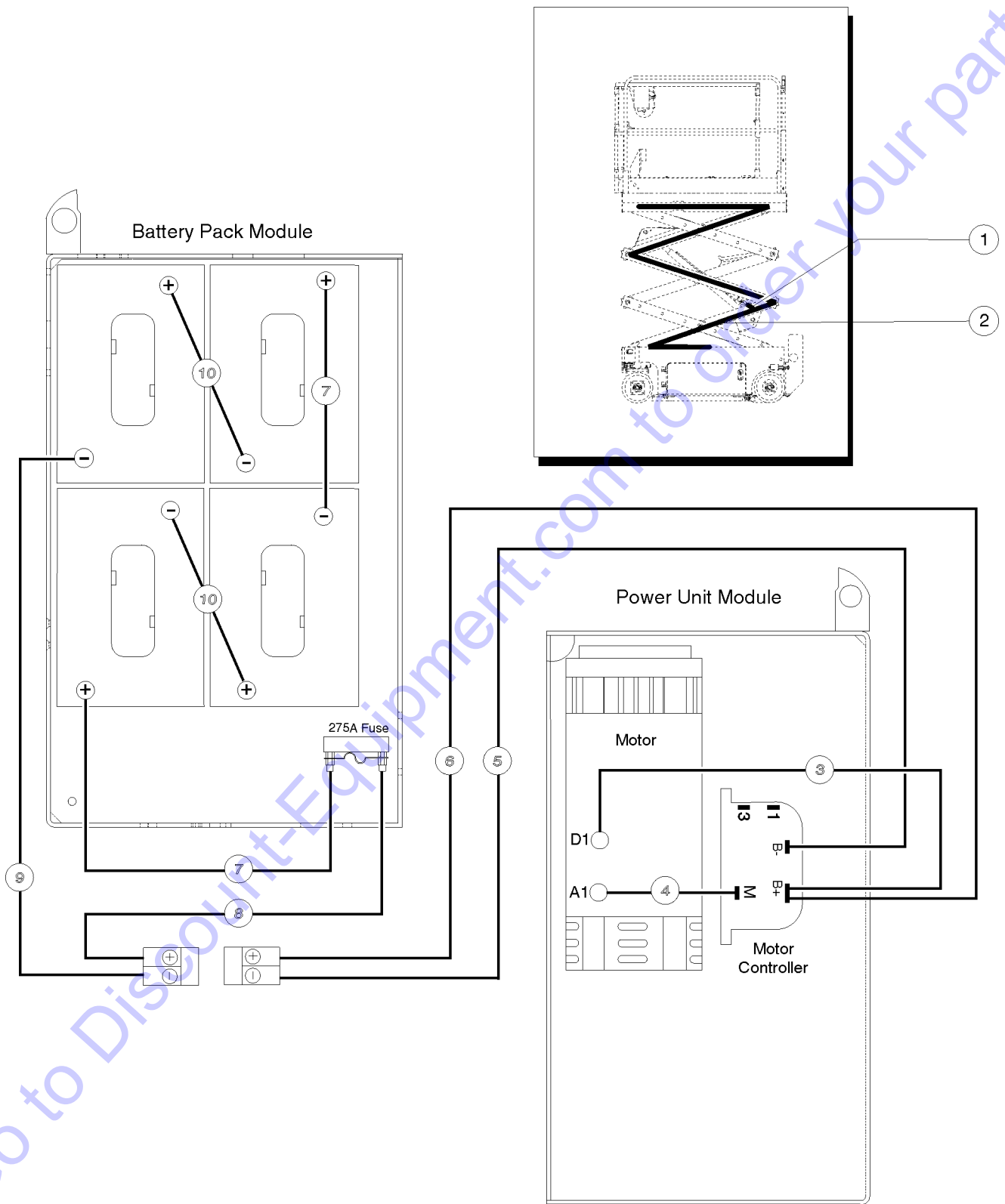


209.1 Electrical Wiring



Item	Part No.	Description	Qty.
20		REF. FUSE refer to 205.1	
21		REF. BATTERY COMPARTMENT refer to 205.1	
22A	T112510GT	CABLE, PLATFORM CONTROL, 15XX GS-1530 and GS-1532	1
22A-	231921GT	KIT,CONN,RECEPT W/PIN AND LOCK	
22A-	231922GT	KIT,CONN,PLUG W/SCKT AND LOCK	
22A-	218579GT	WIRE CABLE 18/5 - UNSHIELDED GS-1530 and GS-1532	212
22B	T112511GT	CABLE, PLATFORM CONTROL, 19XX GS-1930 and GS-1932	1
22B-	231921GT	KIT,CONN,RECEPT W/PIN AND LOCK	
22B-	231922GT	KIT,CONN,PLUG W/SCKT AND LOCK	
22B-	218579GT	WIRE CABLE 18/5 - UNSHIELDED GS-1930 and GS-1932	278
23		REF. Joystick Controller refer to 407.1	
24	144213GT	CHARGER INTERLOCK CBLE,GS30/32	
25A	1288219GT	HARNESS,CHARGER EXTENSION,BLACK PLUG from SN GS3016D-5426 to SN GS3016D-6095	1
25B	1273394GT	HARNESS ,CHARGER EXTENSION from SN GS3016D-6096	1
26A	1288206GT	ASSEMBLY, CHARGER STATUS LED, 2V,BCI from SN GS3016D-5426 to SN GS3016D-6095	1
26B	1270281GT	ASSEMBLY, CHARGER STATUS LED, 2V, BCI from SN GS3016D-6096	1
27	1283053GT	HARNESS, TELEMATICS, GS SLAB from SN GS30D-17247	1
28	1265771GT	HARNESS, CHARGER CONTROL from SN GS3016D-5426	1

210.1 Power Cables (models without contactor)

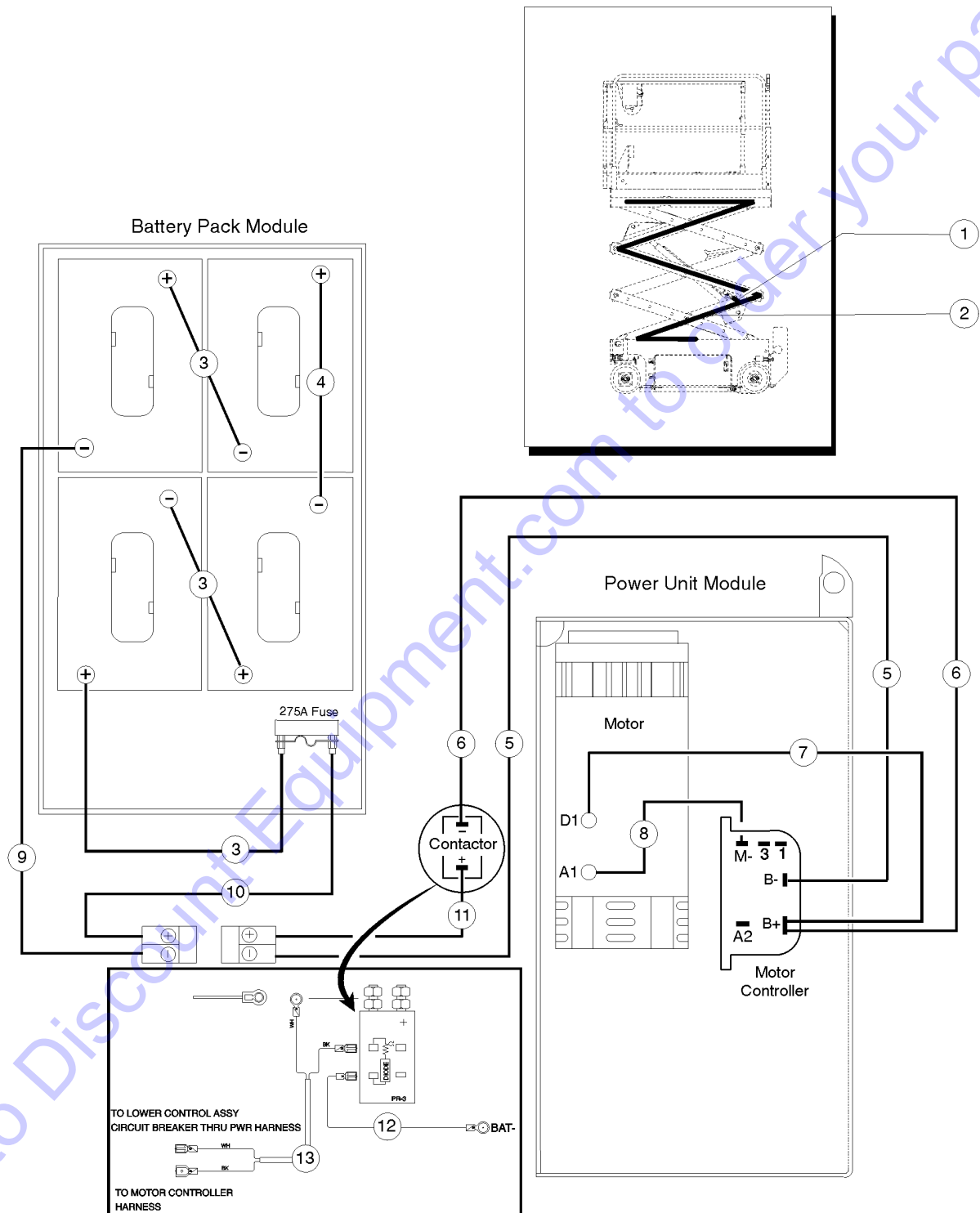


210.1 Power Cables (models without contactor)

Item	Part No.	Description	Qty.
A-	105953GT	BATTERY CABLE ASSY, GS30/32 (includes items 3-10 and fuse)	
B-	96387GT	ASSY,MOTOR CONTROL HARNESS (ANSI, CSA and Australia models)	
C-	96819GT	ASSY,MOTOR CONTRL HARN,CE (CE models)	
D-	105961GT	STD CONTROL HARNESS, GS3232 (ANSI, CSA and Australia models) (includes wire harnesses 96489, 96387, 96344, 105321 and 105968)	
E-	96440GT	CE CONTROL HARNESS, SLAB (CE models) (includes wire harnesses 96489, 96819, 96520, 105320 ,47124 and 105967)	
E-	105960GT	CE CONTROL HARNESS, GS3232 (CE models) (includes wire harnesses 96489, 96819, 96520, 105320 ,47124 and 105967)	
1		REF: Lift Cylinder Down Cable (refer to 209.1)	1
2		REF: Platform Control Cable (refer to 209.1)	1
3	96302GT	CABLE ASSY,BATT, 7.50" RED (refer to 209.1)	1
4	96303GT	CABLE ASSY,BATT, 7.50" BLACK (refer to 209.1)	1
5	96299GT	CABLE ASSY.BATT.75".AND.BLK (refer to 209.1)	1
6	96298GT	CABLE ASSY.BATT.75",AND.RED (refer to 209.1)	1
7	96306GT	CABLE ASSY,BATT,9.50"RED (refer to 209.1)	2
8	96300GT	CABLE ASSY,BATT,7.50",AND. RED (refer to 209.1)	1
9	105071GT	CABLE ASSY, BATT,19"AND.BLK (refer to 209.1)	1
10	96304GT	CABLE ASSY,BATT,5.50"RED (refer to 209.1)	2



210.2 Power Cables (models with contactor)



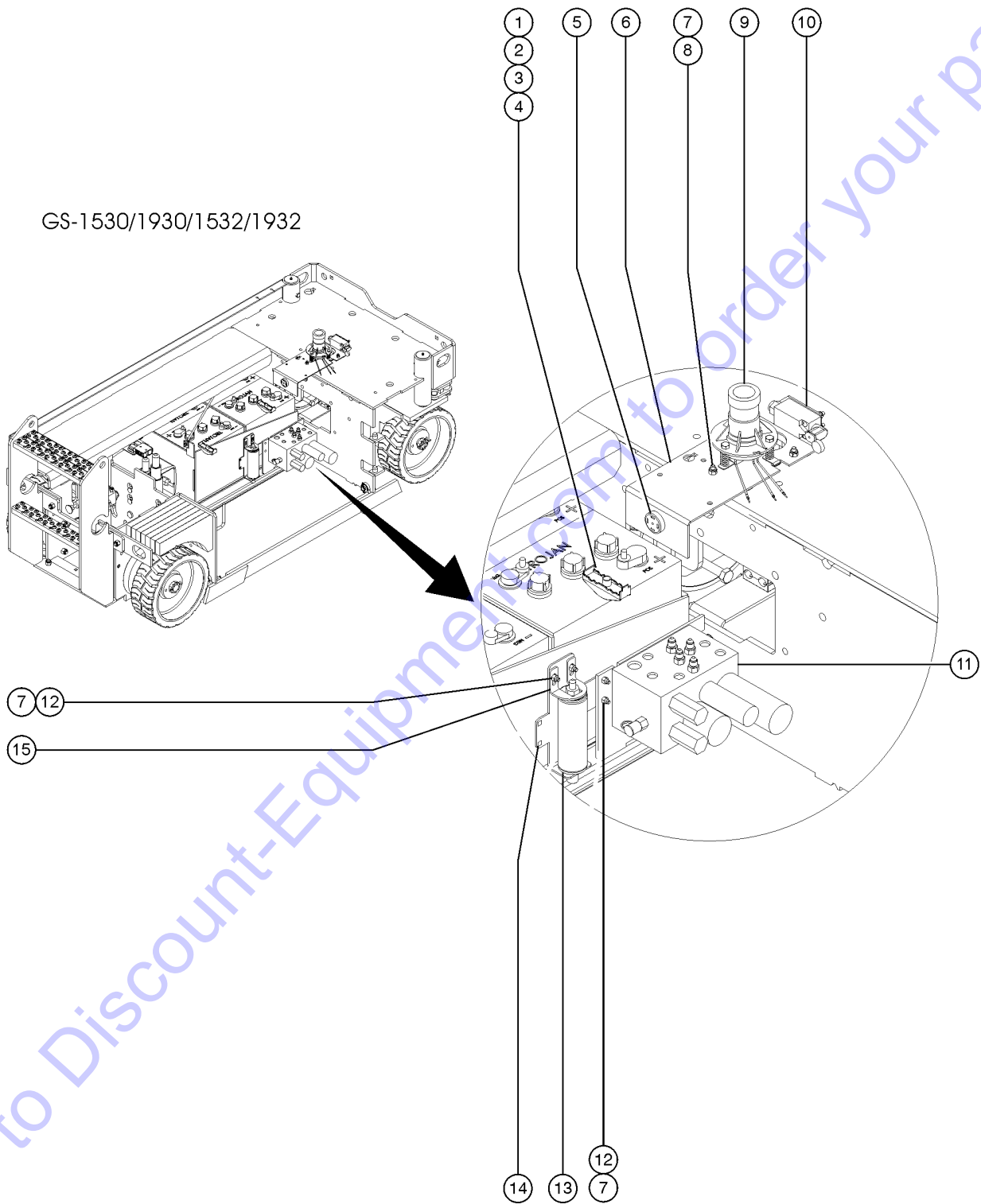
Go to DiscountEquipment.com to order your parts

210.2 Power Cables (models with contactor)

Item	Part No.	Description	Qty.
A-	1257033GT	BATTERY CABLE ASSEMBLY, GS30/32 includes items 3-13	
B-	233439GT	ASSY,MOTOR CONTROL HARNESS ANSI, CSA and Australia models	
C-	233438GT	ASSY,MOTOR CONTROL HARNESS,CE CE models	
D-	96522GT	STD CONTROL HARNESS, SLAB (ANSI, CSA and Australia models) (includes wire harnesses 96489, 96387, 96344 and 105321)	
E-	96440GT	CE CONTROL HARNESS, SLAB (CE models) (includes wire harnesses 96489, 96819, 96520, 105320 and 47124)	
1		REF: Lift Cylinder Down Cable refer to 209.1	1
2		REF: Platform Control Cable refer to 209.1	1
3	96304GT	CABLE ASSY,BATT,5.50"RED	3
4	96306GT	CABLE ASSY,BATT,9.50"RED	1
5	1257058GT	CABLE ASSY., BATT. 79" BLACK replaced 96299	1
6	1257059GT	CABLE ASSY.,BATT. 74.5"RED replaced 233368	1
7	1257054GT	CABLE ASSY., BATT. 11.5" RED replaced 96302	1
8	1257055GT	CABLE ASSY., BATT. 9.5" BLACK replaced 96303	1
9	232578GT	CABLE ASSY,BATT, 20" BLK	1
10	232576GT	CABLE ASSY,BATT, 12" RED	1
11	233371GT	CABLE ASSY, BATT, 23"RD	1
12	232582GT	GROUND WIRE ASSY,GS	1
13	233431GT	HRNS,CONTACTOR SIGNL,GS30/32	1



211.1 Function Manifold and Accumulator Components, GS-1530/1532/1930/1932



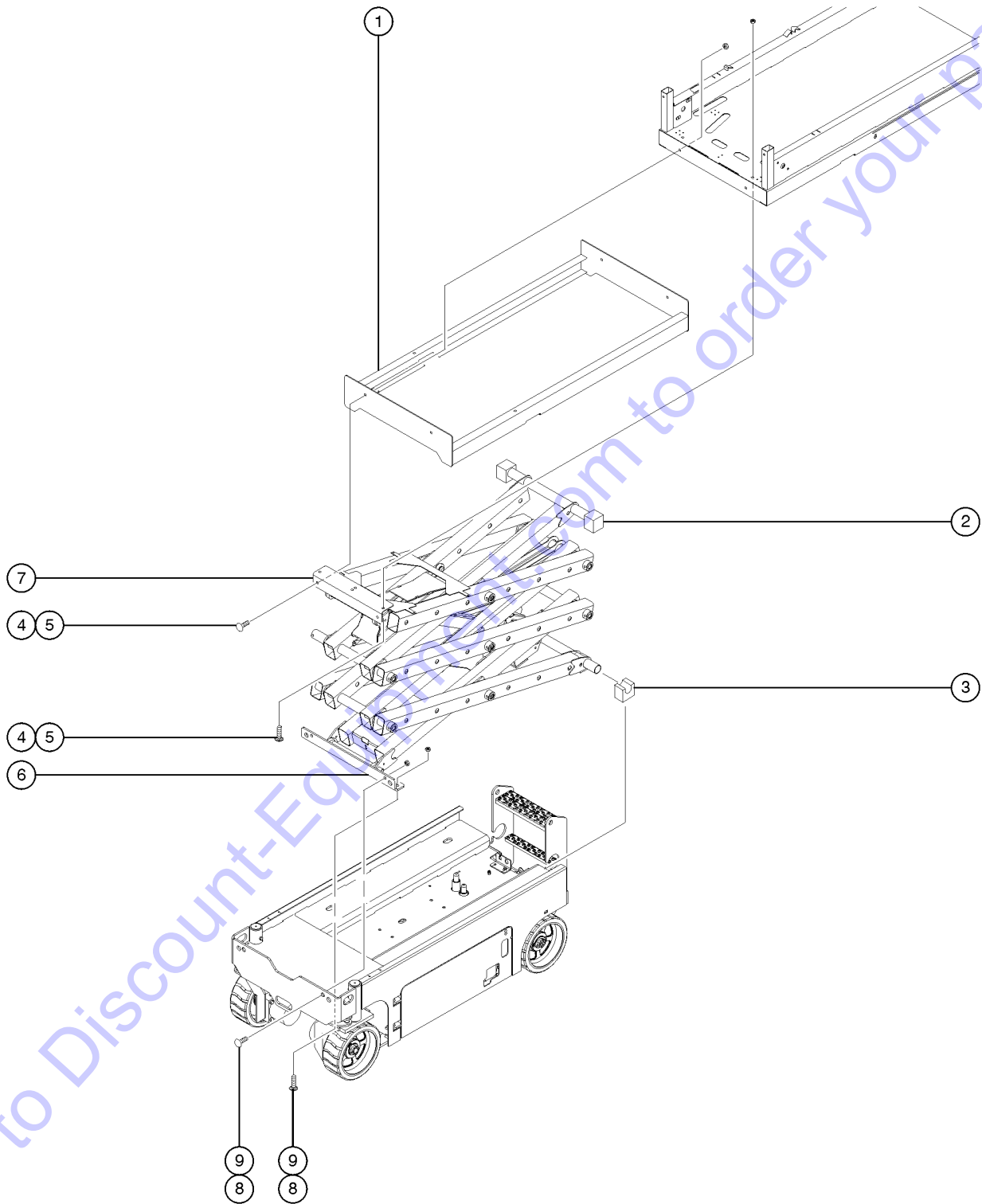
211.1 Function Manifold and Accumulator Components, GS-1530/1532/1930/1932

Item	Part No.	Description	Qty.
		CLAMP,CABLE & HOSE	
1	105209GT	CLAMP,CABLE & HOSE	2
2	6145GT	SCREW,HHC,1/4-20 X 1.5	
3	6638GT	WASHER,FLAT,USS,1/4"Y	
4	18504GT	NUT,LOCKING-LG.FLANGE,1/4-20	
5		Ref. Alarm, Steady Tone	
		(refer to 203.1)	
6		Ref. Alarm Bracket	
		(refer to 203.1)	
7	6091GT	NUT, NYLOCK, 1/4-20	
8	79456GT	BOLT,CARRIAGE,1/4-20 X 1.00,G2	
9		Ref. Level Sensor	
		(refer to 203.1)	
10		Ref. Limit Switch with Roller	
		(refer to 203.1)	
11		Ref. Function Manifold	
		(refer to 502.1)	
12	9116GT	BOLT,CARRIAGE,1/4-20 X 1.25,G2	
13	78422GT	ACCUMULATOR,180 PSI PRECHARGE*	
14	105210GT	FORMING, ACCUMULATOR BRACKET	1
15	105211GT	FORMING, ACCUMULATOR CLAMP	1

Go to Discount-Equipment.com to order your parts



301.1 Scissor Assembly Installation

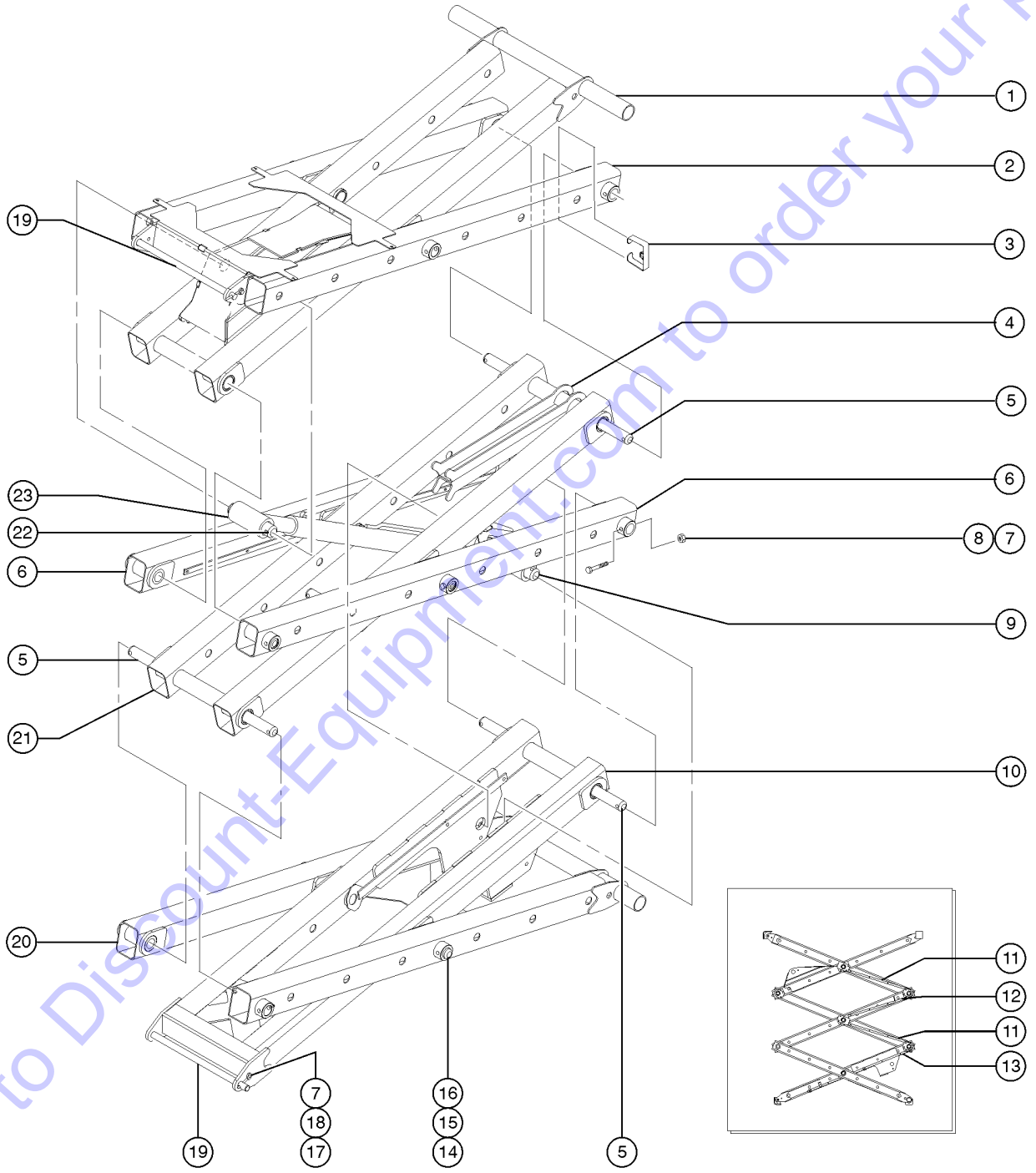


Item	Part No.	Description	Qty.
1		PLATFORM SLIDER WELDMENT not available separately - shown for illustration purposes only	1
2	96576GT	SLIDER, MINI PLATORM, DRILLED**	2
3	96126GT	SLIDER, UHMW	2
4	105092GT	BOLT,CARRIAGE,3/8-16X1.25,GR5	
5	4828GT	NUT,NYLOCK,3/8-16	
6	84693GT	CHASSIS MOUNT ASSY, GS30	1
6-	36369GT	BEARING,0.75IDX1.00ODX0.75L	2
7A	84694GT	PLATFORM MOUNT ASSY, 15 FT GS-1530, GS-1532	1
7A-	36369GT	BEARING,0.75IDX1.00ODX0.75L	2
7B	84695GT	PLATFORM MOUNT ASSY, 19 FT GS-1930, GS-1932	
7B-	36369GT	BEARING,0.75IDX1.00ODX0.75L	2
8	96977GT	BOLT,CARRIAGE,1/2-13X1.50,GR5	8
9	6198GT	NUT,NYLOK,1/2-13	8

Go to Discount-Equipment.com to order your parts



302.1 Scissor Assembly, GS-1530/1532



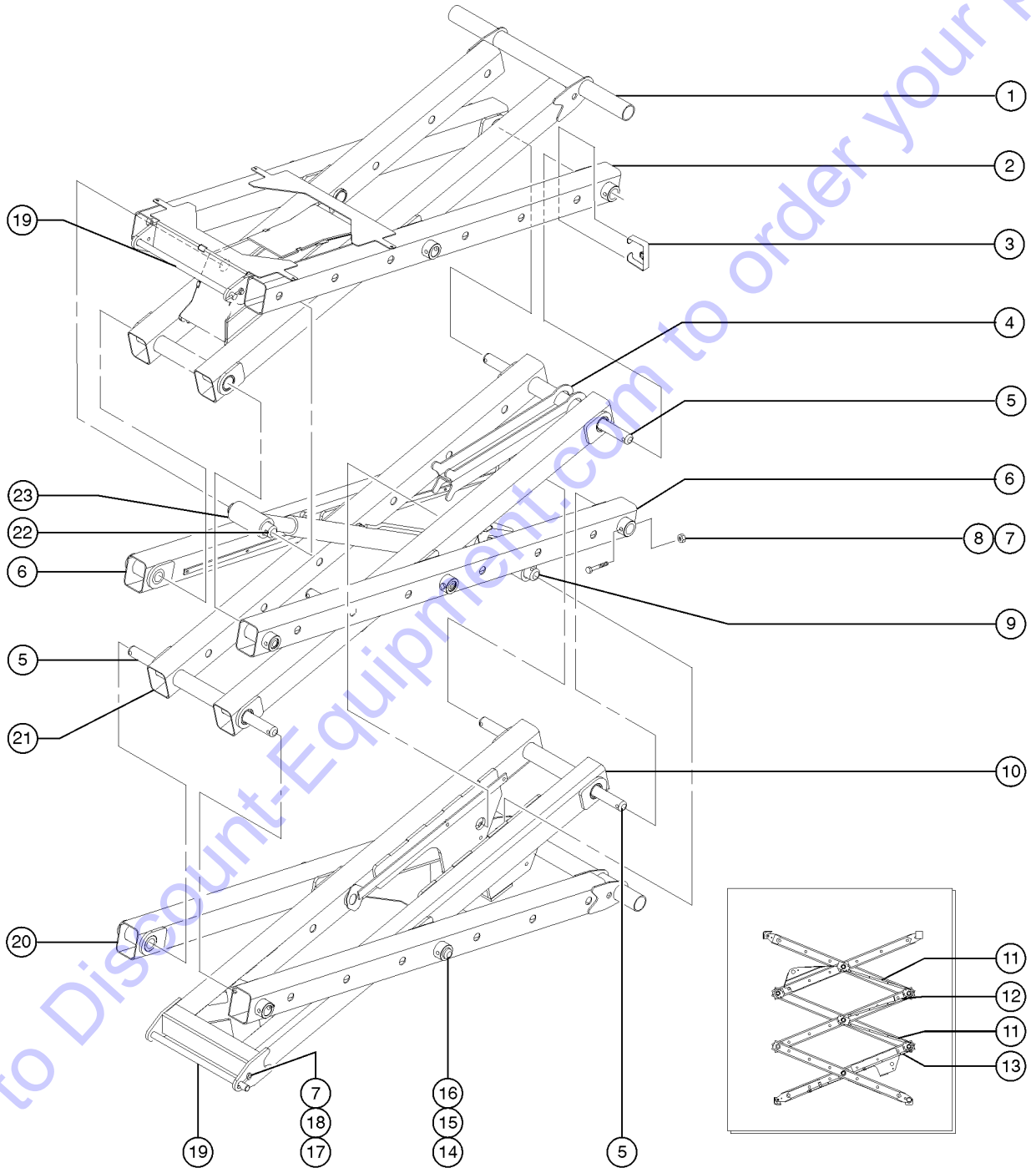
Go to Discount-Equipment.com to order your parts



Item	Part No.	Description	Qty.
1	84578GT	INNER ARM ASSY,#3,15FT	1
1-	96487GT	BEARING,1.26IDX1.53ODX1.25L	6
2	105280GT	WELDMENT,LINK PLATFORM MNT***	2
3	96331GT	LINK BUMPER	8
4	58000GT	SAFETY CHOCK,SCISSOR	1
5	105085GT	PIN,MINI END***	4
6	96121GT	WELDMENT, LINK, SINGLE	2
7	4828GT	NUT,NYLOCK,3/8-16	
8	14033GT	SCREW, HHC, 3/8-16 X 2.75	
9	47666GT	PIN,1.50DIAX9.13LG,1HOLE	1
10A	105997GT	INNER ARM ASSY#1,15&19FT,WORD (USA, Canada, and Australia)	1
10A-	105818GT	WLDTMT,LINK,#1 INNER,15&19 FT (decals not included, refer to section one)	1
10A-	96487GT	BEARING,1.26IDX1.53ODX1.25L	6
10B	105998GT	INNER ARM ASSY#1,15&19FT,SYMB (Europe, Asia, South America)	1
10B-	105818GT	WLDTMT,LINK,#1 INNER,15&19 FT (decals not included, refer to section one)	1
10B-	96487GT	BEARING,1.26IDX1.53ODX1.25L	6
11	105183GT	WLDMT,CABLE BRIDGE,BOTTOM,MINI	2
12	105184GT	WELDMENT,CABLE BRIDGE,TOP,MINI	1
13	105182GT	WLDMT,CABLE BRIDGE,LOWER,MINI	1
14	30217GT	SNAP RING,EXTERNAL,1.25 DIA.**	6
15	96390GT	WASHER,FLAT, 1.27 X 2.13 X .13	
16	96130GT	PIN, MINI, CENTRE	6
17	8516GT	SCREW, HCC, 3/8-16 X 1.50	
18	825020GT	ROD END,.250X2.75,ZAG	2
19	96131GT	PIN, CHASSIS PIVOT	2
20A	84581GT	OUTER ARM ASSY#1,15&19FT WORD (USA, Canada, and Australia)	1
20B	84583GT	OUTER ARM ASSY,#1,15&19FT SYMB (Europe, Asia, South America)	1
21	84582GT	INNER ARM ASSY,#2,15/19 FT,WRD (decals not included, refer to section one)	1



302.1 Scissor Assembly, GS-1530/1532

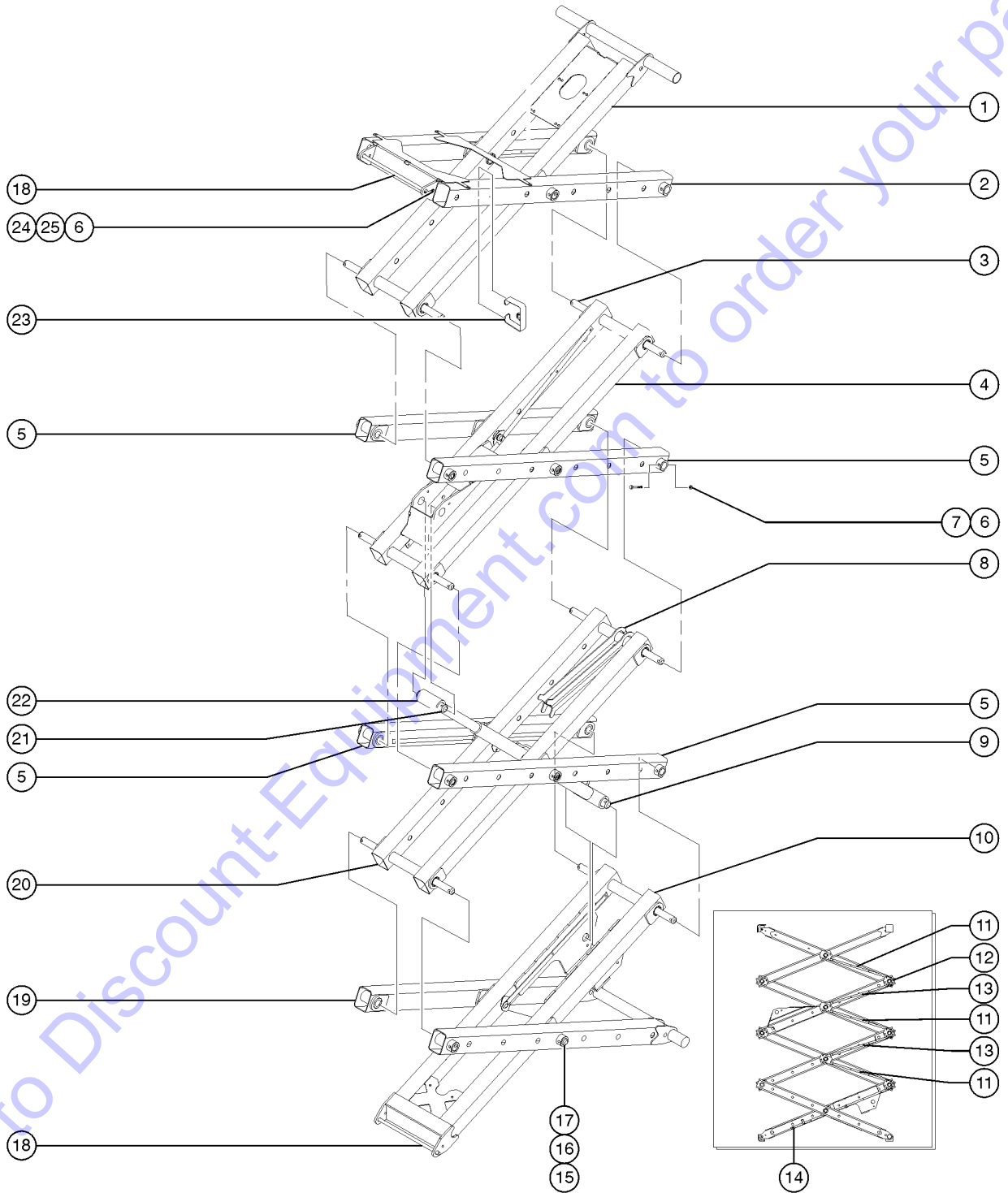


Item	Part No.	Description	Qty.
21-	96487GT	BEARING,1.26IDX1.53ODX1.25L	8
22	96283GT	PIN, CYLINDER, SHORT	1
23		REF. LIFT CYLINDER	
		(refer to 506.1)	

Go to Discount-Equipment.com to order your parts

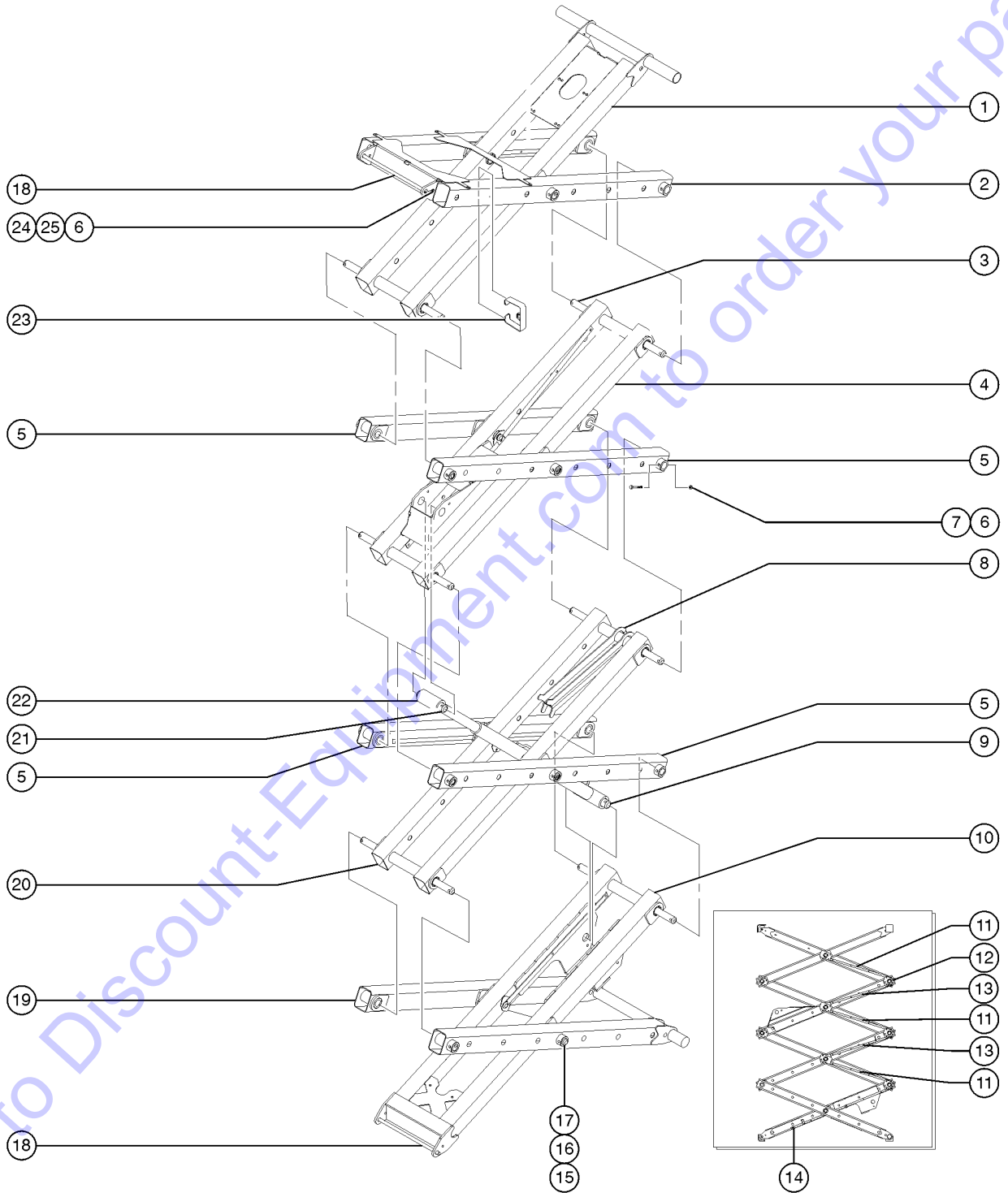


303.1 Scissor Assembly, GS-1930/1932



Item	Part No.	Description	Qty.
1	84579GT	INNER ARM ASSY,#4 19FT	1
1-	96487GT	BEARING,1.26IDX1.53ODX1.25L	6
2	105280GT	WELDMENT,LINK PLATFORM MNT***	2
3	105085GT	PIN,MINI END***	6
4	84580GT	INNER ARM ASSY, #3, 19FT	1
4-	96487GT	BEARING,1.26IDX1.53ODX1.25L	8
5	96121GT	WELDMENT, LINK, SINGLE	4
6	4828GT	NUT,NYLOCK,3/8-16	
7	8178GT	SCREW,HHC,3/8-16 X 2.5	
8	58000GT	SAFETY CHOCK,SCISSOR	1
8-	78901GT	FORMING,SAFETY ARM***	2
8-	1256756GT	BOLT,CARRIAGE,3/8-16X1.5,5,ZAG	2
8-	824029GT	NUT,TL FLG,3/8-16,G,ZAG	2
9	47666GT	PIN,1.50DIA X9.13LG,1HOLE	1
10A	105997GT	INNER ARM ASSY#1,15&19FT,WORD (USA, Canada, Australia)	1
10A-	105818GT	WLDTMT,LINK,#1 INNER,15&19 FT (decals not included, refer to section one)	1
10A-	96487GT	BEARING,1.26IDX1.53ODX1.25L	6
10B	105998GT	INNER ARM ASSY#1,15&19FT,SYMB (Europe, Asia, South America)	1
10B-	105818GT	WLDTMT,LINK,#1 INNER,15&19 FT (decals not included, refer to section one)	1
10B-	96487GT	BEARING,1.26IDX1.53ODX1.25L	6
11	105183GT	WLDMT,CABLE BRIDGE,BOTTOM,MINI	3
12	105185GT	CLIP, CABLEBRIDGE, MINI	3
13	105184GT	WELDMENT,CABLE BRIDGE,TOP,MINI	2
14	105182GT	WLDMT,CABLE BRIDGE,LOWER,MINI	1
15	30217GT	SNAP RING,EXTERNAL,1.25 DIA.**	8
16	96390GT	WASHER,FLAT, 1.27 X 2.13 X .13	
17	96130GT	PIN, MINI, CENTRE	8
18	96131GT	PIN, CHASSIS PIVOT	2

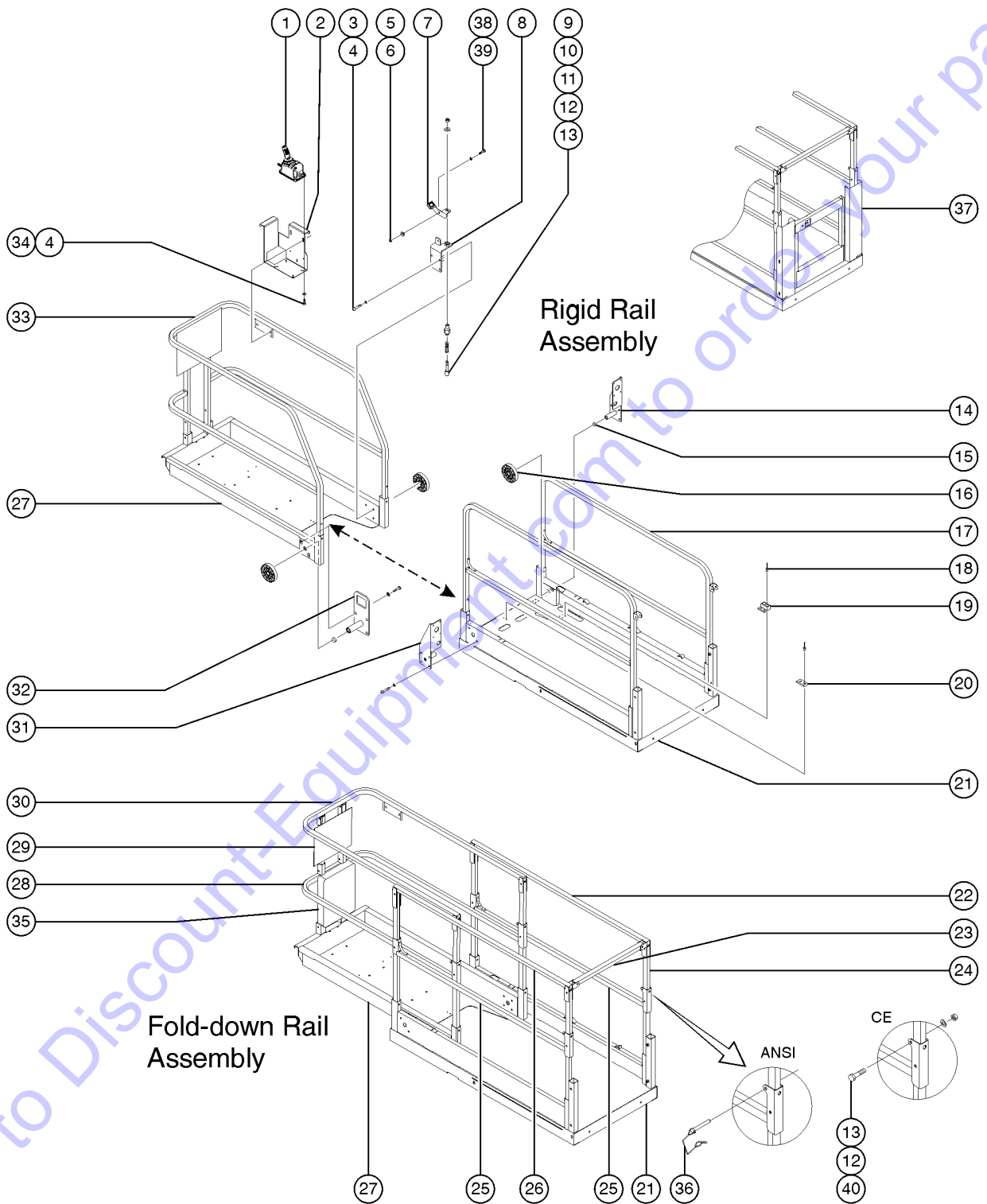
303.1 Scissor Assembly, GS-1930/1932



Item	Part No.	Description	Qty.
19A	84581GT	OUTER ARM ASSY#1,15&19FT WORD (USA, Canada, Australia)	1
19B	84583GT	OUTER ARM ASSY,#1,15&19FT SYMB (Europe, Asia, South America)	1
20A	84582GT	INNER ARM ASSY,#2,15/19 FT,WRD	1
20B	1275748GT	WELDMENT, LINK, INNER,#2, KO (Korean)	1
21	96283GT	PIN, CYLINDER, SHORT	1
22		Ref. Lift Cylinder (refer to 506.1)	
23	96331GT	LINK BUMPER	8
24	8516GT	SCREW, HCC, 3/8-16 X 1.50	
25	825020GT	ROD END,.250X2.75,ZAG	2

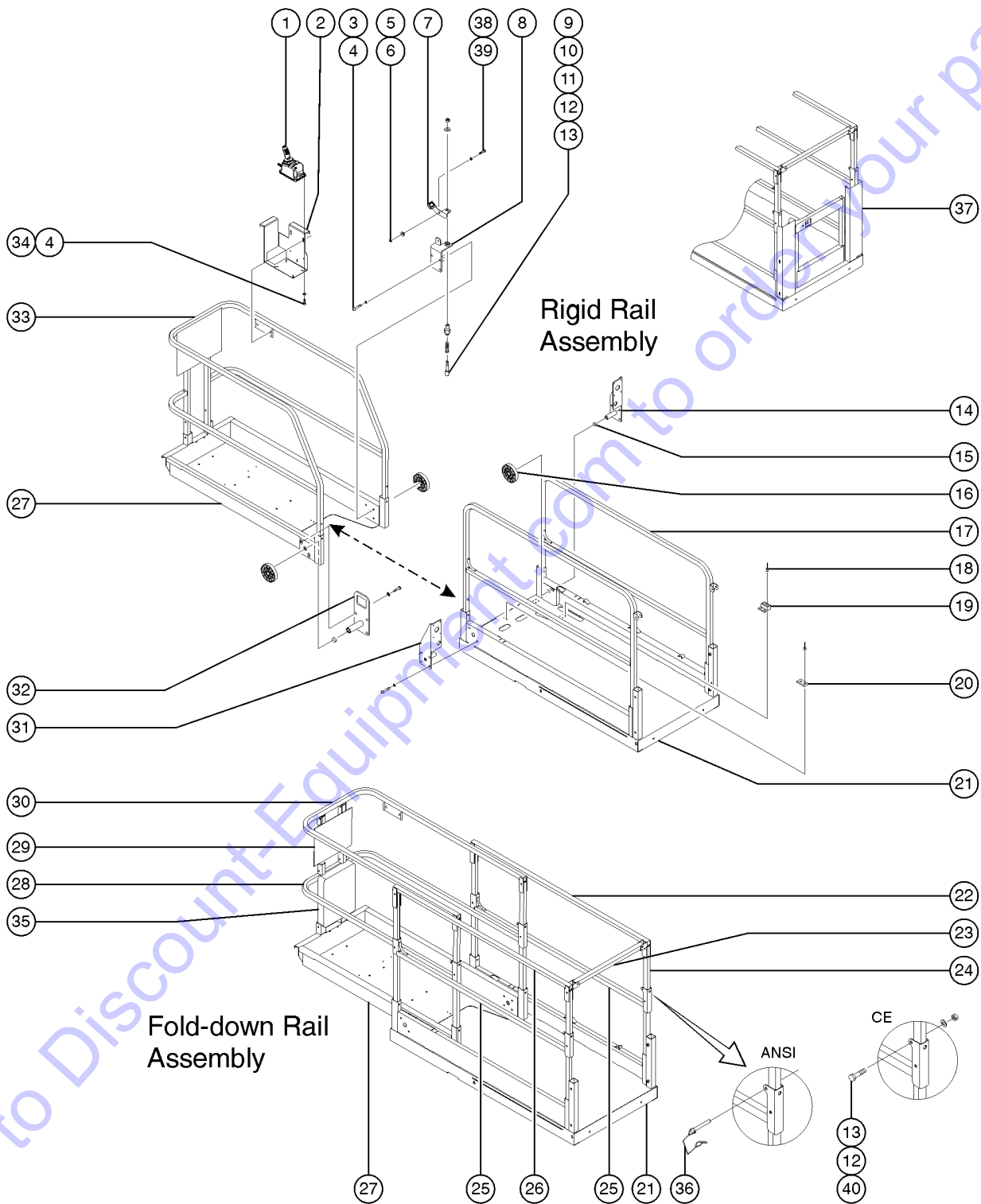
Go to Discount-Equipment.com to order your parts





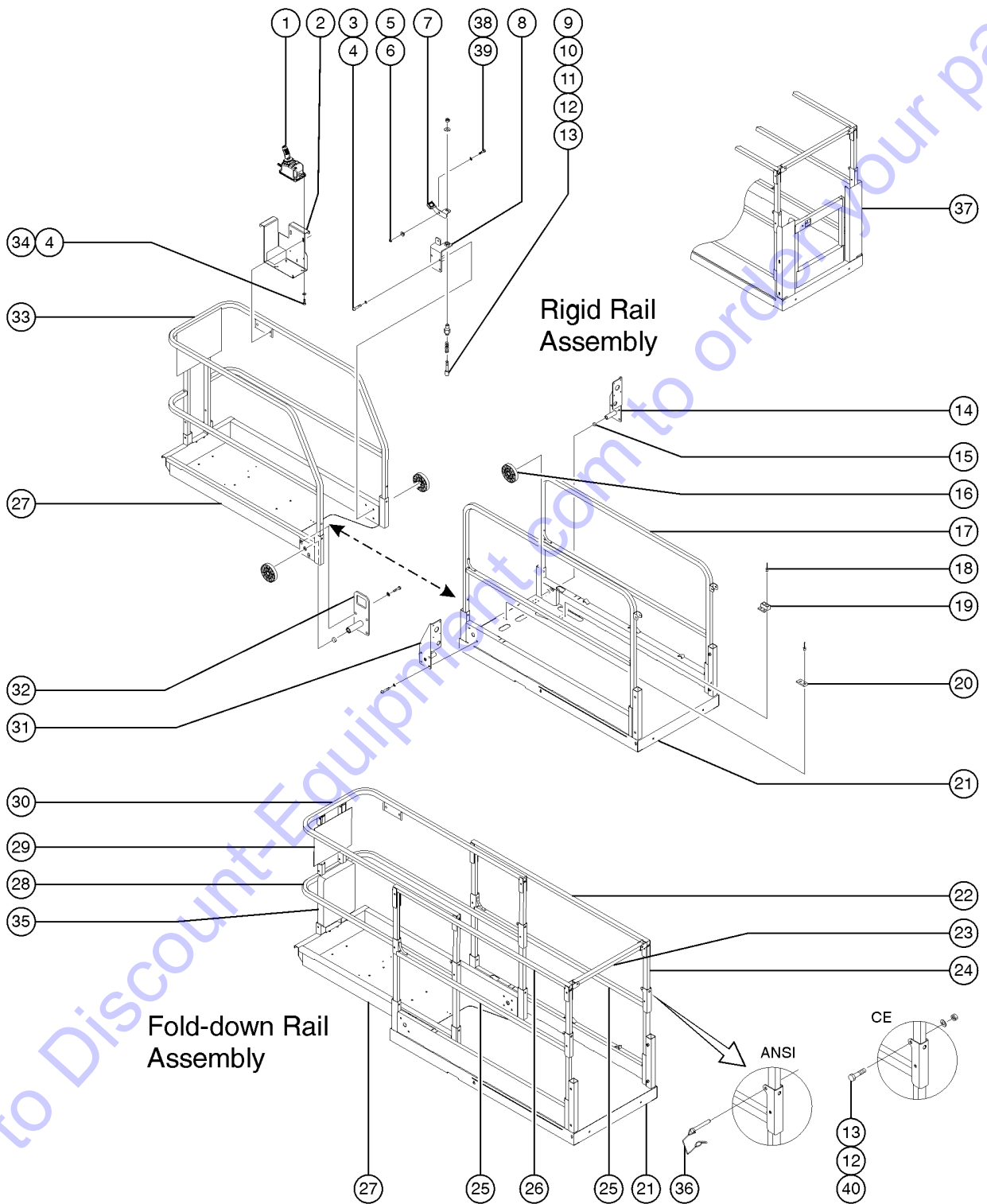
Item	Part No.	Description	Qty.
1		Ref. Platform Control Box (refer to 407.1 or 408.1)	
2		Ref. Platform Control Box Mount Bracket (refer to 407.1 or 408.1)	
3	5224GT	SCREW,HHC,3/8-16 X 2	
4	6021GT	WASHER,LOCK,.375	
5	6002GT	NUT, LP NYLOCK, 5/16-18	1
6	47222GT	WASHER, SHOULDER, NYLON	1
7	47166GT	BRACKET,FOOT PEDAL	1
7-	47166GT	BRACKET,FOOT PEDAL (does not include non-skid tape)	
7-	47225GT	TAPE,NON-SKID,DIE CUT,1.38X1.5	
8	96413GT	WLDMT,LOCKING ROLLER SUPPORT	1
9	39470GT	PIN, LOCK	1
10	39469GT	SPRING,COMPRESSION.485 X1.75**	1
11	41630GT	HOUSING, LOCK PIN	1
12	6097GT	WASHER,FLAT,USS,3/8",Y	
13	7713GT	NUT, LP NYLOCK, 3/8-16	
14A	84587GT	ROLLER BRACKET ASSY, GRND CNTR (ground controls side)	1
14B	96247GT	WELDMENT,ROLLER BRACKET,RT*** (decals not included, refer to section one)	1
15	21279GT	BUTTON, .800 O.D. X .281	3
16	47163GT	ROLLER,PLATFORM EXTENSION	4
17	66948GT	WELDMENT, MAIN, SIDERAIL***	2
18	39579GT	RIVET,STL,STL,.188 X .45	20
19	39310GT	WEAR/GUIDE PAD MAIN PLATFORM	4
20	39474GT	WEAR PAD,PLATFORM	2
21A	97115GT	PLAT MAIN DECK ASSY,1530 ANSI GS-1530 (North America) (includes items 18, 19 & 20)	1
21A-	47231GT	TAPE,NON-SKID,DIE CUT,4"X 16"	
21A-	47098GT	TAPE,NON-SKID,DIE CUT,4"X 40"	
21B	231103GT	PLAT MAIN DECK ASSY,1530 AU GS-1530 (Australia) (includes items 18, 19 & 20)	1
21B-	47231GT	TAPE,NON-SKID,DIE CUT,4"X 16"	



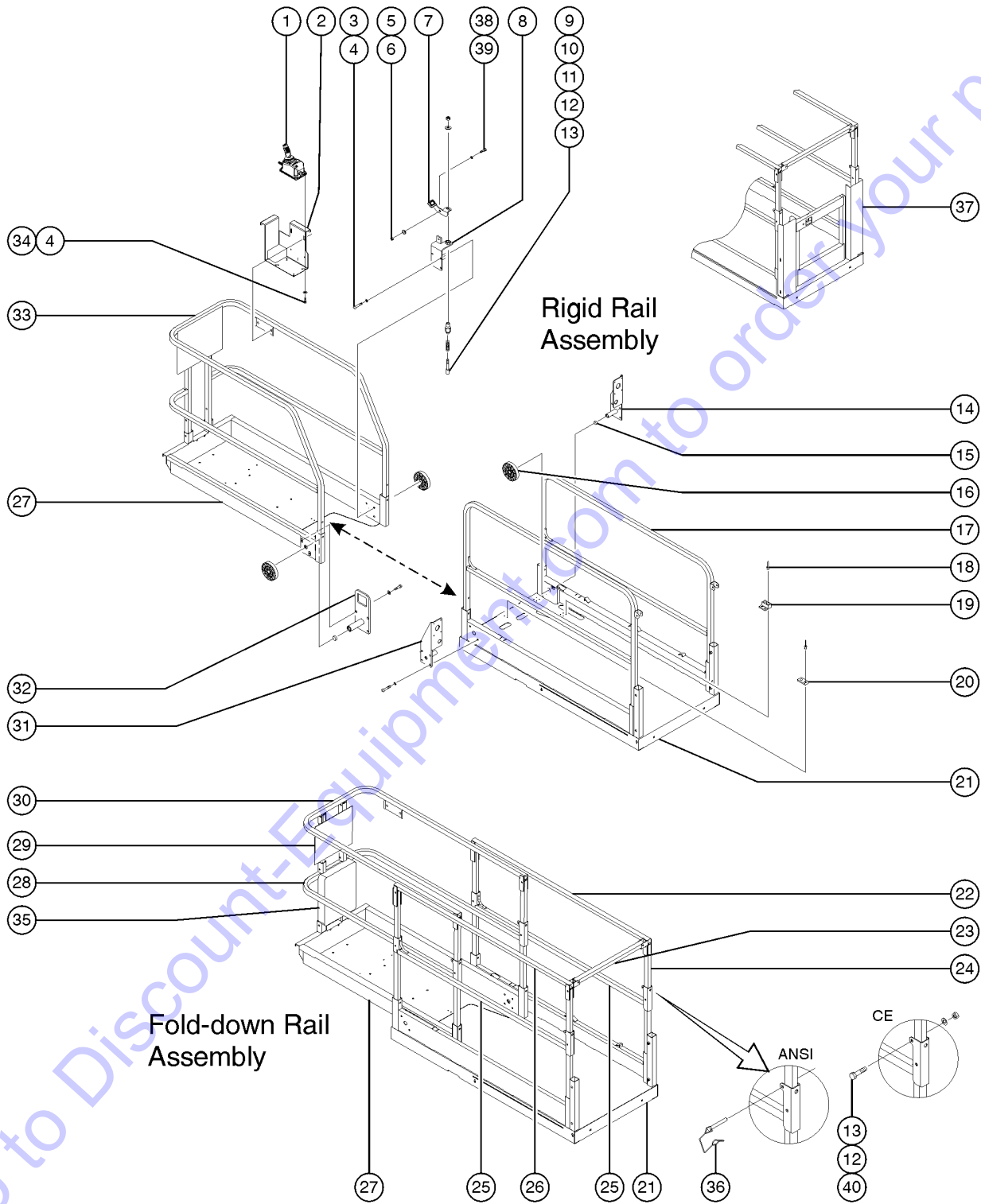


Item	Part No.	Description	Qty.
21B-	47098GT	TAPE, NON-SKID, DIE CUT, 4" X 40"	
21C	97118GT	PLAT MAIN DECK ASSY, 1530 SMBL GS-1530 (Asia, and South America) (includes items 18, 19 & 20)	1
21C-	47231GT	TAPE, NON-SKID, DIE CUT, 4" X 16"	
21C-	47098GT	TAPE, NON-SKID, DIE CUT, 4" X 40"	
21D	231104GT	PLAT MAIN DECK ASSY, 1530 CE GS-1530 (Europe) (includes items 18, 19 & 20)	1
21D-	47231GT	TAPE, NON-SKID, DIE CUT, 4" X 16"	
21D-	47098GT	TAPE, NON-SKID, DIE CUT, 4" X 40"	
21E	1259719GT	WLDMNT, PLATFORM, MINI, GS30 replaced 132132 from SN 110000 (weldment only; decals not included, refer to section one)	1
22	66890-SGT	WLDMT, MAIN SIDERAIL, UPP, RT **	1
22-	78038GT	CAP, PLASTIC, 1.25 X 0.08"	
23	66886GT	ENTRY SWING TUBE	1
24	66485GT	TUBE, VERT, FOLDING	6
25	66592GT	WELDMENT, MAIN FOLDING SIDERAIL	2
25-	78038GT	CAP, PLASTIC, 1.25 X 0.08"	
26	66889-SGT	WLDMT, MAIN SIDERAIL, UPPER, LFT	1
26-	78038GT	CAP, PLASTIC, 1.25 X 0.08"	
27A	97123GT	PLAT EXT DECK ASSY, GS30	1
27-	47374GT	TAPE, NON-SKID, DIE CUT, 4" X 32"	3
27-	39474GT	WEAR PAD, PLATFORM	1
27-	T113787GT	RIVET, ALUM, STL, .188 X .250 for 39474	2
27B	96335GT	WELDMENT, EXT PLATFORM (decals not included, refer to section one)	1
28	96336GT	WLDMT, EXT DECK LWR RAIL (fold down)	1
28-	78038GT	CAP, PLASTIC, 1.25 X 0.08"	
29A	231111GT	DECAL PLATE ASSY, GS30, ANSI (North America)	1
29B	231610GT	DECAL PLATE ASSY, GS30, AUSTRAL (Australia)	1
29C	84590GT	DECAL PLATE ASSY W/SYM DECALS (Asia, Europe and South America)	1
29D	96849GT	WLDMT, DECAL PLATE, GS30/32 (decals not included, refer to section one)	1
30A	97213GT	EXT RAIL ASSY, UPPER, GS30	1



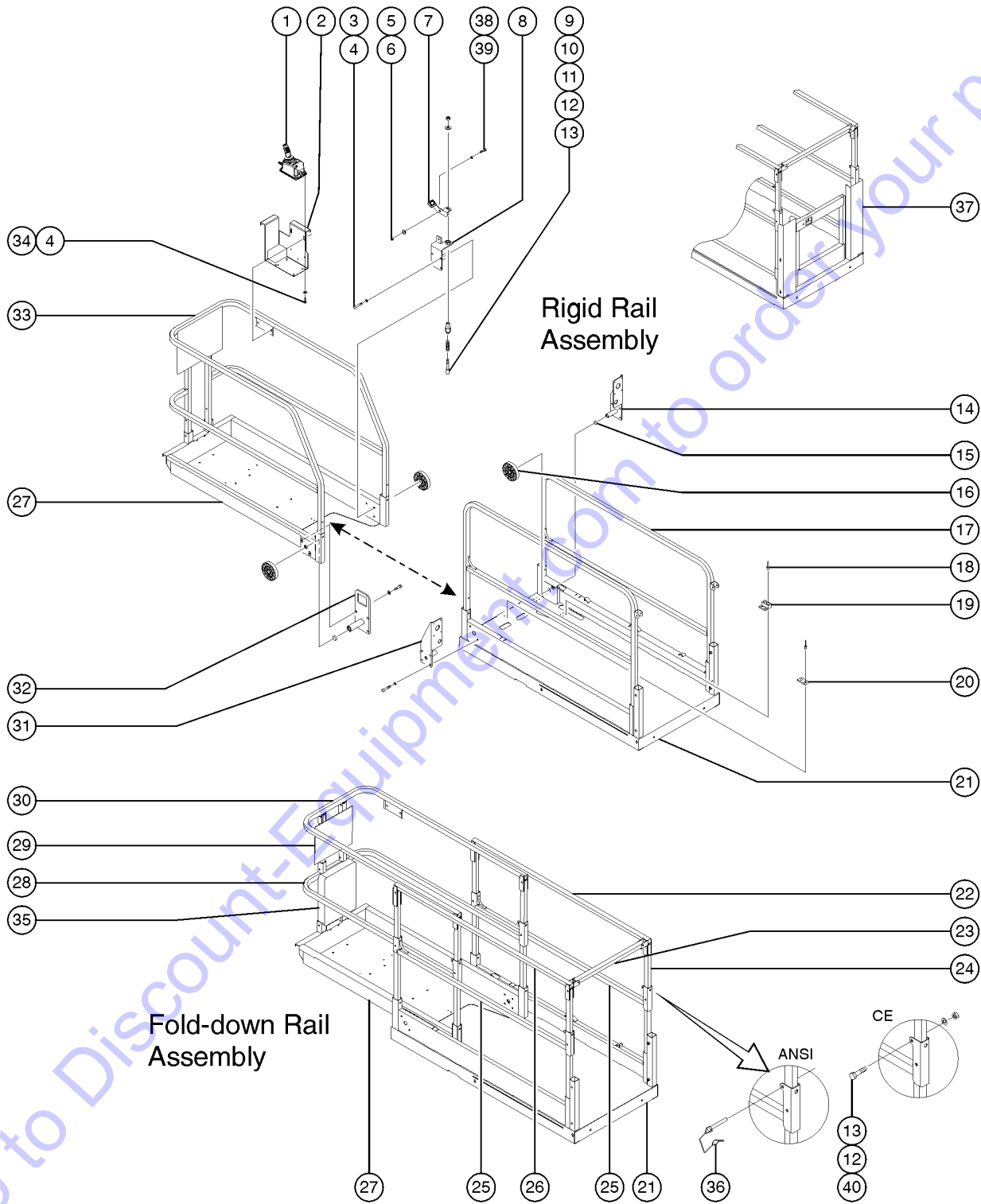


Item	Part No.	Description	Qty.
30-	78038GT	CAP, PLASTIC, 1.25 X 0.08"	1
30B	133206GT	DECAL,OPEN WINDOW INST (decals not included, refer to section one)	1
31	96246GT	WELDMENT,ROLLER BRACKET,LT***	1
32A	84586GT	LANYARD ROLLER BRKT ASSY W/DEC	1
32-	21279GT	BUTTON, .800 O.D. X .281	1
32B	96200GT	WLDMT, LANYARD ROLLER BRKT (decals not included, refer to section one)	1
33A	231112GT	FIXED RAILS ASSY,GS30,ANSI (North America)	1
33B	231611GT	FIXED RAILS ASSY,GS30,AUSTRAL (Australia)	1
33C	97132GT	FIXED RAILS ASSY, GS30 SYMBOL (Asia, Europe and South America)	1
33D	1282141GT	WLDMT, EXT SIDERAIL,METRIC (decals not included, refer to section one)	1
34	8255GT	SCREW,HHC,3/8-16 X .75	1
35A	44743GT	MANUAL BOX W/DECALS*** USA/Canada/Australia	1
35B	24514GT	BOX,INSTRUCTION STORAGE Europe/Asia/South America (decal required; refer to Section100)	1
36	66030GT	PIN, WIRE LOCK 3/8 X 2 -1/2	4
36-	78022GT	LANYARD,BLACK NYLON,TYPE 1*** (CE & Australia models)	1
37		Ref. SWING GATE ASSEMBLY (refer to 405.1)	1
38	1259223GT	BOLT,SHS,3/8X.375X5/16-18,ZAG	1
39	12013GT	SHIM,.375 X .063	1
40	14033GT	SCREW, HHC, 3/8-16 X 2.75	5



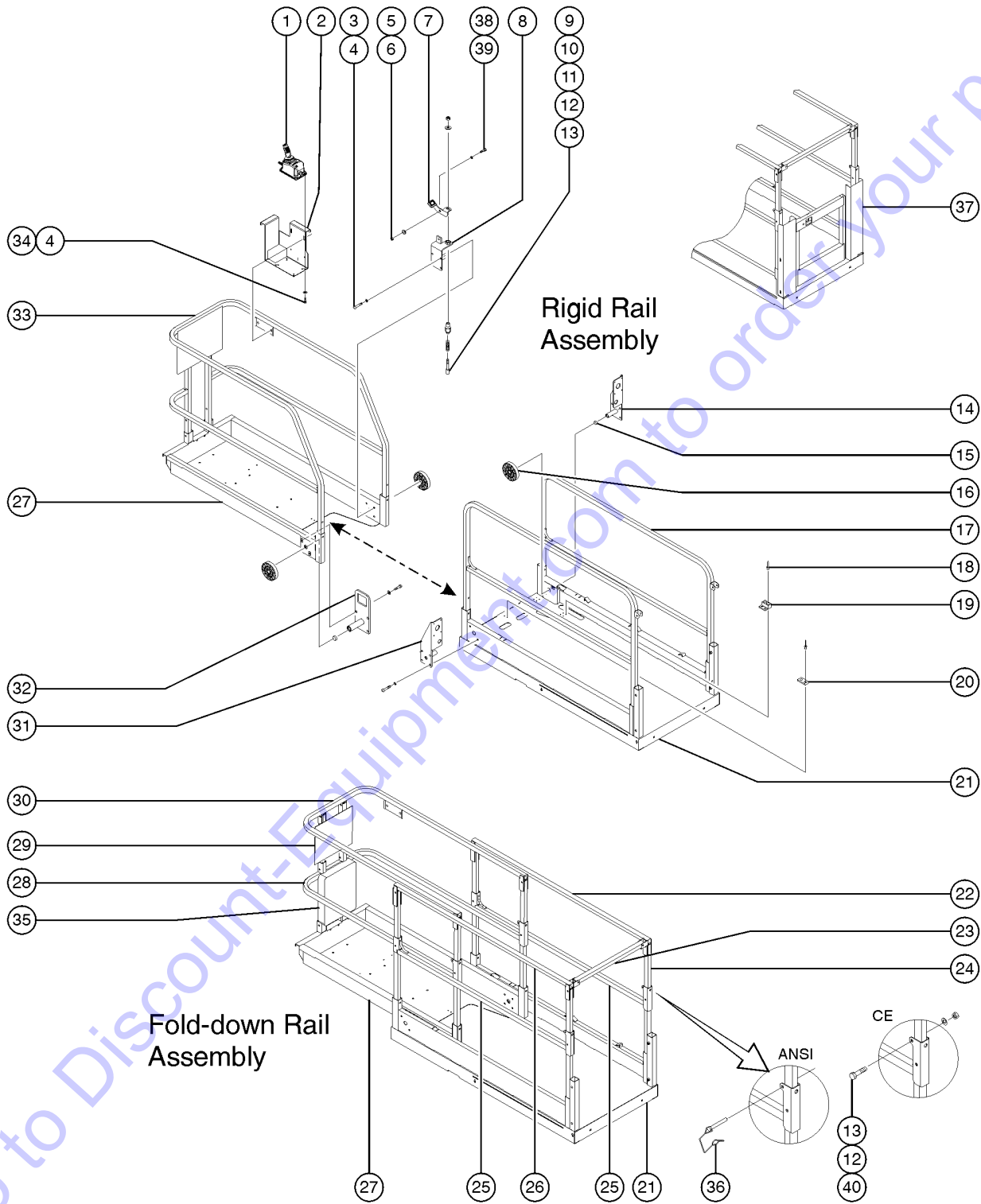
Item	Part No.	Description	Qty.
1		Ref. Platform Control Box (refer to 407.1 or 408.1)	
2		Ref. Platform Control Box Mount Bracket (refer to 407.1 or 408.1)	
3	5224GT	SCREW,HHC,3/8-16 X 2	
4	6021GT	WASHER,LOCK,.375	
5	6002GT	NUT, LP NYLOCK, 5/16-18	
6	47222GT	WASHER, SHOULDER, NYLON	1
7	47166GT	BRACKET,FOOT PEDAL	1
7-	47166GT	BRACKET,FOOT PEDAL (does not include non-skid tape)	
7-	47225GT	TAPE,NON-SKID,DIE CUT,1.38X1.5	
8	96413GT	WLDMT,LOCKING ROLLER SUPPORT	1
9	39470GT	PIN, LOCK	1
10	39469GT	SPRING,COMPRESSION.485 X1.75**	1
11	41630GT	HOUSING, LOCK PIN	1
12	6097GT	WASHER,FLAT,USS,3/8",Y	
13	7713GT	NUT, LP NYLOCK, 3/8-16	
14A	84587GT	ROLLER BRACKET ASSY, GRND CNTR (ground controls side)	1
14B	96247GT	WELDMENT,ROLLER BRACKET,RT*** (decals not included, refer to section one)	1
15	21279GT	BUTTON, .800 O.D. X .281	3
16	47163GT	ROLLER,PLATFORM EXTENSION	4
17	66948GT	WELDMENT, MAIN, SIDERAIL***	2
18	39579GT	RIVET,STL,STL,.188 X .45	20
19	39310GT	WEAR/GUIDE PAD MAIN PLATFORM	4
20	39474GT	WEAR PAD,PLATFORM	2
21A	231105GT	PLAT MAIN DECK ASSY,1532 AU GS-1532 (Australia) (includes items 18, 19 & 20)	1
21A-	47231GT	TAPE,NON-SKID,DIE CUT,4"X 16"	
21A-	47098GT	TAPE,NON-SKID,DIE CUT,4"X 40"	
21B	231106GT	PLAT MAIN DECK ASSY,1532 CE GS-1532 (Europe) (includes items 18, 19, & 20)	1
21B-	47231GT	TAPE,NON-SKID,DIE CUT,4"X 16"	





Item	Part No.	Description	Qty.
21B-	47098GT	TAPE,NON-SKID,DIE CUT,4"X 40"	
21C	1259719GT	WLDMNT,PLATFORM, MINI, GS30 (weldment only; decals not included, refer to section one)	1
22	66890-SGT	WLDMT, MAIN SIDERAIL,UPP,RT **	1
22-	78038GT	CAP, PLASTIC, 1.25 X 0.08"	
23	66886GT	ENTRY SWING TUBE	1
24	66485GT	TUBE, VERT, FOLDING	6
25	66592GT	WELDMENT, MAIN FOLDING SIDERAIL	2
25-	78038GT	CAP, PLASTIC, 1.25 X 0.08"	
26	66889-SGT	WLDMT, MAIN SIDERAIL,UPPER,LFT	1
26-	78038GT	CAP, PLASTIC, 1.25 X 0.08"	
27A	97123GT	PLAT EXT DECK ASSY,GS30	1
27-	47374GT	TAPE,NON-SKID,DIE CUT,4"X 32"	3
27-	39474GT	WEAR PAD,PLATFORM	1
27-	T113787GT	RIVET,ALUM,STL,,188 X .250	2
		for 39474	
27B	96335GT	WELDMENT, EXT PLATFORM	1
		(decals not included, refer to section one)	
28	96336GT	WLDMT, EXT DECK LWR RAIL	1
		(fold down)	
28-	78038GT	CAP, PLASTIC, 1.25 X 0.08"	
29A	231111GT	DECAL PLATE ASSY,GS30,ANSI	1
		(North America)	
29B	231610GT	DECAL PLATE ASSY,GS30,AUSTRAL	1
		(Australia)	
29C	84590GT	DECAL PLATE ASSY W/SYM DECALS	1
		(Asia, Europe and South America)	
29D	96849GT	WLDMT,DECAL PLATE, GS30/32	1
		(decals not included, refer to section one)	
30A	97213GT	EXT RAIL ASSY, UPPER, GS30	1
30-	78038GT	CAP, PLASTIC, 1.25 X 0.08"	
30B	133206GT	DECAL,OPEN WINDOW INST	1
		(decals not included, refer to section one)	
31	96246GT	WELDMENT,ROLLER BRACKET,LT***	1
32A	84586GT	LANYARD ROLLER BRKT ASSY W/DEC	1
32-	21279GT	BUTTON, .800 O.D. X .281	
32B	96200GT	WLDMT, LANYARD ROLLER BRKT	1
		(decals not included, refer to section one)	

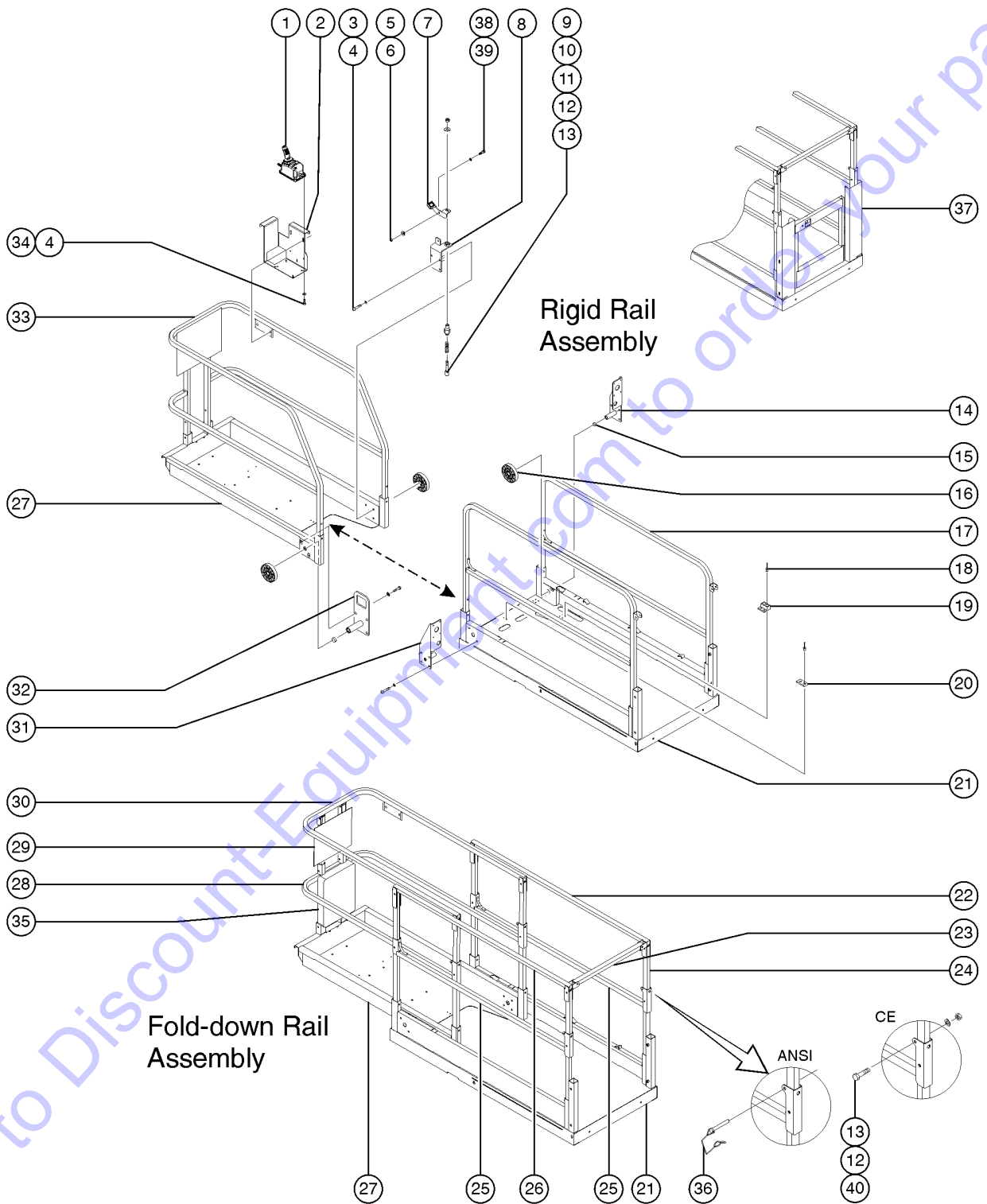




Item	Part No.	Description	Qty.
33A	231112GT	FIXED RAILS ASSY,GS30,ANSI (North America)	1
33B	231611GT	FIXED RAILS ASSY,GS30,AUSTRAL (Australia)	1
33C	97132GT	FIXED RAILS ASSY, GS30 SYMBOL (Asia, Europe and South America)	
33D	1282141GT	WLDMT, EXT SIDERAIL,METRIC (decals not included, refer to section one)	1
34	8255GT	SCREW,HHC,3/8-16 X .75	
35A	44743GT	MANUAL BOX W/DECALS*** USA/Canada/Australia	1
35B	24514GT	BOX,INSTRUCTION STORAGE CE (decal required; refer to Section100)	1
36	66030GT	PIN, WIRE LOCK 3/8 X 2 -1/2	4
36-	78022GT	LANYARD,BLACK NYLON,TYPE 1*** (CE & Australia models)	
37		Ref. SWING GATE ASSEMBLY (refer to 405.1)	
38	1259223GT	BOLT,SHS,3/8X.375X5/16-18,ZAG	1
39	12013GT	SHIM,.375 X .063	1
40	14033GT	SCREW, HHC, 3/8-16 X 2.75	5

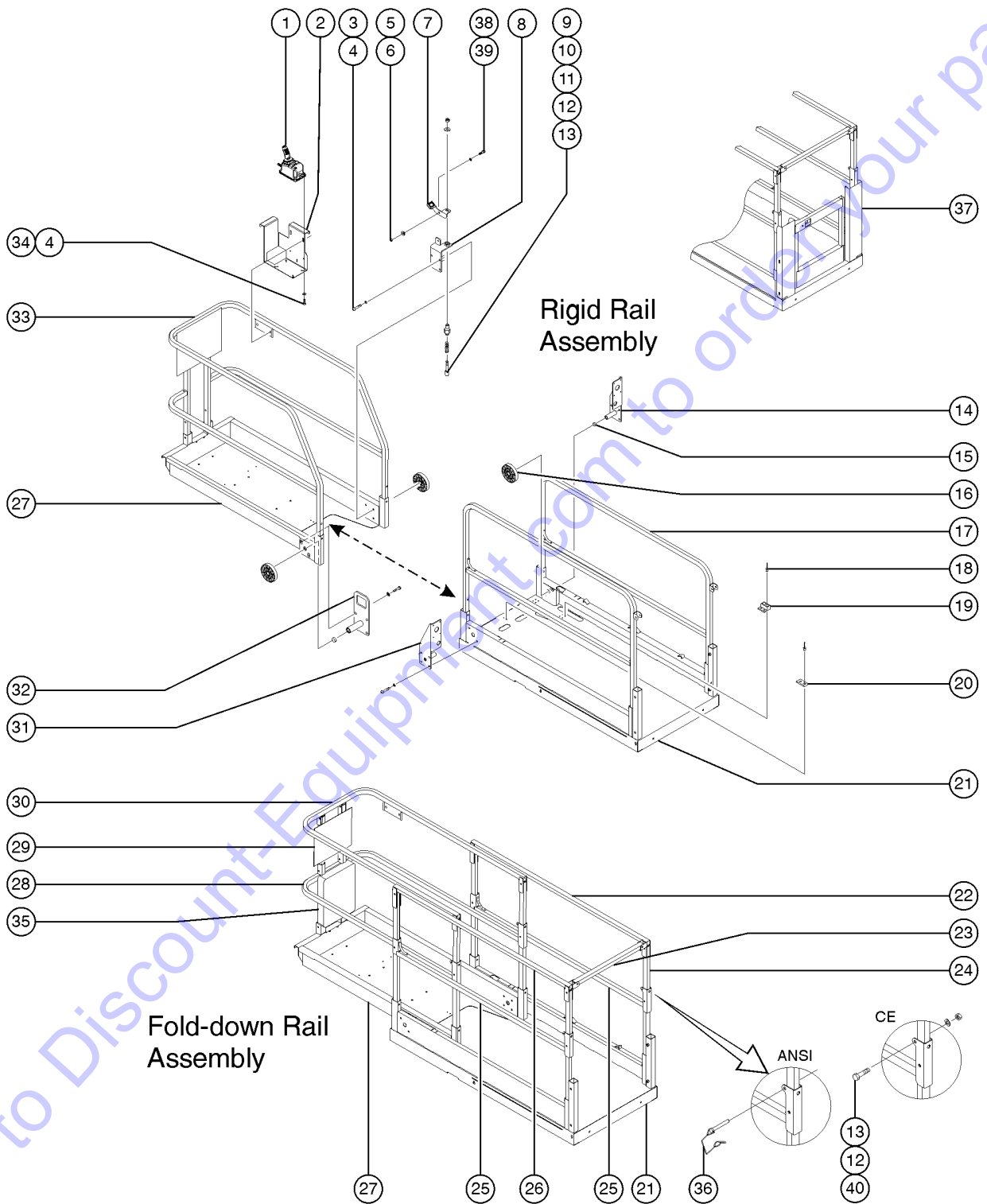
Go to Discount-Equipment.com to order your parts





Item	Part No.	Description	Qty.
1		Ref. Platform Control Box (refer to 407.1 or 408.1)	
2		Ref. Platform Control Box Mount Bracket (refer to 407.1 or 408.1)	
3	5224GT	SCREW,HHC,3/8-16 X 2	
4	6021GT	WASHER,LOCK,.375	
5	6002GT	NUT, LP NYLOCK, 5/16-18	
6	47222GT	WASHER, SHOULDER, NYLON	1
7	47166GT	BRACKET,FOOT PEDAL	1
7-	47166GT	BRACKET,FOOT PEDAL (does not include non-skid tape)	
7-	47225GT	TAPE,NON-SKID,DIE CUT,1.38X1.5	
8	96413GT	WLDMT,LOCKING ROLLER SUPPORT	1
9	39470GT	PIN, LOCK	1
10	39469GT	SPRING,COMPRESSION.485 X1.75**	1
11	41630GT	HOUSING, LOCK PIN	1
12	6097GT	WASHER,FLAT,USS,3/8",Y	
13	7713GT	NUT, LP NYLOCK, 3/8-16	
14A	84587GT	ROLLER BRACKET ASSY, GRND CNTR (ground controls side)	1
14B	96247GT	WELDMENT,ROLLER BRACKET,RT*** (decals not included, refer to section one)	1
15	21279GT	BUTTON, .800 O.D. X .281	3
16	47163GT	ROLLER,PLATFORM EXTENSION	4
17	66948GT	WELDMENT, MAIN, SIDERAIL***	2
18	39579GT	RIVET,STL,STL,.188 X .45	20
19	39310GT	WEAR/GUIDE PAD MAIN PLATFORM	4
20	39474GT	WEAR PAD,PLATFORM	2
21A	97119GT	PLAT MAIN DECK ASSY,1930 ANSI GS-1930 (North America) (includes items 18, 19 & 20)	1
21A-	47231GT	TAPE,NON-SKID,DIE CUT,4"X 16"	
21A-	47098GT	TAPE,NON-SKID,DIE CUT,4"X 40"	
21B	231107GT	PLAT MAIN DECK ASSY,1930 AU GS-1930 (Australia) (includes items 18, 19 & 20)	1
21B-	47231GT	TAPE,NON-SKID,DIE CUT,4"X 16"	

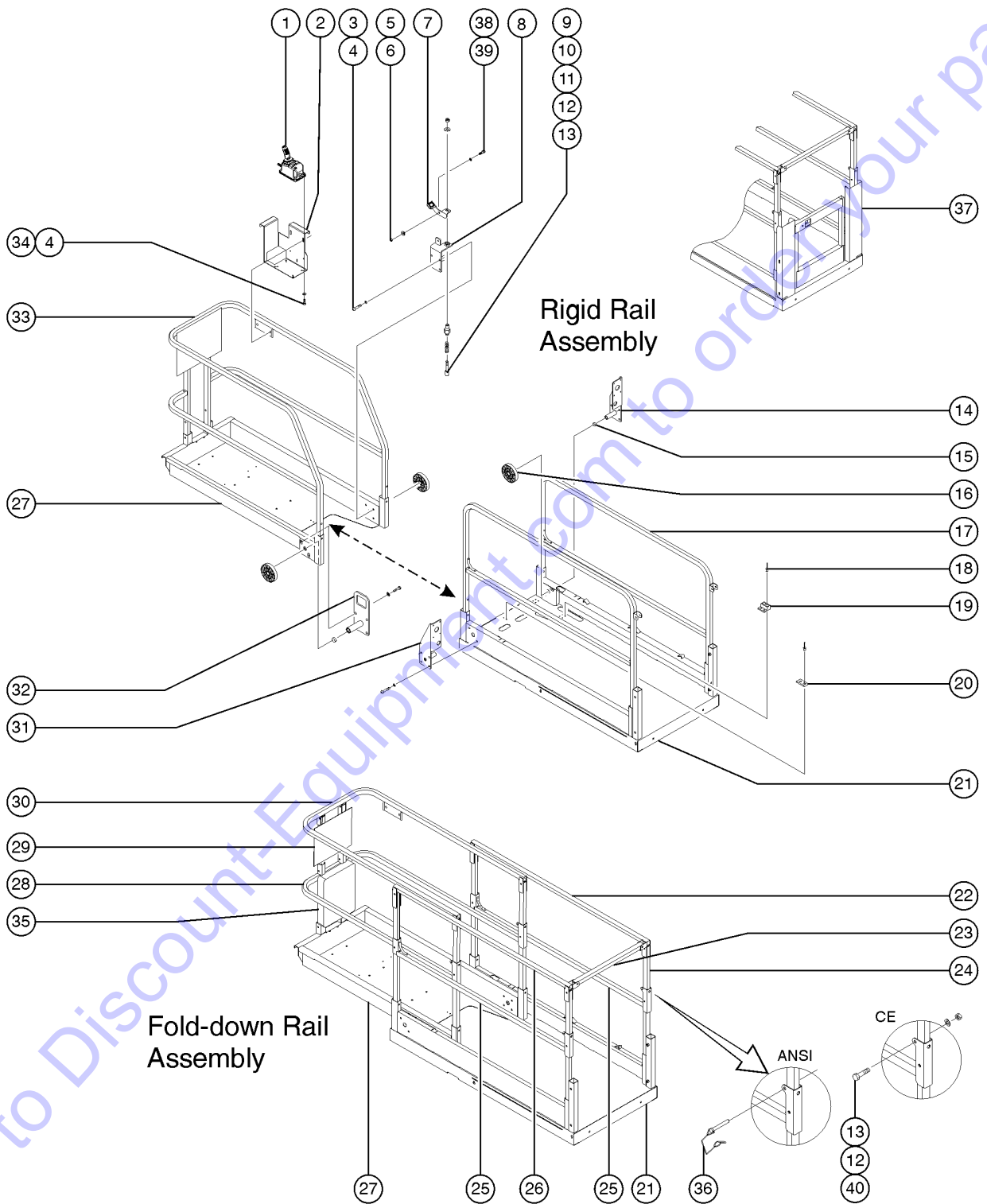




Go to Discount-Equipment.com to order your parts

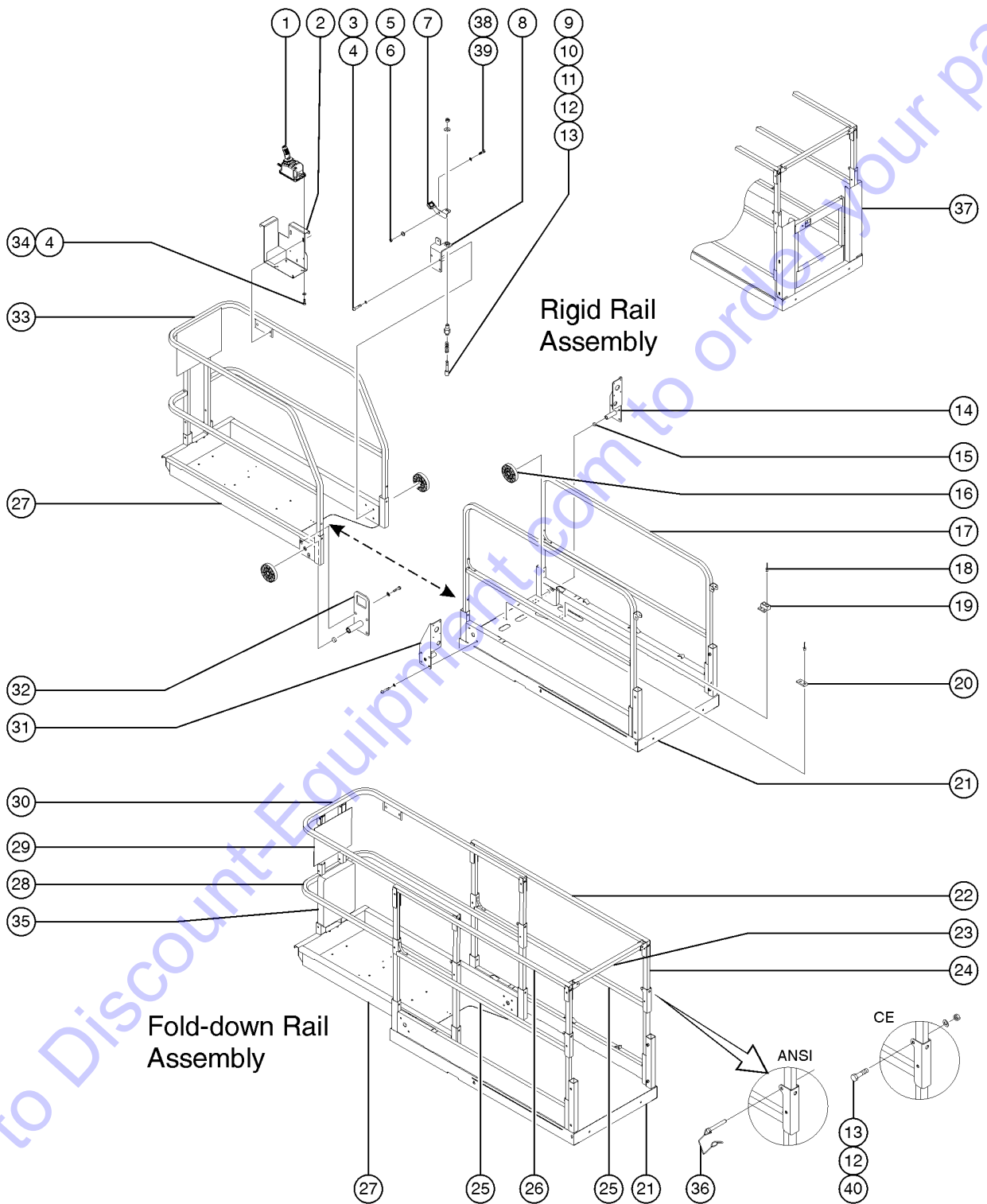
Item	Part No.	Description	Qty.
21B-	47098GT	TAPE,NON-SKID,DIE CUT,4"X 40"	
21C	97122GT	PLAT MAIN DECK ASSY,1930 SMBL GS-1930 (Asia and South America) (includes items 18, 19 & 20)	1
21C-	47231GT	TAPE,NON-SKID,DIE CUT,4"X 16"	
21C-	47098GT	TAPE,NON-SKID,DIE CUT,4"X 40"	
21D	231108GT	PLAT MAIN DECK ASSY,1930 CE GS-1930 (Europe) (includes items 18, 19, & 20)	1
21D-	47231GT	TAPE,NON-SKID,DIE CUT,4"X 16"	
21D-	47098GT	TAPE,NON-SKID,DIE CUT,4"X 40"	
21E	1259719GT	WLDMNT,PLATFORM, MINI, GS30 replaced 132132 from SN 110000 (weldment only; decals not included, refer to section one)	1
22	66890-SGT	WLDMT, MAIN SIDERAIL,UPP,RT **	1
22-	78038GT	CAP, PLASTIC, 1.25 X 0.08"	
23	66886GT	ENTRY SWING TUBE	1
24	66485GT	TUBE, VERT, FOLDING	6
25	66592GT	WELDMENT, MAIN FOLDING SIDERAIL	2
25-	78038GT	CAP, PLASTIC, 1.25 X 0.08"	
26	66889-SGT	WLDMT, MAIN SIDERAIL,UPPER,LFT	1
26-	78038GT	CAP, PLASTIC, 1.25 X 0.08"	
27A	97123GT	PLAT EXT DECK ASSY,GS30	1
27-	47374GT	TAPE,NON-SKID,DIE CUT,4"X 32"	3
27-	39474GT	WEAR PAD,PLATFORM	1
27-	T113787GT	RIVET,ALUM,STL,.188 X .250 for 39474	2
27B	96335GT	WELDMENT, EXT PLATFORM (decals not included, refer to section one)	1
28	96336GT	WLDMT, EXT DECK LWR RAIL (fold down)	1
28-	78038GT	CAP, PLASTIC, 1.25 X 0.08"	
29A	231111GT	DECAL PLATE ASSY,GS30,ANSI (North America)	1
29B	231610GT	DECAL PLATE ASSY,GS30,AUSTRAL	1
29C	84590GT	DECAL PLATE ASSY W/SYM DECALS	1
29D	96849GT	WLDMT,DECAL PLATE, GS30/32 (decals not included, refer to section one)	1
30A	97213GT	EXT RAIL ASSY, UPPER, GS30	1





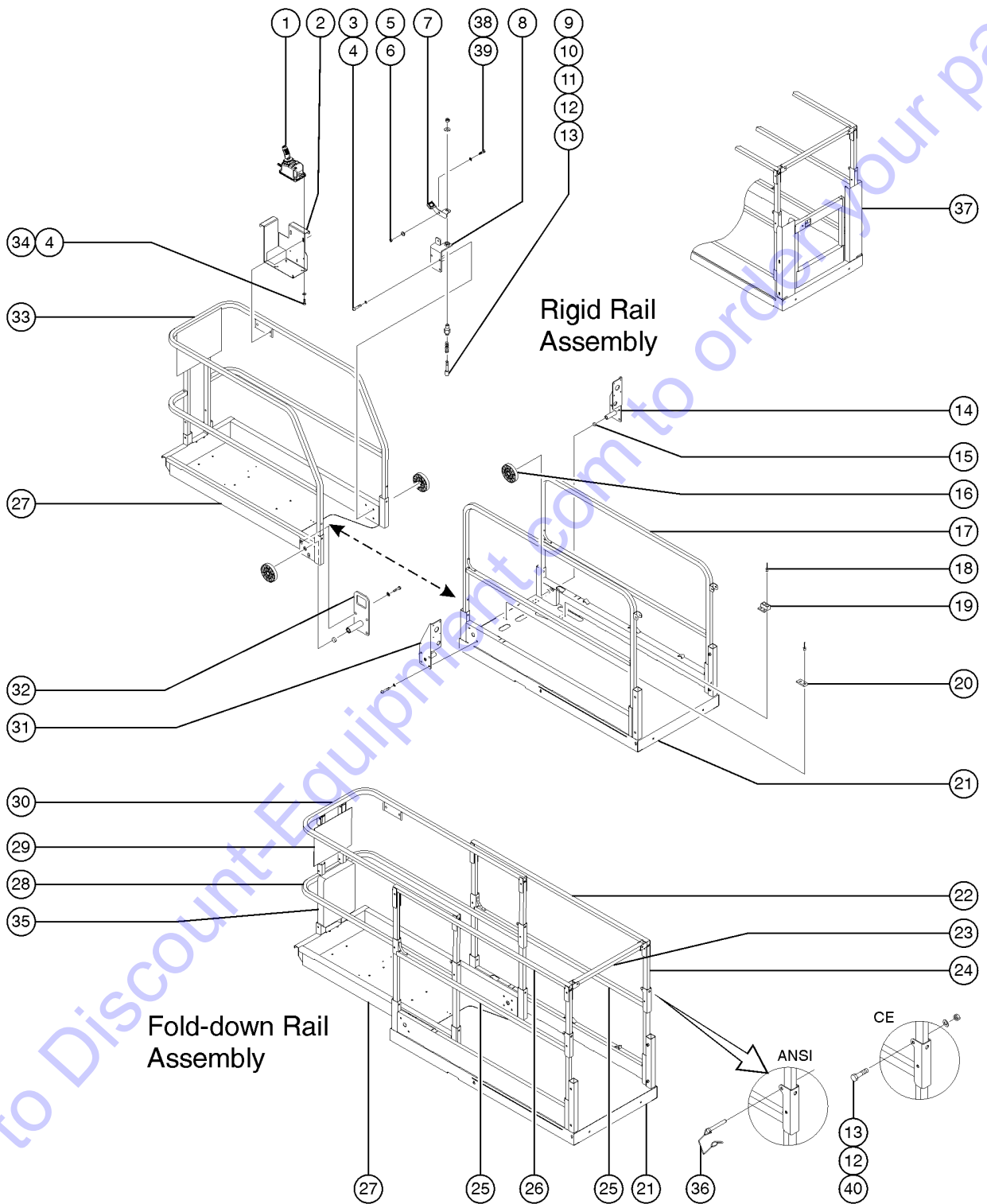
Item	Part No.	Description	Qty.
30-	78038GT	CAP, PLASTIC, 1.25 X 0.08"	1
30B	133206GT	DECAL,OPEN WINDOW INST (decals not included, refer to section one)	1
31	96246GT	WELDMENT,ROLLER BRACKET,LT***	1
32A	84586GT	LANYARD ROLLER BRKT ASSY W/DEC	1
32-	21279GT	BUTTON, .800 O.D. X .281	1
32B	96200GT	WLDMT, LANYARD ROLLER BRKT (decals not included, refer to section one)	1
33A	231112GT	FIXED RAILS ASSY,GS30,ANSI (North America)	1
33B	231611GT	FIXED RAILS ASSY,GS30,AUSTRAL	1
33C	97132GT	FIXED RAILS ASSY, GS30 SYMBOL	1
33D	1282141GT	WLDMT, EXT SIDERAIL,METRIC (decals not included, refer to section one)	1
34	8255GT	SCREW,HHC,3/8-16 X .75	1
35A	44743GT	MANUAL BOX W/DECALS*** USA/Canada/Australia	1
35B	24514GT	BOX,INSTRUCTION STORAGE Europe/Asia/South America (decal required; refer to Section100)	1
36	66030GT	PIN, WIRE LOCK 3/8 X 2 -1/2	4
36-	78022GT	LANYARD,BLACK NYLON,TYPE 1*** (CE & Australia models)	1
37		Ref. SWING GATE ASSEMBLY (refer to 405.1)	1
38	1259223GT	BOLT,SHS,3/8X.375X5/16-18,ZAG	1
39	12013GT	SHIM,.375 X .063	1
40	14033GT	SCREW, HHC, 3/8-16 X 2.75	5





Item	Part No.	Description	Qty.
1		Ref. Platform Control Box (refer to 407.1 or 408.1)	
2		Ref. Platform Control Box Mount Bracket (refer to 407.1 or 408.1)	
3	5224GT	SCREW,HHC,3/8-16 X 2	
4	6021GT	WASHER,LOCK,.375	
5	6002GT	NUT, LP NYLOCK, 5/16-18	
6	47222GT	WASHER, SHOULDER, NYLON	1
7	47166GT	BRACKET,FOOT PEDAL	1
7-	47166GT	BRACKET,FOOT PEDAL (does not include non-skid tape)	
7-	47225GT	TAPE,NON-SKID,DIE CUT,1.38X1.5	
8	96413GT	WLDMT,LOCKING ROLLER SUPPORT	1
9	39470GT	PIN, LOCK	1
10	39469GT	SPRING,COMPRESSION.485 X1.75**	1
11	41630GT	HOUSING, LOCK PIN	1
12	6097GT	WASHER,FLAT,USS,3/8",Y	
13	7713GT	NUT, LP NYLOCK, 3/8-16	
14	84587GT	ROLLER BRACKET ASSY, GRND CNTR (ground controls side)	1
14B	96247GT	WELDMENT,ROLLER BRACKET,RT*** (decals not included, refer to section one)	1
15	21279GT	BUTTON, .800 O.D. X .281	3
16	47163GT	ROLLER,PLATFORM EXTENSION	4
17	66948GT	WELDMENT, MAIN, SIDERAIL***	2
18	39579GT	RIVET,STL,STL,.188 X .45	20
19	39310GT	WEAR/GUIDE PAD MAIN PLATFORM	4
20	39474GT	WEAR PAD,PLATFORM	2
21	231109GT	PLAT MAIN DECK ASSY,1932 AU GS-1932 (Australia) (includes items 18, 19 & 20)	1
21A-	47098GT	TAPE,NON-SKID,DIE CUT,4"X 40"	4
21A-	47231GT	TAPE,NON-SKID,DIE CUT,4"X 16"	2
21B	231110GT	PLAT MAIN DECK ASSY,1932 CE GS-1932 (Europe) (includes items 18, 19 & 20)	1
21B-	47098GT	TAPE,NON-SKID,DIE CUT,4"X 40"	4

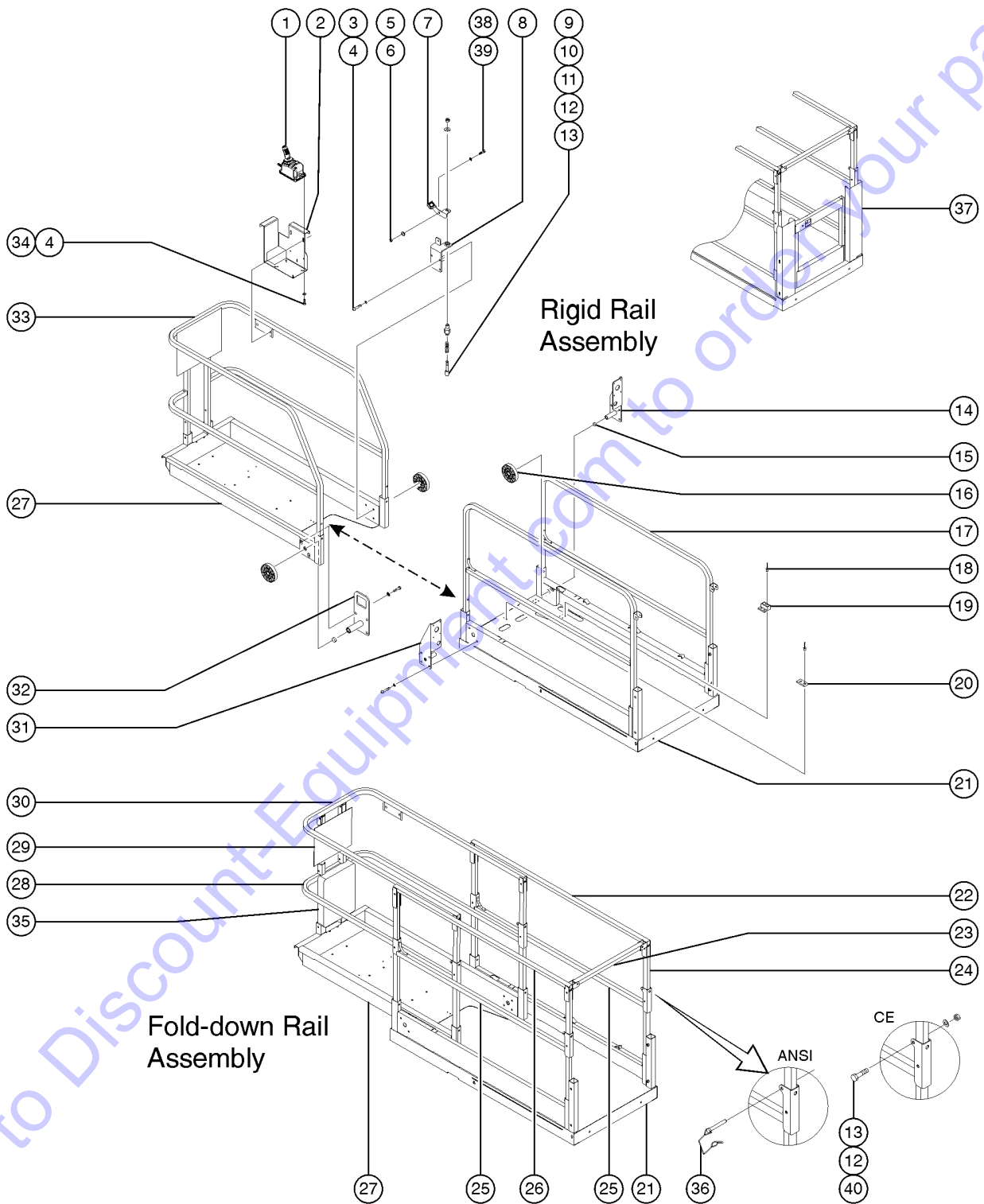




Go to Discount-Equipment.com to order your parts

Item	Part No.	Description	Qty.
21B-	47231GT	TAPE,NON-SKID,DIE CUT,4"X 16"	2
21C	96275GT	WELDMNT, PLATFORM, MAIN to SN 109999 (weldment only, decals not included, refer to section one)	
21D	1259719GT	WELDMNT,PLATFORM, MINI, GS30 from SN 110000 (weldment only, decals not included, refer to section one)	
22	66890-SGT	WLDMT, MAIN SIDERAIL,UPP,RT **	1
22-	78038GT	CAP, PLASTIC, 1.25 X 0.08"	
23	66886GT	ENTRY SWING TUBE	1
24	66485GT	TUBE, VERT, FOLDING	6
25	66592GT	WELDMNT, MAIN FOLDING SIDERAIL	2
25-	78038GT	CAP, PLASTIC, 1.25 X 0.08"	
26	66889-SGT	WLDMT, MAIN SIDERAIL,UPPER,LFT	1
26-	78038GT	CAP, PLASTIC, 1.25 X 0.08"	
27	97123GT	PLAT EXT DECK ASSY,GS30	1
27-	47374GT	TAPE,NON-SKID,DIE CUT,4"X 32"	3
27-	39474GT	WEAR PAD,PLATFORM	1
27-	T113787GT	RIVET,ALUM,STL,,188 X .250 for 39474	2
27B	96335GT	WELDMNT, EXT PLATFORM (decals not included, refer to section one)	1
28	96336GT	WLDMT, EXT DECK LWR RAIL (fold down)	1
28-	78038GT	CAP, PLASTIC, 1.25 X 0.08"	
29	231111GT	DECAL PLATE ASSY,GS30,ANSI (North America)	1
29B	231610GT	DECAL PLATE ASSY,GS30,AUSTRAL (Australia)	1
29C	84590GT	DECAL PLATE ASSY W/SYM DECALS (Asia, Europe and South America)	1
29D	96849GT	WLDMT,DECAL PLATE, GS30/32 (decals not included, refer to section one)	1
30	1274594GT	WELDMNT, EXTENSION DECK RAIL, UPPER	
30-	78038GT	CAP, PLASTIC, 1.25 X 0.08"	
30B	133206GT	DECAL,OPEN WINDOW INST (decals not included, refer to section one)	1
31	96246GT	WELDMNT,ROLLER BRACKET,LT***	1
32	84586GT	LANYARD ROLLER BRKT ASSY W/DEC	1
32-	21279GT	BUTTON, .800 O.D. X .281	

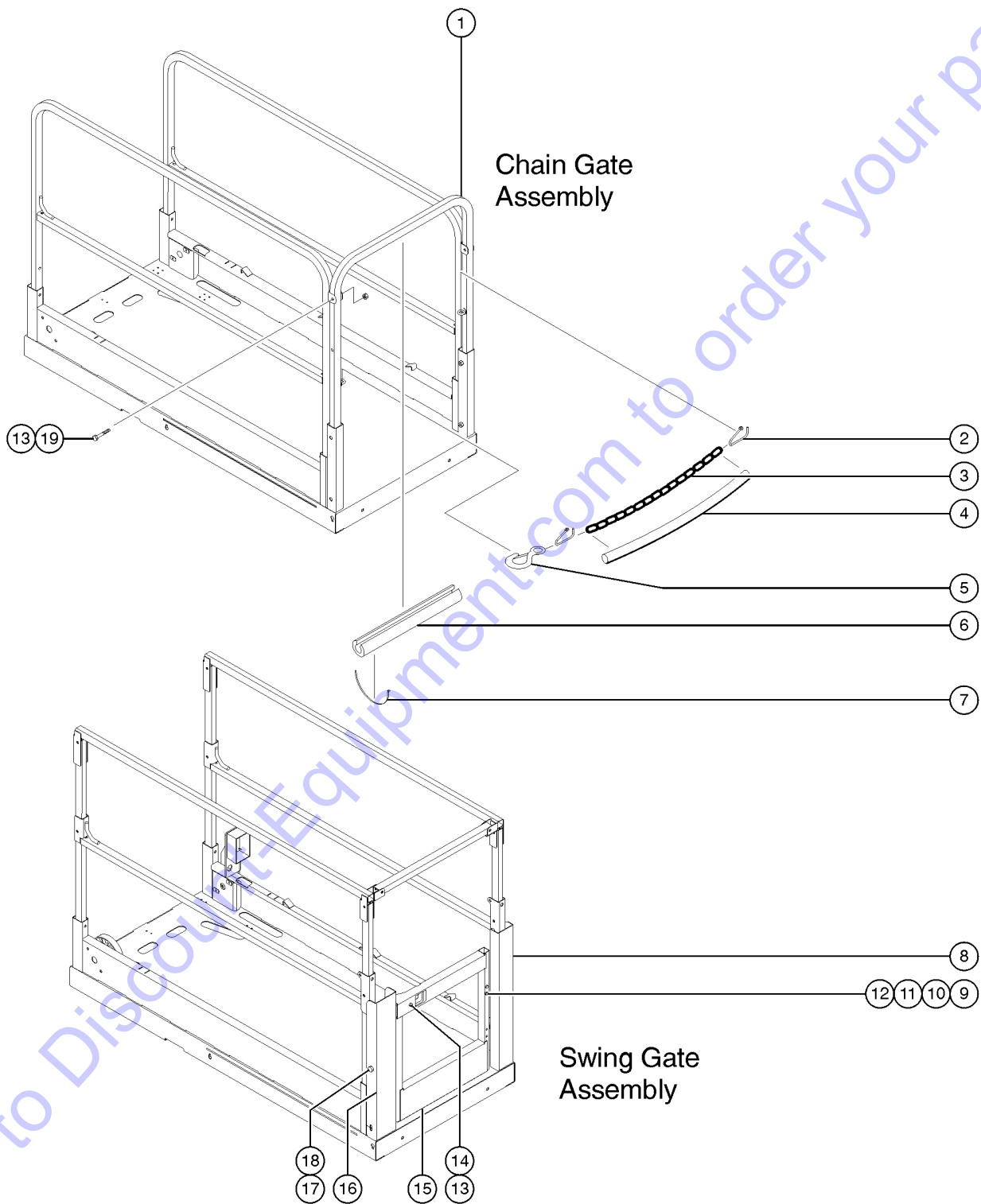




Item	Part No.	Description	Qty.
32B	96200GT	WLDMT, LANYARD ROLLER BRKT (decals not included, refer to section one)	1
33	231112GT	FIXED RAILS ASSY,GS30,ANSI (North America)	1
33B	231611GT	FIXED RAILS ASSY,GS30,AUSTRAL (Australia)	1
33C	97132GT	FIXED RAILS ASSY, GS30 SYMBOL (Asia, Europe and South America)	1
33D	1282141GT	WLDMT, EXT SIDERAIL,METRIC (decals not included, refer to section one)	1
34	8255GT	SCREW,HHC,3/8-16 X .75	
35	44743GT	MANUAL BOX W/DECALS*** USA/Canada/Australia	1
35-	24514GT	BOX,INSTRUCTION STORAGE Europe/Asia/South America (decals required; refer to Section100)	
36	66030GT	PIN, WIRE LOCK 3/8 X 2 -1/2	4
36-	78022GT	LANYARD,BLACK NYLON,TYPE 1*** (CE & Australia models)	
37		Ref. SWING GATE ASSEMBLY (refer to 405.1)	
38	1259223GT	BOLT,SHS,3/8X.375X5/16-18,ZAG	1
39	12013GT	SHIM,.375 X .063	1
40	14033GT	SCREW, HHC, 3/8-16 X 2.75	5



405.1 Platform Gates, GS-1530/1532/1930/1932

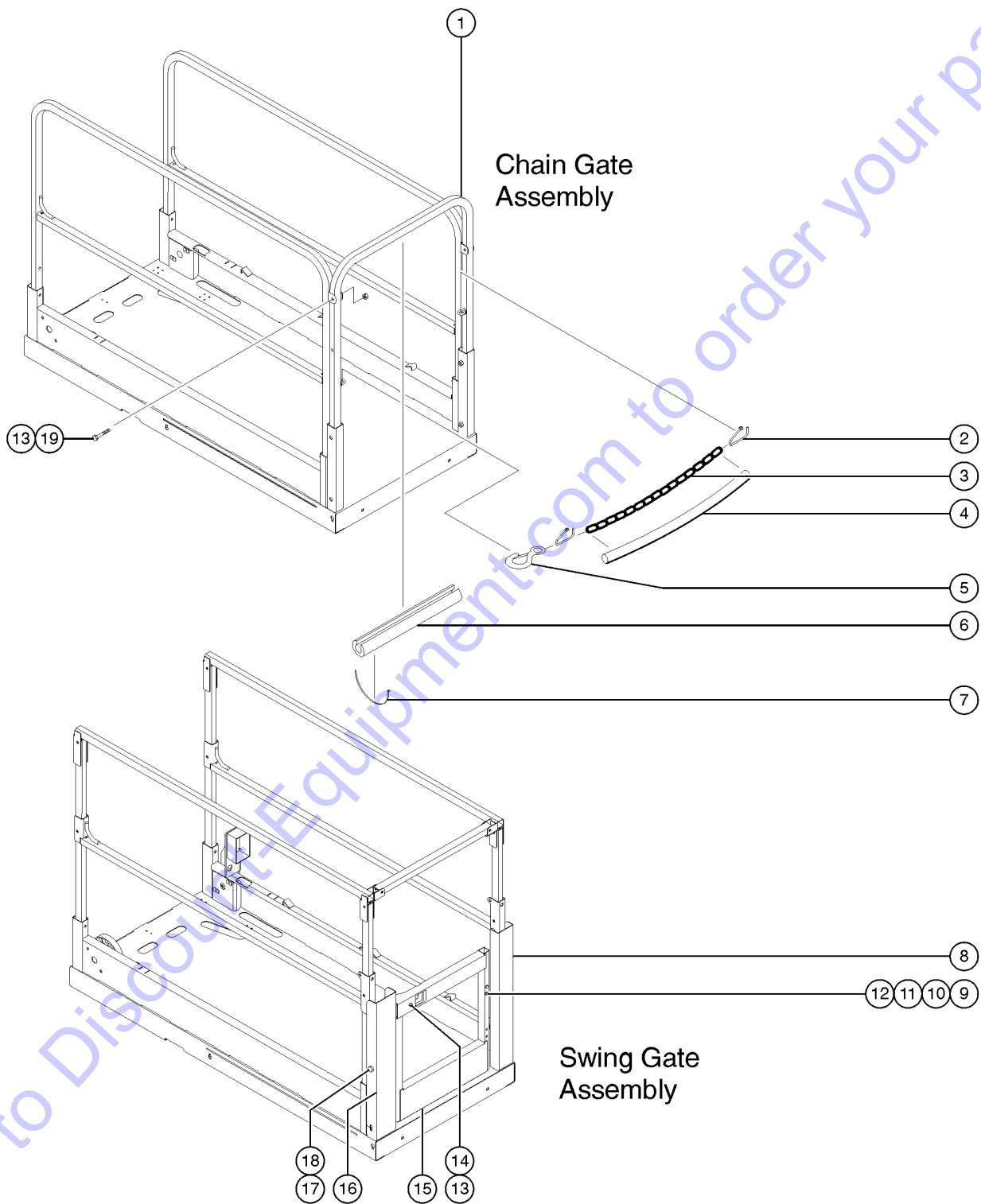


405.1 Platform Gates, GS-1530/1532/1930/1932

Item	Part No.	Description	Qty.
	144175GT	KIT,MINI FULL HT,ANSI GATE (ANSI and CSA models) (includes instructions)	
1	97280GT	CHAIN GATE KIT,GS30 (includes items 2 through 7)	
1-	97105GT	PLAT ENTRY ASSY,RIGID GS30 (includes items 6 & 7)	1
1-	1282139GT	WLDMT, CHAIN ENTRY GATE,METRIC	
2	96163GT	LINK,(SPLIT) OPEN-END	2
3	39509GT	CHAIN,3/16,OPEN LINK 22.5"	1
4	47224GT	TUBING,PVC,1",BLACK***	21
5	39510GT	RIGID EYE SNAP	1
6	47188GT	FOAM,CLOSED CELL 1.75X.250X18"	1
7	28443GT	CABLE TIE, 11.5" BLACK	
8	66883GT	FORMING, HALF GATE HINGE	1
9	4266GT	SCREW,HHC,1/4-20 X 2	
10	6638GT	WASHER,FLAT,USS,1/4"Y	
11	6091GT	NUT, NYLOCK, 1/4-20	
12	104804GT	HINGE, SPRING, LONG LEG	2
13	5224GT	SCREW,HHC,3/8-16 X 2	
14	4828GT	NUT,NYLOCK,3/8-16	
15A	97110GT	SWING GATE ASSY,GS30/32** (GS-1530 & GS 1930 ANSI and CSA models)	
15A-	66551GT	WELDMENT, HALF GATE (decals not included, see section one) (for use with items 15A through 15G)	1
15A-	47598GT	WEATHERSTRIP,SWING GATE (for use with items 15A through 15G)	18
15B	231175GT	SWING GATE ASSY,1530/1930 AUS (GS-1530 & GS-1930 Australia models)	1
15B-	66551GT	WELDMENT, HALF GATE (decals not included, see section one) (for use with items 15A through 15G)	1
15B-	47598GT	WEATHERSTRIP,SWING GATE (for use with items 15A through 15G)	18
15C	231176GT	SWING GATE ASSY,1532/1932 AUS (GS-1532 & GS-1932 Australia models)	
15C-	47598GT	WEATHERSTRIP,SWING GATE (for use with items 15A through 15G)	18
15C-	66551GT	WELDMENT, HALF GATE (decals not included, see section one) (for use with items 15A through 15G)	
15D	231177GT	SWING GATE ASSY,GS1530 CE (GS-1530 CE models)	1
15D-	66551GT	WELDMENT, HALF GATE (decals not included, see section one) (for use with items 15A through 15G)	1



405.1 Platform Gates, GS-1530/1532/1930/1932



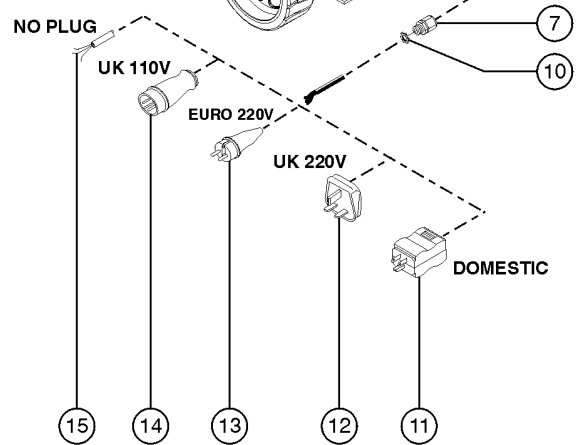
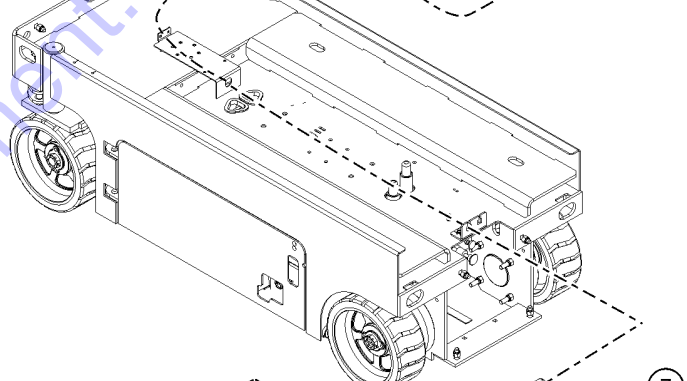
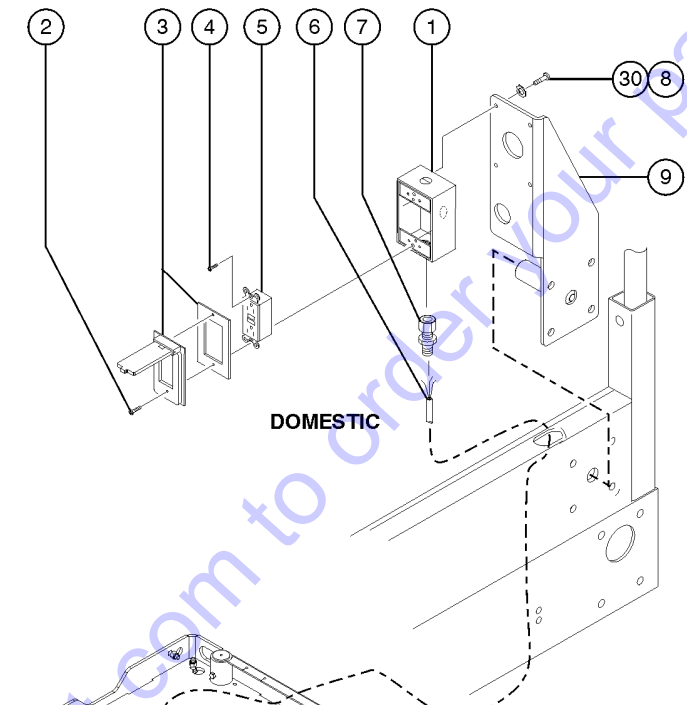
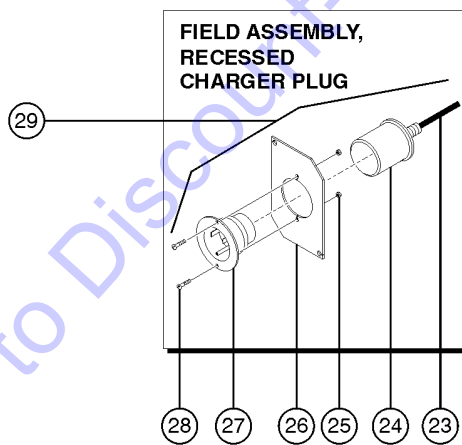
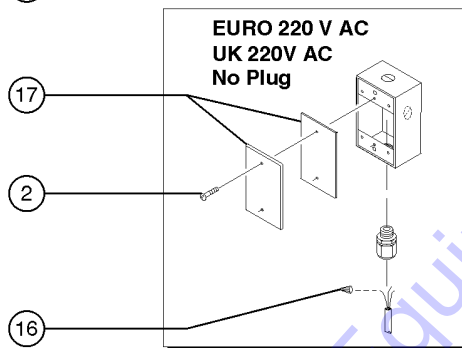
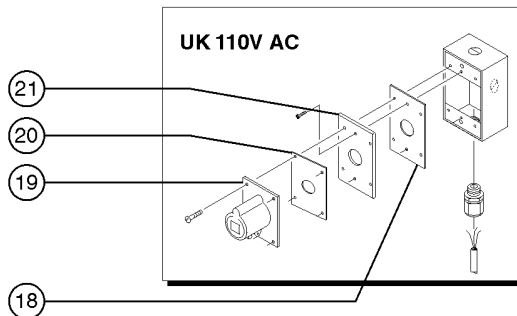
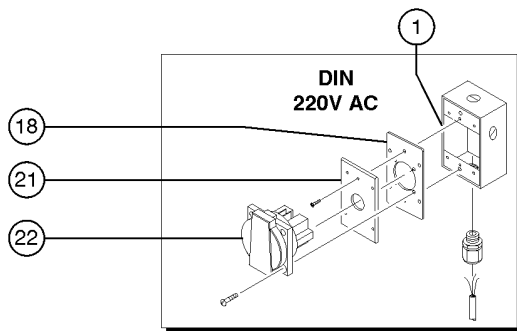
405.1 Platform Gates, GS-1530/1532/1930/1932

Item	Part No.	Description	Qty.
15E	231178GT	SWING GATE ASSY,GS1532 CE (GS-1532 CE models)	
15E-	66551GT	WELDMENT, HALF GATE (decals not included, see section one) (for use with items 15A through 15G)	
15F	231179GT	SWING GATE ASSY,GS1930 CE (GS-1930 CE models)	
15F-	66551GT	WELDMENT, HALF GATE (decals not included, see section one) (for use with items 15A through 15G)	
15G	231180GT	SWING GATE ASSY,GS1932 CE (GS-1932 CE models)	
15G-	66551GT	WELDMENT, HALF GATE (decals not included, see section one) (for use with items 15A through 15G)	
15H	65990-SGT	KIT GATE LATCH (includes items 13, 14, the spring, 22446, and the latch, 66544) (for use with items 15A through 15G)	1
15H-	22446GT	SPRING, COMPRESSION .835 X 2 (for use with items 15A through 15G)	1
15H-	66544GT	LATCH HANDLE (for use with items 15A through 15G)	
16	66903-SGT	WLDMT, FORMING, HALFGATE CATCH (for use with items 15A through 15G)	1
17	8178GT	SCREW,HHC,3/8-16 X 2.5	
18	5397GT	WASHER,FLAT,USS,5/16",Y	
19	7713GT	NUT, LP NYLOCK, 3/8-16	

Go to Discount-Equipment.com to order your parts



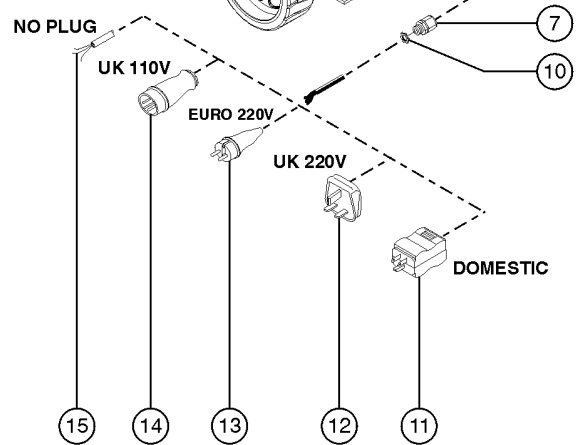
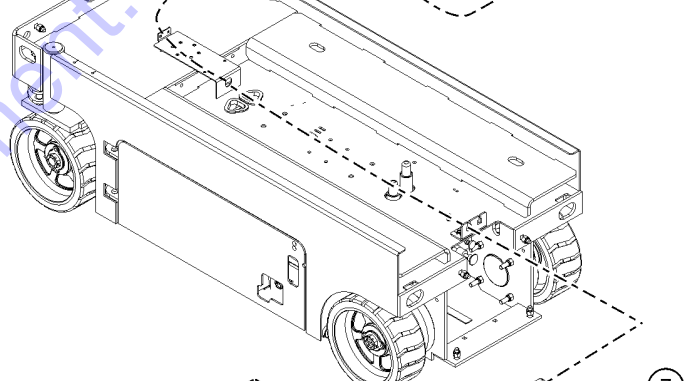
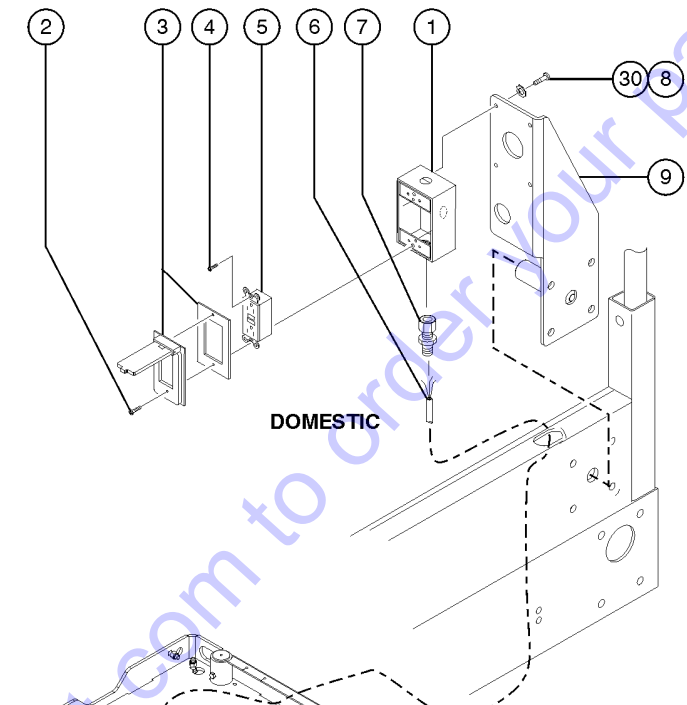
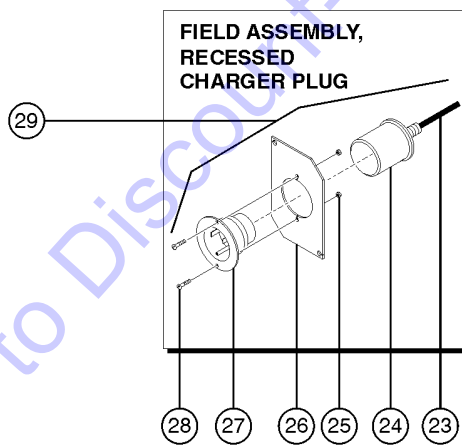
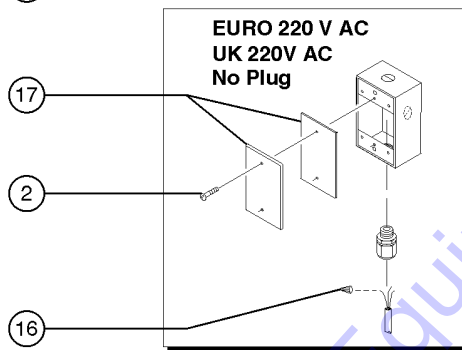
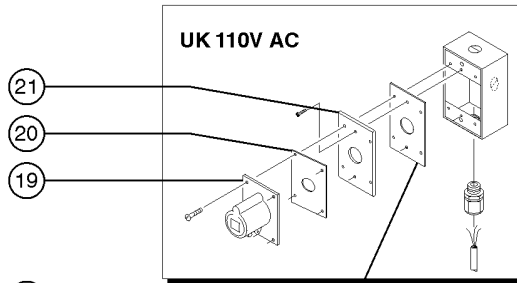
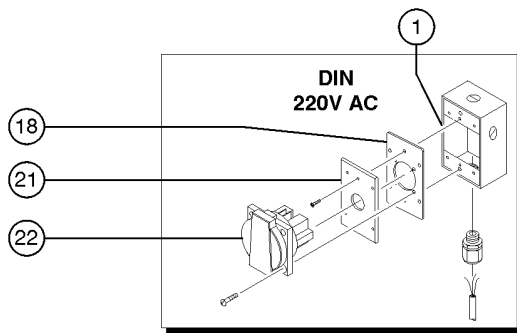
406.1 Power to Platform



Item	Part No.	Description	Qty.
	33724GT	KIT,GASKET,UK POWER TO PLAT (includes 1 each, items 18 and 20)	
1	10775GT	T-BOX,2.75 X 4.5 X 2.0	1
2	7127GT	SCREW,PHILLIPS,PHM,6-32 X .75	
3	74006GT	COVER,GFCI,HORIZONTAL,WEATHER (ANSI and CSA models) (includes gasket and mounting fasteners)	1
4	45546GT	SCREW,RHM,6-32 X .5	
5	13585GT	OUTLET, 110V (ANSI and CSA models)	1
6A	43956GT	WIRE CABLE,14/3 CON.TPE JKT* GS-1530, GS-1532	264
6B	43956GT	WIRE CABLE,14/3 CON.TPE JKT* GS-1930, GS-1932	364
7	7056GT	CONN, SQZ, 1/2NPT, 0.38-0.50,SM	1
8	57075GT	SCREW,PHIL,8-32X.50,SELF TAP	
9		Ref. ROLLER BRACKET (refer to 401.1 through 404.1)	
10	6935GT	CONN, SQZ, 1/2NPT, LOCKNUT	1
11	6595GT	PLUG,ELECTRICAL,DOMESTIC	1
12	25388GT	PLUG,FUSED,250V,13AMP,U.K.**	
13	1280665GT	PLUG, TYPE F, 230A, 50HZ, 16A, IP44	
14	144161GT	PLUG,PWR,UK,16AMP,3PIN,BLK	
15	105117GT	PLUG,FLG INLET,15A/125V,2PWGD	
15-	105118GT	GASKET,(BOOT) FLANGE INLET PLG	
16	6626GT	WIRE CAP,ORANGE	1
17	10777GT	COVER, BLANK	1
18	66355GT	GASKET, UK & DIN PWR. TO PLAT (2.9 x 2.9 inches)	1
19	T112563GT	SVC KIT,UK RECEPT.REPLACEMENT (includes mounting plate, gasket and fasteners) for Europe	1
20	66356GT	GASKET, UK RECEPTACLE (2.9 x 2.9 inches)	1
21A	105483-SGT	PLATE,AC ADAPTER(ANSI/CSA)	
21B	96236GT	PLATE,AC ADAPTER,DIN/UK***	
21C	105090GT	PLATE, AC ADAPTER(AUS)	
22	66353GT	RECEPTACLE, DIN, 220V 50A	1
23	48282GT	POWER CORD, IEC 320 BLANK	1



406.1 Power to Platform

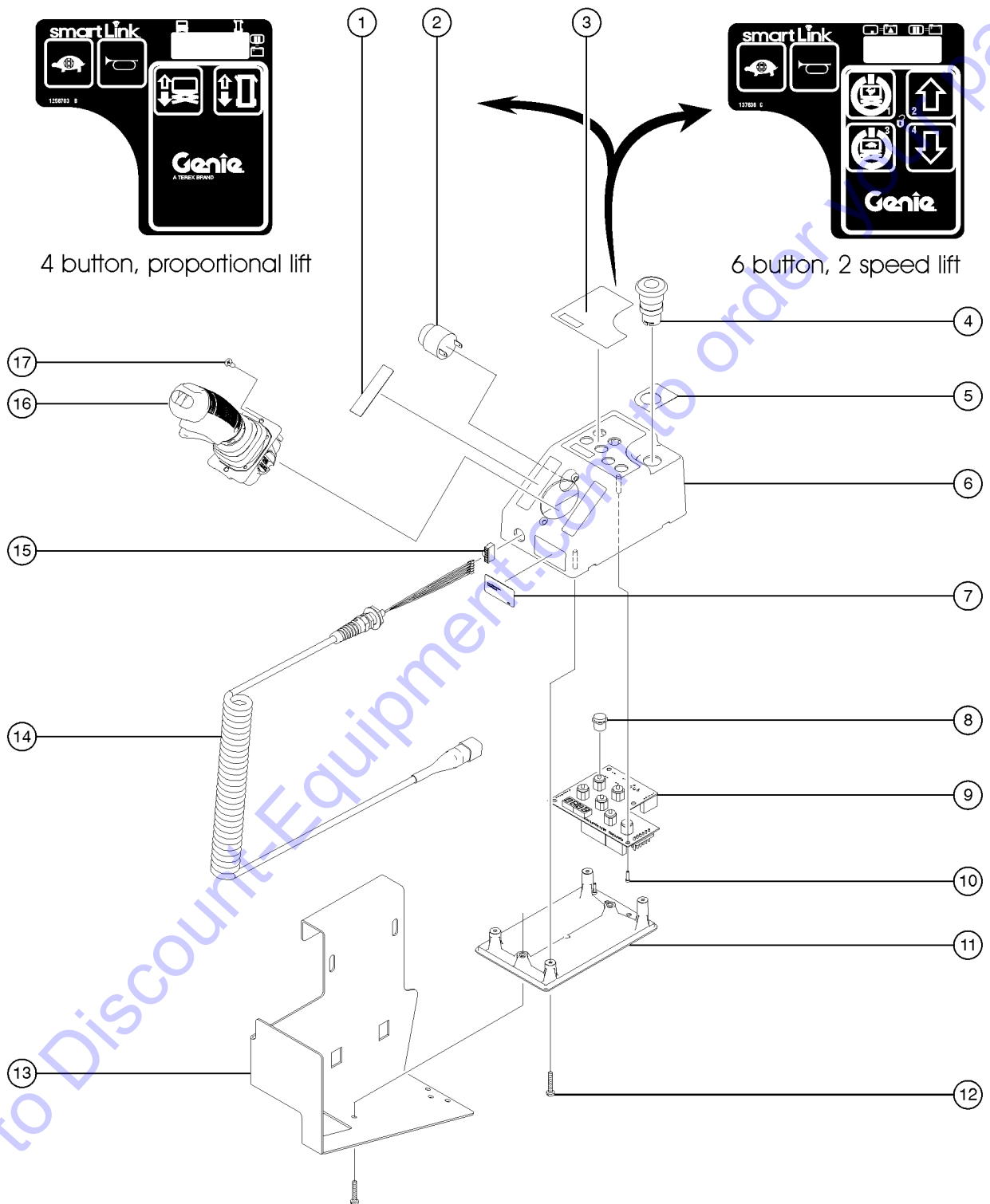


Item	Part No.	Description	Qty.
24	105118GT	GASKET,(BOOT) FLANGE INLET PLG	1
25	18605GT	NUT,NYLOCK,8-32	2
26	105483-SGT	PLATE,AC ADAPTER(ANSI/CSA)	1
26-	6878GT	BOLT,CARRIAGE,1/4-20 X .75,G2	2
		not included	
26-	6091GT	NUT, NYLOCK, 1/4-20	2
		not included	
27	105117GT	PLUG,FLG INLET,15A/125V,2PWGD	1
28	55906GT	SCREW, PHILLIPS, PHM, 8-32 X .5	2
29	144129GT	RECESSED SIDE PLUG ASSY, GS	1
		(includes items 23-28)	
30	44936GT	WASHER,STAR,EXTERNAL,#8	4

Go to Discount-Equipment.com to order your parts



407.1 Platform Controls, 6 Button (2 Speed Lift)

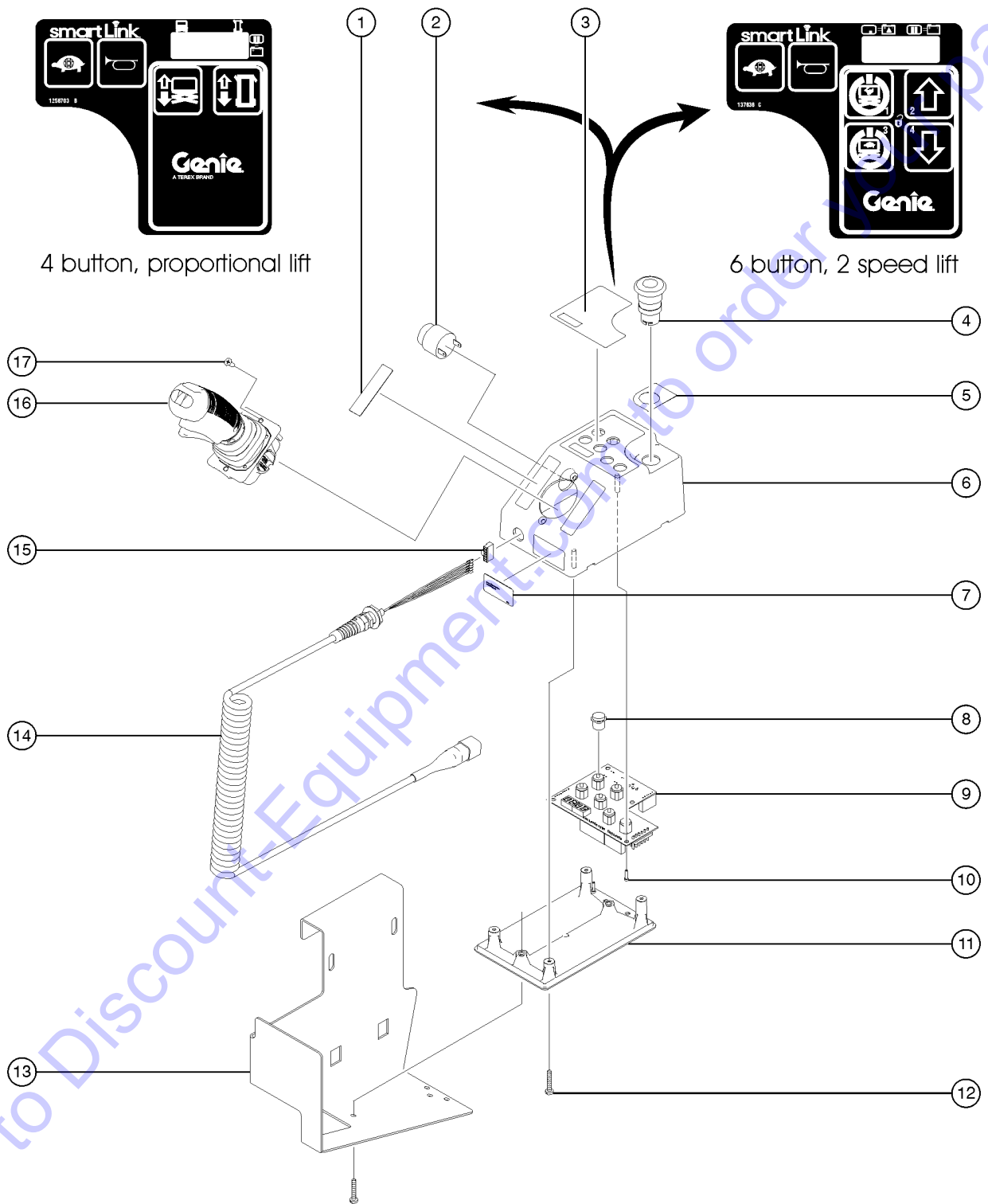


407.1 Platform Controls, 6 Button (2 Speed Lift)

Item	Part No.	Description	Qty.
A	1258332GT	KIT, SL PROP UPGRD, ANSI, GS30 (For 2 speed to proportional lift conversion. Software upgrade is required and available on-line or refer to 408.1 for USB flash drive) to SN GS3014A-134999 and to SN GS3014C-16999
B	1258333GT	KIT, SL PROP UPGRD, AUS, GS30 (For 2 speed to proportional lift conversion. Software upgrade is required and available on-line or refer to 408.1 for USB flash drive) to SN GS3014A-134999 and to SN GS3014C-16999
C	1258334GT	KIT, SL PROP UPGRD, CE, GS (For 2 speed to proportional lift conversion. Software upgrade is required and available on-line or refer to 408.1 for USB flash drive) to SN GS3014A-134999 and to SN GS3014C-16999
D	1258515GT	KIT, SL PROP UPGRD, ANSI SYM, GS (For 2 speed to proportional lift conversion. Software upgrade is required and available on-line or refer to 408.1 for USB flash drive) to SN GS3014A-134999 and to SN GS3014C-16999
E	137633GT	PCON, GR/GRC/GS (models with 6 button, 2 speed controller) (complete platform control box with coil cord, bracket not included) to SN GS3014A-134999 and to SN GS3014C-16999
E-	219205GT	FLASH DRIVE,SL1K1.0 SOFTWARE (models with 6 button, 2 speed controller) (complete platform control box with coil cord, bracket not included) to SN GS3014A-134999 and to SN GS3014C-16999
F	137587GT	HARNESS, ESTOP, GR/GRC/GS PCON
1	137656GT	DECAL,PROPEL,GR/GRC/GS,PCON	1
2A	39540GT	ALARM,STEADY TONE*** order 72326 mounting ring separately	1
2B	72326GT	NUT,PLASTIC,RING FOR ALARMS for 39540
3A	137636GT	DECAL, UI, GR/GRC/GS PCON (models with 6 button, 2 speed controller) to SN GS3014A-134999 and to SN GS3014C-16999	1
3B	1256703GT	DECAL, STD, PROP LIFT, UI, SVC (units converted from 6 button, 2 speed lift to 4 button, proportional controller) (not shown)	1
4	66812GT	BUTTON,PUSH,RED MUSHROOM HEAD	1
4-	66817GT	E-STOP NC CONTACT
5	137605GT	DECAL,E-STOP,GR/GRC/GS PCON	1
6	T106368GT	ENCLOSURE, GC14-1, TOP	1
7	137642GT	LABEL, GR/GRC/GS PCON	1
8	T106373GT	CAP,BUTTON,K12	6
9	137522GT	PCBA, GC14-1	1
10	137637GT	SCREW,PHM,4-20X.5, 48-2 TRI-L
11	T106370GT	ENCLOSURE,GC14-1/GC16-1, BOT	1
12	137640GT	SCREW,PHM,8-16X.75, 48-2 TRI-L
13	231331GT	PLAT CONTROL BRKT ASSY,GS MINI USA, Canada, Australia	1
13-	227167GT	FORMING, PLAT CONTROL BOX,MET Europe, Asia and S. America
14	235464GT	KIT,COIL CORD,CONTRLR,SL1000 includes item 15	1



407.1 Platform Controls, 6 Button (2 Speed Lift)



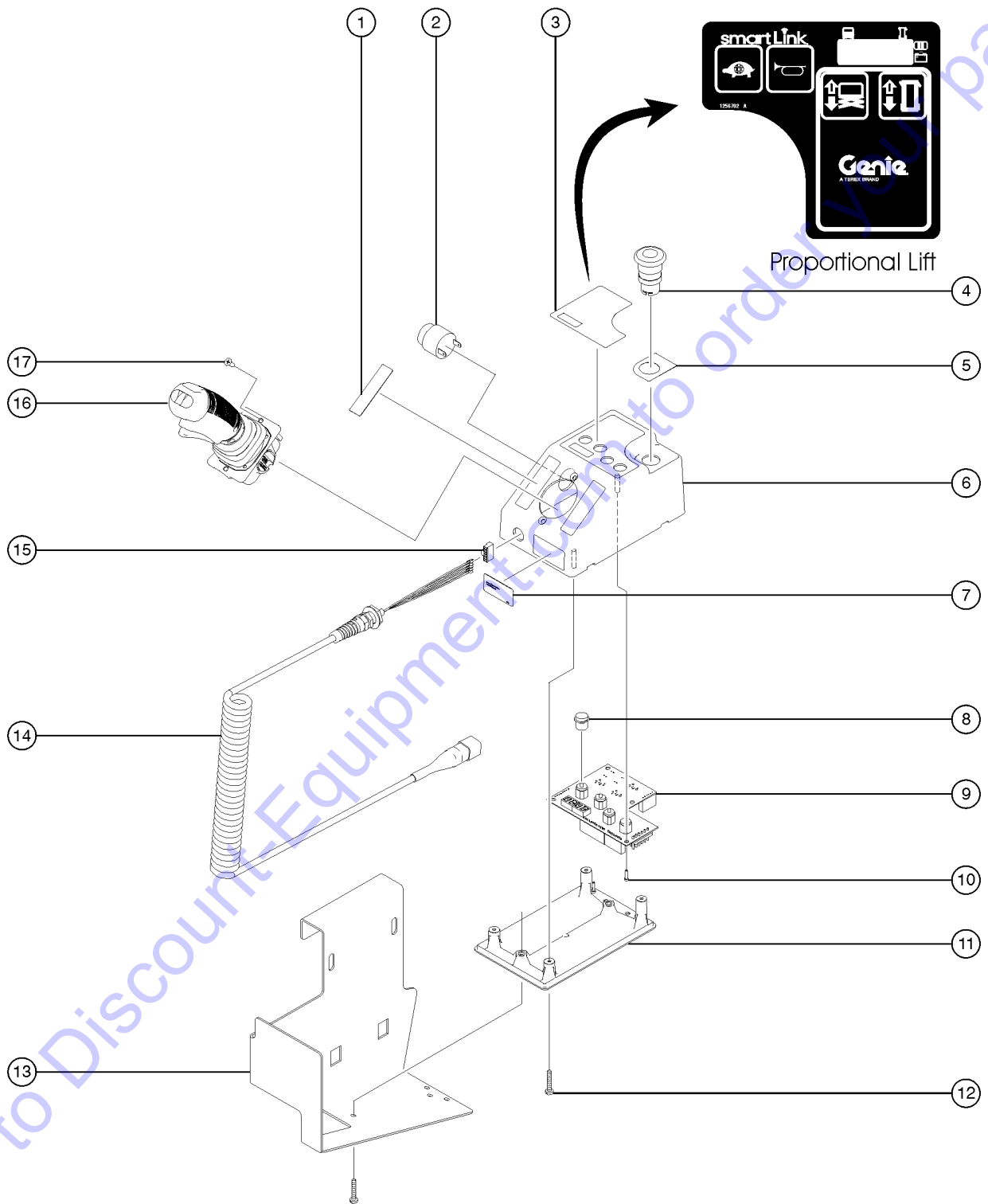
407.1 Platform Controls, 6 Button (2 Speed Lift)

Item	Part No.	Description	Qty.
14-	231921GT	KIT,CONN,RECEPT W/PIN AND LOCK	
14-	231922GT	KIT,CONN,PLUG W/SCKT AND LOCK	
15	137699GT	PLUG, 6POS ECO PWR	1
16		Ref., JOYSTICK	1
		refer to 409.1	
17	229845GT	SCREW,BHSCS,M5X10,SS	
		apply Loctite 243 or equivalent before installation	

Go to Discount-Equipment.com to order your parts



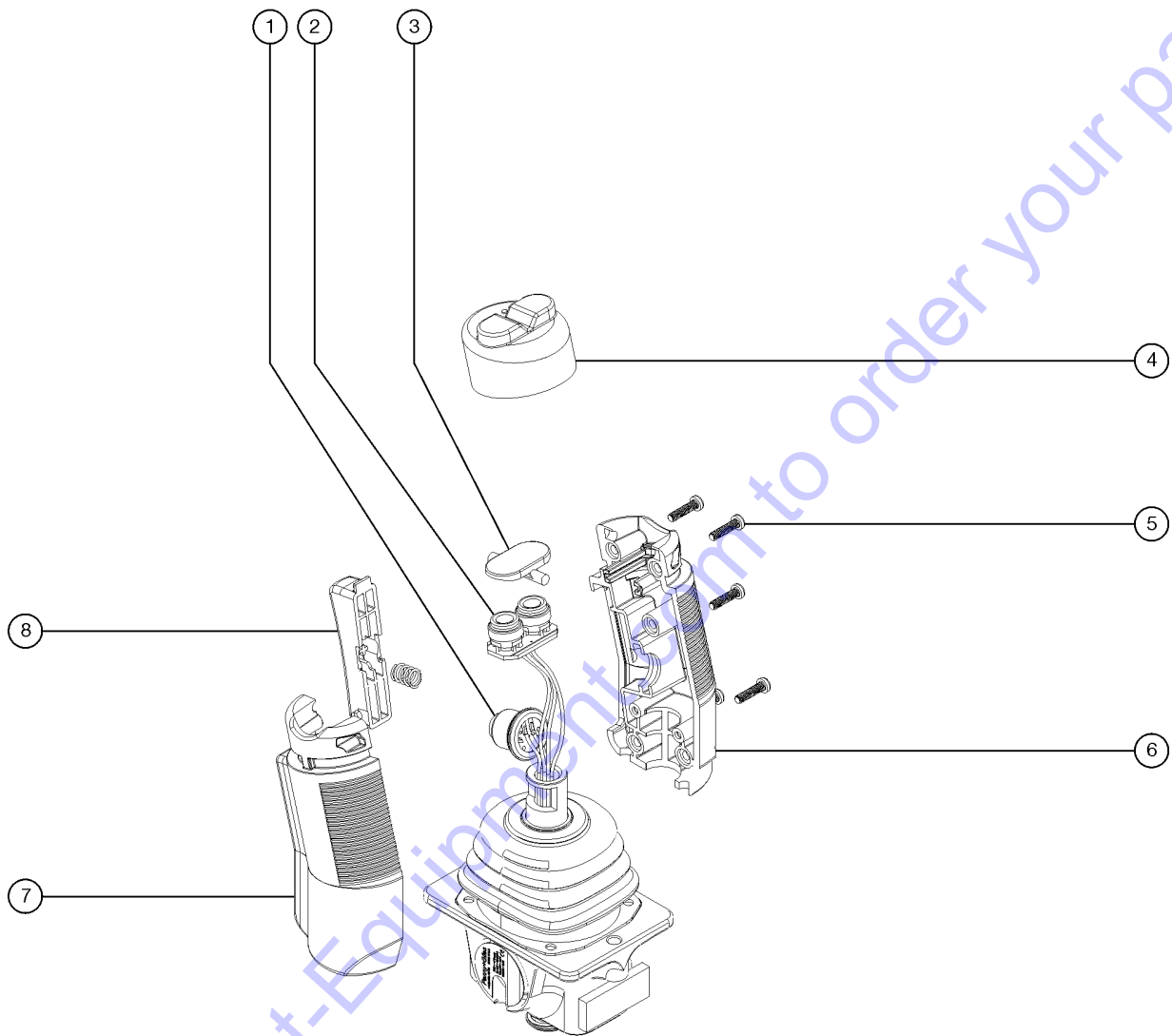
408.1 Platform Controls, 4 Button (Proportional Lift)



408.1 Platform Controls, 4 Button (Proportional Lift)

Item	Part No.	Description	Qty.
A	1256727GT	PCON,STD,PROP LIFT,GR/GS (complete platform control box with coil cord, bracket not included) from SN GS3014A-135000 and from SN GS3014C-17000	1
A-	1258731GT	FLASH DRIVE,SL1K2.0 SOFTWARE (For proportional lift or upgrade kits only. Software update available on-line. Flash drive sold separately.)	
A-	137587GT	HARNESS, ESTOP, GR/GRC/GS PCON	
1	137656GT	DECAL,PROPEL,GR/GRC/GS,PCON	1
2A	39540GT	ALARM,STEADY TONE*** order 72326 mounting ring separately	1
2B	72326GT	NUT,PLASTIC,RING FOR ALARMS for 39540	
3A	1256702GT	DECAL, UI, GS/GR, PROP LIFT (models with 4 button, proportional controller)	1
3B		REF:DECAL,STD,PROP LIFT,UI,SVC (units converted from 6 button, 2 speed lift to 4 button, proportional controller, refer to 407.1)	1
4	66812GT	BUTTON,PUSH,RED MUSHROOM HEAD	1
4-	66817GT	E-STOP NC CONTACT	
5	137605GT	DECAL,E-STOP,GR/GRC/GS PCON	1
6	1256656GT	ENCLOSURE,STD 4-BUTTON,TOP	
7		(component no longer available)	
8	T106373GT	CAP,BUTTON,K12	6
9	1256725GT	PCBA,PCON STD,PROP LIFT	1
10	137637GT	SCREW,PHM,4-20X.5, 48-2 TRI-L	
11	T106370GT	ENCLOSURE,GC14-1/GC16-1, BOT	1
12	137640GT	SCREW,PHM,8-16X.75, 48-2 TRI-L	
13	231331GT	PLAT CONTROL BRKT ASSY,GS MINI USA, Canada, Australia	1
13-	227167GT	FORMING, PLAT CONTROL BOX,MET Europe, Asia and S. America	
14	235464GT	KIT,COIL CORD,CONTRLR,SL1000 includes item 15	1
14-	231921GT	KIT,CONN,RECEPT W/PIN AND LOCK	
14-	231922GT	KIT,CONN,PLUG W/SCKT AND LOCK	
15	137699GT	PLUG, 6POS ECO PWR	1
16		Ref., JOYSTICK refer to 409.1	1
17	229845GT	SCREW,BHSCS,M5X10,SS apply Loctite 243 or equivalent before installation	

409.1 Joystick Controller



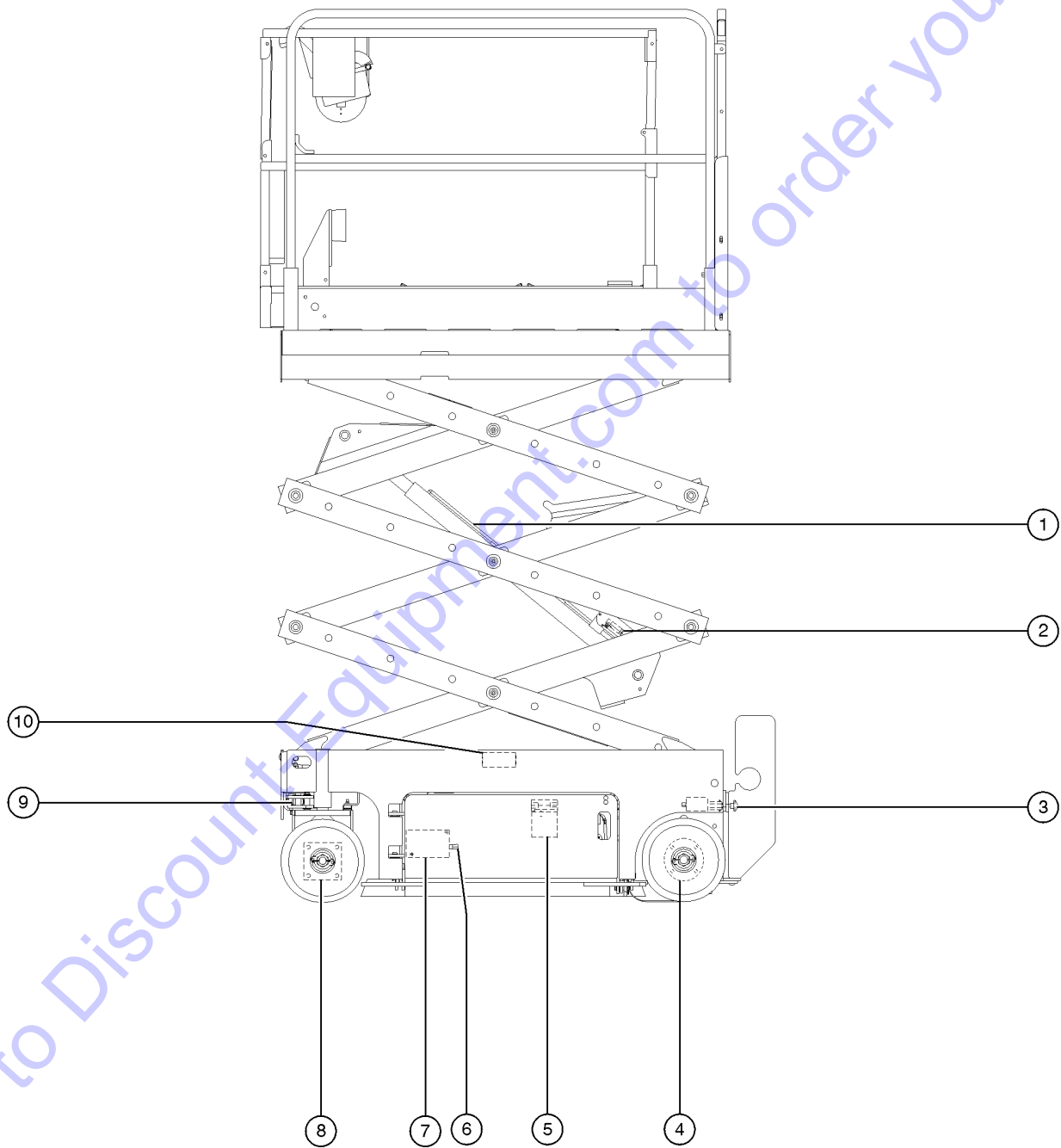
409.1 Joystick Controller

Item	Part No.	Description	Qty.
A-	137634GT	JOYSTICK, HALL EFFECT, SINGLE	
B-	214544GT	KIT,BOOT,JOYSTICK,SL1000	
		joystick boot	
1	235463GT	KIT,SWITCH,JYSTK,SL1000	1
		function enable and steer switches	
2	235463GT	KIT,SWITCH,JYSTK,SL1000	1
		function enable and steer switches	
3	229092GT	ROCKER,2 SWITCH	1
4	229093GT	BOOT, 2 SWITCH, SILICON	1
5	229086GT	SCREW, SELF TAP	5
6	229087GT	HANDLE HALF,RIGHT,W/TOP SWITCH	1
6A	229091GT	SCREW,GRUB,M5X8MM,HLF DOG,BZP	
		for 229087	
7	229088GT	HANDLE HALF,LEFT,W/TOP SWITCH	1
7A	229090GT	SCREW,GRUB,M5X8MM CUP(BLK)	
		for 229088	
8	229089GT	TRIGGER, EXTENDED	1
		squeeze handle	
8-	229094GT	SPRING, HANDLE TRIGGER	1

Go to Discount-Equipment.com to order your parts



501.1 Hydraulic Components

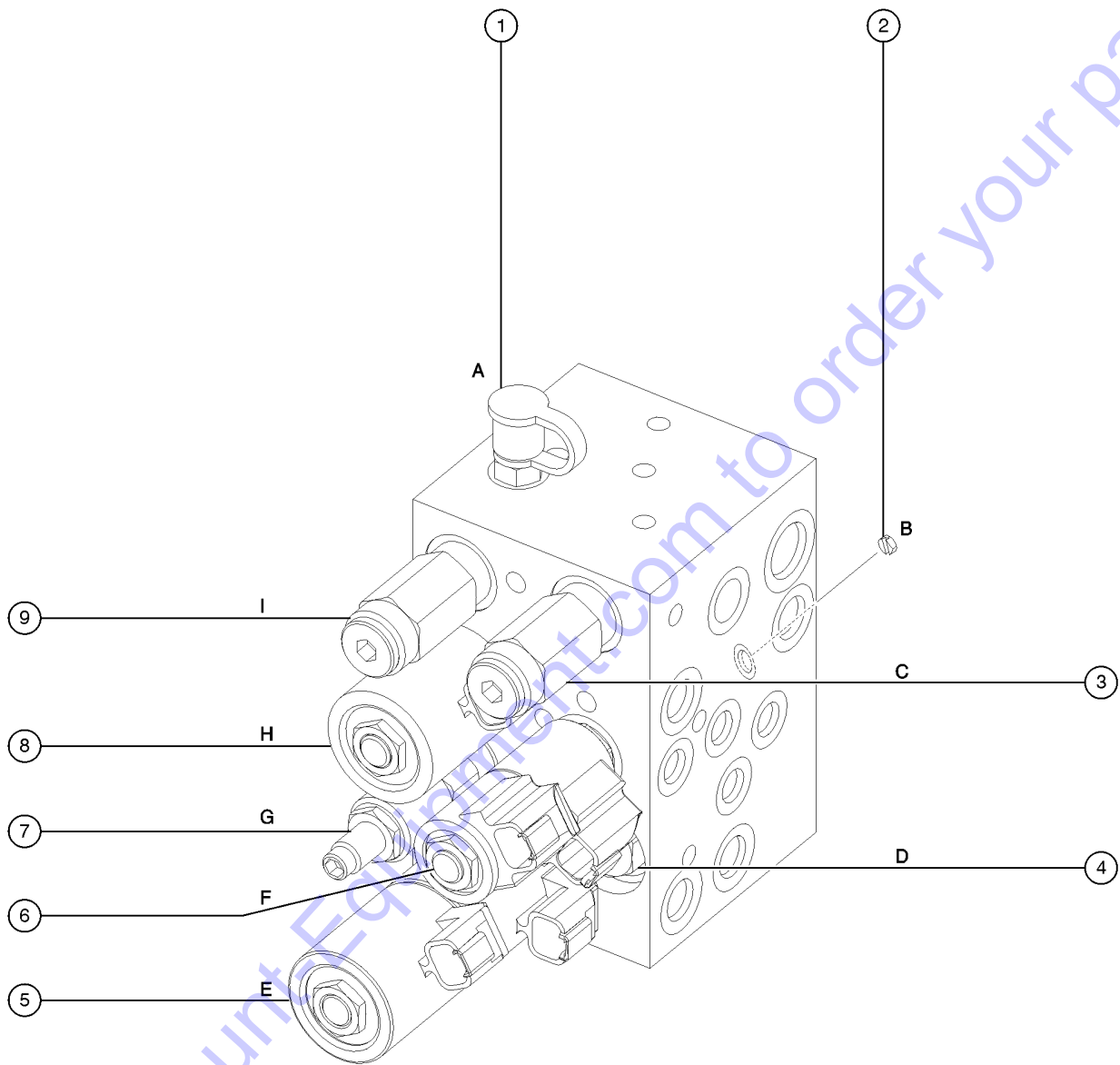


Go to DiscountEquipment.com to order your parts

Item	Part No.	Description	Qty.
1		Ref. Lift Cylinder Assembly (refer to 506.1)	
2		Ref. Pressure Transducer (refer to 701.1)	
3		Ref. Brake Release Hand Pump Manifold (refer to 504.1)	
4	96257GT	BRAKE, HYDRAULIC*** (no seal kits available)	2
5A	78622GT	FILTER ASSY, SAE8, 10 MIC, PAPER** (paper, standard)	1
5A-	44788GT	FILTER ELEMENT-10MICRON, PAPER* (paper, standard)	
5B	T114321GT	FILTER ASSY, FIBRGLS, #8-#8 (fiberglass, optional upgrade)	1
5B-	44207GT	FILTER ELEMENT, BETA(10)=200 (fiberglass, optional upgrade)	
6		Ref. Check Valve Manifold (refer to 502.2)	
7		Ref. Function Manifold (refer to 502.1 or 503.1)	
8	96388GT	MOTOR, HYDRAULIC, 530, 14.0CU.IN* GS-30	2
8-	96419GT	SEAL KIT, RC SERIES DR MOTOR*** (for 96388 and 96417)	
9	105547GT	CYLINDER, GS/GR STEER*** GS-30	1
9-	105550GT	KIT, STEER CYL SEAL (from SN GS3007A-88642, GS3007B-83785, GS3008C-101, GS3207-84485, GS3208C-101, GS4607-83692, and GS4609C-101)	
9-	105553GT	KIT, STEER CYL SEAL, 040271P, HDM (for code H408147 and up)	
9-	105554GT	KIT, STEER CYL SEAL, 040499P, HDM (for code H41109 and up)	
9-	105555GT	KIT, STEER CYL SEAL, 040505P, HDM (for codes H41205, H41255, and H501111 and up)	
10	78422GT	ACCUMULATOR, 180 PSI PRECHARGE* GS-30	1



502.1 Function Manifold, GS-1530, GS-1532, GS-1930, GS-1932



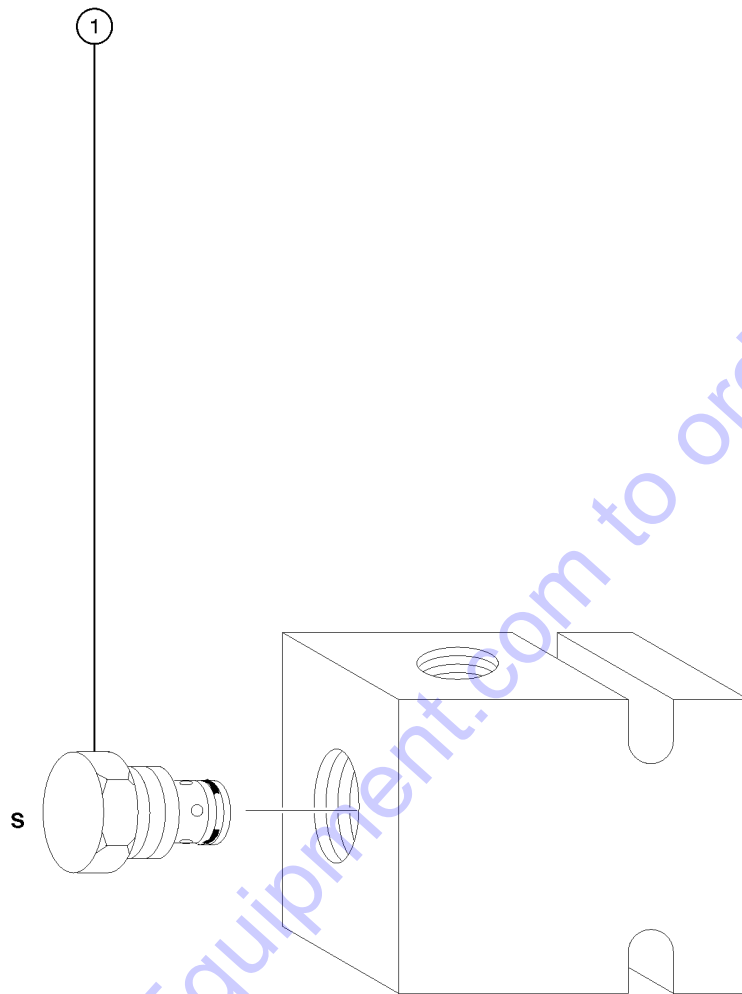
Go to DiscountEquipment.com to order your parts

502.1 Function Manifold, GS-1530, GS-1532, GS-1930, GS-1932

Item	Part No.	Description	Qty.
A-	105304GT	MANIFOLD,FUNCTION*** (from SN GS3005A-76492, GS3005B-76085 and GS3008C-101) (manifold, complete)
B-	49612GT	O-RING KIT (ORFS FITTINGS)
C-	49613GT	PLUG AND CAP KIT-SERVICE,ORFS*
1	48997GT	CONN,520120-8-12 (A, Testing)
1-	48880GT	CAP,DIAGNOSTIC NIPPLE
1-	20224GT	DIAGNOSTIC FEMALE Q-DSCNT (pressure gauge not included)
2	84386GT	CHECK DISK, NO SPRING (B, Steer circuit)
3	1299590GT	VALVE, FUNCTION MANIFOLD RELIEF, 3700PSI (C, Lift relief).
3-	44226GT	SEAL KIT-FOR P.N.44167
4	46216GT	VALVE,CHECK,IWP-S/CWP PWR ASSI (D, Drive circuit)
4-	44227GT	SEAL KIT, VALVE
5	105457GT	KIT,DYN BRAKING VALVE,MINI (to SN GS3005A-76491 and to GS3005B-76084) (E, Drive forward/reverse)
5-	105303GT	VALVE, DYN. BRAKING, GS30** (from SN GS3005A-76492, GS3005B-76085, and GS3008C-101) (E, Drive forward/reverse)
5-	84385GT	COIL,20VDC DEUTC SH W/DIODE (sold separately)
5-	44174GT	NUT-COIL SHORT
5-	44230GT	SEAL KIT-P.N.44169,44172,44171
6	44168GT	VALVE,SOLENOID,3POS 4WAY (F, Steer left/right)
6-	77709GT	COIL,#8 20VDC,DEUTSCH W/DIOD (sold separately)
6-	44174GT	NUT-COIL SHORT
6-	44229GT	SEAL KIT, VALVE
7	84384GT	PRTY,FLOW CNTRL VALVE,.75 GPM (G, Steer circuit)
7-	1261888GT	SEAL KIT (84384) for 84384
8	44169GT	VALVE-SOLENOID, 2POS 4 WAY (H, Platform up)
8-	84385GT	COIL,20VDC DEUTC SH W/DIODE (sold separately)
8-	44174GT	NUT-COIL SHORT
8-	44230GT	SEAL KIT-P.N.44169,44172,44171
9	1299590GT	VALVE, FUNCTION MANIFOLD RELIEF, 3700PSI (I, System relief).
9-	44226GT	SEAL KIT-FOR P.N.44167



503.1 Check Valve Manifold, GS-1530, GS-1532, GS-1930, GS-1932



Go to Discount-Equipment.com to order your parts

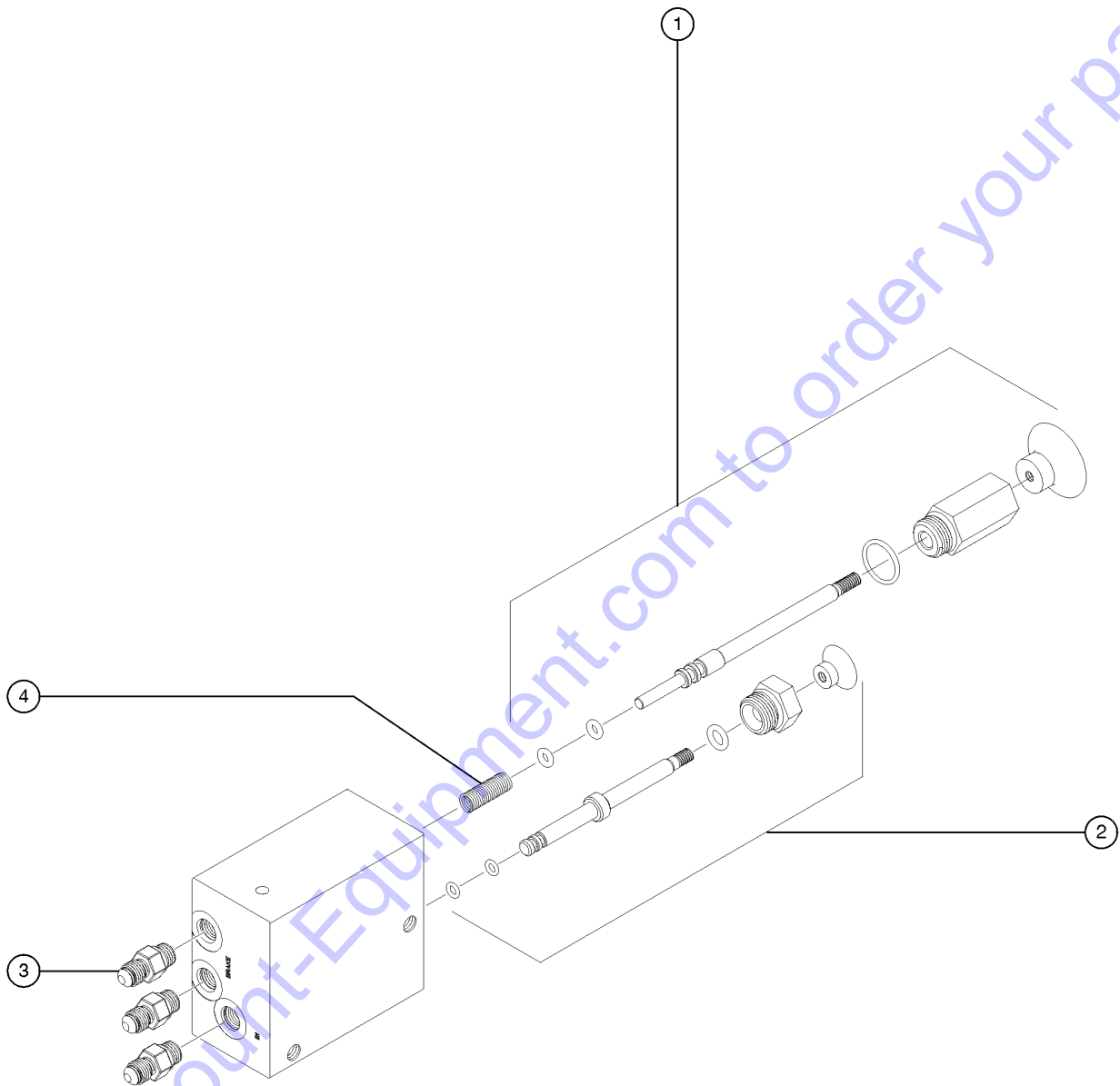
503.1 Check Valve Manifold, GS-1530, GS-1532, GS-1930, GS-1932

Item	Part No.	Description	Qty.
	105164GT	KIT,MANIFOLD,200 PSI CV,MINI**	
		ACCESSORY,MINI CHK VAL MANIF	
		(no longer available)	
1	105165GT	MANIFOLD,200 PSI CHECK VALVE**	
		(S, Drive circuit)	

Go to Discount-Equipment.com to order your parts



504.1 Brake Release Hand Pump Manifold



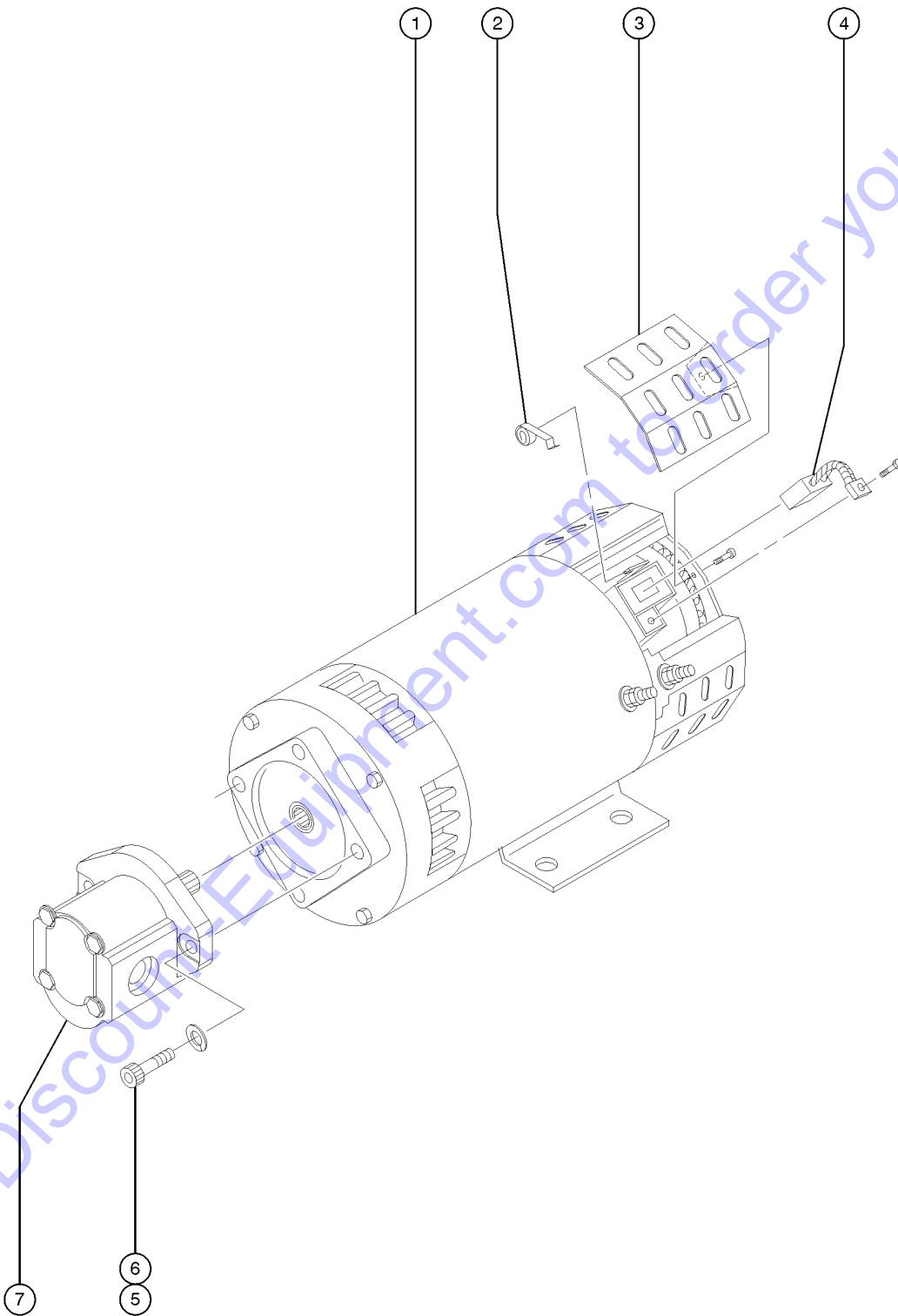
504.1 Brake Release Hand Pump Manifold

Item	Part No.	Description	Qty.
	105067GT	MANIFOLD,BRAKE RELEASE (includes items 1, 2 and 4)	
1	84739GT	VALVE,HAND PUMP ASSEMBLY***	1
1-	84740GT	SEAL KIT,HAND PUMP***	
1-	84742GT	KNOB,HAND PUMP (RED)***	
2	84743GT	VALVE,PILOT OPERATED ASSEMBLY*	1
2-	84740GT	SEAL KIT,HAND PUMP***	
2-	84746GT	KNOB,PILOT OP VALVE (BLACK)***	
3	39877GT	CONNECTOR,070120-4-4	3
4	84748GT	SPRING,HAND PUMP ROD	1

Go to Discount-Equipment.com to order your parts



505.1 Hydraulic Power Unit, All Models

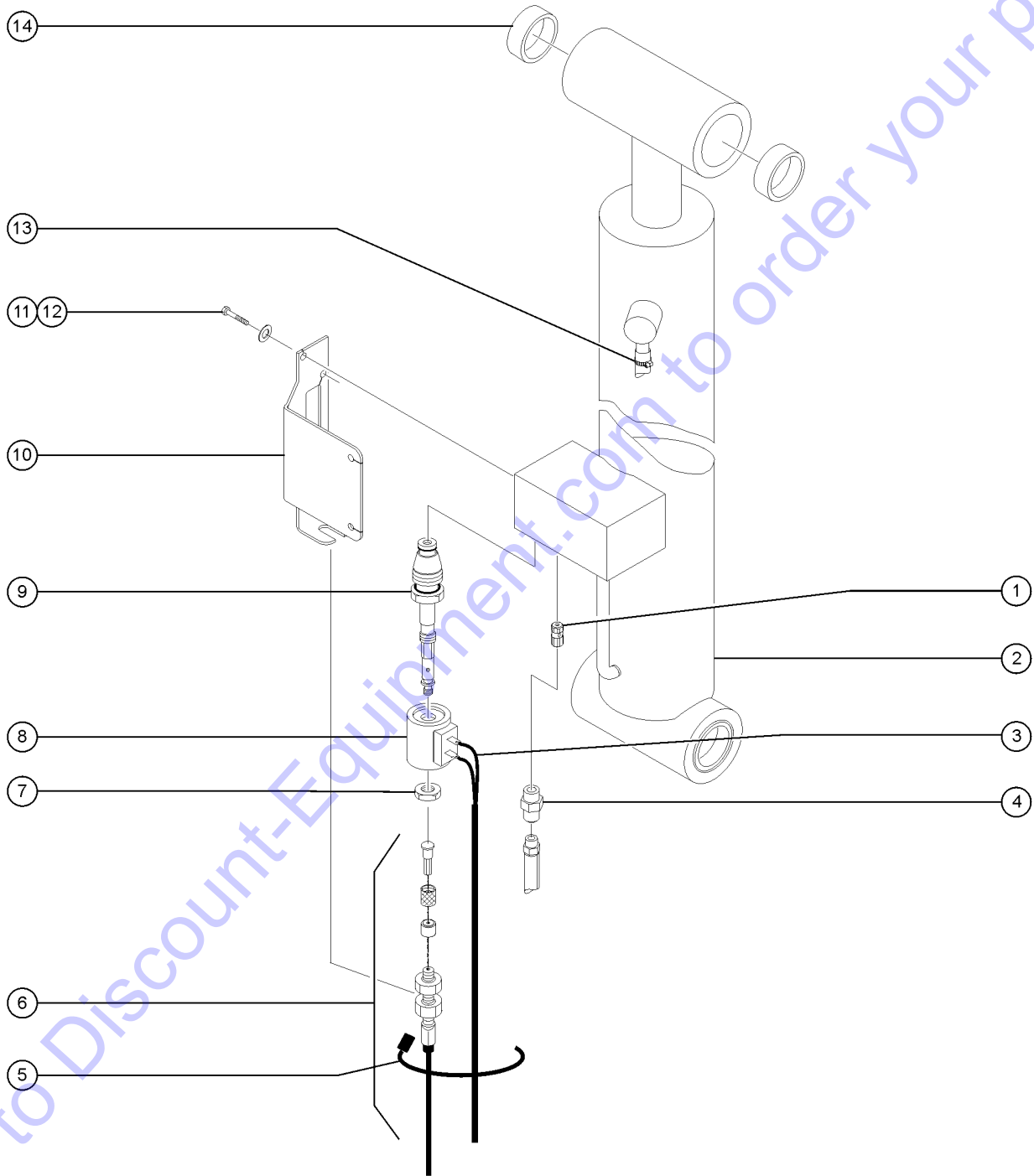


Go to DiscountEquipment.com to order your parts

Item	Part No.	Description	Qty.
B-	49812GT	ENCLOSING BAND KIT Band Kit (EE models)	
C-	78006GT	FORMING,PADLOCK BRACKET	
D-	44716GT	HANDLE,ANDERSON CONNECTOR SB	
1A	40844GT	MOTOR,ELECTRIC,24VDC 4.5HP	1
1A-	43685GT	SEAL KIT,LIFT PUMP,BARNES**	
1A-	44777GT	BEARING,MOTOR	
1A-	44778GT	BEARING,MOTOR,36843,BRUSH END*	
1B	1256517GT	MOTOR,DC24V,3.3KW,JIANGSU XINYU	1
		(for CE & Australia models)	
1B-	1262821GT	SEAL KIT,LIFT PUMP,BARNES**	
1B-	1262822GT	BEARING,MOTOR	
1B-	1262823GT	BEARING,MOTOR,BRUSH END*	
2	44750GT	SPRING-BRUSH,40844, SCISSORS	4
3	44752GT	COVER-BRUSH INSPEC.40844,SCISS	4
4	44751GT	BRUSH,PWR UNIT (40844)**	4
5	55921GT	SCREW,SHC,3/8-24 X 1.25"	
6	6021GT	WASHER,LOCK,.375	
7A		PUMP,4CC GEAR,CCW 228192	
		Parker (component no longer available)	
7A-	229453GT	SEAL KIT,PUMP,PARKER (228192)	
		for Parker pump 228192	
7B	231572GT	PUMP,4CC,GEAR,CCW	1
7B-	233641GT	SEAL KIT,BOSCH PUMP	
		For Bosch PN 9510090001	
7B-	85197GT	SEAL KIT,BOSCH PUMP***	
		For Bosch PN 9510290001	
7C-	233568GT	SEAL KIT,PUMP,GRH,(231572GT)	
		for 231572 (from SN A-122373 to SN A-123487) (GRH) (check pump ID plate to order correct seal kit)	

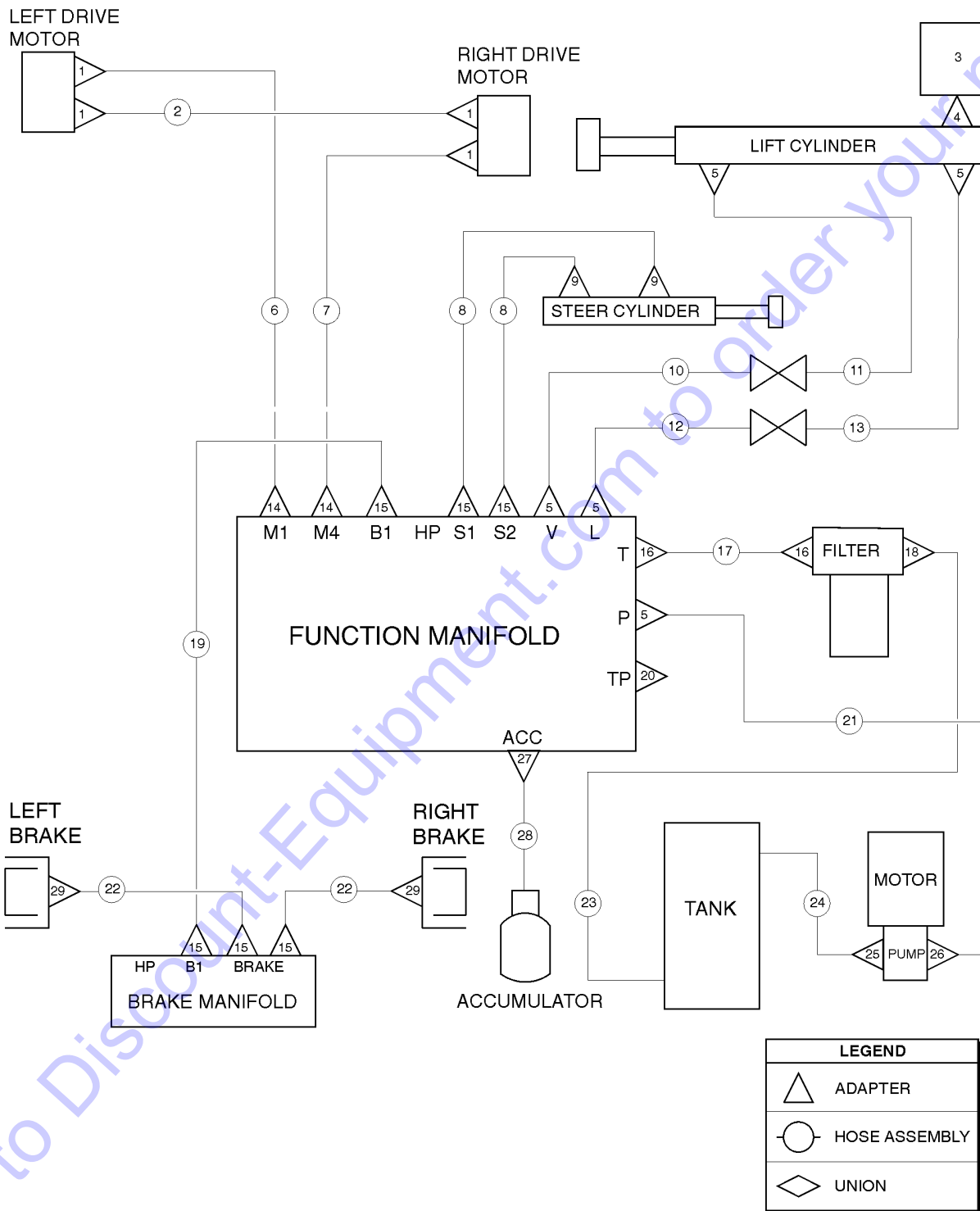


506.1 Lift Cylinder Assembly, All Models



Item	Part No.	Description	Qty.
1	55558GT	ORIFICE, LONG, .037*** (lift cylinder)	1
2	105543GT	CYLINDER, MINI LIFT	1
2-	105548GT	SEAL KIT, LIFT CYL MINI (from SN GS3007A-88642, GS3007B-83785 and GS3008C-101)	
3		Ref. Down Coil Wire Harness (refer to 210.1)	
4	39878GT	CONNECTOR, 070120-6-6	1
5	28443GT	CABLE TIE, 11.5" BLACK	3
6		Ref. Emergency Down Cable (refer to 203.1)	
7	44973GT	NUT, COIL (39909)	1
8	84422GT	COIL-SOLENOID VALVE, 20V DC***	1
9	66465GT	VALVE, W/20V NC SOLENOID, MANUAL (includes items 7 and 8)	1
9-	40477GT	VALVE, CARTRIDGE***	
9-	44979GT	SEAL KIT, 39909, PLAT LWR VALVE*	
10	41557GT	FORMING, VERTICAL CABLE COVER	1
11	7339GT	SCREW, HHC, 1/4-20 X .5	
12	6356GT	WASHER, LOCK, .25	
13	96770GT	CLAMP, HOSE, 1 EAR, 11/16	1
14	105478GT	BEARING, 1.5025IDX1.5075ODX1.5L	4

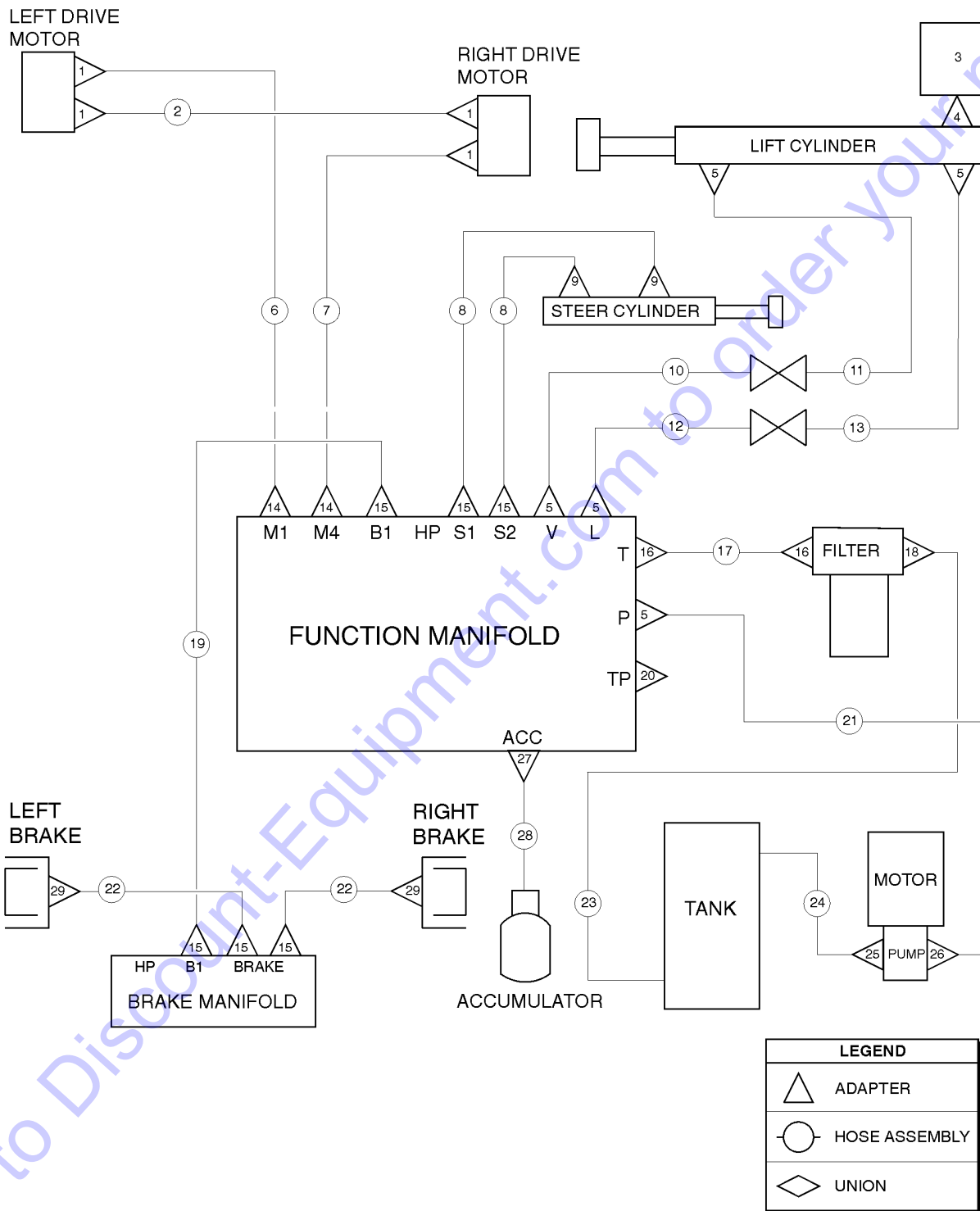




507.1 Hydraulic Hoses and Fittings, GS-1530, GS-1532, GS-1930, GS-1932

Item	Part No.	Description	Qty.
		The hose lengths below reflect the length of the hose only. Refer to the 'Fittings Cross Reference' to match Genie part numbers to Parker part numbers.	
1	39873GT	ELBOW,070220-6-6	4
2	96350GT	HOSE, ASSY, MOTOR CROSSOVER (Components: 39890, 39890, and 56776 @ 53.25 inches)	1
3		Ref. Pressure Transducer Harness (refer to 701.1)	
4	39881GT	CONNECTOR,070120-4-6 (CE models)	1
5	39878GT	CONNECTOR, 070120-6-6	5
6	115166GT	HOSE,ASSY,DRIVE MOTORS,MINI, L (Components: 39890, 39890, and 56776 @ 31 inches)	
7	105653GT	HOSE,ASSY,DRIVE MOTORS,MINI (Components: 39890, 39890, and 56776 @ 31 inches)	1
8	96351GT	HOSE, ASSY, STEER (Components: 78855, 78855, and 78852 @ 22 inches)	2
9	13921GT	ELBOW,070220-4-4	2
10	105263GT	HOSE 75631X420 (Components: 96406, 96406, and 75631 @ 12 inches)	
11	105261GT	HOSE 75631X2720 (Components: 96407, and 75631 @ 107 inches)	
12	105264GT	HOSE 56776X400 (Components: 39890, 47223, and 56776 @ 13 inches)	
13	105262GT	HOSE, ASSY, UPPER LIFT (Components: 39890, 39890, and 56776 @ 73 inches)	
14	42283GT	ELBOW,070320-6-6	2
15	39877GT	CONNECTOR,070120-4-4	7
16	20923GT	CONNECTOR,070120-8-6	1
17	105285GT	HOSE 75631X600 (Components: 96406, 96406, and 75631 @ 22 inches)	1
18	96398GT	CONNECTOR, 070120-12-8	1
19	105284GT	HOSE, ASSY, BRAKE (Components: 78855, 78855, and 78852 @ 46 inches)	1
20		Ref. Diagnostic Nipple (refer to 502.1)	
21	96353GT	HOSE, ASSY, PRESSURE (Components: 39890, 39890, and 56776 @ 40 inches)	1
22	96391GT	HOSE 78852X475 (Components: 78855, 78855, and 78852 @ 17 inches)	1
23A	96355GT	TUBE, ASSY, RETURN to SN GS3016D-4938	1
23B	1270600GT	TUBE, SLAB RETURN ASSEMBLY from SN GS3016D-4939	
24A	96354GT	TUBE, ASSY, DRAW to SN GS3016D-4938	1
24B	1270598GT	TUBE, ASSY, DRAW from SN GS3016D-4939	
25	22664GT	ELBOW,070220-12-10	1





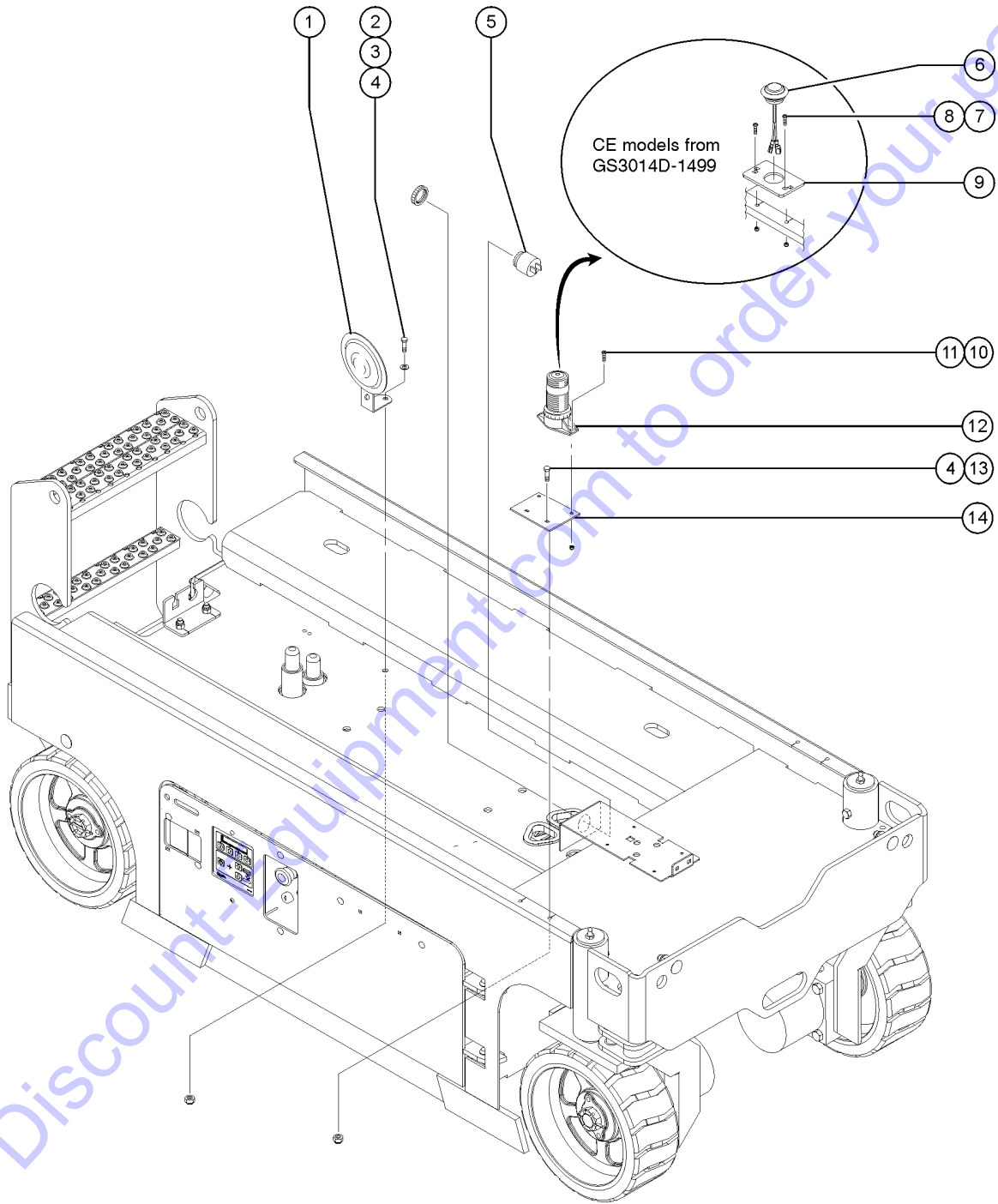
507.1 Hydraulic Hoses and Fittings, GS-1530, GS-1532, GS-1930, GS-1932

Item	Part No.	Description	Qty.
26	39876GT	ELBOW,070220-6-8	1
27	53501GT	O-RING-6	1
28	105283GT	HOSE ASSY, MAN/ACCUM, MINI (Components: 78855, 78855, and 78852 @ 14 inches)	1
29	39877GT	CONNECTOR,070120-4-4	2

Go to Discount-Equipment.com to order your parts



601.1 Alarm, Horn and Flashing Beacons



Go to Discount-Equipment.com to order your parts

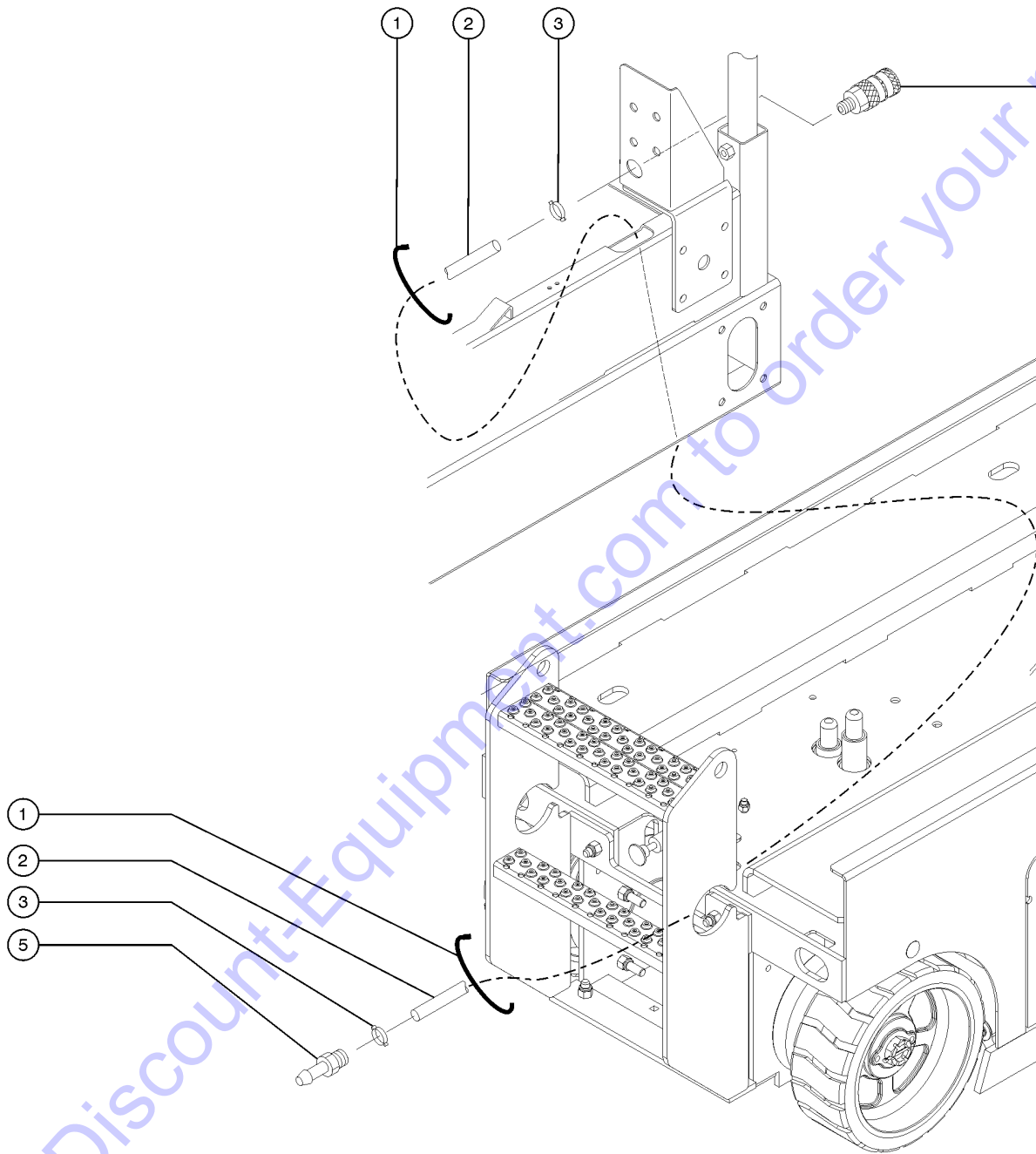


601.1 Alarm, Horn and Flashing Beacons

Item	Part No.	Description	Qty.
A-	105797GT	KIT,BEACON,GS32/46	
B-	1260386GT	VISUAL ALARM SUPPLEMENT CE Models, from SN GS3015A-141718 and SN GS3015C-17801	
1	81579GT	HORN, 24VDC, SPADE TERMINALS***	1
1A	96484GT	ASSY,DIODE	
		for GS-3232	
2	8914GT	SCREW,HHC,1/4-20 X .625	
3	6638GT	WASHER,FLAT,USS,1/4"Y	
4	6091GT	NUT, NYLOCK, 1/4-20	
5	39540GT	ALARM,STEADY TONE***	1
		Does not include 72326 nut	
5-	72326GT	NUT,PLASTIC,RING FOR ALARMS	
6	1261183GT	ASSEMBLY,VISUAL IND LIGHT CE Models, from SN GS3014D-1499	2
6-	1254572GT	LIGHT,TURN SIGNAL,1.25" LED,AM CE Models, from SN GS3014D-1499	2
6-	1261526GT	HARNESS,VISUAL IND LIGHTS,MINI CE Models, from SN GS3014D-1499	1
7	9116GT	BOLT,CARRIAGE,1/4-20 X 1.25,G2 CE Models, from SN GS3014D-1499	4
8	6889GT	NUT,LP NYLOCK,1/4-20 CE Models, from SN GS3014D-1499	4
9	1261143GT	PLATE,VISUAL IND LIGHT MOUNT CE Models, from SN GS3014D-1499	2
10	49816GT	SCREW,PHILLIPS,PHM,10-32 X .75	
11	6178GT	NUT,NYLOCK,10-32	
12	231931GT	STROBE,BEACON, AC COMP 12-80V	2
12-	105556GT	LENS,FLASHING BEACON	
		for 231931	
12-	105557GT	BULB,FLASHING BEACON	
		for 231931	
13	6878GT	BOLT,CARRIAGE,1/4-20 X .75,G2	
14	96363GT	PLATE,BEACON MOUNT	



602.1 Air Line to Platform



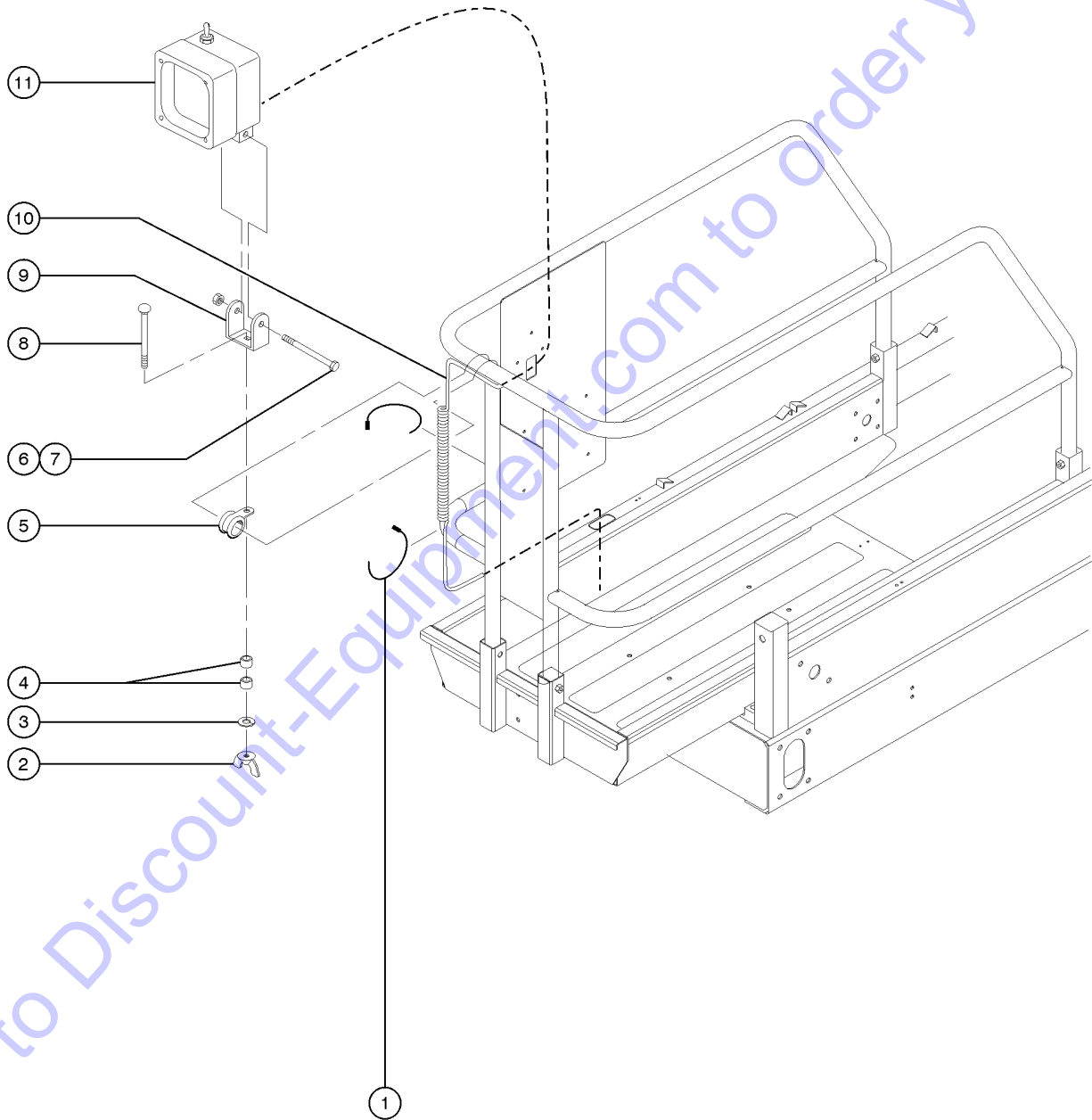
602.1 Air Line to Platform

Item	Part No.	Description	Qty.
A-	96515-SGT	AIR TO PLAT, GS15, ACC GS-1530, GS-1532	
B-	96516-SGT	AIR TO PLAT, GS19, ACC GS-1930, GS-1932	
1	28443GT	CABLE TIE, 11.5" BLACK	
2A	27903GT	HOSE,LOW PRESSURE,.375 ID,BLK GS-1530, GS-1532	275
2B	27903GT	HOSE,LOW PRESSURE,.375 ID,BLK GS-1930, GS-1932	340
3	45454GT	CLAMP,RUB CUSH,0.75,#12 X 3/8*	1
4	96543GT	COUPLER,1/4"SERIES,3/8 P-LOK	1
5	96542GT	PLUG,1/4"SERIES,3/8 P-LOCK***	1

Go to Discount-Equipment.com to order your parts

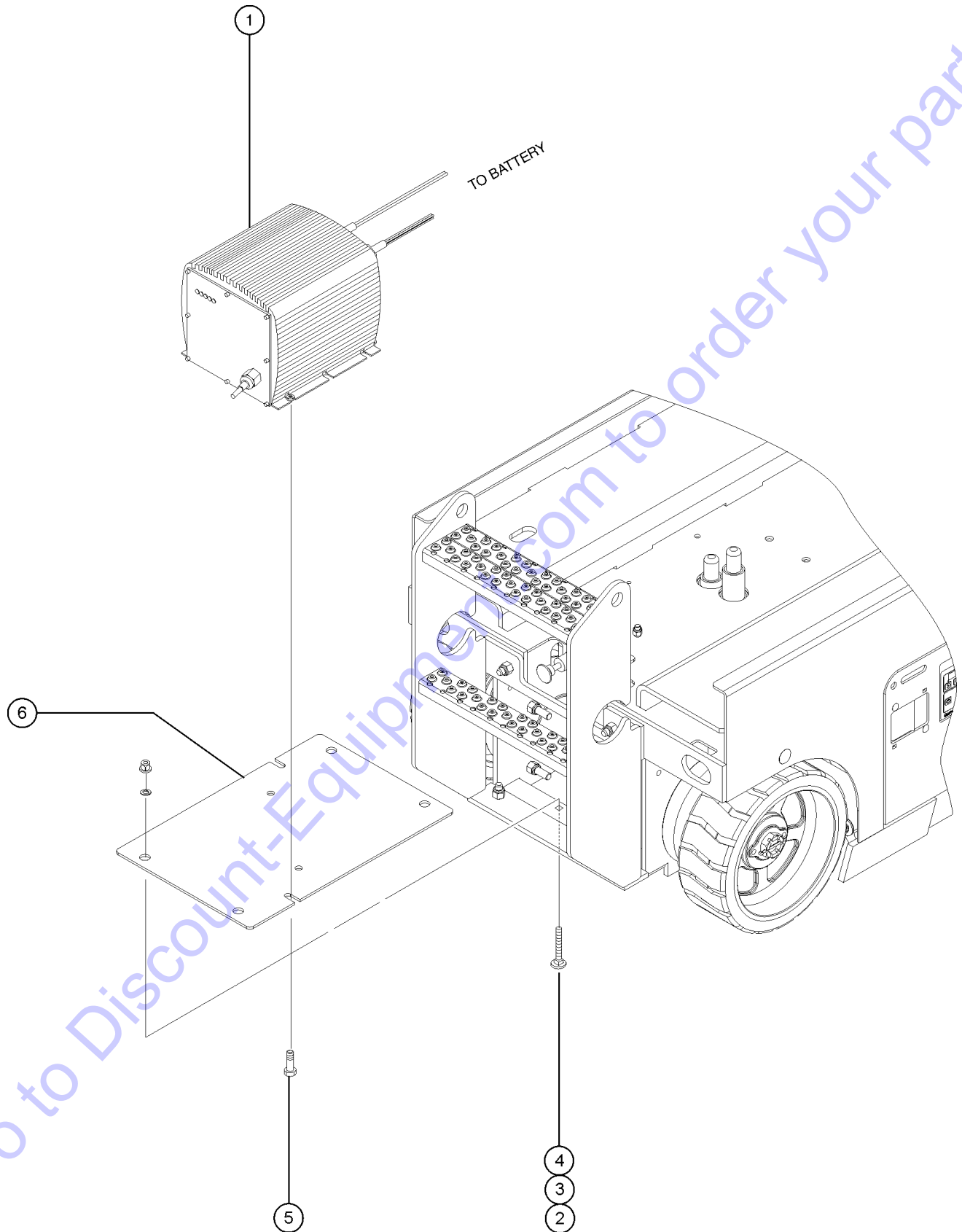


603.1 Platform Work Light



Item	Part No.	Description	Qty.
A-	105972GT	WORKLIGHT CABLE,GS15XX (linkset) GS-1530, GS-1532	
A-	105971GT	WORKLIGHT PIGTAIL ASSY (chassis) GS-1530, GS-1532	
B-	105971GT	WORKLIGHT PIGTAIL ASSY (chassis) GS-1930, GS-1932	
B-	105973GT	WORKLIGHT CABLE,GS19/20XX (linkset) GS-1930, GS-1932	
1	28443GT	CABLE TIE, 11.5" BLACK	10
2	69229GT	NUT,WING 5/16-18	1
3	6886GT	WASHER,LOCK,.313	
4	5397GT	WASHER,FLAT,USS,5/16",Y add sufficient washers to equal aproximately 0.435 inch thickness of each spacer	2
5	33784GT	CLAMP,1.31,#21 X 1/4,RUB CUSH	1
6	50793GT	SCREW,HHC,5/16-18 X 2	
7	6782GT	NUT, NYLOCK, 5/16-18	
8	65439GT	BOLT,CARRIAGE,5/16-18 X 2.0,G2	
9	144009GT	WORKLIGHT BRACKET	1
10	65721GT	COIL CORD,WORKLIGHT(144011)	1
11	144011GT	WORKLIGHT,24V,COIL CORD	1

604.1 Voltage Inverter, GS-1530, GS-1532, GS-1930, GS-1932



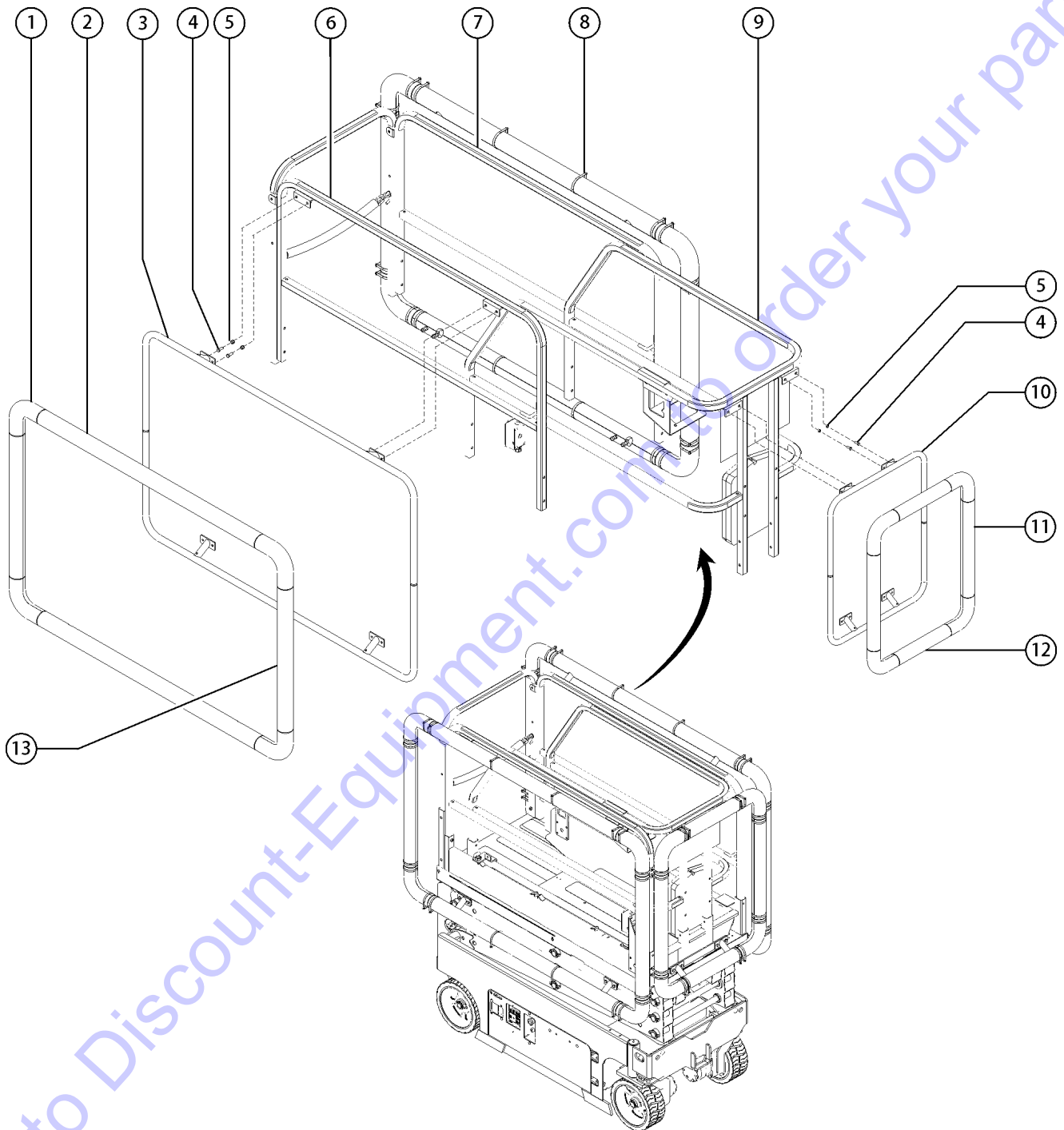
604.1 Voltage Inverter, GS-1530, GS-1532, GS-1930, GS-1932

Item	Part No.	Description	Qty.
	105248GT	SERVICE KIT,INVERTER 800W***	
1	96950GT	INVERTER,24VDC,110/230 VAC***	1
2	105092GT	BOLT,CARRIAGE,3/8-16X1.25,GR5	
3	5397GT	WASHER,FLAT,USS,5/16",Y	
4	4828GT	NUT,NYLOCK,3/8-16	
5	6090GT	SCREW,HHC,1/4-20 X .75	
6	105129GT	PLATE, INVERTER MOUNT**	1

Go to Discount-Equipment.com to order your parts



605.1 Padded Auxiliary Rail, GS-1930



Factory installed option only. After-market kit not available.



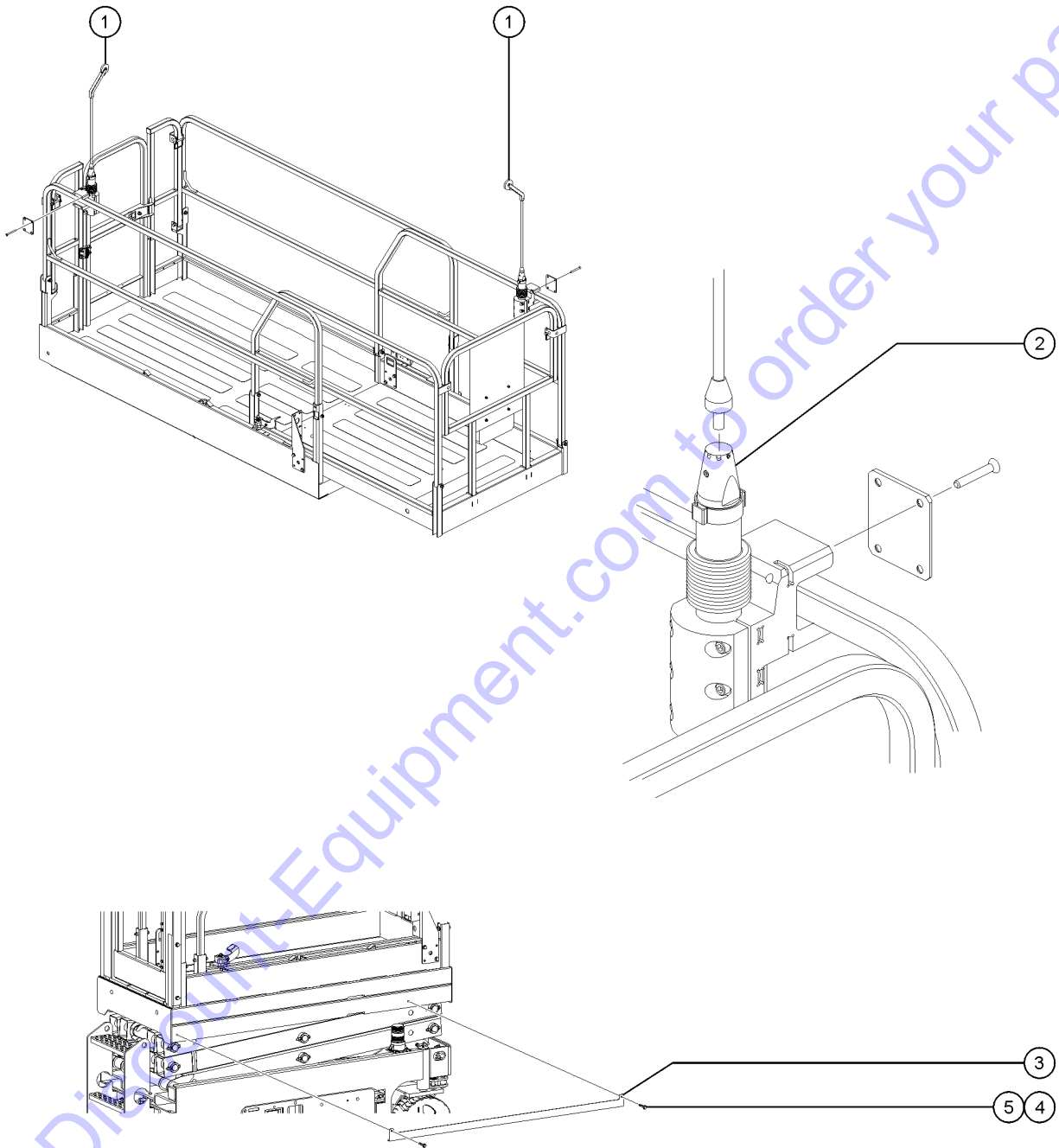
605.1 Padded Auxiliary Rail, GS-1930

Item	Part No.	Description	Qty.
1	238268GT	BUMPER,FOAM,FRONT ELBOW	12
2	825304GT	BUMPER, PAR, SIDE, HORIZONTAL	4
3	825302GT	WELDMENT, PAR, SIDE	2
4	6175GT	SCREW,HHC,3/8-16 X 1	
5	4828GT	NUT,NYLOCK,3/8-16	
6	825313GT	WLDT, MAIN SIDERAIL, PAR, LH	1
7	825312GT	WLDT, MAIN SIDERAIL, PAR, RH	1
8	229903GT	CABLE TIE, 14.5" YELLOW	56
9	825311GT	WLDT, EXT SIDERAIL, PAR	1
10	825307GT	WELDMENT, PAR, FRONT	1
11	825640GT	BUMPER, PAR, FRONT, VERTICAL	2
12	825309GT	BUMPER, PAR, FRONT, HORIZONTAL	2
13	825305GT	BUMPER, PAR, SIDE, VERTICAL	4

Go to Discount-Equipment.com to order your parts



606.1 Lift Guard Contact Alarm, View-1 (from SN GS3014D-700)



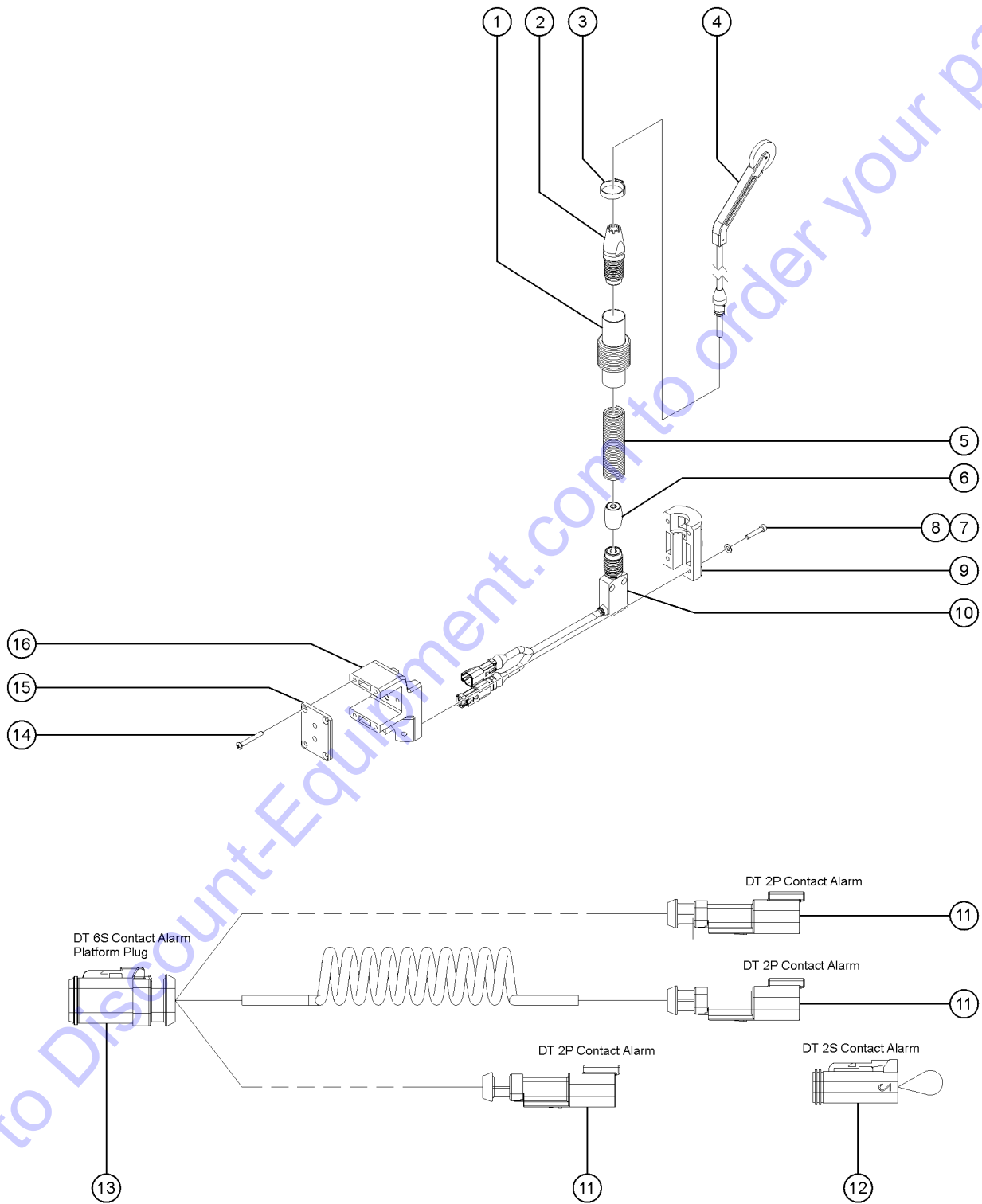
606.1 Lift Guard Contact Alarm, View-1 (from SN GS3014D-700)

Item	Part No.	Description	Qty.
-		CABLE, CONTACT ALARM, CHASSIS TO PLAT, 15XX for GS-1530 and GS-1532 (No longer available)	1
1		ASSEMBLY, LIFTGUARD CONTACT ALARM refer to 607.1 (No longer available)	2
2		ASSEMBLY, LIFTGUARD KNUCKLE OBSOLETE. refer to 607.1 (No longer available)	2
3		FORMING, CONTACT ALARM, CABLE GUIDE, GS30 No longer available	2
4	824078GT	SCREW, HHF, 1/4-20X.75, 8, ZAG	4
5	824027GT	NUT, TL FLG, 1/4-20, G, ZAG	4

Go to Discount-Equipment.com to order your parts



607.1 Lift Guard Contact Alarm, View-2 (from SN GS3014D-700)

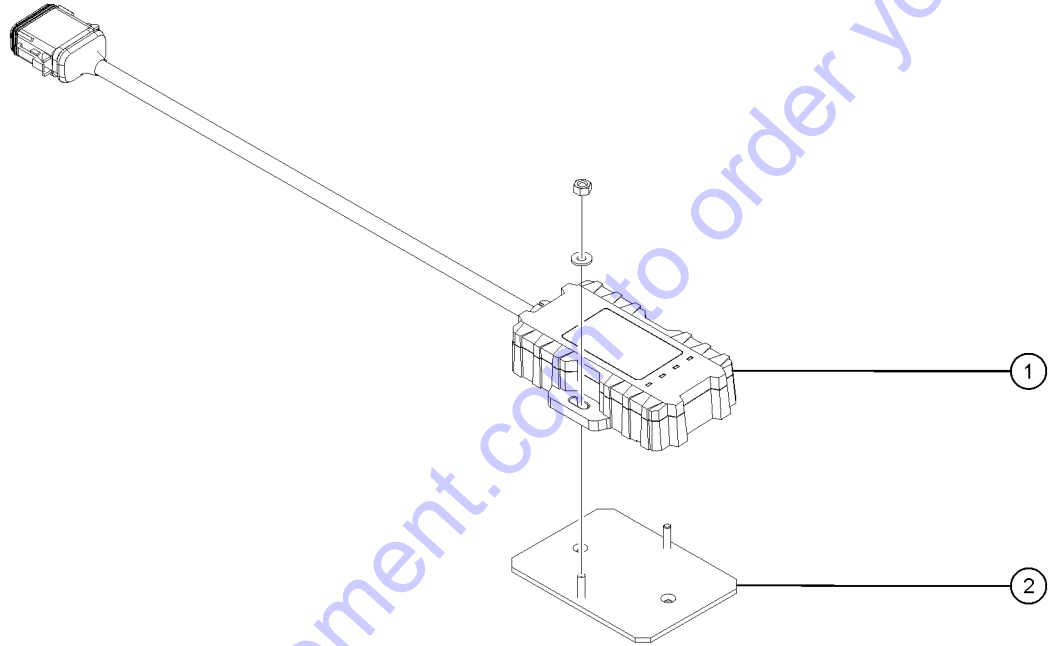


607.1 Lift Guard Contact Alarm, View-2 (from SN GS3014D-700)

Item	Part No.	Description	Qty.
-		ASSEMBLY, LIFTGUARD CONTACT ALARM Includes items 1-10, 14-16 (No longer available)	1
-		ASSEMBLY, LIFTGUARD KNUCKLE OBSOLETE. (part of assy 1287673, includes items 1-3, 5, 6 and 10)(No longer available)	1
-		HARNES, CONTACT ALARM, GS30 PLATFORM Includes items- 11 - 13.(no longer available)	1
1		BELLOW, LIFTGUARD CONTACT ALARM no longer available	1
2		ASSEMBLY, UPPER WHISKER MOUNTING no longer available	1
3	1298716GT	CLAMP, STEPLESS, ONE EAR	1
4		ASSEMBLY, WHISKER no longer available	1
5		SPRING, TENSION, CONTACT ALARM no longer available	1
6		ASSEMBLY, MAGNETIC SNAP BARREL no longer available	1
7		SCREW, SHC, 10-24X1, F837, 18.8, NYL, SS no longer available	4
8		WASHER, FLAT, 0.219X0.437X0.031, SS no longer available	4
9		BRACKET, RT LIFTGUARD, PART 2/2 no longer available	1
10		ASSEMBLY, LIMIT SWITCH MOUNT no longer available	1
11	1288352GT	CONN, RECEP, 2 WAY, DT, 14-18GA, CE09	3
11-	60439GT	CONN, RECEP, 2 WAY, DEUTSCH, DT, LOCK	
12	119056GT	CONN, PLUG, 2 WAY, DEUTSCH, DT, ENDCAP	1
12-	60425GT	CONN, PLUG, 2 WAY, DEUTSCH, DT, LOCK	
13	1288576GT	CONN, PLUG, 6WAY, DT, 14-18GA, CE13	1
13-	60431GT	LOCK, PLUG 6 WAY, 14-18GA	
14		SCREW, OHPM, 10-24X1.5, NYL, SS no longer available	4
15		PLATE, LIFTGUARD BRACKET no longer available	1
16		BRACKET, RT LIFTGUARD, PART 1/2 no longer available	1



608.1 Telematics Option (from SN GS3015D-2588)

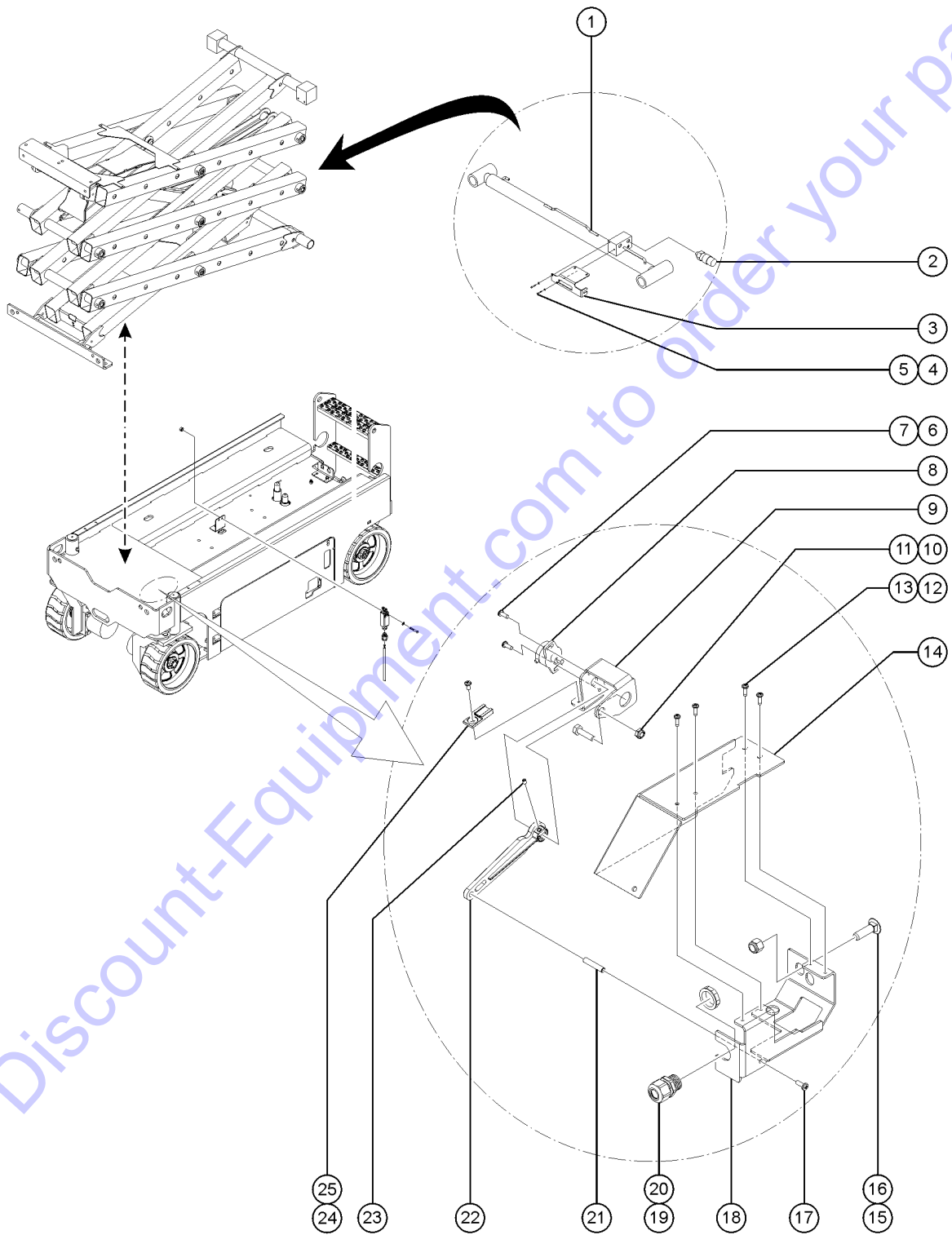


608.1 Telematics Option (from SN GS3015D-2588)

Item	Part No.	Description	Qty.
-	1289899GT	HARNESS, GATEWAY, GS for units after SN GS3015D-2588 for first time insulation, must order this Harness with one of the models 1289520GT, 1289521GT, 1289522GT, or 1289523GT	1
1	1289520GT	MODULE, TELEMATICS, ZTR, M7, NORTH AMERICA North America	1
1B	1289521GT	MODULE, TELEMATICS, ZTR, M7, EMEA/APAC EMEA/APAC	
1C	1289522GT	MODULE, TELEMATICS, ZTR, M7, APAC/ANZ APAC/ANZ	
1D	1289523GT	MODULE, TELEMATICS, ZTR, M7, JAPAN Japan	
2	1289561GT	BRACKET, TELEMATICS	1

Go to Discount-Equipment.com to order your parts

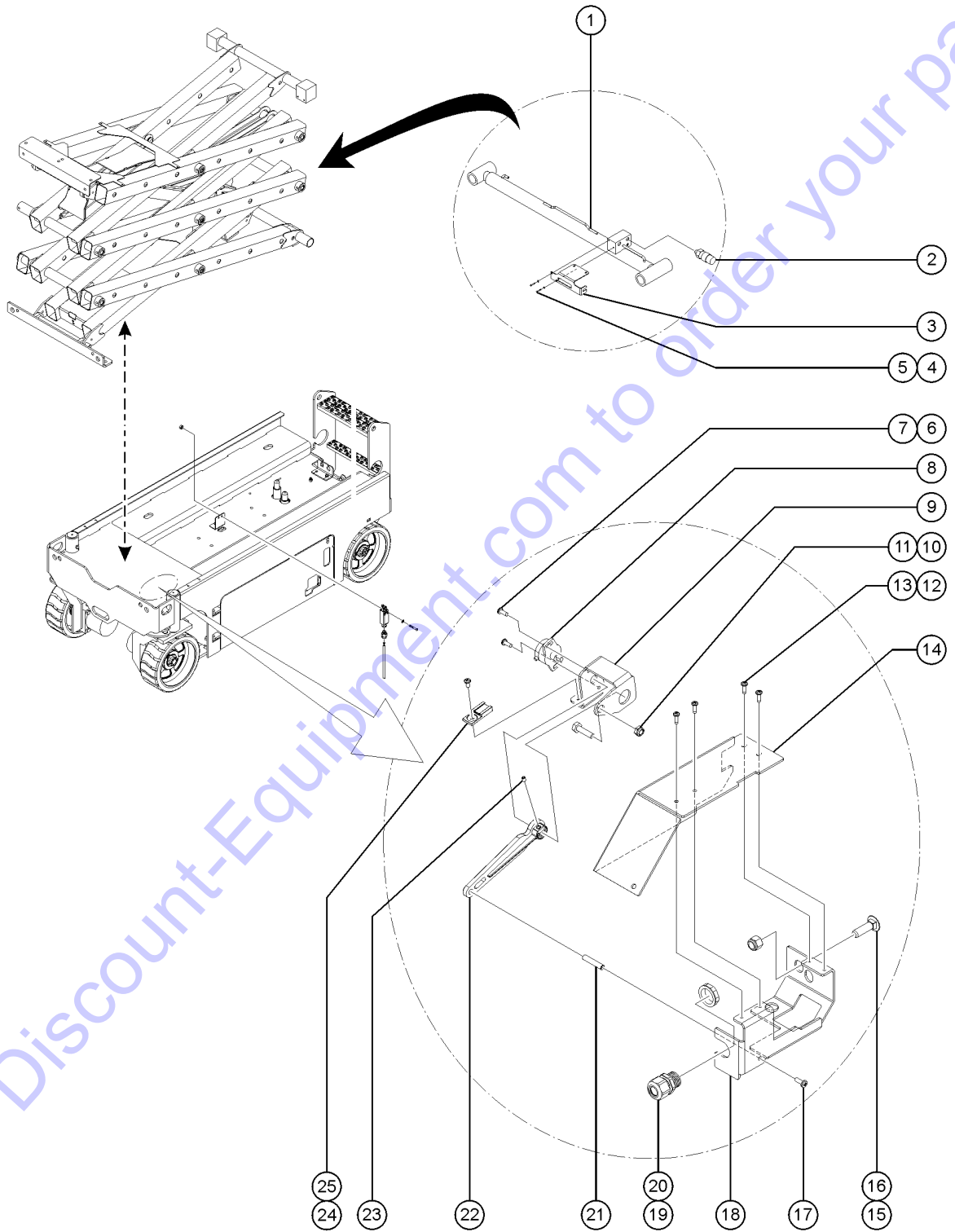




701.1 Platform Overload, GS-1530, GS-1532, GS-1930, GS-1932

Item	Part No.	Description	Qty.
1		Ref. Lift Cylinder (refer to 506.1)	1
2	1311101GT	PRESSURE TRANSDUCER,0-5K,1-5V	1
3	41557GT	FORMING,VERTICAL CABLE COVER	1
4	7339GT	SCREW,HHC,1/4-20 X .5	1
5	6356GT	WASHER,LOCK,.25	1
6A	229655GT	GS3246_ SCREW,PHM,8-32X.313,SELF TAP	7
6B	55906GT	SCREW, PHILLIPS, PHM, 8-32 X .5	2
		(used on 161979)	
7	18605GT	NUT,NYLOCK,8-32	2
		(used on 161979)	
8	T113136GT	ASSY,ROT SENSR W/ HARNESS	1
9A	T113140GT	FRMNG,ARM SENSOR BRCKT,MINI	1
		(to SN GS3014A-137487)	
9B	161979GT	FRMNG,ARM SENSOR BRCKT,MINI	1
		(from SN GS3014A-137488)	
10	6889GT	NUT,LP NYLOCK,1/4-20	1
11	6888GT	SCREW,HHC,1/4-20 X 1	1
12	8914GT	SCREW,HHC,1/4-20 X .625	2
		(used on 161977)	
13	56912GT	SPRING CLIP,1/4-20,.025-.15X.54,ZAG	2
		(used on 161977)	
14A	227188GT	FRMNG,SENSOR COVER,MINI	1
		(to SN GS3014A-137487 and SN GS3214A-136070)	
14B	161977GT	FRMNG,SENSOR COVERING	1
		(from SN GS3014A-137488 and SN GS3214A-136071)	
15	96203GT	BOLT,CARRIAGE,1/2-13X1.75, G5	1
16	6198GT	NUT,NYLOK,1/2-13	1
17	49819GT	SCREW,PHILLIPS,PHM,10-32 X .5	1
18A	T113141GT	FRMNG,CHASSIS BRKT	1
		(to SN GS3014A-137487)	
18B	161975GT	FRMNG,CHASSIS BRKTING	1
		(from SN GS3014A-137488)	
19	33576GT	CONN,SQZ,BLK,1/2NPT,.38-.50,SM	1
20	T115429GT	NUT,CORDGRIP,1/2 NPT	1
21	T113142GT	OFFSET, RDN, 1/4-1.25,10-32	1
22	T114082GT	LEVER ARM,ANGLE SENSR ACTUATOR	1
23	229146GT	SCREW,SET,8-32X.25	1
24	T113139GT	CLIP,DTM RECEP	1





Go to Discount-Equipment.com to order your parts

701.1 Platform Overload, GS-1530, GS-1532, GS-1930, GS-1932

<i>Item</i>	<i>Part No.</i>	<i>Description</i>	<i>Qty.</i>
25	39579GT	RIVET,STL,STL,.188 X .45	1

Go to Discount-Equipment.com to order your parts



<u>Part no.</u>	<u>Page Number</u>	<u>Part no.</u>	<u>Page Number</u>	<u>Part no.</u>	<u>Page Number</u>
4266GT	141	12013GT	121, 127, 133, 139	39469GT	77, 117, 123, 129, 135
4828GT	11, 15, 81, 101, 109, 117, 123, 129, 135,	12016GT	81	39470GT	117, 123, 129, 135
5224GT	141	13066GT	75	39474GT	117, 119, 123, 125, 129, 131...
5397GT	13, 81, 85, 143, 111, 179	13585GT	145	39509GT	141
6002GT	117, 123, 129, 135	13921GT	169	39510GT	141
6021GT	117, 123, 129, 135, 165	14033GT	109, 121, 127, 133, 139	39540GT	77, 149, 153, 173
6086GT	75	16487GT	77	39542GT	81
6090GT	179	18503GT	85	39579GT	117, 123, 129, 135, 191
6091GT	11, 11, 85, 89, 93, 105...	18504GT	77, 85, 105	39873GT	169
6097GT	71, 117, 123, 129, 135	18605GT	147, 189	39876GT	171
6145GT	105	19491GT	77, 83	39877GT	163, 169, 171
6175GT	181	20224GT	159	39878GT	167, 169
6178GT	77, 173	20923GT	169	39881GT	169
6198GT	71, 107, 189	21253GT	71	40434GT	17, 19, 25, 27, 33, 39...
6356GT	85, 89, 167, 189	21279GT	117, 121, 123, 125, 129, 133...	40477GT	167
6545GT	71	21982GT	93	40833GT	85
6564GT	81	22446GT	143	40844GT	165
6595GT	145	22664GT	169	41557GT	167, 189
6626GT	145	24514GT	121, 127, 133, 139	41630GT	117, 123, 129, 135
6637GT	77	25388GT	145	42079GT	73, 75
6638GT	89, 105, 141, 173	27903GT	175	42283GT	169
6700GT	93	28174GT	13, 17, 19, 23, 25, 27...	43093GT	11, 13, 29, 31, 41, 43...
6782GT	177	28175GT	13, 31, 43, 61	43618GT	17, 19, 25, 27, 33, 39...
6878GT	11, 85, 89, 91, 93, 147...	28176GT	17, 19, 33, 47, 49, 63	43619GT	13, 31, 43, 61
6886GT	177	28235GT	13, 17, 19, 23, 25, 27...	43658GT	11, 13, 23, 29, 37, 41...
6888GT	71, 189	28236GT	17, 19, 33, 47, 49, 63	43685GT	165
6889GT	85, 173, 189	28443GT	141, 167, 175, 177	43956GT	145
6898GT	81	30217GT	109, 113	44168GT	159
6935GT	145	30784-2550GT	85	44169GT	159
7056GT	145	31060GT	11, 29, 41, 59	44174GT	159
7127GT	145	31508GT	11, 13, 29, 41, 43, 59	44207GT	157
7339GT	167, 189	31788GT	11, 29, 41, 59	44226GT	159
7713GT	117, 123, 129, 135, 143	33278GT	85	44227GT	159
8178GT	113, 143	33576GT	189	44229GT	159
8255GT	71, 121, 127, 133, 139	33724GT	145	44230GT	159
8357GT	71, 75	33784GT	177	44255GT	11, 13, 29, 31, 41, 43...
8516GT	109, 115	34742GT	81	44716GT	165
8914GT	173, 189	36369GT	107	44736GT	17, 19, 33, 47, 49, 63
8915GT	85, 89	37947GT	93	44737GT	11, 13, 29, 31, 41, 43...
9116GT	89, 105, 173	39232GT	77	44743GT	121, 127, 133, 139
10775GT	145	39310GT	117, 123, 129, 135	44750GT	165
10777GT	145	39429GT	75	44751GT	165

<u>Part no.</u>	<u>Page Number</u>	<u>Part no.</u>	<u>Page Number</u>	<u>Part no.</u>	<u>Page Number</u>
44752GT	165	55921GT	165	72970GT	11, 29, 41, 59
44777GT	165	56912GT	77, 189	72998GT	13, 31, 43, 61
44778GT	165	57075GT	145	72999GT	13, 31, 43, 61
44780GT	71, 75	58000GT	109, 113	74006GT	145
44781GT	73, 75	58592GT	71, 77	74267GT	85
44788GT	157	58627GT	93	75041GT	95
44936GT	147	60425GT	185	76494GT	85
44973GT	167	60431GT	185	77709GT	159
44979GT	167	60439GT	185	78006GT	165
44980GT	11, 13, 23, 29, 37, 41...	62053GT	17, 19, 25, 27	78022GT	121, 127, 133, 139
44981GT	13, 17, 19, 23, 25, 27...	62054GT	47, 49, 55, 57	78038GT	119, 121, 123, 131, 133, 137
45454GT	175	65439GT	177	78086GT	81
45546GT	145	65721GT	177	78422GT	105, 157
46216GT	159	65990-SGT	143	78546GT	89
47098GT	117, 119, 123, 125, 129, 131...	66030GT	121, 127, 133, 139	78622GT	157
47163GT	117, 123, 129, 135	66094GT	85	78732GT	75
47166GT	117, 123, 129, 135	66204GT	89	78736GT	71, 77
47188GT	141	66353GT	145	78901GT	113
47222GT	117, 123, 129, 135	66355GT	145	79456GT	105
47224GT	141	66356GT	145	81579GT	173
47225GT	117, 123, 129, 135	66397GT	85	82160GT	13, 31, 43, 61
47231GT	117, 119, 123, 129, 131, 135...	66465GT	167	82161GT	13, 31, 43, 61
47374GT	119, 125, 131, 137	66485GT	119, 125, 131, 137	82287GT	63, 69
47548GT	71	66544GT	143	82366GT	13, 31, 43, 61
47598GT	141	66551GT	141, 143	82473GT	23, 37, 53, 67
47666GT	109, 113	66592GT	119, 125, 131, 137	82474GT	21, 23, 35, 37, 51, 53...
48282GT	145	66717GT	85	82476GT	21, 23, 35, 37, 51, 53...
48880GT	159	66770GT	71	82481GT	21, 35, 51, 65
48997GT	159	66812GT	93, 149, 153	82482GT	23, 37, 53, 67
49612GT	159	66817GT	93, 149, 153	82485GT	11, 13, 21, 23
49613GT	159	66818GT	93	82486GT	41, 43, 51, 53
49812GT	165	66883GT	141	82487GT	23, 25, 27, 37, 39, 53...
49816GT	173	66886GT	119, 125, 131, 137	82495GT	21, 35, 51, 65
49818GT	85	66889-SGT	119, 125, 131, 137	82496GT	55
49819GT	189	66890-SGT	119, 125, 131, 137	82497GT	39, 69
50793GT	177	66903-SGT	143	82501GT	25
52475GT	11, 13, 21, 23, 29, 31...	66948GT	117, 123, 129, 135	82557GT	17, 19, 33, 47, 49, 63
53501GT	171	69229GT	177	82558GT	13, 31, 43, 61
55010GT	87	72086GT	11, 13, 21, 23, 29, 31...	82559GT	13, 31, 43, 61
55558GT	167	72143GT	13, 23, 31, 37, 43, 53...	82560GT	23, 37, 53, 67
55675GT	85, 89	72326GT	77, 149, 153, 173	82561GT	11, 13, 29, 31, 41, 43...
55906GT	147, 189	72853GT	13, 31, 43, 61	82562GT	21, 23, 35, 37, 51, 53...

<u>Part no.</u>	<u>Page Number</u>	<u>Part no.</u>	<u>Page Number</u>	<u>Part no.</u>	<u>Page Number</u>
82563GT	47, 49, 63	96066GT	71	96388GT	157
82564GT	17, 33	96067GT	73	96390GT	109, 113
82565GT	17, 47	96068GT	71	96391GT	169
82566GT	33, 63	96069GT	73	96398GT	169
82568GT	33, 39	96074GT	71	96408GT	81
82570GT	11, 13, 21, 23, 29, 31...	96085GT	81	96413GT	117, 123, 129, 135
82571GT	41, 43, 51, 53, 59, 61...	96102GT	75	96419GT	157
82656GT	25, 55	96121GT	109, 113	96422GT	81
82657GT	11, 29, 41, 59	96126GT	107	96423GT	81
83093GT	93	96130GT	109, 113	96440GT	101, 103
83131GT	93	96131GT	109, 113	96452GT	93
84384GT	159	96135GT	81	96459GT	97
84385GT	159	96163GT	141	96465GT	75
84386GT	159	96196GT	71, 77	96466GT	75
84422GT	167	96200GT	121, 125, 133, 139	96484GT	173
84571GT	71	96203GT	189	96487GT	109, 111, 113
84578GT	109	96236GT	145	96493GT	77
84579GT	113	96246GT	121, 125, 133, 137	96515-SGT	175
84580GT	113	96247GT	117, 123, 129, 135	96516-SGT	175
84581GT	109, 115	96257GT	157	96522GT	103
84582GT	109, 115	96258GT	71	96524GT	81
84583GT	109, 115	96275GT	137	96541GT	81
84586GT	121, 125, 133, 137	96281GT	81	96542GT	175
84587GT	117, 123, 129, 135	96283GT	111, 115	96543GT	175
84590GT	119, 125, 131, 137	96298GT	101	96576GT	107
84693GT	107	96299GT	101	96642GT	81
84694GT	107	96300GT	101	96699GT	89
84695GT	107	96302GT	101	96709GT	89
84739GT	163	96303GT	101	96770GT	167
84740GT	163	96304GT	101, 103	96819GT	101
84742GT	163	96306GT	101, 103	96839GT	81
84743GT	163	96309GT	97	96849GT	119, 125, 131, 137
84746GT	163	96331GT	109, 115	96855GT	89
84748GT	163	96335GT	119, 125, 131, 137	96948GT	77, 81
85197GT	165	96336GT	119, 125, 131, 137	96950GT	179
85239GT	93	96350GT	169	96977GT	75, 107
88335GT	97	96351GT	169	97059GT	87
96008-SGT	93	96353GT	169	97105GT	141
96009GT	93	96354GT	89, 169	97110GT	141
96010GT	93	96355GT	89, 169	97115GT	117
96038GT	81	96363GT	173	97118GT	119
96039GT	81	96387GT	101	97119GT	129

<u>Part no.</u>	<u>Page Number</u>	<u>Part no.</u>	<u>Page Number</u>	<u>Part no.</u>	<u>Page Number</u>
97122GT	131	105285GT	169	115166GT	169
97123GT	119, 125, 131, 137	105303GT	159	119056GT	185
97128GT	77, 83	105304GT	159	119619GT	73
97132GT	121, 127, 133, 139	105308GT	89	122994GT	93
97213GT	119, 125, 131	105310GT	77	131582GT	79
97280GT	141	105334GT	87	133206GT	121, 125, 133, 137
97582GT	27, 57	105440GT	79	133213GT	29
97618GT	19, 49	105457GT	159	133276GT	13, 31, 43, 61
97719GT	23, 37, 53, 67	105467GT	85	133596GT	17, 19, 33, 47, 49, 63
104804GT	141	105478GT	167	137522GT	149
105051GT	71	105483-SGT	145, 147	137562GT	93
105055GT	81	105543GT	167	137587GT	149, 153
105060GT	81	105547GT	157	137604GT	95
105067GT	163	105548GT	167	137605GT	17, 19, 25, 27, 33, 39...
105071GT	101	105550GT	157	137633GT	149
105085GT	109, 113	105553GT	157	137634GT	155
105090GT	145	105554GT	157	137636GT	17, 19, 25, 27, 33, 39...
105092GT	71, 75, 81, 107, 179	105555GT	157	137637GT	93, 149, 153
105117GT	145, 147	105556GT	173	137640GT	149, 153
105118GT	145, 147	105557GT	173	137642GT	149
105122GT	71, 75	105565GT	73	137656GT	17, 19, 25, 27, 33, 39...
105129GT	179	105653GT	169	137668GT	93
105156GT	81	105739GT	87	137692GT	93
105164GT	161	105797GT	173	137699GT	151, 153
105165GT	161	105818GT	109, 113	144009GT	177
105182GT	109, 113	105953GT	101	144011GT	177
105183GT	109, 113	105960GT	101	144129GT	147
105184GT	109, 113	105961GT	101	144130GT	87
105185GT	113	105971GT	177	144161GT	145
105209GT	105	105972GT	177	144175GT	141
105210GT	105	105973GT	177	144180GT	87
105211GT	105	105997GT	109, 113	144213GT	99
105248GT	179	105998GT	109, 113	144226GT	77
105261GT	169	114334GT	23, 37, 53, 67	144374GT	71
105262GT	169	114337GT	21, 35, 51, 65	144375GT	75
105263GT	169	114338GT	25, 27, 39, 55, 57, 69	144379GT	75
105264GT	169	114360GT	11, 29, 41, 59	161975GT	189
105273GT	85	114361GT	11, 21, 29, 35, 41, 51...	161977GT	189
105275GT	81	114370GT	21, 35, 51, 65	161979GT	189
105280GT	109, 113	114372GT	21, 23, 35, 37, 51, 53...	214544GT	155
105283GT	171	114385GT	11, 13, 29, 31, 41, 43...	218579GT	99
105284GT	169	114386GT	17, 19, 33, 47, 49, 63	219205GT	149

<u>Part no.</u>	<u>Page Number</u>	<u>Part no.</u>	<u>Page Number</u>	<u>Part no.</u>	<u>Page Number</u>
219480GT	87	231610GT	119, 125, 131, 137	233711GT	97
226163GT	89	231611GT	121, 127, 133, 139	235463GT	155
227164GT	89	231921GT	99, 151, 153	235464GT	149, 153
227165GT	93	231922GT	99, 151, 153	238268GT	181
227166GT	89	231931GT	173	823368GT	77
227167GT	149, 153	232052GT	11	823408GT	89
227188GT	189	232053GT	11	824027GT	183
228406GT	77	232054GT	41	824029GT	113
228786GT	97	232055GT	41	824078GT	183
229086GT	155	232056GT	21	824216GT	93
229087GT	155	232057GT	21	825020GT	71, 109, 115
229088GT	155	232058GT	51	825302GT	181
229089GT	155	232059GT	51	825304GT	181
229090GT	155	232060GT	11	825305GT	181
229091GT	155	232061GT	11	825307GT	181
229092GT	155	232062GT	29	825309GT	181
229093GT	155	232063GT	29	825311GT	181
229094GT	155	232064GT	41	825312GT	181
229146GT	189	232065GT	41	825313GT	181
229195GT	89	232066GT	59	825640GT	181
229453GT	165	232067GT	59	1252764GT	93
229655GT	189	232068GT	21	1254572GT	173
229845GT	151, 153	232069GT	21	1255245GT	47
229903GT	181	232070GT	35	1255797GT	77
231103GT	117	232071GT	35	1256070GT	41, 45
231104GT	119	232072GT	51	1256517GT	165
231105GT	123	232073GT	51	1256656GT	153
231106GT	123	232074GT	65	1256702GT	17, 19, 25, 27, 39, 47...
231107GT	129	232075GT	65	1256703GT	17, 19, 25, 27, 33, 39...
231108GT	131	232531GT	85	1256719GT	95
231109GT	135	232534GT	89	1256721GT	93
231110GT	135	232576GT	103	1256725GT	153
231111GT	119, 125, 131, 137	232578GT	103	1256727GT	153
231112GT	121, 127, 133, 139	232582GT	103	1256756GT	113
231175GT	141	233366GT	85	1257033GT	103
231176GT	141	233371GT	103	1257054GT	103
231177GT	141	233431GT	103	1257055GT	103
231178GT	143	233438GT	103	1257058GT	103
231179GT	143	233439GT	103	1257059GT	103
231180GT	143	233568GT	165	1257182GT	17, 47
231331GT	149, 153	233641GT	165	1257184GT	19, 33, 49, 63
231572GT	165	233644GT	97	1257204GT	89

<u>Part no.</u>	<u>Page Number</u>	<u>Part no.</u>	<u>Page Number</u>	<u>Part no.</u>	<u>Page Number</u>
1257824GT	97	1288206GT	99	T113787GT	119, 125, 131, 137
1257923GT	17, 19, 25, 27, 33, 39...	1288219GT	99	T114031GT	97
1258332GT	149	1288352GT	185	T114082GT	189
1258333GT	149	1288576GT	185	T114321GT	157
1258334GT	149	1289520GT	187	T115429GT	189
1258406GT	75	1289521GT	187		
1258515GT	149	1289522GT	187		
1258731GT	153	1289523GT	187		
1259179GT	81	1289561GT	187		
1259192GT	73	1289899GT	187		
1259223GT	121, 127, 133, 139	1298716GT	185		
1259719GT	119, 125, 131, 137	1299590GT	159		
1260386GT	173	1311101GT	97, 189		
1261143GT	173	T106362GT	95		
1261183GT	173	T106363GT	93		
1261526GT	173	T106366GT	93		
1261888GT	159	T106368GT	149		
1262821GT	165	T106370GT	149, 153		
1262822GT	165	T106372GT	95		
1262823GT	165	T106373GT	149, 153		
1263152GT	85	T107029GT	11, 29, 41, 59		
1264822GT	97	T107030GT	17, 47		
1264834GT	97	T107031GT	15, 31, 45, 61		
1265771GT	99	T107032GT	19, 33, 49, 63		
1270281GT	75, 99	T109012GT	89		
1270598GT	169	T110889GT	97		
1270600GT	169	T110890GT	97		
1272232GT	87	T110891GT	97		
1272292GT	87	T112507GT	77, 97		
1272557GT	87	T112508GT	97		
1273394GT	99	T112509GT	97		
1274594GT	137	T112510GT	99		
1275748GT	115	T112511GT	99		
1279428GT	87	T112563GT	145		
1280665GT	145	T112804GT	15, 23, 31, 37, 45, 53...		
1282139GT	141	T112807GT	27, 39		
1282140GT	75	T112808GT	57, 69		
1282141GT	121, 127, 133, 139	T113136GT	97, 189		
1282144GT	85	T113139GT	189		
1282145GT	77	T113140GT	189		
1282153GT	77	T113141GT	189		
1283053GT	99	T113142GT	189		

PARTS FINDER

**Search Website
by Part Number**



**Search Manual
Library For Parts
Manual & Lookup Part
Numbers – Purchase
or Request Quote**

Search Manuals

Enter your information to search for a manual or to purchase a manual or parts.

* Brand:

* Model:

* Serial:

* Part Number:

SEARCH

**Can't Find Part or
Manual? Request Help
by Manufacturer,
Model & Description**

Parts Order Form

Please fill in the following information:

Manufacturer:

Model:

Description:

Quantity:

Part Number:

Part Name:

Part Description:

Part Category:

Part Location:

Part Status:

Part Condition:

Part Material:

Part Color:

Part Weight:

Part Dimensions:

Part Price:

Part Availability:

Part Lead Time:

Part Notes:

Submit

Discount-Equipment.com is your online resource for quality parts & equipment.

Florida: **561-964-4949** Outside Florida TOLL FREE: **877-690-3101**

Need parts?

Click on this link: <http://www.discount-equipment.com/category/5443-parts/> and choose one of the options to help get the right parts and equipment you are looking for. Please have the machine model and serial number available in order to help us get you the correct parts. If you don't find the part on the website or on one of the online manuals, please fill out the request form and one of our experienced staff members will get back to you with a quote for the right part that your machine needs.

We sell worldwide for the brands: Genie, Terex, JLG, MultiQuip, Mikasa, Essick, Whiteman, Mayco, Toro Stone, Diamond Products, Generac Magnum, Airman, Haulotte, Barreto, Power Blanket, Nifty Lift, Atlas Copco, Chicago Pneumatic, Allmand, Miller Curber, Skyjack, Lull, Skytrak, Tsurumi, Husquvarna Target, Stow, Wacker, Sakai, Mi-T-M, Sullair, Basic, Dynapac, MBW, Weber, Bartell, Bennar Newman, Haulotte, Ditch Runner, Menegotti, Morrison, Contec, Buddy, Crown, Edco, Wyco, Bomag, Laymor, EZ Trench, Bil-Jax, F.S. Curtis, Gehl Pavers, Heli, Honda, ICS/PowerGrit, IHI, Partner, Imer, Clipper, MMD, Koshin, Rice, CH&E, General Equipment, Amida, Coleman, NAC, Gradall, Square Shooter, Kent, Stanley, Tamco, Toku, Hatz, Kohler, Robin, Wisconsin, Northrock, Oztec, Toker TK, Rol-Air, APT, Wylie, Ingersoll Rand / Doosan, Innovatech, Con X, Ammann, Mecalac, Makinex, Smith Surface Prep, Small Line, Wanco, Yanmar

California Proposition 65

 **WARNING**

Operating, servicing and maintaining this equipment, passenger vehicle or off-highway motor vehicle can expose you to chemicals including engine exhaust, carbon monoxide, phthalates, and lead, which are known to the State of California to cause cancer and birth defects or other reproductive harm. These chemicals can be emitted from or contained in other various parts and systems, fluids and some component wear by-products. To minimize exposure, avoid breathing exhaust, do not idle the engine except as necessary, service your equipment and vehicle in a well-ventilated area and wear gloves or wash your hands frequently when servicing your equipment or vehicle and after operation. For more information go to www.P65Warnings.ca.gov/passenger-vehicle.

Breathing diesel engine exhaust exposes you to chemicals known to the State of California to cause cancer and birth defects or other reproductive harm.

- Always start and operate the engine in a well-ventilated area.
- If in an enclosed area, vent the exhaust to the outside.
- Do not modify or tamper with the exhaust system.
- Do not idle the engine except as necessary.

For more information go to www.P65warnings.ca.gov/diesel.

www.genielift.com

Distributed By:

www.GenieliftEquipment.com to order your parts