



A TEREX BRAND

Parts Manual

Serial Number Range

GS-1530

GS-1532

GS-1930

GS-1932

from SN GS30D-16323 to GS30D-40000

Part No. 1285637GT

Rev: A.08

March 2023



www.discount-equipment.com

PARTS FINDER

**Search Website
by Part Number**



**Search Manual
Library For Parts
Manual & Lookup Part
Numbers – Purchase
or Request Quote**

Search Manuals

Enter your information to help us find the right parts manual for your machine.

* Brand:

* Model:

* Serial:

* Part Number:

SEARCH

**Can't Find Part or
Manual? Request Help
by Manufacturer,
Model & Description**

Parts Order Form

Please fill in the following information to help us find the right part for your machine.

Manufacturer:	<input type="text"/>
Model:	<input type="text"/>
Description:	<input type="text"/>
Part Number:	<input type="text"/>
Quantity:	<input type="text"/>
Notes:	<input type="text"/>

Submit

Discount-Equipment.com is your online resource for quality parts & equipment.

Florida: **561-964-4949** Outside Florida TOLL FREE: **877-690-3101**

Need parts?

Click on this link: <http://www.discount-equipment.com/category/5443-parts/> and choose one of the options to help get the right parts and equipment you are looking for. Please have the machine model and serial number available in order to help us get you the correct parts. If you don't find the part on the website or on one of the online manuals, please fill out the request form and one of our experienced staff members will get back to you with a quote for the right part that your machine needs.

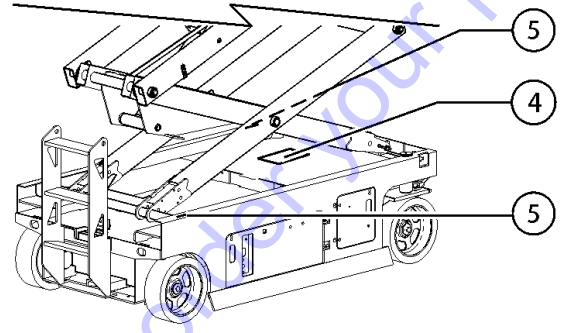
We sell worldwide for the brands: Genie, Terex, JLG, MultiQuip, Mikasa, Essick, Whiteman, Mayco, Toro Stone, Diamond Products, Generac Magnum, Airman, Haulotte, Barreto, Power Blanket, Nifty Lift, Atlas Copco, Chicago Pneumatic, Allmand, Miller Curber, Skyjack, Lull, Skytrak, Tsurumi, Husquvarna Target, Stow, Wacker, Sakai, Mi-T-M, Sullair, Basic, Dynapac, MBW, Weber, Bartell, Bennar Newman, Haulotte, Ditch Runner, Menegotti, Morrison, Contec, Buddy, Crown, Edco, Wyco, Bomag, Laymor, EZ Trench, Bil-Jax, F.S. Curtis, Gehl Pavers, Heli, Honda, ICS/PowerGrit, IHI, Partner, Imer, Clipper, MMD, Koshin, Rice, CH&E, General Equipment, Amida, Coleman, NAC, Gradall, Square Shooter, Kent, Stanley, Tamco, Toku, Hatz, Kohler, Robin, Wisconsin, Northrock, Oztec, Toker TK, Rol-Air, APT, Wylie, Ingersoll Rand / Doosan, Innovatech, Con X, Ammann, Mecalac, Makinex, Smith Surface Prep, Small Line, Wanco, Yanmar

Genie
A TEREX BRAND

Model:
Serial number: GS30D-123456
Year of manufacture: 2020
Electrical schematic number:
Machine unladen weight:
Rated work load (including occupants):
Maximum number of platform occupants:
Maximum allowable inclination of the chassis:
Outrigger retracted:
Outrigger deployed:

GS30 D - 123456

1 2 3

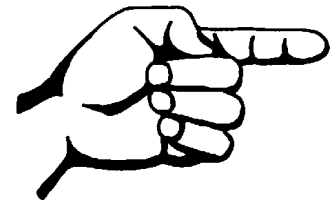


- 1 Model
- 2 Facility code
- 3 Sequence number

- 4 Serial label (located on chassis)
- 5 Serial number (stamped on chassis)

Go to Discount-Equipment.com for your parts

Please refer to section 001 for the Recommended Spare Parts List.



This page intentionally left blank.

Go to Discount-Equipment.com to order your parts

Description	Page
001 Parts Stocking List	10
001.1 Parts Stocking List	10
100 Decals	12
101.1 Decals with Words, GS-1530, Battery Side, ANSI & Austalia	12
102.1 Decals with Words, GS-1530, Ground Controls Side, ANSI & Australia	14
103.1 Decals with Words, GS-1530, Platform, ANSI	18
104.1 Decals with Words, GS-1530, Platform, Austraila	20
105.1 Decals with Symbols, GS-1530 Battery Side, ANSI & CE	22
106.1 Decals with Symbols, GS-1530 Ground Control Side, ANSI & CE	24
107.1 Decals with Symbols, GS-1530 Platform, ANSI	26
108.1 Decals with Symbols, GS-1530 Platform, CE	28
109.1 Decals with Words, GS-1532, Battery Side, Australia	30
110.1 Decals with Words, GS-1532 Ground Controls Side, Australia	32
111.1 Decals with Words, GS-1532 Platform, Austraila	36
112.1 Decals with Symbols, GS-1532 Battery Side, CE	38
113.1 Decals with Symbols, GS-1532 Ground Control Side, CE	40
114.1 Decals with Symbols, GS-1532 Platform, CE	42
115.1 Decals with Words, GS-1930 Battery Side, ANSI & Australia	44
116.1 Decals with Words, GS-1930 Ground Controls Side, ANSI & Australia	46
117.1 Decals with Words, GS-1930 Platform, ANSI	50
118.1 Decals with Words, GS-1930 Platform, Austraila	52
119.1 Decals with Symbols, GS-1930 Battery Side, ANSI & CE	54
120.1 Decals with Symbols, GS-1930 Ground Control Side, ANSI & CE	56
121.1 Decals with Symbols, GS-1930 Platform ANSI	58
122.1 Decals with Symbols, GS-1930 Platform CE	60
123.1 Decals with Words, GS-1932 Battery Side, Australia	62
125.1 Decals with Words, GS-1932 Platform, Austraila	64
126.1 Decals with Symbols, GS-1932 Battery Side, CE	66
127.1 Decals with Symbols, GS-1932 Ground Control Side, CE	68
128.1 Decals with Symbols, GS-1932 Platform CE	70
200 Drive Chassis Components.....	72
201.1 Steer Linkage and Wheels, GS-1530, GS-1930	72
201.2 Steer Linkage and Wheels, GS-1532, GS-1932	76
201.3 Steer Linkage and Wheels (Japan), GS-1530, GS-1930	80
201.4 Steer Linkage and Wheels (Japan), GS-1532, GS-1932	84
202.1 Non-steer Axle Installation, All Models, GS-1530	88
202.2 Non-steer Axle Installation, All Models, GS-1532	90
202.3 Non-steer Axle Installation, All Models, GS-1930	92
202.4 Non-steer Axle Installation, All Models, GS-1932	94

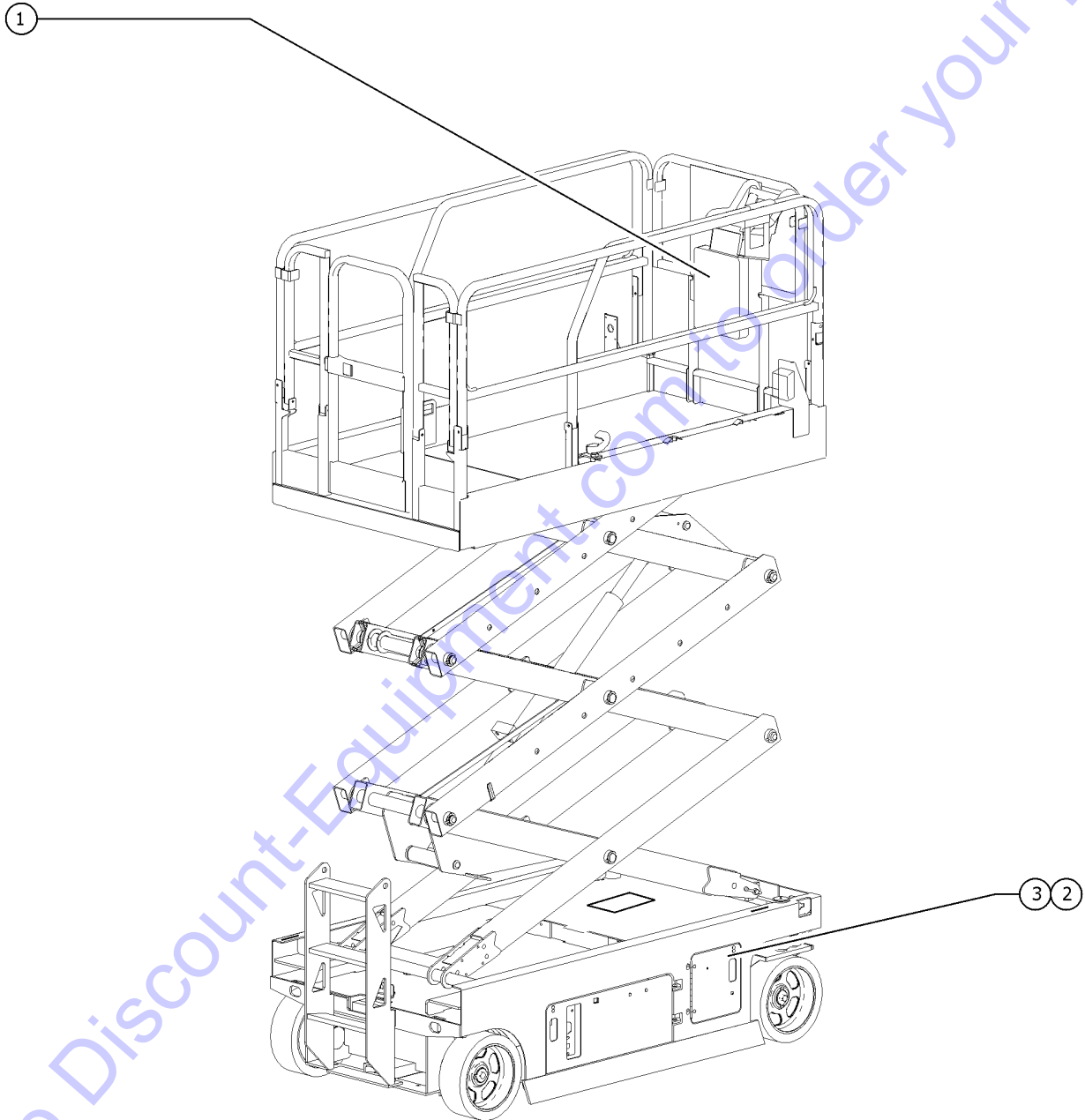
Table of Contents

Description	Page
203.1 Level Sensor Installation, All Models	96
204.1 Pothole Protection Assembly	100
205.1 Battery Pack Module	104
206.1 Battery Charger	108
207.1 Power Unit Module (to SN GS3016D-4938)	110
207.2 Power Unit Module (from SN GS3016D-4939)	114
208.1 Ground Controls, All Models	118
209.1 Electrical Wiring, GS-1530, GS-1532 (to SN GS30D-29806)	122
209.1 Electrical Wiring, GS-1930, GS-1932 (to SN GS30D-29806)	126
209.2 Electrical Wiring (from SN GS30D-29807)	130
210.1 Power Cables	134
211.1 Function Manifold and Accumulator Components	136
300 Scissor Components	138
301.1 Scissor Assembly Installation	138
302.1 Scissor Assembly, GS-1530/1532	140
303.1 Scissor Assembly, GS-1930/1932	144
400 Platform Components	148
401.1 Platform Components, GS-1530	148
402.1 Platform Components, GS-1532	156
403.1 Platform Components, GS-1930	164
404.1 Platform Components, GS-1932	172
405.1 Platform Gates, GS-1530	180
405.2 Platform Gates, GS-1532	184
405.3 Platform Gates, GS-1930	188
405.4 Platform Gates, GS-1932	192
406.1 Power to Platform, GS-1530, GS-1532	196
406.2 Power to Platform, GS-1930, GS-1932	200
407.1 Platform Controls	204
408.1 Joystick Controller	208
500 Hydraulic Components	210
501.1 Hydraulic Components	210
502.1 Function Manifold	212
503.1 Check Valve Manifold	214
504.1 Brake Release Hand Pump Manifold	216
505.1 Hydraulic Power Unit, All Models	218
506.1 Lift Cylinder Assembly, All Models	220
507.1 Hydraulic Hoses and Fittings	222
507.2 Hydraulic Hoses and Fittings (Parker Hose Option)	226

Description	Page
600 Accessories	230
601.1 Alarm, Horn and Flashing Beacons	230
602.1 Air Line to Platform	234
603.1 Platform Work Light, GS-1530, GS-1532	236
603.2 Platform Work Light, GS-1930, GS-1932	238
604.1 Voltage Inverter	240
606.1 PCON Guard	242
607.1 RCBO	244
608.1 Charger Isolation	246
609.1 Telematics	248
610.1 Bumper Assembly Tray	250
611.1 Lift Guard Contact Alarm, View-1	252
612.1 Lift Guard Contact Alarm, View-2	254
613.1 Telematics Option	256
700 Platform Overload Components	258
701.1 Platform Overload	258
Part Number Index	260

Go to Discount-Equipment.com to order your parts

001.1 Parts Stocking List



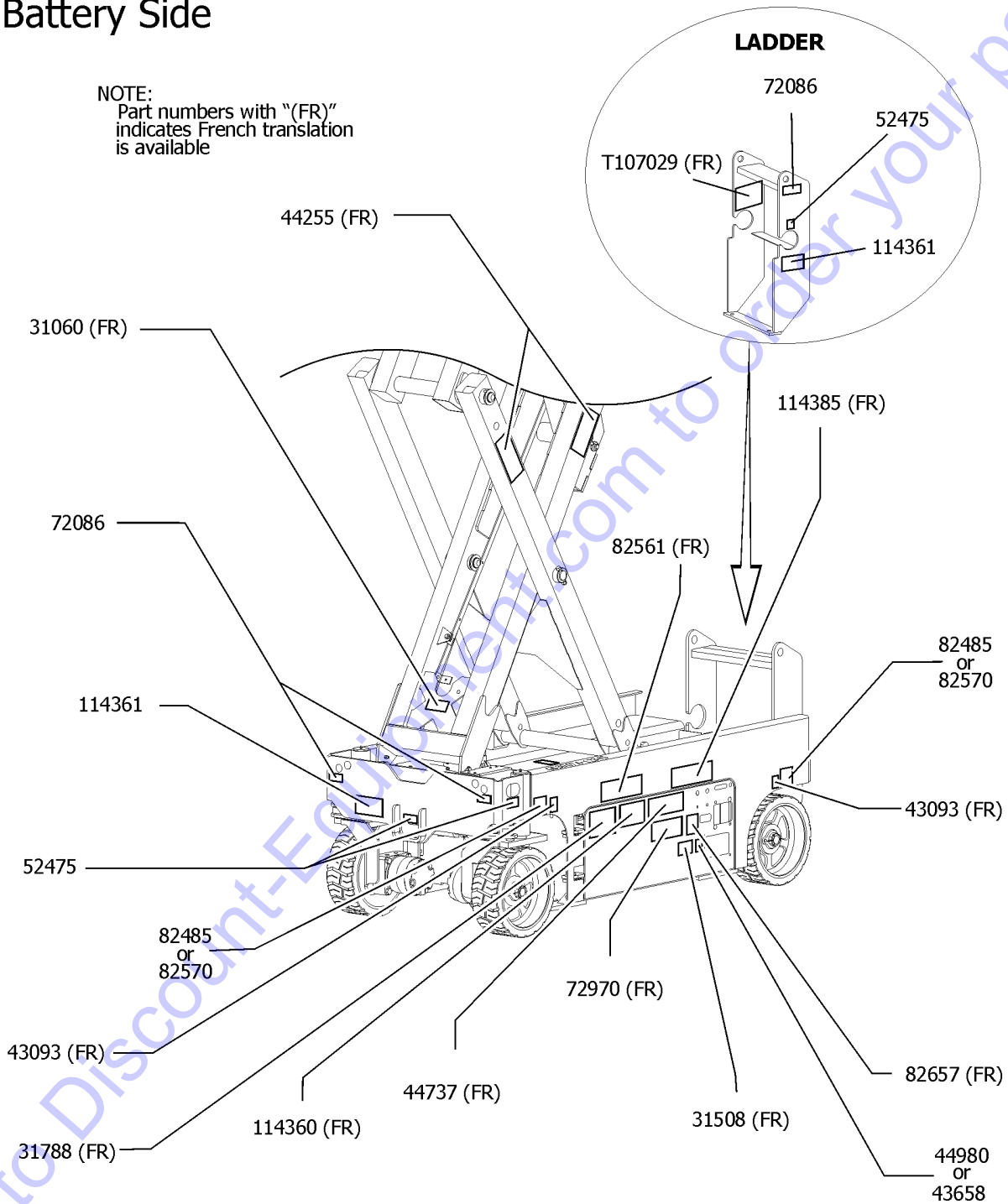
Item	Part No.	Description	Qty.
A-	66399GT	GREASE,DIELECTRIC 4 OZ**	
A-	1484GT	PAINT,AEROSOL,BRIGHT BLUE*** 12-ounce spray paint	
A-	1268GT	PAINT,AEROSOL,GENIE GRAY*** 12-ounce spray paint	
A-	1258567GT	PAINT, AEROSOL, TRAFFIC BLACK 12-ounce spray paint	
A-	32150GT	PAINT, WET, GENIE BLUE (1 GL)** 1-gallon	
A-	32151GT	PAINT, WET, GENIE GRAY (1GL)** 1-gallon	
A-	1257733GT	PAINT, WET, TRAFFIC BLACK(1 GL)** 1-gallon	
1	27581GT	MANUAL, EMI SAFETY	
1B	1298933GT	MANUAL, SAIA MANUAL OF RESPONSIBILITIES, MEWP	
2	42079GT	PIN,COTTER,.156 X 2.5	
3	44788GT	FILTER ELEMENT-10MICRON, PAPER*	
4	78546GT	BREATHER CAP, HYD. TANK, 1/4 NPT	

Go to Discount-Equipment.com to order your parts



Battery Side

NOTE:
Part numbers with "(FR)"
indicates French translation
is available



Go to Discount-Equipment.com to order your parts



101.1 Decals with Words, GS-1530, Battery Side, ANSI & Australia

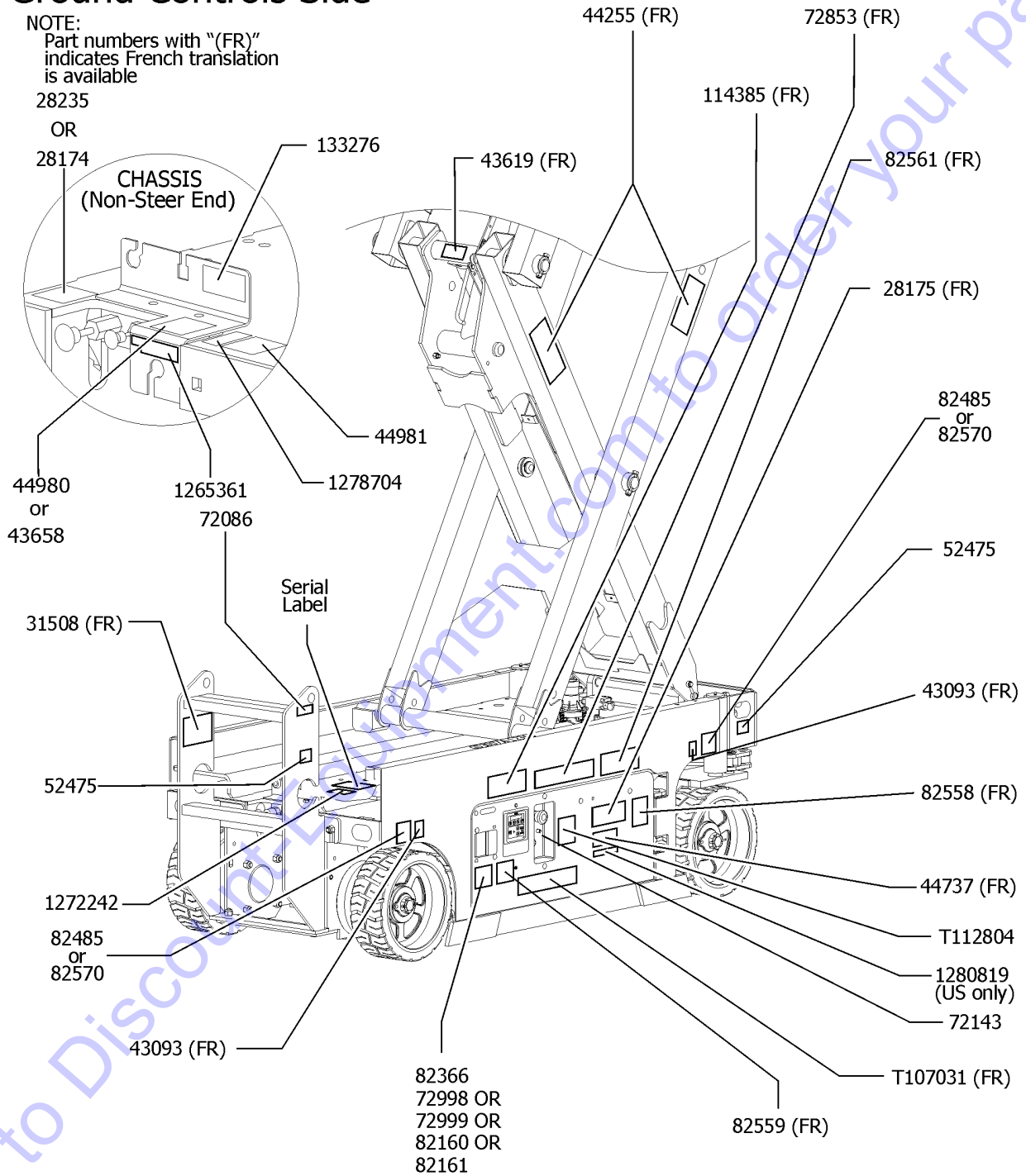
Item	Part No.	Description	Qty.
1	44255GT	DECAL,DANGER,CRUSHING HAZARD	2
2	31060GT	DECAL,DANGER DO NOT ALTER SWTC	1
3	31508GT	DECAL,DANGER,ELECT HAZARD,PLUG	1
		(Australia models)	
4	31788GT	DECAL,DANGER,BATTERY SAFETY***	1
5	43093GT	DECAL,LABEL,TIRE SPECS	2
6	43658GT	DECAL,LABEL,PWR TO CHARGR 230V	1
		(Australia models)	
7	44737GT	DECAL,DANGER,TIP-OVER,TRAYS	1
8	44980GT	DECAL,LABEL,PWR TO CHARGR 115V	1
		(Australia models)	
9	52475GT	DECAL,LABEL,TRANSPORT TIEDOWN*	3
10	72086GT	DECAL,LABEL,LIFTING EYE	3
11	72970GT	DECAL,INSTRUCTIONS-CHARGER OP	1
12	82485GT	DECAL,LABEL,WHEEL LOAD 1530	2
		(ANSI models)	
13	82561GT	DECAL,DANGER-USE SAFETY ARM	1
14	82570GT	DECAL,LABEL-WHEEL LOAD 1530/32	2
		(Australia models)	
15	82657GT	DECAL,INSTRUCT,BATTERY CONNECT	1
16	114360GT	DECAL,DANGER-TIP-OVER,BATT	1
17	114361GT	DECAL,SYM-TIP-OVER,LIM SWITCH	2
18	114385GT	DECAL,DANGER,ELEC HAZARD,GS	1
19	T107029GT	DECAL DANGER BRAKE REL SAFETY	1

Go to Discount-Equipment.com to order your parts



Ground Controls Side

NOTE:
Part numbers with "(FR)" indicates French translation is available



Go to DiscoverEquipment.com to order your parts



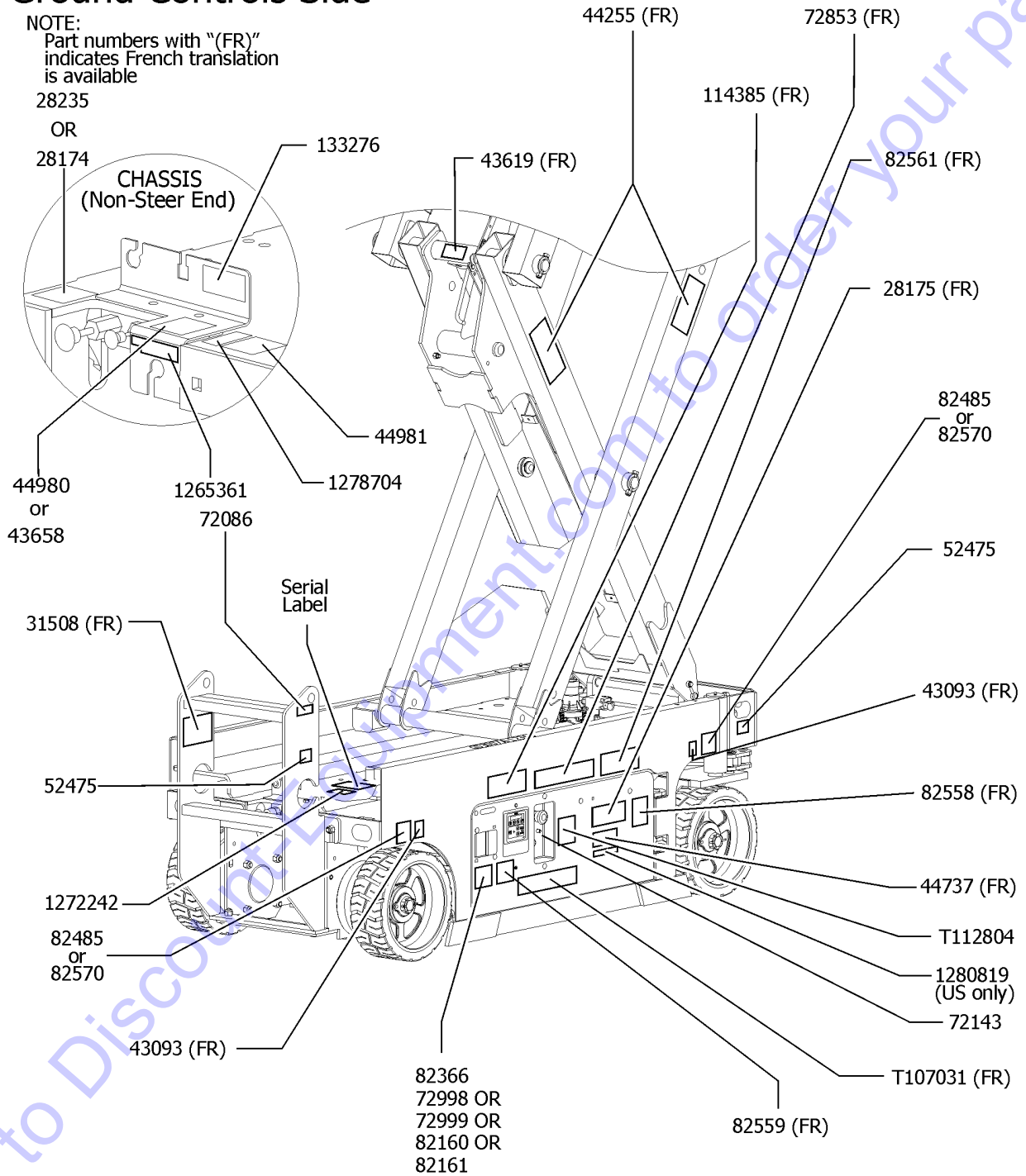
102.1 Decals with Words, GS-1530, Ground Controls Side, ANSI & Australia

Item	Part No.	Description	Qty.
1	28174GT	DECAL,POWER TO PLATFORM 230V	1
2	28175GT	DECAL,WARNING-COMPART ACCESS	1
3	28235GT	DECAL,POWER TO PLATFORM 115V	1
4	31508GT	DECAL,DANGER,ELECT HAZARD,PLUG (ANSI models)	1
5	43093GT	DECAL,LABEL,TIRE SPECS	2
6	43619GT	DECAL,LABEL,SAFETY ARM	1
7	43658GT	DECAL,LABEL,PWR TO CHARGR 230V (ANSI models)	1
8	44255GT	DECAL,DANGER,CRUSHING HAZARD	2
9	44737GT	DECAL,DANGER,TIP-OVER,TRAYS	1
10	44980GT	DECAL,LABEL,PWR TO CHARGR 115V (ANSI models)	1
11	44981GT	DECAL,LABEL,AIRLINE 110 PSI (option)	1
12	52475GT	DECAL,LABEL,TRANSPORT TIEDOWN*	2
13	72086GT	DECAL,LABEL,LIFTING EYE	1
14	72143GT	DECAL,EMERGENCY STOP,GR	1
15	72853GT	DECAL,DANGER,IMPROPER USE HAZ.	1
16	72998GT	DECAL, LABEL, QUINTOLUBRIK (models with Quintolub hydraulic oil)	1
17	72999GT	DECAL,LABEL,PETRO CANADA*** (models with Petro Canada hydraulic oil)	1
18	82160GT	DECAL, LABEL, STATOIL HYDRAWAY (models with Statoil hydraulic oil)	1
19	82161GT	DECAL,LABEL,UCON HYDROLUBE (models with UConn Hydrolube hydraulic oil)	1
20	82366GT	DECAL,CHEVRON RANDO HD (models with Chevron Random hydraulic oil)	1
21	82485GT	DECAL,LABEL,WHEEL LOAD 1530 (ANSI models)	2
22	82558GT	DECAL,SKIN INJECTION	1
23	82559GT	DECAL,INSTRUCT-ANNUAL INSP REQ	1
24	82561GT	DECAL,DANGER-USE SAFETY ARM	1
25	82570GT	DECAL,LABEL-WHEEL LOAD 1530/32 (Australia models)	2
26	114385GT	DECAL,DANGER,ELEC HAZARD,GS	1
27	133276GT	DECAL,EMERGENCY LOWERING	1
28	1272242GT	DECAL,MACHINE REGISTRATION/OWNER TRANSFER	1



Ground Controls Side

NOTE:
Part numbers with "(FR)" indicates French translation is available



Go to DiscoverEquipment.com to order your parts



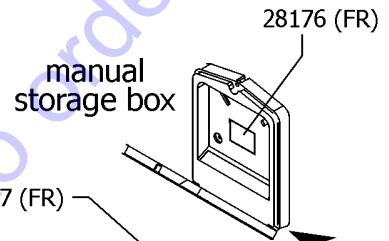
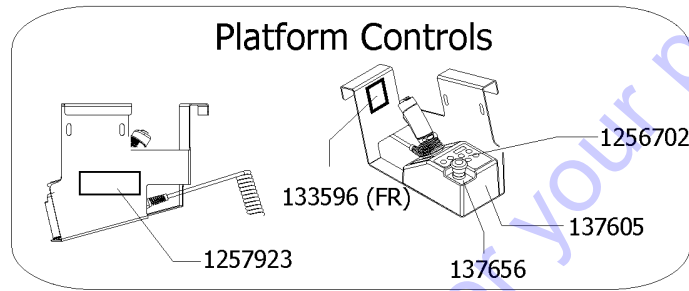
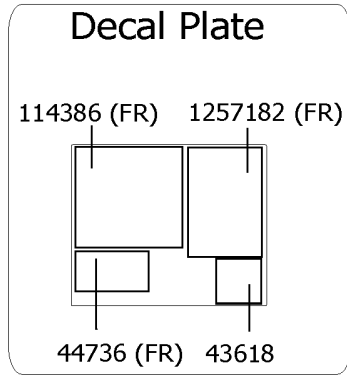
102.1 Decals with Words, GS-1530, Ground Controls Side, ANSI & Australia

Item	Part No.	Description	Qty.
29	1265361GT	DECAL, BATTERY CHARGER INDICAT from SN GS3016D-5426	1
30	1278704GT	DECAL, CHARGE STATUS IND. from SN GS30D-15023	1
31	1280819GT	DECAL, WARNING, CANCER AND REPRODUCTIVE HARM, PROP 65 US only	1
32	T107031GT	DECAL, OP INST, GCON	1
33	T112804GT	DECAL, GCON PANEL, GS	1

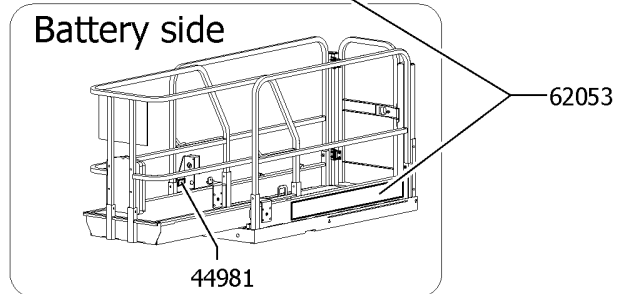
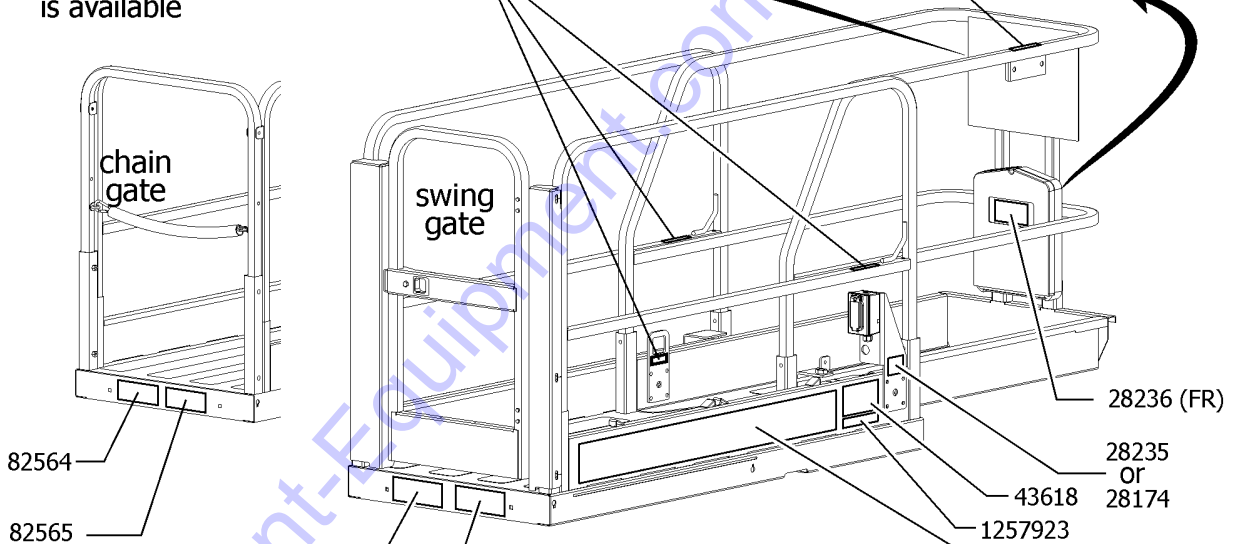
Go to Discount-Equipment.com to order your parts



Platform, ANSI models



NOTE:
Part numbers with "(FR)" 40434
indicates French translation
is available



103.1 Decals with Words, GS-1530, Platform, ANSI

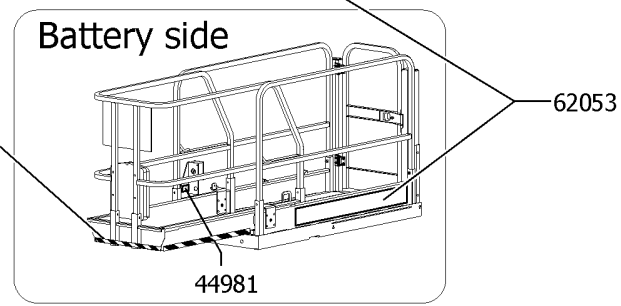
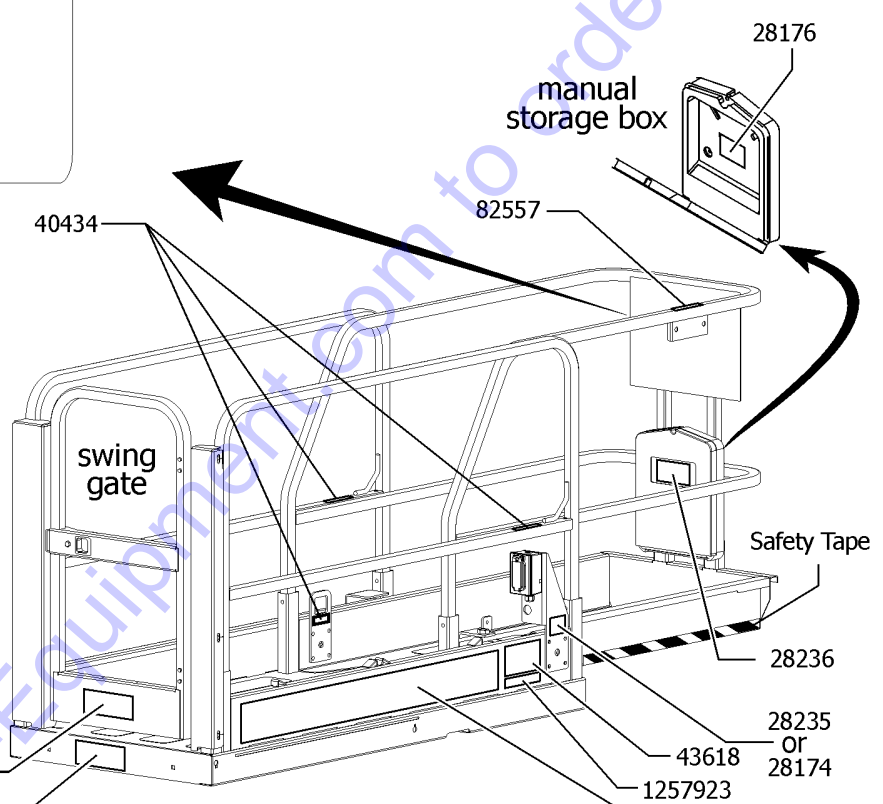
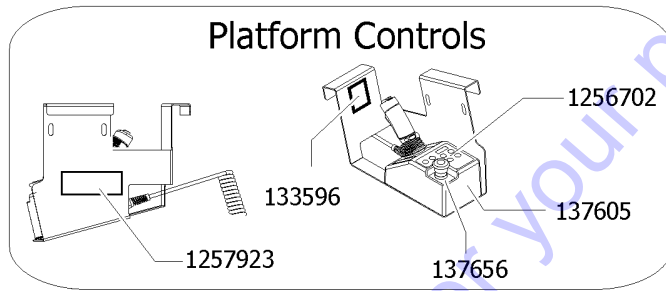
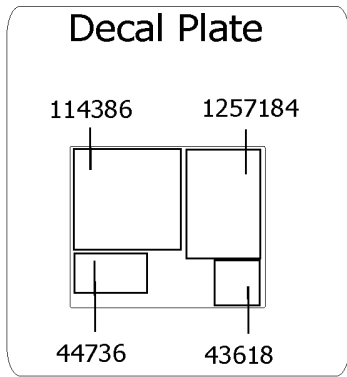
Item	Part No.	Description	Qty.
1	28174GT	DECAL,POWER TO PLATFORM 230V	1
2	28176GT	DECAL,LABEL,MANUAL NOT HERE	1
3	28235GT	DECAL,POWER TO PLATFORM 115V	1
4	28236GT	DECAL,WARN,IMPROPER OPERATION	1
5	40434GT	DECAL,LANYARD ANCHORAGE POINT	3
6	43618GT	DECAL,LABEL-DIRECTION ARROWS	2
7	44736GT	DECAL,DANGER,TIP-OVER,TILT	1
8	44981GT	DECAL,LABEL,AIRLINE 110 PSI	1
9	62053GT	DECAL,COSMETIC,GENIE GS-1530**	2
10	82557GT	DECAL,LABEL,PLAT CONT LOCATION	1
11	82564GT	DECAL,INSTR-MAX CAP 600LBS	1
12	82565GT	DECAL,INSTR-SIDE FRC,ANSI	1
13	114386GT	DECAL,DANGER-GEN SAFETY	1
14	133596GT	DECAL,LABEL,FAULT CODES	1
15	137605GT	DECAL,E-STOP,GR/GRC/GS PCON	1
16	137656GT	DECAL,PROPEL,GR/GRC/GS,PCON	1
17	1256702GT	DECAL, UI, GS/GR, PROP LIFT	1
18	1257182GT	DECAL, OP INST, PLAT, GS30, ANSI	1
19	1257923GT	DECAL, SMARTLINK PROPORTIONAL	2

Go to Discount-Equipment.com to order your parts



104.1 Decals with Words, GS-1530, Platform, Australia

Platform, Australia Models



Go to DiscountEquipment.com to order your parts

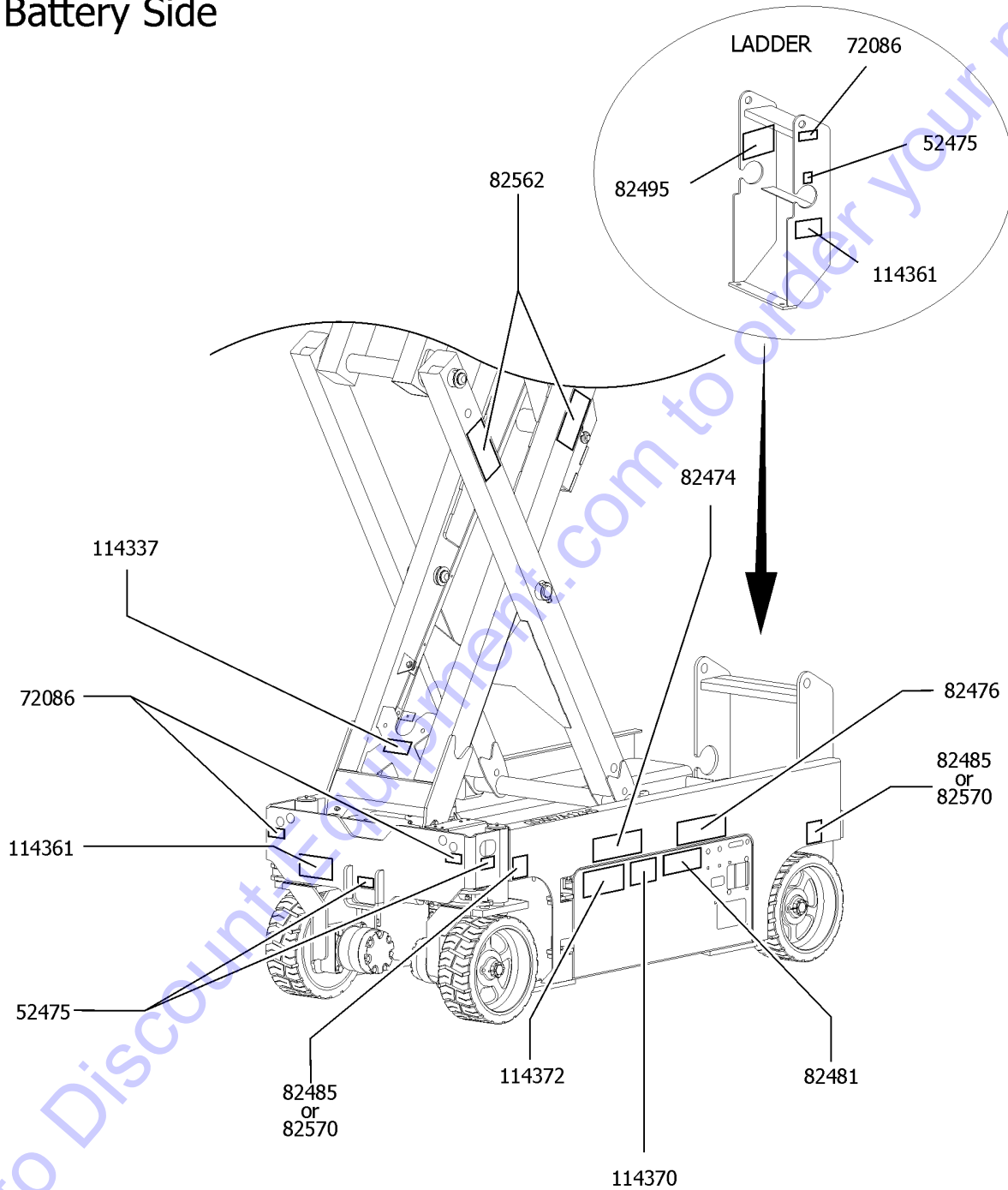
104.1 Decals with Words, GS-1530, Platform, Australia

Item	Part No.	Description	Qty.
1	28174GT	DECAL,POWER TO PLATFORM 230V	1
2	28176GT	DECAL,LABEL,MANUAL NOT HERE	1
3	28235GT	DECAL,POWER TO PLATFORM 115V	1
4	28236GT	DECAL,WARN,IMPROPER OPERATION	1
5	40434GT	DECAL,LANYARD ANCHORAGE POINT	3
6	43618GT	DECAL,LABEL-DIRECTION ARROWS	2
7	44736GT	DECAL,DANGER,TIP-OVER,TILT	1
8	44981GT	DECAL,LABEL,AIRLINE 110 PSI	1
9	62053GT	DECAL,COSMETIC,GENIE GS-1530**	2
10	82557GT	DECAL,LABEL,PLAT CONT LOCATION	1
11	97618GT	DECAL,INSTR-INDOOR USE,AUS	1
12	114386GT	DECAL,DANGER-GEN SAFETY	1
13	133596GT	DECAL,LABEL,FAULT CODES	1
14	137605GT	DECAL,E-STOP,GR/GRC/GS PCON	1
15	137656GT	DECAL,PROPEL,GR/GRC/GS,PCON	1
16	82564GT	DECAL,INSTR-MAX CAP 600LBS	1
17	1256702GT	DECAL, UI, GS/GR, PROP LIFT	1
18	1257184GT	DECAL, OP INST, PLAT, GS30, AUS	1
19	1257923GT	DECAL, SMARTLINK PROPORTIONAL	2

Go to Discount-Equipment.com to order your parts



Battery Side



105.1 Decals with Symbols, GS-1530 Battery Side, ANSI & CE

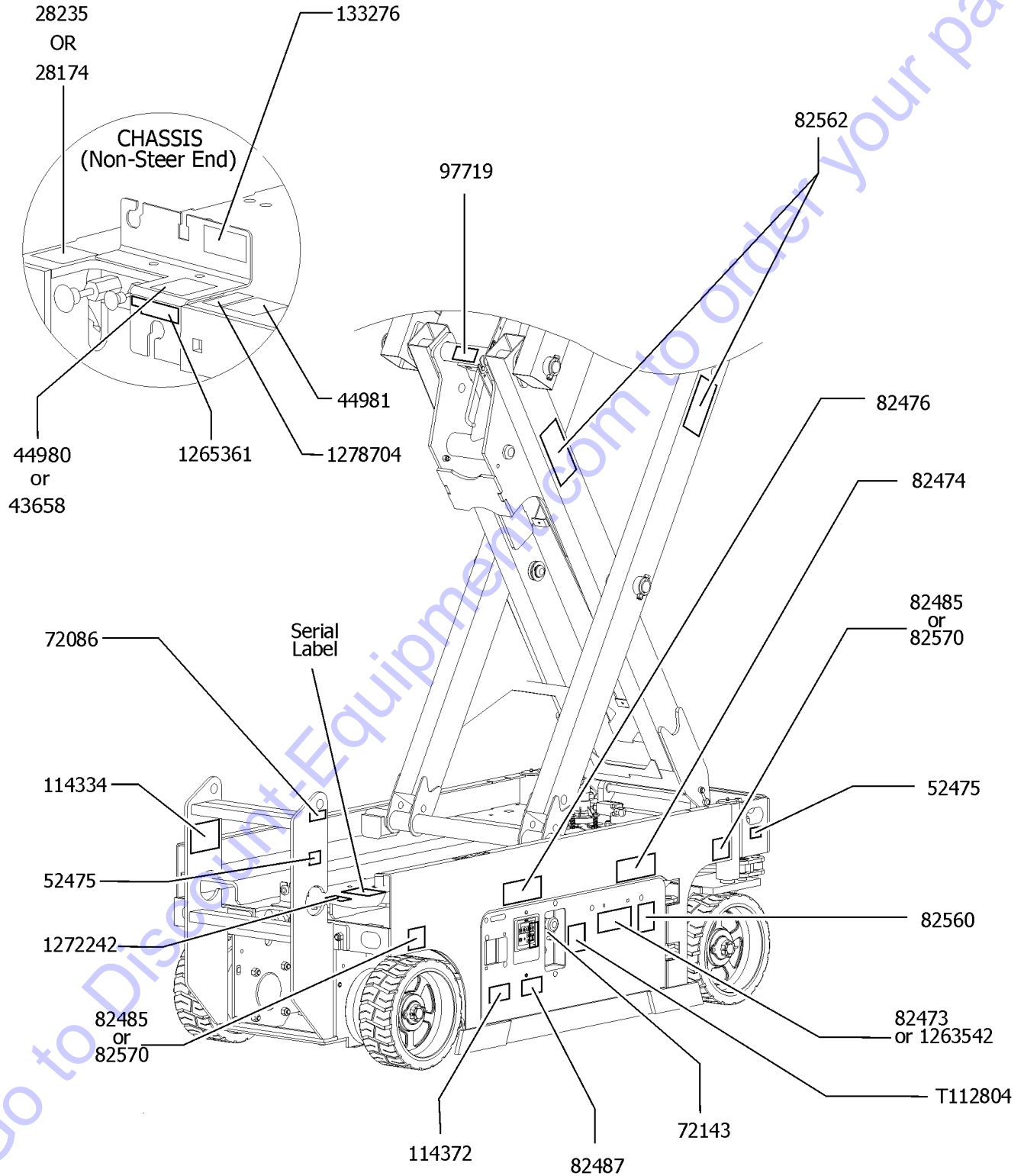
Item	Part No.	Description	Qty.
1	52475GT	DECAL,LABEL,TRANSPORT TIEDOWN*	3
2	72086GT	DECAL,LABEL,LIFTING EYE	3
3	82474GT	DECAL,SYMBOL-USE SAFETY ARM	1
4	82476GT	DECAL,SYMBOL-ELEC HAZARD,GS	1
5	82481GT	DECAL,SYMBOL-BATTERY SAFETY	1
6	82485GT	DECAL,LABEL,WHEEL LOAD 1530	2
		(ANSI models)	
7	82495GT	DECAL,LABEL,FORKLIFT POCKET	1
8	82562GT	DECAL,SYMBOL-CRUSHING HAZARD	2
9	82570GT	DECAL,LABEL-WHEEL LOAD 1530/32	2
		(CE models)	
10	114337GT	DECAL, COMPARTMENT ACCESS	1
11	114361GT	DECAL,SYM-TIP-OVER,LIM SWITCH	2
12	114370GT	DECAL-SYM-TIP-OVR,BATTRIES	1
13	114372GT	DECAL SYMBOL TIP OVER TRAYS	1

Go to Discount-Equipment.com to order your parts



106.1 Decals with Symbols, GS-1530 Ground Control Side, ANSI & CE

Ground Controls Side



106.1 Decals with Symbols, GS-1530 Ground Control Side, ANSI & CE

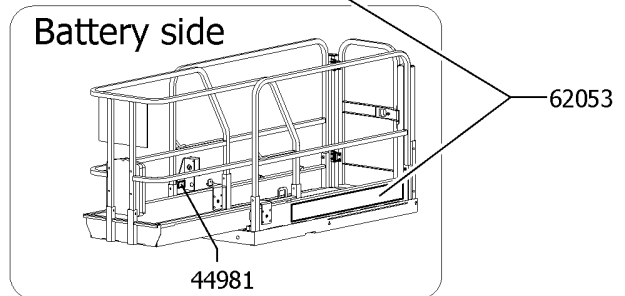
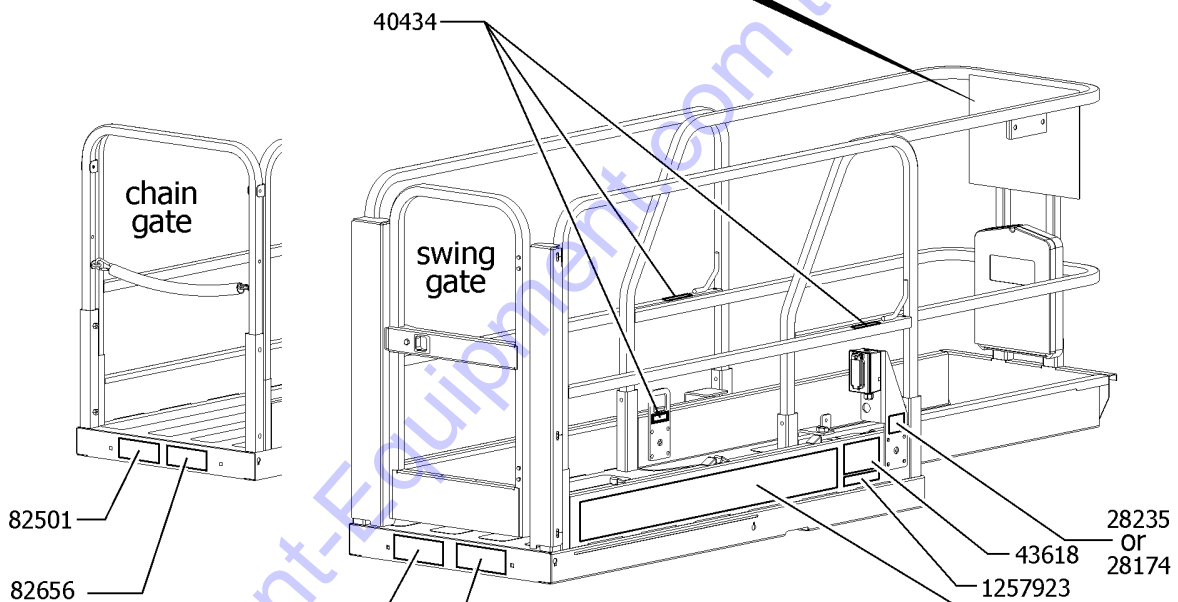
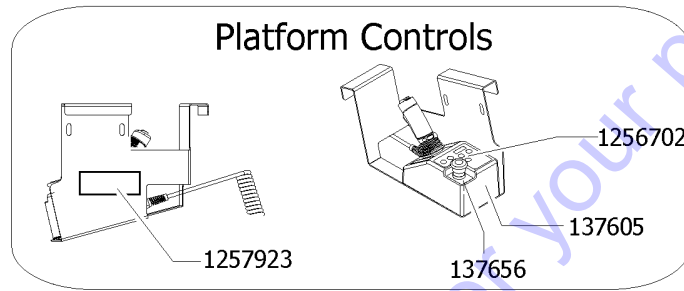
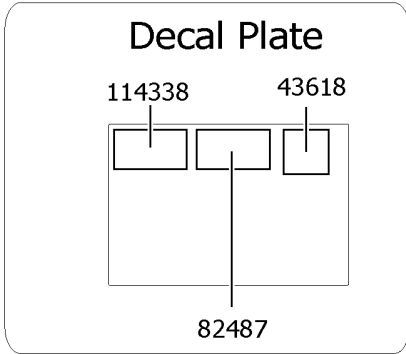
Item	Part No.	Description	Qty.
1	28174GT	DECAL,POWER TO PLATFORM 230V	1
2	28235GT	DECAL,POWER TO PLATFORM 115V	1
3	43658GT	DECAL,LABEL,PWR TO CHARGR 230V	1
4	44980GT	DECAL,LABEL,PWR TO CHARGR 115V	1
5	44981GT	DECAL,LABEL,AIRLINE 110 PSI	1
6	52475GT	DECAL,LABEL,TRANSPORT TIEDOWN*	2
7	72086GT	DECAL,LABEL,LIFTING EYE	1
8	72143GT	DECAL,EMERGENCY STOP,GR	1
9	82473GT	DECAL,SYMBOL-COMP ACCESS	1
10	82474GT	DECAL,SYMBOL-USE SAFETY ARM	1
11	82476GT	DECAL,SYMBOL-ELEC HAZARD,GS	1
12	133276GT	DECAL,EMERGENCY LOWERING	1
13	82485GT	DECAL,LABEL,WHEEL LOAD 1530 (ANSI models)	2
14	82487GT	DECAL,SYMBOL-READ THE MANUAL	1
15	82560GT	DECAL,SYMBOL-SKIN INJECT HAZRD	1
16	82562GT	DECAL,SYMBOL-CRUSHING HAZARD	2
17	82570GT	DECAL,LABEL-WHEEL LOAD 1530/32 (CE models)	2
18	97719GT	DECAL, LABEL, SAFETY ARM SYMB	1
19	114334GT	DECAL SYMBOL ELECTRIC HAZARD PLUG	1
20	114372GT	DECAL SYMBOL TIP OVER TRAYS	1
21	1263542GT	DECAL, COMPARTMENT ACCESS	1
22	1272242GT	DECAL,MACHINE REGISTRATION/OWNER TRANSFER	1
23	1265361GT	DECAL, BATTERY CHARGER INDICAT from SN GS30D-15023	1
24	1278704GT	DECAL,CHARGE STATUS IND. from SN GS30D-15023	1
25	T112804GT	DECAL,GCON PANEL,GS	1

Go to DiscountEquipment.com to order your parts



107.1 Decals with Symbols, GS-1530 Platform, ANSI

Platform, ANSI models



107.1 Decals with Symbols, GS-1530 Platform, ANSI

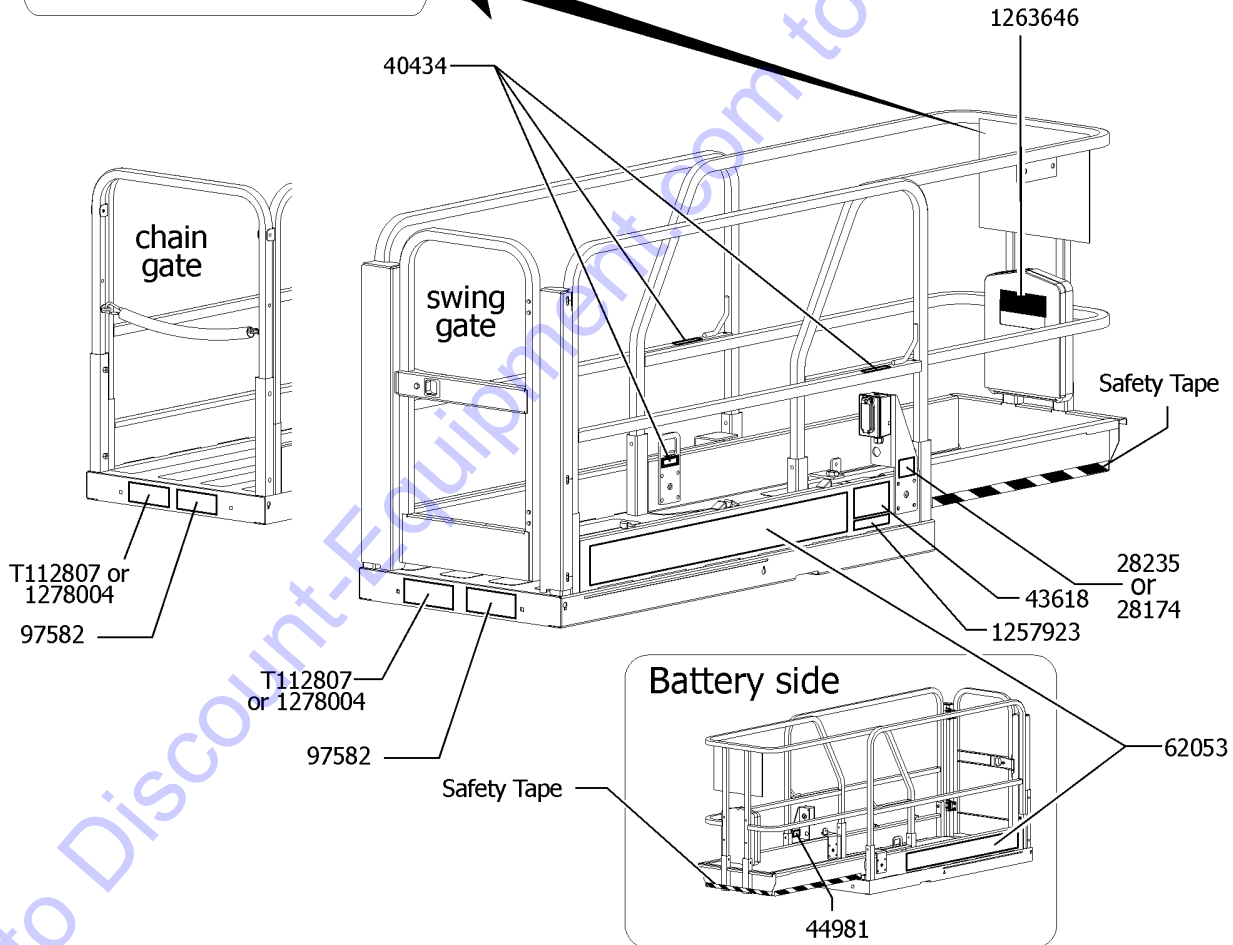
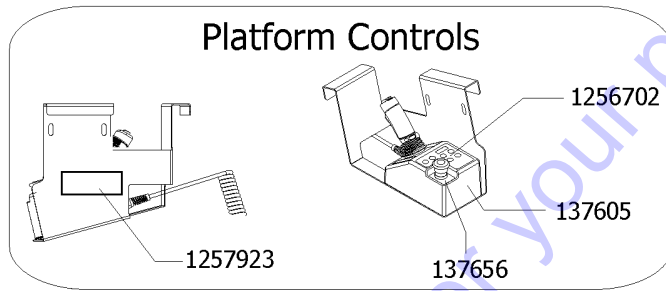
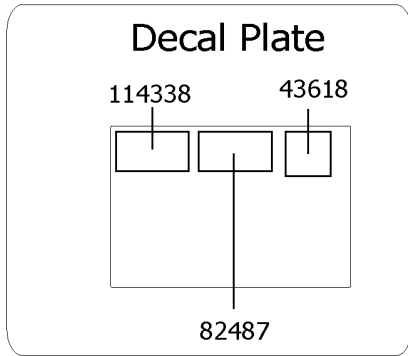
Item	Part No.	Description	Qty.
1	28174GT	DECAL,POWER TO PLATFORM 230V	1
2	28235GT	DECAL,POWER TO PLATFORM 115V	1
3	40434GT	DECAL,LANYARD ANCHORAGE POINT	3
4	43618GT	DECAL,LABEL-DIRECTION ARROWS	2
5	44981GT	DECAL,LABEL,AIRLINE 110 PSI	1
6	62053GT	DECAL,COSMETIC,GENIE GS-1530**	2
7	82487GT	DECAL,SYMBOL-READ THE MANUAL	1
8	82501GT	DECAL,SYM-MAXCAP 600	1
9	82656GT	DECAL,SYM-SIDE FORCE 445N	1
10	114338GT	DECAL,SYM-TIP-OVR,TILT ALARM	1
11	137605GT	DECAL,E-STOP,GR/GRC/GS PCON	1
13	137656GT	DECAL,PROPEL,GR/GRC/GS,PCON	1
14	1256702GT	DECAL, UI, GS/GR, PROP LIFT	1
16	1257923GT	DECAL, SMARTLINK PROPORTIONAL	2

Go to Discount-Equipment.com to order your parts



108.1 Decals with Symbols, GS-1530 Platform, CE

Platform, CE models



108.1 Decals with Symbols, GS-1530 Platform, CE

Item	Part No.	Description	Qty.
1	28174GT	DECAL,POWER TO PLATFORM 230V	1
2	28235GT	DECAL,POWER TO PLATFORM 115V	1
3	40434GT	DECAL,LANYARD ANCHORAGE POINT	3
4	43618GT	DECAL,LABEL-DIRECTION ARROWS	2
5	44981GT	DECAL,LABEL,AIRLINE 110 PSI	1
6	62053GT	DECAL,COSMETIC,GENIE GS-1530**	2
7	82487GT	DECAL,SYMBOL-READ THE MANUAL	1
8	97582GT	DECAL,SYM-SIDEFORCE 400N ID	1
9	114338GT	DECAL,SYM-TIP-OVR,TILT ALARM	1
10	137605GT	DECAL,E-STOP,GR/GRC/GS PCON	1
11	137656GT	DECAL,PROPEL,GR/GRC/GS,PCON	1
12	1256702GT	DECAL, UI, GS/GR, PROP LIFT	1
13	1257923GT	DECAL, SMARTLINK PROPORTIONAL	1
14	1263646GT	DECAL,QR CODE,PARTS&SERVICE MANUAL	1
15	1278004GT	DECAL, SYMBOL, CE, MAXIMUM CAPACITY, 272KG	1
16	T112807GT	DECAL,SYM MAX CAP 272 KG,CE	1

Go to Discount-Equipment.com to order your parts



109.1 Decals with Words, GS-1532, Battery Side, Australia

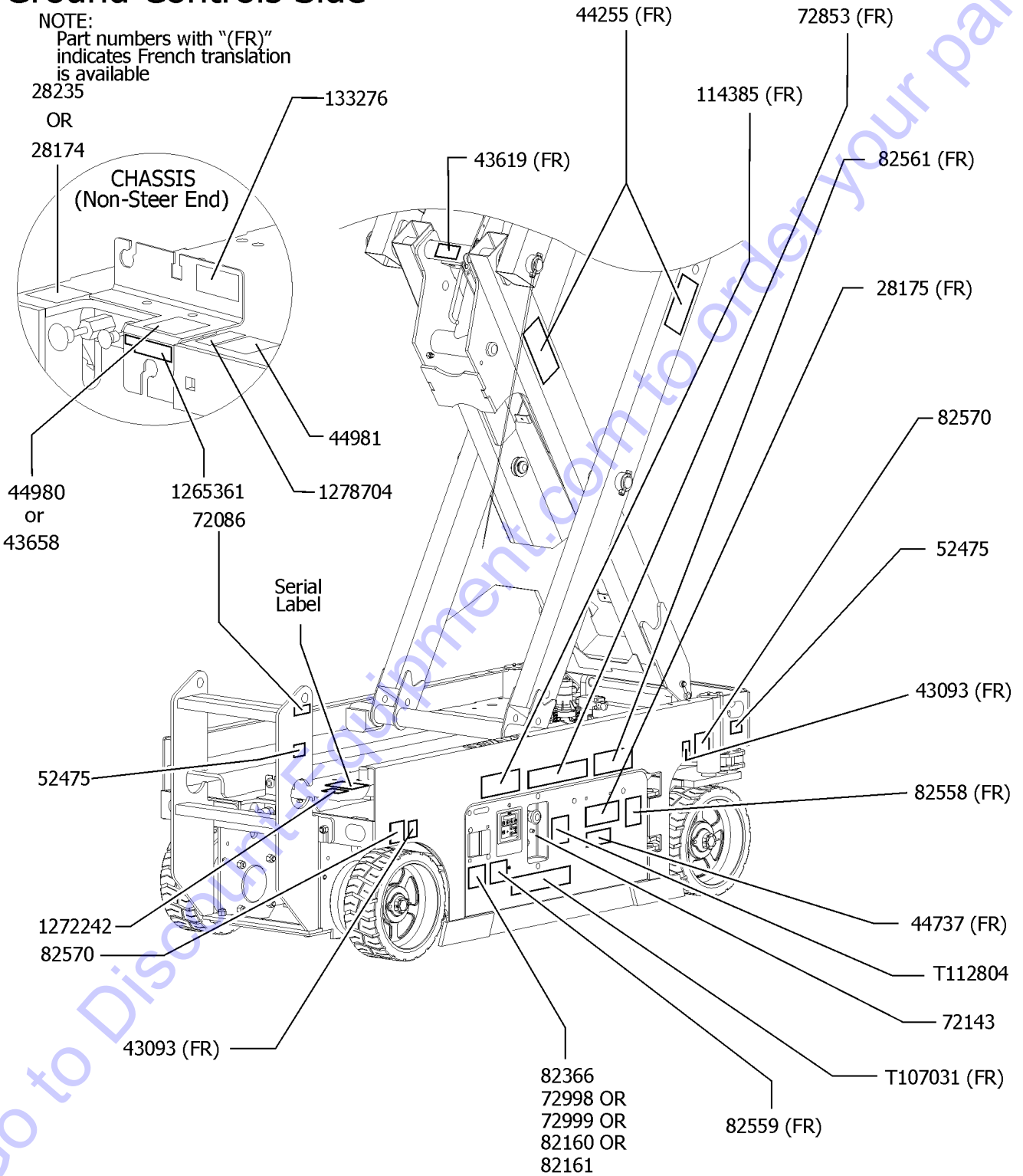
Item	Part No.	Description	Qty.
1	44255GT	DECAL,DANGER,CRUSHING HAZARD	2
2	31060GT	DECAL,DANGER DO NOT ALTER SWTC	1
3	31508GT	DECAL,DANGER,ELECT HAZARD,PLUG	1
		(Australia models)	
4	31788GT	DECAL,DANGER,BATTERY SAFETY***	1
5	43093GT	DECAL,LABEL,TIRE SPECS	2
6	43658GT	DECAL,LABEL,PWR TO CHARGR 230V	1
		(Australia models)	
7	44737GT	DECAL,DANGER,TIP-OVER,TRAYS	1
8	44980GT	DECAL,LABEL,PWR TO CHARGR 115V	1
		(Australia models)	
9	52475GT	DECAL,LABEL,TRANSPORT TIEDOWN*	3
10	72086GT	DECAL,LABEL,LIFTING EYE	3
11	72970GT	DECAL,INSTRUCTIONS-CHARGER OP	1
12	82561GT	DECAL,DANGER-USE SAFETY ARM	1
13	82570GT	DECAL,LABEL-WHEEL LOAD 1530/32	2
		(Australia models)	
14	82657GT	DECAL,INSTRUCT,BATTERY CONNECT	1
15	114360GT	DECAL,DANGER-TIP-OVER,BATT	1
16	114361GT	DECAL,SYM-TIP-OVER,LIM SWITCH	2
17	114385GT	DECAL,DANGER,ELEC HAZARD,GS	1
18	133213GT	DECAL,NOTICE-DO NOT OPEN DOOR	1
19	T107029GT	DECAL DANGER BRAKE REL SAFETY	1

Go to Discount-Equipment.com to order your parts



Ground Controls Side

NOTE:
Part numbers with "(FR)"
indicates French translation
is available



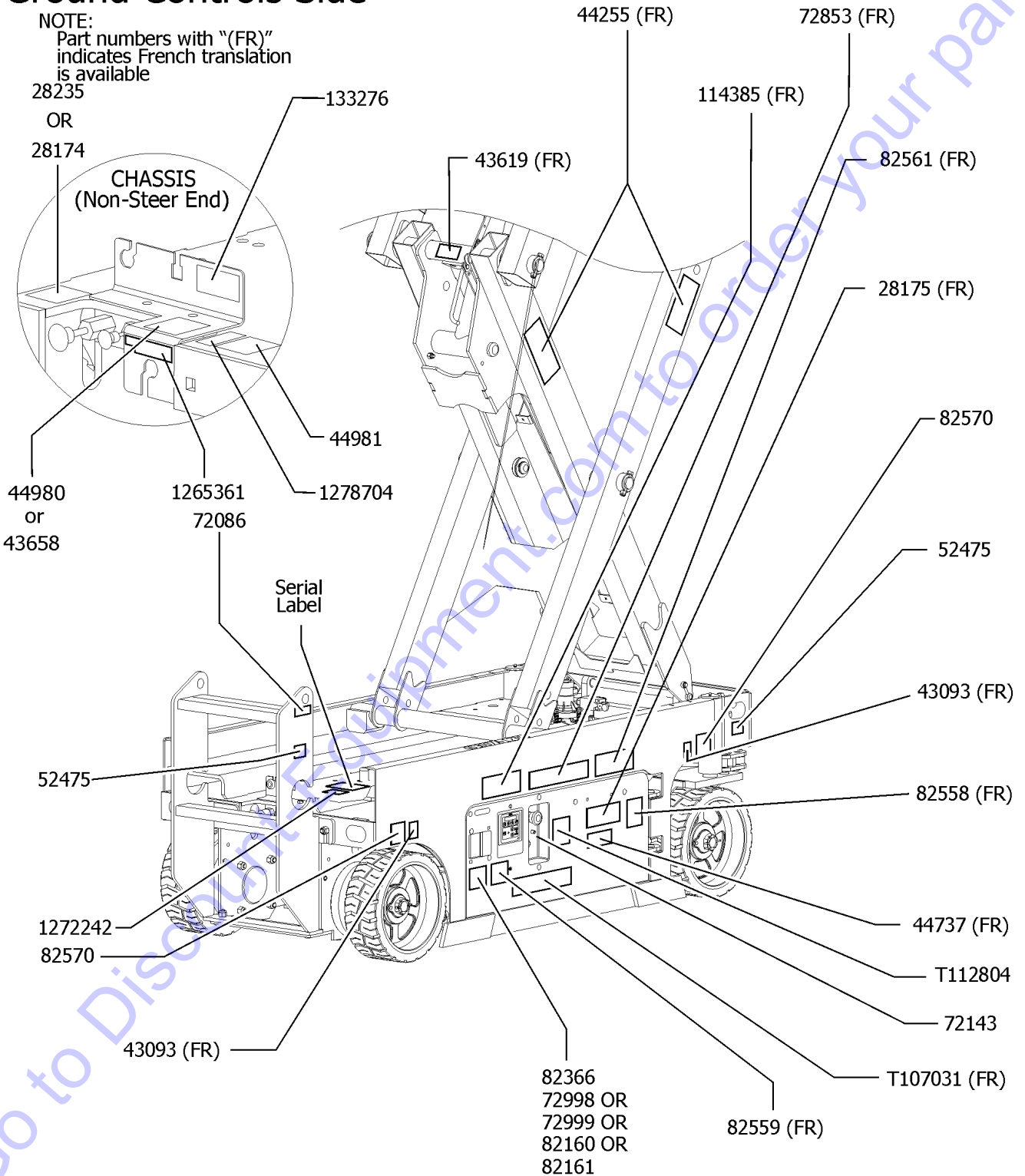
110.1 Decals with Words, GS-1532 Ground Controls Side, Australia

Item	Part No.	Description	Qty.
1	28174GT	DECAL,POWER TO PLATFORM 230V	1
2	28175GT	DECAL,WARNING-COMPART ACCESS	1
3	28235GT	DECAL,POWER TO PLATFORM 115V	1
4	43093GT	DECAL,LABEL,TIRE SPECS	2
5	43619GT	DECAL,LABEL,SAFETY ARM	1
6	43658GT	DECAL,LABEL,PWR TO CHARGR 230V	1
7	44255GT	DECAL,DANGER,CRUSHING HAZARD	2
8	44737GT	DECAL,DANGER,TIP-OVER,TRAYS	1
9	44981GT	DECAL,LABEL,AIRLINE 110 PSI	1
		(option)	
10	52475GT	DECAL,LABEL,TRANSPORT TIEDOWN*	2
11	72086GT	DECAL,LABEL,LIFTING EYE	1
12	72143GT	DECAL,EMERGENCY STOP,GR	1
13	72853GT	DECAL,DANGER,IMPROPER USE HAZ.	1
14	72998GT	DECAL, LABEL, QUINTOLUBRIK	1
		(models with Quintolub hydraulic oil)	
15	72999GT	DECAL,LABEL,PETRO CANADA***	1
		(models with Petro Canada hydraulic oil)	
16	82160GT	DECAL, LABEL, STATOIL HYDRAWAY	1
		(models with Statoil hydraulic oil)	
17	82161GT	DECAL,LABEL,UCON HYDROLUBE	1
		(models with Ucon Hydrolube hydraulic oil)	
18	82366GT	DECAL,CHEVRON RANDO HD	1
		(models with Chevron Random hydraulic oil)	
19	82558GT	DECAL,SKIN INJECTION	1
20	82559GT	DECAL,INSTRUCT-ANNUAL INSP REQ	1
21	82561GT	DECAL,DANGER-USE SAFETY ARM	1
22	82570GT	DECAL,LABEL-WHEEL LOAD 1530/32	2
		(Australia models)	
23	114385GT	DECAL,DANGER,ELEC HAZARD,GS	1
24	133276GT	DECAL,EMERGENCY LOWERING	1
25	1272242GT	DECAL,MACHINE REGISTRATION/OWNER TRANSFER	1
26	1265361GT	DECAL, BATTERY CHARGER INDICAT	1
27	1278704GT	DECAL,CHARGE STATUS IND.	1
		from GS30D-15023	
28	T107031GT	DECAL,OP INST,GCON	1



Ground Controls Side

NOTE:
Part numbers with "(FR)"
indicates French translation
is available



Go to DiscountEquipment.com to order your parts



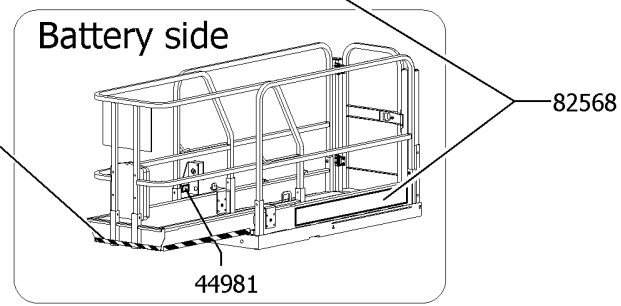
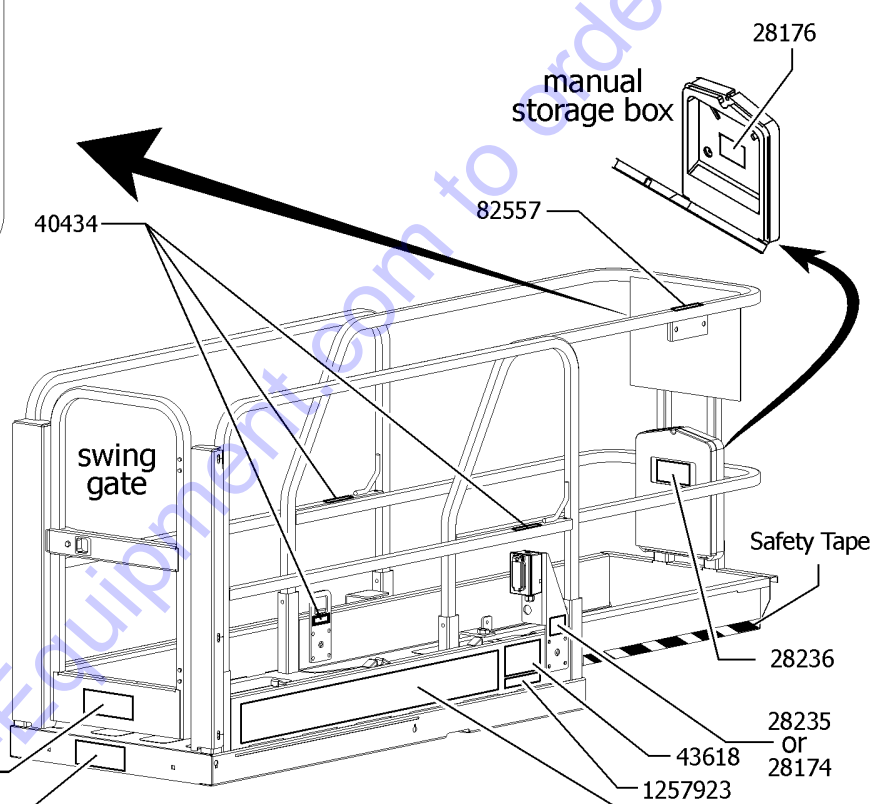
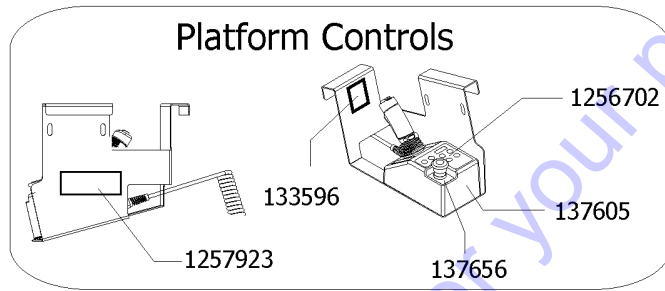
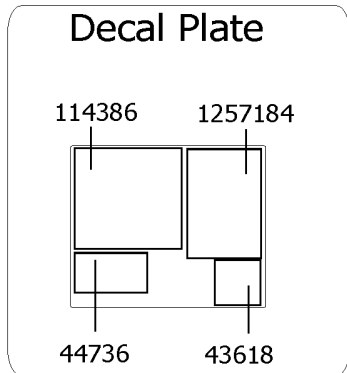
110.1 Decals with Words, GS-1532 Ground Controls Side, Australia

Item	Part No.	Description	Qty.
29	T112804GT	DECAL,GCON PANEL,GS	1
30	44980GT	DECAL,LABEL,PWR TO CHARGR 115V	1

Go to Discount-Equipment.com to order your parts



Platform, Australia Models



Go to DiscountEquipment.com to order your parts

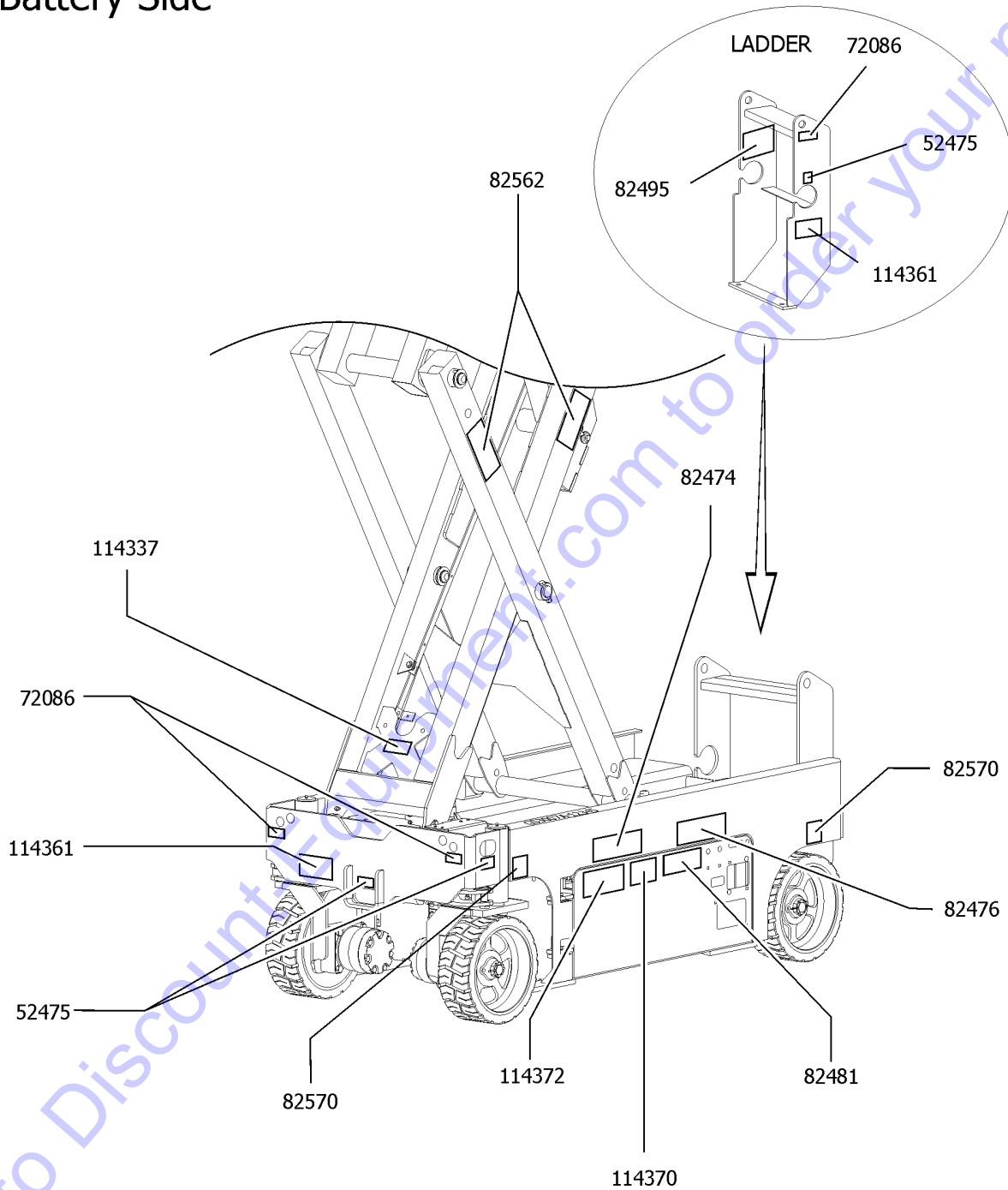
111.1 Decals with Words, GS-1532 Platform, Australia

Item	Part No.	Description	Qty.
1	28174GT	DECAL,POWER TO PLATFORM 230V	1
2	28176GT	DECAL,LABEL,MANUAL NOT HERE	1
3	28235GT	DECAL,POWER TO PLATFORM 115V	1
4	28236GT	DECAL,WARN,IMPROPER OPERATION	1
5	40434GT	DECAL,LANYARD ANCHORAGE POINT	3
6	43618GT	DECAL,LABEL-DIRECTION ARROWS	2
7	44736GT	DECAL,DANGER,TIP-OVER,TILT	1
8	44981GT	DECAL,LABEL,AIRLINE 110 PSI	1
9	82568GT	DECAL,COSMETIC,GENIE GS-1532	2
10	82557GT	DECAL,LABEL,PLAT CONT LOCATION	1
11	82566GT	DECAL,INSTR-MANUAL FRC,AUS	1
12	114386GT	DECAL,DANGER-GEN SAFETY	1
13	133596GT	DECAL,LABEL,FAULT CODES	1
14	137605GT	DECAL,E-STOP,GR/GRC/GS PCON	1
15	137656GT	DECAL,PROPEL,GR/GRC/GS,PCON	1
16	82564GT	DECAL,INSTR-MAX CAP 600LBS	1
17	1256702GT	DECAL, UI, GS/GR, PROP LIFT	1
18	1257184GT	DECAL, OP INST, PLAT, GS30, AUS	1
19	1257923GT	DECAL, SMARTLINK PROPORTIONAL	2

Go to Discount-Equipment.com to order your parts



Battery Side



Go to DiscountEquipment.com to order your parts



112.1 Decals with Symbols, GS-1532 Battery Side, CE

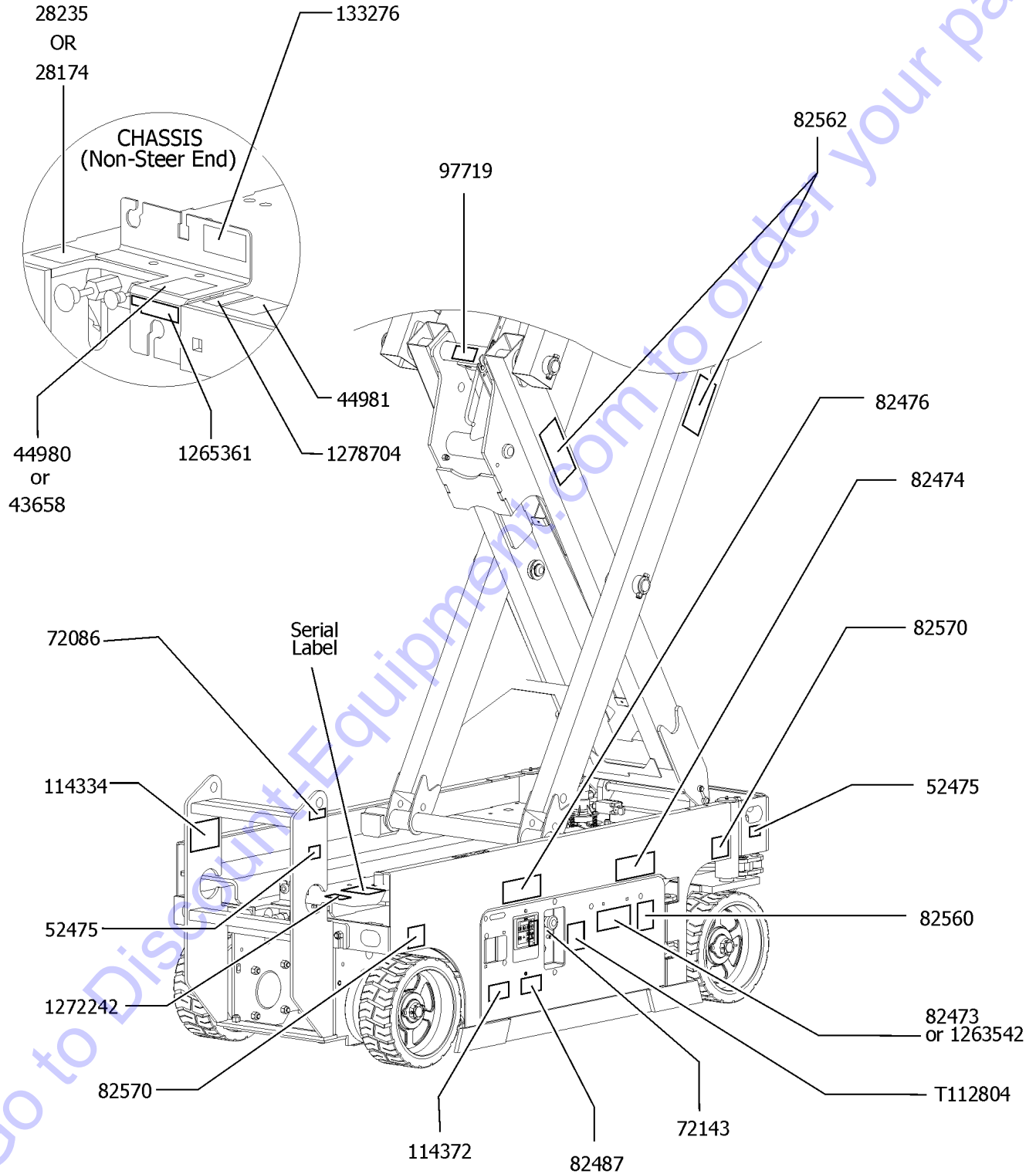
Item	Part No.	Description	Qty.
1	52475GT	DECAL,LABEL,TRANSPORT TIEDOWN*	3
2	72086GT	DECAL,LABEL,LIFTING EYE	3
3	82474GT	DECAL,SYMBOL-USE SAFETY ARM	1
4	82476GT	DECAL,SYMBOL-ELEC HAZARD,GS	1
5	82481GT	DECAL,SYMBOL-BATTERY SAFETY	1
6	82495GT	DECAL,LABEL,FORKLIFT POCKET	1
7	82562GT	DECAL,SYMBOL-CRUSHING HAZARD	2
8	82570GT	DECAL,LABEL-WHEEL LOAD 1530/32 (CE models)	2
9	114337GT	DECAL, COMPARTMENT ACCESS	1
10	114361GT	DECAL,SYM-TIP-OVER,LIM SWITCH	2
11	114370GT	DECAL-SYM-TIP-OVR,BATTRIES	1
12	114372GT	DECAL SYMBOL TIP OVER TRAYS	1

Go to Discount-Equipment.com to order your parts



113.1 Decals with Symbols, GS-1532 Ground Control Side, CE

Ground Controls Side



113.1 Decals with Symbols, GS-1532 Ground Control Side, CE

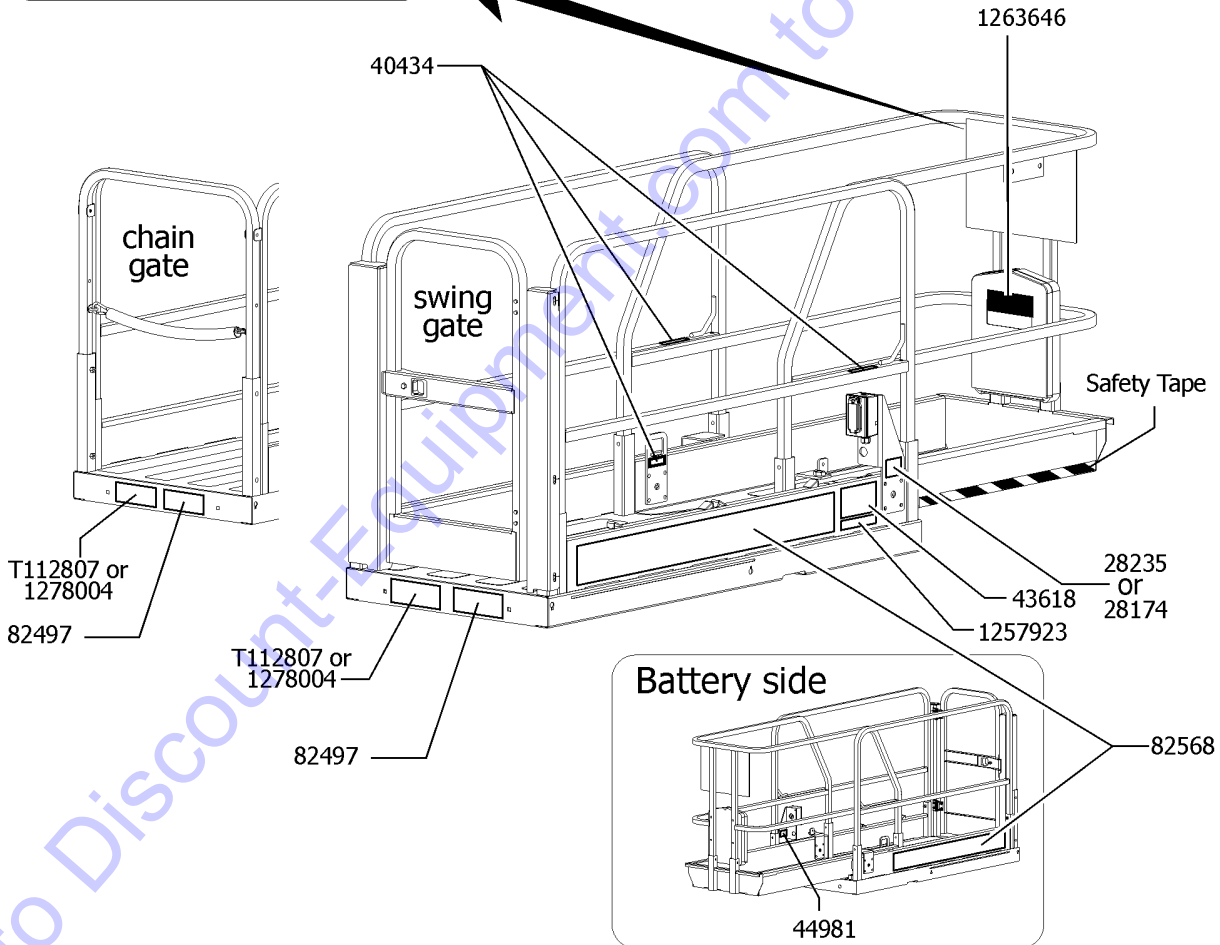
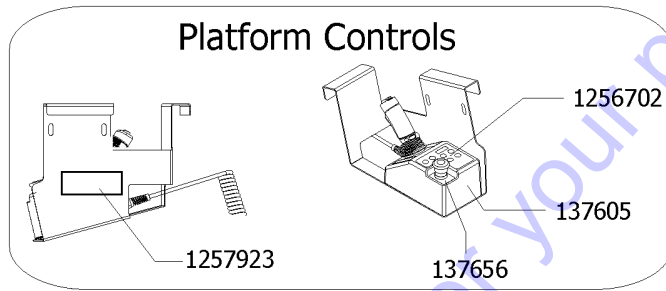
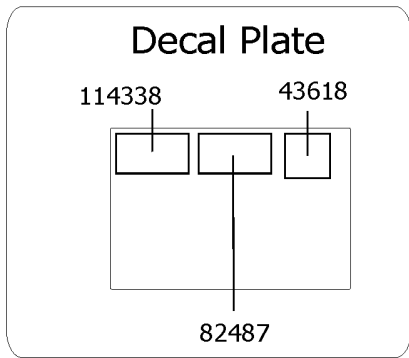
Item	Part No.	Description	Qty.
1	28174GT	DECAL,POWER TO PLATFORM 230V	1
2	28235GT	DECAL,POWER TO PLATFORM 115V	1
3	43658GT	DECAL,LABEL,PWR TO CHARGR 230V	1
4	44980GT	DECAL,LABEL,PWR TO CHARGR 115V	1
5	44981GT	DECAL,LABEL,AIRLINE 110 PSI	1
6	52475GT	DECAL,LABEL,TRANSPORT TIEDOWN*	2
7	72086GT	DECAL,LABEL,LIFTING EYE	1
8	72143GT	DECAL,EMERGENCY STOP,GR	1
9	82473GT	DECAL,SYMBOL-COMP ACCESS	1
10	82474GT	DECAL,SYMBOL-USE SAFETY ARM	1
11	82476GT	DECAL,SYMBOL-ELEC HAZARD,GS	1
12	133276GT	DECAL,EMERGENCY LOWERING	1
13	82487GT	DECAL,SYMBOL-READ THE MANUAL	1
14	82560GT	DECAL,SYMBOL-SKIN INJECT HAZRD	1
15	82562GT	DECAL,SYMBOL-CRUSHING HAZARD	2
16	82570GT	DECAL,LABEL-WHEEL LOAD 1530/32	2
		(CE models)	
17	97719GT	DECAL, LABEL, SAFETY ARM SYMB	1
18	114334GT	DECAL SYMBOL ELECTRIC HAZARD PLUG	1
19	114372GT	DECAL SYMBOL TIP OVER TRAYS	1
20	1263542GT	DECAL, COMPARTMENT ACCESS	1
21	1272242GT	DECAL,MACHINE REGISTRATION/OWNER TRANSFER	1
22	1265361GT	DECAL, BATTERY CHARGER INDICAT	1
		from SN GS30D-15023	
23	1278704GT	DECAL,CHARGE STATUS IND.	1
		from SN GS30D-15023	
24	T112804GT	DECAL,GCON PANEL,GS	1

Go to DiscountEquipment.com to order your parts



114.1 Decals with Symbols, GS-1532 Platform, CE

Platform, CE models



114.1 Decals with Symbols, GS-1532 Platform, CE

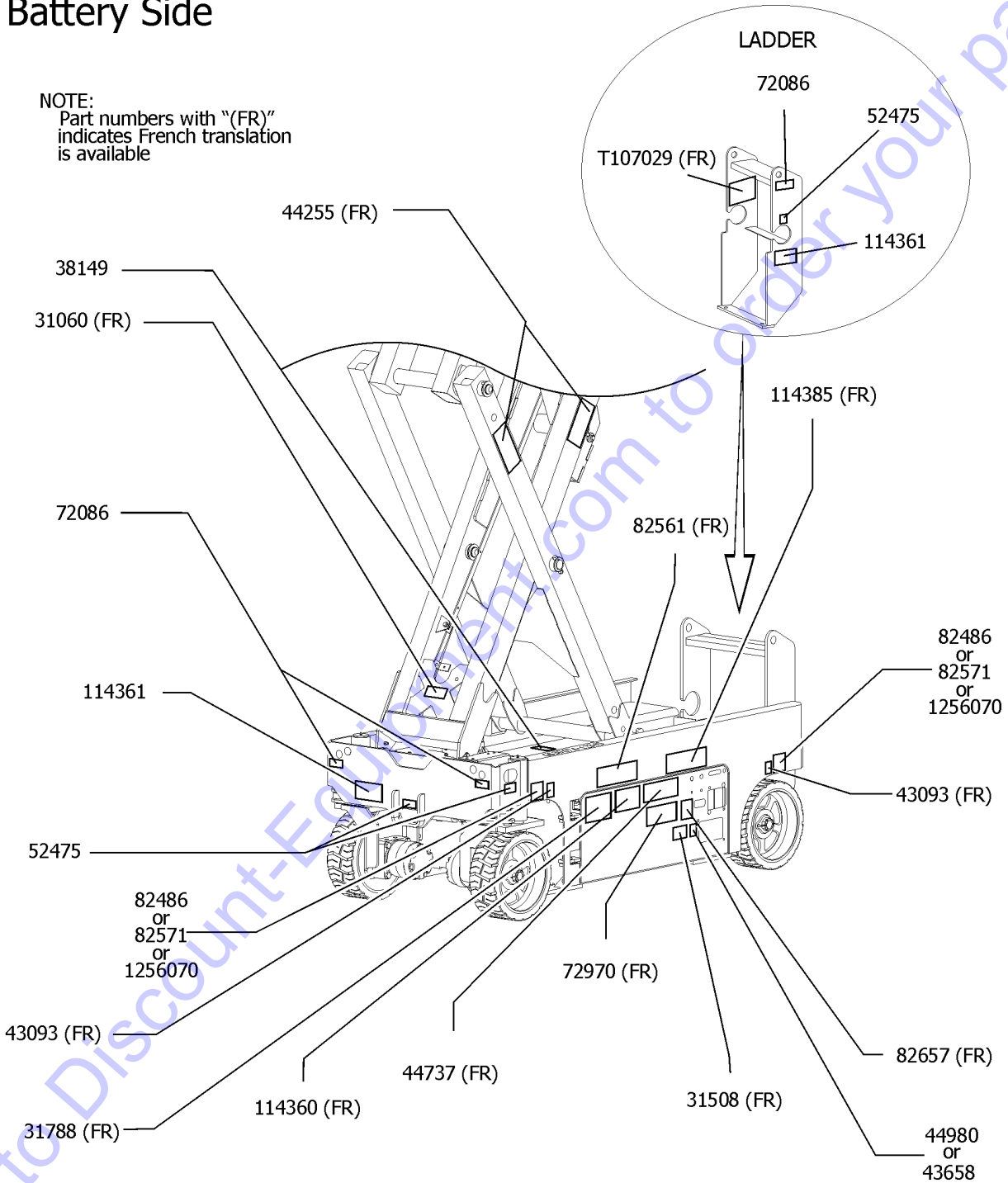
Item	Part No.	Description	Qty.
1	28174GT	DECAL,POWER TO PLATFORM 230V	1
2	28235GT	DECAL,POWER TO PLATFORM 115V	1
3	40434GT	DECAL,LANYARD ANCHORAGE POINT	3
4	43618GT	DECAL,LABEL-DIRECTION ARROWS	2
5	44981GT	DECAL,LABEL,AIRLINE 110 PSI	1
6	82487GT	DECAL,SYMBOL-READ THE MANUAL	1
7	82497GT	DECAL,SYM-SIDEFORCE 200400	1
8	82568GT	DECAL,COSMETIC,GENIE GS-1532	2
9	114338GT	DECAL,SYM-TIP-OVR,TILT ALARM	1
10	137605GT	DECAL,E-STOP,GR/GRC/GS PCON	1
11	137656GT	DECAL,PROPEL,GR/GRC/GS,PCON	1
13	1256702GT	DECAL, UI, GS/GR, PROP LIFT	1
14	1257923GT	DECAL, SMARTLINK PROPORTIONAL	2
15	1263646GT	DECAL,QR CODE,PARTS&SERVICE MANUAL	1
16	1278004GT	DECAL, SYMBOL, CE, MAXIMUM CAPACITY, 272KG	1
17	T112807GT	DECAL,SYM MAX CAP 272 KG,CE	1

Go to Discount-Equipment.com to order your parts



Battery Side

NOTE:
Part numbers with "(FR)"
indicates French translation
is available



Go to Discount-Equipment.com to order your parts



115.1 Decals with Words, GS-1930 Battery Side, ANSI & Australia

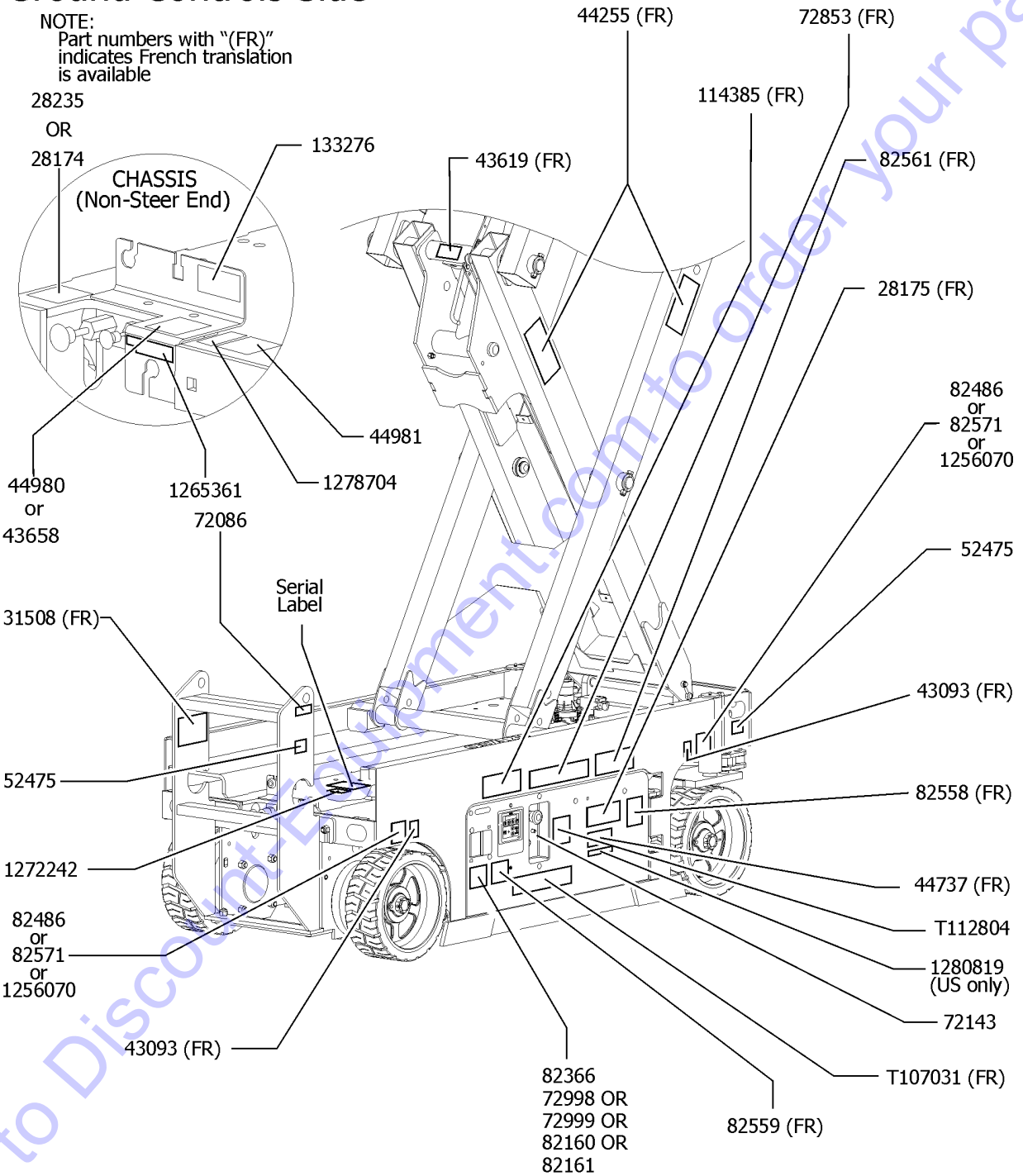
Item	Part No.	Description	Qty.
1	44255GT	DECAL,DANGER,CRUSHING HAZARD	2
2	31060GT	DECAL,DANGER DO NOT ALTER SWTC	1
3	31508GT	DECAL,DANGER,ELECT HAZARD,PLUG	1
		(Australia models)	
4	31788GT	DECAL,DANGER,BATTERY SAFETY***	1
5	43093GT	DECAL,LABEL,TIRE SPECS	2
6	43658GT	DECAL,LABEL,PWR TO CHARGR 230V	1
		(Australia models)	
7	44737GT	DECAL,DANGER,TIP-OVER,TRAYS	1
8	44980GT	DECAL,LABEL,PWR TO CHARGR 115V	1
		(Australia models)	
9	52475GT	DECAL,LABEL,TRANSPORT TIEDOWN*	3
10	72086GT	DECAL,LABEL,LIFTING EYE	3
11	72970GT	DECAL,INSTRUCTIONS-CHARGER OP	1
12	82486GT	DECAL,LABEL,WHEEL LOAD 1930	2
		(ANSI models)	
13	82561GT	DECAL,DANGER-USE SAFETY ARM	1
14	82571GT	DECAL,LABEL,WHEEL LOAD 19XX	2
		(Australia models)	
15	82657GT	DECAL,INSTRUCT,BATTERY CONNECT	1
16	114360GT	DECAL,DANGER-TIP-OVER,BATT	1
17	114361GT	DECAL,SYM-TIP-OVER,LIM SWITCH	2
18	114385GT	DECAL,DANGER,ELEC HAZARD,GS	1
19	1256070GT	DECAL,LABEL,WHEEL LOAD,1930PAR	2
		(ANSI models with padded auxiliary rail only)	
20	T107029GT	DECAL DANGER BRAKE REL SAFETY	1
21	38149GT	DECAL,LABEL,PATENTS	1

Go to DiscountEquipment.com to order your parts



Ground Controls Side

NOTE:
Part numbers with "(FR)" indicates French translation is available



Go to DiscountEquipment.com to order your parts



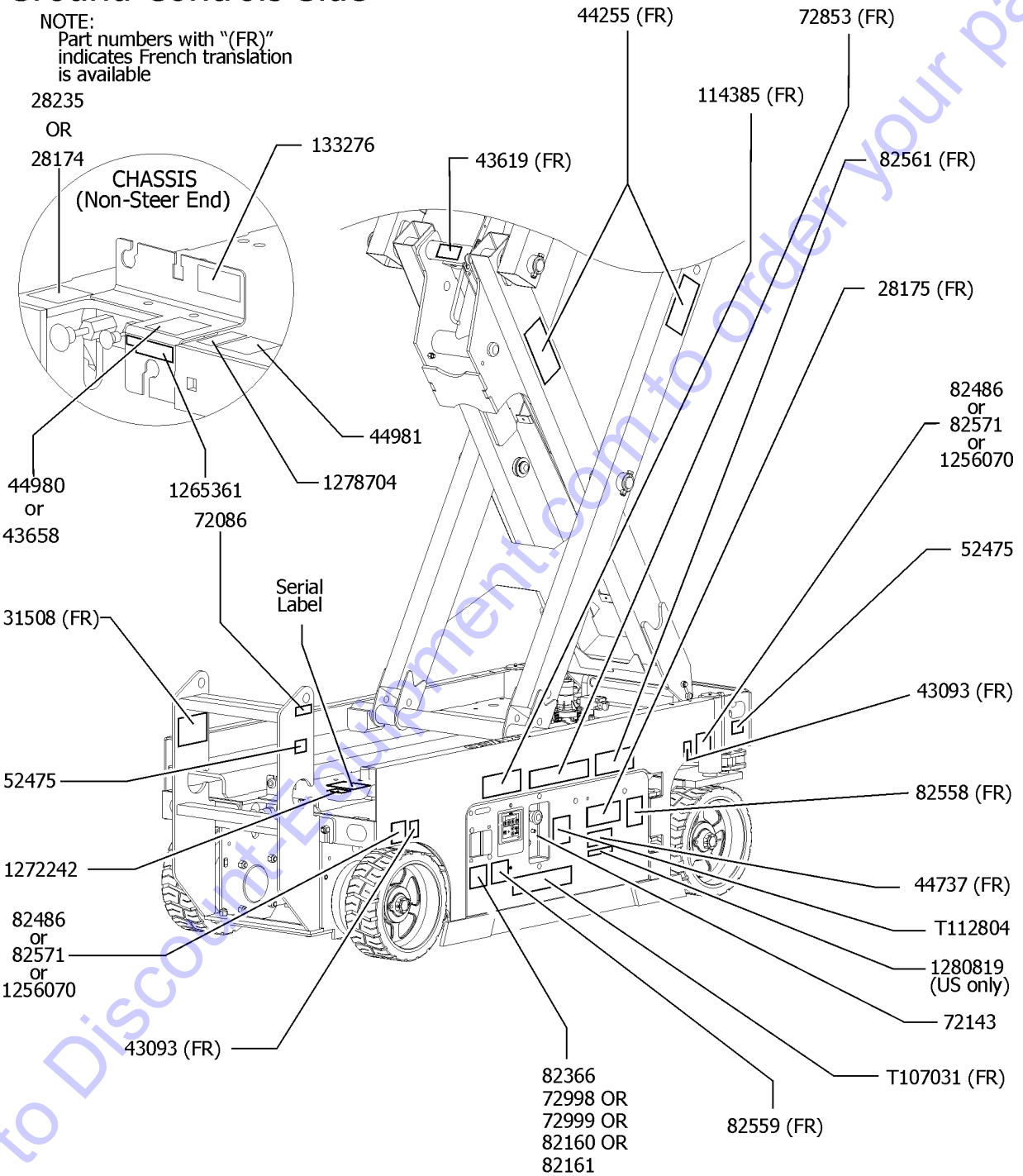
116.1 Decals with Words, GS-1930 Ground Controls Side, ANSI & Australia

Item	Part No.	Description	Qty.
1	28174GT	DECAL,POWER TO PLATFORM 230V	1
2	28175GT	DECAL,WARNING-COMPART ACCESS	1
3	28235GT	DECAL,POWER TO PLATFORM 115V	1
4	31508GT	DECAL,DANGER,ELECT HAZARD,PLUG (ANSI models)	1
5	43093GT	DECAL,LABEL,TIRE SPECS	2
6	43619GT	DECAL,LABEL,SAFETY ARM	1
7	43658GT	DECAL,LABEL,PWR TO CHARGR 230V (ANSI models)	1
8	44255GT	DECAL,DANGER,CRUSHING HAZARD	2
9	44737GT	DECAL,DANGER,TIP-OVER,TRAYS	1
10	44980GT	DECAL,LABEL,PWR TO CHARGR 115V (ANSI models)	1
11	44981GT	DECAL,LABEL,AIRLINE 110 PSI (option)	1
12	52475GT	DECAL,LABEL,TRANSPORT TIEDOWN*	2
13	72086GT	DECAL,LABEL,LIFTING EYE	1
14	72143GT	DECAL,EMERGENCY STOP,GR	1
15	72853GT	DECAL,DANGER,IMPROPER USE HAZ.	1
16	72998GT	DECAL, LABEL, QUINTOLUBRIK (models with Quintolub hydraulic oil)	1
17	72999GT	DECAL,LABEL,PETRO CANADA*** (models with Petro Canada hydraulic oil)	1
18	82160GT	DECAL, LABEL, STATOIL HYDRAWAY (models with Statoil hydraulic oil)	1
19	82161GT	DECAL,LABEL,UCON HYDROLUBE (models with UConn Hydrolube hydraulic oil)	1
20	82366GT	DECAL,CHEVRON RANDO HD (models with Chevron Random hydraulic oil)	1
21	82486GT	DECAL,LABEL,WHEEL LOAD 1930 (ANSI models)	2
22	82558GT	DECAL,SKIN INJECTION	1
23	82559GT	DECAL,INSTRUCT-ANNUAL INSP REQ	1
24	82561GT	DECAL,DANGER-USE SAFETY ARM	1
25	82571GT	DECAL,LABEL,WHEEL LOAD 19XX (Australia models)	2
26	114385GT	DECAL,DANGER,ELEC HAZARD,GS	1
27	133276GT	DECAL,EMERGENCY LOWERING	1
28	1256070GT	DECAL,LABEL,WHEEL LOAD,1930PAR (ANSI models with padded auxilliary rail only)	2



Ground Controls Side

NOTE:
Part numbers with "(FR)" indicates French translation is available



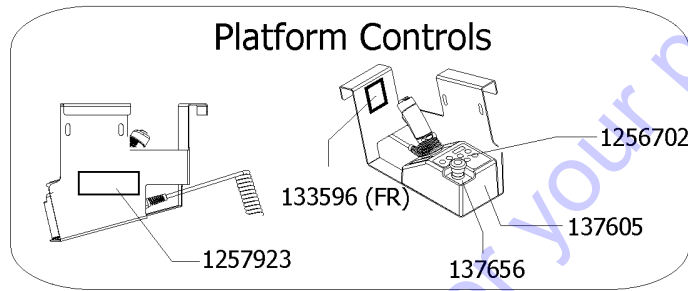
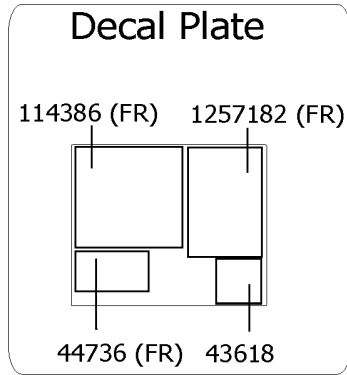
116.1 Decals with Words, GS-1930 Ground Controls Side, ANSI & Australia

Item	Part No.	Description	Qty.
29	1272242GT	DECAL,MACHINE REGISTRATION/OWNER TRANSFER	1
30	1265361GT	DECAL, BATTERY CHARGER INDICAT	1
31	1278704GT	DECAL,CHARGE STATUS IND. from SN GS30D-15023	1
32	1280819GT	DECAL,WARNING,CANCER AND REPRODUCTIVE HARM, PROP 65	1
		US only	
33	T107031GT	DECAL,OP INST,GCON	1
34	T112804GT	DECAL,GCON PANEL,GS	1

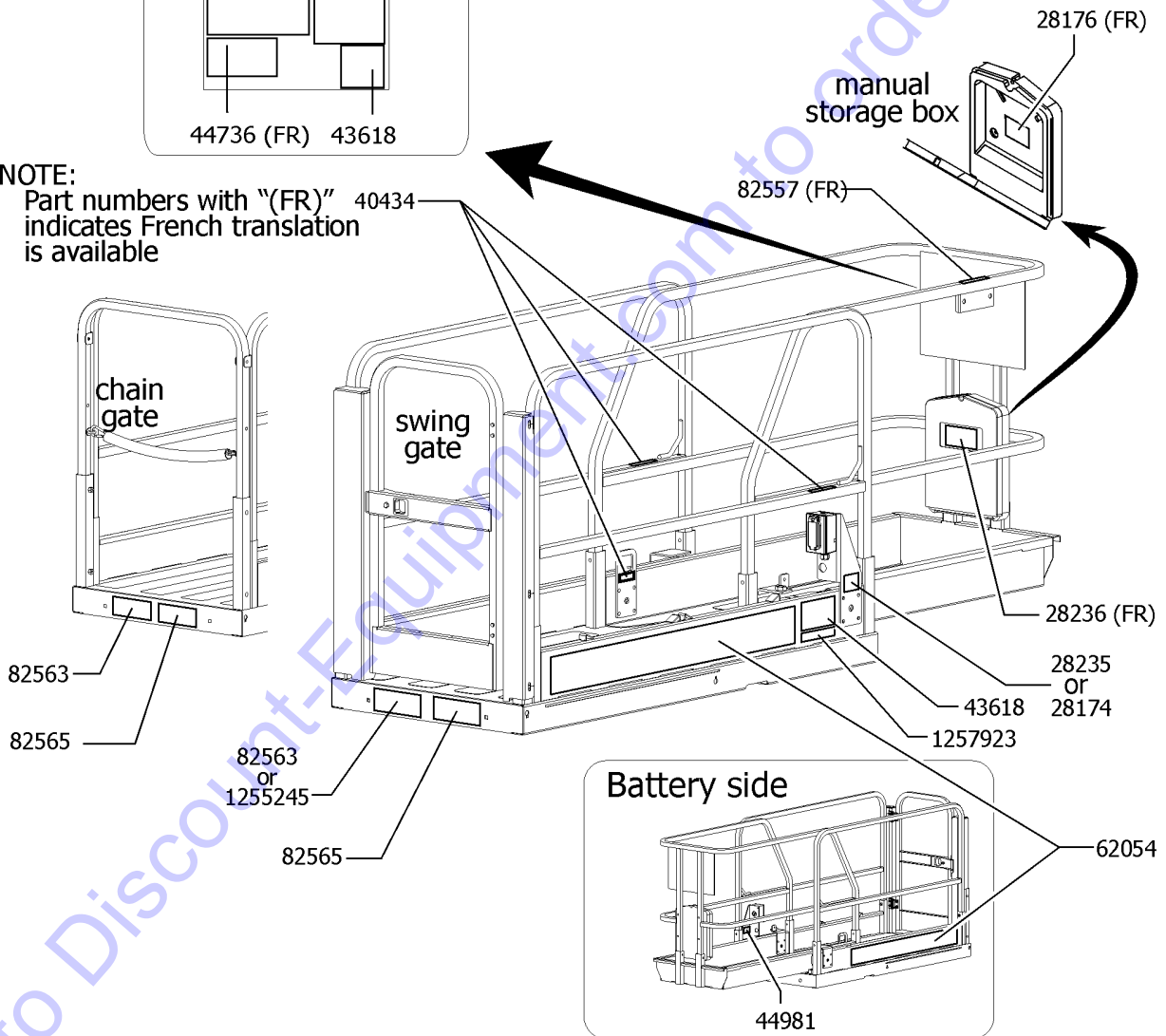
Go to Discount-Equipment.com to order your parts



Platform, ANSI models



NOTE:
Part numbers with "(FR)" indicates French translation is available



Go to Discount-Equipment.com to order your parts

117.1 Decals with Words, GS-1930 Platform, ANSI

Item	Part No.	Description	Qty.
1	28174GT	DECAL,POWER TO PLATFORM 230V	1
2	28176GT	DECAL,LABEL,MANUAL NOT HERE	1
3	28235GT	DECAL,POWER TO PLATFORM 115V	1
4	28236GT	DECAL,WARN,IMPROPER OPERATION	1
5	40434GT	DECAL,LANYARD ANCHORAGE POINT	3
6	43618GT	DECAL,LABEL-DIRECTION ARROWS	2
7	44736GT	DECAL,DANGER,TIP-OVER,TILT	1
8	44981GT	DECAL,LABEL,AIRLINE 110 PSI	1
9	62054GT	DECAL,COSMETIC,GENIE GS-1930**	2
10	82557GT	DECAL,LABEL,PLAT CONT LOCATION	1
11	82563GT	DECAL,INSTR-MAX CAP 500 LBS (GS1930 and GS1932 models)	1
12	82565GT	DECAL,INSTR-SIDE FRC,ANSI	1
13	114386GT	DECAL,DANGER-GEN SAFETY	1
14	133596GT	DECAL,LABEL,FAULT CODES	1
15	137605GT	DECAL,E-STOP,GR/GRC/GS PCON	1
17	137656GT	DECAL,PROPEL,GR/GRC/GS,PCON	1
18	1255245GT	DECAL,INSTR-MAX CAP 400 LBS (models with padded auxiliary rail only)	1
19	1256702GT	DECAL, UI, GS/GR, PROP LIFT	1
21	1257182GT	DECAL, OP INST, PLAT, GS30, ANSI	1
22	1257923GT	DECAL, SMARTLINK PROPORTIONAL	2

Go to DiscountEquipment.com to order your parts



PARTS FINDER

**Search Website
by Part Number**



**Search Manual
Library For Parts
Manual & Lookup Part
Numbers – Purchase
or Request Quote**

Search Manuals

Enter your information to search for a manual or parts manual for your equipment.

* Brand:

* Model:

* Serial:

* Part Number:

SEARCH

**Can't Find Part or
Manual? Request Help
by Manufacturer,
Model & Description**

Parts Order Form

Please fill in the following information to request help finding a part or manual.

Manufacturer:

Model:

Description:

Quantity:

Part Number:

Part Name:

Part Description:

Part Location:

Part Condition:

Part Status:

Part Color:

Part Material:

Part Weight:

Part Dimensions:

Part Price:

Part Availability:

Part Lead Time:

Part Notes:

Submit

Discount-Equipment.com is your online resource for quality parts & equipment.

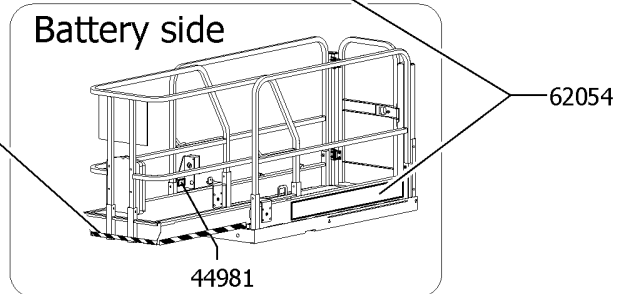
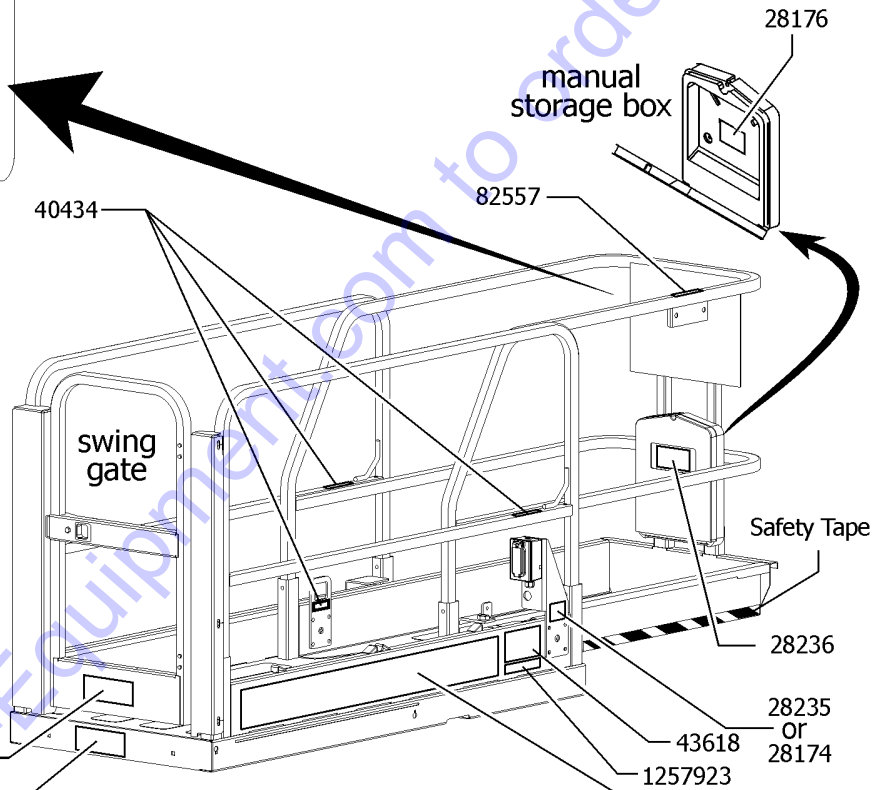
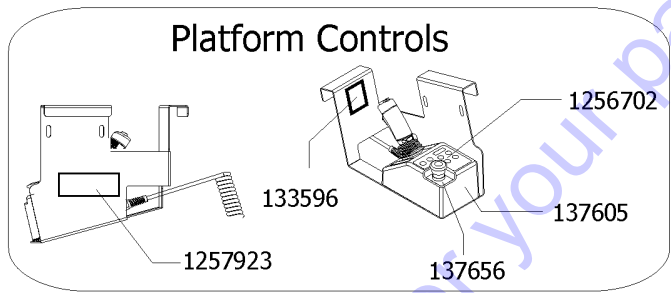
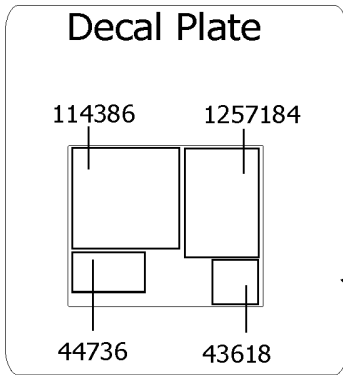
Florida: **561-964-4949** Outside Florida TOLL FREE: **877-690-3101**

Need parts?

Click on this link: <http://www.discount-equipment.com/category/5443-parts/> and choose one of the options to help get the right parts and equipment you are looking for. Please have the machine model and serial number available in order to help us get you the correct parts. If you don't find the part on the website or on one of the online manuals, please fill out the request form and one of our experienced staff members will get back to you with a quote for the right part that your machine needs.

We sell worldwide for the brands: Genie, Terex, JLG, MultiQuip, Mikasa, Essick, Whiteman, Mayco, Toro Stone, Diamond Products, Generac Magnum, Airman, Haulotte, Barreto, Power Blanket, Nifty Lift, Atlas Copco, Chicago Pneumatic, Allmand, Miller Curber, Skyjack, Lull, Skytrak, Tsurumi, Husquvarna Target, Stow, Wacker, Sakai, Mi-T-M, Sullair, Basic, Dynapac, MBW, Weber, Bartell, Bennar Newman, Haulotte, Ditch Runner, Menegotti, Morrison, Contec, Buddy, Crown, Edco, Wyco, Bomag, Laymor, EZ Trench, Bil-Jax, F.S. Curtis, Gehl Pavers, Heli, Honda, ICS/PowerGrit, IHI, Partner, Imer, Clipper, MMD, Koshin, Rice, CH&E, General Equipment, Amida, Coleman, NAC, Gradall, Square Shooter, Kent, Stanley, Tamco, Toku, Hatz, Kohler, Robin, Wisconsin, Northrock, Oztec, Toker TK, Rol-Air, APT, Wylie, Ingersoll Rand / Doosan, Innovatech, Con X, Ammann, Mecalac, Makinex, Smith Surface Prep, Small Line, Wanco, Yanmar

Platform, Australia Models



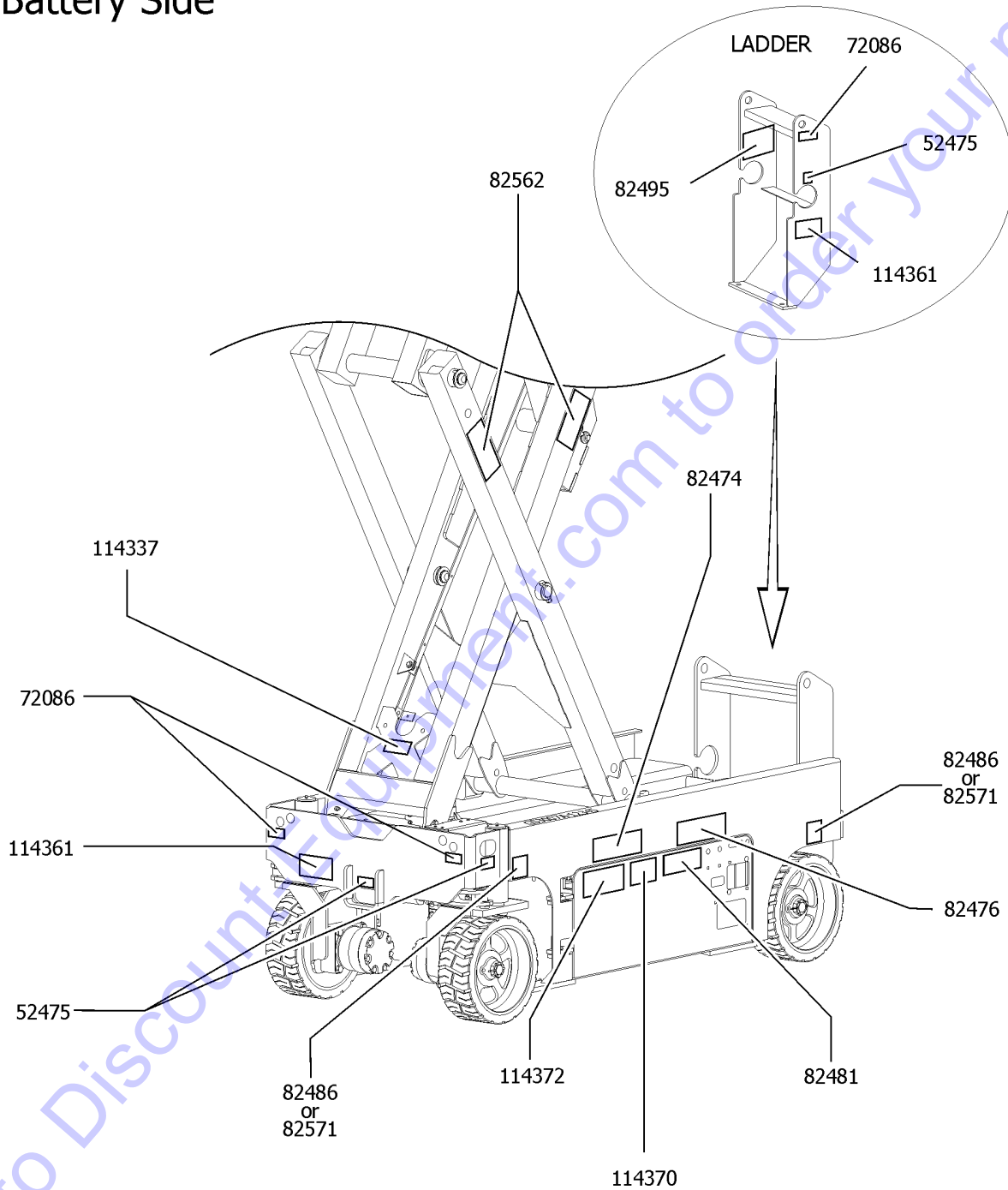
118.1 Decals with Words, GS-1930 Platform, Australia

Item	Part No.	Description	Qty.
1	28174GT	DECAL,POWER TO PLATFORM 230V	1
2	28176GT	DECAL,LABEL,MANUAL NOT HERE	1
3	28235GT	DECAL,POWER TO PLATFORM 115V	1
4	28236GT	DECAL,WARN,IMPROPER OPERATION	1
5	40434GT	DECAL,LANYARD ANCHORAGE POINT	3
6	43618GT	DECAL,LABEL-DIRECTION ARROWS	2
7	44736GT	DECAL,DANGER,TIP-OVER,TILT	1
8	44981GT	DECAL,LABEL,AIRLINE 110 PSI	1
9	62054GT	DECAL,COSMETIC,GENIE GS-1930**	2
10	82557GT	DECAL,LABEL,PLAT CONT LOCATION	1
11	97618GT	DECAL,INSTR-INDOOR USE,AUS	1
12	114386GT	DECAL,DANGER-GEN SAFETY	1
13	133596GT	DECAL,LABEL,FAULT CODES	1
14	137605GT	DECAL,E-STOP,GR/GRC/GS PCON	1
15	137656GT	DECAL,PROPEL,GR/GRC/GS,PCON	1
16	82563GT	DECAL,INSTR-MAX CAP 500 LBS (GS1930 and GS1932 models)	1
17	1256702GT	DECAL, UI, GS/GR, PROP LIFT	1
18	1257184GT	DECAL, OP INST, PLAT, GS30, AUS	1
19	1257923GT	DECAL, SMARTLINK PROPORTIONAL	2

Go to Discount-Equipment.com to order your parts



Battery Side



119.1 Decals with Symbols, GS-1930 Battery Side, ANSI & CE

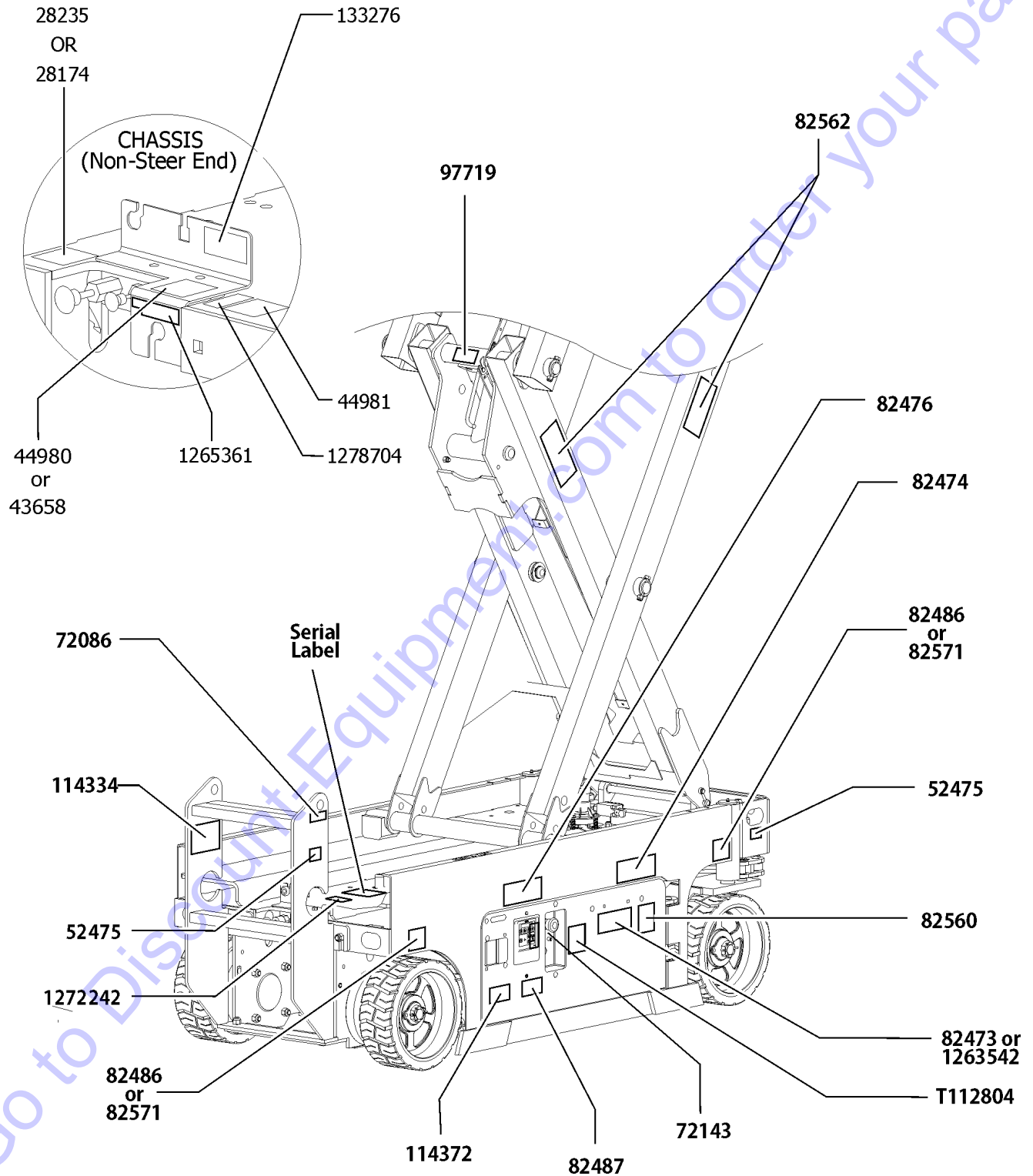
Item	Part No.	Description	Qty.
1	52475GT	DECAL,LABEL,TRANSPORT TIEDOWN*	3
2	72086GT	DECAL,LABEL,LIFTING EYE	3
3	82474GT	DECAL,SYMBOL-USE SAFETY ARM	1
4	82476GT	DECAL,SYMBOL-ELEC HAZARD,GS	1
5	82481GT	DECAL,SYMBOL-BATTERY SAFETY	1
6	82486GT	DECAL,LABEL,WHEEL LOAD 1930 (ANSI models)	2
7	82495GT	DECAL,LABEL,FORKLIFT POCKET	1
8	82562GT	DECAL,SYMBOL-CRUSHING HAZARD	2
9	82571GT	DECAL,LABEL,WHEEL LOAD 19XX (CE models)	2
10	114337GT	DECAL, COMPARTMENT ACCESS	1
11	114361GT	DECAL,SYM-TIP-OVER,LIM SWITCH	2
12	114370GT	DECAL-SYM-TIP-OVR,BATTRIES	1
13	114372GT	DECAL SYMBOL TIP OVER TRAYS	1

Go to Discount-Equipment.com to order your parts



120.1 Decals with Symbols, GS-1930 Ground Control Side, ANSI & CE

Ground Controls Side

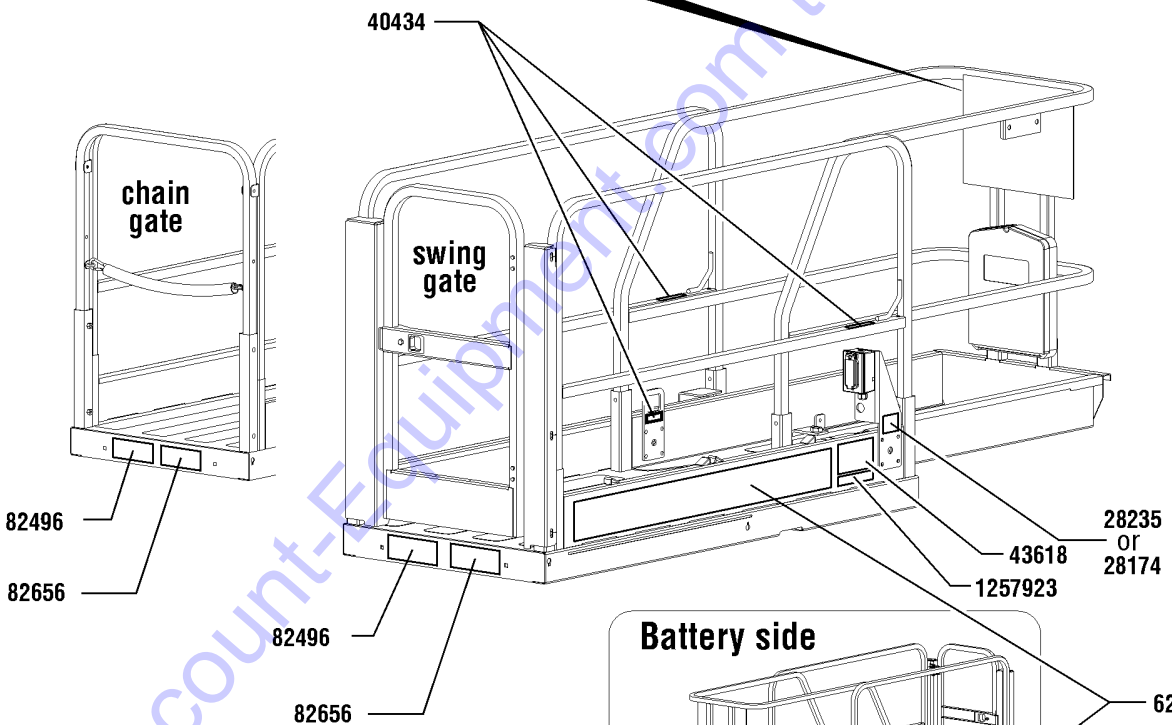
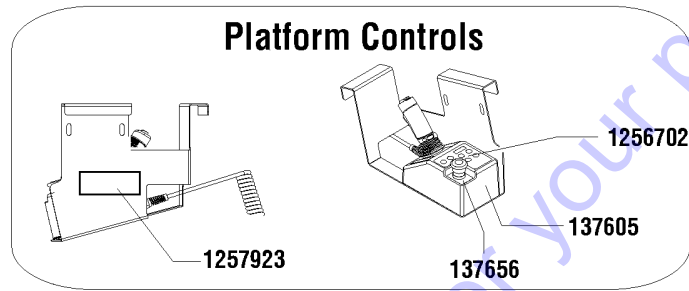
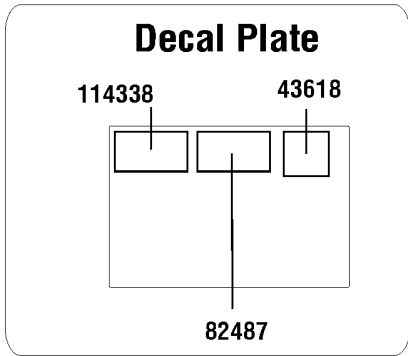


120.1 Decals with Symbols, GS-1930 Ground Control Side, ANSI & CE

Item	Part No.	Description	Qty.
1	28174GT	DECAL,POWER TO PLATFORM 230V	1
2	28235GT	DECAL,POWER TO PLATFORM 115V	1
3	43658GT	DECAL,LABEL,PWR TO CHARGR 230V	1
4	44980GT	DECAL,LABEL,PWR TO CHARGR 115V	1
5	44981GT	DECAL,LABEL,AIRLINE 110 PSI	1
6	52475GT	DECAL,LABEL,TRANSPORT TIEDOWN*	2
7	72086GT	DECAL,LABEL,LIFTING EYE	1
8	72143GT	DECAL,EMERGENCY STOP,GR	1
9	82473GT	DECAL,SYMBOL-COMP ACCESS	1
10	82474GT	DECAL,SYMBOL-USE SAFETY ARM	1
11	82476GT	DECAL,SYMBOL-ELEC HAZARD,GS	1
12	82482GT	DECAL,LABEL,AUX LOWERING	1
13	82486GT	DECAL,LABEL,WHEEL LOAD 1930 (ANSI Models)	2
14	82487GT	DECAL,SYMBOL-READ THE MANUAL	1
15	82560GT	DECAL,SYMBOL-SKIN INJECT HAZRD	1
16	82562GT	DECAL,SYMBOL-CRUSHING HAZARD	2
17	82571GT	DECAL,LABEL,WHEEL LOAD 19XX (CE Models)	2
18	97719GT	DECAL, LABEL, SAFETY ARM SYMB	1
19	114334GT	DECAL SYMBOL ELECTRIC HAZARD PLUG	1
20	114372GT	DECAL SYMBOL TIP OVER TRAYS	1
21	1263542GT	DECAL, COMPARTMENT ACCESS	1
22	1272242GT	DECAL,MACHINE REGISTRATION/OWNER TRANSFER	1
23	1278704GT	DECAL,CHARGE STATUS IND. from SN GS30D-15023	1
24	1265361GT	DECAL, BATTERY CHARGER INDICAT from SN GS30D-15023	1
25	T112804GT	DECAL,GCON PANEL,GS	1
26	133276GT	DECAL,EMERGENCY LOWERING	1



Platform, ANSI models



Go to Discount-Equipment.com to order your parts

121.1 Decals with Symbols, GS-1930 Platform ANSI

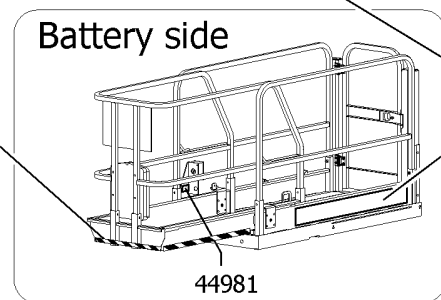
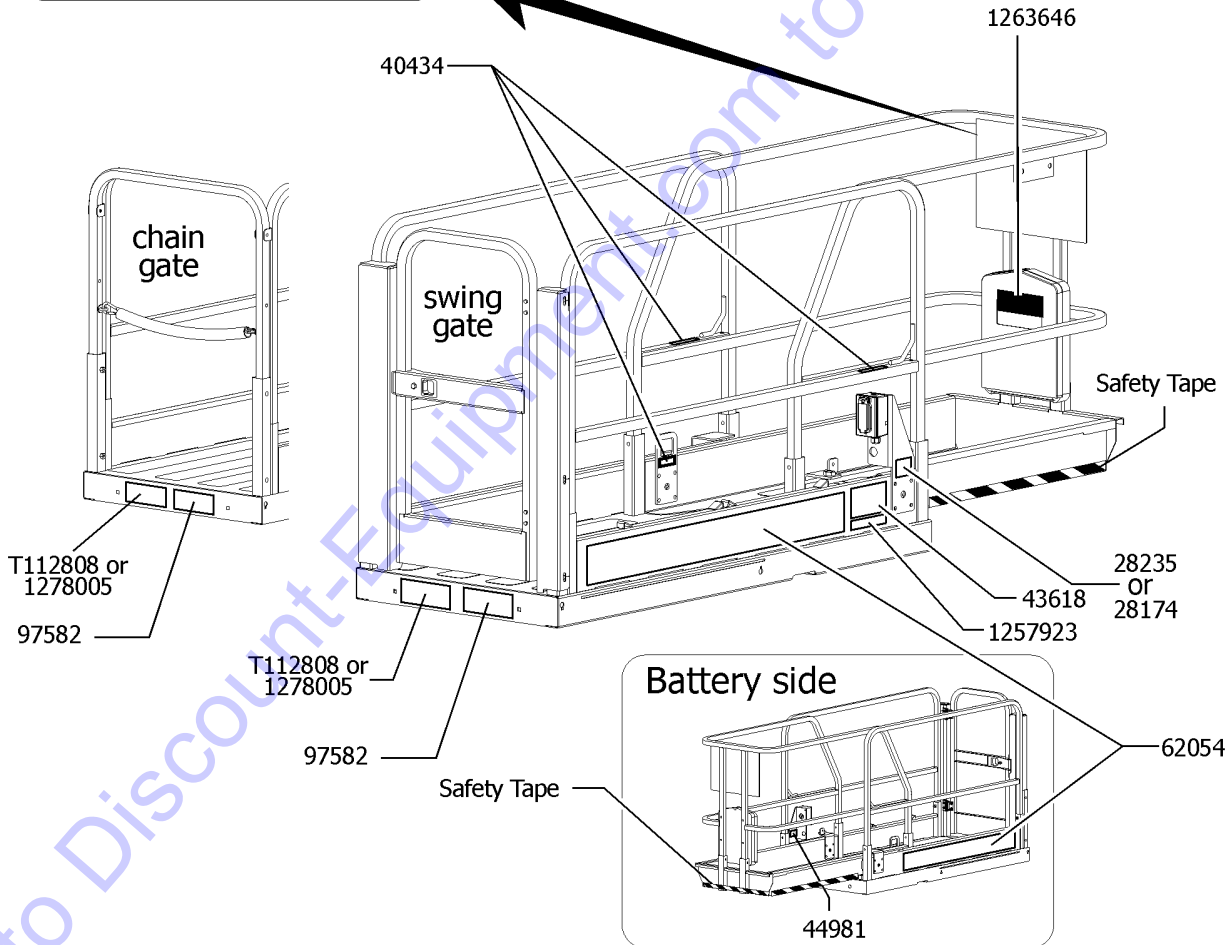
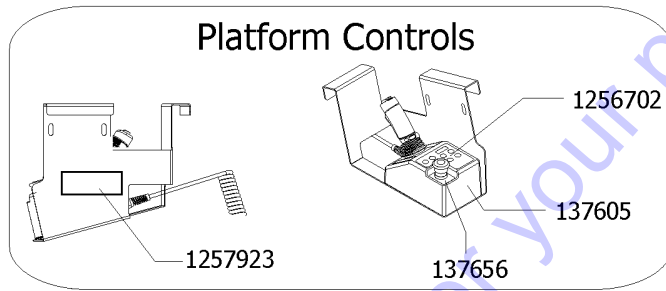
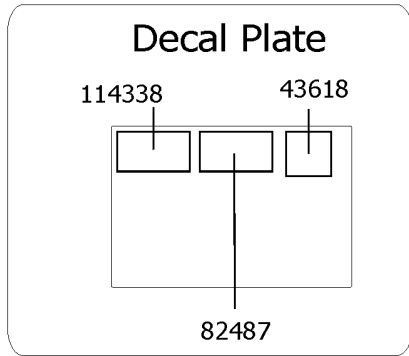
Item	Part No.	Description	Qty.
1	28174GT	DECAL,POWER TO PLATFORM 230V	1
2	28235GT	DECAL,POWER TO PLATFORM 115V	1
3	40434GT	DECAL,LANYARD ANCHORAGE POINT	3
4	43618GT	DECAL,LABEL-DIRECTION ARROWS	2
5	44981GT	DECAL,LABEL,AIRLINE 110 PSI	1
6	62054GT	DECAL,COSMETIC,GENIE GS-1930**	2
7	82487GT	DECAL,SYMBOL-READ THE MANUAL	1
8	82496GT	DECAL,SYM-MAXCAP 500	1
9	82656GT	DECAL,SYM-SIDE FORCE 445N	1
10	114338GT	DECAL,SYM-TIP-OVR,TILT ALARM	1
11	137605GT	DECAL,E-STOP,GR/GRC/GS PCON	1
12	137656GT	DECAL,PROPEL,GR/GRC/GS,PCON	1
13	1256702GT	DECAL, UI, GS/GR, PROP LIFT	1
14	1257923GT	DECAL, SMARTLINK PROPORTIONAL	2

Go to Discount-Equipment.com to order your parts



122.1 Decals with Symbols, GS-1930 Platform CE

Platform, CE models



122.1 Decals with Symbols, GS-1930 Platform CE

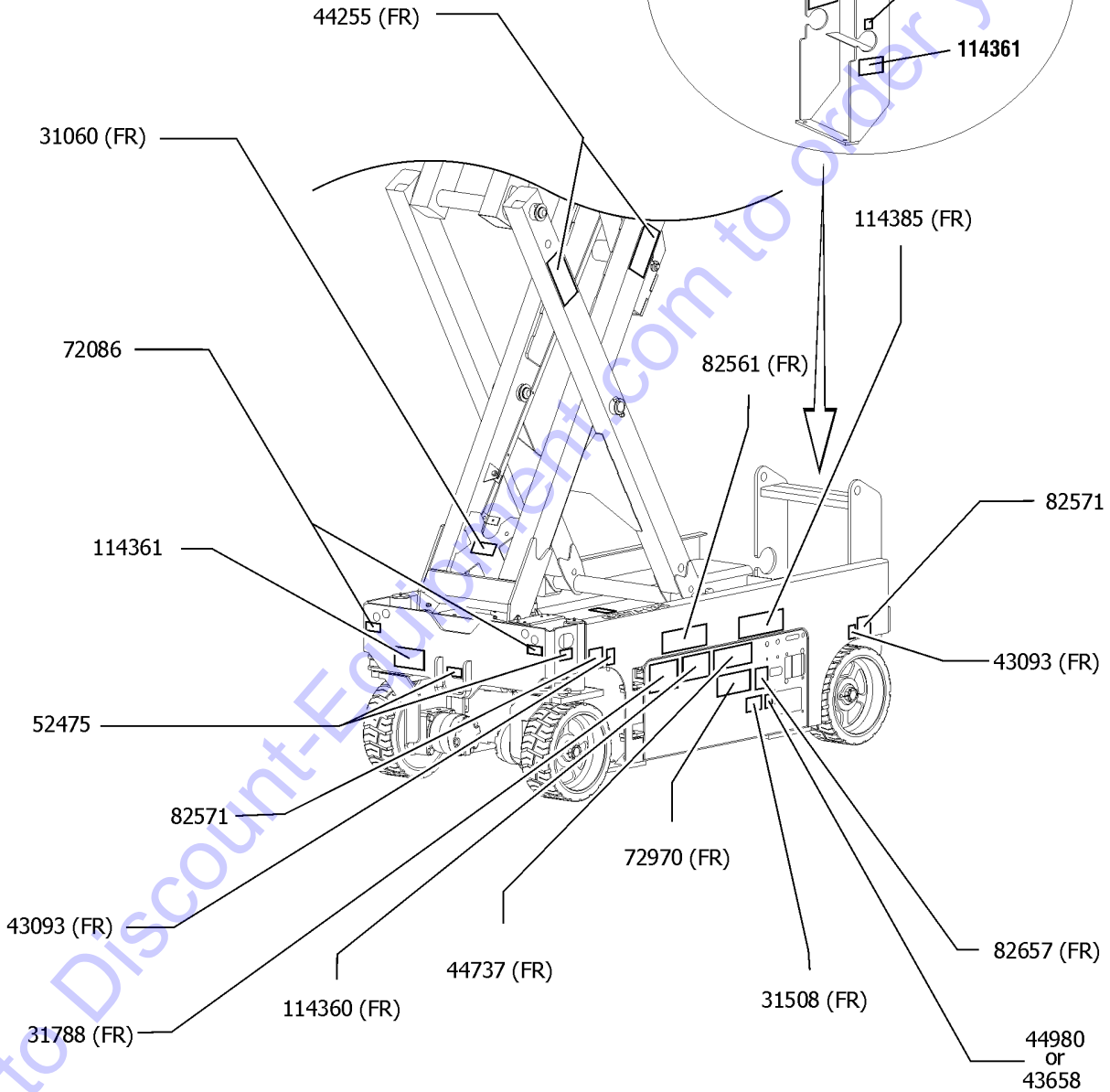
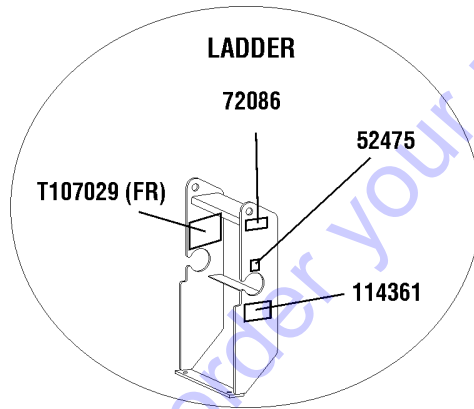
Item	Part No.	Description	Qty.
1	28174GT	DECAL,POWER TO PLATFORM 230V	1
2	28235GT	DECAL,POWER TO PLATFORM 115V	1
3	40434GT	DECAL,LANYARD ANCHORAGE POINT	3
4	43618GT	DECAL,LABEL-DIRECTION ARROWS	2
5	44981GT	DECAL,LABEL,AIRLINE 110 PSI	1
6	62054GT	DECAL,COSMETIC,GENIE GS-1930**	2
7	82487GT	DECAL,SYMBOL-READ THE MANUAL	1
8	97582GT	DECAL,SYM-SIDEFORCE 400N ID	1
9	114338GT	DECAL,SYM-TIP-OVR,TILT ALARM	1
10	137605GT	DECAL,E-STOP,GR/GRC/GS PCON	1
11	137656GT	DECAL,PROPEL,GR/GRC/GS,PCON	1
12	1256702GT	DECAL, UI, GS/GR, PROP LIFT	
13	1257923GT	DECAL, SMARTLINK PROPORTIONAL	2
14	1263646GT	DECAL,QR CODE,PARTS&SERVICE MANUAL	1
15	1278005GT	DECAL, SYMBOL, CE, MAXIMUM CAPACITY, 227KG	2
16	T112808GT	DECAL,SYM MAX CAP 227 KG,CE	2

Go to Discount-Equipment.com to order your parts



Battery Side

NOTE:
Part numbers with "(FR)"
indicates French translation
is available



Go to Discount-Equipment.com to order your parts



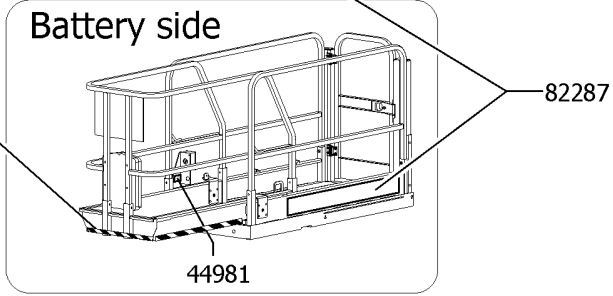
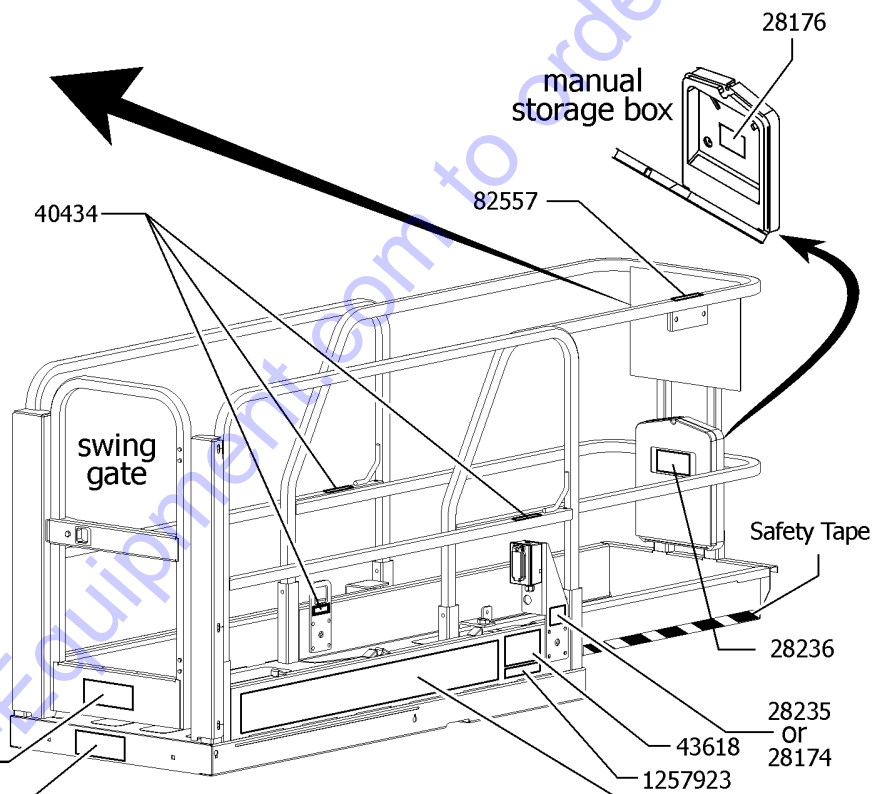
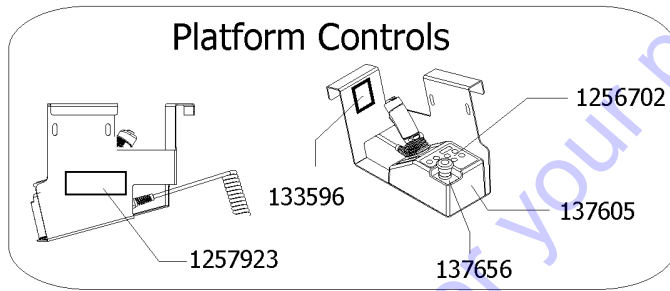
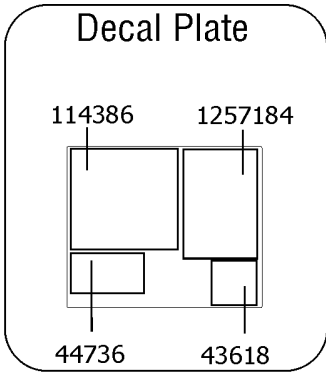
123.1 Decals with Words, GS-1932 Battery Side, Australia

Item	Part No.	Description	Qty.
1	44255GT	DECAL,DANGER,CRUSHING HAZARD	2
2	31060GT	DECAL,DANGER DO NOT ALTER SWTC	1
3	31508GT	DECAL,DANGER,ELECT HAZARD,PLUG	1
		(Australia models)	
4	31788GT	DECAL,DANGER,BATTERY SAFETY***	1
5	43093GT	DECAL,LABEL,TIRE SPECS	2
6	43658GT	DECAL,LABEL,PWR TO CHARGR 230V	1
		(Australia models)	
7	44737GT	DECAL,DANGER,TIP-OVER,TRAYS	1
8	44980GT	DECAL,LABEL,PWR TO CHARGR 115V	1
		(Australia models)	
9	52475GT	DECAL,LABEL,TRANSPORT TIEDOWN*	3
10	72086GT	DECAL,LABEL,LIFTING EYE	3
11	72970GT	DECAL,INSTRUCTIONS-CHARGER OP	1
12	82561GT	DECAL,DANGER-USE SAFETY ARM	1
13	82571GT	DECAL,LABEL,WHEEL LOAD 19XX	2
		(Australia models)	
14	82657GT	DECAL,INSTRUCT,BATTERY CONNECT	1
15	114360GT	DECAL,DANGER-TIP-OVER,BATT	1
16	114361GT	DECAL,SYM-TIP-OVER,LIM SWITCH	2
17	114385GT	DECAL,DANGER,ELEC HAZARD,GS	1
18	T107029GT	DECAL DANGER BRAKE REL SAFETY	1

Go to Discount-Equipment.com to order your parts



Platform, Australia Models



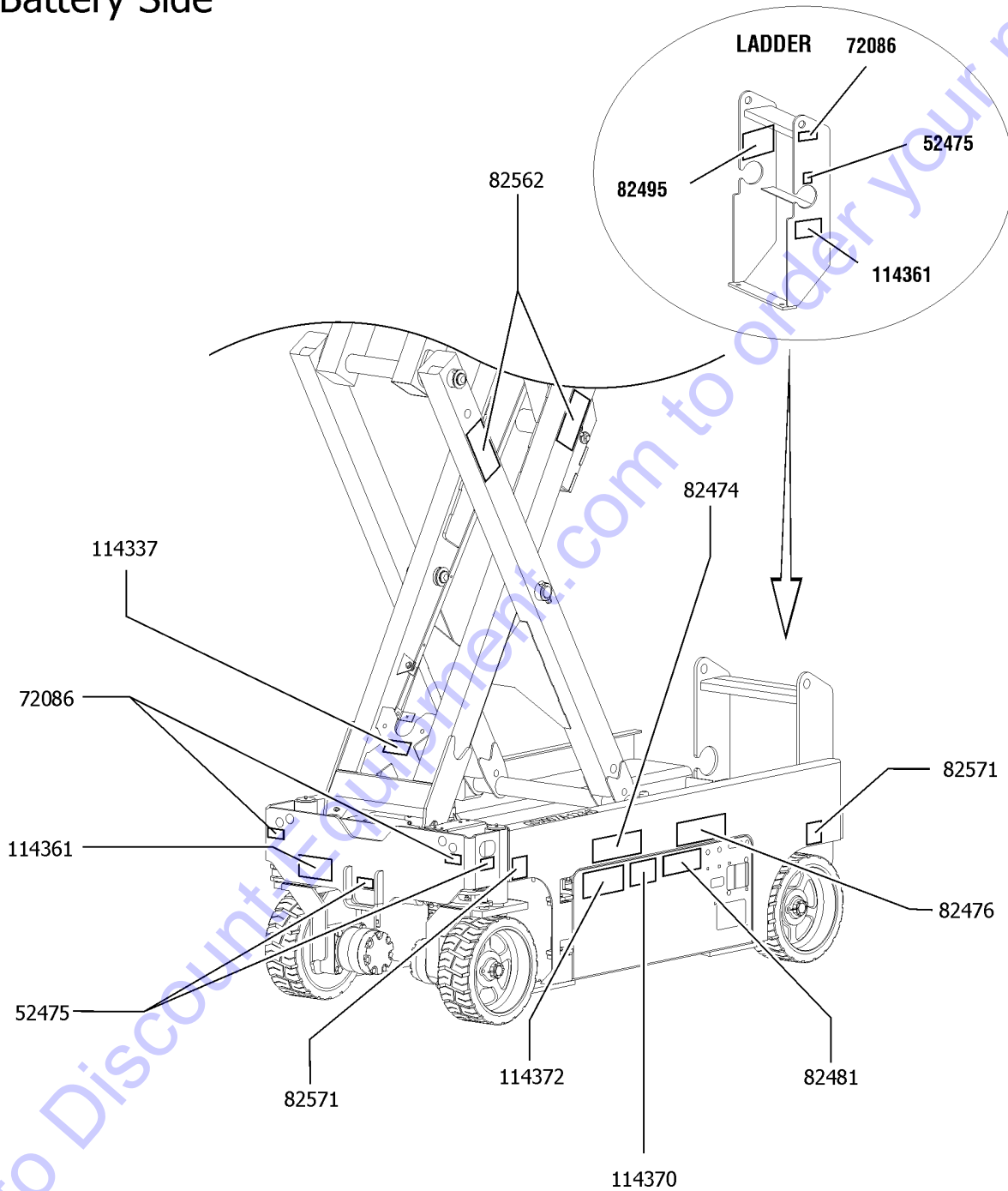
125.1 Decals with Words, GS-1932 Platform, Australia

Item	Part No.	Description	Qty.
1	28174GT	DECAL,POWER TO PLATFORM 230V	1
2	28176GT	DECAL,LABEL,MANUAL NOT HERE	1
3	28235GT	DECAL,POWER TO PLATFORM 115V	1
4	28236GT	DECAL,WARN,IMPROPER OPERATION	1
5	40434GT	DECAL,LANYARD ANCHORAGE POINT	3
6	43618GT	DECAL,LABEL-DIRECTION ARROWS	2
7	44736GT	DECAL,DANGER,TIP-OVER,TILT	1
8	44981GT	DECAL,LABEL,AIRLINE 110 PSI	1
9	82287GT	DECAL,COSMETIC,GENIE GS-1932	2
10	82557GT	DECAL,LABEL,PLAT CONT LOCATION	1
11	82566GT	DECAL,INSTR-MANUAL FRC,AUS	1
12	114386GT	DECAL,DANGER-GEN SAFETY	1
13	133596GT	DECAL,LABEL,FAULT CODES	1
14	137605GT	DECAL,E-STOP,GR/GRC/GS PCON	1
16	137656GT	DECAL,PROPEL,GR/GRC/GS,PCON	1
18	82563GT	DECAL,INSTR-MAX CAP 500 LBS	1
19	1256702GT	DECAL, UI, GS/GR, PROP LIFT	1
20	1256703GT	DECAL, STD, PROP LIFT, UI, SVC	1
21	1257184GT	DECAL, OP INST, PLAT, GS30, AUS	1
22	1257923GT	DECAL, SMARTLINK PROPORTIONAL	2

Go to DiscountEquipment.com to order your parts



Battery Side



Go to DiscountEquipment.com to order your parts



126.1 Decals with Symbols, GS-1932 Battery Side, CE

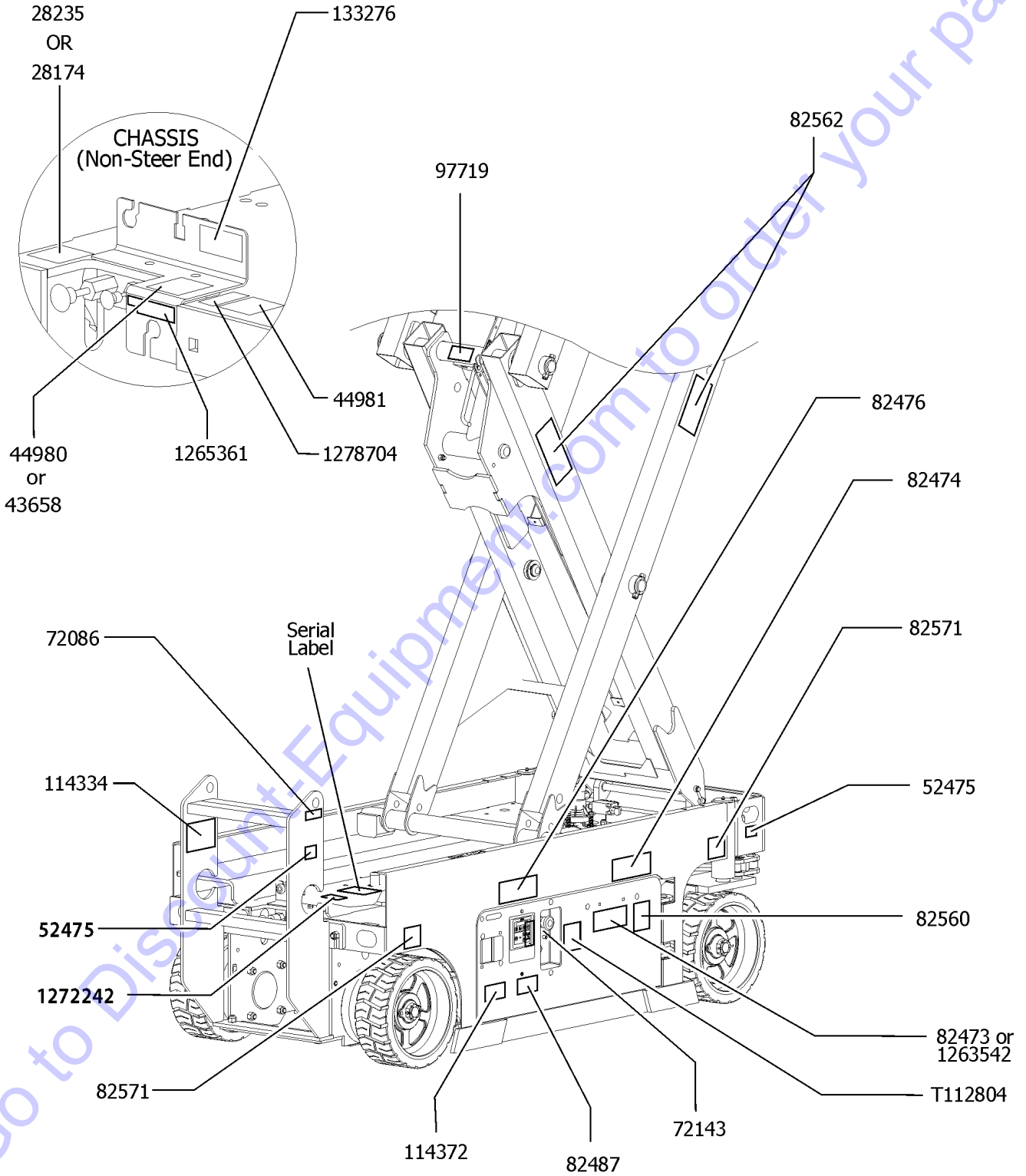
Item	Part No.	Description	Qty.
1	52475GT	DECAL,LABEL,TRANSPORT TIEDOWN*	3
2	72086GT	DECAL,LABEL,LIFTING EYE	3
3	82474GT	DECAL,SYMBOL-USE SAFETY ARM	1
4	82476GT	DECAL,SYMBOL-ELEC HAZARD,GS	1
5	82481GT	DECAL,SYMBOL-BATTERY SAFETY	1
6	82495GT	DECAL,LABEL,FORKLIFT POCKET	1
7	82562GT	DECAL,SYMBOL-CRUSHING HAZARD	2
8	82571GT	DECAL,LABEL,WHEEL LOAD 19XX (CE models)	2
9	114337GT	DECAL, COMPARTMENT ACCESS	1
10	114361GT	DECAL,SYM-TIP-OVER,LIM SWITCH	1
11	114370GT	DECAL-SYM-TIP-OVR,BATTRIES	1
12	114372GT	DECAL SYMBOL TIP OVER TRAYS	1

Go to Discount-Equipment.com to order your parts



127.1 Decals with Symbols, GS-1932 Ground Control Side, CE

Ground Controls Side



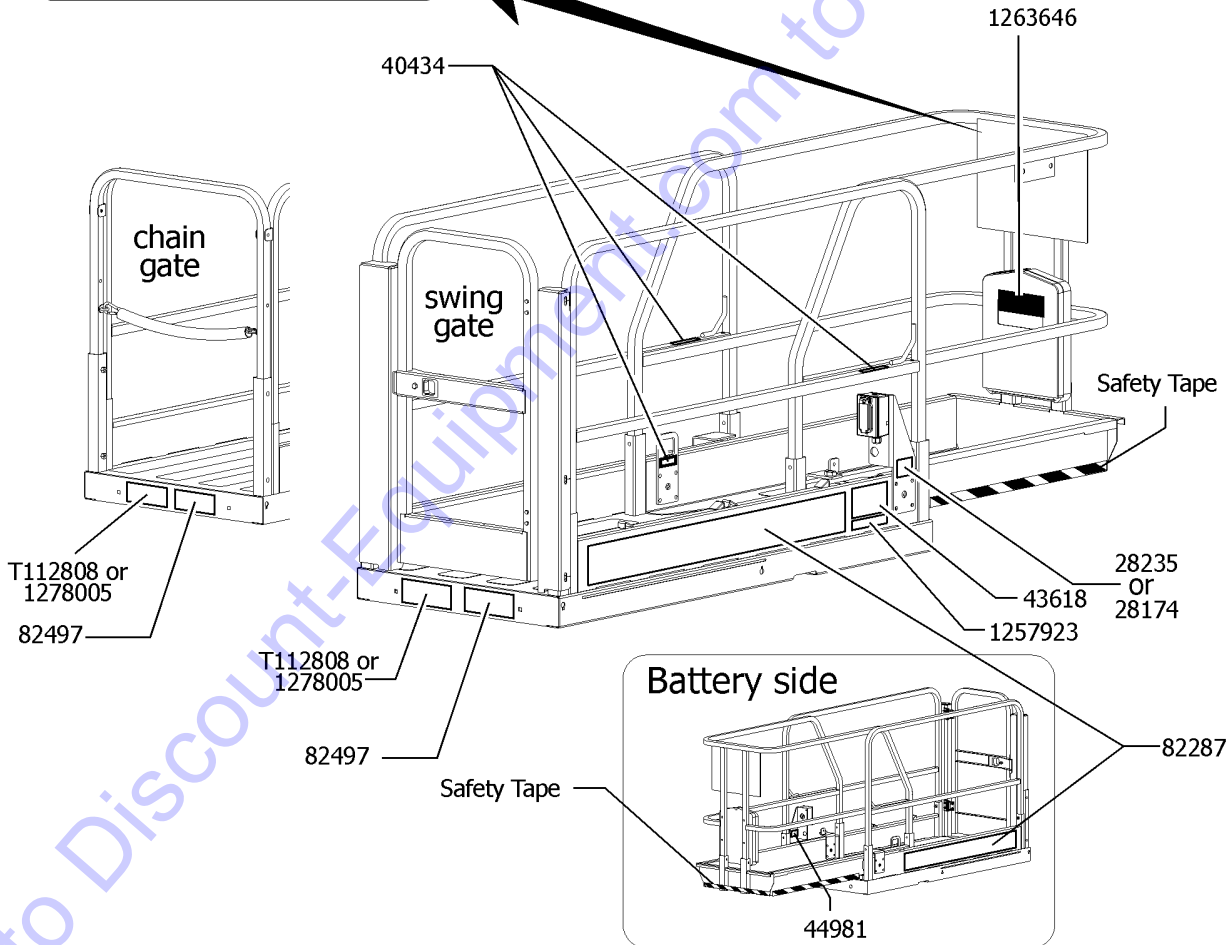
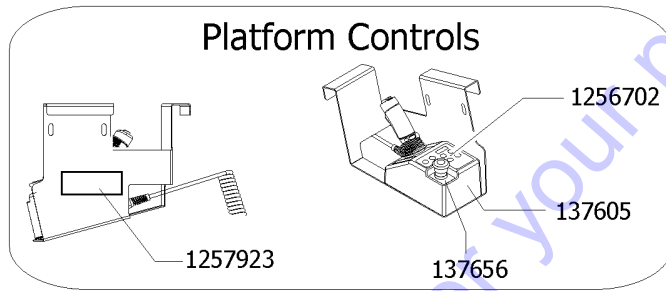
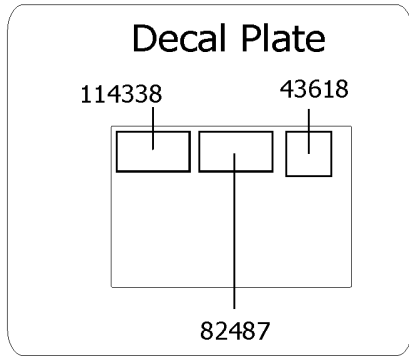
127.1 Decals with Symbols, GS-1932 Ground Control Side, CE

Item	Part No.	Description	Qty.
1	28174GT	DECAL,POWER TO PLATFORM 230V	1
2	28235GT	DECAL,POWER TO PLATFORM 115V	1
3	43658GT	DECAL,LABEL,PWR TO CHARGR 230V	1
4	44980GT	DECAL,LABEL,PWR TO CHARGR 115V	1
5	44981GT	DECAL,LABEL,AIRLINE 110 PSI	1
6	52475GT	DECAL,LABEL,TRANSPORT TIEDOWN*	2
7	72086GT	DECAL,LABEL,LIFTING EYE	1
8	72143GT	DECAL,EMERGENCY STOP,GR	1
9	82473GT	DECAL,SYMBOL-COMP ACCESS	1
10	82474GT	DECAL,SYMBOL-USE SAFETY ARM	1
11	82476GT	DECAL,SYMBOL-ELEC HAZARD,GS	1
12	133276GT	DECAL,EMERGENCY LOWERING	1
13	82487GT	DECAL,SYMBOL-READ THE MANUAL	1
14	82560GT	DECAL,SYMBOL-SKIN INJECT HAZRD	1
15	82562GT	DECAL,SYMBOL-CRUSHING HAZARD	2
16	82571GT	DECAL,LABEL,WHEEL LOAD 19XX (CE models)	2
17	97719GT	DECAL, LABEL, SAFETY ARM SYMB	1
18	114334GT	DECAL SYMBOL ELECTRIC HAZARD PLUG	1
19	114372GT	DECAL SYMBOL TIP OVER TRAYS	1
20	1263542GT	DECAL, COMPARTMENT ACCESS	1
21	1272242GT	DECAL,MACHINE REGISTRATION/OWNER TRANSFER	1
22	1265361GT	DECAL, BATTERY CHARGER INDICAT from SN GS30D-15023	1
23	1278704GT	DECAL,CHARGE STATUS IND. from SN GS30D-15023	1
24	T112804GT	DECAL,GCON PANEL,GS	1

Go to DiscountEquipment.com to order your parts



Platform, CE models



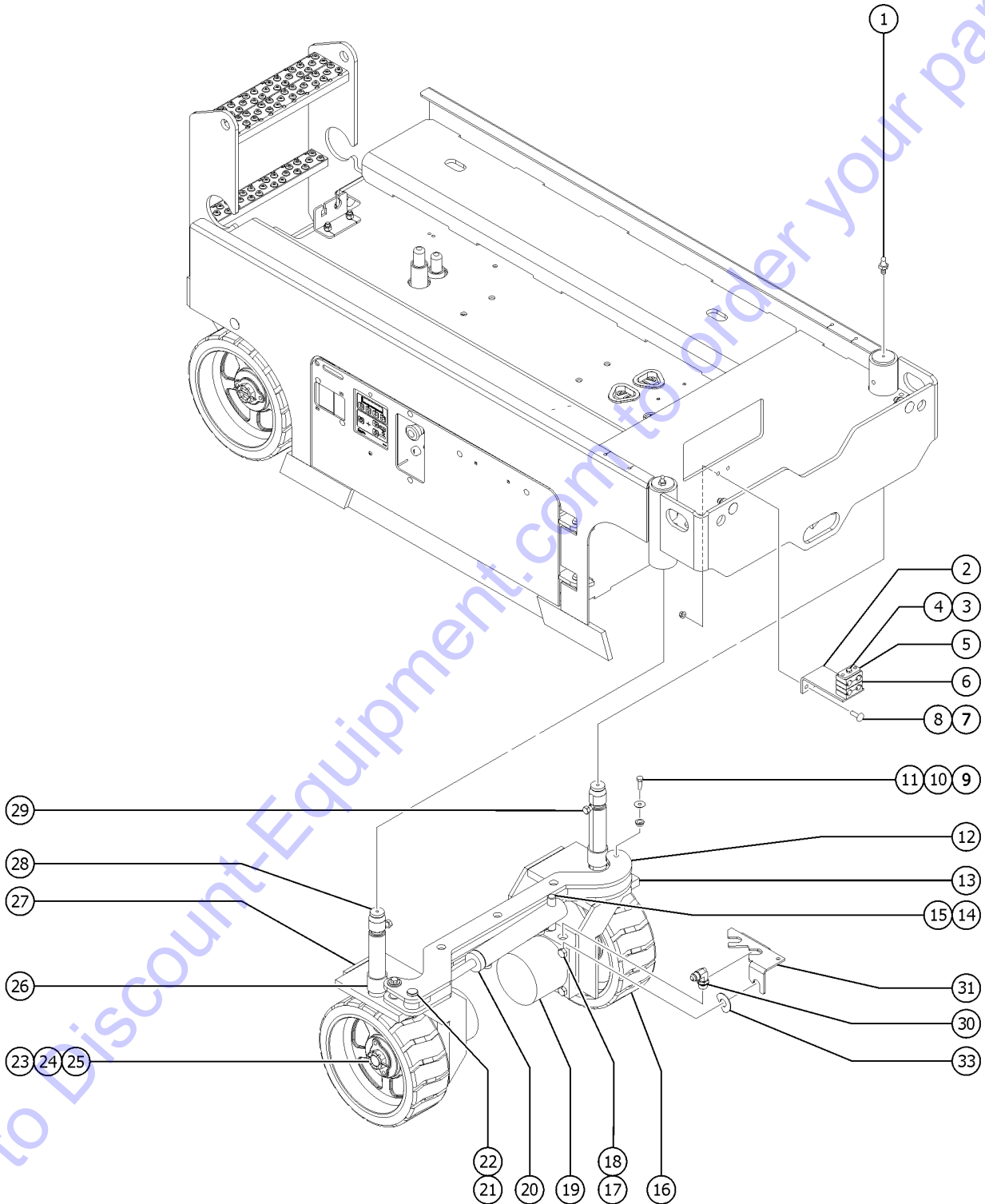
128.1 Decals with Symbols, GS-1932 Platform CE

Item	Part No.	Description	Qty.
1	28174GT	DECAL,POWER TO PLATFORM 230V	1
2	28235GT	DECAL,POWER TO PLATFORM 115V	1
3	40434GT	DECAL,LANYARD ANCHORAGE POINT	3
4	43618GT	DECAL,LABEL-DIRECTION ARROWS	2
5	44981GT	DECAL,LABEL,AIRLINE 110 PSI	1
6	82287GT	DECAL,COSMETIC,GENIE GS-1932	2
7	82487GT	DECAL,SYMBOL-READ THE MANUAL	1
8	82497GT	DECAL,SYM-SIDEFORCE 200400	1
9	114338GT	DECAL,SYM-TIP-OVR,TILT ALARM	1
10	137605GT	DECAL,E-STOP,GR/GRC/GS PCON	1
11	137656GT	DECAL,PROPEL,GR/GRC/GS,PCON	1
12	1256702GT	DECAL, UI, GS/GR, PROP LIFT	1
13	1257923GT	DECAL, SMARTLINK PROPORTIONAL	2
14	1263646GT	DECAL,QR CODE,PARTS&SERVICE MANUAL	1
15	1278005GT	DECAL, SYMBOL, CE, MAXIMUM CAPACITY, 227KG	1
16	T112807GT	DECAL,SYM MAX CAP 272 KG,CE	1

Go to Discount-Equipment.com to order your parts



201.1 Steer Linkage and Wheels, GS-1530, GS-1930

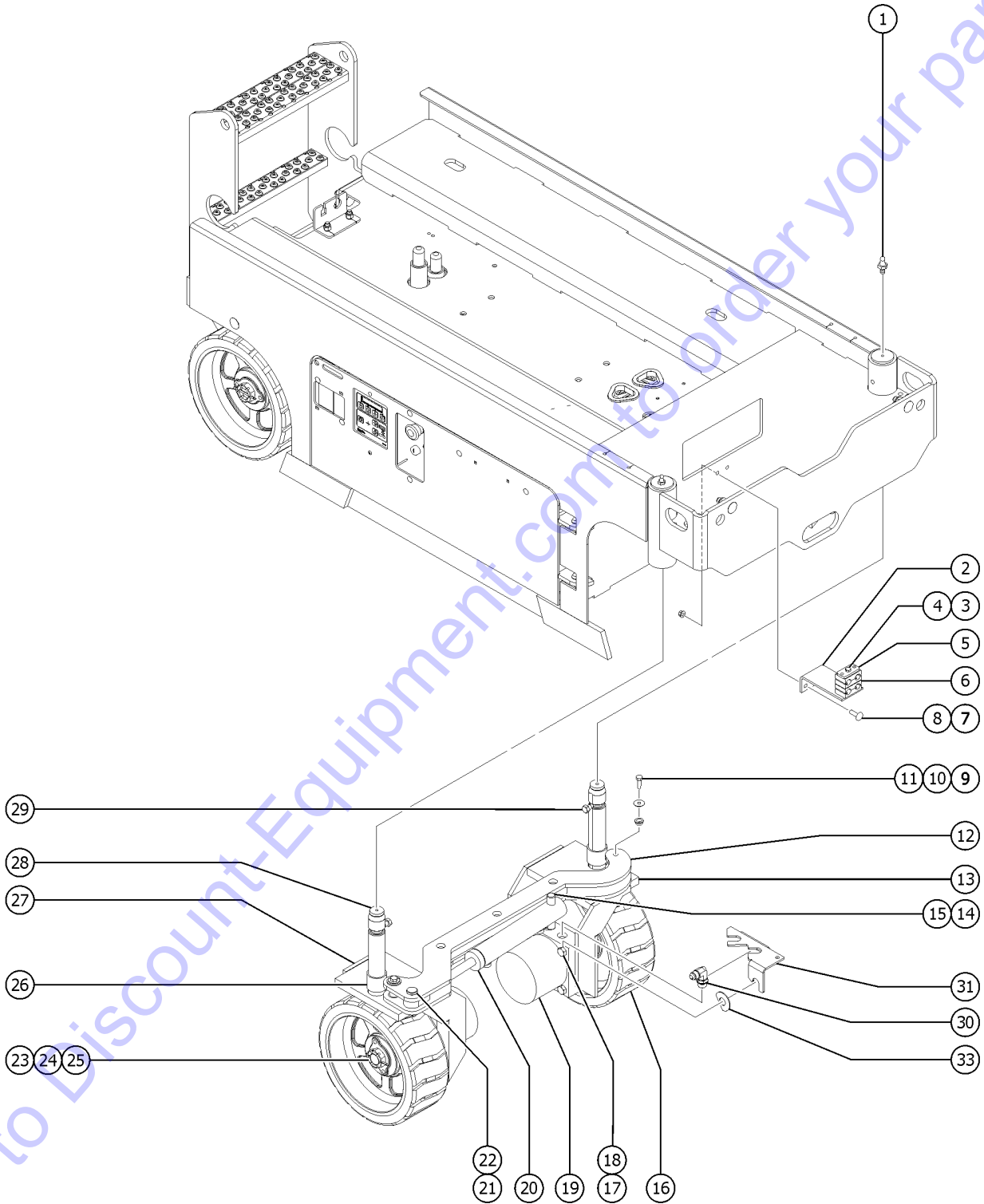


201.1 Steer Linkage and Wheels, GS-1530, GS-1930

Item	Part No.	Description	Qty.
1	66770GT	FITTING,STRAIGHT DRIVE-IN ZERK	2
2	105051GT	FORMING,HOSE CLAMP SUPPORT	1
		US part number	
2B	132177GT	FORMING, HOSE CLAMP SUPPORT	1
		China part number	
3	1256123GT	SCREW,HHC,1/4-20X3.25,8,ZAG	1
4	824027GT	NUT, TL FLG, 1/4-20, G, ZAG	1
5	58592GT	PLATE,HOSE ROUTG,BULKHEAD(PTD)	1
		US part number	
5B	132119GT	PLATE,HOSE ROUTING,BULKHEAD *	1
		China part number	
6	78736GT	CLAMP,2 HOSE,PLASTIC,5/8	4
7	1255757GT	BOLT,CARRIAGE,3/8-16X1.25,5,ZAG	2
8	824029GT	NUT,TL FLG,3/8-16,G,ZAG	2
9	1256109GT	SCREW,HHC,3/8-16X.75,8,ZAG	4
10	1255758GT	WASHER,FLAT,3/8,USS,ZAG	4
11	47548GT	BEARING,FLANGE,0.75IDX1.00ODX0.49L	4
12	84571GT	TIE ROD ASSEMBLY	1
12-	47548GT	BEARING,FLANGE,0.75IDX1.00ODX0.49L	4
12-	96074GT	WELDMENT, TIE ROD, GS30	1
		US part number; (bearings not included)	
12-	132068GT	WELDMENT, TIE ROD, GS30	1
		China part number; (bearings not included)	
13	96068GT	WELDMENT, STR YOKE, 30 MINI LT	1
		US part number; GS-1530, GS-1930 (battery side)	
13C	132936GT	WELDMENT, STR YOKE, 30 MINI LT	1
		China part number; GS-1530, GS-1930 (battery side)	
14	1259195GT	PIN,CLEVIS,3/4X3.25,ZAG	1
15	824128GT	RUE RING,3/4,ZAG	1
16	105122GT	WHEEL & TIRE ASSY,LP,12"*****	2
17	1256287GT	SCREW,HHC,1/2-13X3.5,8,ZAG	
18	1251997GT	NUT,TL,FLG,1/2-13,G,ZAG	
19		Ref. Drive Motor	
		(refer to 501.1)	
20		Ref. Steer Cylinder	
		(refer to 501.1)	
21	1259193GT	PIN,CLEVIS,3/4X2,ZAG	1
22	1259194GT	CLIP,HAIR PIN,.125X2,.5-.75,ZA	1



201.1 Steer Linkage and Wheels, GS-1530, GS-1930



Go to Discount-Equipment.com to order your parts

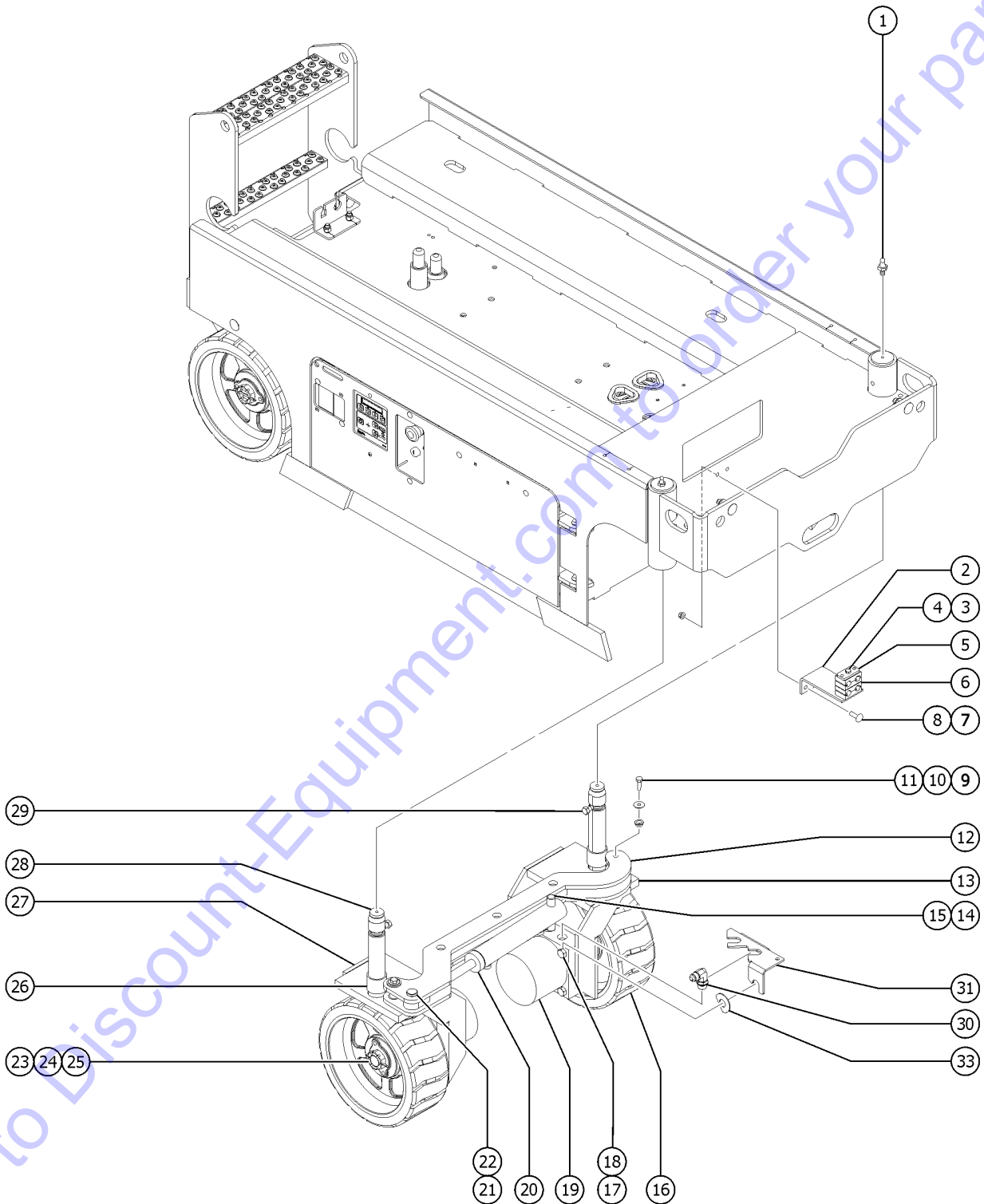
201.1 Steer Linkage and Wheels, GS-1530, GS-1930

Item	Part No.	Description	Qty.
23	44780GT	NUT,CASTLE,1.125-18 UNEF	2
24	44781GT	KEY,RECTANGULAR,.31X.28X1.25**	2
25	42079GT	PIN,COTTER,.156 X 2.5	2
26	119619GT	BEARING,1.5 ID X 1.75 ODX1.5L	2
27	96069GT	WELDMNT, STR YOKE, 30 MINI RT US part number; GS-1530, GS-1930 (ground control side)	1
27C	132935GT	WELDMNT, STR YOKE, 30 MINI RT China part number; GS-1530, GS-1930 (ground control side)	1
28	105565GT	WASHER,THRUST, GS	2
29	1259192GT	SCREW, YOKE LOCK, ZAG	2
30	39873GT	ELBOW,070220-6-6	4
31	1288705GT	FORMING, LH BRACKET, DRIVE MOTOR US models	1
31A	1292498GT	KIT, BRACKET, DRIVE MOTOR includes 1288705 and 1288704	
31B	1266279GT	STEER FIXED PLATE,RIGHT	1
32	1288704GT	FORMING, RH BRACKET, DRIVE MOTOR US models	1
32B	1266278GT	STEER FIXED PLATE,LEFT (not shown)	1
33	1289409GT	WASHER, D, ZINC	2

Go to Discount-Equipment.com to order your parts

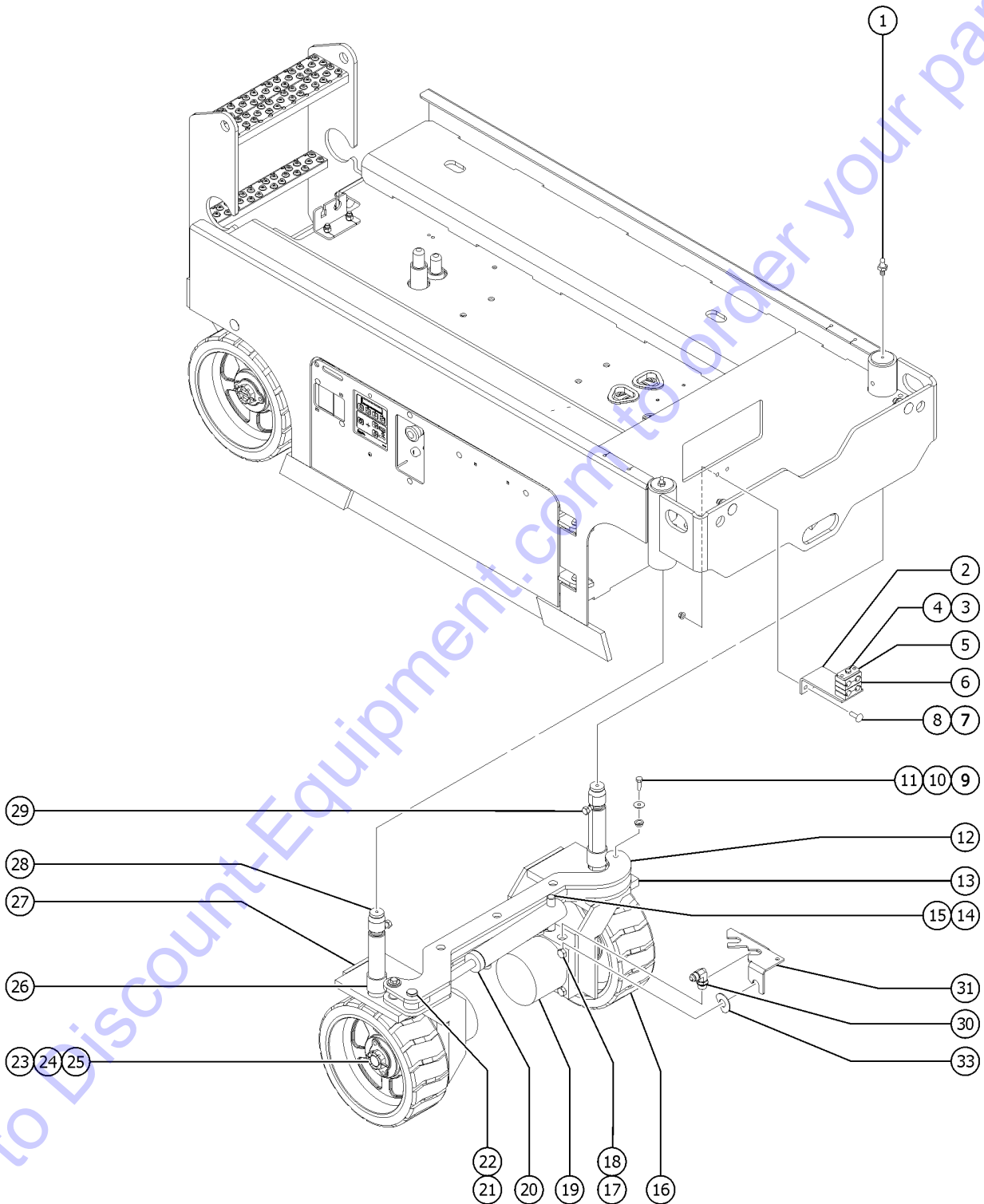


201.2 Steer Linkage and Wheels, GS-1532, GS-1932



Item	Part No.	Description	Qty.
1	66770GT	FITTING,STRAIGHT DRIVE-IN ZERK	2
2	105051GT	FORMING,HOSE CLAMP SUPPORT	1
		US part number	
2B	132177GT	FORMING, HOSE CLAMP SUPPORT	1
		China part number	
3	1256123GT	SCREW,HHC,1/4-20X3.25,8,ZAG	1
4	824027GT	NUT, TL FLG, 1/4-20, G, ZAG	1
5	58592GT	PLATE,HOSE ROUTG,BULKHEAD(PTD)	1
		US part number	
5B	132119GT	PLATE,HOSE ROUTING,BULKHEAD *	1
		China part number	
6	78736GT	CLAMP,2 HOSE,PLASTIC,5/8	4
7	1255757GT	BOLT,CARRIAGE,3/8-16X1.25,5,ZAG	2
8	824029GT	NUT,TL FLG,3/8-16,G,ZAG	2
9	1256109GT	SCREW,HHC,3/8-16X.75,8,ZAG	4
10	1255758GT	WASHER,FLAT,3/8,USS,ZAG	4
11	47548GT	BEARING,FLANGE,0.75IDX1.00ODX0.49L	4
12	84571GT	TIE ROD ASSEMBLY	1
12-	47548GT	BEARING,FLANGE,0.75IDX1.00ODX0.49L	4
12-	96074GT	WELDMENT, TIE ROD, GS30	1
		US part number; (bearings not included)	
12-	132068GT	WELDMENT, TIE ROD, GS30	1
		China part number; (bearings not included)	
13B	96066GT	WELDMENT, STR YOKE, 32 MINI LT	
		US part number; GS-1532, GS-1932 (battery side)	
13D	132063GT	WELDMENT, STR YOKE, 32 MINI LT	1
		China part number; GS-1532, GS-1932 (battery side)	
14	1259195GT	PIN,CLEVIS,3/4X3.25,ZAG	1
15	824128GT	RUE RING,3/4,ZAG	1
16	105122GT	WHEEL & TIRE ASSY,LP,12"*****	2
17	1256287GT	SCREW,HHC,1/2-13X3.5,8,ZAG	
18	1251997GT	NUT,TL,FLG,1/2-13,G,ZAG	
19		Ref. Drive Motor	
		(refer to 501.1)	
20		Ref. Steer Cylinder	
		(refer to 501.1)	
21	1259193GT	PIN,CLEVIS,3/4X2,ZAG	1
22	1259194GT	CLIP,HAIR PIN,.125X2,.5-.75,ZA	1

201.2 Steer Linkage and Wheels, GS-1532, GS-1932

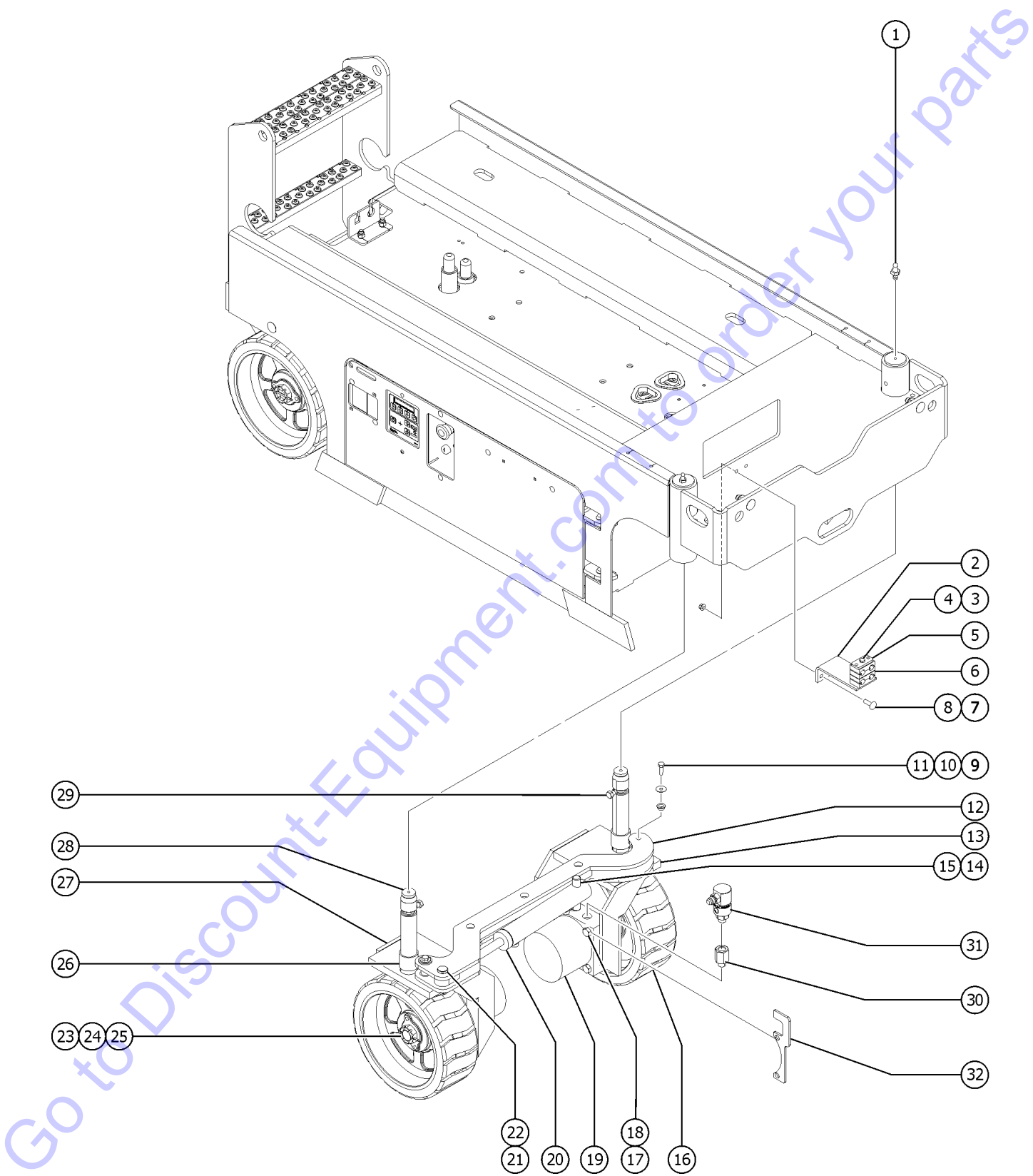


Item	Part No.	Description	Qty.
23	44780GT	NUT,CASTLE,1.125-18 UNEF	2
24	44781GT	KEY,RECTANGULAR,.31X.28X1.25**	2
25	42079GT	PIN,COTTER,.156 X 2.5	2
26	119619GT	BEARING,1.5 ID X 1.75 ODX1.5L	2
27C	96067GT	WELDMNT, STR YOKE, 32 MINI RT US part number; GS-1532, GS-1932 (ground control side)	
27D	132064GT	WELDMNT, STR YOKE, 32 MINI RT China part number; GS-1532, GS-1932 (ground control side)	1
28	105565GT	WASHER,THRUST, GS	2
29	1259192GT	SCREW, YOKE LOCK, ZAG	2
30	39873GT	ELBOW,070220-6-6	4
31	1288705GT	FORMING, LH BRACKET, DRIVE MOTOR US models	1
31A	1292498GT	KIT, BRACKET, DRIVE MOTOR includes 1288705 and 1288704	
31B	1266279GT	STEER FIXED PLATE,RIGHT	1
32	1288704GT	FORMING, RH BRACKET, DRIVE MOTOR US models (not shown)	1
32B	1266278GT	STEER FIXED PLATE,LEFT (not shown)	1
33	1289409GT	WASHER, D, ZINC	2

Go to Discount-Equipment.com to order your parts



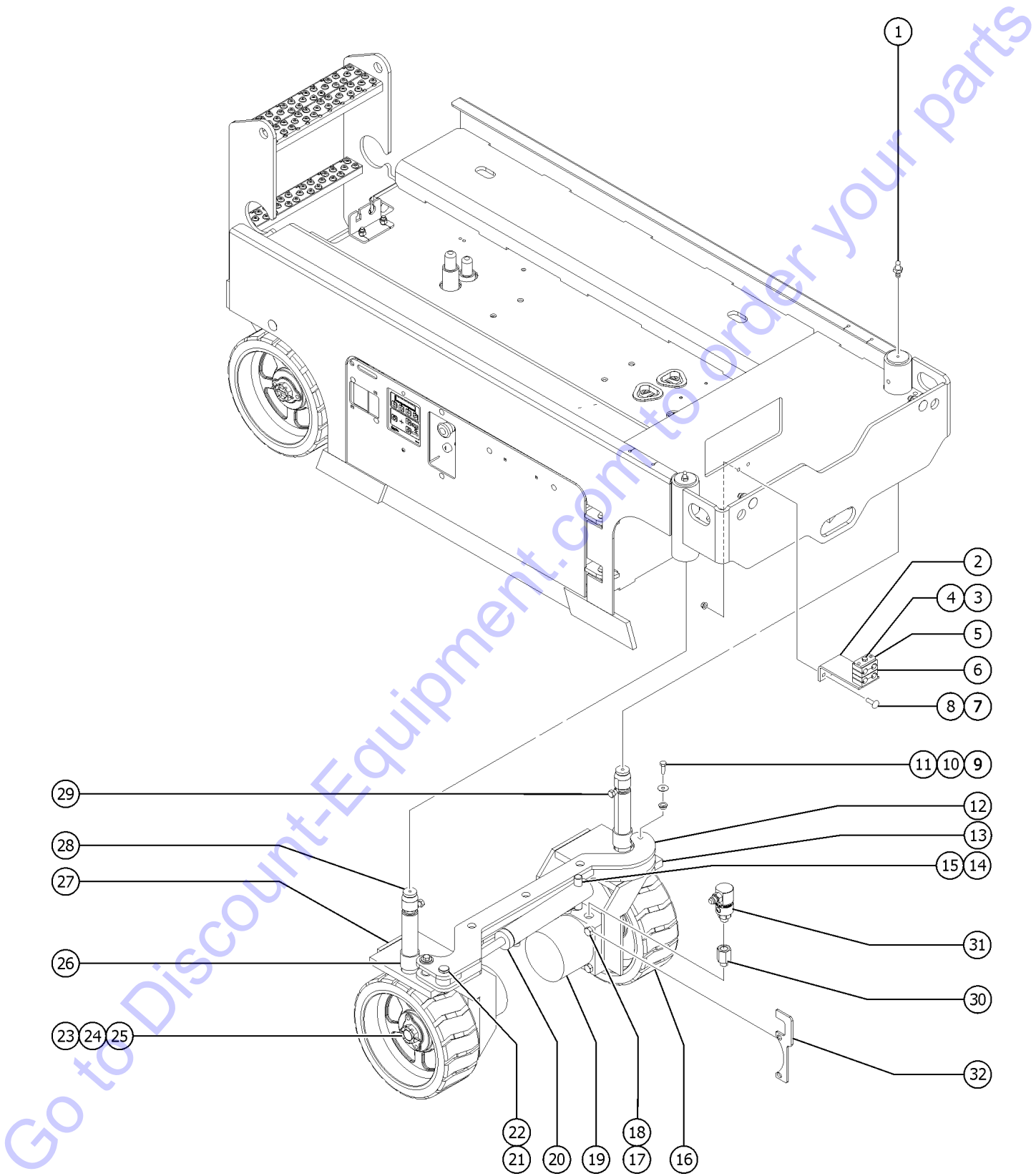
201.3 Steer Linkage and Wheels (Japan), GS-1530, GS-1930



201.3 Steer Linkage and Wheels (Japan), GS-1530, GS-1930

Item	Part No.	Description	Qty.
1	66770GT	FITTING,STRAIGHT DRIVE-IN ZERK	2
2	105051GT	FORMING,HOSE CLAMP SUPPORT	1
		US part number	
2B	132177GT	FORMING, HOSE CLAMP SUPPORT	1
		China part number	
3	1256123GT	SCREW,HHC,1/4-20X3.25,8,ZAG	1
4	824027GT	NUT, TL FLG, 1/4-20, G, ZAG	1
5	58592GT	PLATE,HOSE ROUTG,BULKHEAD(PTD)	1
		US part number	
5B	132119GT	PLATE,HOSE ROUTING,BULKHEAD *	1
		China part number	
6	78736GT	CLAMP,2 HOSE,PLASTIC,5/8	4
7	1255757GT	BOLT,CARRIAGE,3/8-16X1.25,5,ZAG	2
8	824029GT	NUT,TL FLG,3/8-16,G,ZAG	2
9	1256109GT	SCREW,HHC,3/8-16X.75,8,ZAG	4
10	1255758GT	WASHER,FLAT,3/8,USS,ZAG	4
11	47548GT	BEARING,FLANGE,0.75IDX1.00ODX0.49L	4
12	84571GT	TIE ROD ASSEMBLY	1
12-	47548GT	BEARING,FLANGE,0.75IDX1.00ODX0.49L	4
12-	96074GT	WELDMENT, TIE ROD, GS30	1
		US part number; (bearings not included)	
12-	132068GT	WELDMENT, TIE ROD, GS30	1
		China part number; (bearings not included)	
13A	96068GT	WELDMENT, STR YOKE, 30 MINI LT	1
		US part number; GS-1530, GS-1930 (battery side)	
13C	132936GT	WELDMENT, STR YOKE, 30 MINI LT	1
		China part number; GS-1530, GS-1930 (battery side)	
14	1259195GT	PIN,CLEVIS,3/4X3.25,ZAG	1
15	824128GT	RUE RING,3/4,ZAG	1
16	105122GT	WHEEL & TIRE ASSY,LP,12"*****	2
		US part number	
16B	1278615GT	WHEEL&TIRE ASSY.LP.12".EXMALE	2
		China part number	
17	1256287GT	SCREW,HHC,1/2-13X3.5,8,ZAG	
18	1251997GT	NUT,TL,FLG,1/2-13,G,ZAG	
19		Ref. Drive Motor	
		(refer to 501.1)	
20		Ref. Steer Cylinder	
		(refer to 501.1)	
21	1259193GT	PIN,CLEVIS,3/4X2,ZAG	1

201.3 Steer Linkage and Wheels (Japan), GS-1530, GS-1930



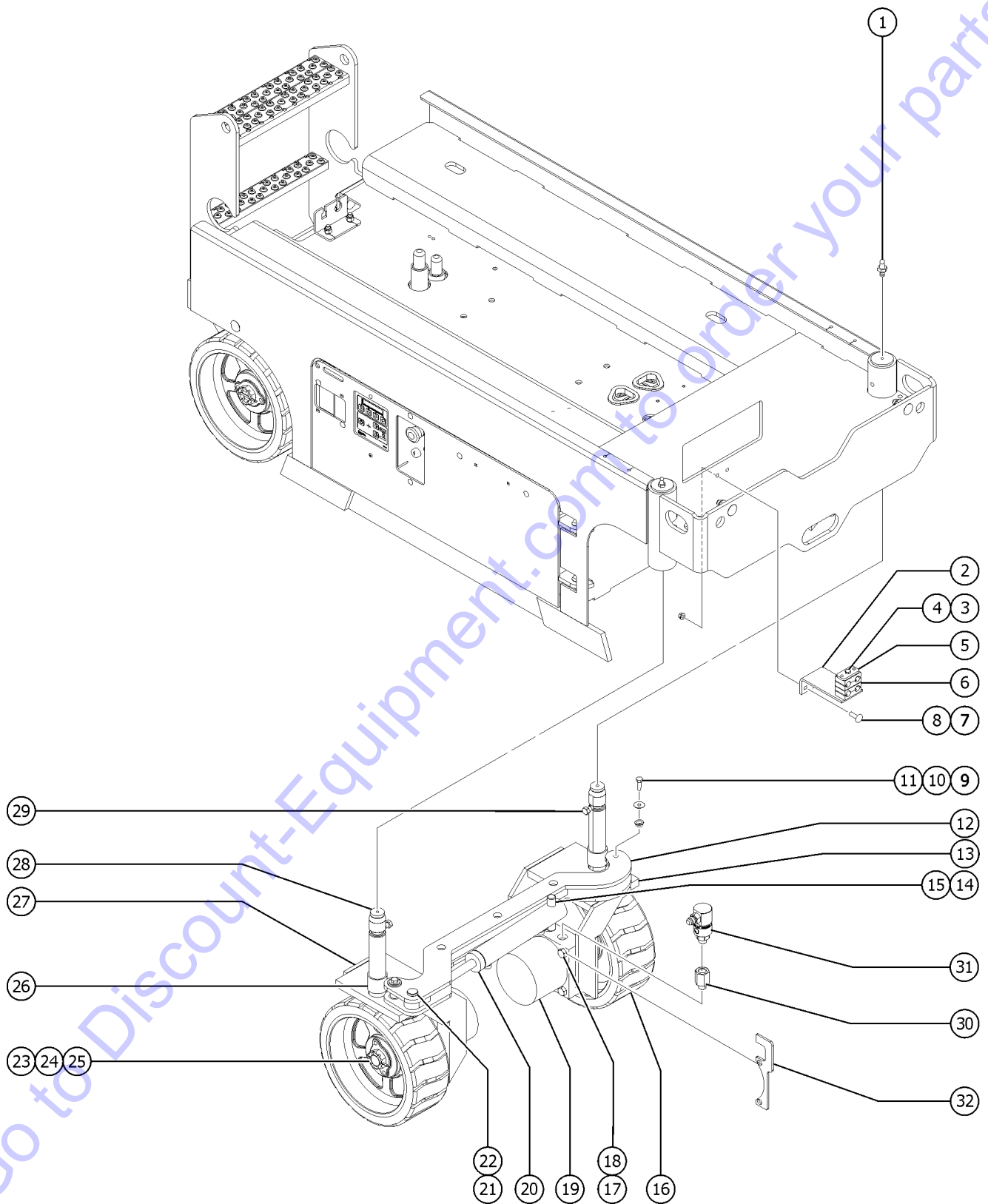
201.3 Steer Linkage and Wheels (Japan), GS-1530, GS-1930

Item	Part No.	Description	Qty.
22	1259194GT	CLIP,HAIR PIN,.125X2,.5-.75,ZA	1
23	44780GT	NUT,CASTLE,1.125-18 UNEF	2
24	44781GT	KEY,RECTANGULAR,.31X.28X1.25"*	2
25	42079GT	PIN,COTTER,.156 X 2.5	2
26	119619GT	BEARING,1.5 ID X 1.75 ODX1.5L	2
27A	96069GT	WELDMENT, STR YOKE, 30 MINI RT US part number; GS-1530, GS-1930 (ground control side)	1
27C	132935GT	WELDMENT, STR YOKE, 30 MINI RT China part number; GS-1530, GS-1930 (ground control side)	1
28	105565GT	WASHER,THRUST, GS	2
29	1259192GT	SCREW, YOKE LOCK, ZAG	2
30	1278375GT	FITTING, CONNECTOR, MALE 6-6, 1IN GS-1530,GS-1930 (only Japan Market)	4
31	47419GT	ELBOW,90DEG.HYDRAUL.SWIVEL 6-6 GS-1530,GS-1930 (only Japan Market)	4
32	1278274GT	BRACKET,MINI SCISSOR STEERING HOSE GS-1530,GS-1930 (only Japan Market)	2

Go to Discount-Equipment.com to order your parts



201.4 Steer Linkage and Wheels (Japan), GS-1532, GS-1932

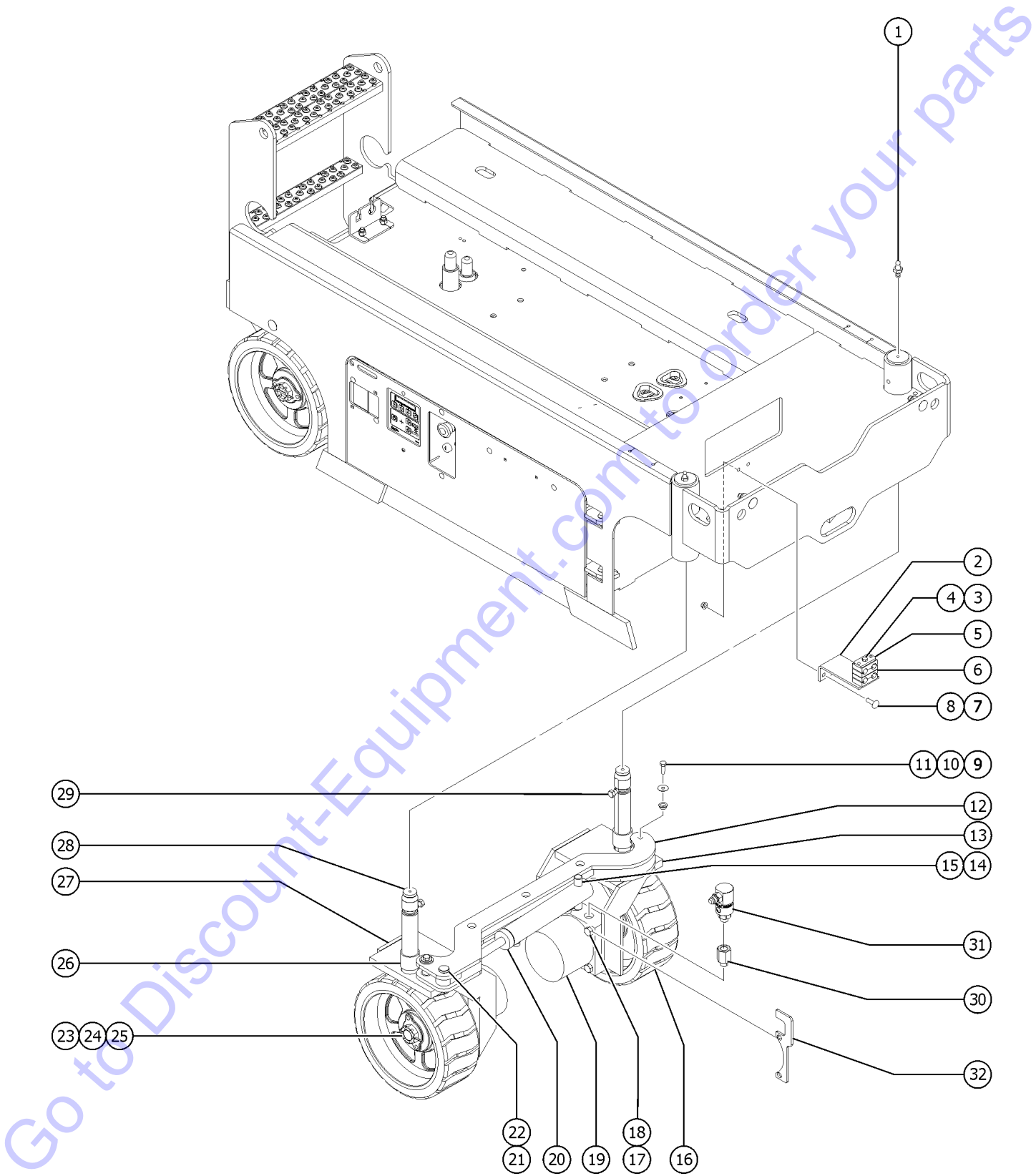


Go to Discount-Equipment.com to order your parts

201.4 Steer Linkage and Wheels (Japan), GS-1532, GS-1932

Item	Part No.	Description	Qty.
1	66770GT	FITTING,STRAIGHT DRIVE-IN ZERK	2
2	105051GT	FORMING,HOSE CLAMP SUPPORT	1
		US part number	
2B	132177GT	FORMING, HOSE CLAMP SUPPORT	1
		China part number	
3	1256123GT	SCREW,HHC,1/4-20X3.25,8,ZAG	1
4	824027GT	NUT, TL FLG, 1/4-20, G, ZAG	1
5	58592GT	PLATE,HOSE ROUTG,BULKHEAD(PTD)	1
		US part number	
5B	132119GT	PLATE,HOSE ROUTING,BULKHEAD *	1
		China part number	
6	78736GT	CLAMP,2 HOSE,PLASTIC,5/8	4
7	1255757GT	BOLT,CARRIAGE,3/8-16X1.25,5,ZAG	2
8	824029GT	NUT,TL FLG,3/8-16,G,ZAG	2
9	1256109GT	SCREW,HHC,3/8-16X.75,8,ZAG	4
10	1255758GT	WASHER,FLAT,3/8,USS,ZAG	4
11	47548GT	BEARING,FLANGE,0.75IDX1.00ODX0.49L	4
12	84571GT	TIE ROD ASSEMBLY	1
12-	47548GT	BEARING,FLANGE,0.75IDX1.00ODX0.49L	4
12-	96074GT	WELDMENT, TIE ROD, GS30	1
		US part number; (bearings not included)	
12-	132068GT	WELDMENT, TIE ROD, GS30	1
		China part number; (bearings not included)	
13B	96066GT	WELDMENT, STR YOKE, 32 MINI LT	1
		US part number; GS-1532, GS-1932 (battery side)	
13D	132063GT	WELDMENT, STR YOKE, 32 MINI LT	1
		China part number; GS-1532, GS-1932 (battery side)	
14	1259195GT	PIN,CLEVIS,3/4X3.25,ZAG	1
15	824128GT	RUE RING,3/4,ZAG	1
16	105122GT	WHEEL & TIRE ASSY,LP,12"*****	2
		US part number	
16B	1278615GT	WHEEL&TIRE ASSY.LP.12".EXMALE	2
		China part number	
17	1256287GT	SCREW,HHC,1/2-13X3.5,8,ZAG	
18	1251997GT	NUT,TL,FLG,1/2-13,G,ZAG	
19		Ref. Drive Motor	
		(refer to 501.1)	
20		Ref. Steer Cylinder	
		(refer to 501.1)	
21	1259193GT	PIN,CLEVIS,3/4X2,ZAG	1

201.4 Steer Linkage and Wheels (Japan), GS-1532, GS-1932



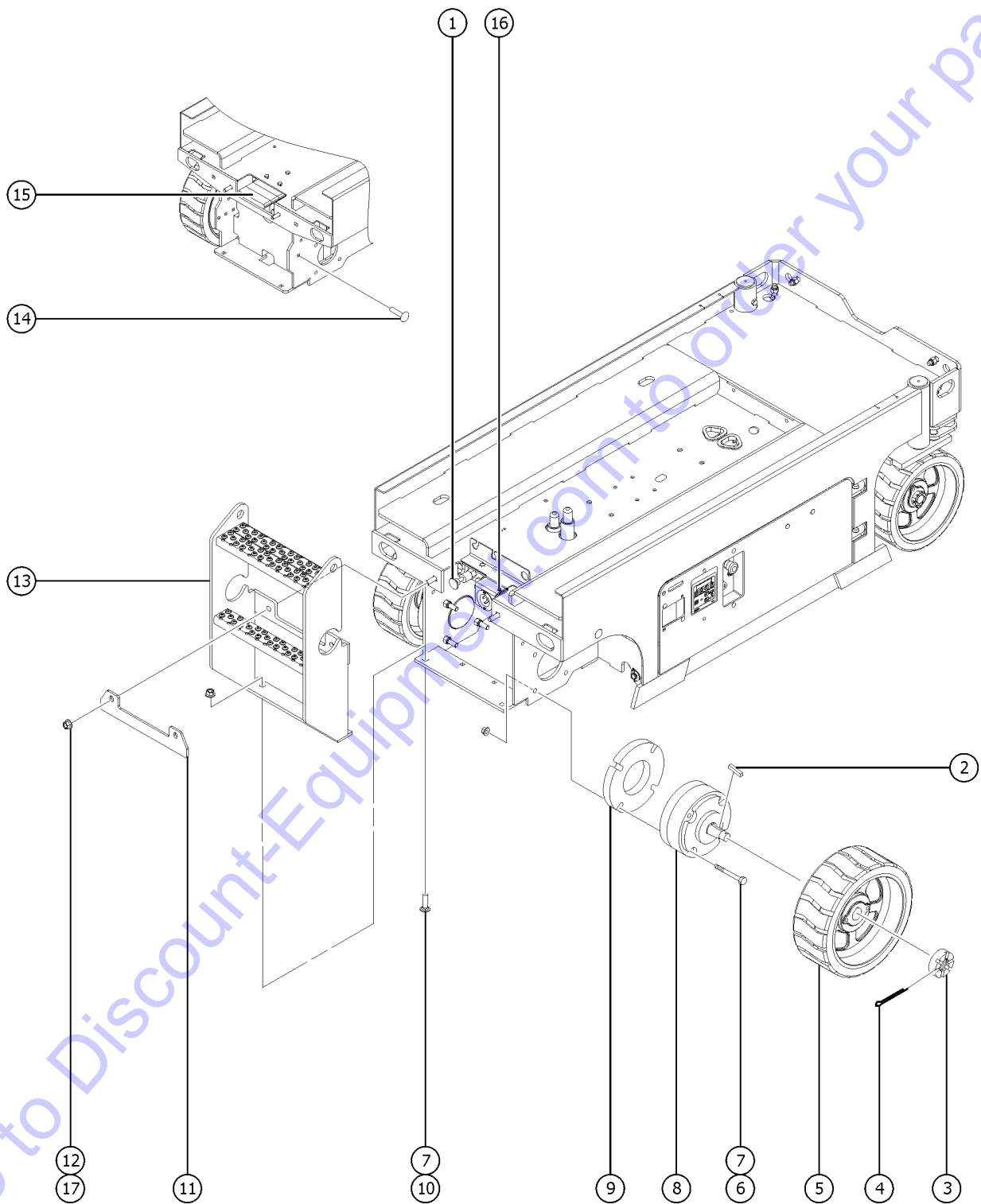
201.4 Steer Linkage and Wheels (Japan), GS-1532, GS-1932

Item	Part No.	Description	Qty.
22	1259194GT	CLIP,HAIR PIN,.125X2,.5-.75,ZA	1
23	44780GT	NUT,CASTLE,1.125-18 UNEF	2
24	44781GT	KEY,RECTANGULAR,.31X.28X1.25"*	2
25	42079GT	PIN,COTTER,.156 X 2.5	2
26	119619GT	BEARING,1.5 ID X 1.75 ODX1.5L	2
27B	96067GT	WELDMENT, STR YOKE, 32 MINI RT US part number; GS-1532, GS-1932 (ground control side)	1
27D	132064GT	WELDMENT, STR YOKE, 32 MINI RT China part number; GS-1532, GS-1932 (ground control side)	1
28	105565GT	WASHER,THRUST, GS	2
29	1259192GT	SCREW, YOKE LOCK, ZAG	2
30	1278375GT	FITTING, CONNECTOR, MALE 6-6, 1IN GS-1532,GS-1932 (only Japan Market)	4
31	47419GT	ELBOW,90DEG.HYDRAUL.SWIVEL 6-6 GS-1532,GS-1932 (only Japan Market)	4
32	1278274GT	BRACKET,MINI SCISSOR STEERING HOSE GS-1532,GS-1932 (only Japan Market)	2

Go to Discount-Equipment.com to order your parts



202.1 Non-steer Axle Installation, All Models, GS-1530



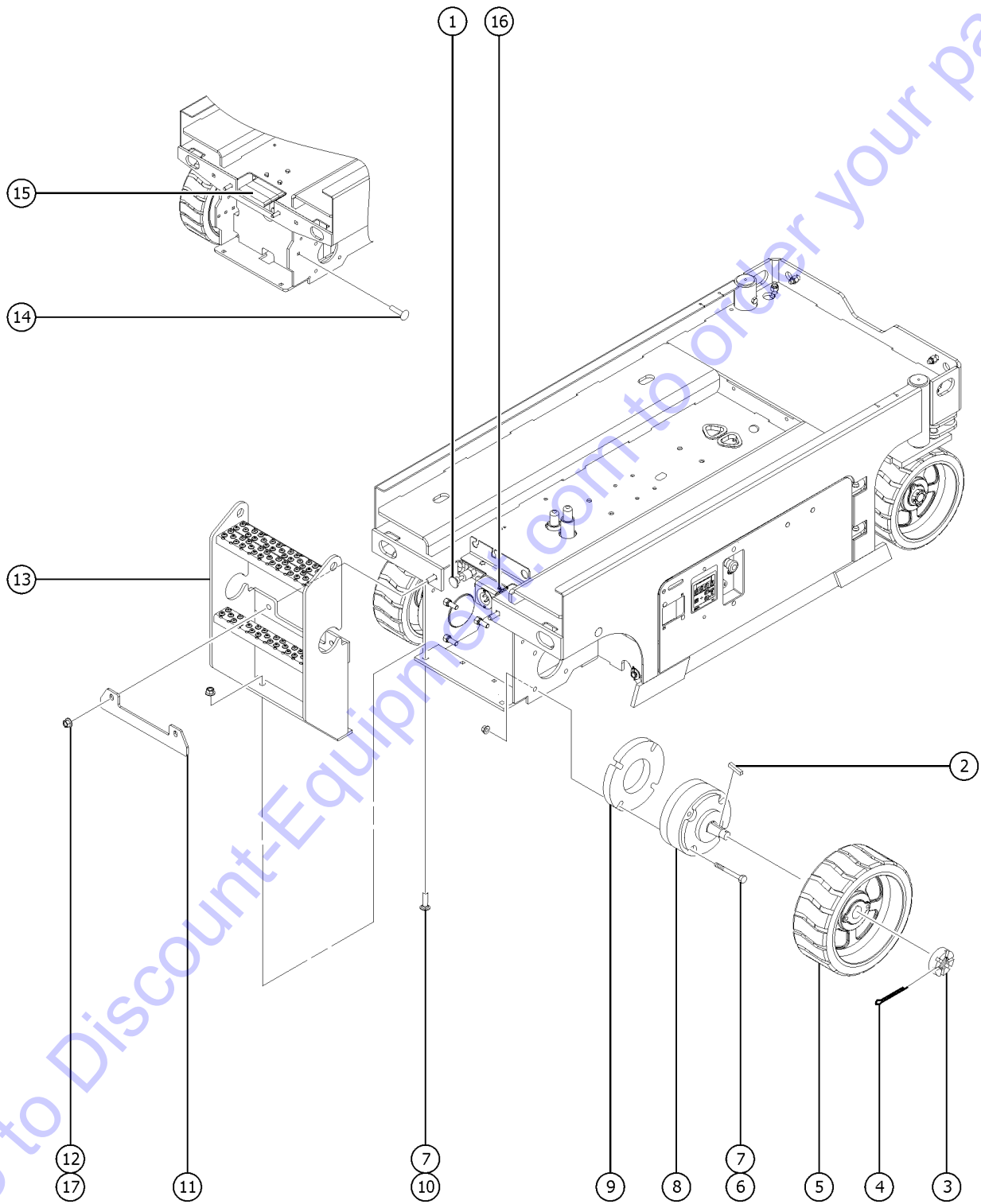
202.1 Non-steer Axle Installation, All Models, GS-1530

Item	Part No.	Description	Qty.
1		Ref. BRAKE RELEASE MANIFOLD (refer to 504.1)	
2	44781GT	KEY,RECTANGULAR,.31X.28X1.25**	2
3	44780GT	NUT,CASTLE,1.125-18 UNEF	2
4	42079GT	PIN,COTTER,.156 X 2.5	2
5		Ref. TIRE AND WHEEL ASSEMBLY (refer to 201.1)	
6	1256287GT	SCREW,HHC,1/2-13X3.5,8,ZAG GS-1530 & GS-1930 models only	4
7	1251997GT	NUT,TL,FLG,1/2-13,G,ZAG	8
8		Ref. HYDRAULIC BRAKE (refer to 501.1)	
10	1256179GT	BOLT,CARRIAGE,1/2-13X1.5,5,ZAG	2
12	1255759GT	BOLT,CARRIAGE,1/2-13X2,5,ZAG	2
13	144375GT	LADDER ASSY,GS30,WORD,ENG (USA, Canada and Australia)	1
13A-	96102GT	WELDMENT,MINI LADDER US part number; (decals not included, refer to section one)	
13A-	132074GT	MINI LADDER China part number; (decals not included, refer to section one)	
13B	144379GT	LADDER ASSY,GS30,SYM (Europe, Asia and South America)	1
13B-	96102GT	WELDMENT,MINI LADDER US part number; (decals not included, refer to section one)	
13B-	132074GT	MINI LADDER China part number; (decals not included, refer to section one)	
14	1255757GT	BOLT,CARRIAGE,3/8-16X1.25,5,ZAG GS-1530 & GS-1532 CE and Australia Indoor	2
14A-	824029GT	NUT,TL FLG,3/8-16,G,ZAG GS-1530 & GS-1532 CE and Australia Indoor	
14B	1259191GT	SCREW,BHC,3/8-16X1.75,F835,ZAG GS-1530 & GS-1532 CE and Australia Indoor	2
15	96465GT	WELDMENT, 1532 COUNTERWT, CE GS-1530 & GS-1532 CE and Australia Indoor	1
16	1306190GT	ASSEMBLE,CHARGER STATUS LED,3V	1
17	1274172GT	NUT,NYLOCK FLG,1/2-13,G,ZAG	6

Go to www.genie.com to order your parts



202.2 Non-steer Axle Installation, All Models, GS-1532

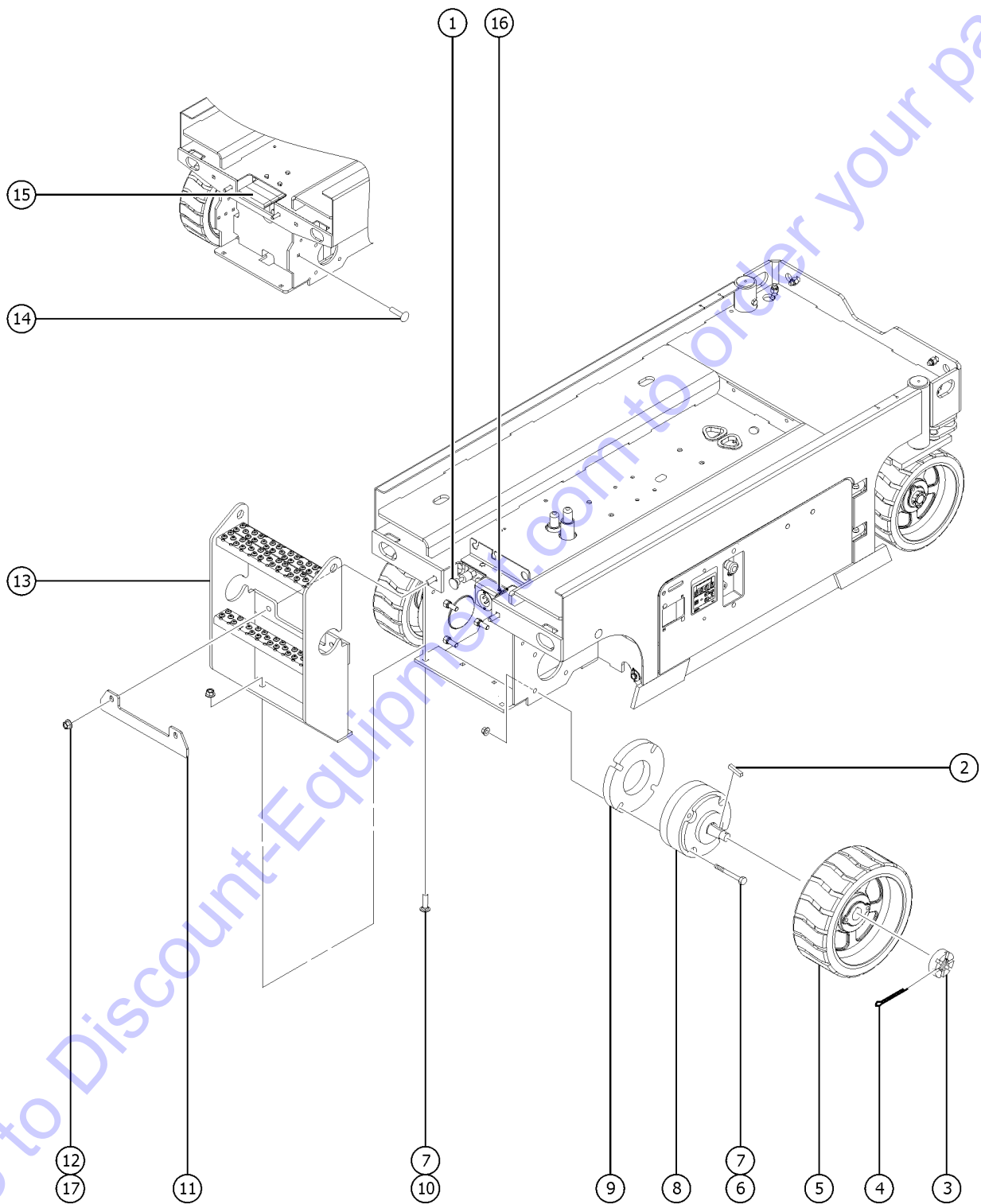


202.2 Non-steer Axle Installation, All Models, GS-1532

Item	Part No.	Description	Qty.
1		Ref. BRAKE RELEASE MANIFOLD (refer to 504.1)	
2	44781GT	KEY,RECTANGULAR,.31X.28X1.25**	2
3	44780GT	NUT,CASTLE,1.125-18 UNEF	2
4	42079GT	PIN,COTTER,.156 X 2.5	2
5		Ref. TIRE AND WHEEL ASSEMBLY (refer to 201.1)	
6B	1257102GT	SCREW,HHC,1/2-13X5,8,ZAG GS-1532 & GS-1932 models only	4
7	1251997GT	NUT,TL,FLG,1/2-13,G,ZAG	8
8		Ref. HYDRAULIC BRAKE (refer to 501.1)	
9	78680GT	PLATE, BRAKE SPACER US part number; GS-1532 & GS-1932 models only	2
9B	1282140GT	PLATE, BRAKE SPACER,METRIC China part number; GS-1532 & GS-1932 models only	2
9C	1305830GT	PLATE,BRAKE SPACER,THIN,METRIC GS-1532 & GS-1932 models only; (from SN GS30D-31792 to GS30D-31902, GS30D-31960, from SN GS30D-31971 to GS30D-31980)	2
10	1256179GT	BOLT,CARRIAGE,1/2-13X1.5,5,ZAG	2
12	1255759GT	BOLT,CARRIAGE,1/2-13X2,5,ZAG	2
13	144375GT	LADDER ASSY,GS30,WORD,ENG (USA, Canada and Australia)	1
13A-	96102GT	WELDMENT,MINI LADDER US part number; (decals not included, refer to section one)	
13A-	132074GT	MINI LADDER China part number; (decals not included, refer to section one)	
13B	144379GT	LADDER ASSY,GS30,SYM (Europe, Asia and South America)	1
13B-	96102GT	WELDMENT,MINI LADDER US part number; (decals not included, refer to section one)	
13B-	132074GT	MINI LADDER China part number;(decals not included, refer to section one)	
14	1255757GT	BOLT,CARRIAGE,3/8-16X1.25,5,ZAG GS-1530 & GS-1532 CE and Australia Indoor	2
14A-	824029GT	NUT,TL FLG,3/8-16,G,ZAG GS-1530 & GS-1532 CE and Australia Indoor	
14B	1259191GT	SCREW,BHC,3/8-16X1.75,F835,ZAG GS-1530 & GS-1532 CE and Australia Indoor	2
15	96465GT	WELDMENT, 1532 COUNTERWT, CE GS-1530 & GS-1532 CE and Australia Indoor	1
16	1306190GT	ASSEMBLE,CHARGER STATUS LED,3V	1
17	1274172GT	NUT,NYLOCK FLG,1/2-13,G,ZAG	6



202.3 Non-steer Axle Installation, All Models, GS-1930



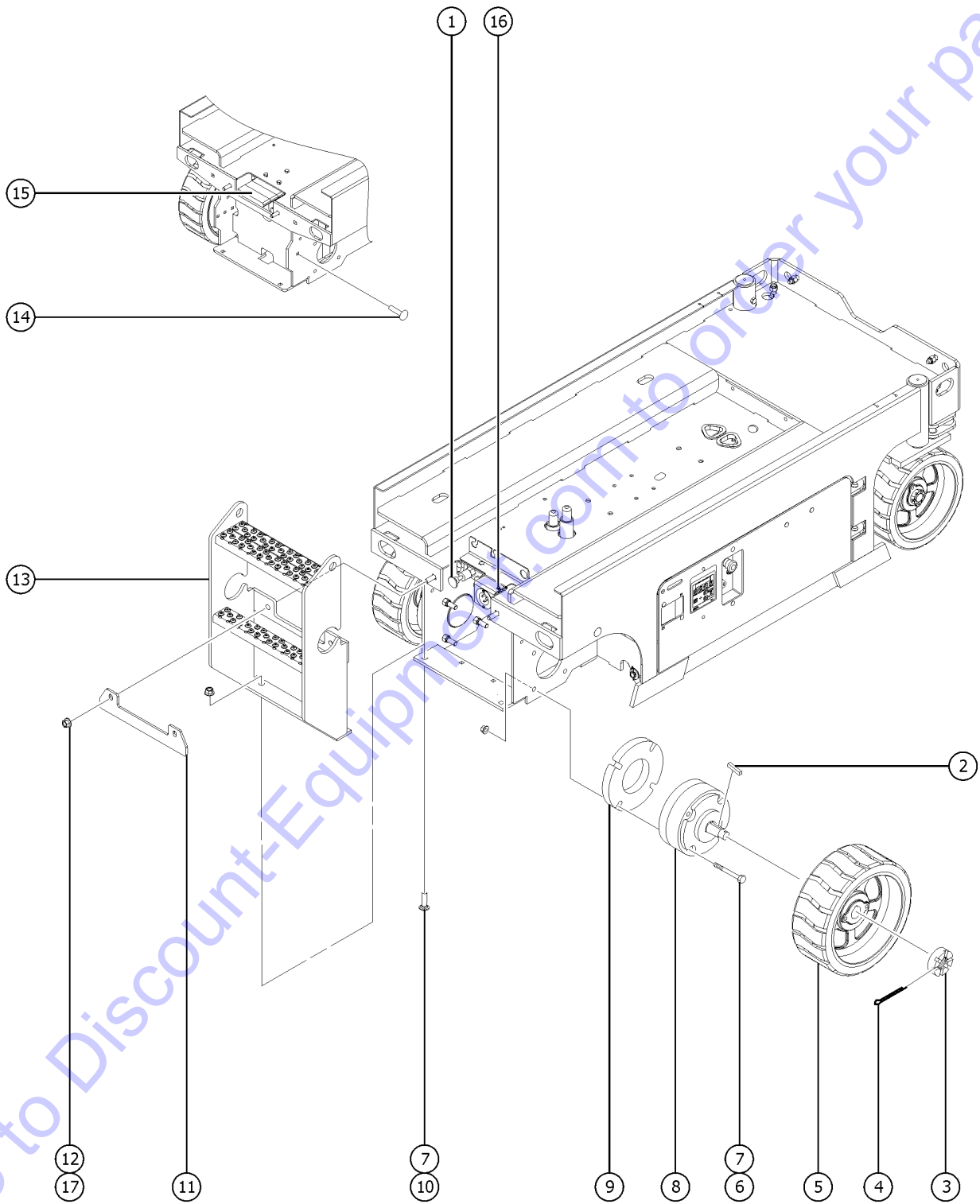
202.3 Non-steer Axle Installation, All Models, GS-1930

Item	Part No.	Description	Qty.
1		Ref. BRAKE RELEASE MANIFOLD (refer to 504.1)	
2	44781GT	KEY,RECTANGULAR,.31X.28X1.25**	2
3	44780GT	NUT,CASTLE,1.125-18 UNEF	2
4	42079GT	PIN,COTTER,.156 X 2.5	2
5		Ref. TIRE AND WHEEL ASSEMBLY (refer to 201.1)	
6	1256287GT	SCREW,HHC,1/2-13X3.5,8,ZAG GS-1530 & GS-1930 models only	4
7	1251997GT	NUT,TL,FLG,1/2-13,G,ZAG	8
8		Ref. HYDRAULIC BRAKE (refer to 501.1)	
10	1256179GT	BOLT,CARRIAGE,1/2-13X1.5,5,ZAG	2
11	1258393GT	PLATE, COUNTERWEIGHT LOCK US part number; GS-1930 & GS-1932 CE and Australia	1
11B	1258406GT	PLATE,COUNTERWEIGHT LOCK China part number; GS-1930 & GS-1932 CE and Australia	1
12	1255759GT	BOLT,CARRIAGE,1/2-13X2,5,ZAG	2
13	144375GT	LADDER ASSY,GS30,WORD,ENG (USA, Canada and Australia)	1
13A-	96102GT	WELDMENT,MINI LADDER US part number; (decals not included, refer to section one)	
13A-	132074GT	MINI LADDER China part number; (decals not included, refer to section one)	
13B	144379GT	LADDER ASSY,GS30,SYM (Europe, Asia and South America)	1
13B-	96102GT	WELDMENT,MINI LADDER US part number; (decals not included, refer to section one)	
13B-	132074GT	MINI LADDER China part number; (decals not included, refer to section one)	
15B	96466GT	COUNTERWEIGHT,CAST,CE,1930/32 GS-1930 & GS-1932 CE and Australia Indoor	1
16	1306190GT	ASSEMBLE,CHARGER STATUS LED,3V	1
17	1274172GT	NUT,NYLOCK FLG,1/2-13,G,ZAG	6

Go to DiscountHub.com to order your parts



202.4 Non-steer Axle Installation, All Models, GS-1932



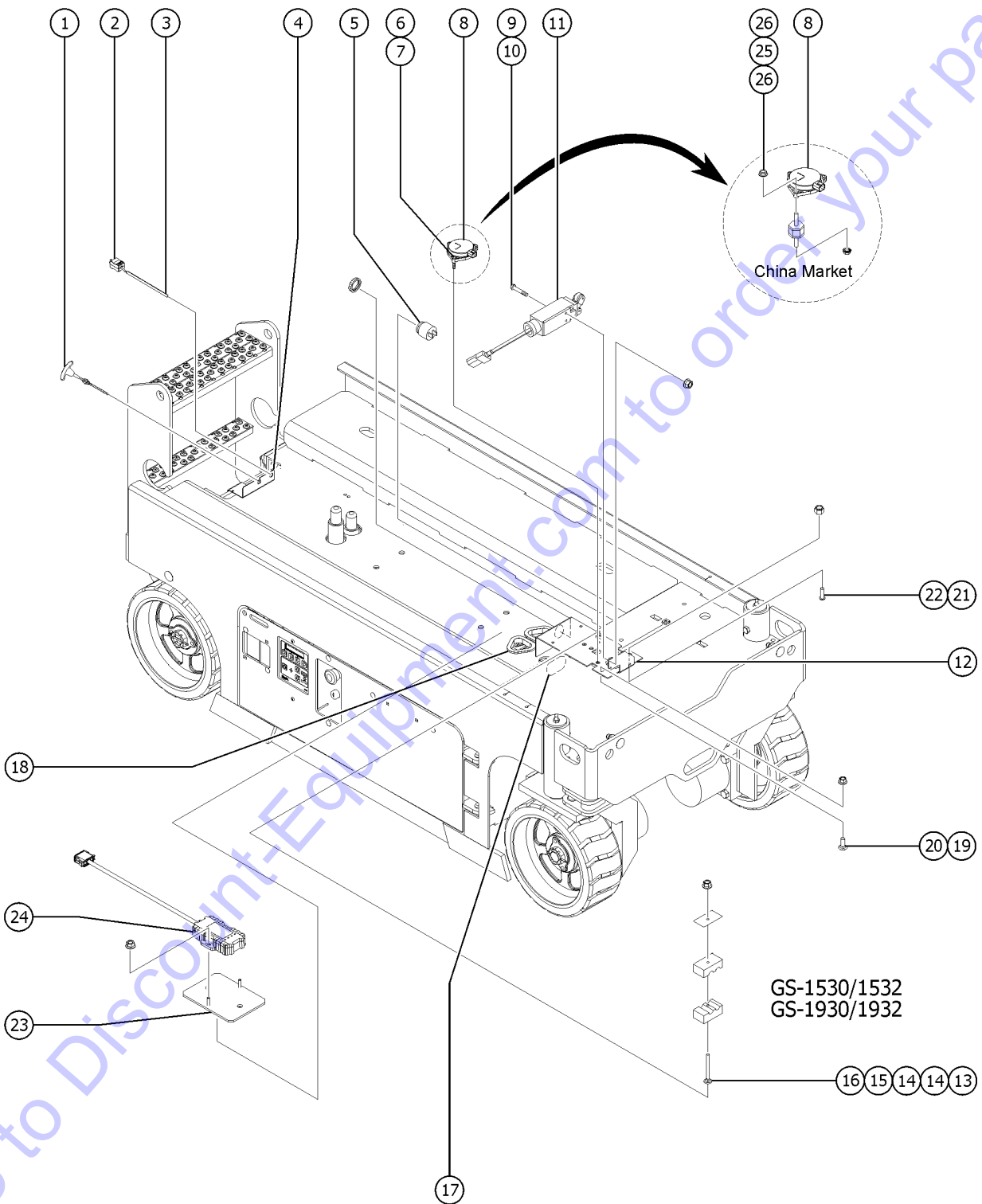
202.4 Non-steer Axle Installation, All Models, GS-1932

Item	Part No.	Description	Qty.
1		Ref. BRAKE RELEASE MANIFOLD (refer to 504.1)	
2	44781GT	KEY,RECTANGULAR,.31X.28X1.25**	2
3	44780GT	NUT,CASTLE,1.125-18 UNEF	2
4	42079GT	PIN,COTTER,.156 X 2.5	2
5		Ref. TIRE AND WHEEL ASSEMBLY (refer to 201.1)	
6B	1257102GT	SCREW,HHC,1/2-13X5,8,ZAG GS-1532 & GS-1932 models only	4
7	1251997GT	NUT,TL,FLG,1/2-13,G,ZAG	8
8		Ref. HYDRAULIC BRAKE (refer to 501.1)	
9	78680GT	PLATE, BRAKE SPACER US part number; GS-1532 & GS-1932 models only	2
9B	1282140GT	PLATE, BRAKE SPACER,METRIC China part number; GS-1532 & GS-1932 models only	2
9C	1305830GT	PLATE,BRAKE SPACER,THIN,METRIC GS-1532 & GS-1932 models only, (from SN GS30D-31792 to GS30D-31902, GS30D-31960, from SN GS30D-31971 to GS30D-31980)	2
10	1256179GT	BOLT,CARRIAGE,1/2-13X1.5,5,ZAG	2
11	1258393GT	PLATE, COUNTERWEIGHT LOCK US part number; GS-1930 & GS-1932 CE and Australia	1
11B	1258406GT	PLATE,COUNTERWEIGHT LOCK China part number; GS-1930 & GS-1932 CE and Australia	1
12	1255759GT	BOLT,CARRIAGE,1/2-13X2,5,ZAG	2
13	144375GT	LADDER ASSY,GS30,WORD,ENG (USA, Canada and Austalia)	1
13A-	96102GT	WELDMENT,MINI LADDER US part number; (decals not included, refer to section one)	
13A-	132074GT	MINI LADDER China part number; (decals not included, refer to section one)	
13B	144379GT	LADDER ASSY,GS30,SYM (Europe, Asia and South America)	1
13B-	96102GT	WELDMENT,MINI LADDER US part number; (decals not included, refer to section one)	
13B-	132074GT	MINI LADDER China part number; (decals not included, refer to section one)	
15B	96466GT	COUNTERWEIGHT,CAST,CE,1930/32 GS-1930 & GS-1932 CE and Australia Indoor	1
16	1306190GT	ASSEMBLE,CHARGER STATUS LED,3V	1
17	1274172GT	NUT,NYLOCK FLG,1/2-13,G,ZAG	6

Go to www.genie.com to order your parts



203.1 Level Sensor Installation, All Models

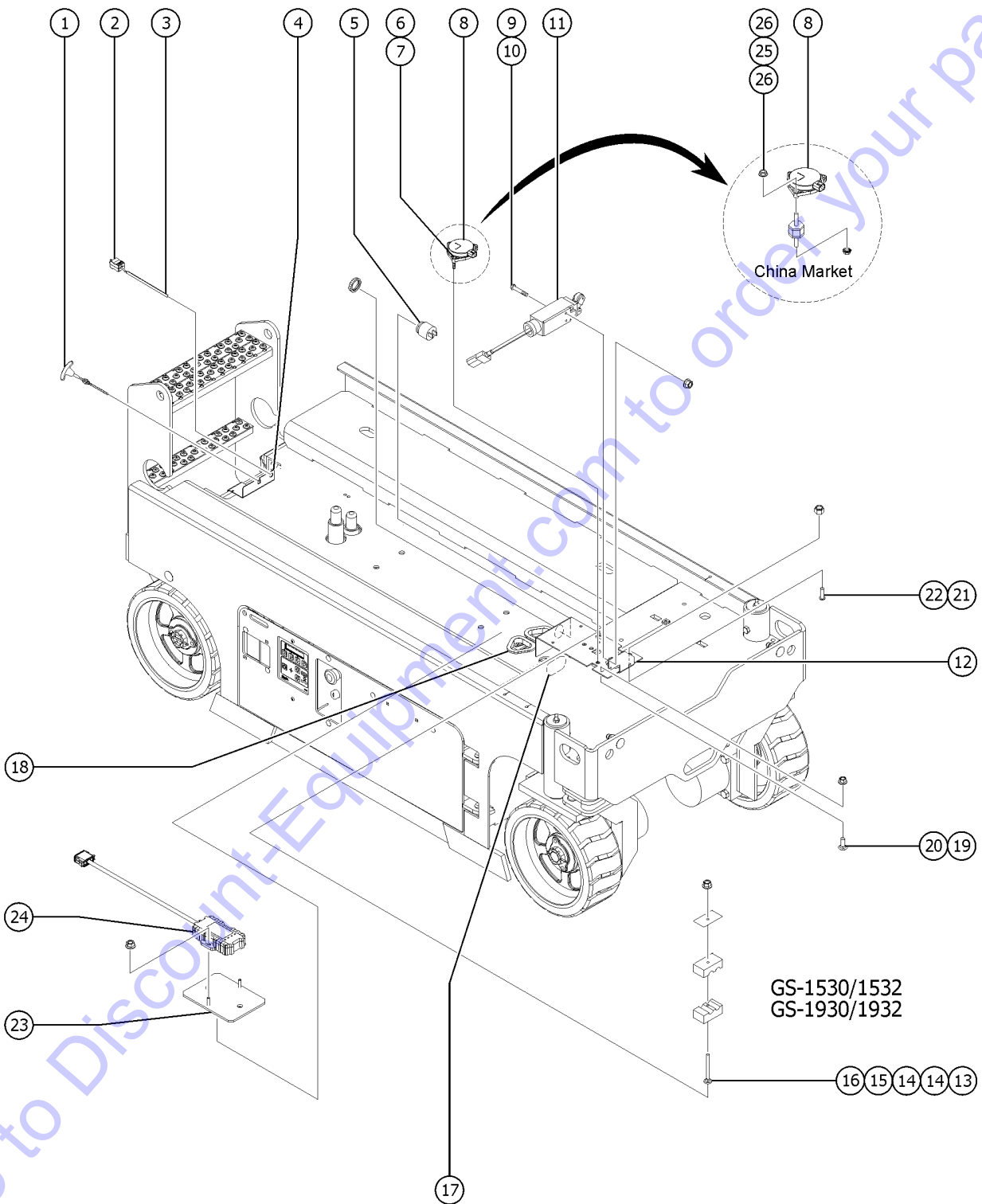


Go to Discount-Equipment.com to order your parts

Item	Part No.	Description	Qty.
1	39232GT	CABLE,EMERGENCY DOWN	1
2		Ref. Electrical Plug	
		(refer to 406.1)	
3		Ref. Electrical Cord	
		(refer to 406.1)	
4	1282153GT	FORMING,REC.PLUG BRKT,METRIC	1
		North US and Japan	
4B	144226GT	FORMING, REC. PLUG BRKT	1
		CE	
4C	1282145GT	FORMING, PLUG/LED BRACKET,METRIC	1
		AUS	
5	39540GT	ALARM,STEADY TONE***	1
		Does not include 72326 nut	
5-	72326GT	NUT,PLASTIC,RING FOR ALARMS	
6	1255756GT	BOLT,CARRIAGE,1/4-20X1.5,5,ZAG	3
7	824027GT	NUT, TL FLG, 1/4-20, G, ZAG	3
8	823368GT	SENSOR,LEVEL,UNIVERSAL	3
9	824216GT	SCREW, PHPM, 10-32 X 1.5, ZAG	2
10	1274168GT	NUT,NYLOCK,10-32,A,ZAG	2
11	T112507GT	ASSEMBLY, DOWN LIMIT, GS	1
11-	19491GT	CONTACTOR,LIMIT SWITCH	
		(Includes plug)	
11-	96948GT	SWITCH,LIMIT,W/ROLLER ARM***	
11-	97128GT	ROLLER ARM,LIMIT SWITCH***	
12	105310GT	FORMING, ALARM BRACKET,MINI	1
		US part number	
12B	132200GT	FORMING ALARM BRACKET, MINI, M	1
		China part number	
13	1255797GT	BOLT,CARRIAGE,1/4-20X2,5,ZAG	1
14	78736GT	CLAMP,2 HOSE,PLASTIC,5/8	2
15	58592GT	PLATE,HOSE ROUTG,BULKHEAD(PTD)	1
16	1256679GT	NUT,SERRATED,1/4-20,8,ZAG	1
17	131582GT	GROMMET,RUBBER,1.50IDX.375	1
18	105440GT	GROMMET,RUBBER 2.5 X 3.0	2
19	824125GT	BOLT,CARRIAGE,3/8-16X1,5,ZAG	2
20	824029GT	NUT,TL FLG,3/8-16,G,ZAG	2
21	1255629GT	SCREW,BHC,3/8-16X1.25,F835,ZAG	1
		from GS30D-20117	



203.1 Level Sensor Installation, All Models



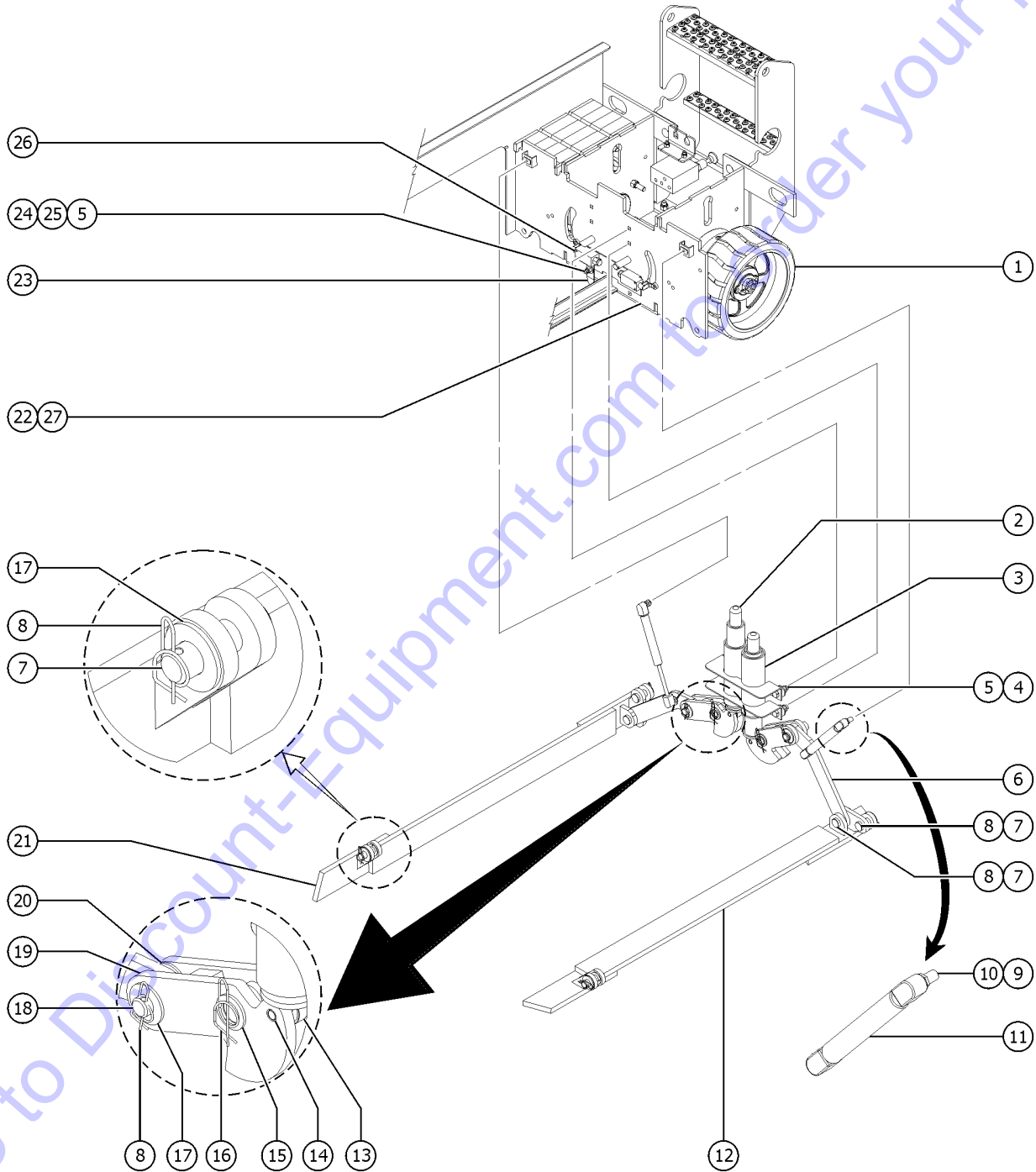
203.1 Level Sensor Installation, All Models

Item	Part No.	Description	Qty.
22	1274166GT	NUT,NYLOCK,3/8-16,C,ZAG from GS30D-20117	1
23	1289561GT	BRACKET, TELEMATICS	1
24	1289520GT	MODULE,TELEMATICS,ZTR,M7,NORTH AMERICA North America	1
24B	1289521GT	MODULE, TELEMATICS, ZTR, M7, EMEA/APAC EMEA / APAC	1
24C	1289522GT	MODULE, TELEMATICS, ZTR, M7, APAC/ANZ APAC / ANZ	1
24D	1289523GT	MODULE, TELEMATICS, ZTR, M7, JAPAN Japan	1
25	1301073GT	ISOLATOR,1/4 THRD,HEX China package only	3
26	1256679GT	NUT,SERRATED,1/4-20,8,ZAG China package only	6

Go to Discount-Equipment.com to order your parts



204.1 Pothole Protection Assembly

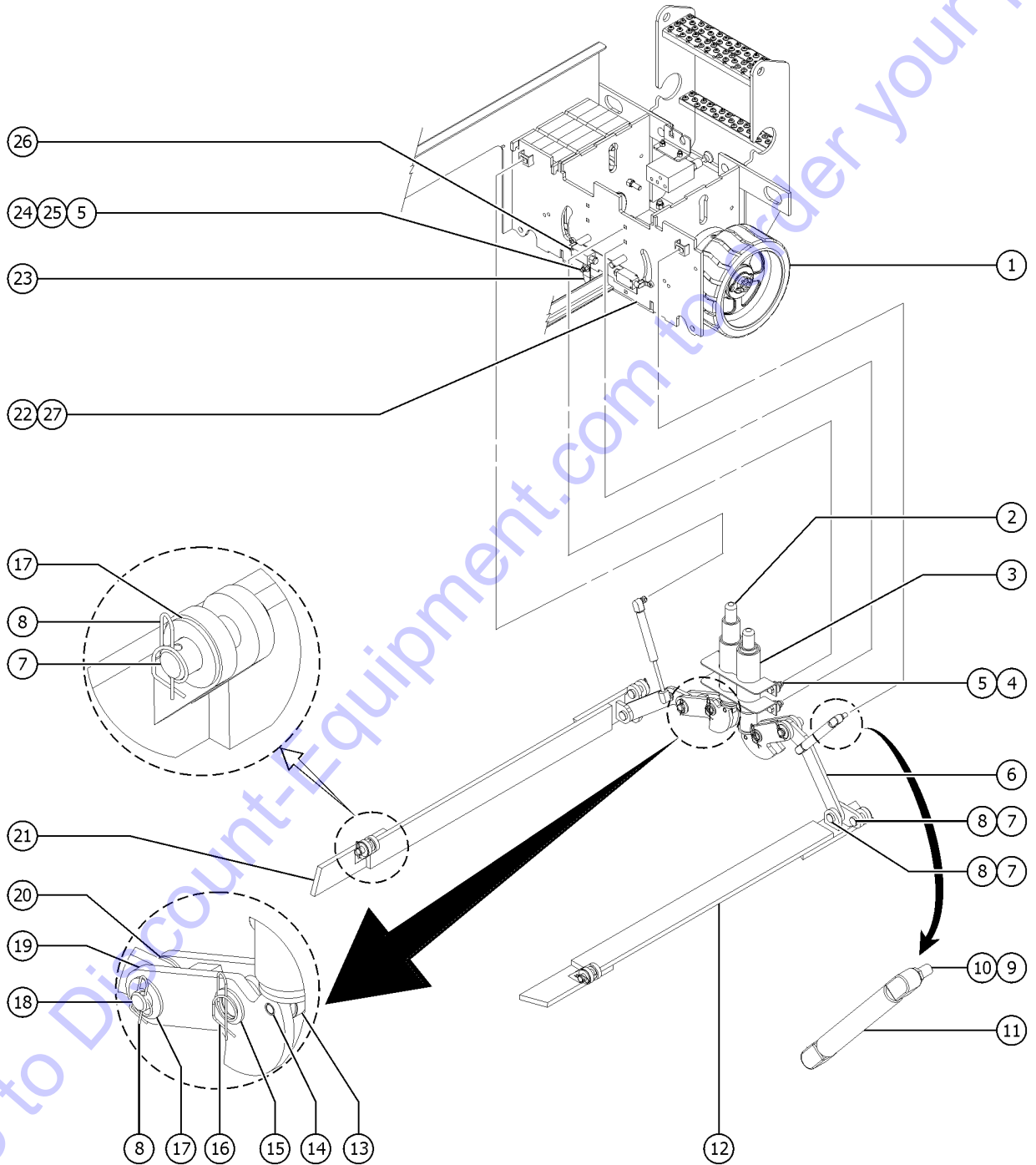


204.1 Pothole Protection Assembly

Item	Part No.	Description	Qty.
1		Ref.Wheel and Tire Assy (refer to 201.1)	
2	96839GT	ASSY,POT HOLE PUSHER,GS*** US part number	2
2B	132342GT	ASSY,POT HOLE PUSHER,MINI China part number	2
3	96524GT	WLDMT/ASSY, PH GUIDE,GS30/32 US part number	1
3A-	96408GT	BEARING,1.523IDX1.75ODX0.63L	
3B	132163GT	WELDMENT, PH GUIDE,GS30/32 China part number	1
4	824029GT	NUT,TL FLG,3/8-16,G,ZAG	
5	1255757GT	BOLT,CARRIAGE,3/8-16X1.25,5,ZAG	
6	105055PGT	PLATE,POT HOLE LINK,GS30 US part number	2
6B	132178GT	PLATE, POTHOLE LINK, GS30 China part number	2
7	1259197GT	PIN,CLEVIS,.625X1.88,ZAG	6
7-	105156GT	BUSHING,FLNGD,.63 X .77 X .38	4
8	1259177GT	RUE RING,5/8,ZAG	8
9	78086GT	BALL STUD, GAS STRUT, 3/8-16	2
10	824038GT	NUT, TL JAM, 3/8-16, A, ZAG	
11	39542GT	GAS SHOCK,SCISSORS***	2
12	96039GT	POT HOLE GUARD,LT,WLDMT (battery pack side), US part number	1
12B	132053GT	POT HOLE GUARD,LT,WLDMT (battery pack side), China part number	1
13	96541GT	CAM FOLLOWER,1.125X.375,DELTRIN	2
14	1259178GT	PIN,CLEVIS,.375X1.75,ZAG	2
14-	12016GT	PIN,COTTER,.125 X .75	
14-	825358GT	WASHER,FLAT,5/16,USS,ZAG	
15	1257082GT	WASHER,SHIM,.75X1.125X.030,ZAG	2
16	824128GT	RUE RING,3/4,ZAG	2
17	1259180GT	WASHER,SHIM,.625X1.188X.064,ZA	2
18	1259179GT	PIN,CLEVIS,.625X1.79,ZAG	2
19	84574GT	POT HOLE BELL CRNK LINK ASSYGS30 US part number	2
19A-	96642GT	BEARING,.75ID X 1.00D X 1.38LG	2



204.1 Pothole Protection Assembly



Go to Discount-Equipment.com to order your parts

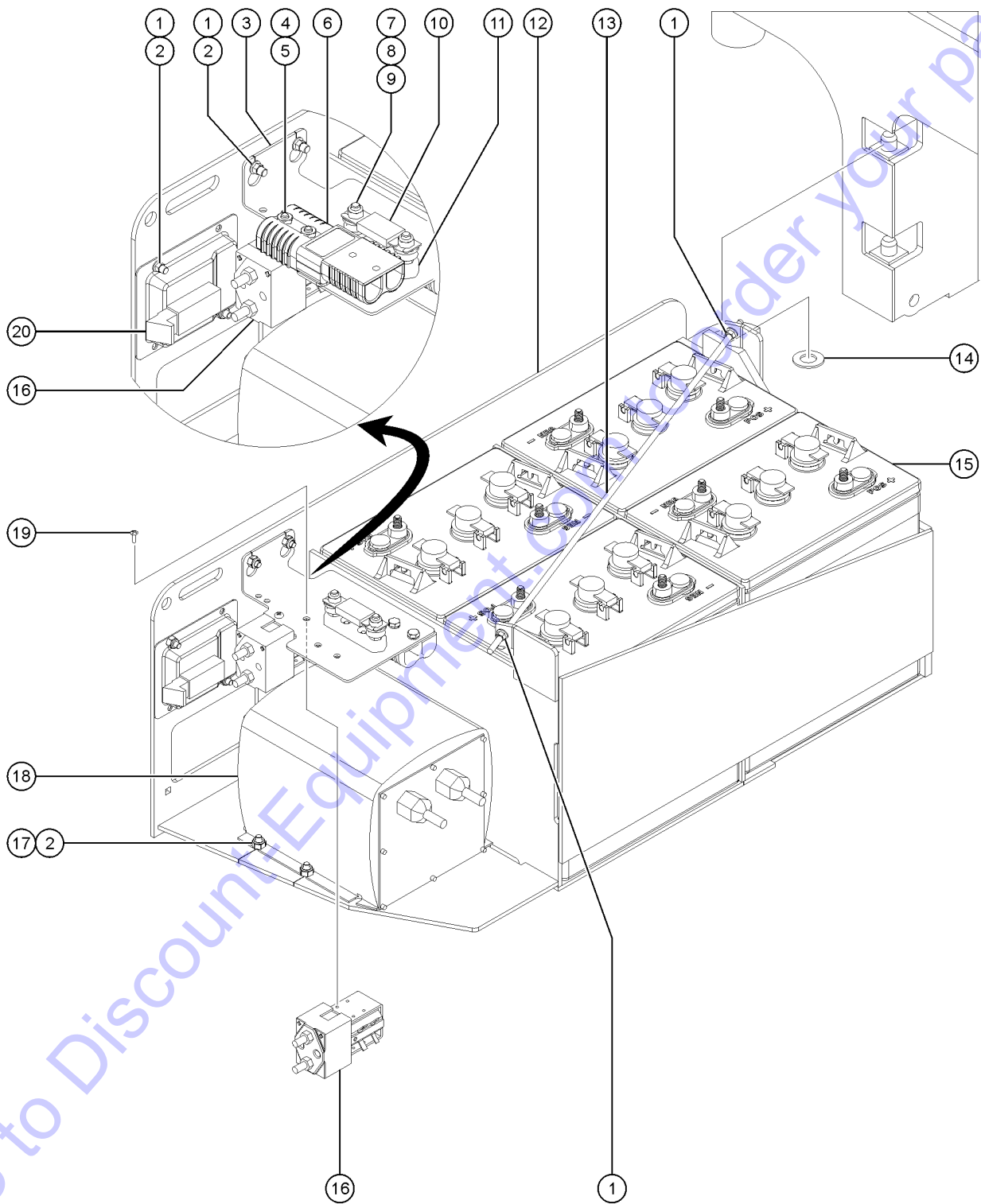
204.1 Pothole Protection Assembly

Item	Part No.	Description	Qty.
19B	132133GT	WLDMT, POT HOLE BELLCRANK LINK China part number	2
20	96085GT	WASHER,THRUST,.63 X 1.13 X .06	4
21	96038GT	POT HOLE GUARD,RT,WLDMT (ground controls side), US part number	1
21B	132052GT	POT HOLE GUARD,RT,WLDMT (ground controls side), China part number	1
22	105275GT	BRACKET,LIMIT SWITCH MTG***	1
22B	1290289GT	WELDMENT,BRACKET,LIMIT SWITCH,MINI SCISSOR	1
23	96317GT	GROUND STRAP,12"LG***	1
24	824025GT	NUT,TL,3/8-16,C,ZAG	
25	1255758GT	WASHER,FLAT,3/8,USS,ZAG	
26	96948GT	SWITCH,LIMIT,W/ROLLER ARM***	2
26-	19491GT	CONTACTOR,LIMIT SWITCH	
26-	97128GT	ROLLER ARM,LIMIT SWITCH***	
27	1256312GT	WASHER,LOCK,#10,ZAG	4

Go to Discount-Equipment.com to order your parts



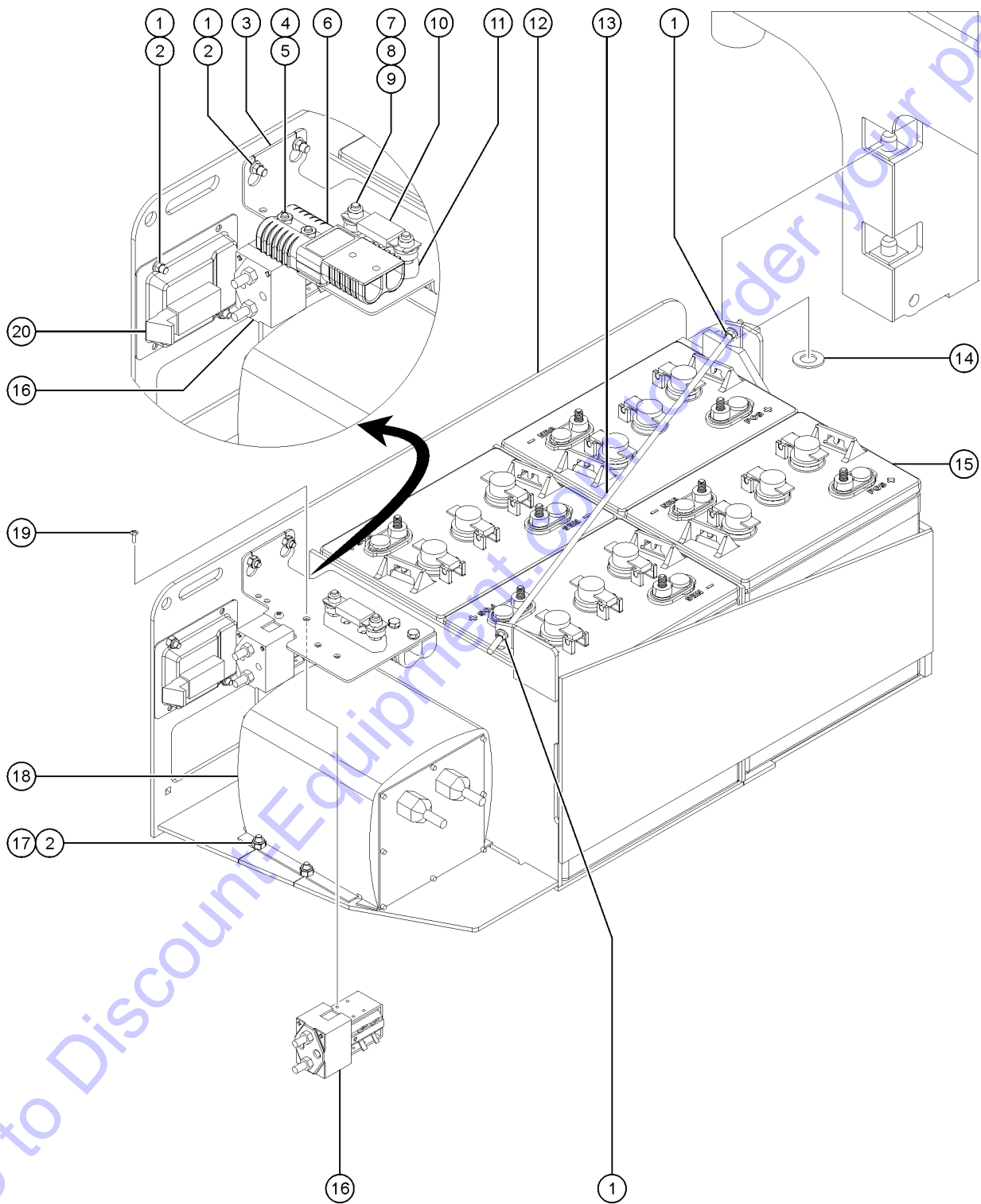
205.1 Battery Pack Module



Item	Part No.	Description	Qty.
1	824027GT	NUT, TL FLG, 1/4-20, G, ZAG	6
2	824124GT	BOLT, CARRIAGE, 1/4-20 X .75, 5, ZAG	8
3	232531GT	FORMING, CONTACTOR MOUNT, GS US part number	1
3B	1282144GT	FORMING, CONTACTOR/FUSE BRACKET, METRIC China part number	1
4	824037GT	NUT, HH JAM, 1/4-20, A, ZAG	4
5	824080GT	SCREW, HHF, 1/4-20X1.25, 8, ZAG	4
6	66397GT	QUICK DISCONNECT CASING, BATT**	2
7	1255805GT	NUT, SERRATED, 5/16-18, 8, ZAG	2
8	825358GT	WASHER, FLAT, 5/16, USS, ZAG	2
9	1259266GT	SCREW, HEX UNSLOTTED, 14-10X.5, TYPE C, ZAG	2
10	40833GT	FUSE, 275AMP, VERY FAST ACTING	1
11	66717GT	FUSE BLOCK, ANN & ANL FUSE (includes mounting fasteners)	1
12	233366GT	ASSY, GS BATTERY TRAY US part number; (does not include decals, please refer to section 1) (includes items 1, 2, 3, 13, 14, 17 and 20)	1
12B		Ref. Battery Tray China part number; (refer to 608.1)	1
13	30784-2550GT	THREADED ROD, (1/4-20), 25.50	1
14	1256863GT	WASHER, FLAT, .75, F436, HRD, ZAG	
15	76502GT	BATTERY, T105 W/LPT, 3 CAP, DRY** US part number. no longer available (contact customer service)	4
15A-	1255805GT	NUT, SERRATED, 5/16-18, 8, ZAG	
15B	76494GT	BATT, 6V, 225AH T105 LPT\3CAP China part number	4
15B-	18503GT	NUT, LOCKING - LG FLANGE 5/16 - 18	
15C	105150GT	BATTERY, AGM, 6V, (TROJAN) *** US part number; (horizontal battery connections) (replaced 96205, vertical battery cable connections)	4
15D	1263152GT	FULLRIVER BATT, DC224-6, 6V, 224AH, GS3246 AGM China part number; (horizontal battery connections) (replaced 96205, vertical battery cable connections)	4
15E	76494GT	BATT, 6V, 225AH T105 LPT\3CAP	4
16	1270456GT	CONTACTOR, DRIVE, 24V, 180A US part number	
16B	1270457GT	CONTACTOR, DRIVE, 24V, 180A UNBRANDED China part number	
17	1256679GT	NUT, SERRATED, 1/4-20, 8, ZAG	2
18		Ref. Battery Charger (Refer to 206.1)	



205.1 Battery Pack Module



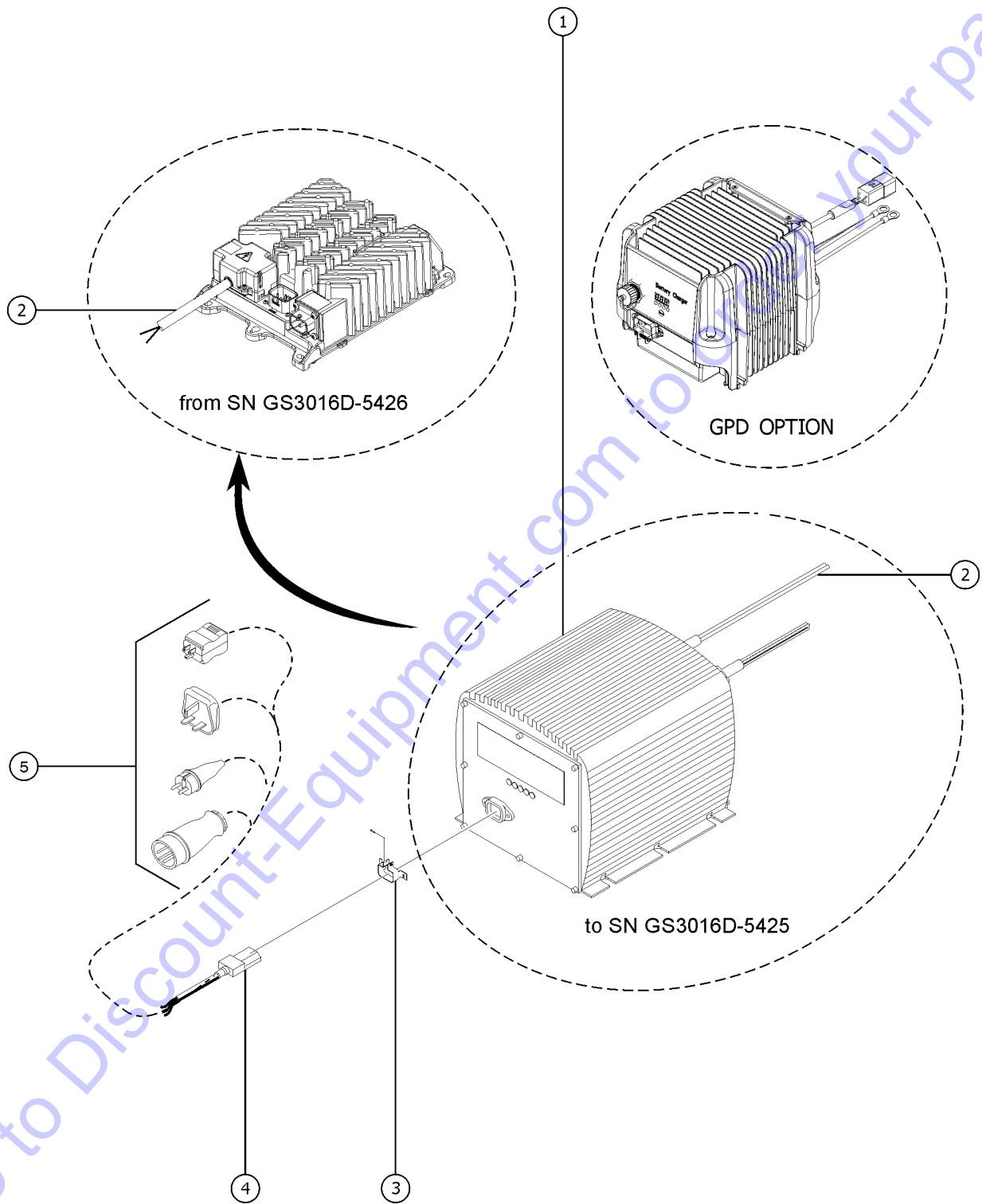
205.1 Battery Pack Module

<i>Item</i>	<i>Part No.</i>	<i>Description</i>	<i>Qty.</i>
19	825349GT	SCREW,PHPM,10-32X.38,ZAG	2
20	55675GT	LATCH, LRG PADDLE HANDLE GS90	1

Go to Discount-Equipment.com to order your parts



206.1 Battery Charger



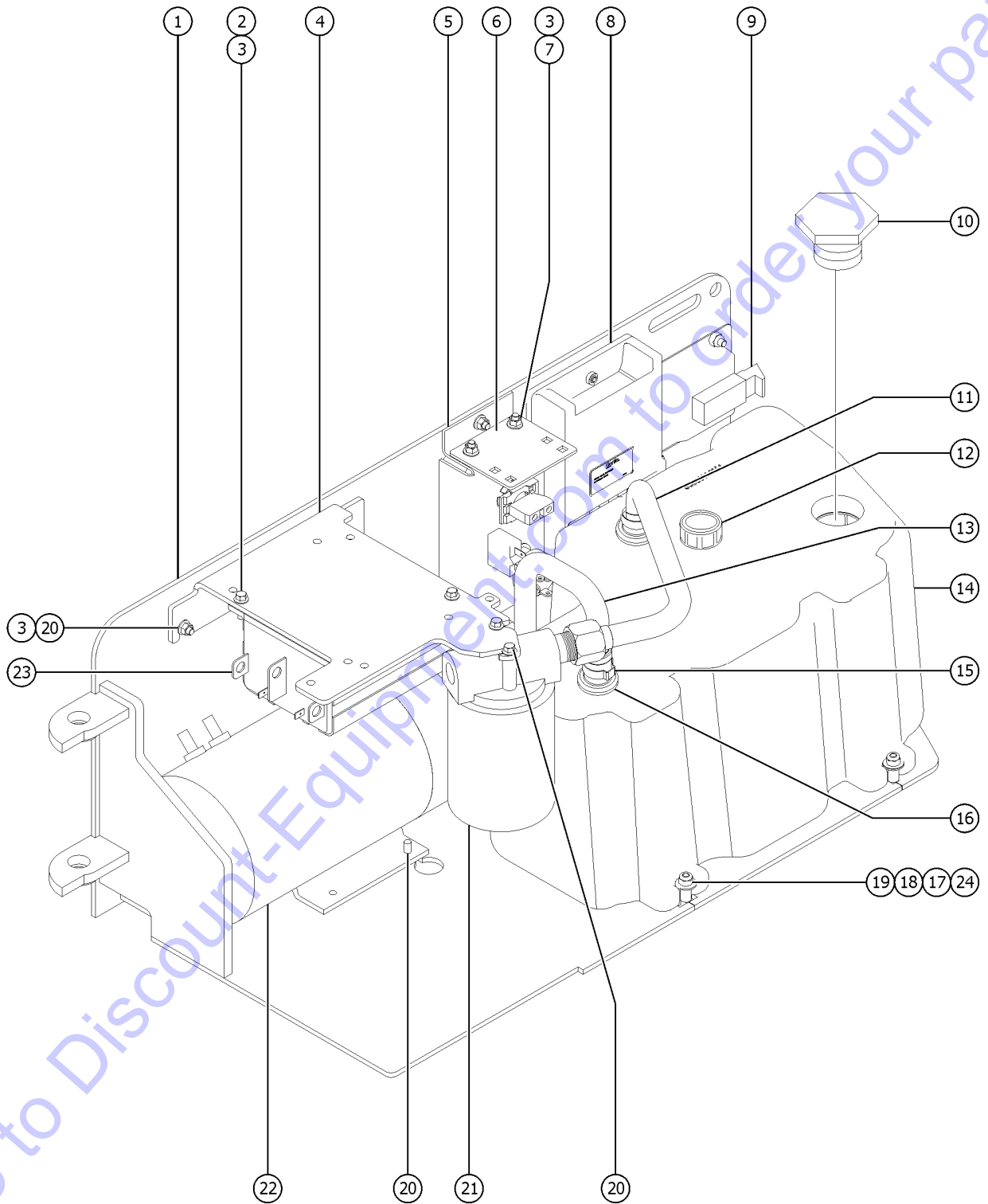
206.1 Battery Charger

Item	Part No.	Description	Qty.
A	105334GT	CONNECTOR, IEC CHARGER CORD for 5-LED battery charger	
B	97059GT	FUSE, BATTERY CHARGER*** for 5-LED battery charger	
C	1273576GT	CABLE ASSY, CHARGER/BATTERY (for 1264372)	
1	1264372GT	CHARGER, 24V, 650W, USB US part number	1
1B	1272232GT	CHARGER, 24V, 650W, USB China part number; (from SN GS3016D-5426)	1
1B-	1273576GT	CABLE ASSY, CHARGER/BATTERY for standard 'flooded' batteries	
1B-	1272844GT	CABLE, CHARGER, DC, W/ BTS for AGM 'maintenance free' batteries	
1B-	1272557GT	POWER CORD, IEC 320, 90 power supply cord (ANSI/CSA models)	
1B-	1279428GT	KIT, DC BLOCK ASSEMBLY	
1C	1296085GT	CHARGER, 24V 750W (GPD option)	1
2		Ref. CABLE ASSY, CHARGER/BATTERY (refer to 210.1)	
3	55010GT	LOCK, CONNECTOR (includes fasteners)	1
4	1272557GT	POWER CORD, IEC 320, 90	1
4B	1296549GT	POWER, CORD, IEC320, 90°, 150' (GPD option)	1
5		Ref. PLUG, ELECTRICAL (refer to 406.1)	

Go to Discount-Equipment.com to order your parts

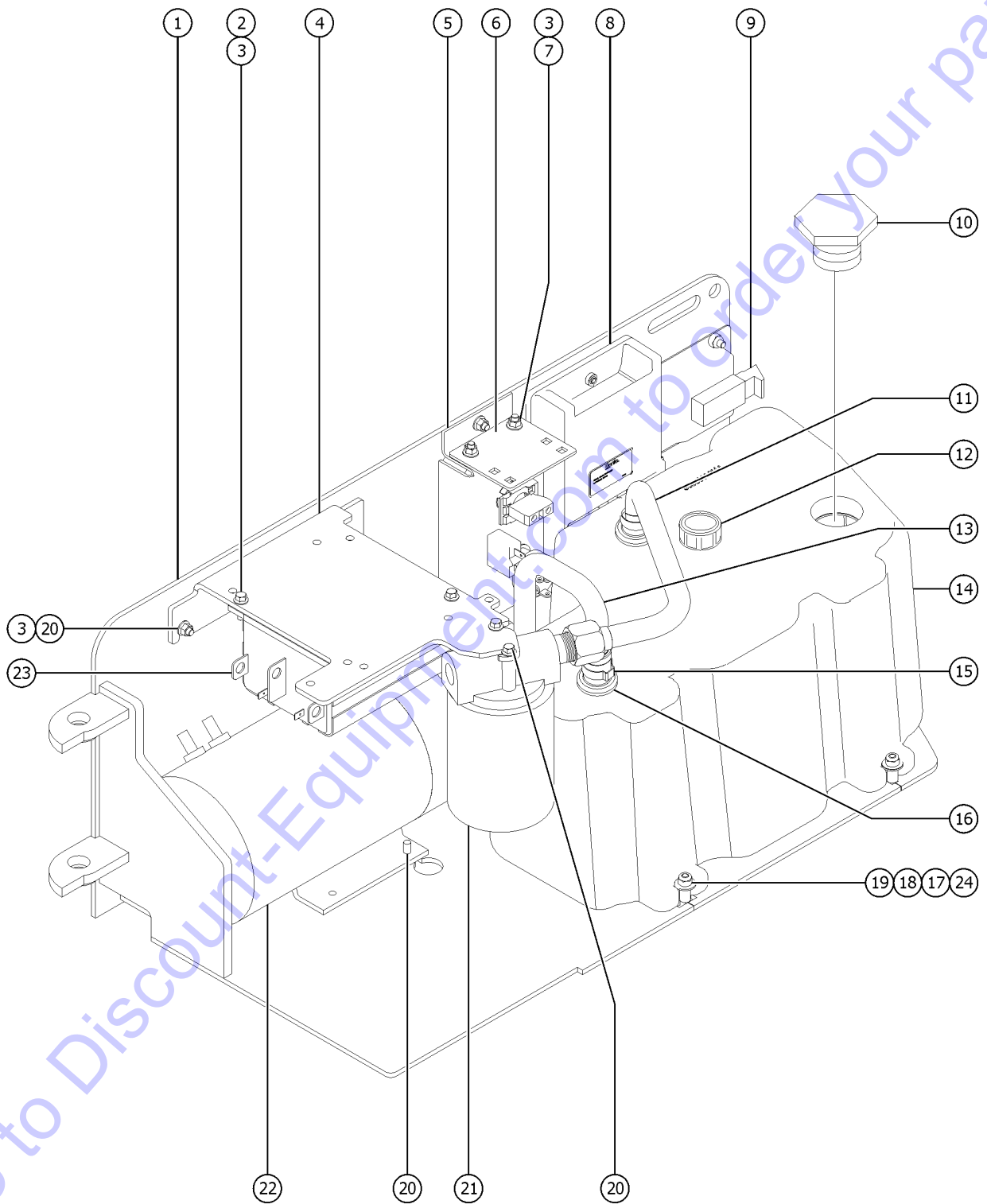


207.1 Power Unit Module (to SN GS3016D-4938)



Item	Part No.	Description	Qty.
1	231114GT	HYDR TRAY ASSY W/WORDS US part number	1
1A-	T113296GT	WELDMENT,GS HYD TRAY US part number; (decals not included, refer to section one)	
1B	229195GT	ASSY,GS HYDRAULIC TRAY,MET China part number;	1
1B-	227166GT	WELDMENT, GS HYD TRAY, MET China part number; (decals not included, refer to section one)	
2	824080GT	SCREW,HHF,1/4-20X1.25,8,ZAG (refer to figure 208.1)	
3	824027GT	NUT, TL FLG, 1/4-20, G, ZAG	
4	1276562GT	FORMING,FILTER-CONTROLLER MOUNT US part number	
4B	132198GT	FORMING, FILTER-CNTRLR MOUNT China part number	
5		Ref. FORMING, CONTROL PANEL	
6	T108326GT	PLATE,HARNESS MOUNT	1
7	824124GT	BOLT, CARRIAGE, 1/4-20 X .75, 5, ZAG	
8		Ref. GCON, GR/GRC/GS (refer to figure 208.1)	
9	55675GT	LATCH, LRG PADDLE HANDLE GS90	1
10	66204GT	FILTER CAP (PLUG 1-1/2" NPT HEX	1
11	96355GT	TUBE, ASSY, RETURN	
12	78546GT	BREATHER CAP, HYD. TANK, 1/4 NPT	1
13	96354GT	TUBE, ASSY, DRAW	
14	226163GT	HYD. TANK KIT, GS30,32,46 (includes items 15 and 16)	1
14-	T109012GT	TANK,HYD, SLAB SCISSORS	
15	96855GT	CLAMP,HOSE,1 EAR,1-1/16***	2
16	96709GT	GROMMET,SLAB HYD TANK***	2
17	96699GT	SLEEVE,TANK SUPPORT	
18	824113GT	WASHER,FLAT,USS,1/4,ZAG US part number;	
18B	6638GT	WASHER,FLAT,USS,1/4"Y China part number	
19	1256463GT	BOLT,CARRIAGE,1/4-20X1.25,5,ZAG US part number;	
19B	9116GT	BOLT,CARRIAGE,1/4-20 X 1.25,G2 China part number	
20	824078GT	SCREW,HHF,1/4-20X.75,8,ZAG	
21		REF. FILTER ASSY (refer to figure 501.1)	

207.1 Power Unit Module (to SN GS3016D-4938)



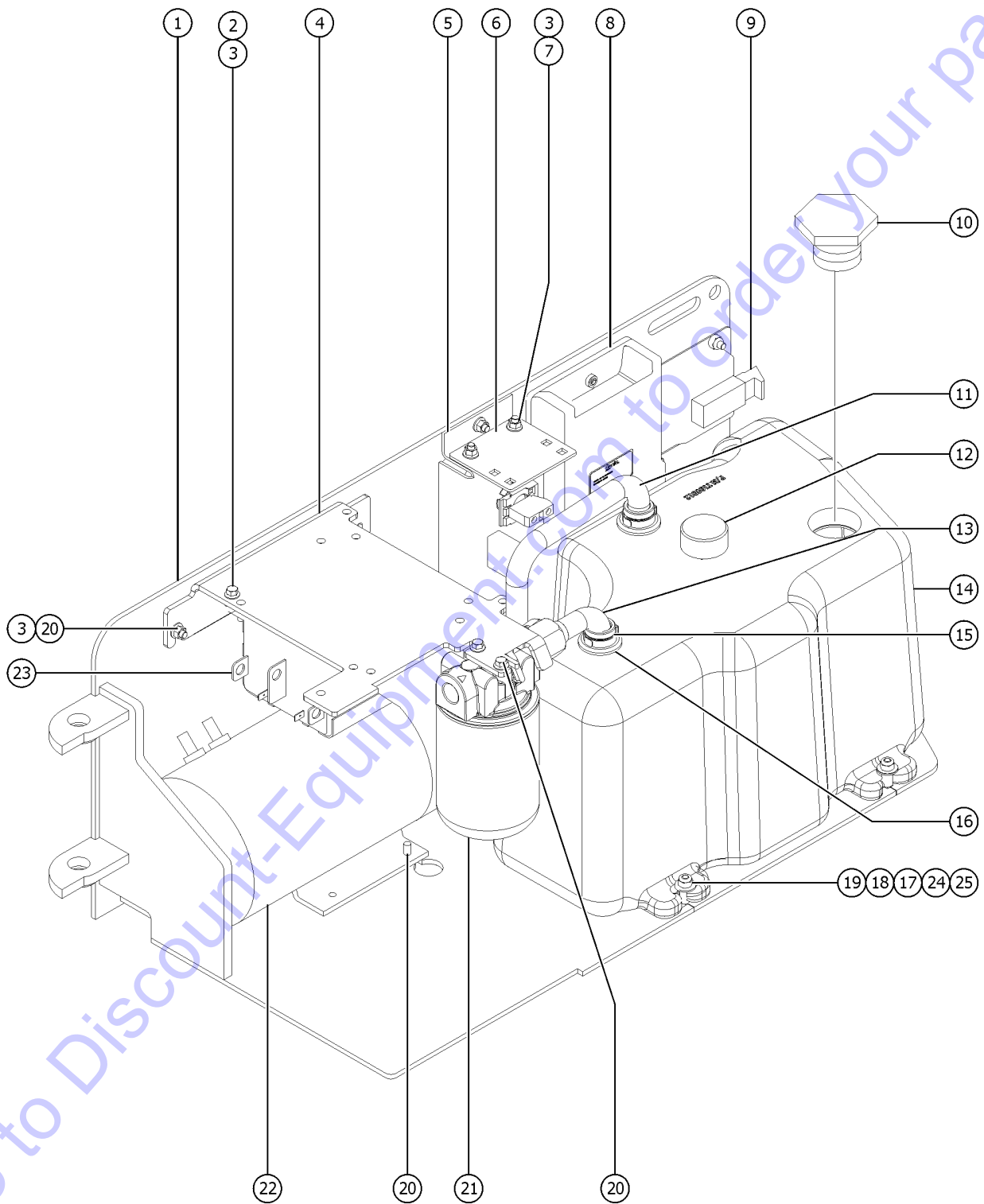
207.1 Power Unit Module (to SN GS3016D-4938)

<i>Item</i>	<i>Part No.</i>	<i>Description</i>	<i>Qty.</i>
22		REF. ELECTRIC MOTOR/PUMP (refer to figure 505.1)	
23	823408GT	MOTOR CONTROLLER, DC,24V,300A	1
24	6091GT	NUT, NYLOCK, 1/4-20	3

Go to Discount-Equipment.com to order your parts



207.2 Power Unit Module (from SN GS3016D-4939)



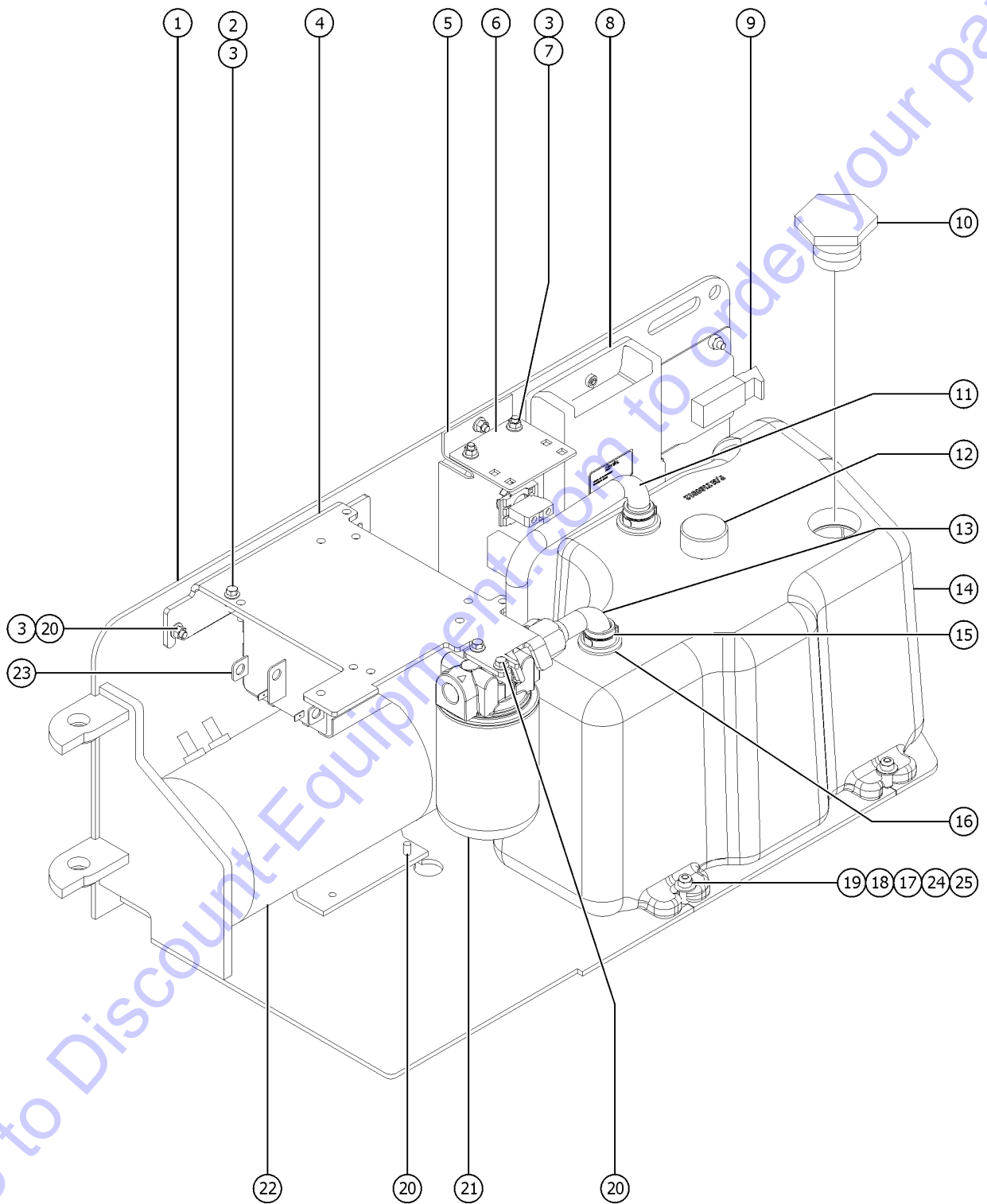
Go to Discount-Equipment.com to order your parts



Item	Part No.	Description	Qty.
1	231114GT	HYDR TRAY ASSY W/WORDS	1
1A-	227166GT	WELDMENT, GS HYD TRAY, MET (decals not included, refer to section one)	
1B	231167GT	HYDR TRAY ASSY,GS30 W/SYMBOLS	1
1B-	227166GT	WELDMENT, GS HYD TRAY, MET (decals not included, refer to section one)	
2	824080GT	SCREW,HHF,1/4-20X1.25,8,ZAG	
3	824027GT	NUT, TL FLG, 1/4-20, G, ZAG	
4	1280158GT	KIT,SLAB HYD TANK TUBE REPLACEMENT	
4A-	1270600GT	TUBE, SLAB RETURN ASSEMBLY	
4B	1273016GT	FORMING, FILTER-CNTRLR MOUNT	
5		Ref. FORMING, CONTROL PANEL	
		(refer to figure 208.1)	
6	227164GT	GS3246_PLATE, HARNESS MOUNT, MET	1
7	824124GT	BOLT, CARRIAGE, 1/4-20 X .75, 5, ZAG	
8		Ref. GCON, GR/GRC/GS	
		(refer to figure 208.1)	
9	55675GT	LATCH, LRG PADDLE HANDLE GS90	1
10	66204GT	FILTER CAP (PLUG 1-1/2" NPT HEX	1
11	1270598GT	TUBE, ASSY, DRAW	
12	78546GT	BREATHER CAP, HYD. TANK, 1/4 NPT	1
13	1276561GT	TUBE, ASSY, RETURN	
		US part number	
13B	1270600GT	TUBE, SLAB RETURN ASSEMBLY	
		China part number	
14	226163GT	HYD. TANK KIT, GS30,32,46	1
		(includes items 15 and 16)	
14-	T109012GT	TANK,HYD, SLAB SCISSORS	
15	96855GT	CLAMP,HOSE,1 EAR,1-1/16***	2
16	96709GT	GROMMET,SLAB HYD TANK***	2
17	96699GT	SLEEVE,TANK SUPPORT	
		to SN GS30D-32003	
17B	1303374GT	SLEEVE,TANK SUPPORT	
		from SN GS30D-32004	
18	6638GT	WASHER,FLAT,USS,1/4"Y	
		to SN GS30D-32003	
18B	1303372GT	PLATE, TANK SUPPORT	
		from SN GS30D-32004	
19	9116GT	BOLT,CARRIAGE,1/4-20 X 1.25,G2	
		to SN GS30D-32003	



207.2 Power Unit Module (from SN GS3016D-4939)

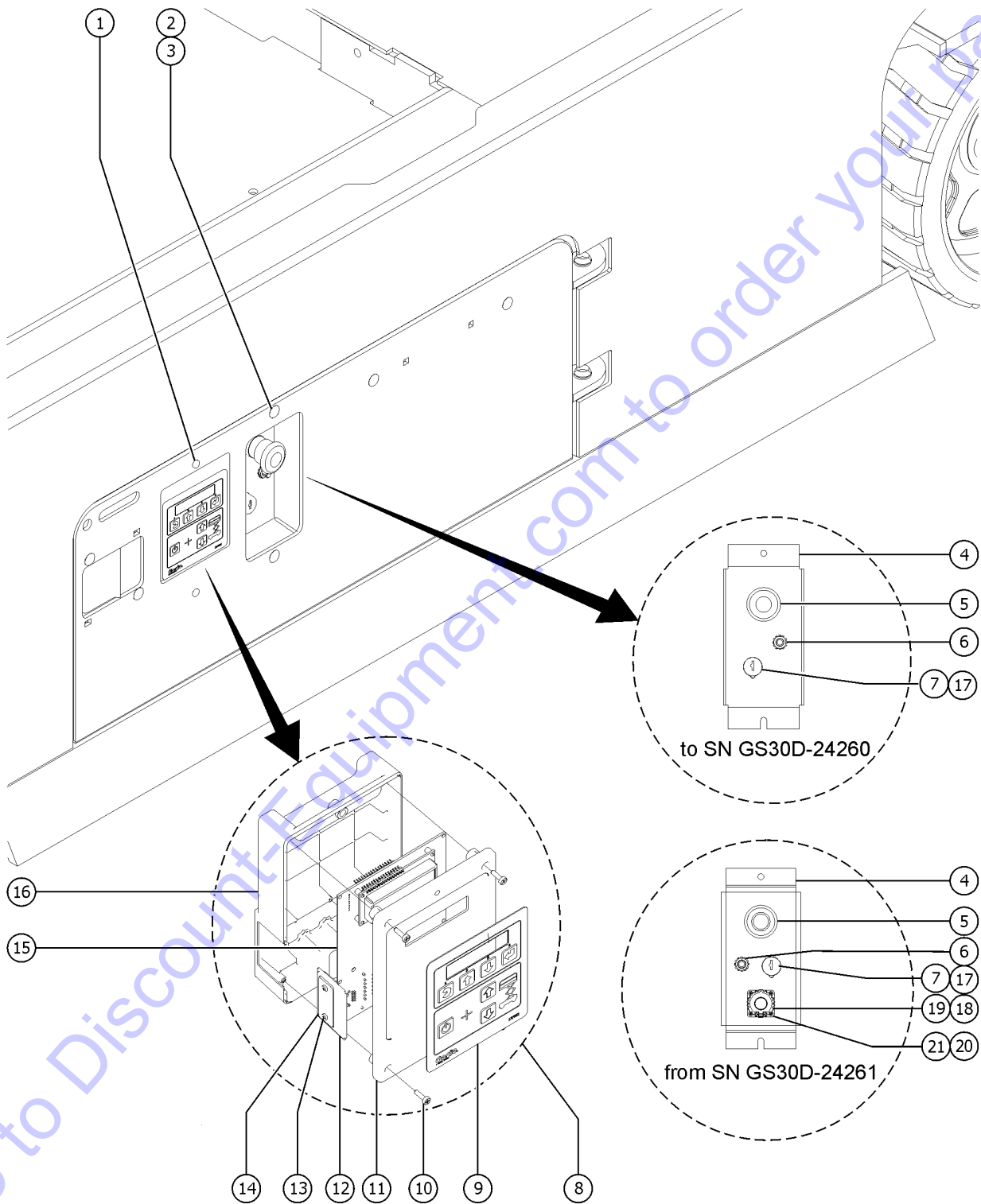


Item	Part No.	Description	Qty.
19B	1255756GT	BOLT,CARRIAGE,1/4-20X1.5,5,ZAG from SN GS30D-32004	
20	824078GT	SCREW,HHF,1/4-20X.75,8,ZAG	
21		REF. FILTER ASSY (refer to figure 501.1)	
22		REF. ELECTRIC MOTOR/PUMP (refer to figure 505.1)	
23	823408GT	MOTOR CONTROLLER, DC,24V,300A	1
24	6091GT	NUT, NYLOCK, 1/4-20 to SN GS30D-32003	3
24B	1274165GT	NUT,NYLOCK,1/4-20,C,ZAG from SN GS30D-32004	3
25	1303373GT	RUBBER CUSHION, TANK SUPPORT from SN GS30D-32004	

Go to Discount-Equipment.com to order your parts



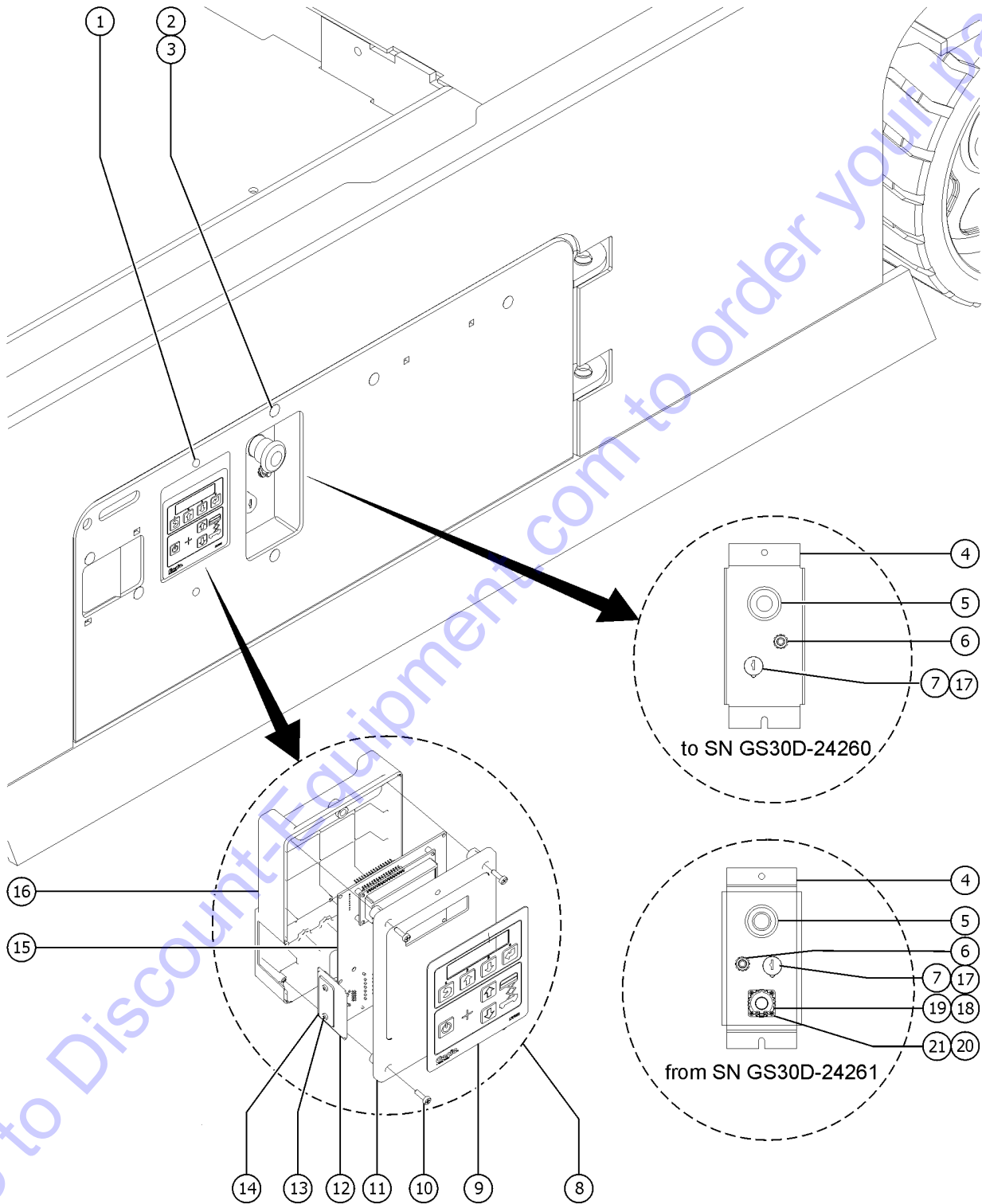
208.1 Ground Controls, All Models



Item	Part No.	Description	Qty.
A	83093GT	KEY SINGLE*** includes rubber boot	
B	21982GT	KEY,SINGLE*** without rubber boot	
C	37947GT	KEYS,10 PACK*** without rubber boots	
1	51063GT	SCREW,PHILLIPS,RHM,10-32 X 1.5	2
2	824124GT	BOLT, CARRIAGE, 1/4-20 X .75, 5, ZAG	2
3	824027GT	NUT, TL FLG, 1/4-20, G, ZAG	2
4	227165GT	FORMING,CONTROL PANEL,MET to SN GS30D-24260	1
4B	1284781GT	FORMING,CONTROL PANEL,TECH PRO,METRIC from SN GS30D-24261	1
5	66812GT	BUTTON,PUSH,RED MUSHROOM HEAD	1
5-	58627GT	NUT	1
5-	66817GT	E-STOP NC CONTACT	1
5-	66818GT	CONTACT,NC	1
6	96452GT	CIRCUIT BREAKER, 7.0 AMP***	1
6-	122994GT	NICKEL PLATED JAM NUT	1
6-	6700GT	WASHER,STAR,EXTERNAL,,375	1
7	96008-SGT	KEYSWITCH,3 POS. W/KEYS***	1
7A-	85239GT	NUT,RETAINER (96008)	
7A-	96009GT	WASHER,NITRILE (sold seperately)	
7A-	96010GT	SCREW,PHILLIPS,PHM,8-32 X.25** (sold seperately)	
7A-	88827GT	GASKET,KEYSWITCH,PLASTIC***	
7B	83131GT	KEYSWITCH,3 POS W/KEYS,LOCKING Australia market only; not for CE market	
7B-	85239GT	NUT,RETAINER (96008)	
8	1256721GT	GCON,STD,PROP LIFT.	1
9	137562GT	DECAL,MEMBRANE, GR/GRC/GS GCON	1
10	137668GT	SCREW,PHM,6-19X.75, 48-2 TRI-L	4
11	T106366GT	ENCLOSURE,GC27-25/GC21-19,FRNT	1
12	T106363GT	ADAPTER, RJ45, GC27-25/GC21-19	1
13	137637GT	SCREW,PHM,4-20X.5, 48-2 TRI-L (Not shown)	2



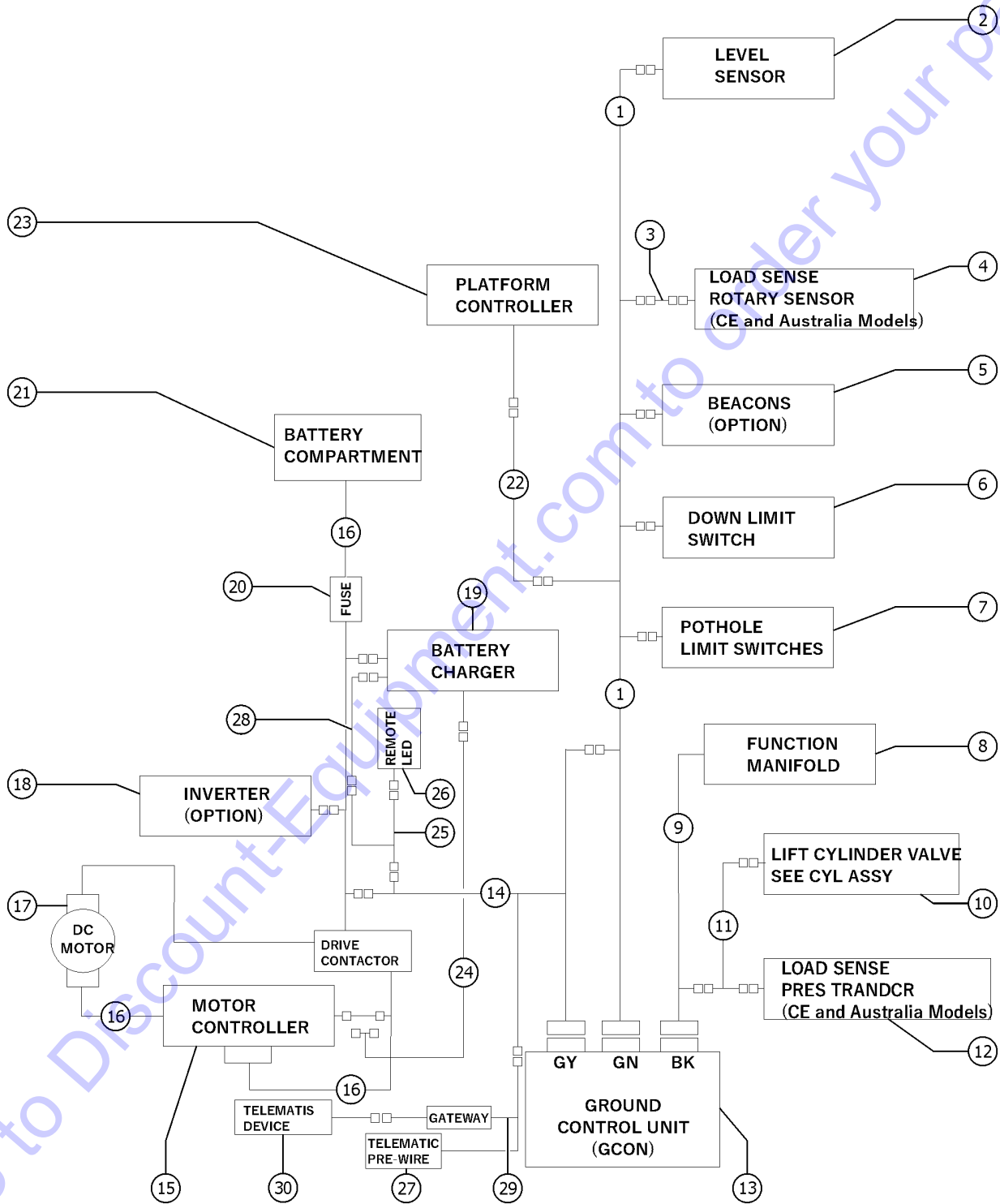
208.1 Ground Controls, All Models



<i>Item</i>	<i>Part No.</i>	<i>Description</i>	<i>Qty.</i>
14	T106362GT	COVER, RJ45, GC27-25/GC21-19	1
15	1256719GT	PCBA,GCON STD,PROP LIFT	
16	T106372GT	ENCLOSURE, GC21-19, BK	1
17	96010GT	SCREW,PHILLIPS,PHM,8-32 X.25**	3
18	1272122GT	CONN, RECEP, 5 WAY, DEUTSCH, HD10	1
19	1272123GT	DUST CAP, RECEPTACLE, 5 WAY, CIRCULAR	1
20	1253477GT	SCREW,PHPM,4-40X.5,ZAG	4
21	826854GT	NUT,NYLOCK,4-40	4

Go to Discount-Equipment.com to order your parts





Go to Discount-Equipment.com to order your parts

209.1 Electrical Wiring, GS-1530, GS-1532 (to SN GS30D-29806)

Item	Part No.	Description	Qty.
A	88335GT	PLUG,DTM SEAL 20-24GA	
B	1264822GT	KIT, TRC RETROFIT, STNDRD Telematics (includes 1264834)	
B-	1264834GT	INSTRN, TRC RETROFIT, STNDRD	
1	1263221GT	HARNESS, GS SENSORS, ANSI ANSI, CSA, S. America	1
1B	1263220GT	HARNESS, GS SENSORS, CE CE, AUS, Asia	1
2		REF. LEVEL SENSOR refer to 203.1	
3	T114031GT	HARNESS, ROTARY ANGLE CE and AUS	
4	T113136GT	ASSY,ROT SENSR W/ HARNESS CE and AUS	1
5		REF. BEACONS refer to 601.1	
6	T112507GT	ASSEMBLY, DOWN LIMIT, GS	1
7	96309GT	POTHOLE HARNESS ASSEMBLY	1
8		REF. FUNCTION MANIFOLD refer to 502.1	
9	1257824GT	HARNESS,FUNCTION MANIFOLD,GS (Black connector)	1
10		REF. LIFT CYLIDER VALVE refer to 506.1	
11	T112508GT	CABLE, LIFT CYL DOWN WO/LS ANSI, CSA, Asia, S. America	1
11B	T112509GT	CABLE,LFT CYL DN,15/19XX, W/LS CE and AUS	1
12		Ref. HARNESS,PRESS,TRANSDUCER refer to 701.1, CE and AUS	1
13		REF. GROUND CONTROLS refer to 208.1	
14	1258394GT	HARNESS, GS POWER CONTROL (Grey connector)	1
15		REF. MOTOR CONTROLLER refer to 207.1	
16		REF. ELECTRICAL WIRING AND POWER CABLES refer to 210.1	
17		REF. DC MOTOR refer to 505.1	
18	96459GT	HARNESS ASSEMBLY, INVERTER	
19		REF. BATTERY CHARGER refer to 206.1	
20		REF. FUSE refer to 205.1	
21		REF. BATTERY COMPARTMENT refer to 205.1	
22	T112510GT	CABLE, PLATFORM CONTROL, 15XX GS-1530 and GS-1532	1
22A-	218579GT	WIRE CABLE 18/5 - UNSHIELDED GS-1530 and GS-1532	212

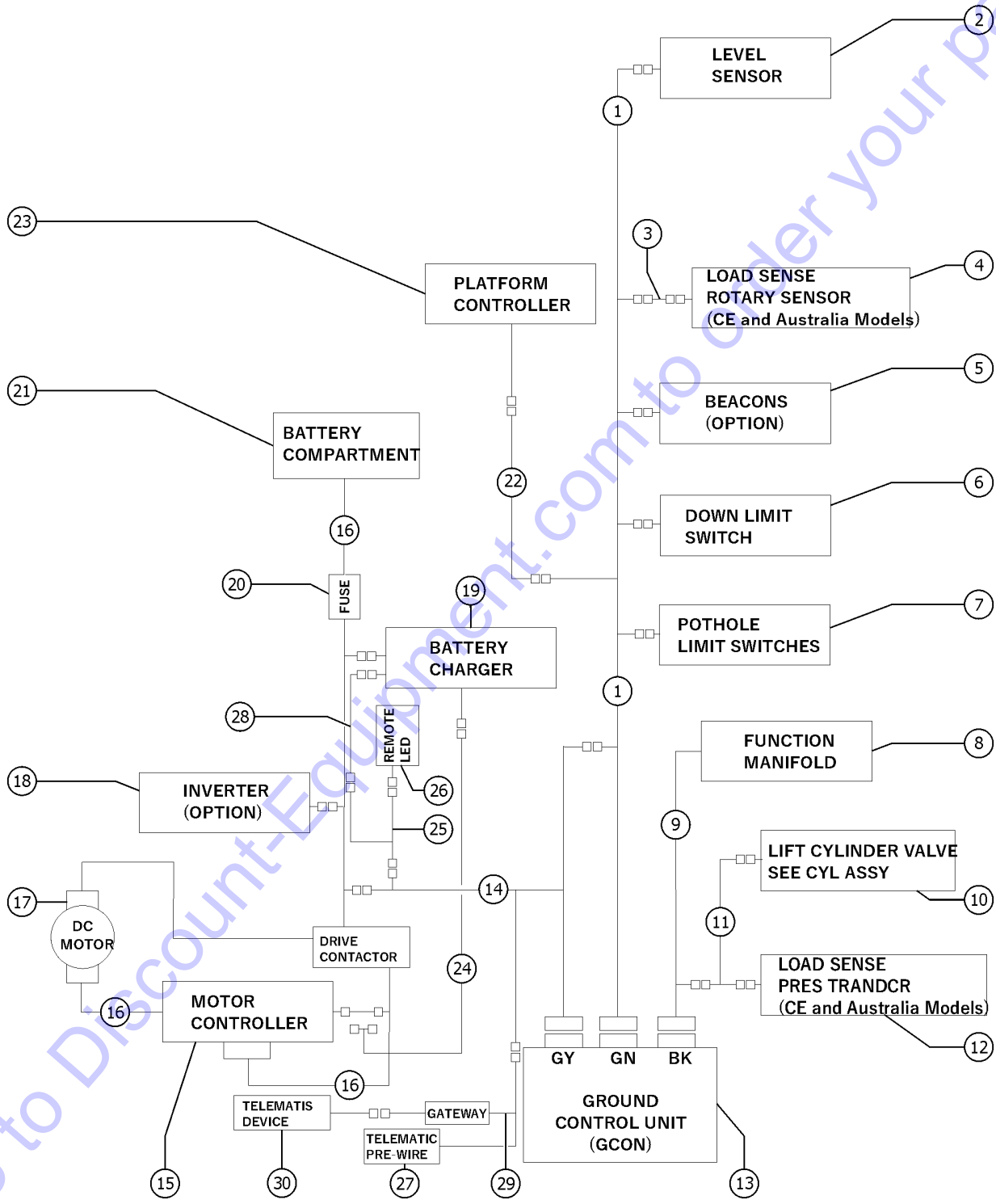


209.1 Electrical Wiring, GS-1530, GS-1532 (to SN GS30D-29806)

Item	Part No.	Description	Qty.
22A-	231921GT	KIT,CONN,RECEPT W/PIN AND LOCK	
22A-	231922GT	KIT,CONN,PLUG W/SCKT AND LOCK	
23		REF. Joystick Controller	
		refer to 407.1	
24	144213GT	CHARGER INTERLOCK CBLE,GS30/32	
		to SN GS30D-23747	
25	1272119GT	HARNESS,LED CHRGER,GS30	1
		US part number	
25B	1273394GT	HARNESS ,CHARGER EXTENSION	1
		China part number, from SN GS3016D-6096	
25C	1296990GT	HARNESS,CHARGER EXTENSION,AGM,GS30/46	1
		(GPD option)	
26	1306190GT	ASSEMBLE,CHARGER STATUS LED,3V	1
26B	1296550GT	CHARGER,STATUS LED CBI	1
		(GPD option)	
27	1283053GT	HARNESS, TELEMATICS, GS SLAB	1
		from SN GS30D-17247	
28	1265771GT	HARNESS, CHARGER CONTROL	1
		from SN GS3016D-5426, (no need for GPD option)	
29	1289899GT	HARNESS, GATEWAY, GS	1
30		Ref. MODULE,TELEMATICS,ZTR,M7	1
		(refer to 203.1)	

Go to Discount-Equipment.com to order your parts



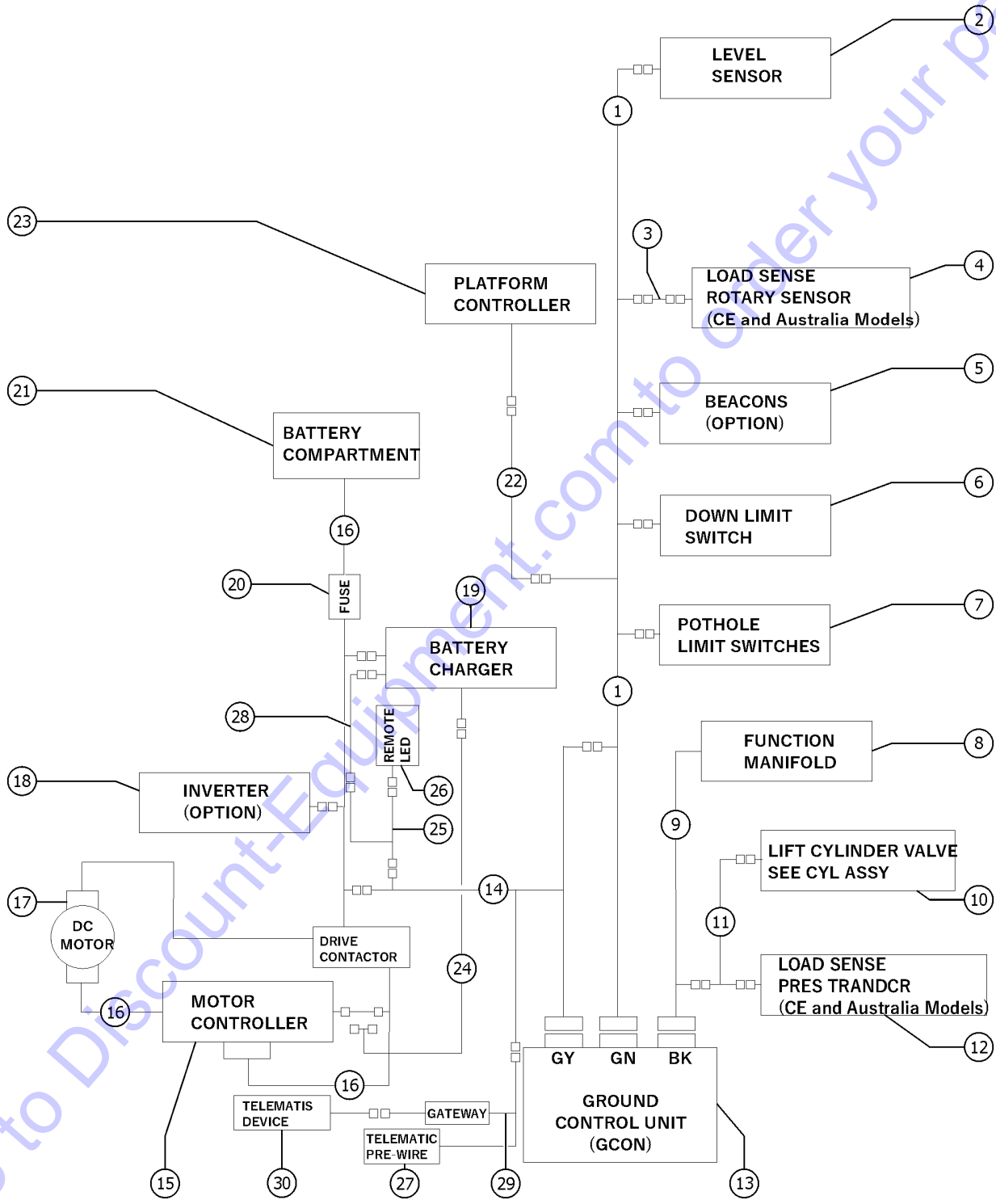


209.1 Electrical Wiring, GS-1930, GS-1932 (to SN GS30D-29806)

Item	Part No.	Description	Qty.
A	88335GT	PLUG,DTM SEAL 20-24GA	
B	1264822GT	KIT, TRC RETROFIT, STNDRD Telematics (includes 1264834)	
B-	1264834GT	INSTRN, TRC RETROFIT, STNDRD	
1	1263221GT	HARNESS, GS SENSORS, ANSI ANSI, CSA, S. America	1
1B	1263220GT	HARNESS, GS SENSORS, CE CE, AUS, Asia	1
2		REF. LEVEL SENSOR refer to 203.1	
3	T114031GT	HARNESS, ROTARY ANGLE CE and AUS	
4	T113136GT	ASSY,ROT SENSR W/ HARNESS CE and AUS	1
5		REF. BEACONS refer to 601.1	
6	T112507GT	ASSEMBLY, DOWN LIMIT, GS	1
7	96309GT	POTHOLE HARNESS ASSEMBLY	1
8		REF. FUNCTION MANIFOLD refer to 502.1	
9	1257824GT	HARNESS,FUNCTION MANIFOLD,GS (Black connector)	1
10		REF. LIFT CYLIDER VALVE refer to 506.1	
11	T112508GT	CABLE, LIFT CYL DOWN WO/LS ANSI, CSA, Asia, S. America	1
11B	T112509GT	CABLE,LFT CYL DN,15/19XX, W/LS CE and AUS	1
12		Ref. HARNESS,PRESS,TRANSDUCER refer to 701.1, CE and AUS	1
13		REF. GROUND CONTROLS refer to 208.1	
14	1258394GT	HARNESS, GS POWER CONTROL (Grey connector)	1
15		REF. MOTOR CONTROLLER refer to 207.1	
16		REF. ELECTRICAL WIRING AND POWER CABLES refer to 210.1	
17		REF. DC MOTOR refer to 505.1	
18	96459GT	HARNESS ASSEMBLY, INVERTER	
19		REF. BATTERY CHARGER refer to 206.1	
20		REF. FUSE refer to 205.1	
21		REF. BATTERY COMPARTMENT refer to 205.1	
22B	T112511GT	CABLE, PLATFORM CONTROL, 19XX GS-1930 and GS-1932	1
22B-	218579GT	WIRE CABLE 18/5 - UNSHIELDED	278



209.1 Electrical Wiring, GS-1930, GS-1932 (to SN GS30D-29806)



Go to Discount-Equipment.com to order your parts



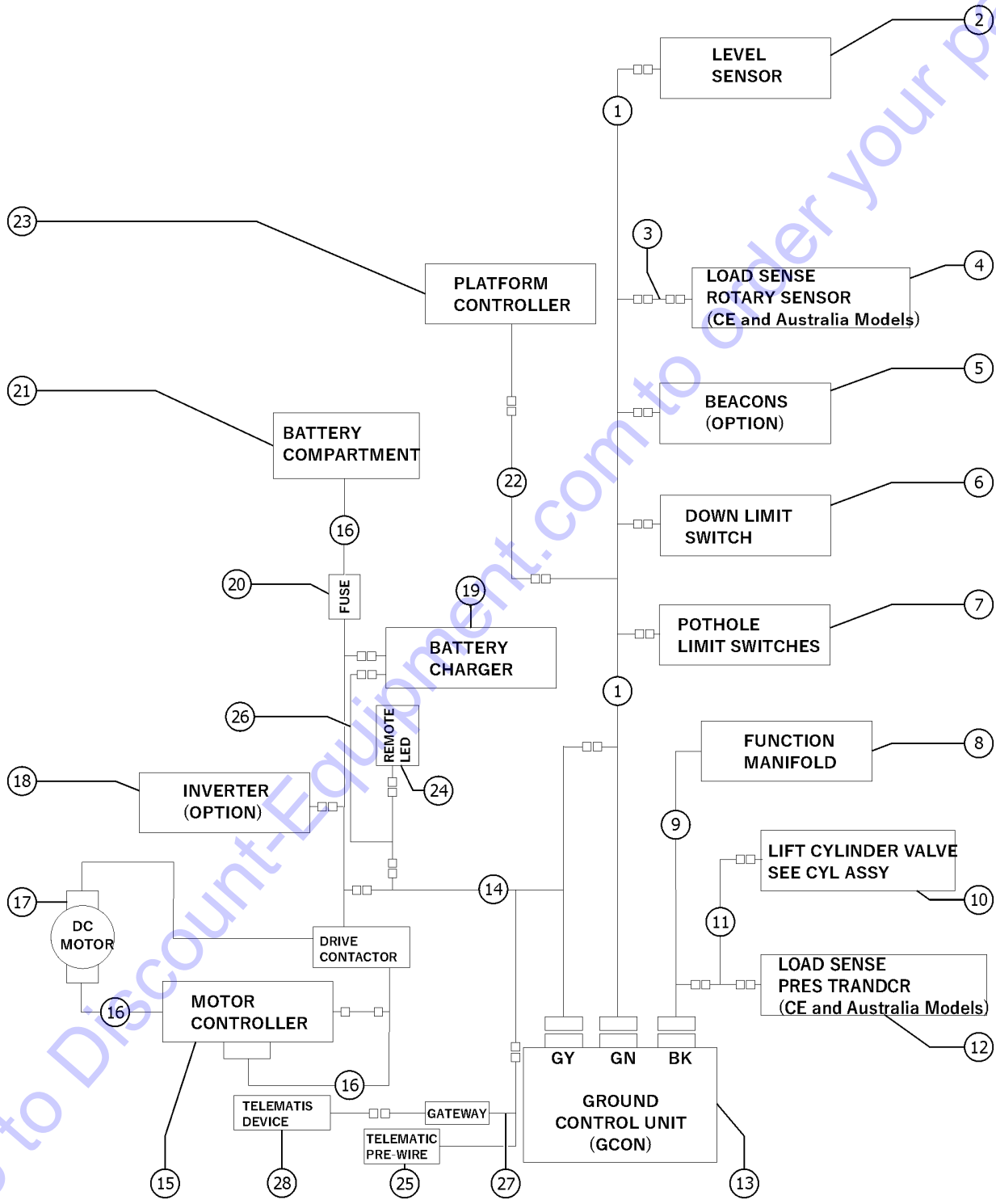
209.1 Electrical Wiring, GS-1930, GS-1932 (to SN GS30D-29806)

Item	Part No.	Description	Qty.
22B-	231921GT	KIT,CONN,RECEPT W/PIN AND LOCK	
22B-	231922GT	KIT,CONN,PLUG W/SCKT AND LOCK	
23		REF. Joystick Controller	
		refer to 407.1	
24	144213GT	CHARGER INTERLOCK CBLE,GS30/32	
		to SN GS30D-23747	
25	1273394GT	HARNESS ,CHARGER EXTENSION	1
		from SN GS3016D-6096	
25B	1296990GT	HARNESS,CHARGER EXTENSION,AGM,GS30/46	1
		(GDP option)	
26	1306190GT	ASSEMBLE,CHARGER STATUS LED,3V	1
26B	1296550GT	CHARGER,STATUS LED CBI	1
		(GDP option)	
27	1283053GT	HARNESS, TELEMATICS, GS SLAB	1
		from SN GS30D-17247	
28	1265771GT	HARNESS, CHARGER CONTROL	1
		from SN GS3016D-5426, (no need for GDP option)	
29	1289899GT	HARNESS, GATEWAY, GS	1
30		Ref. MODULE,TELEMATICS,ZTR,M7	1
		(refer to 203.1)	

Go to Discount-Equipment.com to order your parts



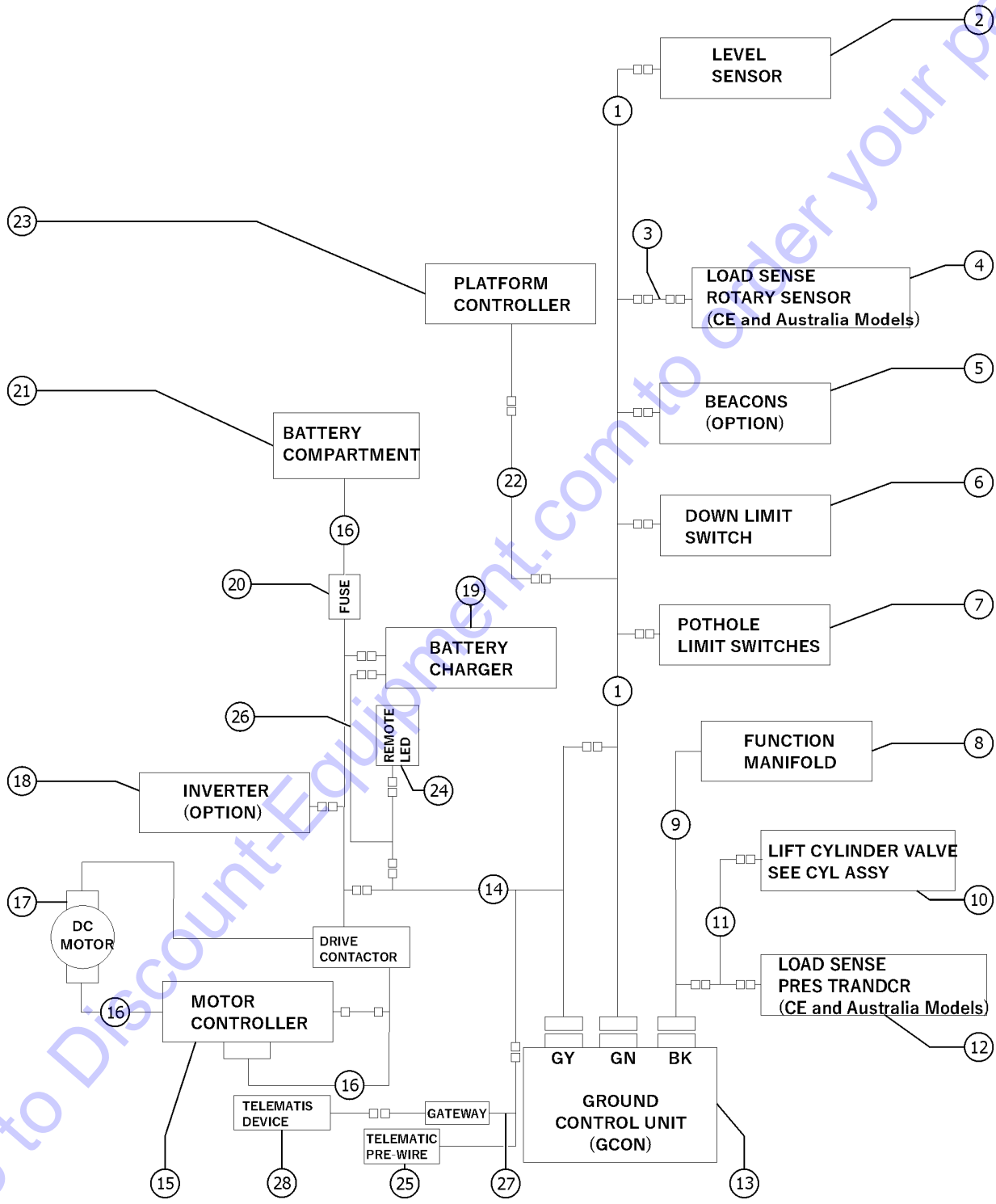
209.2 Electrical Wiring (from SN GS30D-29807)



Item	Part No.	Description	Qty.
A	88335GT	PLUG,DTM SEAL 20-24GA	
B	1264822GT	KIT, TRC RETROFIT, STNDRD Telematics (includes 1264834)	
B-	1264834GT	INSTRN, TRC RETROFIT, STNDRD	
1	1263221GT	HARNESS, GS SENSORS, ANSI ANSI, CSA, S. America	1
1B	1263220GT	HARNESS, GS SENSORS, CE CE, AUS, Asia	1
2		REF. LEVEL SENSOR	
		refer to 203.1	
3	T114031GT	HARNESS, ROTARY ANGLE CE and AUS	
4	T113136GT	ASSY,ROT SENSR W/ HARNESS CE and AUS	1
5		REF. BEACONS	
		refer to 601.1	
6	T112507GT	ASSEMBLY, DOWN LIMIT, GS	1
7	96309GT	POTHOLE HARNESS ASSEMBLY	1
8		REF. FUNCTION MANIFOLD	
		refer to 502.1	
9	1257824GT	HARNESS,FUNCTION MANIFOLD,GS (Black connector)	1
10		REF. LIFT CYLIDER VALVE	
		refer to 506.1	
11	T112508GT	CABLE, LIFT CYL DOWN WO/LS ANSI, CSA, Asia, S. America	1
11B	T112509GT	CABLE,LFT CYL DN,15/19XX, W/LS CE and AUS	1
12		Ref. HARNESS,PRESS,TRANSDUCER	1
		refer to 701.1, CE and AUS	
13		REF. GROUND CONTROLS	
		refer to 208.1	
14	1258394GT	HARNESS, GS POWER CONTROL (Grey connector)	1
15		REF. MOTOR CONTROLLER	
		refer to 207.1	
16		REF. ELECTRICAL WIRING AND POWER CABLES	
		refer to 210.1	
17		REF. DC MOTOR	
		refer to 505.1	
18	96459GT	HARNESS ASSEMBLY, INVERTER	
19		REF. BATTERY CHARGER	
		refer to 206.1	
20		REF. FUSE	
		refer to 205.1	
21		REF. BATTERY COMPARTMENT	
		refer to 205.1	
22	T112510GT	CABLE, PLATFORM CONTROL, 15XX GS-1530 and GS-1532	1
22-	218579GT	WIRE CABLE 18/5 - UNSHIELDED GS-1530 and GS-1532	212



209.2 Electrical Wiring (from SN GS30D-29807)

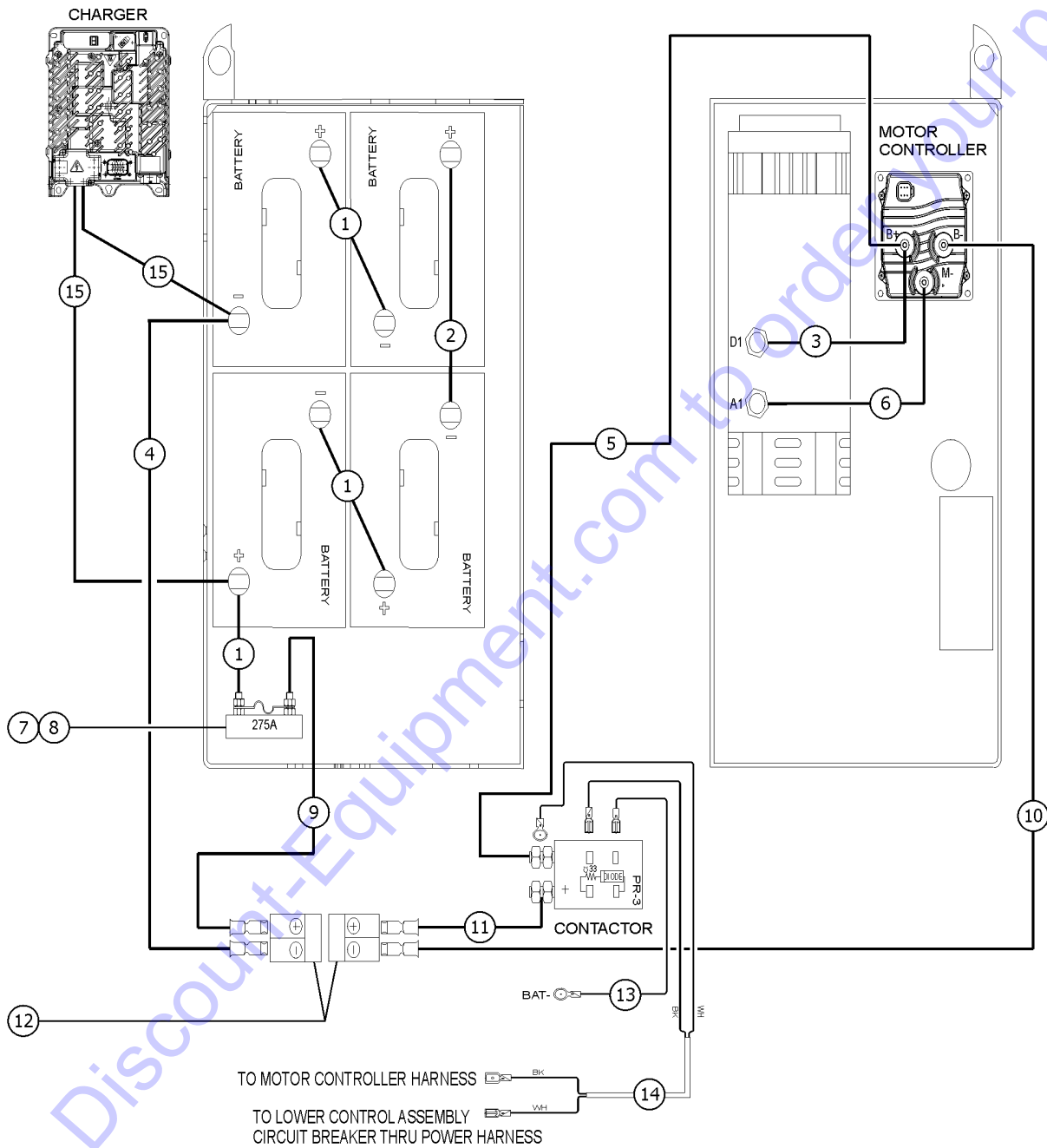


Item	Part No.	Description	Qty.
22-	231921GT	KIT,CONN,RECEPT W/PIN AND LOCK	
22-	231922GT	KIT,CONN,PLUG W/SCKT AND LOCK	
22B	T112511GT	CABLE, PLATFORM CONTROL, 19XX	1
		GS-1930 and GS-1932	
22B-	218579GT	WIRE CABLE 18/5 - UNSHIELDED	278
22B-	231921GT	KIT,CONN,RECEPT W/PIN AND LOCK	
22B-	231922GT	KIT,CONN,PLUG W/SCKT AND LOCK	
23		REF. Joystick Controller	
		refer to 407.1	
24	1306190GT	ASSEMBLE,CHARGER STATUS LED,3V	1
25	1283053GT	HARNESS, TELEMATICS, GS SLAB	1
26	1272119GT	HARNESS,LED CHRGER,GS30	1
27	1289899GT	HARNESS, GATEWAY, GS	1
28		Ref. MODULE,TELEMATICS,ZTR,M7	1
		(refer to 203.1)	

Go to Discount-Equipment.com to order your parts



210.1 Power Cables

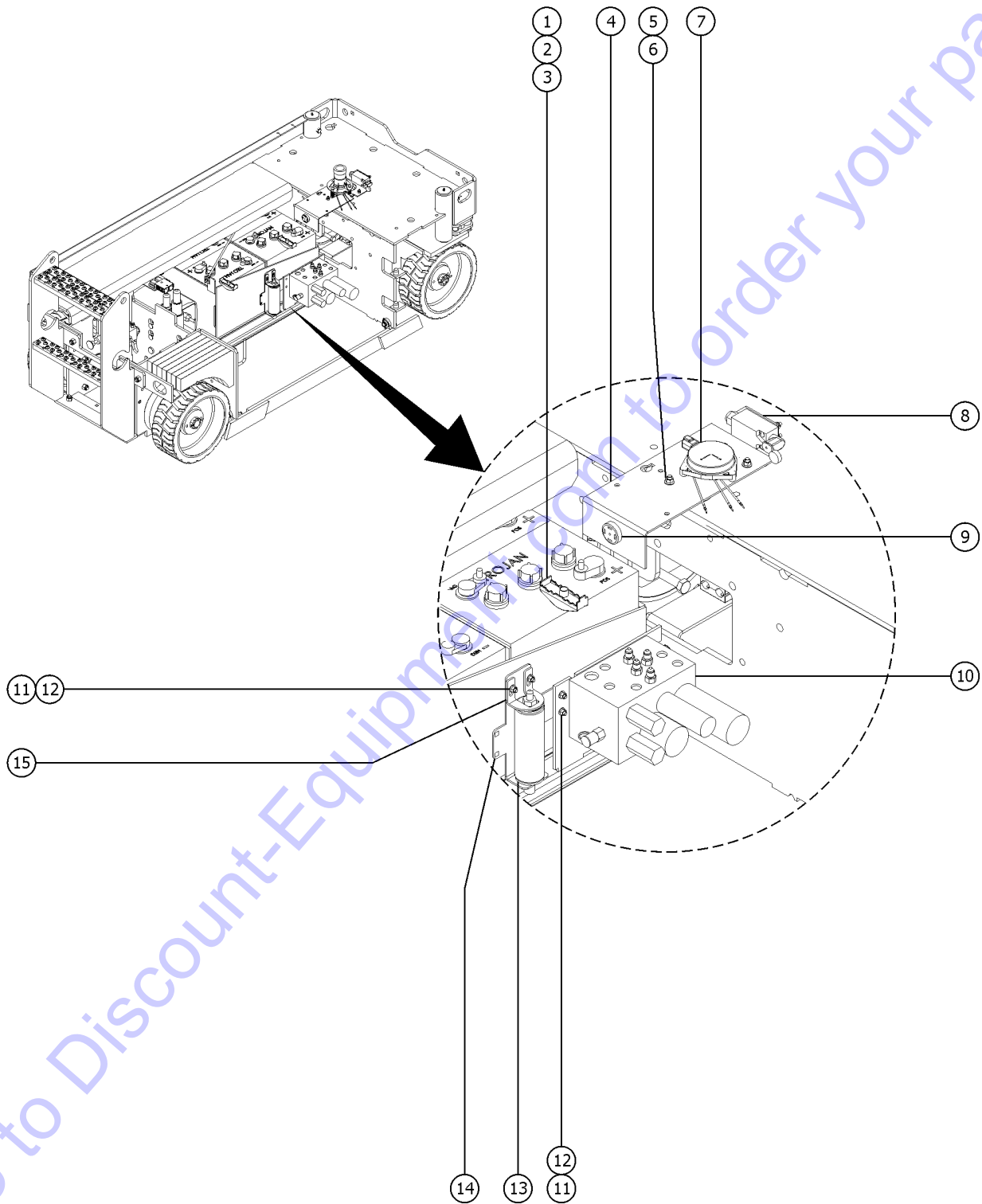


Item	Part No.	Description	Qty.
A	28131GT	WIRE LOOM,1.25 DIA	16
B	96110GT	BOOT, CABLE, TERMINAL COVER	14
C	79140GT	BOOT,CABLE TERMINAL,RED,XL	2
1	96304GT	CABLE ASSY,BATT,5.50"RED	3
2	96306GT	CABLE ASSY,BATT,9.50"RED	1
3	1257054GT	CABLE ASSY., BATT. 11.5" RED	1
4	232578GT	CABLE ASSY,BATT, 20" BLK	1
5	1257059GT	CABLE ASSY.,BATT. 74.5"RED	1
6	1257055GT	CABLE ASSY., BATT. 9.5" BLACK	1
7	66717GT	FUSE BLOCK, ANN & ANL FUSE	1
8	40833GT	FUSE, 275AMP, VERY FAST ACTING	1
9	232576GT	CABLE ASSY,BATT, 12" RED	1
10	1257058GT	CABLE ASSY., BATT. 79" BLACK	1
11	233371GT	CABLE ASSY, BATT, 23"RD	1
12	66397GT	QUICK DISCONNECT CASING,BATT**	2
13	232582GT	GROUND WIRE ASSY,GS	1
14	233431GT	HRNS,CONTACTOR SIGNL,GS30/32	1
15	1273576GT	CABLE ASSY,CHARGER/BATTERY (standard batteries), (no need for GDP option)	
15B	1272844GT	CABLE,CHARGER, DC, W/ BTS (AGM batteries)	1

Go to Discount-Equipment.com to order your parts



211.1 Function Manifold and Accumulator Components



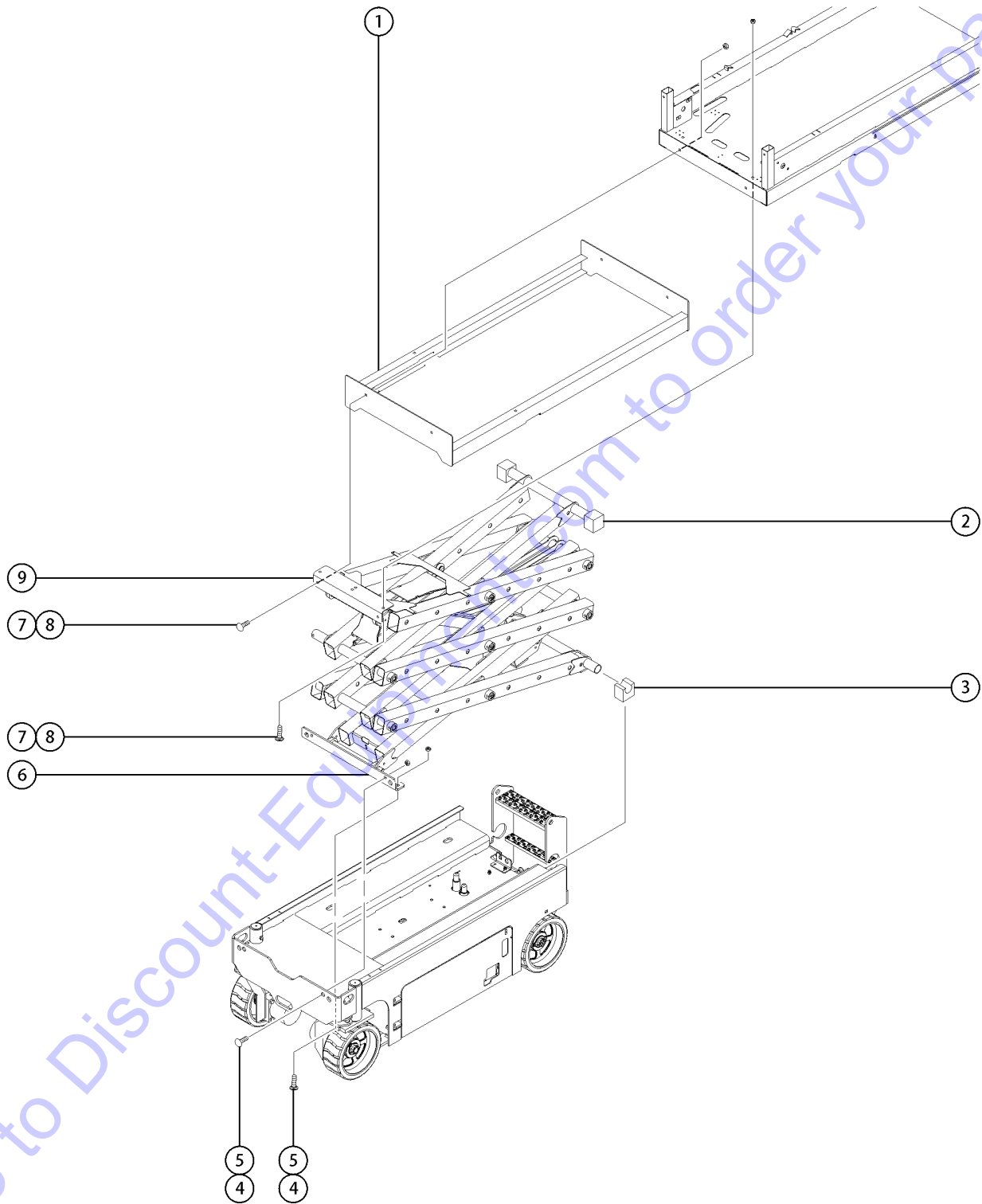
211.1 Function Manifold and Accumulator Components

Item	Part No.	Description	Qty.
1	105209GT	CLAMP,CABLE & HOSE	2
2	824081GT	SCREW,HHF,1/4-20X1.5,8,ZAG	2
3	6091GT	NUT, NYLOCK, 1/4-20	2
4		Ref. Alarm Bracket (refer to 203.1)	
5	824029GT	NUT,TL FLG,3/8-16,G,ZAG	
6	824125GT	BOLT,CARRIAGE,3/8-16X1,5,ZAG	
7		Ref. Level Sensor (refer to 203.1)	
8		Ref. Limit Switch with Roller (refer to 203.1)	
9		Ref. Alarm, Steady Tone (refer to 203.1)	
10		Ref. Function Manifold (refer to 502.1)	
11	824027GT	NUT, TL FLG, 1/4-20, G, ZAG	6
12	824124GT	BOLT, CARRIAGE, 1/4-20 X .75, 5, ZAG	6
13	78422GT	ACCUMULATOR,180 PSI PRECHARGE*	1
14	105210GT	FORMING, ACCUMULATOR BRACKET US part number	1
14B	132191GT	FORMING ACCUMULATOR BRACKET China part number	1
15	105211GT	FORMING, ACCUMULATOR CLAMP US part number	1
15B	132192GT	FORMING ACCUMULATOR CLAMP China part number	1

Go to Discount-Equipment.com to order your parts



301.1 Scissor Assembly Installation

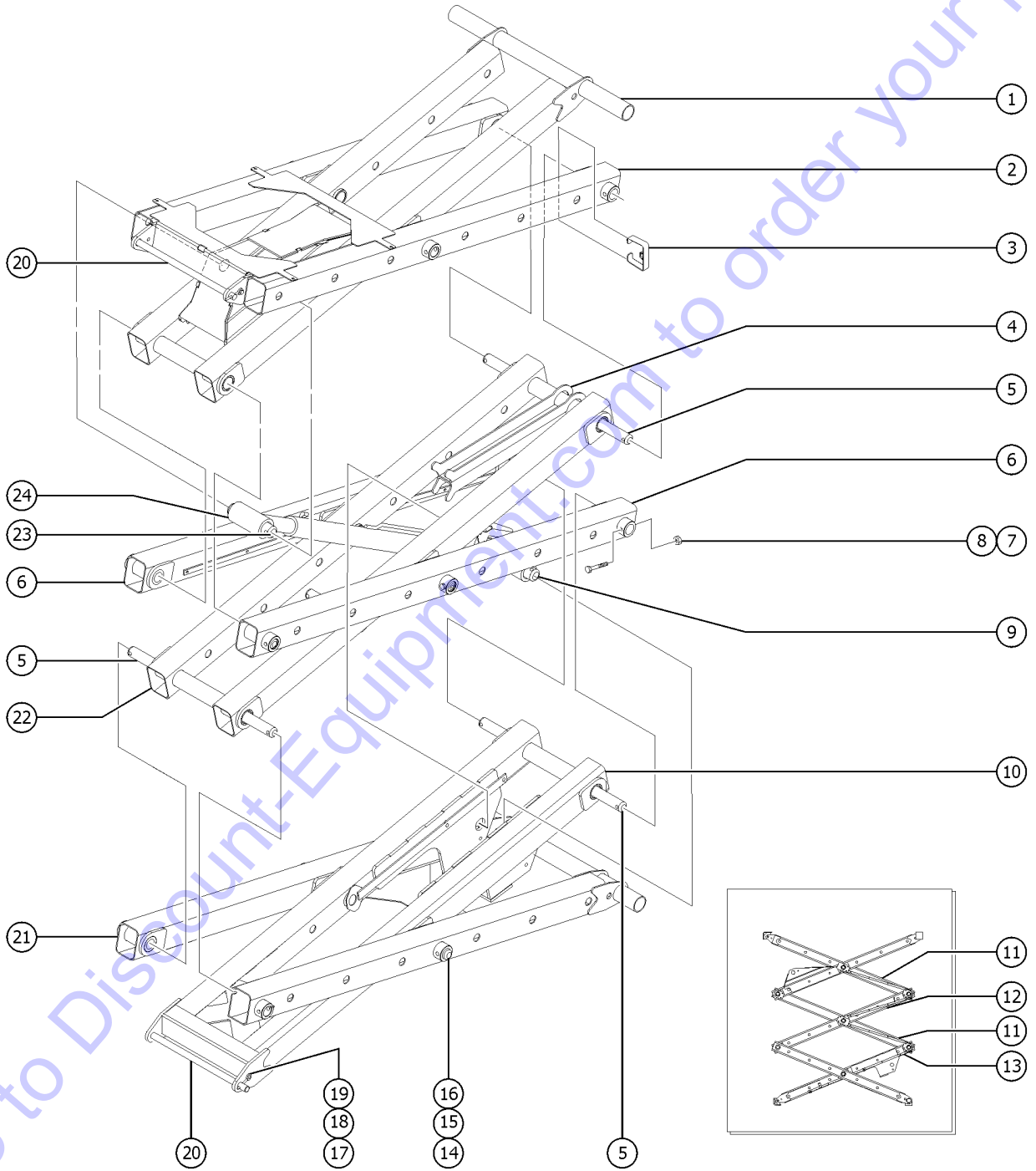


Item	Part No.	Description	Qty.
1	96415GT	WLDMT,PLATFORM SLIDER US part number; GS-1530 & GS-1532 Models Only	1
1B	132153GT	PLATFORM SLIDER WELDMENT China part number; GS-1530 & GS-1532 Models Only	1
2	96576GT	SLIDER, MINI PLATORM, DRILLED**	2
3	96126GT	SLIDER, UHMW	2
4	1256115GT	BOLT,CARRIAGE,1/2-13X1.75,5,ZA.	8
5	1251997GT	NUT,TL,FLG,1/2-13,G,ZAG	8
6	84693GT	CHASSIS MOUNT ASSY, GS30 US part number	1
6A-	36369GT	BEARING,0.75IDX1.00ODX0.75L	2
6B	132083GT	WELDMENT, CHASSIS MOUNT China part number	1
7	1255757GT	BOLT,CARRIAGE,3/8-16X1.25,5,ZAG	
8	824029GT	NUT,TL FLG,3/8-16,G,ZAG	
9	84694GT	PLATFORM MOUNT ASSY, 15 FT US part number; GS-1530, GS-1532	1
9A-	36369GT	BEARING,0.75IDX1.00ODX0.75L	2
9B	84695GT	PLATFORM MOUNT ASSY, 19 FT US part number; GS-1930, GS-1932	1
9B-	36369GT	BEARING,0.75IDX1.00ODX0.75L	2
9C	132130GT	WELDMENT, PLATFORM MOUNT China part number; GS-1530, GS-1532	1
9C-	36369GT	BEARING,0.75IDX1.00ODX0.75L	2
9D	132118GT	PLATFORM MOUNT BRACKET China part number; GS-1930, GS-1932	1
9D-	36369GT	BEARING,0.75IDX1.00ODX0.75L	2

Go to Discount-Equipment.com to order your parts



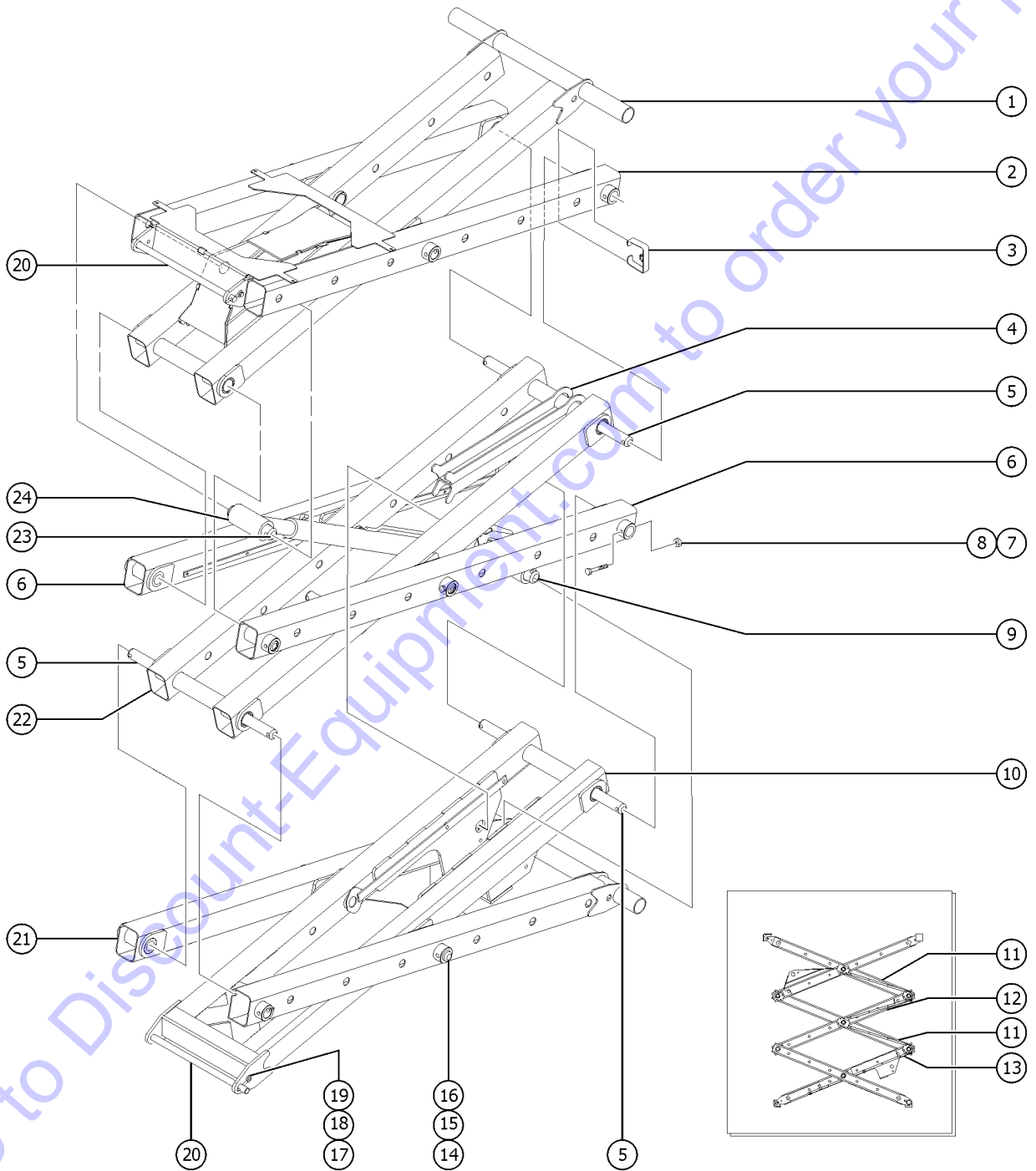
302.1 Scissor Assembly, GS-1530/1532



Item	Part No.	Description	Qty.
--	56926GT	CLIP,TIE HARNESS MOUNT*** not shown	
1	84578GT	INNER ARM ASSY,#3,15FT US part number	1
1A-	96487GT	BEARING,1.26IDX1.53ODX1.25L	6
1B	132124GT	WLDMENT, LINK, TOP CYL MNT 1530 China part number	1
2	105280GT	WELDMENT, LINK PLATFORM MNT*** US part number	2
2B	132995GT	WELDMENT, LINK PLATFORM MNT, MET China part number	2
3	96331GT	LINK BUMPER	8
4	58000GT	SAFETY CHOCK, SCISSOR US part number	1
4B	132038GT	FORMING, SAFETY ARM China part number	2
5	105085GT	PIN, MINI END***	4
6	96121GT	WELDMENT, LINK, SINGLE US part number	2
6B	132087GT	WELDMENT, LINK, SINGLE US part number	2
7	824025GT	NUT, TL, 3/8-16, C, ZAG	
8	1256848GT	SCREW, HHC, 3/8-16X2.75, 8, ZAG	
9	47666GT	PIN, 1.50DIA X 9.13LG, 1HOLE	1
10	105997GT	INNER ARM ASSY#1, 15&19FT, WORD (USA, Canada, and Australia)	1
10A-	105818GT	WLDTMT, LINK, #1 INNER, 15&19 FT US part number; (decals not included, refer to section one)	1
10A-	132937GT	WELDMNET, LINK, LWR CYL MNT China part number; (decals not included, refer to section one)	1
10A-	96487GT	BEARING, 1.26IDX1.53ODX1.25L	6
10B	105998GT	INNER ARM ASSY#1, 15&19FT, SYMB (Europe, Asia, South America)	1
10B-	105818GT	WLDTMT, LINK, #1 INNER, 15&19 FT US part number; (decals not included, refer to section one)	1
10B-	132937GT	WELDMNET, LINK, LWR CYL MNT China part number; (decals not included, refer to section one)	1
10B-	96487GT	BEARING, 1.26IDX1.53ODX1.25L	6
11	105183GT	WLDMT, CABLE BRIDGE, BOTTOM, MINI US part number	2
11B	132184GT	WLDMT, CABLE BRIDGE, BOTTOM, MINI China part number	2
12	105184GT	WELDMENT, CABLE BRIDGE, TOP, MINI US part number	1
12B	132185GT	WELDMENT, CABLE BRIDGE, TOP, MINI China part number	1
13	105182GT	WLDMT, CABLE BRIDGE, LOWER, MINI US part number	1



302.1 Scissor Assembly, GS-1530/1532



Go to Discount-Equipment.com to order your parts

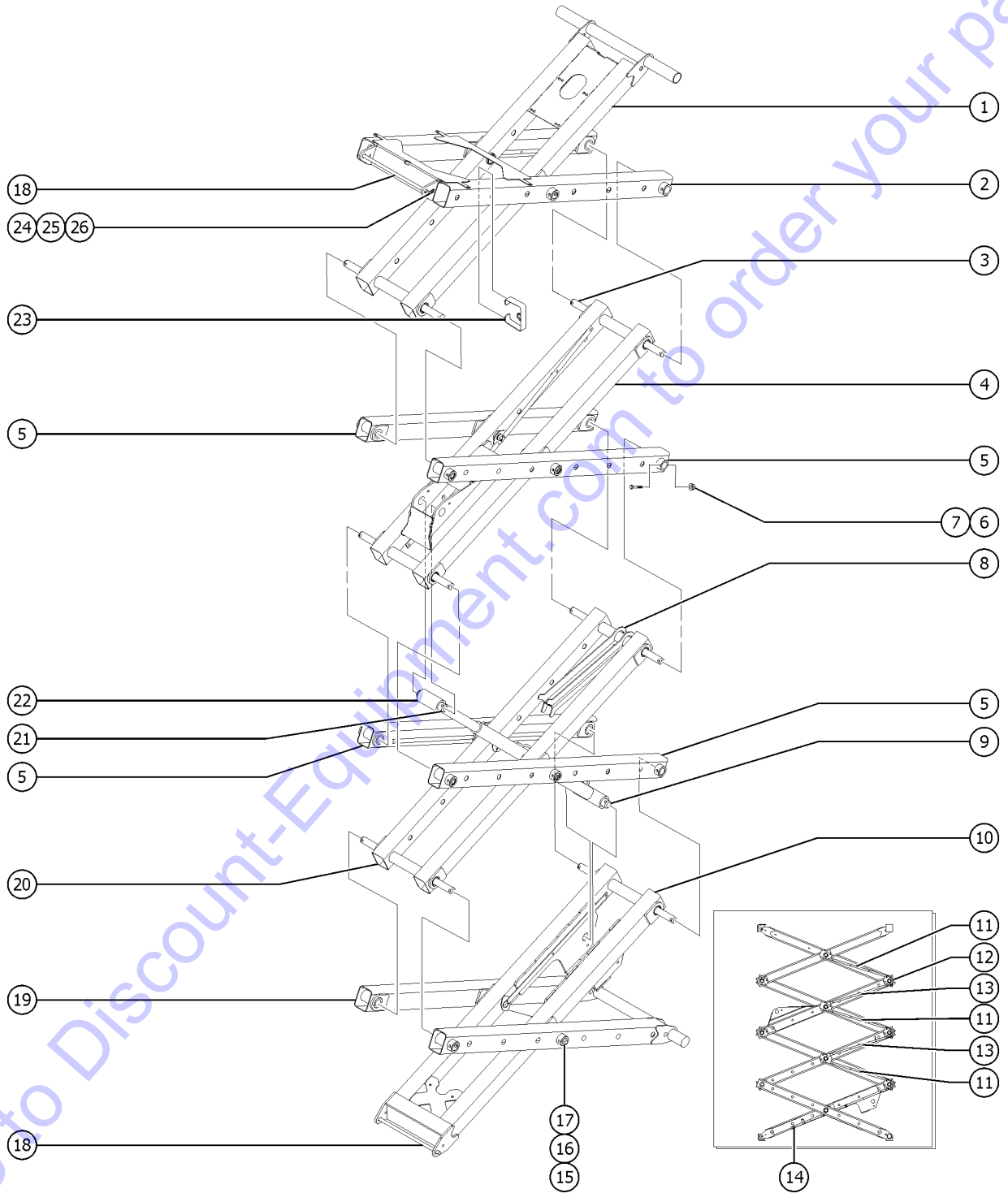


Item	Part No.	Description	Qty.
13B	132183GT	WLDMT,CABLE BRIDGE,LOWER,MINI China part number	1
14	824164GT	SNAP RING,EXTERNAL,1.25,ZAG	6
15	1251799GT	WASHER,SHIM, 1.27 X 2.13 X 0.1	
16	96130GT	PIN, MINI, CENTRE	6
17	824080GT	SCREW,HHF,1/4-20X1.25,8,ZAG	
18	825020GT	ROD END,.250X2.75,ZAG	2
19	824027GT	NUT, TL FLG, 1/4-20, G, ZAG	
20	96131GT	PIN, CHASSIS PIVOT	2
21	84581GT	OUTER ARM ASSY#1,15&19FT WORD (USA, Canada, and Australia)	1
21B	84583GT	OUTER ARM ASSY,#1,15&19FT SYMB US part number; (Europe, Asia, South America)	1
21C	132085GT	WELDMENT, LINK, CHASSIS SLIDER China part number; (Europe, Asia, South America)	1
22	84582GT	INNER ARM ASSY,#2,15/19 FT,WRD US part number; (decals not included, refer to section one)	1
22A-	96487GT	BEARING,1.26IDX1.53ODX1.25L	8
22B	132086GT	WELDMENT, LINK, INNER #2 China part number; (decals not included, refer to section one)	1
22C	1275748GT	WELDMENT, LINK, INNER,#2, KO Korean market	1
23	96283GT	PIN, CYLINDER, SHORT	1
24		REF. LIFT CYLINDER (refer to 506.1)	

Go to Discount-Equipment.com to order your parts



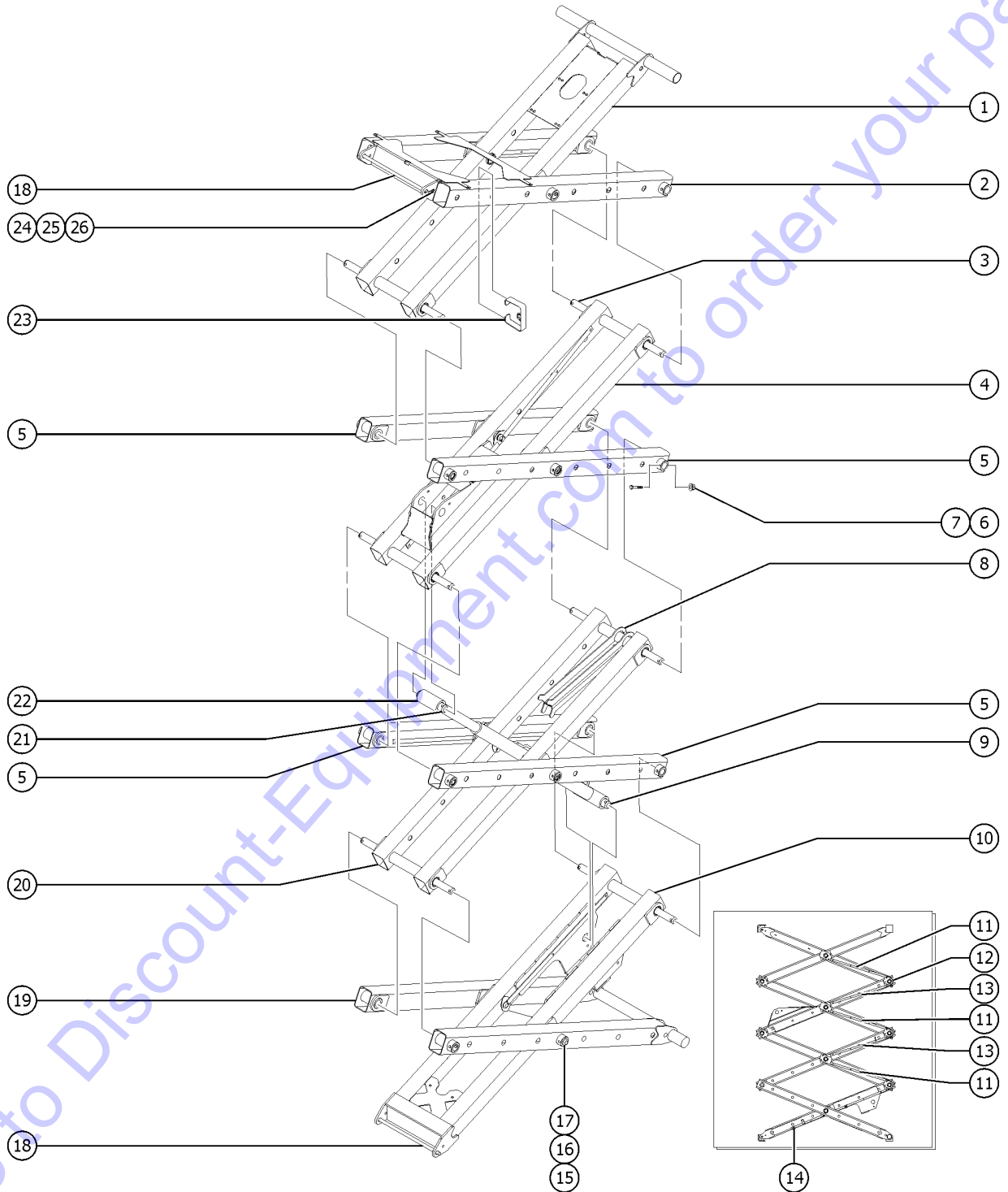
303.1 Scissor Assembly, GS-1930/1932



Item	Part No.	Description	Qty.
--	56926GT	CLIP,TIE HARNESS MOUNT*** not shown	
1	84579GT	INNER ARM ASSY,#4 19FT US part number	1
1A-	96487GT	BEARING,1.26IDX1.53ODX1.25L	6
1B	132089GT	WELDMENT, LINK, PLAT SLIDER China part number	1
2	105280GT	WELDMENT, LINK PLATFORM MNT*** US part number	2
2B	132995GT	WELDMENT, LINK PLATFORM MNT, MET China part number	2
3	105085GT	PIN, MINI END***	6
4	84580GT	INNER ARM ASSY, #3, 19FT US part number	1
4A-	96487GT	BEARING,1.26IDX1.53ODX1.25L	8
4B	132088GT	WELDMENT, LINK, UPPER CYL MNT China part number	1
5	96121GT	WELDMENT, LINK, SINGLE US part number	4
5B	132087GT	WELDMENT, LINK, SINGLE China part number	4
6	824029GT	NUT, TL FLG, 3/8-16, G, ZAG	
7	1256848GT	SCREW, HHC, 3/8-16X2.75, 8, ZAG	
8	58000GT	SAFETY CHOCK, SCISSOR US part number	1
8B	132038GT	FORMING, SAFETY ARM China part number	1
9	47666GT	PIN, 1.50DIA X 9.13LG, 1HOLE	1
10	105997GT	INNER ARM ASSY#1, 15&19FT, WORD (USA, Canada, Australia)	1
10A-	105818GT	WLDTMT, LINK, #1 INNER, 15&19 FT US part number; (decals not included, refer to section one)	1
10A-	132937GT	WELDMNET, LINK, LWR CYL MNT China part number; (decals not included, refer to section one)	1
10A-	96487GT	BEARING,1.26IDX1.53ODX1.25L	6
10B	105998GT	INNER ARM ASSY#1, 15&19FT, SYMB (Europe, Asia, South America)	1
10B-	105818GT	WLDTMT, LINK, #1 INNER, 15&19 FT US part number; (decals not included, refer to section one)	1
10B-	132937GT	WELDMNET, LINK, LWR CYL MNT China part number; (decals not included, refer to section one)	1
10B-	96487GT	BEARING,1.26IDX1.53ODX1.25L	6
11	105183GT	WLDMT, CABLE BRIDGE, BOTTOM, MINI US part number	3
11B	132184GT	WLDMT, CABLE BRIDGE, BOTTOM, MINI China part number	3
12	105185GT	CLIP, CABLEBRIDGE, MINI	3



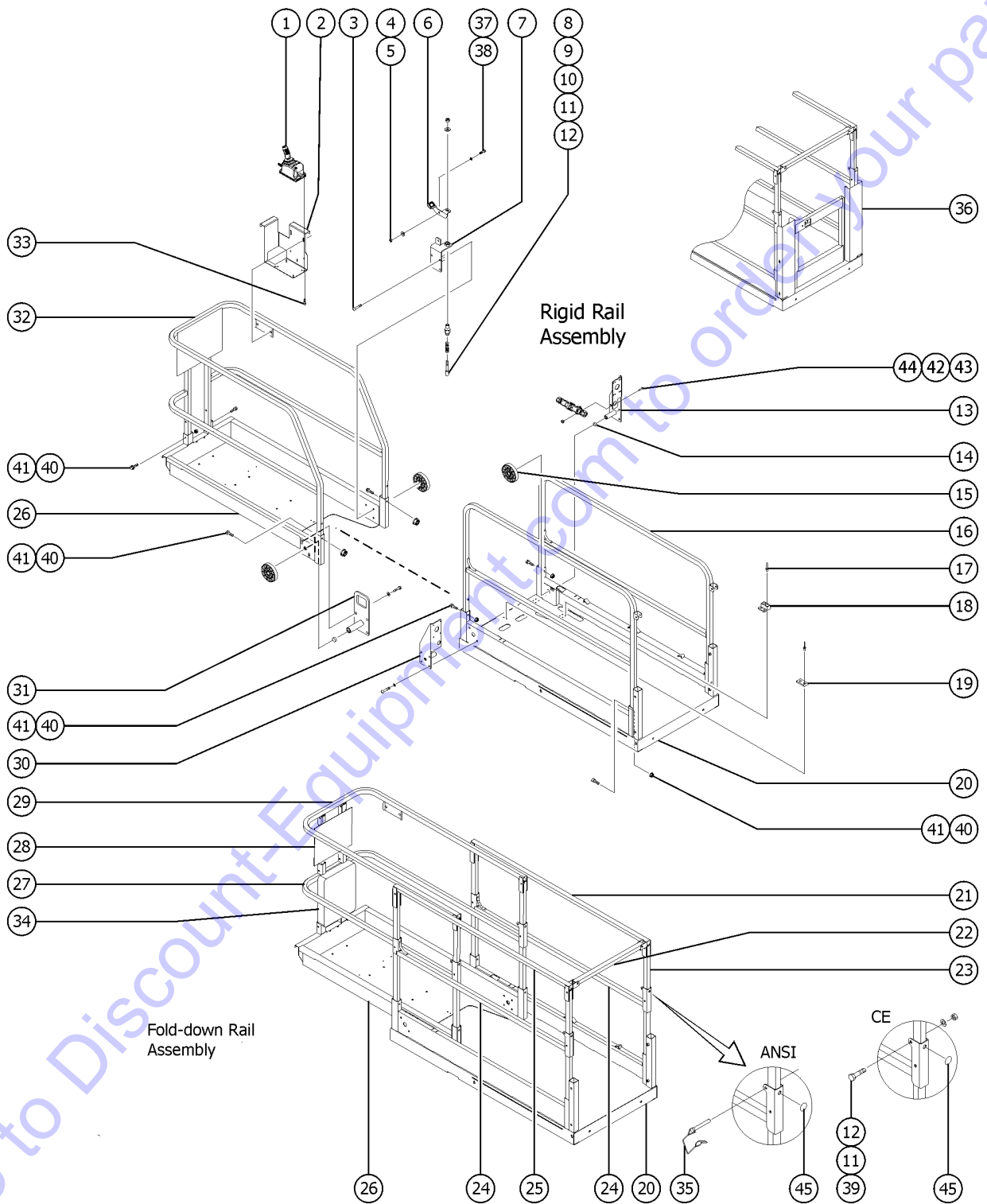
303.1 Scissor Assembly, GS-1930/1932



Item	Part No.	Description	Qty.
13	105184GT	WELDMENT,CABLE BRIDGE, TOP,MINI US part number	2
13B	132185GT	WELDMENT,CABLE BRIDGE, TOP,MINI China part number	3
14	105182GT	WLDMT,CABLE BRIDGE,LOWER,MINI US part number	1
14B	132183GT	WLDMT,CABLE BRIDGE,LOWER,MINI China part number	1
15	824164GT	SNAP RING,EXTERNAL,1.25,ZAG	8
16	1251799GT	WASHER,SHIM, 1.27 X 2.13 X 0.1	
17	96130GT	PIN, MINI, CENTRE	8
18	96131GT	PIN, CHASSIS PIVOT	2
19	84581GT	OUTER ARM ASSY#1, 15&19FT WORD (USA, Canada, Australia)	1
19B	84583GT	OUTER ARM ASSY,#1,15&19FT SYMB US part number; (Europe, Asia, South America)	1
19C	132085GT	WELDMENT, LINK, CHASSIS SLIDER China part number; (Europe, Asia, South America)	1
20	84582GT	INNER ARM ASSY,#2,15/19 FT,WRD US part number	1
20B	132086GT	WELDMENT, LINK, INNER #2 China part number	1
21	96283GT	PIN, CYLINDER, SHORT	1
22		Ref. Lift Cylinder (refer to 506.1)	
23	96331GT	LINK BUMPER	8
24	824080GT	SCREW,HHF,1/4-20X1.25,8,ZAG	
25	825020GT	ROD END,.250X2.75,ZAG	2
26	824027GT	NUT, TL FLG, 1/4-20, G, ZAG	

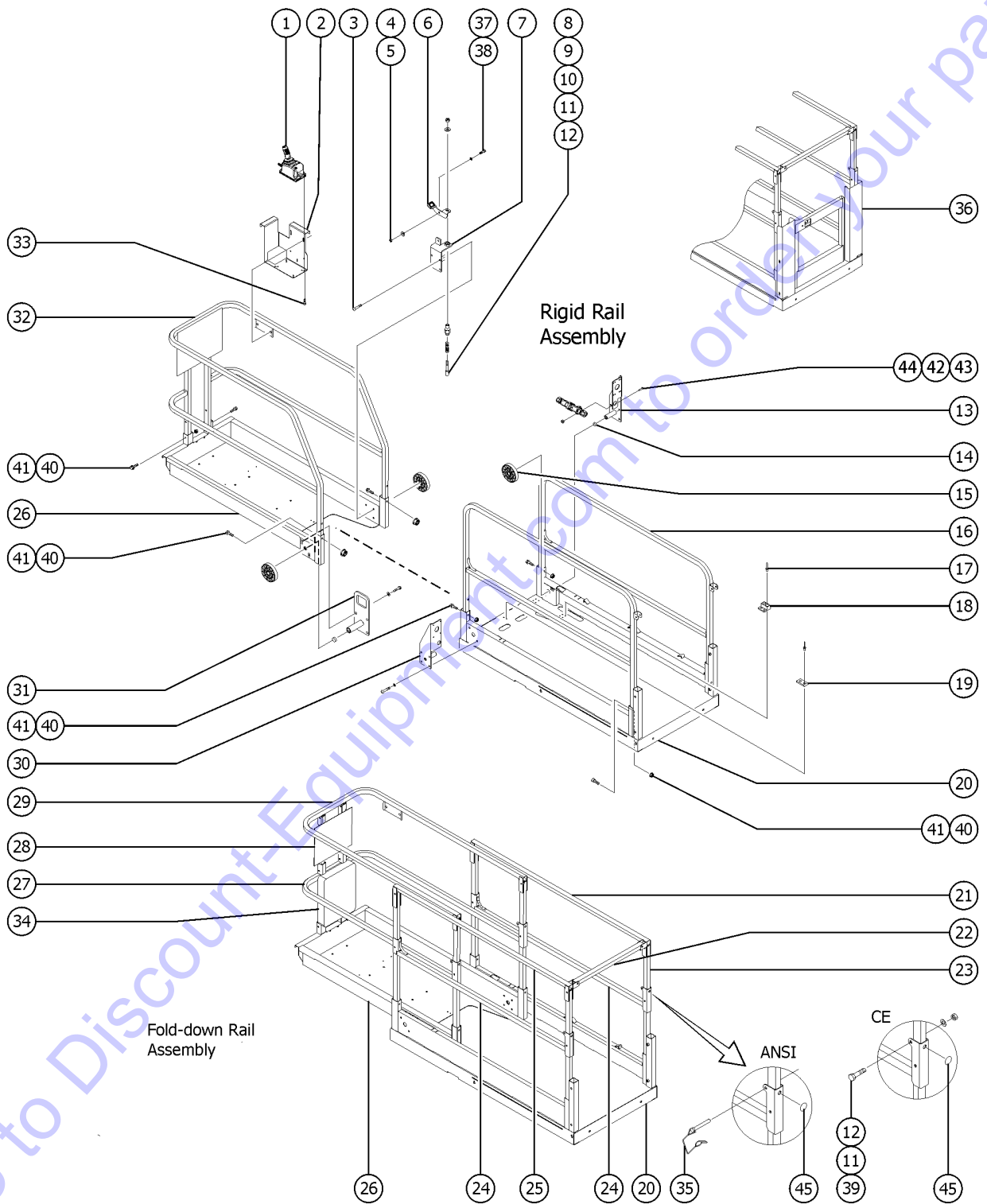
Go to Discount-Equipment.com to order your parts





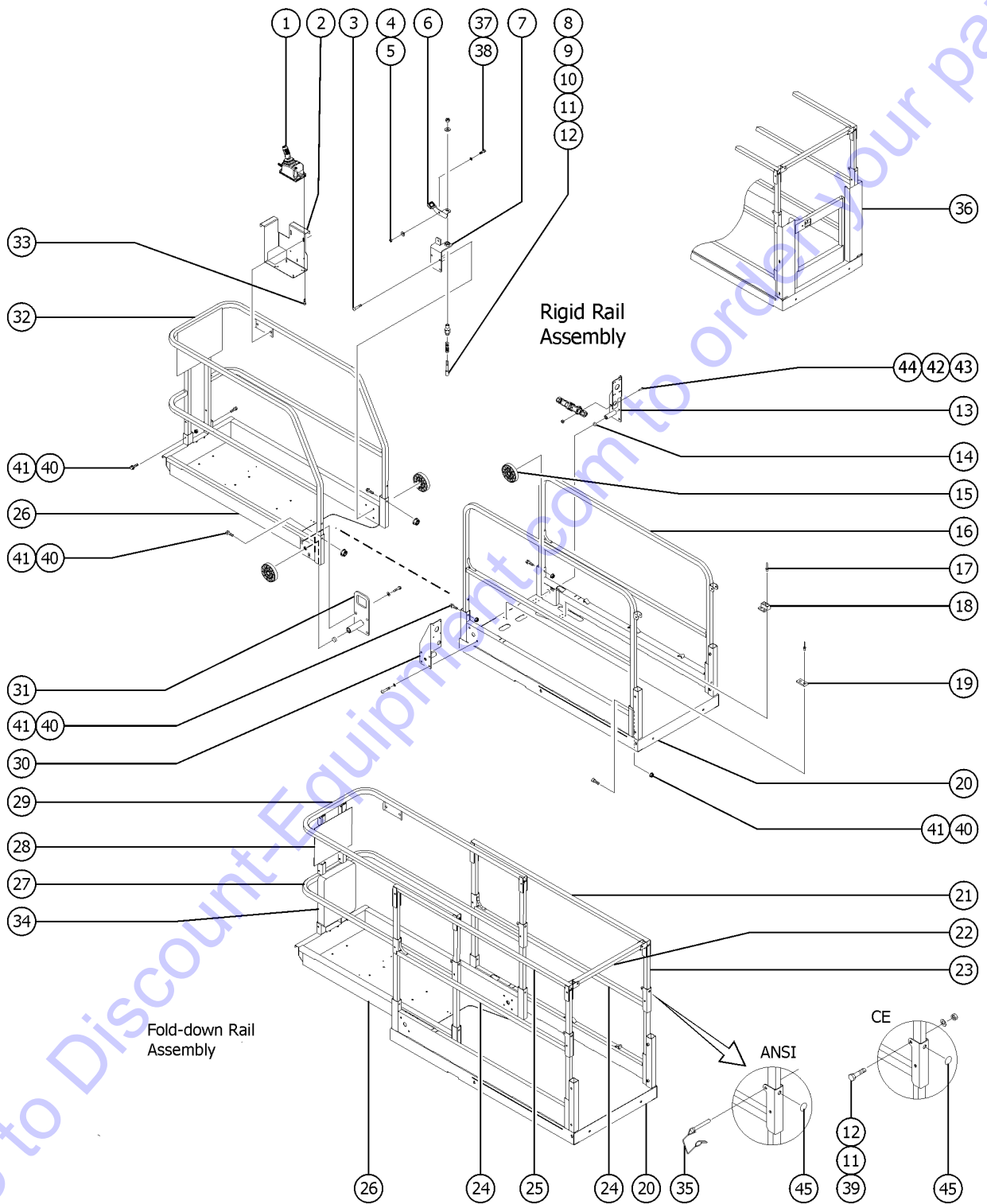
Item	Part No.	Description	Qty.
1		Ref. Platform Control Box (refer to 407.1 or 408.1)	
1B	1280957GT	PCON ASSEMBLY, HARTING CONN OPTION	1
2		Ref. Platform Control Box Mount Bracket (refer to 407.1 or 408.1)	
3	5224GT	SCREW,HHC,3/8-16 X 2 US part number	
3B	1253478GT	SCREW,HHF,3/8-16X2,8,ZAG China part number	
4	6002GT	NUT, LP NYLOCK, 5/16-18 US part number	1
4B	1252977GT	NUT,TL JAM,5/16-18,A,ZAG China part number	1
5	47222GT	WASHER, SHOULDER, NYLON US part number	1
5B	825358GT	WASHER,FLAT,5/16,USS,ZAG China part number	1
6	46260GT	FOOTPEDAL W/NON-SKID TAPE,GS**	1
6-	47166GT	BRACKET,FOOT PEDAL US part number	
6-	132996GT	BRACKET, FOOT PEDAL China part number	
6-	47225GT	TAPE,NON-SKID,DIE CUT,1.38X1.5	
7	96413GT	WLDMT,LOCKING ROLLER SUPPORT US part number	1
7B	132151GT	ROLLER SUPPORT BRACKET China part number	1
8	39470GT	PIN, LOCK US part number	1
8B	1259181GT	PIN,LOCK,0.5X3.125,ZAG China part number	1
9	39469GT	SPRING,COMPRESSION.485 X1.75**	1
10	41630GT	HOUSING, LOCK PIN	1
11	1255758GT	WASHER,FLAT,3/8,USS,ZAG	
12	824038GT	NUT, TL JAM, 3/8-16, A, ZAG	
13	132128GT	ROLLER BRKT RT (ground controls side), to SN GS30D-18079	1
13B	1286357GT	WLDMT,ROLLER BRKT,RT,HARTING PIUG from SN GS30D-18080	1
14	21279GT	BUTTON, .800 O.D. X .281	3
15	47163GT	ROLLER,PLATFORM EXTENSION	4
16	97034GT	GS30 RIDGID MAIN SIDE SQ RAIL US part number	2
16B	1282138GT	WLDMT, MAIN SIDERAIL,METRIC China part number	2
17	39579GT	RIVET,STL,STL,.188 X .45	20





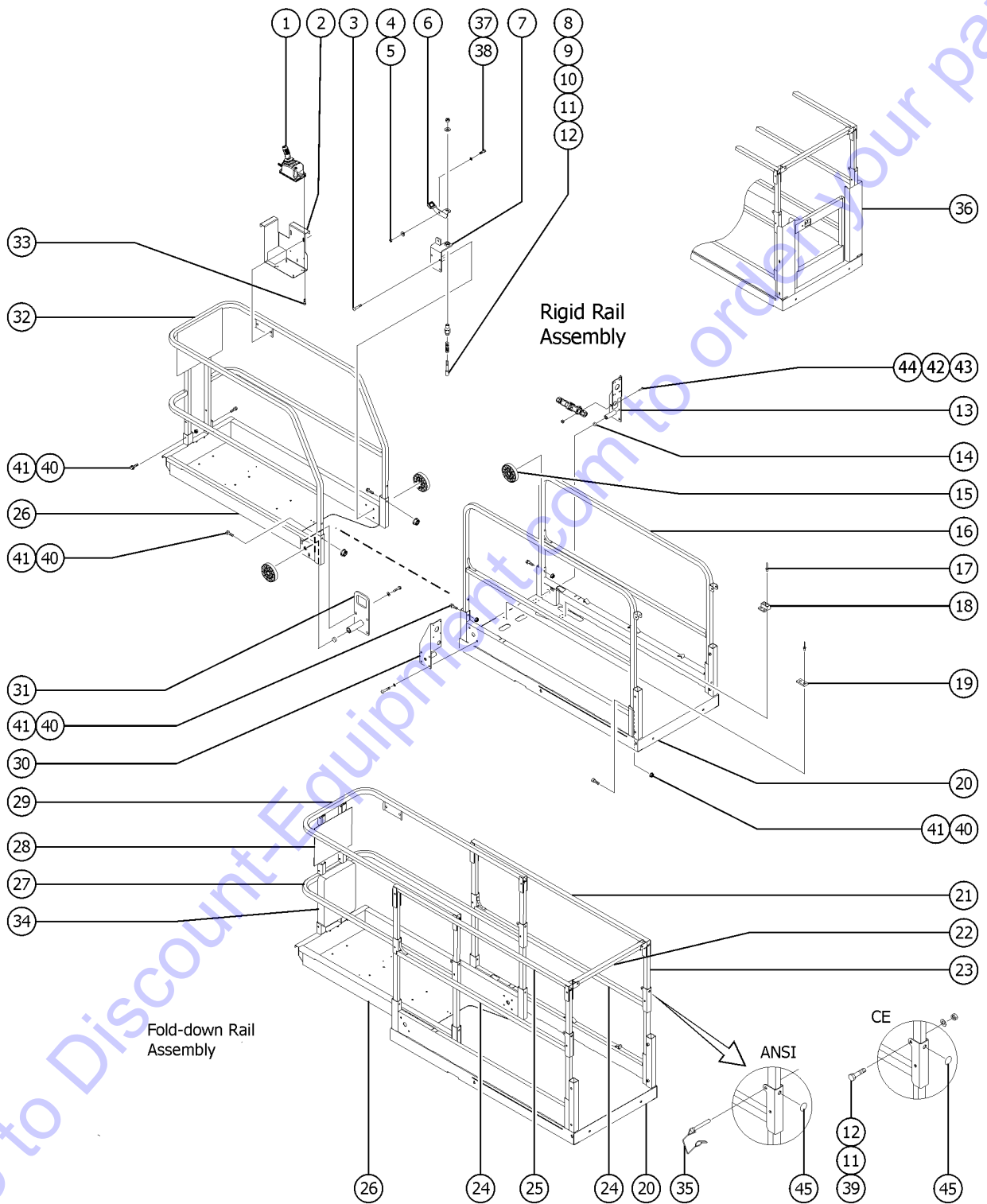
Item	Part No.	Description	Qty.
18	39310GT	WEAR/GUIDE PAD MAIN PLATFORM	4
19	39474GT	WEAR PAD,PLATFORM	2
20	97115GT	PLAT MAIN DECK ASSY,1530 ANSI GS-1530 (North America) (includes items 18, 19 & 20)	1
20A-	47231GT	TAPE,NON-SKID,DIE CUT,4"X 16"	
20A-	47098GT	TAPE,NON-SKID,DIE CUT,4"X 40"	
20B	231103GT	PLAT MAIN DECK ASSY,1530 AU GS-1530 (Australia) (includes items 18, 19 & 20)	1
20B-	47231GT	TAPE,NON-SKID,DIE CUT,4"X 16"	
20B-	47098GT	TAPE,NON-SKID,DIE CUT,4"X 40"	
20C	97118GT	PLAT MAIN DECK ASSY,1530 SMBL GS-1530 (Asia, and South America) (includes items 18, 19 & 20)	1
20C-	47231GT	TAPE,NON-SKID,DIE CUT,4"X 16"	
20C-	47098GT	TAPE,NON-SKID,DIE CUT,4"X 40"	
20D	231104GT	PLAT MAIN DECK ASSY,1530 CE GS-1530 (Europe) (includes items 18, 19 & 20)	1
20D-	47231GT	TAPE,NON-SKID,DIE CUT,4"X 16"	
20D-	47098GT	TAPE,NON-SKID,DIE CUT,4"X 40"	
20E	1259719GT	WLDMNT,PLATFORM, MINI, GS30 US part number	1
20F	1259829GT	WELDMENT, PLATFORM, MWI, GS30 China part number	1
21	66890-SGT	WLDMT, MAIN SIDERAIL,UPP,RT ** US part number	1
21A-	78038GT	CAP, PLASTIC, 1.25 X 0.08"	
21B	132211GT	WLDMT, MAIN SIDERAIL UPPER LT China part number	1
22	66886GT	ENTRY SWING TUBE	1
22B	132212GT	TUBE SWING China part number	1
23	66485GT	TUBE, VERT, FOLDING	6
23B	132213GT	TUBE, VERT, FOLDING China part number	6
24	1274596GT	WELDMENT, FOLDING, SIDERAIL, MAIN US part number	2
24-	78038GT	CAP, PLASTIC, 1.25 X 0.08"	
24B	132209GT	WLDMT, MAIN FOLDING SIDERAIL China part number	2
25	66889-SGT	WLDMT, MAIN SIDERAIL,UPPER,LFT US part number	
25A-	78038GT	CAP, PLASTIC, 1.25 X 0.08"	





Item	Part No.	Description	Qty.
25A-	47374GT	TAPE,NON-SKID,DIE CUT,4"X 32"	3
25A-	39474GT	WEAR PAD,PLATFORM	1
25A-	T113787GT	RIVET,ALUM,STL.,188 X .250	2
		for 39474	
25B	132210GT	WLDMT, MAIN SIDERAIL, UPPER RT	1
		China part number	
26	97123GT	PLAT EXT DECK ASSY,GS30	1
26B	96335GT	WELDMENT, EXT PLATFORM	1
		US part number	
26C	132140GT	WELDMENT, EXT PLATFORM	1
		China part number	
27	1274595GT	WELDMENT, EXTENSION DECK RAIL, LOWER	1
		US part number	
27A-	78038GT	CAP, PLASTIC, 1.25 X 0.08"	
27B	1269307GT	WELDMENT, FOLDING, LOWER, EXTENSION	1
		China part number	
28	231111GT	DECAL PLATE ASSY,GS30,ANSI	1
		(North America)	
28B	231610GT	DECAL PLATE ASSY,GS30,AUSTRAL	1
		(Australia)	
28C	84590GT	DECAL PLATE ASSY W/SYM DECALS	1
		(Asia, Europe and South America)	
28D	1269346GT	WLDMT,DECAL PLATE,NEW	1
29	1274594GT	WELDMENT, EXTENSION DECK RAIL, UPPER	1
		US part number	
29A-	78038GT	CAP, PLASTIC, 1.25 X 0.08"	
29B	1269302GT	WELDMENT, FOLDING, UPPER, EXTENSION	1
		China part number	
30	96246GT	WELDMENT,ROLLER BRACKET,LT***	1
		US part number	
30A-	21279GT	BUTTON, .800 O.D. X .281	
30B	132127GT	ROLLER BRKT LEFT	1
		China part number	
31	84586GT	LANYARD ROLLER BRKT ASSY W/DEC	1
31B	96200GT	WLDMT, LANYARD ROLLER BRKT	1
		US part number	
31C	132121GT	WELDMENT PLATFORM LANYARD	1
		China part number	
32A	231112GT	FIXED RAILS ASSY,GS30,ANSI	1
		(North America)	
32B	231611GT	FIXED RAILS ASSY,GS30,AUSTRAL	1
		(Australia)	
32C	97132GT	FIXED RAILS ASSY, GS30 SYMBOL	1
		(Asia, Europe and South America)	
32D	96847GT	WELDMENT,EXT SIDERAIL ***	1
		US part number	
32E	1282141GT	WLDMT, EXT SIDERAIL,METRIC	1
		China part number	

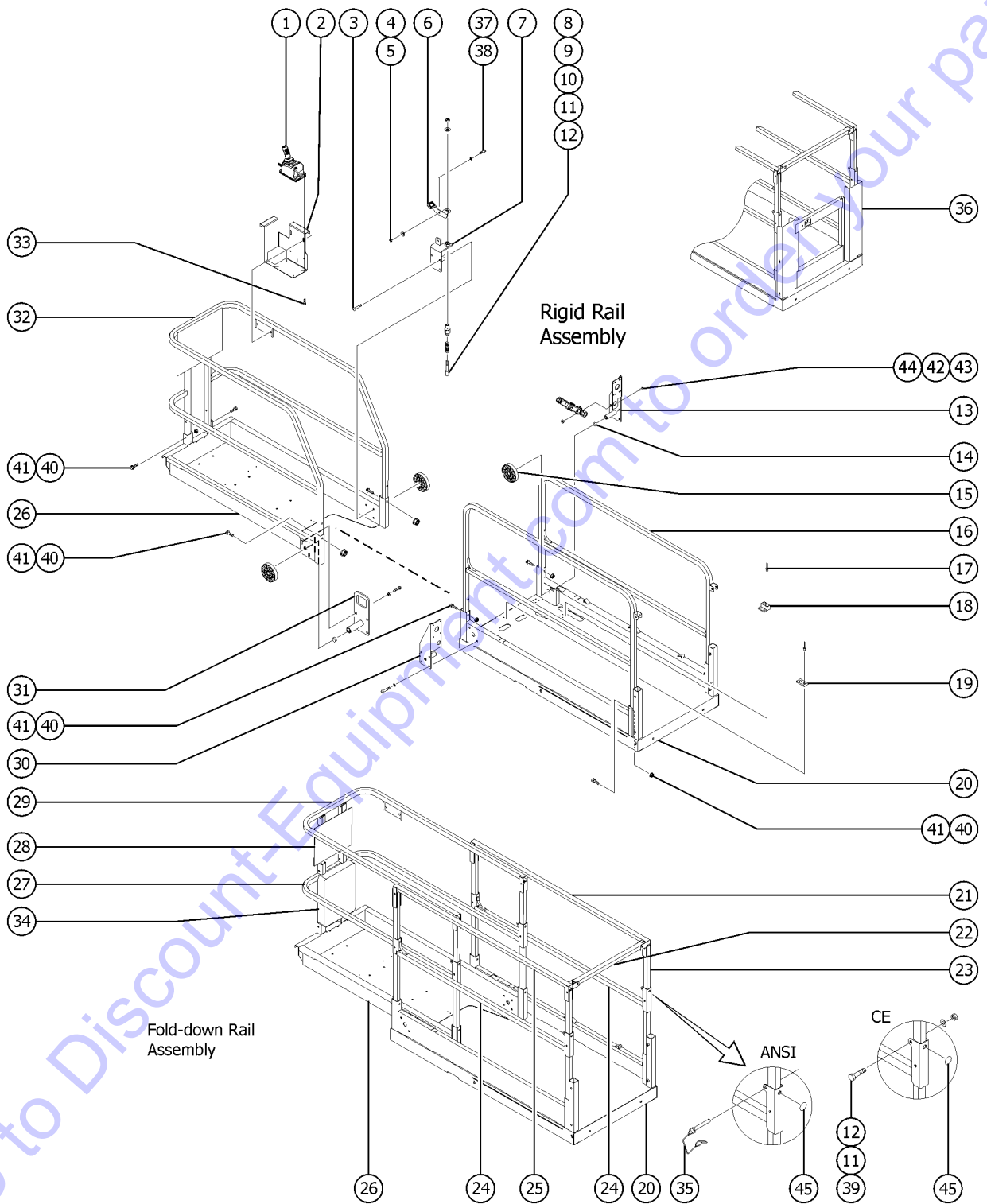




Item	Part No.	Description	Qty.
33	824078GT	SCREW,HHF,1/4-20X.75,8,ZAG	
34	44743GT	MANUAL BOX W/DECALS*** USA/Canada/Australia	1
34B	24514GT	BOX,INSTRUCTION STORAGE Europe/Asia/South America (decals required; refer to Section100)	
34B-	1256855	SCREW,HHF,1/4-20X.625,8,ZAG	4
34B-	1277924GT	NUT,NYLOCK FLG,1/4-20,F,ZAG	4
34B-	825358GT	WASHER,FLAT,5/16,USS,ZAG	4
35	1307198GT	PIN,WIRE LOCK,3/8X2-1/2SQ DW SnPn	
35-	78022GT	LANYARD,BLACK NYLON,TYPE 1*** (CE & Australia models)	
36		Ref. SWING GATE ASSEMBLY (refer to 405.1)	
37	1259223GT	BOLT,SHS,3/8X.375X5/16-18,ZAG	1
38	12013GT	SHIM,.375 X .063	1
39	824094GT	SCREW,HHF,3/8-16X2.75,8,ZAG	5
40	824029GT	NUT,TL FLG,3/8-16,G,ZAG	10
41	1260926GT	BOLT,CARRIAGE,3/8-16X2.25,5,ZAG	2
42	1280958GT	CABLE,PLATFORM CONTROL,GS,HARTING CONN OPTION	1
43	1253477GT	SCREW,PHPM,4-40X.5,ZAG	1
44	1259339GT	NUT,4-40,ZAG	1
45	47478GT	BUMPER,RUBBER,1"OD X .461 H	

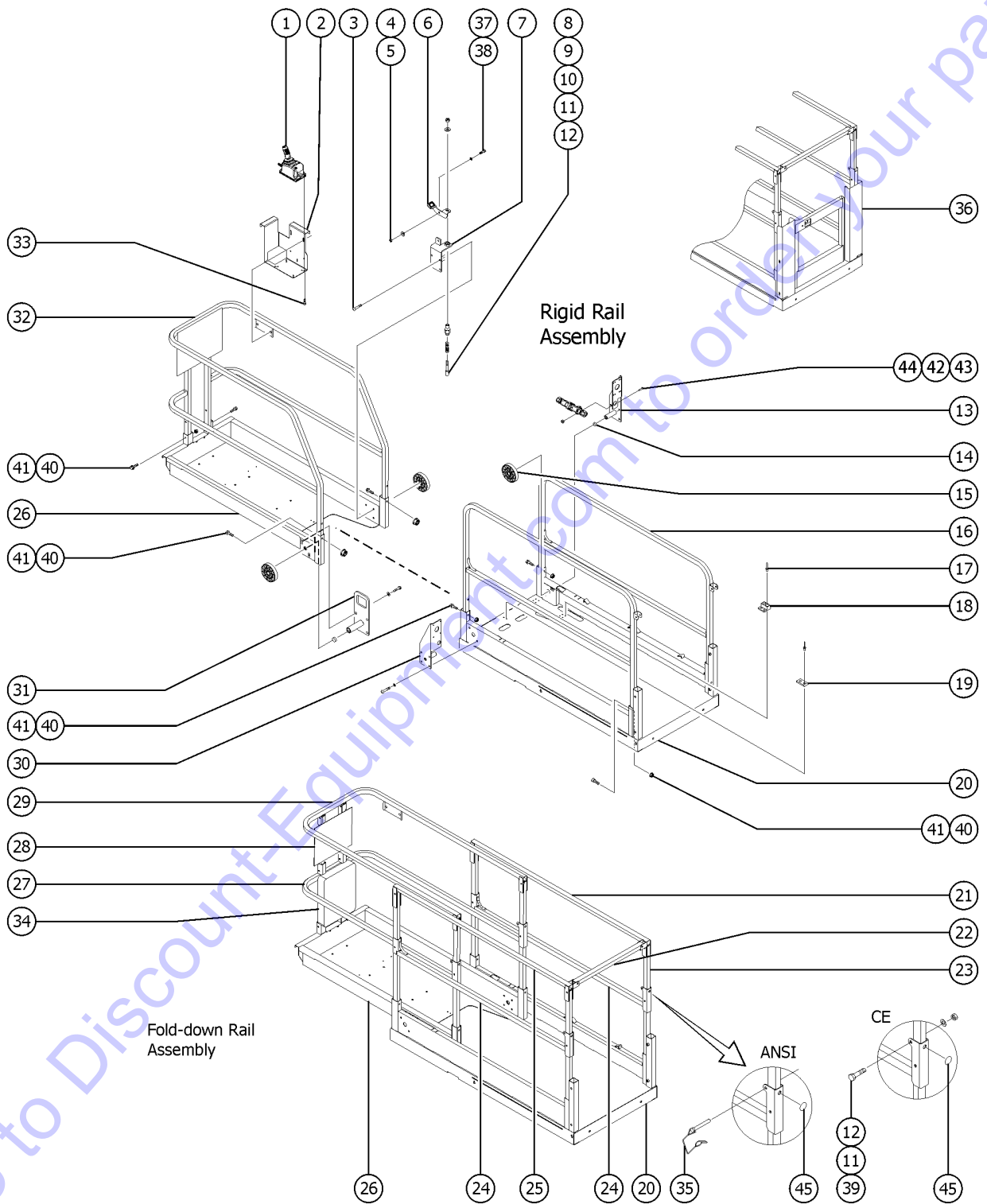
Go to Discount-Equipment.com to order your parts





Item	Part No.	Description	Qty.
1		Ref. Platform Control Box (refer to 407.1 or 408.1)	
1B	1280957GT	PCON ASSEMBLY, HARTING CONN OPTION	1
2		Ref. Platform Control Box Mount Bracket (refer to 407.1 or 408.1)	
3	5224GT	SCREW,HHC,3/8-16 X 2 US part number	
3B	1253478GT	SCREW,HHF,3/8-16X2,8,ZAG China part number	
4	6002GT	NUT, LP NYLOCK, 5/16-18 US part number	
4B	1252977GT	NUT,TL JAM,5/16-18,A,ZAG China part number	
5	47222GT	WASHER, SHOULDER, NYLON US part number	1
5B	825358GT	WASHER,FLAT,5/16,USS,ZAG China part number	1
6	46260GT	FOOTPEDAL W/NON-SKID TAPE,GS**	1
6-	47166GT	BRACKET,FOOT PEDAL US part number; (does not include non-skid tape)	
6-	132996GT	BRACKET, FOOT PEDAL China part number; (does not include non-skid tape)	
6-	47225GT	TAPE, NON-SKID, DIE CUT, 1.38X1.5	
7	96413GT	WLDMT, LOCKING ROLLER SUPPORT US part number	1
7B	132151GT	ROLLER SUPPORT BRACKET China part number	1
8	39470GT	PIN, LOCK US part number	1
8B	1259181GT	PIN, LOCK, 0.5X3.125, ZAG China part number	1
9	39469GT	SPRING, COMPRESSION.485 X1.75**	1
10	41630GT	HOUSING, LOCK PIN	1
11	6097GT	WASHER, FLAT, USS, 3/8", Y US part number	
11B	1255758GT	WASHER, FLAT, 3/8, USS, ZAG China part number	
12	7713GT	NUT, LP NYLOCK, 3/8-16 US part number	
12B	824038GT	NUT, TL JAM, 3/8-16, A, ZAG China part number	
13	132128GT	ROLLER BRKT RT (decals not included, refer to section one), to SN GS30D-18079	1
13B	1286357GT	WLDMT, ROLLER BRKT, RT, HARTING PIUG from SN GS30D-18080	1
14	21279GT	BUTTON, .800 O.D. X .281	3
15	47163GT	ROLLER, PLATFORM EXTENSION	4
16	97034GT	GS30 RIDGID MAIN SIDE SQ RAIL US part number	2

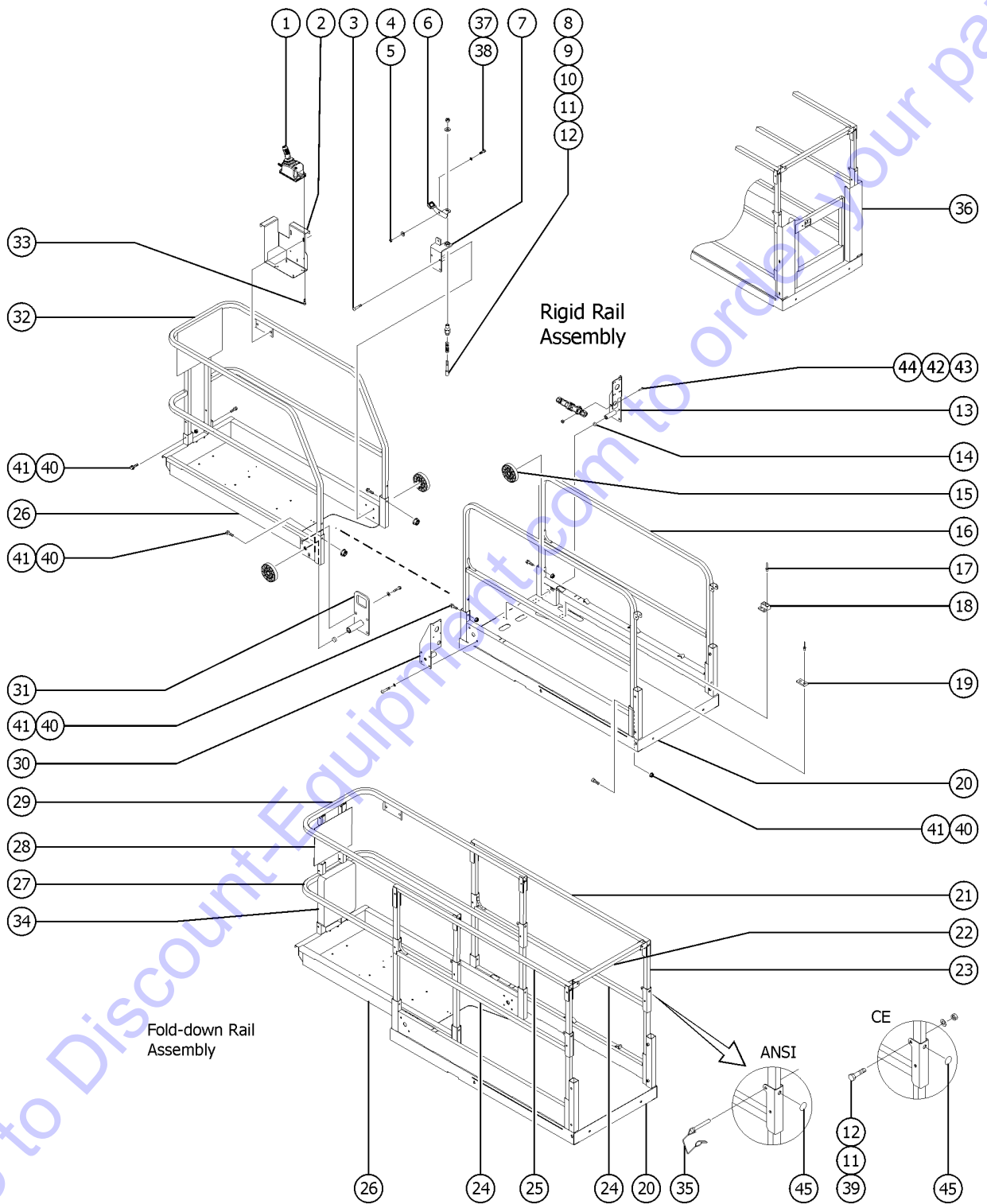




Item	Part No.	Description	Qty.
16B	1282138GT	WLDMT, MAIN SIDERAIL,METRIC China part number	2
17	39579GT	RIVET,STL,STL,.188 X .45	20
18	39310GT	WEAR/GUIDE PAD MAIN PLATFORM	4
19	39474GT	WEAR PAD,PLATFORM	2
20	231105GT	PLAT MAIN DECK ASSY,1532 AU GS-1532 (Australia) (includes items 18, 19 & 20)	1
20A-	47231GT	TAPE,NON-SKID,DIE CUT,4"X 16"	
20A-	47098GT	TAPE,NON-SKID,DIE CUT,4"X 40"	
20B	231106GT	PLAT MAIN DECK ASSY,1532 CE GS-1532 (Europe) (includes items 18, 19, & 20)	1
20B-	47231GT	TAPE,NON-SKID,DIE CUT,4"X 16"	
20B-	47098GT	TAPE,NON-SKID,DIE CUT,4"X 40"	
20C	1259719GT	WLDMNT,PLATFORM, MINI, GS30 (weldment only; decals not included, refer to section one)	1
20D	1259829GT	WELDMENT, PLATFORM, MWI, GS30 China part number	1
21	66890-SGT	WLDMT, MAIN SIDERAIL,UPP,RT ** US part number; (ground controls side)	1
21A-	78038GT	CAP, PLASTIC, 1.25 X 0.08"	
21B	132211GT	WLDMT, MAIN SIDERAIL UPPER LT China part number; (ground controls side)	1
22	66886GT	ENTRY SWING TUBE US part number	1
22B	132212GT	TUBE SWING China part number	1
23	66485GT	TUBE, VERT, FOLDING US part number	6
23B	132213GT	TUBE, VERT, FOLDING China part number	6
24	1274596GT	WELDMENT, FOLDING, SIDERAIL, MAIN US part number	2
24A-	78038GT	CAP, PLASTIC, 1.25 X 0.08"	
24B	132209GT	WLDMT, MAIN FOLDING SIDERAIL China part number	2
25	66889-SGT	WLDMT, MAIN SIDERAIL,UPPER,LFT US part number; (battery pack side)	1
25A-	78038GT	CAP, PLASTIC, 1.25 X 0.08"	
25A-	47374GT	TAPE,NON-SKID,DIE CUT,4"X 32"	3
25A-	39474GT	WEAR PAD,PLATFORM	1
25A-	T113787GT	RIVET,ALUM,STL,.188 X .250 for 39474	2
25B	132210GT	WLDMT, MAIN SIDERAIL, UPPER RT China part number; (battery pack side)	1



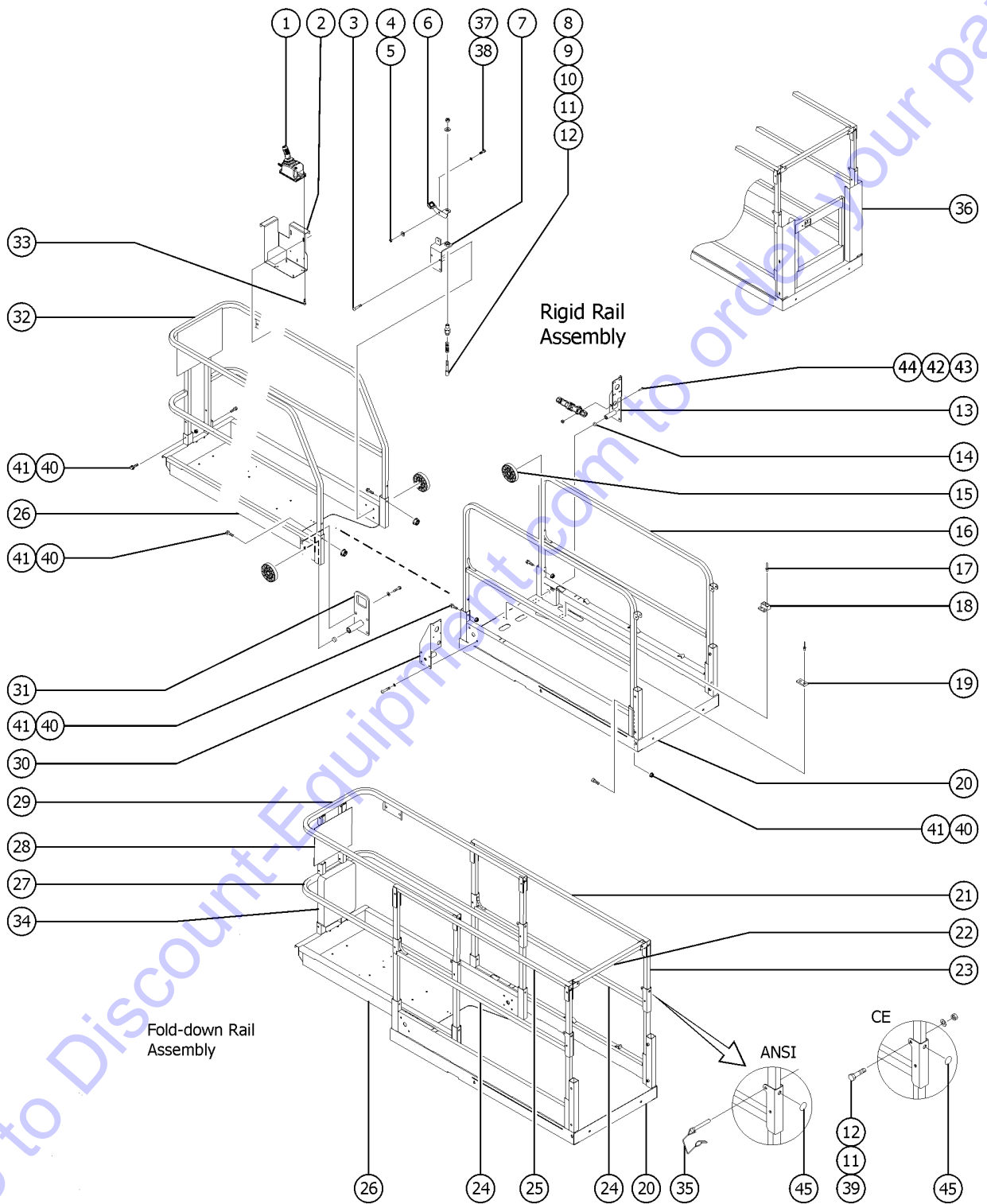
Item	Part No.	Description	Qty.
26	97123GT	PLAT EXT DECK ASSY,GS30	1
26B	96335GT	WELDMENT, EXT PLATFORM US part number; (decals not included, refer to section one)	1
26C	132140GT	WELDMENT, EXT PLATFORM China part number; (decals not included, refer to section one)	1
27	1269307GT	WELDMENT, FOLDING, LOWER, EXTENSION (fold down)	1
27-	78038GT	CAP, PLASTIC, 1.25 X 0.08"	
28	231111GT	DECAL PLATE ASSY,GS30,ANSI (North America)	1
28B	231610GT	DECAL PLATE ASSY,GS30,AUSTRAL (Australia)	1
28C	84590GT	DECAL PLATE ASSY W/SYM DECALS (Asia, Europe and South America)	1
28D	96849GT	WLDMT,DECAL PLATE, GS30/32 US part number; (decals not included, refer to section one)	1
28E	1269346GT	WLDMT,DECAL PLATE,NEW China part number; (decals not included, refer to section one)	1
29	1274594GT	WELDMENT, EXTENSION DECK RAIL, UPPER US part number	1
29A-	78038GT	CAP, PLASTIC, 1.25 X 0.08"	
29B	1269302GT	WELDMENT, FOLDING, UPPER, EXTENSION China part number	1
30	96246GT	WELDMENT,ROLLER BRACKET,LT*** US part number	1
30A-	21279GT	BUTTON, .800 O.D. X .281	
30B	132127GT	ROLLER BRKT LEFT China part number	1
31	84586GT	LANYARD ROLLER BRKT ASSY W/DEC	1
31B	96200GT	WLDMT, LANYARD ROLLER BRKT US part number; (decals not included, refer to section one)	1
31C	132121GT	WELDMENT PLATFORM LANYARD China part number; (decals not included, refer to section one)	1
32	231112GT	FIXED RAILS ASSY,GS30,ANSI (North America)	1
32B	231611GT	FIXED RAILS ASSY,GS30,AUSTRAL (Australia)	1
32C	97132GT	FIXED RAILS ASSY, GS30 SYMBOL (Asia, Europe and South America)	
32D	1282141GT	WLDMT, EXT SIDERAIL,METRIC (decals not included, refer to section one)	1
33	824078GT	SCREW,HHF,1/4-20X.75,8,ZAG	
34	44743GT	MANUAL BOX W/DECALS*** USA/Canada/Australia	1
34B	24514GT	BOX,INSTRUCTION STORAGE Europe/Asia/South America (decal required; refer to Section100)	
34B-	1256855	SCREW,HHF,1/4-20X.625,8,ZAG	4
34B-	824027GT	NUT, TL FLG, 1/4-20, G, ZAG	4



Item	Part No.	Description	Qty.
34B-	825358GT	WASHER,FLAT,5/16,USS,ZAG	4
35	1307198GT	PIN,WIRE LOCK,3/8X2-1/2SQ DW SnPn	
35-	78022GT	LANYARD,BLACK NYLON,TYPE 1*** (CE & Australia models)	
36		Ref. SWING GATE ASSEMBLY (refer to 405.1)	
37	1259223GT	BOLT,SHS,3/8X.375X5/16-18,ZAG	1
38	12013GT	SHIM,.375 X .063	1
39	824094GT	SCREW,HHF,3/8-16X2.75,8,ZAG	5
40	824029GT	NUT,TL FLG,3/8-16,G,ZAG	10
41	1260926GT	BOLT,CARRIAGE,3/8-16X2.25,5,ZAG	2
42	1280958GT	CABLE,PLATFORM CONTROL,GS,HARTING CONN OPTION	1
43	1253477GT	SCREW,PHPM,4-40X.5,ZAG	1
44	1259339GT	NUT,4-40,ZAG	1
45	47478GT	BUMPER,RUBBER,1"OD X .461 H	

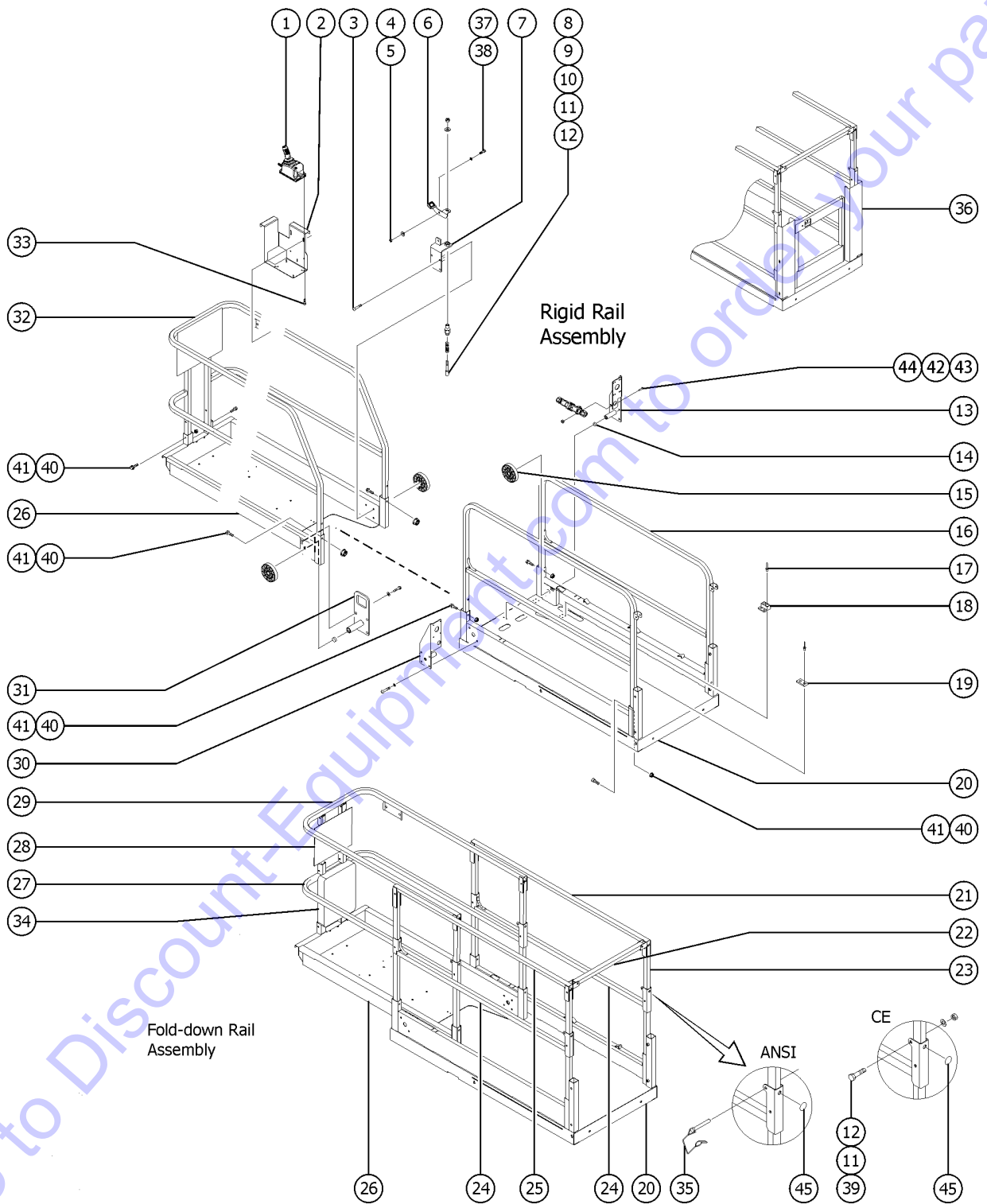
Go to Discount-Equipment.com to order your parts



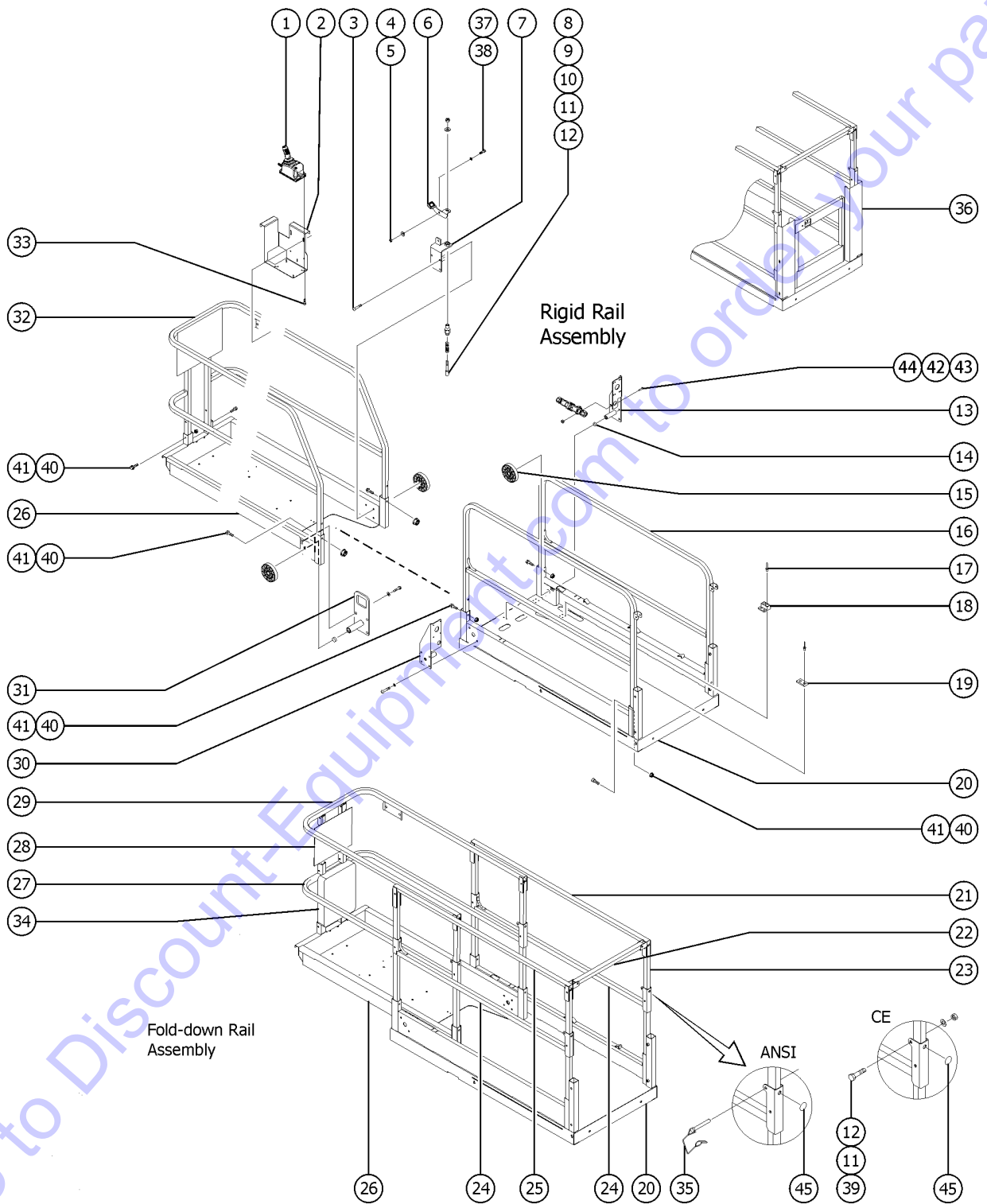


Item	Part No.	Description	Qty.
1		Ref. Platform Control Box (refer to 407.1 or 408.1)	
1B	1280957GT	PCON ASSEMBLY, HARTING CONN OPTION	1
2		Ref. Platform Control Box Mount Bracket (refer to 407.1 or 408.1)	
3	5224GT	SCREW,HHC,3/8-16 X 2 US part number	
3B	1253478GT	SCREW,HHF,3/8-16X2,8,ZAG China part number	
4	6002GT	NUT, LP NYLOCK, 5/16-18 US part number	
4B	1252977GT	NUT,TL JAM,5/16-18,A,ZAG China part number	
5	47222GT	WASHER, SHOULDER, NYLON US part number	1
5B	825358GT	WASHER,FLAT,5/16,USS,ZAG China part number	1
6	46260GT	FOOTPEDAL W/NON-SKID TAPE,GS**	1
6-	47166GT	BRACKET,FOOT PEDAL US part number; (does not include non-skid tape)	
6-	132996GT	BRACKET, FOOT PEDAL China part number; (does not include non-skid tape)	
6-	47225GT	TAPE,NON-SKID,DIE CUT,1.38X1.5	
7	96413GT	WLDMT,LOCKING ROLLER SUPPORT US part number	1
7B	132151GT	ROLLER SUPPORT BRACKET China part number	1
8	39470GT	PIN, LOCK US part number	1
8B	1259181GT	PIN,LOCK,0.5X3.125,ZAG China part number	1
9	39469GT	SPRING,COMPRESSION.485 X1.75**	1
10	41630GT	HOUSING, LOCK PIN	1
11	6097GT	WASHER,FLAT,USS,3/8",Y US part number	
11B	1255758GT	WASHER,FLAT,3/8,USS,ZAG China part number	
12	7713GT	NUT, LP NYLOCK, 3/8-16 US part number	
12B	824038GT	NUT, TL JAM, 3/8-16, A, ZAG China part number	
13	132128GT	ROLLER BRKT RT (decals not included, refer to section one), to SN GS30D-18079	1
13B	1286357GT	WLDMT,ROLLER BRKT,RT,HARTING PIUG from SN GS30D-18080	1
14	21279GT	BUTTON, .800 O.D. X .281	3
15	47163GT	ROLLER,PLATFORM EXTENSION	4
16	97034GT	GS30 RIDGID MAIN SIDE SQ RAIL US part number	2



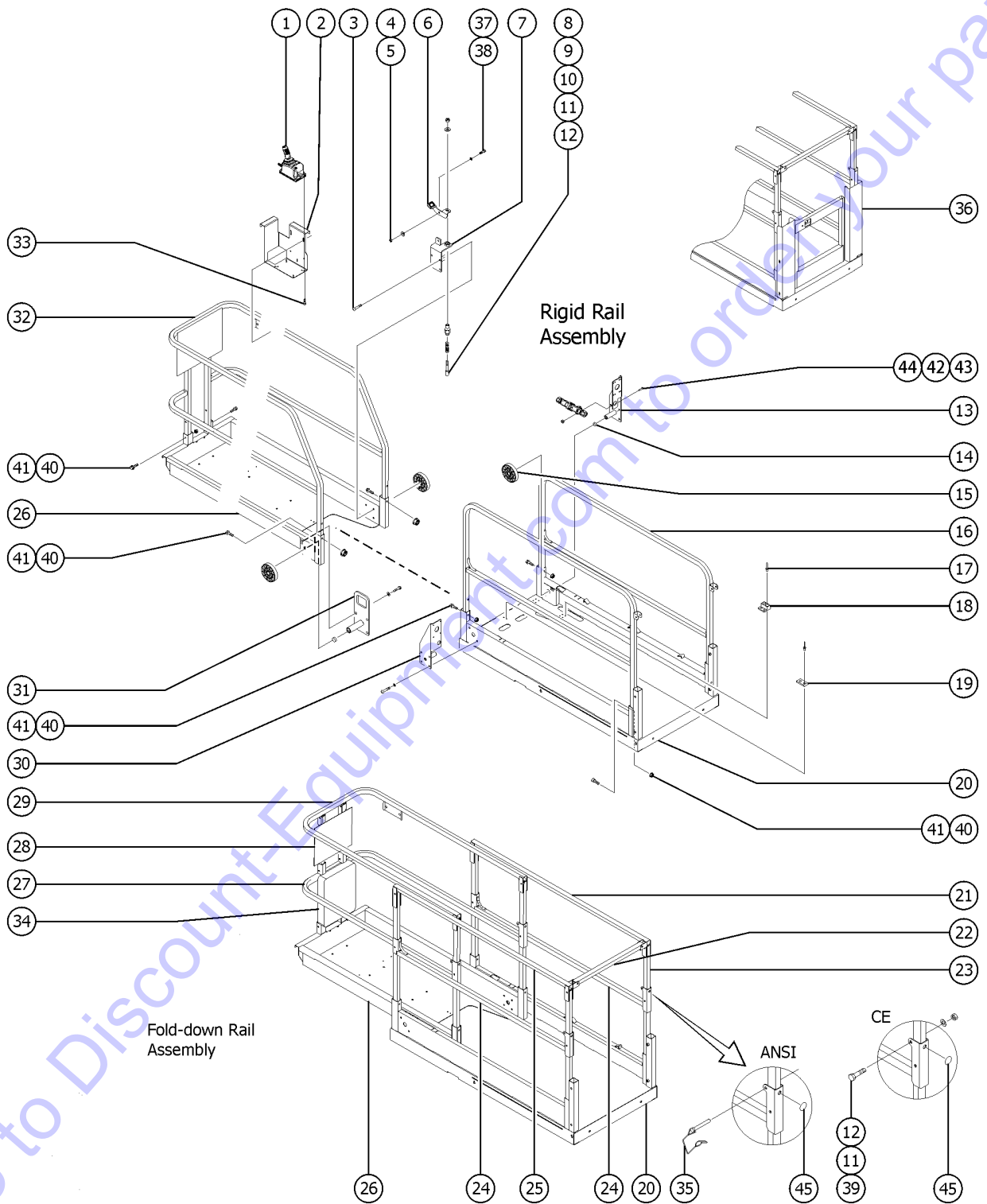


Item	Part No.	Description	Qty.
16B	1282138GT	WLDMT, MAIN SIDERAIL,METRIC China part number	2
17	39579GT	RIVET,STL,STL,.188 X .45	20
18	39310GT	WEAR/GUIDE PAD MAIN PLATFORM	4
19	39474GT	WEAR PAD,PLATFORM	2
20	97119GT	PLAT MAIN DECK ASSY,1930 ANSI GS-1930 (North America) (includes items 18, 19 & 20)	1
20A-	47231GT	TAPE,NON-SKID,DIE CUT,4"X 16"	
20A-	47098GT	TAPE,NON-SKID,DIE CUT,4"X 40"	
20B	231107GT	PLAT MAIN DECK ASSY,1930 AU GS-1930 (Australia) (includes items 18, 19 & 20)	1
20B-	47231GT	TAPE,NON-SKID,DIE CUT,4"X 16"	
20B-	47098GT	TAPE,NON-SKID,DIE CUT,4"X 40"	
20C	97122GT	PLAT MAIN DECK ASSY,1930 SMBL GS-1930 (Asia and South America) (includes items 18, 19 & 20)	1
20C-	47231GT	TAPE,NON-SKID,DIE CUT,4"X 16"	
20C-	47098GT	TAPE,NON-SKID,DIE CUT,4"X 40"	
20D	231108GT	PLAT MAIN DECK ASSY,1930 CE GS-1930 (Europe) (includes items 18, 19, & 20)	1
20D-	47231GT	TAPE,NON-SKID,DIE CUT,4"X 16"	
20D-	47098GT	TAPE,NON-SKID,DIE CUT,4"X 40"	
20E	1259719GT	WLDMNT,PLATFORM, MINI, GS30 US part number; (weldment only; decals not included, refer to section one)	1
20F	1259829GT	WELDMENT, PLATFORM, MWI, GS30 China part number; (weldment only; decals not included, refer to section one)	1
21	66890-SGT	WLDMT, MAIN SIDERAIL,UPP,RT ** US part number; (ground controls side)	1
21A-	78038GT	CAP, PLASTIC, 1.25 X 0.08"	
21B	132211GT	WLDMT, MAIN SIDERAIL UPPER LT China part number; (ground controls side)	1
22	66886GT	ENTRY SWING TUBE US part number	1
22B	132212GT	TUBE SWING China part number	1
23	66485GT	TUBE, VERT, FOLDING US part number	6
23B	132213GT	TUBE, VERT, FOLDING China part number	6
24	1274596GT	WELDMENT, FOLDING, SIDERAIL, MAIN US part number	2
24A-	78038GT	CAP, PLASTIC, 1.25 X 0.08"	
24B	132209GT	WLDMT, MAIN FOLDING SIDERAIL China part number	2



Item	Part No.	Description	Qty.
25	66889-SGT	WLDMT, MAIN SIDERAIL,UPPER,LFT US part number; (battery pack side)	1
25A-	78038GT	CAP, PLASTIC, 1.25 X 0.08"	
25A-	47374GT	TAPE, NON-SKID, DIE CUT, 4" X 32"	3
25A-	39474GT	WEAR PAD, PLATFORM	1
25A-	T113787GT	RIVET, ALUM, STL., 188 X .250 for 39474	2
25B	132210GT	WLDMT, MAIN SIDERAIL, UPPER RT China part number; (battery pack side)	1
26	97123GT	PLAT EXT DECK ASSY, GS30	1
26B	96335GT	WELDMENT, EXT PLATFORM US part number; (decals not included, refer to section one)	1
26C	132140GT	WELDMENT, EXT PLATFORM China part number; (decals not included, refer to section one)	1
27	1269307GT	WELDMENT, FOLDING, LOWER, EXTENSION (fold down)	1
27-	78038GT	CAP, PLASTIC, 1.25 X 0.08"	
28	231111GT	DECAL PLATE ASSY, GS30, ANSI (North America)	1
28B	231610GT	DECAL PLATE ASSY, GS30, AUSTRAL	1
28C	84590GT	DECAL PLATE ASSY W/SYM DECALS	1
28D	96849GT	WLDMT, DECAL PLATE, GS30/32 US part number; (decals not included, refer to section one)	1
28E	1269346GT	WLDMT, DECAL PLATE, NEW China part number; (decals not included, refer to section one)	1
29	1274594GT	WELDMENT, EXTENSION DECK RAIL, UPPER US part number	1
29A-	78038GT	CAP, PLASTIC, 1.25 X 0.08"	
29B	1269302GT	WELDMENT, FOLDING, UPPER, EXTENSION China part number	1
30	96246GT	WELDMENT, ROLLER BRACKET, LT*** US part number	1
30A-	21279GT	BUTTON, .800 O.D. X .281	
30B	132127GT	ROLLER BRKT LEFT China part number	1
31	84586GT	LANYARD ROLLER BRKT ASSY W/DEC	1
31B	96200GT	WLDMT, LANYARD ROLLER BRKT US part number; (decals not included, refer to section one)	1
31C	132121GT	WELDMENT PLATFORM LANYARD China part number; (decals not included, refer to section one)	1
32	231112GT	FIXED RAILS ASSY, GS30, ANSI (North America)	1
32B	231611GT	FIXED RAILS ASSY, GS30, AUSTRAL	1
32C	97132GT	FIXED RAILS ASSY, GS30 SYMBOL	1

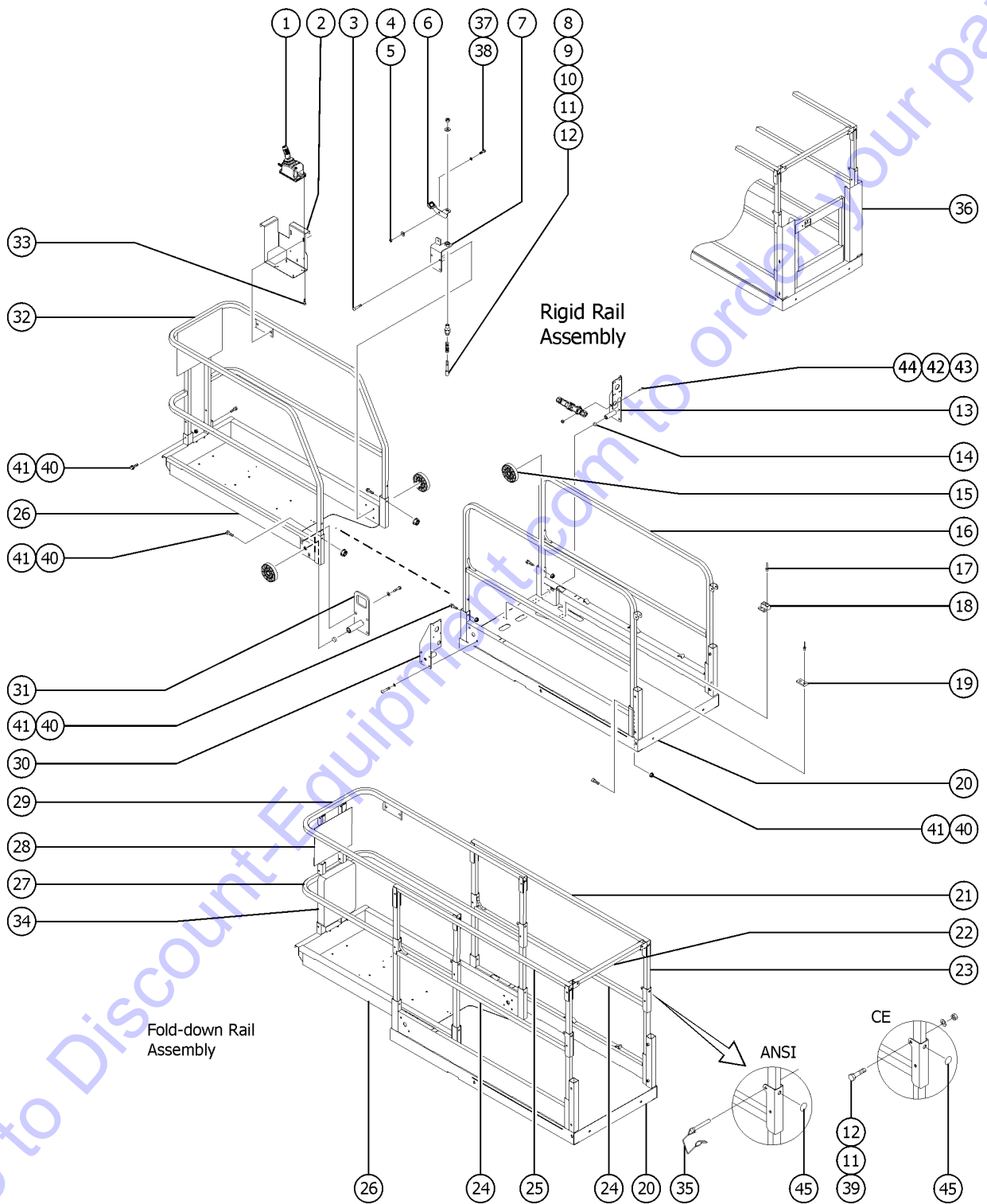




Item	Part No.	Description	Qty.
32D	1282141GT	WLDMT, EXT SIDERAIL,METRIC (decals not included, refer to section one)	1
33	824078GT	SCREW,HHF,1/4-20X.75,8,ZAG	
34	44743GT	MANUAL BOX W/DECALS*** USA/Canada/Australia	1
34B	24514GT	BOX,INSTRUCTION STORAGE Europe/Asia/South America (decals required; refer to Section100)	
34B-	1256855	SCREW,HHF,1/4-20X.625,8,ZAG	4
34B-	824027GT	NUT, TL FLG, 1/4-20, G, ZAG	4
34B-	825358GT	WASHER,FLAT,5/16,USS,ZAG	4
35	1307198GT	PIN,WIRE LOCK,3/8X2-1/2SQ DW SnPn	
35-	78022GT	LANYARD,BLACK NYLON,TYPE 1*** (CE & Australia models)	
36		Ref. SWING GATE ASSEMBLY (refer to 405.1)	
37	1259223GT	BOLT,SHS,3/8X.375X5/16-18,ZAG	1
38	12013GT	SHIM,.375 X .063	1
39	824094GT	SCREW,HHF,3/8-16X2.75,8,ZAG	5
40	824029GT	NUT,TL FLG,3/8-16,G,ZAG	10
41	1260926GT	BOLT,CARRIAGE,3/8-16X2.25,5,ZAG	2
42	1280958GT	CABLE,PLATFORM CONTROL,GS,HARTING CONN OPTION	1
43	1253477GT	SCREW,PHPM,4-40X.5,ZAG	1
44	1259339GT	NUT,4-40,ZAG	1
45	47478GT	BUMPER,RUBBER,1"OD X .461 H	

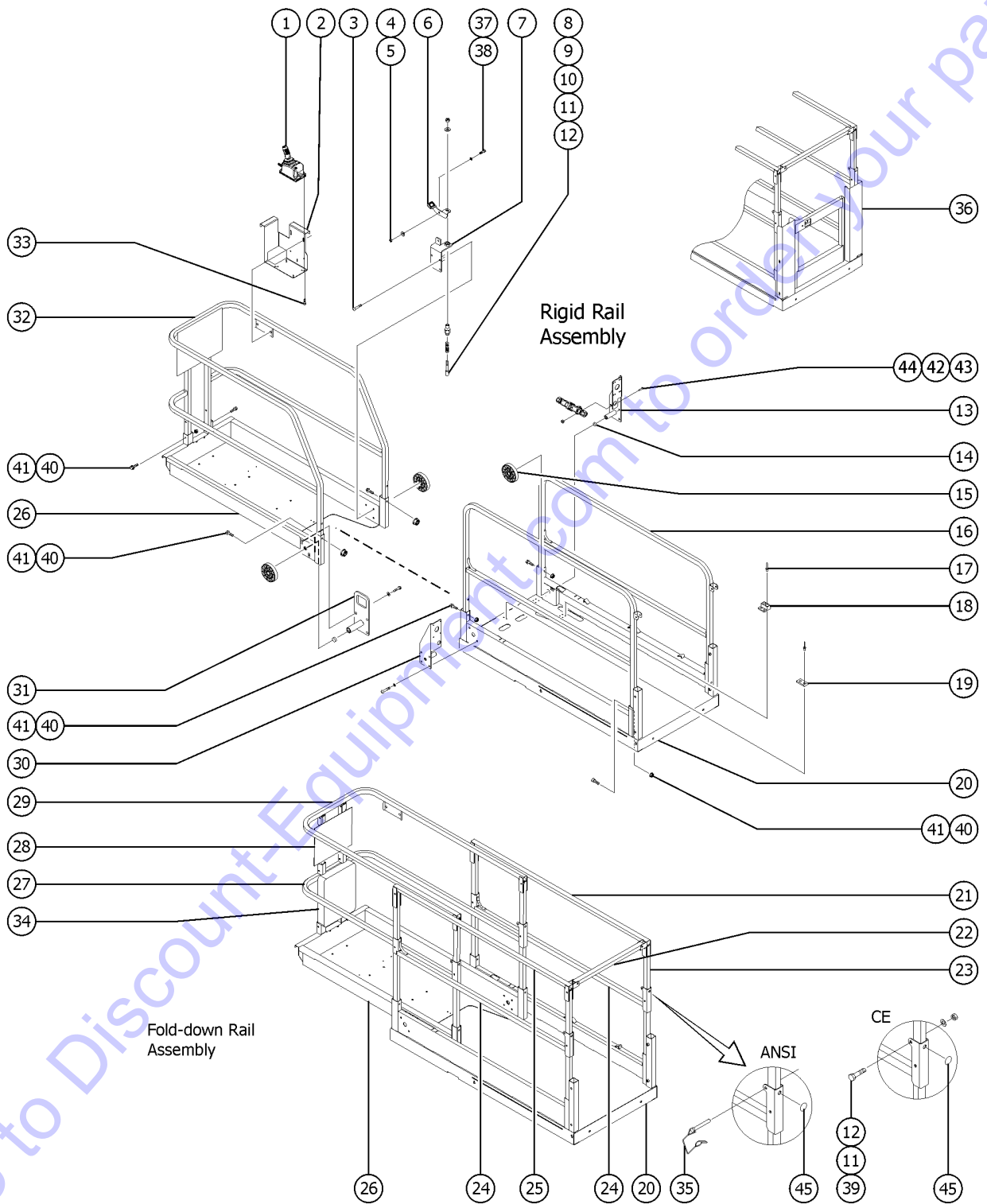
Go to Discount-Equipment.com to order your parts





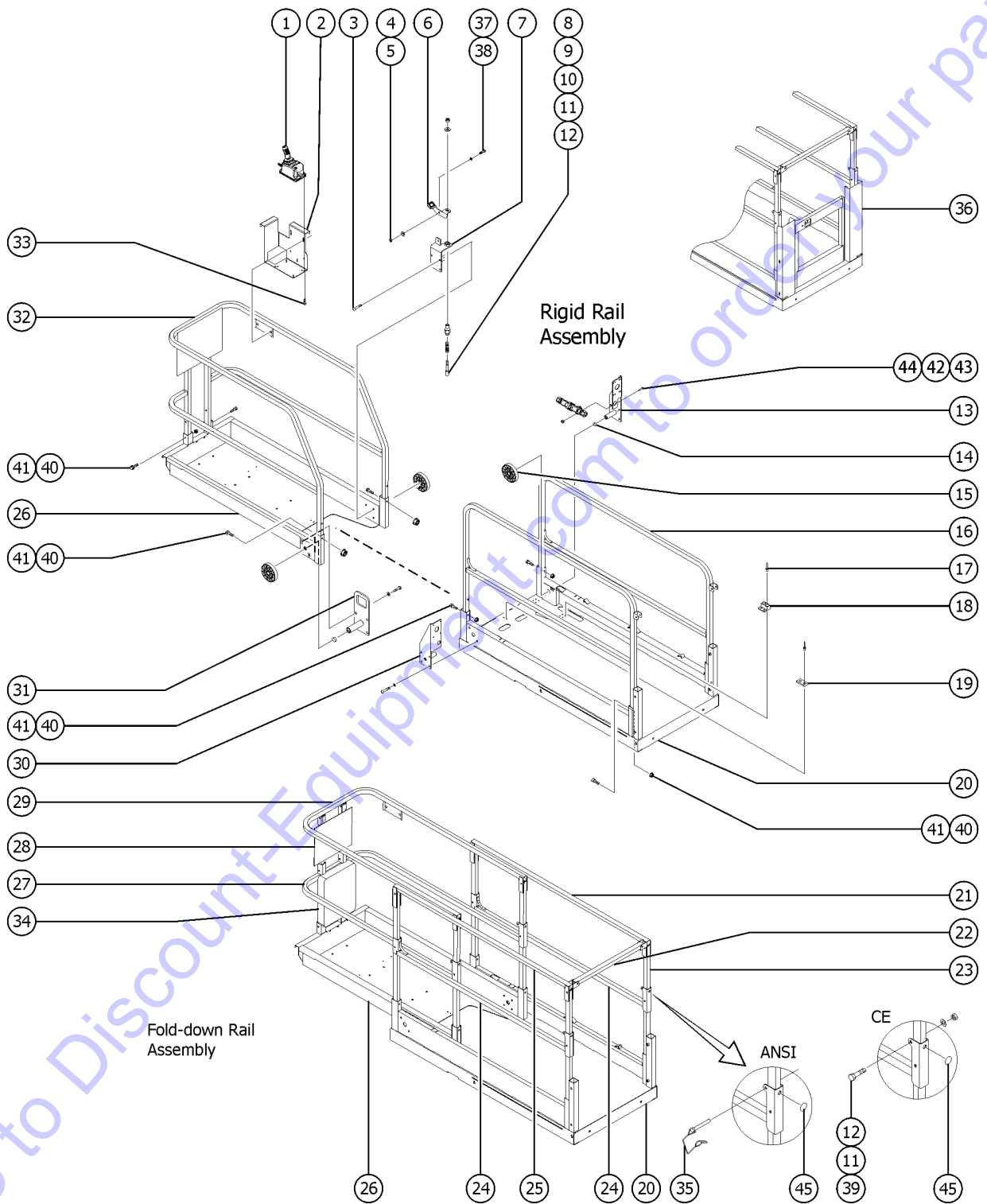
Item	Part No.	Description	Qty.
1		Ref. Platform Control Box (refer to 407.1 or 408.1)	
1B	1280957GT	PCON ASSEMBLY, HARTING CONN OPTION	1
2		Ref. Platform Control Box Mount Bracket (refer to 407.1 or 408.1)	
3	5224GT	SCREW,HHC,3/8-16 X 2 US part number	
3B	1253478GT	SCREW,HHF,3/8-16X2,8,ZAG China part number	
4	6002GT	NUT, LP NYLOCK, 5/16-18 US part number	
4B	1252977GT	NUT,TL JAM,5/16-18,A,ZAG China part number	
5	47222GT	WASHER, SHOULDER, NYLON US part number	
5B	825358GT	WASHER,FLAT,5/16,USS,ZAG China part number	1
6	46260GT	FOOTPEDAL W/NON-SKID TAPE,GS**	1
6-	47166GT	BRACKET,FOOT PEDAL US part number; (does not include non-skid tape)	
6-	132996GT	BRACKET, FOOT PEDAL China part number; (does not include non-skid tape)	
6-	47225GT	TAPE,NON-SKID,DIE CUT,1.38X1.5	
7	96413GT	WLDMT,LOCKING ROLLER SUPPORT US part number	1
7B	132151GT	ROLLER SUPPORT BRACKET China part number	1
8	39470GT	PIN, LOCK US part number	1
8B	1259181GT	PIN,LOCK,0.5X3.125,ZAG China part number	1
9	39469GT	SPRING,COMPRESSION.485 X1.75**	1
10	41630GT	HOUSING, LOCK PIN	1
11	6097GT	WASHER,FLAT,USS,3/8",Y US part number	
11B	1255758GT	WASHER,FLAT,3/8,USS,ZAG China part number	
12	7713GT	NUT, LP NYLOCK, 3/8-16 US part number	
12B	824038GT	NUT, TL JAM, 3/8-16, A, ZAG China part number	
13	132128GT	ROLLER BRKT RT (decals not included, refer to section one), to SN GS30D-18079	1
13B	1286357GT	WLDMT,ROLLER BRKT,RT,HARTING PIUG from SN GS30D-18080	1
14	21279GT	BUTTON, .800 O.D. X .281	3
15	47163GT	ROLLER,PLATFORM EXTENSION	4
16	97034GT	GS30 RIDGID MAIN SIDE SQ RAIL US part number	2



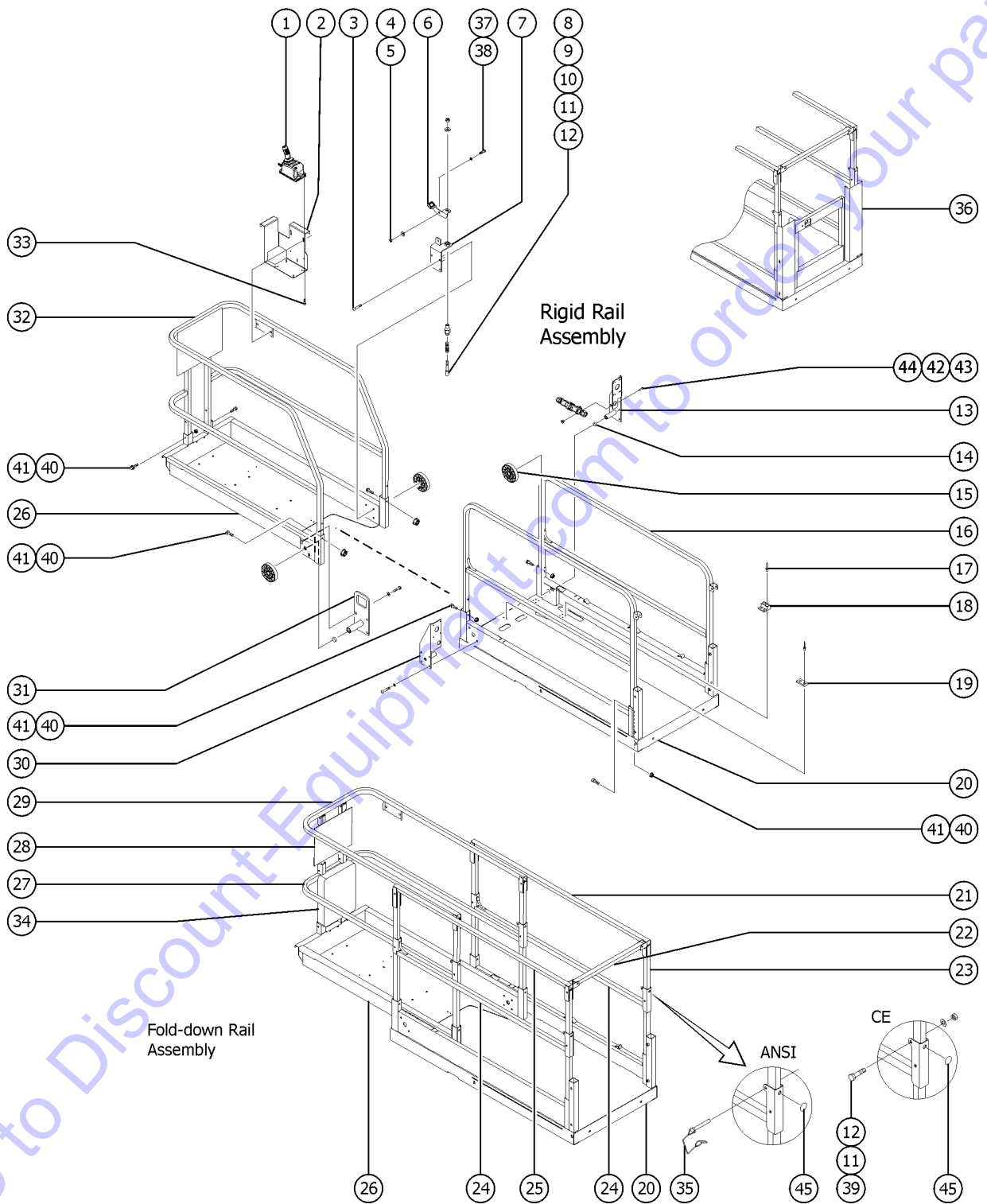


Item	Part No.	Description	Qty.
16B	1282138GT	WLDMT, MAIN SIDERAIL,METRIC China part number	2
17	39579GT	RIVET,STL,STL,.188 X .45	20
18	39310GT	WEAR/GUIDE PAD MAIN PLATFORM	4
19	39474GT	WEAR PAD,PLATFORM	2
20	231109GT	PLAT MAIN DECK ASSY,1932 AU GS-1932 (Australia) (includes items 18, 19 & 20)	1
20A-	47098GT	TAPE,NON-SKID,DIE CUT,4"X 40"	4
20A-	47231GT	TAPE,NON-SKID,DIE CUT,4"X 16"	2
20B	231110GT	PLAT MAIN DECK ASSY,1932 CE GS-1932 (Europe) (includes items 18, 19 & 20)	1
20B-	47098GT	TAPE,NON-SKID,DIE CUT,4"X 40"	4
20B-	47231GT	TAPE,NON-SKID,DIE CUT,4"X 16"	2
20C	1259719GT	WLDMNT,PLATFORM, MINI, GS30 US part number; (weldment only, decals not included, refer to section one)	
20D	1259829GT	WELDMENT, PLATFORM, MWI, GS30 China part number; (weldment only, decals not included, refer to section one)	1
21	66890-SGT	WLDMT, MAIN SIDERAIL,UPP,RT ** US part number; (ground controls side)	1
21A-	78038GT	CAP, PLASTIC, 1.25 X 0.08"	
21B	132211GT	WLDMT, MAIN SIDERAIL UPPER LT China part number; (ground controls side)	1
22	66886GT	ENTRY SWING TUBE US part number	1
22B	132212GT	TUBE SWING China part number	1
23	66485GT	TUBE, VERT, FOLDING US part number	6
23B	132213GT	TUBE, VERT, FOLDING China part number	6
24	1274596GT	WELDMENT, FOLDING, SIDERAIL, MAIN US part number	2
24A-	78038GT	CAP, PLASTIC, 1.25 X 0.08"	
24B	132209GT	WLDMT, MAIN FOLDING SIDERAIL China part number	2
25	66889-SGT	WLDMT, MAIN SIDERAIL,UPPER,LFT US part number; (battery pack side)	1
25A-	78038GT	CAP, PLASTIC, 1.25 X 0.08"	
25A-	47374GT	TAPE,NON-SKID,DIE CUT,4"X 32"	3
25A-	39474GT	WEAR PAD,PLATFORM	1
25A-	T113787GT	RIVET,ALUM,STL,.188 X .250 for 39474	2
25B	132210GT	WLDMT, MAIN SIDERAIL, UPPER RT China part number; (battery pack side)	1





Item	Part No.	Description	Qty.
26	97123GT	PLAT EXT DECK ASSY,GS30	1
26B	96335GT	WELDMNT, EXT PLATFORM US part number;(decals not included, refer to section one)	1
26C	132140GT	WELDMNT, EXT PLATFORM China part number;(decals not included, refer to section one)	1
27	1269307GT	WELDMNT, FOLDING, LOWER, EXTENSION (fold down)	1
27-	78038GT	CAP, PLASTIC, 1.25 X 0.08"	
28	231111GT	DECAL PLATE ASSY,GS30,ANSI (North America)	1
28B	231610GT	DECAL PLATE ASSY,GS30,AUSTRAL (Australia)	1
28C	84590GT	DECAL PLATE ASSY W/SYM DECALS (Asia, Europe and South America)	1
28D	96849GT	WLDMT,DECAL PLATE, GS30/32 US part number; (decals not included, refer to section one)	1
28E	1269346GT	WLDMT,DECAL PLATE,NEW China part number; (decals not included, refer to section one)	1
29	1274594GT	WELDMNT, EXTENSION DECK RAIL, UPPER US part number	1
29A-	78038GT	CAP, PLASTIC, 1.25 X 0.08"	
29B	1269302GT	WELDMNT, FOLDING, UPPER, EXTENSION China part number	1
30	96246GT	WELDMNT,ROLLER BRACKET,LT*** US part number	1
30A-	21279GT	BUTTON, .800 O.D. X .281	
30B	132127GT	ROLLER BRKT LEFT China part number	1
31	84586GT	LANYARD ROLLER BRKT ASSY W/DEC	1
31B	96200GT	WLDMT, LANYARD ROLLER BRKT US part number; (decals not included, refer to section one)	1
31C	132121GT	WELDMNT PLATFORM LANYARD China part number; (decals not included, refer to section one)	1
32	231112GT	FIXED RAILS ASSY,GS30,ANSI (North America)	1
32B	231611GT	FIXED RAILS ASSY,GS30,AUSTRAL (Australia)	1
32C	97132GT	FIXED RAILS ASSY, GS30 SYMBOL (Asia, Europe and South America)	1
32D	1282141GT	WLDMT, EXT SIDERAIL,METRIC (decals not included, refer to section one)	1
33	824078GT	SCREW,HHF,1/4-20X.75,8,ZAG	
34	44743GT	MANUAL BOX W/DECALS*** USA/Canada/Australia	1
34B	24514GT	BOX,INSTRUCTION STORAGE Europe/Asia/South America (decals required; refer to Section100)	
34B-	1256855	SCREW,HHF,1/4-20X.625,8,ZAG	4
34B-	824027GT	NUT, TL FLG, 1/4-20, G, ZAG	4



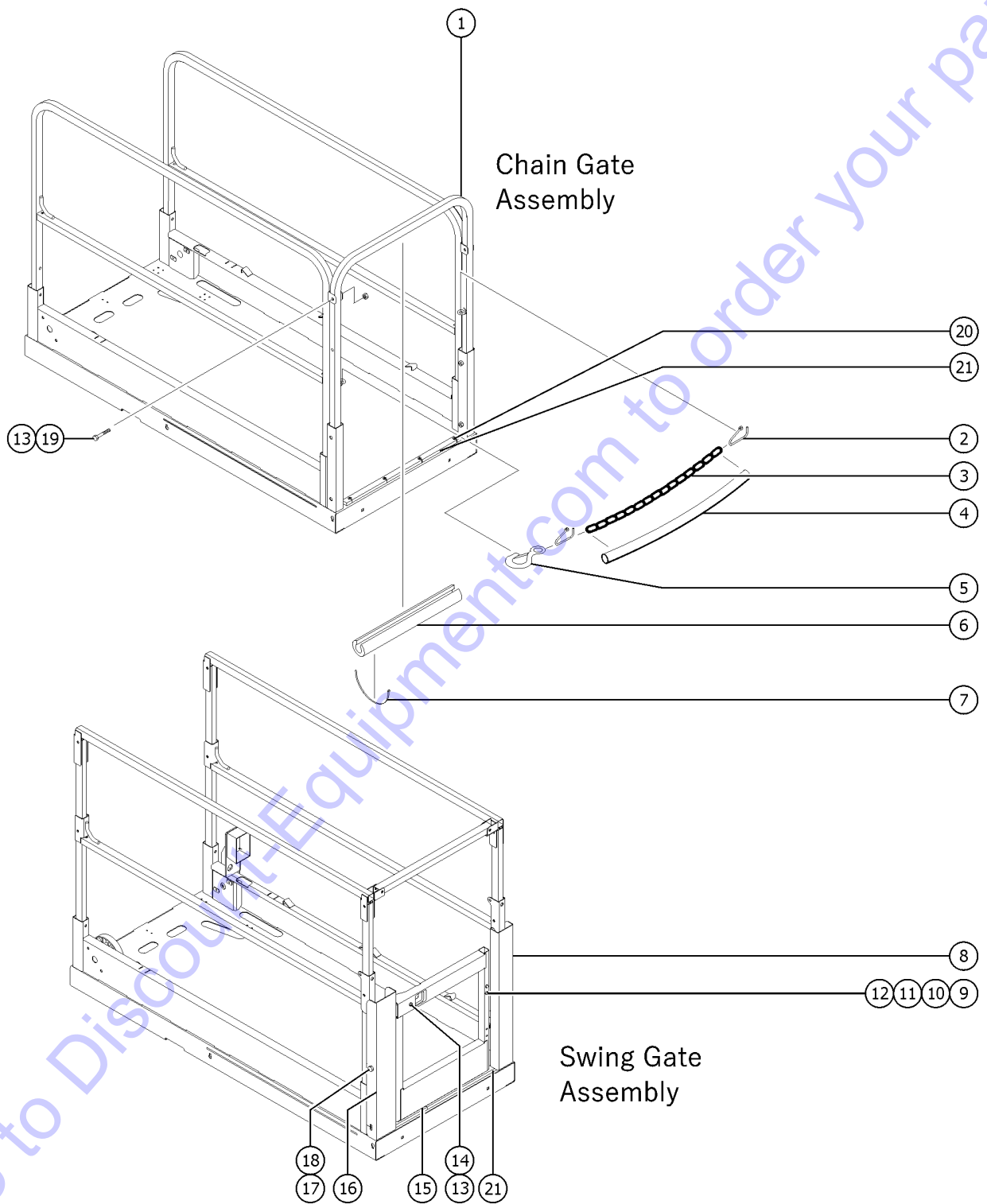
Go to Discount-Equipment.com to order your parts

Item	Part No.	Description	Qty.
34B-	825358GT	WASHER,FLAT,5/16,USS,ZAG	4
35	1307198GT	PIN,WIRE LOCK,3/8X2-1/2SQ DW SnPn	
35-	78022GT	LANYARD,BLACK NYLON,TYPE 1*** (CE & Australia models)	
36		Ref. SWING GATE ASSEMBLY (refer to 405.1)	
37	1259223GT	BOLT,SHS,3/8X.375X5/16-18,ZAG	1
38	12013GT	SHIM,.375 X .063	1
39	824094GT	SCREW,HHF,3/8-16X2.75,8,ZAG	5
40	824029GT	NUT,TL FLG,3/8-16,G,ZAG	10
41	1260926GT	BOLT,CARRIAGE,3/8-16X2.25,5,ZAG	2
42	1280958GT	CABLE,PLATFORM CONTROL,GS,HARTING CONN OPTION	1
43	1253477GT	SCREW,PHPM,4-40X.5,ZAG	1
44	1259339GT	NUT,4-40,ZAG	1
45	47478GT	BUMPER,RUBBER,1"OD X .461 H	

Go to Discount-Equipment.com to order your parts



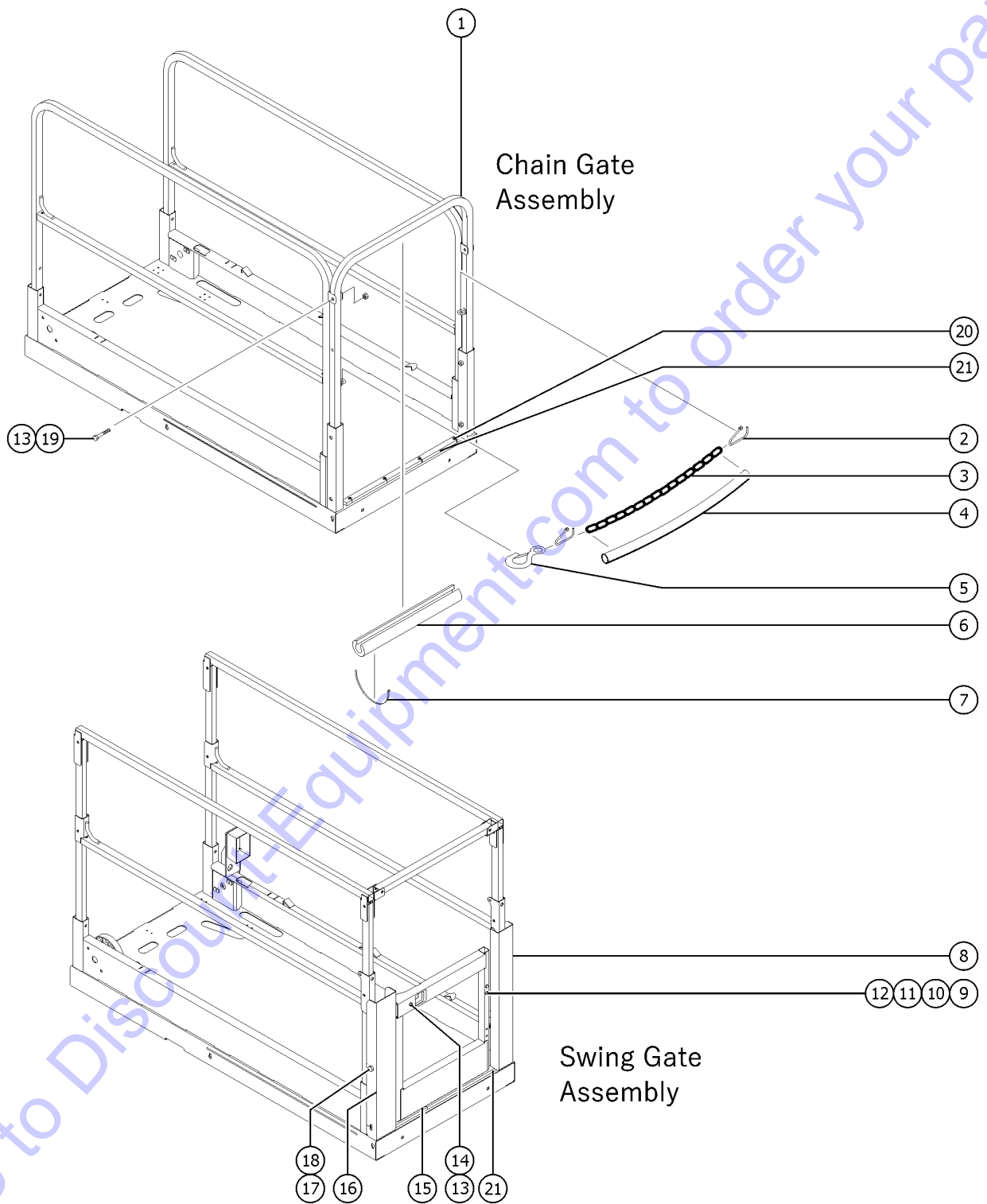
405.1 Platform Gates, GS-1530



Item	Part No.	Description	Qty.
-	144175GT	KIT,MINI FULL HT,ANSI GATE (ANSI and CSA models) (includes instructions)	
1	97280GT	CHAIN GATE KIT,GS30 (includes items 2 through 7)	
1-	1282139GT	WLDMT, CHAIN ENTRY GATE,METRIC China part number; (includes items 6 & 7)	1
1-	97105GT	PLAT ENTRY ASSY,RIGID GS30 US part number; (includes items 6 & 7)	1
1-	78029GT	END RAIL,SWING GATE,RIGID	
2	96163GT	LINK,(SPLIT) OPEN-END	2
3	39509GT	CHAIN,3/16,OPEN LINK 22.5"	1
4	47224GT	TUBING,PVC,1",BLACK***	21
5	39510GT	RIGID EYE SNAP	1
6	47188GT	FOAM,CLOSED CELL 1.75X.250X18"	1
7	28443GT	CABLE TIE, 11.5" BLACK	
8	1274603GT	FORMING, HALF GATE, HINGE SIDE US part number	1
8B	132026GT	FORMING, HALF GATE HINGE China part number	1
9	1253485GT	SCREW,HHF,1/4-20X2,8,ZAG	
10	6638GT	WASHER,FLAT,USS,1/4"Y	
11	1277924GT	NUT,NYLOCK FLG,1/4-20,F,ZAG	
12	104804GT	HINGE, SPRING, LONG LEG	2
13	5224GT	SCREW,HHC,3/8-16 X 2	
14	4828GT	NUT,NYLOCK,3/8-16	
15	97110GT	SWING GATE ASSY,GS30/32** (GS-1530 & GS 1930 ANSI and CSA models)	
15-	66551GT	WELDMENT, HALF GATE US part number; (decals not included, see section one) (for use with items 15A through 15G)	1
15-	132021GT	WLDMT, HALF GATE China part number; (decals not included, see section one) (for use with items 15A through 15G)	1
15-	47598GT	WEATHERSTRIP,SWING GATE (for use with items 15A through 15G); (to SN GS30D-27955)	18
15B	231175GT	SWING GATE ASSY,1530/1930 AUS (GS-1530 & GS-1930 Australia models)	1
15B-	66551GT	WELDMENT, HALF GATE US part number; (decals not included, see section one) (for use with items 15A through 15G)	1
15B-	132021GT	WLDMT, HALF GATE China part number; (decals not included, see section one) (for use with items 15A through 15G)	1
15B-	47598GT	WEATHERSTRIP,SWING GATE (for use with items 15A through 15G); (to SN GS30D-27955)	18



405.1 Platform Gates, GS-1530

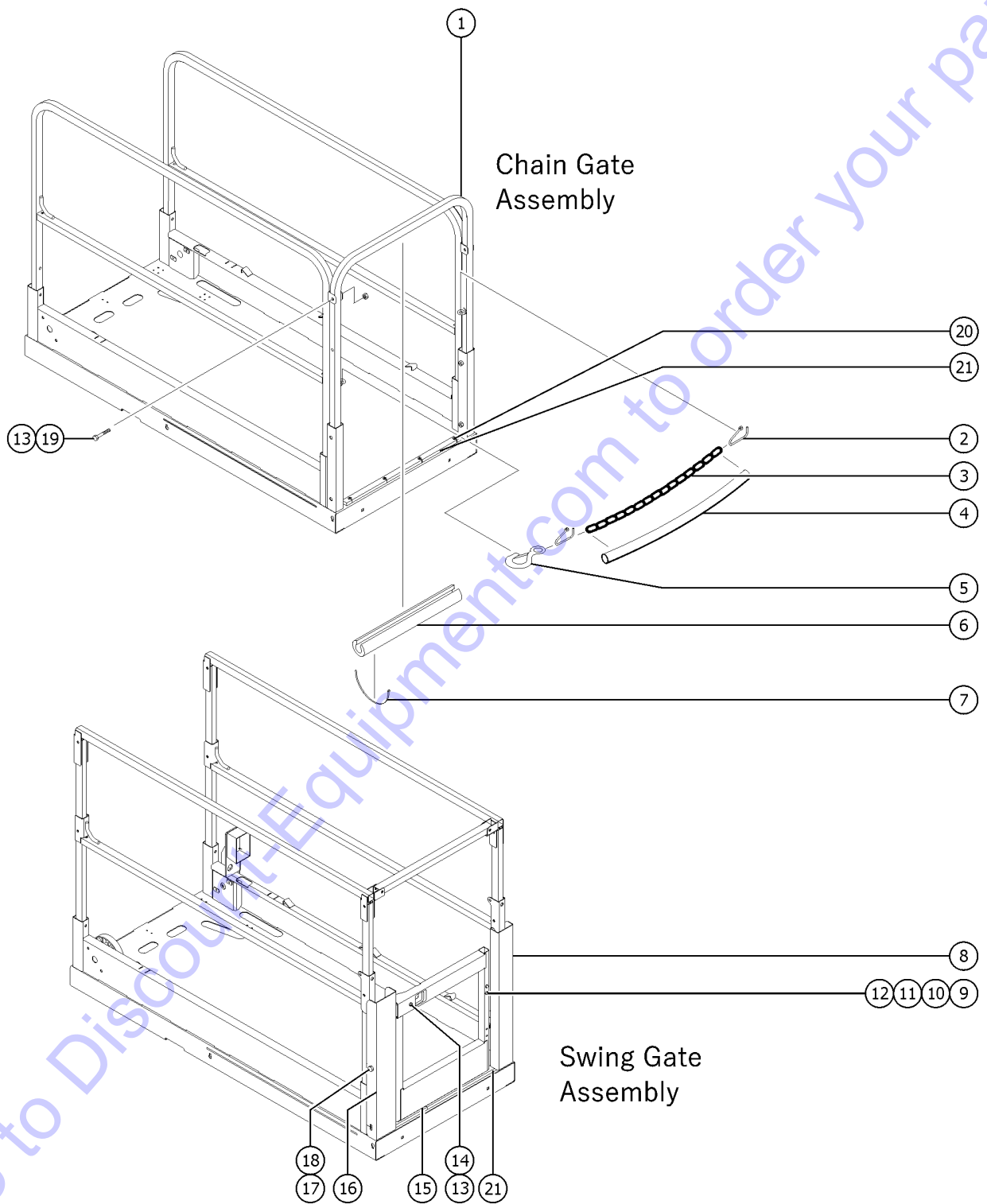


Item	Part No.	Description	Qty.
15D	231177GT	SWING GATE ASSY,GS1530 CE (GS-1530 CE models)	1
15D-	66551GT	WELDMENT, HALF GATE US part number; (decals not included, see section one) (for use with items 15A through 15G)	1
15D-	132021GT	WLDMT, HALF GATE China part number; (decals not included, see section one) (for use with items 15A through 15G)	1
15D-	47598GT	WEATHERSTRIP, SWING GATE (to SN GS30D-27955)	18
15G-	47598GT	WEATHERSTRIP, SWING GATE (to SN GS30D-27955)	18
15H	65990-SGT	KIT, GATE LATCH (includes items 13, 14, the spring, 22446, and the latch, 66544) (for use with items 15A through 15G)	1
15H-	22446GT	SPRING, COMPRESSION .835 X 2 (for use with items 15A through 15G)	1
15H-	66544GT	LATCH HANDLE (for use with items 15A through 15G)	1
16	1274597GT	WELDMENT, FORMING, HALF GATE, CATCH SIDE US part number	1
16B	132027GT	WELDMENT, FORMING, HALF GATE, CATCH China part number	1
17	8178GT	SCREW, HHC, 3/8-16 X 2.5	1
18	5397GT	WASHER, FLAT, USS, 5/16", Y	1
19	7713GT	NUT, LP NYLOCK, 3/8-16	1
20	1290029GT	RIVET, AL, AL, .25 X .875 from SN GS30D-27956	4
21	1291133GT	PLATE, GATE LIP, MINI GS, METRIC from SN GS30D-27956	1

Go to Discount-Equipment.com to order your parts



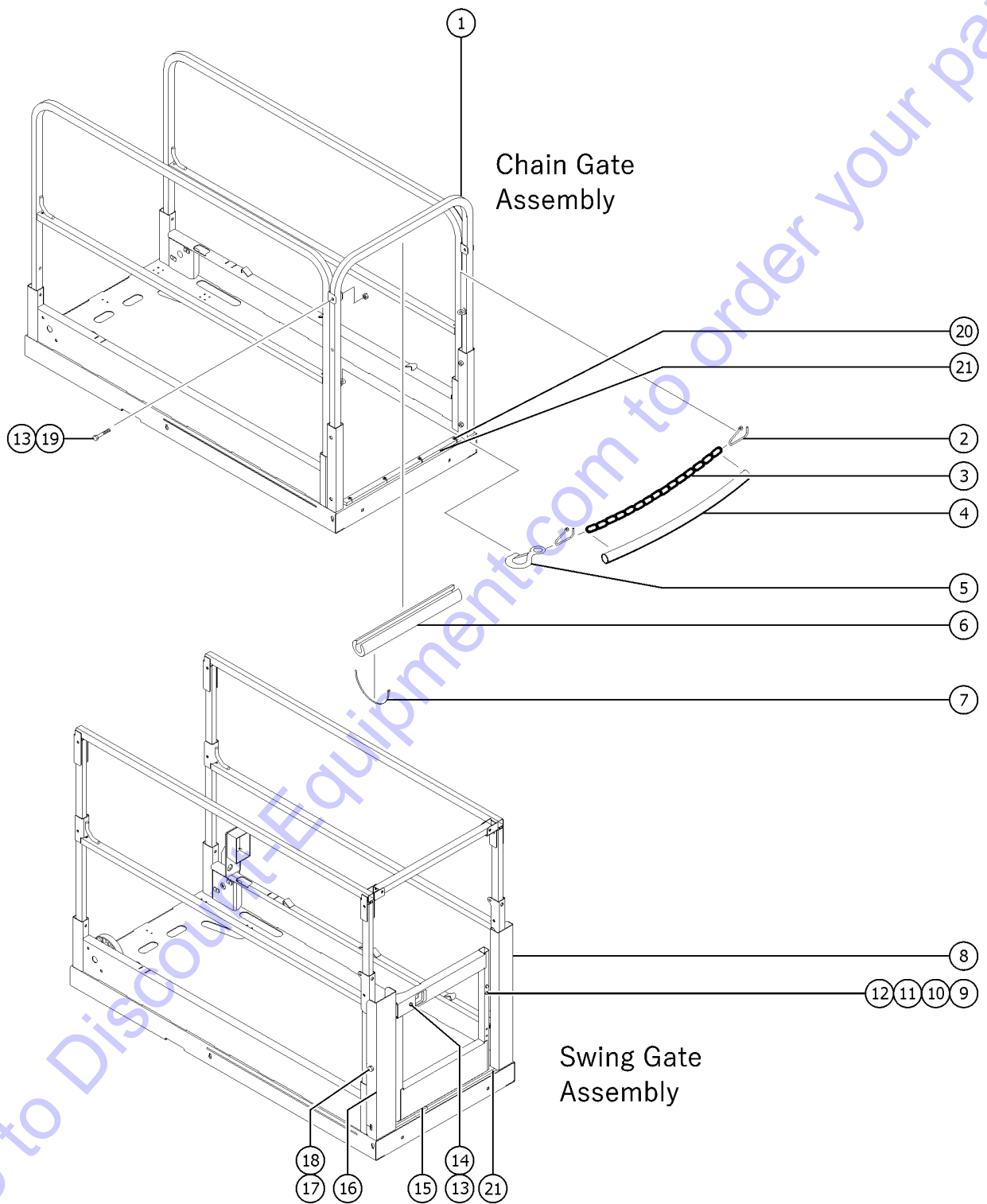
405.2 Platform Gates, GS-1532



Item	Part No.	Description	Qty.
-	144175GT	KIT,MINI FULL HT,ANSI GATE (ANSI and CSA models) (includes instructions)	
1	97280GT	CHAIN GATE KIT,GS30 (includes items 2 through 7)	
1-	1282139GT	WLDMT, CHAIN ENTRY GATE,METRIC China part number; (includes items 6 & 7)	1
1-	97105GT	PLAT ENTRY ASSY,RIGID GS30 US part number; (includes items 6 & 7)	1
1-	78029GT	END RAIL,SWING GATE,RIGID	
2	96163GT	LINK,(SPLIT) OPEN-END	2
3	39509GT	CHAIN,3/16,OPEN LINK 22.5"	1
4	47224GT	TUBING,PVC,1",BLACK***	21
5	39510GT	RIGID EYE SNAP	1
6	47188GT	FOAM,CLOSED CELL 1.75X.250X18"	1
7	28443GT	CABLE TIE, 11.5" BLACK	
8	1274603GT	FORMING, HALF GATE, HINGE SIDE US part number	1
8B	132026GT	FORMING, HALF GATE HINGE China part number	1
9	4266GT	SCREW,HHC,1/4-20 X 2	
10	6638GT	WASHER,FLAT,USS,1/4"Y	
11	6091GT	NUT, NYLOCK, 1/4-20	
12	104804GT	HINGE, SPRING, LONG LEG	2
13	5224GT	SCREW,HHC,3/8-16 X 2	
14	4828GT	NUT,NYLOCK,3/8-16	
15C	231176GT	SWING GATE ASSY,1532/1932 AUS (GS-1532 & GS-1932 Australia models)	
15C-	66551GT	WELDMNT, HALF GATE US part number; (decals not included, see section one) (for use with items 15A through 15G)	
15C-	132021GT	WLDMT, HALF GATE China part number; (decals not included, see section one) (for use with items 15A through 15G)	
15C-	47598GT	WEATHERSTRIP,SWING GATE to SN GS30D-27955	18
15E	231178GT	SWING GATE ASSY,GS1532 CE (GS-1532 CE models)	
15E-	66551GT	WELDMNT, HALF GATE US part number; (decals not included, see section one) (for use with items 15A through 15G)	
15E-	132021GT	WLDMT, HALF GATE China part number; (decals not included, see section one) (for use with items 15A through 15G)	
15E-	47598GT	WEATHERSTRIP,SWING GATE to SN GS30D-27955	18



405.2 Platform Gates, GS-1532

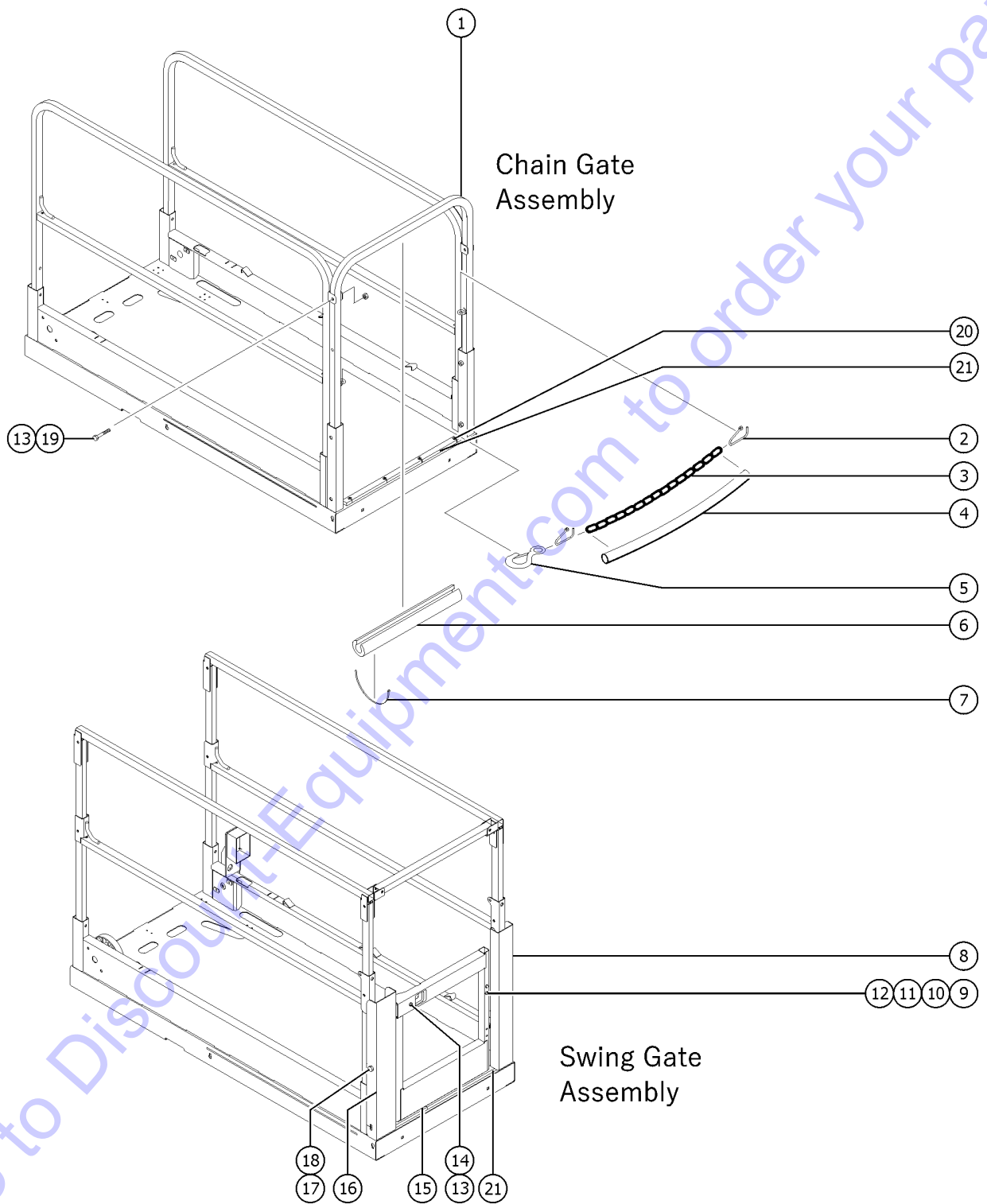


Item	Part No.	Description	Qty.
15H	65990-SGT	KIT,GATE LATCH (includes items 13, 14, the spring, 22446, and the latch, 66544) (for use with items 15A through 15G)	1
15H-	22446GT	SPRING, COMPRESSION .835 X 2 (for use with items 15A through 15G)	1
15H-	66544GT	LATCH HANDLE (for use with items 15A through 15G)	
16	1274597GT	WELDMENT, FORMING, HALF GATE, CATCH SIDE US part number;	
16B	132027GT	WELDMENT, FORMING, HALF GATE, CATCH China part number;	1
17	8178GT	SCREW,HHC,3/8-16 X 2.5	
18	5397GT	WASHER,FLAT,USS,5/16",Y	
19	7713GT	NUT, LP NYLOCK, 3/8-16	
20	1290029GT	RIVET, AL, AL, .25 X .875 from SN GS30D-27956	4
21	1291133GT	PLATE,GATE LIP,MINI GS,METRIC from SN GS30D-27956	1

Go to Discount-Equipment.com to order your parts



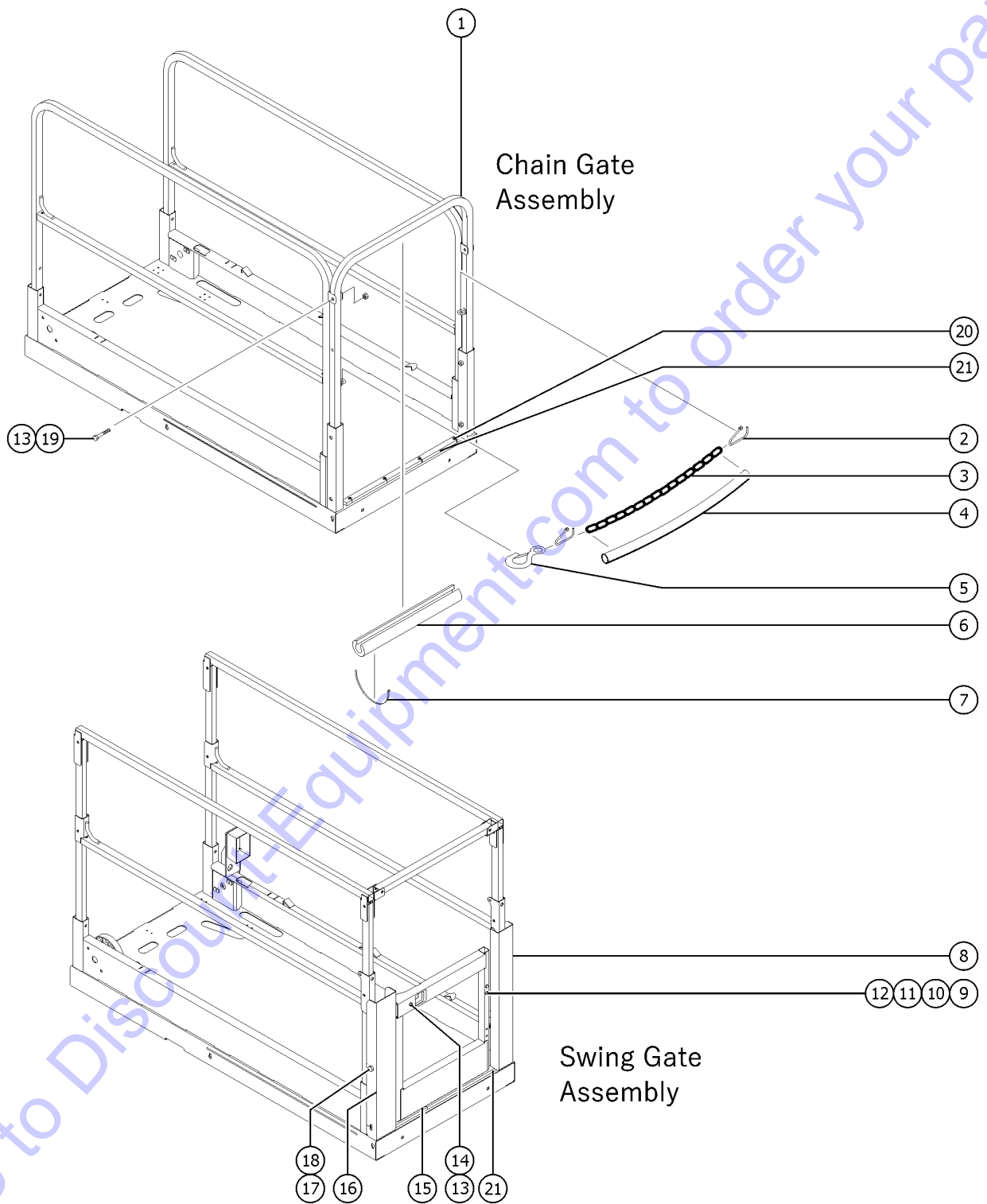
405.3 Platform Gates, GS-1930



Item	Part No.	Description	Qty.
	144175GT	KIT,MINI FULL HT,ANSI GATE (ANSI and CSA models) (includes instructions)	
1	97280GT	CHAIN GATE KIT,GS30 (includes items 2 through 7)	
1-	97105GT	PLAT ENTRY ASSY,RIGID GS30 US part number; (includes items 6 & 7)	1
1-	1282139GT	WLDMT, CHAIN ENTRY GATE,METRIC China part number; (includes items 6 & 7)	1
1-	78029GT	END RAIL,SWING GATE,RIGID	
2	96163GT	LINK,(SPLIT) OPEN-END	2
3	39509GT	CHAIN,3/16,OPEN LINK 22.5"	1
4	47224GT	TUBING,PVC,1",BLACK***	21
5	39510GT	RIGID EYE SNAP	1
6	47188GT	FOAM,CLOSED CELL 1.75X.250X18"	1
7	28443GT	CABLE TIE, 11.5" BLACK	
8	1274603GT	FORMING, HALF GATE, HINGE SIDE US part number	1
8B	132026GT	FORMING, HALF GATE HINGE China part number	1
9	4266GT	SCREW,HHC,1/4-20 X 2	
10	6638GT	WASHER,FLAT,USS,1/4"Y	
11	6091GT	NUT, NYLOCK, 1/4-20	
12	104804GT	HINGE, SPRING, LONG LEG	2
13	5224GT	SCREW,HHC,3/8-16 X 2	
14	4828GT	NUT,NYLOCK,3/8-16	
15	97110GT	SWING GATE ASSY,GS30/32** (GS-1530 & GS 1930 ANSI and CSA models)	
15-	66551GT	WELDMENT, HALF GATE US part number; (decals not included, see section one) (for use with items 15A through 15G)	1
15-	132021GT	WLDMT, HALF GATE China part number; (decals not included, see section one) (for use with items 15A through 15G)	1
15-	47598GT	WEATHERSTRIP,SWING GATE (for use with items 15A through 15G); to SN GS30D-27955	18
15B	231175GT	SWING GATE ASSY,1530/1930 AUS (GS-1530 & GS-1930 Australia models)	1
15B-	66551GT	WELDMENT, HALF GATE US part number; (decals not included, see section one) (for use with items 15A through 15G)	1
15B-	132021GT	WLDMT, HALF GATE China part number; (decals not included, see section one) (for use with items 15A through 15G)	1
15B-	47598GT	WEATHERSTRIP,SWING GATE (for use with items 15A through 15G); to SN GS30D-27955	18



405.3 Platform Gates, GS-1930

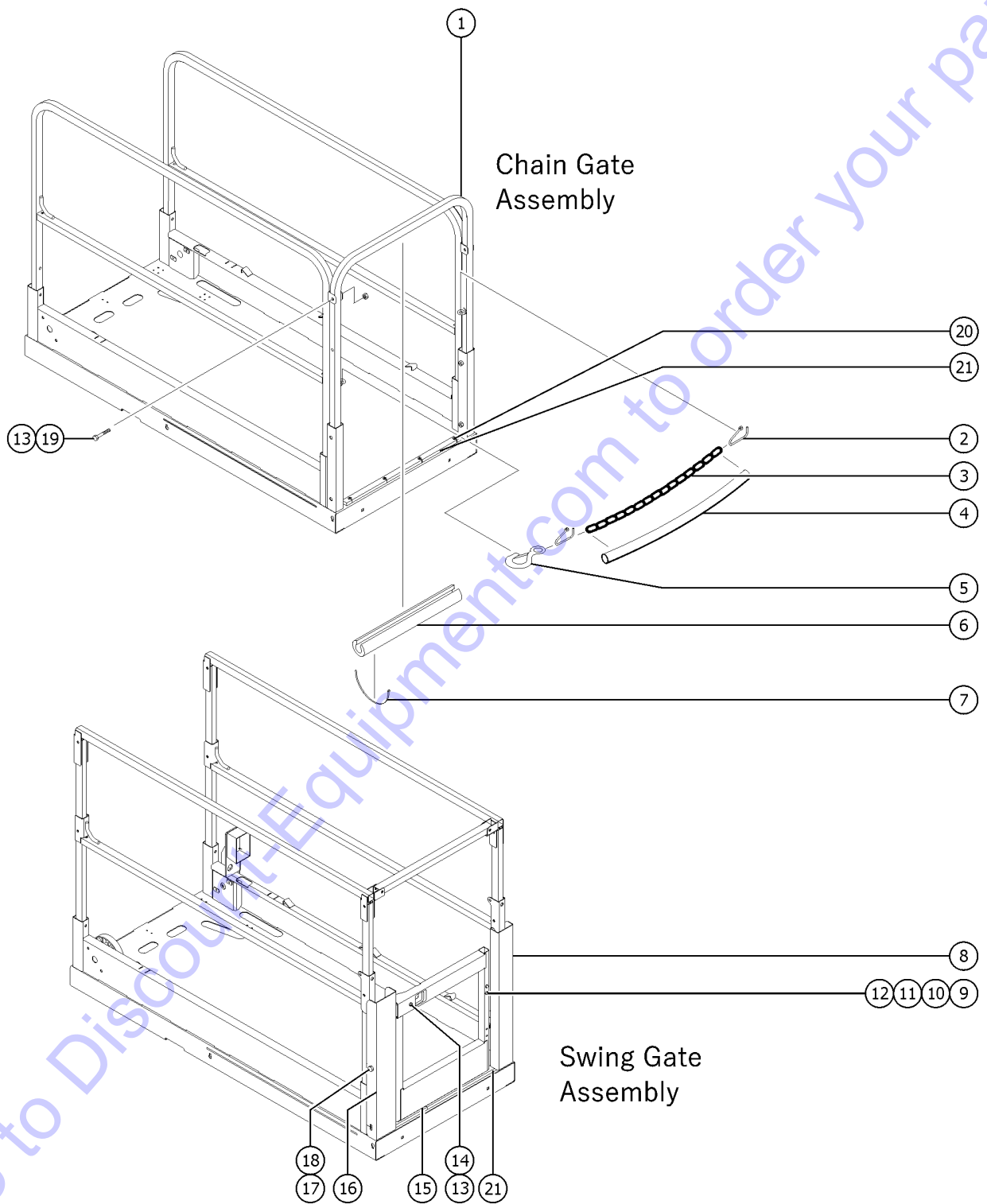


Item	Part No.	Description	Qty.
15F	231179GT	SWING GATE ASSY,GS1930 CE (GS-1930 CE models)	
15F-	66551GT	WELDMENT, HALF GATE US part number; (decals not included, see section one) (for use with items 15A through 15G)	
15F-	132021GT	WLDMT, HALF GATE China part number; (decals not included, see section one) (for use with items 15A through 15G)	
15F-	47598GT	WEATHERSTRIP, SWING GATE to SN GS30D-27955	18
15H	65990-SGT	KIT, GATE LATCH (includes items 13, 14, the spring, 22446, and the latch, 66544) (for use with items 15A through 15G)	1
15H-	22446GT	SPRING, COMPRESSION .835 X 2 (for use with items 15A through 15G)	1
15H-	66544GT	LATCH HANDLE (for use with items 15A through 15G)	
16	1274597GT	WELDMENT, FORMING, HALF GATE, CATCH SIDE US part number	
16B	132027GT	WELDMENT, FORMING, HALF GATE, CATCH China part number	1
17	8178GT	SCREW, HHC, 3/8-16 X 2.5	
18	5397GT	WASHER, FLAT, USS, 5/16", Y	
19	7713GT	NUT, LP NYLOCK, 3/8-16	
20	1290029GT	RIVET, AL, AL, .25 X .875 from SN GS30D-27956	4
21	1291133GT	PLATE, GATE LIP, MINI GS, METRIC from SN GS30D-27956	1

Go to Discount-Equipment.com to order your parts



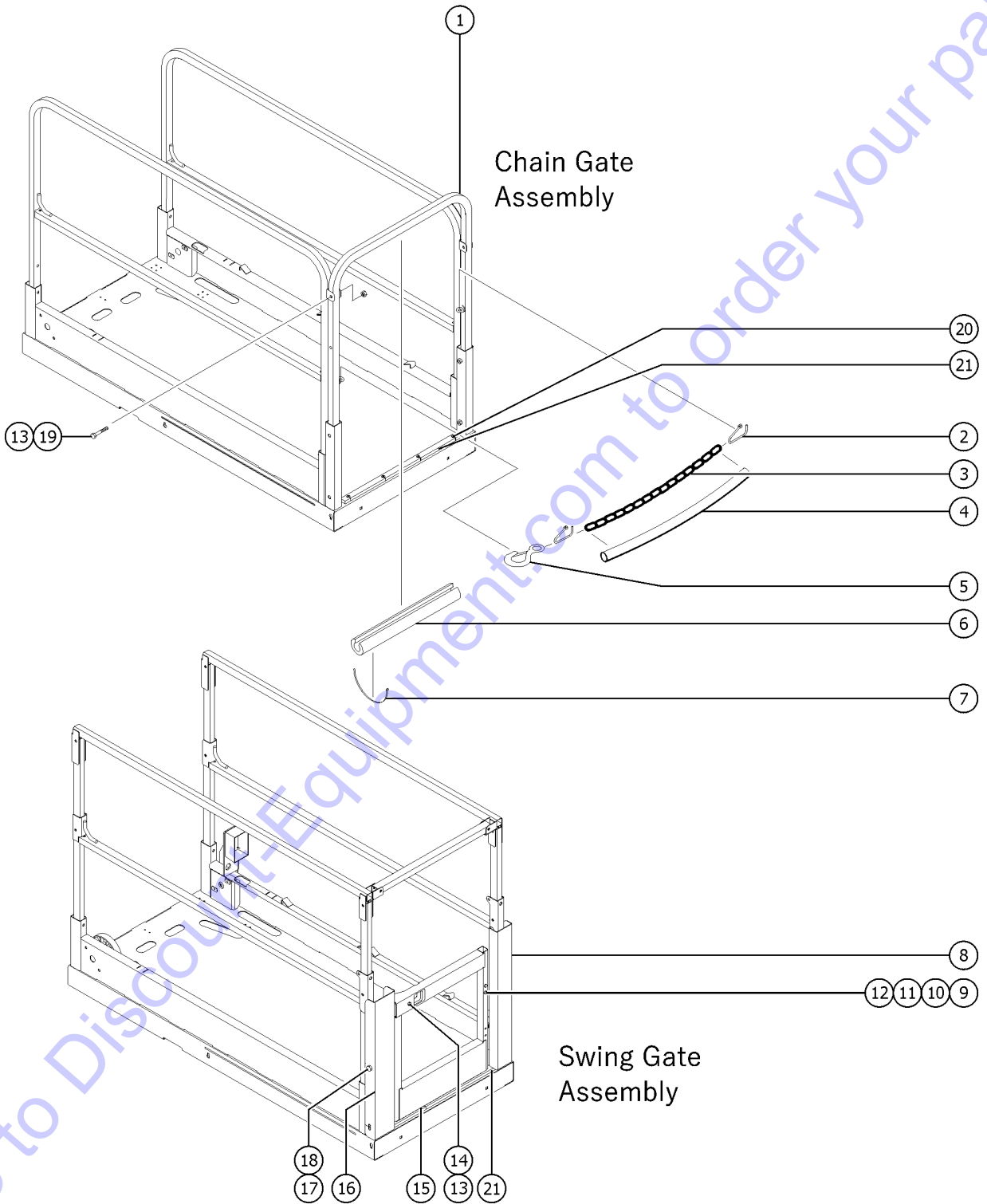
405.4 Platform Gates, GS-1932



Item	Part No.	Description	Qty.
	144175GT	KIT,MINI FULL HT,ANSI GATE (ANSI and CSA models) (includes instructions)	
1	97280GT	CHAIN GATE KIT,GS30 (includes items 2 through 7)	
1-	97105GT	PLAT ENTRY ASSY,RIGID GS30 US part number; (includes items 6 & 7)	1
1-	1282139GT	WLDMT, CHAIN ENTRY GATE,METRIC China part number; (includes items 6 & 7)	1
1-	78029GT	END RAIL,SWING GATE,RIGID	
2	96163GT	LINK,(SPLIT) OPEN-END	2
3	39509GT	CHAIN,3/16,OPEN LINK 22.5"	1
4	47224GT	TUBING,PVC,1",BLACK***	21
5	39510GT	RIGID EYE SNAP	1
6	47188GT	FOAM,CLOSED CELL 1.75X.250X18"	1
7	28443GT	CABLE TIE, 11.5" BLACK	
8	1274603GT	FORMING, HALF GATE, HINGE SIDE US part number	1
8B	132026GT	FORMING, HALF GATE HINGE China part number	1
9	4266GT	SCREW,HHC,1/4-20 X 2	
10	6638GT	WASHER,FLAT,USS,1/4"Y	
11	6091GT	NUT, NYLOCK, 1/4-20	
12	104804GT	HINGE, SPRING, LONG LEG	2
13	5224GT	SCREW,HHC,3/8-16 X 2	
14	4828GT	NUT,NYLOCK,3/8-16	
15C	231176GT	SWING GATE ASSY,1532/1932 AUS (GS-1532 & GS-1932 Australia models)	
15C-	66551GT	WELDMNT, HALF GATE US part number; (decals not included, see section one) (for use with items 15A through 15G)	
15C-	132021GT	WLDMT, HALF GATE China part number; (decals not included, see section one) (for use with items 15A through 15G)	
15C-	47598GT	WEATHERSTRIP,SWING GATE to SN GS30D-27955	18
15G	231180GT	SWING GATE ASSY,GS1932 CE (GS-1932 CE models)	
15G-	66551GT	WELDMNT, HALF GATE US part number; (decals not included, see section one) (for use with items 15A through 15G)	
15G-	132021GT	WLDMT, HALF GATE China part number; (decals not included, see section one) (for use with items 15A through 15G)	
15G-	47598GT	WEATHERSTRIP,SWING GATE to SN GS30D-27955	18



405.4 Platform Gates, GS-1932

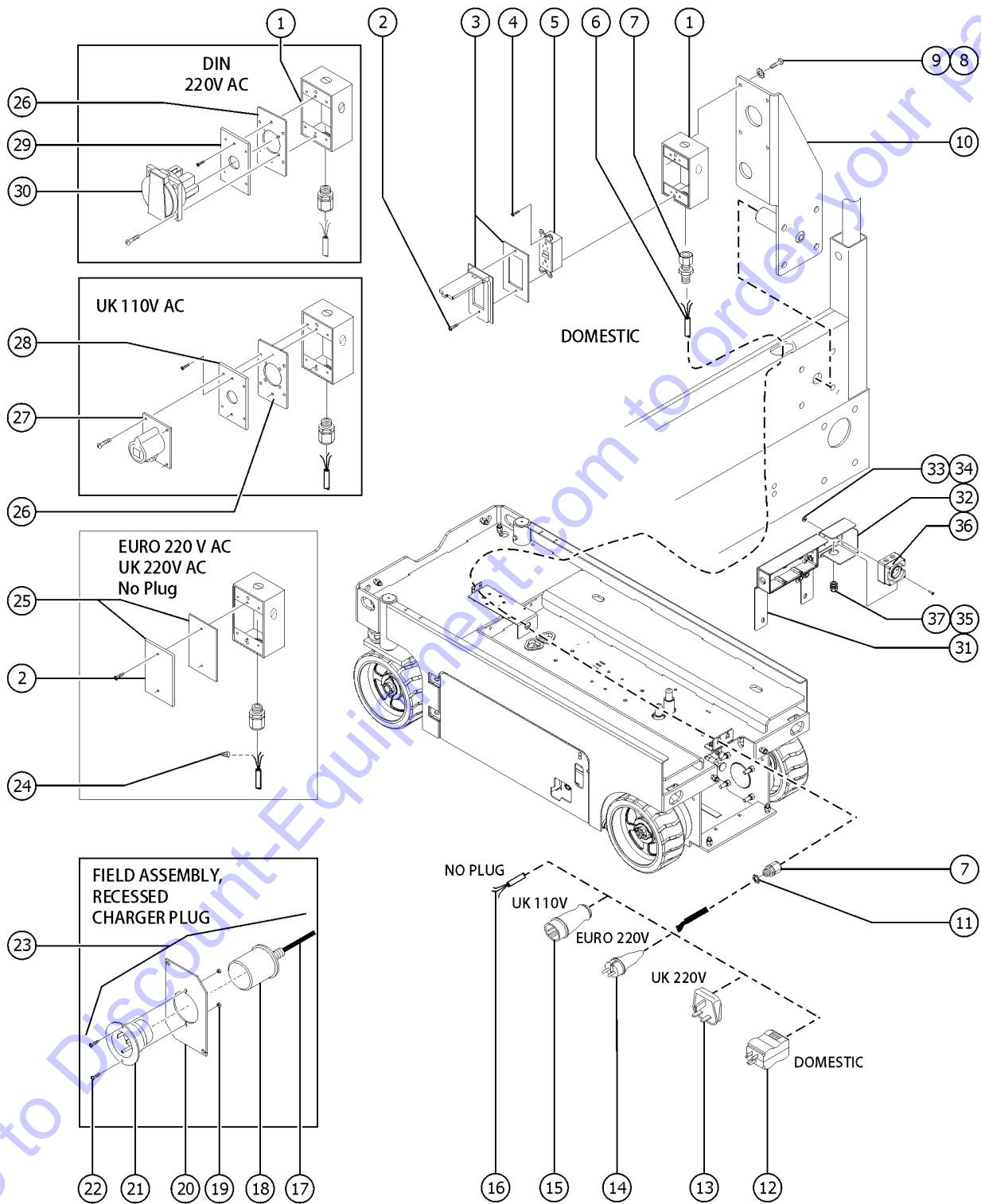


Item	Part No.	Description	Qty.
15H	65990-SGT	KIT,GATE LATCH (includes items 13, 14, the spring, 22446, and the latch, 66544) (for use with items 15A through 15G)	1
15H-	22446GT	SPRING, COMPRESSION .835 X 2 (for use with items 15A through 15G)	1
15H-	66544GT	LATCH HANDLE (for use with items 15A through 15G)	1
16	1274597GT	WELDMENT, FORMING, HALF GATE, CATCH SIDE US part number	1
16B	132027GT	WELDMENT, FORMING, HALF GATE, CATCH China part number	1
17	8178GT	SCREW,HHC,3/8-16 X 2.5	1
18	5397GT	WASHER,FLAT,USS,5/16",Y	1
19	7713GT	NUT, LP NYLOCK, 3/8-16	1
20	1290029GT	RIVET, AL, AL, .25 X .875 from SN GS30D-27956	4
21	1291133GT	PLATE,GATE LIP,MINI GS,METRIC from SN GS30D-27956	1

Go to Discount-Equipment.com to order your parts



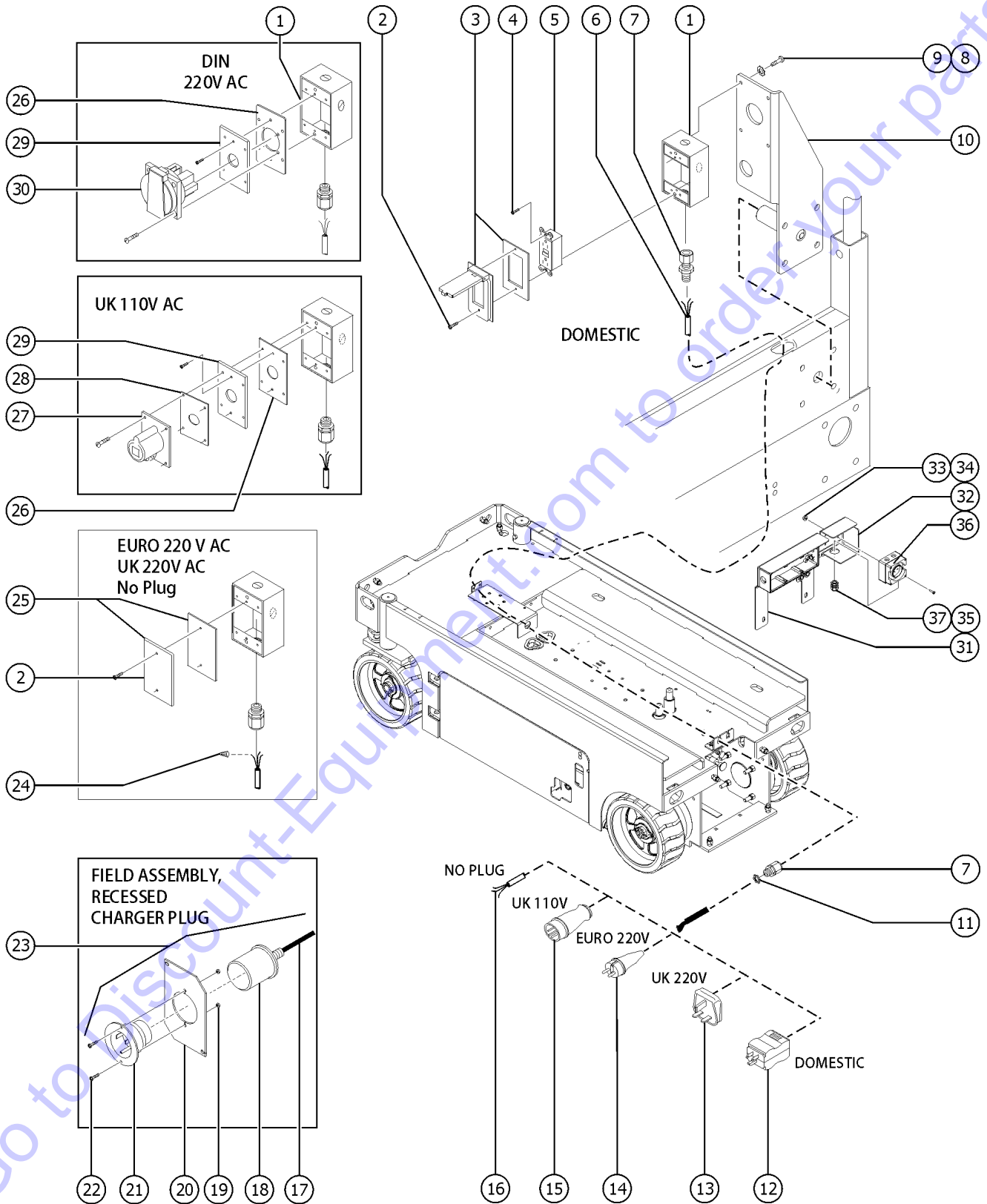
406.1 Power to Platform, GS-1530, GS-1532



Item	Part No.	Description	Qty.
1	10775GT	T-BOX,2.75 X 4.5 X 2.0	1
2	7127GT	SCREW,PHILLIPS,PHM,6-32 X .75	
3	74006GT	COVER,GFCI,HORIZONTAL,WEATHER US part number	1
3B	45437GT	COVER,GFCI,WEATHERPROOF China part number	1
4	45546GT	SCREW,RHM,6-32 X .5	
5	13585GT	OUTLET, 110V (ANSI and CSA models)	1
6	43956GT	WIRE CABLE, 14/3 CON.TPE JKT* GS-1530, GS-1532	264
7	7056GT	CONN, SQZ, 1/2NPT, 0.38-0.50, SM	1
8	57075GT	SCREW,PHIL,8-32X.50,SELF TAP	
9	44936GT	WASHER,STAR,EXTERNAL,#8	4
10		Ref. ROLLER BRACKET (refer to 401.1 through 404.1)	
11	6935GT	CONN, SQZ, 1/2NPT, LOCKNUT	1
12	6595GT	PLUG,ELECTRICAL,DOMESTIC	2
13	25388GT	PLUG,FUSED,250V,13AMP,U.K.**	
14	1280665GT	PLUG, TYPE F, 230A, 50HZ, 16A, IP44 US part number	
14B	6666GT	PLUG, ELECTRICAL, 220/50, NOVON China part number	
15	144161GT	PLUG,PWR,UK,16AMP,3PIN,BLK	
16	105117GT	PLUG,FLG INLET,15A/125V,2PWGD	
16-	105118GT	GASKET,(BOOT) FLANGE INLET PLG	
17	48282GT	POWER CORD, IEC 320 BLANK	1
18	105118GT	GASKET,(BOOT) FLANGE INLET PLG	1
19	1271081GT	NUT,NYLOCK,8-32,8,ZAG	2
20	105483-SGT	PLATE,AC ADAPTER(ANSI/CSA)	1
20-	6091GT	NUT, NYLOCK, 1/4-20 not included	2
20-	6878GT	BOLT,CARRIAGE,1/4-20 X .75,G2 not included	2
21	105117GT	PLUG,FLG INLET,15A/125V,2PWGD	1
22	1268950GT	SCREW,PHPM,8-32X.50,ZAG	2
22	144129GT	RECESSED SIDE PLUG ASSY, GS (includes items 17-22)	1



406.1 Power to Platform, GS-1530, GS-1532

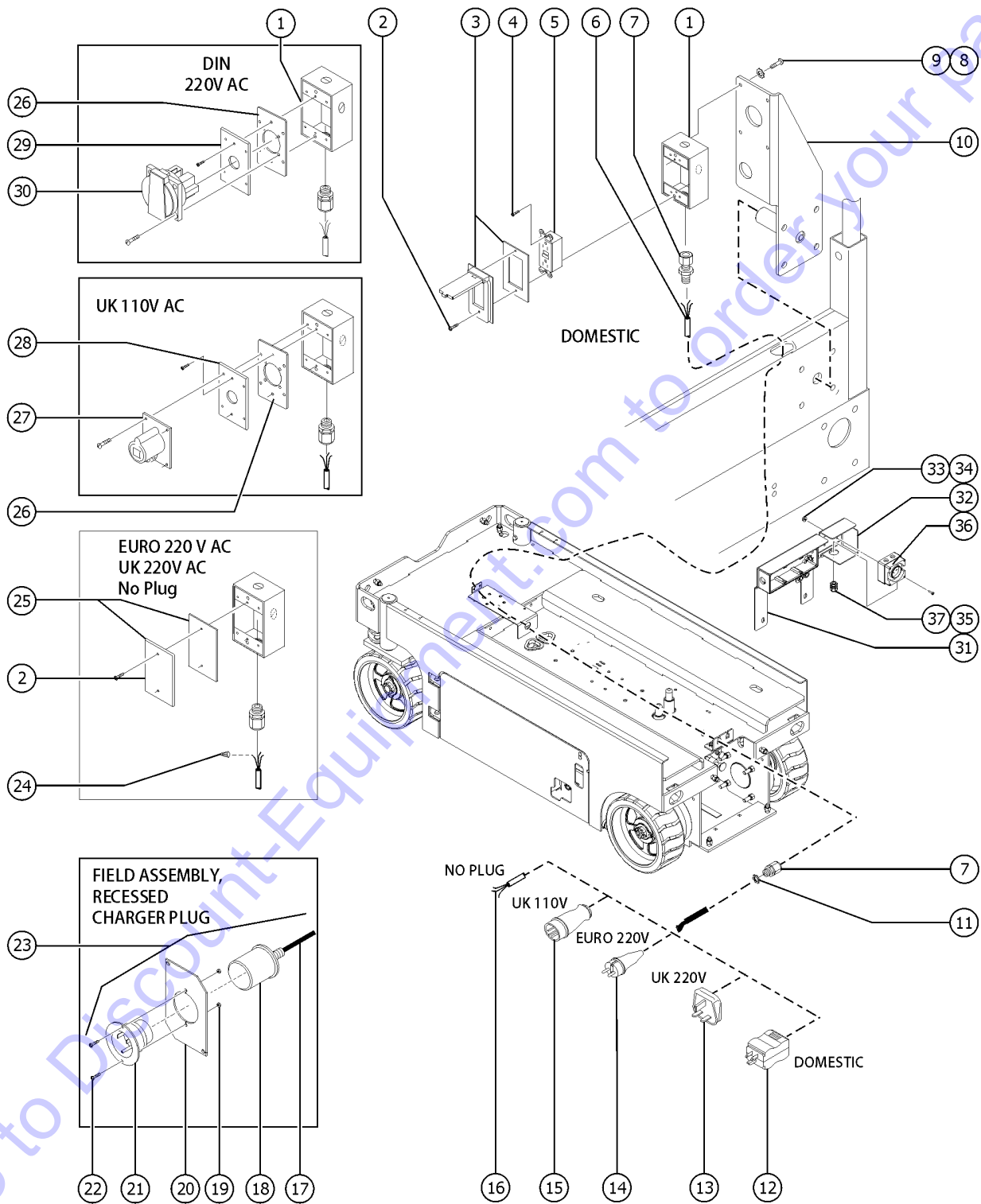


Item	Part No.	Description	Qty.
24	6626GT	WIRE CAP,ORANGE	1
25	10777GT	COVER, BLANK	1
26	66355GT	GASKET, UK & DIN PWR. TO PLAT (2.9 x 2.9 inches)	1
27	T112560GT	RECEPTACLE,UK,110 VOLT	1
28	T112561GT	PLATE,UK POWER TO PLATFORM	1
29	96236GT	PLATE,AC ADAPTER,DIN/UK***	1
30	66353GT	RECEPTACLE, DIN, 220V 50A	1
31	1275422GT	FORMING,AUS RCD BRACKET,GS30	1
32	1275423GT	PROTECTOR,AUS PECEPTACLE,GS30 to SN GS30D-31701	1
32B	1306163GT	PROTECTOR, AUS PLUG, GS30 from SN GS30D-31702	1
33	824215GT	SCREW, PHPM, 10-32 X .75, ZAG	8
34	824032GT	NUT,TL FLG,10-32,F,ZAG	8
35	160412GT	JOINT;PG13.5;M20x1.5	2
36	1284302GT	SCREW, PHPM, 10-32 X .75, ZAG	1
37	96009GT	WASHER,NITRILE	1

Go to Discount-Equipment.com to order your parts



406.2 Power to Platform, GS-1930, GS-1932



Item	Part No.	Description	Qty.
A	33724GT	KIT,GASKET,UK POWER TO PLAT (includes 1 each, items 26 and 28)	
1	10775GT	T-BOX,2.75 X 4.5 X 2.0	1
2	7127GT	SCREW,PHILLIPS,PHM,6-32 X .75	
3	45437GT	COVER,GFCI,WEATHERPROOF	1
4	45546GT	SCREW,RHM,6-32 X .5	
5	13585GT	OUTLET, 110V (ANSI and CSA models)	1
6B	43956GT	WIRE CABLE, 14/3 CON.TPE JKT* GS-1930, GS-1932	364
7	7056GT	CONN, SQZ, 1/2NPT, 0.38-0.50,SM	1
8	57075GT	SCREW,PHIL,8-32X.50,SELF TAP	
9	44936GT	WASHER,STAR,EXTERNAL,#8	4
10		Ref. ROLLER BRACKET (refer to 401.1 through 404.1)	
11	6935GT	CONN, SQZ, 1/2NPT, LOCKNUT	1
12	6595GT	PLUG,ELECTRICAL,DOMESTIC	2
13	25388GT	PLUG,FUSED,250V,13AMP,U.K.**	
14	1280665GT	PLUG, TYPE F, 230A, 50HZ, 16A, IP44	
15	144161GT	PLUG,PWR,UK,16AMP,3PIN,BLK	
16	105117GT	PLUG,FLG INLET,15A/125V,2PWGD	
16-	105118GT	GASKET,(BOOT) FLANGE INLET PLG	
17	48282GT	POWER CORD, IEC 320 BLANK	1
18	105118GT	GASKET,(BOOT) FLANGE INLET PLG	1
19	18605GT	NUT,NYLOCK,8-32	2
20	105483-SGT	PLATE,AC ADAPTER(ANSI/CSA)	1
20-	6878GT	BOLT,CARRIAGE,1/4-20 X .75,G2 not included	2
20-	6091GT	NUT, NYLOCK, 1/4-20 not included	2
21	105117GT	PLUG,FLG INLET,15A/125V,2PWGD	1
22	55906GT	SCREW, PHILLIPS, PHM, 8-32 X .5	2
23	144129GT	RECESSED SIDE PLUG ASSY, GS (includes items 17-22)	1
24	6626GT	WIRE CAP,ORANGE	1

PARTS FINDER

**Search Website
by Part Number**



**Search Manual
Library For Parts
Manual & Lookup Part
Numbers – Purchase
or Request Quote**

Search Manuals

Enter your information to help us find the right parts manual for your machine.

* Brand:

* Model:

* Serial:

* Part Number:

SEARCH

**Can't Find Part or
Manual? Request Help
by Manufacturer,
Model & Description**

Parts Order Form

Please fill in the following information to help us find the right part for your machine.

Manufacturer:	<input type="text"/>
Model:	<input type="text"/>
Description:	<input type="text"/>
Part Number:	<input type="text"/>
Quantity:	<input type="text"/>
Notes:	<input type="text"/>

Submit

Discount-Equipment.com is your online resource for quality parts & equipment.

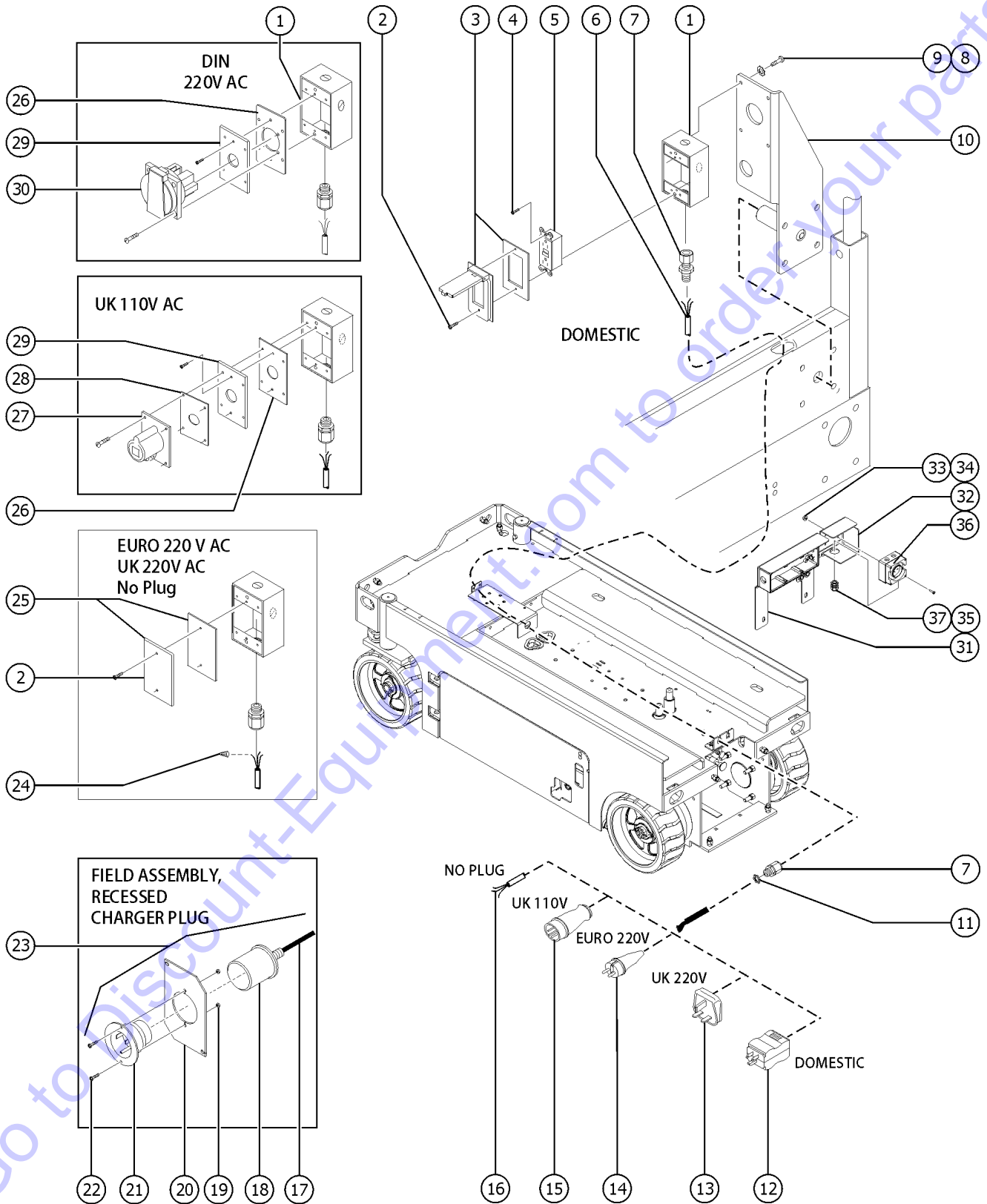
Florida: **561-964-4949** Outside Florida TOLL FREE: **877-690-3101**

Need parts?

Click on this link: <http://www.discount-equipment.com/category/5443-parts/> and choose one of the options to help get the right parts and equipment you are looking for. Please have the machine model and serial number available in order to help us get you the correct parts. If you don't find the part on the website or on one of the online manuals, please fill out the request form and one of our experienced staff members will get back to you with a quote for the right part that your machine needs.

We sell worldwide for the brands: Genie, Terex, JLG, MultiQuip, Mikasa, Essick, Whiteman, Mayco, Toro Stone, Diamond Products, Generac Magnum, Airman, Haulotte, Barreto, Power Blanket, Nifty Lift, Atlas Copco, Chicago Pneumatic, Allmand, Miller Curber, Skyjack, Lull, Skytrak, Tsurumi, Husquvarna Target, Stow, Wacker, Sakai, Mi-T-M, Sullair, Basic, Dynapac, MBW, Weber, Bartell, Bennar Newman, Haulotte, Ditch Runner, Menegotti, Morrison, Contec, Buddy, Crown, Edco, Wyco, Bomag, Laymor, EZ Trench, Bil-Jax, F.S. Curtis, Gehl Pavers, Heli, Honda, ICS/PowerGrit, IHI, Partner, Imer, Clipper, MMD, Koshin, Rice, CH&E, General Equipment, Amida, Coleman, NAC, Gradall, Square Shooter, Kent, Stanley, Tamco, Toku, Hatz, Kohler, Robin, Wisconsin, Northrock, Oztec, Toker TK, Rol-Air, APT, Wylie, Ingersoll Rand / Doosan, Innovatech, Con X, Ammann, Mecalac, Makinex, Smith Surface Prep, Small Line, Wanco, Yanmar

406.2 Power to Platform, GS-1930, GS-1932

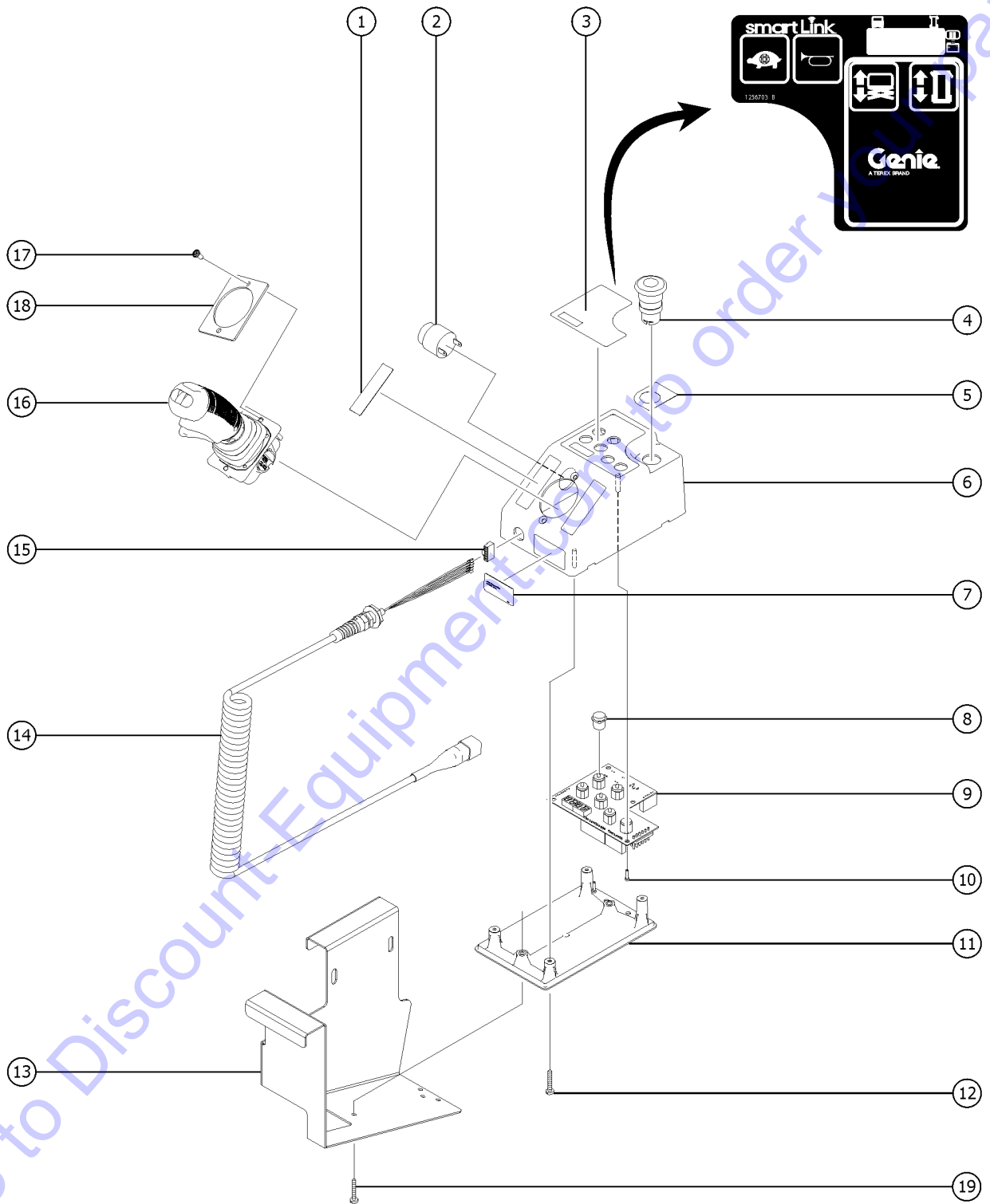


Item	Part No.	Description	Qty.
25	10777GT	COVER, BLANK	1
26	66355GT	GASKET, UK & DIN PWR. TO PLAT (2.9 x 2.9 inches)	1
27	T112560GT	RECEPTACLE,UK,110 VOLT	1
28	T112561GT	PLATE,UK POWER TO PLATFORM	1
29	96236GT	PLATE,AC ADAPTER,DIN/UK***	1
30	66353GT	RECEPTACLE, DIN, 220V 50A	1
31	1275422GT	FORMING,AUS RCD BRACKET,GS30	1
32	1275423GT	PROTECTOR,AUS PECEPTACLE,GS30 to SN GS30D-31701	1
32B	1306163GT	PROTECTOR, AUS PLUG, GS30 from SN GS30D-31702	1
33	824215GT	SCREW, PHPM, 10-32 X .75, ZAG	8
34	824032GT	NUT,TL FLG,10-32,F,ZAG	8
35	160412GT	JOINT;PG13.5;M20x1.5	2
36	1284302GT	SCREW, PHPM, 10-32 X .75, ZAG	1
37	96009GT	WASHER,NITRILE	1

Go to Discount-Equipment.com to order your parts



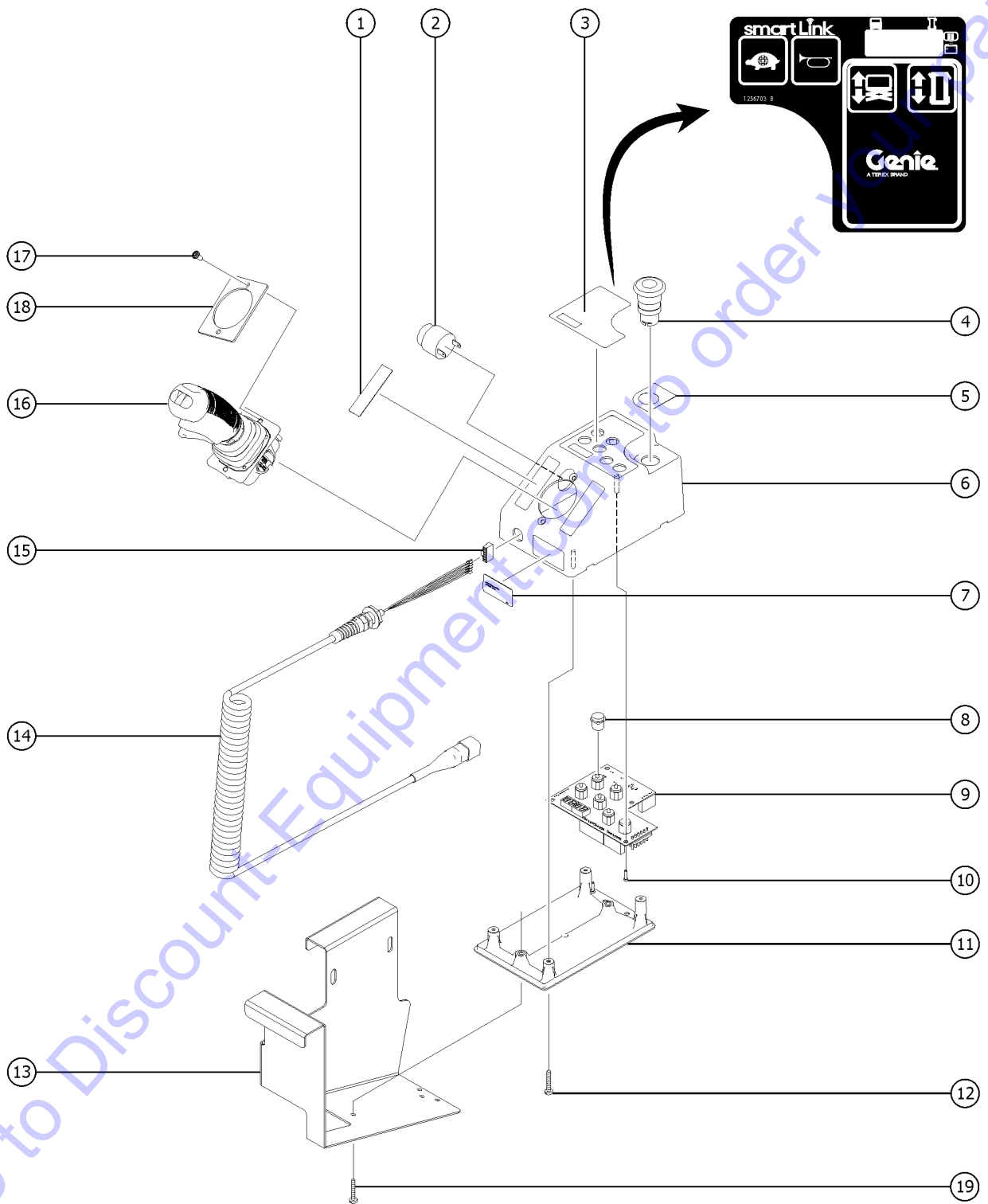
407.1 Platform Controls



Item	Part No.	Description	Qty.
A	1256727GT	PCON,STD,PROP LIFT,GR/GS (complete platform control box with coil cord, bracket not included)	1
A-	1258731GT	FLASH DRIVE,SL1K2.0 SOFTWARE (For proportional lift or upgrade kits only. Software update available on-line. Flash drive sold separately.)	
A-	137587GT	HARNESS, ESTOP, GR/GRC/GS PCON	
B	1280957GT	PCON ASSEMBLY, HARTING CONN OPTION	1
C	1280958GT	CABLE,PLATFORM CONTROL,GS,HARTING CONN OPTION	1
D	1256819GT	FCON,FOOTSWITCH,PROP LIFT	1
1	137656GT	DECAL,PROPEL,GR/GRC/GS,PCON	1
2	39540GT	ALARM,STEADY TONE***	1
3		DECAL, UI, GS/GR, PROP LIFT (refer to section 1)	1
4	66812GT	BUTTON,PUSH,RED MUSHROOM HEAD	1
4-	66817GT	E-STOP NC CONTACT	
5	137605GT	DECAL,E-STOP,GR/GRC/GS PCON	1
6	1256656GT	ENCLOSURE,STD 4-BUTTON,TOP	
7		DECAL (component no longer available)	
8	T106373GT	CAP,BUTTON,K12	6
9	1256725GT	PCBA,PCON STD,PROP LIFT	1
10	137637GT	SCREW,PHM,4-20X.5, 48-2 TRI-L	
11	T106370GT	ENCLOSURE,GC14-1/GC16-1, BOT	1
12	137640GT	SCREW,PHM,8-16X.75, 48-2 TRI-L	
13	227167GT	FORMING, PLAT CONTROL BOX,MET USA, Canada, Australia	1
13B	227167GT	FORMING, PLAT CONTROL BOX,MET China part number	1
14	235464GT	KIT,COIL CORD,CONTRLR,SL1000 includes item 15	1
14-	231921GT	KIT,CONN,RECEPT W/PIN AND LOCK	
14-	231922GT	KIT,CONN,PLUG W/SCKT AND LOCK	
15	137699GT	PLUG, 6POS ECO PWR	1
16		Ref., JOYSTICK refer to 409.1	1
17	229845GT	SCREW,BHSCS,M5X10,SS Apply loctite 243 or equivalent before installation, to SN GS30D-29744	2
17B	1291173GT	SCREW,BHSCS,M5X12,SS Apply loctite 243 or equivalent before installation, from SN GS30D-29745	2



407.1 Platform Controls

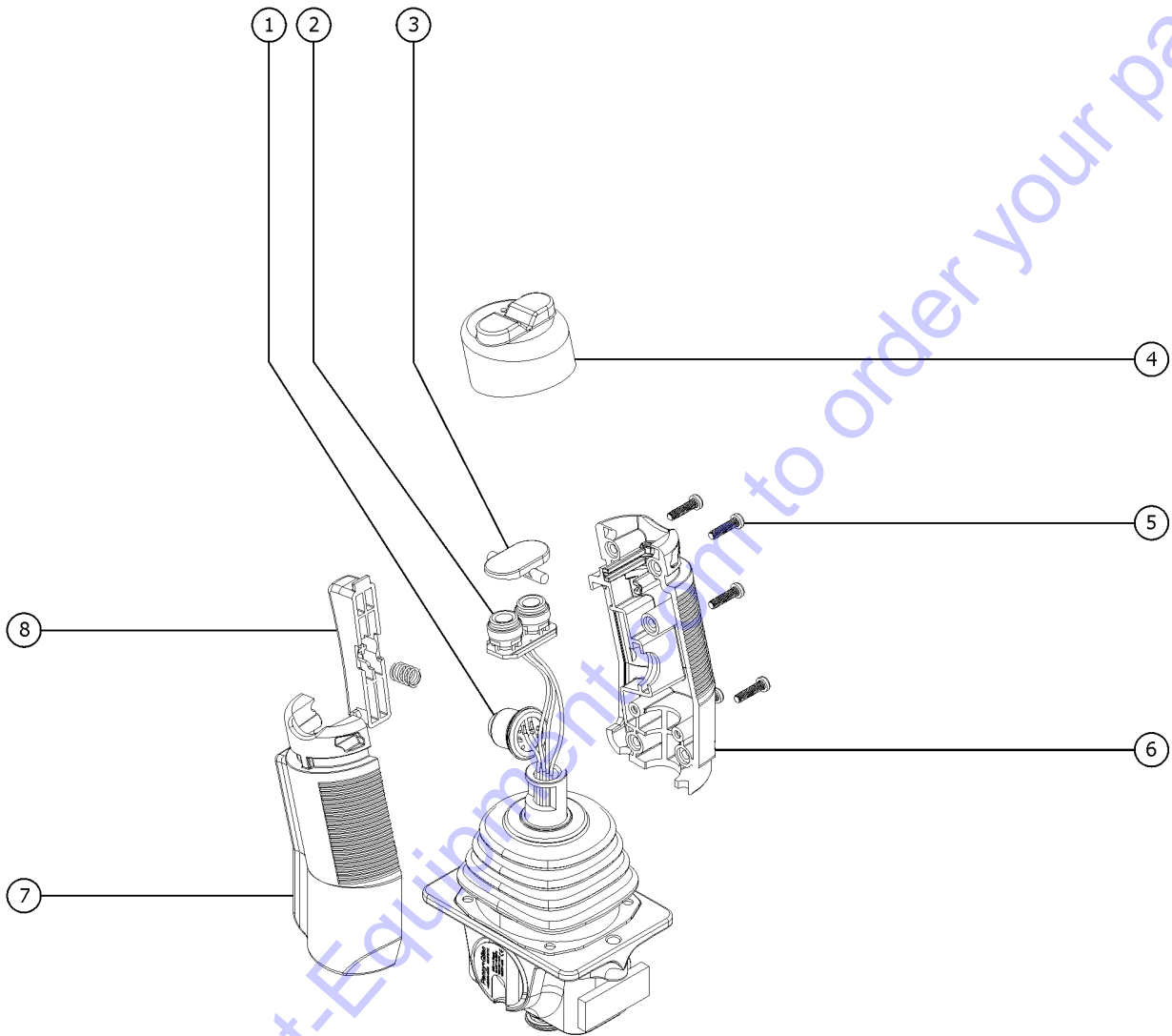


<i>Item</i>	<i>Part No.</i>	<i>Description</i>	<i>Qty.</i>
18	1290297GT	PLATE,JOYSTICK PROTECTOR from SN GS30D-29745	1
19	824078GT	SCREW,HHF,1/4-20X.75,8,ZAG	2

Go to Discount-Equipment.com to order your parts



408.1 Joystick Controller



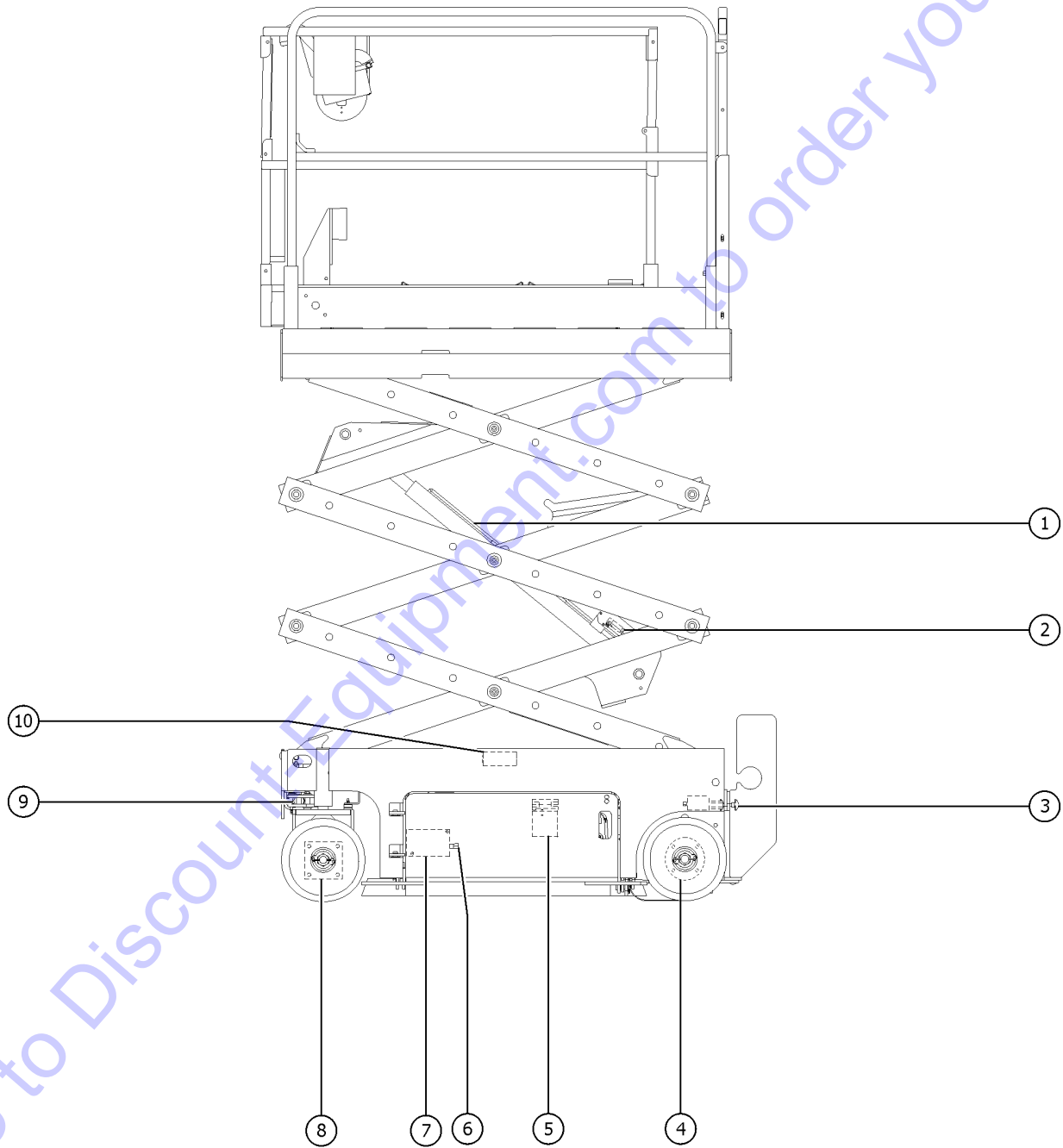
408.1 Joystick Controller

Item	Part No.	Description	Qty.
A-	137634GT	JOYSTICK, HALL EFFECT, SINGLE	
B-	214544GT	KIT,BOOT,JOYSTICK,SL1000	
		joystick boot	
1	235463GT	KIT,SWITCH,JYSTK,SL1000	1
		function enable and steer switches	
2	235463GT	KIT,SWITCH,JYSTK,SL1000	1
		function enable and steer switches	
3	229092GT	ROCKER,2 SWITCH	1
4	229093GT	BOOT, 2 SWITCH, SILICON	1
5	229086GT	SCREW, SELF TAP	5
6	229087GT	HANDLE HALF,RIGHT,W/TOP SWITCH	1
6B	229091GT	SCREW,GRUB,M5X8MM,HLF DOG,BZP	
		for 229087	
7	229088GT	HANDLE HALF,LEFT,W/TOP SWITCH	1
7B	229090GT	SCREW,GRUB,M5X8MM CUP(BLK)	
		for 229088	
8	229089GT	TRIGGER, EXTENDED	1
		squeeze handle	
8-	229094GT	SPRING, HANDLE TRIGGER	1

Go to Discount-Equipment.com to order your parts



501.1 Hydraulic Components



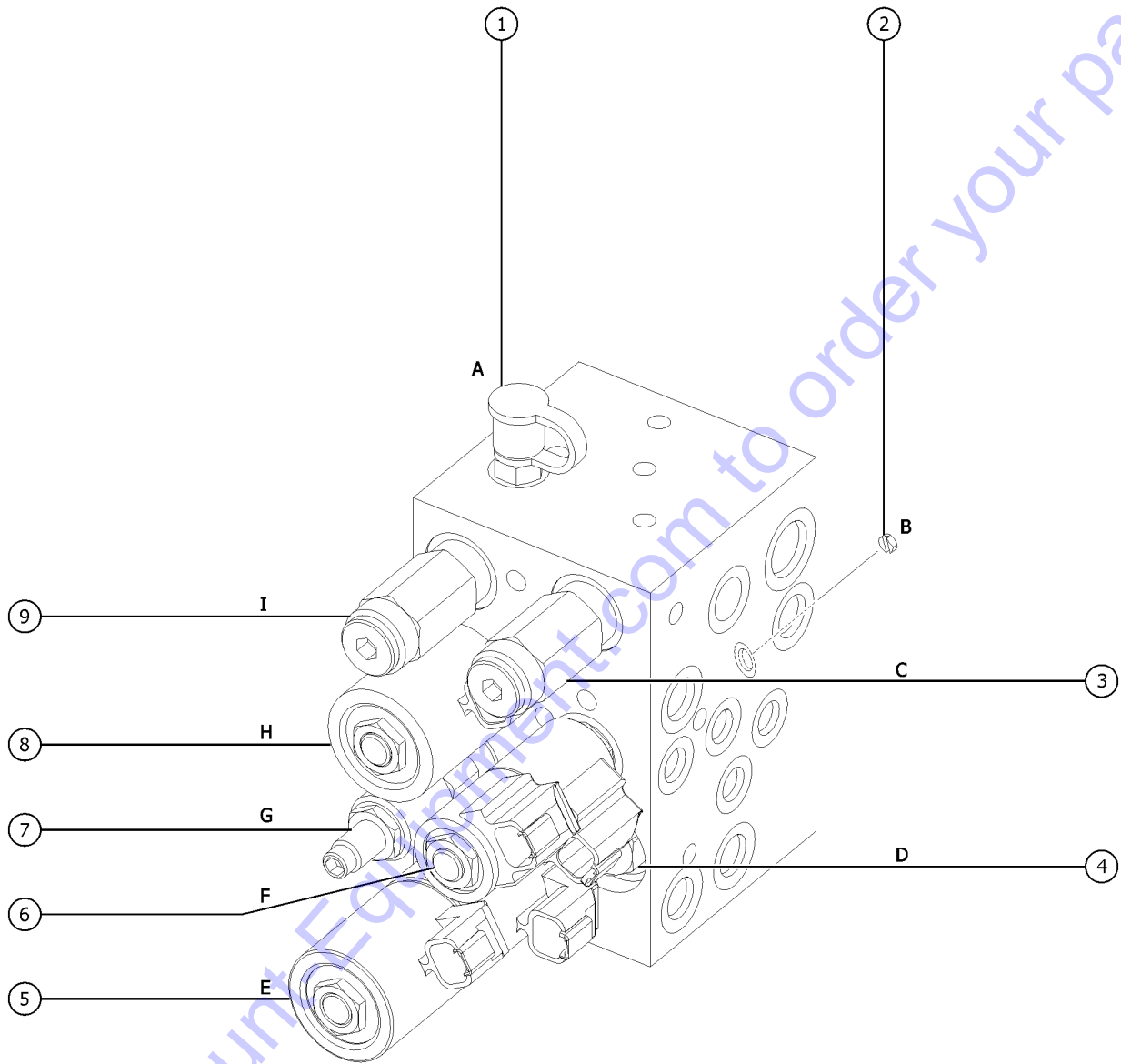
Go to DiscountEquipment.com to order your parts

Item	Part No.	Description	Qty.
1		Ref. Lift Cylinder Assembly (refer to 506.1)	
2		Ref. Pressure Transducer (refer to 701.1)	
3		Ref. Brake Release Hand Pump Manifold (refer to 504.1)	
4	96257GT	BRAKE, HYDRAULIC*** (no seal kits available)	2
4B	T108664GT	BRAKE, HYDRAULIC, 15KIP-IN (no seal kits available); (from SN GS30D-31792 to GS30D-31902, GS30D-31960, from SN GS30D-31971 to GS30D-31980)	2
5	78622GT	FILTER ASSY, SAE8, 10 MIC, PAPER** (paper, standard)	1
6		Ref. Check Valve Manifold (refer to 503.1)	
7		Ref. Function Manifold (refer to 502.1)	
8	96388GT	MOTOR, HYDRAULIC, 530, 14.0CU.IN* GS-30	2
9	105547GT	CYLINDER, GS/GR STEER*** GS-30	1
9-	105550GT	KIT, STEER CYL SEAL (for code H408147 and up)	
9-	105553GT	KIT, STEER CYL SEAL, 040271P, HDM (for code H41109 and up)	
9-	105554GT	KIT, STEER CYL SEAL, 040499P, HDM (for code H41109 and up)	
9-	105555GT	KIT, STEER CYL SEAL, 040505P, HDM (for codes H41205, H41255, H51290, H501111, H505109, H509101, H60723 and H60870)	
10	78422GT	ACCUMULATOR, 180 PSI PRECHARGE* GS-30	1

Go to Discount-Equipment.com to order your parts



502.1 Function Manifold

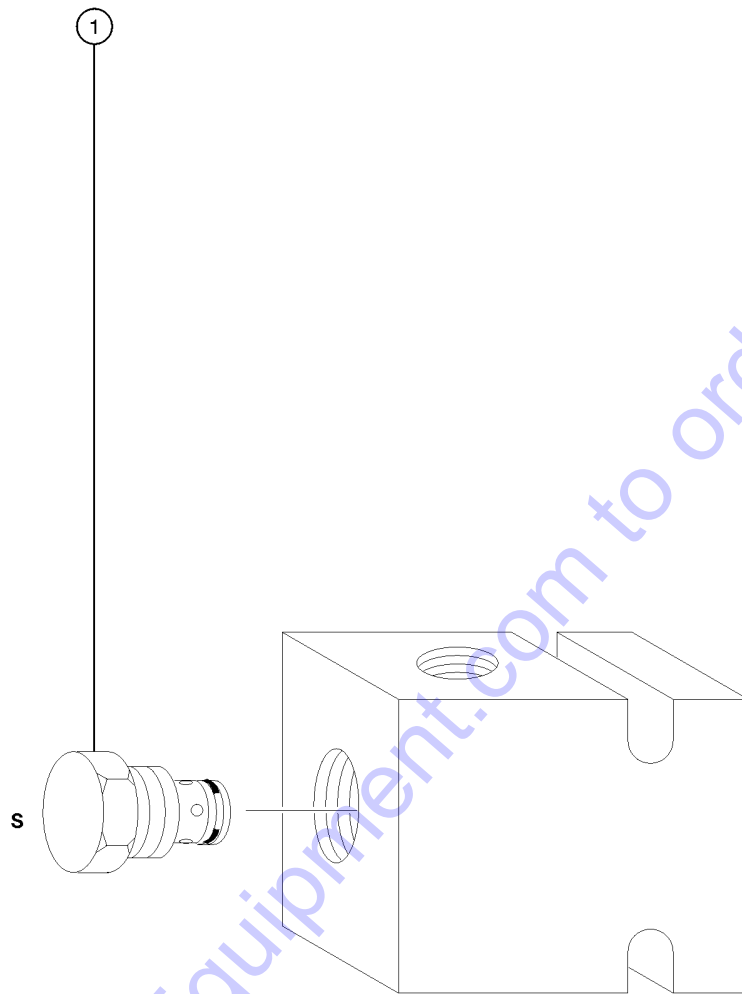


Go to DiscountEquipment.com to order your parts

Item	Part No.	Description	Qty.
A-	105304GT	MANIFOLD,FUNCTION*** (manifold, complete)	
B-	49612GT	O-RING KIT (ORFS FITTINGS)	
C-	49613GT	PLUG AND CAP KIT-SERVICE,ORFS*	
1	48997GT	CONN,520120-8-12 (A, Testing)	
1-	48880GT	CAP,DIAGNOSTIC NIPPLE	
1-	20224GT	DIAGNOSTIC FEMALE Q-DSCNT (pressure gauge not included)	
2	84386GT	CHECK DISK, NO SPRING (B, Steer circuit)	
3	1299590GT	VALVE, FUNCTION MANIFOLD RELIEF, 3700PSI (C, Lift relief).	
3-	44226GT	SEAL KIT-FOR P.N.44167	
4	46216GT	VALVE,CHECK,IWP-S/CWP PWR ASSI (D, Drive circuit)	
4-	44227GT	SEAL KIT, VALVE	
5	105303GT	VALVE, DYN. BRAKING, GS30** (E, Drive forward/reverse)	
5-	84385GT	COIL,20VDC DEUTCSH W/DIODE (sold separately)	
5-	44174GT	NUT-COIL SHORT	
5-	44230GT	SEAL KIT-P.N.44169,44172,44171	
6	44168GT	VALVE,SOLENOID,3POS 4WAY (F, Steer left/right)	
6-	77709GT	COIL,#8 20VDC,DEUTSCH W/DIOD (sold separately)	
6-	44174GT	NUT-COIL SHORT	
6-	44229GT	SEAL KIT, VALVE	
7	84384GT	PRTY,FLOW CNTRL VALVE,.75 GPM (G, Steer circuit)	
7-	1261888GT	SEAL KIT (84384) for 84384	
8	44169GT	VALVE-SOLENOID, 2POS 4 WAY (H, Platform up)	
8-	84385GT	COIL,20VDC DEUTCSH W/DIODE (sold separately)	
8-	44174GT	NUT-COIL SHORT	
8-	44230GT	SEAL KIT-P.N.44169,44172,44171	
9	1299590GT	VALVE, FUNCTION MANIFOLD RELIEF, 3700PSI (I, System relief).	
9-	44226GT	SEAL KIT-FOR P.N.44167	



503.1 Check Valve Manifold



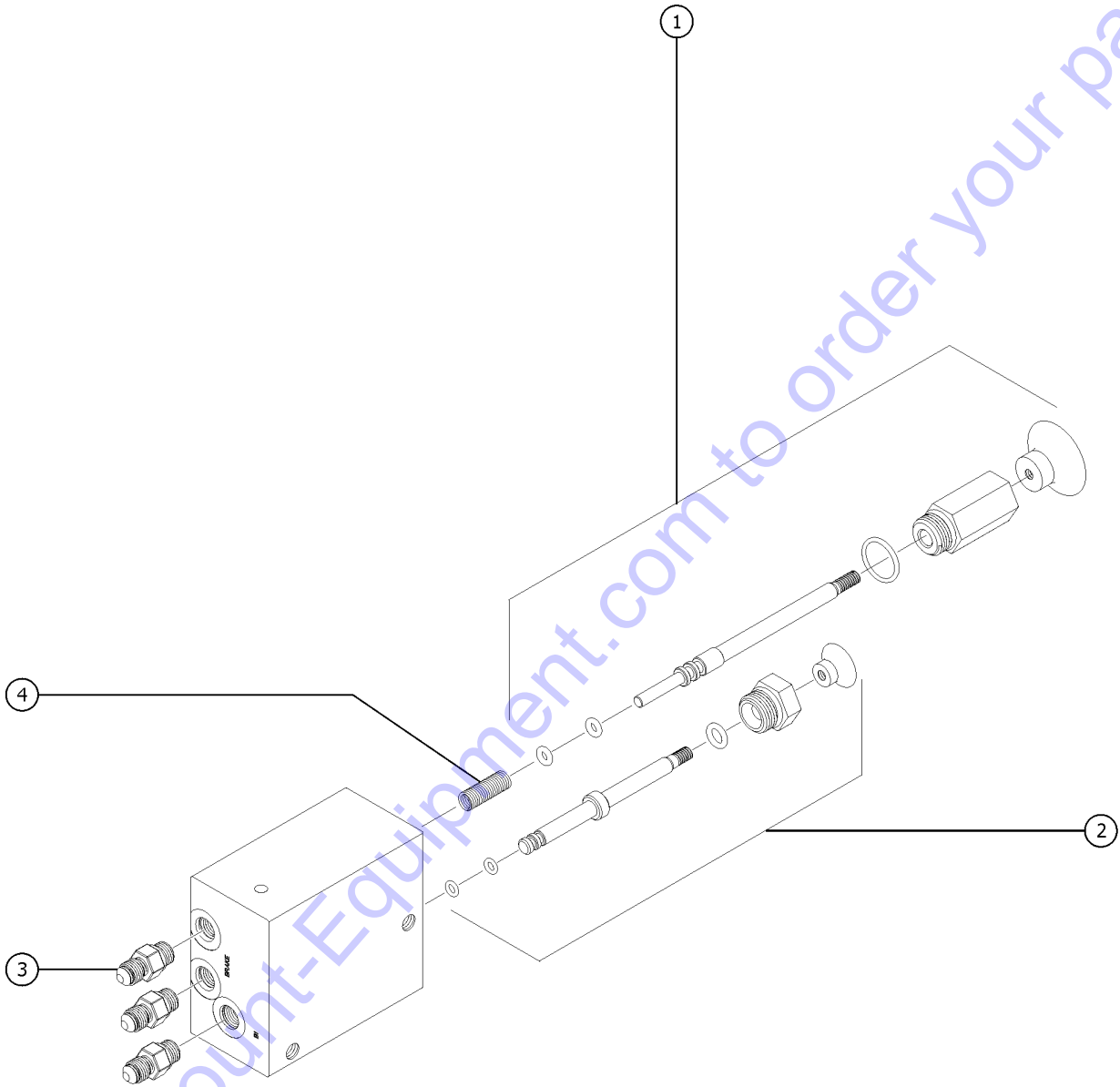
503.1 Check Valve Manifold

Item	Part No.	Description	Qty.
		ACCESSORY,MINI CHK VAL MANIF (no longer available)	
1	105165GT	MANIFOLD,200 PSI CHECK VALVE** (S, Drive circuit)	

Go to Discount-Equipment.com to order your parts



504.1 Brake Release Hand Pump Manifold



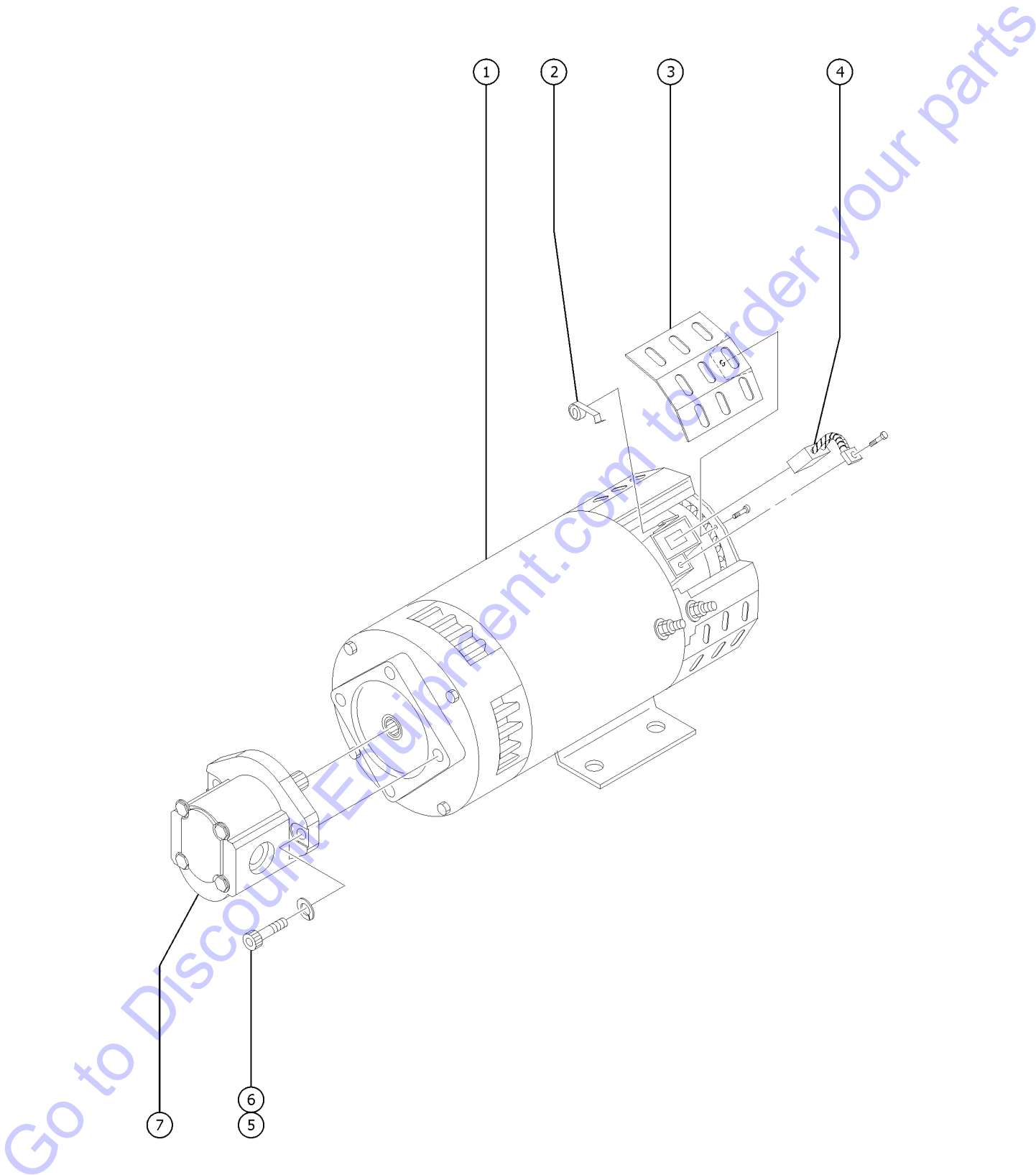
504.1 Brake Release Hand Pump Manifold

Item	Part No.	Description	Qty.
	105067GT	MANIFOLD,BRAKE RELEASE (includes items 1, 2 and 4)	
1	84739GT	VALVE,HAND PUMP ASSEMBLY***	1
1-	84740GT	SEAL KIT,HAND PUMP***	
1-	84742GT	KNOB,HAND PUMP (RED)***	
2	84743GT	VALVE,PILOT OPERATED ASSEMBLY*	1
2-	84740GT	SEAL KIT,HAND PUMP***	
2-	84746GT	KNOB,PILOT OP VALVE (BLACK)***	
3	39877GT	CONNECTOR,070120-4-4	3
4	84748GT	SPRING,HAND PUMP ROD	1

Go to Discount-Equipment.com to order your parts



505.1 Hydraulic Power Unit, All Models

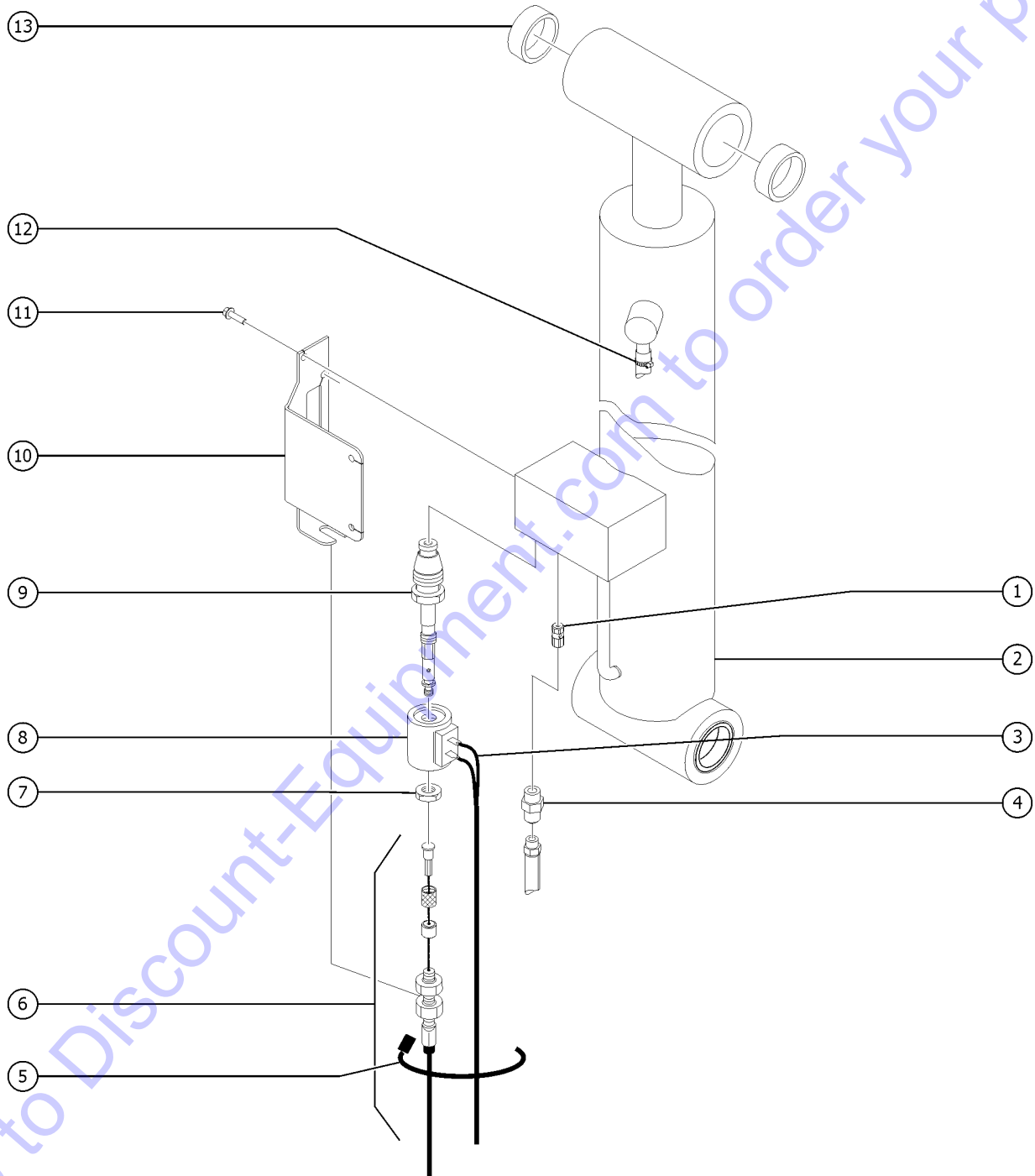


Item	Part No.	Description	Qty.
B-	49812GT	ENCLOSING BAND KIT Band Kit (EE models)	
C-	78006GT	FORMING,PADLOCK BRACKET	
D-	44716GT	HANDLE,ANDERSON CONNECTOR SB	
1	40844GT	MOTOR,ELECTRIC,24VDC 4.5HP US part number	1
1-	43685GT	SEAL KIT,LIFT PUMP,BARNES**	
1-	44777GT	BEARING,MOTOR	
1-	44778GT	BEARING,MOTOR,36843,BRUSH END*	
1B	1256517GT	MOTOR,DC24V,3.3KW,JIANGSU XINYU China part number	1
1B-	1309762GT	SPRING-BRUSH,1256517,SCISSORS	
1B-	1309763GT	COVER-BRUSH INSPEC,1256517,SCISSORS	
1B-	1309764GT	BRUSH PWR,UNIT(1256517)	
2	44750GT	SPRING-BRUSH,40844, SCISSORS	4
3	44752GT	COVER-BRUSH INSPEC.40844,SCISS	4
4	44751GT	BRUSH,PWR UNIT (40844)**	4
5	824100GT	SCREW,SHC,3/8-24X1.25,A574,ZAG	
6	824110GT	WASHER, LOCK, 3/8, ZAG	
7	231572GT	PUMP,4CC,GEAR,CCW	1
7A-	233641GT	SEAL KIT,BOSCH PUMP for Bosch PN 9510090001	1
7A-	85197GT	SEAL KIT,BOSCH PUMP*** for Bosch PN 9510290001	1
7B-	233568GT	SEAL KIT,PUMP,GRH,(231572GT) for GRH PN 2ABPF-TLT	

Go to Discount Equipment.com to order your parts



506.1 Lift Cylinder Assembly, All Models



Go to Discount-Equipment.com to order your parts

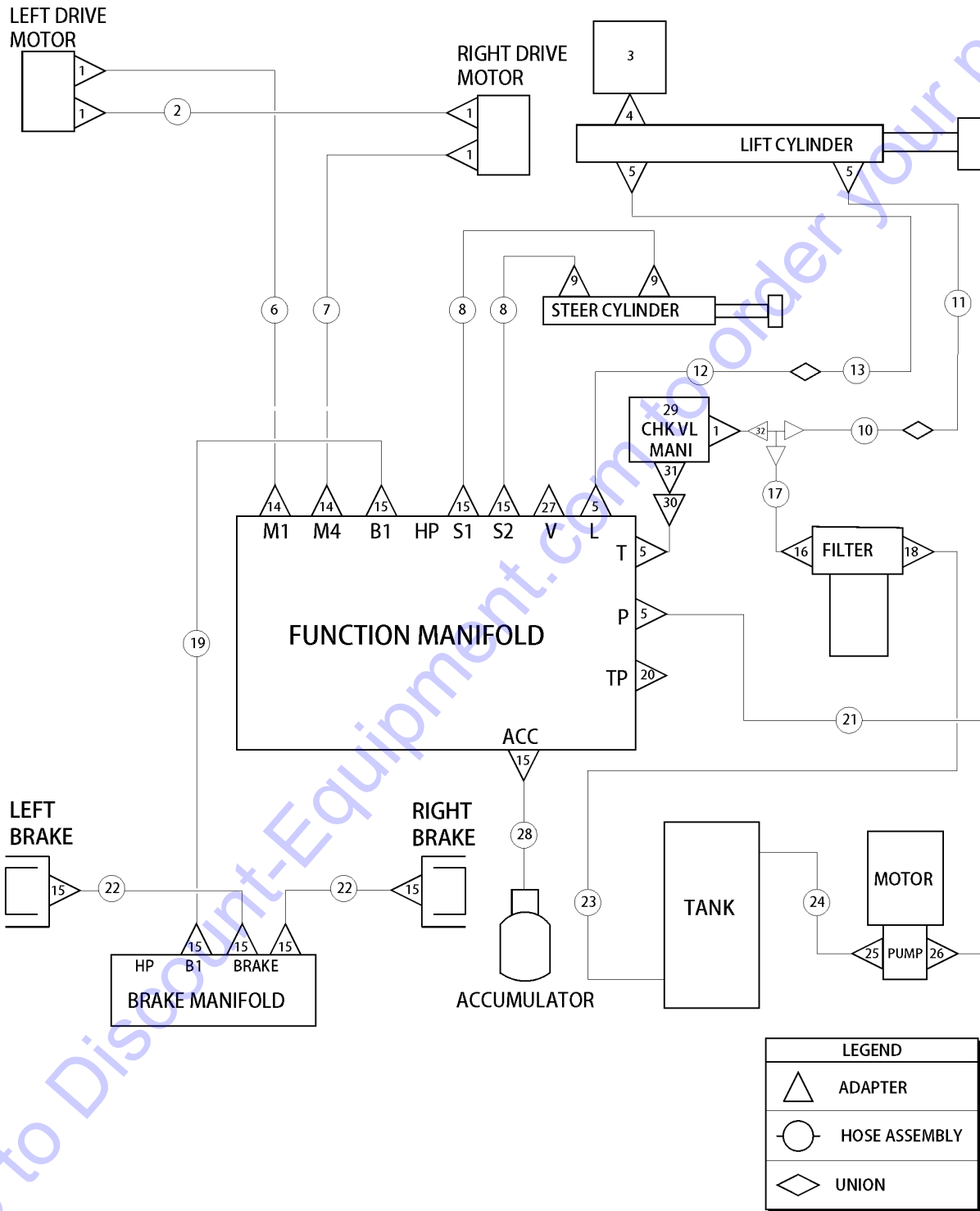


Item	Part No.	Description	Qty.
1	55558GT	ORIFICE, LONG, .037*** (lift cylinder)	1
2	105543GT	CYLINDER, MINI LIFT	1
2-	105548GT	SEAL KIT, LIFT CYL MINI	
3		Ref. Down Coil Wire Harness (refer to 210.1)	
4	39878GT	CONNECTOR, 070120-6-6	1
5	28443GT	CABLE TIE, 11.5" BLACK	3
6		Ref. Emergency Down Cable (refer to 203.1)	
7	44973GT	NUT, COIL (39909)	1
8	84422GT	COIL-SOLENOID VALVE, 20V DC***	1
9	66465GT	VALVE, W/20V NC SOLENOID, MANUAL (includes items 7 and 8)	1
10	41557-SGT	CABLE BRACKET, PAINTED US part number	1
10B	132013GT	FORMING VERTICLE CABLE COVER China part number	1
11	824077GT	SCREW, HHF, 1/4-20X.5, 8, ZAG	
12	96770GT	CLAMP, HOSE, 1 EAR, 11/16	
13	105478GT	BEARING, 1.5025IDX1.5075ODX1.5L	4

Go to Discount-Equipment.com to order your parts



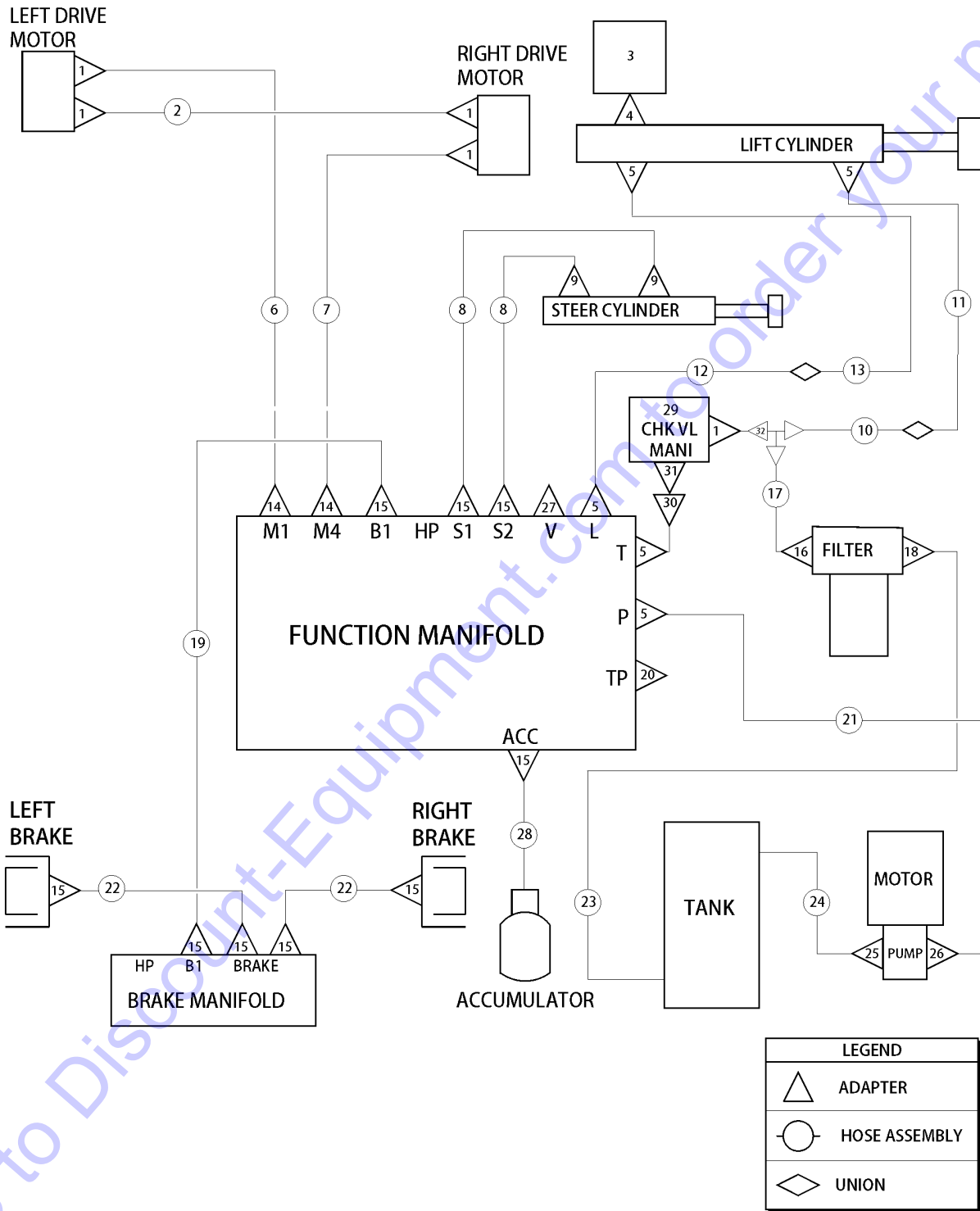
507.1 Hydraulic Hoses and Fittings



Item	Part No.	Description	Qty.
		The hose lengths below reflect the length of the hose only. Refer to the 'Fittings Cross Reference' to match Genie part numbers to Parker part numbers.	
1	39873GT	ELBOW,070220-6-6	5
2	96350GT	HOSE, ASSY, MOTOR CROSSOVER (Components: 39890, 39890, and 56776 @ 53.25 inches)	1
3		Ref. Pressure Transducer Harness (refer to 701.1)	
4	39881GT	CONNECTOR,070120-4-6 (CE models)	1
5	39878GT	CONNECTOR, 070120-6-6	4
6	115166GT	HOSE,ASSY,DRIVE MOTORS,MINI, L US part number; (Components: 39890, 39890, and 56776 @ 31 inches), (Parker hose)	
6B	105059GT	HOSE 56776X730 China part number; (Ryco hose)	
7	105653GT	HOSE,ASSY,DRIVE MOTORS,MINI (Components: 39890, 39890, and 56776 @ 31 inches)	1
8	96351GT	HOSE, ASSY, STEER US part number; (Components: 78855, 78855, and 78852 @ 22 inches), (Parker hose)	
8B	1262936GT	HOSE 1259078X600,RYCO China part number; (Ryco hose)	
9	13921GT	ELBOW,070220-4-4	2
10	105263GT	HOSE 75631X420 US part number;(Components: 78855, 78855, and 78852 @ 22 inches), (Parker hose)	
10B	1262930GT	HOSE 1259077X420,RYCO China part number; (Ryco hose)	
11	105261GT	HOSE 75631X2720 US part number; (Components: 78855, 78855, and 78852 @ 22 inches), (Parker hose)	
11B	1262932GT	HOSE 1259077X2720,RYCO China part number; (Ryco hose)	
12	105264GT	HOSE 56776X400 US part number; (Components: 39890, 47223, and 56776 @ 13 inches), (Parker hose)	
12B	1262929GT	HOSE 1259076X400,RYCO China part number; (Ryco hose)	
13	105262GT	HOSE, ASSY, UPPER LIFT US part number; (Components: 39890, 47223, and 56776 @ 13 inches), (Parker hose)	
13B	1262931GT	HOSE 1259076X1950,RYCO China part number; (Ryco hose)	
14	42283GT	ELBOW,070320-6-6	2
15	39877GT	CONNECTOR,070120-4-4	7
16	20923GT	CONNECTOR,070120-8-6	1
17	105285GT	HOSE 75631X600 US part number; (Components: 96406, 96406, and 75631 @ 22 inches), (Parker hose)	1
17B	1262926GT	HOSE 1259077X600,RYCO China part number; (Ryco hose)	
18	96398GT	CONNECTOR, 070120-12-8	1
19	105284GT	HOSE, ASSY, BRAKE US part number; (Components: 78855, 78855, and 78852 @ 46 inches), (Parker hose)	1
19B	1262927GT	HOSE 1259078X1160,RYCO China part number; (Ryco hose)	



507.1 Hydraulic Hoses and Fittings

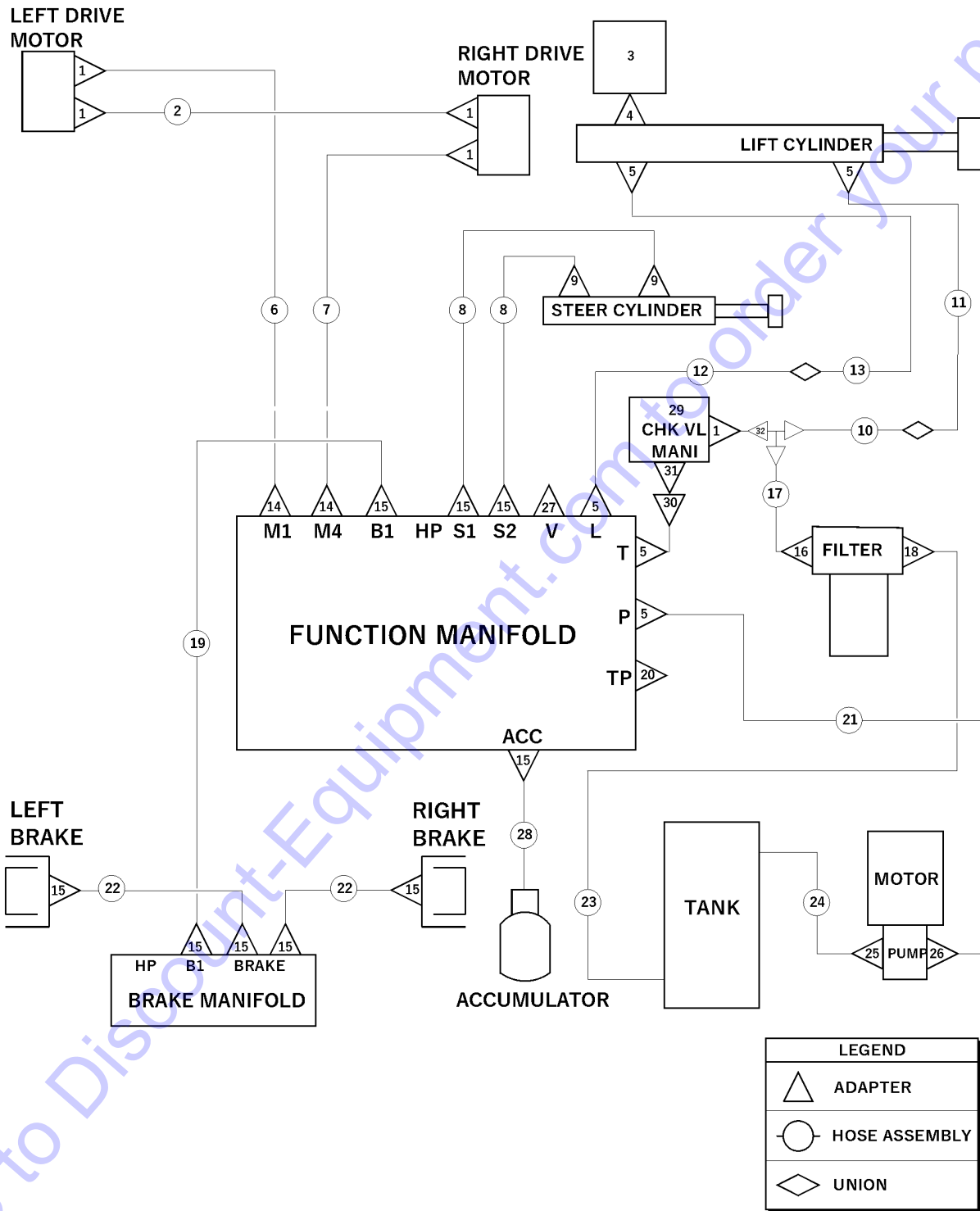


Item	Part No.	Description	Qty.
20		Ref. Diagnostic Nipple (refer to 502.1)	
21	96353GT	HOSE, ASSY, PRESSURE US part number; (Components: 39890, 39890, and 56776 @ 40 inches), (Parker hose)	1
21B	1262935GT	HOSE 1259076X1100,RYCO China part number; (Ryco hose)	1
22	96391GT	HOSE 78852X475 US part number; (Components: 78855, 78855, and 78852 @ 17 inches), (Parker hose)	2
22B	1262934GT	HOSE 1259078X475,RYCO China part number; (Ryco hose)	2
23	96355GT	TUBE, ASSY, RETURN US part number;	1
23B	1270600GT	TUBE, SLAB RETURN ASSEMBLY China part number;	1
24	96354GT	TUBE, ASSY, DRAW US part number;	1
24B	1270598GT	TUBE, ASSY, DRAW China part number;	1
25	22664GT	ELBOW,070220-12-10	1
26	39876GT	ELBOW,070220-6-8	1
27	48923GT	PLUG,090109A-6	1
28	105283GT	HOSE ASSY, MAN/ACCUM, MINI US part number; (Components: 78855, 78855, and 78852 @ 14 , (Parker hose)	1
28B	1262928GT	HOSE 1259078X420,RYCO China part number; (Ryco hose)	1
29		Check Valve Manifold (refer to 503.1)	2
30	78091GT	ELBOW,SWIVEL NUT 90DEG, -6	1
31	55839GT	CONN,SWIVEL STR, THR, 6F650X	1
32	51152GT	TEE,RUN 070432-6*****	1

Go to Discount-Equipment.com to order your parts



507.2 Hydraulic Hoses and Fittings (Parker Hose Option)

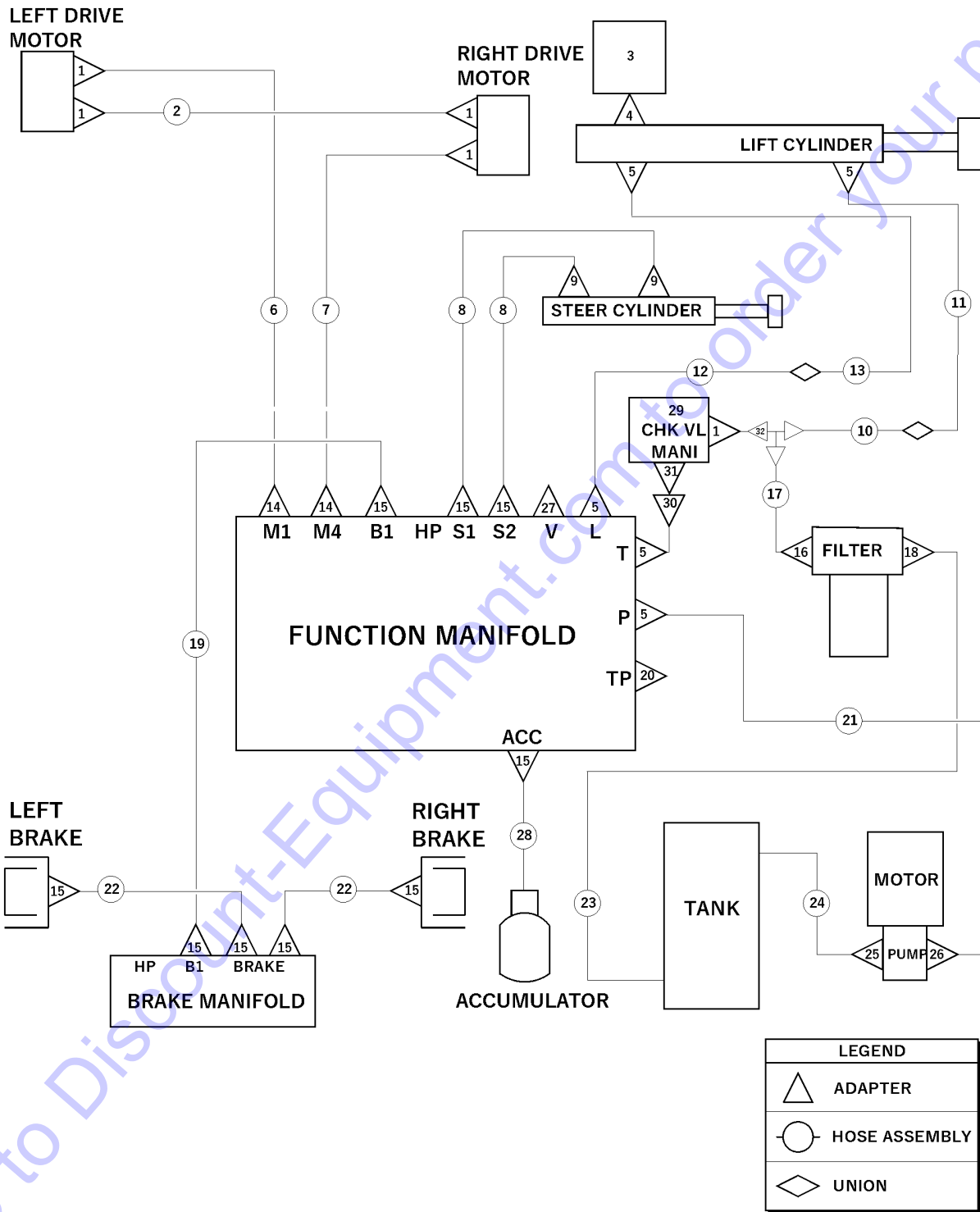


507.2 Hydraulic Hoses and Fittings (Parker Hose Option)

Item	Part No.	Description	Qty.
--		The hose lengths below reflect the length of the hose only. Refer to the 'Fittings Cross Reference' to match Genie part numbers to Parker part numbers.	
1	39873GT	ELBOW,070220-6-6	5
2	96350GT	HOSE, ASSY, MOTOR CROSSOVER (Components: 39890, 39890, and 56776 @ 53.25 inches)	1
3		Ref. Pressure Transducer Harness (refer to 701.1)	
4	39881GT	CONNECTOR,070120-4-6 (CE models)	1
5	39878GT	CONNECTOR, 070120-6-6	4
6	105059GT	HOSE 56776X730 (Components: 39890, 39890, and 56776 @ 28.25 inches)	
7	105653GT	HOSE, ASSY, DRIVE MOTORS, MINI (Components: 39890, 39890, and 56776 @ 31 inches)	1
8	96351GT	HOSE, ASSY, STEER (Components: 78855, 78855, and 78852 @ 22 inches)	2
9	13921GT	ELBOW,070220-4-4	2
10	105263GT	HOSE 75631X420 (Components: 96406, 96406, and 75361 @ 12 inches)	1
11	105261GT	HOSE 75631X2720 (Components: 96407, 96770 and 75631 @ 107 inches)	1
12	105264GT	HOSE 56776X400 (Components: 39890, 47223, and 56776 @ 13 inches)	
13	105262GT	HOSE, ASSY, UPPER LIFT (Components: 39890, 39890, and 56776 @ 73 inches)	
14	42283GT	ELBOW,070320-6-6	2
15	39877GT	CONNECTOR,070120-4-4	9
16	20923GT	CONNECTOR,070120-8-6	1
17	105285GT	HOSE 75631X600 (Components: 96406, 96406, and 75631 @ 22 inches)	1
18	96398GT	CONNECTOR, 070120-12-8	1
19	105284GT	HOSE, ASSY, BRAKE (Components: 78855, 78855, and 78852 @ 46 inches)	1
20		Ref. Diagnostic Nipple (refer to 502.1)	
21	96353GT	HOSE, ASSY, PRESSURE (Components: 39890, 39890, and 56776 @ 40 inches)	1
22	96391GT	HOSE 78852X475 (Components: 78855, 78855, and 78852 @ 17 inches)	2
23	1270600GT	TUBE, SLAB RETURN ASSEMBLY	1
24	1270598GT	TUBE, ASSY, DRAW	1
25	22664GT	ELBOW,070220-12-10	1
26	39876GT	ELBOW,070220-6-8	1



507.2 Hydraulic Hoses and Fittings (Parker Hose Option)



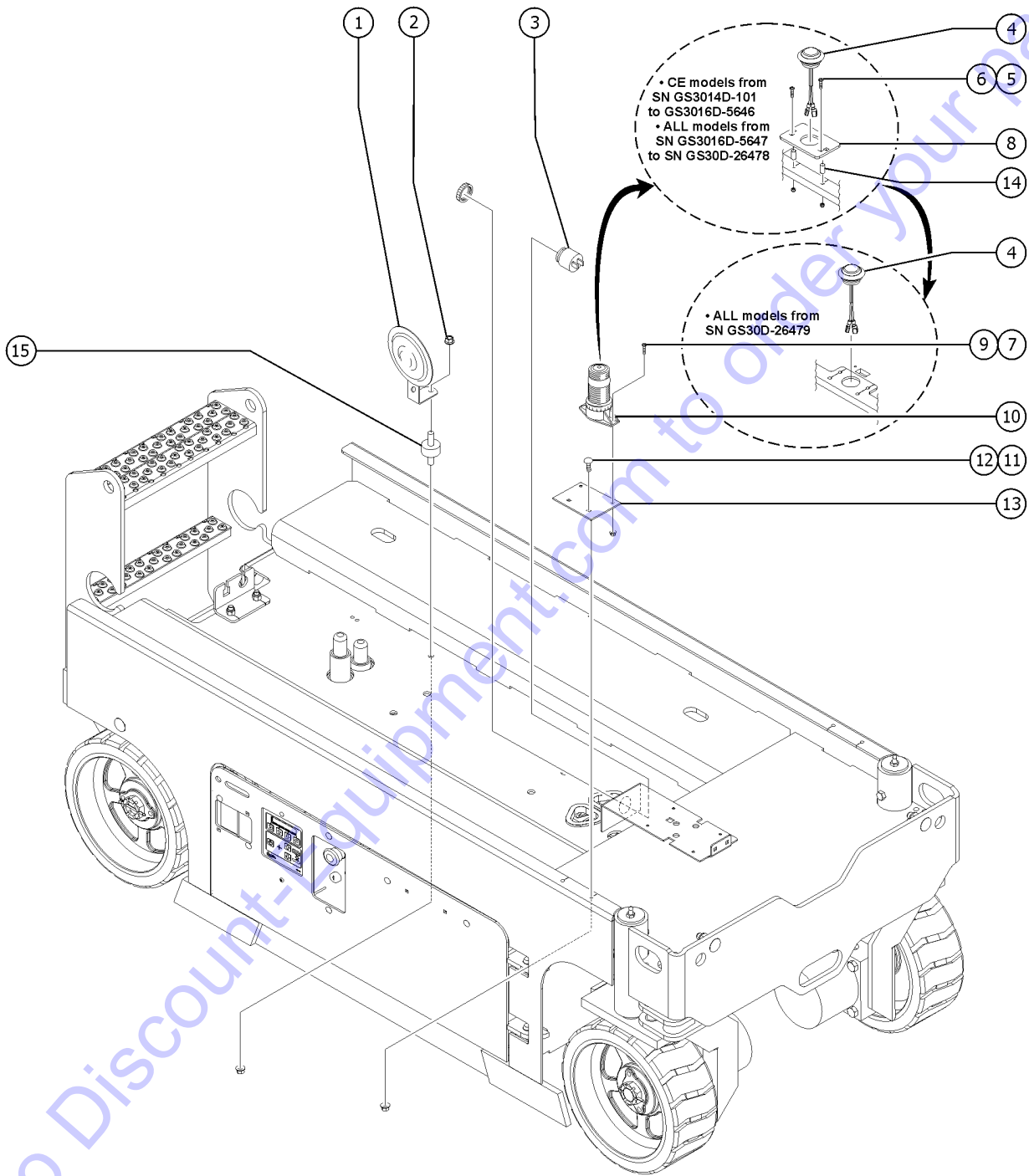
507.2 Hydraulic Hoses and Fittings (Parker Hose Option)

Item	Part No.	Description	Qty.
27	48923GT	PLUG,090109A-6	1
28	105283GT	HOSE ASSY, MAN/ACCUM, MINI (Components: 78855, 78855, and 78852 @ 14 inches)	1
29		Check Valve Manifold	2
		(refer to 503.1)	
30	78091GT	ELBOW,SWIVEL NUT 90DEG, -6	1
31	55839GT	CONN,SWIVEL STR, THR, 6F650X	1
32	51152GT	TEE,RUN 070432-6*****	1

Go to Discount-Equipment.com to order your parts



601.1 Alarm, Horn and Flashing Beacons



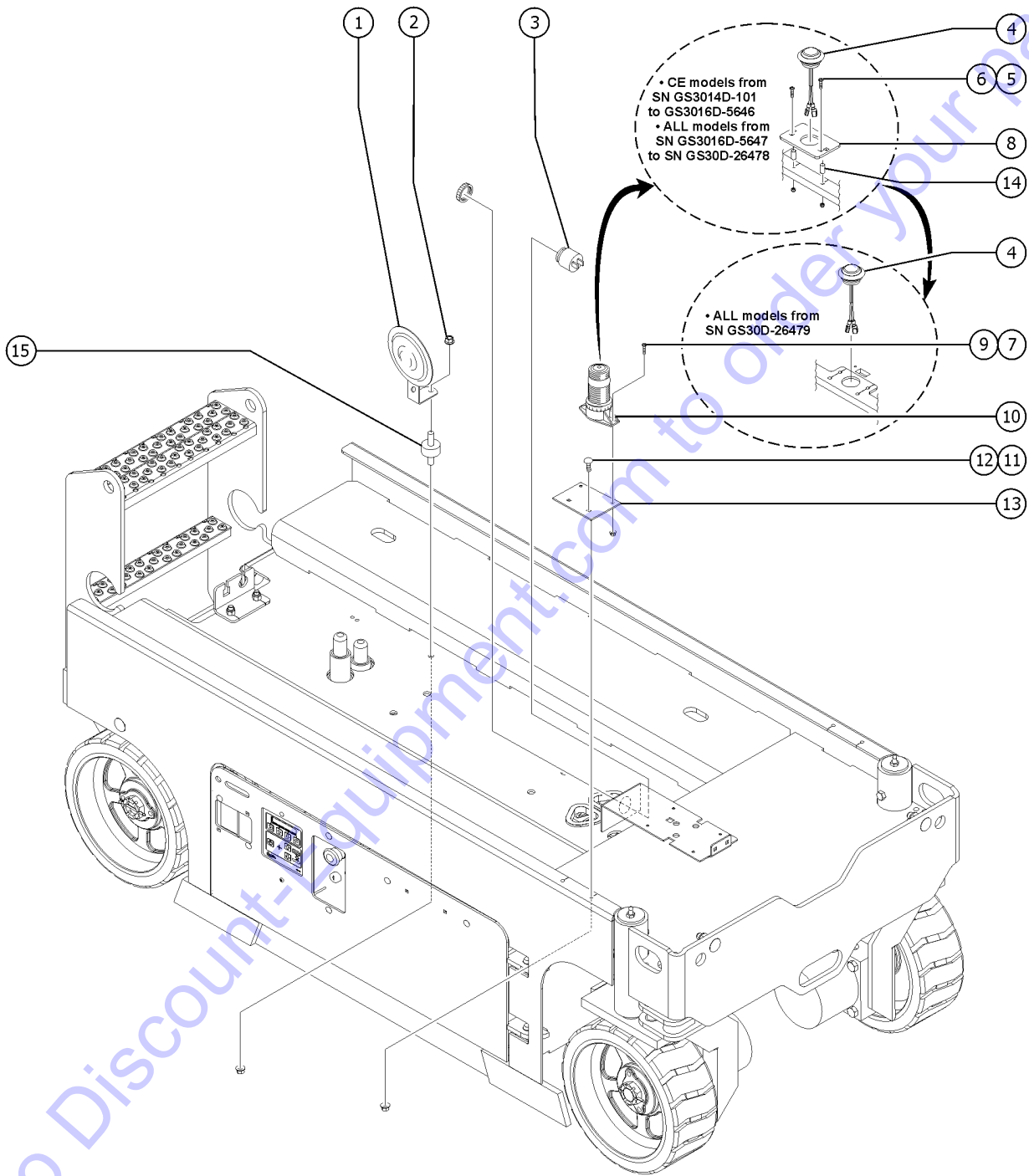
Go to Discount-Equipment.com to order your parts

601.1 Alarm, Horn and Flashing Beacons

Item	Part No.	Description	Qty.
1	81579GT	HORN, 24VDC, SPADE TERMINALS***	1
2	6091GT	NUT, NYLOCK, 1/4-20	
2B	824028GT	NUT, TL FLG, 5/16-18, G, ZAG	2
3	39540GT	ALARM, STEADY TONE*** Does not include 72326 nut; order separately	1
3-	72326GT	NUT, PLASTIC, RING FOR ALARMS for 39540	
4	1261183GT	ASSEMBLY, VISUAL IND LIGHT CE Models to SN GS3016D-5646	2
4A-	1254572GT	LIGHT, TURN SIGNAL, 1.25" LED, AM	2
4A-	1270162GT	ASSEMBLY, BEACON LED, 24V for 1261183	2
4A-	1271521GT	HARNESS, BEACON, LED, MINI for 1261183	1
4B	1261183GT	ASSEMBLY, VISUAL IND LIGHT All models from GS3016D-5647	2
4B-	1254572GT	LIGHT, TURN SIGNAL, 1.25" LED, AM	2
4B-	1270162GT	ASSEMBLY, BEACON LED, 24V for 1261183	2
4B-	1271521GT	HARNESS, BEACON, LED, MINI for 1261183	1
5	9116GT	BOLT, CARRIAGE, 1/4-20 X 1.25, G2 CE Models to SN GS3016D-5646	4
5B	9116GT	BOLT, CARRIAGE, 1/4-20 X 1.25, G2 All models from GS3016D-5647 to SN GS30D-26478	4
6	6889GT	NUT, LP NYLOCK, 1/4-20 CE Models to SN GS3016D-5646	4
6B	6889GT	NUT, LP NYLOCK, 1/4-20 All models from GS3016D-5647 to SN GS30D-26478	4
7	1261143GT	PLATE, VISUAL IND LIGHT MOUNT CE Models to SN GS3016D-5646	2
7B	1261143GT	PLATE, VISUAL IND LIGHT MOUNT All models from GS3016D-5647	2
8	824215GT	SCREW, PHPM, 10-32 X .75, ZAG CE Models to SN GS3016D-5646	4
8B	824215GT	SCREW, PHPM, 10-32 X .75, ZAG All models from GS3016D-5647 to SN GS30D-26478	4
9	824032GT	NUT, TL FLG, 10-32, F, ZAG ANSI Models to SN GS3016D-5646	2
10	231931GT	STROBE, BEACON, AC COMP 12-80V ANSI Models to SN GS3016D-5646	2
10-	105556GT	LENS, FLASHING BEACON for 231931	
10-	105557GT	BULB, FLASHING BEACON for 231931	
11	824124GT	BOLT, CARRIAGE, 1/4-20 X .75, 5, ZAG ANSI Models to SN GS3016D-5646	4
12	824027GT	NUT, TL FLG, 1/4-20, G, ZAG ANSI models to SN GS3016D-5646	4
13	96363GT	PLATE, BEACON MOUNT ANSI models to SN GS3016D-5646	2



601.1 Alarm, Horn and Flashing Beacons



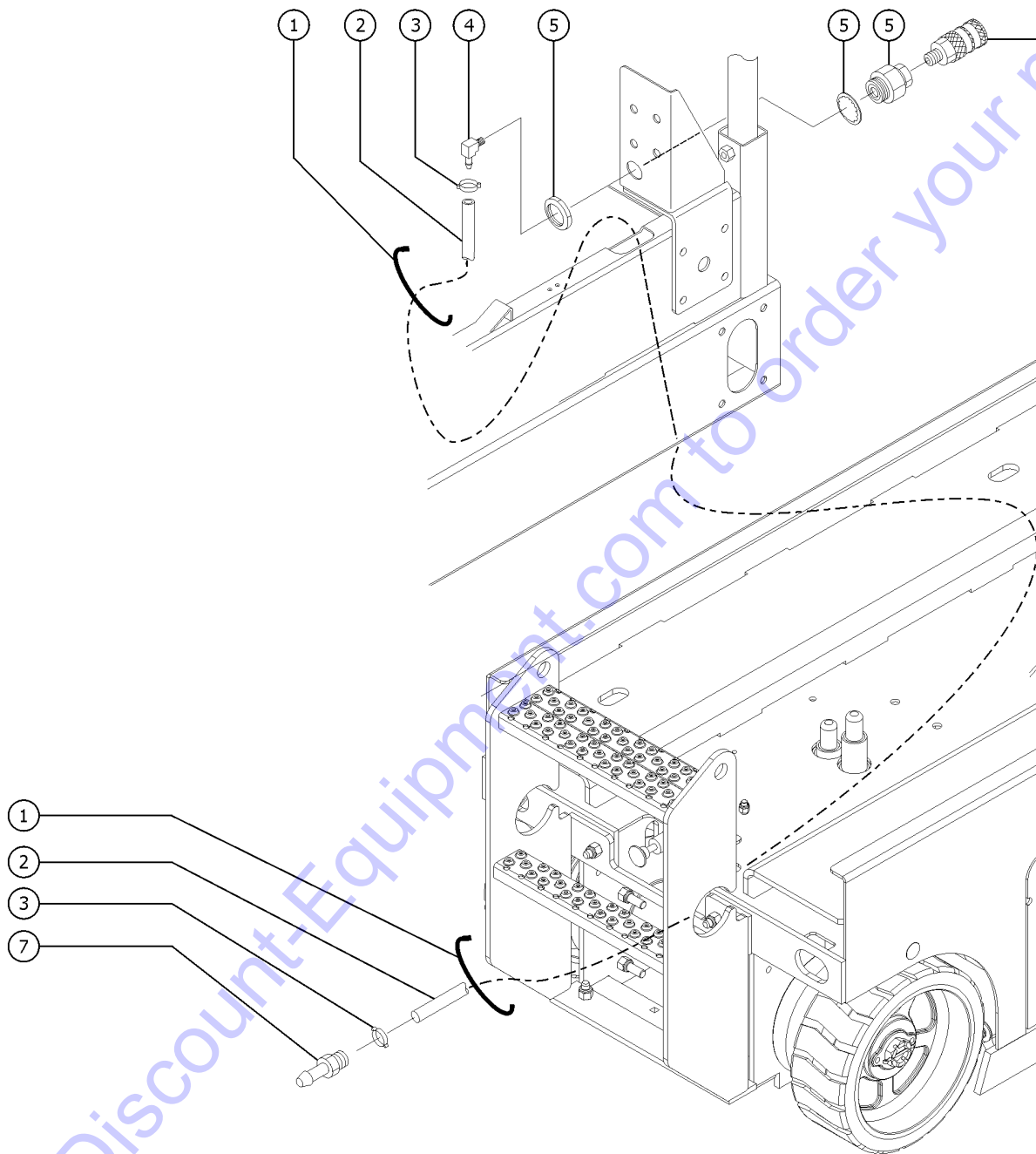
601.1 Alarm, Horn and Flashing Beacons

Item	Part No.	Description	Qty.
14	96699GT	SLEEVE,TANK SUPPORT CE Models to SN GS3016D-5646	4
14B	96699GT	SLEEVE,TANK SUPPORT All models from GS3016D-5647 to SN GS30D-26478	4
15	1275722GT	ISOLATOR,HORN,5/16-18 THRD	1

Go to Discount-Equipment.com to order your parts



602.1 Air Line to Platform



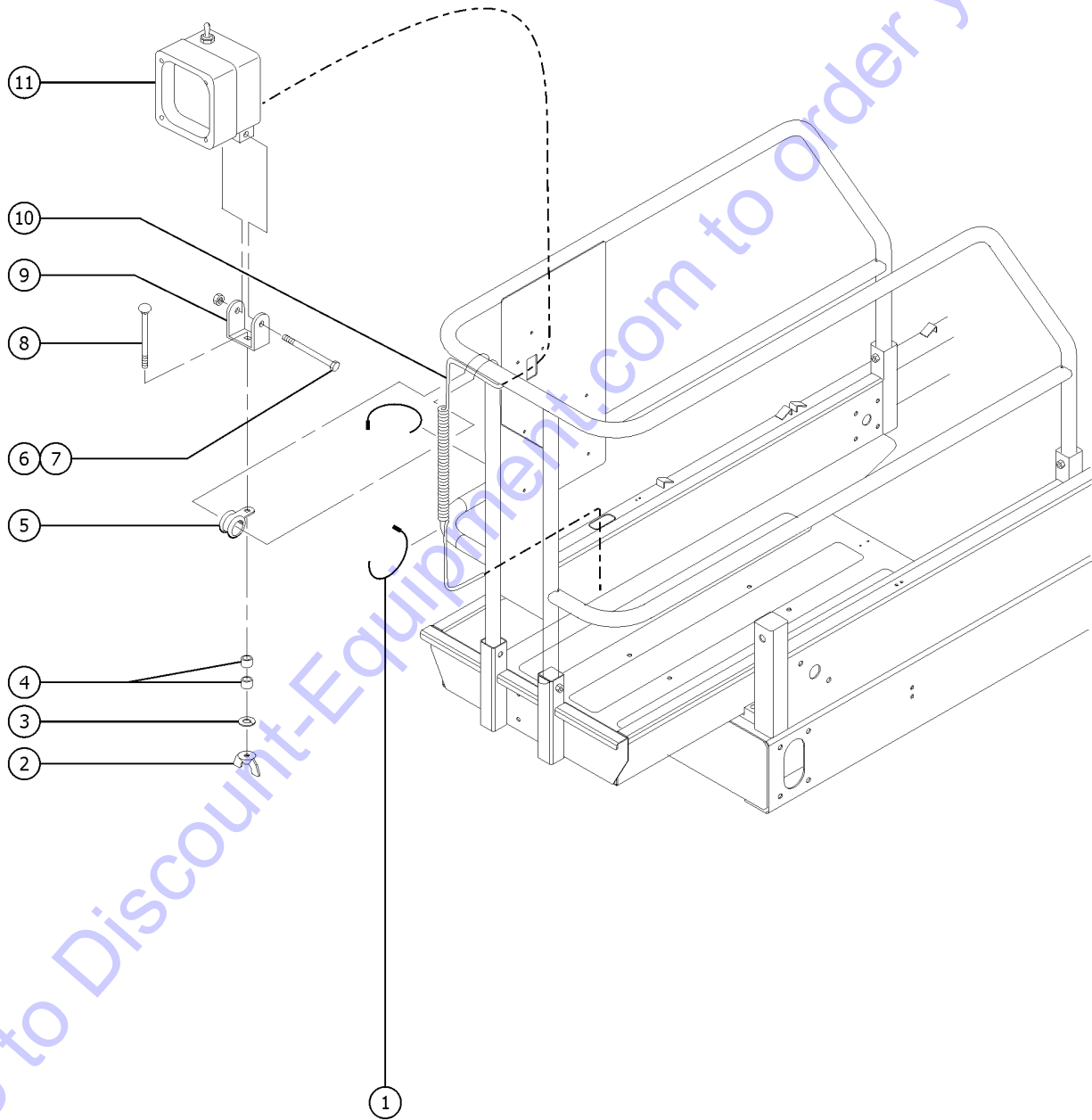
602.1 Air Line to Platform

Item	Part No.	Description	Qty.
A-	96515-SGT	AIR TO PLAT, GS15, ACC GS-1530, GS-1532	
B-	96516-SGT	AIR TO PLAT, GS19, ACC GS-1930, GS-1932	
1	28443GT	CABLE TIE, 11.5" BLACK	
2	27903GT	HOSE,LOW PRESSURE,.375 ID,BLK GS-1530, GS-1532	275
2B	27903GT	HOSE,LOW PRESSURE,.375 ID,BLK GS-1930, GS-1932	340
3	27902GT	CLAMP,HOSE,2 EAR, 5/8	2
4	27904GT	HOSE END,BARBED,RIGID,90DEG6-6	1
5	27900GT	BULKHEAD,FEMALE X 6 X 6	1
6	27895GT	COUPLER,1/4"SERIES 3/8 MPT	1
7	96542GT	PLUG,1/4"SERIES,3/8 P-LOCK***	1

Go to Discount-Equipment.com to order your parts



603.1 Platform Work Light, GS-1530, GS-1532



Go to Discount-Equipment.com to order your parts

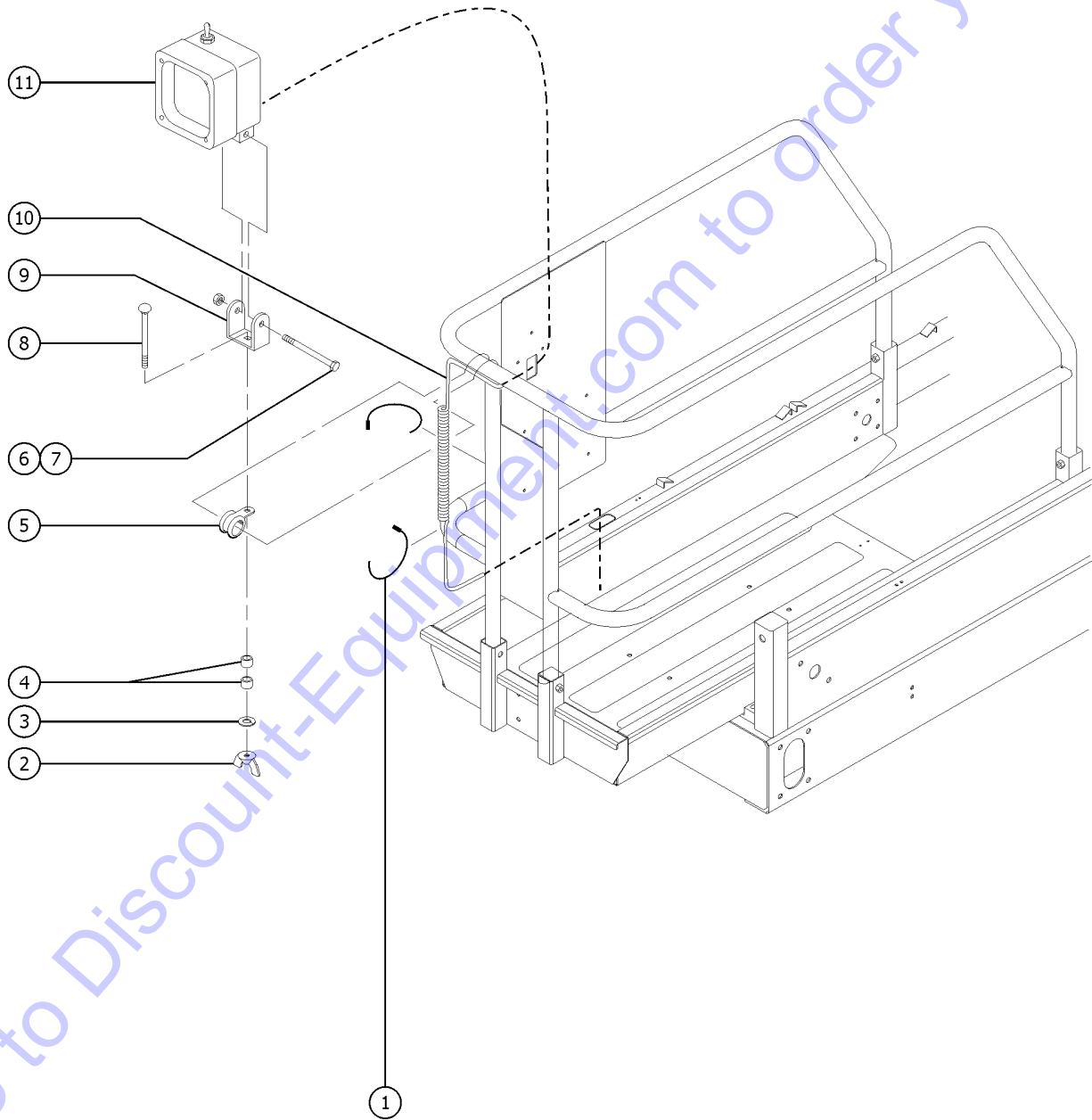
603.1 Platform Work Light, GS-1530, GS-1532

Item	Part No.	Description	Qty.
A-	105971GT	WORKLIGHT PIGTAIL ASSY (chassis) GS-30	
B-	105972GT	WORKLIGHT CABLE,GS15XX (linkset) GS-1530, GS-1532	
C-	105973GT	WORKLIGHT CABLE,GS19/20XX (linkset) GS-1930, GS-1932	
1	28443GT	CABLE TIE, 11.5" BLACK 10	
2	69229GT	NUT,WING 5/16-18 1	
3	6886GT	WASHER,LOCK, .313 1	
4	5397GT	WASHER,FLAT,USS,5/16",Y 2 add sufficient washers to equal aproximately 0.435 inch thickness of each spacer	
5	33784GT	CLAMP,1.31,#21 X 1/4,RUB CUSH 1	
6	50793GT	SCREW,HHC,5/16-18 X 2 1	
7	6782GT	NUT, NYLOCK, 5/16-18 1	
8	65439GT	BOLT,CARRIAGE,5/16-18 X 2.0,G2 1	
9	144009GT	WORKLIGHT BRACKET 1	
10	65721GT	COIL CORD,WORKLIGHT(144011) 1	
11	144011GT	WORKLIGHT,24V,COIL CORD 1	

Go to Discount-Equipment.com to order your parts



603.2 Platform Work Light, GS-1930, GS-1932



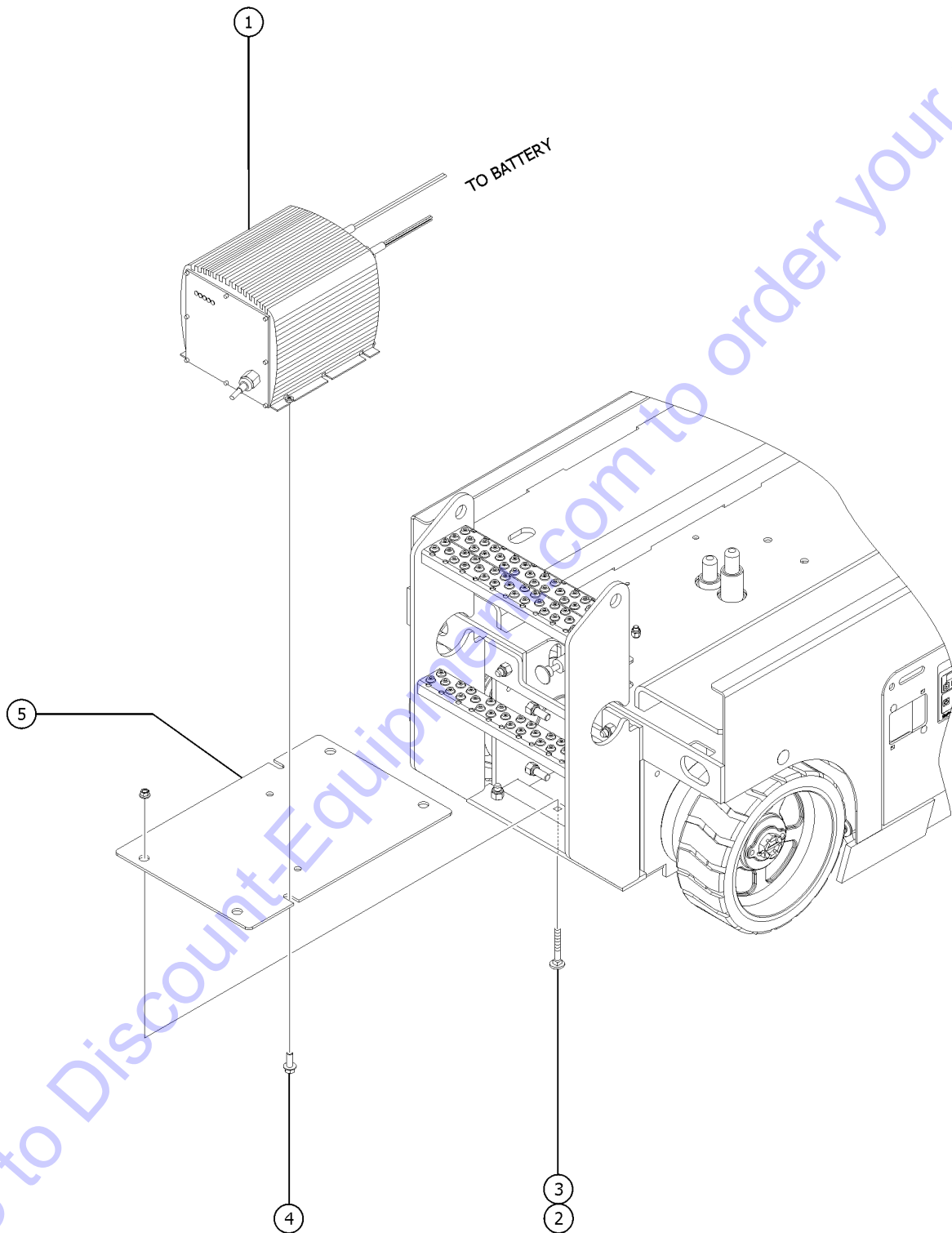
603.2 Platform Work Light, GS-1930, GS-1932

Item	Part No.	Description	Qty.
A-	105971GT	WORKLIGHT PIGTAIL ASSY (chassis) GS-30	
B-	105972GT	WORKLIGHT CABLE,GS15XX (linkset) GS-1530, GS-1532	
C-	105973GT	WORKLIGHT CABLE,GS19/20XX (linkset) GS-1930, GS-1932	
1	28443GT	CABLE TIE, 11.5" BLACK 10	
2	69229GT	NUT,WING 5/16-18 1	
3	6886GT	WASHER,LOCK, .313 1	
4	5397GT	WASHER,FLAT,USS,5/16",Y 2 add sufficient washers to equal aproximately 0.435 inch thickness of each spacer	
5	33784GT	CLAMP,1.31,#21 X 1/4,RUB CUSH 1	
6	50793GT	SCREW,HHC,5/16-18 X 2 1	
7	6782GT	NUT, NYLOCK, 5/16-18 1	
8	65439GT	BOLT,CARRIAGE,5/16-18 X 2.0,G2 1	
9	144009GT	WORKLIGHT BRACKET 1	
10	65721GT	COIL CORD,WORKLIGHT(144011) 1	
11	144011GT	WORKLIGHT,24V,COIL CORD 1	

Go to Discount-Equipment.com to order your parts



604.1 Voltage Inverter



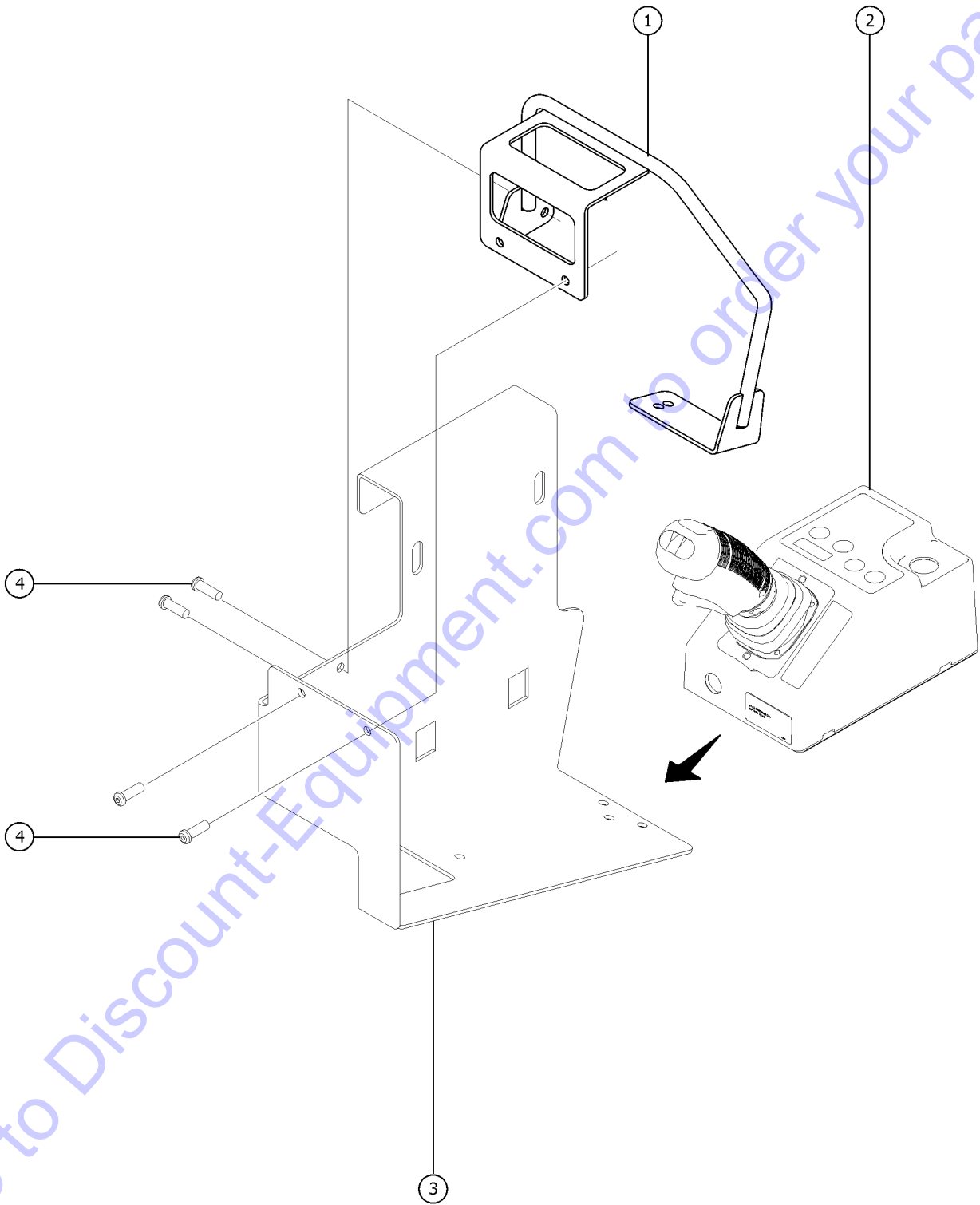
604.1 Voltage Inverter

Item	Part No.	Description	Qty.
A-	105248GT	SERVICE KIT,INVERTER 800W***	
1	96950GT	INVERTER,24VDC,110/230 VAC***	1
2	1255757GT	BOLT,CARRIAGE,3/8-16X1.25,5,ZAG	
3	824029GT	NUT,TL FLG,3/8-16,G,ZAG	
4	824078GT	SCREW,HHF,1/4-20X.75,8,ZAG	2
5	105129GT	PLATE, INVERTER MOUNT**	1

Go to Discount-Equipment.com to order your parts



606.1 PCON Guard



Go to Discount-Equipment.com to order your parts



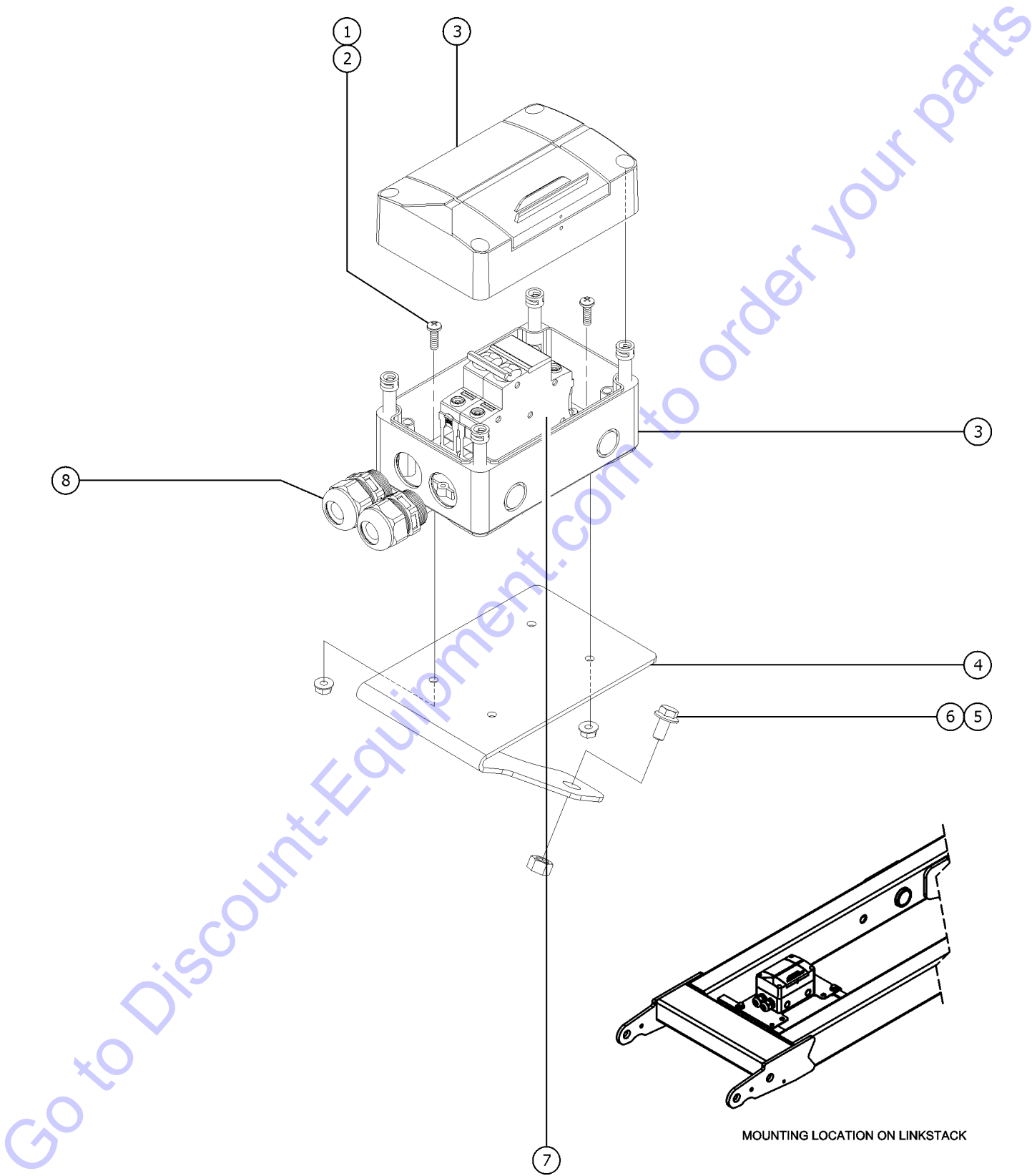
606.1 PCON Guard

Item	Part No.	Description	Qty.
1	1290292GT	WELDMENT, PCON GUARD ASSEMBLY, METRIC	1
2		Ref. PCON, GR/GRC/GS	1
		refer to 407.1	
3		Ref. FORMING, PLAT CONTROL, GR/GRC	4
		refer to 407.1 (holes drilled for PCON Guard option)	
4	6271GT	RIVET,STL,STL.MAN,P,.25 X .25	4

Go to Discount-Equipment.com to order your parts



607.1 RCBO



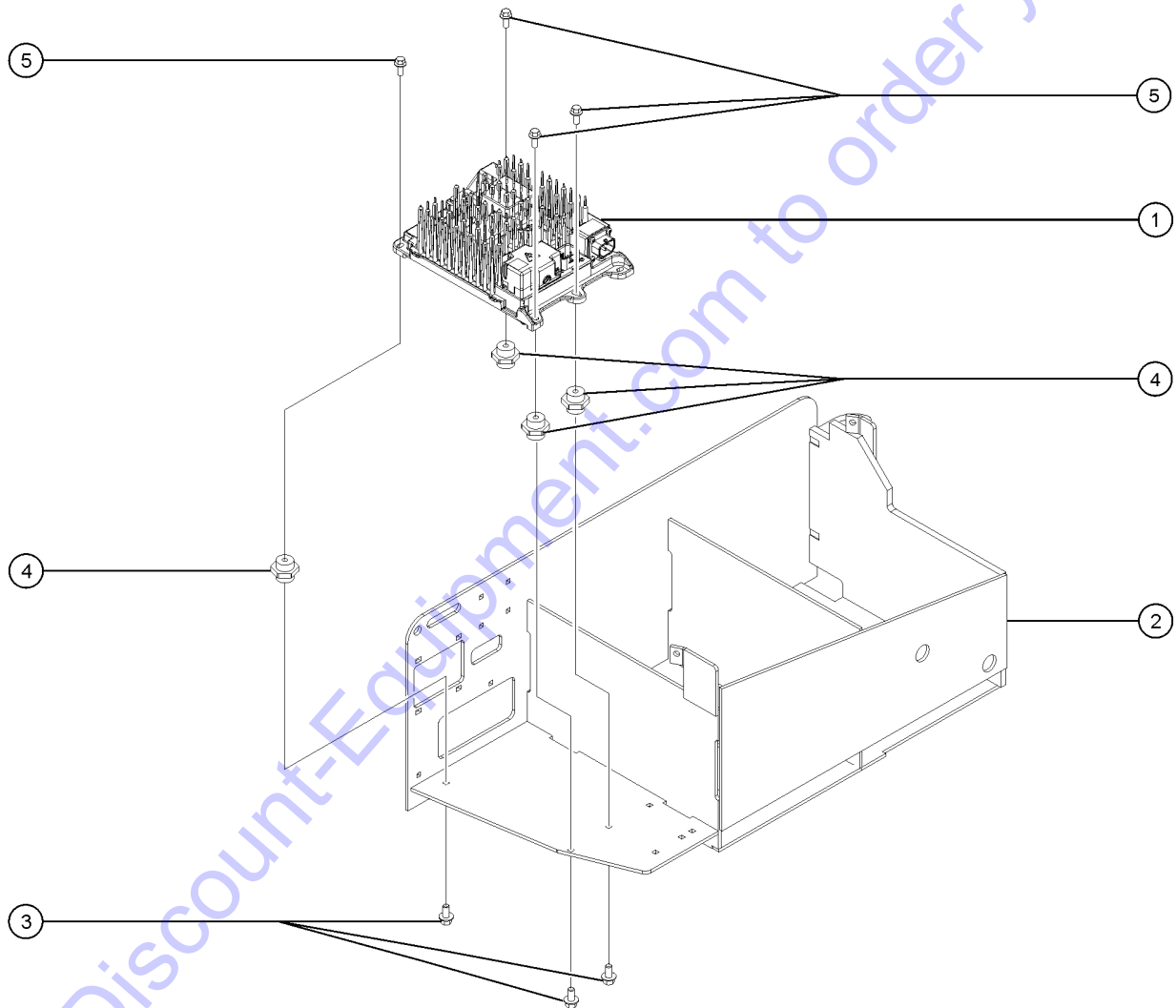
607.1 RCBO

Item	Part No.	Description	Qty.
1	1257227GT	SCREW,PHPM,10-32X.625,ZAG	2
2	1256467GT	NUT,TL FLG,10-24,F,ZAG	2
3	1269086GT	ENCLOSURE, FUSE, MODULAR, 100X150X96, IP65	1
4	1279207GT	FORMING, RCBO, GS30	1
5	824089GT	SCREW, HHF, 3/8-16 X .75, 8, ZAG	2
6	232951GT	NUT, TL, M10-1.5,DIN980, ZAB	1
7	231868GT	RCBO,16A,30MA,6KA 110/230V AC	1
8	1280947GT	GLAND ASSY,M25, 6-13MM	2
9	43956GT	WIRE CABLE,14/3 CON.TPE JKT* not shown	11 5- nc hes
10	1280948GT	SLEEVE, CABLE-END, 16AWG, 1.5MM not shown	6

Go to Discount-Equipment.com to order your parts



608.1 Charger Isolation



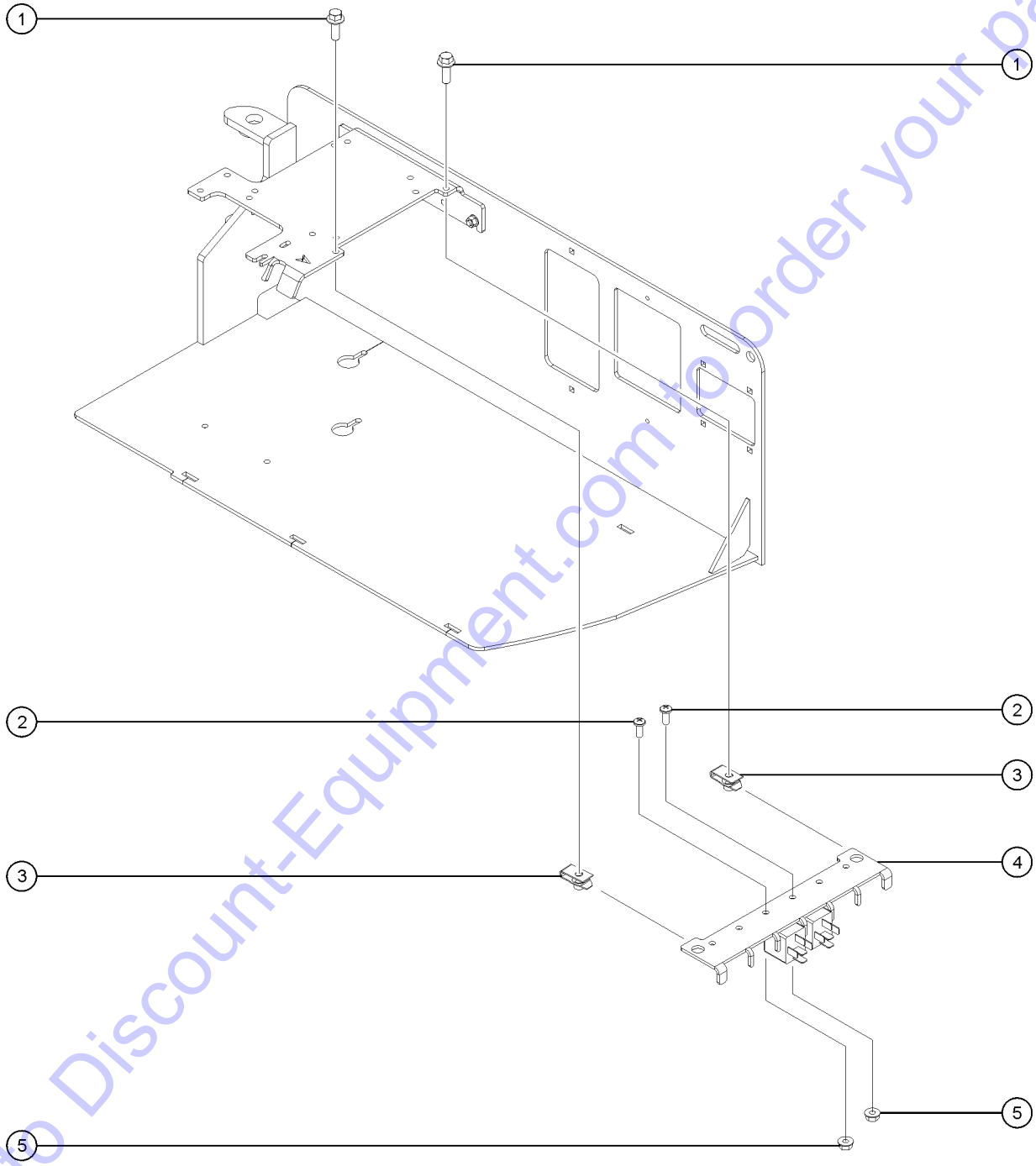
608.1 Charger Isolation

Item	Part No.	Description	Qty.
1		Ref.CHARGER, 24V, 650W, USB (refer to 206.1)	1
2	1304450GT	WLDMT,BATTERY TRAY,GS	1
3	824077GT	SCREW,HHF,1/4-20X.5,8,ZAG	3
4	1276847GT	ISOLATOR,SANDWICH,1/4-20,M2M	4
5	1256855GT	SCREW,HHF,1/4-20X.625,8,ZAG	4

Go to Discount-Equipment.com to order your parts



609.1 Telematics



Go to Discount-Equipment.com to order your parts

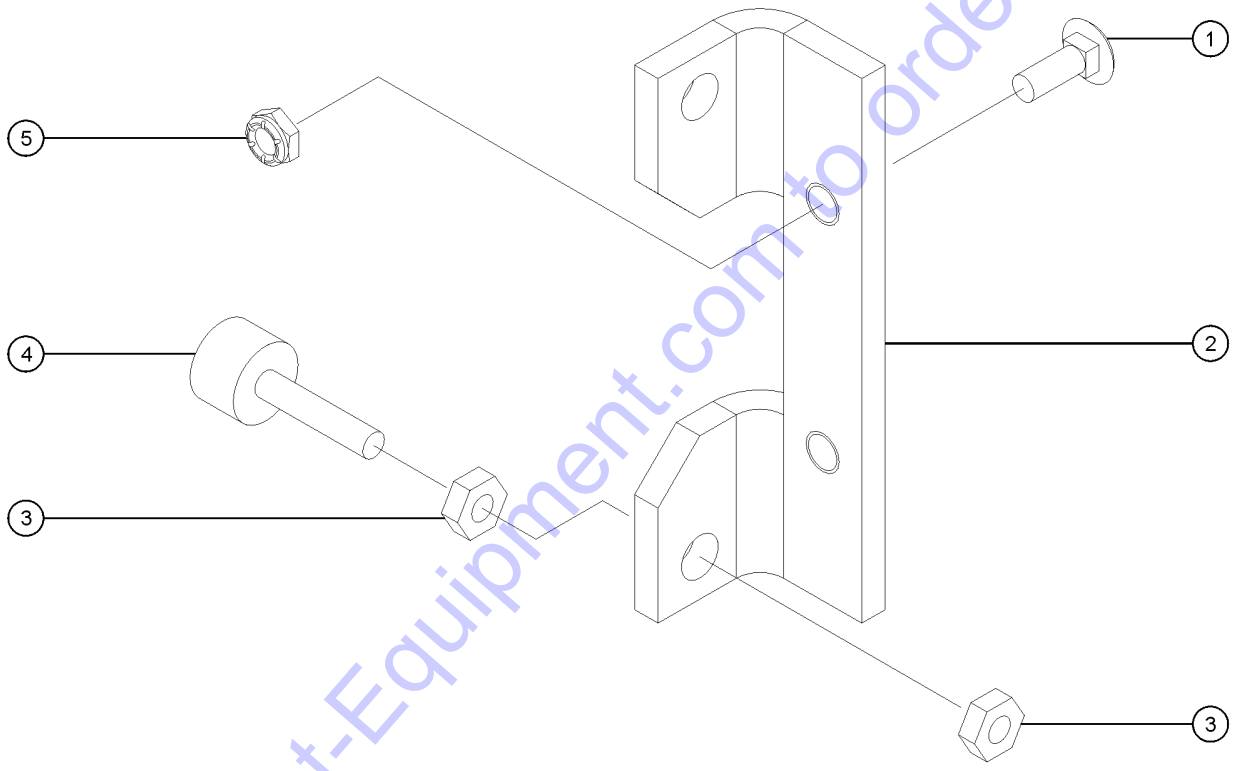


<i>Item</i>	<i>Part No.</i>	<i>Description</i>	<i>Qty.</i>
1	824078GT	SCREW,HHF,1/4-20X.75,8,ZAG	2
2	1256479GT	SCREW,PHPM,10-24X.50,ZAG	2
3	56912GT	SPRING CLIP,1/4-20,.025-.15X.54,ZAG	2
4	132199GT	FORMING,RELEY MOUNT	1
5	824032GT	NUT,TL FLG,10-32,F,ZAG	2

Go to Discount-Equipment.com to order your parts



610.1 Bumper Assembly Tray



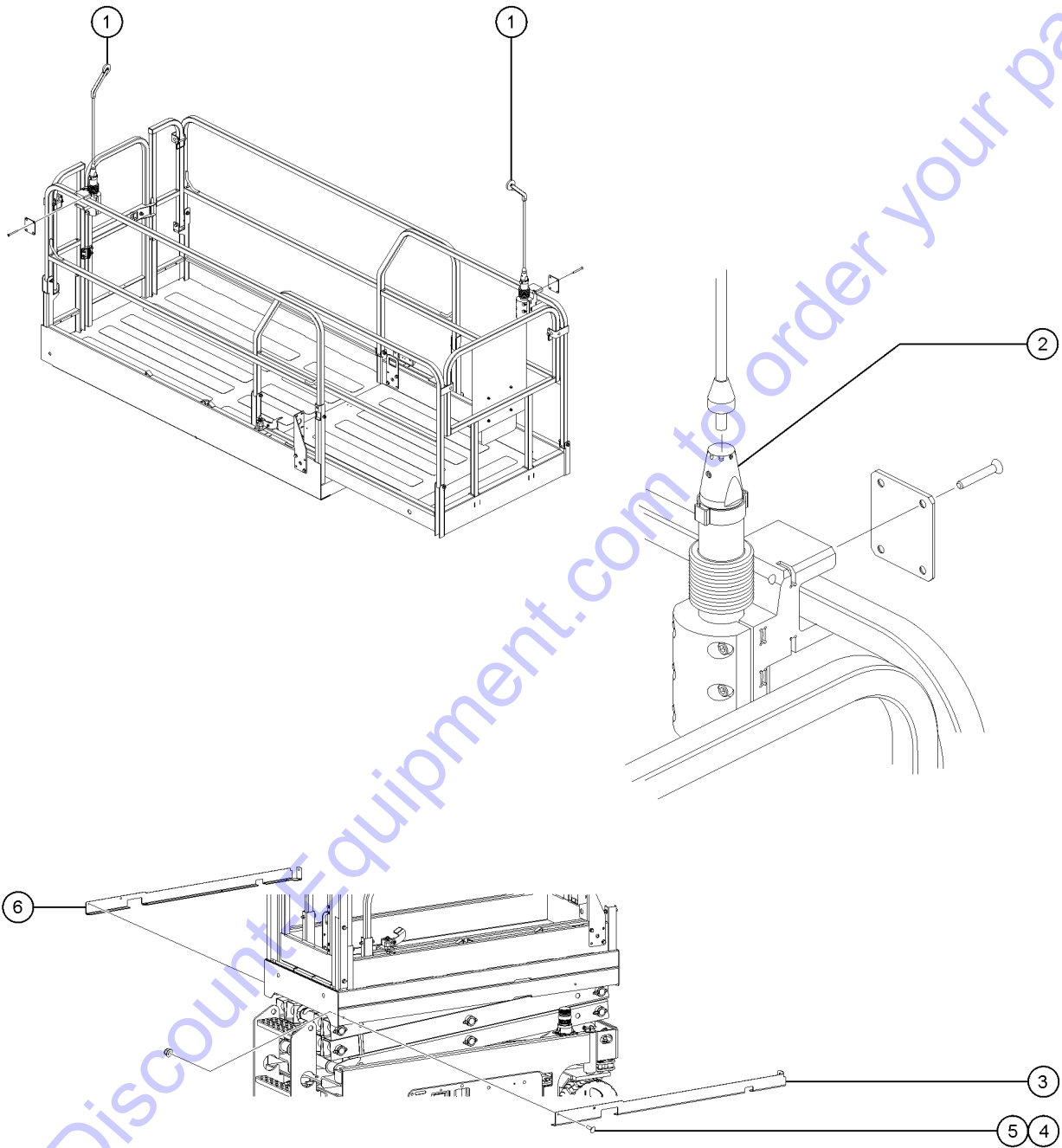
610.1 Bumper Assembly Tray

<i>Item</i>	<i>Part No.</i>	<i>Description</i>	<i>Qty.</i>
1	824124GT	BOLT, CARRIAGE, 1/4-20 X .75, 5, ZAG	2
2	1290291GT	BRACKET,BATTERY TRAY BUMPER	1
3	824037GT	NUT, HH JAM, 1/4-20, A, ZAG	4
4	36388GT	BUMPER,RUBBER,.75 X .50H,STUD	2
5	824027GT	NUT, TL FLG, 1/4-20, G, ZAG	2

Go to Discount-Equipment.com to order your parts



611.1 Lift Guard Contact Alarm, View-1



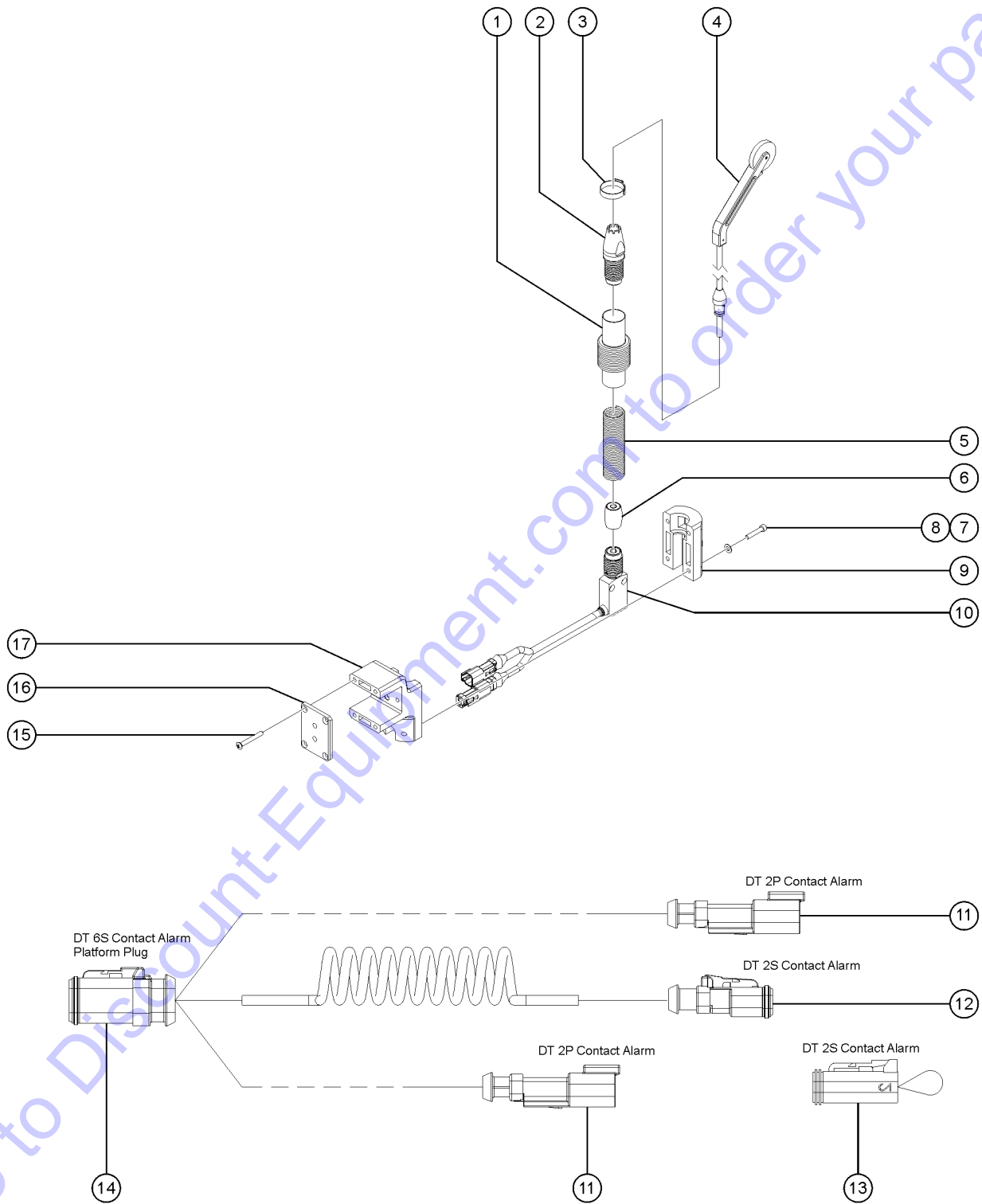
611.1 Lift Guard Contact Alarm, View-1

Item	Part No.	Description	Qty.
-		CABLE, CONTACT ALARM, CHASSIS TO PLAT, 15XX for GS-1530 and GS-1532 (No longer available)	1
-	1291051GT	HARNESS, CONTACT ALARM, GS30 PLATFORM	1
1		ASSEMBLY, LIFTGUARD CONTACT ALARM refer to 612.1 (no longer available)	2
2		ASSEMBLY, LIFTGUARD KNUCKLE OBSOLETE. refer to 612.1 (No longer available)	2
3		FORMING, CABLE GUIDE, CNTRL, GS30 ground control side (No longer available)	1
4	824124GT	BOLT, CARRIAGE, 1/4-20 X .75, 5, ZAG	6
5	1277924GT	NUT, NYLOCK FLG, 1/4-20, F, ZAG	6
6		FORMING, CABLE GUIDE, BAT, GS30 battery side (No longer available)	1

Go to Discount-Equipment.com to order your parts



612.1 Lift Guard Contact Alarm, View-2

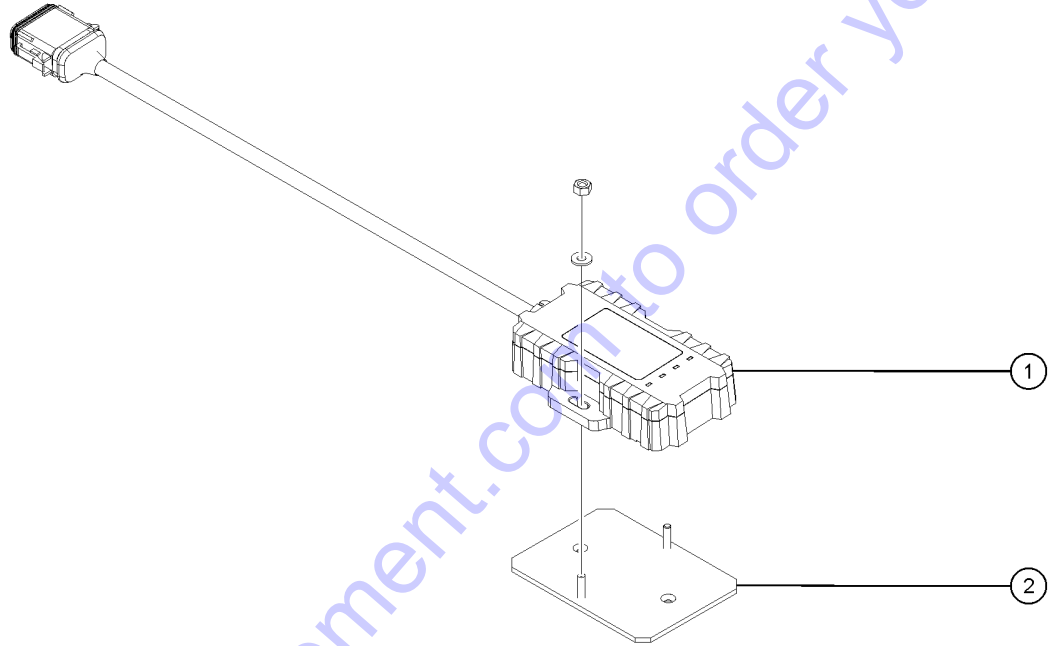


Go to Discount-Equipment.com to order your parts

Item	Part No.	Description	Qty.
-		ASSEMBLY, LIFTGUARD CONTACT ALARM Includes items 1-10, 15-17 (no longer available)	1
-		ASSEMBLY, LIFTGUARD KNUCKLE OBSOLETE. (part of assy 1287673, includes items 1-3, 5, 6 and 10) (No longer available)	1
-	1291051GT	HARNES,CONTACT ALARM,GS30 PLATFORM Includes items- 11 - 14	1
1		BELLOW, LIFTGUARD CONTACT ALARM no longer available	1
2		ASSEMBLY, UPPER WHISKER MOUNTING no longer available	1
3	1298716GT	CLAMP, STEPLESS, ONE EAR no longer available	1
4		ASSEMBLY, WHISKER no longer available	1
5		SPRING, TENSION, CONTACT ALARM no longer available	1
6		ASSEMBLY, MAGNETIC SNAP BARREL no longer available	1
7		SCREW,SHC,10-24X1,F837,18.8,NYL,SS no longer available	4
8		WASHER,FLAT,0.219X0.437X0.031,SS no longer available	4
9		BRACKET, RT LIFTGUARD, PART 2/2 no longer available	1
10		ASSEMBLY, LIMIT SWITCH MOUNT no longer available	1
11	1288352GT	CONN,RECEP,2 WAY,DT,14-18GA,CE09 no longer available	2
11-	60439GT	CONN, RECEP, 2 WAY, DEUTSCH, DT, LOCK no longer available	2
12	1288351GT	CONN,PLUG,2 WAY,DT,14-18GA,CE13 no longer available	1
12-	60245GT	WLDMNT,CABLE TRACK GUIDE LONG* no longer available	1
13	119056GT	CONN, PLUG, 2 WAY, DEUTSCH, DT, ENDCAP no longer available	1
13-	60425GT	CONN, PLUG, 2 WAY, DEUTSCH, DT, LOCK no longer available	1
14	1288576GT	CONN,PLUG,6WAY,DT,14-18GA,CE13 no longer available	1
14-	60431GT	LOCK,PLUG 6 WAY,14-18GA no longer available	1
15		SCREW,OHPM,10-24X1.5,NYL,SS no longer available	4
16		PLATE, LIFTGUARD BRACKET no longer available	1
17		BRACKET, RT LIFTGUARD, PART 1/2 no longer available	1

Go to DiscountEquipment.com to order your parts





Go to Discount-Equipment.com to order your parts

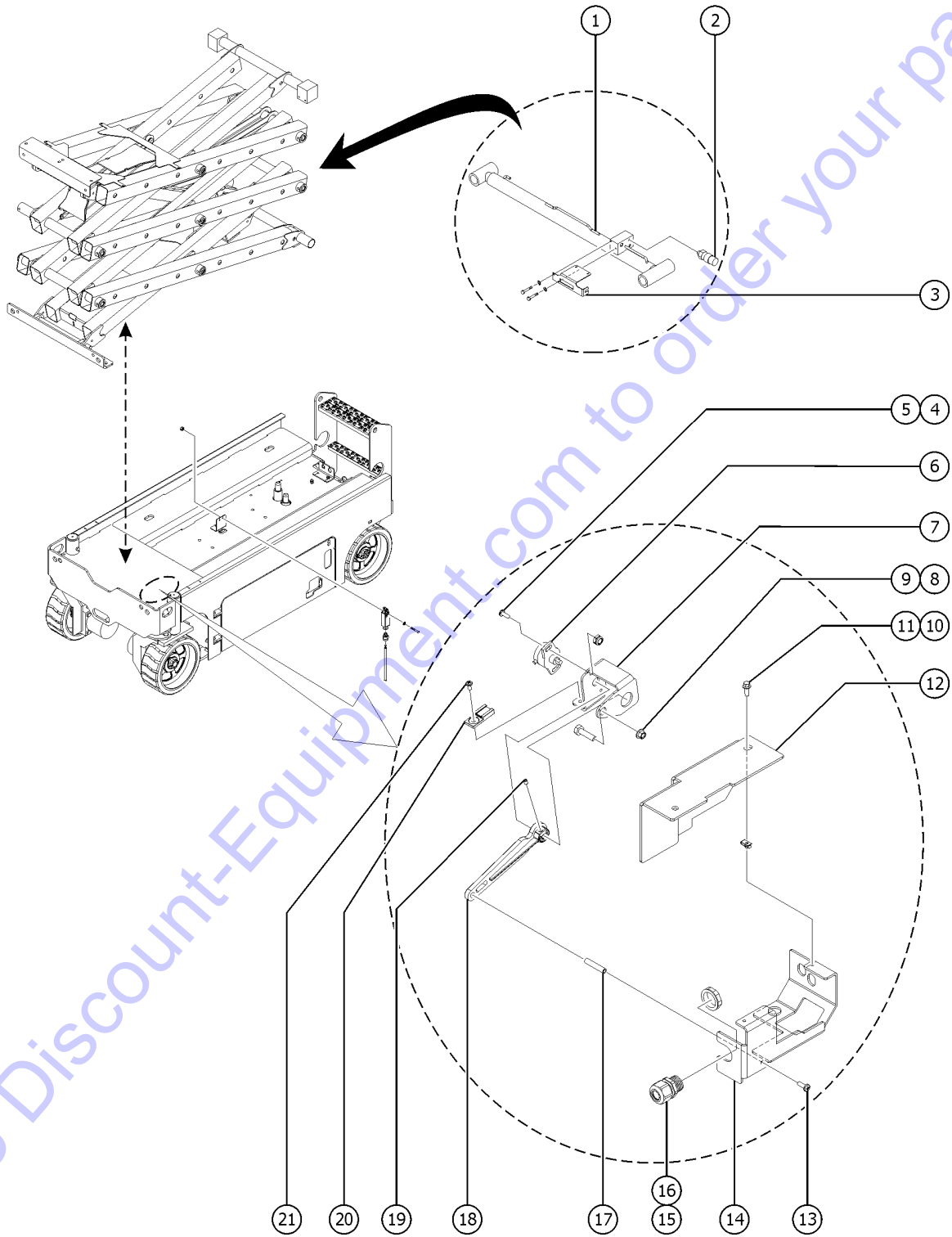
613.1 Telematics Option

Item	Part No.	Description	Qty.
-	1289899GT	HARNESS, GATEWAY, GS for first time insulation, must order this Harness with one of the models 1289520GT, 1289521GT, 1289522GT, or 1289523GT	1
1	1289520GT	MODULE, TELEMATICS, ZTR, M7, NORTH AMERICA North America	1
1B	1289521GT	MODULE, TELEMATICS, ZTR, M7, EMEA/APAC EMEA/APAC	
1C	1289522GT	MODULE, TELEMATICS, ZTR, M7, APAC/ANZ APAC/ANZ	
1D	1289523GT	MODULE, TELEMATICS, ZTR, M7, JAPAN Japan	
2	1289561GT	BRACKET, TELEMATICS	1

Go to Discount-Equipment.com to order your parts



701.1 Platform Overload



Item	Part No.	Description	Qty.
1		Ref. Lift Cylinder (refer to 506.1)	1
2	1291577GT	PRESSURE TRANSDUCER,0-5K PSI	1
3	41557-SGT	CABLE BRACKET,PAINTED US part number;	1
3B	132013GT	FORMING VERTICLE CABLE COVER China part number;	1
4	1257296GT	SCREW,PHPM-ST,8-32X.50,TYPE F,ZAG	2
5	1271081GT	NUT,NYLOCK,8-32,8,ZAG	2
6	T113136GT	ASSY,ROT SENSR W/ HARNESS	1
7	161979GT	FRMG,ARM SENSOR BRCKT,MINI US part number;	1
7B	227189GT	FRMNG,ARM SNSR BRCKT,MINI,MET China part number;	1
8	824029GT	NUT,TL FLG,3/8-16,G,ZAG	1
9	824068GT	SCREW,HHC,3/8-16X1.25,8,ZAG	1
10	824078GT	SCREW,HHF,1/4-20X.75,8,ZAG	2
11	56912GT	SPRING CLIP,1/4-20,.025-.15X.54,ZAG	2
12	161977GT	FRMG,SENSOR COVERING US part number;	1
12B	227191GT	FRMNG,SENSOR COVER,MINI,MET China part number;	1
13	1251757GT	SCREW,PHPM,10-32X.5,ZAG	1
14	161975GT	FRMG,CHASSIS BRKTING US part number;	1
14B	227190GT	GS3246 FRMNG,CHASSIS BRCKT,MET China part number;	1
15	33576GT	CONN,SQZ,BLK,1/2NPT,.38-.50,SM	1
16	T115429GT	NUT,CORDGRIP,1/2 NPT	1
17	T113142GT	OFFSET, RDN, 1/4-1.25,10-32	1
18	T114082GT	LEVER ARM,ANGLE SENSR ACTUATOR	1
19	229146GT	SCREW,SET,8-32X.25	1
20	T113139GT	CLIP,DTM RECEP	1
21	39579GT	RIVET,STL,STL,.188 X .45	1

Go to DiscountElement.com to order your parts



<u>Part no.</u>	<u>Page Number</u>	<u>Part no.</u>	<u>Page Number</u>	<u>Part no.</u>	<u>Page Number</u>
1268GT	11	27581GT	11	40833GT	105, 135
1484GT	11	27895GT	235	40844GT	219
4266GT	185, 189, 193	27900GT	235	41557-SGT	221, 259
4828GT	181, 185, 189, 193	27902GT	235	41630GT	149, 157, 165, 173
5224GT	149, 157, 165, 173, 181, 185, 187, 191, 193, 237, 239	27903GT	235	42079GT	11, 75, 79, 83, 87, 89...
5397GT	149, 157, 165, 173	27904GT	235	42283GT	223, 227
6002GT	113, 117, 137, 185, 189, 193...	28131GT	135	43093GT	13, 15, 31, 33, 45, 47...
6091GT	157, 165, 173	28174GT	15, 19, 21, 25, 27, 29...	43618GT	19, 21, 27, 29, 37, 43...
6271GT	243	28175GT	15, 33, 47	43619GT	15, 33, 47
6595GT	197, 201	28176GT	19, 21, 37, 51, 53, 65	43658GT	13, 15, 25, 31, 33, 41...
6626GT	199, 201	28235GT	15, 19, 21, 25, 27, 29...	43685GT	219
6638GT	111, 115, 181, 185, 189, 193	28236GT	19, 21, 37, 51, 53, 65	43956GT	197, 201, 245
6666GT	197	28443GT	181, 185, 189, 193, 221, 235...	44168GT	213
6700GT	119	30784-2550GT	105	44169GT	213
6782GT	237, 239	31060GT	13, 31, 45, 63	44174GT	213
6878GT	197, 201	31508GT	13, 15, 31, 45, 47, 63	44226GT	213
6886GT	237, 239	31788GT	13, 31, 45, 63	44227GT	213
6889GT	231	32150GT	11	44229GT	213
6935GT	197, 201	32151GT	11	44230GT	213
7056GT	197, 201	33576GT	259	44255GT	13, 15, 31, 33, 45, 47...
7127GT	197, 201	33724GT	201	44716GT	219
7713GT	137, 185, 173, 185, 187, 191...	33784GT	237, 239	44736GT	19, 21, 37, 51, 53, 65
8178GT	183, 187, 191, 195	36369GT	139	44737GT	13, 15, 31, 33, 45, 47...
9116GT	111, 115, 231	36388GT	251	44743GT	155, 161, 171, 177
10775GT	197, 201	37947GT	119	44750GT	219
10777GT	199, 203	38149GT	45	44751GT	219
12013GT	155, 163, 171, 179	39232GT	97	44752GT	219
12016GT	101	39310GT	151, 159, 167, 175	44777GT	219
13585GT	197, 201	39469GT	149, 157, 165, 173	44778GT	219
13921GT	223, 227	39470GT	149, 157, 165, 173	44780GT	75, 79, 83, 87, 89, 91...
18503GT	105	39474GT	131, 133, 137, 187, 169, 175	44781GT	75, 79, 83, 87, 89, 91...
18605GT	201	39509GT	181, 185, 189, 193	44788GT	11
19491GT	97, 103	39510GT	181, 185, 189, 193	44936GT	197, 201
20224GT	213	39540GT	97, 205, 231	44973GT	221
20923GT	223, 227	39542GT	101	44980GT	13, 15, 25, 31, 35, 41...
21279GT	149, 153, 157, 181, 165, 169...	39579GT	149, 153, 187, 173, 259	44981GT	15, 19, 21, 25, 27, 29...
21982GT	119	39873GT	75, 79, 223, 227	45437GT	197, 201
22446GT	183, 187, 191, 195	39876GT	225, 227	45546GT	197, 201
22664GT	225, 227	39877GT	217, 223, 227	46216GT	213
24514GT	155, 161, 171, 177	39878GT	221, 223, 227	46260GT	149, 157, 165, 173
25388GT	197, 201	39881GT	223, 227	47098GT	151, 159, 167, 175
		40434GT	19, 21, 27, 29, 37, 43...	47163GT	149, 157, 165, 173

<u>Part no.</u>	<u>Page Number</u>	<u>Part no.</u>	<u>Page Number</u>	<u>Part no.</u>	<u>Page Number</u>
47166GT	149, 157, 165, 173	65990-SGT	183, 187, 191, 195	81579GT	231
47188GT	181, 185, 189, 193	66204GT	111, 115	82160GT	15, 33, 47
47222GT	149, 157, 165, 173	66353GT	199, 203	82161GT	15, 33, 47
47224GT	181, 185, 189, 193	66355GT	199, 203	82287GT	65, 71
47225GT	149, 157, 165, 173	66397GT	105, 135	82366GT	15, 33, 47
47231GT	151, 159, 167, 175	66399GT	11	82473GT	25, 41, 57, 69
47374GT	153, 159, 169, 175	66465GT	221	82474GT	23, 25, 39, 41, 55, 57...
47419GT	83, 87	66485GT	151, 159, 167, 175	82476GT	23, 25, 39, 41, 55, 57...
47478GT	155, 163, 171, 179	66544GT	183, 187, 191, 195	82481GT	23, 39, 55, 67
47548GT	73, 77, 81, 85	66551GT	181, 185, 189, 193	82482GT	57
47598GT	181, 185, 189, 193	66717GT	191, 193	82485GT	13, 15, 23, 25
47666GT	141, 145	66770GT	105, 135	82486GT	45, 47, 55, 57
48282GT	197, 201	66812GT	73, 77, 81, 85	82487GT	25, 27, 29, 41, 43, 57...
48880GT	213	66817GT	119, 205	82495GT	23, 39, 55, 67
48923GT	225, 229	66818GT	119, 205	82496GT	59
48997GT	213	66886GT	119	82497GT	43, 71
49612GT	213	66889-SGT	151, 159, 167, 175	82501GT	27
49613GT	213	66890-SGT	151, 159, 167, 175	82557GT	19, 21, 37, 51, 53, 65
49812GT	219	69229GT	237, 239	82558GT	15, 33, 47
50793GT	237, 239	72086GT	13, 15, 23, 25, 31, 33...	82559GT	15, 33, 47
51063GT	119	72143GT	15, 25, 33, 41, 47, 57...	82560GT	25, 41, 57, 69
51152GT	225, 229	72326GT	97, 231	82561GT	13, 15, 31, 33, 45, 47...
52475GT	13, 15, 23, 25, 31, 33...	72853GT	15, 33, 47	82562GT	23, 25, 39, 41, 55, 57...
55010GT	109	72970GT	13, 31, 45, 63	82563GT	51, 53, 65
55558GT	221	72998GT	15, 33, 47	82564GT	19, 21, 37
55675GT	107, 111, 115	72999GT	15, 33, 47	82565GT	19, 51
55839GT	225, 229	74006GT	197	82566GT	37, 65
55906GT	201	76494GT	105	82568GT	37, 43
56912GT	249, 259	76502GT	105	82570GT	13, 15, 23, 25, 31, 33...
56926GT	141, 145	77709GT	213	82571GT	45, 47, 55, 57, 63, 67...
57075GT	197, 201	78006GT	219	82656GT	27, 59
58000GT	141, 145	78022GT	155, 163, 171, 179	82657GT	13, 31, 45, 63
58592GT	73, 77, 81, 85, 97	78029GT	181, 185, 189, 193	83093GT	119
58627GT	119	78038GT	181, 185, 189, 193	83131GT	119
60245GT	255	78086GT	167, 169...	84384GT	213
60425GT	255	78091GT	101	84385GT	213
60431GT	255	78422GT	225, 229	84386GT	213
60439GT	255	78546GT	137, 211	84422GT	221
62053GT	19, 21, 27, 29	78622GT	11, 111, 115	84571GT	73, 77, 81, 85
62054GT	51, 53, 59, 61	78622GT	211	84574GT	101
65439GT	237, 239	78680GT	91, 95	84578GT	141
65721GT	237, 239	78736GT	73, 77, 81, 85, 97	84579GT	145
		79140GT	135		

<u>Part no.</u>	<u>Page Number</u>	<u>Part no.</u>	<u>Page Number</u>	<u>Part no.</u>	<u>Page Number</u>
84580GT	145	96304GT	135	97110GT	181, 189
84581GT	143, 147	96306GT	135	97115GT	151
84582GT	143, 147	96309GT	123, 127, 131	97118GT	151
84583GT	143, 147	96317GT	103	97119GT	167
84586GT	153, 161, 169, 177	96331GT	141, 147	97122GT	167
84590GT	153, 161, 169, 177	96335GT	153, 161, 169, 177	97123GT	153, 161, 169, 177
84693GT	139	96350GT	223, 227	97128GT	97, 103
84694GT	139	96351GT	223, 227	97132GT	153, 161, 169, 177
84695GT	139	96353GT	225, 227	97280GT	181, 185, 189, 193
84739GT	217	96354GT	111, 225	97582GT	29, 61
84740GT	217	96355GT	111, 225	97618GT	21, 53
84742GT	217	96363GT	231	97719GT	25, 41, 57, 69
84743GT	217	96388GT	211	104804GT	181, 185, 189, 193
84746GT	217	96391GT	225, 227	105051GT	73, 77, 81, 85
84748GT	217	96398GT	223, 227	105055PGT	101
85197GT	219	96408GT	101	105059GT	223, 227
85239GT	119	96413GT	149, 157, 165, 173	105067GT	217
88335GT	123, 127, 131	96415GT	139	105085GT	141, 145
88827GT	119	96452GT	119	105117GT	197, 201
96008-SGT	119	96459GT	123, 127, 131	105118GT	197, 201
96009GT	119, 199, 203	96465GT	89, 91	105122GT	73, 77, 81, 85
96010GT	119, 121	96466GT	93, 95	105129GT	241
96038GT	103	96487GT	141, 143, 145	105150GT	105
96039GT	101	96515-SGT	235	105156GT	101
96066GT	77, 85	96516-SGT	235	105165GT	215
96067GT	79, 87	96524GT	101	105182GT	141, 147
96068GT	73, 81	96541GT	101	105183GT	141, 145
96069GT	75, 83	96542GT	235	105184GT	141, 147
96074GT	73, 77, 81, 85	96576GT	139	105185GT	145
96085GT	103	96642GT	101	105209GT	137
96102GT	89, 91, 93, 95	96699GT	111, 115, 233	105210GT	137
96110GT	135	96709GT	111, 115	105211GT	137
96121GT	141, 145	96770GT	221	105248GT	241
96126GT	139	96839GT	101	105261GT	223, 227
96130GT	143, 147	96847GT	153	105262GT	223, 227
96131GT	143, 147	96849GT	161, 169, 177	105263GT	223, 227
96163GT	181, 185, 189, 193	96855GT	111, 115	105264GT	223, 227
96200GT	153, 161, 169, 177	96948GT	97, 103	105275GT	103
96236GT	199, 203	96950GT	241	105280GT	141, 145
96246GT	153, 161, 169, 177	97034GT	149, 157, 165, 173	105283GT	225, 229
96257GT	211	97059GT	109	105284GT	223, 227
96283GT	143, 147	97105GT	181, 185, 189, 193	105285GT	223, 227

<u>Part no.</u>	<u>Page Number</u>	<u>Part no.</u>	<u>Page Number</u>	<u>Part no.</u>	<u>Page Number</u>
105303GT	213	132038GT	141, 145	132936GT	73, 81
105304GT	213	132052GT	103	132937GT	141, 145
105310GT	97	132053GT	101	132995GT	141, 145
105334GT	109	132063GT	77, 85	132996GT	149, 157, 165, 173
105440GT	97	132064GT	79, 87	133213GT	31
105478GT	221	132068GT	73, 77, 81, 85	133276GT	15, 25, 33, 41, 47, 57...
105483-SGT	197, 201	132074GT	89, 91, 93, 95	133596GT	19, 21, 37, 51, 53, 65
105543GT	221	132083GT	139	137562GT	119
105547GT	211	132085GT	143, 147	137587GT	205
105548GT	221	132086GT	143, 147	137605GT	19, 21, 27, 29, 37, 43...
105550GT	211	132087GT	141, 145	137634GT	209
105553GT	211	132088GT	145	137637GT	119, 205
105554GT	211	132089GT	145	137640GT	205
105555GT	211	132118GT	139	137656GT	19, 21, 27, 29, 37, 43...
105556GT	231	132119GT	73, 77, 81, 85	137668GT	119
105557GT	231	132121GT	153, 161, 169, 177	137699GT	205
105565GT	75, 79, 83, 87	132124GT	141	144009GT	237, 239
105653GT	223, 227	132127GT	153, 161, 169, 177	144011GT	237, 239
105818GT	141, 145	132128GT	149, 157, 165, 173	144129GT	197, 201
105971GT	237, 239	132130GT	139	144161GT	197, 201
105972GT	237, 239	132133GT	103	144175GT	181, 185, 189, 193
105973GT	237, 239	132140GT	153, 161, 169, 177	144213GT	125, 129
105997GT	141, 145	132151GT	149, 157, 165, 173	144226GT	97
105998GT	141, 145	132153GT	139	144375GT	89, 91, 93, 95
114334GT	25, 41, 57, 69	132163GT	101	144379GT	89, 91, 93, 95
114337GT	23, 39, 55, 67	132177GT	73, 77, 81, 85	160412GT	199, 203
114338GT	27, 29, 43, 59, 61, 71	132178GT	101	161975GT	259
114360GT	13, 31, 45, 63	132183GT	143, 147	161977GT	259
114361GT	13, 23, 31, 39, 45, 55...	132184GT	141, 145	161979GT	259
114370GT	23, 39, 55, 67	132185GT	141, 147	214544GT	209
114372GT	23, 25, 39, 41, 55, 57...	132191GT	137	218579GT	123, 127, 131, 133
114385GT	13, 15, 31, 33, 45, 47...	132192GT	137	226163GT	111, 115
114386GT	19, 21, 37, 51, 53, 65	132198GT	111	227164GT	115
115166GT	223	132199GT	249	227165GT	119
119056GT	255	132200GT	97	227166GT	111, 115
119619GT	75, 79, 83, 87	132209GT	151, 159, 167, 175	227167GT	205
122994GT	119	132210GT	153, 159, 169, 175	227189GT	259
131582GT	97	132211GT	151, 159, 167, 175	227190GT	259
132013GT	221, 259	132212GT	151, 159, 167, 175	227191GT	259
132021GT	181, 183, 185, 189, 191, 193	132213GT	151, 159, 167, 175	229086GT	209
132026GT	181, 185, 189, 193	132342GT	101	229087GT	209
132027GT	183, 187, 191, 195	132935GT	75, 83	229088GT	209

<u>Part no.</u>	<u>Page Number</u>	<u>Part no.</u>	<u>Page Number</u>	<u>Part no.</u>	<u>Page Number</u>
229089GT	209	233568GT	219	1255629GT	97
229090GT	209	233641GT	219	1255756GT	97, 117
229091GT	209	235463GT	209	1255757GT	73, 77, 81, 85, 89, 91...
229092GT	209	235464GT	205	1255758GT	73, 77, 81, 85, 105, 149...
229093GT	209	823368GT	97	1255759GT	89, 91, 93, 95
229094GT	209	823408GT	113, 117	1255797GT	97
229146GT	259	824025GT	103, 141	1255805GT	105
229195GT	111	824027GT	73, 77, 81, 85, 91, 105...		
229845GT	205	824028GT	231	1256070GT	45, 47
231103GT	151	824029GT	73, 77, 81, 85, 89, 91...		
231104GT	151	824032GT	199, 203, 231, 249		
231105GT	159	824037GT	105, 251		
231106GT	159	824038GT	101, 149, 157, 165, 173		
231107GT	167	824068GT	259		
231108GT	167	824077GT	221, 247		
231109GT	175	824078GT	111, 117, 133, 161, 171, 177, 115, 143, 147		
231110GT	175	824080GT	147		
231111GT	153, 161, 169, 177	824081GT	137		
231112GT	153, 161, 169, 177	824089GT	245		
231114GT	111, 115	824094GT	155, 163, 171, 179		
231167GT	115	824100GT	219		
231175GT	181, 189	824110GT	219		
231176GT	185, 193	824113GT	111		
231177GT	183	824124GT	105, 111, 115, 119, 137, 231...		
231178GT	185	824125GT	97, 137		
231179GT	191	824128GT	73, 77, 81, 85, 101		
231180GT	193	824164GT	143, 147		
231572GT	219	824215GT	199, 203, 231		
231610GT	153, 161, 169, 177	824216GT	97		
231611GT	153, 161, 169, 177	825020GT	143, 147		
231868GT	245	825349GT	107		
231921GT	125, 129, 133, 205	825358GT	101, 105, 149, 155, 157, 163...		
231922GT	125, 129, 133, 205	826854GT	121		
231931GT	231	1251757GT	259		
232531GT	105	1251799GT	143, 147		
232576GT	135	1251997GT	73, 77, 81, 85, 89, 91...		
232578GT	135	1252977GT	149, 157, 165, 173		
232582GT	135	1253477GT	121, 133, 165, 171, 179		
232951GT	245	1253478GT	149, 157, 165, 173		
233366GT	105	1253485GT	181		
233371GT	135	1254572GT	231		
233431GT	135	1255245GT	51		
				1257733GT	11

<u>Part no.</u>	<u>Page Number</u>	<u>Part no.</u>	<u>Page Number</u>	<u>Part no.</u>	<u>Page Number</u>
1257824GT	123, 127, 131	1264372GT	109	1276561GT	115
1257923GT	19, 21, 27, 29, 37, 43...	1264822GT	123, 127, 131	1276562GT	111
1258393GT	93, 95	1264834GT	123, 127, 131	1276847GT	247
1258394GT	123, 127, 131	1265361GT	17, 25, 33, 41, 49, 57...	1277924GT	155, 181, 253
1258406GT	93, 95	1265771GT	125, 129	1278004GT	29, 43
1258567GT	11	1266278GT	75, 79	1278005GT	61, 71
1258731GT	205	1266279GT	75, 79	1278274GT	83, 87
1259177GT	101	1268950GT	197	1278375GT	83, 87
1259178GT	101	1269086GT	245	1278615GT	81, 85
1259179GT	101	1269302GT	153, 161, 169, 177	1278704GT	17, 25, 33, 41, 49, 57...
1259180GT	101	1269307GT	153, 161, 169, 177	1279207GT	245
1259181GT	149, 157, 165, 173	1269346GT	153, 161, 169, 177	1279428GT	109
1259191GT	89, 91	1270162GT	231	1280158GT	115
1259192GT	75, 79, 83, 87	1270456GT	105	1280665GT	197, 201
1259193GT	73, 77, 81, 85	1270457GT	105	1280819GT	17, 49
1259194GT	73, 77, 83, 87	1270598GT	115, 225, 227	1280947GT	245
1259195GT	73, 77, 81, 85	1270600GT	115, 225, 227	1280948GT	245
1259197GT	101	1271081GT	197, 259	1280957GT	149, 157, 165, 173, 205
1259223GT	155, 163, 171, 179	1271521GT	231	1280958GT	155, 165, 171, 179, 205
1259266GT	105	1272119GT	125, 133	1282138GT	149, 159, 167, 175
1259339GT	155, 163, 171, 179	1272122GT	121	1282139GT	181, 185, 189, 193
1259719GT	151, 159, 167, 175	1272123GT	121	1282140GT	91, 95
1259829GT	151, 159, 167, 175	1272232GT	109	1282141GT	153, 161, 171, 177
1260926GT	155, 163, 171, 179	1272242GT	15, 25, 33, 41, 49, 57...	1282144GT	105
1261143GT	231	1272557GT	109	1282145GT	97
1261183GT	231	1272844GT	109, 135	1282153GT	97
1261888GT	213	1273016GT	115	1283053GT	125, 129, 133
1262926GT	223	1273394GT	125, 129	1284302GT	199, 203
1262927GT	223	1273576GT	109, 135	1284781GT	119
1262928GT	225	1274165GT	117	1286357GT	149, 157, 165, 173
1262929GT	223	1274166GT	99	1288351GT	255
1262930GT	223	1274168GT	97	1288352GT	255
1262931GT	223	1274172GT	89, 91, 93, 95	1288576GT	255
1262932GT	223	1274594GT	153, 161, 169, 177	1288704GT	75, 79
1262934GT	225	1274595GT	153	1288705GT	75, 79
1262935GT	225	1274596GT	151, 159, 167, 175	1289409GT	75, 79
1262936GT	223	1274597GT	183, 187, 191, 195	1289520GT	99, 257
1263152GT	105	1274603GT	181, 185, 189, 193	1289521GT	99, 257
1263220GT	123, 127, 131	1275422GT	199, 203	1289522GT	99, 257
1263221GT	123, 127, 131	1275423GT	199, 203	1289523GT	99, 257
1263542GT	25, 41, 57, 69	1275722GT	233	1289561GT	99, 257
1263646GT	29, 43, 61, 71	1275748GT	143	1289899GT	125, 129, 133, 257

<u>Part no.</u>	<u>Page Number</u>	<u>Part no.</u>	<u>Page Number</u>	<u>Part no.</u>	<u>Page Number</u>
1290029GT	183, 187, 191, 195	T112509GT	123, 127, 131		
1290289GT	103	T112510GT	123, 131		
1290291GT	251	T112511GT	127, 133		
1290292GT	243	T112560GT	199, 203		
1290297GT	207	T112561GT	199, 203		
1291051GT	253, 255	T112804GT	17, 25, 35, 41, 49, 57...		
1291133GT	183, 187, 191, 195	T112807GT	29, 43, 71		
1291173GT	205	T112808GT	61		
1291577GT	259	T113136GT	123, 127, 131, 259		
1292498GT	75, 79	T113139GT	259		
1296085GT	109	T113142GT	259		
1296549GT	109	T113296GT	111		
1296550GT	125, 129	T113787GT	153, 159, 169, 175		
1296990GT	125, 129	T114031GT	123, 127, 131		
1298716GT	255	T114082GT	259		
1298933GT	11	T115429GT	259		
1299590GT	213				
1301073GT	99				
1303372GT	115				
1303373GT	117				
1303374GT	115				
1304450GT	247				
1305830GT	91, 95				
1306163GT	199, 203				
1306190GT	89, 91, 95, 97, 129...				
1307198GT	155, 163, 171, 179				
1309762GT	219				
1309763GT	219				
1309764GT	219				
T106362GT	121				
T106363GT	119				
T106366GT	119				
T106370GT	205				
T106372GT	121				
T106373GT	205				
T107029GT	13, 31, 45, 63				
T107031GT	17, 33, 49				
T108326GT	111				
T108664GT	211				
T109012GT	111, 115				
T112507GT	97, 123, 127, 131				
T112508GT	123, 127, 131				

Go to Discount-Equipment.com to order your parts



PARTS FINDER

**Search Website
by Part Number**



**Search Manual
Library For Parts
Manual & Lookup Part
Numbers – Purchase
or Request Quote**

Search Manuals

Enter your information to help us find the right parts manual for your machine.

* Brand:

* Model:

* Serial:

* Part Number:

SEARCH

**Can't Find Part or
Manual? Request Help
by Manufacturer,
Model & Description**

Parts Order Form

Please fill in the following information to help us find the right part for your machine.

Manufacturer:	<input type="text"/>
Model:	<input type="text"/>
Description:	<input type="text"/>
Part Number:	<input type="text"/>
Quantity:	<input type="text"/>
Notes:	<input type="text"/>

Submit

Discount-Equipment.com is your online resource for quality parts & equipment.

Florida: **561-964-4949** Outside Florida TOLL FREE: **877-690-3101**

Need parts?

Click on this link: <http://www.discount-equipment.com/category/5443-parts/> and choose one of the options to help get the right parts and equipment you are looking for. Please have the machine model and serial number available in order to help us get you the correct parts. If you don't find the part on the website or on one of the online manuals, please fill out the request form and one of our experienced staff members will get back to you with a quote for the right part that your machine needs.

We sell worldwide for the brands: Genie, Terex, JLG, MultiQuip, Mikasa, Essick, Whiteman, Mayco, Toro Stone, Diamond Products, Generac Magnum, Airman, Haulotte, Barreto, Power Blanket, Nifty Lift, Atlas Copco, Chicago Pneumatic, Allmand, Miller Curber, Skyjack, Lull, Skytrak, Tsurumi, Husquvarna Target, Stow, Wacker, Sakai, Mi-T-M, Sullair, Basic, Dynapac, MBW, Weber, Bartell, Bennar Newman, Haulotte, Ditch Runner, Menegotti, Morrison, Contec, Buddy, Crown, Edco, Wyco, Bomag, Laymor, EZ Trench, Bil-Jax, F.S. Curtis, Gehl Pavers, Heli, Honda, ICS/PowerGrit, IHI, Partner, Imer, Clipper, MMD, Koshin, Rice, CH&E, General Equipment, Amida, Coleman, NAC, Gradall, Square Shooter, Kent, Stanley, Tamco, Toku, Hatz, Kohler, Robin, Wisconsin, Northrock, Oztec, Toker TK, Rol-Air, APT, Wylie, Ingersoll Rand / Doosan, Innovatech, Con X, Ammann, Mecalac, Makinex, Smith Surface Prep, Small Line, Wanco, Yanmar

California Proposition 65

 **WARNING**

Operating, servicing and maintaining this equipment, passenger vehicle or off-highway motor vehicle can expose you to chemicals including engine exhaust, carbon monoxide, phthalates, and lead, which are known to the State of California to cause cancer and birth defects or other reproductive harm. These chemicals can be emitted from or contained in other various parts and systems, fluids and some component wear by-products. To minimize exposure, avoid breathing exhaust, do not idle the engine except as necessary, service your equipment and vehicle in a well-ventilated area and wear gloves or wash your hands frequently when servicing your equipment or vehicle and after operation. For more information go to www.P65Warnings.ca.gov/passenger-vehicle.

Breathing diesel engine exhaust exposes you to chemicals known to the State of California to cause cancer and birth defects or other reproductive harm.

- Always start and operate the engine in a well-ventilated area.
- If in an enclosed area, vent the exhaust to the outside.
- Do not modify or tamper with the exhaust system.
- Do not idle the engine except as necessary.

For more information go to www.P65warnings.ca.gov/diesel.

www.genielift.com

Distributed By:

www.Genielift.com to order your parts