



QUICK SPECS

Weight	6,801 lbs
Horsepower	30.3 hp
Bucket Capacity	.52 yd ³

V3-6

Quickly turns tough jobs into finished jobs.



The V3 articulated wheel loader packs power and versatility in a compact, nimble package, so you can get in and out of tight spaces while making even the most demanding jobs seem easy. Powered by a durable, 30.3-hp, fuel-efficient diesel engine, it lifts and moves heavy loads with ease. And no matter how tough the conditions, the comfortable, spacious cab will keep a long day from feeling that way.

POWERFUL, EFFICIENT 30.3-HP WATER-COOLED INTERIM TIER 4 YANMAR DIESEL ENGINE

FULLY AUTOMATIC ACCELERATOR MODE

FIXED TRAVEL SPEED MODE FOR ADDED SAFETY IN RESTRICTED AREAS

STANDARD, STURDY REAR COUNTERWEIGHT MINIMIZES DAMAGE

STANDARD PARKING BRAKE PEDAL WITH RELEASE LEVER

AUXILIARY HYDRAULICS W/ PROPORTIONAL CONTROL STANDARD

STANDARD RECLINING SUSPENSION SEAT WITH SEATBELT

EASY MAJOR COMPONENT ACCESS FOR DAILY MAINTENANCE

OPTIONAL ENCLOSED CAB WITH HEAT & A/C

INNOVATIVE FEATURES



Rear Axle Oscillation

With Rear Axle Oscillation, you can work quickly and more efficiently on uneven ground because the traction force is transmitted securely to the ground. This ensures the bucket or load remains level during operation. And because the effects of slopes and bumps are minimized, operator fatigue is significantly reduced, as well.



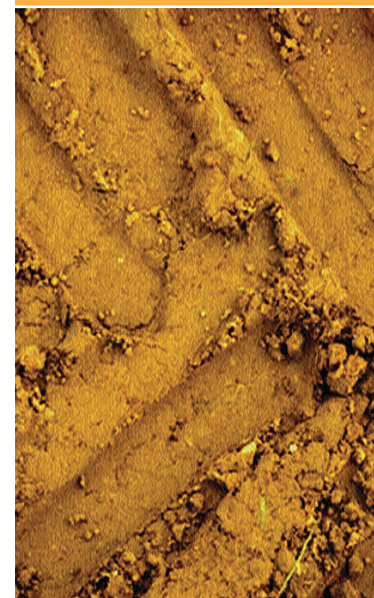
Auto Leveler Makes Anyone A Pro

The less time you have to spend engaging multiple operating controls, the faster you'll be able to run through your list of jobs. The simple, single-lever operation of the Auto Leveler automatically places the bucket level on the ground, so the bucket always moves swiftly back to the scooping position after dumping. You get more done in less time.



As Easy As Driving Your Car

A single lever lets you shift easily from forward to reverse. Then just press the accelerator and the V3 will accelerate and change travel speed automatically. Push down on the inching pedal to disconnect the drive force; then release to reconnect the engine. Push the parking brake pedal and a hydraulic cut-off system prevents the machine from moving while the brake is on.



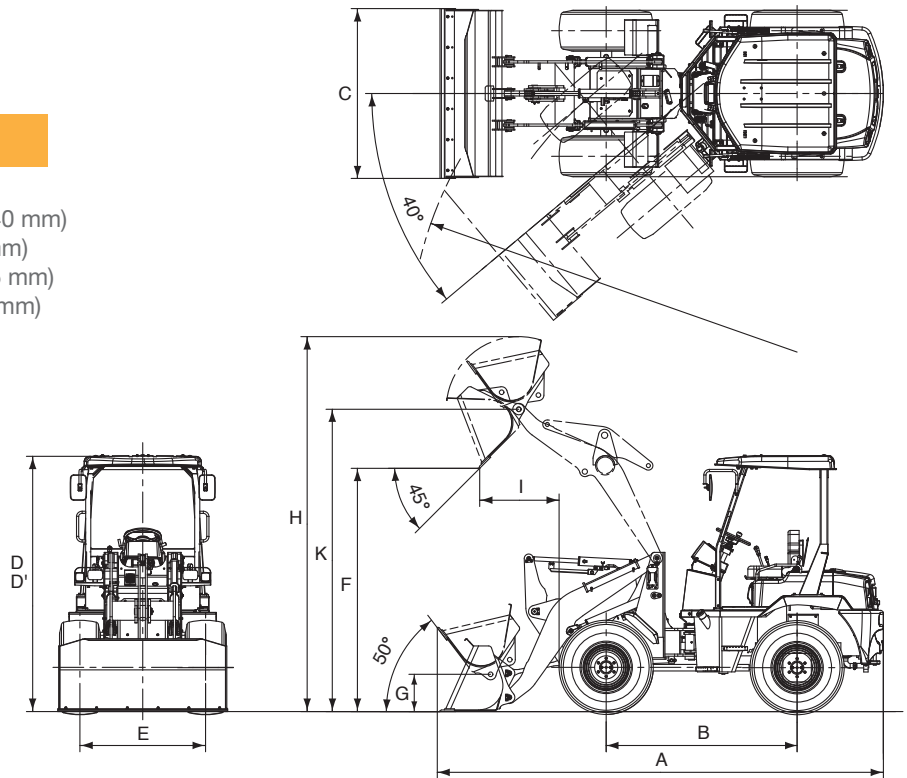
V3-6

Dimensions - V3-6

- A** 13 ft. 2 in. (4015 mm)
- B** 5 ft. 9 in. (1790 mm)
- C** 5 ft. 2 in. (1570 mm)
- D** 8 ft. 1 in. (2475 mm)
- D'** 8 ft. 0 in. (2435 mm)
- E** 3 ft. 11 in. (1180 mm)
- F** 7 ft. (2130 mm)
- G** 10 ft. (260 mm)
- H** 10 ft. 11 in. (3340 mm)
- I** 2 ft. 7 in. (780 mm)
- J** 11 ft. 9 in. (3585 mm)
- K** 8 ft. 9 in. (2670 mm)

D: Canopy Specifications

D': Cabin Specifications



Specifications

Model		V3-6		
Engine	Type	-	Water-cooled 3-cyl. diesel	
	Model	-	YANMAR 3TNV88-BNKAH	
	Output	lbs (kg)	30.3 (22.6) / 2500	
	Displacement	in ³ (cm ³)	100.2 (1.642)	
Performance	Standard Bucket Capacity	yd ³ (m ³)	0.52 (0.4)	
	Operating Load	lbs (kN)	1962 (8.7)	
	Lifting Capacity at Low End	lbs (kN)	5760 (25.6)	
	Tipping Load	Straight	lbs (kN)	4785 (21.3)
		Full Turn	lbs (kN)	3924 (17.4)
	Breakout Force	lbs (kN)	5400 (24.0)	
	Dumping Clearance	ft-in (mm)	7'0" (2130)	
	Traveling Speed	mph (km/h)	11.8 (19.0)	
	Oscillation Angle	degrees	±8	
	Minimum Turning Radius	ft-in (mm)	11'9" (3585)	
	Min. Ground Clearance	ft-in (mm)	10" (260)	
PTO	Front Hyd. PTO	PSI (kPa)	3000 (20590)	
		GPM (L/min)	10.7 (40.5)	
Steering	Type	Center-Pivot Frame Articulation w/Full Hyd. Power		
	Articulate Angle	degrees	40	
Transmission	Type	Automatic Hydrostatic		
Drives	Type	4-Wheel Drive		
Wheels	Type	12.5 / 70 - 16 - 6PR		
Brakes	Type	Fully Enclosed, Mechanical, Wet, Multiple Disc		
Operating Weight	Canopy	lbs (kg)	6801 (3085)	
	Cabin	lbs (kg)	7154 (3245)	
Transport. Dimensions	L x W x H	ft-in (mm)	13'2" x 5'2" 8'1" (4015 x 1570 x 2475)	