



PARTS CATALOG

Published

2012/12 (Dec.)

0CS10-G47002

PREFACE

1. This parts catalog is the 2nd revised edition of Yanmar excavator (rubber crawler carrier) C30R-US (for U.S.A).

2. Parts catalog history

	Parts catalog No.		Date of issue	Remarks
First edition	Vehicle	000Y00S4700	Jul. , 2005	No need
	Engine	000Y00B7360		
1st revised edition	Vehicle	000Y00S4701	Sep. , 2006	No need
	Engine	000Y00B7361		
2nd revised edition	Vehicle	0CS10-G47002	Apr. , 2009	
	Engine	0CB10-G72202		

3. Model name

SECTION	Column	Model name	M / #	Manufactured
I (Vehicle)	A	C30R-US	00501~	2005/ 7~
II (Engine)	A	3TNV88-FFW	15674~	2005/ 6~

4. This parts catalog does not contain the technical data needed for maintenance service.

The illustrations used in this parts catalog have been simplified for clarity. The contents of this parts catalog are subject to change without notice.

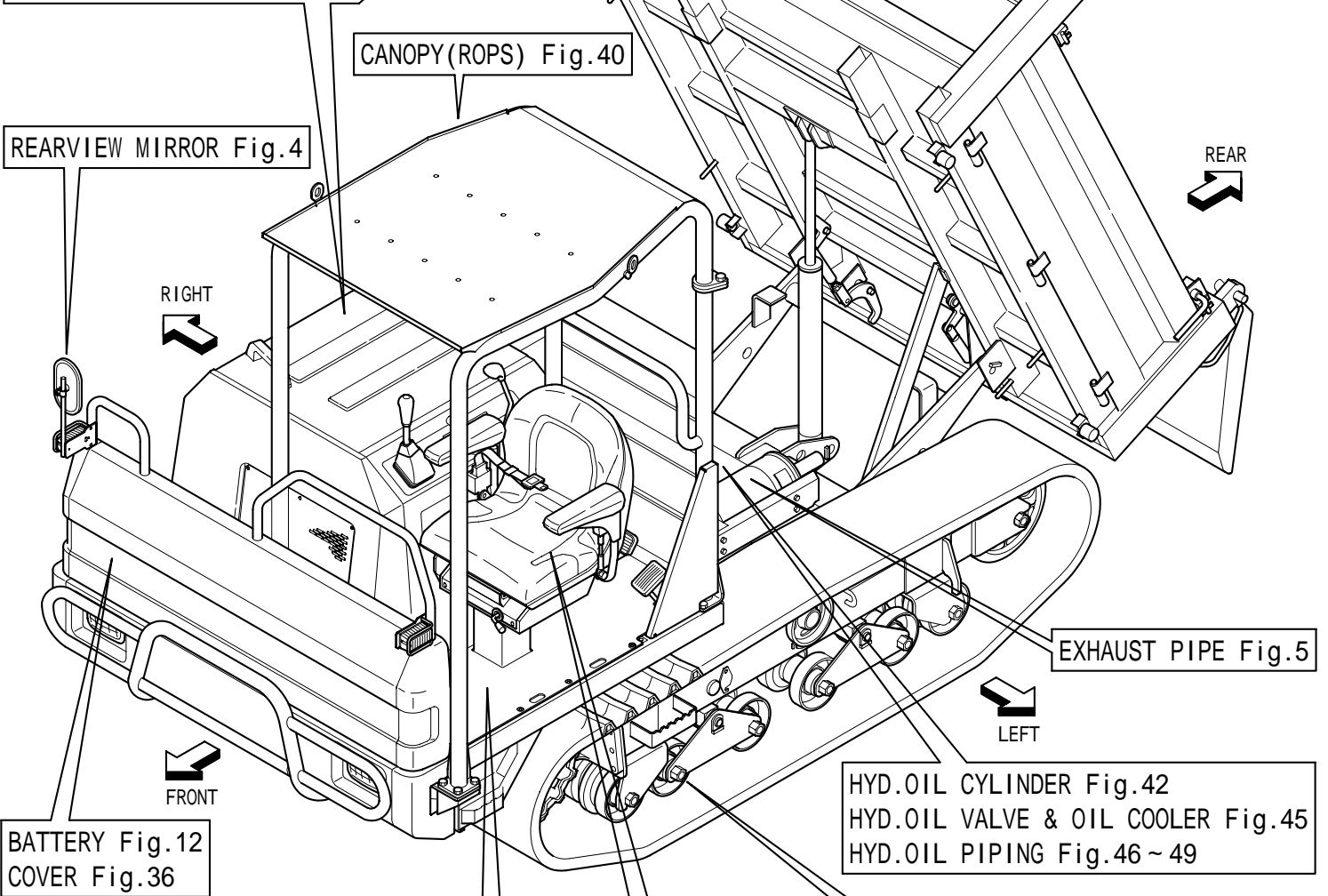
Be sure to use only Yanmar genuine parts for repairs. If imitation parts are used, it may cause engine defects.

PICTURESQUE INDEX(1) . . . MAIN PARTS

SUCTION PIPE Fig.6
 ENGINE MOUNT Fig.8
 RADIATOR & MOUNT Fig.9
 FUEL TANK Fig.10
 FUEL PIPE Fig.11
 TRANSMISSION CASE Fig.15
 RELIEF VALVE Fig.16
 CLUTCH VALVE Fig.17
 SB VALVE Fig.18
 TRANSMISSION GEAR Fig.19
 HYD.OIL CONTROL Fig.20
 CLUTCH & BRAKE Fig.21
 BONNET Fig.39

HYD.OIL PUMP & JOINT Fig.41
 MOTOR Fig.43
 HYD.OIL TANK & FILTER Fig.44

LABEL Fig.1
 SAFETY LABEL Fig.2
 ACCESSORY Fig.3
 LABEL(FRENCH FOR CANADA) Fig.51



REARVIEW MIRROR Fig.4

CANOPY(ROPS) Fig.40

WAGON Fig.50

RIGHT

REAR

EXHAUST PIPE Fig.5

FRONT

LEFT

BATTERY Fig.12
 COVER Fig.36

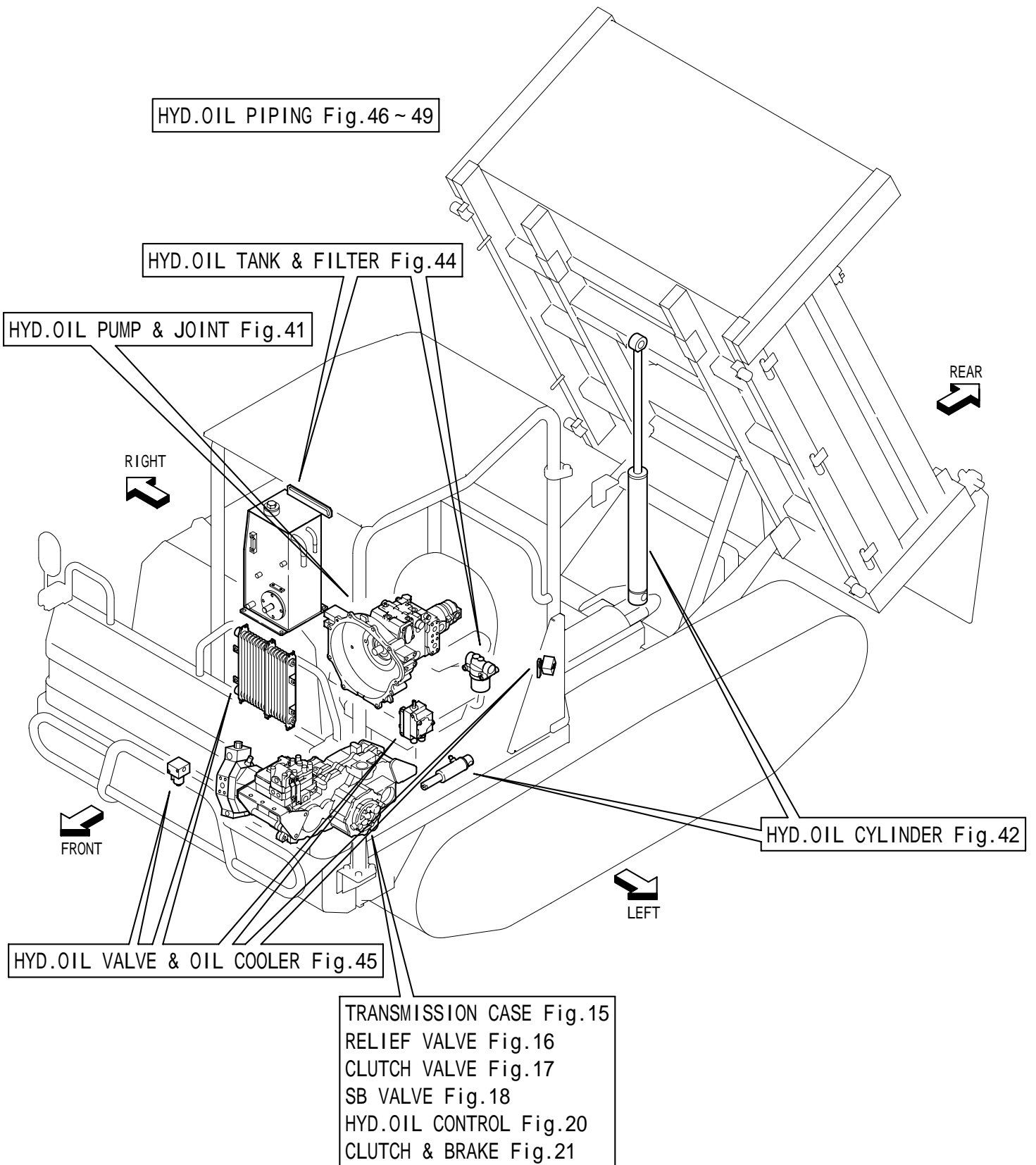
HYD.OIL CYLINDER Fig.42
 HYD.OIL VALVE & OIL COOLER Fig.45
 HYD.OIL PIPING Fig.46 ~ 49

SEAT & MOUNT Fig.38

TRAVELLING WHEEL Fig.22
 IDLER & CRAWLER ADJUST Fig.23
 TRACK ROLLER & CRAWLER Fig.24

FOOT ACCELERATOR Fig.7
 ELECTRIC PART Fig.13,14
 FR LEVER Fig.25
 INCHING LINK Fig.26
 BRAKE Fig.27 ~ 30
 HYD.OIL LEVER Fig.31
 LINK PLATE Fig.32
 STEERING LEVER Fig.33
 STEERING LINK Fig.34
 FRAME & BUMPER Fig.35
 STEP & INSTRUMENT PANEL Fig.37

PICTURESQUE INDEX(2) . . . HYDRAULIC SECTION



CONTENTS

MODEL : C30R-US
PC NO : 0CS10-G47002

Fig.No. GROUP NAME

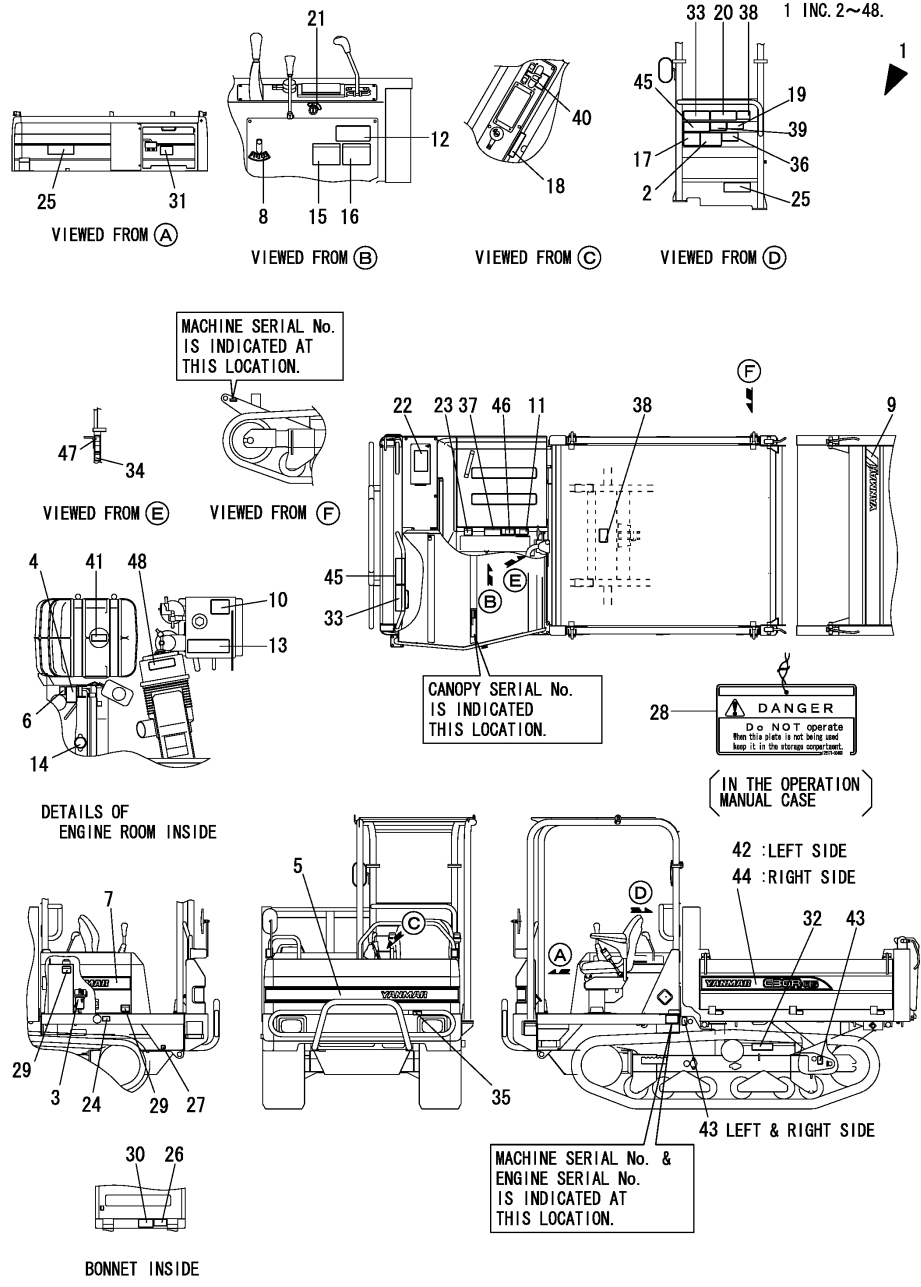
C30R-US

1. LABEL
2. SAFETY LABEL
51. (2A)LABEL(FRANCH FOR CANADA)
3. ACCESSORY
4. REARVIEW MIRROR
5. EXHAUST PIPE
6. SUCTION PIPE
7. FOOT ACCELERATOR
8. ENGINE MOUNT
9. RADIATOR & MOUNT
10. FUEL TANK
11. FUEL LINE
12. BATTERY
13. ELECTRIC PART(WIRING)
14. ELECTRIC PART(EQUIPMENT)
15. TRANSMISSION CASE
16. RELIEF VALVE
17. CLUTCH VALVE
18. SB VALVE
19. TRANSMISSION GEAR
20. HYDRAULIC CONTROL
21. CLUTCH & BRAKE
22. TRAVELLING WHEEL
23. IDLER & CRAWLER ADJUST
24. TRACK ROLLER & CRAWLER
25. FR LEVER
26. INCHING LINK
27. BRAKE(PARKING)
28. BRAKE(PADAL & ROD)(REAR)

Fig.No. GROUP NAME

29. BRAKE(PEDAL & ROD)(FRONT)
30. BRAKE(LINK)
31. LEVER , HYDR.
32. LINK PLATE
33. STEERING LEVER
34. STEERRING LINK
35. FRAME & BUMPER
36. COVER
37. STEP & INSTRUMENT PANEL
38. SEAT & MOUNT
39. BONNET
40. CANOPY(ROPS)
41. HYD.OIL PUMP & JOINT
42. HYD.OIL CYLINDER
43. MOTOR
44. HYD.OIL TANK & FILTER
45. HYD.OIL VALVE & LUB.OIL COOLER
46. HYD.OIL PIPING(TANK - PUMP - MOTOR)
47. HYD.OIL PIPING(PUMP - CONTROL VALVE - CYLINDER)
48. HYD.OIL PIPING(PUMP - TRAVEL MOTOR - NEGATIVE CYLINDER)
49. HYD.OIL PIPING(REDUCTION)
50. WAGON

Fig.1. LABEL



(A)=C30R-US

(B)=

(C)=

(D)=

(E)=

(F)=

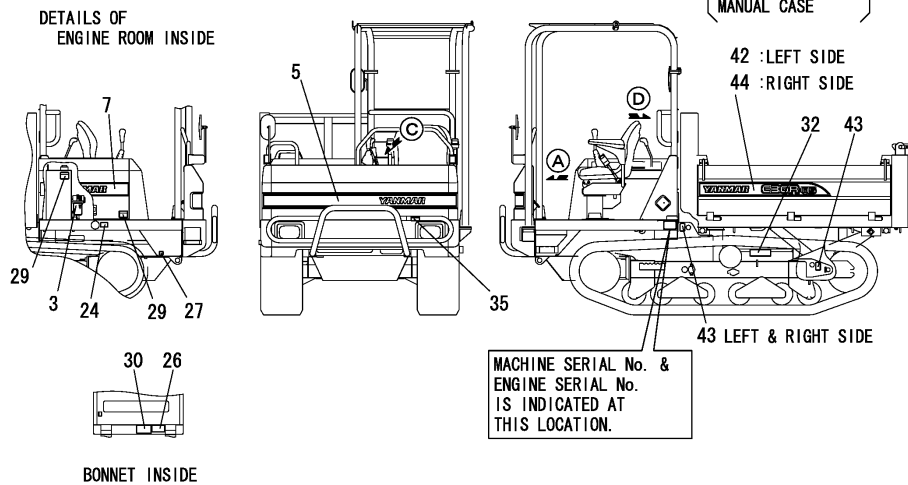
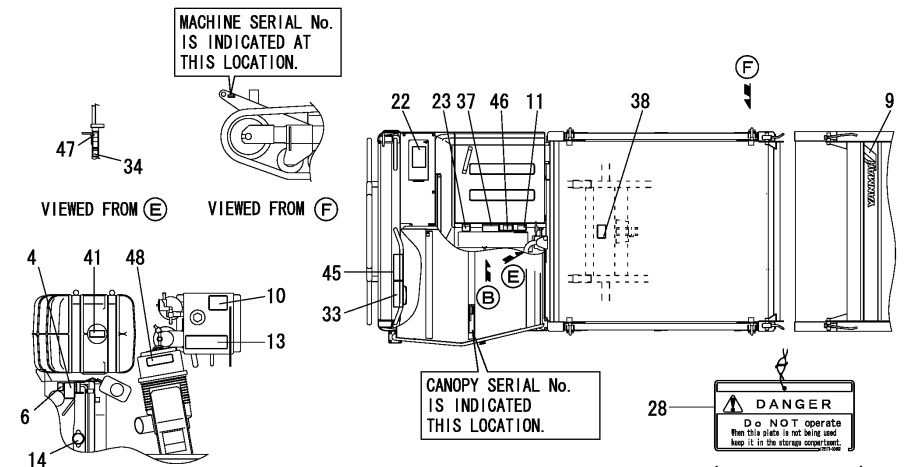
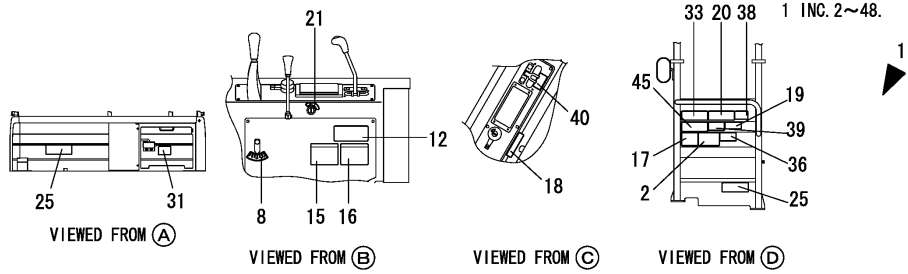
REF.	LEV.	PARTS NO.	DESCRIPTION	Q'TY						I	R
				(A)	(B)	(C)	(D)	(E)	(F)		
1	1	172653-03150	LABEL KIT(C30R-US	1							
2	2	172472-03141	LABEL, SUPPORT US	1							
3	2	172A07-03160	LABEL	1							
4	2	172A38-03200	LABEL, SUB-TANK US	1							
4-1	2	172A38-03201	LABEL, SUB-TANK US	1							N
(A=M/#00501)											
5	2	172653-03200	LABEL,YANMAR	1							
6	2	172A38-03210	LABEL,ANTI-FREEZING	1							
6-1	2	172A38-03211	LABEL,ANTI-FREEZING	1							N
(A=M/#00501)											
7	2	172653-03210	LABEL,YANMAR	1							
8	2	172652-03220	LABEL_ANGEL	1							
9	2	172524-03271	LABEL	1							
9-1	2	172A55-03310	LABEL, BRAND 450	1							N
(A=M/#00514)											
10	2	172463-03290	LABEL,HYD.OIL US	1							
11	2	172437-03301	LABEL, MANUAL US	1							
11-1	2	172437-03302	LABEL, MANUAL US	1							N
(A=M/#00501)											
12	2	172653-03310	LABEL,SPECIFICATION	1							
13	2	172437-03322	LABEL, HYD.OIL TANK	1							
14	2	172462-03320	LABEL	1							
15	2	172653-03320	LABEL,OIL/WATER	1							
16	2	172653-03330	LABEL,GREASING US	1							
17	2	172437-03342	LABEL, TRANSPORT US	1							
17-1	2	172437-03343	LABEL, TRANSPORT US	1							N
(A=M/#00501)											
18	2	172653-03340	LABEL,CHANGE US	1							
19	2	172437-03352	LABEL, GREASE CYL.	1							
20	2	172653-03350	LABEL,LIFT US	1							
21	2	172141-03360	LABEL, START SWITCH	1							
22	2	172437-03361	LABEL, BATTERY US	1							
23	2	172653-03360	LABEL,STEERING US	1							
24	2	172653-03370	LABEL,DRAIN US	1							
25	2	172653-03380	LABEL,OPERATION US	2							
26	2	172437-03391	LABEL, RADIATOR US	1							
27	2	172653-03390	LABEL,DRAIN US	1							
28	2	172171-03400	PLATE	1							
28-1	2	172437-03252	TAG ASSY, CAUTION	1							N
(A=M/#00528)											
29	2	172437-03402	LABEL, ENG,COVER US	2							
30	2	172A36-03411	LABEL, ENG ROOM	1							
31	2	172653-03410	LABEL,FUSE US	1							
32	2	172437-03422	LABEL, MUFFLER US	1							
33	2	172653-03430	LABEL,PK BRAKE US	2							
34	2	172437-03441	LABEL, ROPS US	1							
35	2	172653-03440	LABEL,BUMPER US	1							
36	2	172653-03450	LABEL,PLACES US	1							
37	2	172653-03460	LABEL,NEUTRAL US	1							
38	2	172653-03470	LABEL,WAGON US	2							
39	2	172653-03480	LABEL,SLOPE US	1							

N:Old $\begin{matrix} \text{Yes} \\ \text{No} \end{matrix}$ New, Q:Old $\begin{matrix} \text{No} \\ \text{Yes} \end{matrix}$ New, R:Old $\begin{matrix} \text{Yes} \\ \text{No} \end{matrix}$ New, S:Old $\begin{matrix} \text{No} \\ \text{Yes} \end{matrix}$ New, W:Add, Z:Discontinued, F:Interchangeable by set, K:Q'ty Change

++ CONTINUE ++

(C)Copy Rights YANMAR CO.,LTD.

Fig.1. LABEL



(A)=C30R-US

(B)=

(C)=

(D)=

(E)=

(F)=

REF.	LEV.	PARTS NO.	DESCRIPTION	Q'TY						I	R
				(A)	(B)	(C)	(D)	(E)	(F)		
40	2	172653-03490	LABEL,LEVER US	1							
41	2	172437-03501	LABEL, FUEL US	1							
42	2	172653-03500	LABEL MODEL,L US	1							
43	2	172437-03511	LABEL, HOOK US	3							
44	2	172653-03510	LABEL MODEL,R US	1							
45	2	172653-03520	LABEL,BRAKE US	2							
46	2	172652-03661	LABEL,CAUTION-OPE.US	1							
47	2	172652-03681	LABEL, SEAT BELT US	1							
48	2	172125-03951	LABEL, AIR CLEANER	1							

Fig.2. SAFETY LABEL

(A)=C30R-US

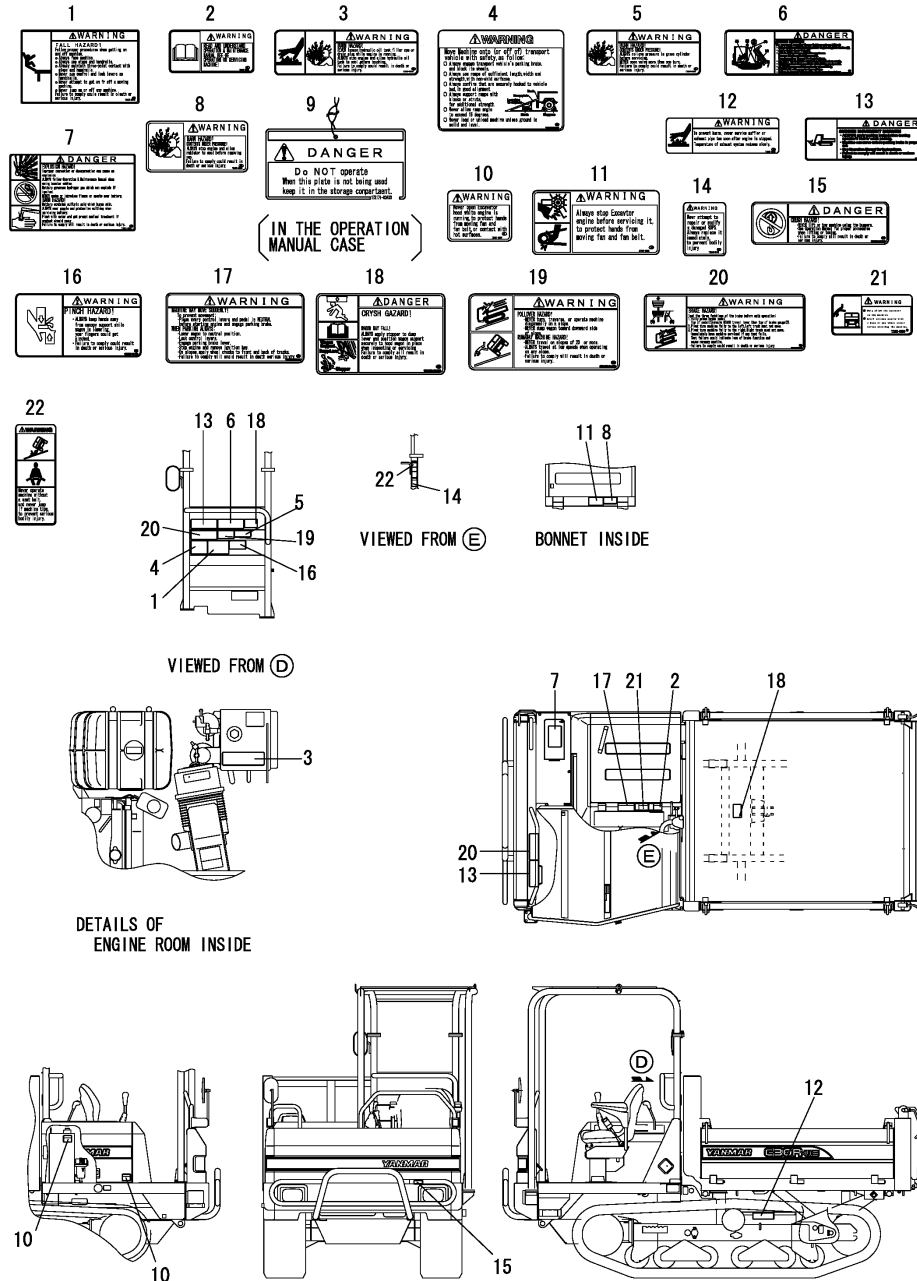
(B)=

(C)=

(D)=

(E)=

(F)=



REF.	LEV.	PARTS NO.	DESCRIPTION	QTY						I	R
				(A)	(B)	(C)	(D)	(E)	(F)		
1	1	172472-03141	LABEL, SUPPORT US	1							
2	1	172437-03301	LABEL, MANUAL US	1							
2-1	1	172437-03302	LABEL, MANUAL US	1							N
(A=M/#00501)											
3	1	172437-03322	LABEL, HYD.OIL TANK	1							
4	1	172437-03342	LABEL, TRANSPORT US	1							
4-1	1	172437-03343	LABEL, TRANSPORT US	1							N
(A=M/#00501)											
5	1	172437-03352	LABEL, GREASE CYL.	1							
6	1	172653-03350	LABEL,LIFT US	1							
7	1	172437-03361	LABEL, BATTERY US	1							
8	1	172437-03391	LABEL, RADIATOR US	1							
9	1	172171-03400	PLATE	1							
9-1	1	172437-03252	TAG ASSY, CAUTION	1							N
(A=M/#00528)											
10	1	172437-03402	LABEL, ENG.COVER US	2							
11	1	172A36-03411	LABEL, ENG ROOM	1							
12	1	172437-03422	LABEL, MUFFLER US	1							
13	1	172653-03430	LABEL,PK BRAKE US	2							
14	1	172437-03441	LABEL, ROPS US	1							
15	1	172653-03440	LABEL,BUMPER US	1							
16	1	172653-03450	LABEL,PLACES US	1							
17	1	172653-03460	LABEL,NEUTRAL US	1							
18	1	172653-03470	LABEL,WAGON US	2							
19	1	172653-03480	LABEL,SLOPE US	1							
20	1	172653-03520	LABEL,BRAKE US	2							
21	1	172652-03661	LABEL,CAUTION-OPE.US	1							
22	1	172652-03681	LABEL, SEAT BELT US	1							

Fig.51. (2A)LABEL(FRANCH FOR CANADA)

(A)=C30R-US

(B)=

(C)=

(D)=

(E)=

(F)=

REF.	LEV.	PARTS NO.	DESCRIPTION	QTY						I	R
				(A)	(B)	(C)	(D)	(E)	(F)		
1	1	172653-03010	CA LABEL KIT,C30R-US	1							
2	2	172A37-03150	LABEL,SUB-TANK CA	1							
3	2	172A37-03160	LABEL,ANTI-FREEZE CA	1							
4	2	172A37-03180	LABEL J, AIR CLEANER	1							
5	2	172A37-03231	LABEL,MANUAL CA.	1							
6	2	172A37-03250	LABEL,RESERVOIR CA	1							
7	2	172469-03261	TAG,SERVICING ASSY	1							
10	2	172A37-03271	LABEL,TRANSPORT CA.	1							
11	2	172A37-03280	LABEL,GREASE CYL CA	1							
12	2	172A37-03290	LABEL,BATTERY CA	1							
13	2	172469-03320	LABEL,RADIATOR CAP	1							
14	2	172A37-03330	LABEL,ENGINE COVER	2							
15	2	172A37-03350	LABEL,SILENCER CA	1							
16	2	172469-03360	LABEL,OIL	1							
17	2	172A37-03370	LABEL,ROPS CA	1							
18	2	172A07-03410	LABEL,WATER DRAIN	1							
19	2	172A37-03410	LABEL,RADIATOR CA	1							
20	2	172A37-03500	LABEL,SUPPORT CA	1							
22	2	172653-03710	LABEL,OIL/WATER	1							
23	2	172A37-03710	LABEL,ENGROOM CA	1							
24	2	172653-03720	LABEL,GREASING CA	1							
25	2	172653-03730	LABEL,CHANGE CA	1							
26	2	172653-03740	LABEL,LIFT CA	1							
27	2	172653-03750	LABEL,STEERING CA	1							
28	2	172653-03760	LABEL,DRAIN CA	1							
29	2	172653-03770	LAVEL,OPERATION CA	2							
30	2	172653-03780	LABEL,DRAIN CA	1							
31	2	172653-03790	LABEL,FUSE CA	1							
32	2	172653-03800	LABEL,PK BRAKE CA	2							
33	2	172653-03810	LABEL,BUMPER CA	1							
34	2	172653-03820	LABEL,PLACES CA	1							
35	2	172653-03830	LABEL,NEUTRAL CA	1							
36	2	172653-03840	LABEL,WAGON CA	2							
37	2	172653-03850	LABEL,SLOPE CA	1							
38	2	172653-03860	LABEL,LEVER CA	1							
39	2	172652-03871	LABEL,OPERATION CA	1							
40	2	172653-03870	LABEL,BRAKE CA	2							
41	2	172652-03891	LABEL,SEAT BELT CA	1							

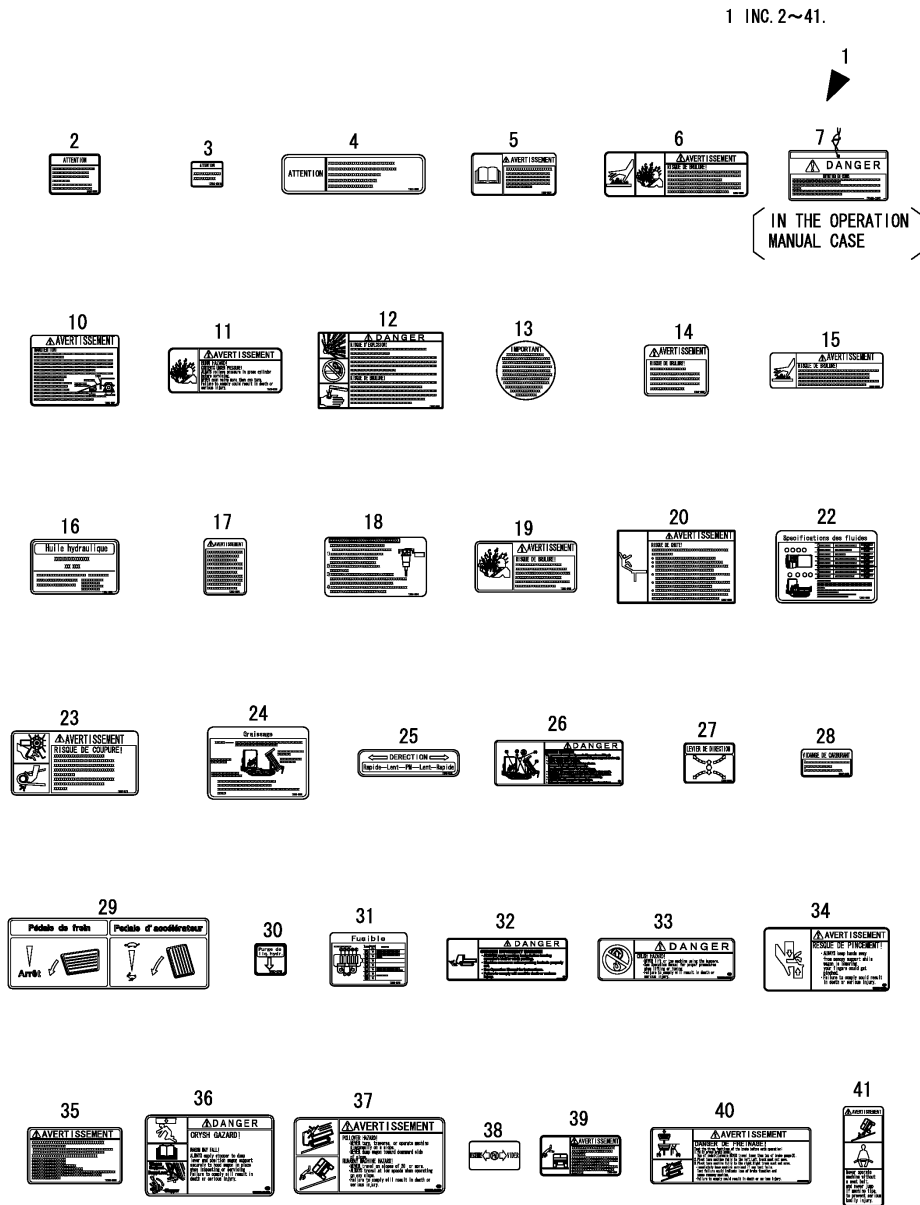


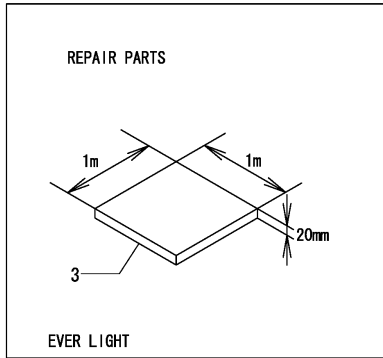
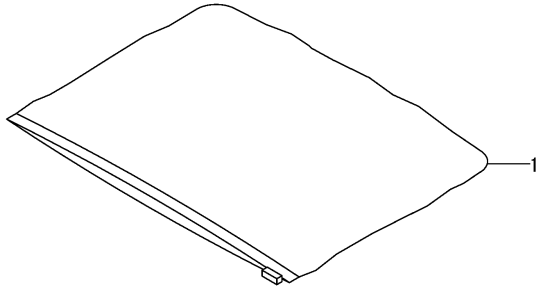
Fig.3. ACCESSORY

OCS10-G47002 3. ACCESSORY

(A)=C30R-US
(B)=
(C)=

(D)=
(E)=
(F)=

REF.	LEV.	PARTS NO.	DESCRIPTION	Q'TY						I	R
				(A)	(B)	(C)	(D)	(E)	(F)		
1	1	172176-07330	BAG, MANUAL	1							
1-1	1	172469-07330	CASE, OPERATOR MANUAL	1							N
(A=MXXX)											
3	1	172478-65750	EV 1000X1000X20	1							1



Remarks
(1)REPAIR PARTS

Fig.5. EXHAUST PIPE

(A)=C30R-US

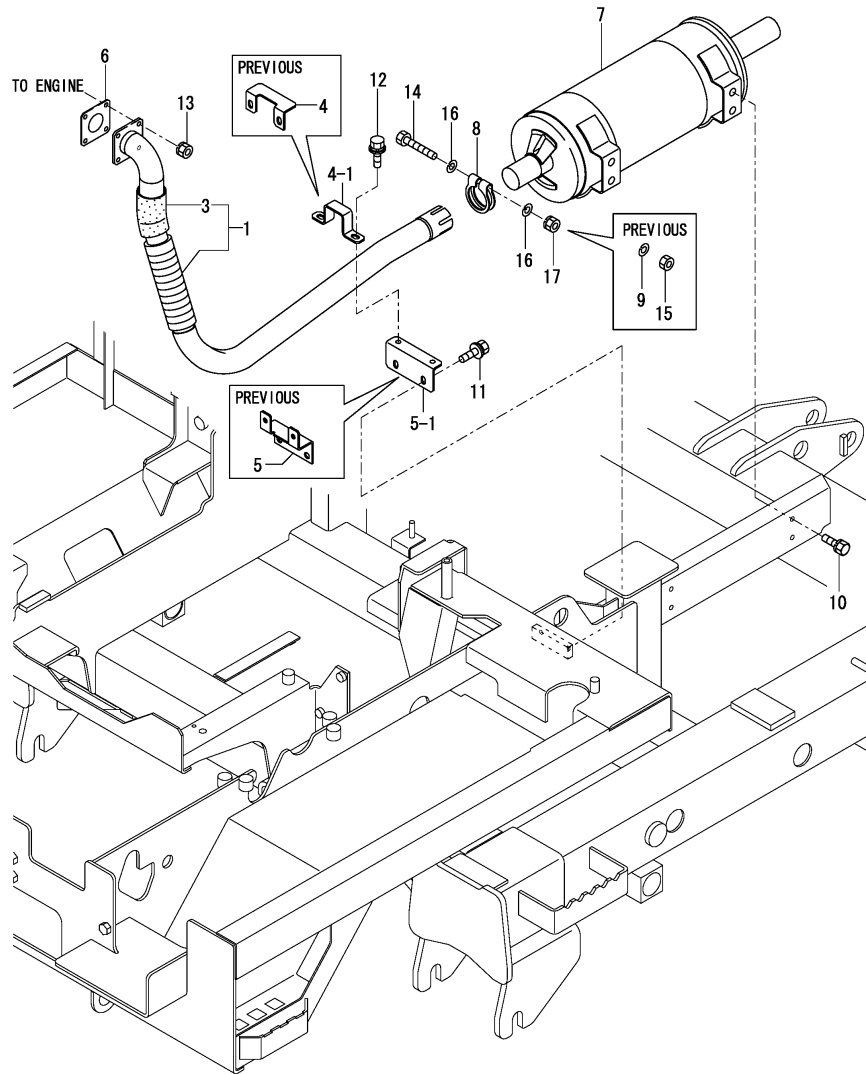
(B)=

(C)=

(D)=

(E)=

(F)=



REF.	LEV.	PARTS NO.	DESCRIPTION	QTY						I	R
				(A)	(B)	(C)	(D)	(E)	(F)		
1	1	172649-11300	TUBE	1							
3	2	172649-11360	MAT	1							
4	1	172653-11360	BAND	1							
4-1	1	172653-11361 (A=M/#00514)	BAND	1						F	1
5	1	172653-11370	PLATE ASSY	1							
5-1	1	172653-11371 (A=M/#00514)	PLATE ASSY	1							N
6	1	124701-11911	GASKET, (NON-ASB.)	1							
7	1	129030-13550	SILENCER	1							
8	1	121120-13580	CLAMP	1							
9	1	22217-100000	SPRING WASHER 10	2							Z
		(A=MXXX)									
10	1	26013-080202	BOLT W/WASHER M8X20	4							
11	1	26014-080162	BOLT M 8X 16	2							
12	1	26014-080162	BOLT M 8X 16	2							
13	1	26051-080002	NUT M 8	4							
14	1	26116-100602	BOLT M10X 60 PLATED	1							
14-1	1	26116-100652 (A=MXXX)	BOLT, 10 X 65	1							N
15	1	26716-100002 (A=MXXX)	NUT 10	1							Z
		(A=MXXX)									
16	1	22137-100000 (A=MXXX)	WASHER, 10	2							W
		(A=MXXX)									
17	1	26051-100002 (A=MXXX)	NUT, 10	1							W

Remarks
 (1)INTERCHANGEABLE BY SIMULTANEOUS
 REPLACEMENT WITH REF.NO.5-1.

Fig.7. FOOT ACCELERATOR

(A)=C30R-US

(B)=

(C)=

(D)=

(E)=

(F)=

REF.	LEV.	PARTS NO.	DESCRIPTION	QTY						I	R
				(A)	(B)	(C)	(D)	(E)	(F)		
1	1	172649-12300	CABLE,ACCELERATOR	1							
2	1	172653-12310	PEDAL F ASSY, ACCEL.	1							
4	2	24550-014150	BUSH 14X15	2							
5	1	172649-12390	PEDAL PAD	2							
6	1	172649-12400	LINK ACCELERATOR	1							
6-1	1	172649-12401	LINK ACCELERATOR	1							N
(A=M/#00514)											
8	2	24550-014150	BUSH 14X15	2							
9	1	172649-12480	ROLLER	1							
11	2	24550-010200	BUSH 10X20	1							
12	1	172649-12510	ROD ACCELERATOR	1							
13	1	172113-12522	PIN	1							
14	1	172649-12530	ROD 125	1							
15	1	172649-12551	BRACKET	1							
16	1	172653-12600	PEDAL R ASSY,ACCELE	1							
18	2	24550-014150	BUSH 14X15	2							
19	1	194990-20170	NUT W/WASHER 8	1							
20	1	195412-33280	TURNBUCKLE	1							
21	1	1E6460-42771	SPRING, SWING FIN	2							
22	1	1C6281-52310	PIN 6,COME-OFF SNAP	2							
23	1	1E8100-63750	SPRING 1.6X16X55	1							
24	1	22137-060000	WASHER 6, POLISHED	2							
25	1	22137-080000	WASHER 8, POLISHED	1							
26	1	22137-100000	WASHER 10,POLISHED	2							
27	1	22137-140000	WASHER 14,POLISHED	2							
28	1	22137-140000	WASHER 14,POLISHED	1							
29	1	22217-100000	SPRING WASHER 10	1							
30	1	22242-000140	CIRCLIP 14	4							
31	1	22242-000140	CIRCLIP 14	1							
32	1	22417-200200	COTTER PIN 2.0X20	2							
33	1	22417-200200	COTTER PIN 2.0X20	2							
34	1	26013-100202	BOLT W/WASHER M10X20	1							
35	1	26116-080452	BOLT M 8X 45 PLATED	1							
36	1	26116-080554	BOLT 8*55	2							
36-1	1	26116-080604	BOLT M8X 60	2							N
(A=M/#00514)											
36-2	1	26116-080654	BOLT, 8 X 65	2							N
(A=MXXX)											
37	1	26116-100354	BOLT M10X 35 PLATED	1							
38	1	26716-080002	NUT M 8	1							
39	1	26716-080002	NUT M 8	2							
40	1	26716-080002	NUT M 8	1							
41	1	26716-100002	NUT 10	1							
42	1	933171-21700	PIN (B), SPOOL LINK	2							

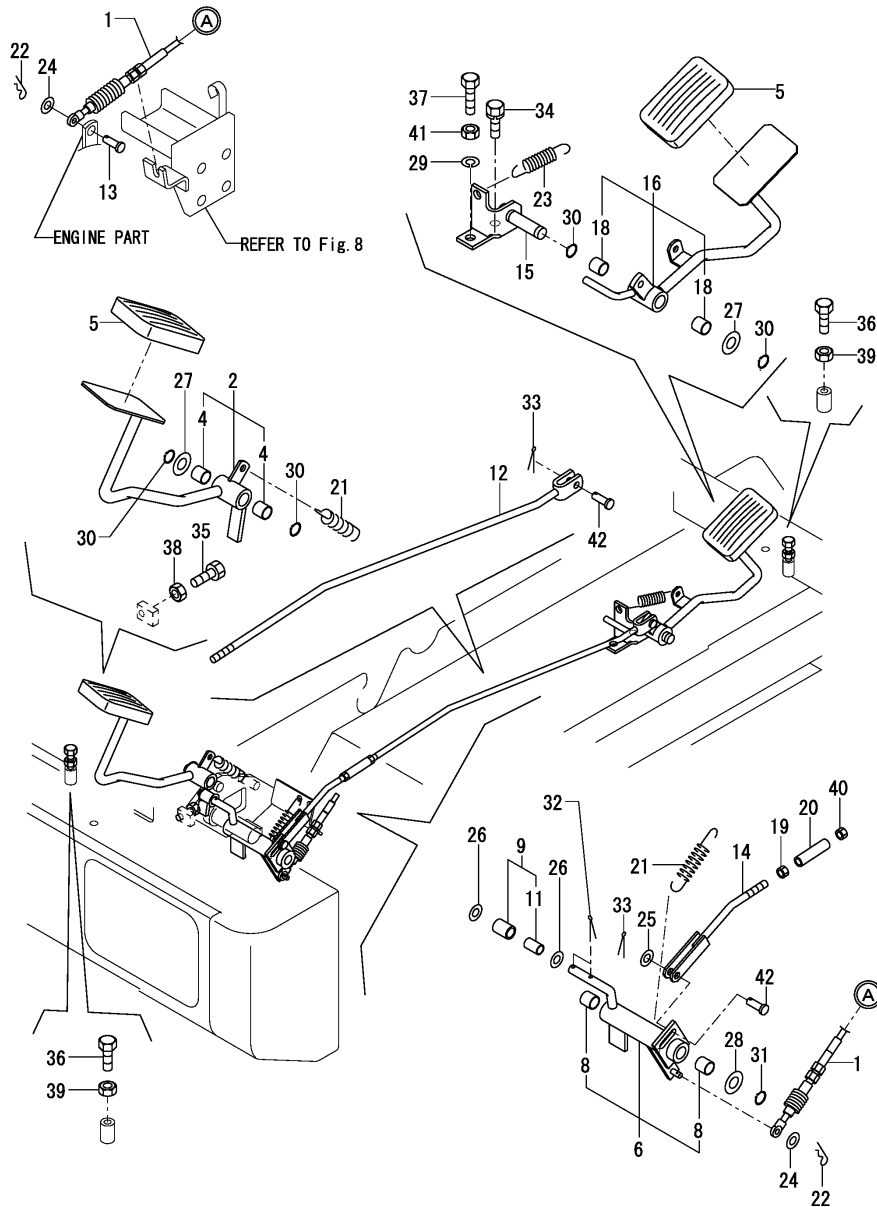
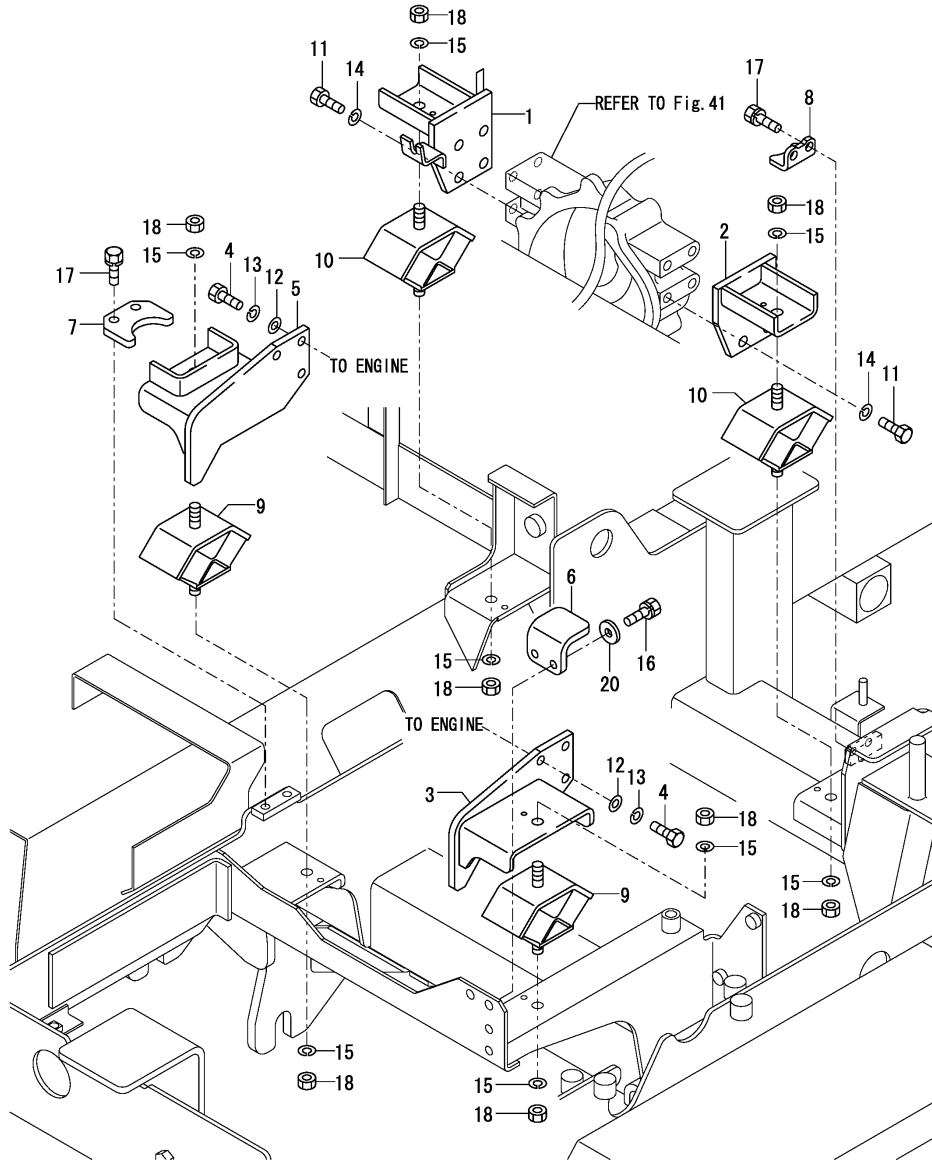


Fig.8. ENGINE MOUNT



OCS10-G47002 8. ENGINE MOUNT

(A)=C30R-US

(B)=

(C)=

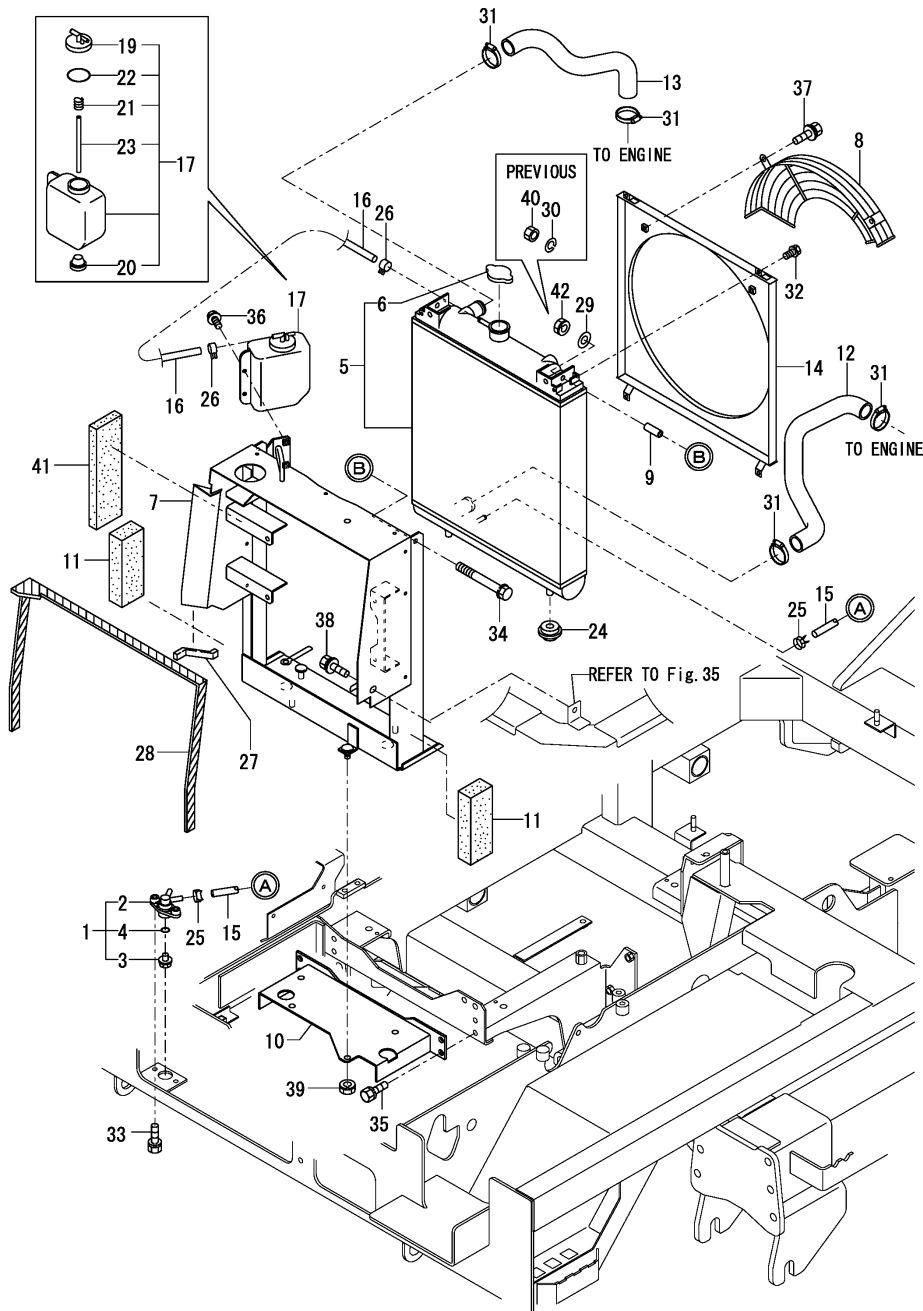
(D)=

(E)=

(F)=

REF.	LEV.	PARTS NO.	DESCRIPTION	QTY						I	R
				(A)	(B)	(C)	(D)	(E)	(F)		
1	1	172653-13100-2	MOUNT A(R) (72)	1							
1-1	1	172653-13100-1	MOUNT A(R) (49)	1							S
(A=M/#00514)											
2	1	172649-13150	MOUNT A(L)	1							
2-1	1	172649-13150-1	MOUNT A(L) (49)	1							S
(A=M/#00514)											
3	1	172649-13171	MOUNT B(L ASSY) (72)	1							
3-1	1	172649-13171-1	MOUNT B(L ASSY) (49)	1							S
(A=M/#00514)											
4	1	172162-13200	BOLT M10X30	6							
5	1	172649-13201	MOUNT B(R ASSY) (72)	1							
5-1	1	172649-13201-1	MOUNT B(R ASSY) (49)	1							S
(A=M/#00514)											
6	1	172649-13220	STOPPER B(L)	1							
6-1	1	172649-13220-1	STOPPER B(L) (49)	1							S
(A=M/#00514)											
7	1	172649-13230	STOPPER B(R)	1							
7-1	1	172649-13230-1	STOPPER B(R) (49)	1							S
(A=M/#00514)											
8	1	172653-13240	STOPPER A,L	1							
9	1	172649-13260	ABSORBER 180	2							
10	1	172649-13270	ABSORBER 230	2							
11	1	172131-37170	BOLT M12X 30	8							
12	1	172137-46040	SEAT, SPRING	6							
12-1	1	172137-46041	SEAT, SPRING	6							N
(A=MXXX)											
12-2	1	172137-46042	SEAT, SPRING 10.5	6							N
(A=MXXX)											
13	1	22217-100000	SPRING WASHER 10	6							
14	1	22217-120000	SPRING WASHER 12	8							
15	1	22217-120000	SPRING WASHER 12	8							
16	1	26013-100162	BOLT M10X 16	2							
16-1	1	26013-100202	BOLT, 10 X 20	2							N
(A=MXXX)											
17	1	26013-100252	BOLT W/WASHER M10X25	4							
18	1	26716-120002	NUT 12	8							
20	1	1E6102-63110	COLLAR 10.5X28X4.5	2							W
(A=MXXX)											

Fig.9. RADIATOR & MOUNT



(A)=C30R-US

(B)=

(C)=

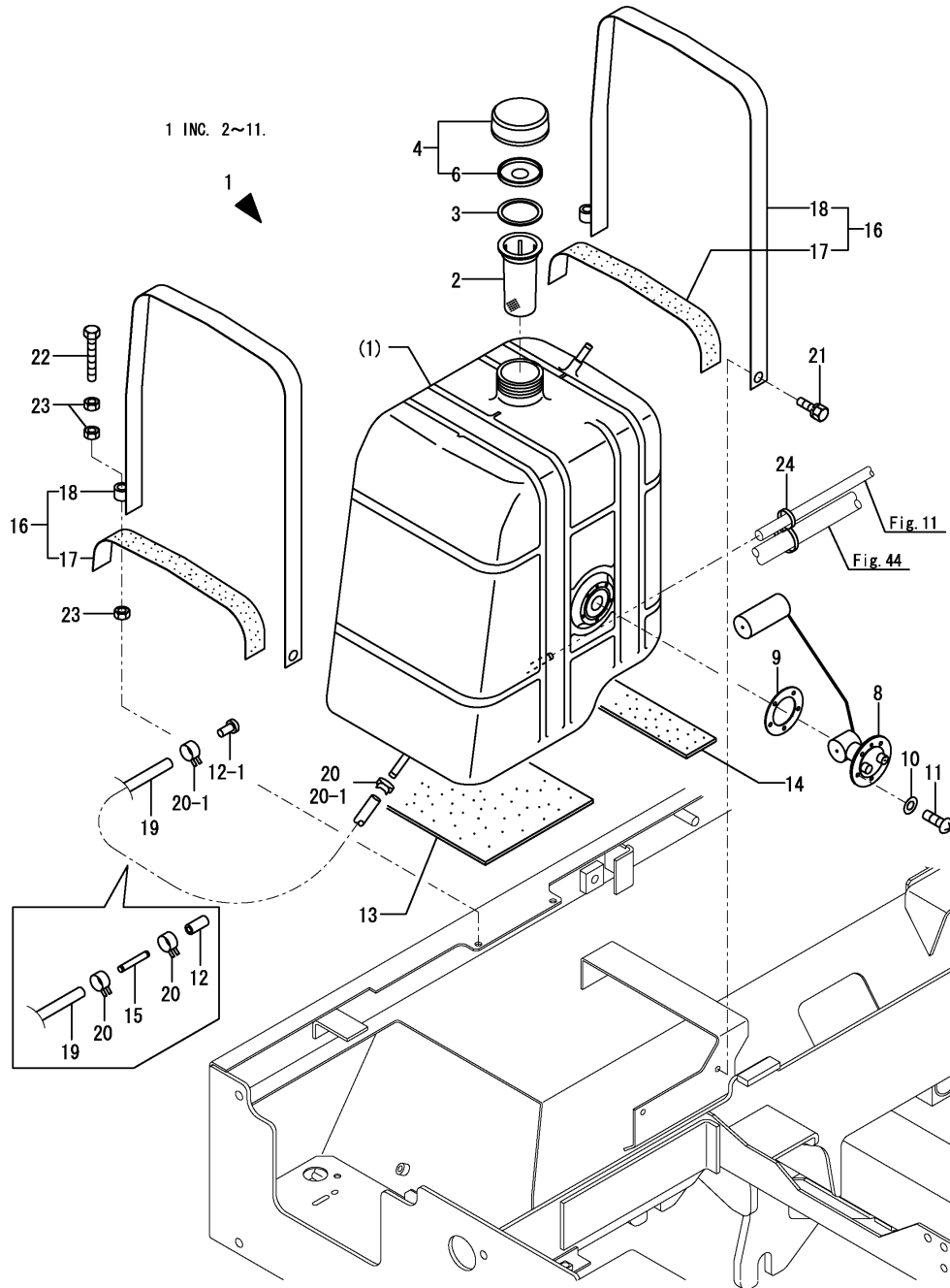
(D)=

(E)=

(F)=

REF.	LEV.	PARTS NO.	DESCRIPTION	Q'TY						I	R
				(A)	(B)	(C)	(D)	(E)	(F)		
1	1	172444-13210	COCK ASSY,2-WAY	1							
2	2	172444-13220	BODY	1							
3	2	121250-49121	PLUG	1							
4	2	24311-000160	O-RING 1A P-16.0	1							
5	1	172653-13300	RADIATOR ASSY	1							
6	2	129107-44590	CAP, RADIATOR	1							
7	1	172653-13350	MOUNT,RADIATOR	1							
8	1	172527-13370	FAN-GUARD (GRAY:49)	1							
9	1	172653-13470	COLLAR	2							
10	1	172653-13480	BRACKET ASSY	1							
11	1	172649-13510	EV, RADIATOR	2							
12	1	172653-13540	HOSE A, RADIATOR	1							
13	1	172653-13550	HOSE B, RADIATOR	1							
14	1	172653-13570	SHROUD ASSY	1							
15	1	172141-14610	HOSE, FUEL	1							
16	1	172171-14610	HOSE 260,FUEL	1							
17	1	121468-44510	SUB-TANK ASSY	1							
19	2	121450-44531	CAP	1							
20	2	121468-44540	PLUG, SUB-TANK	1							
21	2	124450-44560	CLAMP	1							
22	2	121470-44581	GASKET	1							
23	2	23065-070130	PIPE 7X 130	1							
24	1	184015-44680	RUBBER, RADIATOR	2							
25	1	124766-59050	CLAMP 12	2							
26	1	124766-59050	CLAMP 12	2							
27	1	172165-62630	RUBBER 90,EDGE	1							
28	1	172164-65720	RUBBER, SEAL C	1							
29	1	22137-080000	WASHER 8, POLISHED	2							
30	1	22217-080000	SPRING WASHER 8	2							Z
(A=MXXX)											
31	1	23001-041000	CLIP 41,HOSE	4							
32	1	26013-060162	BOLT M 6X 16	4							
33	1	26013-080202	BOLT W/WASHER M8X20	2							
34	1	26013-080602	BOLT M8X60	2							
35	1	26013-100202	BOLT W/WASHER M10X20	4							
35-1	1	26013-100252	BOLT, 10 X 25	4							R
(A=MXXX)											
36	1	26014-060202	BOLT M 6X 20	2							
37	1	26014-080162	BOLT M 8X 16	2							
38	1	26014-100202	BOLT M10X 20	1							
39	1	26051-100002	NUT M10	4							
40	1	26716-080002	NUT M 8	2							Z
(A=MXXX)											
41	1	172653-13520	EV,SHROUD	1							W
(A=M/#00514)											
42	1	26051-080002	NUT, 8	2							W
(A=MXXX)											

Fig.10. FUEL TANK



(A)=C30R-US

(B)=

(C)=

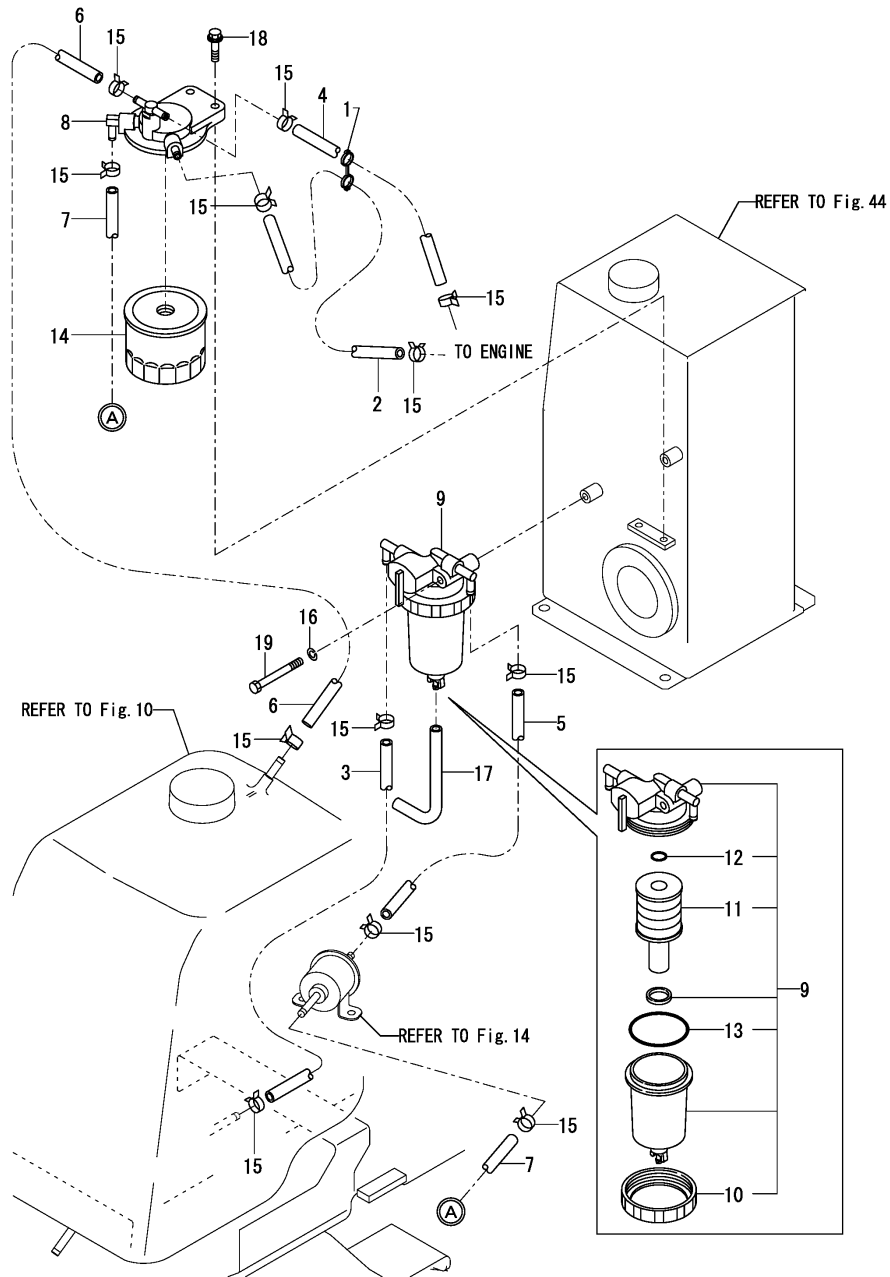
(D)=

(E)=

(F)=

REF.	LEV.	PARTS NO.	DESCRIPTION	QTY						I	R
				(A)	(B)	(C)	(D)	(E)	(F)		
1	1	772649-14100	TANK ASSY,FUEL OIL	1							
2	2	194151-04141	STRAINER, FUEL	1							
3	2	194151-04150	GASKET	1							
4	2	194250-04301	CAP, TANK	1							
6	3	194250-04321	VALVE, VENT	1							
8	2	172162-14180	GAUGE UNIT,FUEL	1							
8-1	2	172162-14181	UNIT, FUEL GAUGE	1							R
		(A=M/#01014)									
9	2	172162-14200	GASKET	1							
10	2	22190-050001	SEAL WASHER 5(NUT)	5							
11	2	26557-050122	SCREW M 5X 12	5							
12	1	172498-14120	CAP,DRAIN	1							Z
		(A=M/#00510)									
12-1	1	22487-080160	PIN 8X 16	1							W
		(A=M/#00510)									
13	1	172649-14190	PLATE	1							
14	1	172649-14200	PLATE	1							
15	1	172653-14200	PIPE	1							Z
		(A=M/#00510)									
16	1	172649-14402	BAND ASSY,FUEL TANK	2							
17	2	172649-14410	PLATE	2							
18	2	172649-14422	BAND, FUEL TANK	2							
19	1	172142-14620	HOSE L750, FUEL	1							
20	1	124766-59050	CLAMP 12	3							
20-1	1	124766-59050	CLAMP 12	2							K
		(A=M/#00510)									
21	1	26013-080162	BOLT W/WASHER M8X16	2							
22	1	26116-080804	BOLT M 8X 80 PLATED	2							
22-1	1	172653-14450	SCREW,8X80	2							N
		(A=M/#00514)									
23	1	26716-080002	NUT M 8	6							
24	1	172137-16560	BAND	1							W
		(A=MXXXXX)									

Fig.11. FUEL LINE



(A)=C30R-US

(B)=

(C)=

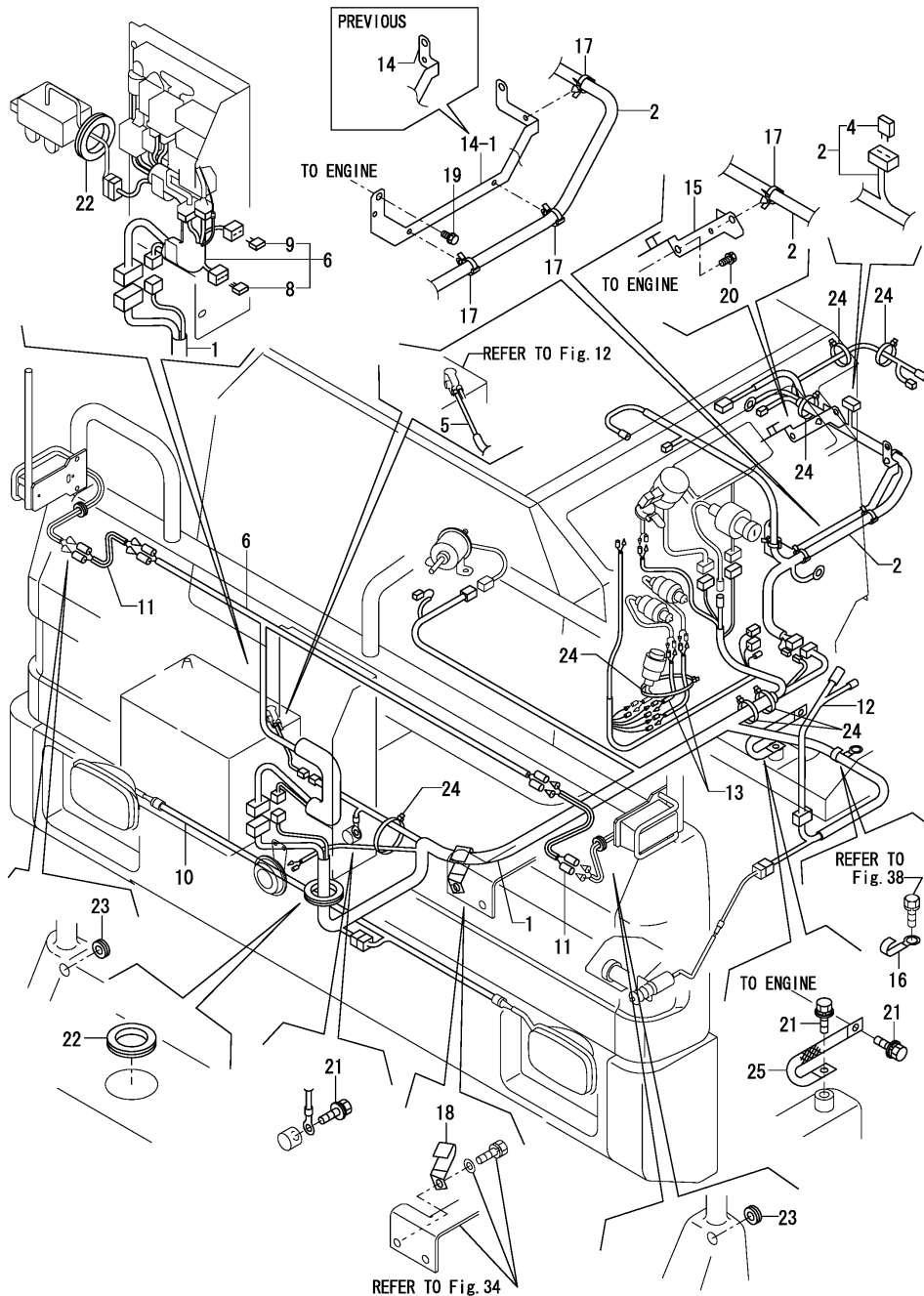
(D)=

(E)=

(F)=

REF.	LEV.	PARTS NO.	DESCRIPTION	QTY						I	R
				(A)	(B)	(C)	(D)	(E)	(F)		
1	1	172171-14300	W-CLAMP	1							
2	1	172171-14610	HOSE 260,FUEL	1							
3	1	172116-14620	PIPE,FUEL	1							
4	1	172734-14620	PIPE L=300, FUEL	1							
5	1	172734-14620	PIPE L=300, FUEL	1							
6	1	172164-14630	HOSE 400	1							
7	1	172120-14680	HOSE 7.5 X 13.0 X450	1							
8	1	129004-55611	BRACKET, FILTER	1							
8-1	1	129004-55612	BRACKET,FUEL FILTER	1							N
(A=M/#00518)											
9	1	184016-55700	SEPARATOR ASSY,WATER	1							
9-1	1	184016-55701	SEPARATOR ASSY,WATER	1							N
(A=MXXXXX)											
10	2	129100-55690	RING, RETAINING	1							
11	2	119802-55710	ELEMENT	1							
12	2	24311-000160	O-RING 1A P-16.0	1							
13	2	24321-000650	O-RING 1A G-65.0	1							
14	1	119802-55800	FILTER, FUEL	1							
14-1	1	119802-55801	FILTER, FUEL	1							N
(A=M/#00528)											
15	1	124766-59050	CLAMP 12	12							
16	1	22217-080000	SPRING WASHER 8	1							
17	1	23061-050300	PIPE,VINYL 5	1							
18	1	26014-080302	BOLT M 8X 30	2							
19	1	26116-080702	BOLT M 8X 70 PLATED	1							

Fig.13. ELECTRIC PART(WIRING)



(A)=C30R-US

(B)=

(C)=

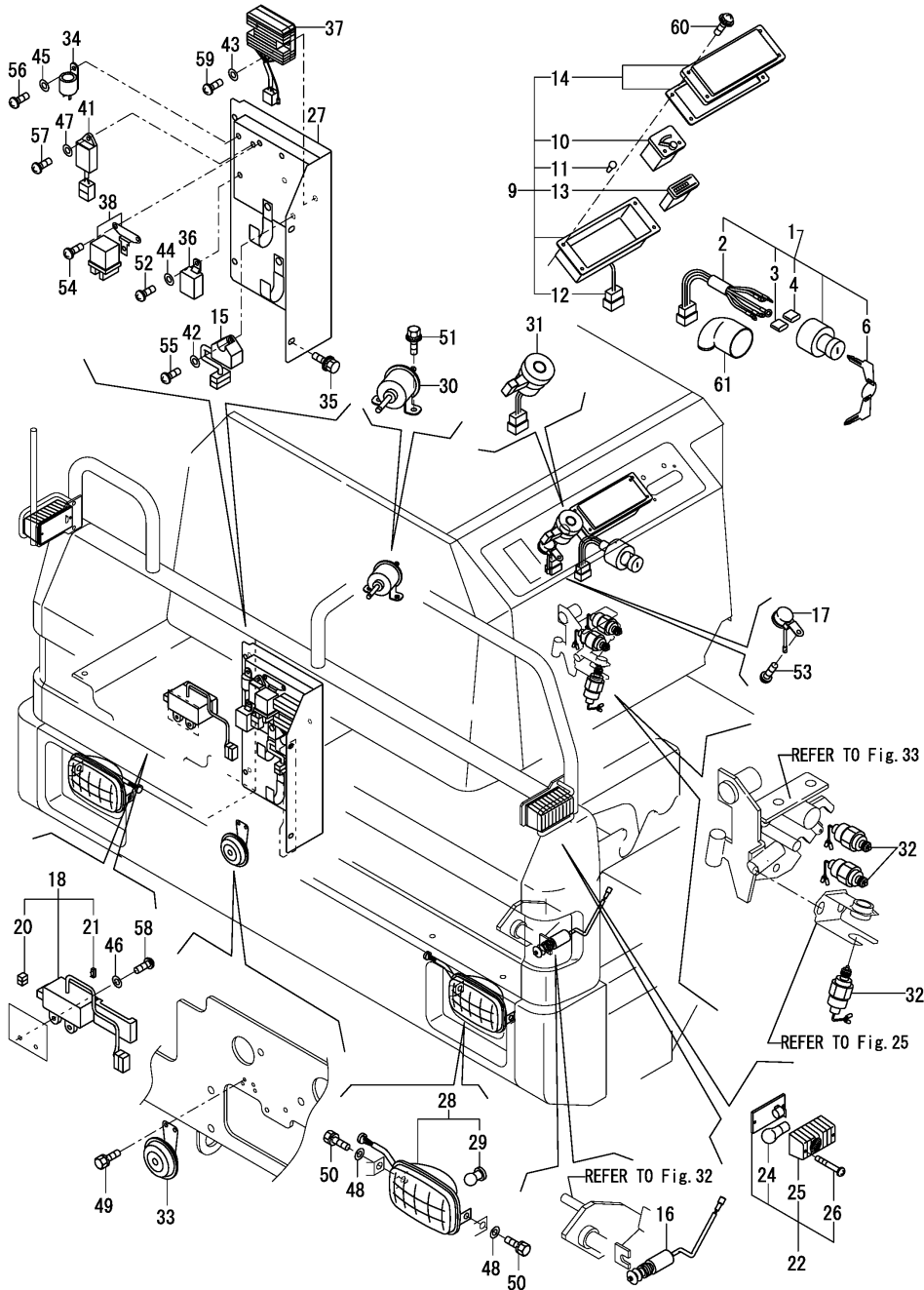
(D)=

(E)=

(F)=

REF.	LEV.	PARTS NO.	DESCRIPTION	QTY						I	R
				(A)	(B)	(C)	(D)	(E)	(F)		
1	1	172653-16500	WIRING A	1							
2	1	172653-16510	HARNESS B ASSY	1							
4	2	172648-16600	DIODE	1							
5	1	172183-16540	LINK,FUSIBLE	1							
6	1	172649-16540	HARNESS(C) ASSY	1							
8	2	172649-16560	DIODE	1							
9	2	172648-16600	DIODE	1							
10	1	172649-16580	HARNESS(D), WIRE	1							
11	1	172649-16590	HARNESS(E), WIRE	2							
12	1	172649-16600	HARNESS(F), WIRE	1							
13	1	172649-16610	HARNESS(G), WIRE	2							
14	1	172653-16700	SUPPORT A,HURNESS	1							
14-1	1	172653-16701	SUPPORT A,HURNESS	1							S
		(A=M/#00514)									
15	1	172653-16710	SUPPORT B ASSY	1							
16	1	194440-51620	CLAMP, WIRE HARNESS	1							Z
		(A=MXXX)									
17	1	194680-51670	BAND	5							
17-1	1	194680-51670	CLAMP	6							K
		(A=M/#01013)									
18	1	1A1380-59480	CLAMP A,SM.&DYN.CORD	1							
19	1	26013-080162	BOLT W/WASHER M8X16	2							
20	1	26013-080162	BOLT W/WASHER M8X16	2							
21	1	26014-100202	BOLT M10X 20	3							
22	1	933110-58400	GROMMET 43	2							
23	1	933160-09220	GROMMET	2							
24	1	933168-55770	BAND 146	8							
24-1	1	933168-55770	BAND, 146	7							K
		(A=M/#01013)									
25	1	933171-15801	WIRE, EARTH	1							

Fig.14. ELECTRIC PART(EQUIPMENT)



(A)=C30R-US

(B)=

(C)=

(D)=

(E)=

(F)=

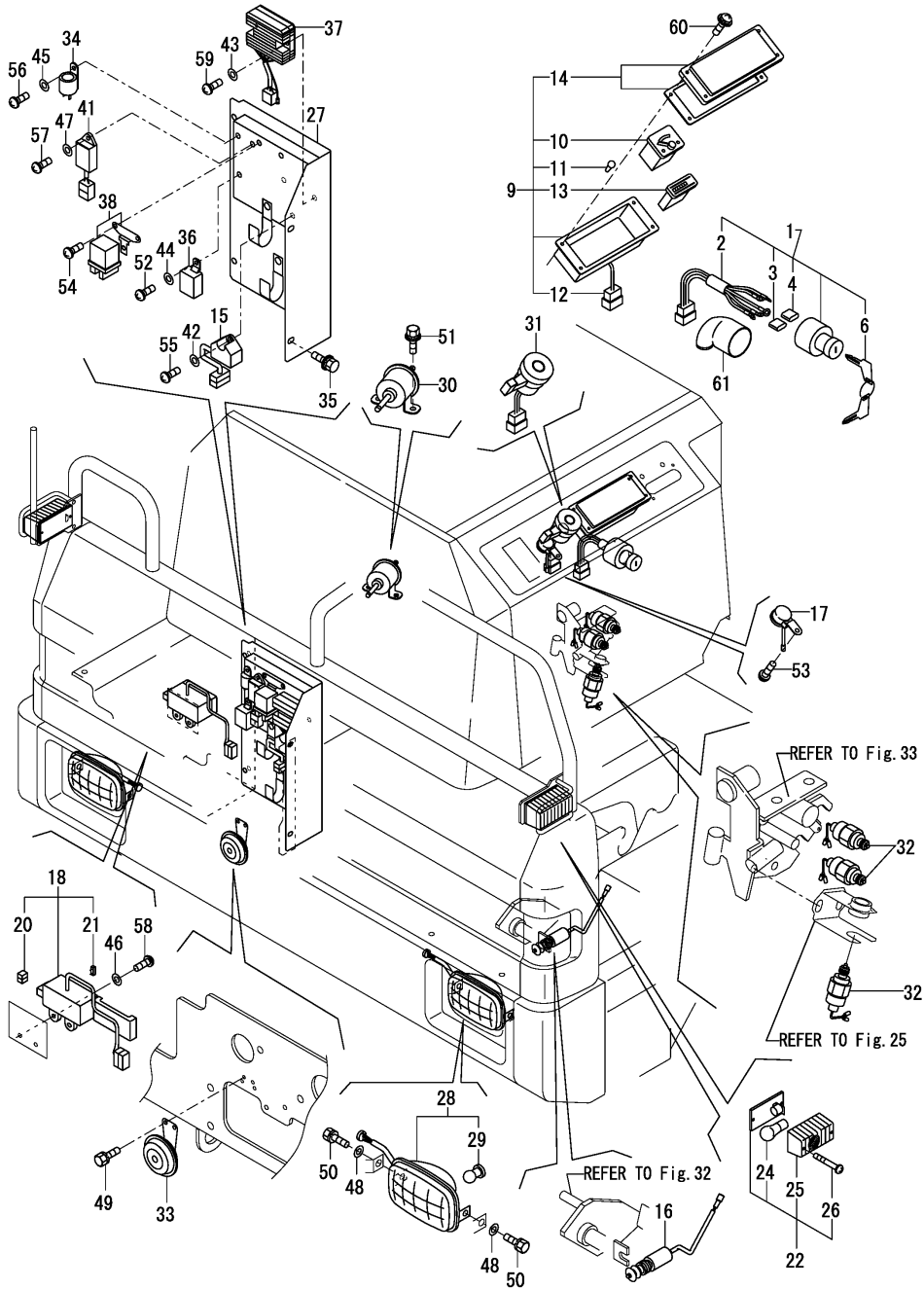
REF.	LEV.	PARTS NO.	DESCRIPTION	QTY						I	R
				(A)	(B)	(C)	(D)	(E)	(F)		
1	1	172187-17100	SWITCH, START	1							
2	2	172187-17070	CODE	1							
3	2	172187-17080	COVER M5	3							
4	2	172187-17090	COVER M4	2							
6	2	933110-00301	KEY ASSY	1							
9	1	172649-17100	INDICATOR BOX	1							
10	2	172649-17110	F.O. METER	1							
11	2	172162-17120	VALVE	5							
12	2	172649-17120	HARNESS	1							
13	2	172162-17130	HOURLMETER	1							
14	2	172162-17270	COVER, FRONT	1							
15	1	172141-17141	UNIT, CHECKER	1							
16	1	172649-17140	SWITCH, SAFETY	1							
17	1	172141-17150	BUZZER	1							
18	1	172649-17150	HUSE BOX	1							
20	2	172175-17120	PULLER	1							
21	2	29420-150000	FUSE, 15A	7							
22	1	172653-17170	LAMP ASSY,TURN	2							
24	2	172734-17190	BULB 12V-23W	2							
25	2	172734-17200	LENS	2							
26	2	26557-040452	SCREW M 4X 45	4							
27	1	172649-17200	COVER	1							
28	1	172647-17311	LIGHT,HEAD COMP	2							
29	2	29220-788200	BULB	2							
30	1	129612-52100	FUEL PUMP	1							
31	1	194940-52200	SWITCH,FUEL LEVEL	1							
32	1	1A6260-52500	SWITCH, SAFETY	3							
33	1	194151-57100	HORN	1							
34	1	194201-57200	SIGNAL UNIT, TURN	1							
34-1	1	194080-57202	RELAY	1							R
(A=M/#00501)											
35	1	172162-68370	BOLT	4							
36	1	119247-77100	RELAY, SAFETY	1							
37	1	119653-77710	LIMITTER, CURRENT	1							
37-1	1	119653-77711	LIMITER, CURRENT 20A	1							N
(A=MXXX)											
38	1	119650-77910	RELAY, GROW	1							
41	1	129211-77920	TIMER	1							
42	1	22137-060000	WASHER 6, POLISHED	1							
43	1	22137-060000	WASHER 6, POLISHED	2							
44	1	22137-060000	WASHER 6, POLISHED	1							
45	1	22137-060000	WASHER 6, POLISHED	1							
46	1	22137-060000	WASHER 6, POLISHED	2							
47	1	22137-060000	WASHER 6, POLISHED	1							
48	1	22137-100000	WASHER 10,POLISHED	4							
49	1	26013-060122	BOLT M 6X 12	2							
50	1	26013-100162	BOLT M10X 16	4							
51	1	26014-060162	BOLT M 6X 16	2							
52	1	26022-060122	SCREW M 6X 12	1							
53	1	26022-060122	SCREW M 6X 12	1							
54	1	26022-060122	SCREW M 6X 12	2							

N:Old $\begin{matrix} \leftarrow \text{Yes} \\ \text{No} \end{matrix}$ New, Q:Old $\begin{matrix} \leftarrow \text{No} \\ \text{Yes} \end{matrix}$ New, R:Old $\begin{matrix} \leftarrow \text{Yes} \\ \text{Yes} \end{matrix}$ New, S:Old $\begin{matrix} \leftarrow \text{No} \\ \text{No} \end{matrix}$ New, W:Add, Z:Discontinued, F:Interchangeable by set, K:Q'ty Change

++ CONTINUE ++

(C)Copy Rights YANMAR CO.,LTD.

Fig.14. ELECTRIC PART(EQUIPMENT)



(A)=C30R-US
(B)=
(C)=

(D)=
(E)=
(F)=

REF.	LEV.	PARTS NO.	DESCRIPTION	QTY						I	R
				(A)	(B)	(C)	(D)	(E)	(F)		
55	1	26022-060162	SCREW M 6X 16	1							
56	1	26022-060162	SCREW M 6X 16	1							
57	1	26022-060162	SCREW M 6X 16	1							
58	1	26022-060202	SCREW M 6X 20	2							
59	1	26022-060252	SCREW M 6X 25	2							
60	1	26589-040202	SCREW M4,BINDING	4							
61	1	933113-15900	COVER, SWITCH TERMI.	1							

Fig.15. TRANSMISSION CASE

(A)=C30R-US

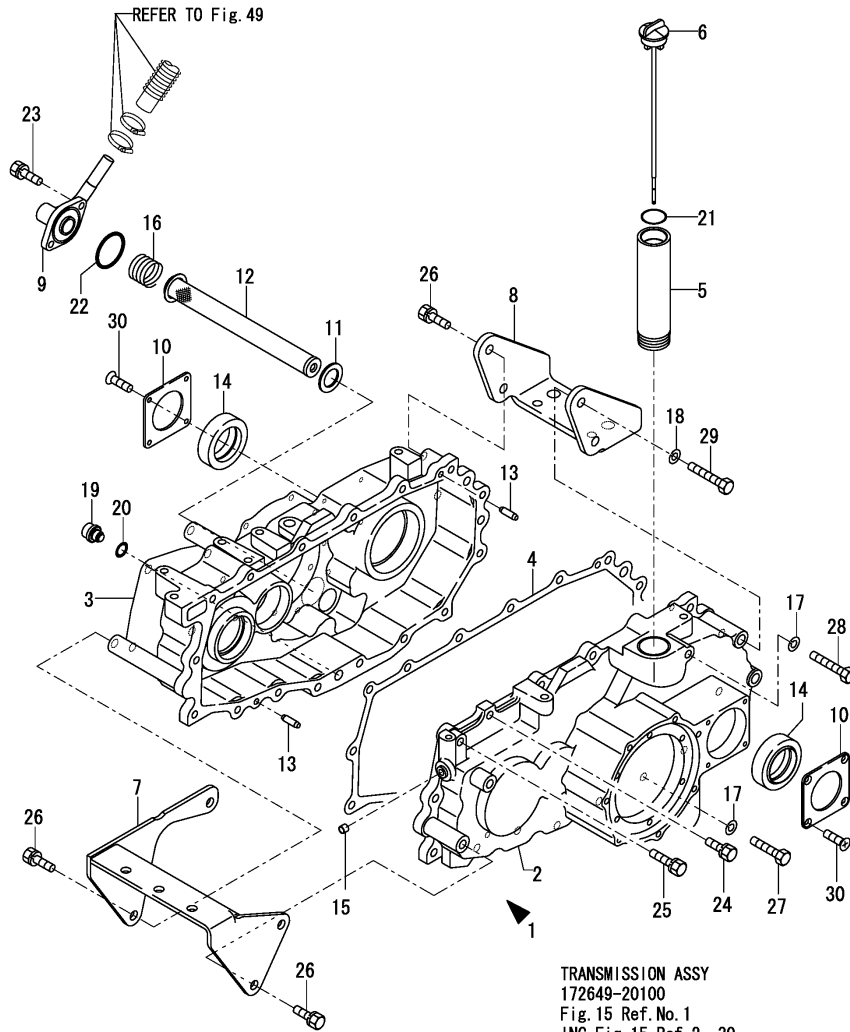
(B)=

(C)=

(D)=

(E)=

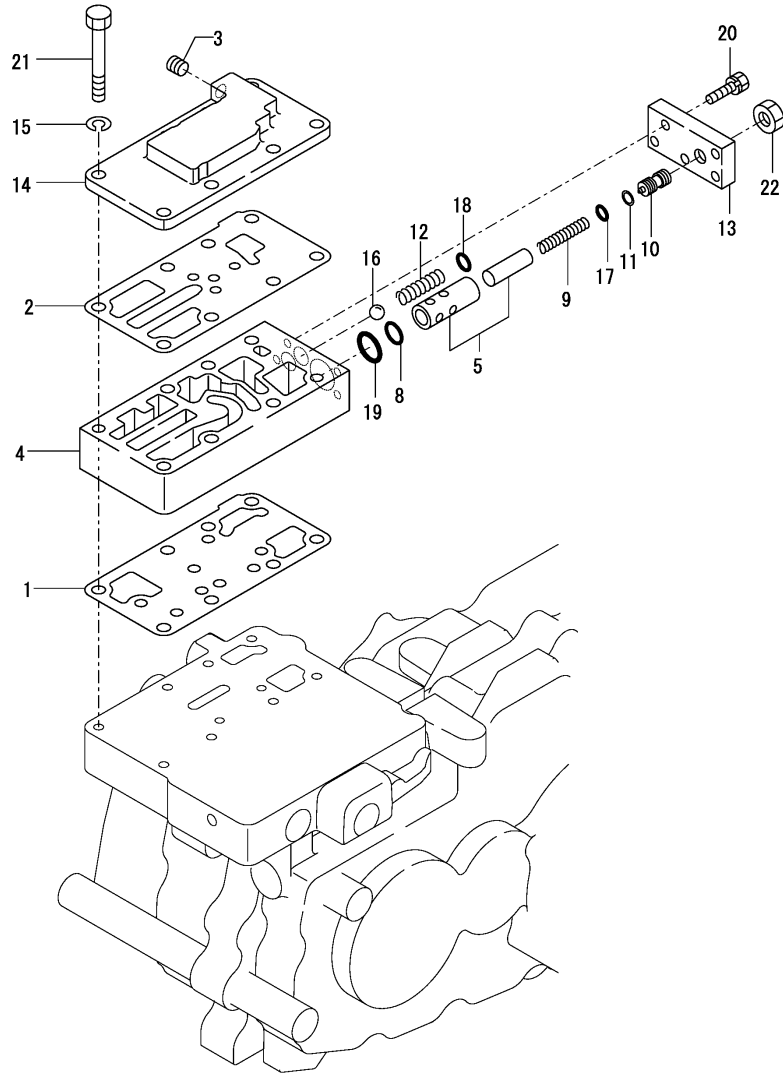
(F)=



TRANSMISSION ASSY
172649-20100
Fig. 15 Ref. No. 1
INC. Fig. 15 Ref. 2~30.
Fig. 19 Ref. 1~23.
Fig. 20 Ref. 1~38.
Fig. 21 Ref. 1~56.
Fig. 49 Ref. 1~12.

REF.	LEV.	PARTS NO.	DESCRIPTION	QTY						I	R
				(A)	(B)	(C)	(D)	(E)	(F)		
1	1	172649-20100	TRANSMISSION ASSY	1							
2	2	172649-22101	HOUSING(L)	1							
3	2	172649-22151	HOUSING(R)	1							
4	2	172649-22181	GASKET	1							
5	2	172649-22190	OIL HOLE	1							
6	2	172649-22200	OIL DRAIN 33X250	1							
7	2	172649-22210	PLATE	1							
8	2	172649-22250	PLATE	1							
9	2	172649-22261	FRANGE, SUCTION	1							
10	2	172649-22300	COVER, 4TH SHAFT	2							
11	2	172649-22320	GASKET 27X40X2	1							
12	2	1A6260-24910	STRAINER	1							
13	2	1A1040-26060	PIN 8X28, STRAIGHT	2							
14	2	172649-28210	SEAL	2							
15	2	1E6710-53040	PLUG 1/8,TAPER SCREW	1							
16	2	1E6440-55230	SPRING, STRAINER	1							
17	2	22217-100000	SPRING WASHER 10	3							
18	2	22217-120000	SPRING WASHER 12	2							
19	2	23491-140002	PLUG 14	1							
20	2	24311-000150	O-RING 1A P-15.0	1							
21	2	24341-000280	O-RING 1A S-28.0	1							
22	2	24341-000460	O-RING 1A S-46.0	1							
23	2	26013-080252	BOLT M 8X 25	2							
24	2	26013-100352	BOLT M10X 35	12							
25	2	26013-100502	BOLT M10X 50	1							
26	2	26013-120302	BOLT W/WASHER M12X30	6							
27	2	26116-100702	BOLT M10X 70 PLATED	2							
28	2	26116-101152	BOLT M10X115 PLATED	1							
29	2	26116-121102	BOLT M12X110 PLATED	2							
30	2	26577-060122	SCREW M 6X 12	8							

Fig.16. RELIEF VALVE



(A)=C30R-US

(B)=

(C)=

(D)=

(E)=

(F)=

REF.	LEV.	PARTS NO.	DESCRIPTION	Q'TY						I	R
				(A)	(B)	(C)	(D)	(E)	(F)		
1	1	172649-22550	GASKET,RLF.VLV.CASE	1							
2	1	172649-22560	GASKET,SOLENOID.PLT.	1							
3	1	1E6710-53040	PLUG 1/8,TAPER SCREW	1							
4	1	1E8050-56810	CASE, RELIEF VALVE	1							
5	1	772649-22500	VALVE,RELIFE SET	1							
8	1	1E8080-56850	O-RING 4D S11.2	1							
9	1	1E8050-56860	SPRING,P.C.RELIEF	1							
10	1	1E8050-56880	BOLT,RELIEF ADJUSTG	1							
11	1	1E8050-56890	RING P7,BACKUP	1							
12	1	1E8050-56900	SPRING,CHECK	2							
13	1	1E8050-56920	COVER B,RELIEF VALVE	1							
14	1	1E8050-56960	COVER,RELIEF VLV.CS.	1							
15	1	22217-080000	SPRING WASHER 8	8							
16	1	24190-120002	BALL 3/8	2							
17	1	24316-000070	O-RING 4D P-7.0	1							
18	1	24316-000100	O-RING 10-P	2							
19	1	24316-000180	O-RING 4D P-18.0	1							
20	1	26013-060202	BOLT M 6X 20	5							
21	1	26116-080602	BOLT M 8X 60 PLATED	8							
22	1	26756-100002	LOCK NUT M10 PLATED	1							

Fig.19. TRANSMISSION GEAR

(A)=C30R-US

(B)=

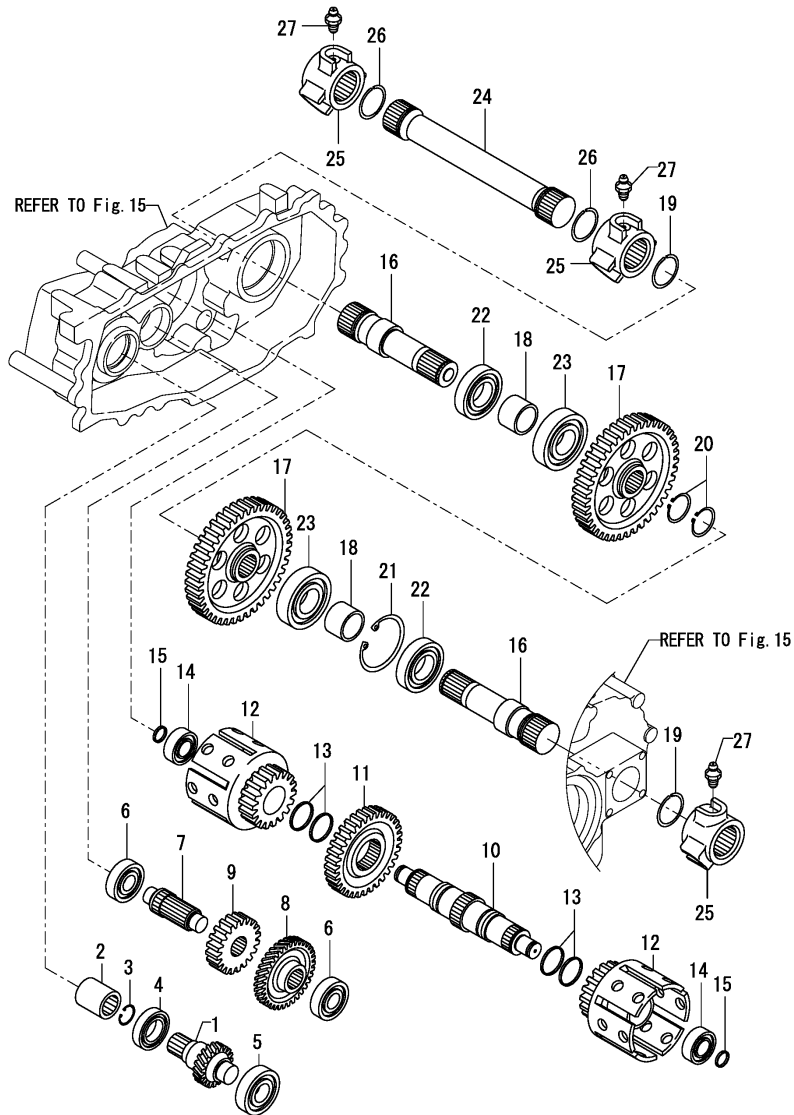
(C)=

(D)=

(E)=

(F)=

TRANSMISSION ASSY
172649-20100
Fig.15 Ref.No.1
INC. Fig.15 Ref.2~30.
Fig.19 Ref.1~23.
Fig.20 Ref.1~38.
Fig.21 Ref.1~56.
Fig.49 Ref.1~12.



REF.	LEV.	PARTS NO.	DESCRIPTION	QTY						I	R
				(A)	(B)	(C)	(D)	(E)	(F)		
1	2	172649-23110	SHAFT, 1ST	1							
2	2	172649-23130	COUPLING	1							
3	2	22252-000280	CIRCLIP 28	1							
4	2	24101-060074	BALL BEARING	1							
5	2	24101-063064	BALL BEARING	1							
6	2	172725-21420	BEARING	2							
7	2	172649-23210	SHAFT, 2ND	1							
8	2	172649-23220	GEAR 34	1							
9	2	172649-23230	GEAR 20	1							
10	2	172649-23311	SHAFT, 3RD	1							
11	2	172649-23321	GEAR 33	1							
12	2	172649-23331	GEAR 18, SIDE	2							
13	2	172649-23351	SEAL RING 45	4							
14	2	172649-23360	BEARING NUPK2205	2							
15	2	1E8540-59370	RING 25,SEAL	2							
16	2	172649-23410	SHAFT, 4TH	2							
17	2	172649-23420	GEAR 41	2							
18	2	172649-23430	COLLAR 49X40X33.5	2							
19	2	172649-23500	RING 50X3.2	2							
20	2	22242-000400	CIRCLIP 40	2							
21	2	22252-000800	CIRCLIP 80	1							
22	2	24101-062084	BALL BEARING	2							
23	2	24149-003084	BEARING NJ308	2							
24	1	172649-23451	SHAFT, OUTER 4TH	1							
25	1	172649-23460	COUPLING, PINION	3							
26	1	172649-23500	RING 50X3.2	2							
27	1	24761-020000	NIPPLE PT1/8,GREASE	9							

Fig.20. HYDRAULIC CONTROL

(A)=C30R-US

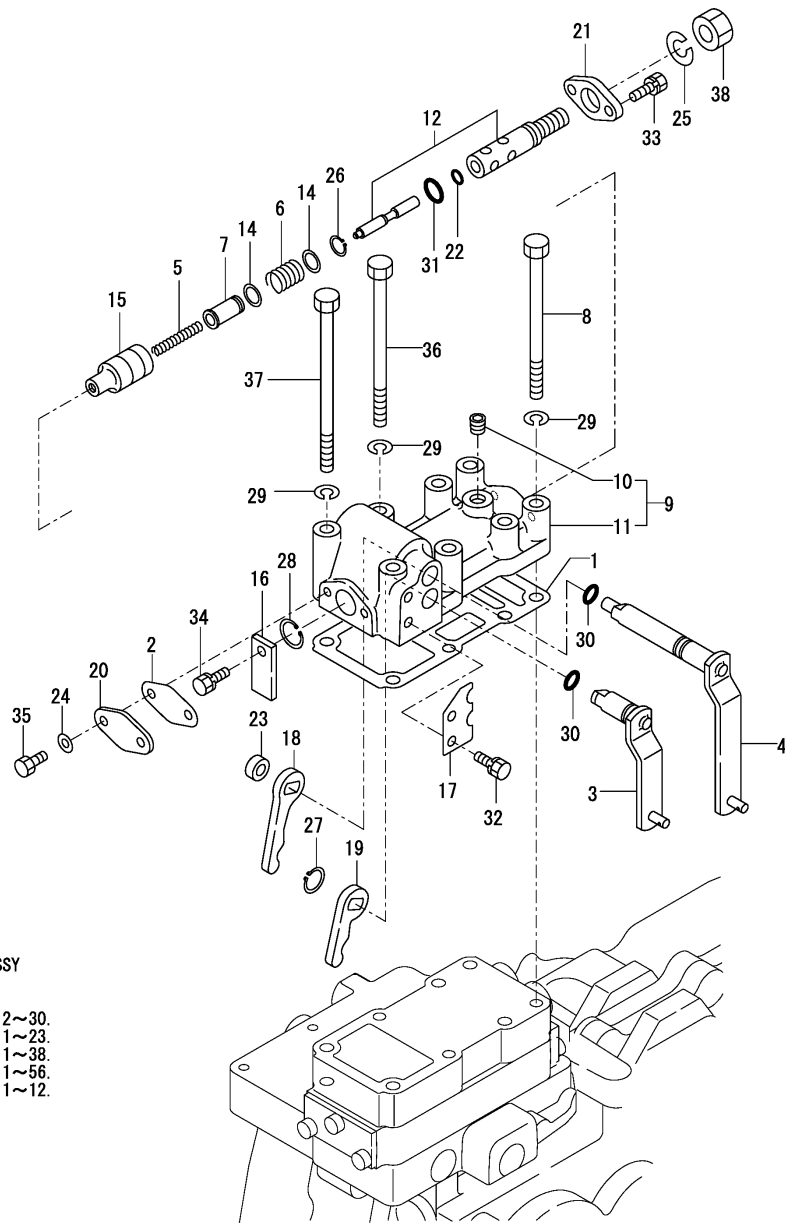
(B)=

(C)=

(D)=

(E)=

(F)=



TRANSMISSION ASSY
 172649-20100
 Fig. 15 Ref. No. 1
 INC. Fig. 15 Ref. 2~30.
 Fig. 19 Ref. 1~23.
 Fig. 20 Ref. 1~38.
 Fig. 21 Ref. 1~56.
 Fig. 49 Ref. 1~12.

REF.	LEV.	PARTS NO.	DESCRIPTION	QTY						I	R
				(A)	(B)	(C)	(D)	(E)	(F)		
1	2	172649-22520	GASKET,S.B.REG.CASE	1							
2	2	172649-22530	GASKET, SPOOL COVER	1							
3	2	172649-25310	SIDE LEVER(L)	1							
4	2	172649-25320	SIDE LEVER(R)	1							
5	2	172649-25340	SPRING 1.0	1							
6	2	172649-25350	SPRING 1.4	1							
7	2	172649-25360	SPRING HOLDER	1							
8	2	1E8050-53640	BOLT M 8X115 PLATED	4							
9	2	1E8080-56400	CASE CMP,SD.BRK.REG.	1							
10	3	1E6710-53040	PLUG 1/8,TAPER SCREW	1							
11	3	1E8080-56410	CASE,SD.BRAKE REGLTR	1							
12	2	772649-25300	VALVE,SD RELIEF SET	1							
14	2	1E8050-56470	LINER 11.5X16X1	2							
15	2	1E8080-56470	ADJUST NUT	1							
16	2	1E8050-56520	RETAINER	1							
17	2	1E8050-56530	PLATE,LEVER KEEP	1							
18	2	1E8080-56550	ROCKER L,SIDE LEVER	1							
19	2	1E8080-56590	ROCKER R,SIDE LEVER	1							
20	2	1E8050-56630	COVER, SPOOL	1							
21	2	1E8080-56650	COVER,SD.RELIEF VLV.	1							
22	2	1E8080-56660	O-RING 4D S7	1							
23	2	1E8050-56690	COLLAR 8X14X6.5	1							
24	2	22190-060000	SEAL WASHER 6(BOLT)	2							
25	2	22217-120000	SPRING WASHER 12	2							
26	2	22242-000110	CIRCLIP 11	1							
27	2	22242-000140	CIRCLIP 14	1							
28	2	22252-000210	CIRCLIP 21	1							
29	2	22287-080000	LOCKING WASHER	8							
30	2	24316-000100	O-RING 10-P	2							
31	2	24316-000120	O-RING 4D-P12	1							
32	2	26013-060122	BOLT M 6X 12	2							
33	2	26013-060162	BOLT M 6X 16	2							
34	2	26013-060162	BOLT M 6X 16	1							
35	2	26116-060122	BOLT 6X12	2							
36	2	26116-081202	BOLT M 8X120 PLATED	2							
37	2	26116-081302	BOLT M 8X130 PLATED	2							
38	2	26736-120002	NUT M12	1							

Fig.21. CLUTCH & BRAKE

(A)=C30R-US

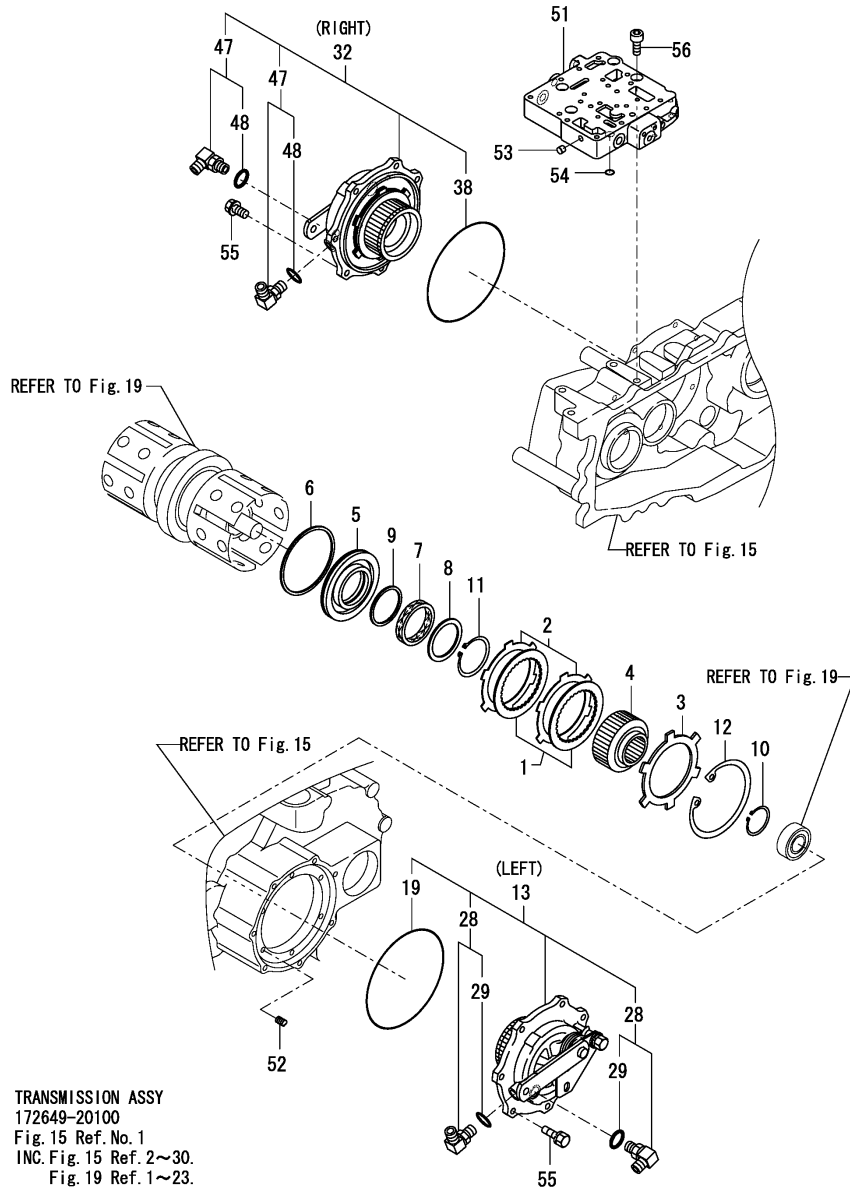
(B)=

(C)=

(D)=

(E)=

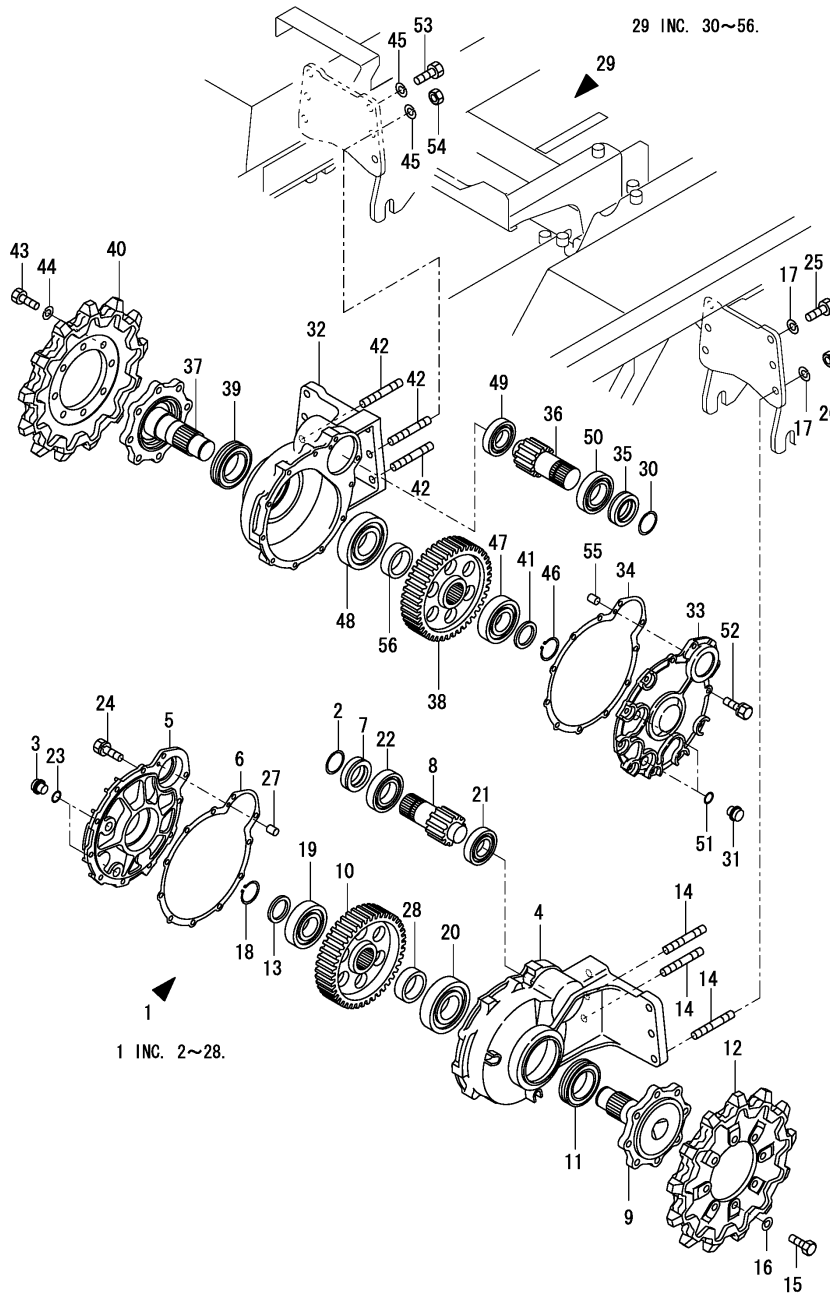
(F)=



TRANSMISSION ASSY
172649-20100
Fig. 15 Ref. No. 1
INC. Fig. 15 Ref. 2~30.
Fig. 19 Ref. 1~23.
Fig. 20 Ref. 1~38.
Fig. 21 Ref. 1~56.
Fig. 49 Ref. 1~12.

REF.	LEV.	PARTS NO.	DESCRIPTION	Q'TY						I	R
				(A)	(B)	(C)	(D)	(E)	(F)		
1	2	172649-23390	PLATE 110, FRICTION	14							
2	2	194335-25640	PLATE 1.2, STEEL	14							
3	2	194065-26270	PLATE (5.5), STEEL	2							
4	2	172649-27311	BOSS	2							
5	2	172649-27321	PISTON 110	2							
6	2	194066-28260	D-RING	2							
7	2	1E8540-59321	SPRING, CLUTCH RETURN	2							
8	2	1E8540-59330	LINER 54X68X2.6	2							
9	2	1E8540-59380	D-RING 55	2							
10	2	22242-000400	CIRCLIP 40	2							
11	2	22242-000550	CIRCLIP 55	2							
12	2	22252-001101	CIRCLIP 110	2							
13	2	172653-27510	BRAKE DISK ASSY, L	1							
19	3	172649-27610	O-RING 158	1							
28	3	172141-76180	CONNECTOR	2							W
		(A=M/#00517)									
28-1	3	172141-76181	CONNECTOR ASSY, 02FF	2							N
		(A=M/#01001)									
29	4	24315-000110	O-RING 1B P-11.0	2							W
		(A=M/#00517)									
29-1	4	41851-000110	PACKING, 11.0	2							N
		(A=M/#01001)									
32	2	172653-27520	BRAKE DISK ASSY, R	1							
38	3	172649-27610	O-RING 158	1							
47	3	172141-76180	CONNECTOR	2							W
		(A=M/#00517)									
47-1	3	172141-76181	CONNECTOR ASSY, 02FF	2							N
		(A=M/#01001)									
48	4	24315-000110	O-RING 1B P-11.0	2							W
		(A=M/#00517)									
48-1	4	41851-000110	PACKING, 11.0	2							N
		(A=M/#01001)									
51	2	172649-27550	PLATE, VALVE	1							
52	2	172649-27570	SPRING 7.8X22	12							
53	2	1E6710-53040	PLUG 1/8, TAPER SCREW	5							
54	2	24311-000100	O-RING 1A P-10.0	1							
55	2	26013-080302	BOLT M 8X 30	14							
56	2	26455-100352	BOLT 10X35	4							
56-1	2	26450-100352	BOLT, 10 X 35	4							N
		(A=MXXX)									

Fig.22. TRAVELLING WHEEL



(A)=C30R-US

(B)=

(C)=

(D)=

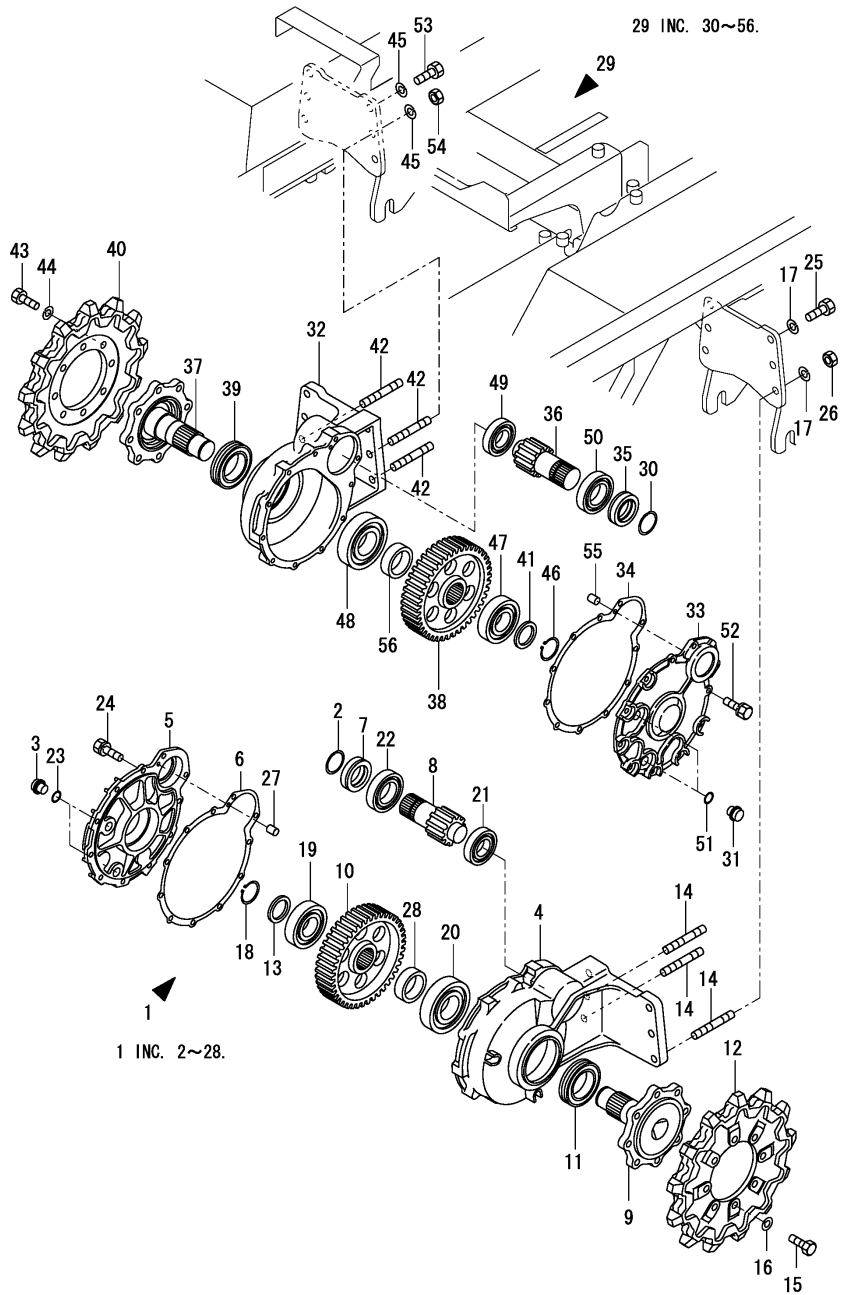
(E)=

(F)=

REF.	LEV.	PARTS NO.	DESCRIPTION	Q'TY						I	R
				(A)	(B)	(C)	(D)	(E)	(F)		
1	1	172649-20301-1	CASE L ,FINAL (82)	1							
1-1	1	172649-20301-2	CASE L ,FINAL (49)	1							S
(A=M/#00514)											
2	2	172649-23500	RING 50X3.2	1							
3	2	1A1380-28040	PLUG 20, OIL	2							
4	2	172649-28100-1	FINAL CASE L (82)	1							
4-1	2	172649-28100-2	FINAL CASE L (49)	1							S
(A=M/#00514)											
5	2	172649-28150-1	COVER(L),FINAL CASE	1							
5-1	2	172649-28150-2	COVER(L),FINAL CASE	1							S
(A=M/#00514)											
6	2	172649-28171	GASKET, FINAL CASE	1							
7	2	172649-28210	SEAL	1							
8	2	172649-28300	PINION, FINAL	1							
9	2	172637-28310	SHAFT, DRIVING	1							
10	2	172649-28330	GEAR, FINAL	1							
11	2	172653-28340	SEAL ES764-7310122	1							
12	2	172637-29111-1	SPROCKET (GREEN:82)	1							
12-1	2	172637-29111-2	SPROCKET (GRAY:49)	1							S
(A=M/#00514)											
13	2	172734-29120	COLLAR 45X60X6	1							
14	2	172725-52300	STUD M16X35	3							
15	2	172165-68180	BOLT, M14X 35	8							
16	2	22217-140000	SPRING WASHER 14	8							
17	2	22217-160000	SPRING WASHER 16	6							
18	2	22242-000451	CIRCLIP 45	1							
19	2	24101-063094	BALL BEARING(6309)	1							
20	2	24101-063114	BALL BEARING	1							
21	2	24145-002084	ROLLER BEARING	1							
22	2	24145-002104	ROLLER BEARING	1							
23	2	24311-000210	O-RING 1A P-21.0	2							
24	2	26013-100302	BOLT M10X 30	11							
25	2	26116-160402	BOLT M16X 40 PLATED	3							
26	2	26716-160002	NUT M16	3							
27	2	933110-22800	PIN 8X10	1							
28	2	933172-13530	COLLAR (B), SHAFT	1							
29	1	172649-20401-1	CASE R,FINAL (82)	1							
29-1	1	172649-20401-2	CASE R ,FINAL (49)	1							S
(A=M/#00514)											
30	2	172649-23500	RING 50X3.2	1							
31	2	1A1380-28040	PLUG 20, OIL	2							
32	2	172649-28120-1	FINAL CASE R (82)	1							
32-1	2	172649-28120-2	FINAL CASE R (49)	1							S
(A=M/#00514)											
33	2	172649-28160-1	COVER(R),FINAL CASE	1							
33-1	2	172649-28160-2	COVER(R),FINAL CASE	1							S
(A=M/#00514)											
34	2	172649-28171	GASKET, FINAL CASE	1							
35	2	172649-28210	SEAL	1							
36	2	172649-28300	PINION, FINAL	1							
37	2	172637-28310	SHAFT, DRIVING	1							

N:Old $\begin{matrix} \text{Yes} \\ \text{No} \end{matrix}$ New, Q:Old $\begin{matrix} \text{No} \\ \text{Yes} \end{matrix}$ New, R:Old $\begin{matrix} \text{Yes} \\ \text{No} \end{matrix}$ New, S:Old $\begin{matrix} \text{No} \\ \text{Yes} \end{matrix}$ New, W:Add, Z:Discontinued, F:Interchangeable by set, K:Q'ty Change
 ++ CONTINUE ++

Fig.22. TRAVELLING WHEEL



(A)=C30R-US

(B)=

(C)=

(D)=

(E)=

(F)=

REF.	LEV.	PARTS NO.	DESCRIPTION	QTY						I	R
				(A)	(B)	(C)	(D)	(E)	(F)		
38	2	172649-28330	GEAR, FINAL	1							
39	2	172653-28340	SEAL ES764-7310122	1							
40	2	172637-29111-1	SPROCKET (GREEN:82)	1							
40-1	2	172637-29111-2	SPROCKET (GRAY:49)	1							S
		(A=M/#00514)									
41	2	172734-29120	COLLAR 45X60X6	1							
42	2	172725-52300	STUD M16X35	3							
43	2	172165-68180	BOLT, M14X 35	8							
44	2	22217-140000	SPRING WASHER 14	8							
45	2	22217-160000	SPRING WASHER 16	6							
46	2	22242-000451	CIRCLIP 45	1							
47	2	24101-063094	BALL BEARING(6309)	1							
48	2	24101-063114	BALL BEARING	1							
49	2	24145-002084	ROLLER BEARING	1							
50	2	24145-002104	ROLLER BEARING	1							
51	2	24311-000210	O-RING 1A P-21.0	2							
52	2	26013-100302	BOLT M10X 30	11							
53	2	26116-160402	BOLT M16X 40 PLATED	3							
54	2	26716-160002	NUT M16	3							
55	2	933110-22800	PIN 8X10	1							
56	2	933172-13530	COLLAR (B), SHAFT	1							

Fig.23. IDLER & CRAWLER ADJUST

(A)=C30R-US

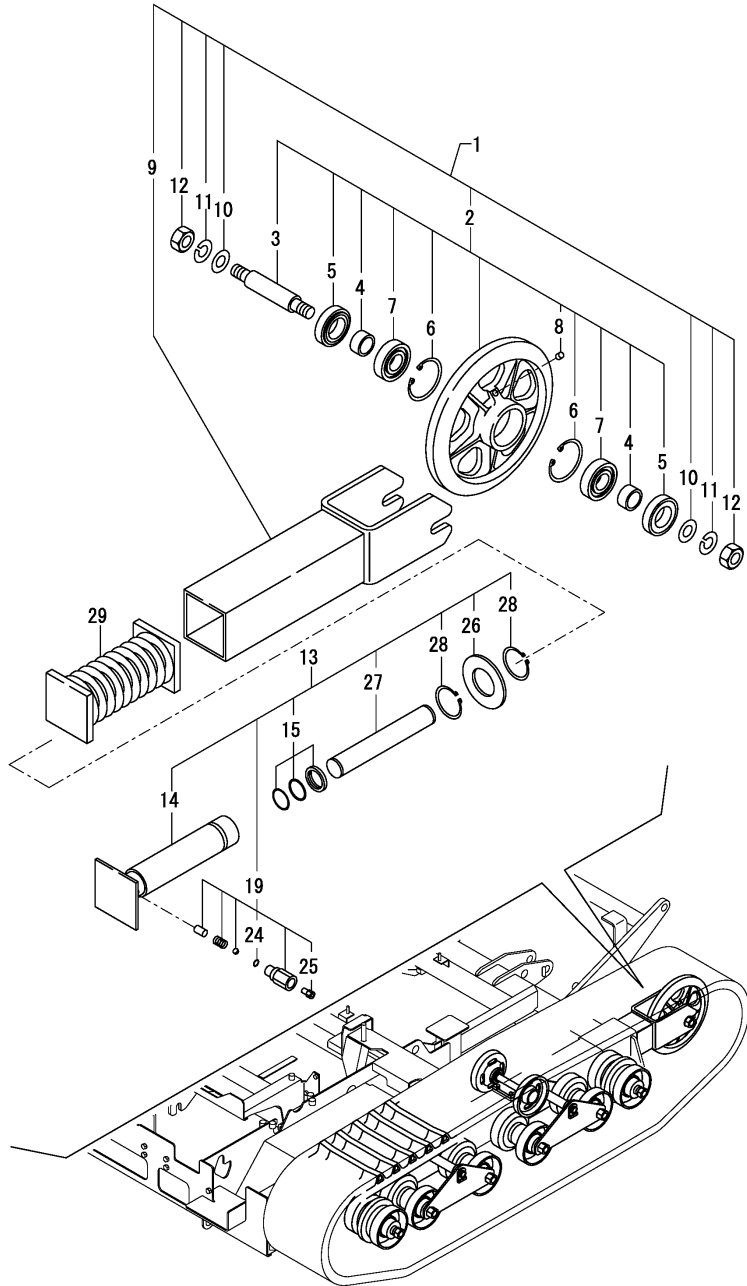
(B)=

(C)=

(D)=

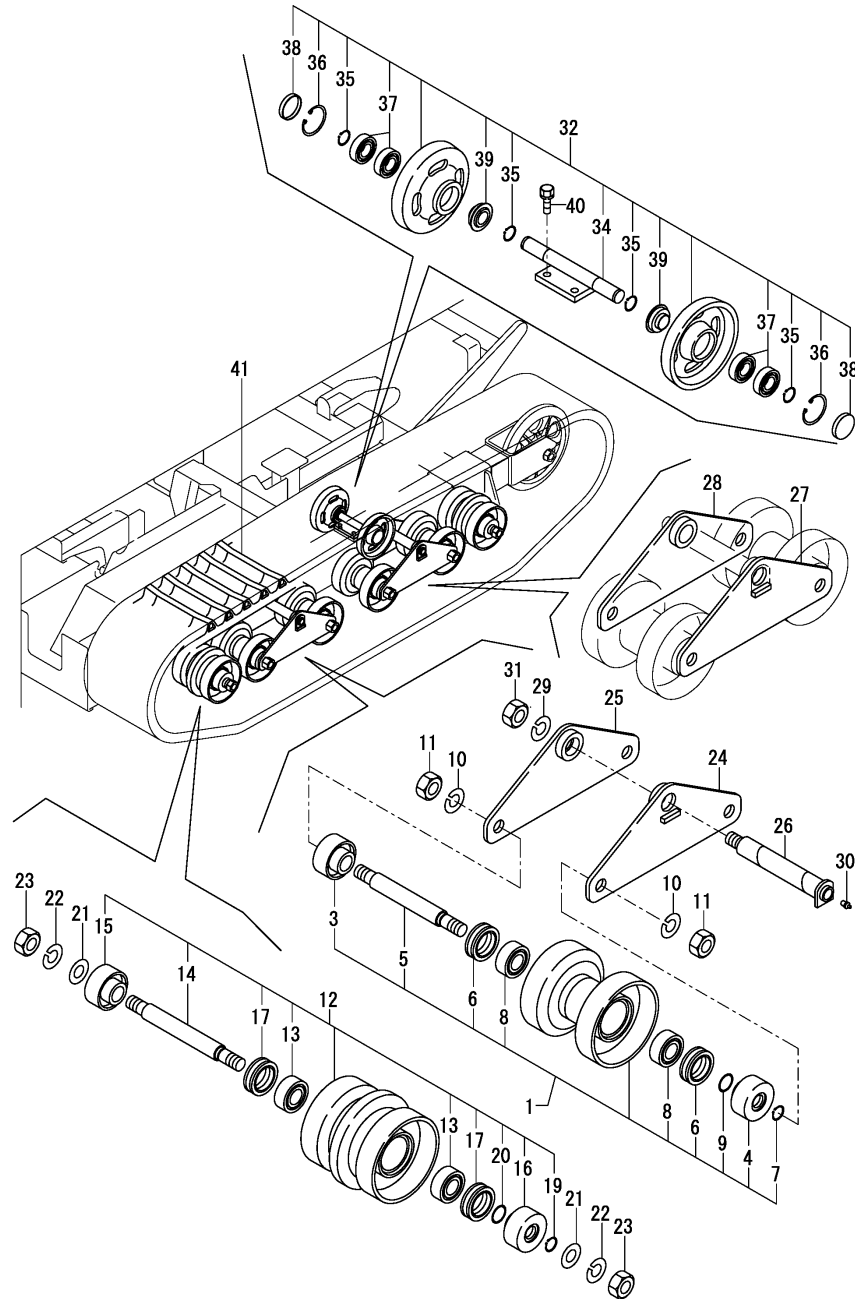
(E)=

(F)=



REF.	LEV.	PARTS NO.	DESCRIPTION	Q'TY						I	R
				(A)	(B)	(C)	(D)	(E)	(F)		
1	1	172649-37090-1 (A=M/#00518)	IDLER ASSY,FORK (49)	2							W
2	2	772649-37100-1	IDLER ASSY(GREEN:82)	2							
2-1	2	772649-37100-2 (A=M/#00514)	IDLER ASSY (GRAY:49)	2							S
3	3	172649-37110	SHAFT, IDLER	2							
4	3	172631-37160	COLLER 35X45X22.5	4							
5	3	172631-37170	SEAL 45 80 18, WATER	4							
6	3	22252-000800	CIRCLIP 80	4							
7	3	24101-063074	BEARING	4							
8	3	933171-13691	PLUG PT1/8	2							
9	2	172649-37150-1	FORK,IDLER(GREEN:82)	2							
9-1	2	172649-37150-2 (A=M/#00514)	FORK,IDLER (GRAY:49)	2							S
10	2	22137-240000	WASHER 24,POLISHED	4							
11	2	22217-240000	SPRING WASHER 24	4							
12	2	26716-240002	NUT M24	4							
13	1	172637-37751	CYLINDER, ADJUSTER	2							
14	2	172637-37781	CYLINDER, ADJUSTER	2							
15	2	172122-37820	ADJUST SEAL SET	2							
19	2	172122-37844	VALVE ASSY, NIPPLE	2							
24	3	24315-000140	O-RING 1B P-14.0	2							
25	3	24761-020000	NIPPLE PT1/8,GREASE	2							
26	2	172637-37850	HOLDER, ADJUSTER	2							
27	2	172637-37860	PISTON	2							
28	2	22242-000601	CIRCLIP 60-S	4							
29	1	172637-37880	SPRING, ADJUSTER	2							

Fig.24. TRACK ROLLER & CRAWLER



(A)=C30R-US

(B)=

(C)=

(D)=

(E)=

(F)=

REF.	LEV.	PARTS NO.	DESCRIPTION	QTY						I	R
				(A)	(B)	(C)	(D)	(E)	(F)		
1	1	772637-37300-1	ROLLER ASSY,TRUK(82)	8							
1-1	1	772637-37300-2	TRACK ROLLER ASSY	8							S
(A=M/#00514)											
3	2	172637-37340	SEAL COVER(A),ROLLER	8							
4	2	172637-37350	SEAL COVER(B),ROLLER	8							
5	2	172637-37380	SHAFT, ROLLER	8							
6	2	172653-37400	SEAL ES764-466620	16							
7	2	22242-000240	CIRCLIP 24	8							
8	2	24101-062064	BALL BEARING 6206	16							
9	2	24321-000300	O-RING G30	8							
10	1	22217-240000	SPRING WASHER 24	16							
11	1	26716-240002	NUT M24	16							
12	1	772649-37310-1	ROLLER B ASSY,TRUK	4							S
12-1	1	772649-37310-2	TRACK ROLLER B ASSY	4							
(A=M/#00514)											
13	2	194150-31460	BALL BEARING	8							
14	2	172649-37330	SHAFT, ROLLER B	4							
15	2	172637-37340	SEAL COVER(A),ROLLER	4							
16	2	172637-37350	SEAL COVER(B),ROLLER	4							
17	2	172653-37400	SEAL ES764-466620	8							
19	2	22242-000240	CIRCLIP 24	4							
20	2	24321-000300	O-RING G30	4							
21	1	22137-240000	WASHER 24,POLISHED	8							
22	1	22217-240000	SPRING WASHER 24	8							
23	1	26716-240002	NUT M24	8							
24	1	172649-37350-1	PLATE A ASSY (82)	2							
24-1	1	172649-37350-2	PLATE A ASSY (49)	2							S
(A=M/#00514)											
25	1	172649-37380-1	PLATE A ASSY (82)	2							
25-1	1	172649-37380-2	PLATE A ASSY (49)	2							S
(A=M/#00514)											
26	1	172649-37400	SHAFT, PLATE	4							
27	1	172649-37420-1	PLATE B ASSY (82)	2							
27-1	1	172649-37420-2	PLATE B ASSY (49)	2							S
(A=M/#00514)											
28	1	172649-37430-1	PLATE B ASSY (82)	2							
28-1	1	172649-37430-2	PLATE B ASSY (49)	2							S
(A=M/#00514)											
29	1	22217-240000	SPRING WASHER 24	4							
30	1	24761-020000	NIPPLE PT1/8,GREASE	4							
31	1	26716-240002	NUT M24	4							
32	1	772649-37500-1	ROLLER,CARRIER (82)	2							
32-1	1	772649-37500-2	CARRIER ROLLER ASSY	2							S
(A=M/#00514)											
34	2	172649-37510-1	SHAFT,ROLLER (82)	2							
34-1	2	172649-37510-2	SHAFT,CARRIER (49)	2							S
(A=M/#00514)											
35	2	22242-000250	CIRCLIP 25S	8							
36	2	22252-000521	CIRCLIP 52	4							
37	2	24101-062054	BEARING #6205	8							
37-1	2	24104-062054	BALL BEARING	8							N

N:Old $\begin{matrix} \text{Yes} \\ \text{No} \end{matrix}$ New, Q:Old $\begin{matrix} \text{No} \\ \text{Yes} \end{matrix}$ New, R:Old $\begin{matrix} \text{Yes} \\ \text{No} \end{matrix}$ New, S:Old $\begin{matrix} \text{No} \\ \text{Yes} \end{matrix}$ New, W:Add, Z:Discontinued, F:Interchangeable by set, K:Q'ty Change

++ CONTINUE ++

(C)Copy Rights YANMAR CO.,LTD.

Fig.24. TRACK ROLLER & CRAWLER

(A)=C30R-US

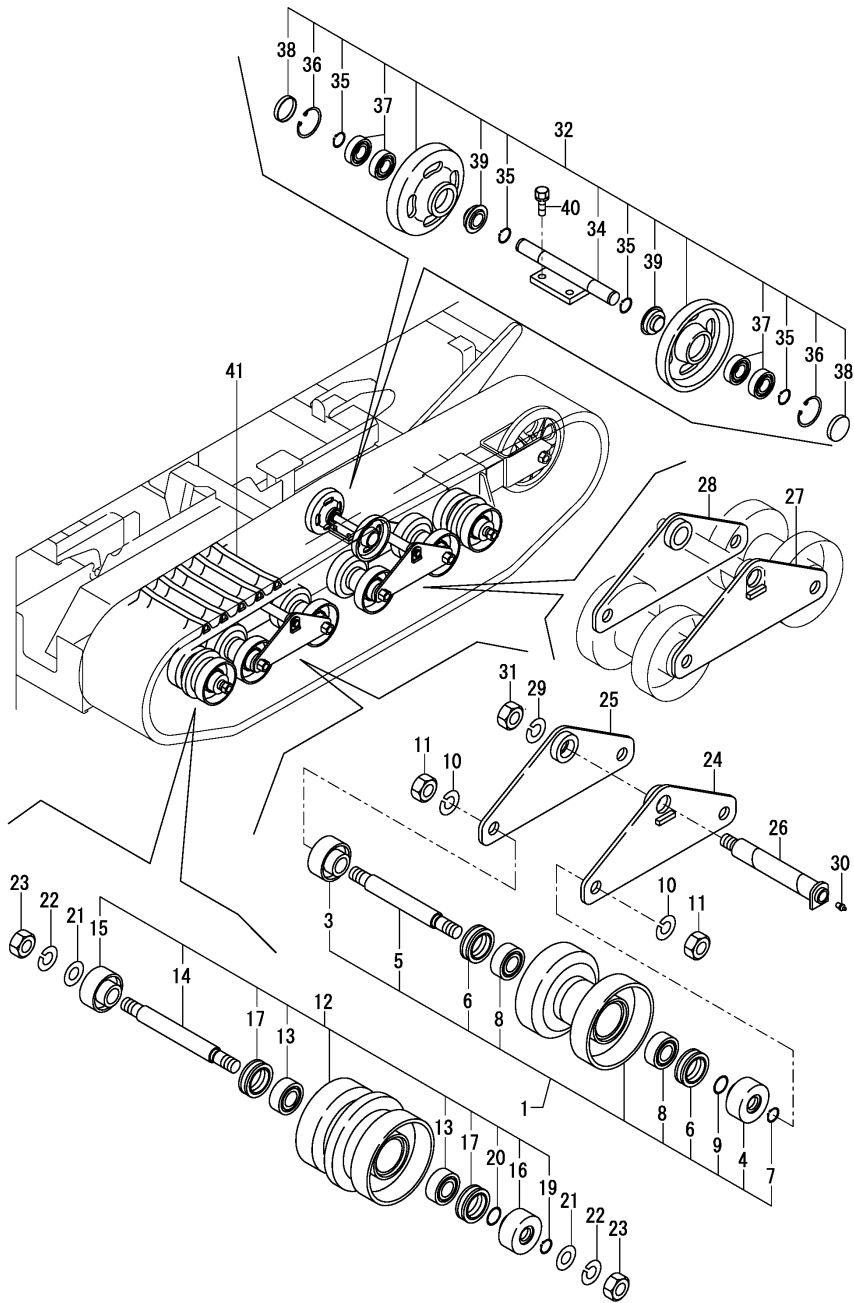
(B)=

(C)=

(D)=

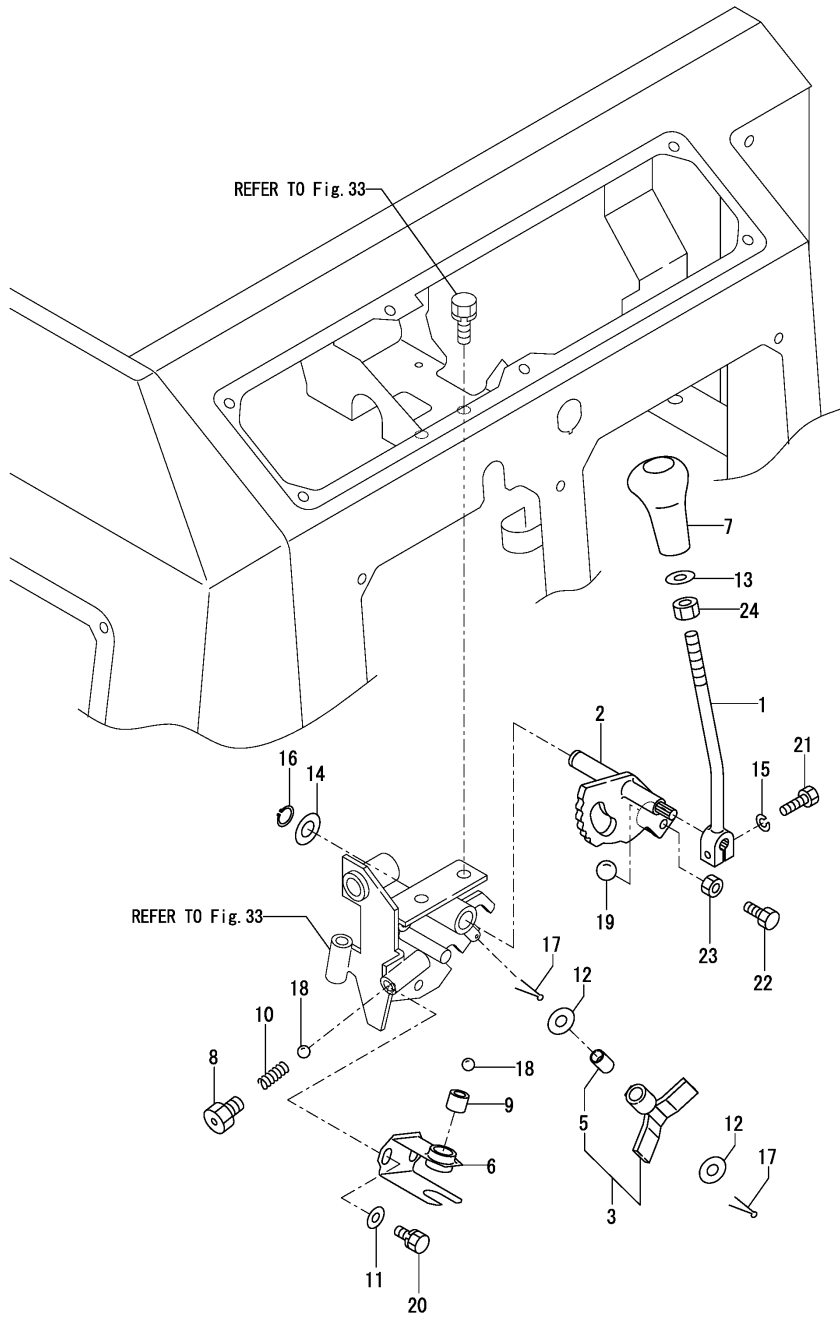
(E)=

(F)=



REF.	LEV.	PARTS NO.	DESCRIPTION	QTY						I	R
				(A)	(B)	(C)	(D)	(E)	(F)		
(A=M/#00514)											
38	2	27260-520000	COVER 52, BLIND	4							
39	2	933147-10350	SEAL QLF 25471121	4							
40	1	26013-120302	BOLT W/WASHER M12X30	4							
41	1	172649-38600	CRAWLER, RUBBER	2							

Fig.25. FR LEVER



OCS10-G47002 25. FR LEVER

(A)=C30R-US

(B)=

(C)=

(D)=

(E)=

(F)=

REF.	LEV.	PARTS NO.	DESCRIPTION	Q'TY						I	R
				(A)	(B)	(C)	(D)	(E)	(F)		
1	1	172649-41400	LEVER,FR (GRAY:72)	1							
1-1	1	172649-41400-1	LEVER,FR (GRAY:49)	1							S
(A=M/#00514)											
1-2	1	172649-41401-1	LEVER(FR)	1							N
(A=MZZZZZ)											
2	1	172653-41420	ARM ASSY,FR	1							
3	1	172649-41500	ARM(FR)	1							
5	2	24550-010200	BUSH 10X20	1							
6	1	172649-41550	BRACKET	1							
7	1	172649-41600	KNOB, FR	1							
8	1	172649-41610	PLUG 12	1							
9	1	172649-41620	BAR	1							
10	1	1E8050-63130	SPRING 1.6X9.4X25	1							
11	1	22117-080000	WASHER 8	2							
12	1	22117-100000	WASHER 10	2							
13	1	22137-100000	WASHER 10,POLISHED	1							
14	1	22137-140000	WASHER 14,POLISHED	1							
15	1	22217-060000	SPRING WASHER 6	1							
16	1	22242-000140	CIRCLIP 14	1							
17	1	22417-200160	COTTER PIN 2.0X16	2							
18	1	24190-120001	BALL 3/8,STEEL	2							
19	1	24190-200001	BALL 5/8	1							
20	1	26013-080162	BOLT W/WASHER M8X16	2							
20-1	1	26013-080202	BOLT, 8 X 20	2							R
(A=MXXX)											
21	1	26076-060202	BOLT	1							
22	1	26116-080202	BOLT M 8X 20 PLATED	1							
23	1	26716-080002	NUT M 8	1							
24	1	26716-100002	NUT 10	1							

Fig.26. INCHING LINK

(A)=C30R-US

(B)=

(C)=

(D)=

(E)=

(F)=

REF.	LEV.	PARTS NO.	DESCRIPTION	QTY						I	R
				(A)	(B)	(C)	(D)	(E)	(F)		
1	1	172730-01370	PIN 18X30	1							
2	1	172649-42150	ROD, INCHING	1							
3	1	172649-42252	LINK, INCHING A	1							
4	1	172653-42300	CABLE ASSY, INCHING	1							
4-1	2	172A64-64010	SEAT ASSY	1							N
(A=MZZZZZ)											
4AA	3	172A64-64020	STAY,SEAT	1							W
(A=MZZZZZ)											
4B	3	172A64-64030	CASE,LETTER	1							W
(A=MZZZZZ)											
4B-1	3	172A54-64110	BACK COVER	1							Z
(A=MZZZZZ)											
4C	3	172A64-64050	SCREW,TAPPING 6.0X16	4							W
(A=MZZZZZ)											
4C-1	3	172A54-64120	SCREW TAPPING 5X16	4							Z
(A=MZZZZZ)											
4D	3	26013-080202	BOLT W/WASHER M8X20	2							W
(A=MZZZZZ)											
5	1	172141-42960	JOINT, CABLE	1							
6	1	172122-46590	ELBALL 8	1							
7	1	194440-51620	CLAMP, WIRE HARNESS	1							
8	1	172155-58860	SPRING, TURNING	1							
9	1	22117-080000	WASHER 8	2							
10	1	22117-100000	WASHER 10	2							
11	1	26051-080002	NUT M 8	1							
12	1	26346-100002	U-NUT M10 PLATED	1							

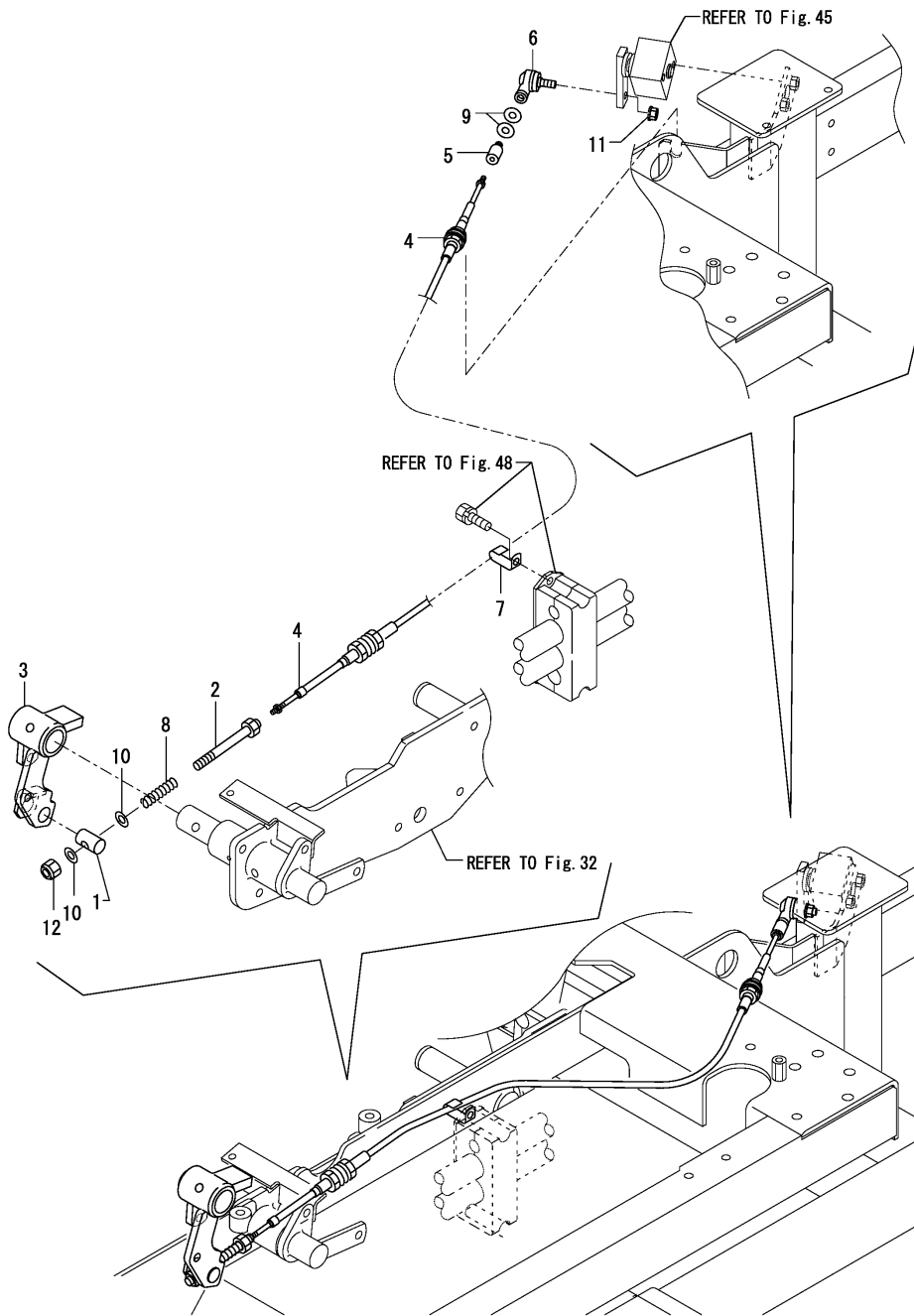
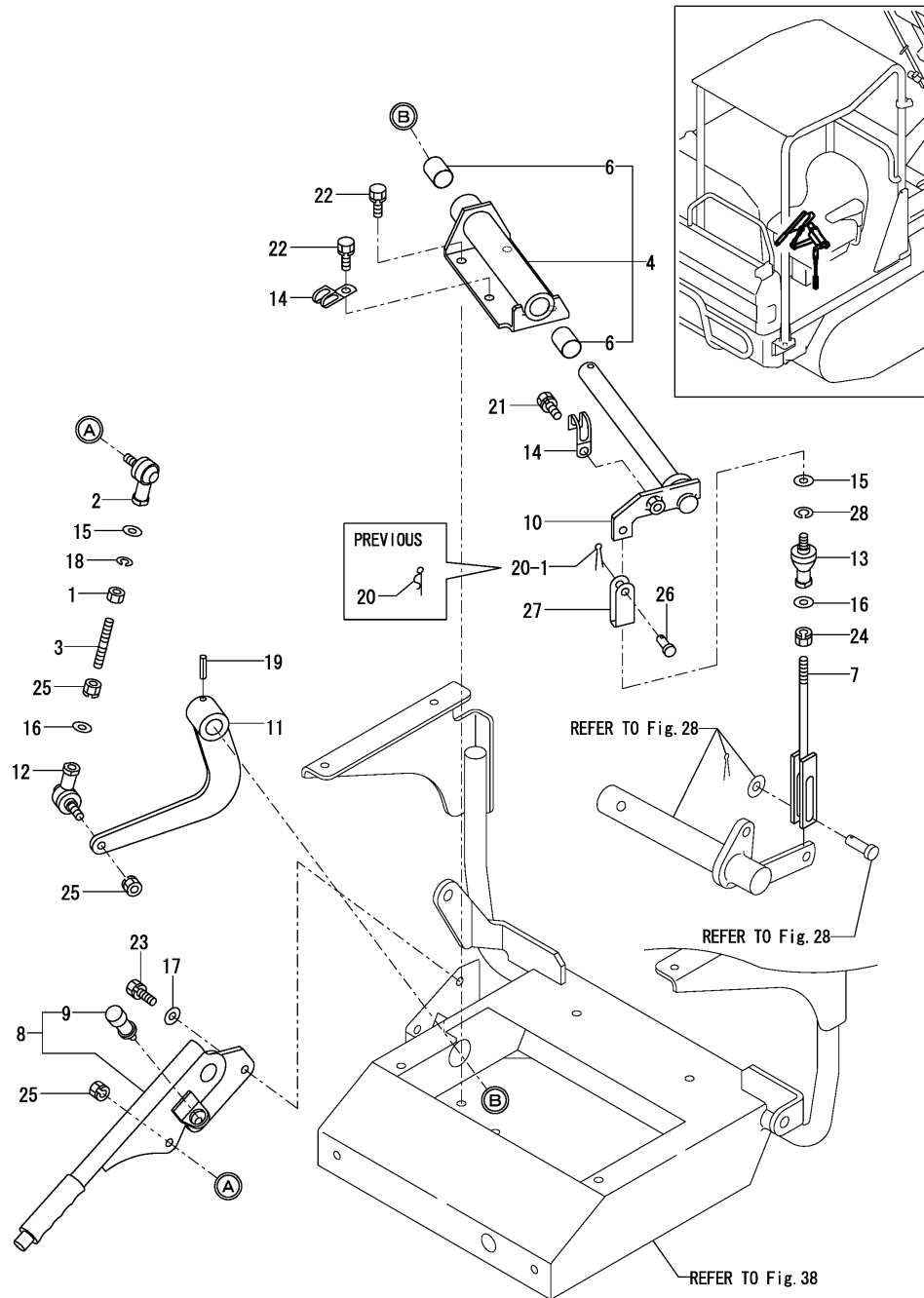


Fig.27. BRAKE(PARKING)



(A)=C30R-US

(B)=

(C)=

(D)=

(E)=

(F)=

REF.	LEV.	PARTS NO.	DESCRIPTION	QTY						I	R
				(A)	(B)	(C)	(D)	(E)	(F)		
1	1	194990-20170	NUT W/WASHER 8	1							
2	1	172734-41300	BALL, LINK	1							
2-1	1	1E6740-64200	BALL BL8DL, LINK	1							R
(A=MXXX)											
3	1	172732-42450	ROD	1							
4	1	172649-42581	BOSS, PARKING	1							
6	2	24550-020250	BEARING 20X25	2							
7	1	172649-42680	ROD, PARKING	1							
8	1	172649-42720	LEVER, PARKING (GRAY72	1							
8-1	1	172649-42720-1	LEVER, PARKING (49)	1							S
(A=M/#00514)											
9	2	172649-42740	SWITCH, PARKING LEVER	1							
10	1	172649-42731	SHAFT, PARKING	1							
11	1	172649-43010	ARM, BRAKE	1							
12	1	172122-46590	ELBALL 8	1							
13	1	172122-47250	BALL 8, LINK	1							
14	1	194440-51620	CLAMP, WIRE HARNESS	2							
14-1	1	1A1686-57850	LAMP, 80	2							N
(A=MXXX)											
15	1	22117-080000	WASHER 8	2							
16	1	22117-080000	WASHER 8	2							
17	1	22137-080000	WASHER 8, POLISHED	2							
18	1	22217-080000	SPRING WASHER 8	1							
19	1	22351-060032	SPRING PIN 6X32	1							
20	1	22372-080000	SNAP PIN (JASO 8)	1							
20-1	1	22417-200200	PIN, 2.0 X 20	1							N
(A=MXXX)											
21	1	26013-080162	BOLT W/WASHER M8X16	1							
22	1	26013-080202	BOLT W/WASHER M8X20	4							
23	1	26013-080252	BOLT M 8X 25	2							
24	1	26051-080002	NUT M 8	1							
25	1	26051-080002	NUT M 8	3							
26	1	933171-21700	PIN (B), SPOOL LINK	1							
27	1	933171-21950	JOINT, ROD	1							
28	1	22217-080000	SPRING WASHER 8	1							W
(A=M/#00518)											

Fig.28. BRAKE(PADAL & ROD)(REAR)

(A)=C30R-US

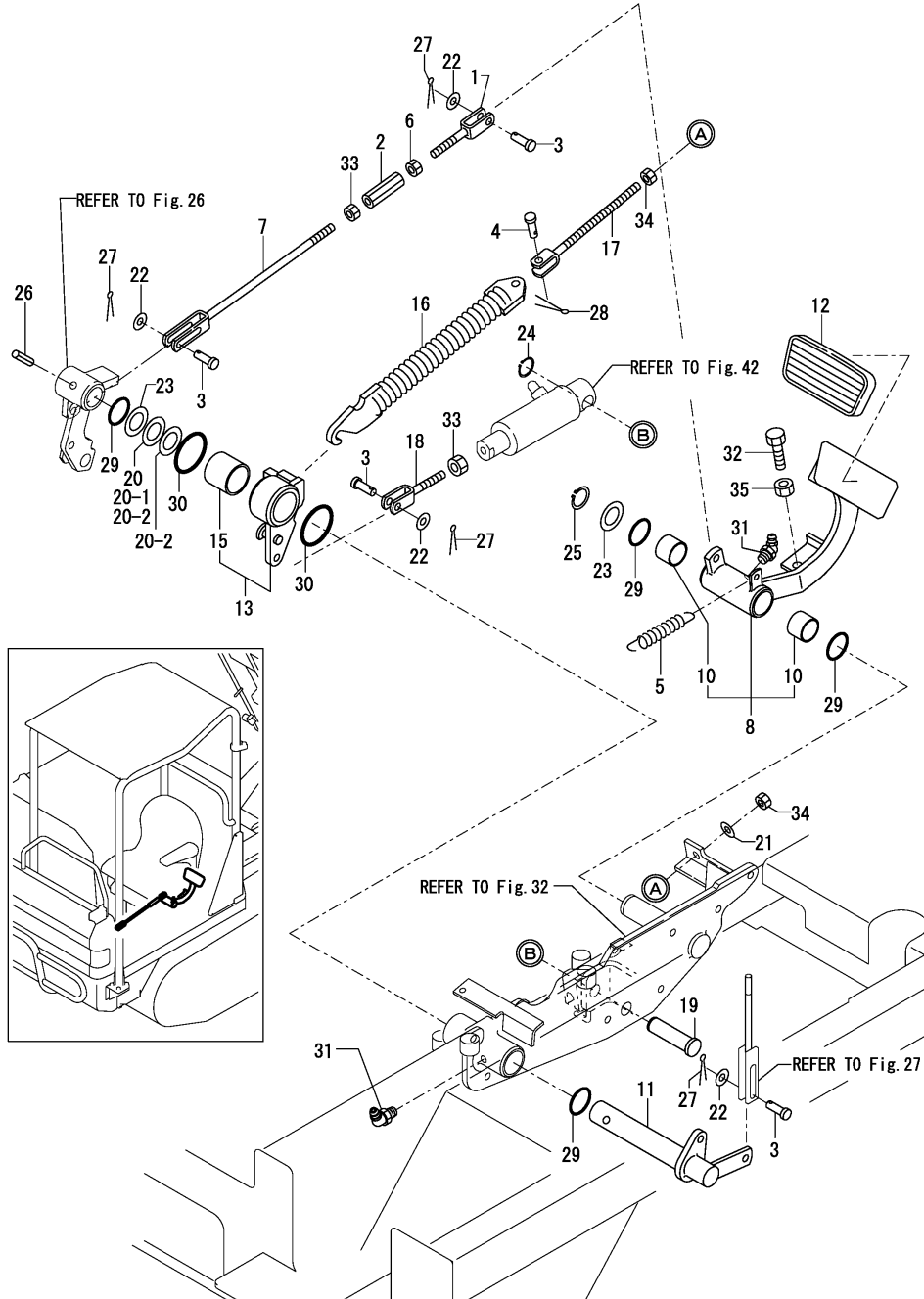
(B)=

(C)=

(D)=

(E)=

(F)=



REF.	LEV.	PARTS NO.	DESCRIPTION	QTY						I	R
				(A)	(B)	(C)	(D)	(E)	(F)		
1	1	172730-11411	BOD (L), LINK	1							
2	1	172730-11440	TURNBUCKLE 10	1							
3	1	172730-11451	PIN 10.25.29	4							
4	1	172730-11451	PIN 10.25.29	1							
5	1	172162-12480	SPRING,RETURN	1							
6	1	194150-22480	NUT M10	1							
7	1	172653-42200	ROD ASSY	1							
8	1	172649-42420	PEDAL, BRAKE R (72)	1							
8-1	1	172649-42420-1	PEDAL, BRAKE R (49)	1							S
(A=M/#00514)											
10	2	24550-030250	DRY BUSH 30X25	2							
11	1	172649-42572	ARM, BRAKE M	1							
12	1	172649-42650	PEDAL PAD,BRAKE	1							
13	1	172649-43251	ARM	1							
15	2	24550-045400	BUSH 45X40,DRY	1							
16	1	172649-43300	SPRING, BRAKE	1							
17	1	172649-43350	ROD, BRAKE	1							
18	1	172649-43380	ROD, BRAKE	1							
19	1	172649-45630	PIN, CYLINDER	1							
20	1	172983-86160	SHIM	1							
20-1	1	172983-86161	SHIM	1							R
(A=MXXX)											
20-2	1	172983-86161	SHIM	2							K
(A=MXXX)											
21	1	22137-100000	WASHER 10,POLISHED	1							
22	1	22137-100000	WASHER 10,POLISHED	4							
23	1	22137-300000	WASHER 30	2							
24	1	22242-000200	CIRCLIP 20	1							
25	1	22242-000300	CIRCLIP 30	1							
26	1	22351-100045	SPRING PIN 10X45	1							
27	1	22417-320200	COTTER PIN 3.2X20	4							
28	1	22417-320200	COTTER PIN 3.2X20	1							
29	1	24311-000350	O-RING 1A P-35.0	4							
30	1	24321-000500	O-RING 1A G-50.0	2							
31	1	24761-040000	NIPPLE B,GREASE	2							
32	1	26116-120504	BOLT M12X 50 PLATED	1							
33	1	26716-100002	NUT 10	2							
34	1	26716-100002	NUT 10	2							
35	1	26716-120002	NUT 12	1							

Fig.29. BRAKE(PEDAL & ROD)(FRONT)

(A)=C30R-US

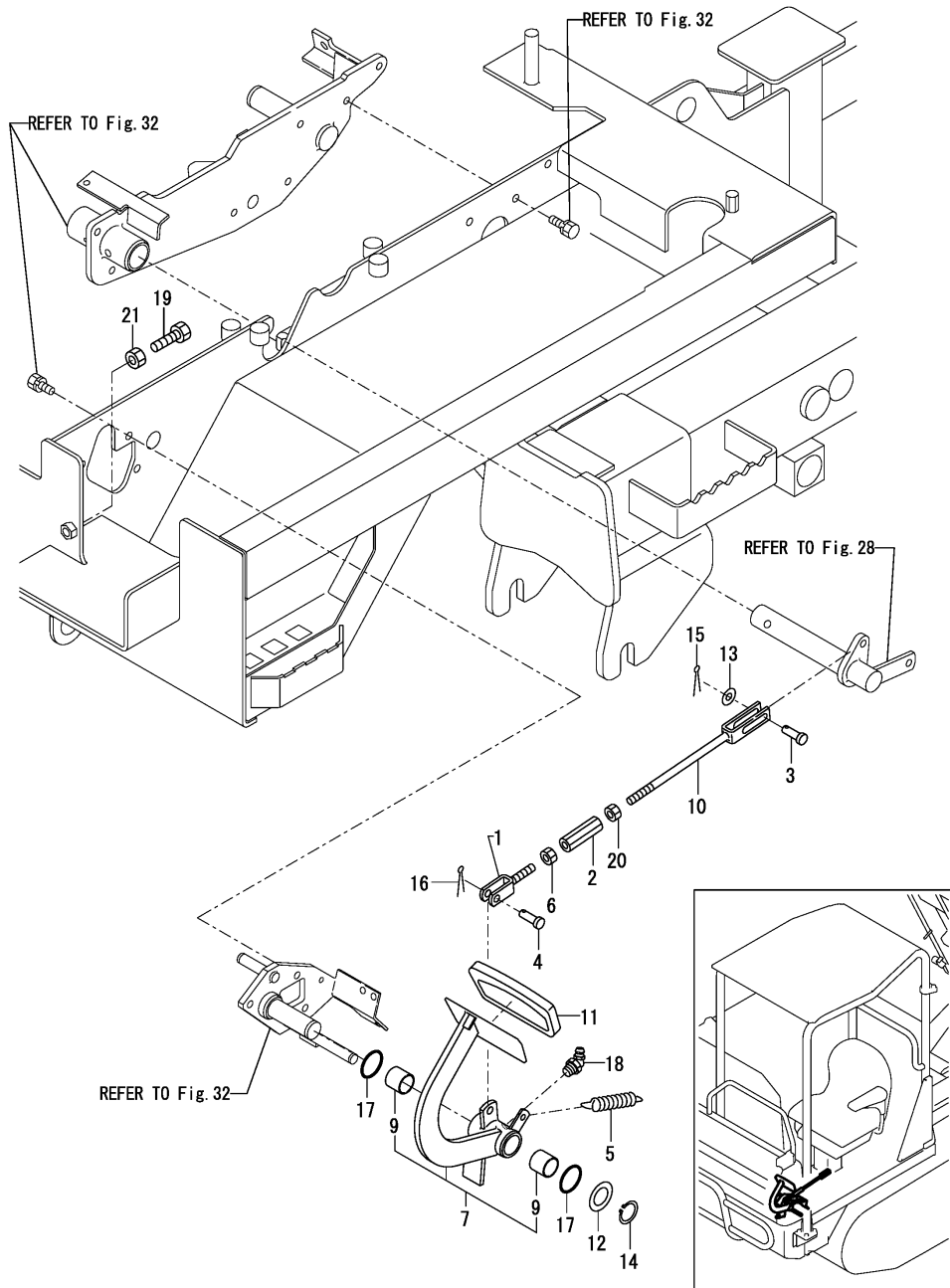
(B)=

(C)=

(D)=

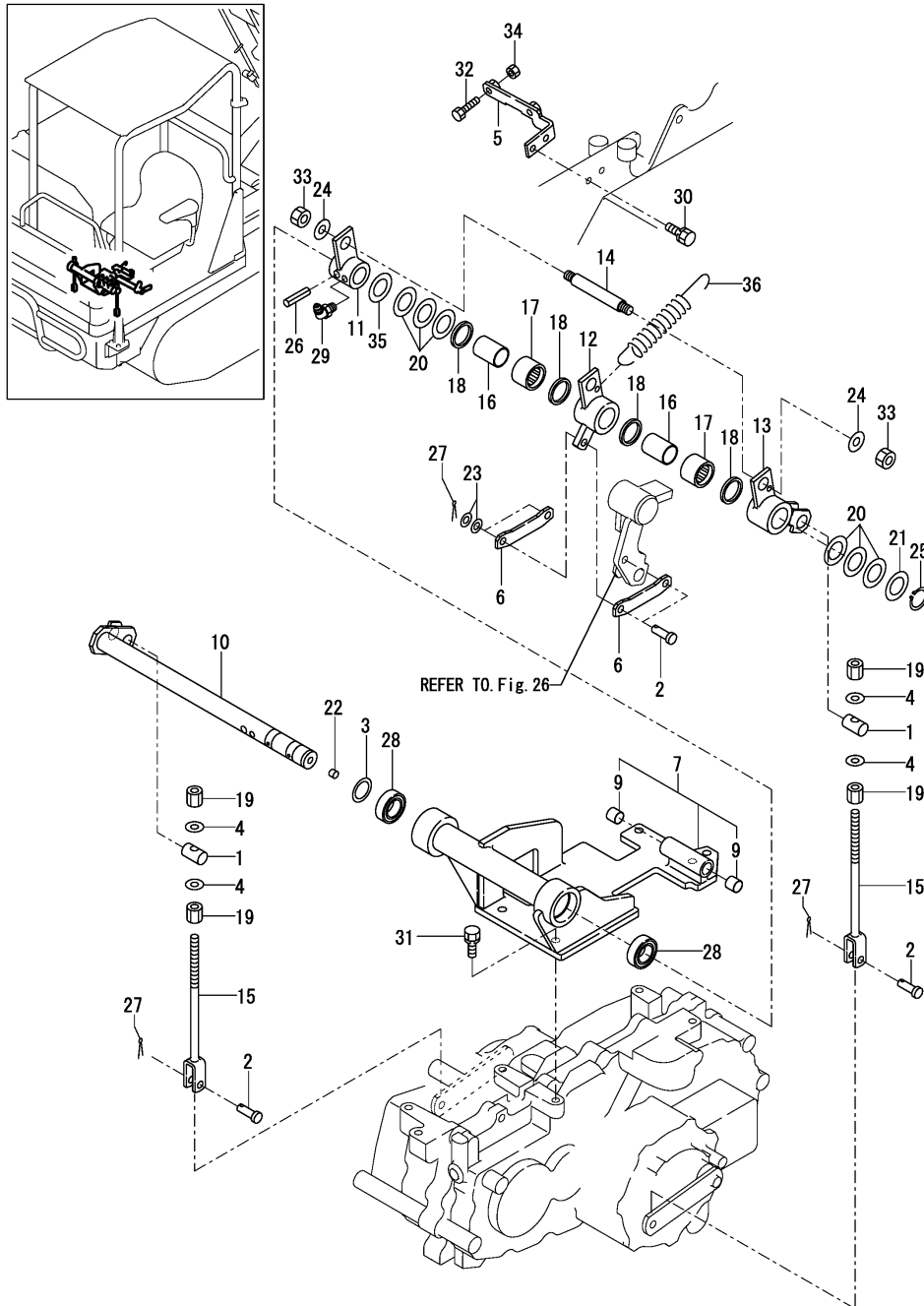
(E)=

(F)=



REF.	LEV.	PARTS NO.	DESCRIPTION	QTY						I	R
				(A)	(B)	(C)	(D)	(E)	(F)		
1	1	172730-11411	BOD (L), LINK	1							
2	1	172730-11440	TURNBUCKLE 10	1							
3	1	172730-11451	PIN 10.25.29	1							
4	1	172730-11451	PIN 10.25.29	1							
5	1	172162-12480	SPRING,RETURN	1							
6	1	194150-22480	NUT M10	1							
7	1	172649-42390	PEDAL, BRAKE F (72)	1							
7-1	1	172649-42390-1	PEDAL, BRAKE F (49)	1							S
(A=M/#00514)											
9	2	24550-025250	BUSH 25X25	2							
10	1	172649-42521	ROD, BRAKE	1							
11	1	172649-42650	PEDAL PAD,BRAKE	1							
12	1	172165-47990	WASHER 25.5X42	1							
13	1	22137-100000	WASHER 10,POLISHED	1							
14	1	22242-000250	CIRCLIP 25S	1							
15	1	22417-320200	COTTER PIN 3.2X20	1							
16	1	22417-320200	COTTER PIN 3.2X20	1							
17	1	24311-000320	O-RING 1A P-32.0	2							
18	1	24761-040000	NIPPLE B,GREASE	1							
19	1	26116-120504	BOLT M12X 50 PLATED	1							
20	1	26716-100002	NUT 10	1							
21	1	26716-120002	NUT 12	1							

Fig.30. BRAKE(LINK)



(A)=C30R-US

(B)=

(C)=

(D)=

(E)=

(F)=

REF.	LEV.	PARTS NO.	DESCRIPTION	QTY						I	R
				(A)	(B)	(C)	(D)	(E)	(F)		
1	1	172730-01370	PIN 18X30	2							
2	1	172730-11451	PIN 10.25.29	4							
3	1	172644-23350	LINER 25X34X1.5	1							
4	1	172653-42100	WASHER	4							
5	1	172649-42480	STOPPER, ARM	1							
6	1	172649-42512	PLATE, BRAKE	2							
7	1	172649-42791	BRACKET, SHAFT (72)	1							
7-1	1	172649-42791-1	BRACKET, SHAFT (49)	1							S
(A=M/#00514)											
9	2	24550-016150	DRY BUSH 16X15	2							
10	1	172649-42841	ARM, BRAKE R	1							
11	1	172649-42871	ARM, BALANCER	1							
12	1	172649-42911	ARM, BRAKE M	1							
13	1	172649-42941	ARM, BRAKE L	1							
14	1	172649-42970	PIN, BALANCER	1							
15	1	172649-42981	ROD, BRAKE	2							
16	1	172649-43200	RING	2							
17	1	172649-43210	BEARING	2							
18	1	172649-43220	SEAL	4							
19	1	172738-47860	NUT 10	4							
20	1	172165-47980	SHIM 42X25.5X0.5	3							
20-1	1	172165-47980	SHIM 42X25.5X0.5	6							K
(A=MXXX)											
21	1	172165-47990	WASHER 25.5X42	1							
22	1	1E6710-53040	PLUG 1/8,TAPER SCREW	1							
23	1	22137-100000	WASHER 10,POLISHED	4							
24	1	22137-120000	WASHER 12,POLISHED	2							
25	1	22242-000250	CIRCLIP 25S	1							
26	1	22351-100045	SPRING PIN 10X45	1							
27	1	22417-320200	COTTER PIN 3.2X20	4							
28	1	24104-060054	BALL BEARING	2							
29	1	24761-040000	NIPPLE B,GREASE	1							
30	1	26013-080202	BOLT W/WASHER M8X20	2							
31	1	26013-100252	BOLT W/WASHER M10X25	4							
32	1	26116-080304	BOLT M8 X 30 PLATED	2							
33	1	26346-120002	U-NUT M12 PLATED	2							
34	1	26716-080002	NUT M 8	2							
35	1	933147-02550	WASHER 2542	1							
36	1	933153-01280	SPRING, RETURN	1							

Fig.31. LEVER , HYDR.

(A)=C30R-US

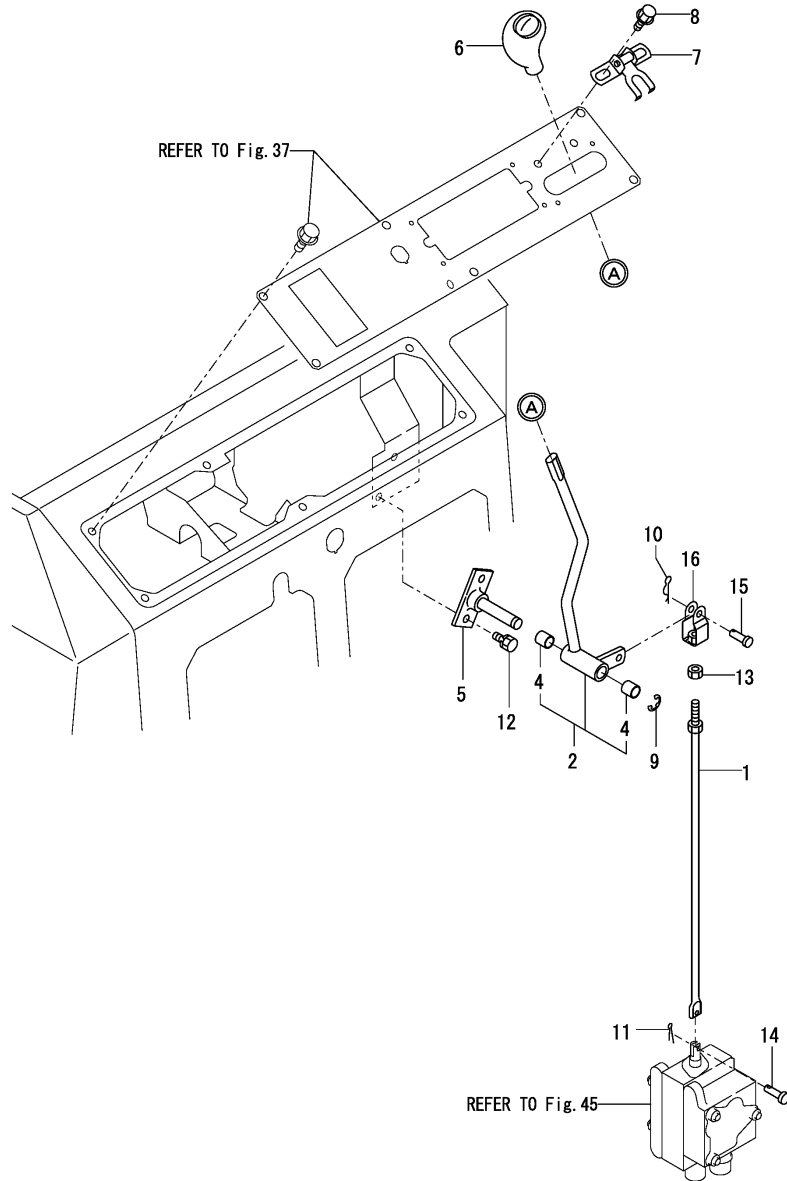
(B)=

(C)=

(D)=

(E)=

(F)=



REF.	LEV.	PARTS NO.	DESCRIPTION	QTY						I	R
				(A)	(B)	(C)	(D)	(E)	(F)		
1	1	172150-42730	LOD(B), SPOOL	1							
2	1	172653-45100	LEVER,DUMP (GRAY:72)	1							
2-1	1	172653-45100-1	LEVER,DUMP (GRAY:49)	1							S
(A=M/#00514)											
4	2	24550-013150	BUSHING 13X15	2							
5	1	172649-45130	SHAFT, LEVER	1							
6	1	172649-45200	KNOB, LEVER	1							
7	1	172730-62250	STOPPER,HYD.LEVER(11)	1							
7-1	1	172730-62250-1	STOPPER,HYD.LEVER(10)	1							S
(A=M/#00514)											
8	1	172519-63240	BOLT 8X 16	2							
9	1	22272-000100	CIRCLIP E-10	1							
10	1	22372-080000	SNAP PIN (JASO 8)	1							
11	1	22417-160160	COTTER PIN 1.6X16	1							
12	1	26013-080162	BOLT W/WASHER M8X16	2							
13	1	26716-080002	NUT M 8	1							
14	1	933110-54100	PIN 4.75X14	1							
15	1	933171-21700	PIN (B), SPOOL LINK	1							
16	1	933171-21950	JOINT, ROD	1							

Fig.33. STEERING LEVER

(A)=C30R-US

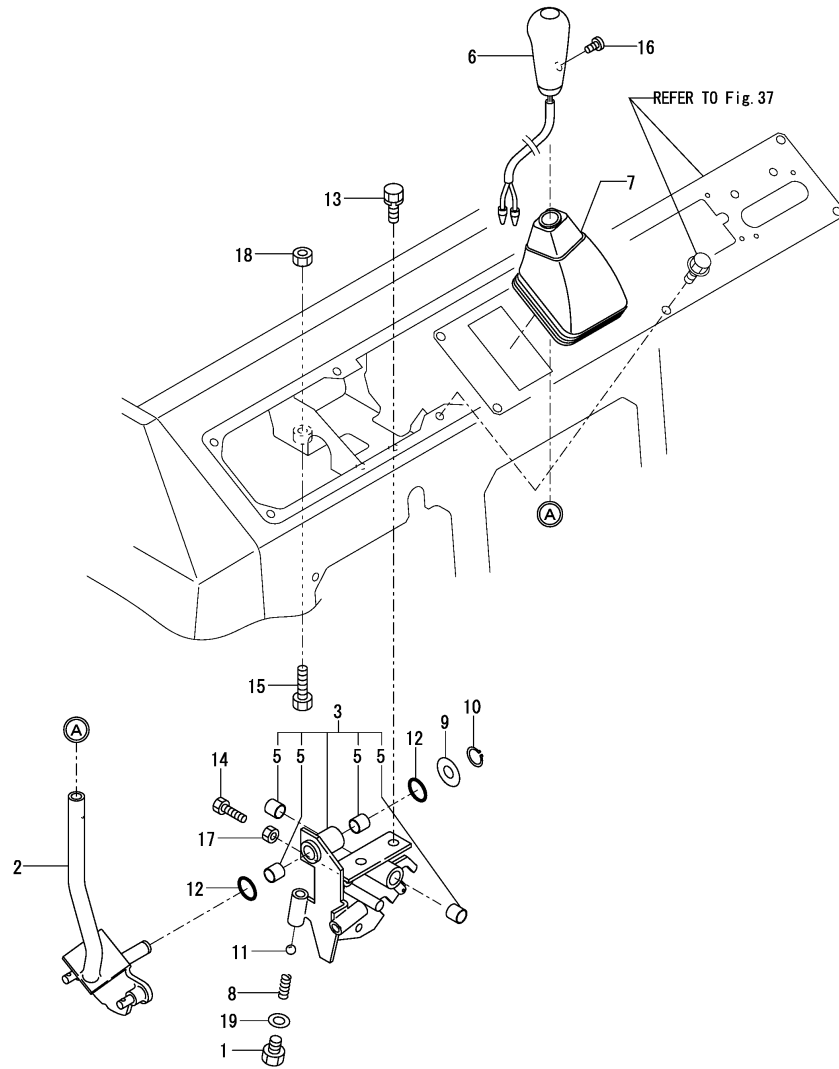
(B)=

(C)=

(D)=

(E)=

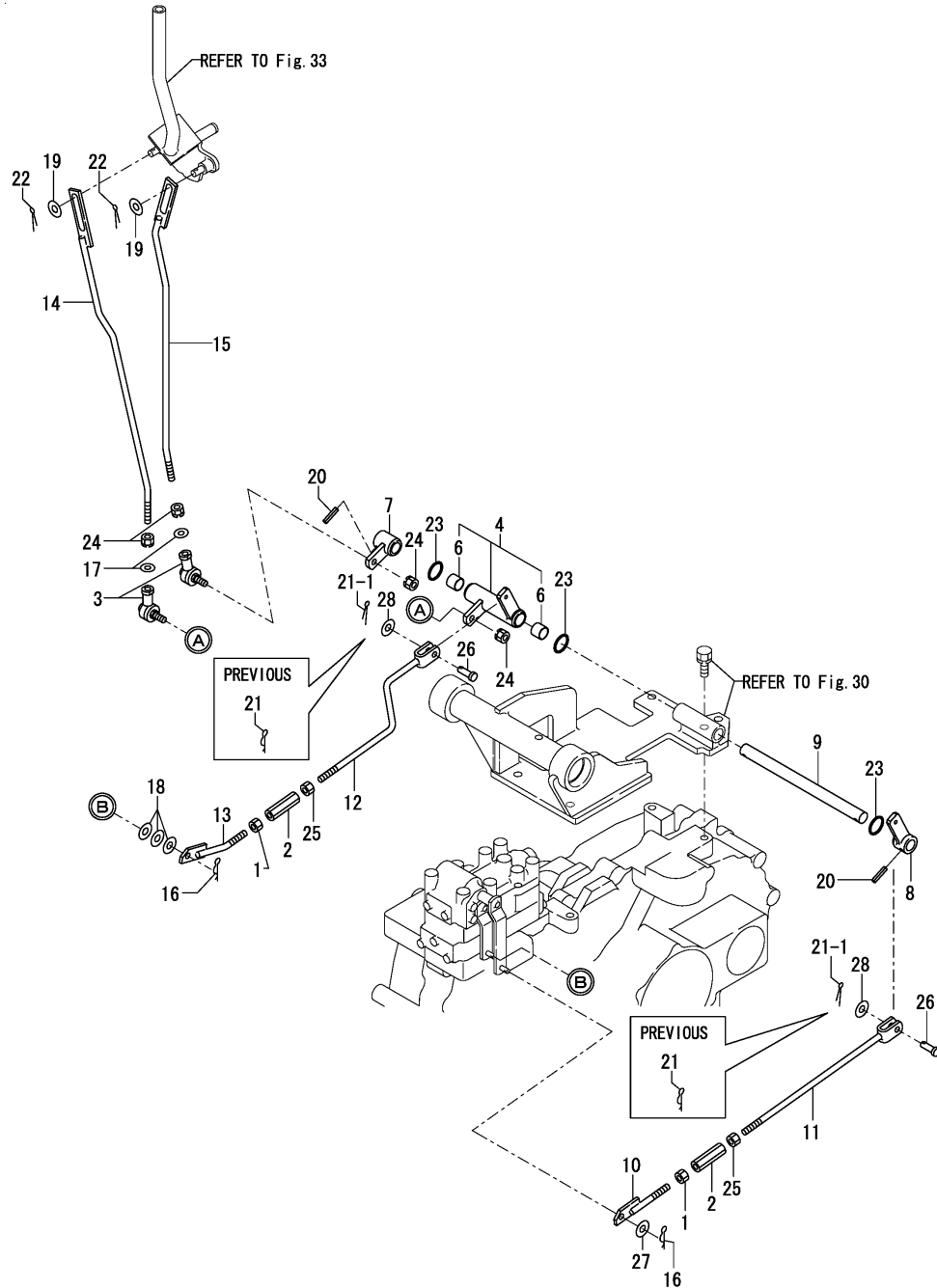
(F)=



REF.	LEV.	PARTS NO.	DESCRIPTION	QTY						I	R
				(A)	(B)	(C)	(D)	(E)	(F)		
1	1	172649-41610	PLUG 12	1							
2	1	172649-47101	LEVER, STEERING (72)	1							
2-1	1	172649-47101-1	LEVER, STEERING (49)	1							S
2-2	1	172649-47102-1	LEVER, STEERING (49)	1							N
(A=M/#00514)											
(A=MXXX)											
3	1	172653-47190	BRACKET ASSY, LEVER	1							
3-1	1	172653-47191	BRACKET ASSY,LEVER	1							N
(A=MXXX)											
5	2	24550-014150	BUSH 14X15	4							
6	1	172165-47871	KNOB (A) ASSY	1							1
7	1	1E8050-61850	BOOT,STEERING	1							
8	1	1E8050-63130	SPRING 1.6X9.4X25	1							
9	1	22137-140000	WASHER 14,POLISHED	1							
10	1	22242-000140	CIRCLIP 14	1							
11	1	24190-120001	BALL 3/8,STEEL	1							
12	1	24311-000220	O-RING 1A P-22.0	2							
13	1	26013-100252	BOLT W/WASHER M10X25	2							
14	1	26116-080304	BOLT M8 X 30 PLATED	1							
15	1	26116-100354	BOLT M10X 35 PLATED	1							
16	1	26587-040062	SCREW M 4X 6	1							
17	1	26716-080002	NUT M 8	1							
18	1	26716-100002	NUT 10	1							
19	1	22117-120000	WASHER, 12	1							W
(A=MXXX)											

Remarks
 (1)A KNOB WITH A BUILT-IN HORN SWITCH.

Fig.34. STEERRING LINK



(A)=C30R-US

(B)=

(C)=

(D)=

(E)=

(F)=

REF.	LEV.	PARTS NO.	DESCRIPTION	QTY						I	R
				(A)	(B)	(C)	(D)	(E)	(F)		
1	1	194990-20170	NUT W/WASHER 8	2							
2	1	195412-33280	TURNBUCKLE	2							
3	1	172122-46590	ELBALL 8	2							
4	1	172649-47320	BOSS A,STEERING	1							
6	2	24550-016150	DRY BUSH 16X15	2							
7	1	172649-47410	ARM R, STEERING	1							
8	1	172649-47420	ARM L, STEERING	1							
9	1	172649-47440	SHAFT, STEERING	1							
10	1	172649-47451	ROD L, STEERING	1							
11	1	172649-47481	ROD R, STEERING	1							
12	1	172649-47501	ROD R, STEERING	1							
13	1	172649-47530	ROD R F,STEERING	1							
14	1	172649-47550	ROD A, STEERING	1							
15	1	172649-47580	ROD B, STEERING	1							
16	1	1C6281-52310	PIN 6,COME-OFF SNAP	2							
17	1	22117-080000	WASHER 8	2							
18	1	22137-060000	WASHER 6, POLISHED	3							
19	1	22137-100000	WASHER 10,POLISHED	2							
20	1	22351-060025	SPRING PIN 6X25	2							
21	1	22372-080000	SNAP PIN (JASO 8)	2							
21-1	1	22417-200200	PIN, 2.0 X 20	2							N
(A=MXXX)											
22	1	22417-200200	COTTER PIN 2.0X20	2							
23	1	24311-000210	O-RING 1A P-21.0	3							
24	1	26051-080002	NUT M 8	4							
25	1	26716-080002	NUT M 8	2							
26	1	933171-21700	PIN (B), SPOOL LINK	2							
27	1	22137-060000	WASHER, 6	1							W
(A=MXXX)											
28	1	22137-080000	WASHER, 8	2							W
(A=MXXX)											

Fig.35. FRAME & BUMPER

(A)=C30R-US

(B)=

(C)=

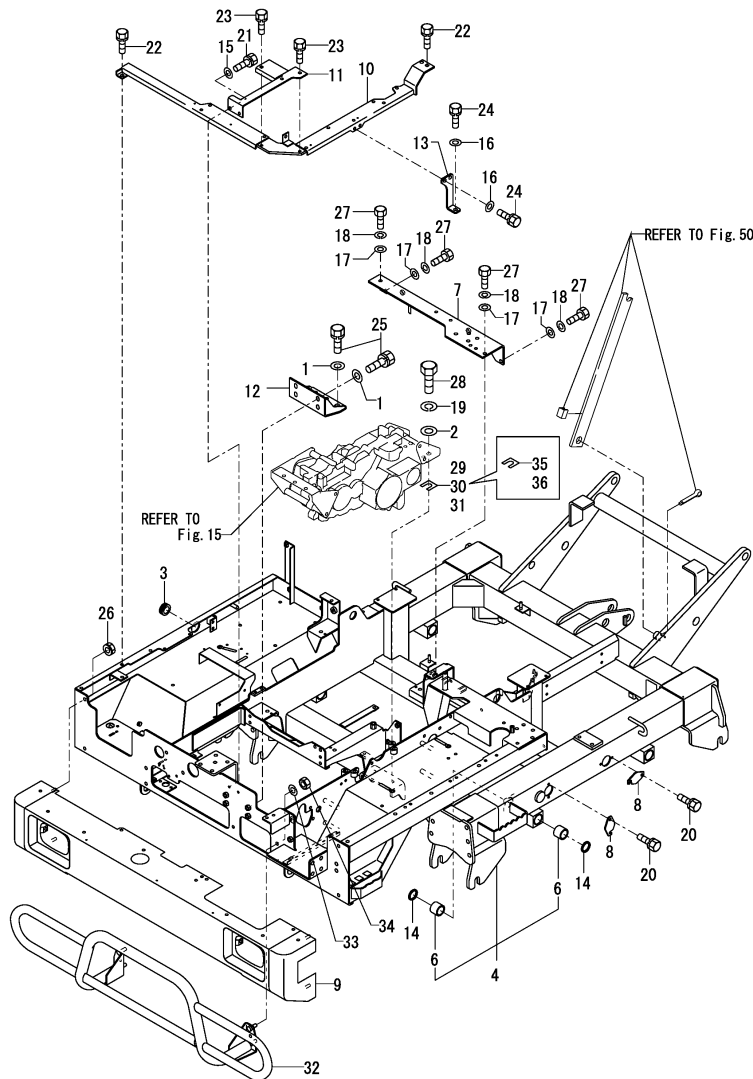
(D)=

(E)=

(F)=

Q'TY

I R



REF.	LEV.	PARTS NO.	DESCRIPTION	(A)	(B)	(C)	(D)	(E)	(F)	I	R
1	1	172730-05250	WASHER	7							
2	1	172649-22330	WASHER 15X32	2							
3	1	172141-50890	GROMMET	1							
4	1	172653-51091-1	FRAME ASSY	1							1
4-1	1	172653-51092-3	FRAME ASSY(GREEN:82)	1							Q 1
(A=M/#00514)											
4-2	1	172653-51092-1	FRAME ASSY	1							S 1
(A=M/#00514)											
6	2	172110-81570	BUSH 135X35	8							
7	1	172653-51700-1	MEMBER, CROSS	1							
7-1	1	172653-51700-2	MEMBER, CROSS	1							S
(A=M/#00514)											
8	1	172653-51800-1	COVER, FRAME	4							
8-1	1	172653-51800-2	COVER, FRAME	4							S
(A=M/#00514)											
9	1	172653-52100-1	FRAME ASSY, FRONT	1							
9-1	1	172653-52100-2	FRAME ASSY, FRONT	1							S
(A=M/#00514)											
10	1	172649-52300-1	BRACKET, STEP	1							
10-1	1	172649-52300-2	BRACKET ASSY, STEP	1							S
(A=M/#00514)											
11	1	172653-52300-1	BRACKET, STEP	1							
11-1	1	172653-52300-2	BRACKET ASSY, STEP	1							S
(A=M/#00514)											
12	1	172649-52400-1	BRACKET ASSY	1							
12-1	1	172649-52400-2	BRACKET ASSY	1							S
(A=M/#00514)											
13	1	172649-52450-1	PLATE	1							
13-1	1	172649-52450-2	PLATE	1							S
(A=M/#00514)											
14	1	172448-81610	SEAL 35X45X4,DUST	8							
15	1	22137-080000	WASHER	2							
16	1	22137-100000	WASHER	3							
17	1	22137-100000	WASHER	4							
18	1	22217-100000	WASHER, SPRING	4							
19	1	22217-140000	WASHER, SPRING	2							
20	1	26013-080122	BOLT	8							
20-1	1	26014-080122	BOLT	8							N
(A=MXXX)											
20-2	1	26106-080102	BOLT	8							N
(A=MXXXXX)											
21	1	26013-080162	BOLT	2							
22	1	26013-100252	BOLT	3							
23	1	26013-100252	BOLT	2							
24	1	26013-100252	BOLT	3							
25	1	26013-120302	BOLT	7							
26	1	26051-100002	NUT	4							
27	1	26076-100252	BOLT	4							
28	1	26076-140502	BOLT	2							
29	1	933171-17760	SHIM A T=0.8	2							Z
(A=M/#00501)											

Remarks

(1)PLEASE USE THIS PART WITH FOLLOWING LABELS AT THE SAME TIME. REF.NO.37A.

(2)PLEASE USE THIS PART WITH FOLLOWING LABELS AT THE SAME TIME. REF.NO.38A.

(3)LABELS ARE NOT ILLUSTRATED.

N:Old $\begin{matrix} \text{Yes} \\ \text{No} \end{matrix}$ New, Q:Old $\begin{matrix} \text{No} \\ \text{Yes} \end{matrix}$ New, R:Old $\begin{matrix} \text{Yes} \\ \text{No} \end{matrix}$ New, S:Old $\begin{matrix} \text{No} \\ \text{Yes} \end{matrix}$ New, W:Add, Z:Discontinued, F:Interchangeable by set, K:Q'ty Change

++ CONTINUE ++

(C)Copy Rights YANMAR CO.,LTD.

Fig.35. FRAME & BUMPER

(A)=C30R-US

(B)=

(C)=

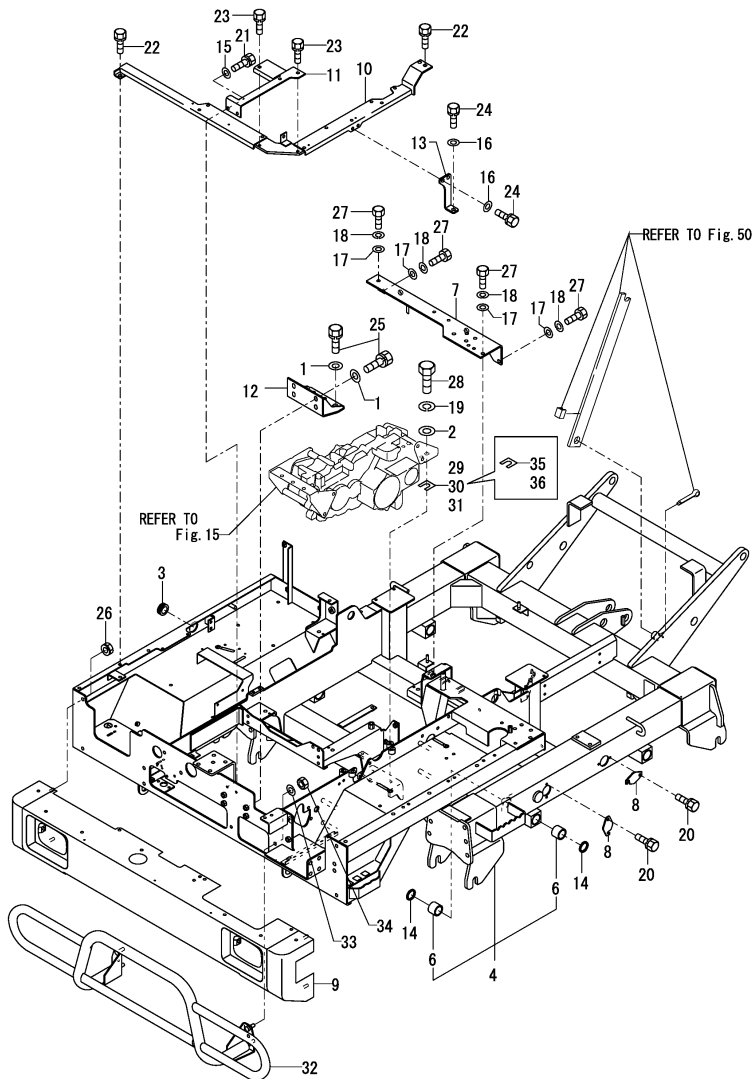
(D)=

(E)=

(F)=

QTY

REF.	LEV.	PARTS NO.	DESCRIPTION	QTY						I	R
				(A)	(B)	(C)	(D)	(E)	(F)		
30	1	933171-17780 (A=M/#00501)	SHIM B T=1.6	2							Z
31	1	933171-17790 (A=M/#00501)	SHIM C T=2.3	2							Z
32	1	172649-53100-1	BUMPER ASSY	1							2
32-1	1	172649-53100	BUMPER ASSY	1							S 2
32-2	1	172649-53100-2 (A=M/#00514)	BUMPER ASSY	1							S 2
33	1	22217-120000	WASHER, SPRING	4							
34	1	26716-120002	NUT	4							
35	1	172117-53320 (A=M/#00501)	SPACER ASSY	2							W
36	1	172423-68350 (A=M/#00501)	SHIM	5							W
37A	1	172437-03422	LABEL, MUFFLER	1							3
38A	1	172653-03440	LABEL, BUMPER US	1							3



Remarks

- (1) PLEASE USE THIS PART WITH FOLLOWING LABELS AT THE SAME TIME. REF.NO.37A.
- (2) PLEASE USE THIS PART WITH FOLLOWING LABELS AT THE SAME TIME. REF.NO.38A.
- (3) LABELS ARE NOT ILLUSTRATED.

Fig.36. COVER

(A)=C30R-US

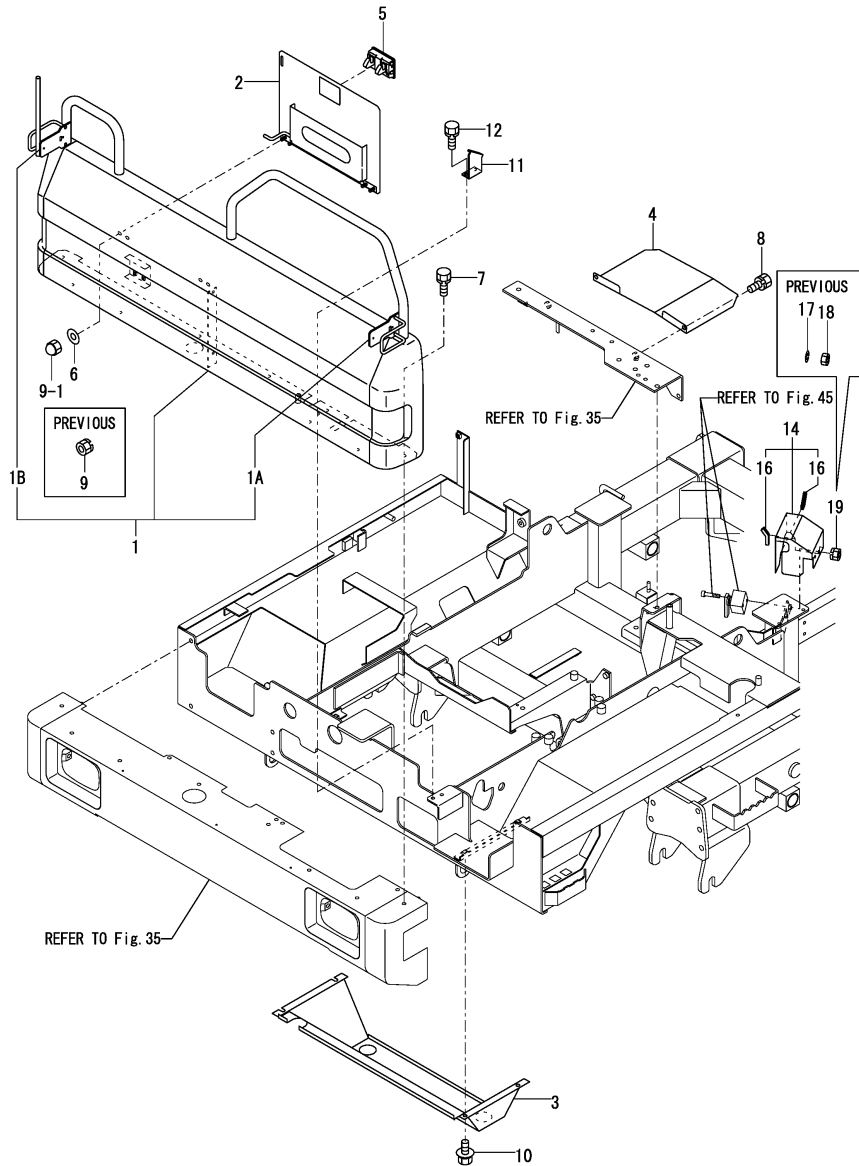
(B)=

(C)=

(D)=

(E)=

(F)=



REF.	LEV.	PARTS NO.	DESCRIPTION	QTY						I	R
				(A)	(B)	(C)	(D)	(E)	(F)		
1	1	172653-61101-1	COVER,FRONT(YELLOW87	1							1
1-1	1	172653-61101-2	COVER,FRONT(YELLOW2J	1							S 1
(A=M/#01001)											
1A	2	172653-61150-1	STAY ASSY,WINKER(2J)	1							W
(A=MXXX)											
1B	2	172653-61170-1	STAY ASSY,WINKER(2J)	1							W
(A=MXXX)											
2	1	172649-61280-5	COVER, TOOL BOX (87)	1							
2-1	1	172649-61280-1	COVER, TOOL BOX (2J)	1							S
(A=MXXX)											
3	1	172653-61350-1	COVER,UNDER(GREEN:82	1							
3-1	1	172653-61350-2	COVER ASSY,UNDER(49)	1							S
(A=M/#00514)											
4	1	172653-61400-1	COVER,PUMP(GREEN:82)	1							
4-1	1	172653-61400-2	COVER,PUMP (GRAY:49)	1							S
(A=M/#00514)											
5	1	172187-61421	HANDLE, LOCK	1							
6	1	22137-080000	WASHER 8, POLISHED	4							
7	1	26013-100202	BOLT W/WASHER M10X20	8							
8	1	26013-100252	BOLT W/WASHER M10X25	2							
9	1	26051-080002	NUT M 8	4							
9-1	1	26657-080002	CAP NUT M 8	4							N
(A=MXXX)											
10	1	26106-100202	BOLT M10X 20 PLATED	4							
11	1	172653-61500	PLATE A,GAUGE(RED:50	1							
11-1	1	172653-61500-1	PLATE A,GAUGE(RED10)	1							S
(A=M/#00514)											
12	1	26013-100252	BOLT W/WASHER M10X25	2							
13A	1	172653-03430	LABEL,PK BRAKE US	1							2
13B	1	172653-03520	LABEL,BRAKE US	1							2
14	1	172653-61600	COVER ASSY,INCHING	1							W
(A=MXXX)											
16	2	172445-62010	RUBBER, 45	2							W
(A=MXXX)											
17	1	22217-080000	WASHER, 8	2							W
(A=MXXX)											
17-1	1	22217-080000	WASHER, 8	2							Z
(A=MXXX)											
18	1	26716-080002	NUT, 8	2							W
(A=MXXX)											
18-1	1	26716-080002	NUT, 8	2							Z
(A=MXXX)											
19	1	26051-080002	NUT, 8	2							W
(A=MXXX)											

Remarks

(1)PLEASE USE THIS PART WITH FOLLOWING LABELS AT THE SAME TIME. REF.NO.13A & 13B.
 (2)LABELS ARE NOT ILLUSTRATED.

Fig.37. STEP & INSTRUMENT PANEL

(A)=C30R-US

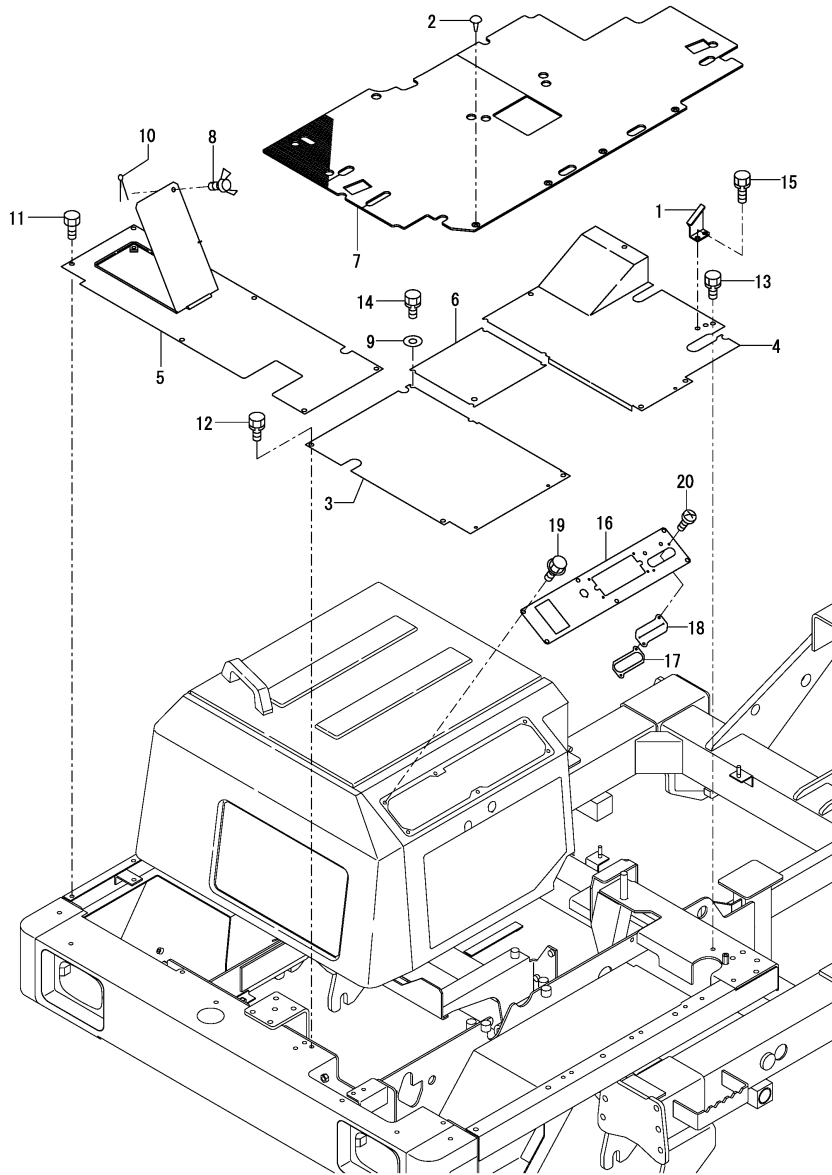
(B)=

(C)=

(D)=

(E)=

(F)=



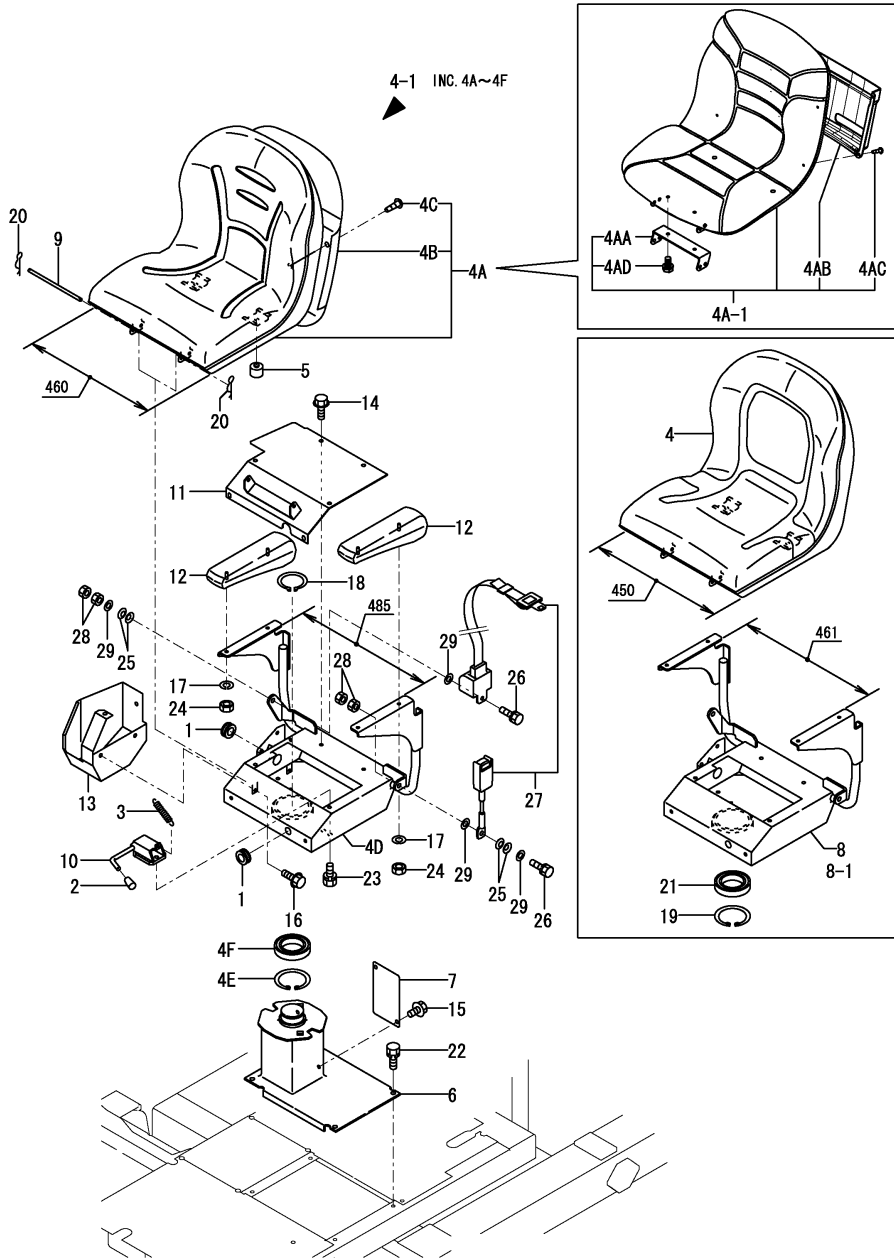
REF.	LEV.	PARTS NO.	DESCRIPTION	QTY						I	R
				(A)	(B)	(C)	(D)	(E)	(F)		
1	1	172653-61510	PLATE B,GAUGE(RED:50	1							
1-1	1	172653-61510-1	PLATE B,GAUGE(RED10)	1							S
(A=M/#00514)											
2	1	172527-61980	CLIP	4							
3	1	172649-62101	STEP L (72)	1							
3-1	1	172649-62101-1	STEP L (GRAY:49)	1							S
(A=M/#00514)											
4	1	172649-62113	STEP R ASSY(GRAY:72)	1							
4-1	1	172649-62113-1	STEP R ASSY(GRAY:49)	1							S
(A=M/#00514)											
5	1	172653-62150-1	STEP,FR (GREEN:82)	1							1
5-1	1	172653-62150-2	STEP FR ASSY (49)	1							S 1
(A=M/#00514)											
6	1	172649-62190	STEP CE (GRAY:72)	1							
6-1	1	172649-62190-1	STEP CE (GRAY:49)	1							S
(A=M/#00514)											
7	1	172653-62250	FLOOR MAT,US	1							
8	1	172142-62300	WING BOLT M10X15	1							
8-1	1	172142-62301	WING BOLT,M10X20	1							N
(A=MXXX)											
9	1	22137-100000	WASHER 10,POLISHED	4							
10	1	22417-320200	COTTER PIN 3.2X20	1							
11	1	26013-100202	BOLT W/WASHER M10X20	6							
12	1	26013-100202	BOLT W/WASHER M10X20	3							
13	1	26013-100202	BOLT W/WASHER M10X20	5							
14	1	26013-100202	BOLT W/WASHER M10X20	4							
15	1	26013-100252	BOLT W/WASHER M10X25	2							
16	1	172649-63100	PANEL,INSTRUMENT(72)	1							
16-1	1	172649-63100-1	PANEL,INSTRUMENT(49)	1							S
(A=M/#00514)											
17	1	172649-63120	PLATE,GUIDE(GRAY:72)	1							
17-1	1	172649-63120-1	PLATE,GUIDE(GRAY:49)	1							S
(A=M/#00514)											
18	1	172649-63140	PLATE, RUBBER	1							
19	1	172162-68370	BOLT	6							
20	1	26589-040122	SCREW 4X12	2							
21A	1	172437-03361	LABEL, BATTERY US	1							2

Remarks

(1)PLEASE USE THIS PART WITH FOLLOWING LABELS AT THE SAME TIME. REF.NO.21A.

(2)LABELS ARE NOT ILLUSTRATED.

Fig.38. SEAT & MOUNT



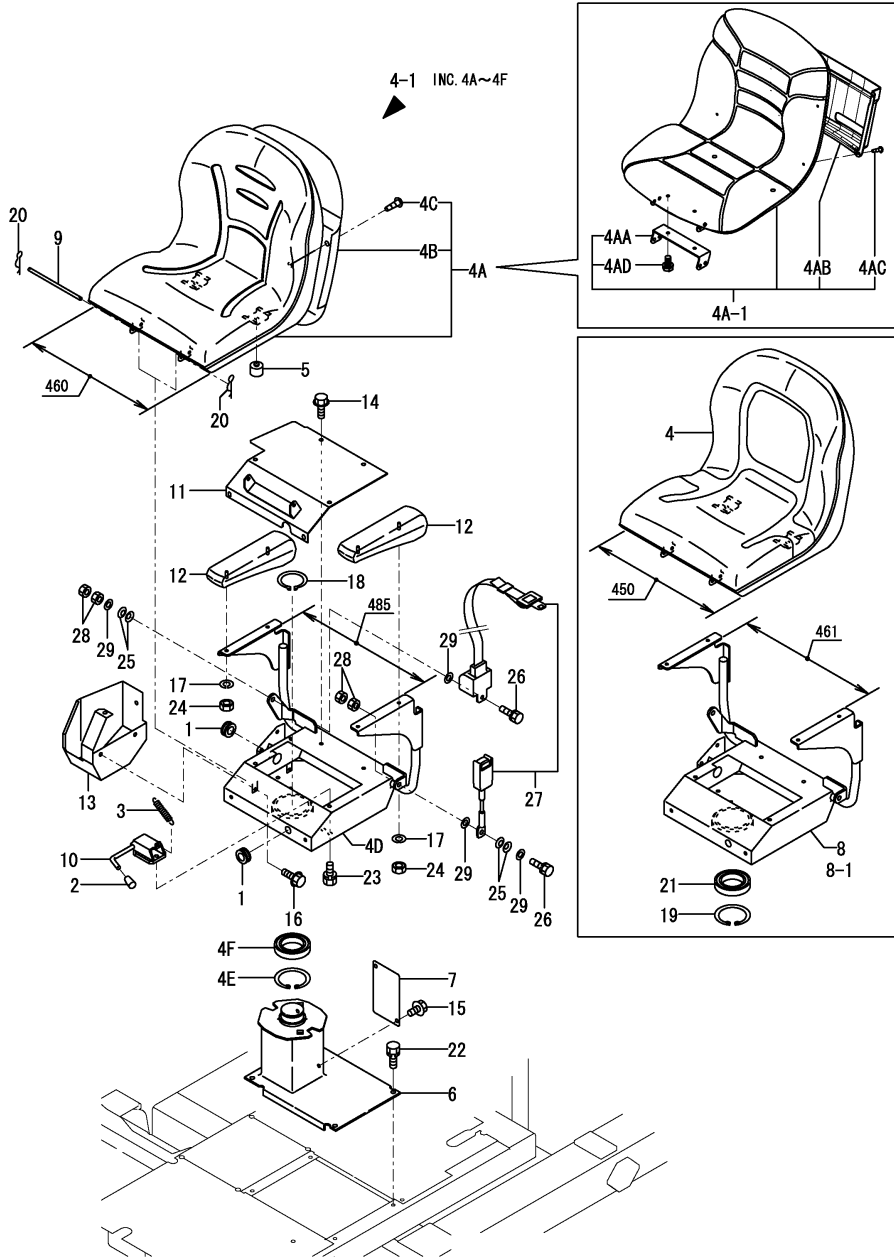
Remarks
 (1)THE EXCHANGE ONLY FOR SEAT IS NOT
 POSSIBLE.

(A)=C30R-US
 (B)=
 (C)=

(D)=
 (E)=
 (F)=

REF.	LEV.	PARTS NO.	DESCRIPTION	QTY						I	R
				(A)	(B)	(C)	(D)	(E)	(F)		
1	1	172725-16380	GROMMET 15X20	2							
2	1	172116-46630	KNOB, LOCK LEVER	1							
3	1	1E8100-63750	SPRING 1.6X16X55	1							
4	1	172649-64101	SEAT ASSY	1							
4-1	1	172653-08600 (A=MXXX)	SEAT KIT,NAMBA	1							N 1
4A	2	172A54-64100 (A=MXXX)	SEAT ASSY	1							W
4A-1	2	172A64-64010 (A=MZZZZZ)	SEAT ASSY	1							N
4AA	3	172A64-64020 (A=MZZZZZ)	STAY,SEAT	1							W
4AB	3	172A64-64030 (A=MZZZZZ)	CASE,LETTER	1							W
4AC	3	172A64-64050 (A=MZZZZZ)	SCREW,TAPPING 6.0X16	4							W
4AD	3	26013-08020 (A=MZZZZZ)	BOLT W/WASHER M8X20	2							W
4B	3	172A54-64110 (A=MXXX)	BACK COVER	1							W
4B-1	3	172A54-64110 (A=MZZZZZ)	BACK COVER	1							Z
4C	3	172A54-64120 (A=MXXX)	SCREW TAPPING 5X16	4							W
4C-1	3	172A54-64120 (A=MZZZZZ)	SCREW TAPPING 5X16	4							Z
4D	2	172653-64311 (A=MXXX)	BRACKET ASSY,SEAT(49)	1							W
4E	2	22252-000950 (A=MXXX)	CIRCLIP 95	1							W
4F	2	24104-060124 (A=MXXX)	BALL BEARING	1							W
5	1	172649-64150	CUSHION, SEAT	2							
6	1	172649-64203	MOUNT,SEAT (GRAY:72)	1							
6-1	1	172649-64203-1 (A=M/#00514)	MOUNT,SEAT (GRAY:49)	1							S
7	1	172649-64261	COVER (GRAY:72)	1							
7-1	1	172649-64261-1 (A=M/#00514)	COVER (GRAY:49)	1							S
8	1	172653-64310	BRACKET,SEAT(GRAY:72)	1							
8-1	1	172653-64310-1 (A=M/#00514)	BRACKET,SEAT(GRAY:49)	1							S
8-2	1	172653-64310-1 (A=MXXX)	BRACKET,SEAT(GRAY:49)	1							Z
9	1	172156-64420	PIN	1							
10	1	172649-64452	STOPPER, SEAT (72)	1							
10-1	1	172649-64452-1 (A=M/#00514)	STOPPER, SEAT (49)	1							S
11	1	172649-64491	COVER ASSY,MOUNT(72)	1							
11-1	1	172649-64491-1 (A=M/#00514)	COVER ASSY,MOUNT(49)	1							S

Fig.38. SEAT & MOUNT



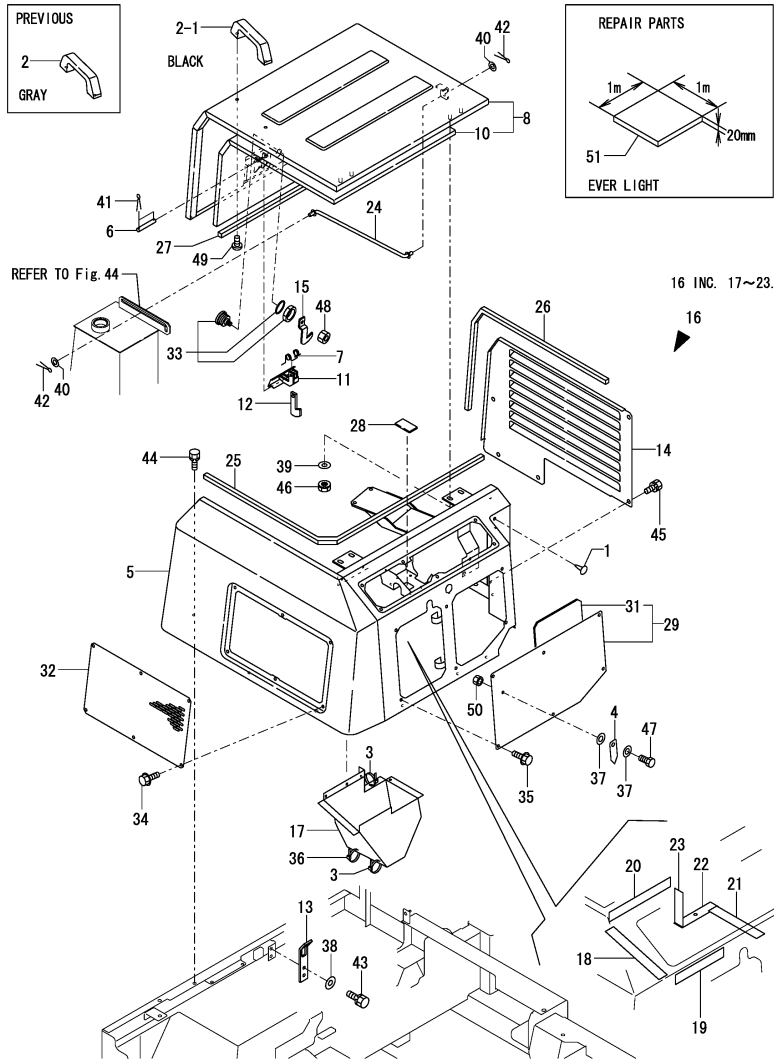
Remarks
 (1)THE EXCHANGE ONLY FOR SEAT IS NOT
 POSSIBLE.

(A)=C30R-US
 (B)=
 (C)=

(D)=
 (E)=
 (F)=

REF.	LEV.	PARTS NO.	DESCRIPTION	QTY						I	R
				(A)	(B)	(C)	(D)	(E)	(F)		
12	1	172649-64580	ARM REST	2							
13	1	172649-64650	COVER,PK LEVER (72)	1							
13-1	1	172649-64650-1	COVER,PK LEVER (49)	1							S
(A=M/#00514)											
14	1	172162-68370	BOLT	7							
15	1	172162-68370	BOLT	2							
16	1	172162-68370	BOLT	2							
17	1	22217-060000	SPRING WASHER 6	4							
18	1	22242-000600	CIRCLIP 60	1							
19	1	22252-000950	CIRCLIP 95	1							Z
(A=MXXX)											
20	1	22372-080000	SNAP PIN (JASO 8)	2							
21	1	24104-060124	BALL BEARING	1							Z
(A=MXXX)											
22	1	26013-100202	BOLT W/WASHER M10X20	4							
23	1	26013-100202	BOLT W/WASHER M10X20	2							
24	1	26716-060002	NUT 6	4							
25	1	172652-64220	SPRING 12	4							
26	1	172433-64511	BOLT 7/16-20-UNF	2							
27	1	172A23-64770	SEAT BELT ASSY	1							
28	1	172187-64831	NUT 7/16-20-UNF	4							
29	1	22137-120000	WASHER 12,POLISHED	4							

Fig.39. BONNET



Remarks

- (1)PLEASE USE THIS PART WITH FOLLOWING LABELS AT THE SAME TIME. REF.NO.52A,52B,52C.
- (2)PLEASE USE THIS PART WITH FOLLOWING LABELS AT THE SAME TIME. REF.NO.53A,53B,53C.
- (3)LABELS ARE NOT ILLUSTRATED.
- (4)REPAIR PARTS.

(A)=C30R-US
(B)=
(C)=

(D)=
(E)=
(F)=

REF.	LEV.	PARTS NO.	DESCRIPTION	QTY						I	R
				(A)	(B)	(C)	(D)	(E)	(F)		
1	1	172122-17190	CLIP	2							
2	1	172164-45980	GRIP, BONNET	1							
2-1	1	172164-45981	GRIP, BONNET	1							N
(A=MXXX)											
3	1	1A1380-55310	CLAMP, WIRE	2							
4	1	172652-63150	STAY (RED:50)	1							
4-1	1	172652-63150-2	STAY (RED:10)	1							S
(A=M#00514)											
5	1	172653-65110-1	BONNET (YELLOW:87)	1							1
5-1	1	172653-65110-2	BONNET (YELLOW:2J)	1							S 1
(A=M#01001)											
6	1	172734-65260	PIN, BONNET LEVER	1							
7	1	172734-65270	SPRING, CATCH	1							
8	1	172653-65400-1	COVER ,BONNET (87)	1							2
8-1	1	172653-65400-2	COVER ,BONNET (2J)	1							S 2
(A=M#01001)											
10	2	172649-65521	EV BONNET	1							
11	1	172124-65450	LEVER, LOCK	1							
12	1	172124-65480	CATCHER	1							
13	1	172124-65490	PLATE,CATCH	1							
14	1	172649-65540-5	BONNET,REAR(YELLOW87)	1							
14-1	1	172649-65540-1	BONNET,REAR(YELLOW2J)	1							S
(A=M#01001)											
15	1	172126-65571	WASHER LOCK	1							
16	1	772649-65570	MAGIC CLOTH SET	1							W
(A=M#00518)											
17	2	172649-65570	COVER, CONTROL	1							
18	2	172649-65580	MAGIC CLOTH 130	1							
19	2	172649-65590	MAGIC CLOTH 145	1							
20	2	172649-65630	MAGIC CLOTH 185	1							
21	2	172649-65640	MAGIC CLOTH 145	1							
22	2	172649-65650	MAGIC CLOTH 110	1							
23	2	172649-65660	MAGIC CLOTH 90	1							
24	1	172653-65600	ROD ASSY,STOPPER	1							
25	1	172649-65750	SEAL A, RUBBER	1							
26	1	172649-65760	SEAL B, RUBBER	1							
27	1	172649-65770	SEAL C, RUBBER	1							
28	1	172649-65780	PLATE, SPONGE	1							
29	1	172653-65800-1	COVER,BONNET (87)	1							
29-1	1	172653-65800-2	COVER ,BONNET (2J)	1							S
(A=M#01001)											
31	2	172649-65840	GLASS WOOL	1							
32	1	172649-65900-5	GRILLE (YELLOW:87)	1							
32-1	1	172649-65900-1	GRILLE (YELLOW:2J)	1							S
(A=M#01001)											
33	1	172164-66170	KEY ASSY, CYLINDER	1							
34	1	172162-68370	BOLT	6							
35	1	172162-68370	BOLT	6							
36	1	1E6102-84970	BAND 140,WIRE LOCK	1							
37	1	22137-080000	WASHER 8, POLISHED	2							
38	1	22137-100000	WASHER 10,POLISHED	2							

Fig.39. BONNET

(A)=C30R-US

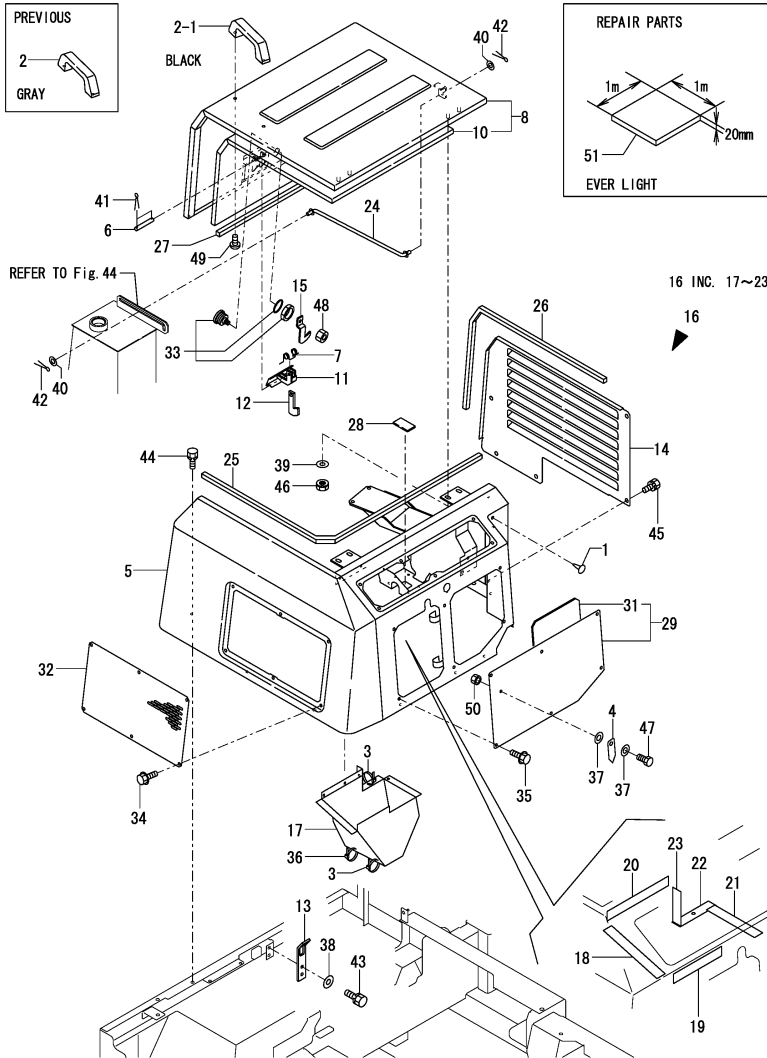
(B)=

(C)=

(D)=

(E)=

(F)=



REF.	LEV.	PARTS NO.	DESCRIPTION	Q'TY						I	R
				(A)	(B)	(C)	(D)	(E)	(F)		
39	1	22137-100000	WASHER 10,POLISHED	4							
40	1	22137-100000	WASHER 10,POLISHED	2							
41	1	22417-200200	COTTER PIN 2.0X20	2							
42	1	22417-200200	COTTER PIN 2.0X20	2							
43	1	26013-100252	BOLT W/WASHER M10X25	2							
44	1	26013-100252	BOLT W/WASHER M10X25	8							
45	1	26013-100252	BOLT W/WASHER M10X25	5							
45-1	1	26014-100252	BOLT, 10 X 25	5							N
(A=MXXX)											
46	1	26051-100002	NUT M10	4							
47	1	26116-080202	BOLT M 8X 20 PLATED	1							
48	1	26347-100002	U-NUT M10	1							
49	1	26557-080202	SCREW M 8X 20	2							
50	1	26756-080002	LOCK NUT M 8 PLATED	1							
51	1	172478-65750	EV 1000X1000X20	1							4
52A	1	172437-03301	LABEL, MANUAL US	1							3
52A-1	1	172437-03302	LABEL, MANUAL US	1							N 3
(A=M/#00501)											
52B	1	172653-03460	LABEL,NEUTRAL US	1							3
52C	1	172652-03661	LABEL,CAUTION-OPE.US	1							3
53A	1	172437-03391	LABEL, RADIATOR US	1							3
53B	1	172437-03402	LABEL, ENG,COVER US	2							3
53C	1	172A36-03411	LABEL, ENG ROOM	1							3

Remarks

- (1)PLEASE USE THIS PART WITH FOLLOWING LABELS AT THE SAME TIME.
REF.NO.52A,52B,52C.
- (2)PLEASE USE THIS PART WITH FOLLOWING LABELS AT THE SAME TIME.
REF.NO.53A,53B,53C.
- (3)LABELS ARE NOT ILLUSTRATED.
- (4)REPAIR PARTS.

Fig.40. CANOPY(ROPS)

(A)=C30R-US

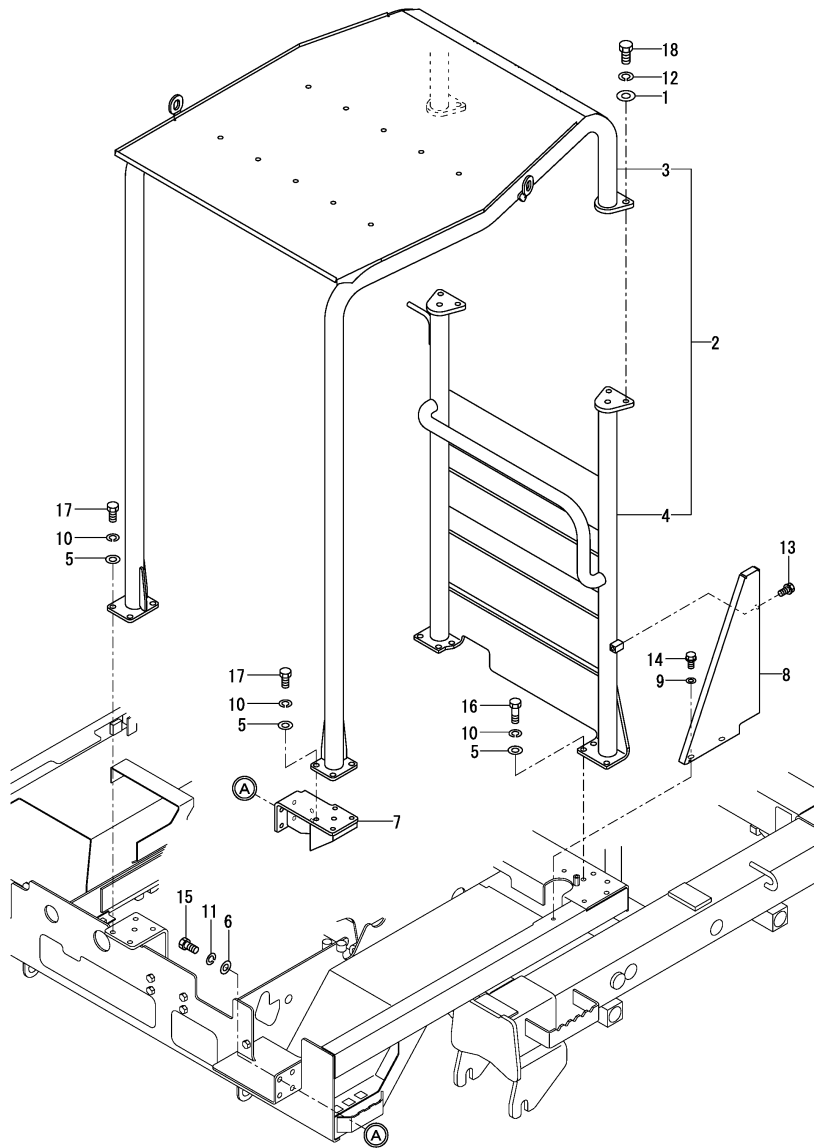
(B)=

(C)=

(D)=

(E)=

(F)=



REF.	LEV.	PARTS NO.	DESCRIPTION	Q'TY						I	R
				(A)	(B)	(C)	(D)	(E)	(F)		
1	1	172649-22330	WASHER 15X32	4							
2	1	772653-66300-2	C30R CANOPY ASSY(86)	1							
2-1	1	772653-66300-1	C30R CANOPY ASSY(73)	1							S
(A=M/#00514)											
3	2	172653-66300-1	CANOPY,ROPS(GREEN:86)	1							
3-1	2	172653-66300-2	CANOPY ASS(ROPS)(73)	1							S
(A=M/#00514)											
4	2	172653-66500-1	MOUNT,ROPS(GREEN:86)	1							1
4-1	2	172653-66500-2	MOUNT ASSY,ROPS (73)	1							S 1
(A=M/#00514)											
5	1	172149-66550	WASHER	14							
5-1	1	1E6690-35500	WASHER 12X28X4.5	14							R
(A=MXXX)											
6	1	172149-66550	WASHER	6							
6-1	1	1E6690-35500	WASHER 12X28X4.5	6							R
(A=MXXX)											
7	1	172653-66600-1	BRACKET,ROPS(GREEN:82)	1							
7-1	1	172653-66600-2	BRACKET,ROPS(GRAY:49)	1							S
(A=M/#00514)											
8	1	172653-66700-1	COVER,SIDE(GREEN:86)	1							
8-1	1	172653-66700-2	COVER,SIDE(YELLOW:87)	1							S
(A=M/#00514)											
8-2	1	172653-66700-3	COVER,SIDE(YELLOW:2J)	1							S
(A=M/#01001)											
9	1	22137-100000	WASHER 10,POLISHED	2							
10	1	22217-120000	SPRING WASHER 12	14							
11	1	22217-120000	SPRING WASHER 12	6							
12	1	22217-140000	SPRING WASHER 14	4							
13	1	26013-100202	BOLT W/WASHER M10X20	1							
14	1	26013-100252	BOLT W/WASHER M10X25	2							
15	1	26076-120302	BOLT M12X 30	6							
16	1	26076-120352	BOLT M12X 35	6							
17	1	26076-120402	BOLT 10.9 12X 4	8							
18	1	26076-140402	BOLT M14X40	4							
19A	1	172472-03141	LABEL, SUPPORT US	1							2
19B	1	172437-03342	LABEL, TRANSPORT US	1							2
19B-1	1	172437-03343	LABEL, TRANSPORT US	1							N 2
(A=M/#00501)											
19C	1	172437-03352	LABEL, GREASE CYL.	1							2
19D	1	172653-03350	LABEL,LIFT US	1							2
19E	1	172653-03430	LABEL,PK BRAKE US	1							2
19F	1	172437-03441	LABEL, ROPS US	1							2
19G	1	172653-03450	LABEL,PLACES US	1							2
19H	1	172653-03470	LABEL,WAGON US	1							2
19I	1	172653-03480	LABEL,SLOPE US	1							2
19J	1	172653-03520	LABEL,BRAKE US	1							2
19K	1	172652-03681	LABEL, SEAT BELT US	1							2

Remarks
 (1)PLEASE USE THIS PART WITH FOLLOW-
 ING LABELS AT THE SAME TIME.
 REF.NO.19A,19B,19C,19D,19E,19F,
 19G,19H,19I,19J & 19K.
 (2)LABELS ARE NOT ILLUSTRATED

Fig.41. HYD.OIL PUMP & JOINT

(A)=C30R-US

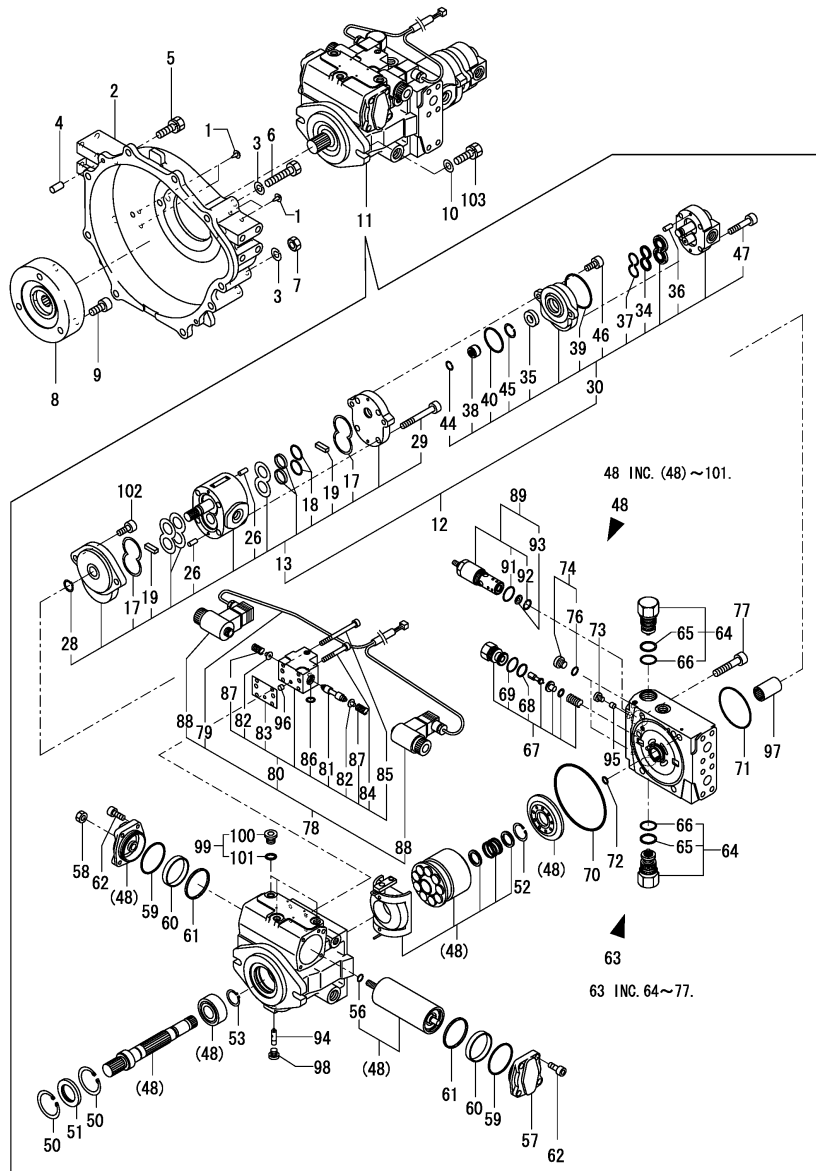
(B)=

(C)=

(D)=

(E)=

(F)=



Remarks

- (1)INCLUDE OF REFER NO.64.
- (2)INCLUDE OF REFER NO.67.
- (3)INCLUDE OF REFER NO.74.
- (4)INCLUDE OF REFER NO.80.

REF.	LEV.	PARTS NO.	DESCRIPTION	QTY						I	R
				(A)	(B)	(C)	(D)	(E)	(F)		
1	1	172122-17190	CLIP	4							
2	1	172649-71100-1	CASE (GREEN:88)	1							
2-1	1	172649-71100-2	CASE (GRAY:49)	1							S
(A=M/#00514)											
3	1	22217-120000	SPRING WASHER 12	5							
4	1	22351-080016	SPRING PIN 8X16	2							
5	1	26013-120352	BOLT M12X 35	4							
6	1	26116-120852	BOLT M12X 85 PLATED	4							
7	1	26716-120002	NUT 12	1							
8	1	172653-71200	JOINT	1							
9	1	26450-120402	BOLT M12X 40	3							
10	1	172165-13220	WASHER	2							
11	1	172653-73100	PUMP ASSY	1							
12	2	172649-71210	GEAR PUMP	1							
13	3	172649-72660	GEAR PUMP	1							
17	4	172141-71520	RING	2							
18	4	172141-71550	O-RING	2							
19	4	172141-71560	RING	2							
26	4	172141-73240	PIN, PARALLEL	4							
28	4	22242-000180	CIRCLIP 18	1							
29	4	26450-100802	BOLT, SOCKET M10X 80	4							
30	3	172649-72670	GEAR PUMP	1							
34	4	172649-72750	SQUARE RING	1							
35	4	172649-72760	SEAL, OIL	1							
36	4	172141-73240	PIN, PARALLEL	2							
37	4	172165-73850	RING, BACK UP	1							
38	4	172164-73870	COUPLING	1							
39	4	172165-73870	O-RING	1							
40	4	172165-73880	O-RING	1							
44	4	22252-000120	CIRCLIP 12	1							
45	4	22252-000280	CIRCLIP 28	1							
46	4	26450-080182	BOLT M 8X 18	2							
47	4	26450-080402	BOLT 8X40	4							
48	2	172653-71300	PUMP, PISTON	1							
50	4	172653-71420	RING, RETAINING	2							
51	4	172653-71430	RING, SEAL	1							
52	4	172653-71440	RING, RETAINING	1							
53	4	22242-000250	CIRCLIP 25S	1							
56	4	172179-73540	O-RING	1							
57	4	172653-71460	COVER	1							
58	4	172653-71470	NUT, M12	1							
59	4	172653-71480	O-RING	2							
60	4	172653-71490	RING, GUIDE	2							
61	4	172653-71500	RING	2							
62	4	26450-060162	BOLT M 6X 16	8							
63	3	172653-71330	PORT PLATE	1							
64	4	172653-71510	VALVE	2							
65	4	172651-73610	BACK-UP RING	2							1
66	4	172650-73640	O-RING(NBR,HS90)	2							1
67	4	172653-71520	VALVE	1							
68	4	172653-71550	PISTON RING	1							2

N:Old $\frac{Yes}{No}$ New, Q:Old $\frac{No}{Yes}$ New, R:Old $\frac{Yes}{Yes}$ New, S:Old $\frac{No}{No}$ New, W:Add, Z:Discontinued, F:Interchangeable by set, K:Q'ty Change

++ CONTINUE ++

(C)Copy Rights YANMAR CO.,LTD.

Fig.41. HYD.OIL PUMP & JOINT

(A)=C30R-US

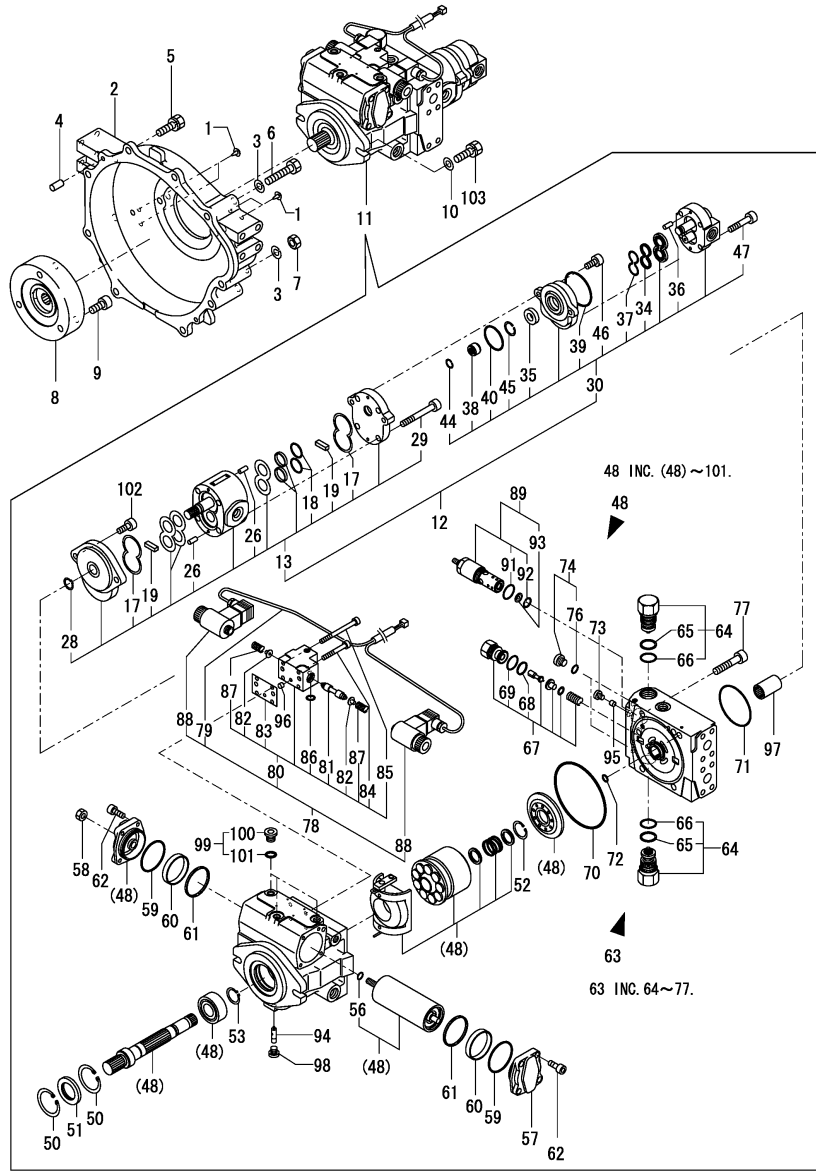
(B)=

(C)=

(D)=

(E)=

(F)=



REF.	LEV.	PARTS NO.	DESCRIPTION	QTY						I	R
				(A)	(B)	(C)	(D)	(E)	(F)		
69	4	172650-73640	O-RING(NBR,HS90)	1							2
70	4	172653-71530	O-RING	1							
71	4	172653-71540	O-RING	1							
72	4	172179-73540	O-RING	1							
73	4	172162-73630	PLUG	1							
74	4	172142-74600	PLUG	2							
76	4	24315-000110	O-RING 1B P-11.0	2							3
77	4	26450-120702	BOLT 12X70	4							
78	3	172653-71340	CONTROLMODULE	1							
79	4	172649-71250	WIRE, ELECTRIC	1							
80	4	172653-71560	HOUSING, VALVE	3							
81	4	172653-71580	PISTON,CONTROL	1							4
82	4	172653-71590	COLLAR, SPRING	2							4
83	4	172653-71600	GASKET	1							4
84	4	172653-71610	BOLT	3							4
85	4	172653-71620	BOLT	2							4
86	4	172653-71630	O-RING	1							4
87	4	172649-72600	SPRING	2							4
88	4	172653-71570	SOLENOID	2							
89	3	172653-71350	CARTRIDGE,CONTROL	1							
91	4	172650-73640	O-RING(NBR,HS90)	1							
92	4	22252-000140	CIRCLIP 14	1							
93	4	172653-71650	ORIFICE	1							
94	3	172653-71360	PIN,JOINT	1							
95	3	172653-71390	ORIFICE	1							
96	3	172653-71400	ORIFICE	1							
97	3	172653-71410	JOINT	1							
98	3	172649-73680	PLUG	1							
99	3	172142-74600	PLUG	3							
100	4	172142-74660	PLUG 1/4	3							
101	4	24315-000110	O-RING 1B P-11.0	3							
102	2	26450-100202	BOLT M10X 20	2							
103	1	26013-120402	BOLT M12X 40	2							

Remarks

- (1)INCLUDE OF REFER NO.64.
- (2)INCLUDE OF REFER NO.67.
- (3)INCLUDE OF REFER NO.74.
- (4)INCLUDE OF REFER NO.80.

Fig.42. HYD.OIL CYLINDER

(A)=C30R-US

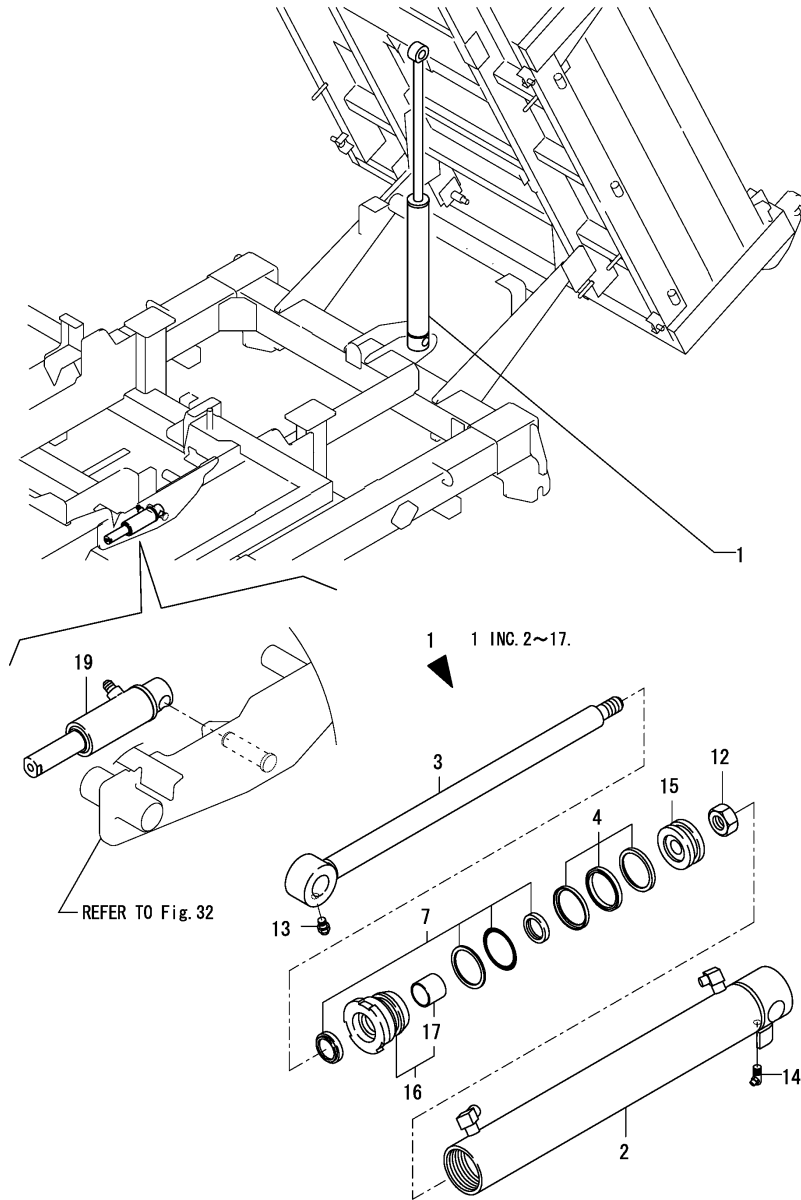
(B)=

(C)=

(D)=

(E)=

(F)=



REF.	LEV.	PARTS NO.	DESCRIPTION	Q'TY						I	R
				(A)	(B)	(C)	(D)	(E)	(F)		
1	1	172649-72100-1	CYLINDER,DUMP (82)	1							
1-1	1	172649-72100-2	CYLINDER,DUMP (49)	1							S
(A=M/#00514)											
2	2	172649-72110-1	TUBE,DUMP (GREEN:82)	1							
2-1	2	172649-72110-2	TUBE,DUMP (GRAY:49)	1							S
(A=M/#00514)											
3	2	172649-72150	ROD, DUMP	1							
4	2	172638-72200	SEAL SET	1							
4-1	2	172638-72201	SEAL SET	1							N
(A=MXXX)											
7	2	172648-72300	SEAL,HEAD	1							
12	2	172141-72580	NUT M20	1							
13	2	24761-020000	NIPPLE PT1/8,GREASE	1							
14	2	24761-040000	NIPPLE B,GREASE	1							
15	2	933123-73902	PISTON 60	1							
16	2	933133-96300	HEAD 60 30 ASSY	1							
17	3	24550-030300	BUSH 30X30	1							
19	1	172649-72203-1	CYLINDER ,BRAKE (82)	1							
19-1	1	172649-72203-2	CYLINDER,BRAKE (49)	1							S
(A=M/#00514)											

Fig.43. MOTOR

(A)=C30R-US

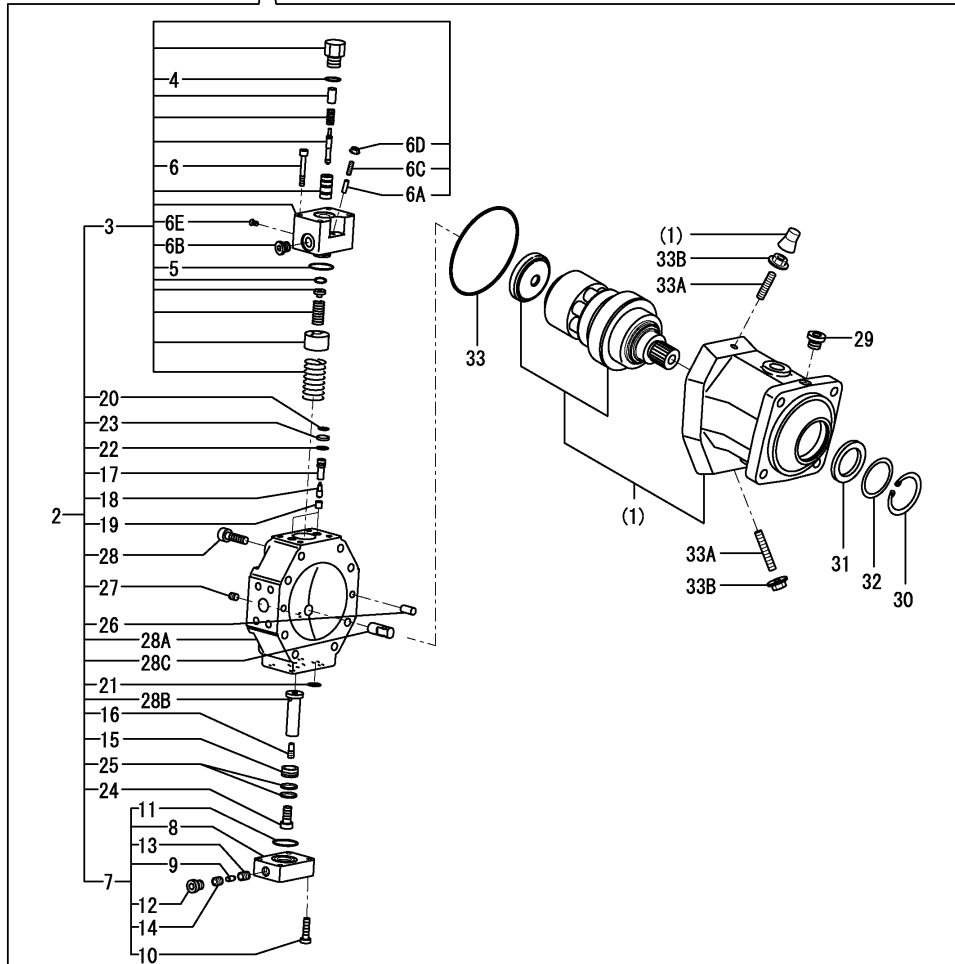
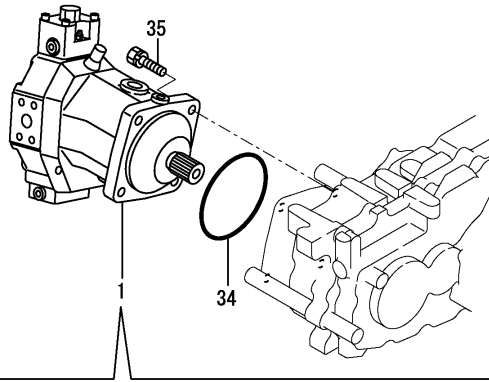
(B)=

(C)=

(D)=

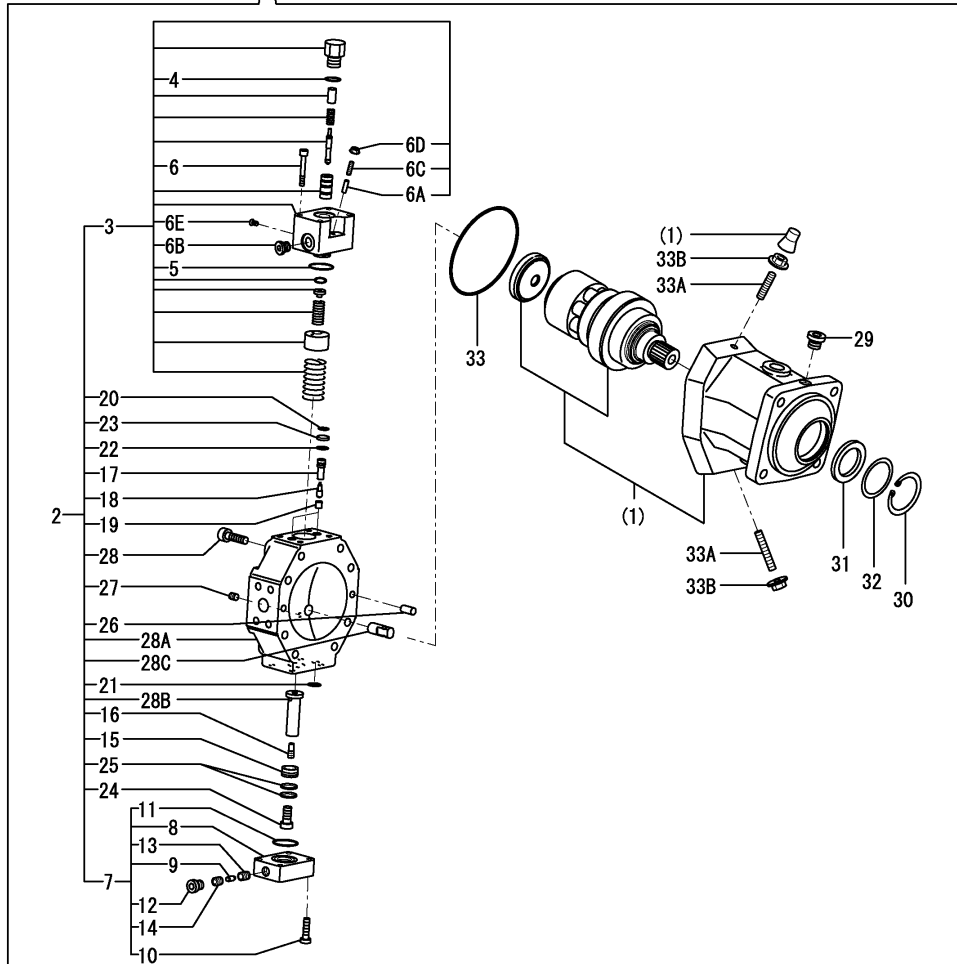
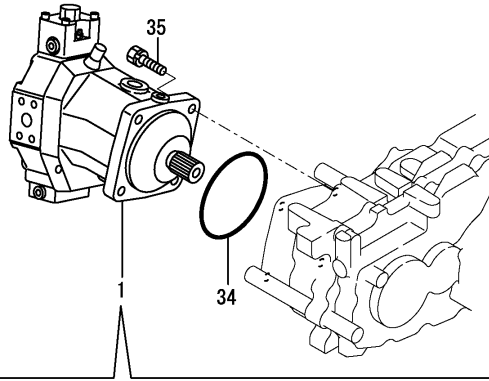
(E)=

(F)=



REF.	LEV.	PARTS NO.	DESCRIPTION	QTY						I	R
				(A)	(B)	(C)	(D)	(E)	(F)		
1	1	172653-73300	MOTOR ASSY	1							
2	2	172653-73310	CONTROL	1							
3	3	172653-73370	PART,CONTROL	1							
4	4	172653-73520	O-RING	1							
5	4	172653-73530	O-RING	1							
6	4	26450-060452	BOLT M 6X 45	4							
6A	4	172653-73590	CYLINDER PIN	1							W
		(A=MXXXXX)									
6B	4	172653-73600	PLUG	1							W
		(A=MXXXXX)									
6C	4	172534-73710	SCREW M6X30	1							W
		(A=MXXXXX)									
6D	4	172534-73730	SEAL LOCK NUT	1							W
		(A=MXXXXX)									
6E	4	172141-74720	PLUG	1							W
		(A=MXXXXX)									
7	3	172653-73380	COVER ASSY	1							
8	4	172653-73540	COVER	1							
9	4	172653-73550	ORIFICE	1							
10	4	172653-73560	BOLT 8X30	4							
11	4	172653-73570	O-RING	1							
12	4	172653-73580	PLUG ASSY	1							
13	4	172649-73740	GUIDE, VALVE	1							
14	4	172649-73810	GUIDE, VALVE	1							
15	3	172653-73390	PISTON	1							
16	3	172653-73400	PIN,THREAD	1							
17	3	172653-73410	GUIDE,VALVE	2							
18	3	172653-73420	POPPET	2							
19	3	172653-73430	SEAT,VALVE	2							
20	3	172653-73440	O-RING	2							
21	3	172653-73450	O-RING	6							
22	3	172653-73460	O-RING	2							
23	3	172653-73470	RING,BACKUP	2							
24	3	172653-73480	BOLT,10X25	1							
25	3	172653-73490	RING,PISTON	3							
26	3	172653-73500	PIN, 8H6X16	2							
27	3	172164-73650	PLUG, M6	1							
28	3	172650-73870	SOCKET BOLT M10X 60	8							
28A	3	172534-73670	PORT PLATE	1							W
		(A=MXXXXX)									
28B	3	172534-73680	POSITIONING PISTON	1							W
		(A=MXXXXX)									
28C	3	172534-73690	POSITIONING TRANNION	1							W
		(A=MXXXXX)									
29	2	172653-73320	PLUG ASSY	1							
30	2	172653-73330	RING,62	1							
31	2	172653-73340	SEAL,OIL	1							
32	2	172653-73350	SHIM	1							
33	2	172653-73360	O-RING	1							
33A	2	172534-73620	THREADED PIN	1							W
		(A=MXXXXX)									

Fig.43. MOTOR



(A)=C30R-US
(B)=
(C)=

(D)=
(E)=
(F)=

REF.	LEV.	PARTS NO.	DESCRIPTION	Q'TY						I	R
				(A)	(B)	(C)	(D)	(E)	(F)		
33A-1	2	172534-73620 (A=MXXXXX)	THREADED PIN	2							K
33B	2	172534-73630 (A=MXXXXX)	SEAL LOCK NUT	1							W
33B-1	2	172534-73630 (A=MXXXXX)	SEAL LOCK NUT	2							K
34	1	24321-001300	O-RING 1A G-130.0	1							
35	1	26013-120402	BOLT M12X 40	4							

Fig.44. HYD.OIL TANK & FILTER

(A)=C30R-US

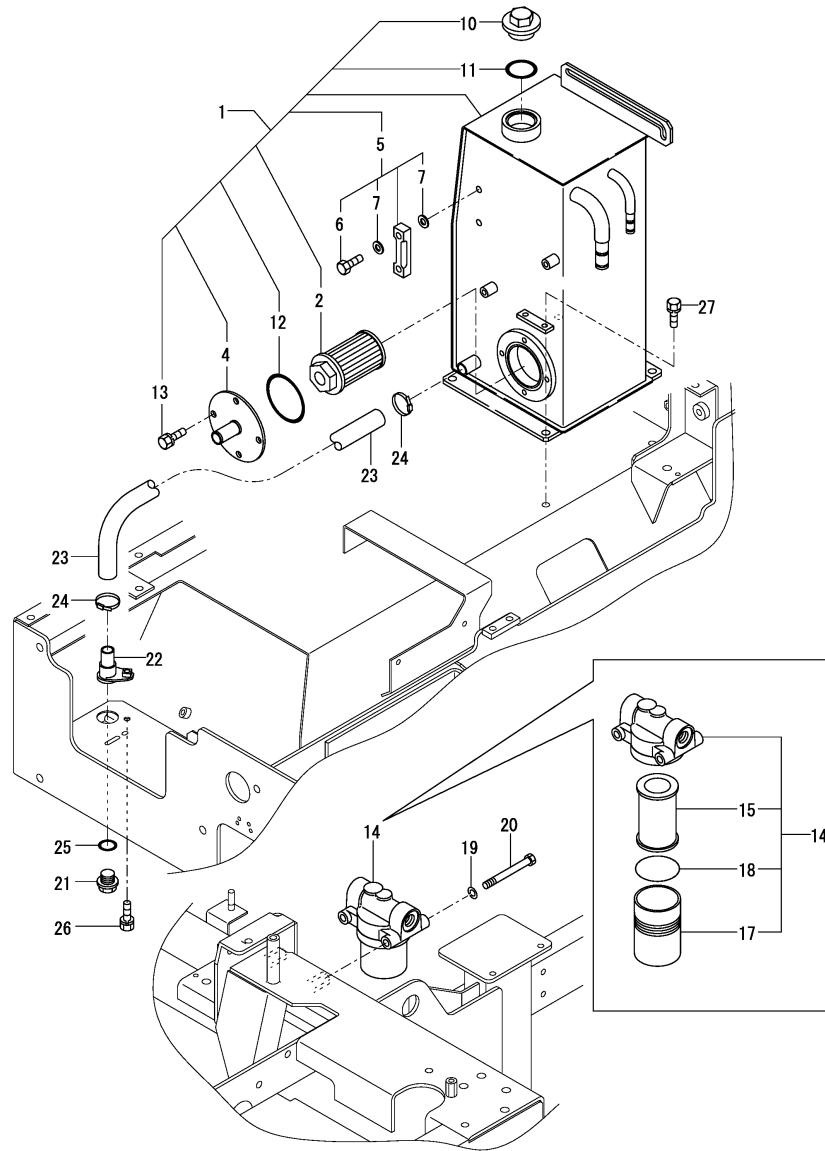
(B)=

(C)=

(D)=

(E)=

(F)=



REF.	LEV.	PARTS NO.	DESCRIPTION	QTY						I	R
				(A)	(B)	(C)	(D)	(E)	(F)		
1	1	772653-75100	TANK ASSY,RESERVOIR	1							1
2	2	172732-73700	FILTER, SUCTION	1							
4	2	172649-75250	FLANGE	1							
4-1	2	172649-75250-1 (A=M/#00514)	FLANGE (GRAY:49)	1							S
5	2	172447-75600	GAUGE	1							
6	3	172455-75290	BOLT M10	2							
7	3	172455-75300	O-RING	4							
10	2	172116-75850-4	PLUG,OIL FEED (72)	1							
10-1	2	172116-75850-B (A=M/#00514)	PLUG (GRAY:49)	1							S
11	2	24311-000380	O-RING 1A P-38.0	1							
12	2	24325-000700	O-RING 1B G-70.0	1							
13	2	26013-080162	BOLT W/WASHER M8X16	4							
14	1	172527-73950	FILTER, LINE	1							
15	2	172527-73970	ELEMENT	1							
17	2	172527-73990	CASE	1							
18	2	24321-000600	O-RING 1A G-60.0	1							
19	1	22217-100000	SPRING WASHER 10	2							
20	1	26116-100902	BOLT M10X 90 PLATED	2							
21	1	1A1380-28040	PLUG 20, OIL	1							
22	1	172649-75310	DRAIN	1							
23	1	172649-78480	HOSE	1							
24	1	23001-035000	HOSE CLAMP 35	2							
25	1	24311-000210	O-RING 1A P-21.0	1							
26	1	26013-080162	BOLT W/WASHER M8X16	1							
27	1	26013-100252	BOLT W/WASHER M10X25	4							
28A	1	172437-03322	LABEL, HYD.OIL TANK	1							2
28B	1	172437-03402	LABEL, ENG,COVER US	1							2

Remarks

(1)PLEASE USE THIS PART WITH FOLLOWING LABELS AT THE SAME TIME. REF.NO.28A & 28B.

(2)LABELS ARE NOT ILLUSTRATED.

Fig.45. HYD.OIL VALVE & LUB.OIL COOLER

(A)=C30R-US

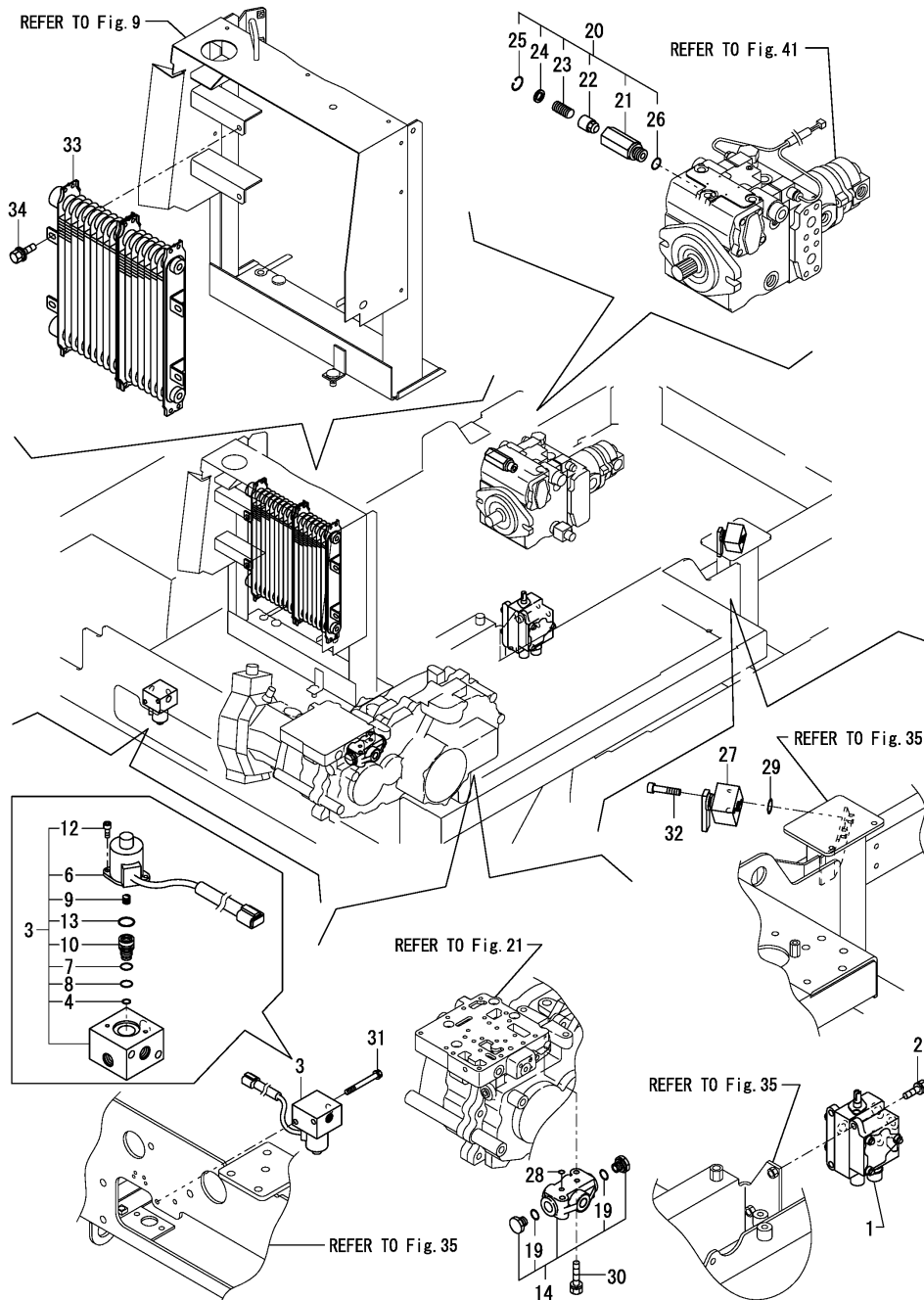
(B)=

(C)=

(D)=

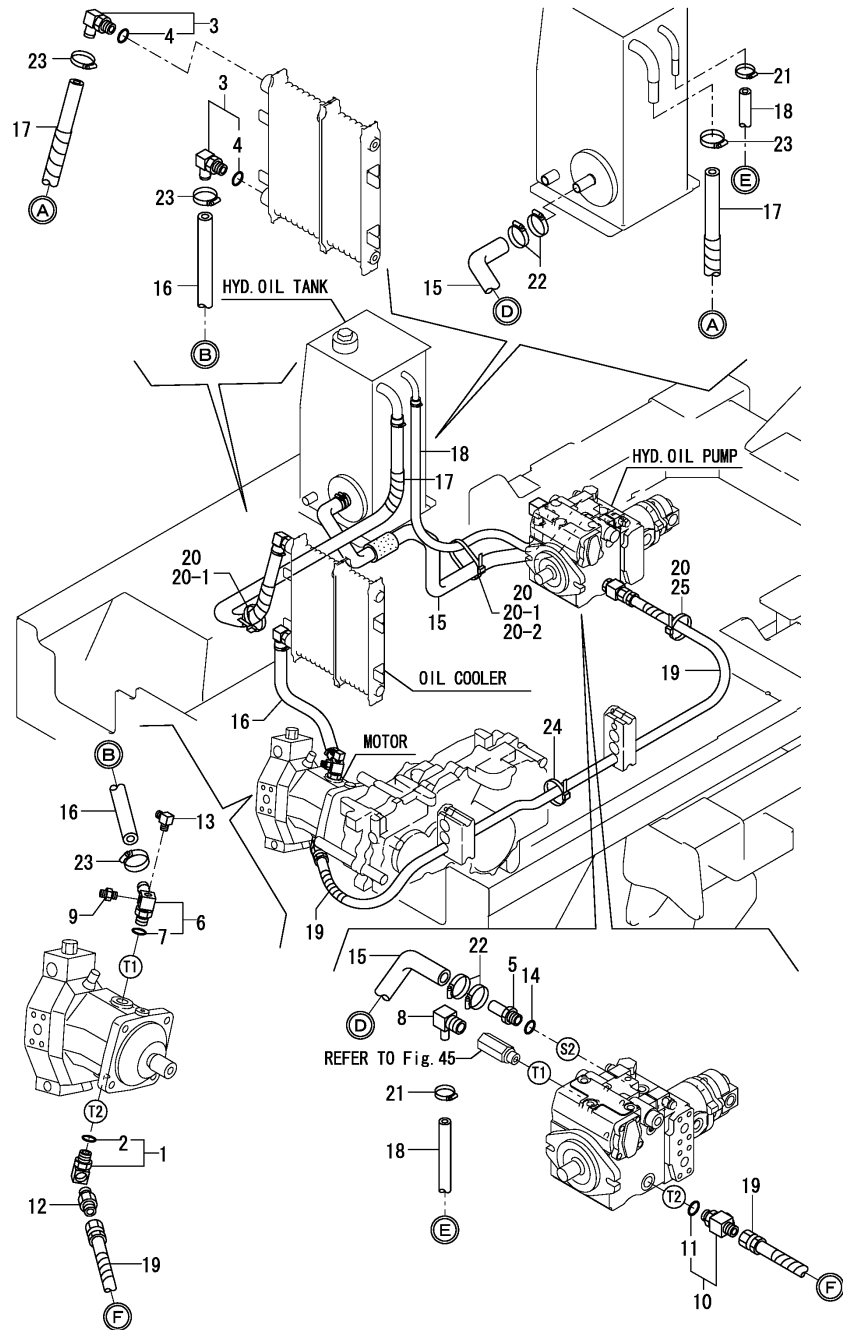
(E)=

(F)=



REF.	LEV.	PARTS NO.	DESCRIPTION	QTY						I	R
				(A)	(B)	(C)	(D)	(E)	(F)		
1	1	172647-74100	VALVE ASSY, CONTROL	1							
2	1	26013-100302	BOLT M10X 30	2							
3	1	172186-74140	VALVE	1							
4	2	172179-73540	O-RING	1							
6	2	172186-74610	SOLENOID	1							
7	2	172186-74620	O-RING	1							
8	2	172186-74630	O-RING	1							
9	2	172186-74640	SPRING	1							
10	2	172186-74650	SPOOL KIT	1							
12	2	172162-74860	BOLT	2							
13	2	24311-000180	O-RING 1A P-18.0	1							
14	1	172649-74400	FLOW DIVIDER	1							
19	2	24311-000140	O-RING 1A P-14.0	2							
20	1	172649-74451	VALVE ASSY, RELIEF	1							
21	2	172649-74461	BODY, VALVE	1							
22	2	172649-74470	POPPET VALVE	1							
23	2	172649-74480	SP, VALVE	1							
24	2	172649-74490	SPRING SEAT	1							
25	2	22252-000220	CIRCLIP 22	1							
26	2	24315-000180	O-RING 1B P-18.0	1							
27	1	172653-74500	INCHING VALVE ASSY	1							
27-1	1	172653-74501	INCHING VALVE ASSY	1							N
(A=M/#00514)											
28	1	24311-000100	O-RING 1A P-10.0	2							
29	1	24311-000220	O-RING 1A P-22.0	1							Z
(A=M/#00514)											
30	1	26013-080502	BOLT M 8X 50	2							
31	1	26013-080702	BOLT M 8X 70	2							
32	1	26455-080452	BOLT, 8 X 45	2							
32-1	1	26455-080502	BOLT, 8 X 50	2							N
(A=MXXX)											
33	1	172649-74800	COOLER, OIL	1							
34	1	26014-080202	BOLT M 8X 20	4							

Fig.46. HYD.OIL PIPING(TANK - PUMP - MOTOR)



(A)=C30R-US

(B)=

(C)=

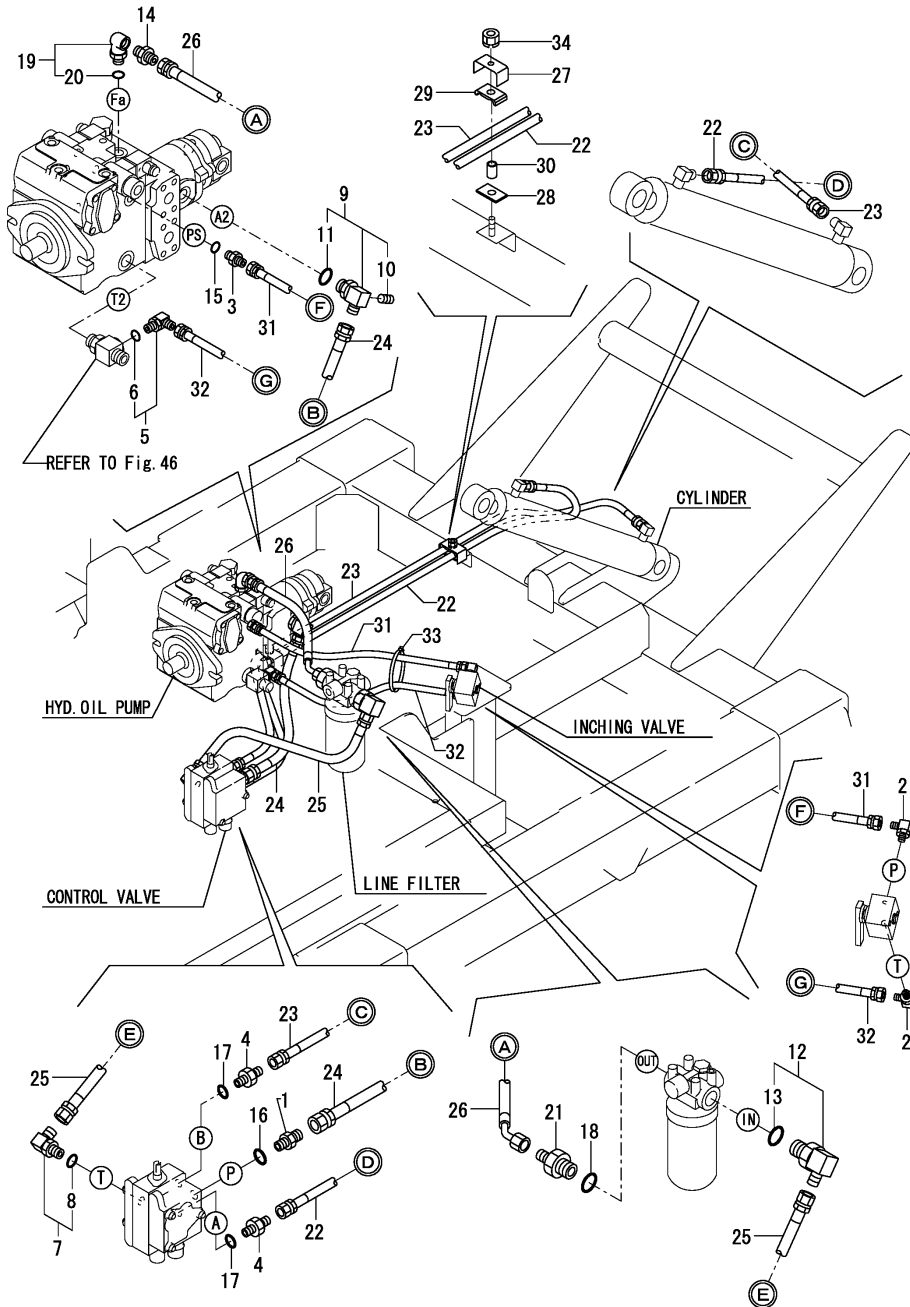
(D)=

(E)=

(F)=

REF.	LEV.	PARTS NO.	DESCRIPTION	QTY						I	R
				(A)	(B)	(C)	(D)	(E)	(F)		
1	1	172122-76131	CONNECTOR PT1/2-45	1							
2	2	24315-000180	O-RING 1B P-18.0	1							
3	1	172164-76131	ELBOW	2							
4	2	24315-000180	O-RING 1B P-18.0	2							
5	1	172183-76190	JOINT PF1/2	1							
6	1	172653-76200	ELBOW ASSY 1/2	1							
7	2	24315-000180	O-RING 1B P-18.0	1							
8	1	172649-76230	NIPPLE	1							
9	1	172649-76290	NIPPLE	1							
10	1	172187-76300	ADJUSTABLE TEE	1							
11	2	24315-000180	O-RING 1B P-18.0	1							
12	1	23391-040000	JOINT RGI 1/2	1							
13	1	23393-020000	JOINT 90RG1/4	1							
14	1	24315-000180	O-RING 1B P-18.0	1							
15	1	172653-78120	HOSE, SUCTION	1							
16	1	172649-78140	HOSE	1							
17	1	172649-78160	HOSE	1							
18	1	172649-78180	HOSE	1							
19	1	172649-78280	HOSE	1							
20	1	172122-79930	CLAMP B	3							
20-1	1	172122-79930	CLIP B, HOSE	2							K
		(A=MXXX)									
20-2	1	172122-79930	CLIP B, HOSE	1							K
		(A=MXXX)									
21	1	23001-016000	HOSE CLAMP 16	2							
21-1	1	23001-022000	CLAMP, HOSE 22	2							N
		(A=MXXX)									
22	1	23001-035000	HOSE CLAMP 35	4							
23	1	23001-035000	HOSE CLAMP 35	4							
24	1	933168-55770	BAND 146	1							
25	1	172126-11510	BAND, 300	1							W
		(A=MXXX)									

Fig.47. HYD.OIL PIPING(PUMP - CONTROL VALVE - CYLINDER)



(A)=C30R-US

(B)=

(C)=

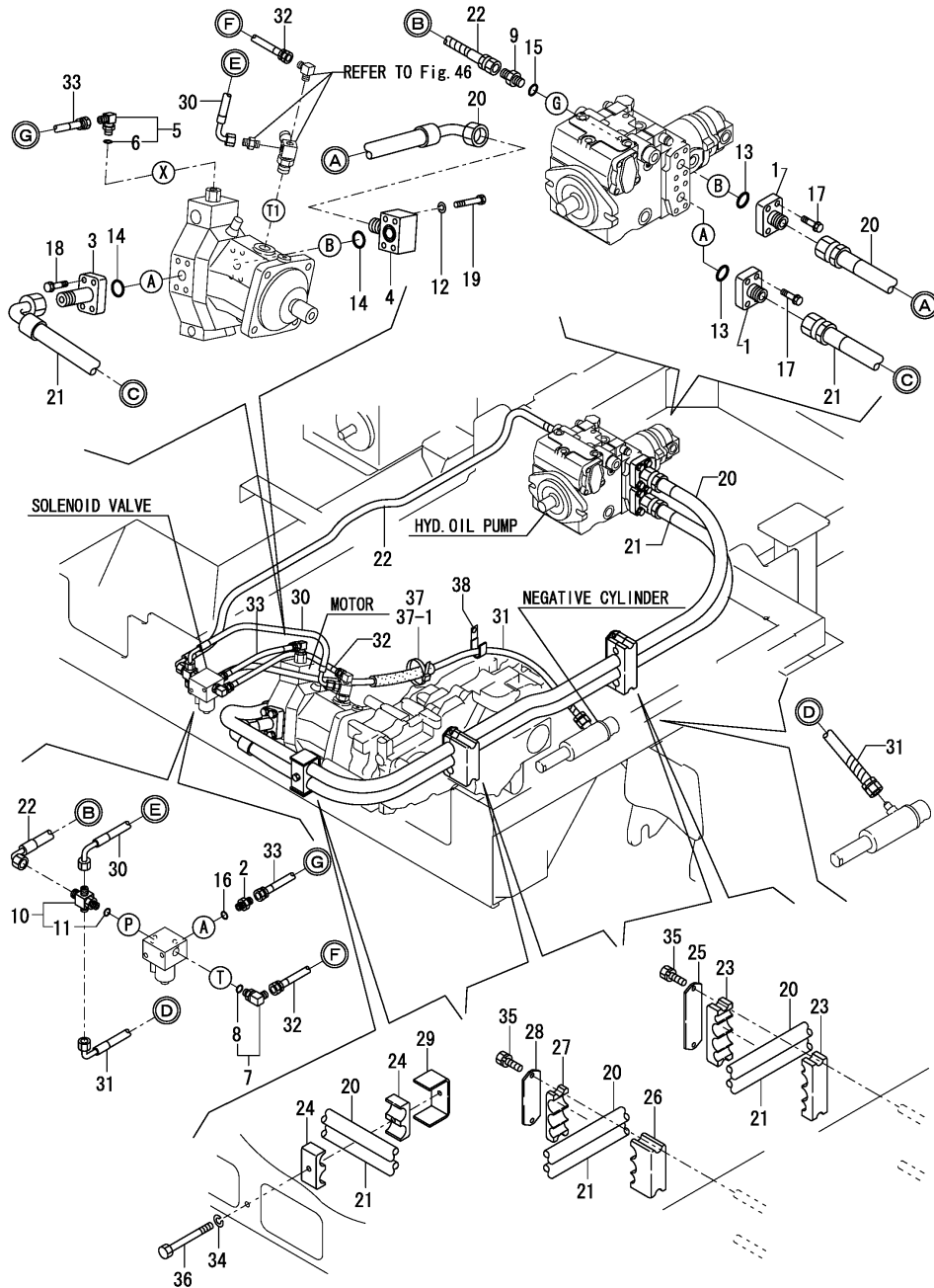
(D)=

(E)=

(F)=

REF.	LEV.	PARTS NO.	DESCRIPTION	QTY						I	R
				(A)	(B)	(C)	(D)	(E)	(F)		
1	1	172730-75141	JOINT	1							
2	1	172823-76110	ELBOW	2							
3	1	172123-76121	JOINT PF1/4	1							
4	1	172124-76160	CONNECTOR	2							
5	1	172141-76180	CONNECTOR	1							
5-1	1	172141-76181	CONNECTOR ASSY, 02FF	1							N
(A=M/#01001)											
6	2	24315-000110	O-RING 1B P-11.0	1							
6-1	2	41851-000110	PACKING, 11.0	1							N
(A=M/#01001)											
7	1	172142-76181	JOINT 90-3/8 ASSY	1							
8	2	24315-000140	O-RING 1B P-14.0	1							
9	1	172653-76220	ELBOW 3/8-1/2 ASSY	1							
10	2	172460-76570	PLUG	1							
11	2	24315-000180	O-RING 1B P-18.0	1							
12	1	172157-76300	ELBOW 3/8-1/2	1							
13	2	24315-000180	O-RING 1B P-18.0	1							
14	1	23391-030000	JOINT RGI 3/8	1							
15	1	24315-000110	O-RING 1B P-11.0	1							
16	1	24315-000140	O-RING 1B P-14.0	1							
17	1	24315-000140	O-RING 1B P-14.0	2							
18	1	24315-000180	O-RING 1B P-18.0	1							
19	1	933111-50001	CONNECTOR	1							
20	2	24315-000140	O-RING 1B P-14.0	1							
21	1	933160-01370	CONNECTOR PF1/2-3/8	1							
22	1	172649-78231	HOSE	1							
23	1	172649-78241	HOSE	1							
24	1	172653-78250	HOSE P206BB054	1							
25	1	172649-78260	HOSE	1							
26	1	172653-78270	HOSE P206BC034	1							
27	1	172156-78460-5	CLAMP (GREEN:82)	2							
27-1	1	172156-78460-2	CLAMP (GRAY:49)	2							S
(A=M/#00514)											
28	1	172156-78490	PLATE, RUBBER (B	2							
29	1	172156-78520	SUPPORT, HOSE (B	2							
30	1	172156-78540	COLLAR 9X 18	2							
31	1	172653-78920	HOSE G604BB052	1							
32	1	172653-78930	HOSE G804BB044	1							
33	1	172122-79930	CLAMP B	1							
33-1	1	172126-11510	BAND, 300	1							N
(A=MXXX)											
34	1	26051-080002	NUT M 8	2							

Fig.48. HYD.OIL PIPING(PUMP - TRAVEL MOTOR - NEGATIVE CYLINDER)



(A)=C30R-US

(B)=

(C)=

(D)=

(E)=

(F)=

REF.	LEV.	PARTS NO.	DESCRIPTION	Q'TY						I	R
				(A)	(B)	(C)	(D)	(E)	(F)		
1	1	172653-76110	NIPPLE, FLANGE	2							
2	1	172123-76121	JOINT PF1/4	1							
3	1	172653-76120	NIPPLE, FLANGE	1							
4	1	172653-76170	NIPPLE, FLANGE	1							
5	1	172141-76180	CONNECTOR	1							
5-1	1	172141-76181	CONNECTOR ASSY, 02FF	1							N
(A=M/#01001)											
6	2	24315-000110	O-RING 1B P-11.0	1							
6-1	2	41851-000110	PACKING, 11.0	1							N
(A=M/#01001)											
7	1	172141-76180	CONNECTOR	1							
7-1	1	172141-76181	CONNECTOR ASSY, 02FF	1							N
(A=M/#01001)											
8	2	24315-000110	O-RING 1B P-11.0	1							
8-1	2	41851-000110	PACKING, 11.0	1							N
(A=M/#01001)											
9	1	172157-76220	CONNECTOR 1/4-3/8	1							
10	1	172649-76270	CONNECTOR 1/4X3/8	1							
11	2	24315-000110	O-RING 1B P-11.0	1							
12	1	22217-100000	SPRING WASHER 10	4							
13	1	24311-000260	O-RING 1A P-26.0	2							
14	1	24311-000260	O-RING 1A P-26.0	2							
15	1	24315-000110	O-RING 1B P-11.0	1							
16	1	24315-000110	O-RING 1B P-11.0	1							
17	1	26013-100352	BOLT M10X 35	8							
18	1	26013-100352	BOLT M10X 35	4							
19	1	26116-100552	BOLT M10X 55 PLATED	4							
20	1	172649-78200	HOSE	1							
21	1	172649-78210	HOSE	1							
22	1	172653-78300	HOSE G606BC150S	1							
23	1	172649-78310	CLAMP, HOSE(A)	2							
24	1	172649-78320	CLAMP, HOSE(B)	2							
25	1	172649-78330	PLATE, CLAMP(C)	1							
26	1	172649-78351	CLAMP	1							
27	1	172649-78360	CLAMP, HOSE(D)	1							
28	1	172649-78370	PLATE, CLAMP(C)	1							
29	1	172649-78380	CLAMP	1							
30	1	172653-78500	HOSE G604CC040S	1							
31	1	172653-78510	HOSE G604BC100S	1							
32	1	172653-78900	HOSE G804BB032	1							
33	1	172653-78910	HOSE G604BB022	1							
34	1	22217-080000	SPRING WASHER 8	1							
35	1	26013-080202	BOLT W/WASHER M8X20	4							
36	1	26116-080752	BOLT M 8X 75 PLATED	1							
37	1	933168-55770	BAND 146	2							
37-1	1	933168-55770	BAND, 146	1							K
(A=MXXX)											
38	1	1A1380-59480	CLAMP A,SM.&DYN.CORD	1							W
(A=MXXX)											

Fig.49. HYD.OIL PIPING(REDUCTION)

(A)=C30R-US

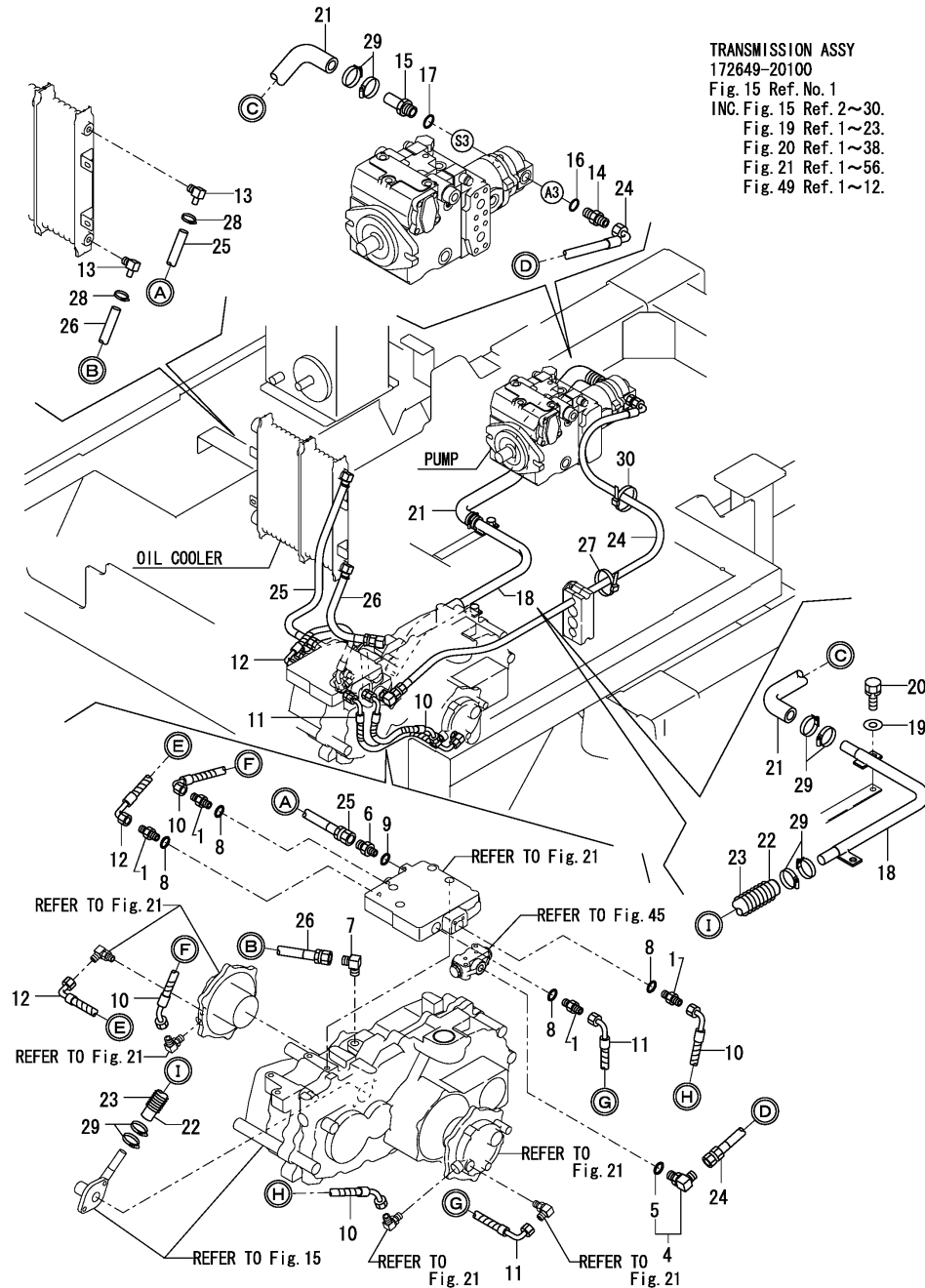
(B)=

(C)=

(D)=

(E)=

(F)=



REF.	LEV.	PARTS NO.	DESCRIPTION	QTY						I	R
				(A)	(B)	(C)	(D)	(E)	(F)		
1	2	172123-76121	JOINT PF1/4	4							
4	2	172142-76181	JOINT 90-3/8 ASSY	1							
5	3	24315-000140	O-RING 1B P-14.0	1							
6	2	172131-76200	CONNECTOR 3/8,1/4	1							
7	2	23393-030000	JOINT 90RGI 3/8	1							
8	2	24315-000110	O-RING 1B P-11.0	4							
9	2	24315-000110	O-RING 1B P-11.0	1							
10	2	172649-78410	HOSE	2							
11	2	172649-78420	HOSE	1							
12	2	172649-78430	HOSE	1							
13	1	172155-11120	ELBOW	2							
14	1	172730-75141	JOINT	1							
15	1	172183-76190	JOINT PF1/2	1							
16	1	24315-000140	O-RING 1B P-14.0	1							
17	1	24315-000180	O-RING 1B P-18.0	1							
18	1	172649-76401	TUBE, SUCTION	1							
19	1	22137-100000	WASHER 10,POLISHED	2							
20	1	26013-100202	BOLT W/WASHER M10X20	2							
21	1	172649-78130	HOSE, SUCTION	1							
22	1	172649-78190	HOSE	1							
23	1	172649-78220	SPRING	1							
24	1	172649-78290	HOSE	1							
25	1	172649-78450	HOSE	1							
26	1	172649-78460	HOSE	1							
27	1	172122-79930	CLAMP B	1							
27-1	1	172126-11510	BAND, 300	1							N
(A=MXXX)											
28	1	23001-016000	HOSE CLAMP 16	2							
29	1	23001-035000	HOSE CLAMP 35	8							
30	1	172126-11510	BAND, 300	1							W
(A=MXXX)											

Fig.50. WAGON

(A)=C30R-US

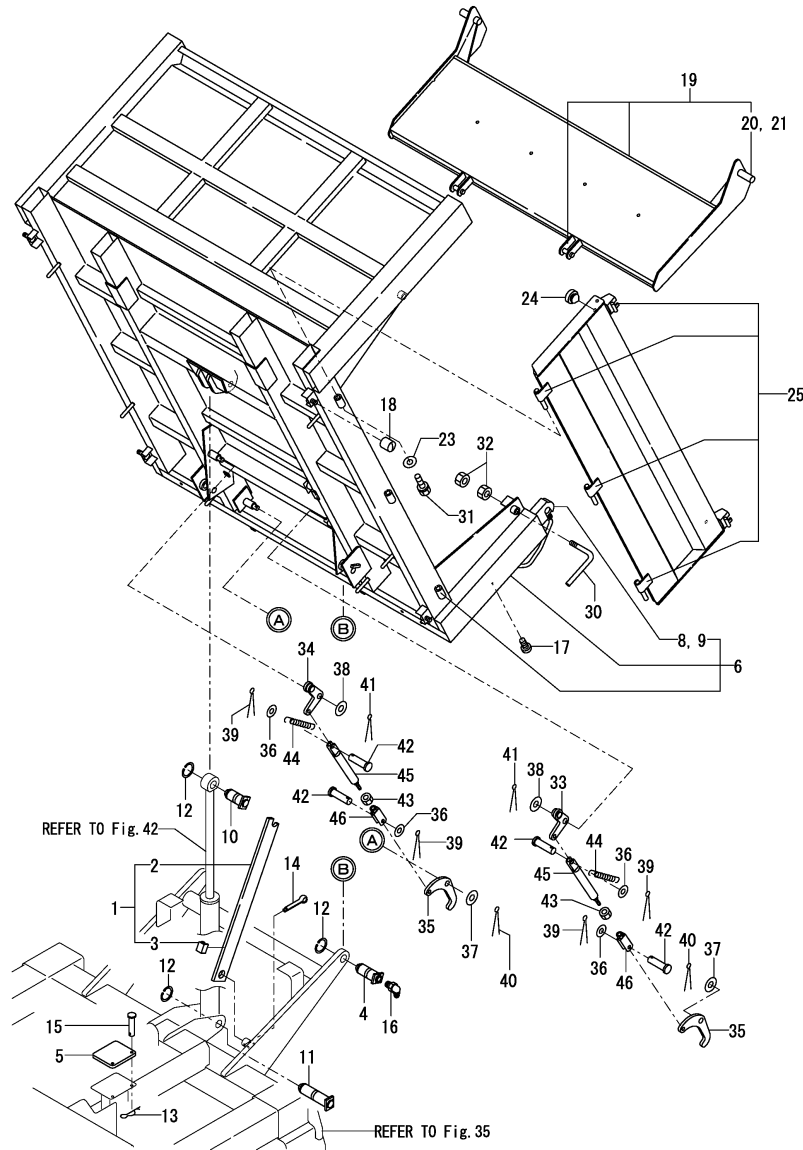
(B)=

(C)=

(D)=

(E)=

(F)=



REF.	LEV.	PARTS NO.	DESCRIPTION	QTY						I	R
				(A)	(B)	(C)	(D)	(E)	(F)		
1	1	172637-51950	BLOCK,FLAME SUPPORT	1							
1-1	1	172637-51950-1	FRAME SUPPORT (10)	1							S
(A=M/#00514)											
2	2	172637-51500	BLOCK,FLAME SUPPORT	1							
2-1	2	172637-51500-1	FRAME SUPPORT (10)	1							S
(A=M/#00514)											
3	2	172637-51750	RUBBER,FRAME SUPPORT	1							
4	1	172739-52851-1	PIN,CYLINDER (82)	2							
4-1	1	172739-52851-2	PIN,CYLINDER (87)	2							S
(A=M/#00514)											
4-2	1	172739-52851-4	PIN,CYLINDER (2J)	2							S
(A=M/#01001)											
4-3	1	172739-52851-W	PIN,CYLINDER	2							S
(A=MXXX)											
5	1	172725-85870	RUBBER, INTERVENTION	2							
6	1	172649-95100-5	WAGON (YELLOW:87)	1							1
6-1	1	172649-95100-1	WAGON (YELLOW:2J)	1							S 1
(A=M/#01001)											
6-2	1	172649-95101-1	WAGON (YELLOW:2J)	1							N 1
(A=M/#01014)											
8	2	172647-95450	FULCRUM L(YELLOW:87)	1							
8-1	2	172647-95450-2	FULCRUM L(YELLOW:2J)	1							S
(A=M/#01001)											
9	2	172647-95460	FULCRUM R(YELLOW:87)	1							
9-1	2	172647-95460-2	FULCRUM R(YELLOW:2J)	1							S
(A=M/#01001)											
10	1	172649-95850	PIN 30.3X64.5	1							
11	1	172649-95870	PIN 30.3X109	1							
12	1	22242-000300	CIRCLIP 30	4							
13	1	22360-080000	SNAP PIN 8	4							
13-1	1	22372-080000	PIN, 8	4							R
(A=MXXX)											
14	1	22417-800450	COTTER PIN 8.0X45	2							
15	1	22487-080300	PIN 8X 30	4							
16	1	24761-050000	NIPPLE C,GREASE	2							
17	1	26557-050082	SCREW M 5X 8	2							
18	1	933172-27150	RUBBER,FRAME SUPPORT	4							
19	1	172649-95900-5	BOARD,REAR(YELLOW:87)	1							
19-1	1	172649-95900-1	BOARD,REAR(YELLOW:2J)	1							S
(A=M/#01001)											
20	2	172647-95650	FULCRUM PIN, BOARD	1							
21	2	172647-95650	FULCRUM PIN, BOARD	1							
23	1	1C6053-32020	WASHER 8.5X20X3.2	2							
24	1	1E8080-81880	STOPPER RUBBER	4							
25	1	172649-95701-1	DOOR,SIDE(YELLOW:87)	2							
25-1	1	172649-95701-2	DOOR,SIDE(YELLOW:2J)	1							S
(A=M/#01001)											
30	1	172647-95730	LEVER, OPEN & SHUT	4							
31	1	26013-080162	BOLT W/WASHER M8X16	2							
32	1	26716-160002	NUT M16	8							
33	1	172649-95950-5	ARM,HOOK L(YELLOW:87)	1							

Remarks

- (1)PLEASE USE THIS PART WITH FOLLOWING LABELS AT THE SAME TIME. REF.NO.47A.
- (2)LABELS ARE NOT ILLUSTRATED.

Fig.50. WAGON

(A)=C30R-US

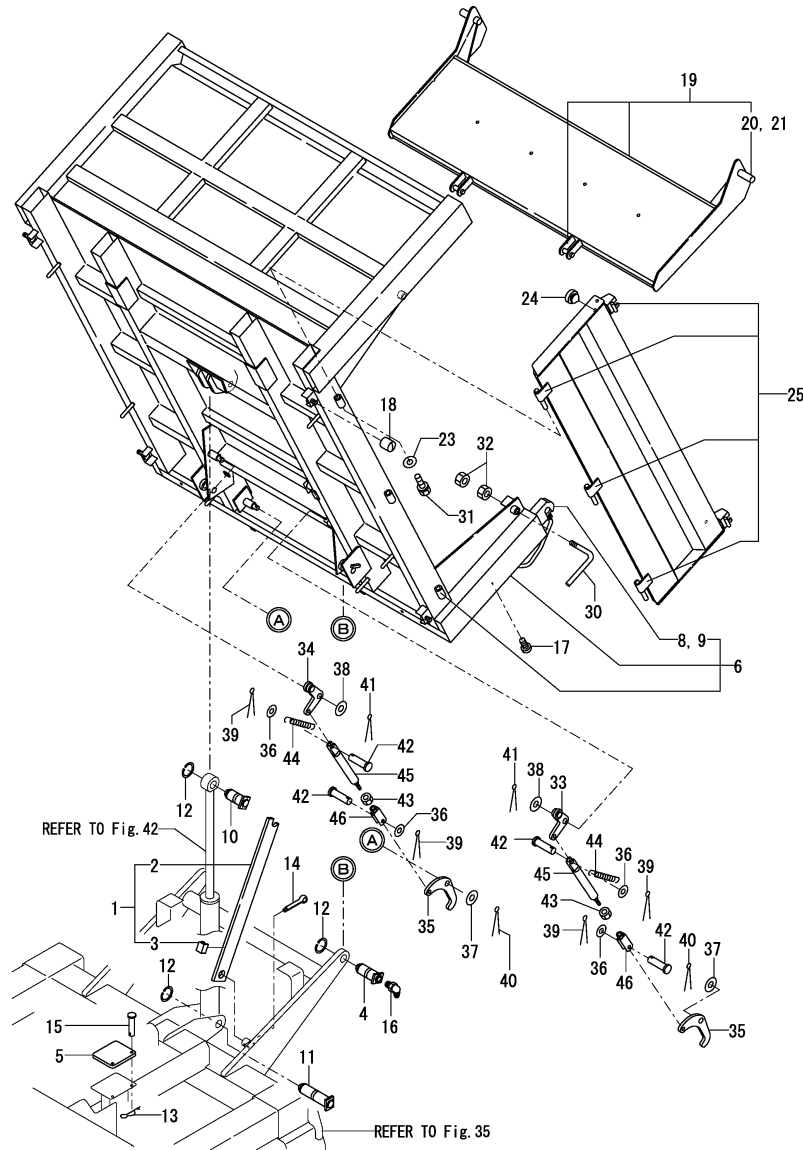
(B)=

(C)=

(D)=

(E)=

(F)=



REF.	LEV.	PARTS NO.	DESCRIPTION	QTY						I	R
				(A)	(B)	(C)	(D)	(E)	(F)		
33-1	1	172649-95950-1 (A=M/#01001)	ARM,HOOK L(YELLOW:2J)	1							S
34	1	172649-95960-5	ARM,HOOK R(YELLOW:87)	1							
34-1	1	172649-95960-1 (A=M/#01001)	ARM,HOOK R(YELLOW:2J)	1							S
35	1	172649-95980-5	HOOK (YELLOW:87)	2							
35-1	1	172649-95980-1 (A=M/#01001)	HOOK (YELLOW:2J)	1							S
36	1	22137-100000	WASHER 10,POLISHED	4							
37	1	22137-160000	WASHER 16,POLISHED	2							
38	1	22137-160000	WASHER 16,POLISHED	2							
39	1	22417-200200	COTTER PIN 2.0X20	4							
40	1	22417-400320	COTTER PIN 4.0X32	2							
41	1	22417-400320	COTTER PIN 4.0X32	2							
42	1	22487-100300	PIN 10X 30	4							
43	1	26716-100002	NUT 10	2							
44	1	933153-01280	SPRING, RETURN	2							
45	1	933168-51700-5	ROD,MOOK DRIVE (87)	2							
45-1	1	933168-51700-2 (A=M/#01001)	ROD,MOOK DRIVE (2J)	1							S
46	1	933168-51780	JOINT(B), ROD	2							
47A	1	172653-03470	LABEL,WAGON US	1							2

Remarks

- (1)PLEASE USE THIS PART WITH FOLLOWING LABELS AT THE SAME TIME. REF.NO.47A.
- (2)LABELS ARE NOT ILLUSTRATED.

Part Number Index

All parts are stipulated in the order of part numbers.

(Depending on the area in which the part is used.)

This index will display the location of the part according to each part number.

PARTS No. INDEX

PARTS No.	Fig.	Ref.No.
119247-77100	14	36
119650-77910	14	38
119653-77710	14	37
119653-77711	14	37 -1
119802-55710	11	11
119802-55800	11	14
119802-55801	11	14 -1
119808-12540	6	5
121120-13580	5	8
121250-49121	9	3
121450-44531	9	19
121468-44510	9	17
121468-44540	9	20
121470-44581	9	22
124450-44560	9	21
124701-11911	5	6
124766-59050	9	25
		26
	10	20
		20 -1
	11	15
129004-55611	11	8
129004-55612	11	8 -1
129030-13550	5	7
129062-12560	6	6
129062-12570	6	7
129100-55690	11	10
129107-44590	9	6
129211-77920	14	41
129612-52100	14	30
144220-99901	12	9 -1
172110-81570	35	6
172113-12522	7	13
172116-14620	11	3
172116-46630	38	2
172116-75850-4	44	10
172116-75850-B	44	10 -1
172117-53320	35	35
172120-14680	11	7
172122-17190	39	1
	41	1
172122-37820	23	15
172122-37844	23	19
172122-46590	26	6
	27	12
	34	3
172122-47250	27	13
172122-76131	46	1
172122-79930	46	20
		20 -1

PARTS No.	Fig.	Ref.No.
172122-79930	46	20 -2
	47	33
	49	27
172123-76121	47	3
	48	2
	49	1
172124-65450	39	11
172124-65480	39	12
172124-65490	39	13
172124-76160	47	4
172125-03951	1	48
172126-11510	46	25
	47	33 -1
	49	27 -1
		30
172126-65571	39	15
172131-37170	8	11
172131-76200	49	6
172137-16560	10	24
172137-46040	8	12
172137-46041	8	12 -1
172137-46042	8	12 -2
172141-03360	1	21
172141-14610	9	15
172141-17141	14	15
172141-17150	14	17
172141-42960	26	5
172141-50890	35	3
172141-71520	41	17
172141-71550	41	18
172141-71560	41	19
172141-72580	42	12
172141-73240	41	26
		36
172141-74720	43	6 E
172141-76180	21	28
		47
		47
	47	5
	48	5
		7
172141-76181	21	28 -1
		47 -1
	47	5 -1
	48	5 -1
		7 -1
172142-14620	10	19
172142-62300	37	8
172142-62301	37	8 -1
172142-74600	41	74
		99

PARTS No.	Fig.	Ref.No.
172142-74660	41	100
172142-76181	47	7
	49	4
172149-66550	40	5
		6
172150-42730	31	1
172155-11120	49	13
172155-58860	26	8
172156-64420	38	9
172156-78460-2	47	27 -1
172156-78460-5	47	27
172156-78490	47	28
172156-78520	47	29
172156-78540	47	30
172157-76220	48	9
172157-76300	47	12
172162-12480	28	5
	29	5
172162-13200	8	4
172162-14180	10	8
172162-14181	10	8 -1
172162-14200	10	9
172162-17120	14	11
172162-17130	14	13
172162-17270	14	14
172162-68370	14	35
	37	19
	38	14
		15
		16
	39	34
		35
172162-73630	41	73
172162-74860	45	12
172164-14630	11	6
172164-45980	39	2
172164-45981	39	2 -1
172164-65720	9	28
172164-66170	39	33
172164-73650	43	27
172164-73870	41	38
172164-76131	46	3
172165-13220	41	10
172165-47871	33	6
172165-47980	30	20
		20 -1
172165-47990	29	12
	30	21
172165-62630	9	27
172165-68180	22	15

PARTS No.	Fig.	Ref.No.
172165-68180	22	43
172165-73850	41	37
172165-73870	41	39
172165-73880	41	40
172171-03400	1	28
	2	9
172171-14300	11	1
172171-14610	9	16
	11	2
172175-17120	14	20
172176-07330	3	1
172179-73540	41	56
		72
	45	4
172183-16540	13	5
172183-76190	46	5
	49	15
172186-74140	45	3
172186-74610	45	6
172186-74620	45	7
172186-74630	45	8
172186-74640	45	9
172186-74650	45	10
172187-17070	14	2
172187-17080	14	3
172187-17090	14	4
172187-17100	14	1
172187-61421	36	5
172187-64831	38	28
172187-76300	46	10
172423-68350	35	36
172433-64511	38	26
172437-03252	1	28 -1
	2	9 -1
172437-03301	1	11
	2	2
	39	52 A
172437-03302	1	11 -1
	2	2 -1
	39	52 A-1
172437-03322	1	13
	2	3
	44	28 A
172437-03342	1	17
	2	4
	40	19 B
172437-03343	1	17 -1
	2	4 -1
	40	19 B-1
172437-03352	1	19

PARTS No. INDEX

PARTS No.	Fig.	Ref.No.
172437-03352	2	5
	40	19 C
172437-03361	1	22
	2	7
	37	21 A
172437-03391	1	26
	2	8
	39	53 A
172437-03402	1	29
	2	10
	39	53 B
	44	28 B
172437-03422	1	32
	2	12
	35	37 A
172437-03441	1	34
	2	14
	40	19 F
172437-03501	1	41
172437-03511	1	43
172444-13210	9	1
172444-13220	9	2
172445-62010	36	16
172447-75600	44	5
172448-81610	35	14
172455-75290	44	6
172455-75300	44	7
172460-76570	47	10
172462-03320	1	14
172463-03290	1	10
172469-03261	51	7
172469-03320	51	13
172469-03360	51	16
172469-07330	3	1 -1
172472-03141	1	2
	2	1
	40	19 A
172478-65750	3	3
	39	51
172498-14120	10	12
172519-63240	31	8
172524-03271	1	9
172527-13370	9	8
172527-61980	37	2
172527-73950	44	14
172527-73970	44	15
172527-73990	44	17
172534-73620	43	33 A
		33 A-1
172534-73630	43	33 B

PARTS No.	Fig.	Ref.No.
172534-73630	43	33 B-1
172534-73670	43	28 A
172534-73680	43	28 B
172534-73690	43	28 C
172534-73710	43	6 C
172534-73730	43	6 D
172631-37160	23	4
172631-37170	23	5
172637-28310	22	9
		37
172637-29111-1	22	12
		40
172637-29111-2	22	12 -1
		40 -1
172637-37340	24	3
		15
172637-37350	24	4
		16
172637-37380	24	5
172637-37751	23	13
172637-37781	23	14
172637-37850	23	26
172637-37860	23	27
172637-37880	23	29
172637-51500	50	2
172637-51500-1	50	2 -1
172637-51750	50	3
172637-51950	50	1
172637-51950-1	50	1 -1
172638-72200	42	4
172638-72201	42	4 -1
172644-23350	30	3
172647-16110	12	3
172647-16310	12	7
172647-16320	12	8
172647-17311	14	28
172647-74100	45	1
172647-95450	50	8
172647-95450-2	50	8 -1
172647-95460	50	9
172647-95460-2	50	9 -1
172647-95650	50	20
		21
172647-95730	50	30
172648-16600	13	4
		9
172648-72300	42	7
172649-11300	5	1
172649-11360	5	3
172649-11551	6	3

PARTS No.	Fig.	Ref.No.
172649-12300	7	1
172649-12390	7	5
172649-12400	7	6
172649-12401	7	6 -1
172649-12480	7	9
172649-12510	7	12
172649-12530	7	14
172649-12551	7	15
172649-13150	8	2
172649-13150-1	8	2 -1
172649-13171	8	3
172649-13171-1	8	3 -1
172649-13201	8	5
172649-13201-1	8	5 -1
172649-13220	8	6
172649-13220-1	8	6 -1
172649-13230	8	7
172649-13230-1	8	7 -1
172649-13260	8	9
172649-13270	8	10
172649-13510	9	11
172649-14190	10	13
172649-14200	10	14
172649-14402	10	16
172649-14410	10	17
172649-14422	10	18
172649-16100	12	1
172649-16540	13	6
172649-16560	13	8
172649-16580	13	10
172649-16590	13	11
172649-16600	13	12
172649-16610	13	13
172649-17100	14	9
172649-17110	14	10
172649-17120	14	12
172649-17140	14	16
172649-17150	14	18
172649-17200	14	27
172649-20100	15	1
172649-20301-1	22	1
172649-20301-2	22	1 -1
172649-20401-1	22	29
172649-20401-2	22	29 -1
172649-22101	15	2
172649-22151	15	3
172649-22181	15	4
172649-22190	15	5
172649-22200	15	6
172649-22210	15	7

PARTS No.	Fig.	Ref.No.
172649-22250	15	8
172649-22261	15	9
172649-22300	15	10
172649-22320	15	11
172649-22330	35	2
	40	1
172649-22510	18	1
172649-22520	20	1
172649-22530	20	2
172649-22540	17	1
172649-22550	16	1
172649-22560	16	2
172649-23110	19	1
172649-23130	19	2
172649-23210	19	7
172649-23220	19	8
172649-23230	19	9
172649-23311	19	10
172649-23321	19	11
172649-23331	19	12
172649-23351	19	13
172649-23360	19	14
172649-23390	21	1
172649-23410	19	16
172649-23420	19	17
172649-23430	19	18
172649-23451	19	24
172649-23460	19	25
172649-23500	19	19
		26
	22	2
		30
172649-25310	20	3
172649-25320	20	4
172649-25340	20	5
172649-25350	20	6
172649-25360	20	7
172649-27311	21	4
172649-27321	21	5
172649-27550	21	51
172649-27570	21	52
172649-27610	21	19
		38
172649-28100-1	22	4
172649-28100-2	22	4 -1
172649-28120-1	22	32
172649-28120-2	22	32 -1
172649-28150-1	22	5
172649-28150-2	22	5 -1
172649-28160-1	22	33

PARTS No. INDEX

PARTS No.	Fig.	Ref.No.
172649-28160-2	22	33 -1
172649-28171	22	6
		34
172649-28210	15	14
	22	7
		35
172649-28300	22	8
		36
172649-28330	22	10
		38
172649-37090-1	23	1
172649-37110	23	3
172649-37150-1	23	9
172649-37150-2	23	9 -1
172649-37330	24	14
172649-37350-1	24	24
172649-37350-2	24	24 -1
172649-37380-1	24	25
172649-37380-2	24	25 -1
172649-37400	24	26
172649-37420-1	24	27
172649-37420-2	24	27 -1
172649-37430-1	24	28
172649-37430-2	24	28 -1
172649-37510-1	24	34
172649-37510-2	24	34 -1
172649-38600	24	41
172649-41400	25	1
172649-41400-1	25	1 -1
172649-41401-1	25	1 -2
172649-41500	25	3
172649-41550	25	6
172649-41600	25	7
172649-41610	25	8
	33	1
172649-41620	25	9
172649-42150	26	2
172649-42252	26	3
172649-42390	29	7
172649-42390-1	29	7 -1
172649-42420	28	8
172649-42420-1	28	8 -1
172649-42480	30	5
172649-42512	30	6
172649-42521	29	10
172649-42572	28	11
172649-42581	27	4
172649-42650	28	12
	29	11
172649-42680	27	7

PARTS No.	Fig.	Ref.No.
172649-42720	27	8
172649-42720-1	27	8 -1
172649-42731	27	10
172649-42740	27	9
172649-42791	30	7
172649-42791-1	30	7 -1
172649-42841	30	10
172649-42871	30	11
172649-42911	30	12
172649-42941	30	13
172649-42970	30	14
172649-42981	30	15
172649-43010	27	11
172649-43200	30	16
172649-43210	30	17
172649-43220	30	18
172649-43251	28	13
172649-43300	28	16
172649-43350	28	17
172649-43380	28	18
172649-45130	31	5
172649-45200	31	6
172649-45400	32	1
172649-45401	32	1 -1
172649-45401-1	32	1 -2
172649-45491	32	2
172649-45491-1	32	2 -1
172649-45630	28	19
172649-47101	33	2
172649-47101-1	33	2 -1
172649-47102-1	33	2 -2
172649-47320	34	4
172649-47410	34	7
172649-47420	34	8
172649-47440	34	9
172649-47451	34	10
172649-47481	34	11
172649-47501	34	12
172649-47530	34	13
172649-47550	34	14
172649-47580	34	15
172649-52300-1	35	10
172649-52300-2	35	10 -1
172649-52400-1	35	12
172649-52400-2	35	12 -1
172649-52450-1	35	13
172649-52450-2	35	13 -1
172649-53100	35	32 -1
172649-53100-1	35	32
172649-53100-2	35	32 -2

PARTS No.	Fig.	Ref.No.
172649-61280-1	36	2 -1
172649-61280-5	36	2
172649-62101	37	3
172649-62101-1	37	3 -1
172649-62113	37	4
172649-62113-1	37	4 -1
172649-62190	37	6
172649-62190-1	37	6 -1
172649-63100	37	16
172649-63100-1	37	16 -1
172649-63120	37	17
172649-63120-1	37	17 -1
172649-63140	37	18
172649-64101	38	4
172649-64150	38	5
172649-64203	38	6
172649-64203-1	38	6 -1
172649-64261	38	7
172649-64261-1	38	7 -1
172649-64452	38	10
172649-64452-1	38	10 -1
172649-64491	38	11
172649-64491-1	38	11 -1
172649-64580	38	12
172649-64650	38	13
172649-64650-1	38	13 -1
172649-65521	39	10
172649-65540-1	39	14 -1
172649-65540-5	39	14
172649-65570	39	17
172649-65580	39	18
172649-65590	39	19
172649-65630	39	20
172649-65640	39	21
172649-65650	39	22
172649-65660	39	23
172649-65750	39	25
172649-65760	39	26
172649-65770	39	27
172649-65780	39	28
172649-65840	39	31
172649-65900-1	39	32 -1
172649-65900-5	39	32
172649-71100-1	41	2
172649-71100-2	41	2 -1
172649-71210	41	12
172649-71250	41	79
172649-72100-1	42	1
172649-72100-2	42	1 -1
172649-72110-1	42	2

PARTS No.	Fig.	Ref.No.
172649-72110-2	42	2 -1
172649-72150	42	3
172649-72203-1	42	19
172649-72203-2	42	19 -1
172649-72600	41	87
172649-72660	41	13
172649-72670	41	30
172649-72750	41	34
172649-72760	41	35
172649-73680	41	98
172649-73740	43	13
172649-73810	43	14
172649-74400	45	14
172649-74451	45	20
172649-74461	45	21
172649-74470	45	22
172649-74480	45	23
172649-74490	45	24
172649-74800	45	33
172649-75250	44	4
172649-75250-1	44	4 -1
172649-75310	44	22
172649-76230	46	8
172649-76270	48	10
172649-76290	46	9
172649-76401	49	18
172649-78130	49	21
172649-78140	46	16
172649-78160	46	17
172649-78180	46	18
172649-78190	49	22
172649-78200	48	20
172649-78210	48	21
172649-78220	49	23
172649-78231	47	22
172649-78241	47	23
172649-78260	47	25
172649-78280	46	19
172649-78290	49	24
172649-78310	48	23
172649-78320	48	24
172649-78330	48	25
172649-78351	48	26
172649-78360	48	27
172649-78370	48	28
172649-78380	48	29
172649-78410	49	10
172649-78420	49	11
172649-78430	49	12
172649-78450	49	25

PARTS No. INDEX

PARTS No.	Fig.	Ref.No.
172649-78460	49	26
172649-78480	44	23
172649-95100-1	50	6 -1
172649-95100-5	50	6
172649-95101-1	50	6 -2
172649-95701-1	50	25
172649-95701-2	50	25 -1
172649-95850	50	10
172649-95870	50	11
172649-95900-1	50	19 -1
172649-95900-5	50	19
172649-95950-1	50	33 -1
172649-95950-5	50	33
172649-95960-1	50	34 -1
172649-95960-5	50	34
172649-95980-1	50	35 -1
172649-95980-5	50	35
172650-73640	41	66
		69
		91
172650-73870	43	28
172651-73610	41	65
172652-03220	1	8
172652-03661	1	46
	2	21
	39	52 C
172652-03681	1	47
	2	22
	40	19 K
172652-03871	51	39
172652-03891	51	41
172652-63150	39	4
172652-63150-2	39	4 -1
172652-64220	38	25
172653-03010	51	1
172653-03150	1	1
172653-03200	1	5
172653-03210	1	7
172653-03310	1	12
172653-03320	1	15
172653-03330	1	16
172653-03340	1	18
172653-03350	1	20
	2	6
	40	19 D
172653-03360	1	23
172653-03370	1	24
172653-03380	1	25
172653-03390	1	27
172653-03410	1	31

PARTS No.	Fig.	Ref.No.
172653-03430	1	33
	2	13
	36	13 A
	40	19 E
172653-03440	1	35
	2	15
	35	38 A
172653-03450	1	36
	2	16
	40	19 G
172653-03460	1	37
	2	17
	39	52 B
172653-03470	1	38
	2	18
	40	19 H
	50	47 A
172653-03480	1	39
	2	19
	40	19 I
172653-03490	1	40
172653-03500	1	42
172653-03510	1	44
172653-03520	1	45
	2	20
	36	13 B
	40	19 J
172653-03710	51	22
172653-03720	51	24
172653-03730	51	25
172653-03740	51	26
172653-03750	51	27
172653-03760	51	28
172653-03770	51	29
172653-03780	51	30
172653-03790	51	31
172653-03800	51	32
172653-03810	51	33
172653-03820	51	34
172653-03830	51	35
172653-03840	51	36
172653-03850	51	37
172653-03860	51	38
172653-03870	51	40
172653-08600	38	4 -1
172653-11360	5	4
172653-11361	5	4 -1
172653-11370	5	5
172653-11371	5	5 -1
172653-11510	6	1

PARTS No.	Fig.	Ref.No.
172653-11520	6	2
172653-12310	7	2
172653-12600	7	16
172653-13100-1	8	1 -1
172653-13100-2	8	1
172653-13240	8	8
172653-13300	9	5
172653-13350	9	7
172653-13470	9	9
172653-13480	9	10
172653-13520	9	41
172653-13540	9	12
172653-13550	9	13
172653-13570	9	14
172653-14200	10	15
172653-14450	10	22 -1
172653-16100	12	2
172653-16500	13	1
172653-16510	13	2
172653-16700	13	14
172653-16701	13	14 -1
172653-16710	13	15
172653-17170	14	22
172653-27510	21	13
172653-27520	21	32
172653-28340	22	11
		39
172653-37400	24	6
		17
172653-41420	25	2
172653-42100	30	4
172653-42200	28	7
172653-42300	26	4
172653-45100	31	2
172653-45100-1	31	2 -1
172653-47190	33	3
172653-47191	33	3 -1
172653-51091-1	35	4
172653-51092-1	35	4 -2
172653-51092-3	35	4 -1
172653-51700-1	35	7
172653-51700-2	35	7 -1
172653-51800-1	35	8
172653-51800-2	35	8 -1
172653-52100-1	35	9
172653-52100-2	35	9 -1
172653-52300-1	35	11
172653-52300-2	35	11 -1
172653-61101-1	36	1
172653-61101-2	36	1 -1

PARTS No.	Fig.	Ref.No.
172653-61150-1	36	1 A
172653-61170-1	36	1 B
172653-61350-1	36	3
172653-61350-2	36	3 -1
172653-61400-1	36	4
172653-61400-2	36	4 -1
172653-61500	36	11
172653-61500-1	36	11 -1
172653-61510	37	1
172653-61510-1	37	1 -1
172653-61600	36	14
172653-62150-1	37	5
172653-62150-2	37	5 -1
172653-62250	37	7
172653-64310	38	8
172653-64310-1	38	8 -1
		8 -2
172653-64311	38	4 D
172653-65110-1	39	5
172653-65110-2	39	5 -1
172653-65400-1	39	8
172653-65400-2	39	8 -1
172653-65600	39	24
172653-65800-1	39	29
172653-65800-2	39	29 -1
172653-66300-1	40	3
172653-66300-2	40	3 -1
172653-66500-1	40	4
172653-66500-2	40	4 -1
172653-66600-1	40	7
172653-66600-2	40	7 -1
172653-66700-1	40	8
172653-66700-2	40	8 -1
172653-66700-3	40	8 -2
172653-71200	41	8
172653-71300	41	48
172653-71330	41	63
172653-71340	41	78
172653-71350	41	89
172653-71360	41	94
172653-71390	41	95
172653-71400	41	96
172653-71410	41	97
172653-71420	41	50
172653-71430	41	51
172653-71440	41	52
172653-71460	41	57
172653-71470	41	58
172653-71480	41	59
172653-71490	41	60

PARTS No. INDEX

PARTS No.	Fig.	Ref.No.
172653-71500	41	61
172653-71510	41	64
172653-71520	41	67
172653-71530	41	70
172653-71540	41	71
172653-71550	41	68
172653-71560	41	80
172653-71570	41	88
172653-71580	41	81
172653-71590	41	82
172653-71600	41	83
172653-71610	41	84
172653-71620	41	85
172653-71630	41	86
172653-71650	41	93
172653-73100	41	11
172653-73300	43	1
172653-73310	43	2
172653-73320	43	29
172653-73330	43	30
172653-73340	43	31
172653-73350	43	32
172653-73360	43	33
172653-73370	43	3
172653-73380	43	7
172653-73390	43	15
172653-73400	43	16
172653-73410	43	17
172653-73420	43	18
172653-73430	43	19
172653-73440	43	20
172653-73450	43	21
172653-73460	43	22
172653-73470	43	23
172653-73480	43	24
172653-73490	43	25
172653-73500	43	26
172653-73520	43	4
172653-73530	43	5
172653-73540	43	8
172653-73550	43	9
172653-73560	43	10
172653-73570	43	11
172653-73580	43	12
172653-73590	43	6 A
172653-73600	43	6 B
172653-74500	45	27
172653-74501	45	27 -1
172653-76110	48	1
172653-76120	48	3

PARTS No.	Fig.	Ref.No.
172653-76170	48	4
172653-76200	46	6
172653-76220	47	9
172653-78120	46	15
172653-78250	47	24
172653-78270	47	26
172653-78300	48	22
172653-78500	48	30
172653-78510	48	31
172653-78900	48	32
172653-78910	48	33
172653-78920	47	31
172653-78930	47	32
172725-16380	38	1
172725-21420	19	6
172725-52300	22	14
		42
172725-85870	50	5
172730-01370	26	1
	30	1
172730-05250	35	1
172730-11411	28	1
	29	1
172730-11440	28	2
	29	2
172730-11451	28	3
		4
	29	3
		4
	30	2
172730-62250	31	7
172730-62250-1	31	7 -1
172730-75141	47	1
	49	14
172732-42450	27	3
172732-73700	44	2
172734-14620	11	4
		5
172734-17190	14	24
172734-17200	14	25
172734-29120	22	13
		41
172734-41300	27	2
172734-65260	39	6
172734-65270	39	7
172738-47860	30	19
172739-52851-1	50	4
172739-52851-2	50	4 -1
172739-52851-4	50	4 -2
172739-52851-W	50	4 -3

PARTS No.	Fig.	Ref.No.
172823-76110	47	2
172983-86160	28	20
172983-86161	28	20 -1
		20 -2
172A07-03160	1	3
172A07-03410	51	18
172A23-64770	38	27
172A36-03411	1	30
	2	11
	39	53 C
172A37-03150	51	2
172A37-03160	51	3
172A37-03180	51	4
172A37-03231	51	5
172A37-03250	51	6
172A37-03271	51	10
172A37-03280	51	11
172A37-03290	51	12
172A37-03330	51	14
172A37-03350	51	15
172A37-03370	51	17
172A37-03410	51	19
172A37-03500	51	20
172A37-03710	51	23
172A38-03200	1	4
172A38-03201	1	4 -1
172A38-03210	1	6
172A38-03211	1	6 -1
172A54-64100	38	4 A
172A54-64110	26	4 B-1
	38	4 B
		4 B-1
172A54-64120	26	4 C-1
	38	4 C
		4 C-1
172A55-03310	1	9 -1
172A64-64010	26	4 -1
	38	4 A-1
172A64-64020	26	4 AA
	38	4 AA
172A64-64030	26	4 B
	38	4 AB
172A64-64050	26	4 C
	38	4 AC
184015-44680	9	24
184016-55700	11	9
184016-55701	11	9 -1
194065-26270	21	3
194066-28260	21	6
194080-57202	14	34 -1

PARTS No.	Fig.	Ref.No.
194150-22480	28	6
	29	6
194150-31460	24	13
194151-04141	10	2
194151-04150	10	3
194151-57100	14	33
194201-57200	14	34
194250-04301	10	4
194250-04321	10	6
194335-25640	21	2
194432-51550	12	4
194440-51620	13	16
	26	7
	27	14
194630-64110	4	1
194680-51670	13	17
		17 -1
194940-52200	14	31
194990-20170	7	19
	27	1
	34	1
195412-33280	7	20
	34	2
1A1040-26060	15	13
1A1040-63400	12	9
1A1380-28040	22	3
		31
	44	21
1A1380-55310	39	3
1A1380-59480	13	18
	48	38
1A1686-57850	27	14 -1
1A6260-24910	15	12
1A6260-52500	14	32
1C6053-32020	50	23
1C6281-52310	7	22
	34	16
1E6102-63110	8	20
1E6102-84970	39	36
1E6210-55820	18	2
1E6440-55230	15	16
1E6460-42771	7	21
1E6690-35500	40	5 -1
		6 -1
1E6710-53040	15	15
	16	3
	20	10
	21	53
	30	22
1E6740-64200	27	2 -1

PARTS No. INDEX

PARTS No.	Fig.	Ref.No.
1E8050-53640	20	8
1E8050-56310	18	3
1E8050-56320	18	4
1E8050-56330	18	5
1E8050-56470	20	14
1E8050-56520	20	16
1E8050-56530	20	17
1E8050-56630	20	20
1E8050-56690	20	23
1E8050-56710	17	2
1E8050-56740	17	6
1E8050-56750	17	7
1E8050-56780	17	11
1E8050-56810	16	4
1E8050-56860	16	9
1E8050-56880	16	10
1E8050-56890	16	11
1E8050-56900	16	12
1E8050-56920	16	13
1E8050-56960	16	14
1E8050-61850	33	7
1E8050-63130	25	10
	33	8
1E8080-56350	18	6
1E8080-56400	20	9
1E8080-56410	20	11
1E8080-56470	20	15
1E8080-56550	20	18
1E8080-56590	20	19
1E8080-56650	20	21
1E8080-56660	20	22
1E8080-56850	16	8
1E8080-81880	50	24
1E8100-63750	7	23
	38	3
1E8540-59321	21	7
1E8540-59330	21	8
1E8540-59370	19	15
1E8540-59380	21	9
41851-000110	21	29 -1
		48 -1
	47	6 -1
	48	6 -1
		8 -1
772637-37300-1	24	1
772637-37300-2	24	1 -1
772649-14100	10	1
772649-22500	16	5
772649-22600	17	3
772649-22610	17	8

PARTS No.	Fig.	Ref.No.
772649-25300	20	12
772649-37100-1	23	2
772649-37100-2	23	2 -1
772649-37310-1	24	12
772649-37310-2	24	12 -1
772649-37500-1	24	32
772649-37500-2	24	32 -1
772649-65570	39	16
772653-66300-1	40	2 -1
772653-66300-2	40	2
772653-75100	44	1
933110-00301	14	6
933110-22800	22	27
		55
933110-54100	31	14
933110-58400	13	22
933111-50001	47	19
933113-15900	14	61
933123-73902	42	15
933133-96300	42	16
933147-02550	30	35
933147-10350	24	39
933153-01280	30	36
	50	44
933160-01370	47	21
933160-09220	13	23
933168-51700-2	50	45 -1
933168-51700-5	50	45
933168-51780	50	46
933168-55770	13	24
		24 -1
	46	24
	48	37
		37 -1
933171-13691	23	8
933171-15801	13	25
933171-17760	35	29
933171-17780	35	30
933171-17790	35	31
933171-21700	7	42
	27	26
	31	15
	34	26
933171-21950	27	27
	31	16
933172-13530	22	28
		56
933172-27150	50	18

PARTS No.	Fig.	Ref.No.
-----------	------	---------

PARTS No.	Fig.	Ref.No.
-----------	------	---------



YANMAR CO.,LTD.