



## QUICK SPECS

Weight	2,426 lbs
Horsepower	10.5 hp
Max Payload	2,536 lbs

**It's like a huge wheelbarrow. Without the backbreaking part.**



Sometimes you can't get a pick-up truck, or even a wheelbarrow, into a narrow, muddy or uneven job site. That's where Yanmar's heavy-duty, go-anywhere C12R rubber-tracked carrier comes in. With its 3ft-1in width, this rugged 10.5-hp high-flotation carrier easily navigates the tightest spaces and sloppiest conditions. When ceilings are low, just fold the ROPS bar down and kiss that wheelbarrow goodbye. And with its three-way dumping capacity, you can work quickly and efficiently almost anywhere.

## INNOVATIVE FEATURES



### Built To Take a Beating

A durable undercarriage is critical for any construction-use carrier. That's why the C12R is built with stronger materials, larger bearings and hardened rolling faces on the track rollers. The floor plate thickness of the rugged loading platform is 0.2 inch (4.5 mm) and the gatepost thickness is 0.1 inch (3.2 mm).



### Three-Way Dumping System Comes Standard

Being able to tilt the dump bed left, right or out the front makes it easy to function in the most confined working conditions. Easily and quickly determine your dumping position by changing the location of two pins.



### Foldable ROPS Bar

Not only is the standard equipment ROPS bar strong and sturdy, it can also be quickly folded down by simply removing a pin. This enables easy access to tight spaces with low ceilings, overhangs or other height-restricted jobsites, saving time and manpower.

## C12R-3WD

DURABLE, WATER-COOLED 2-CYLINDER, 10.5-HP DIESEL ENGINE

POWERED TO HANDLE MAXIMUM PAYLOAD IN THE MOST RUGGED CONDITIONS

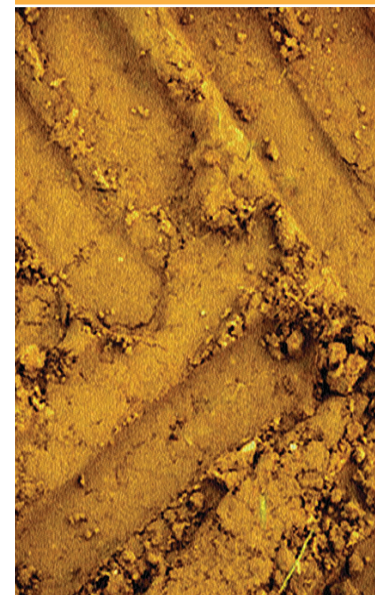
8FT-8IN LENGTH AND NARROW 3FT-1IN WIDTH GOES ALMOST ANYWHERE

HANDY REAR VIEW MIRROR ENHANCES VISIBILITY

EASY-TO-OPERATE FORWARD/REVERSE LEVER

QUICK, EASY ACCESS TO ENGINE AND MAINTENANCE POINTS FOR EASY SERVICING

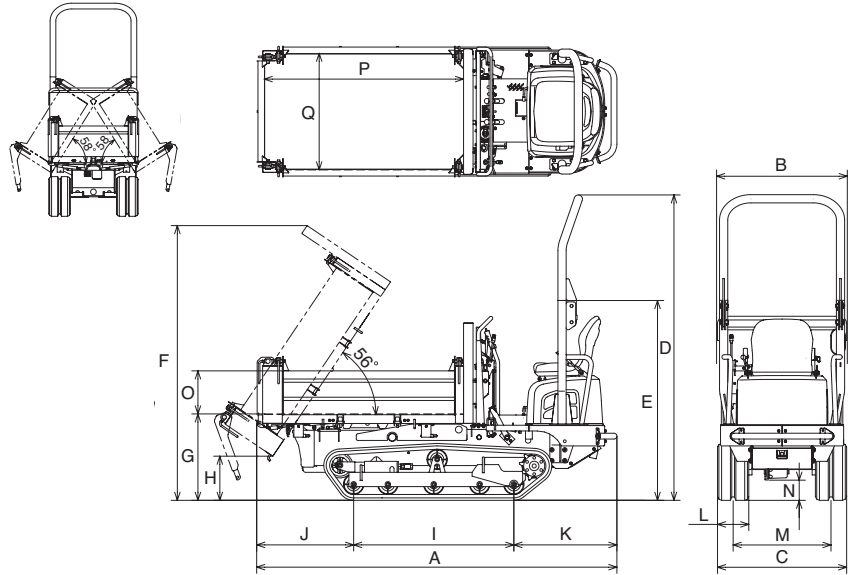
FOLDABLE ROPS STANDARD



# C12R-3WD

## Dimensions - C12R Three Way Dump

<b>A</b> 8' 8" (2650 mm)	<b>J</b> 2' 4" (710 mm)
<b>B</b> 3' 2" (960 mm)	<b>K</b> 2' 6" (760 mm)
<b>C</b> 3' 1" (950 mm)	<b>L</b> 9" (230 mm)
<b>D</b> 7' 5" (2250 mm)	<b>M</b> 2' 4" (720 mm)
<b>E</b> 5' 9" (1470 mm)	<b>N</b> 6" (150 mm)
<b>F</b> 6' 8" (2025 mm)	<b>O</b> 1' (315 mm)
<b>G</b> 2' 1" (635 mm)	<b>P</b> 4' 10" (1470 mm)
<b>H</b> 1' 1" (325 mm)	<b>Q</b> 2' 10" (860 mm)
<b>I</b> 3' 10" (1180 mm)	



## Specifications

Model		C12R-3WD		
Dump vessel type		Three-way		
Operating Weight	Net, unloaded	lbs (kg)	2426 (1100)	
Engine	Type	Water-cooled 2-cyl. diesel		
	Model	YANMAR 2TE67L-FW3		
	Output	HP (kW)/rpm	10.5 (7.8) / 2800	
Transmission		Hydrostatic & Reduction Gear		
Undercarriage	Crawler Width	ft-in (mm)	9.1" (230)	
	Min. Ground Clearance	ft-in (mm)	5.9" (150)	
	Ground Contact Pressure	w/o load	PSI (kPa)	2.84 (19.6)
w/ load		PSI (kPa)	5.83 (40.2)	
Brake	Service Brake	Type	Mechanical Wet Multiple Disk	
		Operation	Pedal, Mechanical	
	Parking Brake	Type	Common With Service Brake	
		Operation	Lever, Pedal Lock	
Performance	Max. Payload	lbs (kg)	2536 (1150)	
	Dumping Angle	Rear / Side	degrees	56° / 58°
	Dumping Clearance at Rear Dump		ft-in (mm)	1'1" (325)
	Dump Body Capacity	Struck	yd3 (m3)	0.52 (0.40)
		Heaped	yd3 (m3)	0.68 (0.40)
	Travel Speed	Forward	mph (km/h)	0~3.4 (0~5.5)
Reverse		mph (km/h)	0~3.4 (0~5.5)	
Hydraulic System	Pump	Gear		
	Control Valve	Single Spool		
Fuel Tank Capacity		Gals (L)	4 (14.5)	