

 **YANMAR**<sup>®</sup>  
**C12R-B**  
ALL-TERRAIN CARRIER

# ALL-TERRAIN CARRIER

Engine Output : 10.4 hp ( 7.7 kw )  
Max. travelling speed : 3.4 mph ( 5.5 km/h )  
Max. payload : 2,540 lbs ( 1150 kg )



**YANMAR - YOUR BEST PARTNER FOR BUILDING THE FUTURE**

# ALL-TERRAIN CARRIER

## Safe Operation

### Foldable ROPS Bar and Seat Belt are Standard Equipment

For safe operation on slopes, soft terrain and other potentially hazardous job sites, the distinctive features on the Yanmar C12R-B, reduce risk and improve operator safety.



## Versatility

### Foldable ROPS Bar

By simply removing a pin the strong and sturdy ROPS bar can be folded, allowing easy access to areas with height restrictions.

\* Do not fold the ROPS bar while in operation.



### The Compact Vehicle with High Work Performance

Overall machine length is only 8'8" by installing the engine under the operators seat. For working in those restricted, narrow access, areas the 3'1" width will get you in and around your jobsite. Being able to tilt the dump bed left, right or out the front, provides an excellent opportunity to function in those confined areas.



### Forward /

The lever swi  
reverse travel  
accurate and s  
operation.



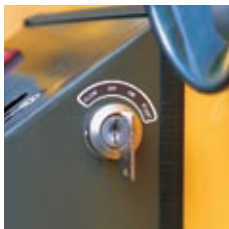


# C12R-B



## Reverse Lever

atches between forward and  
ing. The lever is easy to operate for  
safe



## Engine Stop Key

Turning the key stops  
the engine easily and  
maintains the level of  
the battery.

The layout around the  
operator's seat is neat  
and functional.

## Durable Machine

### Rugged Loading Platform

Floor plate thickness: 0.2inch(4.5mm)

Gate post thickness: 0.1inch(3.2mm)



The rugged structure is another  
important item for durability on  
construction sites.

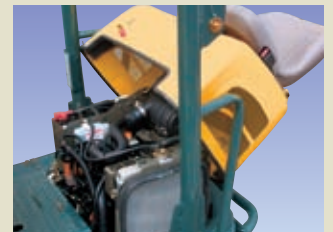
### Longer Lasting Undercarriage

The durable undercarriage is the single most important item for  
a construction use carrier. The use of stronger materials, larger  
bearings and hardened rolling faces of track rollers all increase  
the carrier's basic performance.

## Easy Maintenance

### Fully Open Hood

The engine is housed inside the hood under the operator's seat.  
The fully open hood allows easy and safe maintenance the  
engine.



## Power

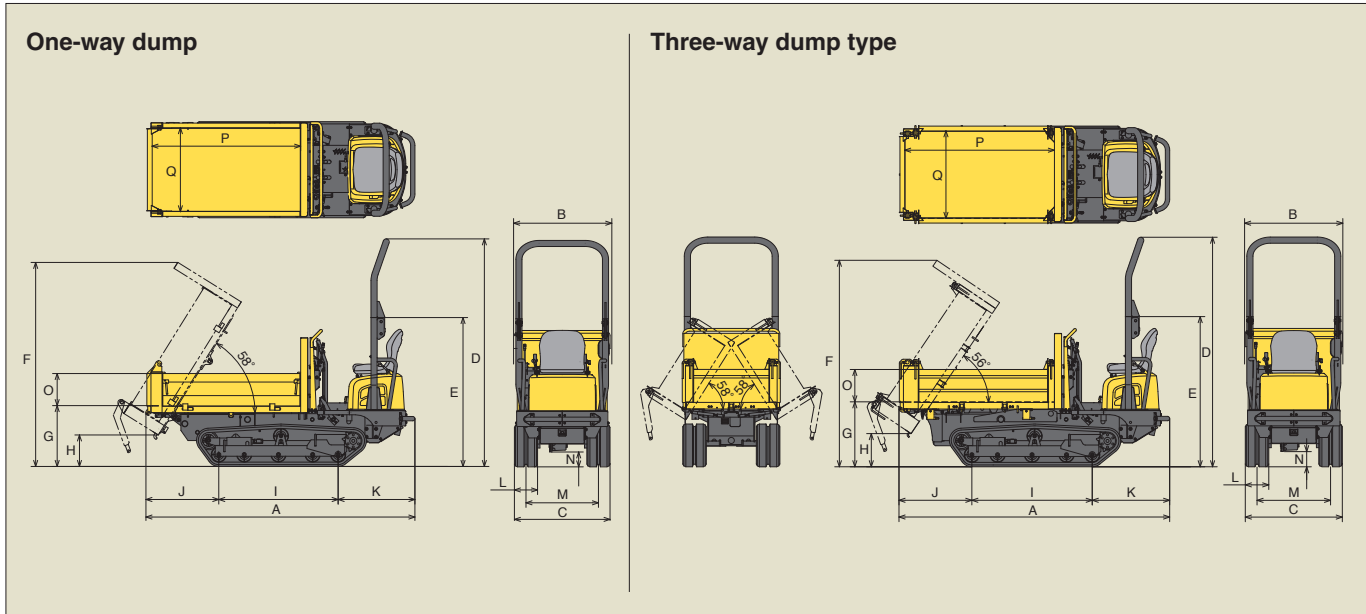
### Basic Performance Boosted

Engine performance has been increased.

The dependable Yanmar diesel engine provides enough power  
to handle the maximum payload in rugged conditions.

## Clean & Silent

Yanmar's environmentally friendly engine provides powerful  
output, clean exhaust and improved cold starting  
performance. The water-cooled two-cylinder diesel engine  
complies with the EPA's exhaust emission regulation in the  
U.S. The engine is very quiet and passed the strict European  
noise regulation laws.



**Dimensions**

ft-in, (mm)

	A	B	C	D	E	F	G	H	I	J	K	L	M	N	O	P	Q
One-way dump	8'8" (2650)	3'1" (950)	3'1" (950)	7'5" (2250)	5'9" (1470)	6'7" (2015)	2'0" (600)	1" (310)	3'10" (1180)	2'4" (710)	2'6" (760)	9" (230)	2'4" (720)	6" (150)	1'1" (320)	4'10" (1470)	2'9" (830)
Three-way dump	8'8" (2650)	3'2" (960)	3'1" (950)	7'5" (2250)	5'9" (1470)	6'8" (2025)	2'1" (635)	1'1" (325)	3'10" (1180)	2'4" (710)	2'6" (760)	9" (230)	2'4" (720)	6" (150)	1' (315)	4'10" (1470)	2'10" (860)

**Specifications**

Model		C12R-B		
Dump vessel type		One-way	Three-way	
Operating weight	Net, unloaded	lbs (kg)	2227 (1010) / 2426 (1100)	
Engine	Type	Water cooled 2 cyl. Diesel engine		
	Model	YANMAR 2TE67L-FW3		
	Output	hp(kW)/RPM 10.4 (7.7) / 2800		
Transmission	Hydrostatic & Reduction gear			
Under carriage	Crawler width	ft-in (mm) 9" (230)		
	Min. ground clearance	ft-in (mm) 6" (150)		
	Ground contact pressure	w/o load	psi (kPa) 2.65 (18.2) / 2.88 (19.9)	
w/ load		psi (kPa) 5.66 (39.0) / 5.89 (40.7)		
Brake	Service brake	Type	Mechanical wet multiple disk	
		Operation	Pedal, mechanical	
	Parking brake	Type	Common with service brake	
		Operation	Lever, pedal lock	
Performance	Max. payload	lbs (kg)	2540 (1150)	
	Dumping angle	Rear	degrees 58	
		Side	degrees — / 58	
	Dump clearance at rear dump	ft-in (mm)	1' (310) / 1'1" (325)	
	Dump body capacity	Struck	yd3 (m3)	0.52 (0.40)
		Heaped	yd3 (m3)	0.68 (0.52)
Travel speed	Forward	mph (km/h)	0~3.4 (0~5.5)	
	Reverse	mph (km/h)	0~3.4 (0~5.5)	
Hydraulic system for dump	Pump	Gear		
	Control valve	Single spool		
Fuel tank capacity	Gals (L)		4 (14.5)	

Note : All information presented in this Brochure is subject to change without notice.



PH: 877-690-3101

Discount-Equipment.com

West Palm, Tampa, and Orlando