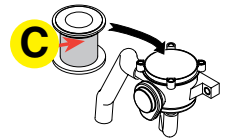
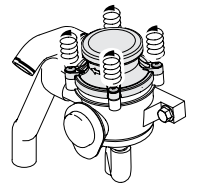
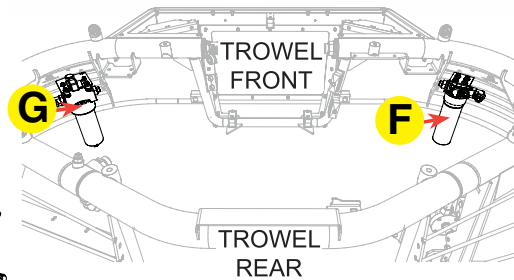
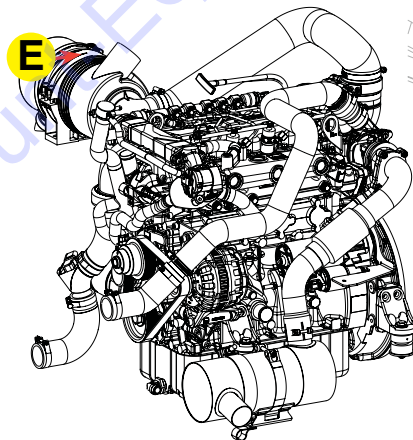
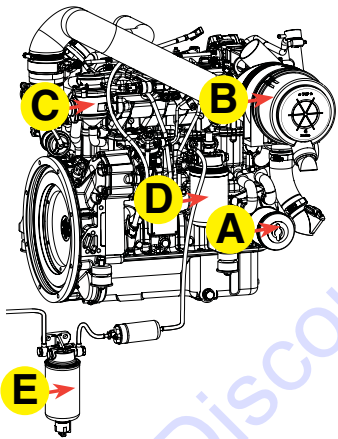


# FKITSTX6H

The FKITSTX6H Filter Service Kit provides 400 hours of ride-on power trowel usage, dependent on operating conditions. The kit includes:

## Filter Service Kit for MQ Whiteman Ride-On Power Trowel STX6H

|   | Replacement Filters          | Part Numbers | Qty. | Service Schedule |
|---|------------------------------|--------------|------|------------------|
| A | Engine Oil Filter            | 42602-68     | 1    | Every 400 Hours  |
| B | Air Filter Element - Primary | 42702-1      | 1    | Every 400 Hours  |
| C | Breather Filter              | 42602-34     | 1    | Every 400 Hours  |
| D | Fuel Filter Primary          | 42602-18     | 1    | Every 400 Hours  |
| E | Pre Fuel Filter / Separator  | 42602-15     | 1    | Every 400 Hours  |
| F | Hyd. Med Pressure Filter     | 42616-1      | 1    | Every 400 Hours  |
| G | Hyd High Pressure Filter     | 42615-1      | 1    | Every 400 Hours  |



© COPYRIGHT 2021 MULTQUIP INC. REV 0 (011821)

World class products.  
World class support.



# PARTS FINDER

**Search Website  
by Part Number**



**Search Manual  
Library For Parts  
Manual & Lookup Part  
Numbers – Purchase  
or Request Quote**

**Search Manuals**

Enter your information to help us find the right parts manual for your machine.

\* Brand:

\* Model:

\* Serial:

\* Part Number:

SEARCH

**Can't Find Part or  
Manual? Request Help  
by Manufacturer,  
Model & Description**

**Parts Order Form**

Please fill in the following information to help us find the right part for your machine.

|               |                      |
|---------------|----------------------|
| Manufacturer: | <input type="text"/> |
| Model:        | <input type="text"/> |
| Description:  | <input type="text"/> |
| Part Number:  | <input type="text"/> |
| Quantity:     | <input type="text"/> |
| Notes:        | <input type="text"/> |

Discount-Equipment.com is your online resource for quality parts & equipment.

Florida: **561-964-4949** Outside Florida TOLL FREE: **877-690-3101**

**Need parts?**

Click on this link: <http://www.discount-equipment.com/category/5443-parts/> and choose one of the options to help get the right parts and equipment you are looking for. Please have the machine model and serial number available in order to help us get you the correct parts. If you don't find the part on the website or on one of the online manuals, please fill out the request form and one of our experienced staff members will get back to you with a quote for the right part that your machine needs.

We sell worldwide for the brands: Genie, Terex, JLG, MultiQuip, Mikasa, Essick, Whiteman, Mayco, Toro Stone, Diamond Products, Generac Magnum, Airman, Haulotte, Barreto, Power Blanket, Nifty Lift, Atlas Copco, Chicago Pneumatic, Allmand, Miller Curber, Skyjack, Lull, Skytrak, Tsurumi, Husquvarna Target, Stow, Wacker, Sakai, Mi-T-M, Sullair, Basic, Dynapac, MBW, Weber, Bartell, Bennar Newman, Haulotte, Ditch Runner, Menegotti, Morrison, Contec, Buddy, Crown, Edco, Wyco, Bomag, Laymor, EZ Trench, Bil-Jax, F.S. Curtis, Gehl Pavers, Heli, Honda, ICS/PowerGrit, IHI, Partner, Imer, Clipper, MMD, Koshin, Rice, CH&E, General Equipment, Amida, Coleman, NAC, Gradall, Square Shooter, Kent, Stanley, Tamco, Toku, Hatz, Kohler, Robin, Wisconsin, Northrock, Oztec, Toker TK, Rol-Air, APT, Wylie, Ingersoll Rand / Doosan, Innovatech, Con X, Ammann, Mecalac, Makinex, Smith Surface Prep, Small Line, Wanco, Yanmar