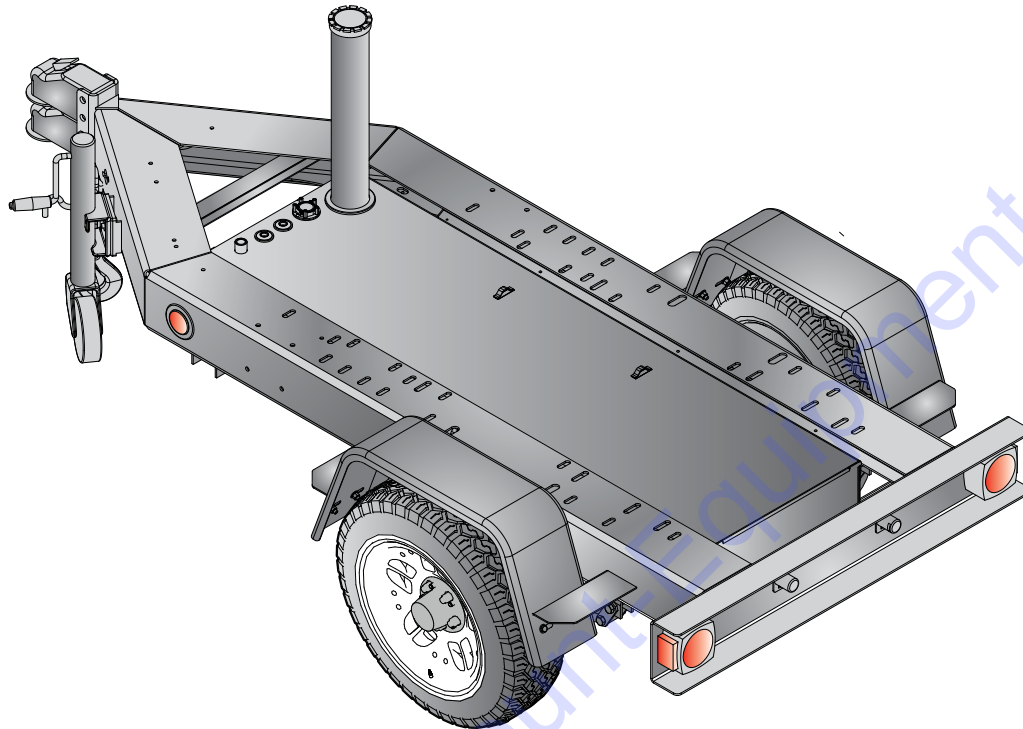




TRLRMPXF Single Axle Trailer



TRLRMPXF Technical Data

| | |
|--|---|
| Gross Vehicle Weight Rating (GVWR) — 2,760 lbs (1,252 kg) | Tire Size — ST175/80R13 LR-C |
| Gross Axle Weight Rating (GAWR) — 3,500 lbs (1,587 kg) (ea.) | Wheel Bolt Pattern — 5 Lug on 4.5 in |
| Coupler Rating — See coupler options on back page. | Tire Load Rating — 1,380 lbs/626 kg (ea.) |

STANDARD TRAILER EQUIPMENT

- Fits MQ Power Generator Models DAC6, DA7, DAC7, DCA10, DCA15, TLG8
- Single-axle Design with Leaf Spring Suspension
- Heavy-Duty Welded Steel Frame Construction
- Formed Channel for Generator Mounting and Support
- Integral Fuel Cell; Single-wall Steel Design, 28 Gallon Capacity
- 4-hole Channel Allows 3-position, Adjustable Coupler Height; 4-inches O/A
- Tongue Mounted Swivel Jack with Caster (rated 1,000 lbs. lift capacity)
- Replaceable, Bolt-on Steel Fenders
- Rugged Textured Black Powder Coat Paint Process including: Frame, Channel, and Fenders
- D.O.T. Approved Tail Lamps, Stop Lamps, Turn Signal Lamps, Side Marker Lamps
- Weatherproof, 3-piece Trailer Light Wiring Harness




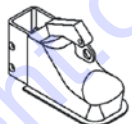

TRLRMPXF

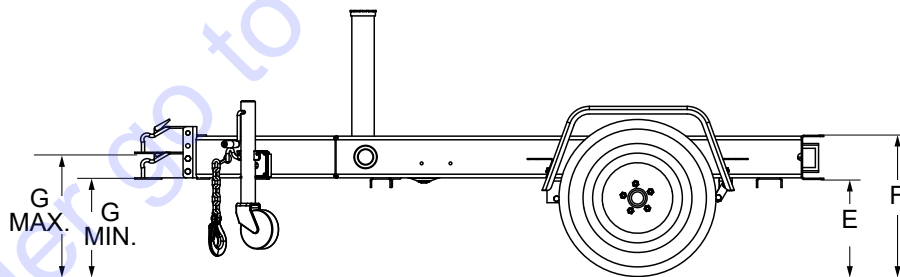
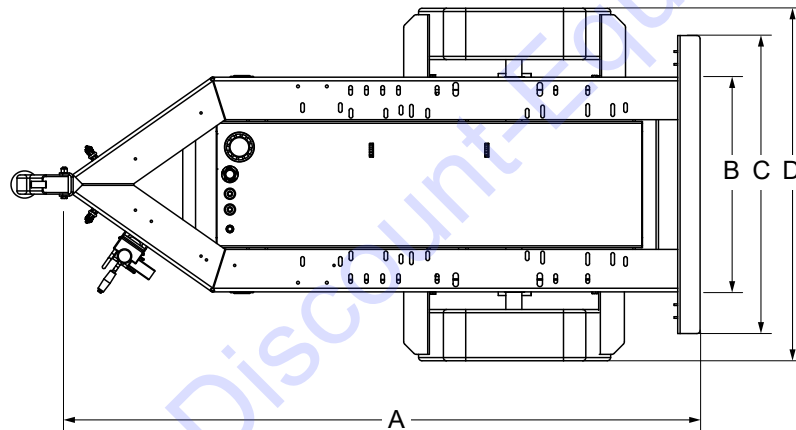
Single Axle Trailer

OPTIONAL TRAILER EQUIPMENT

- Electric-actuated Drum Brakes
- Anti-Theft Wheel Lock
- Front and Rear Stabilizer Stands
- Spare Tire with Locking Mount
- Tongue Mounted Storage Box

Coupler Options

| | |
|---|---|
| 2" Ball Coupler 10,000 lbs. #EE43254 |  |
| 2-5/16" Ball Coupler 14,000 lbs. #EE43253 |  |
| 3" Pintle Eye 25,000 lbs. #EE36264 |  |



| Trailer Dimensions | | | | | | | |
|------------------------|---------------------|-----------------------|------------------------|---------------------|----------------------|----------------------|----------------------|
| A | B | C | D | E | F | G | |
| | | | | | | Min | Max |
| 99.97 in (2,539 mm) | 33.5 in (851 mm) | 46.5 in (1,181 mm) | 55.25 in (1,403 mm) | 15.5 in (394 mm) | 21.46 in (545 mm) | 14.64 in (372 mm) | 18.64 in (473 mm) |

| Trailer Weight | |
|--------------------|-------------------|
| Without Fuel | With Fuel |
| 513 lbs. (233 kg)* | 713 lbs (323 kg)* |

* Weight is approximate



TO PURCHASE THIS PRODUCT PLEASE CONTACT US



**Equipment Financing and
Extended Warranties Available**



**Discount-Equipment.com is your online resource for
commercial and industrial quality parts and equipment sales.**

561-964-4949

visit us on line @ www.discount-equipment.com

Select an option below to find your Equipment

Search by Manufacturer

Search by Product Type

Request a Quote

We sell worldwide for the brands: Genie, Terex, JLG, MultiQuip, Mikasa, Essick, Whiteman, Mayco, Toro Stone, Diamond Products, Generac Magnum, Airman, Haulotte, Barreto, Power Blanket, Nifty Lift, Atlas Copco, Chicago Pneumatic, Allmand, Miller Curber, Skyjack, Lull, Skytrak, Tsurumi, Husquvarna Target, Stow, Wacker, Sakai, Mi-T-M, Sullair, Basic, Dynapac, MBW, Weber, Bartell, Bennar Newman, Haulotte, Ditch Runner, Menegotti, Morrison, Contec, Buddy, Crown, Edco, Wyco, Bomag, Laymor, EZ Trench, Bil-Jax, F.S. Curtis, Gehl Pavers, Heli, Honda, ICS/PowerGrit, IHI, Partner, Imer, Clipper, MMD, Koshin, Rice, CH&E, General Equipment, Amida, Coleman, NAC, Gradall, Square Shooter, Kent, Stanley, Tamco, Toku, Hatz, Kohler, Robin, Wisconsin, Northrock, Oztec, Toker TK, Rol-Air, APT, Wylie, Ingersoll Rand / Doosan, Innovatech, Con X, Ammann, Mecalac, Makinex, Smith Surface Prep, Small Line, Wanco, Yanmar