

# OPERATION MANUAL



**WHITEMAN**

**MODELS  
J AND B SERIES  
INSTACLUTCH™  
WALK-BEHIND TROWELS**

**(HONDA/ROBIN-SUBARU GASOLINE ENGINES)**

Revision #1 (04/24/20)



THIS MANUAL MUST ACCOMPANY THE EQUIPMENT AT ALL TIMES.

**PN: 13403**

**TO PURCHASE THIS PRODUCT PLEASE CONTACT US**



**Equipment Financing and  
Extended Warranties Available**



**Discount-Equipment.com is your online resource for  
commercial and industrial quality parts and equipment sales.**

**561-964-4949**

**visit us on line @ [www.discount-equipment.com](http://www.discount-equipment.com)**

Select an option below to find your Equipment

**Search by Manufacturer**

**Search by Product Type**

**Request a Quote**

We sell worldwide for the brands: Genie, Terex, JLG, MultiQuip, Mikasa, Essick, Whiteman, Mayco, Toro Stone, Diamond Products, Generac Magnum, Airman, Haulotte, Barreto, Power Blanket, Nifty Lift, Atlas Copco, Chicago Pneumatic, Allmand, Miller Curber, Skyjack, Lull, Skytrak, Tsurumi, Husquvarna Target, Stow, Wacker, Sakai, Mi-T-M, Sullair, Basic, Dynapac, MBW, Weber, Bartell, Bennar Newman, Haulotte, Ditch Runner, Menegotti, Morrison, Contec, Buddy, Crown, Edco, Wyco, Bomag, Laymor, EZ Trench, Bil-Jax, F.S. Curtis, Gehl Pavers, Heli, Honda, ICS/PowerGrit, IHI, Partner, Imer, Clipper, MMD, Koshin, Rice, CH&E, General Equipment, Amida, Coleman, NAC, Gradall, Square Shooter, Kent, Stanley, Tamco, Toku, Hatz, Kohler, Robin, Wisconsin, Northrock, Oztec, Toker TK, Rol-Air, APT, Wylie, Ingersoll Rand / Doosan, Innovatech, Con X, Ammann, Mecalac, Makinex, Smith Surface Prep, Small Line, Wanco, Yanmar

**PROPOSITION 65 WARNING**


---



To order go to DiscountEquipment.com

# SILICOSIS/RESPIRATORY WARNINGS

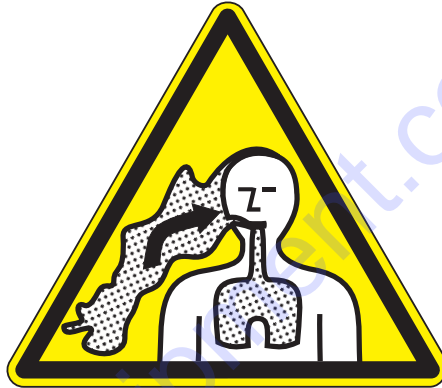
**! WARNING**



**SILICOSIS WARNING**

Grinding/cutting/drilling of masonry, concrete, metal and other materials with silica in their composition may give off dust or mists containing crystalline silica. Silica is a basic component of sand, quartz, brick clay, granite and numerous other minerals and rocks. Repeated and/or substantial inhalation of airborne crystalline silica can cause serious or fatal respiratory diseases, including silicosis. In addition, California and some other authorities have listed respirable crystalline silica as a substance known to cause cancer. When cutting such materials, always follow the respiratory precautions mentioned above.

**! WARNING**



**RESPIRATORY HAZARDS**

Grinding/cutting/drilling of masonry, concrete, metal and other materials can generate dust, mists and fumes containing chemicals known to cause serious or fatal injury or illness, such as respiratory disease, cancer, birth defects or other reproductive harm. If you are unfamiliar with the risks associated with the particular process and/or material being cut or the composition of the tool being used, review the material safety data sheet and/or consult your employer, the material manufacturer/supplier, governmental agencies such as OSHA and NIOSH and other sources on hazardous materials. California and some other authorities, for instance, have published lists of substances known to cause cancer, reproductive toxicity, or other harmful effects.

Control dust, mist and fumes at the source where possible. In this regard use good work practices and follow the recommendations of the manufacturers or suppliers, OSHA/NIOSH, and occupational and trade associations. Water should be used for dust suppression when wet cutting is feasible. When the hazards from inhalation of dust, mists and fumes cannot be eliminated, the operator and any bystanders should always wear a respirator approved by NIOSH/MSHA for the materials being used.

**J and B Series InstaClutch™  
Walk-Behind Trowels**

Proposition 65 Warning ..... 2  
Silicosis/Respiratory Warnings ..... 3  
Table of Contents ..... 4  
Training Checklist ..... 5  
Daily Pre-Operation Checklist ..... 6  
Safety Information ..... 7–11  
Specifications ..... 12–13  
Dimensions ..... 14  
General Information ..... 15  
Components ..... 16–18  
Setup ..... 19–24  
Inspection ..... 25–26  
Operation ..... 27–32  
Options ..... 33–34  
Maintenance ..... 35–44  
Troubleshooting ..... 45–48  
Wiring Diagram ..... 49

**NOTICE**

Specifications are subject to change without notice.

# TRAINING CHECKLIST

Training Checklist			
No.	Description	OK?	Date
1	Read operation manual completely.		
2	Machine layout, location of components, checking of engine oil level.		
3	Fuel system, refueling procedure.		
4	Operation of controls (machine not running).		
5	Safety controls, safety stop switch operation.		
6	Emergency stop procedures.		
7	Startup of machine, engine choke.		
8	Maintaining a hover.		
9	Maneuvering.		
10	Pitching.		
11	Concrete finishing techniques.		
12	Shutdown of machine.		
13	Lifting of machine (lifting bail).		
14	Machine transport and storage.		

## DAILY PRE-OPERATION CHECKLIST

Daily Pre-Operation Checklist		✓	✓	✓	✓	✓	✓
1	Engine oil level						
2	Gearbox oil level						
3	Condition of blades						
4	Blade pitch operation						
5	Safety stop switch operation						

To order go to [Discount-Equipment.com](http://Discount-Equipment.com)

# SAFETY INFORMATION


Do not operate or service the equipment before reading the entire manual. Safety precautions should be followed at all times when operating this equipment. Failure to read and understand the safety messages and operating instructions could result in injury to yourself and others.




## SAFETY MESSAGES

The four safety messages shown below will inform you about potential hazards that could injure you or others. The safety messages specifically address the level of exposure to the operator and are preceded by one of four words: **DANGER**, **WARNING**, **CAUTION** or **NOTICE**.


## SAFETY SYMBOLS

 **DANGER**

Indicates a hazardous situation which, if not avoided, **WILL** result in **DEATH** or **SERIOUS INJURY**.

 **WARNING**

Indicates a hazardous situation which, if not avoided, **COULD** result in **DEATH** or **SERIOUS INJURY**.




 **CAUTION**

Indicates a hazardous situation which, if not avoided, **COULD** result in **MINOR** or **MODERATE INJURY**.

**NOTICE**

Addresses practices not related to personal injury.

Potential hazard associated with the operation of this equipment will be referenced with **hazard symbols** which may appear throughout this manual in conjunction with safety messages.

SYMBOL	SAFETY HAZARD
	<p><b>WARNING</b> Lethal Exhaust Gas Hazard</p> <ul style="list-style-type: none"> <li>Inhaling exhaust fumes can result in severe injury or death.</li> <li>Only operate equipment in well ventilated areas.</li> <li><b>DO NOT</b> inhale exhaust gases/fumes.</li> </ul>
	<p><b>WARNING</b> Explosive Fuel Hazard</p> <ul style="list-style-type: none"> <li>Gasoline fuel can cause fire or explosion. Stop engine before refueling.</li> <li>Keep cigarettes, sparks and flames away from hot surfaces.</li> </ul>
	<p><b>CAUTION</b> Burn Hazard</p> <ul style="list-style-type: none"> <li><b>HOT PARTS</b> can burn skin.</li> <li><b>DO NOT</b> touch hot parts. Allow machine a sufficient amount of time to cool before performing maintenance.</li> </ul>

**Warning decals** associated with the operation of this equipment are defined below:

DECAL	SAFETY HAZARD
	<p><b>WARNING</b> Rotating Blade Hazard</p> <ul style="list-style-type: none"> <li>Keep hands and feet clear of guard rings.</li> <li>Stop engine before servicing.</li> </ul>
	<p><b>WARNING</b> Read Manual</p> <p>To avoid injury you must read and understand operator's manual before using this machine.</p>
	<p><b>WARNING</b> Lifting Crush Hazard</p> <ul style="list-style-type: none"> <li><b>NEVER</b> allow any person to stand underneath the trowel while lifting.</li> <li><b>DO NOT</b> lift trowel with pans attached.</li> <li><b>ALWAYS</b> make sure handle is securely attached.</li> <li>On Quick Pitch™ models make sure T-Handle latch is locked (engaged).</li> </ul>
	<p><b>ALWAYS</b> wear protective clothing when operating this equipment</p>
	<p><b>WARNING</b> Training</p> <p>This machine to be operated by qualified personnel. Ask for training as needed.</p>
	<p><b>WARNING</b> Guard Hazard</p> <p><b>NEVER</b> operate this equipment with guards removed. Keep hands clear.</p>



# SAFETY INFORMATION

## GENERAL SAFETY

### CAUTION

- **NEVER** operate this equipment without proper protective clothing, shatterproof glasses, respiratory protection, hearing protection, steel-toed boots and other protective devices required by the job or city and state regulations.



- Avoid wearing jewelry or loose fitting clothes that may snag on the controls or moving parts as this can cause serious injury.

- **NEVER** operate this equipment when not feeling well due to fatigue, illness or when under medication.



- **NEVER** operate this equipment under the influence of drugs or alcohol.



- **ALWAYS** clear the work area of any debris, tools, etc. that would constitute a hazard while the equipment is in operation.

- No one other than the operator is to be in the working area when the equipment is in operation.

- **DO NOT** use the equipment for any purpose other than its intended purposes or applications.

### NOTICE

- This equipment should only be operated by trained and qualified personnel 18 years of age and older.
- Whenever necessary, replace nameplate, operation and safety decals when they become difficult read.
- Manufacturer does not assume responsibility for any accident due to equipment modifications. Unauthorized equipment modification will void all warranties.
- **NEVER** use accessories or attachments that are not recommended by Multiquip for this equipment. Damage to the equipment and/or injury to user may result.
- **ALWAYS** know the location of the nearest fire extinguisher.
- **ALWAYS** know the location of the nearest first aid kit.
- **ALWAYS** know the location of the nearest phone or **keep a phone on the job site**. Also, know the phone numbers of the nearest **ambulance, doctor and fire department**. This information will be invaluable in the case of an emergency.



# SAFETY INFORMATION

## TROWEL SAFETY

### DANGER

- Engine fuel exhaust gases contain poisonous carbon monoxide. This gas is colorless and odorless, and can cause death if inhaled.
- The engine of this equipment requires an adequate free flow of cooling air. **NEVER** operate this equipment in any enclosed or narrow area where free flow of the air is restricted. If the air flow is restricted it will cause injury to people and property and serious damage to the equipment or engine.



- **NEVER** operate the equipment in an explosive atmosphere or near combustible materials. An explosion or fire could result causing severe **bodily harm or even death.**



### WARNING

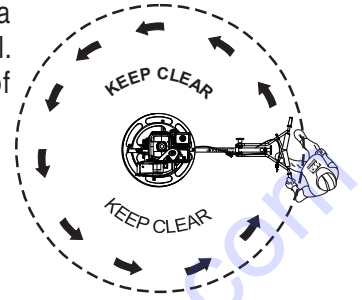
- **ALWAYS** keep clear of rotating or moving parts while operating the trowel.
- **DO NOT** start or operate the trowel if the drive train will not disengage. Centrifugal force between the trowel and surface when starting can cause uncontrolled handle movement that can cause serious injury. The handle must not move while pulling the engine recoil starter.
- **NEVER** disconnect any **emergency or safety devices.** These devices are intended for operator safety. Disconnection of these devices can cause severe injury, bodily harm or even death. Disconnection of any of these devices will void all warranties.



### CAUTION

- **NEVER** stand on trowel during operation.
- **NEVER** lubricate components or attempt service on a running machine.
- **NEVER** place your feet or hands inside the guard rings while starting or operating this equipment.

- **ALWAYS** keep work area clear around the trowel. Make sure it is free of debris and objects.



### NOTICE

- **ALWAYS** keep the machine in proper running condition.
- Fix damage to machine and replace any broken parts immediately.
- **ALWAYS** store equipment properly when it is not being used. Equipment should be stored in a clean, dry location out of the reach of children and unauthorized personnel.
- A safety manual for operating and maintenance personnel of concrete power trowels produced by the Association of Equipment Manufacturers (AEM) can be obtained for a fee by ordering through their website at [www.aem.org](http://www.aem.org).

Order FORM PT-160

## ENGINE SAFETY

### WARNING

- **DO NOT** place hands or fingers inside engine compartment when engine is running.
- **NEVER** operate the engine with heat shields or guards removed.
- Keep fingers, hands hair and clothing away from all moving parts to prevent injury.
- **DO NOT** remove the engine oil drain plug while the engine is hot. Allow the oil to cool before performing maintenance. This will prevent scalding of personnel.



### CAUTION

- **NEVER** touch the hot exhaust manifold, muffler or cylinder. Allow these parts to cool before servicing equipment.



# SAFETY INFORMATION

## NOTICE

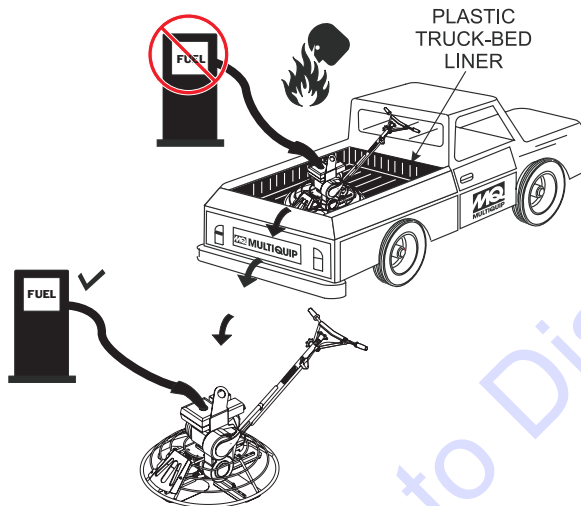
- **NEVER** run engine without an air filter or with a dirty air filter. Severe engine damage may occur. Service air filter frequently to prevent engine malfunction.
- **NEVER** tamper with the factory settings of the engine or engine governor. Damage to the engine or equipment can result if operating in speed ranges above the maximum allowable.



## FUEL SAFETY

### ! DANGER

- **DO NOT** add fuel to equipment if it is placed inside truck bed with plastic liner. Possibility exists of explosion or fire due to static electricity.



- **DO NOT** start the engine near spilled fuel or combustible fluids. Fuel is extremely flammable and its vapors can cause an explosion if ignited.
- **ALWAYS** refuel in a well-ventilated area, away from sparks and open flames.
- **ALWAYS** use extreme caution when working with **flammable** liquids.
- **DO NOT** fill the fuel tank while the engine is running or hot.
- **DO NOT** overfill tank, since spilled fuel could ignite if it comes into contact with hot engine parts or sparks from the ignition system.

- Store fuel in appropriate containers, in well-ventilated areas and away from sparks and flames.
- **NEVER** use fuel as a cleaning agent.
- **DO NOT** smoke around or near the equipment. Fire or explosion could result from fuel vapors or if fuel is spilled on a hot engine.



## TRANSPORTING SAFETY

### ! CAUTION

- **NEVER** allow any person or animal to stand underneath the equipment while lifting.



## NOTICE

- Some walk-behind trowels can be lifted or moved by two people utilizing lifting tubes or other special attachments. Generally, however, they must be lifted using lifting bales and cranes, hoists, or forklifts.
- **NEVER** transport trowel with float pans attached unless safety catches are used and are specifically cleared for such transport by the manufacturer.
- **NEVER** hoist the trowel more than three feet off the ground with float pans attached.
- Before lifting, make sure that the lifting bales are not damaged.
- Always make sure crane or lifting device has been properly secured to the lifting bales of the equipment.
- **ALWAYS** shutdown engine before transporting.
- **NEVER** lift the equipment while the engine is running.
- Tighten fuel tank cap securely and close fuel cock to prevent fuel from spilling.
- Use adequate lifting cable (wire or rope) of sufficient strength.
- **DO NOT** lift machine to unnecessary heights.
- **ALWAYS** tie down equipment during transport by securing the equipment with rope.

# SAFETY INFORMATION

## ENVIRONMENTAL SAFETY/DECOMMISSIONING

### NOTICE

Decommissioning is a controlled process used to safely retire a piece of equipment that is no longer serviceable. If the equipment poses an unacceptable and unrepairable safety risk due to wear or damage or is no longer cost effective to maintain (beyond life-cycle reliability) and is to be decommissioned (demolition and dismantlement), be sure to follow rules below.

- **DO NOT** pour waste or oil directly onto the ground, down a drain or into any water source.
- Contact your country's Department of Public Works or recycling agency in your area and arrange for proper disposal of any electrical components, waste or oil associated with this equipment.
- When the life cycle of this equipment is over, remove battery and bring to appropriate facility for lead reclamation. Use safety precautions when handling batteries that contain sulfuric acid.
- When the life cycle of this equipment is over, it is recommended that the trowel frame and all other metal parts be sent to a recycling center.



Metal recycling involves the collection of metal from discarded products and its transformation into raw materials to use in manufacturing a new product.

Recyclers and manufacturers alike promote the process of recycling metal. Using a metal recycling center promotes energy cost savings.

## EMISSIONS INFORMATION

### NOTICE

The gasoline engine used in this equipment has been designed to reduce harmful levels of carbon monoxide (CO), hydrocarbons (HC) and nitrogen oxides (NOx) contained in gasoline exhaust emissions.

This engine has been certified to meet US EPA Evaporative emissions requirements in the installed configuration.

Attempting to modify or make adjustments to the engine emission system by unauthorized personnel without proper training could damage the equipment or create an unsafe condition.

Additionally, modifying the fuel system may adversely affect evaporative emissions, resulting in fines or other penalties.

### Emission Control Label

The emission control label is an integral part of the emission system and is strictly controlled by regulation(s).

The label must remain with the engine for its entire life.

If a replacement emission label is needed, please contact Discount-equipment.

# SPECIFICATIONS

**Table 1. J Series Trowel Specifications**

Model	JS60C	JH55C	JH90C
Number of Blades	4		
Ring Diameter	37.38 in. (949 mm)		
Rotor Speed	60–115 rpm	60–130 rpm	
Path Width	36 in. (914 mm)		
Shipping Weight	202 lb. (91.6 kg)	213 lb. (96.6 kg)	
Gearbox Oil Capacity	22 oz. (828 ml)		
Gearbox Oil Type	Chevron Cetus® HiPerSYN 460 synthetic gear oil		

**Table 2. B Series Trowel Specifications**

Model	BH90C	BH11C	BS90C
Number of Blades	4		
Ring Diameter	48 in. (1,219 mm)		
Rotor Speed	60–130 rpm		
Path Width	46 in. (1,168 mm)		
Shipping Weight	289 lb. (131 kg)	218 lb. (98.8 kg)	
Gearbox Oil Capacity	22 oz. (828 ml)		
Gearbox Oil Type	Chevron Cetus® HiPerSYN 460 synthetic gear oil		

**Table 3. Engine Specifications**

Engine Model	Honda GX160UT2QX2	Honda GX270UT2QA2		Honda GX340UT2QA2	Subaru EX170DM2230	Subaru EX270DE5013
Trowel Model	JH55C	JH90C	BH90C	BH11C	JS60C	BS90C
Engine Type	Air-cooled, 4-stroke, single-cylinder, OHV, horizontal PTO shaft, gasoline engine				Air-cooled, 4-stroke, slant single-cylinder, OHC, horizontal PTO shaft, gasoline engine	
Bore × Stroke	2.7 × 1.8 in. (68 × 45 mm)	3.0 × 2.3 in. (77 × 58 mm)		2.95 × 2.36 in. (75 × 60 mm)	2.64 × 1.89 in. (67 × 48 mm)	
Displacement	163 cm <sup>3</sup>	270 cm <sup>3</sup>		340 cm <sup>3</sup>	169 cm <sup>3</sup>	265 cm <sup>3</sup>
Max. Output	4.8 hp @ 3,600 rpm	8.5 hp @ 3,600 rpm		10.7 hp @ 3,600 rpm	6 hp @ 4,000 rpm	9 hp @ 4,000 rpm
Fuel Tank Capacity	Approx. 0.95 U.S. gallons (3.59 liters)	Approx. 1.95 U.S. gallons (7.38 liters)		Approx. 1.6 U.S. gallons (6.1 liters)	Approx. 0.95 U.S. gallons (3.59 liters)	Approx. 1.6 U.S. gallons (6.1 liters)
Fuel Type	Unleaded gasoline					
Oil Capacity	0.63 quarts (0.6 liters)	1.06 quarts (1.1 liters)		1.16 quarts (1.1 liters)	0.63 quarts (0.6 liters)	1 quart (1 liter)
Oil Type	4-stroke API, SF or SG SAE 10W-30 general use					
Speed Control Method	Centrifugal flyweight type					
Starting Method	Recoil start					
Dimensions (L × W × H)	12.3 × 14.3 × 13.2 in. (312 × 362 × 335 mm)	15 × 16.8 × 16.6 in. (381 × 428 × 422 mm)		16 × 18.1 × 19.6 in. (406 × 460 × 448 mm)	12 × 13.9 × 13.2 in. (304 × 354 × 335 mm)	13.8 × 16.5 × 16.1 in. (351 × 420 × 410 mm)
Dry Net Weight	33.1 lb. (15 kg)	55.1 lb. (25 kg)		69.9 lb. (31.7 kg)	33.1 lb. (15 kg)	46.3 lb. (21 kg)

# SPECIFICATIONS

**Table 4. J Series Trowel Noise and Vibration Emissions**

Model	JS60C	JH55C	JH90C
Guaranteed ISO 11201:2010 Based Sound Pressure Level at Operator Station in dB(A) <sup>a</sup>	127	90	121
Guaranteed ISO 3744:2010 Based Sound Power Level in dB(A) <sup>b</sup>	97	120	90
Hand-Arm Vibration per ISO 5349-1:2001 in $m/s^2 \Sigma A(8)$	2.03	1.37	1.62

**Table 5. B Series Trowel Noise and Vibration Emissions**

Model	BH90C	BH11C	BS90C
Guaranteed ISO 11201:2010 Based Sound Pressure Level at Operator Station in dB(A) <sup>a</sup>	122	129	123
Guaranteed ISO 3744:2010 Based Sound Power Level in dB(A) <sup>b</sup>	91	98	94
Hand-Arm Vibration per ISO 5349-1:2001 in $m/s^2 \Sigma A(8)$	1.07	1.68	1.55

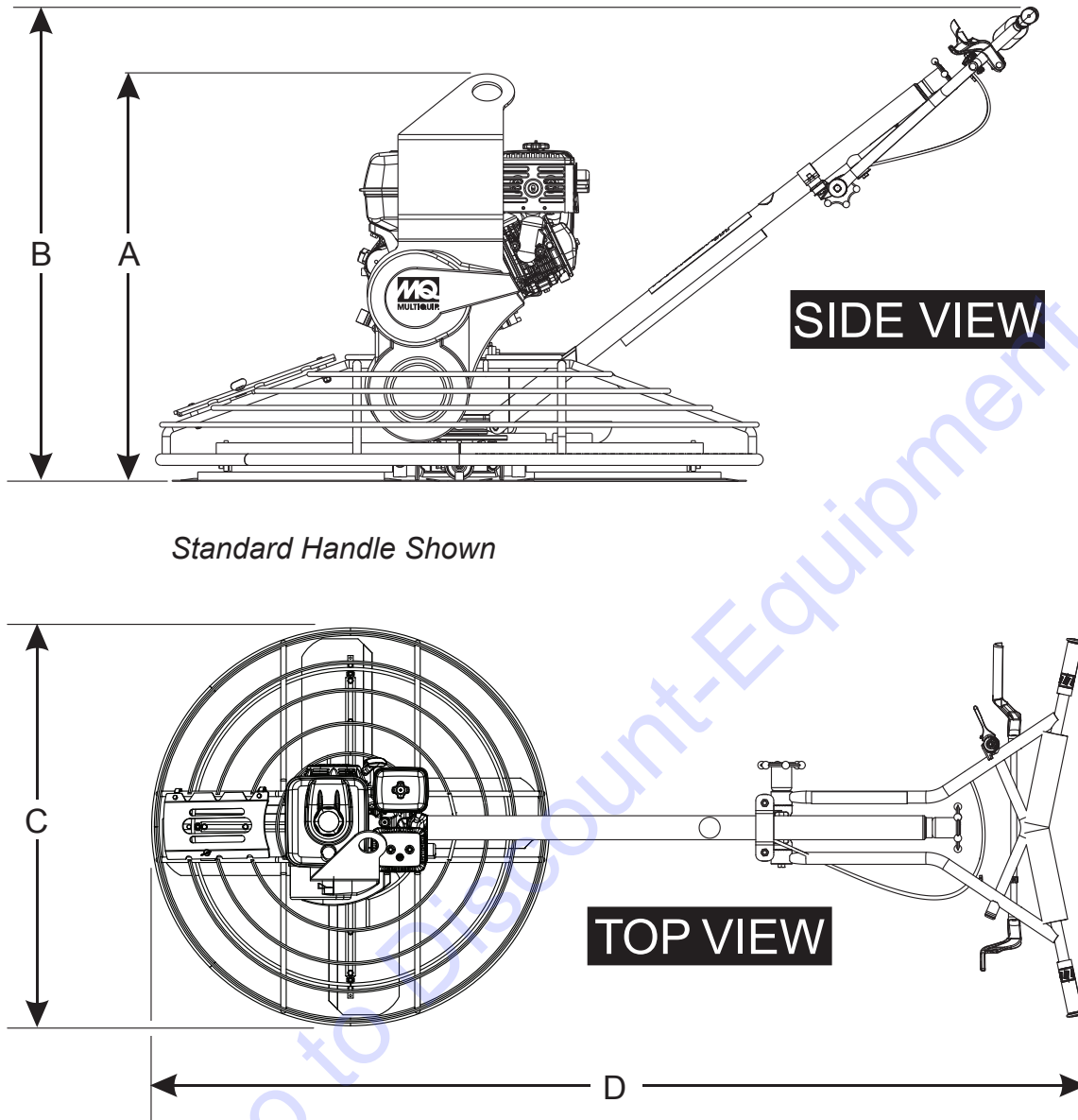
a. With an uncertainty factor K of 2.5 dB(A) included per Note 1 in section 7.2.1 of EN 12649::2008+A1:2011

b. With an uncertainty factor K of 1.5 dB(A) included per Note 1 in section 7.2.1 of EN 12649::2008+A1:2011

## NOTES:

1. *Sound pressure and power levels are "A" weighted measures per ISO 3744:2010. They are measured with operating conditions of the machine which generate the most repeatable but highest values of the sound levels. Under normal circumstances, the sound level will vary depending on the condition of the material being worked upon.*
2. *The vibration level indicated is the vector sum of the RMS (root mean square) values of amplitudes on each axis, standardized to an 8-hour exposure period, and obtained using operating conditions of the machine that generate the most repeatable but highest values in accordance with the applicable standards for the machine.*
3. *Per EU Directive 2002/44/EC, the daily exposure action value for hand/arm vibration is  $2.5 m/s^2 \Sigma A(8)$ . The daily exposure limit value is  $5 m/s^2 \Sigma A(8)$ .*

# DIMENSIONS



Standard Handle Shown

Figure 1. Dimensions

Table 6. Trowel Dimensions

Model	JH55C	JH90C	JS60C	BH90C	BH11C	BS90C
(A) Height (Lifting Bail)—in. (mm)	36.7 (932)		34.5 (876)			
(B) Height (Handle)—in. (mm)	41.1 (1,044)					
(C) Width—in. (mm)	37.4 (949)			48.0 (1,219)		
(D) Length—in. (mm)	70.4 (1,789)			75.2 (1,910)		

## INTENDED USE

Operate this trowel, its components and tools in accordance with the manufacturer's instructions. Use of any other tools for stated operation is considered contrary to designated use. The risk of such use lies entirely with the user. The manufacturer cannot be held liable for damages as a result of misuse.

## TROWEL FAMILIARIZATION

**Read all safety instructions carefully.** Safety instructions will be found throughout this manual and on the trowel. Keep all safety information in good, readable condition. Operators should be well trained on the operation and maintenance of the trowel.

This walk-behind trowel is designed for the floating and finishing of concrete slabs.

Walk around the trowel and take notice of all the major components (Figure 2)—engine, blades, steering handle, gearbox, etc. Make sure there is always oil in the engine.

Before using your trowel, test it on a flat, watered-down section of finished concrete that is free of debris and other objects.

This trial test run will increase your confidence in using the trowel and will familiarize you with the trowel's controls. You will learn how the trowel handles under actual operating conditions.

## Engine

These trowels are equipped with gasoline engines (see Table 3) that range from 4.8 to 10.7 horsepower. Refer to the engine owner's manual for instructions regarding the operation and maintenance of your engine. If the original manual is lost or damaged, please contact Discount-equipment for a replacement.

## InstaClutch™ Drive System

Power is transferred from the engine to the gearbox input shaft via a V-belt pulley drive system. The pulley engages an innovative InstaClutch™ system that immediately disengages the drive system should the operator release the handle. The advanced friction clutch stops the unit within a quarter of a turn even when running at full RPM. It also eliminates the need to throttle down during momentary work stoppages. The operator can safely resume operation without having to restart the engine.

## Gearbox

The gearbox is located beneath the engine and transfers power to the spider assembly. The gearbox controls the rotational speed of the trowel and is equipped with two shafts (input and output).

## Spider

The vertical output shaft of the gearbox connects to a cast hub called the spider. The spider has four arms that extend outward, to which blades or other accessories are attached. As the gearbox output shaft rotates, so does the spider assembly.

## Blades

The blades of the trowel finish concrete as they are rotated around the surface. This trowel comes equipped with four combination blades, equally spaced in a radial pattern, attached to the vertical rotating shaft by means of the spider assembly.

## Guard Ring

This unit is equipped with a safety guard ring to help prevent objects from coming into contact with the rotating blades while the trowel is in operation.

## TRAINING

For proper training, please use the **Training Checklist** form located in the front of this manual. This checklist will provide an outline for an experienced operator to provide training to a new operator.



# COMPONENTS (TROWEL)

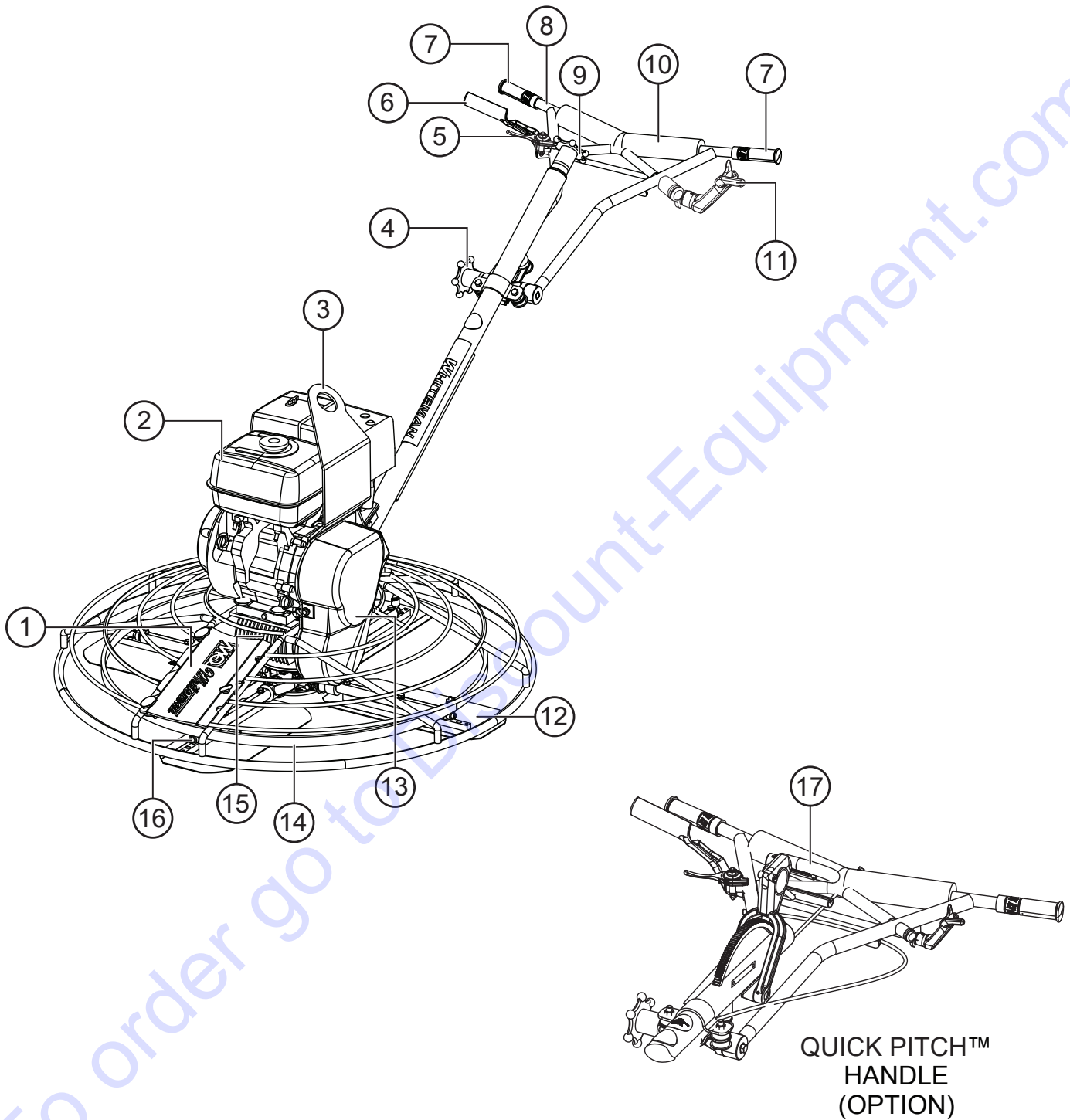


Figure 2. Trowel Components

## COMPONENTS (TROWEL)

Figure 2 shows the location of the basic trowel components. Listed below is a brief explanation of each component.

1. **Access Panel** — Allows access to the blade area. **NEVER** run the trowel with the access panel removed.
2. **Engine** — Gasoline engine. Refer to Table 3 for engine specifications.
3. **Lifting Bail** — Attach a suitable lifting device to the lifting bail whenever lifting of the trowel is required.
4. **Handlebar Adjuster** — Change the angle or height of the handlebar by loosening the star wheel. Adjust the handlebar to the desired location and tighten the star wheel firmly to secure the handlebar in position.
5. **Throttle Lever** — Controls engine speed. Returns the engine to **idle** when released.
6. **Right Clutch Lever** — The primary clutch lever. Squeeze to engage the clutch and rotate the blades.
7. **Hand Grips** — **ALWAYS** place hands on **both** hand grips when maneuvering the trowel. Replace hand grips when they become worn or damaged.
8. **Vibratory Handlebar** — Rubber shock mounts/isolators reduce trowel vibration.
9. **Pitch Control Star Wheel** — Rotate the star wheel **clockwise** to pitch the blades upward. Rotate the star wheel **counterclockwise** to pitch the blades flat (no pitch).
10. **Handlebar Pad** — Foam rubber pad that protects the body when coming into contact with the handlebar.
11. **Left Clutch Lever** — The secondary clutch lever. Squeeze to engage the clutch and start blade rotation.
12. **Blades (4)** — Versatile combination blades should take care of most troweling needs.
13. **V-Belt Cover** — Remove this cover to gain access to the V-belt. **NEVER** operate the trowel with this cover removed.
14. **Guard Ring** — **NEVER** put hands or feet inside the guard ring while the engine is running.
15. **Gearbox** — Helical worm gear drive gearbox. Provides rotation of blades via engine interface. **ALWAYS** check the gearbox oil level (sight glass) prior to each use. Fill with Chevron Cetus® HiPerSYN 460 synthetic gear oil as needed.
16. **Trowel Arms (4)** — Combination blades attach here. In addition, float discs can be attached to the trowel arms that will allow the trowel to “float” on wet concrete.
17. **Quick Pitch™ Control Handle** — To adjust the pitch of the blades upward using the Quick Pitch™ handle, simply pull the T-handle backward while squeezing the trigger. Push the T-handle forward to pitch the blades flat (no pitch). **Contact Discount-equipment to purchase this option.**

### NOTICE

**NEVER** operate the trowel with a bent, broken or out-of-adjustment trowel arm. If the blades show uneven wear patterns or some blades wear out faster than others, the trowel arm may need to be adjusted. Refer to the **Maintenance** section for more information.

# COMPONENTS (ENGINE)

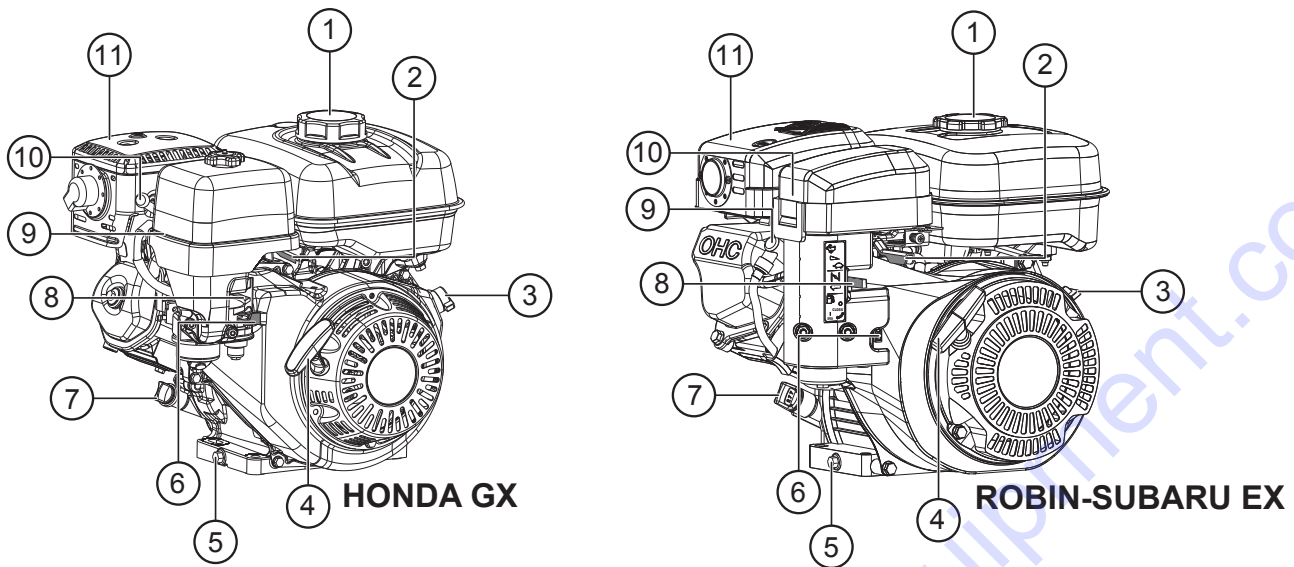


Figure 3. Basic Engine Components

## INITIAL SERVICING

The engine (Figure 3) must be checked for proper lubrication and filled with fuel prior to operation. Refer to the manufacturer's engine manual for detailed operation and service instructions.

1. **Fuel Filler Cap/Fuel Tank** — Remove this cap to add unleaded gasoline to the fuel tank. Refer to Table 3 for fuel tank capacity. Make sure the cap is tightened securely. **DO NOT** overfill.

### DANGER



Add fuel to the tank **only** when the engine is stopped and has had an opportunity to cool down. In the event of a fuel spill, **DO NOT** attempt to start the engine until all fuel residue has been completely wiped up and the area surrounding the engine is dry.

2. **Throttle Lever** — Adjusts engine RPM speed.
3. **Engine ON/OFF Switch** — **ON** position permits engine starting. **OFF** position stops engine operation.
4. **Recoil Starter** — Manual starting method. Pull the starter grip slowly until resistance is felt, then pull briskly and smoothly to start the engine.
5. **Oil Drain Bolt** — Remove this bolt to drain oil from the engine's crankcase.

6. **Fuel Valve Lever** — Open to allow fuel to flow. Close to prevent fuel flow.
7. **Oil Filler Cap/Dipstick** — Remove this cap to determine if engine oil is low. Add oil through this filler port as recommended in Table 7.
8. **Choke Lever** — Used in cold weather conditions or for the starting of a cold engine. The choke enriches the fuel mixture.
9. **Air Cleaner** — Prevents dirt and other debris from entering the fuel system. Remove the wing nut on top of the air cleaner cover to gain access to the filter elements.

### NOTICE

Operating the engine without an air cleaner, with a damaged air cleaner, or with an air cleaner in need of replacement will allow dirt to enter the engine, causing rapid engine wear.

10. **Spark Plug** — Provides spark to the ignition system. Set the spark plug gap according to the engine manufacturer's instructions. Clean the spark plug once a week.
11. **Muffler** — Reduces noise and emissions. **NEVER** touch the muffler while it is **hot!**

## UNPACKING THE HANDLE

The handle (Figure 4) is shipped in the folded or stowed position.

1. To place the folding upper handle in the operational position, turn the star wheel **counterclockwise** to release it from its folded/stowed position.
2. Pull back on the upper handle to place the handle in the operational position. Turn the star wheel **clockwise** to secure the handle firmly in place.

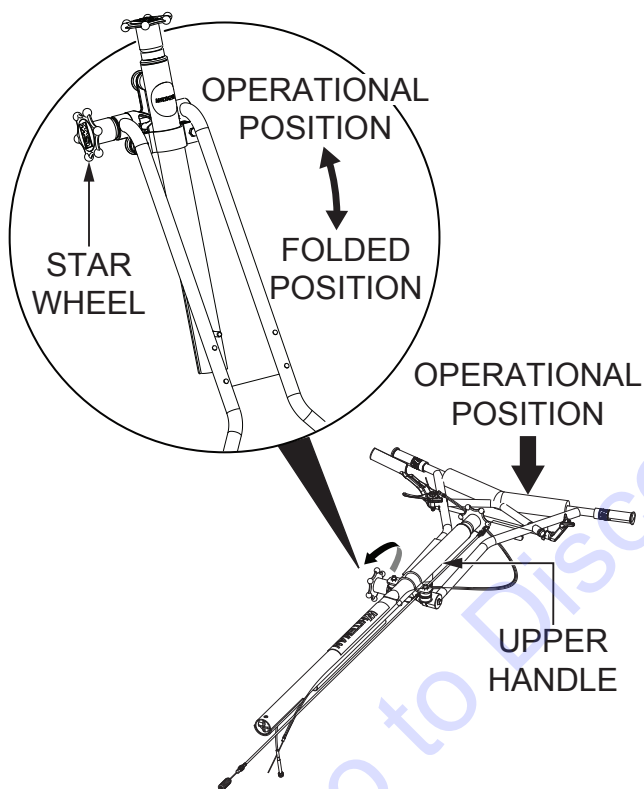


Figure 4. Unpacking the Handle

## ASSEMBLY AND INSTALLATION

Some components must be installed before the trowel can be operated. This section provides general instructions on how to install these components. **For more detailed handle assembly instructions, contact Discount-equipment and request Instruction Sheet P/N 20485.**

### Handle Tube Installation

Attach the main handle (tube) to the gearbox using the supplied hardware as shown in Figure 5.

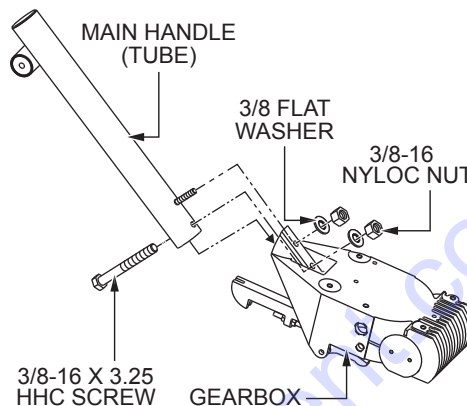


Figure 5. Handle Tube Installation

### Vibratory Handlebar Adjustment

The vibratory handlebar is already attached to the main handle tube.

To adjust the height of the handlebar, loosen the star wheel (Figure 6), and move the handlebar to the desired position. Tighten the star wheel firmly to secure.

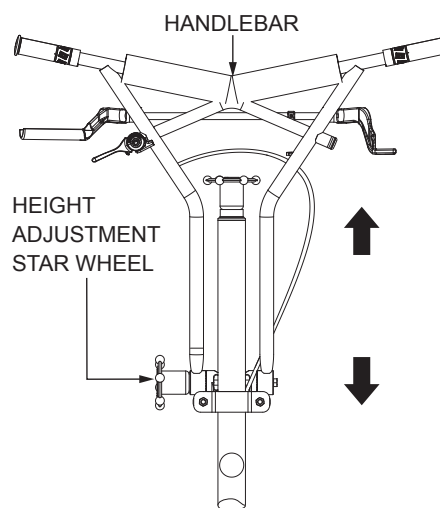


Figure 6. Handlebar Adjustment

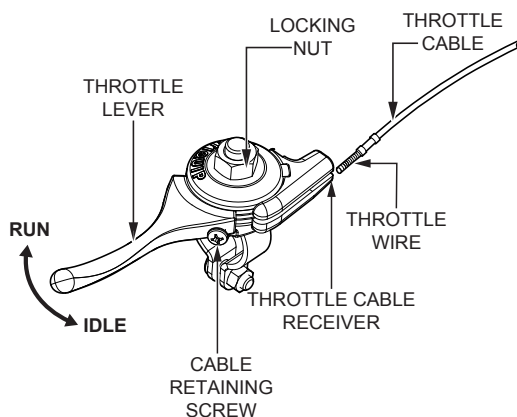
### NOTICE

If additional handlebar adjustment is desired, a trowel handle wedge kit (P/N 2576) can be purchased from Discount-equipment.

The wedges are placed between the handle and the gearbox, which will move your handle operating position approximately 3 inches (76 mm) up or down. The kit comes complete with wedges, new bolts, and installation instructions.

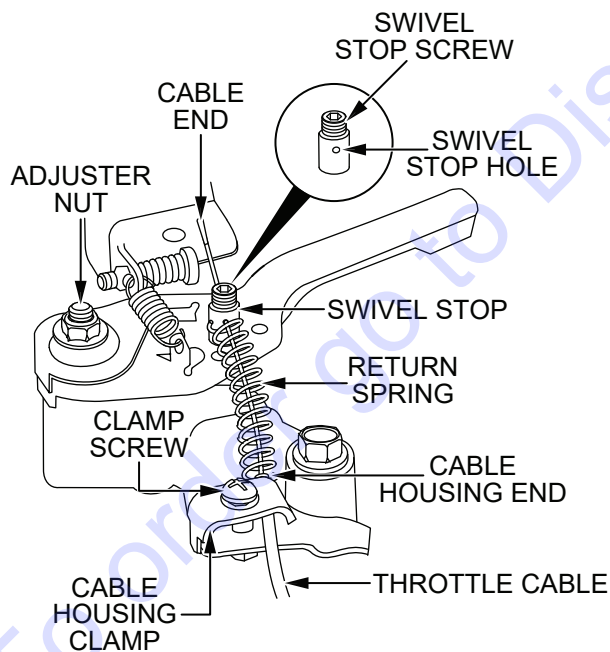
## Throttle Cable Installation

1. Uncoil the throttle cable and housing.
2. Make sure the throttle cable is fed through the tube on the underside of the handle and secured to the upper handle and main tube with zip ties.
3. Place the throttle lever (Figure 7) in the **RUN** position.



**Figure 7. Adjusting Cable Tension**

4. Loosen the cable housing clamp screw and the swivel stop screw (Figure 8).



**Figure 8. Throttle Cable Installation**

5. Place the primary throttle return spring between the cable housing clamp and the swivel stop screw (Figure 8).

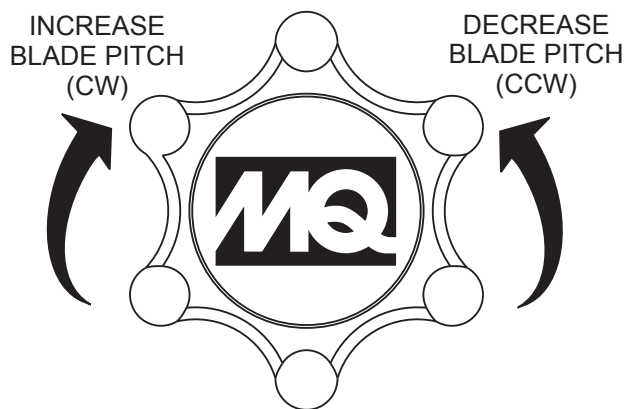
6. Feed the cable assembly through the cable housing clamp, return spring, and swivel stop hole, until the cable housing extends under the housing clamp to its far edge (Figure 8).
7. On the throttle lever, slightly loosen the locking nut and cable retaining screw (Figure 7).
8. Make sure the throttle cable is seated in the throttle cable receiver (Figure 7).
9. Route the throttle wire approximately 1/2 inch past the cable retaining screw (Figure 7). Tighten the cable retaining screw to secure the throttle wire.
10. Adjust cable tension as needed by loosening or tightening the locking nut and cable retaining screw on the throttle lever (Figure 7).

### NOTICE

If the throttle lever does not return to the **neutral** position with the throttle backed off, loosen the adjusting nut 1/2 turn at a time, tighten, and recheck. Readjust throttle tension as necessary.

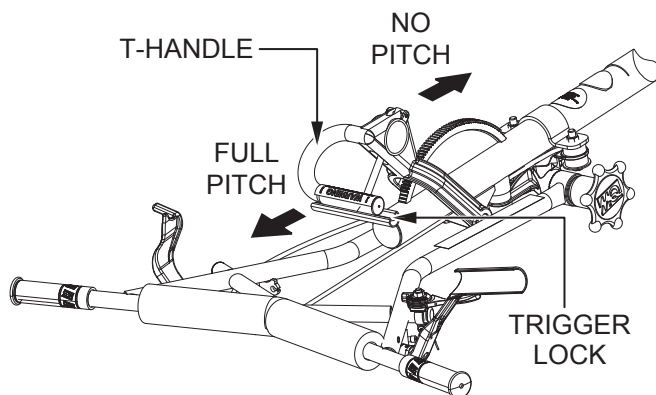
## Blade Pitch Cable Installation

1. For trowels equipped with a **standard** handle (SXHC), turn the star wheel **counterclockwise** to release tension on the blade pitch cable. See Figure 9.



**Figure 9. Blade Pitch Cable Adjustment (Standard Handle)**

- For trowels equipped with a **Quick Pitch™** handle (QXHC), squeeze the trigger lock and push the T-handle towards the engine to release tension on the blade pitch cable. See Figure 10.

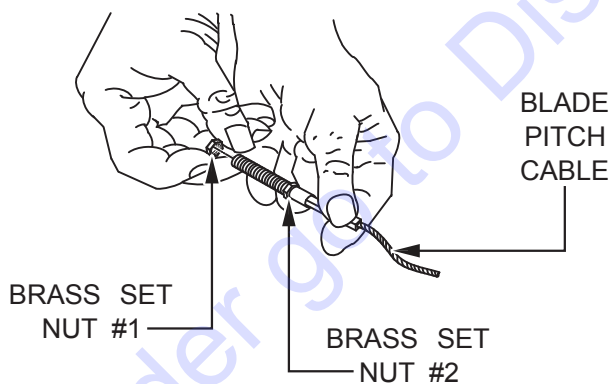


**Figure 10. Blade Pitch Cable Adjustment (Quick Pitch™ Handle)**

### **! WARNING**

The Quick Pitch™ T-handle is under spring tension and can snap in the direction of force (toward the user) if not firmly grasped, which may cause bodily injury.

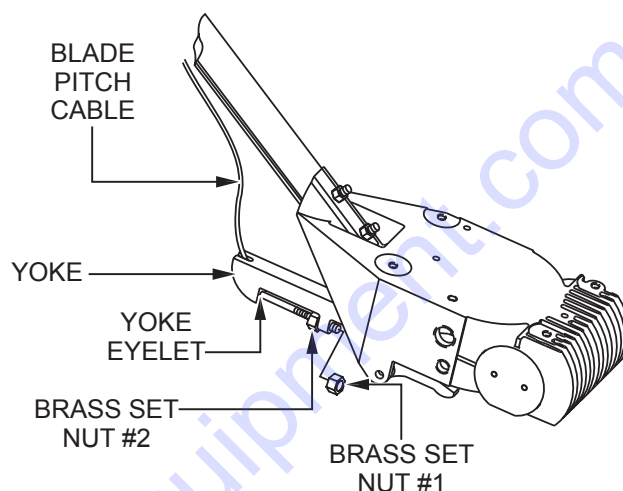
- Remove brass set nut #1 from the end of the blade pitch cable (Figure 11).



**Figure 11. Blade Pitch Cable**

- Thread brass set nut #2 as far as possible towards the blade pitch cable (Figure 11).

- Insert the blade pitch cable end through the yoke eyelet (Figure 12). Tighten brass set nut #1 by hand to remove all slack from the cable.

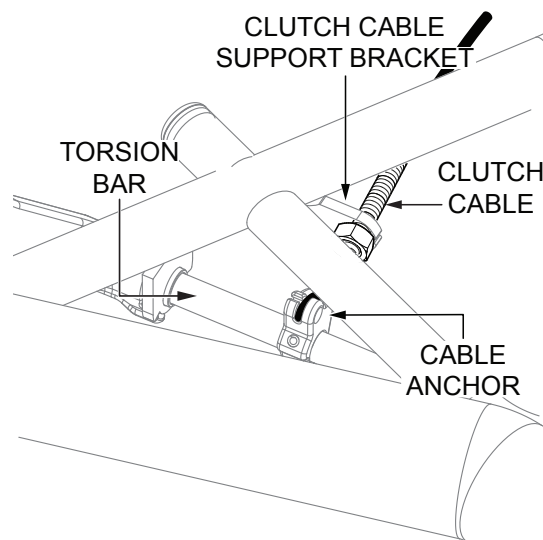


**Figure 12. Cable Yoke Attachment**

- Tighten brass set nut #2 against the yoke boss to secure the cable in place.
- Tighten brass set nut #1 against the yoke boss.

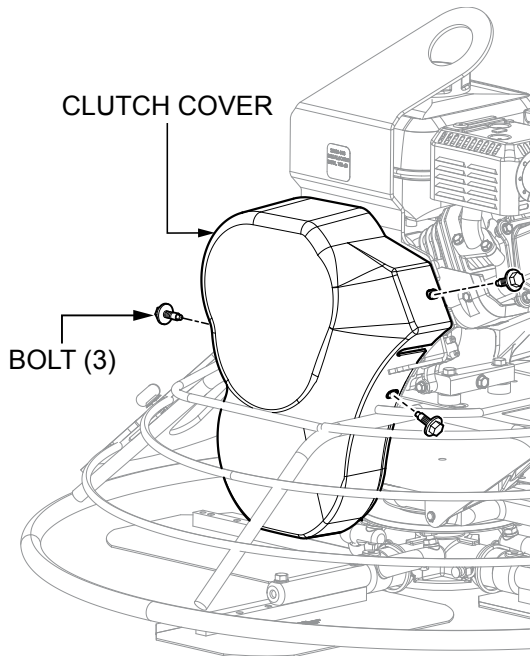
### **InstaClutch™ Cable Installation**

- Uncoil the free end of the clutch cable.
- Make sure the clutch cable (Figure 13) is attached to the torsion bar cable anchor and clutch cable support bracket.



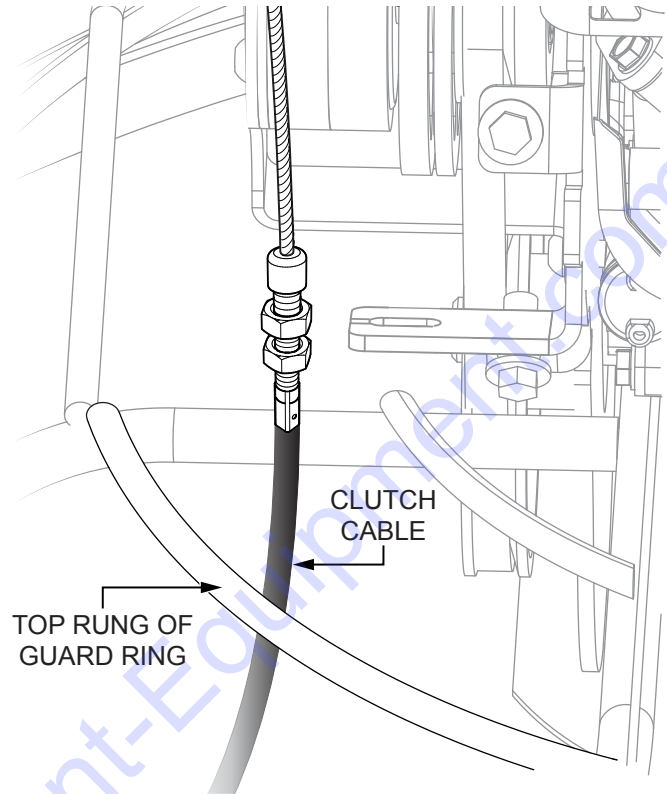
**Figure 13. Clutch Cable Attachment (Torsion Bar Anchor and Support Bracket)**

3. Make sure the clutch cable is fed along the underside of the upper handle tube and secured to the main tube with zip ties.
4. Using a 7/16" wrench, remove the three 1/4" retaining bolts that secure the clutch cover to the frame (Figure 14).



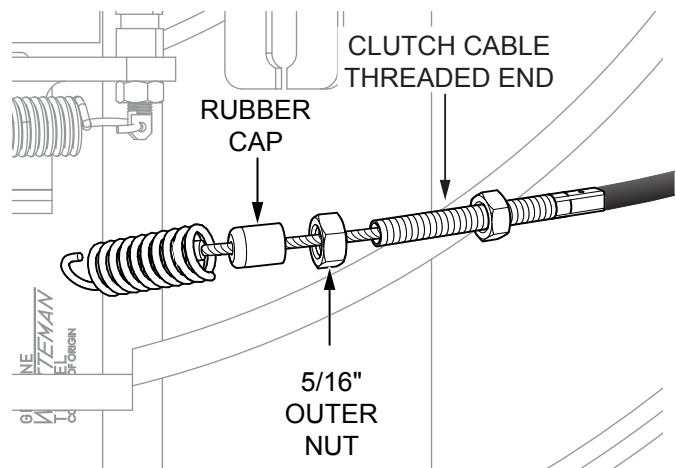
**Figure 14. Clutch Cover Removal**

5. Clutch cable routing differs depending on the trowel model. For trowel models **JH55C** or **JS60C**, route the clutch cable **underneath** the **topmost** rung of the guard ring (Figure 15). For trowel models **JH90C**, **BH90C**, **BH11C**, or **BS90C**, route the clutch cable **over** the **topmost** rung of the guard ring.



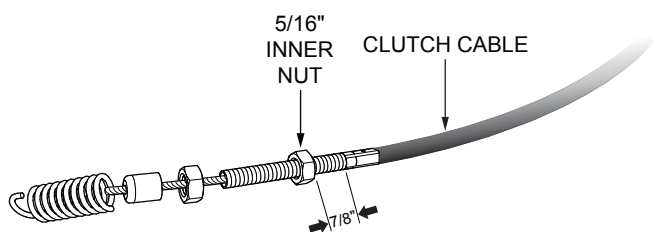
**Figure 15. Clutch Cable Routing**

6. Remove the 5/16" outer nut and rubber cap from the threaded end of the clutch cable (Figure 16).



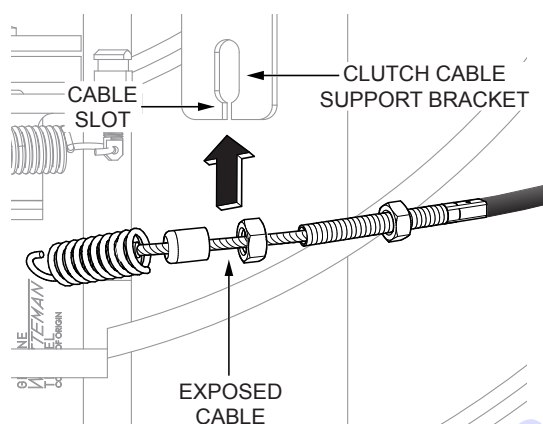
**Figure 16. Outer Nut and Rubber Cap Removal**

- Adjust the 5/16" inner nut (Figure 17) until there is a distance of 7/8 inch from the threaded end of the clutch cable to the inner nut.



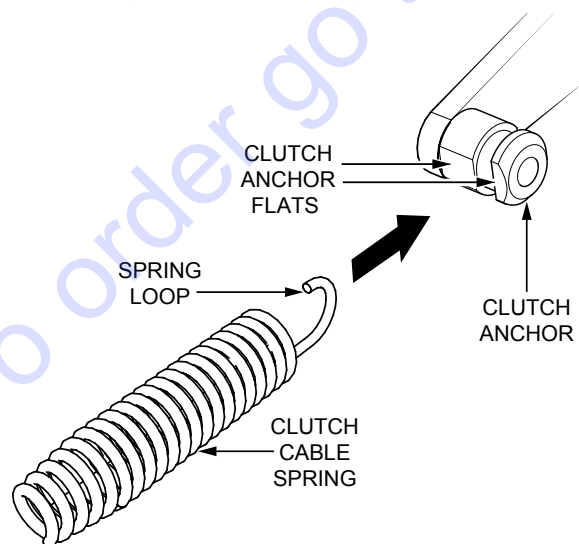
**Figure 17. Inner Nut Adjustment**

- Insert the exposed cable into the cable slot on the clutch cable support bracket (Figure 18).



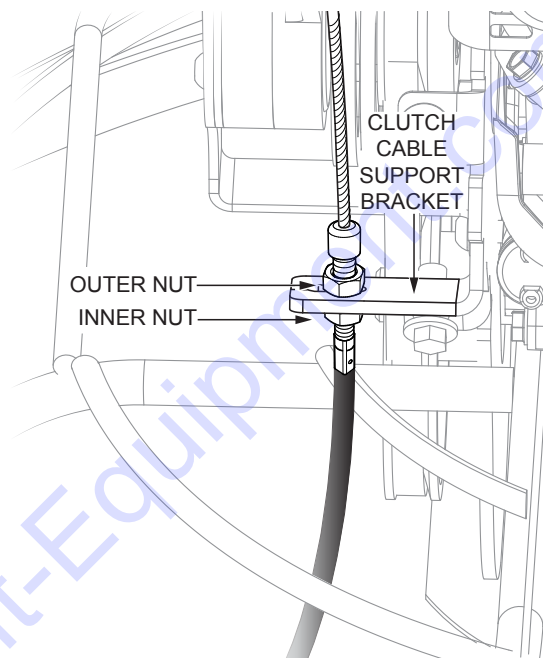
**Figure 18. Clutch Cable Insertion**

- Connect the clutch cable to the clutch anchor by placing the clutch cable spring loop over the clutch anchor flats as shown in Figure 19. Use needle-nose pliers to slide the spring loop fully into the groove.



**Figure 19. Spring Loop Attachment**

- Tighten the inner nut against the clutch cable support bracket until there is no slack in the cable between the threaded cable end and the clutch cable spring (Figure 20).



**Figure 20. Secure Clutch Cable to Support Bracket**

- Using two 1/2" wrenches, tighten the inner nut and the outer nut securely against the clutch cable support bracket (Figure 20).

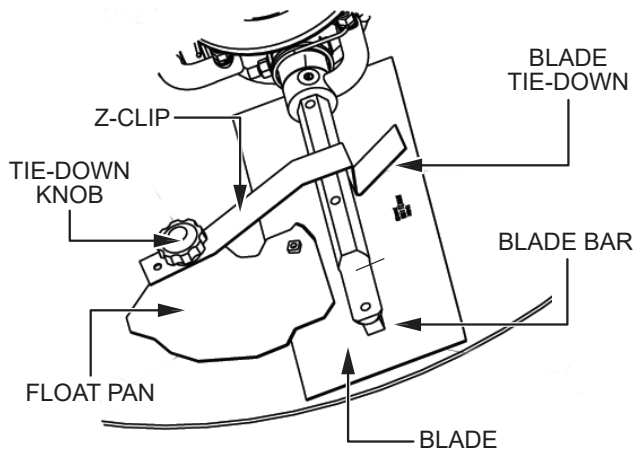


## Float Pan Installation (Optional)

Float pans attach to the trowel blades and allow the trowel to 'float' on wet concrete. The disc design facilitates early floating and easy movement from wet to dry areas. Float pans are also very effective at embedding large aggregates and surface hardeners.

### Installing Pans with Z-Clips

1. Lift the trowel just enough to slide pans under the blades. Lower the trowel onto the pans with the blades adjacent to the Z-clips (Figure 21).

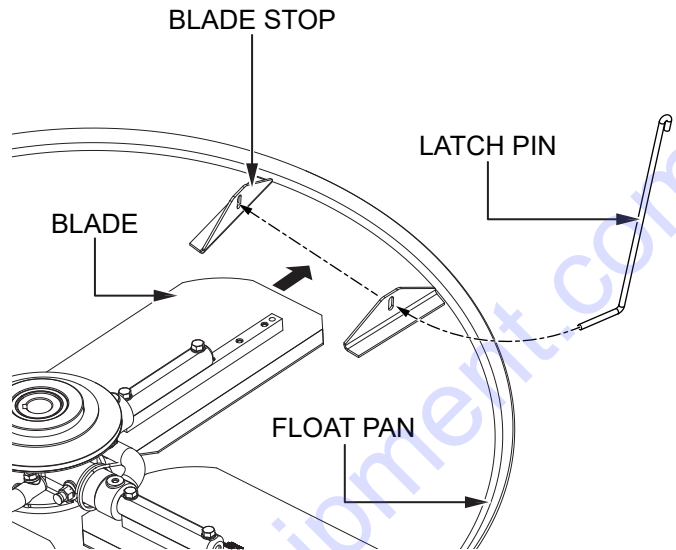


**Figure 21. Float Pan Installation (Z-Clips)**

2. Rotate the blades into position under the Z-clips. Be sure to rotate the blades in the operational direction of travel, or use the engine to rotate the blades into position.
3. Secure the blade tie-downs to the far side of the Z-clip brackets with the tie-down knobs (Figure 21).
4. Make sure the blade edges are secured under the Z-clips, and the tie-downs are secured completely over the edges of the blade bar (Figure 21).

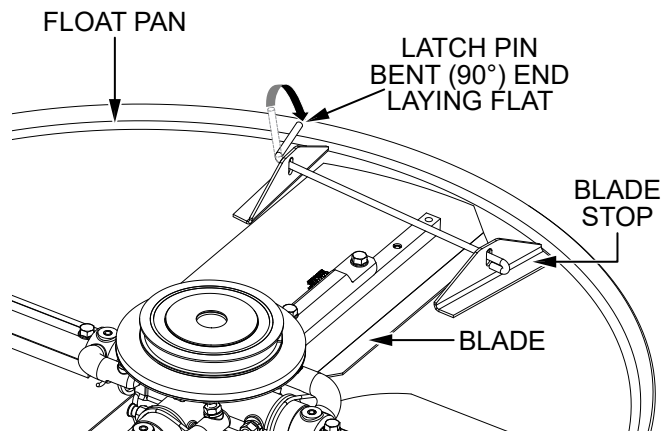
### Installing Pans with Latch Pins

1. Lift the trowel just enough to slide the float pan under the blades. Lower the trowel onto the pan with the blades between the blade stops (Figure 22).



**Figure 22. Float Disc Installation (Latch Pins)**

2. Fit the blades between the blade stops. Be sure to rotate the blades in the same direction as when the machine is in operation, or use the engine to rotate the blades into position.
3. Route the latch pins through the blade stop holes as shown in Figure 22.
4. After it has been routed through the blade stop holes, rotate each latch pin so the end that is bent approximately 90 degrees lays flat on the surface of the float pan. See Figure 23.



**Figure 23. Latch Pin Placement**

5. Make sure the blade edges are secured between the blade stops, and the latch pins are secured completely over the blades, locking them in place.
6. Periodically check the latch pins during normal operation to ensure they are still in the correct position.

## ENGINE OIL

1. Place the trowel on secure, level ground with the engine **OFF**.
2. Remove the dipstick (Figure 24) from the engine oil filler hole and wipe it clean.

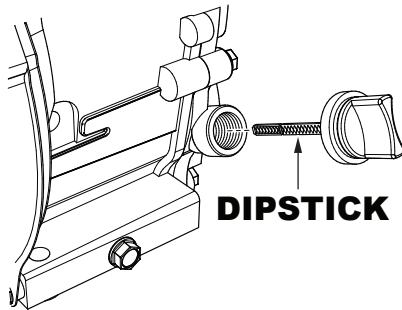


Figure 24. Engine Oil Dipstick

3. Reinsert the dipstick, then remove it again without screwing it into the filler neck. Check the oil level shown on the dipstick.
4. If the oil level is low (Figure 25), fill to the edge of the oil filler hole with the recommended oil type as listed in Table 7. Refer to Table 3 for maximum engine oil capacity.

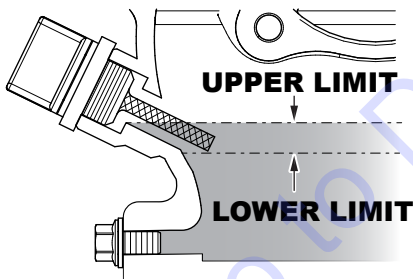


Figure 25. Engine Oil Level

Table 7. Engine Oil Type

Season	Temperature	Oil Type
Summer	25°C or higher	SAE 10W-30
Spring/Fall	25°C–10°C	SAE 10W-30/20
Winter	0°C or lower	SAE 10W-10

## FUEL

Remove the fuel filler cap and inspect the fuel level in the tank. If fuel is low, replenish with unleaded fuel.

### **!** DANGER



Motor fuels are **highly flammable** and can be dangerous if mishandled. **DO NOT** smoke while refueling. **NEVER** attempt to refuel while the engine is **running** or **hot!**

### **!** WARNING

**ALWAYS** use a strainer for filtration while refueling. **NEVER** top off fuel. **ALWAYS** wipe up any spilled fuel immediately.

## GEARBOX OIL

1. Look at the sight glass on the side of the gearbox (Figure 26) to determine if gearbox oil is low. The correct oil level is to the halfway point on the sight glass.

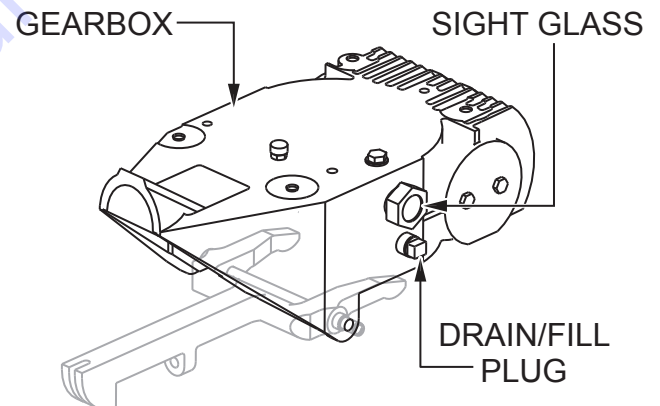
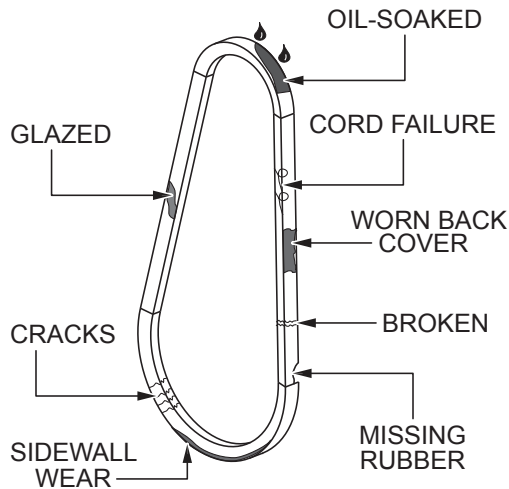


Figure 26. Gearbox Oil

2. If gearbox oil is low, remove the drain/fill plug (Figure 26) and fill with Chevron Cetus® HiPerSYN 460 synthetic gear oil until the correct oil level is reached. Refer to Table 1 or Table 2 for the correct oil type. Replace the drain/fill plug when finished.
3. If there is too much oil in the gearbox, remove the drain/fill plug and allow the oil to seep out. Replace the plug once the correct oil level is reached.

## V-BELT

1. Inspect the V-belt (Figure 27) to determine if it is frayed, peeling, full of tiny cracks, has pieces of rubber missing, or is otherwise damaged.

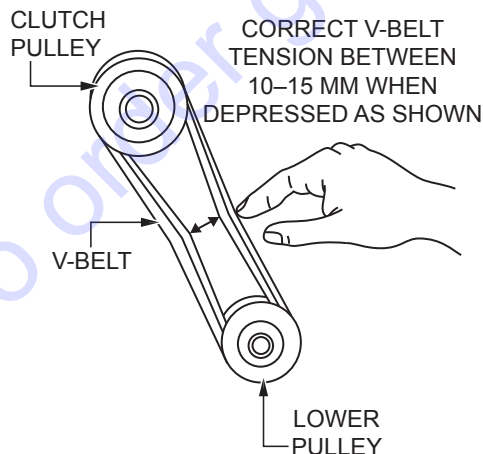


**Figure 27. V-Belt Inspection**

2. Inspect the V-belt (Figure 27) to determine if it is oil-soaked or glazed (a hard, shiny appearance on the sides of the belt). Either of these conditions can cause overheating of the belt, which may weaken the belt and increase the possibility of it breaking.
3. Replace the V-belt immediately if any of the aforementioned wear conditions are observed.

## V-BELT TENSION

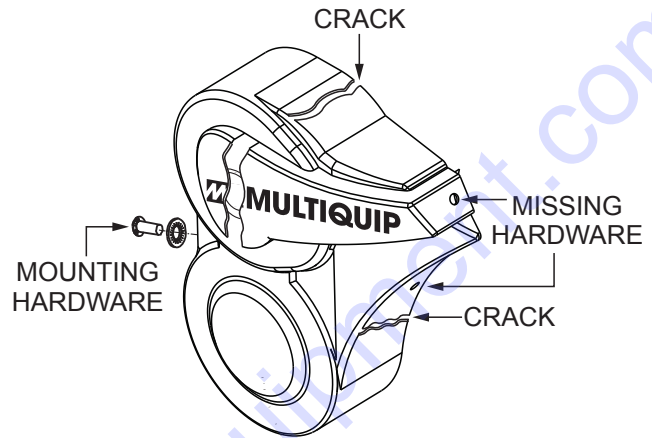
The V-belt tension (Figure 28) is correct if the V-belt bends 10–15 mm when depressed with a finger midway between the clutch and lower pulley.



**Figure 28. V-Belt Tension**

## BELT GUARD

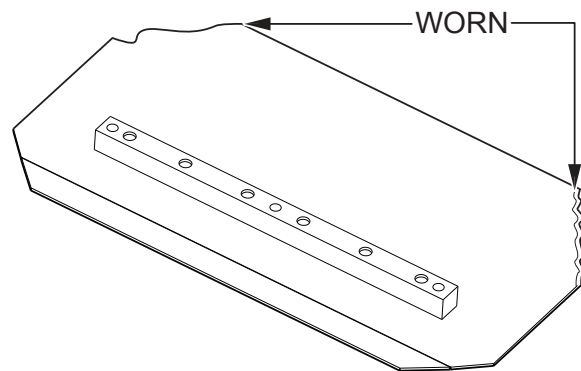
Inspect the belt guard (Figure 29) for damage and loose or missing hardware.



**Figure 29. Belt Guard Inspection**

## BLADES

Inspect the trowel blades for wear or damage (Figure 30). If one blade is worn out while the others look new, there could be a blade pitch problem. Refer to the **Maintenance** section of this manual for the blade pitch adjustment procedure. Replace any worn or damaged blades immediately.



**Figure 30. Blade Inspection**

This section will assist the operator with the initial startup and operation of the walk-behind trowel. **It is extremely important that this section be read carefully** before operating the trowel. **DO NOT** attempt to operate your trowel until this section is thoroughly understood.

## BEFORE STARTING

### NOTICE

**DO NOT** attempt to operate the trowel until the **Safety, General Information** and **Inspection** sections of this manual have been read and thoroughly understood.

1. Clean the trowel, particularly the engine cooling air inlet. Remove all dirt and dust.
2. Inspect the engine air cleaner for dirt and dust. If the air cleaner is dirty, replace it with a new one.
3. Inspect the carburetor for external dirt and dust. Clean with dry compressed air as needed.
4. Inspect all fastening nuts and bolts for tightness.

## LIFTING THE TROWEL

### WARNING

Extra care should be taken when lifting the trowel. **Serious personal injury** or damage to the equipment can be caused by a dropped trowel.

### WARNING

**NEVER** attempt to lift the trowel alone. **NEVER** lift the trowel by the guard ring, as the trowel may rotate and cause injury.

**ALWAYS** make sure the handle is secure, and use only the manufacturer's approved lifting point. The trowel may be lifted by the center lifting bail using a crane or other device with adequate lifting capacity.

### CAUTION

**NEVER** lift the trowel to unnecessary heights. **NEVER** stand underneath the trowel while it is being lifted.

## Lifting Bail

The lifting bail provides an optimal lift point for the trowel. When lifting the trowel onto a concrete slab, attach a chain or rope to the lifting bail. Make sure the capacity of the lifting device is adequate for the weight of the trowel.

Using a crane or forklift to lift the trowel (Figure 31) is **highly recommended**, and is perfectly safe for the trowel. **ALWAYS** use extra care when lifting the trowel off the ground.

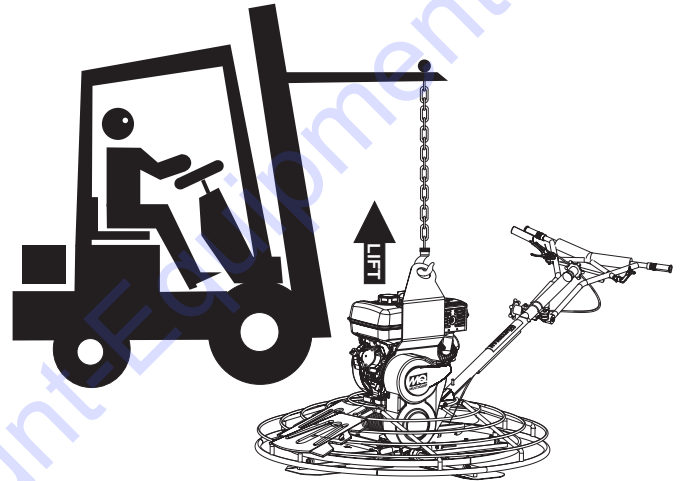


Figure 31. Lifting the Trowel

## STARTING THE ENGINE

1. Place the engine fuel valve lever in the **OPEN** position (Figure 32).

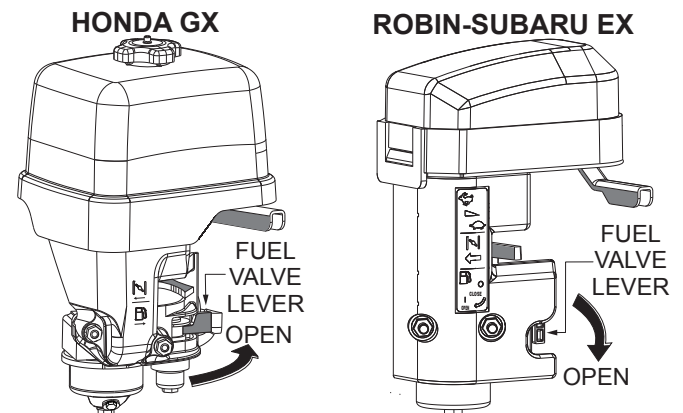


Figure 32. Engine Fuel Valve Lever (Open)

## OPERATION

- Place the engine ON/OFF switch in the **ON** position (Figure 33).

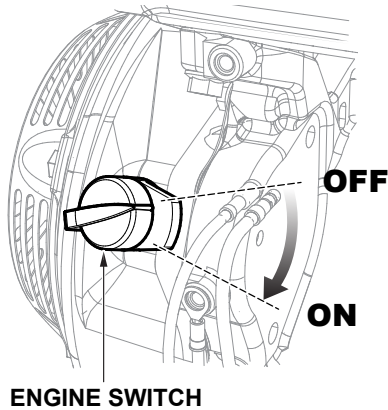


Figure 33. Engine ON/OFF Switch (ON)

- Place the throttle lever in the **IDLE** position (Figure 34).

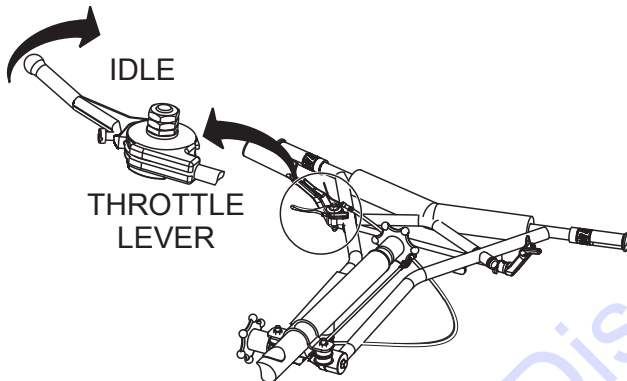


Figure 34. Throttle Lever (Idle)

- If starting a cold engine, place the choke lever in the **CLOSED** position (Figure 35).

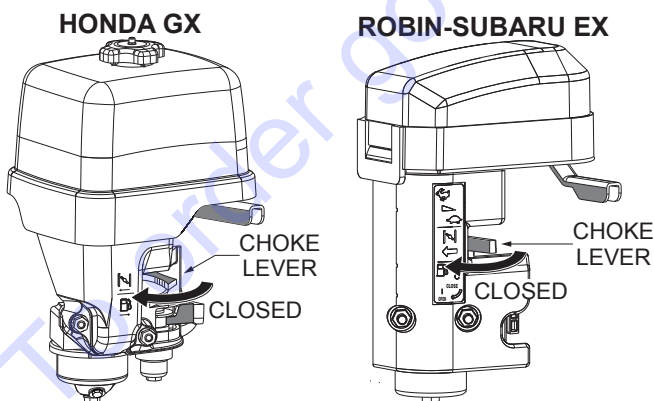


Figure 35. Choke Lever (Closed)

- If starting a warm engine, place the choke lever in the **OPEN** position (Figure 36).

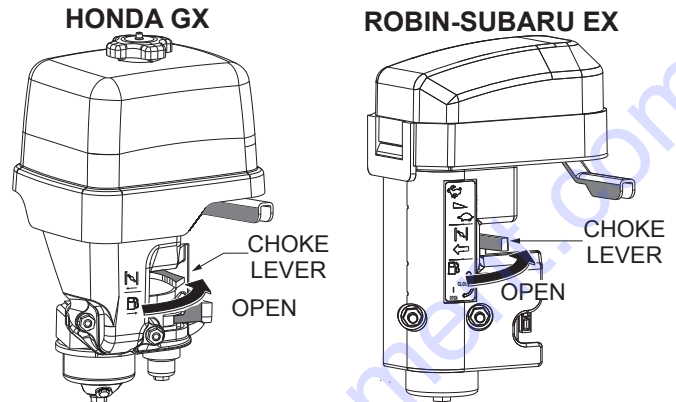


Figure 36. Choke Lever (Open)

- Slowly pull the starter grip (Figure 37) until resistance is felt, then pull briskly and smoothly to start the engine. Gently return the starter grip to its original position.

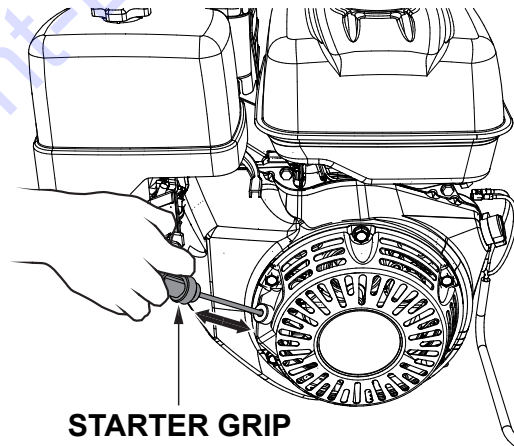


Figure 37. Starter Grip

- If the engine has started, slowly return the choke lever to the **CLOSED** position (Figure 35). If the engine has not started, repeat steps 1 through 6.
- Before operating the trowel, run the engine for several minutes and check for fuel leaks and loose components.

## INSTACLUTCH™ OPERATION

1. With the engine running, stand in the operator's position (Figure 38) behind the trowel and grasp both hand grips securely.

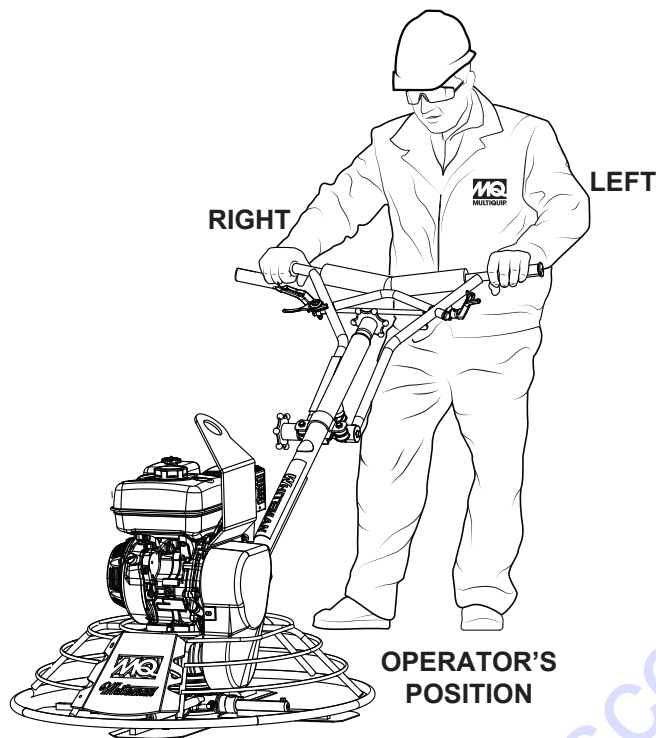


Figure 38. Operator's Position

### NOTICE

The operator must keep at least **one hand on either grip at all times** while operating the trowel.

2. With one hand on the **left-side** handgrip, move the throttle lever (Figure 39) from the **IDLE** position to the **RUN** position.

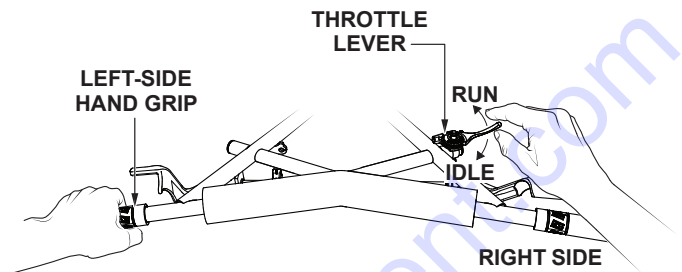


Figure 39. Throttle Lever (Run/Idle)

3. Firmly grasp the **left-side** handgrip, then **squeeze and hold the right-side** clutch lever (Figure 40) to engage the clutch.

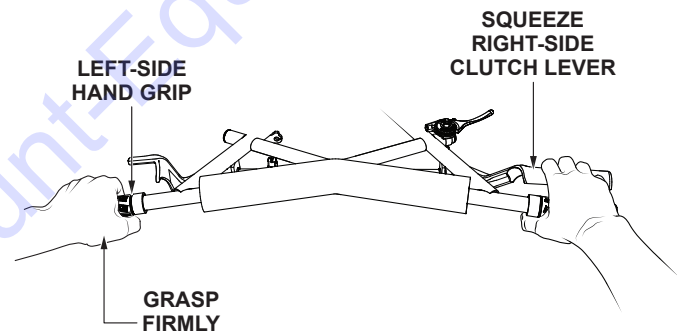


Figure 40. Engaging the Clutch

### WARNING

Before engaging the clutch mechanism, **ALWAYS** maintain a firm grasp on the left-side hand grip with your left hand. **Failure to do so** can result in a runaway trowel, which can cause property damage and **SERIOUS INJURY TO THE OPERATOR OR BYSTANDERS**.

4. Verify that the trowel blades are rotating.

## PITCHING THE BLADES

### Standard Handle

To pitch the blades **upward** with the standard handle (Figure 41), turn the star wheel **clockwise**. Turn the star wheel **counterclockwise** to pitch the blades **flat** (no pitch).

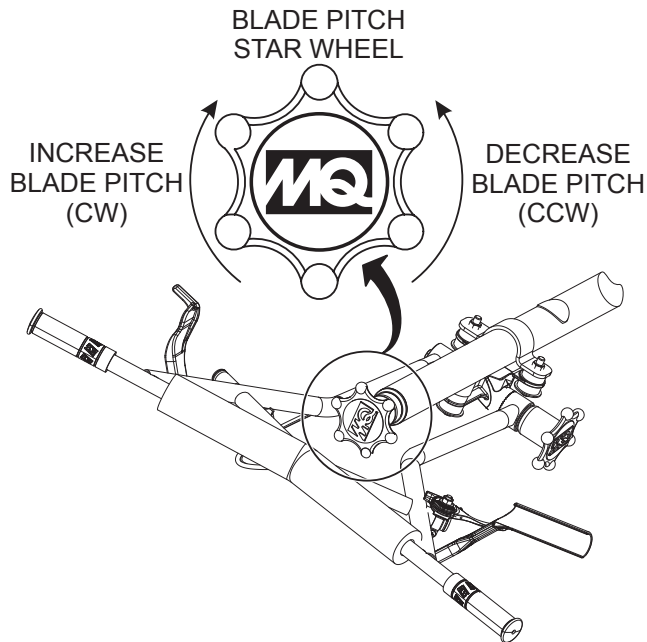


Figure 41. Blade Pitch Adjustment (Standard Handle)

### Quick Pitch™ Handle

To pitch the blades **upward** with the Quick Pitch™ handle (Figure 42), pull the T-handle **backward** while squeezing the trigger lock. Push the T-handle **forward** to pitch the blades **flat** (no pitch).

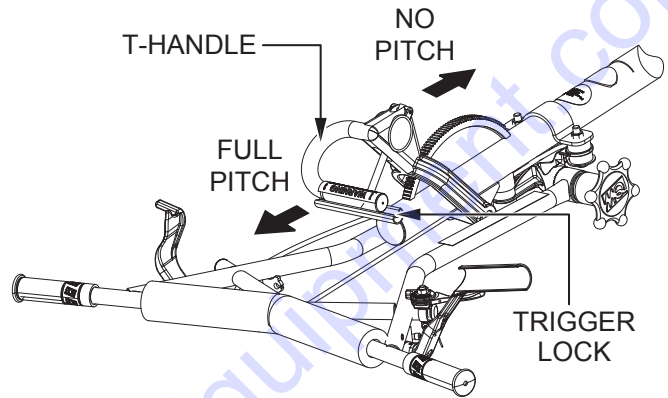


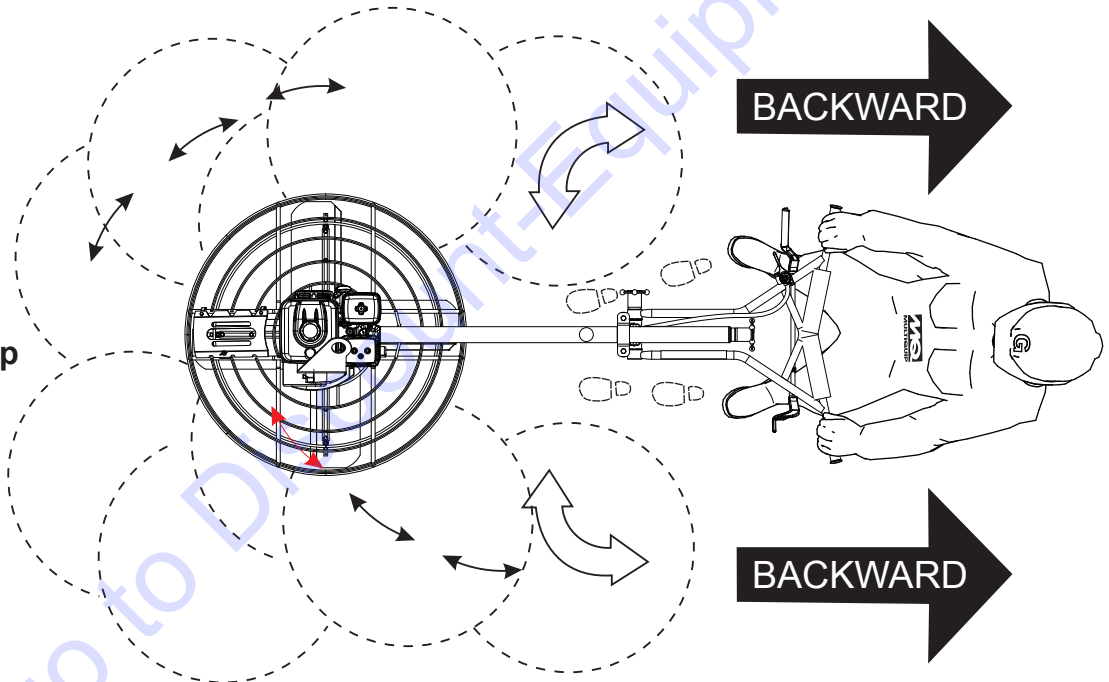
Figure 42. Blade Pitch Adjustment (Quick Pitch™ Handle)

## MANEUVERING THE TROWEL

1. Stand in the operator's position behind the handle. With secure footing and a firm grasp on the handle, slowly increase engine speed until the desired blade speed is obtained.
2. Figure 43 illustrates a typical walk-behind trowel application. Practice maneuvering the trowel. The trick is to let the trowel do the work.
3. Continue to practice maneuvering the trowel as if finishing a slab of concrete. Practice edging and covering a large area.
4. An effective finishing technique is to work **backward**. **Be careful when moving backward** so that hazards can be avoided. The best way to get accustomed to the trowel is repeated use.

To move the trowel to the operator's **left**, **lift up** on the handle. To move the trowel to the **right**, **push down** on the handle.

**REMEMBER!** If you let go of the trowel, simply **step away** and let the trowel come to a complete **STOP** before trying to recover it.



The best method for finishing concrete is to slowly walk **backward** with the trowel, guiding it from side to side. This will cover any footprints in the wet concrete.

**Figure 43. Maneuvering the Trowel**

**CAUTION**

**NEVER** place your **hands** or **feet** inside the guard rings while starting or operating this equipment.

**CAUTION**

**ALWAYS** stay clear of **rotating** or **moving** parts while operating this equipment.



## CONCRETE FINISHING TECHNIQUES

The instructions in this manual are provided as a basic guide to trowel operation, **not** a complete guide to concrete finishing. We suggest that all operators (experienced and novice) read *Slabs on Ground* published by the American Concrete Institute.

## STOPPING THE TROWEL

While maintaining control of the trowel with a firm grasp on the left-side hand grip:

1. Release the clutch lever and verify that the trowel blades have stopped rotating.
2. Return the throttle lever to the **IDLE** position (Figure 44) and let the engine run for 3 minutes at low speed.

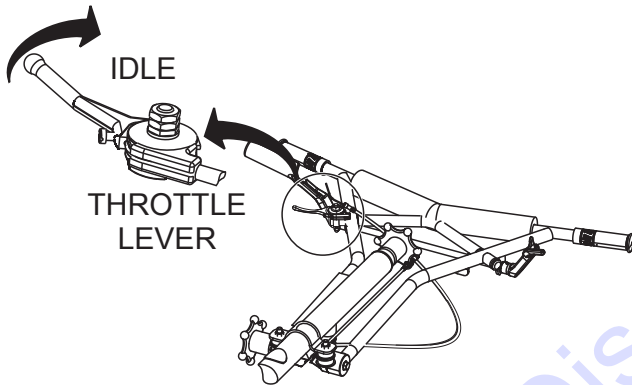


Figure 44. Throttle Lever (Idle)

3. Release the handle and place the engine ON/OFF switch in the **OFF** position (Figure 45).

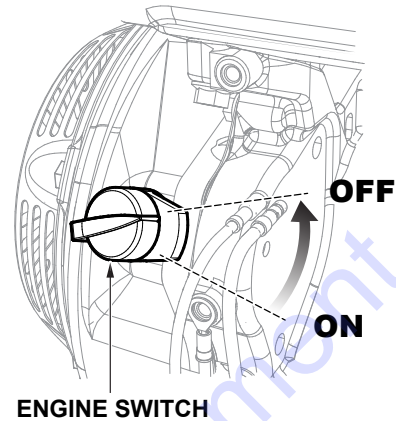


Figure 45. Engine ON/OFF Switch (OFF)

4. Place the fuel valve lever in the **CLOSED** position (Figure 46).

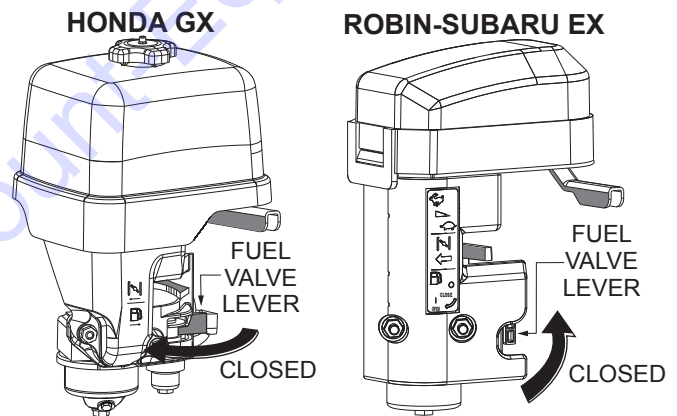


Figure 46. Fuel Valve Lever (Closed)

## HANDLES

### Standard Handle

The standard walk-behind trowel handle (Figure 47) is equipped with a star wheel for blade pitch adjustment. Refer to the **Operation** section of this manual for more information.

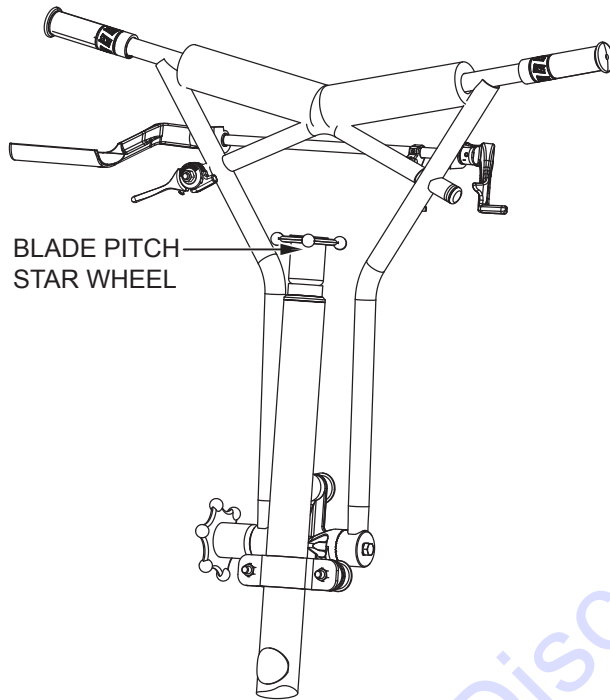


Figure 47. Standard Handle

### Quick Pitch™ Handle (Optional)

The optional Quick Pitch™ handle (Figure 48) allows the operator to quickly and easily adjust blade pitch. Refer to the **Operation** section of this manual for more information. Please contact Discount-equipment to order this option.

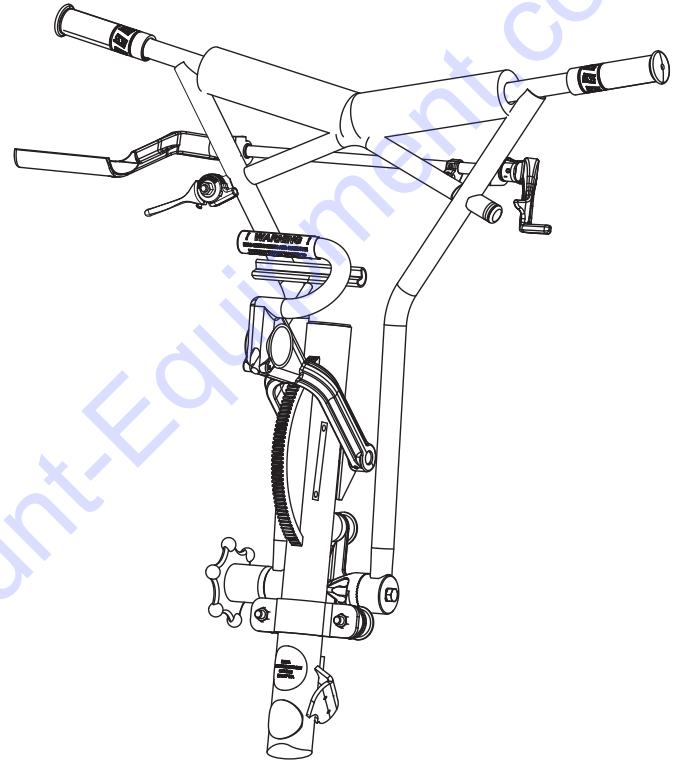


Figure 48. Quick Pitch™ Handle

## BLADES AND PANS

Trowel blades are essential for finishing concrete. The blades of this trowel were built to stringent quality standards from the finest steel. Trowel blades should be replaced when they fail to finish concrete in a satisfactory manner.

If replacement blades are needed, refer to the parts manual included with your trowel for part numbers, and order from your Discount-equipment.

### Combo Blades (Standard)

This trowel is equipped with combination float/finish blades (Figure 49), which provide optimum performance for both floating and finishing operations. These blades are versatile and should accommodate most troweling needs.

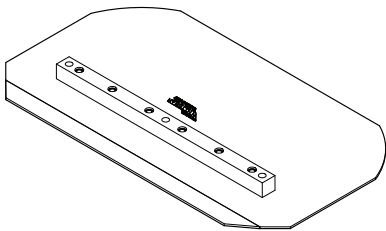


Figure 49. Combination Blade

### Finish Blades (Optional)

Finish blades (Figure 50) are specifically designed for trowel finishing operations, and provide premium surface finishing capability. Finish blades should **only** be used after the concrete has partially dried enough to prevent the trowel from sinking into the concrete when placed on it.

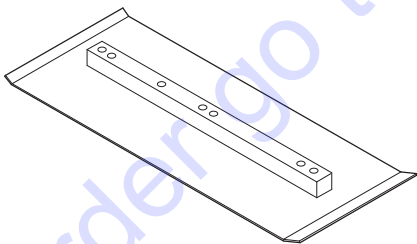


Figure 50. Finish Blade

### Clip-On Float Blades (Optional)

Clip-on float blades (Figure 51) are easily installed onto existing finish blades for floating purposes. They are easily removed once floating is complete so that finishing can be started immediately.

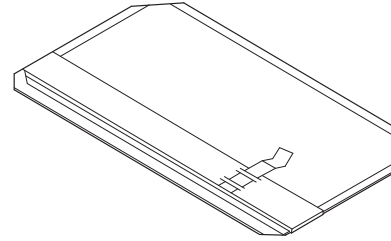


Figure 51. Clip-On Float Blade

### Float Pans (Optional)

Float pans (Figure 52) attach to the spider assembly and allow the trowel to float on wet concrete. The disc design allows early floating and easy movement from wet to dry areas. Float discs are also very effective at embedding large aggregates and surface hardeners.

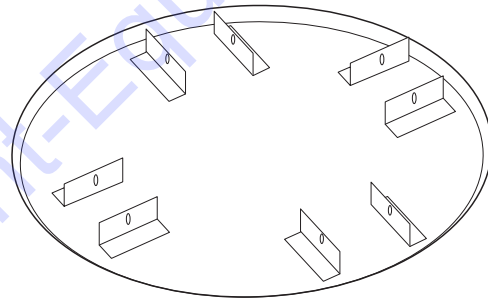


Figure 52. Float Pan

#### NOTICE

For optimal pan performance, blade speed must be lowered using the Low Speed Kit (P/N 22587). Refer to the **Engine and Clutch Assembly** section of the trowel parts manual for more information.

### TROWEL ARM ADJUSTMENT TOOL

If the trowel blades show uneven wear patterns, or some blades wear out faster than others, the trowel arms may need to be adjusted. A trowel arm adjustment tool (P/N 1817) is available for consistent adjustment of all trowel arms. See Figure 53.

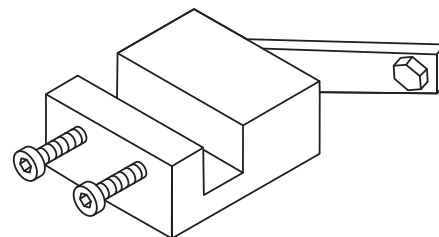


Figure 53. Trowel Arm Adjustment Tool

Table 8. Engine Maintenance Schedule						
Description (3)	Operation	Before Each Use	First Month or 20 Hours	Every 6 Months or 100 Hours	Every Year or 300 Hours	Every 2 Years or 500 Hours
Engine Oil	Check	X				
	Change		X	X		
Engine Oil Filter	Replace	Every 200 hours				
Air Cleaner	Check	X				
	Clean			X (1)		
	Change					X (*)
Spark Plugs	Check/Adjust			X		
	Replace				X	
Spark Arrester	Clean			X		
Fuel Filter	Replace				X (2)	
Fuel Tube	Check	Every 2 years (replace if necessary) (2)				

\* Replace the paper filter element only.

(1) Service more frequently when used in **dusty** areas.

(2) These components should be serviced by your service dealer unless you have the proper tools and are mechanically proficient. Refer to your engine shop manual for service procedures.

(3) For commercial use, log hours of operation to determine proper maintenance intervals.


Table 9. Trowel Maintenance Schedule					
Item	Operation	Daily	Periodic Maintenance Interval		
			Every 50–60 Hours	Every 200–300 Hours	Every 2,000–2,500 Hours
V-Belt	Check/Replace		X		
Relube Trowel Arms	Grease	X			
Blades	Check/Replace		X		
Trowel Arms	Remove/Clean			X	
Thrust Collar/Bushing	Remove/Clean			X	
Blade Arms	Adjust			X	
Arm Bushing	Remove/Replace				X
Wear Ring	Remove/Replace				X
Thrust Collar Bearing	Remove/Replace				X
Pitch Control Cable	Check				X
Clutch	Remove/Clean			X	

# MAINTENANCE

General maintenance practices are crucial to the performance and longevity of your trowel. This equipment requires routine cleaning, lubrication, and inspection of components for wear or damage.


Refer to Table 8 and Table 9 to schedule engine and trowel maintenance. The following maintenance procedures can prevent serious trowel malfunction or damage.

**! DANGER**




**NEVER** use gasoline or low flash point solvents to clean the engine or any of its components. The possibility exists of **fire or explosion** which can damage the equipment and cause **severe bodily harm or even DEATH**.

**! WARNING**



Some maintenance operations may require a running engine. **ALWAYS** make sure the maintenance area is well ventilated. Gasoline engine exhaust contains **poisonous carbon monoxide gas** that can result in **unconsciousness and/or DEATH** when inhaled.

**! CAUTION**



**ALWAYS** allow the engine to cool before servicing. **NEVER** attempt to service a hot engine.

**! CAUTION**


**ALWAYS** disconnect the spark plug wire from the spark plug and secure it **away from the engine** before performing trowel maintenance or adjustments.

## ENGINE MAINTENANCE

Inspect the engine daily for cleanliness, oil or fuel leakage, and loose fasteners.

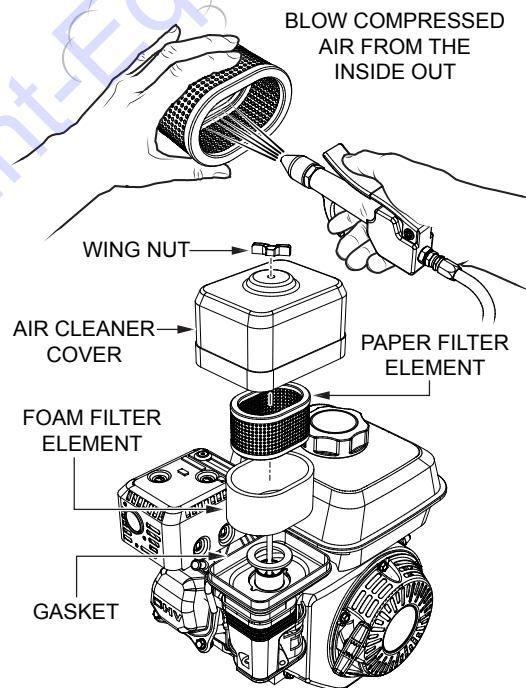
### Air Cleaner

**! CAUTION**



**ALWAYS** wear personal protective equipment such as approved safety glasses, face shields, dust masks, or respirators when cleaning air filters with compressed air.

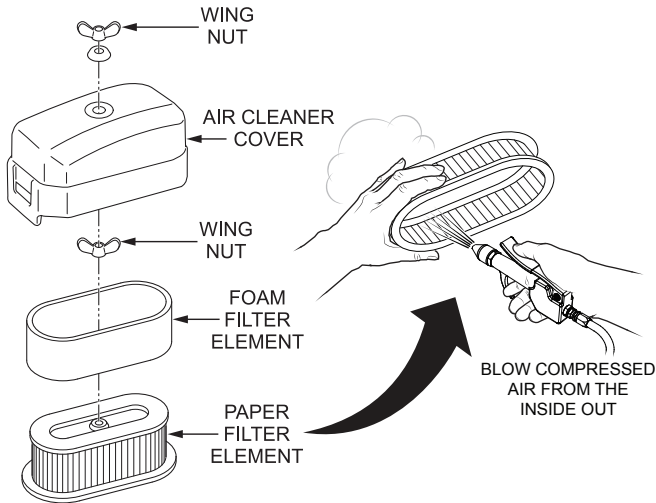
The engine air cleaner is equipped with a replaceable, high-density, paper element. Refer to Figure 54 (Honda) and Figure 55 (Robin-Subaru) for air cleaner maintenance.



**Figure 54. Air Cleaner Maintenance (Honda)**

1. Remove the air cleaner cover and foam filter element.
2. Tap the paper filter element several times on a hard surface to remove dirt, or blow compressed air not exceeding 30 lb/in<sup>2</sup> (207 kPa, 2.1 kgf/cm<sup>2</sup>) through the filter element from the inside out. **NEVER** brush off dirt. Brushing will force dirt into the fibers. Replace the paper filter element if it is excessively dirty.

- Clean the foam element in warm, soapy water or a **nonflammable** solvent. Rinse and dry thoroughly. Dip the element in clean engine oil and completely squeeze out the excess oil from the element before reinstalling.



**Figure 55. Air Cleaner Maintenance (Robin-Subaru)**

### NOTICE

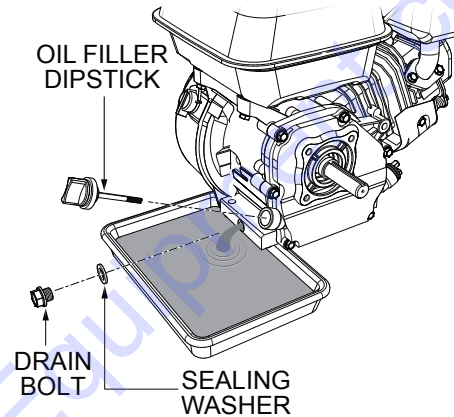
Operating the engine with loose or damaged air cleaner components can allow unfiltered air into the engine, causing premature wear and failure.

## Engine Oil

### NOTICE

**ALWAYS** drain engine oil while the oil is **warm**.

- Remove the drain bolt and sealing washer (Figure 56), and allow the oil to drain into a suitable container.

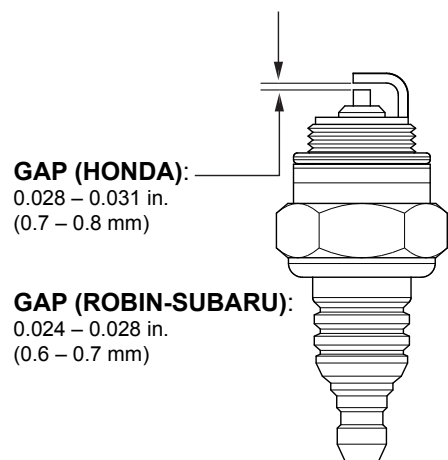


**Figure 56. Draining Engine Oil**

- Replace the engine oil with the recommended oil type listed in Table 7. For engine oil capacity, see Table 3. **DO NOT** overfill.
- Reinstall the drain bolt with sealing washer and tighten securely.

## Spark Plug

- Remove the spark plug (Figure 57) and clean it with a wire brush if it is to be reused. Replace the spark plug if the insulator is cracked or chipped.



**Figure 57. Spark Plug**

## MAINTENANCE

- Using a feeler gauge, adjust the spark plug gap (Figure 57). If your trowel has a **Honda** engine, the gap should measure 0.028–0.031 in. (0.7–0.8 mm). If your trowel has a **Robin-Subaru** engine, the gap should measure 0.024–0.028 in. (0.6–0.7 mm).
- To prevent cross-threading, thread the spark plug into the cylinder hole by hand, then tighten securely.

### V-Belt

- Inspect the V-belt (Figure 58) to determine if it is frayed, peeling, full of tiny cracks, has pieces of rubber missing, or is otherwise damaged.

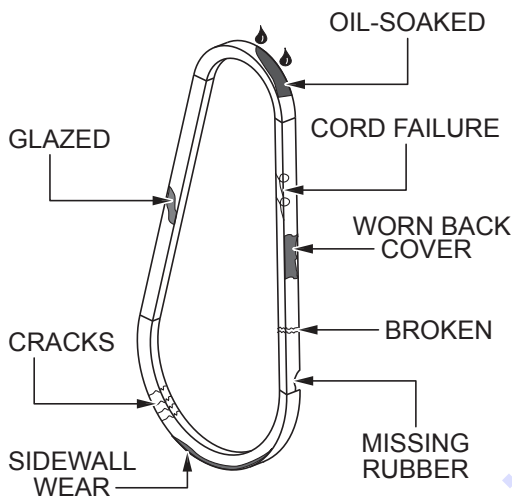


Figure 58. V-Belt Inspection

- Inspect the V-belt (Figure 58) to determine if it is oil-soaked or glazed (a hard, shiny appearance on the sides of the belt). Either of these conditions can cause overheating of the belt, which can weaken the belt and increase the possibility of it breaking.
- Replace the V-belt immediately if any of the above wear conditions are observed.

### Fuel Strainer

- Thoroughly clean the area around the fuel tank cap.
- Remove the fuel tank cap from the fuel tank.

- Remove, inspect, and clean the fuel strainer (Figure 59) with solvent.

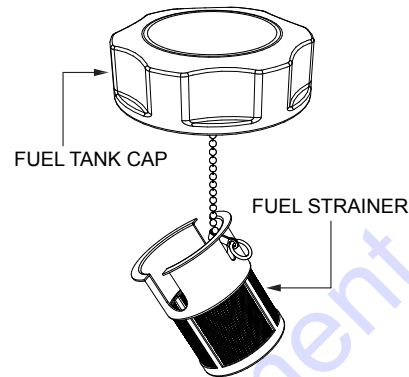


Figure 59. Fuel Strainer

### Spark Arrester

- Remove the screws that secure the exhaust deflector to the muffler protector, then remove the exhaust deflector (Figure 60).
- Remove the screws that secure the muffler protector to the muffler, then remove the muffler protector (Figure 60).
- Remove the screw securing the spark arrester to the muffler, then remove the spark arrester (Figure 60).

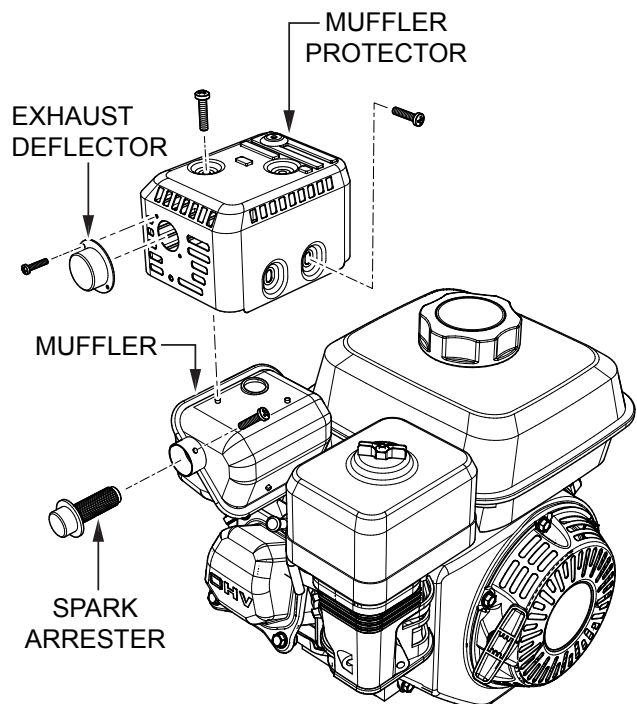
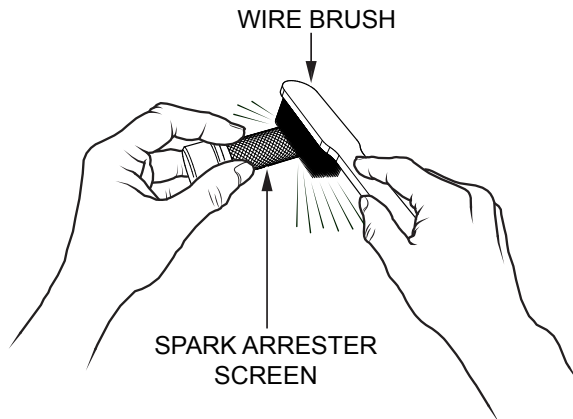


Figure 60. Spark Arrester Removal

4. Carefully remove carbon deposits from the spark arrester screen (Figure 61) with a wire brush.



**Figure 61. Cleaning the Spark Arrester**

5. Replace the spark arrester if it is damaged (has breaks or holes).
6. Reinstall the spark arrester, muffler protector, and exhaust deflector in reverse order of disassembly.

### NOTICE

Refer to the manufacturer's engine manual supplied with your trowel for more detailed information on engine maintenance and troubleshooting.

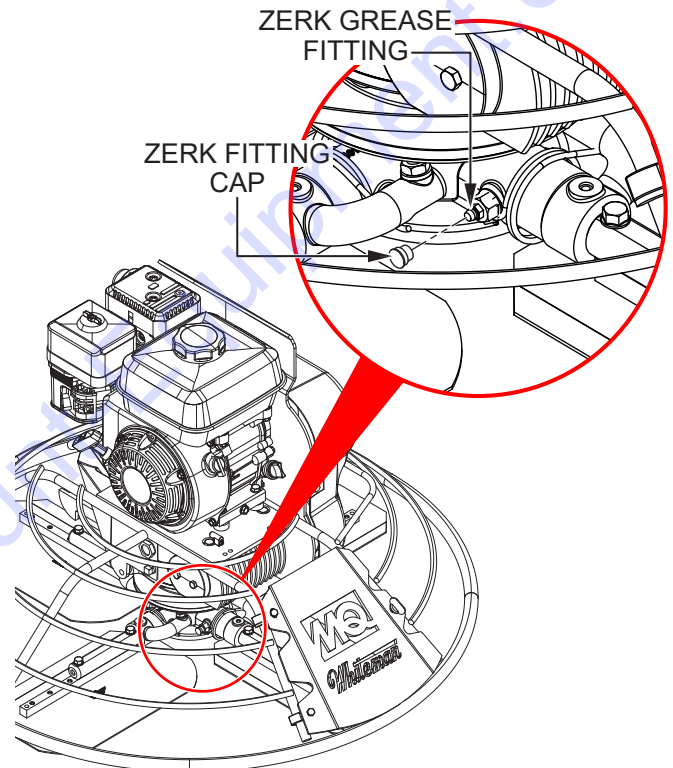
### TROWEL MAINTENANCE

Clean the trowel daily. Remove all dust and slurry buildup. Make sure lubrication is performed after any steam-cleaning.

### Trowel Lubrication (Every 8 Hours)

Regular lubrication is required to maintain your trowel in optimal working condition. Perform the following lubrication procedure after **every 8 hours of use**.

1. Locate one of the Zerk grease fittings on the spider assembly (Figure 62). Remove the Zerk fitting cap and set it aside.



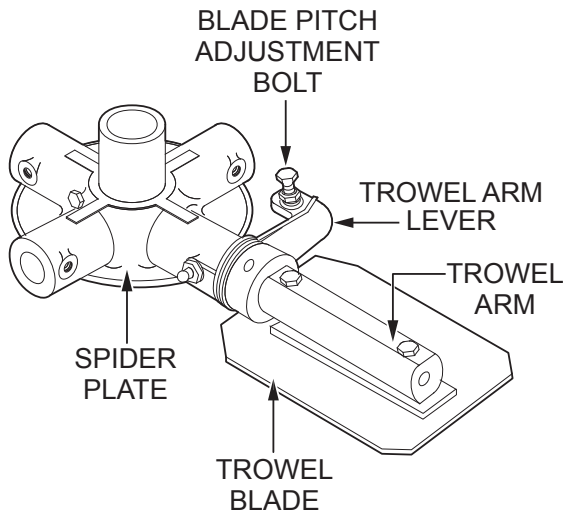
**Figure 62. Spider Lubrication**

2. Wipe the Zerk grease fitting clean to prevent abrasive material from entering the fitting during lubrication.
3. Lubricate the Zerk grease fitting with 1–1½ shots of multipurpose grade grease. **DO NOT** overgrease. Replace the Zerk fitting cap when finished.
4. Repeat steps 1–3 for the remaining grease fittings on the spider assembly.



## Blade Pitch Adjustment

Perform maintenance adjustment of blade pitch using a bolt on the trowel arm lever (Figure 63). This bolt is the contact point of the trowel arm with the lower wear plate on the thrust collar. The goal of adjustment is consistent blade pitch and finishing quality.



**Figure 63. Blade Pitch Adjustment Bolt**

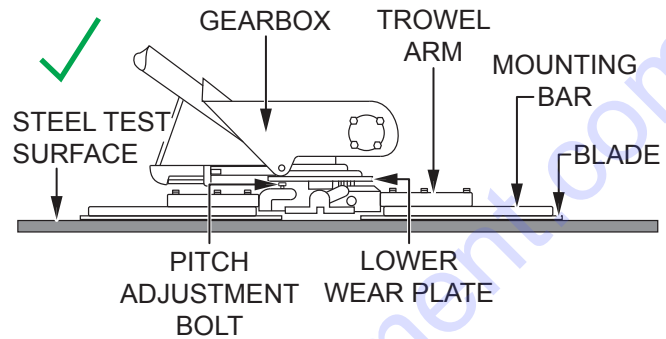
Look for the following indications when determining if blade pitch adjustment is necessary:

- Are blades wearing out unevenly (e.g. one blade is completely worn out while the others look new)?
- Does the machine have a perceptible rolling or bouncing motion while in use?
- Does the guard ring rock up and down while the machine is in use?

Once it has been determined that blade pitch adjustment is necessary, do the following:

1. Place the trowel on a flat, level surface with blocks under the main guard ring for support. Any uneven spots in the floor or debris under the trowel blades will cause an incorrect perception of adjustment. Ideally, a 5 ft. x 5 ft. (1.5 m x 1.5 m), 3/4-inch-thick, **flat** steel plate should be used.
2. Pitch the blades as flat as possible (Figure 64). The pitch adjustment bolts should barely contact (0.10 inch maximum clearance) the lower wear plate.

All adjustment bolts should be spaced the same distance from the lower wear plate. If any one of the bolts does not make contact, adjustment is necessary.



**Figure 64. Blades Pitched Flat (Correct)**

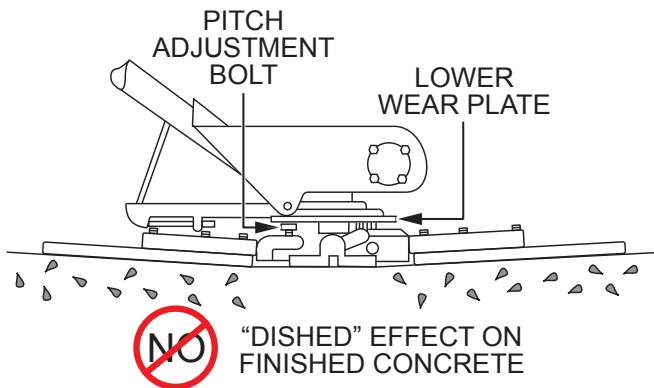
3. Adjust the “high” bolts down to the level of the bolt that is not touching, or adjust the “low” bolt up to the level of the higher ones. Whenever possible, adjust the “low” bolt up to the level of the rest of the bolts. This is the fastest method, but it may not always work. After adjustment, verify that the blades pitch correctly.

### NOTICE

Incorrectly adjusted blades will often be unable to pitch flat. This can occur if the adjustment bolts are raised too high. Conversely, adjustment bolts that are too low will prevent the blades from being pitched high enough for finishing operations.

4. If the trowel still finishes poorly after blade pitch adjustment has been performed, the trowel arms, trowel arm bushings, and blades should be inspected for improper adjustment, wear, or damage.

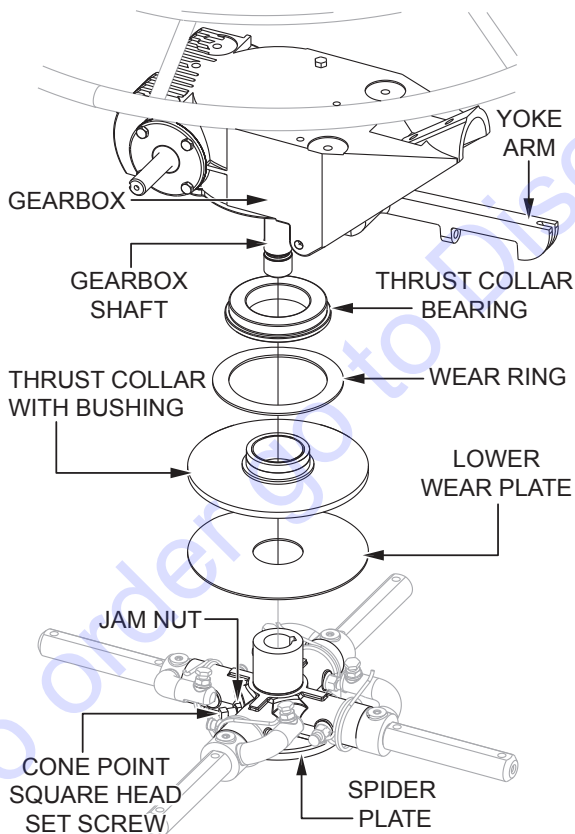
- Figure 65 illustrates incorrect spider plate alignment due to improper adjustment, worn spider bushings, or bent trowel arms.



**Figure 65. Blades Pitched Flat (Incorrect)**

## Spider Removal

- Locate and loosen the cone point square head set screw and attached jam nut (Figure 66) on the side of the spider assembly.



**Figure 66. Spider Removal**

- Carefully lift the upper trowel/gearbox assembly off of the spider assembly. A light tap with a rubber mallet may be necessary to dislodge the spider from the main shaft of the gearbox.

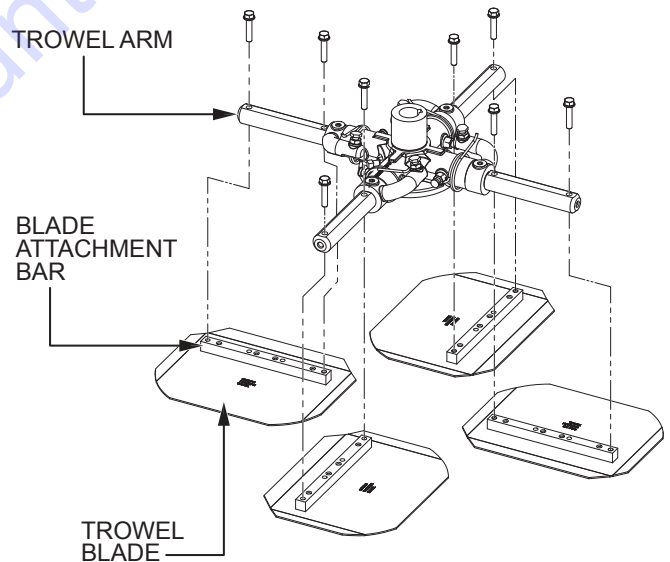
## Blade Replacement

It is recommended to replace **all** of the trowel blades at the same time. If only one or some of the blades are changed, the machine may wobble or bounce and will not finish concrete consistently.

### NOTICE

Please note the orientation of each blade on the trowel arm before removing.

- Place the trowel on a flat, level surface with blocks under the main guard ring for support.
- Remove the bolts and lock washers from each of the trowel arms, then remove the blades as shown in Figure 67.

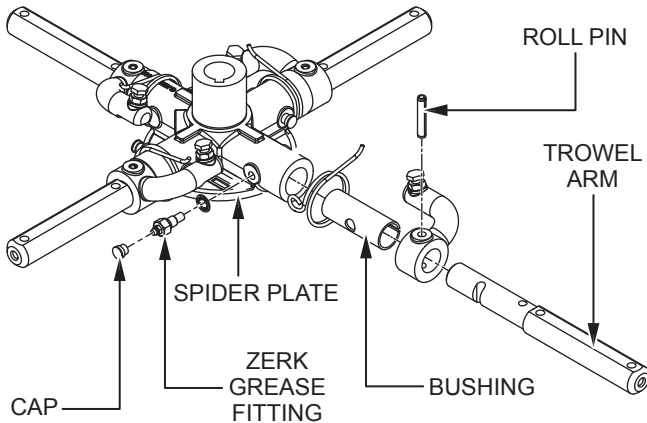


**Figure 67. Blade Removal**

- Wire brush and remove all concrete and debris from all six sides of each of the four trowel arms. This is important to properly seat the new blades.
- Install the new blades, maintaining the proper blade orientation as noted during removal. Secure with the bolts and washers that were removed earlier.

## Trowel Arm Removal

1. Each trowel arm is held in place at the spider plate by a Zerk grease fitting (hex head bolt). Remove the Zerk grease fitting and roll pin from the spider plate (Figure 68).



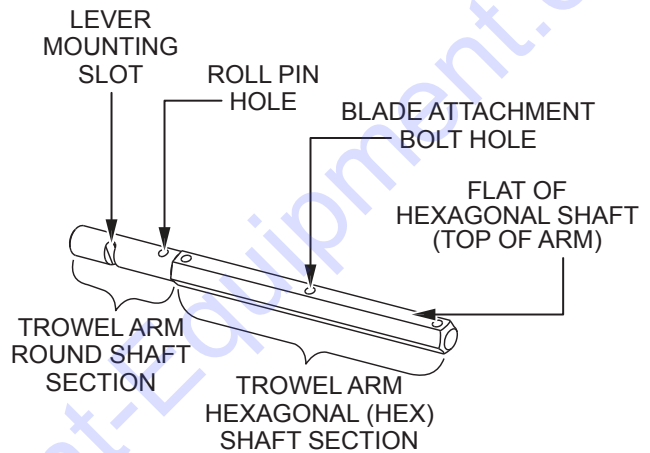
**Figure 68. Trowel Arm Removal**

2. Remove the trowel arm from the spider plate (Figure 68).
3. Carefully remove the trowel arm bushing (Figure 68) and set it aside.
4. Examine the trowel arm bushing and clean it if necessary. Replace the bushing if it is worn or out-of-round.

## Trowel Arm Inspection

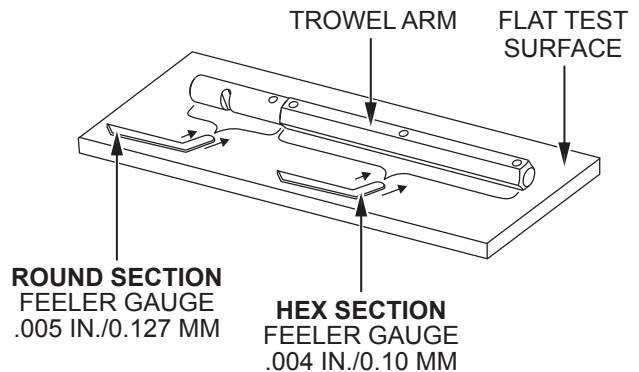
Trowel arms (Figure 69) can be damaged by rough handling such as dropping the trowel, or by striking exposed plumbing, rebar or other objects while in operation. A bent trowel arm will prevent smooth, fluid rotation of the blades.

If bent trowel arms are suspected, examine them for straightness as follows:



**Figure 69. Trowel Arm**

1. Place the trowel arm on a thick steel plate, granite slab, or any other surface which is **true** and **flat** (Figure 70).



**Figure 70. Trowel Arm Inspection**

2. Check each of the six sides of the trowel arm hex section (Figure 70). A feeler gauge of .004 in. (0.10 mm) should not pass between the flat of the trowel arm and the test surface along its length on the test surface.

3. As the flat hex section rests on the test surface, use a feeler gauge of .005 in. (0.127 mm) to check the clearance between the round shaft section and the test surface. Rotate the arm to each of the flat hex sections and check the clearance between the round shaft and the test surface. The clearance between the round shaft and the test surface should be identical for each hex section. See Figure 70.

4. Replace any bent or uneven trowel arms.

## Trowel Arm Adjustment

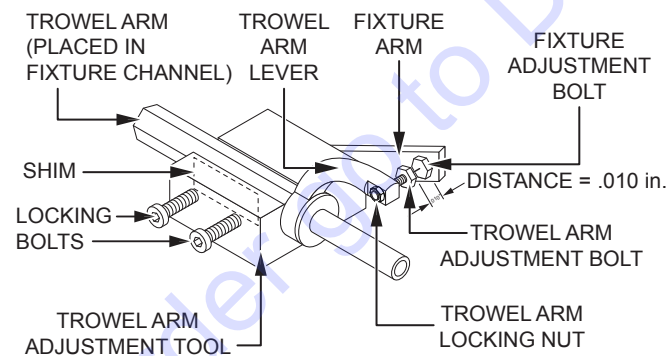
The easiest and most consistent way to adjust a trowel arm is with the trowel arm adjustment tool (P/N 1817).

When locked into the adjustment tool, each trowel arm bolt is adjusted until it contacts a stop on the fixture. This will consistently adjust all of the trowel arms, keeping the finisher as flat and evenly pitched as possible.

The trowel arm adjustment tool comes with usage instructions and all the hardware necessary to correctly perform this adjustment.

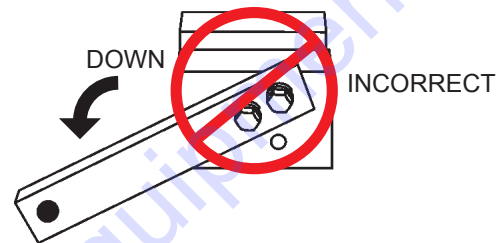
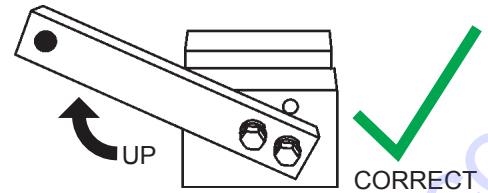
Perform the following procedure to adjust trowel arms using the trowel arm adjustment tool.

1. Unscrew the locking bolts on the adjustment tool and place a trowel arm (with lever attached) into the fixture channel as shown in Figure 71.



**Figure 71. Trowel Arm Adjustment**

2. Make sure the fixture arm is in the **UP** position (Figure 72).



**Figure 72. Fixture Arm Position (UP)**

3. A thin shim may be required to cover the blade holes on the trowel arm (Figure 71). Be sure to align the trowel arm adjustment bolt with the fixture adjustment bolt.

4. Tighten the locking bolts (Figure 71) to secure the trowel arm in place.

5. Adjust the bolt distance shown in Figure 71 to match one of the arms. The other arms will be adjusted to match this distance.

6. Loosen the locking nut on the trowel arm lever, then turn the trowel arm adjusting bolt until it barely touches (.010") the fixture adjustment bolt.

7. Once the correct adjustment is made, tighten the lock nut on the trowel arm to lock it in place.

8. Loosen the locking nuts on the adjustment tool, and remove the trowel arm.

9. Repeat steps 1–8 for the remaining trowel arms.

## REASSEMBLY

1. Clean the wear plates and thrust collar, and examine the entire spider assembly. Use a wire brush to remove any concrete or rust buildup. Replace any spider components that are damaged or out-of-round.
2. Inspect the bronze trowel arm bushing, and clean it if necessary. If the bushing is damaged, worn, or out-of-round, replace it.
3. Reinstall the trowel arm bushing onto the trowel arm.
4. Repeat steps 2–3 for each trowel arm.
5. Make sure the spring tensioner is in the correct position to exert tension on the trowel arm.
6. Insert all trowel arms with levers (and bronze bushings already installed) into the spider plate. Align the grease holes on the bushings with the grease hole fittings on the spider plate.
7. Lock the trowel arms in place by tightening the Zerk grease fitting hex head bolts and jam nuts.
8. Reinstall the blades onto the trowel arms.
9. Install the stabilizer ring onto the spider assembly.
10. Reinstall the lower wear plate, thrust collar, and wear ring onto the spider shaft in the reverse order of disassembly. **Make sure there is little or no lateral movement** between the thrust collar and the spider shaft.
11. Carefully lift the upper trowel/gearbox assembly, align it with the keyway on the spider shaft, and insert it into the spider assembly.
12. Reinstall the cone point square head set screw and jam nut, and tighten securely. Make sure the point of the set screw engages the groove in the gearbox main shaft.
13. Lubricate all grease points (Zerk fittings) with premium Lithium 12-based grease, conforming to NLG1 grade #2 consistency.

## LONG-TERM STORAGE

Perform the following procedure when storing the trowel for more than 30 days.

- Drain the fuel tank completely, or add STA-BIL® to the fuel.
- Run the engine until all gasoline in the carburetor is consumed.
- Completely drain the oil from the crankcase and refill with fresh oil.
- Remove the spark plug. Pour 5–10 cm<sup>3</sup> of SAE 30 oil into the cylinder. Turn the engine ON/OFF switch to the **ON** position for a few seconds to distribute the oil. Return the engine ON/OFF switch to the **OFF** position, and reinstall the spark plug.
- Clean off all external trowel components with a cloth.
- Cover the trowel and store it away from direct sunlight in a clean, dry location.

## TROUBLESHOOTING (ENGINE)

Troubleshooting (Engine)		
Symptom	Possible Problem	Solution
Difficult to start, fuel is available, but no spark at spark plug.	Spark plug bridging?	Check gap, insulation or replace spark plug.
	Carbon deposit on spark plug?	Clean or replace spark plug.
	Short circuit due to deficient spark plug insulation?	Check spark plug insulation, replace if worn.
	Improper spark plug gap?	Set to proper gap.
	Spark plug is red?	Check transistor ignition unit.
	Spark plug is bluish white?	If insufficient compression, repair or replace engine. If injected air leaking, correct leak. If carburetor jets clogged, clean carburetor.
	No spark present at tip of spark plug?	Check if transistor ignition unit is broken, and replace defective unit. Check if voltage cord cracked or broken and replace. Check if spark plug if fouled and replace.
	No oil?	Add oil as required.
	Oil pressure alarm lamp blinks upon starting? (if applicable)	Check automatic shutdown circuit, "oil sensor". (if applicable)
Difficult to start, fuel is available, and spark is present at the spark plug.	ON/OFF switch is shorted?	Check switch wiring, replace switch.
	Ignition coil defective?	Replace ignition coil.
	Improper spark gap, points dirty?	Set correct spark gap and clean points.
	Condenser insulation worn or short circuiting?	Replace condenser.
	Spark plug wire broken or short circuiting?	Replace defective spark plug wiring.
Difficult to start, fuel is available, spark is present and compression is normal.	Wrong fuel type?	Flush fuel system, replace with correct type of fuel.
	Water or dust in fuel system?	Flush fuel system.
	Air cleaner dirty?	Clean or replace air cleaner.
	Choke open?	Close choke.
Difficult to start, fuel is available, spark is present and compression is low.	Suction/exhaust valve stuck or protruded?	Reseat valves.
	Piston ring and/or cylinder worn?	Replace piston rings and/or piston.
	Cylinder head and/or spark plug not tightened properly?	Torque cylinder head bolts and spark plug.
No fuel present at carburetor.	Head gasket and/or spark plug gasket damaged?	Replace head and spark plug gaskets.
	No fuel in fuel tank?	Fill with correct type of fuel.
	Fuel cock does not open properly?	Apply lubricant to loosen fuel cock lever, replace if necessary.
	Fuel filter/lines clogged?	Replace fuel filter.
	Fuel tank cap breather hole clogged?	Clean or replace fuel tank cap.
	Air in fuel line?	Bleed fuel line.

## TROUBLESHOOTING (ENGINE)

Troubleshooting (Engine) - continued		
Symptom	Possible Problem	Solution
Weak in power, compression is proper and does not misfire.	Air cleaner dirty?	Clean or replace air cleaner.
	Improper level in carburetor?	Check float adjustment, rebuild carburetor.
	Defective spark plug?	Clean or replace spark plug.
	Improper spark plug?	Set to proper gap.
Weak in power, compression is proper but misfires.	Water in fuel system?	Flush fuel system and replace with correct type of fuel.
	Dirty spark plug?	Clean or replace spark plug.
	Ignition coil defective?	Replace ignition coil.
Engine overheats	Wrong type of fuel?	Replace with correct type of fuel.
	Cooling fins dirty?	Clean cooling fins.
	Intake air restricted?	Clear intake of dirt and debris. Replace air cleaner elements as necessary.
	Oil level too low or too high?	Adjust oil to proper level.
Rotational speed fluctuates.	Governor adjusted incorrectly?	Adjust governor.
	Governor spring defective?	Replace governor spring.
	Fuel flow restricted?	Check entire fuel system for leaks or clogs.
Recoil starter malfunctions. (if applicable)	Recoil mechanism clogged with dust and dirt?	Clean recoil assembly with soap and water.
	Spiral spring loose?	Replace spiral spring.
Starter malfunctions.	Loose, damaged wiring?	Ensure tight, clean connections on battery and starter.
	Battery insufficiently charged?	Recharge or replace battery.
	Starter damaged or internally shorted?	Replace starter.
Burns too much fuel.	Over-accumulation of exhaust products?	Check and clean valves. Check muffler and replace if necessary.
	Wrong spark plug?	Replace spark plug with manufacturer's suggested type.
Exhaust color is continuously "white".	Lubricating oil is wrong viscosity?	Replace lubricating oil with correct viscosity.
	Worn rings?	Replace rings.
Exhaust color is continuously "black".	Air cleaner clogged?	Clean or replace air cleaner.
	Choke valve set to incorrect position?	Adjust choke valve to correct position.
	Carburetor defective, seal on carburetor broken?	Replace carburetor or seal.
	Poor carburetor adjustment, engine runs too rich?	Adjust carburetor.
Will not start, no power with key "ON". (if applicable)	ON/OFF device not activated ON?	Turn on ON/OFF device.
	Battery disconnected or discharged?	Check cable connections. Charge or replace battery
	Ignition switch/wiring defective?	Replace ignition switch. Check wiring.

# TROUBLESHOOTING (TROWEL)

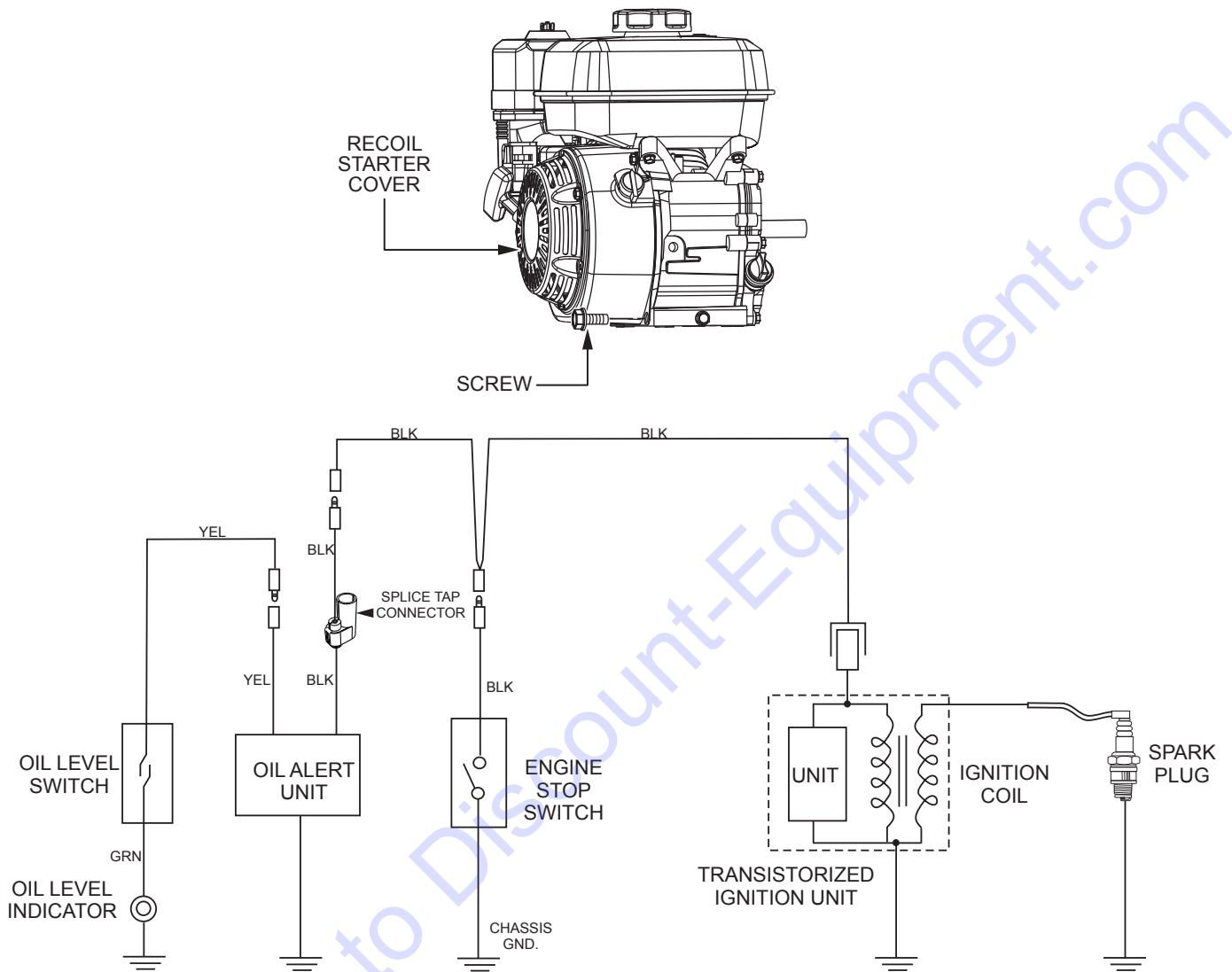
Troubleshooting (Walk-Behind Trowel)		
Symptom	Possible Problem	Solution
Engine running rough or not at all.	Engine ON/OFF Switch in "OFF" position or malfunctioning?	Make sure that the Engine ON/OFF Switch is ON or replace switch if necessary.
	Centrifugal ON/OFF Switch in "OFF" position or malfunctioning?	Place centrifugal stop switch in "ON" position. Check wiring. Replace switch if necessary.
	Fuel?	Look at the fuel system. Make sure there is fuel being supplied to the engine. Check to ensure that the fuel filter is not clogged.
	Ignition?	Check to ensure that the ignition switch has power and is functioning correctly.
	Loose wire connections	Check wiring. Replace or repair as necessary.
	Bad contacts in ON/OFF switch?	Replace ON/OFF switch.
Trowel bounces, rolls concrete, or makes uneven swirls in concrete.	Blades?	Make certain blades are in good condition, not excessively worn. Finish blades should measure no less than 2" (50mm) from the blade bar to the trailing edge, combo blades should measure no less than 3.5" (89mm). Trailing edge of blade should be straight and parallel to the blade bar.
	Pitch adjustment?	Check that all blades are set at the same pitch angle as measured at the spider. A field adjustment tool is available for height adjustment of the trowel arms. (Contact Discount-equipment.)
	Bent trowel arms?	Check the spider assembly for bent trowel arms. If one of the arms is even slightly bent, replace it immediately.
	Spider?	Check fit of arms in spider. This can be done by moving the trowel arms up and down. If there is more than 1/8 inch (3.2 mm) of travel at the tip of the arm, the spider and arms should be replaced.
	Thrust collar?	Check the flatness of the thrust collar by rotating it on the spider. If it varies by more than 0.02 inch (0.5 mm) replace the thrust collar.
	Thrust collar bushing?	Check the thrust collar by rocking it on the spider. If it can tilt more than 3/32 inch (2.4 mm) - as measured at the thrust collar O.D., replace the thrust collar.
	Thrust bearing worn?	Check the thrust bearing to see that it is spinning freely. Replace if necessary.



## TROUBLESHOOTING (TROWEL)

Troubleshooting (Walk-Behind Trowel) - continued		
Symptom	Possible Problem	Solution
Machine has a perceptible rolling motion while running.	Main shaft?	The main output shaft of the gearbox assembly should be checked for straightness. The main shaft must run straight and cannot be more than 0.003" (0.08 mm) out of round at the spider attachment point.
	Yoke?	Check to make sure that both fingers of the yoke press evenly on the wear cap. Replace yoke as necessary.
	Blade Pitch?	Check to ensure that each blade is adjusted to have the same pitch as all other blades. Adjust per maintenance section in manual.
Clutch slipping or sluggish response to engine speed change.	Worn V-belts?	Replace V-belt.
	Hand clutch out of adjustment?	Adjust per instructions in maintenance section of this manual.
	Worn or defective hand clutch parts?	Replace parts as necessary.
	Worn bearings in gearbox?	Rotate input shaft by hand. If shaft rotates with difficulty, check the input and output shaft bearings. Replace as necessary.
Trowel blades do not rotate.	Worn or broken gears in gearbox?	Verify that the gearbox shaft rotates when the input shaft is rotated. Replace both the worm and worm gear as a set.
	Defective clutch?	Replace clutch.
	Broken V-belt?	Replace V-belt.
	Defective ON/OFF switch?	Check and replace ON/OFF switch if necessary.
	Defective centrifugal ON/OFF switch?	Check and replace centrifugal ON/OFF switch if necessary.

# WIRING DIAGRAM



**TO PURCHASE THIS PRODUCT PLEASE CONTACT US**



**Equipment Financing and  
Extended Warranties Available**



**Discount-Equipment.com is your online resource for  
commercial and industrial quality parts and equipment sales.**

**561-964-4949**

**visit us on line @ [www.discount-equipment.com](http://www.discount-equipment.com)**

Select an option below to find your Equipment

**Search by Manufacturer**

**Search by Product Type**

**Request a Quote**

We sell worldwide for the brands: Genie, Terex, JLG, MultiQuip, Mikasa, Essick, Whiteman, Mayco, Toro Stone, Diamond Products, Generac Magnum, Airman, Haulotte, Barreto, Power Blanket, Nifty Lift, Atlas Copco, Chicago Pneumatic, Allmand, Miller Curber, Skyjack, Lull, Skytrak, Tsurumi, Husquvarna Target, Stow, Wacker, Sakai, Mi-T-M, Sullair, Basic, Dynapac, MBW, Weber, Bartell, Bennar Newman, Haulotte, Ditch Runner, Menegotti, Morrison, Contec, Buddy, Crown, Edco, Wyco, Bomag, Laymor, EZ Trench, Bil-Jax, F.S. Curtis, Gehl Pavers, Heli, Honda, ICS/PowerGrit, IHI, Partner, Imer, Clipper, MMD, Koshin, Rice, CH&E, General Equipment, Amida, Coleman, NAC, Gradall, Square Shooter, Kent, Stanley, Tamco, Toku, Hatz, Kohler, Robin, Wisconsin, Northrock, Oztec, Toker TK, Rol-Air, APT, Wylie, Ingersoll Rand / Doosan, Innovatech, Con X, Ammann, Mecalac, Makinex, Smith Surface Prep, Small Line, Wanco, Yanmar