



The Benchmark of Service

Informational Bulletin No. TW20080710
Subject: Safety Switch Relocator Bracket
Model: HDA48411H/HDA48413H
Product Group: Walk-Behind Trowel
Date: 07/10/08

INFORMATIONAL BULLETIN

Group: TW

Series/Parts Affected:

Machines Affected: HDA48411H , HDA48413H

Handles Affected: STHAHD , QPHAHD

SERVICE INFORMATION

Problem:

The trowel safety switch may activate under normal operation due to the angle of the trowel handle.

Remedy:

The installation of a relocation bracket will position the safety stop switch at the correct angle. This will eliminate false activation of the safety stop switch during normal operation.

PARTS INFORMATION

Item	Qty.	Part #	Description	Remarks
1	1	22267	Kit, HD Handle Safety Switch	INCLUDES ITEMS 2 THRU 4
2	1		Bracket, Kill Switch Mount	
3	1		Screw, Phillips Head 10-24	
4	1		Screw, Phillips Head 8-32	

PARTS FINDER

**Search Website
by Part Number**



**Search Manual
Library For Parts
Manual & Lookup Part
Numbers – Purchase
or Request Quote**

Search Manuals

Enter your information to help us find the right parts manual for your machine.

* Brand:

* Model:

* Serial:

* Part Number:

SEARCH

**Can't Find Part or
Manual? Request Help
by Manufacturer,
Model & Description**

Parts Order Form

Please fill in the following information to help us find the right part for your machine.

Manufacturer:

Model:

Description:

Part Number:

Quantity:

Price:

Submit

Discount-Equipment.com is your online resource for quality parts & equipment.

Florida: **561-964-4949** Outside Florida TOLL FREE: **877-690-3101**

Need parts?

Click on this link: <http://www.discount-equipment.com/category/5443-parts/> and choose one of the options to help get the right parts and equipment you are looking for. Please have the machine model and serial number available in order to help us get you the correct parts. If you don't find the part on the website or on one of the online manuals, please fill out the request form and one of our experienced staff members will get back to you with a quote for the right part that your machine needs.

We sell worldwide for the brands: Genie, Terex, JLG, MultiQuip, Mikasa, Essick, Whiteman, Mayco, Toro Stone, Diamond Products, Generac Magnum, Airman, Haulotte, Barreto, Power Blanket, Nifty Lift, Atlas Copco, Chicago Pneumatic, Allmand, Miller Curber, Skyjack, Lull, Skytrak, Tsurumi, Husquvarna Target, Stow, Wacker, Sakai, Mi-T-M, Sullair, Basic, Dynapac, MBW, Weber, Bartell, Bennar Newman, Haulotte, Ditch Runner, Menegotti, Morrison, Contec, Buddy, Crown, Edco, Wyco, Bomag, Laymor, EZ Trench, Bil-Jax, F.S. Curtis, Gehl Pavers, Heli, Honda, ICS/PowerGrit, IHI, Partner, Imer, Clipper, MMD, Koshin, Rice, CH&E, General Equipment, Amida, Coleman, NAC, Gradall, Square Shooter, Kent, Stanley, Tamco, Toku, Hatz, Kohler, Robin, Wisconsin, Northrock, Oztec, Toker TK, Rol-Air, APT, Wylie, Ingersoll Rand / Doosan, Innovatech, Con X, Ammann, Mecalac, Makinex, Smith Surface Prep, Small Line, Wanco, Yanmar

INSTALLATION INSTRUCTIONS

WORK SAFELY!

Only a qualified service technician with proper training should perform this installation.

Required Tools/Materials

- Phillips-Head Screwdriver
- 7 mm Wrench

Please make sure all parts are accounted for.

Procedures

Removing the Safety Switch

1. Locate Safety Stop Switch (Fig.1)

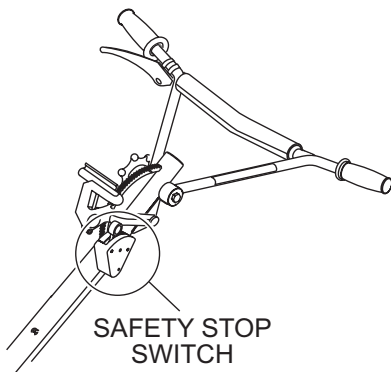


Figure 1. Safety Stop Switch

2. Remove safety stop switch (Figure 2) by removing the two coarse threaded countersunk phillips head screws (**B**) and one fine threaded countersunk phillips-head screw (**A**) on the cover. Note the orientation of each screw as they **MUST** be re-installed in the same positions.

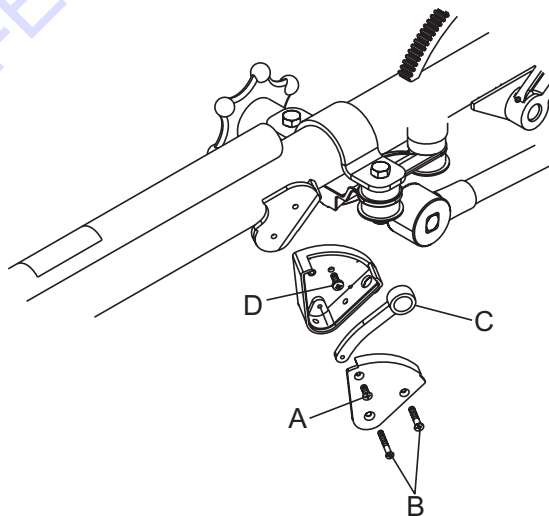


Figure 2. Removal of Safety Stop Switch

3. Remove the lever/weight (C) to access and remove the phillips-head screw (D) beneath. Note orientation of lever.

Installing Relocator Bracket

1. Install relocator bracket (E), P/N 22256 (Figure 3) between handle (H) and stop switch (I) using 8-32 phillips-head screw (F), and 10-24 phillips-head screw (G).

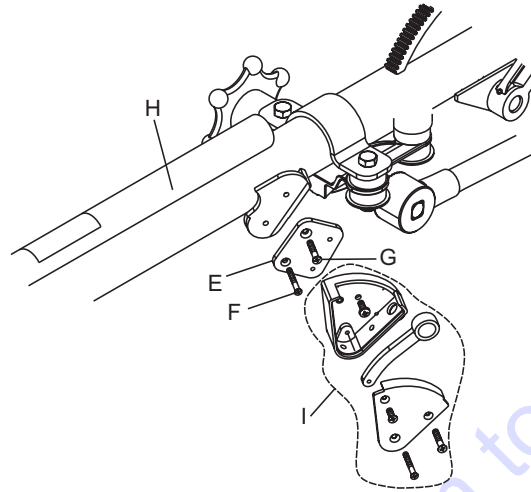


Figure 3. Installing Relocator Bracket

2. Re-install base, lever and cover plate as shown in Figure 3. Ensure the lever is oriented the same way as it was removed.

Safety Switch Continuity Test

1. To test the movement of the safety switch lever (Figure 4), make sure the lever moves back and forth freely.

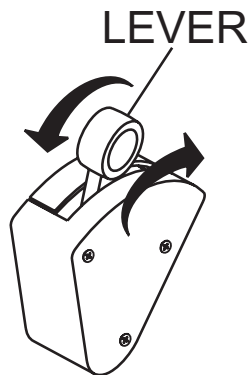


Figure 4. Safety Switch Lever

- Using a multimeter check for continuity between terminals **A** and **B** (Figure 5) on the safety stop switch. There should be no continuity (open-circuit) with the safety switch lever placed in the **ON** position. Now place the lever in the **OFF** position, continuity (closed-circuit) should be present between terminals **A** and **B**. Note: remove the black wire connected to terminal **A** before performing measurement.

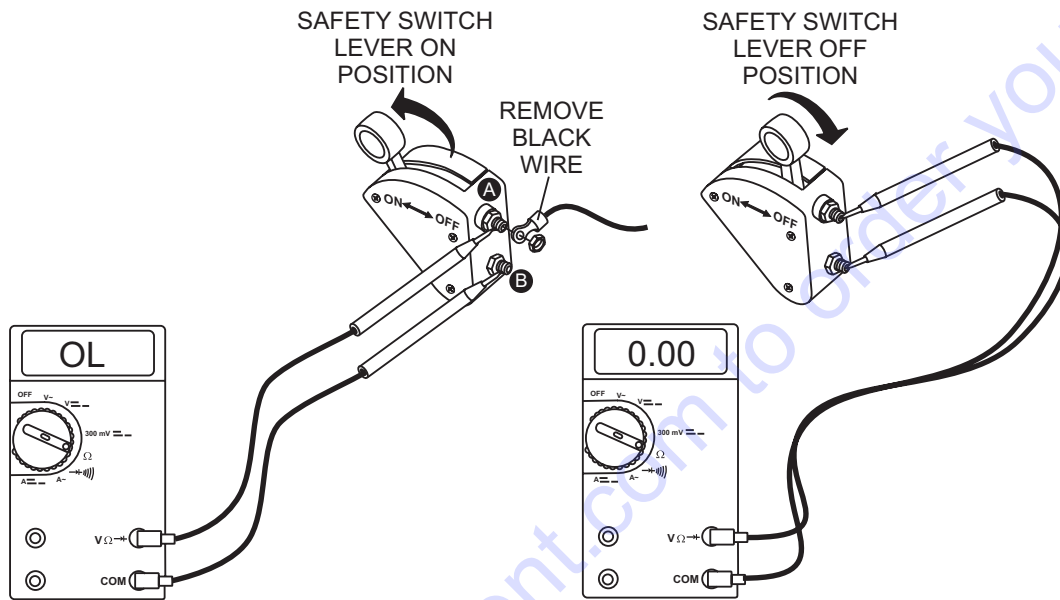


Figure 5. Continuity Test

- Reconnect black wire to terminal **A** on safety stop switch.

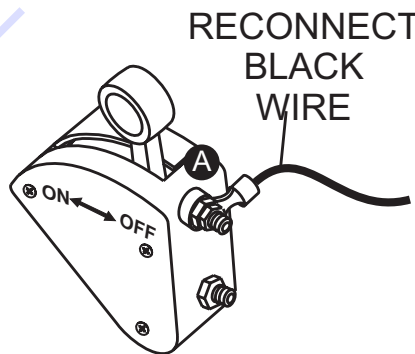


Figure 6. Reconnecting Black Wire

Safety Switch Field Test

WARNING

When testing centrifugal stop switch, ALWAYS keep throttle placed in the IDLE position at all times. NEVER test centrifugal stop switch with throttle in high speed position.

1. Place the trowel on a flat open surface that is free of debris and obstructions.
2. Start engine as referenced in operator's manual.
3. Make sure engine is running at **idle** speed. **DO NOT** increase engine RPM.
4. Standing behind the trowel (operator's position), manually swing the trowel handle hard to the right (away from operator) and let go. If the trowel safety switch is working correctly the engine should be off as the trowel handle comes to a stop.
5. If engine is still running, check all connections.

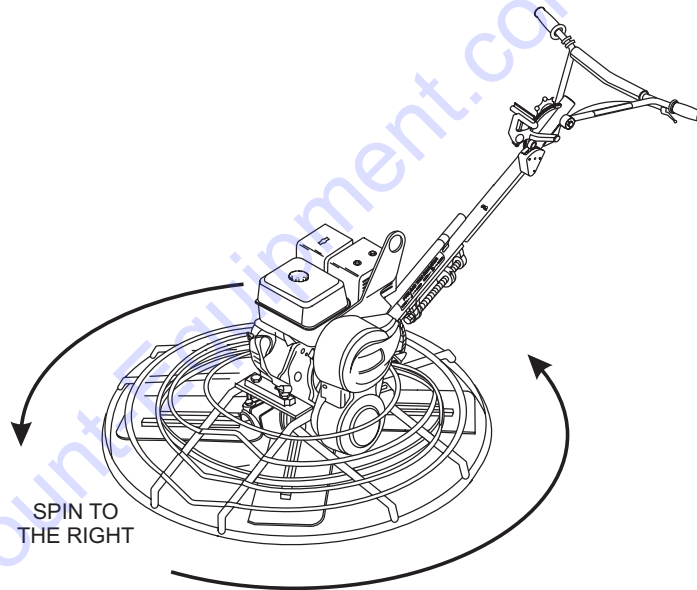


Figure 7. Field Testing Safety Switch

If you have any questions regarding the procedure described in this informational bulletin, please contact Discount-equipment.

PARTS FINDER

**Search Website
by Part Number**



**Search Manual
Library For Parts
Manual & Lookup Part
Numbers – Purchase
or Request Quote**

Search Manuals

Enter your information to help us find the right parts manual for your machine.

* Brand:

* Model:

* Serial:

* Part Number:

SEARCH

**Can't Find Part or
Manual? Request Help
by Manufacturer,
Model & Description**

Parts Order Form

Please fill in the following information to help us find the right part for your machine.

Manufacturer:	<input type="text"/>
Model:	<input type="text"/>
Description:	<input type="text"/>
Part Number:	<input type="text"/>
Quantity:	<input type="text"/>
Notes:	<input type="text"/>

Submit

Discount-Equipment.com is your online resource for quality parts & equipment.

Florida: **561-964-4949** Outside Florida TOLL FREE: **877-690-3101**

Need parts?

Click on this link: <http://www.discount-equipment.com/category/5443-parts/> and choose one of the options to help get the right parts and equipment you are looking for. Please have the machine model and serial number available in order to help us get you the correct parts. If you don't find the part on the website or on one of the online manuals, please fill out the request form and one of our experienced staff members will get back to you with a quote for the right part that your machine needs.

We sell worldwide for the brands: Genie, Terex, JLG, MultiQuip, Mikasa, Essick, Whiteman, Mayco, Toro Stone, Diamond Products, Generac Magnum, Airman, Haulotte, Barreto, Power Blanket, Nifty Lift, Atlas Copco, Chicago Pneumatic, Allmand, Miller Curber, Skyjack, Lull, Skytrak, Tsurumi, Husquvarna Target, Stow, Wacker, Sakai, Mi-T-M, Sullair, Basic, Dynapac, MBW, Weber, Bartell, Bennar Newman, Haulotte, Ditch Runner, Menegotti, Morrison, Contec, Buddy, Crown, Edco, Wyco, Bomag, Laymor, EZ Trench, Bil-Jax, F.S. Curtis, Gehl Pavers, Heli, Honda, ICS/PowerGrit, IHI, Partner, Imer, Clipper, MMD, Koshin, Rice, CH&E, General Equipment, Amida, Coleman, NAC, Gradall, Square Shooter, Kent, Stanley, Tamco, Toku, Hatz, Kohler, Robin, Wisconsin, Northrock, Oztec, Toker TK, Rol-Air, APT, Wylie, Ingersoll Rand / Doosan, Innovatech, Con X, Ammann, Mecalac, Makinex, Smith Surface Prep, Small Line, Wanco, Yanmar