



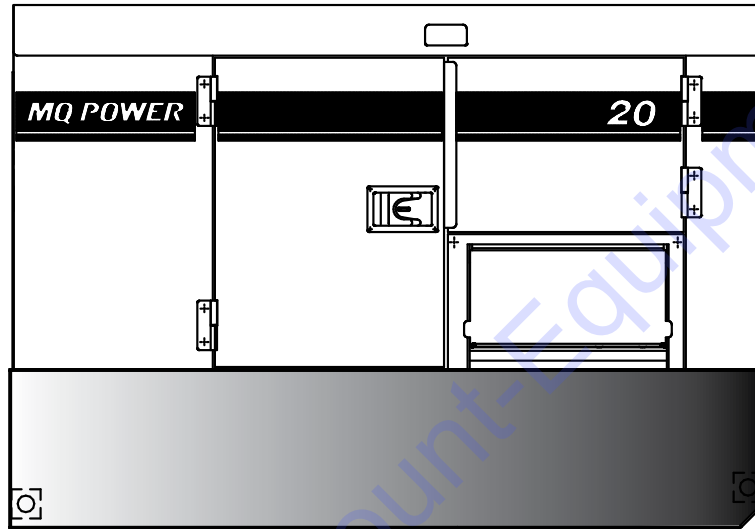
DCA20SPXU4F Generator

WhisperWatt™

Prime Rating — 20 kW (20 kVA)

Standby Rating — 22 kW (22 kVA)

Single-Phase, 60 Hertz, 1.0 PF



STANDARD FEATURES

- Heavy duty, 4-cycle, direct injection, heated crankcase vent, turbocharged, diesel engine provides maximum reliability.
- EPA emissions certified - Tier 4 final emissions compliant.
- Microprocessor engine control system maintains frequency to $\pm 0.25\%$.
- Full load acceptance of standby nameplate rating in a single step.
- Fuel/water separator removes condensation from fuel for extended engine life. Panel mounted alarm light included.
- Sound attenuated, weather resistant, steel housing provides operation at 65 dB(A) at 23 feet. Fully lockable enclosure allows safe unattended operation.
- E-coat and powder coat paint provides durability and weather protection.
- Internal fuel tank with direct reading of fuel gauge.
- Spill containment — Bunded design protects environment by capturing up to 124% of engine fluids.
- Brushless alternator reduces service and maintenance requirements and meets temperature rise standards for Class H insulation systems.
 - Open delta excitation design provides virtually unlimited excitation for maximum motor starting capability.
 - Automatic voltage regulator (AVR) provides precise regulation.
- Fully covered power panel. Single-phase terminals and single-phase receptacles allow fast and convenient hookup for most applications including temporary power boxes, tools and lighting equipment. All are NEMA standard.
- ECU754 microprocessor-based digital generator controller.
 - Remote 2-wire start/stop control.
 - Operational temperature range of -40° to 85° C.
- Digital engine gauges including oil pressure, water temperature, battery volts, engine speed and fuel level.
- Analog generator instrumentation including AC ammeter, AC voltmeter, frequency meter, ammeter phase selector switch, voltmeter phase selector switch, and voltage regulator adjustment potentiometer.
- Automatic safety shutdown system monitors the water temperature, engine oil pressure, overspeed and overcrank. Warning lights indicate abnormal conditions.
- Emergency Stop Switch — when manually activated, shuts down generator in the event of an emergency.

TO PURCHASE THIS PRODUCT PLEASE CONTACT US



**Equipment Financing and
Extended Warranties Available**



**Discount-Equipment.com is your online resource for
commercial and industrial quality parts and equipment sales.**

561-964-4949

visit us on line @ www.discount-equipment.com

Select an option below to find your Equipment

Search by Manufacturer

Search by Product Type

Request a Quote

We sell worldwide for the brands: Genie, Terex, JLG, MultiQuip, Mikasa, Essick, Whiteman, Mayco, Toro Stone, Diamond Products, Generac Magnum, Airman, Haulotte, Barreto, Power Blanket, Nifty Lift, Atlas Copco, Chicago Pneumatic, Allmand, Miller Curber, Skyjack, Lull, Skytrak, Tsurumi, Husquvarna Target, Stow, Wacker, Sakai, Mi-T-M, Sullair, Basic, Dynapac, MBW, Weber, Bartell, Bennar Newman, Haulotte, Ditch Runner, Menegotti, Morrison, Contec, Buddy, Crown, Edco, Wyco, Bomag, Laymor, EZ Trench, Bil-Jax, F.S. Curtis, Gehl Pavers, Heli, Honda, ICS/PowerGrit, IHI, Partner, Imer, Clipper, MMD, Koshin, Rice, CH&E, General Equipment, Amida, Coleman, NAC, Gradall, Square Shooter, Kent, Stanley, Tamco, Toku, Hatz, Kohler, Robin, Wisconsin, Northrock, Oztec, Toker TK, Rol-Air, APT, Wylie, Ingersoll Rand / Doosan, Innovatech, Con X, Ammann, Mecalac, Makinex, Smith Surface Prep, Small Line, Wanco, Yanmar



DCA20SPXU4F

Generator

SPECIFICATIONS

| Generator Specifications | |
|---|--|
| Design | Revolving field, self-ventilated Drip-proof, single bearing |
| No. of Poles | 4-pole |
| Excitation | Brushless with AVR |
| Standby Output | 22 KW (27.5 kVA) |
| Prime Output | 20 KW (25 kVA) |
| Generator RPM | 1800 |
| Voltage — 1Ø | 120/240 |
| Armature Connection | Series |
| Voltage Regulation (No load to full load) | ±0.5% |
| Power Factor | 1.0 |
| Frequency | 60 Hz |
| Winding Pitch | 5/6 |
| Frequency Regulation: No Load to Full Load | Isochronous under varying loads from no load to 100% rated load |
| Frequency Regulation: Steady State | ±0.25% of mean value for constant loads from no load to full load |
| Insulation | Class H |
| Sound Level dB(A) Full load at 23 feet | 65 |

| Engine Specifications | |
|---------------------------|---|
| Make / Model | Isuzu / 4LE2T |
| Emissions | EPA Tier 4 Final Certified |
| Starting System | Electric |
| Design | 4-cycle, Water cooled, Direct injection, Turbocharged, EGR, DOC |
| Displacement | 133.0 in ³ (2179 cc) |
| No. cylinders | 4 |
| Bore x Stroke | 85 mm x 96 mm |
| Gross Engine Power Output | 40.2 hp (30 kW) |
| BMEP | 133 psi (918 kPa) |
| Piston Speed | 1134 ft/min (5.76 m/s) |
| Compression Ratio | 17.6 : 1 |
| Engine Speed | 1800 rpm |
| Overspeed Limit | 2070 rpm |
| Oil Capacity | 2.8 gal (10.5 L) |
| Battery | 12V 53Ah x 1 |

| Fuel System | | |
|--------------------------------|---------------------------|------|
| Recommended Fuel | ASTM-D975-No.1 & No.2-D* | |
| Maximum Fuel Flow (per hour) | 2.3 gallons (8.8 liters) | |
| Maximum Inlet Restriction (Hg) | 6.8 in. (173 mm) | |
| Fuel Tank Capacity | 41.7 gallons (158 liters) | |
| Fuel Consumption | gph | lph |
| At full load | 1.62 | 6.12 |
| At 3/4 load | 1.26 | 4.77 |
| At 1/2 load | 0.94 | 3.57 |
| At 1/4 load | 0.67 | 2.52 |

* Use Ultra-low sulfur diesel fuel

| Cooling System | |
|--|----------------------------|
| Fan Load | 0.67 hp (0.5 kW) |
| Coolant Capacity (with radiator) | 2.3 gallons (8.8 liters) |
| Coolant Flow Rate (per minute) | 20.1 gallons (76.0 liters) |
| Heat Rejection to Coolant (per minute) | 1479 Btu (1.56 MJ) |
| Maximum Coolant Friction Head | 14.5 psi (100 kPa) |
| Maximum Coolant Static Head | 3.35 feet (1.02 meters) |
| Ambient Temperature Rating | 104°F (40°C) |

| Air | |
|---------------------------------|-------------------------------------|
| Combustion Air | 109 cfm (3.10 m ³ /min) |
| Maximum Air Cleaner Restriction | 25 in. H ₂ O (6.2 kPa) |
| Alternator Cooling Air | 388 cfm (11.0 m ³ /min) |
| Radiator Cooling Air | 1420 cfm (40.2 m ³ /min) |

| Exhaust System | |
|-----------------------|-------------------------------------|
| Gas Flow (full load) | 148 cfm (4.2 m ³ /min) |
| Gas Temperature | 847°F (453°C) |
| Maximum Back Pressure | 30.1 in. H ₂ O (7.5 kPa) |

| Amperage | |
|----------------------------------|--------------|
| Rated Voltage | Maximum Amps |
| 1Ø 120 Volt | 83 x 2 |
| 1Ø 240 Volt | 83 |
| Main Line Circuit Breaker Rating | 90 Amps |

NOTICE

Specifications sheet is subject to change and is not intended for use in installation design.



DCA20SPXU4F

Generator

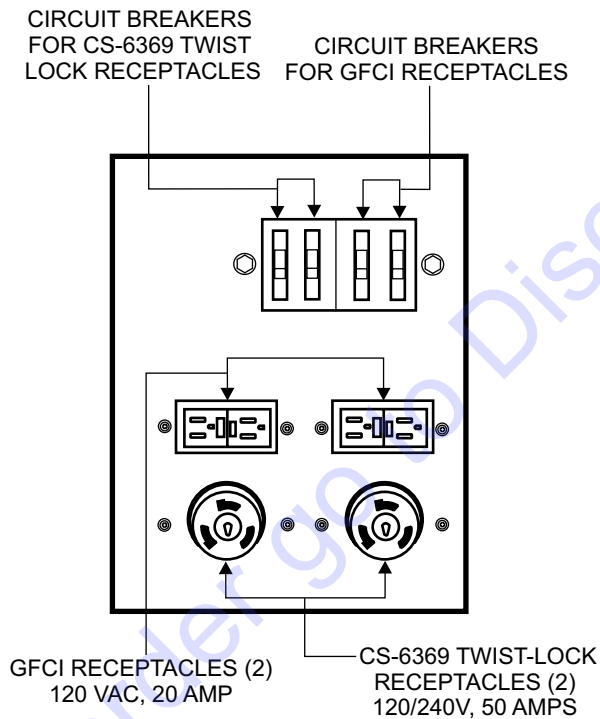
MQ POWER DECIBEL LEVELS

Our soundproof housing allows substantially lower operating noise levels than competitive design. WhisperWatts™ are at home on construction sites, in residential neighborhoods, and at hospitals — just about anywhere.

- 90 — Subway / truck traffic
- 80 — Average city traffic
- 70 — Inside car at 60 mph
— WhisperWatt™ at 23 feet
- 60 — Air conditioner at 20 feet
- 50 — Normal conversation



GENERATOR OUTPUT PANEL



OPTIONAL GENERATOR FEATURES

- **Battery Charger** — provides fully automatic and self-adjusting charging to the generator's battery system.
- **Jacket Water Heater** — for easy starting in cold weather climates.
- **Low Coolant Level Shutdown** — provides protection from critically low coolant levels. Includes control panel warning light.
- **Trailer Mounted Package** — meets National Highway Traffic Safety Administration (NHTSA) regulations. Trailer is equipped with electric or hydraulic brakes with tandem axle configuration.

OPTIONAL CONTROL FEATURES

- **Audible alarm** — alerts operator of abnormal conditions.

OPTIONAL FUEL CELL FEATURES

- **Sub-base fuel cells (double wall)** — additional fuel cell for extended runtime operation. Contains a leak sensor, low fuel level switch, and a secondary containment tank. UL142 listed.
 - 12 hours of minimum run time.
 - 24 hours of minimum run time.

OPTIONAL OUTPUT CONNECTIONS

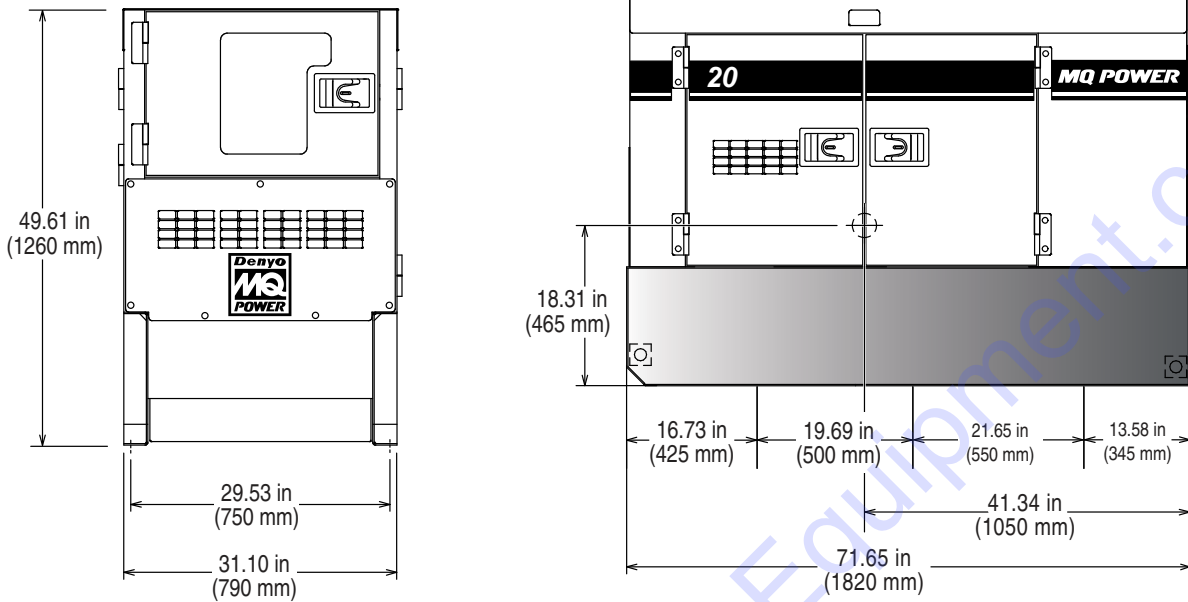
- **Cam-Lok Connectors** — provides quick disconnect alternative to bolt-on connectors.
- **Pin and Sleeve Connectors** — provides industry standard connectors for all voltage requirements.
- **Output Cable** — available in any custom length and size configuration.



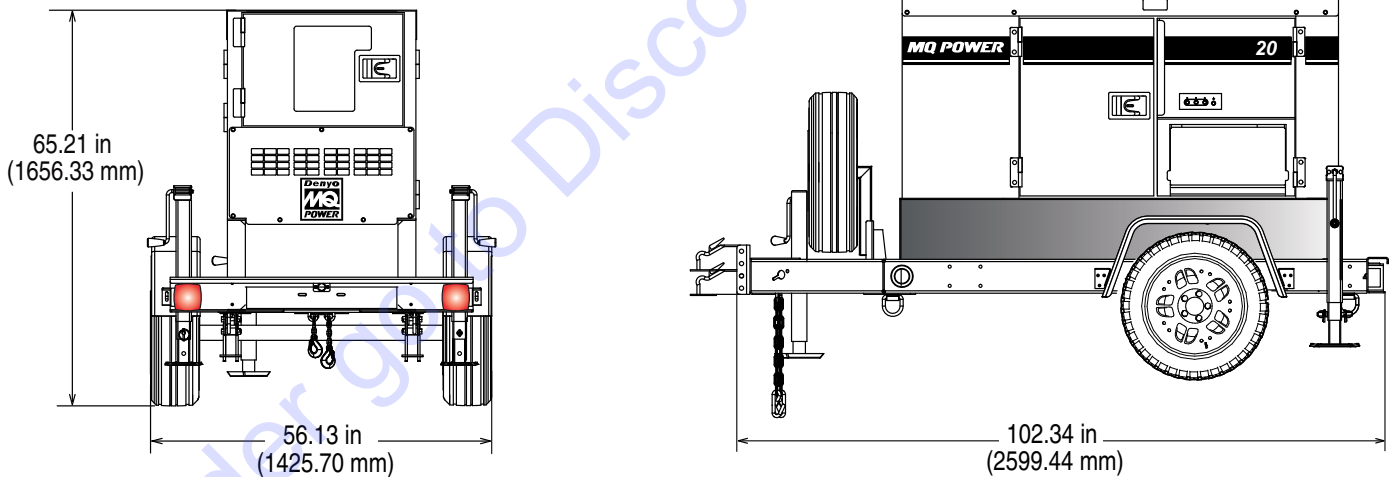
DCA20SPXU4F

Generator

SKID-MOUNT DIMENSIONS



TRAILER-MOUNT DIMENSIONS



DCA20SPXU4F Weights*

| | |
|-----------------------------|-----------------------|
| Dry Weight | 1,795 lbs. (814 kg) |
| Wet Weight | 2137 lbs. (969 kg) |
| Max. Lifting Point Capacity | 3,240 lbs. (1,470 kg) |

*Weights do not include options.

DCA20SPXU4F and TRLR25US2 Weights*

| | |
|-----------------------------|-----------------------|
| Dry Weight (with TRLR180EV) | 2,239 lbs. (1,016 kg) |
| Wet Weight (with TRLR180EV) | 2,581 lbs. (1,171 kg) |

Generator can be placed on MQ Trailer Models TRLR25US and TRLR75XF2.

NOTICE

Features and Specifications are subject to change without notice.



TO PURCHASE THIS PRODUCT PLEASE CONTACT US



**Equipment Financing and
Extended Warranties Available**



**Discount-Equipment.com is your online resource for
commercial and industrial quality parts and equipment sales.**

561-964-4949

visit us on line @ www.discount-equipment.com

Select an option below to find your Equipment

Search by Manufacturer

Search by Product Type

Request a Quote

We sell worldwide for the brands: Genie, Terex, JLG, MultiQuip, Mikasa, Essick, Whiteman, Mayco, Toro Stone, Diamond Products, Generac Magnum, Airman, Haulotte, Barreto, Power Blanket, Nifty Lift, Atlas Copco, Chicago Pneumatic, Allmand, Miller Curber, Skyjack, Lull, Skytrak, Tsurumi, Husquvarna Target, Stow, Wacker, Sakai, Mi-T-M, Sullair, Basic, Dynapac, MBW, Weber, Bartell, Bennar Newman, Haulotte, Ditch Runner, Menegotti, Morrison, Contec, Buddy, Crown, Edco, Wyco, Bomag, Laymor, EZ Trench, Bil-Jax, F.S. Curtis, Gehl Pavers, Heli, Honda, ICS/PowerGrit, IHI, Partner, Imer, Clipper, MMD, Koshin, Rice, CH&E, General Equipment, Amida, Coleman, NAC, Gradall, Square Shooter, Kent, Stanley, Tamco, Toku, Hatz, Kohler, Robin, Wisconsin, Northrock, Oztec, Toker TK, Rol-Air, APT, Wylie, Ingersoll Rand / Doosan, Innovatech, Con X, Ammann, Mecalac, Makinex, Smith Surface Prep, Small Line, Wanco, Yanmar