



Service Bulletin

HTX6H Fuel Tank Pickup Line Modification

Product Group: Ride-On Trowels	Date Issued: 05/26/17	Expiration Date: 05/26/18	Service Bulletin No.: TR20170512
Bulletin Type <input checked="" type="checkbox"/> Mandatory <input type="checkbox"/> Information Only <input type="checkbox"/> Recommended Change		Models/Series Affected: HTX6H SERIES S/N NC2003442 AND BELOW	

Details Problem: Dirt and debris may be entering the fuel system. Solution: Install a new fuel tank pickup line with a mesh screen.
--

<p>Parts Information</p> <table border="1" style="width: 100%; border-collapse: collapse; margin-bottom: 20px;"> <thead> <tr> <th style="width: 5%;">Item</th> <th style="width: 10%;">Part No.</th> <th style="width: 45%;">Description</th> <th style="width: 10%;">QTY.</th> <th style="width: 30%;">Remarks</th> </tr> </thead> <tbody> <tr> <td style="text-align: center;">1</td> <td style="text-align: center;">42501</td> <td>Pickup Line, Fuel Tank</td> <td style="text-align: center;">1</td> <td></td> </tr> <tr> <td style="text-align: center;">2</td> <td style="text-align: center;">22810</td> <td>Clamp, Fuel 1/2-9/16" OD</td> <td style="text-align: center;">1</td> <td></td> </tr> </tbody> </table> <div style="text-align: center;"> </div> <p style="text-align: center;">Figure 1. Fuel Tank Pickup Line and Fuel Injection Clamp</p>	Item	Part No.	Description	QTY.	Remarks	1	42501	Pickup Line, Fuel Tank	1		2	22810	Clamp, Fuel 1/2-9/16" OD	1	
Item	Part No.	Description	QTY.	Remarks											
1	42501	Pickup Line, Fuel Tank	1												
2	22810	Clamp, Fuel 1/2-9/16" OD	1												

PARTS FINDER

**Search Website
by Part Number**



**Search Manual
Library For Parts
Manual & Lookup Part
Numbers – Purchase
or Request Quote**

Search Manuals

Enter your information to help us find the right parts manual for your machine.

* Brand:

* Model:

* Serial:

* Part Number:

SEARCH

**Can't Find Part or
Manual? Request Help
by Manufacturer,
Model & Description**

Parts Order Form

Please fill in the following information to help us find the right part for your machine.

Manufacturer:	<input type="text"/>
Model:	<input type="text"/>
Description:	<input type="text"/>
Part Number:	<input type="text"/>
Quantity:	<input type="text"/>
Notes:	<input type="text"/>

Submit

Discount-Equipment.com is your online resource for quality parts & equipment.

Florida: **561-964-4949** Outside Florida TOLL FREE: **877-690-3101**

Need parts?

Click on this link: <http://www.discount-equipment.com/category/5443-parts/> and choose one of the options to help get the right parts and equipment you are looking for. Please have the machine model and serial number available in order to help us get you the correct parts. If you don't find the part on the website or on one of the online manuals, please fill out the request form and one of our experienced staff members will get back to you with a quote for the right part that your machine needs.

We sell worldwide for the brands: Genie, Terex, JLG, MultiQuip, Mikasa, Essick, Whiteman, Mayco, Toro Stone, Diamond Products, Generac Magnum, Airman, Haulotte, Barreto, Power Blanket, Nifty Lift, Atlas Copco, Chicago Pneumatic, Allmand, Miller Curber, Skyjack, Lull, Skytrak, Tsurumi, Husquvarna Target, Stow, Wacker, Sakai, Mi-T-M, Sullair, Basic, Dynapac, MBW, Weber, Bartell, Bennar Newman, Haulotte, Ditch Runner, Menegotti, Morrison, Contec, Buddy, Crown, Edco, Wyco, Bomag, Laymor, EZ Trench, Bil-Jax, F.S. Curtis, Gehl Pavers, Heli, Honda, ICS/PowerGrit, IHI, Partner, Imer, Clipper, MMD, Koshin, Rice, CH&E, General Equipment, Amida, Coleman, NAC, Gradall, Square Shooter, Kent, Stanley, Tamco, Toku, Hatz, Kohler, Robin, Wisconsin, Northrock, Oztec, Toker TK, Rol-Air, APT, Wylie, Ingersoll Rand / Doosan, Innovatech, Con X, Ammann, Mecalac, Makinex, Smith Surface Prep, Small Line, Wanco, Yanmar

WORK SAFELY!

Only a qualified service technician with proper training should perform this procedure. Follow all shop safety rules while performing this procedure.

PREPARATION

1. Make sure the trowel is turned off and **the engine is cool**.
2. Place the trowel in an area free of dirt and debris, and make sure it is on secure level ground.

REQUIRED TOOLS

- Flat Screwdriver
- 11/16" Open-End Wrench
- Liquid Sealant

FUEL SAFETY

DANGER

- **ALWAYS** use extreme caution when working with flammable liquids.
- **DO NOT** smoke around or near the equipment. Fire or explosion can result from fuel vapors or if fuel is spilled on a hot engine.

BATTERY SAFETY

DANGER

- **DO NOT** expose the battery to open flames, sparks, cigarettes, etc. The battery contains combustible gases and liquids. If these gases or liquids come into contact with a flame or spark, an explosion could occur.

CAUTION

- **ALWAYS** disconnect the **NEGATIVE** battery terminal before performing service on the equipment.

BATTERY DISCONNECTION

1. Remove and set aside the **LEFT** grill guard to gain access to the battery (Figure 2).

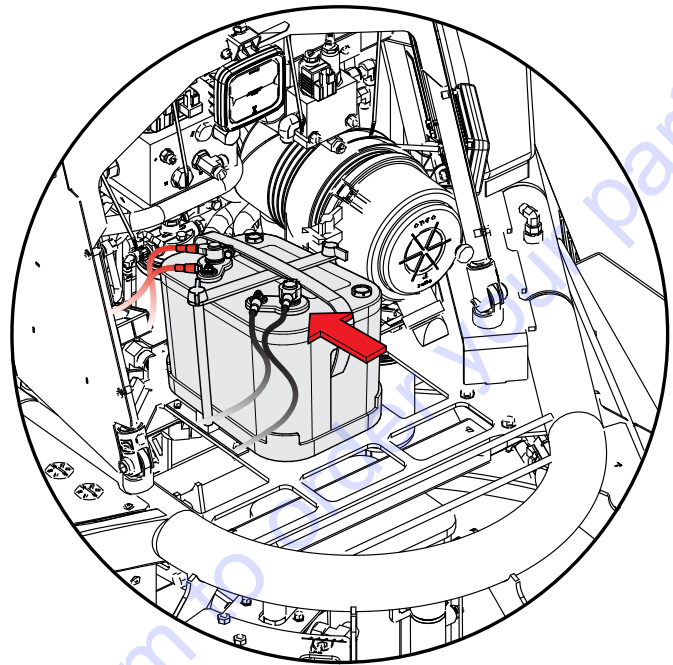


Figure 2. Battery Disconnection

2. Disconnect the two negative (**BLACK**) cables from the negative terminal on the battery. See Figure 2.

FUEL TANK PICKUP LINE INSPECTION

NOTICE

While performing this procedure, the use of a small container to catch spilled fuel is recommended. **ALWAYS** wipe up any spilled fuel **immediately**.

1. Remove and discard the clamp securing the pre-filter hose to the 90° fitting on the **LEFT** side of the fuel tank (Figure 3).

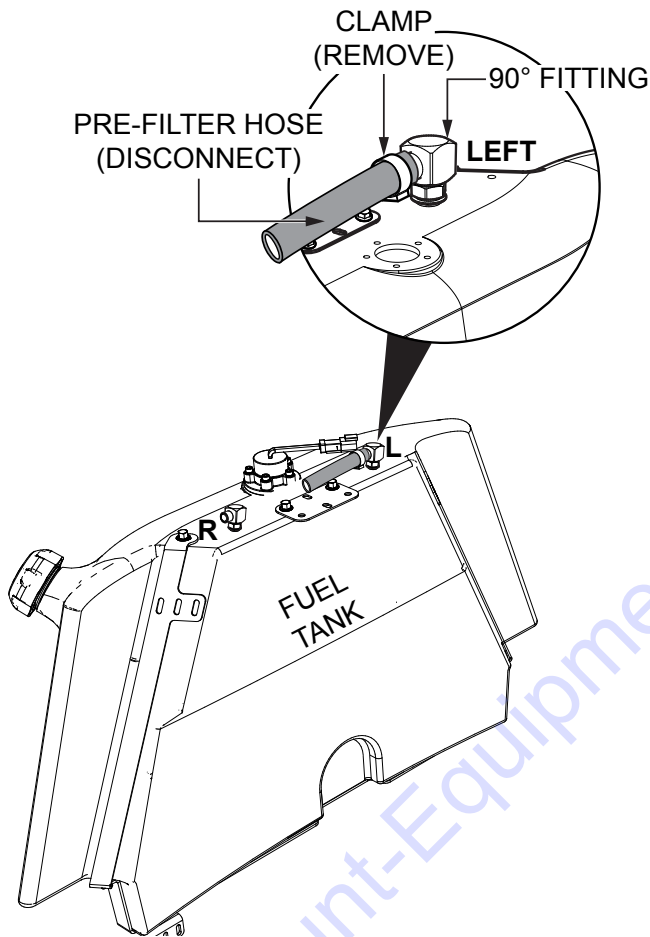


Figure 3. Pre-Filter Hose Disconnection

2. Disconnect the pre-filter hose from the 90° fitting on the left side of the fuel tank (Figure 3).
3. Remove the **LEFT** fuel tank pickup line from the fuel tank (Figure 4).

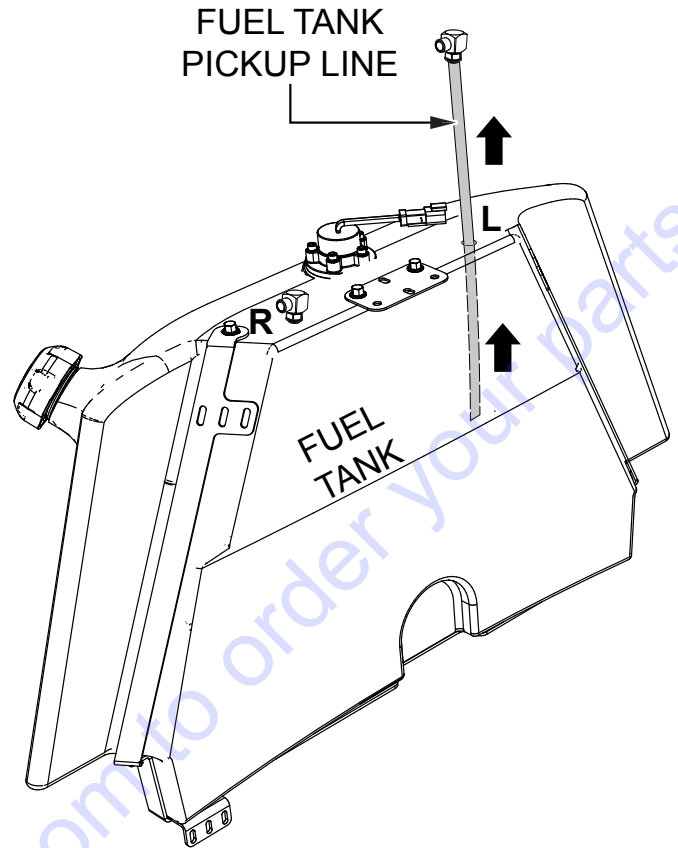


Figure 4. Fuel Tank Pickup Line Removal (LEFT)

4. Inspect the fuel tank pickup line (Figure 5). **If there is a mesh screen** on the end of the pickup line (Figure 5A), proceed to the “**Existing Fuel Line Reinstallation**” section.

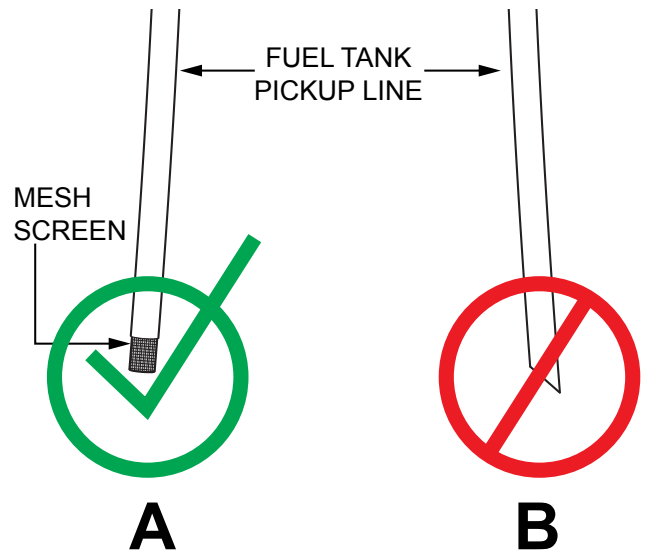


Figure 5. Fuel Tank Pickup Line Inspection

5. **If there is NO mesh screen** on the end of the fuel tank pickup line (Figure 5B), discard the fuel tank pickup line and proceed to the “**Fuel Line Cleaning**” section.

EXISTING FUEL LINE REINSTALLATION

1. Apply thread sealant to the threads on the 90° fitting (Figure 6).

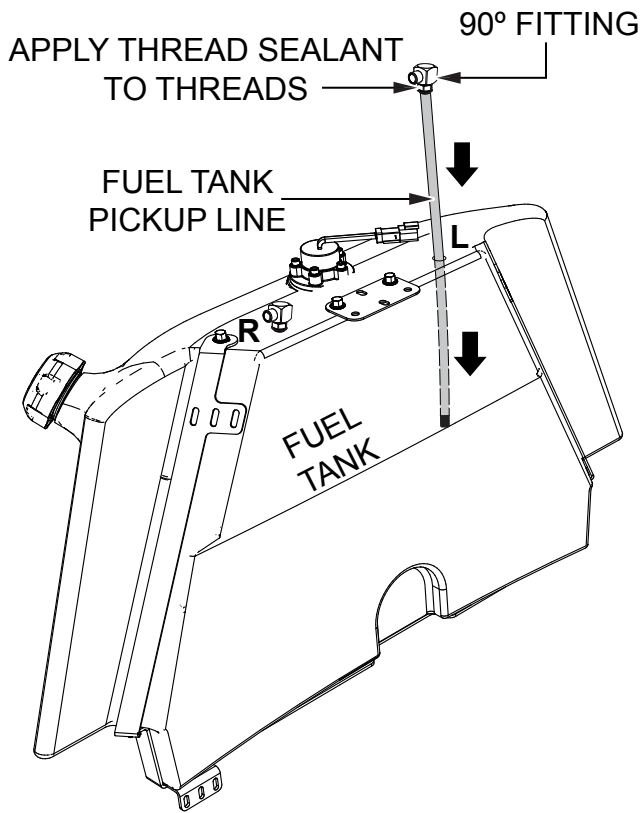


Figure 6. Fuel Tank Pickup Line Reinstallation

2. Reinstall the fuel tank pickup line and tighten the 90° fitting securely (Figure 6).
3. Place the new hose clamp (P/N 22810) onto the free end of the pre-filter hose. See Figure 7.

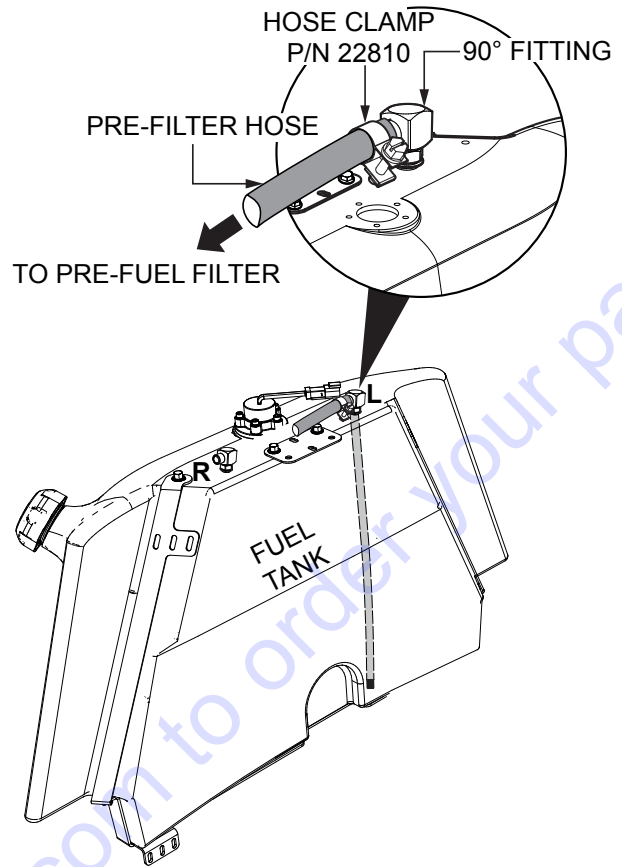


Figure 7. Pre-Filter Hose Reinstallation

4. Connect the free end of the pre-filter hose to the 90° fitting on the **LEFT** side of the fuel tank (Figure 7).
5. Secure the pre-filter hose to the 90° fitting with the hose clamp (P/N 22810). See Figure 7.
6. Reconnect the negative (**BLACK**) battery cables.
7. Reinstall the **LEFT** grill guard.

NOTICE

DO NOT proceed to the next section. For any unit with an existing fuel tank pickup line that already has a mesh screen installed, **the procedure is complete.**

FUEL LINE CLEANING

1. Disconnect the quick-connect fitting securing the pre-filter hose to the pre-fuel filter (Figure 8).

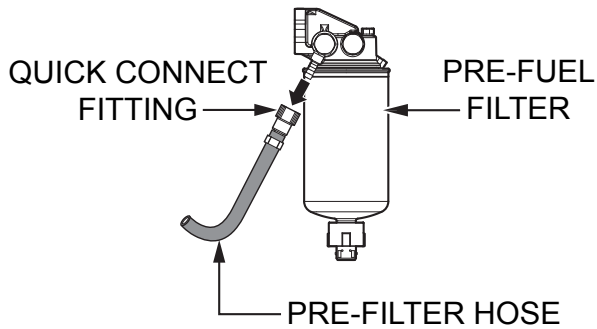


Figure 8. Pre-Filter Hose Removal

2. Thoroughly clean the pre-filter hose. Make sure all debris is fully removed from the hose.
3. Inspect the inlet port on the pre-fuel filter (Figure 9) for debris, and clean if necessary.

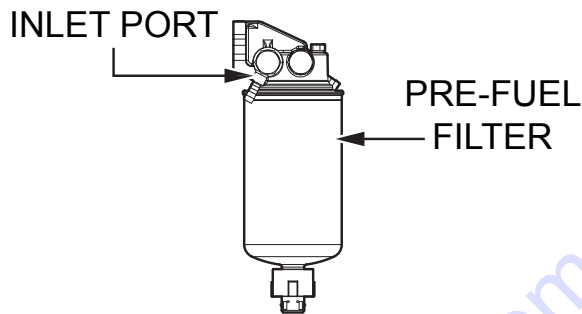


Figure 9. Pre-Fuel Filter Inlet Port

FUEL LINE INSTALLATION

1. Apply thread sealant to the threads of the 90° fitting on the new fuel tank pickup line (P/N 42501). See Figure 10.

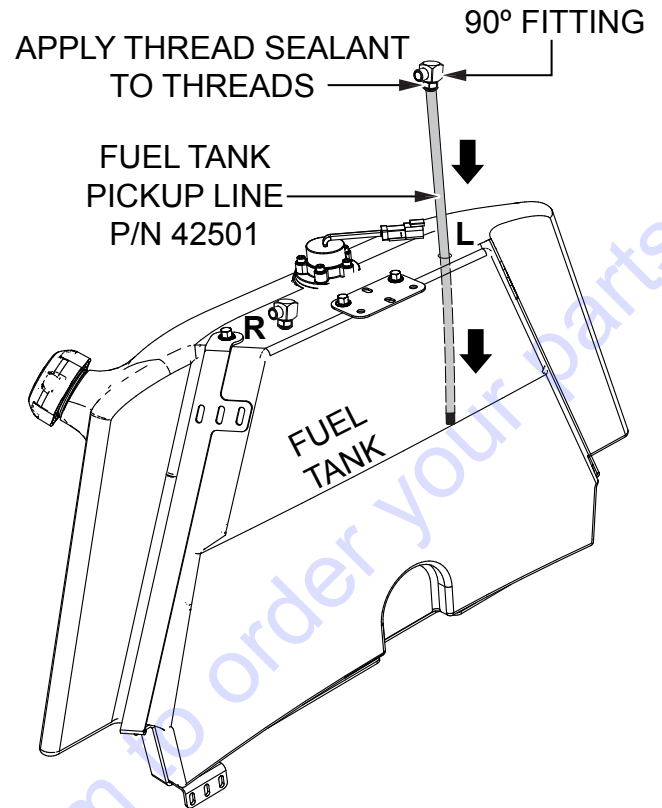


Figure 10. Fuel Tank Pickup Line Installation

2. Insert the new fuel tank pickup line (P/N 42501) into the fuel tank and tighten the 90° fitting securely. See Figure 10.
3. Place the new hose clamp (P/N 22810) onto the end of the pre-filter hose opposite the quick-connect fitting. See Figure 11.

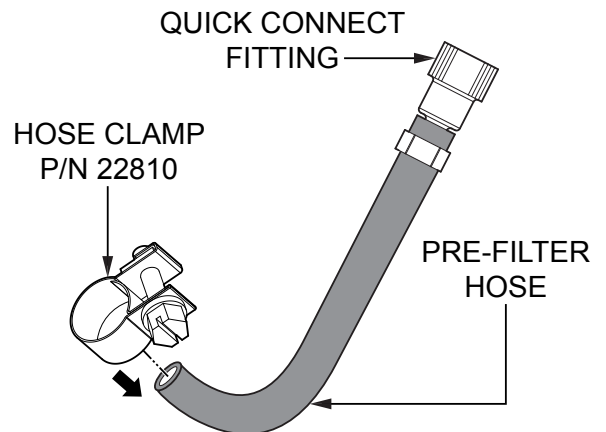


Figure 11. Hose Clamp Placement

4. Connect the end of the pre-filter hose with the quick-connect fitting to the inlet side of the pre-fuel filter (Figure 12).

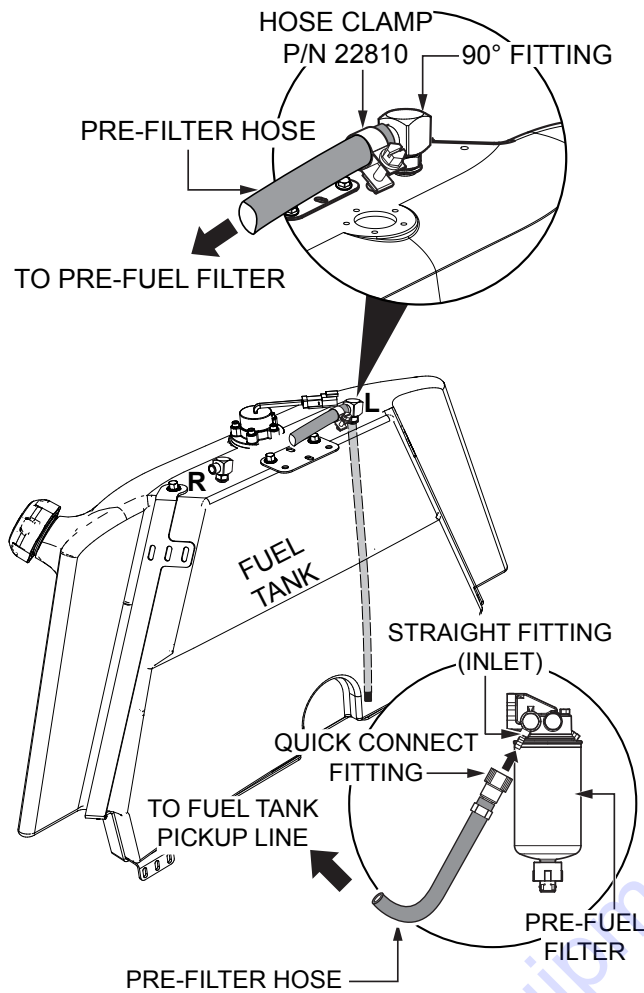


Figure 12. Pre-Filter Hose Installation

5. Connect the other end of the pre-filter hose to the 90° fitting on the **LEFT** side of the fuel tank.
6. Secure the pre-filter hose to the 90° fitting with the hose clamp (P/N 22810). See Figure 12.
7. Reconnect the negative (**BLACK**) battery cables.
8. Reinstall the **LEFT** grill guard.

PARTS FINDER

**Search Website
by Part Number**



**Search Manual
Library For Parts
Manual & Lookup Part
Numbers – Purchase
or Request Quote**

Search Manuals

Enter your information to search for a manual or to purchase a manual or parts.

* Brand:

* Model:

* Serial:

* Part Number:

SEARCH

**Can't Find Part or
Manual? Request Help
by Manufacturer,
Model & Description**

Parts Order Form

Please fill in the information below to request help finding a part or manual.

Manufacturer:

Model:

Description:

Quantity:

Part Number:

Part Name:

Part Description:

Part Category:

Part Location:

Part Status:

Part Condition:

Part Material:

Part Color:

Part Weight:

Part Dimensions:

Part Price:

Part Availability:

Part Lead Time:

Part Notes:

Submit

Discount-Equipment.com is your online resource for quality parts & equipment.

Florida: **561-964-4949** Outside Florida TOLL FREE: **877-690-3101**

Need parts?

Click on this link: <http://www.discount-equipment.com/category/5443-parts/> and choose one of the options to help get the right parts and equipment you are looking for. Please have the machine model and serial number available in order to help us get you the correct parts. If you don't find the part on the website or on one of the online manuals, please fill out the request form and one of our experienced staff members will get back to you with a quote for the right part that your machine needs.

We sell worldwide for the brands: Genie, Terex, JLG, MultiQuip, Mikasa, Essick, Whiteman, Mayco, Toro Stone, Diamond Products, Generac Magnum, Airman, Haulotte, Barreto, Power Blanket, Nifty Lift, Atlas Copco, Chicago Pneumatic, Allmand, Miller Curber, Skyjack, Lull, Skytrak, Tsurumi, Husquvarna Target, Stow, Wacker, Sakai, Mi-T-M, Sullair, Basic, Dynapac, MBW, Weber, Bartell, Bennar Newman, Haulotte, Ditch Runner, Menegotti, Morrison, Contec, Buddy, Crown, Edco, Wyco, Bomag, Laymor, EZ Trench, Bil-Jax, F.S. Curtis, Gehl Pavers, Heli, Honda, ICS/PowerGrit, IHI, Partner, Imer, Clipper, MMD, Koshin, Rice, CH&E, General Equipment, Amida, Coleman, NAC, Gradall, Square Shooter, Kent, Stanley, Tamco, Toku, Hatz, Kohler, Robin, Wisconsin, Northrock, Oztec, Toker TK, Rol-Air, APT, Wylie, Ingersoll Rand / Doosan, Innovatech, Con X, Ammann, Mecalac, Makinex, Smith Surface Prep, Small Line, Wanco, Yanmar