



**Count on it.**

**Parts Catalog**

**30in Stand-On Aerator**

Model No. 23518—Serial No. 313000001 and Up

Model No. 33518—Serial No. 313000001 and Up



# Ordering Replacement Parts

To order replacement parts, please supply the part number, the quantity, and the description of each part desired.

## Understanding Reference Numbers

Each identified part in an illustration has a reference number. The reference number for a part also appears in the parts list, along with other information about the part.

This catalog uses two special reference number formats, one to indicate parts in a service assembly and another to indicate the quantity of a given part in an illustration.

## Service Assembly Reference Numbers

Parts in service assemblies have reference numbers in the form a:b. The a represents the reference number of the entire service assembly and the b represents a sequential number unique to each part within the service assembly.

For example, a wheel assembly might be identified by reference number 6, the tire by 6:1, the valve by 6:2, and the wheel by 6:3. When you order the assembly identified by reference number 6, you receive all parts identified by reference numbers 6:1, 6:2, and 6:3. However, you may also order any part individually. Reference numbers of this type appear in illustration and in parts lists.

## Reference Numbers Indicating Quantity

In an illustration, if a reference number indicates more than one part, the reference number has the form nX y. The n represents the quantity of the part, the X is the multiplication symbol, and the y represents the reference number.

For example, in an illustration, the reference number 2X 37 means that two of the parts identified by reference number 37 are indicated.

# List of Abbreviations

**AR:** as required

**ASM:** assembly

**BBC:** blade brake control

**BHTF:** button head thread forming

**CARR:** carriage

**CCW:** counter clockwise

**CW:** clockwise

**DEG:** degrees

**DPA:** Dual Point Adjustment

**ECM:** electronic control module

**EXT:** external

**FH:** flat head

**GA:** gauge

**HD:** heavy-duty

**HF:** hex flange

**HH:** hex head

**HHF:** hex head flange

**HHFTF:** hex head flange thread forming

**HJ:** hex jam

**HLH:** hex lag head

**HOC:** height-of-cut

**HSBH:** hex socket button head

**HSFH:** hex socket flat head

**HSH:** hex socket head

**HWH:** hex washer head

**HWHTF:** hex washer head thread forming

**HYD:** hydraulic

**LH:** left hand

**LP:** Liquefied Petroleum Gas

**LPG:** Liquefied Petroleum Gas

**NI:** nylon insert

**NPTF:** national pipe thread fine

**PFH:** phillips flat head

**PPH:** phillips pan head

**PPHTF:** phillips pan head thread forming

**PRH:** phillips round head

**PTH:** phillips truss head

**PTO:** power-take-off

**RH:** right hand

**ROPS:** roll-over protection system

**RRB:** rear roller brush

**SFH:** slotted fillister head

**SHH:** slotted hex head

**SHWH:** slotted hex washer head

**SPH:** slotted pan head

**SQH:** square head

**SRH:** slotted round head

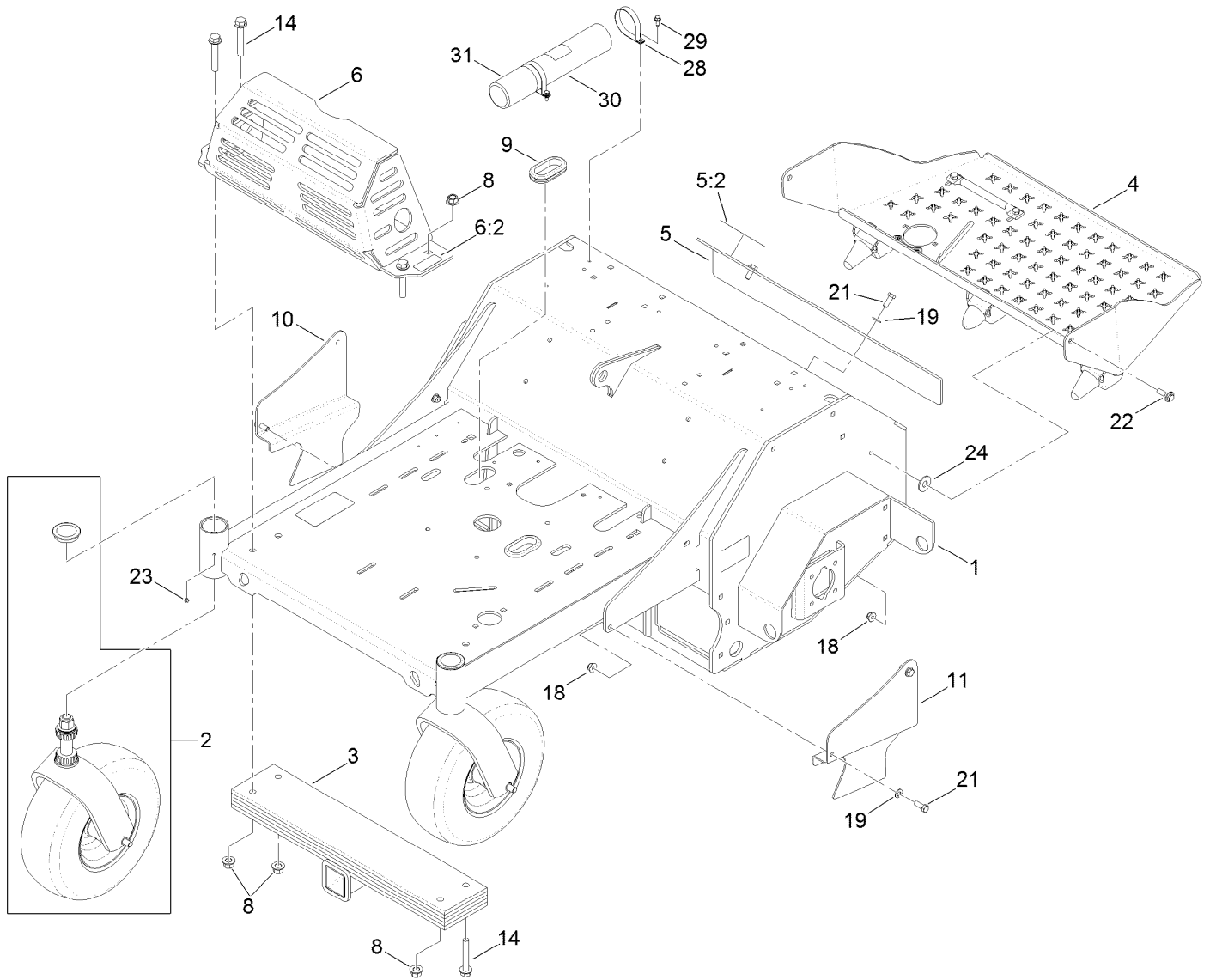
**STD:** standard

**TAP:** self tapping

**TTH:** torx truss head

# Contents

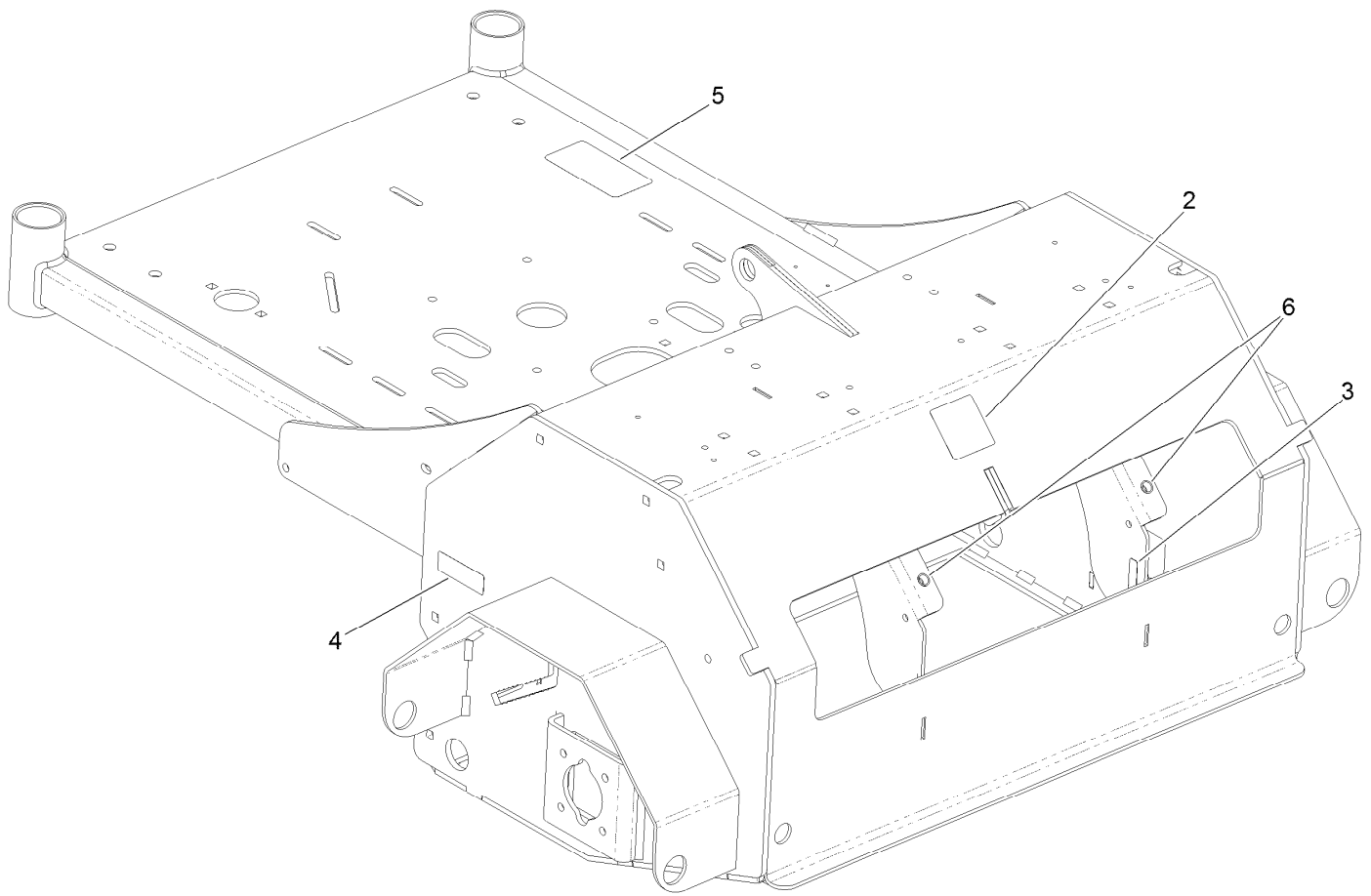
Main Frame Assembly .....	4
Main Frame Decal Assembly No. 116-8138 .....	5
Platform Assembly No. 116-9135 .....	6
Caster Wheel and Fork Assembly .....	7
Tower Assembly .....	8
Ground Drive Assembly .....	9
Idler Arm Assembly No. 116-9307 .....	11
RH Transaxle Assembly No. 116-9712 .....	12
LH Transaxle Assembly No. 116-9713 .....	13
Axle and Bearing Assembly No. 116-9545 .....	14
Tine Assembly .....	15
RH Tine Wheel Assembly No. 116-6738 .....	16
LH Tine Wheel Assembly No. 116-6739 .....	17
Fuel Assembly .....	18
Motion Control Assembly .....	19
Electrical Assembly .....	20
Auxiliary Hydraulic Assembly .....	21
Hydraulic Cylinder Assembly No. 116-6969 .....	23
Hydraulic Pump Assembly No. 116-9129 .....	24
Manifold W/Check and Relief Valve Assembly No. 116-9549 .....	25
Engine Assembly .....	26



## Main Frame Assembly

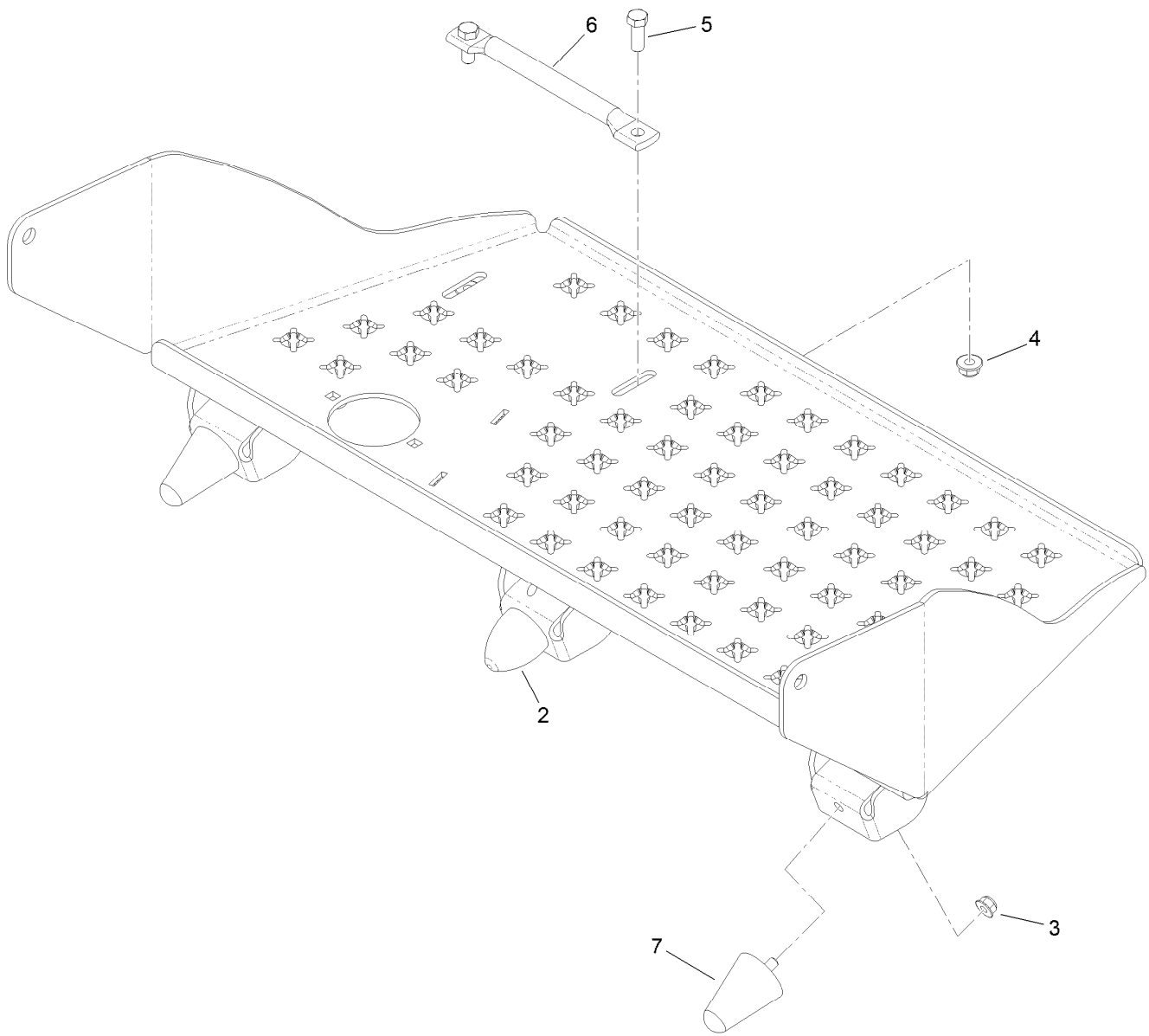
Ref.	Part Number	Qty.	Description	Ref.	Part Number	Qty.	Description
1	116-8138	1	Main Frame ASM	11	116-6611-01	1	Guard-Chain, LH
2		2	Front Caster ASM W/Fork ●	14	3234-40	4	Screw-HF
3	116-6536-01	1	Weight	18	104-8301	6	Nut-Flange, NI
4	116-9135	1	Platform ASM W/Rocker	19	3256-24	6	Washer-Flat
5	116-7300	1	Access Cover ASM	21	323-6	6	Screw-HH
5:2	121-6163	1	Decal-Tine Ground Operation (Ce)	22	614672	2	Bolt-Shoulder
6	116-8258	1	Muffler Guard ASM	23	1-811010	2	Plug
6:2	115-2047	2	Decal-Surface, Hot	24	3256-6	2	Washer-Flat
8	99-5107	4	Nut-Lock	28	107-1865	2	R-Clamp
9	126-0015	2	Grommet	29	32144-10	2	Screw-HWH
10	116-6612-01	1	Guard-Chain, RH	30	104-7050	1	Tube-Manual
				31	104-7048	1	Cap-Housing

● Not serviced separately



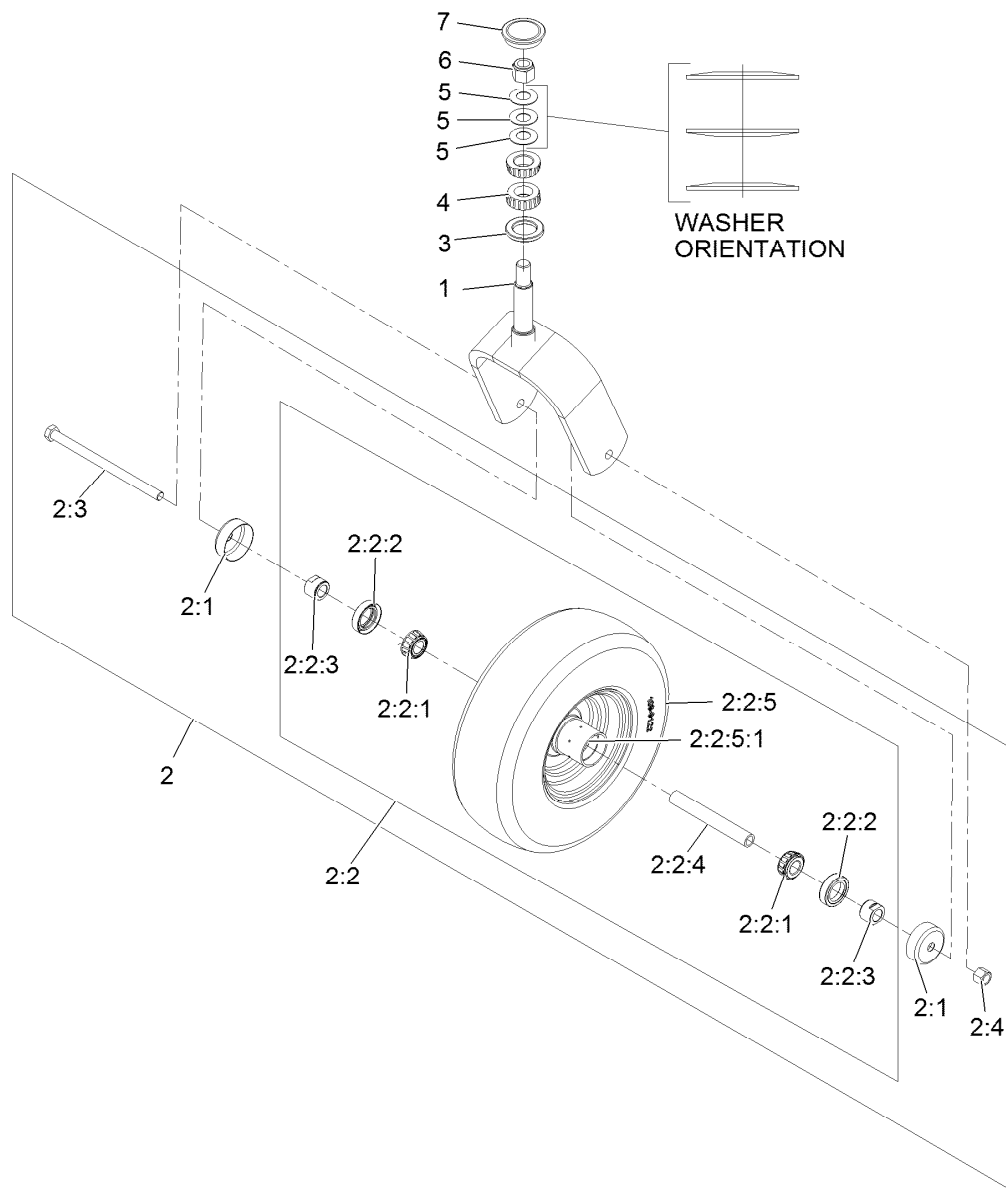
## Main Frame Decal Assembly No. 116-8138

<i>Ref.</i>	<i>Part Number</i>	<i>Qty.</i>	<i>Description</i>
2	121-6150	1	Decal-Warning
3	120-9570	1	Decal-Warning
4	121-6161	2	Decal-Danger
5	116-9391	1	Decal-Belt Routing
6	32148-10	2	Insert-Nut



## Platform Assembly No. 116-9135

<i>Ref.</i>	<i>Part Number</i>	<i>Qty.</i>	<i>Description</i>
2	114-1926	1	Bumper-Rubber
3	104-8300	3	Nut-Flange, NI
4	104-8301	2	Nut-Flange, NI
5	323-6	2	Screw-HH
6	116-8950-01	1	Rocker-Pedal, Foot
7	114-1925	2	Bumper-Rubber

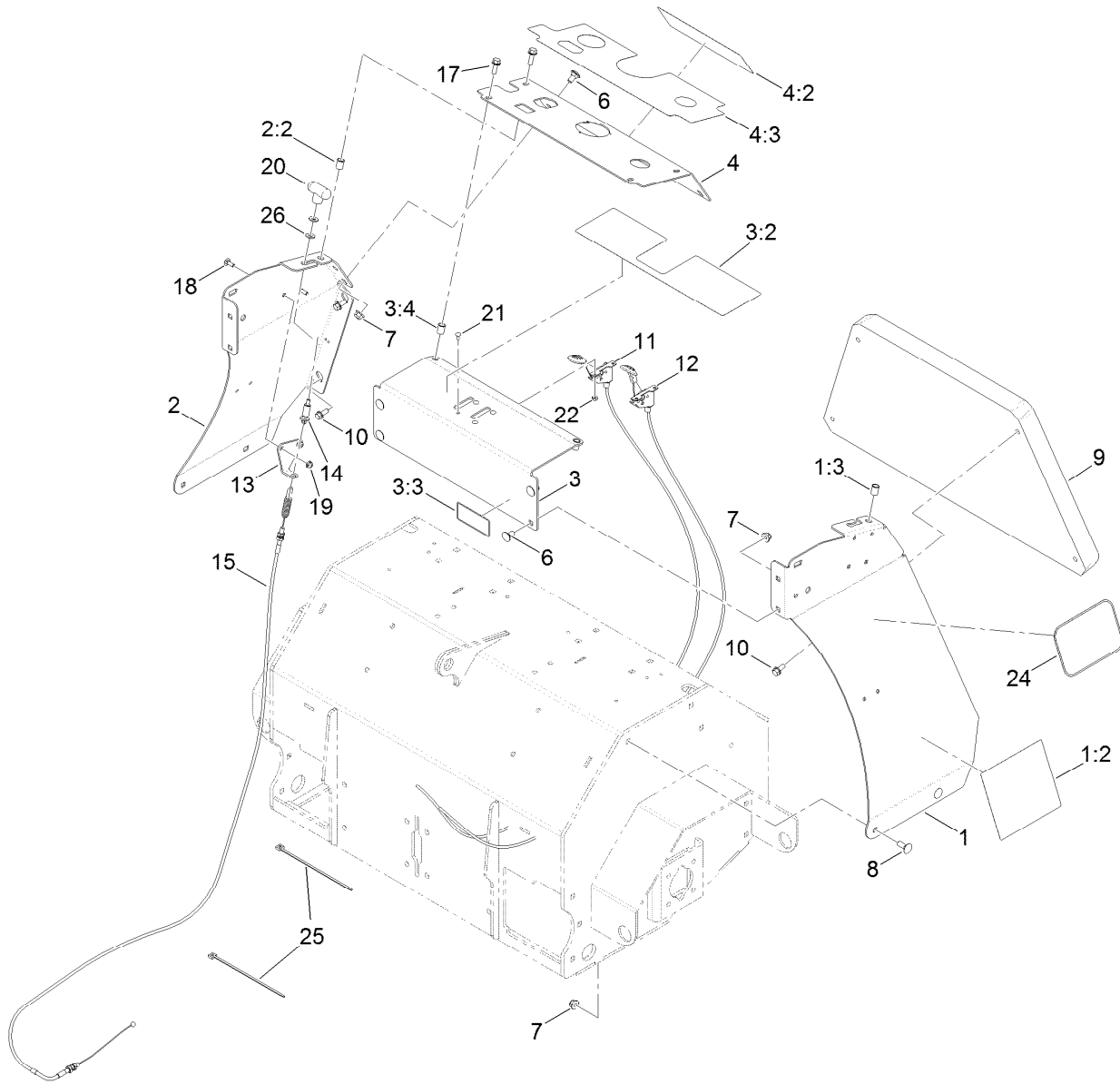


## Caster Wheel and Fork Assembly

Ref.	Part Number	Qty.	Description	Ref.	Part Number	Qty.	Description
1	116-6704-01	1	Caster	2:2:5:1	1-633584	1	Bearing-Cup
2	109-9126	1	Wheel And Tire ASM	2:3	325-42	1	Screw-HH
2:1	103-2768	2	Guard-Seal	2:4	3296-23	1	Nut-Lock, NI
2:2		1	Wheel And Tire ASM ●	3	116-5647	1	Seal-Grease
2:2:1	1-633585	2	Bearing-Cone, Taper	4	1-543509	2	Bearing-Roller, Tapered
2:2:2	103-0063	2	Seal-Caster	5	1-633508	3	Washer-Bellville
2:2:3	103-3051	2	Spacer-Nut ■	6	3296-51	1	Nut-Lock, NI
2:2:4	103-3155	1	Axle-Caster	7	103-4882	1	Cap-Grease
2:2:5		1	Wheel And Tire ASM ●				

● Not serviced separately

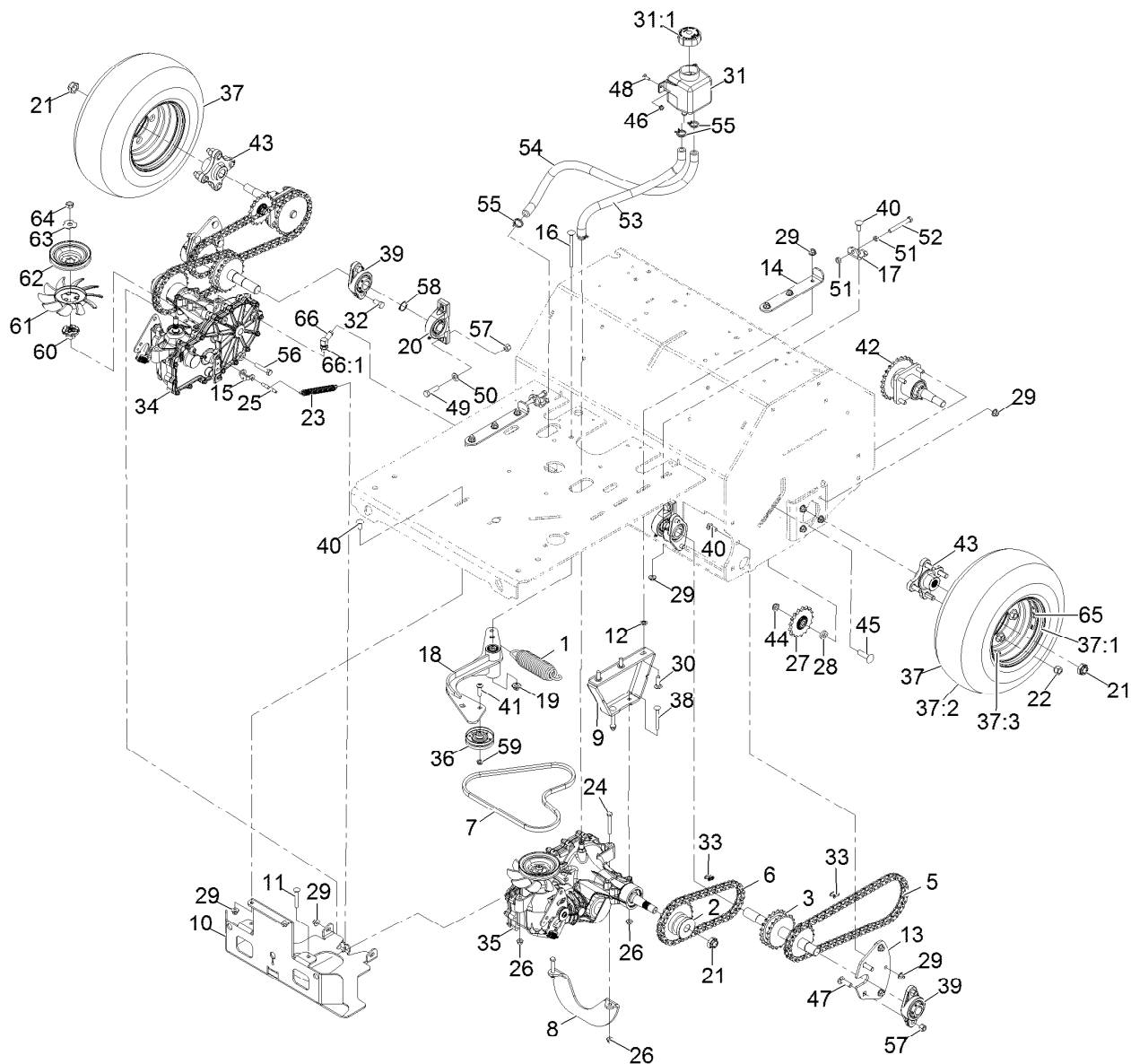
■ Use Pro-Lock, Nut Type (P/N 1-840022, .5ml tube) on threads.



## Tower Assembly

Ref.	Part Number	Qty.	Description	Ref.	Part Number	Qty.	Description
1	116-9387	1	LH Side Panel ASM	9	116-6959	1	Cushion-Black
1:2	116-9392	1	Decal-Service Aid Ce	10	3234-5	4	Screw-HHF
1:3	32148-7	1	Nut-Insert	11	109-9147	1	Control-Choke
2	116-7657	1	RH Side Panel ASM	12	109-3958	1	Control-Throttle
2:2	32148-7	1	Nut-Insert	13	116-6630	1	Bracket-Cable, Brake
3	116-6784	1	Plate ASM	14	116-7504	1	Link-Cable, Brake
3:2	121-6164	1	Decal-Warning, Control Panel	15	116-7503	1	Cable-Brake
3:3	121-6162	1	Decal-Warning, Tines	17	3234-29	4	Screw-HHF
3:4	32148-7	2	Nut-Insert	18	3229-1	2	Bolt-CARR
4	116-9142	1	Console ASM	19	104-7201	2	Nut-HF
4:2	121-6166	1	Decal-Danger	20	116-7607	1	Knob-Tee
4:3	116-9132	1	Decal-Danger, Control Panel	21	1-807513	4	Bolt-CARR
6	3231-1	6	Screw-CARR	22	3296-2	4	Nut-Lock, NI
7	104-8301	10	Nut-Flange, NI	24	62-5550	2	Decal
8	3231-2	4	Bolt-CARR	25	1-303335	2	Tie-Plastic
				26	3256-2	2	Washer-Flat

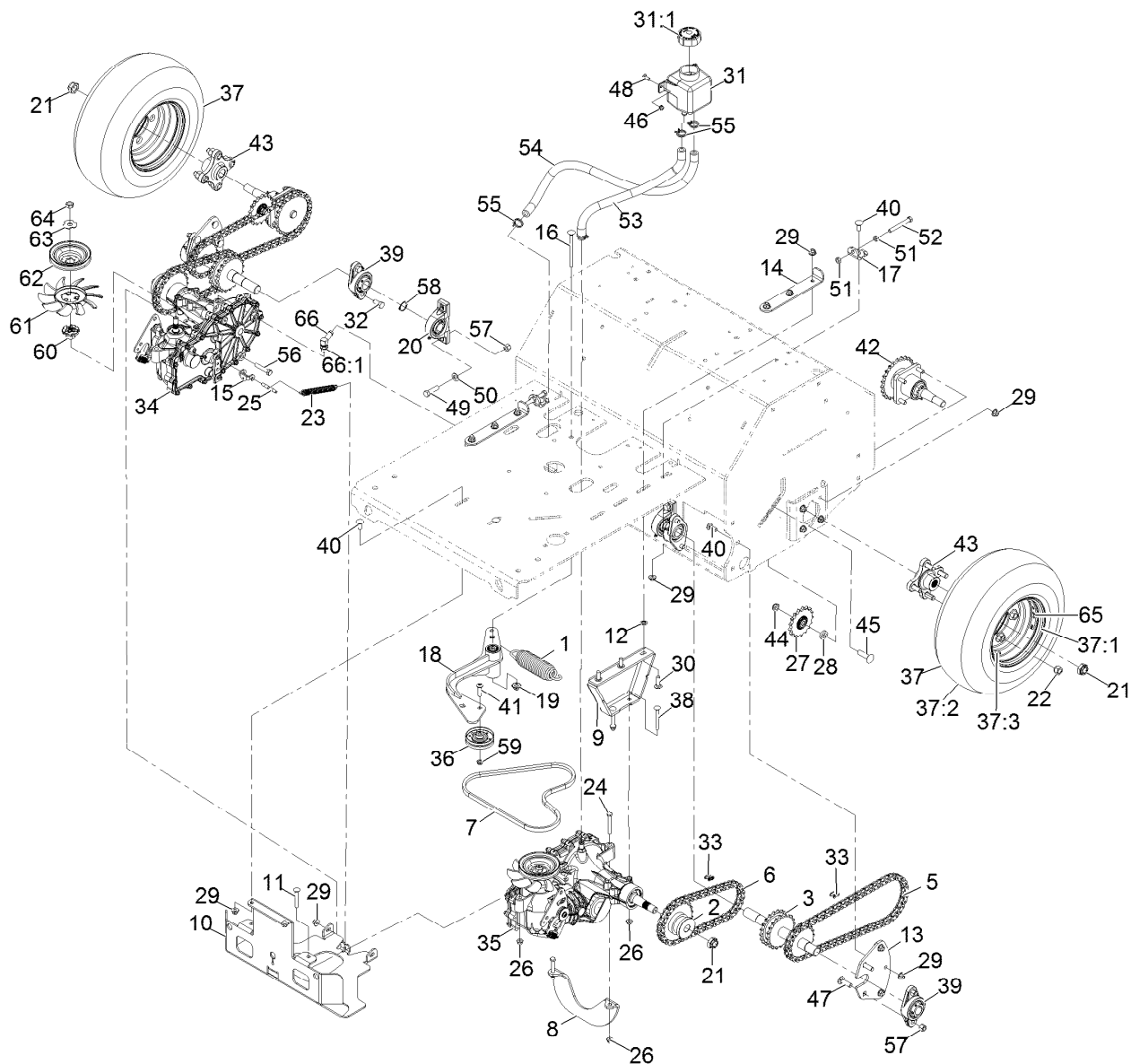




## Ground Drive Assembly

Ref.	Part Number	Qty.	Description	Ref.	Part Number	Qty.	Description
1	116-6317	1	Spring-Extension	19	109-6658	1	Nut-Flange, NI
2	116-9305	2	Hub-Drive, Chain	20	116-6756	2	Bearing-Pillow Block
3	116-9684	2	Jackshaft	21	116-2839	4	Nut-Lock
5	116-6895	2	Chain-Roller, #50	22	242-50	8	Nut-Lug
6	116-6896	2	Link-#50 Roller Chain, 47	23	76-4660	1	Spring-Door
7	116-8874	1	Belt-4L Section	24	322-12	2	Screw-HH
8	116-9127-03	1	Angle Brace	25	116-7596	1	Pin-Brake, Park
9	116-9710-03	2	Mount-Transmission	26	104-8300	8	Nut-Flange, NI
10	116-9711-03	1	Guard-Transmission	27	116-6719	2	Sprocket-Idler, 17T
11	3230-7	2	Bolt-CARR	28	104-8417	2	Washer
12	107-3154	6	Nut-Push	29	104-8301	26	Nut-Flange, NI
13	116-6596-01	2	Plate-Jackshaft	30	3231-25	6	Bolt-CARR
14	116-6619	2	Plate-Adjustment, Transmission	31	109-2250	1	Vent-Tank, Hydro
15	116-7597	1	Yoke-Park Brake	31:1	109-3320	1	Cap-Reservoir, HYD
16	9000779	1	Bolt	32	116-7109	4	Screw-HH
17	116-6723	2	Bracket-Hydro, Adjust	33	116-6897	4	Link-Connecting, #50
18	116-9307	1	Idler Arm ASM	34	116-9712	1	RH Transaxle ASM (No Fan)
				35	116-9713	1	LH Transaxle ASM (No Fan)

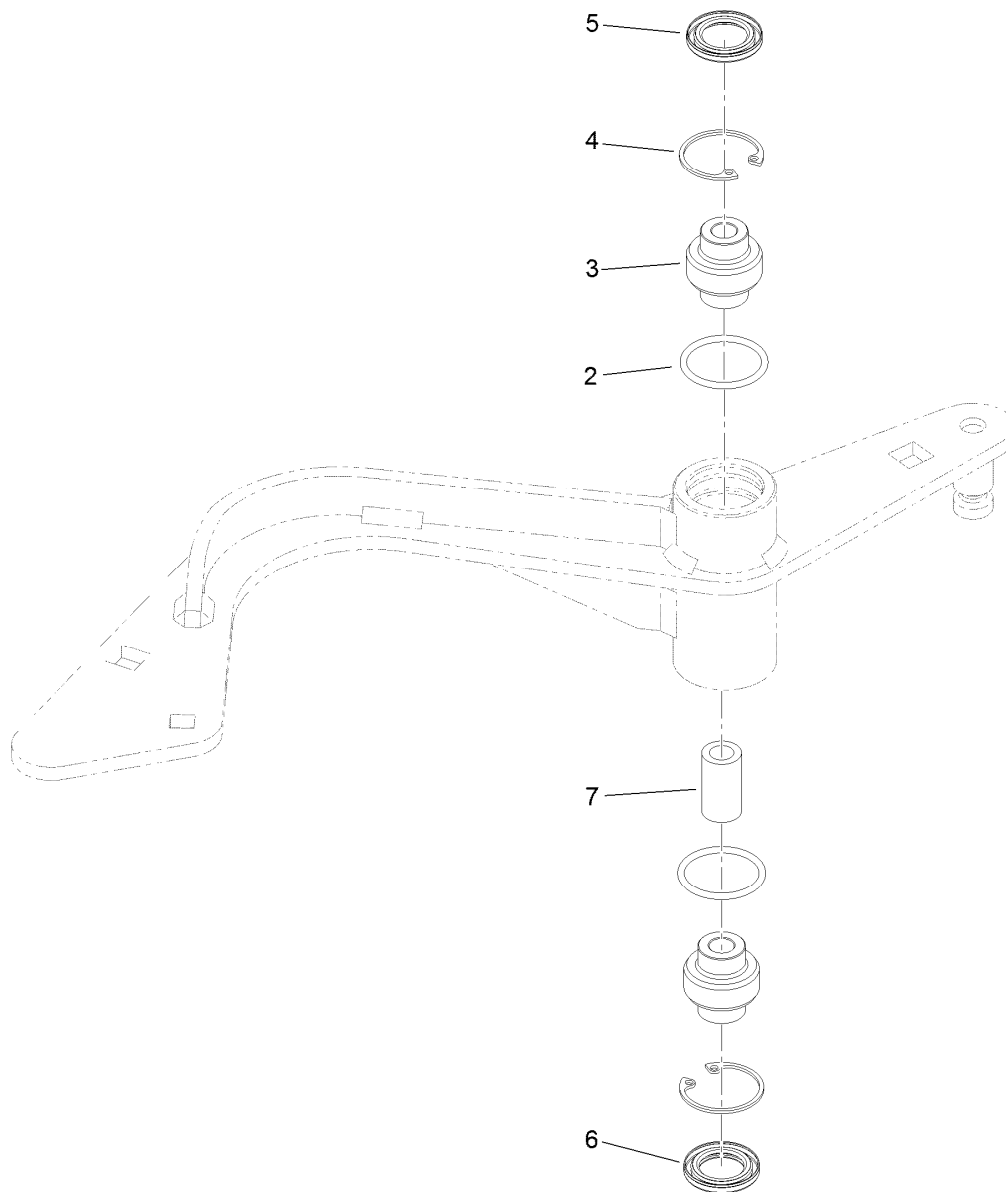
● Use Pro-Lock, Nut Type (P/N 1-840022, .5ml tube) on threads.



## Ground Drive Assembly (continued)

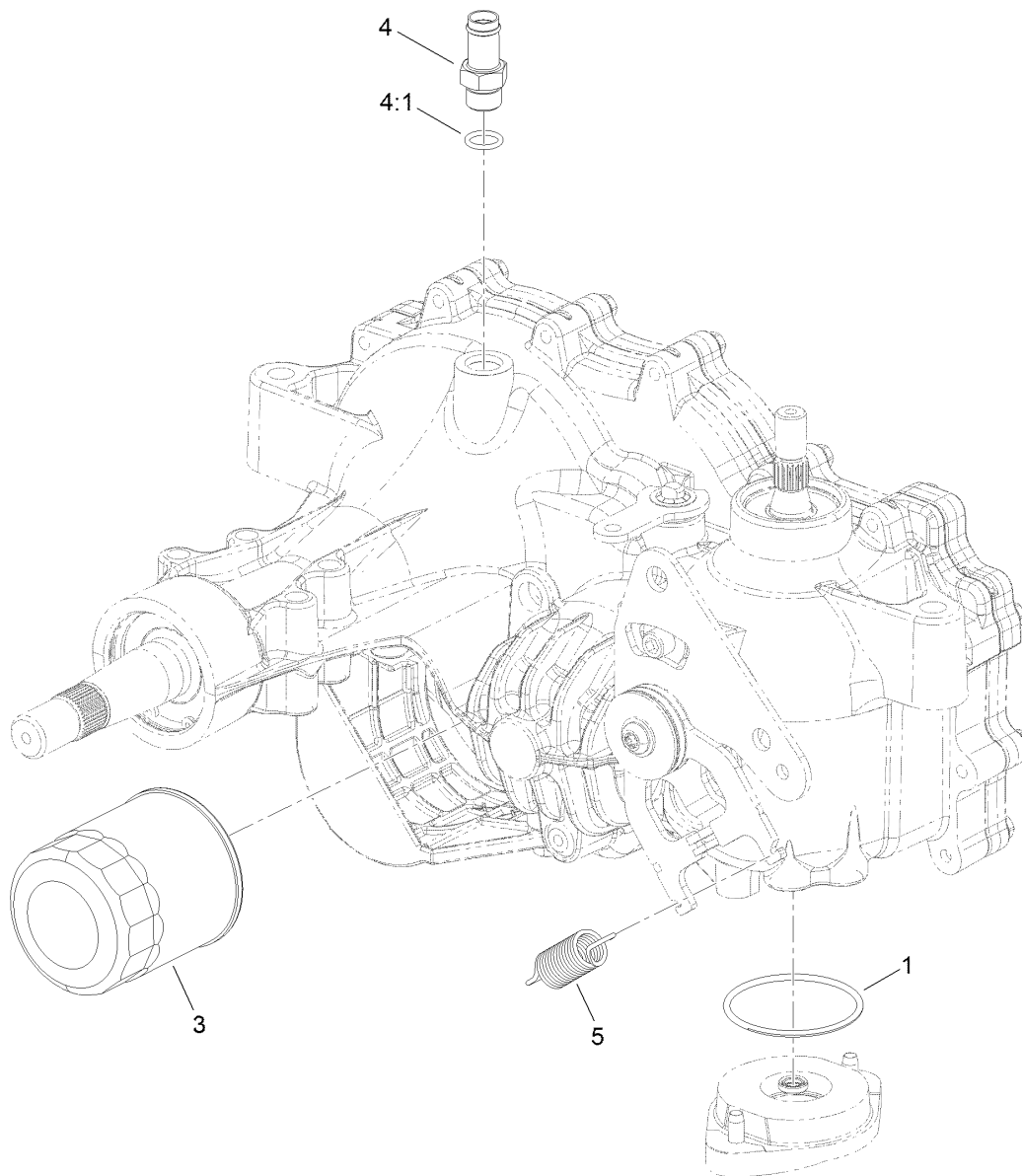
Ref.	Part Number	Qty.	Description	Ref.	Part Number	Qty.	Description
36	116-9715	1	Pulley-Idler	51	3217-7	4	Nut-Hex
37	116-6932	2	Tire ASM (16 X 6.50-8)	52	99-8664	2	Screw-HH
37:1	116-6977	1	Rim (8 X 5.375)	53	116-6775	1	Hose-Hydraulic
37:2	116-6978	1	Tire (16 X 6.50-8, 4 Ply)	54	116-6776	1	Hose-Hydraulic
37:3	232-27	1	Stem-Valve	55	109-3322	4	Clamp-Hose
38	3230-9	4	Screw-CARR	56	323-10	2	Screw-HH
39	116-6777	4	Bearing-Flange, 2 Bolt	57	3296-48	8	Nut-Lock, NI
40	3231-2	10	Bolt-CARR	58	32151-29	2	Ring-Retaining
41	116-9927	1	Screw-HSBH	59	3296-59	1	Nut-Lock, NI
42	116-9545	2	Axle And Bearing ASM	60	116-9705	2	Hub-Pulley
43	116-3872	2	Hub-Offset	61	116-9706	2	Fan
44	3296-45	2	Nut-Lock, NI	62	116-9707	2	Pulley
45	3233-14	2	Screw-CARR	63	116-9708	2	Washer-Slotted
46	104-7201	2	Nut-HF	64	116-9714	2	Nut-Jam, Hex ●
47	3232-3	4	Bolt-CARR	65	116-9666	2	Decal-Torques, Wheel Hub And Nut
48	3229-1	2	Bolt-CARR	66	109-6449	1	Fitting-Elbow, 90
49	324-6	4	Screw-HH	66:1	237-42	1	O-Ring
50	3256-25	4	Washer-Flat				

● Use Pro-Lock, Nut Type (P/N 1-840022, .5ml tube) on threads.



## Idler Arm Assembly No. 116-9307

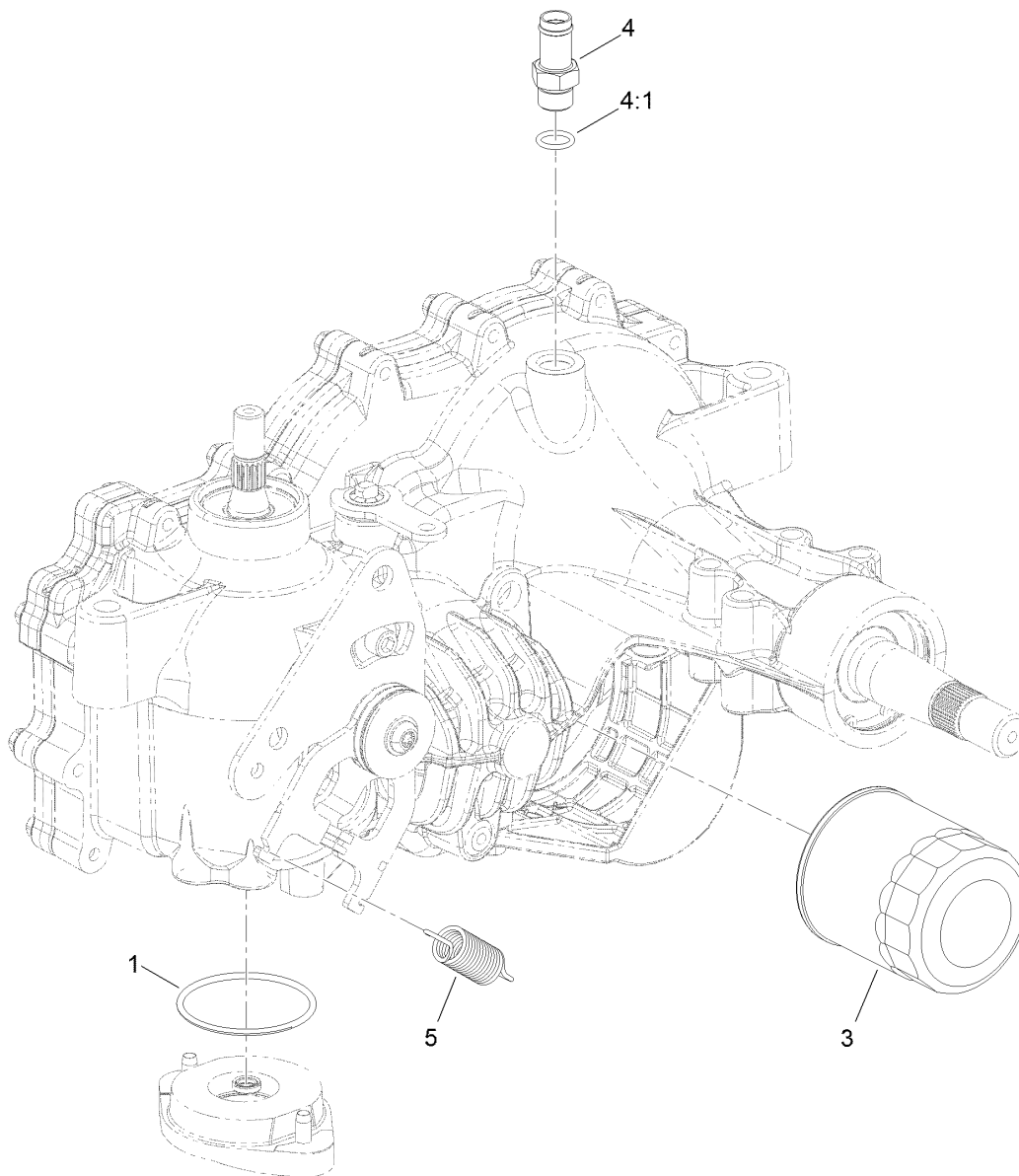
<i>Ref.</i>	<i>Part Number</i>	<i>Qty.</i>	<i>Description</i>
2	106-7159	2	O-Ring
3	103-3504	2	Bearing-Spherical
4	32120-10	2	Ring-Snap
5	103-3506	1	Seal-Single Lip
6	103-3505	1	Seal-Double Lip
7	1-603401	1	Spacer-Fender



## RH Transaxle Assembly No. 116-9712

<i>Ref.</i>	<i>Part Number</i>	<i>Qty.</i>	<i>Description</i>
1	109-3540	1	O Ring-Seal
3	109-3321	1	Element-Oil Filter, HYD
4	109-3278	1	Adapter-Straight
4:1	1-603921	1	O-Ring
5	109-5592	1	Spring-Extension
99	109-3537	1	Complete Seal Kit ●

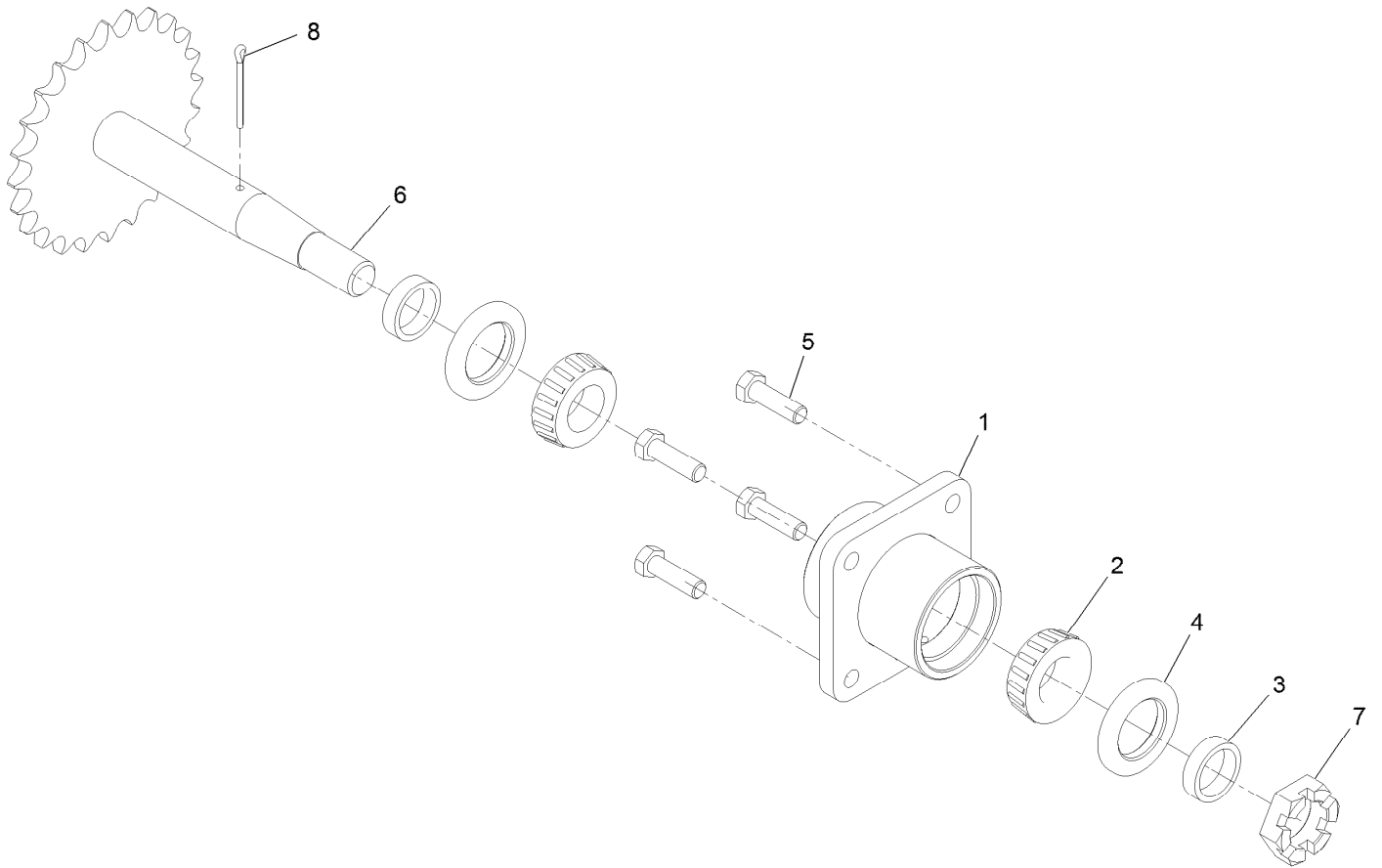
● Not illustrated



## LH Transaxle Assembly No. 116-9713

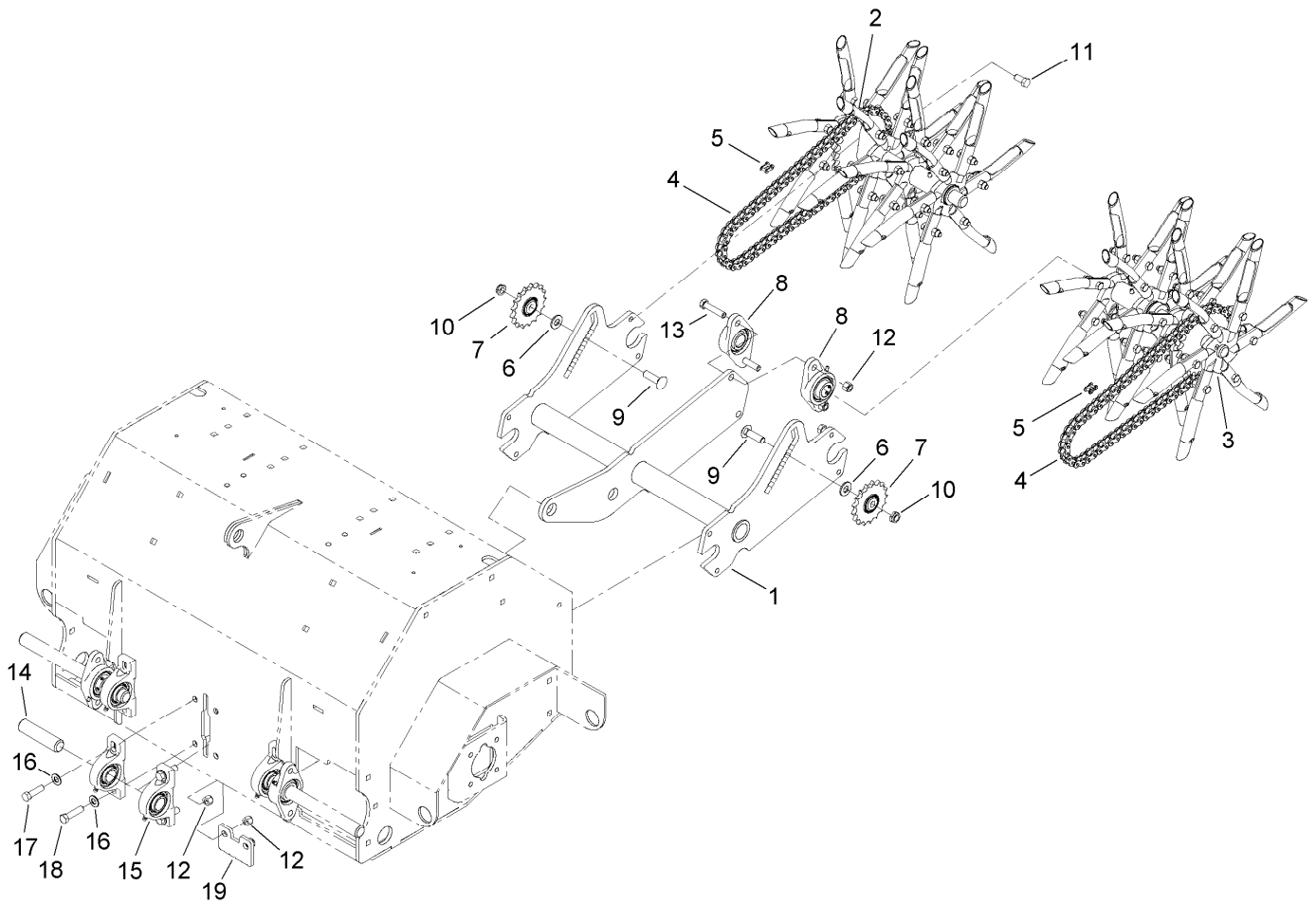
<i>Ref.</i>	<i>Part Number</i>	<i>Qty.</i>	<i>Description</i>
1	109-3540	1	O Ring-Seal
3	109-3321	1	Element-Oil Filter, HYD
4	109-3278	1	Adapter-Straight
4:1	1-603921	1	O-Ring
5	109-5592	1	Spring-Extension
99	109-3537	1	Complete Seal Kit ●

● Not illustrated



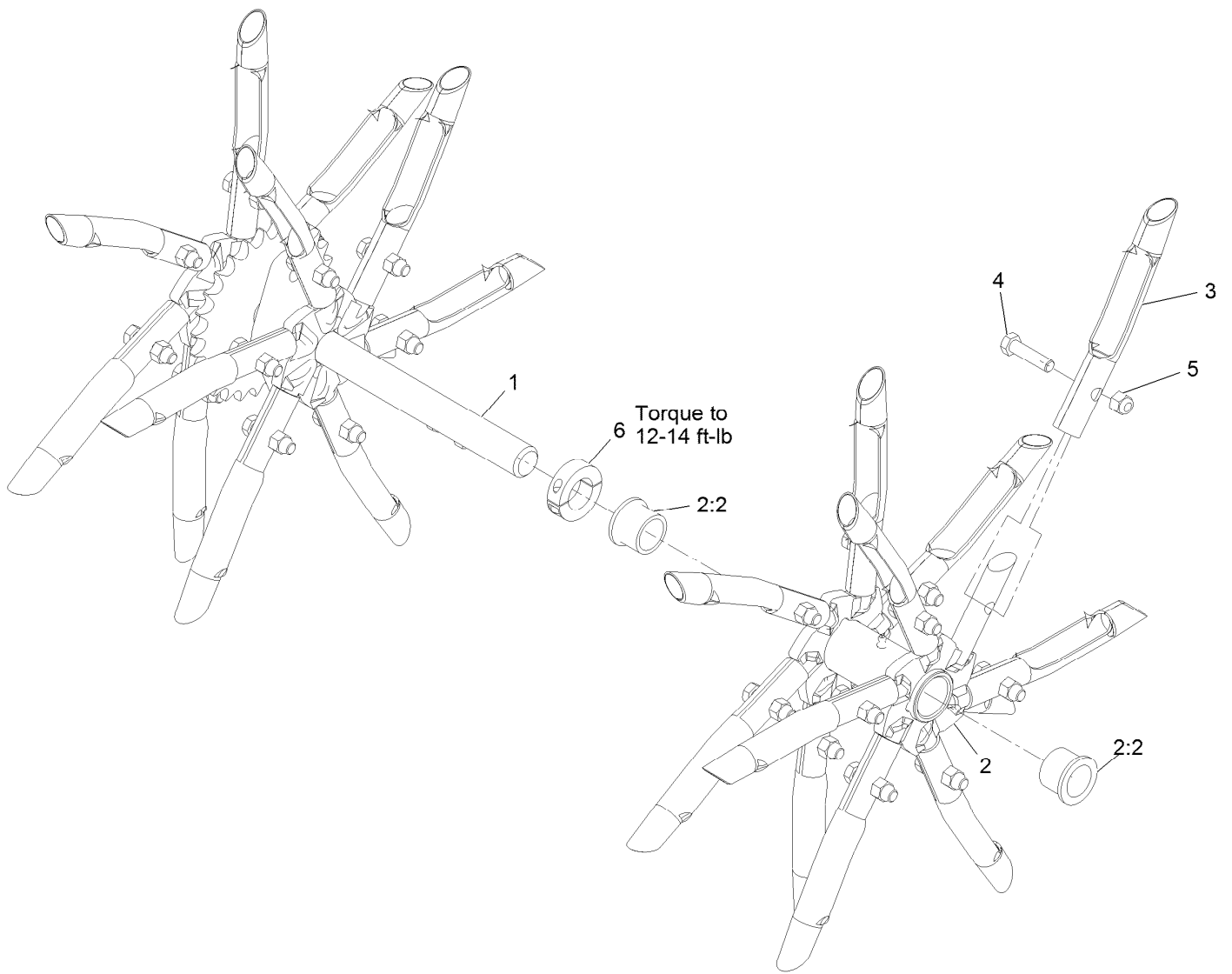
## Axle and Bearing Assembly No. 116-9545

<i>Ref.</i>	<i>Part Number</i>	<i>Qty.</i>	<i>Description</i>
1	116-6746-01	1	Mount-Bearing, Wheel
2	1-543509	2	Bearing-Roller, Tapered
3	116-6758	2	Spacer
4	1-543511	2	Seal-Grease
5	323-7	4	Screw-HH
6	116-9484	1	Axle
7	99-3139	1	Nut
8	1-806800	1	Pin-Cotter



## Tine Assembly

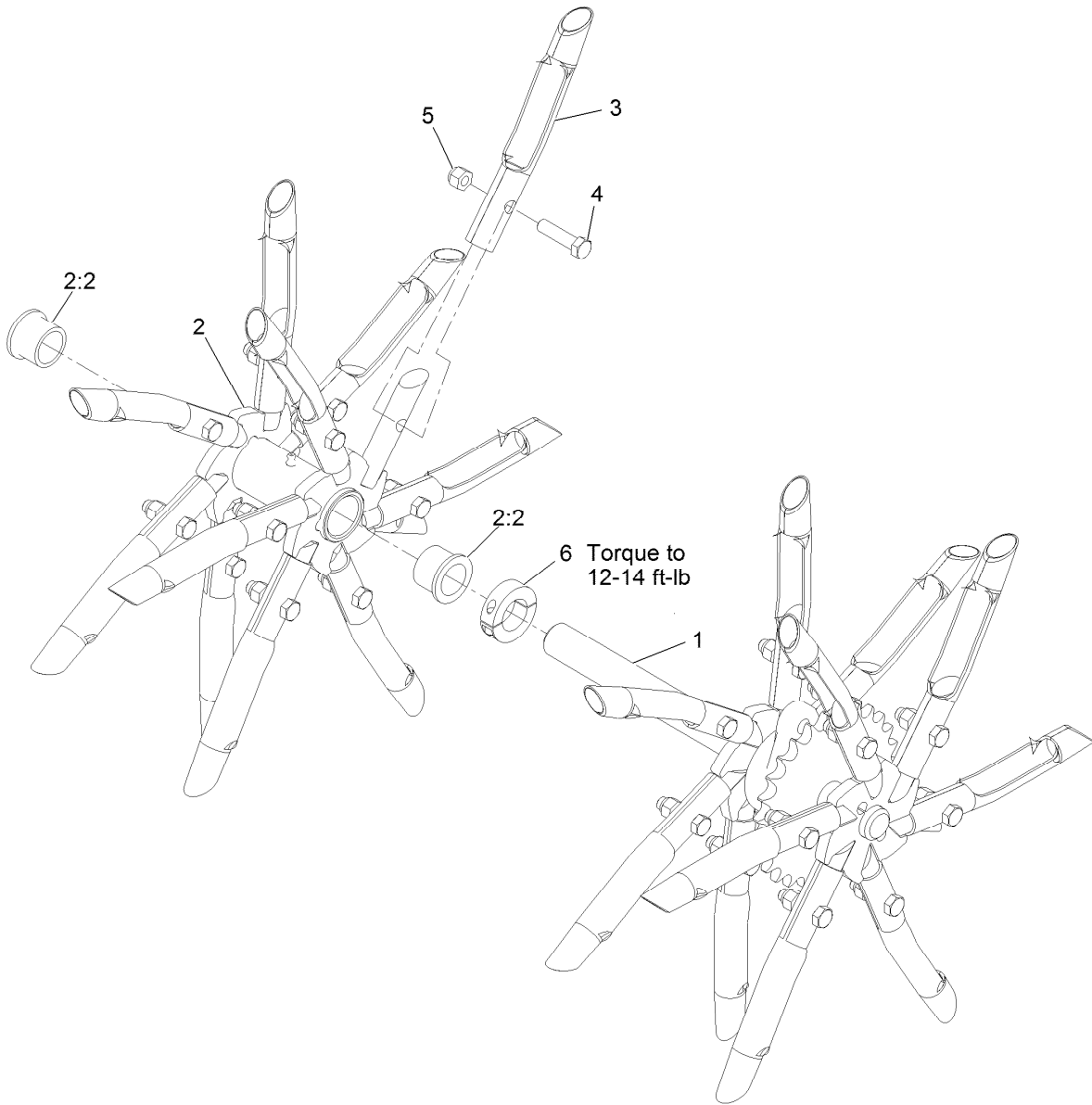
<i>Ref.</i>	<i>Part Number</i>	<i>Qty.</i>	<i>Description</i>	<i>Ref.</i>	<i>Part Number</i>	<i>Qty.</i>	<i>Description</i>
1	116-6553-03	1	Arm-Trail	11	116-7109	4	Screw-HH
2	116-6738	1	RH Tine Wheel ASM	12	3296-48	6	Nut-Lock, NI
3	116-6739	1	LH Tine Wheel ASM	13	324-8	2	Screw-HH
4	116-6895	2	Chain-Roller, #50	14	116-6629	1	Shaft
5	116-6897	2	Link-Connecting, #50	15	116-6756	2	Bearing-Pillow Block
6	87-7270	2	Washer-Thrust	16	3256-25	4	Washer-Flat
7	116-6719	2	Sprocket-Idler, 17T	17	324-6	2	Screw-HH
8	116-6777	2	Bearing-Flange, 2 Bolt	18	324-7	2	Screw-HH
9	3233-14	2	Screw-CARR	19	116-7327-01	1	Plate-Downstop
10	3296-45	2	Nut-Lock, NI				



## RH Tine Wheel Assembly No. 116-6738

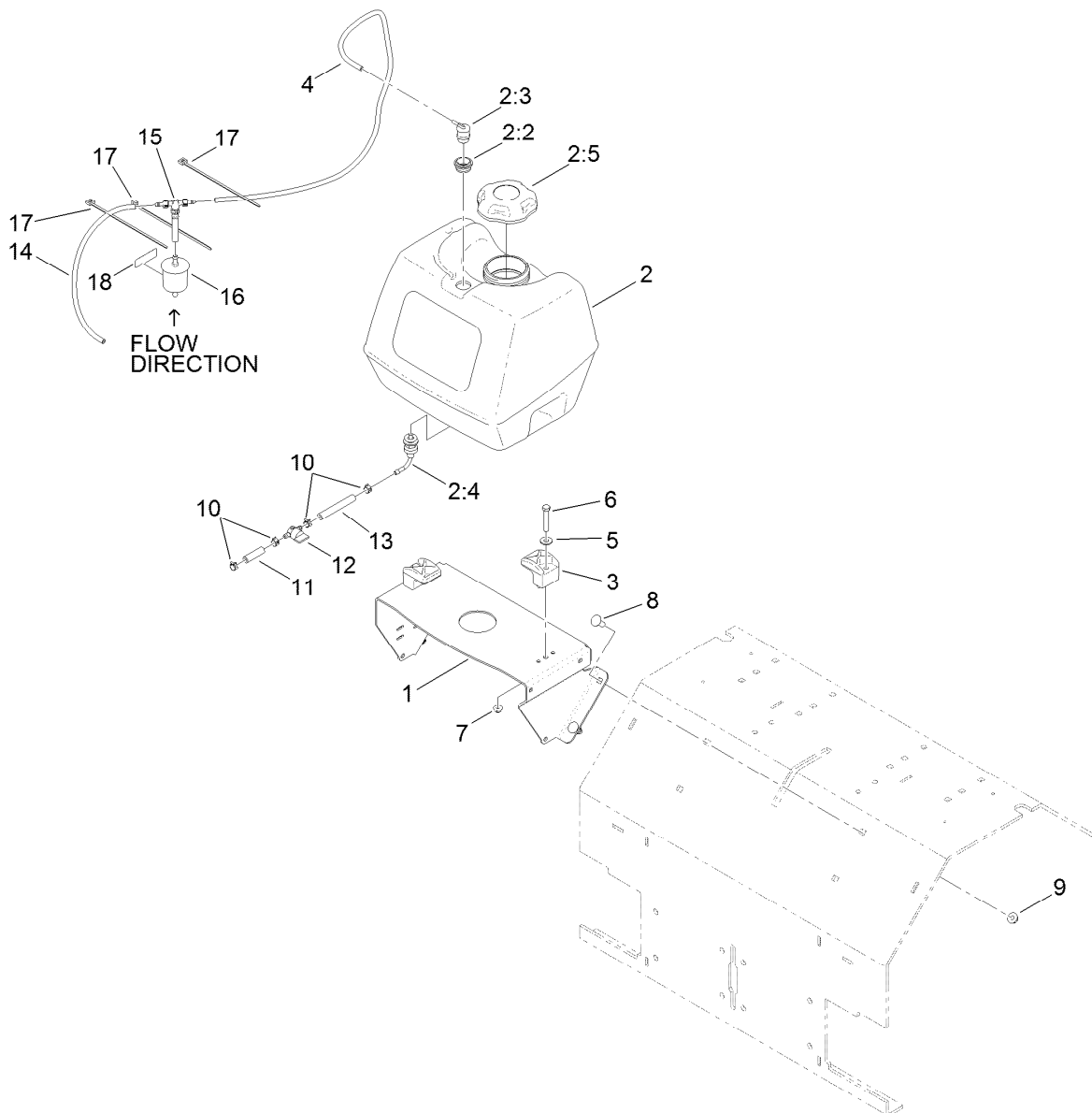
Ref.	Part Number	Qty.	Description
1	116-6727	1	Shaft-Tine, RH
2	116-6731	1	Float Tine Shaft ASM
2:2	94-8949	2	Bushing-Flange
3	121-4894	24	Tine-Coring
4	323-8	24	Screw-HH
5	3296-39	24	Nut-Lock, NI
6	116-7271	1	Collar-Locking





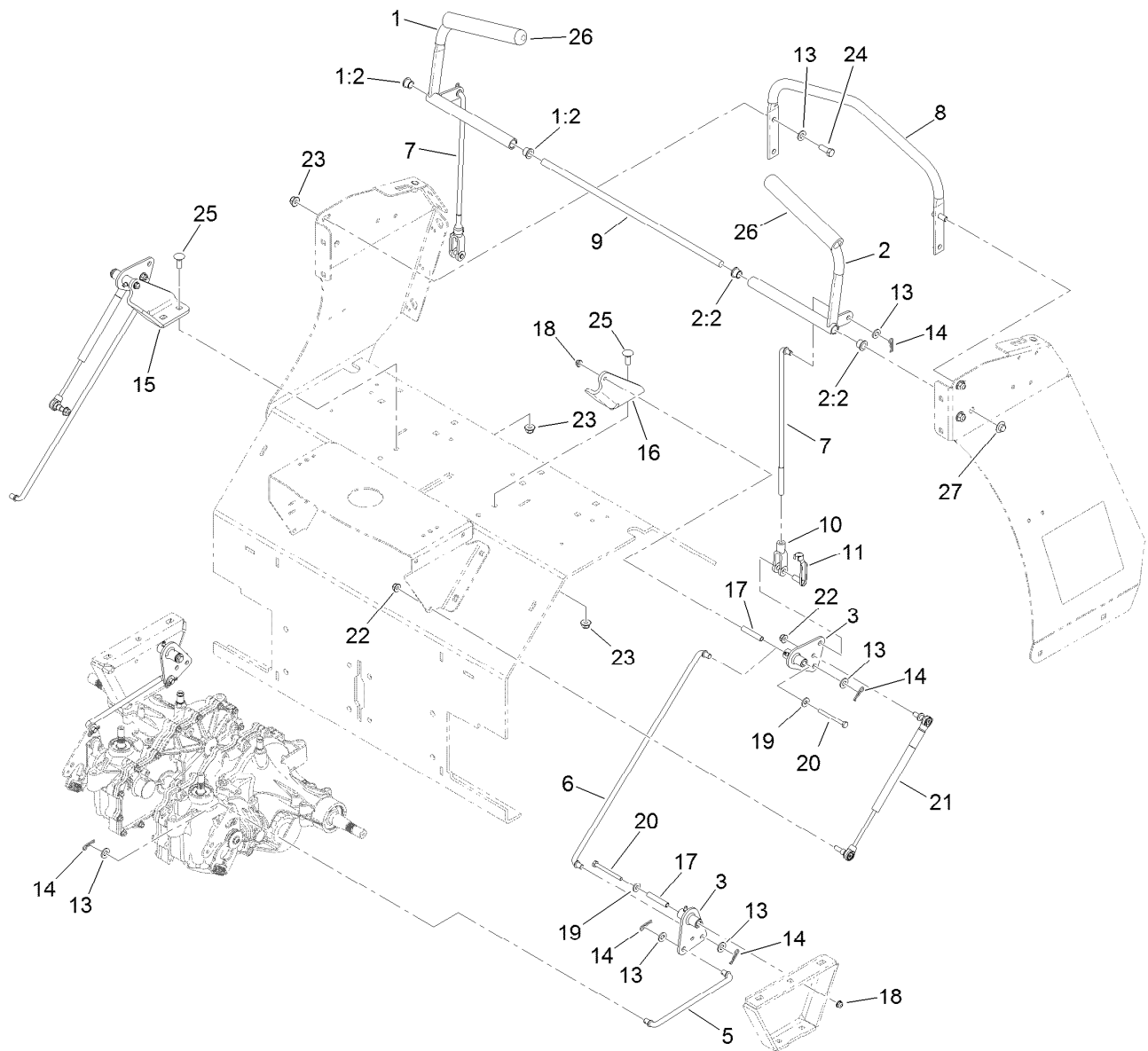
## LH Tine Wheel Assembly No. 116-6739

<i>Ref.</i>	<i>Part Number</i>	<i>Qty.</i>	<i>Description</i>
1	116-6728	1	Shaft-Tine, LH
2	116-6731	1	Float Tine Shaft ASM
2:2	94-8949	2	Bushing-Flange
3	121-4894	24	Tine-Coring
4	323-8	24	Screw-HH
5	3296-39	24	Nut-Lock, NI
6	116-7271	1	Collar-Locking



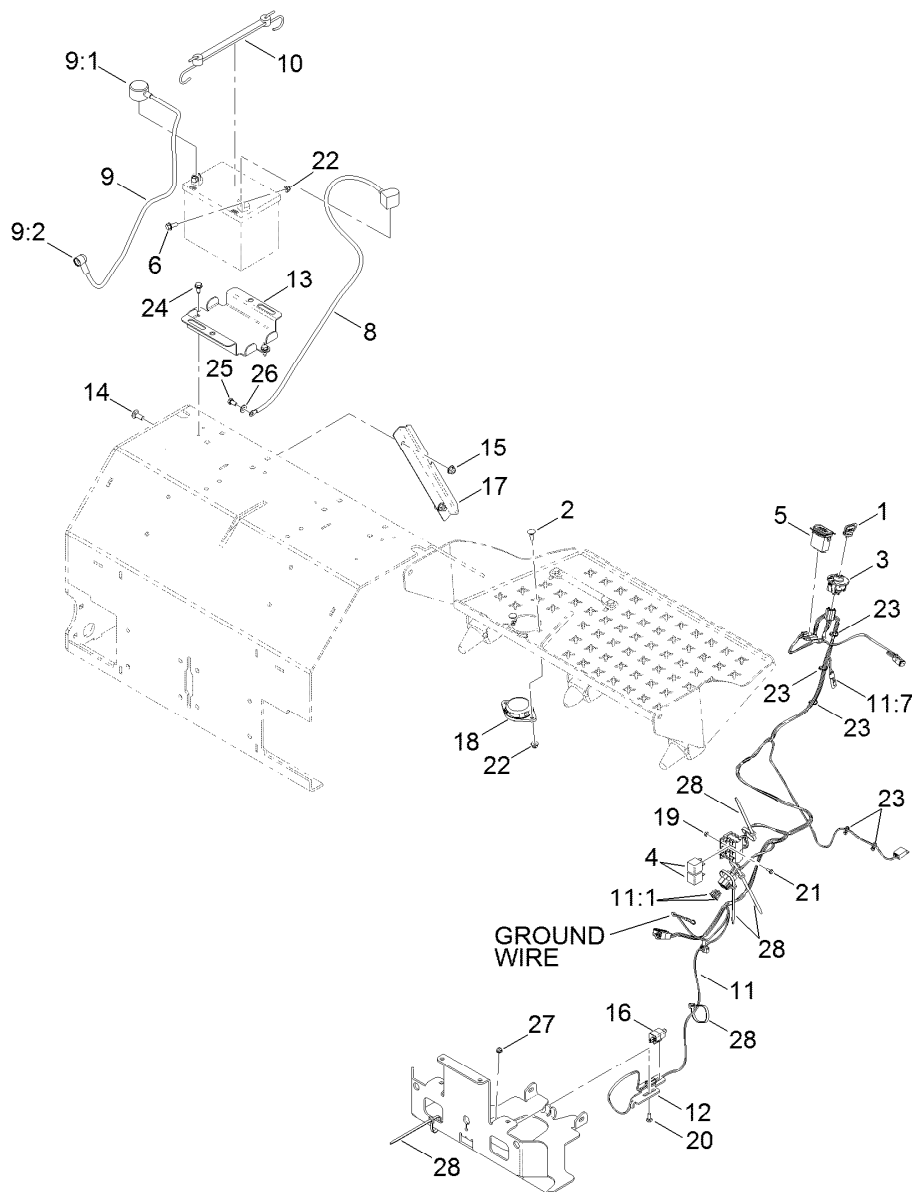
## Fuel Assembly

<i>Ref.</i>	<i>Part Number</i>	<i>Qty.</i>	<i>Description</i>	<i>Ref.</i>	<i>Part Number</i>	<i>Qty.</i>	<i>Description</i>
1	116-9541-01	1	Support-Tank, Fuel	8	3231-22	4	Screw-CARR
2	119-7899	1	Fuel Tank ASM	9	104-8301	4	Nut-Flange, NI
2:2	114-0284	1	Grommet	10	2412-98	4	Clamp-Hose
2:3	114-0285	1	Valve-Rollover	11	119-7856	1	Hose-Fuel
2:4	103-2605	1	Fitting-Fuel, Bulkhead	12	1-603770	1	Valve-Fuel
2:5	120-5461	1	Cap-Fuel, Ratcheting	13	105-8342	1	Hose-Fuel
3	107-4543	2	Clamp	14	115-7872	1	Hose-Fuel
4	116-4346	1	Hose-Emissions	15	116-5464	1	Tee And Check
5	3256-3	2	Washer-Flat	16	120-2235	1	Filter-Fuel
6	322-10	2	Screw-HH	17	1-303335	3	Tie-Plastic
7	104-8300	2	Nut-Flange, NI	18	116-4769	1	Decal-Filter, Emissions



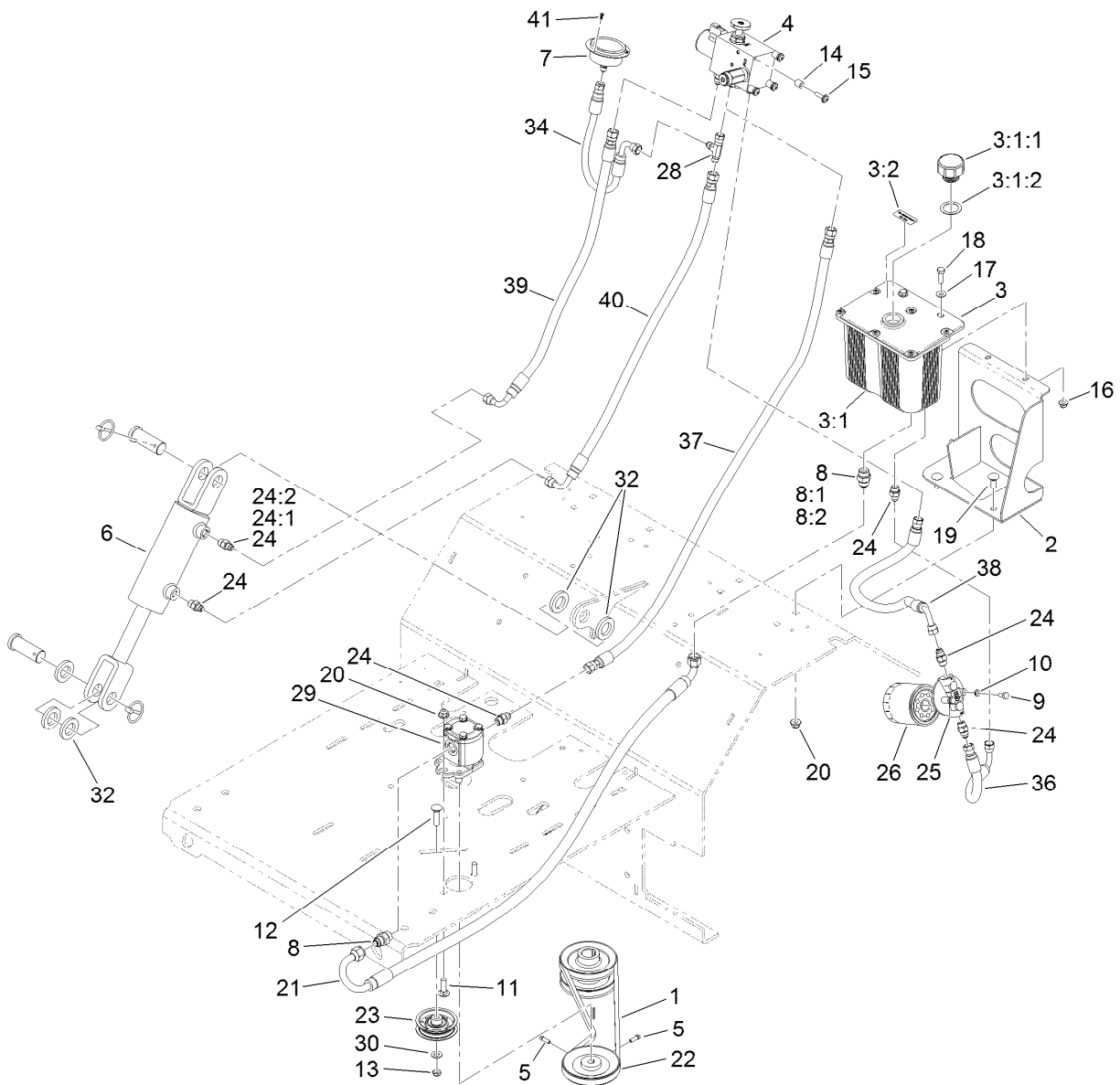
## Motion Control Assembly

Ref.	Part Number	Qty.	Description	Ref.	Part Number	Qty.	Description
1	116-6567	1	RH Control Handle ASM	15	116-6576-03	1	Bracket-Pivot, RH
1:2	116-4279	2	Bearing-Flange	16	116-6577-03	1	Bracket-Pivot, LH
2	116-6566	1	LH Control Handle ASM	17	116-7224	4	Spacer
2:2	116-4279	2	Bearing-Flange	18	104-7201	4	Nut-HF
3	126-0340	3	Bellcrank W/Zerk	19	3256-2	4	Washer-Flat
5	116-6722	2	Link-Control, Hydro	20	321-14	4	Screw-HH
6	116-9298	2	Link-Control, Bell Crank	21	116-0027	2	Damper-Control, Motion
7	116-6730	2	Link-Control, Bell Crank	22	104-8300	4	Nut-Flange, NI
8	116-6608-03	1	Bar-Reference	23	104-8301	8	Nut-Flange, NI
9	116-6607	1	Shaft-Pivot, Control	24	323-6	4	Screw-HH
10	1-633131	2	Yoke-Linkage, Brake	25	3231-2	4	Bolt-CARR
11	103-2399	2	Pin-Spring, Clevis	26	103-8153	2	Grip-Lever, Control
13	3256-24	14	Washer-Flat	27	32112-14	2	Nut-Push
14	1-806003	10	Pin-Cotter, Hair				



## Electrical Assembly

Ref.	Part Number	Qty.	Description	Ref.	Part Number	Qty.	Description
1	1-603511	1	Keys-Ignition (Spare Pair)	13	116-9383-03	1	Bracket-Battery
1	63-8360	1	Key-Ignition (W/Shield)	14	3231-2	2	Bolt-CARR
2	3230-2	2	Bolt-CARR	15	104-8301	2	Nut-Flange, NI
3	117-2221	1	Switch-Ignition	16	110-6765	1	Switch-Single Pole No
4	1-643275	2	Relay	17	116-9394-03	1	Guard-Harness
5	1-513374	1	Meter-Hour	18	92-6282	1	Switch-Seat
6	3234-5	2	Screw-HHF	19	3296-2	2	Nut-Lock, NI
8	117-6422	1	Cable-Battery, Black	20	3229-1	1	Bolt-CARR
9	109-7630	1	Positive Battery Cable ASM	21	3290-321	2	Screw-HWH
9:1	109-2407	1	Insulator-Battery	22	104-8300	4	Nut-Flange, NI
9:2	1-543393	1	Insulator-Solenoid	23	1-303287	5	Tie-Cable
10	104-2466	1	Holddown-Battery	24	32144-70	2	Screw-HWHTF
11	116-9382	1	Harness ASM	25	33114-016	1	Screw-HH
11:1	1-816001	2	Fuse-Blade Type, 20 Amp	26	33094-00	1	Washer-Plain
11:7	116-0053	1	Cap-Plug	27	104-7201	1	Nut-HF
12	116-7589	1	Mount-Switch	28	1-303335	5	Tie-Plastic

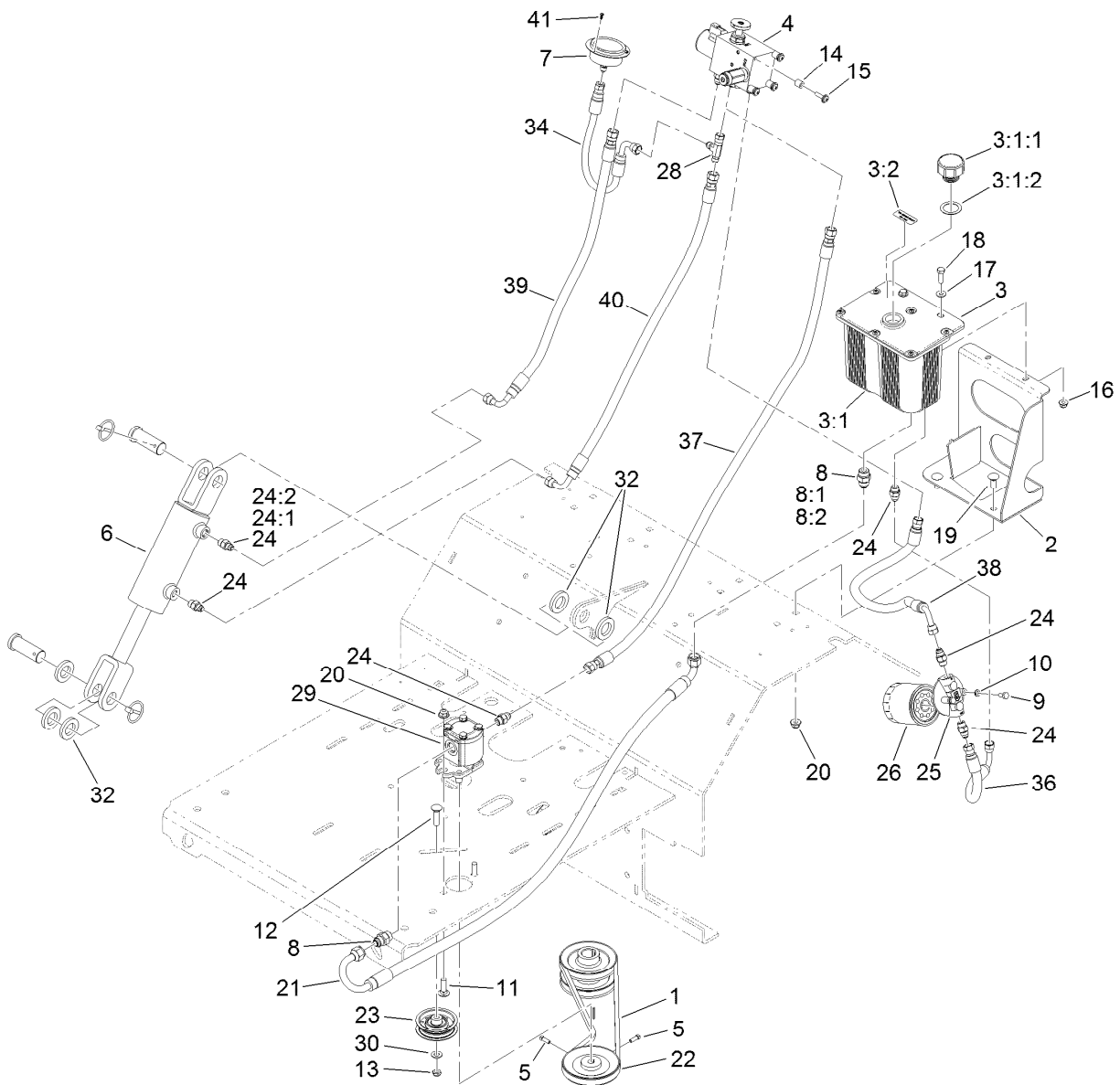


## Auxiliary Hydraulic Assembly

Ref.	Part Number	Qty.	Description	Ref.	Part Number	Qty.	Description
1	116-8874	1	Belt-4L Section	13	3296-59	1	Nut-Lock, NI
2	116-6618-03	1	Bracket-Tank, Hydraulic	14	22-7810	4	Spacer
3	116-7557	1	Reservoir ASM	15	110-9361	4	Screw-PPH, Sems
3:1		1	Tank-Hydraulic ●	16	104-8300	2	Nut-Flange, NI
3:1:1	103-1948	1	Cap-Reservoir, HYD	17	3256-2	2	Washer-Flat
3:1:2	103-1949	1	Gasket-Cap	18	322-5	2	Screw-HH
3:2	93-6686	1	Decal-Oil, HYD	19	3231-2	4	Bolt-CARR
4	116-9549	1	Valve-Manifold	20	104-8301	6	Nut-Flange, NI
5	3241-6	2	Screw-SQH ■	21	116-9309	1	Hose-Hydraulic
6	116-6969	1	HYD Cylinder ASM	22	116-6667	1	Pulley
7	116-8178	1	Gauge-Pressure	23	116-6760	1	Pulley-Idler, Flat
8	1-603990	2	Fitting-Straight	24	103-2156	6	Fitting-Straight
8:1	1-603920	1	O-Ring	24:1	1-603921	1	O-Ring
8:2	1-603992	1	O-Ring	24:2	103-1020	1	O-Ring
9	321-3	2	Screw-HH	25	104-7836	1	Head-Filter
10	1-805004	2	Washer-Lock	26	1-633750	1	Filter-Oil, HYD
11	3231-25	2	Bolt-CARR	28	353-877	1	Fitting-HYD, Tee (Swivel)
12	3231-4	1	Screw-CARR	29	116-9129	1	Hydraulic Pump ASM

● Not serviced separately

■ Use Pro-Lock, Nut Type (P/N 1-840022, .5ml tube) on threads.

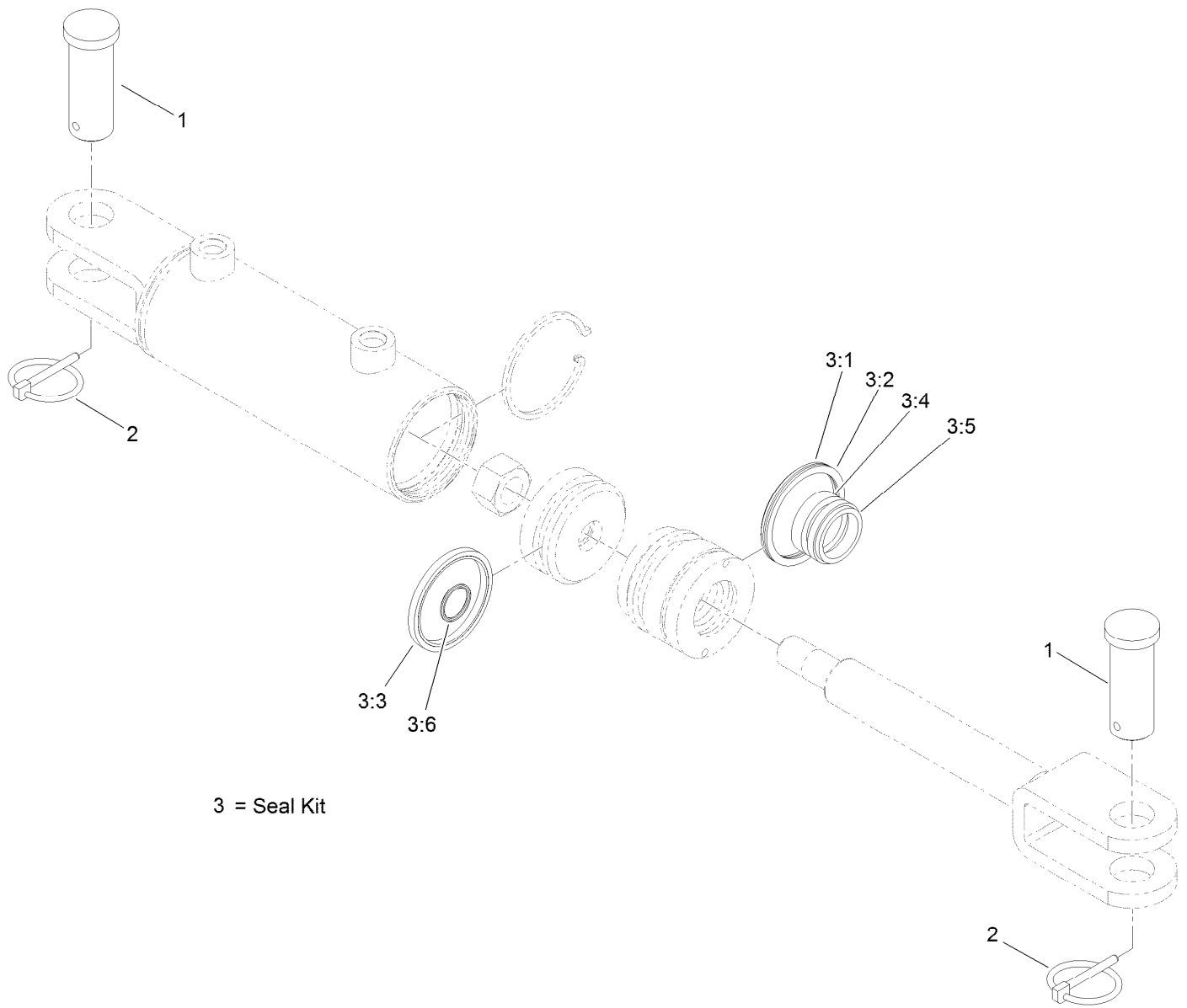


## Auxiliary Hydraulic Assembly (continued)

Ref.	Part Number	Qty.	Description	Ref.	Part Number	Qty.	Description
30	3256-24	1	Washer-Flat	38	116-9308	1	Hose-Hydraulic
32	116-6781	5	Spacer	39	116-6677	1	Hose-Hydraulic
34	116-8180	1	Hose-Hydraulic, Hp	40	116-6678	1	Hose-Hydraulic, Hp
36	116-6675	1	Hose-Hydraulic, LP	41	363-8552	3	Screw-TAP
37	116-8151	1	Hose-Hydraulic				

● Not serviced separately

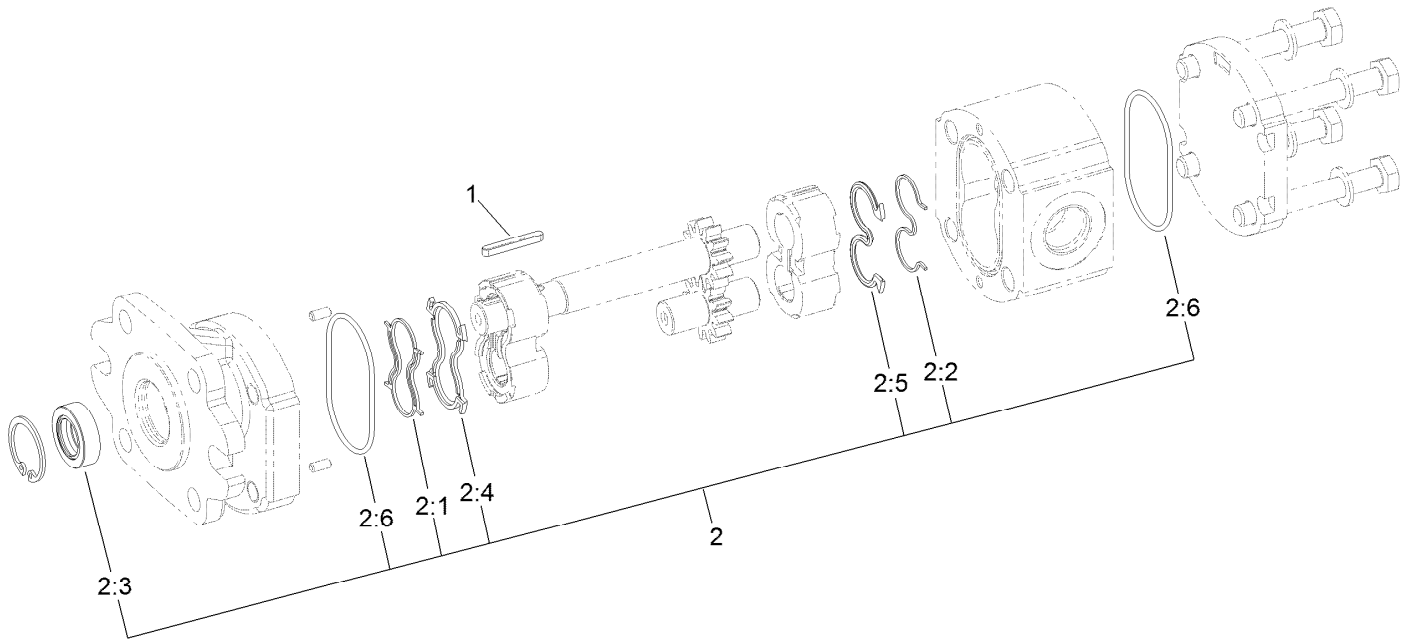
■ Use Pro-Lock, Nut Type (P/N 1-840022, .5ml tube) on threads.



## Hydraulic Cylinder Assembly No. 116-6969

Ref.	Part Number	Qty.	Description
1	116-7290	2	Pin-Clevis
2	92-1298	2	Pin-Lynch
3	127-3234	1	Seal Kit
3:1		1	O-Ring ●
3:2		1	Backup Ring ●
3:3		1	Psp Seal ●
3:4		1	Bs Seal ●
3:5		1	Dust Seal ●
3:6		1	O-Ring ●

● Not serviced separately

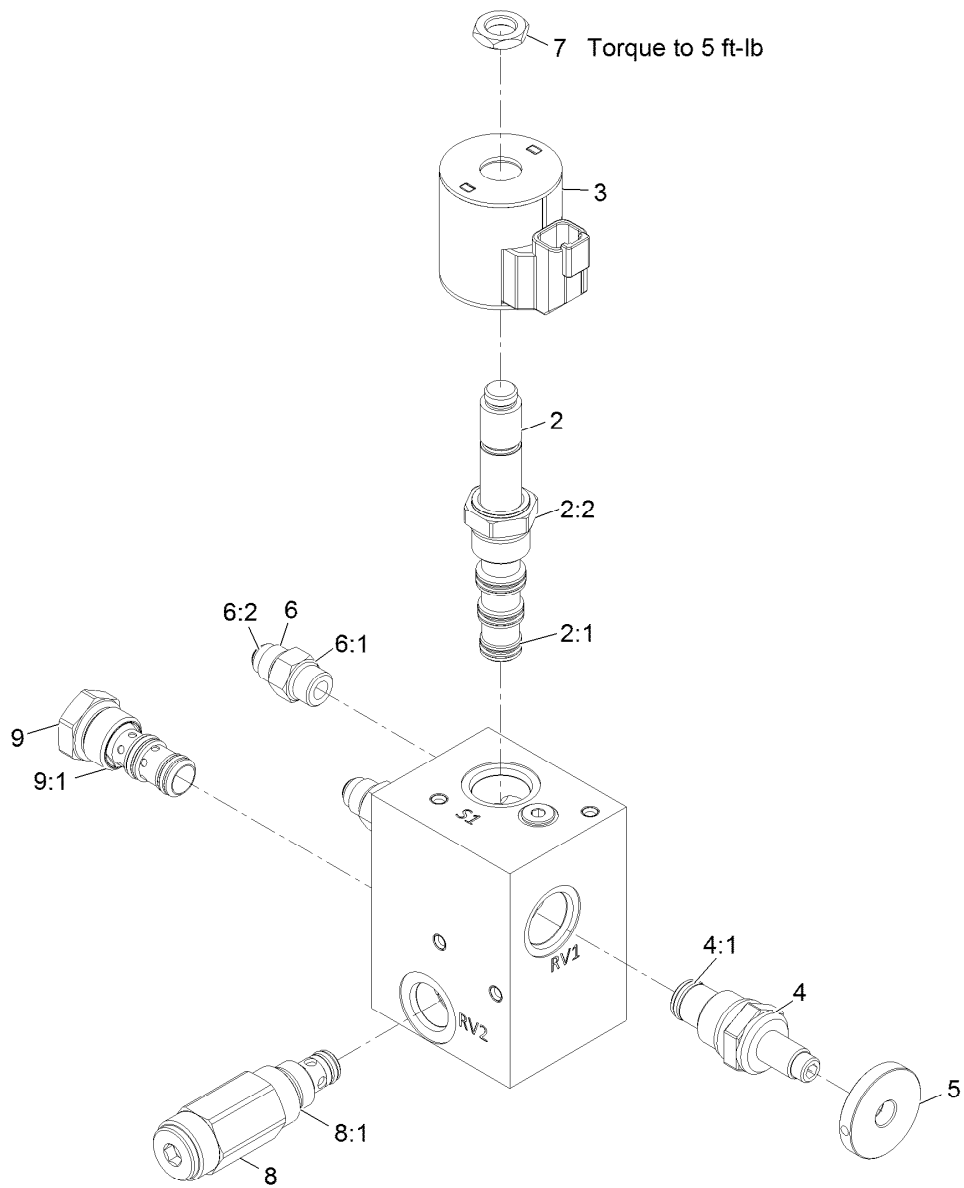


## Hydraulic Pump Assembly No. 116-9129

<i>Ref.</i>	<i>Part Number</i>	<i>Qty.</i>	<i>Description</i>
1	115-7855	1	Key-Square
2	112-0199	1	Seal Kit
2:1		1	Seal-Anti Extrusion ●
2:2		1	Seal-Anti Extrusion ●
2:3		1	Seal-Shaft ●
2:4		1	Seal-Upper ●
2:5		1	Seal ●
2:6		1	O-Ring ●

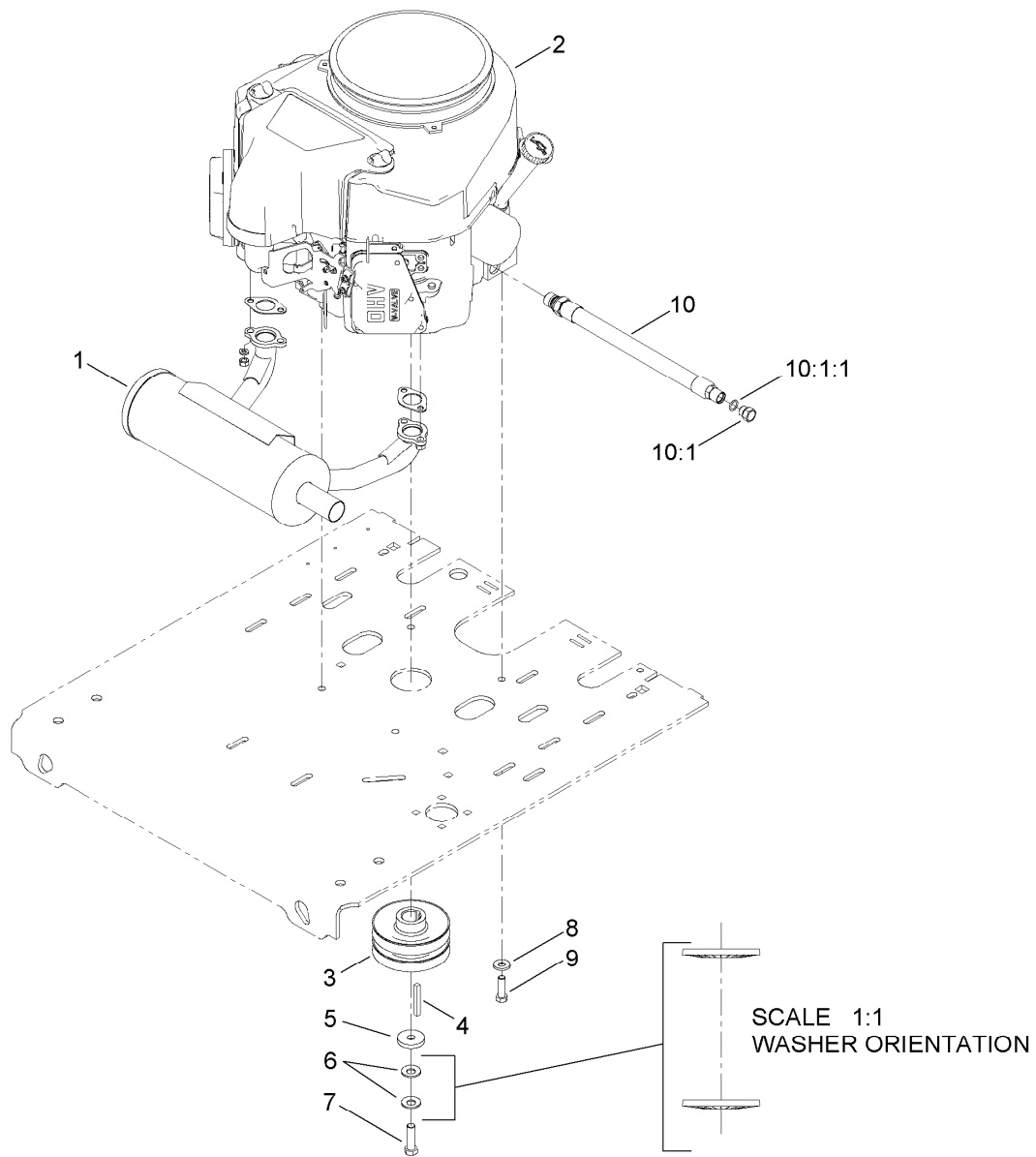
● Not serviced separately





## Manifold W/Check and Relief Valve Assembly No. 116-9549

Ref.	Part Number	Qty.	Description
2	110-8906	1	Valve-Solenoid
2:1	110-8908	1	Spool Valve Seal Kit
2:2	110-2634	1	Nut-Coil
3	119-4619	1	Coil-Solenoid
4	116-9397	1	Valve-Relief, Poppet Style
4:1	116-9398	1	O-Ring
5	116-9396	1	Knob (1.5 Dia)
6	103-2156	4	Fitting-Straight
6:1	1-603921	1	O-Ring
6:2	103-1020	1	O-Ring
7	110-2634	1	Nut-Coil
8	116-9716	1	Valve-Relief
8:1	116-9717	1	O-Ring
9	116-9718	1	Valve-Check, P O
9:1	116-9719	1	O-Ring



## Engine Assembly

Ref.	Part Number	Qty.	Description
1	116-3735	1	Muffler-Horizontal
2		1	Engine-Kawasaki, Fs481V_s25-R ●■
3	116-9709	1	Pulley
4	103-4177	1	Key
5	1-543610	1	Washer-Clutch
6	1-603610	2	Washer-Spring
7	109-9761	1	Band, Brake ◆
8	98-5975	4	Washer-Belleville
9	323-7	4	Screw-HH
10	116-4924	1	Engine Oil Drain Hose ASM ▲
10:1	353-508	1	Plug-HH
10:1:1	237-42	1	O-Ring

● Not serviced separately

▲ Use a Teflon Pipe Sealant or equivalent on threads.

◆ Use Pro-Lock, Nut Type (P/N 1-840022, .5ml tube) on threads.

■ Obtain parts from [www.kawpowerepc.com](http://www.kawpowerepc.com)

**Notes:**



**Count on it.**